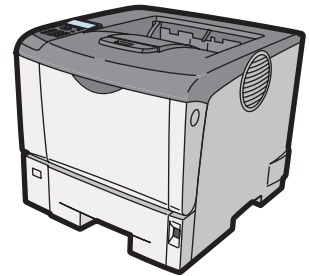




Operating Instructions Hardware Guide



-
- 1** Guide to the Printer
 - 2** Setting Up the Printer
 - 3** Installing Options
 - 4** Connecting the Printer
 - 5** Configuration
 - 6** Loading Paper
 - 7** Maintaining the Printer
 - 8** Adjusting the Printer
 - 9** Troubleshooting
 - 10** Removing Misfed Paper
 - 11** Appendix

Introduction

This manual contains detailed instructions and notes on the operation and use of this machine. For your safety and benefit, read this manual carefully before using the machine. Keep this manual in a handy place for quick reference.

Do not copy or print any item for which reproduction is prohibited by law.

Copying or printing the following items is generally prohibited by local law:

bank notes, revenue stamps, bonds, stock certificates, bank drafts, checks, passports, driver's licenses.

The preceding list is meant as a guide only and is not inclusive. We assume no responsibility for its completeness or accuracy. If you have any questions concerning the legality of copying or printing certain items, consult with your legal advisor.

Important

Contents of this manual are subject to change without prior notice.

In no event will the company be liable for direct, indirect, special, incidental, or consequential damages as a result of handling or operating the machine.

For good print quality, the manufacturer recommends that you use genuine toner from the manufacturer.

The manufacturer shall not be responsible for any damage or expense that might result from the use of parts other than genuine parts from the manufacturer with your office products.

Some illustrations in this manual might be slightly different from the machine.

Certain options might not be available in some countries. For details, please contact your local dealer.

TABLE OF CONTENTS

How to Read This Manual.....	6
Symbols.....	6
Model-Specific Information.....	7
Positions of WARNING and CAUTION Labels.....	8
Power Switch Symbols.....	9
Manuals for This Printer.....	10
List of Options.....	12
Operating Instructions.....	13
Reading the HTML Manuals on the CD-ROMs.....	13
Reading the HTML Manuals That You Install on the Computer.....	13

1. Guide to the Printer

Exterior: Front View.....	15
Exterior: Rear View.....	17
Interior.....	19
Control Panel.....	21
Display Panel.....	23
Entering Characters.....	24
How to Enter Characters.....	25

2. Setting Up the Printer

Printer Setup Procedure.....	29
Place to Install.....	30
Unpacking.....	34
Turning the Printer's Power On and Off.....	40
Turning on the Power.....	40
Turning off the Power.....	42
Saving Energy.....	43
Selecting the Display Language.....	44
Test Printing.....	45

3. Installing Options

Available Options.....	47
Order of Option Installation.....	47
Where to Install Options.....	48
Caution When Re-installing the Controller Board.....	49

Attaching the Paper Feed Unit.....	51
Attaching the Envelope Feeder.....	54
Installing the Memory Expansion Units.....	56
Installing the Hard Disk.....	56
Installing the SDRAM Module.....	60
Installing the Interface Units.....	64
Installing the Gigabit Ethernet Board.....	64
Installing the Wireless LAN Interface Board.....	66
Installing the IEEE 1284 Interface Board.....	68
Installing the SD Memory Card Options.....	71
Attaching the Duplex Unit.....	74

4. Connecting the Printer

Ethernet Cable Connection.....	77
Reading the LED Lamps.....	80
USB Cable Connection.....	81
Parallel Cable Connection.....	83

5. Configuration

Ethernet Configuration.....	85
Specifying an IP Address (No DHCP).....	86
Receiving an IP Address Automatically (DHCP).....	88
Configuring Network Settings When Using NetWare.....	89
Setting the Ethernet Speed.....	91
Wireless LAN Configuration.....	94
Setting the SSID.....	96
Confirming Wireless Network Connectivity.....	97
Cautions When Using a Wireless LAN.....	97
Setting Security Method of Wireless LAN.....	99
Setting a WEP Key.....	99
Setting WPA.....	100
Configuring IEEE 802.1X.....	104
Installing a Site Certificate.....	104
Installing Device Certificate.....	104
Setting Items of IEEE 802.1X for Ethernet.....	105

Setting Items of IEEE 802.1X for Wireless LAN.....	107
--	-----

6. Loading Paper

Supported Paper for Each Tray.....	111
Symbols.....	111
Standard Paper Feed Tray.....	111
Optional Paper Feed Tray.....	112
Bypass Tray.....	113
Envelope Feeder.....	113
Duplex Unit.....	114
Supported Paper Types.....	115
Plain Paper.....	115
Thick Paper.....	115
Letterhead.....	116
Label Paper.....	116
Special Paper.....	116
Preprinted Paper.....	117
Color Paper.....	117
Recycled Paper.....	117
OHP transparencies.....	117
Envelopes.....	118
Storing Paper.....	120
Non-Recommended Paper Types.....	121
Print Area.....	122
Loading Paper in Trays.....	124
Loading Paper into a Standard or Optional Paper Feed Tray.....	124
Loading Paper onto Bypass Tray.....	133
Loading Envelopes.....	140
Loading Envelopes into the Bypass Tray.....	140
Loading Envelopes into the Envelope Feeder Unit.....	146
Printing on Fixed-Orientation Paper.....	151
Registering Unique Names to Paper Types.....	153
Registering Names to Paper Types.....	153
Setting User Paper Types to Trays.....	153

Printing Using Registered Paper Types.....	154
--	-----

7. Maintaining the Printer

Replacing the Print Cartridge.....	155
Replacing the Maintenance Kit.....	161
Before Replacing.....	161
Replacing the Friction Pad.....	162
Replacing the Transfer Roller.....	164
Replacing the Paper Feed Roller.....	168
Replacing the Fusing Unit.....	171
Cautions When Cleaning.....	177
Cleaning the Friction Pad and the Paper Feed Roller.....	178
Cleaning the Registration Roller.....	182

8. Adjusting the Printer

Adjusting the Image Density.....	185
Adjusting Printing Position.....	187
Reducing Paper Curl.....	190

9. Troubleshooting

Error and Status Messages Appear on the Control Panel.....	191
Status Messages (in alphabetical order).....	191
Alert Messages (in alphabetical order).....	192
Panel Tones.....	197
Printer Does Not Print.....	198
Checking the Port Connection.....	199
Other Printing Problems.....	201
When You Cannot Print Properly.....	201
Paper Misfeeds Occur Frequently.....	203
The printed image is different from the image on the computer.....	205
When Printer is Not Functioning Properly.....	206
Additional Troubleshooting.....	208

10. Removing Misfed Paper

When Paper is Jammed.....	211
Paper Misfeed Message (A).....	213
Removing Misfed Tray 1.....	213

Removing Misfed Bypass Tray.....	215
Paper Misfeed Message (B).....	218
Paper Misfeed Message (C).....	220
Paper Misfeed Message (Y1)(Y2).....	225
Paper Misfeed Message (Z).....	227
Removing Misfed Paper Inside the Cover.....	227
Removing Misfed Paper Inside the Duplex Unit.....	229

11. Appendix

Moving and Transporting the Printer.....	231
Moving the Printer in a Short Distance.....	231
Consumables.....	233
Print Cartridge.....	233
Maintenance Kit.....	233
Specifications.....	235
Mainframe.....	235
Options.....	237
Trademarks.....	241
INDEX	243

How to Read This Manual

Symbols

This manual uses the following symbols:

Important

Indicates points to pay attention to when using the machine, and explanations of likely causes of paper misfeeds, damage to originals, or loss of data. Be sure to read these explanations.

Note

Indicates supplementary explanations of the machine's functions, and instructions on resolving user errors.

Reference

This symbol is located at the end of sections. It indicates where you can find further relevant information.

[]

Indicates the names of keys on the machine's display or control panels.

 **Region A** (mainly Europe and Asia)

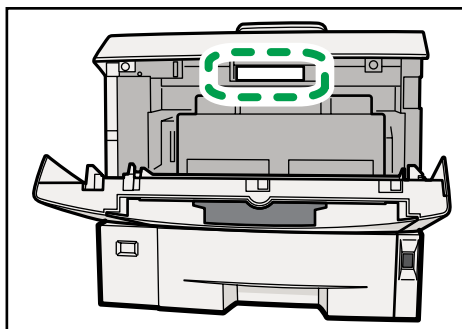
 **Region B** (mainly North America)

Differences in the functions of Region A and Region B models are indicated by two symbols. Read the information indicated by the symbol that corresponds to the region of the model you are using. For details about which symbol corresponds to the model you are using, see p.7 "Model-Specific Information".

Model-Specific Information

This section explains how you can identify the region your machine belongs to.

There is a label on the front cover of the printer, and it is located in the position shown below. The label contains details that identify the region your machine belongs to. Read the label.




The following information is region-specific. Read the information under the symbol that corresponds to the region of your machine.

 **Region A** (mainly Europe and Asia)

If the label contains the following, your machine is a region A model:

- CODE XXXX -22, -27
- 220-240V

 **Region B** (mainly North America)

If the label contains the following, your machine is a region B model:

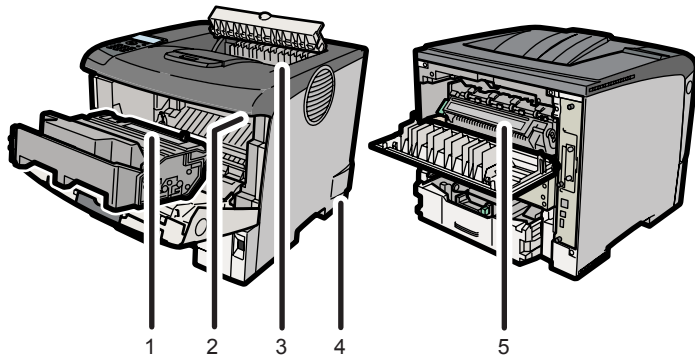
- CODE XXXX -11, -17
- 120V

Note

- Dimensions in this manual are given in two units of measure: metric and inch. If your machine is a Region A model, refer to the metric units. If your machine is a Region B model, refer to the inch units.

Positions of WARNING and CAUTION Labels

This machine has labels for ⚠WARNING and ⚠CAUTION at the positions shown below. For safety, please follow the instructions and handle the machine as indicated.



CEE060

1



CEE129

Do not incinerate toner or toner containers. Toner dust may cause flashback when exposed to open flames.

2



3



CEE130

The inside of this printer becomes very hot. Do not touch parts with this label (indicates a hot surface). Touching these parts may result in burns.

4



CEE131

The printer weights about 17.5 kg (38.6 lb.). When moving the printer, detach the optional paper feed and duplex units first, and then use the inset grips on both sides to lift the printer. Otherwise the printer could break or cause injury if dropped.

5



CEE132

The inside of this printer becomes very hot. Do not touch parts with this label (indicates a hot surface). Touching these parts may result in burns.

Power Switch Symbols

The meanings of the symbols for the switches on this machine are as follows:

- I : POWER ON
- O : POWER OFF

Manuals for This Printer

Read this manual carefully before you use this printer.

Refer to the manuals that are relevant to what you want to do with the printer.

★ Important

- Media differ according to manual.
- The printed and electronic versions of a manual have the same contents.
- Adobe® Acrobat® Reader® /Adobe Reader® must be installed in order to view the manuals as PDF files.
- A Web browser must be installed in order to view the html manuals.

Safety Information

Contains information about safe usage of this printer.

To avoid injury and prevent damage to the printer, be sure to read this.

Quick Installation Guide

Contains procedures for removing the printer from its box, and connecting it to a computer.

Hardware Guide (This manual)

Contains information about paper; names and functions of the parts of this printer; and procedures such as installing options, replacing consumables, responding to error messages, and resolving jams.

Driver Installation Guide

Contains procedures for installing the printer driver. This manual is included on the driver CD-ROM.

Software Guide

Contains information about using this printer, its software, and its security functions.

Security Guide

This manual is for administrators of the printer. It explains security functions that you can use to prevent unauthorized use of the printer, data tampering, or information leakage. Be sure to read this manual when setting the enhanced security functions, or user and administrator authentication.

VM Card Extended Feature Settings Web Reference

Contains information about setting up the extended features settings using Web Image Monitor.

UNIX Supplement

Contains information about the usage of commands to operate this printer.

To obtain the "UNIX Supplement", visit our Web site or consult an authorized dealer.

This manual includes explanations of functions and settings that might not be available on this printer.





This manual is provided in English only.

↓ Note

- In this manual, "Enhanced Locked Print NX" is abbreviated as "ELP-NX".
- Manuals provided are specific to printer types.

List of Options

This section provides a list of options for this printer, and how they are referred to as in this manual.

Option List	Referred to as
Paper Feed Unit TK1030	Paper feed unit
Duplex Unit AD 1000	Duplex Unit
Envelope Feeder Type 400	Envelope feeder
Hard Disk Drive Type 4310	Hard disk
Memory Unit Type G 128MB	SDRAM module
Memory Unit Type G 256 MB	SDRAM module
 Region A Gigabit Ethernet Board Type A	Gigabit Ethernet board
 Region B Gigabit Ethernet Board Type C	Gigabit Ethernet board
 Region B IEEE 802.11a/g Interface Unit Type L	Wireless LAN interface unit
 Region A IEEE 802.11a/g Interface Unit Type M	Wireless LAN interface unit
IEEE 1284 Interface Board Type A	IEEE 1284 interface board
SD card for NetWare printing Type G	NetWare card
VM CARD Type O	VM card
IPDS Unit Type 4310	IPDS card

 **Note**

- For details about the specifications of each option, see p.235 "Specifications".

Operating Instructions

This section explains how to use HTML format manuals.

Reading the HTML Manuals on the CD-ROMs

1. Insert the CD-ROM into the CD-ROM drive of your computer.
2. Select a language and a product, and then click [OK].
3. Click [Read HTML manuals].
4. Click the title of manual you want to read.

↓ Note

- The browsers we recommend are Internet Explorer 6 or later, Firefox 3.5 or later, and Safari 4.0 or later.
- Non-recommended browsers can display the simplified manual only.
- If you are using an earlier or non-recommended browser and the simplified version of the documentation does not appear automatically, open index.htm, which can be found in the following folder on the CD-ROM: MANUAL_HTML\LANG\{language}\{manual}\unv
- Depending on your computer's operating environments, you can select the HTML manual from the following two versions:
 - Standard version
 - Simplified version
- If you want to read the HTML manuals on a Macintosh, insert the CD-ROM into the CD-ROM drive, and then click [Read HTML manuals].
- If JavaScript is disabled or unavailable in your browser, you will not be able to search or use certain buttons in the HTML documentation.

Reading the HTML Manuals That You Install on the Computer

For easy access, we recommend you install the manuals on your computer.

1. Insert the CD-ROM into the CD-ROM drive of your computer.
2. Select a language and a product, and then click [OK].
3. Click [Install manuals].
4. Install the HTML manuals following the on-screen instructions.
5. When the installation is complete, click [Finish].
6. Click [Exit].

7. Open the HTML manuals that you installed.

When opening the manuals from an icon, double-click the manual icon on the desktop. When opening the manuals from the [Start] menu, point to [All Programs], and then [Product Name].

8. Click the title of the manual you want to read.

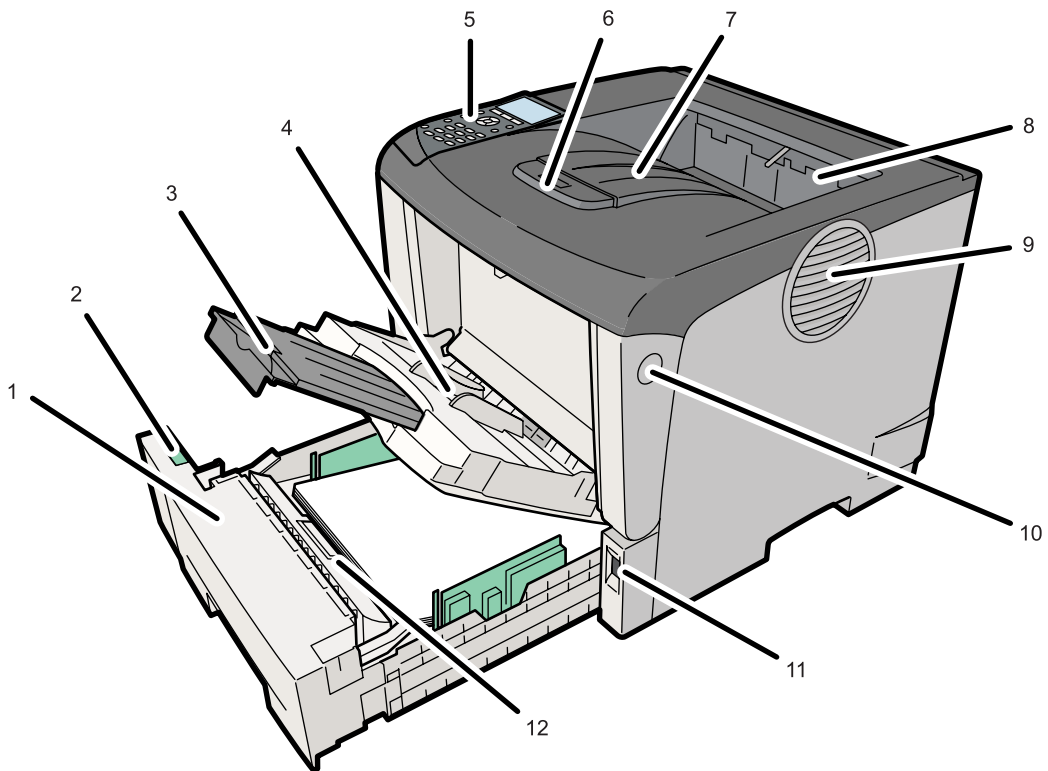
Note

- You need administrator permissions to install the manuals. Log in as an Administrators group member.
- The system requirements for installing the manuals are as follows:
 - Operating system: Windows XP/Vista/7, Windows Server 2003/2003 R2/2008/2008 R2
 - Minimum display resolution: 800 × 600 pixels
- If you cannot install a manual, copy the "MANUAL_HTML" folder to your computer's hard drive, and then run "Setup.exe".
- To delete an installed manual, on the [Start] menu, click [All Programs], then [Product Name], and then uninstall the data.
- Depending on the settings made during installation, menu folder names may differ.

1. Guide to the Printer

This chapter explains the names and functions of the printer's components.

Exterior: Front View



CEE001

1. Standard Paper Feed Tray (Tray 1)

Up to 500 sheets of plain paper can be loaded.

2. Paper Size Dial

Adjust this dial according to the size and feed direction of the paper loaded in the paper tray.

3. Bypass Tray Extension

Pull this out when loading a sheet that is longer than B5[□] on the Bypass Tray.

4. Bypass Tray

Up to 100 sheets of plain paper can be loaded.

See p.111 "Supported Paper for Each Tray" and p.111 "Loading Paper".

5. Control Panel

Contains keys for printer control and a display that shows the printer status.

6. Tray Extension

Pull this out if the paper you are loading is longer than B5.

7. Standard Tray

Prints are delivered here printed side facing down.

8. Paper Exit Cover

Open this cover to remove jammed paper.

9. Vents

To prevent overheating, heat from internal components is released through these vents. Malfunctions and failure can result if these vents are blocked or obstructed.

10. Front Cover Release Button

Press this to open the front cover.

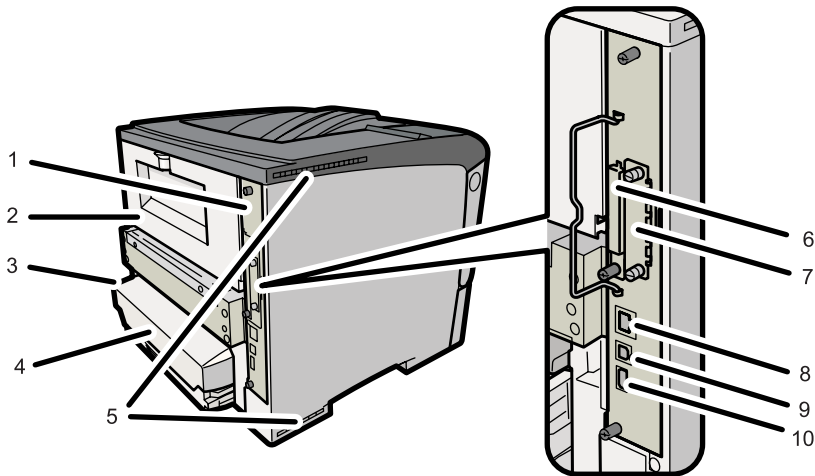
11. Power Switch

Press this to turn the printer's power on and off.

12. Friction Pad

This ensures only one sheet of paper is fed in at a time. If multi-sheet feeds occur, clean the friction pad carefully. If the message "Replacmnt Requird:Maint. Kit" is displayed, replace the friction pad with a new one.

Exterior: Rear View



CEE003

1. Controller Board

Slide this out to install options such as the SDRAM module or printer hard disk. Plug cables such as a USB cable and Ethernet cable into their connectors.

2. Rear Cover

Remove this to replace the fusing unit.

3. Power Connector

Connect the power cord to the printer here. Insert the other end of the cable into a nearby wall outlet.

4. Paper Tray Cover

Keeps paper in the tray free of dust.

5. Intake Vent

Prevents the printer's internal components overheating by letting in cool air through this vent.

Do not block or obstruct the ventilator areas. Doing so can result in malfunctions caused by build up of heat inside the printer.

6. SD Card Slots

Remove the cover and install SD cards here.

7. Optional Interface Board Slot

Insert an optional Wireless LAN interface unit, Gigabit Ethernet board, or 1284 interface board in this slot.

8. Ethernet Port

Use a network interface cable to connect the printer to the network.

9. USB Port B

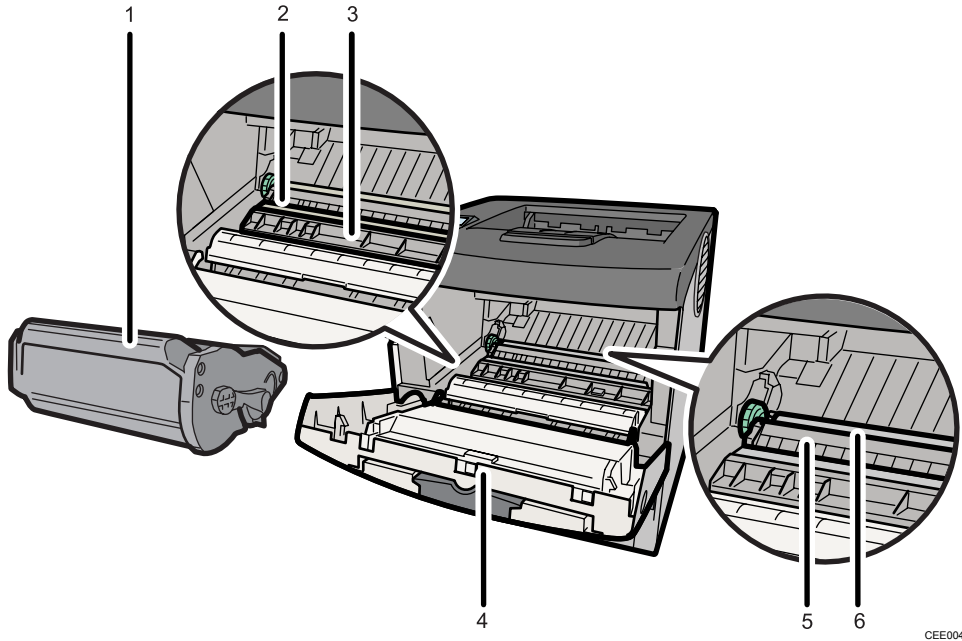
Use a USB cable to connect the printer to a computer.

10. USB Port A

Use a USB cable to connect the optional USB devices such as the authentication card reader.

Interior

Front view



1. Print Cartridge

Contains toner and the photo conductor unit.

When "Replace Print Cartridge." appears on the display, replace this unit.

See p.155 "Replacing the Print Cartridge".

2. Registration Roller

Feeds in sheets of paper for printing. Be sure to clean this roller if it becomes dirty.

See p.182 "Cleaning the Registration Roller".

3. Guide Board

Open this to remove jammed paper.

4. Front Cover

Open this to access the printer's interior.

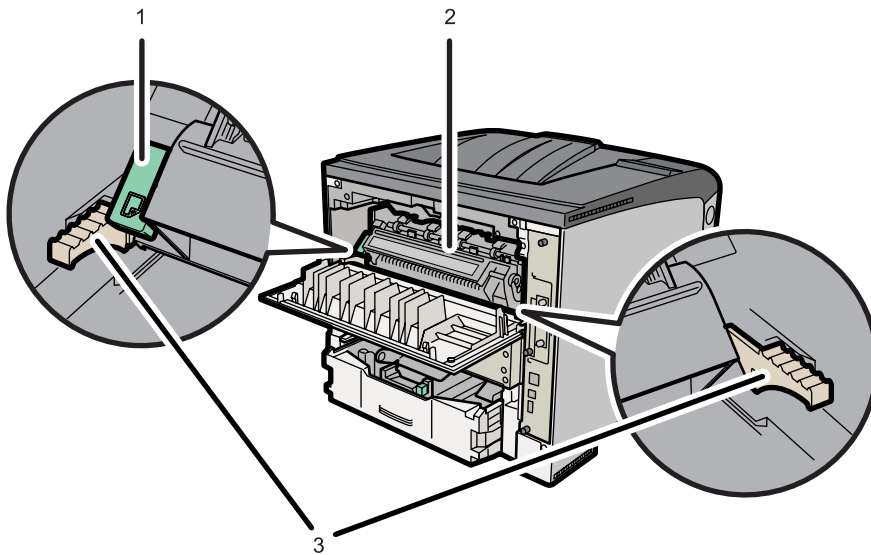
5. Transfer Roller Cover

Open this to replace the transfer roller.

6. Transfer Roller

When "Replacmnt Requd:Maint. Kit" appears on the display, replace this roller.

Rear view



CEE100

1. Envelope lever

Use this lever if envelopes become wrinkled during printing. Raising or lowering the envelope lever according to the thickness of the paper you are printing on can improve print quality.

2. Fusing Unit

Fuses print images onto paper.

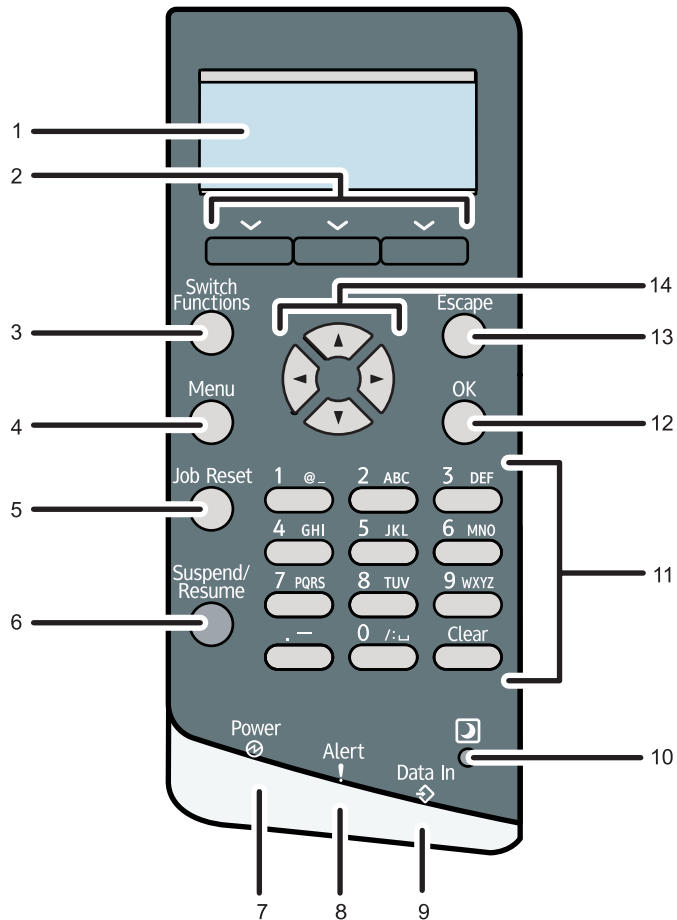
When "Replacmnt Requir:Maint. Kit" appears on the display, replace this unit.

3. Fusing Unit Lock Levers

Lift these levers to replace the fusing unit.

Control Panel

1



GEE121

1. Display

Displays current printer status and error messages.

Entering energy saver mode turns off the back light. For details about energy saver mode, see Software Guide.

2. Selection Keys

Correspond to the function items at the bottom line on the display.

Example: When this manual instructs you to press [Option], press the selection key on the left below the initial screen.

3. [Switch Functions] Key

Press this key to switch between the operation screen of the printer function and the function screens of the extended features currently in use.

4. [Menu] Key

Press this key to configure and check the current printer settings.

5. [Job Reset] Key

When the printer is online, press this key to cancel an ongoing print job.

6. [Suspend/Resume] Key

Press this to suspend the print job currently being processed. The indicator remains lit as long as the job is suspended.

To resume the job, press this key again. Resumption of a suspended job will occur automatically when the time specified in [Auto Reset Timer] elapses (default: **60 seconds**).

For details about the [Auto Reset Timer] setting, see "Making Printer Settings Using the Control Panel", Software Guide.

7. Power Indicator

Lights up when the printer is ready to receive data from a computer. Flashes when the printer is warming up or receiving data. It is unlit when the power is off or while the printer is in energy saver mode.

8. Alert Indicator

Lights up or flashes when a printer error occurs.

Steady red: printing is not possible.

Flashing yellow: the printer will soon require maintenance or a replacement consumable such as a print cartridge. Printing is possible, but print quality cannot be ensured.

Follow the instructions that appear on the display.

9. Data In Indicator

Flashes when the printer is receiving data from a computer. The data in indicator is lit if there is data to be printed.

10. Light Sensor

The sensor that detects the ambient light level when the ECO Night Sensor function is enabled.

11. Number Keys

Use these to enter characters or numbers.

12. [OK] Key

Use this key to confirm settings, or setting values, or move to the next menu level.

13. [Escape] Key

Press this key to cancel an operation or return to the previous display.

14. Scroll Keys

Press these keys to move the cursor in each direction.

When the [▲] [▼] [◀] [▶] keys appear in this manual, press the scroll key of the same direction.

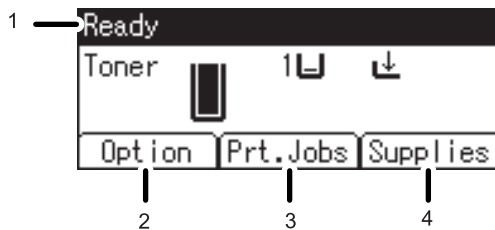
Display Panel

The items are highlighted when selected.

★ Important

- Do not touch the display panel.

The following screen appears when you turn on the printer.



CEC235

1. Operational Status or Messages

Displays the printer status or the messages.

2. [Option]

Press to display the following items:

- Form Feed
- Error Log

3. [Prt.Jobs]

Press to display print jobs sent from a computer.

4. [Supplies]

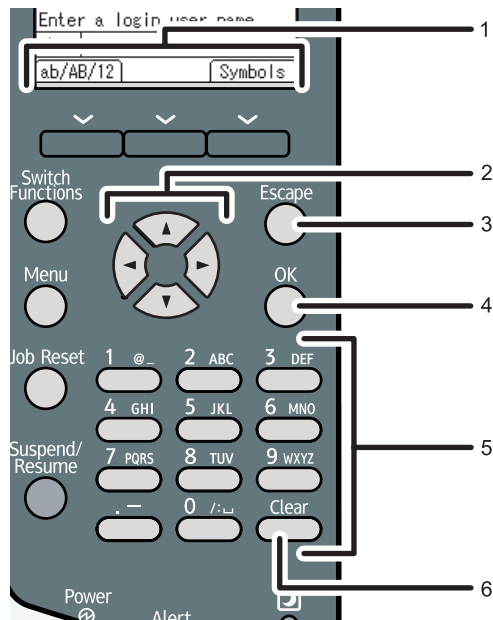
Press to display the information of supplies for the printer.

↓ Note

- [Prt.Jobs] is displayed only when the hard disk is installed in the printer.
- By default, the remaining amount of toner is displayed. To not display the remaining amount of toner, press the [Menu] key, and then select [Maintenance] on the display. Select [General Settings], then [Display Supply Info], and then select [Off].
- Adjust the brightness if the screen is dark. To adjust the display contrast, press the [Menu] key, and then select [Maintenance] on the display. Select [General Settings] and then [Display Contrast].

Entering Characters

When you enter a character, it will be displayed at the position indicated by the cursor. If a character is already displayed at the cursor position, the entered character will be displayed before that.



CEE122

1. Selection Keys

Correspond to the function items on the bottom line of the display.

Example: When this manual instructs you to press [ab/AB/12], press the selection key on the left below the text input screen.

Press the left selection key to switch the input mode between lowercase, uppercase, and numeric characters.

Press the right selection key to display a list of the symbols that you can enter.

2. Scroll Keys

Press to move the cursor in each direction.

When the [▲] [▼] [◀] [▶] keys appear in this manual, press the scroll key showing the same direction.

3. [Escape] Key

Clears the entered text and numbers, and returns the display to its previous state.

4. [OK] Key

Confirms the entered text and numbers, and displays the next menu.

5. Number Keys

To enter text using the number keys, select text input mode by pressing [ab/AB/12].

When you press a number key repeatedly, the character changes in the order indicated above the key you are pressing.

6. [Clear] Key

Deletes the character at the cursor position. You can delete a character at the far right side of a line even if the cursor is placed to the right of the character.

1

How to Enter Characters

Use the following procedure to enter text in the text input screen. ("User#2" is the text entered in this example.)

1. Press [ab/AB/12] to change the input mode to uppercase.

Login:	[OK]
Enter a login user name.	
abc	_
ab/AB/12	Symbols

2. Press the [8 TUV] two more times, and then press the [▶] key. A letter "U" is entered.

Login:	[OK]
Enter a login user name.	
ABC	U
ab/AB/12	Symbols

3. Press [ab/AB/12] two more times to change the input mode to lowercase.

Login:	[OK]
Enter a login user name.	
abc	U
ab/AB/12	Symbols

4. Press the [7 PQRS] key four times, and then press the [▶] key. A letter "s" is entered.

Login:	[OK]
Enter a login user name.	
abc	Us
ab/AB/12	Symbols

5. Press the [3 DEF] two more times, and then press the [▶] key. A letter "e" is entered.

Login:	[OK]
Enter a login user name.	
abc Use	
ab/AB/12	Symbols

6. Press the [7 PQRS] key three times, and then press the [▶] key. A letter "r" is entered.

Login:	[OK]
Enter a login user name.	
abc User	
ab/AB/12	Symbols

7. Press [Symbols] to display a list of the symbols you can enter.

Login:	[OK]
Enter a login user name.	
abc User	
ab/AB/12	Symbols

8. Use the scroll keys to select "#", and then press the [OK] key.

Symbols:	1/2	↔	[OK]
! " # \$ % & ' ()			
* + , - . / : ; <			
= > ? @ [\] ^ _			

The list of symbols disappears and a "#" symbol is entered.

Login:	[OK]
Enter a login user name.	
abc User#	
ab/AB/12	Symbols

9. Press [ab/AB/12] two more times to change the input mode to numeric.

Login:	[OK]
Enter a login user name.	
123 User#_	
ab/AB/12	Symbols

10. Press the [2 ABC] key. A number "2" is entered.

Login:	[OK]
Enter a login user name.	
123	User#2_
ab/AB/12	Symbols

11. Press the [OK] key to proceed to the next menu.

2. Setting Up the Printer

This chapter explains how to set up and configure the printer for operation.

Printer Setup Procedure

Use the following procedure to set up the printer.

2

1. Select a suitable location for your printer.

For details, see p.30 "Place to Install".

2. Take the printer out of its box, and then remove the protective materials and adhesive tape.

For details, see p.34 "Unpacking".

3. Load paper in the standard paper feed tray.

For details, see p.124 "Loading Paper in Trays".

4. Turn the printer power on.

For details, see p.40 "Turning the Printer's Power On and Off".

5. Select the language used on the display.

For details, see p.44 "Selecting the Display Language".

6. Print a test page.

For details, see p.45 "Test Printing".

7. Connect the printer to your network.

For details, see p.77 "Connecting the Printer".

8. Configure the printer's network settings.

For details, see p.85 "Configuration".

9. Install the printer driver.

For details, see Driver Installation Guide.

Place to Install

The printer's location should be carefully chosen because environmental conditions greatly affect its performance.

WARNING

- Do not use any frequencies other than those that match the specifications shown. Doing so could result in fire or electric shock.

WARNING

- Do not use any power sources other than those that match the specifications shown in "Safety Information". Doing so could result in fire or electric shock.

WARNING

- Do not use multi-socket adaptors. Doing so could result in fire or electric shock.

WARNING

- Do not use extension cords. Doing so could result in fire or electric shock.

WARNING

- Do not use power cords that are damaged, broken, or modified. Also, do not use power cords that have been trapped under heavy objects, pulled hard, or bent severely. Doing so could result in fire or electric shock.

WARNING

- Touching the prongs of the power cable's plug with anything metallic constitutes a fire and electric shock hazard.

WARNING

- The supplied power cord is for use with this machine only. Do not use it with other appliances. Doing so could result in fire, electric shock, or injury.

WARNING

- It is dangerous to handle the power cord plug with wet hands. Doing so could result in electric shock.

⚠ WARNING

- If the power cord is damaged and its inner wires are exposed or broken, contact your service representative for a replacement. Use of damaged power cords could result in fire or electric shock.

⚠ WARNING

- Be sure to locate the machine as close as possible to a wall outlet. This will allow easy disconnection of the power cord in the event of an emergency.

⚠ WARNING

- Do not use flammable sprays or solvents in the vicinity of this machine. Doing so could result in fire or electric shock.

⚠ CAUTION

- Keep the machine away from humidity and dust. Otherwise a fire or an electric shock might occur.

⚠ CAUTION

- Do not place the machine on an unstable or tilted surface. If it topples over, an injury might occur.

⚠ CAUTION

- Make sure the room where you are using the machine is well ventilated and spacious. Good ventilation is especially important when the machine is used heavily.

⚠ CAUTION

- Keep the machine away from salt-bearing air and corrosive gases. Also, do not install the machine in places where chemical reactions are likely (laboratories, etc.), as doing so will cause the machine to malfunction.

⚠ CAUTION

- Be sure to disconnect the plug from the wall outlet and clean the prongs and the area around the prongs at least once a year. Allowing dust to build up on the plug constitutes a fire hazard.

⚠ CAUTION

- Machine sound levels exceeding [Sound Power Level (Black and White)] > 63 dB (A) are not suitable for desk work environments, so place the machine in another room.

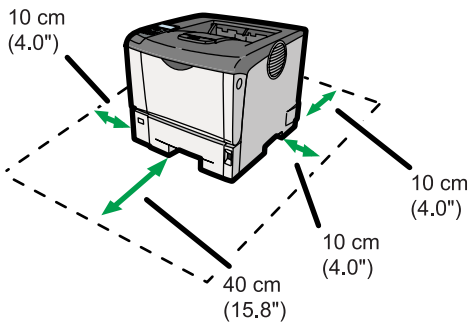
⚠ CAUTION

- When new, electrical devices containing volatile materials will normally release emissions into the air of their vicinity. For this reason, for the first few days after installation of a new device, strong ventilation inside the room where it is placed is necessary.

2

Space Required for Installation

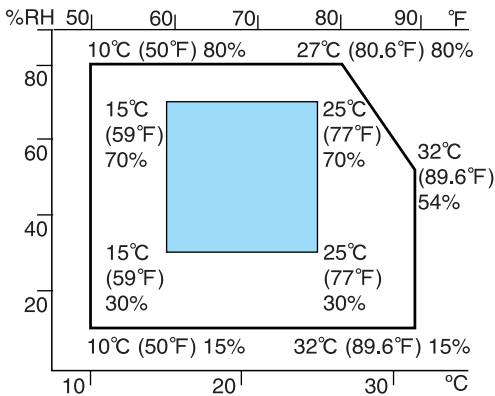
The recommended (or minimum) space requirements are as follows:



CEE094

Optimum Environmental Conditions

Permissible and recommended temperature and humidity ranges are as follows:



CBK019

- White area: Permissible Range
- Blue area: Recommended Range

↓ Note

- The printer must be level within 5 mm, 0.2" from both front to rear and left to right.

- When you use this printer for a long time in a confined space without good ventilation, you may detect an odd smell. To keep the workplace comfortable, we recommend you keep it well ventilated.

Ventilation

When you use this machine in a confined space without good ventilation for a long time or print large quantities, you might detect an odd smell.

This might cause the output paper to also have an odd smell.

When you detect an odd smell, regularly ventilate in order to keep the workplace comfortable.

- Set up the machine so that it does not directly ventilate towards people.
- Ventilation should be more than 30 m³/hr/person.

New machine smell

When a machine is new, it might have a unique smell. This smell will subside in about one week.

When you detect an odd smell, sufficiently ventilate and circulate the air in the room.

Environments to Avoid


Do not use the printer in the following environments:


★ Important

- Areas exposed to direct sunlight or strong light
- Dusty areas
- Areas with corrosive gases
- Areas that are excessively cold, hot, or humid
- Areas directly exposed to currents of hot, cold, or room-temperature air from air conditioners
- Areas directly exposed to radiant heat from heaters
- Locations near air conditioners, heaters, or humidifiers
- Locations near other electronic equipment
- Locations subject to frequent strong vibration

Power Source

Connect the power cord to a power source of the following specification:

 **Region A** (mainly Europe and Asia)
220 - 240 V, 50/ 60 Hz, 4.3 A or more

 **Region B** (mainly North America)
120 V, 60 Hz, 8 A or more

Unpacking

To protect it from shock and vibration during transit, this printer comes packaged in cushioning foam and secured with tape. Remove these protective materials after bringing the machine to where it will be installed.

WARNING

- Keep the polythene materials (bags, etc.) supplied with this machine away from babies and small children at all times. Suffocation can result if polythene materials are brought into contact with the mouth or nose.

WARNING

- Do not incinerate toner (new or used) or toner containers. Doing so risks burns. Toner will ignite on contact with naked flame.

CAUTION

- Do not crush or squeeze toner containers. Doing so can cause toner spillage, possibly resulting in dirtying of skin, clothing, and floor, and accidental ingestion.

CAUTION

- Store toner (new or used), toner containers, and components that have been in contact with toner out of reach of children.

CAUTION

- If toner or used toner is inhaled, gargle with plenty of water and move into a fresh air environment. Consult a doctor if necessary.

CAUTION

- If toner or used toner gets into your eyes, flush immediately with large amounts of water. Consult a doctor if necessary.

CAUTION

- If toner or used toner is swallowed, dilute by drinking a large amount of water. Consult a doctor if necessary.

CAUTION

- When lifting the machine, use the inset grips on both sides. The printer could break or cause an injury if dropped.

★ Important

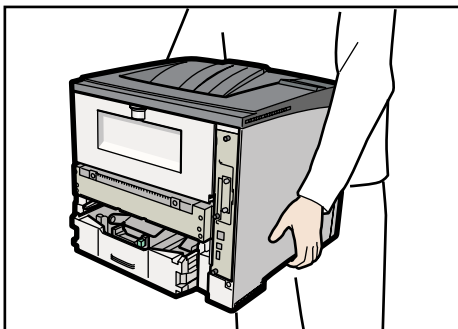
- Removed tape is dirty. Be careful not to let it touch your hands or clothes.
- Do not grip on the tray area when lifting the printer.
- Do not allow paper clips, staples, or other small metallic objects to fall inside the printer.
- Keep the uncovered print cartridge away from direct sunlight.
- When you use this printer for the first time, use the print cartridge packaged with the printer.
- Be sure to remove the tape completely before installing the print cartridge. Otherwise, the printer might be damaged.
- If you pull out the strips when the print cartridge is slant or standing on its side, the cartridge might cause trouble with the printer.
- Be sure to pull the tape horizontally. Pulling it upward or downward may cause the toner to scatter.
- After pulling the tape out of the cartridge, toner scatters easily. Do not shake the cartridge.

↓ Note

- Print cartridge (consumables) are not covered by warranty. However, if there is problem, contact the store where they were purchased.

1. Remove the plastic bag.**2. Lift the printer by using the inset grips on both sides of the printer.**

Leave the tape holding the paper feed tray and cover in place while moving the printer. Lower the machine slowly and carefully to prevent trapping your hands.

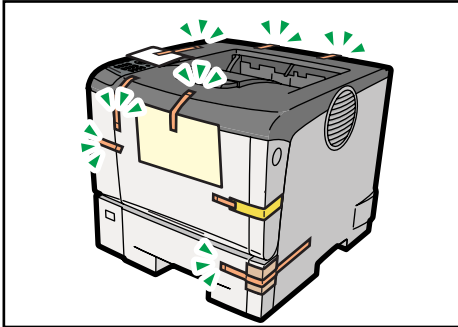


CEE039

When moving the printer, do not hold on the following parts as doing so could cause a malfunction:

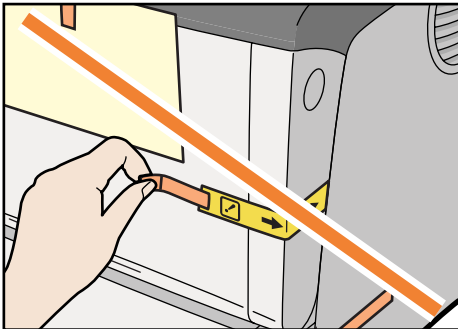
- The handle onto the standard paper feed tray.
- The underside of the bypass tray.

3. Remove the adhesive tape.



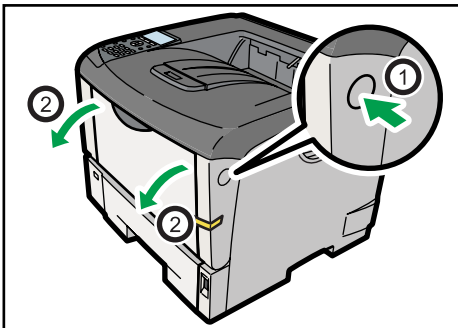
CEE112

Do not remove the tape shown in the illustration.



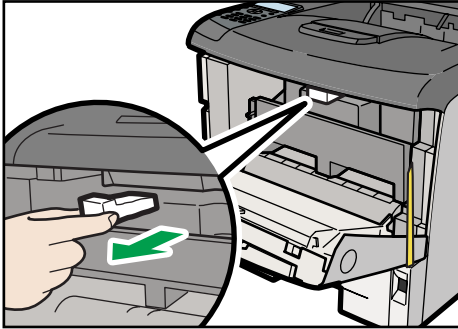
CEE113

4. Open the front cover by pushing the front cover release button.



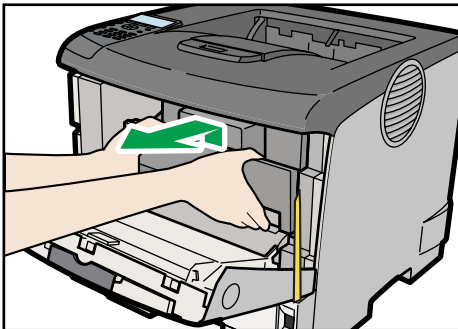
CEE019

5. Remove the packing material inserted between the print cartridge and the printer.



CEE114

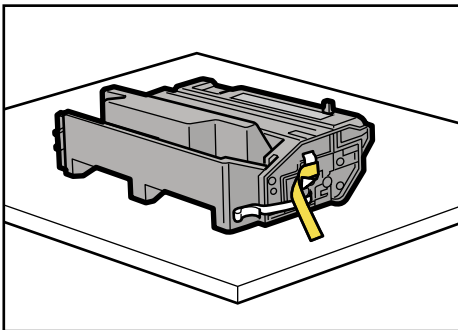
6. Lift the front side of the print cartridge, and then pull it out of the printer.



CEE021

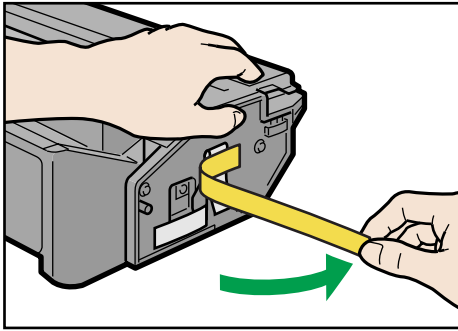
↓ Note

- Do not hold the print cartridge upside down or stand it vertically.
- Do not place the print cartridge on an unstable or tilted surface.



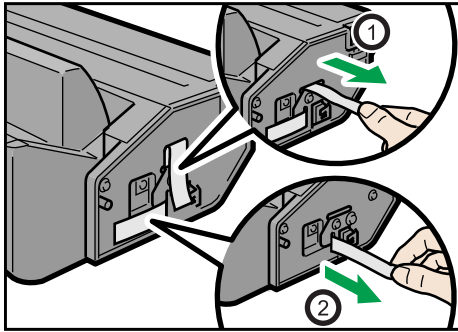
CEE118

7. Place the print cartridge on a flat surface. Remove the tape as shown in the illustration.



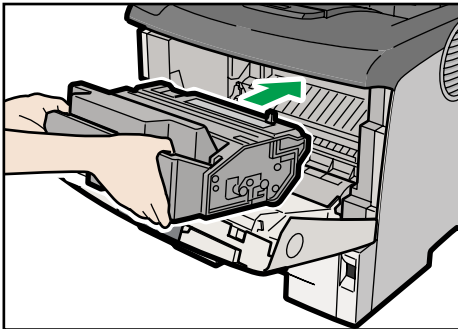
CEE072

8. Pull out the tape from inside the unit horizontally while holding the cartridge with one hand as shown in the illustration.



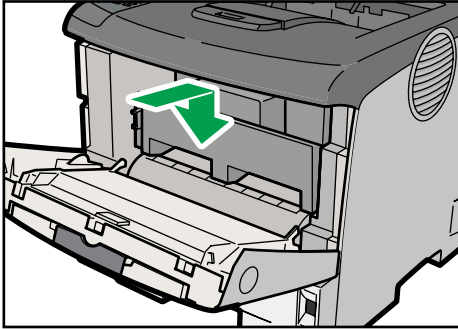
CEE115

9. Hold the grips of the print cartridge, and then insert it into the printer until it stops.



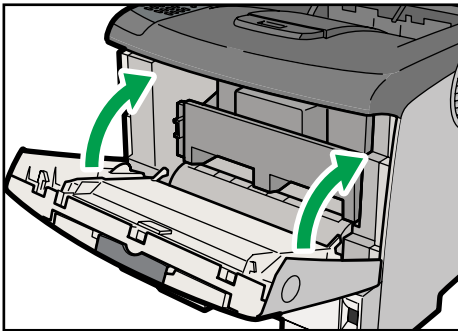
CEE009

10. Push down the print cartridge to secure it in the appropriate position.



CEE007

11. Close the front cover.



CEE005

↓ **Note**

- Do not close the front cover with force. If you cannot close the cover easily, pull out the print cartridge from the printer and insert it again. After that, close the front cover again.
- Dispose of removed fixing material and tape in the same manner as ordinary plastic waste.

Turning the Printer's Power On and Off

⚠ WARNING

- It is dangerous to handle the power cord plug with wet hands. Doing so could result in electric shock.

★ Important

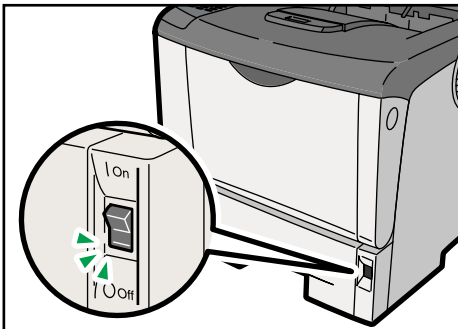
- Do not turn off the power switch before following the shutdown procedure shown here. Doing so can result in damage to the hard disk or memory, leading to malfunction.
- Do not physically disturb the printer while printing is in progress. Doing so may damage the printer.

Turning on the Power

★ Important

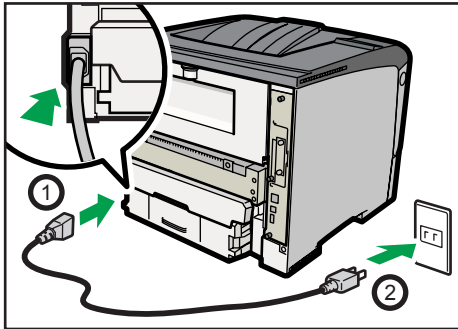
- Make sure the power cord is plugged securely into the wall outlet.
- Turn the power switch off when plugging and unplugging the power plug.
- Do not turn off the power switch until initializing is completed. Doing so results in malfunction.

1. Make sure the power switch is set to "○ Off".



CEE101

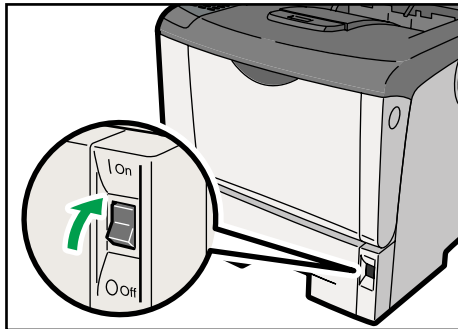
2. Plug in the power cable, and securely insert the plug of the power cord into the wall socket.



CEE079

3. Turn the power switch to "I On".

The power indicator on the control panel lights up.



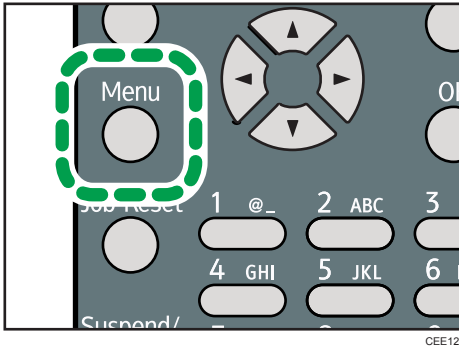
CEE015

Note

- Wait until "Ready" appears on the display panel.
- The printer may make a noise while initializing. This noise does not indicate a malfunction.

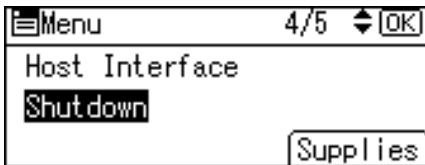
Turning off the Power

1. Press the [Menu] key.

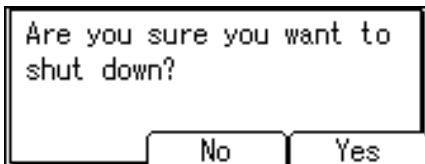


CEE128

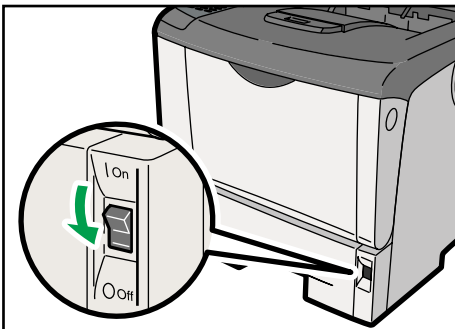
2. Press the [▼] or [▲] key to select [Shutdown], and then press the [OK] key.



3. Press [Yes].



4. Wait until a screen prompting you to turn off the main power appears, and then turn the power switch to "O Off".



CEE016

Note

- Even if you follow the shutdown procedure, the printer might not shutdown in the following cases:
 - If it is communicating with external devices.

- If the hard disk is active.
- If the printer's cover is opened.

Saving Energy

This printer has energy saving functions to reduce electrical power consumption. While in Auto Off mode, the printer uses less electricity than usual. The following are descriptions of this printer's three energy saving functions:

2

Auto Off

The printer will automatically go into Auto Off mode when a certain period of time elapses following the last operation or print.

Auto Off Scheduler

The printer goes into Auto Off mode based on the user-specified timing such as time and day of the week.

ECO Night Sensor

The printer will automatically go into Auto Off mode if it detects a low ambient brightness around it such as at night.

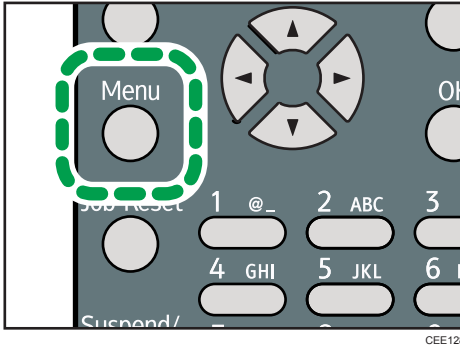
Note

- When the printer is in Auto Off mode, almost no electrical power is used, but it takes longer for the printer to start printing. For details about the printer's power consumption while in Auto Off mode, see p.235 "Specifications".
- "Energy Saver Mode" appears on the control panel while the printer is in Auto Off mode. Auto Off mode is released when you operate the control panel of the printer, or a print job is received.
- The printer does not go into Auto Off mode if it detects a paper jam or an error, or a cover is open.
- When more than one power saving function is enabled simultaneously, the one whose activation requirement is met the earliest will be activated.
- The settings can be configured in [System] that appears by pressing the [Menu] key on the control panel. For details, see "System Menu", Software Guide.
- The default value for each setting item is as follows:

Configurable Items	Default
Auto Off	On (1 minute)
Auto Off Scheduler	Inactive
ECO Night Sensor	Inactive

Selecting the Display Language

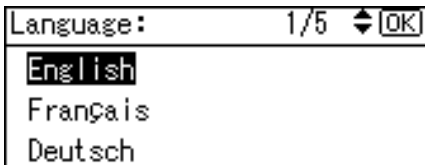
1. Press the [Menu] key.



2. Press the [▼] or [▲] key to select [Language], and then press the [OK] key.



3. Press the [▼] or [▲] key to select the preferred language, and then press the [OK] key.



4. Press the [Menu] key to return to the initial screen.

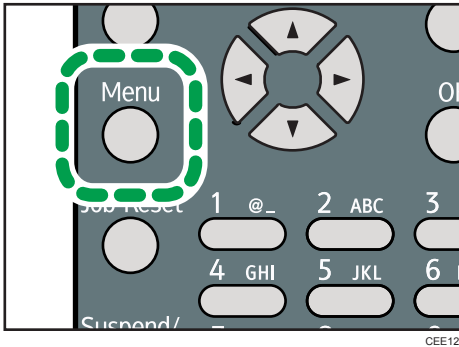
Note

- The default setting is English.

Test Printing

Print a test print in order to verify that the printer is working normally. Test printing checks printer performance only; it does not test the connection to the computer.

1. Press the [Menu] key.



2

2. Press the [▼] or [▲] key to select [List/Test Print], and then press the [OK] key.



3. Press the [▼] or [▲] key to select [Config. Page], and then press the [OK] key.



4. Press the [Menu] key to return to the initial screen.

↓ Note

- If printing is not normal, check to see if an error message appears on the display. If there is an error message, see p.191 "Troubleshooting".

3. Installing Options

This chapter explains how to install various options for this printer.

Available Options

By installing options, you can improve printer performance and expand the available features.

CAUTION

- Before installing or removing options, always disconnect the power cord plugs from the wall outlet and allow time for the main unit to fully cool. Failing to take these precautions could result in burns.

3

Order of Option Installation

When installing multiple options, the following order is recommended:

1. Attach the paper feed unit.

Attach the paper feed unit to the bottom of the printer.

You can attach up to two paper feed unit. Up to 1,600 sheets of paper can be loaded in total.

2. Attach the envelope feeder.

Replace the paper tray for the optional feeder with the envelope feeder.

3. Install the SDRAM module.

Install the expansion memory in the controller board slot.

There are two types of SDRAM module, 128 MB and 256 MB.

4. Install the hard disk.

5. Install the optional interface board.

Install the optional Gigabit Ethernet board, Wireless LAN interface unit, or IEEE 1284 interface board in the slot.

6. Insert SD card options.

If you want to use three or more SD cards simultaneously, consult your service representative.

Insert these units into the SD card slot.

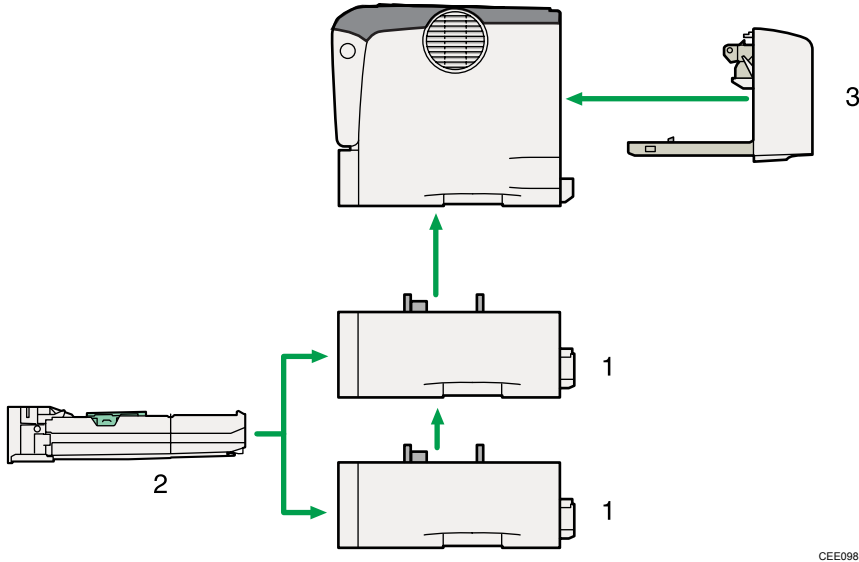
If you want to use two or more SD cards that can be inserted in the same slot, contact your sales and service representative.

7. Attach the duplex unit.

Attach the duplex unit to the rear of the printer.

Where to Install Options

External options



CEE098

1. Paper feed unit (Tray 2 or Tray 3)

Loads up to 500 sheets of paper. Up to two paper feed unit can be installed on the printer.

Installed tray unit is identified as "Tray 2" and "Tray 3".

See p.51 "Attaching the Paper Feed Unit".

2. Envelope feeder

Loads up to 60 sheets of envelopes. Up to two envelope feeder unit can be installed on the printer.

Installed envelope feeder unit is identified as "Tray 2" and "Tray 3".

See p.54 "Attaching the Envelope Feeder".

3. Duplex unit

You can print on both sides of paper.

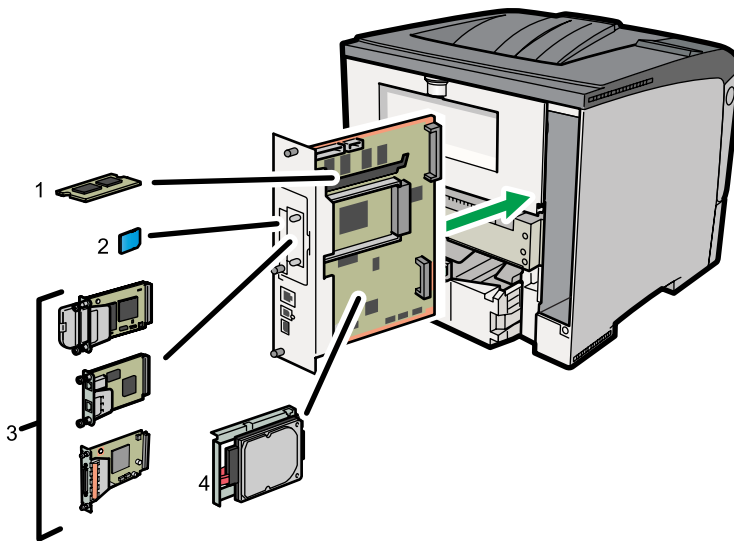
Remove the rear cover of the printer to attach the duplex unit.

See p.74 "Attaching the Duplex Unit".

↓ Note

- The envelope feeder is a tray that slides into the optional paper feed unit. Without the optional paper feed unit, the envelope feeder cannot be used.

Internal options



CEE104

1. SDRAM module

For details about this option, see p.60 "Installing the SDRAM Module".

2. SD card options

For details about installing these options, see p.71 "Installing the SD Memory Card Options".

3. Optional interface boards

- Wireless LAN interface unit
- Gigabit Ethernet board
- IEEE 1284 interface board

For details about installing these options, see p.64 "Installing the Interface Units".

4. Hard disk

For details about this option, see p.56 "Installing the Hard Disk".

↓ Note

- For details about the specifications of each option, see p.235 "Specifications".

Caution When Re-installing the Controller Board

This section describes how to handle the controller board when installing options.

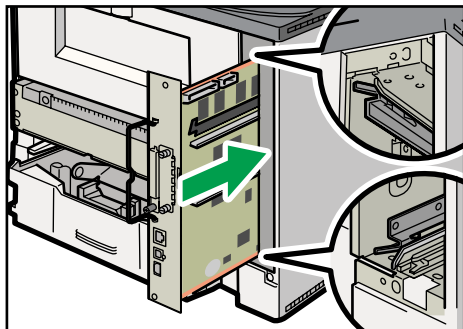
If you slide out the controller board to install units, carefully read the instructions about re-installing the controller board.

★ Important

- The following may occur if the controller board is not properly installed:

- All control panel indicators light up.
- No control panel indicators light up.
- An error message appears on the display.

Push the bottom center area of the board to re-install the controller board in the printer.



CEE059

Attaching the Paper Feed Unit

WARNING

- If the machine topples, or if a cover or other part gets broken, you must turn the power switch to off and disconnect the power cord plug from the wall outlet. Then contact your service representative and report the problem. Do not use the machine. Doing so could result in fire or electric shock.

CAUTION

- The printer weighs approximately 17.5 kg (38.6 lb.). When moving the printer, use the inset grips on both sides, and lift slowly. The printer will break or cause injury if dropped.

CAUTION

- Unplug the power cord from the wall outlet before you move the machine. While moving the machine, take care that the power cord is not damaged under the machine. Failing to take these precautions could result in fire or electric shock.

CAUTION

- Do not place the machine on an unstable or tilted surface. If it topples over, an injury might occur.

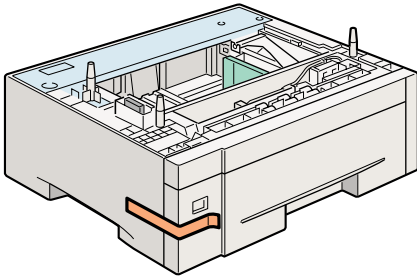
CAUTION

- Lifting the paper feed unit carelessly or dropping it may cause injury.

Important

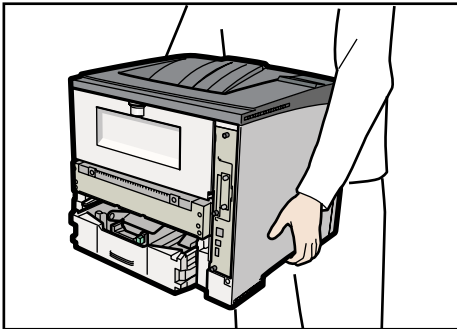
- Do not grip on the tray area when lifting the printer.
- When four paper feed units are installed, they are detected as "Tray 2" and "Tray 3", starting from the upper unit.
- Tray 1 is required to print using the optional paper feed unit. Without Tray 1, paper jams will occur.
- Do not grip on the tray area when lifting the printer.

1. Check the package contains the following:



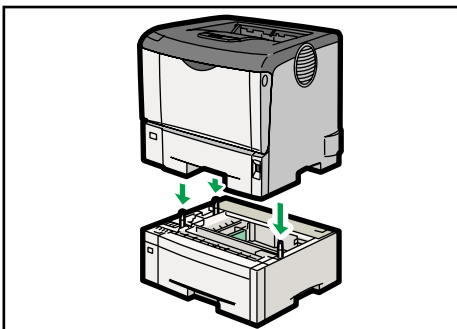
BMU107S

2. Turn off the printer's power switch, and then unplug the printer's power cord from the wall outlet.
3. Remove the adhesive tape from the optional paper feed unit.
4. Lift the printer using the inset grips on both sides of the printer.



CEE039

5. There are three upright pins on the optional paper feed unit. Align them with the holes on the underside of the printer, and then carefully lower the printer.



CEE080

6. After installing the option, print the configuration page to confirm the installation.

Note

- When moving the printer, remove the paper feed unit.

- After finishing the installation, you can check whether the paper feed unit is properly installed by printing the configuration page from the [List/Test Print] menu. If the paper feed unit is properly installed, "Tray 2" and "Tray 3" will appear for "Attached Equipment" on the configuration page.
- If the paper feed unit is not installed properly, reinstall it following this procedure. If you cannot install it properly even after attempting reinstallation, contact your sales or service representative.
- If the print area is not centered correctly, adjust the printing position for the optional paper feed unit. For details, see Adjusting Tray Registration.
- For details about printing the configuration page, see p.45 "Test Printing".
- For details about loading paper onto the paper tray, see p.124 "Loading Paper in Trays".
- After a new paper feed unit has been installed, the driver settings might need to be reconfigured. For details, see "Making Option Settings for the Printer", Driver Installation Guide.
- To attach two paper feed units at the same time, first stack them one upon the other, and then attach them as a single unit.

Attaching the Envelope Feeder

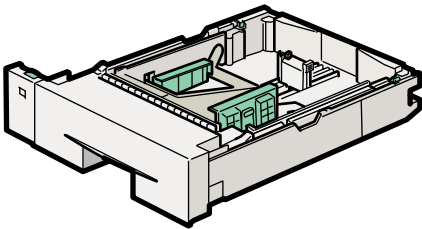
★ Important

- Pull out only one paper tray at a time. Having multiple paper trays fully extended could cause the printer to fall over.
- The printer can accommodate two optional paper feed units. The envelope feeder can be used with "Tray 2" and "Tray 3". The main unit's feed tray (Tray 1) cannot be used for this purpose.

3

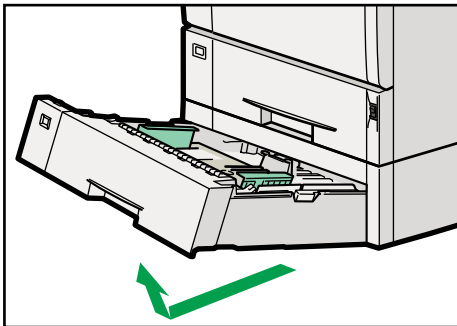
This section describes the procedure to install the envelope feeder unit using Tray 2 as an example.

1. Check the package contains the following:



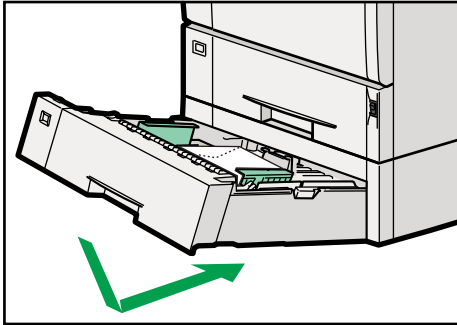
CEE034

2. Pull out the optional paper tray (Tray 2) from the optional paper feed unit until it stops. Then lift the front slightly and pull it out completely.



CEE075

3. Lift the front of the envelope feeder, and slide it carefully into the paper feed until it stops.



CEE073

Note

- This unit is a tray that slides into the optional paper feed unit. Without the optional paper feed unit, this envelope feeder cannot be used.
- Keep the removed paper tray with paper in a cool dark place.
- For details about loading paper onto the envelope feeder, see p. 124 "Loading Paper in Trays".

Installing the Memory Expansion Units

⚠ CAUTION

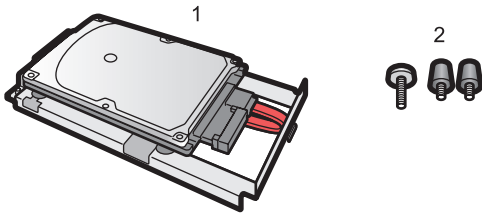
- Do not touch the inside of the controller board compartment. Doing so may cause a machine malfunction or a burn.

3

Installing the Hard Disk

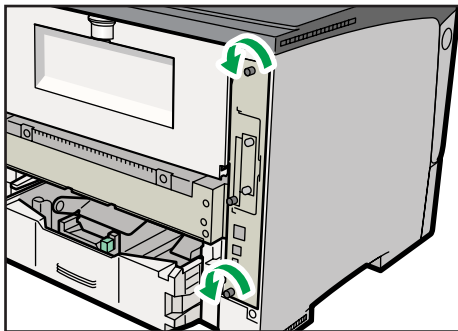
★ Important

- Before touching the hard disk, touch something metal to discharge any static electricity. Static electricity can damage the hard disk.
 - Do not subject the hard disk to physical shocks.
1. Check the package contains the following:



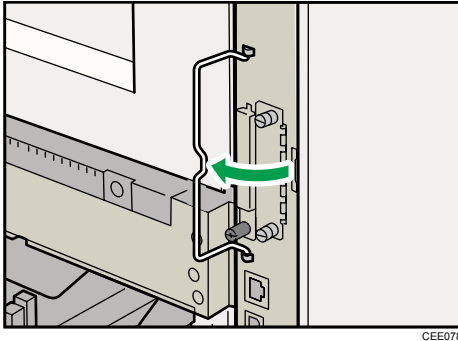
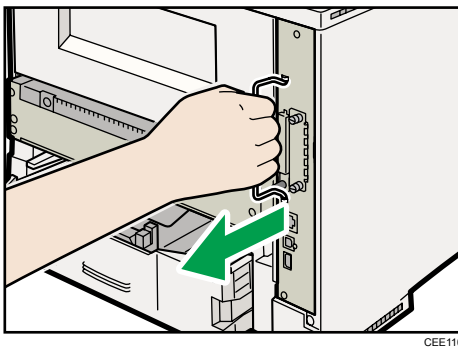
CEC015

1. Hard disk
 2. Screws
2. Turn off the power to the printer, and then unplug the power cable and interface cable.
 3. Remove the two screws holding the controller board in place.

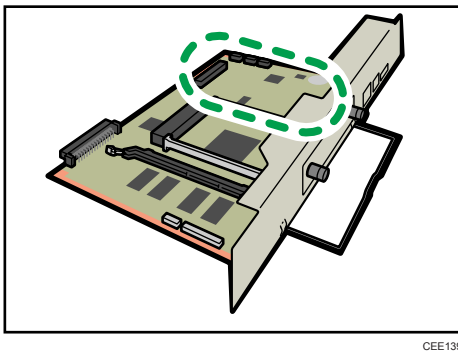


CEE137

The removed screws are required to fasten the controller board.

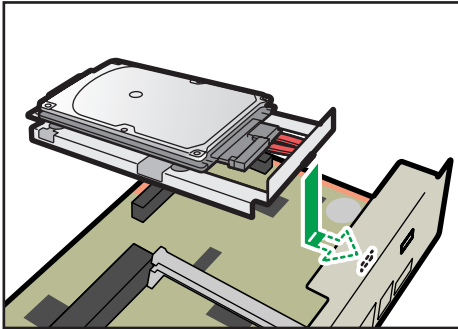
4. Pull out the handle of the controller board.**5. Pull the handle, and then slide the controller board out.****6. Place the controller board on a flat surface.**

The hard disk is installed in the slot shown in the illustration below.

**7. Insert the protrusion on the front end of the hard disk board into the notch on the back panel of the controller board.**

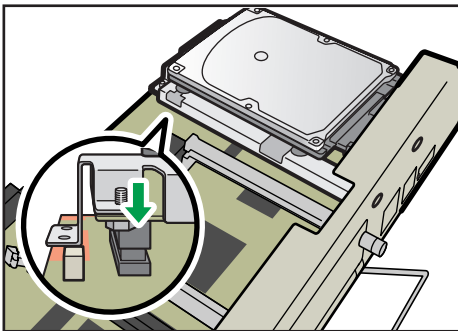
Be sure to set the hard disk board parallel with the controller board.

3



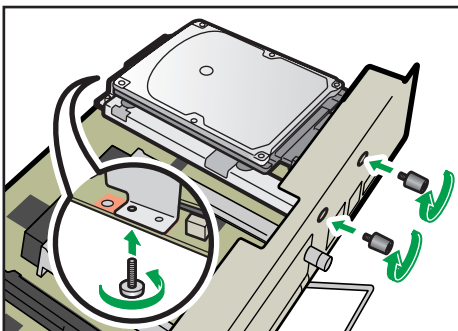
CEE105

8. Fit the hard disk on the connector of the controller board carefully until it stops.



CEE140

9. Tighten the two screws by turning them clockwise with a coin, and then secure the hard disk board by tightening the third screw from the under side of the controller board.

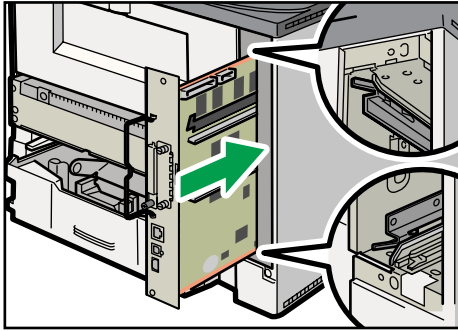


CEE141

10. To install other options on the controller board, follow the installation procedure shown in the documentation provided with the option.

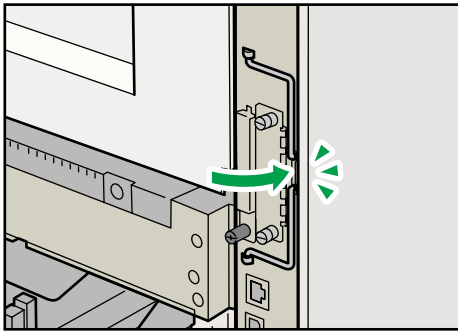
11. Match the controller board to the top and bottom rail using the "▼" mark, and then slide it into the printer slowly until it stops.

The printer may malfunction if the controller board is not properly installed.



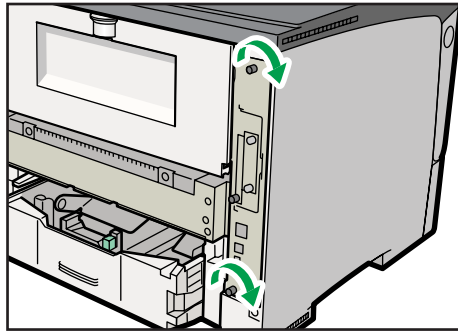
CEE059

12. Push the handle of the controller board until it clicks.



CEE106

13. Fasten the controller board to the printer with the two screws.



CEE138

First install the optional hard disk, and then install the SD card provided with the hard disk. For details about the installation procedure, see p.71 "Installing the SD Memory Card Options".

↓ **Note**

- After finishing installation, you can check whether the hard disk is properly installed: Print the configuration page from the [List/Test Print] menu. If it is installed properly, you will see "Hard Disk" will appear for "Device Connection" on the configuration page.
- If the Hard disk is not properly installed, repeat this procedure. If you cannot install it properly even after reinstallation, contact your sales or service representative.

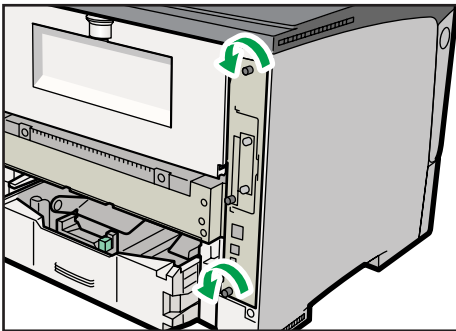
- For details on printing the configuration page, see p.45 "Test Printing".

Installing the SDRAM Module

★ Important

- Before touching the SDRAM module, ground yourself by touching something metal to discharge any static electricity. Static electricity can damage the SDRAM module.
- Do not subject the SDRAM module to physical shocks.
- The printer comes equipped with 256 MB of memory. This can be expanded to a maximum of 512 MB.

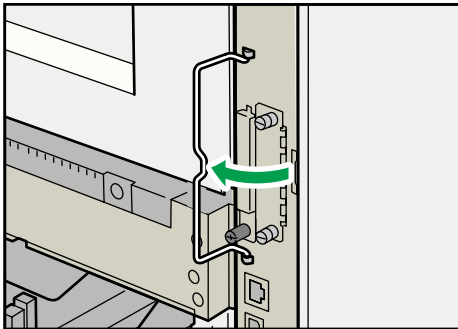
1. Turn off the power of the printer, and then unplug the power cable and interface cable.
2. Remove the two screws holding the controller board in place.



CEE137

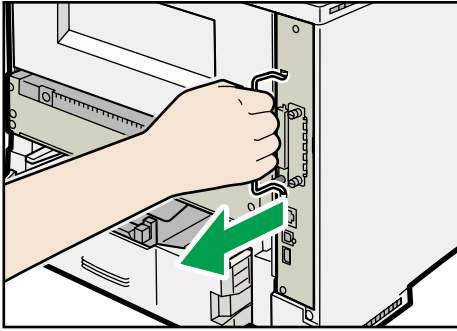
The removed screws are required to fasten the controller board.

3. Pull out the handle of the controller board.



CEE078

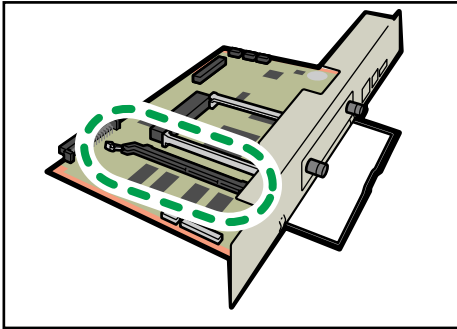
4. Pull the handle, and then slide the controller board out.



CEE110

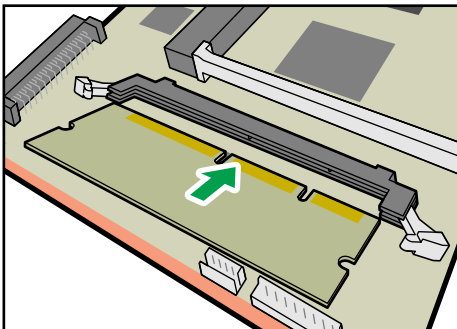
5. Place the controller board on a flat surface.

The SDRAM module is installed in the slot shown in the illustration below.



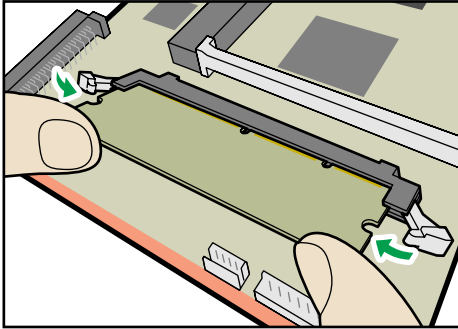
CEE142

6. To install the recommended memory, align the notch of the recommended memory with the protruding part of the vacant slot, and then carefully insert the module at an angle.



CEC013

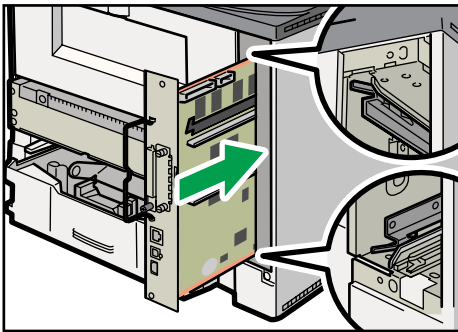
7. Keeping the module at an angle, press it down until it clicks into place.



CEE014

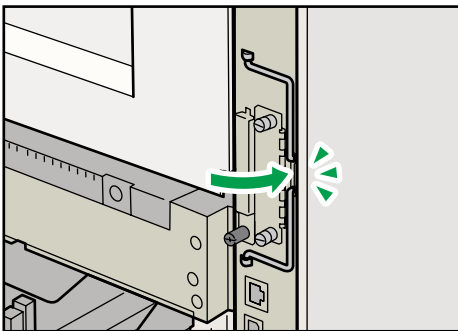
8. Match the controller board to the top and bottom rail using the "▼" mark, and then slide it into the printer slowly until it stops.

The printer may malfunction if the controller board is not properly installed.



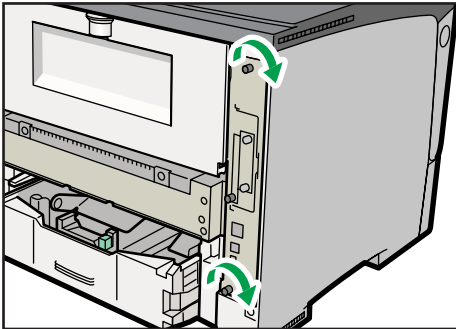
CEE059

9. Push the handle of the controller board until it clicks.



CEE106

10. Fasten the controller board to the printer with the two screws.



CEE138

3

↓ Note

- After finishing the installation, you can check the SDRAM module is properly installed: Print the configuration page from the [List/Test Print] menu. If it is installed properly, the memory capacity will appear under "Total Memory" on the configuration page.
- The table below shows the total SDRAM module capacities.

Standard	Extended	Total
256 MB	128 MB	384 MB
256 MB	256 MB	512 MB

- If the SDRAM module is not properly installed, repeat this procedure. If you cannot install it properly even after reinstallation, contact your sales or service representative.
- Install the controller board carefully to prevent any malfunction.
- For details on printing the configuration page, see p.45 "Test Printing".

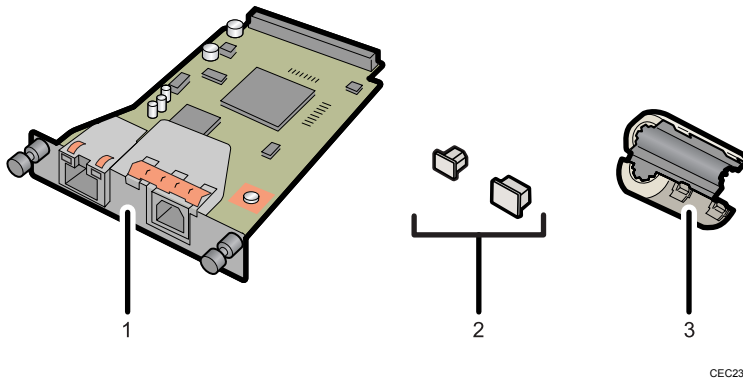
Installing the Interface Units

Installing the Gigabit Ethernet Board

★ Important

- The printer's Ethernet and USB ports are not available when the Gigabit Ethernet board is installed in to the printer. Use the Ethernet and USB ports on the Gigabit Ethernet board.
- Before beginning work, ground yourself by touching something metal to discharge any static electricity. Static electricity can damage the Gigabit Ethernet board.
- Do not subject the Gigabit Ethernet board to physical shocks.

1. Check the contents of the package.

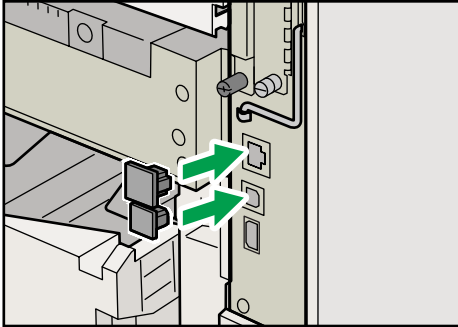


1. Gigabit Ethernet Board
2. Protective caps (one each for the Ethernet port and the USB port)
3. Ferrite core

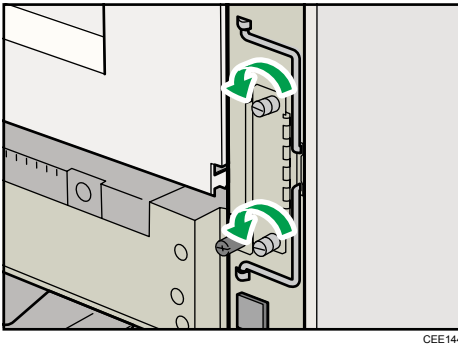
Design of the ferrite core varies according to printer model.

2. Turn off the power, and then unplug the power cord.

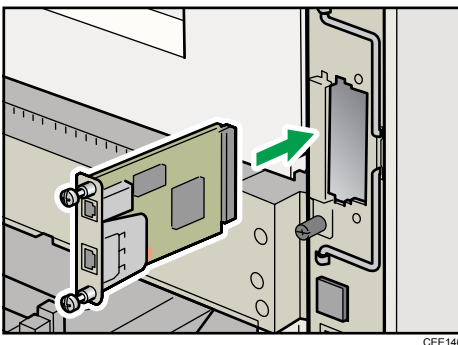
3. Disconnect the cables from the Ethernet port and the USB port of the printer, and cover each port with its protective cap.



4. Remove the two screws and remove the cover of the slot in which the Gigabit Ethernet board is installed.

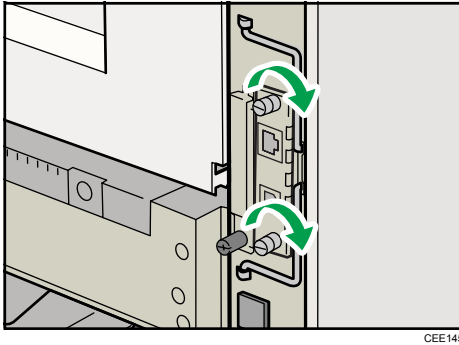


5. Fully insert the Gigabit Ethernet board.



6. Tighten the two screws to secure the Gigabit Ethernet board.

Check the Gigabit Ethernet board is connected firmly to the interface board slot.



3

Connect the cable to the Gigabit Ethernet board. For details see p.77 "Ethernet Cable Connection" or p.81 "USB Cable Connection".

Note

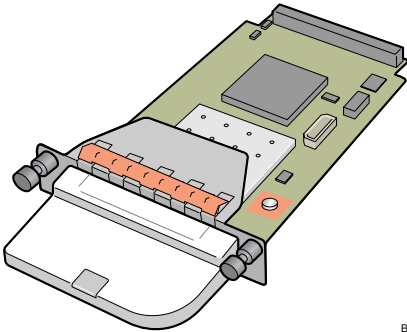
- Confirm that the Gigabit Ethernet board was correctly installed by printing the configuration page. If it is correctly installed, "Gigabit Ethernet" will appear for "Device Connection" on the configuration page.
- If the board was not installed properly, repeat the procedure from step 4. If it cannot be installed correctly even after reattempting installation, contact your sales or service representative.
- For details about printing the configuration page, see p.45 "Test Printing".
- Before using the Gigabit Ethernet board, you must configure settings from the printer control panel. For details, see p.85 "Ethernet Configuration".

Installing the Wireless LAN Interface Board

Important

- Before beginning work, ground yourself by touching something metal to discharge any static electricity. Static electricity can damage the unit.
- Do not subject the unit to physical shocks.

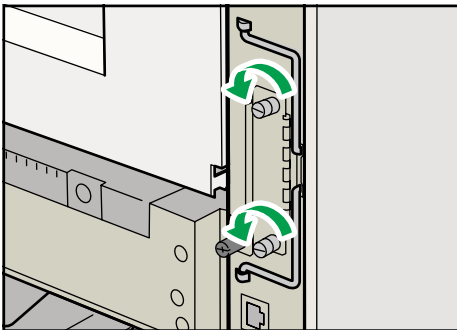
1. Check the contents of the package.



BFL301S

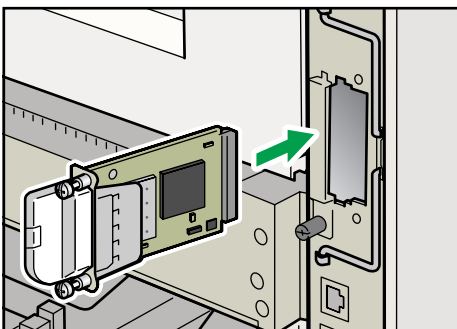
3

2. Turn off the power, and then unplug the power cord.
3. Remove the two screws and remove the cover of the slot in which the Wireless LAN interface board is installed.



CEE147

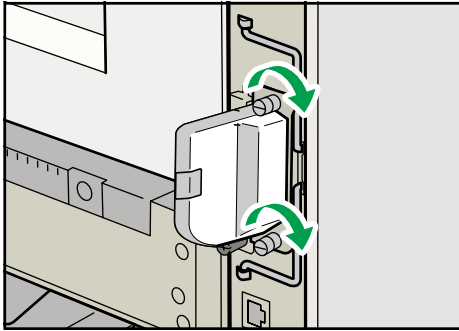
4. Fully insert the Wireless LAN interface board.



CEE148

5. Tighten the two screws to secure the interface board.

Check the Wireless LAN interface board is connected firmly to the interface board slot.



3

Note

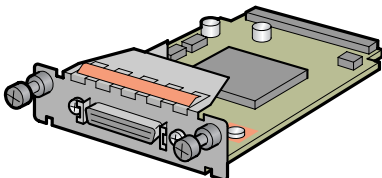
- Confirm that the interface board was correctly installed by printing the configuration page. If it is correctly installed, "Wireless LAN" will appear for "Device Connection" on the configuration page.
- If the board was not installed properly, repeat the procedure from step 3. If it cannot be installed correctly even after reattempting installation, contact your sales or service representative.
- For details about printing the configuration page, see p.45 "Test Printing".
- Before using the Wireless LAN interface board, you must configure settings from the printer control panel. For details, see p.94 "Wireless LAN Configuration".

Installing the IEEE 1284 Interface Board

Important

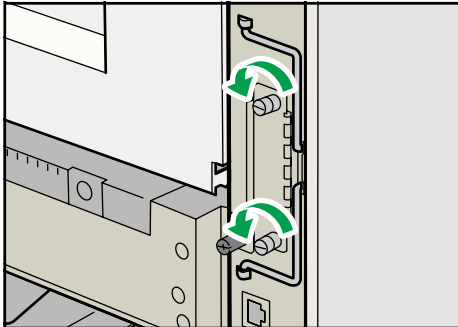
- Before beginning work, ground yourself by touching something metal to discharge any static electricity. Static electricity can damage the IEEE 1284 interface board.
- Do not subject the IEEE 1284 interface board to physical shocks.
- For connection to the IEEE 1284 interface board, use a half pitch 36-pin interface cable.

1. Check the contents of the package.



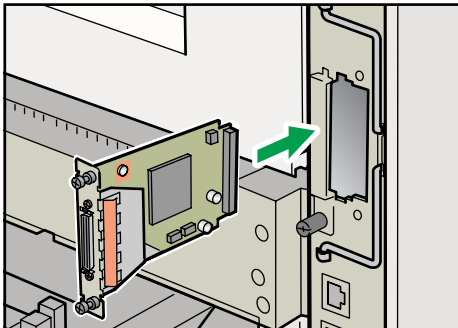
2. Turn off the power, and then unplug the power cord.

3. Remove the two screws and remove the cover of the slot in which the 1284 interface board is installed.



CEE147

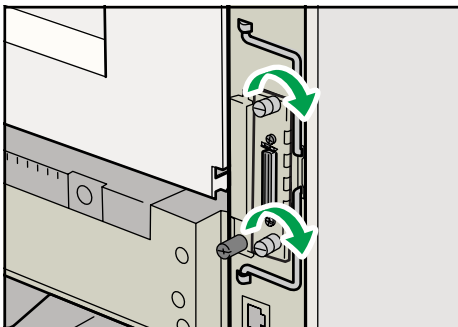
4. Fully insert the IEEE 1284 interface board.



CEE150

5. Tighten the two screws to secure the interface board.

Check the IEEE 1284 interface board is connected firmly to the interface board slot.



CEE151

↓ Note

- Confirm that the IEEE 1284 interface board was correctly installed by printing the configuration page. If it is correctly installed, "Parallel Interface" will appear for "Device Connection" on the configuration page.

- If the board was not installed properly, repeat the procedure from step 3. If it cannot be installed correctly even after reattempting installation, contact your sales or service representative.
- For details about printing the configuration page, see p.45 "Test Printing".

Installing the SD Memory Card Options

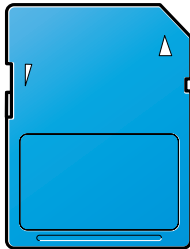
⚠ CAUTION

- Keep SD memory cards out of reach of children. If a child swallows an SD memory card, consult a doctor immediately.

★ Important

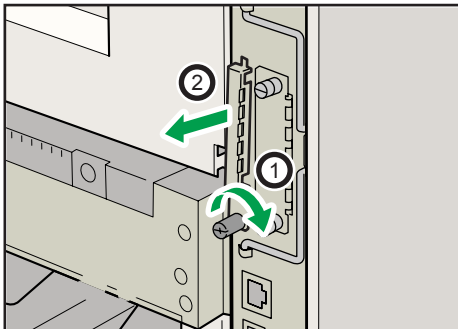
- Do not subject the card to physical shocks.
- To use the following functions, the optional 256 MB SDRAM module must be installed.
 - VM card
 - ELP-NX card
- The optional SDRAM module must be installed to use the IPDS card.

1. Check the contents of the package.



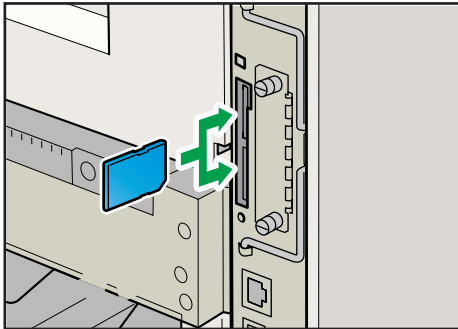
BFL308S

2. Turn off the power, and then unplug the power cord.
3. Remove the one screw, and then carefully remove the cover of the SD card slot.



CEE135

4. Carefully push in the SD card (notched corner downward and leading), it clicks into place.



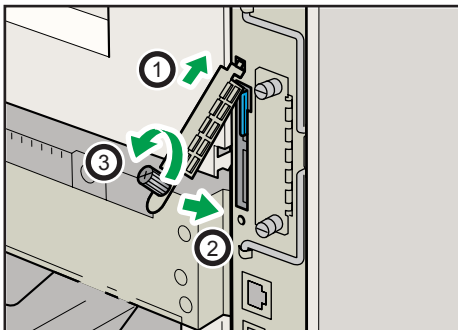
CEE152

If you insert only one SD card, use the upper slot. If you insert two SD cards simultaneously, use both slots. If you insert the optional VM card, use only the lower slot.

The SD card supplied with the optional hard disk can be used in either of the two slots.

If you want to use three or more SD cards simultaneously, consult your service representative.

5. Reattach the cover over the SD card. Fasten the one screw to secure the cover.



CEE077

If ELP-NX card is inserted in the printer, the installation automatically starts when the printer is turned on. After the installation is completed, restart the printer.

Note

- Do not touch the card while the printer is in use. It may come loose, even if pushed only slightly. The slot cover must be reattached.
- You can confirm that the SD card was installed correctly by checking the control panel menu. Depending on the SD card, certain menu items appear on the display.
 - SD card supplied with the optional hard disk: Make sure [Machine Data Encryption] appears in [Security Options]. Depending on settings, [Machine Data Encryption] might not appear. For details about how to confirm this setting, consult your administrator.
 - IPDS card: Make sure [IPDS Menu] appears under [Print Settings].
 - NetWare card: Make sure [NetWare] appears in [Effective Protocol] under [Network].

- ELP-NX card: Press the [Switch Functions] key, and then confirm the name of ELP-NX appears in [JavaTM/X].
- If the card is not installed properly, repeat the procedure from the beginning. If it cannot be installed correctly even after reattempting installation, contact your sales or service representative.
- For details about printing the configuration page, see p.45 "Test Printing".

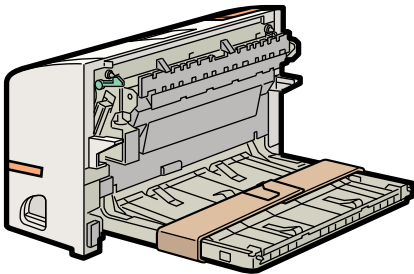
Attaching the Duplex Unit

★ Important

- If you attach the duplex unit and the paper feed unit, the paper feed unit must be attached prior to attaching the duplex unit.
- Check the printer nameplate to confirm the model code.

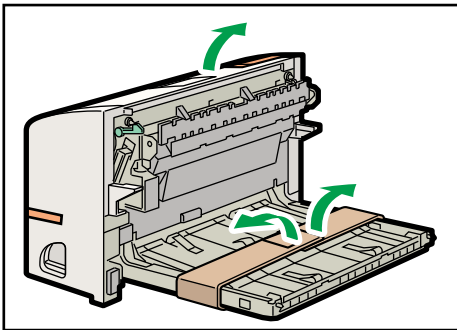
1. Check the contents of the box for the following items:

3

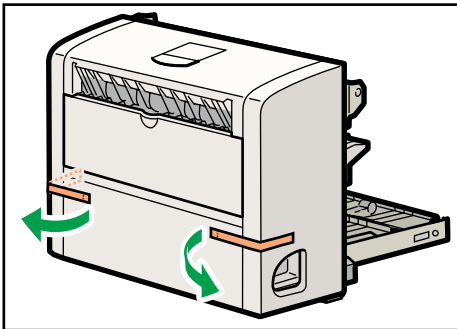


CEE092

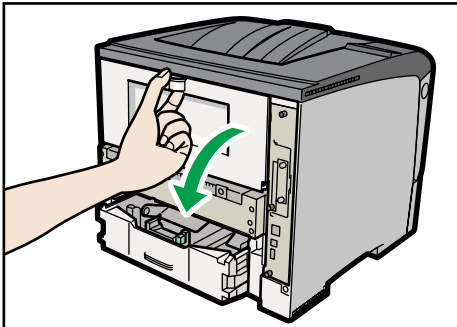
2. Turn off power to the printer, and then unplug the power cable.
3. Remove the adhesive tape and paper.



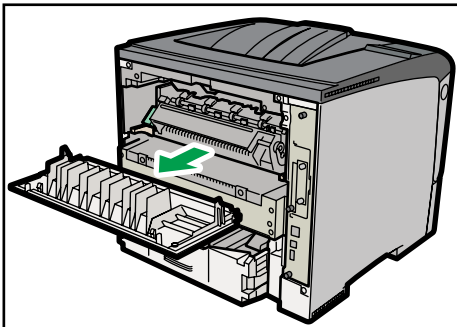
CEE093



CEE081

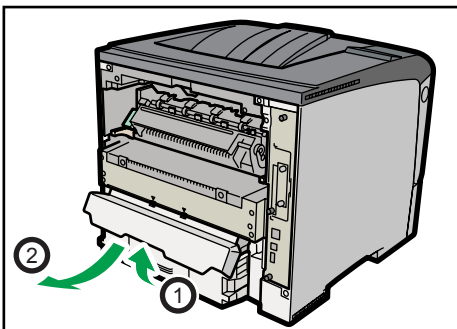
4. Open the rear cover.

CEE040

5. Lower the rear cover until it is horizontal, and then pull it away.

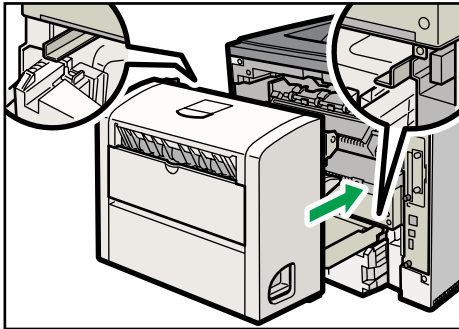
CEE041

Proceed to step 7 if the paper tray cover is not installed.

6. Pull the bottom of the paper tray cover (①) up slightly, and then remove the paper tray cover (②), in the order shown in the illustration.

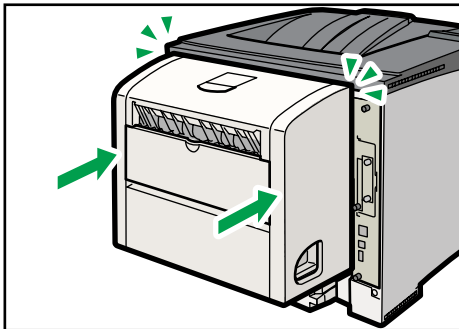
CEE043

7. Push in the duplex unit along the rails at the back of the printer.



CEE057

8. Push the duplex unit securely into the printer.



CEE050

Note

- After finishing installation, you can check whether the duplex unit is properly installed by printing the configuration page from the [List/Test Print] menu. If it is installed properly, you will see "Duplex Unit" as "Attached Equipment" on the configuration page.
- If the duplex unit is not installed properly, repeat the procedure from the start. If you cannot install it properly even after reinstallation, contact your sales or service representative.
- If the printing position is not correct, adjust the registration of the trays. For more information about adjusting the registration of the trays, see p.187 "Adjusting Printing Position".
- When the duplex unit is installed, the rear cover is no longer required. However, we recommend you keep the cover for future use.
- For details on printing the configuration page, see p.45 "Test Printing".

4. Connecting the Printer

This chapter explains how to connect network and USB cables.

Ethernet Cable Connection

Prepare a hub and other network devices, and connect the Ethernet cable to the printer.


Connect 10BASE-T or 100BASE-TX cable to the printer's Ethernet port. For 1000BASE-T, the optional Gigabit Ethernet board is required.

 **Region A** (mainly Europe and Asia)

CAUTION

- A network interface cable with a ferrite core must be used for RF interference suppression.

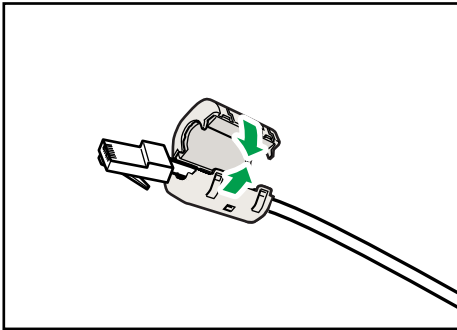
Important

- An Ethernet cable is not supplied with this printer. Select your cable according to the network environment.
- The printer's Ethernet and USB ports are not available when the Gigabit Ethernet board is attached to the printer.
-  **Region B** (mainly North America)
 - For users in the United States of America: When using the optional Gigabit Ethernet board, properly shield twisted pair cable (STP cable) must be used for connections to host computer (and/or peripheral) in order to meet FCC emission limits.

Connecting to the standard Ethernet port

1. Attach the supplied ferrite core at the printer end of the Ethernet cable.

 **Region A** (mainly Europe and Asia)



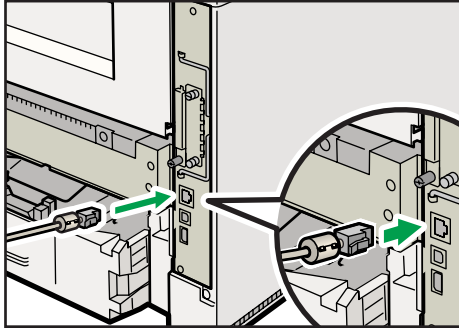
CEE163

 **Region B** (mainly North America)

Do not attach the ferrite core.

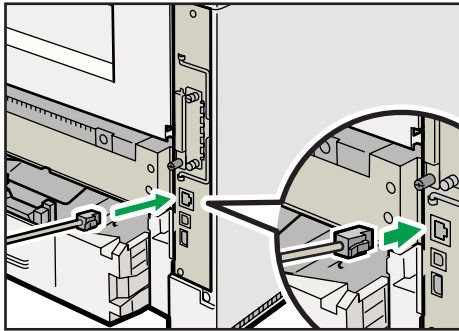
2. Connect the Ethernet cable to the Ethernet port.

 **Region A** (mainly Europe and Asia)



CEE103

 **Region B** (mainly North America)



CEE173

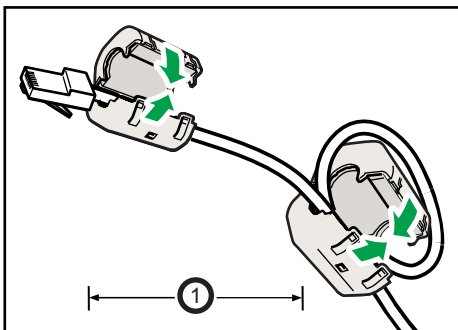
3. Connect the other end of the cable to the network, such as a hub.

Connecting to the Ethernet port of the Gigabit Ethernet board

1. Attach the ferrite core at the Gigabit Ethernet cable.

 **Region A** (mainly Europe and Asia)

Attach one ferrite core at the printer end of the Ethernet cable, and attach the other ferrite core about 10 cm (4.00 inches) (①) from this core making a loop as shown.



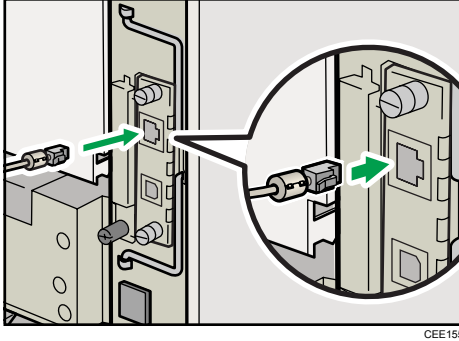
CEE154

 **Region B** (mainly North America)

Do not attach the ferrite core. Use the shield twisted pair cable (STP cable) instead.

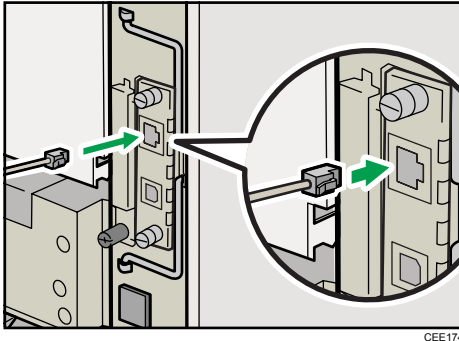
2. Connect the Ethernet cable to the Gigabit Ethernet board.

 **Region A** (mainly Europe and Asia)



CEE155

 **Region B** (mainly North America)



CEE174

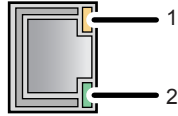
3. Connect the other end of the cable to the network, for example using a hub.

 **Note**

- For details about configuring the network environment, see p.85 "Ethernet Configuration".
- For details about installing the Gigabit Ethernet board, see p.64 "Installing the Interface Units".

Reading the LED Lamps

Standard Ethernet port



CBK090

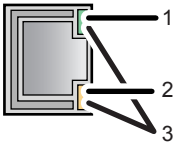
1. Yellow indicator

If the printer is connected to a 100BASE-TX Ethernet, the yellow indicator will be lit. This indicator will be unlit if the printer is connected to a 10BASE-T Ethernet.

2. Green indicator

If the printer is connected to a 10BASE-T Ethernet or 100BASE-TX Ethernet, the green indicator will be lit.

Optional Gigabit Ethernet board



CBK091

1. Green indicator

If the printer is connected to a 10BASE-T Ethernet, the green indicator will be lit. This indicator will be unlit if the printer is connected to a 100BASE-TX Ethernet.

2. Yellow indicator

If the printer is connected to a 100BASE-TX Ethernet, the yellow indicator will be lit. This indicator will be unlit if the printer is connected to a 10BASE-T Ethernet.

3. Green and yellow indicators

If the printer is connected to a 1000BASE-T Ethernet, both indicators will be lit.

USB Cable Connection

⚠ CAUTION

- For users outside the United States of America: properly shielded and grounded cables and connectors must be used for connections to a host computer (and/or peripheral) in order to meet emission limits.

⚠ CAUTION

- For users in the United States of America: properly shielded and grounded cables and connectors must be used for connections to a host computer (and/or peripheral) in order to meet FCC emission limits.

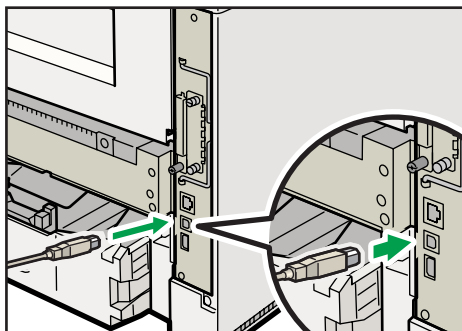
★ Important

- USB connection is possible under Windows XP/Vista/7, Windows Server 2003/2003 R2/2008/2008 R2, and Mac OS X 10.3.3 or later.
- A USB cable is not supplied with this printer. Select your cable according to the computer.

1. Connect the USB cable to the printer.

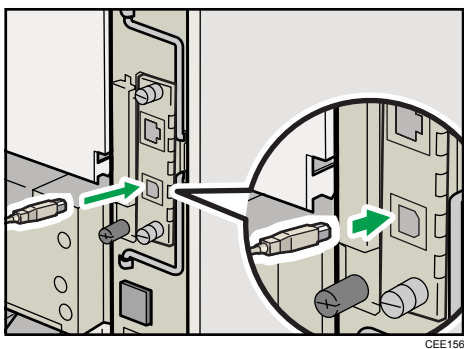
- **Connecting the USB cable to the standard USB port B**

Connect the smaller connector of the USB cable to the standard USB port B on the left side of the printer.



- **Connecting the USB cable to the Gigabit Ethernet board USB port**

Connect the smaller connector of the USB cable to the USB port of the Gigabit Ethernet board.



- 2. Connect the opposite end's flat connector to the desired device such as your computer's USB interface, or a USB hub.**

4

The printer is now connected to the computer. The Plug and Play screen appears on the computer display. For details, see "Installing the Printer Driver Using USB", Driver Installation Guide.

Parallel Cable Connection

The type of cable required varies depending on the computer you are using. Make sure to use the interface cable compliant with your computer.

⚠ CAUTION

- For users outside the United States of America: properly shielded and grounded cables and connectors must be used for connections to a host computer (and/or peripheral) in order to meet emission limits.

⚠ CAUTION

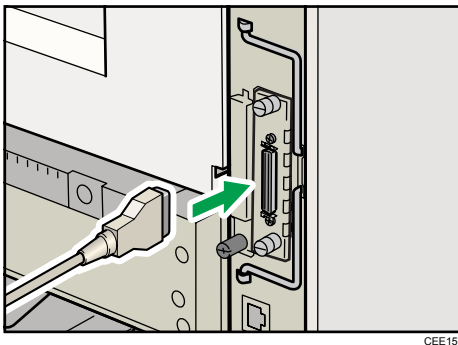
- For users in the United States of America: properly shielded and grounded cables and connectors must be used for connections to a host computer (and/or peripheral) in order to meet FCC emission limits.

4

★ Important

- The printer's parallel connection is a standard bidirectional interface that requires an IEEE 1284-compliant half pitch 36-pin parallel cable and host computer parallel port.
- Use shielded interface cable. Unshielded cables create electromagnetic interference.

1. Turn off the printer and computer.
2. Connect the interface cable to the IEEE 1284 interface board.



3. Connect the other end of the interface cable to your computer, and then secure the cable.

The printer is now connected to the computer. Install the printer driver. For details, see "Installing the Printer Driver Using Parallel Cable", Driver Installation Guide.

↓ Note

- For details about installing the 1284 interface board, see p.64 "Installing the Interface Units".

5. Configuration

This chapter explains supported network connections, and settings for the IP addresses and the Wireless LAN security.

Ethernet Configuration

★ Important

- Configure the printer for the network using the control panel.
- The following table shows the control panel settings and their default values. These items appear in the [Network] under [Host Interface] menu.

Setting Name	Default
Machine IPv4 Address	<ul style="list-style-type: none">• Auto-Obtain (DHCP): On• IPv4 Address: 11.22.33.44• Subnet Mask: 0.0.0.0• Gateway Address: 0.0.0.0
IPv6 Stateless Setting	Active
IPsec	Inactive
NW Frame Type	Auto Select
Effective Protocol	<ul style="list-style-type: none">• IPv4: Active• IPv6: Inactive• NetWare: Inactive• SMB: Active
Ethernet Speed	Auto Select
IEEE802.1X Auth.(Ethernet)	Inactive
Restr.IEEE802.1X Auth.Def.	-
LAN Type	Ethernet
Permit SSL/TLS Comm.	Ciphertext Priority

↓ Note

- If DHCP is in use on your network, the IP address, subnet mask, and gateway address are all set automatically.

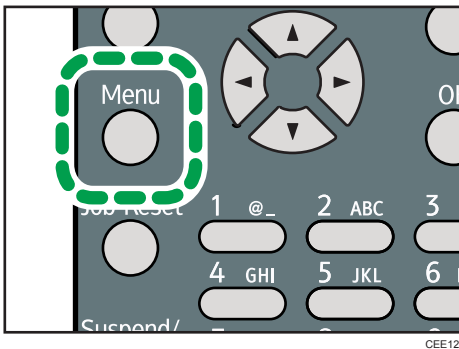
- If the printer is already placed on a TCP/IP-capable environment, you can also use a Web browser to configure the IP address-related settings.
- Configure these setting as necessary. See Software Guide for details.

Specifying an IP Address (No DHCP)

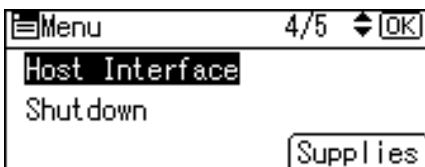
Follow this procedure to assign a specific IP address to the printer. This is only necessary when you will use the printer on a network without DHCP, or want to prevent the printer's IP address from changing.

Before beginning, make sure that you know the IP address, subnet mask and gateway address that the printer will use.

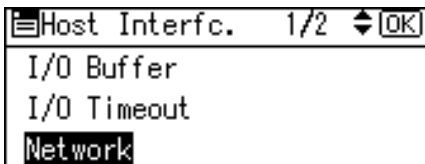
1. Press the [Menu] key.



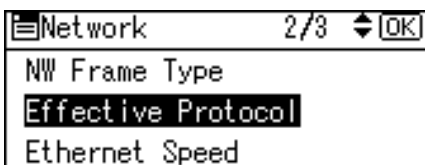
2. Press the [▼] or [▲] key to select [Host Interface], and then press the [OK] key.



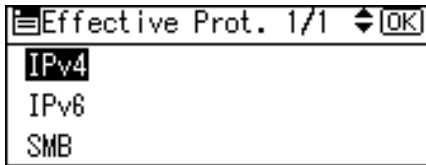
3. Press the [▼] or [▲] key to select [Network], and then press the [OK] key.



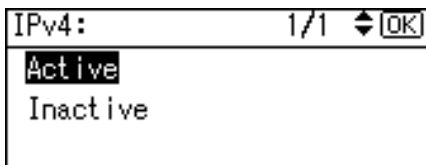
4. Press the [▼] or [▲] key to select [Effective Protocol], and then press the [OK] key.



5. Press the [▼] or [▲] key to select the appropriate network protocol, and then press the [OK] key.



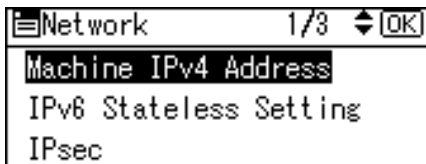
6. Press the [▼] or [▲] key to select [Active] or [Inactive], and then press the [OK] key.



Set other protocols you need to set in the same way.

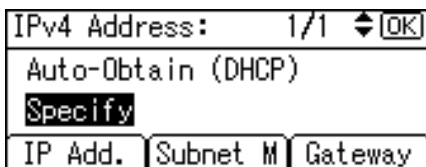
- Select [Inactive] for unused protocols.
- Enable IPv4 to use the pure IPv4 environment of NetWare5/5.1, NetWare 6/6.5.

7. Press the [Escape] key until the screen returns to the [Network] menu.
8. If you use IPv4, assign the IPv4 address to the printer. Press the [▼] or [▲] key to select [Machine IPv4 Address], and then press the [OK] key.



To get the IP address for the printer, consult your network administrator.

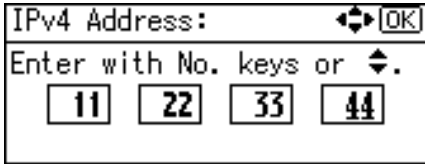
9. To specify the IP Address, press [IP Add.].



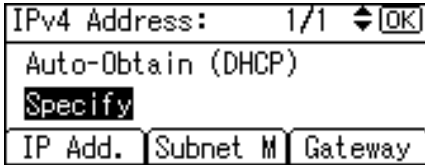
If you use IPv4, also assign the subnet mask and gateway address. To assign these, press [Subnet M] or [Gateway].

10. Enter the address, and then press the [OK] key.

Change the IP address from "1.1.22.33.44" to an IP address supported by your network.



11. Use the same method to assign the subnet mask and gateway address.
12. Press the [▼] or [▲] key to select [Specify], and then press the [OK] key.



13. Press the [Menu] key to return to the initial screen.
14. Print a configuration page to confirm the settings.

5

Note

- For details about printing the configuration page, see p.45 "Test Printing".

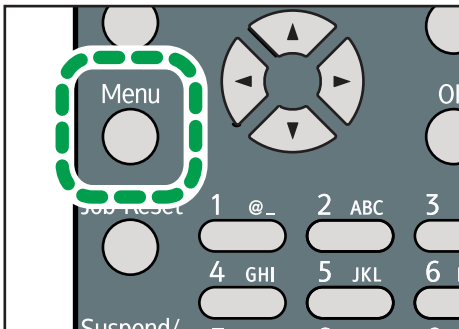
Receiving an IP Address Automatically (DHCP)

Follow this procedure to set the printer to receive an IP address automatically using DHCP. The DHCP feature is active by default, so this procedure is only required if you have changed the default settings.

★ Important

- When [Auto-Obtain (DHCP)] is selected, you cannot configure the IP address, subnet mask, or gateway address.
- Consult your network administrator for information about configuring network settings.

1. Press the [Menu] key.

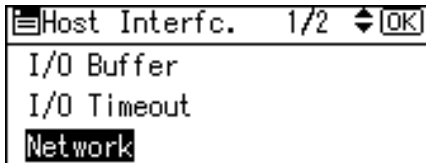


CEE128

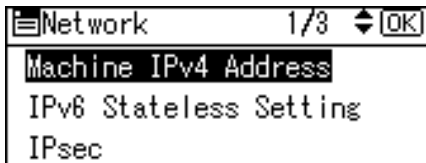
- Press the [▼] or [▲] key to select [Host Interface], and then press the [OK] key.



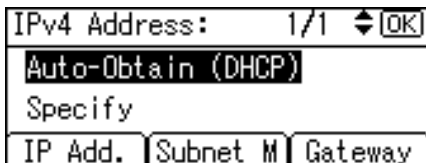
- Press the [▼] or [▲] key to select [Network], and then press the [OK] key.



- Press the [▼] or [▲] key to select [Machine IPv4 Address], and then press the [OK] key.



- Press the [▼] or [▲] key to select [Auto-Obtain (DHCP)], and then press the [OK] key.



To check the detected addresses, press the followings:

- [IP Add.]: IP address
- [Subnet M]: Subnet Mask
- [Gateway]: Default Gateway

- Press the [Menu] key to return to the initial screen.
- Print a configuration page to confirm the settings.

↓ Note

- For details about printing the configuration page, see p.45 "Test Printing".

Configuring Network Settings When Using NetWare

To use NetWare, select the appropriate NetWare frame type from the following.

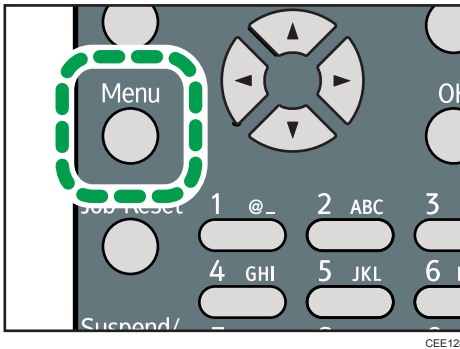
- Auto Select

- Ethernet II
- Ethernet 802.2
- Ethernet 802.3
- Ethernet SNAP

★ Important

- Usually, you can use the default (Auto Select). When you first select [Auto Select], the frame type detected by the printer is adopted. However, if your network can use more than two frame types, the printer may fail to select the correct frame type with [Auto Select] selected. In this case, select the preferred frame type.

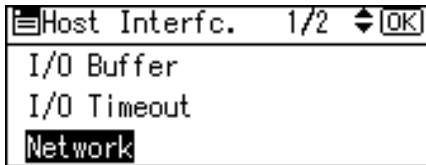
1. Press the [Menu] key.



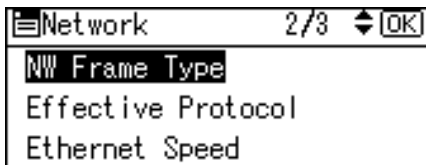
2. Press the [▼] or [▲] key to select [Host Interface], and then press the [OK] key.



3. Press the [▼] or [▲] key to select [Network], and then press the [OK] key.



4. Press the [▼] or [▲] key to select [NW Frame Type], and then press the [OK] key.



5. Press the [▼] or [▲] key to select the frame type to use, and then press the [OK] key.

```
NW Frame Type:  1/2  ⏴⏵ [OK]
Auto Select
Ethernet II
Ethernet 802.2
```

6. Press the [Menu] key to return to the initial screen.
7. Print a configuration page to confirm the settings.

Note

- For details about printing the configuration page, see p.45 "Test Printing".

Setting the Ethernet Speed

You can set the speed that the printer will use for Ethernet communications. In most cases, this should be left on the default setting, [Auto Select]. This setting allows two interfaces to automatically determine the optimum speed when they are connected.

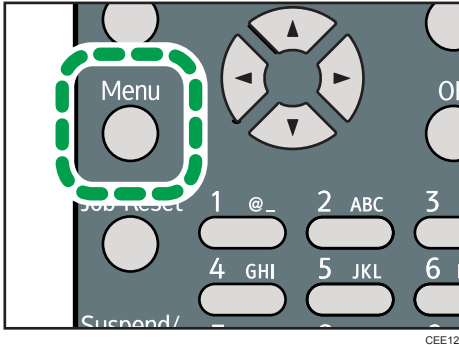
Router/HUB	Printer				
	[10Mbps Half Duplex]	[10Mbps Full Duplex]	[100Mbps Half Duplex]	[100Mbps Full Duplex]	[Auto Select]
10 Mbps half duplex	<input type="radio"/>	-	-	-	<input type="radio"/>
10 Mbps full duplex	-	<input type="radio"/>	-	-	-
100 Mbps half duplex	-	-	<input type="radio"/>	-	<input type="radio"/>
100 Mbps full duplex	-	-	-	<input type="radio"/>	-
auto-negotiation (auto selection)	<input type="radio"/>	-	<input type="radio"/>	-	<input type="radio"/>

★ Important

- Connection cannot be established if the selected Ethernet speed does not match your network's transmission speed.

- The use of this feature is recommended. To use it, select [Auto Select].

1. Press the [Menu] key.

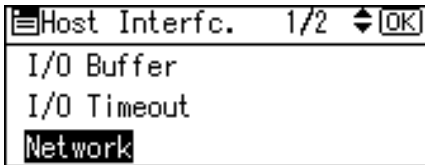


2. Press the [▼] or [▲] key to select [Host Interface], and then press the [OK] key.

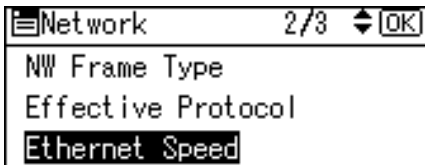
5



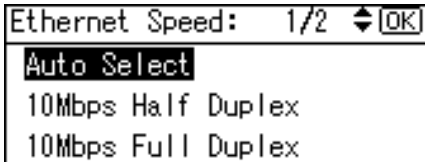
3. Press the [▼] or [▲] key to select [Network], and then press the [OK] key.



4. Press the [▼] or [▲] key to select [Ethernet Speed], and then press the [OK] key.



5. Press the [▼] or [▲] key to select the Ethernet speed, and then press the [OK] key.



6. Press the [Menu] key to return to the initial screen.

7. Print a configuration page to confirm the settings.

↓ Note

- For details about printing the configuration page, see p.45 "Test Printing".

Wireless LAN Configuration

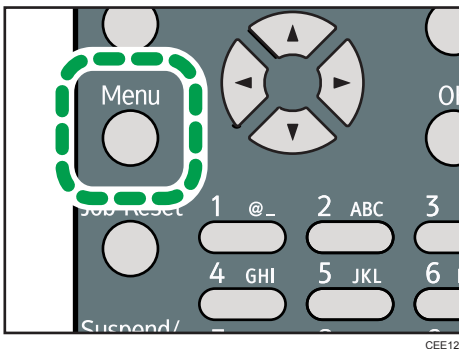
★ Important

- Ethernet and Wireless LAN cannot be used at the same time.
- To use Wireless LAN, set as follows using the control panel: press the [Menu] key, select [Host Interface], [Network], [LAN Type], and then select [Wireless LAN]. In addition, you must set the IP address, subnet mask, gateway address, DHCP, Frame Type (NW), and active protocol as explained in p.85 "Ethernet Configuration".
- The following table shows the control panel settings and their defaults. These items appear in the [Wireless LAN] under [Host Interface] menu.

Setting Name	Default
Communication Mode	Infrastructure Mode
SSID Setting	blank
Ad-hoc Channel	11
Security Method	Off
Wireless LAN Signal	-
Restore Defaults	-

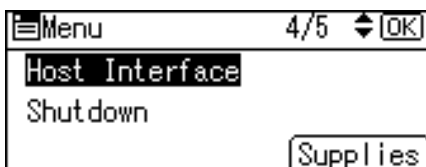
5

1. Press the [Menu] key.

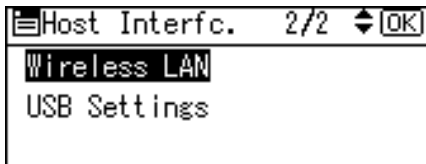


CEE128

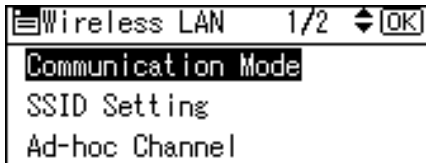
2. Press the [▼] or [▲] key to select [Host Interface], and then press the [OK] key.



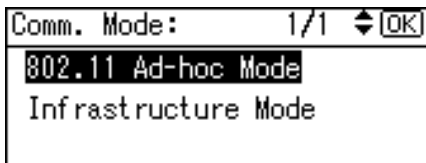
3. Press the [▼] or [▲] key to select [Wireless LAN], and then press the [OK] key.



4. Press the [▼] or [▲] key to select [Communication Mode], and then press the [OK] key.

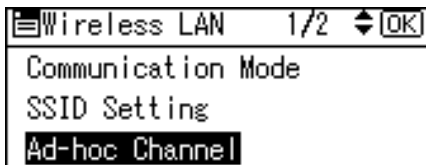


5. Press the [▼] or [▲] key to select the transmission mode of Wireless LAN, and then press the [OK] key.

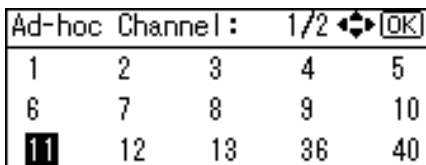


The transmission mode of the Wireless LAN can also be set using Web Image Monitor.

6. If [802.11 Ad-hoc Mode] is selected for [Communication Mode], confirm the channel to use for transmission.
7. Press the [▼] or [▲] key to select [Ad-hoc Channel], and then press the [OK] key.



8. Press the scroll keys to select the Ad-hoc channel, and then press the [OK] key.



Select an Ad-hoc channel according to the IEEE 802.11 standard you are using.

- When using IEEE 802.11 b/g:
 - Region **A** (mainly Europe and Asia)
Channels 1 to 13
 - Region **B** (mainly North America)

Channels 1 to 11

- When using IEEE 802.11 a:
Channels 36,40,44,48

9. Press the [Menu] key to return to the initial screen.
10. Print a configuration page to confirm the settings.

↓ Note

- For details, see Web Image Monitor Help, and "Using Web Image Monitor", Software Guide.
- For details about printing the configuration page, see p.45 "Test Printing".

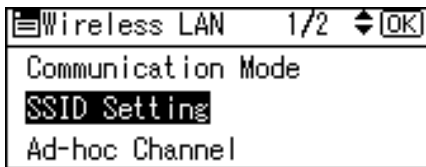
Setting the SSID

5

When [Communication Mode] is set to [Infrastructure Mode] or [802.11 Ad-hoc Mode], you must specify the Service Set Identifier (SSID) of the wireless access point that the printer will connect to for network access.

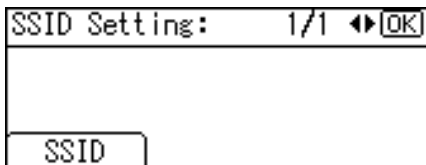
Ask your network administrator for the SSID to use.

1. In the [Wireless LAN] menu, press the [▼] or [▲] key to select [SSID Setting], and then press the [OK] key.

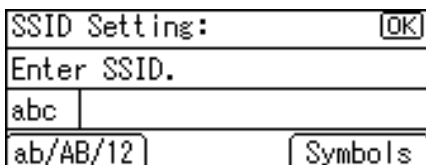


If an SSID has been set, you can check the current SSID setting.

2. Press [SSID], and then press [Enter].



3. Enter the characters, and then press the [OK] key.



You can switch among lower /upper cases and numeric characters by pressing [ab/AB/12].

The characters that can be used are ASCII 0 × 20-0 × 7e (32 bytes).

4. Press the [Menu] key to return to the initial screen.

5. Print a configuration page to confirm the settings.

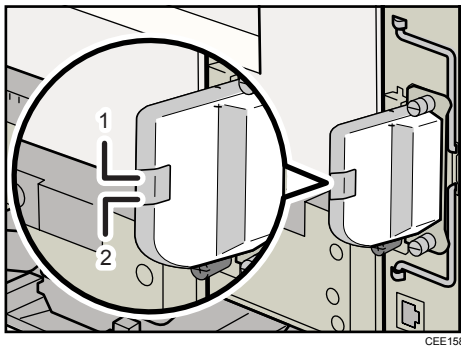
Note

- The SSID can also be set using a Web browser. For details, see Web Image Monitor Help.
- For details about printing the configuration page, see p.45 "Test Printing".

Confirming Wireless Network Connectivity

After you have installed the Wireless LAN interface unit, use the following procedure to check for Wireless LAN connectivity.

Make sure the LED on the Wireless LAN interface unit is lit.



1. If the Wireless LAN unit is receiving power, the upper indicator will be lit green.
2. If the printer is connected to an operational network and is communicating normally, the lower indicator will be lit orange.

Cautions When Using a Wireless LAN

A Wireless LAN uses radio waves instead of cables to send and receive data. Because radio waves usually pass through walls and other obstructions, the following problems may arise if you do not configure wireless security settings.

Information leakage

Information such as IDs, passwords, credit card numbers, and e-mail content may be seen by an unauthorized 3rd party.

Unauthorized network access

- Damage to or alteration of data and/or system configurations by viruses or other malware.
- Impersonation of legitimate network users, resulting in data theft.
- Theft of sensitive or confidential data.

To minimize the possibility of these threats, it is recommended that you check the available features of this printer, wireless access points, and other equipment that uses the Wireless LAN, and configure security settings for the Wireless LAN.

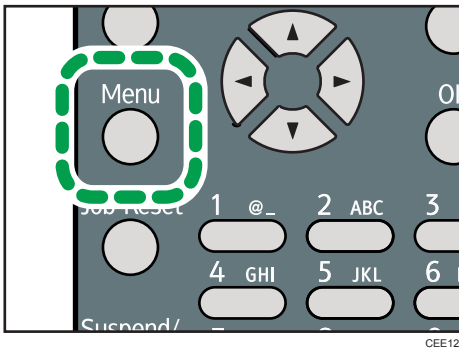
Setting Security Method of Wireless LAN

Setting a WEP Key

If the wireless network uses WEP to encrypt transmitted data, the corresponding WEP key must be set to the printer to allow communications with other network devices.

Ask your network administrator for the WEP key to use.

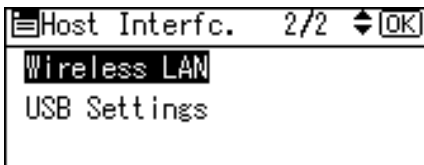
1. Press the [Menu] key.



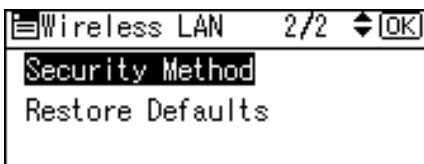
2. Press the [▼] or [▲] key to select [Host Interface], and then press the [OK] key.



3. Press the [▼] or [▲] key to select [Wireless LAN], and then press the [OK] key.



4. Press the [▼] or [▲] key to select [Security Method], and then press the [OK] key.



5. Press the [▼] or [▲] key to select [WEP], and then press [Details].

Security Method: 1/2	◆	[OK]
Off		
WEP		
Details		

When activating the WEP setting, you will need to enter the WEP key.

6. Enter the characters, and then press the [OK] key.

WEP (Encryption) Key:	[OK]
Hex:10/26,ASCII:5/13 Digits	
abc	
ab/AB/12	Symbols

5

- When entering a character, pressing the [OK] key will mask it with an asterisk for security reasons.
- When using 64-bit WEP, up to 10 hexadecimal characters or five ASCII characters can be entered. When using 128-bit WEP, up to 26 hexadecimal characters or 13 ASCII characters can be used.
- Up to 10 or 26 hexadecimal characters and 5 or 13 ASCII characters can be entered.
- For ASCII character strings, uppercase and lowercase letters are differentiated, so be sure to enter characters in the required case.

7. Press the [▼] or [▲] key to select [WEP], and then press the [OK] key.

8. Press the [Menu] key to return to the initial screen.

9. Print a configuration page to confirm the settings.

↓ Note

- The WEP key can also be set using a Web browser. For details, see Web Image Monitor Help.
- For details about printing the configuration page, see p.45 "Test Printing".

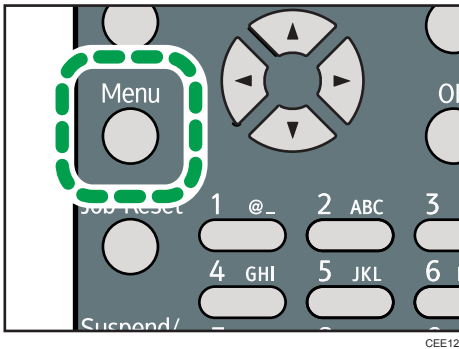
Setting WPA

In the case of using WPA on a network, activate the WPA setting to be used for communication along with WPA. Consult your network administrator for information about making authentication settings.

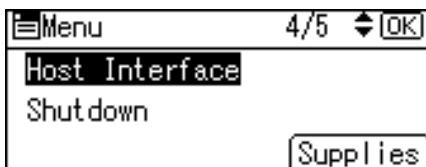
★ Important

- For setting WPA, installing the optional Hard disk is required.

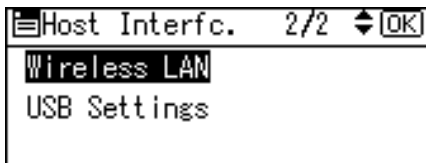
1. Press the [Menu] key.



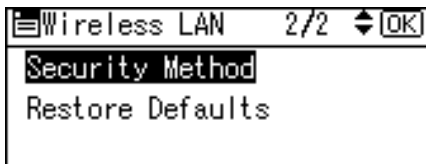
2. Press the [▼] or [▲] key to select [Host Interface], and then press the [OK] key.



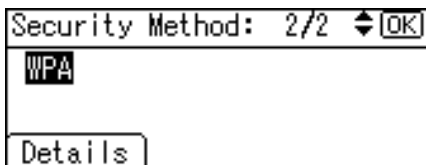
3. Press the [▼] or [▲] key to select [Wireless LAN], and then press the [OK] key.



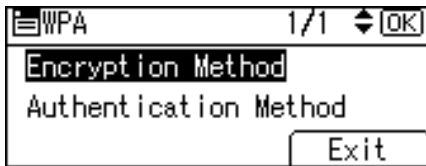
4. Press the [▼] or [▲] key to select [Security Method], and then press the [OK] key.



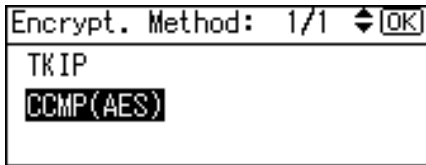
5. Press the [▼] or [▲] key to select [WPA], and then press [Details].



6. Press the [▼] or [▲] key to select [Encryption Method], and then press the [OK] key.



7. Press the [▼] or [▲] key to select encryption method, and then press the [OK] key.



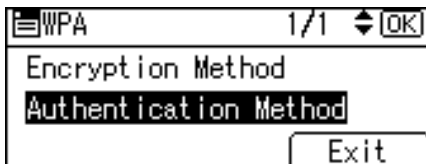
Consult your network administrator for information about making encryption settings.

Encryption settings are as follows:

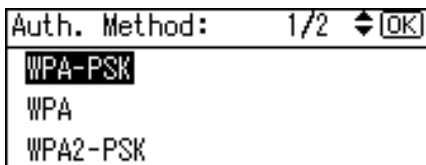
- [TKIP]
 - Uses the same algorithm as RC4, but further reduces vulnerability using methods such as key mixing.
- [CCMP(AES)]
 - Increases security using AES (Advanced Encryption Standard).

The display returns to the [WPA] menu.

8. Press the [▼] or [▲] key to select [Authentication Method], and then press the [OK] key.



9. Press the [▼] or [▲] key to select authentication settings, and then press the [OK] key.



Authentication settings are as follows:

- [WPA-PSK]
 - Performs authentication using an encryption key (a Pre-Shared Key) that is shared by the access point and client.
- [WPA]

WPA uses CA certificates and a RADIUS server to provide secure wireless communication.

- [WPA2-PSK]

As with WPA-PSK, authenticate using the encryption key (a Pre-Shared Key) shared by the access point and client. Enter Pre-Shared Key using between 8 and 63 ASCII characters.

- [WPA2]

WPA2 is an expanded version of WPA that fully supports IEEE 802.11i.

Wait for two seconds, the display returns to the [WPA] menu.

10. If [WPA] or [WPA2] is selected in step 9, a confirmation message appears. Press [OK].

Wait for two seconds. The display returns to the [WPA] menu, proceed to step 15.

11. If [WPA-PSK] or [WPA2-PSK] is selected in step 9, enter the Pre-Shared Key, and then press the [OK] key.

- When entering a character, pressing the [OK] key will mask it with an asterisk for security reasons.
- Enter the Pre-Shared Key using between 8 and 63 ASCII characters.
- Uppercase and lowercase letters are differentiated, so be sure to enter characters in the required case.
- Wait for two seconds. The display returns to the [Authentication Method] menu.

12. Press the [Escape] key.

13. Press [Exit].

14. Press the [▼] or [▲] key to select [WPA], and then press the [OK] key.

15. Press the [Menu] key to return to the initial screen.

16. Print a configuration page to confirm the settings.

Note

- For details about printing the configuration page, see p.45 "Test Printing".

Configuring IEEE 802.1X

IEEE 802.1X can be configured using Web Image Monitor's administrator mode. You can select four types of EAP authentication method: EAP-TLS, LEAP, EAP-TTLS and PEAP. Note that each EAP authentication method has different configuration settings and authentication procedures.

Types and requirements of certificates are as follows:

EAP Types Requiring a "Site Certificate"

EAP-TLS, EAP-TTLS, PEAP (Necessary except LEAP)

EAP Types Requiring a "Site Certificate" and a "Device Certificate"

EAP-TLS, PEAP (Phase 2 is for TLS only)

If a certificate is required, configure all settings after installing the certificate.

5

Installing a Site Certificate

Access the authentication server and obtain the CA certificate.

Methods of obtaining certificates differ according to the operating system you are using.

1. Log in to Web Image Monitor as an administrator.
2. In the menu area, click [Configuration].
3. Under "Security", click [Site Certificate].
4. Click [Browse] on the "Site Certificate to Import" window, and then select the CA certificate you obtained.
5. Click [Import].
6. Check that the imported certificate's [Status] shows "Trustworthy".
If [Site Certificate Check] shows [Active], and the [Status] of the certificate shows [Untrustworthy], communication might not be possible.
7. Click [OK].
8. Click [Logout].
9. Quit the Web Image Monitor.

Installing Device Certificate

1. Log in to Web Image Monitor as an administrator.
2. In the menu area, click [Configuration].
3. Under "Security", click [Device Certificate].
4. Click [Certificate 2] on the "Device Certificate" window, and then click [Request].

5. Enter appropriate "Common Name" and "Country Code" on "Certificate Information" page, and then click [OK].
6. "Updating..." appears. Wait for about 2 minutes, and then click [OK].
7. Click [Details], shown in the "Device Certificate" window as the memo pad icon for "Requesting".
8. Select all, and then copy the entire "Text for Requested Certificate" text that is displayed in the "Certificate Status" window.
9. Access the certificate authority server, and then obtain the CA signified certificate using the text copied into "Text for Requested Certificate" windows.

Obtaining the certificate differs depending on the environment you want to use.

10. Click [Certificate 2] on "Device Certificate" window, and then click [Install].
11. Using a text editor, open the CA signified certificate downloaded in step 9, and then copy over all the text.
12. In the [Enter Certificate Request] window, paste all the text copied into the CA signified certificate.
13. Click [OK].
14. "Updating..." appears. Wait for about one or two minutes, and then click [OK].
15. Check that the "Device Certificate" shows "Installed".
16. Click [Certificate 2] on "Certification", and then click [OK].
17. Click [Logout].
18. Quit Web Image Monitor.

↓ Note

- If you request two certificates simultaneously, the certificate authority might not display either certificate. Click [Cancel Request] to cancel the request.
- You can select [Certificate 1-4] in the "Device Certificate" window. Note that if you select [Certificate 1] in the "Device Certificate" window, you must select "Certificate 1" in the "IEEE 802.1X" drop down menu in the "Certification" window.
- Click [Cancel Request] to cancel the request for the server certificate.
- If "Not found" appears after clicking [OK] in steps 6 and 14, wait one or two minutes, and then click [Refresh].

Setting Items of IEEE 802.1X for Ethernet

1. Log in to Web Image Monitor as an administrator.
2. In the menu area, click [Configuration].
3. Under "Security", click [IEEE 802.1X].

4. In "User Name", enter the user name set in the RADIUS server.

5. Enter the domain name in "Domain Name".

6. Select "EAP Type". Configurations differ according to the EAP Type.

EAP-TLS

- Make the following settings according to the operating system you are using:
 - Select [On] or [Off] in "Authenticate Server Certificate".
 - Select [On] or [Off] in "Trust Intermediate Certificate Authority".
 - Enter the host name of the RADIUS server on "Server ID".
 - Select [On] or [Off] in "Permit Sub-domain".

LEAP

- Click [Change] in "Password", and then enter the password set in the RADIUS server.

EAP-TTLS

- Click [Change] in "Password", and then enter the password set in the RADIUS server.
- Click [Change] in "Phase 2 User Name", and then enter the user name set in the RADIUS server.
- Select [CHAP], [MSCHAP], [MSCHAPv2], [PAP], or [MD5] in "Phase 2 Method".
Certain methods might not be available, depending on the RADIUS server you want to use.
- Make the following settings according to the operating system you are using:
 - Select [On] or [Off] in "Authenticate Server Certificate".
 - Select [On] or [Off] in "Trust Intermediate Certificate Authority".
 - Enter the host name of the RADIUS server in "Server ID".
 - Select [On] or [Off] in "Permit Sub-domain".

PEAP

- Click [Change] in "Password", and then enter the password set in the RADIUS server.
If [TLS] is selected for "Phase 2 Method", you do not need to specify a password.
- Click [Change] on "Phase 2 User Name", and then enter the user name set in the RADIUS server.
- Select [MSCHAPv2] or [TLS] in "Phase 2 Method".
When you select [TLS], you must install "IEEE 802.1X Client Certificate".
- Make the following settings according to the operating system you are using:
 - Select [On] or [Off] in "Authenticate Server Certificate".
 - Select [On] or [Off] in "Trust Intermediate Certificate Authority".
 - Enter the host name of the RADIUS server on "Server ID".
 - Select [On] or [Off] in "Permit Sub-domain".

7. Click [OK].

8. "Updating..." appears. Wait for about one or two minutes, and then click [OK].
9. Under "Interface", click [Interface Settings].
10. Select [Active] in "Ethernet Security".
11. Click [OK].
12. "Updating..." appears. Wait for about one or two minutes, and then click [OK].
13. Click [Logout].
14. Quit the Web Image Monitor.

↓ Note

- If there is a problem with settings, you might not be able to communicate with the printer. To identify the problem, print a network summary.
- If you cannot identify the problem, reset the printer interface to normal, and then repeat the procedure from the beginning.

Setting Items of IEEE 802.1X for Wireless LAN

1. Log in to Web Image Monitor as an administrator.
2. In the menu area, click [Configuration].
3. Under "Security", click [IEEE 802.1X].
4. In "User Name", enter the user name set in the RADIUS server.
5. Enter the domain name in "Domain Name".
6. Select "EAP Type". Configurations differ according to the EAP Type.

EAP-TLS

- Make the following settings according to the operating system you are using:
 - Select [On] or [Off] in "Authenticate Server Certificate".
 - Select [On] or [Off] in "Trust Intermediate Certificate Authority".
 - Enter the host name of the RADIUS server on "Server ID".
 - Select [On] or [Off] in "Permit Sub-domain".

LEAP

- Click Change in "Password", and then enter the password set in the RADIUS server.

EAP-TTLS

- Click [Change] in "Password", and then enter the password set in the RADIUS server.
- Click [Change] in "Phase 2 User Name", and then enter the user name set in the RADIUS server.
- Select [CHAP], [MSCHAP], [MSCHAPv2], [PAP], or [MD5] in "Phase 2 Method".

Certain methods might not be available, depending on the RADIUS server you want to use.

- Make the following settings according to the operating system you are using:
 - Select [On] or [Off] in "Authenticate Server Certificate".
 - Select [On] or [Off] in "Trust Intermediate Certificate Authority".
 - Enter the host name of the RADIUS server in "Server ID".
 - Select [On] or [Off] in "Permit Sub-domain".

PEAP

- Click [Change] in "Password", and then enter the password set in the RADIUS server.
If [TLS] is selected for "Phase 2 Method", you do not need to specify a password.
- Click [Change] on "Phase 2 User Name", and then enter the user name set in the RADIUS server.
- Select [MSCHAPv2] or [TLS] in "Phase 2 Method".
When you select [TLS], you must install "IEEE 802.1X Client Certificate".
- Make the following settings according to the operating system you are using:
 - Select [On] or [Off] in "Authenticate Server Certificate".
 - Select [On] or [Off] in "Trust Intermediate Certificate Authority".
 - Enter the host name of the RADIUS server on "Server ID".
 - Select [On] or [Off] in "Permit Sub-domain".

5

7. Click [OK].
8. "Updating..." appears. Wait for about one or two minutes, and then click [OK].
9. Under "Interface", click [Wireless LAN Settings].
10. Select [Wireless LAN] in "LAN Type".
11. Select [Infrastructure Mode] in "Communication Mode".
12. Enter the alphanumeric characters (a-z, A-Z, or 0-9) in [SSID] according to the access point you want to use.
13. Select [WPA] in "Security Method".
14. Select [TKIP] or [CCMP (AES)] in "WPA Encryption Method" according to the access point you want to use.
15. Select [WPA] or [WPA2] in "WPA Authentication Method".
16. Click [OK].
17. "Updating..." appears. Wait for about one or two minutes, and then click [OK].
18. Click [Logout].
19. Quit the Web Image Monitor.

↓ Note

- If there is a problem with settings, you might not be able to communicate with the printer. To identify the problem, print a network summary.

- If you cannot identify the problem, reset the printer interface to normal, and then repeat the procedure from the beginning.



6. Loading Paper

This chapter explains the paper sizes and types supported by this printer, and how to load paper into the paper trays.

Supported Paper for Each Tray

The tables in this section provide details of the sizes, types, feed directions, and maximum number of sheets of paper that can be loaded in each of the printer's trays.

Symbols

	In this manual	On the display
Short-edge feed direction	 (Feed direction)	A4 8 1/2 " × 11 "
Long-edge feed direction	 (Feed direction)	A5 8 1/2 " × 5 1/2 "

Note

- Be careful of the paper feed direction. The direction is determined for each paper size.

Standard Paper Feed Tray

Paper types	Plain Paper, Thick Paper, Letterhead, Label Paper, Special Paper, Preprinted Paper, Color Paper, Recycled Paper
Selectable paper sizes on the paper size dial	The following sizes can be selected using the paper size dial: A4, B5 JIS, A5, 8 1/2 × 14 (Legal), 8 1/2 × 11 (Letter), 5 1/2 × 8 1/2 (Half Letter)
Selectable paper sizes on the control panel	The following sizes are supported but not specified on the paper size dial. You should set the paper size dial to "✖", and select the paper size with the control panel, see p.128 "Specifying standard size paper for a standard or optional paper feed tray". A5, 8 1/2 × 13 (Foolscap), 8 1/4 × 13 (Folio), 8 × 13 (F/GL), 5 1/2 × 8 1/2 (Half Letter), 16K, Custom Size

Custom paper size	<p>The following custom sizes are supported, but they must be selected using the control panel. For details about custom size paper settings, see p. 130 "Specifying custom size paper for a standard or optional paper feed tray".</p> <ul style="list-style-type: none"> • Approximately 139.7 - 216 mm (5.50 - 8.50 inches) in width • Approximately 139.7 - 356 mm (5.50 - 14.01 inches) in length
Paper weight	60 to 162 g/m ² (16 to 43 lb.)
Paper capacity	<p>500 sheets (80 g/m², 20 lb.)</p> <p>Do not load the paper so that the top of the stack exceeds the limit mark inside the tray.</p>

Optional Paper Feed Tray

6

Paper types	Plain Paper, Thick Paper, Letterhead, Label Paper, Special Paper, Preprinted Paper, Color Paper, Recycled Paper
Selectable paper sizes on the paper size dial	<p>The following sizes can be selected using the paper size dial:</p> <p>A4, B5 JIS, A5, 8¹/₂ × 14(Legal), 8¹/₂ × 11(Letter), 5¹/₂ × 8¹/₂(Half Letter)</p>
Selectable paper sizes on the control panel	<p>The following sizes are supported but not specified on the paper size dial. You should set the paper size dial to "✖", and select the paper size with the control panel, See p. 128 "Specifying standard size paper for a standard or optional paper feed tray".</p> <p>8¹/₂ × 13(Foolscap), 8¹/₄ × 13(Folio), 8 × 13(F/GL), 7¹/₄ × 10¹/₂(Executive), 16K, Custom Size</p>
Custom paper size	<p>The following custom sizes are supported, but they must be selected using the control panel. For details about custom size paper settings, see p. 130 "Specifying custom size paper for a standard or optional paper feed tray".</p> <ul style="list-style-type: none"> • Approximately 139.7 - 216 mm (5.50 - 8.50 inches) in width • Approximately 160 - 356 mm (6.30 - 14.01 inches) in length
Paper weight	60 to 162 g/m ² (16 to 43 lb.)
Paper capacity	<p>500 sheets (80 g/m², 20 lb.)</p> <p>Do not load the paper so that the top of the stack exceeds the limit mark inside the tray.</p>

Bypass Tray

Paper types	Plain Paper, Thick Paper, Letterhead, Label Paper, Special Paper, Preprinted Paper, Color Paper, Recycled Paper, OHP (Transparency), Envelope
Paper sizes requiring manual settings	The following sizes are supported, but they must be selected using the control panel. For details about paper size settings, see p.135 "Specifying standard size paper for the bypass tray". A4, A5, A6, B5 JIS, B6, 8 1/2" x 14" (Legal), 8 1/2" x 13" (Foolscap), 8 1/2" x 11" (Letter), 8 1/4" x 13" (Folio), 8" x 13" (F/GL), 7 1/4" x 10 1/2" (Executive), 5 1/2" x 8 1/2" (Half Letter), 4 1/8" x 9 1/2" (Com 10), 3 7/8" x 7 1/2" (Monarch), C5 Env., C6 Env., DL Env., 16K, Custom Size
Custom paper size	The following custom sizes are supported, but they must be selected using the control panel. For details about custom size paper settings, see p.136 "Specifying custom size paper for the bypass tray". <ul style="list-style-type: none"> Approximately 64 - 216 mm (2.52 - 8.50 inches) in width Approximately 139.7 - 432 mm (5.50 - 17.00 inches) in length
Paper weight	60 to 162 g/m ² (16 to 43 lb.)
Paper capacity	100 sheets (80 g/m ² , 20 lb.) Do not load the paper so that the top of the stack exceeds the paper guides on the bypass tray.

Envelope Feeder

Paper types	Envelope
Paper sizes requiring manual settings	The following sizes are supported, but they must be selected using the control panel. For details about paper size settings, see p.146 "Loading Envelopes into the Envelope Feeder Unit". 4 1/8" x 9 1/2" (Com 10), 3 7/8" x 7 1/2" (Monarch), C5 Env., C6 Env., DL Env.
Paper weight	60 to 130 g/m ² (16 to 35 lb.)

Paper capacity	<p>60 sheets (80 g/m², 20 lb.)</p> <p>Do not load the paper so that the top of the stack exceeds the limit mark inside the tray.</p>
----------------	---

Duplex Unit

Paper types	Plain Paper, Letterhead, Recycled Paper
Paper sizes	<p>A4, A5, B5 JIS, 8 1/2" x 14" (Legal), 8 1/2" x 13" (Foolscap), 8 1/2" x 11" (Letter), 8 1/4" x 13" (Folio), 8" x 13" (F/GL), 5 1/2" x 8 1/2" (Half Letter), 16K</p>
Paper weight	60 to 130 g/m ² (16 to 35 lb.)

Supported Paper Types

The tables in this section provide details of the paper types supported by this printer. Use these tables when specifying a tray's paper settings and take note of the information under "Note".

Plain Paper

Paper weight	60 to 130 g/m ² (16 to 35 lb.)
Paper type setting using the control panel	The [Menu] key > [Paper Input] > [Paper Type: (tray name)] > [No Display (Plain Paper)] > the [OK] key
Paper type setting using the printer driver	[Plain & Recycled] or [Plain (60 to 130 g/m ²)]
Supported input tray	Any input tray can be used.
Duplex printing	Supported
Note	<ul style="list-style-type: none"> • Tray 1: 500 • Tray 2 (Paper feed unit): 500 • Tray 3 (Paper feed unit): 500 • Bypass Tray: 100

6

Thick Paper

Paper weight	131 to 162 g/m ² (35 to 43 lb.)
Paper type setting using the control panel	The [Menu] key > [Paper Input] > [Paper Type: (tray name)] > [Thick Paper] > the [OK] key
Paper type setting using the printer driver	[Thick (131 to 162 g/m ²)]
Supported input tray	Any input tray can be used.
Duplex printing	Not supported
Note	Printing is slightly slower than when using plain paper.

Letterhead

Paper type setting using the control panel	The [Menu] key > [Paper Input] > [Paper Type: (tray name)] > [Letterhead] > the [OK] key
Paper type setting using the printer driver	[Letterhead]
Supported input tray	Any input tray can be used.
Duplex printing	Supported

Label Paper

Paper type setting using the control panel	The [Menu] key > [Paper Input] > [Paper Type: (tray name)] > [Label Paper] > the [OK] key
Paper type setting using the printer driver	[Labels]
Supported input tray	Any input tray can be used.
Duplex printing	Not supported

Special Paper

Paper type setting using the control panel	The [Menu] key > [Paper Input] > [Paper Type: (tray name)] > [Special Paper] > the [OK] key
Paper type setting using the printer driver	[Special]
Supported input tray	Any input tray can be used.
Duplex printing	Not supported
Note	When you cannot print successfully with other paper type settings, set special paper.

Preprinted Paper

Paper type setting using the control panel	The [Menu] key > [Paper Input] > [Paper Type: (tray name)] > [Preprinted Paper] > the [OK] key
Paper type setting using the printer driver	[Preprinted]
Supported input tray	Any input tray can be used.
Duplex printing	Not supported

Color Paper

Paper type setting using the control panel	The [Menu] key > [Paper Input] > [Paper Type: (tray name)] > [Color Paper] > the [OK] key
Paper type setting using the printer driver	[Color]
Supported input tray	Any input tray can be used.
Duplex printing	Not supported

6

Recycled Paper

Paper type setting using the control panel	The [Menu] key > [Paper Input] > [Paper Type: (tray name)] > [Recycled Paper] > the [OK] key
Paper type setting using the printer driver	[Recycled] or [Plain & Recycled]
Supported input tray	Any input tray can be used.
Duplex printing	Supported

OHP transparencies

Paper type setting using the control panel	The [Menu] key > [Paper Input] > [Paper Type: Bypass Tray] > [OHP (Transparency)] > the [OK] key
--	--

Paper type setting using the printer driver	[Transparency]
Supported input tray	This paper type can be printed only from the bypass tray.
Duplex printing	Not supported

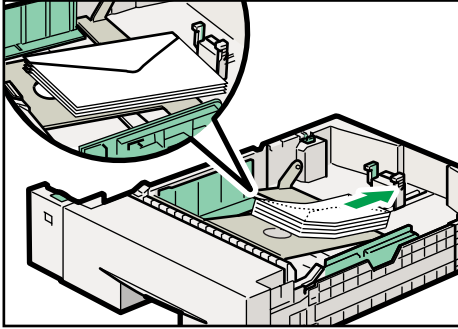
Envelopes

Paper type setting using the control panel	The [Menu] key > [Paper Input] > [Paper Type: Tray2] or [Paper Type: Tray3], or [Paper Type: Bypass Tray] > [Envelope] > the [OK] key
Paper type setting using the printer driver	[Envelope]
Supported input tray	This paper type can be printed only from the tray 2 and tray 3, and bypass tray. To print on envelopes from Tray 2 or Tray 3, use the envelope feeder unit.
Duplex printing	Not supported

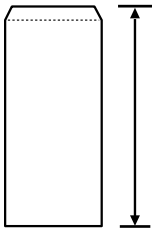
Note	<ul style="list-style-type: none"> • Check there is no air in the envelopes before loading. • Load only one size and type of envelope at a time. • Some kinds of envelope might cause misfeeds, wrinkles or print poorly. • Print quality on envelopes may be uneven if parts of an envelope have differing thicknesses. Print one or two envelopes to check print quality. • In a hot and humid environment, the envelope might be output creased or improper printing quality. • The number of envelopes that can be printed in one minute is approximately half that of Plain Paper 1. • Paper can be loaded only up to the lower of the two paper limit marks of the bypass tray. • If printed envelopes come out badly creased, load the envelopes in the opposite direction. Also, configure the printer driver to rotate the print object 180 degrees. • Environmental factors can degrade the print quality on both recommend and non-recommended envelopes. • Up to 60 envelopes can be loaded on the envelope feeder unit. • After printing, envelopes sometimes have creases along their long edges and toner smear on their unprinted sides. Their print images might also be blurred. When printing large, black-solid areas, striping can occur as a result of the envelopes overlapping. If this occurs, use the envelope lever to resolve this problem. For more information about the envelope lever, see p.140 "Loading Envelopes".
------	--

↓ Note

- Load envelopes with the print side down in the envelope feeder.
- Load envelopes with flaps closed to the left side of the tray. Also, configure the printer driver to rotate the print object 180 degrees.



- Load envelopes with the print side facing up on the bypass tray.
- Load envelopes with flaps closed to the left side of the tray. Also, configure the printer driver to rotate the print object 180 degrees.
- To correctly specify the length of an envelope whose flap opens along its short edge, be sure to include the open flap when measuring.



Storing Paper

Take care when storing paper. Improperly stored paper might result in poor print quality, paper misfeeds, or printer damage. Recommendations are as follows:

- Avoid storing paper in humid areas.
- Avoid exposing paper to direct sunlight.
- Store on a flat surface.
- Keep paper in its original package until time to use it.

Non-Recommended Paper Types

★ Important

- Do not use the following types of paper:
 - Ink-jet printer paper
 - GelJet special paper
 - Bent, folded, or creased paper
 - Curled or twisted paper
 - Wet paper
 - Paper that is dry enough to emit static electricity
 - Paper that has already been printed onto, except a preprinted letterhead paper.
Malfunctions are especially likely when using paper printed on by other than a laser printer (e.g. monochrome and color copiers, ink-jet printers, etc.)
 - Surface-processed paper (excluding specified paper)
 - Special paper, such as thermal paper and carbon paper
 - Paper whose weight is heavier or lighter than the limitation
 - Perforated paper
 - Adhesive label paper on which glue or base paper is exposed
 - Paper with clips or staples
 - Dirty or damaged paper

↓ Note

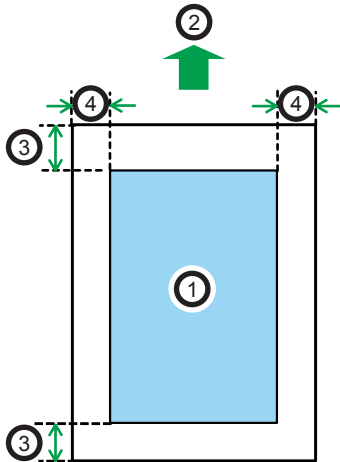
- Even if paper is adequate for the printer, poorly stored paper can cause paper misfeeds, print quality degradation, or malfunctions.

Print Area

Be sure to set the print margins correctly by the application.

The following diagram shows the print area for this printer.

Paper



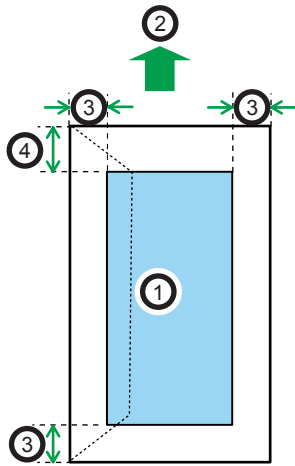
OEG244

- ① Print area
- ② Feed direction
- ③ Approx. 4.2 mm (0.20 inches)
- ④ Approx. 4.2 mm (0.20 inches)

↓ Note

- The print area may vary depending on the paper size, printer language and printer driver settings.

Envelope



CEC245

- ① Print area
- ② Feed direction
- ③ Approx. 10 mm (0.40 inches)
- ④ Approx. 15 mm (0.60 inches)

↓ Note

- The print area may vary depending on the paper size, printer language and printer driver settings.

Loading Paper in Trays

Loading Paper into a Standard or Optional Paper Feed Tray

WARNING

- Do not put your hands inside the printer when the input tray is removed. Some internal parts become hot and are a burn hazard.

CAUTION

- Do not pull out the paper tray forcefully. If you do, the tray might fall and cause an injury.

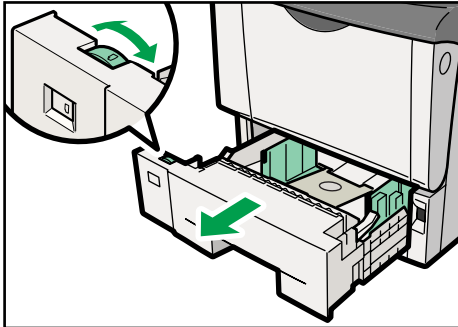
CAUTION

- Take care to avoid cutting your hands when loading paper.

Important

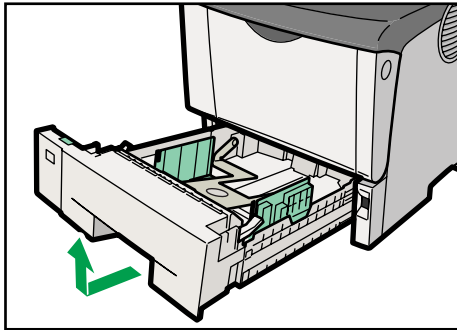
- Confirm that the setting of the paper size dial matches the paper size and feed direction of the paper in the tray, otherwise the printer might be damaged, or printing problems might occur.
- If you want to use the paper size and feed direction that are not indicated on the paper size dial, set the dial to "✖". In this case, you should set the paper size using the control panel.
- Make sure paper is not stacked higher than the upper limit mark inside the paper feed tray. Excessive stacking can cause paper jams.
- Do not mix different types of paper in the same paper tray.
- Specify the paper size using the control panel or paper size dial, and paper type using the control panel, according to the loaded paper. When printing a document, specify the same paper size and type in the printer driver as the settings specified on the printer.
- For details about the supported paper sizes and types, see p.111 "Supported Paper for Each Tray".
- Do not move the side paper guides and end paper guide forcefully. Doing so can damage the tray.
- Curled paper may jam, straighten curled paper before loading.
- When loading paper, take care not to touch the surface of the paper.

1. Lift the paper tray slightly, and then pull it out until it stops. Adjust the paper size dial to match the size and feed direction of paper in the paper tray.



CEE013

2. Lift the front side of the tray, and then pull it out of the printer.

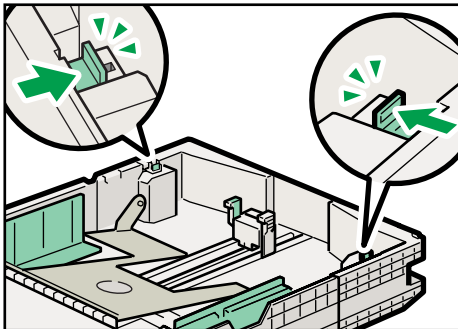


CEE011

Place the tray on a flat surface.

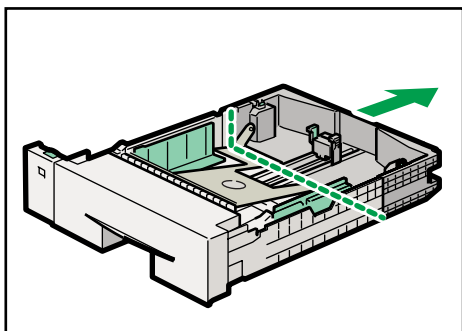
3. If you load paper larger than A4[□], you should extend the tray as follows:

1. Slide the catches inwards to unlock the tray.



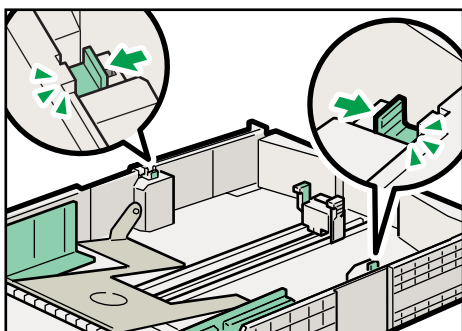
CEE029

2. Slide the tray until it stops.



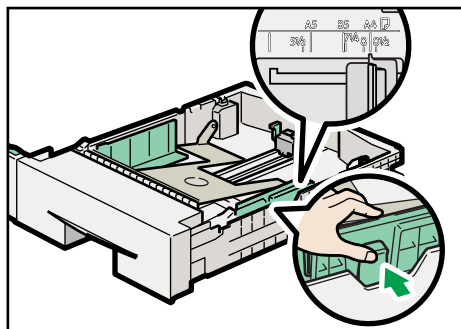
CEE028

3. Return the catches to their original positions.



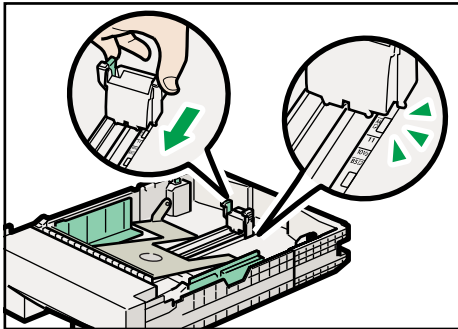
CEE030

4. Pinch the clip on the side paper guide and slide it to match the standard size.



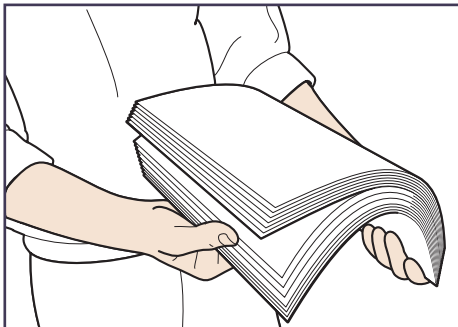
CEE096

5. Pinch the end guide and slide it inward to match the standard size.



CEE097

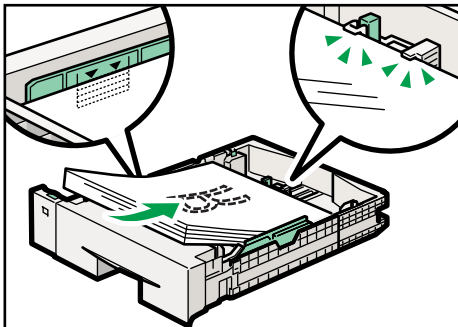
6. Fan the paper before loading paper in the tray.



CBK254

7. Load the new paper stack print side down.

Make sure paper is not stacked higher than the upper limit (upper line) marked inside the tray.



CEE116

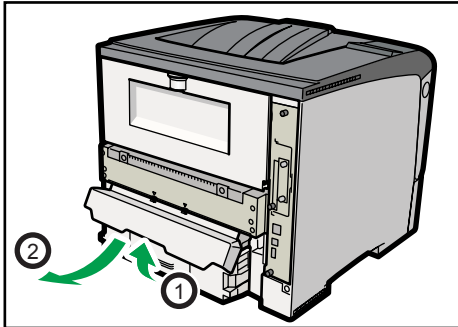
Slide the guides inward, until they are flush against the paper's sides.

8. Adjust the paper guides to close any gaps.

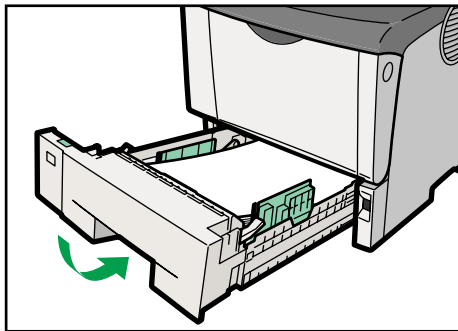
Do not move paper loaded in the tray more than a few millimeters.

Moving the loaded paper excessively can cause damage to paper edges on the openings of the tray's lifting plate, resulting in sheets being folded or becoming jammed.

9. If you extended the tray in Step 3, pull the bottom of the paper tray cover (①) up slowly, and then remove the paper tray cover (②), as shown in the illustration.



10. Hold the tray with both hands, slide it along the rails of the printer body, and then push it straight in.



To avoid paper jams, make sure the tray is securely inserted.

Note

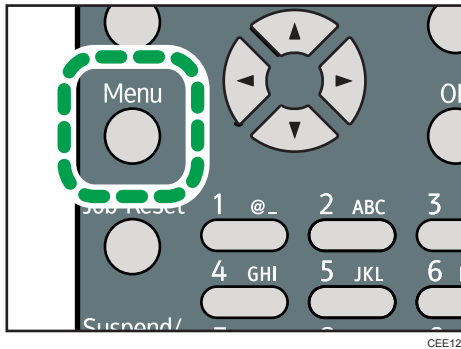
- You cannot load paper smaller than A4[□], if the tray is extended. In this case, return the tray to its standard length.

Specifying standard size paper for a standard or optional paper feed tray

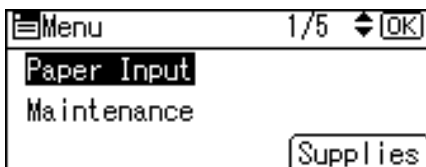
★ Important

- If you want to use the paper size and feed direction that are not indicated on the paper size dial, set the dial to "✖". In this case, you should set the paper size using the control panel. Follow the procedure described below to set the paper size.

1. Press the [Menu] key.



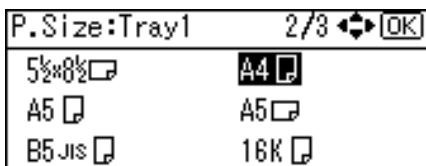
2. Press the [▼] or [▲] key to select [Paper Input], and then press the [OK] key.



3. Press the [▼] or [▲] key to select [Paper Size: (tray name)], and then press the [OK] key.



4. Select the paper size you want to set using the scroll keys, and then press the [OK] key.



5. Press the [Menu] key to return to the initial screen.

↓ Note

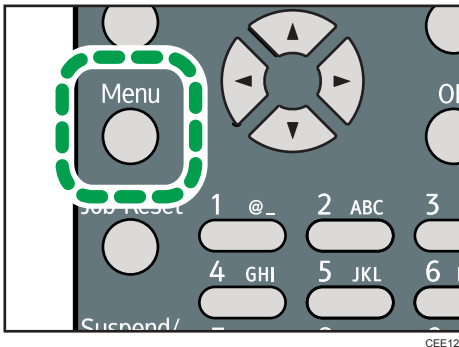
- For details about the available paper size, see p.111 "Supported Paper for Each Tray".
- After specifying the paper size, specify a paper type using the control panel and printer driver. For details on specifying a paper type using the control panel, see p.131 "Specifying a paper type for standard or optional paper feed tray".
- For details about the printer driver, see the printer driver Help.

Specifying custom size paper for a standard or optional paper feed tray

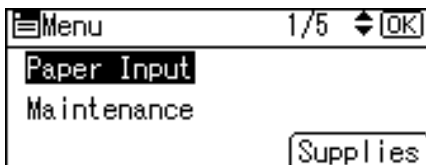
★ Important

- If you want to use the paper size and feed direction that are not indicated on the paper size dial, set the dial to "✱". In this case, you should set the paper size using the control panel. Follow the procedure described below to set the paper size.
- The printer cannot print from applications that do not support custom size paper.

1. Press the [Menu] key.



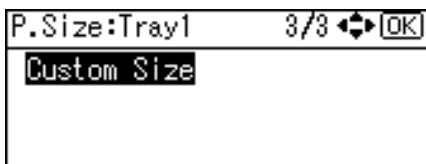
2. Press the [▼] or [▲] key to select [Paper Input], and then press the [OK] key.



3. Press the [▼] or [▲] key to select [Paper Size: (tray name)], and then press the [OK] key.
In the illustration below, [Paper Size:Tray 1] is selected for Tray 1.



4. Select [Custom Size] using the scroll keys, and then press the [OK] key.



5. Enter the horizontal value, and then press the [OK] key.

 Region **A** (mainly Europe and Asia)

Custom:Tray1	↕ [OK]
Enter with No. keys or ↕.	
Horiz.	<input type="text" value="215.9"/> mm
<139.7to216.0 by 0.1>	

 **Region B** (mainly North America)

Custom:Tray1	↕ [OK]
Enter with No. keys or ↕.	
Horiz.	<input type="text" value="8.50"/> inch
<5.50to8.50 by 0.01>	

6. Enter the vertical value, and then press the [OK] key.

 **Region A** (mainly Europe and Asia)

Custom:Tray1	↕ [OK]
Enter with No. keys or ↕.	
Vert.	<input type="text" value="279.4"/> mm
<139.7to356.0 by 0.1>	

 **Region B** (mainly North America)

Custom:Tray1	↕ [OK]
Enter with No. keys or ↕.	
Vert.	<input type="text" value="11.00"/> inch
<5.50to14.01 by 0.01>	

7. Press the [Menu] key to return to the initial screen.

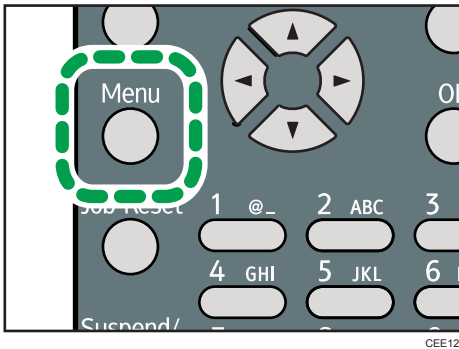
Note

- For details about the available paper size, see p.111 "Supported Paper for Each Tray".
- After specifying the paper size, specify a paper type using the control panel and printer driver. For details on specifying a paper type using the control panel, see p.131 "Specifying a paper type for standard or optional paper feed tray".
- For details about the printer driver, see the printer driver Help.

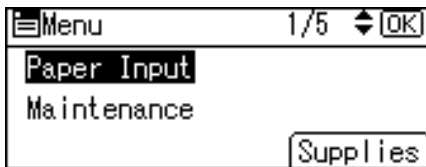
Specifying a paper type for standard or optional paper feed tray

You can improve printer performance by selecting the optimum paper type for the tray.

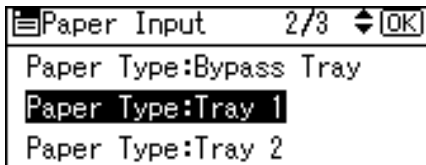
1. Press the [Menu] key.



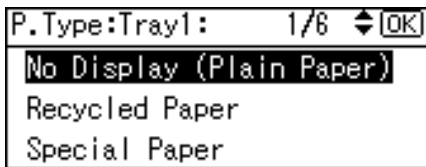
2. Press the [▼] or [▲] key to select [Paper Input], and then press the [OK] key.



3. Press the [▼] or [▲] key to select [Paper Type: (tray name)], and then press the [OK] key.
In the illustration below, [Paper Type:Tray 1] is selected for Tray 1.



4. Press the [▼] or [▲] key to select the paper type that is loaded, and then press the [OK] key.



About two seconds later, the display returns to the Paper Input screen.

5. Press the [Menu] key to return to the initial screen.

Note

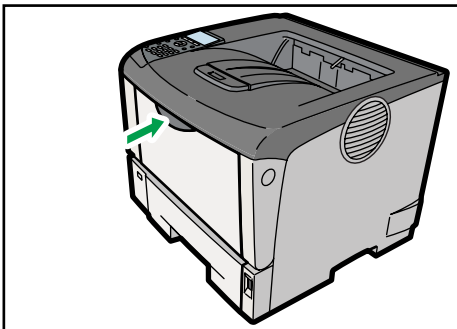
- If the printing result is badly smudged, change the setting on the printer's control panel. For details, see p.111 "Supported Paper for Each Tray".

Loading Paper onto Bypass Tray

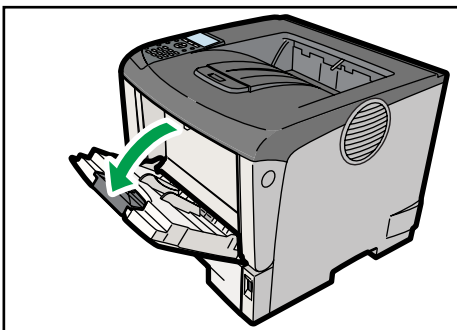
★ Important

- Shuffle paper before loading the stack onto the tray, so multiple sheets are not fed in together.
- Set the size and direction of the loaded paper on the control panel or in the printer driver. Make sure the settings do not conflict. Otherwise, the paper may jam or the print quality may be affected.
- Load paper with the print side up.
- Specify the paper size and type using the control panel. This printer does not automatically detect the size of paper loaded in a bypass tray. Make sure the paper size and type is selected using the control panel.
- During printing, do not open or close the printer covers or bypass tray, or pull out or push in the paper tray.

1. Press the mark in the center of the Bypass Tray.

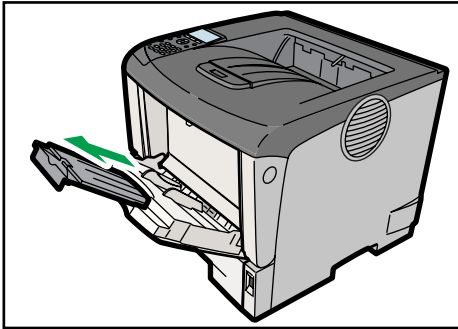


CEE002



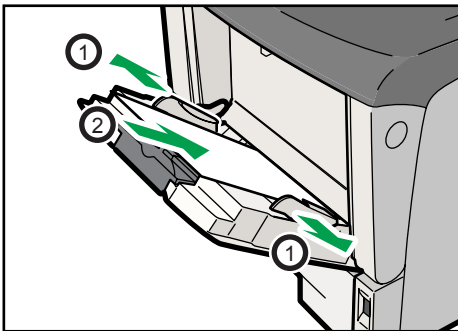
CEE006

If you load B5[□] or longer size paper, pull out the bypass tray extension.



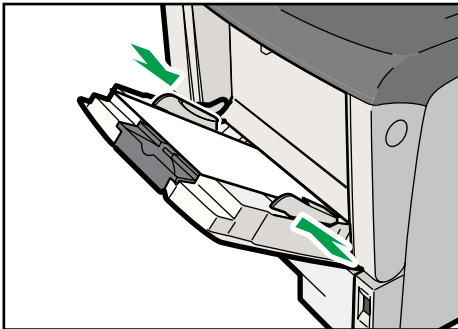
CEE024

2. Slide the paper guide both sides outward, and then load paper print side up, until it stops.



CEE025

3. Adjust the paper guide both sides to fit the paper width.



CEE076

Note

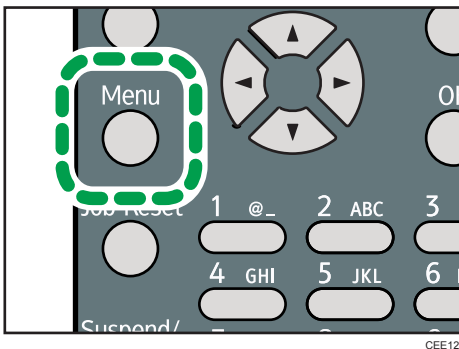
- When loading paper on the bypass tray, make sure the stack does not exceed the limit mark on the inner side of the paper guides. For details about the thicknesses of different paper types, see p.115 "Supported Paper Types".

Specifying standard size paper for the bypass tray

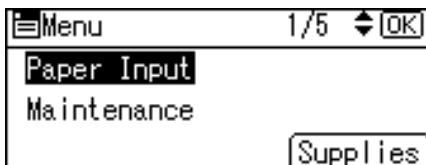
★ Important

- The standard size paper selected using the printer driver overrides that selected using the control panel, so do not make settings using the control panel if you have already made settings using the printer driver.
- When [Machine Setting(s)] is selected for [Tray Setting Priority] under [Machine Modes] in [Print Settings], any settings made using the printer's control panel have priority over any settings made using the printer driver.
- For details about the printer driver, see the printer driver Help.

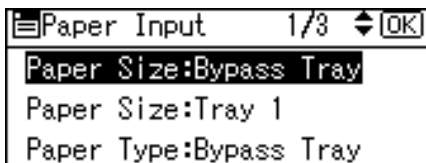
1. Press the [Menu] key.



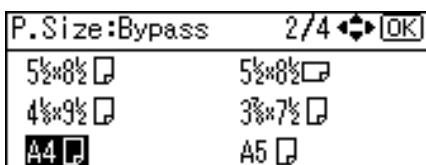
2. Press the [▼] or [▲] key to select [Paper Input], and then press the [OK] key.



3. Press the [▼] or [▲] key to select [Paper Size:Bypass Tray], and then press the [OK] key.



4. Select the paper size you want to set using the scroll keys, and then press the [OK] key.



5. Press the [Menu] key to return to the initial screen.

Note

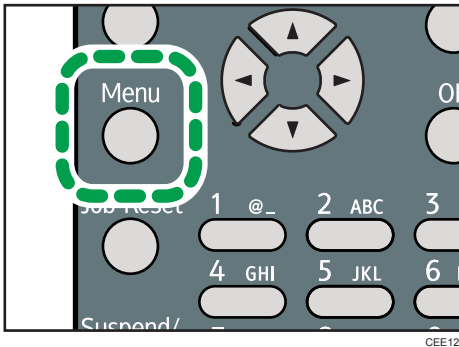
- After specifying the paper size, specify a paper type using the control panel or printer driver. For details on specifying a paper type using the control panel, see p. 138 "Specifying a paper type for the bypass tray".
- The number of pages that can be loaded on the bypass tray differs depending on paper type.
- For details about the printer driver, see the printer driver Help.

Specifying custom size paper for the bypass tray

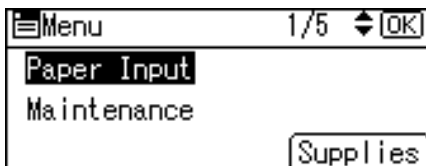
Important

- The custom size paper selected using the printer driver overrides that selected using the control panel, so do not make settings using the control panel if you have already made settings using the printer driver.
- When [Machine Setting(s)] is selected for [Tray Setting Priority] under [Machine Modes] in [Print Settings], any settings made using the printer's control panel have priority over any settings made using the printer driver.
- You cannot print on custom size paper with an application that does not support the custom size setting.
- For details about the printer driver, see the printer driver Help.

1. Press the [Menu] key.



2. Press the [▼] or [▲] key to select [Paper Input], and then press the [OK] key.



3. Press the [▼] or [▲] key to select [Paper Size:Bypass Tray], and then press the [OK] key.

☰ Paper Input	1/3	↕ [OK]
Paper Size:Bypass Tray		
Paper Size:Tray 1		
Paper Type:Bypass Tray		

4. Select [Custom Size] using the scroll keys, and then press the [OK] key.

P.Size:Bypass	4/4	↔ [OK]
16K		Custom Size

5. Enter the horizontal value, and then press the [OK] key.

🌐 Region **A** (mainly Europe and Asia)

Custom:Bypass	↕ [OK]
Enter with No. keys or ↕.	
Horiz.	215.9 mm
<64.0to216.0 by 0.1>	

🌐 Region **B** (mainly North America)

Custom:Bypass	↕ [OK]
Enter with No. keys or ↕.	
Horiz.	8.50 inch
<2.52to8.50 by 0.01>	

6. Enter the vertical value, and then press the [OK] key.

🌐 Region **A** (mainly Europe and Asia)

Custom:Bypass	↕ [OK]
Enter with No. keys or ↕.	
Vert.	279.4 mm
<139.7to432.0 by 0.1>	

🌐 Region **B** (mainly North America)

Custom:Bypass	↕ [OK]
Enter with No. keys or ↕.	
Vert.	11.00 inch
<5.50to17.00 by 0.01>	

7. Press the [Menu] key to return to the initial screen.

↓ Note

- After specifying the paper size, specify a paper type using the control panel or printer driver. For details on specifying a paper type using the control panel, see p. 138 "Specifying a paper type for the bypass tray".
- For details about the printer driver, see the printer driver Help.

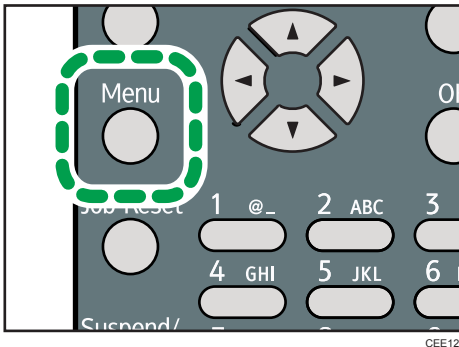
Specifying a paper type for the bypass tray

★ Important

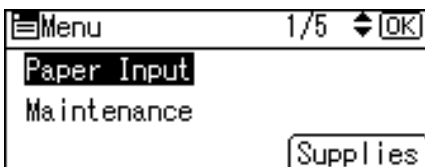
- After loading paper on the tray, specify the paper type using the control panel or printer driver.
- The paper type selected using the printer driver overrides that selected using the control panel, so do not make settings using the control panel if you have already made settings using the printer driver.
- When [Machine Setting(s)] is selected for [Tray Setting Priority] under [Machine Modes] in [Print Settings], any settings made using the printer's control panel have priority over any settings made using the printer driver.
- For details about the printer driver, see the printer driver Help.

6

1. Press the [Menu] key.



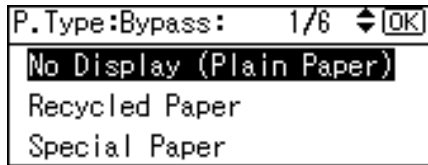
2. Press the [▼] or [▲] key to select [Paper Input], and then press the [OK] key.



3. Press the [▼] or [▲] key to select [Paper Type:Bypass Tray] and then press the [OK] key.



4. Press the [▼] or [▲] key to select the paper type you want to use, and then press the [OK] key.



5. Press the [Menu] key to return to the initial screen.

↓ Note

- If the printing result is badly smudged, change the setting on the printer's control panel. For details, see p.111 "Supported Paper for Each Tray".

Loading Envelopes

⚠ CAUTION

- The inside of the machine could be very hot. Do not touch the parts with a label indicating the "hot surface". Otherwise, an injury might occur.

⚠ CAUTION

- Some of this machine's internal components get very hot. For this reason, take care when removing misfed paper. Not doing so could result in burns.

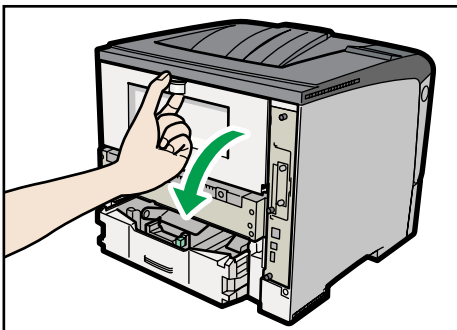
★ Important

- Check there is no air in the envelopes before loading.
- Load only one size and type of envelope at a time.
- Before loading envelopes, flatten their leading edges (the edge going into the printer) by running a pencil or ruler across them.
- Some kinds of envelope might cause misfeeds, wrinkles or print poorly.
- Print quality on envelopes may be uneven if parts of an envelope have differing thicknesses. Print one or two envelopes to check print quality.
- In a hot and humid environment, the envelope might be output creased or improper printing quality.

6

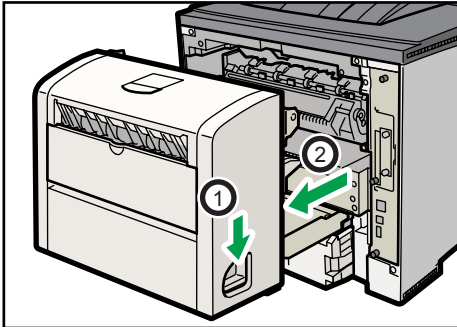
Loading Envelopes into the Bypass Tray

1. Open the rear cover.



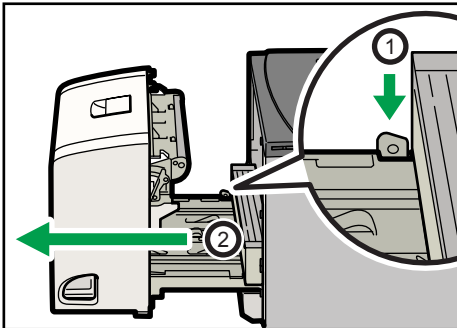
CEE040

2. If the optional duplex unit is attached, push down the lever on the right side of the duplex unit (①), and then pull it out until it stops (②).



CEE056

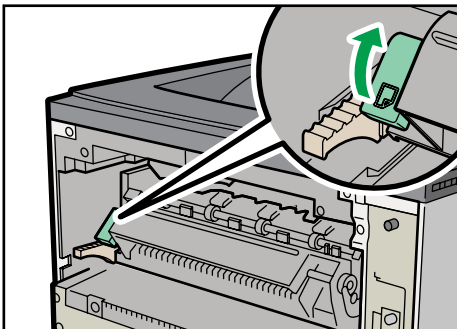
3. Push the under board levers (①) and then pull the duplex unit out of the printer (②).



CEE083

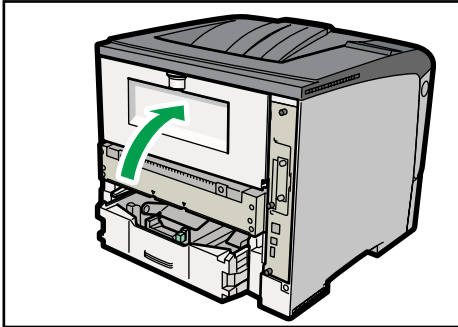
4. Use the envelope lever.

Raising the envelope lever reduces roller pressure.



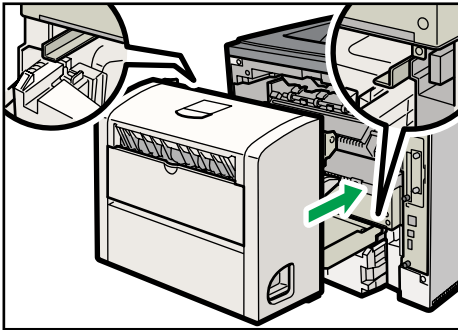
CEE058

5. Close the rear cover.



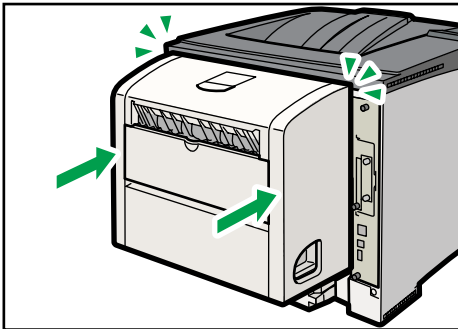
CEE045

6. If the optional duplex unit was removed, re-install it in the printer by pushing it along the rails on the inside of the printer.

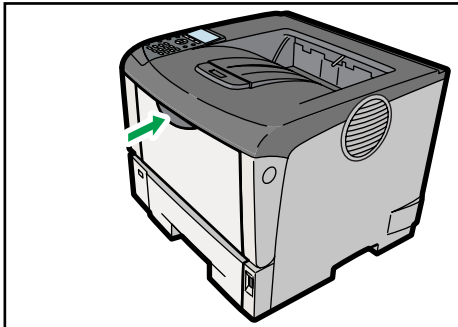


CEE057

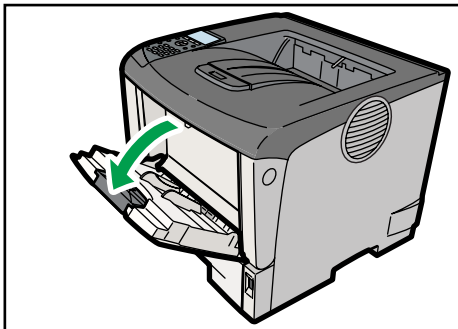
7. Securely push the duplex unit into the printer.



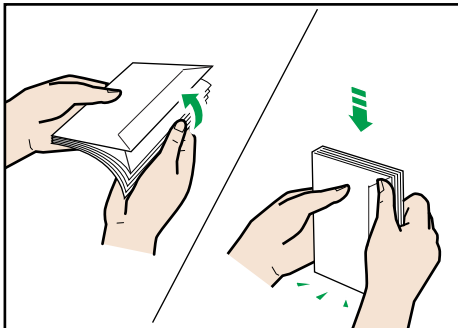
CEE050

8. Press the mark in the center of the Bypass Tray.

CEE002



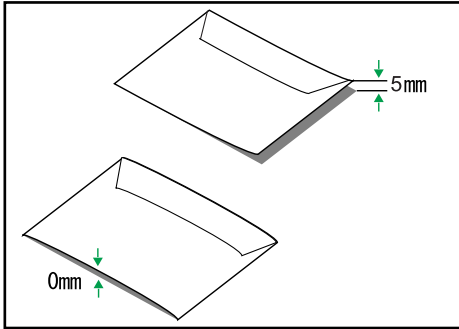
CEE006

9. Fan envelopes, and then align their edges before loading.

CBK239

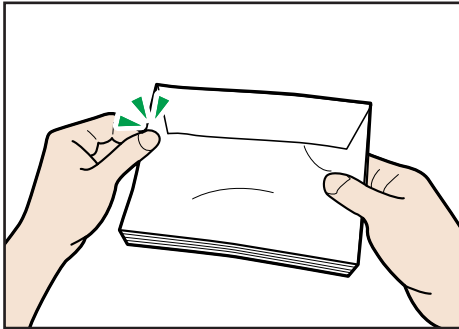
When fanning envelopes, make sure the envelope flaps are not stuck together. If they are stuck together, separate them.

Before loading envelopes, flatten them out so that their curl does not exceed that shown in the illustration below.



CBK240

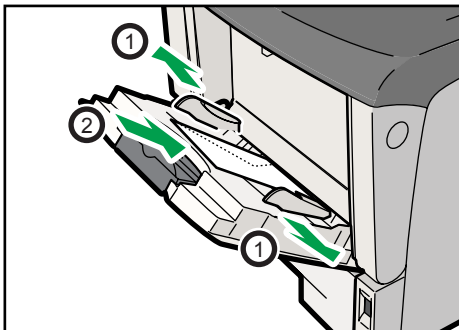
If the curl is severe, flatten out the envelopes using your fingers, as shown in the illustration below.



CBK241

If envelopes are severely curled after printing, flatten them by bending them back against the curl.

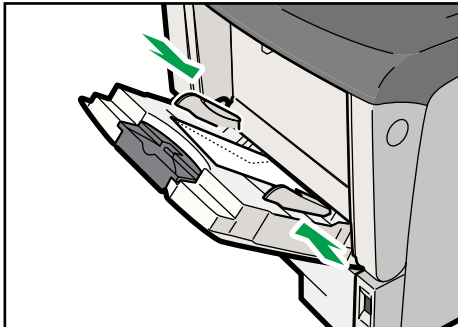
10. Set the envelope in the bypass tray with the printing side facing up.



CEE160

When loading envelopes, be sure to load envelopes in the tray with their closed flaps facing the left side of the tray.

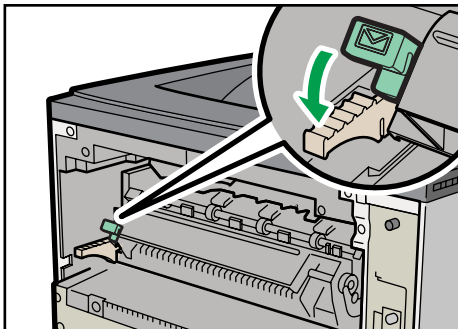
11. Adjust the paper guide both sides to fit the envelope width.



CEE161

↓ Note

- Keep the envelope lever lowered when printing normally.



CEE162

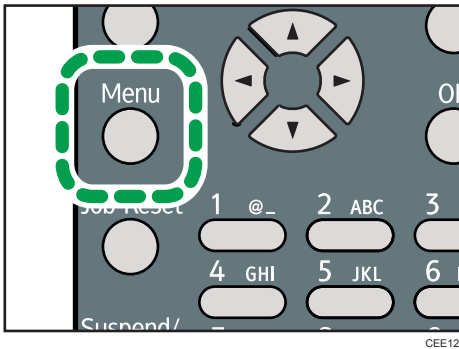
- Confirm that the top of the stack is not higher than the limit mark on the side guides.
- Do not push the stack of envelopes with too much force.
- Confirm that the edges of envelopes fit under the side guides.

Specifying envelope size for the bypass tray

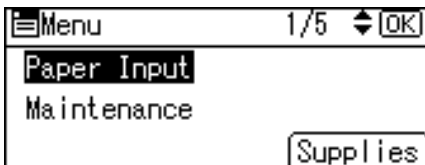
★ Important

- The envelope size selected using the printer driver overrides that selected using the control panel, so do not make settings using the control panel if you have already made settings using the printer driver.
- When [Machine Setting(s)] is selected for [Tray Setting Priority] under [Machine Modes] in [Print Settings], any settings made using the printer's control panel have priority over any settings made using the printer driver.
- For details about the printer driver, see the printer driver Help.

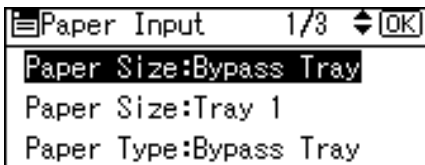
1. Press the [Menu] key.



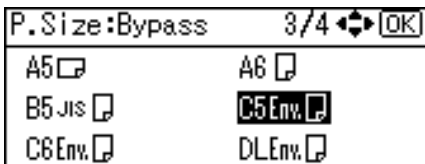
2. Press the [▼] or [▲] key to select [Paper Input], and then press the [OK] key.



3. Press the [▼] or [▲] key to select [Paper Size:Bypass Tray], and then press the [OK] key.



4. Select the envelope type using the scroll keys, and then press the [OK] key.



5. Press the [Menu] key.

↓ Note

- After specifying the paper size, specify a paper type such as [Envelope] using the control panel or printer driver. For details on specifying a paper type using the control panel, see p.138 "Specifying a paper type for the bypass tray".
- For details about the printer driver, see the printer driver Help.

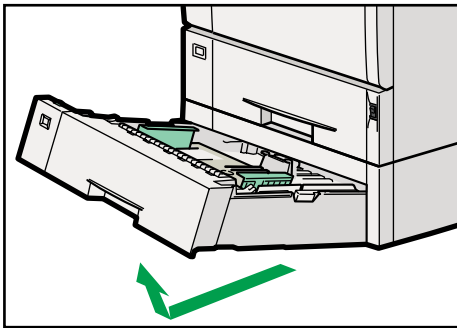
Loading Envelopes into the Envelope Feeder Unit

The following explanation uses the example of installing the envelope feeder unit in "Tray 2".

★ Important

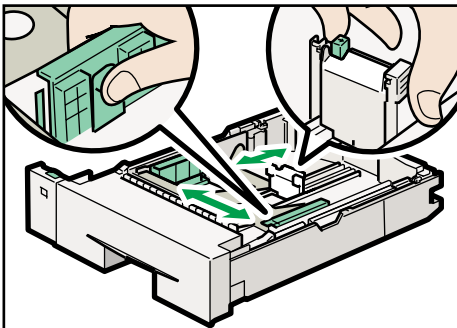
- Even if the envelope feeder is not installed, you can select envelope sizes for Tray 2 using the control panel. However, you cannot load envelopes until the envelope feeder unit is installed.
- With the envelope feeder unit, you can load up to 60 envelopes at the same time.
- Confirm that the envelope flaps are securely folded down, and that there is no air inside the envelopes.
- Do not slide the paper tray in with force. If you do the front and side guides might move.
- Select "✳" on the paper size dial.
- Using the control panel, specify the paper size according to the size of the envelope. When printing, match the paper size setting in the printer driver to the size selected on the printer.
- For details about the printer driver, see the printer driver Help.

1. Pull the optional paper feed unit (Tray 2) out until it stops. Then, lift it slightly, and then slide it out.



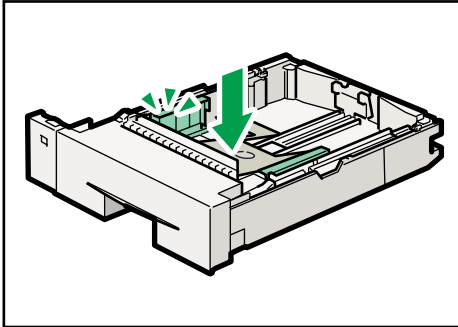
CEE075

2. Prepare the envelope feeder unit.
3. Pinch the side guides, and then slide them outward until they stop. Pinch the rear guide, and then slide it toward the back.



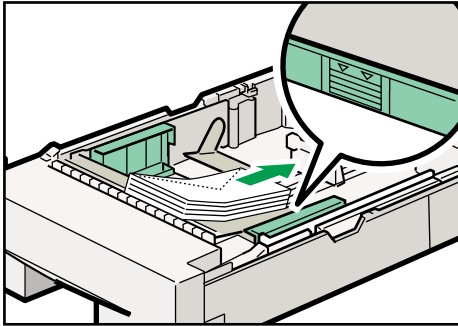
CEE036

4. Push the bottom plate down until it locks into place.



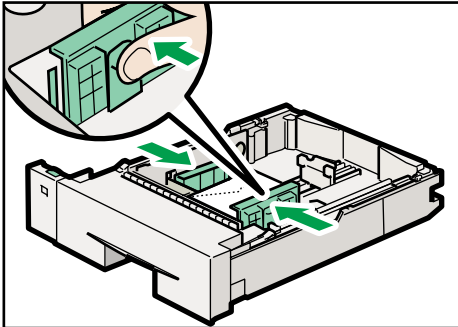
CEE035

5. Load envelopes into the envelope feeder unit, with the print side down and the flap on the left as shown in the illustration.



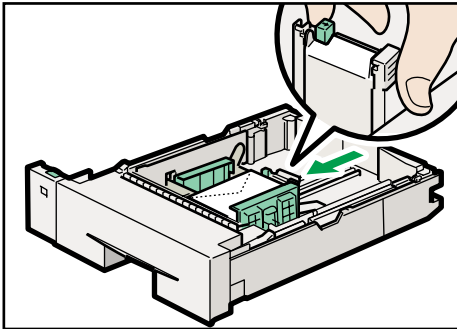
CEE163

6. Pinch the side guides, and then slide them along the edge of the envelope stack.



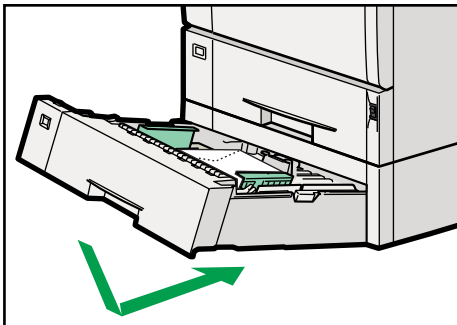
CEE037

7. Pinch the rear guide, and then slide it along the edge of the envelope stack.



CEE038

8. Lift the front of the tray, and then slide it carefully into the printer until it stops.

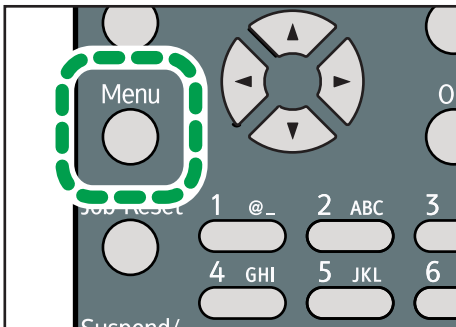


CEE073

6

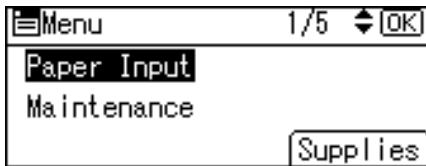
Specifying envelope size for the envelope feeder unit

1. Press the [Menu] key.



CEE128

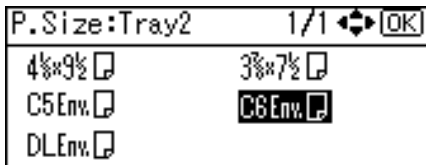
2. Press the [▼] or [▲] key to select [Paper Input], and then press the [OK] key.



3. Press the [▼] or [▲] key to select [Paper Size: (tray name)], and then press the [OK] key.



4. Select the paper size you want to set using the scroll keys, and then press the [OK] key.



5. Press the [Menu] key to return to the initial screen.

Note

- For details about the available paper size, see p.111 "Supported Paper for Each Tray".

Printing on Fixed-Orientation Paper

This section explains how to print on paper whose orientation and printing side are unchangeable (letterhead paper, for example).

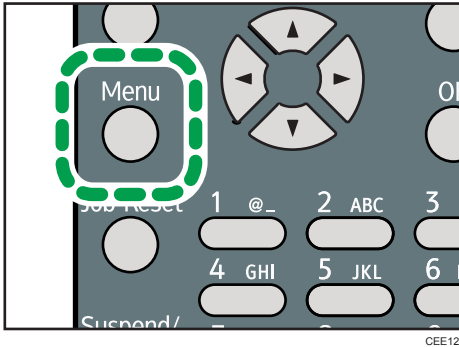
When loading paper with a fixed orientation, such as letterhead or letter paper, misprints may occur.

The following table shows the printout result according to the combination of paper feed direction and letterhead settings in the control panel and PCL printer driver.

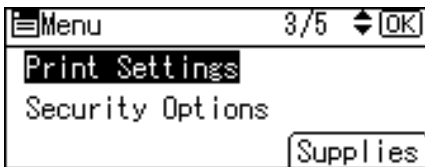
Paper Orientation	Paper trays 1-3		Bypass Tray	
	Letterhead Setting [On]	Letterhead Setting [Off]	Letterhead Setting [On]	Letterhead Setting [Off]
1-sided print ☞				
2-sided print ☞				
1-sided print ☜				
2-sided print ☜				

To make sure documents are printed correctly, follow the procedure to configure the print settings.

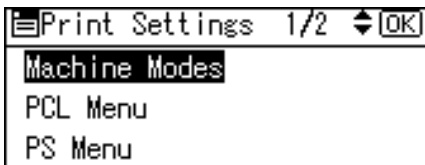
1. Press the [Menu] key.



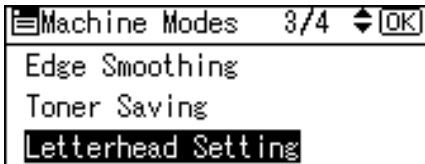
2. Press the [▼] or [▲] key to select [Print Settings], and then press the [OK] key.



3. Press the [▼] or [▲] key to select [Machine Modes], and then press the [OK] key.



4. Press the [▼] or [▲] key to select [Letterhead Setting], and then press the [OK] key.



5. Select one of the following settings, and then press the [OK] key.

On (Always)	The printer always prints on paper that has a fixed orientation
Auto Detect	The printer will print on paper that has a fixed orientation only if [Letterhead] or [Preprinted] is specified as the paper type in the printer driver's settings.
Off	The printer will print on paper in a fixed orientation, regardless of the specified paper type or the printer driver's settings.

6. Press the [Menu] key to return to the initial screen.

Registering Unique Names to Paper Types

You can register a unique name to a paper type using Web Image Monitor. The name you register should reflect the paper's type or usage, as this will make recognizing the paper type easier.

★ Important

- This function can be used when the printer is operating in a network, and bidirectional communication is enabled.
- This function cannot be used with the printer driver's [Manage Preset List...] function.
- The printer's logs do not record names of user paper types.

Registering Names to Paper Types

★ Important

- The printer driver might not display the paper type name correctly if it is registered using an unsupported language.
- The control panel might not display the paper type name correctly if it is registered using non-alphanumeric characters (i.e., other than a-z, A-Z, or 0-9).

1. Log in to Web Image Monitor as an administrator.
2. Click [Configuration].
3. Click [User Paper Type] in the [Device Settings] area, and then change the settings as necessary.

The screen for selecting [User Paper Type] appears.

4. Enter a descriptive name for easier recognition in Paper Name.
5. Select a suitable paper type from the Paper Type list.
6. Click [OK].
7. Click [Logout].
8. Quit the Web Image Monitor.

↓ Note

- You can register up to eight user paper types.

Setting User Paper Types to Trays

Before printing, set the paper registered on the user paper type to the paper tray, and then set the paper type already registered. Paper types can be set either from Web Image Monitor or from the printer's control panel.

1. Log in to Web Image Monitor as an administrator.
2. Click [Configuration].
3. Click [Paper] in the [Device Settings] area.
4. Set the paper tray you want to use as a user paper type, and then select the registered paper type.
5. Click [OK].
6. Click [Logout].
7. Quit the Web Image Monitor.

Printing Using Registered Paper Types

1. Select your application's print command.
2. On the tab in the properties dialog box that appears, select a registered paper type under [Paper Type:].
3. Execute the print command.

The preregistered settings are applied and print is performed.

Note

- For details about printer driver settings, see the printer driver Help.

7. Maintaining the Printer

This chapter explains how to replace consumables, and clean the printer.

Replacing the Print Cartridge

WARNING

- Do not incinerate toner (new or used) or toner containers. Doing so risks burns. Toner will ignite on contact with naked flame.

WARNING

- Keep the polythene materials (bags, gloves, etc.) supplied with this machine away from babies and small children at all times. Suffocation can result if polythene materials are brought into contact with the mouth or nose.

CAUTION

- Store toner (new or used), toner containers, and components that have been in contact with toner out of reach of children.

CAUTION

- If toner or used toner is inhaled, gargle with plenty of water and move into a fresh air environment. Consult a doctor if necessary.

CAUTION

- If toner or used toner gets into your eyes, flush immediately with large amounts of water. Consult a doctor if necessary.

CAUTION

- If toner or used toner is swallowed, dilute by drinking a large amount of water. Consult a doctor if necessary.

CAUTION

- When removing jammed paper or replacing toner, avoid getting toner (new or used) on your clothing. If toner comes into contact with your clothing, wash the stained area with cold water. Hot water will set the toner into the fabric and make removing the stain impossible.

CAUTION

- When removing jammed paper or replacing toner, avoid getting toner (new or used) on your skin. If toner comes into contact with your skin, wash the affected area thoroughly with soap and water.

Important

- Actual printable numbers vary depending on image volume and density, number of pages printed at a time, paper type and size, and environmental conditions such as temperature and humidity. Toner quality degrades over time. Early replacement of the print cartridge might be necessary. Therefore, we recommend you always keep a new print cartridge ready.
- The print cartridge might need to be replaced even if there is toner remaining in it. This is due to depletion or wear of other components.
- Do not allow paper clips, staples, or other small metallic objects to fall inside the printer.
- Do not expose the print cartridge without its cover to direct sunlight for a long time.
- When removing print cartridge, be careful not to drop it.
- Store print cartridges in a cool dark place.

Note

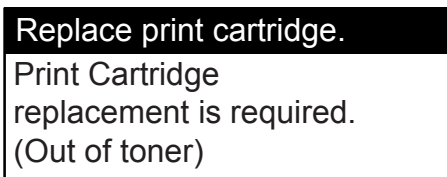
- If print cartridge are not changed when necessary, printing will become impossible. We recommend keeping a stock of print cartridge.
- Print cartridge (consumables) are not covered by warranty. However, if there is problem, contact the store where they were purchased.

Replace the print cartridge if the following message appears on the display:

"Replace print cartridge."

- This message appears when the toner has run out.

"Replace print cartridge. /Print Cartridge replacement is required.(Out of toner)"



CEE107

- This message appears when the waste toner bottle is full.

"Replace print cartridge. /Print Cartridge replacement is required.(Waste Toner Bottle full)"

Replace print cartridge.
Print Cartridge replacement is required. (Waste Toner Bottle full)

CEE108

When the following message appears on the display, the print cartridge should be replaced soon. Prepare a new print cartridge.

"Replace print cartrdg soon."

Replace print cartrdg soon.
Toner is almost empty. Contact your local vendor.
Option Prt. Jobs Supplies

CEE109

Replace print cartrdg soon.
Component at end of life. Replace if blurred/streaked
Option Prt. Jobs Supplies

CEE133

The print cartridge must be replaced when the life of the photoconductor unit is ending.

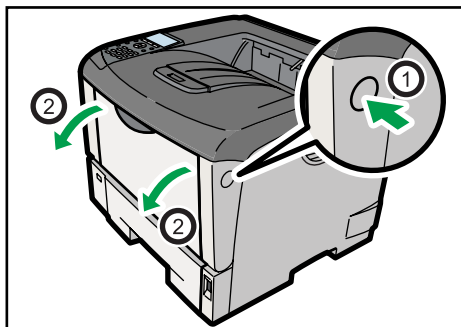
When the printer detects this condition, it will display the following message on the control panel.

"Prepare Replacement"

Prepare Replacement
Check print cartridge replacement(s).
Option Prt. Jobs Supplies

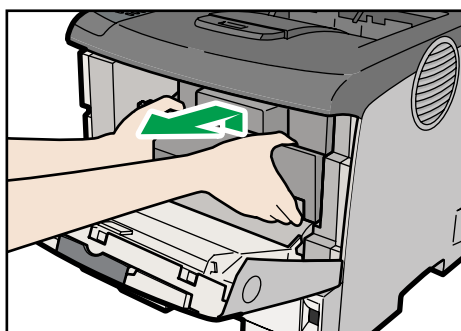
CEE134

1. Open the front cover by pushing the front cover release button.



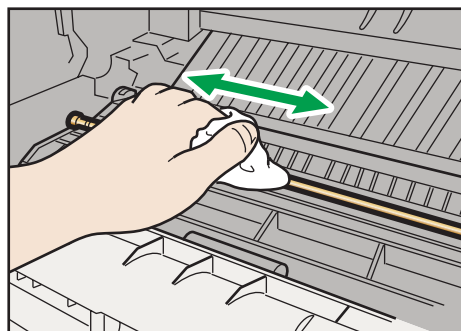
CEE008

2. Lift the front side of the print cartridge, and then pull it out of the printer.



CEE017

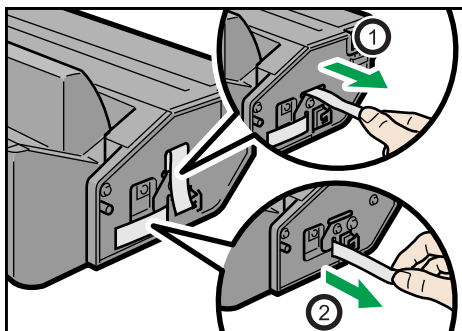
3. Be sure to put the print cartridge on a stable, flat surface.
4. Wipe around the metallic registration roller by turning with a soft damp cloth.



CEE040

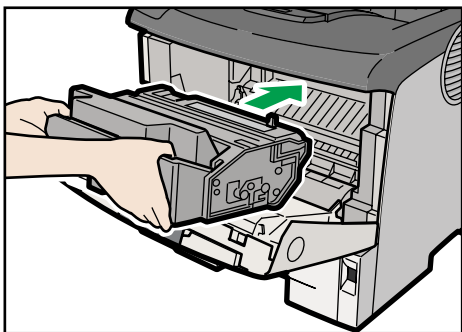
5. Take the new print cartridge from the box.

- Place the print cartridge on a flat surface. Pull out the tape from inside the unit horizontally while holding the cartridge with one hand as shown in the illustration.



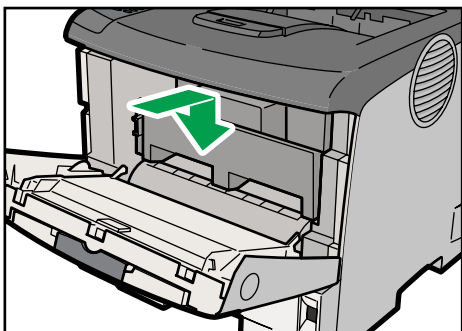
CEE115

- Hold the grips of the print cartridge, and then insert it into the printer until it stops.



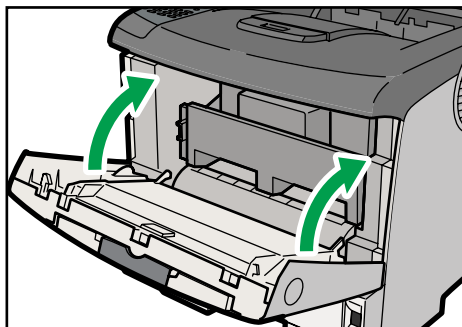
CEE009

- Push down the print cartridge to secure it in the appropriate position.



CEE007

9. Close the front cover.



CEE005

10. Wait while the toner loads.

To avoid malfunction, do not turn off the power until "Ready" appears on the display.

Note

- Do not shake or shock the print cartridge after pulling out the toner seal to avoid soiling paper surfaces, toner spillage, or printer failure.
- Comply with the print cartridge recycling program, whereby used print cartridges are collected for processing. For details, ask your sales or service representative.
- Do not close the front cover with excessive force. If you cannot close the cover easily, pull out the print cartridge from the printer and reinsert it again. After that, close the front cover again.

Replacing the Maintenance Kit

⚠ CAUTION

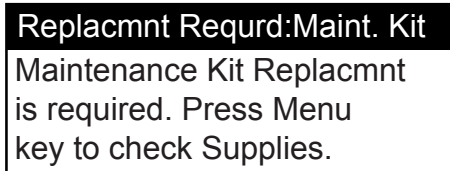
- The inside of the machine could be very hot. Do not touch the parts with a label indicating the "hot surface". Otherwise, an injury might occur.
- Grip the plug, not the cord, when pulling the plug from the socket. Pulling the cord causes wear and tear that can result in fire or electric shock.
- Wait at least one hour after power off before replacing parts. Not allowing the printer to cool may result in burns.

When to replace the Maintenance Kit.

The maintenance kit contains parts for maintaining the printer.

Replace the maintenance kit if the following message appears on the display:

"Replacmnt Requd:Maint. Kit"

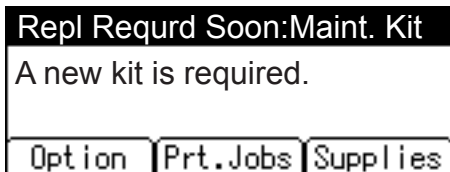


Replacmnt Requd:Maint. Kit
Maintenance Kit Replacmnt
is required. Press Menu
key to check Supplies.

CEE120

When the following message appears on the display, the maintenance kit contains parts should be replaced soon. Prepare a new maintenance kit.

"Repl Requd Soon:Maint. Kit"



Repl Requd Soon:Maint. Kit
A new kit is required.
Option | Prt.Jobs | Supplies

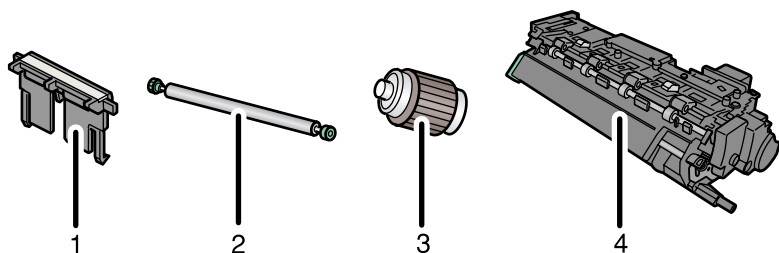
CEE119

Before Replacing

Replace all the parts included in the Maintenance Kit at the same time. To replace them, follow the procedure below:

1. Turn off the power, and then unplug the power cable.

2. Check the box contains the following items:



CEE111

1. Friction Pad × 3

See p.164 "Replacing the Transfer Roller".

2. Transfer Roller (with gloves)

See p.162 "Replacing the Friction Pad".

3. Paper Feed Roller × 3

See p.168 "Replacing the Paper Feed Roller".

4. Fusing Unit

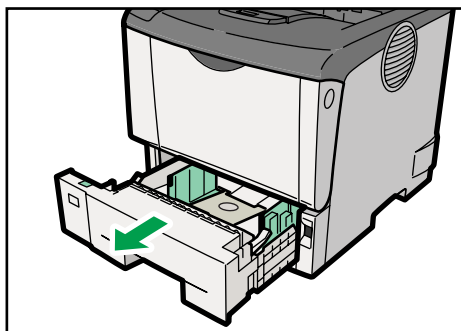
See p.171 "Replacing the Fusing Unit".

7

Replacing the Friction Pad

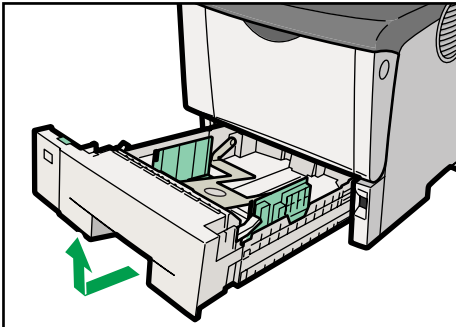
Replace all the friction pads in the tray. The following procedure shows how to replace the tray's friction pad (Tray 1) and the other are for the paper feed unit(s) (Tray 2, 3).

1. Pull out the paper tray until it stops.



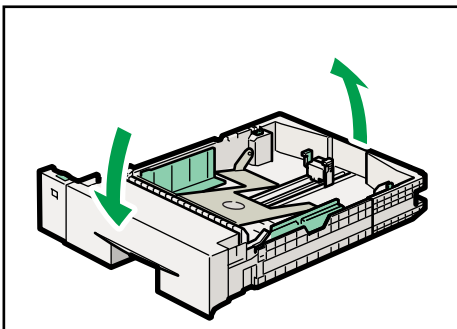
CEE010

2. Lift the front side of the tray, and then pull it out of the printer.



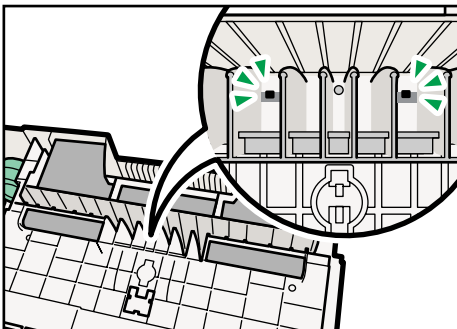
CEE011

3. Remove paper from the paper tray. Place the tray upside down on a flat surface.



CEE027

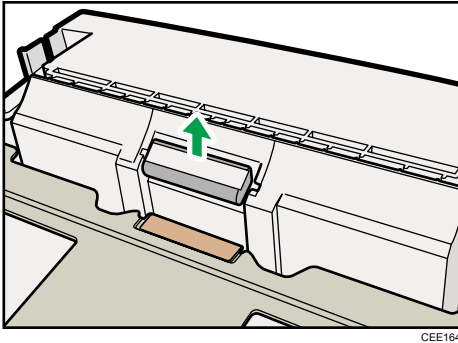
4. Use a sharp-pointed item like a ball point pen, to release the two catches that lock the friction pad.



CEE082

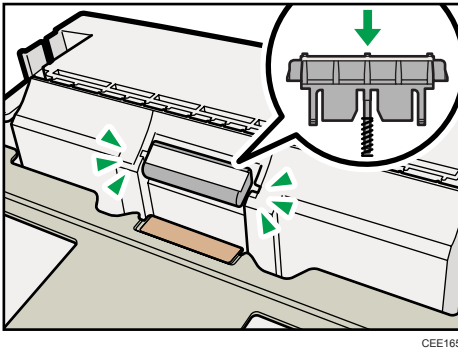
The friction pad may fall off when the catches are released. Place your hand over the friction pad while releasing the catches.

- Return the paper tray to its original position, and then remove the friction pad from the tray.



- Insert the new friction pad in the paper tray.

Attach the central projection of the new friction pad to the spring, and then align the projections on both sides of the friction pad with the holes in the paper tray. Then push the friction pad as shown in the illustration until it clicks.



After pushing in the friction pad, press on it several times to check it is properly installed. If it jumps back into position due to the force of the spring, it is properly installed.

- Push the friction pad until it locks securely.
- Repeat the replacement procedure for any optional paper feed units that are installed.

Note

- The friction pad spring may come off. Be careful not to lose the friction pad spring.
- The catches that lock the friction pad are located at the very back.

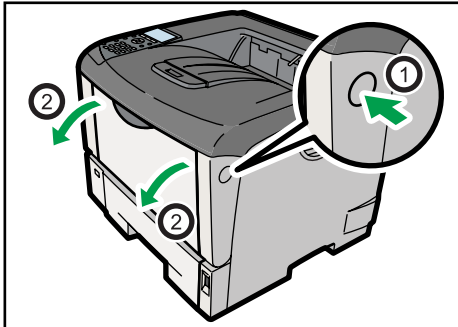
Replacing the Transfer Roller

★ Important

- Do not insert the roller on the back of the socket. Doing so can damage the printer.

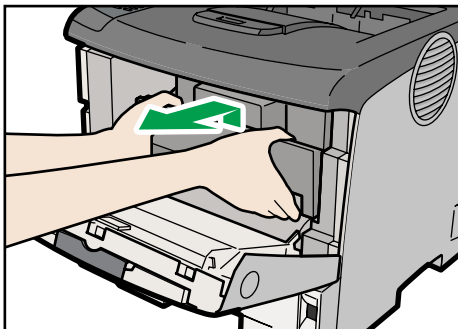
- Insert the metallic part of the roller on the socket. If you insert the sponge part of the roller, the roller might be damaged.

1. Open the front cover by pushing the front cover release button.



CEE008

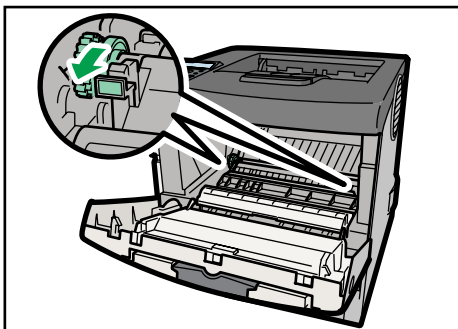
2. Pull the print cartridge out of the printer by holding the grips of the cartridge.



CEE017

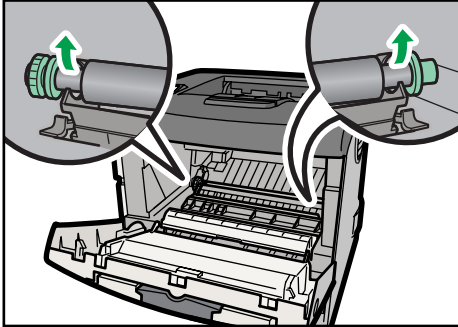
3. To avoid dirtying your hands with toner from the transfer roller, wear the gloves included in the Maintenance Kit.

4. Hold the lock levers, and then pull them.



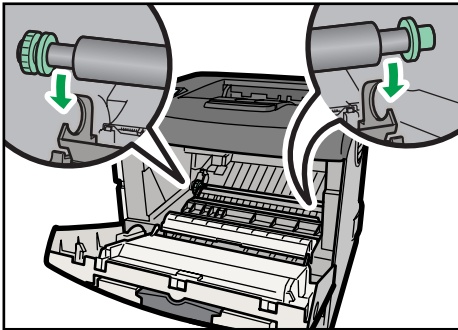
CEE064

5. Hold the green parts of the roller on both sides, and remove the roller from the printer, as shown in the illustration.



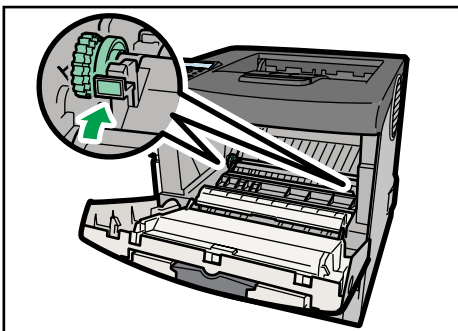
CEE066

6. Insert the new transfer roller on the socket with the gear of the roller positioned to the left.



CEE067

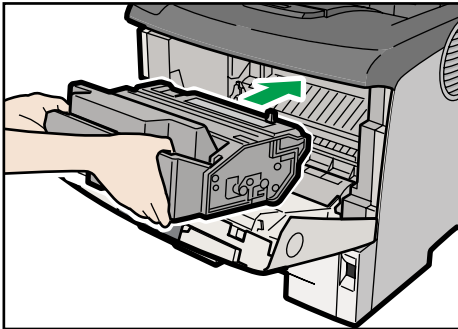
7. Push down the lock levers on both ends of the printer as shown in the illustration, until they click into place.



CEE065

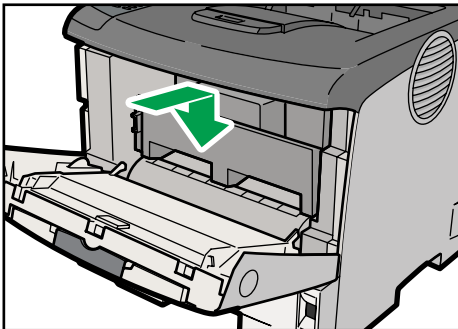
8. Take the gloves off.

9. Hold the grips of the print cartridge, and then insert it into the printer until it stops.



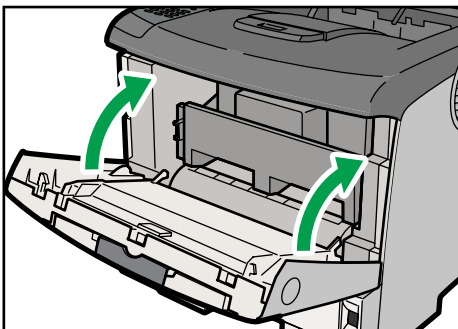
CEE009

10. Push down the print cartridge to secure it in the appropriate position.



CEE007

11. Close the front cover.



CEE005

Note

- Be sure to place the used cartridge on a level surface.
- When the transfer roller is set, the transfer roller cover will return to its original position automatically.

Replacing the Paper Feed Roller

Replace all feed rollers the feed rollers for the printer and the optional paper feed unit(s). The following procedure shows how to replace the paper feed rollers for the printer and the optional paper feed units.

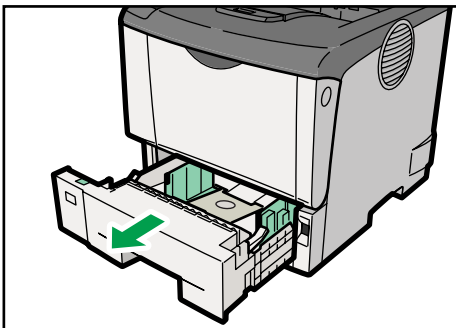
CAUTION

- When lifting the machine, use the inset grips on both sides. Otherwise the printer could break or cause injury if dropped.
- When lifting the paper feed unit, hold the bottom of it, and then lift it slowly. Lifting it carelessly or dropping it may cause an injury.

Important

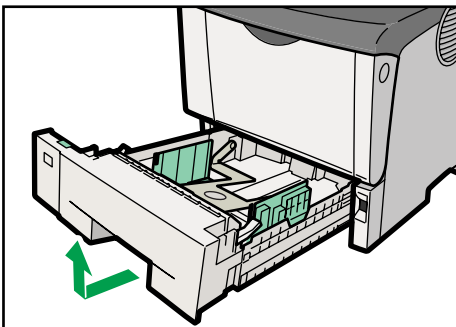
- Always move the printer horizontally. Turning the printer sideways or tilting it backward or forward while moving will result in toner leakage.
- Do not put the printer on an unstable or sloping surface.
- Be sure to move the printer horizontally. Moving the printer up and down may cause toner to scatter.

1. Lift the paper tray slightly, and then pull it out until it stops.



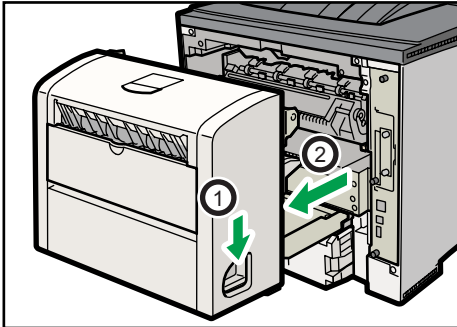
CEE010

2. Lift the front side of the tray, and then pull it out of the printer.



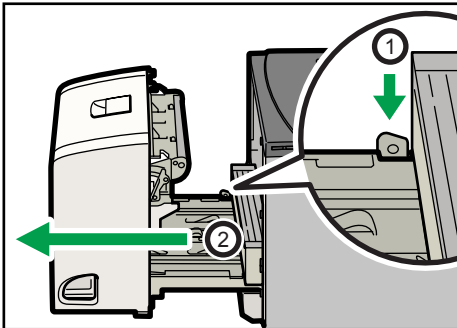
CEE011

3. If the optional duplex unit is attached, push down the lever on the right side of the duplex unit (①), and then pull it out until it stops (②).



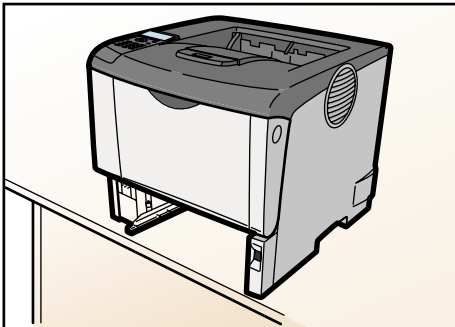
CEE056

4. Push the under board levers (①), and then pull the duplex unit out of the printer (②).



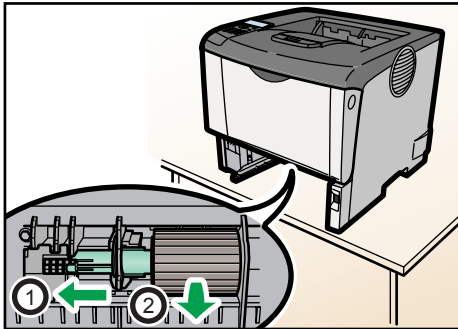
CEE083

5. Move the printer to the edge of a sturdy and stable table or desk.



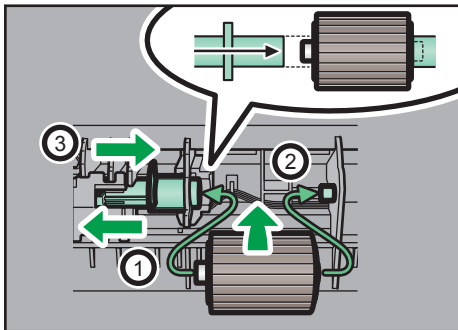
CEE022

- Slide the green lock lever to the left (①), and then remove the paper feed roller (②).



CEE026

- While sliding the green lock lever is slid to the left (①), install the new roller (②). Then, return the green lock lever to its original position (③).



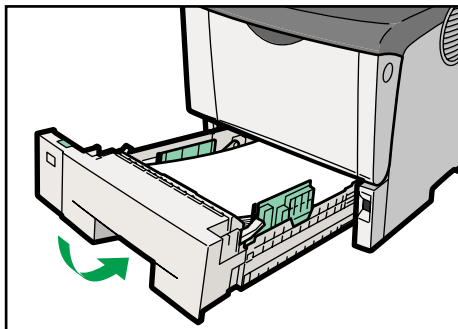
CEC037

Confirm the green lock lever secures the roller correctly by checking that sure the new roller rotates smoothly.

- If the printer is equipped with the optional paper feed unit(s), follow the same procedure to replace its paper feed roller.

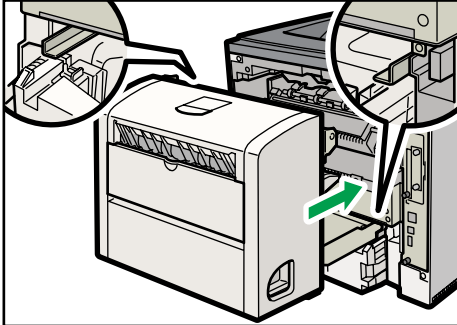
If you installed two paper feed units, also replace both their paper feed rollers.

- Place paper in the removed paper trays. Lift the front of the tray, and then slide it carefully into the printer until it stops.



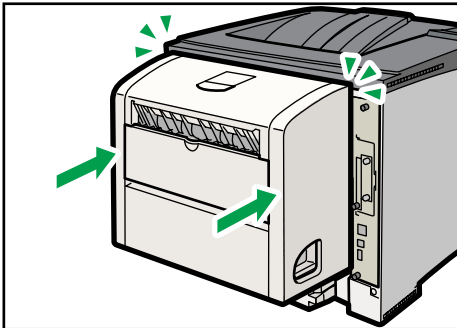
CEE012

10. If the optional duplex unit was removed, re-install it in the printer by pushing it along the rails on the inside of the printer.



CEE057

11. Push the duplex unit securely into the printer.



CEE050

Note

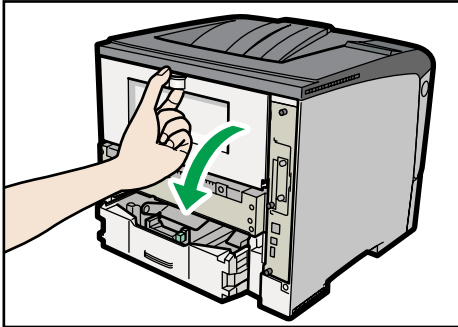
- If the printer is equipped with the optional paper feed unit, do not move the printer and the unit together, because they are not securely attached.

Replacing the Fusing Unit

CAUTION

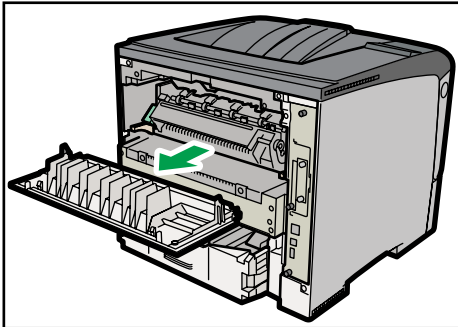
- The fusing unit becomes very hot. When installing a new fusing unit, turn off the printer and wait at least an hour before replacing the old fusing unit. Not allowing the unit to cool may result in burns.

1. Open the rear cover.



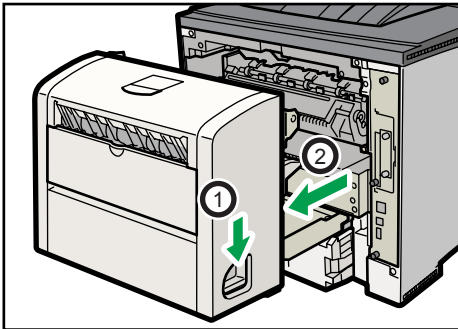
CEE040

2. Lower the rear cover until it is horizontal, and then pull it away.



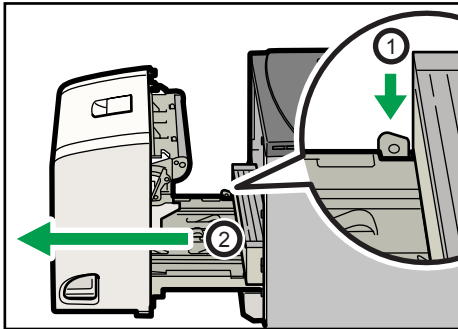
CEE041

3. If the optional duplex unit is attached, push down the lever on the right side of the duplex unit (①), and then pull it out until it stops (②).



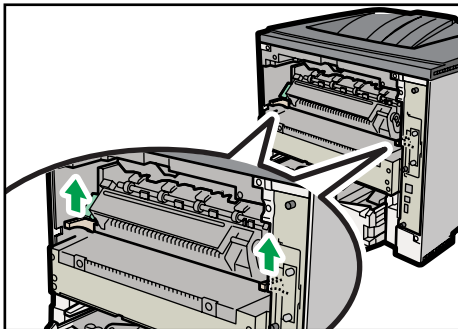
CEE056

4. Push the under board levers (①), and then pull the duplex unit out of the printer (②).



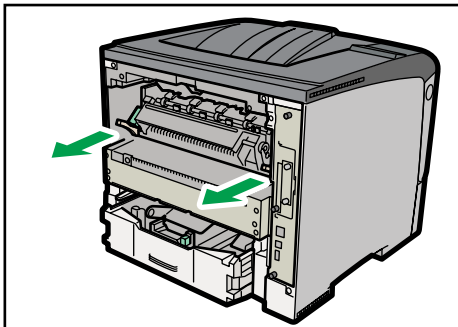
CEE083

5. Lift the lock levers of the fusing unit as shown in the illustration.



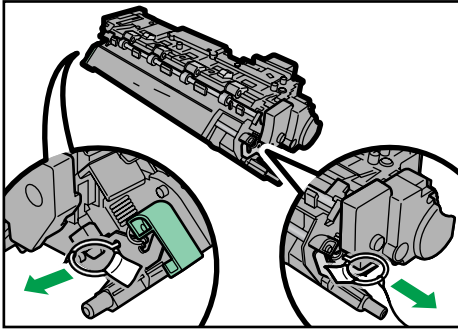
CEE046

6. Pull the fusing unit out.



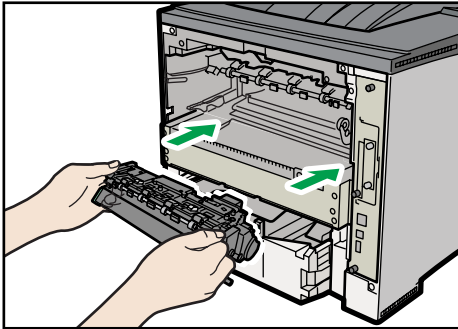
CEE048

7. Pull out the pins on both sides of the new fusing unit.



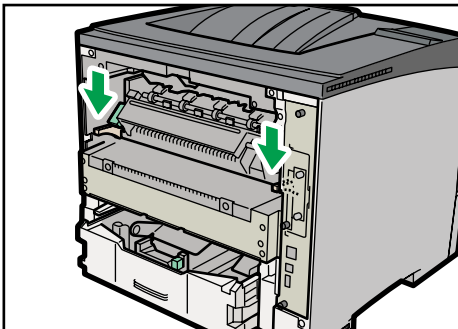
CEE061

8. Push the new fusing unit into the printer.



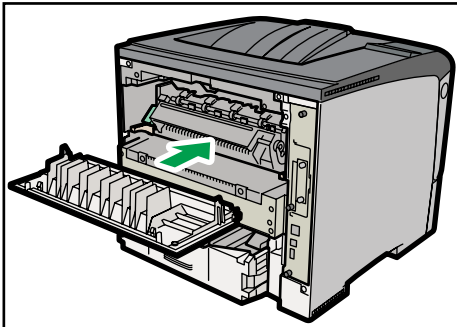
CEE049

9. Push the lock levers of the fusing unit down until they click.



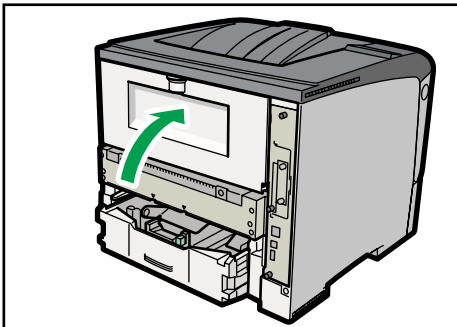
CEE047

10. Position the rear cover horizontally and align it with the grooves in the printer's interior.



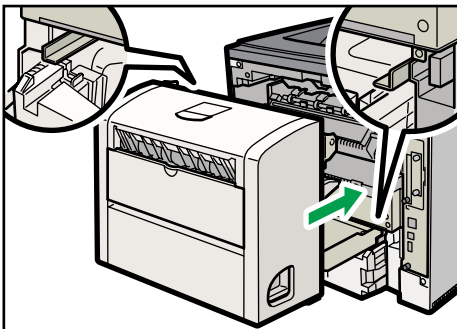
CEE044

11. Close the rear cover.



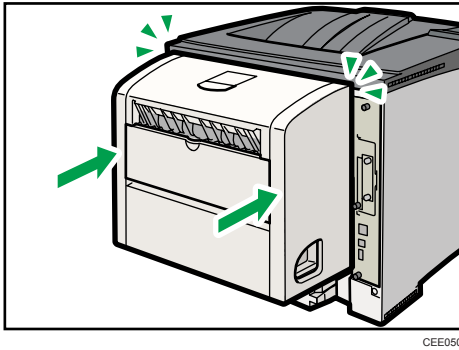
CEE045

12. If the optional duplex unit was removed, re-install it in the printer by pushing it along the rails on the inside of the printer.



CEE057

13. Securely push the duplex unit into the printer.



14. Print a configuration page to confirm that the printer works properly.

↓ Note

- For details on printing the configuration page, see p.45 "Test Printing".

Cautions When Cleaning

WARNING

- Do not remove any covers or screws other than those explicitly mentioned in this manual. Inside this machine are high voltage components that are an electric shock hazard and laser components that could cause blindness. Contact your sales or service representative if any of the machine's internal components require maintenance, adjustment, or repair.
- Do not attempt to disassemble or modify this machine. Doing so risks burns and electric shock. Note again that exposure to the laser components inside this machine risks blindness.

CAUTION

- The inside of the machine could be very hot. Do not touch the parts with a label indicating the "hot surface". Otherwise, an injury might occur.

CAUTION

- Be sure to disconnect the plug from the wall outlet and clean the prongs and the area around the prongs at least once a year. Allowing dust to build up on the plug constitutes a fire hazard.

CAUTION

- If the machine's interior is not cleaned regularly, dust will accumulate. Fire and breakdown can result from heavy accumulation of dust inside this machine. Contact your sales or service representative for details about and charges for cleaning the machine's interior.

Clean the printer periodically to maintain fine printing.

Dry wipe the exterior with a soft cloth. If dry wiping is not enough, wipe with a soft, wet cloth that is wrung out well. If you still cannot remove the stain or dirt, apply a neutral detergent, and then wipe over with a well-wrung wet cloth, dry wipe, and then let it dry.

Important

- To avoid deformation, discoloration, or cracking, do not use volatile chemicals, such as benzene and thinner, or spray insecticide on the printer.
- If there is dust or grime inside the printer, wipe with a clean, dry cloth.
- You must disconnect the plug from the wall outlet at least once a year. Clean away any dust and grime from the plug and outlet before reconnecting. Accumulated dust and grime pose a fire hazard.
- Do not allow paper clips, staples, or other small metallic objects to fall inside the printer.

Cleaning the Friction Pad and the Paper Feed Roller

If the friction pad or paper feed roller is dirty, a multi-feed or misfeed might occur.

In this case, clean the friction pad and paper feed roller as follows:

CAUTION

- When moving the machine, hold the inset grips at both sides, and then lift the printer slowly. Lifting it carelessly or dropping it may cause an injury.

CAUTION

- When performing maintenance on the machine, always disconnect the power cord from the wall outlet.

CAUTION

- When disconnecting the power cord from the wall outlet, always pull the plug, not the cord. Pulling the cord can damage the power cord. Use of damaged power cords could result in fire or electric shock.

7

CAUTION

- Do not pull out the paper tray forcefully. If you do, the tray might fall and cause an injury.

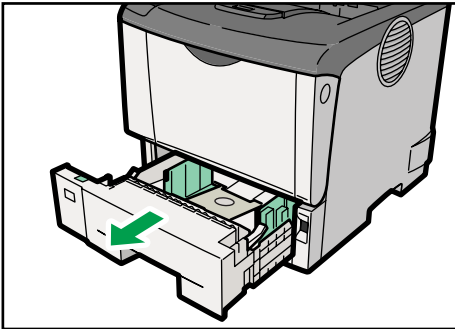
CAUTION

- Do not put your hands inside the printer when the input tray is removed. Some internal parts become hot and are a burn hazard.

Important

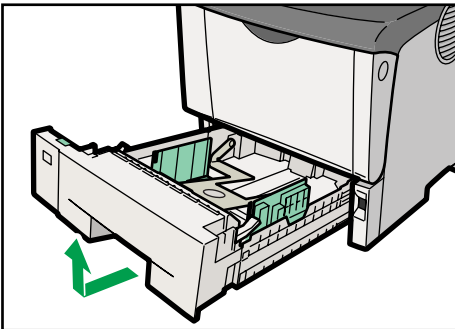
- Do not use chemical cleaners or organic solvents such as thinners or benzene.
1. Turn off the power switch.
 2. Pull out the plug from the socket. Remove all the cables from the printer.

3. Lift the paper tray slightly, and then pull it out until it stops.



CEE010

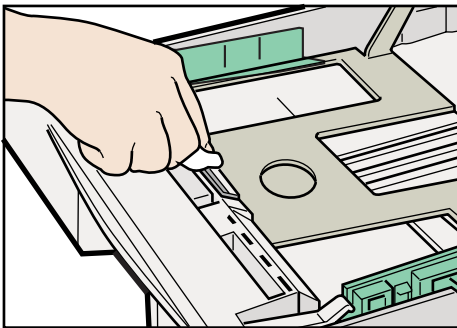
4. Lift the front side of the tray, and then pull it out of the printer.



CEE011

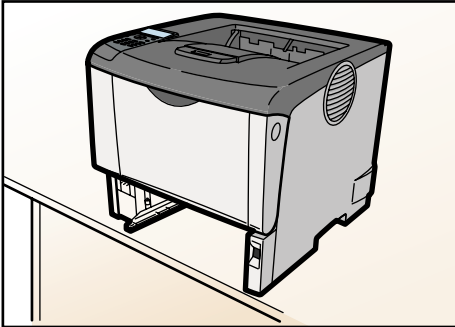
Place the tray on a flat surface. When there is paper in the tray, remove paper.

5. Wipe the friction pad with a damp cloth.



CEE166

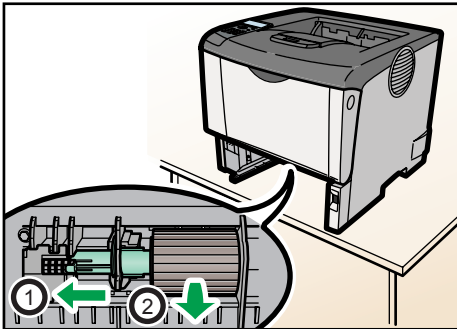
6. Move the printer to the edge of a stable table or desk.



CEE022

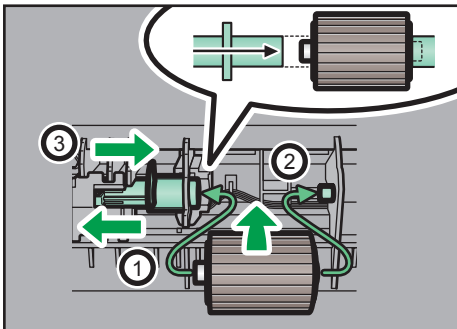
Do not put the printer on an unstable or tilted surface.

7. Slide the green lock lever to the left (①), so that the paper feed roller can be released (②).



CEE026

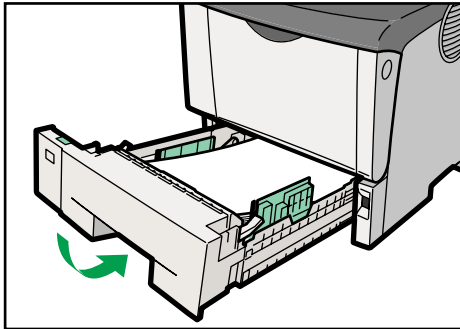
8. Wipe the rubber part of the roller with a soft damp cloth. Then, wipe it with a dry cloth to remove the water.
9. While sliding the green lock lever to the left (①), set the paper feed roller to its original position (②). After that, return the green lock lever to its original position (③).



CEC037

Check the green lock lever secures the roller correctly by making sure the new roller rotates smoothly.

10. Slide Tray 1 along the rails, and push it carefully all the way into the printer.



CEE012

Do not slide the paper tray in with force. If you do, the front and side guides might move.

11. Insert the plug of the power cord into the wall socket securely. Connect all the interface cables that were removed.
12. Turn the power switch on.

Note

- If misfeeds or multi-feeds of paper occur after cleaning the friction pad and paper feed roller, contact your sales or service representative.
- If the optional paper feed unit is installed, clean its friction pad and paper feed roller in the same way as those of the main paper feed unit.

Cleaning the Registration Roller

If the registration roller is dirty, a misfeed might occur. In this case, clean the roller as follows:

⚠ WARNING

- Be sure to turn off the power switch and wait for about 15 minutes before cleaning the Registration roller. Not waiting for the printer to cool down can result in a burn.

⚠ CAUTION

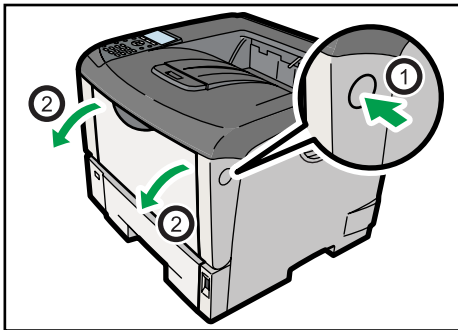
- The inside of the machine could be very hot. Do not touch the parts with a label indicating the "hot surface". Otherwise, an injury might occur.

Clean the registration roller if dots (caused by specks of paper stuck to the roller) appear on printed OHP transparencies.

★ Important

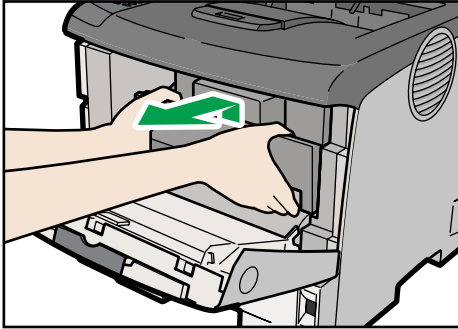
- Do not hold the print cartridge upside down or stand it vertically.
- Do not place the print cartridge on an unstable or tilted surface.
- Do not use chemical cleaners or organic solvents such as thinners or benzene.

1. Turn off the power, and then unplug the power cable.
2. Open the front cover by pushing the front cover release button.



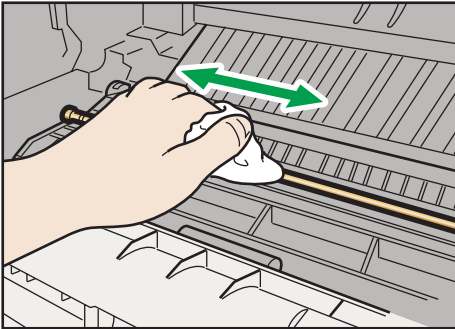
CCE008

3. Lift the front side of the print cartridge, and then pull it out of the printer.



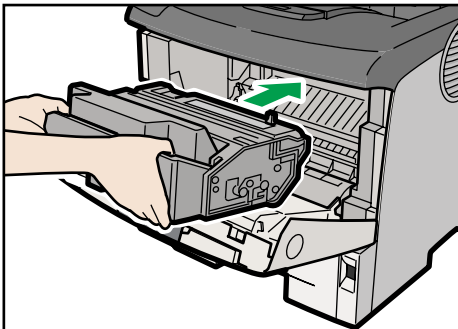
CEE017

4. Wipe around the metallic registration roller by turning with a soft damp cloth.



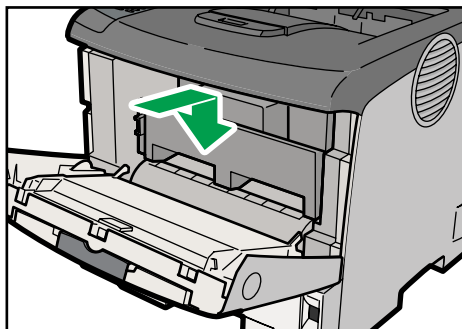
CEC040

5. Hold the grips of the print cartridge, and then insert it into the printer until it stops.



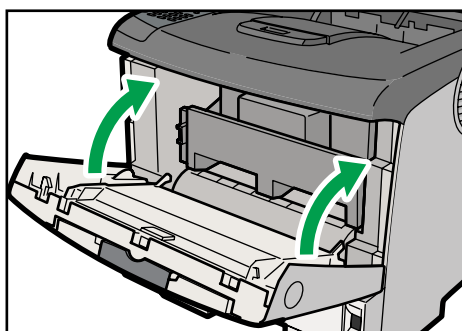
CEE009

6. Push down the print cartridge to secure it in the appropriate position.



CEE007

7. Close the front cover.



CEE005

7 **Note**

- Carefully close the front cover. If you cannot close the cover easily, pull the print cartridge out of the printer and insert it again. After that, close the front cover again.

8. Adjusting the Printer

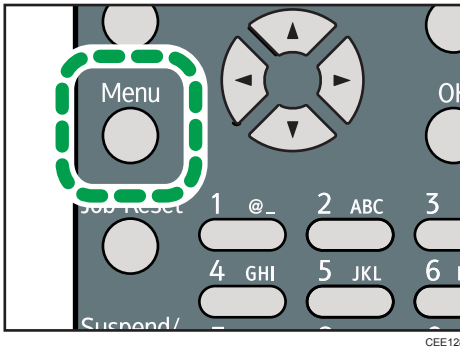
This chapter explains how to adjust the image density and print position.

Adjusting the Image Density

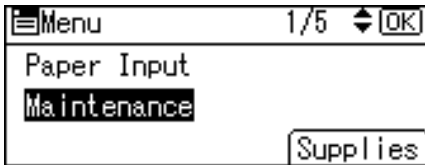
★ Important

- Maximized settings may produce smudged printouts.
- Image Density settings should be made from the application or the printer driver whenever possible.

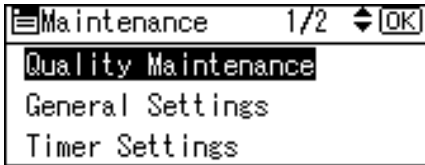
1. Press the [Menu] key.



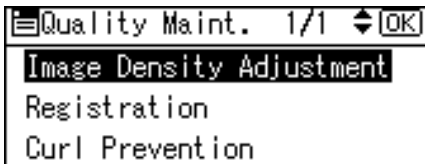
2. Press the [▼] or [▲] key to select [Maintenance], and then press the [OK] key.



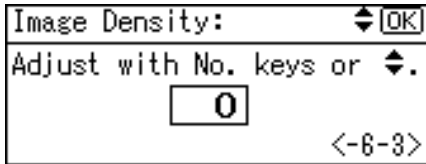
3. Press the [▼] or [▲] key to select [Quality Maintenance], and then press the [OK] key.



4. Press the [▼] or [▲] key to select [Image Density Adjustment], and then press the [OK] key.



5. Press the [▼] or [▲] key to specify the image density, and then press the [OK] key.



You can specify the image density in the range from -6 to +3.

6. Press the [Menu] key.

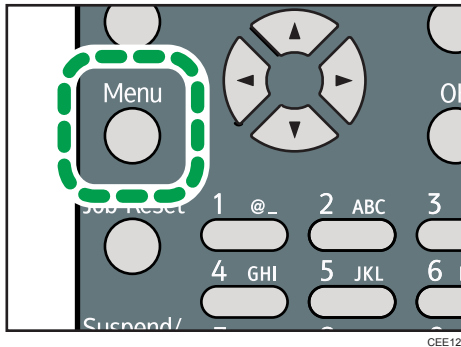
Note

- To maintain a darker image under high volume printing conditions, Selecting 3 from the control panel is highly recommended.
- You can adjust the image density in seven steps from -6 to +3. Increasing the value makes the printouts darker and decreasing the value makes the printouts lighter.

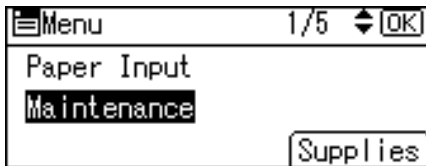
Adjusting Printing Position

You can adjust the printing position for each tray. "Horizontal" means perpendicular to the feed direction. "Vertical" means it's parallel to the paper feed direction. Normally you do not need to update the printing position. However, updating is useful in some cases when the optional paper feed unit is installed.

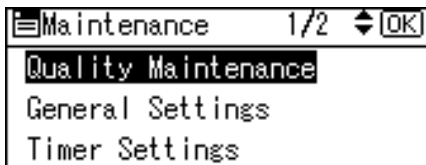
1. Press the [Menu] key.



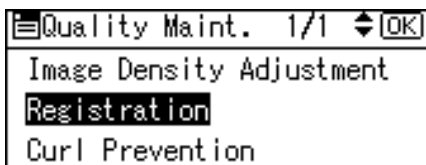
2. Press the [▼] or [▲] key to select [Maintenance], and then press the [OK] key.



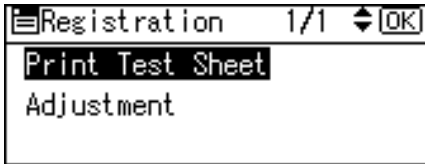
3. Press the [▼] or [▲] key to select [Quality Maintenance], and then press the [OK] key.



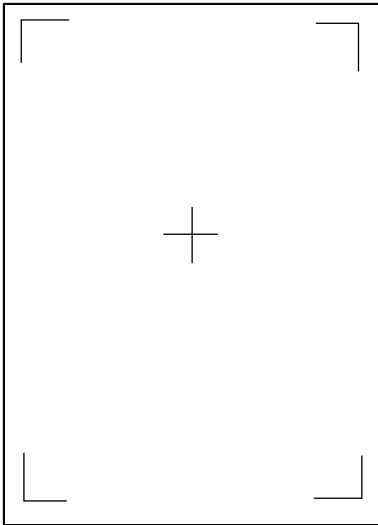
4. Press the [▼] or [▲] key to select [Registration], and then press the [OK] key.



- 5. Press the [▼] or [▲] key to select [Print Test Sheet], and then press the [OK] key.

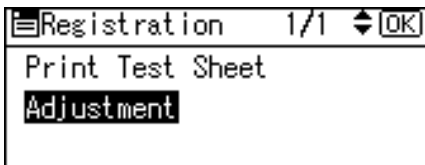


- 6. Press the [▼] or [▲] key to select the tray you want to adjust, and then press the [OK] key.
- 7. Confirm the position of the image on the test sheet, and then adjust the registration value.

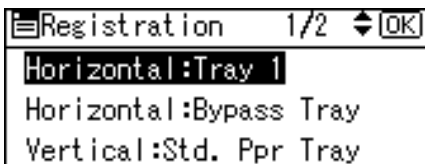


Use this sheet to confirm the current print position.

- 8. Press the [Escape] key until the screen returns to the [Registration] menu.
- 9. Press the [▼] or [▲] key to select [Adjustment], and then press the [OK] key.



- 10. Press the [▼] or [▲] key to select the parameter you want to adjust, and then press the [OK] key.

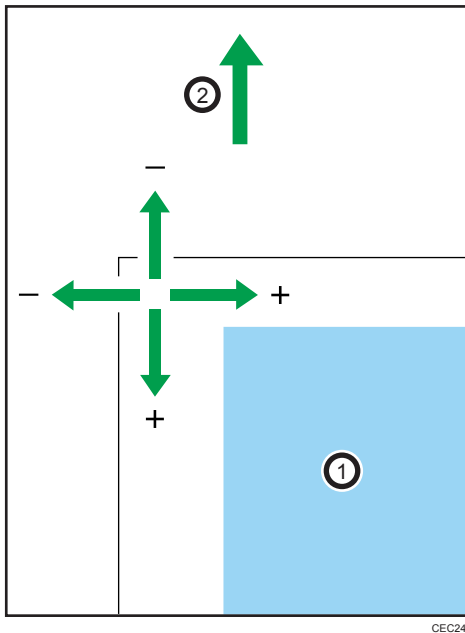


11. Enter the value (mm), and then press the [OK] key.

```

Reg.:Horiz.:Tray 1:  ⬆️⬆️ [OK]
Adjust with No. keys or ⬆️⬆️.
    0.0
    <-4.0to4.0 by 0.1>
  
```

Increase the value to shift the print area in the direction indicated by the "+" symbol in the diagram below. Decrease the value to shift the print area in the direction indicated by the "-" symbol.



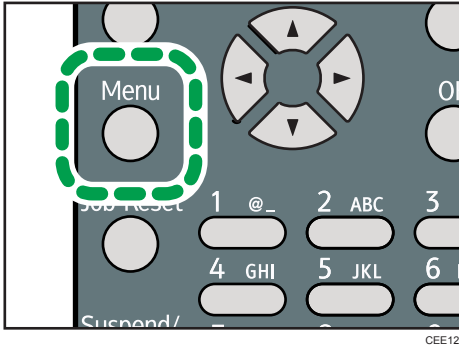
- ①: Print Area
 ②: Paper Feed Direction

Pressing the [▼] or [▲] key adjusts the value up or down in 0.1 mm increments.

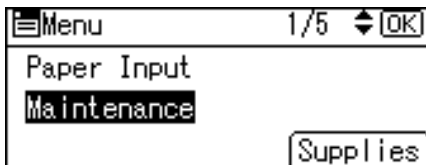
12. Press the [OK] key to return to the [Registration] menu.
 13. Print the test sheet to confirm the adjustment result.
 14. Press the [Menu] key to return to the initial screen.

Reducing Paper Curl

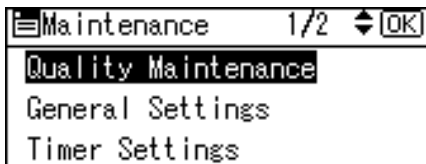
1. Push the [Menu] key.



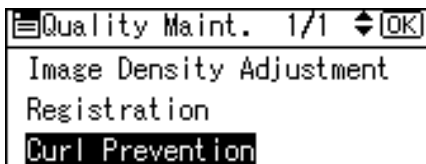
2. Press the [▼] or [▲] key to select [Maintenance], and then press the [OK] key.



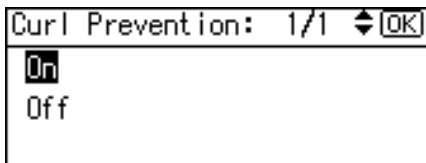
3. Press the [▼] or [▲] key to select [Quality Maintenance], and then press the [OK] key.



4. Press the [▼] or [▲] key to select [Curl Prevention], and then press the [OK] key.



5. Press the [▼] or [▲] key to select [On] or [Off], and then press the [OK] key.



About two seconds later, the display returns to the [Maintenance] menu.

6. Press the [Menu] key.

9. Troubleshooting

This chapter provides solutions to common problems and it also explains how to correct unwanted print results.

Error and Status Messages Appear on the Control Panel

This section explains what the messages that appear on the control panel mean and what to do when a particular message appears.

Status Messages (in alphabetical order)

@Remote Certif. updating...

The printer is updating the @Remote certificate.

Energy Saver Mode

The printer is in Energy Saver mode. Press any key to recover to the normal mode.

Hex Dump Mode

In Hex Dump mode, the printer receives data in hexadecimal format. Turn off the printer after printing, and then turn back on.

Job Suspended

All jobs are suspended. Turn off the printer, and turn it on again to recover.

Offline

The printer is offline and cannot print.

Please wait...

This message may appear for a few seconds. It means the printer is initializing, replenishing toner, or executing maintenance operations. Wait a while.

Printing...

The printer is printing. Wait a while.

Printing Suspended

Printing is suspended. To resume printing, press the [Suspend/Resume] key.

Ready

This is the default ready message. The printer is ready for use. No action is required.

Resetting Job...

The printer is resetting the print job. Wait a while.

Setting change...

The printer is applying the changes made to its settings. Wait a while.

Waiting for print data...

The printer is waiting for the next data to print. Wait a while.

Alert Messages (in alphabetical order)

Ⓜ(A) Remove misfeed in Trays. Opn & cls Frt. Cov.

Remove the jammed paper in the source tray, and then load the paper again. To reset the error, open the front cover and then close it. For details, see p.213 "Paper Misfeed Message (A)".

Ⓜ(B) Open Paper Exit Cover and remove misfeed.

Open the paper exit cover and remove jammed paper. For details, see p.218 "Paper Misfeed Message (B)".

Ⓜ(C) Open Rear Cover and remove misfeed.

Open the rear cover and remove the jammed paper inside the fusing unit. For details, see p.220 "Paper Misfeed Message (C)".

Ⓜ(Y1) Remove misfeed in Tray 2. Opn & cls Frt. Cov.

Remove the jammed paper in the source tray, and then load the paper again. For details, see p.225 "Paper Misfeed Message (Y1)(Y2)".

Ⓜ(Y2) Remove misfeed in Tray 3. Opn & cls Frt. Cov.

Remove the jammed paper in the source tray, and then load the paper again. For details, see p.225 "Paper Misfeed Message (Y1)(Y2)".

Ⓜ(Z) Remove paper from the Duplex Unit.

Detach the duplex unit and remove the jammed paper inside the duplex unit. For details, see p.227 "Paper Misfeed Message (Z)".

@Remote Cert. update failed

Updating the @Remote certificate failed. Contact your sales or service representative.

Cannot connect=>Comm.Serv. Check proxy user/password.

The proxy user name or password is incorrect. Check the proxy server settings, and change the user name and/or password if they are incorrect.

Cannot connect with DHCP server.(101/201)

Cannot obtain IP address from DHCP server. Consult your network administrator.

Cannot connect with NetWare print server. (107/207)

Connection with NetWare print server is unavailable.

Cannot connect with NetWare server.(106/206)

Connection with NetWare server is unavailable. Consult your network administrator.

Cannot print.

Check the file you want to print is a supported file type. Check for misfeeds and ask your network administrator for help.

Check network settings.(103/203)

The IP address setting is incorrect. Check the IP address, subnet mask, and gateway address. For details, see p.85 "Ethernet Configuration".

Classification Code Error

A classification code is not specified for the print job. Enter a classification code using the printer properties and print the document again.

For details, see "Registering Classification Codes", Software Guide.

Connect failed:WirelessCard Turn power off, check card.

Check there is a Wireless LAN board installed.

Check that it is a supported board. If it is, check it is installed correctly.

Install the correct board properly. For details, see p.64 "Installing the Interface Units".

Cover Open. Please close the indicated cover.

Close the cover indicated on the control panel.

Duplex mode is in off position for (tray name)

The duplex mode for the indicated tray is off; you can only use one-sided printing. Press [Change] to change the tray's settings, press [JobReset] to reset the job, or press [Form Feed] to force printing.

Ethernet Board Error

An error on the Ethernet board is detected. Pull out and then re-install the controller board. If the problem persists, contact your sales or service representative.

Exceeded max. print size. Press [FormFeed] or [JobReset].

The specified paper size exceeds the maximum size supported by this printer. Press [Form Feed] to force printing or [JobReset] to cancel printing.

Exceeded max. print size. Press [JobReset].

The specified paper size exceeds the maximum size supported by this printer. Press [JobReset] to cancel printing.

Prepare Replacement/ Check print cartridge replacement(s).

The printer cartridge is approaching the end of its life time. Prepare a new print cartridge.

Failed to connect to server for Remote Diagnostics.

The printer cannot communicate with Remote Communication Gate. Check the connection to the Remote Server Gate.

Independent-supply toner

Independent-supply toner is set. Use toner recommended for this printer.

IPDS font error. Turn power switch off then on. Select Reset IPDS Fonts in Maintenance.

IPDS font error has occurred. Perform the shutdown procedure, and then turn off the power of the printer. Turn on the power again, and then execute [Reset IPDS Fonts].

IPv6 Address already exists Link-local Address(109/209)

The same IPv6 address already exists. Consult your network administrator.

IPv6 Address already exists Stateless Address(109/209)

The same IPv6 address already exists. Consult your network administrator.

IPv6 Address already exists Manual Config. Address(109/209)

The same IPv6 address already exists. Consult your network administrator.

9

Load paper in (tray name) or [Cancel] to FormFeed.

There is no paper in the specified tray. Load the specified paper in the tray, press [JobReset] to reset the job.

Option RAM Error

The printer cannot detect an optional SDRAM module. It may be incorrectly installed.

Check if it is installed properly.

For details about installing the unit, see p.56 "Installing the Memory Expansion Units".

Output tray is full.

The output trays are full. Remove the paper.

Parallel I/F Error

The printer's self diagnostic test failed due to a loopback error. Replace the IEEE 1284 board that caused the error. For details, see p.64 "Installing the Interface Units".

Prepare Replacement Check print cartridge replacement(s).

The toner has run out, or the photo conductor unit has reached the end of its service life. Prepare a new print cartridge.

Printer Font Error.

There are problems with the printer's font file.

Contact your sales or service representative.

Problem with Hard Disk Please call service.

The printer cannot detect a hard disk. It may be incorrectly installed.

Check if it is installed properly or contact your sales or service representative.

For details about installing the unit, see p.56 "Installing the Memory Expansion Units".

Problem:Wireless card Please call service.

The printer cannot detect a Wireless LAN board. It may be incorrectly installed.

Check if it is installed properly or contact your sales or service representative.

For details about installing the unit, see p.64 "Installing the Interface Units".

Repl Requird Soon:Maint. Kit

You will need to replace the maintenance kit soon. Contact your sales or service representative to obtain a new maintenance kit. For details, see p.161 "Replacing the Maintenance Kit".

Replace print cartridge. /Print Cartridge replacement is required.(Out of toner)

The toner has run out. Replace the print cartridge. For details, see p.155 "Replacing the Print Cartridge".

Replace print cartridge. /Print Cartridge replacement is required.(Waste Toner Bottle full)

The waste toner bottle is full. Replace the print cartridge. For details, see p.155 "Replacing the Print Cartridge".

Replacmnt Requird:Maint. Kit /Maintenance Kit Replacmnt is required. Press Menu key to check Supplies.

You need to replace the Maintenance Kit. Contact your sales or service representative to obtain a new unit. For details, see p.161 "Replacing the Maintenance Kit".

Replace print cartrdg soon./ Component at end of life. Replace if blurred/streaked

Some parts inside the print cartridge have reached their end of life. Contact your sales or service representative to obtain a new print cartridge.

Replace print cartrdg soon./ Toner is almost empty. Contact your local vendor.

The toner is almost depleted. Contact your sales or service representative to obtain a new print cartridge.

SD Card authentication failed Error recurs, call service.

Authentication from the SD card failed. Turn the power off, and then back on. If the error recurs, contact your sales or service representative.

Set the Fusing Unit correctly.

The fusing unit may not be installed correctly. Turn the printer off and re-install the fusing unit.

If the message is still displayed after re-installation, contact your sales or service representative.

For details, see p.161 "Replacing the Maintenance Kit" for fusing unit installation.

Set the Print Cartridge correctly.

The print cartridge may not be installed correctly. Turn the printer off and re-install the print cartridge.

If this message is still displayed after re-installation, contact your sales or service representative.

For details, see the procedure for removing the Fusing unit in p.218 "Paper Misfeed Message (B)" or p.220 "Paper Misfeed Message (C)" or the unit replacement procedure manual provided with the Fusing unit.

Supply order has failed.

The automatic supply order failed. The message indicates the supplies that the printer tried to order.

This NetBIOS name is already in use.(108/208)

The NetBIOS name specified for the printer is already in use by another device on the network. Consult your network administrator.

The same IPv4 Address already exists.(102/202)

The IPv4 address specified for the printer is already in use by another device on the network. Consult your network administrator.

The selected job has already been printed or deleted.

This message might appear if you print or delete a job from Web Image Monitor. Press Exit on the message screen.

USB has a problem. Please call service.

The printer has detected a USB board failure. Turn the power off, and then on again. If the problem persists, contact your sales or service representative.

Values set for IPv6/Gateway addresses are invalid.(110/210)

The IPv6 address or gateway address is invalid. Check the network settings.

WPA Auth. incomplete.(211)

WPA authentication could not complete. Consult your network administrator.

Note

- Confirm error details by printing the Error Log. For details, see p.45 "Test Printing".

Panel Tones

The following table explains the meaning of the various tone patterns that the printer emits to alerts users about its condition.

Tone pattern	Meaning	Cause
Two long beeps.	Printer ready.	After cooling or being switched on, the printer has fully warmed up and is ready for use.
Single short beep.	Panel/screen input accepted.	A valid control panel or screen key was pressed. Single short beeps are produced only when valid keys are pressed.
Single long beep.	Job completed.	A Printer job has finished.
Four long beeps.	Printer initialized.	The screen is changing back to the initial screen after the printer came out of the energy-saving mode or was reset.
Five short beeps repeated five times.	Printer alert.	Printer requires user attention. Paper may have jammed or print cartridge may need replenishing.

↓ Note

- Users cannot mute the printer's tone alerts. When the printer beeps to alert users of a paper jam or toner request, if the printer's covers are opened and closed repeatedly within a short space of time, the tone alert might continue, even after normal status has resumed.

Printer Does Not Print

Is the power on?

Confirm that the cable is securely plugged into both the power outlet and the printer.
Turn on the power.

Does the Alert indicator stay red?

If so, check the error message on the display and take the required action.
For details, see p.191 "Error and Status Messages Appear on the Control Panel".

Is paper loaded?

Load paper into the paper tray or onto the bypass tray.
For details, see p.111 "Supported Paper for Each Tray".

Can you print a configuration page?

If you cannot print a configuration page, it probably indicates a printer malfunction. Contact your sales or service representative.
For details, see p.45 "Test Printing".

Is the interface cable connected securely to the printer and the computer?

Connect the interface cable securely. If it has a fastener, fasten it securely as well.

Are you using the correct interface cable?

The type of interface cable you should use depends on the computer you use. Be sure to use the correct one.

If the cable is damaged or worn, replace it with a new one.
For details, see p.235 "Specifications".

Is the Data In indicator blinking or lit after starting a print job?

If not blinking or lit, the data is not being sent to the printer.

- If the printer is connected to the computer using the interface cable
Check the port connection setting is correct. For details about checking the port connection, see p.199 "Checking the Port Connection".
- Network Connection
Consult your network administrator.

How is the signal strength when using the Wireless LAN?

- 802.11 Ad hoc Mode
Either move to a location where the signal is good, or remove obstructions.

- Infrastructure Mode

Check the signal status in the [Wireless LAN] menu on the control panel. If the signal is poor, either move to a location where it is good, or remove obstructions.

Checking the Port Connection

When the Data in indicator does not flash or light up, check the port connection as shown below to confirm the setting.

- For a parallel port connection, the port must be set to LPT 1 or LPT 2.
 - For a USB port connection, the port must be set to USB00(n)*.
- * (n) varies depending on the number of printers connected.

Windows

Windows XP Professional or Windows Server 2003/2003 R2

1. Click the [Start] button, and then click [Printers and Faxes].
2. Click the icon of the printer. On the [File] menu, click [Properties].
3. Click the [Ports] tab.
4. In the [Print to the following port(s)] list, confirm the correct port is selected.

Windows XP Home Edition

1. Click the [Start] button, and then click [Control Panel].
2. Click [Printers and Other Hardware].
3. Click [Printers and Faxes].
4. Click the icon of the printer. On the [File] menu, click [Properties].
5. Click the [Ports] tab.
6. In the [Print to the following port(s)] list, confirm the correct port is selected.

Windows Vista or Windows Server 2008

1. Click the [Start] button, and then click [Control Panel].
2. Click [Printer].
3. Click the icon of the printer. On the [File] menu, click [Properties].
4. Click the [Ports] tab.
5. In the [Print to the following port(s)] list, confirm the correct port is selected.

Windows 7 or Windows Server 2008 R2

1. Click the [Start] button, and then click [Devices and Printers].
2. Right-click the printer icon you want to check, and then click [Printer Properties].
3. Click the [Ports] tab.
4. In the [Print to the following port(s)] list, confirm the correct port is selected.

Mac OS X

When the printer is connected to Mac OS X and the Ready indicator does not flash or light up, try the following procedures to check the port connection.

- Use [About This Mac] to check the USB information.
- Use the printer browser to check if the printer is displayed.

Using [About This Mac]

1. Click Apple Menu, and then select [About This Mac].
2. Click [More Info].
3. Under [Contents], for [Hardware], Select [USB].

Using the printer browser

1. Start [Printer Setup Utility] or [Printer Center] utility.

Under Mac OS X 10.5 or 10.6, start System Preferences and click [Print & Fax].

2. Click [Add] or [+] button.

The printer browser starts.

Confirm the printer is displayed on the browser.

Other Printing Problems

When You Cannot Print Properly

Toner smears appear on the print side of the page.

- The paper setting may not be correct. For example, you are using thick paper but the setting for thick paper might not be set.
- Check the paper settings.
- Check the printer driver's paper settings. See the printer driver Help.
- Check that the paper is not curled or bent. Envelopes can easily become curled. For details, see p.115 "Supported Paper Types".

Photo images are coarse.

- Some applications lower the resolution for making prints.
Raise the resolution in the settings of the application.

Fine dot patterns do not print.

- Change the [Dithering:] setting in the PostScript® 3™ printer driver's dialog box.
For details, see the printer driver Help.

Solid lines are printed as broken lines.

- Change the [Dithering:] setting in the PostScript 3 printer driver's dialog box.
For details, see the printer driver Help.

The whole printout is blurred.

- The paper is damp, probably due to improper storage. Use dry paper that has been stored properly.
For details, see p.115 "Supported Paper Types".
- Toner is almost depleted. When the "Replace print cartridge." message appears on the display, replace the print cartridge. For details, see p.155 "Replacing the Print Cartridge".
- Condensation may have collected. If rapid change in temperature or humidity occurs, use this printer only after it has acclimatized.

White streaks or color streaks appear.

- Toner is almost depleted. When the "Replace print cartridge." message appears on the display, replace the print cartridge. For details, see p.155 "Replacing the Print Cartridge".

Images are not printed in the right position.



CEC225

- Adjust the printing position.

Adjust the printing position for each tray by specifying the adjustment values for [Registration] in [Quality Maintenance] under [Maintenance] using the control panel. For details, see p. 187 "Adjusting Printing Position".

- Adjust the end guide and both side paper guides to match the paper size. See p. 124 "Loading Paper in Trays".

Images are printed at an angle.



CEC223

- Adjust the end guide and both side paper guides to match the paper size. See p. 124 "Loading Paper in Trays".

White lines appear.

Toner is almost depleted. When the "Replace print cartridge." message appears on the display, replace the print cartridge. For details, see p. 155 "Replacing the Print Cartridge".



CEC224

The backs of printed sheets are blemished.

- When removing a jammed sheet, the inside of the printer may have become dirtied. Print several sheets until they come out clean.
- If document size is larger than paper size, e.g. A4 document on B5 paper, the back of the next printed sheet may be dirtied.

If rubbed with your finger, it smears out.

- The setting of the paper may not be correct. For example, although thick paper is used, the setting for thick paper may not be set.
 - Check the paper settings of this printer.
For details, see p.115 "Supported Paper Types".
 - Check the paper settings of the printer driver.
For details, see the printer driver Help.
- The fusing unit is deteriorated or damaged. Replace the unit.
For details, see p.161 "Replacing the Maintenance Kit".

When printing on OHP transparencies, black or white dots are obvious.

The registration roller is dirty. Clean the registration roller. Contact your sales/service representatives. Image quality varies when printing on thick paper or on OHP transparencies. Switch to Thick Paper mode. For details, see "Making Printer Settings Using the Control Panel", Software Guide.

When printing on plain paper, white dots are obvious.

- The registration roller or the paper tray is dirty. Clean the registration roller or the paper tray.
For details, see p.182 "Cleaning the Registration Roller".

Paper Misfeeds Occur Frequently

Paper jams occur frequently.

- Number of paper set in the tray exceeds the limit. Confirm that the top of the stack is not higher than the limit mark inside the tray.
For details, see p.111 "Supported Paper for Each Tray".
- There may be a gap between the front guide and the paper, or between the side guides and the paper in the paper tray. Make sure there are no gaps.
For details, see p.111 "Supported Paper for Each Tray".
- Paper is either too thick or too thin.
For details, see p.115 "Supported Paper Types".
- Paper is bent or wrinkled. Use paper that have no bents or wrinkles.

For details, see p. 115 "Supported Paper Types".

- Paper has already been printed on.

For details, see p. 115 "Supported Paper Types".

- Paper is damp. Use paper that has been stored properly.

For details, see p. 115 "Supported Paper Types".

- When loading paper, separate paper from each other.
- The friction pad or paper feed roller or registration roller may be dirty. Clean the pertinent section as necessary. See p. 178 "Cleaning the Friction Pad and the Paper Feed Roller" and p. 182 "Cleaning the Registration Roller".
- The paper setting may not be correct. For example, although you are using thick paper, the setting for thick paper may not be set.

Check the printer driver's paper settings. See the printer driver Help.

Multiple pages are fed at once.

- There may be a gap between the end guide and the paper, or between the paper guides on both sides and the paper in the paper tray. Be sure to close any gaps by repositioning the guides. See p. 124 "Loading Paper in Trays".

- Paper is either too thick or too thin.

For details, see p. 115 "Supported Paper Types".

- Paper has already been printed on.

For details, see p. 115 "Supported Paper Types".

- Number of paper set in the tray exceeds the limit. Confirm that the top of the stack is not higher than the limit mark inside the tray.

For details, see p. 111 "Supported Paper for Each Tray".

- Paper is static. Use paper that has been stored properly.

For details, see p. 115 "Supported Paper Types".

- When loading paper, separate paper from each other.
- The friction pad or paper feed roller may be dirty. Clean the pertinent section as necessary. See p. 178 "Cleaning the Friction Pad and the Paper Feed Roller".

- Check that paper has not been added while there is still some left in the tray.

Only add paper when there is none left in the tray.

Paper gets wrinkles.

- Paper is damp. Use paper that has been stored properly.

For details, see p. 115 "Supported Paper Types".

- Paper is either too thick or too thin.

For details, see p.115 "Supported Paper Types".

- There may be a gap between the front guide and the paper, or between the side guides and the paper in the paper tray. Make sure there are no gaps.

For details, see p.111 "Supported Paper for Each Tray".

- The fusing unit is deteriorated or damaged. Replace the unit.

For details, see p.161 "Replacing the Maintenance Kit".

The printed image is different from the image on the computer

A printed image is different from the image on the computer's display.

- When you use some functions, such as enlargement or reduction, the layout of the image might be different from that displayed on the computer display.

Images are cut off, or excess pages are printed.

- If you are using paper smaller than the paper size selected in the application, use the same size paper as that selected in the application. If you cannot load paper of the correct size, use the reduction function to reduce the image, and then print.

For details, see the printer driver Help.

PDF Direct Print is not executed (PDF file is not printed).

- You must install an optional hard disk drive or set the value of [RAM Disk] in the System Menu to 2 MB or higher.

For details about [RAM Disk], see "System Menu", Software Guide.

- After adding a SDRAM module and setting the value of [RAM Disk] in the System Menu to 8 MB, value of [RAM Disk] returns to 0 MB if the SDRAM module is removed. If this happens, reset the value of [RAM Disk] to 2MB or higher.

For details about [RAM Disk], see "System Menu", Software Guide.

- When printing a PDF with a password set, set the password of the PDF file using the [Change PDF Password] menu in [PDF Menu] or Web Image Monitor. For details about [Change PDF Password], see "Print Settings Menu", Software Guide.

For details about Web Image Monitor, see Web Image Monitor Help.

- PDF files not allowed to be printed by the PDF file security setting cannot be printed.

- Highly compressed PDFs cannot be printed using PDF Direct Print.

Open the relevant application and print the PDF file using the printer driver.

Set the file format to standard PDF.

As a result of printing using PDF Direct Printing, characters are missing or misshapen.

- Before printing, embed the font in the PDF file to be printed.

The paper size appears on the control panel and printing is not performed with PDF Direct Print.

- When using PDF Direct Print, printout requires paper set within the PDF file. When a message indicating a paper size appears, either place the indicated size in the paper tray, or perform Form Feed.
Also, if [Sub Paper Size] in the [System] Menu is set to [Auto], printing is performed assuming letter size and A4 size to be the same size. For example, When a PDF file set to A4 size paper is printed using PDF Direct Print and letter size paper is loaded in the paper tray, the file will be printed out. This applies similarly to the opposite case.

When Printer is Not Functioning Properly

Paper is not fed from the selected tray.

- When you are using a Windows operating system, the printer driver settings override those set using the control panel. Set the desired input tray using the printer driver.
For details, see the printer driver Help.

Prints do not stack properly.

- Paper is damp. Use paper that has been stored properly. See p. 115 "Supported Paper Types".
- Pull out the extender.

It takes too much time to turn on the printer.

- If the printer is turned off while it is still accessing the hard disk (for example: during file deletion), the printer will require more time to power-up the next time it is turned on. To avoid this time delay, do not turn the power off while it is in operation.

It takes too much time to resume printing.

- The data is so large or complex that it takes time to process it. If the data in indicator is blinking, the data is being processed. Just wait until it resumes.
- The printer was in the Energy Saver mode. To resume from the Energy Saver mode, the printer has to warm up, and this takes time until printing starts. To disable the Energy Saver mode, select [Off] for [Auto Off On/Off] in the [System], [Auto Off] menu.

It takes too much time to complete the print job.

- Photographs and other data intensive pages take a long time for the printer to process, so simply wait when printing such data.

Changing the settings with printer driver may help to speed up printing.

For details, see the printer driver Help.

- The data is so large or complex that it takes time to process it. If the data in indicator is blinking, the data is being processed. Just wait until it resumes.
- If "Waiting for print data..." appears on the display, the printer is now warming up. Wait for a while.

Attached options are not detected in the printer properties.

- The computer and printer are not in two-way communication. You must configure attached options in the printer properties.

For details, see the printer driver Help.

If the problem cannot be solved, contact your sales or service representative.

When doing aggregate prints or bound prints.

- Check that the paper size and direction set in the printer driver are the same as those set in the application.

If the settings are not the same, change the settings of the printer driver.

An empty tray is selected by Auto Tray Select, and the document does not print out due to out of paper error.

- If a paper tray is opened and closed while the printer is in Energy Saver mode, the printer will initialize the tray upon recovery, but the tray will not be selectable by Auto Tray Select.

To print from a paper tray that you have opened and closed while the printer was in Energy Saver mode, you must manually specify the tray as the source paper tray before printing. When the printer recovers from Energy Saver mode and completes initialization, it will then print the document from the tray you have specified.

Additional Troubleshooting

Strange noise is heard.

- If a supply was recently replaced or an option attached in the area the strange noise is coming from, check the supply or option is properly attached. If the strange noise persists, contact your sales or service representative.

No e-mail is received when an Alert occurs, and after resolving an Alert.

- Confirm [Auto E-mail Notify] is active in the [System] Menu on the Control Panel. See "System Menu", Software Guide.
- Access the printer through a Web browser, log in as an Administrator on Web Image Monitor, and then confirm the following settings in [Auto E-mail Notification]:
 - Device E-mail Address
 - Groups to Notify
 - Select Groups/Items to Notify

For details about the settings, see Web Image Monitor Help.

- Access the printer through the Web browser, log in as an Administrator on the Web Image Monitor, and then confirm the settings of the SMTP server in [E-mail]. For details about the settings, see Web Image Monitor Help.
- When the power is turned off before the e-mail is transmitted, the e-mail will not be received.
- Check the e-mail address set for the destination. Confirm the printer's operation history using Web Image Monitor's System Log menu in [Network]. If the e-mail was sent but not received, it is possible the destination was incorrect. Also check the information concerning error mail from the e-mail server.

9

The setting for [Auto E-mail Notify] on the System Menu was changed from [Off] to [On], but e-mail is not arriving.

- After changing the setting, turn the printer's power off and then back on again.

Error notification e-mail was received, but no error-solved e-mail is received.

- Check e-mail is set for sending using Web Image Monitor's [Auto E-mail Notification] at the time the error was fixed. You must click the [Edit] button of [Detailed Settings of Each Item] in [Auto E-mail Notification], and set [Notify when error:] to [Occurs & Fixed] on the displayed screen.

For details about the settings, see Web Image Monitor Help.

Alert Resolving is set for sending e-mail, but no Alert-resolved e-mail is sent.

- If the power of the printer is turned off after an alert occurs, and the alert is resolved during the time the power is off, no Alert-resolved e-mail is sent.

Alert Occurrence and Alert Resolving are set for sending e-mail, but while no Alert Occurrence mail is received, Alert-resolved e-mail is received.

- Alert-notification e-mail is not sent if the problem is resolved before sending. However, an Alert-resolved e-mail is sent.

Alert-notification level was changed, and e-mail stopped arriving.

- If an Alert-notification e-mail, set with the earlier notification level, arrives, later e-mail will not be sent, even if the notification level is changed after.

When no date information is included in sent e-mail, the mail server has a malfunction.

- Configure the setting for obtaining time information from the SNTP server. Refer to Web Image Monitor's Help to the settings.

Note

- If the printer is still not operating satisfactorily, contact your sales or service representative. Consult with the store where the printer was purchased for information about the location of sales or service representatives.

10. Removing Misfed Paper

This chapter explains how to remove misfed paper.

When Paper is Jammed

An error message appears if a paper misfeed occurs. The error message gives the location of the misfeed. Check the location and remove the paper.

CAUTION

- The inside of the machine could be very hot. Do not touch the parts with a label indicating the "hot surface". Otherwise, an injury might occur.

CAUTION

- Some of this machine's internal components get very hot. For this reason, take care when removing misfed paper. Not doing so could result in burns.

CAUTION

- When removing jammed paper or replacing toner, avoid getting toner (new or used) on your clothing. If toner comes into contact with your clothing, wash the stained area with cold water. Hot water will set the toner into the fabric and make removing the stain impossible.

CAUTION

- When removing jammed paper or replacing toner, avoid getting toner (new or used) on your skin. If toner comes into contact with your skin, wash the affected area thoroughly with soap and water.

Important

- Forcefully removing misfed paper may cause paper to tear and leave scraps of paper in the printer. This might cause a misfeed and damage the printer.
- When paper is misfed a number of times, the following are possible causes.
 - The control panel settings do not match the size or orientation of the loaded paper.
 - The paper feed roller is dirty.
- For details about cleaning the paper feed roller, see p.178 "Cleaning the Friction Pad and the Paper Feed Roller".
- Misfed paper may be covered with toner. Be careful not to get toner on your hands or clothes.
- Toner on prints made after removing misfed paper may be loose (inadequately fused). Make a few test prints until smudges no longer appear.

- Paper jams can cause pages to be lost. Check your print job for missing pages and reprint any pages that did not print out.
- If paper is still misfed after you have checked the above-mentioned causes, contact your sales or service representative.

Paper Misfeed Message (A)

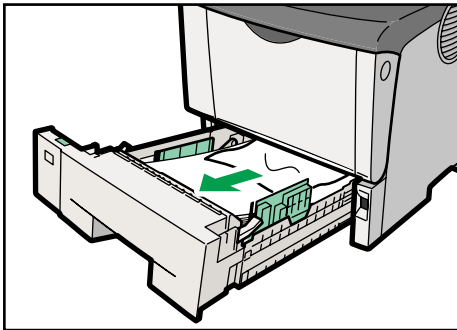
The "⚠ (A) Remove misfeed in Trays. Opn & cls Frt. Cov." error message appears when a paper misfeed occurs in the standard paper feed tray or paper feed section.

Removing Misfed Tray 1

★ Important

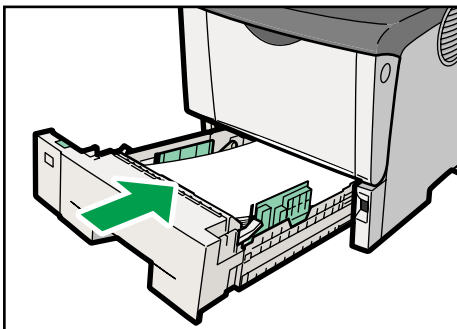
- Forcefully removing misfed paper may cause paper to tear and leave scraps of paper in the printer. This might cause a misfeed and damage the printer.

1. Pull out the paper tray until it stops, and then remove misfed paper.



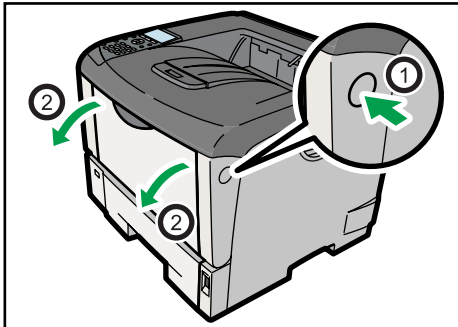
CEE014

2. Carefully slide the paper tray into the printer until it stops.



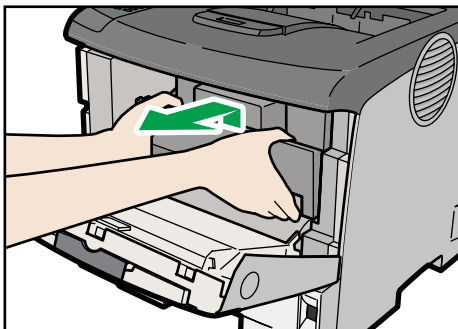
CEE074

3. Open the front cover by pushing the front cover release button.



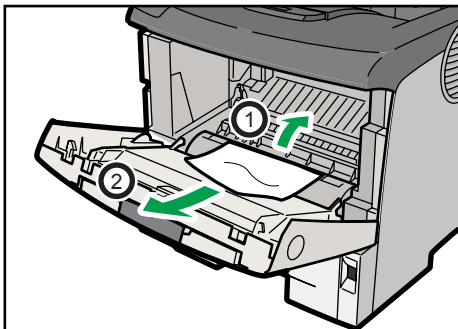
CEE008

4. Lift the front side of the print cartridge, and then pull it out of the printer.



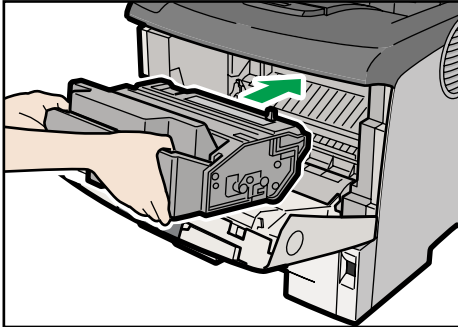
CEE017

5. Pull out the misfed paper by holding both sides of paper. Be careful not to get toner dust on your hands or clothes.



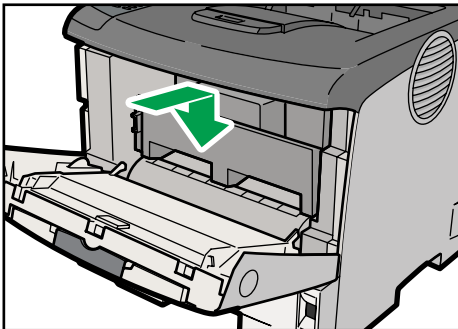
CEE167

6. Hold the grips of the print cartridge, and then insert it into the printer until it stops.



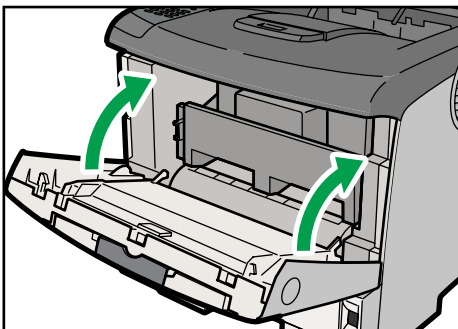
CEE009

7. Push down the print cartridge to secure it in the appropriate position.



CEE007

8. Close the front cover.



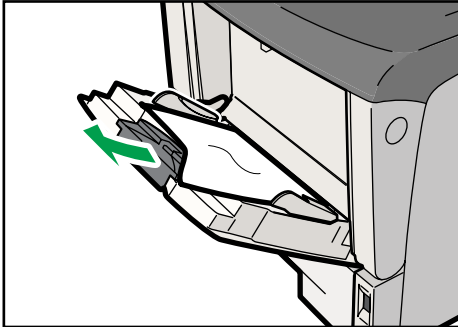
CEE005

Removing Misfed Bypass Tray

★ Important

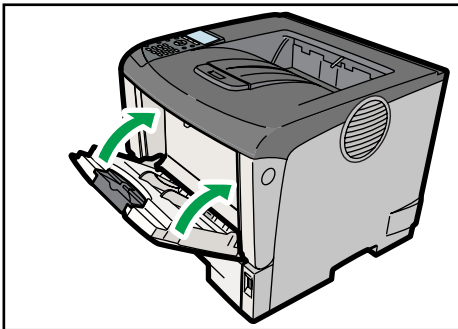
- Remove the paper from the bypass tray before opening the front cover.
- Forcefully removing misfed paper may cause paper to tear and leave scraps of paper in the printer. This might cause a misfeed and damage the printer.

1. Remove the misfed paper.



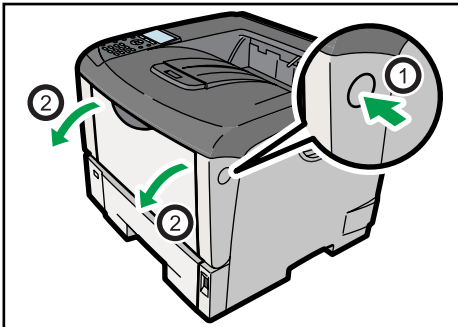
CEE087

2. Close the bypass tray.

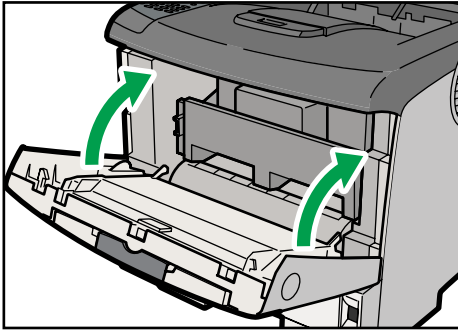


CEE088

3. Open the front cover by pushing the front cover release button, and then close it to reset the misfeed condition.



CEE008



CCE005

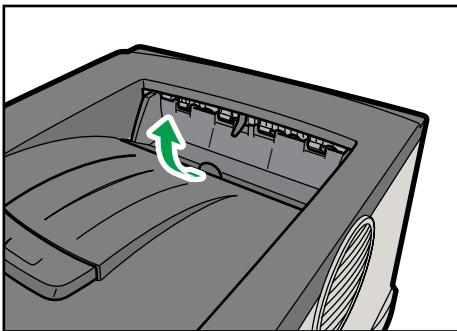
Paper Misfeed Message (B)

The "⚠️ (B)Open Paper Exit Cover and remove misfeed." error message appears if a paper jam occurs in the paper exit section.

★ Important

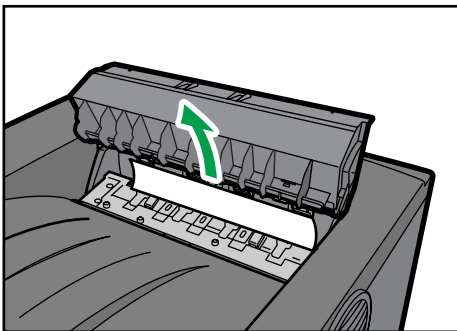
- Forcefully removing misfed paper may cause paper to tear and leave scraps of paper in the printer. This might cause a misfeed and damage the printer.
- Be sure to put the print cartridge on a stable, flat surface.
- Do not hold the print cartridge upside down or stand it vertically.

1. Open the paper exit cover.



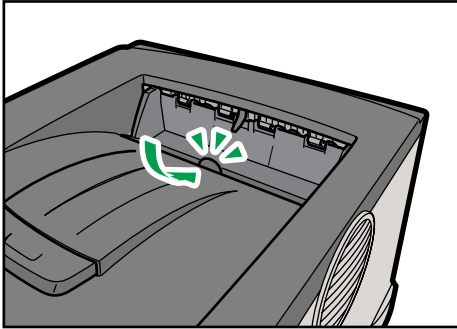
CEE084

2. Remove the misfed paper.



CEE086

3. Close the paper exit cover until it clicks.



CEE085

Note

- Once all misfed paper is removed, the error message will disappear and printing will continue.

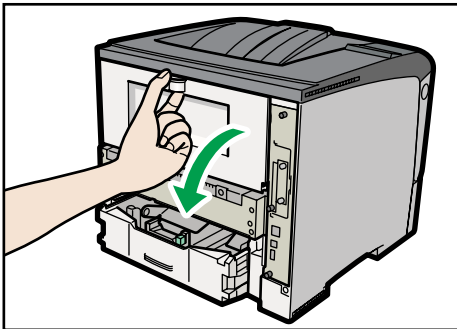
Paper Misfeed Message (C)

The "⚠(C)Open Rear Cover and remove misfeed." error message appears when a paper misfeed occurs in the paper feed section.

★ Important

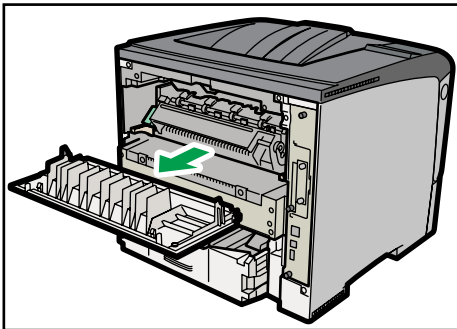
- Forcefully removing misfed paper may cause paper to tear and leave scraps of paper in the printer. This might cause a misfeed and damage the printer.
- Do not touch the metal part of the fusing unit. It becomes very hot. Touching it could result in a burn.

1. Open the rear cover.



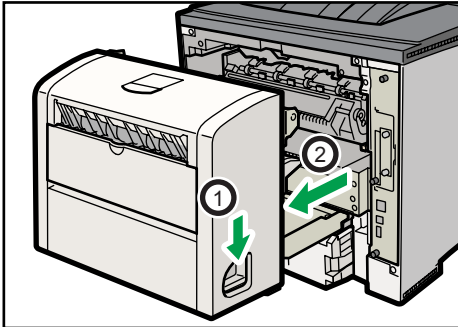
CEE040

2. Lower the rear cover until it is horizontal, and then pull it away.



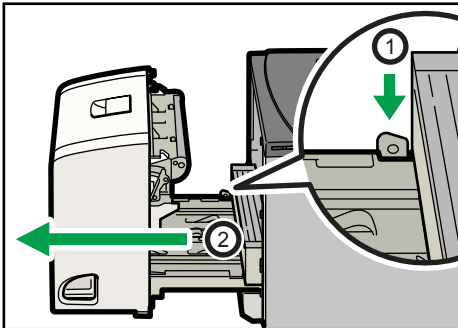
CEE041

3. If the optional duplex unit is attached, push down the lever on the right side of the duplex unit (①), and then pull it out until it stops (②).



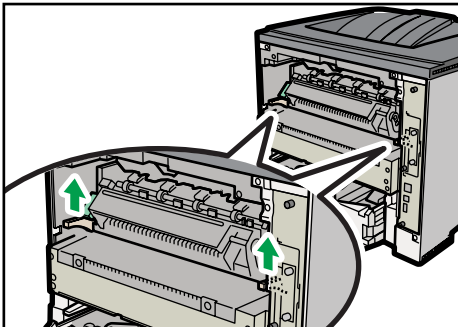
CEE056

4. Push the under board levers (①) and then pull the duplex unit out of the printer (②).



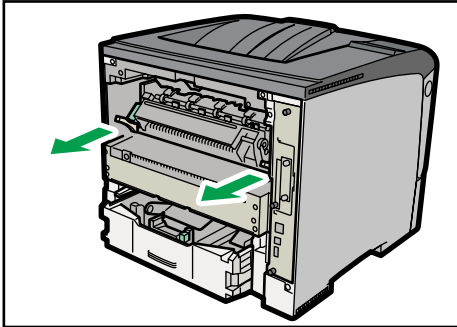
CEE083

5. Lift the lock levers of the fusing unit as shown in the illustration.



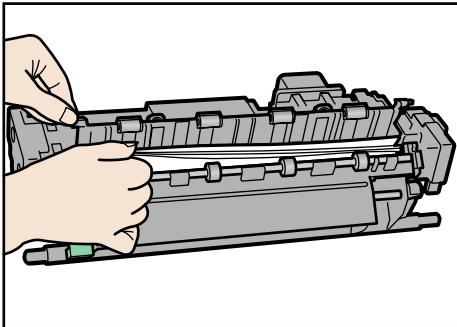
CEE046

6. Pull the fusing unit out.



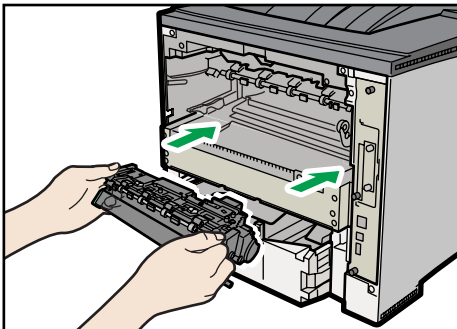
CEE048

7. Hold the tab, and then remove the misfed paper.



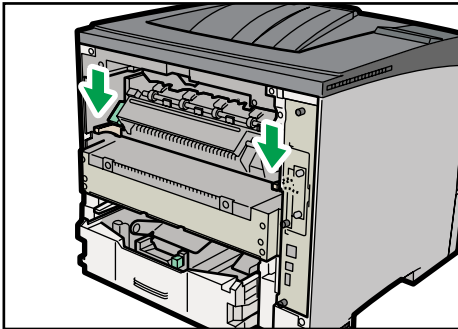
CEE091

8. Push the fusing unit until it stops.



CEE049

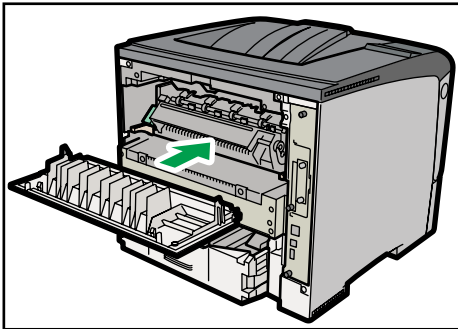
9. Push the lock levers of the fusing unit down until they click.



CEE047

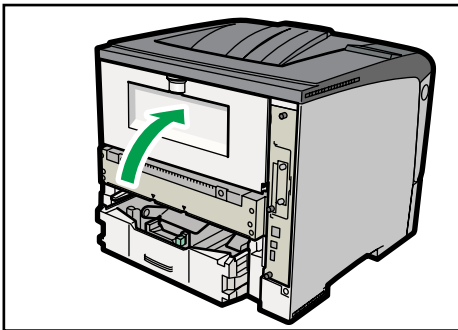
Proceed to step 12 if the optional duplex unit is installed.

10. Position the rear cover horizontally and align it with the grooves in the printer's interior.



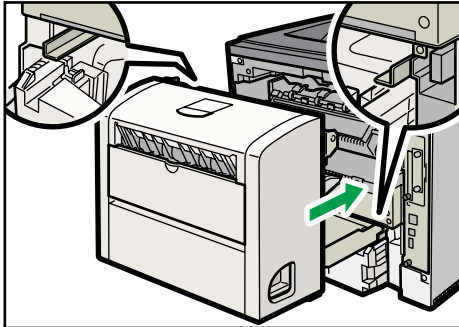
CEE044

11. Close the rear cover.

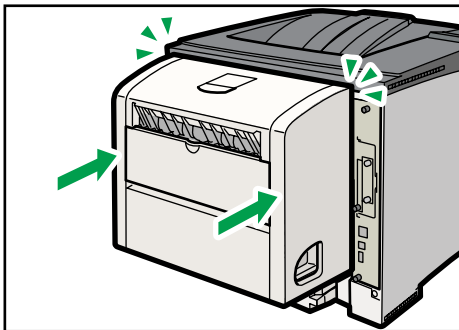


CEE045

12. If the optional duplex unit was removed, re-install it in the printer by pushing it along the rails on the inside of the printer.



13. Securely push the duplex unit into the printer.



Paper Misfeed Message (Y1)(Y2)

When a paper jam has occurred in one of the optional paper trays, "Tr (Y1) (Y2) Remove misfeed in (Tray name). Opn & cls Frt. Cov." message appears. The optional paper trays to which this message applies to are as follow:

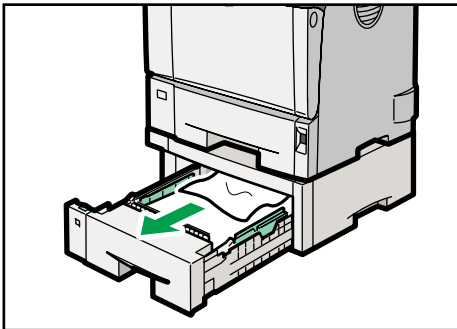
- (Y1): Tray 2
- (Y2): Tray 3

This section explains how to remove the jammed paper using tray 2 as an example. The same procedure can be used for the other optional trays.

★ Important

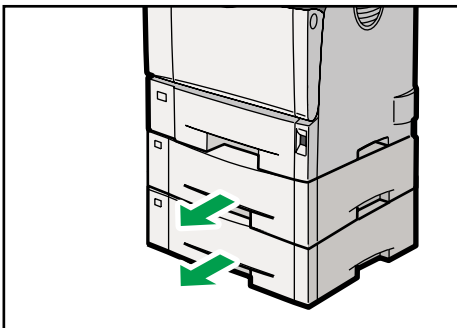
- **Forcefully removing misfed paper may cause paper to tear and leave scraps of paper in the printer. This might cause a misfeed and damage the printer.**

1. Pull out the paper tray until it stops, and then remove misfed paper.

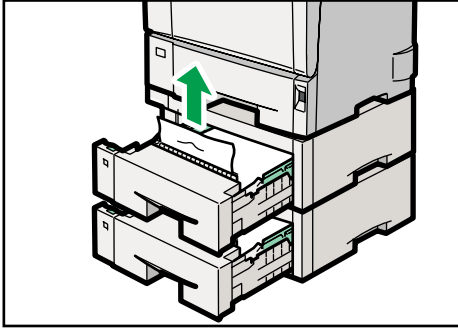


CEE168

If paper jams occur in multiple trays, a message indicating multiple trays such as "(Y2)" appears. Open all the trays indicated on the control panel, and then remove the jammed paper.

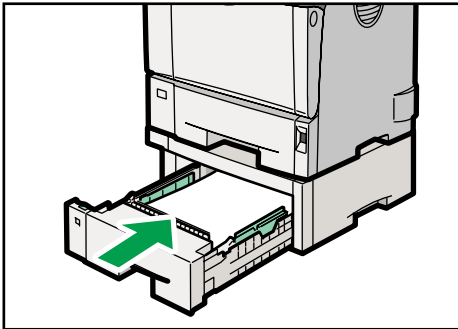


CEE170



CEE169

2. Carefully slide the paper tray into the printer until it stops.



CEE171

Paper Misfeed Message (Z)

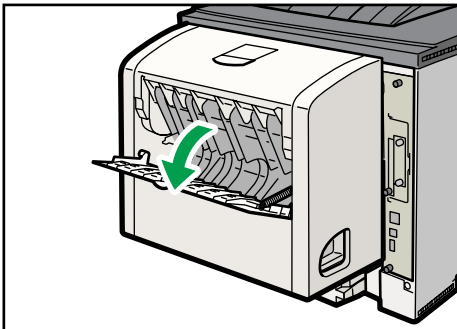
The "⌘(Z)Remove paper from the Duplex Unit." error message appears when a paper misfeed occurs inside the duplex section.

★ Important

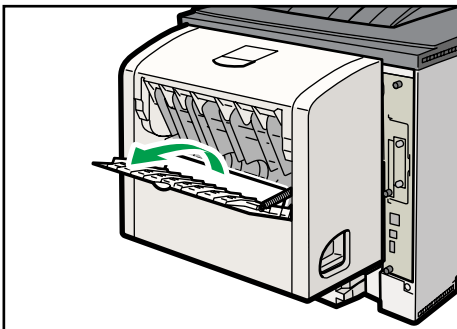
- Forcefully removing misfed paper may cause paper to tear and leave scraps of paper in the duplex unit. This might cause a misfeed and damage the printer.

Removing Misfed Paper Inside the Cover

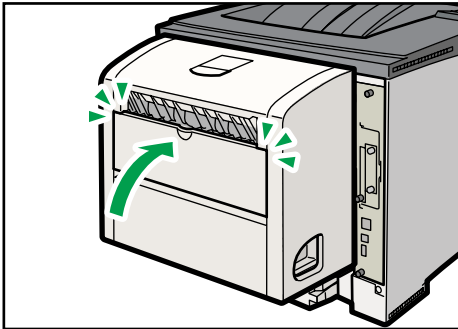
1. Open the rear cover of the duplex unit.



2. Remove the misfed paper.

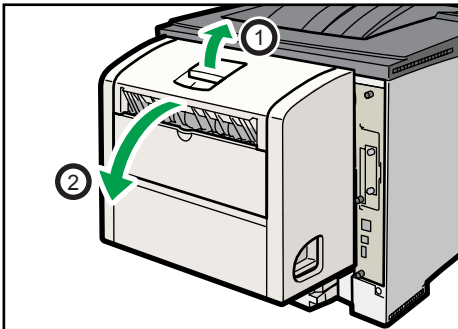


3. Close the rear cover of the duplex unit.



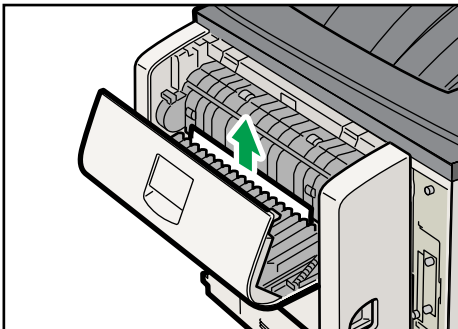
CEE052

4. Lift the lever (①), open the cover of the duplex unit (②).



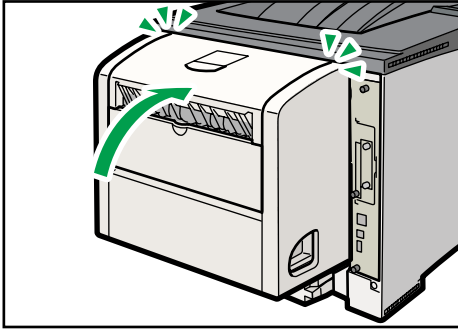
CEE054

5. Remove the misfed paper.



CEE062

6. Close the cover of the duplex unit.



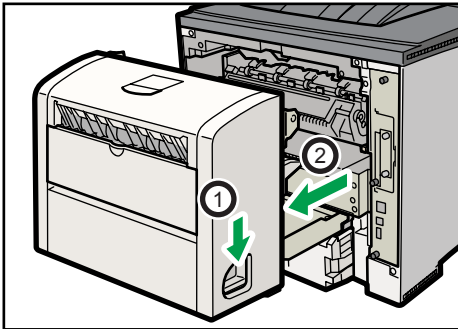
CEE055

Removing Misfed Paper Inside the Duplex Unit

★ Important

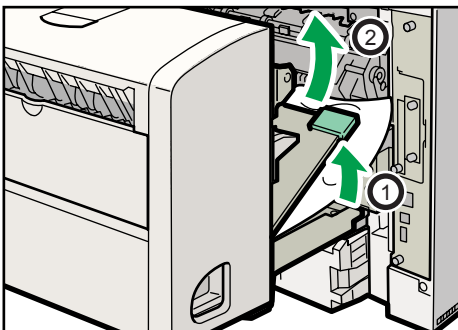
- When A5□ paper misfeeds, you might not be able to remove it by pulling the duplex unit out. In this case, pull the paper tray out and remove the paper.

1. Push down the lever on the right side of the duplex unit (①), and then pull it out until it stops (②).



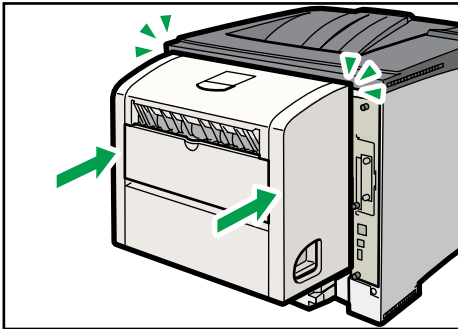
CEE056

2. Lift the guide board inside the duplex unit, and remove the misfed paper.



CEE063

3. Push in the duplex unit along the rails in the back of the printer.



CEE050

Note

- If the error message appears again, the misfed paper might be left in the printer. Confirm that any torn paper scraps are not in the inside of the printer. For more information, see p.213 "Paper Misfeed Message (A)" or p.218 "Paper Misfeed Message (B)".

11. Appendix

This section explains maintenance and operation procedures for this printer. It also describes the specifications of the printer and its options.

Moving and Transporting the Printer

WARNING

- If the machine topples, or if a cover or other part gets broken, you must turn the power switch to off and disconnect the power cord plug from the wall outlet. Then contact your service representative and report the problem. Do not use the machine. Doing so could result in fire or electric shock.

CAUTION

- The printer weighs approximately 17.5 kg (38.6 lb.). When moving the printer, use the inset grips on both sides, and lift slowly in pairs. The printer will break or cause injury if dropped.

CAUTION

- When disconnecting the power cord from the wall outlet, always pull the plug, not the cord. Pulling the cord can damage the power cord. Use of damaged power cords could result in fire or electric shock.

CAUTION

- Unplug the power cord from the wall outlet before you move the machine. While moving the machine, take care that the power cord is not damaged under the machine. Failing to take these precautions could result in fire or electric shock.

Important

- **Be sure to disconnect all cables from the printer before transporting it.**
- **The printer is a piece of precision machinery. Take care to avoid damage during transportation.**
- **If optional paper feed units are attached, remove them from the printer and move them separately.**

Moving the Printer in a Short Distance

1. Be sure to check the following points:

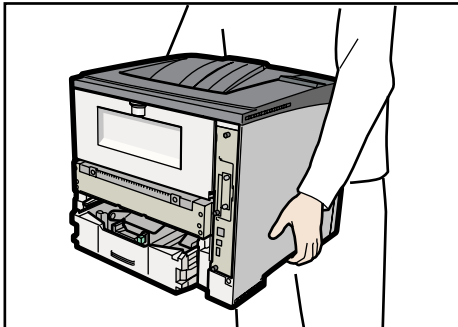
- The power switch is turned off.
- The power cord is unplugged from the wall outlet.

- The interface cable is unplugged from the printer.

2. If any external options are attached, remove them.

See the relevant sections in this manual and reverse the steps to remove options.

3. Lift the printer by using the inset grips on both side of the printer, and then move it horizontally to the place where you want to install it.



CEE039

4. If you removed options, reattach them.

For details, see the relevant sections in this manual.

↓ Note

- Be sure to move the printer horizontally. To prevent toner from scattering, move the printer slowly.

Consumables

★ Important

- Our products are engineered to meet the highest standards of quality and functionality. When purchasing expendable supplies, we recommend using only those specified by an authorized dealer.

Print Cartridge

Print cartridge	Average printable number of pages
Black	15,000 pages

↓ Note

- The printable number of pages is based on pages that are compliant with ISO/IEC 19752 with the image density set as the factory default. ISO/IEC 19752 is an international standard for measurement of printable pages, set by the International Organization for Standardization.
- If print cartridges are not changed when necessary, printing will become impossible. We recommend keeping a stock of cartridges or purchasing them soon.
- The actual number of printable pages varies depending on the image volume and density, number of pages to be printed at a time, paper type and paper size used, and environmental conditions such as temperature and humidity.
- Print cartridges may need to be changed sooner than indicated above due to deterioration over the period of use.
- Print cartridges (consumables) are not covered by warranty. However, if there is problem, contact the store where they were purchased.
- When you first use this printer, use the print cartridges packaged with the printer.
- Numbers of pages that can be printed using the print cartridges supplied with this printer are as follows:

Name	Average printable number of pages
Print Cartridge	6,000 pages

Maintenance Kit

Maintenance Kit SP 4100

Name	Average printable number of pages
Paper Feed Roller × 3	90,000 pages

Name	Average printable number of pages
Fusing Unit	90,000 pages
Transfer Roller	90,000 pages
Friction Pad × 3	90,000 pages

↓ Note

- The actual number of printable pages varies depending on the image volume and density, number of pages to be printed at a time, paper type and paper size used, and environmental conditions such as temperature and humidity.
- The maintenance kit (consumables) are not covered by warranty. However, if there is problem, contact the store where they were purchased.

Specifications

WARNING

- The supplied power cord is for use with this machine only. Do not use it with other appliances. Doing so could result in fire, electric shock, or injury.

Mainframe

Configuration:

Desktop

Print Process:

Laser beam scanning & Electrophotographic printing

First Print Speed:

6.9 sec or less (A4 \square or 8 $\frac{1}{2}$ " \times 11" (Letter) \square)

Note that if the printer has not been used for some time, there may be a short delay before the first page starts printing.

Printing Speed:

Maximum 36 pages per minute (A4 \square), 37 pages per minute (8 $\frac{1}{2}$ " \times 11" (Letter) \square)

Resolution:

300 \times 300 dpi

600 \times 600 dpi

1200 \times 600 dpi

Paper Size:

For details, see p.111 "Supported Paper for Each Tray".

Paper Weight:

For details, see p.111 "Supported Paper for Each Tray".

Media Type:

For details, see p.115 "Supported Paper Types".



Paper Output Capacity:

Standard 250 sheets (80 g/m², 20 lb.)

Paper Input Capacity

For details, see p.111 "Supported Paper for Each Tray".

Power Source:

-  **Region A** (mainly Europe and Asia)
220-240 V, 50/ 60 Hz, 4.3 A or less
-  **Region B** (mainly North America)
120 V, 60 Hz, 8 A or less

Power Consumption:

-  **Region A** (mainly Europe and Asia)

Printing	990 W or less
Auto Off mode (sleep mode)	3.9 W or less

-  **Region B** (mainly North America)

Printing	960 W or less
Auto Off mode (sleep mode)	3.9 W or less

Warm-up Time:

Less than 19 seconds ^{*1}

^{*1} 23 °C, 71.6 °F (When no error is occurred.)

Dimensions (W × D × H):

Printer only (tray not extended): 388 × 450 × 345 mm (15.80 × 13.80 × 17.20 inches)

Weight:

Approximately 17.5 kg (38.6 lb.) ^{*1}

^{*1} The print cartridge included.

Noise Emission: ^{*1}

- Sound Power Level
 - Main unit only

Stand-by	Less than 42.0 dB (A)
Printing	Less than 67.0 dB (A)

- Sound Pressure Level ^{*2}
 - Main unit only

Stand-by	Less than 36 dB (A)
Printing	Less than 61 dB (A)

^{*1} The preceding measurements made in accordance with ISO 7779 are actual values.

*2 Measured at the position of a bystander.

Memory:

Standard 256 MB, up to 512 MB (with the optional SDRAM module)

Hard disk:

80 GB (Optional)

Interfaces:

Standard:

- Ethernet (10BASE-T/100BASE-TX)
- USB 2.0

To use USB 2.0, a USB computer port and cable that support USB 2.0 are required.

- USB Host

Optional:

- IEEE 802.11 a/b/g (Wireless LAN)
- Parallel (Bidirectional IEEE 1284)
- Gigabit Ethernet (1000BASE-T)

Printer Language:

PCL5e/PCL6, PostScript 3/PDF

Fonts:

PCL 5e/PCL 6:

45 fonts, 13 International fonts

PostScript 3, PDF:

136 fonts

Network:

Topology: The physical or logical layout of the nodes (devices) in a network. (10BASE-T/100BASE-TX/1000BASE-T)

Protocol: TCP/IP, IPX/SPX

Options

Paper Feed Unit TK1030

Paper Size:

For details, see p.111 "Supported Paper for Each Tray".

Dimensions (W × D × H):

388 × 486 × 135 mm (15.30 × 19.10 × 5.40 inches)

Paper weight:

60 - 160 g/m² (14 - 34 lb.)

Weight:

Less than 4 kg (8.8 lb.)

Envelope Feeder Type 400

Paper Size:

For details, see p.111 "Supported Paper for Each Tray".

Dimensions (W × D × H):

359.4 × 427 × 101 mm (14.15 × 16.80 × 3.98 inches)

Paper weight:

72 - 90 g/m² (19 - 24 lb.)

Weight:

Less than 1.6 kg (3.6 lb.)

Duplex Unit AD1000

Paper Size:

For details, see p.111 "Supported Paper for Each Tray".

Dimensions (W × D × H):

305.5 × 336.6 × 216.4 mm (12.00 × 13.30 × 8.50 inches)

Paper weight:

60 - 105 g/m² (16 - 28 lb.)

Weight:

Less than 5 kg (11.1 lb.)

Hard Disk Drive Type 4310

Storage Capacity (Formatted):

80 GB

Specifications:

- Spooling print data to collate

- Spooling Sample Print/Locked Print/Hold Print/Stored Print data
- Storing log data

↓ Note

- Storage capacity is subject to change without prior notice.
- The optional hard disk is provided with an SD card to enhance the security features. By using the provided SD card, the following security features to prevent data leaks become available: overwriting data on the optional hard disk, and encrypting the address book data, authentication information, and the data for stored prints.

Memory Unit Type G 128MB/256 MB

Module Type:

DIMM (Dual-in-line Memory Module)

Memory Type:

DDR-SDRAM (Double Data Rate Synchronous Dynamic RAM)

Number of Pins:

200 pins

Gigabit Ethernet Board Type A/C

Interface Connector:

Ethernet (10BASE-T, 100BASE-TX, 1000BASE-T)

USB 2.0

To use USB 2.0, a USB computer port and cable that support USB 2.0 are required.

Data Transmission Speed: Ethernet: 10 Mbps, 100 Mbps, 1000 Mbps

USB: 480 Mbps (High speed: USB 2.0), 12Mbps (Full speed)

Protocol:

TCP/IP, IPX/SPX, AppleTalk

Maximum Length of Cable Between Devices:

Ethernet: 100 m

USB: 5 m

IEEE 802.11a/g Interface Unit Type M Region **A** (mainly Europe and Asia)

Transmission Specification:

Based on IEEE 802.11a/b/g (Wireless LAN)

Data Transfer Speed:

Auto select from the following speed:

1 Mbps, 2 Mbps, 5.5 Mbps, 6 Mbps, 9 Mbps, 11 Mbps, 12 Mbps, 18 Mbps, 24 Mbps, 36 Mbps, 48 Mbps, 54 Mbps

Frequency Range:

2412 to 2472 Mhz (1 to 13 Channels)

5180 to 5240 Mhz (36, 40, 44 and 48 Channels)

The channel in use might differ depending on the country.

The following channels are available : 2412 - 2462 Mhz (1-11 Channels)

Transmission Mode:

- Ad hoc
- infrastructure mode

IEEE 802.11a/g Interface Unit Type L  (mainly North America)

Transmission Specification:

Based on IEEE 802.11a/b/g (Wireless LAN)

Data Transfer Speed:

Auto select from the following speed:

1 Mbps, 2 Mbps, 5.5 Mbps, 6 Mbps, 9 Mbps, 11 Mbps, 12 Mbps, 18 Mbps, 24 Mbps, 36 Mbps, 48 Mbps, 54 Mbps

Frequency Range:

2412 to 2472 Mhz (1 to 13 Channels)

5180 to 5240 Mhz (36, 40, 44 and 48 Channels)

Transmission Mode:

- Ad hoc
- infrastructure mode

IEEE 1284 Interface Board Type A

Transmission Specification:

IEEE 1284

Required Cable:

Standard IEEE 1284-compliant Micro Centronics 36-pin cable

Trademarks

Adobe, Acrobat, Acrobat Reader, PostScript, and Reader are either registered trademarks or trademarks of Adobe Systems Incorporated in the United States and/or other countries.

Apple, Macintosh, Mac OS, and Safari are trademarks of Apple Inc., registered in the U.S. and other countries.

Firefox® is a registered trademark of the Mozilla Foundation.

IPDS is a trademark of Ricoh Co., Ltd.

IPS is a trademark or registered trademark of Zoran Corporation and/or its subsidiaries in the United States or other countries.

Microsoft®, Windows®, Windows Server®, Windows Vista®, and Internet Explorer® are registered trademarks of Microsoft Corporation in the United States and/or other countries.

Monotype is a registered trademark of Monotype Imaging, Inc.

PCL® is a registered trademark of Hewlett-Packard Company.

UNIX® is a registered trademark of The Open Group.

Other product names used herein are for identification purposes only and might be trademarks of their respective companies. We disclaim any and all rights to those marks.

The proper names of the Windows operating systems are as follows:

- The product names of Windows XP are as follows:
 - Microsoft® Windows® XP Professional Edition
 - Microsoft® Windows® XP Home Edition
- The product names of Windows Vista are as follows:
 - Microsoft® Windows Vista® Ultimate
 - Microsoft® Windows Vista® Business
 - Microsoft® Windows Vista® Home Premium
 - Microsoft® Windows Vista® Home Basic
 - Microsoft® Windows Vista® Enterprise
- The product names of Windows 7 are as follows:
 - Microsoft® Windows® 7 Home Premium
 - Microsoft® Windows® 7 Professional
 - Microsoft® Windows® 7 Ultimate
 - Microsoft® Windows® 7 Enterprise
- The product names of Windows Server 2003 are as follows:
 - Microsoft® Windows Server® 2003 Standard Edition

Microsoft® Windows Server® 2003 Enterprise Edition

- The product names of Windows Server 2003 R2 are as follows:

Microsoft® Windows Server® 2003 R2 Standard Edition

Microsoft® Windows Server® 2003 R2 Enterprise Edition

- The product names of Windows Server 2008 are as follows:

Microsoft® Windows Server® 2008 Standard

Microsoft® Windows Server® 2008 Enterprise

Microsoft® Windows Server® 2008 Standard without Hyper-V™

Microsoft® Windows Server® 2008 Enterprise without Hyper-V™

- The product names of Windows Server 2008 R2 are as follows:

Microsoft® Windows Server® 2008 R2 Standard

Microsoft® Windows Server® 2008 R2 Enterprise

INDEX

A

Additional troubleshooting.....	208
Alert indicator.....	22
Alert messages.....	192
Auto off.....	43
Auto off scheduler.....	43
Available options.....	47

B

Bypass tray.....	113, 133, 135, 136, 138
------------------	-------------------------

C

CAUTION label.....	8
Cautions when cleaning.....	177
CD-ROM.....	13
Checking the port connection.....	199
Cleaning the registration roller.....	182
Clear key.....	25
Color paper.....	117
Consumables.....	233
Control panel.....	21
Custom size paper.....	130, 136

D

Data in indicator.....	22
Device certificate.....	104
DHCP.....	88
Display.....	21
Display language.....	44
Display panel.....	23
Duplex unit.....	74, 114

E

ECO night sensor.....	43
Entering characters.....	24
Envelope feeder.....	54, 113, 146
Envelopes.....	118
Error message.....	191
Escape key.....	22, 24
Ethernet.....	85, 105
Ethernet cable connection.....	77
Ethernet configuration.....	85
Ethernet speed.....	91
Exterior.....	15, 17

F

Friction pad.....	162, 178, 233
Fusing unit.....	171, 233

G

Gigabit Ethernet board.....	64
-----------------------------	----

H

Hard disk.....	56
How to enter character.....	25
HTML manuals.....	13

I

IEEE 1284 interface board.....	68, 83
IEEE 802.1X.....	104
Image density.....	185
Installing options.....	47, 48
Installing the memory expansion units.....	56
Interface units.....	64
Interior.....	19

J

Job reset key.....	22
--------------------	----

L

Label paper.....	116
LED lamps.....	80
Letterhead.....	116
Light sensor.....	22
List of options.....	12
Loading envelopes.....	140
Loading envelopes into the envelope feeder.....	146
Loading paper.....	124

M

Maintenance kit.....	161, 233
Manuals.....	10, 13
Menu key.....	21
Model-specific information.....	7
Moving and transporting.....	231
Moving the printer a short distance.....	231

N

NetWare.....	89
--------------	----

Network.....	85, 94
Network setting.....	89
No DHCP.....	86
Non-recommended paper types.....	121
Number keys.....	22, 24

O

OHP transparencies.....	117
OK key.....	22, 24
Operating instructions.....	13
Operational status or messages.....	23
Option.....	23
Optional paper feed tray.....	112, 124
Order of option installation.....	47
Other printing problems.....	201

P

Panel tone.....	197
Paper feed roller.....	168, 178, 233
Paper feed unit.....	51, 124
Paper misfeed.....	211, 218
Paper misfeed message (A).....	213
Paper misfeed message (C).....	220
Paper misfeed message (Y1).....	225
Paper misfeed message (Y2).....	225
Paper misfeed message (Z).....	227
Paper size.....	128, 135
Paper type.....	131, 138
Parallel cable connection.....	83
Place to install.....	30
Plain paper.....	115
Power indicator.....	22
Power off.....	40, 42
Power on.....	40
Power switch symbols.....	9
Preprinted paper.....	117
Print area.....	122
Print cartridge.....	155, 233
Print test sheet.....	187
Printer does not print.....	198
Printer set up procedure.....	29
Printing on fixed-orientation paper.....	151
Printing position.....	187
Prt.jobs.....	23

R

Recycled paper.....	117
Reducing paper curl.....	190
Registration roller.....	182
Removing misfed bypass tray.....	215
Removing misfed tray 1.....	213
Removing the packaging materials.....	34
Replace.....	161
Replacing the maintenance kit.....	164, 168, 171
Replacing the Maintenance Kit.....	162

S

Saving energy.....	43
Scroll keys.....	22, 24
SD card.....	71
SDRAM module.....	60
Security.....	99
Selection keys.....	21, 24
Shutdown.....	40, 42
Site certificate.....	104
Special paper.....	116
Specifications.....	235
SSID.....	96
Standard paper feed tray.....	111, 124
Status message.....	191
Storing paper.....	120
Supplies.....	23
Supported paper.....	111, 115
Suspend/resume key.....	22
Switch functions key.....	21
Symbols.....	6

T

Test printing.....	45
Thick paper.....	115
Toner.....	155
Trademarks.....	241
Transfer roller.....	164, 233
Troubleshooting.....	191

U

USB cable connection.....	81
User paper type.....	153, 154

W

WARNING label.....	8
WEP key.....	99
Wireless LAN.....	94, 97, 99, 107
Wireless LAN configuration.....	94
Wireless LAN connectivity.....	97
Wireless LAN interface unit.....	66
WPA.....	100
WPA2.....	100

MEMO

MEMO

MEMO

