



Fall Protection

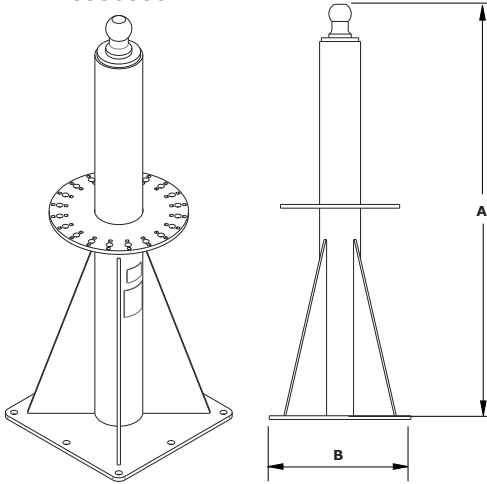
EN795: 2012 Type A	CEN/TS 16415:2013 Type A
OSHA 1926:502 OSHA 1910:140	

**3M™ DBI-SALA® FLEXIGUARD™
Modular Jib System M200
FLOOR MOUNT BASE**

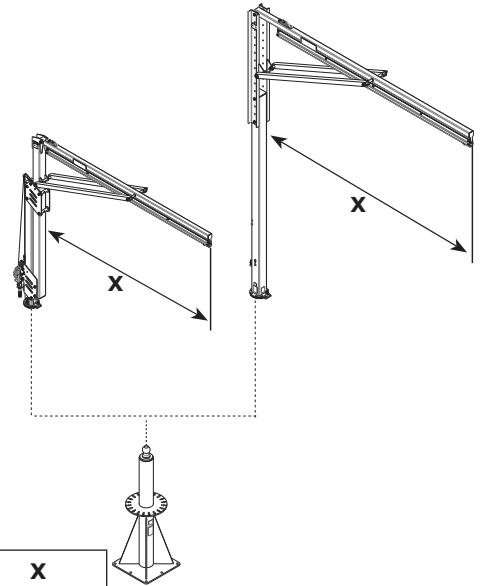
**INSTALLATION INSTRUCTIONS
5908375 REV. D**

1

8530888



	A	B
8530888	55.75 in. (1.42 m)	19 in. (0.48 m)

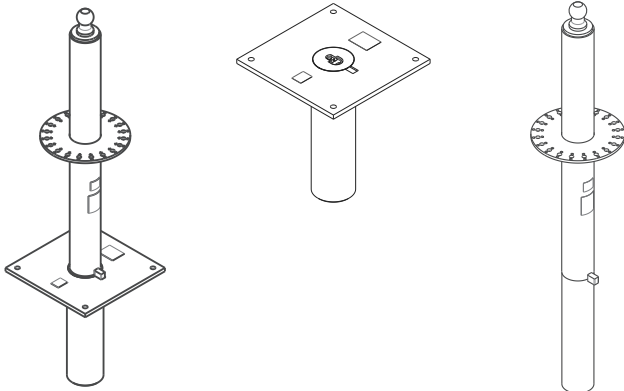


X
≤15 ft (≤4.57 m)

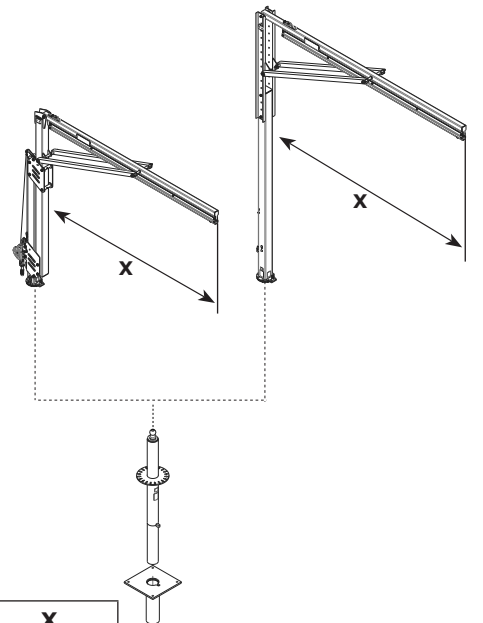
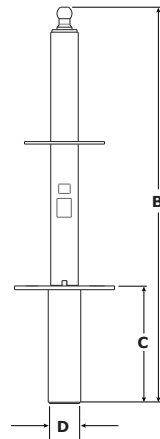
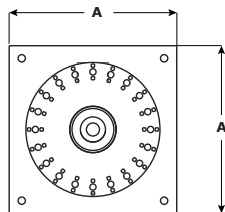
8530889

8530920

8530921



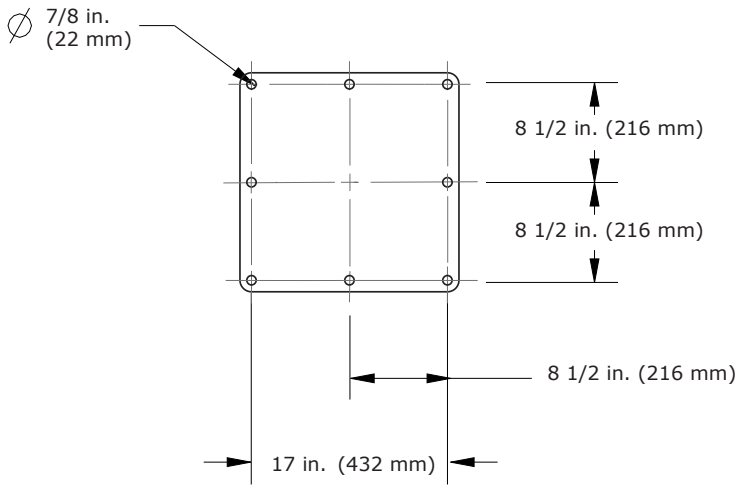
	A	B	C	D
8530889	20.00 in. (0.51 m)	55.75 in. (1.42 m)	23.50 in. (0.60 m)	6.50 in. (0.17 m)



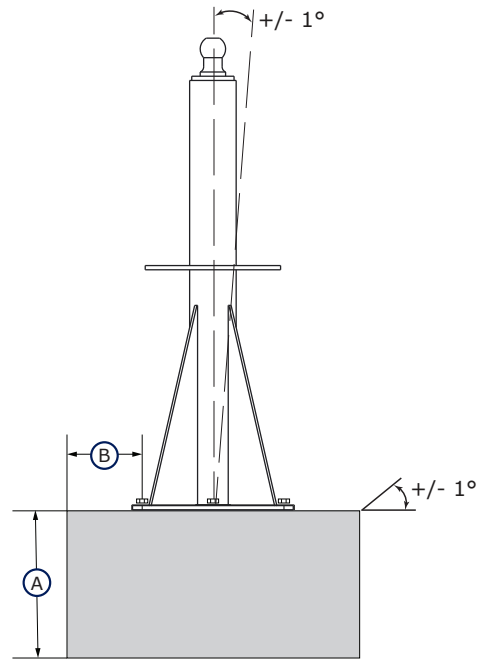
X
≤15 ft (≤4.57 m)

2

1

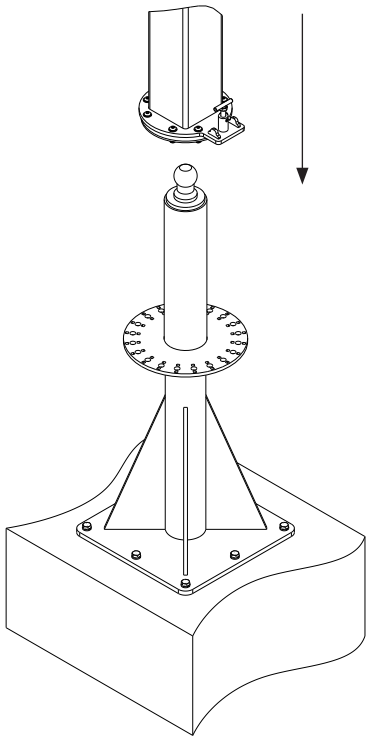


2

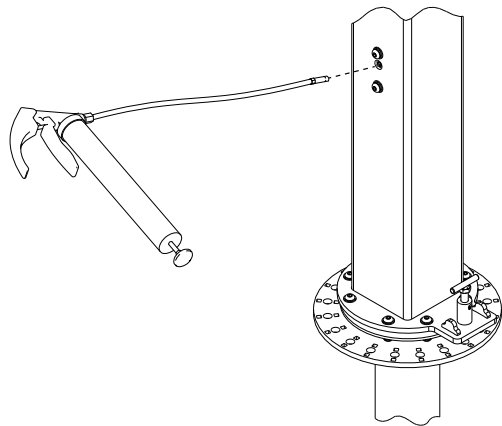


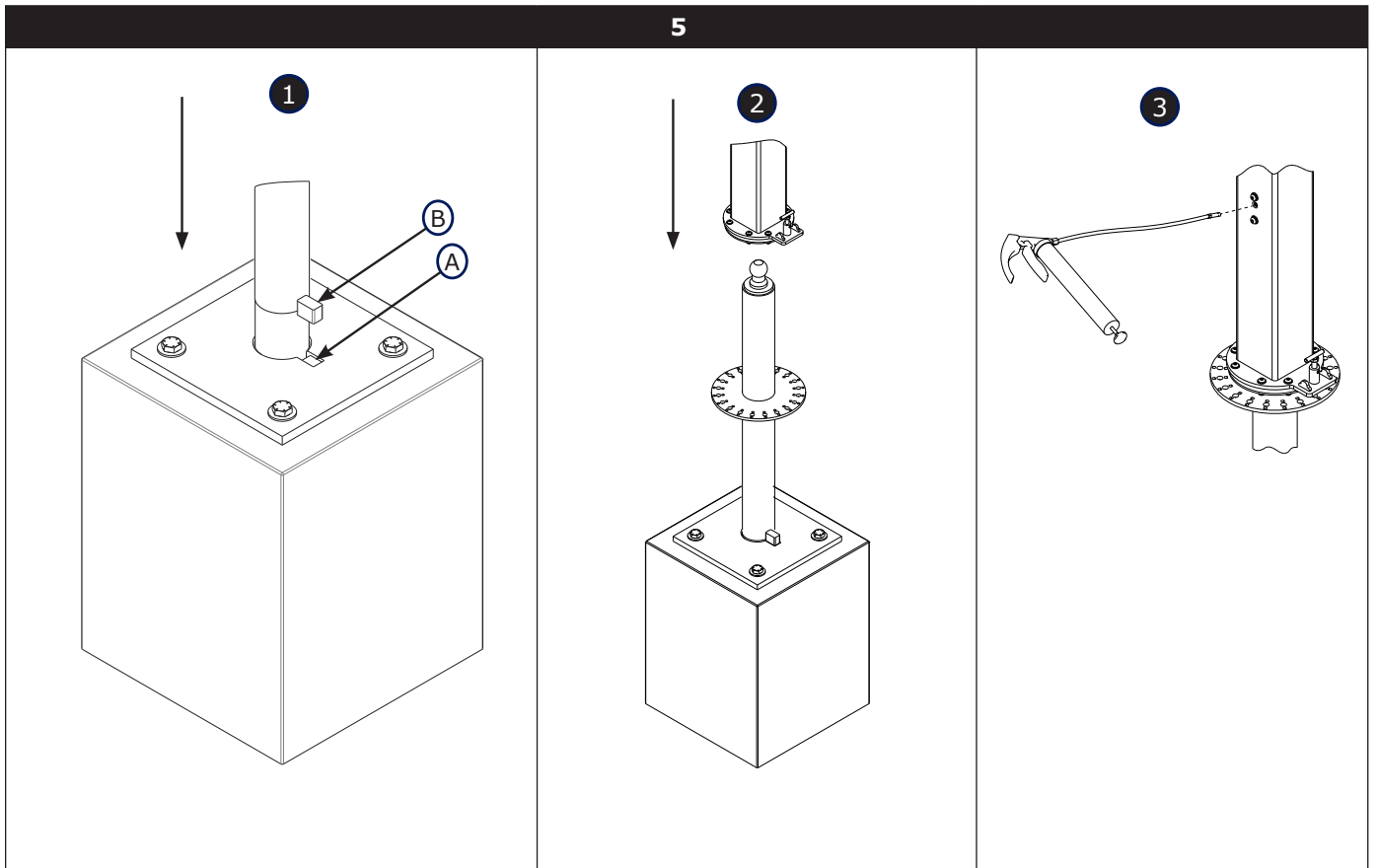
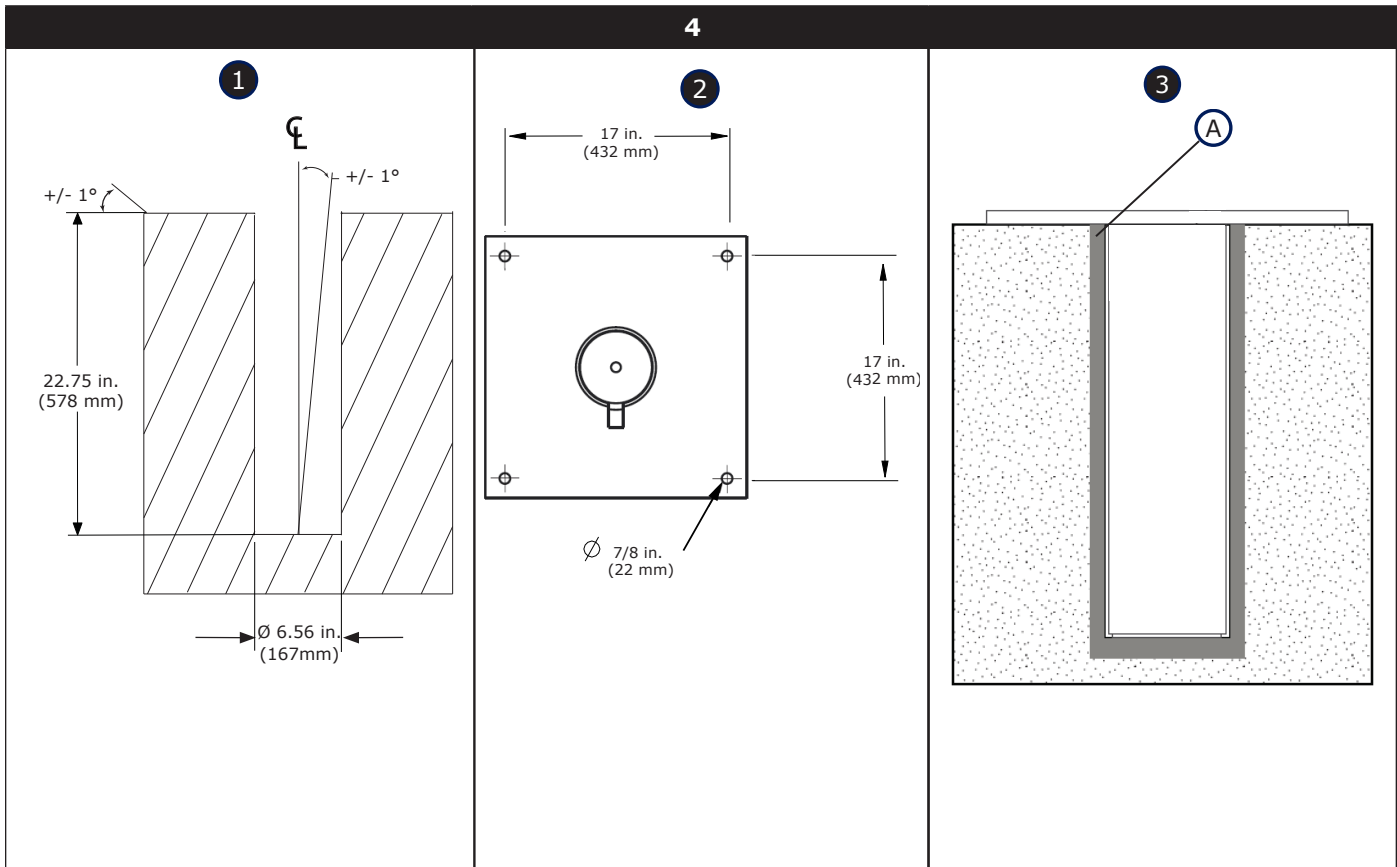
3

1



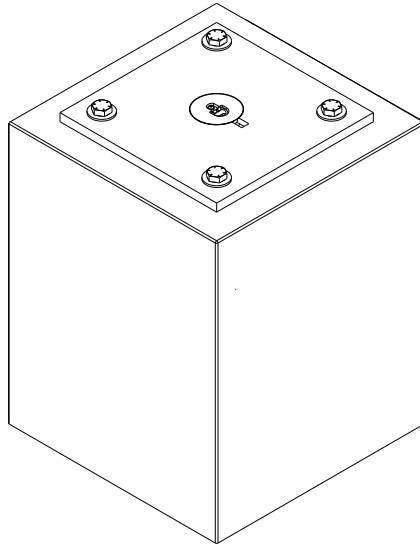
2



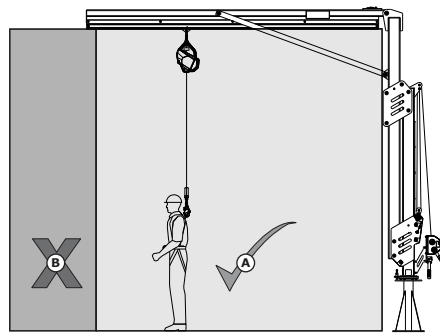
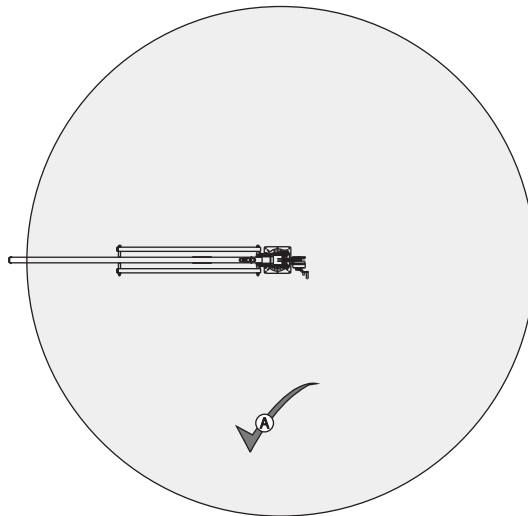


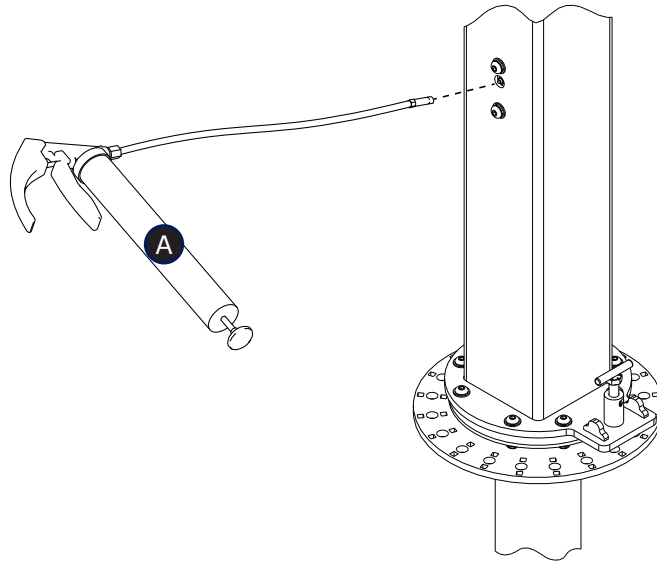
5

4

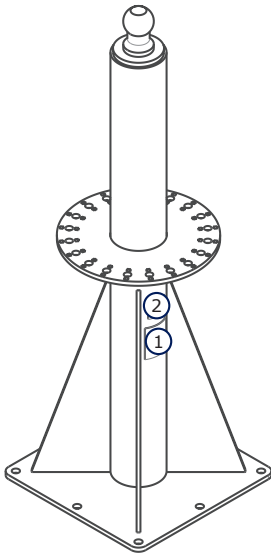


6

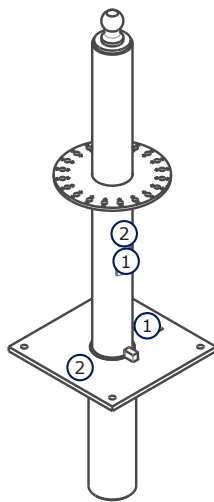




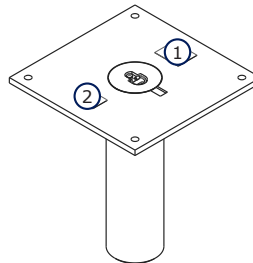
8530888



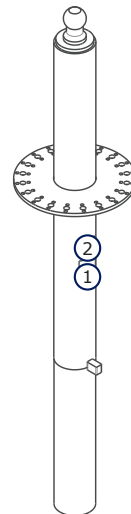
8530889



8530920



8530921



1

3M | **DBI SALA**

(B) EN795:2012 "TYPE A"
CEN/TS 16415:2013 "TYPE A"
OSHA 1926.502 / 1910.140

≤ 15' (4.6m)

(C)

(A)

9515114 Rev. B

2

3M | **DBI SALA**

(B) Mfrd. (yr. mo)
Fabr. (aa. mm)

(C) Model No.:
N° de Modelo:

3M.com/FallProtection
Red Wing, MN 55066, USA

(A) Serial no / N° de serie: 9514429 Rev. B

SAFETY INFORMATION

Please read, understand, and follow all safety information contained in these instructions prior to the use of this Flexiguard System. **FAILURE TO DO SO COULD RESULT IN SERIOUS INJURY OR DEATH.**

These instructions must be provided to the user of this equipment. Retain these instructions for future reference.

Intended Use:

This Flexiguard System is intended for use as part of a complete fall protection or rescue system.

Use in any other application including, but not limited to, material handling, recreational or sports related activities, or other activities not described in the User Instructions, is not approved by 3M and could result in serious injury or death.

This system is only to be used by trained users in workplace applications.

WARNING

This Flexiguard System is part of a personal fall protection or rescue system. It is expected that all users be fully trained in the safe installation and operation of the complete system. **Misuse of this system could result in serious injury or death.** For proper selection, operation, installation, maintenance, and service, refer to all Product Instructions and all manufacturer recommendations, see your supervisor, or contact 3M Technical Service.

- **To reduce the risks associated with transporting a Flexiguard system which, if not avoided, could result in serious injury or death:**
 - Ensure the system is properly secured or configured prior to transport. Refer to the User Instructions for detailed transportation requirements.
 - Only transport below 5 mph (8 km/h) and at inclines of 10° or less, or as outlined in the User Instructions.
 - Ensure the system will not contact overhead objects or electrical hazards while transporting or in use.
- **To reduce the risks associated with working with a Flexiguard system which, if not avoided, could result in serious injury or death:**
 - Inspect all components of the system before each use, at least annually, and after any fall event, in accordance with the User Instructions.
 - If inspection reveals an unsafe or defective condition, remove the system from service and repair or replace according to the User Instructions.
 - Any system that has been subject to fall arrest or impact force must be immediately removed from service. Refer to the User Instructions or contact 3M Fall Protection.
 - The substrate or structure on which the system is attached/positioned must be able to sustain the static loads specified for the system in the orientations permitted in the User Instructions or Installation Instructions.
 - Do not exceed the number of allowable users as per the User Instructions.
 - Never attach to a system until it is fully assembled, positioned, adjusted, and installed. Do not adjust the system while a user is attached.
 - Never work outside the safe work area as defined by the User Instructions.
 - Do not connect to the system while it is being transported or installed.
 - Always maintain 100% tie-off when transferring between anchor points on the system.
 - Use caution when installing, using, and moving the system as moving parts may create potential pinch points.
 - Ensure proper lockout/tagout procedures have been followed when applicable.
 - Only connect fall protection subsystems to the designated anchorage connection point on the system.
 - When drilling holes for assembly or installation of the system, ensure no electric lines, gas lines, or other critical materials or equipment will be contacted by the drill.
 - Ensure that fall protection systems/subsystems assembled from components made by different manufacturers are compatible and meet the requirements of applicable standards, including the ANSI Z359 or other applicable fall protection codes, standards, or requirements. Always consult a Competent or Qualified Person before using these systems.
- **To reduce the risks associated with working at heights which, if not avoided, could result in serious injury or death:**
 - Ensure your health and physical condition allow you to safely withstand all of the forces associated with working at height. Consult with your doctor if you have any questions regarding your ability to use this equipment.
 - Never exceed allowable capacity of your fall protection equipment.
 - Never exceed maximum free fall distance of your fall protection equipment.
 - Do not use any fall protection equipment that fails pre-use or other scheduled inspections, or if you have concerns about the use or suitability of the equipment for your application. Contact 3M Technical Services with any questions.
 - Some subsystem and component combinations may interfere with the operation of this equipment. Only use compatible connections. Consult 3M prior to using this equipment in combination with components or subsystems other than those described in the User Instructions.
 - Use extra precautions when working around moving machinery (e.g. top drive of oil rigs) electrical hazards, extreme temperatures, chemical hazards, explosive or toxic gases, sharp edges, or below overhead materials that could fall onto you or the fall protection equipment.
 - Use Arc Flash or Hot Works devices when working in high heat environments.
 - Avoid surfaces and objects that can damage the user or equipment.
 - Ensure there is adequate fall clearance when working at height.
 - Never modify or alter your fall protection equipment. Only 3M or parties authorized in by 3M may make repairs to the equipment.
 - Prior to use of fall protection equipment, ensure a rescue plan is in place which allows for prompt rescue if a fall incident occurs.
 - If a fall incident occurs, immediately seek medical attention for the fallen worker.
 - Do not use a body belt for fall arrest applications. Use only a Full Body Harness.
 - Minimize swing falls by working as directly below the anchorage point as possible.
 - If training with this device, a secondary fall protection system must be utilized in a manner that does not expose the trainee to an unintended fall hazard.
 - Always wear appropriate personal protective equipment when installing, using, or inspecting the device/system.

Before using this equipment, record the product identification information from the ID label into the inspection and maintenance log of this manual.

This Floor Mount Base can only be used with the 3M Modular Jib System M200 manufactured by 3M. Do not attempt to use the Floor Mount Base without first consulting the user instructions 5908372 for the 3M Modular Jib System M200.

Table 1 – Specifications

System Specifications:	
Compatibility:	The Floor Mount Bases covered in this instruction are compatible with 3M™ DBI-SALA® Flexiguard™ Modular Jib System M200.
Standards:	Designed and tested to CEN/Ts 16415:2013 (Type A), EN795:2012 (Type A), OSHA 1926.502, and OSHA 1910.140.
Capacity:	See 3M™ DBI-SALA® Flexiguard™ Modular Jib System M200 instruction 5908372.
Maximum Deflection:	Refer to the instruction manual for the M200 Jib Boom (5908372) for more information on maximum system deflection.
Maximum Arresting Force:	All connecting subsystems (SRDs, Energy-Absorbing Lanyards, etc.) used with the Floor Mount Base must limit the Maximum Arresting Force to 1,350 lbf (6 kN).
Weight:	8530888: 265 lb. (120 kg) 8530889: 377 lb. (171 kg) 8530920: 140 lb. (64 kg) 8530921: 237 lb. (107 kg)

Component Specifications:	
Component	Material
General Construction	Welded Steel
Structural Material	A36 Steel
Base Finish	8530888 - Powdercoat 8530889 - Zinc Plating, Powdercoat
Base Cap - 8530920	Aluminum, Stainless Steel Ring, Rubber Gasket

Mounting Requirements:			
Model Number	Minimum Fastener Pullout Force	Mounting Structure Minimum Moment Load	Mounting Structure Minimum Vertical Load
8530888	9,386 lb. (4,257 kg)	501,633 in-lb. (56,677 N-m)	3,320 lb. (1,506 kg) + Base Weight + Jib Weight
8530889		501,633 in-lb. (56,677 N-m)	3,320 lb. (1,506 kg) + Base Weight + Jib Weight
8530920			

See the fastener manufacturer's specifications for fastener requirements.

1.0 PRODUCT APPLICATION

- 1.1 PURPOSE:** The Floor Mount Base is designed for use as a component of a Fall Protection System.
- 1.2 DESCRIPTION:** The Floor Mount Base (Figure 1) is designed to be anchored to approved structures and used as a mounting point for 3M approved Modular Jib System M200.
- 1.3 STANDARDS:** The Floor Mount Base conforms to the national or regional standard(s) identified on the front cover of these instructions. If the product is resold outside of the original country of destination, the re-seller must provide these instructions in the language of the country in which the product will be used.
- 1.4 SUPERVISION:** Installation of this equipment must be supervised by a Qualified Person¹. Use of this equipment must be supervised by a Competent Person².
- 1.5 TRAINING:** This equipment must be installed and used by persons trained in its correct application. This manual is to be used as part of an employee training program as required by national, regional, or local standards. It is the responsibility of users and installers of this equipment to ensure they are familiar with these instructions, trained in the correct care and use of this equipment, and are aware of the operating characteristics, application limitations, and consequences of improper use of this equipment.
- 1.6 RESCUE PLAN:** When using this equipment and connecting subsystems, the employer must have a rescue plan and the means at hand to implement and communicate that plan to users, authorized persons³, and rescuers⁴. A trained, onsite

1 Qualified Person: A person with a recognized degree, certificate or professional standing, or who by extensive knowledge, training and experience has successfully demonstrated his ability to solve or resolve problems relating to Fall Protection systems to the extent required by OSHA or other applicable federal, state, and local regulations.

2 Competent Person: One who is capable of identifying existing and predictable hazards in the surroundings or working conditions which are unsanitary, hazardous, or dangerous to employees, and who has authorization to take prompt corrective measures to eliminate them.

3 Authorized Person: A person assigned by the employer to perform duties at a location where the person will be exposed to a fall hazard.

4 Rescuer: A person using the Rescue system to perform an assisted rescue.

rescue team is recommended. Team members should be provided with the equipment and techniques to perform a successful rescue. Training should be provided on a periodic basis to ensure rescuer proficiency.

1.7 AFTER A FALL: If this equipment is subjected to fall arrest or impact force, remove it from service immediately. Clearly tag it "DO NOT USE". See Section 4 for more information.

2.0 INSTALLATION

2.1 PLANNING: Plan your Fall Protection system prior to installation of the Floor Mount Base. Account for all factors that may affect your safety before, during, and after a fall. Consider all requirements, limitations, and specifications defined in these instructions.

2.2 ANCHORAGE AND FASTENERS: Concrete anchors and mounting hardware are not included. Mounting hardware must meet the minimum requirements provided in Table 1.

2.3 INSTALLATION STEPS FOR 8530888:

1. Mark anchor holes to be drilled per Figure 2.1 layout.
 - The mounting surface must be flat and on a slope of no greater than plus or minus 1° (Figure 2.2).
 - Ensure the Base will be offset from any edge of the surface per the fastener manufacturer's recommended setback distance (B). Select fasteners appropriate for the material thickness (A) of the mounting surface.
 - Drill each hole according to the fastener manufacturer's depth specifications.
2. Install the Floor Mount Base
 - Ensure the mounting surface is free of any debris before setting the Base in place.
 - Fasten the Base to the mounting structure per the fastener manufacturer's installation instructions.
 - Ensure the base is within the plus or minus 1° from vertical (Figure 2.2).
3. Install the 3M Modular Jib System M200 onto the Base (Figure 3.1).
 - Install the 3M Modular Jib System M200 onto the Base.
 - Apply grease to grease fitting located on the Jib (Figure 3.2).

INSTALLATION STEPS FOR 8530889:

1. Mark sleeve location to be drilled per Figure 4.2 layout.
 - The mounting surface must be flat with a slope of no greater than plus or minus 1° (Figure 4.1).
 - Drill Ø6.56 in. (167 mm) hole to a depth of 22.75 in. (578 mm) into the existing concrete (Figure 4.1).
 - Remove debris from hole and inject epoxy (A) into hole per manufacturer instructions (Figure 4.3).
 - Drill the (4x) additional anchor hole if the mounting structure needs additional support based on loads specified in Table 1.
 - Additional anchors can be used to secure the base to the mounting surface (Figure 4.2).

Ensure no epoxy enters the anchor opening during install.

- Allow epoxy to cure before proceeding to next steps.
- Fasten the Base to the existing concrete by tightening the concrete anchor bolts to the recommended torque.

The Base can also be installed directly into fresh concrete, allowing the Base to be flush with the mounting surface.

2. Install the 3M Modular Jib System M200 onto the Base.
 - Lower the Mounting Post until the Rotation Block (A) is resting in the Locking Slot (B) in the Base (Figure 5.1).
 - Install the 3M Modular Jib System M200 onto the Base (Figure 5.2).
 - Apply grease to grease fitting located on the Jib (Figure 5.3).

Insert the Base Cap into the Base when the Mast is not in the Base (Figure 5.4).

3.0 USE

3.1 BEFORE EACH USE: Verify that your work area and Fall Protection system meet all criteria defined in these instructions. Verify that a formal Rescue Plan is in place. Inspect the system per the 'User' inspection points defined in the "Inspection and Maintenance Log" (Table 2). If inspection reveals an unsafe or defective condition, or if there is any doubt about its condition for safe use, remove the product from service immediately. Clearly tag it "DO NOT USE." See Section 4 for more information.

3.2 SAFE WORKING AREA: The Safe Working Area of the Jib Boom does not extend beyond the length of the Jib Boom itself. See Figure 6 for reference. When using the M200 Jib Boom, the user should remain within the indicated Safe Working Area (A). Leaving the Safe Working Area to an Outside Location (B) is dangerous and could result in serious injury or death. When working on either side of the M200 Jib System, it is recommended that the user keep the anchor point as directly overhead as possible. This will minimize the potential for swing falls and any fall distance, in addition to ensuring the safety of a second user, should the first user fall.

When two users are attached to the system, it is recommended that rotation of the Jib Boom is locked with the rotation pin. Each user must stay within 30 degrees of either side of the anchor point and never work past the end of the rail. See the instruction manual for the M200 Jib Boom (5908372) for more information.

4.0 INSPECTION

After equipment has been removed from service, it may not be returned to service until a Competent Person confirmed in writing it is acceptable to do so.

- 4.1 INSPECTION FREQUENCY:** The product shall be inspected before each use by the user and, additionally, by a Competent Person other than the user at intervals of no longer than one year. A higher frequency of equipment use and harsher conditions may require increasing the frequency of Competent Person inspections. The frequency of these inspections should be determined by the Competent Person per the specific conditions of the worksite.
- 4.2 INSPECTION PROCEDURES:** Inspect this product per the procedures listed in the "Inspection and Maintenance Log". Documentation of each inspection should be maintained by the owner of this equipment. An inspection and maintenance log should be placed near the product or be otherwise easily accessible to users. It is recommended that the product is marked with the date of next or last inspection.
- 4.3 DEFECTS:** If the Floor Mount Base cannot be returned to service because of an existing defect or unsafe condition, then either destroy the system or contact 3M or a 3M-authorized service center about possible repair.
- 4.4 PRODUCT LIFE:** The functional life of the Floor Mount Base is determined by work conditions and maintenance. As long as the product passes inspection criteria, it may remain in service.

5.0 MAINTENANCE, SERVICE, and STORAGE

Equipment that is in need of maintenance or scheduled for maintenance should be tagged "DO NOT USE". These equipment tags should not be removed until maintenance is performed.

- 5.1 CLEANING:** Periodically clean the metal components of the Floor Mount Base with a soft brush, warm water, and a mild soap solution. Ensure parts are thoroughly rinsed with clean water.
- 5.2 SERVICE:** Only 3M or parties authorized in writing by 3M may make repairs to this equipment.

6.0 LABELS and MARKINGS

- 6.1 LABELS:** Figure 8 illustrates labels present on the Floor Mount Base. Labels must be replaced if they are not present or are not fully legible. Information provided on each label is as follows:

1	A) Read Instructions B) Standards C) Safe Working Radius
2	A) Serial Number B) Manufactured Year/Month C) Model Number

Læs alle sikkerhedsoplysninger i denne brugsanvisning, og sørg for, at du forstår og følger disse, før du bruger dette Flexiguard-system. UNDLADELSE HERAF KAN MEDFØRE ALVORLIG PERSONSKADE ELLER DØDSFALD.

Disse anvisninger skal udleveres til brugeren af udstyret. Opbevar denne vejledning til senere brug.

Anvendelsesformål:

Dette Flexiguard-system er beregnet til brug som en del af et komplet personligt faldsikrings- eller redningssystem.

Enhver anden brug end denne, herunder eksempelvis materialehåndtering, rekreative eller sportslige aktiviteter eller andre aktiviteter, der ikke er beskrevet i brugs- eller installationsvejledningen, er ikke godkendt af 3M og kan medføre alvorlig skade eller død.

Dette system må kun benyttes af uddannede brugere til anvendelse på arbejdspladsen.

ADVARSEL

Dette Flexiguard-system er en del af et personligt faldsikrings- eller redningssystem. Det forventes, at alle brugere er fuldt uddannet i sikker installation og drift af hele systemet. **Misbrug af dette system kan medføre alvorlig skade eller død.** Jævnfør alle produktvejledninger samt alle producentens anbefalinger, tal med din vejleder eller kontakt 3M's tekniske service vedrørende korrekt valg, drift, installation, vedligeholdelse og servicering.

- **For at reducere risici i forbindelse med transport af et Flexiguard-system, som, hvis de ikke undgås, kan medføre alvorlig skade eller død:**
 - Sørg for, at systemet er korrekt sikret og konfigureret inden transport. Der henvises til brugervejledningerne for detaljerede transportkrav.
 - Transporter kun under 8 km/t (5 mph) og på stigninger på 10° eller mindre, som anført i brugervejledningen.
 - Sørg for, at systemet ikke kommer i kontakt med overhængende genstande eller elektrisk fare under transport eller ved brug.
- **For at reducere risiciene ved at arbejde med et Flexiguard-system, som, hvis de ikke undgås, kan medføre alvorlig skade eller død:**
 - Efterse alle komponenter i systemet før hver brug, mindst én gang om året og efter et eventuelt fald. Efterse systemet i overensstemmelse med brugervejledningen.
 - Hvis eftersynet afslører usikre eller defekte tilstande, skal systemet tages ud af drift og repareres eller udskiftes i overensstemmelse med brugervejledningen.
 - Enhver anordning, som har været udsat for faldstandsning eller kraftpåvirkninger, skal straks tages ud af brug. Se brugervejledningen, eller kontakt 3M Fall Protection.
 - Det grundlag eller den bygning, som dette system fastgøres til, skal være i stand til at modstå de statiske belastninger, der er specificeret for systemet i de retninger, der er tilladt i brugervejledningen eller installationsvejledningen.
 - Overstig ikke antallet af tilladte brugere i henhold til brugervejledningen.
 - Tilslut aldrig til et system før det er fuldt samlet, positioneret, justeret og installeret. Juster ikke systemet, mens en bruger er tilkoblet.
 - Arbejd aldrig uden for det sikre arbejdsområde, som det er defineret i brugervejledningen.
 - Forbind ikke til systemet, mens det er ved at blive transporteret eller monteret.
 - Bevar altid 100 % afsnøring, når der skiftes mellem systemets forankringspunkter.
 - Vær forsigtig ved installation, brug og flytning af systemet, da bevægelige dele kan skabe potentielle klemmepunkter.
 - Sørg for at korrekte lockout/tagout-procedurer bliver fulgt som foreskrevet.
 - Man må kun tilkoble faldsikringsundersystemer til det angivne forankringsforbindelsespunkt på systemet.
 - Ved boring af huller til fastgørelse eller installation af systemet, skal det sikres, at ingen elledninger, gasledninger eller andre kritiske materialer eller udstyr kommer i kontakt med boret.
 - Sørg for, at faldsikringsystemer/-undersystemer, der er samlet fra komponenter, der er fremstillet af forskellige fabrikanter, er kompatible og opfylder kravene i relevante standarder, inklusive ANSI Z359 eller andre gældende regulativer, standarder for eller krav til faldbekyttelse. Opsøg altid en kompetent eller kvalificeret person, før du anvender disse systemer.
- **For at reducere risici i forbindelse med højdearbejde, som, hvis de ikke undgås, kan medføre alvorlig skade eller død:**
 - Sørg for, at dit helbred og din kondition gør dig i stand til sikkert at kunne modstå alle de kræfter, der er forbundet med højdearbejde. Rådfør dig med din læge, hvis du har spørgsmål vedrørende din evne til at bruge dette udstyr.
 - Overstig aldrig den tilladte kapacitet for dit faldsikringsudstyr.
 - Overstig aldrig den maksimale faldafstand fra dit faldsikringsudstyr.
 - Brug ikke faldsikringsudstyr, som ikke virker ved forudgående brug eller planlagte inspektioner, eller hvis du er bekymret for udstyrets brug eller egnethed til det tilsigtede formål. Kontakt 3M's tekniske service med eventuelle spørgsmål.
 - Kombinationer med visse delsystemer og komponenter kan forstyrre driften af dette udstyr. Brug kun kompatible forbindelser. Rådfør dig med 3M, før du bruger dette udstyr sammen med andre komponenter eller delsystemer end dem, der er beskrevet i brugervejledningen.
 - Vær særligt forsigtig, når du arbejder i nærheden af maskiner, som bevæger sig (f.eks. øverste drev på olieplatforme), elektriske stødfare, ekstreme temperaturer, kemiske farer, eksplosive eller giftige gasser, skarpe kanter eller under overliggende materialer, som kan falde ned på dig eller faldsikringsudstyret.
 - Brug Arc Flash eller Hot Works (dvs. passende beskyttelses)-anordninger, når du arbejder i miljøer med ekstrem varme.
 - Undgå overflader og genstande, som kan beskadige brugeren eller udstyret.
 - Sørg for tilstrækkelig faldafstand ved højdearbejde.
 - Faldsikringsudstyret må aldrig modificeres eller ændres. Kun 3M eller parter, som 3M skriftligt har bemyndiget må foretage reparationer på udstyret.
 - Før brug af faldsikringsudstyret skal du sørge for at have en redningsplan, som muliggør hurtig redning i tilfælde af fald.
 - Hvis der sker et fald, så søg straks lægehjælp for den faldne arbejdstager.
 - Brug ikke et kropsbælte til anvendelser, der involverer faldsikring. Må kun benyttes med komplet kropssele.
 - Svingfald kan minimeres ved så vidt muligt at arbejde lige under forankringspunktet.
 - Hvis der øves med denne anordning, skal der benyttes sekundært faldbeskyttelsesudstyr på en sådan måde, at lærlingen ikke udsættes for utilsigtet faldrisiko.
 - Brug altid passende personlige værnemidler under installation, brug eller inspektion af enheden/systemet.

In den udstyret tages i brug, skal produktidentifikationsoplysningerne fra ID-mærkatet noteres i Inspektions- og vedligeholdelsesloggen i denne manual.

Den gulvmonterede base kan kun bruges med 3M moduludliggersystemet M200, der er fremstillet af 3M. Forsøg ikke at bruge den gulvmonterede base uden først at læse brugervejledningen 5908372 til 3M moduludliggersystemet M200.

Table 1 – Specifications

Systemspecifikationer:			
Kompatibilitet:	Gulvmonterede baser, der er omfattet af denne vejledning, er kompatible med 3M™ DBI-SALA® Flexiguard™ moduludliggersystemet M200.		
Standarder:	Designet og testet iht. CEN/Ts 16415:2013 (Type A), EN795:2012 (Type A), OSHA 1926.502 og OSHA 1910.140.		
Kapacitet:	Se vejledning 5908372 til 3M™ DBI-SALA® Flexiguard™ moduludliggersystemet M200.		
Maksimal afbøjning:	Se brugervejledningen til M200-udliggerbommen (5908372) for at få flere oplysninger om maksimal afbøjning af systemet.		
Maksimal standsekræft:	Alle tilknyttede undersystemer (SRD'er, energiabsorberende taljere osv.), der bruges sammen med kontravægtsbasen, skal begrænse den maksimale standsekræft til 1.350 lbf (6 kN).		
Vægt:	8530888: 265 lb. (120 kg) 8530889: 377 lb. (171 kg) 8530920: 140 lb. (64 kg) 8530921: 237 lb. (107 kg)		
Komponentspecifikationer:			
Komponent	Materiale		
Generel konstruktion	Svejet stål		
Konstruktionsmateriale	A36 stål		
Basens finish	8530888 – pulverlakering 8530889 – Zinkbelægning, pulverlakeret		
Basehætte – 8530920	Aluminium, ring i rustfrit stål, gummipakning		
Monteringskrav:			
Model-nummer	Mindste udtrækningskræft for fastgørelsesanordning	Monteringsstruktur, mindste momentbelastning	Minimum-vertikalbelastning for monteringsstruktur
8530888	9.386 lb. (4.257 kg)	501.633 in*lb. (56.677 N*m)	3.320 lb. (1.506 kg) + basevægt + udliggervægt
8530889	X	501.633 in*lb. (56.677 N*m)	3.320 lb. (1.506 kg) + basevægt + udliggervægt
8530920			
<input checked="" type="checkbox"/> <i>Se producentens specifikationer angående krav til fastgørelsesanordninger.</i>			

1.0 PRODUKTANVENDELSE

1.1 FORMÅL: Den gulvmonterede udliggerbase er konstrueret til brug som en komponent i et personligt faldsikringssystem.

1.2 BESKRIVELSE: Den gulvmonterede base (figur 1) er konstrueret til forankring til godkendte strukturer og bruges som monteringspunkt for det godkendte 3M moduludliggersystem M200.

1.3 STANDARDER: Gulvmonteringsbasen lever op til de nationale eller regionale standarder, der er angivet på forsiden af denne brugsanvisning. Hvis produktet videresælges uden for det oprindelige modtagerland, skal den person, der videresælger, sørge for vejledning i brug, vedligeholdelse, regelmæssig inspektion og reparation på sproget i det land, hvor produktet skal bruges.

1.4 VEJLEDNING: Montering af dette udstyr skal udføres under vejledning af en kvalificeret person¹. Anvendelse af dette udstyr skal foregå under vejledning af en kompetent person².

1.5 UDDANNELSE: Dette udstyr skal monteres og anvendes af personer, der har gennemgået træning i korrekt anvendelse af udstyret. Denne brugervejledning bør anvendes som en del af et medarbejdertræningsprogram som påkrævet af nationale, regionale eller lokale standarder. Installatørerne og brugerne af dette udstyr har ansvaret for at sikre, at de er bekendte med denne vejledning, er trænet i korrekt vedligeholdelse og anvendelse af udstyret samt er bekendte med anvendelseskarakteristika, anvendelsesbegrænsninger og konsekvenserne af forkert anvendelse af udstyret.

1.6 REDNINGSPLAN: Når dette udstyr og tilsluttede delsystemer anvendes, skal arbejdsgiveren have en redningsplan på plads samt midlerne til at implementere den, og vedkommende skal informere brugere, autoriserede personer³ og

1 Kvalificeret person: En person med en anerkendt uddannelse, et anerkendt certifikat eller professionel status, eller som ved omfattende viden, uddannelse og erfaring har påvist sin evne til at løse problemer i forbindelse med faldsikring og redningssystemer i det omfang, der kræves af gældende nationale, regionale og lokale bestemmelser.

2 Kompetent person: En person, som er i stand til at identificere eksisterende og forudsigelige risici i omgivelserne eller arbejdsbetingelser, som er usunde, skadelige eller farlige for medarbejderne, og som har bemyndigelse til at træffe øjeblikkelige korrigerende forholdsregler for at eliminere dem.

3 Autoriseret person: En person, der er udpeget af arbejdsgiveren til at udføre opgaver på et sted, hvor personen vil være udsat for en faldrisiko.

reddere⁴ om planen. Det anbefales at have et redningshold på stedet. Reddere skal forsynes med udstyr og teknikker til gennemførelse af en vellykket redning. Undervisning skal gennemføres med jævne mellemrum for at sikre, at redderne har de fornødne færdigheder.

- 1.7 EFTER ET FALD:** Hvis udstyret udsættes for faldstandsning eller kraftpåvirkninger fra stød, skal det tages ud af brug med det samme. Mærk det tydeligt "MÅ IKKE ANVENDES". Se afsnit 4 for at få flere oplysninger.

2.0 INSTALLATION

- 2.1 PLANLÆGNING:** Planlæg dit faldsikringsystem før montering af gulvmonteringsbasen. Tag højde for alle faktorer, der kan påvirke din sikkerhed inden, under og efter et fald. Tag hensyn til alle krav, begrænsninger og specifikationer angivet i denne vejledning.

- 2.2 FORANKRING OG FASTGØRELSESANORDNINGER:** Betonankrer og monteringshardware er ikke inkluderet. Monteringshardware skal opfylde minimumskravene i tabel 1.

2.3 MONTERINGSTRIN TIL 8530888:

- Afmærk ankerhuller, som skal bores ifølge layoutet på figur 2.1.
 - Monteringsoverfladen skal være flad og på en hældning på højst plus eller minus 1° (figur 2.2).
 - Forskyd basen fra enhver kant på overfladen ifølge den anbefalede afstand for forskydning (B) fra producenten af fastgørelsesanordningen. Vælg fastgørelsesanordninger, der passer til materialetykkelsen (A) på monteringsoverfladen.
 - Bor hvert hul i henhold til dybdespecifikationerne fra producenten af fastgørelsesanordningen.
- Installer den gulvmonterede base
 - Sørg for, at monteringsoverfladen er fri for alt overskydende materiale, før basen placeres.
 - Fastgør basen til monteringsstrukturen ifølge instruktionerne fra producenten af fastgørelsesanordningen.
 - Sørg for, at basen er inden for plus eller minus 1° fra lodret (figur 2.2).
- Monter 3M moduludliggersystemet M200 på basen (figur 3.1).
 - Monter 3M moduludliggersystemet M200 på basen.
 - Smør fedt på smøreniplen, der er placeret på udliggeren (figur 3.2).

MONTERINGSTRIN TIL 8530889:

- Afmærk muffeplaceringen, der skal bores i henhold til layoutet på figur 4.2.
 - Monteringsoverfladen skal være flad med en hældning på højst plus eller minus 1° (figur 4.1).
 - Bor et hul med en diameter på 6,56 in. (167 mm) og en dybde på 22,75 in. (578 mm) i den eksisterende beton (figur 4.1).
 - Fjern småpartikler fra hullet, og sprøjt epoxy (A) i hullet i henhold til producentvejledningen (figur 4.3).
 - Bor det (4x) ekstra forankringshul, hvis monteringsstrukturen har brug for yderligere understøttelse baseret på belastningerne, der er angivet i tabel 1.
 - Yderligere ankre kan bruges til at fastgøre basen til monteringsoverfladen (figur 4.2).

Sørg for, at epoxy ikke kommer ind i ankeråbningen under monteringen.

- Lad epoxy hærde, før du fortsætter til næste trin.
- Fastgør basen til den eksisterende beton ved at spænde betonforankringsboltene til det anbefalede moment.

Basen kan også installeres direkte i ny beton, så basen flugter med monteringsoverfladen.

- Monter 3M moduludliggersystemet M200 på basen.
 - Sænk monteringsstangen, indtil rotationsblokken (A) hviler på låsespalten (B) i basen (figur 5.1).
 - Monter 3M moduludliggersystemet M200 på basen (figur 5.2).
 - Smør fedt på smøreniplen, der er placeret på udliggeren (figur 5.3).

Sæt basehætten i basen, når masten ikke er i basen (figur 5.4).

3.0 BRUG

- 3.1 FØR HVER IBRUGTAGNING:** Kontrollér, at dit arbejdsområde og faldsikringsystem opfylder alle kriterier, der er angivet i denne brugervejledning. Sørg for, at der forefindes en formaliseret redningsplan. Inspicer systemet i henhold til inspektionspunkterne under "Bruger", der er angivet i "Inspektions- og vedligeholdelsesloggen" (tabel 2). Hvis inspektionen påviser en usikker eller defekt tilstand, eller hvis der er tvivl om, hvorvidt systemet er intakt eller sikkert at bruge, skal det omgående tages ud af drift. Mærk tydeligt systemet "MÅ IKKE ANVENDES". Se afsnit 4 for at få flere oplysninger.

- 3.2 SIKKERT ARBEJDSOMRÅDE:** Udliggerbommens sikre arbejdsområde strækker sig ikke ud over selve udliggerbommens længde. Få flere oplysninger i figur 6. Ved anvendelse af M200-udliggerbommen skal brugeren forblive inden for det angivne sikre arbejdsområde (A). Det er farligt at forlade det sikre arbejdsområde (B), og det kan medføre alvorlig personskade eller dødsfald. Ved arbejde på den ene eller anden side af M200-udliggersystemet anbefales det, at brugeren holder forankringspunktet så tæt over hovedet som muligt. Dette minimerer risikoen for svingfald og enhver faldafstand og beskytter en anden bruger, hvis den første bruger falder.

Når to brugere er forbundet til systemet, anbefales det, at udliggerbommens rotation låses med rotationsstiften. Se brugervejledningen til M200-udliggerbommen 5908372, afsnit 3.2. Hver bruger skal blive inden for 30 grader af forankringspunktets sider og må aldrig arbejde længere væk end ved enden af skinnen.

4 Redder: En person, der anvender redningssystemet til at udføre en assisteret undsætning.

4.0 INSPEKTION

Når udstyret er taget ud af drift, må det ikke tages i brug igen, før en kvalificeret person skriftligt har bekræftet, at det er godkendt til brug.

- 4.1 INSPEKTIONSHYPPIGHED:** Produktet skal inspiceres af brugeren før hver anvendelse og desuden af en anden kompetent person end brugeren mindst én gang om året. Hyppigere brug af udstyret og udfordrende anvendelsesforhold kan kræve hyppigere inspektioner foretaget af en kompetent person. Hyppigheden af disse inspektioner skal fastsættes af den kompetente person efter hensyntagen til arbejdsstedets specifikke forhold.
- 4.2 INSPEKTIONSPROCEDURER:** Efterse dette produkt i henhold til procedurerne anført i "Inspektions- og vedligeholdelseslog". Ejeren af dette udstyr skal føre dokumentation for hver inspektion. En inspektions- og vedligeholdelseslog skal placeres i nærheden af produktet eller på anden vis være let tilgængelig for brugerne. Det anbefales, at produktet markeres med datoen for næste eller sidste inspektion.
- 4.3 DEFEKTER:** Hvis gulvmonteringsbasen ikke kan tages i brug igen på grund af en mangel eller usikker tilstand, skal systemet enten destrueres, eller du skal kontakte 3M eller et 3M-autoriseret servicecenter angående mulig reparation.
- 4.4 PRODUKTETS BRUGSLEVETID:** Den driftsmæssige levetid for gulvmonteringsbasen bestemmes af arbejdsbetingelserne og den konkrete vedligeholdelse. Så længe produktet godkendes ved inspektionen, må det fortsat bruges.

5.0 VEDLIGEHOLDELSE, SERVICE og OPBEVARING

Udstyr, der har brug for vedligeholdelse, eller der skal udføres vedligeholdelse af, skal mærkes "MÅ IKKE ANVENDES". Disse udstyrsmærkater må ikke fjernes, før der er udført vedligeholdelse af udstyret.

- 5.1 RENGØRING:** Rengør jævnligt metalkomponenterne på gulvmonteringsbasen med en blød børste, varmt vand og en mild sæbeopløsning. Sørg for, at delene skylles grundigt med rent vand.
- 5.2 SERVICE:** Kun 3M eller parter med skriftlig bemyndigelse fra 3M må foretage reparationer på dette udstyr.

6.0 MÆRKATER og MÆRKER

- 6.1 MÆRKATER:** Figur 8 viser mærkater, der findes på den gulvmonterede base. Mærkater skal erstattes eller udskiftes, hvis de mangler, eller de ikke kan læses. Hver mærkat viser følgende oplysninger:

1	A) Læs anvisningerne B) Standarder C) Sikker arbejdsradius
2	A) Serienummer B) Fremstillet år/måned C) Modelnummer

SICHERHEITSHINWEISE

Vor der Verwendung dieses Flexiguard Systems müssen die Sicherheitsinformationen in diesen Anweisungen gelesen, verstanden und befolgt werden. **NICHTBEACHTUNG KANN ERNSTE VERLETZUNGEN ODER DEN TOD ZUR FOLGE HABEN.**

Diese Anweisungen müssen dem Benutzer dieser Ausrüstung zur Verfügung gestellt werden. Bewahren Sie diese Anweisungen für den späteren Gebrauch auf.

Verwendungszweck:

Dieses Flexiguard System ist für den Gebrauch als Teil eines kompletten Absturzsicherungs- oder Rettungssystems vorgesehen.

Die Verwendung in anderen Anwendungen, u. a. bei Materialtransport, Freizeitaktivitäten, Sportaktivitäten oder anderen, nicht in der Bedienungsanleitung oder in den Installationsanweisungen beschriebenen Aktivitäten, wird nicht durch 3M genehmigt und kann zu schweren Verletzungen oder zum Tod führen.

Dieses System darf nur von Personen verwendet werden, die in der Verwendung des Geräts am Arbeitsplatz geschult sind.



WARNUNG

Dieses Flexiguard System ist Teil eines persönlichen Absturzsicherungs- oder Rettungssystems. Es wird erwartet, dass alle Benutzer vollständig in der sicheren Installation und Bedienung des kompletten Systems geschult werden. **Der unsachgemäße Gebrauch dieses Systems kann ernste Verletzungen oder den Tod zur Folge haben.** Informationen zur richtigen Auswahl, Bedienung, Installation, Wartung und Instandhaltung sind allen Produkthanweisungen und Herstellerempfehlungen zu entnehmen, oder wenden Sie sich an Ihren Vorgesetzten oder an den technischen Service von 3M.

- **Maßnahmen zur Reduzierung der Risiken (die, wenn sie nicht vermieden werden, zu schweren Verletzungen oder zum Tod führen können) im Zusammenhang mit dem Transport eines Flexiguard Systems:**
 - Stellen Sie sicher, dass das System vor dem Transport richtig gesichert und eingestellt ist. Ausführliche Transportanforderungen entnehmen Sie den Benutzeranweisungen.
 - Nur Transporte unterhalb von 8 km/h (5 mph) und einer Steigung von maximal 10° sind zulässig oder wie in den Benutzeranweisungen angegeben ist.
 - Stellen Sie sicher, dass das System während des Transports bzw. während des Betriebs nicht in Kontakt mit über dem Kopf befindlichen Gegenständen oder elektrischen Gefahrenherden gerät.
- **Maßnahmen zur Reduzierung der Risiken (die, wenn sie nicht vermieden werden, zu schweren Verletzungen oder zum Tod führen können) im Zusammenhang mit einem Flexiguard System:**
 - Überprüfen Sie alle Komponenten des Systems vor jeder Verwendung, mindestens aber jährlich und nach jedem Absturz. Überprüfen Sie gemäß den Benutzeranweisungen.
 - Falls bei der Überprüfung eine Gefahr oder ein Mängelzustand festgestellt wird, nehmen Sie das System außer Betrieb und reparieren oder ersetzen Sie es gemäß den Benutzeranweisungen.
 - Jedes System, das einer Absturzsicherung oder Aufprallkräften ausgesetzt war, muss sofort aus dem Betrieb genommen werden. Sehen Sie in den Benutzeranweisungen nach oder kontaktieren Sie 3M Fall Protection.
 - Das Trägermaterial oder die Struktur, an die das System befestigt/positioniert ist, muss die statischen Belastungen tragen können, die für das System in den zulässigen Vorgaben angegeben sind. Diese sind in den Benutzeranweisungen oder in den Installationsanweisungen zu finden.
 - Die Anzahl der zulässigen Benutzer gemäß Benutzeranweisungen nicht überschreiten.
 - Niemals mit einem System verbinden, das nicht vollständig aufgebaut, positioniert, angepasst und installiert ist. Das System nicht einstellen, wenn eine Person im Gurt hängt.
 - Niemals außerhalb des sicheren Arbeitsbereichs arbeiten, wie in den Benutzeranweisungen definiert.
 - Stellen Sie keine Verbindung mit dem System her, während es gerade transportiert oder installiert wird.
 - Beim Transfer zwischen Verankerungspunkten am System halten Sie stets eine 100%ige Verbindung aufrecht.
 - Vorsicht beim Installieren, Verwenden und Bewegen des Systems, da durch bewegliche Teile potentielle Quetschpunkte entstehen können.
 - Stellen Sie sicher, dass angemessene Verfahren zur Absperrung und Sicherung eingehalten wurden, soweit anwendbar.
 - Nur Untersysteme der Absturzsicherung mit dem gekennzeichneten Verankerungspunkt am System verbinden.
 - Vergewissern Sie sich beim Bohren von Löchern für die Montage oder Installation des Systems, dass keine elektrischen Leitungen, Gasleitungen oder andere kritische Materialien oder Ausrüstungsgegenstände durch den Bohrer berührt werden.
 - Stellen Sie sicher, dass Absturzsicherungssysteme/Teilsysteme, die aus Komponenten von verschiedenen Herstellern zusammengebaut werden, zueinander passen und den Anforderungen von geltenden Normen, einschließlich ANSI Z359 oder anderen gültigen Absturzsicherungsrichtlinien, Standards oder Anforderungen entsprechen. Ziehen Sie stets einen Sachkundigen oder eine qualifizierte Person zurate, bevor Sie diese Systeme verwenden.
- **Maßnahmen zur Reduzierung der Risiken (die, wenn sie nicht vermieden werden, zu schweren Verletzungen oder zum Tod führen können) im Zusammenhang mit Arbeiten in der Höhe:**
 - Stellen Sie sicher, dass Ihre gesundheitliche und körperliche Verfassung allen Kräften im Zusammenhang mit Arbeiten in der Höhe sicher standhalten kann. Konsultieren Sie Ihren Arzt, wenn Sie Fragen bezüglich Ihrer Fähigkeit haben, diese Ausrüstung zu verwenden.
 - Niemals die zulässige Belastbarkeit für Ihre Absturzsicherungsausrüstung überschreiten.
 - Niemals die maximale Strecke des Absturzes Ihrer Absturzsicherungsausrüstung überschreiten.
 - Verwenden Sie keine Absturzsicherungsausrüstung, die die Prüfung vor dem Einsatz oder andere geplante Prüfungen nicht bestanden haben, oder wenn Sie Bedenken über die Verwendung oder Tauglichkeit dieser Ausrüstung für Ihren Anwendungsbereich haben. Bei allen Fragen wenden Sie sich an den technischen Kundendienst von 3M.
 - Manche Kombinationen mit Teilsystemen und Komponenten können die Funktionsweise dieser Ausrüstung beeinträchtigen. Nur kompatible Verbindungselemente verwenden. Konsultieren Sie 3M, bevor Sie diese Ausrüstung in Kombination mit anderen Komponenten oder Untersystemen verwenden als denen, die in dieser Bedienungsanleitung beschrieben sind.
 - Bei der Arbeit in der Nähe von beweglichen Maschinen (z. B. Kraftdrehknopf von Ölplattformen), elektrischen Gefahrenherden, extremen Temperaturen, chemischen Gefahren, explosiven oder toxischen Gasen, scharfen Kanten oder unterhalb von über dem Kopf befindlichen Materialien, die auf Sie oder die Absturzsicherung fallen könnten, besonders vorsichtig vorgehen.
 - Bei Arbeiten in Umgebungen mit hohen Temperaturen Vorrichtungen für Schweißlichtbogen oder Heißen verwenden.
 - Oberflächen und Gegenstände vermeiden, die dem Benutzer oder der Ausrüstung schaden könnten.
 - Stellen Sie bei Arbeiten in der Höhe einen angemessenen Fallraum sicher.
 - Niemals versuchen, die Absturzsicherung zu modifizieren. Nur 3M oder Dritte, die hierzu schriftlich von 3M autorisiert sind, dürfen Reparaturen an der Ausrüstung vornehmen.
 - Vergewissern Sie sich vor dem Einsatz der Absturzsicherung, dass ein Rettungsplan vorliegt, durch dessen Mittel eine unverzügliche Rettung bei einem Absturz ermöglicht wird.
 - Wenn es zu einem Absturz kommt, muss für den abgestürzten Arbeiter sofort ein Arzt hinzugezogen werden.
 - Verwenden Sie für Absturzsicherungsanwendungen keinen Haltegurt. Verwenden Sie nur einen Ganzkörper-Auffanggurt.
 - Minimieren Sie Pendelstürze, indem Sie so nahe wie möglich am Verankerungspunkt arbeiten.
 - Beim Training mit dieser Vorrichtung muss ein zweites Absturzsicherungssystem in der Weise angewendet werden, dass der Trainingsteilnehmer keiner unbeabsichtigten Absturzgefahr ausgesetzt wird.
 - Beim Zusammenbau, der Verwendung oder Prüfung der Vorrichtung stets eine entsprechende persönliche Schutzausrüstung tragen.

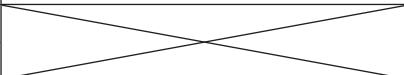
Bevor Sie die Ausrüstung verwenden, übertragen Sie die Informationen zur Produktidentifikation vom ID-Etikett in das Inspektions- und Wartungsprotokoll dieses Handbuchs.

Diese Bodenmontagebasis ist nur zur Verwendung mit dem modularen 3M-Klüversystem M200 vorgesehen. Versuchen Sie nicht, die Bodenmontagebasis zu verwenden, ohne vorher die Anwenderanweisungen 5908372 für das modulare 3M Klüversystem M200 zu lesen.

Tabelle 1 – Spezifikationen

Systemspezifikationen:	
Kompatibilität:	Die in dieser Anleitung behandelten Bodenmontagebasen sind mit dem 3M™ DBI-SALA® Flexiguard™ Klüversystem M200 kompatibel.
Normen:	Konzipiert und geprüft gemäß CEN/Ts 16415:2013 (Typ A), EN795:2012 (Typ A), OSHA 1926.502 und OSHA 1910.140.
Traglast:	Siehe Anleitung 5908372 Anleitung für das modulare 3M™ DBI-SALA® Flexiguard™ Klüversystem M200.
Maximale Durchbiegung:	Weitere Informationen zur maximalen Systemdurchbiegung finden Sie in der Bedienungsanleitung für den M200-Klüverbaum (5908372).
Maximale Krafteinwirkung:	Alle verbindenden Teilsysteme (HSGs, energieabsorbierende Verbindungsmittel usw.), die mit der Gegengewichtsbasis verwendet werden, müssen die maximale Auffangkraft auf 6 kN (1.350 lbf) begrenzen.
Gewicht:	8530888: 120 kg 8530889: 171 kg 8530920: 64kg 8530921: 107 kg

Komponentenspezifikationen:	
Komponente	Material
Allgemeine Konstruktion	Geschweißter Stahl
Strukturmaterial	A36 Stahl
Basis-Finish	8530888 – Pulverbeschichtung 8530889 – Verzinkung, Pulverbeschichtung
Bodenkappe - 8530920	Aluminium, Edeltstahlring, Gummidichtung

Montageanforderungen:			
Modellnummer	Mindestauszugskraft für Befestigungsmittel	Montagestruktur Minimale Momentbelastung	Montagestruktur Minimale vertikale Belastung
8530888	4.257 kg	501.633 in*lb (56.677 N*m)	1.506 kg + Basisgewicht + Klüvergewicht
8530889		501.633 in*lb (56.677 N*m)	1.506 kg + Basisgewicht + Klüvergewicht
8530920			

Informationen zu den Anforderungen an Verbindungselemente finden Sie in den Spezifikationen des Herstellers der Verbindungselemente.

1.0 PRODUKTANWENDUNG

- 1.1 ZWECK:** Die Bodenmontagebasis ist als Bestandteil eines Absturzsicherungssystems konzipiert.
- 1.2 BESCHREIBUNG:** Die Bodenmontagebasis (Abbildung 1) ist für die Verankerung an zugelassenen Strukturen ausgelegt und dient als Montagepunkt für das von 3M zugelassene modulare Klüversystem M200.
- 1.3 NORMEN:** Diese Bodenmontagebasis entspricht der/den vorne auf diesem Handbuch angegebenen nationalen bzw. regionalen Norm(en). Wenn dieses Produkt außerhalb des ursprünglichen Bestimmungslandes wiederverkauft wird, muss der Wiederverkäufer diese Anweisungen in der Sprache des Landes zur Verfügung stellen, in dem das Produkt verwendet werden wird.
- 1.4 AUFSICHT:** Die Montage dieser Ausrüstung muss durch eine sachkundige Person überwacht werden¹. Die Verwendung dieser Ausrüstung muss durch eine befähigte Person überwacht werden².
- 1.5 TRAINING:** Die Ausrüstung muss von Personen, die in der richtigen Anwendung geschult sind, installiert und verwendet werden. Dieses Handbuch ist im Rahmen eines Schulungsprogramms für Mitarbeiter zu verwenden, das den nationalen, regionalen oder lokalen Standards entspricht. Es unterliegt der Verantwortung der Anwender und Installateure dieser Ausrüstung, sicherzustellen, dass sie mit diesen Anweisungen vertraut sind und bezüglich korrekter Pflege und Einsatzweise geschult wurden. Zudem müssen sie die Betriebsmerkmale, Anwendungseinschränkungen und die Folgen eines nicht ordnungsgemäßen Gebrauchs dieser Ausrüstung kennen.
- 1.6 RETTUNGSPLAN:** Beim Verwenden dieser Ausrüstung und dem Anschließen der Teilsysteme muss der Arbeitgeber über einen Rettungsplan und die Mittel zu dessen Durchführung verfügen. Außerdem muss er den Plan Anwendern, zuständigen Fachkräften

- 1 Sachkundige Person:** Eine Person mit einem anerkannten Abschluss, Zertifikat oder beruflichen Status, oder die durch umfangreiches Wissen, Ausbildung und Erfahrung erfolgreich ihre Fähigkeit nachgewiesen hat, Probleme im Zusammenhang mit Absturzsicherungs- und Rettungssystemen in dem von einschlägigen nationalen, regionalen und lokalen Vorschriften geforderten Umfang zu lösen oder zu beheben.
- 2 Befähigte Person:** Eine Person, die in der Lage ist, bestehende und vorhersehbare Risiken in der Umgebung oder bei Arbeitsbedingungen zu erkennen, die für Mitarbeiter gesundheitsgefährdend, gefährlich oder risikoreich sind, und die befugt ist, sofort korrigierende Maßnahmen zu ergreifen, um diese Risiken und Gefährdungen zu beseitigen.

und Rettungskräften übermitteln.³, und Retter⁴ Ein ausgebildetes internes Rettungsteam wird empfohlen. Die Teammitglieder sind mit den nötigen Geräten und Techniken für eine erfolgreiche Rettung auszustatten. Ein regelmäßiges Training ist erforderlich, damit die Befähigung des Rettungsteams stets gewährleistet ist.

- 1.7 NACH EINEM ABSTURZ:** Wenn dieses Gerät Kräfte durch eine Absturzsicherung oder einen Stoß ausgesetzt wurde, nehmen Sie es sofort außer Betrieb. Markieren Sie es deutlich mit „NICHT VERWENDEN“. Weitere Informationen finden Sie in Abschnitt 4.

2.0 MONTAGE:

- 2.1 PLANUNG:** Planen Sie Ihr Absturzsicherungssystem vor der Montage der Bodenmontagebasis. Berücksichtigen Sie alle Faktoren, die Ihre Sicherheit vor, während und nach einem Absturz beeinträchtigen könnten. Beachten Sie alle in diesen Anweisungen beschriebenen Anforderungen, Einschränkungen und Spezifikationen.
- 2.2 VERANKERUNG UND BEFESTIGUNGSMITTEL:** Die Betonverankerungen und Befestigungsteile sind nicht im Lieferumfang enthalten. Die Befestigungsmaterialien müssen die in Tabelle 1 angegebenen Mindestanforderungen erfüllen.
- 2.3 MONTAGESCHRITTE FÜR 8530888:**

1. Markieren Sie die zu bohrenden Verankerungslöcher gemäß Abbildung 2.1.
 - Die Montagefläche muss eben sein und eine Neigung von nicht mehr als plus oder minus 1° aufweisen (Abbildung 2.2).
 - Lassen Sie ggf. Abstand zwischen der Basis und den Rändern von Oberflächen gem. den vom Hersteller der Befestigungen empfohlenen Abständen (B). Wählen Sie Befestigungselemente, die für die Materialstärke (A) der Montagefläche geeignet sind.
 - Bohren Sie jedes Loch gemäß den Tiefenangaben des Befestigungsmittelherstellers.
2. Installieren der Bodenmontagebasis
 - Stellen Sie sicher, dass sich kein Schmutz auf der Montagefläche befindet, bevor Sie die Basis in Position bringen.
 - Befestigen Sie die Basis gemäß den Montageanweisungen des Befestigungsmittelherstellers an der Montagestruktur.
 - Stellen Sie sicher, dass die Basis innerhalb des Plus- oder Minus-Winkels von 1° zur Senkrechten liegt (Abbildung 2.2).
3. Montage des modularen 3M Klüversystems M200 auf der Basis (Abbildung 3.1).
 - Montage des modularen 3M Klüversystems M200.
 - Schmieren Sie den Schmiernippel am Klüver mit Fett (Abbildung 3.2).

MONTAGESCHRITTE FÜR 8530889:

1. Markieren Sie die Position der zu bohrenden Hülse gemäß Abbildung 4.2.
 - Die Montagefläche muss eben sein und eine Neigung von nicht mehr als plus oder minus 1° aufweisen (Abbildung 4.1).
 - Bohrer Ø6,56 Zoll. (167 mm) bis zu einer Tiefe von 22,75 Zoll bohren. (578 mm) in den vorhandenen Beton gebohrt (Abbildung 4.1).
 - Entfernen Sie jegliche Bohrreste aus dem Loch und geben Sie gemäß Herstelleranweisungen Epoxidharz (A) in das Loch (Abbildung 4.3).
 - Bohren Sie die zusätzlichen Verankerungslöcher (4x), wenn die Montagestruktur basierend auf den in Tabelle 1 angegebenen Lasten zusätzlichen Halt benötigt.
 - Zusätzliche Verankerung können verwendet werden, um die Basis an der Montagefläche zu befestigen (Abbildung 4.2).

Stellen Sie sicher, dass während der Montage kein Epoxidharz in die Verankerungsöffnung gelangt.

- Lassen Sie das Epoxidharz aushärten, bevor Sie mit den nächsten Schritten fortfahren.
- Befestigen Sie die Basis in der bestehenden Betonstruktur, indem Sie die Betonverankerungsschrauben auf das empfohlene Drehmoment anziehen.

Die Basis kann auch direkt in Frischbeton installiert werden, sodass die Basis bündig mit der Montagefläche abschließt.

2. Montage des modularen 3M Klüversystems M200.
 - Senken Sie den Montagepfosten ab, bis sich der Drehblock (A) im Sperrschlitz (B) der Basis befindet (Abbildung 5.1).
 - Montage des modularen 3M Klüversystems M200 auf der Basis (Abbildung 5.2).
 - Schmieren Sie den Schmiernippel am Klüver mit Fett (Abbildung 5.3).

Setzen Sie die Basisabdeckung in die Basis ein, wenn sich der Pfosten nicht in der Basis befindet (Abbildung 5.4).

3.0 VERWENDUNG:

- 3.1 VOR JEDEM EINSATZ:** Stellen Sie sicher, dass Ihr Arbeitsbereich und Ihr Absturzsicherungssystem alle in dieser Anleitung definierten Kriterien erfüllen. Stellen Sie sicher, dass ein formeller Rettungsplan vorhanden ist. Überprüfen Sie das System anhand der im „Inspektions- und Wartungsprotokoll“ (Tabelle 2) definierten „Benutzer“-Inspektionen. Wenn bei der Überprüfung ein unsicherer oder mangelhafter Zustand festgestellt wird oder Zweifel hinsichtlich des Zustands für die sichere Verwendung bestehen, muss das System sofort außer Betrieb genommen werden. Markieren Sie das System deutlich mit „NICHT VERWENDEN“. Weitere Informationen finden Sie in Abschnitt 4.
- 3.2 SICHERER ARBEITSBEREICH:** Der sichere Arbeitsbereich des Klüverbaums geht nicht über die Länge des Klüverbaums selbst hinaus. Siehe Abbildung 6. Bei Verwendung des M200-Klüverbaums sollte der Anwender innerhalb des angegebenen sicheren Arbeitsbereichs (A) bleiben. Das Verlassen des sicheren Arbeitsbereichs an einen Ort außerhalb (B) ist gefährlich und kann zu schweren Verletzungen oder zum Tod führen. Wenn auf beiden Seiten des M200-Klüversystems gearbeitet wird, empfiehlt es sich, den Verankerungspunkt so direkt wie möglich über Kopf zu halten. Dadurch werden das

3 Autorisierte Person: Eine Person, die vom Arbeitgeber dazu bestimmt ist, Aufgaben an einem Ort auszuführen, an dem sie einer Absturzgefahr ausgesetzt ist.

4 Retter: Eine Person, die das Rettungssystem benutzt, um eine assistierte Rettung durchzuführen.

Potenzial für Schwingstürze und die Sturzdistanz minimiert und zusätzlich wird die Sicherheit eines zweiten Anwenders gewährleistet, falls der erste Anwender stürzt.

Wenn zwei Anwender am System befestigt sind, sollte die Drehung des Klüverbaums mit dem Drehstift verriegelt werden. Siehe Benutzeranleitung M200 Auslegerarm 5908372 Abschnitt 3.2. Alle Anwender müssen innerhalb von 30 Grad beiderseits des Ankerpunktes bleiben und dürfen nie über das Schienenende hinaus arbeiten.

4.0 INSPEKTION

Nach der Außerbetriebnahme kann das Gerät erst dann wieder in Betrieb genommen werden, wenn ein Sachkundiger schriftlich bestätigt, dass dies zulässig ist.

- 4.1 INSPEKTIONSHÄUFIGKEIT:** Das Produkt muss vom Anwender vor jeder Benutzung und zusätzlich mindestens jährlich von einem Sachkundigen inspiziert werden, die nicht der Anwender ist. Eine höhere Einsatzhäufigkeit des Geräts und rauere Bedingungen können es erforderlich machen, die Häufigkeit der Inspektionen durch einen Sachkundigen zu erhöhen. Die Häufigkeit dieser Inspektionen sollte von der zuständigen Person je nach den spezifischen Bedingungen des Einsatzortes festgelegt werden.
- 4.2 INSPEKTIONSVERFAHREN:** Inspizieren Sie dieses Produkt gemäß den im „Inspektions- und Wartungsprotokoll“ aufgeführten Verfahren. Der Eigentümer dieser Ausrüstung sollte eine Dokumentation jeder Inspektion führen. Ein Inspektions- und Wartungsprotokoll sollte in der Nähe des Produkts angebracht oder anderweitig für Benutzer leicht zugänglich sein. Es wird empfohlen, dieses Produkt mit dem Datum der nächsten oder letzten Inspektion zu kennzeichnen.
- 4.2 SCHÄDEN:** Wenn die Bodenmontagebasis aufgrund eines vorhandenen Defekts oder eines unsicheren Zustands nicht in Betrieb genommen werden kann, zerstören Sie entweder das System oder wenden Sie sich an 3M oder ein von 3M autorisiertes Servicezentrum bezüglich einer möglichen Reparatur.
- 4.3 PRODUKTLEBENSDAUER:** Die Haltbarkeit der Bodenmontagebasis wird von den Arbeitsbedingungen und der Wartung bestimmt. Solange das Produkt die Inspektionskriterien erfüllt, kann es in Betrieb bleiben.

5.0 WARTUNG, REPARATUR und AUFBEWAHRUNG

Ausrüstung, die gewartet werden muss oder für die eine Wartung geplant ist, sollte mit „NICHT VERWENDEN“ gekennzeichnet werden. Diese Gerätekenzeichnungen sollten bis zur Durchführung von Wartungsarbeiten nicht entfernt werden.

- 5.1 REINIGUNG:** Reinigen Sie die Metallbauteile der Bodenmontagebasis regelmäßig mit einer weichen Bürste, warmen Wasser und einer milden Seifenlösung. Vergewissern Sie sich, dass die Teile sorgfältig mit viel klarem Wasser gespült werden.
- 5.2 SERVICE:** Nur 3M oder Dritte, die hierzu von 3M schriftlich autorisiert sind, dürfen Reparaturen an diesem Equipment vornehmen.

6.0 ETIKETTEN und MARKIERUNGEN

- 6.1 ETIKETTEN:** Abbildung 8 zeigt die Etiketten auf der Bodenmontagebasis. Die Etiketten müssen ersetzt werden, wenn sie nicht vorhanden oder nicht mehr vollständig lesbar sind. Folgende Angaben sind auf jedem Etikett enthalten:

1	A) Lesen Sie die Anleitung B) Normen C) Sicherer Arbeitsradius
2	A) Seriennummer B) Herstellung Jahr/Datum C) Modellnummer

INFORMACIÓN DE SEGURIDAD

ES

Lea, comprenda y cumpla con todo lo dispuesto en la información de seguridad contenida en estas instrucciones antes de utilizar este sistema Flexiguard. **SI NO LO HACE, PUEDE SUFRIR GRAVES LESIONES O LA MUERTE.**

Estas instrucciones deben entregarse al usuario de este equipo. Conserve las instrucciones para futuras consultas.

Uso previsto:

Este sistema Flexiguard está pensado para ser utilizado como parte de un sistema completo de protección contra caídas o de rescate.

El empleo en cualquier otra aplicación, entre otras, la manipulación de materiales, actividades de recreo o deportivas, u otras actividades no descritas en las instrucciones para el usuario o en las instrucciones de instalación, no está aprobado por 3M y puede provocar lesiones graves o la muerte.

Este sistema solo deben usarlo usuarios formados en su utilización en aplicaciones dentro del lugar de trabajo.



ADVERTENCIA

Este sistema Flexiguard es parte de un sistema personal de protección contra caídas o de rescate. Se espera que todos los usuarios se hayan formado completamente en la instalación y uso seguro del sistema completo. **El mal uso de este sistema puede provocar lesiones graves o la muerte.** Para una adecuada selección, uso, instalación mantenimiento, inspección y reparación, consulte las instrucciones del producto y todas las recomendaciones del fabricante, contacte con su supervisor o con el servicio técnico de 3M.

- **Para reducir los peligros asociados con el transporte de un sistema Flexiguard, si no se evitan, pueden provocar lesiones graves o la muerte:**
 - Asegúrese de que el sistema está bien asegurado o configurado antes del transporte. Consulte las instrucciones del usuario para ver los requisitos de transporte detallados.
 - Transpórtelo solo a una velocidad de no más de 8 km/h (5 mph), y con una inclinación de 10° o menos, o tal y como se describe en las instrucciones del usuario.
 - Asegúrese de que el sistema no entre en contacto con objetos que se encuentren por encima, o con tendido eléctrico, durante su transporte o su uso.
- **Para reducir los riesgos asociados con trabajar con un sistema Flexiguard que, si no se evitan, pueden provocar lesiones graves o la muerte:**
 - Inspeccione todos los componentes del sistema antes de cada uso, al menos, con una periodicidad anual, y después de que el sistema haya soportado una caída. Realice la inspección según las instrucciones del producto.
 - Si la inspección revela una situación poco segura o algún defecto, retire el sistema del servicio, repárelo o reemplácelo, según se indique en estas instrucciones.
 - Cualquier sistema que haya estado sometido a una fuerza de detención de caídas o impacto deberá retirarse inmediatamente del servicio. Consulte las Instrucciones para el usuario o póngase en contacto con 3M Fall Protection.
 - El substrato o la estructura a la que se fije/donde se posicione el sistema debe poder soportar las cargas estáticas especificadas para el sistema en las orientaciones permitidas en las instrucciones del usuario o en las instrucciones de instalación.
 - No exceda el número de usuarios permitido según las instrucciones de uso.
 - No se conecte nunca a un sistema hasta que esté totalmente montado, posicionado, ajustado e instalado. No ajuste el sistema cuando haya un usuario conectado.
 - Nunca trabaje fuera del área segura de trabajo definida en las instrucciones del usuario.
 - No establezca una conexión con el sistema mientras se transporta o instala.
 - Mantenga siempre un amarre del 100 % cuando realice transferencias entre los puntos de anclaje del sistema.
 - Tenga precaución al instalar, usar y trasladar el sistema, ya que las partes móviles pueden crear posibles puntos de enganche.
 - Asegúrese de que se han seguido los procedimientos de bloqueo/etiquetado aplicables adecuados.
 - Conecte solo subsistemas de protección contra caídas en el punto conector de anclaje designado del sistema.
 - Cuando taladre orificios para el ensamblaje o la instalación del sistema, asegúrese de que el taladro no entre en contacto con cableado eléctrico, tuberías de gas u otros materiales o equipo críticos.
 - Asegúrese de que los sistemas/subsistemas de protección contra caídas conectados con componentes hechos por distintos fabricantes son compatibles y cumplen los requisitos de las normas aplicables, incluyendo los ANSI Z359 u otros códigos, normas o requisitos de protección contra caídas aplicables. Consulte siempre con personal cualificado o competente antes de usar estos sistemas.
- **Para reducir los peligros asociados con el trabajo en altura que, si no se evitan, pueden provocar lesiones graves o la muerte:**
 - Asegúrese de que su salud y condición física le permiten resistir con seguridad todas las fuerzas asociadas con el trabajo en altura. Consulte con su médico si tiene alguna pregunta con respecto a su capacidad para utilizar este equipo.
 - Nunca exceda la capacidad de carga de su equipo de protección contra caídas.
 - Nunca exceda la distancia máxima de caída libre de su equipo de protección contra caídas.
 - No utilice ningún equipo de protección contra caídas que haya fallado antes de usarse o no haya pasado otras inspecciones programadas, o si tiene dudas sobre el uso o la idoneidad del equipo para su aplicación. Póngase en contacto con los servicios técnicos de 3M si tiene cualquier pregunta.
 - Algunas combinaciones de subsistemas y componentes pueden perjudicar el funcionamiento del equipo. Use solo conectores compatibles. Consulte con 3M antes de emplear este equipo con componentes o subsistemas distintos de los descritos en las instrucciones para el usuario.
 - Extremar la precaución cuando se encuentre alrededor de maquinaria en movimiento (p. ej., mecanismos de activación superiores de plataformas petrolíferas), cuando existan riesgos eléctricos, temperaturas extremas, peligros químicos, gases explosivos o tóxicos, bordes afilados o materiales que se encuentren por encima de usted y que podrían caer sobre usted o sobre el equipo de protección contra caídas.
 - Use dispositivos para trabajos en caliente o arco eléctrico cuando trabaje en ambientes a altas temperaturas.
 - Evite superficies y objetos que puedan dañar al usuario o al equipo.
 - Asegúrese de que haya una distancia de caída adecuada cuando trabaje en altura.
 - Nunca modifique o altere su equipo de protección contra caídas. Sólo 3M o las partes autorizadas por escrito por 3M pueden reparar el equipo.
 - Antes de usar el equipo de protección contra caídas, asegúrese de que existe un plan de rescate que permita un rápido rescate si se produce un incidente de caída.
 - Si se produce un incidente de caída, busque atención médica inmediatamente para el trabajador que se haya caído.
 - No utilice un cinturón corporal para las aplicaciones de detención de caídas. Use sólo un arnés de cuerpo completo.
 - Trabaje en un lugar situado lo más directamente posible por debajo del punto de anclaje para minimizar la posibilidad de caídas con balanceo.
 - Si se está formando con este dispositivo, se debe utilizar un sistema de protección contra caídas secundario de manera que no exponga al aprendiz a un riesgo de caída involuntaria.
 - Lleve siempre el equipo de protección individual apropiado cuando instale, use o inspeccione el dispositivo/sistema.

Antes de utilizar este equipo, introduzca en el registro de inspección y mantenimiento de este manual la información de identificación del producto indicada en la etiqueta de identificación.

La base de montaje en suelo solo se puede usar con el sistema de pluma modular M200 fabricado por 3M. No intente utilizar la base de montaje en suelo sin consultar primero las Instrucciones del usuario del sistema de pluma modular M200 de 3M (5908372).

Tabla 1 – Especificaciones

Especificaciones del sistema:			
Compatibilidad:	Las bases de montaje en suelo cubiertas en estas instrucciones son compatibles con el sistema de pluma modular DBI-SALA® Flexiguard™ M200 de 3M™.		
Normativa:	Diseñado y probado según CEN/Ts 16415:2013 (tipo A), EN795:2012 (tipo A), OSHA 1926.502 y OSHA 1910.140.		
Capacidad:	Consulte las instrucciones del sistema de pluma modular DBI-SALA® Flexiguard™ M200 de 3M™ 5908372.		
Desviación máxima:	Consulte el manual de instrucciones del brazo de pluma M200 (5908372) para obtener más información sobre la desviación máxima del sistema.		
Fuerza máxima de detención:	Todos los sistemas de conexión (SRD, eslingas de absorción de energía, etc.) utilizados con la base de montaje en suelo deben limitar la fuerza de detención máxima a 6 kN (1350 lbf).		
Peso:	8530888: 120 kg (265 lb) 8530889: 171 kg (377 lb) 8530920: 64 kg (140 lb) 8530921: 107 kg (237 lb)		
Especificaciones de los componentes:			
Componente	Material		
Construcción general	Acero soldado		
Material de la estructura	Acero A36		
Acabado de la base	8530888, revestimiento electrostático 8530889, revestimiento de zinc, revestimiento electrostático		
Tapa base - 8530920	Aluminio, anillo de acero inoxidable, junta de goma		
Requisitos de montaje:			
Número de modelo	Fuerza de extracción mínima del dispositivo de fijación	Carga de momento mínima de la estructura de montaje	Carga vertical mínima de la estructura de montaje
8530888	4257 kg (9386 lb)	56 677 N*m (501 633 in*lb)	1506 kg (3320 lb) + peso base + peso pluma
8530889	X	56 677 N*m (501 633 in*lb)	1506 kg (3320 lb) + peso base + peso pluma
8530920			
<input checked="" type="checkbox"/> Consulte las especificaciones del fabricante del dispositivo de fijación para conocer sus requisitos.			

1.0 APLICACIÓN DEL PRODUCTO

- 1.1 OBJETIVO:** La base de montaje en suelo está diseñada para usarse como parte de un sistema de detención de caídas.
- 1.2 DESCRIPCIÓN:** La base de montaje en suelo (figura 1) está diseñada para ser anclada a estructuras aprobadas y utilizada como punto de montaje para el sistema de pluma modular M200 aprobado por 3M.
- 1.3 NORMATIVA:** La base de montaje en suelo cumple las normas nacionales o regionales identificadas en la cubierta de estas instrucciones. Si se revende este producto fuera del país de destino original, el revendedor debe proporcionar estas instrucciones en el idioma del país en donde se vaya a utilizar el producto.
- 1.4 SUPERVISIÓN:** La instalación de este equipo la debe supervisar personal cualificado¹. El uso de este equipo lo debe supervisar una persona competente².
- 1.5 FORMACIÓN:** La instalación y el uso de este equipo deberán correr a cargo de personas que hayan recibido formación sobre su correcta aplicación. Este manual debe utilizarse como parte de cualquier programa de formación de empleados exigido conforme a normas nacionales, regionales o locales. Es responsabilidad de los usuarios y los instaladores de este equipo familiarizarse con las presentes instrucciones, haber recibido formación en cuanto al cuidado y uso correctos de este equipo, así como conocer las características de funcionamiento, las limitaciones de uso y las consecuencias del uso indebido del mismo.
- 1.6 PLAN DE RESCATE:** Al utilizar este equipo y los subsistemas de conexión, la empresa deberá contar con un plan de rescate y los medios necesarios para llevarlo a término e informar de dicho plan a los usuarios, las personas autorizadas

1 Persona cualificada: Una persona con título, certificado o prestigio profesional reconocido, o que con un amplio conocimiento, formación y experiencia haya demostrado con éxito su capacidad para solucionar o resolver problemas relacionados con la protección contra caídas y sistemas de rescate en la medida requerida por regulaciones nacionales, regionales y locales aplicables.

2 Persona competente: Persona capaz de identificar peligros existentes y predecibles en el entorno o condiciones de trabajo insalubres, nocivas o peligrosas para los empleados y que cuenta con autorización para tomar medidas correctivas rápidas conducentes a su supresión.

y los responsables del rescate,³ y rescatadores⁴. Se recomienda tener en el centro un equipo de rescate con formación. Se deben proporcionar a los miembros del equipo las técnicas y el equipo para llevar a cabo un rescate con éxito. Se debe proporcionar de forma periódica formación a los responsables del rescate para garantizar su competencia.

- 1.7 DESPUÉS DE UNA CAÍDA:** Si el producto se ha utilizado para tener una caída o se sometido a una fuerza de impacto, retire el dispositivo del servicio de inmediato. Marque claramente el sistema con «NO UTILIZAR». Consulte la sección 4 para obtener más información.

2.0 INSTALACIÓN

- 2.1 PLANIFICACIÓN:** Planifique su sistema de protección contra caídas antes de instalar la base de montaje en suelo. Tenga en cuenta todos los factores que podrían afectar a su seguridad antes, durante y después de una caída. Tenga en cuenta todos los requisitos, limitaciones y especificaciones definidos estas instrucciones.

- 2.2 ANCLAJE Y DISPOSITIVOS DE FIJACIÓN:** Los anclajes de hormigón y la tornillería de montaje no están incluidos. La tornillería de montaje debe cumplir con los requisitos mínimos establecidos en la tabla 1.

2.3 PASOS DE INSTALACIÓN PARA 8530888:

1. Marque los orificios de anclaje que se deben perforar según el diseño de la figura 2.1.
 - La superficie de montaje debe ser plana y con una pendiente no superior a más/menos 1° (figura 2.2).
 - Asegúrese de que la base esté alejada de cualquier borde de la superficie, respetando la distancia mínima recomendada por el fabricante del dispositivo de fijación (B). Seleccione los dispositivos de fijación adecuados para el grosor del material (A) de la superficie de montaje.
 - Taladre cada orificio de acuerdo con las especificaciones de profundidad del fabricante del dispositivo de fijación.
2. Instale la base de montaje en el suelo.
 - Asegúrese de que la superficie de montaje no tenga residuos antes de colocar la base en su lugar.
 - Sujete la base a la estructura de montaje según las instrucciones de instalación del fabricante del dispositivo de fijación.
 - Asegúrese de que la base esté dentro de más/menos 1° respecto a la vertical (figura 2.2).
3. Instale el sistema de pluma modular M200 de 3M en la base (figura 3.1).
 - Instale el sistema de pluma modular M200 de 3M en la base.
 - Aplique grasa al engrasador ubicado en la pluma (figura 3.2).

PASOS DE INSTALACIÓN PARA 8530889:

1. Marque la ubicación de la guía que se debe perforar según se indica en la figura 4.2.
 - La superficie de montaje debe ser plana y con una pendiente no superior a +/- 1° (figura 4.1).
 - Realice un agujero de Ø 167 mm (6,56 in) a una profundidad de 578 mm (22,75) en el hormigón existente (figura 4.1).
 - Retire cualquier resto que quede en el orificio e inyecte epoxi (A) en el orificio según las instrucciones del fabricante (figura 4.3).
 - Taladre orificios de anclaje adicionales (x4) si la estructura de montaje necesita soporte adicional basado en las cargas especificadas en la tabla 1.
 - Se pueden usar anclajes adicionales para asegurar la base a la superficie de montaje (figura 4.2).

Asegúrese de que no entre epoxi en la abertura del anclaje durante la instalación.

- Permita el curado del material epoxi antes de continuar con los siguientes pasos.
- Sujete la base al hormigón existente apretando los pernos de anclaje de hormigón al par recomendado.

La base también se puede instalar directamente en hormigón fresco, permitiendo que quede alineada con la superficie de montaje.

2. Instale el sistema de pluma modular M200 de 3M en la base.
 - Baje el mástil de montaje hasta que el bloque de rotación (A) descanse en la ranura de bloqueo (B) de la base (figura 5.1).
 - Instale el sistema de pluma modular M200 de 3M en la base (figura 5.2).
 - Aplique grasa al engrasador ubicado en la pluma (figura 5.3).

Inserte la tapa de la base en la base cuando el mástil no esté en la base (figura 5.4).

3.0 USO

- 3.1 ANTES DE CADA USO:** Verifique que su área de trabajo y el sistema de protección contra caídas cumplan con todos los criterios definidos en estas instrucciones. Compruebe que exista un plan de rescate formal. Inspeccione el producto según los puntos de inspección del usuario definidos en «Registro de inspección y mantenimiento» (tabla 2). Si la inspección pone de manifiesto una condición insegura o defectuosa, o si hay alguna duda sobre su estado para un uso seguro, retire el sistema del servicio de inmediato. Marque claramente el sistema con «NO UTILIZAR». Consulte la sección 4 para obtener más información.

- 3.2 ÁREA DE TRABAJO SEGURO:** El área de trabajo segura del brazo de pluma no se extiende más allá de la longitud del mismo. Consulte la figura 6 como referencia. Al utilizar el brazo de pluma M200, el usuario debe permanecer dentro del Área de trabajo segura (A) indicada. Salir del área de trabajo segura hacia un lugar externo (B) es peligroso y podría provocar lesiones graves o la muerte. Al trabajar en cualquier lado del sistema de pluma M200, se recomienda que el usuario mantenga el punto de anclaje lo más elevado posible. Esto minimizará el potencial de caídas por oscilación y

3 Persona autorizada: Una persona asignada por el empleador para realizar tareas en una ubicación donde estará expuesto a riesgo de caída.

4 Rescatador: Una persona que usa el sistema de rescate para realizar un rescate asistido.

cualquier distancia de caída, además de garantizar la seguridad de un segundo usuario, en caso de que el primer usuario se caiga.

Cuando dos usuarios están conectados al sistema, se recomienda que la rotación del brazo de pluma esté bloqueada con el pasador de rotación. Consulte la sección 3.2 de las instrucciones del usuario del brazo de pluma M200. Cada usuario debe permanecer dentro de los 30 grados de cada lado del punto de anclaje y nunca trabajar más allá del final del riel.

4.0 INSPECCIÓN

Cuando el equipo se haya retirado del servicio, no podrá volver a ponerse en servicio hasta que una persona competente confirme por escrito que es aceptable hacerlo.

- 4.1 FRECUENCIA DE LAS INSPECCIONES:** El producto debe ser revisado por el usuario antes de cada uso y, adicionalmente, por una persona competente que no sea el usuario en intervalos no superiores a un año. Una mayor frecuencia de uso del equipo y condiciones más severas pueden requerir aumentar la frecuencia de las inspecciones de la persona competente. La frecuencia de estas inspecciones debe ser determinada por la persona competente según las condiciones específicas del lugar de trabajo.
- 4.2 PROCEDIMIENTOS DE INSPECCIÓN:** Inspeccione el producto según los procedimientos definidos en «Registro de inspección y mantenimiento». El propietario de este equipo debe conservar la documentación de cada inspección. Se debe colocar un registro de inspección y mantenimiento cerca del producto o en otro punto que sea de fácil acceso para los usuarios. Se recomienda que este producto esté marcado con la fecha de la próxima o última inspección.
- 4.2 DEFECTOS:** Si la base de montaje en el suelo no se puede devolver al servicio debido a un defecto existente o una condición insegura, destruya el sistema o póngase en contacto con 3M o con un centro de servicio autorizado por 3M para una posible reparación.
- 4.3 VIDA ÚTIL DEL PRODUCTO:** La vida útil de la base de montaje en el suelo depende de las condiciones de trabajo y el mantenimiento. El producto puede seguir utilizándose siempre que cumpla con los criterios de inspección.

5.0 MANTENIMIENTO, REPARACIONES y ALMACENAMIENTO

Cuando un equipo precise mantenimiento o esté programado para el mismo debe estar etiquetado como «NO UTILIZAR». Estas etiquetas de equipo no se deben quitar hasta que se realice el mantenimiento.

- 5.1 LIMPIEZA:** Limpie periódicamente los componentes metálicos de la base de montaje en el suelo con un cepillo suave, agua templada y una solución jabonosa suave. Asegúrese de enjuagar perfectamente las piezas con agua limpia.
- 5.2 SERVICIO:** Solo 3M o las organizaciones autorizadas por escrito por 3M pueden reparar este equipo.

6.0 ETIQUETAS y MARCAS

- 6.1 ETIQUETAS:** En la figura 8, se muestran las etiquetas presentes en la base de montaje en el suelo. Las etiquetas deben reemplazarse si no están presentes o no son completamente legibles. La información de las etiquetas es la siguiente:

1	A) Lea las instrucciones B) Normas C) Radio de trabajo seguro
2	A) Número de serie B) Fecha de fabricación (año/mes) C) Número de modelo

TURVALLISUUSTIEDOT

Lue, ymmärrä ja noudata kaikkia näissä ohjeissa olevia turvallisuustietoja ennen Flexiguard-järjestelmän käyttöä. **EDELLÄ MAINITUN LAIMINLYÖNTI VOI JOHTAA VAKAAN LOUKKAANTUMISEEN TAI KUOLEMAAN.**

Nämä ohjeet tulee antaa näiden varusteiden käyttäjälle. Säilytä nämä ohjeet myöhempää tarvetta varten.

Käyttötarkoitus:

Tämä Flexiguard-järjestelmä on tarkoitettu käytettäväksi osana täyttä putoamisenesto- tai pelastusjärjestelmää.

Muihin tarkoituksiin käyttäminen mm. materiaalien käsittelyssä, virkistys- tai urheilutoimissa tai muissa toiminnoissa, joita ei kuvata käyttöohjeessa tai asennusohjeessa, ei ole 3M:n sallimaa ja saattaa johtaa vakavaan loukkaantumiseen tai kuolemaan.

Ainoastaan koulutetut käyttäjät saavat käyttää tätä järjestelmää työskentelytarkoituksiin.

VAROITUS

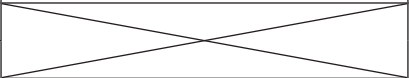
Tämä Flexiguard-järjestelmä on osa putoamisenesto- tai pelastusjärjestelmää. Kaikkien käyttäjien odotetaan olevan täysin koulutettuja koko järjestelmän turvallisen asentamisen ja käytön suhteen. **Tämän järjestelmän väärinkäyttö voi johtaa vakavaan loukkaantumiseen tai kuolemaan.** Tietoja asianmukaisesta valinnasta, käytöstä, asennuksesta, ylläpidosta ja huollosta saat tutkimalla kaikkia tuoteohjeita ja kaikkia valmistajan suosituksia, kysymällä esimieheltäsi tai ottamalla yhteyttä 3M:n tekniseen palveluun.

- **Vähentääksesi Flexiguard-järjestelmän kuljettamiseen liittyviä riskejä, jotka mahdollisesti voivat aiheuttaa vakavan loukkaantumisen tai kuoleman:**
 - Varmista, että järjestelmä on kunnolla kiinnitetty tai konfiguroitu ennen kuljetusta. Katso käyttöohjeesta lisätietoja kuljetusvaatimuksista.
 - Kuljeta järjestelmää alle 8 km/h nopeudella ja enintään 10°:n nousulla tai muuten käyttöohjeen määrittämällä tavalla.
 - Varmista, ettei järjestelmä pääse kosketuksiin sen yläpuolella olevien kohteiden kanssa tai ettei se aiheuta sähkövaaraa kuljetuksen tai käytön aikana.
- **Vähentääksesi Flexiguard-järjestelmän kanssa työskentelyyn liittyviä riskejä, jotka mahdollisesti voivat aiheuttaa vakavan loukkaantumisen tai kuoleman:**
 - Tarkasta kaikki järjestelmän komponentit ennen jokaista käyttökertaa, vähintään kerran vuodessa ja jokaisen putoamistapauksen jälkeen. Suorita tarkastus käyttöohjeiden mukaisesti.
 - Jos valtuutetussa tarkastuksessa ilmenee vaarallinen tai viallinen tila, poista järjestelmä käytöstä ja korjaa tai vaihda se käyttöohjeiden mukaisesti.
 - Kaikki järjestelmät, joita on käytetty putoamisen pysäyttämiseen tai joihin on kohdistunut putoamiseneston iskuvoima, on välittömästi poistettava käytöstä. Lisätietoja saa käyttöohjeista tai ottamalla yhteyttä 3M-putoamisenestoon.
 - Materiaalin tai rakenteen, johon järjestelmä kiinnitetään/asennetaan, tulee kannattaa käyttöohjeen tai asennusohjeen järjestelmälle salliman staattisen kuorman asianmukaisissa suunnissa.
 - Älä ylitä käyttöohjeessa määritettyä käyttäjien sallittua enimmäislukumäärää.
 - Älä koskaan kiinnitä järjestelmään ennen kuin se on täysin koottu, asetettu paikalleen, säädetty ja asennettu. Älä säädä järjestelmää käyttäjän ollessa kiinni.
 - Älä koskaan työskentele käyttöohjeessa määritetyn, turvallisen työskentelyalueen ulkopuolella.
 - Älä kytkeydy järjestelmään, kun sitä kuljetetaan tai asennetaan.
 - Ylläpidä aina sataprosenttinen sidonta järjestelmän ankkurointikohtien välillä siirrettäessä.
 - Ole varovainen asentaessasi, käyttäessäsi ja siirtäessäsi järjestelmää, sillä liikkuvat osat voivat aiheuttaa mahdollisia puristumisvaaroja.
 - Varmista, että asianmukaista vahinkokäynnistyksen estoa noudatetaan tarpeen mukaan.
 - Kytke putoamiseneston alijärjestelmät ainoastaan järjestelmän niille määrättyihin ankkurointikiinnityskohtiin.
 - Poratessasi asennusreikiä tai asentaessasi järjestelmää varmista, ettei sähköjohtoja, kaasujohtoja tai muita tärkeitä sisäisiä järjestelmiä tai laitteita pääse kosketuksiin poran kanssa.
 - Varmista, että muiden valmistajien komponenteista kootut putoamisenestojärjestelmät/alijärjestelmät ovat yhteensopivia ja täyttävät asianomaisten standardien vaatimukset, mukaan lukien ANSI Z359, tai muut sovellettavat putoamisenestokoodit, -standardit tai -vaatimukset. Ennen näiden järjestelmien käyttöä tulee aina kääntyä pätevän tai pätevoidyn henkilön puoleen.
- **Vähentääksesi korkealla työskentelyyn liittyviä riskejä, jotka mahdollisesti voivat aiheuttaa vakavan loukkaantumisen tai kuoleman:**
 - Varmista, että terveydentilasi ja fyysinen kuntosi on tarpeeksi hyvä, jotta pystyt kestämään kaikki korkealla työskentelyyn liittyvät voimat. Keskuksite lääkärisi kanssa, mikäli sinulla on kysyttävää näiden laitteiden käyttöön liittyvistä valmiuksista.
 - Älä koskaan ylitä putoamisenestolaitteiden sallittua kapasiteettia.
 - Älä koskaan ylitä putoamisenestolaitteiden vapaan pudotuksen enimmäisetäisyyttä.
 - Älä käytä putoamisenestolaitteita, jotka eivät läpäise ennen käyttöä tehtäviä tai muita suunniteltuja tarkastuksia tai jos olet huolissasi laitteiden käytöstä tai sopivuudesta käyttötarkoitukseen. Jos sinulla on kysyttävää, ota yhteyttä 3M:n tekniseen palveluun.
 - Jotkut alajärjestelmä- ja osayhdistelmät saattavat häiritä tämän laitteen toimintaa. Käytä vain yhteensopivia liitäntöjä. Ota yhteyttä 3M:ään ennen tämän laitteen käyttöä yhdessä sellaisten osien tai alajärjestelmien kanssa, joita ei kuvata tässä käyttöohjeessa.
 - Ota käyttöön ylimääräisiä varoimenpiteitä työskennellessäsi liikkuvien laitteiden (esim. öljynporaustormien koneistot), sähkövaarojen, korkeiden lämpötilojen, kemiallisten vaarojen, räjähtävien tai myrkyllisten kaasujen tai terävien reunojen läheisyydessä tai mikäli yläpuolellasi on mahdollisesti päällesi tai putoamisenestolaitteen päälle putoavia materiaaleja.
 - Käytä valokaari- tai kuumatyökaluita, kun työskentelet erittäin kuumissa ympäristöissä.
 - Vältä pintoja ja esineitä, jotka voivat vahingoittaa käyttäjää tai laitteita.
 - Varmista, että korkealla työskennellessä käytössä on riittävä putoamiskorkeus.
 - Älä koskaan muokkaa tai muuta putoamisenestolaitetta. Vain 3M tai sen kirjallisesti valtuuttamat tahot saavat tehdä korjauksia tähän laitteeseen.
 - Ennen putoamisenestolaitteiden käyttöä varmista, että käytössä on pelastussuunnitelma, jonka avulla voidaan toteuttaa nopea pelastus putoamistapaturman tapahtuessa.
 - Putoamistapaturman sattuessa tulee pudonneelle työntekijälle antaa välittömästi lääkinnällistä apua.
 - Älä käytä vartalovyötä putoamisenestosovelluksissa. Käytä ainoastaan kokovartalovaljaita.
 - Minimoi heilahtavan putoamisen mahdollisuus työskentelemällä niin suoraan ankkurointipisteen alla kuin mahdollista.
 - Mikäli laitteella harjoitellaan, on käytettävä toisijaista putoamisenestojärjestelmää tavalla, joka ei altista koulutettavaa henkilöä tahattomalle putoamiselle.
 - Käytä aina asianmukaisia henkilösuojaimia kun asennat, käytät tai tarkastat laitetta/järjestelmää.

Merkitse ennen tämän tuotteen käyttöä tuotteen tunnistustiedot sen tunnusmerkinnästä tämän käyttöoppaan tarkastus- ja huoltolokiin.

Lattiakiinnitysjalustaa voidaan käyttää vain 3M:n valmistaman 3M:n modulaarisen puomijärjestelmän M200 kanssa. Älä yritä käyttää lattiakiinnitysjalustaa tutustumatta ensin 3M:n modulaarisen puomijärjestelmän M200 käyttöohjeisiin (5908372).

Taulukko 1 – Tekniset tiedot

Järjestelmän tekniset tiedot:			
Yhteensopivuus:	Tässä ohjeessa käsitellyt lattiakiinnitysjalustat ovat yhteensopivia modulaarisen 3M™ DBI-SALA® Flexiguard™ -puomijärjestelmän M200 kanssa.		
Standardit:	Suunniteltu ja testattu määritysten CEN/Ts 16415:2013 (tyyppi A), EN795:2012 (tyyppi A), OSHA 1926.502 ja OSHA 1910.140 mukaisesti.		
Enimmäiskantavuus:	Katso modulaarisen 3M™ DBI-SALA® Flexiguard™ -puomijärjestelmän M200 ohjetta 5908372.		
Suurin sallittu taipuma:	Katso lisätietoja järjestelmän suurimmasta sallitusta taipumasta M200-puomijärjestelmän (5908372) käyttöoppaasta.		
Suurin sallittu pysäytysvoima:	Kaikkien vastapainon alustan kanssa käytettävien toisiinsa kytkettävien osajärjestelmien (itsekelautuvat laitteet, energiaa vaimentavat turvahihnat jne.) on rajoitettava suurin sallittu pysäytysvoima tasolle 6 kN (1 350 lbf).		
Paino:	8530888: 265 lb. (120 kg) 8530889: 171 kg (377 lb) 8530920: 64 kg (140 lb) 8530921: 107 kg (237 lb)		
Osat:			
Osa	Materiaali		
Yleisrakenne	Hitsattu teräs		
Rakennemateriaali	A36-teräs		
Jalustan viimeistely	8530888: jauhemaali 8530889: sinkkipinnoitus, jauhemaali		
Jalustan pää – 8530920	Alumiini, ruostumaton teräsrenkas, kumitiiviste		
Asennusvaatimukset:			
Mallin- mero	Kiinnikkeen vähim- mäisullosvetovoima	Kiinnitysrakenteen vähimmäismomenttikkuorma	Kiinnitysrakenteen minimivertikaalikuorma
8530888	4 257 kg (9 386 lb)	56 677 N*m (501 633 in*lb)	1 506 kg (3 320 lb) + jalustan paino + puomin paino
8530889		56 677 N*m (501 633 in*lb)	1 506 kg (3 320 lb) + jalustan paino + puomin paino
8530920			
<input checked="" type="checkbox"/> Katso kiinnittimen valmistajan teknisistä tiedosta kiinnittimen vaatimukset.			

1.0 TUOTTEEN KÄYTTÖKOHDE

- 1.1 TARKOITUS:** Lattiakiinnitysjalusta on suunniteltu osaksi putoamissuojausjärjestelmää.
- 1.2 KUVAUS:** Lattiaan kiinnitettävä jalusta (kuva 1) on suunniteltu ankkuroitavaksi hyväksytyihin rakenteisiin ja käytettäväksi 3M:n hyväksymän modulaarisen puomijärjestelmän M200 kiinnityspisteeseen.
- 1.3 STANDARDIT:** Lattiaan kiinnitettävä jalusta täyttää näiden ohjeiden etukanteen merkittyjen kansallisten tai alueellisten standardien vaatimukset. Jos tätä tuotetta jälleenmyydään alkuperäisen kohdemaan ulkopuolella, jälleenmyyjän on toimitettava nämä ohjeet tuotteen käyttömaan kielellä.
- 1.4 VALVONTA:** Tämän laitteen asennuksen tulee tapahtua pätevoityneen henkilön¹ valvonnassa. Tämän laitteen käytön tulee tapahtua pätevän henkilön² valvonnassa.
- 1.5 KOULUTUS:** Näiden laitteiden asentajilla ja käyttäjillä tulee olla koulutus niiden oikeanlaista käyttöä varten. Tämä käyttöohje on tarkoitettu käytettäväksi osana kansallisten, alueellisten tai paikallisten standardien mukaista työntekijöiden koulutusohjelmaa. Varusteen käyttäjien ja asentajien vastuulla on perehtyä näihin ohjeisiin, hankkia koulutusta varusteen asianmukaisissa käyttö- ja huoltotavoissa sekä tuntea varusteen käyttöominaisuudet, käytön rajoitukset ja vääranlaisen käytön aiheuttamat seuraukset.
- 1.6 PELASTUSSUUNNITELMA:** Työnantajalla on laitetta ja siihen liitettyjä lisäjärjestelmiä käytettäessä oltava pelastussuunnitelma ja valmiudet sekä suunnitelman toteuttamiseen että siitä tiedottamiseen laitteen käyttäjille, valtuutetuille henkilöille³ ja pelastushenkilöille⁴. Koulutettua, paikan päällä olevaa pelastushenkilöstöä suositellaan.

1 Pätevoitynyt henkilö: Henkilö, jolla on hyväksytyt tutkinto, sertifikaatti tai ammatilliset edellytykset tai joka on laajan tietämyksen, koulutuksen ja kokemuksen kautta osoittanut kykynsä ratkaista tai korjata putoamissuojausjärjestelmiin liittyviä ongelmia OSHA:n tai muun sovellettavan kansallisen, alueellisen tai paikallisen ohjesäännön edellyttämällä tasolla.

2 Pätevä henkilö: Henkilö, joka pystyy tunnistamaan olemassa olevat ja ennustettavat vaaratekijät ympäristössä tai riskialttiit, epähygieeniset tai työntekijöille vaaralliset työolosuhteet ja jolla on valtuudet ryhtyä toimiin niiden poistamiseksi.

3 Valtuutettu henkilö: Työnantajan määräämä henkilö, joka suorittaa tehtäviä sellaisessa paikassa, jossa henkilö altistuu putoamisvaaralle.

4 Pelastushenkilö: Henkilö, joka suorittaa avustetun pelastuksen käyttäen pelastusjärjestelmää.

Pelastushenkilöstön jäsenillä tulisi olla hallussaan onnistuneeseen pelastamiseen tarvittavat laitteet ja tekniikka. Pelastushenkilöstön riittävä määrä tulee varmistaa antamalla koulutusta säännöllisin väliajoin.

- 1.7 PUTOAMISEN JÄLKEEN:** Jos laitteeseen on kohdistunut putoamisen pysäytys tai isku, poista se välittömästi käytöstä. Merkitse siihen selkeästi "EI SAA KÄYTTÄÄ". Lisätietoja on osiossa 4.

2.0 ASENNUS

- 2.1 SUUNNITTELU:** Putoamissuojajärjestelmä tulee suunnitella ennen lattiaan kiinnitettävän jalustan asentamista. Ota huomioon kaikki tekijät, jotka voivat vaikuttaa turvallisuuteen ennen putoamista, sen aikana ja sen jälkeen. Ota huomioon kaikki näissä ohjeissa luetellut vaatimukset, rajoitukset ja tekniset tiedot.

- 2.2 ANKKUROINTI JA KIINNITTIMET:** Betoniankkurit ja kiinnitystarvikkeet eivät sisälly toimitukseen. Kiinnitystarvikkeiden on täytettävä taulukossa 1 annetut vähimmäisvaatimukset.

2.3 OSAN 8530888 ASENNUSVAIHEET:

- Merkitse porattavat ankkurointireiät kuvan 2.1 asettelun mukaisesti.
 - Asennuspinnan on oltava tasainen, ja sen kaltevuus saa olla korkeintaan $\pm 1^\circ$ (kuva 2.2).
 - Varmista, että jalustan etäisyys mihin tahansa pinnan reunaan on kiinnittimen valmistajan suositteleman suojaetäisyyden (B) mukainen. Valitse kiinnityspinnan materiaalipaksuuden (A) mukaiset kiinnikkeet.
 - Poraa jokainen reikä kiinnittimen valmistajan syvyysmääritysten mukaisesti.
- Asenna lattiakiinnitysjalusta.
 - Varmista ennen jalustan asettamista paikalleen, että kiinnityspinnalla ei ole roskia.
 - Kiinnitä jalusta kiinnitysrakenteeseen kiinnittimen valmistajan asennusohjeiden mukaisesti.
 - Varmista, että jalusta on ± 1 asteen sisällä pystysuorasta (kuva 2.2).
- Asenna 3M:n modulaarinen puomijärjestelmä M200 jalustaan (kuva 3.1).
 - Asenna 3M:n modulaarinen puomijärjestelmä M200 jalustaan.
 - Lisää rasvaa puomissa sijaitsevaan rasvanippaan (kuva 3.2).

OSAN 8530889 ASENNUSVAIHEET:

- Merkitse porattava holkin sijainti kuvan 4.2 asettelun mukaisesti.
 - Kiinnityspinnan on oltava tasainen, ja sen kaltevuus saa olla enintään $\pm 1^\circ$ (kuva 4.1).
 - Poraa halkaisijaltaan 167 mm:n (6,56 tuuman) reikä 578 mm:n (22,75 tuuman) syvyyteen asennuskohdan betoniin (kuva 4.1).
 - Poista roskat reiästä ja ruiskuta epoksi (A) reikään valmistajan ohjeiden mukaisesti (kuva 4.3).
 - Poraa (4 kpl) ylimääräisiä ankkurointireikiä, jos kiinnitysrakenne tarvitsee lisätukea taulukossa 1 määritettyjen kuormien perusteella.
 - Lisäankkureita voidaan käyttää jalustan kiinnittämiseen kiinnityspintaan (kuva 4.2).

Varmista, ettei epoksia joudu ankkurin aukkoon asennuksen aikana.

- Anna epoksin kovettua ennen kuin jatkat seuraaviin vaiheisiin.
- Kiinnitä jalusta nykyiseen betoniin kiristämällä betoniankkuripultit suositeltuun vääntömomenttiin.

Jalusta voidaan asentaa myös suoraan uuteen betoniin, jolloin jalusta voi olla samassa tasossa kiinnityspinnan kanssa.

- Asenna 3M:n modulaarinen puomijärjestelmä M200 jalustaan.
 - Laske asennuspylvästä, kunnes kääntökappale (A) lepää jalustan lukitusurassa (B) (kuva 5.1).
 - Asenna 3M:n modulaarinen puomijärjestelmä M200 jalustaan (kuva 5.2).
 - Lisää rasvaa puomissa sijaitsevaan rasvanippaan (kuva 5.3).

Aseta jalustan pää jalustaan, kun mastoa ei ole asetettu jalustaan (kuva 5.4).

3.0 KÄYTTÖ

- 3.1 ENNEN JOKAISTA KÄYTTÖÄ:** Varmista, että työalue ja putoamissuojajärjestelmä täyttävät näissä ohjeissa esitetyt vaatimukset. Varmista, että käytössä on pelastussuunnitelma. Tuote tulee tarkistaa "tarkastus- ja kunnossapitolokissa" (taulukko 2) lueteltujen käyttäjän tarkastuspisteiden mukaisesti. Jos järjestelmä todetaan tarkastuksessa turvallisuudelle vaaralliseksi tai vialliseksi tai jos sen käyttöturvallisuuteen liittyy minkäänlaista epävarmuutta, poista järjestelmä käytöstä välittömästi. Merkitse järjestelmään selkeästi "EI SAA KÄYTTÄÄ". Lisätietoja on osiossa 4.

- 3.2 TURVALLINEN TYÖALUE:** Nostopuomin turvallinen työalue ei ulotu puomin pituutta kauemmas. Katso mallia kuvasta 6. Käyttäjän tulee pysyä M200-nostopuomin käytön aikana turvallisen työalueen (A) sisällä. Turvalliselta työalueelta poistuminen sen ulkopuolelle (B) on vaarallista ja voi aiheuttaa vakavan vamman tai kuoleman. Kun työskentelet M200-puomijärjestelmän jommallakummalla puolella, on suositeltavaa pitää kiinnityspiste mahdollisimman suoraan yläpuolellasi. Näin pienennetään heilahtavan putoamisen mahdollisuutta ja putoamiskorkeutta sekä varmistetaan toisen käyttäjän turvallisuus, jos työpari putoaa.

Kun järjestelmään on kiinnitetty kaksi käyttäjää, on suositeltavaa, että puomin kierto lukitaan kääntötapilla. Katso M200-puomin käyttöohjeen 5908372 osio 3.2. Jokaisen käyttäjän on pysyttävä 30 asteen sisällä kiinnityspisteen jommallakummalla puolella, eikä työskentely saa ulottua kiskon loppupäätä pidemmälle.

4.0 TARKASTUS

Kun laitteisto on poistettu käytöstä, sitä ei saa palauttaa käyttöön ennen kuin pätevä henkilö on vahvistanut kirjallisesti, että näin saa tehdä.

- 4.1 TARKASTUSVÄLI:** Käyttäjän tulee tarkastaa tuote ennen jokaista käyttökertaa. Tämän lisäksi pätevän henkilön (joku muu kuin käyttäjä itse) tulee tarkastaa se vähintään vuoden välein. Laitteiden tiheämpi käyttö ja vaativat olosuhteet saattavat edellyttää pätevän henkilön suorittamia tarkastuksia useammin. Pätevän henkilön on määritettävä näiden tarkastusten väli kyseisten työolosuhteiden mukaan.
- 4.2 TARKASTUSTOIMENPITEET:** Tarkasta tämä tuote tarkastus- ja kunnossapitolokissa lueteltujen toimenpiteiden mukaisesti. Tuotteen omistajan tulee säilyttää jokaisen tarkastuksen asiakirjat. Tarkastus- ja kunnossapitoloki tulee sijoittaa tuotteen lähelle tai sen tulee olla muulla tavalla helposti käyttäjän saatavilla. On suositeltavaa, että tuotteeseen merkitään seuraavan tai edellisen tarkastuksen päivämäärä.
- 4.2 VIAT:** Jos lattiaan kiinnitettävää jalustaa ei voida palauttaa käyttöön olemassa olevan vian tai vaarallisen kunnan takia, hävitä järjestelmä tai ota yhteyttä 3M:ään tai 3M:n valtuutettuun huoltokeskukseen ja tiedustele korjauksen mahdollisuutta.
- 4.3 TUOTTEEN KÄYTTÖIKÄ:** Lattiaan kiinnitettävän jalustan toiminnallinen ikä määräytyy käyttöolosuhteiden ja huollon mukaan. Tuotetta voidaan käyttää niin kauan kuin se läpäisee tarkastuskriteerit.

5.0 HUOLTO, KUNNOSSAPITO ja SÄILYTYS

Laitteet, jotka vaativat huoltoa tai joille on tehtävä suunniteltu huolto, on varustettava merkinnällä "EI SAA KÄYTTÄÄ". Näitä merkintöjä ei saa poistaa, ennen kuin huolto on suoritettu.

- 5.1 PUHDISTUS:** Lattiaan kiinnitettävän jalustan metalliosat tulee puhdistaa säännöllisesti pehmeällä harjalla, lämpimällä vedellä ja miedolla saippualliuoksella. Varmista, että osat huuhdellaan huolellisesti puhtaalla vedellä.
- 5.2 HUOLTO:** Vain 3M tai 3M:n kirjallisesti valtuuttamat tahot saavat tehdä korjauksia tähän laitteeseen.

6.0 MERKINNÄT

- 6.1 MERKINNÄT:** Kuvassa 8 on esitetty lattiaan kiinnitettävän jalustan merkinnät. Merkinnät pitää uusia, jos ne ovat irronneet tai jos ne eivät ole täysin luettavissa. Kaikissa merkinnöissä on seuraavat tiedot:

1	A) Lue ohjeet B) Standardit C) Turvallinen työskentelysäde
2	A) sarjanumero B) valmistusajankohta vuosi/kuukausi C) mallinumero

CONSIGNES DE SÉCURITÉ

Veillez lire, comprendre et suivre toutes les consignes de sécurité contenues dans ces instructions avant d'utiliser ce système Flexiguard. LE NON-RESPECT DE CES INSTRUCTIONS PEUT CAUSER DES BLESSURES GRAVES OU LA MORT.

Ces instructions doivent être transmises à l'utilisateur de cet équipement. Conservez ces instructions pour vous y référer ultérieurement.

Utilisation prévue :

Ce système FlexiGuard est conçu pour être utilisé comme élément d'un système antichute ou d'un équipement de sauvetage complet.

Toute utilisation pour d'autres applications, y compris, mais sans s'y limiter, la manutention de matériaux, des activités de loisirs ou sportives, ou d'autres activités non décrites dans le mode d'emploi ou le manuel d'installation, n'est pas approuvée par 3M et pourrait entraîner des blessures graves ou mortelles. Ce système ne doit être utilisé que par des utilisateurs formés pour des applications sur le lieu de travail.



AVERTISSEMENT

Ce système FlexiGuard fait partie d'un système antichute ou d'un équipement de sauvetage individuel. Tous les utilisateurs doivent être solidement formés à l'installation et au fonctionnement sécurisé du système complet. **Une mauvaise utilisation de cet équipement peut entraîner des blessures graves ou mortelles.** Pour ne faire aucune erreur dans la sélection, le fonctionnement, l'installation, la maintenance et l'entretien, suivez toutes les instructions fournies avec le produit et toutes les recommandations du fabricant, consultez votre superviseur ou contactez le service technique 3M.

- **Pour réduire les risques associés au transport d'un système FlexiGuard qui, faute de protection, pourrait entraîner des blessures graves ou mortelles :**
 - Vérifiez que le système est correctement fixé ou configuré avant son transport. Consultez le mode d'emploi pour connaître les exigences détaillées relatives au transport.
 - Le transport doit se faire à une vitesse inférieure à 8 km/h et à une inclinaison de 10° ou moins, ou conformément aux instructions d'utilisation.
 - Vérifiez que le système ne rentrera pas en contact avec des objets placés en hauteur ou présentant un danger électrique durant son transport ou son utilisation.
- **Pour réduire les risques associés au travail avec un système Flexiguard qui, en l'absence de protection, pourraient entraîner des blessures graves ou mortelles :**
 - Inspectez tous les composants du système avant chaque utilisation, au moins une fois par an, et après chaque chute. Procédez à l'inspection conformément aux instructions d'utilisation.
 - Si l'inspection effectuée fait apparaître un défaut ou un danger, mettez immédiatement le système hors service et réparez-le ou remplacez-le en respectant les instructions d'utilisation.
 - Si le système a été soumis à des forces antichute ou d'impact, il doit être immédiatement mis hors service. Consultez les instructions d'utilisation ou contactez le service de Protection antichute 3M.
 - Le substrat sur lequel ou la structure sur laquelle le système est fixé/placé doit être capable de résister aux charges statiques spécifiées pour le système dans les orientations autorisées indiquées dans le mode d'emploi ou les instructions d'installation.
 - Ne dépassez pas le nombre d'utilisateurs autorisés conformément aux instructions d'utilisation.
 - Ne fixez jamais le dispositif à un système avant qu'il ne soit entièrement assemblé, positionné, ajusté et installé. N'ajustez pas le système lorsqu'un utilisateur y est attaché.
 - Ne travaillez jamais hors de la zone de travail sécurisée, telle que définie par le mode d'emploi.
 - Ne vous connectez pas au système pendant qu'il est transporté ou installé.
 - Maintenez toujours une connexion à 100 % lors du transfert entre des points d'ancrage sur le système.
 - Soyez vigilant(e) au cours de l'installation, de l'utilisation et du déplacement du système, car les pièces en mouvement peuvent créer des points de pincement potentiels.
 - Vérifiez que les procédures adéquates de verrouillage/d'étiquetage ont été appliquées, le cas échéant.
 - Ne reliez que les sous-systèmes de protection antichute au point du connecteur d'ancrage désigné sur le système.
 - Lorsque vous percez des trous pour l'assemblage ou l'installation du système, vérifiez qu'aucune ligne électrique, aucune conduite de gaz ou aucun autre matériau ou équipement ne sera touché par la perceuse.
 - Assurez-vous que les systèmes/sous-systèmes antichute assemblés avec des composants provenant de divers fabricants sont compatibles et respectent les exigences des normes applicables, y compris la norme ANSI Z359 ou d'autres codes, normes ou contraintes de protection contre les chutes. Consultez systématiquement une personne compétente ou qualifiée avant l'utilisation de ces systèmes.
- **Pour réduire les risques associés au travail en hauteur qui, faute de protection, peuvent entraîner des blessures graves ou mortelles :**
 - Assurez-vous que votre santé et votre condition physique vous permettent de supporter en toute sécurité les forces associées au travail en hauteur. Consultez votre médecin si vous avez des questions concernant votre aptitude à utiliser cet équipement.
 - Ne dépassez jamais les limites autorisées pour votre équipement antichute.
 - Ne dépassez jamais la distance de chute libre maximale de votre équipement antichute.
 - N'utilisez aucun équipement antichute qui n'a pas satisfait aux inspections avant utilisation ou aux autres inspections programmées, ou si vous avez des préoccupations concernant l'utilisation ou la compatibilité de l'équipement avec votre application. Contactez les services techniques de 3M si vous avez des questions.
 - Certaines combinaisons de sous-systèmes et de composants peuvent gêner le fonctionnement de cet équipement. Utilisez uniquement des raccords compatibles. Consultez 3M avant d'utiliser cet équipement conjointement avec des composants ou des sous-systèmes autres que ceux décrits dans les instructions d'utilisation.
 - Soyez particulièrement vigilant(e) lorsque vous travaillez autour de machines en mouvement (par exemple, les mécanismes d'entraînement par le haut des plates-formes pétrolières), en cas de risques électriques, de températures extrêmes, de risques chimiques, en présence de gaz explosifs ou toxiques, d'arêtes vives, ou de matériaux suspendus pouvant chuter sur vous ou sur l'équipement de protection antichute.
 - Utilisez des dispositifs de protection contre les arcs électriques ou conçus pour le travail à température élevée dans les environnements à chaleur intense.
 - Évitez les surfaces et les objets qui peuvent endommager l'utilisateur ou l'équipement.
 - Vérifiez que vous disposez d'une distance d'arrêt adaptée lorsque vous travaillez en hauteur.
 - Ne modifiez ni n'altérez jamais votre équipement antichute. Seul 3M ou les parties agréées par écrit par 3M peuvent réparer cet équipement.
 - Avant l'utilisation d'un équipement antichute, vérifiez qu'un plan de sauvetage est mis en place et qu'il permettra d'effectuer un sauvetage rapide si une chute se produit.
 - En cas de chute, faites immédiatement intervenir un médecin auprès du travailleur qui est tombé.
 - N'utilisez pas de ceinture de travail pour les applications de prévention antichute. Utilisez uniquement un harnais intégral.
 - Réduisez le risque d'effets pendulaires en travaillant autant que possible directement sous le point d'ancrage.
 - Lors de la formation à l'utilisation de ce dispositif, vous devez utiliser un système antichute secondaire afin de ne pas exposer la personne formée à un risque de chute involontaire.
 - Portez toujours un équipement de protection individuelle approprié lors de l'installation, de l'utilisation ou de l'examen du dispositif/système.

Avant d'utiliser cet équipement, enregistrer les informations d'identification du produit indiquées sur l'étiquette d'identification dans le journal d'inspection et d'entretien de ce manuel.

La base de montage au sol ne peut être utilisée qu'avec le système de potence modulaire M200 de 3M fabriqué par 3M. Ne pas essayer d'utiliser la base de montage au sol sans avoir consulté au préalable les instructions d'utilisation du système de potence modulaire M200 (5908372) de 3M.

Tableau 1 – Caractéristiques

Caractéristiques du système :			
Compatibilité :	Les bases de montage au sol présentées dans les présentes instructions sont compatibles avec le système de potence modulaire M200 3M™ DBI-SALA® Flexiguard™.		
Normes :	Conçu et testé selon les normes CEN/Ts 16415:2013 (type A), EN795:2012 (type A), OSHA 1926.502 et OSHA 1910.140.		
Capacité :	Se reporter aux instructions 5908372 du système de potence modulaire M200 3M™ DBI-SALA® Flexiguard™.		
Déviations maximale :	Reportez-vous au manuel d'instructions de la flèche M200 (5908372) pour plus d'informations sur la déviation maximale du système.		
Force d'arrêt maximale :	Tous les systèmes de connexion (SRD, longues d'absorption d'énergie, etc.) utilisés avec la base de montage au sol doivent limiter la force d'arrêt maximale à 6 kN (1 350 lbf).		
Poids :	8530888 : 120 kg (265 lb) 8530889 : 171 kg (377 lb) 8530920 : 64 kg (140 lb) 8530921 : 107 kg (237 lb)		
Caractéristiques des composants :			
Composant	Matériau		
Construction générale	Acier soudé		
Matériau de la structure	Acier A36		
Finition de base	8530888 : peinture en poudre 8530889 : zingage, peinture en poudre		
8530920 : socle	Aluminium, anneau en acier inoxydable, joint en caoutchouc		
Exigences de montage :			
Numéro de modèle	Force minimale de traction des fixations	Charge de moment minimale de la structure de montage	Charge verticale minimale de la structure de montage
8530888	4 257 kg (9 386 lb)	56 677 N*m (501 633 po*lb)	1 506 kg (3 320 lb) + poids de la base + poids de la potence
8530889	X	56 677 N*m (501 633 po*lb)	1 506 kg (3 320 lb) + poids de la base + poids de la potence
8530920			
<input checked="" type="checkbox"/> Consulter les spécifications du fabricant des fixations pour connaître les exigences en matière de fixations.			

1.0 APPLICATION DU PRODUIT

- 1.1 OBJECTIF :** La base de montage au sol est conçue pour être utilisée comme élément d'un système antichute.
- 1.2 DESCRIPTION :** La base de montage au sol (Figure 1) est conçue pour être ancrée à des structures approuvées et utilisée comme point de montage pour le système de potence modulaire M200 approuvé 3M.
- 1.3 NORMES :** la base de montage au sol est conforme aux normes nationales ou régionales présentées sur la page de couverture de ces instructions. Si le produit est revendu en dehors du pays de destination d'origine, le revendeur doit fournir ces instructions dans la langue du pays où il sera utilisé.
- 1.4 SUPERVISION :** l'installation de cet équipement doit être supervisée par une personne qualifiée¹. L'utilisation de cet équipement doit être supervisée par une personne compétente².
- 1.5 FORMATION :** Cet équipement doit être installé et utilisé par des personnes formées à cet effet. Ce manuel doit être utilisé dans le cadre du programme de formation des employés, comme requis par les normes nationales, régionales ou locales. Il relève de la responsabilité des utilisateurs et des installateurs de cet équipement de s'assurer qu'ils se sont familiarisés avec ces instructions, qu'ils ont été formés à l'entretien et à l'utilisation corrects du matériel et qu'ils ont connaissance des caractéristiques de fonctionnement, des limites d'application et des conséquences d'une mauvaise utilisation.
- 1.6 PLAN DE SAUVETAGE :** avant d'utiliser cet équipement et de raccorder les sous-systèmes, l'employeur devra disposer d'un plan de sauvetage et de moyens disponibles permettant sa mise en œuvre, et le communiquer aux utilisateurs,

1 Personne qualifiée : personne possédant un diplôme, un certificat ou un statut professionnel reconnu, ou qui, par ses connaissances, sa formation et son expérience, a démontré sa capacité à résoudre des problèmes relatifs aux dispositifs de protection antichute et de secours dans la mesure exigée par les réglementations régionales, locales ou nationales applicables.

2 Personne compétente : personne capable de déceler des dangers existants et prévisibles dans les milieux de travail ou des conditions de travail non hygiéniques, ou dangereuses pour les employés, et ayant l'autorisation de prendre des mesures correctives rapides pour les éliminer.

aux personnes agréées³ et aux sauveteurs⁴. Il est recommandé de mettre en place une équipe, adéquatement formée, de sauvetage sur site. Il conviendra de mettre à la disposition des membres de l'équipe l'équipement et les moyens techniques nécessaires à la bonne exécution d'une opération de sauvetage. La formation devra être dispensée sur une base régulière afin de garantir le niveau de compétence des sauveteurs.

1.7 APRÈS UNE CHUTE : Si cet équipement est soumis à des forces antichute ou d'impact, il doit être immédiatement mis hors service. Indiquer clairement « NE PAS UTILISER ». Pour plus d'informations, se reporter à la Section 4.

2.0 INSTALLATION

2.1 PRÉPARATION : préparer votre système de protection contre les chutes avant d'installer la base de montage au sol. Prendre en compte tous les facteurs qui pourraient nuire à la sécurité avant, pendant et après une chute. Prendre en considération toutes les exigences, spécifications et limites définies dans ces instructions.

2.2 ANCRAGE ET FIXATION : les ancrages en béton et le matériel de montage ne sont pas inclus. Le matériel de montage doit répondre aux exigences minimales indiquées dans le Tableau 1.

2.3 ÉTAPES DE L'INSTALLATION DE 8530888 :

1. Marquer les trous d'ancrage à percer selon le schéma de la Figure 2.1.
 - La surface de montage doit être plane et avoir une pente qui ne dépasse pas +1° ou -1° (Figure 2.2).
 - S'assurer que la base sera décalée par rapport à toutes les arêtes de la surface conformément à la distance de recul recommandée par le fabricant de la fixation (B). Choisir des fixations adaptées à l'épaisseur du matériau (A) de la surface de montage.
 - Percer chaque trou selon les spécifications de profondeur du fabricant de la fixation.
2. Installer la base de montage au sol
 - S'assurer que la surface de montage ne contient pas de débris avant de mettre en place la base.
 - Fixer la base à la structure de montage selon les instructions d'installation du fabricant de la fixation.
 - S'assurer que la base ne dépasse pas +1° ou -1° de la verticale (Figure 2.2).
3. Installer le système de potence modulaire 3M M200 sur la base (Figure 3.1).
 - Installer le système de potence modulaire 3M M200 sur la base.
 - Appliquer de la graisse au raccord graisseur situé sur la potence (Figure 3.2).

ÉTAPES DE L'INSTALLATION DE 8530889 :

1. Marquer l'emplacement de la longe à percer selon le schéma de la Figure 4.2.
 - La surface de montage doit être plane et avoir une pente qui ne dépasse pas +1° ou -1° (Figure 4.1).
 - Percer un trou de 167 mm (6,56 po) de diamètre jusqu'à une profondeur de 578 mm (22,75 po) dans le bloc de béton existant (Figure 4.1).
 - Ôter les débris de l'orifice et y injecter de la résine époxy (A) conformément aux instructions du fabricant (Figure 4.3).
 - Percer le trou d'ancrage (4x) supplémentaire si la structure de montage a besoin d'un support supplémentaire en fonction des charges spécifiées dans le Tableau 1.
 - Des ancrages supplémentaires peuvent être utilisés pour fixer la base à la surface de montage (Figure 4.2).

S'assurer qu'aucune résine époxy ne pénètre dans l'ouverture de l'ancrage pendant l'installation.

- Laisser durcir la résine époxy avant de passer aux étapes suivantes.
- Fixer la base au bloc de béton existant en serrant les boulons d'ancrage du béton en respectant les valeurs de couple de serrage recommandées.

La base peut également être installée directement dans du béton frais, ce qui permet à la base d'être alignée à la surface de montage.

2. Installer le système de potence modulaire 3M M200 sur la base.
 - Abaisser le montant jusqu'à ce que le bloc de rotation (A) repose dans la fente de verrouillage (B) de la base (Figure 5.1).
 - Installer le système de potence modulaire 3M M200 sur la base (Figure 5.2).
 - Appliquer de la graisse au raccord graisseur situé sur la potence (Figure 5.3).

Insérer le socle dans la base lorsque le mât n'est pas dans la base (Figure 5.4).

3.0 UTILISATION

3.1 AVANT CHAQUE UTILISATION : Vérifier que votre zone de travail et votre système de protection antichute répondent à tous les critères définis dans les présentes instructions. Vérifier qu'un plan de sauvetage officiel est en place. Inspecter le système conformément aux consignes d'inspection « Utilisateur » figurant dans le « Journal d'inspection et d'entretien » (Tableau 2). Si l'inspection révèle la présence de conditions dangereuses ou défectueuses, ou s'il y a un doute quant à son état pour permettre une utilisation en toute sécurité, mettre immédiatement le système hors service. Indiquer clairement « NE PAS UTILISER » sur le système. Pour plus d'informations, se reporter à la Section 4.

3.2 ZONE DE TRAVAIL SÉCURISÉE : La zone de travail sécurisée de la flèche ne s'étend pas au-delà de la longueur de la flèche elle-même. Voir la Figure 6 à titre de référence. Lors de l'utilisation de la flèche M200, l'utilisateur doit rester dans la zone de travail sécurisée (A) indiquée. Quitter la zone de travail sécurisée pour se diriger vers un emplacement extérieur (B) est dangereux et peut entraîner des blessures graves ou la mort. Lorsqu'il travaille de chaque côté du système de flèche M200, il est recommandé à l'utilisateur de garder le point d'ancrage aussi directement que possible au-dessus de sa tête. Cette action minimisera le potentiel de chute avec balancement et toute distance de chute, en plus

3 Personne agréée : Une personne désignée par l'employeur pour effectuer des tâches sur un site où elle sera exposée à un risque de chute.

4 Sauveteur : personne qui utilise le système de secours pour effectuer un sauvetage assisté.

d'assurer la sécurité d'un second utilisateur, en cas de chute du premier utilisateur.

Lorsque deux utilisateurs sont reliés au système, il est recommandé de verrouiller la rotation de la flèche à l'aide de la goupille de rotation. Voir les instructions d'utilisation de la perche M200 5908372 à la section 3.2. Chaque utilisateur doit rester à moins de 30 degrés de chaque côté du point d'ancrage et ne jamais travailler au-delà de l'extrémité du rail.

4.0 INSPECTION

Une fois l'équipement retiré du service, il ne peut pas être remis en marche avant qu'une personne compétente n'ait pas confirmé par écrit qu'il est permis de le faire.

- 4.1 FRÉQUENCE D'INSPECTION :** Le produit doit être inspecté avant chaque utilisation par l'utilisateur et, en plus, par une personne compétente autre que l'utilisateur, à des intervalles d'un an au plus. Une plus grande fréquence d'utilisation des équipements et des conditions plus difficiles peuvent nécessiter une augmentation de la fréquence des inspections de la personne compétente. La fréquence de ces inspections doit être déterminée par la personne compétente en fonction des conditions spécifiques du lieu de travail.
- 4.2 PROCÉDURES D'INSPECTION :** Inspecter le produit conformément aux procédures figurant dans le « Journal d'inspection et d'entretien ». La documentation de chaque inspection doit être conservée par le propriétaire de l'équipement. Un journal d'inspection et d'entretien doit être placé près du produit ou être facilement accessible aux utilisateurs. Il est recommandé de marquer ce produit avec la date de la prochaine inspection ou de la dernière inspection.
- 4.2 DÉFAUTS :** si la base de montage au sol ne peut pas être remise en service en raison d'un défaut existant ou d'une condition dangereuse, détruire le système ou contacter 3M ou un centre de service agréé par 3M pour une éventuelle réparation.
- 4.3 DURÉE DE VIE DU PRODUIT :** la durée de vie fonctionnelle de la base de montage au sol est déterminée par les conditions de travail et l'entretien. Le produit peut rester en service tant qu'il répond aux critères d'inspection.

5.0 ENTRETIEN, RÉVISION et STOCKAGE

Les équipements qui ont besoin d'être entretenus ou dont l'entretien est prévu doivent porter la mention « NE PAS UTILISER ». Ces étiquettes pour équipement ne doivent pas être enlevées avant que l'entretien ne soit effectué.

- 5.1 NETTOYAGE :** nettoyer régulièrement les composants métalliques de la base de montage au sol avec une brosse douce, de l'eau chaude et une solution légèrement savonneuse. Veiller à rincer les pièces abondamment à l'eau claire.
- 5.2 RÉVISION :** Seule la société 3M ou les parties agréées par écrit par 3M peuvent réparer cet équipement.

6.0 ÉTIQUETTES et REPÈRES

- 6.1 ÉTIQUETTES :** La Figure 8 illustre les étiquettes présentes sur la base de montage au sol. Les étiquettes doivent être remplacées si elles sont absentes ou pas parfaitement lisibles. Les informations présentes sur chaque étiquette sont les suivantes :

1	A) Lire les consignes B) Normes C) Zone de travail sécurisée
2	A) Numéro de série B) Année/mois de fabrication C) Numéro de modèle

Leggere, comprendere e seguire tutte le informazioni sulla sicurezza contenute nelle presenti istruzioni prima di utilizzare questo sistema Flexiguard. IL MANCATO RISPETTO DELLE ISTRUZIONI PUÒ CAUSARE GRAVI LESIONI PERSONALI O MORTE.

Fornire le presenti istruzioni all'utente dell'attrezzatura. Conservare queste istruzioni come riferimento in futuro.

Usò previsto:

Questo sistema Flexiguard deve essere utilizzato come parte di un sistema di salvataggio o di protezione anticaduta completo.

L'utilizzo per qualsiasi altra applicazione incluse, ma non solo, manipolazione di materiale, attività correlate ricreative o sportive oppure altre attività non descritte nelle istruzioni per l'utente o nelle istruzioni di installazione, non è approvato da 3M e può causare gravi lesioni personali o morte.

Il presente sistema deve essere utilizzato esclusivamente da utenti addestrati nelle applicazioni relative all'ambito di lavoro.

AVVERTENZA

Questo sistema Flexiguard fa parte di un sistema di salvataggio o di protezione anticaduta personale. Si prevede, pertanto, che tutti gli utenti siano completamente addestrati all'installazione e all'utilizzo sicuri del sistema completo. **L'uso improprio del presente sistema può comportare gravi lesioni personali o morte.** Per le modalità corrette di selezione, funzionamento, installazione, manutenzione e assistenza, consultare tutte le istruzioni del prodotto e tutte le raccomandazioni fornite dal produttore; altrimenti rivolgersi al proprio supervisore o contattare l'assistenza tecnica di 3M.

- **Per ridurre i rischi associati al trasporto di un sistema Flexiguard che, se non evitati, potrebbero causare gravi lesioni personali o morte:**
 - Assicurarsi che il sistema sia fissato o configurato idoneamente prima del trasporto. Consultare le istruzioni per l'utente per informazioni dettagliate sui requisiti di trasporto.
 - Trasportare solo al di sotto di 8 km/h e su pendenze massime di 10° o secondo le indicazioni delle istruzioni per l'utente.
 - Assicurarsi che il sistema non venga a contatto con gli oggetti che si trovano al di sopra di esso o con rischi elettrici durante il trasporto o l'uso.
- **Per ridurre i rischi associati all'uso di un sistema Flexiguard che, se non evitati, potrebbero causare gravi lesioni personali o morte:**
 - Ispezionare tutti i componenti del sistema prima di ogni uso, almeno una volta all'anno, e dopo qualsiasi evento di caduta. Le ispezioni devono essere eseguite conformemente a quanto indicato nelle istruzioni per l'utente.
 - Se, a seguito dell'ispezione, viene individuata una condizione di non sicurezza o difetto, dismettere il sistema e ripararlo o sostituirlo secondo le istruzioni per l'utente.
 - Ogni sistema che è stato sottoposto all'arresto caduta o a una forza d'impatto deve essere immediatamente rimosso dal servizio. Fare riferimento alle istruzioni per l'utente o contattare la protezione anticaduta di 3M.
 - Il substrato o la struttura su cui è attaccato/posizionato il sistema deve essere in grado di sostenere i carichi statici specificati per il sistema con gli orientamenti consentiti nelle istruzioni per l'utente o nelle istruzioni di installazione.
 - Non superare il numero di operatori consentiti secondo le indicazioni delle istruzioni per l'utente.
 - Non attaccare mai un sistema finché non è stato assemblato completamente, regolato e installato. Non regolare il sistema quando è attaccato a un utente.
 - Non lavorare mai fuori dall'area di lavoro sicura come definita dalle istruzioni per l'utente.
 - Non collegarsi al sistema mentre lo si sta trasportando o installando.
 - Mantenere sempre la legatura al 100% durante il trasferimento tra i punti di ancoraggio sul sistema.
 - Fare attenzione quando si installa, si utilizza o si muove il sistema, poiché alcune parti mobili potrebbero creare potenziali punti di impiglio.
 - Assicurarsi che le procedure di lock-out/tag-out siano state rispettate quando applicabili.
 - Collegare solo i sottosistemi di protezione anticaduta al punto di collegamento dell'ancoraggio designato sul sistema.
 - Quando si eseguono dei fori per l'assemblaggio o l'installazione del sistema, assicurarsi che non ci siano linee elettriche, linee del gas o altra attrezzatura o altri materiali critici, con cui il trapano può venire in contatto.
 - Assicurarsi che i sistemi/sottosistemi di protezione anticaduta assemblati con componenti realizzati da produttori diversi siano compatibili e soddisfino i requisiti degli standard applicabili, inclusi ANSI Z359 o altri codici, standard o requisiti relativi alla protezione anticaduta pertinenti. Consultare sempre una persona competente o qualificata prima di utilizzare questi sistemi.
- **Per ridurre i rischi associati al lavoro in altezza che, se non evitati, potrebbero causare gravi lesioni personali o morte:**
 - Assicurarsi che le proprie condizioni fisiche e di salute permettano una resistenza in completa sicurezza a tutte le forze associate al lavoro in altezza. Consultare il proprio medico in caso di domande relative alla propria capacità d'uso di questa attrezzatura.
 - Non superare mai la capacità consentita della propria attrezzatura di protezione anticaduta.
 - Non superare mai la distanza massima di caduta libera della propria attrezzatura di protezione anticaduta.
 - Non utilizzare mai un'attrezzatura di protezione anticaduta che non abbia superato l'ispezione prima dell'uso o altri controlli programmati oppure in caso di dubbi sull'uso o sull'idoneità dell'attrezzatura in merito all'applicazione. Per eventuali domande, contattare l'assistenza tecnica di 3M.
 - Alcune combinazioni di sottosistemi e componenti potrebbero compromettere il funzionamento di questa attrezzatura. Utilizzare solo collegamenti compatibili. Consultare 3M prima di utilizzare questa attrezzatura in combinazione con componenti o sottosistemi diversi da quelli descritti nelle presenti istruzioni per l'utente.
 - Prestare particolare attenzione in presenza di macchinari in movimento (ad es., il top drive delle torri di perforazione), rischi di carattere elettrico, temperature estreme, rischi di carattere chimico, gas esplosivi o tossici, bordi taglienti oppure al di sotto di materiali sospesi che potrebbero cadere sull'utente o sulla attrezzatura di protezione anticaduta.
 - Utilizzare dispositivi Arc Flash o Hot Works quando si lavora in ambienti che presentano temperature elevate.
 - Evitare superfici e oggetti che possano danneggiare l'utente o l'attrezzatura.
 - Durante il lavoro in altezza assicurarsi che ci sia un tirante d'aria di caduta adeguato.
 - Non modificare o alterare mai la propria attrezzatura di protezione anticaduta. Solo 3M o centri con autorizzazione scritta di 3M possono procedere alla riparazione dell'attrezzatura.
 - Prima di utilizzare l'attrezzatura di protezione anticaduta, assicurarsi che esista un piano di salvataggio che permetta un salvataggio immediato nel caso in cui si verifichi un incidente.
 - In caso di incidente, fare in modo che il lavoratore caduto sia sottoposto immediatamente alle cure di un medico.
 - Non utilizzare una cintura in vita per applicazioni di arresto caduta. Utilizzare esclusivamente un'imbracatura integrale.
 - Ridurre al minimo le cadute con pendolo lavorando il più possibile direttamente sotto il punto di ancoraggio.
 - Durante la formazione con questo dispositivo, deve essere utilizzato un sistema di protezione anticaduta secondario in modo da non esporre l'utente a un pericolo di caduta involontario.
 - Quando si installa, utilizza o ispeziona il dispositivo/sistema, indossare sempre i dispositivi di protezione individuale idonei.

Prima di usare l'attrezzatura, registrare le informazioni di identificazione del prodotto dall'etichetta di identificazione nel registro di manutenzione e di controllo del presente manuale.

Questa base di montaggio a pavimento può essere utilizzata solo con il sistema di braccio modulare 3M M200 prodotto da 3M. Non tentare di utilizzare la base di montaggio a pavimento senza prima consultare le istruzioni per l'uso 5908372 del sistema di braccio modulare 3M M200.

Tabella 1 – Specifiche

Specifiche del sistema:			
Compatibilità:	Le basi di montaggio a pavimento descritte in queste istruzioni sono compatibili con il Sistema di braccio modulare Flexiguard™ 3M™ DBI-SALA® M200.		
Standard:	Progettato e testato secondo CEN/TS 16415: 2013 (Tipo A), EN795: 2012 (Tipo A), OSHA 1926.502 e OSHA 1910.140.		
Capacità:	Consultare le istruzioni del sistema di braccio modulare Flexiguard™ 3M™ DBI-SALA® M200 5908372.		
Deformazione massima:	Per ulteriori informazioni sulla deformazione massima del sistema, consultare il manuale di istruzioni del braccio orientabile M200 (5908372).		
Forza di arresto massima:	tutti i sistemi di collegamento (SRD, cordini ad assorbimento di energia, ecc.) utilizzati con la base di montaggio a pavimento devono limitare la forza di arresto massima a 1.350 lbf (6 kN).		
Peso:	8530888: 265 lb (120 kg) 8530889: 377 lb (171 kg) 8530920: 140 lb (64 kg) 8530921: 237 lb (107 kg)		
Specifiche dei componenti:			
Componente	Materiale		
Struttura generale	Acciaio saldato		
Materiale strutturale	A36 acciaio		
Finitura della base	8530888 - Verniciatura a polvere 8530889 - Zincatura, verniciatura a polvere		
Tappo base - 8530920	Alluminio, anello in acciaio inox, guarnizione in gomma		
Requisiti di fissaggio:			
Numero modello	Forza di trazione minima del dispositivo di fissaggio	Momento di carico minimo della struttura di montaggio	Carico verticale minimo della struttura di montaggio
8530888	9.386 lb (4.257 kg)	501.633 pollici*lb (56.677 N*m)	1.506 kg (3.320 lb.) + Peso della base + Peso del braccio
8530889	X	501.633 pollici*lb (56.677 N*m)	1.506 kg (3.320 lb.) + Peso della base + Peso del braccio
8530920			
<input checked="" type="checkbox"/> Consultare le specifiche del produttore del dispositivo di fissaggio per i requisiti.			

1.0 APPLICAZIONE DEL PRODOTTO

- 1.1 SCOPO:** la base di montaggio a pavimento è progettata per essere utilizzata come componente di un sistema di protezione anticaduta.
- 1.2 DESCRIZIONE:** la base di montaggio a pavimento (Figura 1) è progettata per essere ancorata a strutture approvate e utilizzata come punto di montaggio per il sistema a braccio modulare M200 3M approvato.
- 1.3 STANDARD:** questa base di montaggio a pavimento è conforme agli standard nazionali o regionali segnalati sulla copertina di queste istruzioni. Se il prodotto viene rivenduto al di fuori del Paese di destinazione originario, il rivenditore dovrà fornire le presenti istruzioni nella lingua del Paese in cui dovrà essere utilizzato l'articolo.
- 1.4 SUPERVISIONE:** L'installazione dell'attrezzatura deve essere supervisionata da una persona qualificata¹. L'utilizzo dell'attrezzatura deve essere supervisionato da una persona competente².
- 1.5 FORMAZIONE:** L'attrezzatura deve essere installata e utilizzata da personale qualificato. Il presente manuale deve essere utilizzato nell'ambito di un programma di formazione dei dipendenti, come richiesto dagli standard locali, nazionali e regionali. È responsabilità degli utenti e degli installatori dell'attrezzatura assicurarsi di avere dimestichezza con queste istruzioni e di conoscere correttamente le procedure di uso e manutenzione, di essere consapevoli delle caratteristiche di funzionamento, dei limiti di applicazione e delle conseguenze di un uso improprio.
- 1.6 PIANO DI SALVATAGGIO:** Durante l'utilizzo della presente attrezzatura e dei sottosistemi di connessione, il responsabile deve disporre di un piano di salvataggio, nonché dei mezzi per implementarlo e comunicarlo a utenti, persone

1 Persona qualificata: Persona con laurea, certificazione o ruolo professionale riconosciuti, oppure che, per vastità delle conoscenze, formazione ed esperienza ha dimostrato con successo la propria capacità di affrontare e risolvere i problemi relativi alla protezione anticaduta e al sistema di salvataggio nella misura richiesta dalle normative nazionali, regionali e locali in vigore.

2 Persona competente: Persona in grado di individuare i rischi esistenti e prevedibili nell'ambiente circostante o condizioni di lavoro malsane, rischiose e pericolose per i dipendenti, autorizzata a prendere immediati provvedimenti per porvi rimedio.

autorizzate³e soccorritori⁴. Si consiglia la presenza di una squadra di soccorso addestrata in loco. I membri della squadra devono conoscere le tecniche e disporre dell'attrezzatura necessarie per un soccorso efficace. La formazione deve essere fornita periodicamente per garantire la competenza dei soccorritori.

- 1.7 DOPO UNA CADUTA:** Se l'attrezzatura è soggetta a una forza di arresto caduta o di impatto, rimuoverla immediatamente dal servizio. Apporre un'etichetta che indichi in modo chiaro "NON USARE". Per ulteriori informazioni, consultare la sezione 4.

2.0 INSTALLAZIONE:

- 2.1 PIANIFICAZIONE:** pianificare il proprio sistema di protezione anticaduta prima di installare la base di montaggio a pavimento. Considerare tutti i fattori che possono influire sulla propria sicurezza prima, durante e dopo una caduta. Prendere in considerazione tutti i requisiti, le limitazioni e le specifiche definiti in queste istruzioni.
- 2.2 ANCORAGGIO E DISPOSITIVI DI FISSAGGIO:** gli ancoraggi in cemento e i componenti di montaggio non sono inclusi. I componenti di montaggio devono soddisfare i requisiti minimi indicati nella Tabella 1.
- 2.3 PASSAGGI PER L'INSTALLAZIONE DI 8530888:**

1. Contrassegnare i fori di ancoraggio da praticare secondo il layout della Figura 2.1.
 - La superficie di montaggio deve essere piana e avere un'inclinazione compresa fra più e meno 1° (Figura 2.2).
 - Assicurarsi che la base sia equilibrata su ogni bordo della superficie secondo la distanza della battuta d'arresto consigliata dal produttore del dispositivo di fissaggio (B). Selezionare dispositivi di fissaggio adeguati allo spessore del materiale (A) della superficie di montaggio.
 - Praticare ogni foro secondo le specifiche di profondità del produttore del dispositivo di fissaggio.
2. Installare la base di montaggio a pavimento
 - Assicurarsi che la superficie di montaggio sia priva di detriti prima di posizionare la base.
 - Fissare la base alla struttura di montaggio secondo le istruzioni di installazione del produttore del dispositivo di fissaggio.
 - Accertarsi che la base rientri fra più o meno 1° dalla verticale (Figura 2.2).
3. Installare il sistema a braccio modulare 3M M200 sulla base (Figura 3.1).
 - Installare il sistema a braccio modulare 3M M200 sulla base.
 - Applicare il grasso sul punto di ingrassaggio situato sul braccio (Figura 3.2).

PASSAGGI PER L'INSTALLAZIONE DI 8530889:

1. Contrassegnare la posizione del manicotto da perforare secondo il layout della Figura 4.2.
 - La superficie di montaggio deve essere piana e avere un'inclinazione compresa fra più e meno 1° (Figura 4.1).
 - Praticare un foro del diametro di 5,06 pollici (167 mm) a una profondità di 578 mm (22,75 pollici) nel calcestruzzo presente (Figura 4.1).
 - Rimuovere i detriti dal foro e iniettare resina epossidica (A) nel foro secondo le istruzioni del produttore (Figura 4.3).
 - Praticare il foro di ancoraggio aggiuntivo (4x) se la struttura di montaggio necessita di supporto aggiuntivo in base ai carichi specificati nella Tabella 1.
 - È possibile utilizzare ancoraggi aggiuntivi per fissare la base alla superficie di montaggio (Figura 4.2).

Assicurarsi che durante l'installazione non entri resina epossidica nell'apertura di ancoraggio.

- Lasciare indurire la resina epossidica prima di procedere ai passaggi successivi.
- Fissare la base al calcestruzzo presente serrando i bulloni di ancoraggio del calcestruzzo alla coppia consigliata.

La base può anche essere installata direttamente nel calcestruzzo fresco, permettendo alla base di essere a filo con la superficie di montaggio.

2. Installare il sistema a braccio modulare 3M M200 sulla base.
 - Abbassare il puntello di montaggio fino a quando il blocco di rotazione (A) non è fissato all'alloggiamento di bloccaggio (B) nella base (Figura 5.1).
 - Installare il sistema a braccio modulare 3M M200 sulla base (Figura 5.2).
 - Applicare il grasso sul punto di ingrassaggio situato sul braccio (Figura 5.3).

Inserire il cappuccio della base nella base quando il montante non si trova nell'albero (Figura 5.4).

3.0 USO

- 3.1 PRIMA DI CIASCUN UTILIZZO:** Verificare che l'area di lavoro e il sistema di protezione anticaduta soddisfino tutti i criteri definiti in queste istruzioni, e che sia messo in atto un piano formale di salvataggio. Esaminare attentamente il sistema in base ai punti di ispezione "utente" indicati nel "Registro di ispezione e manutenzione" (Tabella 2). Se l'ispezione rivela una condizione di non sicurezza o difetto, o in caso di dubbi sulle sue condizioni d'uso in sicurezza, rimuovere immediatamente il sistema dal servizio. Apporre un'etichetta che indichi in modo chiaro "NON USARE". Per ulteriori informazioni, consultare la sezione 4.
- 3.2 AREA DI LAVORO SICURA:** L'area di lavoro sicura del braccio orientabile non si estende oltre la lunghezza dello stesso braccio girevole. Vedere la Figura 6 per riferimento. Quando si utilizza il braccio orientabile M200, l'utente deve rimanere nell'area di lavoro sicura indicata (A). Lasciare l'area di lavoro sicura per accedere a un punto esterno (B) è pericoloso e potrebbe causare lesioni gravi o mortali. Quando si lavora su entrambi i lati del sistema a braccio M200, si raccomanda di mantenere il punto di ancoraggio il più possibile sopra la testa. Questo ridurrà al minimo la possibilità di cadute dovute a oscillazione, insieme alla distanza di caduta, oltre a garantire la sicurezza di un secondo utente in caso di caduta del primo

3 Persona autorizzata: Persona incaricata dal datore di lavoro di svolgere mansioni in un luogo in cui la persona sarà esposta a pericolo di caduta.

4 Soccorritore: Una persona che utilizza il sistema di salvataggio per eseguire un salvataggio assistito.

utente.

Quando due utenti sono collegati al sistema, si consiglia di bloccare la rotazione del braccio orientabile con il perno di arresto della rotazione. Vedere le istruzioni per l'utente del braccio a bandiera M200 5908372, sezione 3.2. Ogni utente deve rimanere entro 30 gradi rispetto a entrambi i lati del punto di ancoraggio e non lavorare mai oltre l'estremità del binario.

4.0 ISPEZIONE

Dopo che l'apparecchiatura è stata rimossa dal servizio, non può essere rimessa in servizio fino a quando una Persona Competente non conferma per iscritto che è consentita la sua rimessa in servizio.

- 4.1 FREQUENZA DELLE ISPEZIONI:** Il prodotto deve essere ispezionato dall'utente prima di ciascun utilizzo e da una persona competente diversa dall'utente, almeno una volta all'anno. Una frequenza più elevata di utilizzo dell'attrezzatura e condizioni più gravose possono richiedere un aumento della frequenza delle ispezioni da parte della persona competente. La frequenza delle ispezioni deve essere determinata dalla persona competente in base alle condizioni specifiche del luogo di lavoro.
- 4.2 PROCEDURE DI ISPEZIONE:** Ispezionare il prodotto secondo le procedure elencate in "Registro di ispezione e manutenzione". La documentazione di ciascuna ispezione deve essere conservata dal proprietario dell'apparecchiatura. Un registro di ispezione e manutenzione deve essere posizionato vicino al prodotto o comunque facilmente accessibile agli utenti. Si raccomanda di contrassegnare il prodotto con la data della prossima o dell'ultima ispezione effettuata, se possibile.
- 4.2 DIFETTI:** Se la base di montaggio a pavimento non può essere rimessa in servizio a causa di un difetto esistente o perché potrebbe compromettere la sicurezza, distruggere il sistema o contattare 3M o un centro di assistenza autorizzato 3M per eventuali riparazioni.
- 4.3 DURATA DEL PRODOTTO:** la durata operativa della base di montaggio a pavimento dipende dalle condizioni di lavoro e dalla manutenzione. L'articolo può rimanere in servizio, finché è in grado di soddisfare i criteri di ispezione.

5.0 MANUTENZIONE, ASSISTENZA e STOCCAGGIO

Le apparecchiature che necessitano di manutenzione, o sono programmate per la manutenzione, devono essere contrassegnate come "NON UTILIZZARE". I contrassegni sull'apparecchiatura non devono essere rimossi fino a quando non viene eseguita la manutenzione.

- 5.1 PULIZIA:** Pulire regolarmente i componenti metallici della base di montaggio a pavimento con una spazzola morbida, acqua calda e un detergente neutro. Accertarsi che le parti siano completamente risciacquate con acqua pulita.
- 5.2 MANUTENZIONE:** Solo 3M o i centri autorizzati per iscritto da 3M possono procedere alla riparazione di questa attrezzatura.

6.0 ETICHETTE e CONTRASSEGNI

- 6.1 ETICHETTE:** La Figura 8 illustra le etichette presenti sulla base di montaggio a pavimento. Le etichette devono essere sostituite se non sono presenti o non sono completamente leggibili. Su ogni etichetta sono presenti le seguenti informazioni:

1	A) Leggere le istruzioni B) Standard C) Raggio di lavoro sicuro
2	A) Numero di serie B) Data di fabbricazione: anno/mese C) Numero di modello

安全情報

このFlexiguardアンカーシステムを使用する前に、この説明書の情報をよく読み、理解したうえで、順守してください。従わずに使用すると、重傷を負ったり死亡に至ったりするおそれがあります。

本書は本製品の使用者に必ず配布してください。また、本書は大切に保管してください。

使用目的：

このFlexiguardアンカーシステムは、墜落防止または救助システム全体の一部として使用するためのものです。

3Mが指定する以外の取扱説明書に記載されていない用途（例：資材運搬、レジャーやスポーツ関連の用途、その他の用途）に使用しないでください。重大な怪我や死に至る恐れがあります。

本システムは特別教育等のトレーニングを受けた方だけが使用できます。

警告

このFlexiguardアンカーシステムは、個人用の墜落防止または救助システムの一部です。すべての使用者は、このシステム全体の安全な取り付けや操作について、十分なトレーニングを受けることが求められます。**誤って使用すると、重傷を負ったり死に至ったりする恐れがあります。**適切な製品の選択、操作、取り付け方法、保守、修理については、取扱説明書および製造元のすべての推奨事項を参照し、作業員の監督者の指示を仰ぐか、3M安全衛生製品事業部までお問い合わせください。

- **Flexiguard アンカーシステムを運搬する作業は、重傷を負ったり死亡したりするリスクが伴います。リスクを軽減するために以下のことに注意してください。**
 - 運搬前に、システムが適切に固定／構成されていることを確認してください。運搬要件の詳細については、取扱説明書を参照してください。
 - 8 km/h (5 mph) 未満かつ10°以下の傾斜で、あるいは取扱説明書に記載されているとおりの方でのみ運搬してください。
 - 運搬中または使用中に、システムが頭上の物体または電気的危険物に接触しないようにしてください。
- **Flexiguard アンカーシステムを使用する作業は、重傷を負ったり死亡したりするリスクが伴います。リスクを軽減するために以下のことに注意してください。**
 - 毎回使用する前に製品を点検し、定期点検として少なくとも年に1度、点検を行ってください。この取扱説明書に記載される点検方法に従って点検してください。
 - 点検により危険または欠陥のある状況が明らかになった場合は、製品の使用を中止し、取扱説明書に従って修理または交換してください。
 - 墜落制止力または衝撃力の影響を受けた製品は直ちに製品の使用を中止し、取扱説明書を参照するか、3Mに連絡してください。
 - システムを取り付ける／配置する基礎または構造は、取扱説明書または設置説明書に指定された向きで、本製品に規定された静荷重に耐えられる強度が必要です。
 - 取扱説明書に記載された使用可能な人数を決して超えないでください。
 - 組み立て、配置、調整、設置が完了するまで、システムには絶対に接続しないでください。使用者が接続している間は、システムの調整をしないでください。
 - 取扱説明書で規定された安全作業区域の外では、決して作業を行わないでください。
 - 運搬または設置中は、システムに接続しないでください。
 - システムのアンカーポイント間での移動中は、無胴網状態を避けてください。
 - 可動部に手などが挟まれる可能性があるため、システムを設置、使用、運搬するときは十分に注意してください。
 - 適切なロックアウト／タグアウト手順があれば、それ従っていることを確認してください。
 - 墜落防止サブシステムは、システムの指定されたアンカー接続ポイントにのみ接続してください。
 - システムの組み立て、または設置用の穴をドリルで開けるときは、送電線、ガス管線、その他の材料や装置にドリルが触れないようにしてください。
 - 製造元が異なる構成部品を組み合わせた墜落防止システムまたはサブシステムを使用する際には、ANSI Z359や他の墜落防止規範、規格、要件など公の規格の要求事項に合致し、適合性があることを確認してください。システムを使用する前に、必ず安全管理者または有資格者に相談してください。
- **高所での作業には、重傷を負ったり死亡したりするリスクが伴います。リスクを軽減するために以下のことに注意してください。**
 - 高所作業に伴う重力や引力などの力に安全に対応できる健康状態と身体能力があることを確認してください。この製品を使用するに当たり、身体能力に不安がある場合には医師に相談してください。
 - 使用する墜落防止装置の使用可能な人数を決して超えないでください。
 - 使用する墜落防止装置の最大自由落下距離を決して超えないでください。
 - 使用前点検や定期点検で点検項目に合格しない場合や、使用や用途の適合性に問題があると思われる場合は、墜落防止装置を使用しないでください。質問がある場合には3Mまでお問い合わせください。
 - サブシステムや構成品の組み合わせによっては、本製品の動作不良の原因となる場合があります。適合性のある製品のみを接続してください。本書に記載されていない構成部品やサブシステムと組み合わせると本製品を使用する際には、3M安全衛生製品事業部までお問い合わせください。
 - 稼働中の機械（例：石油掘削装置のトップドライブ）や電気的障害、極低温・高温、化学的危険、爆発性または有毒ガス、鋭利な角および縁、使用者や墜落防止装置に落下するおそれのある頭上の物体に、特に注意してください。
 - 高温現場での作業には、アークフラッシュ防護装置または火気使用作業防護装置を使用してください。
 - 使用者や装置に危害が及ぶ可能性のある表面や物体を避けてください。
 - 高所作業の際は、万一の落下距離が十分あることを確認してください。
 - 使用する墜落防止装置を改造、改変しないでください。3Mあるいは3Mが承認した者のみ、本製品を修理できます。
 - 墜落防止装置を使用する前に、万一墜落が起きた場合に速やかに救助できるよう、必ず救助計画を策定してください。
 - 墜落が起きた場合は直ちに、墜落した作業者に医療機関を受診させてください。
 - 墜落制止用途として胴ベルトを使用しないでください。フルハネス型製品のみを使用してください。
 - 振り子現象を伴って墜落する危険性を最小限に抑えるために、できるだけアンカーポイントの真下で作業をしてください。
 - 本装置を使ってトレーニングを行う際は、二次的な墜落防止システムを使用し、実習者が誤って墜落しないようにしてください。
 - 装置またはシステムを設置、使用、点検する際には、必ず適切な個人用保護具を着用してください。

製品の使用前に、製品に貼付された識別ラベル (IDラベル) の製品識別情報を、この本書の裏面にある「点検および保守記録」(表2)に転記してください。

本フロアマウントベース製品は、3M製のM200 モジュラージブ製品とのみ併用できます。最初にM200 モジュラージブの取扱説明書 (5908372) を参照してから、フロアマウントベース製品を使用してください。

表1 - 仕様

システムの仕様：			
適合性：	本書に記載のフロアマウントベースは、3M™ DBI-サラ™ Flexiguard™ アンカーシステム M200 モジュラージブと適合します。		
規格：	CEN/Ts 16415:2013 (タイプA)、EN795:2012 (タイプA)、OSHA 1926.502、OSHA1910.140の試験要件を満たすよう設計されています。		
耐荷重：	3M™ DBI-サラ™ Flexiguard™ アンカーシステム M200 モジュラージブの取扱説明書 (5908372) を参照してください。		
最大変位：	システムの最大変位の詳細については、M200 モジュラージブの取扱説明書 (5908372) を参照してください。		
最大墜落制止力 (最大衝撃荷重)：	フロアマウントベースと併用して接続しているすべてのサブシステム (SRD、ショックアブソーバ付きランヤードなど) は、最大墜落制止力 (最大衝撃荷重) を6 kN (1,350 lbf) に制限する必要があります。		
重量：	8530888 : 120 kg (265 lb) 8530889 : 171 kg (377 lb) 8530920 : 64 kg (140 lb) 8530921 : 107 kg (237 lb)		
各部品の仕様：			
部品	材質		
全体の構造	溶接鋼		
構造材料	A36 鉄鋼		
ベースの仕上処理	8530888 - 粉体塗装 8530889 - 亜鉛メッキ、粉体塗装		
ベースキャップ - 8530920	アルミニウム、ステンレス鋼リング、ラバーガasket		
取付要件：			
製品番号	最低アンカーボルト引抜力	取付構造の最小モーメント荷重	取付構造の最小垂直荷重
8530888	4,257 kg (9,386 lb)	56,677 N-m (501,633 in-lb)	1,506 kg (3,320 lb) + ベースの重量 + ジブブームの重量
8530889	X	56,677 N-m (501,633 in-lb)	1,506 kg (3,320 lb) + ベースの重量 + ジブブームの重量
8530920			
<input checked="" type="checkbox"/> 固定部材の要件については、固定部材の製造元の仕様を参照してください。			

1.0 用途

- 1.1 目的：3M™ DBI-サラ™ Flexiguard™ アンカーシステム M200 モジュラージブ用フロアマウントベース、墜落防止システムの部品として使用するように設計されています。
- 1.2 説明：本フロアマウントベース (図1) は、指定の構造に固定し、3M製のM200 モジュラージブ製品の取付ポイントとして使用するように設計されています。
- 1.3 規格：本フロアマウントベースは、本書の表紙に記載された国または地域レベルの標準規格に準拠しています。本製品が当初の仕向国以外で再販される場合、再販業者は、使用される国の言語で取扱説明書を提供する必要があります。
- 1.4 監督：本製品の設置には、有資格者¹の監督が必要です。本製品の使用には、安全管理者²の監督が必要です。
- 1.5 トレーニング：本製品は、正しい用途に関するトレーニングの受講者が必ず設置・使用してください。本書は、行政の規格が規定する従業員トレーニングプログラムの一環として使用するものです。使用者および設置者は、本製品の正しい取扱方法と使用方法に関するトレーニングを受ける責任があります。また、動作特性、用途の制限、不適切に使用した場合の結果について理解する必要があります。
- 1.6 救助計画：本製品を使用してサブシステムに接続する場合、事業主は、救助計画とその実施手段を用意し、使用者、現場責任者³、救助者⁴に伝える必要があります。トレーニングを受けた現場の救助チームが推奨されます。チームのメンバーには、救助を適切に行うための機器および技術を提示してください。トレーニングを定期的の実施し、救助者が確実に習得するようにしてください。

- 1 有資格者：認識されている学位、資格、専門的地位を有するか、OSHAまたはその他の適用される行政の規制が定める範囲で、広範な知識、トレーニング、経験によって、墜落防止システムに関連する問題を解決または解消する能力を十分に示した者。
- 2 安全管理者：従業員にとって不衛生、有害、危険な周辺状況や作業状況において、既存の危険や発生が予測される危険を認識でき、このような危険を除去するために速やかに正措置を講じる権限を有する者。
- 3 現場責任者：墜落の危険にさらされる場所で職務を遂行する権限を事業者から委譲された者。
- 4 救助者：救助システムを使用して補助救助を実施する者。

1.7 墜落後：本製品が墜落制止力または衝撃力の影響を受けた場合は、直ちに使用を中止してください。「使用禁止」と明記してください。詳細は、セクション4を参照してください。

2.0 設置

2.1 計画：フロアマウントベース製品の設置前に、墜落防止システムの使用を計画します。墜落発生時および墜落発生前後の安全性に影響を与える可能性のあるあらゆる要因について考慮してください。本書に記載された要件、制約、仕様をすべて考慮してください。

2.2 アンカーおよび固定部材：コンクリートアンカーと固定部材は含まれていません。それらの固定部材は、表1に記載された最低要件を満たす必要があります。

2.3 8530888の設置手順：

- 図2.1のレイアウトに従って、ドリルで開けるアンカー穴位置に印を付けます。
 - 取付面は、平らで傾斜が $\pm 1^\circ$ 未満の場所を選択してください(図2.2)。
 - ベースが取付面のどの端からも、固定部材の製造元が推奨するセットバック長さ(B)が確保されることを確認します。取付面の厚さ(A)に適したコンクリートアンカーを選択します。
 - コンクリートアンカーの製造元の指定する深さの仕様に従って、穴を開けます。
- フロアマウントベースを取り付けます。
 - ベースを所定の位置に設置する前に、取付面に切り屑がないことを確認してください。
 - 固定部材の製造元の設置手順に従って、取付面にベースを固定します。
 - ベースの傾斜が垂直から $\pm 1^\circ$ 以内であることを確認します(図2.2)。
- 支柱をベースに設置します(図3.1)。
 - 3M M200モジュラージブ製品をベースに設置します。
 - ジブブームのグリースフィッティングにグリースを入れます(図3.2)。

8530889の設置手順：

- 図4.2のレイアウトに従って、穴を開ける位置に印を付けます。
 - 取付面は、平らで傾斜が $\pm 1^\circ$ 未満の場所を選択してください(図4.1)。
 - 既存のコンクリートに、ホルソードリル等で直径167 mm (6.56 in)の穴を578 mm (22.75 in)の深さまで開けます(図4.1)。
 - 穴から切り屑などを取り除き、製造元の取扱説明書に従ってエポキシ(A)を穴に注入します(図4.3)。
 - 表1に指定する荷重に基づき、取付構造に支持材の追加が必要な場合は、さらにアンカー用の穴(x 4)を開けます。
 - ベースを取付面に固定するためにアンカーを追加することもできます(図4.2)。

作業中にエポキシがアンカーの開口部に入らないようにしてください。

- エポキシを硬化させてから次の手順に進みます。
- コンクリートのアンカーボルトを推奨トルクで締め、ベースを既存のコンクリートに固定します。

ベースは生コンクリートに直接設置することで、ベースを取付面と同じ高さにできます。

- 3M M200モジュラージブ製品をベースに設置します。
 - 回転止め(A)がベースのロックスロット(B)に収まるまで、マウントポストを下げます(図5.1)。
 - 3M M200モジュラージブ製品をベースに設置します(図5.2)。
 - ジブのグリースフィッティングにグリースを入れます(図5.3)。

ベースに支柱を設置していないときは、ベースキャップをベースに挿入します(図5.4)。

3.0 使用

3.1 毎回ご使用になる前に：作業区域と墜落防止システムに関して、本書に規定された基準をすべて満たしていることを確認します。また、正式な救助計画が用意されていることを確認します。システムを、「点検および保守記録」に記載された「使用者」点検ポイントに従って点検します(表2)。点検により安全でない状態や欠陥が見つかった場合や、安全な使用に不安な点が認められる場合は、直ちに本製品の使用を中止してください。「使用禁止」と明記してください。詳細は、セクション4を参照してください。

3.2 安全作業区域：ジブブームの安全作業領域は、ジブブーム自体の全長を超えて拡張することはできません。例については、図6を参照してください。M200モジュラージブ製品を使用する場合は、指定の安全作業区域(A)内を移動するようにしてください。安全作業区域から離れて指定外の位置(B)に出ると危険です。重大な怪我や死に至る恐れがあります。M200モジュラージブ製品のいずれかの側で作業する場合は、アンカーポイントをできるだけ真上に保つようにしてください。これにより、1人目の使用者が墜落した場合に、2人目の使用者の安全を確保することが出来ます。また、振り子現象を伴って墜落する危険性と落下距離を最小限に抑えることができます。

システムに2人の使用者を接続している場合は、ジブブームの回転は回転ピンでロックするようにしてください。各使用者は必ずアンカーポイントの両側から30°の範囲内に留まり、レールの端を超えて作業しないようにしてください。詳細については、M200モジュラージブ製品の取扱説明書(5908372)を参照してください。

4.0 点検

本製品の使用中止後、使用を再開しても差し支えないことを安全管理者が書面により確認するまで、使用を再開することはできません。

4.1 点検の頻度：本製品は、使用前に毎回使用者が点検するものとします。また、安全管理者が1年に1回点検する必要があります。本製品の使用頻度が高く、作業条件が過酷な場合は、安全管理者による点検の頻度を上げる必要があります。点検の頻度は、現場の具体的な条件ごとに安全管理者が決定する必要があります。

4.2 点検手順：本製品を、「点検および保守記録」に記載された手順に従って点検します。各点検の記録は、本製品の所有者が管理する必要があります。点検および保守記録は、本製品の近くで保管するか、使用者が利用しやすいようにしておく必要があります。本製品には、次回または前回の点検日を記載するようにしてください。

4.3 欠陥：欠陥や危険な状態が存在することからフロアマウントベース製品の使用を再開できない場合は、システムを破棄するか、修理の可否について3Mまたは3M指定のサービスセンターにお問い合わせください。

4.4 製品寿命：フロアマウントベース製品の機能面の寿命は、作業条件や保守によって異なります。製品は点検基準により合格と認められている限り、使用できます。

5.0 保守、修理、保管

本製品に保守が必要であるか、保守が予定されている場合は、「使用禁止」と明記したラベルを取り付ける必要があります。このラベルは、保守が行われるまで取り外さないでください。

5.1 クリーニング：フロアマウントベース製品の金属製部品を、柔らかいブラシとぬるま湯、中性洗剤液を使用して定期的にクリーニングしてください。部品を清浄な水で洗い流し、洗剤が残らないようにします。

5.2 修理：3Mあるいは3Mが書面で承認した者のみ、本製品を修理できます。

6.0 ラベル表記およびマーク

6.1 ラベル表記：図8は、フロアマウントベース製品のラベルの詳細を示しています。ラベルの記載内容に判読できない部分がある場合や、ラベルがない場合は、ラベルを交換してください。各ラベルの記載内容は次のとおりです。

①	A) 取扱説明書をお読みください B) 規格 C) 安全作業区域（半径）
②	A) シリアル番号 B) 製造年月日（年／月） C) 製品番号

VEILIGHEIDSINFORMATIE

Lees alle veiligheidsinformatie in deze instructies voordat u dit FlexiGuard-systeem gebruikt. Vergewist u zich ervan dat u alle informatie hebt begrepen en volg deze op. **NALATIGHEID KAN ERNSTIG LETSEL OF DE DOOD TOT GEVOLG HEBBEN.**

Deze instructies dienen aan de gebruiker van deze apparatuur verstrekt te worden. Bewaar deze instructies zodat u ze later kunt raadplegen.

Beoogd gebruik:

Dit verticale FlexiGuard-systeem is bedoeld voor gebruik als onderdeel van een volledig valbeveiligings- of reddingssysteem.

Gebruik in andere toepassingen, inclusief maar niet beperkt tot materiaalbehandeling, vrijetijdsactiviteiten, sporten of andere activiteiten die niet in de gebruiks- of installatie-instructies omschreven staan, wordt niet goedgekeurd door 3M en kan leiden tot een ongeval met ernstig letsel of de dood tot gevolg.

Dit systeem mag uitsluitend worden gebruikt door opgeleide gebruikers voor toepassingen op de werkplaats.



WAARSCHUWING

Dit FlexiGuard-systeem maakt deel uit van een persoonlijk valbeveiligings- of reddingssysteem. Er wordt verwacht dat alle gebruikers volledig zijn opgeleid voor een veilige installatie en veilig gebruik van het complete systeem. **Misbruik van dit systeem kan leiden tot een ongeval met ernstig letsel of de dood tot gevolg.** Raadpleeg voor het correct selecteren, installeren, bedienen, onderhouden en verzorgen alle productinstructies, inclusief alle aanbevelingen van de fabrikant, of raadpleeg uw leidinggevende, of neem contact op met 3M Technical Services.

- **Doe het volgende om de risico's te beperken die gepaard gaan met het transporteren van een FlexiGuard-systeem, waarbij nalatigheid kan leiden tot ernstig letsel of een dodelijk ongeval:**
 - Zorg ervoor dat het systeem goed is beveiligd of geconfigureerd voor transport. Raadpleeg de gebruikersinstructies voor gedetailleerde transporteisen.
 - Alleen vervoeren met een snelheid onder 5 mph (8 km/h) en over hellingen van 10° of minder, of zoals beschreven in de gebruikersinstructies.
 - Zorg ervoor dat het systeem tijdens het transport of tijdens het gebruik geen bovenliggende voorwerpen of elektrische gevaren raakt.
- **Doe het volgende om de risico's te beperken die gepaard gaan met het werken met een FlexiGuard-systeem waarbij nalatigheid kan leiden tot ernstig letsel of een dodelijk ongeval:**
 - Inspecteer voorafgaand aan elk gebruik alle onderdelen van het systeem, minstens één keer per jaar en na elke valgebeurtenis. Voer de inspectie uit conform de gebruiksinstructies.
 - Als uit inspectie een defect of onveilige werking blijkt, stelt u het systeem onmiddellijk buiten gebruik en zorgt u voor reparatie of vervanging volgens de gebruiksinstructies.
 - Elk systeem dat onderworpen is geweest aan valstop- of botskrachten, moet onmiddellijk buiten gebruik worden gesteld. Raadpleeg de Gebruikersinstructies of neem contact op met 3M Valbescherming.
 - Het substraat of de structuur waarop het systeem is bevestigd/gepositioneerd, moet de statische belastingen die zijn opgegeven voor het systeem, kunnen ondersteunen in de oriëntaties die in de gebruiksaanwijzing of installatie-instructies zijn toegestaan.
 - Overschrijd het volgens de gebruikersinstructies aantal toegestane gebruikers niet.
 - Verbind u nooit aan een systeem totdat het volledig is gemonteerd, geplaatst, aangepast en geïnstalleerd. Stel het systeem niet bij wanneer er een gebruiker is aangesloten.
 - Werk nooit buiten het veilige werkgebied zoals dat is gedefinieerd in de gebruikersinstructies.
 - Verbind u niet aan het systeem wanneer het wordt verplaatst of geïnstalleerd.
 - Zorg altijd voor een 100% bevestiging bij het overbrengen tussen ankerpunten op het systeem.
 - Wees voorzichtig bij het installeren, gebruiken en verplaatsen van het systeem, aangezien bewegende delen potentiële afknelpunten kunnen creëren.
 - Zorg ervoor dat er correcte uitschakelprocedures, indien van toepassing, zijn gevolgd.
 - Sluit beveiligingssubsystemen uitsluitend aan op het aangewezen verbindingspunt van het systeem
 - Zorg er bij het boren van gaten voor montage of installatie van het systeem voor dat er geen elektrische kabels, gasleidingen of andere kritische materialen of apparatuur door de boor kunnen worden geraakt.
 - Zorg ervoor dat valbeveiligingssystemen/-subsystemen samengesteld uit onderdelen van verschillende fabrikanten compatibel zijn en aan de geldende normen voldoen, waaronder ANSI Z359 of andere geldende voorschriften, normen of vereisten op het gebied van valbescherming. Raadpleeg altijd een deskundige en/of een gekwalificeerd persoon voordat u deze systemen gebruikt.
 - geen van de bewegende onderdelen van het systeem contact maakt
- **Doe het volgende om de risico's te beperken die gepaard gaan met het werken op hoogte, waarbij nalatigheid kan leiden tot een ongeval met ernstig letsel of de dood tot gevolg:**
 - Vergewist u zich ervan dat u met uw gezondheid en lichamelijke conditie veilig bestand bent tegen alle krachten die kunnen optreden bij het werken op hoogte. Raadpleeg uw arts als u twijfelt of u in staat bent om deze uitrusting te gebruiken.
 - Overschrijd nooit de toelaatbare capaciteit van uw valbeveiligingsuitrusting.
 - Overschrijd nooit de maximale vrijevalafstand van uw valbeveiligingsuitrusting.
 - Gebruik nooit valbeveiligingsuitrusting die een gebrek vertoont bij de inspectie vóór het gebruik of andere periodieke inspecties, of als u onzeker bent over het gebruik of de geschiktheid van de uitrusting voor uw toepassing. Neem voor al uw vragen contact op met 3M Technical Services.
 - Sommige combinaties van subsystemen en componenten kunnen de werking van deze uitrusting verstoren. Gebruik uitsluitend koppelingen die onderling geschikt zijn. Raadpleeg 3M voordat u deze apparatuur gebruikt in combinatie met andere componenten of subsystemen dan die welke in de gebruiksinstructies beschreven staan.
 - Wees extra voorzichtig bij het werken in de buurt van bewegende machines (bijv. de bovenaandrijving van een boorplatform), op plaatsen met gevaar van elektra, extreme temperaturen, gevaar van chemische middelen, explosieve of giftige gassen, scherpe randen of onder voorwerpen boven het hoofd die op u of uw valbeveiligingsuitrusting kunnen vallen.
 - Gebruik bij werken in een hete omgeving of met hitteapparatuur beschermingsmiddelen tegen risico's op een vlamboog en brandgevaar.
 - Vermijd oppervlakken en voorwerpen die de gebruiker of de uitrusting kunnen beschadigen.
 - Vergewist u zich ervan dat er voldoende vrije val is bij werken op hoogte.
 - Wijzig of verander uw valbeveiligingsuitrusting nooit. Alleen 3M, of partijen die door 3M schriftelijk bevoegd worden gesteld, mogen de uitrusting repareren.
 - Zorg, voordat de valbeveiligingsuitrusting in gebruik wordt genomen, dat er een reddingsplan aanwezig is waarmee in geval van een ongeval snel hulp kan worden geboden.
 - Laat na een val de betreffende werknemer onmiddellijk door een arts onderzoeken.
 - Gebruik geen lichaamsgordel voor valstop-toepassingen. Gebruik uitsluitend een volledig lichaamsharnas.
 - Minimaliseer zwenkvallen door zo recht mogelijk onder het ankerpunt te werken.
 - Bij training met dit apparaat moet een tweede valbeveiligingssysteem worden gebruikt, om elk risico te vermijden dat de gebruiker-in-training per ongeluk aan valgevaar wordt blootgesteld.
 - Draag altijd geschikte persoonlijke beschermingsmiddelen bij het installeren, gebruiken of inspecteren van het apparaat/systeem.

Noteer de productidentificatiegegevens op het ID-label in het logboek voor inspectie en onderhoud in deze handleiding voordat u deze apparatuur gebruikt.

Deze vloermontagebasis kan alleen worden gebruikt met het 3M modulaire kraansysteem M200 van 3M. Doe geen pogingen de vloermontagebasis te gebruiken zonder eerst de gebruikersinstructies 5908372 voor het 3M modulaire kraansysteem M200 te raadplegen.

Tabel 1 – Specificaties

Systemspecificaties:			
Compatibiliteit:	De vloermontagebases die in deze instructie worden behandeld, zijn compatibel met het 3M™ DBI-SALA® Flexiguard™ modulaire kraansysteem M200.		
Normen:	Ontworpen en getest volgens CEN/TS 16415: 2013 (type A), EN795:2012 (type A), OSHA 1926.502 en OSHA 1910.140.		
Capaciteit:	Zie de instructie 5908372 van het 3M™ DBI-SALA® Flexiguard™ modulaire kraansysteem M200.		
Maximale doorbuiging:	Raadpleeg de instructiehandleiding voor de M200-zwenkarm (5908372) voor meer informatie over de maximale systeendoorbuiging.		
Maximale stopkracht:	Alle verbindingssystemen (SRD's, energieabsorberende vanglijnen, enz.) die met de vloermontagebasis worden gebruikt, moeten de maximumstopkracht beperken tot 1.350 lbf (6 kN).		
Gewicht:	8530888: 265 lb. (120 kg) 8530889: 377 lb. (171 kg) 8530920: 140 lb. (64 kg) 8530921: 237 lb. (107 kg)		
Componentspecificaties:			
Onderdeel	Materiaal		
Algemene constructie	Gelast staal		
Constructiemateriaal	A36 staal		
Afwerking basis	8530888 - poedercoating 8530889 - verzinkt, poedercoating		
Basiskap - 8530920	Aluminium, roestvrijstalen ring, rubberen pakking		
Montagevereisten:			
Model-nummer	Minimum-uittrekkracht bevestigingen	Minimum-momentbelasting montageconstructie	Verticale minimumbelasting montageconstructie
8530888	9.386 lb. (4.257 kg)	501.633 in*lb. (56.677 N*m)	3.320 lb. (1.506 kg) + basisgewicht + kraangewicht
8530889	X	501.633 in*lb. (56.677 N*m)	3.320 lb. (1.506 kg) + basisgewicht + kraangewicht
8530920			
<input checked="" type="checkbox"/> Zie de fabrikantspecificaties voor de vereisten voor de bevestigingsmiddelen.			

1.0 TOEPASSING VAN HET PRODUCT

- 1.1 DOEL:** De vloermontagebasis is ontworpen voor gebruik als component van een valbeveiligingssysteem.
- 1.2 BESCHRIJVING:** De vloermontagebasis (afbeelding 1) is ontworpen om te worden verankerd aan goedgekeurde constructies en te worden gebruikt als montagepunt voor het door 3M goedgekeurde modulaire kraansysteem M200.
- 1.3 NORMEN:** De vloermontagebasis voldoet aan de nationale of regionale norm(en) die staan vermeld op de omslag van deze instructies. Als het product wordt doorverkocht buiten het oorspronkelijke land van bestemming, moeten deze instructies door de doorverkoper worden meegeleverd in de taal van het land waarin het product gaat worden gebruikt.
- 1.4 TOEZICHT:** Installatie van deze apparatuur dient plaats te vinden onder toezicht van een gekwalificeerde persoon¹. Het gebruik van deze apparatuur moet plaatsvinden onder toezicht van een deskundige persoon².
- 1.5 TRAINING:** Deze apparatuur moet geïnstalleerd en gebruikt worden door personen die getraind zijn in de juiste toepassing ervan. Deze handleiding moet worden gebruikt als onderdeel van een trainingsprogramma voor medewerkers zoals dat vereist wordt door nationale, regionale of lokale normen. Het is de verantwoordelijkheid van de gebruikers en installateurs van deze apparatuur om zich ervan te verzekeren dat ze deze instructies kennen, getraind zijn in het juiste gebruik en de verzorging van de apparatuur, en dat ze zich bewust zijn van de gebruikskennmerken, toepassingsbeperkingen en de gevolgen van enig onjuist gebruik van deze apparatuur.
- 1.6 REDDINGSPLAN:** Wanneer deze apparatuur en verbindende subsystemen worden gebruikt, dient de werkgever te beschikken over een reddingsplan en de middelen binnen bereik te hebben om het reddingsplan te implementeren en het te communiceren

1 Gekwalificeerd persoon: Iemand met een erkend diploma, certificaat of professionele reputatie, of die door uitgebreide kennis, training en ervaring met succes zijn/haar vermogen heeft aangetoond om problemen met valbeveiligings- en reddingssystemen op te lossen in de mate vereist door OSHA of andere geldende nationale, regionale en lokale voorschriften.

2 Deskundig persoon: Een persoon die in staat is om bestaande en voorspelbare gevaren in de werkomgeving of -omstandigheden te identificeren die onhygiënisch, gevaarlijk of riskant zijn voor werknemers, en die bevoegd is om direct corrigerende acties te ondernemen om gevaren te elimineren.

naar gebruikers en bevoegde personen³, en redders⁴. Het wordt aanbevolen dat een getraind reddingsteam ter plekke aanwezig is. Teamleden moeten de apparatuur en technieken aangeleverd krijgen om een succesvolle reddingsactie te verrichten. Er moet op periodieke basis training gegeven worden om ervoor te zorgen dat de kennis van de redders actueel blijft.

- 1.7 NA EEN VAL:** Als de apparatuur is blootgesteld aan een valstop of aan slagkrachten, moet u het onmiddellijk buiten gebruik stellen. Markeer het duidelijk met de tekst "NIET GEBRUIKEN". Zie hoofdstuk 4 voor meer informatie.

2.0 INSTALLATIE

- 2.1 PLANNING:** Plan uw valbeveiligingssysteem voorafgaand aan het installeren van de vloermontagebasis. Houd rekening met alle factoren die uw veiligheid voor, tijdens en na een val kunnen beïnvloeden. Houd rekening met alle eisen, beperkingen en specificaties die zoals gedefinieerd in deze instructies.

- 2.2 VERANKERING EN BEVESTIGINGSMIDDELEN:** Betonankers en bevestigingsmateriaal zijn niet inbegrepen. Bevestigingsmateriaal moet voldoen aan de minimumvereisten in tabel 1.

2.3 INSTALLATIESTAPPEN VOOR 8530888:

1. Markeer de te boren ankerogaten volgens de indeling van afbeelding 2.1.
 - Het montageoppervlak moet vlak zijn en een helling hebben van niet meer dan plus of min 1° (afbeelding 2.2).
 - Zorg dat de basis een afstand heeft tot de randen van het oppervlak in overeenstemming met de door de fabrikant van de bevestigingsmiddelen aanbevolen afstand (B). Kies bevestigingsmiddelen die geschikt zijn voor de materiaaldikte (A) van het montageoppervlak.
 - Boor elk gat volgens de dieptespecificaties van de fabrikant van de bevestigingsmiddelen.
2. De vloermontagebasis installeren
 - Zorg ervoor dat het montageoppervlak vrij is van vuil voordat u de basis op zijn plaats zet.
 - Bevestig de basis aan de montageconstructie volgens de installatie-instructies van de fabrikant van de bevestigingsmiddelen.
 - Zorg ervoor dat de basis zich binnen de plus of min 1° van verticaal bevindt (afbeelding 2.2).
3. Installeer het 3M modulaire kraansysteem M200 op de basis (afbeelding 3.1).
 - Installeer het 3M modulaire kraansysteem M200 op de basis.
 - Smeer de smeernippel op de kraan met vet (afbeelding 3.2).

INSTALLATIESTAPPEN VOOR 8530889:

1. Markeer de locatie van het te boren hulsgat volgens de indeling van afbeelding 4.2.
 - Het montageoppervlak moet vlak zijn met een helling van niet meer dan plus of min 1° (afbeelding 4.1).
 - Boor een gat met een diameter van 167 mm (6,56 inch) tot een diepte van 578 mm (22,75 inch) in het bestaande beton (afbeelding 4.1).
 - Verwijder het vuil uit het gat en injecteer epoxy (A) in het gat volgens de instructies van de fabrikant (afbeelding 4.3).
 - Boor de extra ankerogaten (4x) als de montageconstructie extra ondersteuning nodig heeft op basis van de belastingen die zijn gespecificeerd in tabel 1.
 - Er kunnen extra ankers worden gebruikt om de basis op het montageoppervlak te bevestigen (afbeelding 4.2).

Zorg ervoor dat er tijdens de installatie geen epoxy in de ankeropening komt.

- Laat de epoxy uitharden voordat u doorgaat naar de volgende stappen.
- Bevestig de basis aan het bestaande beton door de betonankerbouten vast te draaien tot het aanbevolen aanhaalmoment.

De basis kan ook rechtstreeks in vers beton worden geïnstalleerd, waardoor de basis gelijk ligt met het montageoppervlak.

2. Installeer het 3M modulaire kraansysteem M200 op de basis.
 - Laat de montagepaal zakken totdat het rotatieblok (A) in de vergrendelingsleuf (B) in de basis rust (afbeelding 5.1).
 - Installeer het 3M modulaire kraansysteem M200 op de basis (afbeelding 5.2).
 - Smeer de smeernippel op de kraan met vet (afbeelding 5.3).

Plaats de basiskap in de basis wanneer de mast zich niet in de basis bevindt (afbeelding 5.4).

3.0 GEBRUIK

- 3.1 VÓÓR ELK GEBRUIK:** Controleer of uw werkgebied en valbeveiligingssysteem voldoen aan alle criteria die in deze instructies zijn gedefinieerd. Controleer of er een formeel reddingsplan aanwezig is. Inspecteer het product aan de hand van de gebruikersinspectiepunten zoals gedefinieerd in het Logboek voor inspectie en onderhoud (Tabel 2). Als de inspectie een onveilige of defecte toestand aan het licht brengt, of als er twijfel bestaat over de geschiktheid van het systeem voor veilig gebruik, moet het systeem onmiddellijk buiten gebruik worden gesteld. Markeer het systeem duidelijk met "NIET GEBRUIKEN". Zie hoofdstuk 4 voor meer informatie.

- 3.2 VEILIGE WERKRADIUS:** Het veilige werkgebied van de zwenkarm reikt niet verder dan de lengte van de zwenkarm zelf. Zie afbeelding 6 ter referentie. Bij gebruik van de M200-zwenkarm moet de gebruiker binnen het aangegeven veilige werkgebied (A) blijven. Het verlaten van het veilige werkgebied naar een externe locatie (B) is gevaarlijk en kan leiden tot ernstig letsel of de dood. Bij werkzaamheden aan weerszijden van het M200-kraansysteem wordt aanbevolen om het ankerpunt zo recht mogelijk boven het hoofd te houden. Dit minimaliseert de kans op valpartijen en mogelijke

3 Bevoegd persoon: Een persoon die door de werkgever aangewezen is om werk uit te voeren op een locatie waar de persoon blootgesteld wordt aan een valgevaar.

4 Redder: Iemand die het reddingssysteem gebruikt om een reddingsactie uit te voeren.

valafstanden en waarborgt ook de veiligheid van een tweede gebruiker, mocht de eerste gebruiker vallen.

Wanneer twee gebruikers aan het systeem zijn bevestigd, wordt aanbevolen de rotatie van de zwenkarm te vergrendelen met de rotatiepen. Zie gebruikersinstructie 5908372 voor de M200-kraan, paragraaf 3.2. Elke gebruiker moet binnen 30 graden van elke kant van het ankerpunt blijven en mag nooit voorbij het einde van de rail werken.

4.0 INSPECTIE

Nadat de apparatuur buiten gebruik is gesteld, mag deze niet opnieuw in gebruik worden genomen totdat een bevoegd persoon schriftelijk heeft bevestigd dat dit aanvaardbaar is.

- 4.1 REGELMAAT VAN INSPECTIE:** Het product moet voor elk gebruik worden geïnspecteerd door de gebruiker en bovendien door een bevoegde persoon anders dan de gebruiker met tussenpozen van niet langer dan een jaar. Bij een hogere frequentie van het gebruik van de apparatuur en zwaardere omstandigheden moet de frequentie van inspecties door bevoegde personen mogelijk worden verhoogd. De frequentie van deze inspecties moet worden bepaald door de bevoegde persoon volgens de specifieke omstandigheden van de werkplek.
- 4.2 INSPECTIEPROCEDURES:** Inspecteer dit product volgens de procedures in het 'Logboek voor inspectie en onderhoud'. De documentatie van elke inspectie moet worden bijgehouden door de eigenaar van deze apparatuur. Een inspectie- en onderhoudslogboek moet in de buurt van het product worden geplaatst of anderszins gemakkelijk toegankelijk zijn voor gebruikers. Het wordt aanbevolen om het product te markeren met de datum van de volgende of laatste inspectie.
- 4.2 DEFECTEN:** Als de vloermontagebasis niet opnieuw in gebruik kan worden gesteld vanwege een bestaand defect of een onveilige toestand, vernietig dan het systeem of neem contact op met 3M of een door 3M geautoriseerd servicecentrum voor een mogelijke reparatie.
- 4.3 GEBRUIKSDUUR VAN HET PRODUCT:** De functionele levensduur van de vloermontagebasis wordt bepaald door de werkomstandigheden en het onderhoud. Zolang het product bij inspectie aan de criteria voldoet, kan het in gebruik blijven.

5.0 ONDERHOUD, SERVICE en OPSLAG

Nadat de apparatuur buiten gebruik is gesteld, mag deze niet opnieuw in gebruik worden genomen totdat een bevoegd persoon schriftelijk heeft bevestigd dat dit aanvaardbaar is.

- 5.1 REINIGEN:** Reinig periodiek de metalen onderdelen van de vloermontagebasis met een zachte borstel, warm water en een milde zeepoplossing. Zorg ervoor dat de onderdelen grondig worden gespoeld met schoon water.
- 5.2 ONDERHOUD:** Alleen 3M of partners die hiervoor schriftelijk door 3M zijn geautoriseerd, mogen deze apparatuur repareren.

6.0 LABELS en MARKERINGEN

- 6.1 LABELS:** Afbeelding 8 toont de labels die aanwezig zijn op de vloermontagebasis. Labels moeten worden vervangen als ze niet aanwezig zijn of niet volledig leesbaar zijn. Elk label bevat de volgende informatie:

1	A) Leesinstructies B) Normen C) Veilige werkradius:
2	A) Serienummer B) Geproduceerd jaar/maand C) Modelnummer

Les, forstå og følg all sikkerhetsinformasjon i disse instruksjonene før du tar dette Flexiguardsystemet i bruk. **UNNLATELSE AV Å GJØRE DETTE KAN FØRE TIL ALVORLIG SKADE ELLER DØD.**

Disse instruksjonene må gis til brukeren av utstyret. Ta vare på disse instruksjonene for fremtidig referanse.

Tilsiktet bruk:

Dette Flexiguardsystemet er beregnet for bruk som del av et komplett personlig fallsikrings- eller redningsssystem.

Bruk i en hvilken som helst annen sammenheng inkludert, men ikke begrenset til, materialhåndtering, fritidsbruk eller idrettsrelaterte aktiviteter, eller andre aktiviteter som ikke beskrives i Brukerinstruksjonene eller Installeringsinstruksjonene, er ikke godkjent av 3M og kan resultere i alvorlig personskade eller død.

Dette systemet skal bare brukes av opplærte brukere i arbeidsplassanvendelser.

ADVARSEL

Dette Flexiguardsystemet er del av et personlig fallsikrings- eller redningsssystem. Det forventes at alle brukere er fullt opplært i sikker installering og betjening av det fullstendige systemet. **Misbruk av dette systemet kan resultere i alvorlig personskade eller død.** For riktig utvalgelse, betjening, installering, vedlikehold og service, se alle produktinstruksjoner, inkludert alle produsentens anbefalinger, snakk med din arbeidsleder, eller kontakt 3M Tekniske tjenester.

- **For å redusere risikoen som er forbundet med å transportere et Flexiguardsystem som, om det ikke unngås, kan resultere i alvorlig personskade eller død:**
 - Se til at systemet er ordentlig sikret eller konfigurert før transport. Se Brukerinstruksjonene for detaljerte transportkrav.
 - Må kun transporteres under 8 km/t og med stigninger på 10 o eller mindre, eller som skissert i Brukerinstruksjonene.
 - Sørg for at systemet ikke vil komme i kontakt med overliggende gjenstander eller elektriske farer under transport eller mens det er i bruk.
- **For å redusere risikoen som er forbundet med å arbeide med et Flexiguardsystem som, om det ikke unngås, kan resultere i alvorlig personskade eller død:**
 - Inspiser alle komponenter i systemet før hver bruk, minst én gang årlig, og etter enhver fallhendelse. Inspiser i samsvar med bruksanvisningene.
 - Hvis inspeksjonen avdekker en utrygg eller defekt tilstand, må enheten tas ut av tjeneste og repareres eller skiftes ut i samsvar med brukerinstruksjonene.
 - Enhver innretning som er blitt belastet som følge av fall eller støtkrefter, må umiddelbart tas ut av bruk. Se brukerinstruksjonene eller ta kontakt med 3M Fallsikring.
 - Det underlag eller den struktur som innretningen er festet til må være i stand til å motstå de statiske belastningene som spesifiseres for innretningen i orienteringer tillatt i Brukerinstruksjonene eller Installeringsinstruksjonene.
 - Ikke overskrid antall tillatte brukere i henhold til Brukerinstruksjonene.
 - Fest deg aldri til et system før det er posisjonert, fullstendig montert, justert og installert. Ikke juster systemet mens en bruker er festet.
 - Utfør aldri arbeid utenfor det sikre arbeidsområdet som definert av Brukerinstruksjonene.
 - Ikke koble deg til systemet mens det transporteres eller installeres.
 - Behold alltid 100 % fastbinding ved overføring mellom forankringspunkter på systemet.
 - Utvis forsiktighet ved installering, bruk og flytting av systemet da bevegelige deler vil kunne skape potensielle klemmepunkter.
 - Sørg for at ordentlige utestengningsprosedyrer er blitt fulgt slik de skal.
 - Fallsikringsundersystemene må bare kobles til det angitte ankringskoblingspunkt på innretningen.
 - Når du borer hull for montering eller installering av systemet, se til at ingen elektriske ledninger, gassledninger, eller andre kritiske materialer eller utstyr vil komme i kontakt med boret.
 - Sørg for at fallsikringsystemer/undersystemer som er satt sammen av komponenter fremstilt av forskjellige produsenter er kompatible og oppfyller kravene i gjeldende standarder, inkludert ANSI Z359 eller andre gjeldende fallsikringsnormer, standarder, eller krav. Rådfør deg alltid med en kompetent eller kvalifisert person før du bruker disse systemene.
- **For å redusere risikoen som er forbundet med arbeid i høyden som, om det ikke unngås, kan resultere i alvorlig personskade eller død:**
 - Sørg for at din helse og fysiske tilstand gjør det mulig for deg sikkert å motstå alle de krefter som er forbundet med arbeid i høyden. Rådfør deg med legen din hvis du har noen spørsmål angående din evne til å bruke dette utstyret.
 - Du må aldri overskride tillatt kapasitet for ditt fallsikringsutstyr.
 - Du må aldri overskride maksimal frifallavstand for ditt fallsikringsutstyr.
 - Ikke bruk noe fallsikringsutstyr som ikke består inspeksjoner før bruk eller andre planmessige inspeksjoner, eller dersom du har bekymringer om bruken, eller om hvor egnet utstyret kan være for ditt bruksområde. Kontakt 3M Tekniske tjenester med eventuelle spørsmål.
 - Noen delsystemer og delekombinasjoner kan hindre bruken av dette utstyret. Bruk kun kompatible koblinger. Kontakt 3M dersom dette utstyret blir brukt sammen med andre komponenter eller delsystemer enn de som beskrives i brukerinstruksjonene.
 - Utvis ekstra forsiktighet når du arbeider rundt bevegelige maskiner (f.eks. rotasjonssystem for oljerigger), elektriske farer, ekstreme temperaturer, kjemiske farer, eksplosive eller giftige gasser, skarpe kanter eller i underkant av overhengende materialer som kan falle ned på deg eller ditt fallsikringsutstyr.
 - Bruk lysbueflamme eller Hot Works-innretninger når du arbeider i miljøer med høy varme.
 - Unngå overflater og gjenstander som kan skade brukeren eller utstyret.
 - Sørg for at det er tilstrekkelig fallklaring når du arbeider i høyden.
 - Du må aldri modifisere eller endre på ditt fallsikringsutstyr. Bare 3M eller virksomheter med skriftlig godkjenning fra 3M kan reparere dette utstyret.
 - Før bruk av fallsikringsutstyr, pass på at det finnes en redningsplan som muliggjør rask redning hvis et falluhell skulle inntreffe.
 - Hvis et falluhell inntreffer, søk umiddelbart medisinsk hjelp for den arbeidende som har falt.
 - Ikke bruk støttebelter til fallstoppbruk. Bruk kun en helkroppssele.
 - Minimer svingfall ved å arbeide så rett under forankringspunktet som mulig.
 - Hvis du trener med denne innretningen, må et sekundært fallsikringsystem benyttes på en slik måte at det ikke eksponerer lærlingen for en utilsiktet fallfare.
 - Ha alltid på hensiktsmessig personlig verneutstyr når du installerer, bruker eller inspiserer innretningen/systemet.

Før du bruker dette utstyret, bør du notere deg produktidentifikasjonen fra ID-merket i inspeksjons- og vedlikeholdsloggen i denne veiledningen.

Denne gulvmonteringssokkelen kan bare brukes sammen med 3M modulært kransystem M200 produsert av 3M. Ikke prøv å bruke gulvmonteringssokkelen uten først å ha konsultert brukerveiledningen 5908372 for 3M modulært kransystem M200.

Tabell 1 – Spesifikasjoner

Systemspesifikasjoner:			
Kompatibilitet:	Gulvmonteringssokkene som denne instruksjonen handler om, er kompatible med 3M™ DBI-SALA® Flexiguard™ modulært kransystem M200.		
Standarder:	Designet og testet til CEN/Ts 16415:2013 (type A), EN795:2012 (type A), OSHA 1926.502 og OSHA 1910.140.		
Kapasitet:	Se instruksjon 5908372 for 3M™ DBI-SALA® Flexiguard™ modulært kransystem M200.		
Maksimal avbøyning:	Se bruksanvisningen for M200 Jib Boom (5908372) for mer informasjon om maksimal avbøyning av systemet.		
Maksimal bremsekraft:	Alle tilkoblingssystemer (SRD-er, energiabsorberende festestropper osv.) som brukes med gulvmonteringssokkelen, må begrense den maksimale bremsekraften til 6 kN.		
Vekt:	8530888: 265 lb. (120 kg) 8530889: 171 kg (377 lb) 8530920: 64 kg (140 lb) 8530921: 107 kg (237 lb)		
Komponentspesifikasjoner:			
Komponent	Materiale		
Generell konstruksjon	Sveiset stål		
Strukturelt materiale	A36 stål		
Sokkeloverflate	8530888 – pulverlakk 8530889 – sinkbelegg, pulverlakk		
Sokkeldeksel – 8530920	Aluminium, ring i rustfritt stål, gummipakning		
Monteringskrav:			
Modellnummer	Minimum trekraft for feste	Minste momentbelastning for monteringsstruktur	Minste vertikale belastning for monteringsstruktur
8530888	4257 kg (9386 lb)	56 677 Nm* (501 633 in-lb.)*	1506 kg (3320 lb) + sokkelvekt + kranvekt
8530889		56 677 Nm* (501 633 in-lb.)*	1506 kg (3320 lb) + sokkelvekt + kranvekt
8530920			
<input checked="" type="checkbox"/> Se spesifikasjonene til produsenten av festemidlene for krav til festene.			

1.0 PRODUKTETS BRUKSOMRÅDE

- 1.1 **FORMÅL:** Gulvmonteringssokkelen er designet for bruk som en komponent i et fallbeskyttelsessystem.
- 1.2 **BESKRIVELSE:** Gulvmonteringssokkelen (figur 1) er designet for å forankres i godkjente strukturer og brukes som monteringspunkt for 3M-godkjent modulært kransystem M200.
- 1.3 **STANDARDER:** Gulvmonteringssokkelen oppfyller kravene til nasjonale standarder som oppgis på omslaget til denne brukerveiledningen. Hvis produktet selges utenfor det opprinnelige destinasjonslandet, må forhandleren stille disse instruksjonene til rådighet på språket i det aktuelle landet der produktet vil bli brukt.
- 1.4 **KONTROLL:** Installasjon av dette utstyret må skje under tilsyn av en kvalifisert person¹. Bruk av dette utstyret må skje under tilsyn av en kompetent person².
- 1.5 **OPPLÆRING:** Dette utstyret må monteres og brukes av personer som har fått opplæring i riktig bruk av utstyret. Denne håndboken skal brukes som en del av en ansatts opplæringsprogram som påkrevd av nasjonale, regionale eller lokale forskrifter. Brukerne og montørene av dette utstyret har ansvar for å gjøre seg kjent med disse anvisningene, få opplæring i riktig pleie og bruk av dette utstyret, og er klar over bruksegenskaper, bruksbegrensninger og følgene av uriktig bruk av dette utstyret.
- 1.6 **REDNINGSPLAN:** Ved bruk av dette utstyret og tilkobling av delsystemer må arbeidsgiveren ha en redningsplan og redningsutstyr tilgjengelig, samt informere brukere, autoriserte personer³ og redningspersoner⁴. Det anbefales å ha et opplært redningsteam på stedet. Teammedlemmer skal forsynes med utstyr og teknikker til å utføre en vellykket redning.

1 Kvalifisert person: En person som har en anerkjent grad, sertifikat eller profesjonell anseelse, eller som ved omfattende kunnskap, opplæring og erfaring har demonstrert sin evne til å løse eller ordne opp i problemer knyttet til fallbeskyttelses- og redningssystemer i den grad det kreves av gjeldende nasjonale, regionale og lokale forskrifter.

2 Kompetent person: En person som er i stand til å identifisere eksisterende og mulige farer i omgivelsene eller arbeidsforhold som er uhygieniske, risikable eller farlige for ansatte, og som har myndighet til å utbedre eller fjerne dem.

3 Autorisert person: En person som er utnevnt av arbeidsgiver til å utføre oppgaver på stedet hvor personen vil være utsatt for fallrisiko.

4 Redningsperson: En person som bruker redningssystemet til å utføre en assistert redningsaksjon.

Det bør gis regelmessig opplæring for å sikre at redningspersonellens kunnskaper opprettholdes.

- 1.7 ETTER ET FALL:** Hvis utstyret utsettes for fallsikring eller støtkrefter, må du fjerne enheten fra drift umiddelbart. Merk det tydelig «IKKE BRUK». Se del 4 for mer informasjon.

2.0 MONTERING:

- 2.1 PLANLEGGING:** Planlegg fallsikringssystemet før installasjon av gulvmonteringssockkelen. Vurder faktorer som kan påvirke sikkerheten din før, under og etter et fall. Ta hensyn til alle krav og begrensninger som defineres i disse instruksjonene.

- 2.2 FORANKRING OG FESTEMIDLER:** Betongforankringer og monteringsutstyr er ikke inkludert. Monteringsutstyr må oppfylle minstekravene angitt i tabell 1.

2.3 MONTERINGSTRINN FOR 8530888:

1. Merk forankringshullene som skal bores, i henhold til figur 2.1.
 - Monteringsoverflaten må være flat og i en skråning som ikke er større enn pluss eller minus 1° (figur 2.2).
 - Sørg for at sockelen er forskyvet fra alle overflatekanter i henhold til festemiddelprodusentens anbefalte tilbakeslagsavstand (B). Velg festemidler som passer for materialtykkelsen (A) til monteringsoverflaten.
 - Bor hvert hull i henhold til festemiddelprodusentens dybdespesifikasjoner.
2. Monter gulvmonteringssockkelen
 - Forsikre deg om at monteringsflaten er fri for rusk før du setter sockelen på plass.
 - Fest sockelen til monteringsstrukturen i henhold til festemiddelprodusentens monteringsveiledning.
 - Forsikre deg om at sockelen er innenfor pluss/minus 1° avvik fra vertikal (figur 2.2).
3. Monter 3M modulært kransystem M200 på sockelen (figur 3.1).
 - Monter 3M modulært kransystem M200 på sockelen.
 - Påfør fett på niplene på kranen (figur 3.2).

MONTERINGSTRINN FOR 8530889:

1. Merk hylseplassering som skal bores, i henhold til figur 4.2.
 - Monteringsoverflaten må være plan med en helning som ikke overskrider pluss eller minus 1° (figur 4.1).
 - Bor et Ø 167 mm (6,56 in.) hull med en dybde på 578 mm (22,75 in.) inn i den eksisterende betongen (figur 4.1).
 - Fjern rusk fra hullet og injiser epoksy (A) i hullet i henhold til produsentens instruksjoner (figur 4.3).
 - Bor det (4x) ekstra forankringshullet hvis monteringsstrukturen trenger ytterligere støtte basert på belastninger spesifisert i tabell 1.
 - Ytterligere forankringer kan brukes for å feste sockelen til monteringsoverflaten (figur 4.2).

Forsikre deg om at ingen epoksy kommer inn i forankringsåpningen under monteringen.

- La epoksyen herde før du går videre til neste trinn.
- Fest sockelen til den eksisterende betongen ved å stramme betongfesterboltene til anbefalt dreiemoment.

Sockelen kan også monteres direkte i nylagt betong, slik at sockelen kan komme i flukt med monteringsoverflaten.

2. Monter 3M modulært kransystem M200 på sockelen.
 - Senk monteringsstolpen frem til rotasjonsblokken (A) hviler i låsesporet (B) i sockelen (figur 5.1).
 - Monter 3M modulært kransystem M200 på sockelen (figur 5.2).
 - Påfør fett på niplene på kranen (figur 5.3).

Sett sokkeldekselet inn i sockelen når stolpen ikke er i sockelen (figur 5.4).

3.0 BRUK:

- 3.1 FØR HVER BRUK:** Kontroller at arbeidsområdet ditt og fallbeskyttelsessystemet oppfyller alle kriterier som er definert i disse instruksjonene. Bekreft at en formell redningsplan er innført. Inspiser systemet i henhold til brukerens inspeksjonspunkter som er definert i inspeksjons- og vedlikeholdsloggen (tabell 2). Hvis inspeksjonen avslører en usikker eller defekt tilstand, eller hvis det er tvil om tilstanden for sikker bruk, fjerner du systemet fra bruk umiddelbart. Merk systemet tydelig med «IKKE BRUK». Se del 4 for mer informasjon.

- 3.2 TRYGT ARBEIDSOMRÅDE:** Det trygge arbeidsområdet til Jib Boom strekker seg ikke lenger enn lengden på selve Jib Boom. Se figur 6 for referanse. Når du bruker M200 Jib Boom, skal brukeren forbli innenfor det angitte trygge arbeidsområdet (A). Å forlate det trygge arbeidsområdet til et område utenfor (B) er farlig og kan føre til alvorlig personskade eller død. Når du arbeider på hver side av M200 Jib-systemet, anbefales det at brukeren holder ankerpunktet så direkte over hodet som mulig. Dette vil redusere fallavstanden og muligheten for svingfall, i tillegg til å gjøre det sikrere for andre brukere, hvis den første brukeren faller.

Når to brukere er koblet til systemet, anbefales det at rotasjonen til kranarmen låses med rotasjonsnålen. Se brukerveiledningen for M200-kranarmen (5908372) del 3.2. Hver bruker må holde seg innenfor 30 grader fra hver side av ankerpunktet og aldri jobbe forbi enden av skinnen.

4.0 INSPEKSJON

Etter at utstyret er blitt fjernet fra tjeneste, kan det ikke brukes igjen før en kompetent person bekrefter skriftlig at det er akseptabelt å gjøre det.

- 4.1 INSPEKSJONSINTERVALLER:** Produktet skal kontrolleres av brukeren før hver bruk, og i tillegg av en annen kompetent person enn brukeren, i intervaller som ikke overskrider ett år. Utstyr som brukes hyppigere, og tøffere forhold kan kreve en reduksjon av intervallet mellom inspeksjoner av kompetent person. Intervallet mellom disse inspeksjonene skal bestemmes av den kompetente personen i henhold til de spesifikke forholdene på arbeidsplassen.
- 4.2 PROSEDYRER FOR INSPEKSJON:** Inspiser dette produktet i henhold til prosedyrene som er oppført i inspeksjons- og vedlikeholdsloggen. Eieren av dette utstyret skal opprettholde dokumentasjonen for hver inspeksjon. En inspeksjons- og vedlikeholdslogg skal plasseres i nærheten av produktet eller på annen måte være lett tilgjengelig for brukere. Det anbefales at dette produktet merkes med datoen for neste eller siste inspeksjon.
- 4.2 DEFEKTER:** Hvis gulvmonteringssockelen ikke kan returneres til drift på grunn av en eksisterende feil eller utrygg tilstand, kan du enten ødelegge systemet eller kontakte 3M eller et 3M-autorisert servicesenter om mulig reparasjon.
- 4.3 PRODUKTLEVETID:** Den funksjonelle levetiden til gulvmonteringssockelen avhenger av arbeidstilstander og vedlikehold. Produktet kan brukes så lenge det oppfyller inspeksjonskriteriene.

5.0 VEDLIKEHOLD, SERVICE og OPPBEVARING

Utstyr som har behov for vedlikehold eller som er planlagt for vedlikehold, skal merkes «IKKE BRUK». Disse utstyrskodene skal ikke fjernes før vedlikehold er utført.

- 5.1 RENGJØRING:** Rengjør metallkomponentene i gulvmonteringssockelen med jevne mellomrom med en myk børste, varmt vann og mild såpeløsning. Sørg for å skylle delene godt med rikelige mengder rent vann.
- 5.2 SERVICE:** Kun 3M, eller virksomheter med skriftlig godkjenning fra 3M, kan reparere dette utstyret.

6.0 ETIKETTER og MERKER

- 5.1 ETIKETTER:** Figur 8 illustrerer etiketter på gulvmonteringssockelen. Etiketter må byttes ut hvis de ikke er til stede eller ikke er fullt leselige. Informasjonen på hver etikett er som følger:

1	A) Les bruksanvisningen B) Standarder C) Trygg arbeidsradius
2	A) Serienummer B) Produsert (år/måned) C) Modellnummer

Certifique-se de que lê, compreende e segue todas as informações de segurança contidas nestas instruções antes de utilizar este Sistema FlexiGuard. O INCUMPRIMENTO DESSAS INSTRUÇÕES PODERÁ RESULTAR EM LESÕES GRAVES OU MORTE.

Estas instruções têm de ser fornecidas ao utilizador deste equipamento. Guarde estas instruções para referência futura.

Uso previsto:

Este Sistema FlexiGuard deve ser utilizado como parte de um sistema pessoal completo de proteção antiqueda ou de resgate.

A sua utilização noutras circunstâncias incluindo, mas não limitadas a atividades de manuseamento de materiais, atividades recreativas ou relacionadas com desporto ou outras atividades não descritas nas Instruções para o utilizador, não é aprovada pela 3M e pode resultar em ferimentos graves ou morte.

Este sistema só deve ser utilizado por pessoas que tenham recebido formação e no local de trabalho.

AVISO

Este Sistema FlexiGuard faz parte de um sistema pessoal de proteção antiqueda ou de resgate. Todos os utilizadores devem receber formação quanto à instalação e manuseamento seguros de todo o sistema. **A má utilização deste sistema pode resultar em ferimentos graves ou morte.** Para a devida seleção, manuseamento, instalação, manutenção e reparação, consulte todas as Instruções sobre o Produto e todas as recomendações do fabricante, consulte o seu supervisor ou contacte os serviços técnicos da 3M.

- **Para minimizar os riscos associados com o transporte de um sistema FlexiGuard que, caso não evitados, podem resultar em ferimentos graves ou morte:**
 - Certifique-se de que o sistema está devidamente acondicionado ou configurado antes do transporte. Consulte as Instruções para o Utilizador para requisitos pormenorizados em relação ao transporte.
 - Apenas transporte abaixo de 8 km/h (5 mph) e em inclinações de 10° ou menos, ou conforme descrito nas Instruções para o Utilizador.
 - Certifique-se de que o sistema não entrará em contacto com objetos suspensos ou perigos elétricos durante o seu transporte ou utilização.
- **Para minimizar os riscos associados à utilização de um Sistema FlexiGuard que, caso não evitados, podem resultar em ferimentos graves ou morte:**
 - Inspeccione todos os componentes do sistema antes de cada utilização, pelo menos uma vez por ano, e após cada incidente de queda, de acordo com as Instruções para o Utilizador.
 - Se a inspeção revelar uma condição perigosa ou defeito, retire o sistema de serviço e repare-o ou substitua-o de acordo com as Instruções para o Utilizador.
 - Qualquer sistema que tiver sido sujeito a forças de detenção da queda ou de impacto, deve ser imediatamente retirado de serviço. Consulte as Instruções para o Utilizador ou contacte a 3M Fall Protection.
 - O substrato ou a estrutura à qual o sistema é fixado/na qual é posicionado deve ser capaz de suportar as cargas estáticas especificadas para o sistema nas orientações permitidas nas Instruções para o Utilizador ou nas Instruções de Instalação.
 - Não ultrapasse o número de utilizadores permitidos de acordo com as Instruções para o Utilizador.
 - Nunca fixe a um sistema até que o mesmo esteja totalmente montado, posicionado ajustado e instalado. Não ajuste o sistema enquanto um utilizador estiver ligado ao mesmo.
 - Nunca trabalhe fora da área de trabalho segura, conforme definida nas Instruções para o Utilizador.
 - Não ligue ao sistema enquanto estiver a ser transportado ou instalado.
 - Mantenha sempre 100% amarrado ao transferir entre pontos de ancoragem no sistema.
 - Tenha cautela ao instalar, usar e mover o sistema, uma vez que as partes móveis podem criar potenciais pontos de aperto.
 - Certifique-se de que foram seguidos procedimentos adequados de bloqueio/sinalização, quando aplicável.
 - Apenas conecte subsistemas de proteção antiqueda ao ponto de conexão de ancoragem designado no sistema.
 - Ao fazer furos com vista à montagem ou instalação do sistema, certifique-se que a broca não entrará em contacto com quaisquer cabos elétricos, condutas de gás ou outros materiais ou equipamentos essenciais.
 - Assegure-se de que os sistemas/subsistemas de proteção antiqueda, montados com componentes produzidos por diferentes fabricantes, são compatíveis e satisfazem os requisitos das normas aplicáveis, incluindo a ANSI Z359 ou outros códigos, normas ou requisitos de proteção antiqueda aplicáveis. Consulte sempre uma Pessoa competente ou Qualificada antes de utilizar estes sistemas.
- **Para minimizar os riscos associados à utilização em trabalhos em alturas que, caso não sejam evitados, podem resultar em ferimentos graves ou morte:**
 - Certifique-se de que a sua condição física e o seu estado de saúde lhe permitem suportar, com segurança, todas as forças associadas ao trabalho em altura. Consulte um médico caso tenha alguma questão quanto à sua capacidade de utilizar este equipamento.
 - Nunca exceda a capacidade permitida do seu equipamento de proteção antiqueda.
 - Nunca exceda a distância de queda livre máxima do seu equipamento de proteção antiqueda.
 - Não utilize qualquer equipamento de proteção antiqueda que não cumpra os critérios predefinidos ou outras inspeções agendadas ou caso tenha dúvidas quanto à utilização ou adequação do equipamento no seu trabalho. Contacte os serviços técnicos da 3M se tiver dúvidas.
 - Algumas combinações de subsistemas e componentes podem interferir com o funcionamento deste equipamento. Utilize apenas conectores compatíveis. Consulte a 3M quando instalar ou utilizar este equipamento em combinação com componentes ou subsistemas diferentes dos descritos nas Instruções para o utilizador.
 - Tome precauções adicionais ao trabalhar perto de maquinaria em movimento (por exemplo, sistema top drive das plataformas petrolíferas), quanto a perigos elétricos, temperaturas extremas, perigos químicos, gases explosivos ou tóxicos, bermas afiadas ou materiais suspensos que possam cair em cima de si ou do equipamento de proteção antiqueda.
 - Utilize equipamentos de proteção contra soldadura por arco elétrico ou materiais inflamáveis ao trabalhar em ambientes de temperatura elevada.
 - Evite superfícies ou objetos que possam causar-lhe ferimentos ou danificar o equipamento.
 - Certifique-se de que existe uma altura livre de queda ao trabalhar em alturas.
 - Nunca modifique ou altere o equipamento de proteção antiqueda. Apenas a 3M ou terceiros com autorização da 3M podem efetuar reparações neste equipamento.
 - Antes de utilizar equipamento de proteção antiqueda, certifique-se de que existe um plano de resgate pronto a ser acionado caso ocorra um incidente de queda.
 - No caso de um incidente de queda, solicite imediatamente ajuda médica para o trabalhador que caiu.
 - Não utilize um cinto de segurança para aplicações de detenção da queda. Utilize apenas um arnés completo de corpo.
 - Minimizar as quedas com oscilação trabalhando o mais possível diretamente abaixo do ponto de fixação.
 - Se o dispositivo for utilizado durante uma formação, deve ser utilizado um sistema de proteção antiqueda secundário para garantir que o formando não fica exposto a perigo de queda.
 - Utilize sempre equipamento de proteção individual adequado durante a instalação, utilização ou inspeção do dispositivo/sistema.

Antes de utilizar este equipamento, registre os dados de identificação do produto na etiqueta de identificação no registo de inspeção e manutenção deste manual.

Esta Base de Montagem no Piso só pode ser utilizada com o Sistema de Lança de Guindaste Modular M200 da 3M, fabricado pela 3M. Não tente utilizar a Base de Montagem no Piso sem consultar primeiro as instruções de utilizador 5908372 relativas ao Sistema de Lança de Guindaste Modular M200 da 3M.

Tabela 1 – Especificações

Especificações do sistema:			
Compatibilidade:	As Bases de Montagem no Piso abordadas nestas instruções são compatíveis com o Sistema de Lança de Guindaste Modular M200 Flexiguard™ DBI-SALA® da 3M™.		
Normas:	Desenvolvido e testado para cumprir os requisitos da norma EN795:2012 (Tipo A), OSHA 1926.502 e OSHA 1910.140.		
Capacidade:	Consulte as instruções 5908372 do Sistema de Lança de Guindaste Modular M200 Flexiguard™ DBI-SALA® da 3M™.		
Deflexão máxima:	Consulte o manual de instruções referente ao Braço da Lança M200 (5908372) para obter mais informações sobre a deflexão máxima do sistema.		
Força máxima de interrupção:	Todos os subsistemas de ligação (SRDs, Cabos de Segurança de Absorção de Energia, etc.) utilizados com a Base de Montagem no Piso têm de limitar a Força Máxima de Paragem a 1.350 libras (6 kN).		
Peso:	8530888: 120 kg (265 lb) 8530889: 171 kg (377 lb) 8530920: 64 kg (140 lb) 8530921: 107 kg (237 lb)		
Especificações dos componentes:			
Componente	Material		
Construção geral	Aço soldado		
Material Estrutural	Aço A36		
Acabamento da base	8530888 - Revestimento em pó 8530889 - Zincagem, Revestimento em pó		
Tampa da Base - 8530920	Alumínio, Anel em Aço Inoxidável, Junta de Borracha		
Requisitos de montagem:			
Número do modelo	Força mínima de extração do elemento de fixação	Carga de momento mínima da estrutura de montagem	Carga vertical mínima da estrutura de montagem
8530888	4.257 kg (9.386 lb)	56.677 N-m (501,633 pol-lb)	1.506 kg (3.320 lb) + Peso da base + Peso da lança de guindaste
8530889		56.677 N-m (501,633 pol-lb)	1.506 kg (3.320 lb) + Peso da base + Peso da lança de guindaste
8530920			
<input checked="" type="checkbox"/> Veja as especificações do fabricante do elemento de fixação para obter informações sobre os requisitos do elemento de fixação.			

1,0 APLICAÇÃO DO PRODUTO

- 1,1 FINALIDADE:** A Base de Montagem no Piso foi desenvolvida para ser utilizada como componente de um sistema de proteção anti-quedas.
- 1,2 DESCRIÇÃO:** A base de montagem no piso (Figura 1) foi desenvolvida para ser ancorada a estruturas aprovadas e utilizada como ponto de montagem do Sistema de Lança de Guindaste Modular M²⁰⁰ da 3M.
- 1,3 NORMAS:** A Base de Montagem no Piso está em conformidade com as normas nacionais ou regionais identificadas na capa destas instruções. Se o produto for revendido fora do país de destino original, o revendedor deverá fornecer estas instruções no idioma do país no qual o produto será utilizado.
- 1,4 SUPERVISÃO:** A instalação deste equipamento tem que ser supervisionada por uma pessoa qualificada¹. A utilização deste equipamento tem que ser supervisionada por uma pessoa competente².
- 1,5 FORMAÇÃO:** Este equipamento deve ser instalado e utilizado por pessoas que tenham recebido formação quanto à sua aplicação correta. Este manual deverá ser integrado num programa de formação para funcionários, conforme exigido pelos regulamentos nacionais, regionais ou locais. É da responsabilidade dos utilizadores e dos instaladores deste equipamento garantir que estão familiarizados com estas instruções, que receberam formação sobre a manutenção e

1 Pessoa qualificada: Uma pessoa com um diploma, certificado ou posição profissional reconhecido, ou que, com amplo conhecimento, formação e experiência, tenha demonstrado com êxito a sua capacidade de solucionar ou resolver problemas relacionados com sistemas de Detenção de Queda, na medida exigida pela OSHA ou outro órgão federal aplicável, regulamentos estaduais e locais.

2 Pessoa competente: Pessoa capaz de identificar perigos existentes e previsíveis nas proximidades ou condições de trabalho insalubres, nocivas ou perigosas para os funcionários, autorizada a tomar medidas corretivas imediatas para os eliminar.

utilização corretas deste equipamento e que têm conhecimento das características de funcionamento, dos limites de aplicação e das consequências da utilização indevida do mesmo.

1,6 PLANO DE RESGATE: Quando utilizar este equipamento e subsistemas de ligação, a entidade patronal deverá ter um plano de resgate e os meios disponíveis para implementar e comunicar esse plano aos utilizadores, pessoas autorizadas³ e socorristas⁴. Recomenda-se a presença de uma equipa de resgate com formação no local. Os membros da equipa devem receber o equipamento e conhecer as técnicas necessárias para realizar um resgate com êxito. A formação deve ser fornecida periodicamente para assegurar a competência técnica da equipa de resgate.

1,7 APÓS UMA QUEDA: Se este equipamento for sujeito a queda ou forças de impacto, retire imediatamente o dispositivo de serviço. Identifique-o claramente com a mensagem "NÃO UTILIZAR". Veja a Secção 4 para mais informações.

2,0 INSTALAÇÃO

2,1 PLANEAMENTO: Planeie o seu sistema de proteção antiqueda antes da instalação da Base de Montagem no Piso. Tenha em consideração todos os fatores que possam afetar a sua segurança antes, durante e após uma queda. Tenha em consideração todos os requisitos, limitações e especificações definidos nestas instruções.

2,2 ANCORAGEM E ELEMENTOS DE FIXAÇÃO: Não estão incluídas ancoragens de betão nem ferragens de montagem. As ferragens de montagem devem cumprir com os requisitos mínimos previstos na Tabela 1.

2,3 PASSOS DE INSTALAÇÃO PARA O 8530888:

1. Marque os furos de ancoragem a serem perfurados de acordo com a Figura 2.1.
 - A superfície de montagem deve ser plana com uma inclinação não superior a mais ou menos 1° (Figura 2.2).
 - Certifique-se de que a Base estará desviada de qualquer extremidade da superfície de acordo com a distância de segurança (B) recomendada pelo fabricante do elemento de fixação. Selecione elementos de fixação apropriados para a espessura do material (A) da superfície de montagem.
 - Faça cada orifício de acordo com as especificações de profundidade do fabricante do elemento de fixação.
2. Instalar a Base de Montagem no Piso
 - Certifique-se de que a superfície de montagem não possui quaisquer detritos antes de colocar a Base no lugar.
 - Fixe a Base à estrutura de montagem de acordo com as instruções de instalação do fabricante do elemento de fixação.
 - Certifique-se de que a base está a mais ou menos 1° negativo ou positivo da vertical (Figura 2.2).
3. Instale o Sistema de Lança de Guindaste Modular M200 da 3M na Base (Figura 3.1).
 - Instale o Sistema de Lança de Guindaste Modular M200 da 3M na Base.
 - Aplique lubrificante no encaixe de entrada de lubrificante na Lança de Guindaste (Figura 3.2)

PASSOS DE INSTALAÇÃO PARA O 8530889:

1. Marque o local da manga a ser perfurado de acordo com o esquema da Figura 4.2.
 - A superfície de montagem deve ser plana com uma inclinação não superior a mais ou menos 1° (Figura 4.1).
 - Perfure Ø 167 mm (5,56 pol.) até uma profundidade de 578 mm (22,75 pol.) no betão existente (Figura 4.1).
 - Remova os detritos do orifício e injete epóxi (A) no orifício de acordo com as instruções do fabricante (Figura 4.3).
 - Faça o orifício adicional de ancoragem (x4) se a estrutura de montagem necessitar de apoio adicional com base nas cargas especificadas na Tabela 1.
 - Podem ser utilizadas âncoras adicionais para fixar a base à superfície de montagem (Figura 4.2).

Certifique-se de que não entra epóxi na abertura da âncora durante a instalação.

- Permita a cura do epóxi antes de prosseguir para os próximos passos.
- Fixe a Base ao betão existente apertando os parafusos de ancoragem de betão com o binário recomendado.

A Base também pode ser instalada diretamente em concreto fresco, permitindo que a Base fique nivelada com a superfície de montagem.

2. Instale o Sistema de Lança de Guindaste Modular M200 da 3M na Base.
 - Baixe o Poste de Montagem até que o Bloco de Rotação (A) esteja assente na Ranhura de Bloqueio (B) na Base (Figura 5.1).
 - Instale o Sistema de Lança de Guindaste Modular M200 da 3M na Base (Figura 5.2).
 - Aplique lubrificante no encaixe de entrada de lubrificante na Lança de Guindaste (Figura 5.3)

Insira a Tampa da Base na Base quando o Mastro não estiver na Base (Figura 5.4).

3,0 UTILIZAÇÃO

3,1 ANTES DE CADA UTILIZAÇÃO: Confirme que a sua área de trabalho e o sistema de proteção contra quedas cumprem todos os critérios definidos nestas instruções. Verifique se há um Plano de resgate formal em vigor. Inspeccione o sistema de acordo com os pontos de inspeção do "Utilizador" definidos no "Registo de Inspeção e Manutenção" (Tabela 2). Se a inspeção revelar condições perigosas ou defeituosas, ou se surgir alguma dúvida sobre o seu estado para garantir uma utilização segura, retire imediatamente o produto de serviço. Identifique-o claramente com a mensagem "NÃO UTILIZAR". Veja a Secção 4 para mais informações.

3 Pessoa autorizada: Uma pessoa designada pela entidade patronal para realizar trabalhos numa localização em que a pessoa estará exposta a perigo de queda.

4 Socorrista: Uma pessoa que utiliza o sistema de Resgate para realizar um resgate assistido.

3,2 ÁREA DE TRABALHO SEGURO: A área de trabalho seguro do braço da lança não se estende além do comprimento do próprio braço da lança. Consulte a Figura 6 para obter uma referência. Ao utilizar o Braço da Lança M200, o utilizador deve permanecer dentro da Área de Trabalho Seguro (A) indicada. Sair da Área de Trabalho Seguro para um Local Externo (B) é perigoso e pode resultar em ferimentos graves ou morte. Ao trabalhar num dos lados do Sistema de Lança de Guindaste M200, recomenda-se que o utilizador mantenha o ponto de ancoragem o mais próximo possível ao nível da cabeça (em suspensão). Isto minimizará o potencial de quedas com oscilação e qualquer distância de queda, além de garantir a segurança de um segundo utilizador, caso o primeiro utilizador caia.

Quando dois utilizadores estão ligados ao sistema, recomenda-se que a rotação do Braço da Lança seja bloqueado com o pino de rotação. Cada utilizador deve permanecer a 30 graus de cada lado do ponto de ancoragem e nunca trabalhar para além da extremidade do carril. Consulte o manual de instruções referente ao Braço da Lança M200 (5908372) para obter mais informações.

4,0 INSPEÇÃO

Após o equipamento ser retirado de serviço, não poderá ser colocado novamente em serviço até que seja confirmado por escrito que uma Pessoa Competente pode fazê-lo.

4,1 FREQUÊNCIA DE INSPEÇÕES: O produto deve ser inspecionado pelo utilizador antes de cada utilização e, adicionalmente, por uma Pessoa Competente que não o utilizador em intervalos que não ultrapassem um ano. Uma frequência mais alta de uso do equipamento e condições mais severas podem exigir o aumento da frequência das inspeções de pessoa competente. A frequência dessas inspeções deve ser determinada pela pessoa competente de acordo com as condições específicas do local de trabalho.

4,2 PROCEDIMENTOS DE INSPEÇÃO: Inspeccione este produto de acordo com os procedimentos listados na "Registo de inspeção e manutenção". A documentação de cada inspeção deve ser mantida pelo proprietário deste equipamento. Um registo de inspeção e manutenção deve ser colocado próximo do produto ou ser facilmente acessível aos utilizadores. Recomenda-se que o produto seja identificado com a data da próxima ou da última inspeção.

4,3 DEFEITOS: Se não for possível voltar a colocar a Base de Montagem no Piso em serviço devido a um defeito existente ou uma condição insegura, destrua o sistema ou entre em contacto com a 3M ou com um centro de reparação autorizado da 3M para discutir as possíveis reparações.

4,4 VIDA DO PRODUTO: A vida funcional da Base de Montagem no Piso é determinada pelas condições de trabalho e manutenção. Enquanto o produto passar os critérios de inspeção, poderá continuar a ser utilizado.

5,0 MANUTENÇÃO, ASSISTÊNCIA e ARMAZENAMENTO

Os equipamentos que precisam de manutenção ou estão programados para manutenção devem ter a etiqueta "NÃO UTILIZAR". Essas etiquetas de equipamento não devem ser removidas até que a manutenção seja realizada.

5,1 LIMPAR: Limpe periodicamente os componentes metálicos da Base de Montagem no Piso com uma escova suave, água morna e uma solução de sabão suave. Certifique-se de que as peças foram lavadas minuciosamente com água limpa.

5,2 ASSISTÊNCIA: Apenas a 3M ou terceiros com autorização escrita pela 3M podem efetuar reparações neste equipamento.

6,0 ETIQUETAS e MARCAÇÕES

6,1 ETIQUETAS: A Figura 8 ilustra as etiquetas existentes na Base de Montagem no Piso. As etiquetas devem ser substituídas se não estiverem presentes ou se não forem completamente legíveis. As informações fornecidas em cada etiqueta são as seguintes:

1	A) Leia as instruções B) Normas C) Raio de trabalho seguro:
2	A) Número de série B) Ano/mês de fabrico C) Número do modelo

Läs igenom, se till att du förstår och följ all säkerhetsinformation i denna bruksanvisning innan du använder detta Flexiguard-system. OM DETTA INTE GÖRS KAN DET LEDA TILL ALLVARLIGA SKADOR ELLER DÖDSFALL.

Dessa anvisningar måste tillhandahållas för den som ska använda denna utrustning. Spara dessa instruktioner för framtida referens.

Avsedd användning:

Flexiguard-systemet är avsett att användas som en del av ett komplett fallskydds- eller räddningssystem.

Användning för andra syften, inklusive men ej begränsat till, materialhantering, fritids- och idrottsaktiviteter eller andra aktiviteter som inte beskrivs i bruksanvisningarna eller installationsanvisningarna, godkänns inte av 3M och kan resultera i allvarlig skada eller dödsfall.

Systemet får endast användas av utbildade användare för professionellt bruk.

VARNING

Flexiguard-systemet är en del av ett personligt fallskydds- eller räddningssystem. Alla användare förväntas vara fullständigt utbildade i säker installation och användning av hela systemet. **Felaktig användning av systemet kan leda till allvarliga personskador eller dödsfall.** För korrekt val, användning, installation, underhåll och service hänvisas till alla bruksanvisningar för produkten och alla rekommendationer från tillverkaren, din arbetsledare eller 3M:s tekniska kundtjänst.

- **För att minska riskerna i samband med transport av ett Flexiguard-system som, om de inte undviks, kan leda till allvarliga personskador eller dödsfall:**
 - Säkerställ att systemet har säkrats och konfigurerats korrekt före transport. Se bruksanvisningen angående detaljerade krav för transport.
 - Transportera alltid med hastighet lägre än 8 km/tim och i lutningar mindre än 10 grader, eller enligt instruktioner i bruksanvisningen.
 - Säkerställ att systemet inte kan komma i kontakt med ovanliggande föremål eller elfaror under transport eller användning.
- **För att minska riskerna i samband med användning av ett Flexiguard-system som, om de inte undviks, kan leda till personskador eller dödsfall:**
 - Kontrollera alla komponenter i systemet före varje användning, minst en gång per år och efter varje fall. Utför kontrollen enligt bruksanvisningen.
 - Om ett osäkert eller defekt tillstånd upptäcks vid kontrollen ska utrustningen tas ur bruk och repareras eller bytas ut enligt bruksanvisningen.
 - Varje system som har utsatts för fallstopp eller fallkraft måste omedelbart tas ur bruk. Se bruksanvisningarna eller kontakta 3M Fall Protection.
 - Underlaget eller strukturen i vilken utrustningen fästs/positioneras måste kunna bära de statiska laster som anges för utrustningen i de riktningar som är tillåtna enligt bruksanvisningarna eller installationsanvisningarna.
 - Överskrid inte tillåtet antal användare enligt bruksanvisningen.
 - Anslut aldrig till ett system förrän detta har fullständigt monterats, positionerats, justerats och installerats. Justera inte systemet när en användare är ansluten.
 - Arbeta aldrig utanför säkert arbetsområde enligt definition i bruksanvisningen.
 - Anslut inte till systemet under pågående transport eller installation.
 - Tillämpa alltid 100 % avbindning vid förflyttning mellan förankringspunkter på systemet.
 - Iaktta försiktighet vid installation, användning och förflyttning av systemet då delar i rörelse kan ge upphov till klämpunkter.
 - Säkerställ att lämpliga procedurer för låsning/spärrning har följts när det är tillämpligt.
 - Koppla endast delsystem till fallskyddssystemets avsedda kopplingspunkter.
 - Säkerställ vid borring av hål för montering eller installation av systemet att inga elledningar, gasledningar eller andra kritiska material eller utrustningar kommer i kontakt med borren.
 - Se till att fallskyddssystem och delsystem som är monterade med komponenter från olika tillverkare är kompatibla och uppfyller kraven i tillämpliga standarder, inklusive ANSI Z359 eller andra tillämpliga regler, standarder eller krav på fallskydd. Anlita alltid en kompetent eller kvalificerad person före användning av dessa system.
- **För att minska risker för allvarlig skada eller dödsfall vid arbete på höga höjder:**
 - Se till att din hälsa och fysiska kondition medger att du säkert kan motstå alla krafter i samband med arbete på hög höjd. Rådgör med läkare om du har frågor kring din förmåga att använda den här utrustningen.
 - Överskrid aldrig din fallskyddsutrustnings godkända kapacitet.
 - Överskrid aldrig din fallskyddsutrustnings maximala avstånd för fritt fall.
 - Använd aldrig fallskyddsutrustning som inte godkänts vid inspektion före användning eller andra schemalagda inspektioner, eller om du är osäker på huruvida utrustningen kan användas eller lämpar sig för ditt tillämpningsområde. Vänd dig till 3M:s tekniska kundtjänst med eventuella frågor.
 - Vissa kombinationer av undersystem och komponenter kan störa utrustningens funktionsduglighet. Använd endast kompatibla kopplingar. Rådfråga 3M innan du använder denna utrustning i kombination med andra komponenter eller undersystem än de som beskrivs i bruksanvisningen.
 - Iaktta särskild försiktighet vid arbete i närheten av rörliga maskindelar (t.ex. toppspindel på oljerigg), elfara, höga temperaturer, farliga kemikalier, explosiva eller giftiga gaser, skarpa kanter eller under material som kan falla ner på dig eller din fallskyddsutrustning.
 - Använd Arc Flash- eller Hot Works-enheter vid arbete i miljöer med höga temperaturer.
 - Undvik ytor och föremål som kan skada användare eller utrustning.
 - Se till att det finns tillräcklig fallmarginal vid arbete på höga höjder.
 - Du skall aldrig modifiera eller ändra din fallskyddsutrustning. Endast 3M eller av 3M skriftligen auktoriserade parter får utföra reparationer på utrustningen.
 - Innan du använder fallskyddsutrustning skall du kontrollera att det finns en räddningsplan som medger snabb räddning vid eventuellt fall.
 - Om ett fall inträffar, bör arbetaren som fallit få omedelbar läkarvård.
 - Ett kroppsbalte får ej användas för fallstoppstillämpningar. Använd endast helkroppsselar.
 - Minimera risken för pendelfall genom att arbeta med förankringspunkten så rakt ovanför dig som möjligt.
 - Vid utbildning i användning av den här enheten måste ett andra fallskyddssystem användas för att inte utsätta personen som utbildas för en oavsiktlig fallrisk.
 - Använd alltid lämplig personlig skyddsutrustning vid installation, användning eller inspektion av enheten/systemet.

Anteckna informationen om produktidentifiering från ID-etiketten i besiktnings- och underhållsloggen innan denna utrustning används.

Denna golvmonterade bas kan endast användas med 3M modulärt svängbomssystem M200 som tillverkats av 3M. Försök inte använda den golvmonterade basen utan att först läsa bruksanvisning 5908372 för 3M modulärt svängbomssystem M200.

Tabell 1 – Specifikationer

Systemspecifikationer:	
Kompatibilitet:	De golvmonterade baserna som behandlas i dessa instruktioner är kompatibla med 3M™ DBI-SALA® Flexiguard™ modulärt svängbomssystem M200.
Standarder:	Designad och testad enligt CEN/TS 16415:2013 (Typ A), SS-EN 795:2012 (Typ A), OSHA 1926.502 och OSHA 1910.140.
Kapacitet:	Se instruktionerna 5908372 för 3M™ DBI-SALA® Flexiguard™ modulärt svängbomssystem M200.
Maximal stoppkraft:	Alla anslutande system (SRD-enheter, energiabsorberande kopplingslinor osv.) som används med den golvmonterade basen måste begränsa den maximala stoppkraften till 6 kN (1 350 lbf).
Vikt:	8530888: 120 kg (265 lb) 8530889: 171 kg (377 lb) 8530920: 64 kg (140 lb) 8530921: 107 kg (237 lb)

Komponentspecifikationer:	
Komponent	Material
Allmän konstruktion	Svetsat stål
Strukturmaterial	A36 stål
Basens ytbehandling	8530888 – Pulverlack 8530889 – zinkplätering, pulverlack
Baslock – 8530920	Aluminium, rostfri stålring, gummipackning

Monteringskrav:			
Modellnummer	Fästelementets minsta dragkraft	Monteringsstrukturens minsta momentbelastning	Monteringsstrukturens minsta vertikala belastning
8530888	4 257 kg (9 386 lb)	56 677 Nm (501 633 lb)**	1 506 kg (3 320 lb.) + basvikt + svängbomsvikt
8530889		56 677 Nm (501 633 lb)**	1 506 kg (3 320 lb.) + basvikt + svängbomsvikt
8530920			1 506 kg (3 320 lb.) + basvikt + svängbomsvikt

Information om krav på fästelementen finns i fästelementstillverkarens specifikationer.

1.0 ANVÄNDNING AV PRODUKTEN

- 1.1 SYFTE:** Den golvmonterade basen är konstruerad för att användas som en del av ett fallskyddssystem.
- 1.2 BESKRIVNING:** Den golvmonterade basen (figur 1) är konstruerad för att förankras i godkända strukturer och användas som monteringspunkt för 3M-godkänt modulärt svängbomssystem M200.
- 1.3 STANDARDER:** Golvmonteringsbasen överensstämmer med de nationella eller regionala standarder som anges på framsidan av dessa instruktioner. Om produkten säljs utanför det ursprungliga mottagarlandet ska återförsäljaren tillhandahålla dessa instruktioner på det språk som talas i det land där produkten kommer att användas.
- 1.4 ÖVERVAKNING:** Installation av denna utrustning måste övervakas av en kvalificerad person¹. Användning av denna utrustning ska övervakas av en kompetent person².
- 1.5 UTBILDNING:** Denna utrustning måste installeras och användas av personer som är utbildade för korrekt användning av den. Denna bruksanvisning ska vara utbildningsmaterial i ett personalutbildningsprogram enligt nationella, regionala eller lokala standarder. Användare och installatörer är ansvariga för att vara insatta i dessa instruktioner, utbildade i korrekt skötsel och användning av utrustningen samt insatta i utrustningens funktionsegenskaper, tillämpningsbegränsningar och konsekvenser av felaktig användning.
- 1.6 RÄDDNINGSPLAN:** När utrustningen och kopplade delsystem används måste arbetsgivaren ha en upprättad räddningsplan och resurser tillgängliga för införande av och information om räddningsplanen till användarna, behöriga personer³ och räddningspersonal⁴. Ett utbildat räddningsteam på plats rekommenderas. Teamets medlemmar ska förses med utrustning och metoder för att utföra en framgångsrik räddningsoperation. Regelbunden utbildning ska

1 Kvalificerad person: En person som har examen, betyg eller yrkesbefattning av godkänd typ, eller som genom omfattande kunskap, utbildning och erfarenhet har visat att de har fullgod förmåga att lösa problem som rör fallskydds- och räddningssystem enligt vad som krävs av tillämpliga nationella, regionala och lokala bestämmelser.

2 Kompetent person: En person som kan identifiera befintliga och förutsägbara risker i omgivningen, och hälsovådliga, riskfyllda eller farliga arbetsförhållanden för anställda och som har befogenhet att vidta omedelbara korrigerande åtgärder för att eliminera sådana risker och förhållanden.

3 Behörig person: En person som utsetts av arbetsgivaren att utföra arbeten på platser där personen utsätts för fallrisk.

4 Räddningspersonal: En person som använder räddningssystemet för att utföra en assisterad räddning.

tillhandahållas för att säkerställa räddningspersonalens kompetens.

- 1.7 EFTER ETT FALL:** Om utrustningen utsätts för fallstopp eller kollisioner ska den omedelbart tas ur bruk. Märk den tydligt med "FÅR EJ ANVÄNDAS". Mer information finns i avsnitt 4.

2.0 INSTALLATION

- 2.1 PLANERING:** Planera ditt fallskyddssystem innan du installerar golvmonteringsbasen. Ta hänsyn till alla faktorer som kan påverka säkerheten före, under och efter ett fall. Ta hänsyn till alla krav, begränsningar och specifikationer som anges i dessa anvisningar.

- 2.2 FÖRANKRING OCH FÄSTELEMENT:** Betongankare och monteringsverktyg ingår inte. Monteringsverktygen måste uppfylla minimikraven i tabell 1.

2.3 INSTALLATIONSSTEG FÖR 8530888:

1. Markera de förankringshål som ska borraras enligt layouten i figur 2.1.
 - Monteringsytan måste vara plan och ha en lutning som inte överstiger plus eller minus 1° (figur 2.2).
 - Se till att basen placeras på det smygavstånd från ytans kanter (B) som rekommenderas av fästelementstillverkaren. Välj fästelement som är lämpliga för monteringsytans materialtjocklek (A).
 - Borra varje hål enligt fästelementstillverkarens djupspecifikationer.
2. Installera den golvmonterade basen
 - Se till att monteringsytan är fri från skräp innan du sätter basen på plats.
 - Fäst basen på monteringsstrukturen enligt fästelementstillverkarens installationsanvisningar.
 - Se till att basen är inom plus eller minus 1° från vertikal (figur 2.2).
3. Installera 3M modulärt svängbomssystem M200 på basen (figur 3.1).
 - Installera 3M modulärt svängbomssystem M200 på basen.
 - Applicera fett på smörjnippeln på svängbommen (figur 3.2).

INSTALLATIONSSTEG FÖR 8530889:

1. Markera borrhålen på platsen för hylsan enligt layouten i figur 4.2.
 - Monteringsytan måste vara plan och får inte luta mer än plus eller minus 1° (figur 4.1).
 - Borra ett 167 mm (6,56 tum) diameters hål till ett djup på 578 mm (22,75 tum) i den befintliga betongen (figur 4.1).
 - Ta bort skräp från hålet och injicera epoxi (A) i hålet enligt tillverkarens anvisningar (figur 4.3).
 - Borra (4x) ytterligare förankringshål om monteringsstrukturen behöver ytterligare stöd baserat på de belastningar som anges i tabell 1.
 - Du kan använda ytterligare ankare för att säkra basen vid monteringsytan (figur 4.2).

Se till att ingen epoxi kommer in i ankaröppningen under installationen.

- Låt epoxin härda innan du fortsätter med nästa steg.
- Fäst basen vid den befintliga betongen genom att dra åt betongfästbultarna med det rekommenderade vridmomentet.

Basen kan också installeras direkt i färsk betong så att den hamnar i nivå med monteringsytan.

2. Installera 3M modulärt svängbomssystem M200 på basen.
 - Sänk ned monteringsstolpen tills rotationsblocket (A) vilar i låsspåret (B) i basen (figur 5.1).
 - Installera 3M modulärt svängbomssystem M200 på basen (figur 5.2).
 - Applicera fett på smörjnippeln på svängbommen (figur 5.3).

Sätt i bashöljet i basen när masten inte sitter i basen (figur 5.4).

3.0 ANVÄNDNING

- 3.1 FÖRE VARJE ANVÄNDNINGSTILLFÄLLE:** Kontrollera att ditt arbetsområde och fallskyddssystemet uppfyller alla kriterier som definieras i dessa instruktioner. Kontrollera att en formell räddningsplan har upprättats. Kontrollera systemet enligt kontrollpunkter under Användare som finns i "Besiktnings- och underhållslogg" (tabell 2). Om inspektionen avslöjar ett osäkert eller defekt tillstånd, eller om det uppstår tvivel om systemets skick för säker användning, ska du omedelbart ta systemet ur bruk. Märk systemet tydligt med "FÅR EJ ANVÄNDAS". Mer information finns i avsnitt 4.

- 3.2 SÄKERT ARBETSOMRÅDE:** Svängbommens säkra arbetsområde sträcker sig inte längre än själva svängbommen. Se figur 6 för information. När M200-svängbommen används ska användaren förbli inom det angivna säkra arbetsområdet (A). Det är farligt att lämna det säkra arbetsområdet och förflytta sig till en plats utanför detta (B). Det kan leda till allvarlig personskada eller dödsfall. Vid arbete på endera sidan av M200-svängsystemet rekommenderas det att användare håller förankringspunkten så rakt över huvudet som möjligt. Det minimerar risken för pendelfall och alla fallavstånd, och dessutom skyddas säkerheten för en andra användare om den första användaren faller.

När två användare är anslutna till systemet rekommenderas det att svängbommens rotation låses med låsspinnen. Mer information finns i avsnitt 3.2 i bruksanvisning 5908372 för M200-svängbommen. Varje användare måste hålla sig inom 30 grader av endera sida av förankringspunkten och får inte arbeta bortom änden av skenan.

4.0 BESIKTNING

När utrustningen har tagits ur bruk får den inte användas igen förrän en kompetent person skriftligen intygat att den får användas.

- 4.1 BESIKTNINGSINTERVALL:** Produkten ska besiktas av användaren före varje användning och dessutom av en kvalificerad person (annan än användaren) minst en gång per år. Hög användningsfrekvens och hårda förhållanden kan innebära att det krävs fler besiktningar som ska utföras av kvalificerade personer. Frekvensen för dessa besiktningar bestäms av den kvalificerade personen enligt arbetsplatsens specifika villkor.
- 4.2 INSPEKTIONSFÖRFARANDE:** Besiktiga den här produkten enligt procedurerna som anges i besiktning- och underhållsloggen. Ägaren till denna utrustning ska arkivera dokumentation om varje besiktning. En besiktning- och underhållslogg bör placeras nära produkten eller på annat sätt vara lättillgänglig för användarna. Det rekommenderas att produkten märks med datumet för kommande eller senaste genomförda besiktning.
- 4.3 DEFEKTER:** Om golvmonteringsbasen inte kan tas i bruk igen på grund av en befintlig defekt eller osäkert skick förstör du antingen systemet eller kontakter 3M eller ett 3M-auktoriserat servicecenter angående möjlig reparation.
- 4.4 PRODUKTENS LIVSLÄNGD:** Golvmonteringsbasens livslängd beror på arbetsförhållanden och underhåll. Produkten får användas så länge den uppfyller besiktningsskraven.

5.0 UNDERHÅLL, SERVICE och FÖRVARING

Utrustning som är i behov av underhåll eller har schemalagts för underhåll ska märkas "FÅR EJ ANVÄNDAS". Dessa utrustningstaggar ska inte tas bort förrän underhåll har utförts.

- 5.1 RENGÖRING:** Rengör regelbundet metallkomponenterna på golvmonteringsbasen med en mjuk borste, varmt vatten och mild tvållösning. Se till att tvätta av delarna grundligt med rent vatten.
- 5.2 SERVICE:** Endast 3M eller parter med skriftligt godkännande från 3M får reparera utrustningen.

6.0 ETIKETTER och MÄRKNINGAR

- 6.1 ETIKETTER:** Figur 8 visar de etiketter som finns på den golvmonterade basen. Etiketter som saknas eller inte är helt läsliga måste bytas ut. Följande information finns på varje etikett:

1	A) Läs alla anvisningar B) Standarder C) Säker arbetsradie
2	A) Serienummer B) Tillverkad (år/månad) C) Modellnummer

在使用此 Flexiguard 系统之前，请阅读、理解并遵守此类说明书中包含的所有安全信息。否则，可能导致重伤或死亡。

必须向本设备使用者提供这些使用说明书。保存好这些说明书，以备日后查阅。

预期用途：

此 Flexiguard 系统旨在作为完整坠落防护或救援系统的一部分来使用。

在 3M 并未允许的其他情形下使用本系统，包括但不限于物料搬运、娱乐或体育相关的活动，或者使用说明书中未描述的其他活动，可能造成重伤或死亡。

本系统只能由经过培训的使用者在工作场所使用。



警告

此 Flexiguard 系统是个人的坠落防护或救援系统的一部分。所有使用者都应接受有关安全安装和操作完整系统的充分培训。**对此系统的不当使用可能导致重伤或死亡。**为确保妥善选择、操作、安装、维护和维修，请参考所有产品说明和所有制造商建议、咨询您的主管或联系 3M 技术服务部门。

- **为了减少与 Flexiguard 系统运输相关的风险，此类风险如不能避免，将导致重伤或死亡：**
 - 确保在运输之前系统已正确固定或配置。有关详细的运输要求，请参阅用户使用说明书。
 - 仅能以低于 5 英里/小时（8 千米/小时）的速度和等于或小于 10° 的倾角运送，或按照用户说明书所述运输。
 - 确保系统在运输或使用过程中不会接触上方的物体，也没有电气危险。
- **为了减少与使用 Flexiguard 系统相关的风险，此类风险如不能避免，将导致重伤或死亡：**
 - 在每次使用前，至少每年一次，以及任何坠落事件后，根据使用说明书检查系统的所有组件。
 - 如果检查发现有任何不安全或有缺陷的状况，请停止使用，并按照用户说明书进行维修或更换。
 - 经受过坠落悬挂或冲击力的任何系统必须立即停止使用。请参考用户说明书或联系 3M 坠落防护。
 - 系统固定/放置的基板或安装结构必须能够承受用户使用说明书或安装说明中在允许的方向上为系统指定的静负载。
 - 请勿超过用户说明书中允许连接的人数。
 - 在完全组装、放置、调整和安装之前，切勿连接到系统。当使用者连接导系统时请勿调整系统。
 - 切勿在用户说明书定义的安全工作区域之外作业。
 - 请勿连接到正在运输或安装的系统。
 - 在系统上的挂点之间转换时，始终保持 100% 钩挂。
 - 安装、使用和移动系统时要小心，因为运动部件可能会造成潜在的夹伤点。
 - 使用时确保适当的上锁/挂牌程序得到遵守。
 - 系统上指定的挂点连接点只能用于连接防坠落子系统。
 - 当通过钻孔来组装或安装系统时，请确保钻头不会接触电线、燃气管道或其他关键物料或设备。
 - 确保由不同制造商生产的组件组装的坠落防护系统/子系统兼容并符合适用标准的要求，包括 ANSI Z359 或其他适用的坠落防护法规、标准或要求。在使用这些系统之前，请务必咨询合格人员或有资质的人员。
- **为了减少在高处作业的相关风险，此类风险如不能避免，可能导致重伤或死亡：**
 - 确保您的健康和身体条件允许您安全地承受与在高处作业相关的所有力量。如果您对是否有能力使用本设备有任何疑问，请咨询您的医生。
 - 绝对不要超过坠落防护设备允许的负载。
 - 绝对不要超过坠落防护设备的最大自由坠落距离。
 - 不要使用任何未能通过使用前或其他定期检查的坠落防护设备，或者如果您对设备在您的应用中的使用或适用性有疑虑，也不要使用。如有任何问题，请联系 3M 技术服务部门。
 - 有些子系统和组件之间的组合可能会干扰本设备的正常运行。仅使用可兼容的连接部件。在将本设备与用户说明书未列举的组件或子系统组合使用之前请咨询 3M。
 - 在运动的机械（例如钻井平台的顶部驱动）周围、电气危险、极端气温、化学危险、爆炸或有毒气体、尖锐边缘，或者上方的物料可能会掉落到您或您的坠落防护装备上等情况下使用时须格外注意。
 - 在高温环境中工作时，请使用防电弧火花或防高温设备。
 - 避免可能伤害使用者或设备的表面和物体。
 - 确保在高处作业时有足够的坠落间隙。
 - 切勿修改或更改坠落防护设备。仅 3M 或经 3M 授权的机构方能维修该设备。
 - 在使用坠落防护设备之前，确保有救援计划，以便在发生坠落事件时迅速救援。
 - 如果发生坠落事件，立即对坠落人员进行医疗救治。
 - 不要使用腰带用于坠落悬挂应用。只能使用全身式安全带。
 - 工作时请尽量位于挂点正下方，以尽量避免发生摆动坠落。
 - 如果使用本设备进行训练，则必须使用辅助坠落防护系统，避免让受训人员遭受意外坠落的危险。
 - 在安装、使用或检修设备/系统时必须始终穿着合适的个人防护装备。

在使用本设备之前，请将 ID 标签中的产品识别信息记入本手册的检查与维护记录表。

本地面安装基座只可与 3M 制造的 3M 模块化悬臂系统 M200 结合使用。未经事先查阅 3M 模块化悬臂系统 M200 使用说明 5908372，不得尝试使用地面安装基座。

表 1 – 规格

系统规格：			
兼容性：	本说明所涉及的地面安装基座与 3M™ DBI-SALA® Flexiguard™ 模块化悬臂系统 M200 兼容。		
标准：	按照 CEN/Ts 16415:2013 (Type A)、EN795:2012 (Type A)、OSHA 1926.502 和 OSHA 1910.140 标准设计和测试。		
负载能力：	请参见 3M™ DBI-SALA® Flexiguard™ 模块化悬臂系统 M200 使用说明书 5908372。		
最大下垂量：	有关系统最大下垂量的详细信息，请参阅 M200 悬臂说明手册 (5908372)。		
最大制动力：	与地面安装基座结合使用的所有连接子系统（速差器和缓冲式安全绳等）必须将最大制动力限制在 1,350 磅力（6 千牛）		
重量：	8530888: 265 磅 (120 千克) 8530889: 377 磅 (171 千克) 8530920: 140 磅 (64 千克) 8530921: 237 磅 (107 千克)		
组件规格：			
组件	材质		
一般结构	焊接钢		
结构材料	A36 钢		
基座表面处理	8530888 - 粉末涂层 8530889 - 镀锌，粉末涂层		
基座盖 - 8530920	铝，不锈钢环，橡胶垫		
安装要求：			
型号	最小紧固件抗拔力	安装结构最小力矩载荷	安装结构最小垂直载荷
8530888	9,386 磅 (4,257 千克)	501,633 英寸-磅 (56,677 牛-米)	3,320 磅 (1,506 千克) + 基座重量 + 悬臂重量
8530889	X	501,633 英寸-磅 (56,677 牛-米)	3,320 磅 (1,506 千克) + 基座重量 + 悬臂重量
8530920			
<input checked="" type="checkbox"/> 有关紧固件要求，请参见紧固件制造商的规格说明。			

1.0 产品应用

1.1 目的：地面安装基座作为坠落防护系统的一个组件来使用。

1.2 产品描述：地面安装基座（图 1）可锚固在适用结构上，用作 3M 批准的 M200 模块化悬臂系统的固定点。

1.3 标准：地面安装基座符合本使用说明封面上标识的国家或地区标准。如果在原始目的地国家以外转售该产品，则转售商必须使用产品所在国家的语言提供这些使用说明书。

1.4 监督：此设备的安装必须由有资质的人员监督¹。此设备的使用必须由合格人员监督²。

1.5 培训：本设备必须由接受过正确应用方面培训的人员安装和使用。本手册可用作国家、地区或地方标准要求的员工培训课程的一部分。本设备的使用者和安装者有责任确保自己熟悉这些使用说明，接受正确维护和使用本设备的相关培训，同时还应了解本设备的操作特点、应用局限性以及不当使用的后果。

1.6 救援方案：使用本设备和连接子系统时，雇主必须制定救援方案以及准备好实施该方案的手段，并将方案通知给使用者、授权人员³和救援人员⁴。建议成立一支训练有素的现场救援团队。应为团队成员提供执行成功救援所需的装备和技术。应定期提供培训以保证救援人员的熟练程度。

1.7 坠落之后：如果本设备已经承受过坠落悬挂或冲击力，则立即停止使用。清晰地标明“请勿使用”。请参阅第 4 节了解详细信息。

2.0 安装

2.1 规划：在安装地面安装基座之前规划坠落防护系统。考虑可能影响坠落之前、之中和之后安全的所有因素。考虑这些说明中定义的所有要求、限制和规格。

2.2 锚固件和紧固件：本产品不附带混凝土锚固件和安装紧固件。安装紧固件必须满足表 1 规定的最低要求。

1 有资质的人员：具有认可学位、证书或专业证书，或具有广博的知识、培训和经验，成功证明自己能够在 OSHA 或其他适用联邦、州和地方法规要求的范围内，解决与坠落防护系统有关的问题。

2 合格人员：能够识别周围环境或工作条件中不利员工健康或对其有危害或危险的现有和预期危险，同时亦有权采取及时纠正措施来消除这些危险的人员。

3 授权人员：由雇主指派到存在坠落危险的地点执行任务的人员。

4 救援人员：使用救援系统开展辅助救援的人员。

2.3 8530888 安装步骤:

- 按照图 2.1 布局标记锚固件钻孔位置。
 - 安装表面必须平整, 坡度不大于正负 1° (图 2.2)。
 - 根据紧固件制造商建议的避让距离 (B), 确保基座与安装表面的任一边缘都保持安全距离。选择适合安装表面的材料厚度 (A) 的紧固件。
 - 按照紧固件制造商的深度规格完成每个钻孔。
- 安装地面安装基座
 - 在将基座固定就位之前, 确保安装表面没有任何杂物。
 - 按照紧固件制造商的安装说明, 将基座固定在安装结构上。
 - 确保基座与垂直方向的偏差处于正负 1° 范围内 (图 2.2)。
- 将 3M 模块化悬臂系统 M200 安装在基座上 (图 3.1)。
 - 将 3M 模块化悬臂系统 M200 安装在基座上。
 - 通过悬臂上的润滑脂嘴向其涂抹润滑脂 (图 3.2)。

8530889 安装步骤:

- 按照图 4.2 布局标记需要钻孔的套筒位置。
 - 安装表面必须平整, 坡度不大于正负 1° (图 4.1)。
 - 在现有混凝土上, 钻一个 Ø6.56 英寸 (167 毫米), 深度为 22.75 英寸 (578 毫米) 的孔 (图 4.1)。
 - 从孔 (A) 清除碎屑并按制造商说明将环氧树脂注入孔中 (图 4.3)。
 - 根据表 1 规定的载荷, 如果安装结构需要额外的支撑, 额外再钻 (4 个) 锚固孔。
 - 可使用更多锚固件将基座固定在安装表面上 (图 4.2)。

安装期间, 确保环氧树脂不会进入锚固件开口。

- 先让环氧树脂固化, 再继续执行后续步骤。
- 按照建议扭矩拧紧混凝土锚固件螺栓, 将基座固定在现有混凝土上。

基座还可直接安装在新浇筑的混凝土中, 让基座与安装表面齐平。

- 将 3M 模块化悬臂系统 M200 安装在基座上。
 - 插入立杆, 直到旋转挡块 (A) 固定在基座锁定槽 (B) 中为止 (图 5.1)。
 - 将 3M 模块化悬臂系统 M200 安装在基座上 (图 5.2)。
 - 通过悬臂上的润滑脂嘴向其涂抹润滑脂 (图 5.3)。

在立杆未安装在基座中时, 将基座盖插入基座 (图 5.4)。

3.0 使用

3.1 每次使用前: 确认您的工作区域和坠落防护系统是否符合本说明中定义的所有标准。确定正式的救援方案是否已就位。根据“检查和维护记录” (表 2) 中“使用者”检查项来检查系统。如果检查发现存在不安全或有缺陷的情况, 或者对其安全使用状态有任何疑问, 则立即停止使用本产品。清楚地标明“请勿使用”。请参阅第 4 节了解详细信息。S

3.2 安全工作区域: 悬臂的安全工作区域不会超出悬臂自身的长度。请参见图 6。使用 M200 悬臂时, 使用者应待在指定安全工作区域 (A) 内。离开安全工作区域到外部位置 (B) 很危险, 可能导致重伤或死亡。在 M200 悬臂系统的任一侧工作时, 建议使用者尽可能确保挂点在头顶正上方。这可最大限度减小摆动坠落的可能性和坠落距离, 还能在第一名使用者坠落后确保第二名使用者的安全。

当两名使用者连接至系统时, 建议用旋转销锁定悬臂的旋转。每名使用者必须保持在挂点两侧 30 度范围内, 且不能超过滑轨末端。有关详细信息, 请参阅 M200 悬臂说明手册 (5908372)。

4.0 检查

停用设备后, 在合格人员书面确认可行性后才能重新投入使用。

4.1 检查频率: 在每次使用之前, 使用者必须检查本产品; 此外, 除了使用者之外, 还须由合格人员予以检查, 检查间隔期限不超过一年。如果设备使用频率较高且使用条件较恶劣, 则可能需要增加合格人员的检查频率。这些检查的频率应由合格人员根据具体作业现场条件确定。

4.2 检查程序: 根据“检查和维护记录”所列程序检查本产品。每次检查的文件应由本设备的所有者保留。检查和维护记录应放置在本产品附近或者使用者可轻松拿取的地方。建议产品标明下一次或上一次检查的日期。

4.3 缺陷: 如果地面安装基座因为存在缺陷或不安全条件无法重新投入使用, 则销毁系统或联系 3M 或 3M 授权的服务中心了解是否能进行维修。

4.4 产品使用寿命: 地面安装基座的有效使用寿命取决于工作条件和维护状况。只要产品通过检查标准, 即可继续投入使用。

5.0 维护、维修和存储

需要维护或计划维护的设备应贴上“请勿使用”的标签。在执行维护之前不应去除这些设备标签。

5.1 清洁: 使用软刷、温水和温和肥皂液定期清洁地面安装基座的金属组件。确保用清水彻底清洗组件。

5.2 维修: 仅 3M 或经 3M 书面授权机构方能维修该设备。

6.0 标签和标识

6.1 标签：图 8 显示地面安装基座上存在的标签。如果标签不存在或字迹不清晰，必须更换标签。每个标签上提供的信息如下：

①	A) 阅读说明书 B) 标准 C) 安全工作半径
②	A) 序列号 B) 制造年份/月份 C) 型号

<p align="center">GLOBAL PRODUKTGARANTI, BEGRÆNSEDE RETSMIDLER OG BEGRÆNSNING AF GARANTIFORPLIGTELSE</p> <p>GARANTI: FØLGENDE ERSTÅTTER ALLE GARANTIER ELLER BETINGELSER, UDTRYKKELIGE ELLER UNDERFORSTÅEDE, HERUNDER DE UNDERFORSTÅEDE GARANTIER ELLER BETINGELSER FOR SALGBARHED ELLER EGNETHED TIL ET SPECIFIKT FORMÅL.</p> <p>Bortset fra hvad der sikres ved gældende love, er 3M's produkt til faldsikring omfattet af en garanti mod fabriksdefekter i den håndværksmæssige udførelse og materialer i en periode på et år fra installationsdatoen eller den første ejers ibrugtagningstidspunkt.</p> <p>BEGRÆNSEDE RETSMIDLER: Ved skriftlig henvendelse til 3M vil 3M reparere eller erstatte ethvert produkt, der af 3M vurderes at have en fabriksdefekt i den håndværksmæssige udførelse eller materialer. 3M forbeholder sig ret til at kræve produktet returneret til dets anlæg for at vurdere krav om garanti. Denne garanti dækker ikke skade på produktet slid, misbrug, forkert brug, transportskade, manglende vedligeholdelse af produktet eller anden skade uden for 3M's kontrol. 3M vil alene fastslå produktets tilstand og mulighederne for garanti.</p> <p>Denne garanti gælder kun for den oprindelige køber og er den eneste garanti gældende for 3M's produkter til faldsikring. Kontakt venligst 3M's kundeserviceafdeling i dit område for at få hjælp.</p> <p>BEGRÆNSNING AF GARANTIFORPLIGTELSE: I DEN UDSTRÆKNING DET TILLADES AF LOKALE LOVE ER 3M IKKE ANSVARLIG FOR NOGEN INDIREKTE, TILFÆLDIGE, SPECIELLE ELLER PÅFØLGENDE SKADER, HERUNDER MEN IKKE BEGRÆNSET TIL TAB AF FORTJENESTE, DER PÅ NOGEN MÅDE ER RELATERET TIL PRODUKTERNE UANSET DEN UDLAGTE JURIDISKE TEORI.</p>	<p align="center"> Globale Produktgarantie, Beschränktes Rechtsmittel und Haftungsbegrenzung</p> <p>GARANTIE: FOLGENDES GILT STELLVERTRETEND FÜR ALLE GARANTIEEN ODER BEDINGUNGEN, EINSCHLIESSLICH STILLSCHWEIGEND ANGENOMMENER GARANTIEEN ODER BEDINGUNGEN HINSICHTLICH DER TAUGLICHKEIT ODER EIGNUNG FÜR EINEN BESTIMMTEN ZWECK.</p> <p>Soweit gesetzlich nicht anders vorgeschrieben, werden bei 3M-Produkten für die Absturzicherung werksseitige Mängel bei Verarbeitung und Material für einen Zeitraum von einem Jahr ab dem Datum der Installation oder der erstmaligen Benutzung durch den ursprünglichen Eigentümer garantiert.</p> <p>BESCHRÄNKTES RECHTSMITTEL: Nach schriftlicher Mitteilung an 3M wird 3M jedes Produkt ersetzen oder austauschen, bei dem durch 3M ein werksseitiger Material- oder Verarbeitungsfehler festgestellt wird. 3M behält sich das Recht vor, die Rücksendung des Produkts an das Werk zur Beurteilung der Garantieansprüche zu verlangen. Unter dieser Garantie sind keine Schäden am Produkt gedeckt, die auf Verschleiß, Missbrauch, Transportschäden, Versäumnis der Instandhaltung des Produkts oder sonstige außerhalb der Kontrolle von 3M liegende Schäden zurückzuführen sind. 3M trifft allein die Entscheidung über Produktzustand und Garantioptionen.</p> <p>Diese Garantie gilt ausschließlich für den ursprünglichen Käufer und ist die einzige, die für Absturzicherungsprodukte von 3M maßgeblich ist. Kontaktieren Sie bitte die Kunden-Service-Abteilung, um Unterstützung zu erhalten.</p> <p>HAFTUNGSBESCHRÄNKUNG: SOWEIT NACH GELTENDEM RECHT ZULÄSSIG, IST 3M NICHT HAFTBAR FÜR UNMITTLBARE, MITTELBARE, BESONDERE SCHÄDEN ODER FOLGESCHÄDEN JEDER ART, EINSCHLIESSLICH VON VERLUST VON GEWINN, DER IM ZUSAMMENHANG MIT DEN PRODUKTEN ENTSTEHT, UNGEACHTET DER ANGEFÜHRTEN RECHTSTHEORIE.</p>
<p align="center">GARANTÍA GLOBAL DE PRODUCTO, COMPENSACIÓN LIMITADA Y LIMITACIÓN DE RESPONSABILIDAD</p> <p>GARANTÍA: LAS SIGUIENTES DISPOSICIONES PREVALECEÁN SOBRE CUALQUIER GARANTÍA O CONDICIÓN, EXPRESA O IMPLÍCITA, INCLUIDAS LAS CONDICIONES O GARANTÍAS IMPLÍCITAS DE COMERCIABILIDAD O IDONEIDAD PARA UN FIN ESPECÍFICO.</p> <p>Salvo que la legislación local estipule lo contrario, los productos de protección contra caídas de 3M están garantizados contra defectos de fabricación de mano de obra y materiales durante un periodo de un año a partir de la fecha de instalación o del primer uso por parte del propietario original.</p> <p>COMPENSACIÓN LIMITADA: Tras recibir comunicación por escrito, 3M reparará o sustituirá los productos que considere que tienen un defecto de fabricación de mano de obra o materiales. 3M se reserva el derecho a solicitar la devolución del producto a sus instalaciones para evaluar las reclamaciones de garantía. Esta garantía no cubre los daños en el producto resultantes de desgaste, mal uso, uso indebido, daños durante el tránsito, mantenimiento inapropiado del producto o daños que escapen al control de 3M. 3M será el único con derecho a determinar el estado del producto y las opciones de garantía.</p> <p>Esta garantía puede ser utilizada únicamente por el comprador original y es la única que cubre los productos de protección contra caídas de 3M. Si necesita ayuda, póngase en contacto con el departamento de servicios de atención al cliente de 3M.</p> <p>LIMITACIÓN DE RESPONSABILIDAD: EN LA MEDIDA QUE LO PERMITA LA LEGISLACIÓN LOCAL, 3M NO SE RESPONSABILIZARÁ DE LOS DAÑOS INDIRECTOS, FORTUITOS, ESPECIALES O RESULTANTES, INCLUIDA LA PÉRDIDA DE GANANCIA, RELACIONADOS DE MANERA ALGUNA CON LOS PRODUCTOS, INDEPENDIENTEMENTE DE LOS FUNDAMENTOS LEGALES QUE SE ALEGUEN.</p>	<p align="center"> Globaali Tuotetakuu, Rajattu Korvaus ja Vastuunrajoitus</p> <p>TAKUU: SEURAAVA ON LAADITTU KAIKKIEN SUORIEN TAI EPÄSUORIEN TAKUIDEN TAI EHTOJEN SIJAJAN, MUKAAN LUKIEN EPÄSUORAT TAKUUT MYNTIKELPOISUUDESTA TAI SOPIVUUDESTA TIETYYN TARKOITUKSEEN.</p> <p>Ellei muutoin paikallisissa laeissa säädetä, 3M-putoamisenestotuotteilla on yhden vuoden takuu valmistusvirheitä ja materiaalivirheitä koskien asennuspäivästä tai alkuperäisen käyttäjän ensimmäisestä käyttöpäivästä alkaen.</p> <p>RAJATTU KORVAUS: Kirjallisella 3M:lle lähetetyllä ilmoituksella 3M korjaa tai vaihtaa kaikki tuotteet, joissa on 3M:n määrätelmällä valmistus- tai materiaalivirhe. 3M pidättää oikeuden vaatia tuotetta palautettavaksi tehtäville takuuvaihtumisten arvioimiseksi. Tämä takuu ei kata kulunmista, tuotteen väärinkäytöstä, kuljetusvahingoista tai tuotteen epäonnistuneesta huollosta aiheutunutta vauriota tai muuta vauriota, johon 3M ei pysty vaikuttamaan. Tuotteen kunnonsta ja takuuvaihtoehtoista päätökseen tekee ainoastaan 3M.</p> <p>Tämä takuu koskee vain alkuperäistä ostajaa, ja sitä sovelletaan ainoastaan 3M:n putoamisenestotuotteisiin. Ota yhteyttä paikalliseen 3M:n asiakaspalveluun saadaksesi apua.</p> <p>VASTUUNRAJOITUS: PAIKALLISTEN LAKIEN SALLIMISSA MÄÄRIN 3M EI OLE VASTUUSSA MISTÄÄN EPÄSUORASTA, SATTUMANVARAISESTA, ERITYISESTÄ TAI AIHEUTUNEESTA VAHINGOSTA, MUKAAN LUKIEN, MUTTA SIIHEN KAITENKAAN RAJOITTUMATTA, TUOTTOJEN MENETTÄMINEN, MILLÄÄN TAVALLA TUOTTEISIIN LIITTYEN OIKEUSTEORIASTA HUOLIMATTA.</p>
<p align="center">GARANTIE PRODUIT INTERNATIONALE, RECOURS LIMITÉ ET LIMITATION DE LA RESPONSABILITÉ</p> <p>GARANTIE: LES DISPOSITIONS SUIVANTES SONT PRISES EN LIEU ET PLACE DE TOUTES LES GARANTIES OU CONDITIONS, EXPRESSES OU IMPLICITES, Y COMPRIS LES GARANTIES OU CONDITIONS IMPLICITES DE QUALITÉ MARCHANDE OU D'ADAPTATION À UN USAGE SPÉCIFIQUE.</p> <p>À moins d'un conflit avec une législation locale, les produits antichute de 3M sont garantis contre les défauts de fabrication en usine et de matériaux pendant une période d'un an à compter de la date d'installation ou de la première utilisation par le propriétaire initial.</p> <p>RECOURS LIMITÉ : Sur demande écrite à 3M, 3M s'engage à réparer ou remplacer tout produit considéré par 3M comme souffrant d'un défaut de fabrication en usine ou de matériaux. 3M se réserve le droit d'exiger que le produit lui soit retourné pour une évaluation de la réclamation au titre de la garantie. Cette garantie ne couvre pas les dommages du produit liés à l'usage, aux abus, à la mauvaise utilisation, aux dommages liés aux transports, au manque d'entretien du produit ou tout autre dommage indépendant du contrôle de 3M. 3M sera l'unique juge de la condition du produit et des options de la garantie.</p> <p>Cette garantie ne s'applique qu'au propriétaire initial et elle constitue l'unique garantie s'appliquant aux produits antichute de 3M. Veuillez contacter le service à la clientèle 3M de votre région pour obtenir de l'assistance.</p> <p>LIMITATION DE LA RESPONSABILITÉ : DANS LES MESURES PERMISES PAR LA LÉGISLATION LOCALE, 3M N'EST PAS RESPONSABLE POUR TOUT DOMMAGE INDIRECT, ACCESSOIRE, SPÉCIFIQUE OU CONSÉCUTIF, Y COMPRIS, MAIS SANS S'Y LIMITER, LA PERTE DE PROFITS, LIÉE DE QUELQUE MANIÈRE QUE CE SOIT AUX PRODUITS, MALGRÉ LA THÉORIE JURIDIQUE REVENDIQUÉE.</p>	<p align="center"> Garanzia Globale sul Prodotto, Rimedio Limitato e Limitazione di Responsabilità</p> <p>GARANZIA: LA SEGUENTE GARANZIA SOSTITUISCE TUTTE LE GARANZIE O CONDIZIONI, ESPRESSE O IMPLICITE, COMPRESI LE GARANZIE O CONDIZIONI IMPLICITE DI COMMERCIALITÀ O IDONEITÀ PER UN PARTICOLARE SCOPO.</p> <p>Salvo ove diversamente specificato dalle leggi locali, i prodotti di protezione anticaduta 3M sono garantiti da difetti di fabbricazione e dei materiali per un periodo di un anno dalla data di installazione o di primo utilizzo da parte del proprietario originale.</p> <p>RIMEDIO LIMITATO: previa comunicazione scritta a 3M, 3M riparerà o sostituirà qualsiasi prodotto in cui 3M avrà individuato un difetto di fabbricazione o di materiali. 3M si riserva il diritto di richiedere la restituzione del prodotto all'impianto per la valutazione della richiesta di risarcimento in garanzia. La presente garanzia non copre i danni al prodotto causati da usura, abuso, utilizzo errato, trasporto o mancata manutenzione del prodotto o altri danni avvenuti fuori dal controllo di 3M. 3M è la sola che potrà giudicare le condizioni del prodotto e le opzioni di garanzia.</p> <p>La presente garanzia è valida solo per l'acquirente originale ed è l'unica applicabile ai prodotti di protezione anticaduta 3M. Per assistenza, contattare il Servizio Clienti di 3M della propria area.</p> <p>LIMITAZIONE DI RESPONSABILITÀ: NELLA MISURA CONSENTITA DALLE LEGGI LOCALI, 3M NON RISPONDE DI EVENTUALI DANNI INDIRETTI, INCIDENTALI, SPECIALI O CONSEGUENZIALI COMPRESI, SENZA LIMITAZIONE, DANNI PER PERDITA DI PROFITTO, IN QUALSIASI MODO COLLEGATI AI PRODOTTI INDIPENDENTEMENTE DALLA TEORIA LEGALE ASSERTITA.</p>
<p align="center"> グローバル製品保証、救済手段の制限 および責任の制限</p> <p>保証: 以下は、商品性または特定の目的への適合性の黙示的な保証または条件を含む明示的または黙示的なあらゆる保証または条件に代わって作成されています。</p> <p>地域法で別途定められていない限り、3Mの墜落防止用製品は製造上または材質における欠陥に対して設置日または最初の所有者の最初の使用日から1年間、保証されます。</p> <p>救済手段の制限: 3Mへの書面による通知により、3Mは3Mが製造上または材質に欠陥があると判断する製品の修理または交換を行います。3Mは補償請求の査定のために3Mの施設に製品を送送するよう求める権利を留保します。本保証は消耗、乱用、誤用による製品損傷、輸送中の損害、製品を正しく保全しなかったことによる損害、または3Mの管理下でないその他の損害は対象となりません。製品の状態および保証の選択版については3Mだけが判断を下します。</p> <p>本保証は最初の購入者のみを対象とし、墜落防止用製品に対する3Mの唯一の保証となります。何かお困りのことがあれば、3Mの地域のカスタマーサービスにお問い合わせください。</p> <p>責任の制限: 地域法で許容される範囲において、主張される法理論にかかわらず、製品に何らかのたかちて関連する利益の損失を含みこれに限られない間接的、偶発的、特別、派生的な損害に対して3Mは一切責任を負いません。</p>	<p align="center"> Wereldwijde Productgarantie, Beperkte Verhaalsmogelijkheid en Beperving van Aansprakelijkheid</p> <p>GARANTIE: DE VOLGENDE BEPALING VERVANGT ALLE GARANTIES OF VOORWAARDEN, EXPLICIET OF IMPLICIET, INCLUSIEF DE IMPLICIETE GARANTIES OF VOORWAARDEN VAN VERKOOPBAARHEID OF GESCHIKTHEID VOOR EEN BEPAALD DOEL.</p> <p>Tenzij anders is bepaald door lokale wetgeving, zijn valbeschermingsproducten van 3M voorzien van een garantie op fabriksfouten of fabricage- en materiaalgebreken gedurende een periode van één jaar na de datum van installatie of het eerste gebruik door de oorspronkelijke eigenaar.</p> <p>BEPERKTE VERHAALSMOGELIJKHEID: Na schriftelijke kennisgeving aan 3M zal 3M eender welk product repareren of vervangen waarvan 3M heeft vastgesteld dat het een fabrieksfout heeft door een fabricage- of materiaalgebrek. 3M behoudt zich het recht voor om te eisen dat het product naar zijn vestiging wordt getourneerd om garantieanspraken te beoordelen. Deze garantie is niet van toepassing op productschade door slijtage, oneigenlijk gebruik, misbruik, transportschade, nalatigheid bij onderhoud van het product of andere schade vanover 3M geen controle heeft. 3M zal als enige oordelen over de toestand van het product en garantiopties.</p> <p>Deze garantie is alleen van toepassing op de oorspronkelijke koper en is de enige garantie die van toepassing is op valbeschermingsproducten van 3M. Neem contact op met de klantendienst van 3M voor uw regio als u assistentie wenst.</p> <p>BEPERKING VAN AANSPRAKELIJKHEID: VOOR ZOVER TOEGESTAAN DOOR LOKALE WETGEVING, IS 3M NIET AANSPRAKELIJK VOOR ENIGE INDIREKTE, INCIDENTELE, SPECIALE OF GEVOLGSCHADE, INCLUSIEF, MAAR NIET BEPERKT TOT, WINSTVERLIES, DIE OP ENIGE WIJZE VERBAND HOUDT MET DE PRODUCTEN, ONGEACHT DE RECHTSLEER DIE WORDT AANGEHAALD.</p>
<p align="center"> GLOBAL PRODUKTGARANTI, BEGRÆNSET AVHJÆLP OG BEGRÆNSNING AV ERSTATNINGSANSVAR</p> <p>GARANTI: DET FØLGENDE KOMMER I STEDET FOR ALLE GARANTIER ELLER VILKÅR, UTTRYKKELIGE ELLER UNDERFORSTÅTTE, INKLUDERT DE UNDERFORSTÅTTE GARANTIER ELLER VILKÅRENE OM SALGBARHED ELLER EGNETHED FOR ET BESTEMT FORMÅL.</p> <p>Med mindre annet er bestemt av lokale lover, er 3M's fallsikringsprodukter garantert mot fabriksjonsfeil i håndverksmessig utførelse og materialer for en periode på ett år fra installasjonsdatoen eller første bruk av den opprinnelige eieren.</p> <p>BEGRÆNSET AVHJÆLP: Ved skriftlig melding til 3M, vil 3M reparere eller erstatte ethvert produkt som av 3M fastslås å ha en fabriksjonsfeil i den håndverksmessige utførelse eller materialer. 3M forbeholder seg retten til å kreve at produktet blir levert tilbake til fabrikk for evaluering av garantikrav. Denne garantien dekker ikke produktskade grunnet slitasje, misbruk, skade i transit, unnlattelse av å vedlikeholde produktet eller annen skade utenfor 3M's kontroll. 3M vil være den eneste til å bedømme produktvilkår og garantialternativer.</p> <p>Denne garantien gjelder kun den opprinnelige kjøperen og er den eneste garantien som er anvendelig for 3M's fallsikringsprodukter. Venligst kontakt 3M's kundeserviceavdeling i ditt område for hjelp.</p> <p>BEGRÆNSNING AV ERSTATNINGSANSVAR: I DEN UTSTREKNING DET ER TILLATT AV LOKALE LOVER, ER IKKE 3M ERSTATNINGSANSVARLIG FOR NOEN SOM HELST INDIREKTE, HENDELIGE, SPECIELLE ELLER FØLGEMESSIGE SKADER INKLUDERT, MEN IKKE BEGRÆNSET TIL TAB AV FORTJENESTE, PÅ NOEN SOM HELST MÅTE FORBUNDET MED PRODUKTENE, UAVHÆNGIG AV HVILKEN JURIDISK TEORI SOM PÅBEROPEES.</p>	<p align="center"> Garanzia Global de Produtos, Recurso Limitado e Limitação de Responsabilidades</p> <p>GARANTIA: OS SEQUINTE TERMOS SUBSTITUEM TODAS AS GARANTIAS OU CONDIÇÕES, EXPRESAS OU IMPLÍCITAS, INCLUINDO AS GARANTIAS OU CONDIÇÕES DE COMERCIALIZAÇÃO OU ADEQUAÇÃO PARA UM FIM ESPECÍFICO.</p> <p>A menos que o contrário seja estipulado por leis locais, os produtos de proteção contra quedas da 3M possuem garantia contra defeitos de fábrica na fabricação e nos materiais por um período de um ano a partir da data da instalação ou do primeiro uso por parte do proprietário original.</p> <p>RECURSO LIMITADO: mediante aviso por escrito à 3M, a 3M reparará ou substituirá qualquer produto que a 3M determine que tenha um defeito de fábrica na fabricação ou nos materiais. A 3M reserva-se o direito de exigir que o produto seja devolvido à sua instalação para a avaliação das reclamações de garantia. Esta garantia não cobre danos ao produto resultantes de desgaste, abuso, uso inadequado, danos durante o transporte, falhas na manutenção do produto ou outros danos que estejam fora do controle da 3M. A 3M será a única a poder avaliar as condições do produto e as opções de garantia.</p> <p>Esta garantia aplica-se apenas ao comprador original e é a única garantia que se aplica a produtos de proteção contra quedas da 3M. Entre em contato com o departamento de atendimento ao cliente da 3M de sua região para obter assistência.</p> <p>LIMITAÇÃO DE RESPONSABILIDADE: DENTRO DOS LIMITES PERMITIDOS POR LEIS LOCAIS, A 3M NÃO SERÁ RESPONSÁVEL POR QUAISQUER DANOS INDIRETOS, INCIDENTAIS, ESPECIAIS OU CONSEQUENTES, INCLUINDO, MAS SEM SE LIMITAR A PERDA DE LUCROS, DE ALGUMA FORMA RELACIONADOS A PRODUTOS, INDEPENDENTEMENTE DA TEORIA JURÍDICA ALEGADA.</p>

**GLOBAL PRODUKTGARANTI, BEGRÄNSAD KOMPENSATION
OCH BEGRÄNSAD ANSVARSSKYLDIGHET**

GARANTI: FÖLJANDE GÄLLER SOM ERSÄTTNING FÖR ALLA GARANTIER ELLER VILLKOR, UTTRYCKLIGA ELLER UNDERFÖRSTÅDDA, INKLUSIVE UNDERFÖRSTÅDDA GARANTIER ELLER VILLKOR FÖR SÄLJBARHET ELLER LÄMPLIGHET FÖR ETT VISST ÄNDAMÅL.

Såvida inte annat stipuleras i lokala lagar, garanteras 3M:s fallskyddsprodukter mot fabriktionsfel avseende tillverkning och material under en period av ett år från datum för ursprunglig ägares installation eller första användning.

BEGRÄNSAD KOMPENSATION: Efter skriftlig avisering till 3M, kommer 3M att reparera eller byta ut varje produkt, som av 3M fastställts vara behäftad med fabriktionsfel vad gäller tillverkning eller material. 3M förbehåller sig rätten att kräva att produkt returneras till företagets anläggning för utvärdering av garantianspråk. Denna garanti omfattar inte produktskada till följd av slitage, felaktig användning, missbruk, skada under transport, underlåtenhet att sköta produkten eller annan skada utom 3M:s kontroll. 3M är ensam bedömare av produktskick och garantialternativ.

Denna garanti avser enbart den ursprungliga köparen och är den enda garanti som gäller för 3M:s fallskyddsprodukter. Kontakta 3M:s kundtjänstavdelning i din region för assistans.

BEGRÄNSNING AV ANSVARSSKYLDIGHET: I DEN OMFATTNING SOM TILLÅTS AV LOKALA LAGAR, ANSVARAR 3M INTE FÖR NÅGRA INDIREKTA, OFÖRUTSEDDA, SPECIELLA ELLER FÖLJDSKADOR, INKLUSIVE MEN INTE BEGRÄNSAT TILL FÖRLUST AV VINSTER, VILKA PÅ NÅGOT SÄTT HÄNFÖRTS TILL PRODUKTERNA, OAVSETT HÄVDAD RÄTTSLIG GRUND.

全球产品质保、有限补救和责任限制

质量保证 已制定了以下保证条款,以代替原来所有明示或暗示的质量保证或条件,包括对适销性或特定用途适用性的暗示保证或条件。

除非当地法律另有规定,否则 3M 坠落防护系列产品保证在工艺和材料方面不存在任何出厂缺陷,本质量保证期始于原始所有人安装或初次使用之日起一年内。

有限补救: 在向 3M 发出书面通知后,3M 将修复或更换经 3M 确认在工艺或材料方面存在出厂缺陷的任何产品。3M 保留要求将产品返回其设施的权利,以供保证期索赔之评估。本保证不涵盖因产品磨损、滥用、误用、运输中受损、疏于保养而造成的产品损坏或超出 3M 控制范围的其他损坏。3M 将作为产品状况和质量保证选择的唯一鉴定者。

本保证仅适用于原始买家,并且是适用于 3M 坠落防护系列产品的唯一保证。请联系您所在地区的 3M 客户服务部,以寻求帮助。

责任限制: 在当地法律允许的范围内,3M 概不对任何间接、附带、特殊或相应而生的损害赔偿负责(包括但不限于以任何方式所导致的与产品相关之利润损失),无论索赔方的法理主张如何。

GLOBAL PRODUCT WARRANTY, LIMITED REMEDY AND LIMITATION OF LIABILITY

WARRANTY: THE FOLLOWING IS MADE IN LIEU OF ALL WARRANTIES OR CONDITIONS, EXPRESS OR IMPLIED, INCLUDING THE IMPLIED WARRANTIES OR CONDITIONS OF MERCHANTABILITY OR FITNESS FOR A PARTICULAR PURPOSE.

Unless otherwise provided by local laws, 3M fall protection products are warranted against factory defects in workmanship and materials for a period of one year from the date of installation or first use by the original owner.

LIMITED REMEDY: Upon written notice to 3M, 3M will repair or replace any product determined by 3M to have a factory defect in workmanship or materials. 3M reserves the right to require product be returned to its facility for evaluation of warranty claims. This warranty does not cover product damage due to wear, abuse, misuse, damage in transit, failure to maintain the product or other damage beyond 3M's control. 3M will be the sole judge of product condition and warranty options.

This warranty applies only to the original purchaser and is the only warranty applicable to 3M's fall protection products. Please contact 3M's customer service department in your region for assistance.

LIMITATION OF LIABILITY: TO THE EXTENT PERMITTED BY LOCAL LAWS, 3M IS NOT LIABLE FOR ANY INDIRECT, INCIDENTAL, SPECIAL OR CONSEQUENTIAL DAMAGES INCLUDING, BUT NOT LIMITED TO LOSS OF PROFITS, IN ANY WAY RELATED TO THE PRODUCTS REGARDLESS OF THE LEGAL THEORY ASSERTED.



Fall Protection

USA

3833 SALA Way
Red Wing, MN 55066-5005
Toll Free: 800.328.6146
Phone: 651.388.8282
Fax: 651.388.5065
3Mfallprotection@mmm.com

Brazil

Rodovia Anhanguera, km 110
Sumaré - SP
CEP: 13181-900
Brasil
Phone: 0800-013-2333
falecoma3m@mmm.com

Mexico

Av. Santa Fe No. 190
Col. Santa Fe, Ciudad de Mexico
CP 01219, Mexico
Phone: 01 800 120 3636
3msaludocupacional@mmm.com

Canada

260 Export Boulevard
Mississauga, ON L5S 1Y9
Phone: 905.795.9333
Toll-Free: 800.387.7484
Fax: 888.387.7484
3Mfallprotection-ca@mmm.com

EMEA (Europe, Middle East, Africa)

EMEA Headquarters:
Le Broc Center
Z.I. 1re Avenue - BP15
06511 Carros Le Broc Cedex
France
Phone: + 33 04 97 10 00 10
Fax: + 33 04 93 08 79 70
informationfallprotection@mmm.com

Australia & New Zealand

137 McCredie Road
Guildford
Sydney, NSW, 2161
Australia
Toll-Free : 1800 245 002 (AUS)
Toll-Free : 0800 212 505 (NZ)
3msafetyaucs@mmm.com

Asia

Singapore:
1 Yishun Avenue 7
Singapore 768923
Phone: +65-6450 8888
Fax: +65-6552 2113
TotalFallProtection@mmm.com

China:

38/F, Maxdo Center, 8 Xing Yi Rd
Shanghai 200336, P R China
Phone: +86 21 62753535
Fax: +86 21 52906521
3MFallProtection-CN@mmm.com

Korea:

3M Korea Ltd
20F, 82, Uisadang-daero,
Yeongdeungpo-gu, Seoul
Phone: +82-80-033-4114
Fax: +82-2-3771-4271
TotalFallProtection@mmm.com

Japan:

3M Japan Ltd
6-7-29, Kitashinagawa, Shinagawa-ku, Tokyo
Phone: +81-570-011-321
Fax: +81-3-6409-5818
psd.jp@mmm.com

WEBSITE:
3M.com/FallProtection



EU DECLARATION OF CONFORMITY:
3M.com/FallProtection/DOC