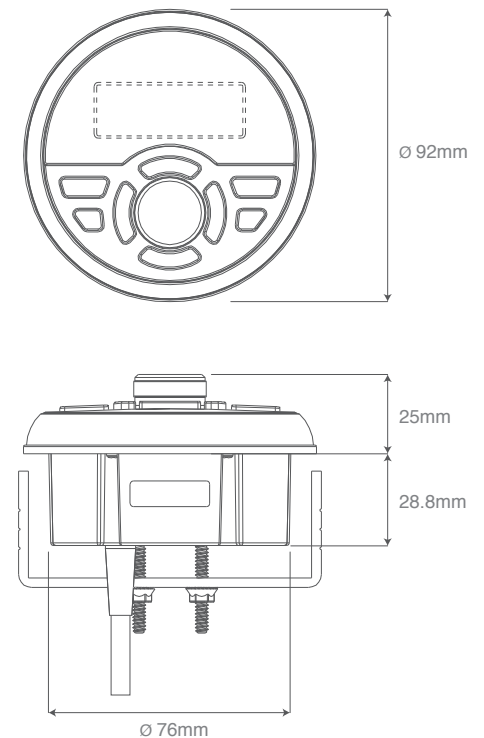


WR6 WIRED REMOTE CONTROL



DIMENSIONS



SPECIFICATIONS

Type:	Wired Flush-Mount Remote Control
LCD:	Yes
Power Requirement:	12V DC, 50mA (off Source Unit)
Standby Power:	0.3mA
Waterproof:	Yes - IP65 & CFR46 compliant
UV Protection:	Yes - ASTM D4329 compliant, 500hrs stable
Salt/Fog Protection:	Yes - ASTM B117 compliant, 500hrs stable
Outside Diameter:	92mm
Mounting Depth:	28.8mm
Cut-out Diameter:	76mm
Additional Features:	Polished Stainless Steel Bezel
Accessories:	Extension cables: EXT-3(6) (3ft), EXT-24(6) (24ft), AQ-Y-1(6) (Y-cable/splitter) all sold seperately