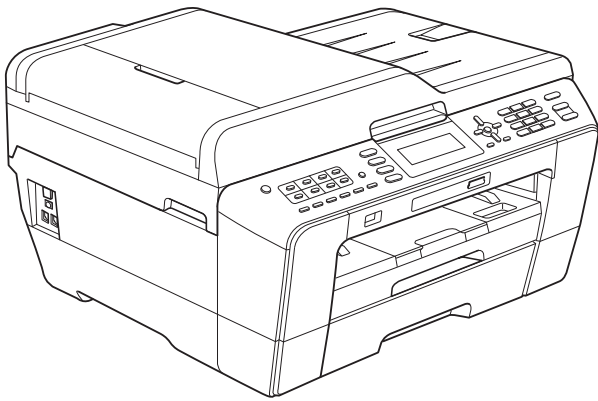


brother®

BASIC USER'S GUIDE



MFC-J6510DW
MFC-J6710DW

Version B

USA/CAN

If you need to call Customer Service

Please complete the following information for future reference:

**Model Number: MFC-J6510DW and MFC-J6710DW
(Circle your model number)**

Serial Number: ¹ _____

Date of Purchase: _____

Place of Purchase: _____

¹ The serial number is on the back of the unit. Retain this User's Guide with your sales receipt as a permanent record of your purchase, in the event of theft, fire or warranty service.

Register your product on-line at

<http://www.brother.com/registration/>

By registering your product with Brother, you will be recorded as the original owner of the product. Your registration with Brother:

- may serve as confirmation of the purchase date of your product should you lose your receipt;
- may support an insurance claim by you in the event of product loss covered by insurance; and,
- will help us notify you of enhancements to your product and special offers.

The most convenient and efficient way to register your new product is on-line at <http://www.brother.com/registration/>.

Brother numbers

IMPORTANT

For technical help, you must call the country where you bought the machine. Calls must be made **from within** that country.

Register your product

By registering your product with Brother International Corporation, you will be recorded as the original owner of the product. Your registration with Brother:

- may serve as confirmation of the purchase date of your product should you lose your receipt;
- may support an insurance claim by you in the event of product loss covered by insurance; and,
- will help us notify you of enhancements to your product and special offers.

Please complete and fax the Brother Warranty Registration And Test Sheet or, for your convenience and most efficient way to register your new product, register on-line at

<http://www.brother.com/registration/>

FAQs (frequently asked questions)

The Brother Solutions Center is our one-stop resource for all your Fax Machine/Multi-Function Center needs. You can download the latest software documents and utilities, read FAQs and troubleshooting tips, and learn how to get the most from your Brother product.

<http://solutions.brother.com/>



Note

- You can check here for Brother driver updates.
- To keep your machine performance up to date, check here for the latest firmware upgrade.

For Customer Service

In USA: 1-877-BROTHER (1-877-276-8437)

1-901-379-1215 (fax)

In Canada: 1-877-BROTHER

(514) 685-4898 (fax)

Service Center Locator (USA only)

For the location of a Brother authorized service center, call 1-877-BROTHER (1-877-276-8437).

Service Center Locations (Canada only)

For the location of a Brother authorized service center, call 1-877-BROTHER.

Ordering accessories and supplies

For best quality results use only genuine Brother accessories, which are available at most Brother retailers. If you cannot find the accessory you need and you have a Visa, MasterCard, Discover, or American Express credit card, you can order accessories directly from Brother. (You can visit us online for a complete selection of the Brother accessories and supplies that are available for purchase.)



Note

In Canada only Visa and MasterCard are accepted.

In USA: 1-877-552-MALL (1-877-552-6255)
1-800-947-1445 (fax)

<http://www.brothermall.com/>

In Canada: 1-877-BROTHER

<http://www.brother.ca/>

Description	Item
Ink Cartridge Super High Yield <black>	LC79BK (Prints approx. 2,400 pages) ¹
Ink Cartridge Super High Yield <yellow>	LC79Y (Prints approx. 1,200 pages) ¹
Ink Cartridge Super High Yield <cyan> (blue)	LC79C (Prints approx. 1,200 pages) ¹
Ink Cartridge Super High Yield <magenta> (red)	LC79M (Prints approx. 1,200 pages) ¹
Ink Cartridge High Yield <black>	LC75BK (Prints approx. 600 pages) ¹
Ink Cartridge High Yield <yellow>	LC75Y (Prints approx. 600 pages) ¹
Ink Cartridge High Yield <cyan> (blue)	LC75C (Prints approx. 600 pages) ¹
Ink Cartridge High Yield <magenta> (red)	LC75M (Prints approx. 600 pages) ¹
Premium Plus Glossy Photo Paper (Ledger size / 20 sheets) (Letter size / 20 sheets) (4" × 6" size / 20 sheets)	BP71GLGR BP71GLTR BP71GP
Premium Glossy Photo Paper (Letter size / 20 sheets) (4" × 6" / 20 sheets)	BP61GLL (USA only) BP61GLP (USA only)

¹ For more information about the replacement consumables, visit us at <http://www.brother.com/pageyield/>.

Description	Item
Multipurpose Paper - Plain Paper (Letter size / 500 sheets)	BP60MPLTR (USA only)
Matte Inkjet Paper (Letter size / 25 sheets)	BP60ML (USA only)
Plain Inkjet Paper (Ledger size / 100 sheets) (Letter size / 100 sheets)	BP60PLGR (USA only) BP60PL100 (USA only)
Telephone Line Cord	LG3077001 (USA only)
Basic User's Guide	LX7144001 (English for USA and Canada) LX7144002 (French for Canada)

Notice - Disclaimer of Warranties (USA and Canada)

BROTHER'S LICENSOR(S), AND THEIR DIRECTORS, OFFICERS, EMPLOYEES OR AGENTS (COLLECTIVELY BROTHER'S LICENSOR) MAKE NO WARRANTIES, EXPRESS OR IMPLIED, INCLUDING WITHOUT LIMITATION THE IMPLIED WARRANTIES OF MERCHANTABILITY AND FITNESS FOR A PARTICULAR PURPOSE, REGARDING THE SOFTWARE. BROTHER'S LICENSOR(S) DOES NOT WARRANT, GUARANTEE OR MAKE ANY REPRESENTATIONS REGARDING THE USE OR THE RESULTS OF THE USE OF THE SOFTWARE IN TERMS OF ITS CORRECTNESS, ACCURACY, RELIABILITY, CURRENTNESS OR OTHERWISE. THE ENTIRE RISK AS TO THE RESULTS AND PERFORMANCE OF THE SOFTWARE IS ASSUMED BY YOU. THE EXCLUSION OF IMPLIED WARRANTIES IS NOT PERMITTED BY SOME STATES IN THE USA AND SOME PROVINCES IN CANADA. THE ABOVE EXCLUSION MAY NOT APPLY TO YOU.

IN NO EVENT WILL BROTHER'S LICENSOR(S) BE LIABLE TO YOU FOR ANY CONSEQUENTIAL, INCIDENTAL OR INDIRECT DAMAGES (INCLUDING DAMAGES FOR LOSS OF BUSINESS PROFITS, BUSINESS INTERRUPTION, LOSS OF BUSINESS INFORMATION, AND THE LIKE) ARISING OUT OF THE USE OR INABILITY TO USE THE SOFTWARE EVEN IF BROTHER'S LICENSOR HAS BEEN ADVISED OF THE POSSIBILITY OF SUCH DAMAGES. BECAUSE SOME STATES IN THE USA AND SOME PROVINCES IN CANADA DO NOT ALLOW THE EXCLUSION OR LIMITATION OF LIABILITY FOR CONSEQUENTIAL OR INCIDENTAL DAMAGES, THE ABOVE LIMITATIONS MAY NOT APPLY TO YOU. IN ANY EVENT BROTHER'S LICENSOR'S LIABILITY TO YOU FOR ACTUAL DAMAGES FROM ANY CAUSE WHATSOEVER, AND REGARDLESS OF THE FORM OF THE ACTION (WHETHER IN CONTRACT, TORT (INCLUDING NEGLIGENCE), PRODUCT LIABILITY OR OTHERWISE), WILL BE LIMITED TO \$50.

Compilation and Publication Notice

Under the supervision of Brother Industries, Ltd., this manual has been compiled and published, covering the latest product descriptions and specifications.

The contents of this manual and the specifications of this product are subject to change without notice.

Brother reserves the right to make changes without notice in the specifications and materials contained herein and shall not be responsible for any damages (including consequential) caused by reliance on the materials presented, including but not limited to typographical and other errors relating to the publication.

User's Guides and where do I find it?

Which manual?	What's in it?	Where is it?
Safety and Legal	Read this Guide first. Please read the Safety Instructions before you set up your machine. See this Guide for trademarks and legal limitations.	Printed / In the box
Quick Setup Guide	Follow the instructions for setting up your machine and installing the drivers and software for the operating system and connection type you are using.	Printed / In the box
Basic User's Guide	Learn the basic Fax, Copy, Scan and PhotoCapture Center™ operations and how to replace consumables. See troubleshooting tips.	Printed / In the box
Advanced User's Guide	Learn more advanced operations: Fax, Copy, security features, printing reports and performing routine maintenance.	PDF file / Documentation CD-ROM
Software User's Guide	Follow these instructions for Printing, Scanning, Network Scanning, PhotoCapture Center™, Remote Setup, PC-Fax, and using the Brother ControlCenter utility.	PDF file / Documentation CD-ROM
Network Glossary	This Guide provides basic information about advanced network features of Brother machines along with general networking and common terms.	PDF file / Documentation CD-ROM
Network User's Guide	This Guide provides more advanced information for configuring the Ethernet and Wireless network connections. In addition, find information about network utilities, network printing, troubleshooting tips and supported network specifications.	PDF file / Documentation CD-ROM

Table of Contents

(BASIC USER'S GUIDE)

1	General information	1
	Using the documentation	1
	Symbols and conventions used in the documentation	1
	Accessing the Advanced User's Guide, Software User's Guide, Network User's Guide and Network Glossary	2
	Viewing Documentation	2
	Accessing Brother Support (Windows®)	4
	Accessing Brother Support (Macintosh)	5
	Control panel overview	6
	LCD screen	9
	Basic Operations	10
2	Loading paper	11
	Loading paper and other print media	11
	Loading paper in paper tray #1	11
	Loading paper in paper tray #2 (MFC-J6710DW only)	14
	Loading paper in the manual feed slot	18
	Loading envelopes and postcards	20
	Printable area	22
	Paper settings	23
	Paper Size and Type (MFC-J6510DW)	23
	Paper Size and Type (MFC-J6710DW)	24
	Tray use in Copy mode (MFC-J6710DW only)	24
	Tray use in Fax mode (MFC-J6710DW only)	25
	Secure Paper Feed mode for Ledger size Short Grain Paper	25
	Acceptable paper and other print media	26
	Recommended print media	26
	Handling and using print media	27
	Choosing the right print media	28
3	Loading documents	30
	How to load documents	30
	Using the ADF	30
	Using the scanner glass	31
	Scannable area	32

4	Sending a fax	33
	How to send a fax	33
	Stop faxing.....	34
	Setting scanner glass size for faxing	35
	Color fax transmission	35
	Canceling a fax in progress	35
	How to preview an outgoing fax	35
	Transmission Verification Report.....	36
5	Receiving a fax	37
	Receive Modes	37
	Choose the correct Receive Mode	37
	Using Receive Modes.....	39
	Fax Only	39
	Fax/Tel.....	39
	Manual.....	39
	External TAD	39
	Receive Mode settings	40
	Ring Delay	40
	F/T Ring Time (Fax/Tel mode only).....	40
	Easy Receive.....	41
	Fax Preview (Black & White only).....	41
	How to preview a received fax.....	41
6	Telephone services and external devices	43
	Telephone services.....	43
	Voice Mail	43
	Distinctive Ring.....	44
	Connecting an external TAD (telephone answering device).....	46
	Connections.....	47
	Recording an outgoing message (OGM) on an external TAD.....	47
	Multi-line connections (PBX)	48
	External and extension telephones.....	48
	Connecting an external or extension telephone	48
	Using external and extension telephones.....	49
	Using a non-Brother cordless external telephone	49
	Using remote codes.....	49

7	Dialing and storing numbers	51
	How to dial	51
	Manual dialing	51
	One Touch Dialing.....	51
	Speed Dialing	51
	Search	52
	Fax Redial	52
	Storing numbers	53
	Storing a pause	53
	Storing One Touch Dial numbers	53
	Storing Speed Dial numbers.....	54
	Changing One Touch or Speed Dial names or numbers.....	54
8	Making copies	56
	How to copy	56
	Stop copying.....	56
	Copy settings.....	57
	Paper Options.....	57
9	PhotoCapture Center™: Printing photos from a memory card or USB Flash memory drive	59
	PhotoCapture Center™ operations	59
	Using a memory card or USB Flash memory drive	59
	Getting started	60
	Print Images.....	62
	View Photos.....	62
	PhotoCapture Center™ print settings.....	62
	How to scan to a memory card or USB Flash memory drive.....	63
10	How to print from a computer	65
	Printing a document.....	65
11	How to scan to a computer	66
	Scanning a document.....	66
	Scanning using the scan key	66
	Scanning using a scanner driver	66

A	Routine maintenance	67
	Replacing the ink cartridges	67
	Cleaning and checking the machine	69
	Cleaning the scanner	69
	Cleaning the print head	70
	Checking the print quality	71
	Checking the print alignment	72
B	Troubleshooting	73
	Error and Maintenance messages	73
	Error animation	81
	Transferring your faxes or Fax Journal report	81
	Document jam	82
	Printer jam or paper jam	83
	Troubleshooting	90
	If you are having difficulty with your machine	90
	Dial Tone	100
	Telephone line interference / VoIP	100
	Machine Information	101
	Checking the serial number	101
	Reset functions	101
	How to reset the machine	101
C	Menu and features	102
	On-screen programming	102
	Menu table	103
	Entering Text	129
	Inserting spaces	129
	Making corrections	129
	Repeating letters	129
	Special characters and symbols	130
D	Specifications	131
	General	131
	Print media	133
	Fax	135
	Copy	136
	PhotoCapture Center™	137
	PictBridge	138
	Scanner	139
	Printer	140
	Interfaces	141
	Computer requirements	142
	Consumable items	143
	Network (LAN)	144
E	Index	145

Table of Contents

(ADVANCED USER'S GUIDE)

The *Advanced User's Guide* explains the following features and operations.

You can view the *Advanced User's Guide* on the Documentation CD-ROM.

1 General setup

Memory storage
Volume Settings
Automatic Daylight Saving Time
Sleep Mode
LCD screen
Dial Prefix
Mode Timer

2 Security features

Secure Function Lock 2.0

3 Sending a fax

Additional sending options
Additional sending operations
Polling overview

4 Receiving a fax

Memory Receive (Black & White only)
Remote Retrieval
Additional receiving operations
Polling overview

5 Dialing and storing numbers

Voice operations
Additional dialing operations
Additional ways to store numbers

6 Printing reports

Fax reports
Reports

7 Making copies

Copy settings

8 PhotoCapture Center™: Printing photos from a memory card or USB Flash memory drive

PhotoCapture Center™ operations
Print Images
PhotoCapture Center™ print settings
*Scan to a memory card or USB Flash
memory drive*

9 Printing photos from a camera

*Printing photos directly from a
PictBridge camera*
*Printing photos directly from a digital
camera (without PictBridge)*

A Routine maintenance

Cleaning and checking the machine
Packing and shipping the machine

B Glossary

C Index



Using the documentation

Thank you for buying a Brother machine! Reading the documentation will help you make the most of your machine.

Symbols and conventions used in the documentation

The following symbols and conventions are used throughout the documentation.

Bold	Bold typeface identifies specific keys on the machine's control panel or on the computer screen.
<i>Italics</i>	Italicized typeface emphasizes an important point or refers you to a related topic.
Courier New	Text in Courier New font identifies messages on the LCD of the machine.

WARNING

WARNING indicates a potentially hazardous situation which, if not avoided, could result in death or serious injuries.

CAUTION

CAUTION indicates a potentially hazardous situation which, if not avoided, may result in minor or moderate injuries.

IMPORTANT

IMPORTANT indicates a potentially hazardous situation which, if not avoided, may result in damage to property or loss of product functionality.



Notes tell you how you should respond to a situation that may arise or give tips about how the operation works with other features.



Electrical Hazard icons alert you to possible electrical shock.

Accessing the Advanced User's Guide, Software User's Guide, Network User's Guide and Network Glossary

This Basic User's Guide does not contain all the information about the machine such as how to use the advanced features for Fax, Copy, PhotoCapture Center™, Printer, Scanner, PC-Fax and Network. When you are ready to learn detailed information about these operations, read the **Advanced User's Guide**, **Software User's Guide**, **Network User's Guide** and **Network Glossary** that are on the Documentation CD-ROM.

Viewing Documentation

- 1 Turn on your computer. Insert the Documentation CD-ROM into your CD-ROM drive. For Windows® users, go to step 3.

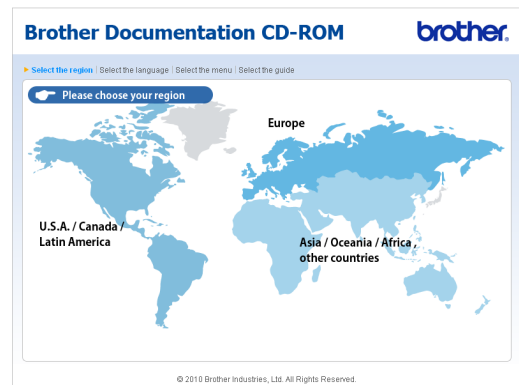


Note

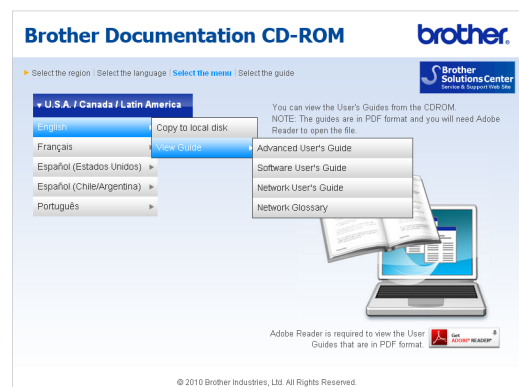
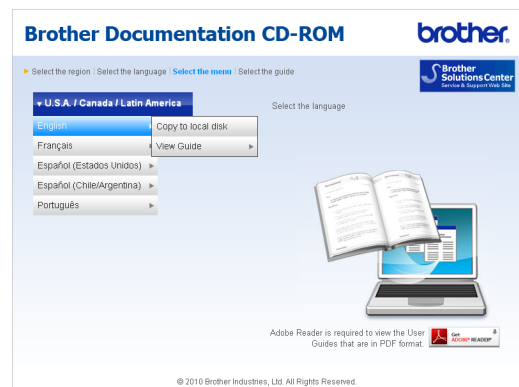
(Windows® users)
If the screen does not appear automatically, go to **My Computer (Computer)**, double-click the CD-ROM icon, and then double-click **index.html**.

- 2 (Macintosh users)
Double-click the Documentation CD-ROM icon, and then double-click **index.html**.

- 3 Click your country.



- 4 Point to your language, point to **View Guide**, and then click the guide you want to read.



 **Note**

- (Windows® users only)
Your Web browser may display a yellow bar at the top of the page that contains a security warning about Active X controls. For the page to display correctly you must click on the bar, click **Allow Blocked Content**, then click **Yes** in the Security Warning dialog box.
- (Windows® users only)¹
For faster access, you can copy all user documentation in PDF format to a local folder on your computer. Point to your language, then click **Copy to local disk**.

¹ Microsoft® Internet Explorer® 6.0 or greater.

How to find Scanning instructions

There are several ways you can scan documents. You can find the instructions as follows:

Software User's Guide

- *Scanning*
- *ControlCenter*
- *Network Scanning*

ScanSoft™ PaperPort™ 12SE with OCR

How-to-Guides

(Windows® users)

- The complete ScanSoft™ PaperPort™ 12SE with OCR How-to-Guides can be viewed from the Help selection in the ScanSoft™ PaperPort™ 12SE application.
(Windows® 2000 users need to download and install PaperPort™ 11SE from Web site.)

Presto! PageManager User's Guide (Macintosh users)

 **Note**

Presto! PageManager is available as a download from http://nj.newsoft.com.tw/download/brother/PM9SEInstaller_BR_multilang.dmg

- The complete Presto! PageManager User's Guide can be viewed from the Help selection in the Presto! PageManager application.

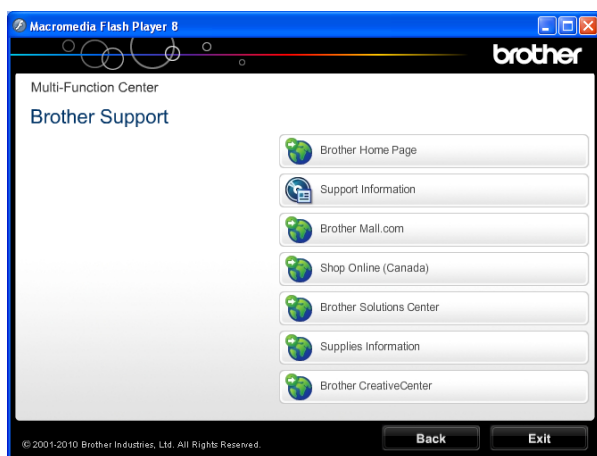
How to find Network setup instructions

Your machine can be connected to a wireless or wired network. You can find basic setup instructions in the Quick Setup Guide. If your wireless access point or router supports Wi-Fi Protected Setup or AOSS™, you can also follow the steps in the Quick Setup Guide. For more information about network setup please see the *Network User's Guide* on the Documentation CD-ROM.

Accessing Brother Support (Windows®)

You can find all the contacts you will need, such as Web support (Brother Solutions Center), Customer Service and Brother Authorized Service Centers in *Brother numbers* on page i and on the Installation CD-ROM.

- Click **Brother Support** on **Top Menu**. The following screen will appear:



- To access our Web site (<http://www.brother.com/>), click **Brother Home Page**.
- To view all Brother Numbers, including Customer Service numbers for the USA and Canada, click **Support Information**.
- To access the USA Brother online shopping mall (<http://www.brothermall.com/>) for additional product and services information, click **Brother Mall.com**.
- To access Canada's Brother online shopping mall (<http://www.brother.ca/>) for additional product and services information, click **Shop Online (Canada)**.
- For the latest news and product support information (<http://solutions.brother.com/>), click **Brother Solutions Center**.

- To visit our Web site for genuine Brother Supplies (<http://www.brother.com/original/>), click **Supplies Information**.
- To access the Brother CreativeCenter (<http://www.brother.com/creativecenter/>) for FREE photo projects and printable downloads, click **Brother CreativeCenter**.
- To return to the **Top Menu**, click **Back** or if you are finished, click **Exit**.

Accessing Brother Support (Macintosh)

You can find all the contacts you will need, such as Web support (Brother Solutions Center) on the Installation CD-ROM.

- Double-click the **Brother Support** icon. The following screen will appear:



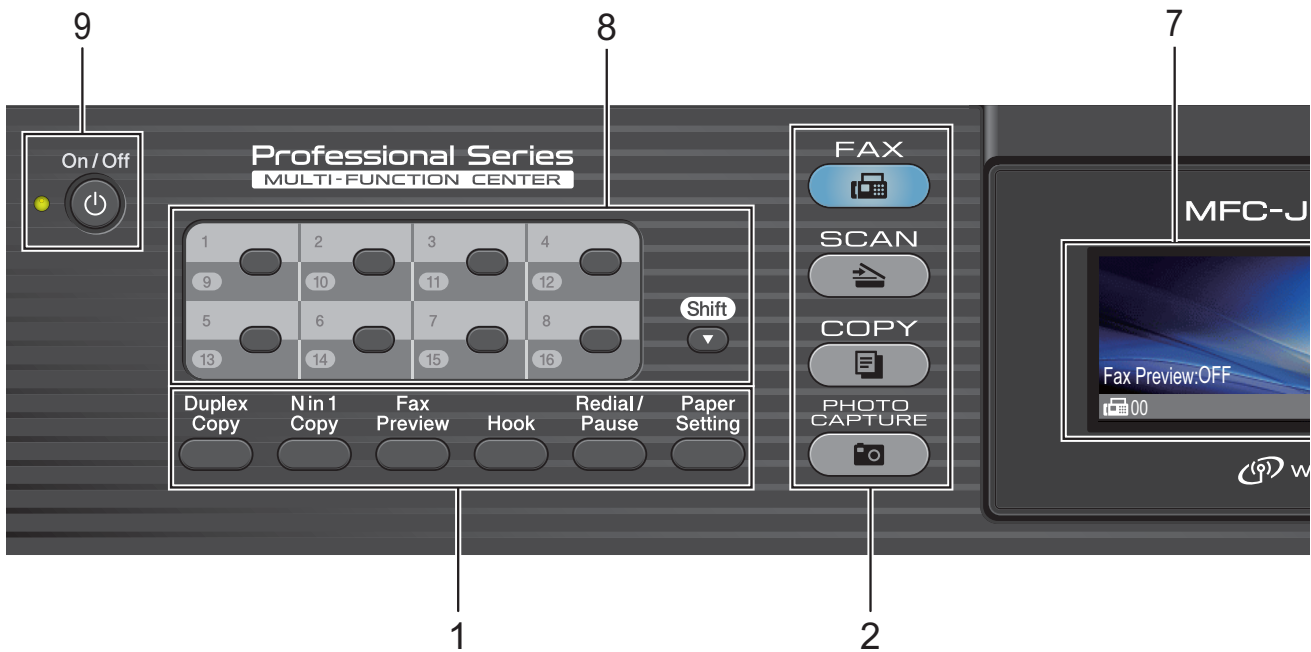
- To download and install Presto! PageManager, click **Presto! PageManager**.
- To register your machine from the Brother Product Register Page (<http://www.brother.com/registration/>), click **On-Line Registration**.
- For the latest news and product support information (<http://solutions.brother.com/>), click **Brother Solutions Center**.
- To visit our Web site for genuine Brother Supplies (<http://www.brother.com/original/>), click **Supplies Information**.

Control panel overview

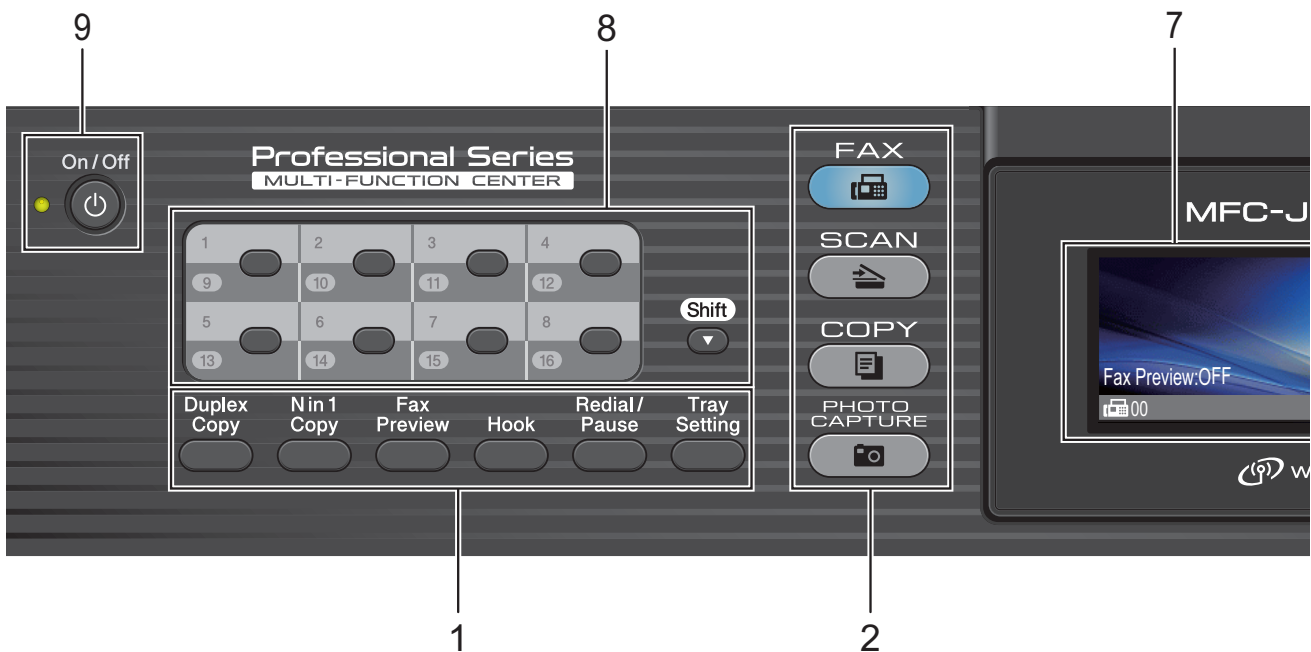


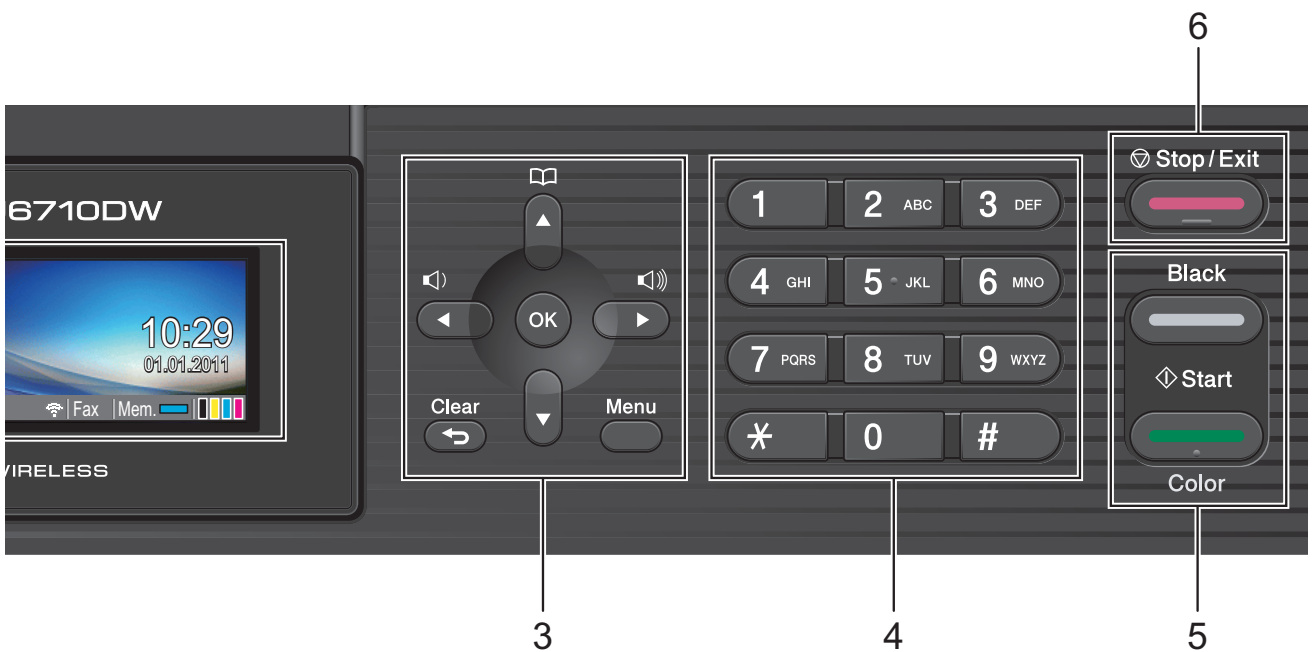
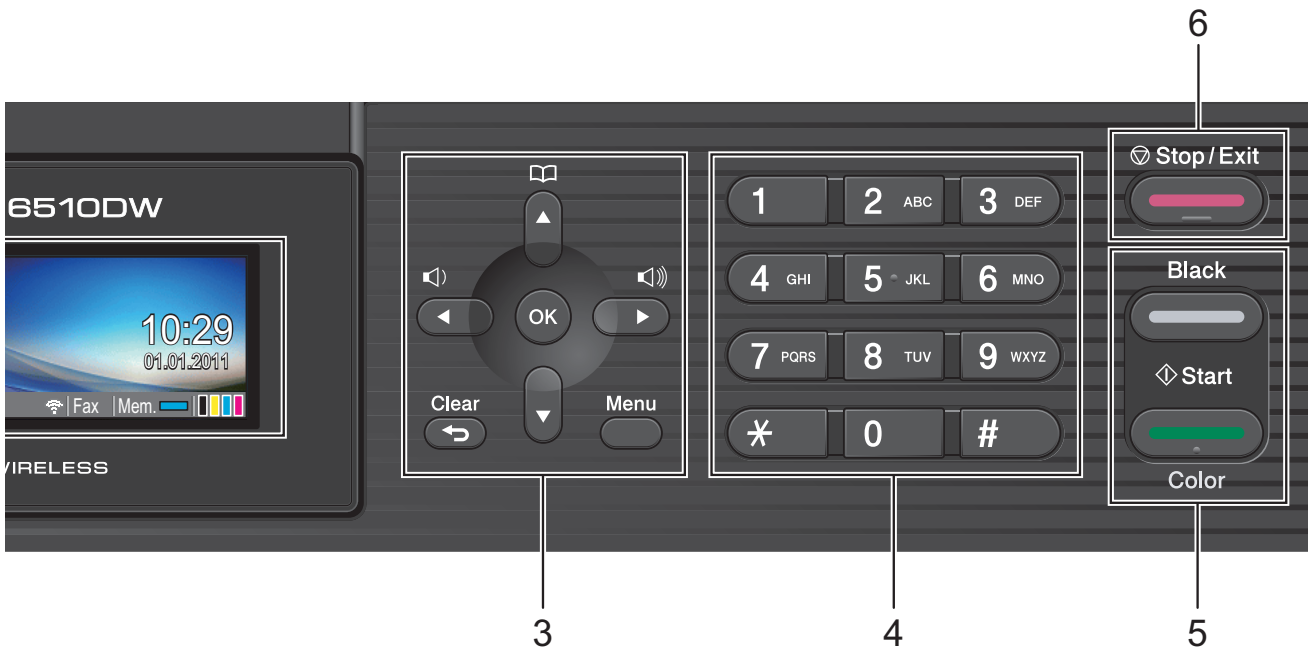
Most of the illustrations in this User's Guide show the MFC-J6710DW.

MFC-J6510DW



MFC-J6710DW





1 Fax, Telephone and Copy keys:■ **Duplex Copy**

Press this key to copy on both sides of the paper.

■ **N in 1 Copy**

Press this key to make N in 1 or Poster copies.

■ **Fax Preview**

Lets you preview incoming and outgoing faxes on the LCD.

■ **Hook**

Press before dialing when you want to listen to make sure a fax machine has answered, and then press **Black Start** or **Color Start**.

Also, press this key after picking up the handset of the external telephone during the F/T pseudo/double-ring.

■ **Redial/Pause**

Redials the last 30 numbers called. It also inserts a pause when programming quick dial numbers.

■ **Paper Setting** (MFC-J6510DW)

Press this key to set the paper size or paper type.

■ **Tray Setting** (MFC-J6710DW)

Press this key to choose the tray you want to use for printing.

2 Mode keys:■  **FAX**

Lets you access Fax mode.

■  **SCAN**

Lets you access Scan mode.

■  **COPY**

Lets you access Copy mode.

■  **PHOTO CAPTURE**

Lets you access PhotoCapture Center™ mode.

3 Menu keys:■ **Volume keys**

While the machine is idle, you can press these keys to adjust the ring volume.

■ **Phone Book key**

Press to store One Touch, Speed Dial and Group numbers in the machine's memory.

Lets you store, look up, and dial numbers that are stored in the memory.

■ **◀ or ▶**

Press to scroll backward or forward to a menu selection.

Also, press to choose options.

■ **▲ or ▼**

Press to scroll through the menus and options.

■ **Menu**

Access the main menu.

■ **Clear**

Press to delete characters or to go back to the previous menu level.

■ **OK**

Lets you confirm a selection.

4 Dial Pad

Use these keys to dial telephone and fax numbers and as a keyboard for entering information into the machine.

(Canada only) The # key lets you temporarily switch the dialing mode during a telephone call from Pulse to Tone.

5 Start keys:■  **Black Start**

Lets you start sending faxes or making copies in black & white. Also lets you start a scanning operation (in color or black & white depending on the scan setting in the ControlCenter software).

■  **Color Start**

Lets you start sending faxes or making copies in full color. Also lets you start a scanning operation (in color or black & white, depending on the scan setting in the ControlCenter software).

6 Stop/Exit

Stops an operation or exits the menu.

7 LCD (Liquid Crystal Display)

Displays messages on the screen to help you set up and use your machine.

Also, you can adjust the angle of the LCD screen by lifting it.

8 One Touch keys

These 8 keys give you instant access to 16 previously stored numbers.

Shift

To access One Touch numbers 9 to 16, hold down **Shift** as you press the One Touch key.

9 On/Off

You can turn the machine on and off.

Press **On/Off** to turn the machine on.

Press and hold down **On/Off** to turn the machine off. The LCD will show

Shutting Down and will stay on for a few seconds before going off.

If you have connected an external telephone or TAD, it is always available.

If you turn the machine off, it will still periodically clean the print head to maintain print quality. To prolong print head life, provide the best ink cartridge economy, and maintain print quality, you should keep your machine connected to the power at all times.

LCD screen

The LCD shows the current machine status when the machine is idle.



1 Fax Preview

You can check the Fax Preview status.

2 Faxes in memory

Shows how many received faxes are in the memory.

3 Wireless Status

A four level indicator shows the current wireless signal strength if you are using a wireless connection.



4 Current Receive Mode

Lets you see the current receive mode.

- Fax (Fax Only)
- F/T (Fax/Tel)
- TAD (External TAD)
- Mnl (Manual)



Note


When the Distinctive Ring feature is turned on, the LCD shows D/R. For details, see *Distinctive Ring* on page 44.

5 Memory Status

Lets you see the available memory in the machine.

6 Ink indicator

Lets you see the available ink volume.

The warning icon  appears when there is an error or maintenance message. For details, see *Error and Maintenance messages* on page 73.



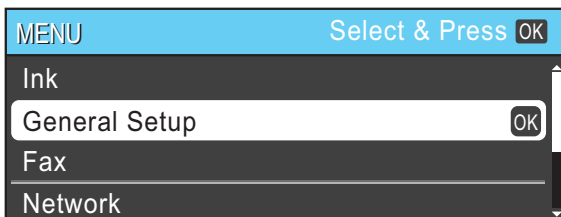
Note

If you receive a fax containing multiple paper sizes (for example, a Letter size page and a Ledger size page), the machine may create and store a file for each paper size. The LCD may show that more than one fax job has been received.

Basic Operations

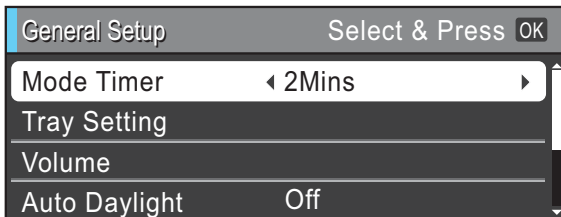
The following steps show how to change a setting in the machine. In this example the Mode Timer setting is changed from 2 minutes to 30 seconds.

- 1 Press **Menu**.
- 2 Press **▲** or **▼** to choose General Setup.

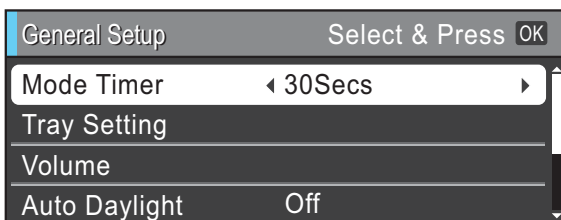


Press **OK**.

- 3 Press **▲** or **▼** to choose Mode Timer.

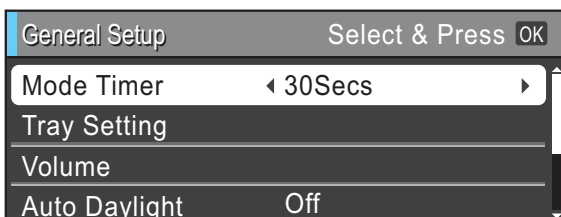


- 4 Press **◀** or **▶** to choose 30Secs.



Press **OK**.

You can see the current setting on the LCD:



Note

Press **Clear** to go back to the previous level.

- 5 Press **Stop/Exit**.

2

Loading paper

Loading paper and other print media

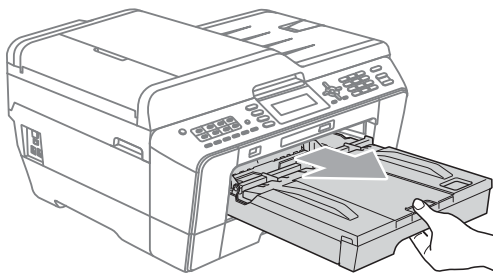
Note

(MFC-J6710DW only)

For Tray #2, see *Loading paper in paper tray #2 (MFC-J6710DW only)* on page 14.

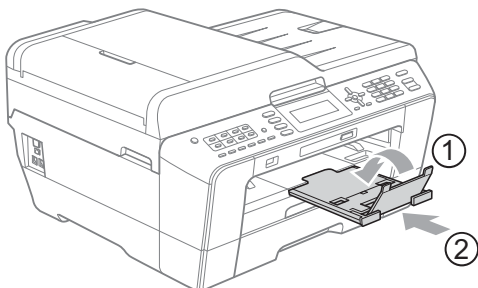
Loading paper in paper tray #1

- 1 Pull the paper tray completely out of the machine.



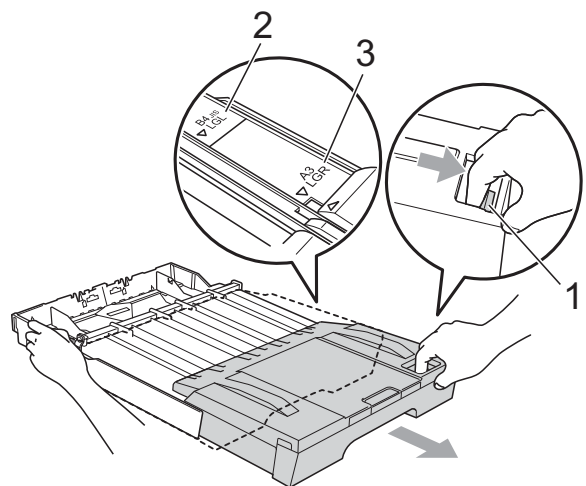
Note

If the paper support flap (1) is open, close it, and then close the paper support (2).



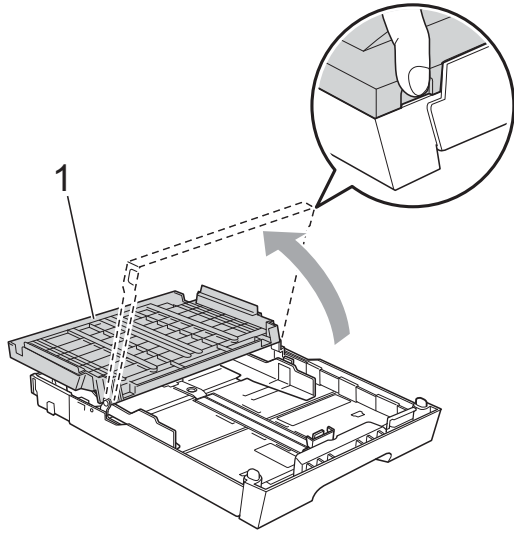
Note

- When you are using Legal, Ledger or A3 size paper, press the universal guide release button (1) as you slide out the front of the paper tray. Make sure that when using Legal or Ledger or A3 size paper, the triangular mark on the output paper tray cover is aligned with the line indicating Legal (2) or Ledger or A3 (3) size, as shown in the illustration.



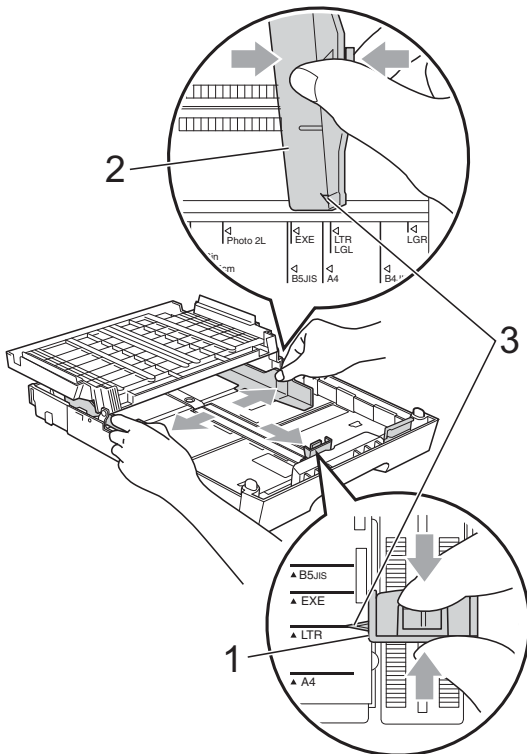
- If you are using A5 or smaller size paper, make sure that the paper tray is not extended.
- (MFC-J6710DW)
When you load a different paper size in a tray, you will need to change the paper size setting in the machine at the same time. (See *Paper Size and Type (MFC-J6710DW)* on page 24.)

- 2 Open the output paper tray cover (1).

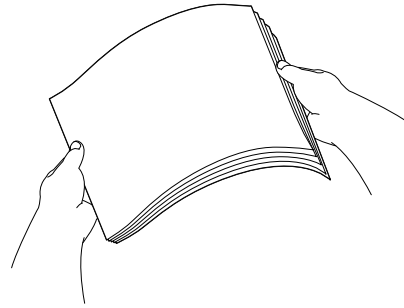


- 3 With both hands, gently press and slide the paper length guide (1) and then the paper side guides (2) to fit the paper size.

Make sure that the triangular marks (3) on the paper length guide (1) and paper side guides (2) line up with the mark for the paper size you are using.



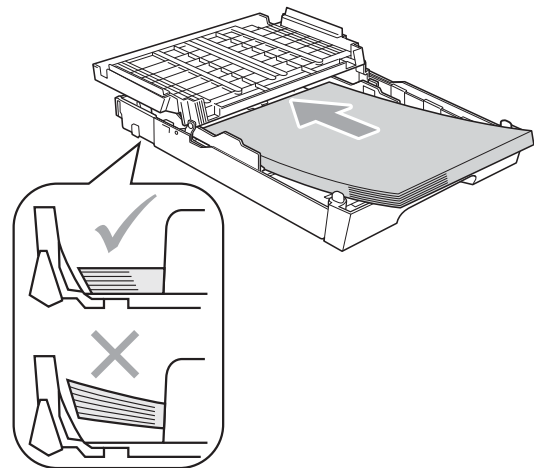
- 4 Fan the stack of paper well to avoid paper jams and misfeeds.



Note

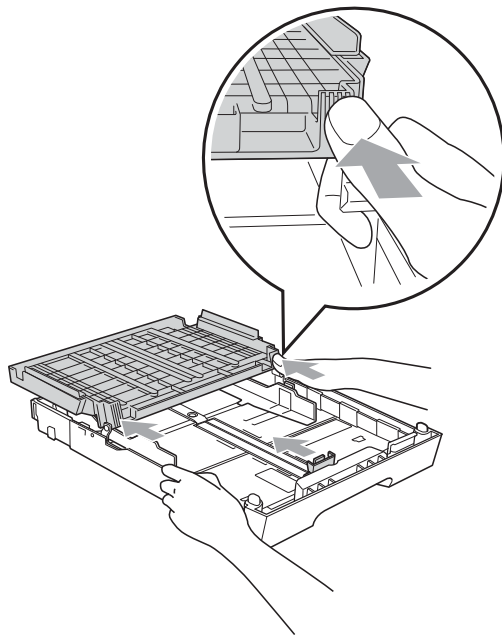
Always make sure that the paper is not curled.

- 5 Gently put the paper into the paper tray print side down and top edge in first. Check that the paper is flat in the tray.

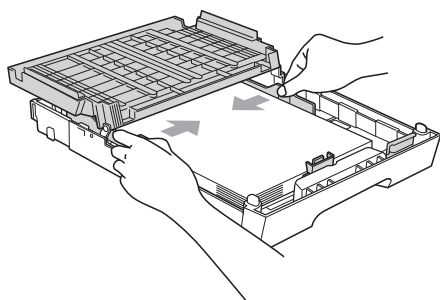


 **Note**

When you put Photo L size into the paper tray, you need to release the hinges on both sides of the output paper tray cover, and push the cover over. And then slide the paper length guide.

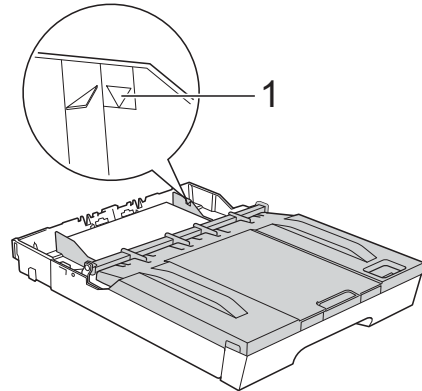


- 6** Gently adjust the paper side guides to fit the paper with both hands. Make sure the paper side guides touch the sides of the paper.

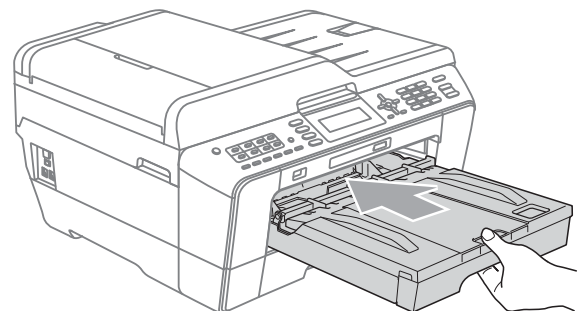

 **Note**

Be careful that you do not push the paper in too far; it may lift at the back of the tray and cause feed problems.

- 7** Close the output paper tray cover. Check that the paper is flat in the tray and below the maximum paper mark (1). Over filling the paper tray may cause paper jams.

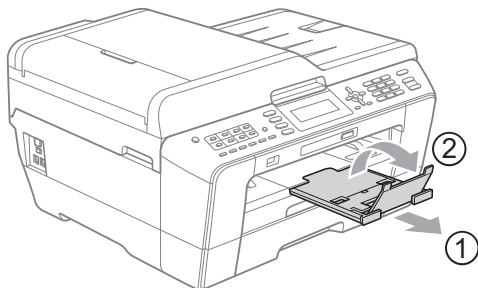


- 8** Slowly push the paper tray completely into the machine.


 **WARNING**

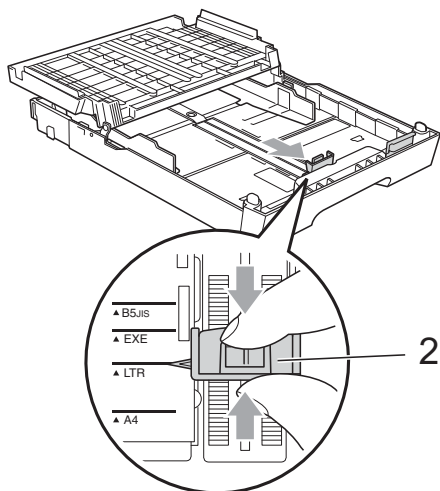
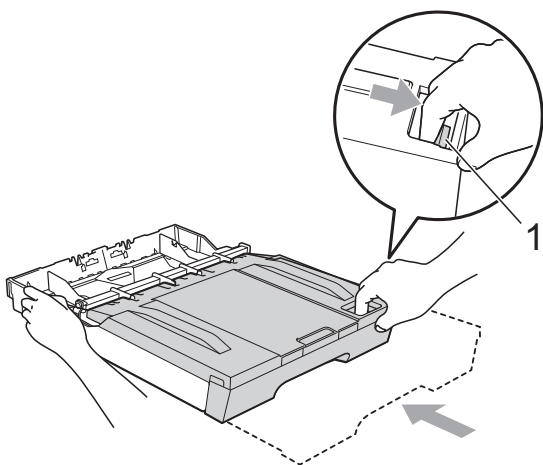
DO NOT push Tray #1 into the machine too quickly. Doing this may cause injury to your hand by trapping it between Tray #1 and Tray #2. Please push Tray #1 in slowly.

- 9 While holding the paper tray in place, pull out the paper support (1) until it clicks, and then unfold the paper support flap (2).



Note

Before you shorten Tray #1, take the paper out of the tray. Then shorten the tray by pressing the universal guide release button (1). Adjust the paper length guide (2) to fit the paper size you are going to use. Then put the paper into the tray.

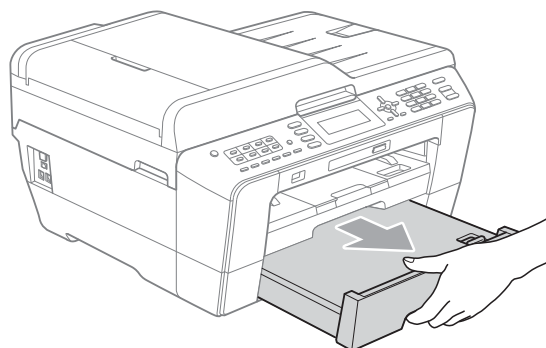


Loading paper in paper tray #2 (MFC-J6710DW only)

Note

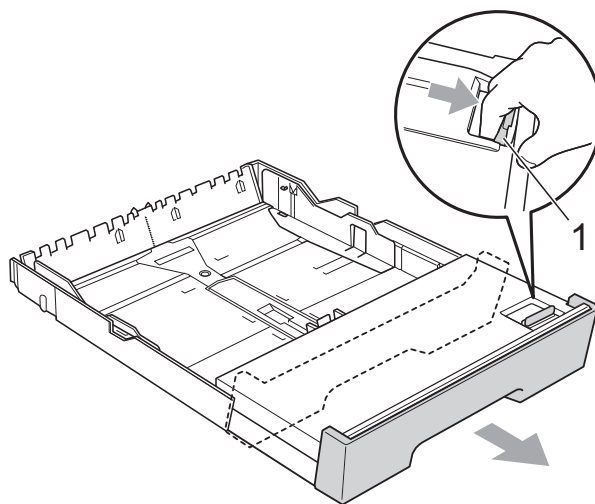
- You can only use plain paper sizes Ledger, Letter, Legal, Executive, A3 or A4 in Tray #2.
- When you use the Borderless printing feature paper must be fed from Tray #1.

- 1 Pull the paper tray completely out of the machine.

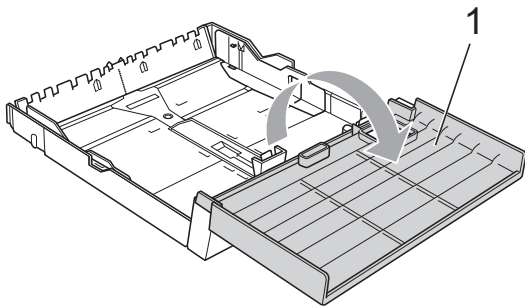


Note

- If you are using Ledger, Legal or A3 size paper, press the universal guide release button (1) as you slide out the front of the paper tray until it clicks.
- You can check if the length of the tray is adjusted properly by opening the paper tray cover.

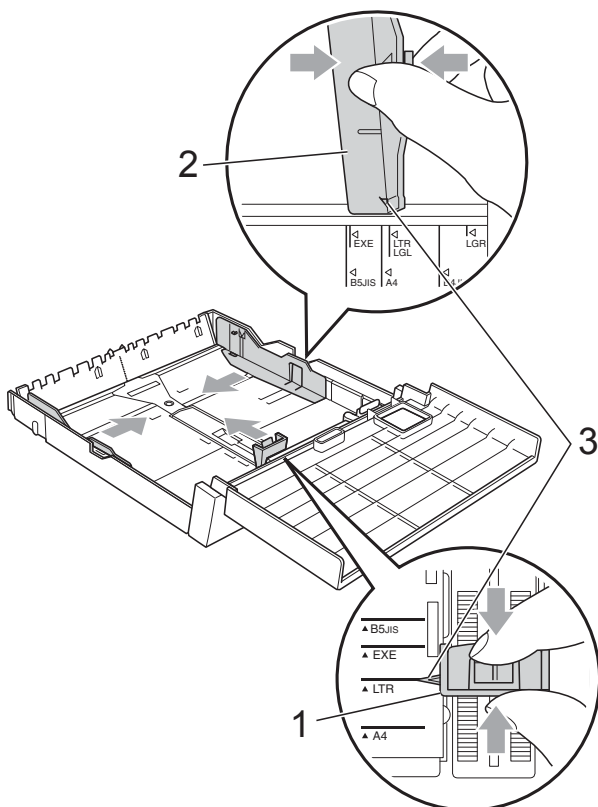


- 2 Open the paper tray cover (1).



- 3 Using both hands, gently press and slide the paper length guide (1) and then the paper side guides (2) to fit the paper size.

Make sure that the triangular marks (3) on the paper length guide (1) and paper side guides (2) line up with the marks for the paper size you are using.



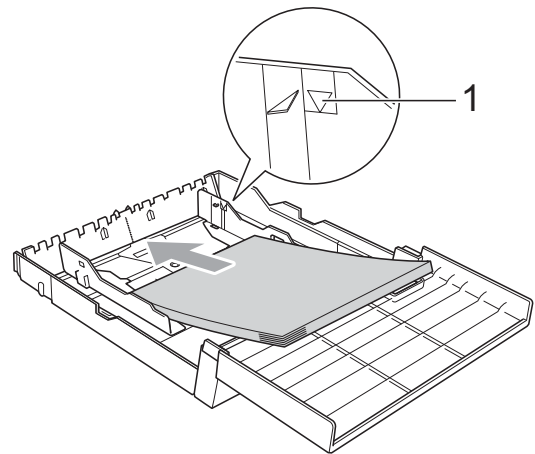
- 4 Fan the stack of paper well to avoid paper jams and misfeeds.



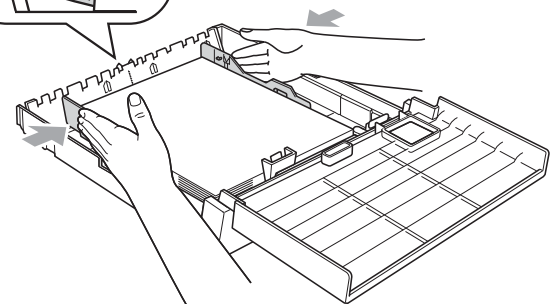
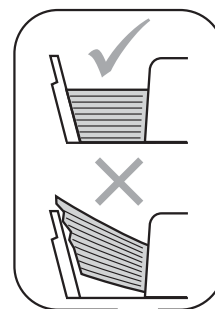
Note

Always make sure that the paper is not curled.

- 5 Gently put the paper into the paper tray print side down and top edge in first. Check that the paper is flat in the tray and below the maximum paper mark (1).
Over filling the paper tray may cause paper jams.



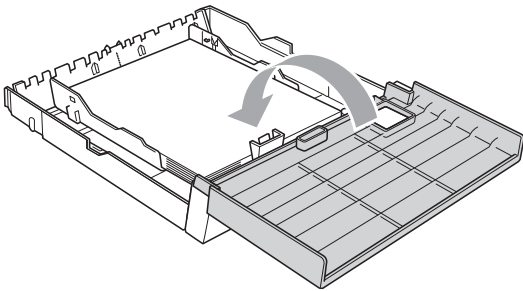
- 6 Using both hands, gently adjust the paper side guides so they touch the sides of the paper stack.



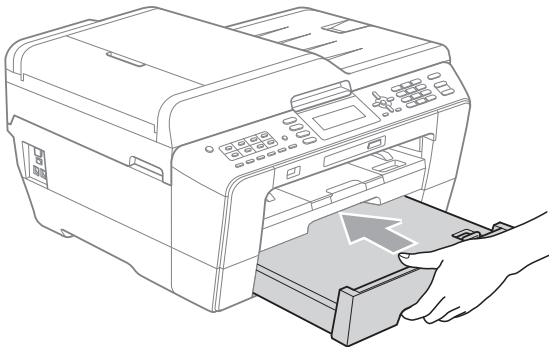
 **Note**

Be careful that you do not push the paper in too far; it may lift at the back of the tray and cause feed problems.

- 7 Close the paper tray cover.



- 8 Slowly push the paper tray back into the machine.



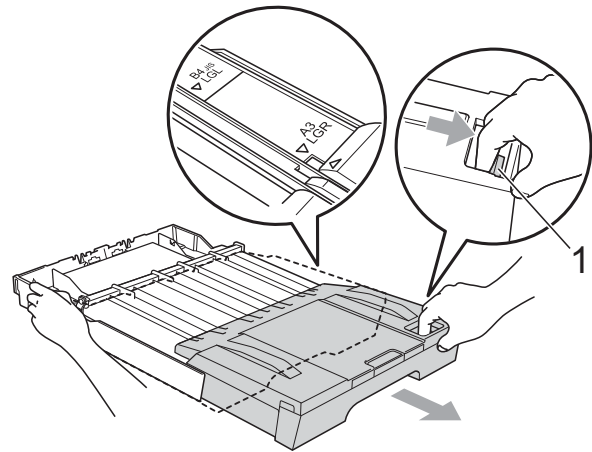
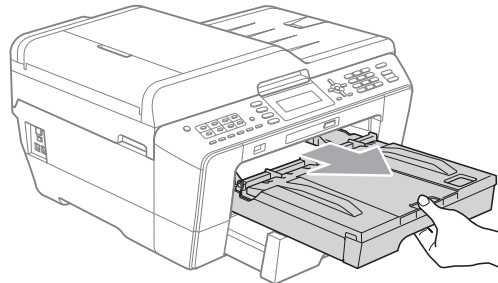
- 9 Do one of the following:
- If you are using Ledger, Legal or A3 size paper, go to step 10.

 **Note**

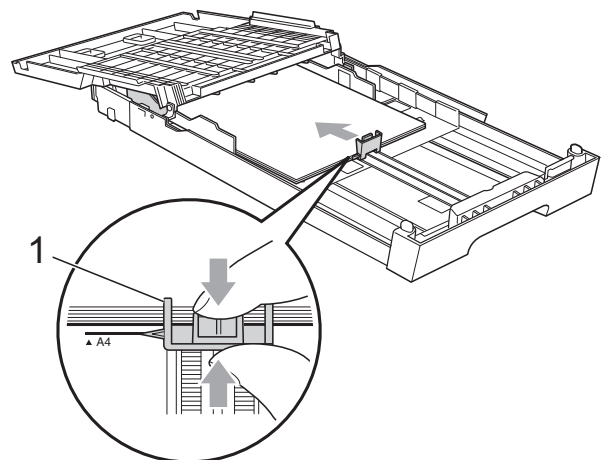
When you are using large size paper in Tray #2, you may need to extend Tray #1 out over Tray #2 to prevent printed pages from falling off the output tray.

- If you are using Letter, Executive or A4 size paper, go to step 13.

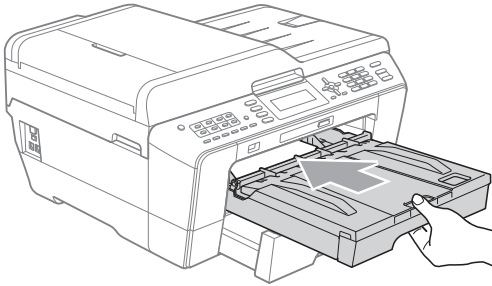
- 10 Pull tray #1 out of the machine. Press the universal guide release button (1) as you slide out the front of the paper tray.



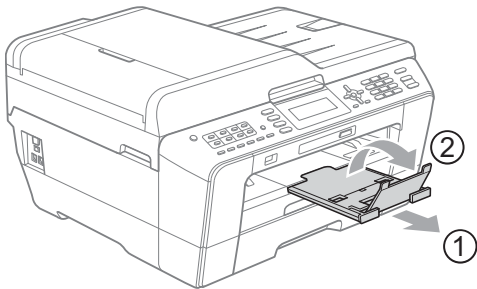
- 11 Open the output paper tray cover and adjust the paper length guide (1) for the paper.



- 12 Close the output paper tray cover and *slowly* push the paper tray into the machine.

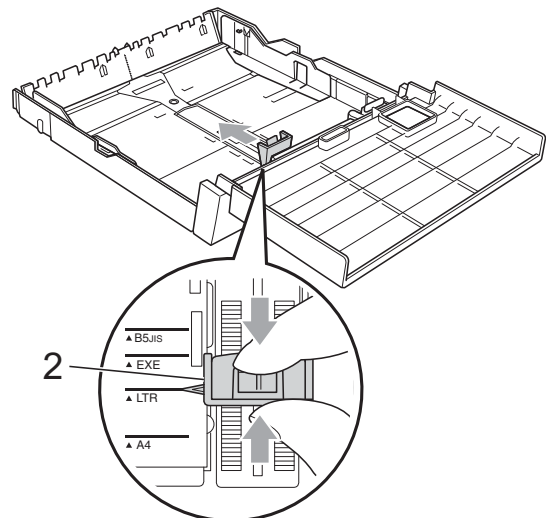
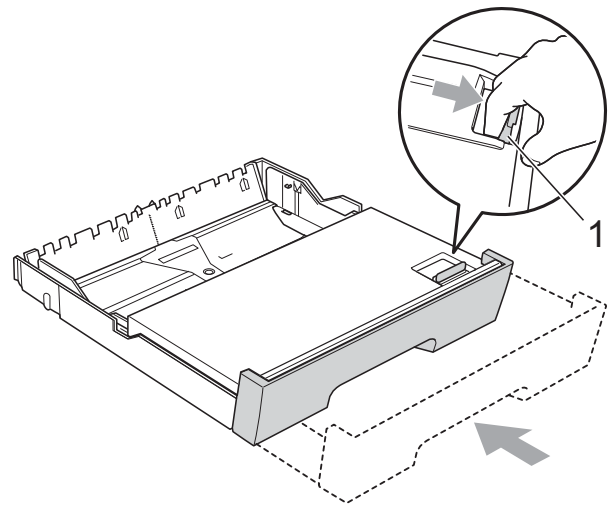


- 13 Pull out the paper support (1) until it clicks and unfold the paper support flap (2).



 **Note**

If you are finished using Ledger, Legal or A3 size paper and want to use a smaller paper size, take the paper out of the tray. Then shorten the tray by pressing the universal guide release button (1). Adjust the paper length guide (2) to fit the paper size you are going to use. Then put the smaller paper into the tray.



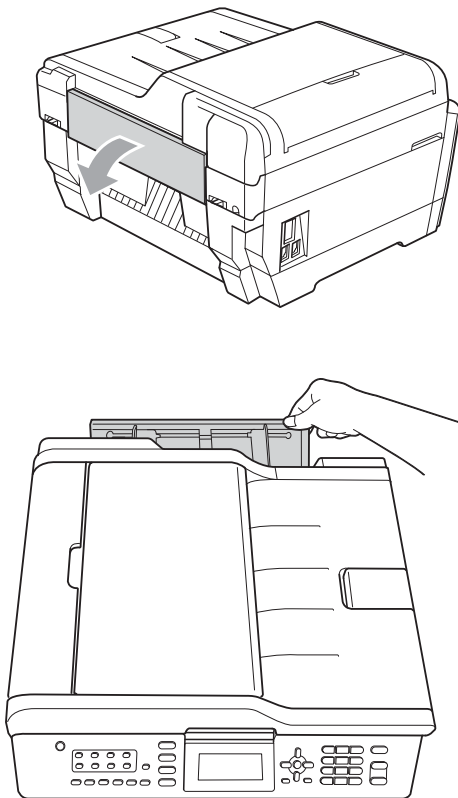
Loading paper in the manual feed slot

You can load special print media one at a time into this slot. Use the manual feed slot to print or copy on envelopes, labels or thicker paper.

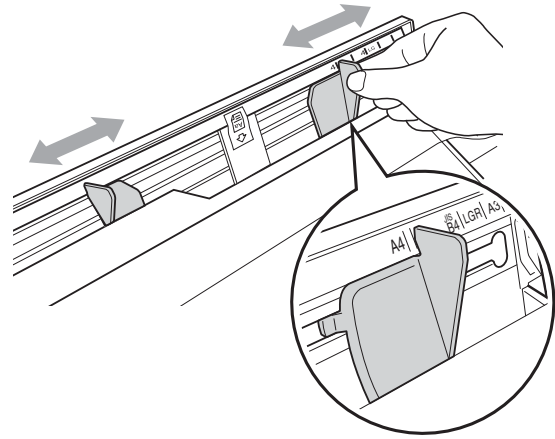
Note

- The machine automatically turns on the Manual Feed mode when you put paper in the manual feed slot.
- When you use the Borderless printing feature paper must be fed from Tray #1.

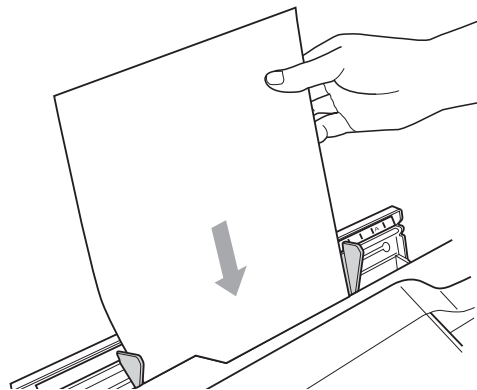
- 1 Open the manual feed slot cover.



- 2 Slide the manual feed slot paper guides to the width of the paper that you are going to use.



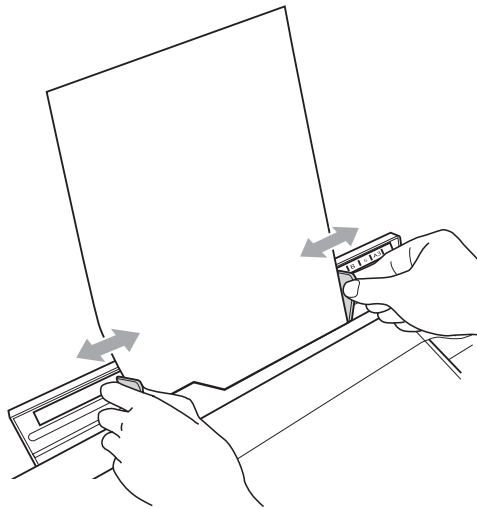
- 3 Put *only* one sheet of paper in the manual feed slot with the side to be printed *face up*.



! IMPORTANT

- DO NOT put more than one sheet of paper in the manual feed slot at any time. Doing this may cause a paper jam. Wait until the LCD shows
Put paper in Manual Feed Slot
Then Press Start before you feed the next sheet of paper in the manual feed slot.
- DO NOT put paper in the manual feed slot when you are printing from Tray #1 or Tray #2. Doing this may cause a paper jam.

- 4 Using both hands gently adjust the manual feed slot paper guides to fit the paper.

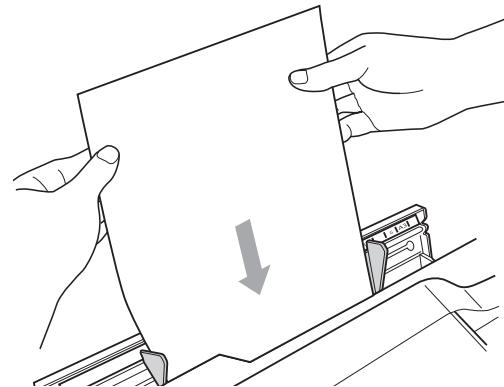


 **Note**

- DO NOT press the paper guides too tightly against the paper. Doing this may cause the paper to fold.
- Place the paper in the center of the manual feed slot between the paper guides. If the paper is not centered, pull it out and insert it again at the center position.

- 5 Using both hands, put one sheet of paper in the manual feed slot until the front edge touches the paper feed roller and the machine beeps. Let go of the paper when you feel the machine feed the paper in a short distance. The LCD will show

Manual Feed Slot ready.



 **Note**

When loading an envelope, or a sheet of thick paper, push the envelope into the manual feed slot until you feel it grab the envelope.

- 6 If the data does not fit on one page, the LCD will prompt you to load another page. Place another sheet of paper in the manual feed slot, and then press **Black Start** or **Color Start**.

 **Note**

- Make sure printing has finished before you close the manual feed slot.
- When paper is placed in the manual feed slot, the machine always prints from the manual feed slot.
- Paper inserted in the manual feed slot while a test page, fax or report is being printed will be ejected.
- During the machine's cleaning process, paper you place in the manual feed slot will be ejected. Wait until the machine finishes its cleaning, and then put the paper into the manual feed slot again.

Loading envelopes and postcards

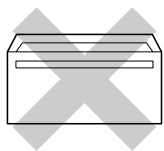
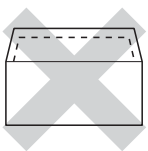
About envelopes

- Use envelopes that weigh from 20 to 25 lb (80 to 95 g/m²).
- Some envelopes need margin settings to be set in the application. Make sure you do a test print first before printing many envelopes.

! IMPORTANT

DO NOT use any of the following types of envelopes, as they will cause paper feed problems:

- That are of a baggy construction.
- That have windows.
- That are embossed (have raised writing on them).
- That have clasps or staples.
- That are pre-printed on the inside.

Glue	Double flaps
	

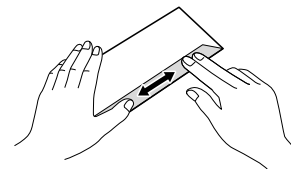
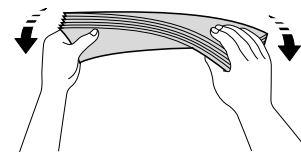
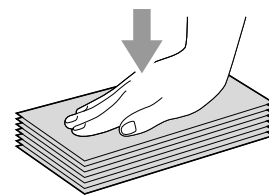
Occasionally you may experience paper feed problems caused by the thickness, size and flap shape of the envelopes you are using.

Loading envelopes and postcards

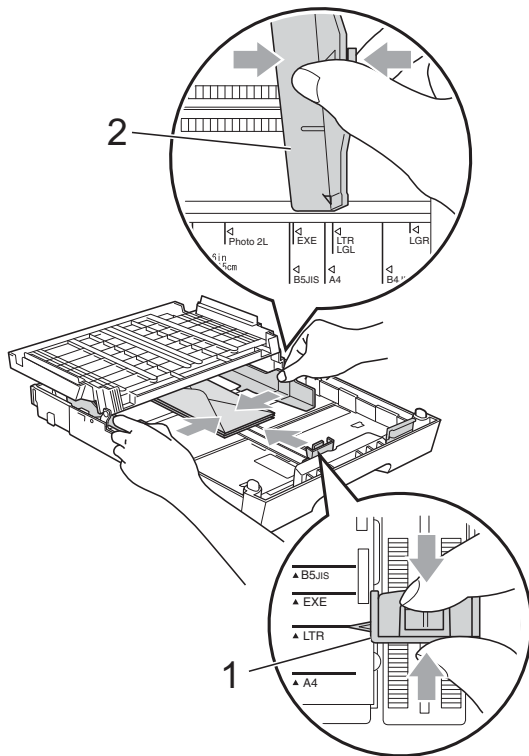
- 1 Before loading, press the corners and sides of envelopes or postcards to make them as flat as possible.

! IMPORTANT

If envelopes or postcards are “double-feeding”, put one envelope or postcard in the paper tray at a time.

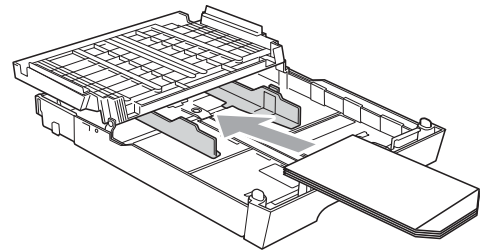


- 2 Put envelopes or postcards in the paper tray with the address side down and the leading edge in first as shown in the illustration. Using both hands, gently press and slide the paper length guide (1) and paper side guides (2) to fit the size of the envelopes or postcards.



If you have problems when printing on envelopes, try the following suggestions:

- 1 Open the envelope flap.
- 2 Make sure the open flap is to the back edge of the envelope when printing.

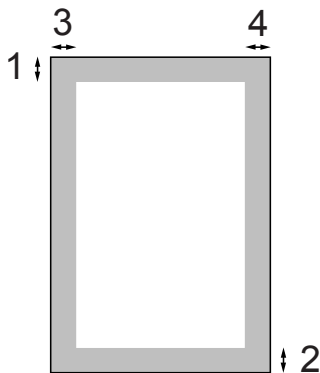


- 3 Adjust the size and margin in your application.

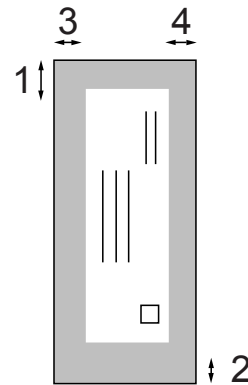
Printable area

The printable area depends on the settings in the application you are using. The figures below show the unprintable areas on cut sheet paper and envelopes. The machine can print in the shaded areas of cut sheet paper only when the Borderless print feature is available and turned on. (See *Printing for Windows*[®] or *Printing and Faxing for Macintosh* in the *Software User's Guide*.)

Cut Sheet Paper



Envelopes



	Top (1)	Bottom (2)	Left (3)	Right (4)
Cut Sheet	0.12 in. (3 mm)	0.12 in. (3 mm)	0.12 in. (3 mm)	0.12 in. (3 mm)
Cut Sheet (Duplex print when using Ledger, A3 or B4 size)	0.86 in. (22 mm)	0.86 in. (22 mm)	0.12 in. (3 mm)	0.12 in. (3 mm)
Envelopes	0.86 in. (22 mm) ¹	0.86 in. (22 mm)	0.12 in. (3 mm)	0.12 in. (3 mm)

¹ The top margin of Y4 envelopes is 0.47 in. (12 mm).

Note

- The Borderless feature is not available for envelopes and duplex printing.
- When you use the Borderless printing feature paper must be fed from Tray #1.

Paper settings

Paper Size and Type (MFC-J6510DW)

Paper Type

To get the best print quality, set the machine for the type of paper you are using.

- 1 Press **Paper Setting**.
- 2 Press **▲** or **▼** to choose Paper Type.
- 3 Press **◀** or **▶** to choose Plain Paper, Inkjet Paper, Brother BP71, Brother BP61, Other Glossy or Transparency.
Press **OK**.
- 4 Press **▲** or **▼** to choose Complete.
Press **OK**.



Note

The machine ejects paper with printed surfaces face up onto the paper tray in front of the machine. When you use transparencies or glossy paper, remove each sheet at once to prevent smudging or paper jams.

Paper Size

You can use eight sizes of paper for copies: Letter, Legal, Ledger, A4, A5, A3, Executive and 4" × 6" (10 × 15 cm) and five sizes for printing faxes: Ledger, Letter, Legal, A3 or A4. When you change the size of paper you load in the machine, you will need to change the paper size setting at the same time so your machine can fit an incoming fax on the page.

- 1 Press **Paper Setting**.
- 2 Press **▲** or **▼** to choose Paper Size.
- 3 Press **◀** or **▶** to choose Letter, Legal, Ledger, A4, A5, A3, Executive or 4"×6".
Press **OK**.
- 4 Press **▲** or **▼** to choose Complete.
Press **OK**.

Paper Size and Type (MFC-J6710DW)

To get the best print quality, set the machine for the type of paper you are using.

You can use eight sizes of paper for printing copies: Letter, Legal, Ledger, A4, A5, A3, Executive and 4 × 6 in. (10 × 15 cm) and five sizes for printing faxes: Ledger, Letter, Legal, A3 or A4. When you load a different size of paper in the machine, you will need to change the paper size setting at the same time so your machine can fit an incoming fax on the page.

- 1 Press **Tray Setting**.
- 2 Press **▲** or **▼** to choose Tray#1 or Tray#2.
Press **OK**.
- 3 Do one of the following:
 - If you chose Tray#1, press **▲** or **▼** to choose Paper Type and press **◀** or **▶** to choose Plain Paper, Inkjet Paper, Brother BP71, Brother BP61, Other Glossy or Transparency.
Press **OK**.

Press **▲** or **▼** to choose Paper Size and press **◀** or **▶** to choose Letter, Legal, Ledger, A4, A5, A3, Executive or 4"x6".
Press **OK**.
 - If you chose Tray#2, press **▲** or **▼** to choose Paper Size and press **◀** or **▶** to choose Letter, Legal, Ledger, A4, A3 or Executive.
Press **OK**.
- 4 Press **▲** or **▼** to choose Complete.
Press **OK**.
- 5 Press **▲** or **▼** to choose Complete.
Press **OK**.



Note

- You can only use plain paper and paper sizes Ledger, Letter, Legal, Executive, A3 or A4 in Tray#2.
- The machine ejects paper with printed surfaces face up onto the paper tray in front of the machine. When you use transparencies or glossy paper, remove each sheet at once to prevent smudging or paper jams.

Tray use in Copy mode (MFC-J6710DW only)

You can change the default tray the machine will use for copies.

Auto Select will allow your machine to feed paper from either Tray #1 or Tray #2, using the paper type and size settings from the **COPY** key menu.

To change the default setting follow the instructions below:

- 1 Press **Tray Setting**.
- 2 Press **▲** or **▼** to choose Tray Use:Copy.
- 3 Press **◀** or **▶** to choose Tray#1, Tray#2 or Auto Select.
Press **OK**.
- 4 Press **▲** or **▼** to choose Complete.
Press **OK**.



Note

You can change the paper size and tray selection temporarily for the next copy. (See *Paper Size* on page 57 and *Tray Select (MFC-J6710DW only)* on page 58.)

Tray use in Fax mode (MFC-J6710DW only)

You can change the default tray the machine will use for printing received faxes.

Auto Select will allow your machine to take paper from Tray #1 first, or from Tray #2 if:

- Tray #2 is set to a different paper size that is more suitable for the received faxes.
- Both trays are using the same size paper and Tray #1 is not set to use plain paper.

- 1 Press **Tray Setting**.
- 2 Press ▲ or ▼ to choose `Tray Use:Fax`.
- 3 Press ◀ or ▶ to choose `Tray#1`, `Tray#2` or `Auto Select`. Press **OK**.
- 4 Press ▲ or ▼ to choose `Complete`. Press **OK**.

Secure Paper Feed mode for Ledger size Short Grain Paper

If your printed pages have smudge problems when using Ledger paper, your paper may be short grain paper. Choose LGR - Short Grain and set it to On to avoid this problem.

- 1 Press **Menu**.
- 2 Press ▲ or ▼ to choose `General Setup`. Press **OK**.
- 3 Press ▲ or ▼ to choose `LGR - Short Grain`.
- 4 Press ◀ or ▶ to choose `On`. Press **OK**.
- 5 Press **Stop/Exit**.



Note

- If you are not sure about the type of paper you are using, consult the paper packaging or paper manufacturer for paper specifications.
 - Printing will be slower when using the `LGR - Short Grain` setting.
-

Acceptable paper and other print media

The print quality can be affected by the type of paper you use in the machine.

To get the best print quality for the settings you have chosen, always set the Paper Type to match the type of paper you load.

You can use plain paper, inkjet paper (coated paper), glossy paper, transparencies and envelopes.

We recommend testing various paper types before buying large quantities.

For best results, use Brother paper.

- When you print on inkjet paper (coated paper), transparencies and glossy paper, be sure to choose the proper print media in the “**Basic**” tab of the printer driver or in the Paper Type setting of the machine’s menu. (See *Paper Type* on page 23.)
- When you print on Brother Photo paper, load one extra sheet of the same photo paper in the paper tray. An extra sheet has been included in the paper package for this purpose.
- When you use transparencies or photo paper, remove each sheet at once to prevent smudging or paper jams.
- Avoid touching the printed surface of the paper immediately after printing; the surface may not be completely dry and may stain your fingers.

Recommended print media

To get the best print quality, we suggest using Brother paper. (See the table below.)

We recommend using “3M Transparency Film” when you print on transparencies.

Brother paper

Paper Type	Item
Premium Plus Glossy Photo	
■ Ledger	BP71GLGR
■ Letter	BP71GLTR
■ 4" × 6"	BP71GP
Premium Glossy Photo	
■ Letter	BP61GLL (USA only)
■ 4" × 6"	BP61GLP (USA only)
Matte Inkjet (Letter)	BP60ML (USA only)
Plain Inkjet	
■ Ledger	BP60PLGR (USA only)
■ Letter	BP60PL100 (USA only)

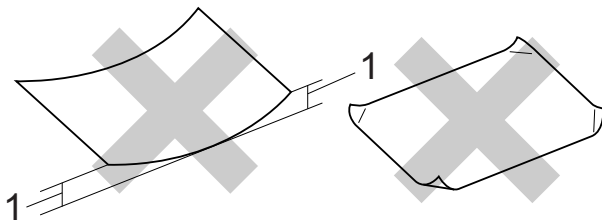
Handling and using print media

- Store paper in its original packaging, and keep it sealed. Keep the paper flat and away from moisture, direct sunlight and heat.
- Avoid touching the shiny (coated) side of photo paper. Load photo paper with the shiny side facing down.
- Avoid touching either side of transparencies because they absorb water and perspiration easily, and this may cause decreased output quality. Transparencies designed for laser printers/copiers may stain your next document. Use only transparencies recommended for inkjet printing.

! IMPORTANT

DO NOT use the following kinds of paper:

- Damaged, curled, wrinkled, or irregularly shaped



1 0.08 in. (2 mm) or greater curl may cause jams to occur.

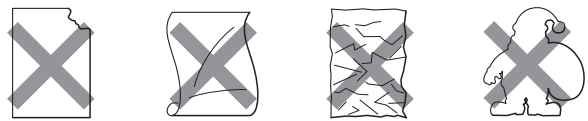
- Extremely shiny or highly textured
- Paper that cannot be arranged uniformly when stacked
- Paper made with a short grain

Labels

Labels should be arranged so that they cover the entire length and width of the sheet. Using labels with spaces may result in labels peeling off and causing serious jams or print problems.

Types of labels to avoid

Do not use labels that are damaged, curled, wrinkled or an unusual shape.



! IMPORTANT

- Avoid feeding labels with the carrier sheet exposed because your machine will be damaged.
- DO NOT reuse or insert labels that have previously been used or are missing few labels on the sheet.

Paper capacity of the output paper tray cover

Up to 50 sheets of Letter, Legal or A4 20 lb (80 g/m²) paper.

- Transparencies and photo paper must be picked up from the output paper tray cover one page at a time to avoid smudging.

Choosing the right print media

Paper type and size for each operation

Paper Type	Paper Size		Usage			
			Fax	Copy	Photo Capture	Printer
Cut Sheet	Ledger	11 × 17 in. (279.4 × 431.8 mm)	Yes	Yes	Yes	Yes
	Letter	8 1/2 × 11 in. (215.9 × 279.4 mm)	Yes	Yes	Yes	Yes
	A3	11.7 × 16.5 in. (297 × 420 mm)	Yes	Yes	Yes	Yes
	A4	8.3 × 11.7 in. (210 × 297 mm)	Yes	Yes	Yes	Yes
	Legal	8 1/2 × 14 in. (215.9 × 355.6 mm)	Yes	Yes	–	Yes
	Executive	7 1/4 × 10 1/2 in. (184 × 267 mm)	–	Yes	–	Yes
	JIS B4	10.1 × 14.3 in. (257 × 364 mm)	–	–	–	User Defined
	JIS B5	7.2 × 10.1 in. (182 × 257 mm)	–	–	–	User Defined
	A5	5.8 × 8.3 in. (148 × 210 mm)	–	Yes	–	Yes
A6	4.1 × 5.8 in. (105 × 148 mm)	–	–	–	Yes	
Cards	Photo	4 × 6 in. (10 × 15 cm)	–	Yes	Yes	Yes
	Photo L	3 1/2 × 5 in. (89 × 127 mm)	–	–	–	Yes
	Photo 2L	5 × 7 in. (13 × 18 cm)	–	–	Yes	Yes
	Index Card	5 × 8 in. (127 × 203 mm)	–	–	–	Yes
	Postcard 1	3.9 × 5.8 in. (100 × 148 mm)	–	–	–	User Defined
	Postcard 2 (Double)	5.8 × 7.9 in. (148 × 200 mm)	–	–	–	User Defined
Envelopes	C5 Envelope	6.4 × 9 in. (162 × 229 mm)	–	–	–	Yes
	DL Envelope	4.3 × 8.7 in. (110 × 220 mm)	–	–	–	Yes
	COM-10	4 1/8 × 9 1/2 in. (105 × 241 mm)	–	–	–	Yes
	Monarch	3 7/8 × 7 1/2 in. (98 × 191 mm)	–	–	–	Yes
	Y4 Envelope	4.1 × 9.3 in. (105 × 235 mm)	–	–	–	Yes
Transparencies	Letter	8 1/2 × 11 in. (215.9 × 279.4 mm)	–	Yes	–	Yes
	A4	8.3 × 11.7 in. (210 × 297 mm)	–	Yes	–	Yes
	Legal	8 1/2 × 14 in. (215.9 × 355.6 mm)	–	Yes	–	Yes
	A5	5.8 × 8.3 in. (148 × 210 mm)	–	Yes	–	Yes
Labels ¹			–	–	–	User Defined

¹ Manual Feed Slot only

Paper capacity of the paper trays

	Paper size	Paper types	No. of sheets
Tray #1	Letter, Ledger, A3, Legal, Executive, A4, A5, A6, JIS B4, JIS B5, Envelopes (commercial No.10, DL, C5, Monarch, Y4), Photo, Photo L, Photo 2L, Index Card, Postcard 1, Postcard 2	Plain Paper	250 ¹
		Inkjet Paper	20
		Glossy Paper, Photo	20
		Index Card, Postcard	30
		Envelopes, Transparencies	10
Tray #2 (MFC-J6710DW only)	Letter, Ledger, A3, Legal, Executive, A4, JIS B4, JIS B5	Plain Paper	250 ¹
Manual Feed Slot	Letter, Ledger, A3, Legal, Executive, A4, A5, A6, JIS B4, JIS B5, Envelopes (commercial No.10, DL, C5, Monarch, Y4), Photo, Photo L, Photo 2L, Index Card, Postcard 1, Postcard 2	Plain Paper, Inkjet Paper, Glossy Paper, Envelopes, Transparencies and Labels	1

¹ Up to 250 sheets of plain paper 20 lb (80 g/m²).

Paper weight and thickness

Paper Type		Weight	Thickness
Cut Sheet	Plain Paper	17 to 32 lb (64 to 120 g/m ²)	3 to 6 mil (0.08 to 0.15 mm)
	(Tray #2) Plain Paper	17 to 28 lb (64 to 105 g/m ²)	3 to 6 mil (0.08 to 0.15 mm)
	Inkjet Paper	17 to 53 lb (64 to 200 g/m ²)	3 to 10 mil (0.08 to 0.25 mm)
	Glossy Paper ¹	Up to 58 lb (Up to 220 g/m ²)	Up to 10 mil (Up to 0.25 mm)
Cards	Photo 4" × 6" ¹	Up to 58 lb (Up to 220 g/m ²)	Up to 10 mil (Up to 0.25 mm)
	Index Card	Up to 32 lb (Up to 120 g/m ²)	Up to 6 mil (Up to 0.15 mm)
	Postcard 1 Postcard 2	Up to 53 lb (Up to 200 g/m ²)	Up to 10 mil (Up to 0.25 mm)
Envelopes		20 to 25 lb (75 to 95 g/m ²)	Up to 20 mil (Up to 0.52 mm)
Transparencies		–	–
Labels		–	–

¹ BP71 69 lb (260 g/m²) paper is especially designed for Brother inkjet machines.

3

Loading documents

How to load documents

You can send a fax, make copies, and scan from the ADF (automatic document feeder) and from the scanner glass.

Using the ADF

The ADF can hold up to 35 pages and feeds each sheet individually. Use standard 20 lb (80 g/m²) paper and always fan the pages before putting them in the ADF.

Document Sizes Supported

Recommended Paper: 20 lb LTR (80 g/m² A4)

Length:	5.8 to 17 in. (148 to 431.8 mm)
Width:	5.8 to 11.7 in. (148 to 297 mm)
Weight:	17 to 24 lb (64 to 90 g/m ²)

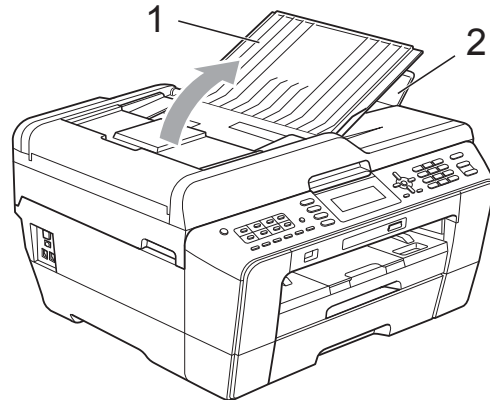
How to load documents

! IMPORTANT

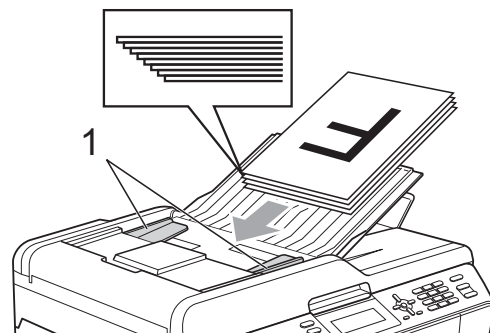
- DO NOT pull on the document while it is feeding.
- DO NOT use paper that is curled, wrinkled, folded, ripped, stapled, paper clipped, pasted or taped.
- DO NOT use cardboard, newspaper or fabric.

Make sure documents with ink or correction fluid are completely dry.

- 1 Unfold the ADF Document Support (1) and the ADF Document Output Support Flap (2).



- 2 Fan the pages well.
- 3 Adjust the paper guides (1) to fit the width of your document.



- 4 Place your document, **face up, top edge first** in the ADF until the LCD screen shows **ADF Ready** and you feel it touch the feed rollers.

! IMPORTANT

DO NOT leave a thick document on the scanner glass. If you do this, the ADF may jam.

Using the scanner glass

You can use the scanner glass to fax, copy or scan pages of a book or one page at a time.

Document Sizes Supported

Length:	Up to 17 in. (431.8 mm)
Width:	Up to 11.7 in. (297 mm)
Weight:	Up to 4.4 lb (2 kg)

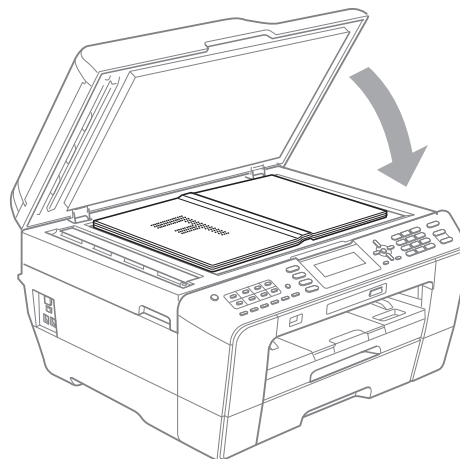
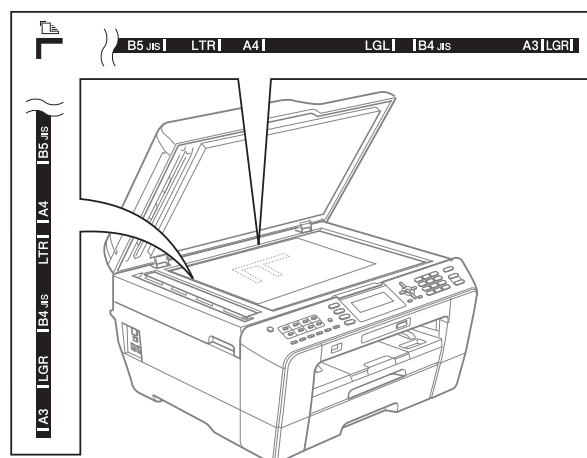
How to load documents



Note

To use the scanner glass, the ADF must be empty.

- 1 Lift the document cover.
- 2 Using the document guidelines on the left and top, place the document **face down** in the upper left corner of the scanner glass.



- 3 Close the document cover.

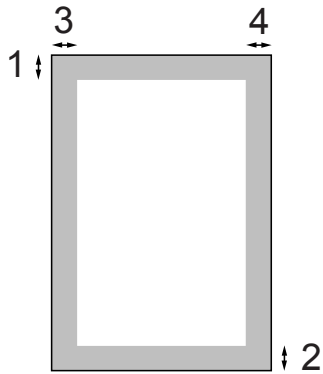


IMPORTANT

If you are scanning a book or thick document, **DO NOT** slam the cover down or press on it.

Scannable area

The scannable area depends on the settings in the application you are using. The figures below show unscannable areas.



Usage	Document Size	Top (1) Bottom (2)	Left (3) Right (4)
Fax	Ledger	0.12 in. (3 mm)	0.15 in. (3.7 mm)
	Letter	0.12 in. (3 mm)	0.16 in. (4 mm)
	Legal		
	A3	0.12 in. (3 mm)	0.18 in. (4.5 mm)
	A4	0.12 in. (3 mm)	0.12 in. ¹ (3 mm)
Copy	All paper sizes	0.12 in. (3 mm)	0.12 in. (3 mm)
Scan			

¹ The unscannable area is 0.04 in (1 mm) when you use the ADF.


4

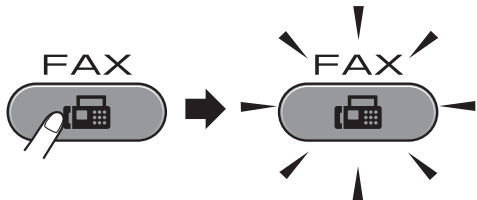
Sending a fax

How to send a fax

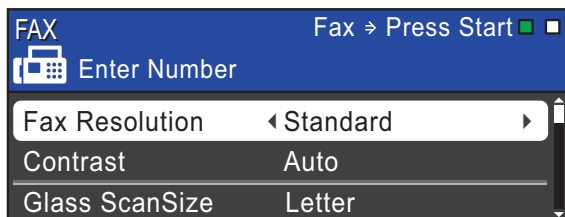
The following steps show how to send a fax.

- 1 When the machine is idle, the time appears on the LCD. When you want to send a fax, or change fax send or receive settings, press the

 (FAX) key to illuminate it in blue.



- The LCD shows:



- 2 Do one of the following to load your document:

- Place the document *face up* in the ADF. (See *Using the ADF* on page 30.)
- Load your document *face down* on the scanner glass. (See *Using the scanner glass* on page 31.)

Note

- To send color faxes with multiple pages use the ADF.
- If you send a black & white fax from the ADF while the memory is full it will be sent in real time.
- You can use the scanner glass to fax pages of a book one at a time. The document can be up to Ledger or A3 size.
- Since you can only scan one page at a time, it is easier to use the ADF if you are sending a multiple page document.

- 3 You can change the following fax sending settings. Press **FAX** and then press **▲** or **▼** to scroll through the fax settings. When the setting you want is highlighted, then press **◀** or **▶** to choose your option, and press **OK**.

(Basic User's Guide)

For details changing the following fax sending settings, see pages 35 to 36.

- Glass ScanSize
- Color Fax Transmission
- Preview Outgoing Fax
- Transmission Verification Report (Setup)

(Advanced User's Guide)

For more advanced fax sending operations and settings, see Chapter 3 *Sending a fax* in the *Advanced User's Guide*:

- Contrast
- Fax Resolution
- Set New Defaults
- Factory Reset
- Faxing at End of Call
- Broadcasting
- Real Time TX
- Overseas Mode
- Delayed Fax
- Batch TX
- Canceling Waiting Jobs
- Polled Transmit

- 4 Enter the fax number.

Using the dial pad

Using the Phone Book

- Phone Book

Using call history

- Outgoing Call
- Caller ID hist.



Note

You can preview a fax message before sending it by setting `Fax Preview` to `ON`. (See *How to preview an outgoing fax* on page 35.)

- 5 Press **Black Start** or **Color Start**.

Faxing from the ADF

- The machine starts scanning the document.

Faxing from the scanner glass

- When you press **Black Start**, the machine starts scanning the first page.

Do one of the following:

- To send a single page, press **2** to choose `No (Send)` (or press **Black Start** again).

The machine starts sending the document.

- To send more than one page, press **1** to choose `Yes` and place the next page on the scanner glass. Press **OK**. The machine starts scanning the page. (Repeat this step for each additional page.)


- If you press **Color Start**, the machine starts sending the document.

Stop faxing

To stop faxing, press **Stop/Exit**.

Setting scanner glass size for faxing

When documents are A4 size, you need to set the Scan Size to A4. If you do not, the bottom portion of the faxes will be missing.

- 1 Press  (**FAX**).
- 2 Press ▲ or ▼ to choose **Glass ScanSize**.
- 3 Press ◀ or ▶ to choose **Letter**, **Legal**, **Ledger**, **A4** or **A3**. Press **OK**.



Note

- You can save the setting you use most often by setting it as default. (See *Setting your changes as the new default* in chapter 3 of the *Advanced User's Guide*.)
- This setting is only available for sending documents from the scanner glass.

Color fax transmission

Your machine can send a color fax to machines that support this feature.


Color faxes cannot be stored in the machine's memory. When you send a color fax, the machine will send it in real time (even if **Real Time TX** is set to **Off**).






Canceling a fax in progress

If you want to cancel a fax while the machine is scanning, dialing or sending, press **Stop/Exit**.

How to preview an outgoing fax

You can preview a fax message before you send it. You must set the **Real Time Transmission** and **Polling RX** to **Off** before you use this feature.

- 1 Press  (**FAX**).
- 2 Load the document.
- 3 Enter the fax number using the dial pad, **One Touch** or **Speed Dial**.
- 4 Press **Fax Preview**.
The machine starts scanning the document and the outgoing fax appears on the LCD. When the fax is open the control panel keys will perform the operations shown below.

Key	Description
	Enlarge the fax.
	Reduce the fax.
▲ or ▼	Scroll vertically.
◀ or ▶	Scroll horizontally.
	Rotate the fax clockwise.
	Go back to the previous page.
	Go to the next page.



Note

If you preview a color fax before it is sent, you will only be able to send it in black & white. To send a color fax do not press the **Fax Preview** key.

- 5 Press **Black Start**.



Note

The fax message in the memory will be sent and then erased when you press **Black Start**.

Transmission Verification Report

You can use the Transmission Verification Report as proof that you sent a fax. This report lists the sender's name or fax number, the time and date of transmission, duration of transmission, number of pages sent, and whether or not the transmission was successful.

There are several settings available for the Transmission Verification Report:

- **On:** Prints a report after every fax you send.
- **On+Image:** Prints a report after every fax you send. A portion of the fax's first page appears on the report.
- **Off:** Prints a report if your fax is unsuccessful due to a transmission error. The report will also print if the receiving machine modifies the size of the document you fax, or if you send a color fax that the receiving machine prints in black and white. *Off* is the default setting.
- **Off+Image:** Prints a report if your fax is unsuccessful due to a transmission error. The report will also print if your fax is successful, but the receiving machine modifies the size of the document you fax, or if you send a color fax that the receiving machine prints in black and white. A portion of the fax's first page appears on the report.
- **Off2:** Prints a report *only* if your fax is unsuccessful due to a transmission error.
- **Off2+Image:** Prints a report *only* if your fax is unsuccessful due to a transmission error. A portion of the fax's first page appears on the report.

1 Press **Menu**.

2 Press ▲ or ▼ to choose **Fax**.
Press **OK**.

3 Press ▲ or ▼ to choose **Report Setting**.
Press **OK**.

4 Press ▲ or ▼ to choose **Transmission**.

5 Press ◀ or ▶ to choose **On, On+Image, Off, Off+Image, Off2 or Off2+Image**.
Press **OK**.

6 Press **Stop/Exit**.



Note

- If you choose **On+Image, Off+Image or Off2+Image** the image will only appear on the Transmission Verification Report if **Real Time Transmission** is set to **Off**. (See *Real Time Transmission* in chapter 3 of the *Advanced User's Guide*.)
 - If your transmission is successful, "OK" will appear next to "RESULT" on the Transmission Verification Report. If transmission is not successful, "NG" will appear next to "RESULT".
-

Receive Modes

Choose the correct Receive Mode

The correct Receive Mode is determined by the external devices and telephone subscriber services (Voice Mail, Distinctive Ring, etc.) you have (or will be using) on the same line as the Brother machine.

Will you be using a Distinctive Ring number for receiving faxes?

Brother uses the term “Distinctive Ring” but different telephone companies may have other names for this service, such as Custom Ringing, RingMaster, Personalized Ring, Teen Ring, Ident-A-Ring, Ident-A-Call, Data Ident-A-Call, Smart Ring and SimpleBiz Fax & Alternate Number Ringing. (See *Distinctive Ring* on page 44 for instructions on setting up your machine using this feature.)

Will you be using Voice Mail on the same telephone line as your Brother machine?

If you have Voice Mail on the same telephone line as your Brother machine, there is a strong possibility that Voice Mail and the Brother machine will conflict with each other when receiving incoming calls. (See *Voice Mail* on page 43 for instructions on setting up your machine using this service.)

Will you be using a Telephone Answering Device on the same telephone line as your Brother machine?

Your external telephone answering device (TAD) will automatically answer every call. Voice messages are stored on the external TAD and fax messages are printed. Choose `External TAD` as your receive mode. (See *Connecting an external TAD (telephone answering device)* on page 46.)

Will you be using your Brother machine on a dedicated fax line?

Your machine automatically answers every call as a fax. Choose `Fax Only` as your receive mode. (See *Fax Only* on page 39.)

Will you be using your Brother machine on the same line as your telephone?**Do you want to receive voice calls and faxes automatically?**

The `Fax/Tel` receive mode is used when sharing the Brother machine and your telephone on the same line. Choose `Fax/Tel` as your receive mode. (See *Fax/Tel* on page 39.)

Important Note: You cannot receive voice messages on either Voice Mail or an answering machine with the `Fax/Tel` mode.

Do you expect to receive very few faxes?

Choose `Manual` as your receive mode. You control the telephone line and must answer every call yourself. (See *Manual* on page 39.)

To set the receive mode follow the instructions below:

- 1 Press **Menu**.
- 2 Press **▲** or **▼** to choose `Initial Setup`.
Press **OK**.
- 3 Press **▲** or **▼** to choose `Receive Mode`.
- 4 Press **◀** or **▶** to choose `Fax Only`, `Fax/Tel`, `External TAD` or `Manual`.
Press **OK**.
- 5 Press **Stop/Exit**.
The LCD will show the current receive mode.

Using Receive Modes

Some receive modes answer automatically (**Fax Only** and **Fax/Tel**). You may want to change the ring delay before using these modes. (See *Ring Delay* on page 40.)

Fax Only

Fax Only mode will automatically answer every call as a fax call.

Fax/Tel

Fax/Tel mode helps you automatically manage incoming calls, by recognizing whether they are fax or voice calls and handling them in one of the following ways:

- Faxes will be automatically received.
- Voice calls will start the F/T Ring to tell you to pick up the line. The F/T Ring is a fast pseudo/double-ring made by your machine.

(Also see *F/T Ring Time (Fax/Tel mode only)* on page 40 and *Ring Delay* on page 40.)

Manual

Manual mode turns off all automatic answering functions unless you are using the Distinctive Ring feature.

To receive a fax in manual mode lift the handset of the external telephone or press **Hook**. When you hear fax tones (short repeating beeps), press **Black Start** or **Color Start** and choose *Receive*. You can also use the Easy Receive feature to receive faxes by lifting a handset on the same line as the machine.

(Also see *Easy Receive* on page 41.)

External TAD

External TAD mode lets an external answering device manage your incoming calls. Incoming calls will be handled in one of the following ways:

- Faxes will be automatically received.
- Voice callers can record a message on the external TAD.

(For more information see *Connecting an external TAD (telephone answering device)* on page 46.)

Receive Mode settings

Ring Delay

The Ring Delay sets the number of times the machine rings before it answers in `Fax Only` or `Fax/Tel` mode. If you have external or extension telephones on the same line as the machine, keep the ring delay setting of 4 rings.

(See *Using external and extension telephones* on page 49 and *Easy Receive* on page 41.)

- 1 Press **Menu**.
- 2 Press **▲** or **▼** to choose `Fax`. Press **OK**.
- 3 Press **▲** or **▼** to choose `Setup Receive`. Press **OK**.
- 4 Press **▲** or **▼** to choose `Ring Delay`.
- 5 Press **◀** or **▶** to choose how many times the line rings before the machine answers. Press **OK**.
If you choose 0, the line will not ring at all.
- 6 Press **Stop/Exit**.

F/T Ring Time (Fax/Tel mode only)

When somebody calls your machine, you and your caller will hear the normal telephone ring sound. The number of rings is set by the ring delay setting.

If the call is a fax, then your machine will receive it; however, if it is a voice call the machine will sound the F/T Ring (a fast double-ring) for the time you have set in the F/T Ring Time setting. If you hear the F/T Ring it means that you have a voice caller on the line.

Because the F/T Ring is made by the machine, extension and external telephones will *not* ring; however, you can still answer the call on any telephone. (For more information see *Using remote codes* on page 49.)

- 1 Press **Menu**.
- 2 Press **▲** or **▼** to choose `Fax`. Press **OK**.
- 3 Press **▲** or **▼** to choose `Setup Receive`. Press **OK**.
- 4 Press **▲** or **▼** to choose `F/T Ring Time`.
- 5 Press **◀** or **▶** to choose how long the machine will ring to alert you that you have a voice call (20, 30, 40 or 70 seconds). Press **OK**.
- 6 Press **Stop/Exit**.



Note

Even if the caller hangs up during the pseudo/double-ringing, the machine will continue to ring for the set time.

Easy Receive

If Easy Receive is On:

The machine can receive a fax automatically, even if you answer the call. When you see *Receiving* on the LCD or hear a click on the phone line through the handset you are using, just replace the handset. Your machine will do the rest.

If Easy Receive is Off:

If you are at the machine and answered a call first by lifting an external handset, press **Black Start** or **Color Start**, and then press **2** to receive.

If you answered at an extension telephone press * **5 1**. (See *Using external and extension telephones* on page 49.)



Note

- If this feature is set to *On*, but your machine does not connect a fax call when you lift an extension or external telephone handset, press the fax receive code * **5 1**.
- If you send faxes from a computer on the same telephone line and the machine intercepts them, set Easy Receive to *Off*.

- 1 Press **Menu**.
- 2 Press **▲** or **▼** to choose *Fax*. Press **OK**.
- 3 Press **▲** or **▼** to choose *Setup Receive*. Press **OK**.
- 4 Press **▲** or **▼** to choose *Easy Receive*.
- 5 Press **◀** or **▶** to choose *On* (or *Off*). Press **OK**.
- 6 Press **Stop/Exit**.

Fax Preview (Black & White only)

How to preview a received fax

You can view received faxes on the LCD by pressing the **Fax Preview** key. When the machine is in Ready mode, a popup message will appear on the LCD to alert you of new faxes.

Setting Fax Preview

- 1 Press **Fax Preview**.
- 2 Press **1** to choose *Yes*. The LCD asks you again to confirm because faxes will be viewed instead of automatically printed. Press **1** to choose *OK*.



Note

- When Fax Preview is turned on, a backup copy of received faxes will not be printed for Fax Forwarding and PC-Fax Receiving operations, even if you have set Backup Print to *On*.
- Fax Preview is not available when Fax Forwarding is turned on.

Using Fax Preview

When you receive a fax, you will see the popup message on the LCD. (For example: New Fax(es) : 02)

- 1 Press **Fax Preview**. You can see the new fax list.



Note

- If you receive a fax containing multiple paper sizes (for example, a Letter size page and a Ledger size page), the machine may create and store a file for each paper size. The LCD may show that more than one fax job has been received.
- You can also see your old fax list by pressing *****. Press **#** to go back to your new fax list.

- 2 Press ▲ or ▼ to choose the fax you want to see.
Press **OK**.

**Note**

- If your fax is large there may be a delay before it is displayed on the LCD.
- The LCD will show the current page number and total pages of the fax message. When your fax message is over 99 pages the total number of pages will be shown as “XX”.

- 3 Press **Stop/Exit**.

When a fax is open the control panel keys will perform the operations shown below.

Key	Description
	Enlarge the fax.
	Reduce the fax.
▲ or ▼	Scroll vertically.
◀ or ▶	Scroll horizontally.
	Rotate the fax clockwise.
	Delete the fax. Press 1 to confirm.
	Go back to the previous page.
	Go to the next page.
	Go to the next step. (Print, Back and Exit are available.)
	Go back to the fax list.
 Black Start	Print the fax. Do one of the following: <ul style="list-style-type: none"> ■ Press 1 to print the whole message. ■ Press 2 to print only the displayed page. ■ Press 3 to print from the displayed page. (After printing, you can choose to delete or re-print the fax.)

How to delete all faxes in the list

- 1 Press **Fax Preview**.
- 2 Press ▲ or ▼ to choose `Delete All`.
Press **OK**.
Press **1** to confirm.
- 3 Press **Stop/Exit**.

How to print all faxes in the list

- 1 Press **Fax Preview**.
- 2 Press ▲ or ▼ to choose `Print All`.
Press **OK**.
- 3 Press **Stop/Exit**.

Telephone services

Your machine supports the Caller ID and Distinctive Ring subscriber telephone services that some telephone companies offer.

Features like Voice Mail, Call Waiting, Call Waiting/Caller ID, RingMaster, answering services, alarm systems or other custom features on one telephone line may create problems with the operation of your machine. If you have Voice Mail on your telephone line, please read the following carefully.

Voice Mail

If you have Voice Mail on the same telephone line as your Brother machine, Voice Mail and the Brother machine will conflict with each other when receiving incoming calls.

For example, if your Voice Mail is set to answer after 4 rings and your Brother machine is set to answer after 2 rings, then your Brother machine will answer first. This will prevent callers from being able to leave a message in your Voice Mail.

Similarly, if your Brother machine is set to answer after 4 rings and your Voice Mail is set to answer after 2 rings, then your Voice Mail will answer first. This will prevent your Brother machine from being able to receive an incoming fax, since Voice Mail cannot transfer the incoming fax back to the Brother machine.

To avoid conflicts between your Brother machine and your Voice Mail service, do one of the following:

Get the Distinctive Ring service from your telephone company. Distinctive Ring is a feature of your Brother machine that allows a person with one line to receive fax and voice calls through two different phone numbers on that one line. Brother uses the term “Distinctive Ring,” but telephone companies market the service under a variety of names, such as Custom Ringing, Personalized Ring, Smart Ring, RingMaster, Ident-A-Ring, Ident-A-Call, Data Ident-A-Call, Teen Ring, and SimpleBiz Fax & Alternate Number Ringing. This service establishes a second telephone number on the same line as your existing telephone number, and each number has its own ring pattern. Typically, the original number rings with the standard ring pattern and is used for receiving voice calls, and the second number rings with a different ring pattern and is used for receiving faxes. (See *Distinctive Ring* on page 44.)

OR

Set your Brother machine’s Receive Mode to “Manual”. Manual Mode requires that you answer every incoming call if you want to be able to receive a fax. If the incoming call is a telephone call, then complete the call as you normally would. If you hear fax sending tones you must transfer the call to the Brother machine. (See *Using external and extension telephones* on page 49.) Unanswered fax and voice calls will go to your Voice Mail. (To set the machine in **MANUAL** Mode, see *Choose the correct Receive Mode* on page 37.)

Distinctive Ring

Distinctive Ring is a function of your Brother machine that allows a person with one line to receive fax and voice calls through two different phone numbers on that one line. Brother uses the term “Distinctive Ring”, but telephone companies market the service under a variety of names, such as Smart Ring, Ring Master or Ident-a-Ring. This service establishes a second telephone number on the same line as your existing telephone number, and each number has its own ring pattern. Typically, the original number rings with the standard ring pattern and is used for receiving voice calls, and the second number rings with a different ring pattern and is used for receiving faxes.



Note

- You must pay for your telephone company's Distinctive Ring service before you program the machine to work with it.
- Please call your telephone company for availability and rates.

What does your telephone company's “Distinctive Ring” do?

Your telephone company's Distinctive Ring service allows you to have more than one number on the same telephone line. **If you need more than one telephone number, it is cheaper than paying for an extra line.** Each telephone number has its own distinctive ring pattern, so you will know which telephone number is ringing. This is one way you can have a separate telephone number for your machine.

What does Brother's “Distinctive Ring” do?

The Brother machine has a Distinctive Ring feature that allows you to use your machine to take full advantage of the telephone company's Distinctive Ring service. The new telephone number on your line can just receive faxes.

Do you have Voice Mail?

If you have Voice Mail on the telephone line that you will install your new machine on, *there is a strong possibility that Voice Mail and the machine will conflict with each other while receiving incoming calls.* **However, the Distinctive Ring feature allows you to use more than one number on your line, so both Voice Mail and the machine can work together without any problems.** If each one has a separate telephone number, neither will interfere with the other's operations.

If you decide to get the Distinctive Ring service from the telephone company, you will need to follow the directions on next page to “register” the new Distinctive Ring pattern they give you. This is so your machine can recognize its incoming calls.







Note

You can change or cancel the Distinctive Ring pattern at any time. You can switch it off temporarily, and turn it back on later. When you get a new fax number, make sure you reset this feature.

Before you choose the ring pattern to register

You can only register one Distinctive Ring pattern with the machine. Some ring patterns cannot be registered. The ring patterns below are supported by your Brother machine. Register the one your telephone company gives you.

Ring Pattern	Rings	
1	long-long	
2	short-long-short	
3	short-short-long	
4	very long (normal pattern)	

**Note**

Ring Pattern #1 is often called Short-Short and is the most commonly used. If the ring pattern you received is not on this chart, **please call your telephone company and ask for one that is shown.**

- The machine will only answer calls to its registered number.
- The first two rings are silent on the machine. This is because the fax must “listen” to the ring pattern (to compare it to the pattern that was “registered”). (Other telephones on the same line will ring.)
- If you program the machine properly, it will recognize the registered ring pattern of the “fax number” within 2 ring patterns and then answer with a fax tone. When the “voice number” is called, the machine will not answer.

Registering the Distinctive Ring pattern

Very Important !

After you have set the Distinctive Ring feature to **On**, your Distinctive Ring number will receive faxes automatically. The receive mode is automatically set to **Manual** and you cannot change it to another receive mode while Distinctive Ring is set to **On**. This ensures the Brother machine will only answer the Distinctive Ring number and not interfere when your main telephone number is called. When Distinctive Ring is on, the LCD will show **D/R** as the Receive Mode.

- 1 Press **Menu**.
- 2 Press **▲** or **▼** to choose **Fax**. Press **OK**.
- 3 Press **▲** or **▼** to choose **Miscellaneous**. Press **OK**.

- 4 Press **▲** or **▼** to choose **Distinctive**. Press **OK**.
- 5 Press **▲** or **▼** to choose **Set**. Press **OK**.
- 6 Press **▲** or **▼** to choose the stored ring pattern you want to use. Press **OK**.
(You hear each pattern as you scroll through the four patterns. Make sure you choose the pattern that the telephone company gave you.)
- 7 Press **Stop/Exit**.
Distinctive Ring is now set to **On**.

Turning off Distinctive Ring

- 1 Press **Menu**.
- 2 Press **▲** or **▼** to choose **Fax**. Press **OK**.
- 3 Press **▲** or **▼** to choose **Miscellaneous**. Press **OK**.
- 4 Press **▲** or **▼** to choose **Distinctive**. Press **OK**.
- 5 Press **▲** or **▼** to choose **Off**. Press **OK**.
- 6 Press **Stop/Exit**.

**Note**

If you turn off Distinctive Ring, the machine will stay in **Manual** receive mode. You will need to set the Receive Mode again. (See *Choose the correct Receive Mode* on page 37.)

Connecting an external TAD (telephone answering device)

You may choose to connect an external answering device. However, when you have an **external** TAD on the same telephone line as the machine, the TAD answers all calls and the machine “listens” for fax calling (CNG) tones. If it hears them, the machine takes over the call and receives the fax. If it does not hear CNG tones, the machine lets the TAD continue playing your outgoing message so your caller can leave you a voice message.

The TAD must answer within four rings (the recommended setting is two rings). The machine cannot hear CNG tones until the TAD has answered the call, and with four rings there are only 8 to 10 seconds of CNG tones left for the fax “handshake”. Make sure you carefully follow the instructions in this guide for recording your outgoing message. We do not recommend using the toll saver feature on your external answering machine if it exceeds five rings.

Note

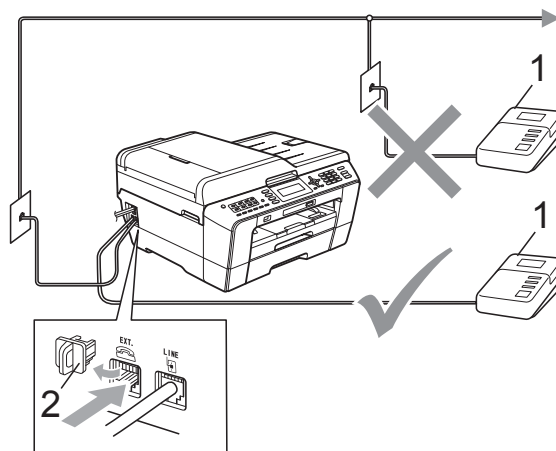
- If you do not receive all your faxes, shorten the Ring Delay setting on your external TAD.
- **If You Subscribe to your Telephone company's Distinctive Ring Service:**

You may connect an external TAD to a separate wall jack only if you subscribe to your telephone company's Distinctive Ring service, have registered the distinctive ring pattern on your machine, and use that number as a fax number. The recommended setting is at least four rings on the external TAD when you have the telephone company's Distinctive Ring Service. You cannot use the Toll Saver setting.

- **If You Do Not Subscribe to Distinctive Ring Service:**

You must plug your TAD into the EXT. jack of your machine. If your TAD is plugged into a wall jack, both your machine and the TAD will try to control the telephone line. (See the illustration below.)

- Before you connect the external TAD, remove the protective cap (2) from the EXT. jack on the machine.



- 1 TAD
- 2 Protective Cap

When the TAD answers a call, the LCD shows *Telephone*.

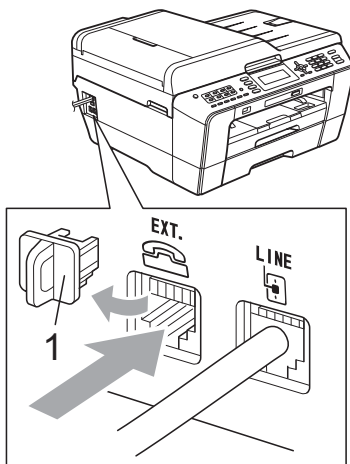
! IMPORTANT

DO NOT connect a TAD elsewhere on the same telephone line.

Connections

The external TAD must be plugged into the jack labeled EXT. Your machine cannot work properly if you plug the TAD into a wall jack (unless you are using Distinctive Ring).

- 1 Plug the telephone line cord from the telephone wall jack into the jack labeled LINE.
- 2 Remove the protective cap (1) from the jack labeled EXT, and then plug the telephone line cord from the external TAD into the EXT. jack. (Make sure this cord is connected to the TAD at the TAD's telephone line jack, and not its handset jack.)



- 3 Set your external TAD to four rings or less. (The machine's Ring Delay setting does not apply.)
- 4 Record the outgoing message on your external TAD.
- 5 Set the TAD to answer calls.
- 6 Set the Receive Mode to External TAD. (See *Choose the correct Receive Mode* on page 37.)

Recording an outgoing message (OGM) on an external TAD

Timing is important in recording this message. The message sets up the ways to handle both manual and automatic fax reception.

- 1 Record 5 seconds of silence at the beginning of your message. (This allows your machine time to listen for the fax CNG tones of automatic transmissions before they stop.)
- 2 Limit your speaking to 20 seconds.
- 3 End your 20-second message by giving your Fax Receive Code for people sending manual faxes. For example: "After the beep, leave a message or send a fax by pressing * 5 1 and **Start**."



Note

We recommend beginning your OGM with an initial 5-second silence because the machine cannot hear fax tones over a resonant or loud voice. You may try omitting this pause, but if your machine has trouble receiving, then you must re-record the OGM to include it.

Multi-line connections (PBX)

We suggest you ask the company who installed your PBX to connect your machine. If you have a multi line system we suggest you ask the installer to connect the unit to the last line on the system. This prevents the machine being activated each time the system receives telephone calls. If all incoming calls will be answered by a switchboard operator we recommend that you set the Receive Mode to `Manual`.

We cannot guarantee that your machine will operate properly under all circumstances when connected to a PBX. Any difficulties with sending or receiving faxes should be reported first to the company who handles your PBX.

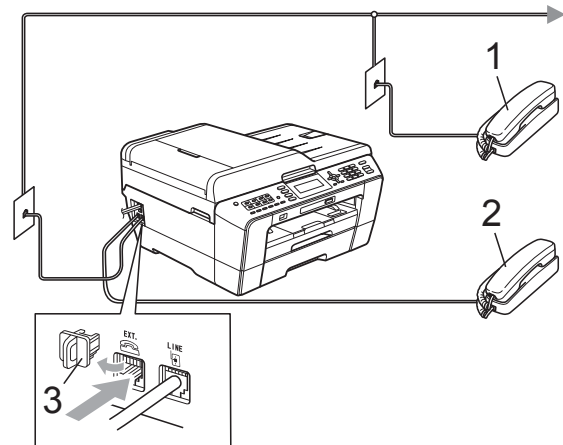
External and extension telephones

Connecting an external or extension telephone

You can connect a separate telephone to your machine as shown in the diagram below.

Connect the telephone line cord to the jack labeled `EXT`.

Before you connect the external telephone, remove the protective cap (3) from the `EXT` jack on the machine.



- 1 Extension telephone
- 2 External telephone
- 3 Protective Cap

When you are using a telephone on the same phone line, the LCD shows `Telephone`.

Using external and extension telephones

Using extension telephones

If you answer a fax call at an extension telephone, you can make your machine receive the fax by pressing the Fax Receive Code * 5 1.

If the machine answers a voice call and pseudo/double-rings for you to take over, you can take the call at an extension telephone by pressing the Telephone Answer Code # 5 1. (See *F/T Ring Time (Fax/Tel mode only)* on page 40.)

Using an external telephone (connected to the EXT. jack of the machine)

If you answer a fax call at the external telephone connected to the EXT. jack of the machine, you can make the machine receive the fax by pressing **Black Start** and choosing *Receive*.

You can also use the Fax Receive code * 5 1.

If the machine answers a voice call and pseudo/double-rings for you to take over, you can take the call at the external telephone by pressing **Hook**.

If you answer a call and no one is on the line:

You should assume that you're receiving a manual fax.

Press * 5 1 and wait for the chirp or until the LCD shows *Receiving*, and then hang up.



Note

You can also use the Easy Receive feature to make your machine automatically take the call. (See *Easy Receive* on page 41.)

Using a non-Brother cordless external telephone

If your non-brother cordless telephone is connected to the EXT. jack of the machine and you typically carry the cordless handset elsewhere, it is easier to answer calls during the Ring Delay.

If you let the machine answer first, you will have to go to the machine so you can press **Hook** to send the call to the cordless handset.

Using remote codes

Fax Receive code

If you answer a fax call on an extension telephone, you can tell your machine to receive it by dialing the Fax Receive Code * 5 1. Wait for the chirping sounds and then replace the handset. (See *Easy Receive* on page 41.)

If you answer a fax call at the external telephone connected to the EXT. jack of the machine, you can make the machine receive the fax by pressing **Black Start** and choosing *Receive*.

Telephone Answer Code

If you receive a voice call and the machine is in F/T mode, it will start to sound the F/T (pseudo/double) ring after the initial ring delay. If you pick up the call on an extension telephone you can turn the F/T Ring off by pressing # 5 1 (make sure you press this *between* the rings).

If the machine answers a voice call and pseudo/double-rings for you to take over, you can take the call at the external telephone connected to the EXT. jack of the machine by pressing **Hook**.

Changing the remote codes

The preset Fax Receive Code is * **5 1**. The preset Telephone Answer Code is # **5 1**. If you want to, you can replace them with your own codes.

- 1 Press **Menu**.
- 2 Press ▲ or ▼ to choose **Fax**.
Press **OK**.
- 3 Press ▲ or ▼ to choose
Setup Receive.
Press **OK**.
- 4 Press ▲ or ▼ to choose **Remote Codes**.
- 5 Press ◀ or ▶ to choose **On (or Off)**.
Press **OK**.
- 6 Enter the new Fax Receive Code.
Press **OK**.
- 7 Press ▲ or ▼ to choose **Tel Answer**:
and enter the new Telephone Answer
Code.
Press **OK**.
- 8 Press **Stop/Exit**.



Note

- If you are always disconnected when accessing your external TAD remotely, try changing the Fax Receive Code and Telephone Answer Code to another three-digit code (such as ### and 999).
 - Remote Codes might not work with some telephone systems.
-

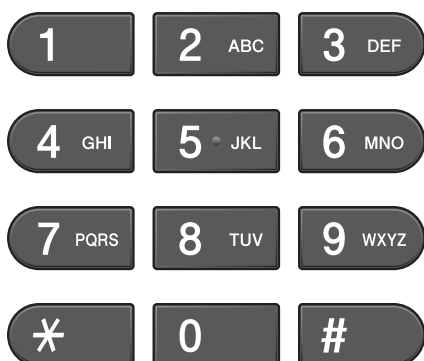
7

Dialing and storing numbers

How to dial

Manual dialing

Press all of the digits of the fax or telephone number.



One Touch Dialing

Your machine has 8 One Touch keys where you can store 16 fax or telephone numbers for automatic dialing.


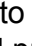
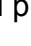




Press the One Touch key that stores the number you want to call. (See *Storing One Touch Dial numbers* on page 53.) To access numbers 9 to 16, hold down **Shift** as you press the One Touch key.

Speed Dialing


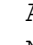
- 1 Press  (Phone Book).


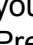


Or, you can press  (FAX) and then press  or  to choose Phone Book and press **OK**.

- 2 Press  or  to choose Search. Press **OK**.

- 3 Do one of the following:

- Press  or  to choose Alphabetic Order or Numeric Order. Press **OK**.

Press  or  to choose the number you want to dial. Press **OK**.

- Enter the 2-digit Speed Dial number using the dial pad. (See *Storing Speed Dial numbers* on page 54.)





Note

If the LCD shows *Not Registered* when you enter a Speed Dial number that has not been stored at this location.

Search

You can search for names you have stored in the One Touch and Speed Dial memory.

- 1 Press  (**Phone Book**).
Or, you can press  (**FAX**) and then press ▲ or ▼ to choose **Phone Book** and press **OK**.
- 2 Press ▲ or ▼ to choose **Search**. Press **OK**.
- 3 Press ▲ or ▼ to choose **Alphabetic Order** or **Numeric Order**. Press **OK**.

Note

- Press * to make the LCD font size larger.
- Press # to make the LCD font size smaller.

- 4 If you chose **Alphabetic Order** in step 3, use the dial pad to enter the first letter of the name, and then press ▲ or ▼ to choose the name and number you want to call. Press **OK**.

Fax Redial

If you are sending a fax manually and the line is busy, press **Redial/Pause**, and then press **Black Start** or **Color Start** to try again. If you want to make a second call to a number you recently dialed, you can press **Redial/Pause** and choose one of the last 30 numbers from the Outgoing Call List.

Redial/Pause only works if you dialed from the control panel. *If you are sending a fax automatically* and the line is busy, the machine will automatically redial once after five minutes.

- 1 Press **Redial/Pause**.
- 2 Press ▲ or ▼ to choose the number you want to redial. Press **OK**.
- 3 Press ▲ or ▼ to choose **Send a fax**. Press **OK**.
- 4 Press **Black Start** or **Color Start**.

Note

In Real Time Transmission the automatic redial feature does not work when you are using the scanner glass.

Storing numbers

You can set up your machine to do the following types of easy dialing: One Touch, Speed Dial and Groups for broadcasting faxes. When you dial a Quick Dial number, the LCD shows the number.



Note


If you lose electrical power, the Quick Dial numbers that are in the memory will not be lost.

Storing a pause

Press **Redial/Pause** to put a 3.5-second pause between numbers. If you are dialing overseas, you can press **Redial/Pause** as many times as needed to increase the length of the pause.

Storing One Touch Dial numbers

Your machine has 8 One Touch keys where you can store 16 fax or telephone numbers for automatic dialing. To access numbers 9 to 16 hold down **Shift** as you press the One Touch key.

- 1 Do one of the following:
 - Press the One Touch key where you want to store the number.
Press **1** to choose *Yes*.
 - Press the  (**Phone Book**) key and choose *Set One Touch to store numbers*.
Press **OK**. Then, press **▲** or **▼** to choose the One Touch number where you want to store the number. Press **OK**.

- 2 Do one of the following:
 - Enter the name (up to 16 characters) using the dial pad.
Press **OK**.
(To help you enter letters, see *Entering Text* on page 129.)
 - To store the number without a name, press **OK**.
- 3 Enter the fax or telephone number (up to 20 digits).
Press **OK**.




Note


If you downloaded Internet Fax:

If you want to store an E-mail address to use with Internet fax or Scan to E-mail server, press **▲** to choose *Dial Type*, and then press **◀** or **▶** to change the option to *E-Address*. Press **▼** to choose *FAX/TEL/MAIL*, and then enter the E-mail address and press **OK**. (See *Entering Text* on page 129.)

- 4 Press **▲** or **▼** to choose *Complete*.
Press **OK**.
- 5 Press **Stop/Exit**.

Storing Speed Dial numbers


Names and numbers can be stored in 2-digit Speed Dial locations. You can store up to 100 different Speed Dial numbers. When you dial you will only have to press a few keys (for example:  (Phone Book), Search, **OK**, the 2-digit number, and **Black Start** or **Color Start**).

- 1 Press  (Phone Book).
- 2 Press **▲** or **▼** to choose Set Speed Dial.
Press **OK**.
- 3 Press **▲** or **▼** to choose the 2-digit Speed Dial location where you want to store the number.
Press **OK**.
- 4 Do one of the following:
 - Enter the name (up to 16 characters) using the dial pad.
Press **OK**.
(To help you enter letters, see *Entering Text* on page 129.)
 - To store the number without a name, press **OK**.
- 5 Enter the fax or telephone number (up to 20 digits).
Press **OK**.
- 6 Do one of the following:
 - Enter the second fax or telephone number (up to 20 digits).
Press **OK**.
 - If you do not want to store a second number, press **OK**.
- 7 Press **▲** or **▼** to choose Complete.
Press **OK**.

- 8 Do one of the following:
 - To store another Speed Dial number, go to step 3.
 - If you are finished storing numbers, press **Stop/Exit**.

Changing One Touch or Speed Dial names or numbers

You can change or delete a One Touch or Speed Dial name or number that has already been stored.

- 1 Press  (Phone Book).
- 2 Press **▲** or **▼** to choose Set One Touch or Set Speed Dial.
Press **OK**.
- 3 Press **▲** or **▼** to choose the 2-digit One Touch or Speed Dial location you want to change.
Press **OK**.
- 4 Do one of the following:
 - Press **▲** or **▼** to choose Change.
Press **OK**.
 - Press **▲** or **▼** to choose Delete.
Press **OK**.
Press **1** to confirm.
Go to step 8.



Note

How to change the stored name or number:

If you want to change a character, press **◀** or **▶** to position the cursor under the character you want to change, and then press **Clear**. Re-enter the character.


- 5 If you want to change the name, press ▲ or ▼ to choose `Name`, then press ► and enter the new name using the dial pad (up to 16 characters).
Press **OK**.
(See *Entering Text* on page 129.)
- 6 If you want to change a Fax/Tel number, do one of the following:
 - If you want to change the first Fax/Tel number, press ▲ or ▼ to choose `Fax/Tel : (One Touch Dial)` or `Fax/Tel1 : (Speed Dial)`, then press ► and enter the new fax or telephone number using the dial pad (up to 20 digits).
Press **OK**.
 - If you want to change the second Fax/Tel number, press ▲ or ▼ to choose `Fax/Tel2 : (Speed Dial)`, then press ► and enter the new fax or telephone number using the dial pad (up to 20 digits).
Press **OK**.
 - If you want to change both numbers in this Speed Dial location, repeat this step and choose the other number.
- 7 Press ▲ or ▼ to choose `Complete`.
Press **OK**.
- 8 Press **Stop/Exit**.

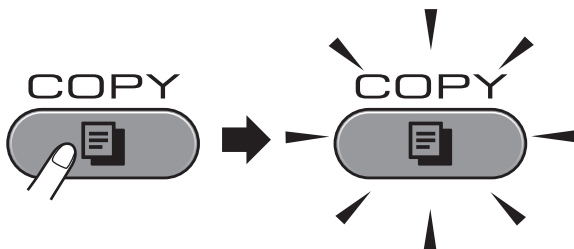
8

Making copies

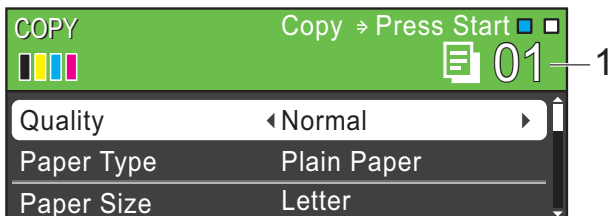
How to copy

The following steps show the basic copy operation. For details about each option, see the *Advanced User's Guide*.

- 1 When you want to make a copy, press  (**COPY**) to illuminate it in blue.
 - Make sure you are in copy mode.



- The LCD shows:



1 No. of Copies

You can enter the number of copies you want by using the dial pad.



Note

The default setting is Fax mode. You can change the amount of time that the machine stays in Copy mode after the last copy operation. (See *Mode Timer* in *chapter 1* of the *Advanced User's Guide*.)

- 2 Do one of the following to load your document:
 - Place the document *face up* in the ADF.
(See *Using the ADF* on page 30.)
 - Place the document *face down* on the scanner glass.
(See *Using the scanner glass* on page 31.)
- 3 If you want more than one copy, enter the number (up to 99).
- 4 Press **Black Start** or **Color Start**.

Stop copying

To stop copying, press **Stop/Exit**.

Copy settings

You can change the following copy settings. Press **COPY** and then press ▲ or ▼ to scroll through the copy settings. When the setting you want is highlighted, then press ◀ or ▶ to choose your option, and press **OK**.

(Basic User's Guide)

For details about changing the following copy settings, see page 57.

- Paper Type
- Paper Size
- Tray Select (MFC-J6710DW)

(Advanced User's Guide)

For details about changing the following copy settings, see chapter 7:

- Quality
- Enlarge/Reduce
- Page Layout
- 2 in 1 (ID)
- Stack/Sort
- Density
- Ink Save Mode
- Thin Paper Copy
- Skew Adjustment
- Book Copy
- Watermark Copy
- Duplex Copy
- Set New Default
- Factory Reset




Note

If you want to sort copies, use the ADF.

Paper Options


Paper Type

If you are copying on special paper, set the machine for the type of paper you are using to get the best print quality.

- 1 Press  (**COPY**).
- 2 Load your document.
- 3 Enter the number of copies you want.
- 4 Press ▲ or ▼ to choose Paper Type.
- 5 Press ◀ or ▶ to choose Plain Paper, Inkjet Paper, Brother BP71, Brother BP61, Other Glossy or Transparency. Press **OK**.
- 6 If you do not want to change additional settings, press **Black Start** or **Color Start**.


Paper Size

If you are copying on paper other than Letter size, you will need to change the paper size setting. You can copy only on Letter, Legal, Ledger, A4, A5, A3, Executive or Photo 4" × 6" (10 × 15 cm) paper.

- 1 Press  (**COPY**).
- 2 Load your document.
- 3 Enter the number of copies you want.
- 4 Press ▲ or ▼ to choose Paper Size.
- 5 Press ◀ or ▶ to choose Letter, Legal, Ledger, A4, A5, A3, Executive or 4" × 6". Press **OK**.
- 6 If you do not want to change additional settings, press **Black Start** or **Color Start**.

Tray Select (MFC-J6710DW only)

You can change the tray temporarily for the next copy. To change the default tray setting see *Tray use in Copy mode (MFC-J6710DW only)* on page 24.

- 1 Press  (**COPY**).
- 2 Load your document.
- 3 Enter the number of copies you want.
- 4 Press ▲ or ▼ to choose Tray Select.
- 5 Press ◀ or ▶ to choose Tray#1, Tray#2 or Auto Select.
Press **OK**.
- 6 If you do not want to change additional settings, press **Black Start** or **Color Start**.



Note

Poster copy is not available when you use Tray #2.

PhotoCapture Center™: Printing photos from a memory card or USB Flash memory drive

PhotoCapture Center™ operations

Even if your machine is *not* connected to your computer, you can print photos directly from digital camera media or a USB Flash memory drive. (See *Print Images* on page 62.)

You can scan documents and save them directly to a memory card or USB Flash memory drive. (See *How to scan to a memory card or USB Flash memory drive* on page 63.)

If your machine is connected to a computer, you can access a memory card or USB Flash memory drive that is inserted in the front of the machine from your computer.

(See *PhotoCapture Center™* for Windows® or *Remote Setup & PhotoCapture Center™* for Macintosh in the *Software User's Guide*.)

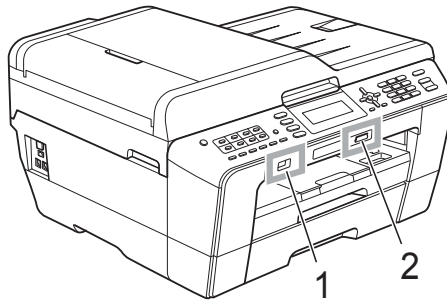
Using a memory card or USB Flash memory drive

Your Brother machine has media drives (slots) for use with the following popular digital camera media: Memory Stick™, Memory Stick PRO™, Memory Stick Duo™, Memory Stick PRO Duo™, SD, SDHC, MultiMedia Card, MultiMedia Card plus and USB Flash memory drives.

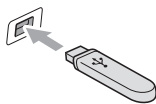
The PhotoCapture Center™ feature lets you print digital photos from your digital camera at high resolution to get photo quality printing.

Getting started

Firmly put a memory card or USB Flash memory drive into the proper slot.



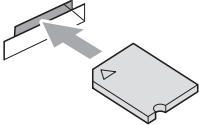
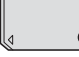
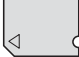
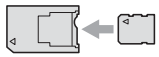
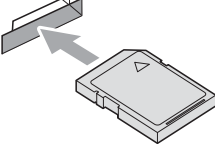


1 USB Flash memory drive



! IMPORTANT

The USB direct interface supports only a USB Flash memory drive, a PictBridge compatible camera, or a digital camera that uses the USB mass storage standard. Any other USB devices are not supported.

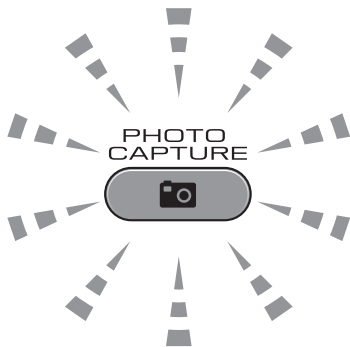
2 Memory card slot

Slot	Compatible memory cards	
Upper slot 		Memory Stick™ Memory Stick PRO™
		Memory Stick Duo™ Memory Stick PRO Duo™
		Memory Stick Micro™ (Adapter required)
Lower slot 		SD SDHC MultiMedia Card MultiMedia Card plus
		mini SD (Adapter required) micro SD (Adapter required) mini SDHC (Adapter required) micro SDHC (Adapter required) MultiMedia Card mobile (Adapter required)

! IMPORTANT

DO NOT insert a Memory Stick Duo™ into the lower SD slot. Doing this, may cause damage to the machine.

PHOTO CAPTURE key lights:



- **PHOTO CAPTURE** light is on, the memory card or USB Flash memory drive is properly inserted.
- **PHOTO CAPTURE** light is off, the memory card or USB Flash memory drive is not properly inserted.
- **PHOTO CAPTURE** light is blinking, the memory card or USB Flash memory drive is being read or written to.

! IMPORTANT


DO NOT unplug the power cord or remove the memory card or USB Flash memory drive from the media drive (slot) or USB direct interface while the machine is reading or writing to the memory card or USB Flash memory drive (the **PHOTO CAPTURE** key is blinking). **You will lose your data or damage the card.**

The machine can only read one memory card or USB Flash memory drive at a time.

Print Images

View Photos

You can preview your photos on the LCD before you print them. If your photos are large files there may be a delay before each photo is displayed on the LCD.

- 1 Make sure you have put the memory card or USB Flash memory drive in the proper slot.
Press  (**PHOTO CAPTURE**).
- 2 Press ▲ or ▼ to choose View Photo(s).
Press **OK**.
- 3 Press ◀ or ▶ to choose your photo.
- 4 Enter the number of copies you want using the dial pad.
- 5 Repeat step 3 and step 4 until you have chosen all the photos.



Note

Press **Clear** to go back to the previous level.

- 6 After you have chosen all the photos, do one of the following:
 - Press **OK** and change the print settings. (See *PhotoCapture Center™ print settings* on page 62.)
 - If you do not want to change any settings, press **Color Start** to print.

PhotoCapture Center™ print settings

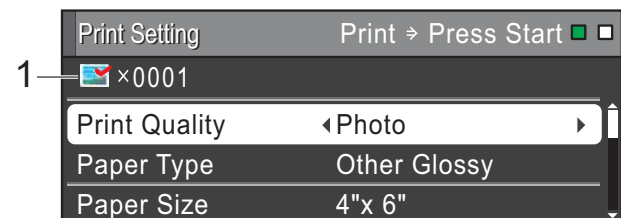
You can change the print settings temporarily for the next printing.

These settings are temporary, and the machine returns to its default settings 3 minutes after printing, unless you have set the Mode Timer to 2 minutes or less. (See *Mode Timer* in *chapter 1* of the *Advanced User's Guide*.)



Note

You can save the print settings you use most often by setting them as the default. (See *Setting your changes as the new default* in *chapter 8* of the *Advanced User's Guide*.)



1 No. of prints

(For View Photo(s), Search by Date, Slide Show)

You can see the total number of photos that will be printed.

(For Print All Photos, Print Photos, Enhance Photos, Trimming)

You can see the number of copies of each photo that will be printed.

(For DPOF printing) This does not appear.

How to scan to a memory card or USB Flash memory drive

You can scan black & white and color documents into a memory card or USB Flash memory drive. Black & white documents will be stored in PDF (*.PDF) or TIFF (*.TIF) file formats. Color documents may be stored in PDF (*.PDF) or JPEG (*.JPG) file formats. The factory setting is **Color 200** and the default file format is PDF. The machine automatically creates file names based on the current date. (For details, see the *Quick Setup Guide*.) For example, the fifth image scanned on July 1, 2011 would be named 07011105.PDF. You can change the color and quality.


Quality	Selectable File Format
Color 100	JPEG / PDF
Color 200	JPEG / PDF
Color 300	JPEG / PDF
Color 600	JPEG / PDF
B/W 100	TIFF / PDF
B/W 200	TIFF / PDF
B/W 300	TIFF / PDF

- 1 Make sure you have put the memory card or USB Flash memory drive in the proper slot.

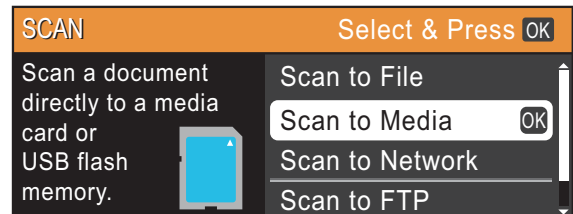
! IMPORTANT

DO NOT take out the memory card or USB Flash memory drive while **PHOTO CAPTURE** is blinking to avoid damaging the card, USB Flash memory drive or the data stored on them.

- 2 Load your document.

- 3 When you want to scan to a memory card or USB Flash memory drive, press  (**SCAN**).

- 4 Press **▲** or **▼** to choose **Scan to Media**.



Press **OK**.

- 5 Do one of the following:
 - To change the quality, press **▲** or **▼** to choose **Quality**.
Go to step 6.
 - Press **Black Start** or **Color Start** to start scanning without changing additional settings.

- 6 Press **◀** or **▶** to choose **Color 100**, **Color 200**, **Color 300**, **Color 600**, **B/W 100**, **B/W 200** or **B/W 300**. Press **OK**.

- 7 Do one of the following:
 - To change the file type, go to step 8.
 - Press **Black Start** or **Color Start** to start scanning without changing additional settings.

- 8 Press **▲** or **▼** to choose **File Type**. Press **◀** or **▶** to choose **JPEG**, **PDF** or **TIFF**. Press **OK**.



Note

- If you chose a **Color** resolution in step 6, you cannot choose **TIFF**.
- If you chose a **B/W** resolution in step 6, you cannot choose **JPEG**.

- 9 Do one of the following:
- To change the file name, go to step 10.
 - Press **Black Start** or **Color Start** to start scanning without changing additional settings.



Note

If you are using the scanner glass of the machine you can change the glass scan size.

Press ▲ or ▼ to choose `Glass ScanSize` and ◀ or ▶ to choose `Letter`, `Legal`, `Ledger`, `A3` or `A4`.

- 10 The file name is assigned automatically; however, you can enter a name of your choice using the dial pad.
- Press ▲ or ▼ to choose `File Name`.
Enter the new name. (See *Entering Text* on page 129.)
You can only change the first 6 characters.
Press **OK**.



Note

Press **Clear** to delete the current name.

- 11 Press **Black Start** or **Color Start**.



Note

You can place multiple documents on the scanner glass and scan them as separate files. (See *Auto Crop* in *chapter 8* of the *Advanced User's Guide*.)

Printing a document

The machine can receive data from your computer and print it. To print from a computer, install the printer driver.

(See *Printing for Windows*[®] or *Printing and Faxing for Macintosh* in the *Software User's Guide* for details about the print settings.)

- 1 Install the Brother printer driver on the Installation CD-ROM. (See the *Quick Setup Guide*.)
- 2 From your application, choose the Print command.
- 3 Choose the name of your machine in the **Print** dialog box and click **Properties**.
- 4 Choose the settings you want in the Properties dialog box.
 - **Media Type**
 - **Print Quality**
 - **Paper Size**
 - **Orientation**
 - **Color/Grayscale**
 - **Ink Save Mode**
 - **Scaling**
- 5 Click **OK**.
- 6 Click **OK** to begin printing.


Scanning a document

There are several ways to scan documents. You can use the **SCAN** key on the machine or the scanner drivers on your computer.

- 1 To use the machine as a scanner, install a scanner driver. If the machine is on a Network, configure it with a TCP/IP address.
 - Install the scanner drivers on the Installation CD-ROM. (See the *Quick Setup Guide* and *Scanning* in the *Software User's Guide*.)
 - Configure the machine with a TCP/IP address if network scanning does not work. (See *Configuring Network Scanning* in the *Software User's Guide*.)
- 2 Load your document. (See *How to load documents* on page 30.)
 - Use the ADF to scan multiple pages of documents. It feeds each sheet automatically.
 - Use the scanner glass to scan a page of a book or one sheet at a time.
- 3 Do one of the following:
 - To scan using the **SCAN** key, go to *Scanning using the scan key*.
 - To scan using a scanner driver at your computer, go to *Scanning using a scanner driver*.

Scanning using the scan key

For more information, see *Using the Scan key* in the *Software User's Guide*.

- 1 Press  (**SCAN**).
 - 2 Choose the scan mode you want.
 - Scan to File
 - Scan to Media
 - Scan to Network
 - Scan to FTP
 - Scan to E-mail
 - Scan to OCR¹
 - Scan to Image
- ¹ (Macintosh users)
This function is available after you download and install Presto! PageManager from http://nj.newsoft.com.tw/download/brother/PM9SEInstaller_BR_multilang.dmg
- 3 (For network users)
Choose the computer you want to send the data to.
 - 4 Press **Start** to begin scanning.

Scanning using a scanner driver

For more information, see *Scanning a document using the TWAIN driver* or *Scanning a document using the WIA driver* in the *Software User's Guide*.

- 1 Start a scanning application and click the **Scan** button.
- 2 Adjust the settings such as **Resolution**, **Brightness** and **Scan Type** in the **Scanner Setup** dialog box.
- 3 Click **Start** or **Scan** to begin scanning.

A

Routine maintenance

Replacing the ink cartridges

Your machine is equipped with an ink dot counter. The ink dot counter automatically monitors the level of ink in each of the four cartridges. When the machine detects an ink cartridge is running out of ink, the machine will tell you with a message on the LCD.

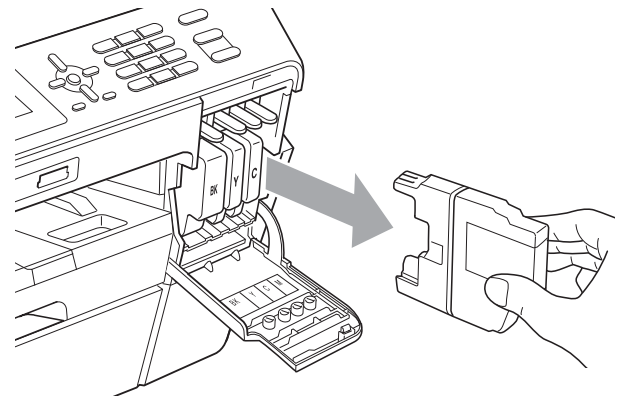
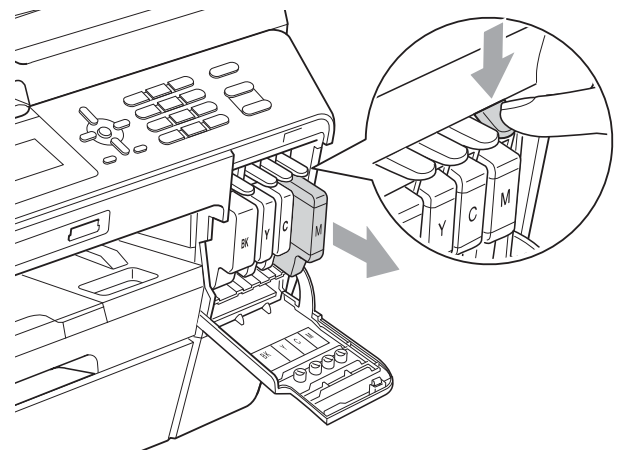
The LCD will tell you which ink cartridge is low or needs replacing. Be sure to follow the LCD prompts to replace the ink cartridges in the correct order.

Even though the machine tells you to replace an ink cartridge, there will be a small amount of ink left in the ink cartridge. It is necessary to keep some ink in the ink cartridge to prevent air from drying out and damaging the print head assembly.

! IMPORTANT

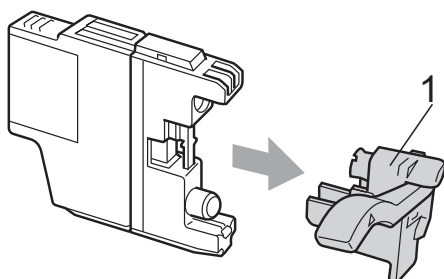
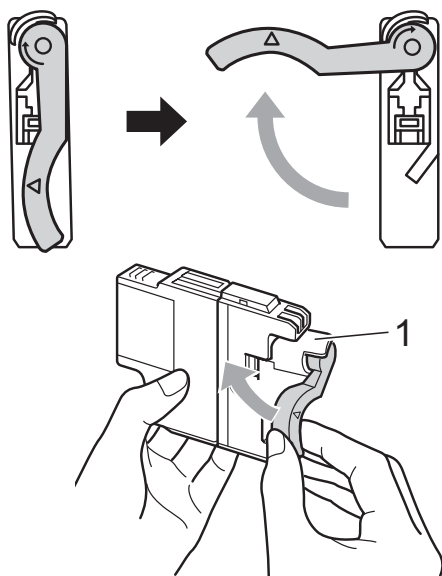
Brother strongly recommends that you do not refill the ink cartridges provided with your machine. We also strongly recommend that you continue to use only Genuine Brother Brand replacement ink cartridges. Use or attempted use of potentially incompatible ink and/or cartridges in the Brother machine may cause damage to the machine and/or may result in unsatisfactory print quality. Our warranty coverage does not apply to any problem that is caused by the use of unauthorized third party ink and/or cartridges. To protect your investment and obtain premium performance from the Brother machine, we strongly recommend the use of Genuine Brother Supplies.

- 1 Open the ink cartridge cover. If one or more of the ink cartridges have reached the end of their life, the LCD shows **B&W Print Only** or **Cannot Print**.
- 2 Press the lock release lever as shown to release the cartridge for the color indicated on the LCD. Remove the cartridge from the machine.

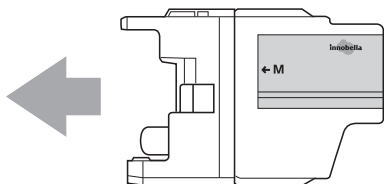


- 3 Open the new ink cartridge bag for the color shown on the LCD, and then take out the ink cartridge.

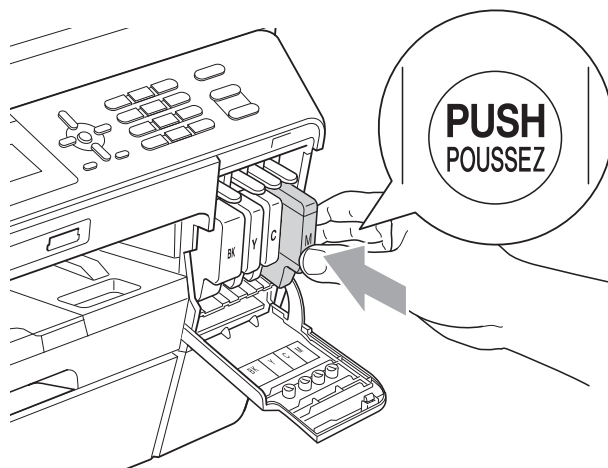
- 4 Turn the green release lever on the orange protective packing (1) clockwise until it clicks to release the vacuum seal. Then remove the orange protective packing as shown.



- 5 Each color has its own correct position. Insert the ink cartridge in the direction of the arrow on the label.



- 6 Gently push the back of the ink cartridge marked "PUSH" until it clicks, and then close the ink cartridge cover.



- 7 The machine will automatically reset the ink dot counter.



Note

- If you replaced an ink cartridge, for example Black, the LCD may ask you to verify that it was a brand new one (for example, Did You Change **BK** Black). For each new cartridge you installed, press **1** (Yes) to automatically reset the ink dot counter for that color. If the ink cartridge you installed is not a brand new one, be sure to press **2** (No).
- If the LCD shows `No Ink Cartridge` or `Cannot Detect` after you install the ink cartridges, check that the ink cartridges are installed properly.

⚠ CAUTION

If ink gets in your eyes, wash it out with water at once and call a doctor if you are concerned.

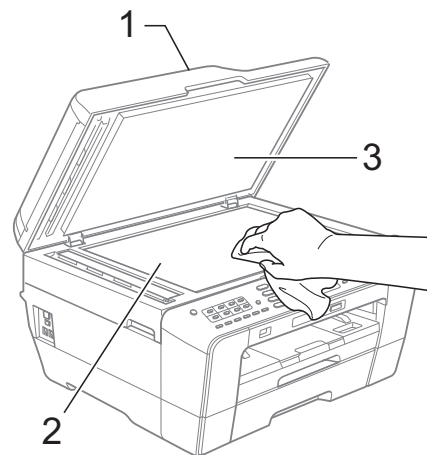
! IMPORTANT

- DO NOT take out ink cartridges if you do not need to replace them. If you do so, it may reduce the ink quantity and the machine will not know the quantity of ink left in the cartridge.
- DO NOT touch the cartridge insertion slots. If you do so, the ink may stain your skin.
- If ink gets on your skin or clothing immediately wash it off with soap or detergent.
- If you mix the colors by installing an ink cartridge in the wrong position, clean the print head several times after correcting the cartridge installation.
- Once you open an ink cartridge, install it in the machine and use it up within six months of installation. Use unopened ink cartridges by the expiration date written on the cartridge package.
- DO NOT dismantle or tamper with the ink cartridge, this can cause the ink to leak out of the cartridge.

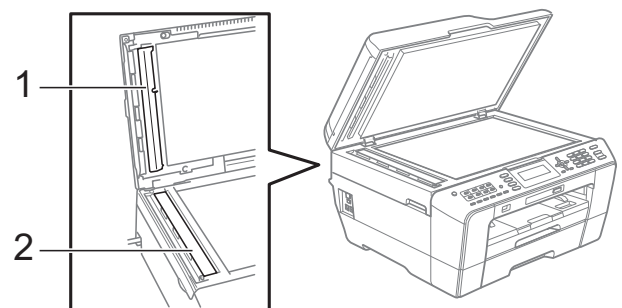
Cleaning and checking the machine

Cleaning the scanner

- 1 Unplug the machine from the AC power outlet.
- 2 Lift the document cover (1). Clean the scanner glass (2) and the white plastic (3) with a soft lint-free cloth moistened with a non-flammable glass cleaner.



- 3 In the ADF unit, clean the white bar (1) and the glass strip (2) with a lint-free cloth moistened with a non-flammable glass cleaner.



- 4 Re-connect the power cord.

Note

In addition to cleaning the scanner glass and glass strip with a non-flammable glass cleaner, run your finger tip over the glass to see if you can feel anything on it. If you feel dirt or debris, clean the glass again concentrating on that area. You may need to repeat the cleaning process three or four times. To test, make a copy after each cleaning attempt.



When there is a spot of dirt or correction fluid on the glass strip the printed sample shows a vertical line.



After the glass strip is cleaned the vertical line is gone.

Cleaning the print head

To maintain good print quality, the machine will automatically clean the print head when needed. You can start the cleaning process manually if there is a print quality problem.

Clean the print head and ink cartridges if you get a horizontal line in the text or graphics, or blank text on your printed pages. You can clean Black only, three colors at a time (Yellow/Cyan/Magenta), or all four colors at once.

Cleaning the print head consumes ink. Cleaning too often uses ink unnecessarily.

IMPORTANT

DO NOT touch the print head. Touching the print head may cause permanent damage and may void the print head's warranty.

- 1 Press **Menu**.
- 2 Press **▲** or **▼** to choose **Ink**. Press **OK**.
- 3 Press **▲** or **▼** to choose **Cleaning**. Press **OK**.
- 4 Press **▲** or **▼** to choose **Black**, **Color** or **All**. Press **OK**.
The machine cleans the print head. When cleaning is finished, the machine will go back to the Ready screen automatically.

Note

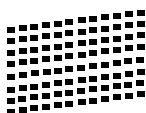
If you clean the print head at least five times and the print has not improved, try installing a new Genuine Brother Brand replacement ink cartridge for each problem color. Try cleaning the print head again up to five more times. If the print has not improved call Brother Customer Service. (See *Brother numbers* on page i.)

Checking the print quality

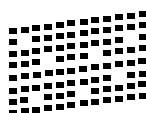
If faded or streaked colors and text appear on your output, some of the nozzles may be clogged. You can check this by printing the Print Quality Check Sheet and looking at the nozzle check pattern.

- 1 Press **Menu**.
- 2 Press **▲** or **▼** to choose *Ink*. Press **OK**.
- 3 Press **▲** or **▼** to choose *Test Print*. Press **OK**.
- 4 Press **▲** or **▼** to choose *Print Quality*. Press **OK**.
- 5 Press **Color Start**. The machine begins printing the Print Quality Check Sheet.
- 6 Check the quality of the four color blocks on the sheet.
- 7 The LCD asks you if the print quality is OK. Do one of the following:
 - If all lines are clear and visible, press **1 (Yes)** to finish the Print Quality check and go to step 11.
 - If you can see missing short lines as shown below, press **2** to choose *No*.

OK



Poor



- 8 The LCD asks you if the print quality is OK for black and the three colors. Press **1 (Yes)** or **2 (No)**.

- 9 The LCD asks you if you want to start cleaning. Press **1 (Yes)**. The machine starts cleaning the print head.

- 10 After cleaning is finished, press **Color Start**. The machine starts printing the Print Quality Check Sheet again. Return to step 6.

- 11 Press **Stop/Exit**. If you repeat this procedure at least five times and the print quality is still poor, replace the ink cartridge for the clogged color. After replacing the ink cartridge, check the print quality. If the problem still exists, repeat the cleaning and test print procedures at least five times for the new ink cartridge. If ink is still missing, call Brother Customer Service. (See *Brother numbers* on page i.)

! IMPORTANT

DO NOT touch the print head. Touching the print head may cause permanent damage and may void the print head's warranty.



Note



When a print head nozzle is clogged the printed sample looks like this.



After the print head nozzle is cleaned, the horizontal lines are gone.

Checking the print alignment

You may need to adjust the print alignment after transporting the machine if your printed text becomes blurred or images become faded.

- 1 Press **Menu**.
- 2 Press ▲ or ▼ to choose `Ink`.
Press **OK**.
- 3 Press ▲ or ▼ to choose `Test Print`.
Press **OK**.
- 4 Press ▲ or ▼ to choose `Alignment`.
Press **OK**.
- 5 Press **Black Start** or **Color Start**.
The machine starts printing the Alignment Check Sheet.
- 6 For the “A” pattern, press the number of the test print that has the least visible vertical stripes (1-9).
- 7 For the “B” pattern, press the number of the test print that has the least visible vertical stripes (1-9).
- 8 For the “C” pattern, press the number of the test print that has the least visible vertical stripes (1-9).
- 9 For the “D” pattern, press the number of the test print that has the least visible vertical stripes (1-9).
- 10 Press **Stop/Exit**.

Error and Maintenance messages


As with any sophisticated office product, errors may occur and consumable items may need to be replaced. If this happens, your machine identifies the problem and shows a message. The most common error and maintenance messages are shown below.

You can correct most errors and clear routine maintenance messages by yourself. If you need more help, the Brother Solutions Center offers the latest FAQs and troubleshooting tips.

Visit us at <http://solutions.brother.com/>.

Error Message	Cause	Action
B&W Print Only Replace Ink	<p>One or more of the color ink cartridges have reached the end of their life.</p> <p>You can use the machine in black & white mode for approximately four weeks depending on the number of pages you print.</p> <p>While this message appears on the LCD, each operation works in the following way:</p> <ul style="list-style-type: none"> ■ Printing <p>If you click Grayscale in the Advanced tab of the printer driver you can use the machine as a black & white printer.</p> ■ Copying <p>If the paper type is set to Plain Paper you can make copies in black & white.</p> <p>Duplex copy is not available when this message appears.</p> ■ Faxing <p>If the paper type is set to Plain Paper or Inkjet Paper, the machine will receive and print the faxes in black & white.</p> <p>If a sending machine has a color fax, the machine's "handshake" will ask that the fax be sent as black & white.</p> <p>If the paper type is set to Other Glossy, Brother BP71 or Brother BP61 the machine will stop all print operations.</p>	<p>Replace the ink cartridges. (See <i>Replacing the ink cartridges</i> on page 67.)</p> <p><i>If you unplug the machine, or take out the ink cartridge, you cannot use the machine until you change to a new ink cartridge.</i></p>

Error Message	Cause	Action
Cannot Detect	You installed a new ink cartridge too quickly and the machine did not detect it.	Take out the new ink cartridge and re-install it slowly until it clicks.
	If you are not using Genuine Brother Innobella™ ink the machine may not detect the ink cartridge.	Use a new Genuine Brother Innobella™ Ink Cartridge. If the error is not cleared, call Brother Customer Service.
	An ink cartridge is not installed properly.	Take out the new ink cartridge and re-install it slowly until it clicks. (See <i>Replacing the ink cartridges</i> on page 67.)
Cannot Print Replace Ink	One or more of the ink cartridges have reached the end of their life. The machine will stop all print operations. While memory is available, black and white faxes will be stored in the memory. If a sending machine has a color fax, the machine's "handshake" will ask that the fax be sent as black & white. If the sending machine has the ability to convert it, the color fax will be stored in the memory as a black & white fax.	Replace the ink cartridges. (See <i>Replacing the ink cartridges</i> on page 67.)
Comm.Error	Poor telephone line quality caused a communication error.	Send the fax again or connect the machine to another telephone line. If the problem continues, call the telephone company and ask them to check your telephone line.
Connection Fail	You tried to poll a fax machine that is not in Polled Waiting mode.	Check the other fax machine's polling setup.
Cover is Open	The scanner cover is not completely closed.	Lift the scanner cover and then close it again.
	The ADF cover is not completely closed.	Open the ADF cover and then close it again.
	The ink cartridge cover is not completely closed.	Firmly close the ink cartridge cover until it clicks.
Data Remaining	Print data is left in the machine's memory.	Press Stop/Exit . The machine will cancel the job and clear it from the memory. Try to print again.
Disconnected	The other person or other person's fax machine stopped the call.	Try to send or receive again. If calls are stopped repeatedly and you are using a VoIP (Voice over IP) system, try changing the Compatibility to Basic (for VoIP). (See <i>Telephone line interference / VoIP</i> on page 100.)
Document Jam	The document was not inserted or fed properly, or the document scanned from the ADF was too long.	(See <i>Using the ADF</i> on page 30.) (See <i>Document jam</i> on page 82.)

Error Message	Cause	Action
DR Mode in Use	The machine is set to Distinctive Ring mode. You cannot change the Receive Mode from Manual to another mode.	Set Distinctive Ring to <i>Off</i> . (See <i>Turning off Distinctive Ring</i> on page 45.)
High Temperature	The print head is too warm.	Allow the machine to cool down.
Hub is Unusable.	A Hub or USB Flash memory drive with Hub has been connected to the USB direct interface.	A Hub or USB Flash memory drive with Hub are not supported. Unplug the device from the USB direct interface.
Image Too Long.	The proportions of your photo are irregular so effects could not be added.	Choose a regularly proportioned image.
Image Too Small.	The size of your photo is too small to trim.	Choose a larger image.
Ink Absorber Full	<p>The ink absorber box or flushing box is full. These components are periodic maintenance items that may require replacement after a period of time to ensure optimum performance from your Brother machine. The need to replace these items and the time period before replacement is dependent on the number of purges and flushes required to clean the ink system. These boxes acquire amounts of ink during the different purging and flushing operations. The number of times a machine purges and flushes for cleaning varies depending on different situations. For example, frequently powering the machine on and off will cause numerous cleaning cycles since the machine automatically cleans upon power up. The use of non-Brother ink may cause frequent cleanings because non-Brother ink could cause poor print quality which is resolved by cleaning. The more cleaning the machine requires the faster these boxes will fill up.</p> <p> Note</p> <p><i>Repairs resulting from the use of non-Brother supplies may not be covered under the stated product warranty.</i></p>	<p>The ink absorber box or flushing box will need to be replaced. Contact Brother Customer Service or a Brother Authorized Service Center to have your machine serviced. (See <i>Brother numbers</i> on page i.)</p> <p>Other reasons for cleaning are:</p> <ol style="list-style-type: none"> 1 Machine automatically cleans after clearing a printer jam. 2 Machine automatically cleans after sitting idle for more than 45 days (infrequent use).

Error Message	Cause	Action
Ink Absorber NearFull	The ink absorber box or flushing box is nearly full.	The ink absorber box or flushing box will need to be replaced. Call Brother Customer Service or a Brother Authorized Service Center to have your machine serviced. (See <i>Brother numbers</i> on page i.)
Ink low	One or more of the ink cartridges are near the end of their life. If a sending machine has a color fax to send, your machine's "handshake" will ask that the fax be sent as black & white. If the sending machine has the ability to convert it, the color fax will be printed at your machine as a black & white fax.	Order a new ink cartridge. You can continue printing until the LCD shows <i>Cannot Print</i> . (See <i>Ordering accessories and supplies</i> on page ii and <i>Replacing the ink cartridges</i> on page 67.)
Low Temperature	The print head is too cold.	Allow the machine to warm up.
Media Error	The memory card is either corrupted, improperly formatted, or there is a problem with the memory card.	Put the card firmly into the slot again to make sure it is in the correct position. If the error remains, check the media drive (slot) of the machine by putting in another memory card that you know is working.
Media is Full.	The memory card or USB Flash memory drive you are using has no available space or already contains 999 files.	Your machine can only save to your memory card or USB Flash memory drive if it contains less than 999 files. Try deleting unused files to free some space and try again.
No Caller ID	There is no incoming call history. You did not receive calls or you have not subscribed to the Caller ID service from your telephone company.	If you want to use the Caller ID feature call your telephone company. (See <i>Caller ID</i> in <i>chapter 5</i> of the <i>Advanced User's Guide</i> .)
No File	The memory card or USB Flash memory drive in the media drive does not contain a .JPG file.	Put the correct memory card or USB Flash memory drive into the slot again.
No Ink Cartridge	An ink cartridge is not installed properly.	Take out the new ink cartridge and re-install it slowly until it clicks. (See <i>Replacing the ink cartridges</i> on page 67.)

Error Message	Cause	Action
No Paper Fed	The machine is out of paper or paper is not properly loaded in the paper tray.	Do one of the following: <ul style="list-style-type: none"> ■ Refill the paper in the paper tray, and then press Black Start or Color Start. ■ Remove the paper and load it again and then press Black Start or Color Start. (See <i>Loading paper and other print media</i> on page 11.)
	The paper is jammed in the machine.	Remove the jammed paper by following the steps in <i>Printer jam or paper jam</i> on page 83. If you see this error often when making a duplex copy or duplex print, the paper feed rollers may be stained with ink. Clean the paper feed rollers. (See <i>Cleaning the paper feed rollers</i> in appendix A of the <i>Advanced User's Guide</i> .)
	Paper powder has accumulated on the surface of the paper pick-up rollers and the back sides of the paper feed rollers.	Clean the paper pick-up rollers and the back sides of the paper feed rollers. (See <i>Cleaning the paper pick-up rollers</i> in appendix A of the <i>Advanced User's Guide</i> .)
	The Jam Clear Cover is not closed properly.	Check the Jam Clear Cover is closed evenly at both ends. (See <i>Printer jam or paper jam</i> on page 83.)
	The paper was not inserted in the center position of the manual feed slot.	Remove the paper and re-insert it in the center of the manual feed slot, and then press Black Start or Color Start . (See <i>Loading paper in the manual feed slot</i> on page 18.)
	No Response/Busy	The number you dialed does not answer or is busy.
Not Registered	You tried to access a One Touch or Speed Dial number that is not programmed.	Set up the One Touch or Speed Dial number. (See <i>Storing One Touch Dial numbers</i> on page 53 and <i>Storing Speed Dial numbers</i> on page 54.)



Error Message	Cause	Action
Out of Fax Memory	The fax memory is full.	Do one of the following: <ul style="list-style-type: none"> ■ Clear the data in the memory. To gain extra memory, you can turn off Memory Receive. (See <i>Turning off Memory Receive operations</i> in chapter 4 of the <i>Advanced User's Guide</i>.) ■ Print the faxes that are in the memory. (See <i>Printing a fax from the memory</i> in chapter 4 of the <i>Advanced User's Guide</i>.)
Out of Memory	The machine's memory is full.	Copy operation in progress Press Stop/Exit and wait until the other operations in progress finish and then try again.
	The memory card or USB Flash memory drive you are using does not have enough free space to scan the document.	Delete unused files from your memory card or USB Flash memory drive to make some free space and then try again.
Paper Jam [Front]	Paper is jammed in the machine.	Remove the jammed paper by following the steps in <i>Paper is jammed at the front of the machine</i> on page 83. Make sure the paper length guide is set to the correct paper size. DO NOT extend the paper tray when you load A5 or smaller size paper.
Paper Jam [Front, Rear]	Paper is jammed in the machine.	Remove the jammed paper by following the steps in <i>Paper is jammed at the front and back of the machine</i> on page 85. Make sure the paper length guide is set to the correct paper size. DO NOT extend the paper tray when you load A5 or smaller size paper.
	More than one sheet of paper was placed in the manual feed slot. —OR— Another sheet of paper was placed in the manual feed slot before the LCD showed Put paper in Manual Feed Slot Then Press Start.	Do not put more than one sheet of paper in the manual feed slot at any one time. Wait until the LCD shows Put paper in Manual Feed Slot Then Press Start before you feed the next sheet of paper in the manual feed slot. Remove the jammed paper by following the steps in <i>Paper is jammed at the front and back of the machine</i> on page 85.

Error Message	Cause	Action
Paper Jam [Rear]	Paper is jammed in the machine.	Remove the jammed paper by following the steps in <i>Paper is jammed at the back of the machine</i> on page 84. Make sure the paper length guide is set to the correct paper size. DO NOT extend the paper tray when you load A5 or smaller size paper.
	Paper powder has accumulated on the surface of the paper pick-up rollers and the back sides of the paper feed rollers.	Clean the paper pick-up rollers and the back sides of the paper feed rollers. (See <i>Cleaning the paper pick-up rollers</i> in <i>appendix A</i> of the <i>Advanced User's Guide</i> .)
Unable to Clean XX Unable to Init. XX Unable to Print XX Unable to Scan XX	The machine has a mechanical problem. —OR— A foreign object such as a paper clip or ripped paper is in the machine.	Open the scanner cover and remove any foreign objects and paper scraps from inside the machine. If the error message continues, disconnect the machine from the power for several minutes and reconnect it. (The machine can be turned off for approximately 24 hours without losing faxes stored in the memory. See <i>Transferring your faxes or Fax Journal report</i> on page 81.)
Unusable Device Disconnect device from front connector & turn machine off & then on	A broken device has been connected to the USB direct interface.	Unplug the device from the USB direct interface, then press On/Off to turn the machine off and then on again.
Unusable Device Please Disconnect USB Device.	A USB device or USB Flash memory drive that is not supported has been connected to the USB direct interface. For more information, visit us at http://solutions.brother.com/ .	Unplug the device from the USB direct interface. Turn the machine off and then on again.
Wrong Ink Color	A color ink cartridge has been installed in the Black ink cartridge position.	Check which ink cartridges are not matched by color to their ink cartridge positions and move them to their proper positions.
Wrong Paper Size	The Paper Size setting does not match the size of paper in the tray. Or, you did not set the paper guides in the tray to the indicators for the paper size you are using.	<ol style="list-style-type: none"> 1 Check that the paper size you choose matches the size of paper in the tray. 2 Make sure you loaded the paper in a Portrait position, by setting the paper guides at the indicators for your paper size. 3 After you have checked the paper size and the paper position, press Black Start or Color Start to continue printing.

Error Message	Cause	Action
Wrong Tray Setting (MFC-J6710DW)	The machine's Paper Size and Tray Use settings do not match the size of paper in the tray you are using.	<ol style="list-style-type: none"> <li data-bbox="959 304 1426 607">1 Press Tray Setting, and make sure the machine's Paper Size and Tray Use settings match the size of paper in the tray you are using. (See <i>Paper Size and Type (MFC-J6710DW)</i> on page 24 and <i>Tray use in Copy mode (MFC-J6710DW only)</i> on page 24.) <li data-bbox="959 622 1426 795">2 After you have checked the paper size and tray use settings, press ▲ or ▼ to choose <code>Restart Printing</code>, and press OK to continue printing.

Error animation

Error animations display step-by-step instructions when paper gets jammed. You can read the steps at your own pace by pressing **▶** to see the next step and **◀** to go backward.

Transferring your faxes or Fax Journal report

If the LCD shows:

- Unable to Clean XX
- Unable to Init. XX
- Unable to Print XX
- Unable to Scan XX

We recommend transferring your faxes to another fax machine or to your PC. (See *Transferring faxes to another fax machine* on page 81 or *Transferring faxes to your PC* on page 81.)

You can also transfer the Fax Journal report to see if there are any faxes you need to transfer. (See *Transferring the Fax Journal report to another fax machine* on page 82.)

Transferring faxes to another fax machine

If you have not set up your Station ID, you cannot enter fax transfer mode. (See *Set your Station ID* in the *Quick Setup Guide*.)

- 1 Press **Stop/Exit** to interrupt the error temporarily.
- 2 Press **Menu**.
- 3 Press **▲** or **▼** to choose *Service*. Press **OK**.
- 4 Press **▲** or **▼** to choose *Data Transfer*. Press **OK**.
- 5 Press **▲** or **▼** to choose *Fax Transfer*. Press **OK**.

- 6 Do one of the following:
 - If the LCD shows *No Data*, there are no faxes left in the machine's memory.
Press **Stop/Exit**.
 - Enter the fax number to which faxes will be forwarded.
- 7 Press **Black Start**.

Transferring faxes to your PC

You can transfer the faxes from your machine's memory to your PC.

- 1 Press **Stop/Exit** to interrupt the error temporarily.
- 2 Make sure you have installed **MFL-Pro Suite** on your PC, and then turn on **PC-FAX Receiving** on the PC. (For details see *PC-FAX receiving* in the *Software User's Guide*.)
- 3 Make sure you have set **PC-Fax Receive** on the machine. (See *PC-Fax Receive (Windows® only)* in *chapter 4* of the *Advanced User's Guide*.)
If faxes are in the machine's memory when you set up **PC-Fax Receive**, the LCD will ask if you want to transfer the faxes to your PC.
- 4 Do one of the following:
 - To transfer all faxes to your PC, press **1**. You will be asked if you want to also turn on backup print.
 - To exit and leave the faxes in the memory, press **2**.
- 5 Press **Stop/Exit**.

Transferring the Fax Journal report to another fax machine

If you have not set up your Station ID, you cannot enter fax transfer mode. (See *Set your Station ID* in the *Quick Setup Guide*.)

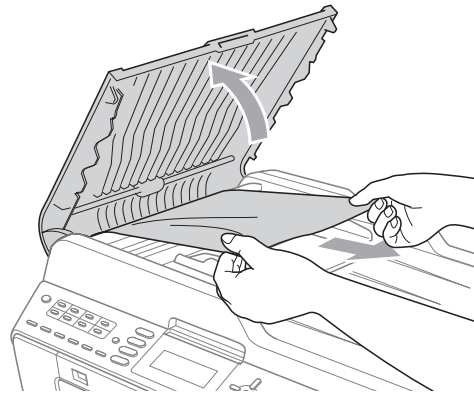
- 1 Press **Stop/Exit** to interrupt the error temporarily.
- 2 Press **Menu**.
- 3 Press **▲** or **▼** to choose *Service*. Press **OK**.
- 4 Press **▲** or **▼** to choose *Data Transfer*. Press **OK**.
- 5 Press **▲** or **▼** to choose *Report Trans.* Press **OK**.
- 6 Enter the fax number to which the Fax Journal report will be forwarded.
- 7 Press **Black Start**.

Document jam

Documents can jam in the ADF unit if they are not inserted or fed properly, or if they are too long. Follow the steps below to clear a document jam.

Document is jammed in the top of the ADF unit

- 1 Take out any paper from the ADF that is not jammed.
- 2 Open the ADF cover.
- 3 Pull the jammed document out to the right.



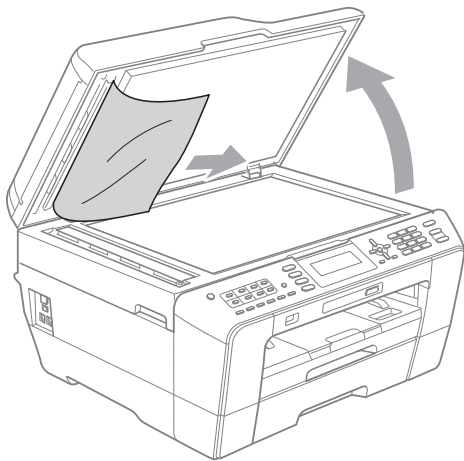
- 4 Close the ADF cover.
- 5 Press **Stop/Exit**.

! IMPORTANT

To avoid future document jams close the ADF cover properly by pressing it down in the middle.

Document is jammed inside the ADF unit

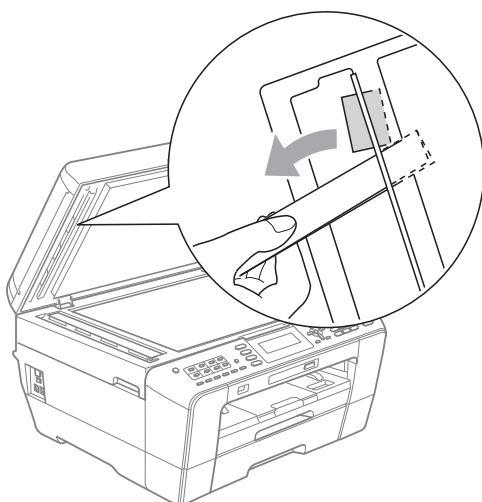
- 1 Take out any paper from the ADF that is not jammed.
- 2 Lift the document cover.
- 3 Pull the jammed document out to the right.



- 4 Close the document cover.
- 5 Press **Stop/Exit**.

Removing small documents jammed in the ADF

- 1 Lift the document cover.
- 2 Insert a piece of stiff paper, such as cardstock, into the ADF to push any small paper scraps through.



- 3 Close the document cover.
- 4 Press **Stop/Exit**.

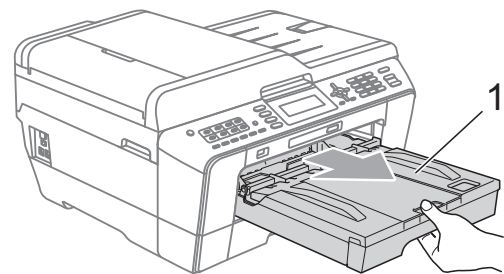
Printer jam or paper jam

Take out the jammed paper depending on where it is jammed in the machine.

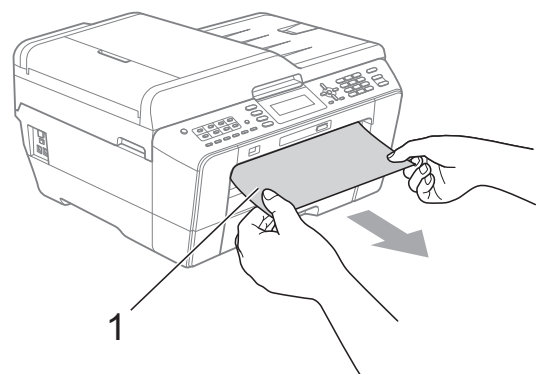
Paper is jammed at the front of the machine

If the LCD shows `Paper Jam [Front]`, follow these steps:

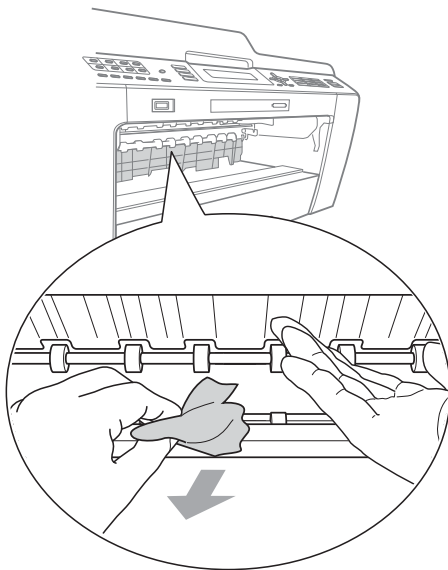
- 1 Unplug the machine from the AC power outlet.
- 2 Pull the paper tray (1) completely out of the machine.



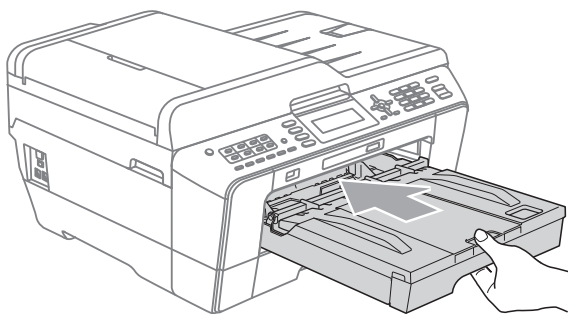
- 3 Pull out the jammed paper (1).




- 4 Lift the Jam Clear flap, and remove the jammed paper.




- 5 Put the paper tray firmly back in the machine.



 **Note**
Make sure you pull out the paper support until it clicks.


- 6 Re-connect the power cord.

 **Note**
If there is a repeat paper jam, a small piece of paper may be stuck in the machine. (See *Additional paper jam clear operations* on page 88.)

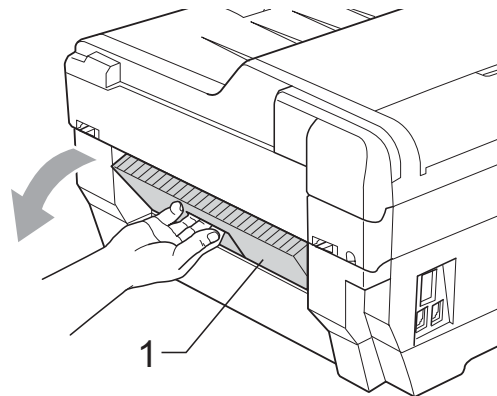
Paper is jammed at the back of the machine

If the LCD shows Paper Jam [Rear], follow these steps:

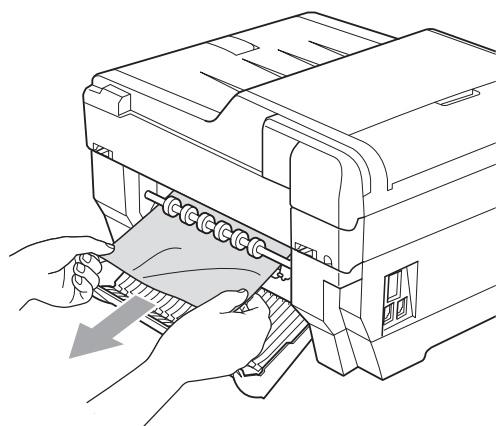
- 1 Unplug the machine from the AC power outlet.

 **Note**
Make sure you remove paper from the manual feed slot, and then close it.

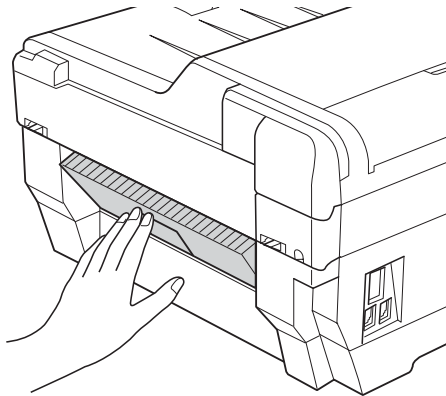
- 2 Open the Jam Clear Cover (1) at the back of the machine.



- 3 Pull the jammed paper out of the machine.



- 4 Close the Jam Clear Cover. Make sure the cover is closed properly.



- 5 Re-connect the power cord.

Paper is jammed at the front and back of the machine

If the LCD shows

Paper Jam [Front, Rear], follow these steps:

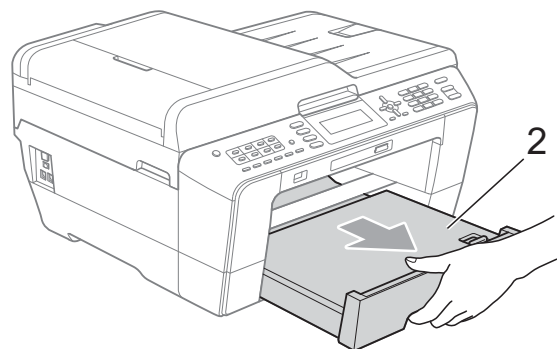
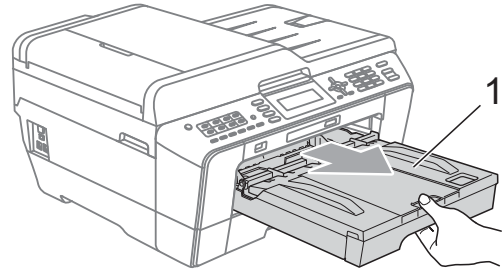
- 1 Unplug the machine from the AC power outlet.



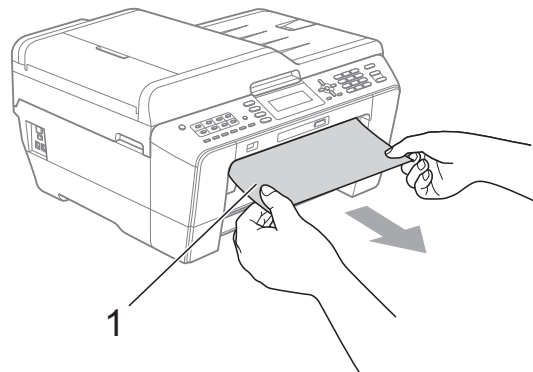
Note

Make sure you remove paper from the manual feed slot, and then close it.

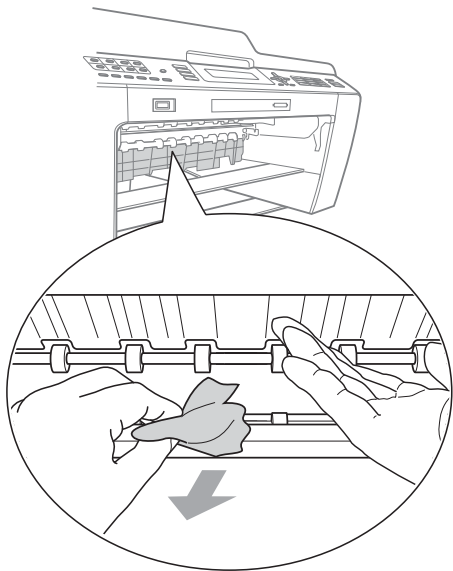
- 2 Pull paper tray #1 (1) and then tray #2 (2) (MFC-J6710DW) completely out of the machine.



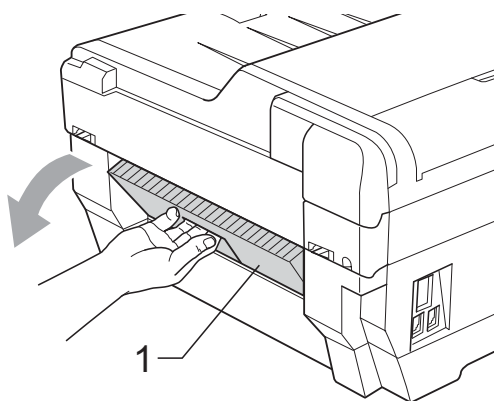
- 3 Pull out the jammed paper (1).



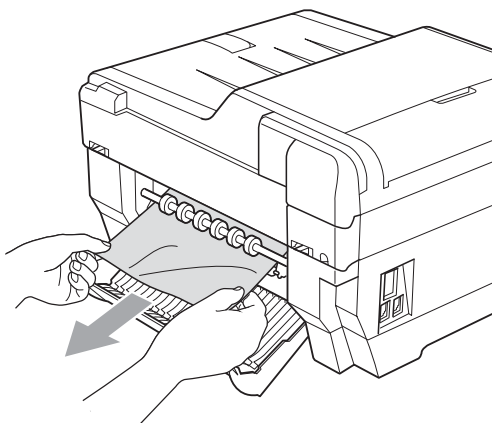
- 4 Lift the flap, and remove the jammed paper.
(With trays removed, go to step 5.)



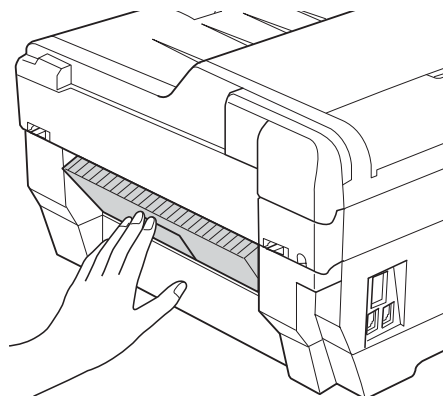
- 5 Open the Jam Clear Cover (1) at the back of the machine.



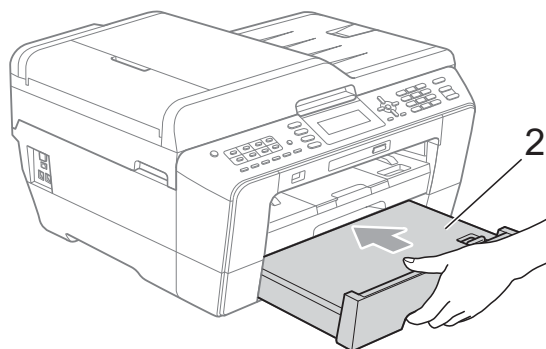
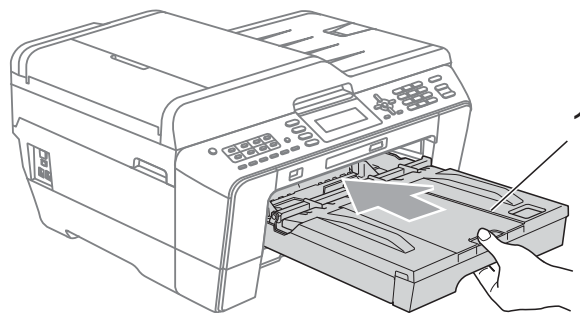
- 6 Pull the jammed paper out of the machine.



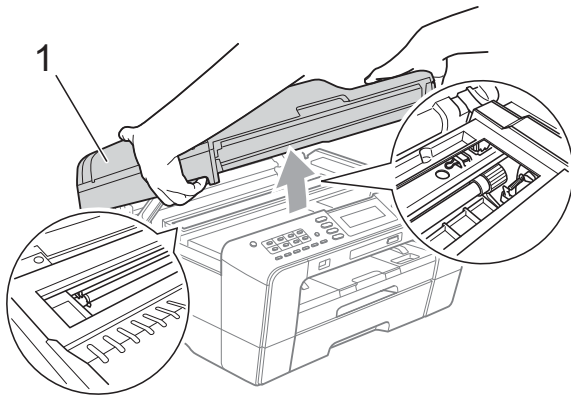
- 7 Close the Jam Clear Cover. Make sure the cover is closed properly.



- 8 Put paper tray #1 (1) and then tray #2 (2) firmly back in the machine.

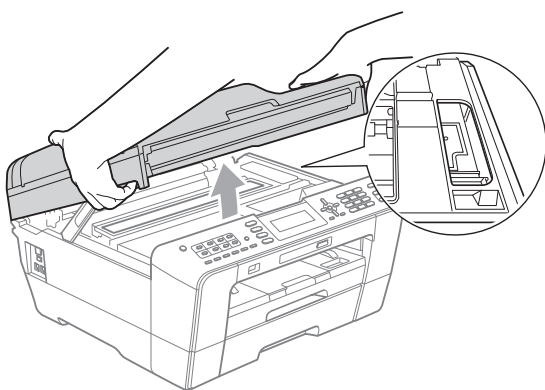


- 9 Using both hands, use the finger holds on each side of the machine to lift the scanner cover (1) into the open position. Make sure that there is no jammed paper left in the corners of the machine.



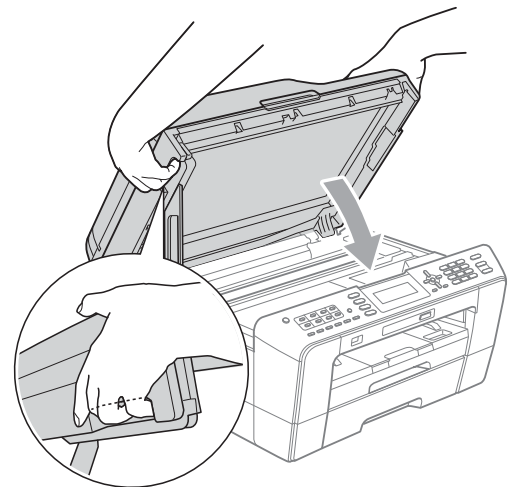
! IMPORTANT

- If the paper is jammed under the print head, unplug the machine from the power source, and then move the print head to take out the paper.
- If the print head is at the right corner as shown in the illustration, you cannot move the print head. Re-connect the power cord. Hold down **Stop/Exit** until the print head moves to the middle. Then unplug the machine from the power source, and take out the paper.



- If ink gets on your skin or clothing immediately wash it off with soap or detergent.

- 10 Gently close the scanner cover using the finger holds on each side.



! CAUTION

Be careful not to trap your fingers under the scanner cover. Always use the finger holds provided on each side of the scanner cover when opening and closing it.



Note

Make sure you pull out the paper support until it clicks.

- 11 Re-connect the power cord.



Note

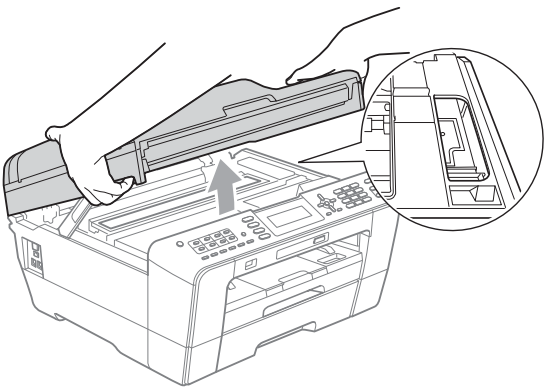
If there is a repeat paper jam, a small piece of paper may be stuck in the machine. (See *Additional paper jam clear operations* on page 88.)

Additional paper jam clear operations

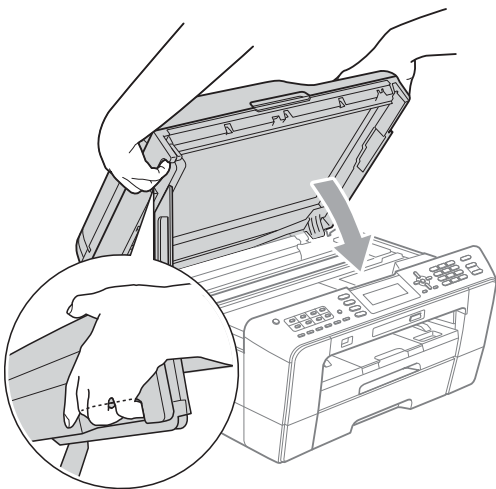
- 1 Using both hands, use the finger holds on each side of the machine to lift the scanner cover into the open position.

Note

If the print head is at the right corner as shown in the illustration, hold down **Stop/Exit** until the print head moves to the middle.



- 2 Unplug the machine from the AC power outlet.
- 3 Gently close the scanner cover using the finger holds on each side.

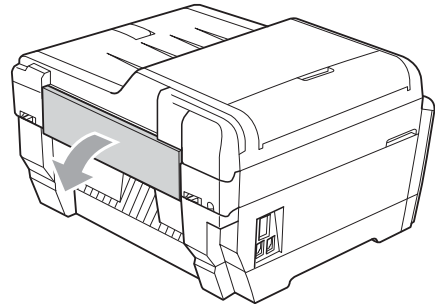


CAUTION

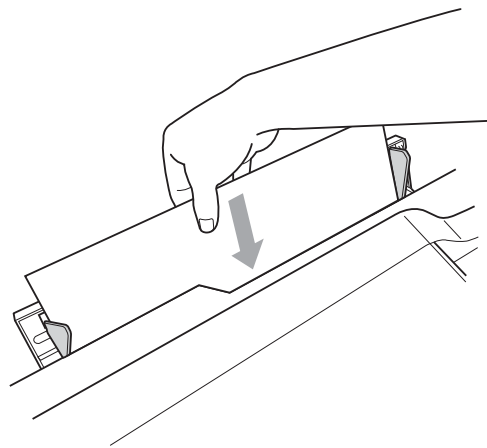
Be careful not to trap your fingers under the scanner cover.

Always use the finger holds provided on each side of the scanner cover when opening and closing it.

- 4 Open the manual feed slot cover.



- 5 Put only one sheet of letter or A4 sized thick paper such as glossy paper in a Landscape position in the manual feed slot. Push it into the manual feed slot.



Note

- We recommend you use glossy paper.
- If you don't push the paper deep into the manual feed slot, the machine will not feed it when you re-connect the power cord.

- 6** Re-connect the power cord.
The paper you placed in the manual feed slot will be fed through the machine and ejected.
- 7** Using both hands, use the finger holds on each side of the machine to lift the scanner cover into the open position. Make sure that a piece of paper is not still jammed inside the machine. Gently close the scanner cover using the finger holds on each side.

Troubleshooting

! IMPORTANT

For technical help, you must call the country where you bought the machine. Calls must be made **from within** that country.

If you think there is a problem with your machine, check the chart below and follow the troubleshooting tips.

Most problems can be easily resolved by yourself. If you need additional help, the Brother Solutions Center offers the latest FAQs and troubleshooting tips.

Visit us at <http://solutions.brother.com/>.

Using non-Brother supplies may affect the print quality, hardware performance, and machine reliability.

If you are having difficulty with your machine

Printing

Difficulty	Suggestions
No printout.	Check the interface cable or wireless connection on both the machine and your computer. (See the <i>Quick Setup Guide</i> .)
	Check that the machine is plugged in and that the On/Off key is on.
	One or more ink cartridges have reached the end of their life. (See <i>Replacing the ink cartridges</i> on page 67.)
	Check to see if the LCD is showing an error message. (See <i>Error and Maintenance messages</i> on page 73.)
	If the LCD shows <code>Cannot Print and Replace Ink</code> , see <i>Replacing the ink cartridges</i> on page 67.
	Check that the correct printer driver has been installed and chosen.
	Make sure that the machine is online. Click Start and then Printers and Faxes . Right-click and choose Brother MFC-XXXXX (where XXXXX is your model name), and make sure that Use Printer Offline is unchecked.

Printing (continued)

Difficulty	Suggestions
Poor print quality.	Check the print quality. (See <i>Checking the print quality</i> on page 71.)
	Make sure that the Media Type setting in the printer driver or the Paper Type setting in the machine's menu matches the type of paper you are using. (See <i>Printing for Windows®</i> or <i>Printing and Faxing for Macintosh</i> in the <i>Software User's Guide</i> and <i>Paper Type</i> on page 23.)
	Make sure that your ink cartridges are fresh. The following may cause ink to clog: <ul style="list-style-type: none"> ■ The expiration date written on the cartridge package has passed. (Genuine Brother Innobella™ ink cartridges stay usable for up to two years if kept in their original packaging.) ■ The ink cartridge has been in your machine for over six months. ■ The ink cartridge may not have been stored properly before use.
	Make sure you are using Genuine Brother Innobella™ Ink. Using non-Brother supplies may affect the print quality, hardware performance, and machine reliability.
	Try using the recommended types of paper. (See <i>Acceptable paper and other print media</i> on page 26.)
	The recommended environment for your machine is between 68 °F to 91 °F (20 °C to 33 °C).
White horizontal lines appear in text or graphics.	Clean the print head. (See <i>Cleaning the print head</i> on page 70.)
	Make sure you are using Genuine Brother Innobella™ Ink.
	Try using the recommended types of paper. (See <i>Acceptable paper and other print media</i> on page 26.)
The machine prints blank pages.	Clean the print head. (See <i>Cleaning the print head</i> on page 70.)
	Make sure you are using Genuine Brother Innobella™ Ink.
Characters and lines are blurred.	Check the printing alignment. (See <i>Checking the print alignment</i> on page 72.)
Printed text or images are skewed.	Make sure the paper is loaded properly in the paper tray and the paper side guides are adjusted correctly. (See <i>Loading paper and other print media</i> on page 11.)
	Make sure the Jam Clear Cover is closed properly.
Smudge or stain at the top center of the printed page.	Make sure the paper is not too thick or curled. (See <i>Acceptable paper and other print media</i> on page 26.)
Printing appears dirty or ink seems to run.	Make sure you are using the recommended types of paper. (See <i>Acceptable paper and other print media</i> on page 26.) Don't handle the paper until the ink is dry.
	Make sure you are using Genuine Brother Innobella™ Ink.
	If you are using photo paper, make sure that you have set the correct paper type. If you are printing a photo from your PC, set the Media Type in the Basic tab of the printer driver.
Stains appear on the reverse side or at the bottom of the page.	Make sure the printer platen is not dirty with ink. (See <i>Cleaning the machine's printer platen</i> in <i>appendix A of the Advanced User's Guide</i> .)
	Make sure you are using Genuine Brother Innobella™ Ink.
	Make sure you are using the paper support flap. (See <i>Loading paper and other print media</i> on page 11.)
The machine prints dense lines on the page.	Check Reverse Order in the Basic tab of the printer driver.

Printing (continued)

Difficulty	Suggestions
The printouts are wrinkled.	<p>(Windows® users) In the printer driver Advanced tab, click Color Settings, and uncheck Bi-Directional Printing.</p> <p>(Macintosh users) In the printer driver, choose Print Settings, click Advanced, choose Other Print Options, and uncheck Bi-Directional Printing.</p> <p>Make sure you are using Genuine Brother Innobella™ Ink.</p>
Cannot perform "Page Layout" printing.	Check that the paper size setting in the application and in the printer driver are the same.
Print speed is too slow.	<p>Try changing the printer driver setting. The highest resolution needs longer data processing, sending and printing time. Try the other quality settings in the printer driver Advanced tab. Also, click Color Settings, and make sure you uncheck Color Enhancement (True2Life).</p> <p>Turn the borderless feature off. Borderless printing is slower than normal printing. (See <i>Printing for Windows®</i> or <i>Printing and Faxing for Macintosh</i> in the <i>Software User's Guide</i>.)</p>
True2Life™ is not working properly.	If the image data is not full color in your application (such as 256 color), True2Life™ will not work. Use at least 24 bit color data with the True2Life™ feature.
Photo paper does not feed properly.	<p>When you print on Brother Photo paper, load one extra sheet of the same photo paper in the paper tray. An extra sheet has been included in the paper package for this purpose.</p> <p>Clean the paper pick-up rollers. (See <i>Cleaning the paper pick-up rollers</i> in appendix A of the <i>Advanced User's Guide</i>.)</p>
Machine feeds multiple pages.	<p>Make sure the paper is loaded properly in the paper tray. (See <i>Loading paper and other print media</i> on page 11.)</p> <p>Load only one size of paper and one type of paper in the paper tray at any one time.</p> <p>Make sure the Base Pad in the paper tray is not dirty. (See <i>Cleaning the paper pick-up rollers</i> in appendix A of the <i>Advanced User's Guide</i>.)</p> <p>If there are only a few sheets of paper in the paper tray the machine may not pick them up properly. Make sure there are at least 10 sheets of paper in the tray.</p>
There is a paper jam.	Make sure the paper length guide is set to the correct paper size. Do not extend the paper tray when you load A5 or smaller size paper. (See <i>Printer jam or paper jam</i> on page 83.)
Paper jam reoccurs.	If there is a repeat paper jam, a small piece of paper may be stuck in the machine. Make sure paper is not still jammed in the machine. (See <i>Additional paper jam clear operations</i> on page 88.)
The paper jams when you use duplex copy or duplex print.	<p>Use one of the jam prevention settings, DX1 or DX2. For copying, see <i>Duplex (2-sided) copying</i> in chapter 7 of the <i>Advanced User's Guide</i>; for printing see <i>Duplex / Booklet for Windows®</i> or <i>Duplex Printing for Macintosh</i> in the <i>Software User's Guide</i>.</p> <p>If paper jams often when using duplex copy or duplex print, the paper feed rollers may be stained with ink. Clean the paper feed rollers. (See <i>Cleaning the paper feed rollers</i> in appendix A of the <i>Advanced User's Guide</i>.)</p>
Printed pages are not stacked neatly.	Make sure you are using the paper support flap. (See <i>Loading paper and other print media</i> on page 11.)
Machine does not print from Adobe® Illustrator®.	Try to reduce the print resolution. (See <i>Printing for Windows®</i> or <i>Printing and Faxing for Macintosh</i> in the <i>Software User's Guide</i> .)

Printing Received Faxes

Difficulty	Suggestions
Condensed print and white streaks across the page or the top and bottom of sentences are cut off.	You probably had a bad connection, with static or interference on the telephone line. Ask the other party to send the fax again.
Vertical black lines when receiving.	The sender's scanner may be dirty. Ask the sender to make a copy to see if the problem is with the sending machine. Try receiving from another fax machine.
Received color fax prints only in black & white.	Replace the color ink cartridges that have reached the end of their life, and then ask the other person to send the color fax again. (See <i>Replacing the ink cartridges</i> on page 67.)
Left and Right margins are cut off or a single page is printed on two pages.	Turn on Auto Reduction. (See <i>Printing a reduced incoming fax</i> in chapter 4 of the <i>Advanced User's Guide</i> .)

Telephone Line or Connections

Difficulty	Suggestions
Dialing does not work. (No dial tone)	Check that the machine is plugged in and that the On/Off key is on.
	Check all line cord connections. Make sure the telephone line cord is plugged into the telephone wall jack and the LINE jack of the machine.
	(Canada only) Change the Tone/Pulse setting. (See the <i>Quick Setup Guide</i> .)
	Verify that the telephone line and jack are working by connecting a known working telephone and telephone line to the jack. Then lift the external telephone's handset and listen for a dial tone. If there is no dial tone, ask your telephone company to check the line and/or jack.
The machine does not answer when called.	Make sure the machine is in the correct Receive Mode for your setup. (See <i>Choose the correct Receive Mode</i> on page 37.) Check for a dial tone. If possible, call your machine to hear it answer. If there is still no answer, check that the telephone line cord is plugged into the telephone wall jack and the LINE jack of the machine. If there is no ringing when you call your machine, ask your telephone company to check the line.


Receiving Faxes

Difficulty	Suggestions
<p>Cannot receive a fax.</p>	<p>Make sure your machine has a dial tone by pressing the Hook key. If you hear static or interference on your fax line, please contact your local telephone company.</p> <p>Check all line cord connections. Make sure the telephone line cord is plugged into the telephone wall jack and the LINE jack of the machine. If you subscribe to DSL or VoIP services, please contact your service provider for connection instructions.</p> <p>Make sure the machine is in the correct Receive Mode. This is determined by the external devices and telephone subscriber services you have on the same line as the Brother machine. (See <i>Choose the correct Receive Mode</i> on page 37.)</p> <p>If you have a dedicated fax line and want your Brother machine to automatically answer all incoming faxes, you should select Fax Only mode.</p> <p>If your Brother machine shares a line with an external answering machine, you should select the External TAD mode. In External TAD mode, your Brother machine will automatically receive incoming faxes and voice callers will be able to leave a message on your answering machine.</p> <p>If your Brother machine shares the line with a Voice Mail subscriber service, please see <i>Voice Mail</i> on page 43.</p> <p>If your Brother machine is on a line with the Distinctive Ring subscriber service, please see <i>Distinctive Ring</i> on page 44.</p> <p>If your Brother machine shares a line with other telephones and you want it to automatically answer all incoming faxes, you should select the Fax/Tel mode. In Fax/Tel mode, your Brother machine will automatically receive faxes and produce a pseudo/double-ring to alert you to answer voice calls.</p> <p>If you do not want your Brother machine to automatically answer any incoming faxes, you should select the Manual mode. In Manual mode, you must answer every incoming call and activate the machine to receive faxes.</p> <p>Another device or service at your location may be answering the call before your Brother machine answers. To test this, lower the ring delay setting:</p> <ul style="list-style-type: none"> ■ If the answer mode is set to Fax Only or Fax/Tel, reduce the ring delay to 1 ring. (See <i>Ring Delay</i> on page 40.) ■ If the answer mode is set to External TAD, reduce the number of rings programmed on your answering machine to 2. ■ If the answer mode is set to Manual, DO NOT adjust the ring delay setting. <p>Have someone send you a test fax:</p> <ul style="list-style-type: none"> ■ If you received the test fax successfully, your machine is operating properly. Remember to reset your ring delay or answering machine setting back to your original setting. If receiving problems recur after resetting the ring delay, then a person, device, or subscriber service is answering the fax call before the machine has a chance to answer. ■ If you were not able to receive the fax, then another device or subscriber service may be interfering with your fax reception or there may be a problem with your fax line.

Receiving Faxes (continued)

Difficulty	Suggestions
<p>Cannot receive a fax. (continued)</p>	<p>If you are using a telephone answering machine (External TAD mode) on the same line as the Brother machine, make sure your answering machine is set up correctly. (See <i>Connecting an external TAD (telephone answering device)</i> on page 46.)</p> <ol style="list-style-type: none"> 1 Plug the telephone line cord directly from the wall telephone jack to your Brother machine's LINE jack. 2 Remove the protective cap from your Brother machine's EXT. jack, and then plug the telephone line cord from your answering machine into the EXT. jack. 3 Set your answering machine to answer within 4 rings. If you are having problems receiving faxes or voice messages, set your answering machine to answer within 2 or 3 rings. 4 Record the outgoing message on your answering machine. <ul style="list-style-type: none"> ■ Record five seconds of silence at the beginning of your outgoing message. ■ Limit your speaking to 20 seconds. ■ End your outgoing message with your Fax Receive Code for people sending manual faxes. For example: "After the beep, leave a message or press * 5 1 and Start to send a fax." 5 Set your answering machine to answer calls. 6 Set your Brother machine's Receive Mode to External TAD. (See <i>Choose the correct Receive Mode</i> on page 37.)
	<p>Make sure your Brother machine's Easy Receive feature is turned On. Easy Receive is a feature that allows you to receive a fax even if you have answered the call on an external or extension telephone. (See <i>Easy Receive</i> on page 41.)</p>
	<p>If you often get transmission errors due to possible interference on the telephone line, try changing the Compatibility setting to Basic (for VoIP). (See <i>Telephone line interference / VoIP</i> on page 100.)</p>

Sending Faxes

Difficulty	Suggestions
Cannot send a fax.	Check all line cord connections. Make sure the telephone line cord is plugged into the telephone wall jack and the LINE jack of the machine.
	Make sure that the FAX  key is illuminated.
	Ask the other party to check that the receiving machine has paper.
	Print the Transmission Verification Report and check for an error. (See <i>Reports in chapter 6 of the Advanced User's Guide.</i>)
Transmission Verification Report says "RESULT:NG".	There is probably temporary noise or static on the line. Try sending the fax again. If you send a PC FAX message and get "RESULT:NG" on the Transmission Verification Report, your machine may be out of memory. To gain extra memory, you can turn off Memory Receive (see <i>Turning off Memory Receive operations in chapter 4 of the Advanced User's Guide</i>), print fax messages in memory (see <i>Printing a fax from the memory in chapter 4 of the Advanced User's Guide</i>) or cancel a Delayed Fax or Polling Job. (see <i>Canceling a fax in progress on page 35</i> and <i>Checking and canceling waiting jobs in chapter 3 of the Advanced User's Guide.</i>) If the problem continues, ask the telephone company to check your telephone line.
	If you often get transmission errors due to possible interference on the telephone line, try changing the menu setting of Compatibility to <code>Basic (for VoIP)</code> . (See <i>Telephone line interference / VoIP on page 100.</i>)
Sent faxes are blank.	Make sure you are loading the document properly. (See <i>Loading documents on page 30.</i>)
Poor fax send quality.	Try changing your resolution to <code>Fine</code> or <code>S.Fine</code> . Make a copy to check your machine's scanner operation. If the copy quality is not good, clean the scanner. (See <i>Cleaning the scanner on page 69.</i>)
Vertical black lines when sending.	Black vertical lines on faxes you send are typically caused by dirt or correction fluid on the glass strip. Clean the glass strip. (See <i>Cleaning the scanner on page 69.</i>)


Handling Incoming Calls

Difficulty	Suggestions
The machine "Hears" a voice as a CNG Tone.	If Easy Receive is set to On, your machine is more sensitive to sounds. It may mistakenly interpret certain voices or music on the line as a fax machine calling and respond with fax receiving tones. Deactivate the machine by pressing Stop/Exit . Try avoiding this problem by turning Easy Receive to Off. (See <i>Easy Receive on page 41.</i>)
Sending a fax call to the machine.	If you answered on an extension telephone, press your Fax Receive Code (the factory setting is * 5 1). If you answered on the external telephone (connected to the EXT. jack), press Start to receive the fax. When your machine answers, hang up.

Handling Incoming Calls (continued)

Difficulty	Suggestions
Custom features on a single line.	<p>If you have Call Waiting, Call Waiting/Caller ID, Voice Mail, an alarm system or other custom feature on a single telephone line with your machine, it may create a problem sending or receiving faxes.</p> <p>For example: If you subscribe to Call Waiting or some other custom service and its signal comes through the line while your machine is sending or receiving a fax, the signal can temporarily interrupt or disrupt the faxes. Brother's ECM (Error Correction Mode) feature should help overcome this problem. This condition is related to the telephone system industry and is common to all devices that send and receive information on a single, shared line with custom features. If avoiding a slight interruption is crucial to your business, a separate telephone line with no custom features is recommended.</p>

Copying Difficulties

Difficulty	Suggestions
Cannot make a copy.	Make sure that the COPY  key is illuminated.
Poor copy results when using the ADF.	Try using the scanner glass. (See <i>Using the scanner glass</i> on page 31.)
Vertical black lines or streaks appear in copies.	Vertical black lines or streaks on copies are typically caused by dirt or correction fluid on the scanner. Clean the glass strip and scanner glass and the white bar and white plastic above them. (See <i>Cleaning the scanner</i> on page 69.)
Copies are blank.	Make sure you are loading the document properly. (See <i>Loading documents</i> on page 30.)
Fit to Page does not work properly.	Make sure the document is not skewed on the scanner glass. Reposition the document and try again.

Scanning Difficulties

Difficulty	Suggestions
TWAIN or WIA errors appear when starting to scan. (Windows®)	Make sure the Brother TWAIN or WIA driver is chosen as the primary source in your scanning application. For example, in PaperPort™ 12SE with OCR, click File, Scan or Get Photo and click Select to choose the Brother TWAIN/WIA driver.
TWAIN or ICA errors appear when starting to scan. (Macintosh)	Make sure the Brother TWAIN driver is chosen as the primary source. In PageManager, click File, Select Source and choose the Brother TWAIN driver. Mac OS X 10.6.x users can also scan documents using the ICA Scanner Driver. See <i>Scanning a document using the ICA driver (Mac OS X 10.6.x)</i> in the <i>Software User's Guide</i> .
Poor scanning results when using the ADF.	Try using the scanner glass. (See <i>Using the scanner glass</i> on page 31.)
OCR does not work.	<p>Try increasing the scanner resolution.</p> <p>(Macintosh users)</p> <p>Make sure you have finished downloading and installing Presto! PageManager from: http://nj.newsoft.com.tw/download/brother/PM9SEInstaller_BR_multilang.dmg</p>

Software Difficulties

Difficulty	Suggestions
Cannot install software or print.	(Windows® users only) Run the Repair MFL-Pro Suite program on the Installation CD-ROM. This program will repair and reinstall the software.
“Device Busy”	Make sure the machine is not showing an error message on the LCD.
Cannot print images from FaceFilter Studio.	To use FaceFilter Studio, you must install the FaceFilter Studio application from the Installation CD-ROM supplied with your machine. To install FaceFilter Studio see the <i>Quick Setup Guide</i> . Also, before you start FaceFilter Studio for the first time, you must make sure your Brother machine is turned on and connected to your computer. This will allow you to access all the functions of FaceFilter Studio.

PhotoCapture Center™ Difficulties

Difficulty	Suggestions
Removable Disk does not work properly.	<ol style="list-style-type: none"> 1 Have you installed the Windows® 2000 update? If not, do the following: <ol style="list-style-type: none"> 1) Unplug the USB cable. 2) Install the Windows® 2000 update using one of the following methods. <ul style="list-style-type: none"> ■ Install MFL-Pro Suite from the Installation CD-ROM. (See the <i>Quick Setup Guide</i>.) ■ Download the latest service pack from the Microsoft Web site. 3) Wait about 1 minute after you restart the PC, and then connect the USB cable. 2 Take out the memory card or USB Flash memory drive and put it back in again. 3 If you have tried “Eject” from within Windows®, take out the memory card or USB Flash memory drive before you continue. 4 If an error message appears when you try to eject the memory card or USB Flash memory drive, it means the card is being accessed. Wait a while and then try again. 5 If all of the above do not work, turn off your PC and machine, and then turn them on again. (You will have to unplug the power cord of the machine to turn it off.)
Cannot access Removable Disk from Desktop icon.	Make sure that you have correctly inserted the memory card or USB Flash memory drive.
Part of my photo is missing when printed.	Make sure that Borderless printing and Cropping are turned off. (See <i>Borderless printing</i> and <i>Cropping</i> in <i>chapter 8</i> of the <i>Advanced User’s Guide</i> .)

Network Difficulties

Difficulty	Suggestions
Cannot print over the network.	<p>Make sure that your machine is powered on and is online and in Ready mode. Print a Network Configuration list (see <i>Reports</i> in <i>chapter 6</i> of the <i>Advanced User's Guide</i>.) and check the current Network settings printed in this list. Reconnect the LAN cable to the hub to verify that the cabling and network connections are good. If possible, try connecting the machine to a different port on your hub using a different cable. If the connections are good, the machine shows LAN Active for 2 seconds.</p> <p>(If you are using a wireless connection or are having Network problems, see the <i>Network User's Guide</i> for more information.)</p>
The network scanning feature does not work.	<p>(Windows® users)</p> <p>It is necessary to configure the third-party Security/Firewall Software to allow Network scanning. To add port 54925 for Network scanning, enter the information below:</p> <p>In Name: Enter any description, for example Brother NetScan.</p> <p>In Port number: Enter 54925.</p> <p>In Protocol: UDP is selected.</p> <p>Please refer to the instruction manual that came with your third-party Security/Firewall Software or contact the software manufacturer.</p> <p>(Macintosh users)</p> <p>Re-select your machine in the Device Selector application located in Macintosh HD/Library/Printers/Brother/Utilities/DeviceSelector or from the model list in ControlCenter2.</p>
The network PC-Fax Receive feature does not work.	<p>(Windows® users only)</p> <p>It is necessary to set the third-party Security/Firewall Software to allow PC-FAX Rx. To add port 54926 for Network PC-FAX Rx, enter the information below:</p> <p>In Name: Enter any description, for example Brother PC-FAX Rx.</p> <p>In Port number: Enter 54926.</p> <p>In Protocol: UDP is selected.</p> <p>Please refer to the instruction manual that came with your third-party Security/Firewall Software or contact the software manufacturer.</p>
The Brother software cannot be installed.	<p>(Windows® users)</p> <p>If the Security Software warning appears on the PC screen during the installation, change the Security Software settings to permit the Brother product setup program or other program to run.</p> <p>(Macintosh users)</p> <p>If you are using a firewall function of anti-spyware or antivirus security software, temporarily disable it and then install the Brother software.</p>
Cannot connect to wireless network.	<p>Investigate the problem using the WLAN Report. Press Menu key, choose <i>Print Reports</i> and then press OK. Choose <i>WLAN Report</i>. For details, see the <i>Network User's Guide</i>.</p>
Reset the network settings.	<p>Press Menu key, choose <i>Network</i> and then press OK. Choose <i>Network Reset</i>. For details, see the <i>Network User's Guide</i>.</p>



Dial Tone

Setting the dial tone to Detection will shorten the dial detect pause.

- 1 Press **Menu**.
- 2 Press **▲** or **▼** to choose Initial Setup.
Press **OK**.
- 3 Press **▲** or **▼** to choose Dial Tone.
- 4 Press **◀** or **▶** to choose Detection or No Detection.
Press **OK**.
- 5 Press **Stop/Exit**.

Telephone line interference / VoIP

If you are having problems sending or receiving a fax due to possible interference on the telephone line, we recommend that you change the modem speed to minimize errors in fax operations.

- 1 Press **Menu**.
- 2 Press **▲** or **▼** to choose Initial Setup.
Press **OK**.
- 3 Press **▲** or **▼** to choose Compatibility.
- 4 Press **◀** or **▶** to choose High, Normal or Basic (for VoIP).

- Basic (for VoIP) reduces the modem speed to 9,600 bps and turns off color fax receiving and ECM, except for color fax sending. Unless interference is a recurring problem on your telephone line, you may prefer to use it only when needed.

To improve compatibility with most VoIP services, Brother recommends changing the compatibility setting to Basic (for VoIP).

- Normal sets the modem speed at 14,400 bps.
- High increases the modem speed to 33,600 bps. (factory setting)

Press **OK**.

- 5 Press **Stop/Exit**.



Note

VoIP (Voice over IP) is a type of phone system that uses an internet connection, rather than a traditional phone line.

Machine Information

Checking the serial number

You can see the machine's serial number on the LCD.

- 1 Press **Menu**.
- 2 Press **▲** or **▼** to choose `Machine Info`. Press **OK**.
- 3 Press **▲** or **▼** to choose `Serial No.` Press **OK**.
- 4 Press **Stop/Exit**.

Reset functions

The following reset functions are available:

1 `Network`

You can reset the print server back to its default factory settings such as the password and IP address information.

2 `Speed Dial&Fax`

Speed Dial & Fax resets the following settings:

- **Speed Dial**
(Speed-Dial and Setup Groups)
- **Programmed fax jobs in the memory**
(Polled Transmit, Delayed Fax and Delayed Batch Transmission)
- **Station ID**
(Name and Number)
- **Remote Fax Options**
(Fax Forwarding and Paging)
- **Report settings**
(Transmission Verification Report, Quick Dial List and Fax Journal)
- **History**
(Caller ID history and Outgoing Call)
- **Faxes in memory**

3 `All Settings`

You can restore all settings to their factory defaults.

Brother strongly recommends you use this operation when you dispose of the machine.



Note

Unplug the interface cable before you choose `Network` or `All Settings`.

How to reset the machine

- 1 Press **Menu**.
- 2 Press **▲** or **▼** to choose `Initial Setup`. Press **OK**.
- 3 Press **▲** or **▼** to choose `Reset`. Press **OK**.
- 4 Press **▲** or **▼** to choose the type of reset you want to use. Press **OK**. Press **1** to confirm.
- 5 Press **1** to reboot the machine.

On-screen programming


Your machine is designed to be easy to operate with LCD on-screen programming using the menu keys. User-friendly programming helps you take full advantage of all the menu selections your machine has to offer.


Since your programming is done on the LCD, we have created step-by-step on-screen instructions to help you program your machine. All you need to do is follow the instructions as they guide you through the menu selections and programming options.

Menu table

The menu table will help you understand the menu selections and options that are found in the machine's programs. The factory settings are shown in Bold with an asterisk.

Menu 

Level1	Level2	Level3	Options	Descriptions	Page
Ink	Test Print	—	Print Quality Alignment	Lets you check the print quality or alignment.	71
	Cleaning	—	Black Color All	Lets you clean the print head.	70
	Ink Volume	—	—	Lets you check the available ink volume.	See ¹ .
General Setup	Mode Timer	—	Off 0Sec 30Secs 1Min 2Mins* 5Mins	Sets the time to return to Fax mode.	
	Tray Setting (MFC-J6710DW)	Tray#1	Paper Type (Options) Plain Paper* Inkjet Paper Brother BP71 Brother BP61 Other Glossy Transparency	Sets the type of paper in the paper tray #1.	24
Paper Size (Options) Letter* Legal Ledger A4 A5 A3 Executive 4"x6"			Sets the size of paper in the paper tray #1.		
¹ See <i>Advanced User's Guide</i> .					
 The factory settings are shown in Bold with an asterisk.					

Level1	Level2	Level3	Options	Descriptions	Page
General Setup (Continued)	Tray Setting (MFC-J6710DW) (Continued)	Tray#2	Paper Type (Option) Plain Paper*	Sets the type of paper in the paper tray #2.	24
			Paper Size (Options) Letter* Legal Ledger A4 A3 Executive	Sets the size of paper in the paper tray #2.	
		Tray Use:Copy	Tray#1 Tray#2 Auto Select*	Choose the tray that will be used for Copy mode.	24
	Tray Use:Fax	Tray#1 Tray#2 Auto Select*	Choose the tray that will be used for Fax mode.	25	
	Paper Setting (MFC-J6510DW)	Paper Type	Plain Paper* Inkjet Paper Brother BP71 Brother BP61 Other Glossy Transparency	Sets the type of paper in the paper tray.	23
		Paper Size	Letter* Legal Ledger A4 A5 A3 Executive 4"x6"	Sets the size of paper in the paper tray.	23
¹ See <i>Advanced User's Guide</i> .					
 The factory settings are shown in Bold with an asterisk.					

Level1	Level2	Level3	Options	Descriptions	Page
General Setup (Continued)	Volume	Ring	Off Low Med* High	Adjusts the ring volume.	See ¹ .
		Beeper	Off Low* Med High	Adjusts the volume level of the beeper.	
		Speaker	Off Low Med* High	Adjusts the volume level of the speaker.	
	Auto Daylight	—	On Off*	Change this setting to On if you want the machine to change automatically for Daylight Saving Time.	
	LCD Settings	Backlight	Light* Med Dark	You can adjust the brightness of the LCD backlight.	
		Dim Timer	Off 10Secs 20Secs 30Secs*	You can set how long the LCD backlight stays on after the last key press.	
		Wallpaper	1* 2 3 4	You can choose the wallpaper of the LCD.	
	Sleep Mode	—	1Min 2Mins 3Mins 5Mins* 10Mins 30Mins 60Mins	You can choose how long the machine must be idle before it goes into sleep mode.	
	LGR - Short Grain	—	On Off*	Turn on this setting when you use Ledger short grain paper.	25

¹ See *Advanced User's Guide*.




The factory settings are shown in Bold with an asterisk.

Level1	Level2	Level3	Options	Descriptions	Page
General Setup (Continued)	Function Lock	Set Password	—	You can restrict selected machine operation for up to 10 restricted users and all other non-authorized Public users.	See ¹ .
		Lock Off-On	—		
		Setup User	—		
Fax	Setup Receive	Ring Delay	0 1 2 3 4*	Sets the number of rings before the machine answers in Fax Only or Fax/Tel mode.	40
		F/T Ring Time	20Secs* 30Secs 40Secs 70Secs	Sets the pseudo/double-ring time in Fax/Tel mode.	40
		Easy Receive	On* Off	Receives fax messages without pressing Start .	41
		Remote Codes	On* (*51, #51) Off	Allows you to answer all calls at an extension or external telephone and use codes to turn the machine on or off. You can personalize these codes.	49
		Auto Reduction	On* Off	Reduces the size of incoming faxes.	See ¹ .
		Memory Receive	Off* Fax Forward Paging Fax Storage PC Fax Receive	You can set the machine to either forward fax messages, call your pager, store incoming faxes in the memory (so you can retrieve them while you are away from your machine), or send faxes to your PC. If you choose Fax Forward or PC-Fax Receive, you can turn on the safety feature Backup Print.	


¹ See *Advanced User's Guide*.




The factory settings are shown in Bold with an asterisk.

Level1	Level2	Level3	Options	Descriptions	Page
Fax (Continued)	Report Setting	Transmission	On On+Image Off* Off+Image Off2 Off2+Image	Initial setup for Transmission Verification Report and Fax Journal Report.	36
		Journal Period	Off Every 50 Faxes* Every 6 Hours Every 12 Hours Every 24 Hours Every 2 Days Every 7 Days		See ¹ .
	Print Fax	—	—	Prints incoming faxes stored in the memory.	
	Remote Access	—	---*	Set your own code for Remote Retrieval.	
	Remaining Jobs	—	—	Check which jobs are in the memory and lets you cancel chosen jobs.	
	Miscellaneous	Distinctive	Off* Set (On)	Uses the Telephone company's Distinctive Ring subscriber service to register the ring pattern with the machine.	44
		Caller ID (USA only)	Area Code	View or print a list of the last 30 Caller IDs stored in the memory. Set up your 3-digit area code only if you do not dial it within your own area code.	See ¹ .
	¹ See <i>Advanced User's Guide</i> .				
 The factory settings are shown in Bold with an asterisk.					

Network menu

Level1	Level2	Level3	Level4	Options	Descriptions
Network	Wired LAN	TCP/IP	BOOT Method	Auto* Static RARP BOOTP DHCP	Chooses the BOOT method that best suits your needs.
			IP Address	[000-255]. [000-255]. [000-255]. [000-255]	Enter the IP address.
			Subnet Mask	[000-255]. [000-255]. [000-255]. [000-255]	Enter the Subnet mask.
			Gateway	[000-255]. [000-255]. [000-255]. [000-255]	Enter the Gateway address.
			Node Name	BRNXXXXXXXXXXXX	Enter the Node name.
			WINS Config	Auto* Static	Chooses the WINS configuration mode.
			WINS Server	(Primary) 000.000.000.000 (Secondary) 000.000.000.000	Specifies the IP address of the primary or secondary server.
			DNS Server	(Primary) 000.000.000.000 (Secondary) 000.000.000.000	Specifies the IP address of the primary or secondary server.
			APIPA	On* Off	Automatically allocates the IP address from the link-local address range.
			IPv6	On Off*	Enable or disable the IPv6 protocol.
See <i>Network User's Guide</i> .					
 The factory settings are shown in Bold with an asterisk.					


Level1	Level2	Level3	Level4	Options	Descriptions
Network (Continued)	Wired LAN (Continued)	Ethernet	—	Auto* 100B-FD 100B-HD 10B-FD 10B-HD	Chooses the Ethernet link mode.
		MAC Address	—	—	You can see your machine's MAC address from the control panel.
	WLAN	TCP/IP	BOOT Method	Auto* Static RARP BOOTP DHCP	Chooses the BOOT method that best suits your needs.
			IP Address	[000-255]. [000-255]. [000-255]. [000-255]	Enter the IP address.
			Subnet Mask	[000-255]. [000-255]. [000-255]. [000-255]	Enter the Subnet mask.
			Gateway	[000-255]. [000-255]. [000-255]. [000-255]	Enter the Gateway address.
			Node Name	BRWXXXXXXXXXXXX	Enter the Node name.
			WINS Config	Auto* Static	Chooses the WINS configuration mode.
			WINS Server	(Primary) 000.000.000.000 (Secondary) 000.000.000.000	Specifies the IP address of the primary or secondary server.
			DNS Server	(Primary) 000.000.000.000 (Secondary) 000.000.000.000	Specifies the IP address of the primary or secondary server.
See <i>Network User's Guide</i> .					
 The factory settings are shown in Bold with an asterisk.					

Level1	Level2	Level3	Level4	Options	Descriptions
Network (Continued)	WLAN (Continued)	TCP/IP (Continued)	APIPA	On* Off	Automatically allocates the IP address from the link-local address range.
			IPv6	On Off*	Enable or disable IPv6 protocol for a wireless LAN.
		Setup Wizard	—	—	You can manually configure your print server for a wireless network.
		WPS/AOSS	—	—	You can easily configure your wireless network settings using the one-button push method.
		WPS w/PIN Code	—	—	You can easily configure your wireless network settings using WPS with a PIN code.
		WLAN Status	Status	—	You can see the current wireless network status.
			Signal	—	You can see the current wireless network signal strength.
			SSID	—	You can see the current SSID.
			Comm. Mode	—	You can see the current Communication Mode.
		MAC Address	—	—	You can see your machine's MAC address from the control panel.

See *Network User's Guide*.



The factory settings are shown in Bold with an asterisk.

Level1	Level2	Level3	Level4	Options	Descriptions	
Network (Continued)	E-mail/IFAX (Available after IFAX is downloaded)	Mail Address	—	—	Enter the mail address. (Up to 60 characters)	
		Setup Server	SMTP Server	Name (Up to 30 characters)	Name (Up to 30 characters) IP Address [000-255]. [000-255]. [000-255]. [000-255]	Enter the SMTP server address.
				IP Address [000-255]. [000-255]. [000-255]. [000-255]		
			SMTP Port	[00001-65535]	Enter the SMTP port number.	
			Auth. for SMTP	None* SMTP-AUTH POP bef.SMTP	Selects the Security method for E-mail notification.	
			POP3 Server	Name (Up to 30 characters)	Name (Up to 30 characters) IP Address [000-255]. [000-255]. [000-255]. [000-255]	Enter the POP3 server address.
				IP Address [000-255]. [000-255]. [000-255]. [000-255]		
			POP3 Port	[00001-65535]	Enter the POP3 port number.	
			Mailbox Name	—	Enter the mail box name. (Up to 20 characters)	
Mailbox Pwd	—	Enter the password to login to the POP3 server. (Up to 20 characters)				
APOP	On off*	Enables or disables APOP.				
See <i>Network User's Guide</i> .						
 The factory settings are shown in Bold with an asterisk.						


Level1	Level2	Level3	Level4	Options	Descriptions
Network (Continued)	E-mail/IFAX (Available after IFAX is downloaded) (Continued)	Setup Mail RX	Auto Polling	On* Off	Automatically checks the POP3 server for new messages.
			Poll Frequency	10Min(s)*	Sets the interval for checking for new messages on the POP3 server.
			Header	All Subject+From+To None*	Selects the contents of the mail header to be printed.
			Del Error Mail	On* Off	Deletes error mails automatically.
			Notification	On MDN Off*	Receives notification messages.
		Setup Mail TX	Sender Subject	—	Displays the subject that is attached to the Internet Fax data.
			Size Limit	On Off*	Limits the size of E-mail documents.
			Notification	On Off*	Sends notification messages.
		Setup Relay	Rly Broadcast	On Off*	Relays a document to another fax machine.
			Relay Domain	RelayXX:	Registers the Domain name.
	Relay Report		On Off*	Prints the Relay Broadcast Report.	
	Time Zone	—	UTCXXX:XX	—	Sets the time zone for your country.
	Network I/F	—	Wired LAN* WLAN	—	You can choose the network connection type.
	Network Reset	—	—	—	Restore all network settings to factory default.


See *Network User's Guide*.



The factory settings are shown in Bold with an asterisk.

Menu () (continued)

Level1	Level2	Level3	Options	Descriptions	Page
Print Reports	Transmission	—	—	Prints these lists and reports.	See ¹ .
	Help List	—	—		
	Quick Dial	—	Alphabetic Order Numeric Order		
	Fax Journal	—	—		
	User Settings	—	—		
	Network Config	—	—		
	WLAN Report	—	—		
	Caller ID hist.	—	—		
Machine Info.	Serial No.	—	—	Lets you check the serial number of your machine.	101
Initial Setup	Receive Mode	—	Fax Only* Fax/Tel External TAD Manual	Choose the receive mode that best suits your needs.	37
	Date&Time	—	—	Puts the date and time on the LCD and in headings of faxes you send.	See ² .
	Station ID	—	Fax: Name:	Set your name and fax number to appear on each page you fax.	
	Tone/Pulse (Canada only)	—	Tone* Pulse	Choose the dialing mode.	
	Dial Tone	—	Detection No Detection*	You can shorten the dial tone detect pause.	100
	Dial Prefix	—	On Off*	Sets a prefix number that will always be added before the fax number every time you dial.	See ¹ .
	Compatibility	—	High* Normal Basic(for VoIP)	Adjusts the modem speed to help resolve transmission problems.	100
¹ See <i>Advanced User's Guide</i> . ² See <i>Quick Setup Guide</i> .					
 The factory settings are shown in Bold with an asterisk.					

Level1	Level2	Level3	Options	Descriptions	Page
Initial Setup (Continued)	Reset	Network	—	Resets the print server back to its factory default settings, such as the password and IP address information.	101
		Speed Dial&Fax	—	Deletes all stored Speed Dial numbers and restores the Station ID, Quick Dial List, Transmission Verification Report and Fax Journal back to the factory default settings.	
		All Settings	—	Resets all the machine's settings back to the settings that were set at the factory.	
	Local Language (USA only)	—	English* Spanish	Allows you to change the LCD language for your country.	See ² .
	Local Language (Canada only)	—	English* French	Allows you to change the LCD language for your country.	
¹ See <i>Advanced User's Guide</i> . ² See <i>Quick Setup Guide</i> .					
 The factory settings are shown in Bold with an asterisk.					

FAX ()

Level1	Level2	Level3	Options	Descriptions	Page
Speaker (Appears after pressing Hook)	—	—	Off Low Med* High	Adjusts the volume level of the speaker.	See ¹ .
Fax Resolution	—	—	Standard* Fine S.Fine Photo	Sets the resolution for outgoing faxes.	
Contrast	—	—	Auto* Light Dark	Changes the lightness or darkness of faxes you send.	
Glass ScanSize	—	—	Letter* Legal Ledger A4 A3	To fax a Legal, Ledger, A3 or A4 size document, you'll need to change the Glass ScanSize setting.	35
Internet Fax (Available after IFAX is downloaded)	—	—	—	You can send and receive fax documents using the Internet.	See ² .
Phone Book	Search	—	Alphabetic Order Numeric Order	You can dial by pressing only a few keys (and Start).	52
	Set One Touch	—	—	You can store One Touch Dial numbers, so you can dial by pressing only a few keys (and Start).	53
	Set Speed Dial	—	—	You can store Speed Dial numbers, so you can dial by pressing only a few keys (and Start).	54
	Setup Groups	—	—	You can set up Group numbers for Broadcasting.	See ¹ .
Outgoing Call	Send a fax Add To Phone Book Delete	—	—	You can choose a number from the Outgoing Call history and then make a telephone call to it, send a fax to it, add it to Speed Dial, or delete it.	

¹ See *Advanced User's Guide*.

² See *Network User's Guide*.


The factory settings are shown in Bold with an asterisk.

Level1	Level2	Level3	Options	Descriptions	Page
Caller ID hist.	Send a fax Add To Phone Book Delete	—	—	You can choose a number from the Caller ID history and then send a fax to it, add it to Speed Dial, or delete it.	See ¹ .
Broadcasting	Dial Type (Available after IFAX is downloaded)	—	Fax/Tel* E-Address	You can send the same fax message to more than one fax number.	
	Add Number Phone Book Complete	—	—		
Delayed Fax	—	—	On Off*	Sets the time of day in 24-hour format that the delayed faxes will be sent.	
Batch TX	—	—	On Off*	Combines delayed faxes to the same fax number at the same time of day into one transmission.	
Real Time TX	—	—	On Off*	You can send a fax without using the memory.	
Polled TX	—	—	On Off*	Sets up your machine with a document to be retrieved by another fax machine.	
Polling RX	—	—	On Off*	Sets up your machine to poll another fax machine.	
Overseas Mode	—	—	On Off*	If you are having difficulty sending faxes overseas, set this to On.	
Set New Default	—	—	Fax Resolution Contrast Glass ScanSize Real Time TX	You can save your fax settings.	
Factory Reset	—	—	—	You can restore all settings to the factory settings.	

¹ See *Advanced User's Guide*.

² See *Network User's Guide*.



The factory settings are shown in Bold with an asterisk.

SCAN ()

Level1	Option1	Option2	Option3	Descriptions	Page
Scan to File	—	—	—	You can scan a black & white or a color document into your computer.	See ¹ .
Scan to Media (when a memory card or USB Flash memory drive is inserted)	Quality	—	Color 100 Color 200* Color 300 Color 600 B/W 100 B/W 200 B/W 300	You can choose the scan resolution and file format for your document.	63
	File Type	—	(If you choose color option in Quality setting) PDF* JPEG		
			(If you choose B&W option in Quality setting) TIFF PDF*		
	Glass ScanSize	—	Letter* Legal Ledger A4 A3	To scan a Legal, Ledger, A3 or A4 size document, you'll need to change the Glass ScanSize setting.	See ² .
	File Name	—	—	You can rename the file.	63
	Auto Crop	—	On Off*	Scan multiple documents placed on the scanner glass to a memory card or USB Flash memory drive one at a time.	See ² .
Set New Default	—	Quality File Type Glass ScanSize Auto Crop	You can save your scan settings as the default settings.		
Factory Reset	—	—	You can restore all settings to the original factory default settings.		

¹ See *Software User's Guide*.

² See *Advanced User's Guide*.

³ (Macintosh users)

This function is available after you have downloaded and installed Presto! PageManager from http://nj.newsoft.com.tw/download/brother/PM9SEInstaller_BR_multilang.dmg



The factory settings are shown in Bold with an asterisk.

Level1	Option1	Option2	Option3	Descriptions	Page
Scan to Network	(Profile Name)	—	—	You can send a scanned data to a CIFS server on your local network or on the internet.	See ¹ .
Scan to FTP	(Profile Name)	—	—	You can send a scanned data via FTP.	
Scan to E-mail	PC	—	—	You can scan a black & white or a color document into your E-mail application.	
	E-mail Server (Available after IFAX is downloaded)	Manual	—	You can enter an E-mail address using the dial pad.	
		Phone Book	Alphabetic Order	You can search for an E-mail address that you have stored in the machine.	
			Numeric Order		
		Quality	Color 100 Color 200* Color 300 Color 600 B/W 100 B/W 200 B/W 300	Chooses the file format to send the scanned data via E-mail server.	
File Type	(If you choose color option in Quality setting) PDF* JPEG (If you choose B&W option in Quality setting) TIFF PDF*				
Glass ScanSize	Letter* Legal Ledger A4 A3	To scan a Legal, Ledger, A3 or A4 size document, you'll need to change the Glass ScanSize setting.			

¹ See *Software User's Guide*.


² See *Advanced User's Guide*.

³ (Macintosh users)


This function is available after you have downloaded and installed Presto! PageManager from http://nj.newsoft.com.tw/download/brother/PM9SEInstaller_BR_multilang.dmg



The factory settings are shown in Bold with an asterisk.

Level1	Option1	Option2	Option3	Descriptions	Page
Scan to E-mail (Continued)	E-mail Server (Available after IFAX is downloaded) (Continued)	Set New Default	Quality File Type Glass ScanSize	You can save your scan settings.	See ¹ .
		Factory Reset		You can restore all settings to the factory settings.	
Scan to OCR ³	—	—	—	You can have your text document converted to an editable text file.	
Scan to Image	—	—	—	You can scan a color picture into your graphics application.	
<p>¹ See <i>Software User's Guide</i>.</p> <p>² See <i>Advanced User's Guide</i>.</p> <p>³ (Macintosh users) This function is available after you have downloaded and installed Presto! PageManager from http://nj.newsoft.com.tw/download/brother/PM9SEInstaller_BR_multilang.dmg</p>					
 The factory settings are shown in Bold with an asterisk.					

COPY ()


Level1	Level2	Level3	Options	Descriptions	Page
Quality	—	—	Fast Normal* Best	Choose the Copy resolution for the next copy.	See ¹ .
Paper Type	—	—	Plain Paper* Inkjet Paper Brother BP71 Brother BP61 Other Glossy Transparency	Choose the paper type that matches the paper in the tray.	57
Paper Size	—	—	Letter* Legal Ledger A4 A5 (tray #1 only) A3 Executive 4"x6" (tray #1 only)	Choose the paper size that matches the paper in the tray.	57
<p>¹ See <i>Advanced User's Guide</i>.</p>					
 The factory settings are shown in Bold with an asterisk.					


Level1	Level2	Level3	Options	Descriptions	Page
Tray Select (MFC-J6710DW)	—	—	Tray#1 Tray#2 Auto Select*	Choose the tray that will be used for Copy mode.	58
Enlarge/Reduce	100%*	—	—	—	See ¹ .
	Enlarge	—	198% 4"x6"→A4 186% 4"x6"→LTR 130% LTR→LGR 104% EXE→LTR	You can choose the enlargement ratio for the next copy.	
	Reduce	—	97% LTR→A4 93% A4→LTR 85% LTR→EXE 83% LGL→A4 78% LGL→LTR 64% LGR→LTR 46% LTR→4"x6"	You can choose the reduction ratio for the next copy.	
	Fit to Page	—	—	Your machine will adjust the size automatically to the paper size you set.	
	Custom (25-400%)	—	—	You can enter an enlargement or reduction ratio.	
Density	—	—	<input type="checkbox"/> <input type="checkbox"/> <input type="checkbox"/> <input type="checkbox"/> <input checked="" type="checkbox"/> <input type="checkbox"/> <input type="checkbox"/> <input type="checkbox"/> <input checked="" type="checkbox"/> <input type="checkbox"/> <input type="checkbox"/> <input type="checkbox"/> <input checked="" type="checkbox"/> <input type="checkbox"/> <input type="checkbox"/> * <input type="checkbox"/> <input checked="" type="checkbox"/> <input type="checkbox"/> <input type="checkbox"/> <input type="checkbox"/> <input type="checkbox"/> <input type="checkbox"/> <input type="checkbox"/> <input type="checkbox"/> <input type="checkbox"/>	Adjusts the density of copies.	
Stack/Sort	—	—	Stack* Sort	You can choose to stack or sort multiple copies.	

¹ See *Advanced User's Guide*.



The factory settings are shown in Bold with an asterisk.

Level1	Level2	Level3	Options	Descriptions	Page
Page Layout	—	Off (1 in 1)* 2 in 1 (P) 2 in 1 (L) 2 in 1 (ID) 4 in 1 (P) 4 in 1 (L) 1 to 2 Poster (2 x 1) Poster (2 x 2) Poster (3 x 3)	If you choose Ledger or A3: (When 2 in 1 is chosen) LGRx2 → LGRx1 LTRx2 → LGRx1 A3x2 → A3x1 A4x2 → A3x1 (When poster 2x2 is chosen) LGRx1 → LGRx4 LTRx1 → LGRx4 A3x1 → A3x4 A4x1 → A3x4	You can make N in 1 or Poster copies.	See ¹ .
Skew Adjustment	—	—	Auto* Off	If your scanned copy is skewed, your machine can correct the data automatically.	
Duplex Copy	On	Flip Type	LongEdge Flip (P)* LongEdge Flip (L) ShortEdge Flip (P) ShortEdge Flip (L)	Enables or disables duplex printing. You can also choose long edge or short edge duplex printing.	
		Advanced	Normal* DX1 DX2		
		A3/LGR DX Setting	Fit to Page* Keep Scale		
	Off*	—	—		
Advanced Settings	—	—	Off* Ink Save Mode Thin Paper Copy Book Copy Watermark Copy	You can choose various settings for copy such as Book Copy and Watermark Copy.	
¹ See <i>Advanced User's Guide</i> .					
 The factory settings are shown in Bold with an asterisk.					

Level1	Level2	Level3	Options	Descriptions	Page
Set New Default	—	—	Quality Tray Select (MFC-J6710DW) Enlarge/Reduce Density Page Layout Skew Adjustment Ink Save Mode Thin Paper Copy Duplex Copy	You can save your copy settings.	See ¹ .
Factory Reset	—	—	—	You can restore all settings to the factory settings.	
¹ See <i>Advanced User's Guide</i> .					
 The factory settings are shown in Bold with an asterisk.					

Watermark Copy Settings

Option1	Option2	Option3	Option4	Descriptions	Page
Template	Text	—	CONFIDENTIAL* DRAFT COPY	Uses a template to place text into your document as a Watermark.	See ¹ .
	Position		A B C D E* F G H I Pattern		
	Size		Small Medium* Large		
	Angle		-90° -45°* 0° 45° 90°		
	Transparency		-2 -1 0* +1 +2		
	Color		Red Orange Yellow Blue Green Purple Black*		
	Apply		—		

¹ See *Advanced User's Guide*.



The factory settings are shown in Bold with an asterisk.




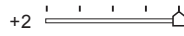
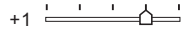
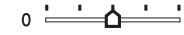

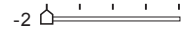
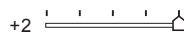
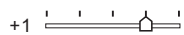
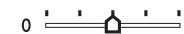
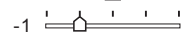
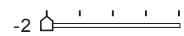
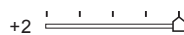
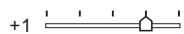

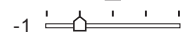
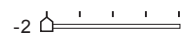

Option1	Option2	Option3	Option4	Descriptions	Page
Media	(Select image from media)	Position	A B C D E* F G H I Pattern	Places a logo or text into your document as a Watermark using an image from removable media.	See ¹ .
		Size	Small Medium* Large		
		Angle	-90° -45°* 0° 45° 90°		
		Transparency	-2 -1 0* +1 +2		
		Apply	—		
Scan	(Set watermark document and press Start .)	Transparency	-2 -1 0* +1 +2	You can choose the level of transparency of the watermark as you scan it from a paper document.	
		Apply	—		
¹ See <i>Advanced User's Guide</i> .					
 The factory settings are shown in Bold with an asterisk.					

PHOTO CAPTURE ()


Level1	Level2	Level3	Options	Descriptions	Page
View Photo(s)	—	—	See the print settings in the following table.	You can preview your photos on the LCD.	62
Print Index	Layout Format	—	6 Images/Line* 5 Images/Line	You can print a thumbnail page.	See ¹ .
	Paper Type		Plain Paper* Inkjet Paper Brother BP71 Brother BP61 Other Glossy		
	Paper Size		Letter* A4		
Print Photos	—	—	See the print settings in the following table.	You can print an individual image.	
Enhance Photos	Auto Correct	—		You can adjust your photos with these settings.	
	Enhance Skin Enhance Scenery Remove Red-Eye Night Scene Fill Light Whiteboard Monochrome Sepia				
Search by Date	—	—		You can find your photos based on date.	
Print All Photos	—	—		You can print all photos in your memory card or USB Flash memory drive.	
Slide Show	—	—		The machine starts a Slide Show of your photos.	
Trimming	—	—		You can trim your photo and print a part of the image.	
¹ See <i>Advanced User's Guide</i> .					
 The factory settings are shown in Bold with an asterisk.					

Print Settings


Option1	Option2	Option3	Option4	Descriptions	Page
Print Quality (Does not appear when DPOF Print is chosen.)	Normal Photo*	—	—	Choose the print quality.	See ¹ .
Paper Type	Plain Paper Inkjet Paper Brother BP71 Brother BP61 Other Glossy*	—	—	Choose the paper type.	
Paper Size	4"x 6"* 5"x 7" Letter Ledger A4 A3	(When A4 or Letter is chosen) 3"x 4" 3.5"x 5" 4"x 6" 5"x 7" 6"x 8" Max. Size*	—	Choose the paper and print size.	
Brightness (Does not appear when Enhance Photos is chosen.)	<input type="checkbox"/> <input type="checkbox"/> <input type="checkbox"/> <input type="checkbox"/> <input type="checkbox"/> <input type="checkbox"/> <input type="checkbox"/> <input type="checkbox"/> <input checked="" type="checkbox"/> <input type="checkbox"/> <input type="checkbox"/> <input type="checkbox"/> <input checked="" type="checkbox"/> <input type="checkbox"/> <input type="checkbox"/> * <input type="checkbox"/> <input checked="" type="checkbox"/> <input type="checkbox"/> <input type="checkbox"/> <input type="checkbox"/> <input checked="" type="checkbox"/> <input type="checkbox"/> <input type="checkbox"/> <input type="checkbox"/> <input type="checkbox"/>	—	—	Adjusts the brightness.	
Contrast (Does not appear when Enhance Photos is chosen.)	<input checked="" type="checkbox"/> <input checked="" type="checkbox"/> <input checked="" type="checkbox"/> <input checked="" type="checkbox"/> <input checked="" type="checkbox"/> <input checked="" type="checkbox"/> <input checked="" type="checkbox"/> <input checked="" type="checkbox"/> <input checked="" type="checkbox"/> <input checked="" type="checkbox"/> <input checked="" type="checkbox"/> <input checked="" type="checkbox"/> <input checked="" type="checkbox"/> <input checked="" type="checkbox"/> <input checked="" type="checkbox"/> * <input checked="" type="checkbox"/> <input checked="" type="checkbox"/> <input checked="" type="checkbox"/> <input checked="" type="checkbox"/> <input checked="" type="checkbox"/> <input checked="" type="checkbox"/> <input checked="" type="checkbox"/> <input checked="" type="checkbox"/> <input checked="" type="checkbox"/> <input checked="" type="checkbox"/>	—	—	Adjusts the contrast.	
¹ See <i>Advanced User's Guide</i> .					
 The factory settings are shown in Bold with an asterisk.					

Option1	Option2	Option3	Option4	Descriptions	Page
True2Life (Does not appear when Enhance Photos is chosen.)	On Off*	White Balance	+2  +1  0  -1  -2 	Adjusts the hue of the white areas.	See ¹ .
		Sharpness	+2  +1  0  -1  -2 	Enhances the detail of the image.	
		Color Density	+2  +1  0  -1  -2 	Adjusts the total amount of color in the image.	
Cropping	On* Off	—	—	Crops the image around the margin to fit the paper size or print size. Turn this feature off if you want to print whole images or prevent unwanted cropping.	
Borderless	On* Off	—	—	Expands the printable area to fit the edges of the paper.	
Print Date (Does not appear when DPOF Print is chosen.)	On Off*	—	—	Prints the date on your photo.	
Set New Default	Print Quality Paper Type Paper Size Brightness Contrast True2Life Cropping Borderless Print Date	—	—	You can save your print settings.	
Factory Reset	—	—	—	You can restore all the settings to factory settings.	
¹ See <i>Advanced User's Guide</i> .					
 The factory settings are shown in Bold with an asterisk.					


Phone Book

Level1	Level2	Level3	Options	Descriptions	Page
Search	—	—	Alphabetic Order Numeric Order	You can search for names you have stored in the Speed Dial memory.	52
Set One Touch	—	—	—	You can store your most frequently called numbers on the One Touch keys.	53
Set Speed Dial	—	—	—	You can set up Speed Dial numbers, so you can dial by pressing only a few keys (and Start).	54
Setup Groups	—	—	—	You can set up Group numbers for Broadcasting.	See ¹ .
¹ See <i>Advanced User's Guide</i> .					
 The factory settings are shown in Bold with an asterisk.					

Redial/Pause ()

Level1	Level2	Level3	Options	Descriptions	Page
Outgoing Call	Send a fax Add To Phone Book Delete	—	—	You can choose a number from the Outgoing Call history and then make a telephone call to it, send a fax to it, add it to Speed Dial, or delete it.	See ¹ .
Caller ID hist.	Send a fax Add To Phone Book Delete	—	—	You can choose a number from the Caller ID history and then send a fax to it, add it to Speed Dial, or delete it.	
¹ See <i>Advanced User's Guide</i> .					
 The factory settings are shown in Bold with an asterisk.					

Fax Preview ()

Level1	Level2	Level3	Options	Descriptions	Page
Fax Preview	—	—	ON OFF*	You can view faxes you send and receive on the LCD screen.	41
 The factory settings are shown in Bold with an asterisk.					

Entering Text

When you are setting certain menu selections, such as the Station ID, you may need to enter text into the machine. Most dial pad keys have three or four letters printed on keys. The keys for **0**, **#** and ***** do not have printed letters because they are used for special characters.

Press the appropriate dial pad key the number of times shown in this reference table to access the character you want.

Press Key	one time	two times	three times	four times	five times
2	A	B	C	2	A
3	D	E	F	3	D
4	G	H	I	4	G
5	J	K	L	5	J
6	M	N	O	6	M
7	P	Q	R	S	7
8	T	U	V	8	T
9	W	X	Y	Z	9

Inserting spaces

To enter a space in a fax number, press ► once between numbers. To enter a space in a name, press ► twice between characters.

Making corrections

If you entered an incorrect character and want to change it, press ◀ or ▶ to move the cursor under the incorrect character. Then press **Clear**. Re-enter the correct character. You can also back up and insert characters.

Repeating letters

If you need to enter a letter that is on the same key as the letter before, press ► to move the cursor to the right before you press the key again.

Special characters and symbols

Press *, # or 0, repeatedly until you see the special character or symbol you want.

Press * for (space) ! " # \$ % & ' () * + , - . / €

Press # for : ; < = > ? @ [] ^ _

Press 0 for English: Á À Ã Ä Ç È É Ê Ë Ì Í Î Ï Ó Ô Õ Ö Ù Ú ß

French: À Â Ç É È Ê Ë Ì Í Î Ï Ó Ô Õ Ö Ù Ú ß

Spanish: Á É Í Ñ Ó Ú ß

General



Note

This chapter provides a summary of the machines' specifications. For additional specifications visit <http://www.brother.com/> for details.

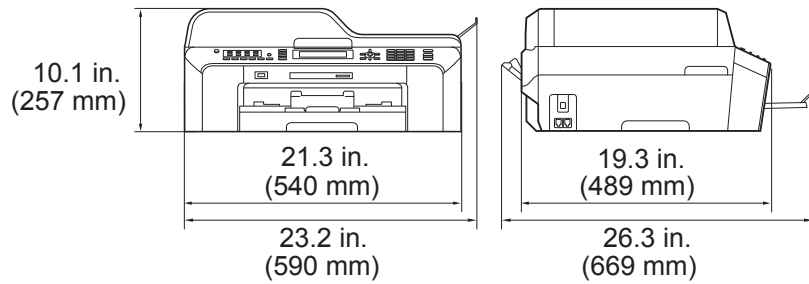
Printer Type	Inkjet	
Print Method	Black:	Piezo with 210 × 1 nozzle
	Color:	Piezo with 210 × 3 nozzles
Memory Capacity	64 MB	
LCD (Liquid Crystal Display)	Wide 3.3 in. (82.8 mm) TFT Color LCD ¹	
Power Source	AC 100 to 120 V 50/60 Hz	
Power Consumption ²	Copy Mode:	Approx. 26 W ³
	Ready Mode:	Approx. 7 W
	Sleep Mode:	Approx. 3.5 W
	Off:	Approx. 0.3 W

¹ Measured diagonally.

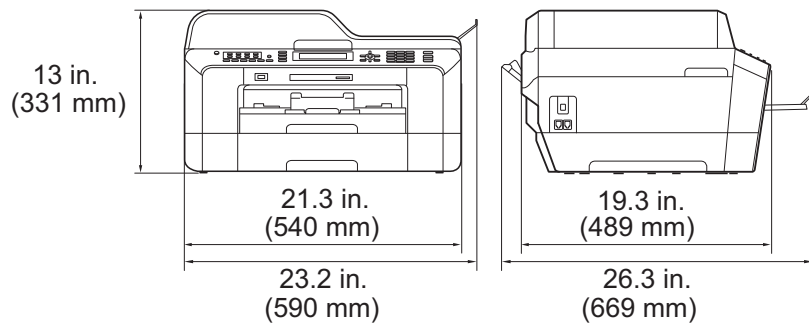
² Measured when the machine is connected to the USB interface.

³ When using ADF, single-side printing, resolution: standard / document: ISO/IEC 24712 printed pattern.

**Dimensions
(MFC-J6510DW)**



(MFC-J6710DW)



Weight	(MFC-J6510DW)	34.8 lb (15.8 kg)
	(MFC-J6710DW)	40.1 lb (18.2 kg)
Noise	Operating:	50 dB or less ¹
Temperature	Operating:	50 to 95 °F (10 to 35 °C)
	Best Print Quality:	68 to 91 °F (20 to 33 °C)
Humidity	Operating:	20 to 80% (without condensation)
	Best Print Quality:	20 to 80% (without condensation)
ADF (automatic document feeder)	Up to 35 pages	
	Paper: 20 lb (80 g/m ²) Letter or A4 size	
Document Size	ADF Width: 5.8 in. to 11.7 in. (148 mm to 297 mm)	
	ADF Length: 5.8 in. to 17 in. (148 mm to 431.8 mm)	
	Scanner Glass Width: Max. 11.7 in. (297 mm)	
	Scanner Glass Length: Max. 17 in. (431.8 mm)	

¹ Noise depends on printing conditions.

Print media

Paper Input

Paper Tray #1

■ Paper Type:

Plain Paper, Inkjet Paper (coated paper),
Glossy Paper¹ and Transparency^{1 2}

■ Paper Size:

Letter, Ledger, A3, Legal, Executive, A4, A5, A6, JIS B4, JIS B5,
Envelopes (commercial No.10, DL, C5, Monarch, Y4), Photo 4" × 6",
Photo L 3.5" × 5", Photo 2L 5" × 7", Index Card and PostCard³

Width: 3.5 in. - 11.7 in. (89 mm - 297 mm)

Length: 5.0 in. - 17.0 in. (127 mm - 431.8 mm)

For more details, see *Paper weight and thickness* on page 29.

■ Maximum paper tray capacity:

Approx. 250 sheets of 20 lb (80 g/m²) plain paper

Paper Tray #2 (MFC-J6710DW)

■ Paper Type:

Plain Paper

■ Paper Size:

Letter, Ledger, A3, Legal, Executive, A4, JIS B4, JIS B5

Width: 7.2 in. - 11.7 in. (182 mm - 297 mm)

Length: 10.1 in. - 17.0 in. (257 mm - 431.8 mm)

For more details, see *Paper weight and thickness* on page 29.

■ Maximum paper tray capacity:

Approx. 250 sheets of 20 lb (80 g/m²) plain paper

¹ For glossy paper or transparencies, remove printed pages from the output paper tray immediately after they exit the machine to avoid smudging.

² Use only transparencies recommended for inkjet printing.

³ See *Paper type and size for each operation* on page 28.

Paper Input

(Continued)

Manual Feed Slot

■ Paper Type:

Plain Paper, Inkjet Paper (coated paper), Glossy Paper ¹,
Transparency ^{1 2}, Envelopes and Labels

■ Paper Size:

Letter, Ledger, A3, Legal, Executive, A4, A5, A6, JIS B4, JIS B5,
Envelopes (commercial No.10, DL, C5, Monarch, Y4), Photo 4" × 6",
Photo L 3.5" × 5", Photo 2L 5" × 7", Index Card and PostCard ³

Width: 3.5 in. - 11.7 in. (89 mm - 297 mm)

Length: 5.0 in. - 17.0 in. (127 mm - 431.8 mm)

For more details, see *Paper weight and thickness* on page 29.

■ Maximum paper tray capacity:

1 sheet of special print media

Paper Output

Up to 50 sheets of 20 lb (80 g/m²) plain paper (face up print delivery to the output paper tray) ¹

¹ For glossy paper or transparencies, remove printed pages from the output paper tray immediately after they exit the machine to avoid smudging.

² Use only transparencies recommended for inkjet printing.

³ See *Paper type and size for each operation* on page 28.

Fax

Compatibility	ITU-T Super Group 3
Modem Speed	Automatic Fallback 33,600 bps
Scanning Width	11.3 in. (288 mm) (A3)
Printing Width	11.5 in. (291 mm) (A3)
Gray Scale	Levels: 64 (B&W) / 256 (Color)
Resolution	Standard 203 × 98 dpi (Black) 203 × 196 dpi (Color) Fine 203 × 196 dpi (Black/Color) Superfine 203 × 392 dpi (Black) Photo 203 × 196 dpi (Black)
One Touch Dial	16 (8 × 2)
Speed Dial	100 stations × 2 numbers
Groups	Up to 6
Broadcasting	266 (200 Speed Dial/16 One Touch Dial/ 50 Manual Dial)
Automatic Redial	1 time after 5 minutes
Memory Transmission	Up to 400 ¹ pages
Out of Paper Reception	Up to 400 ¹ pages

¹ “Pages” refers to the “ITU-T Test Chart #1” (a typical business letter, Standard resolution, MMR code). Specifications and printed materials are subject to change without prior notice.

Copy

Color/Black	Yes/Yes
Copy Width	Max. 11.46 in. (291 mm)
Multiple Copies	Stacks/Sorts up to 99 pages
Enlarge/Reduce	25% to 400% (in increments of 1%)
Resolution	Prints up to 1200 × 1200 dpi
Duplex	<ul style="list-style-type: none">■ Paper Type: Plain paper■ Paper Size: Letter, Ledger ¹, A3 ¹, Legal, A4, A5, Executive

¹ Minimum top and bottom margins of 0.86 in. (22 mm)

PhotoCapture Center™

Compatible Media ¹	<p>Memory Stick™ (16 MB - 128 MB) Memory Stick PRO™ (256 MB - 32 GB) (Not available for music data with MagicGate™) Memory Stick Duo™ (16 MB - 128 MB) Memory Stick PRO Duo™ (256 MB - 32 GB) Memory Stick Micro™ (M2™) with Adapter MultiMedia Card (32 MB - 2 GB) MultiMedia Card plus (128 MB - 4 GB) MultiMedia Card mobile with Adapter (64 MB - 1 GB) SD (16 MB to 2 GB) miniSD with Adapter microSD with Adapter SDHC (4 GB to 32 GB) miniSDHC with Adapter microSDHC with Adapter USB Flash memory drive ²</p>
Resolution	Up to 1200 × 2400 dpi
File Extension (Media Format) (Image Format)	<p>DPOF (ver. 1.0, ver. 1.1), Exif DCF (up to ver. 2.1) Photo Print: JPEG ³, AVI ⁴, MOV ⁴ Scan to Media: JPEG, PDF (Color) TIFF, PDF (Black & White)</p>
Color Enhancement	True2Life™
Photo Enhance	Auto Correct, Enhance Skin-Tone, Enhance Scenery, Trimming, Slide Show, Remove Red-Eye, Night Scene, Fill Light, Whiteboard, Monochrome and Sepia
Number of Files	<p>Up to 999 files (The folder inside memory cards or USB Flash memory drive is also counted.)</p>
Folder	File must be stored in the 4th folder level of the memory card or USB Flash memory drive.
Borderless	Letter, A4, Ledger, A3, Photo 4" × 6", Photo 2L 5" × 7" ⁵

¹ Memory cards, adapters and USB Flash memory drive are not included.

² USB 2.0 Standard
 USB Mass Storage standard from 16 MB to 32 GB
 Support format: FAT12/FAT16/FAT32

³ Progressive JPEG format is not supported.

⁴ Motion JPEG only

⁵ See *Paper type and size for each operation* on page 28.

PictBridge

Compatibility

Supports the Camera & Imaging Products Association PictBridge standard CIPA DC-001.

Visit <http://www.cipa.jp/pictbridge/> for more information.

Interface

USB direct interface

Scanner

Color/Black	Yes/Yes
TWAIN Compliant	Yes (Windows® 2000 Professional/Windows® XP/ Windows® XP Professional x64 Edition/Windows Vista®/ Windows® 7) Mac OS X 10.4.11, 10.5.x, 10.6.x ¹
WIA Compliant	Yes (Windows® XP ² /Windows Vista®/Windows® 7)
ICA Compliant	Yes (Mac OS X 10.6.x)
Color Depth	48 bit color Processing (Input) 24 bit color Processing (Output)
Resolution	Up to 19200 × 19200 dpi (interpolated) ³ Up to 2400 × 2400 dpi (optical) (Scanner Glass) Up to 2400 × 1200 dpi (optical) (ADF)
Scanning Width	Up to 11.46 in. (291 mm)
Scanning Length	Up to 16.77 in. (426 mm)
Gray Scale	256 levels

¹ For the latest driver updates for the Mac OS X you are using, visit us at <http://solutions.brother.com/>.

² Windows® XP in this User's Guide includes Windows® XP Home Edition, Windows® XP Professional, and Windows® XP Professional x64 Edition.

³ Maximum 1200 × 1200 dpi scanning when using the WIA Driver for Windows® XP, Windows Vista® and Windows® 7 (resolution up to 19200 × 19200 dpi can be selected by using the Brother scanner utility).

Printer

Resolution	Up to 1200 × 6000 dpi
Printing Width	10.76 in. [11 in. (borderless) ¹] ³
Borderless	Letter, A4, Ledger, A3, A6, B4, Photo 4" × 6", Index Card 5" × 8" Photo L 3.5" × 5", Photo 2L 5" × 7" ²
Duplex	■ Paper Type: Plain paper ■ Paper Size: Letter, A4, Ledger ⁴ , A3 ⁴ , Legal, A5, A6, Executive, B4 ⁴ , B5

Print Speed ⁵

- ¹ When the Borderless feature is set to On.
- ² See *Paper type and size for each operation* on page 28.
- ³ When printing on Ledger size paper.
- ⁴ Minimum top and bottom margins of 0.86 in. (22 mm)
- ⁵ For detailed specifications visit <http://www.brother.com/>.

Interfaces

USB ^{1 2}	Use a USB 2.0 interface cable that is no longer than 6 feet (2 m).
LAN ³	Use an Ethernet UTP cable category 5 or greater.
Wireless LAN	IEEE 802.11b/g/n (Infrastructure/Ad-hoc Mode)

¹ Your machine has a USB 2.0 Hi-Speed interface. The machine can also be connected to a computer that has a USB 1.1 interface.

² Third party USB ports are not supported.

³ See *Network (LAN)* on page 144 and the *Network User's Guide* for detailed network specifications.

Computer requirements

SUPPORTED OPERATING SYSTEMS AND SOFTWARE FUNCTIONS									
Computer Platform & Operating System Version		Supported PC Software Functions	PC Interface	Processor Minimum Speed	Minimum RAM	Recommended RAM	Hard Disk Space to install		
							For Drivers	For Applications	
Windows® Operating System ¹	Windows® 2000 Professional ⁶	Printing, PC Fax ⁴ , Scanning, Removable Disk ⁷	USB, 10/100 Base-TX (Ethernet), Wireless 802.11b/g/n	Intel® Pentium® II or equivalent	64 MB	256 MB	150 MB	500 MB	
	Windows® XP Home ^{2 5} Windows® XP Professional ^{2 5}				128 MB			150 MB	500 MB
	Windows® XP Professional x64 Edition ²			64-bit (Intel® 64 or AMD64) supported CPU	256 MB	512 MB	150 MB	500 MB	
	Windows Vista® ^{2 5}			Intel® Pentium® 4 or equivalent	512 MB	1 GB	500 MB	1.2 GB	
	Windows® 7 ^{2 5}			64-bit (Intel® 64 or AMD64) supported CPU	1 GB (32 bit) 2 GB (64 bit)	1 GB (32 bit) 2 GB (64 bit)	650 MB	1.2 GB	
Macintosh Operating System	Windows Server® 2003 (print only via network)	Printing	10/100 Base-TX (Ethernet), Wireless 802.11b/g/n	Intel® Pentium® III or equivalent	256 MB	512 MB	50 MB	N/A	
	Windows Server® 2003 x64 Edition (print only via network)			64-bit (Intel® 64 or AMD64) supported CPU					
	Windows Server® 2003 R2 (print only via network)			Intel® Pentium® III or equivalent					
	Windows Server® 2003 R2 x64 Edition (print only via network)			64-bit (Intel® 64 or AMD64) supported CPU	512 MB	1 GB			
	Windows Server® 2008 (print only via network)			Intel® Pentium® 4 or equivalent 64-bit (Intel® 64 or AMD64) supported CPU		2 GB			
	Windows Server® 2008 R2 (print only via network)			64-bit (Intel® 64 or AMD64) supported CPU					
Macintosh Operating System	Mac OS X 10.4.11, 10.5.x	Printing, PC Fax Send ⁴ , Scanning, Removable Disk ⁷	USB ³ , 10/100 Base-TX (Ethernet), Wireless 802.11b/g/n	PowerPC® G4/G5 Intel® Core™ Processor	512 MB	1 GB	80 MB	400 MB	
	Mac OS X 10.6.x			Intel® Core™ Processor	1 GB				2 GB

Conditions:

- ¹ Microsoft® Internet Explorer® 5.5 or greater.
- ² For WIA, 1200 × 1200 resolution. Brother Scanner Utility enables to enhance up to 19200 × 19200 dpi.
- ³ Third party USB ports are not supported.
- ⁴ PC Fax supports black and white only.
- ⁵ PaperPort™ 12SE supports Windows® XP (SP3 or higher), Windows Vista® (SP2 or higher) and Windows® 7.
- ⁶ PaperPort™ 11SE supports Microsoft® SP4 or higher for Windows® 2000 (Available from the internet).
- ⁷ Removable disk is a function of PhotoCapture Center™.

For the latest driver updates, visit us at

(in USA) www.brother.com/

(in Canada) www.brother.ca/

All trademarks, brand and product names are the property of their respective companies.

Consumable items

Ink	The machine uses individual Black, Yellow, Cyan and Magenta ink cartridges that are separate from the print head assembly.
Service Life of Ink Cartridge	Starter ink cartridges are in the box. The first time you install the ink cartridges the machine will use extra ink to fill the ink delivery tubes. This is a one-time process that enables high quality printing. Afterward, replacement ink cartridges will print the specified number of pages. Starter cartridge yield is approx. 65% of the yield of the LC75 replacement cartridges.
Replacement Consumables	<p><Super High Yield Black> LC79BK <Super High Yield Yellow> LC79Y <Super High Yield Cyan> LC79C <Super High Yield Magenta> LC79M</p> <p>Black - Approximately 2,400 pages ¹ Yellow, Cyan and Magenta - Approximately 1,200 pages ¹</p> <p><High Yield Black> LC75BK <High Yield Yellow> LC75Y <High Yield Cyan> LC75C <High Yield Magenta> LC75M</p> <p>Black, Yellow, Cyan and Magenta - Approximately 600 pages ¹</p> <p>¹ Approx. cartridge yield is declared in accordance with ISO/IEC 24711</p> <p>For more information about the replacement consumables, visit us at www.brother.com/pageyield/.</p>

What is Innobella™?

Innobella™ is a range of genuine consumables offered by Brother. The name "Innobella™" derives from the words "Innovation" and "Bella" (meaning "Beautiful" in Italian) and is a representation of the "innovative" technology providing you with "beautiful" and "long lasting" print results.

When you print photo images, Brother recommends Innobella™ glossy photo paper (BP71 series) for high quality. Brilliant prints are made easier with Innobella™ Ink and paper.



Network (LAN)



For details about the full Network specifications, see the *Network User's Guide*.

LAN	You can connect your machine to a network for Network Printing, Network Scanning, PC Fax Send, PC Fax Receive (Windows® only), Remote Setup, and access photos from PhotoCapture Center™ ¹ . Also included is Brother BRAdmin Light ² Network Management software.	
Wireless Network Security	SSID (32 chr), WEP 64/128 bit, WPA-PSK (TKIP/AES), WPA2-PSK (AES)	
Setup Support Utility	AOSS™	Yes
	WPS	Yes

¹ See the Computer Requirements chart on page 142.

² If you require more advanced printer management, use the latest Brother BRAdmin Professional utility version that is available as a download from <http://solutions.brother.com/>.

A

Accessories and supplies	ii
ADF (automatic document feeder)	30
Answering machine (TAD)	46
connecting	47
Apple Macintosh	
See Software User's Guide.	
Automatic	
fax receive	37
Easy Receive	41

B

Brother	
accessories and supplies	ii
Brother numbers	i
CreativeCenter	4
Customer Service	i
FAQs (frequently asked questions)	i
product support	i
service centers	i
Solutions Center	i
warranties	iv

C

Cleaning	
print head	70
scanner	69
Connecting	
external TAD	
(answering machine)	46, 47
external telephone	48
Consumable items	143
Control panel overview	6
ControlCenter	
See Software User's Guide.	
Copy	
paper size	57
paper type	57
tray use	24
using ADF	30
using scanner glass	31
Cordless telephone (non-Brother)	49
Custom Ringing	44
Custom telephone features on a single line	97

D

Data Ident-A-Call	43
Dialing	
a pause	53
manual	51
One Touch	51
Speed Dial	51
Distinctive Ring	44
setting ring pattern	45
turning off	45
Document	
loading	30, 31

E

Easy Receive	41
Envelopes	18, 20, 28, 29
Error messages on LCD	73
B&W Print Only	73
Cannot Detect	74
Cannot Print	74
Comm. Error	74
Cover is Open	74
Data Remaining	74
Document Jam	74
DR Mode in Use	75
Ink Absorber Full	75
Ink Absorber NearFull	76
Ink Low	76
No Ink Cartridge	76
No Paper Fed	77
Not Registered	51, 77
Out of Memory	78
Paper Jam	78
Unable to Clean	79
Unable to Init.	79
Unable to Print	79
Unable to Scan	79
Wrong Paper Size	79
Wrong Tray Setting	80
Extension telephone, using	49
External telephone, connecting	48

F

Fax codes	
changing	50
Fax Receive Code	41, 49
Telephone Answer Code	49
using	49
Fax, from PC	
See Software User's Guide.	
Fax, stand-alone	
receiving	37
difficulties	93, 94
Easy Receive	41
F/T Ring Time, setting	40
Fax Preview	41, 42
from extension telephone	49
from external telephone	49
Ring Delay, setting	40
telephone line interference / VoIP	100
tray use	25
sending	33
change scanner glass size	35
color fax	35
difficulties	96
Fax Preview	35
telephone line interference / VoIP	100
Transmission Verification Report	36
Fax/Tel mode	
answering at extension telephones	49
Fax Receive Code	49
Ring Delay	40
Telephone Answer Code	49

G

Gray scale	135, 139
------------------	----------

H

Help	
LCD messages	102
Menu Table	103
Hook key	8

I

Ident-A-Call	43
Ident-A-Ring	43
Ink cartridges	
ink dot counter	67
replacing	67
Innobella™	143

J

Jacks	
EXT	
External telephone	48
Jams	
document	82
paper	83

L

Labels	18, 27, 28, 29
LCD (Liquid Crystal Display)	9, 102

M

Macintosh	
See Software User's Guide.	
Maintenance, routine	
replacing ink cartridges	67
Manual	
dialing	51
receive	37
Manual feed slot	18
Mode, entering	
Copy	8
Fax	8
PhotoCapture	8
Scan	8
Multi-line connections (PBX)	48

N

Network	
Printing	
See Network User's Guide.	
Scanning	
See Software User's Guide.	

O

One touch	
changing	54
setting up	53
using	51

P

Paper	26, 133, 134
capacity	29
loading	11, 14, 20
loading envelopes and postcards	20
printable area	22
size	23
size of document	30
type	23, 24, 28
PaperPort™ 12SE with OCR	
See Software User's Guide. See also Help in the PaperPort™ 12SE application.	
Personalized Ring	44
PhotoCapture Center™	
from PC	
See Software User's Guide.	
Memory Stick PRO™	59
Memory Stick™	59
MultiMedia Card	59
Preview photos	62
Print settings	
Quality	62
Scan to Media	
change file name	63
SD	59
SDHC	59
specifications	137
Presto! PageManager	
See Software User's Guide. See also Help in the Presto! PageManager application.	
Print	
difficulties	90
paper jams	83
printable area	22
resolution	140
specifications	140
Printing	
See Software User's Guide.	
Programming your machine	102

Q

Quick Dial	53
Group dial	
changing	54
One Touch Dial	
custom scan profile	53
setting up	53
Search	52
Speed Dial	
changing	54
setting up	54
using	51

R

Receive Mode	
External TAD	37
Fax Only	37
Fax/Tel	37
Manual	37
Redial/Pause	52
Remote Setup	
See Software User's Guide.	
Resolution	
copy	136
fax	135
print	140
scan	139
Ring Delay, setting	40
RingMaster	44

S

Scannable area	32
Scanning	
See Software User's Guide.	
Serial Number	
how to find	See inside front cover
SimpleBiz Fax & Alternative Number	
Ringing	43
Smart Ring	44
Speed Dial	
changing	54
setting up	54
using	51

T

TAD (telephone answering device),	
external	37, 46
connecting	46, 47
receive mode	37
recording OGM	47
Teen Ring	43
Telephone line	
connections	47
difficulties	93
interference / VoIP	100
multi-line (PBX)	48
Text, entering	129
special characters	130
Transferring your faxes or	
Fax Journal report	81
Transparencies	26, 27, 28, 29, 133, 134
Tray Select key	58
Troubleshooting	90
document jam	82
error messages on LCD	73
if you are having difficulty	
copying	97
incoming calls	96
Network	99
phone line or connections	93
PhotoCapture Center™	98
printing	90
printing received faxes	93
receiving faxes	94
scanning	97
software	98
maintenance messages on LCD	73
paper jam	83

V

Voice Mail	43
------------------	----

W

Warranties	
Notice-Disclaimer	iv
Windows®	
See Software User's Guide.	
Wireless Network	
See Quick Setup Guide and Network	
User's Guide.	
World Wide Web	i

Brother International Corporation
100 Somerset Corporate Boulevard
P.O. Box 6911
Bridgewater, NJ 08807-0911 USA

Brother International Corporation (Canada) Ltd.
1 rue Hôtel de Ville,
Dollard-des-Ormeaux, QC, Canada H9B 3H6

brother®

Visit us on the World Wide Web
<http://www.brother.com/>

This machine is approved for use in the country of purchase only. Local Brother companies or their dealers will only support machines purchased in their own countries.