

Reference Manual

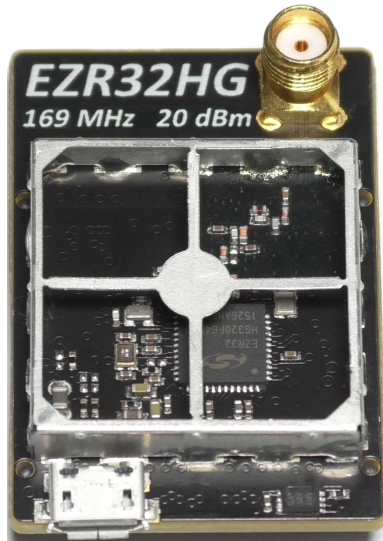
BRD4544A



The EZR32HG family of Wireless MCUs deliver a high performance, low energy wireless solution integrated into a small form factor package.

By combining a high performance sub-GHz RF transceiver with an energy efficient 32-bit MCU, the family provides designers the ultimate in flexibility with a family of pin-compatible devices that scale from 32/64 kB of flash and support Silicon Labs EZRadio or EZRadioPRO transceivers. The ultra-low power operating modes and fast wake-up times of the Silicon Labs energy friendly 32-bit MCUs, combined with the low transmit and receive power consumption of the sub-GHz radio, result in a solution optimized for battery powered applications.

To develop and/or evaluate the EZR32 Happy Gecko the EZR32HG Radio Board can be connected to the Wireless Starter Kit Mainboard to get access to display, buttons and additional features from Expansion Boards.



RADIO BOARD FEATURES

- Wireless MCU: EZR32HG320F64R63G
- CPU core: ARM Cortex-M0+
- Flash memory: 64 kB
- RAM: 8 kB
- Sub-GHz transceiver integrated in the Wireless MCU: EZRadioPRO
- Operation frequency: 169 MHz
- Transmit power: 20 dBm
- Single antenna connector both for transmit and receive
- Crystals for LFXO and HFXO: 32.768 kHz and 24 MHz.
- Crystal for RF: 30 MHz
- Full speed USB 2.0 (12 Mbps)

1. Introduction

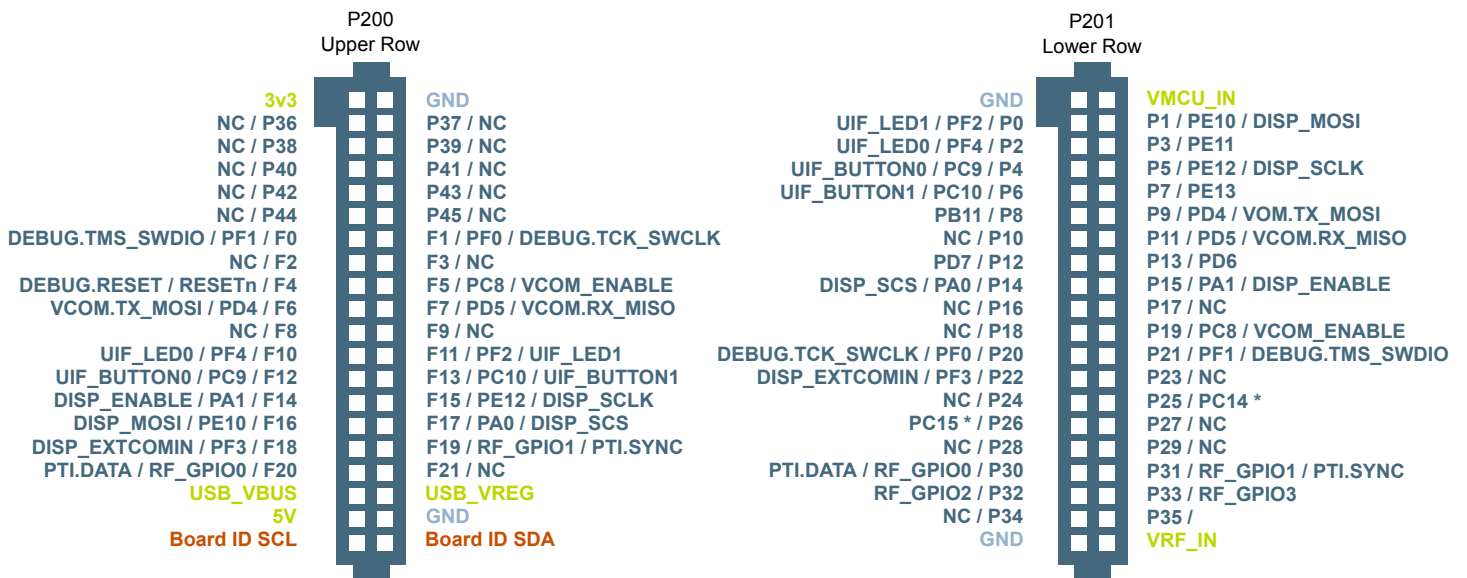
The EZR32 Happy Gecko Radio Boards provide a development platform (together with the Wireless Starter Kit Mainboard) for the Silicon Labs EZR32 Happy Gecko Wireless Microcontrollers and serve as reference designs for the matching network of the RF interface.

The BRD4544A is designed to operate in the European ETSI 169.4-169.475 MHz band, the RF matching network is optimized to operate in the 169 MHz band with 20 dBm output power.

To develop and/or evaluate the EZR32 Happy Gecko the BRD4544A Radio Board can be connected to the Wireless Starter Kit Mainboard to get access to display, buttons and additional features from Expansion Boards and also to evaluate the performance of the RF interface.

2. Radio Board Connector Pin Associations

The figure below shows the pin mapping on the connector to the radio pins and their function on the Wireless Starter Kit Mainboard.



* Connection is not enabled by default on the Radio Board.

To enable 0 Ohm resistors should be mounted. See the schematic of the Radio Board.

Figure 2.1. BRD4544A Radio Board Connector Pin Mapping

3. Radio Board Block Description

The block diagram of the EZR32HG Radio Board is shown in the figure below. For the exact part numbers of the applied components refer to the BRD4544A BOM.

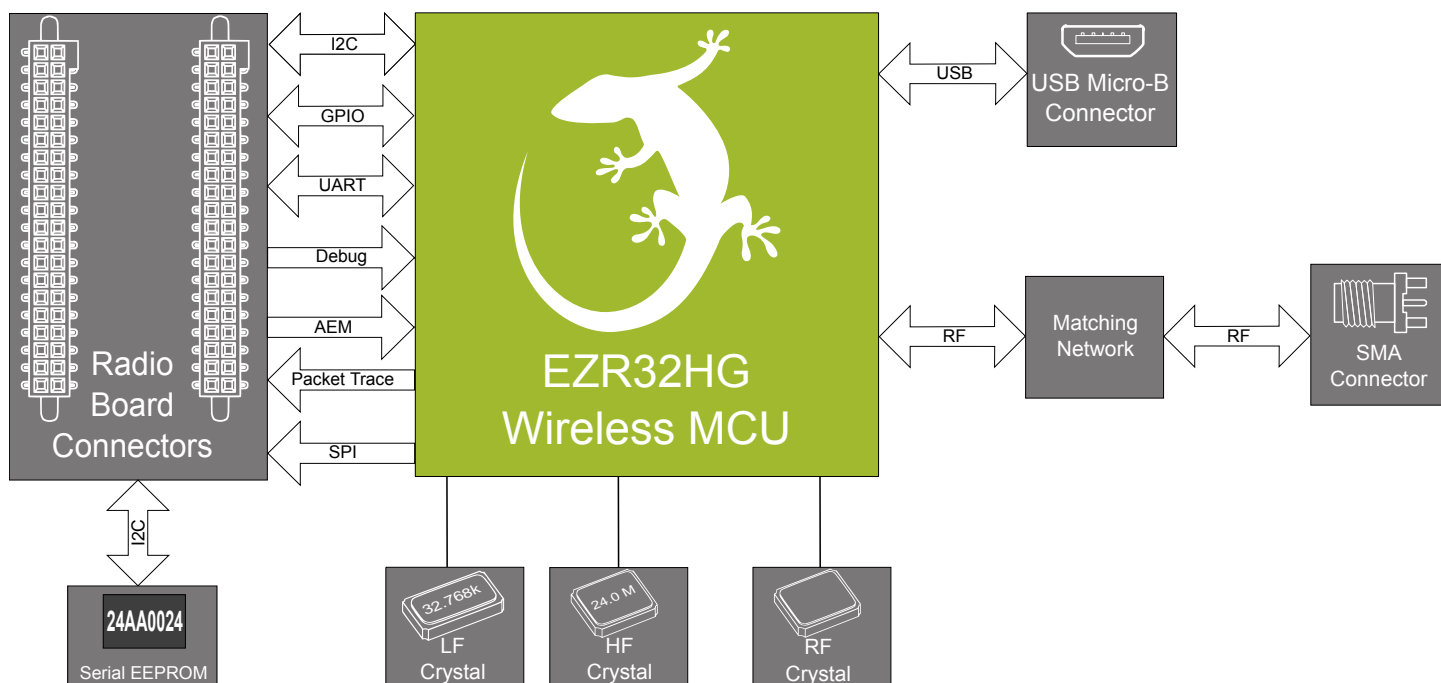


Figure 3.1. EZR32HG Radio Board Block Diagram

3.1 Wireless MCU

The BRD4544A EZR32 Happy Gecko Radio Board incorporates an EZR32HG320F64R63G Wireless Microcontroller featuring 32-bit Cortex-M0+ core, 64 kB of flash memory and 8 kB of RAM. For additional information on the EZR32HG320F64R63G, refer to the EZR32HG320 Data Sheet.

The EZR32HG320F64R63G is built using the Si4463, a high-performance, low-current transceiver that is part of Silicon Labs' EZRadio-PRO family. The Si4463 contains an integrated +20 dBm power amplifier that is capable of transmitting from -20 to +20 dBm. For a complete feature set and in-depth information on the transceiver, refer to the "Si4463/61/60-C High-Performance, Low-Current Transceiver" Data Sheet.

3.2 USB

The BRD4544A Radio Board incorporates a micro USB connector. The 3.3V USB regulator output is routed back to the WSTK through the Radio Board Connector so the Radio Board can supply power to the Wireless Starter Kit Mainboard.

For additional information on EZR32HG USB, refer to the EZR32HG320 Data Sheet.

3.3 RF Crystal Oscillator (RFXO)

The BRD4544A Radio Board has a 30 MHz crystal mounted. For more details on crystal or TCXO selection for the RF part of the EZR32 devices refer to "AN785: Crystal Selection Guide for the Si4x6x RF ICs".

3.4 LF Crystal Oscillator (LFXO)

The BRD4544A Radio Board has a 32.768 kHz crystal mounted. For safe startup two capacitors are also connected to the LFXTAL_N and LFXTAL_H pins. For details regarding the crystal configuration, the reader is referred to Application Note "AN0016: EFM32 Oscillator Design Consideration".

3.5 HF Crystal Oscillator (HFXO)

The BRD4544A Radio Board has a 24 MHz crystal mounted. For safe startup two capacitors are also connected to the HFXTAL_N and HFXTAL_H pins. For details regarding the crystal configuration, the reader is referred to Application Note "AN0016: EFM32 Oscillator Design Consideration".

3.6 RF Matching Network

The BRD4544A Radio Board includes a Square-Wave type matching network with a so-called Switched matching configuration where the TX and RX sides are connected together without an additional RF switch, to be able to use one antenna both for transmitting and receiving. The component values were optimized for the 169 MHz band RF performance and current consumption with 20 dBm output power.

For more details on the matching network used on the BRD4544A see Chapter [4.1 Matching Network](#).

3.7 SMA Connector

To be able to perform conducted measurements or mount external antenna for radiated measurements, range tests etc., Silicon Labs added an SMA connector to the Radio Board. The connector allows an external 50 Ohm cable or antenna to be connected during design verification or testing.

3.8 Radio Board Connectors

Two dual-row, 0.05" pitch polarized connectors make up the EZR32HG Radio Board interface to the Wireless Starter Kit Mainboard.

For more information on the pin mapping between the EZR32HG320F64R63G and the Radio Board Connector refer to Chapter [2. Radio Board Connector Pin Associations](#).

4. RF Section

The BRD4544A Radio Board includes a Square-Wave type TX matching network with the targeted output power of 20 dBm at 169 MHz.

The main advantage of the Square-Wave matching types is their very high efficiency. They are proposed for applications where the current consumption is most critical, e.g., the typical total EZRadioPRO chip current with Square-Wave type matching is ~75-90 mA at ~20 dBm (using the 20dBm PA output and assuming 3.3 V supply voltage).

The main disadvantage of the Square-Wave type matches is the high supply voltage dependency (the power variation is proportional to the square of the supply voltage change: i.e. the decrease in power can be ~6 dB in the 1.8–3.8 V range) and the inaccurate nonlinear power steps. Also their current consumption and the peak voltage on the TX pin are sensitive to the termination impedance variation, and they usually require slightly higher order filtering and thus higher bill of materials cost.

The matching network is constructed with a so-called Switched configuration where the TX and RX sides are connected together without an additional RF switch, to be able to use one antenna both for transmitting and receiving. Careful design procedure was followed to ensure that the RX input circuitry does not load down the TX output path while in TX mode and that the TX output circuitry does not degrade receive performance while in RX mode.

For detailed explanation of the Square-Wave type TX matching and the Switched configuration matching procedure the reader is referred to "AN648: Si4063/Si4463/64/67/68 TX Matching". For detailed description of the RX matching the reader is referred to "AN643: Si446x/Si4362 RX LNA Matching".

4.1 Matching Network

The matching network structure used on the BRD4544A Radio Board is shown in the figure below.

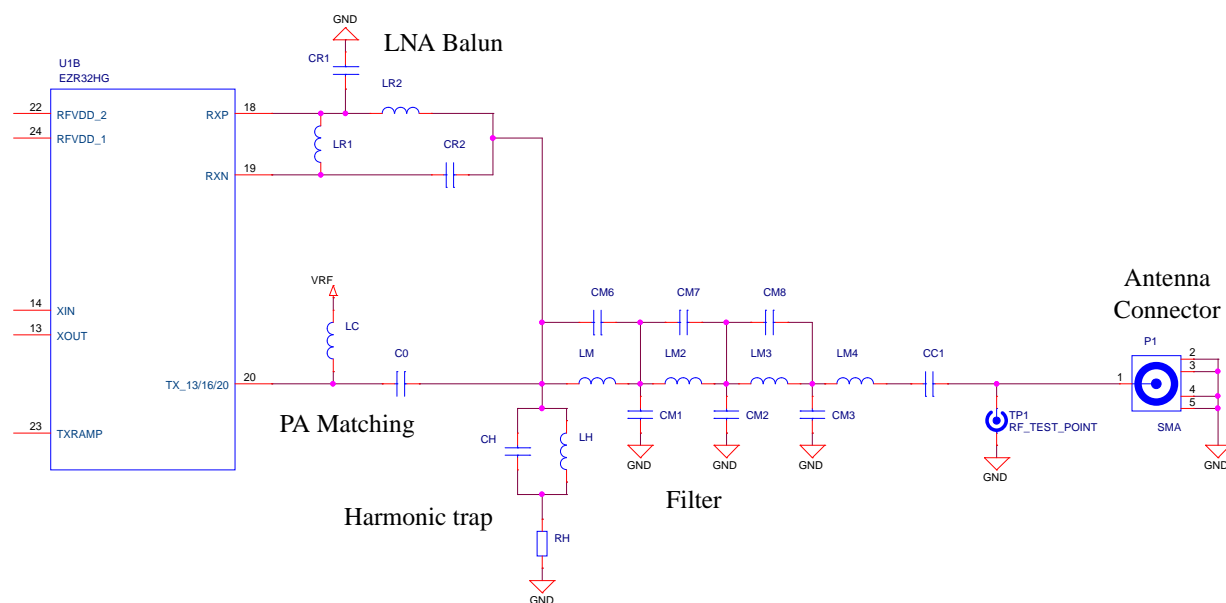


Figure 4.1. RF Section of the Schematic of the BRD4544A EZR32 Happy Gecko Radio Board

The component values were optimized for the 169 MHz band RF performance and current consumption with 20 dBm output power. The resulting component values with part numbers are listed in the table below.

Table 4.1. Bill of Materials for the BRD4544A RF Matching Network

Component name	Value	Manufacturer	Part Number
C0	470 pF	Murata	GRM1555C1H471K
CH	11 pF	Murata	GRM1555C1H110J
CM1	18 pF	Murata	GRM1555C1H180J
CM2	18 pF	Murata	GRM1555C1H180J
CM3	11 pF	Murata	GRM1555C1H110J
CM7	3.0 pF	Murata	GRM1555C1H3R0C
CM8	2.0 pF	Murata	GRM1555C1H2R0C
CR1	12 pF	Murata	GRM1555C1H120J
CR2	6.2 pF	Murata	GRM1555C1H6R2D
CC1	470 pF	Murata	GRM1555C1H471K
L0	24 nH	Coilcraft	0402HP-24NXJL
LC	330 nH	Coilcraft	0603CS-R33XJL
LH	82 nH	Coilcraft	0402HP-82NXJL
LM	47 nH	Coilcraft	0402HP-47NXJL
LM2	68 nH	Coilcraft	0402HP-68NXJL
LM3	47 nH	Coilcraft	0402HP-47NXJL
LM4	27 nH	Coilcraft	0402HP-27NXJL
LR1	220 nH	Coilcraft	0402HP-22XJL
LR2	150 nH	Coilcraft	0402HP-15XJL
RH	50 Ohm	Yageo	RC0402FR-0749R9L

The Application Note "AN648: Si4063/Si4463/64/67/68 TX Matching" contains component values for reference matching networks which were developed for the EZRadioPRO Pico Boards. For the WSTK radio boards some fine-tuning of the component values may be necessary due to different parasitic effects (bonding wire, layout etc.). For optimized RF performance the component values listed in the table above may differ from the ones listed in the referred Application Note.

For the reader's specific application and board layout the adjustment of the final matching values might be necessary. The above component values should be used as starting points and the values modified slightly to zero-in on the best filter response and impedance match to 50 ohm. To minimize the differences due to different layout parasitics Silicon Labs recommends copying the layout of the RF section of the radio board as is. If that is not possible, refer to "AN629: Si4460/61/63/64/67/68 RF ICs Layout Design Guide" for layout design recommendations.

5. Mechanical Details

The BRD4544A EZR32 Happy Gecko Radio Board is illustrated in the figures below.

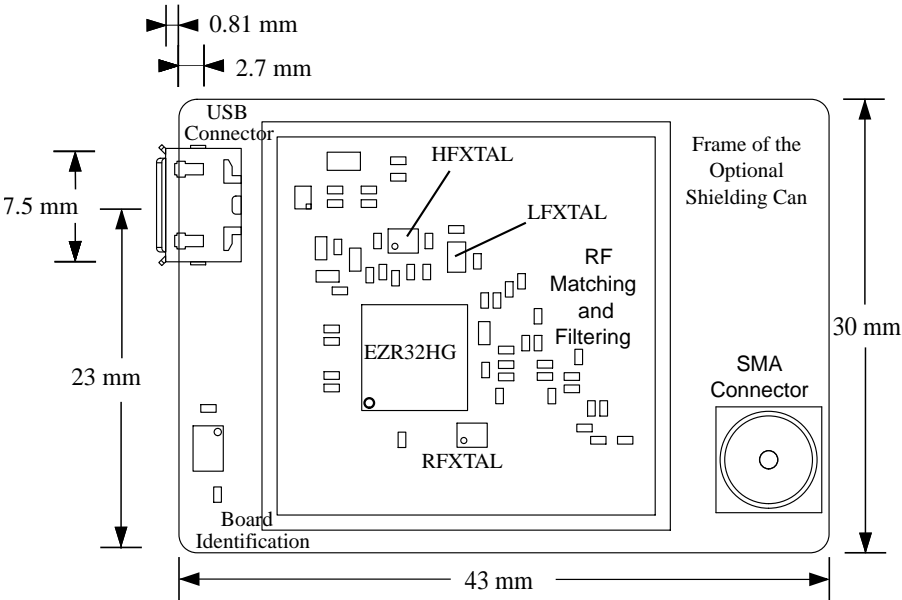


Figure 5.1. BRD4544A Top View

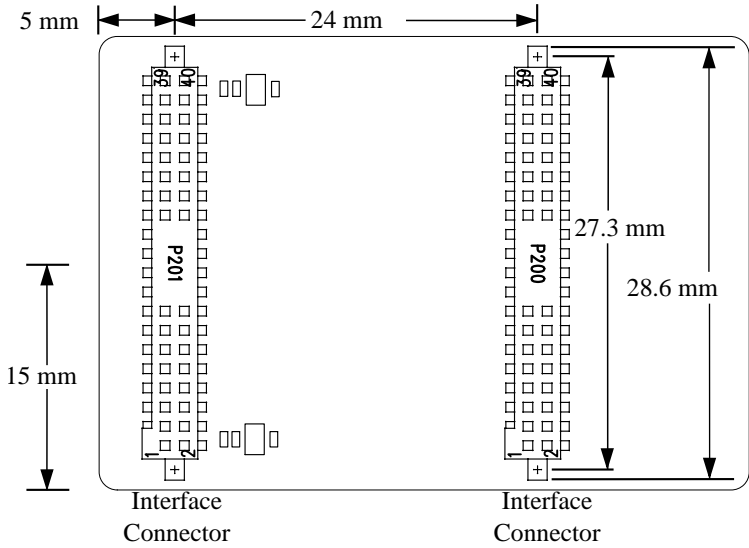


Figure 5.2. BRD4544A Bottom View

6. EMC Compliance

The BRD4544A EZR32 Happy Gecko Radio Board is dedicated for operation in the European ETSI 169.4-169.475 MHz band for meter reading. The relevant ETSI EN 300-220-1 regulation specifies the maximum allowed level of the fundamental power and spurious emissions.

In this document the compliance of the Radio Board fundamental and harmonic emissions will be investigated with 169.4 MHz fundamental frequency (harmonics are measured up to the 10th one).

6.1 ETSI EN 300-200-1 Emission Limits for the 169.4-169.475 MHz Band

Based on ETSI EN 300-220-1 the allowed maximum fundamental power for the 169.4-169.475 MHz band is 500 mW (+27 dBm) e.r.p. both for conducted and radiated measurements. Although the maximum output power of the EZR32 Wireless MCUs is 20dBm, the BRD4544A Radio Board demonstrates the performance with this maximum output power and without using any external power amplifier.

Note: Further in this document EIRP (Effective Isotropic Radiated Power) will be used instead of e.r.p. (Effective Radiated Power) for the comparison of the radiated limits and measurement results. The 500 mW e.r.p radiated limit is equivalent to +29.1 dBm EIRP.

For the unwanted emission limits see the table below.

7. RF Performance

7.1 Measurement setup

The BRD4544A EZR32 Happy Gecko Radio Board was attached to a Wireless Starter Kit Mainboard (BRD4001 (Rev. A02)) and its transceiver was operated in continuous carrier transmission mode. The output power of the radio was set to 20 dBm (PA_PWR_LVL = 0x7F, PA_BIAS_CLKDUTY = 0x00 at VRF=3.3 V).

7.2 Conducted Power Measurements

In case of the conducted measurements the output power was measured by connecting the EZR32HG Radio Board directly to a Spectrum Analyzer (P/N: MS2692A) through its on-board SMA connector. At 20 dBm output power and 3.3 V supply voltage the measured typical current consumption of the RF section of the board is 76 mA.

A typical output spectrum is shown in the figure below.

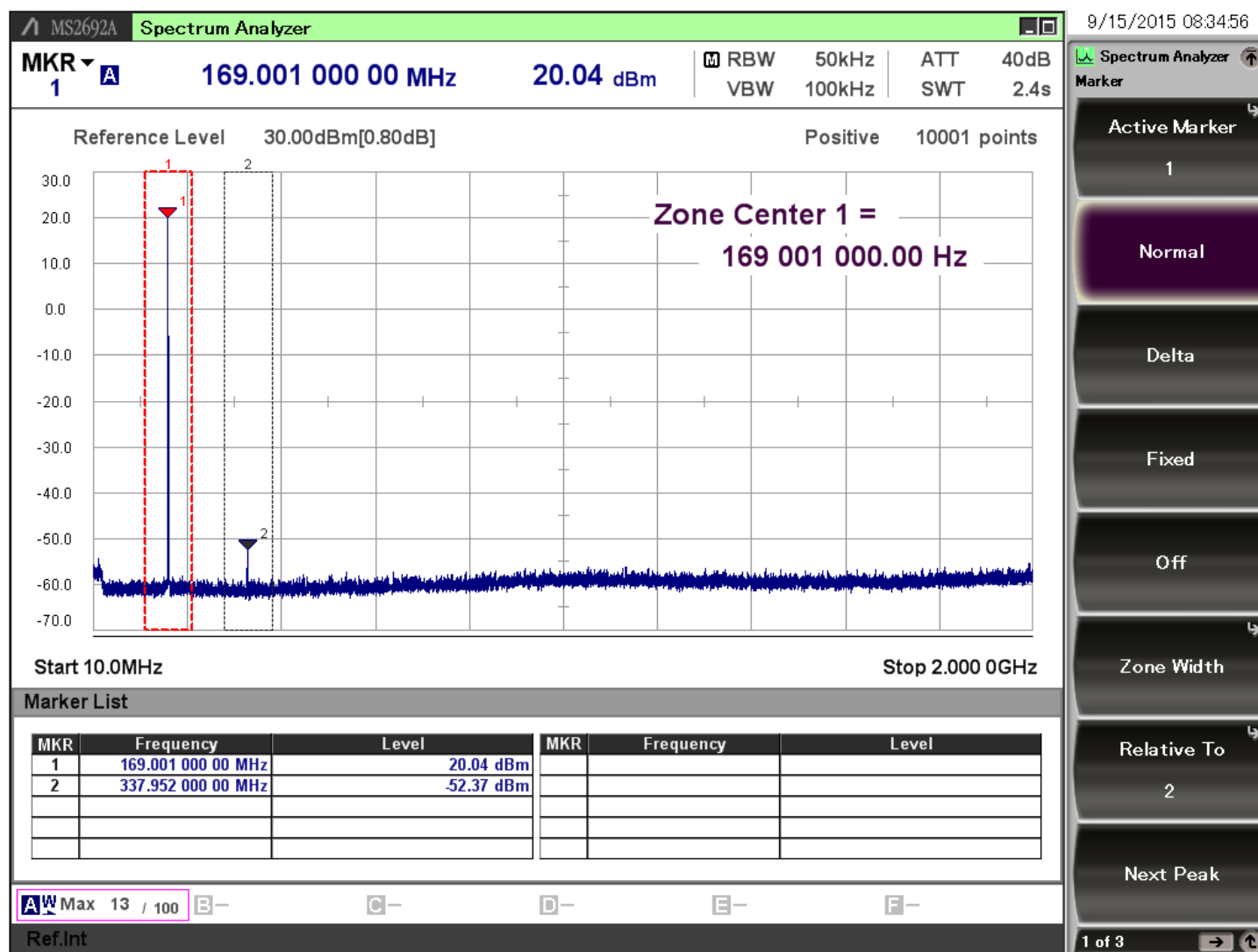


Figure 7.1. Typical Output Spectrum of the BRD4544A Radio Board

As it can be observed all of the unwanted emissions, except the double-frequency harmonic, are below -55 dBm. Although the power of the double-frequency harmonic is around -52 dBm, the applied limit for this frequency is -36 dBm (e.r.p.) so all of the conducted spurious emissions are compliant with the regulation limits with large margin.

Note: In practice commercially available whip antennas usually have ~0-2 dB gain at the fundamental and < 0 dB gain at the harmonic frequencies so if the conducted levels are compliant with the emission limits with small margin it is likely that the margin on the harmonics radiated by an external whip antenna will be higher. Unfortunately in most cases, the PCB radiation (from traces or and/or components) is stronger so using shielding, applying larger duty cycle correction (if allowed) or reduction of the fundamental power could be necessary.

7.3 Radiated Power Measurements

For radiated measurements an external whip antenna (P/N: EXH-170-SM (Laird Technologies)) was used. The power supply for the board were two AA batteries (3 V). The batteries were connected to the Wireless Starter Kit Mainboard through its External Power Supply connector with minimal wire length to minimize the wire radiation.

The DUT was rotated in 360 degree with horizontal and vertical reference antenna polarizations in the XY, XZ and YZ cuts. The measurement axes are as shown in the figure below.

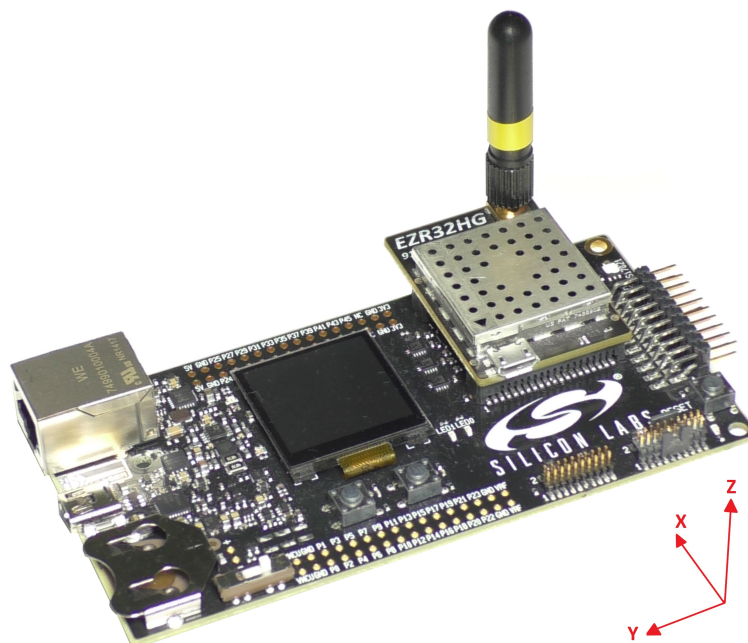


Figure 7.2. DUT: Radio Board with Wireless Starter Kit Mainboard (Illustration)

The measured radiated powers are shown in the table below.

Table 7.1. Maximums of the Measured Radiated Powers of the BRD4544A

169 MHz	EIRP [dBm]	Orientation	Margin [dB]	Limit in EIRP [dBm]
Fund	7.5	YZ/H	21.6	29.1
2nd	-41.0	XZ/V	7.1	-33.9
3rd	-55.6	XY/V	3.8	-51.8
4th	-65.3	XZ/H	13.5	-51.8
5th	-63.1	YZ/H	11.3	-51.8
6th	-66.1	XZ/V	38.2	-27.9
7th	-60.2	XZ/H	32.3	-27.9
8th	-63.0	YZ/V	35.1	-27.9
9th	-53.6	YZ/V	25.7	-27.9
10th	-57.6	YZ/V	29.7	-27.9

* Signal level is below the Spectrum Analyzer noise floor.

As it can be observed the fundamental and all of the harmonics comply with the ETSI EN 300-220-1 limits with large margin. Unfortunately the chosen antenna together with the relatively small ground area (compared to the wavelength) provided by the EZR32HG Radio Board and the Wireless Starter Kit Mainboard

One may notice that the radiated harmonic levels, in general, are higher compared to the levels expected based on the conducted measurement. Investigations showed that this increase is due to the PCB radiations (components and PCB traces).

Note: The radiated measurement results presented in this document were recorded in an unlicensed antenna chamber. Also the radiated power levels may change depending on the actual application (PCB size, used antenna etc.) therefore the absolute levels and margins of the final application is recommended to be verified in a licensed EMC testhouse!

8. EMC Compliance Recommendations

8.1 Recommendations for ETSI Compliance

As it was shown in the previous chapters the conducted performance of the BRD4544A EZR32 Happy Gecko Radio Board is compliant with the fundamental and harmonic emission limits of the ETSI EN 300-220-1 regulation in the 169.4 MHz band with 20 dBm output power. For radiated compliance mounting a shielding can is required due to PCB radiation. With the mounted shielding can all of the harmonics are under the limits with large margins.

9. Document Revision History

Table 9.1. Document Revision History

Revision Number	Effective Date	Change Description
1.0	29.04.2016	Initial release

10. Board Revisions

Table 10.1. BRD4544A Radio Board Revisions

Radio Board Revision	Description
A00	Initial release

Table of Contents

1. Introduction	1
2. Radio Board Connector Pin Associations.	2
3. Radio Board Block Description	3
3.1 Wireless MCU	3
3.2 USB	3
3.3 RF Crystal Oscillator (RFXO).	3
3.4 LF Crystal Oscillator (LFXO)	3
3.5 HF Crystal Oscillator (HFXO).	4
3.6 RF Matching Network	4
3.7 SMA Connector	4
3.8 Radio Board Connectors	4
4. RF Section	5
4.1 Matching Network	5
5. Mechanical Details	7
6. EMC Compliance	8
6.1 ETSI EN 300-200-1 Emission Limits for the 169.4-169.475 MHz Band	8
7. RF Performance	9
7.1 Measurement setup	9
7.2 Conducted Power Measurements	9
7.3 Radiated Power Measurements	11
8. EMC Compliance Recommendations	13
8.1 Recommendations for ETSI Compliance	13
9. Document Revision History	14
10. Board Revisions.	15
Table of Contents	16



Simplicity Studio

One-click access to MCU tools, documentation, software, source code libraries & more. Available for Windows, Mac and Linux!

www.silabs.com/simplicity



MCU Portfolio
www.silabs.com/mcu



SW/HW
www.silabs.com/simplicity



Quality
www.silabs.com/quality



Support and Community
community.silabs.com

Disclaimer

Silicon Laboratories intends to provide customers with the latest, accurate, and in-depth documentation of all peripherals and modules available for system and software implementers using or intending to use the Silicon Laboratories products. Characterization data, available modules and peripherals, memory sizes and memory addresses refer to each specific device, and "Typical" parameters provided can and do vary in different applications. Application examples described herein are for illustrative purposes only. Silicon Laboratories reserves the right to make changes without further notice and limitation to product information, specifications, and descriptions herein, and does not give warranties as to the accuracy or completeness of the included information. Silicon Laboratories shall have no liability for the consequences of use of the information supplied herein. This document does not imply or express copyright licenses granted hereunder to design or fabricate any integrated circuits. The products must not be used within any Life Support System without the specific written consent of Silicon Laboratories. A "Life Support System" is any product or system intended to support or sustain life and/or health, which, if it fails, can be reasonably expected to result in significant personal injury or death. Silicon Laboratories products are generally not intended for military applications. Silicon Laboratories products shall under no circumstances be used in weapons of mass destruction including (but not limited to) nuclear, biological or chemical weapons, or missiles capable of delivering such weapons.

Trademark Information

Silicon Laboratories Inc., Silicon Laboratories, Silicon Labs, SiLabs and the Silicon Labs logo, CMEMS®, EFM, EFM32, EFR, Energy Micro, Energy Micro logo and combinations thereof, "the world's most energy friendly microcontrollers", Ember®, EZLink®, EZMac®, EZRadio®, EZRadioPRO®, DSPLL®, ISOmodem®, Precision32®, ProSLIC®, SiPHY®, USBXpress® and others are trademarks or registered trademarks of Silicon Laboratories Inc. ARM, CORTEX, Cortex-M3 and THUMB are trademarks or registered trademarks of ARM Holdings. Keil is a registered trademark of ARM Limited. All other products or brand names mentioned herein are trademarks of their respective holders.



SILICON LABS

Silicon Laboratories Inc.
400 West Cesar Chavez
Austin, TX 78701
USA

<http://www.silabs.com>