



US010045568B2

(12) **United States Patent**
Monsees et al.

(10) **Patent No.:** **US 10,045,568 B2**
(45) **Date of Patent:** ***Aug. 14, 2018**

(54) **VAPORIZATION DEVICE SYSTEMS AND METHODS**

(71) Applicant: **JUUL Labs, Inc.**, San Francisco, CA (US)

(72) Inventors: **James Monsees**, San Francisco, CA (US); **Adam Bowen**, San Francisco, CA (US); **Steven Christensen**, San Francisco, CA (US); **Joshua Morenstein**, San Francisco, CA (US); **Christopher Nicholas HibmaCronan**, Oakland, CA (US)

(73) Assignee: **JUUL Labs, Inc.**, San Francisco, CA (US)

(*) Notice: Subject to any disclaimer, the term of this patent is extended or adjusted under 35 U.S.C. 154(b) by 0 days.

This patent is subject to a terminal disclaimer.

(21) Appl. No.: **15/832,749**

(22) Filed: **Dec. 5, 2017**

(65) **Prior Publication Data**
US 2018/0103686 A1 Apr. 19, 2018

Related U.S. Application Data

(63) Continuation of application No. 15/379,898, filed on Dec. 15, 2016, which is a continuation-in-part of (Continued)

(51) **Int. Cl.**
A24F 47/00 (2006.01)
H05B 1/02 (2006.01)
(Continued)

(52) **U.S. Cl.**
CPC **A24F 47/008** (2013.01); **H05B 1/0244** (2013.01); **H05B 3/04** (2013.01);
(Continued)

(58) **Field of Classification Search**

CPC **A24F 47/008**; **A24F 47/00**; **A61M 15/06**; **H05B 3/04**; **H05B 3/44**; **H05B 2203/014**;
(Continued)

(56) **References Cited**

U.S. PATENT DOCUMENTS

374,584 A 12/1887 Cook
576,653 A 2/1897 Bowlby
(Continued)

FOREIGN PATENT DOCUMENTS

AU 2014206215 A1 8/2014
AU 2014208287 A1 8/2014
(Continued)

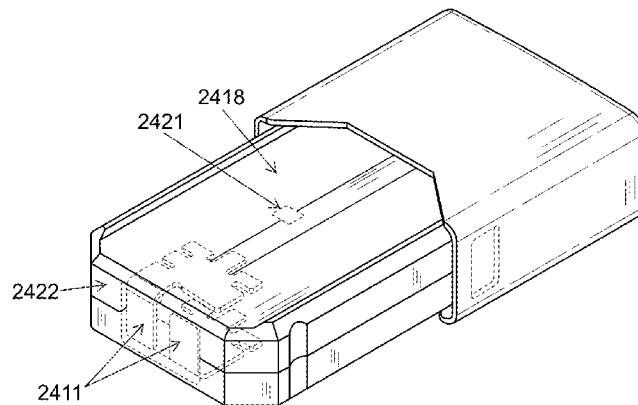
OTHER PUBLICATIONS

“Commission Regulation (EC) No. 1275/2008,” Official Journal of the European Union, Dec. 17, 2008.
(Continued)

Primary Examiner — Michael J Felton
Assistant Examiner — Jerzi H Moreno Hernandez
(74) *Attorney, Agent, or Firm* — Mintz, Levin, Cohn, Ferris, Glovsky and Popeo, P.C.

(57) **ABSTRACT**

Vaporizer devices and apparatuses are provided. In some implementations, a cartridge for use with a vaporization device comprises a flattened body, a mouthpiece, a reservoir within the flattened body, a heater, and a pair of flat contact tabs. The flattened body comprises a proximal end, a distal end opposite the proximal end, a longitudinal axis between the proximal end and the distal end, and a transverse axis that is perpendicular to and shorter than the longitudinal axis. The mouthpiece is proximate to the proximal end of the flattened body, and the heater comprises of a pair of plates, a wick, and a resistive heating element. The pair of flat contact tabs are integrally formed from the plates and folded
(Continued)



over an outer surface of the flattened body proximate to the distal end of the flattened body.

20 Claims, 22 Drawing Sheets

Related U.S. Application Data

application No. 15/053,927, filed on Feb. 25, 2016, now Pat. No. 9,549,573, which is a continuation-in-part of application No. 14/581,666, filed on Dec. 23, 2014.

(60) Provisional application No. 62/294,281, filed on Feb. 11, 2016, provisional application No. 61/937,755, filed on Feb. 10, 2014, provisional application No. 61/936,593, filed on Feb. 6, 2014, provisional application No. 61/920,225, filed on Dec. 23, 2013.

(51) **Int. Cl.**
H05B 3/04 (2006.01)
H05B 3/44 (2006.01)

(52) **U.S. Cl.**
 CPC *H05B 3/44* (2013.01); *H05B 2203/014* (2013.01); *H05B 2203/016* (2013.01); *H05B 2203/021* (2013.01); *H05B 2203/022* (2013.01)

(58) **Field of Classification Search**
 CPC H05B 2203/016; H05B 1/0244; H05B 2203/022; H05B 2203/021
 See application file for complete search history.

(56) **References Cited**

U.S. PATENT DOCUMENTS

595,070 A 12/1897 Oldenbusch
 720,007 A 2/1903 Dexter
 799,844 A 9/1905 Fuller
 968,160 A 8/1910 Johnson
 969,076 A 8/1910 Pender
 1,067,531 A 7/1913 MacGregor
 1,163,183 A 12/1915 Stoll
 1,299,162 A 4/1919 Fisher
 1,485,260 A 2/1924 Fritz
 1,505,748 A 8/1924 Louis
 1,552,877 A 9/1925 Phillipps et al.
 1,632,335 A 6/1927 Hierung
 1,706,244 A 3/1929 Louis
 1,845,340 A 2/1932 Ritz
 1,972,118 A 9/1934 McDill
 1,998,683 A 4/1935 Montgomery
 2,031,363 A 2/1936 Elof
 2,039,559 A 5/1936 Segal
 2,104,266 A 1/1938 McCormick
 2,159,698 A 5/1939 Harris et al.
 2,177,636 A 10/1939 Coffelt et al.
 2,195,260 A 3/1940 Rasener
 2,231,909 A 2/1941 Hempal
 2,327,120 A 8/1943 McCoon
 D142,178 S 8/1945 Becwar
 2,460,427 A 2/1949 Musselman et al.
 2,483,304 A 9/1949 Rudolf
 2,502,561 A 4/1950 Ludwig
 2,765,949 A 10/1956 Swan
 2,830,597 A 4/1958 Kummli
 2,860,638 A 11/1958 Bartolomeo
 2,897,958 A 8/1959 Tarleton et al.
 2,935,987 A 5/1960 Ackerbauer
 2,956,569 A 10/1960 Adams
 D194,088 S 11/1962 Mann
 3,085,145 A 4/1963 Wray
 3,146,937 A 9/1964 Joseph

3,258,015 A 6/1966 Ellis et al.
 3,271,719 A 9/1966 Ovshinsky
 3,292,634 A 12/1966 Beucler
 D207,887 S 6/1967 Parsisson
 3,373,915 A 3/1968 Anderson et al.
 3,420,360 A 1/1969 Young
 3,443,827 A 5/1969 Acker et al.
 3,456,645 A 7/1969 Brock
 3,479,561 A 11/1969 Janning
 3,567,014 A 3/1971 Feigelman
 3,675,661 A 7/1972 Weaver
 3,707,017 A 12/1972 Paquette
 3,779,770 A 12/1973 Alston et al.
 3,792,704 A 2/1974 Parker
 3,815,597 A 6/1974 Goettelman
 3,861,523 A 1/1975 Fountain et al.
 3,941,300 A 3/1976 Troth
 4,020,853 A 5/1977 Nuttall
 4,049,005 A 9/1977 Hernandez et al.
 4,066,088 A 1/1978 Ensor
 D250,485 S 12/1978 Cuthbertson
 D255,548 S 6/1980 Grodin
 4,207,976 A 6/1980 Herman
 4,215,708 A 8/1980 Bron
 4,219,032 A 8/1980 Tabatznik et al.
 D260,690 S 9/1981 Stutzer
 4,303,083 A 12/1981 Burruss, Jr.
 4,312,367 A 1/1982 Seeman
 4,347,855 A 9/1982 Lanzillotti et al.
 4,391,285 A 7/1983 Burnett et al.
 D271,255 S 11/1983 Rousseau
 4,492,480 A 1/1985 Wadso et al.
 4,506,683 A 3/1985 Cantrell et al.
 4,519,319 A 5/1985 Howlett
 4,520,938 A 6/1985 Finke
 D280,494 S 9/1985 Abel
 4,595,024 A 6/1986 Greene et al.
 4,625,737 A 12/1986 Keritsis et al.
 4,648,393 A 3/1987 Landis et al.
 4,708,151 A 11/1987 Shelar
 4,735,217 A 4/1988 Gerth et al.
 4,771,796 A 9/1988 Myer
 4,793,365 A 12/1988 Sensabaugh, Jr. et al.
 4,794,323 A 12/1988 Zhou et al.
 4,798,310 A 1/1989 Kasai et al.
 4,813,536 A 3/1989 Willis
 4,819,665 A 4/1989 Roberts et al.
 4,830,028 A 5/1989 Lawson et al.
 D301,837 S 6/1989 Peterson et al.
 4,836,224 A 6/1989 Lawson et al.
 4,846,199 A 7/1989 Rose
 4,848,374 A 7/1989 Chard et al.
 4,848,563 A 7/1989 Robbins
 D302,659 S 8/1989 Peterson et al.
 D303,722 S 9/1989 Marlow et al.
 4,870,748 A 10/1989 Hensgen et al.
 D304,771 S 11/1989 Katayama
 4,893,639 A 1/1990 White
 4,896,683 A 1/1990 Cohen et al.
 4,907,606 A 3/1990 Lilja et al.
 4,924,883 A 5/1990 Perfetti et al.
 4,938,236 A 7/1990 Banerjee et al.
 4,941,483 A 7/1990 Ridings et al.
 4,944,317 A 7/1990 Thal
 D310,171 S 8/1990 Cusenza
 4,945,929 A 8/1990 Egilmex
 4,947,874 A 8/1990 Brooks et al.
 4,947,875 A 8/1990 Brooks et al.
 D310,349 S 9/1990 Rowen
 4,955,397 A 9/1990 Johnson et al.
 4,974,609 A 12/1990 Southwick et al.
 4,984,588 A 1/1991 Stewart, Jr.
 D315,032 S 2/1991 Hayes
 5,005,759 A 4/1991 Bouche
 5,019,122 A 5/1991 Clearman et al.
 5,020,548 A 6/1991 Farrier et al.
 5,027,836 A 7/1991 Shannon et al.
 5,031,646 A 7/1991 Lippiello et al.
 5,040,551 A 8/1991 Schlatter et al.

(56)

References Cited

U.S. PATENT DOCUMENTS

5,042,509	A	8/1991	Banerjee et al.	5,938,018	A	8/1999	Keaveney et al.
5,050,621	A	9/1991	Creighton et al.	5,944,025	A	8/1999	Cook et al.
5,060,671	A	10/1991	Counts et al.	5,954,979	A	9/1999	Counts et al.
5,065,776	A	11/1991	Lawson et al.	D414,893	S	10/1999	Moore
5,076,297	A	12/1991	Farrier et al.	5,967,310	A	10/1999	Hill
5,101,838	A	4/1992	Schwartz et al.	5,975,415	A	11/1999	Zehnal
5,105,831	A	4/1992	Banerjee et al.	5,979,460	A	11/1999	Matsumura
5,105,836	A	4/1992	Gentry et al.	5,979,548	A	11/1999	Rhodes et al.
5,105,838	A	4/1992	White et al.	5,994,025	A	11/1999	Iwasa et al.
5,123,530	A	6/1992	Lee	5,996,589	A	12/1999	St. Charles
5,127,511	A	7/1992	Keen, Jr. et al.	6,024,097	A	2/2000	Von Wielligh
5,133,368	A	7/1992	Neumann et al.	6,026,820	A	2/2000	Baggett, Jr. et al.
5,141,004	A	8/1992	Porenski	6,040,560	A	3/2000	Fleischhauer et al.
5,144,962	A	9/1992	Counts et al.	D422,884	S	4/2000	Lafond
5,148,817	A	9/1992	Houminer et al.	6,053,176	A	4/2000	Adams et al.
5,152,456	A	10/1992	Ross et al.	D424,236	S	5/2000	Reed
5,175,791	A	12/1992	Muderlak et al.	D424,739	S	5/2000	Ross
5,183,062	A	2/1993	Clearman et al.	6,089,857	A	7/2000	Matsuura et al.
D336,346	S	6/1993	Miller et al.	6,095,153	A	8/2000	Kessler et al.
5,224,498	A	7/1993	Deevi et al.	6,102,036	A	8/2000	Slutsky et al.
5,228,460	A	7/1993	Sprinkel et al.	6,119,684	A	9/2000	Nohl et al.
5,240,012	A	8/1993	Ehrman et al.	6,125,853	A	10/2000	Susa et al.
5,249,586	A	10/1993	Morgan et al.	D433,532	S	11/2000	Higgins et al.
5,261,424	A	11/1993	Sprinkel, Jr.	6,155,268	A	12/2000	Takeuchi
5,269,237	A	12/1993	Baker et al.	6,164,287	A	12/2000	White
5,269,327	A	12/1993	Counts et al.	D436,686	S	1/2001	Fujisawa
H1271	H	1/1994	Shouse	6,196,232	B1	3/2001	Chkadua
5,296,685	A	3/1994	Burstein et al.	6,216,705	B1	4/2001	Ossepian
5,303,720	A	4/1994	Banerjee et al.	D442,328	S	5/2001	Barmes
5,322,075	A	6/1994	Deevi et al.	6,234,169	B1	5/2001	Bulbrook et al.
5,324,498	A	6/1994	Streusand et al.	6,239,687	B1	5/2001	Shrier et al.
5,345,951	A	9/1994	Serrano et al.	6,265,789	B1	7/2001	Honda et al.
5,369,723	A	11/1994	Counts et al.	D446,499	S	8/2001	Andre et al.
5,372,148	A	12/1994	McCafferty et al.	D447,276	S	8/2001	Gustafson
5,388,574	A	2/1995	Ingebretsen	6,269,966	B1	8/2001	Pallo et al.
5,449,078	A	9/1995	Akers	6,310,752	B1	10/2001	Shrier et al.
5,456,269	A	10/1995	Kollasch	D450,313	S	11/2001	Koinuma
5,472,001	A	12/1995	Nicholson	D450,662	S	11/2001	Kwok
D367,605	S	3/1996	Moore	6,324,261	B1	11/2001	Merte
5,497,791	A	3/1996	Bowen et al.	6,349,728	B1	2/2002	Pham
D368,552	S	4/1996	Adams	D454,079	S	3/2002	Fong
5,529,078	A	6/1996	Rehder et al.	6,381,739	B1	4/2002	Breternitz, Jr. et al.
D371,633	S	7/1996	Chenard	6,386,371	B1	5/2002	Parsons
5,545,904	A	8/1996	Orbach	6,407,371	B1	6/2002	Toya et al.
5,564,442	A	10/1996	MacDonald et al.	6,418,938	B1	7/2002	Fleischhauer et al.
5,579,934	A	12/1996	Buono	6,431,363	B1	8/2002	Hacker
5,591,368	A	1/1997	Fleischhauer et al.	6,443,146	B1	9/2002	Voges
5,605,226	A	2/1997	Hernlein	6,446,793	B1	9/2002	Layshock
D379,810	S	6/1997	Giordano, Jr. et al.	D465,660	S	11/2002	Doeing
5,641,064	A	6/1997	Goserud	6,510,982	B2	1/2003	White et al.
D380,293	S	7/1997	Cudmore	D471,104	S	3/2003	Hunt
5,649,552	A	7/1997	Cho et al.	6,532,965	B1	3/2003	Abhulimen et al.
D382,146	S	8/1997	Sandy	6,536,442	B2	3/2003	St. Charles et al.
5,666,977	A	9/1997	Higgins et al.	6,542,065	B2	4/2003	Shrier et al.
5,666,978	A	9/1997	Counts et al.	6,557,708	B2	5/2003	Polacco
5,708,258	A	1/1998	Counts et al.	6,595,362	B2	7/2003	Penney et al.
5,730,118	A	3/1998	Hermanson	6,598,607	B2	7/2003	Adiga et al.
5,730,158	A	3/1998	Collins et al.	D477,920	S	8/2003	McCarty et al.
5,746,587	A	5/1998	Racine et al.	D478,569	S	8/2003	Hussaini et al.
D397,504	S	8/1998	Zelenik	D478,897	S	8/2003	Tsuge
D398,150	S	9/1998	Vonarburg	6,603,924	B2	8/2003	Brown et al.
5,807,509	A	9/1998	Shrier et al.	6,606,998	B1	8/2003	Gold
5,810,164	A	9/1998	Rennecamp	6,612,404	B2	9/2003	Sweet et al.
5,819,756	A	10/1998	Mielordt	6,615,840	B1	9/2003	Fournier et al.
5,845,649	A	12/1998	Saito et al.	6,622,867	B2	9/2003	Menceles
D405,007	S	2/1999	Naas, Sr.	6,637,430	B1	10/2003	Voges et al.
5,865,185	A	2/1999	Collins et al.	6,655,379	B2	12/2003	Clark et al.
5,865,186	A	2/1999	Volsley, II	6,657,532	B1	12/2003	Shrier et al.
5,878,752	A	3/1999	Adams et al.	D485,639	S	1/2004	Stronski
5,881,884	A	3/1999	Podosek	6,672,762	B1	1/2004	Faircloth et al.
5,894,841	A	4/1999	Voges	6,688,313	B2	2/2004	Wrenn et al.
D411,332	S	6/1999	Zelenik	6,707,274	B1	3/2004	Karr
D412,279	S	7/1999	Brice	6,708,846	B1	3/2004	Fuchs et al.
5,931,828	A	8/1999	Durkee	6,726,006	B1	4/2004	Funderburk et al.
5,934,289	A	8/1999	Watkins et al.	6,743,030	B2	6/2004	Lin et al.
				6,747,573	B1	6/2004	Gerlach et al.
				6,752,649	B2	6/2004	Arkin et al.
				D494,315	S	8/2004	Cartier
				6,769,436	B2	8/2004	Horian

(56)

References Cited

U.S. PATENT DOCUMENTS

6,772,756 B2	8/2004	Shayan	D577,591 S	9/2008	Bouroullec et al.
D495,599 S	9/2004	Biesecker	7,428,905 B2	9/2008	Mua
6,799,576 B2	10/2004	Farr	7,434,584 B2	10/2008	Steinberg
6,803,545 B2	10/2004	Blake et al.	D580,756 S	11/2008	Seebold
6,803,744 B1	10/2004	Sabo	7,451,877 B2	11/2008	Koga et al.
6,805,545 B2	10/2004	Slaboden	D585,077 S	1/2009	Sheba et al.
6,810,883 B2	11/2004	Felter et al.	7,488,171 B2	2/2009	St. Charles et al.
D500,301 S	12/2004	Deguchi	D588,741 S	3/2009	Murdaugh, III et al.
D500,302 S	12/2004	Deguchi	D589,941 S	4/2009	Maier et al.
6,827,573 B2	12/2004	St. Charles et al.	D590,988 S	4/2009	Hon
6,854,470 B1	2/2005	Pu	D590,989 S	4/2009	Hon
6,874,507 B2	4/2005	Farr	D590,990 S	4/2009	Hon
6,889,687 B1	5/2005	Olsson	D590,991 S	4/2009	Hon
D505,922 S	6/2005	Mayo et al.	D591,758 S	5/2009	Lee
D506,447 S	6/2005	Mayo et al.	7,530,352 B2	5/2009	Childers et al.
D506,731 S	6/2005	Mayo et al.	7,546,703 B2	6/2009	Johnske et al.
6,909,840 B2	6/2005	Harwig et al.	D599,670 S	9/2009	Qin
D507,244 S	7/2005	Mayo et al.	7,581,540 B2	9/2009	Hale et al.
6,923,327 B1	8/2005	Cohen	7,621,403 B2	11/2009	Althoff et al.
6,923,890 B2	8/2005	Ricatto et al.	D605,509 S	12/2009	Leonardis
6,954,979 B2	10/2005	Logan	D606,505 S	12/2009	Seflic et al.
6,994,096 B2	2/2006	Rostami et al.	7,633,270 B2	12/2009	Wong et al.
7,000,775 B2	2/2006	Gelardi et al.	7,644,823 B2	1/2010	Gelardi et al.
7,015,796 B2	3/2006	Snyder	D610,588 S	2/2010	Chen
7,025,066 B2	4/2006	Lawson et al.	D611,409 S	3/2010	Green et al.
7,049,926 B2	5/2006	Shrier et al.	7,669,596 B2	3/2010	Alston
D523,171 S	6/2006	Mitten et al.	D616,753 S	6/2010	Beam et al.
D525,948 S	8/2006	Blair et al.	7,726,320 B2	6/2010	Robinson et al.
7,082,825 B2	8/2006	Aoshima et al.	7,753,055 B2	7/2010	Bryman
D528,992 S	9/2006	Hobart et al.	D621,357 S	8/2010	Dong
D529,044 S	9/2006	Andre et al.	7,767,698 B2	8/2010	Warchol et al.
7,109,876 B2	9/2006	Smith et al.	D624,238 S	9/2010	Turner
D530,340 S	10/2006	Andre et al.	D624,378 S	9/2010	Wysopal
D531,190 S	10/2006	Lee et al.	7,793,860 B2	9/2010	Bankers et al.
7,117,707 B2	10/2006	Adams et al.	7,793,861 B2	9/2010	Bankers et al.
D532,927 S	11/2006	Sann	7,801,573 B2	9/2010	Yazdi et al.
D534,921 S	1/2007	Andre et al.	D624,880 S	10/2010	Felegy, Jr. et al.
D535,261 S	1/2007	Daniels	7,813,832 B2	10/2010	Sundar
D535,308 S	1/2007	Andre et al.	7,814,905 B2	10/2010	Schuler et al.
7,173,222 B2	2/2007	Cox et al.	7,815,332 B1	10/2010	Smith
7,185,651 B2	3/2007	Alston et al.	D627,962 S	11/2010	Mudrick
7,185,659 B2	3/2007	Sharpe	7,832,397 B2	11/2010	Lipowicz
D539,813 S	4/2007	Chen	7,832,410 B2	11/2010	Hon
D540,131 S	4/2007	Swann	7,845,359 B2	12/2010	Montaser
D540,687 S	4/2007	Egawa	D631,055 S	1/2011	Gilbert et al.
D540,749 S	4/2007	Kaule	D631,458 S	1/2011	Liao et al.
7,214,075 B2	5/2007	He et al.	7,886,507 B2	2/2011	McGuinness, Jr.
D544,643 S	6/2007	Lin	7,891,666 B2	2/2011	Kuenzler et al.
D545,303 S	6/2007	Chang	D634,065 S	3/2011	Borushek et al.
7,234,593 B2	6/2007	Fath et al.	D634,735 S	3/2011	Maier
D545,904 S	7/2007	Chen et al.	7,905,230 B2	3/2011	Schuler et al.
D546,782 S	7/2007	Poulet et al.	7,905,236 B2	3/2011	Bryman et al.
D547,002 S	7/2007	Lin	7,913,686 B2	3/2011	Hughes et al.
D551,548 S	9/2007	Didier	D639,303 S	6/2011	Ni et al.
D551,970 S	10/2007	Didier	D639,782 S	6/2011	Kim
D553,458 S	10/2007	Hood	D641,718 S	7/2011	Sakai
7,275,941 B1	10/2007	Bushby	D642,330 S	7/2011	Turner
D556,154 S	11/2007	Poulet et al.	D643,807 S	8/2011	Jiang
7,290,549 B2	11/2007	Banerjee et al.	D644,375 S	8/2011	Zhou
D557,209 S	12/2007	Ahlgren et al.	7,987,846 B2	8/2011	Hale et al.
D558,060 S	12/2007	Sir	7,988,034 B2	8/2011	Pezzoli
D562,151 S	2/2008	Larocca et al.	8,003,080 B2	8/2011	Rabinowitz et al.
D562,761 S	2/2008	Ueda et al.	D645,817 S	9/2011	Sasada et al.
D565,496 S	4/2008	Disla	D647,247 S	10/2011	Jones
D568,298 S	5/2008	Lundgren et al.	8,042,550 B2	10/2011	Urtsev et al.
D569,727 S	5/2008	Moretti	D649,708 S	11/2011	Oneil
7,367,334 B2	5/2008	Faison, Jr. et al.	D649,932 S	12/2011	Symons
7,374,048 B2	5/2008	Mazurek	D650,737 S	12/2011	Hamilton
D571,202 S	6/2008	Vogt	8,079,361 B2	12/2011	Schuler et al.
D571,556 S	6/2008	Raile	8,079,371 B2	12/2011	Robinson et al.
D573,474 S	7/2008	Beam et al.	8,080,975 B2	12/2011	Bessa et al.
7,415,982 B1	8/2008	Sheridan	8,091,558 B2	1/2012	Martzel
D576,619 S	9/2008	Udagawa et al.	D653,803 S	2/2012	Timmermans
D577,019 S	9/2008	Udagawa et al.	D656,496 S	3/2012	Andre et al.
D577,150 S	9/2008	Bryman et al.	8,141,701 B2	3/2012	Hodges
			8,156,944 B2	4/2012	Han
			8,157,918 B2	4/2012	Becker et al.
			8,170,623 B2	5/2012	Dorogusker et al.
			D661,889 S	6/2012	Wu

(56)

References Cited

U.S. PATENT DOCUMENTS

D661,991	S	6/2012	Brummelhuis et al.	8,739,788	B2	6/2014	Yomtov
8,205,622	B2	6/2012	Pan	8,741,348	B2	6/2014	Hansson et al.
D664,146	S	7/2012	Hoehn et al.	8,752,545	B2	6/2014	Buchberger
D664,636	S	7/2012	Robinson et al.	8,752,557	B2	6/2014	Lipowicz
D664,920	S	8/2012	Huang	8,757,169	B2	6/2014	Gysland
D665,346	S	8/2012	Kumagai et al.	D708,727	S	7/2014	Postma
D665,734	S	8/2012	Fitch et al.	8,770,187	B2	7/2014	Murphy
8,251,060	B2	8/2012	White et al.	8,781,307	B2	7/2014	Buzzetti
8,282,995	B2	10/2012	Calzia et al.	8,790,556	B2	7/2014	Bundren et al.
D670,272	S	11/2012	Suzuki	8,794,231	B2	8/2014	Thorens et al.
D670,659	S	11/2012	Ishikawa et al.	8,794,244	B2	8/2014	Hammel et al.
8,308,624	B2	11/2012	Travers et al.	8,794,245	B1	8/2014	Scatterday
8,314,235	B2	11/2012	Dixit et al.	8,794,434	B2	8/2014	Scatterday et al.
D672,714	S	12/2012	Brandys et al.	8,807,140	B1	8/2014	Scatterday
D672,715	S	12/2012	Brunner et al.	8,809,261	B2	8/2014	Elsohly et al.
8,322,350	B2	12/2012	Lipowicz	8,813,747	B2	8/2014	Gibson et al.
D674,182	S	1/2013	Copeland et al.	8,813,759	B1	8/2014	Horian
D674,748	S	1/2013	Ferber et al.	8,820,330	B2	9/2014	Bellinger et al.
8,344,693	B2	1/2013	Budziszek et al.	8,829,395	B2	9/2014	Bao
D676,741	S	2/2013	van Landsveld et al.	8,851,068	B2	10/2014	Cohen et al.
8,371,310	B2	2/2013	Brenneise	8,851,081	B2	10/2014	Fernando et al.
8,375,947	B2	2/2013	Alston et al.	8,851,083	B2	10/2014	Oglesby et al.
8,375,957	B2	2/2013	Hon	8,857,446	B2	10/2014	Wu
8,381,739	B2	2/2013	Gonda	8,863,752	B2	10/2014	Hon
8,387,612	B2	3/2013	Damani et al.	8,869,792	B1	10/2014	Lee
8,393,331	B2	3/2013	Hon	8,881,737	B2	11/2014	Collett et al.
8,402,978	B2	3/2013	Karles et al.	8,881,738	B2	11/2014	Bryman
8,424,539	B2	4/2013	Braunshsteyn et al.	8,893,726	B2	11/2014	Hon
D681,445	S	5/2013	van Landsveld et al.	8,897,628	B2	11/2014	Conley et al.
D682,090	S	5/2013	Scatterday	D718,621	S	12/2014	Mitchell et al.
D682,698	S	5/2013	Young	D718,723	S	12/2014	Clymer et al.
D682,841	S	5/2013	Suetake et al.	D718,933	S	12/2014	Brown, Jr.
8,443,534	B2	5/2013	Goodfellow et al.	D719,701	S	12/2014	Scatterday
D684,683	S	6/2013	Curti et al.	D720,095	S	12/2014	Alima
8,464,867	B2	6/2013	Holloway et al.	D720,496	S	12/2014	Alima
D686,336	S	7/2013	Horian	D720,497	S	12/2014	Alima
D686,987	S	7/2013	Vanstone et al.	8,899,238	B2	12/2014	Robinson et al.
D687,042	S	7/2013	Yoneta et al.	8,899,240	B2	12/2014	Mass
8,479,747	B2	7/2013	O'Connell	8,905,040	B2	12/2014	Scatterday et al.
8,490,629	B1	7/2013	Shenassa et al.	8,910,630	B2	12/2014	Todd
8,495,998	B2	7/2013	Schennum	8,910,639	B2	12/2014	Chang et al.
8,499,766	B1	8/2013	Newton	8,910,640	B2	12/2014	Sears et al.
8,511,318	B2	8/2013	Hon	8,910,641	B2	12/2014	Hon
D689,818	S	9/2013	Sasada	8,910,783	B2	12/2014	Liu
D690,461	S	9/2013	Chen	8,915,254	B2	12/2014	Monsees et al.
8,539,959	B1	9/2013	Scatterday	8,919,561	B2	12/2014	Boisseau
8,541,401	B2	9/2013	Mishra et al.	D721,202	S	1/2015	Liu
D691,324	S	10/2013	Saliman	D721,577	S	1/2015	Scatterday
D692,615	S	10/2013	Verleure	8,925,555	B2	1/2015	Monsees et al.
8,550,069	B2	10/2013	Alelov	8,928,277	B2	1/2015	Xiang et al.
8,552,691	B2	10/2013	Wu	8,931,492	B2	1/2015	Scatterday
D693,054	S	11/2013	Verleure	D721,972	S	2/2015	Brewer et al.
8,578,942	B2	11/2013	Schennum	D722,023	S	2/2015	Brunner et al.
8,578,943	B2	11/2013	Luan et al.	8,948,578	B2	2/2015	Buchberger
D695,450	S	12/2013	Benassayag et al.	8,950,395	B2	2/2015	Schennum
D696,051	S	12/2013	Scatterday	8,955,522	B1	2/2015	Bowen et al.
8,596,460	B2	12/2013	Scatterday	8,960,199	B2	2/2015	Zhuang et al.
8,646,462	B2	2/2014	Yamada et al.	8,961,492	B2	2/2015	Imran et al.
D700,572	S	3/2014	Esses	8,963,725	B2	2/2015	Xiang
8,671,952	B2	3/2014	Winterson et al.	D723,735	S	3/2015	Liu
8,678,012	B2	3/2014	Li et al.	D723,736	S	3/2015	Liu
8,689,789	B2	4/2014	Andrus et al.	D723,737	S	3/2015	Liu
8,689,805	B2	4/2014	Hon	D724,037	S	3/2015	Yoshioka
8,695,794	B2	4/2014	Scatterday	D725,310	S	3/2015	Eksouzian
8,707,965	B2	4/2014	Newton	D725,823	S	3/2015	Scatterday et al.
D704,629	S	5/2014	Liu	8,967,382	B2	3/2015	Liu
D704,634	S	5/2014	Eidelman et al.	8,973,587	B2	3/2015	Liu
D705,719	S	5/2014	Wong	8,975,764	B1	3/2015	Abehasera
D705,918	S	5/2014	Robinson et al.	8,978,663	B2	3/2015	Newton
8,714,150	B2	5/2014	Alelov	8,991,402	B2	3/2015	Bowen et al.
8,714,161	B2	5/2014	Liu	8,993,836	B2	3/2015	Tissier et al.
8,733,345	B2	5/2014	Siller	D726,727	S	4/2015	Holz et al.
8,733,346	B2	5/2014	Rinker	9,004,073	B2	4/2015	Tucker et al.
D707,389	S	6/2014	Liu	9,010,335	B1	4/2015	Scatterday
D707,627	S	6/2014	Brunner et al.	9,016,274	B1	4/2015	White
				9,018,899	B2	4/2015	Xiang
				D728,855	S	5/2015	Liu
				D729,030	S	5/2015	Novick et al.
				D729,277	S	5/2015	Uchida

(56)

References Cited

U.S. PATENT DOCUMENTS

D729,366	S	5/2015	Kauss et al.	9,220,303	B2	12/2015	Li et al.
D729,439	S	5/2015	Scatterday	D747,035	S	1/2016	Moradian
D729,444	S	5/2015	Leidel	D747,265	S	1/2016	Marini
D729,445	S	5/2015	Leidel	D747,546	S	1/2016	Liu
D730,282	S	5/2015	Miller et al.	D747,603	S	1/2016	Gaddis
D730,571	S	5/2015	Chen	D747,722	S	1/2016	Webb
D730,572	S	5/2015	Leidel	D747,852	S	1/2016	Meyers
9,022,026	B2	5/2015	Fang	D748,329	S	1/2016	Bagai et al.
9,022,039	B2	5/2015	Hearn	9,226,525	B2	1/2016	Liu
9,025,291	B2	5/2015	Xiang	9,226,526	B2	1/2016	Liu
9,028,808	B2	5/2015	Huland	9,233,217	B2	1/2016	Jones
9,032,968	B2	5/2015	Glasberg et al.	9,240,695	B2	1/2016	Xiang
9,038,626	B2	5/2015	Yamada et al.	9,240,697	B2	1/2016	Xiang
9,038,642	B2	5/2015	Liu	D748,852	S	2/2016	Wu
D731,114	S	6/2015	Leidel	D748,853	S	2/2016	Seibel et al.
D733,050	S	6/2015	Chiang	D749,260	S	2/2016	Wu
D733,142	S	6/2015	Solomon et al.	D749,261	S	2/2016	Chen
D733,356	S	6/2015	Leidel	D749,505	S	2/2016	Verleur et al.
9,046,278	B2	6/2015	Koller	D749,510	S	2/2016	Liu
9,050,431	B2	6/2015	Turner et al.	D749,781	S	2/2016	Lane
9,055,617	B2	6/2015	Thorens et al.	D750,320	S	2/2016	Verleur et al.
9,055,770	B2	6/2015	Liu	D750,321	S	2/2016	Chen
9,060,388	B2	6/2015	Liu	9,247,773	B2	2/2016	Memari et al.
9,060,548	B2	6/2015	Zheng et al.	9,254,002	B2	2/2016	Chong et al.
9,066,543	B2	6/2015	Cameron	9,254,005	B2	2/2016	Liu
9,072,321	B2	7/2015	Liu	9,255,277	B2	2/2016	Bakker et al.
9,072,322	B2	7/2015	Liu	D750,835	S	3/2016	Wei
9,078,472	B2	7/2015	Liu	D751,250	S	3/2016	Vuong
9,078,473	B2	7/2015	Worm et al.	D751,527	S	3/2016	Hinokio et al.
9,078,474	B2	7/2015	Thompson	D751,755	S	3/2016	Van Riper
9,078,475	B2	7/2015	Li et al.	D751,757	S	3/2016	Stern
9,089,166	B1	7/2015	Scatterday	D751,984	S	3/2016	Lin
9,089,168	B2	7/2015	Liu	D752,277	S	3/2016	Liu
9,090,173	B2	7/2015	Oishi	D752,278	S	3/2016	Verleur et al.
D736,706	S	8/2015	Huang et al.	D752,279	S	3/2016	Liu
D736,995	S	8/2015	Recio	D752,280	S	3/2016	Verleur et al.
D737,508	S	8/2015	Liu	D752,281	S	3/2016	Alima
9,095,174	B2	8/2015	Capuano	D752,282	S	3/2016	Doster
9,095,175	B2	8/2015	Terry et al.	D752,283	S	3/2016	Doster
9,099,873	B2	8/2015	Xiang	D752,284	S	3/2016	Doster
9,101,729	B2	8/2015	Liu	D752,285	S	3/2016	Doster
9,113,659	B2	8/2015	Liu	D752,286	S	3/2016	Doster
D737,566	S	9/2015	Gaddis	D752,808	S	3/2016	Hearn
D738,038	S	9/2015	Smith	9,271,525	B2	3/2016	Liu
D739,973	S	9/2015	Chao	9,271,526	B2	3/2016	Liu
9,131,733	B2	9/2015	Liu	9,271,529	B2	3/2016	Alima
D741,001	S	10/2015	Alarcon et al.	9,272,103	B2	3/2016	Storz
D741,002	S	10/2015	Liu	9,277,768	B2	3/2016	Xiu
D741,541	S	10/2015	Liu	9,277,769	B2	3/2016	Liu
D742,063	S	10/2015	Recio	9,281,705	B2	3/2016	Xiang
D742,064	S	10/2015	Leidel	9,282,772	B2	3/2016	Tucker et al.
9,155,336	B2	10/2015	Liu	9,282,773	B2	3/2016	Greim et al.
9,166,424	B2	10/2015	Oakley, Jr.	9,289,014	B2	3/2016	Tucker et al.
9,167,849	B2	10/2015	Adamic	9,295,286	B2	3/2016	Shin
9,167,850	B2	10/2015	Liu	D753,090	S	4/2016	Langhammer et al.
9,167,852	B2	10/2015	Xiu	D753,338	S	4/2016	Chen
9,167,853	B2	10/2015	Xiang	D753,873	S	4/2016	Schuessler
D742,492	S	11/2015	Robinson et al.	D753,874	S	4/2016	Moreno Medina et al.
D742,624	S	11/2015	Meyers	D754,917	S	4/2016	Salem
D743,099	S	11/2015	Oglesby	D754,919	S	4/2016	Alarcon et al.
D744,159	S	11/2015	Lukas	9,301,545	B2	4/2016	Li et al.
9,185,937	B2	11/2015	Liu	9,301,549	B2	4/2016	Liu
9,197,726	B2	11/2015	Stanimirovic et al.	9,302,800	B2	4/2016	Holmes et al.
D744,342	S	12/2015	Blasko et al.	9,302,825	B2	4/2016	Liu
D744,419	S	12/2015	Bowen et al.	9,308,336	B2	4/2016	Newton
D744,696	S	12/2015	Malhi	9,312,687	B2	4/2016	Xiang
D745,004	S	12/2015	Kim	9,315,890	B1	4/2016	Frick et al.
D745,388	S	12/2015	Taylor	9,320,300	B2	4/2016	Hon
D746,291	S	12/2015	Solomon et al.	D755,057	S	5/2016	Mutter
9,198,463	B2	12/2015	Liu	D755,506	S	5/2016	Neeley, III et al.
9,198,464	B2	12/2015	Liu	D755,733	S	5/2016	Ikegaya et al.
9,198,466	B2	12/2015	Liu	D755,735	S	5/2016	Kashimoto
9,204,670	B2	12/2015	Liu	D756,030	S	5/2016	Chen
9,215,895	B2	12/2015	Bowen et al.	D756,031	S	5/2016	Wu
9,220,302	B2	12/2015	DePiano et al.	D756,559	S	5/2016	Li
				D757,352	S	5/2016	Bagai
				D757,353	S	5/2016	Nunnally et al.
				D757,357	S	5/2016	Helfrich
				D757,690	S	5/2016	Lee et al.

(56)

References Cited

U.S. PATENT DOCUMENTS

D757,994	S	5/2016	Moradian	D768,068	S	10/2016	Chen
D757,995	S	5/2016	Liu	D768,331	S	10/2016	Chen
D758,004	S	5/2016	Freshwater et al.	D768,920	S	10/2016	Jones et al.
9,326,547	B2	5/2016	Tucker et al.	D768,980	S	10/2016	Alexander
9,326,549	B2	5/2016	Hon	D769,518	S	10/2016	Liu
9,332,787	B2	5/2016	Liu	D769,519	S	10/2016	Chen
9,345,269	B2	5/2016	Liu	D769,520	S	10/2016	Hua
9,350,102	B2	5/2016	Wu	D769,830	S	10/2016	Clymer et al.
9,350,178	B2	5/2016	Xiang	D770,088	S	10/2016	Abadi et al.
9,350,181	B2	5/2016	Xiang	9,456,632	B2	10/2016	Hon
9,351,522	B2	5/2016	Safari	9,456,633	B2	10/2016	Liu
D758,647	S	6/2016	Liu	9,456,634	B2	10/2016	Wang et al.
D758,649	S	6/2016	Liu	9,459,021	B2	10/2016	Greim et al.
D758,650	S	6/2016	Wu	9,462,832	B2	10/2016	Lord
D759,031	S	6/2016	Ozolins et al.	9,465,081	B2	10/2016	Xiang
D759,297	S	6/2016	Liu	9,474,305	B2	10/2016	Liu
D759,303	S	6/2016	Afridi	D770,395	S	11/2016	Clymer et al.
D760,431	S	6/2016	Liu	D770,676	S	11/2016	Bennett et al.
9,357,802	B2	6/2016	Liu	D770,678	S	11/2016	Shin
9,360,379	B2	6/2016	Liu	D770,679	S	11/2016	Weigensberg
9,364,025	B2	6/2016	Liu	D771,219	S	11/2016	Gilbarte
9,364,026	B2	6/2016	Liu	D771,307	S	11/2016	Wu
9,364,027	B2	6/2016	Hon	D771,308	S	11/2016	Saydar et al.
9,364,800	B2	6/2016	Dubief	D772,477	S	11/2016	Shin
9,379,364	B2	6/2016	Alima	D772,478	S	11/2016	Liu
D760,645	S	7/2016	Chen	D772,479	S	11/2016	Stowers et al.
D760,952	S	7/2016	Mayor	D772,480	S	11/2016	Hua
D761,488	S	7/2016	Alarcon et al.	D772,879	S	11/2016	Eliyahu
D761,999	S	7/2016	Liu	D773,114	S	11/2016	Leidel et al.
D762,000	S	7/2016	Liu	D773,115	S	11/2016	Liu
D762,001	S	7/2016	Liu	D773,116	S	11/2016	Liu et al.
D762,003	S	7/2016	Lomeli	9,480,285	B2	11/2016	Liu
D762,326	S	7/2016	Liu	9,480,286	B2	11/2016	Liu
9,380,810	B2	7/2016	Rose et al.	9,497,993	B2	11/2016	Vallar
9,380,812	B2	7/2016	Chung	9,497,994	B2	11/2016	Liu
9,383,053	B2	7/2016	Liu	9,497,995	B2	11/2016	Liu
9,385,554	B2	7/2016	Xiang	9,497,997	B2	11/2016	Wu
9,386,803	B2	7/2016	Burke et al.	9,497,998	B2	11/2016	Chen
D763,203	S	8/2016	Ikegaya et al.	9,497,999	B2	11/2016	Lord
D763,204	S	8/2016	Ikegaya et al.	9,498,001	B2	11/2016	Wu
D763,502	S	8/2016	Verleur et al.	9,498,002	B1	11/2016	Soreide
D764,098	S	8/2016	Liu	9,498,588	B2	11/2016	Benassayag et al.
D764,703	S	8/2016	Liu	9,502,917	B2	11/2016	Xiang
D765,307	S	8/2016	Liu	9,504,278	B2	11/2016	Liu
D765,308	S	8/2016	Liu	9,504,279	B2	11/2016	Chen
D765,309	S	8/2016	Liu	D773,391	S	12/2016	Haarburger et al.
9,408,416	B2	8/2016	Monsees et al.	D773,727	S	12/2016	Eksouzian
9,413,180	B2	8/2016	Liu	D773,729	S	12/2016	Jordan et al.
9,414,627	B2	8/2016	Liu	D774,247	S	12/2016	Chen
9,414,628	B2	8/2016	Liu	D774,248	S	12/2016	Jordan et al.
9,415,929	B2	8/2016	Liu	D774,514	S	12/2016	Turksu et al.
9,417,107	B2	8/2016	Xiang	D774,693	S	12/2016	Liu
9,420,831	B2	8/2016	Liu	D774,892	S	12/2016	Liu
9,427,022	B2	8/2016	Levin et al.	D775,412	S	12/2016	Di Bari
9,427,023	B2	8/2016	Liu	D775,413	S	12/2016	Liu
9,427,024	B2	8/2016	Liu	9,510,624	B2	12/2016	Li et al.
9,427,025	B2	8/2016	Liu	9,516,898	B2	12/2016	Liu
9,427,026	B2	8/2016	Wu	9,521,867	B2	12/2016	Xiang
D765,907	S	9/2016	Liu	9,526,272	B2	12/2016	Liu
D766,503	S	9/2016	Liu	9,526,273	B2	12/2016	Liu
D766,873	S	9/2016	Washio	9,531,183	B2	12/2016	Xiang
D767,200	S	9/2016	Liu	D775,762	S	1/2017	Chen
D767,201	S	9/2016	Starr	D776,051	S	1/2017	Wang
D767,820	S	9/2016	Jordan et al.	D776,162	S	1/2017	Beck et al.
D767,821	S	9/2016	Clark et al.	D776,270	S	1/2017	Wilcox et al.
D767,822	S	9/2016	Jordan et al.	D776,338	S	1/2017	Lomeli
9,433,242	B1	9/2016	Buffone	D776,340	S	1/2017	Seibel et al.
9,438,049	B2	9/2016	Xiang	D776,659	S	1/2017	Hou
9,438,051	B2	9/2016	Firman, II et al.	D777,372	S	1/2017	Liu
9,439,455	B2	9/2016	Alarcon et al.	D777,976	S	1/2017	Mahlmeister
9,439,456	B2	9/2016	Liu	9,532,598	B2	1/2017	Liu
9,440,035	B2	9/2016	Chung	9,532,599	B2	1/2017	Liu
9,451,790	B2	9/2016	Liu	9,532,601	B2	1/2017	Liu
9,451,793	B2	9/2016	Zhou	9,532,602	B2	1/2017	Liu
9,455,579	B2	9/2016	Xiang	9,532,604	B2	1/2017	Conley et al.
				9,532,605	B2	1/2017	Yamada et al.
				9,538,781	B2	1/2017	Zheng
				9,538,783	B2	1/2017	Xiang
				9,538,787	B2	1/2017	Liu

(56)

References Cited

U.S. PATENT DOCUMENTS

9,538,789 B2	1/2017	Liu	9,668,517 B2	6/2017	Liu
9,545,489 B2	1/2017	Turner et al.	9,668,518 B2	6/2017	Esses
9,549,572 B2	1/2017	Dincer et al.	9,668,519 B2	6/2017	Mishra et al.
9,549,573 B2*	1/2017	Monsees H05B 3/04	9,668,520 B2	6/2017	Boldrini
9,554,596 B2	1/2017	Liu	9,668,521 B2	6/2017	Kuczaj
9,554,597 B2	1/2017	Liu	9,668,522 B2	6/2017	Memari et al.
9,555,203 B2	1/2017	Terry et al.	9,668,523 B2	6/2017	Tucker et al.
D778,493 S	2/2017	Scott	9,675,108 B2	6/2017	Liu
D778,831 S	2/2017	Chen	9,675,113 B2	6/2017	Liu
D779,677 S	2/2017	Chen	9,675,114 B2	6/2017	Timmermans
D779,719 S	2/2017	Qiu	9,675,115 B2	6/2017	Liu
D780,179 S	2/2017	Bae et al.	9,675,116 B2	6/2017	Liu
D780,372 S	2/2017	Liu	9,675,117 B2	6/2017	Li et al.
D780,373 S	2/2017	Bennett et al.	9,675,118 B2	6/2017	Chen
9,560,882 B2	2/2017	Xiang	9,681,687 B2	6/2017	Liu
9,565,873 B2	2/2017	Zheng	9,681,688 B1	6/2017	Rinehart et al.
9,565,876 B2	2/2017	Tsai	9,682,203 B2	6/2017	Dahne et al.
9,572,372 B2	2/2017	Liu	9,682,204 B2	6/2017	Matsumoto et al.
9,572,373 B2	2/2017	Chen	9,682,800 B2	6/2017	Xiang
9,572,374 B2	2/2017	Gabbay	9,687,025 B2	6/2017	Cyphert et al.
9,573,751 B2	2/2017	Liu	9,687,027 B2	6/2017	Poston et al.
9,578,002 B2	2/2017	Wu	9,687,028 B2	6/2017	Park
9,578,898 B2	2/2017	Liu	9,687,029 B2	6/2017	Liu
D780,990 S	3/2017	Liu	D792,021 S	7/2017	Beer et al.
D780,991 S	3/2017	Liu	D792,022 S	7/2017	Li
D782,108 S	3/2017	Jordan et al.	D792,644 S	7/2017	Jordan et al.
D782,728 S	3/2017	Pinder	D793,004 S	7/2017	Liu
D782,729 S	3/2017	Wright et al.	9,693,584 B2	7/2017	Hearn et al.
9,591,876 B2	3/2017	Alima	9,693,586 B2	7/2017	Liu
9,596,881 B2	3/2017	Chiolini et al.	9,693,587 B2	7/2017	Plojoux et al.
9,596,884 B2	3/2017	Liu	9,693,588 B2	7/2017	Zhu
9,596,885 B2	3/2017	Liu	9,695,033 B1	7/2017	Alshouse et al.
9,596,886 B2	3/2017	Liu	9,700,074 B2	7/2017	Liu
9,596,887 B2	3/2017	Newton	9,700,075 B2	7/2017	Liu
9,602,646 B2	3/2017	Stanimirovic et al.	9,700,076 B2	7/2017	Xiang
9,603,198 B2	3/2017	Liu	9,713,345 B2	7/2017	Farine et al.
9,603,386 B2	3/2017	Xiang	9,713,346 B2	7/2017	Hon
9,603,387 B2	3/2017	Liu	9,714,878 B2	7/2017	Powers et al.
9,603,389 B2	3/2017	Chen	D793,620 S	8/2017	Bennett et al.
9,603,390 B2	3/2017	Li et al.	9,717,274 B2	8/2017	Daehne et al.
D784,609 S	4/2017	Liu	9,717,275 B2	8/2017	Liu
D785,234 S	4/2017	Liu	9,717,276 B2	8/2017	Brammer et al.
D785,237 S	4/2017	Wu	9,717,277 B2	8/2017	Mironov
9,609,893 B2	4/2017	Novak, III et al.	9,717,278 B2	8/2017	Hon
9,615,605 B2	4/2017	Liu	9,717,279 B2	8/2017	Hon
9,615,606 B2	4/2017	Liu	9,723,872 B2	8/2017	Liu
9,615,607 B2	4/2017	Liu	9,723,873 B2	8/2017	Liu
9,620,958 B2	4/2017	Liu	9,723,874 B2	8/2017	Liu
9,622,511 B2	4/2017	Zhu	9,723,875 B2	8/2017	Liu
9,623,592 B2	4/2017	Liu	9,723,876 B2	8/2017	Cadioux et al.
9,627,661 B2	4/2017	Liu	9,723,877 B2	8/2017	Wong et al.
9,629,391 B2	4/2017	Dube et al.	9,730,471 B2	8/2017	Li et al.
9,629,394 B2	4/2017	Aronie et al.	9,738,622 B2	8/2017	Dull et al.
D785,859 S	5/2017	Pang	9,763,478 B2	9/2017	Cameron et al.
D785,862 S	5/2017	Wu	9,770,055 B2	9/2017	Cameron et al.
D786,789 S	5/2017	Jordan et al.	9,772,216 B2	9/2017	Poole et al.
D787,114 S	5/2017	Scott	D799,746 S	10/2017	Leidel et al.
D788,362 S	5/2017	Qiu	9,775,380 B2	10/2017	Fernando et al.
9,635,886 B2	5/2017	Tu	9,802,011 B2	10/2017	Davidson et al.
9,641,208 B2	5/2017	Sela et al.	9,806,549 B2	10/2017	Liberti et al.
9,642,396 B2	5/2017	Liu	D802,206 S	11/2017	Huang et al.
9,642,397 B2	5/2017	Dai et al.	9,809,567 B2	11/2017	Willis et al.
9,645,134 B1	5/2017	Farmen et al.	9,814,263 B2	11/2017	Cochand et al.
9,648,905 B2	5/2017	Levitz et al.	9,814,272 B2	11/2017	Li et al.
9,648,908 B1	5/2017	Rinehart et al.	9,820,508 B2	11/2017	Arnel et al.
9,648,909 B2	5/2017	Zhou et al.	D806,311 S	12/2017	Smith
9,655,383 B2	5/2017	Holzherr et al.	9,930,915 B2	4/2018	Worm et al.
9,655,890 B2	5/2017	Hearn et al.	2001/0015209 A1	8/2001	Zielke
9,661,878 B2	5/2017	Liu	2001/0032643 A1	10/2001	Hochrainer et al.
9,663,266 B2	5/2017	Schwester	2001/0032795 A1	10/2001	Weinstein et al.
D788,697 S	6/2017	Verleur et al.	2001/0052480 A1	12/2001	Kawaguchi et al.
D790,122 S	6/2017	Hawes et al.	2002/0029779 A1	3/2002	Schmidt et al.
D790,126 S	6/2017	Bennett et al.	2002/0043554 A1	4/2002	White et al.
D790,129 S	6/2017	Bennett et al.	2002/0078951 A1	6/2002	Nichols et al.
D790,766 S	6/2017	Li	2002/0088469 A1	7/2002	Rennecamp
			2002/0142291 A1	10/2002	Bauer et al.
			2002/0175164 A1	11/2002	Dees et al.
			2003/0004426 A1	1/2003	Melker et al.
			2003/0005926 A1	1/2003	Jones et al.

(56)

References Cited

U.S. PATENT DOCUMENTS

2003/0089377	A1	5/2003	Hajaligol et al.	2008/0138423	A1	6/2008	Gonda
2003/0149372	A1	8/2003	Smith et al.	2008/0149118	A1	6/2008	Oglesby et al.
2003/0150451	A1	8/2003	Shayan	2008/0207276	A1	8/2008	Burrell
2003/0154991	A1	8/2003	Fournier et al.	2008/0214103	A1	9/2008	Nelson et al.
2004/0031495	A1	2/2004	Steinberg	2008/0216828	A1	9/2008	Wensley et al.
2004/0050382	A1	3/2004	Goodchild	2008/0241255	A1	10/2008	Rose et al.
2004/0099266	A1	5/2004	Cross et al.	2008/0257367	A1	10/2008	Paterno et al.
2004/0129280	A1	7/2004	Woodson et al.	2008/0276947	A1	11/2008	Martzel
2004/0149296	A1	8/2004	Rostami et al.	2008/0286340	A1	11/2008	Andersson et al.
2004/0149624	A1	8/2004	Wischusen et al.	2008/0302375	A1	12/2008	Andersson et al.
2004/0173224	A1	9/2004	Burgard et al.	2009/0004249	A1	1/2009	Gonda
2004/0173229	A1	9/2004	Crooks et al.	2009/0071469	A1	3/2009	Abrams
2004/0182403	A1	9/2004	Andersson et al.	2009/0095287	A1	4/2009	Emarlou
2004/0191322	A1	9/2004	Hansson	2009/0095311	A1	4/2009	Han
2004/0206350	A1	10/2004	Alston et al.	2009/0111287	A1	4/2009	Lindberg et al.
2004/0221857	A1	11/2004	Dominguez	2009/0126745	A1	5/2009	Hon
2004/0226569	A1	11/2004	Yang et al.	2009/0133691	A1	5/2009	Yamada et al.
2004/0237974	A1	12/2004	Min	2009/0133703	A1	5/2009	Strickland et al.
2005/0016533	A1	1/2005	Schuler et al.	2009/0133704	A1	5/2009	Strickland et al.
2005/0016549	A1	1/2005	Banerjee et al.	2009/0141196	A1	6/2009	Basner et al.
2005/0016550	A1	1/2005	Katase	2009/0151717	A1	6/2009	Bowen et al.
2005/0029137	A1	2/2005	Wang	2009/0188490	A1	7/2009	Han
2005/0034723	A1	2/2005	Bennett et al.	2009/0192443	A1	7/2009	Collins, Jr.
2005/0051453	A1	3/2005	Schuler et al.	2009/0230117	A1	9/2009	Fernando et al.
2005/0056280	A1	3/2005	Alston et al.	2009/0255534	A1	10/2009	Paterno
2005/0061759	A1	3/2005	Doucette	2009/0260641	A1	10/2009	Monsees et al.
2005/0069831	A1	3/2005	St Charles et al.	2009/0260642	A1	10/2009	Monsees et al.
2005/0081601	A1	4/2005	Lawson	2009/0267252	A1	10/2009	Ikeyama
2005/0090798	A1	4/2005	Clark et al.	2009/0272379	A1	11/2009	Thorens et al.
2005/0118545	A1	6/2005	Wong	2009/0283103	A1	11/2009	Nielsen et al.
2005/0145533	A1	7/2005	Seligson	2009/0288668	A1	11/2009	Inagaki
2005/0161467	A1	7/2005	Jones	2009/0288669	A1	11/2009	Hutchens
2005/0172976	A1	8/2005	Newman et al.	2009/0293892	A1	12/2009	Williams et al.
2005/0229918	A1	10/2005	Shim	2009/0293895	A1	12/2009	Axelsson et al.
2005/0236006	A1	10/2005	Cowan	2009/0302019	A1	12/2009	Selenski et al.
2005/0244521	A1	11/2005	Strickland et al.	2009/0308387	A1	12/2009	Andersen et al.
2005/0268908	A1	12/2005	Bonney et al.	2010/0000672	A1	1/2010	Fogle
2005/0268911	A1	12/2005	Cross et al.	2010/0006092	A1	1/2010	Hale et al.
2006/0016453	A1	1/2006	Kim	2010/0024834	A1	2/2010	Oglesby et al.
2006/0018840	A1	1/2006	Lechuga-Ballesteros et al.	2010/0031968	A1	2/2010	Sheikh et al.
2006/0054676	A1	3/2006	Wischusen	2010/0059073	A1	3/2010	Hoffmann et al.
2006/0102175	A1	5/2006	Nelson	2010/0156193	A1	6/2010	Rhodes et al.
2006/0150991	A1	7/2006	Lee	2010/0163063	A1	7/2010	Fernando et al.
2006/0185687	A1	8/2006	Hearn et al.	2010/0163065	A1	7/2010	Chang
2006/0191546	A1	8/2006	Takano et al.	2010/0186757	A1	7/2010	Crooks et al.
2006/0191548	A1	8/2006	Strickland et al.	2010/0200006	A1	8/2010	Robinson et al.
2006/0191594	A1	8/2006	Py	2010/0200008	A1	8/2010	Taieb
2006/0196518	A1	9/2006	Hon	2010/0236562	A1	9/2010	Hearn et al.
2006/0254948	A1	11/2006	Herbert et al.	2010/0242956	A1	9/2010	Yamada et al.
2006/0255105	A1	11/2006	Sweet	2010/0242974	A1	9/2010	Pan
2007/0006889	A1	1/2007	Kobal et al.	2010/0242976	A1	9/2010	Katayama et al.
2007/0045288	A1	3/2007	Nelson	2010/0275938	A1	11/2010	Roth et al.
2007/0062548	A1	3/2007	Horstmann et al.	2010/0276333	A1	11/2010	Couture
2007/0074734	A1	4/2007	Braunshsteyn et al.	2010/0307116	A1	12/2010	Fisher
2007/0089757	A1	4/2007	Bryman	2010/0307518	A1	12/2010	Wang
2007/0098148	A1	5/2007	Sherman	2010/0313901	A1	12/2010	Fernando et al.
2007/0102013	A1	5/2007	Adams et al.	2011/0005535	A1	1/2011	Xiu
2007/0125765	A1	6/2007	Nelson	2011/0011396	A1	1/2011	Fang
2007/0144514	A1	6/2007	Yeates et al.	2011/0030706	A1	2/2011	Gibson et al.
2007/0163610	A1	7/2007	Lindell et al.	2011/0036346	A1	2/2011	Cohen et al.
2007/0169773	A1	7/2007	Rock	2011/0036363	A1	2/2011	Urtsev et al.
2007/0191756	A1	8/2007	Tapper	2011/0041861	A1	2/2011	Sebastian et al.
2007/0215164	A1	9/2007	Mehio	2011/0049226	A1	3/2011	Moreau et al.
2007/0215168	A1	9/2007	Banerjee et al.	2011/0083684	A1	4/2011	Luan et al.
2007/0235046	A1	10/2007	Gedevanishvili	2011/0094523	A1	4/2011	Thorens et al.
2007/0267033	A1	11/2007	Mishra et al.	2011/0097060	A1	4/2011	Michael Buzzetti
2007/0277816	A1	12/2007	Morrison et al.	2011/0108023	A1	5/2011	McKinney et al.
2007/0280652	A1	12/2007	Williams	2011/0120482	A1	5/2011	Brenneise
2007/0283972	A1	12/2007	Monsees et al.	2011/0126831	A1	6/2011	Fernandez Pernia
2007/0295347	A1	12/2007	Paine et al.	2011/0155151	A1	6/2011	Newman et al.
2008/0000763	A1	1/2008	Cove	2011/0155153	A1	6/2011	Thorens et al.
2008/0023003	A1	1/2008	Rosenthal	2011/0162667	A1	7/2011	Burke et al.
2008/0029095	A1	2/2008	Esser	2011/0168194	A1	7/2011	Hon
2008/0065176	A1	3/2008	Zhang et al.	2011/0180433	A1	7/2011	Rennecamp
2008/0092912	A1	4/2008	Robinson et al.	2011/0192397	A1	8/2011	Saskar et al.
				2011/0226236	A1	9/2011	Buchberger
				2011/0226266	A1	9/2011	Tao
				2011/0232654	A1	9/2011	Mass
				2011/0232655	A1	9/2011	Chan et al.

(56)

References Cited

U.S. PATENT DOCUMENTS

2011/0236002	A1	9/2011	Oglesby et al.	2013/0192615	A1	8/2013	Tucker et al.	
2011/0240047	A1	10/2011	Adamic	2013/0192618	A1	8/2013	Li et al.	
2011/0263947	A1	10/2011	Utley et al.	2013/0192619	A1	8/2013	Tucker et al.	
2011/0265788	A1	11/2011	Wu	2013/0199528	A1	8/2013	Goodman et al.	
2011/0265806	A1	11/2011	Alarcon et al.	2013/0213417	A1	8/2013	Chong et al.	
2011/0268809	A1	11/2011	Brinkley et al.	2013/0213418	A1	8/2013	Tucker et al.	
2011/0277780	A1	11/2011	Terry et al.	2013/0213419	A1	8/2013	Tucker et al.	
2011/0278189	A1	11/2011	Terry et al.	2013/0220315	A1	8/2013	Conley et al.	
2011/0284520	A1	11/2011	Fong	2013/0220847	A1	8/2013	Fisher et al.	
2011/0290248	A1	12/2011	Schennum	2013/0228190	A1	9/2013	Weiss et al.	
2011/0290269	A1	12/2011	Shimizu	2013/0228191	A1	9/2013	Newton	
2011/0293535	A1	12/2011	Kosik et al.	2013/0233086	A1	9/2013	Besling et al.	
2011/0308515	A1	12/2011	Snyder et al.	2013/0247924	A1	9/2013	Scatterday et al.	
2011/0308521	A1	12/2011	Kofford	2013/0248385	A1	9/2013	Scatterday et al.	
2011/0315152	A1	12/2011	Hearn et al.	2013/0255702	A1	10/2013	Griffith, Jr. et al.	
2011/0315701	A1	12/2011	Everson	2013/0263869	A1	10/2013	Zhu	
2012/0006342	A1	1/2012	Rose et al.	2013/0276802	A1	10/2013	Scatterday	
2012/0060853	A1	3/2012	Robinson et al.	2013/0284190	A1	10/2013	Scatterday et al.	
2012/0077849	A1	3/2012	Howson et al.	2013/0284191	A1	10/2013	Scatterday et al.	
2012/0086391	A1	4/2012	Smith	2013/0284192	A1	10/2013	Peleg et al.	
2012/0111346	A1	5/2012	Rinker et al.	2013/0298905	A1	11/2013	Levin et al.	
2012/0111347	A1	5/2012	Hon	2013/0306065	A1	11/2013	Thorens et al.	
2012/0118301	A1	5/2012	Montaser	2013/0306084	A1	11/2013	Flick	
2012/0118307	A1	5/2012	Tu	2013/0312742	A1	11/2013	Monsees et al.	
2012/0125353	A1	5/2012	Wollin	2013/0319431	A1	12/2013	Cyphert et al.	
2012/0138052	A1	6/2012	Hearn et al.	2013/0319435	A1	12/2013	Flick	
2012/0174914	A1	7/2012	Pirshafiey et al.	2013/0319436	A1	12/2013	Liu	
2012/0199146	A1	8/2012	Marangos	2013/0319437	A1	12/2013	Liu	
2012/0199572	A1	8/2012	Shen et al.	2013/0319439	A1	12/2013	Gorelick et al.	
2012/0199663	A1	8/2012	Qiu	2013/0319440	A1	12/2013	Capuano	
2012/0204889	A1	8/2012	Xiu	2013/0333700	A1	12/2013	Buchberger	
2012/0211015	A1	8/2012	Li et al.	2013/0333711	A1	12/2013	Liu	
2012/0227753	A1	9/2012	Newton	2013/0336358	A1	12/2013	Liu	
2012/0234315	A1	9/2012	Li et al.	2013/0340775	A1	12/2013	Juster et al.	
2012/0234821	A1	9/2012	Shimizu	2013/0342157	A1	12/2013	Liu	
2012/0247494	A1	10/2012	Oglesby et al.	2014/0000638	A1	1/2014	Sebastian et al.	
2012/0255567	A1	10/2012	Rose et al.	2014/0007891	A1*	1/2014	Liu A24F 47/002	131/329
2012/0260926	A1	10/2012	Tu et al.	2014/0007892	A1	1/2014	Liu	
2012/0260927	A1	10/2012	Liu	2014/0014124	A1	1/2014	Glasberg et al.	
2012/0261286	A1	10/2012	Holloway et al.	2014/0014126	A1	1/2014	Peleg et al.	
2012/0267383	A1	10/2012	Van Rooyen	2014/0020697	A1	1/2014	Liu	
2012/0279512	A1	11/2012	Hon	2014/0034052	A1	2/2014	Glusker et al.	
2012/0285475	A1	11/2012	Liu	2014/0034071	A1	2/2014	Levitz et al.	
2012/0291791	A1	11/2012	Pradeep	2014/0035391	A1	2/2014	Kitani	
2012/0298676	A1	11/2012	Cooks	2014/0041655	A1	2/2014	Barron et al.	
2012/0312313	A1	12/2012	Frija	2014/0041658	A1	2/2014	Goodman et al.	
2012/0318882	A1	12/2012	Abehasera	2014/0048086	A1	2/2014	Zhanghua	
2012/0325227	A1	12/2012	Robinson et al.	2014/0053856	A1	2/2014	Liu	
2012/0325228	A1	12/2012	Williams	2014/0053858	A1	2/2014	Liu	
2013/0008457	A1	1/2013	Zheng et al.	2014/0060528	A1	3/2014	Liu	
2013/0014755	A1	1/2013	Kumar et al.	2014/0060529	A1	3/2014	Zhang	
2013/0014772	A1	1/2013	Liu	2014/0060552	A1	3/2014	Cohen	
2013/0019887	A1	1/2013	Liu	2014/0060556	A1	3/2014	Liu	
2013/0023850	A1	1/2013	Imran et al.	2014/0062417	A1	3/2014	Li et al.	
2013/0025609	A1	1/2013	Liu	2014/0069424	A1	3/2014	Poston et al.	
2013/0037041	A1	2/2013	Worm et al.	2014/0069425	A1	3/2014	Zhang	
2013/0042864	A1	2/2013	Adler et al.	2014/0083442	A1	3/2014	Scatterday	
2013/0042865	A1	2/2013	Monsees et al.	2014/0096781	A1	4/2014	Sears et al.	
2013/0047984	A1	2/2013	Dahne et al.	2014/0096782	A1	4/2014	Ampolini et al.	
2013/0056012	A1	3/2013	Hearn et al.	2014/0107815	A1	4/2014	LaMothe	
2013/0056013	A1	3/2013	Terry et al.	2014/0109898	A1	4/2014	Li et al.	
2013/0068239	A1	3/2013	Youn	2014/0109921	A1	4/2014	Chen	
2013/0074857	A1	3/2013	Buchberger	2014/0116455	A1	5/2014	Youn	
2013/0081642	A1	4/2013	Safari	2014/0123989	A1	5/2014	LaMothe	
2013/0087160	A1	4/2013	Gherghe	2014/0123990	A1	5/2014	Timmermans	
2013/0099025	A1	4/2013	McDonnell	2014/0130796	A1	5/2014	Liu	
2013/0140200	A1	6/2013	Scatterday	2014/0130797	A1	5/2014	Liu	
2013/0146489	A1	6/2013	Scatterday	2014/0130816	A1	5/2014	Liu	
2013/0152922	A1	6/2013	Benassayag et al.	2014/0130817	A1	5/2014	Li et al.	
2013/0152954	A1	6/2013	Youn	2014/0144429	A1	5/2014	Wensley et al.	
2013/0167854	A1	7/2013	Shin	2014/0144453	A1*	5/2014	Capuano A24F 47/008	131/329
2013/0168880	A1	7/2013	Duke	2014/0150784	A1	6/2014	Liu	
2013/0174842	A1	7/2013	Young et al.	2014/0150785	A1	6/2014	Malik et al.	
2013/0182421	A1	7/2013	Popper et al.	2014/0150810	A1	6/2014	Hon	
2013/0186416	A1	7/2013	Gao et al.	2014/0158129	A1	6/2014	Pratt, Jr. et al.	
				2014/0161301	A1	6/2014	Merenda	
				2014/0166028	A1	6/2014	Fuisz et al.	

(56)

References Cited

U.S. PATENT DOCUMENTS

2014/0166029	A1	6/2014	Weigensberg et al.	2014/0278258	A1	9/2014	Shafer
2014/0166030	A1	6/2014	Li et al.	2014/0283823	A1	9/2014	Liu
2014/0166032	A1	6/2014	Gindrat	2014/0283855	A1	9/2014	Hawes et al.
2014/0174458	A1	6/2014	Katz	2014/0283856	A1	9/2014	Xiang
2014/0174459	A1	6/2014	Burstyn	2014/0283857	A1	9/2014	Liu
2014/0175081	A1	6/2014	Hwa	2014/0283858	A1	9/2014	Liu
2014/0178461	A1	6/2014	Rigas	2014/0290673	A1	10/2014	Liu
2014/0182609	A1	7/2014	Liu	2014/0290676	A1	10/2014	Liu
2014/0182610	A1	7/2014	Liu	2014/0290677	A1	10/2014	Liu
2014/0182611	A1	7/2014	Liu	2014/0299137	A1	10/2014	Kieckbusch et al.
2014/0182612	A1	7/2014	Chen	2014/0299138	A1	10/2014	Xiang
2014/0190477	A1	7/2014	Qiu	2014/0299139	A1	10/2014	Liu
2014/0190478	A1	7/2014	Liu	2014/0299140	A1	10/2014	Liu
2014/0190496	A1	7/2014	Wensley et al.	2014/0301721	A1	10/2014	Ruscio et al.
2014/0190501	A1	7/2014	Liu	2014/0305450	A1	10/2014	Xiang
2014/0190502	A1	7/2014	Liu	2014/0305451	A1	10/2014	Liu
2014/0190503	A1	7/2014	Li et al.	2014/0305452	A1	10/2014	Liu
2014/0196716	A1	7/2014	Liu	2014/0305454	A1*	10/2014	Rinker A24F 47/008
2014/0196718	A1	7/2014	Li et al.				131/329
2014/0196731	A1	7/2014	Scatterday	2014/0311503	A1	10/2014	Liu
2014/0196733	A1	7/2014	Liu	2014/0311504	A1	10/2014	Liu
2014/0196734	A1	7/2014	Liu	2014/0311505	A1	10/2014	Liu
2014/0196735	A1	7/2014	Liu	2014/0321837	A1	10/2014	Flick
2014/0202474	A1	7/2014	Peleg et al.	2014/0332016	A1	11/2014	Bellinger et al.
2014/0202475	A1	7/2014	Liu	2014/0332017	A1	11/2014	Liu
2014/0202477	A1	7/2014	Qi et al.	2014/0332018	A1	11/2014	Liu
2014/0209096	A1	7/2014	Cheyene	2014/0332019	A1	11/2014	Liu
2014/0209106	A1	7/2014	Liu	2014/0332020	A1	11/2014	Li et al.
2014/0209107	A1	7/2014	Liu	2014/0332022	A1	11/2014	Li et al.
2014/0209108	A1	7/2014	Li et al.	2014/0334803	A1	11/2014	Li et al.
2014/0209109	A1	7/2014	Larson	2014/0334804	A1	11/2014	Choi
2014/0216450	A1	8/2014	Liu	2014/0338680	A1	11/2014	Abramov et al.
2014/0216483	A1	8/2014	Alima	2014/0338681	A1	11/2014	Liu
2014/0216484	A1	8/2014	Liu	2014/0338682	A1	11/2014	Liu
2014/0224244	A1	8/2014	Liu	2014/0338683	A1	11/2014	Liu
2014/0224267	A1	8/2014	Levitz et al.	2014/0338684	A1	11/2014	Liu
2014/0230835	A1	8/2014	Saliman	2014/0338685	A1	11/2014	Amir
2014/0238421	A1	8/2014	Shapiro	2014/0345631	A1	11/2014	Bowen et al.
2014/0238422	A1	8/2014	Plunkett et al.	2014/0345632	A1	11/2014	Scatterday
2014/0238423	A1	8/2014	Tucker et al.	2014/0345633	A1	11/2014	Talon et al.
2014/0238424	A1	8/2014	Macko et al.	2014/0345635	A1	11/2014	Rabinowitz et al.
2014/0246031	A1	9/2014	Liu	2014/0352177	A1	12/2014	Rehkemper
2014/0246033	A1	9/2014	Daehne et al.	2014/0352705	A1	12/2014	Liu
2014/0251324	A1	9/2014	Xiang	2014/0352707	A1	12/2014	Liu
2014/0251325	A1	9/2014	Liu	2014/0353856	A1	12/2014	Dubief
2014/0251356	A1	9/2014	Xiang	2014/0353867	A1	12/2014	Liu
2014/0253144	A1	9/2014	Novak, III et al.	2014/0354215	A1	12/2014	Xiang
2014/0254055	A1	9/2014	Xiang	2014/0355969	A1	12/2014	Stern
2014/0259026	A1	9/2014	Xiang	2014/0356607	A1	12/2014	Woodcock
2014/0261408	A1*	9/2014	DePiano A24F 47/008	2014/0360512	A1	12/2014	Xiang
			128/202.21	2014/0360516	A1	12/2014	Liu
2014/0261474	A1	9/2014	Gonda	2014/0366894	A1	12/2014	Liu
2014/0261479	A1	9/2014	Xu et al.	2014/0366895	A1	12/2014	Li et al.
2014/0261483	A1	9/2014	Hopps	2014/0366896	A1	12/2014	Li et al.
2014/0261486	A1	9/2014	Potter et al.	2014/0366897	A1	12/2014	Liu
2014/0261487	A1	9/2014	Chapman et al.	2014/0366898	A1	12/2014	Monsees et al.
2014/0261488	A1	9/2014	Tucker	2014/0366902	A1	12/2014	Chiolini et al.
2014/0261489	A1	9/2014	Cadieux et al.	2014/0373833	A1	12/2014	Liu
2014/0261490	A1	9/2014	Kane	2014/0373855	A1	12/2014	Zheng
2014/0261491	A1	9/2014	Hawes	2014/0373858	A1	12/2014	Liu
2014/0261492	A1	9/2014	Kane et al.	2014/0376895	A1	12/2014	Han
2014/0261493	A1	9/2014	Smith et al.	2014/0378790	A1	12/2014	Cohen
2014/0261494	A1	9/2014	Scatterday	2015/0000682	A1	1/2015	Liu
2014/0261495	A1	9/2014	Novak, III et al.	2015/0000683	A1	1/2015	Liu
2014/0261497	A1	9/2014	Liu	2015/0007834	A1	1/2015	Liu
2014/0261498	A1	9/2014	Liu	2015/0007835	A1	1/2015	Liu
2014/0261500	A1	9/2014	Park	2015/0007836	A1	1/2015	Li et al.
2014/0270727	A1	9/2014	Ampolini et al.	2015/0013692	A1	1/2015	Liu
2014/0270729	A1	9/2014	DePiano et al.	2015/0013693	A1	1/2015	Fuisz et al.
2014/0270730	A1*	9/2014	DePiano A24F 47/008	2015/0013696	A1	1/2015	Plojoux et al.
			392/404	2015/0013700	A1	1/2015	Liu
2014/0271946	A1	9/2014	Kobal et al.	2015/0013701	A1	1/2015	Liu
2014/0274940	A1	9/2014	Mishra et al.	2015/0013702	A1	1/2015	Liu
2014/0276536	A1	9/2014	Estes	2015/0015187	A1	1/2015	Xiang
2014/0278250	A1	9/2014	Smith et al.	2015/0020822	A1	1/2015	Janardhan et al.
				2015/0020823	A1	1/2015	Lipowicz et al.
				2015/0020824	A1	1/2015	Bowen et al.
				2015/0020825	A1	1/2015	Galloway et al.
				2015/0020826	A1	1/2015	Liu

(56)

References Cited

U.S. PATENT DOCUMENTS

2015/0020827	A1	1/2015	Liu	2015/0101606	A1	4/2015	White
2015/0020828	A1	1/2015	Liu	2015/0101622	A1	4/2015	Liu
2015/0020829	A1	1/2015	Li	2015/0101623	A1	4/2015	Liu
2015/0020830	A1	1/2015	Koller	2015/0101625	A1	4/2015	Newton et al.
2015/0020831	A1	1/2015	Weigensberg et al.	2015/0101626	A1	4/2015	Li et al.
2015/0020833	A1	1/2015	Conley et al.	2015/0101945	A1	4/2015	Scatterday
2015/0027454	A1	1/2015	Li et al.	2015/0102777	A1	4/2015	Cooper
2015/0027455	A1	1/2015	Peleg et al.	2015/0105455	A1	4/2015	Bjorncrantz
2015/0027456	A1	1/2015	Janardhan et al.	2015/0107609	A1	4/2015	Liu
2015/0027457	A1	1/2015	Janardhan et al.	2015/0107610	A1	4/2015	Metrangolo et al.
2015/0027460	A1	1/2015	Liu	2015/0107611	A1	4/2015	Metrangolo et al.
2015/0027461	A1	1/2015	Liu	2015/0107612	A1	4/2015	Liu
2015/0027462	A1	1/2015	Liu	2015/0108019	A1	4/2015	Liu
2015/0027463	A1	1/2015	Liu	2015/0114407	A1	4/2015	Duncan et al.
2015/0027464	A1	1/2015	Liu	2015/0114410	A1	4/2015	Doster
2015/0027465	A1	1/2015	Liu	2015/0114504	A1	4/2015	Cecka et al.
2015/0027466	A1	1/2015	Xiang	2015/0117842	A1	4/2015	Brammer et al.
2015/0027467	A1	1/2015	Liu	2015/0122252	A1	5/2015	Frija
2015/0027468	A1	1/2015	Li et al.	2015/0122274	A1	5/2015	Cohen et al.
2015/0027469	A1	1/2015	Tucker et al.	2015/0122278	A1	5/2015	Hardgrove et al.
2015/0027470	A1	1/2015	Kane et al.	2015/0128965	A1	5/2015	Lord
2015/0027471	A1*	1/2015	Feldman	2015/0128966	A1	5/2015	Lord
			H05B 3/16	2015/0128967	A1	5/2015	Robinson et al.
			131/329	2015/0128969	A1	5/2015	Chapman et al.
2015/0027472	A1	1/2015	Amir	2015/0128970	A1	5/2015	Liu
2015/0027473	A1	1/2015	Graf	2015/0128971	A1	5/2015	Verleur et al.
2015/0034102	A1	2/2015	Faramarzian	2015/0128972	A1	5/2015	Verleur et al.
2015/0034103	A1	2/2015	Hon	2015/0128973	A1	5/2015	Li et al.
2015/0034104	A1*	2/2015	Zhou	2015/0128976	A1	5/2015	Verleur et al.
			A24F 47/008	2015/0128977	A1	5/2015	Li et al.
			131/329	2015/0136153	A1	5/2015	Lord
2015/0034105	A1	2/2015	Liu	2015/0136155	A1	5/2015	Verleur et al.
2015/0034106	A1	2/2015	Liu	2015/0136156	A1	5/2015	Liu
2015/0034107	A1	2/2015	Liu	2015/0136157	A1	5/2015	Liu
2015/0034507	A1	2/2015	Liu	2015/0136158	A1	5/2015	Stevens et al.
2015/0035540	A1	2/2015	Xiang	2015/0142387	A1	5/2015	Alarcon et al.
2015/0038567	A1	2/2015	Herkenroth et al.	2015/0144145	A1	5/2015	Chang et al.
2015/0040927	A1	2/2015	Li et al.	2015/0144147	A1	5/2015	Li et al.
2015/0040928	A1	2/2015	Saydar et al.	2015/0144148	A1	5/2015	Chen
2015/0040929	A1	2/2015	Hon	2015/0150302	A1	6/2015	Metrangolo et al.
2015/0041482	A1	2/2015	Liu	2015/0150303	A1	6/2015	Jensen
2015/0047658	A1	2/2015	Cyphert et al.	2015/0150305	A1	6/2015	Shenkal
2015/0047659	A1	2/2015	Liu	2015/0150306	A1	6/2015	Chen
2015/0047660	A1	2/2015	Liu	2015/0150307	A1	6/2015	Liu
2015/0047661	A1	2/2015	Blackley et al.	2015/0150308	A1	6/2015	Monsees et al.
2015/0047662	A1	2/2015	Hopps	2015/0157053	A1	6/2015	Mayor
2015/0047663	A1	2/2015	Liu	2015/0157054	A1	6/2015	Liu
2015/0053215	A1	2/2015	Liu	2015/0157055	A1	6/2015	Lord
2015/0053216	A1	2/2015	Liu	2015/0157056	A1	6/2015	Bowen et al.
2015/0053217	A1	2/2015	Steingraber et al.	2015/0163859	A1	6/2015	Schneider et al.
2015/0053220	A1	2/2015	Levy et al.	2015/0164138	A1	6/2015	Liu
2015/0057341	A1	2/2015	Perry	2015/0164141	A1	6/2015	Newton
2015/0059779	A1	3/2015	Alarcon et al.	2015/0164142	A1	6/2015	Li et al.
2015/0059780	A1	3/2015	Davis et al.	2015/0164143	A1	6/2015	Maas
2015/0059782	A1	3/2015	Liu	2015/0164144	A1	6/2015	Liu
2015/0059783	A1	3/2015	Liu	2015/0164145	A1	6/2015	Zhou
2015/0059784	A1	3/2015	Liu	2015/0164146	A1	6/2015	Li et al.
2015/0059785	A1	3/2015	Liu	2015/0164147	A1	6/2015	Verleur et al.
2015/0068523	A1	3/2015	Powers et al.	2015/0167976	A1	6/2015	Recio
2015/0068543	A1	3/2015	Liu	2015/0173124	A1	6/2015	Qiu
2015/0068545	A1	3/2015	Moldoveanu et al.	2015/0173417	A1	6/2015	Gennrich et al.
2015/0075545	A1	3/2015	Xiang	2015/0173419	A1	6/2015	Tu
2015/0075546	A1	3/2015	Kueny, Sr. et al.	2015/0173421	A1	6/2015	Hsieh
2015/0078735	A1	3/2015	Cormack	2015/0173422	A1	6/2015	Liu
2015/0080265	A1	3/2015	Elzinga et al.	2015/0181928	A1	7/2015	Liu
2015/0082859	A1	3/2015	Xiang	2015/0181937	A1	7/2015	Dubief et al.
2015/0083144	A1	3/2015	Xiang	2015/0181939	A1	7/2015	Liu
2015/0083145	A1	3/2015	Li et al.	2015/0181940	A1	7/2015	Liu
2015/0083146	A1	3/2015	Goldman et al.	2015/0181941	A1	7/2015	Liu
2015/0083147	A1	3/2015	Schiff et al.	2015/0181943	A1	7/2015	Li et al.
2015/0090256	A1	4/2015	Chung	2015/0181944	A1*	7/2015	Li
2015/0090277	A1	4/2015	Xiang				A24F 47/008
2015/0090278	A1	4/2015	Schiff et al.	2015/0184846	A1	7/2015	131/329
2015/0090279	A1	4/2015	Chen	2015/0186837	A1	7/2015	Liu
2015/0090280	A1	4/2015	Chen	2015/0189695	A1	7/2015	Bianco et al.
2015/0090281	A1	4/2015	Chen	2015/0189915	A1	7/2015	Xiang
2015/0100441	A1	4/2015	Alarcon et al.	2015/0189918	A1	7/2015	Liu
				2015/0189919	A1	7/2015	Liu
				2015/0189920	A1	7/2015	Liu

(56)		References Cited	
U.S. PATENT DOCUMENTS			
2015/0196055	A1	7/2015	Liu
2015/0196056	A1	7/2015	Liu
2015/0196057	A1	7/2015	Wu
2015/0196058	A1	7/2015	Lord
2015/0196059	A1	7/2015	Liu
2015/0196060	A1	7/2015	Wensley et al.
2015/0196062	A1	7/2015	Li et al.
2015/0200385	A1	7/2015	Liu
2015/0201674	A1	7/2015	Dooly et al.
2015/0201675	A1	7/2015	Lord
2015/0201676	A1	7/2015	Shin
2015/0208724	A1	7/2015	Wu
2015/0208725	A1	7/2015	Tsai
2015/0208726	A1	7/2015	Liu
2015/0208728	A1	7/2015	Lord
2015/0208729	A1	7/2015	Monsees et al.
2015/0208730	A1	7/2015	Li et al.
2015/0208731	A1	7/2015	Malamud et al.
2015/0216232	A1	8/2015	Bless et al.
2015/0216233	A1	8/2015	Sears et al.
2015/0216234	A1	8/2015	Chung
2015/0216235	A1	8/2015	Liu
2015/0216237	A1	8/2015	Wensley et al.
2015/0217067	A1	8/2015	Hearn et al.
2015/0217068	A1	8/2015	Wakalopoulos
2015/0223520	A1	8/2015	Phillips et al.
2015/0223521	A1	8/2015	Menting et al.
2015/0223522	A1	8/2015	Ampolini et al.
2015/0223523	A1	8/2015	McCullough
2015/0224268	A1	8/2015	Henry et al.
2015/0227471	A1	8/2015	Stafford et al.
2015/0230521	A1	8/2015	Talon
2015/0237914	A1	8/2015	Han
2015/0237916	A1	8/2015	Farine et al.
2015/0237917	A1	8/2015	Lord
2015/0237918	A1	8/2015	Liu
2015/0238723	A1	8/2015	Knudsen
2015/0245654	A1	9/2015	Memari et al.
2015/0245655	A1	9/2015	Memari et al.
2015/0245657	A1	9/2015	Memari et al.
2015/0245658	A1	9/2015	Worm et al.
2015/0245659	A1	9/2015	DePiano et al.
2015/0245660	A1	9/2015	Lord
2015/0245661	A1	9/2015	Milin
2015/0245665	A1	9/2015	Memari et al.
2015/0245666	A1	9/2015	Memari et al.
2015/0245667	A1	9/2015	Memari et al.
2015/0245668	A1	9/2015	Memari et al.
2015/0245669	A1	9/2015	Cadieux et al.
2015/0257441	A1	9/2015	Gerkin
2015/0257444	A1	9/2015	Chung
2015/0257445	A1	9/2015	Henry, Jr. et al.
2015/0257446	A1	9/2015	Chung
2015/0257447	A1	9/2015	Sullivan
2015/0257449	A1	9/2015	Gabbay
2015/0257451	A1	9/2015	Brannon et al.
2015/0258289	A1	9/2015	Henry, Jr. et al.
2015/0272211	A1	10/2015	Chung
2015/0272215	A1	10/2015	Esses
2015/0272217	A1	10/2015	Chen
2015/0272218	A1	10/2015	Chen
2015/0272220	A1	10/2015	Spinka et al.
2015/0272221	A1	10/2015	Liu
2015/0272222	A1	10/2015	Spinka et al.
2015/0272223	A1	10/2015	Weigensberg et al.
2015/0276262	A1	10/2015	Dai et al.
2015/0280273	A1	10/2015	Liu
2015/0282524	A1	10/2015	Elhalwani
2015/0282525	A1	10/2015	Plojoux et al.
2015/0282526	A1	10/2015	Wu
2015/0282527	A1	10/2015	Henry, Jr.
2015/0282529	A1	10/2015	Li et al.
2015/0282530	A1	10/2015	Johnson et al.
2015/0288468	A1	10/2015	Xiang
2015/0289565	A1	10/2015	Cadieux et al.
2015/0289567	A1	10/2015	Liu
2015/0295921	A1	10/2015	Cao
2015/0296883	A1	10/2015	Wu
2015/0296885	A1	10/2015	Liu
2015/0296886	A1	10/2015	Li et al.
2015/0296887	A1	10/2015	Zhu
2015/0296888	A1	10/2015	Liu
2015/0296889	A1	10/2015	Liu
2015/0304401	A1	10/2015	Liu
2015/0304402	A1	10/2015	Liu
2015/0305403	A1	10/2015	Coelho Belo Fernandes De Carvalho
2015/0305404	A1	10/2015	Rosales
2015/0305406	A1	10/2015	Li et al.
2015/0305407	A1	10/2015	Li et al.
2015/0305408	A1	10/2015	Liu
2015/0305409	A1	10/2015	Verleur et al.
2015/0305464	A1	10/2015	Nelson, Jr. et al.
2015/0313275	A1	11/2015	Anderson et al.
2015/0313282	A1	11/2015	Ademe et al.
2015/0313283	A1	11/2015	Collett et al.
2015/0313284	A1	11/2015	Liu
2015/0313285	A1	11/2015	Waller et al.
2015/0313287	A1	11/2015	Verleur et al.
2015/0313288	A1	11/2015	Liu
2015/0313868	A1	11/2015	Morgan
2015/0320114	A1	11/2015	Wu
2015/0320116	A1	11/2015	Bleloch et al.
2015/0321804	A1	11/2015	Koller et al.
2015/0322451	A1	11/2015	Kudithipudi et al.
2015/0327595	A1	11/2015	Scatterday
2015/0327596	A1	11/2015	Alarcon et al.
2015/0327597	A1	11/2015	Li et al.
2015/0327598	A1	11/2015	Xiang
2015/0328415	A1	11/2015	Minskoff et al.
2015/0332379	A1	11/2015	Alarcon
2015/0333542	A1	11/2015	Alarcon et al.
2015/0333552	A1	11/2015	Alarcon
2015/0333561	A1	11/2015	Alarcon
2015/0335071	A1	11/2015	Brinkley et al.
2015/0335072	A1	11/2015	Giller
2015/0335074	A1	11/2015	Leung
2015/0335075	A1	11/2015	Minskoff et al.
2015/0342254	A1	12/2015	Mironov et al.
2015/0342255	A1	12/2015	Wu
2015/0342256	A1	12/2015	Chen
2015/0342257	A1	12/2015	Chen
2015/0342258	A1	12/2015	Chen
2015/0342259	A1	12/2015	Baker et al.
2015/0351449	A1	12/2015	Righetti
2015/0351454	A1	12/2015	Huang
2015/0351455	A1	12/2015	Liu
2015/0351456	A1	12/2015	Johnson et al.
2015/0351457	A1	12/2015	Liu
2015/0357608	A1	12/2015	Huang
2015/0357839	A1	12/2015	Cai et al.
2015/0359258	A1	12/2015	Mishra et al.
2015/0359261	A1	12/2015	Li et al.
2015/0359262	A1	12/2015	Liu et al.
2015/0359263	A1	12/2015	Bellinger
2015/0359264	A1	12/2015	Fernando et al.
2015/0359265	A1	12/2015	Liu
2015/0366250	A1	12/2015	Landau
2015/0366265	A1	12/2015	Lansing
2015/0366266	A1	12/2015	Chen
2015/0366267	A1	12/2015	Liu
2015/0366268	A1	12/2015	Shabat
2015/0374035	A1	12/2015	Sanchez et al.
2015/0374039	A1	12/2015	Zhu
2015/0374040	A1	12/2015	Chen
2016/0000147	A1	1/2016	Li et al.
2016/0000148	A1	1/2016	Liu
2016/0000149	A1	1/2016	Scatterday
2016/0002649	A1	1/2016	Kudithipudi et al.
2016/0007650	A1	1/2016	Duncan et al.
2016/0007651	A1	1/2016	Ampolini et al.
2016/0007653	A1	1/2016	Tu
2016/0007654	A1	1/2016	Zhu
2016/0007655	A1	1/2016	Li et al.

(56)		References Cited					
		U.S. PATENT DOCUMENTS					
2016/0010103	A1	1/2016	Kudithipudi et al.	2016/0120227	A1	5/2016	Levitz et al.
2016/0015082	A1	1/2016	Liu	2016/0120228	A1	5/2016	Rostami et al.
2016/0018347	A1	1/2016	Drbal et al.	2016/0121058	A1	5/2016	Chen
2016/0020048	A1	1/2016	Ware	2016/0128384	A1	5/2016	Luciani et al.
2016/0021771	A1	1/2016	Zhang et al.	2016/0128385	A1	5/2016	Lin
2016/0021930	A1	1/2016	Minskoff et al.	2016/0128387	A1	5/2016	Chen
2016/0021931	A1	1/2016	Hawes et al.	2016/0128388	A1	5/2016	Liu
2016/0021932	A1	1/2016	Silvestrini et al.	2016/0128389	A1	5/2016	Lamb et al.
2016/0021933	A1	1/2016	Thorens et al.	2016/0128390	A1	5/2016	Liu
2016/0021934	A1	1/2016	Cadieux et al.	2016/0129205	A1	5/2016	Shahaf et al.
2016/0029225	A1	1/2016	Hu	2016/0131629	A1	5/2016	Cadieux, Jr. et al.
2016/0029694	A1	2/2016	Clements et al.	2016/0132898	A1	5/2016	Cadieux et al.
2016/0029697	A1	2/2016	Shafer	2016/0134143	A1	5/2016	Liu
2016/0029698	A1	2/2016	Xiang	2016/0135494	A1	5/2016	Liu et al.
2016/0029699	A1	2/2016	Li et al.	2016/0135500	A1	5/2016	Hearn et al.
2016/0029700	A1	2/2016	Li et al.	2016/0135501	A1	5/2016	Liu
2016/0037826	A1	2/2016	Hearn et al.	2016/0135503	A1	5/2016	Liu
2016/0044961	A1	2/2016	Liu	2016/0135504	A1	5/2016	Li et al.
2016/0044964	A1	2/2016	Liu	2016/0135505	A1	5/2016	Li et al.
2016/0044965	A1	2/2016	Liu	2016/0135506	A1	5/2016	Sanchez et al.
2016/0044966	A1	2/2016	Li et al.	2016/0135507	A1	5/2016	Thorens et al.
2016/0044967	A1	2/2016	Bowen et al.	2016/0136153	A1	5/2016	Jenkins
2016/0044968	A1	2/2016	Bowen et al.	2016/0136213	A1	5/2016	Paul
2016/0049682	A1	2/2016	Won et al.	2016/0138795	A1	5/2016	Meinhart et al.
2016/0051716	A1	2/2016	Wheelock	2016/0143354	A1	5/2016	Liu
2016/0053988	A1	2/2016	Quintana	2016/0143357	A1	5/2016	Liu
2016/0057811	A1	2/2016	Alarcon et al.	2016/0143358	A1	5/2016	Zhu
2016/0058066	A1	3/2016	Banks et al.	2016/0143359	A1	5/2016	Xiang
2016/0058071	A1	3/2016	Hearn	2016/0143360	A1	5/2016	Sanchez et al.
2016/0058072	A1	3/2016	Liu	2016/0143361	A1	5/2016	Juster et al.
2016/0058073	A1	3/2016	Chen	2016/0143362	A1	5/2016	Boldrini
2016/0058074	A1	3/2016	Liu	2016/0143363	A1	5/2016	Boldrini
2016/0073677	A1	3/2016	Kappel et al.	2016/0143365	A1	5/2016	Liu
2016/0073678	A1	3/2016	Fujisawa et al.	2016/0144458	A1	5/2016	Boldrini
2016/0073690	A1	3/2016	Liu	2016/0150820	A1	6/2016	Liu
2016/0073691	A1	3/2016	Liu	2016/0150821	A1	6/2016	Liu
2016/0073692	A1	3/2016	Alarcon et al.	2016/0150823	A1	6/2016	Liu
2016/0073693	A1	3/2016	Reevell	2016/0150824	A1	6/2016	Memari et al.
2016/0073694	A1	3/2016	Liu	2016/0150826	A1	6/2016	Liu
2016/0080469	A1	3/2016	Liu	2016/0150827	A1	6/2016	Liu
2016/0081393	A1	3/2016	Black	2016/0150828	A1	6/2016	Goldstein et al.
2016/0081394	A1	3/2016	Alarcon et al.	2016/0150872	A1	6/2016	Zayat
2016/0081395	A1	3/2016	Thorens et al.	2016/0157523	A1	6/2016	Liu
2016/0088874	A1	3/2016	Lipowicz	2016/0157524	A1	6/2016	Bowen et al.
2016/0089508	A1	3/2016	Smith et al.	2016/0157525	A1	6/2016	Tucker et al.
2016/0091194	A1	3/2016	Liu	2016/0158782	A1	6/2016	Henry, Jr. et al.
2016/0095352	A1	4/2016	Liu	2016/0165952	A1	6/2016	Liu
2016/0095353	A1	4/2016	Liu	2016/0165955	A1	6/2016	Horne
2016/0095354	A1	4/2016	Wu	2016/0166564	A1	6/2016	Myers et al.
2016/0095355	A1	4/2016	Hearn	2016/0167846	A1	6/2016	Zahr et al.
2016/0095356	A1	4/2016	Chan	2016/0174076	A1	6/2016	Wu
2016/0095357	A1	4/2016	Burton	2016/0174609	A1	6/2016	Mironov
2016/0099592	A1	4/2016	Gatta et al.	2016/0174611	A1	6/2016	Monsees et al.
2016/0100456	A1	4/2016	Tsai	2016/0174613	A1	6/2016	Zuber et al.
2016/0100632	A1	4/2016	Debono et al.	2016/0176564	A1	6/2016	Garthaffner
2016/0101909	A1	4/2016	Schennum et al.	2016/0177285	A1	6/2016	Voerman et al.
2016/0106144	A1	4/2016	Muehlbauer et al.	2016/0183592	A1	6/2016	Liu
2016/0106151	A1	4/2016	Sweepston et al.	2016/0183593	A1	6/2016	Liu
2016/0106152	A1	4/2016	Liu	2016/0183594	A1	6/2016	Liu
2016/0106154	A1	4/2016	Lord	2016/0183595	A1	6/2016	Grimandi et al.
2016/0106155	A1	4/2016	Reevell	2016/0183597	A1	6/2016	Li et al.
2016/0106156	A1	4/2016	Qiu	2016/0189216	A1	6/2016	Liu
2016/0106936	A1	4/2016	Kimmel	2016/0192705	A1	7/2016	Borkovec et al.
2016/0109115	A1	4/2016	Lipowicz	2016/0192706	A1	7/2016	Kananen
2016/0113323	A1	4/2016	Liu	2016/0192707	A1	7/2016	Li et al.
2016/0113325	A1	4/2016	Liu	2016/0192708	A1	7/2016	Dermitt et al.
2016/0113326	A1	4/2016	Li et al.	2016/0192709	A1	7/2016	Liu
2016/0113327	A1	4/2016	Wu	2016/0192710	A1	7/2016	Liu
2016/0120218	A1	5/2016	Schennum et al.	2016/0198759	A1	7/2016	Kuntawala et al.
2016/0120220	A1	5/2016	Malgat et al.	2016/0198763	A1	7/2016	Adkins et al.
2016/0120222	A1	5/2016	Bagai et al.	2016/0198765	A1	7/2016	Liu
2016/0120223	A1	5/2016	Keen et al.	2016/0198766	A1	7/2016	Liu
2016/0120224	A1	5/2016	Mishra et al.	2016/0198767	A1	7/2016	Verleur
2016/0120225	A1	5/2016	Mishra et al.	2016/0198768	A1*	7/2016	Liu H05B 1/0244
2016/0120226	A1	5/2016	Rado				392/404
				2016/0198769	A1	7/2016	Liu
				2016/0198770	A1	7/2016	Alarcon
				2016/0200463	A1	7/2016	Hodges et al.
				2016/0201224	A1	7/2016	Xiang

(56)		References Cited					
		U.S. PATENT DOCUMENTS					
2016/0204637	A1	7/2016	Alarcon et al.	2016/0278432	A1	9/2016	Liu
2016/0205998	A1	7/2016	Matsumoto et al.	2016/0278433	A1	9/2016	Xiang
2016/0205999	A1	7/2016	Liu	2016/0278434	A1	9/2016	Liu
2016/0206000	A1	7/2016	Lord et al.	2016/0278435	A1	9/2016	Choukroun et al.
2016/0206002	A1	7/2016	Borkovec et al.	2016/0278436	A1	9/2016	Verleur et al.
2016/0206005	A1	7/2016	Yamada et al.	2016/0280450	A1	9/2016	Hearn et al.
2016/0206006	A1	7/2016	Li et al.	2016/0284197	A1	9/2016	Liu
2016/0211693	A1	7/2016	Stevens et al.	2016/0285983	A1	9/2016	Liu
2016/0212520	A1	7/2016	Merenda	2016/0286856	A1	10/2016	Liu
2016/0213060	A1	7/2016	Thaler	2016/0286858	A1	10/2016	Liu
2016/0213061	A1	7/2016	Liu	2016/0286859	A1	10/2016	Liu
2016/0213062	A1	7/2016	Doyle	2016/0286860	A1	10/2016	Flayler
2016/0213065	A1	7/2016	Wensley et al.	2016/0286862	A1	10/2016	Silvetrini
2016/0213066	A1	7/2016	Zitzke et al.	2016/0286863	A1	10/2016	Lin
2016/0213067	A1	7/2016	Hon	2016/0286864	A1	10/2016	Lin
2016/0213866	A1	7/2016	Tan	2016/0286865	A1	10/2016	King et al.
2016/0219932	A1	8/2016	Glaser	2016/0295913	A1	10/2016	Guo et al.
2016/0219933	A1	8/2016	Henry, Jr. et al.	2016/0295915	A1	10/2016	Jochnowitz et al.
2016/0219934	A1	8/2016	Li et al.	2016/0295916	A1	10/2016	Malgat et al.
2016/0219936	A1	8/2016	Alarcon	2016/0295917	A1	10/2016	Malgat et al.
2016/0219937	A1	8/2016	Rado	2016/0295918	A1	10/2016	Liu
2016/0219938	A1	8/2016	Mamoun et al.	2016/0295920	A1	10/2016	Liu
2016/0221707	A1	8/2016	Xu et al.	2016/0295922	A1	10/2016	John et al.
2016/0226286	A1	8/2016	Xiang	2016/0295923	A1	10/2016	Lin
2016/0227837	A1	8/2016	Hammel et al.	2016/0295924	A1	10/2016	Liu
2016/0227838	A1	8/2016	Johnson et al.	2016/0295925	A1	10/2016	Chen
2016/0227839	A1	8/2016	Zuber et al.	2016/0295926	A1	10/2016	Zuber
2016/0227840	A1	8/2016	Xiang	2016/0297341	A1	10/2016	Wallace et al.
2016/0227841	A1	8/2016	Li et al.	2016/0302471	A1	10/2016	Bowen et al.
2016/0227842	A1	8/2016	Xiang	2016/0302483	A1	10/2016	Liu
2016/0233705	A1	8/2016	Liu	2016/0302484	A1	10/2016	Gupta et al.
2016/0233708	A1	8/2016	Liu	2016/0302485	A1	10/2016	Alima
2016/0235119	A1	8/2016	Liu	2016/0302486	A1	10/2016	Eroch
2016/0235120	A1	8/2016	Liu	2016/0302487	A1	10/2016	Chen
2016/0235121	A1	8/2016	Rogan et al.	2016/0302488	A1	10/2016	Fernando et al.
2016/0235124	A1	8/2016	Krietzman	2016/0309775	A1	10/2016	Parker
2016/0235125	A1	8/2016	Safari	2016/0309779	A1	10/2016	Liu
2016/0242463	A1	8/2016	Liu	2016/0309780	A1	10/2016	Chen et al.
2016/0242464	A1	8/2016	Liu	2016/0309781	A1	10/2016	Malgat et al.
2016/0242465	A1	8/2016	Zheng et al.	2016/0309783	A1	10/2016	Hopps et al.
2016/0242466	A1	8/2016	Lord et al.	2016/0309784	A1	10/2016	Silvestrini et al.
2016/0242467	A1	8/2016	Vaughn	2016/0309785	A1	10/2016	Holtz
2016/0242468	A1	8/2016	Liu	2016/0309786	A1	10/2016	Holtz et al.
2016/0249680	A1	9/2016	Liu	2016/0309789	A1	10/2016	Thomas, Jr.
2016/0249682	A1	9/2016	Leadley et al.	2016/0315488	A1	10/2016	Moon
2016/0249683	A1	9/2016	Li et al.	2016/0316818	A1	11/2016	Liu
2016/0249684	A1	9/2016	Liu	2016/0316820	A1	11/2016	Liu
2016/0255876	A1	9/2016	Rostami	2016/0316821	A1	11/2016	Liu
2016/0255878	A1	9/2016	Huang et al.	2016/0316822	A1	11/2016	Liu
2016/0260156	A1	9/2016	Liu	2016/0321879	A1	11/2016	Oh et al.
2016/0261021	A1	9/2016	Marion et al.	2016/0323404	A1	11/2016	Liu
2016/0262443	A1	9/2016	Piccirilli et al.	2016/0324211	A1	11/2016	Yankelevich
2016/0262445	A1	9/2016	Benjak et al.	2016/0324213	A1	11/2016	Liu
2016/0262449	A1	9/2016	Liu	2016/0324215	A1	11/2016	Mironov et al.
2016/0262450	A1	9/2016	Liu	2016/0324217	A1	11/2016	Cameron
2016/0262451	A1	9/2016	Liu	2016/0324218	A1	11/2016	Wang et al.
2016/0262452	A1	9/2016	Zhu	2016/0324219	A1	11/2016	Li et al.
2016/0262453	A1	9/2016	Ampolini et al.	2016/0325055	A1	11/2016	Cameron
2016/0262454	A1	9/2016	Sears et al.	2016/0325858	A1	11/2016	Ampolini et al.
2016/0262455	A1	9/2016	Chen	2016/0331022	A1	11/2016	Cameron
2016/0262456	A1	9/2016	Borkovec et al.	2016/0331023	A1	11/2016	Cameron
2016/0262457	A1	9/2016	Borkovec et al.	2016/0331024	A1	11/2016	Cameron
2016/0262459	A1	9/2016	Monsees et al.	2016/0331025	A1	11/2016	Cameron
2016/0262526	A1	9/2016	Gonzalez	2016/0331026	A1	11/2016	Cameron
2016/0268824	A1	9/2016	Liu	2016/0331027	A1	11/2016	Cameron
2016/0270441	A1	9/2016	Lewis et al.	2016/0331028	A1	11/2016	Xu
2016/0270442	A1	9/2016	Liu	2016/0331029	A1	11/2016	Contreras
2016/0270443	A1	9/2016	Liu	2016/0331030	A1	11/2016	Ampolini et al.
2016/0270444	A1	9/2016	Lin	2016/0331032	A1	11/2016	Malgat et al.
2016/0270445	A1	9/2016	Liu	2016/0331033	A1	11/2016	Hopps et al.
2016/0270446	A1	9/2016	Shenkal et al.	2016/0331034	A1	11/2016	Cameron
2016/0270447	A1	9/2016	Borkovec	2016/0331035	A1	11/2016	Cameron
2016/0271347	A1	9/2016	Raichman	2016/0331037	A1	11/2016	Cameron
2016/0278163	A1	9/2016	Chen	2016/0331038	A1	11/2016	Farine et al.
2016/0278431	A1	9/2016	Liu	2016/0331039	A1	11/2016	Thorens et al.
				2016/0331040	A1	11/2016	Nakano et al.
				2016/0332754	A1	11/2016	Brown et al.
				2016/0334847	A1	11/2016	Cameron
				2016/0337141	A1	11/2016	Cameron

(56)		References Cited					
		U.S. PATENT DOCUMENTS					
2016/0337362	A1	11/2016	Cameron	2017/0006915	A1	1/2017	Li et al.
2016/0337444	A1	11/2016	Cameron	2017/0006916	A1	1/2017	Liu
2016/0338402	A1	11/2016	Buehler et al.	2017/0006917	A1	1/2017	Alvarez
2016/0338405	A1	11/2016	Liu	2017/0006918	A1	1/2017	Chen et al.
2016/0338406	A1	11/2016	Liu	2017/0006919	A1	1/2017	Liu
2016/0338407	A1	11/2016	Kerdelmelidis	2017/0006920	A1	1/2017	Liu
2016/0338408	A1	11/2016	Guenther, Jr. et al.	2017/0006921	A1	1/2017	Lemay et al.
2016/0338409	A1	11/2016	Varone	2017/0006922	A1	1/2017	Wang et al.
2016/0338410	A1	11/2016	Batista et al.	2017/0013875	A1	1/2017	Schennum et al.
2016/0338411	A1	11/2016	Liu	2017/0013876	A1	1/2017	Schennum et al.
2016/0338412	A1	11/2016	Monsees et al.	2017/0013878	A1	1/2017	Schuler et al.
2016/0338413	A1	11/2016	Li et al.	2017/0013880	A1	1/2017	O'Brien et al.
2016/0338945	A1	11/2016	Knight	2017/0013881	A1	1/2017	Liu
2016/0345621	A1	12/2016	Li et al.	2017/0013882	A1	1/2017	Liu
2016/0345625	A1	12/2016	Liu	2017/0013883	A1	1/2017	Han et al.
2016/0345626	A1	12/2016	Wong et al.	2017/0013885	A1	1/2017	Qiu
2016/0345627	A1	12/2016	Liu	2017/0014582	A1	1/2017	Skoda
2016/0345628	A1	12/2016	Sabet	2017/0018000	A1	1/2017	Cameron
2016/0345630	A1	12/2016	Mironov et al.	2017/0019951	A1	1/2017	Louveau et al.
2016/0345631	A1	12/2016	Monsees et al.	2017/0020188	A1	1/2017	Cameron
2016/0345632	A1	12/2016	Lipowicz	2017/0020191	A1	1/2017	Lamb et al.
2016/0345633	A1	12/2016	DePiano et al.	2017/0020193	A1	1/2017	Davis et al.
2016/0345634	A1	12/2016	Fernando et al.	2017/0020194	A1	1/2017	Rehders
2016/0345636	A1	12/2016	Liu	2017/0020195	A1	1/2017	Cameron
2016/0351044	A1	12/2016	Liu	2017/0020196	A1	1/2017	Cameron
2016/0353798	A1	12/2016	Liu	2017/0020197	A1	1/2017	Cameron
2016/0353800	A1	12/2016	Di Carlo	2017/0020198	A1	1/2017	Nagwi et al.
2016/0353805	A1	12/2016	Hawes et al.	2017/0020201	A1	1/2017	Xiang
2016/0356751	A1	12/2016	Blackley	2017/0020791	A1	1/2017	Moszner et al.
2016/0360784	A1	12/2016	Liu	2017/0021969	A1	1/2017	Smith et al.
2016/0360785	A1	12/2016	Bless et al.	2017/0023952	A1	1/2017	Henry, Jr. et al.
2016/0360786	A1	12/2016	Bellinger et al.	2017/0027221	A1	2/2017	Liu
2016/0360787	A1	12/2016	Bailey	2017/0027223	A1	2/2017	Eksouzian
2016/0360788	A1	12/2016	Wang	2017/0027224	A1	2/2017	Volodarsky
2016/0360789	A1	12/2016	Hawes et al.	2017/0027227	A1	2/2017	Lipowicz
2016/0360790	A1	12/2016	Calfee et al.	2017/0027228	A1	2/2017	Rastogi
2016/0360792	A1	12/2016	Liu	2017/0027229	A1	2/2017	Cameron
2016/0360793	A1	12/2016	Liu	2017/0027230	A1	2/2017	Fornarelli
2016/0363570	A1	12/2016	Blackley	2017/0027231	A1	2/2017	Xiang
2016/0363917	A1	12/2016	Blackley	2017/0027232	A1	2/2017	Scheck et al.
2016/0366725	A1	12/2016	Tucker et al.	2017/0027233	A1	2/2017	Mironov
2016/0366927	A1	12/2016	Liu	2017/0027234	A1	2/2017	Farine et al.
2016/0366928	A1	12/2016	Liu	2017/0033568	A1	2/2017	Holzherr
2016/0366933	A1	12/2016	Liu	2017/0033836	A1	2/2017	Bernauer et al.
2016/0366935	A1	12/2016	Liu	2017/0035101	A1	2/2017	Balder
2016/0366936	A1	12/2016	Liu	2017/0035109	A1	2/2017	Liu
2016/0366937	A1	12/2016	Liu	2017/0035110	A1	2/2017	Keen
2016/0366938	A1	12/2016	Wu	2017/0035111	A1	2/2017	Slurink et al.
2016/0366939	A1	12/2016	Alarcon et al.	2017/0035112	A1	2/2017	Thorens
2016/0366940	A1	12/2016	Liu	2017/0035113	A1	2/2017	Thorens
2016/0366941	A1	12/2016	Lin	2017/0035114	A1	2/2017	Lord
2016/0366942	A1	12/2016	Liu	2017/0035115	A1	2/2017	Monsees et al.
2016/0366943	A1	12/2016	Li et al.	2017/0035117	A1	2/2017	Lin
2016/0366945	A1	12/2016	Rado	2017/0035118	A1	2/2017	Liu
2016/0366947	A1	12/2016	Monsees et al.	2017/0035119	A1	2/2017	Otto
2016/0367925	A1	12/2016	Blackley	2017/0041646	A1	2/2017	Pizzurro et al.
2016/0368670	A1	12/2016	Beardsall	2017/0042225	A1	2/2017	Liu
2016/0368677	A1	12/2016	Parsons et al.	2017/0042227	A1	2/2017	Gavriellov et al.
2016/0370335	A1	12/2016	Blackley	2017/0042228	A1	2/2017	Liu
2016/0371437	A1	12/2016	Alarcon et al.	2017/0042229	A1	2/2017	Liu
2016/0371464	A1	12/2016	Bricker	2017/0042230	A1	2/2017	Cameron
2016/0374390	A1	12/2016	Liu	2017/0042231	A1	2/2017	Cameron
2016/0374391	A1	12/2016	Liu	2017/0042242	A1	2/2017	Hon
2016/0374392	A1	12/2016	Liu	2017/0042243	A1	2/2017	Plojoux et al.
2016/0374393	A1	12/2016	Chen	2017/0042245	A1	2/2017	Buchberger et al.
2016/0374394	A1	12/2016	Hawes et al.	2017/0042246	A1	2/2017	Lau et al.
2016/0374395	A1	12/2016	Jordan et al.	2017/0042247	A1	2/2017	Xiang
2016/0374396	A1	12/2016	Jordan et al.	2017/0042248	A1	2/2017	Xiang
2016/0374397	A1	12/2016	Jordan et al.	2017/0042250	A1	2/2017	Takeuchi et al.
2016/0374398	A1	12/2016	Amir	2017/0046357	A1	2/2017	Cameron
2016/0374399	A1	12/2016	Monsees et al.	2017/0046722	A1	2/2017	Ertugrul
2016/0374400	A1	12/2016	Monsees et al.	2017/0046738	A1	2/2017	Cameron
2016/0374401	A1	12/2016	Liu	2017/0047756	A1	2/2017	Xiang
2017/0000190	A1	1/2017	Wu	2017/0048691	A1	2/2017	Liu
2017/0000192	A1	1/2017	Li	2017/0049149	A1	2/2017	Carty
				2017/0049150	A1	2/2017	Xue et al.
				2017/0049151	A1	2/2017	Xue et al.
				2017/0049152	A1	2/2017	Liu
				2017/0049153	A1	2/2017	Guo et al.

(56)

References Cited

U.S. PATENT DOCUMENTS

2017/0049154	A1	2/2017	Batista	2017/0105455	A1	4/2017	Qiu
2017/0049155	A1	2/2017	Liu	2017/0108210	A1	4/2017	Meinhart et al.
2017/0049156	A1	2/2017	Wang et al.	2017/0108840	A1	4/2017	Hawes et al.
2017/0050798	A1	2/2017	Ludewig et al.	2017/0109877	A1	4/2017	Peleg et al.
2017/0055577	A1	3/2017	Batista	2017/0112182	A1	4/2017	Arnold
2017/0055579	A1	3/2017	Kuna et al.	2017/0112190	A1	4/2017	Buchberger
2017/0055586	A1	3/2017	Liu	2017/0112192	A1	4/2017	Shan
2017/0055588	A1	3/2017	Cameron	2017/0112193	A1	4/2017	Chen
2017/0055589	A1	3/2017	Fernando et al.	2017/0112196	A1	4/2017	Sur et al.
2017/0064994	A1	3/2017	Xu et al.	2017/0112197	A1	4/2017	Li et al.
2017/0064999	A1	3/2017	Perez et al.	2017/0113819	A1	4/2017	Marz
2017/0065000	A1	3/2017	Sears et al.	2017/0117654	A1	4/2017	Cruz
2017/0065001	A1	3/2017	Li et al.	2017/0118292	A1	4/2017	Xiang
2017/0066556	A1	3/2017	Liu	2017/0118584	A1	4/2017	Xiang
2017/0071249	A1	3/2017	Ampolini et al.	2017/0119040	A1	5/2017	Cameron
2017/0071251	A1	3/2017	Goch	2017/0119044	A1	5/2017	Oligschlaeger et al.
2017/0071252	A1	3/2017	Liu	2017/0119050	A1	5/2017	Blandino et al.
2017/0071256	A1	3/2017	Verleur et al.	2017/0119052	A1	5/2017	Williams et al.
2017/0071257	A1	3/2017	Lin	2017/0119053	A1	5/2017	Henry, Jr. et al.
2017/0071258	A1	3/2017	Li et al.	2017/0119054	A1	5/2017	Zinovik et al.
2017/0071260	A1	3/2017	Li et al.	2017/0119055	A1	5/2017	Liu
2017/0071262	A1	3/2017	Liu	2017/0119057	A1	5/2017	Liu
2017/0079110	A1	3/2017	Plattner	2017/0119058	A1	5/2017	Cameron
2017/0079319	A1	3/2017	Muhammed et al.	2017/0119060	A1	5/2017	Li et al.
2017/0079321	A1	3/2017	Golz	2017/0119061	A1	5/2017	Li et al.
2017/0079322	A1	3/2017	Li et al.	2017/0127722	A1	5/2017	Davis et al.
2017/0079323	A1	3/2017	Wang	2017/0127723	A1	5/2017	Wu
2017/0079324	A1	3/2017	Eksouzian	2017/0127724	A1	5/2017	Liu
2017/0079327	A1	3/2017	Wu et al.	2017/0127725	A1	5/2017	Buchberger et al.
2017/0079328	A1	3/2017	Wu	2017/0127726	A1	5/2017	Xiang
2017/0079329	A1	3/2017	Zitzke	2017/0127728	A1	5/2017	Li et al.
2017/0079330	A1	3/2017	Mironov et al.	2017/0129661	A1	5/2017	Van Tassell, III et al.
2017/0079331	A1	3/2017	Monsees et al.	2017/0135397	A1	5/2017	Buehler et al.
2017/0079332	A1	3/2017	Li et al.	2017/0135398	A1	5/2017	Scott et al.
2017/0086496	A1	3/2017	Cameron	2017/0135399	A1	5/2017	Gavrielov et al.
2017/0086497	A1	3/2017	Cameron	2017/0135400	A1	5/2017	Liu
2017/0086498	A1	3/2017	Daryani	2017/0135401	A1	5/2017	Dickens
2017/0086499	A1	3/2017	Mize	2017/0135402	A1	5/2017	Zitzke
2017/0086500	A1	3/2017	Li et al.	2017/0135403	A1	5/2017	Liu
2017/0086501	A1	3/2017	Buehler et al.	2017/0135407	A1	5/2017	Cameron
2017/0086502	A1	3/2017	Hearn et al.	2017/0135408	A1	5/2017	Cameron
2017/0086503	A1	3/2017	Cameron	2017/0135409	A1	5/2017	Cameron
2017/0086504	A1	3/2017	Cameron	2017/0135410	A1	5/2017	Cameron
2017/0086505	A1	3/2017	Cameron	2017/0135411	A1	5/2017	Cameron
2017/0086506	A1	3/2017	Rado	2017/0135412	A1	5/2017	Cameron
2017/0086507	A1	3/2017	Rado	2017/0136193	A1	5/2017	Cameron
2017/0086508	A1	3/2017	Mironov et al.	2017/0136194	A1	5/2017	Cameron
2017/0091490	A1	3/2017	Cameron	2017/0136301	A1	5/2017	Cameron
2017/0091853	A1	3/2017	Cameron	2017/0143035	A1	5/2017	Pucci
2017/0092106	A1	3/2017	Cameron	2017/0143037	A9	5/2017	Larson
2017/0092900	A1	3/2017	Yang	2017/0143038	A1	5/2017	Dickens
2017/0093960	A1	3/2017	Cameron	2017/0143040	A1	5/2017	Liu
2017/0093981	A1	3/2017	Cameron	2017/0143043	A1	5/2017	Liu
2017/0094998	A1	4/2017	Bernauer et al.	2017/0143917	A1	5/2017	Cohen et al.
2017/0094999	A1	4/2017	Hearn et al.	2017/0144827	A1	5/2017	Batista
2017/0095000	A1	4/2017	Spirito et al.	2017/0146005	A1	5/2017	Edelen
2017/0095001	A1	4/2017	Liu	2017/0150753	A1	6/2017	Macko
2017/0095002	A1	4/2017	Silvestrini	2017/0150754	A1	6/2017	Lin
2017/0095003	A1	4/2017	Mironov	2017/0150755	A1	6/2017	Batista
2017/0095004	A1	4/2017	Liu	2017/0150756	A1	6/2017	Rexroad et al.
2017/0095005	A1*	4/2017	Monsees A24F 47/008	2017/0150758	A1	6/2017	Fernando et al.
2017/0095518	A1	4/2017	Bjorncrantz	2017/0156397	A1	6/2017	Sur et al.
2017/0095623	A1	4/2017	Trzeciecki	2017/0156398	A1	6/2017	Sur et al.
2017/0099877	A1	4/2017	Worm et al.	2017/0156400	A1	6/2017	Liu
2017/0099879	A1	4/2017	Heidl	2017/0156401	A1	6/2017	Liu
2017/0099880	A1	4/2017	Hawes	2017/0156402	A1	6/2017	Liu
2017/0101256	A1	4/2017	Zeitlin et al.	2017/0156403	A1	6/2017	Gill et al.
2017/0102013	A1	4/2017	Wallman et al.	2017/0156404	A1	6/2017	Novak, III et al.
2017/0105448	A1	4/2017	Scarpulla	2017/0156408	A1	6/2017	Li et al.
2017/0105449	A1	4/2017	Hearn et al.	2017/0158436	A1	6/2017	Slurink
2017/0105450	A1	4/2017	Reed et al.	2017/0162523	A1	6/2017	Hu
2017/0105451	A1	4/2017	Fornarelli	2017/0162979	A1	6/2017	Liu
2017/0105452	A1	4/2017	Mironov et al.	2017/0164655	A1	6/2017	Chen
2017/0105453	A1	4/2017	Li et al.	2017/0164656	A1	6/2017	Eusepi et al.
2017/0105454	A1	4/2017	Li et al.	2017/0164657	A1	6/2017	Batista
				2017/0164658	A1	6/2017	Lin et al.
				2017/0170439	A1	6/2017	Jarvis et al.
				2017/0172204	A1	6/2017	Kane et al.
				2017/0172205	A1	6/2017	Chang et al.

(56)	References Cited						
	U.S. PATENT DOCUMENTS						
2017/0172207	A1	6/2017	Liu	2017/0224017	A1	8/2017	Li et al.
2017/0172208	A1	6/2017	Mironov	2017/0224018	A1	8/2017	Li et al.
2017/0172209	A1	6/2017	Saydar et al.	2017/0224022	A1	8/2017	Liu
2017/0172213	A1	6/2017	Hon	2017/0224023	A1	8/2017	Lin et al.
2017/0172214	A1	6/2017	Li et al.	2017/0224024	A1	8/2017	Jochnowitz et al.
2017/0172215	A1	6/2017	Li et al.	2017/0229885	A1	8/2017	Bernauer
2017/0181223	A1	6/2017	Sur et al.	2017/0229888	A1	8/2017	Liu
2017/0181467	A1	6/2017	Cameron	2017/0231266	A1	8/2017	Mishra et al.
2017/0181468	A1	6/2017	Bowen et al.	2017/0231267	A1	8/2017	Shi et al.
2017/0181470	A1	6/2017	Li	2017/0231269	A1	8/2017	Besso et al.
2017/0181471	A1	6/2017	Phillips et al.	2017/0231273	A1	8/2017	Xiang
2017/0181473	A1	6/2017	Batista et al.	2017/0231275	A1	8/2017	Guenther
2017/0181474	A1	6/2017	Cameron	2017/0231276	A1	8/2017	Mironov et al.
2017/0181475	A1	6/2017	Cameron	2017/0231277	A1	8/2017	Mironov et al.
2017/0181476	A1	6/2017	Li et al.	2017/0231278	A1	8/2017	Mironov et al.
2017/0181928	A1	6/2017	Collins et al.	2017/0231279	A1	8/2017	Watson
2017/0185364	A1	6/2017	Cameron	2017/0231280	A1	8/2017	Anton
2017/0186122	A1	6/2017	Levings et al.	2017/0231281	A1	8/2017	Hatton et al.
2017/0188626	A1	7/2017	Davis et al.	2017/0231282	A1	8/2017	Bowen et al.
2017/0188627	A1	7/2017	Sur	2017/0231283	A1	8/2017	Gadas
2017/0188628	A1	7/2017	Montgomery	2017/0231284	A1	8/2017	Newns
2017/0188629	A1	7/2017	Dickens et al.	2017/0231285	A1	8/2017	Holzheer et al.
2017/0188631	A1	7/2017	Lin	2017/0231286	A1	8/2017	Borkovec et al.
2017/0188632	A1	7/2017	Hon	2017/0233114	A1	8/2017	Christensen et al.
2017/0188634	A1	7/2017	Plojoux et al.	2017/0238596	A1	8/2017	Matsumoto et al.
2017/0188635	A1	7/2017	Force et al.	2017/0238605	A1	8/2017	Matsumoto et al.
2017/0188636	A1	7/2017	Li et al.	2017/0238606	A1	8/2017	Matsumoto et al.
2017/0196263	A1	7/2017	Sur	2017/0238608	A1	8/2017	Matsumoto et al.
2017/0196264	A1	7/2017	Liu	2017/0238609	A1	8/2017	Schlipf
2017/0196265	A1	7/2017	Liu	2017/0238611	A1	8/2017	Buchberger
2017/0196267	A1	7/2017	Zou et al.	2017/0238612	A1	8/2017	Daryani et al.
2017/0196268	A1	7/2017	Reevell	2017/0238613	A1	8/2017	Suess et al.
2017/0196269	A1	7/2017	Bernauer et al.	2017/0238614	A1	8/2017	Li et al.
2017/0196270	A1	7/2017	Vick et al.	2017/0238617	A1	8/2017	Scatterday
2017/0196271	A1	7/2017	Levitz et al.	2017/0241857	A1	8/2017	Hearn et al.
2017/0196272	A1	7/2017	Li et al.	2017/0245543	A1	8/2017	Karles et al.
2017/0196273	A1	7/2017	Qiu	2017/0245546	A1	8/2017	Huang
2017/0202265	A1	7/2017	Hawes et al.	2017/0245547	A1	8/2017	Lipowicz
2017/0202266	A1	7/2017	Sur	2017/0245550	A1	8/2017	Freelander
2017/0202267	A1	7/2017	Liu	2017/0245551	A1	8/2017	Reevell
2017/0202268	A1	7/2017	Li et al.	2017/0245554	A1	8/2017	Perez et al.
2017/0207499	A1	7/2017	Leadley	2017/0246399	A1	8/2017	Forlani et al.
2017/0208857	A1	7/2017	Branton et al.	2017/0246405	A1	8/2017	Wensley et al.
2017/0208858	A1	7/2017	Li	2017/0246407	A1	8/2017	Matsumoto et al.
2017/0208862	A1	7/2017	Li et al.	2017/0250552	A1	8/2017	Liu
2017/0208863	A1	7/2017	Davis et al.	2017/0251714	A1	9/2017	Mishra et al.
2017/0208864	A1	7/2017	Anderson, Jr. et al.	2017/0251718	A1	9/2017	Armoush et al.
2017/0208865	A1	7/2017	Nettenstrom et al.	2017/0251719	A1	9/2017	Cyphert et al.
2017/0208866	A1	7/2017	Liu	2017/0251721	A1	9/2017	Rostami et al.
2017/0208867	A1	7/2017	Li et al.	2017/0251722	A1	9/2017	Kobal et al.
2017/0208868	A1	7/2017	Li et al.	2017/0251723	A1	9/2017	Kobal et al.
2017/0208869	A1	7/2017	Li et al.	2017/0251724	A1	9/2017	Lamb et al.
2017/0208870	A1	7/2017	Liu	2017/0251725	A1	9/2017	Buchberger et al.
2017/0208882	A1	7/2017	Lambertz	2017/0251726	A1	9/2017	Nielsen
2017/0214261	A1	7/2017	Gratton	2017/0251727	A1	9/2017	Nielsen
2017/0215470	A1	8/2017	Piccirilli et al.	2017/0251728	A1	9/2017	Peleg et al.
2017/0215473	A1	8/2017	Nakano et al.	2017/0251729	A1	9/2017	Li et al.
2017/0215474	A1	8/2017	Li	2017/0258129	A1	9/2017	Haun
2017/0215476	A1	8/2017	Dickens et al.	2017/0258132	A1	9/2017	Rostami et al.
2017/0215477	A1	8/2017	Reevell	2017/0258134	A1	9/2017	Kane
2017/0215478	A1	8/2017	Harrison et al.	2017/0258137	A1	9/2017	Smith et al.
2017/0215479	A1	8/2017	Kies	2017/0258138	A1	9/2017	Rostami et al.
2017/0215480	A1	8/2017	Qiu	2017/0258139	A1	9/2017	Rostami et al.
2017/0215481	A1	8/2017	Li et al.	2017/0258140	A1	9/2017	Rostami et al.
2017/0215482	A1	8/2017	Levitz et al.	2017/0258142	A1	9/2017	Hatton et al.
2017/0215483	A1	8/2017	Li et al.	2017/0258143	A1	9/2017	Lederer
2017/0215484	A1	8/2017	Xiang	2017/0259170	A1	9/2017	Bowen et al.
2017/0215485	A1	8/2017	Zitzke	2017/0259954	A1	9/2017	Schwester
2017/0217607	A1	8/2017	Slurink	2017/0261200	A1	9/2017	Stultz
2017/0219199	A1	8/2017	Lou et al.	2017/0265517	A1	9/2017	Swede et al.
2017/0219391	A1	8/2017	Lin et al.	2017/0265522	A1	9/2017	Li et al.
2017/0222468	A1	8/2017	Schennum et al.	2017/0265524	A1	9/2017	Cadioux et al.
2017/0224013	A1	8/2017	Huang	2017/0265525	A1	9/2017	Li et al.
2017/0224014	A1	8/2017	Fraser	2017/0266397	A1	9/2017	Mayle et al.
2017/0224016	A1	8/2017	Reevell	2017/0273353	A1	9/2017	Gindrat
				2017/0273354	A1	9/2017	Tucker et al.
				2017/0273355	A1	9/2017	Rogers et al.
				2017/0273357	A1	9/2017	Barbuck
				2017/0273358	A1	9/2017	Batista et al.

(56)

References Cited

U.S. PATENT DOCUMENTS

2017/0273359 A1 9/2017 Liu
 2017/0273360 A1 9/2017 Brinkley et al.
 2017/0273361 A1 9/2017 Li et al.
 2017/0273914 A1 9/2017 Knudsen
 2017/0280767 A1 10/2017 Li et al.
 2017/0280768 A1 10/2017 Lipowicz
 2017/0280769 A1 10/2017 Li et al.
 2017/0280770 A1 10/2017 Wang et al.
 2017/0280771 A1 10/2017 Courbat et al.
 2017/0280775 A1 10/2017 Manca et al.
 2017/0280776 A1 10/2017 Manca et al.
 2017/0280778 A1 10/2017 Force
 2017/0281883 A1 10/2017 Li et al.
 2017/0283154 A1 10/2017 Karles et al.
 2017/0285810 A1 10/2017 Krahl
 2017/0290368 A1 10/2017 Hearn
 2017/0290369 A1 10/2017 Norasak
 2017/0290370 A1 10/2017 Garthaffner et al.
 2017/0290371 A1 10/2017 Davis et al.
 2017/0290373 A1 10/2017 Hon
 2017/0290998 A1 10/2017 Poston et al.
 2017/0295840 A1 10/2017 Rath et al.
 2017/0295843 A1 10/2017 Storch
 2017/0295844 A1 10/2017 Thevenaz et al.
 2017/0295845 A1 10/2017 Bajpai et al.
 2017/0295846 A1 10/2017 Liu
 2017/0295847 A1 10/2017 Liu
 2017/0295848 A1 10/2017 LaMothe
 2017/0295849 A1 10/2017 Cadieux et al.
 2017/0297892 A1 10/2017 Li et al.
 2017/0301898 A1 10/2017 Lin et al.
 2017/0302089 A1 10/2017 Bernauer et al.
 2017/0302324 A1 10/2017 Stanimirovic et al.
 2017/0303597 A1 10/2017 Tsui
 2017/0311648 A1 11/2017 Gill et al.
 2017/0318860 A1 11/2017 Adair
 2017/0318861 A1 11/2017 Thorens
 2017/0325503 A1 11/2017 Liu
 2017/0325504 A1 11/2017 Liu
 2017/0325506 A1 11/2017 Batista
 2017/0332695 A1 11/2017 Zappoli et al.
 2017/0333415 A1 11/2017 Williams
 2017/0333650 A1 11/2017 Buchberger et al.
 2017/0333651 A1 11/2017 Qiu
 2017/0334605 A1 11/2017 Murphy et al.
 2017/0367406 A1 12/2017 Schuler et al.
 2018/0000160 A1 1/2018 Taschner et al.
 2018/0037381 A1 2/2018 White et al.
 2018/0042306 A1 2/2018 Atkins et al.
 2018/0043114 A1 2/2018 Bowen et al.
 2018/0043115 A1 2/2018 Gould et al.
 2018/0077967 A1 3/2018 Hatton et al.
 2018/0093050 A1 4/2018 Stenzler et al.
 2018/0093051 A1 4/2018 Stenzler et al.

FOREIGN PATENT DOCUMENTS

AU 2017202891 A1 5/2017
 CA 2641869 A1 5/2010
 CN 1122213 A 5/1996
 CN 201018481 Y 2/2008
 CN 201430916 Y 3/2010
 CN 101869356 A 10/2010
 CN 301547686 S 5/2011
 CN 301970169 S 6/2012
 CN 102754924 A 10/2012
 CN 302396126 S 4/2013
 CN 103141944 A 6/2013
 CN 302799554 S 4/2014
 CN 302810246 S 4/2014
 CN 302884434 S 8/2014
 CN 302926289 S 8/2014
 CN 302950830 S 9/2014
 CN 303089422 S 1/2015
 CN 303091331 S 1/2015

CN 303210086 S 5/2015
 CN 303103389 S 11/2015
 CN 303568163 S 1/2016
 CN 303103390 S 2/2016
 DE 9410665 U1 10/1994
 DE 19854005 A1 5/2000
 DE 19854012 A1 5/2000
 EP 0283672 A2 9/1988
 EP 0358114 A2 3/1990
 EP 0503767 A1 9/1992
 EP 0532194 A1 3/1993
 EP 0535695 A2 4/1993
 EP 0762258 A2 3/1997
 EP 2110033 A1 10/2009
 EP 2186507 A2 5/2010
 EP 2399636 A1 12/2011
 EP 2573900 A1 3/2013
 EP 2614731 A1 7/2013
 EP 2711006 A1 3/2014
 EP 2641669 B1 5/2014
 EP 2789248 A1 10/2014
 EP 2493342 B1 12/2014
 EP 2856893 A1 4/2015
 EP 2862454 A1 4/2015
 EP 2862457 A1 4/2015
 EP 2944206 A1 11/2015
 EP 2952110 A1 12/2015
 EP 2989912 A1 3/2016
 EP 3001918 A1 4/2016
 EP 3007305 A1 4/2016
 EP 3012213 A1 4/2016
 EP 3016233 A1 5/2016
 EP 3023016 A1 5/2016
 EP 3023351 A1 5/2016
 EP 3023947 A1 5/2016
 EP 3025598 A1 6/2016
 EP 3026779 A1 6/2016
 EP 3031338 A1 6/2016
 EP 3047742 A1 7/2016
 EP 3056099 A1 8/2016
 EP 3061358 A1 8/2016
 EP 3075270 A1 10/2016
 EP 3075271 A1 10/2016
 EP 3081102 A1 10/2016
 EP 3085638 A1 10/2016
 EP 3087853 A1 11/2016
 EP 3097803 A1 11/2016
 EP 3103355 A1 12/2016
 EP 3103356 A1 12/2016
 EP 3111787 A1 1/2017
 EP 3130238 A1 2/2017
 EP 3132843 A1 2/2017
 EP 3135139 A1 3/2017
 EP 3135603 A1 3/2017
 EP 3143882 A3 3/2017
 EP 3143884 A3 4/2017
 EP 3155908 A1 4/2017
 EP 3158880 A1 4/2017
 EP 3158881 A1 4/2017
 EP 3195738 A2 7/2017
 EP 3165102 A3 8/2017
 EP 3199043 A1 8/2017
 EP 3205220 A1 8/2017
 EP 3205597 A1 8/2017
 EP 3213649 A1 9/2017
 EP 3225118 A1 10/2017
 EP 3228198 A1 10/2017
 EP 3228345 A1 10/2017
 ES 2118034 A1 9/1998
 FR 002626416-001 4/2015
 FR 002626416-002 4/2015
 GB 1025630 A 4/1966
 GB 1065678 A 4/1967
 GB 2533174 A 6/2016
 IE S20050615 9/2005
 JP 62278975 12/1987
 JP H06114105 A 4/1994
 JP 09-075058 3/1997
 JP H09075058 A 3/1997

(56) References Cited					
FOREIGN PATENT DOCUMENTS					
JP	11178563	6/1999	WO	WO-2013142678	A1 9/2013
JP	2000203639	A 7/2000	WO	WO-2013150406	A2 10/2013
JP	2000236865	A 9/2000	WO	WO-2013156658	A1 10/2013
JP	2001161819	A 6/2001	WO	WO-2013165878	A1 11/2013
JP	2001165437	A 6/2001	WO	WO-2013171206	A1 11/2013
JP	2006320285	A 11/2006	WO	WO-2013174001	A1 11/2013
JP	2006320286	A 11/2006	WO	WO-2014020539	A1 2/2014
JP	2009213428	A 9/2009	WO	WO-2014020953	A1 2/2014
JP	2010020929	A 1/2010	WO	WO-2014023171	A1 2/2014
JP	2011024430	A 2/2011	WO	WO-2014032280	A1 3/2014
JP	2012005412	A 1/2012	WO	WO-2014040915	A1 3/2014
JP	5387257	B2 1/2014	WO	WO-2014047948	A1 4/2014
JP	2015504669	A 2/2015	WO	WO-2014047955	A1 4/2014
JP	201712730	A 1/2017	WO	WO-2014067236	A1 5/2014
TW	201436722	A 10/2014	WO	WO-2014071747	A1 5/2014
TW	201438608	A 10/2014	WO	WO-2014101119	A1 7/2014
TW	201524383	A 7/2015	WO	WO-2014101401	A1 7/2014
WO	WO-9712639	A1 4/1997	WO	WO-2014101734	A1 7/2014
WO	WO-2000005976	A1 2/2000	WO	WO-2014106323	A1 7/2014
WO	WO-0028842	A1 5/2000	WO	WO-2014110761	A1 7/2014
WO	WO-03055486	A1 7/2003	WO	WO-2014113949	A1 7/2014
WO	WO-03056948	A1 7/2003	WO	WO-2014117382	A1 8/2014
WO	WO-03082031	A1 10/2003	WO	WO-2014121509	A1 8/2014
WO	WO-03101454	A1 12/2003	WO	WO-2014125340	A1 8/2014
WO	WO-2004064548	A1 8/2004	WO	WO-2014127446	A1 8/2014
WO	WO-2004080216	A1 9/2004	WO	WO-2014134781	A1 9/2014
WO	WO-2005020726	A1 3/2005	WO	WO-2014144678	A2 9/2014
WO	WO-2005060366	A2 7/2005	WO	WO-2014146270	A1 9/2014
WO	WO-2006021153	A1 3/2006	WO	WO-2014147470	A2 9/2014
WO	WO-2007066374	A1 6/2007	WO	WO-2014161181	A1 10/2014
WO	WO-2007078273	A1 7/2007	WO	WO-2014166039	A1 10/2014
WO	WO-2007095109	A2 8/2007	WO	WO-2014167530	A1 10/2014
WO	WO-2007117675	A2 10/2007	WO	WO-2014169437	A1 10/2014
WO	WO-2007141520	A1 12/2007	WO	WO-2014169667	A1 10/2014
WO	WO-2008077271	A1 7/2008	WO	WO-2014185937	A1 11/2014
WO	WO-2008151777	A2 12/2008	WO	WO-2014186983	A1 11/2014
WO	WO-2009003204	A2 1/2009	WO	WO-2014194499	A1 12/2014
WO	WO-2010003480	A1 1/2010	WO	WO-2014195687	A1 12/2014
WO	WO-2010118122	A1 10/2010	WO	WO-2014198042	A1 12/2014
WO	WO-2010118644	A1 10/2010	WO	WO-2014201610	A1 12/2014
WO	WO-2010140841	A2 12/2010	WO	WO-2014201611	A1 12/2014
WO	WO-2010144637	A1 12/2010	WO	WO-2014201664	A1 12/2014
WO	WO-2010145805	A1 12/2010	WO	WO-2014201664	A1 12/2014
WO	WO-2011010334	A1 1/2011	WO	WO-2014201666	A1 12/2014
WO	WO-2011050964	A1 5/2011	WO	WO-2014201668	A1 12/2014
WO	WO-2011125058	A1 10/2011	WO	WO-2014205749	A1 12/2014
WO	WO-2012019533	A1 2/2012	WO	WO-2014205780	A1 12/2014
WO	WO-2012043941	A1 4/2012	WO	WO-2014205807	A1 12/2014
WO	WO-2012062600	A1 5/2012	WO	WO-2014205811	A1 12/2014
WO	WO-2012088675	A1 7/2012	WO	WO-2014206148	A1 12/2014
WO	WO-2012091249	A1 7/2012	WO	WO-2015000125	A1 1/2015
WO	WO-2012100523	A1 8/2012	WO	WO-2015000180	A1 1/2015
WO	WO-2012129812	A1 10/2012	WO	WO-2015003327	A1 1/2015
WO	WO-2012134117	A2 10/2012	WO	WO-2015003372	A1 1/2015
WO	WO-2012164033	A1 12/2012	WO	WO-2015003374	A1 1/2015
WO	WO-2012173322	A1 12/2012	WO	WO-2015006929	A1 1/2015
WO	WO-2012174677	A1 12/2012	WO	WO-2015010242	A1 1/2015
WO	WO-D079112-0010	12/2012	WO	WO-2015010277	A1 1/2015
WO	WO-2013012157	A1 1/2013	WO	WO-2015010284	A1 1/2015
WO	WO-2013020220	A1 2/2013	WO	WO-2015010291	A1 1/2015
WO	WO-2013030202	A1 3/2013	WO	WO-2015010310	A1 1/2015
WO	WO-2013034453	A1 3/2013	WO	WO-2015010336	A1 1/2015
WO	WO-2013040193	A2 3/2013	WO	WO-2015010345	A1 1/2015
WO	WO-2013044537	A1 4/2013	WO	WO-2015010349	A1 1/2015
WO	WO-2013076750	A1 5/2013	WO	WO-2015013890	A1 2/2015
WO	WO-2013083635	A1 6/2013	WO	WO-2015013891	A1 2/2015
WO	WO-2013089551	A1 6/2013	WO	WO-2015013892	A1 2/2015
WO	WO-2013110208	A1 8/2013	WO	WO-2015013926	A1 2/2015
WO	WO-2013110209	A1 8/2013	WO	WO-2015013950	A1 2/2015
WO	WO-2013110210	A1 8/2013	WO	WO-2015013967	A1 2/2015
WO	WO-2013113173	A1 8/2013	WO	WO-2015015156	A1 2/2015
WO	WO-2013113174	A1 8/2013	WO	WO-2015017971	A1 2/2015
WO	WO-2013113612	A1 8/2013	WO	WO-2015018026	A1 2/2015
WO	WO-2013116983	A1 8/2013	WO	WO-2015018120	A1 2/2015
WO	WO-2013131763	A1 9/2013	WO	WO-2015021612	A1 2/2015
			WO	WO-2015021646	A1 2/2015
			WO	WO-2015021651	A1 2/2015
			WO	WO-2015021652	A1 2/2015
			WO	WO-2015021655	A1 2/2015

(56)

References Cited

FOREIGN PATENT DOCUMENTS

WO	WO-2015021658	A1	2/2015	WO	WO-2015143749	A1	10/2015
WO	WO-2015024239	A1	2/2015	WO	WO-2015143765	A1	10/2015
WO	WO-2015024247	A1	2/2015	WO	WO-2015144057	A1	10/2015
WO	WO-2015026081	A1	2/2015	WO	WO-2015149311	A1	10/2015
WO	WO-2015027383	A1	3/2015	WO	WO-2015149330	A1	10/2015
WO	WO-2015027435	A1	3/2015	WO	WO-2015149332	A1	10/2015
WO	WO-2015027436	A1	3/2015	WO	WO-2015149338	A1	10/2015
WO	WO-2015027470	A1	3/2015	WO	WO-2015149368	A1	10/2015
WO	WO-2015028815	A1	3/2015	WO	WO-2015149403	A1	10/2015
WO	WO-2015032050	A1	3/2015	WO	WO-2015149406	A1	10/2015
WO	WO-2015032055	A1	3/2015	WO	WO-2015150068	A1	10/2015
WO	WO-2015032078	A1	3/2015	WO	WO-2015154309	A1	10/2015
WO	WO-2015032093	A1	3/2015	WO	WO-2015154619	A1	10/2015
WO	WO-2015035510	A1	3/2015	WO	WO-2015157891	A1	10/2015
WO	WO-2015035547	A1	3/2015	WO	WO-2015157893	A1	10/2015
WO	WO-2015035557	A1	3/2015	WO	WO-2015157900	A1	10/2015
WO	WO-2015035587	A1	3/2015	WO	WO-2015157901	A1	10/2015
WO	WO-2015035623	A1	3/2015	WO	WO-2015157928	A1	10/2015
WO	WO-2015035689	A1	3/2015	WO	WO-2015158522	A1	10/2015
WO	WO-2015037925	A1	3/2015	WO	WO-2015158548	A1	10/2015
WO	WO-2015039275	A1	3/2015	WO	WO-2015161406	A1	10/2015
WO	WO-2015039280	A1	3/2015	WO	WO-2015161407	A1	10/2015
WO	WO-2015039332	A1	3/2015	WO	WO-2015161485	A1	10/2015
WO	WO-2015042790	A1	4/2015	WO	WO-2015161486	A1	10/2015
WO	WO-2015042811	A1	4/2015	WO	WO-2015161491	A1	10/2015
WO	WO-2015042848	A1	4/2015	WO	WO-2015161514	A1	10/2015
WO	WO-2015042943	A1	4/2015	WO	WO-2015161553	A1	10/2015
WO	WO-2015051509	A1	4/2015	WO	WO-2015161555	A1	10/2015
WO	WO-2015051538	A1	4/2015	WO	WO-2015161557	A1	10/2015
WO	WO-2015054815	A1	4/2015	WO	WO-2015068044	A3	11/2015
WO	WO-2015054961	A1	4/2015	WO	WO-2015165067	A1	11/2015
WO	WO-2015055314	A1	4/2015	WO	WO-2015165081	A1	11/2015
WO	WO-2015058340	A1	4/2015	WO	WO-2015165083	A1	11/2015
WO	WO-2015058341	A1	4/2015	WO	WO-2015165086	A1	11/2015
WO	WO-2015058367	A1	4/2015	WO	WO-2015165105	A1	11/2015
WO	WO-2015058387	A1	4/2015	WO	WO-2015165146	A1	11/2015
WO	WO-2015062041	A1	5/2015	WO	WO-2015168827	A1	11/2015
WO	WO-2015066136	A1	5/2015	WO	WO-2015168828	A1	11/2015
WO	WO-2015066927	A1	5/2015	WO	WO-2015168853	A1	11/2015
WO	WO-2015070398	A1	5/2015	WO	WO-2015168904	A1	11/2015
WO	WO-2015070405	A1	5/2015	WO	WO-2015168912	A1	11/2015
WO	WO-2015071703	A1	5/2015	WO	WO-2015172331	A1	11/2015
WO	WO-2015073975	A1	5/2015	WO	WO-2015172361	A1	11/2015
WO	WO-2015074187	A1	5/2015	WO	WO-2015172368	A1	11/2015
WO	WO-2015074265	A1	5/2015	WO	WO-2015172382	A1	11/2015
WO	WO-2015074308	A1	5/2015	WO	WO-2015172383	A1	11/2015
WO	WO-2015077998	A1	6/2015	WO	WO-2015172384	A1	11/2015
WO	WO-2015077999	A1	6/2015	WO	WO-2015172387	A1	11/2015
WO	WO-2015078010	A1	6/2015	WO	WO-2015172388	A1	11/2015
WO	WO-2015079197	A1	6/2015	WO	WO-2015172389	A1	11/2015
WO	WO-2015089711	A1	6/2015	WO	WO-2015172390	A1	11/2015
WO	WO-2015091346	A2	6/2015	WO	WO-2015172606	A1	11/2015
WO	WO-2015013327	A3	7/2015	WO	WO-2015174657	A1	11/2015
WO	WO-2015106434	A1	7/2015	WO	WO-2015174708	A1	11/2015
WO	WO-2015106440	A1	7/2015	WO	WO-2015175979	A1	11/2015
WO	WO-2015107551	A2	7/2015	WO	WO-2015176210	A1	11/2015
WO	WO-2015107552	A1	7/2015	WO	WO-2015176230	A1	11/2015
WO	WO-2015109476	A1	7/2015	WO	WO-2015176300	A1	11/2015
WO	WO-2015109532	A1	7/2015	WO	WO-2015176580	A1	11/2015
WO	WO-2015109540	A1	7/2015	WO	WO-2015180027	A1	12/2015
WO	WO-2015109616	A1	7/2015	WO	WO-2015180061	A1	12/2015
WO	WO-2015109618	A1	7/2015	WO	WO-2015180062	A1	12/2015
WO	WO-2015117285	A1	8/2015	WO	WO-2015180071	A1	12/2015
WO	WO-2015120588	A1	8/2015	WO	WO-2015180088	A1	12/2015
WO	WO-2015120591	A1	8/2015	WO	WO-2015180089	A1	12/2015
WO	WO-2015120623	A1	8/2015	WO	WO-2015180145	A1	12/2015
WO	WO-2015123831	A1	8/2015	WO	WO-2015184580	A1	12/2015
WO	WO-2015127609	A1	9/2015	WO	WO-2015184590	A1	12/2015
WO	WO-2015128599	A1	9/2015	WO	WO-2015184620	A1	12/2015
WO	WO-2015137815	A1	9/2015	WO	WO-2015184747	A1	12/2015
WO	WO-2015140312	A1	9/2015	WO	WO-2015188295	A1	12/2015
WO	WO-2015140336	A1	9/2015	WO	WO-2015188296	A1	12/2015
WO	WO-2015140768	A2	9/2015	WO	WO-2015189613	A1	12/2015
WO	WO-2015143637	A1	10/2015	WO	WO-2015190810	A1	12/2015
WO	WO-2015143648	A1	10/2015	WO	WO-2015192301	A1	12/2015
				WO	WO-2015192326	A1	12/2015
				WO	WO-2015192336	A1	12/2015
				WO	WO-2015192337	A1	12/2015
				WO	WO-2015192377	A1	12/2015

(56)

References Cited

FOREIGN PATENT DOCUMENTS

WO	WO-2015193456	A1	12/2015	WO	WO-2016046116	A1	3/2016
WO	WO-2015196331	A1	12/2015	WO	WO-2015192834	A3	4/2016
WO	WO-2015196332	A1	12/2015	WO	WO-2016049822	A1	4/2016
WO	WO-2015196357	A1	12/2015	WO	WO-2016049823	A1	4/2016
WO	WO-2015196367	A1	12/2015	WO	WO-2016049855	A1	4/2016
WO	WO-2015196395	A1	12/2015	WO	WO-2016049863	A1	4/2016
WO	WO-2015196463	A1	12/2015	WO	WO-2016050246	A1	4/2016
WO	WO-2015148649	A3	1/2016	WO	WO-2016050247	A1	4/2016
WO	WO-2016000113	A1	1/2016	WO	WO-2016054793	A1	4/2016
WO	WO-2016000130	A1	1/2016	WO	WO-2016055653	A1	4/2016
WO	WO-2016000135	A1	1/2016	WO	WO-2016058139	A1	4/2016
WO	WO-2016000136	A1	1/2016	WO	WO-2016058187	A1	4/2016
WO	WO-2016000139	A1	1/2016	WO	WO-2016058189	A1	4/2016
WO	WO-2016000206	A1	1/2016	WO	WO-2016059000	A1	4/2016
WO	WO-2016000207	A1	1/2016	WO	WO-2016060576	A1	4/2016
WO	WO-2016000214	A1	1/2016	WO	WO-2016061729	A1	4/2016
WO	WO-2016000232	A1	1/2016	WO	WO-2016061730	A1	4/2016
WO	WO-2016000233	A1	1/2016	WO	WO-2016061822	A1	4/2016
WO	WO-2016000305	A1	1/2016	WO	WO-2016061859	A1	4/2016
WO	WO-2016008067	A1	1/2016	WO	WO-2016062168	A1	4/2016
WO	WO-2016008096	A1	1/2016	WO	WO-2016062777	A1	4/2016
WO	WO-2016008217	A1	1/2016	WO	WO-2016063775	A1	4/2016
WO	WO-2016009202	A1	1/2016	WO	WO-2016065520	A1	5/2016
WO	WO-2016011573	A1	1/2016	WO	WO-2016065521	A1	5/2016
WO	WO-2016012769	A1	1/2016	WO	WO-2016065532	A1	5/2016
WO	WO-2016015196	A1	2/2016	WO	WO-2016065533	A1	5/2016
WO	WO-2016015245	A1	2/2016	WO	WO-2016065596	A1	5/2016
WO	WO-2016015246	A1	2/2016	WO	WO-2016065598	A1	5/2016
WO	WO-2016015247	A1	2/2016	WO	WO-2016065599	A1	5/2016
WO	WO-2016015264	A1	2/2016	WO	WO-2016065605	A1	5/2016
WO	WO-2016015712	A1	2/2016	WO	WO-2016065606	A1	5/2016
WO	WO-2016019353	A1	2/2016	WO	WO-2016065607	A1	5/2016
WO	WO-2016019508	A1	2/2016	WO	WO-2016070553	A1	5/2016
WO	WO-2016019550	A1	2/2016	WO	WO-2016071027	A1	5/2016
WO	WO-2016019573	A1	2/2016	WO	WO-2016071705	A1	5/2016
WO	WO-2016020675	A1	2/2016	WO	WO-2016071706	A1	5/2016
WO	WO-2016023173	A1	2/2016	WO	WO-2016074228	A1	5/2016
WO	WO-2016023176	A1	2/2016	WO	WO-2016074229	A1	5/2016
WO	WO-2016023177	A1	2/2016	WO	WO-2016074230	A1	5/2016
WO	WO-2016023181	A1	2/2016	WO	WO-2016074234	A1	5/2016
WO	WO-2016023182	A1	2/2016	WO	WO-2016074237	A1	5/2016
WO	WO-2016023183	A1	2/2016	WO	WO-2016076178	A1	5/2016
WO	WO-2016023212	A1	2/2016	WO	WO-2016079001	A1	5/2016
WO	WO-2016023651	A1	2/2016	WO	WO-2016079151	A1	5/2016
WO	WO-2016023824	A1	2/2016	WO	WO-2016079152	A1	5/2016
WO	WO-2016023965	A1	2/2016	WO	WO-2016079155	A1	5/2016
WO	WO-2016026104	A1	2/2016	WO	WO-2016079468	A1	5/2016
WO	WO-2016026105	A1	2/2016	WO	WO-2016079533	A1	5/2016
WO	WO-2016026156	A1	2/2016	WO	WO-2016079729	A1	5/2016
WO	WO-2016026811	A1	2/2016	WO	WO-2016058992	A3	6/2016
WO	WO-2016028544	A1	2/2016	WO	WO-2016059003	A3	6/2016
WO	WO-2016029344	A1	3/2016	WO	WO-2016082074	A1	6/2016
WO	WO-2016029382	A1	3/2016	WO	WO-2016082103	A1	6/2016
WO	WO-2016029386	A1	3/2016	WO	WO-2016082116	A1	6/2016
WO	WO-2016029389	A1	3/2016	WO	WO-2016082136	A1	6/2016
WO	WO-2016029429	A1	3/2016	WO	WO-2016082158	A1	6/2016
WO	WO-2016029464	A1	3/2016	WO	WO-2016082179	A1	6/2016
WO	WO-2016029468	A1	3/2016	WO	WO-2016082180	A1	6/2016
WO	WO-2016029470	A1	3/2016	WO	WO-2016082183	A1	6/2016
WO	WO-2016029473	A1	3/2016	WO	WO-2016082217	A1	6/2016
WO	WO-2016029567	A1	3/2016	WO	WO-2016082232	A1	6/2016
WO	WO-2016030661	A1	3/2016	WO	WO-2016082479	A1	6/2016
WO	WO-2016033721	A1	3/2016	WO	WO-2016086382	A1	6/2016
WO	WO-2016033734	A1	3/2016	WO	WO-2016090426	A1	6/2016
WO	WO-2016033783	A1	3/2016	WO	WO-2016090531	A1	6/2016
WO	WO-2016033817	A1	3/2016	WO	WO-2016090533	A1	6/2016
WO	WO-2016034100	A1	3/2016	WO	WO-2016090593	A1	6/2016
WO	WO-2016038029	A1	3/2016	WO	WO-2016090601	A1	6/2016
WO	WO-2016040575	A1	3/2016	WO	WO-2016090602	A1	6/2016
WO	WO-2016041114	A1	3/2016	WO	WO-2016090962	A1	6/2016
WO	WO-2016041140	A1	3/2016	WO	WO-2016092259	A1	6/2016
WO	WO-2016041141	A1	3/2016	WO	WO-2016095101	A1	6/2016
WO	WO-2016041207	A1	3/2016	WO	WO-2016095206	A1	6/2016
WO	WO-2016041209	A1	3/2016	WO	WO-2016095220	A1	6/2016
WO	WO-2016045058	A1	3/2016	WO	WO-2016095234	A1	6/2016
				WO	WO-2016095297	A1	6/2016
				WO	WO-2016096337	A1	6/2016
				WO	WO-2016096482	A1	6/2016
				WO	WO-2016096497	A1	6/2016

(56) References Cited			WO	WO-2016124741	A1	8/2016	
FOREIGN PATENT DOCUMENTS			WO	WO-2016127287	A1	8/2016	
WO	WO-2016096733	A1	6/2016	WO	WO-2016127293	A1	8/2016
WO	WO-2016096762	A1	6/2016	WO	WO-2016127327	A1	8/2016
WO	WO-2016099045	A1	6/2016	WO	WO-2016127360	A1	8/2016
WO	WO-2016099276	A1	6/2016	WO	WO-2016127361	A1	8/2016
WO	WO-2016101141	A1	6/2016	WO	WO-2016127389	A1	8/2016
WO	WO-2016101142	A1	6/2016	WO	WO-2016127390	A1	8/2016
WO	WO-2016101143	A1	6/2016	WO	WO-2016127396	A1	8/2016
WO	WO-2016101144	A1	6/2016	WO	WO-2016127397	A1	8/2016
WO	WO-2016101150	A1	6/2016	WO	WO-2016127401	A1	8/2016
WO	WO-2016101183	A1	6/2016	WO	WO-2016127406	A1	8/2016
WO	WO-2016101200	A1	6/2016	WO	WO-2016127468	A1	8/2016
WO	WO-2016101202	A1	6/2016	WO	WO-2016127839	A1	8/2016
WO	WO-2016101203	A1	6/2016	WO	WO-2016128562	A1	8/2016
WO	WO-2016101248	A1	6/2016	WO	WO-2016131755	A1	8/2016
WO	WO-2016103202	A1	6/2016	WO	WO-2016132026	A1	8/2016
WO	WO-2016105191	A1	6/2016	WO	WO-2016134544	A1	9/2016
WO	WO-2016036236	A3	7/2016	WO	WO-2016135503	A1	9/2016
WO	WO-2016106476	A1	7/2016	WO	WO-2016138608	A1	9/2016
WO	WO-2016106483	A1	7/2016	WO	WO-2016138665	A1	9/2016
WO	WO-2016106493	A1	7/2016	WO	WO-2016138689	A1	9/2016
WO	WO-2016106495	A1	7/2016	WO	WO-2016141508	A1	9/2016
WO	WO-2016106499	A1	7/2016	WO	WO-2016141555	A1	9/2016
WO	WO-2016106500	A1	7/2016	WO	WO-2016141556	A1	9/2016
WO	WO-2016106512	A1	7/2016	WO	WO-2016141581	A1	9/2016
WO	WO-2016108693	A1	7/2016	WO	WO-2016141592	A1	9/2016
WO	WO-2016108694	A1	7/2016	WO	WO-2016141593	A1	9/2016
WO	WO-2016109929	A1	7/2016	WO	WO-2016145611	A1	9/2016
WO	WO-2016109930	A1	7/2016	WO	WO-2016145612	A1	9/2016
WO	WO-2016109931	A1	7/2016	WO	WO-2016145613	A1	9/2016
WO	WO-2016109932	A1	7/2016	WO	WO-2016145634	A1	9/2016
WO	WO-2016109933	A1	7/2016	WO	WO-2016145656	A1	9/2016
WO	WO-2016109942	A1	7/2016	WO	WO-2016145663	A1	9/2016
WO	WO-2016109964	A1	7/2016	WO	WO-2016149896	A1	9/2016
WO	WO-2016109965	A1	7/2016	WO	WO-2016149932	A1	9/2016
WO	WO-2016110522	A1	7/2016	WO	WO-2016149942	A1	9/2016
WO	WO-2016112491	A1	7/2016	WO	WO-2016150019	A1	9/2016
WO	WO-2016112493	A1	7/2016	WO	WO-2016150979	A1	9/2016
WO	WO-2016112533	A1	7/2016	WO	WO-2016154792	A1	10/2016
WO	WO-2016112534	A1	7/2016	WO	WO-2016154797	A1	10/2016
WO	WO-2016112541	A1	7/2016	WO	WO-2016154798	A1	10/2016
WO	WO-2016112542	A1	7/2016	WO	WO-2016154815	A1	10/2016
WO	WO-2016112561	A1	7/2016	WO	WO-2016154895	A1	10/2016
WO	WO-2016112579	A1	7/2016	WO	WO-2016154896	A1	10/2016
WO	WO-2016115689	A1	7/2016	WO	WO-2016154897	A1	10/2016
WO	WO-2016115691	A1	7/2016	WO	WO-2016154900	A1	10/2016
WO	WO-2016115701	A1	7/2016	WO	WO-2016154994	A1	10/2016
WO	WO-2016115715	A1	7/2016	WO	WO-2016155003	A1	10/2016
WO	WO-2016116754	A1	7/2016	WO	WO-2016155103	A1	10/2016
WO	WO-2016116755	A1	7/2016	WO	WO-2016155104	A1	10/2016
WO	WO-2016118005	A1	7/2016	WO	WO-2016155105	A1	10/2016
WO	WO-2016119098	A1	8/2016	WO	WO-2016155316	A1	10/2016
WO	WO-2016119099	A1	8/2016	WO	WO-2016156103	A1	10/2016
WO	WO-2016119101	A1	8/2016	WO	WO-2016156217	A1	10/2016
WO	WO-2016119119	A1	8/2016	WO	WO-2016156413	A1	10/2016
WO	WO-2016119121	A1	8/2016	WO	WO-2016161554	A1	10/2016
WO	WO-2016119144	A1	8/2016	WO	WO-2016161673	A1	10/2016
WO	WO-2016119145	A1	8/2016	WO	WO-2016162446	A1	10/2016
WO	WO-2016119163	A1	8/2016	WO	WO-2016162492	A1	10/2016
WO	WO-2016119167	A1	8/2016	WO	WO-2016165055	A1	10/2016
WO	WO-2016119170	A1	8/2016	WO	WO-2016165057	A1	10/2016
WO	WO-2016119225	A1	8/2016	WO	WO-2016165063	A1	10/2016
WO	WO-2016119248	A1	8/2016	WO	WO-2016165125	A1	10/2016
WO	WO-2016119273	A1	8/2016	WO	WO-2016166049	A1	10/2016
WO	WO-2016119496	A1	8/2016	WO	WO-2016166456	A1	10/2016
WO	WO-2016122417	A1	8/2016	WO	WO-2016166661	A1	10/2016
WO	WO-2016123763	A1	8/2016	WO	WO-2016166670	A1	10/2016
WO	WO-2016123764	A1	8/2016	WO	WO-2016168274	A1	10/2016
WO	WO-2016123770	A1	8/2016	WO	WO-2016168986	A1	10/2016
WO	WO-2016123779	A1	8/2016	WO	WO-2016169019	A1	10/2016
WO	WO-2016123780	A1	8/2016	WO	WO-2016169052	A1	10/2016
WO	WO-2016123781	A1	8/2016	WO	WO-2016169063	A1	10/2016
WO	WO-2016124017	A1	8/2016	WO	WO-2016169669	A1	10/2016
WO	WO-2016124019	A1	8/2016	WO	WO-2016169796	A1	10/2016
WO	WO-2016124695	A1	8/2016	WO	WO-2016169797	A1	10/2016
WO	WO-2016124740	A1	8/2016	WO	WO-2016172802	A1	11/2016
				WO	WO-2016172821	A1	11/2016
				WO	WO-2016172843	A1	11/2016

(56)		References Cited					
		FOREIGN PATENT DOCUMENTS		WO	WO-2017015859	A1	2/2017
WO	WO-2016172847	A1	11/2016	WO	WO-2017016323	A1	2/2017
WO	WO-2016172867	A1	11/2016	WO	WO-2017017970	A1	2/2017
WO	WO-2016172898	A1	11/2016	WO	WO-2017020220	A1	2/2017
WO	WO-2016172907	A1	11/2016	WO	WO-2017020221	A1	2/2017
WO	WO-2016172908	A1	11/2016	WO	WO-2017020275	A1	2/2017
WO	WO-2016172909	A1	11/2016	WO	WO-2017020290	A1	2/2017
WO	WO-2016172954	A1	11/2016	WO	WO-2017023589	A1	2/2017
WO	WO-2016174179	A1	11/2016	WO	WO-2017024477	A1	2/2017
WO	WO-2016176800	A1	11/2016	WO	WO-2017024478	A1	2/2017
WO	WO-2016177604	A1	11/2016	WO	WO-2017024799	A1	2/2017
WO	WO-2016179356	A1	11/2016	WO	WO-2017024926	A1	2/2017
WO	WO-2016179664	A1	11/2016	WO	WO-2017025383	A1	2/2017
WO	WO-2016179776	A1	11/2016	WO	WO-2017028167	A1	2/2017
WO	WO-2016179828	A1	11/2016	WO	WO-2017028295	A1	2/2017
WO	WO-2016183724	A1	11/2016	WO	WO-2017029268	A1	2/2017
WO	WO-2016184247	A1	11/2016	WO	WO-2017029269	A1	2/2017
WO	WO-2016184824	A1	11/2016	WO	WO-2017029270	A1	2/2017
WO	WO-2016171997	A3	12/2016	WO	WO-2017021536	A3	3/2017
WO	WO-2016187803	A1	12/2016	WO	WO-2017031662	A1	3/2017
WO	WO-2016187943	A1	12/2016	WO	WO-2017031678	A1	3/2017
WO	WO-2016188140	A1	12/2016	WO	WO-2017031681	A1	3/2017
WO	WO-2016188141	A1	12/2016	WO	WO-2017033007	A1	3/2017
WO	WO-2016188142	A1	12/2016	WO	WO-2017033021	A1	3/2017
WO	WO-2016188967	A1	12/2016	WO	WO-2017033132	A1	3/2017
WO	WO-2016189086	A1	12/2016	WO	WO-2017035720	A1	3/2017
WO	WO-2016191946	A1	12/2016	WO	WO-2017036818	A1	3/2017
WO	WO-2016193336	A1	12/2016	WO	WO-2017036819	A1	3/2017
WO	WO-2016193365	A1	12/2016	WO	WO-2017036828	A1	3/2017
WO	WO-2016193743	A1	12/2016	WO	WO-2017036829	A1	3/2017
WO	WO-2016197485	A1	12/2016	WO	WO-2017036865	A1	3/2017
WO	WO-2016197658	A1	12/2016	WO	WO-2017036879	A1	3/2017
WO	WO-2016198417	A1	12/2016	WO	WO-2017041251	A1	3/2017
WO	WO-2016198459	A1	12/2016	WO	WO-2017042081	A1	3/2017
WO	WO-2016198879	A1	12/2016	WO	WO-2017045132	A1	3/2017
WO	WO-2016199062	A1	12/2016	WO	WO-2017045897	A1	3/2017
WO	WO-2016199065	A1	12/2016	WO	WO-2017045898	A1	3/2017
WO	WO-2016199066	A1	12/2016	WO	WO-2017045899	A1	3/2017
WO	WO-2016200252	A1	12/2016	WO	WO-2017046247	A1	3/2017
WO	WO-2016200253	A1	12/2016	WO	WO-2017046334	A1	3/2017
WO	WO-2016200255	A1	12/2016	WO	WO-2017046363	A1	3/2017
WO	WO-2016200259	A1	12/2016	WO	WO-2017046566	A1	3/2017
WO	WO-2016200382	A1	12/2016	WO	WO-2017049653	A1	3/2017
WO	WO-2016201602	A1	12/2016	WO	WO-2017049654	A1	3/2017
WO	WO-2016201606	A1	12/2016	WO	WO-2017051150	A1	3/2017
WO	WO-2016201911	A1	12/2016	WO	WO-2017051174	A1	3/2017
WO	WO-2016202028	A1	12/2016	WO	WO-2017051348	A1	3/2017
WO	WO-2016202033	A1	12/2016	WO	WO-2017051349	A1	3/2017
WO	WO-2016202301	A1	12/2016	WO	WO-2017046593	A3	4/2017
WO	WO-2016202302	A1	12/2016	WO	WO-2017054424	A1	4/2017
WO	WO-2016202303	A1	12/2016	WO	WO-2017054627	A1	4/2017
WO	WO-2016202304	A1	12/2016	WO	WO-2017054634	A1	4/2017
WO	WO-2016207357	A1	12/2016	WO	WO-2017055564	A1	4/2017
WO	WO-2016208757	A1	12/2016	WO	WO-2017055584	A1	4/2017
WO	WO-2016208760	A1	12/2016	WO	WO-2017055793	A1	4/2017
WO	WO-2016193705	A3	1/2017	WO	WO-2017055795	A1	4/2017
WO	WO-2017000239	A1	1/2017	WO	WO-2017055799	A1	4/2017
WO	WO-2017001270	A1	1/2017	WO	WO-2017055801	A1	4/2017
WO	WO-2017001817	A1	1/2017	WO	WO-2017055802	A1	4/2017
WO	WO-2017001818	A1	1/2017	WO	WO-2017055803	A1	4/2017
WO	WO-2017001819	A1	1/2017	WO	WO-2017055866	A1	4/2017
WO	WO-2017001820	A1	1/2017	WO	WO-2017056103	A1	4/2017
WO	WO-2017005835	A1	1/2017	WO	WO-2017057286	A1	4/2017
WO	WO-2017007252	A1	1/2017	WO	WO-2017059571	A1	4/2017
WO	WO-2017008616	A1	1/2017	WO	WO-2017060279	A1	4/2017
WO	WO-2017009002	A1	1/2017	WO	WO-2017063256	A1	4/2017
WO	WO-2017011419	A1	1/2017	WO	WO-2017063535	A1	4/2017
WO	WO-2017012099	A1	1/2017	WO	WO-2017064051	A1	4/2017
WO	WO-2017012105	A1	1/2017	WO	WO-2017064322	A1	4/2017
WO	WO-2017012257	A1	1/2017	WO	WO-2017064323	A1	4/2017
WO	WO-2017012335	A1	1/2017	WO	WO-2017064324	A1	4/2017
WO	WO-2016172921	A8	2/2017	WO	WO-2017064487	A1	4/2017
WO	WO-2016178098	A3	2/2017	WO	WO-2017066938	A1	4/2017
WO	WO-2017015791	A1	2/2017	WO	WO-2017066955	A1	4/2017
WO	WO-2017015794	A1	2/2017	WO	WO-2017067066	A1	4/2017
WO	WO-2017015832	A1	2/2017	WO	WO-2017067326	A1	4/2017
				WO	WO-2017068098	A1	4/2017
				WO	WO-2017068099	A1	4/2017
				WO	WO-2017068100	A1	4/2017

(56)

References Cited

FOREIGN PATENT DOCUMENTS

WO WO-2016096745 A9 5/2017
 WO WO-2016173568 A3 5/2017
 WO WO-2016198026 A3 5/2017
 WO WO-2017051350 A3 5/2017
 WO WO-2017070871 A1 5/2017
 WO WO-2017071297 A1 5/2017
 WO WO-2017071298 A1 5/2017
 WO WO-2017072239 A1 5/2017
 WO WO-2017072277 A1 5/2017
 WO WO-2017072284 A1 5/2017
 WO WO-2017075753 A1 5/2017
 WO WO-2017075759 A1 5/2017
 WO WO-2017075827 A1 5/2017
 WO WO-2017075883 A1 5/2017
 WO WO-2017075975 A1 5/2017
 WO WO-2017076247 A1 5/2017
 WO WO-2017076590 A1 5/2017
 WO WO-2017081480 A1 5/2017
 WO WO-2017082728 A1 5/2017
 WO WO-2017084107 A1 5/2017
 WO WO-2017084488 A1 5/2017
 WO WO-2017084489 A1 5/2017
 WO WO-2017084818 A1 5/2017
 WO WO-2017084848 A1 5/2017
 WO WO-2017084849 A1 5/2017
 WO WO-2017084920 A2 5/2017
 WO WO-2017085240 A1 5/2017
 WO WO-2017085242 A1 5/2017
 WO WO-2017081176 A3 6/2017
 WO WO-2017088660 A1 6/2017
 WO WO-2017089931 A1 6/2017
 WO WO-2017091926 A1 6/2017
 WO WO-2017092144 A1 6/2017
 WO WO-2017093452 A1 6/2017
 WO WO-2017093535 A1 6/2017
 WO WO-2017096512 A1 6/2017
 WO WO-2017096971 A1 6/2017
 WO WO-2017096988 A1 6/2017
 WO WO-2017097172 A1 6/2017
 WO WO-2017097173 A1 6/2017
 WO WO-2017097821 A1 6/2017
 WO WO-2017101030 A1 6/2017
 WO WO-2017101058 A1 6/2017
 WO WO-2017101705 A1 6/2017
 WO WO-2017102633 A1 6/2017
 WO WO-2017102686 A1 6/2017
 WO WO-2017102969 A1 6/2017
 WO WO-2017107546 A1 6/2017
 WO WO-2017108268 A1 6/2017
 WO WO-2017108392 A1 6/2017
 WO WO-2017108394 A1 6/2017
 WO WO-2017108429 A1 6/2017
 WO WO-2017109448 A2 6/2017
 WO WO-2017109868 A1 6/2017
 WO WO-2017110713 A1 6/2017
 WO WO-2017036426 A3 7/2017
 WO WO-2017113106 A1 7/2017
 WO WO-2017113513 A1 7/2017
 WO WO-2017113845 A1 7/2017
 WO WO-2017114389 A1 7/2017
 WO WO-2017117725 A1 7/2017
 WO WO-2017117742 A1 7/2017
 WO WO-2017118135 A1 7/2017
 WO WO-2017118138 A1 7/2017
 WO WO-2017118347 A1 7/2017
 WO WO-2017121156 A1 7/2017
 WO WO-2017121253 A1 7/2017
 WO WO-2017121296 A1 7/2017
 WO WO-2017121546 A1 7/2017
 WO WO-2017121979 A1 7/2017
 WO WO-2017122196 A1 7/2017
 WO WO-2017124419 A1 7/2017
 WO WO-2017124662 A1 7/2017
 WO WO-2017124957 A1 7/2017
 WO WO-2017128038 A1 8/2017

WO WO-2017133056 A1 8/2017
 WO WO-2017137138 A1 8/2017
 WO WO-2017137554 A1 8/2017
 WO WO-2017139963 A1 8/2017
 WO WO-2017141017 A1 8/2017
 WO WO-2017141018 A1 8/2017
 WO WO-2017141358 A1 8/2017
 WO WO-2017143494 A1 8/2017
 WO WO-2017143495 A1 8/2017
 WO WO-2017143515 A1 8/2017
 WO WO-2017143865 A1 8/2017
 WO WO-2017143953 A1 8/2017
 WO WO-2017144400 A1 8/2017
 WO WO-2017144861 A1 8/2017
 WO WO-2017149288 A1 9/2017
 WO WO-2017152481 A1 9/2017
 WO WO-2017153051 A1 9/2017
 WO WO-2017153270 A1 9/2017
 WO WO-2017156694 A1 9/2017
 WO WO-2017156695 A1 9/2017
 WO WO-2017156696 A1 9/2017
 WO WO-2017156733 A1 9/2017
 WO WO-2017156743 A1 9/2017
 WO WO-2017161715 A1 9/2017
 WO WO-2017161725 A1 9/2017
 WO WO-2017163044 A1 9/2017
 WO WO-2017163045 A1 9/2017
 WO WO-2017163046 A1 9/2017
 WO WO-2017163047 A1 9/2017
 WO WO-2017163050 A1 9/2017
 WO WO-2017163051 A1 9/2017
 WO WO-2017163052 A1 9/2017
 WO WO-2017164474 A1 9/2017
 WO WO-2017166263 A1 10/2017
 WO WO-2017166334 A1 10/2017
 WO WO-2017167169 A1 10/2017
 WO WO-2017167513 A1 10/2017
 WO WO-2017173669 A1 10/2017
 WO WO-2017173947 A1 10/2017
 WO WO-2017173951 A1 10/2017
 WO WO-2017174754 A1 10/2017
 WO WO-2017175166 A1 10/2017
 WO WO-2017176111 A1 10/2017
 WO WO-2017176113 A1 10/2017
 WO WO-2017177897 A1 10/2017

OTHER PUBLICATIONS

“Guideline Accompanying Commission Regulation (EC) No. 1275/2008,” Official Journal of the European Union, Oct. 2009.
 “Lighter.” Merriam-Webster Online Dictionary. 2009. Merriam-Webster Online. Jun. 8, 2009 [http://www.merriam-webster.com/dictionary/lighter].
 AMB. Manual:TranX160/Rev.10-06. published 2004-2006.
 Baker et al., “The pyrolysis of tobacco ingredients,” J. Anal. Appl. Pyrolysis, vol. 71, pp. 223-311 (2004).
 Bombick, et al. Chemical and biological studies of a new cigarette that primarily heats tobacco. Part 2. In vitro toxicology of mainstream smoke condensate. Food and Chemical Toxicology. 1997; 36:183-190.
 Bombick, et al. Chemical and biological studies of a new cigarette that primarily heats tobacco. Part 3. In vitro toxicity of whole smoke. Food and Chemical Toxicology. 1998; 36:191-197.
 Borgerding, et al. Chemical and biological studies of a new cigarette that primarily heats tobacco. Part 1. Chemical composition of mainstream smoke. Food and Chemical Toxicology. 1997; 36:169-182.
 Breland, Alison, et al. “Electronic cigarettes: what are they and what do they do?,” Annals of the New York Academy of Sciences 1394.1 (2017): 5-30.
 Brown, Christopher J., et al., “Electronic cigarettes: product characterisation and design considerations.” Tobacco control 23.suppl 2 (2014): ii4-ii10.
 Bullen, et al., “Effect of an electronic nicotine delivery device (e cigarette) on desire to smoke and withdrawal, user preferences and nicotine delivery: randomized cross-over trial,” Tobacco Control, 19(2), pp. 98-103. Apr. 2010.

(56)

References Cited

OTHER PUBLICATIONS

- Burch, et al., "Effect of pH on nicotine absorption and side effects produced by aerosolized nicotine," *Journal of Aerosol Medicine: Deposition, Clearance, and Effects in the Lung*, 6(1), pp. 45-52. 1993.
- Capponnetto, et al., "Successful smoking cessation with cigarettes in smokers with a documented history of recurring relapses: a case series," *Journal of Medical Case Reports*; 5(1), 6 pages. 2011.
- Davis & Nielsen, "Marketing, Processing and Storage: Green Leaf Threshing and Redrying Tobacco," *Tobacco Production, Chemistry and Technology*, (1999) Section 10B, pp. 330-333, Bill Ward, Expert Leaf Tobacco Company, Wilson, North Carolina, USA.
- E-Cigarette Forum; pg-gv-peg (discussion/posting); retrieved from the Internet: <https://e-cigarette-forum.com/forum/threads/pg-gv-peg.177551>; 7 pgs.; Apr. 8, 2011.
- ECF; Any interest in determining nicotine—by DVAP; (<https://www.e-cigarette-forum.com/forum/threads/any-interest-in-determining-nicotine-by-dvap.35922/>); blog posts dated: 2009; 8 pgs.; print/retrieval date: Jul. 31, 2014.
- Electronic Vaporization Device/ Gizmodo Pax 2 Vaporizer/ Gizmodo; retrieved from <http://gizmodo.com/pax-2-vaporizer-reviews-its-like-smoking-in-the-future-1718310779>; posted Jul. 23, 2015, retrieved Oct. 17, 2016.
- Engadget. *Juul is the e-cig that will finally stop me from smoking (I hope)*. [online], published on Jun. 3, 2015. Available at: <https://www.engadget.com/2015/06/03/pax-labs-juul-ecigarette/#/>.
- Farsalinos, et al., "Electronic cigarettes do not damage the heart," *European Society of Cardiology*, 4 pages, (<http://www.escardio.org/The-ESC/Press-Office/Press-releases/Electronic-cigarettes-do-not-damage-the-heart>). Aug. 25, 2012.
- Farsalinos, Konstantinos E., et al. "Protocol proposal for, and evaluation of, consistency in nicotine delivery from the liquid to the aerosol of electronic cigarettes atomizers: regulatory implications." *Addiction* 111.6 (2016): 1069-1076.
- Farsalinos, Konstantinos E., et al. *Analytical Assessment of e-Cigarettes: From Contents to Chemical and Particle Exposure Profiles*. pp. 1-35. Elsevier, 2016.
- FC Vaporizer Review Forum; Pax Vaporizer by Ploom; retrieved from : <http://fuckcombustion.com/threads/pax-vaporizer-by-ploom.6223/>; pp. 2 & 11 (2 pgs.); retrieval date: Nov. 16, 2015.
- Flouris, et al., "Acute impact of active and passive electronic cigarette smoking on serum cotinine and lung function," *Inhal. Toxicol.*, 25(2), pp. 91-101. Feb. 2013.
- Food & Drug Administration; Warning letter to The Compounding Pharmacy, retrieved Oct. 10, 2014 from <http://www.fda.gov/ICECI/EnforcementActions/WarningLetters/2002/ucm144843.htm>, 3 pages. Apr. 9, 2002.
- Geiss, Otmar, Ivana Bianchi, and Josefa Barrero-Moreno. "Correlation of volatile carbonyl yields emitted by e-cigarettes with the temperature of the heating coil and the perceived sensorial quality of the generated vapours." *International journal of hygiene and environmental health* 219.3 (2016): 268-277.
- Gillman, I. G., et al. "Effect of variable power levels on the yield of total aerosol mass and formation of aldehydes in e-cigarette aerosols." *Regulatory Toxicology and Pharmacology* 75 (2016): 58-65.
- Giorgio, Agostino. "E-Cig Digital Design for the Smoke Control Optimization." *International Journal of Applied Engineering Research* 11.8 (2016): 6018-6023.
- Goniewicz, et al., "Nicotine levels in electronic cigarettes," *Nicotine Tobacco Research*, 15(1), pp. 158-166, Jan. 2013.
- Gregory, Andrew. "E-cigarettes to go on prescription under move to class them as medicines," *Mirror*, Jun. 12, 2013. <http://www.mirror.co.uk/news/uk-news/e-cigarettes-go-on-prescription-under-move-1949018>.
- Grotenhermen, et al., Developing science-based per se limits for driving under the influence of cannabis (DUIC): findings and recommendations by an expert panel; retrieved Feb. 9, 2017 from (<http://www.canorml.org/healthfacts/DUICreport.2005.pdf>); Sep. 2005.
- Harvest Vapor, American Blend Tobacco (product info), retrieved from the internet (<http://harvestvapor.com/>), 2 pages. Oct. 10, 2014.
- Hurt, et al., "Treating tobacco dependence in a medical setting." *CA: A Cancer Journal for Clinicians*, 59(5), pp. 314-326. Sep. 2009.
- IJOY. "Who we are." *IJOY Diamond PD270 Kit*, Date Accessed Feb. 20, 2018. www.ijoycig.com/product/item-473.html.
- INCHEM; Benzoic Acid; JECFA Evaluation Summary; retrieved Oct. 10, 2014 from http://www.inchem.org/documents/jecfa/feceval/jec_184.htm, 2 pages. May 28, 2005.
- INCHEM; Levulinic Acid; JECFA Evaluation Summary; retrieved Oct. 10, 2014 from http://www.inchem.org/documents/jecfa/feceval/jec_1266.htm, 2 pages. Mar. 10, 2003.
- INCHEM; Pyruvic Acid; JECFA Evaluation Summary; retrieved Oct. 10, 2014 from http://www.inchem.org/documents/jecfa/feceval/jec_2072.htm, 2 pages. Jan. 29, 2003.
- INCHEM; Sorbic Acid; JECFA Evaluation Summary; retrieved Oct. 10, 2014 from http://www.inchem.org/documents/jecfa/feceval/jec_2181.htm, 2 pages. May 29, 2005.
- Ingebretsen et al., "Electronic Cigarette aerosol particle size distribution measurements", *Inhalation Toxicology*, 2012; 24 (14): 976-984.
- Kanger K1 Stabilized Wood DNA 75 BOX MOD—KangerTech*. Date Accessed Feb. 20, 2018. <https://kangeronline.com/products/kanger-k1-stabilized-wood-dna-75-box-mod>.
- Kuo et al. Applications of Turbulent and Multiphase Combustion, Appendix D: Particle Size—U.S. Sieve Size and Tyler Screen Mesh Equivalents, 2012, p. 541-543.
- Marshall, John R., Shahram Lotfipour, and Bharath Chakravarthy. "Growing Trend of Alternative Tobacco Use Among the Nation's Youth: A New Generation of Addicts." *Western Journal of Emergency Medicine* 17.2 (2016): 139.
- McCann et al., "Detection of carcinogens as mutagens in the *Salmonella*/microsome test: Assay of 300 chemicals: discussion." *Proct. Nat. Acad. Sci, USA*, Mar. 1976, vol. 73 (3), 950-954.
- MYLAPS, "Rechargeable Transponder Battery Status and Charging Instructions," Sep. 9, 2010.
- Nicoli et al., Mammalian tumor xenografts induce neovascularization in Zebrafish embryos. *Cancer Research*, 67:2927-2931 (2007).
- PAX Labs, Inc.; JUUL product information ©2016; retrieved from <https://www.juulvapor.com/shop-juul/>; 6 pgs.; retrieved Mar. 9, 2016.
- Perfetti, "Structural study of nicotine salts," *Beitrag Zur Tabakforschung International, Contributions to Tobacco Research*, 12(2), pp. 43-54. Jun. 1983.
- Pierce, D. *This Might Just Be the First Great E-Cig*. {online} WIRED, Published on Apr. 21, 2015. Available at: https://www.wired.com/2015/04/pax-juul-ecig/?mbid=social_twitter.
- Polosa, Riccardo, et al. "Effect of an electronic nicotine delivery device (e-Cigarette) on smoking reduction and cessation: a prospective 6-month pilot study." *BMC public health* 11.1 (2011): 786.
- Poynton, Simon, et al. "A novel hybrid tobacco product that delivers a tobacco flavour note with vapour aerosol (part 1): Product operation and preliminary aerosol chemistry assessment." *Food and Chemical Toxicology* (2017).
- Poynton, Simon, et al. "A novel hybrid tobacco product that delivers a tobacco flavour note with vapour aerosol (Part 1): product operation and preliminary aerosol chemistry assessment." *Food and Chemical Toxicology* 106 (2017): 522-532.
- Seeman, et al., "The form of nicotine in tobacco. Thermal transfer of nicotine and nicotine acid salts to nicotine in the gas phase," *J Aric Food Chem*, 47(12), pp. 5133-5145. Dec. 1999.
- Smok. *Pro Color—SMOK® Innovation keeps changing the vaping experience!*, Date Accessed Feb. 20, 2018. www.smoktech.com/kit/procolor.
- SRNT Subcommittee on Biochemical Verification, "Biochemical verification of tobacco use and cessation," *Nicotine & Tobacco Research* 4, pp. 149-159, 2002.
- Tarantola, Andrew. "The Pax 2 vaporizer makes its predecessor look half-Baked." *Engadget*, Jul. 14, 2016, www.engadget.com/2015/04/20/pax-2-vaporizer-review/. Accessed Sep. 5, 2017.

(56)

References Cited

OTHER PUBLICATIONS

The Verge. *Startup behind the Lambo of vaporizers just launched an intelligent e-cigarette*. [online], published on Apr. 21, 2015. Available at: <https://www.theverge.com/2015/4/21/8458629/pax-labs-e-cigarette-juul>.

Torikai et al., "Effects of temperature, atmosphere and pH on the generation of smoke compounds during tobacco pyrolysis," *Food and Chemical Toxicology* 42 (2004) 1409-1417.

Vansickel, et al. "A clinical laboratory model for evaluating the acute effects of electronic cigarettes: Nicotine delivery profile and cardiovascular and subjective effects," *Cancer Epidemiology Biomarkers Prevention*, 19(9), pp. 1945-1953. Jul. 20, 2010.

Vansickel, et al., "Electronic cigarettes: effective nicotine delivery after acute administration," *Nicotine & Tobacco Research*, 15(1), pp. 267-270. Jan. 2013.

VapeWorld; Original PAX Vaporizers for Portable and Home Use; retrieved from: <https://www.vapeworld.com/pax-vaporizer-by-ploom?gclid=CPCi1PKojskCFUO6gQodPr>; 9 pgs.; retrieved Nov. 13, 2015.

Vapresso (Shenzhen Smoore Technology Limited). "Target Pro Vape Mod." *Vape Batteries & Mods \ Target Pro Vape Mod \ Vapresso*, Date Accessed Feb. 20, 2018. www.vapresso.com/vape-batteries-and-mods/target-pro-vape-mod.

Vapresso (Shenzhen Smoore Technology Limited). "TAROT PRO Vape Mod." *Vape Batteries & Mods \ Tarot Pro Vape Mod \ Vapresso*, Date Accessed Feb. 20, 2018. www.vapresso.com/vape-batteries-and-mods/tarot-pro-vape-mod.

Wells. "Glycerin as a Constituent of Cosmetics and Toilet Preparations." *Journal of the Society of Cosmetic Chemists*, 1958; 9(1): 19-25.

Williams, Monique, and Prue Talbot. "Variability among electronic cigarettes in the pressure drop, airflow rate, and aerosol production." *Nicotine & Tobacco Research* 13.12 (2011).

Youtube, "Pax 2 Unboxing," retrieved from www.youtube.com/watch?v=Vjccs8co3YY, posted Apr. 20, 2015.

YouTube; Firefly Vaporizer Review w/ Usage Tips by the Vape Critic; retrieved from the internet (<http://www.youtube.com/watch?v=1J38N0AV7w1>); published Dec. 10, 2013; download/print date: Feb. 18, 2015.

Youtube; Pax by Ploom Vaporizer Review; posted Aug. 14, 2013, retrieved Sep. 8, 2016, <https://www.youtube.com/watch?v=Jm06zW3-cxQ>.

Zhang, et al., "In vitro partical size distributions in electronic and conventional cigarette aerosols suggest comparable deposition patterns," *Nicotine Tobacco Research*, 15(2), pp. 501-508. Feb. 2013.

"*This Might Just Be the First Great E-Cig*", Mar. 21, 2015, David Pierce https://www.wired.com/2015/04/pax-juul-ecig/?mbid=social_twitter.

"*Juul is the e-cig that will finally stop me from smoking (I hope)*", Jun. 3, 2015, Aaron Souppouris <https://www.engadget.com/2015/06/03/pax-labs-juul-e-cigarette/#/>.

"*Startup behind the Lambo of vaporizers just launched an intelligent e-cigarette*", Apr. 21, 2015, Nitasha Tiku <https://www.theverge.com/2015/4/21/8458629/pax-labs-e-cigarette-juul>.

* cited by examiner

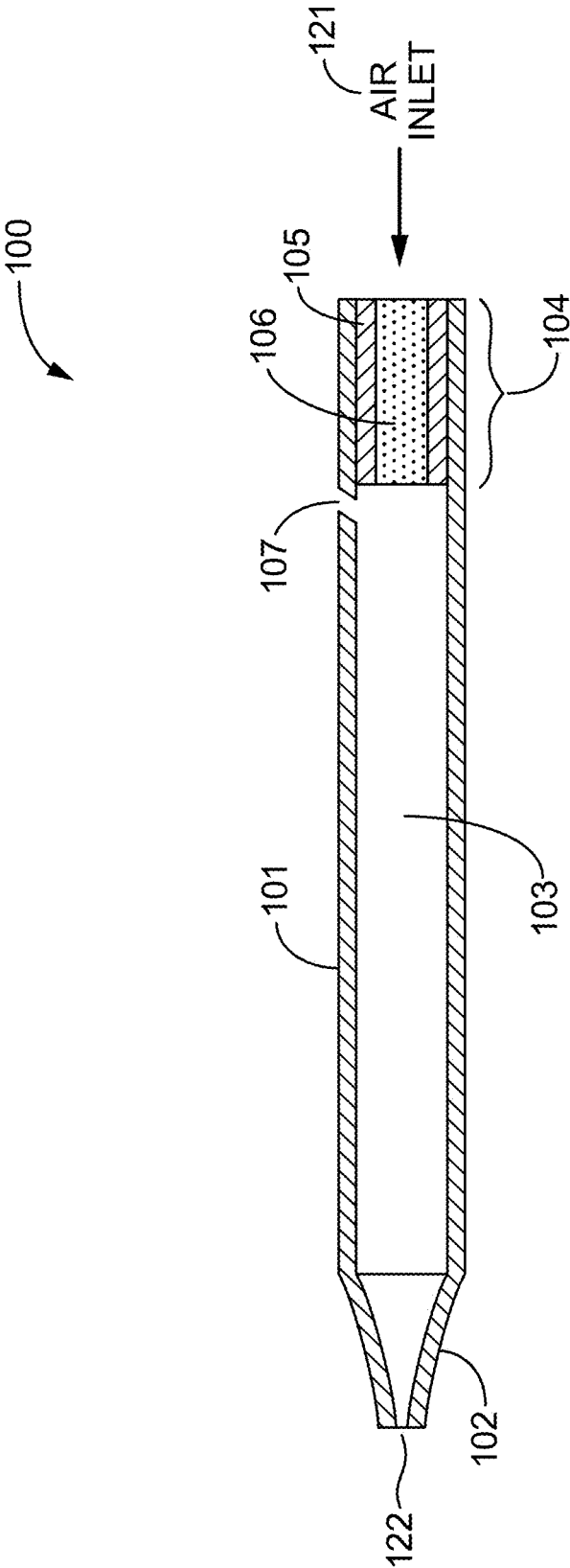


FIG. 1

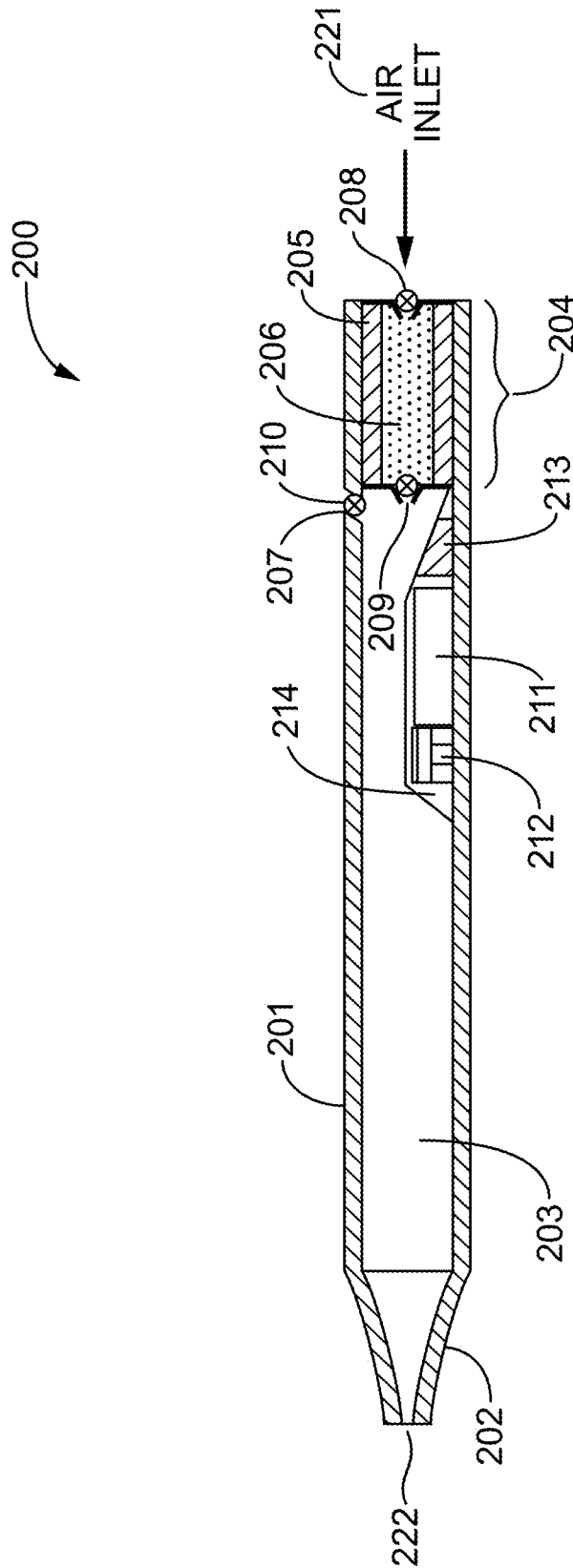


FIG. 2

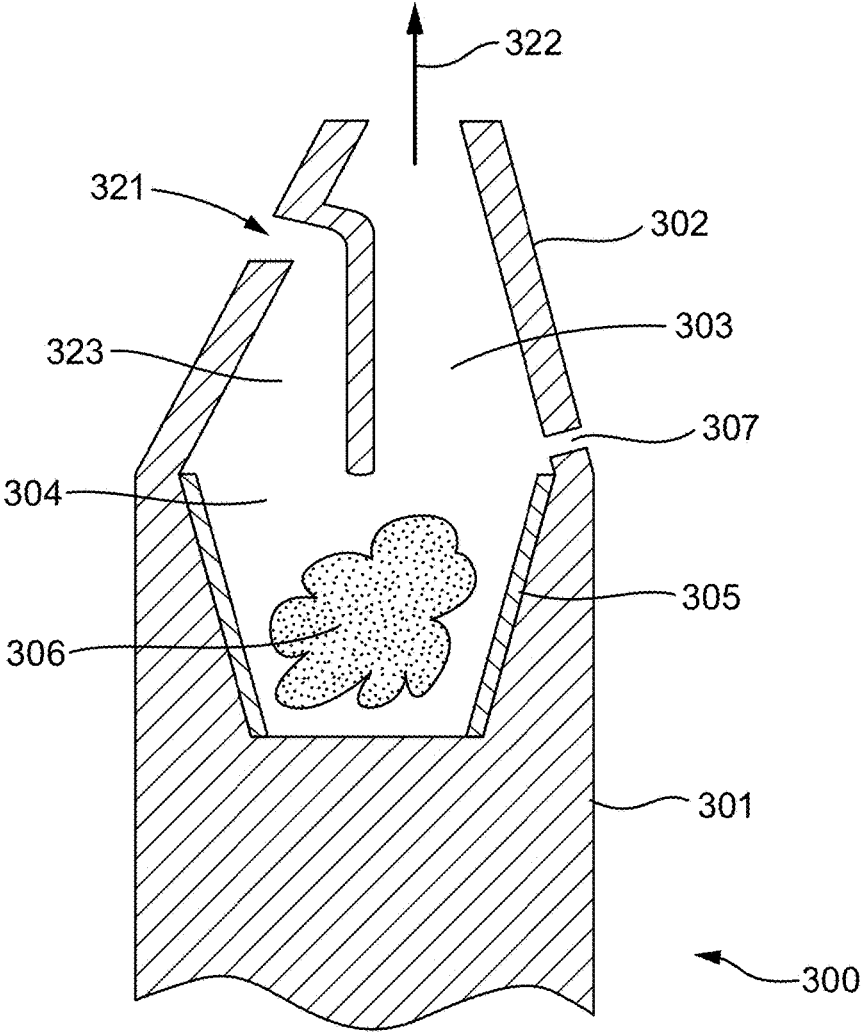


FIG. 3

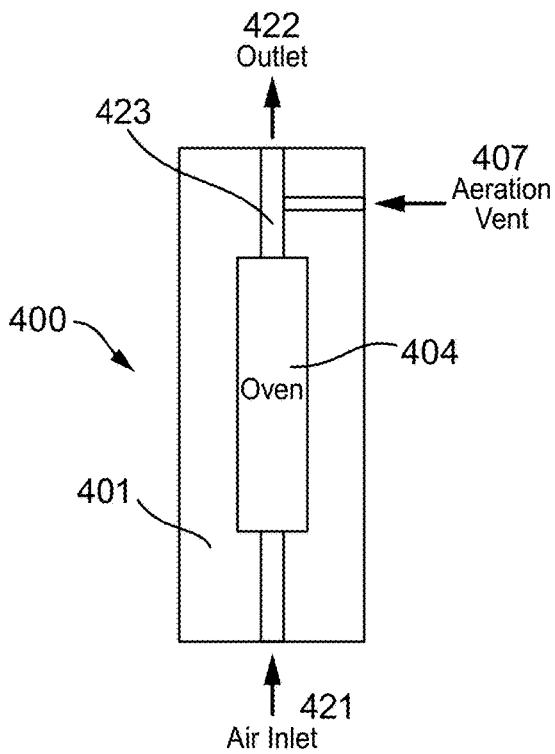


FIG. 4A

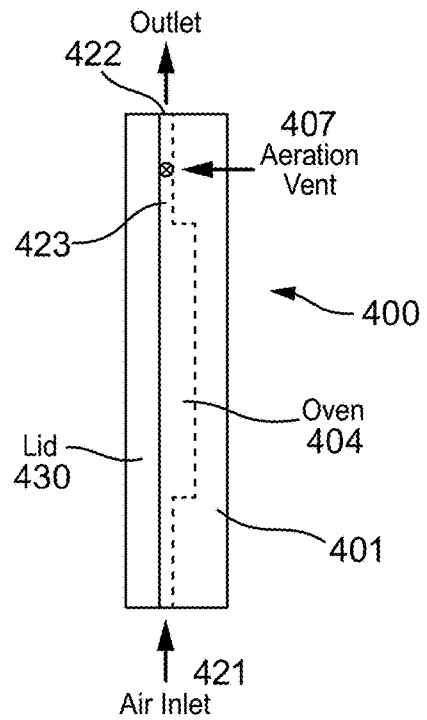


FIG. 4B

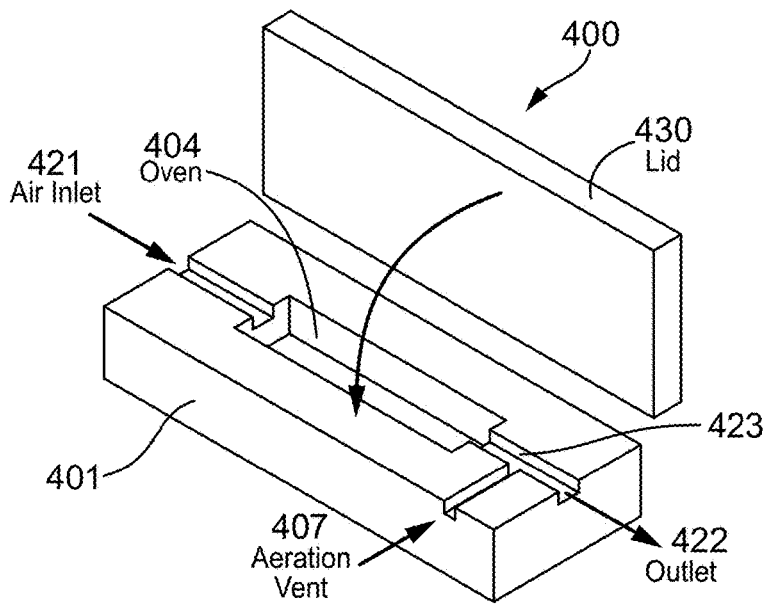


FIG. 4C

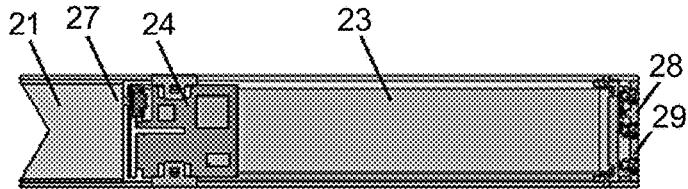
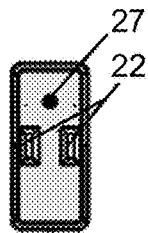
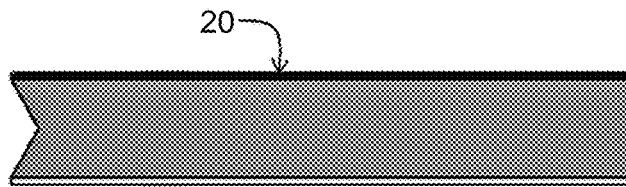
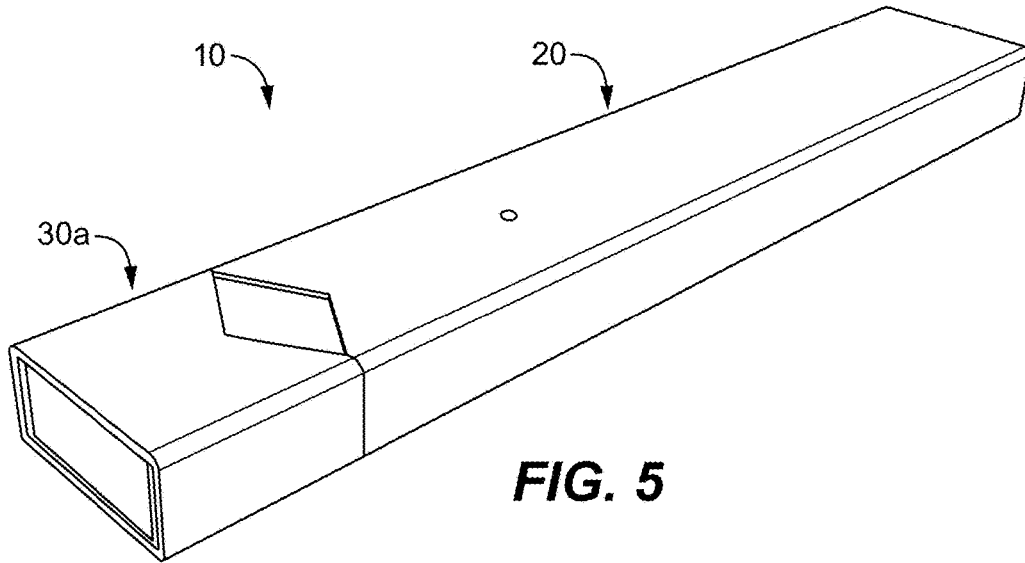
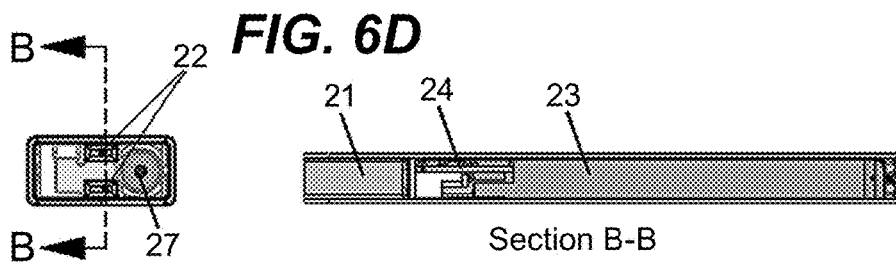


FIG. 6C

FIG. 6B



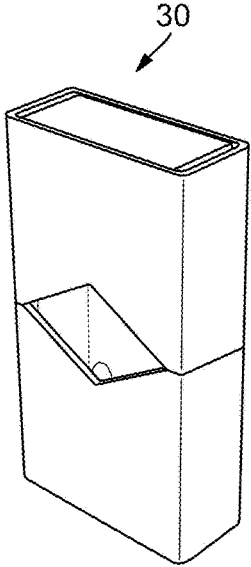


FIG. 7A

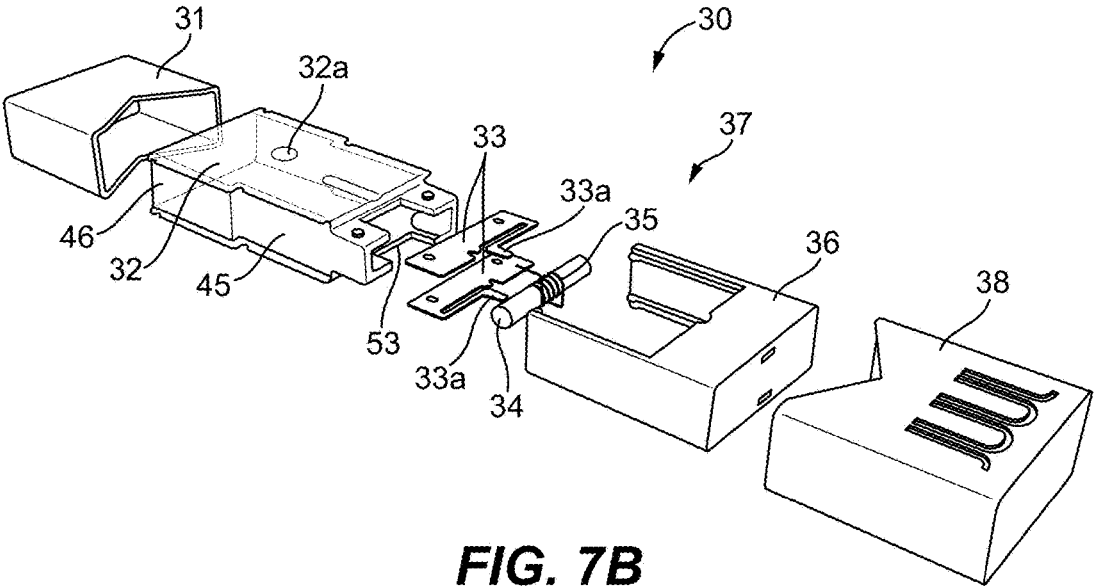


FIG. 7B

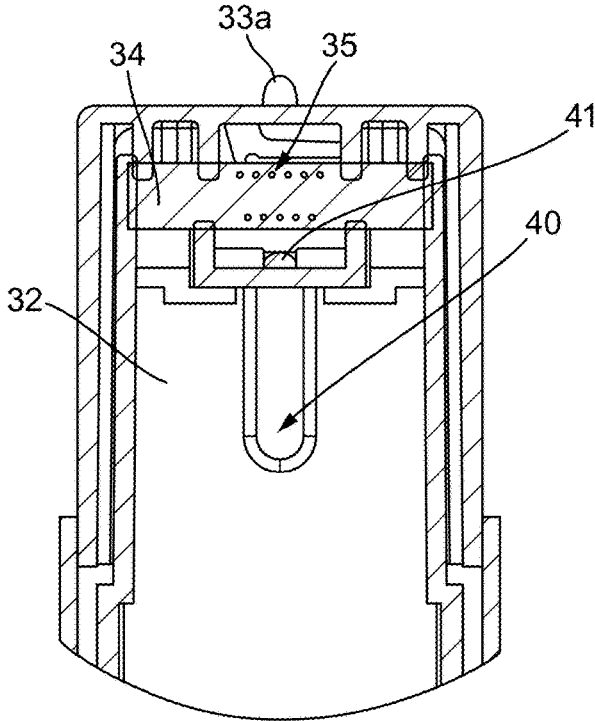


FIG. 7C

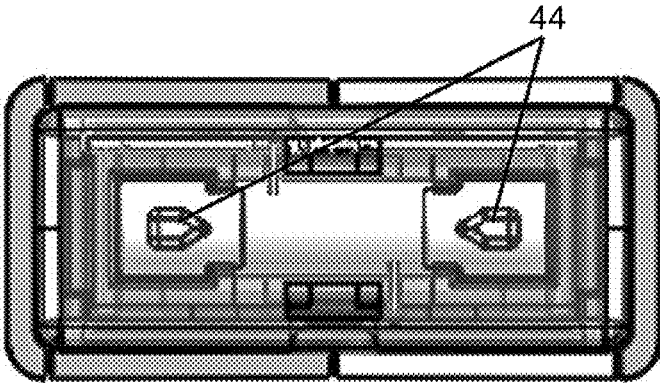


FIG. 8A

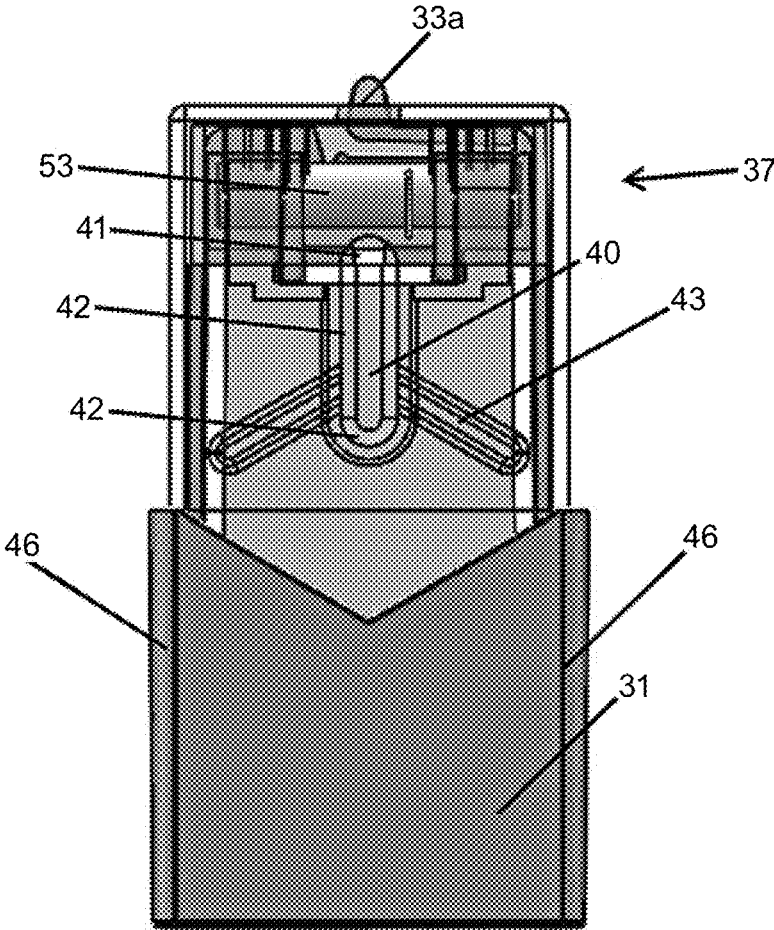


FIG. 8B

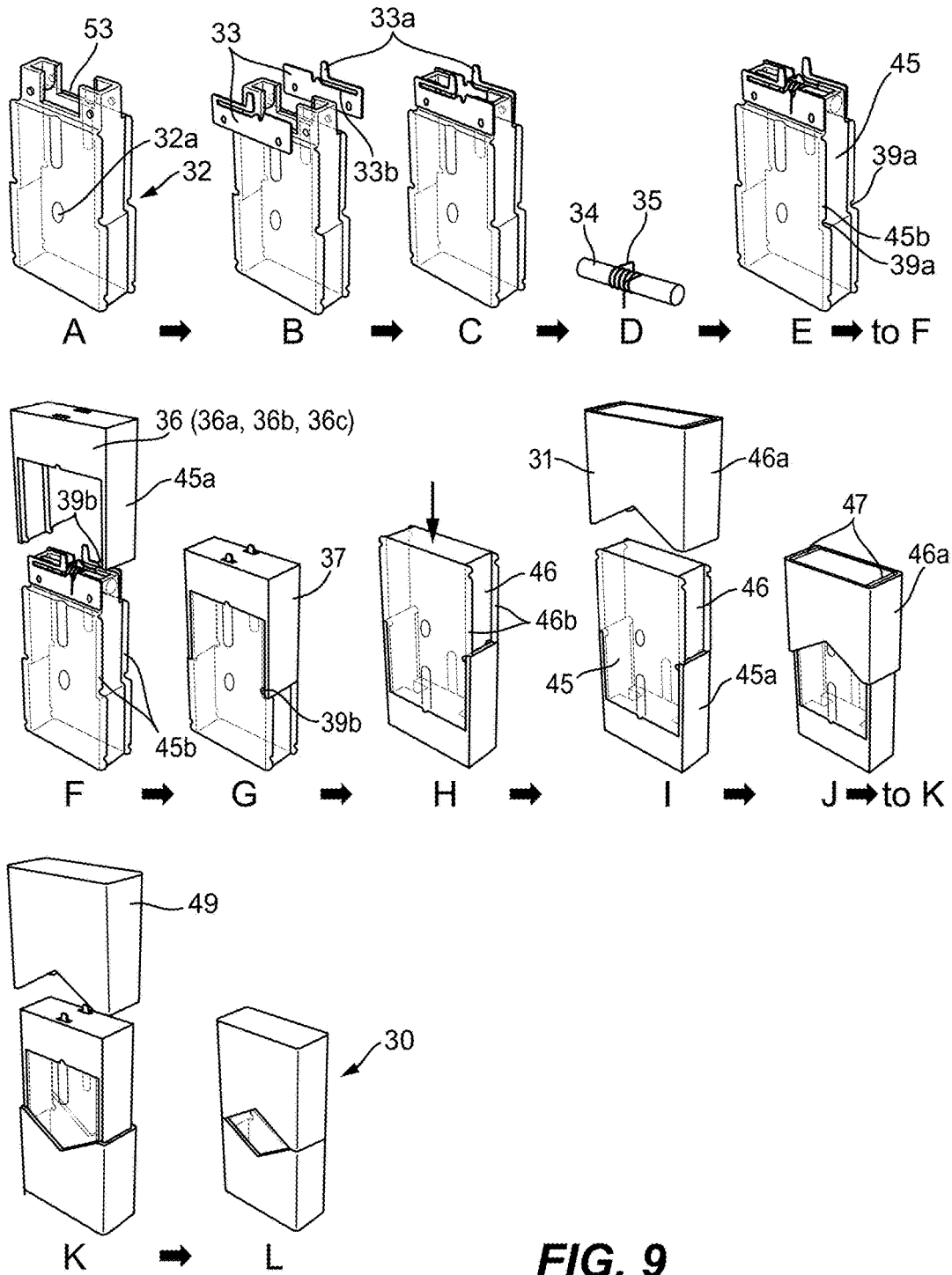


FIG. 10A

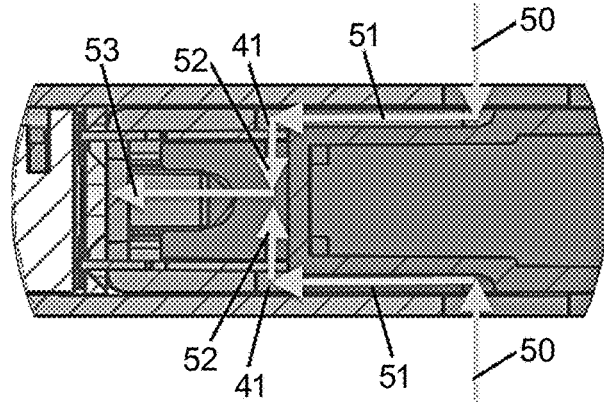


FIG. 10B

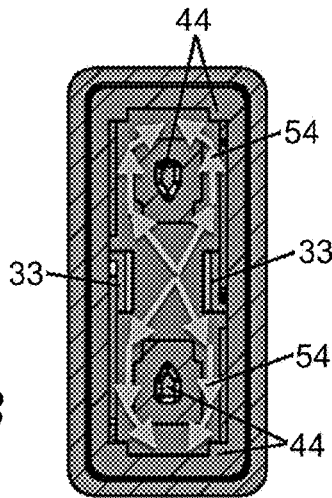
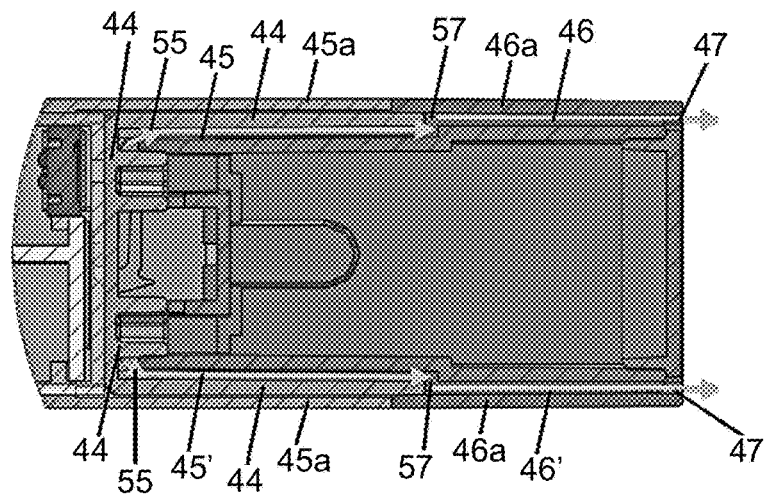


FIG. 10C



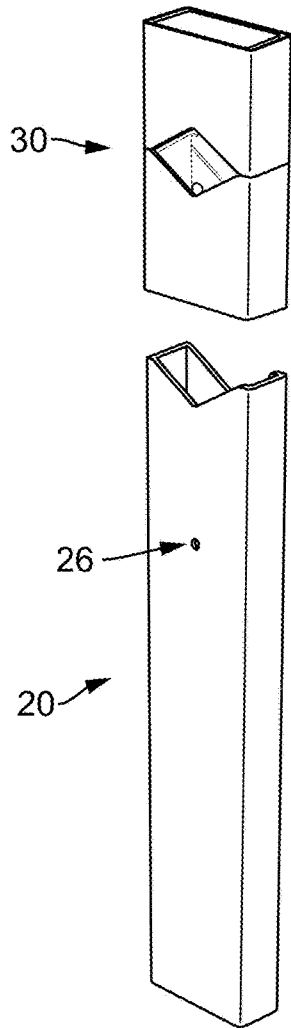


FIG. 11

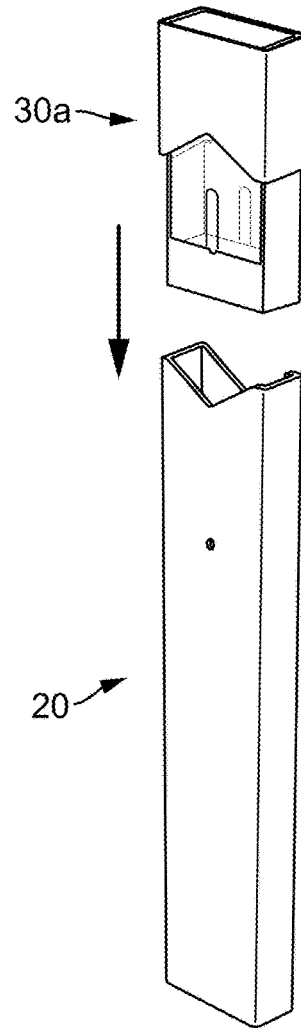


FIG. 12

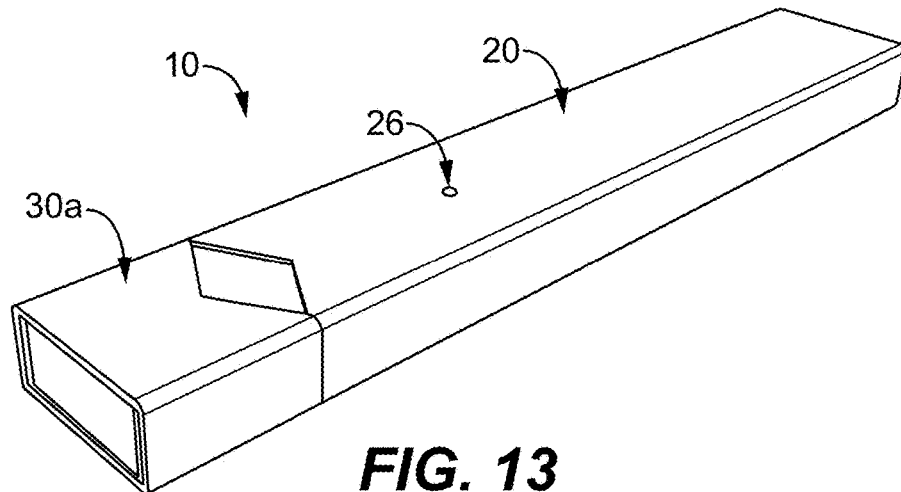


FIG. 13

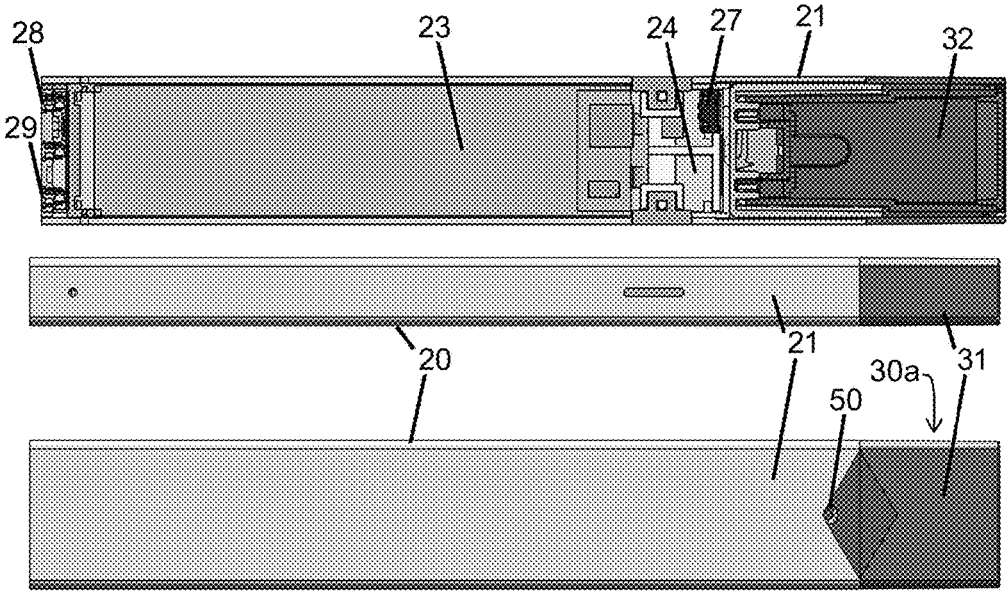


FIG. 14

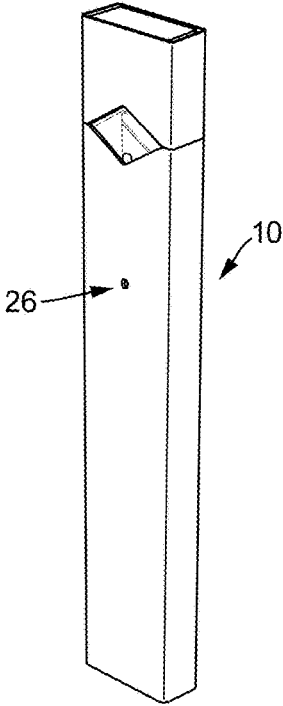


FIG. 15

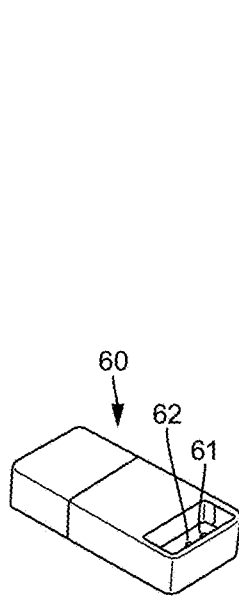


FIG. 16A

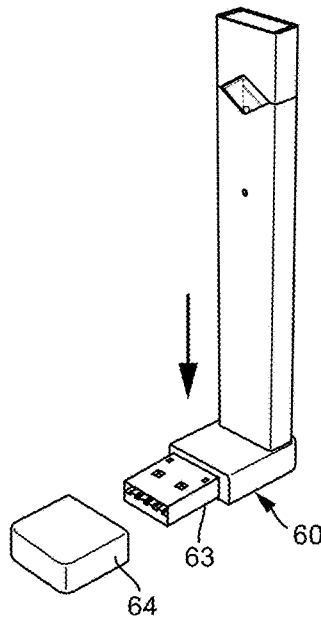


FIG. 16B

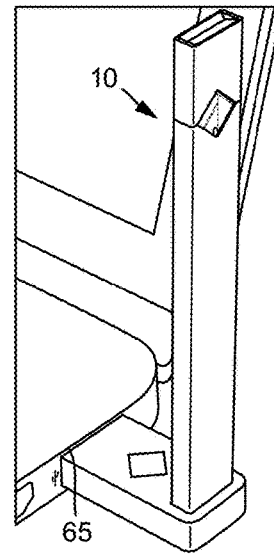


FIG. 16C

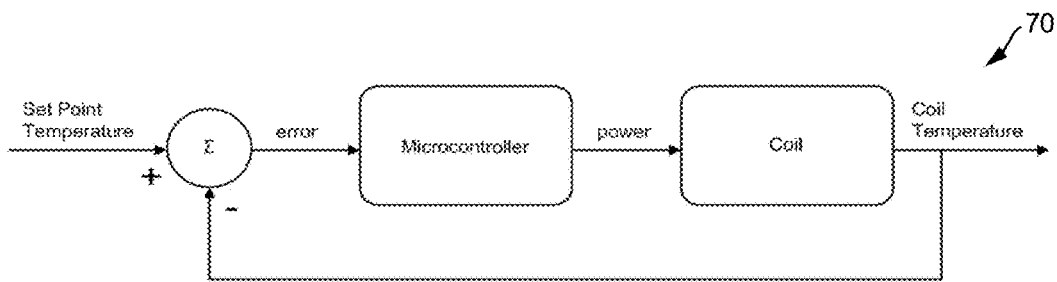


FIG. 17A

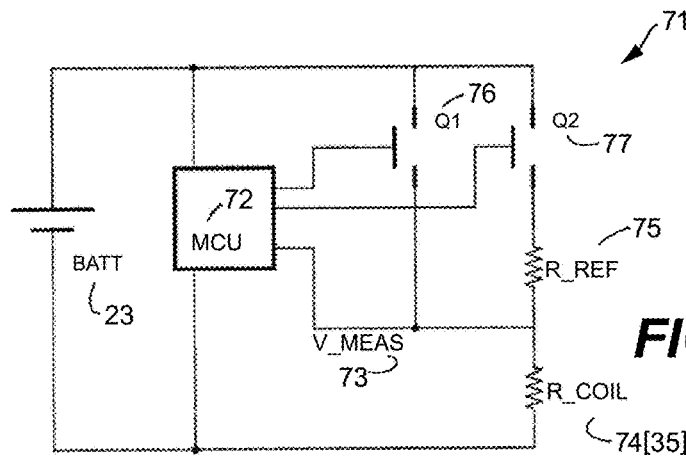


FIG. 17B

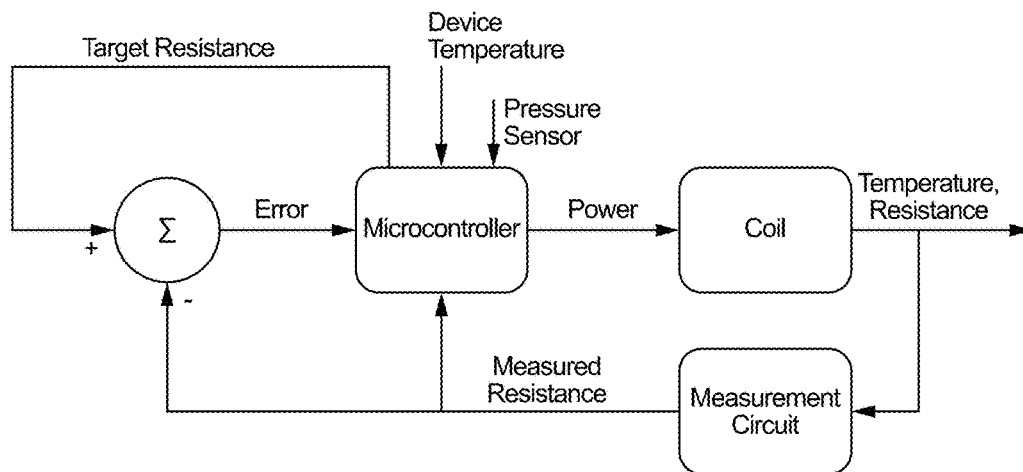


FIG. 17C

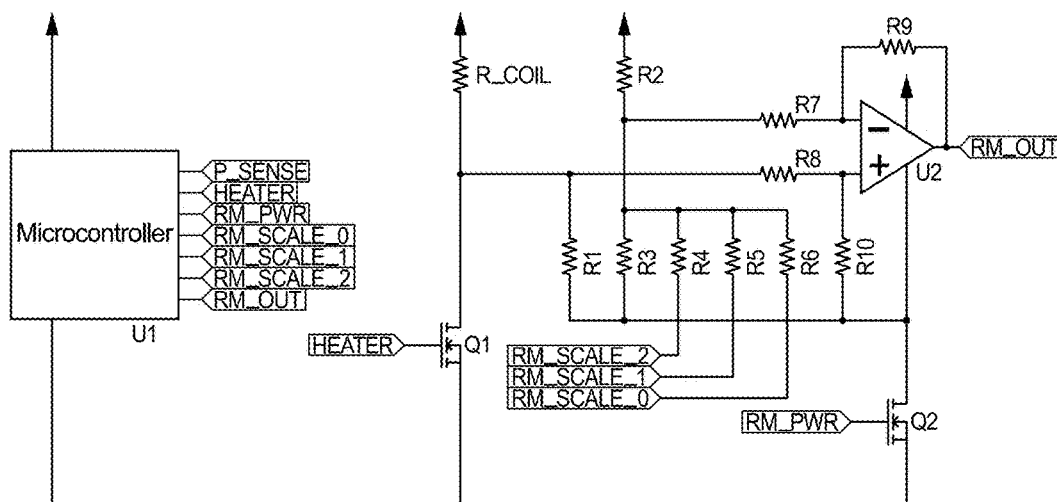


FIG. 17D

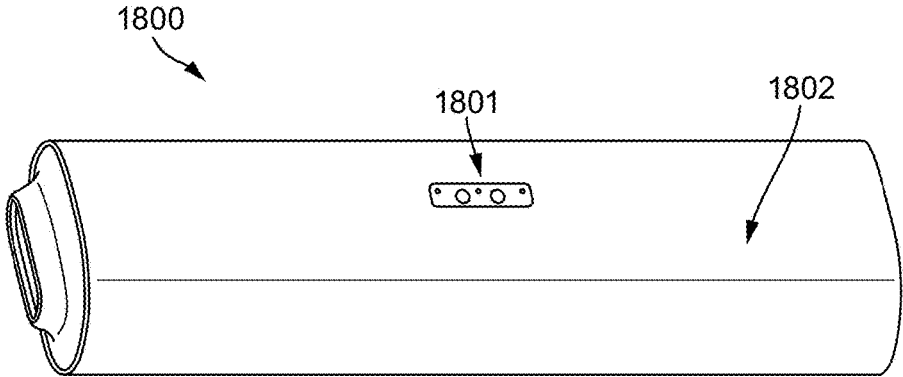


FIG. 18

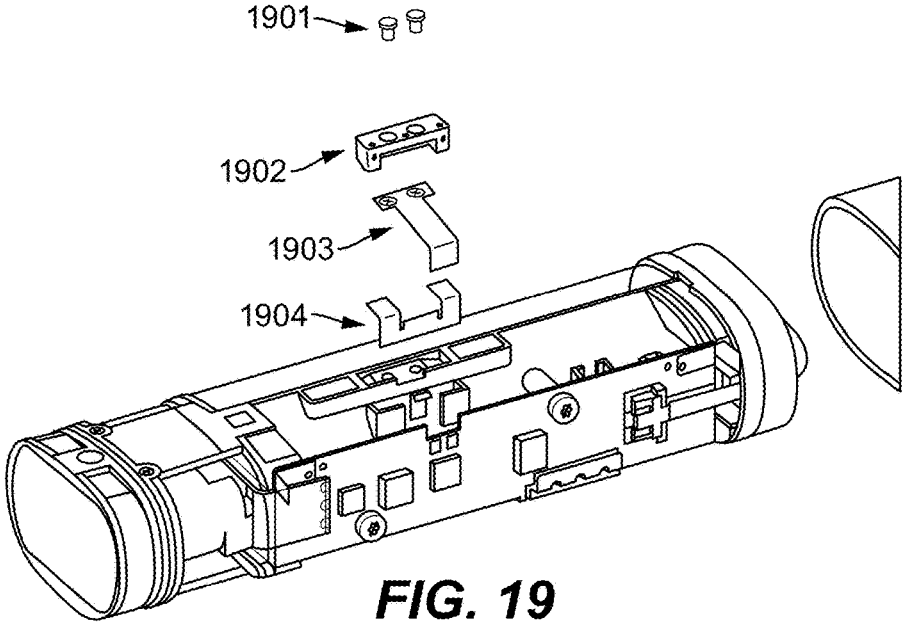


FIG. 19

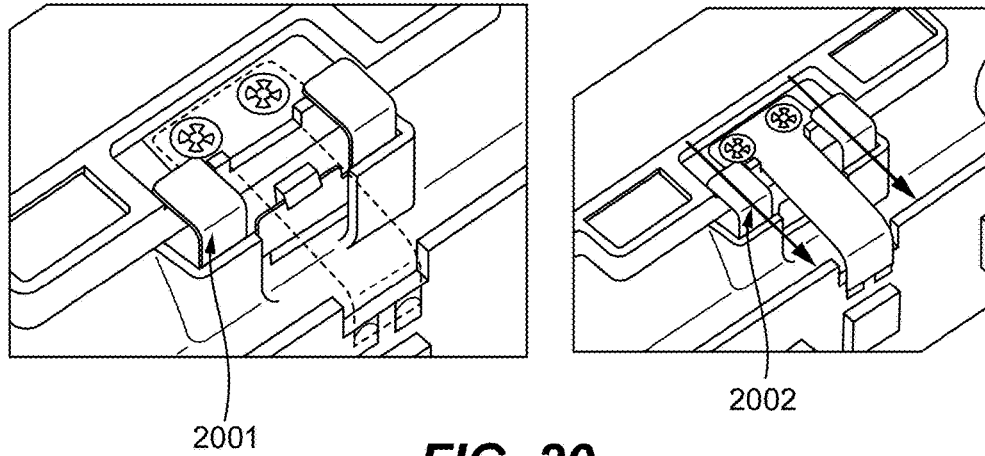


FIG. 20

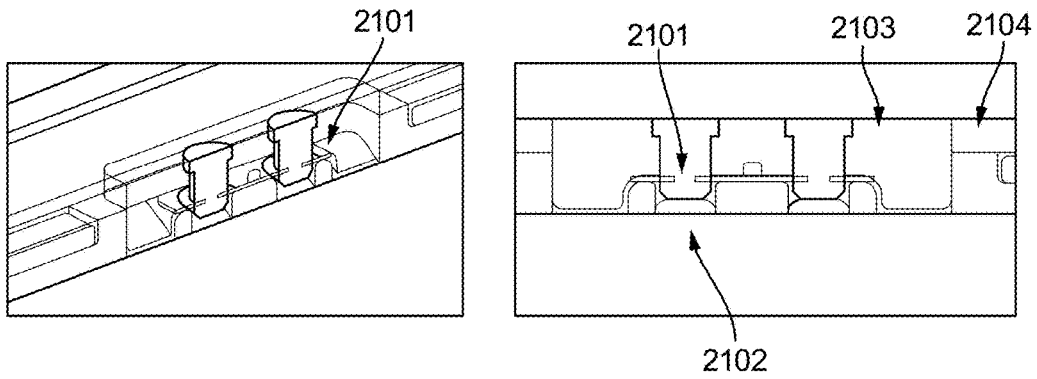


FIG. 21

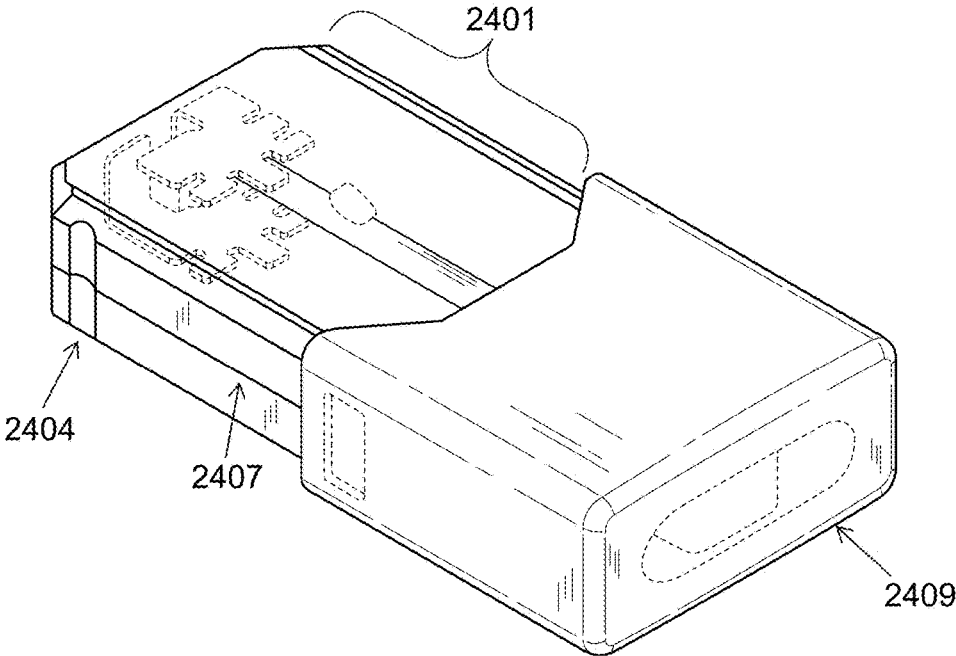


FIG. 24A

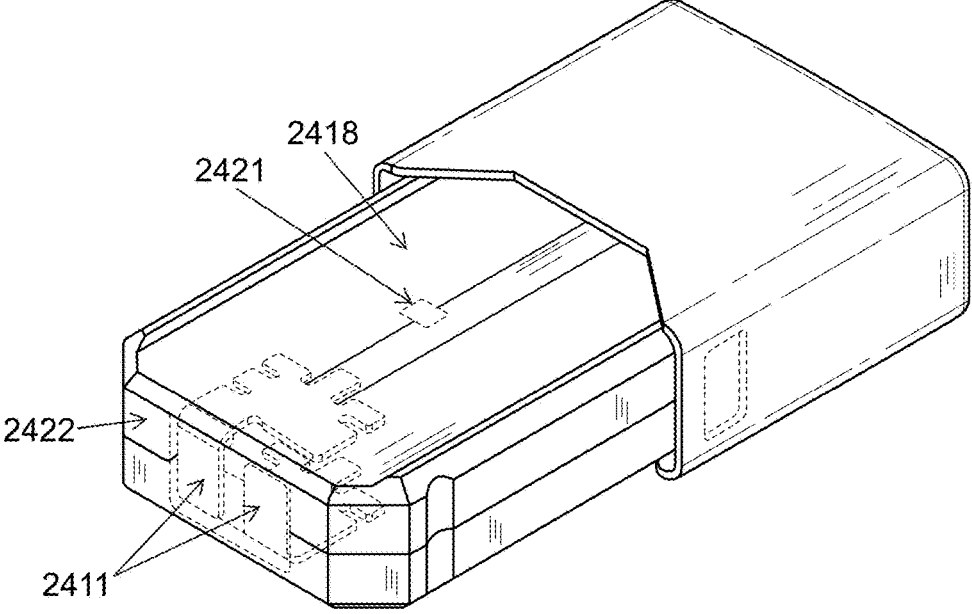


FIG. 24B

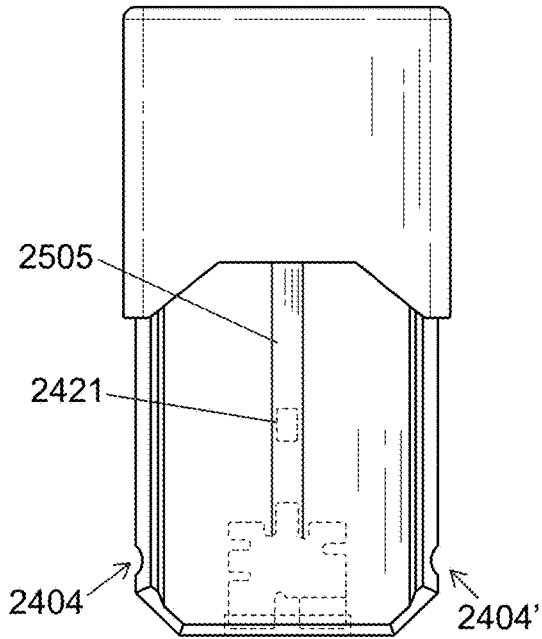


FIG. 25A

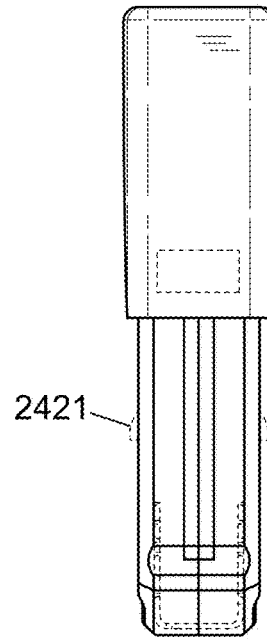


FIG. 25B

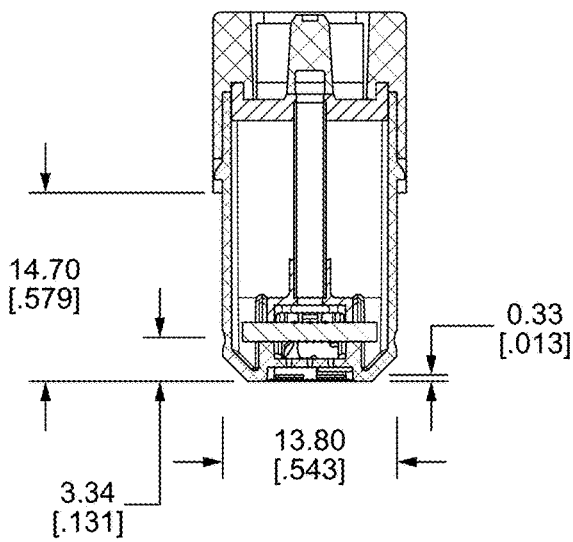


FIG. 26A

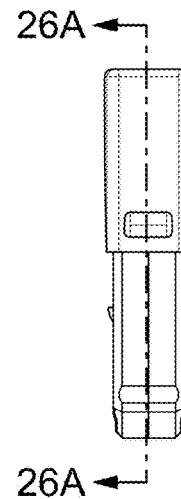


FIG. 26B

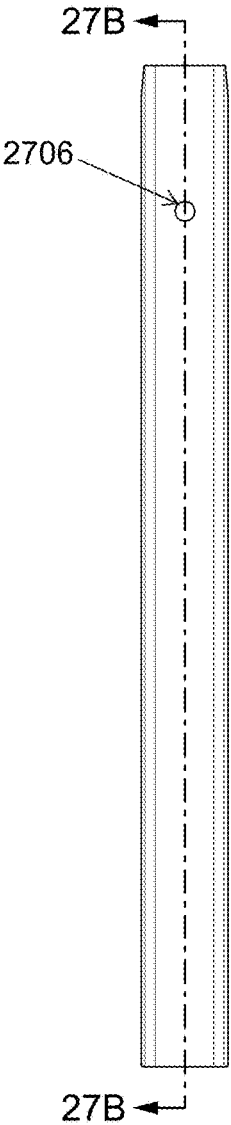


FIG. 27A

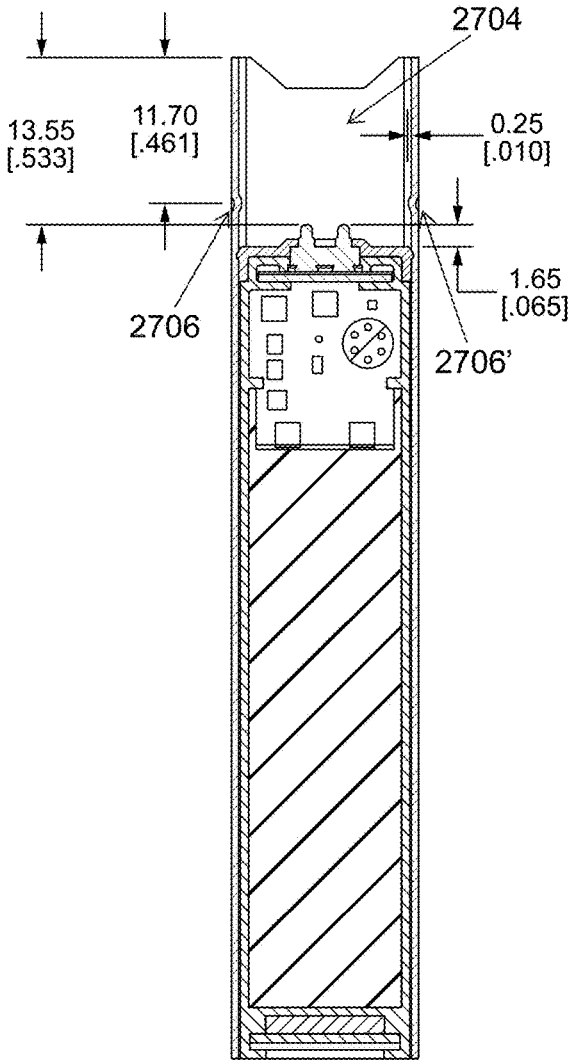


FIG. 27B

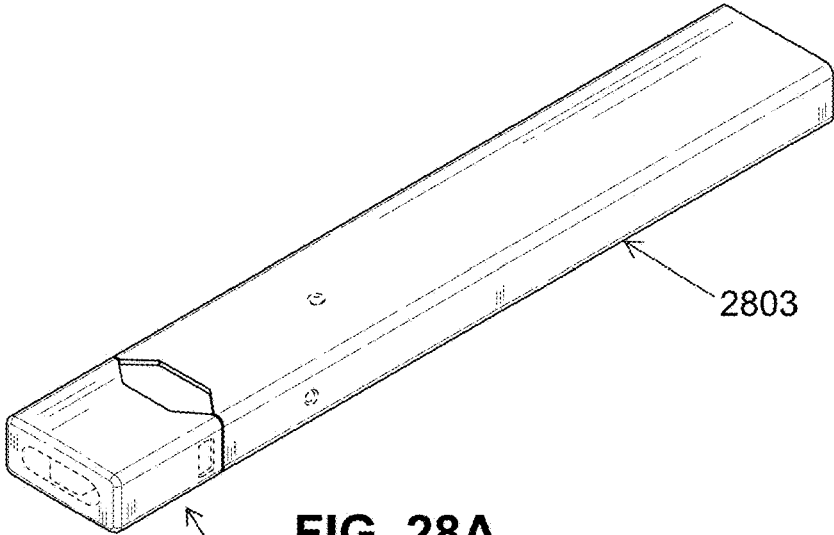


FIG. 28A

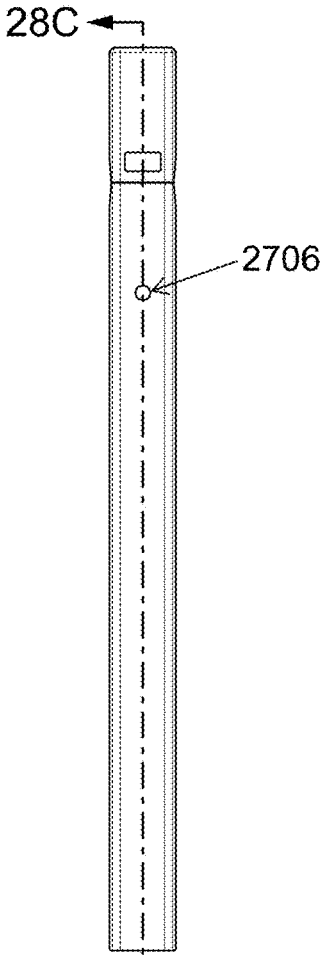


FIG. 28B

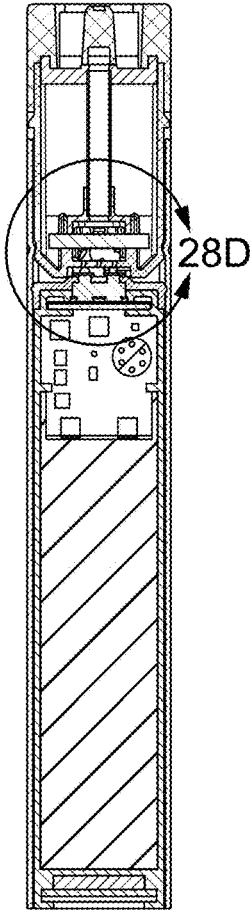


FIG. 28C

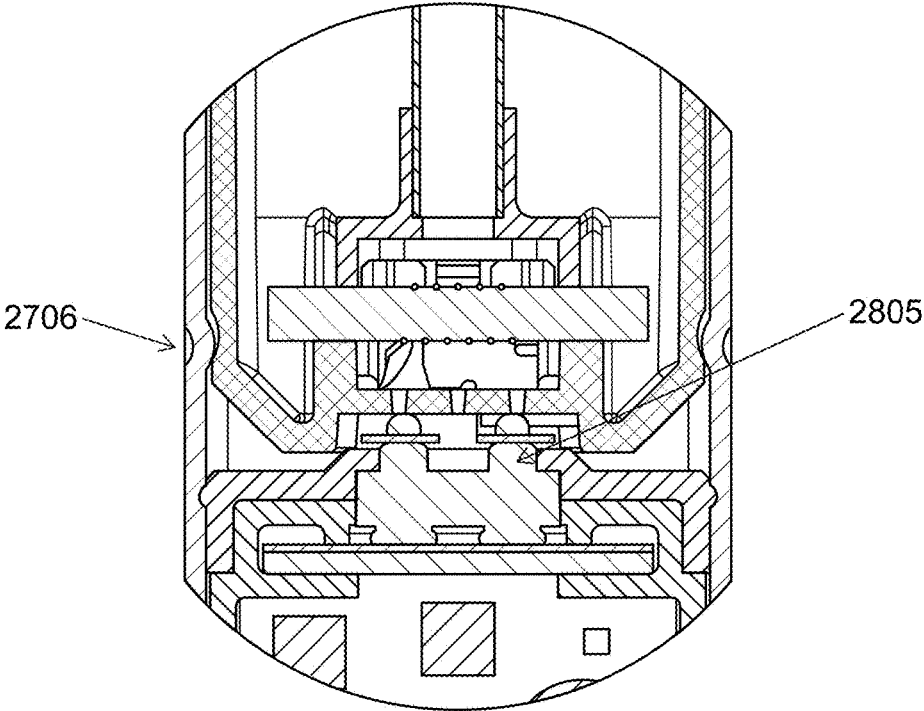


FIG. 28D

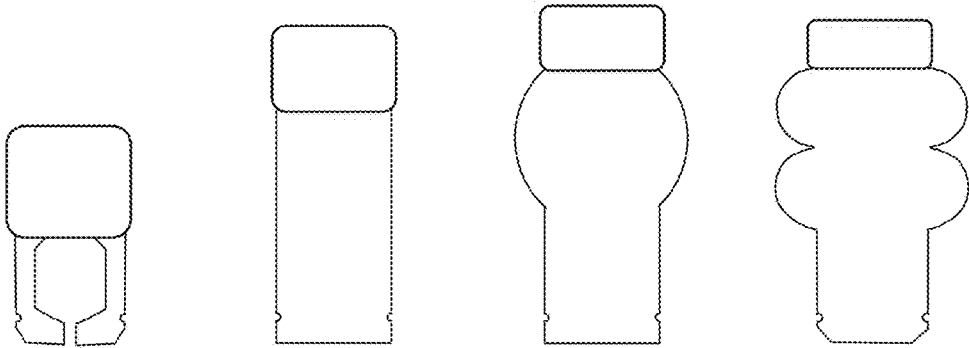


FIG. 29A

FIG. 29B

FIG. 29C

FIG. 29D

VAPORIZATION DEVICE SYSTEMS AND METHODS

CROSS REFERENCE TO RELATED APPLICATIONS

This patent application is a continuation of U.S. patent application Ser. No. 15/379,898, filed Dec. 15, 2016 and entitled "VAPORIZATION DEVICE SYSTEMS AND METHODS", which is a continuation-in-part of U.S. patent application Ser. No. 15/053,927, filed on Feb. 25, 2016 and entitled "VAPORIZATION DEVICE SYSTEMS AND METHODS," and claims priority to U.S. Provisional Patent Application No. 62/294,281, filed on Feb. 11, 2016. U.S. patent application Ser. No. 15/053,927 is a continuation-in-part of U.S. patent application Ser. No. 14/581,666, filed on Dec. 23, 2014 and entitled "VAPORIZATION DEVICE SYSTEMS AND METHODS", which claims priority to U.S. Provisional Patent Application No. 61/920,225, filed on Dec. 23, 2013, U.S. Provisional Patent Application No. 61/936,593, filed on Feb. 6, 2014, and U.S. Provisional Patent Application No. 61/937,755, filed on Feb. 10, 2014. The disclosures of each of the above-identified applications are incorporated herein by reference in their entirety.

INCORPORATION BY REFERENCE

All publications and patent applications mentioned in this specification are herein incorporated by reference in their entirety to the same extent as if each individual publication or patent application was specifically and individually indicated to be incorporated by reference.

BACKGROUND

Electronic inhalable aerosol devices (e.g., vaporization devices, electronic vaping devices, etc.) and particularly electronic aerosol devices, typically utilize a vaporizable material that is vaporized to create an aerosol vapor capable of delivering an active ingredient to a user. Control of the temperature of the resistive heater must be maintained (e.g., as part of a control loop), and this control may be based on the resistance of the resistive heating element.

Many of the battery-powered vaporizers described to date include a reusable batter-containing device portion that connects to one or more cartridges containing the consumable vaporizable material. As the cartridges are used up, they are removed and replaced with fresh ones. It may be particularly useful to have the cartridge be integrated with a mouthpiece that the user can draw on to receive vapor. However, a number of surprising disadvantages may result in this configuration, particular to non-cylindrical shapes. For example, the use of a cartridge at the proximal end of the device, which is also held by the user's mouth, particularly where the cartridge is held in the vaporizer device by a friction- or a snap-fit, may result in instability in the electrical contacts, particularly with cartridges of greater than 1 cm length.

Described herein are apparatuses and methods that may address the issues discussed above.

SUMMARY OF THE DISCLOSURE

The present invention relates generally to apparatuses, including systems and devices, for vaporizing material to form an inhalable aerosol. Specifically, these apparatuses may include vaporizers.

In particular, described herein are cartridges that are configured for use with a vaporizer (e.g., vaporizer device) having a rechargeable power supply that includes a proximal cartridge-receiving opening. These cartridges are specifically adapted to be releasably but securely held within the cartridge-receiving opening of the vaporizer and resist disruption of the electrical contact with the controller and power supply in the vaporizer even when held by the user's mouth.

For example, described herein are cartridge devices holding a vaporizable material for securely coupling with an electronic inhalable aerosol device. A device may include: a mouthpiece; a fluid storage compartment holding a vaporizable material; a base configured to fit into a rectangular opening that is between 13-14 mm deep, 4.5-5.5 mm wide, and 13-14 mm long, the base having a bottom surface comprising a first electrical contact and a second electrical contact, a first locking gap on a first lateral surface of the base, and a second locking gap on a second lateral surface of the base that is opposite first lateral surface.

A cartridge device holding a vaporizable material for securely coupling with an electronic inhalable aerosol device may include: a mouthpiece; a fluid storage compartment holding a vaporizable material; a base configured to fit into a rectangular opening that is between 13-14 mm deep, 4.5-5.5 mm wide, and 13-14 mm long, the base having a length of at least 10 mm, and a bottom surface comprising a first electrical contact and a second electrical contact, a first locking gap on a first lateral surface of the base positioned between 3-4 mm above the bottom surface, and a second locking gap on a second lateral surface of the base that is opposite first lateral surface.

A cartridge device holding a vaporizable material for securely coupling with an electronic inhalable aerosol device, the device comprising: a mouthpiece; a fluid storage compartment holding a vaporizable material; a rectangular base having a pair of minor sides that are between greater than 10 mm deep and between 4.5-5.5 mm wide, and a pair of major sides that are greater than 10 mm deep and between 13-14 mm wide, a bottom surface comprising a first electrical contact and a second electrical contact, and a first locking gap on a first lateral surface of the base positioned between 3-4 mm above the bottom surface, and a second locking gap on a second lateral surface of the base that is opposite first lateral surface. Any of these devices may also typically include a wick in fluid communication with the vaporizable material; and a resistive heating element in fluid contact with the wick and in electrical contact with the first and second electrical contacts.

In general, applicants have found that, for cartridges having a base that fits into the rectangular opening of a vaporizer (particularly one that is between 13-14 mm deep, 4.5-5.5 mm wide, and 13-14 mm long), the it is beneficial to have a length of the base (which is generally the connection region of the base for interfacing into the rectangular opening) that is greater than 10 mm, however when the base is greater than 10 mm (e.g., greater than 11 mm, greater than 12 mm, greater than 13 mm), the stability of the cartridge and in particular the electrical contacts, may be greatly enhanced if the cartridge includes one or more (e.g., two) locking gaps near the bottom surface of the cartridge into which a complimentary detent on the vaporizer can couple to. In particular, it may be beneficial to have the first and second locking gaps within 6 mm of the bottom surface, and more specifically within 3-4 mm of the bottom surface. The first and second lateral surfaces may be separated from each

other by between 13-14 mm, e.g., they may be on the short sides of a cartridge base having a rectangular cross-section (a rectangular base).

As mentioned, any of these cartridges may include a wick extending through the fluid storage compartment and into the vaporizable material, a resistive heating element in contact with the first and second electrical contacts, and a heating chamber in electrical contact with the first and second electrical contacts.

It may also be beneficial to include one or more (e.g., two) detents extending from a major surface (e.g., two major surfaces) of the base, such as from a third and/or fourth lateral wall of the base.

The cartridge may include any appropriate vaporizable material, such as a nicotine salt solution.

In general, the mouthpiece may be attached opposite from the base. The fluid storage compartment may also comprise an air path extending there through (e.g., a cannula or tube). In some variations at least part of the fluid storage compartment may be within the base. The compartment may be transparent (e.g., made from a plastic or polymeric material that is clear) or opaque, allowing the user to see how much fluid is left.

In general, the locking gap(s) may be a channel in the first lateral surface (e.g., a channel transversely across the first lateral surface parallel to the bottom surface), an opening or hole in the first lateral surface, and/or a hole in the first lateral surface. The locking gap is generally a gap that is surrounded at least on the upper and lower (proximal and distal) sides by the lateral wall to allow the detent on the vaporizer to engage therewith.

The locking gap may be generally between 0.1 mm and 2 mm wide (e.g., between a lower value of about 0.1, 0.2, 0.3, 0.4, 0.5, 0.6, 0.7, 0.8, 0.9, 1.0, 1.1, 1.2, 1.3, 1.4, etc. and an upper value of about 0.4, 0.5, 0.6, 0.7, 0.8, 0.9, 1.0, 1.1, 1.2, 1.3, 1.4, 1.5, 1.6, 1.7, 1.8, 1.9, 2.0, etc., where the upper value is always greater than the lower value).

Also described are vaporizers and method of using them with cartridges, including those described herein.

In some variations, the apparatuses described herein may include an inhalable aerosol comprising: an oven comprising an oven chamber and a heater for heating a vapor forming medium in the oven chamber to generate a vapor; a condenser comprising a condensation chamber in which at least a fraction of the vapor condenses to form the inhalable aerosol; an air inlet that originates a first airflow path that includes the oven chamber; and an aeration vent that originates a second airflow path that allows air from the aeration vent to join the first airflow path prior to or within the condensation chamber and downstream from the oven chamber thereby forming a joined path, wherein the joined path is configured to deliver the inhalable aerosol formed in the condensation chamber to a user.

The oven may be within a body of the device. The device may further comprise a mouthpiece, wherein the mouthpiece comprises at least one of the air inlet, the aeration vent, and the condenser. The mouthpiece may be separable from the oven. The mouthpiece may be integral to a body of the device, wherein the body comprises the oven. The device may further comprise a body that comprises the oven, the condenser, the air inlet, and the aeration vent. The mouthpiece may be separable from the body.

In some variations, the oven chamber may comprise an oven chamber inlet and an oven chamber outlet, and the oven further comprises a first valve at the oven chamber inlet, and a second valve at the oven chamber outlet. The aeration vent may comprise a third valve. The first valve, or

said second valve may be chosen from the group of a check valve, a clack valve, a non-return valve, and a one-way valve. The third valve may be chosen from the group of a check valve, a clack valve, a non-return valve, and a one-way valve. The first or second valve may be mechanically actuated. The first or second valve may be electronically actuated. The first valve or second valve may be manually actuated. The third valve may be mechanically actuated. The third valve may be electronically actuated. The third valve may be manually actuated.

In some variations, the device may further comprise a body that comprises at least one of: a power source, a printed circuit board, a switch, and a temperature regulator. The device may further comprise a temperature regulator in communication with a temperature sensor. The temperature sensor may be the heater. The power source may be rechargeable. The power source may be removable. The oven may further comprise an access lid. The vapor forming medium may comprise tobacco. The vapor forming medium may comprise a botanical. The vapor forming medium may be heated in the oven chamber wherein the vapor forming medium may comprise a humectant to produce the vapor, wherein the vapor comprises a gas phase humectant. The vapor may be mixed in the condensation chamber with air from the aeration vent to produce the inhalable aerosol comprising particle diameters of average size of about 1 micron. The vapor forming medium may be heated in the oven chamber, wherein the vapor is mixed in the condensation chamber with air from the aeration vent to produce the inhalable aerosol comprising particle diameters of average size of less than or equal to 0.9 micron. The vapor forming medium may be heated in the oven chamber, wherein the vapor is mixed in the condensation chamber with air from the aeration vent to produce the inhalable aerosol comprising particle diameters of average size of less than or equal to 0.8 micron. The vapor forming medium may be heated in the oven chamber, wherein the vapor is mixed in the condensation chamber with air from the aeration vent to produce the inhalable aerosol comprising particle diameters of average size of less than or equal to 0.7 micron. The vapor forming medium may be heated in the oven chamber, wherein the vapor is mixed in the condensation chamber with air from the aeration vent to produce the inhalable aerosol comprising particle diameters of average size of less than or equal to 0.6 micron. The vapor forming medium may be heated in the oven chamber, wherein the vapor is mixed in the condensation chamber with air from the aeration vent to produce the inhalable aerosol comprising particle diameters of average size of less than or equal to 0.5 micron.

In some variations, the humectant may comprise glycerol as a vapor-forming medium. The humectant may comprise vegetable glycerol. The humectant may comprise propylene glycol. The humectant may comprise a ratio of vegetable glycerol to propylene glycol. The ratio may be about 100:0 vegetable glycerol to propylene glycol. The ratio may be about 90:10 vegetable glycerol to propylene glycol. The ratio may be about 80:20 vegetable glycerol to propylene glycol. The ratio may be about 70:30 vegetable glycerol to propylene glycol. The ratio may be about 60:40 vegetable glycerol to propylene glycol. The ratio may be about 50:50 vegetable glycerol to propylene glycol. The humectant may comprise a flavorant. The vapor forming medium may be heated to its pyrolytic temperature. The vapor forming medium may be heated to 200° C. at most. The vapor forming medium may be heated to 160° C. at most. The inhalable

aerosol may be cooled to a temperature of about 50°-70° C. at most, before exiting the aerosol outlet of the mouthpiece.

Also described herein are methods for generating an inhalable aerosol. Such a method may comprise: providing an inhalable aerosol generating device wherein the device comprises: an oven comprising an oven chamber and a heater for heating a vapor forming medium in the oven chamber and for forming a vapor therein; a condenser comprising a condensation chamber in which the vapor forms the inhalable aerosol; an air inlet that originates a first airflow path that includes the oven chamber; and an aeration vent that originates a second airflow path that allows air from the aeration vent to join the first airflow path prior to or within the condensation chamber and downstream from the oven chamber thereby forming a joined path, wherein the joined path is configured to deliver the inhalable aerosol formed in the condensation chamber to a user.

The oven may be within a body of the device. The device may further comprise a mouthpiece, wherein the mouthpiece comprises at least one of the air inlet, the aeration vent, and the condenser. The mouthpiece may be separable from the oven. The mouthpiece may be integral to a body of the device, wherein the body comprises the oven. The method may further comprise a body that comprises the oven, the condenser, the air inlet, and the aeration vent. The mouthpiece may be separable from the body.

The oven chamber may comprise an oven chamber inlet and an oven chamber outlet, and the oven further comprises a first valve at the oven chamber inlet, and a second valve at the oven chamber outlet.

The vapor forming medium may comprise tobacco. The vapor forming medium may comprise a botanical. The vapor forming medium may be heated in the oven chamber wherein the vapor forming medium may comprise a humectant to produce the vapor, wherein the vapor comprises a gas phase humectant. The vapor may comprise particle diameters of average mass of about 1 micron. The vapor may comprise particle diameters of average mass of about 0.9 micron. The vapor may comprise particle diameters of average mass of about 0.8 micron. The vapor may comprise particle diameters of average mass of about 0.7 micron. The vapor may comprise particle diameters of average mass of about 0.6 micron. The vapor may comprise particle diameters of average mass of about 0.5 micron.

In some variations, the humectant may comprise glycerol as a vapor-forming medium. The humectant may comprise vegetable glycerol. The humectant may comprise propylene glycol. The humectant may comprise a ratio of vegetable glycerol to propylene glycol. The ratio may be about 100:0 vegetable glycerol to propylene glycol. The ratio may be about 90:10 vegetable glycerol to propylene glycol. The ratio may be about 80:20 vegetable glycerol to propylene glycol. The ratio may be about 70:30 vegetable glycerol to propylene glycol. The ratio may be about 60:40 vegetable glycerol to propylene glycol. The ratio may be about 50:50 vegetable glycerol to propylene glycol. The humectant may comprise a flavorant. The vapor forming medium may be heated to its pyrolytic temperature. The vapor forming medium may be heated to 200° C. at most. The vapor forming medium may be heated to 160° C. at most. The inhalable aerosol may be cooled to a temperature of about 50°-70° C. at most, before exiting the aerosol outlet of the mouthpiece.

The device may be user serviceable. The device may not be user serviceable.

A method for generating an inhalable aerosol may include: providing a vaporization device, wherein said device produces a vapor comprising particle diameters of

average mass of about 1 micron or less, wherein said vapor is formed by heating a vapor forming medium in an oven chamber to a first temperature below the pyrolytic temperature of said vapor forming medium, and cooling said vapor in a condensation chamber to a second temperature below the first temperature, before exiting an aerosol outlet of said device.

A method of manufacturing a device for generating an inhalable aerosol may include: providing said device comprising a mouthpiece comprising an aerosol outlet at a first end of the device; an oven comprising an oven chamber and a heater for heating a vapor forming medium in the oven chamber and for forming a vapor therein, a condenser comprising a condensation chamber in which the vapor forms the inhalable aerosol, an air inlet that originates a first airflow path that includes the oven chamber and then the condensation chamber, an aeration vent that originates a second airflow path that joins the first airflow path prior to or within the condensation chamber after the vapor is formed in the oven chamber, wherein the joined first airflow path and second airflow path are configured to deliver the inhalable aerosol formed in the condensation chamber through the aerosol outlet of the mouthpiece to a user.

The method may further comprise providing the device comprising a power source or battery, a printed circuit board, a temperature regulator or operational switches.

A device for generating an inhalable aerosol may comprise a mouthpiece comprising an aerosol outlet at a first end of the device and an air inlet that originates a first airflow path; an oven comprising an oven chamber that is in the first airflow path and includes the oven chamber and a heater for heating a vapor forming medium in the oven chamber and for forming a vapor therein; a condenser comprising a condensation chamber in which the vapor forms the inhalable aerosol; and an aeration vent that originates a second airflow path that allows air from the aeration vent to join the first airflow path prior to or within the condensation chamber and downstream from the oven chamber thereby forming a joined path, wherein the joined path is configured to deliver the inhalable aerosol formed in the condensation chamber through the aerosol outlet of the mouthpiece to a user.

Also described herein are vaporization devices and methods of operating them. In particular, described herein are methods for controlling the temperature of a resistive heater (e.g., resistive heating element) by controlling the power applied to a resistive heater of a vaporization device by measuring the resistance of the resistive heater at discrete intervals before (e.g., baseline or ambient temperature) and during vaporization (e.g., during heating to vaporize a material within the device). Changes in the resistance during heating may be linearly related to the temperature of the resistive heater over the operational range, and therefore may be used to control the power applied to heat the resistive heater during operation. Also described herein are vaporization devices that are configured to measure the resistance of the resistive heater during heating (e.g., during a pause in the application of power to heat the resistive heater) and to control the application of power to the resistive heater based on the resistance values.

In general, in any of the methods and apparatuses described herein, the control circuitry (which may include one or more circuits, a microcontroller, and/or control logic) may compare a resistance of the resistive heater during heating, e.g., following a sensor input indicating that a user wishes to withdraw vapor, to a target resistance of the heating element. The target resistance is typically the resistance of the resistive heater at a desired (and in some cases

estimated) target vaporization temperature. The apparatus and methods may be configured to offer multiple and/or adjustable vaporization temperatures.

In some variations, the target resistance is an approximation or estimate of the resistance of the resistive heater when the resistive heater is heated to the target temperature (or temperature ranges). In some variations, the target reference is based on a baseline resistance for the resistive heater and/or the percent change in resistance from baseline resistance for the resistive heater at a target temperature. In general, the baseline resistance may be referred to as the resistance of the resistive heater at an ambient temperature.

For example, a method of controlling a vaporization device may include: placing a vaporizable material in thermal contact with a resistive heater; applying power to the resistive heater to heat the vaporizable material; measuring the resistance of the resistive heater; and adjusting the applied power to the resistive heater based on the difference between the resistance of the resistive heater and a target resistance of the heating element.

In some variations, the target resistance is based on a reference resistance. For example, the reference resistance may be approximately the resistance of the coil at target temperature. This reference resistance may be calculated, estimated or approximated (as described herein) or it may be determined empirically based on the resistance values of the resistive heater at one or more target temperatures.

In some variations, the target resistance is based on the resistance of the resistive heater at an ambient temperature. For example, the target resistance may be estimated based on the electrical properties of the resistive heater, e.g., the temperature coefficient of resistance or TCR, of the resistive heater (e.g., “resistive heating element” or “vaporizing element”).

For example, a vaporization device (e.g., an electronic vaporizer device) may include a puff sensor, a power source (e.g., battery, capacitor, etc.), a heating element controller (e.g., microcontroller), and a resistive heater. A separate temperature sensor may also be included to determine an actual temperature of ambient temperature and/or the resistive heater, or a temperature sensor may be part of the heating element controller. However, in general, the microcontroller may control the temperature of the resistive heater (e.g., resistive coil, etc.) based on a change in resistance due to temperature (e.g., TCR).

In general, the heater may be any appropriate resistive heater, such as a resistive coil. The heater is typically coupled to the heater controller so that the heater controller applies power (e.g., from the power source) to the heater. The heater controller may include regulatory control logic to regulate the temperature of the heater by adjusting the applied power. The heater controller may include a dedicated or general-purpose processor, circuitry, or the like and is generally connected to the power source and may receive input from the power source to regulate the applied power to the heater.

For example, any of these apparatuses may include logic for determining the temperature of the heater based on the TCR. The resistance of the heater (e.g., a resistive heater) may be measured (R_{heater}) during operation of the apparatus and compared to a target resistance, which is typically the resistance of the resistive heater at the target temperature. In some cases this resistance may be estimated from the resistance of the resistive hearing element at ambient temperature (baseline).

In some variations, a reference resistor ($R_{reference}$) may be used to set the target resistance. The ratio of the heater

resistance to the reference resistance ($R_{heater}/R_{reference}$) is linearly related to the temperature (above room temp) of the heater, and may be directly converted to a calibrated temperature. For example, a change in temperature of the heater relative to room temperature may be calculated using an expression such as $(R_{heater}/R_{reference}-1)*(1/TCR)$, where TCR is the temperature coefficient of resistivity for the heater. In one example, TCR for a particular device heater is 0.00014/ $^{\circ}$ C. In determining the partial doses and doses described herein, the temperature value used (e.g., the temperature of the vaporizable material during a dose interval, T_i , described in more detail below) may refer to the unitless resistive ratio (e.g., $R_{heater}/R_{reference}$) or it may refer to the normalized/corrected temperature (e.g., in $^{\circ}$ C.).

When controlling a vaporization device by comparing a measure resistance of a resistive heater to a target resistance, the target resistance may be initially calculated and may be factory preset and/or calibrated by a user-initiated event. For example, the target resistance of the resistive heater during operation of the apparatus may be set by the percent change in baseline resistance plus the baseline resistance of the resistive heater, as will be described in more detail below. As mentioned, the resistance of the heating element at ambient is the baseline resistance. For example, the target resistance may be based on the resistance of the resistive heater at an ambient temperature and a target change in temperature of the resistive heater.

As mentioned above, the target resistance of the resistive heater may be based on a target heating element temperature. Any of the apparatuses and methods for using them herein may include determining the target resistance of the resistive heater based on a resistance of the resistive heater at ambient temperature and a percent change in a resistance of the resistive heater at an ambient temperature.

In any of the methods and apparatuses described herein, the resistance of the resistive heater may be measured (using a resistive measurement circuit) and compared to a target resistance by using a voltage divider. Alternatively or additionally any of the methods and apparatuses described herein may compare a measured resistance of the resistive heater to a target resistance using a Wheatstone bridge and thereby adjust the power to increase/decrease the applied power based on this comparison.

In any of the variations described herein, adjusting the applied power to the resistive heater may comprise comparing the resistance (actual resistance) of the resistive heater to a target resistance using a voltage divider, Wheatstone bridge, amplified Wheatstone bridge, or RC charge time circuit.

As mentioned above, a target resistance of the resistive heater and therefore target temperature may be determined using a baseline resistance measurement taken from the resistive heater. The apparatus and/or method may approximate a baseline resistance for the resistive heater by waiting an appropriate length of time (e.g., 1 second, 10 seconds, 30 seconds, 1 minute, 1.5 minutes, 2 minutes, 3 minutes, 4 minutes, 5 minutes, 6 minutes, 7 minutes, 8 minutes, 9 minutes, 10 minutes, 11 minutes, 12 minutes, 15 minutes, 20 minutes, etc.) from the last application of energy to the resistive heater to measure a resistance (or series of resistance that may be averaged, etc.) representing the baseline resistance for the resistive heater. In some variations a plurality of measurements made when heating/applying power to the resistive heater is prevented may be analyzed by the apparatus to determine when the resistance values do not vary outside of a predetermined range (e.g., when the resistive heater has ‘cooled’ down, and therefore the resis-

tance is no longer changing due to temperature decreasing/increasing), for example, when the rate of change of the resistance of the heating element over time is below some stability threshold.

For example, any of the methods and apparatuses described herein may measure the resistance of the resistive heater an ambient temperature by measuring the resistance of the resistive heater after a predetermined time since power was last applied to the resistive heater. As mentioned above, the predetermined time period may be seconds, minutes, etc.

In any of these variations the baseline resistance may be stored in a long-term memory (including volatile, non-volatile or semi-volatile memory). Storing a baseline resistance (“the resistance of the resistive heater an ambient temperature”) may be done periodically (e.g., once per 2 minute, 5 minutes, 10 minutes, 1 hour, etc., or every time a particular event occurs, such as loading vaporizable material), or once for a single time.

Any of these methods may also include calculating an absolute target coil temperature from an actual device temperature. As mentioned, above, based on the material properties of the resistive heater (e.g., coil) the resistance and/or change in resistance over time may be used calculate an actual temperature, which may be presented to a user, e.g., on the face of the device, or communicated to an “app” or other output type.

In any of the methods and apparatuses described herein, the apparatus may detect the resistance of the resistive heater only when power is not being applied to the resistive heater while detecting the resistance; once the resistance detection is complete, power may again be applied (and this application may be modified by the control logic described herein). For example, in any of these devices and methods the resistance of the resistive heater may be measured only when suspending the application of power to the resistive heater.

For example, a method of controlling a vaporization device may include: placing a vaporizable material in thermal contact with a resistive heater; applying power to the resistive heater to heat the vaporizable material; suspending the application of power to the resistive heater while measuring the resistance of the resistive heater; and adjusting the applied power to the resistive heater based on the difference between the resistance of the heating element and a target resistance of the resistive heater, wherein measuring the resistance of the resistive heater comprises measuring the resistance using a voltage divider, Wheatstone bridge, amplified Wheatstone bridge, or RC charge time circuit.

For example, a vaporization device may include: a microcontroller; a reservoir configured to hold a vaporizable material; a resistive heater configured to thermally contact the vaporizable material from the reservoir; a resistance measurement circuit connected to the microcontroller configured to measure the resistance of the resistive heater; and a power source, wherein the microcontroller applies power from the power source to heat the resistive heater and adjusts the applied power based on the difference between the resistance of the resistive heater and a target resistance of the resistive heater.

A vaporization device may include: a microcontroller; a reservoir configured to hold a vaporizable material; a resistive heater configured to thermally contact the vaporizable material from the reservoir; a resistance measurement circuit connected to the microcontroller configured to measure the resistance of the resistive heater; a power source; and a sensor having an output connected to the microcontroller,

wherein the microcontroller is configured to determine when the resistive heater applies power from the power source to heat the resistive heater; a target resistance circuit configured to determine a target resistance, the target resistance circuit comprising one of: a voltage divider, a Wheatstone bridge, an amplified Wheatstone bridge, or an RC charge time circuit, wherein the microcontroller applies power from the power source to heat the resistive heater and adjusts the applied power based on the difference between the resistance of the resistive heater and the target resistance of the resistive heater.

In any of the methods and apparatuses (e.g., devices and systems) described herein, the apparatus may be configured to be triggered by a user drawing on or otherwise indicating that they would like to begin vaporization of the vaporizing material. This user-initiated start may be detected by a sensor, such as a pressure sensor (“puff sensor”) configured to detect draw. The sensor may generally have an output that is connected to the controller (e.g., microcontroller), and the microcontroller may be configured to determine when the resistive heater applies power from the power source to heat the resistive heater.

For example, a vaporizing device as described herein may include a pressure sensor having an output connected to the microcontroller, wherein the microcontroller is configured to determine when the resistive heater applies power from the power source to heat the resistive heater.

In general, any of the apparatuses described herein may be adapted to perform any of the methods described herein, including determining if an instantaneous (ongoing) resistance measurement of the resistive heater is above/below and/or within a tolerable range of a target resistance. Any of these apparatuses may also determine the target resistance. As mentioned, this may be determined empirically and set to a resistance value, and/or it may be calculated. For example, any of these apparatuses (e.g., devices) may include a target resistance circuit configured to determine the target resistance, the target resistance circuit comprising one of: a voltage divider, a Wheatstone bridge, an amplified Wheatstone bridge, or an RC charge time circuit. Alternatively or additionally, a voltage divider, a Wheatstone bridge, an amplified Wheatstone bridge, or an RC charge time circuit may be included as part of the microcontroller or other circuitry that compares the measured resistance of the resistive heater to a target resistance.

For example, a target resistance circuit may be configured to determine the target resistance and/or compare the measured resistance of the resistive heater to the target resistance. The target resistance circuit comprising a voltage divider having a reference resistance equivalent to the target resistance. A target resistance circuit may be configured to determine the target resistance, the target resistance circuit comprising a Wheatstone bridge, wherein the target resistance is calculated by adding a resistance of the resistive heater at an ambient temperature and a target change in temperature of the resistive heater.

As mentioned, any of these apparatuses may include a memory configured to store a resistance of the resistive heater at an ambient temperature. Further, any of these apparatuses may include a temperature input coupled to the microcontroller and configured to provide an actual device temperature. The device temperature may be sensed and/or provided by any appropriate sensor, including thermistor, thermocouple, resistive temperature sensor, silicone band-gap temperature sensor, etc. The measured device temperature may be used to calculate a target resistance that corresponds to a certain resistive heater (e.g., coil) temperature.

In some variations the apparatus may display and/or output an estimate of the temperature of the resistive heater. The apparatus may include a display or may communicate (e.g., wirelessly) with another apparatus that receives the temperature or resistance values.

The devices described herein may include an inhalable aerosol comprising: an oven comprising an oven chamber and a heater for heating a vapor forming medium in the oven chamber to generate a vapor; a condenser comprising a condensation chamber in which at least a fraction of the vapor condenses to form the inhalable aerosol; an air inlet that originates a first airflow path that includes the oven chamber; and an aeration vent that originates a second airflow path that allows air from the aeration vent to join the first airflow path prior to or within the condensation chamber and downstream from the oven chamber thereby forming a joined path, wherein the joined path is configured to deliver the inhalable aerosol formed in the condensation chamber to a user.

In any of these variations the oven is within a body of the device. The device may further comprise a mouthpiece, wherein the mouthpiece comprises at least one of the air inlet, the aeration vent, and the condenser. The mouthpiece may be separable from the oven. The mouthpiece may be integral to a body of the device, wherein the body comprises the oven. The device may further comprise a body that comprises the oven, the condenser, the air inlet, and the aeration vent. The mouthpiece may be separable from the body.

In some variations, the oven chamber may comprise an oven chamber inlet and an oven chamber outlet, and the oven further comprises a first valve at the oven chamber inlet, and a second valve at the oven chamber outlet. The aeration vent may comprise a third valve. The first valve, or said second valve may be chosen from the group of a check valve, a clack valve, a non-return valve, and a one-way valve. The third valve may be chosen from the group of a check valve, a clack valve, a non-return valve, and a one-way valve. The first or second valve may be mechanically actuated. The first or second valve may be electronically actuated. The first valve or second valve may be manually actuated. The third valve may be mechanically actuated. The third valve may be electronically actuated. The third valve may be manually actuated.

In any of these variations, the device may further comprise a body that comprises at least one of: a power source, a printed circuit board, a switch, and a temperature regulator. The device may further comprise a temperature regulator in communication with a temperature sensor. The temperature sensor may be the heater. The power source may be rechargeable. The power source may be removable. The oven may further comprise an access lid. The vapor forming medium may comprise tobacco. The vapor forming medium may comprise a botanical. The vapor forming medium may be heated in the oven chamber wherein the vapor forming medium may comprise a humectant to produce the vapor, wherein the vapor comprises a gas phase humectant. The vapor may be mixed in the condensation chamber with air from the aeration vent to produce the inhalable aerosol comprising particle diameters of average size of about 1 micron. The vapor forming medium may be heated in the oven chamber, wherein the vapor is mixed in the condensation chamber with air from the aeration vent to produce the inhalable aerosol comprising particle diameters of average size of less than or equal to 0.9 micron. The vapor forming medium may be heated in the oven chamber, wherein the

vapor is mixed in the condensation chamber with air from the aeration vent to produce the inhalable aerosol comprising particle diameters of average size of less than or equal to 0.8 micron. The vapor forming medium may be heated in the oven chamber, wherein the vapor is mixed in the condensation chamber with air from the aeration vent to produce the inhalable aerosol comprising particle diameters of average size of less than or equal to 0.7 micron. The vapor forming medium may be heated in the oven chamber, wherein the vapor is mixed in the condensation chamber with air from the aeration vent to produce the inhalable aerosol comprising particle diameters of average size of less than or equal to 0.6 micron. The vapor forming medium may be heated in the oven chamber, wherein the vapor is mixed in the condensation chamber with air from the aeration vent to produce the inhalable aerosol comprising particle diameters of average size of less than or equal to 0.5 micron.

In any of these variations, the humectant may comprise glycerol as a vapor-forming medium. The humectant may comprise vegetable glycerol. The humectant may comprise propylene glycol. The humectant may comprise a ratio of vegetable glycerol to propylene glycol. The ratio may be about 100:0 vegetable glycerol to propylene glycol. The ratio may be about 90:10 vegetable glycerol to propylene glycol. The ratio may be about 80:20 vegetable glycerol to propylene glycol. The ratio may be about 70:30 vegetable glycerol to propylene glycol. The ratio may be about 60:40 vegetable glycerol to propylene glycol. The ratio may be about 50:50 vegetable glycerol to propylene glycol. The humectant may comprise a flavorant. The vapor forming medium may be heated to its pyrolytic temperature. The vapor forming medium may be heated to 200° C. at most. The vapor forming medium may be heated to 160° C. at most. The inhalable aerosol may be cooled to a temperature of about 50°-70° C. at most, before exiting the aerosol outlet of the mouthpiece.

In any of these variations, the method comprises A method for generating an inhalable aerosol, the method comprising: providing an inhalable aerosol generating device wherein the device comprises: an oven comprising an oven chamber and a heater for heating a vapor forming medium in the oven chamber and for forming a vapor therein; a condenser comprising a condensation chamber in which the vapor forms the inhalable aerosol; an air inlet that originates a first airflow path that includes the oven chamber; and an aeration vent that originates a second airflow path that allows air from the aeration vent to join the first airflow path prior to or within the condensation chamber and downstream from the oven chamber thereby forming a joined path, wherein the joined path is configured to deliver the inhalable aerosol formed in the condensation chamber to a user.

In any of these variations the oven is within a body of the device. The device may further comprise a mouthpiece, wherein the mouthpiece comprises at least one of the air inlet, the aeration vent, and the condenser. The mouthpiece may be separable from the oven. The mouthpiece may be integral to a body of the device, wherein the body comprises the oven. The method may further comprise a body that comprises the oven, the condenser, the air inlet, and the aeration vent. The mouthpiece may be separable from the body.

In any of these variations, the oven chamber may comprise an oven chamber inlet and an oven chamber outlet, and the oven further comprises a first valve at the oven chamber inlet, and a second valve at the oven chamber outlet.

The vapor forming medium may comprise tobacco. The vapor forming medium may comprise a botanical. The vapor forming medium may be heated in the oven chamber wherein the vapor forming medium may comprise a humectant to produce the vapor, wherein the vapor comprises a gas phase humectant. The vapor may comprise particle diameters of average mass of about 1 micron. The vapor may comprise particle diameters of average mass of about 0.9 micron. The vapor may comprise particle diameters of average mass of about 0.8 micron. The vapor may comprise particle diameters of average mass of about 0.7 micron. The vapor may comprise particle diameters of average mass of about 0.6 micron. The vapor may comprise particle diameters of average mass of about 0.5 micron.

In any of these variations, the humectant may comprise glycerol as a vapor-forming medium. The humectant may comprise vegetable glycerol. The humectant may comprise propylene glycol. The humectant may comprise a ratio of vegetable glycerol to propylene glycol. The ratio may be about 100:0 vegetable glycerol to propylene glycol. The ratio may be about 90:10 vegetable glycerol to propylene glycol. The ratio may be about 80:20 vegetable glycerol to propylene glycol. The ratio may be about 70:30 vegetable glycerol to propylene glycol. The ratio may be about 60:40 vegetable glycerol to propylene glycol. The ratio may be about 50:50 vegetable glycerol to propylene glycol. The humectant may comprise a flavorant. The vapor forming medium may be heated to 200° C. at most. The vapor forming medium may be heated to 160° C. at most. The inhalable aerosol may be cooled to a temperature of about 50°-70° C. at most, before exiting the aerosol outlet of the mouthpiece.

In any of these variations, the device may be user serviceable. The device may not be user serviceable.

In any of these variations, a method for generating an inhalable aerosol, the method comprising: providing a vaporization device, wherein said device produces a vapor comprising particle diameters of average mass of about 1 micron or less, wherein said vapor is formed by heating a vapor forming medium in an oven chamber to a first temperature below the pyrolytic temperature of said vapor forming medium, and cooling said vapor in a condensation chamber to a second temperature below the first temperature, before exiting an aerosol outlet of said device.

In any of these variations, a method of manufacturing a device for generating an inhalable aerosol comprising: providing said device comprising a mouthpiece comprising an aerosol outlet at a first end of the device; an oven comprising an oven chamber and a heater for heating a vapor forming medium in the oven chamber and for forming a vapor therein, a condenser comprising a condensation chamber in which the vapor forms the inhalable aerosol, an air inlet that originates a first airflow path that includes the oven chamber and then the condensation chamber, an aeration vent that originates a second airflow path that joins the first airflow path prior to or within the condensation chamber after the vapor is formed in the oven chamber, wherein the joined first airflow path and second airflow path are configured to deliver the inhalable aerosol formed in the condensation chamber through the aerosol outlet of the mouthpiece to a user.

The method may further comprise providing the device comprising a power source or battery, a printed circuit board, a temperature regulator or operational switches.

In any of these variations a device for generating an inhalable aerosol may comprise a mouthpiece comprising an

aerosol outlet at a first end of the device and an air inlet that originates a first airflow path; an oven comprising an oven chamber that is in the first airflow path and includes the oven chamber and a heater for heating a vapor forming medium in the oven chamber and for forming a vapor therein; a condenser comprising a condensation chamber in which the vapor forms the inhalable aerosol; and an aeration vent that originates a second airflow path that allows air from the aeration vent to join the first airflow path prior to or within the condensation chamber and downstream from the oven chamber thereby forming a joined path, wherein the joined path is configured to deliver the inhalable aerosol formed in the condensation chamber through the aerosol outlet of the mouthpiece to a user.

In any of these variations a device for generating an inhalable aerosol may comprise: a mouthpiece comprising an aerosol outlet at a first end of the device, an air inlet that originates a first airflow path, and an aeration vent that originates a second airflow path that allows air from the aeration vent to join the first airflow path; an oven comprising an oven chamber that is in the first airflow path and includes the oven chamber and a heater for heating a vapor forming medium in the oven chamber and for forming a vapor therein; and a condenser comprising a condensation chamber in which the vapor forms the inhalable aerosol and wherein air from the aeration vent joins the first airflow path prior to or within the condensation chamber and downstream from the oven chamber thereby forming a joined path, wherein the joined path is configured to deliver the inhalable aerosol through the aerosol outlet of the mouthpiece to a user.

In any of these variations, a device for generating an inhalable aerosol may comprise: a device body comprising a cartridge receptacle; a cartridge comprising: a fluid storage compartment, and a channel integral to an exterior surface of the cartridge, and an air inlet passage formed by the channel and an internal surface of the cartridge receptacle when the cartridge is inserted into the cartridge receptacle; wherein the channel forms a first side of the air inlet passage, and an internal surface of the cartridge receptacle forms a second side of the air inlet passage.

In any of these variations, a device for generating an inhalable aerosol may comprise: a device body comprising a cartridge receptacle; a cartridge comprising: a fluid storage compartment, and a channel integral to an exterior surface of the cartridge, and an air inlet passage formed by the channel and an internal surface of the cartridge receptacle when the cartridge is inserted into the cartridge receptacle; wherein the channel forms a first side of the air inlet passage, and an internal surface of the cartridge receptacle forms a second side of the air inlet passage.

In any of these variations the channel may comprise at least one of a groove, a trough, a depression, a dent, a furrow, a trench, a crease, and a gutter. The integral channel may comprise walls that are either recessed into the surface or protrude from the surface where it is formed. The internal side walls of the channel may form additional sides of the air inlet passage. The cartridge may further comprise a second air passage in fluid communication with the air inlet passage to the fluid storage compartment, wherein the second air passage is formed through the material of the cartridge. The cartridge may further comprise a heater. The heater may be attached to a first end of the cartridge.

In any of these variations the heater may comprise a heater chamber, a first pair of heater contacts, a fluid wick, and a resistive heating element in contact with the wick, wherein the first pair of heater contacts comprise thin plates

affixed about the sides of the heater chamber, and wherein the fluid wick and resistive heating element are suspended therebetween. The first pair of heater contacts may further comprise a formed shape that comprises a tab having a flexible spring value that extends out of the heater to couple to complete a circuit with the device body. The first pair of heater contacts may be a heat sink that absorbs and dissipates excessive heat produced by the resistive heating element. The first pair of heater contacts may contact a heat shield that protects the heater chamber from excessive heat produced by the resistive heating element. The first pair of heater contacts may be press-fit to an attachment feature on the exterior wall of the first end of the cartridge. The heater may enclose a first end of the cartridge and a first end of the fluid storage compartment. The heater may comprise a first condensation chamber. The heater may comprise more than one first condensation chamber. The first condensation chamber may be formed along an exterior wall of the cartridge. The cartridge may further comprise a mouthpiece. The mouthpiece may be attached to a second end of the cartridge. The mouthpiece may comprise a second condensation chamber. The mouthpiece may comprise more than one second condensation chamber. The second condensation chamber may be formed along an exterior wall of the cartridge.

In any of these variations the cartridge may comprise a first condensation chamber and a second condensation chamber. The first condensation chamber and the second condensation chamber may be in fluid communication. The mouthpiece may comprise an aerosol outlet in fluid communication with the second condensation chamber. The mouthpiece may comprise more than one aerosol outlet in fluid communication with more than one second condensation chamber. The mouthpiece may enclose a second end of the cartridge and a second end of the fluid storage compartment.

In any of these variations, the device may comprise an airflow path comprising an air inlet passage, a second air passage, a heater chamber, a first condensation chamber, a second condensation chamber, and an aerosol outlet. The airflow path may comprise more than one air inlet passage, a heater chamber, more than one first condensation chamber, more than one second condensation chamber, more than one second condensation chamber, and more than one aerosol outlet. The heater may be in fluid communication with the fluid storage compartment. The fluid storage compartment may be capable of retaining condensed aerosol fluid. The condensed aerosol fluid may comprise a nicotine formulation. The condensed aerosol fluid may comprise a humectant. The humectant may comprise propylene glycol. The humectant may comprise vegetable glycerin.

In any of these variations the cartridge may be detachable. In any of these variations the cartridge may be receptacle and the detachable cartridge form a separable coupling. The separable coupling may comprise a friction assembly, a snap-fit assembly or a magnetic assembly. The cartridge may comprise a fluid storage compartment, a heater affixed to a first end with a snap-fit coupling, and a mouthpiece affixed to a second end with a snap-fit coupling.

In any of these variations, a device for generating an inhalable aerosol may comprise: a device body comprising a cartridge receptacle for receiving a cartridge; wherein an interior surface of the cartridge receptacle forms a first side of an air inlet passage when a cartridge comprising a channel integral to an exterior surface is inserted into the cartridge receptacle, and wherein the channel forms a second side of the air inlet passage.

In any of these variations, a device for generating an inhalable aerosol may comprise: a device body comprising a cartridge receptacle for receiving a cartridge; wherein the cartridge receptacle comprises a channel integral to an interior surface and forms a first side of an air inlet passage when a cartridge is inserted into the cartridge receptacle, and wherein an exterior surface of the cartridge forms a second side of the air inlet passage.

In any of these variations, A cartridge for a device for generating an inhalable aerosol comprising: a fluid storage compartment; a channel integral to an exterior surface, wherein the channel forms a first side of an air inlet passage; and wherein an internal surface of a cartridge receptacle in the device forms a second side of the air inlet passage when the cartridge is inserted into the cartridge receptacle.

In any of these variations, a cartridge for a device for generating an inhalable aerosol may comprise: a fluid storage compartment, wherein an exterior surface of the cartridge forms a first side of an air inlet channel when inserted into a device body comprising a cartridge receptacle, and wherein the cartridge receptacle further comprises a channel integral to an interior surface, and wherein the channel forms a second side of the air inlet passage.

The cartridge may further comprise a second air passage in fluid communication with the channel, wherein the second air passage is formed through the material of the cartridge from an exterior surface of the cartridge to the fluid storage compartment.

The cartridge may comprise at least one of: a groove, a trough, a depression, a dent, a furrow, a trench, a crease, and a gutter. The integral channel may comprise walls that are either recessed into the surface or protrude from the surface where it is formed. The internal side walls of the channel may form additional sides of the air inlet passage.

In any of these variations, a device for generating an inhalable aerosol may comprise: a cartridge comprising; a fluid storage compartment; a heater affixed to a first end comprising; a first heater contact, a resistive heating element affixed to the first heater contact; a device body comprising; a cartridge receptacle for receiving the cartridge; a second heater contact adapted to receive the first heater contact and to complete a circuit; a power source connected to the second heater contact; a printed circuit board (PCB) connected to the power source and the second heater contact; wherein the PCB is configured to detect the absence of fluid based on the measured resistance of the resistive heating element, and turn off the device.

The printed circuit board (PCB) may comprise a microcontroller; switches; circuitry comprising a reference resistor; and an algorithm comprising logic for control parameters; wherein the microcontroller cycles the switches at fixed intervals to measure the resistance of the resistive heating element relative to the reference resistor, and applies the algorithm control parameters to control the temperature of the resistive heating element.

The micro-controller may instruct the device to turn itself off when the resistance exceeds the control parameter threshold indicating that the resistive heating element is dry.

In any of these variations, a cartridge for a device for generating an inhalable aerosol may comprise: a fluid storage compartment; a heater affixed to a first end comprising: a heater chamber, a first pair of heater contacts, a fluid wick, and a resistive heating element in contact with the wick; wherein the first pair of heater contacts comprise thin plates affixed about the sides of the heater chamber, and wherein the fluid wick and resistive heating element are suspended therebetween.

The first pair of heater contacts may further comprise: a formed shape that comprises a tab having a flexible spring value that extends out of the heater to complete a circuit with the device body. The heater contacts may be configured to mate with a second pair of heater contacts in a cartridge receptacle of the device body to complete a circuit. The first pair of heater contacts may also be a heat sink that absorbs and dissipates excessive heat produced by the resistive heating element. The first pair of heater contacts may be a heat shield that protects the heater chamber from excessive heat produced by the resistive heating element.

In any of these variations, a cartridge for a device for generating an inhalable aerosol may comprise: a heater comprising; a heater chamber, a pair of thin plate heater contacts therein, a fluid wick positioned between the heater contacts, and a resistive heating element in contact with the wick; wherein the heater contacts each comprise a fixation site wherein the resistive heating element is tensioned therebetween.

In any of these variations, a cartridge for a device for generating an inhalable aerosol may comprise a heater, wherein the heater is attached to a first end of the cartridge.

The heater may enclose a first end of the cartridge and a first end of the fluid storage compartment. The heater may comprise more than one first condensation chamber. The heater may comprise a first condensation chamber. The condensation chamber may be formed along an exterior wall of the cartridge.

In any of these variations, a cartridge for a device for generating an inhalable aerosol may comprise a fluid storage compartment; and a mouthpiece, wherein the mouthpiece is attached to a second end of the cartridge.

The mouthpiece may enclose a second end of the cartridge and a second end of the fluid storage compartment. The mouthpiece may comprise a second condensation chamber. The mouthpiece may comprise more than one second condensation chamber. The second condensation chamber may be formed along an exterior wall of the cartridge.

In any of these variations, a cartridge for a device for generating an inhalable aerosol may comprise: a fluid storage compartment; a heater affixed to a first end; and a mouthpiece affixed to a second end; wherein the heater comprises a first condensation chamber and the mouthpiece comprises a second condensation chamber.

The heater may comprise more than one first condensation chamber and the mouthpiece comprises more than one second condensation chamber. The first condensation chamber and the second condensation chamber may be in fluid communication. The mouthpiece may comprise an aerosol outlet in fluid communication with the second condensation chamber. The mouthpiece may comprise two to more aerosol outlets. The cartridge may meet ISO recycling standards. The cartridge may meet ISO recycling standards for plastic waste.

In any of these variations, a device for generating an inhalable aerosol may comprise: a device body comprising a cartridge receptacle; and a detachable cartridge; wherein the cartridge receptacle and the detachable cartridge form a separable coupling, wherein the separable coupling comprises a friction assembly, a snap-fit assembly or a magnetic assembly.

In any of these variations, a method of fabricating a device for generating an inhalable aerosol may comprise: providing a device body comprising a cartridge receptacle; and providing a detachable cartridge; wherein the cartridge

receptacle and the detachable cartridge form a separable coupling comprising a friction assembly, a snap-fit assembly or a magnetic assembly.

In any of these variations, a method of fabricating a cartridge for a device for generating an inhalable aerosol may comprise: providing a fluid storage compartment; affixing a heater to a first end with a snap-fit coupling; and affixing a mouthpiece to a second end with a snap-fit coupling.

In any of these variations A cartridge for a device for generating an inhalable aerosol with an airflow path comprising: a channel comprising a portion of an air inlet passage; a second air passage in fluid communication with the channel; a heater chamber in fluid communication with the second air passage; a first condensation chamber in fluid communication with the heater chamber; a second condensation chamber in fluid communication with the first condensation chamber; and an aerosol outlet in fluid communication with second condensation chamber.

In any of these variations, a cartridge for a device for generating an inhalable aerosol may comprise: a fluid storage compartment; a heater affixed to a first end; and a mouthpiece affixed to a second end; wherein said mouthpiece comprises two or more aerosol outlets.

In any of these variations, a system for providing power to an electronic device for generating an inhalable vapor, the system may comprise; a rechargeable power storage device housed within the electronic device for generating an inhalable vapor; two or more pins that are accessible from an exterior surface of the electronic device for generating an inhalable vapor, wherein the charging pins are in electrical communication with the rechargeable power storage device; a charging cradle comprising two or more charging contacts configured to provided power to the rechargeable storage device, wherein the device charging pins are reversible such that the device is charged in the charging cradle for charging with a first charging pin on the device in contact a first charging contact on the charging cradle and a second charging pin on the device in contact with second charging contact on the charging cradle and with the first charging pin on the device in contact with second charging contact on the charging cradle and the second charging pin on the device in contact with the first charging contact on the charging cradle.

The charging pins may be visible on an exterior housing of the device. The user may permanently disable the device by opening the housing. The user may permanently destroy the device by opening the housing.

Additional aspects and advantages of the present disclosure will become readily apparent to those skilled in this art from the following detailed description, wherein only illustrative embodiments of the present disclosure are shown and described. As will be realized, the present disclosure is capable of other and different embodiments, and its several details are capable of modifications in various obvious respects, all without departing from the disclosure. Accordingly, the drawings and description are to be regarded as illustrative in nature, and not as restrictive.

BRIEF DESCRIPTION OF THE DRAWINGS

FIG. 1 is an illustrative cross-sectional view of an exemplary vaporization device.

FIG. 2 is an illustrative cross-sectional view of an exemplary vaporization device with various electronic features and valves.

FIG. 3 is an illustrative sectional view of another exemplary vaporization device comprising a condensation chamber, air inlet and aeration vent in the mouthpiece.

FIGS. 4A-4C is an illustrative example of an oven section of another exemplary vaporization device configuration with a access lid, comprising an oven having an air inlet, air outlet, and an additional aeration vent in the airflow pathway, after the oven.

FIG. 5 is an illustrative isometric view of an assembled inhalable aerosol device.

FIGS. 6A-6D are illustrative arrangements and section views of the device body and sub-components.

FIG. 7A is an illustrative isometric view of an assembled cartridge.

FIG. 7B is an illustrative exploded isometric view of a cartridge assembly

FIG. 7C is a side section view of FIG. 7A illustrating the inlet channel, inlet hole and relative placement of the wick, resistive heating element, and heater contacts, and the heater chamber inside of the heater.

FIG. 8A is an illustrative end section view of an exemplary cartridge inside the heater.

FIG. 8B is an illustrative side view of the cartridge with the cap removed and heater shown in shadow/outline.

FIGS. 9A-9L illustrate an exemplary sequence of one assembly method for a cartridge.

FIGS. 10A-10C are illustrative sequences showing the airflow/vapor path for the cartridge.

FIGS. 11, 12, and 13 represent an illustrative assembly sequence for assembling the main components of the device.

FIG. 14 illustrates front, side and section views of the assembled inhalable aerosol device.

FIG. 15 is an illustrative view of an activated, assembled inhalable aerosol device.

FIGS. 16A-16C are representative illustrations of a charging device for the aerosol device and the application of the charger with the device.

FIGS. 17A and 17B are representative illustrations of a proportional-integral-derivative controller (PID) block diagram and circuit diagram representing the essential components in a device to control coil temperature.

FIG. 17C is another example of a PID block diagram similar to that of FIG. 17A, in which the resistance of the resistive heater may be used to control the temperature of the apparatuses described herein.

FIG. 17D is an example of a circuit showing one variation of the measurement circuit used in the PID block diagram shown in FIG. 17C. Specifically, this is an amplified Wheatstone bridge resistance measurement circuit.

FIG. 18 is a device with charging contacts visible from an exterior housing of the device.

FIG. 19 is an exploded view of a charging assembly of a device.

FIG. 20 is a detailed view of a charging assembly of a device.

FIG. 21 is a detailed view of charging pins in a charging assembly of a device.

FIG. 22 is a device in a charging cradle.

FIG. 23 is a circuit provided on a PCB configured to permit a device to comprise reversible charging contacts.

FIGS. 24A and 24B show top and bottom perspective views, respectively of a cartridge device holding a vaporizable material for securely coupling with an electronic inhalable aerosol device as described herein.

FIGS. 25A and 25B show front a side views, respectively, of the cartridge of FIGS. 24A-24B.

FIG. 26A shows a section through a cartridge device holding a vaporizable material for securely coupling with an electronic inhalable aerosol device and indicates exemplary dimensions (in mm).

FIG. 26B shows a side view of the cartridge of FIG. 26A, indicating where the sectional view of FIG. 26A was taken.

FIGS. 27A and 27B show an exemplary vaporizer device without a cartridge attached. FIG. 27A is a side view and FIG. 27B shows a sectional view with exemplary dimensions of the rectangular opening for holding and making electrical contact with a cartridge.

FIG. 28A shows a perspective view of a vaporizer coupled to a cartridge as described herein.

FIG. 28B shows a side view of the vaporizer of FIG. 28A.

FIG. 28C shows a sectional view through the vaporizer of FIG. 28B taken through the dashed line.

FIG. 28D is an enlarged view of the region showing the electrical and mechanical connection between the cartridge and the vaporizer indicated by the circular region D.

FIGS. 29A-29D illustrate side profiles of alternative variations of cartridges as described herein.

DETAILED DESCRIPTION

Provided herein are systems and methods for generating a vapor from a material. The vapor may be delivered for inhalation by a user. The material may be a solid, liquid, powder, solution, paste, gel, or any a material with any other physical consistency. The vapor may be delivered to the user for inhalation by a vaporization device. The vaporization device may be a handheld vaporization device. The vaporization device may be held in one hand by the user.

The vaporization device may comprise a cartridge having one or more heating elements the heating element may be a resistive heating element. The heating element may heat the material such that the temperature of the material increases. Vapor may be generated as a result of heating the material. Energy may be required to operate the heating element, the energy may be derived from a battery in electrical communication with the heating element. Alternatively a chemical reaction (e.g., combustion or other exothermic reaction) may provide energy to the heating element.

One or more aspects of the vaporization device may be designed and/or controlled in order to deliver a vapor with one or more specified properties to the user. For example, aspects of the vaporization device that may be designed and/or controlled to deliver the vapor with specified properties may comprise the heating temperature, heating mechanism, device air inlets, internal volume of the device, and/or composition of the material.

In some cases, a vaporization device may have an "atomizer" or "cartomizer" configured to heat an aerosol forming solution (e.g., vaporizable material). The aerosol forming solution may comprise glycerin and/or propylene glycol. The vaporizable material may be heated to a sufficient temperature such that it may vaporize.

An atomizer may be a device or system configured to generate an aerosol. The atomizer may comprise a small heating element configured to heat and/or vaporize at least a portion of the vaporizable material and a wicking material that may draw a liquid vaporizable material in to the atomizer. The wicking material may comprise silica fibers, cotton, ceramic, hemp, stainless steel mesh, and/or rope cables. The wicking material may be configured to draw the liquid vaporizable material in to the atomizer without a pump or other mechanical moving part. A resistance wire may be wrapped around the wicking material and then

connected to a positive and negative pole of a current source (e.g., energy source). The resistance wire may be a coil. When the resistance wire is activated the resistance wire (or coil) may have a temperature increase as a result of the current flowing through the resistive wire to generate heat. The heat may be transferred to at least a portion of the vaporizable material through conductive, convective, and/or radiative heat transfer such that at least a portion of the vaporizable material vaporizes.

Alternatively or in addition to the atomizer, the vaporization device may comprise a “cartomizer” to generate an aerosol from the vaporizable material for inhalation by the user. The cartomizer may comprise a cartridge and an atomizer. The cartomizer may comprise a heating element surrounded by a liquid-soaked poly-foam that acts as holder for the vaporizable material (e.g., the liquid). The cartomizer may be reusable, rebuildable, refillable, and/or disposable. The cartomizer may be used with a tank for extra storage of a vaporizable material.

Air may be drawn into the vaporization device to carry the vaporized aerosol away from the heating element, where it then cools and condenses to form liquid particles suspended in air, which may then be drawn out of the mouthpiece by the user.

The vaporization of at least a portion of the vaporizable material may occur at lower temperatures in the vaporization device compared to temperatures required to generate an inhalable vapor in a cigarette. A cigarette may be a device in which a smokable material is burned to generate an inhalable vapor. The lower temperature of the vaporization device may result in less decomposition and/or reaction of the vaporized material, and therefore produce an aerosol with many fewer chemical components compared to a cigarette. In some cases, the vaporization device may generate an aerosol with fewer chemical components that may be harmful to human health compared to a cigarette. Additionally, the vaporization device aerosol particles may undergo nearly complete evaporation in the heating process, the nearly complete evaporation may yield an average particle size (e.g., diameter) value that may be smaller than the average particle size in tobacco or botanical based effluent.

A vaporization device may be a device configured to extract for inhalation one or more active ingredients of plant material, tobacco, and/or a botanical, or other herbs or blends. A vaporization device may be used with pure chemicals and/or humectants that may or may not be mixed with plant material. Vaporization may be alternative to burning (smoking) that may avoid the inhalation of many irritating and/or toxic carcinogenic by-products which may result from the pyrolytic process of burning tobacco or botanical products above 300° C. The vaporization device may operate at a temperature at or below 300° C.

A vaporizer (e.g., vaporization device) may not have an atomizer or cartomizer. Instead the device may comprise an oven. The oven may be at least partially closed. The oven may have a closable opening. The oven may be wrapped with a heating element, alternatively the heating element may be in thermal communication with the oven through another mechanism. A vaporizable material may be placed directly in the oven or in a cartridge fitted in the oven. The heating element in thermal communication with the oven may heat a vaporizable material mass in order to create a gas phase vapor. The heating element may heat the vaporizable material through conductive, convective, and/or radiative heat transfer. The vapor may be released to a vaporization chamber where the gas phase vapor may condense, forming an aerosol cloud having typical liquid vapor particles with

particles having a diameter of average mass of approximately 1 micron or greater. In some cases the diameter of average mass may be approximately 0.1-1 micron.

A used herein, the term “vapor” may generally refer to a substance in the gas phase at a temperature lower than its critical point. The vapor may be condensed to a liquid or to a solid by increasing its pressure without reducing the temperature.

As used herein, the term “aerosol” may generally refer to a colloid of fine solid particles or liquid droplets in air or another gas. Examples of aerosols may include clouds, haze, and smoke, including the smoke from tobacco or botanical products. The liquid or solid particles in an aerosol may have varying diameters of average mass that may range from monodisperse aerosols, producible in the laboratory, and containing particles of uniform size; to polydisperse colloidal systems, exhibiting a range of particle sizes. As the sizes of these particles become larger, they have a greater settling speed which causes them to settle out of the aerosol faster, making the appearance of the aerosol less dense and to shorten the time in which the aerosol will linger in air. Interestingly, an aerosol with smaller particles will appear thicker or denser because it has more particles. Particle number has a much bigger impact on light scattering than particle size (at least for the considered ranges of particle size), thus allowing for a vapor cloud with many more smaller particles to appear denser than a cloud having fewer, but larger particle sizes.

As used herein the term “humectant” may generally refer to as a substance that is used to keep things moist. A humectant may attract and retain moisture in the air by absorption, allowing the water to be used by other substances. Humectants are also commonly used in many tobaccos or botanicals and electronic vaporization products to keep products moist and as vapor-forming medium. Examples include propylene glycol, sugar polyols such as glycerol, glycerin, and honey.

Rapid Aeration

In some cases, the vaporization device may be configured to deliver an aerosol with a high particle density. The particle density of the aerosol may refer to the number of the aerosol droplets relative to the volume of air (or other dry gas) between the aerosol droplets. A dense aerosol may easily be visible to a user. In some cases the user may inhale the aerosol and at least a fraction of the aerosol particles may impinge on the lungs and/or mouth of the user. The user may exhale residual aerosol after inhaling the aerosol. When the aerosol is dense the residual aerosol may have sufficient particle density such that the exhaled aerosol is visible to the user. In some cases, a user may prefer the visual effect and/or mouth feel of a dense aerosol.

A vaporization device may comprise a vaporizable material. The vaporizable material may be contained in a cartridge or the vaporizable material may be loosely placed in one or more cavities the vaporization device. A heating element may be provided in the device to elevate the temperature of the vaporizable material such that at least a portion of the vaporizable material forms a vapor. The heating element may heat the vaporizable material by convective heat transfer, conductive heat transfer, and/or radiative heat transfer. The heating element may heat the cartridge and/or the cavity in which the vaporizable material is stored.

Vapor formed upon heating the vaporizable material may be delivered to the user. The vapor may be transported through the device from a first position in the device to a second position in the device. In some cases, the first

position may be a location where at least a portion of the vapor was generated, for example, the cartridge or cavity or an area adjacent to the cartridge or cavity. The second position may be a mouthpiece. The user may suck on the mouthpiece to inhale the vapor.

At least a fraction of the vapor may condense after the vapor is generated and before the vapor is inhaled by the user. The vapor may condense in a condensation chamber. The condensation chamber may be a portion of the device that the vapor passes through before delivery to the user. In some cases, the device may include at least one aeration vent, placed in the condensation chamber of the vaporization device. The aeration vent may be configured to introduce ambient air (or other gas) into the vaporization chamber. The air introduced into the vaporization chamber may have a temperature lower than the temperature of a gas and/or gas/vapor mixture in the condensation chamber. Introduction of the relatively lower temperature gas into the vaporization chamber may provide rapid cooling of the heated gas vapor mixture that was generated by heating the vaporizable material. Rapid cooling of the gas vapor mixture may generate a dense aerosol comprising a high concentration of liquid droplets having a smaller diameter and/or smaller average mass compared to an aerosol that is not rapidly cooled prior to inhalation by the user.

An aerosol with a high concentration of liquid droplets having a smaller diameter and/or smaller average mass compared to an aerosol that is not rapidly cooled prior to inhalation by the user may be formed in a two-step process. The first step may occur in the oven chamber where the vaporizable material (e.g., tobacco and/or botanical and humectant blend) may be heated to an elevated temperature. At the elevated temperature, evaporation may happen faster than at room temperature and the oven chamber may fill with the vapor phase of the humectants. The humectant may continue to evaporate until the partial pressure of the humectant is equal to the saturation pressure. At this point, the gas is said to have a saturation ratio of 1 ($S = P_{\text{partial}}/P_{\text{sat}}$).

In the second step, the gas (e.g., vapor and air) may exit the oven and enter a condenser or condensation chamber and begin to cool. As the gas phase vapor cools, the saturation pressure may decrease. As the saturation pressure decreases, the saturation ratio may increase and the vapor may begin to condense, forming droplets. In some devices, with the absence of added cooling aeration, the cooling may be relatively slower such that high saturation pressures may not be reached, and the droplets that form in the devices without added cooling aeration may be relatively larger and fewer in numbers. When cooler air is introduced, a temperature gradient may be formed between the cooler air and the relatively warmer gas in the device. Mixing between the cooler air and the relatively warmer gas in a confined space inside of the vaporization device may lead to rapid cooling. The rapid cooling may generate high saturation ratios, small particles, and high concentrations of smaller particles, forming a thicker, denser vapor cloud compared to particles generated in a device without the aeration vents.

For the purpose of this disclosure, when referring to ratios of humectants such as vegetable glycerol or propylene glycol, "about" means a variation of 5%, 10%, 20% or 25% depending on the embodiment.

For the purpose of this disclosure, when referring to a diameter of average mass in particle sizes, "about" means a variation of 5%, 10%, 20% or 25% depending on the embodiment.

A vaporization device configured to rapidly cool a vapor may comprise: a mouthpiece comprising an aerosol outlet at

a first end of the device; an oven comprising an oven chamber and a heater for heating a vapor forming medium in the oven chamber and for forming a vapor therein; a condenser comprising a condensation chamber in which the vapor forms the inhalable aerosol; an air inlet that originates a first airflow path that includes the oven chamber and then the condensation chamber, an aeration vent that originates a second airflow path that joins the first airflow path prior to or within the condensation chamber after the vapor is formed in the oven chamber, wherein the joined first airflow path and second airflow path are configured to deliver the inhalable aerosol formed in the condensation chamber through the aerosol outlet of the mouthpiece to a user.

In some embodiments, the oven is within a body of the device. The oven chamber may comprise an oven chamber inlet and an oven chamber outlet. The oven may further comprise a first valve at the oven chamber inlet, and a second valve at the oven chamber outlet.

The oven may be contained within a device housing. In some cases the body of the device may comprise the aeration vent and/or the condenser. The body of the device may comprise one or more air inlets. The body of the device may comprise a housing that holds and/or at least partially contains one or more elements of the device.

The mouthpiece may be connected to the body. The mouthpiece may be connected to the oven. The mouthpiece may be connected to a housing that at least partially encloses the oven. In some cases, the mouthpiece may be separable from the oven, the body, and/or the housing that at least partially encloses the oven. The mouthpiece may comprise at least one of the air inlet, the aeration vent, and the condenser. The mouthpiece may be integral to the body of the device. The body of the device may comprise the oven.

In some cases, the one or more aeration vents may comprise a valve. The valve may regulate a flow rate of air entering the device through the aeration vent. The valve may be controlled through a mechanical and/or electrical control system.

A vaporization device configured to rapidly cool a vapor may comprise: a body, a mouthpiece, an aerosol outlet, a condenser with a condensation chamber, a heater, an oven with an oven chamber, a primary airflow inlet, and at least one aeration vent provided in the body, downstream of the oven, and upstream of the mouthpiece.

FIG. 1 shows an example of a vaporization device configured to rapidly cool a vapor. The device 100, may comprise a body 101. The body may house and/or integrate with one or more components of the device. The body may house and/or integrate with a mouthpiece 102. The mouthpiece 102 may have an aerosol outlet 122. A user may inhale the generated aerosol through the aerosol outlet 122 on the mouthpiece 102. The body may house and/or integrate with an oven region 104. The oven region 104 may comprise an oven chamber where vapor forming medium 106 may be placed. The vapor forming medium may include tobacco and/or botanicals, with or without a secondary humectant. In some cases the vapor forming medium may be contained in a removable and/or refillable cartridge.

Air may be drawn into the device through a primary air inlet 121. The primary air inlet 121 may be on an end of the device 100 opposite the mouthpiece 102. Alternatively, the primary air inlet 121 may be adjacent to the mouthpiece 102. In some cases, a pressure drop sufficient to pull air into the device through the primary air inlet 121 may be due to a user puffing on the mouthpiece 102.

The vapor forming medium (e.g., vaporizable material) may be heated in the oven chamber by a heater 105, to

25

generate elevated temperature gas phases (vapor) of the tobacco or botanical and humectant/vapor forming components. The heater **105** may transfer heat to the vapor forming medium through conductive, convective, and/or radiative heat transfer. The generated vapor may be drawn out of the oven region and into the condensation chamber **103a**, of the condenser **103** where the vapors may begin to cool and condense into micro-particles or droplets suspended in air, thus creating the initial formation of an aerosol, before being drawn out of the mouthpiece through the aerosol outlet **122**.

In some cases, relatively cooler air may be introduced into the condensation chamber **103a**, through an aeration vent **107** such that the vapor condenses more rapidly compared to a vapor in a device without the aeration vent **107**. Rapidly cooling the vapor may create a denser aerosol cloud having particles with a diameter of average mass of less than or equal to about 1 micron, and depending on the mixture ratio of the vapor-forming humectant, particles with a diameter of average mass of less than or equal to about 0.5 micron

Also described herein are devices for generating an inhalable aerosol said device comprising a body with a mouthpiece at one end, an attached body at the other end comprising a condensation chamber, a heater, an oven, wherein the oven comprises a first valve in the airflow path at the primary airflow inlet of the oven chamber, and a second valve at the outlet end of the oven chamber, and at least one aeration vent provided in the body, downstream of the oven, and upstream of the mouthpiece.

FIG. 2 shows a diagram of an alternative embodiment of the vaporization device **200**. The vaporization device may have a body **201**. The body **201** may integrate with and/or contain one or more components of the device. The body may integrate with or be connected to a mouthpiece **202**

The body may comprise an oven region **204**, with an oven chamber **204a** having a first constricting valve **208** in the primary air inlet of the oven chamber and a second constricting valve **209** at the oven chamber outlet. The oven chamber **204a** may be sealed with a tobacco or botanical and/or humectant/vapor forming medium **206** therein. The seal may be an air tight and/or liquid tight seal. The heater may be provided to the oven chamber with a heater **205**. The heater **205** may be in thermal communication with the oven, for example the heater may be surrounding the oven chamber during the vaporization process. Heater may contact the oven. The heater may be wrapped around the oven. Before inhalation and before air is drawn in through a primary air inlet **221**, pressure may build in the sealed oven chamber as heat is continually added. The pressure may build due to a phase change of the vaporizable material. Elevated temperature gas phases (vapor) of the tobacco or botanical and humectant/vapor forming components may be achieved by continually adding heat to the oven. This heated pressurization process may generate even higher saturation ratios when the valves **208**, **209** are opened during inhalation. The higher saturation ratios may cause relatively higher particle concentrations of gas phase humectant in the resultant aerosol. When the vapor is drawn out of the oven region and into the condensation chamber **203a** of the condenser **203**, for example by inhalation by the user, the gas phase humectant vapors may be exposed to additional air through an aeration vent **207**, and the vapors may begin to cool and condense into droplets suspended in air. As described previously the aerosol may be drawn through the mouthpiece **222** by the user. This condensation process may be further refined by adding an additional valve **210**, to the aeration vent **207** to further control the air-vapor mixture process.

26

FIG. 2 also illustrates an exemplary embodiment of the additional components which would be found in a vaporizing device, including a power source or battery **211**, a printed circuit board **212**, a temperature regulator **213**, and operational switches (not shown), housed within an internal electronics housing **214**, to isolate them from the damaging effects of the moisture in the vapor and/or aerosol. The additional components may be found in a vaporizing device that may or may not comprise an aeration vent as described above.

In some embodiments of the vaporization device, components of the device are user serviceable, such as the power source or battery. These components may be replaceable or rechargeable.

Also described herein are devices for generating an inhalable aerosol said device comprising a first body, a mouthpiece having an aerosol outlet, a condensation chamber within a condenser and an airflow inlet and channel, an attached second body, comprising a heater and oven with an oven chamber, wherein said airflow channel is upstream of the oven and the mouthpiece outlet to provide airflow through the device, across the oven, and into the condensation chamber where an auxiliary aeration vent is provided.

FIG. 3 shows a section view of a vaporization device **300**. The device **300** may comprise a body **301**. The body may be connected to or integral with a mouthpiece **302** at one end. The mouthpiece may comprise a condensation chamber **303a** within a condenser section **303** and an airflow inlet **321** and air channel **323**. The device body may comprise a proximally located oven **304** comprising an oven chamber **304a**. The oven chamber may be in the body of the device. A vapor forming medium **306** (e.g., vaporizable material) comprising tobacco or botanical and humectant vapor forming medium may be placed in the oven. The vapor forming medium may be in direct contact with an air channel **323** from the mouthpiece. The tobacco or botanical may be heated by heater **305** surrounding the oven chamber, to generate elevated temperature gas phases (vapor) of the tobacco or botanical and humectant/vapor forming components and air drawn in through a primary air inlet **321**, across the oven, and into the condensation chamber **303a** of the condenser region **303** due to a user puffing on the mouthpiece. Once in the condensation chamber where the gas phase humectant vapors begin to cool and condense into droplets suspended in air, additional air is allowed to enter through aeration vent **307**, thus, once again creating a denser aerosol cloud having particles with a diameter of average mass of less than a typical vaporization device without an added aeration vent, before being drawn out of the mouthpiece through the aerosol outlet **322**.

The device may comprise a mouthpiece comprising an aerosol outlet at a first end of the device and an air inlet that originates a first airflow path; an oven comprising an oven chamber that is in the first airflow path and includes the oven chamber and a heater for heating a vapor forming medium in the oven chamber and for forming a vapor therein, a condenser comprising a condensation chamber in which the vapor forms the inhalable aerosol, an aeration vent that originates a second airflow path that allows air from the aeration vent to join the first airflow path prior to or within the condensation chamber and downstream from the oven chamber thereby forming a joined path, wherein the joined path is configured to deliver the inhalable aerosol formed in the condensation chamber through the aerosol outlet of the mouthpiece to a user.

The device may comprise a mouthpiece comprising an aerosol outlet at a first end of the device, an air inlet that

originates a first airflow path, and an aeration vent that originates a second airflow path that allows air from the aeration vent to join the first airflow path; an oven comprising an oven chamber that is in the first airflow path and includes the oven chamber and a heater for heating a vapor forming medium in the oven chamber and for forming a vapor therein, a condenser comprising a condensation chamber in which the vapor forms the inhalable aerosol and wherein air from the aeration vent joins the first airflow path prior to or within the condensation chamber and downstream from the oven chamber thereby forming a joined path, wherein the joined path is configured to deliver the inhalable aerosol through the aerosol outlet of the mouthpiece to a user, as illustrated in exemplary FIG. 3.

The device may comprise a body with one or more separable components. For example, the mouthpiece may be separably attached to the body comprising the condensation chamber, a heater, and an oven, as illustrated in exemplary FIG. 1 or 2.

The device may comprise a body with one or more separable components. For example, the mouthpiece may be separably attached to the body. The mouthpiece may comprise the condensation chamber, and may be attached to or immediately adjacent to the oven and which is separable from the body comprising a heater, and the oven, as illustrated in exemplary FIG. 3.

The at least one aeration vent may be located in the condensation chamber of the condenser, as illustrated in exemplary FIG. 1, 2, or 3. The at least one aeration vent may comprise a third valve in the airflow path of the at least one aeration vent, as illustrated in exemplary FIG. 2. The first, second and third valve is a check valve, a clack valve, a non-return valve, or a one-way valve. In any of the preceding variations, the first, second or third valve may be mechanically actuated, electronically actuated or manually actuated. One skilled in the art will recognize after reading this disclosure that this device may be modified in a way such that any one, or each of these openings or vents could be configured to have a different combination or variation of mechanisms as described to control airflow, pressure and temperature of the vapor created and aerosol being generated by these device configurations, including a manually operated opening or vent with or without a valve.

The device may further comprise at least one of: a power source, a printed circuit board, a switch, and a temperature regulator. Alternately, one skilled in the art would recognize that each configuration previously described will also accommodate said power source (battery), switch, printed circuit board, or temperature regulator as appropriate, in the body.

The device may be disposable when the supply of pre-packaged aerosol-forming media is exhausted. Alternatively, the device may be rechargeable such that the battery may be rechargeable or replaceable, and/or the aerosol-forming media may be refilled, by the user/operator of the device. Still further, the device may be rechargeable such that the battery may be rechargeable or replaceable, and/or the operator may also add or refill a tobacco or botanical component, in addition to a refillable or replaceable aerosol-forming media to the device.

As illustrated in FIG. 1, 2 or 3, the vaporization device may comprise tobacco or a botanical heated in said oven chamber, wherein said tobacco or botanical further comprises humectants to produce an aerosol comprising gas phase components of the humectant and tobacco or botanical. The gas phase humectant and tobacco or botanical vapor produced by said heated aerosol forming media **106, 206,**

306 may further be mixed with air from a special aeration vent **107, 207, 307** after exiting the oven area **104, 204, 304** and entering a condensation chamber **103a, 203a, 303a** to cool and condense said gas phase vapors to produce a far denser, thicker aerosol comprising more particles than would have otherwise been produced without the extra cooling air, with a diameter of average mass of less than or equal to about 1 micron.

Each aerosol configuration produced by mixing the gas phase vapors with the cool air may comprise a different range of particles, for example; with a diameter of average mass of less than or equal to about 0.9 micron; less than or equal to about 0.8 micron; less than or equal to about 0.7 micron; less than or equal to about 0.6 micron; and even an aerosol comprising particle diameters of average mass of less than or equal to about 0.5 micron.

The possible variations and ranges of aerosol density are great in that the possible number of combinations of temperature, pressure, tobacco or botanical choices and humectant selections are numerous. However, by excluding the tobacco or botanical choices and limiting the temperatures ranges and the humectant ratios to those described herein, the inventor has demonstrated that this device will produce a far denser, thicker aerosol comprising more particles than would have otherwise been produced without the extra cooling air, with a diameter of average mass of less than or equal to about 1 micron.

The humectant may comprise glycerol or vegetable glycerol as a vapor-forming medium.

The humectant may comprise propylene glycol as a vapor-forming medium.

In preferred embodiments, the humectant may comprise a ratio of vegetable glycerol to propylene glycol as a vapor-forming medium. The ranges of said ratio may vary between a ratio of about 100:0 vegetable glycerol to propylene glycol and a ratio of about 50:50 vegetable glycerol to propylene glycol. The difference in preferred ratios within the above stated range may vary by as little as 1, for example, said ratio may be about 99:1 vegetable glycerol to propylene glycol. However, more commonly said ratios would vary in increments of about 5, for example, about 95:5 vegetable glycerol to propylene glycol; or about 85:15 vegetable glycerol to propylene glycol; or about 55:45 vegetable glycerol to propylene glycol.

In a preferred embodiment the ratio for the vapor forming medium will be between the ratios of about 80:20 vegetable glycerol to propylene glycol, and about 60:40 vegetable glycerol to propylene glycol.

In a most preferred embodiment, the ratio for the vapor forming medium will be about 70:30 vegetable glycerol to propylene glycol.

In any of the preferred embodiments, the humectant may further comprise flavoring products. These flavorings may include enhancers comprising cocoa solids, licorice, tobacco or botanical extracts, and various sugars, to name but a few.

The tobacco or botanical may be heated in the oven up to its pyrolytic temperature, which as noted previously is most commonly measured in the range of 300-1000° C.

In preferred embodiments, the tobacco or botanical is heated to about 300° C. at most. In other preferred embodiments, the tobacco or botanical is heated to about 200° C. at most. In still other preferred embodiments, the tobacco or botanical is heated to about 160° C. at most. It should be noted that in these lower temperature ranges (<300° C.), pyrolysis of tobacco or botanical does not typically occur, yet vapor formation of the tobacco or botanical components and flavoring products does occur. In addition, vapor for-

mation of the components of the humectant, mixed at various ratios will also occur, resulting in nearly complete vaporization, depending on the temperature, since propylene glycol has a boiling point of about 180°-190° C. and vegetable glycerin will boil at approximately 280°-290° C.

In still other preferred embodiments, the aerosol produced by said heated tobacco or botanical and humectant is mixed with air provided through an aeration vent.

In still other preferred embodiments, the aerosol produced by said heated tobacco or botanical and humectant mixed with air, is cooled to a temperature of about 50°-70° C. at most, and even as low as 35° C. before exiting the mouthpiece, depending on the air temperature being mixed into the condensation chamber. In some embodiments, the temperature is cooled to about 35°-55° C. at most, and may have a fluctuating range of \pm about 10° C. or more within the overall range of about 35°-70° C.

Also described herein are vaporization devices for generating an inhalable aerosol comprising a unique oven configuration, wherein said oven comprises an access lid and an auxiliary aeration vent located within the airflow channel immediately downstream of the oven and before the aeration chamber. In this configuration, the user may directly access the oven by removing the access lid, providing the user with the ability to recharge the device with vaporization material.

In addition, having the added aeration vent in the airflow channel immediately after the oven and ahead of the vaporization chamber provides the user with added control over the amount of air entering the aeration chamber downstream and the cooling rate of the aerosol before it enters the aeration chamber.

As noted in FIGS. 4A-4C, the device 400 may comprise a body 401, having an air inlet 421 allowing initial air for the heating process into the oven region 404. After heating the tobacco or botanical, and humectant (heater not shown), the gas phase humectant vapor generated may travel down the airflow channel 423, passing the added aeration vent 407 wherein the user may selectively increase airflow into the heated vapor. The user may selectively increase and/or decrease the airflow to the heated vapor by controlling a valve in communication with the aeration vent 407. In some cases, the device may not have an aeration vent. Airflow into the heated vapor through the aeration vent may decrease the vapor temperature before exiting the airflow channel at the outlet 422, and increase the condensation rate and vapor density by decreasing the diameter of the vapor particles within the aeration chamber (not shown), thus producing a thicker, denser vapor compared to the vapor generated by a device without the aeration vent. The user may also access the oven chamber 404a to recharge or reload the device 400, through an access lid 430 provided therein, making the device user serviceable. The access lid may be provided on a device with or without an aeration vent.

Provided herein is a method for generating an inhalable aerosol, the method comprising: providing a vaporization device, wherein said device produces a vapor comprising particle diameters of average mass of about 1 micron or less, wherein the vapor is formed by heating a vapor forming medium in an oven chamber of the device to a first temperature below the pyrolytic temperature of the vapor forming medium, and cooling the vapor in a condensation chamber to a temperature below the first temperature, before exiting an aerosol outlet of said device.

In some embodiments the vapor may be cooled by mixing relatively cooler air with the vapor in the condensation chamber during the condensation phase, after leaving the

oven, where condensation of the gas phase humectants occurs more rapidly due to high saturation ratios being achieved at the moment of aeration, producing a higher concentration of smaller particles, with fewer by-products, in a denser aerosol, than would normally occur in a standard vaporization or aerosol generating device.

In some embodiments, formation of an inhalable aerosol is a two-step process. The first step occurs in the oven where the tobacco or botanical and humectant blend is heated to an elevated temperature. At the elevated temperature, evaporation happens faster than at room temperature and the oven chamber fills with the vapor phase of the humectants. The humectant will continue to evaporate until the partial pressure of the humectant is equal to the saturation pressure. At this point, the gas is said to have a saturation ratio of 1 ($S = P_{\text{partial}}/P_{\text{sat}}$).

In the second step, the gas leaves the oven chamber, passes to a condensation chamber in a condenser and begins to cool. As the gas phase vapor cools, the saturation pressure also goes down, causing the saturation ratio to rise, and the vapor to condensate, forming droplets. When cooling air is introduced, the large temperature gradient between the two fluids mixing in a confined space leads to very rapid cooling, causing high saturation ratios, small particles, and higher concentrations of smaller particles, forming a thicker, denser vapor cloud.

Provided herein is a method for generating an inhalable aerosol comprising: a vaporization device having a body with a mouthpiece at one end, and an attached body at the other end comprising: a condenser with a condensation chamber, a heater, an oven with an oven chamber, and at least one aeration vent provided in the body, downstream of the oven, and upstream of the mouthpiece, wherein tobacco or botanical comprising a humectant is heated in said oven chamber to produce a vapor comprising gas phase humectants.

As previously described, a vaporization device having an auxiliary aeration vent located in the condensation chamber capable of supplying cool air (relative to the heated gas components) to the gas phase vapors and tobacco or botanical components exiting the oven region, may be utilized to provide a method for generating a far denser, thicker aerosol comprising more particles than would have otherwise been produced without the extra cooling air, with a diameter of average mass of less than or equal to about 1 micron.

In another aspect, provided herein is a method for generating an inhalable aerosol comprising: a vaporization device, having a body with a mouthpiece at one end, and an attached body at the other end comprising: a condenser with a condensation chamber, a heater, an oven with an oven chamber, wherein said oven chamber further comprises a first valve in the airflow path at the inlet end of the oven chamber, and a second valve at the outlet end of the oven chamber; and at least one aeration vent provided in said body, downstream of the oven, and upstream of the mouthpiece wherein tobacco or botanical comprising a humectant is heated in said oven chamber to produce a vapor comprising gas phase humectants.

As illustrated in exemplary FIG. 2, by sealing the oven chamber 204a with a tobacco or botanical and humectant vapor forming medium 206 therein, and applying heat with the heater 205 during the vaporization process, before inhalation and air is drawn in through a primary air inlet 221, the pressure will build in the oven chamber as heat is continually added with an electronic heating circuit generated through the combination of the battery 211, printed circuit board 212, temperature regulator 213, and operator controlled switches

(not shown), to generate even greater elevated temperature gas phase humectants (vapor) of the tobacco or botanical and humectant vapor forming components. This heated pressurization process generates even higher saturation ratios when the valves 208, 209 are opened during inhalation, which cause higher particle concentrations in the resultant aerosol, when the vapor is drawn out of the oven region and into the condensation chamber 203a, where they are again exposed to additional air through an aeration vent 207, and the vapors begin to cool and condense into droplets suspended in air, as described previously before the aerosol is withdrawn through the mouthpiece 222. The inventor also notes that this condensation process may be further refined by adding an additional valve 210, to the aeration vent 207 to further control the air-vapor mixture process.

In some embodiments of any one of the inventive methods, the first, second and/or third valve is a one-way valve, a check valve, a clack valve, or a non-return valve. The first, second and/or third valve may be mechanically actuated. The first, second and/or third valve may be electronically actuated. The first, second and/or third valve may be automatically actuated. The first, second and/or third valve may be manually actuated either directly by a user or indirectly in response to an input command from a user to a control system that actuates the first, second and/or third valve.

In other aspects of the inventive methods, said device further comprises at least one of: a power source, a printed circuit board, or a temperature regulator.

In any of the preceding aspects of the inventive method, one skilled in the art will recognize after reading this disclosure that this method may be modified in a way such that any one, or each of these openings or vents could be configured to have a different combination or variation of mechanisms or electronics as described to control airflow, pressure and temperature of the vapor created and aerosol being generated by these device configurations, including a manually operated opening or vent with or without a valve.

The possible variations and ranges of aerosol density are great in that the possible number of temperature, pressure, tobacco or botanical choices and humectant selections and combinations are numerous. However, by excluding the tobacco or botanical choices and limiting the temperatures to within the ranges and the humectant ratios described herein, the inventor has demonstrated a method for generating a far denser, thicker aerosol comprising more particles than would have otherwise been produced without the extra cooling air, with a diameter of average mass of less than or equal to 1 micron.

In some embodiments of the inventive methods, the humectant comprises a ratio of vegetable glycerol to propylene glycol as a vapor-forming medium. The ranges of said ratio will vary between a ratio of about 100:0 vegetable glycerol to propylene glycol and a ratio of about 50:50 vegetable glycerol to propylene glycol. The difference in preferred ratios within the above stated range may vary by as little as 1, for example, said ratio may be about 99:1 vegetable glycerol to propylene glycol. However, more commonly said ratios would vary in increments of 5, for example, about 95:5 vegetable glycerol to propylene glycol; or about 85:15 vegetable glycerol to propylene glycol; or about 55:45 vegetable glycerol to propylene glycol.

Because vegetable glycerol is less volatile than propylene glycol, it will recondense in greater proportions. A humectant with higher concentrations of glycerol will generate a thicker aerosol. The addition of propylene glycol will lead to an aerosol with a reduced concentration of condensed phase particles and an increased concentration of vapor phase

effluent. This vapor phase effluent is often perceived as a tickle or harshness in the throat when the aerosol is inhaled. To some consumers, varying degrees of this sensation may be desirable. The ratio of vegetable glycerol to propylene glycol may be manipulated to balance aerosol thickness with the right amount of "throat tickle."

In a preferred embodiment of the method, the ratio for the vapor forming medium will be between the ratios of about 80:20 vegetable glycerol to propylene glycol, and about 60:40 vegetable glycerol to propylene glycol.

In a most preferred embodiment of the method, the ratio for the vapor forming medium will be about 70:30 vegetable glycerol to propylene glycol. One will envision that there will be blends with varying ratios for consumers with varying preferences.

In any of the preferred embodiments of the method, the humectant further comprises flavoring products. These flavorings include enhancers such as cocoa solids, licorice, tobacco or botanical extracts, and various sugars, to name a few.

In some embodiments of the method, the tobacco or botanical is heated to its pyrolytic temperature.

In preferred embodiments of the method, the tobacco or botanical is heated to about 300° C. at most.

In other preferred embodiments of the method, the tobacco or botanical is heated to about 200° C. at most. In still other embodiments of the method, the tobacco or botanical is heated to about 160° C. at most.

As noted previously, at these lower temperatures, (<300° C.), pyrolysis of tobacco or botanical does not typically occur, yet vapor formation of the tobacco or botanical components and flavoring products does occur. As may be inferred from the data supplied by Baker et al., an aerosol produced at these temperatures is also substantially free from Hoffman analytes or at least 70% less Hoffman analytes than a common tobacco or botanical cigarette and scores significantly better on the Ames test than a substance generated by burning a common cigarette. In addition, vapor formation of the components of the humectant, mixed at various ratios will also occur, resulting in nearly complete vaporization, depending on the temperature, since propylene glycol has a boiling point of about 180°-190° C. and vegetable glycerin will boil at approximately 280°-290° C.

In any one of the preceding methods, said inhalable aerosol produced by tobacco or a botanical comprising a humectant and heated in said oven produces an aerosol comprising gas phase humectants is further mixed with air provided through an aeration vent.

In any one of the preceding methods, said aerosol produced by said heated tobacco or botanical and humectant mixed with air, is cooled to a temperature of about 50°-70° C., and even as low as 35° C., before exiting the mouthpiece. In some embodiments, the temperature is cooled to about 35°-55° C. at most, and may have a fluctuating range of about ±10° C. or more within the overall range of about 35°-70° C.

In some embodiments of the method, the vapor comprising gas phase humectant may be mixed with air to produce an aerosol comprising particle diameters of average mass of less than or equal to about 1 micron.

In other embodiments of the method, each aerosol configuration produced by mixing the gas phase vapors with the cool air may comprise a different range of particles, for example; with a diameter of average mass of less than or equal to about 0.9 micron; less than or equal to about 0.8 micron; less than or equal to about 0.7 micron; less than or

equal to about 0.6 micron; and even an aerosol comprising particle diameters of average mass of less than or equal to about 0.5 micron.

Cartridge Design and Vapor Generation from Material in Cartridge

In some cases, a vaporization device may be configured to generate an inhalable aerosol. A device may be a self-contained vaporization device. The device may comprise an elongated body which functions to complement aspects of a separable and recyclable cartridge with air inlet channels, air passages, multiple condensation chambers, flexible heater contacts, and multiple aerosol outlets. Additionally, the cartridge may be configured for ease of manufacture and assembly.

Provided herein is a vaporization device for generating an inhalable aerosol. The device may comprise a device body, a separable cartridge assembly further comprising a heater, at least one condensation chamber, and a mouthpiece. The device provides for compact assembly and disassembly of components with detachable couplings; overheat shut-off protection for the resistive heating element; an air inlet passage (an enclosed channel) formed by the assembly of the device body and a separable cartridge; at least one condensation chamber within the separable cartridge assembly; heater contacts; and one or more refillable, reusable, and/or recyclable components.

Provided herein is a device for generating an inhalable aerosol comprising: a device body comprising a cartridge receptacle; a cartridge comprising: a storage compartment, and a channel integral to an exterior surface of the cartridge, and an air inlet passage formed by the channel and an internal surface of the cartridge receptacle when the cartridge is inserted into the cartridge receptacle. The cartridge may be formed from a metal, plastic, ceramic, and/or composite material. The storage compartment may hold a vaporizable material. FIG. 7A shows an example of a cartridge 30 for use in the device. The vaporizable material may be a liquid at or near room temperature. In some cases the vaporizable material may be a liquid below room temperature. The channel may form a first side of the air inlet passage, and an internal surface of the cartridge receptacle may form a second side of the air inlet passage, as illustrated in various non-limiting aspects of FIGS. 5-6D, 7C, 8A, 8B, and 10A

Provided herein is a device for generating an inhalable aerosol. The device may comprise a body that houses, contains, and or integrates with one or more components of the device. The device body may comprise a cartridge receptacle. The cartridge receptacle may comprise a channel integral to an interior surface of the cartridge receptacle; and an air inlet passage formed by the channel and an external surface of the cartridge when the cartridge is inserted into the cartridge receptacle. A cartridge may be fitted and/or inserted into the cartridge receptacle. The cartridge may have a fluid storage compartment. The channel may form a first side of the air inlet passage, and an external surface of the cartridge forms a second side of the air inlet passage. The channel may comprise at least one of: a groove; a trough; a track; a depression; a dent; a furrow; a trench; a crease; and a gutter. The integral channel may comprise walls that are either recessed into the surface or protrude from the surface where it is formed. The internal side walls of the channel may form additional sides of the air inlet passage. The channel may have a round, oval, square, rectangular, or other shaped cross section. The channel may have a closed cross section. The channel may be about 0.1 cm, 0.5 cm, 1 cm, 2 cm, or 5 cm wide. The channel may be about 0.1 mm, 0.5

mm, 1 mm, 2 mm, or 5 mm deep. The channel may be about 0.1 cm, 0.5 cm, 1 cm, 2 cm, or 5 cm long. There may be at least 1 channel.

In some embodiments, the cartridge may further comprise a second air passage in fluid communication with the air inlet passage to the fluid storage compartment, wherein the second air passage is formed through the material of the cartridge.

FIGS. 5-7C show various views of a compact electronic device assembly 10 for generating an inhalable aerosol. The compact electronic device 10 may comprise a device body 20 with a cartridge receptacle 21 for receiving a cartridge 30. The device body may have a square or rectangular cross section. Alternatively, the cross section of the body may be any other regular or irregular shape. The cartridge receptacle may be shaped to receive an opened cartridge 30a or "pod". The cartridge may be opened when a protective cap is removed from a surface of the cartridge. In some cases, the cartridge may be opened when a hole or opening is formed on a surface of the cartridge. The pod 30a may be inserted into an open end of the cartridge receptacle 21 so that an exposed first heater contact tips 33a on the heater contacts 33 of the pod make contact with the second heater contacts 22 of the device body, thus forming the device assembly 10.

Referring to FIG. 14, it is apparent in the plan view that when the pod 30a is inserted into the notched body of the cartridge receptacle 21, the channel air inlet 50 is left exposed. The size of the channel air inlet 50 may be varied by altering the configuration of the notch in the cartridge receptacle 21.

The device body may further comprise a rechargeable battery, a printed circuit board (PCB) 24 containing a microcontroller with the operating logic and software instructions for the device, a pressure switch 27 for sensing the user's puffing action to activate the heater circuit, an indicator light 26, charging contacts (not shown), and an optional charging magnet or magnetic contact (not shown). The cartridge may further comprise a heater 36. The heater may be powered by the rechargeable battery. The temperature of the heater may be controlled by the microcontroller. The heater may be attached to a first end of the cartridge.

In some embodiments, the heater may comprise a heater chamber 37, a first pair of heater contacts 33, 33', a fluid wick 34, and a resistive heating element 35 in contact with the wick. The first pair of heater contacts may comprise thin plates affixed about the sides of the heater chamber. The fluid wick and resistive heating element may be suspended between the heater contacts.

In some embodiments, there may be two or more resistive heating elements 35, 35' and two or more wicks 34, 34'. In some of the embodiments, the heater contact 33 may comprise: a flat plate; a male contact; a female receptacle, or both; a flexible contact and/or copper alloy or another electrically conductive material. The first pair of heater contacts may further comprise a formed shape that may comprise a tab (e.g., flange) having a flexible spring value that extends out of the heater to complete a circuit with the device body. The first pair of heater contact may be a heat sink that absorb and dissipate excessive heat produced by the resistive heating element. Alternatively, the first pair of heater contacts may be a heat shield that protects the heater chamber from excessive heat produced by the resistive heating element. The first pair of heater contacts may be press-fit to an attachment feature on the exterior wall of the first end of the cartridge. The heater may enclose a first end of the cartridge and a first end of the fluid storage compartment.

As illustrated in the exploded assembly of FIG. 7B, a heater enclosure may comprise two or more heater contacts **33**, each comprising a flat plate which may be machined or stamped from a copper alloy or similar electrically conductive material. The flexibility of the tip is provided by the cut-away clearance feature **33b** created below the male contact point tip **33a** which capitalizes on the inherent spring capacity of the metal sheet or plate material. Another advantage and improvement of this type of contact is the reduced space requirement, simplified construction of a spring contact point (versus a pogo pin) and the easy of assembly. The heater may comprise a first condensation chamber. The heater may comprise more one or more additional condensation chambers in addition to the first condensation chamber. The first condensation chamber may be formed along an exterior wall of the cartridge.

In some cases, the cartridge (e.g., pod) is configured for ease of manufacturing and assembly. The cartridge may comprise an enclosure. The enclosure may be a tank. The tank may comprise an interior fluid storage compartment **32**. The interior fluid storage compartment **32** which is open at one or both ends and comprises raised rails on the side edges **45b** and **46b**. The cartridge may be formed from plastic, metal, composite, and/or a ceramic material. The cartridge may be rigid or flexible.

The tank may further comprise a set of first heater contact plates **33** formed from copper alloy or another electrically conductive material, having a thin cut-out **33b** below the contact tips **33a** (to create a flexible tab) which are affixed to the sides of the first end of the tank and straddle the open-sided end **53** of the tank. The plates may affix to pins, or posts as shown in FIG. 7B or **5**, or may be attached by other common means such as compression beneath the enclosure **36**. A fluid wick **34** having a resistive heating element **35** wrapped around it, is placed between the first heater contact plates **33**, and attached thereto. A heater **36**, comprising raised internal edges on the internal end (not shown), a thin mixing zone (not shown), and primary condensation channel covers **45a** that slide over the rails **45b** on the sides of the tank on the first half of the tank, creating a primary condensation channel/chamber **45**. In addition, a small male snap feature **39b** located at the end of the channel cover is configured fall into a female snap feature **39a**, located mid-body on the side of the tank, creating a snap-fit assembly.

As will be further clarified below, the combination of the open-sided end **53**, the protruding tips **33a** of the contact plates **33**, the fluid wick **34** having a resistive heating element **35**, enclosed in the open end of the fluid storage tank, under the heater **36**, with a thin mixing zone therein, creates an efficient heater system. In addition, the primary condensation channel covers **45a** which slide over the rails **45b** on the sides of the tank create an integrated, easily assembled, primary condensation chamber **45**, all within the heater at the first end of the cartridge **30** or pod **30a**.

In some embodiments of the device, as illustrated in FIGS. 9A-9L, the heater may enclose at least a first end of the cartridge. The enclosed first end of the cartridge may include the heater and the interior fluid storage compartment. In some embodiments, the heater further comprises at least one first condensation chamber **45**.

FIGS. 9A-9L show diagramed steps that may be performed to assemble a cartomizer and/or mouthpiece. In 9A-9B the fluid storage compartment **32a** may be oriented such that the heater inlet **53** faces upward. The heater contacts **33** may be inserted into the fluid storage compartment. Flexible tabs **33a** may be inserted into the heater

contacts **33**. In a FIG. 9D the resistive heating element **35** may be wound on to the wick **34**. In FIG. 9E the wick **34** and heater **35** may be placed on the fluid storage compartment. One or more free ends of the heater may sit outside the heater contacts. The one or more free ends may be soldered in place, rested in a groove, or snapped into a fitted location. At least a fraction of the one or more free ends may be in communication with the heater contacts **33**. In a FIG. 9F the heater enclosure **36** may be snapped in place. The heater enclosure **36** may be fitted on the fluid storage compartment. FIG. 9G shows the heater enclosure **36** is in place on the fluid storage compartment. In FIG. 9H the fluid storage compartment can be flipped over. In FIG. 9I the mouthpiece **31** can be fitted on the fluid storage compartment. FIG. 9J shows the mouthpiece **31** in place on the fluid storage compartment. In FIG. 9K an end **49** can be fitted on the fluid storage compartment opposite the mouthpiece. FIG. 9L shows a fully assembled cartridge **30**. FIG. 7B shows an exploded view of the assembled cartridge **30**.

Depending on the size of the heater and/or heater chamber, the heater may have more than one wick **34** and resistive heating element **35**.

In some embodiments, the first pair of heater contacts **33** further comprises a formed shape that comprises a tab **33a** having a flexible spring value that extends out of the heater. In some embodiments, the cartridge **30** comprises heater contacts **33** which are inserted into the cartridge receptacle **21** of the device body **20** wherein, the flexible tabs **33a** insert into a second pair of heater contacts **22** to complete a circuit with the device body. The first pair of heater contacts **33** may be a heat sink that absorbs and dissipates excessive heat produced by the resistive heating element **35**. The first pair of heater contacts **33** may be a heat shield that protects the heater chamber from excessive heat produced by the resistive heating element **35**. The first pair of heater contacts may be press-fit to an attachment feature on the exterior wall of the first end of the cartridge. The heater **36** may enclose a first end of the cartridge and a first end of the fluid storage compartment **32a**. The heater may comprise a first condensation chamber **45**. The heater may comprise at least one additional condensation chamber **45**, **45'**, **45''**, etc. The first condensation chamber may be formed along an exterior wall of the cartridge.

In still other embodiments of the device, the cartridge may further comprise a mouthpiece **31**, wherein the mouthpiece comprises at least one aerosol outlet channel/secondary condensation chamber **46**; and at least one aerosol outlet **47**. The mouthpiece may be attached to a second end of the cartridge. The second end of the cartridge with the mouthpiece may be exposed when the cartridge is inserted in the device. The mouthpiece may comprise more than one second condensation chamber **46**, **46'**, **46''**, etc. The second condensation chamber is formed along an exterior wall of the cartridge.

The mouthpiece **31** may enclose the second end of the cartridge and interior fluid storage compartment. The partially assembled (e.g., mouthpiece removed) unit may be inverted and filled with a vaporizable fluid through the opposite, remaining (second) open end. Once filled, a snap-on mouthpiece **31** that also closes and seals the second end of the tank is inserted over the end. It also comprises raised internal edges (not shown), and aerosol outlet channel covers **46a** that may slide over the rails **46b** located on the sides of the second half of the tank, creating aerosol outlet channels/secondary condensation chambers **46**. The aerosol outlet channels/secondary condensation chambers **46** slide over the end of primary condensation chamber **45**, at a

transition area **57**, to create a junction for the vapor leaving the primary chamber and proceed out through the aerosol outlets **47**, at the end of the aerosol outlet channels **46** and user-end of the mouthpiece **31**.

The cartridge may comprise a first condensation chamber and a second condensation chamber **45**, **46**. The cartridge may comprise more than one first condensation chamber and more than one second condensation chamber **45**, **46**, **45'**, **46'**, etc.

In some embodiments of the device, a first condensation chamber **45** may be formed along the outside of the cartridge fluid storage compartment **31**. In some embodiments of the device an aerosol outlet **47** exists at the end of aerosol outlet chamber **46**. In some embodiments of the device, a first and second condensation chamber **45**, **46** may be formed along the outside of one side of the cartridge fluid storage compartment **31**. In some embodiments the second condensation chamber may be an aerosol outlet chamber. In some embodiments another pair of first and/or second condensation chambers **45'**, **46'** is formed along the outside of the cartridge fluid storage compartment **31** on another side of the device. In some embodiments another aerosol outlet **47'** will also exist at the end of the second pair of condensation chambers **45'**, **46'**.

In any one of the embodiments, the first condensation chamber and the second condensation chamber may be in fluid communication as illustrated in FIG. **10C**.

In some embodiments, the mouthpiece may comprise an aerosol outlet **47** in fluid communication with the second condensation chamber **46**. The mouthpiece may comprise more than one aerosol outlet **47**, **47'** in fluid communication with more than one the second condensation chamber **46**, **46'**. The mouthpiece may enclose a second end of the cartridge and a second end of the fluid storage compartment.

In each of the embodiments described herein, the cartridge may comprise an airflow path comprising: an air inlet passage; a heater; at least a first condensation chamber; an aerosol outlet chamber, and an outlet port. In some of the embodiments described herein, the cartridge comprises an airflow path comprising: an air inlet passage; a heater; a first condensation chamber; a secondary condensation chamber; and an outlet port.

In still other embodiments described herein the cartridge may comprise an airflow path comprising at least one air inlet passage; a heater; at least one first condensation chamber; at least one secondary condensation chamber; and at least one outlet port.

As illustrated in FIGS. **10A-10C**, an airflow path is created when the user draws on the mouthpiece **31** to create a suction (e.g., a puff), which essentially pulls air through the channel air inlet opening **50**, through the air inlet passage **51**, and into the heater chamber **37** through the second air passage (tank air inlet hole) **41** at the tank air inlet **52**, then into the heater inlet **53**. At this point, the pressure sensor has sensed the user's puff, and activated the circuit to the resistive heating element **35**, which in turn, begins to generate vapor from the vapor fluid (e-juice). As air enters the heater inlet **53**, it begins to mix and circulate in a narrow chamber above and around the wick **34** and between the heater contacts **33**, generating heat, and dense, concentrated vapor as it mixes in the flow path **54** created by the sealing structure obstacles **44**. FIG. **8A** shows a detailed view of the sealing structure obstacles **44**. Ultimately the vapor may be drawn, out of the heater along an air path **55** near the shoulder of the heater and into the primary condensation chamber **45** where the vapor expands and begins to cool. As the expanding vapor moves along the airflow path, it makes

a transition from the primary condensation chamber **45** through a transition area **57**, creating a junction for the vapor leaving the primary chamber, and entering the second vapor chamber **46**, and proceeds out through the aerosol outlets **47**, at the end of the mouthpiece **31** to the user.

As illustrated in FIGS. **10A-10C**, the device may have a dual set of air inlet passages **50-53**, dual first condensation chambers **55/45**, dual second condensation chambers and aeration channels **57/46**, and/or dual aerosol outlet vents **47**.

Alternatively, the device may have an airflow path comprising: an air inlet passage **50**, **51**; a second air passage **41**; a heater chamber **37**; a first condensation chamber **45**; a second condensation chamber **46**; and/or an aerosol outlet **47**.

In some cases, the device may have an airflow path comprising: more than one air inlet passage; more than one second air passage; a heater chamber; more than one first condensation chamber; more than one second condensation chamber; and more than one aerosol outlet as clearly illustrated in FIGS. **10A-10C**.

In any one of the embodiments described herein, the heater **36** may be in fluid communication with the internal fluid storage compartment **32a**.

In each of the embodiments described herein, the fluid storage compartment **32** is in fluid communication with the heater chamber **37**, wherein the fluid storage compartment is capable of retaining condensed aerosol fluid, as illustrated in FIGS. **10A**, **10C** and **14**.

In some embodiments of the device, the condensed aerosol fluid may comprise a nicotine formulation. In some embodiments, the condensed aerosol fluid may comprise a humectant. In some embodiments, the humectant may comprise propylene glycol. In some embodiments, the humectant may comprise vegetable glycerin.

In some cases, the cartridge may be detachable from the device body. In some embodiments, the cartridge receptacle and the detachable cartridge may form a separable coupling. In some embodiments the separable coupling may comprise a friction assembly. As illustrated in FIGS. **11-14**, the device may have a press-fit (friction) assembly between the cartridge pod **30a** and the device receptacle. Additionally, a dent/friction capture such as **43** may be utilized to capture the pod **30a** to the device receptacle or to hold a protective cap **38** on the pod, as further illustrated in FIG. **8B**.

In other embodiments, the separable coupling may comprise a snap-fit or snap-lock assembly. In still other embodiments the separable coupling may comprise a magnetic assembly.

In any one of the embodiments described herein, the cartridge components may comprise a snap-fit or snap-lock assembly, as illustrated in FIG. **5**. In any one of the embodiments, the cartridge components may be reusable, refillable, and/or recyclable. The design of these cartridge components lend themselves to the use of such recyclable plastic materials as polypropylene, for the majority of components.

In some embodiments of the device **10**, the cartridge **30** may comprise: a fluid storage compartment **32**; a heater **36** affixed to a first end with a snap-fit coupling **39a**, **39b**; and a mouthpiece **31** affixed to a second end with a snap-fit coupling **39c**, **39d** (not shown—but similar to **39a** and **39b**). The heater **36** may be in fluid communication with the fluid storage compartment **32**. The fluid storage compartment may be capable of retaining condensed aerosol fluid. The condensed aerosol fluid may comprise a nicotine formulation. The condensed aerosol fluid may comprise a humectant. The humectant may comprise propylene glycol and/or vegetable glycerin.

Provided herein is a device for generating an inhalable aerosol comprising: a device body **20** comprising a cartridge receptacle **21** for receiving a cartridge **30**; wherein an interior surface of the cartridge receptacle forms a first side of an air inlet passage **51** when a cartridge comprising a channel integral **40** to an exterior surface is inserted into the cartridge receptacle **21**, and wherein the channel forms a second side of the air inlet passage **51**.

Provided herein is a device for generating an inhalable aerosol comprising: a device body **20** comprising a cartridge receptacle **21** for receiving a cartridge **30**; wherein the cartridge receptacle comprises a channel integral to an interior surface and forms a first side of an air inlet passage when a cartridge is inserted into the cartridge receptacle, and wherein an exterior surface of the cartridge forms a second side of the air inlet passage **51**.

Provided herein is a cartridge **30** for a device for generating an inhalable aerosol **10** comprising: a fluid storage compartment **32**; a channel integral **40** to an exterior surface, wherein the channel forms a first side of an air inlet passage **51**; and wherein an interior surface of a cartridge receptacle **21** in the device forms a second side of the air inlet passage **51** when the cartridge is inserted into the cartridge receptacle.

Provided herein is a cartridge **30** for a device for generating an inhalable aerosol **10** comprising a fluid storage compartment **32**, wherein an exterior surface of the cartridge forms a first side of an air inlet channel **51** when inserted into a device body **10** comprising a cartridge receptacle **21**, and wherein the cartridge receptacle further comprises a channel integral to an interior surface, and wherein the channel forms a second side of the air inlet passage **51**.

In some embodiments, the cartridge further comprises a second air passage **41** in fluid communication with the channel **40**, wherein the second air passage **41** is formed through the material of the cartridge **32** from an exterior surface of the cartridge to the internal fluid storage compartment **32a**.

In some embodiments of the device body cartridge receptacle **21** or the cartridge **30**, the integral channel **40** comprises at least one of: a groove; a trough; a depression; a dent; a furrow; a trench; a crease; and a gutter.

In some embodiments of the device body cartridge receptacle **21** or the cartridge **30**, the integral channel **40** comprises walls that are either recessed into the surface or protrude from the surface where it is formed.

In some embodiments of the device body cartridge receptacle **21** or the cartridge **30**, the internal side walls of the channel **40** form additional sides of the air inlet passage **51**.

Provided herein is a device for generating an inhalable aerosol comprising: a cartridge comprising; a fluid storage compartment; a heater affixed to a first end comprising; a first heater contact, a resistive heating element affixed to the first heater contact; a device body comprising; a cartridge receptacle for receiving the cartridge; a second heater contact adapted to receive the first heater contact and to complete a circuit; a power source connected to the second heater contact; a printed circuit board (PCB) connected to the power source and the second heater contact; wherein the PCB is configured to detect the absence of fluid based on the measured resistance of the resistive heating element, and turn off the device.

Referring now to FIGS. **13**, **14**, and **15**, in some embodiments, the device body further comprises at least one: second heater contact **22** (best shown in FIG. **6C** detail); a battery **23**; a printed circuit board **24**; a pressure sensor **27**; and an indicator light **26**.

In some embodiments, the printed circuit board (PCB) further comprises: a microcontroller; switches; circuitry comprising a reference resistor; and an algorithm comprising logic for control parameters; wherein the microcontroller cycles the switches at fixed intervals to measure the resistance of the resistive heating element relative to the reference resistor, and applies the algorithm control parameters to control the temperature of the resistive heating element.

As illustrated in the basic block diagram of FIG. **17A**, the device utilizes a proportional-integral-derivative controller or PID control law. A PID controller calculates an "error" value as the difference between a measured process variable and a desired SetPoint. When PID control is enabled, power to the coil is monitored to determine whether or not acceptable vaporization is occurring. With a given airflow over the coil, more power will be required to hold the coil at a given temperature if the device is producing vapor (heat is removed from the coil to form vapor). If power required to keep the coil at the set temperature drops below a threshold, the device indicates that it cannot currently produce vapor. Under normal operating conditions, this indicates that there is not enough liquid in the wick for normal vaporization to occur.

In some embodiments, the micro-controller instructs the device to turn itself off when the resistance exceeds the control parameter threshold indicating that the resistive heating element is dry.

In still other embodiments, the printed circuit board further comprises logic capable of detecting the presence of condensed aerosol fluid in the fluid storage compartment and is capable of turning off power to the heating contact(s) when the condensed aerosol fluid is not detected. When the microcontroller is running the PID temperature control algorithm **70**, the difference between a set point and the coil temperature (error) is used to control power to the coil so that the coil quickly reaches the set point temperature, (e.g., between 200° C. and 400° C.). When the over-temperature algorithm is used, power is constant until the coil reaches an over-temperature threshold, (e.g., between 200° C. and 400° C.); (FIG. **17A** applies: set point temperature is over-temperature threshold; constant power until error reaches 0).

The essential components of the device used to control the resistive heating element coil temperature are further illustrated in the circuit diagram of FIG. **17B**. Wherein, BATT **23** is the battery; MCU **72** is the microcontroller; Q1 (**76**) and Q2 (**77**) are P-channel MOSFETs (switches); R_COIL **74** is the resistance of the coil. R_REF **75** is a fixed reference resistor used to measure R_COIL **74** through a voltage divider **73**.

The battery powers the microcontroller. The microcontroller turns on Q2 for 1 ms every 100 ms so that the voltage between R_REF and R_COIL (a voltage divider) may be measured by the MCU at V_MEAS. When Q2 is off, the control law controls Q1 with PWM (pulse width modulation) to power the coil (battery discharges through Q1 and R_COIL when Q1 is on).

In some embodiments of the device, the device body further comprises at least one: second heater contact; a power switch; a pressure sensor; and an indicator light.

In some embodiments of the device body, the second heater contact **22** may comprise: a female receptacle; or a male contact, or both, a flexible contact; or copper alloy or another electrically conductive material.

In some embodiments of the device body, the battery supplies power to the second heater contact, pressure sensor, indicator light and the printed circuit board. In some

embodiments, the battery is rechargeable. In some embodiments, the indicator light 26 indicates the status of the device and/or the battery or both.

In some embodiments of the device, the first heater contact and the second heater contact complete a circuit that allows current to flow through the heating contacts when the device body and detachable cartridge are assembled, which may be controlled by an on/off switch. Alternatively, the device can be turned on an off by a puff sensor. The puff sensor may comprise a capacitive membrane. The capacitive membrane may be similar to a capacitive membrane used in a microphone.

In some embodiments of the device, there is also an auxiliary charging unit for recharging the battery 23 in the device body. As illustrated in FIGS. 16A-16C, the charging unit 60, may comprise a USB device with a plug for a power source 63 and protective cap 64, with a cradle 61 for capturing the device body 20 (with or without the cartridge installed). The cradle may further comprise either a magnet or a magnetic contact 62 to securely hold the device body in place during charging. As illustrated in FIG. 6B, the device body further comprises a mating charging contact 28 and a magnet or magnetic contact 29 for the auxiliary charging unit. FIG. 16C is an illustrative example of the device 20 being charged in a power source 65 (laptop computer or tablet).

In some cases the microcontroller on the PCB may be configured to monitor the temperature of the heater such that the vaporizable material is heated to a prescribed temperature. The prescribed temperature may be an input provided by the user. A temperature sensor may be in communication with the microcontroller to provide an input temperature to the microcontroller for temperature regulation. A temperature sensor may be a thermistor, thermocouple, thermometer, or any other temperature sensors. In some cases, the heating element may simultaneously perform as both a heater and a temperature sensor. The heating element may differ from a thermistor by having a resistance with a relatively lower dependence on temperature. The heating element may comprise a resistance temperature detector.

The resistance of the heating element may be an input to the microcontroller. In some cases, the resistance may be determined by the microcontroller based on a measurement from a circuit with a resistor with at least one known resistance, for example, a Wheatstone bridge. Alternatively, the resistance of the heating element may be measured with a resistive voltage divider in contact with the heating element and a resistor with a known and substantially constant resistance. The measurement of the resistance of the heating element may be amplified by an amplifier. The amplifier may be a standard op amp or instrumentation amplifier. The amplified signal may be substantially free of noise. In some cases, a charge time for a voltage divider between the heating element and a capacitor may be determined to calculate the resistance of the heating element. In some cases, the microcontroller must deactivate the heating element during resistance measurements. The resistance of the heating element may be a function of the temperature of the heating element such that the temperature may be directly determined from resistance measurements. Determining the temperature directly from the heating element resistance measurement rather than from an additional temperature sensor may generate a more accurate measurement because unknown contact thermal resistance between the temperature sensor and the heating element is eliminated. Additionally, the temperature measurement may be determined directly and therefore faster and without a time lag associ-

ated with attaining equilibrium between the heating element and a temperature sensor in contact with the heating element.

FIG. 17C is another example of a PID control block diagram similar to that shown in FIG. 17A, and FIG. 17D is an example of a resistance measurement circuit used in this PID control scheme. In FIG. 17C, the block diagram includes a measurement circuit that can measure the resistance of the resistive heater (e.g., coil) and provide an analog signal to the microcontroller, a device temperature, which can be measured directly by the microcontroller and/or input into the microcontroller, and an input from a sensor (e.g., a pressure sensor, a button, or any other sensor) that may be used by the microcontroller to determine when the resistive heater should be heated, e.g., when the user is drawing on the device or when the device is scheduled to be set at a warmer temperature (e.g., a standby temperature).

In FIG. 17C, a signal from the measurement circuit goes directly to the microcontroller and to a summing block. In the measurement circuit, an example of which is shown in FIG. 17D (similar to the one shown in FIG. 17B), signal from the measurement circuit are fed directly to the microcontroller. The summing block in FIG. 17C is representative of the function which may be performed by the microcontroller when the device is heating; the summing block may show that error (e.g., in this case, a target Resistance minus a measured resistance of the resistive heater) is used by a control algorithm to calculate the power to be applied to the coil until the next coil measurement is taken.

In the example shown in FIGS. 17C-17D, signal from the measurement circuit may also go directly to the microcontroller in FIG. 17C; the resistive heater may be used to determine a baseline resistance (also referred to herein as the resistance of the resistive heater at an ambient temperature), when the device has not been heating the resistive heater, e.g., when some time has passed since the device was last heating. Alternatively or additionally, the baseline resistance may be determined by determining when coil resistance is changing with time at a rate that is below some stability threshold. Thus, resistance measurements of the coil may be used to determine a baseline resistance for the coil at ambient temperature.

A known baseline resistance may be used to calculate a target resistance that correlates to a target rise in coil temperature. The baseline (which may also be referred to as the resistance of the resistive heater at ambient temperature) may also be used to calculate the target resistance. The device temperature can be used to calculate an absolute target coil temperature as opposed to a target temperature rise. For example, a device temperature may be used to calculate absolute target coil temperature for more precise temperature control.

The circuit shown in FIG. 17B is one embodiment of a resistance measurement circuit comprising a voltage divider using a preset reference resistance. For the reference resistor approach (alternatively referred to as a voltage divider approach) shown in 17B, the reference resistor may be roughly the same resistance as the coil at target resistance (operating temperature). For example, this may be 1-2 Ohms. The circuit shown in FIG. 17D is another variation of a resistance measurement (or comparison) circuit. As before, in this example, the resistance of the heating element may be a function of the temperature of the heating element such that the temperature may be directly determined from resistance measurements. The resistance of the heating element is roughly linear with the temperature of the heating element.

In FIG. 17D, the circuit includes a Wheatstone bridge connected to a differential op amp circuit. The measurement circuit is powered when Q2 is held on via the RM_PWR signal from the microcontroller (RM=Resistance Measurement). Q2 is normally off to save battery life. In general, the apparatuses described herein stop applying power to the resistive heater to measure the resistance of the resistive heater. In FIG. 17D, when heating, the device must stop heating periodically (turn Q1 off) to measure coil resistance. One voltage divider in the bridge is between the Coil and R1, the other voltage divider is between R2 and R3 and optionally R4, R5, and R6. R4, R5, and R6 are each connected to open drain outputs from the microcontroller so that the R3 can be in parallel with any combination of R4, R5, and R6 to tune the R2/R3 voltage divider. An algorithm tunes the R2/R3 voltage divider via open drain control of RM_SCALE_0, RM_SCALE_1, and RM_SCALE_2 so that the voltage at the R2/R3 divider is just below the voltage of the R_COIL/R1 divider, so that the output of the op amp is between positive battery voltage and ground, which allows small changes in coil resistance to result in measurable changes in the op amp's output voltage. U2, R7, R8, R9, and R10 comprise the differential op amp circuit. As is standard in differential op amp circuits, $R9/R7=R10/R8$, $R9 \gg R7$, and the circuit has a voltage gain, $A=R9/R7$, such that the op amp outputs $HM_OUT=A(V^+-V^-)$ when $0 \leq A(V^+-V^-) \leq V_BAT$, where V^+ is the R_COIL/R1 divider voltage, V^- is the tuned R2/R3 divider voltage, and V_BAT is the positive battery voltage.

In this example, the microcontroller performs an analog to digital conversion to measure HM_OUT, and then based on the values of R1 through R10 and the selected measurement scale, calculates resistance of the coil. When the coil has not been heated for some amount of time (e.g., greater than 10 sec, 20 sec, 30 sec, 1 min, 2 min, 3 min, 4 min, 5 min, 6 min, 7 min, 8 min, 9 min, 10 min, 15 min, 20 min, 30 min, etc.) and/or the resistance of the coil is steady, the microcontroller may save calculated resistance as the baseline resistance for the coil. A target resistance for the coil is calculated by adding a percentage change of baseline resistance to the baseline resistance. When the microcontroller detects via the pressure sensor that the user is drawing from the device, it outputs a PWM signal on HEATER to power the coil through Q1. PWM duty cycle is always limited to a max duty cycle that corresponds to a set maximum average power in the coil calculated using battery voltage measurements and coil resistance measurements. This allows for consistent heat-up performance throughout a battery discharge cycle. A PID control algorithm uses the difference between target coil resistance and measured coil resistance to set PWM duty cycle (limited by max duty cycle) to hold measured resistance at target resistance. The PID control algorithm holds the coil at a controlled temperature regardless of air flow rate and wicking performance to ensure a consistent experience (e.g., vaporization experience, including "flavor") across the full range of use cases and allow for higher power at faster draw rates. In general, the control law may update at any appropriate rate. For example, in some variations, the control law updates at 20 Hz. In this example, when heating, PWM control of Q1 is disabled and Q1 is held off for 2 ms every 50 ms to allow for stable coil resistance measurements. In another variation, the control law may update at 250-1000 Hz.

In the example shown in FIG. 17D, the number of steps between max and min measurable analog voltage may be controlled by the configuration. For example, precise temperature control ($\pm 1^\circ$ C. or better) may be achieved with a

few hundred steps between measured baseline resistance and target resistance. In some variations, the number of steps may be approximately 4096. With variations in resistance between cartridges (e.g., $\pm 10\%$ nominal coil resistance) and potential running changes to nominal cartridge resistance, it may be advantages to have several narrower measurement scales so that resistance can be measured at higher resolution than could be achieved if one fixed measurement scale had to be wide enough to measure all cartridges that a device might see. For example, R4, R5, and R6 may have values that allow for eight overlapping resistance measurement scales that allow for roughly five times the sensitivity of a single fixed scale covering the same range of resistances that are measurable by eight scales combined. More or less than eight measurement ranges may be used.

For example, in the variation shown in FIG. 17D, in some instances the measurement circuit may have a total range of 1.31-2.61 Ohm and a sensitivity of roughly 0.3 mOhm, which may allow for temperature setting increments and average coil temperature control to within $\pm 0.75^\circ$ C. (e.g., a nominal coil resistance*TCR=1.5 Ohm*0.00014/ $^\circ$ C.=0.21 mOhm/ $^\circ$ C., 0.3 mOhm/(0.21 mOhm/ $^\circ$ C.)=1.4 $^\circ$ C. sensitivity). In some variations, R_COIL is 1.5 Ohm nominally, R1=100 Ohm, R2=162 Ohm, R3=10 kOhm, R4=28.7 kOhm, R5=57.6 kOhm, R6=115 kOhm, R7=R9=2 kOhm, R8=R10=698 kOhm.

As mentioned above, heater resistance is roughly linear with temperature. Changes in heater resistance may be roughly proportional to changes in temperature. With a coil at some resistance, $R_{baseline}$, at some initial temperature, $\Delta T=(R_{coil}/R_{baseline}-1)/TCR$ is a good approximation of coil temperature rise. Using an amplified Wheatstone bridge configuration similar to that shown in FIG. 17D, the device may calculate target resistance using baseline resistance and a fixed target percentage change in resistance, 4.0%. For coils with TCR of, as an example, 0.00014/ $^\circ$ C., this may correspond to a 285 $^\circ$ C. temperature rise (e.g., 0.04/(0.00014/ $^\circ$ C.)=285 $^\circ$ C.).

In general, the device doesn't need to calculate temperature; these calculations can be done beforehand, and the device can simply use a target percentage change in resistance to control temperature. For some baseline resistance, coil TCR, and target temperature change, target heater resistance may be: $R_{target}=R_{baseline}(1+TCR*\Delta T)$. Solved for ΔT , this is $\Delta T=(R_{target}/R_{baseline}-1)/TCR$. Some device variations may calculate and provide (e.g., display, transmit, etc.) actual temperature so users can see actual temperatures during heat up or set a temperature in the device instead of setting a target percentage change in resistance.

Alternatively or additionally, the device may use measured ambient temperature and a target temperature (e.g., a temperature set point) to calculate a target resistance that corresponds to the target temperature. The target resistance may be determined from a baseline resistance at ambient temperature, coil TCR, target temperature, and ambient temperature. For example, a target heater resistance may be expressed as $R_{target}=R_{baseline}(1+TCR*(T_{set}-T_{amb}))$. Solved for T_{set} , this gives: $T_{set}=(R_{target}/R_{baseline}-1)/TCR+T_{amb}$. Some device variations may calculate and provide (e.g., display, transmit, etc.) actual temperature so users can see actual temperatures during heat up or set a temperature in the device instead of setting a target resistance or target percentage change in resistance.

For the voltage divider approach, if $R_{reference}$ is sufficiently close to $R_{baseline}$, temperature change is approximately $\Delta T=(R_{coil}/R_{reference}-R_{baseline}/R_{reference})/TCR$.

45

As mentioned above, any of the device variations described herein may be configured to control the temperature only after a sensor indicates that vaporization is required. For example, a pressure sensor (e.g., “puff sensor”) may be used to determine when the coil should be heated. This sensor may function as essentially an on off switch for heating under PID control. Additionally, in some variations, the sensor may also control baseline resistance determination. For example baseline resistance may be prevented until at least some predetermined time period (e.g., 10 sec, 15 sec, 20 sec, 30 sec, 45 sec, 1 min, 2 min, etc.) after the last puff.

Provided herein is a device for generating an inhalable aerosol comprising: a cartridge comprising a first heater contact; a device body comprising; a cartridge receptacle for receiving the cartridge; a second heater contact adapted to receive the first heater contact and to complete a circuit; a power source connected to the second heater contact; a printed circuit board (PCB) connected to the power source and the second heater contact; and a single button interface; wherein the PCB is configured with circuitry and an algorithm comprising logic for a child safety feature.

In some embodiments, the algorithm requires a code provided by the user to activate the device. In some embodiments; the code is entered by the user with the single button interface. In still further embodiments the single button interface is the also the power switch.

Provided herein is a cartridge **30** for a device **10** for generating an inhalable aerosol comprising: a fluid storage compartment **32**; a heater **36** affixed to a first end comprising: a heater chamber **37**, a first pair of heater contacts **33**, a fluid wick **34**, and a resistive heating element **35** in contact with the wick; wherein the first pair of heater contacts **33** comprise thin plates affixed about the sides of the heater chamber **37**, and wherein the fluid wick **34** and resistive heating element **35** are suspended there between.

Depending on the size of the heater or heater chamber, the heater may have more than one wick **34**, **34'** and resistive heating element **35**, **35'**.

In some embodiments, the first pair of heater contacts further comprise a formed shape that comprises a tab **33a** having a flexible spring value that extends out of the heater **36** to complete a circuit with the device body **20**.

In some embodiments, the heater contacts **33** are configured to mate with a second pair of heater contacts **22** in a cartridge receptacle **21** of the device body **20** to complete a circuit.

In some embodiments, the first pair of heater contacts is also a heat sink that absorbs and dissipates excessive heat produced by the resistive heating element.

In some embodiments, the first pair of heater contacts is a heat shield that protects the heater chamber from excessive heat produced by the resistive heating element.

Provided herein is a cartridge **30** for a device for generating an inhalable aerosol **10** comprising: a heater **36** comprising; a heater chamber **37**, a pair of thin plate heater contacts **33** therein, a fluid wick **34** positioned between the heater contacts **33**, and a resistive heating element **35** in contact with the wick; wherein the heater contacts **33** each comprise a fixation site **33c** wherein the resistive heating element **35** is tensioned there between.

As will be obvious to one skilled in the art after reviewing the assembly method illustrated in FIG. **9**, the heater contacts **33** simply snap or rest on locator pins on either side of the air inlet **53** on the first end of the cartridge interior fluid storage compartment, creating a spacious vaporization chamber containing the at least one wick **34** and at least one heating element **35**.

46

Provided herein is a cartridge **30** for a device for generating an inhalable aerosol **10** comprising a heater **36** attached to a first end of the cartridge.

In some embodiments, the heater encloses a first end of the cartridge and a first end of the fluid storage compartment **32**, **32a**.

In some embodiments, the heater comprises a first condensation chamber **45**.

In some embodiments, the heater comprises more than one first condensation chamber **45**, **45'**.

In some embodiments, the condensation chamber is formed along an exterior wall of the cartridge **45b**.

As noted previously, and described in FIGS. **10A**, **10B** and **10C**, the airflow path through the heater and heater chamber generates vapor within the heater circulating air path **54**, which then exits through the heater exits **55** into a first (primary) condensation chamber **45**, which is formed by components of the tank body comprising the primary condensation channel/chamber rails **45b**, the primary condensation channel cover **45a**, (the outer side wall of the heater enclosure).

Provided herein is a cartridge **30** for a device for generating an inhalable aerosol **10** comprising a fluid storage compartment **32** and a mouthpiece **31**, wherein the mouthpiece is attached to a second end of the cartridge and further comprises at least one aerosol outlet **47**.

In some embodiments, the mouthpiece **31** encloses a second end of the cartridge **30** and a second end of the fluid storage compartment **32**, **32a**.

Additionally, as clearly illustrated in FIG. **10C** in some embodiments the mouthpiece also contains a second condensation chamber **46** prior to the aerosol outlet **47**, which is formed by components of the tank body **32** comprising the secondary condensation channel/chamber rails **46b**, the second condensation channel cover **46a**, (the outer side wall of the mouthpiece). Still further, the mouthpiece may contain yet another aerosol outlet **47'** and another (second) condensation chamber **46'** prior to the aerosol outlet, on another side of the cartridge.

In other embodiments, the mouthpiece comprises more than one second condensation chamber **46**, **46'**.

In some preferred embodiments, the second condensation chamber is formed along an exterior wall of the cartridge **46b**.

In each of the embodiments described herein, the cartridge **30** comprises an airflow path comprising: an air inlet channel and passage **40**, **41**, **42**; a heater chamber **37**; at least a first condensation chamber **45**; and an outlet port **47**. In some of the embodiments described herein, the cartridge **30** comprises an airflow path comprising: an air inlet channel and passage **40**, **41**, **42**; a heater chamber **37**; a first condensation chamber **45**; a second condensation chamber **46**; and an outlet port **47**.

In still other embodiments described herein the cartridge **30** may comprise an airflow path comprising at least one air inlet channel and passage **40**, **41**, **42**; a heater chamber **37**; at least one first condensation chamber **45**; at least one second condensation chamber **46**; and at least one outlet port **47**.

In each of the embodiments described herein, the fluid storage compartment **32** is in fluid communication with the heater **36**, wherein the fluid storage compartment is capable of retaining condensed aerosol fluid.

In some embodiments of the device, the condensed aerosol fluid comprises a nicotine formulation. In some embodiments, the condensed aerosol fluid comprises a humectant.

47

In some embodiments, the humectant comprises propylene glycol. In some embodiments, the humectant comprises vegetable glycerin.

Provided herein is a cartridge **30** for a device for generating an inhalable aerosol **10** comprising: a fluid storage compartment **32**; a heater **36** affixed to a first end; and a mouthpiece **31** affixed to a second end; wherein the heater comprises a first condensation chamber **45** and the mouthpiece comprises a second condensation chamber **46**.

In some embodiments, the heater comprises more than one first condensation chamber **45**, **45'** and the mouthpiece comprises more than one second condensation chamber **46**, **46'**.

In some embodiments, the first condensation chamber and the second condensation chamber are in fluid communication. As illustrated in FIG. **10C**, the first and second condensation chambers have a common transition area **57**, **57'**, for fluid communication.

In some embodiments, the mouthpiece comprises an aerosol outlet **47** in fluid communication with the second condensation chamber **46**.

In some embodiments, the mouthpiece comprises two or more aerosol outlets **47**, **47'**.

In some embodiments, the mouthpiece comprises two or more aerosol outlets **47**, **47'** in fluid communication with the two or more second condensation chambers **46**, **46'**.

In any one of the embodiments, the cartridge meets ISO recycling standards.

In any one of the embodiments, the cartridge meets ISO recycling standards for plastic waste.

And in still other embodiments, the plastic components of the cartridge are composed of polylactic acid (PLA), wherein the PLA components are compostable and/or degradable.

Provided herein is a device for generating an inhalable aerosol **10** comprising a device body **20** comprising a cartridge receptacle **21**; and a detachable cartridge **30**; wherein the cartridge receptacle and the detachable cartridge form a separable coupling, and wherein the separable coupling comprises a friction assembly, a snap-fit assembly or a magnetic assembly.

In other embodiments of the device, the cartridge is a detachable assembly. In any one of the embodiments described herein, the cartridge components may comprise a snap-lock assembly such as illustrated by snap features **39a** and **39b**. In any one of the embodiments, the cartridge components are recyclable.

Provided herein is a method of fabricating a device for generating an inhalable aerosol comprising: providing a device body comprising a cartridge receptacle; and providing a detachable cartridge; wherein the cartridge receptacle and the detachable cartridge form a separable coupling comprising a friction assembly, a snap-fit assembly or a magnetic assembly when the cartridge is inserted into the cartridge receptacle.

Provided herein is a method of making a device **10** for generating an inhalable aerosol comprising: providing a device body **20** with a cartridge receptacle **21** comprising one or more interior coupling surfaces **21a**, **21b**, **21c** . . . ; and further providing a cartridge **30** comprising: one or more exterior coupling surfaces **36a**, **36b**, **36c**, . . . , a second end and a first end; a tank **32** comprising an interior fluid storage compartment **32a**; at least one channel **40** on at least one exterior coupling surface, wherein the at least one channel forms one side of at least one air inlet passage **51**, and wherein at least one interior wall of the cartridge receptacle

48

forms at least one side one side of at least one air inlet passage **51** when the detachable cartridge is inserted into the cartridge receptacle.

FIG. **9** provides an illustrative example of a method of assembling such a device.

In some embodiments of the method, the cartridge **30** is assembled with a protective removable end cap **38** to protect the exposed heater contact tabs **33a** protruding from the heater **36**.

Provided herein is a method of fabricating a cartridge for a device for generating an inhalable aerosol comprising: providing a fluid storage compartment; affixing a heater to a first end with a snap-fit coupling; and affixing a mouthpiece to a second end with a snap-fit coupling.

Provided herein is a cartridge **30** for a device for generating an inhalable aerosol **10** with an airflow path comprising: a channel **50** comprising a portion of an air inlet passage **51**; a second air passage **41** in fluid communication with the channel; a heater chamber **37** in fluid communication with the second air passage; a first condensation chamber **45** in fluid communication with the heater chamber; a second condensation chamber **46** in fluid communication with the first condensation chamber; and an aerosol outlet **47** in fluid communication with second condensation chamber.

Provided herein is a device **10** for generating an inhalable aerosol adapted to receive a removable cartridge **30**, wherein the cartridge comprises a fluid storage compartment or tank **32**; an air inlet **41**; a heater **36**, a protective removable end cap **38**, and a mouthpiece **31**.

Charging

In some cases, the vaporization device may comprise a power source. The power source may be configured to provide power to a control system, one or more heating elements, one or more sensors, one or more lights, one or more indicators, and/or any other system on the electronic cigarette that requires a power source. The power source may be an energy storage device. The power source may be a battery or a capacitor. In some cases, the power source may be a rechargeable battery.

The battery may be contained within a housing of the device. In some cases the battery may be removed from the housing for charging. Alternatively, the battery may remain in the housing while the battery is being charged. Two or more charge contact may be provided on an exterior surface of the device housing. The two or more charge contacts may be in electrical communication with the battery such that the battery may be charged by applying a charging source to the two or more charge contacts without removing the battery from the housing.

FIG. **18** shows a device **1800** with charge contacts **1801**. The charge contacts **1801** may be accessible from an exterior surface of a device housing **1802**. The charge contacts **1801** may be in electrical communication with an energy storage device (e.g., battery) inside of the device housing **1802**. In some cases, the device housing may not comprise an opening through which the user may access components in the device housing. The user may not be able to remove the battery and/or other energy storage device from the housing. In order to open the device housing a user must destroy or permanently disengage the charge contacts. In some cases, the device may fail to function after a user breaks open the housing.

FIG. **19** shows an exploded view of a charging assembly **1900** in an electronic vaporization device. The housing (not shown) has been removed from the exploded view in FIG. **19**. The charge contact pins **1901** may be visible on the exterior of the housing. The charge contact pins **1901** may

be in electrical communication with a power storage device of the electronic vaporization device. When the device is connected to a power source (e.g., during charging of the device) the charging pins may facilitate electrical communication between the power storage device inside of the electronic vaporization device and the power source outside of the housing of the vaporization device. The charge contact pins **1901** may be held in place by a retaining bezel **1902**. The charge contact pins **1901** may be in electrical communication with a charger flex **1903**. The charging pins may contact the charger flex such that a need for soldering of the charger pins to an electrical connection to be in electrical communication with the power source may be eliminated. The charger flex may be soldered to a printed circuit board (PCB). The charger flex may be in electrical communication with the power storage device through the PCB. The charger flex may be held in place by a bent spring retainer **1904**.

FIG. **20** shows the bent spring retainer in an initial position **2001** and a deflected position **2002**. The bent spring retainer may hold the retaining bezel in a fixed location. The bent spring retainer may deflect only in one direction when the charging assembly is enclosed in the housing of the electronic vaporization device.

FIG. **21** shows a location of the charger pins **2101** when the electronic vaporization device is fully assembled with the charging pins **2101** contact the charging flex **2102**. When the device is fully assembled at least a portion of the retaining bezel may be fitted in an indentation **2103** on the inside of the housing **2104**. In some cases, disassembling the electronic vaporization device may destroy the bezel such that the device cannot be reassembled after disassembly.

A user may place the electronic smoking device in a charging cradle. The charging cradle may be a holder with charging contact configured to mate or couple with the charging pins on the electronic smoking device to provide charge to the energy storage device in the electronic vaporization device from a power source (e.g., wall outlet, generator, and/or external power storage device). FIG. **22** shows a device **2302** in a charging cradle **2301**. The charging cable may be connected to a wall outlet, USB, or any other power source. The charging pins (not shown) on the device **2302** may be connected to charging contacts (not shown) on the charging cradle **2301**. The device may be configured such that when the device is placed in the cradle for charging a first charging pin on the device may contact a first charging contact on the charging cradle and a second charging pin on the device may contact a second charging contact on the charging cradle or the first charging pin on the device may contact a second charging contact on the charging cradle and the second charging pin on the device may contact the first charging contact on the charging cradle. The charging pins on the device and the charging contacts on the cradle may be in contact in any orientation. The charging pins on the device and the charging contacts on the cradle may be agnostic as to whether they are current inlets or outlets. Each of the charging pins on the device and the charging contacts on the cradle may be negative or positive. The charging pins on the device may be reversible.

FIG. **23** shows a circuit **2400** that may permit the charging pins on the device to be reversible. The circuit **2400** may be provided on a PCB in electrical communication with the charging pins. The circuit **2400** may comprise a metal-oxide-semiconductor field-effect transistor (MOSFET) H bridge. The MOSFET H bridge may rectify a change in voltage across the charging pins when the charging pins are reversed from a first configuration where in a first configuration the device is placed in the cradle for charging with the

first charging pin on the device in contact with the first charging contact on the charging cradle to a second charging pin on the device in contact with the second charging contact on the charging cradle to a second configuration where the first charging pin on the device is in contact with the second charging contact on the charging cradle and the second charging pin on the device is in contact with the first charging contact on the charging cradle. The MOSFET H bridge may rectify the change in voltage with an efficient current path.

As shown in FIG. **23** the MOSFET H bridge may comprise two or more n-channel MOSFETs and two or more p-channel MOSFETs. The n-channel and p-channel MOSFETs may be arranged in an H bridge. Sources of p-channels MOSFETs (**Q1** and **Q3**) may be in electrical communication. Similarly, sources of n-channel FETs (**Q2** and **Q4**) may be in electrical communication. Drains of pairs of n and p MOSFETs (**Q1** with **Q2** and **Q3** with **Q4**) may be in electrical communication. A common drain from one n and p pair may be in electrical communication with one or more gates of the other n and p pair and/or vice versa. Charge contacts (**CH1** and **CH2**) may be in electrical communication to common drains separately. A common source of the n MOSFETs may be in electrical communication to PCB ground (GND). The common source of the p MOSFETs may be in electrical communication with the PCB's charge controller input voltage (CH+). When CH1 voltage is greater than CH2 voltage by the MOSFET gate threshold voltages, **Q1** and **Q4** may be "on," connecting CH1 to CH+ and CH2 to GND. When CH2 voltage is greater than CH1 voltage by the FET gate threshold voltages, **Q2** and **Q3** may be "on," connecting CH1 to GND and CH2 to CH+. For example, whether there is 9V or -9V across CH1 to CH2, CH+ will be 9V above GND. Alternatively, a diode bridge could be used, however the MOSFET bridge may be more efficient compared to the diode bridge.

In some cases the charging cradle may be configured to be a smart charger. The smart charger may put the battery of the device in series with a USB input to charge the device at a higher current compared to a typical charging current. In some cases, the device may charge at a rate up to about 2 amps (A), **4A**, **5A**, **6A**, **7A**, **10A**, or **15A**. In some cases, the smart charger may comprise a battery, power from the battery may be used to charge the device battery. When the battery in the smart charger has a charge below a predetermined threshold charge, the smart charger may simultaneously charge the battery in the smart charger and the battery in the device.

Cartridge/Vaporizer Attachment

Any of the cartridges described herein may be adapted for securely coupling with an electronic inhalable aerosol device ("vaporizer") as discussed above. In particular described herein are cartridge designs that address the unrecognized problem of maintaining adequate electrical contact between a mouthpiece-containing cartridge and a rectangular vaporizer coupling region, particularly when the mouthpiece is held in a user's mouth.

Any of the cartridges described herein may be particularly well adapted for securing to a vaporizer by including a base region that mates with the rectangular coupling region of the vaporizer, where the base unit fits into a rectangular opening that is between 13-14 mm deep, 4.5-5.5 mm wide, and 13-14 mm long. The base having generally includes a bottom surface having a first electrical contact and a second electrical contact. In particular, any of the cartridges described herein may include a first locking gap on a first lateral

surface of the base, and a second locking gap on a second lateral surface of the base that is opposite first lateral surface.

For example FIGS. 24A and 24B illustrate another variation of a cartridge similar to that shown in FIGS. 7A-15, discussed above, having a base region 2401 with at least one locking gap 2404 on the first minor lateral wall 2407. A second locking gap (not shown) may be present on the opposite minor lateral wall. One or both major lateral walls 2418 may include a detent 2421. Any of these cartridges may also include a mouthpiece 2409, which may be at an end that is opposite of the bottom 2422 of the cartridge, on which a pair of tabs (electrodes 2411) are positioned, shown in FIG. 24A (as previously described, above) bent over the distal end of the cartridge. FIGS. 25A and 25B show front and side views, respectively, of this example.

In FIGS. 24A-25B the locking gaps 2404, 2404' on either side are shown as channels in the side (lateral) walls. They may extend across the entire side wall, parallel to the bottom as shown, or they may extend only partially through and may preferably be centered relative to the width of the wall. In other variations the locking gap may be a divot, pit, opening, or hole (though not into the internal volume holding the vaporizable material).

In general, the inventors have found that the vertical position of the locking gap may be important in maintaining the stability of the cartridge in the vaporizer, particularly in cartridges having a rectangular base region that is longer than 10 mm. Optimally, the locking gap may be between about 1 and 5 mm from the bottom of the base region, and more specifically, between about 3 and 4 mm (e.g., approximately 3.3 mm), as shown in FIG. 26A which indicates exemplary dimensions for the section through FIG. 26B.

The cartridges shown in FIGS. 24A-24B also include a detent 2421 that is positioned between about 7 and 11 mm up from the bottom of the cartridge. The detent may help hold the cartridge base in the vaporizer, and may cooperate with the locking gap, but is optional (and shown in dashed lines in FIGS. 2A-25B).

In FIGS. 24A-25B the cartridge base is also transparent, and shows an internal air channel (cannula 2505).

FIGS. 27A-27B show another example of a vaporizer including a battery and control circuitry. FIGS. 27A and 27B also illustrate the mating region 2704. In this example, the mating region includes two detents 2706 that may mate with the locking gaps on the cartridge when it is inserted into the vaporizer. Exemplary dimensions for the mating region are shown. In this example the locking detents (which complement the locking gaps on the cartridge) are indentations that project into the mating region. These locking detent may be a ridge, pin, or other projection (including spring-loaded members).

FIGS. 28A-28D show an example of a vaporizer 2803 into which a cartridge 2801 has been securely loaded. In FIG. 28A the cartridge has been snapped into position so that the locking gaps of the cartridge engage with the locking detents in the vaporizer. FIG. 28B is side view and FIG. 28C show a sectional view; an enlarged portion of the sectional view is shown in FIG. 28D, showing the base of the cartridge seated in the mating region of the vaporizer. With the cartridge secured as shown, good electrical contact 2805 may be maintained.

Although the cartridges shown in FIGS. 24A-28D are similar, and include a proximal mouthpiece and distal base that are nearly equivalent in size, with the reservoir for the vaporizable material between them and the wick, resistive heater, heating chamber and electrodes at the distal most end (near the bottom of the base), many other cartridge configura-

tions are possible while still securely seating into a vaporizer having the same vaporizer mating region shown in FIGS. 28A-28B. For example, FIGS. 29A-29D illustrate alternative variations of cartridges having similar electrode. In FIG. 29A the base region includes two projecting feet that include locking gaps, and the electrodes on the base (not shown) connect via electrical traces (e.g. wires, etc.) to a heating element, wick and the reservoir nearer to the distal end (not visible).

In FIG. 29B the base extends further than 11 mm (e.g., 20-30 mm) and may house the reservoir (fluid storage compartment). Similarly in FIG. 29C the base region is the same as in FIG. 29B, but the more proximal portion is enlarged. In FIG. 29D the fluid non-base portion of the cartridge (more proximal than the base region) may have a different dimension. All of the variations shown in FIGS. 29A-29D, as in the variations shown in FIG. 24A-25B, may mate with the same vaporizer, and because of the dimensions of the base region, may be securely held and maintain electrical contact, even when a user is holding the device in their mouth.

When a feature or element is herein referred to as being "on" another feature or element, it can be directly on the other feature or element or intervening features and/or elements may also be present. In contrast, when a feature or element is referred to as being "directly on" another feature or element, there are no intervening features or elements present. It will also be understood that, when a feature or element is referred to as being "connected", "attached" or "coupled" to another feature or element, it can be directly connected, attached or coupled to the other feature or element or intervening features or elements may be present. In contrast, when a feature or element is referred to as being "directly connected", "directly attached" or "directly coupled" to another feature or element, there are no intervening features or elements present. Although described or shown with respect to one embodiment, the features and elements so described or shown can apply to other embodiments. It will also be appreciated by those of skill in the art that references to a structure or feature that is disposed "adjacent" another feature may have portions that overlap or underlie the adjacent feature.

Terminology used herein is for the purpose of describing particular embodiments only and is not intended to be limiting of the invention. For example, as used herein, the singular forms "a", "an" and "the" are intended to include the plural forms as well, unless the context clearly indicates otherwise. It will be further understood that the terms "comprises" and/or "comprising," when used in this specification, specify the presence of stated features, steps, operations, elements, and/or components, but do not preclude the presence or addition of one or more other features, steps, operations, elements, components, and/or groups thereof. As used herein, the term "and/or" includes any and all combinations of one or more of the associated listed items and may be abbreviated as "/".

Spatially relative terms, such as "under", "below", "lower", "over", "upper" and the like, may be used herein for ease of description to describe one element or feature's relationship to another element(s) or feature(s) as illustrated in the figures. It will be understood that the spatially relative terms are intended to encompass different orientations of the device in use or operation in addition to the orientation depicted in the figures. For example, if a device in the figures is inverted, elements described as "under" or "beneath" other elements or features would then be oriented "over" the other elements or features. Thus, the exemplary term

“under” can encompass both an orientation of over and under. The device may be otherwise oriented (rotated 90 degrees or at other orientations) and the spatially relative descriptors used herein interpreted accordingly. Similarly, the terms “upwardly”, “downwardly”, “vertical”, “horizontal” and the like are used herein for the purpose of explanation only unless specifically indicated otherwise.

Although the terms “first” and “second” may be used herein to describe various features/elements (including steps), these features/elements should not be limited by these terms, unless the context indicates otherwise. These terms may be used to distinguish one feature/element from another feature/element. Thus, a first feature/element discussed below could be termed a second feature/element, and similarly, a second feature/element discussed below could be termed a first feature/element without departing from the teachings of the present invention.

Throughout this specification and the claims which follow, unless the context requires otherwise, the word “comprise”, and variations such as “comprises” and “comprising” means various components can be co-jointly employed in the methods and articles (e.g., compositions and apparatuses including device and methods). For example, the term “comprising” will be understood to imply the inclusion of any stated elements or steps but not the exclusion of any other elements or steps.

In general, any of the apparatuses and methods described herein should be understood to be inclusive, but all or a sub-set of the components and/or steps may alternatively be exclusive, and may be expressed as “consisting of” or alternatively “consisting essentially of” the various components, steps, sub-components or sub-steps.

As used herein in the specification and claims, including as used in the examples and unless otherwise expressly specified, all numbers may be read as if prefaced by the word “about” or “approximately,” even if the term does not expressly appear. The phrase “about” or “approximately” may be used when describing magnitude and/or position to indicate that the value and/or position described is within a reasonable expected range of values and/or positions. For example, a numeric value may have a value that is $\pm 0.1\%$ of the stated value (or range of values), $\pm 1\%$ of the stated value (or range of values), $\pm 2\%$ of the stated value (or range of values), $\pm 5\%$ of the stated value (or range of values), $\pm 10\%$ of the stated value (or range of values), etc. Any numerical values given herein should also be understood to include about or approximately that value, unless the context indicates otherwise. For example, if the value “10” is disclosed, then “about 10” is also disclosed. Any numerical range recited herein is intended to include all sub-ranges subsumed therein. It is also understood that when a value is disclosed that “less than or equal to” the value, “greater than or equal to the value” and possible ranges between values are also disclosed, as appropriately understood by the skilled artisan. For example, if the value “X” is disclosed the “less than or equal to X” as well as “greater than or equal to X” (e.g., where X is a numerical value) is also disclosed. It is also understood that the throughout the application, data is provided in a number of different formats, and that this data, represents endpoints and starting points, and ranges for any combination of the data points. For example, if a particular data point “10” and a particular data point “15” are disclosed, it is understood that greater than, greater than or equal to, less than, less than or equal to, and equal to 10 and 15 are considered disclosed as well as between 10 and 15. It is also understood that each unit

between two particular units are also disclosed. For example, if 10 and 15 are disclosed, then 11, 12, 13, and 14 are also disclosed.

Although various illustrative embodiments are described above, any of a number of changes may be made to various embodiments without departing from the scope of the invention as described by the claims. For example, the order in which various described method steps are performed may often be changed in alternative embodiments, and in other alternative embodiments one or more method steps may be skipped altogether. Optional features of various device and system embodiments may be included in some embodiments and not in others. Therefore, the foregoing description is provided primarily for exemplary purposes and should not be interpreted to limit the scope of the invention as it is set forth in the claims.

The examples and illustrations included herein show, by way of illustration and not of limitation, specific embodiments in which the subject matter may be practiced. As mentioned, other embodiments may be utilized and derived there from, such that structural and logical substitutions and changes may be made without departing from the scope of this disclosure. Such embodiments of the inventive subject matter may be referred to herein individually or collectively by the term “invention” merely for convenience and without intending to voluntarily limit the scope of this application to any single invention or inventive concept, if more than one is, in fact, disclosed. Thus, although specific embodiments have been illustrated and described herein, any arrangement calculated to achieve the same purpose may be substituted for the specific embodiments shown. This disclosure is intended to cover any and all adaptations or variations of various embodiments. Combinations of the above embodiments, and other embodiments not specifically described herein, will be apparent to those of skill in the art upon reviewing the above description.

What is claimed is:

1. A cartridge for use with a vaporization device, the cartridge comprising:

- a flattened body having a proximal end, a distal end opposite the proximal end, a longitudinal axis between the proximal end and the distal end, and a transverse axis that is perpendicular to and shorter than the longitudinal axis;
- a mouthpiece proximate to the proximal end of the flattened body;
- a reservoir within the flattened body, the reservoir configured to hold a vaporizable material;
- a heater comprising:
 - a pair of plates extending in a direction of the longitudinal axis,
 - a wick extending along at least the transverse axis, at least a portion of the wick disposed between the pair of plates, and
 - a resistive heating element in contact with the pair of plates and the wick, wherein at least another portion of the wick is configured to contact the vaporizable material when the vaporizable material is present; and
- a pair of flat contact tabs integrally formed from the plates and folded over an outer surface of the flattened body proximate to the distal end of the flattened body, the pair of flat contact tabs configured to complete a circuit with the vaporization device when the distal end is inserted into the vaporization device.

2. The cartridge of claim 1, wherein the flattened body is transparent.

3. The cartridge of claim 1, wherein the pair of contact tabs are configured to mate with a pair of electrical contacts in a cartridge receptacle of the vaporization device to complete the circuit.

4. The cartridge of claim 1, wherein the resistive heating element is wound around the wick at least one time.

5. The cartridge of claim 1, wherein the heater comprises a condensation chamber.

6. The cartridge of claim 1, wherein the mouthpiece is fitted onto and over the proximal end of the flattened body.

7. The cartridge of claim 1, wherein the mouthpiece is coupled to the flattened body with a snap-fit coupling.

8. The cartridge of claim 1, further comprising an air inlet passage proximate to the distal end.

9. The cartridge of claim 1, further comprising a channel integral to an exterior surface of the flattened body, wherein the channel forms a first side of an air inlet passage to the heater.

10. The cartridge of claim 1, wherein the resistive heating element is attached to the pair of plates.

11. The cartridge of claim 1, wherein the mouthpiece is positioned to enclose the proximal end of the flattened body, and wherein the mouthpiece has a notch exposing part of the flattened body.

12. A cartridge for use with a vaporization device, the cartridge comprising:

a flattened body having a proximal end, a distal end opposite the proximal end, a longitudinal axis between the proximal end and the distal end, and a transverse axis that is perpendicular to and shorter than the longitudinal axis;

a reservoir within the flattened body and holding a vaporizable material;

a mouthpiece proximate to the proximal end of the flattened body;

a heater comprising:

a pair of plates extending in a direction of the longitudinal axis,

a wick extending along at least the transverse axis, at least a first portion of the wick disposed between the pair of plates, and at least a second portion of the wick disposed within the reservoir and in contact with the vaporizable material, and

a resistive heating element directly in contact with each plate of the pair of plates and in thermal contact with the wick; and

a pair of flat contact tabs integrally formed from the pair of plates and folded over an outer surface of the flattened body proximate to the distal end of the flattened body, the pair of flat contact tabs extending from

the heater and configured to complete a circuit with the vaporization device when the distal end is inserted into the vaporization device.

13. The cartridge of claim 12, wherein the flattened body is transparent.

14. The cartridge of claim 12, wherein the heater further comprises a condensation chamber.

15. The cartridge of claim 12, wherein the heater encloses the distal end of the flattened body.

16. The cartridge of claim 12, wherein the mouthpiece is fitted onto and over the proximal end of the flattened body.

17. The cartridge of claim 12, wherein the mouthpiece is coupled to the flattened body with a snap-fit coupling.

18. The cartridge of claim 12, further comprising a channel integral to an exterior surface of the flattened body, wherein the channel forms a first side of an air inlet passage to the heater.

19. The cartridge of claim 12, wherein the resistive heating element is attached to the pair of plates.

20. An apparatus comprising:

a vaporizer body comprising:

a power source;

a cartridge receptacle; and

a pair of contacts within the cartridge receptacle; and

a cartridge comprising:

a flattened body having a proximal end, a distal end opposite the proximal end, a longitudinal axis between the proximal end and the distal end, and a transverse axis that is perpendicular to and shorter than the longitudinal axis;

a mouthpiece proximate to the proximal end of the flattened body;

a reservoir within the flattened body, the reservoir configured to hold a vaporizable material;

a pair of plates extending in a direction of the longitudinal axis;

a wick extending along at least the transverse axis, at least a first portion of the wick disposed between the pair of plates;

a resistive heating element in contact with the pair of plates and the wick, wherein at least a second portion of the wick is configured to contact the vaporizable material when the vaporizable material is present; and

a pair of flat contact tabs integrally formed from the pair of plates and folded over an outer surface of the flattened body proximate to the distal end of the flattened body, the pair of flat contact tabs configured to complete a circuit with the pair of contacts and the power source when the distal end is inserted into the cartridge receptacle.

* * * * *