

# KRISS®

## OWNER'S MANUAL



<b>VECTOR GEN II</b>	SDP
	SBR
	CRB

**Read the instructions and warnings in this manual carefully before using this firearm; do not discard this manual.**

This instruction manual should always accompany this firearm and be transferred with it upon ownership, or when the firearm is loaned or presented to another person.

# TABLE OF CONTENTS

---

Firearm Safety Rules .....	2
Package Contents .....	2
Main Features .....	3
Specifications .....	5
Handling and Operation .....	6
1. Sight Adjustment .....	6
2. DEFIANCE® M4 Stock .....	7
3. Ammunition .....	7
4. Loading the Magazine .....	7
5. Loading the Firearm .....	8
6. Charging .....	9
7. Shooting .....	9
8. Unloading and Clearing .....	10
9. Bolt Lock .....	11
10. Disassembly .....	12
11. Assembly .....	14
Maintenance .....	15
1. Cleaning and Inspection .....	15
2. Function Check .....	18
3. Lubrication .....	19
Troubleshooting .....	20
Lock, Storage, and Transportation .....	22

# FIREARM SAFETY RULES

---



## SAFETY IS YOUR RESPONSIBILITY.

Below are some general guidelines you should follow closely when operating firearms or are in the company of those who are.

- Always treat your firearm as if it is loaded.
- Never point a firearm at anything you are not willing to destroy.
- Keep your finger off the trigger until you are ready to shoot.
- Always keep your firearm on safe until you intend to fire.
- Always keep your firearm unloaded until you intend to use it.
- Always know your target and what may lie behind it.
- Always become thoroughly familiar with your firearm before using it.
- Use only new, factory manufactured ammunition in your KRISS Vector that is the correct caliber and is SAAMI and/or C.I.P. approved.
- Always wear proper eye and ear protection when you are around firearms.
- Be aware that certain types of firearms and firing situations require additional safety considerations.

## PACKAGE CONTENTS

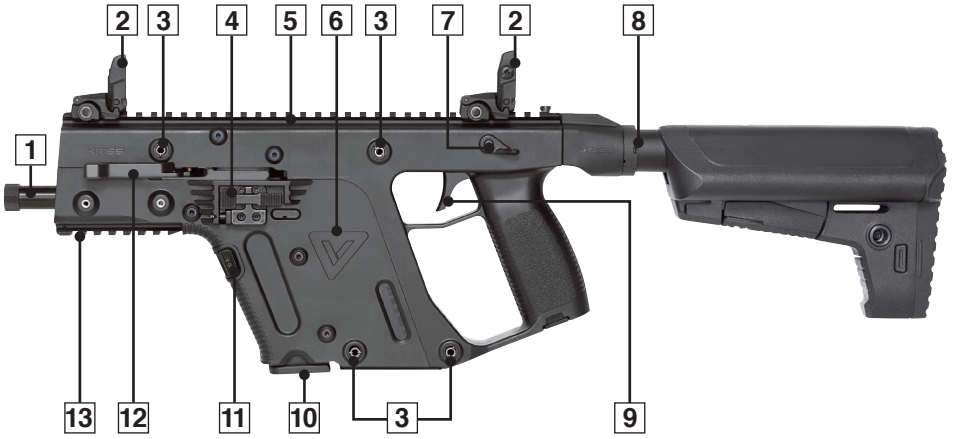
---

- [1] KRISS VECTOR SDP / SBR / CRB
- [1] Magazine
- [1] Owner's manual
- [1] Cleaning kit
- [1] Cable lock

# MAIN FEATURES

---

## VECTOR SBR



## VECTOR CRB



## VECTOR SDP



# MAIN FEATURES

---

- 1: 5.5in / 140mm barrel
- 2: Low-profile folding sights
- 3: 4-pin toolless disassembly
- 4: Bolt release / catch
- 5: Full length MIL-STD 1913 Picatinny top rail
- 6: Patented KRISS Super V Recoil Mitigation System
- 7: Ambidextrous short throw safety lever
- 8: KRISS M4 stock adaptor with DEFIANCE® M4 stock
- 9: Smooth pivoting trigger with audible and tactile reset
- 10: Glock magazine compatible
- 11: Magazine release button
- 12: Charging handle / brass check function
- 13: MIL-STD 1913 Picatinny bottom rail
- 14: KRISS Vector enhanced shroud
- 15: Quick detach (QD) sling swivel

“GLOCK” is a federally registered trademark of Glock, Inc. and is one of many trademarks owned by Glock Inc. or Glock Ges.m.b.H. Neither KRISS USA nor this manual is affiliated in any manner with, or otherwise endorsed by, Glock, Inc. or Glock Ges.m.b.H. The use of “Glock” on this page is merely to advertise the sale of Glock pistols, parts, or components.

# SPECIFICATIONS

Model	CRB	
Operating system	Closed bolt, delayed-blowback patented KSV System	
Caliber	.45 ACP	9x19, 9x21
Overall length	Extended: 38.5 in / 978 mm	Collapsed: 35.25 in / 895 mm
Overall height	6.8 in / 175 mm	
Weight (unloaded)	8.3 lbs / 3.7 kg	
Barrel length	16 in / 406 mm	
Frame Material	Advanced metal and polymer composite components	
Magazine	G21 13 rds	G17 17 rds
	KRISS MagEx 25 rds	G17 33 rds

Model	SBR	
Operating system	Closed bolt, delayed-blowback patented KSV System	
Caliber	.45 ACP	9x19, 9x21
Thread pitch	M16x1 LH	1/2x28 RH
Overall length	Extended: 27.25 in / 692 mm	Collapsed: 24 in / 610 mm
Overall height	6.8in / 175mm	
Weight (unloaded)	7 lbs / 3.1 kg	
Barrel length	5.5 in / 140 mm	
Frame Material	Advanced metal and polymer composite components	
Magazine	G21 13 rds	G17 17 rds
	KRISS MagEx 25 rds	G17 33 rds

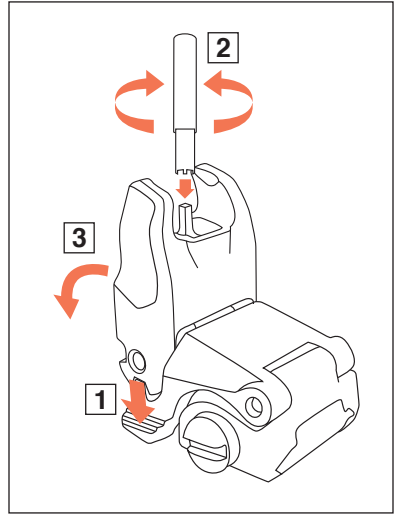
Model	SDP	
Operating system	Closed bolt, delayed-blowback patented KSV System	
Caliber	.45 ACP	9x19, 9x21
Thread pitch	M16x1 LH	1/2x28 RH
Overall length	16.75 in / 425 mm	
Overall height	6.8in / 175mm	
Weight (unloaded)	5.9 lbs / 2.7 kg	
Barrel length	5.5 in / 140 mm	
Frame Material	Advanced metal and polymer composite components	
Magazine	G21 13 rds	G17 17 rds
	KRISS MagEx 25 rds	G17 33 rds

# HANDLING AND OPERATION

## Sight Adjustment

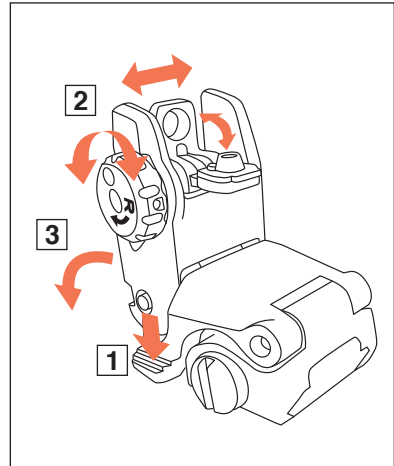
### Front sight

1. Press on the sight flip button on either side to deploy the front sight.
2. Adjustment for elevation will require the use of an A2 sight post tool.
  - Rotate the sight clockwise (downward) to raise the point of impact.
  - Rotate the sight counter-clockwise (upward) to lower the point of impact.
3. Flip down the front sight to stow the front sight in the lowered position.



### Rear sight

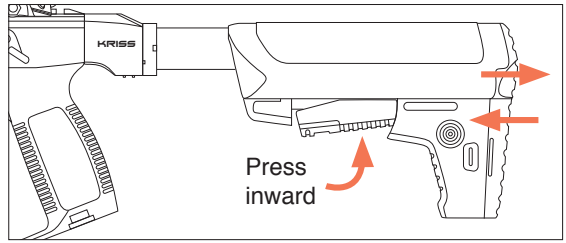
1. Press on the sight flip button on either side to deploy the rear sight.
2. Turn the adjustment knob to move the aperture.
  - Turn the knob clockwise (indicated with an "R" and an arrow on surface of the knob) to move point of impact to the right.
  - Turn the knob counter-clockwise to move point of impact to the left.
3. Flip down the rear sight to stow the rear sight in the lowered position.



# HANDLING AND OPERATION

## DEFIANCE® M4 Stock

Press the stock adjustment lever to slide the stock into the desired position.



## Ammunition

Use only new, factory manufactured ammunition in your KRISS Vector that is the correct caliber and is SAAMI and/or C.I.P. approved.

Ensure that your ammunition is free of defects, dirt, debris, lubrication, or anything that may cause malfunctions.



**DO NOT use re-manufactured ammunition. Use of re-manufactured ammunition WILL void your warranty and may result in severe bodily injury and severe damage to your firearm.**

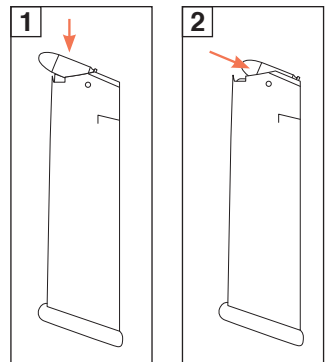
## Loading the Magazine



**Be sure to use the appropriate caliber of ammunition and original Glock 17 or 21 magazine for your KRISS Vector. Failure to utilize the correct ammunition and original Glock 17 or 21 magazine may result in a malfunction and could cause severe injury and/or death.**

1. With the bullet facing the front of the magazine, insert the rim of the case down into the follower.
2. Push the round to the rear of the magazine, underneath the magazine lips.
3. Repeat until the magazine is fully loaded.

NOTE: Where permitted by law, KRISS has developed an optional extended 25 round .45 ACP magazine in both kit and fully assembled form. See your KRISS dealer or [www.kriss-usa.com](http://www.kriss-usa.com) for more details.





# HANDLING AND OPERATION

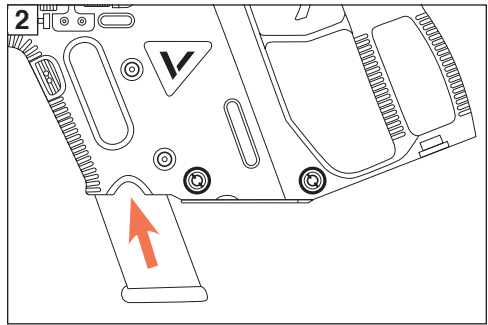
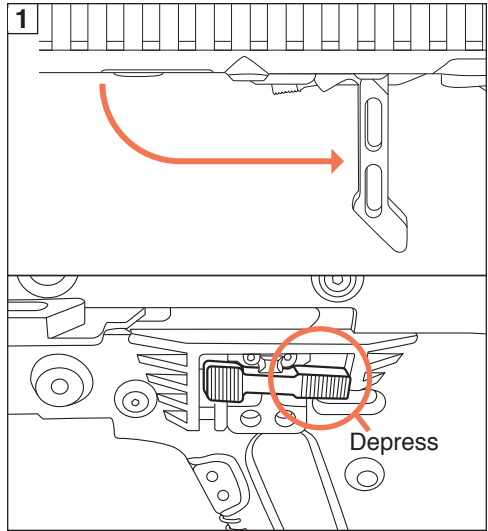
## Loading the Firearm



Ensure the firearm is placed on safe and pointed in a safe direction with your finger off the trigger.

**NOTE:** Always load the KRISS Vector with the bolt open.

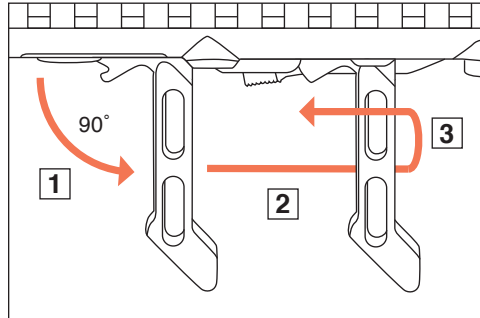
1. Pull the charging handle back and press the bolt catch to lock the bolt open.
2. Place the magazine into the magazine well with the bullet head facing forward. Tap the magazine to ensure that it is securely in position and seated properly.



# HANDLING AND OPERATION

## Charging

1. Rotate the charging handle 90 degrees.
2. Grip the charging handle as close to the housing as possible, firmly pull the charging handle straight back.
3. Release the charging handle from its most rearward position.



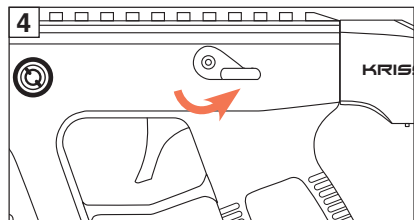
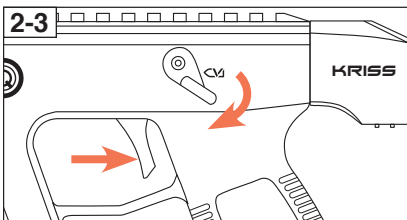
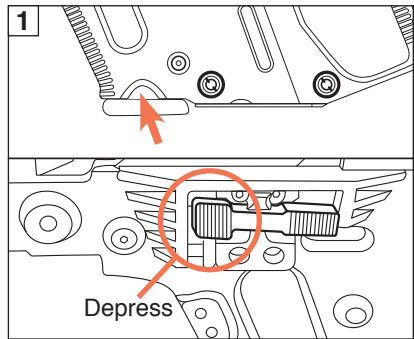
**Do not ease the charging handle forward, doing so can prevent the bolt from seating properly.**

## Shooting



**ALWAYS point the firearm in a safe direction.  
ALWAYS load the KRISS Vector with the bolt open.**

1. Insert a loaded magazine, ensuring it positively locks into place. Depress the bolt release to chamber a round.
2. Aim the firearm at the desired target and take the firearm off safe.
3. Pull trigger rearward to fire.
4. Once firing has been completed, take your finger off the trigger and place the firearm back into safe.

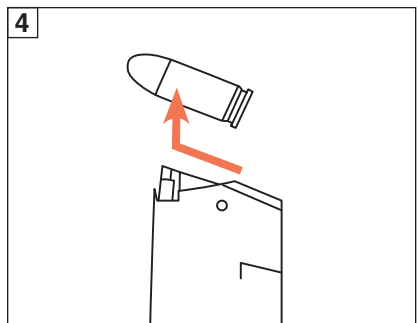
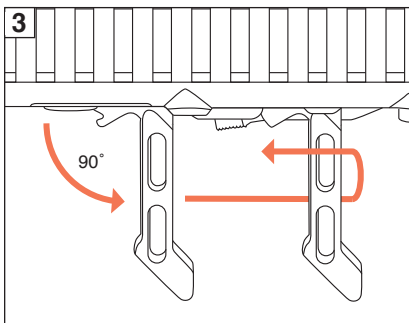
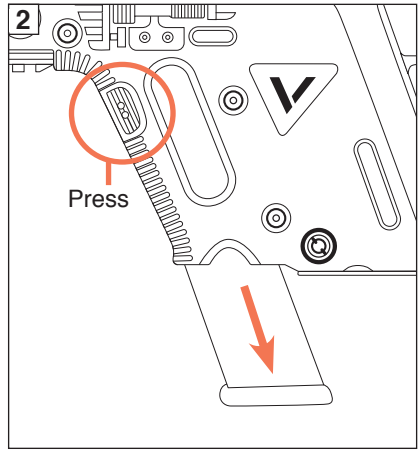
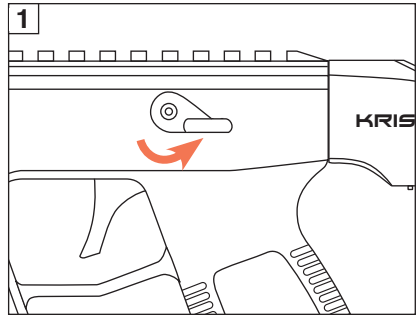


# HANDLING AND OPERATION

## Unloading and Clearing

**NOTE:** When finished firing, ALWAYS place your finger outside the trigger guard with the barrel maintained in safe direction and activate the safety.

1. Switch the firearm to the safe position.
2. Press the magazine release to remove the magazine.
3. Rotate the charging handle 90 degrees. With two fingers as close to the housing as possible, pull the charging handle straight back, firmly, to extract any loaded rounds from the chamber. Repeat this step one or two more times to ensure the chamber is empty.
4. Remove all ammunition from the magazine.



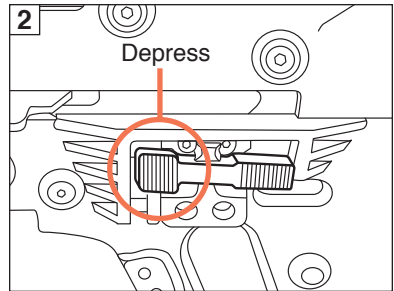
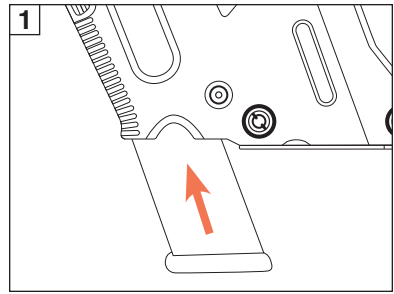
# HANDLING AND OPERATION

## Bolt Lock

When the magazine is fired until empty, the bolt will be engaged by the bolt catch, holding the bolt back in the retracted position.

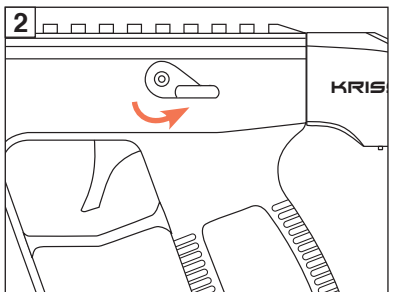
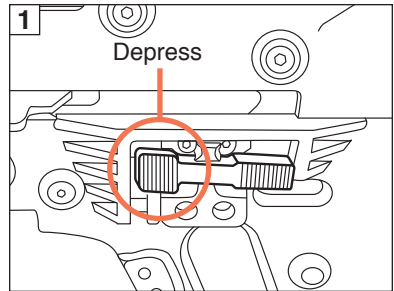
### To continue firing

1. Replace the empty magazine with a loaded magazine.
2. Press the bolt release button to load the firearm.



### When firing is complete

1. Remove the magazine and press the bolt release to close the bolt.
2. Set firearm to safe.



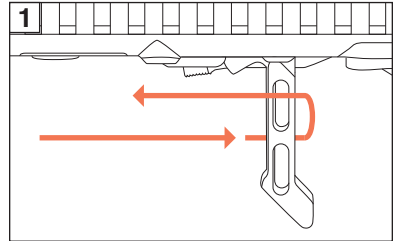
# HANDLING AND OPERATION

## Disassembly



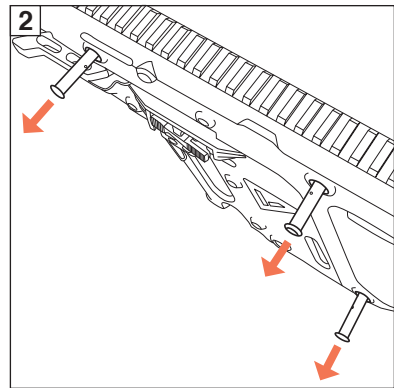
Check to ensure that the magazine has been removed and that chamber is cleared. (See Unloading and Clearing section)

1. Pull the Charging handle back to reset the hammer. **Ensure the bolt is in battery prior to step 2.**

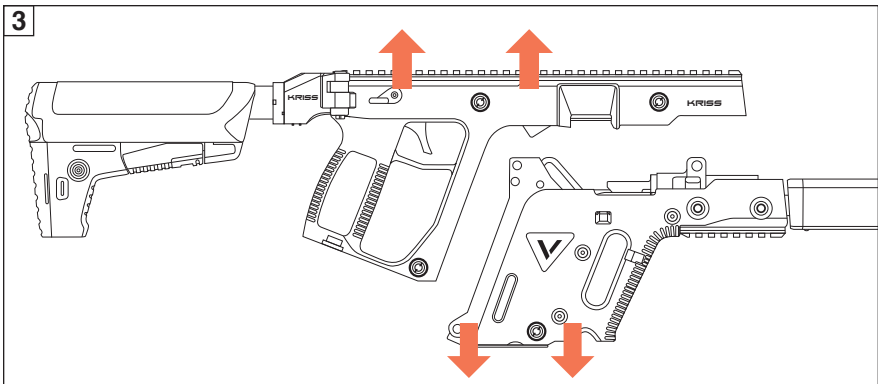


Do not release the hammer when the upper receiver has been separated from the lower, doing so could cause damage to the ejection port.

2. Remove the first 3 break down pins
3. Separate the housings by pulling straight up on the upper receiver and down on the lower receiver.



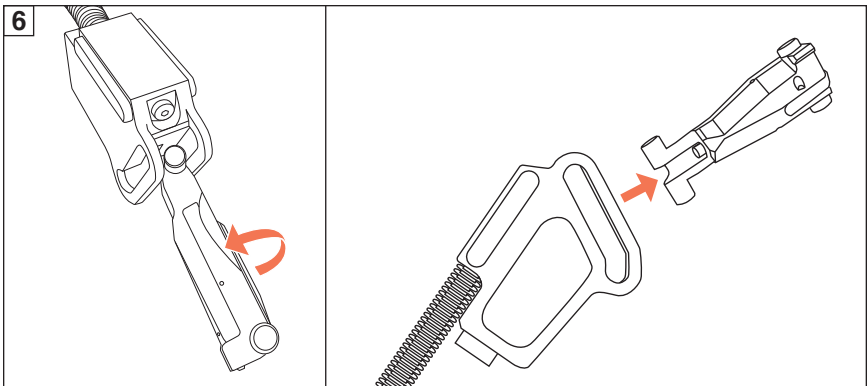
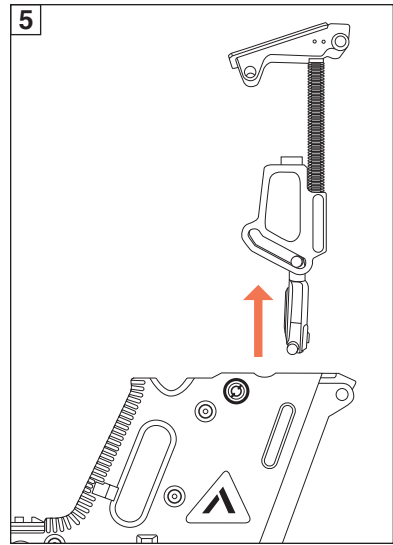
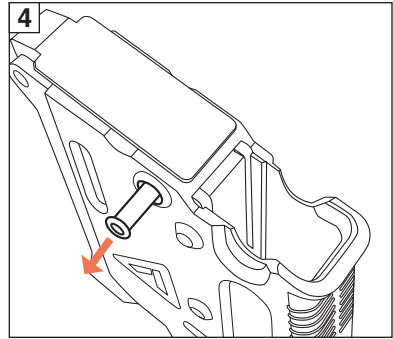
3



# HANDLING AND OPERATION

## Disassembly

4. Rotate the lower receiver upside down and remove the final 4th pin.
5. Pull on the bolt assembly up and out of the receiver.
6. Rotate the bolt to remove slider assembly.



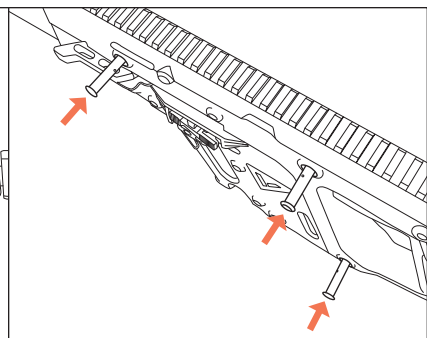
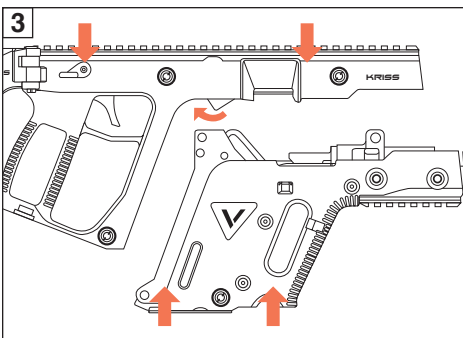
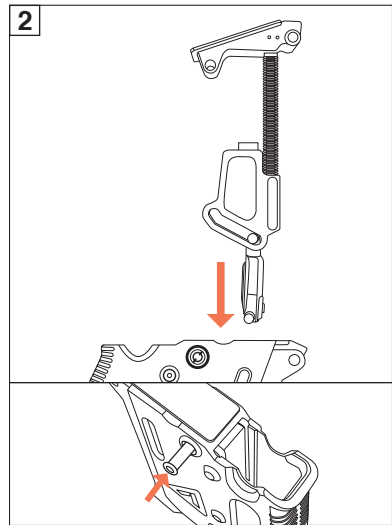
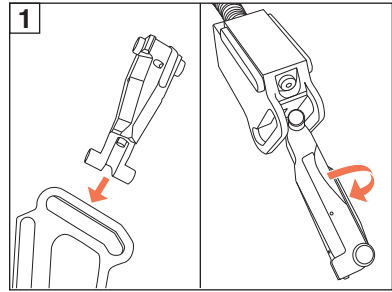
# HANDLING AND OPERATION

## Assembly



Ensure the bolt is oriented correctly and the bolt and slider assembly is properly assembled before installing into the lower receiver.

1. Rotate the bolt back into the bolt carrier.
2. With the lower receiver upside down, slide the bolt lugs into the forward channel and the slider rails into the rearmost channel. Slide the entire assembly into position and secure with a break down pin.
3. Ensure that the hammer is locked back, then mate the upper receiver to the lower receiver. Replace the body pins to secure the firearm.
4. With the firearm pointed in a safe direction, perform a function check (see page 18) and test to ensure proper operation of the firearm.



**NOTE: KRISS Vector assembly instruction video can be found at: [www.youtube.com/krissarms](http://www.youtube.com/krissarms)**

# MAINTENANCE

## Cleaning and Inspection

Your KRISS is like any other firearm in that it requires routine cleaning and lubrication maintenance every time you fire it. Every time you clean, always inspect for wear and damage and always clean and inspect if your firearm was stored for a long period of time

Depending upon the ammunition used and the conditions which you shoot, we recommend to wipe down the bolt and slider raceways with a lint-free cloth and lightly lubricate every 400 rounds. The more dusty and humid the environment, the more frequent the cleaning requirement. We recommend a complete teardown, cleaning and inspection at least every 1000 rounds.



**ALWAYS make sure your firearm is cleared before attempting any cleaning or maintenance.**

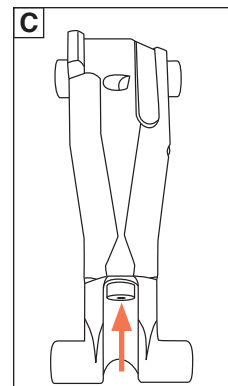
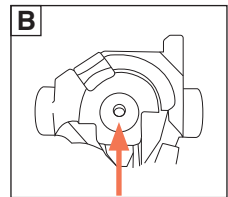
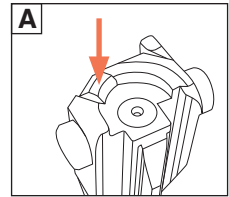
### BOLT

Ensure the bolt face is clean and free of carbon build-up. Be especially careful to inspect and remove any build-up under the extractor.

A. Fouling or build-up of carbon under the extractor may lead to poor extraction and poor chambering. Ensure the extractor has no cracks or chips and that the extractor pivot pin has not drifted from its hole. Ensure that the extractor spring tension has not weakened. Check by pushing up on the forward (bolt face) end of the extractor with your thumb; it should only move slightly and require considerable force to move it at all.

B. Inspect the bolt face to ensure there is no scoring or other damage and that the area surrounding the firing pin channel is clear of build-up.

C. Operate the firing pin by pushing it from the rear (Q-tip suggested) to ensure it moves freely and easily. Very little pressure will be required. Inspect the tip of the pin to ensure it is clear of build-up and not deformed in any way.



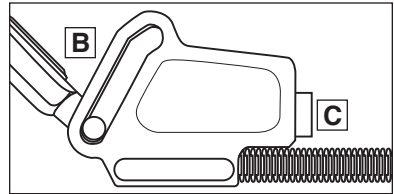
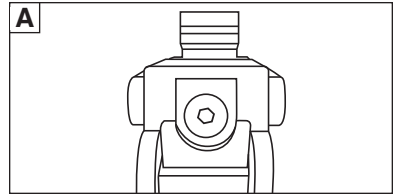


# MAINTENANCE

## Cleaning and Inspection

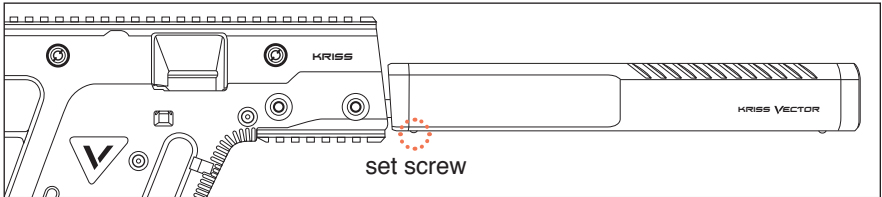
### SLIDER

- A. Ensure the retaining screw at the top of the spring guide rod is tight.
- B. Inspect the slider to ensure there are no cracks in the bolt retaining rails.
- C. Inspect the buffer to ensure there is no excessive wear and tear.



### BARREL ASSEMBLY (Carbine model)

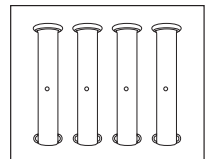
There is no maintenance required for the barrel shroud or the outside of the barrel covered by the shroud. Should you wish to remove the shroud, use a 2.0mm Allen Key to loosen the set screw on the underside of the barrel. Carefully slide the shroud from the barrel being careful not to tear the rubber O-ring at the muzzle end. To prevent tearing, it is a good idea to lightly lubricate this O-ring when reinstalling.



**Clean the threads of the set screw, align the screw with the dimple on the barrel and use 1-2 drops of Loctite Red 263 when re-tightening the set screw. Always ensure this set screw is tight before firing!**

### ASSEMBLY PINS

Inspect the four takedown push pins to ensure they are undamaged. Clean each pin, paying particular attention to those you use to secure the lower housing and receiver as these retain the operating mechanism.



# MAINTENANCE

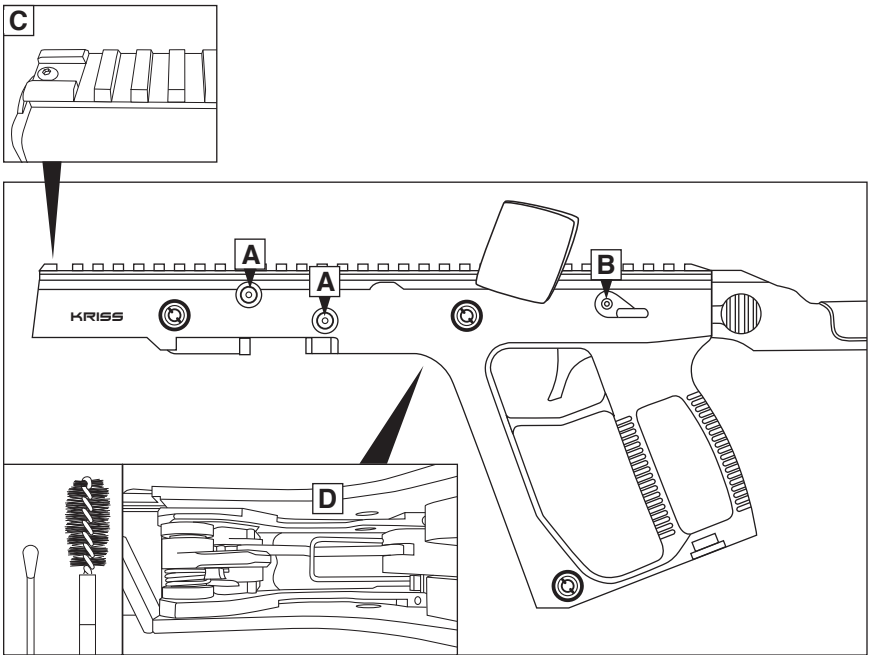
## Cleaning and Inspection

### UPPER HOUSING

To clean the upper housing, wipe it down using patches or a lint-free cloth. Use a Q-Tip and/or a nylon bristle brush to reach and clean the Fire Control Group (FCG).

Other upper housing items to inspect:

- A. Ejection port mounting screws.
- B. Ambidextrous F/S lever mounting screws: Make sure screws are tight and there is a positive click as the lever is switched back and forth.
- C. Picatinny rail retaining screws (forward end of rail): Make sure screw is tight.
- D. FCG and frame: Make sure FCG and frame is tight in the housing and debris-free.



**Do not attempt to remove the FCG; there are no owner serviceable aspects to this assembly.**

# MAINTENANCE

---

## Cleaning and Inspection

---

### LOWER HOUSING

Clean the lower housing as you would clean the upper housing.

Other lower housing items to inspect:

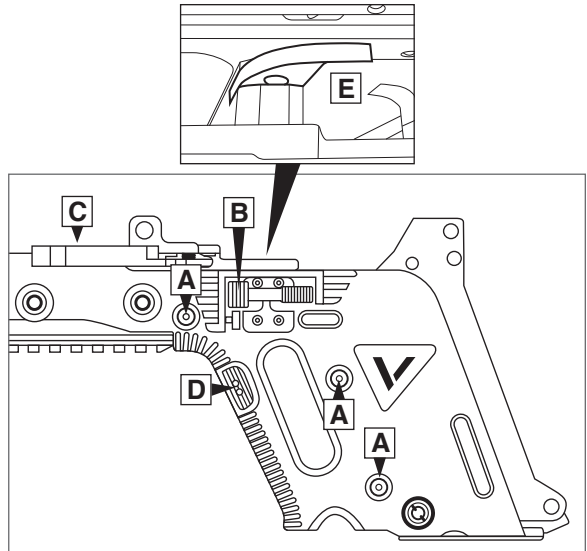
A. Housing screws: Make sure screws are tight.

B. Bolt catch/release lever mounting block screws: Make sure screws are tight.

C. Charging handle:  
Make sure handle moves freely and its two return springs are intact and clean.

D. Mag release button:  
Make sure button moves freely and area underneath is clear.

E. Ejector: Make sure ejector is not loose or bent.



### Function check

---

To perform a function check, with the magazine removed ensure that the firearm is clear and unloaded. Pull back on the charging handle with the firearm pointed in a safe direction and with an empty chamber, pull the trigger to release the hammer. An audible sound of the hammer releasing and striking the firing pin should be heard.

In order to check the trigger reset, continue to hold down the trigger after the hammer has struck the firing pin. While holding the trigger down, rack the gun again and slowly release the trigger. There should be an audible pop when the trigger resets. Repeat this step once more.

Finally, check that the Safety is operational. Place the gun on safe and attempt to pull the trigger. The Trigger should be locked and the hammer should not fall.

# MAINTENANCE

## Lubrication

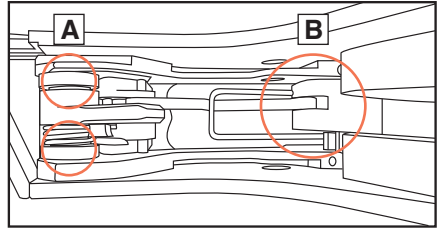
The key to long life and proper function of your firearm is the use of quality lubricant. As with any firearm, it is recommended that all metal parts be lightly lubricated before reassembly or storage in order to prevent corrosion.

### Upper Housing/FCG:



**Do not remove the FCG from the Upper Housing.**

- A. Place two drops of oil on the hammer and hammer pivot pin.
- B. Add one drop on the trigger pivot pin and operate the trigger and hammer several times so that the oil works its way into the moving parts of the FCG assembly.

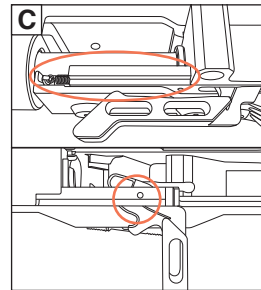
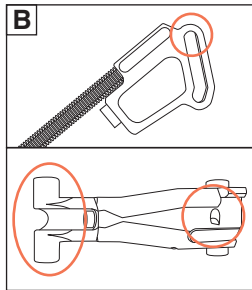
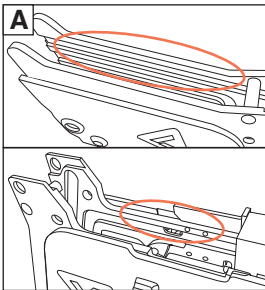


**Do not release the hammer when the upper receiver has been separated from the lower, doing so could cause damage to the ejection port.**

### Lower Housing/FCG:

Lubricate as noted in the areas circled below:

- A. 2-3 drops in the left and right slider raceways.
- B. Thin coat of oil on the bolt lugs and slider bolt raceway figure, one drop of oil on the extractor pivot pin.
- C. Two drops on the charging handle assembly cycle the action to ensure proper coverage figures.



# TROUBLE SHOOTING

The KRISS Vector has been designed to exacting standards and specifications to provide you with years of trouble free operation if properly cleaned, lubricated and inspected. However, if you experience a problem, please refer to the suggestions below. If the problem persists, please contact your local KRISS Certified Dealer or contact KRISS USA at 1.855.KRISS.US (574.7787).

Fault and defect	
<p><b>Stoppage</b>                      Stoppages and malfunctions may occur for many reasons, or combination of reasons. Should a stoppage or malfunction occur when you are firing, immediately cease firing, place the firearm on safe, unload the firarm and remove the magazine. Diagnose the problem before attempting to fire again. Some common causes for most stoppages and maulfuctions are:</p>	
Possible cause	Solution
<p><b>Bolt not fully seated forward:</b></p>	<p>This stoppage can be caused by something as simple as dirty ammo or operating action, or by easing the bolt forward by hand. Immediately:</p> <ol style="list-style-type: none"> <li>1. Safe the firearm and point in a safe direction.</li> <li>2. Check the chamber to ensure no double feed has occurred. Remove the magazine and lock the bolt back if you see any fouled rounds. Clear any fouled rounds from the chamber. Reinsert the magazine or replace magazine if necessary.</li> <li>3. Charge the firearm to chamber a new round by operating the charging lever or releasing the bolt.</li> <li>4. Switch the firearm to fire, aim down range and attempt to fire.</li> </ol>
<p><b>Double feed:</b></p>	<p>This stoppage can be caused by a fouled chamber, a bad magazine or dirty ammunition. Anytime two rounds enter the feed ramp or chamber, immediately:</p> <ol style="list-style-type: none"> <li>1. Safe the firearm and point it in a safe direction.</li> <li>2. Lock the bolt back and remove the magazine.</li> <li>3. Clear the fouled rounds.</li> <li>4. Check the magazine to ensure rounds are properly seated and are clean.</li> <li>5. Reinsert the magazine, release the bolt, switch the firearm off safe, and attempt to fire.</li> </ol>
<p><b>Reduced audible firing sound, smoke from the chamber or reduced recoil (squib round)</b></p> <p><b>Warning: Immediately cease firing should you experience any reduced audible report, reduced recoil or unusual smoking from the chamber when firing.</b></p>	<p>You may have a “squib” round situation in which a round does not fire completely due to a lack of propellant burn and the round may be lodged in the barrel causing a dangerous obstruction that, should another round be fired, may damage the firearm severely and cause potentially severe injury or death to the operator. Immediately:</p> <ol style="list-style-type: none"> <li>1. Safe the firearm and point it in a safe direction</li> <li>2. Remove the magazine and eject or clear any remaining round from the chamber</li> <li>3. Disassemble the firearm as instructed in the disassembly section.</li> <li>4. Visually inspect the barrel from the chamber end and run a cleaning rod through the barrel to ensure that there is no bullet stuck in the bore. If you find a bullet in the bore, take the firearm to your KRISS dealer to have it removed and inspected professionally. You may damage the barrel if you attempt to remove the bullet from the barrel yourself. Do not attempt to fire until the firearm has been thoroughly and professionally inspected.</li> </ol>

# TROUBLE SHOOTING

## Other common problems/causes

Fault and defect	Possible causes
<b>Will not fire</b>	<ul style="list-style-type: none"> <li>i. Firearm is switched to safe</li> <li>ii. Fouled firing pin</li> <li>iii. Trigger failure to reset</li> <li>iv. Defective ammunition</li> </ul>
<b>Bolt failure to seat</b>	<ul style="list-style-type: none"> <li>i. Dirty bolt face</li> <li>ii. Dirty ammunition fouled chamber</li> <li>iii. Weak or failed mainspring</li> <li>iv. Easing the bolt forward by hand</li> </ul>
<b>Failure to feed or double feed</b>	<ul style="list-style-type: none"> <li>i. Dirty, defective or unapproved ammunition fouled chamber</li> <li>ii. Fouled bolt face/extractor</li> <li>iii. Weak or failed mainspring</li> <li>iv. Dirty or fouled bolt/slider assembly and raceways</li> <li>v. Magazine dirty, defective or failed to seat properly</li> <li>vi. Easing the bolt forward by hand</li> </ul>
<b>Failure to eject/extract (stovepipe)</b>	<ul style="list-style-type: none"> <li>i. Broken, chipped, worn, or fouled extractor or ejector</li> <li>ii. Weak extractor spring</li> <li>iii. Obstruction in ejection port</li> <li>iv. Dirty, defective or unapproved ammunition</li> </ul>
<b>Bolt fails to lock after last round fired</b>	<ul style="list-style-type: none"> <li>i. Fouled, bent, broken or loose bolt catch or bolt lock trigger/ lever</li> <li>ii. Faulty or improperly seated magazine</li> <li>iii. Dirty, fouled or damage magazine</li> </ul>
<b>F/S selector binds</b>	<ul style="list-style-type: none"> <li>i. Fouled trigger mechanism</li> <li>ii. Poorly lubricated F/S selector mechanism</li> </ul>
<b>Magazine Fails to seat/remain in firearm</b>	<ul style="list-style-type: none"> <li>i. Not fully seated; push firmly</li> <li>ii. Faulty or worn magazine</li> <li>iii. Non-GLOCK magazine used</li> <li>iv. Worn magazine release button, catch or spring</li> <li>v. *note lock bolt to rear prior to inserting magazine*</li> </ul>
<b>Trigger Failure to reset</b>	<ul style="list-style-type: none"> <li>i. Weak primary sear return spring</li> <li>ii. Dirty or fouled trigger mechanism or FCG</li> <li>iii. Damaged or broken hammer spring</li> </ul>

# LOCK, STORAGE, AND TRANSPORTATION

---

## Lock

---

The KRISS Vector comes equipped with a custom cable lock that will satisfy all requirements for locking a firearm safely. Use of this lock does not override the requirement to always observe firearm safety procedures. However, it is your responsibility to know and comply with any State or Local regulations and restrictions that may affect how firearms must be stored where you live. KRISS USA recommends to always store your firearm unloaded, preferably locked and safe.

## Storage

---

**ALWAYS** clean and lubricate your KRISS Vector before storing it for any length of time in order to prevent corrosion (see Maintenance section). Thoroughly inspect your firearm after removing it from storage and before firing it. Corrosion can impair functionality of important safety features and create a safety risk if you fail to inspect, re-clean and re-lubricate your firearm before firing.

## Transportation

---

Transporting a firearm covers a wide and often confusing variety of Federal, State, and Local laws covering what you can and cannot do while traveling with your firearm. We believe the following websites can assist you in learning what the Federal requirements and restrictions are. For your State and Local regulations, we suggest you check with your local LE unit and your local KRISS Certified Dealer for assistance.

<http://www.tsa.gov/>

<http://www.tsa.gov/traveler-information>

<http://www.atf.gov/>

<http://www.atf.gov/content/firearms>

