



TEMP-COOL
PORTABLE COOLING SYSTEMS

Owner's Manual

Models: TC-12B - TC-60B4, Digital Thermostat

1-800-836-7432

Warning!

Improper installation, adjustment, alteration, service, or maintenance can cause injury or property damage. Please read instructions before installing, operating or servicing the TEMP-COOL unit.

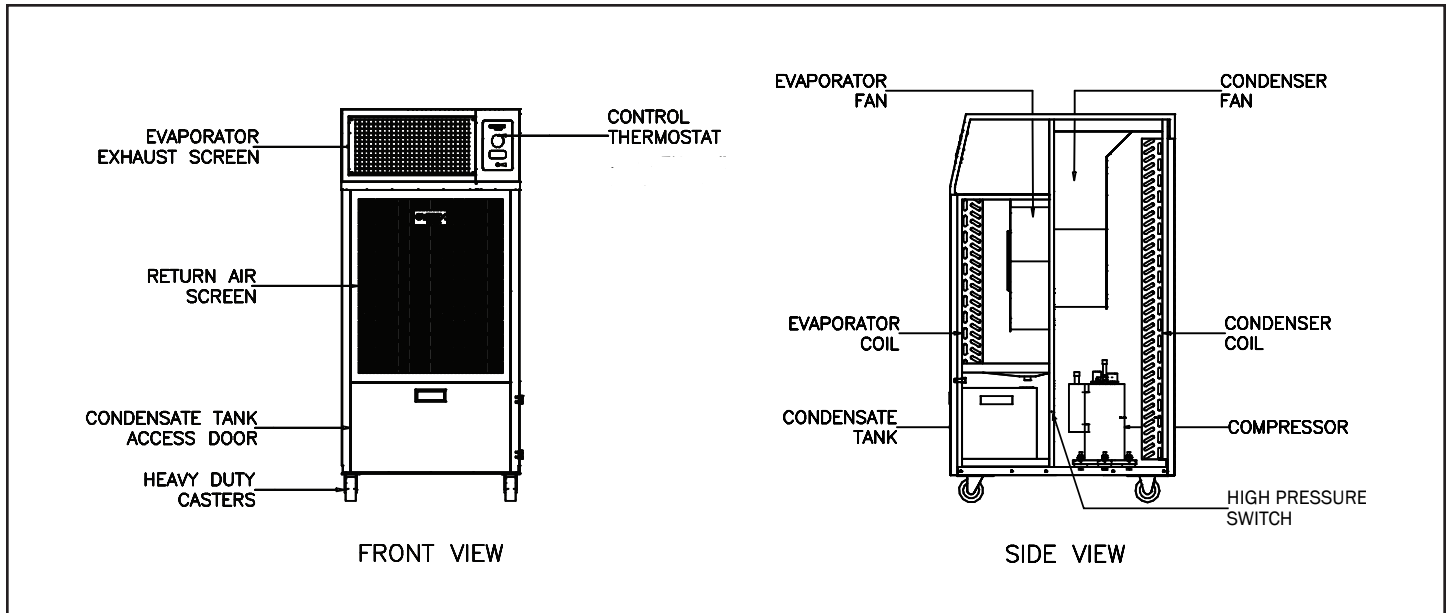
Avertissement !

Le fait de modifier ou de mal installer, régler, réparer ou entretenir cet appareil peut entraîner des blessures ou des dommages matériels. On doit lire attentivement les directives d'installation, d'utilisation et d'entretien avant de manipuler l'unité TEMP-COOL

This manual is the property of the owner. Leave with the unit when set-up and start-up are complete. TEMP-AIR Inc. reserves the right to change design and specifications without prior notice.

Unit Specifications	2
Rating Information.....	2
Inspection.....	3
General Description.....	3
Standard Features.....	3-4
Optional Features.....	4
Installation Instructions.....	4-5
Unit Operation	5-6
Preventative Maintenance.....	6-7
Troubleshooting Guide	8-9
Installing Replacement Parts	10-11
Accessories	12
Replacement-Parts List.....	13-14
Wiring Schematic, TC-12B	15
Wiring Schematic, TC-18B	16
Wiring Schematic, TC-24B	17
Wiring Schematic, TC-36B	18
Wiring Schematic, TC-60B	19
Wiring Schematic, TC-60B3	20
Wiring Schematic, TC-60B4	21

Unit Specifications/Rating Information



Specifications	TC-18B	TC-24B	TC-36B	TC-60B	TC-60B3	TC-60B4
Cooling Capacity, BTU/hr ¹	17,300	29,600	41,000	75,900	75,900	75,900
Power Supply ² Volts/Ph/Hz/Amps	115/1/60/15	208-230/1/60/20	208-230/1/60/30	208-230/1/60/60	208-230/3/60/40	460/3/60/20
Thermostat Control	Electronic	Electronic	Electronic	Electronic	Electronic	Electronic
Metering Device	TX Valve	TX Valve	TX Valve	TX Valve	TX Valve	TX Valve
Power Consumption-Cooling, Watts	1,400	3,100	4,500	7,700	8,500	10,000
Current Consumption-Cooling, Amps	12.0	13.5	19.7	33.3	21.4	11.4
Recommended Circuit Amps	15	20	30	60	40	20
Maximum Overcurrent Protective Device, Amps	---	---	---	80	50	25
NEMA Plug Type	5-15P	6-20P	6-30P	Wired	Wired	Wired
Evaporator CFM, Free Discharge	550	750	1,200	2,300	2,300	2,300
Condenser CFM	1,000	1,000	1,500	3,900	3,900	3,900
Maximum ESP, InWC	0.10	0.10	0.10	0.50	0.50	0.50
Maximum Duct Length, ft.	40	40	40	40	40	40
Condensate-Pump Head, ft.	15	15	15	15	15	15
Operating Limits, (min-max) °F	65-110	65-105	65-105	65-110	65-110	65-110
Sound Level, dB	61	63	67	71	71	71
R-410-A Charge, oz.	80	80	70	136	136	136
LxWxH, in.	28 x 23 x 47	33 x 26 x 47	30 x 28 x 51	47 x 31 x 64	47 x 31 x 64	47 x 31 x 64
Weight, net wt/shipping wt, lb.	221/279	337/375	336/395	713/775	713/775	713/775

1. Rating conditions: 95° F at 60% RH

2. Electrical ratings based on UL 484

INSPECTION

1. Inspect unit on delivery.
2. Compare unit received with description of product ordered.
3. Report any damage to the delivery carrier.
4. Request a written inspection report from the Claims Inspector to substantiate claim.
5. File claims with the delivery carrier.

GENERAL DESCRIPTION

TEMP-COOL Portable Cooling Systems are designed to spot cool industrial, commercial, institutional and construction sites. Six models provide from 17,300 to 75,900 BTU/hr. of cooling and from 1740 to 7000 watts of electric heat. Options include discharge nozzles to direct conditioned air precisely where needed, and flexible duct to transfer condenser hot air either outside or to an adjacent area.

TEMP-COOL Portable Cooling Systems are completely self-contained and housed within an insulated cabinet. The units' exterior is constructed of galvanized steel and protected with a tough powder-coated, polyester finish. All models are equipped with standard heavy-duty casters for portability.

STANDARD FEATURES

Serviceability

Normal maintenance for the TEMP-COOL Portable Cooling Systems requires a minimum amount of effort. The two air filters that cover the coils can easily be inspected and replaced by removing the grilles holding them. The TC-18B through the TC-36B have an internal condensate tank that must be emptied when full. The tank is in a rollout drawer mounted on ball bearing drawer slides. The large TC-60B units have an integral condensate pump, with a condensate tube that must be run to a drain or container.

All of the other components, which are normally accessed for troubleshooting or replacement, can be accessed by removing the side panels or top cover. The electrical control panels can readily be accessed from the exterior of the unit through access doors. On the TC-18B through TC-36B the high head pressure reset switch can be accessed by opening the condensate tank drawer and pressing the button located on the back wall of the enclosure. On the TC-60B units the reset button is located

in the cord pocket enclosure, which is accessible from outside the unit.

High-Pressure Safety Switch

All models feature a manual reset, high-pressure switch. If the refrigeration circuit exceeds the controls pressure setting, power to the compressor and other critical components is cutoff to prevent damage to the unit.

Note: Determine the reason for the the trip and correct the problem before resetting the switch (See the troubleshooting section for suggestions. Wait four minutes before attempting to reset.)

Digital Temperature Control System

The digital temperature control system allows the user to select Cooling or Fan Only operating modes. It also allows the unit to be started or stopped after a predetermined period. The control also has internal functions that prevent the cooling coil from freezing, prevent the compressor from cycling excessively and provide a heating element cool down function when in the heating mode. *See the section covering the operation of the unit for additional information on the Digital Temperature Control.*

Filters

All units are equipped with removable, disposable, pleated media filters. Located behind the return air and condenser intake air grilles, they can be removed for inspection or replacement by removing the grille.

Condensate Tank

The TC-18B through TC-36B are furnished with a five gallon, polyethylene condensate tank located in the drawer on the lower front of the unit. The tank collects the moisture that condenses on the cooling coil when the unit is in operation. When full, a magnetic float in the tank closes a magnetic proximity switch located above the tank inside the unit, turning the unit off and causing "tF" to be displayed on the front panel of the unit. The condensate tank must be emptied and reinstalled to allow further operation.

Note: The unit will not operate unless the tank is drained periodically. Optional condensate pumps are available that allow continuous operation, but require a tube to be run from the pump to a suitable drain.

Condensate Pump

Due to the large amount of condensate produced by the TC-60B models, condensate tanks are not furnished or available on these units. Condensate pumps are furnished as standard on the TC-60B models, and must be piped to a suitable drain.

Cord Kit (LCDI) (TC-18B, 24B, 36B)

The LCDI cord kit provides both personal shock as well as cord arcing and fire protection. The LCDI cord kit is preinstalled and must be replaced with an identical cord kit, available from Temp-Air, Inc., if damaged or if it fails to operate properly.

OPTIONAL FEATURES:

See "Accessory" section on page 12 for the correct accessory part numbers.

Condenser Duct:

Condenser discharge air can be removed from the conditioned space with flexible duct. Use 40 feet maximum for all models. Allow six feet for every 90° bend. Do not exceed 0.10 in. w.c. external static pressure at the condenser.

Ceiling Panel Duct Kit:

A ceiling panel duct kit comes complete with flexible duct and a 2 foot by 2 foot ceiling tile adapter, which allows condenser air to be vented to the plenum area above a suspended ceiling.

Discharge Nozzle Kit:

A dual-nozzle, discharge air assembly optimizes the ability to direct cool air precisely where needed. The flexible nozzles are attached to a mounting plate that fits over the evaporator air grille.

Condensate Pump:




A condensate pump automatically drains from the condensate pan by removing evaporator coil condensate water allowing continuous operation. The pump must be connected to the condensate drain and to the air conditioner's power supply. A hose must be run from the unit to a convenient drain or outdoor location.

Condensate pumps are standard on the TC-60B models and optional on all others.

INSTALLATION INSTRUCTIONS:

Before Installing:

Check unit for damage. Air conditioners are inspected at the factory. If any damage has occurred, save the packaging and file a claim with the delivering carrier within fifteen working days. TEMP-COOL units require minimal installation. The smaller units (TC-18B through TC-36B) can be plugged into the proper receptacle, and are ready to run immediately. The larger TC-60B units must be wired to a plug or power source, and the condensate hose run to a suitable drain or outdoor location before starting the unit.

Model	Plug Configuration	Receptacle
TC-18B 115V 	15A/115V NEMA 5-15P	NEMA 5-15P
TC-24B 208-230V 	20A/230V NEMA 6-20P	NEMA 6-20P
TC-36B 208-230V 	30A/230V NEMA 6-30P	NEMA 6-30P

Electrical Supply:

Determine the proper power by checking the unit's rating plate. For the models from the TC-18B through the TC-36B use the wall outlets and receptacles shown in the table above. For the TC-60B, B3 and B4, the units must be wired to a suitable power supply using the appropriate cord and circuit protection for the electrical ratings on the nameplate.

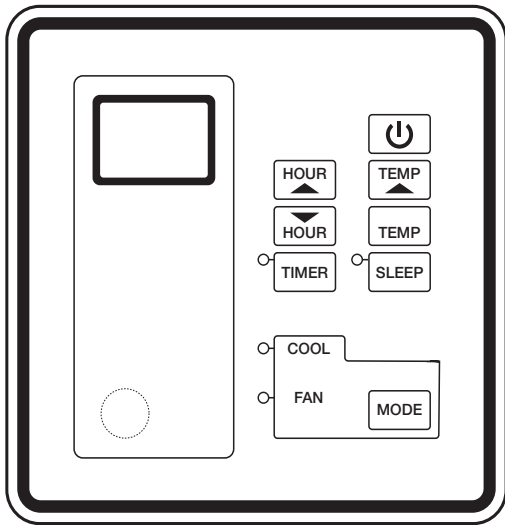
Operating the units at an improper voltage, frequency, or improper phase orientation (see TC-60B3 and 4 – 3 Phase Wiring Instructions below) voids the warranty.

Note: Extension cords may be used if rated at a minimum of 120VAC at 20 amps for the model TC-18B, 230VAC at 20 amps for the model TC-24B, and 230VAC at 30 amps for the model TC-36B. All extension cords must have a functional grounding connector and fit the LCDI cord supplied with the unit.

Extension cords cannot be used on the TC-60B models.

TC-60B3 and B4 – 3 Phase Wiring Instructions:

Only qualified personnel should install TC-60B units. Extra care is required on the three phase units, the TC-60B3 and TC-60B4, to insure they are connected in phase with the incoming power. If the unit is not in phase the condenser fan and compressor operate in reverse and damage the compressor. If the unit is not in phase with the power supply, the compressor will make more noise than normal and the condenser fan will deliver very little air. The evaporator fan can not be used to check the phase. It has a single phase motor that operates in the correct direction regardless of the phase sequence.



If the wiring phase sequence is incorrect, reversing any two of the three incoming power leads will solve the problem.

UNIT OPERATION:

Placing the Unit:

1. Locate the unit on a flat, level service.
2. Keep entering and leaving air openings free of obstructions. Maintain at least 18” of clearance between air inlet or outlet and any wall or other obstruction.
3. For a unit with a condensate tank, check the tank to make sure it is in place and empty.
4. For a unit with condensate pump, make sure the condensate discharge tubing is connected to the outlet connection of the unit and runs to a suitable drain

or outside location. Do not crimp or bend the tubing, or place it where something might be set on the tubing restricting its flow. No portion of the discharge tube should be more than 10 feet above the level of the pump.

5. Attach any required accessories and ductwork.
6. Plug in or wire the unit to an acceptable power source.
7. When power is applied 06 should appear briefly on the control display and disappear. The unit is now ready for use.

Cooling Operation:

1. Press the POWER BUTTON to start the unit. The evaporator (cooling) fan will start and the current space temperature will be shown on the digital display. The unit will start in the last mode used.
2. Select the Cooling mode by using the MODE button to step through the three available modes (Cool, Heat and Fan) until the cooling mode indicator light comes on. The unit is now in the cooling mode.
3. Press the Up or Down temperature button to see the current cooling setpoint temperature. Adjust the setpoint temperature to the desired value by pressing the Up or Down temperature button repeatedly, until the desired temperature is reached. The display will flash six times at the new setpoint then the actual room temperature will be displayed. In the cooling mode up to five minutes may lapse between turning the unit on or resetting the temperature and the compressor starting. This delay is a result of the anti short cycling program in the thermostat. A green dot will appear in the lower right hand corner of the temperature display when the compressor is being energized.
4. The compressor and condenser fan will continue to operate until the space temperature drops to the setpoint temperature. At that point the compressor and condenser fan will shut off, but the evaporator fan will continue to run until the unit is turned off.

Fan Operation:

1. Press the POWER BUTTON to start the unit. The evaporator (cooling) fan will start and the current space temperature will be shown on the digital display. The unit will start in last mode used.
2. Select the Fan mode using the MODE button to step

through the two available modes (Cool and Fan) until the fan mode indicator light comes on. The unit is now in the Fan mode.

3. Pressing the Up or Down temperature buttons has no effect on the temperature display, since neither the cooling nor heating functions are active. The temperature display displays the current room temperature.
4. To stop the fan, turn the unit off using the power button.

OTHER FUNCTIONS:

Timer ON/OFF:

Use the following instructions to turn the unit ON or OFF after a period of up to 15 hours.

1. To turn the unit ON after a preset period press the TIMER button, while the unit is OFF. The display will flash five times showing the current delay time in hours. If a different time delay is required press the Up or Down Hour buttons until the desired delay time is displayed. This number can be any whole number between 1 and 15 hours. When the desired value is displayed release the key. The selected value will flash five times and go blank, but the TIMER light will remain on. The unit will start in whatever mode it was in before the timer was set after the specified delay time. Once set, the timer function can be cancelled by pressing the TIMER button again.
2. To turn the unit OFF after a delay follow the same procedure as turning the unit ON after a delay except start by pressing the TIMER button when the unit is running. The display will flash the OFF delay time five times, then the display will revert back to the normal temperature display. The timer light will be on when the OFF delay is active. The delay can be canceled by pressing the TIMER or turning the unit OFF.

Sleep:

Press the SLEEP button to raise the setpoint temperature 1°F when in the cooling mode one hour after the button is pressed. The unit will run in this mode until it is canceled by pressing the SLEEP button again or turning the unit OFF.

PREVENTIVE MAINTENANCE:

TEMP-COOL air-conditioning units provide high performance and reliability with a minimum amount of maintenance. To prolong the life of the unit and insure a high level of performance, perform regular maintenance as described below.

The refrigeration and electrical circuits of the system should be serviced by qualified technicians only. Always disconnect the unit from its power supply when performing any form of service requiring the removal of grilles or panels.

Filters:

Dirty filters can restrict airflow causing the unit to operate with a reduced efficiency. Inspect the filters every six weeks or more frequently, when operating in a dirty environment. Replace the filters when dirty with an equivalent filter. Do not attempt to clean the filters or operate the unit without filters. On the TC-18B through TC-36B, the filters can be removed by snapping the return air and condenser air grilles out of the unit by pulling on the handle at the bottom of the grille. The bottom of the grille will snap out and the grille can be lowered a few inches to clear the retaining tabs at the top. The filters are held in place with plastic clips that can be rotated clear of the filter. Reverse the procedure for replacing the filters. Pay attention to the proper direction of air flow indicated on the new filter.

The TC-60B filters are accessed the same as the smaller units except the snap-in clamps have been replaced with screws at the bottom of the grilles that have to be removed before the grille can be detached. Additional retainer clips are not used on the larger units. The grille acts as the filter retainer.

Coil Cleaning:

If the coil becomes dirty it can be cleaned using a vacuum followed by compressed air. Vacuum the face of the coil where the air enters the coil. Most of the dirt will be on this side. Use compressed air to blow any remaining dirt out. Work from back to prevent driving the dirt further into the coil. Keeping clean air filters in place will greatly reduce the frequency that coils must be cleaned.

Blowers and Blower Motors:

There is nothing that can be serviced on these components other than inspecting the blowers and blower motors to insure they are clean. The blower and motor bear-

ings are lubricated and sealed at the factory, and require no additional lubrication. Dirt on the blower wheels can be cleaned off with a rag. Dirt should not be a problem if the air filters are properly maintained and kept in place.

Belt Tension, (TC-60B, 60B3, 60B4 Models only)

The condenser fan on the TC-60B series of air conditioners uses the only blower/motor combination that incorporates V-belts drives. The condition of the belt, along with its tension and alignment should be checked at least once a year for proper operation. Replace the belt if it has cracked or is glazed. Adjust the belt tension for a 3/16" deflection of the belt with 2 pounds of force applied at the center of the free span.

**Sheave Adjustment,
(TC-60B, 60B3, 60B4 Models only)**

The condenser fan on the TC-60B series of air conditioners utilizes an adjustable sheave on the motor to drive the blower. The sheave is preset at the factory and should not be adjusted. However the blower, motor and drives should periodically be checked for tightness and alignment. Check the setscrews that connect the sheaves and blower wheel to the shafts to make sure they are secure. Make sure the setscrews locking down the adjustable flange on the motor sheave are secure.

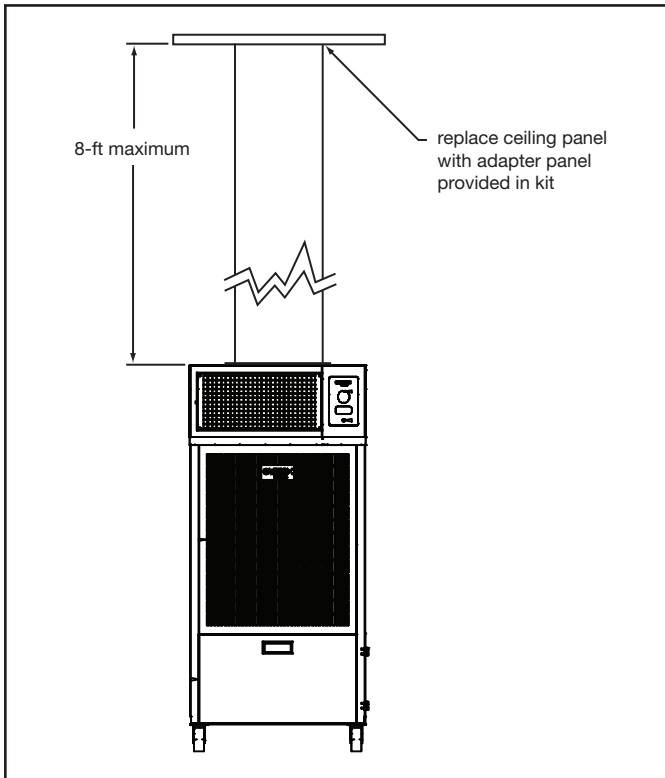
The factory setting for the drive on the condenser fan motor is 4 and turns open from the closed position.

Troubleshooting Guide

Problem	Cause	Remedy
Unit does not run	Power interruption	Check external power supply. Reset LCDI cord control. Check circuit breakers and fuses. Replace or reset if necessary.
	Condensate tank-full (tF indicated)	Empty tank
	Thermostat set incorrectly	Check Mode setting and temperature setpoint vs. room temperature. Reset if necessary.
	Thermostat inoperable	Check for display on thermostat. Press power switch and mode switches to determine if thermostat responds. Replace thermostat if necessary.
	Thermostat displays error code rE room sensor failure FE freeze sensor failure CF compressor failure Fr coil freezing tF condensate tank full	Repair or replace room sensor. Repair or replace freeze sensor. Check for compressor problems. Space too cold or refrigerant level low. Condensate tank must be emptied
	Electrical Panel Problem - 24 volt transformer defective - Fuse blown/overload tripped (TC-60B) - Loose wire - Contactor coil defective - Contactor stuck open, burned or dirty	- Replace transformer. - Check and replace or reset if necessary. - Check and tighten if necessary. - Replace contactor. - Repair or replace contactor.
	Evaporator fan runs but compressor and condenser fan do not.	Thermostat satisfied
Thermostat is in the compressor start delay mode		Make sure there is a call for cooling then wait at least five minutes for compressor to start.
Thermostat set for the wrong MODE		Set MODE to COOL.
Condensate jumper plug or condensate pump not installed		Install jumper if a condensate tank is being used. Attach pump if pump is used.
High pressure switch tripped or defective		Press reset button on high pressure switch. Replace switch if necessary.
Loose or defective wires		Check for loose or shorted conductors. Secure contact between wires and connectors. Repair or replace as required.
Shorted or open run capacitor		Replace capacitor.
Defective compressor		Check for shorts, opens and grounds. Compressor replacement should be done by a service technician.

Problem	Cause	Remedy
Compressor runs but condenser fan does not. Insufficient Cooling	Loose or defective wire	Trace and Repair
	Shorted or open condenser motor capacitor.	Replace capacitor
	Bad motor	Replace motor
	Insufficient airflow through evaporator coil due to: - Improper blower rotation (TC-60B3&4) - Dirty air filter in unit - Dirty evaporator coil - Obstructed air intake - Ice on evaporator coil - Low refrigerant	- Check rotation. Change if necessary. - Replace filter. - Clean coil. - Remove obstruction. - Defrost. Run blower only until ice melts. - Repair leak and recharge with proper refrigerant.
	Unit improperly sized	Check unit against size of load. Add additional air conditioners if necessary.
Noisy operation	Improper compressor rotation (TC-60B3&4 only)	Check rotation. Change if necessary.
	Loose cabinet or component part	Check all panels and components to make sure they are fastened securely. Check motors, blower wheels, drives, bearings, shafts, etc., and tighten as required.
	Bad motor, compressor, or bearing	Replace as necessary.
Water leaks from pan	Condensate tank or condensate pump not installed.	
	Drain pan plugged	Remove obstruction.
	Loose evaporator, drain or condensate pump hose	Check connections and tighten if necessary.
	Leaking drain pan	Repair or replace drain pan.
	Defective condensate pump, obstructed condensate hose or excessive discharge tube height	Condensate hose run for obstructions or excessive height above pump (12 ft. max.). Clear or reroute tube as required. Check pump and wiring. Replace if required.
Evaporator coil freezing and unit shuts down	Evaporator airflow obstructed.	Check for obstructions. Clean filter and coil if required.
	Thermostat freeze protection not working	Check that freeze sensor is mounted to coil.

INSTALLING ACCESSORIES AND REPLACEMENT PARTS:



Ceiling Panel Duct Kit:

1. Secure one end of the duct to the ceiling-panel adapter and the other end over the unit's duct collar.
2. Place the ceiling panel adapter under suspended ceiling panel's framework directly above unit.

Condensate Pump (TC-18B, 24B, 36B only):

1. Unplug unit from power source. Remove condensate tank and hose from drain pan.
2. Attach pump to back of drawer housing using the screws and nuts supplied.
3. Remove the electrical plug with the jumper wire from the receptacle located on the bulkhead in back of the drawer.
4. Connect the condensate pump's power plug to the receptacle.
5. Install the hose from the drain pan to the pump inlet.
6. Remove the plug from the hole on the side of the unit.

7. Install drain hose from condensate pump outlet through the hole in the side of the unit and route the discharge end to a convenient drain or outdoor location. To insure proper operation, the hose must not be kinked or extend more than 12 feet above the pump.

Combination Fan and Blower, (TC-18B, TC-24B and TC-36B only):

The blowers on these units have integral motors that are part of the blower. They are replaced as a package. The individual components are not available.

1. Turn the unit OFF and disconnect the power cord from the power supply.
2. Remove the grilles, filters, side panels and top panel from the unit.
3. Disconnect the motor wiring from the rest of the circuit. Tag the connections and write down where they connect, to aid in wiring the replacement motor.
4. The blower housing has to be removed to remove the old blower. This must be done in several steps.
 - a. First remove the inlet side of the blower housing from the housing wrapper, then remove the blower housing wrapper from the center divider.
 - b. The motor is attached to a mounting bracket that is fastened to the center divider. Remove the mounting bracket from the center divider with the motor and blower still attached.
 - c. Remove the motor and blower from the mounting bracket and attach the new motor and blower to it.
 - d. Reverse the process to complete the process.
 - e. Make sure the blower inlet is centered in the blower housing inlet and does not rub on the blower housing before and after locking down the housing.
 - f. Rewire the motor, double checking all connections.
 - g. Plug the heater in and run it briefly to insure the fans and compressor are operating properly.
 - h. Unplug the unit and install the side panels, top panel, filters and screens.

- i. Plug the unit into power and test it in all operating modes; COOL and FAN.

**Condenser Fan Motor,
(TC-60B, 60B3, 60B4 only):**

1. Disconnect power from the unit.
2. Remove cabinet side panels on both sides of the condenser coil.
3. Disconnect wires from motor. Tag the wires so they can be attached to the same terminals or wires on the new motor.
4. Remove belt from drives.
5. Remove bolts holding motor to motor mount.
6. Remove sheave from motor and install on new motor.
7. Install new motor reversing the removal procedure. Make sure sheave is lined up before fully securing.
8. Adjust sheave and belt tension as outlined in the preventative maintenance section.
9. Before wiring motor to power leads make sure it is set up for the proper voltage and rotation. Use old motor wiring as a reference.
10. Reassemble unit and run blower. Check rotation and amp draw before placing the unit back in service.

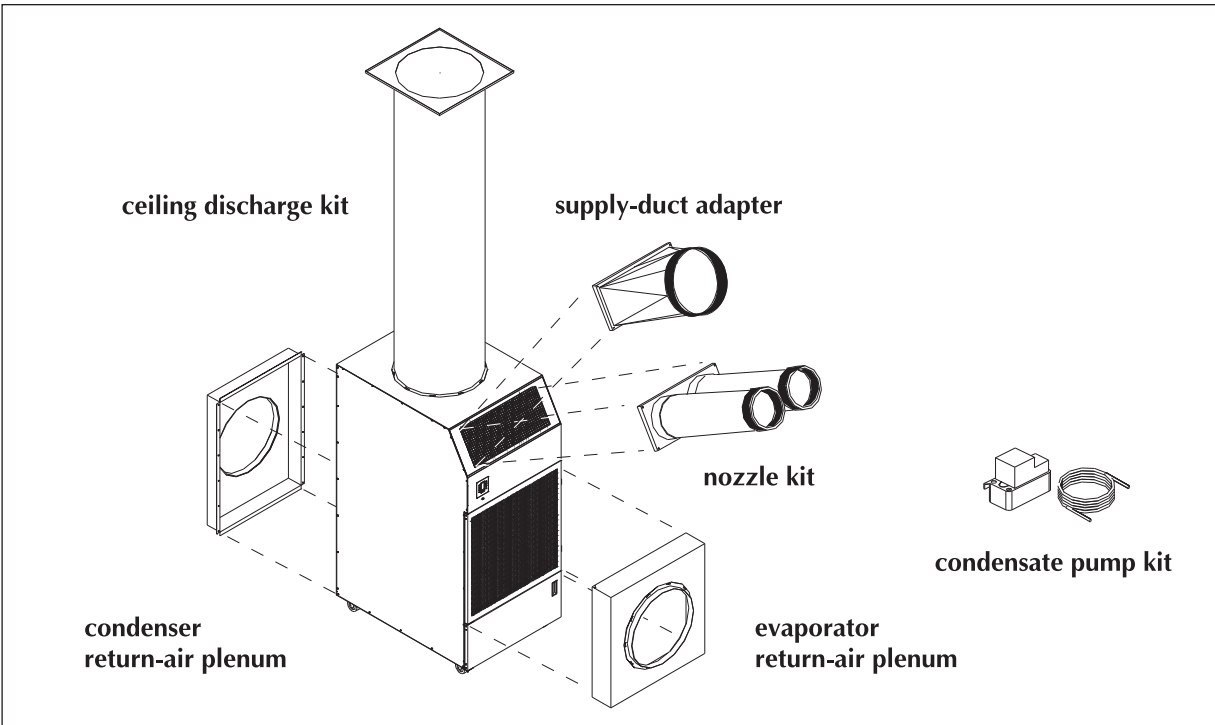
**Evaporator Fan Motor,
(TC-60B, TC-60B3 and TC-60B4 only):**

1. Disconnect power from the unit.
2. Remove cabinet side panels on both sides of the evaporator coil.
3. Disconnect wires from motor. Tag the wires so they can be attached to the same terminals or wires on the new motor. Note that some of the wires are not used but must be capped to avoid shorting them out.
4. Loosen the setscrews holding the blower wheel to the motor shaft. Make sure the wheel is loose on the shaft. The setscrews are accessible through the blower housing inlet opposite the motor.
5. Remove bolts holding the motor mount to the side of the blower housing.
6. Slide the motor and motor mount out of the wheel and housing. The wheel is too large to pull through the blower inlet. Let it slide off the motor shaft and

drop to the bottom of the housing.

7. Remove the motor mount from the motor and install it on the new motor in the same position as the previous motor.
8. Install new motor and blower, reversing the removal procedure.
9. Center the blower wheel in the housing and tighten down the set screws. Rotate the wheel to make sure it is not rubbing on the blower housing
10. Before wiring motor to power leads make sure it is setup for the proper voltage and rotation. Use old motor wiring as a reference.
11. Reassemble unit and run blower. Check rotation and amp draw before placing the unit back in service.

Accessories



Part	Description
NK-2	two, 6-in nozzles with attachment kit, TC-18B, TC-24B, TC36B
NK-3	two, 8-in nozzles with attachment kit, TC-60B, TC-60B3 and TC-60B4
CK-3	14-in ceiling discharge kit, TC-18B, TC-24B, TC-36B
CK-4	20-in ceiling discharge kit, TC-60B, TC-60B3 and TC-60B4
PC-1	condensate pump, 115 volt, TC-18B
PC-2	condensate pump, 208/230 volt, TC-24B
CP-2B	14-in condenser return-air plenum, TC-18B
CP-24B	14-in condenser return-air plenum, TC-24B
CP-36B	14-in condenser return air plenum, TC-36B
CP-4B	20-in condenser return-air plenum, TC-60B, TC-60B3 and TC-60B4
EP-2B	14-in evaporator return-air plenum, TC-18B
EP-24B	14-in evaporator return-air plenum, TC-24B
EP-36B	14-in evaporator return air plenum, TC-36B
EP-4B	20-in evaporator return-air plenum, TC-60B, TC-60B3 and TC-60B4
DA-10	10-in cold-air supply duct adapter, TC-18B, TC-24B, TC-36B
DA-14	14-in cold-air supply duct adapter, TC-60B, TC-60B3 and TC-60B4
CD-60	14-60P plug kit with 6'cord, TC-60B

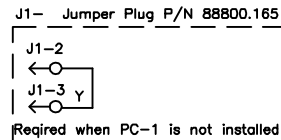
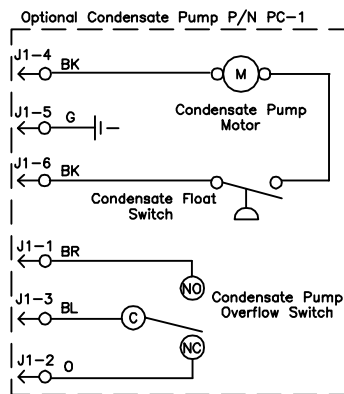
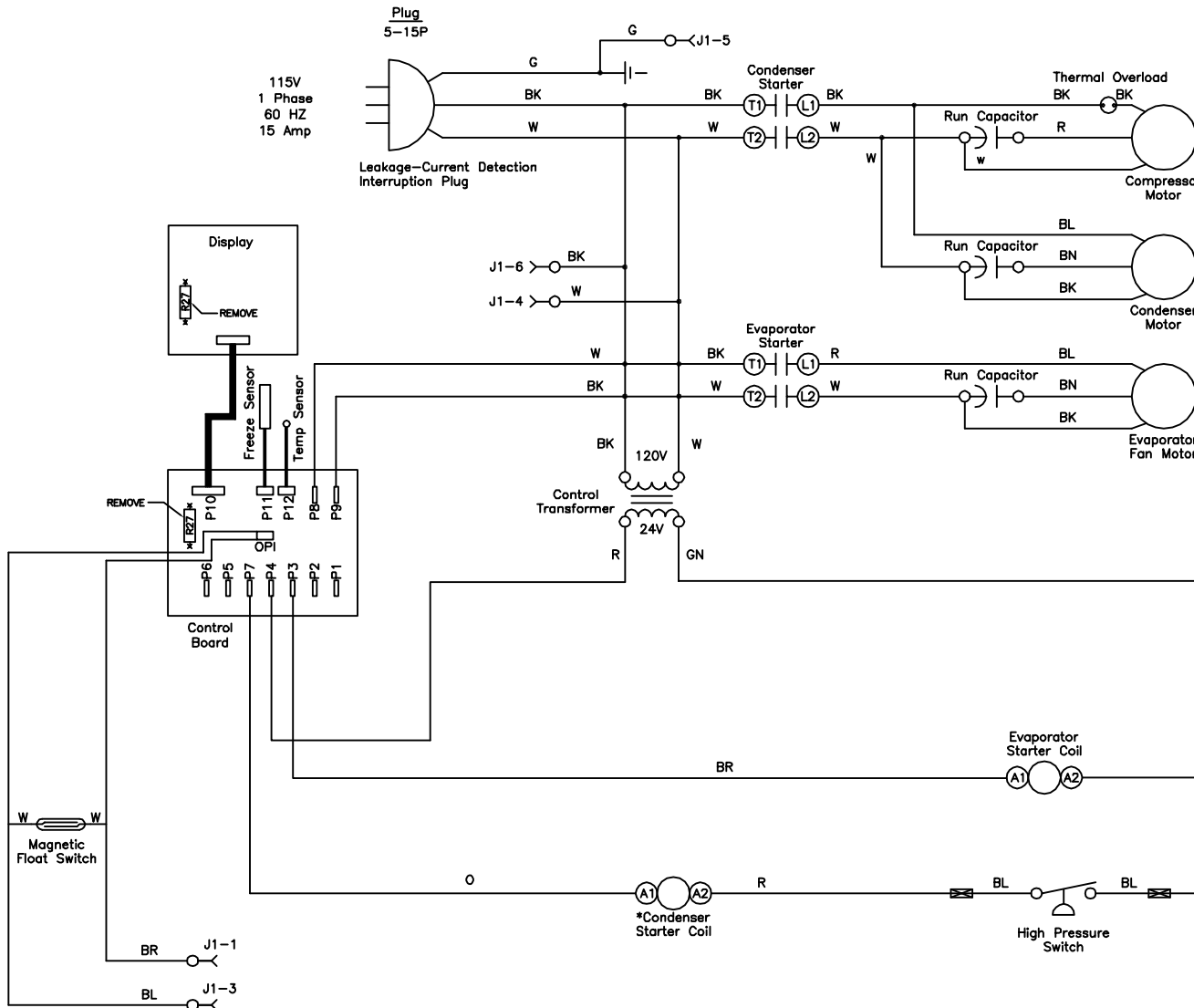
Replacement Parts List

Description	Part Number	TC-12B	TC-18B	TC-24B	TC-36B	TC-60B	TC-60B3	TC-60B4
service valve, 3/8-in	88400.249	•						
service valve, 1/2-in	88400.250		•	•	•	•	•	•
service valve, 5/8-in	88400.251			•				
service valve, 3/4-in	88400.252				•			
service valve, 7/8-in	88400.256					•	•	•
filter drier	83201.043	•	•	•				
	83201.044				•			
	83200.169					•	•	•
thermal expansion valve	88401.053	•						
	88401.054		•					
	88401.055			•				
	88401.056				•			
	88401.057					•	•	•
evaporator blower & motor assembly	83100.102	•						
	83100.159		•					
	83100.119			•				
	83100.118				•			
evaporator blower	80500.151					•	•	•
evaporator motor	85600.132					•	•	
	85600.139							•
condenser blower & motor assembly	83100.116	•						
	83100.205		•					
	83100.118			•				
condenser blower	80500.154				•			
	80500.137					•	•	•
condenser motor	85600.145				•			
	85600.217					•		
	85600.101						•	•
compressor	82200.028	•	•					
	82200.061			•				
	82200.060				•			
	82200.071					•		
	82200.079						•	
	82200.066							•
evaporator-motor capacitor	85601.713	•						
	85601.724		•					
	85601.021			•				
	85601.740					•	•	
	85601.727							•
condenser-motor capacitor	85601.724	•						
	85601.733		•					
	85601.713			•				
compressor-motor capacitor	85601.716	•		•				
	85601.722		•					
	83100.211					•		
supply cordset	82900.254	•	•					
	82900.255			•				
	82900.257				•			
control transformer	88000.044	•	•	•	•	•	•	•
	88000.014							•
compressor contactor	87300.242	•	•	•	•			
	87300.258					•		

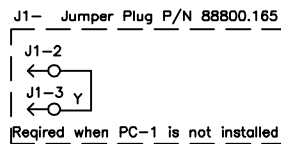
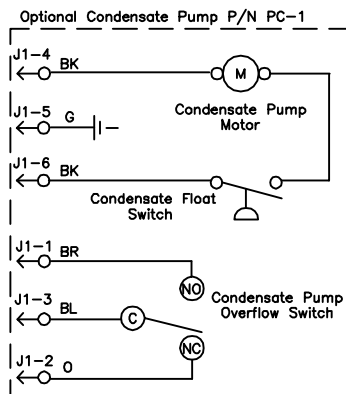
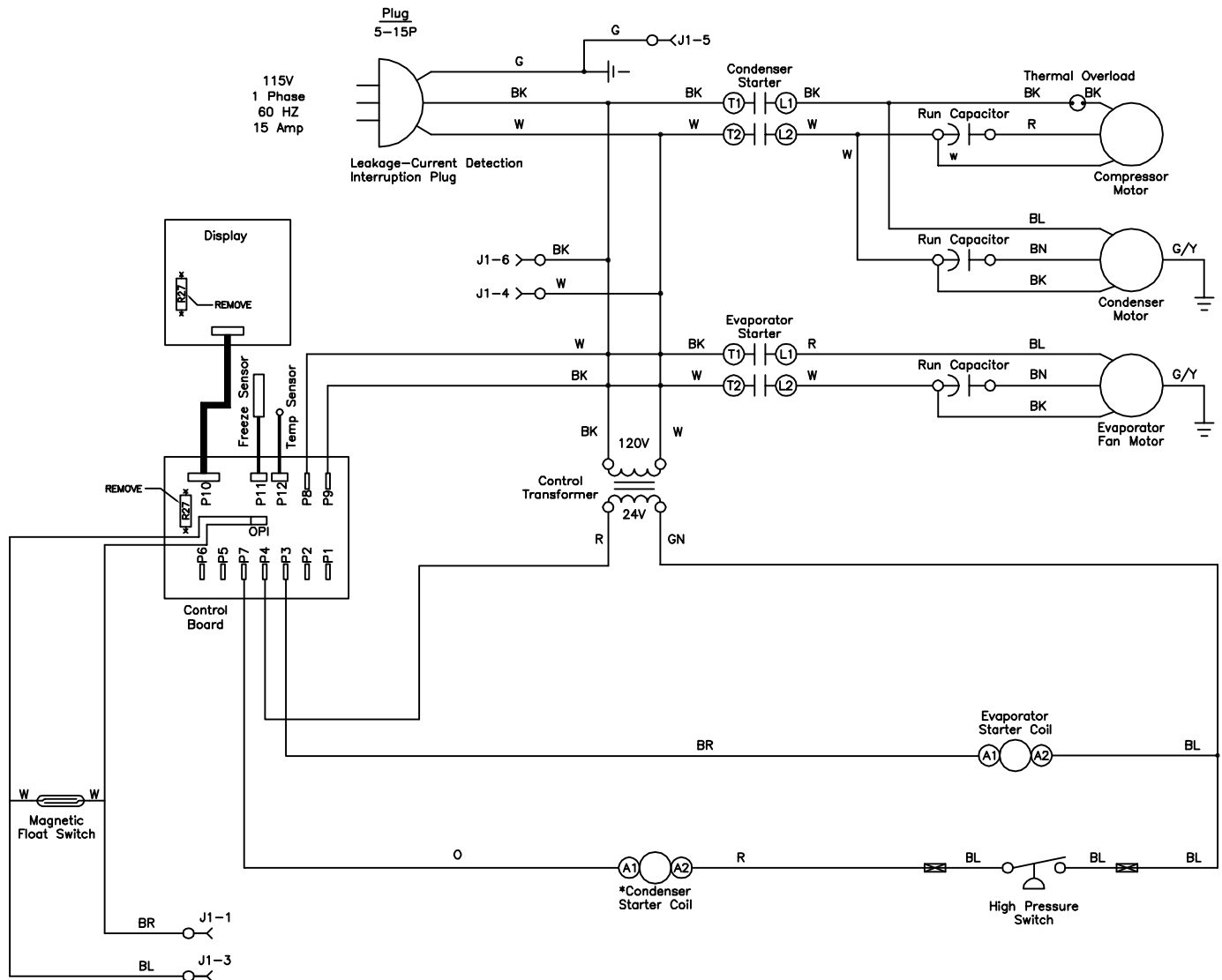
Replacement Parts List

Description	Part Number	TC-12B	TC-18B	TC-24B	TC-36B	TC-60B	TC-60B3	TC-60B4
	87300.447						•	
	87300.416							•
delay timer	87900.038	•						
condensate float relay	86300.018	•						
condensate float relay base	86300.020	•						
filter door latch	84900.061	•	•	•	•	•	•	•
door handle	83800.004	•	•	•	•	•	•	•
magnetic switch	87500.425	•	•	•	•			
condensate float	99900.721	•	•	•	•			
evaporator filter	83200.201	•						
	83200.203		•	•				
	83200.681				•			
	83200.208					•	•	•
condenser filter	83200.200	•						
	83200.161		•					
	83200.202			•				
	83200.682				•			
	83200.209					•(2)	•(2)	•(2)
evaporator coil	81400.343	•						
	81400.341		•	•				
	81400.305				•			
	81400.298					•	•	•
condenser coil	81400.344	•						
	81400.342		•	•				
	81400.306				•			
	81400.299					•	•	•
3-in caster, (2) per unit	81000.051	•	•	•	•			
3-in swivel caster, (2) per unit	81000.050	•	•	•	•			
5-in caster, (2) per unit	81000.045					•	•	•
5-in swivel caster, (2) per unit	81000.046					•	•	•
high pressure switch	87500.424	•	•	•	•	•	•	•
manual thermostat	87800.102	•						
thermostat knob	82000.081	•						
digital thermostat	87800.888		•					
	87800.889			•	•	•	•	•
condensate tank	99900.717	•	•	•				
tank well cap	06000.615	•	•	•				
spring clip, 3/8-in	81300.030	•	•	•				
door latch - snap-in	84900.054	•	•	•				
handle, pocket	83800.004	•	•	•	•	•	•	•
freeze protection control	87800.090	•						
drain pan	84600.196	•						
	84600.197		•	•	•			
	99900.303					•	•	•
condenser motor sheave	86900.029					•	•	•
condenser blower sheave	86900.554					•	•	•
condenser blower belt	80400.212					•	•	•
condensate jumper plug	88800.165	•	•	•	•			
2-1/2-amp fuse	83500.024					•(2)	•(2)	•(2)
3-amp fuse	83500.055					•(2)	•(2)	•(2)
20-amp 3 pole contactor	87300.416							•(2)

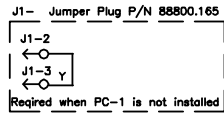
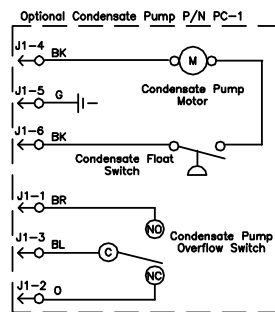
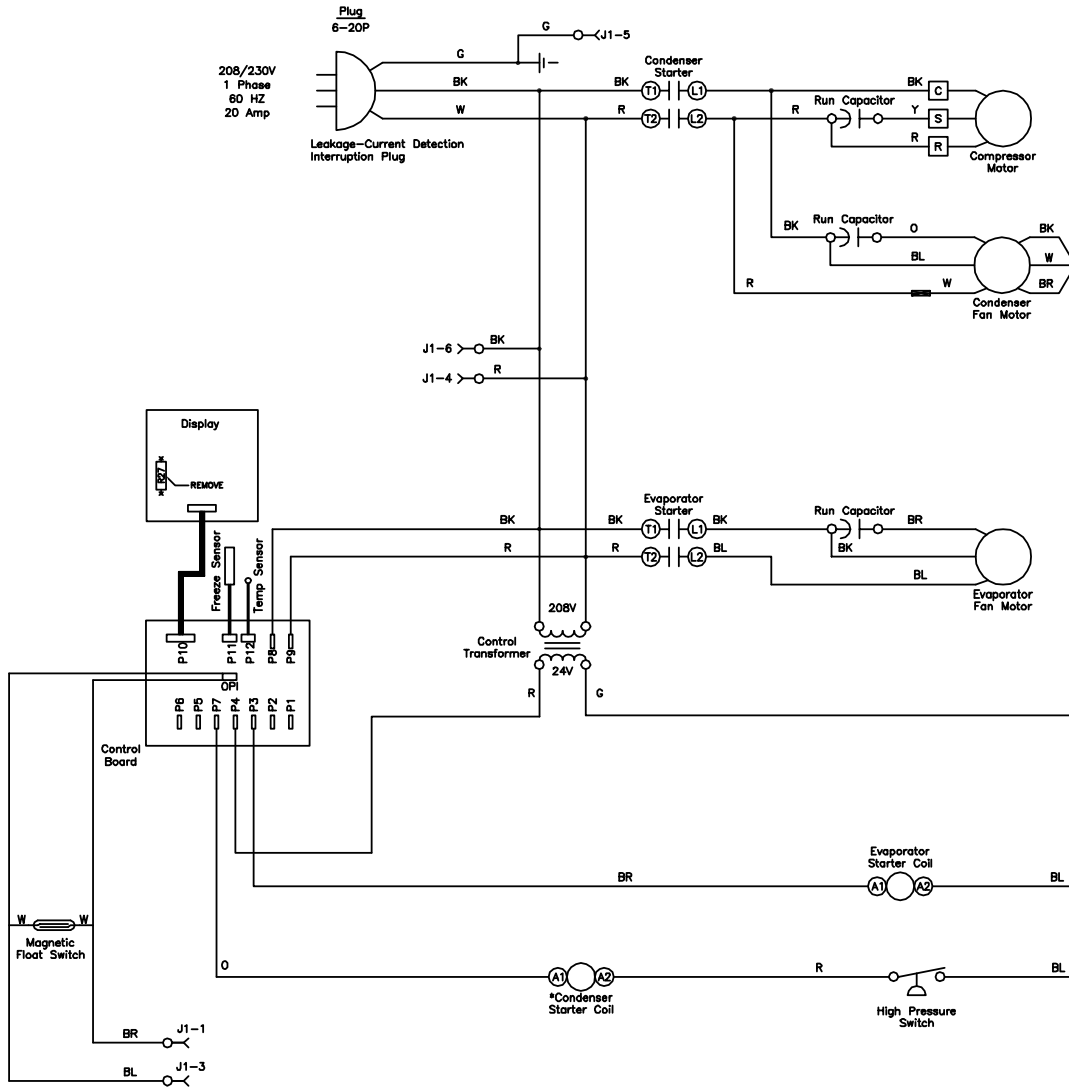
Wiring Schematic, TC-12B



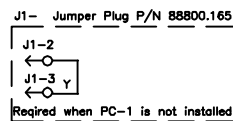
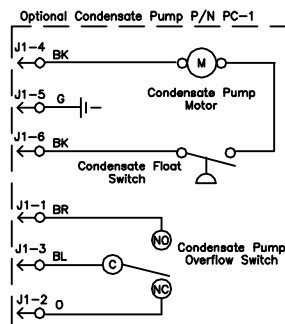
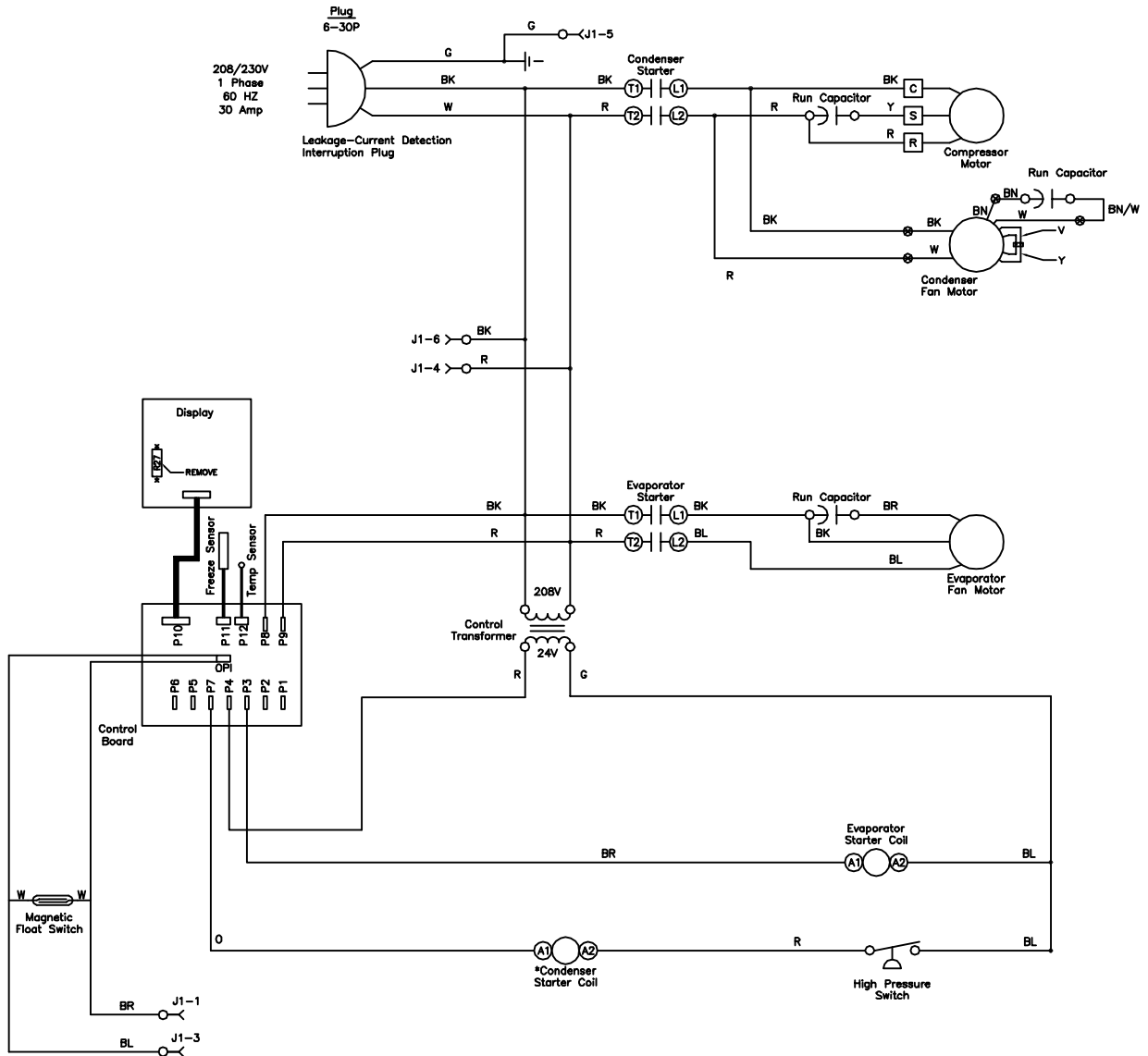
Wiring Schematic, TC-18B



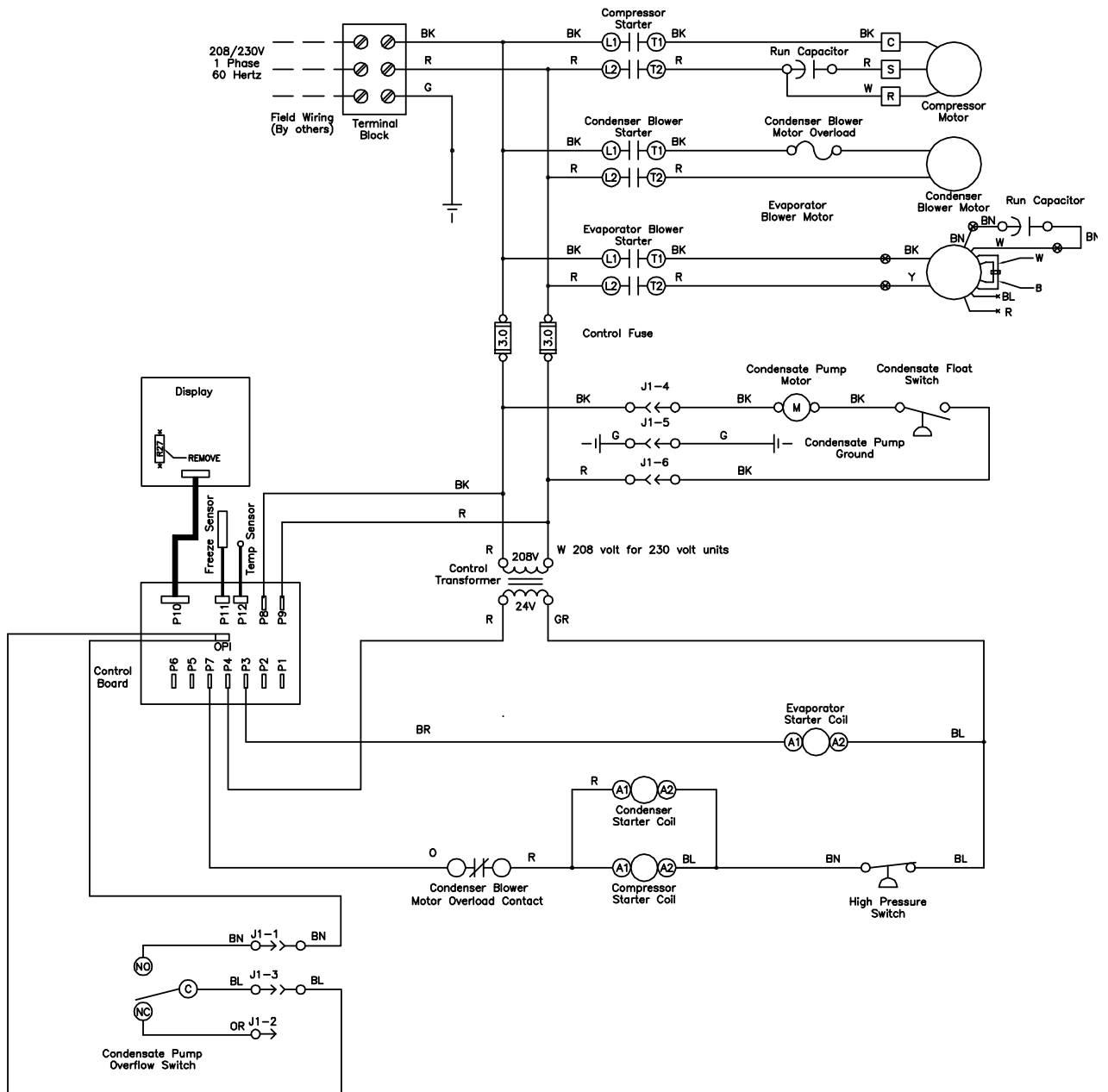
Wiring Schematic, TC-24B



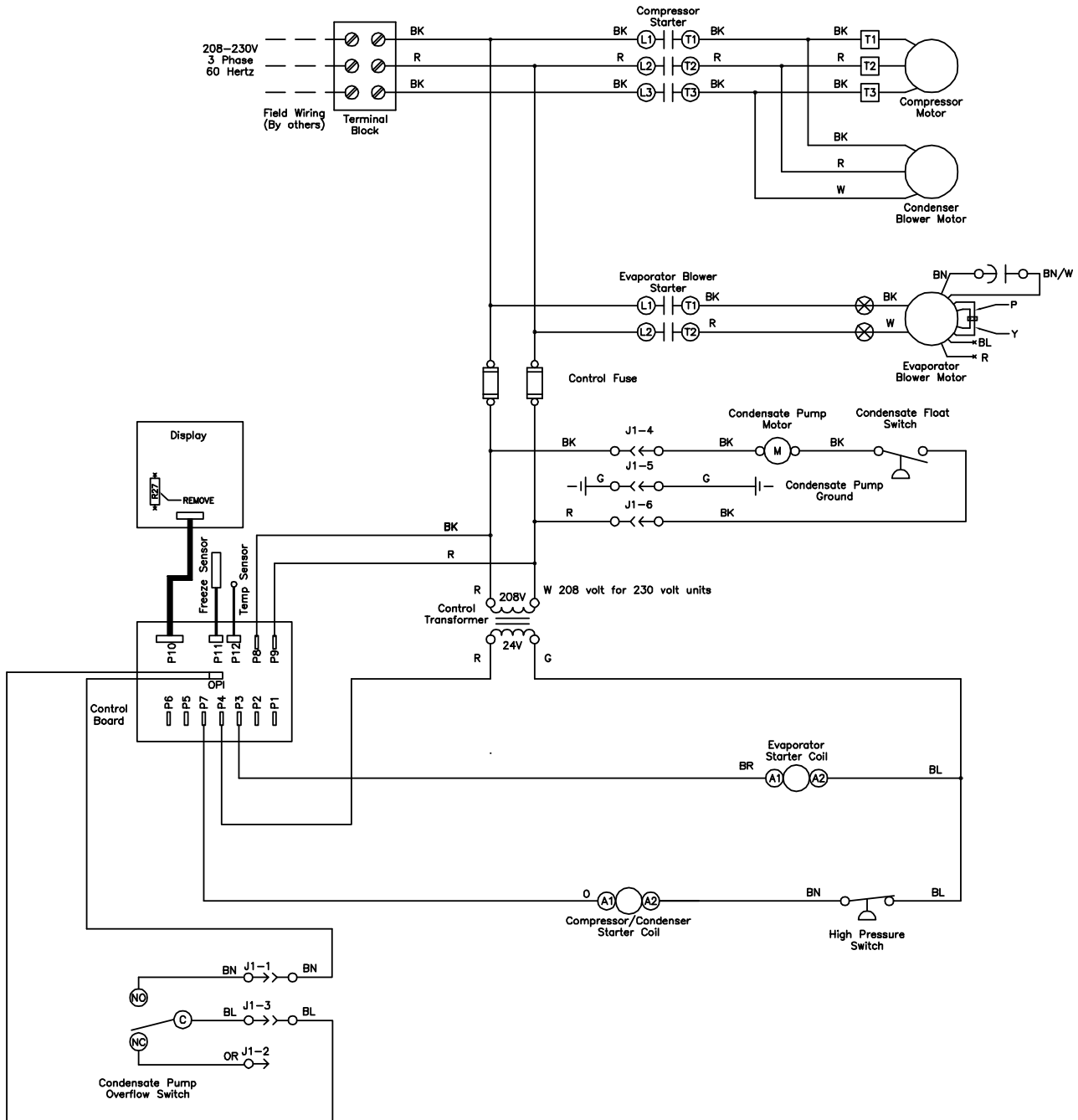
Wiring Schematic, TC-36B



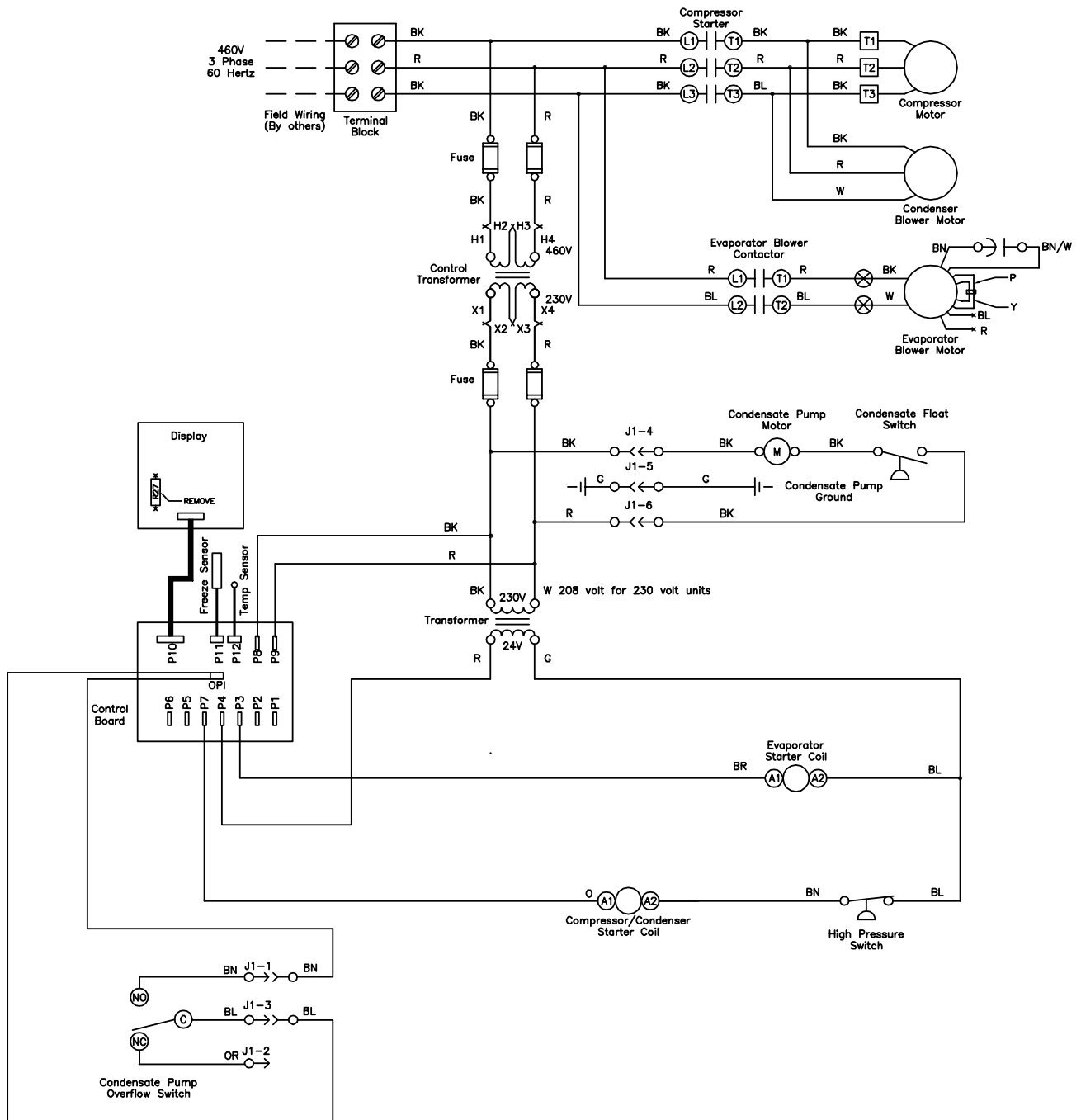
Wiring Schematic, TC-60B



Wiring Schematic, TC-60B3



Wiring Schematic, TC-60B4



TEMP-AIR
3700 West Preserve Boulevard
Burnsville, Minnesota 55337-7746

1-800-836-7432

TC-MAN-BD1

© 2013 TEMP-AIR, Inc.

Printed in USA