

# SIEMENS

*Ingenuity for life*



## Power Quality Solution

[www.siemens.co.in](http://www.siemens.co.in)

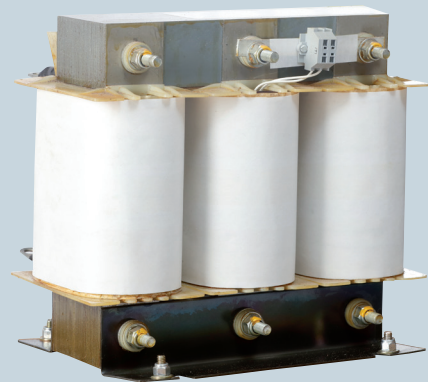


# Index

Introduction	3
SIECAP™ LV Capacitors	4
Detuned reactors	16
APFC Controllers	24
Capacitor Duty contactors	29
Selection tables	33



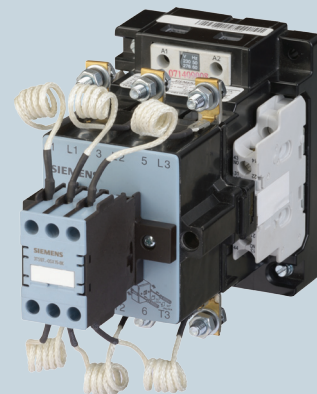
4RB LV Capacitors



4KA Detuned Reactors



7UG0 APFC controller



3TS Capacitor Duty Contactor

# Introduction:

For electricity consumer lagging reactive power generated from inductive loads is one of the major causes of power and financial losses i.e. poor power factor (non-unity). Incorporating power factor correction devices in the network helps in generating leading reactive power to compensate lagging reactive power. This techniques help consumer to achieved power factor ( $\cos \phi$ ) close to unity. Fig 1

The necessary leading power can be produced by LV capacitor connected in parallel to the supply network close to the lagging power source (Like Induction motors, MCC panels etc)

The capacitors connect can be fixed type for given fixed lagging pf of the system at a point in power system or variable in steps for a changing connected load. Fig 2

## Advantages of power factor corrections:

- Reduction of reactive power in system
- Low cost of energy levied at better pf
- Improved voltage quality
- Reduced voltage drops
- Optimum cable design
- Reduced transmission losses

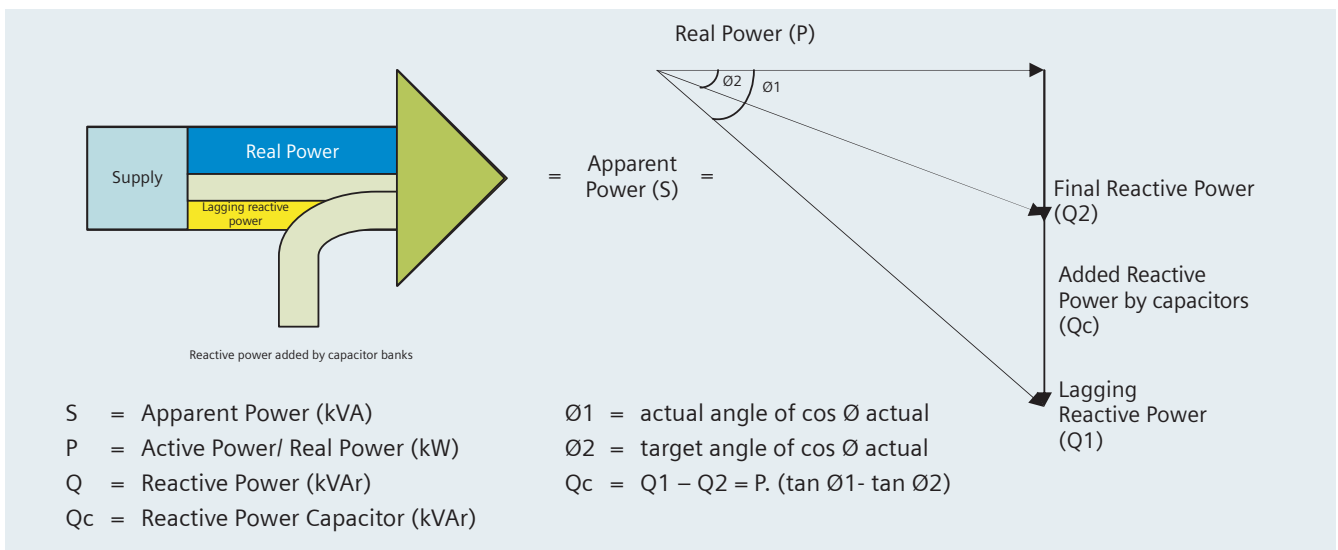
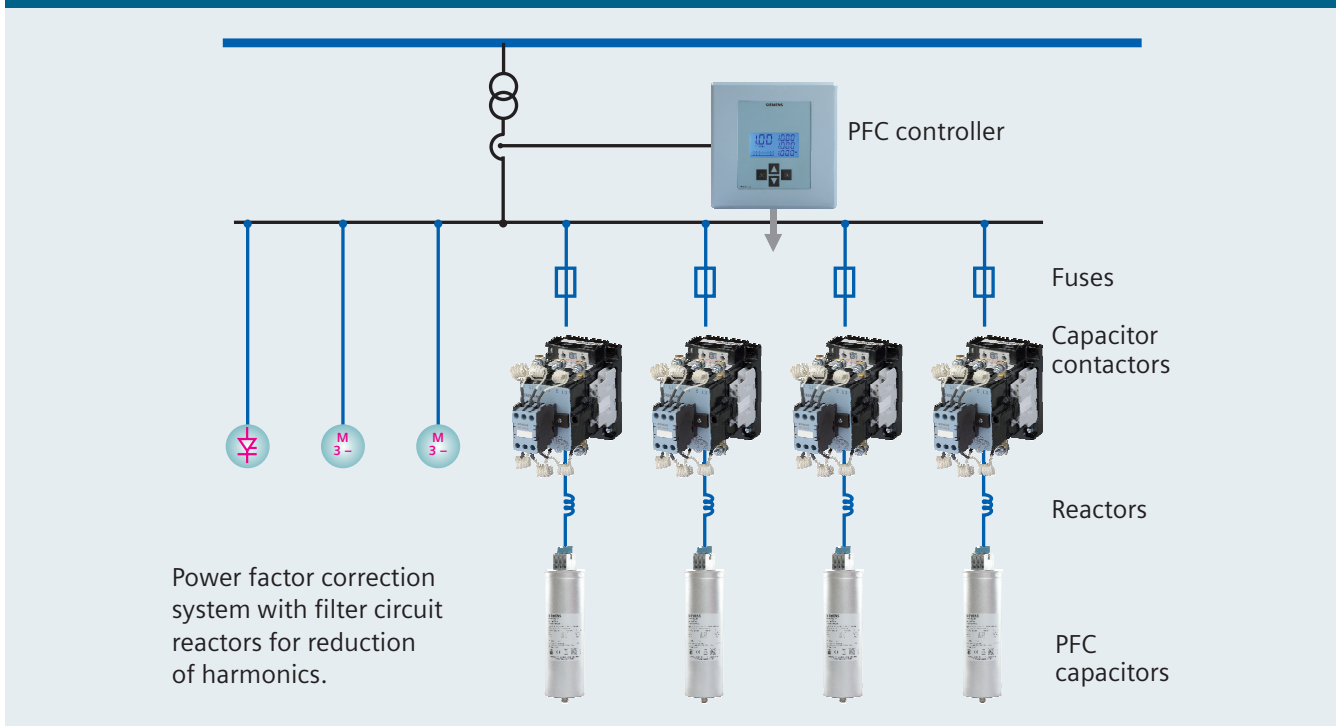


Fig 1

## Typical power factor correction circuit diagram



# SIECAP™ LV Capacitors

## Capacitor

SIEMENS SIECAP™ range of capacitor can withstand high inrush currents caused while individual switching operation (>100IR) as well while connected in parallel, i.e. as banks when the inrush current is increased to  $\geq 150 \cdot IR$ . The high inrush is because of the charging current comes from the power line as well as from other capacitors connected in parallel in the bank.

SIEMENS capacitor range broadly classified in two variants:



SIECAP™ range of capacitor is based MPP technology [Metalized of Zinc Al alloy over Polypropylene dielectric] of film making with an impregnation of semi-dry biodegradable soft resin.

Special film-cutting technique (optimized combination of wavy and smooth cuts) & heavy edge and produces a maximum effective surface for the metal spraying or contacting process, Fig 3.

SIECAP™ capacitors are most compact and light in weight

### Wavy cut design

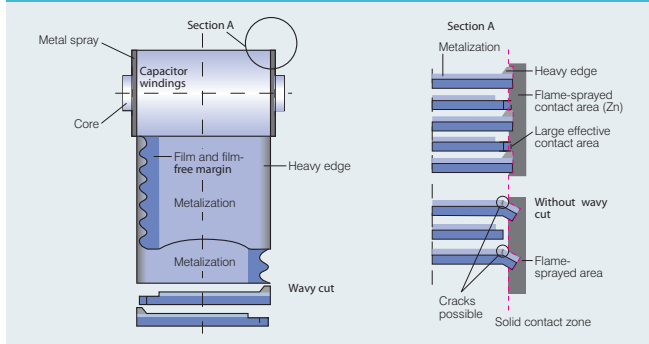
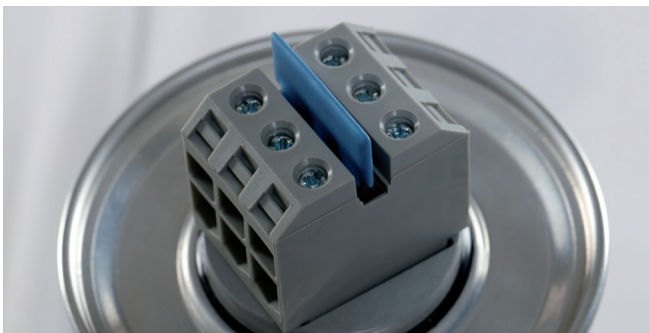
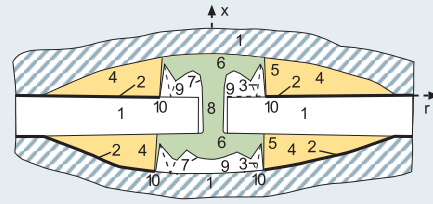


Fig 3



## Self-healing properties

### Self-healing



- 1 Dielectric
- 2 Metalized electrodes
- 3 Material displacing shock wave
- 4 Air gap with metal vapor
- 5,6 Plasma zone
- 7 Boundary layer between gas phase dielectric and plasma
- 8 Breakdown channel
- 9 Gas phase dielectric
- 10 Zone of displaced metalization and dielectric (isolating region)

Fig 4

In case of electrical overload the dielectric in the breakdown channel is broken down into highly compressed plasma that explodes out of the breakdown channel and pushes the dielectric layers apart. The discharge continues within the spreading plasma via the metal layers so that the metal surrounding the faulty area is completely burnt out. This produces perfect isolation of the faulty area within microseconds. The self-healing process results in negligible capacitance loss less than 100 pF per event. The capacitor remains fully functional during the entire process, Fig 4

## Overpressure disconnecter

### Overpressure disconnecter

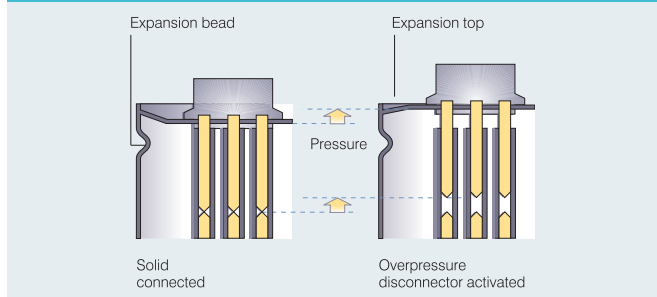


Fig 5

At the end of the capacitor's service life or when a high pressure forms inside the can, the overpressure disconnecter is activated. The specially designed cover with an expansion bead moves upwards. Expansion beyond a certain degree will separate the wires and disconnect the capacitor safely from the line. The disconnecter is separated at its breakpoint (small notch) and the flow of current to the capacitor windings is interrupted. Fig 5

## Sigut terminals

SIECAP™ range of capacitor comes with SIGUT terminal strip with electric shock protection (IP2X),

These terminal provides figure touch protection for users

These as well ensures reliable connection



## Overview

### Low Voltage 3 phase Power Capacitors - SIECAP™ ND

As per IEC 60831–1/2 Edition 3.0 (2014), IS 13340–1/2

SIECAP™ ND capacitors is a series of MPP Metalized polypropylene) capacitors which have been used for PFC applications



The power range varies from 0.5 to 30.0 kVar for a three-phase capacitor design

The SIECAP™ ND capacitor is especially intended for power factor correction in industrial and commercial applications

The capacitors are manufactured using metalized polypropylene film as the dielectric and housed in a cylindrical aluminum case

## Applications

- Power Factor Correction (PFC)
- Automatic capacitor banks
- Fixed PFC applications, e.g. motor compensation
- Detuned PFC systems
- Dynamic PFC systems

## Key Features

- Compact design in cylindrical aluminum can with stud
- Stacked winding
- MPP technology
- Voltage range 415 ... 480 V
- Output range 0.5 ... 30 kvar

## Electrical

- Up to 30 kvar per case for three-phase applications
- Long life expectancy of up to 100 000 hours
- High pulse current withstand capability (up to  $200 \cdot IR$ )

## Mechanical and maintenance

- Reduced mounting costs, easy installation and connection
- Low weight and compact volume
- Maintenance-free

## Safety

- Self-healing
- Overpressure disconnecter
- Fast On & Shock hazard protected SIGUT- terminals

## Technical specifications

<b>Standards</b>		IEC 60831–1/2 Edition 3.0 (2014), IS 13340–1/2 (2012)
<b>Overvoltage</b>	V <sub>max</sub>	VR +10% (up to 8 h daily) VR +15% (up to 30 min. daily) VR +20% (up to 5 min. daily) VR +30% (up to 1 min. daily)
<b>Overcurrent</b>	I <sub>max</sub>	Up to 1.3 ...1.5 • IR (A) (including combined effects of harmonics, overvoltages and capacitance tolerance) depending on the individual type
<b>Inrush current</b>	I <sub>s</sub>	≤ 200 IR (A)
<b>Losses</b>		
• Dielectric		0.2 W/ kVar
• Total <sup>1</sup>		0.5 W/ kVar
<b>Rated frequency</b>	f	50 / 60 Hz
<b>Capacitance tolerance</b>		–5 % / +10 %
<b>Test voltage, terminal / terminal</b>	V <sub>TT</sub>	2.15 * V <sub>N</sub> VAC / 50 Hz, 2s
<b>Test voltage, terminal / case</b>	V <sub>TC</sub>	3600 VAC / 50 Hz, 2 s
<b>Mean life expectancy</b>	T <sub>Ld(Co)</sub>	Upto 100 000 hours (temperature class –25/D)
<b>Ambient temperature</b>		Class –25/D: Max. short time: + 55°C, max. mean 24h: +45°C; max mean 1 year: +35°C; lowest temperature: - 25°C
<b>Cooling</b>		Natural or Forced air cooling
<b>Humidity</b>	H <sub>rel</sub>	max. 95 %
<b>Altitude</b>		max. 4000 m above sea level
<b>Mounting position</b>		Upright
<b>Mounting and grounding</b>		Threaded M12 (10 Nm) for case size diam. > 53 mm M8 (4 Nm) for case size diam ≤ 53 mm
<b>Safety</b>		Self-healing technology, overpressure disconnecter
<b>Discharge module</b>		Discharge module included
<b>Case</b>		Extruded aluminium cane
<b>Enclosure</b>		IP00 for plastic top – 1 to 5.5 kvar, indoor mounting IP20 for metal top – 5 to 30 kvar, indoor mounting
<b>Dielectric</b>		Polypropylene film
<b>Impregnation</b>		Biodegradable soft resin, semi-dry
<b>Terminals</b>		SIGUT screw terminals, max current 50 A, max. 16 mm <sup>2</sup> cable cross-section or Fast-On terminals
<b>Number of switching operations</b>		5000 switching's per year

1) Without discharge resistor

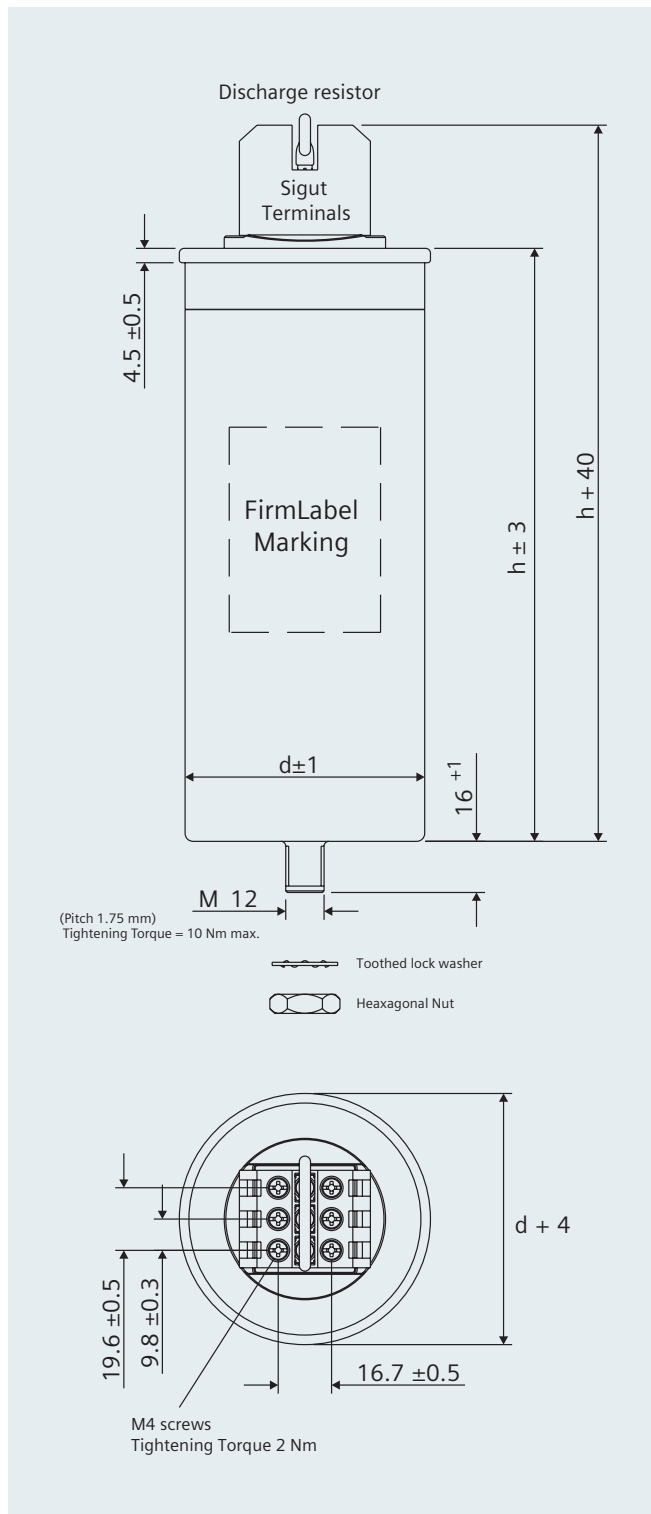


## Ordering details

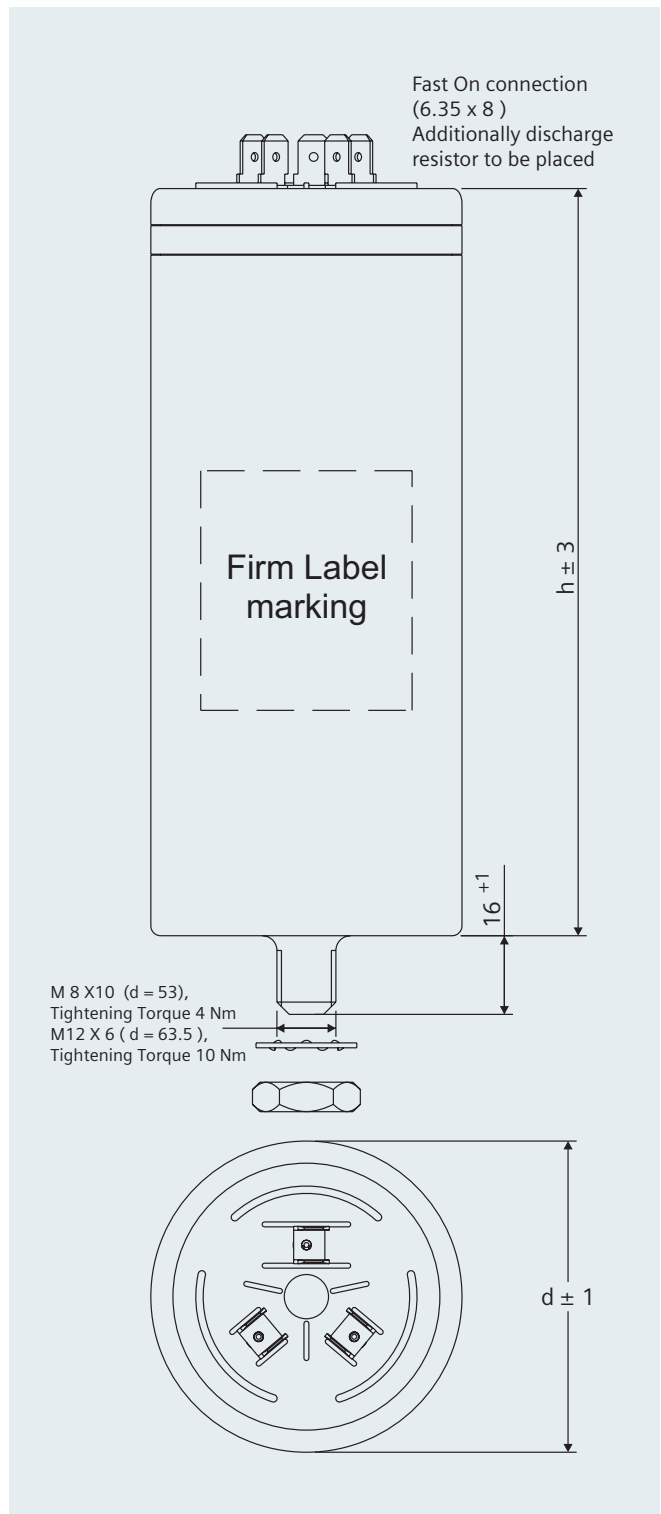
50 Hz Output in kVar	60 Hz Output in kVar	Capacity in uF 3 x	Terminal Type	Dimensions D * H mm Ø	Order No	PU Unit (s)	MOQ Unit (s)	Weight per PU Kg approx
<b>Rated Voltage 440 V AC</b>								
0.9	1.1	4.9	B	53 x 117	4RB2008-3EE50-8K	1	12	0.44
1	1.2	5.5	B	53 x 117	4RB2010-3EE50-8K	1	12	0.44
1.2	1.4	6.6	B	53 x 117	4RB2012-3EE50-8K	1	12	0.44
1.2	1.4	6.6	B	53 x 117	4RB2012-3EE50-8K	1	12	0.44
2.1	2.5	11.5	B	53 x 117	4RB2021-3EE50-8K	1	12	0.44
2.5	3	13.7	B	63.5 x 129	4RB2025-3EE50-8K	1	12	0.66
3	3.6	16.4	B	63.5 x 129	4RB2030-3EE50-8K	1	12	0.66
4.2	5	23	B	63.5 x 129	4RB2042-3EE50-8K	1	12	0.66
5	6	27.4	B	63.5 x 152	4RB2050-3EE50-8K	1	12	0.66
6	7.2	32.9	A	75 x 195	4RB2060-3EE50-8K	1	6	1.32
7	8.4	38.4	A	75 x 195	4RB2070-3EE50-8K	1	6	1.32
7.5	9	41.1	A	75 x 195	4RB2075-3EE50-8K	1	6	1.32
8.3	10	45.5	A	75 x 195	4RB2083-3EE50-8K	1	6	1.32
9	10.8	49.3	A	75 x 195	4RB2090-3EE50-8K	1	6	1.32
10	12	54.8	A	85 x 195	4RB2100-3EE50-8K	1	4	1.65
12.5	15	68.5	A	85 x 270	4RB2125-3EE50-8K	1	4	1.98
15	18	82.2	A	85 x 270	4RB2150-3EE50-8K	1	4	1.98
16.7	20	91.5	A	85 x 348	4RB2167-3EE50-8K	1	4	2.64
20	24	109.6	A	85 x 348	4RB2200-3EE50-8K	1	4	2.64
20.8	25	114	A	85 x 348	4RB2208-3EE50-8K	1	4	2.64
25	30	137	A	90 x 348	4RB2250-3EE50-8K	1	4	2.75
28	–	153.4	A	90 x 348	4RB2280-3EE50-8K	1	4	2.75
30	–	164.4	A	90 x 348	4RB2300-3EE50-8K	1	4	2.75
<b>Rated Voltage 480 V AC</b>								
1	1.2	4.6	B	53 x 117	4RB2010-3EJ50-8K	1	12	0.44
1.5	1.8	6.9	B	63.5 x 129	4RB2015-3EJ50-8K	1	12	0.66
2	2.4	9.2	B	63.5 x 129	4RB2020-3EJ50-8K	1	12	0.66
2.5	3	11.5	B	63.5 x 129	4RB2025-3EJ50-8K	1	12	0.66
4.2	5	19.3	B	63.5 x 152	4RB2042-3EJ50-8K	1	12	0.66
5	6	23	A	75 x 195	4RB2050-3EJ50-8K	1	12	1.32
5.5	6.6	25.3	B	63.5 x 188	4RB2055-3EJ50-8K	1	12	0.66
8.3	10	38.2	A	75 x 270	4RB2083-3EJ50-8K	1	6	1.54
10.4	12.5	47.9	A	85 x 270	4RB2104-3EJ50-8K	1	4	1.98
11.1	13.3	51.1	A	85 x 270	4RB2111-3EJ50-8K	1	4	1.98
12.5	15	57.6	A	85 x 348	4RB2125-3EJ50-8K	1	4	2.64
13.8	16.6	63.5	A	85 x 270	4RB2138-3EJ50-8K	1	4	1.98
15	18	69.1	A	85 x 348	4RB2150-3EJ50-8K	1	4	2.64
16.7	20	76.9	A	85 x 348	4RB2167-3EJ50-8K	1	4	2.64
20.8	25	95.8	A	85 x 348	4RB2208-3EJ50-8K	1	4	2.64
25	30	115.1	A	90 x 348	4RB2250-3EJ50-8K	1	4	2.75
27.7	–	127.5	A	90 x 348	4RB2277-3EJ50-8K	1	4	2.75
30	–	138.1	A	90 x 348	4RB2300-3EJ50-8K	1	4	2.75

## Dimension drawings

### Terminal Type A



### Terminal Type B







## Technical specifications

<b>Standards</b>		IEC 60831–1/2 Edition 3.0 (2014), IS 13340–1/2 (2012)
Overvoltage	V <sub>max</sub>	VR +10% (up to 8 h daily) VR +15% (up to 30 min. daily) VR +20% (up to 5 min. daily) VR +30% (up to 1 min. daily)
Overcurrent	I <sub>max</sub>	Up to 1.6 ...2.0 • I <sub>R</sub> (A) (including combined effects of harmonics, overvoltages and capacitance tolerance) depending on the individual type
Inrush current	I <sub>s</sub>	≤ 500 I <sub>R</sub> (A)
Losses		
• Dielectric		0.2 W/ kVar
• Total <sup>1</sup>		0.45 W/ kVar
Rated frequency	f	50 / 60 Hz
Capacitance tolerance		–5 % / +5 %
Test voltage, terminal / terminal	V <sub>TT</sub>	2.15 * V <sub>N</sub> VAC / 50 Hz, 2s
Test voltage, terminal / case	V <sub>TC</sub>	3600 VAC / 50 Hz, 2 s upto V <sub>N</sub> = 525 VAC 6000 VAC / 50 Hz, 2 s above V <sub>N</sub> = 525 VAC
Mean life expectancy	T <sub>Ld(Co)</sub>	Upto 200 000 hours (temperature class –40/D)
Ambient temperature		Class -40/60: Max. short time: + 60°C, max. mean 24h: +45°C; max mean 1 year: +35°C; lowest temperature: - 40°C
Cooling		Natural or Forced air cooling
Humidity	H <sub>rel</sub>	max. 95 %
Altitude		max. 4000 m above sea level
Mounting position		Upright / horizontal
Mounting and grounding		Threaded M12 (10 Nm) for case size diam. > 53 mm M8 (4 Nm) for case size diam ≤ 53 mm
Safety		Self-healing technology, overpressure disconnecter
Discharge module		Discharge module included
Case		Extruded aluminium cane
Enclosure		IP00 for plastic top – 1 to 4 kvar, indoor mounting IP20 for metal top – 5 to 30 kvar, indoor mounting
Dielectric		Polypropylene film
Impregnation		Biodegradable soft resin, semi-dry
Terminals		SIGUT screw terminals, max current 80 A, max. 25 mm <sup>2</sup> cable cross-section or Fast-On terminals
Number of switching operations		15000 switching's per year

1) Without discharge resistor



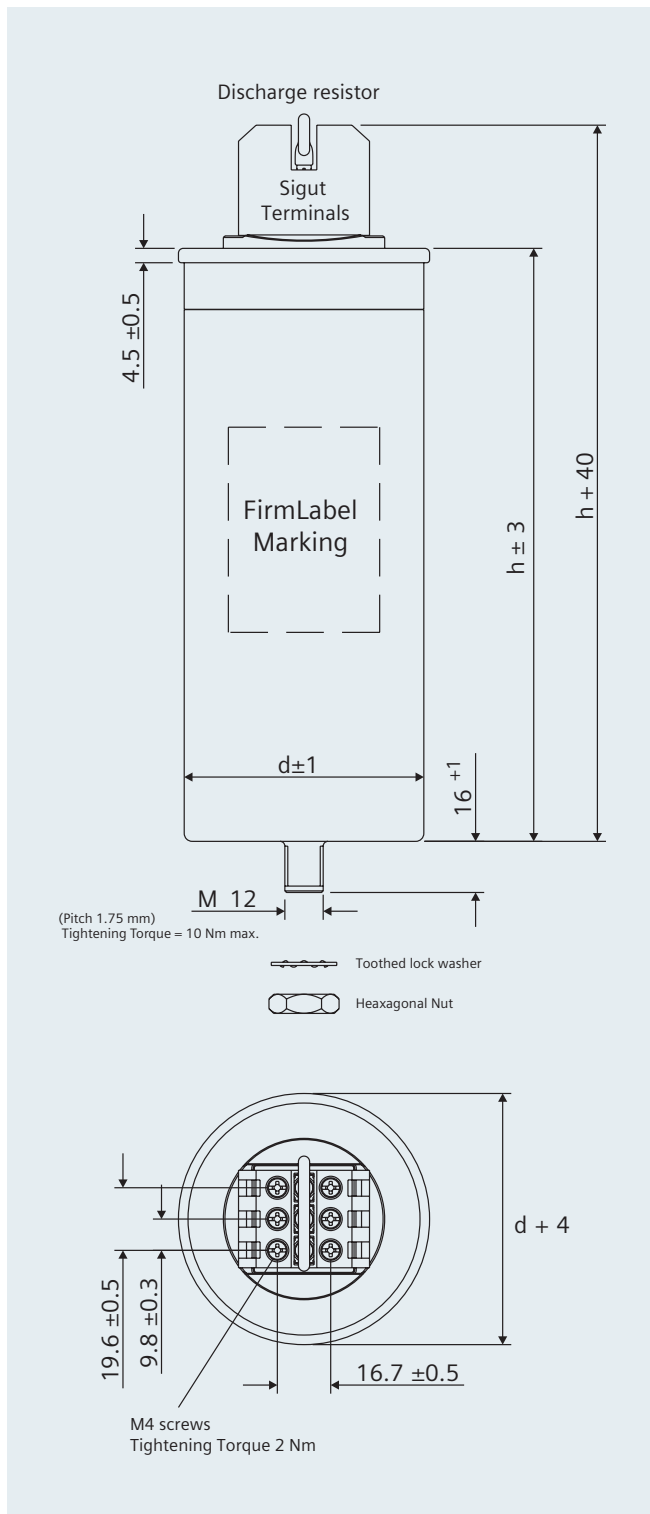
## Ordering details

50 Hz Output in kVar	60 Hz Output in kVar	Capacity in $\mu\text{F}$ 3 x	Terminal Type	Dimensions D * H mm $\varnothing$	Order No	PU Unit (s)	MOQ Unit (s)	Weight per PU Kg approx
<b>Rated Voltage 415 V AC</b>								
5	6	30.8	A	75 x 164	4RB1050-3EB50-8K	1	4	0.95
6.3	7.6	38.8	A	75 x 164	4RB1063-3EB50-8K	1	4	0.95
7.5	9	46.2	A	75 x 200	4RB1075-3EB50-8K	1	4	1.16
10.4	12.5	64.1	A	75 x 200	4RB1104-3EB50-8K	1	4	1.16
12.5	15	77	A	85 x 200	4RB1125-3EB50-8K	1	4	1.48
15	18	92.4	A	85 x 200	4RB1150-3EB50-8K	1	4	1.48
20	24	123.2	B	100 x 207	4RB1200-3EB50-8K	1	4	2.13
25	30	154	B	116 x 192	4RB1250-3EB50-8K	1	4	2.65
28.1	-	173.1	B	116 x 207	4RB1281-3EB50-8K	1	4	2.86
30	-	184.8	B	116 x 207	4RB1300-3EB50-8K	1	4	2.86
33	-	203.3	B	116 x 224	4RB1330-3EB50-8K	1	4	3.09
<b>Rated Voltage 440 V AC</b>								
1	1.2	5.5	E	53 x 117	4RB1010-3EE50-8K	1	4	0.44
2	2.4	11	E	53 x 129	4RB1020-3EE50-8K	1	4	0.44
3	3.6	16.4	E	53 x 129	4RB1030-3EE50-8K	1	4	0.44
4	4.8	21.9	E	63.5 x 152	4RB1040-3EE50-8K	1	4	0.66
5	6	27.4	A	75 x 164	4RB1050-3EE50-8K	1	4	0.95
7.5	9	41.1	A	75 x 200	4RB1075-3EE50-8K	1	4	1.16
10	12	54.8	A	75 x 200	4RB1100-3EE50-8K	1	4	1.16
10.4	12.5	57	A	85 x 200	4RB1104-3EE50-8K	1	4	1.48
12.5	15	68.5	A	85 x 200	4RB1125-3EE50-8K	1	4	1.48
15	18	82.2	A	85 x 218	4RB1150-3EE50-8K	1	4	1.62
16.7	20	91.5	B	100 x 207	4RB1167-3EE50-8K	1	4	2.13
20	24	109.6	B	100 x 207	4RB1200-3EE50-8K	1	4	2.13
25	30	137	B	116 x 192	4RB1250-3EE50-8K	1	4	2.65
28.1	-	154	B	116 x 207	4RB1281-3EE50-8K	1	4	2.86
30	-	164.4	B	125 x 192	4RB1300-3EE50-8K	1	4	3.09
33.1	-	181.4	B	116 x 224	4RB1331-3EE50-8K	1	4	3.09
<b>Rated Voltage 480 V AC</b>								
5	6	23	A	75 x 164	4RB1050-3EJ50-8K	1	4	0.95
6.3	7.6	29	A	75 x 164	4RB1063-3EJ50-8K	1	4	0.95
8.3	10	38.2	A	75 x 200	4RB1083-3EJ50-8K	1	4	1.16
10.4	12.5	47.9	A	75 x 200	4RB1104-3EJ50-8K	1	4	1.16
11	13.2	50.7	A	85 x 200	4RB1111-3EJ50-8K	1	4	1.48
12.5	15	57.6	A	85 x 200	4RB1125-3EJ50-8K	1	4	1.48
13.8	16.6	63.5	A	85 x 200	4RB1138-3EJ50-8K	1	4	1.48
15	18	69.1	B	100 x 207	4RB1150-3EJ50-8K	1	4	2.13
16.7	20	76.9	B	100 x 207	4RB1167-3EJ50-8K	1	4	2.13
18.7	22.4	86.1	B	100 x 207	4RB1187-3EJ50-8K	1	4	2.13
20	24	92.1	B	100 x 207	4RB1200-3EJ50-8K	1	4	2.13
22	26.4	101.3	B	116 x 207	4RB1220-3EJ50-8K	1	4	2.86
25	30	115.1	B	116 x 192	4RB1250-3EJ50-8K	1	4	2.65
28.1	-	129.4	B	116 x 207	4RB1281-3EJ50-8K	1	4	2.86
30	-	138.1	B	125 x 192	4RB1300-3EJ50-8K	1	4	3.09
31	-	142.7	B	116 x 224	4RB1310-3EJ50-8K	1	4	3.09
33	-	152	B	116 x 224	4RB1330-3EJ50-8K	1	4	3.09

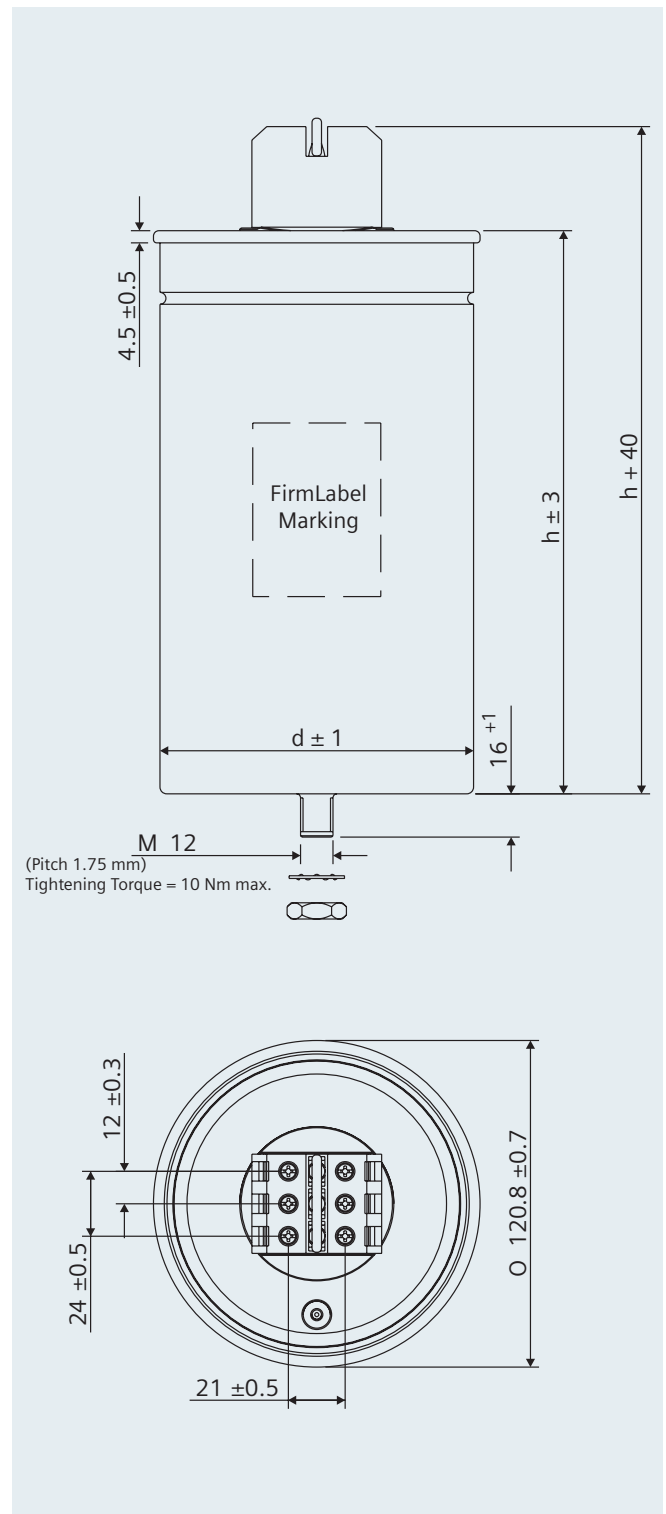
50 Hz Output in kVar	60 Hz Output in kVar	Capacity in $\mu\text{F} \pm 3\%$	Terminal Type	Dimensions D * H mm $\varnothing$	Order No	PU Unit (s)	MOQ Unit (s)	Weight per PU Kg approx
<b>Rated Voltage 525 V AC</b>								
5	6	19.2	A	75 x 164	4RB1050-3FC50-8K	1	6	0.95
6.3	7.6	24.2	A	75 x 164	4RB1063-3FC50-8K	1	6	0.95
8.3	10	31.9	A	75 x 200	4RB1083-3FC50-8K	1	6	1.16
10.4	12.5	40	A	85 x 185	4RB1104-3FC50-8K	1	9	1.37
12.5	15	48.1	A	85 x 200	4RB1125-3FC50-8K	1	9	1.48
13.2	15.8	50.8	A	85 x 200	4RB1132-3FC50-8K	1	9	1.48
15	18	57.7	A	85 x 218	4RB1150-3FC50-8K	1	4	1.62
16.7	20	64.3	B	100 x 207	4RB1167-3FC50-8K	1	6	2.13
20	24	77	B	100 x 224	4RB1200-3FC50-8K	1	4	2.3
25	30	96.2	B	116 x 207	4RB1250-3FC50-8K	1	4	2.86
26.5	31.8	102	B	116 x 207	4RB1265-3FC50-8K	1	4	2.86
30	-	115.5	B	125 x 207	4RB1300-3FC50-8K	1	4	3.1
33.1	-	127.4	B	136 x 192	4RB1331-3FC50-8K	1	4	3.65
<b>Rated Voltage 690 V AC</b>								
5.3	6.4	11.8	C	75 x 185	4RB1053-3GK50-8K	1	6	1.16
6.9	8.3	15.4	C	75 x 200	4RB1068-3GK50-8K	1	6	1.16
10.4	12.5	23.2	C	75 x 200	4RB1104-3GK50-8K	1	6	1.16
12.5	15	27.9	C	85 x 200	4RB1125-3GK50-8K	1	9	1.48
14.6	17.5	32.5	D	100 x 207	4RB1146-3GK50-8K	1	6	2.13
20	24	44.6	D	100 x 207	4RB1200-3GK50-8K	1	6	2.13
25	30	55.7	D	116 x 192	4RB1250-3GK50-8K	1	4	2.65

## Dimension drawings

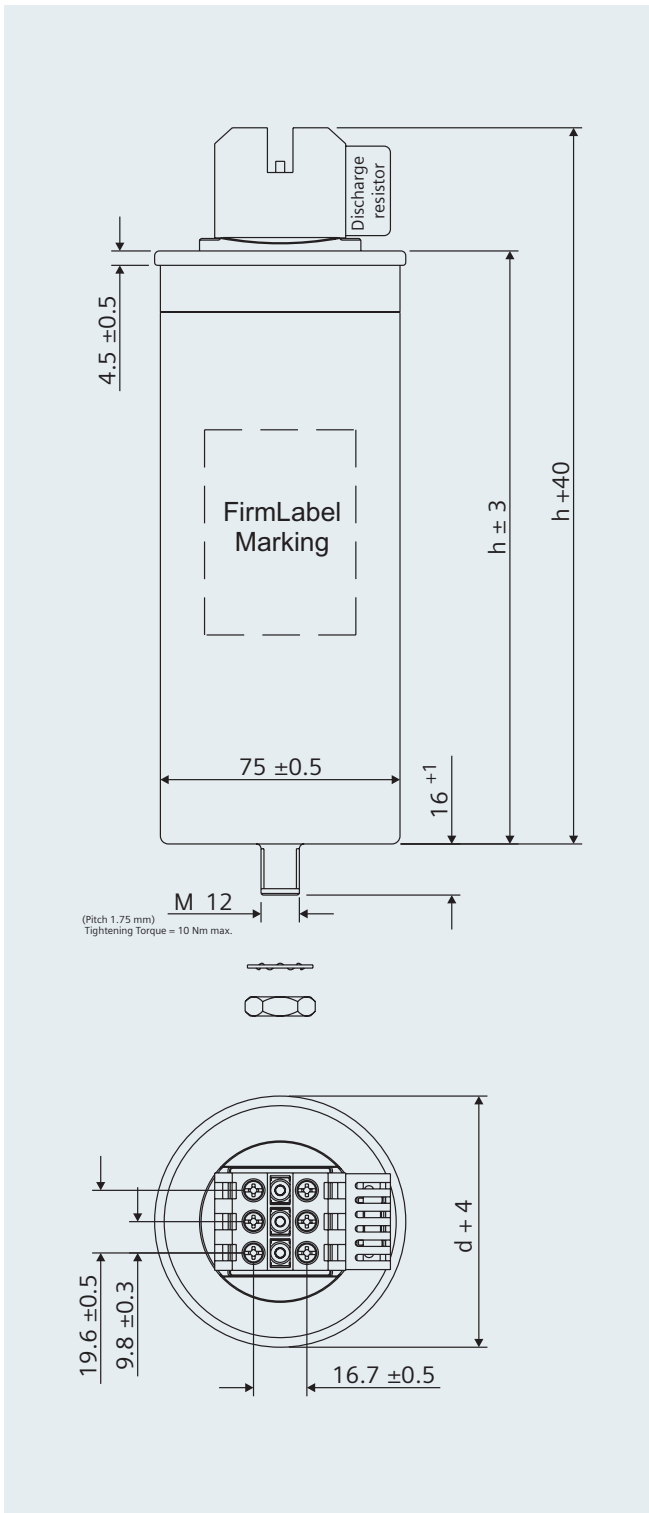
### Terminal Type A



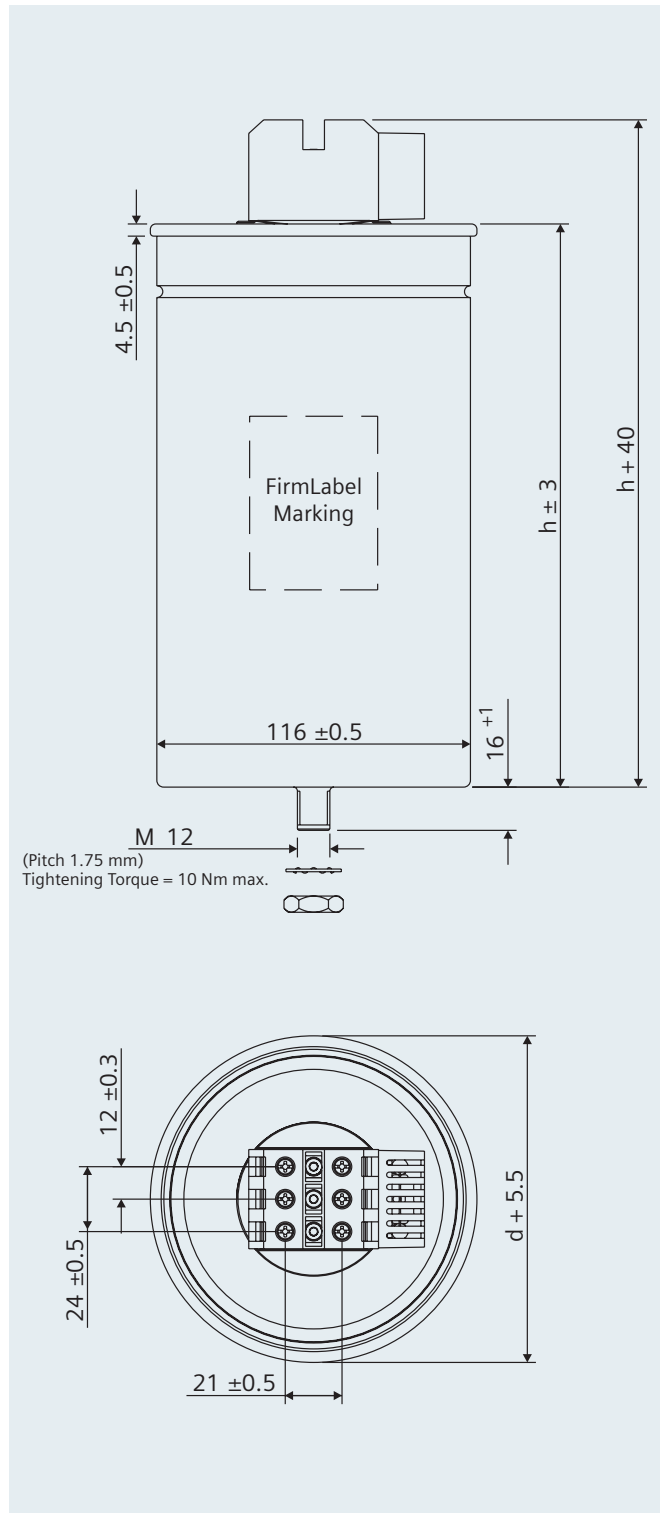
### Terminal Type B



### Terminal Type C

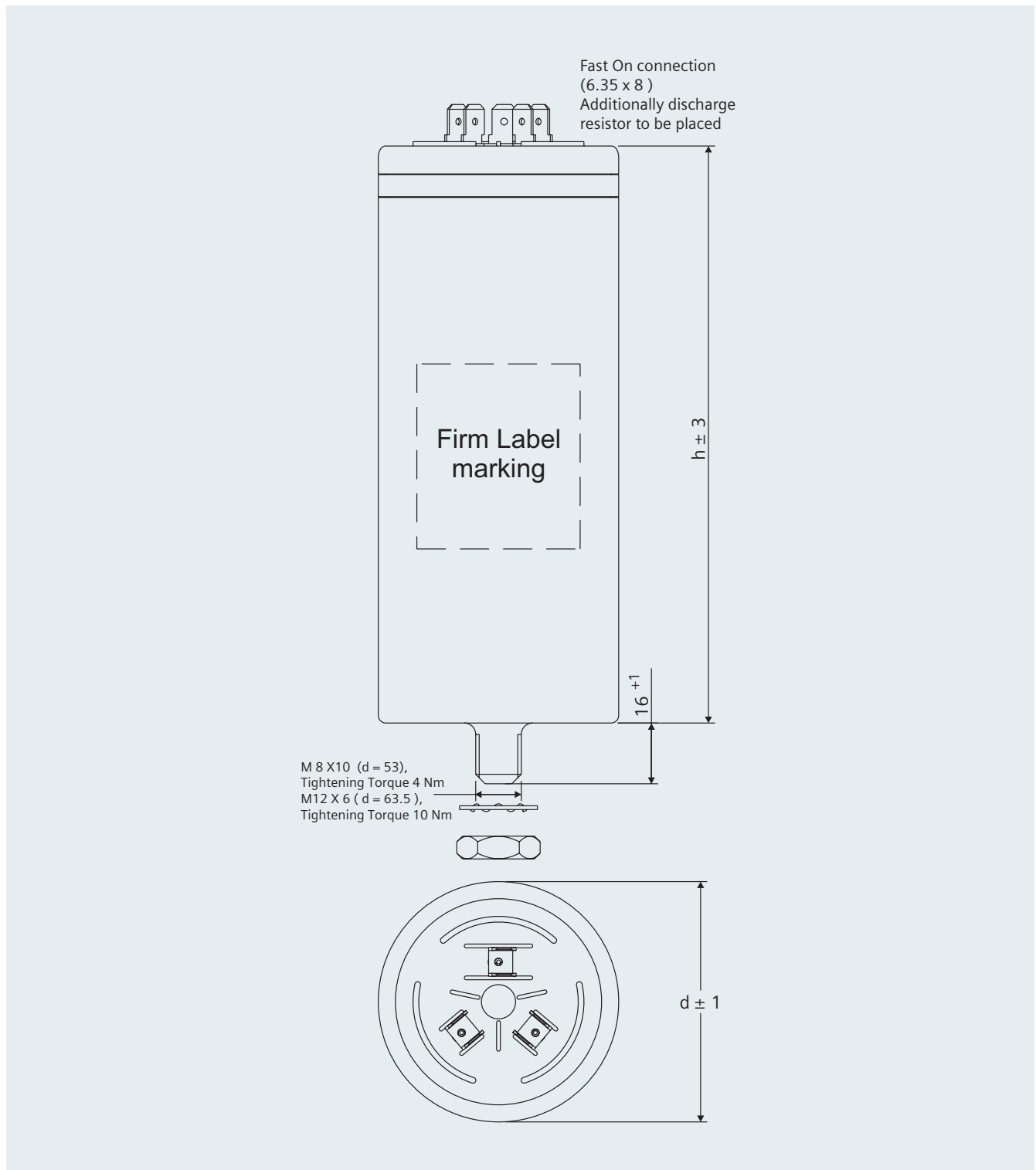


### Terminal Type D





# Terminal Type E



# Detuned reactor

## Overview



In past few years the use of power electronics equipment's like drives, SMPS, UPS etc has increased tremendously. These devices distort the pure sinusoidal waveform of power supply. These distortions can be called as harmonics. When a capacitor is used for power factor correction, it might create a resonating circuit with the feeding transformer. The resonance frequency is generally from 250Hz to 500Hz, that means 5th to 7th harmonics. This resonance is undesired condition and it might lead to

- Overloading of capacitors- reduce the life of capacitor
- Overloading of transformer, cables and other switchgear elements in the circuit- reduces life of all components
- Voltage distortion
- Increased power losses
- Nuisance tripping of protection equipment

This resonance can be avoided by putting a detuned reactor in series with the capacitor. The reactor shall be such that the tuning frequency with capacitor shall be less than the dominant harmonics. This combination of power factor correction capacitor and detuned reactors behaves inductively to frequencies above tuning frequency. Thus provide high impedance path to harmonics present in the system.

### Detuning factor

Detuning factor can be defined by following formula:-

$$\frac{X_L}{X_C} * 100 = p\%$$

Where

$X_L$  = Inductive reactance

$X_C$  = Capacitive reactance

$p$  = detuning factor in percentage

Tuning frequency of LC filter can be calculated by below formula:-

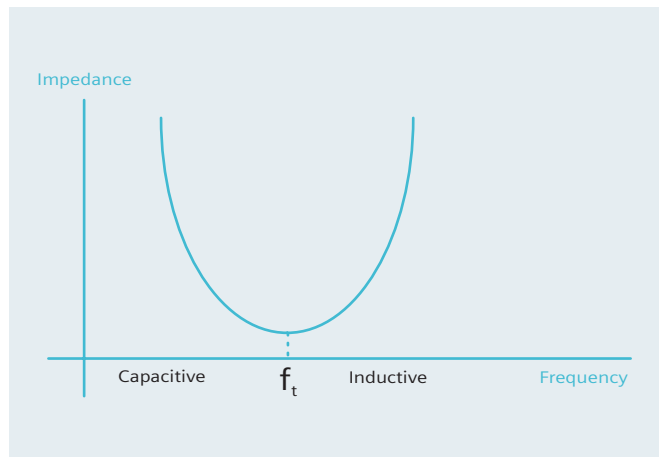
$$f_t = \frac{f_s}{\sqrt{\frac{p}{100}}}$$

Where

$f_t$  = tuning frequency

$f_s$  = supply frequency

$p$  = detuning factor in percentage



This combination of detuned LC filter will act capacitive for frequency below  $f_t$  and inductive for frequency above  $f_t$ . Thus for base frequency of 50 or 60Hz this detune filter will act as capacitive and improves the power factor. This LC detuned filter is selected such that the tuning frequency is much less than the dominant harmonic frequency. Thus harmonics always see higher impedance and the condition of resonance with feeding transformer is avoided.

For example if the dominant harmonics is 5th harmonic and base frequency is 50Hz, a 7% detuned reactor shall be selected. The tuning frequency of this filter will be

$$f_t = \frac{f_s}{\sqrt{\frac{p}{100}}}$$

$$f_t = \frac{50}{\sqrt{\frac{7}{100}}} \Rightarrow 189 \text{ Hz}$$

189Hz, the tuning frequency in this case is lesser than 250Hz, the harmonic frequency. Hence there will not be a situation of resonance between the feeding transformer and capacitor.

## Technical Specifications

7% Cu Reactor										
Technical Data										
De-tuning factor	%	7%	7%	7%	7%	7%	7%	7%	7%	7%
Effective filter output QC	kVAr	5	10	12.5	15	20	25	50	75	100
Rated voltage VR	V	440								
Rated frequency	Hz	50								
Ambient temperature / Insulation class:		40 °C/H								
Capacitance C delta	µF	76.5	172	191	229.5	306	382.5	765	1147	1530
Inductivity L	mH	3 X 9.28	3 X 4.64	3 X 3.71	3 X 3.1	3 X 2.32	3 X 1.86	3 X 0.93	3 X 0.62	3 X 0.46
Linear up to	A	11.4	22.7	28.4	34	45.4	57	113.5	170.3	227
Effective current Irms	A	7.45	14.9	18.61	22.34	29.78	37.2	74.45	111.7	148.9
Temperature protection (NC)		yes								
Total losses P D	W	45	75	80	90	100	120	210	275	350
Total weight	kg	7	9	10	15	16	17	26	42	50
Connection										
Line		1U1-1V1-1W1								
Capacitors		1U2-1V2-1W2								
Temperature control:		1-2								
Dimension										
Length	mm	175	175	175	225	225	225	260	300	310
Height	mm	158	160	160	230	205	205	240	270	270
Width	mm	100	125	125	145	155	155	215	180	205

14%, Cu reactors										
Technical Data										
De-tuning factor	%	14%	14%	14%	14%	14%	14%	14%	14%	14%
Effective filter output QC	kVAr	5	10	12.5	15	20	25	50	75	100
Rated voltage VR	V	440								
Rated frequency	Hz	50								
Ambient temperature / Insulation class:		40 °C/H								
Capacitance C delta	µF	70.7	141.5	176.8	212.2	282.9	356.7	707.4	1061	1061
Inductivity L	mH	3 X 20.06	3 X 10.03	3 X 8.03	3 X 6.69	3 X 5.02	3 X 4.01	3 X 2.01	3 X 1.34	3 X 1
Linear up to	A	9.38	18.76	23.45	28.15	37.53	46.91	93.82	140.7	187.6
Effective current Irms	A	7.01	14.03	17.53	21.04	28.05	35.07	70.13	105.2	140.3
Temperature protection (NC)		yes								
Total losses P D	W	80	105	120	150	180	210	270	375	500
Total weight	kg	9	15	16	18	26	27	45	75	84
Connection										
Line		1U1-1V1-1W1								
Capacitors		1U2-1V2-1W2								
Temperature control:		1-2								
Dimension										
Length	mm	175	225	225	225	260	260	310	378	378
Height	mm	156	205	205	205	232	240	270	300	300
Width	mm	125	150	155	155	210	208	204	225	225

## Technical Specifications

5.67%, Cu reactors										
Technical Data										
De-tuning factor	%	5.67%	5.67%	5.67%	5.67%	5.67%	5.67%	5.67%	5.67%	5.67%
Effective filter output QC	kVAr	5	10	12.5	15	20	25	50	75	100
Rated voltage VR	V	440								
Rated frequency	Hz	50								
Ambient temperature / Insulation class:		40 °C/H 5.67%								
Capacitance C delta	µF	77.6	155.2	191	232.8	310.4	387.9	775.9	1164	1552
Inductivity L	mH	3 X 7.41	3 X 3.7	3 X 2.96	3 X 2.47	3 X 1.85	3 X 1.48	3 X 0.74	3 X 0.49	3 X 0.37
Linear up to	A	13.65	27.3	34.12	40.94	54.59	68.23	136.5	204.7	272.9
Effective current Irms	A	8.37	16.74	20.93	25.11	33.48	41.85	83.71	125.6	167.4
Temperature protection (NC)		yes								
Total losses P D	W	45	75	80	90	100	120	210	275	350
Total weight	kg	7	9	10	15	16	17	26	42	50
Connection										
Line		1U1-1V1-1W1								
Capacitors		1U2-1V2-1W2								
Temperature control:		1-2								
Dimension										
Length	mm	175	175	190	225	225	225	260	310	330
Height	mm	158	160	160	230	205	205	240	270	270
Width	mm	95	124	124	145	155	155	208	180	180

7%, Al reactors										
Technical Data										
De-tuning factor	%	7%	7%	7%	7%	7%	7%	7%	7%	7%
Effective filter output QC	kVAr	5	10	12.5	15	20	25	50	75	100
Rated voltage VR	V	440								
Rated frequency	Hz	50								
Ambient temperature / Insulation class:		40 °C/H								
Capacitance C delta	µF	76.5	172	191	229.5	306	382.5	765	1147	1530
Inductivity L	mH	3 X 9.28	3 X 4.64	3 X 3.71	3 X 3.1	3 X 2.32	3 X 1.86	3 X 0.93	3 X 0.62	3 X 0.46
Linear up to	A	11.4	22.7	28.4	34	45.4	57	113.5	170.3	227
Effective current Irms	A	7.45	14.9	18.61	22.34	29.78	37.2	74.45	111.7	148.9
Temperature protection (NC)		yes								
Total losses P D	W	50	83	85	100	110	130	240	285	380
Total weight	kg	7	9	10	15	16	17	26	42	50
Connection										
Line		1U1-1V1-1W1								
Capacitors		1U2-1V2-1W2								
Temperature control:		1-2								
Dimension										
Length	mm	175	175	175	225	225	225	275	310	335
Height	mm	158	160	160	230	205	205	238	270	270
Width	mm	100	125	125	155	175	175	230	180	185



## Technical Specifications

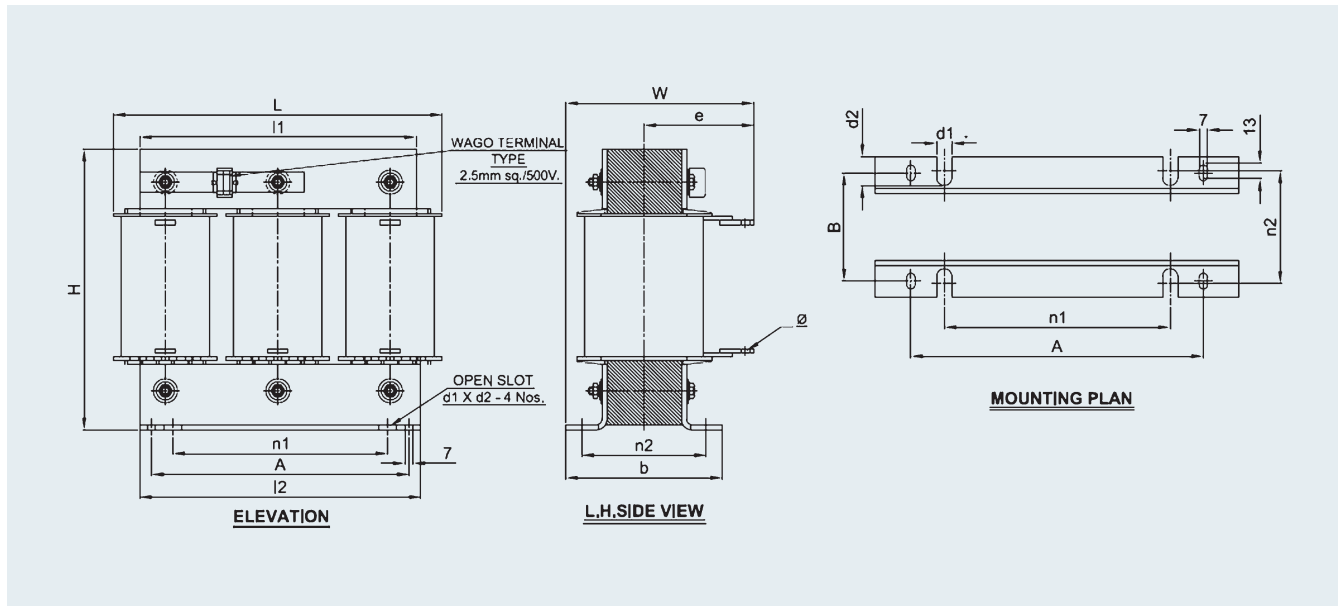
14%, Al reactors								
Technical Data								
De-tuning factor	%	14%	14%	14%	14%	14%	14%	14%
Effective filter output QC	kVAr	5	10	12.5	15	20	25	50
Rated voltage VR	V	440						
Rated frequency	Hz	50						
Ambient temperature / Insulation class:		40 °C/H						
Capacitance C delta	µF	70.7	176.8	176.8	212.2	282.9	353.7	707.4
Inductivity L	mH	3 X 20.06	3 X 10.03	3 X 8.03	3 X 6.69	3 X 5.02	3 X 4.01	3 X 2.01
Linear up to	A	9.38	18.76	23.45	28.15	37.53	46.91	93.82
Effective current Irms	A	7.01	14.03	17.53	21.04	28.05	35.07	70.13
Temperature protection (NC)		yes						
Total losses P D	W	80	105	120	150	200	210	380
Total weight	kg	9	15	16	18	25	28	42
Connection								
Line		1U1-1V1-1W1						
Capacitors		1U2-1V2-1W2						
Temperature control:		1-2						
Dimension								
Length	mm	175	225	225	225	285	285	335
Height	mm	156	205	205	205	210	230	270
Width	mm	125	150	155	155	188	188	190

5.67%, Al reactors										
Technical Data										
De-tuning factor	%	5.67%	5.67%	5.67%	5.67%	5.67%	5.67%	5.67%	5.67%	5.67%
Effective filter output QC	kVAr	5	10	12.5	15	20	25	50	75	100
Rated voltage VR	V	440								
Rated frequency	Hz	50								
Ambient temperature / Insulation class:		40 °C/H								
Capacitance C delta	µF	77.6	155.2	194	232.8	310.4	387.9	775.9	1164	1552
Inductivity L	mH	3 X 7.41	3 X 3.7	3 X 2.96	3 X 2.47	3 X 1.85	3 X 1.48	3 X 0.74	3 X 0.49	3 X 0.37
Linear up to	A	13.65	27.3	34.12	40.94	54.59	68.23	136.5	204.7	272.9
Effective current Irms	A	8.37	16.74	20.93	25.11	33.48	41.85	83.71	125.6	167.4
Temperature protection (NC)		yes								
Total losses P D	W	55	85	88	105	115	135	250	290	390
Total weight	kg	8	10	11	16	18	20	27	43	51
Connection										
Line		1U1-1V1-1W1								
Capacitors		1U2-1V2-1W2								
Temperature control:		1-2								
Dimension										
Length	mm	175	190	175	225	225	240	275	310	310
Height	mm	158	160	158	230	205	205	238	270	270
Width	mm	100	125	125	155	175	175	230	180	210

## Ordering Information

Bank Size	Type	Detuning Factor	Voltage	Material
5kVAr	4KA1220-1AA01-0AA0	7%	440V AC	Cu
10kVAr	4KA1220-3AA01-0AA0	7%	440V AC	Cu
12.5kVAr	4KA1220-4AA01-0AA0	7%	440V AC	Cu
15kVAr	4KA1220-5AA01-0AA0	7%	440V AC	Cu
20kVAr	4KA1220-6AA01-0AA0	7%	440V AC	Cu
25kVAr	4KA1220-7AA01-0AA0	7%	440V AC	Cu
50kVAr	4KA1220-2BA01-0AA0	7%	440V AC	Cu
75kVAr	4KA1220-3BA03-0AA0	7%	440V AC	Cu
100kVAr	4KA1220-4BA03-0AA0	7%	440V AC	Cu
5kVAr	4KA1220-1AB01-0AA0	14%	440V AC	Cu
10kVAr	4KA1220-3AB01-0AA0	14%	440V AC	Cu
12.5kVAr	4KA1220-4AB01-0AA0	14%	440V AC	Cu
15kVAr	4KA1220-5AB01-0AA0	14%	440V AC	Cu
20kVAr	4KA1220-6AB01-0AA0	14%	440V AC	Cu
25kVAr	4KA1220-7AB01-0AA0	14%	440V AC	Cu
50kVAr	4KA1220-2BB01-0AA0	14%	440V AC	Cu
75kVAr	4KA1220-3BB03-0AA0	14%	440V AC	Cu
100kVAr	4KA1220-4BB03-0AA0	14%	440V AC	Cu
5kVAr	4KA1220-1AC01-0AA0	5.67%	440V AC	Cu
10kVAr	4KA1220-3AC01-0AA0	5.67%	440V AC	Cu
12.5kVAr	4KA1220-4AC01-0AA0	5.67%	440V AC	Cu
15kVAr	4KA1220-5AC01-0AA0	5.67%	440V AC	Cu
20kVAr	4KA1220-6AC01-0AA0	5.67%	440V AC	Cu
25kVAr	4KA1220-7AC01-0AA0	5.67%	440V AC	Cu
50kVAr	4KA1220-2BC01-0AA0	5.67%	440V AC	Cu
75kVAr	4KA1220-3BC03-0AA0	5.67%	440V AC	Cu
100kVAr	4KA1220-4BC03-0AA0	5.67%	440V AC	Cu
5kVAr	4KA1420-1AA01-0AA0	7%	440V AC	Al
10kVAr	4KA1420-3AA01-0AA0	7%	440V AC	Al
12.5kVAr	4KA1420-4AA01-0AA0	7%	440V AC	Al
15kVAr	4KA1420-5AA01-0AA0	7%	440V AC	Al
20kVAr	4KA1420-6AA01-0AA0	7%	440V AC	Al
25kVAr	4KA1420-7AA01-0AA0	7%	440V AC	Al
50kVAr	4KA1420-2BA01-0AA0	7%	440V AC	Al
75kVAr	4KA1420-3BA03-0AA0	7%	440V AC	Al
100kVAr	4KA1420-4BA03-0AA0	7%	440V AC	Al
5kVAr	4KA1420-1AB01-0AA0	14%	440V AC	Al
10kVAr	4KA1420-3AB01-0AA0	14%	440V AC	Al
12.5kVAr	4KA1420-4AB01-0AA0	14%	440V AC	Al
15kVAr	4KA1420-5AB01-0AA0	14%	440V AC	Al
20kVAr	4KA1420-6AB01-0AA0	14%	440V AC	Al
25kVAr	4KA1420-7AB01-0AA0	14%	440V AC	Al
50kVAr	4KA1420-2BB01-0AA0	14%	440V AC	Al
5kVAr	4KA1420-1AC01-0AA0	5.67%	440V AC	Al
10kVAr	4KA1420-3AC01-0AA0	5.67%	440V AC	Al
12.5kVAr	4KA1420-4AC01-0AA0	5.67%	440V AC	Al
15kVAr	4KA1420-5AC01-0AA0	5.67%	440V AC	Al
20kVAr	4KA1420-6AC01-0AA0	5.67%	440V AC	Al
25kVAr	4KA1420-7AC01-0AA0	5.67%	440V AC	Al
50kVAr	4KA1420-2BC01-0AA0	5.67%	440V AC	Al
75kVAr	4KA1420-3BC03-0AA0	5.67%	440V AC	Al
100kVAr	4KA1420-4BC03-0AA0	5.67%	440V AC	Al

## Dimension drawing

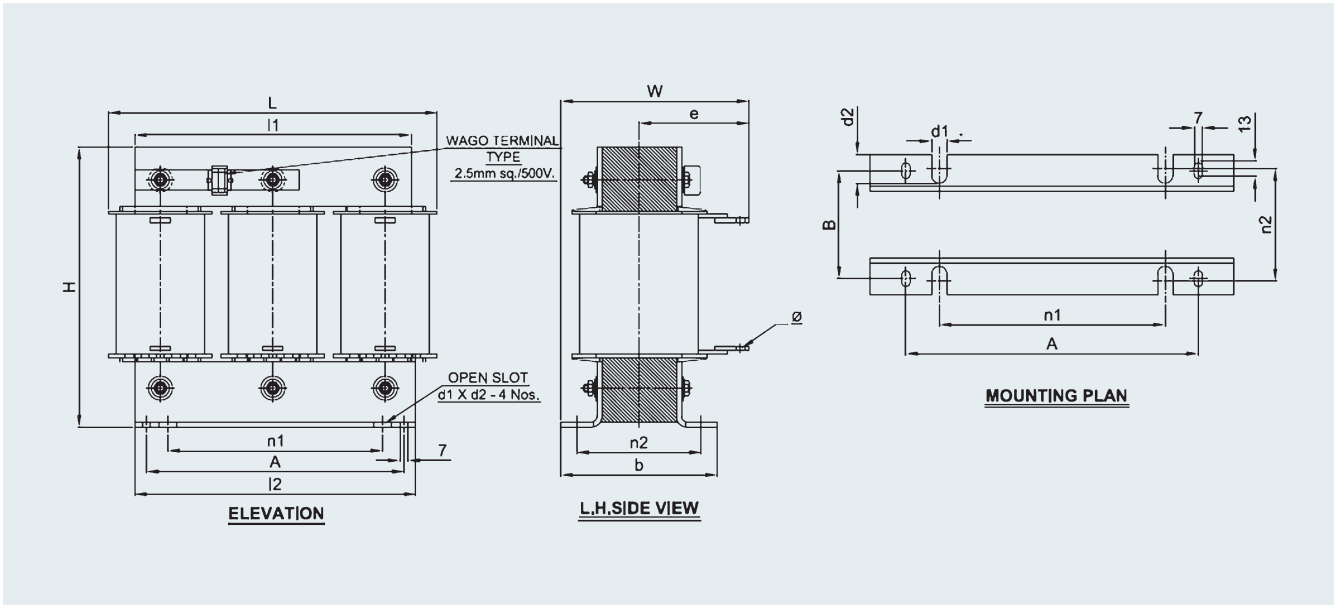


### 7% Cu detuned reactor (all dimensions in mm)

kVAr	Type	L	H	W	I1	I2	n1	n2	b	e	d1	d2	A	B	Ø
5	4KA1220-1AA01-0AA0	175	158	100	150	150	100	62	78	62	10.8	15.5	125	58	6.5
10	4KA1220-3AA01-0AA0	175	160	125	150	150	100	83	98	76	10.8	15.5	125	58	6.5
12.5	4KA1220-4AA01-0AA0	175	160	125	150	150	100	83	98	76	10.8	15.5	125	58	6.5
15	4KA1220-5AA01-0AA0	225	230	145	190	190	150	73	90	97	10.8	15.5	175	71.5	8.5
20	4KA1220-6AA01-0AA0	225	205	155	190	190	150	98	112	100	10.8	15.5	175	95	8.5
25	4KA1220-7AA01-0AA0	225	205	155	190	190	150	98	112	100	10.8	15.5	175	95	8.5
50	4KA1220-2BA01-0AA0	260	240	215	220	220	150	168	185	118	10.8	15.5	175	165	8.5
75	4KA1220-3BA03-0AA0	300	270	180	250	250	150	136.5	150	97	10.8	15.5	175	132	10.5
100	4KA1220-4BA03-0AA0	310	270	205	265	265	150	162.5	178	110	10.8	15.5	175	159	10.5

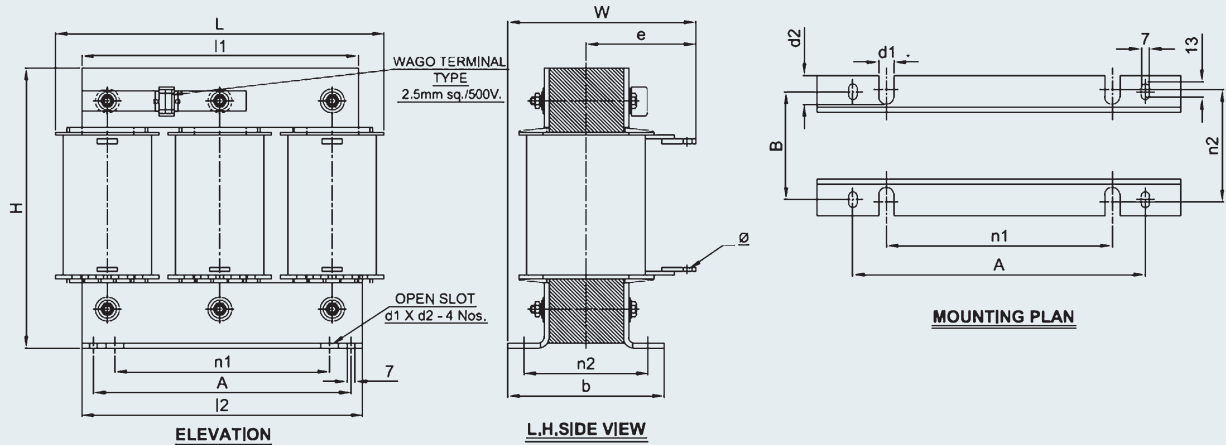
### 7% Al detuned reactor (all dimensions in mm)

kVAr	Type	L	H	W	I1	I2	n1	n2	b	e	d1	d2	A	B	Ø
5	4KA1420-1AA01-0AA0	175	158	100	150	150	100	61.5	78	62	10.8	15.5	125	58	6.5
10	4KA1420-3AA01-0AA0	175	160	125	150	150	100	82.5	98	76	10.8	15.5	125	58	6.5
12.5	4KA1420-4AA01-0AA0	175	160	125	150	150	100	82.5	98	76	10.8	15.5	125	78	6.5
15	4KA1420-5AA01-0AA0	225	230	155	190	190	150	73	90	105	10.8	15.5	175	71.5	8.5
20	4KA1420-6AA01-0AA0	225	205	175	190	190	150	97.8	112	115	10.8	15.5	175	95	8.5
25	4KA1420-7AA01-0AA0	225	205	175	190	190	150	97.8	112	115	10.8	15.5	175	95	8.5
50	4KA1420-2BA01-0AA0	275	238	230	235	235	150	168	185	135	10.8	15.5	175	165	8.5
75	4KA1420-3BA03-0AA0	310	270	180	265	265	150	135	150	99	10.8	15.5	175	132	10.5
100	4KA1420-4BA03-0AA0	335	270	185	285	285	150	136.5	150	97	10.8	15.5	175	132	10.5



14% Cu detuned reactor (all dimensions in mm)															
kVAr	Type	L	H	W	l1	l2	n1	n2	b	e	d1	d2	A	B	$\phi$
5	4KA1220-1AB01-0AA0	175	156	125	150	150	100	84	100	76	10.8	15.5	125	81	6.5
10	4KA1220-3AB01-0AA0	225	205	150	190	190	150	97.5	112	96	10.8	15.5	175	95	6.5
12.5	4KA1220-4AB01-0AA0	225	205	155	190	190	150	98	112	100	10.8	15.5	175	95	8.5
15	4KA1220-5AB01-0AA0	225	205	155	190	190	150	97.5	112	100	10.8	15.5	175	95	8.5
20	4KA1220-6AB01-0AA0	260	232	210	220	220	150	168	185	120	10.8	15.5	175	165	8.5
25	4KA1220-7AB01-0AA0	260	240	208	220	220	150	168	185	116	10.8	15.5	175	165	8.5
50	4KA1220-2BB01-0AA0	310	270	204	265	265	150	135	150	120	10.8	15.5	175	132	8.5
75	4KA1220-3BB03-0AA0	378	300	225	330	330	150	170	190	122	10.5	15.5	175	170	10.5
100	4KA1220-4BB03-0AA0	378	300	225	330	330	150	170	190	122	10.5	15.5	175	170	10.5
14% Al detuned reactor (all dimensions in mm)															
kVAr	Type	L	H	W	l1	l2	n1	n2	b	e	d1	d2	A	B	$\phi$
5	4KA1420-1AB01-0AA0	175	156	125	150	150	100	84	100	76	10.8	15.5	125	81	6.5
10	4KA1420-3AB01-0AA0	225	205	150	190	190	150	97.5	112	96	10.8	15.5	175	95	6.5
12.5	4KA1420-4AB01-0AA0	225	205	155	190	190	150	98	112	100	10.8	15.5	175	95	8.5
15	4KA1420-5AB01-0AA0	225	205	155	190	190	150	97.5	112	100	10.8	15.5	175	95	8.5
20	4KA1420-6AB01-0AA0	285	210	188	235	235	150	168	185	92	10.8	15.5	175	165	8.5
25	4KA1420-7AB01-0AA0	285	230	188	235	235	150	165	185	95	10.8	15.5	175	168	8.5
50	4KA1420-2BB01-0AA0	335	270	190	285	285	150	136	150	99	10.8	15.5	175	132	10.5





**5.67% Cu detuned reactor (all dimensions in mm)**

kVAr	Type	L	H	W	l1	l2	n1	n2	b	e	d1	d2	A	B	$\emptyset$
5	4KA1220-1AC01-0AA0	175	158	95	150	150	100	56	73	60	10.8	15.5	125	56	6.5
10	4KA1220-3AC01-0AA0	175	160	124	150	150	100	78	95	75	10.8	15.5	125	78	6.5
12.5	4KA1220-4AC01-0AA0	190	160	124	165	165	60	80	98	75	10.8	15.5	85	80	6.5
15	4KA1220-5AC01-0AA0	225	230	145	190	190	150	73	90	97	10.8	15.5	175	71.5	8.5
20	4KA1220-6AC01-0AA0	225	205	155	190	190	150	95	112	100	10.8	15.5	175	95	8.5
25	4KA1220-7AC01-0AA0	225	205	155	190	190	150	95	112	100	10.8	15.5	175	95	8.5
50	4KA1220-2BC01-0AA0	260	240	208	220	220	150	165	185	116	10.8	15.5	175	165	8.5
75	4KA1220-3BC03-0AA0	310	270	180	265	265	150	132	150	97	10.8	15.5	175	132	10.5
100	4KA1220-4BC03-0AA0	330	270	180	285	285	150	132	155	97	10.8	15.5	175	132	10.5

**5.67% Al detuned reactor (all dimensions in mm)**

kVAr	Type	L	H	W	l1	l2	n1	n2	b	e	d1	d2	A	B	$\emptyset$
5	4KA1420-1AC01-0AA0	175	158	100	150	150	100	61.5	78	62	10.8	15.5	125	58	6.5
10	4KA1420-3AC01-0AA0	190	160	125	165	165	60	78	98	76	10.8	15.5	85	76	6.5
12.5	4KA1420-4AC01-0AA0	175	160	125	150	150	100	82.5	98	76	10.8	15.5	125	78	6.5
15	4KA1420-5AC01-0AA0	225	230	155	190	190	150	73	90	105	10.8	15.5	175	71.5	8.5
20	4KA1420-6AC01-0AA0	225	205	175	190	190	150	97.8	112	115	10.8	15.5	175	95	8.5
25	4KA1420-7AC01-0AA0	240	205	175	205	205	150	98	112	115	10.8	15.5	175	95	8.5
50	4KA1420-2BC01-0AA0	275	238	230	235	235	150	168	185	135	10.8	15.5	175	165	8.5
75	4KA1420-3BC03-0AA0	310	270	180	265	265	150	135	150	99	10.8	15.5	175	132	10.5
100	4KA1420-4BC03-0AA0	310	270	210	265	265	150	160	175	110	10.8	15.5	175	160	10.5



## Smart. Easy. Reliable.

Automatic Power Factor Controller Relay 7UG05 for optimized power need.

7UG05 Automatic power factor correction relay

- Controls the required Power factor
- Manage capacitor bank switching
- Monitors power quality
- Communication capable
- Common relay for three CT and Single CT connection

## Overview

### 7UG0572-1GT21



- Intelligent 12 stage relay controls
- Confirms to IEC 60947-5-1, carry **CE** and **RoHS Compliant**
- 4 digit 7 segment LED display
- Universal control supply – optimizing the no of variants
- Automatic / Linear / rotational switching of banks
- Power factor settable-0.8 lag -- 0.8 Lead
- Selectable 1A /5A current input

### 7UG0572-1GT20



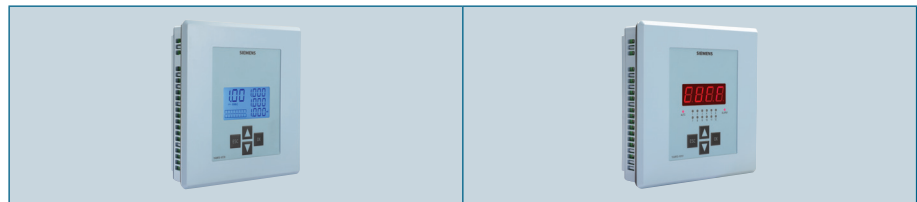
- Intelligent 12 stage relay controls
- Confirms to IEC 60947-5-1, carry **CE** and **RoHS Compliant**
- Dual colour Backlight LCD display
- Universal control supply – optimizing the no of variants
- Automatic / Linear / rotational switching of banks
- Power factor settable-0.8 lag – 0.8 Lead
- Selectable 1A /5A current input
- Measurement and display of key parameters viz: Voltage, Current, Power factor, THDI etc
- RS485 Communication MODBUS RTU Protocol

### 7UG0571-1FT20



- Intelligent 08 stage relay controls
- Confirms to IEC 60947-5-1, carry **CE** and **RoHS Compliant**
- Dual colour Backlight LCD display
- Universal control supply – optimizing the no of variants
- Automatic / Linear / rotational switching of banks
- Power factor settable-0.8 lag -- 0.8 Lead
- Selectable 1A /5A current input
- Measurement and display of key parameters viz: Voltage, Current, Power factor, THDI etc
- RS485 Communication MODBUS RTU Protocol

## APFC relay: Technical data



Type	7UG0571-1FT20 (8 step) / 7UG0572-1GT20 (12 step)	7UG0572-1GT21
Display	LCD with dual color backlight 3 line 4 digit & Programmable Scrolling (Auto / Manual / Default) to show electrical parameters	4 digit 7 segment LED (No display scrolling, only PF is displayed)
<b>INPUT</b>		
Rated operational voltage [Ue]	415V	
Rated Insulation Voltage [Ui]	600V	
Rated Impulse Withstand Voltage [Uimp]	6kV	
Overvoltage category	III	
Control supply AC	90 to 250 VAC	
Power consumption	15VA	
Frequency HZ	50/60Hz	
<b>Mains</b>		
L-N AC	30 to 250 VAC	
L-L AC	50 to 440 VAC	
Current AC	5A AC	
Frequency HZ	50/60Hz	
Digital input	Yes	NA
Wiring input	3P 4W / 3P 3W / 2P 2W / 1P 2W	
<b>Environment condition</b>		
Temperature (operating)	0°C to +60°C	
Temperature (storage)	-20°C to +60°C	
Humidity	0 % to 95 %, without moisture condensation	
Pollution Degree	PCB: 2 Product: 3	
IP Protection	IP20	
<b>Accuracy</b>		
Voltage	± 0.5% of full range	NA
Current	± 0.5% of full range	NA
Power factor	± 0.01	
Frequency	± 0.1% of full range	NA
Power ( KW, KVA, KVAR)	± 1% of full range	NA
Energy ( KWh, KVAh, KVARh)	± 1% of full range	NA
<b>Resolution</b>		
Energy (kWh)	0.01k, 0.1k, 1k, 0.01M, 0.1M, 1M	NA
Power factor	For average PF: 0.01 For phase PF: 0.001	0.001
Voltage, current & power	Auto	NA
<b>Measurement parameters</b>		
Power factor	√	√
True RMS voltage	√	x
Current	√	x
Frequency	√	x
Power ( KW, KVA, KVAR)	√	x
Energy ( KWh, KVARh)	√	x
Temperature	√	x



Setting		
Power factor (settable)	0.8 lag --- 0.8 Lead	
Reconnection time (sec)	Reconnection time is same as discharge time	
Step switching time (sec)	1 - 999 (Default is 5 sec)	
Discharge time (sec)	1 - 9999 (Default is 180 sec)	
No voltage release	Instantaneous** (Voltage failure) 90 sec (Voltage restoration)	
Control sensitivity	55 -- 100%	
Switching	Automatic / Linear / rotational	
Control	Automatic / Manual	
CT (programable)	Pri: 1A / 5A upto 9999A Sec: 1A/ 5A	
CT Burden	20 mohms	
PT (programable)	Pri: 100 V - 500KV Sec: 100 V - 500V	NA
Alarm Indication		
% THDI	20 -100% / OFF	NA
Over Voltage AC	(L-N) 50 - 277V (L-L) 85 - 480V	
Under Voltage AC	(L-N) 50 - 240V (L-L) 85 - 415V	
No Voltage	ON / OFF	
Over compensate	ON / OFF	
Under compensate	ON / OFF	
CT Polarity error	ON / OFF	
Step error	20 -- 80% or OFF	
Over Temperature	0--100°C, ON /OFF	NA
Current absent indication	NA	CURR
Fan setting	ON/OFF	NA
Test mode Facility	YES	
Display		
% THDI	20 - 100%	NA for LED variant
Harmonics Resolutions	Upto 31st Harmonics	NA for LED variant
Active Power	4 digit	NA for LED variant
Reactive Power	4 digit	NA for LED variant
Apparent Power	4 digit	NA for LED variant
Voltage	100V - 500kV	NA for LED variant
Current	1 - 9999A	NA for LED variant
Temperature	0 - 100°C	NA for LED variant
Frequency	45 - 65 Hz	NA for LED variant
Power factor	-1.00 to 1.00	
Mechanical		
Mounting	Panel	
Dimension(WxHxD)	144 X 144 X 50 MM	
Net weight	635gms (Final packing with accessories)	610gms (Final packing with accessories)
Termination for Control supply, Measuring circuit, output relays		
Conductor cross section (solid) sq.mm.	1x (0.75 to 2.5) 2x 0.5 to 2x 1.5	1 x (0.75 to 2.5) 2x 0.5 to 2x 1.5
Conductor cross section (stranded with end sleeve) sq.mm.	1 x (0.5 to 2.5) 2x (0.5 to 1.5)	1 x (0.5 to 2.5) 2x (0.5 to 1.5)
Tightening torque	0.5 Nm	
Termination for RS485, T1, T2		
Conductor cross section (solid / stranded)	1x 0.5	
Tightening torque	0.4 Nm	
Output		
Relay Contacts	NO, one common point max fuse 6A	
Ie (AC12 @ 250VAC)	5A* @ 250VAC	
Ie (AC15 @ 250VAC)	1A @ 250VAC	
Password protection	YES	
Communication	RS 485 & Modbus-RTU communication	NA
Standards	IEC 60947-5-1	
Markings	CE & RoHS	

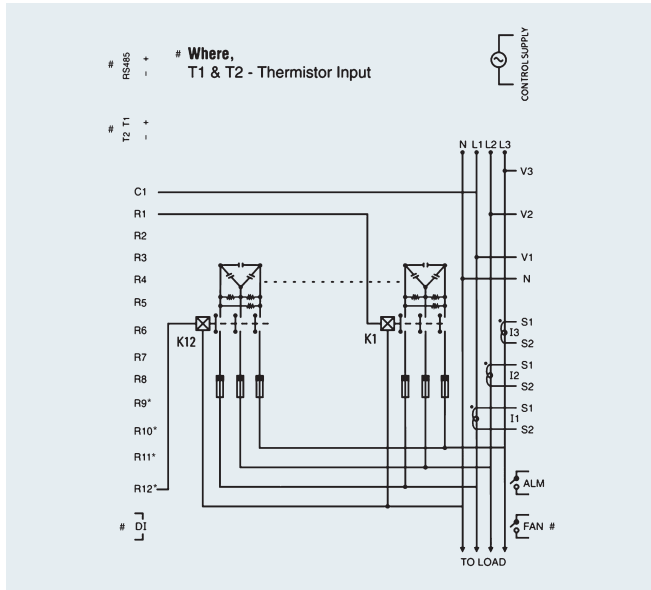
\* 5A rating is for each relay contact. If multiple relays are getting switched simultaneously, relay rating will be derated to 1.2A @ 250V

\*\* Response time is 3-5 sec

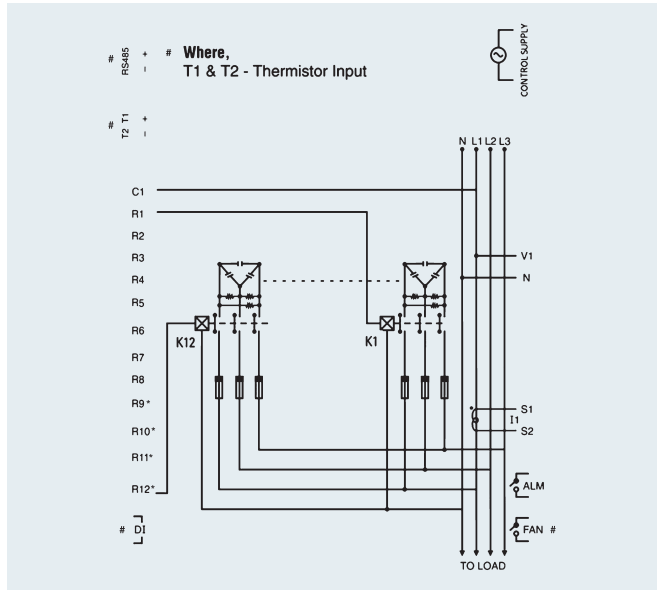
# Dimensions and wiring diagram

## Wiring Diagram

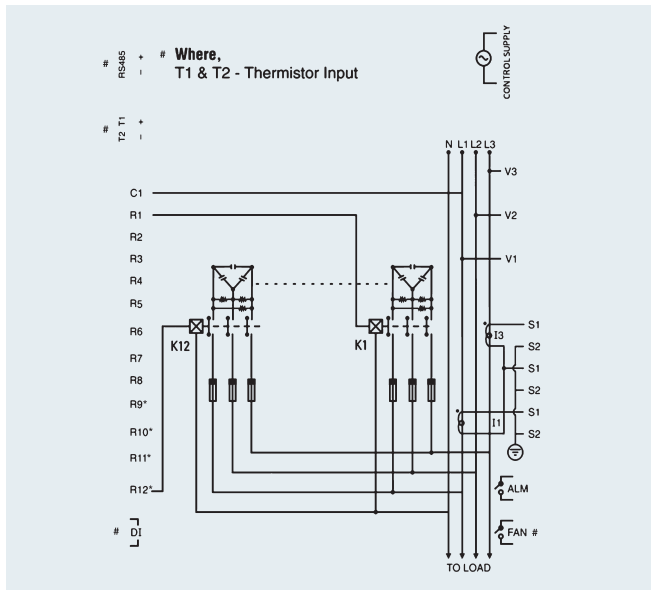
3 Phase - 4 Wire



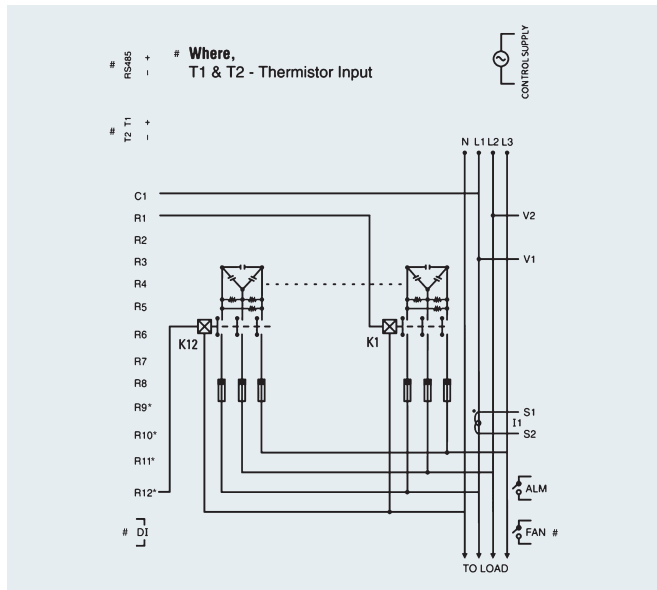
1 Phase - 2 Wire



3 Phase - 3 Wire



2 Phase - 2 Wire

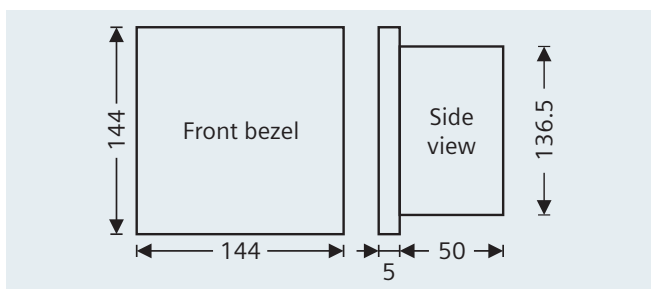


**Note:**

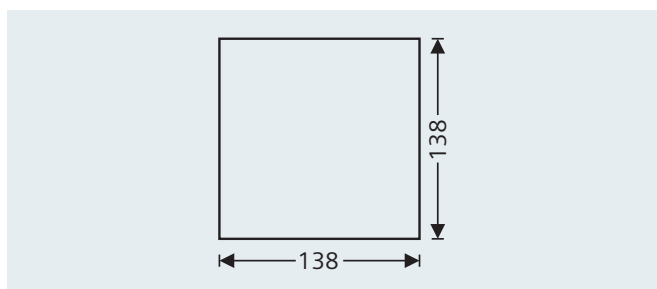
- For N/W selection 2P2W voltage ( $V_{LL}$ ) applied between V1 & V2 and connect CT for I1 (Do not use V3, N, I2 & I3 terminal)
- For N/W selection 1P2W voltage ( $V_{LN}$ ) applied between V1 & N and connect CT for I1 (Do not use V2, V3, I2 & I3 terminal)
- # Only available in 7UG0571-1FT20 & 7UG0572-1GT20 variants
- \* Not applicable for 7UG0571-1FT20

## Dimensional Drawing (mm)

Outline Dimension (in mm)



Panel Cutout (in mm)



# 3TS Capacitor duty contactors

## Overview:

For more than 125 years, Siemens has been developing and manufacturing industrial control products. We offer a wide product range which caters to fulfill the demand of our esteemed customers with satisfactory performance level and improved reliability. The new range of capacitor duty contactor has been launched to provide a reliable and economical solution for capacitor switching applications.

## Capacitor Duty Contactor



### Range:

- 7kVAR - 50kVAR

### Features:

- Delatching operating principle
- SIGUT Termination technique
- Finger touch proof terminals <sup>§</sup>
- Compact Dimensions
- DIN / Screw mounting

### Benefits:

- Reliable switching of capacitor banks
- Ease of wiring (can obviate use of lugs)
- Operator Safety
- Space saving
- Flexible mounting

### Standards:

- IEC 60947-4-1

### Approbations:

- CE marking

### Operating Principle:

In Low Voltage industrial installations, capacitors are mainly used for reactive power correction (raising the power factor). When these capacitors are energized, overcurrents of high amplitude and high frequencies (3 to 15 kHz) occur during the transient period (~1 ms).

The amplitude of these current peaks, also known as “inrush current peaks”, depends on the following factors:

- The network inductances.
- The transformer power and short-circuit voltage.
- Type of power factor correction: fixed or automatic.
- Harmonics present in the system.

The in-rush current of such high magnitudes is undesirable and it is likely to weld main contacts of any standard contactor. Therefore, contactor for capacitor bank switching must be designed to withstand:

- Permanent current that can reach 1.5 time the nominal current of capacitor bank.
- Short but high peak current on pole closing.

Hence, capacitor duty switching device requires careful selection. It is always recommended to use dedicated capacitor duty switching contactor for switching capacitor bank, which optimizes the switchgear cost & enhances the equipment life.

Siemens 3TS capacitor duty contactor works on mechanical delatching operating principle, which ensures reliable switching of capacitors as per AC-6b utilization category.

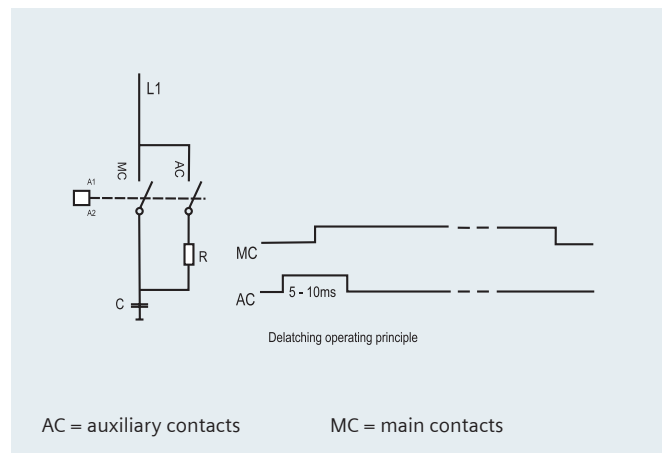
### Delatching operating principle:

The front-mounted block mechanism of the 3TS capacitor duty contactors ensures:

- early making of the auxiliary contacts “AC” with respect to the main contacts “MC”
- automatic return to the open position of the auxiliary contacts after the main contacts are closed.




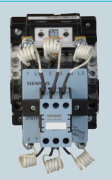
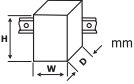
**When the coil is energized**, the early making auxiliary contacts connect the capacitor to the network via the set of 3 resistors. The damping resistors attenuate the first current peak and the second inrush current when the main contacts begin to make. Once the main contacts are in the closed position, the auxiliary contacts automatically break.

**When the coil is de-energized**, the main contacts break ensuring the breaking of the capacitive current. The contactor can then begin a new cycle.



\$ upto 25kVAR

## Technical specifications:

										
Type		3TS11	3TS12	3TS13	3TS14	3TS15	3TS17			
Size		1	2	3	3	3	4			
Dimensions (H x D x W) including auxiliary switches and connecting cables		H x D x W	H x D x W	H x D x W	H x D x W	H x D x W	H x D x W	H x D x W		
• Screw-type terminals	mm	115 x 125 x 45	115 x 136 x 45	120 x 148 x 55	120 x 148 x 55	120 x 148 x 55	117x177x90			
<b>General technical specifications</b>										
Conformance to		IEC-60947-4-1								
Approvals		CE								
Degree of protection acc. to IEC 60529	IP	IP 20	IP 20	IP20 for Aux block IP00 contactor	IP20 for Aux block IP00 contactor	IP20 for Aux block IP00 contactor	IP 00			
Storage temperature	°C	-25 to +55								
Operating temperature	°C	-25 to +40								
Altitude of site (without technical restrictions)	m	2000								
Type of mounting		DIN / Screw							Screw	
<b>Main Circuit</b>										
Rated insulation voltage Ui	V	690								
Rated operational voltage Ue	V	415 / 440								
Rated operational Current Ie (Harmonic & Safety factor excluded)	A	9.7	17.4	22.3	27.8	34.8	69.6			
Impulse withstand voltage Uimp	kV	6								
Rated frequency	Hz	50								
Capacitor rating at rated power (utilization category AC-6b) 415/440 V, 50Hz	kVAr	7	12.5	16	20	25	50			
Max. switching frequency	Cycles per hour	180						100		
Coil operating range		0.85 to 1.1Us								
Auxiliary contacts mounted		1 NO	-					2 NO + 2NC		
Auxiliary contacts mountable		1NO or 1NC						-		
Short-circuit protection device for contactors With Fuse - Operational class gG - Type 1 co-ordination (3NA7)	A	20	32	50	50	63	125			
<b>Connecting characteristics</b>										
Main conductors		⊕ Screw terminals								
Terminal screw size		M3.5	M4					M6		
Screw head type		Slotted Cheese Head							Hex Head	
Tightening torque Recommended	Recom- mended	N-m	0.8 to 1.4	1 to 1.5	2.5 to 3			4 to 6		
Conductor cross-section										
	Solid	mm <sup>2</sup>	1 x (1 to 2.5)	1 x (2.5 to 6)	1 x (1 to 16)					
	Finely stranded with end sleeve	mm <sup>2</sup>	1 x (0.75 to 2.5)	1 x (1.5 to 4)	1 x (1.5 to 16)					
	Finely stranded	mm <sup>2</sup>	-	-	1 x (1.5 to 16)					
	Finely stranded with pin end connector	mm <sup>2</sup>	1 x (0.75 to 2.5)	1 x (1.5 to 4)	1 x (1.5 to 16)					
	Finely stranded with ring type lug	mm <sup>2</sup>					-	1 x 35, 2 x 16		
	Busbar (max width)	mm					-	12		
Auxiliary conductors (built-in auxiliary terminals + coil terminals)		⊕ Screw terminals								
Screw head type		Slotted Cheese Head								
Tightening torque Recommended	Recommended	N-m	0.8 to 1.4							
Conductor cross-section										
	Solid	mm <sup>2</sup>	2 x (0.5 to 1, 1 to 2.5), 1 x 4							
	Finely stranded with end sleeve	mm <sup>2</sup>	2 x (0.75 to 2.5)							
	Finely stranded with pin end connector	mm <sup>2</sup>	2 x (0.75 to 2.5)							

## Selection and ordering data:

### Capacitor duty contactor - 3TS

Capacitor kVAr 415V, 3ph, 50Hz	Built-in aux. contacts	Type®	Built-in aux. contacts	Type®	Std. pkg. (nos.)
7 kVAr	1 NO	3TS1110-0A..5-8K†			
12.5 kVAr	–	3TS1200-0A..5-8K†	1NO+1NC	3TS1211-0A..5-8K	1
16 kVAr	–	3TS1300-0A..5-8K†	1NO+1NC	3TS1311-0A..5-8K	1
20 kVAr	–	3TS1400-0A..5-8K†	1NO+1NC	3TS1411-0A..5-8K	1
25 kVAr	–	3TS1500-0A..5-8K†	1NO+1NC	3TS1511-0A..5-8K	1
50 kVAr	2 NO + 2 NC	3TS1722-0A..5-8K			

### 3RT26 Capacitor duty contactor

Capacitor kVAr 415V, 3ph, 50Hz	Coil voltage	Built-in aux. contacts	Type	Std. pkg. (nos.)
75 kVAr	24V, 50HZ	1NO + 1NC	3RT2637-1AB03	1
	110V, 50HZ		3RT2637-1AF03	
	230V, 50HZ		3RT2637-1AP03	
100 kVAr	24V, 50HZ	1NO + 1NC	3RT2646-1AB03	1
	110V, 50HZ		3RT2646-1AF03	
	230V, 50HZ		3RT2646-1AP03	

@ AC 50Hz coil code - Please enter coil codes from table below

	For 3TS contactors		
Code	F0	P0	R0
Coil voltage (V)	110	230	415

† Facility to add one contact block of 1NO / 1NC

### Auxiliary contact blocks

For contactor	Description	Type	Std. pkg. (nos.)
3TS1110-3TS1500	1NO	■ 3TX4010-2A	10
	1NC	■ 3TX4001-2A	10

### Spares for 3TS Contactors

#### Capacitor Duty

#### Spare coils

Contactor kVAr	Description	Type*	Std. pkg. (nos.)
7 kVAr	AC 50Hz coil	3TY74030A..	1
12.5 kVAr			
16 kVAr			
20 kVAr		3TY74430A..	1
25 kVAr			
50 kVAr			

\* For coil, refer below table

	For 3TS contactors		
Code	F0	P0	R0
Coil voltage (V)	110	230	415

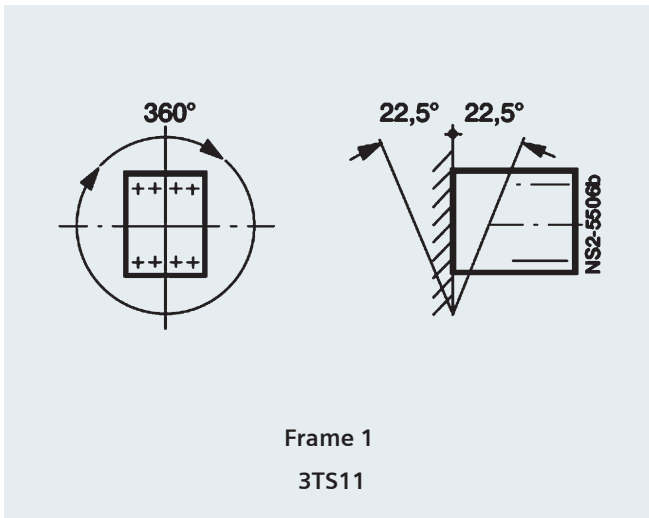
### Pre-charge resistor + Contact block kit

Contactor kVAr	Description	Type	Std. pkg. (nos.)
12.5 kVAr	Pre-charge resistor + early making contact block kit + main contacts kit	3TS9762-0SX15-8K	1
16 kVAr		3TS9763-0SX15-8K	1
20 kVAr		3TS9764-0SX15-8K	1
25 kVAr		3TS9765-0SX15-8K	1
50 kVAr		3TS9767-0SX15-8K	1

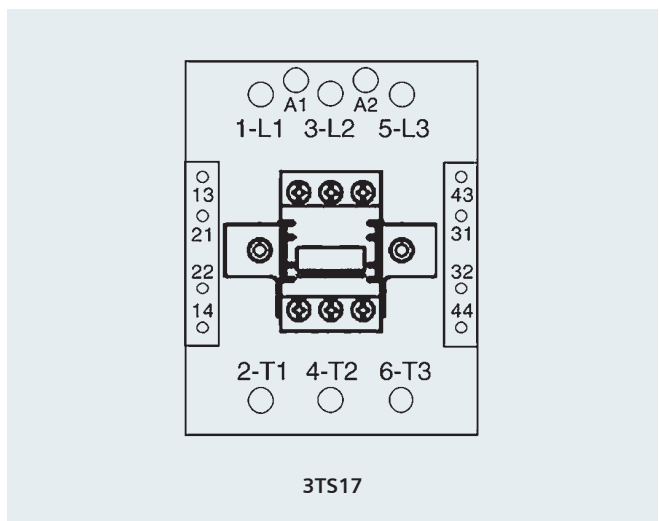
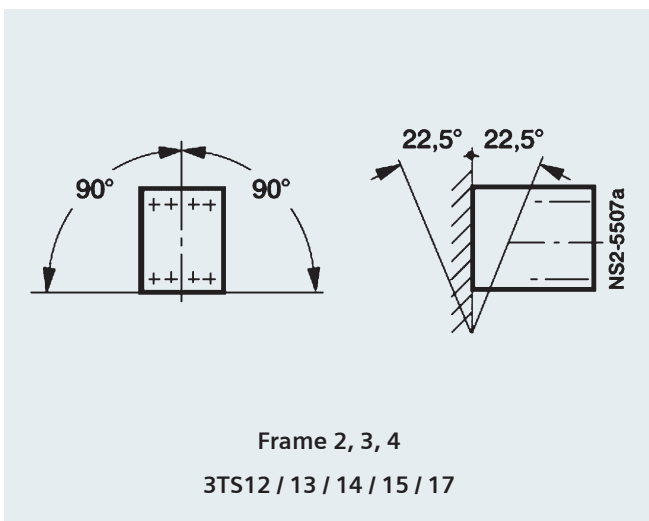
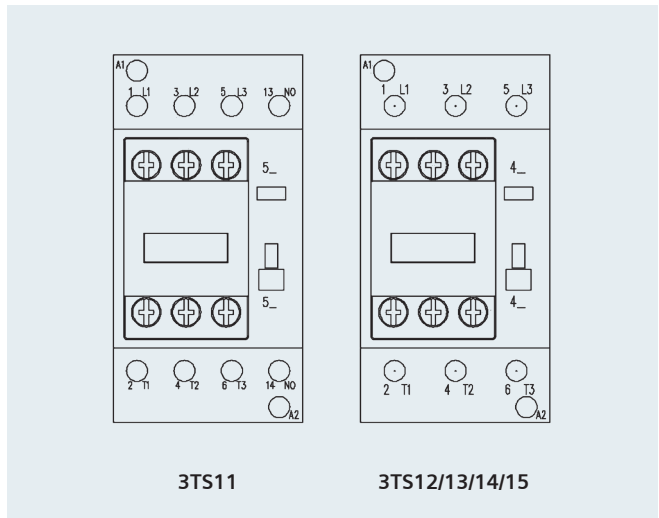
Note: Pre-charge resistor + early making contact block kit + main contacts should be replaced simultaneously



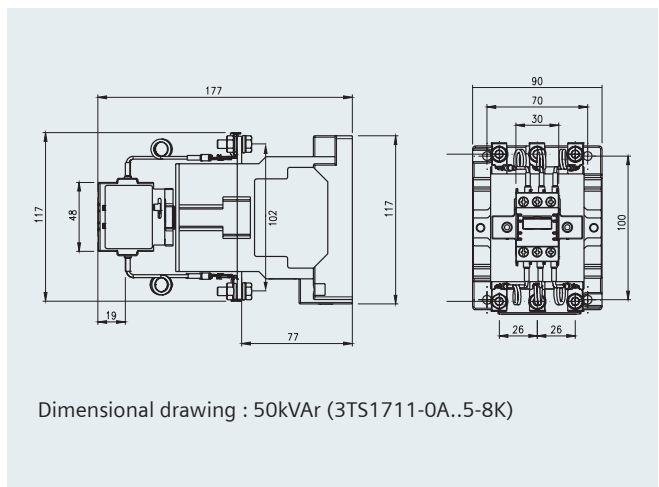
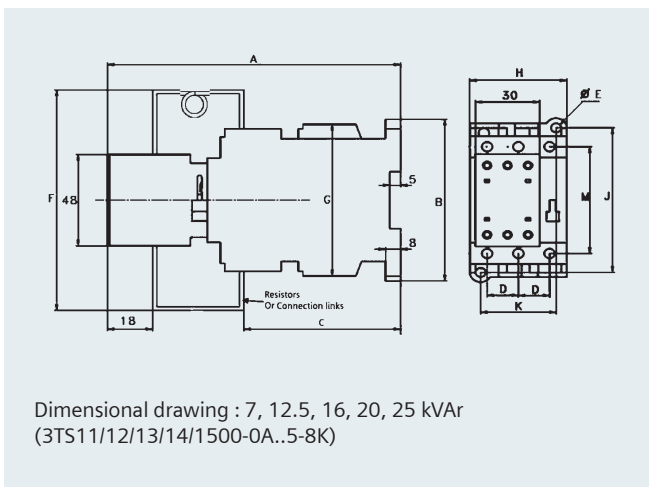
### Mounting details:



### Terminal drawing:



### Dimensional drawing:



Type	A	B	C	D	F	G	H	J	K	øE	M	Term Screw
3TS11	125	74	60	10	115	78	45	60	35	4.8	48	M3.5
3TS12	136	85	70	14.5	115	85	45	75	35	4.8	51	M4
3TS13..15	148	85	63	18	120	103	55	75	45	5	62.5	M4

# Selection tables

## Standard Values: Selection Tables for Cables, Cable Cross Sections and Fuses

Power kvar	Current A	Section mm <sup>2</sup>	Fuse A
<b>Rated voltage 230 V, 60 Hz</b>			
2.5	6.3	1.5	10
5.0	12.6	4.0	25
7.5	18.8	6.0	35
10.0	25.1	10.0	50
12.5	31.4	16.0	50
15.0	37.7	16.0	63
20.0	50.2	25.0	80
25.0	62.8	35.0	100
30.0	75.3	50.0	125
40.0	100.4	70.0	160
50.0	125.5	95.0	200
75.0	188.3	185.0	315
100.0	251.0	2x 120.0	400
125.0	–	–	–
150.0	–	–	–
175.0	–	–	–
200.0	–	–	–
<b>Rated voltage 400 V, 50 Hz</b>			
2.5	3.6	1.5	10
5.0	7.2	2.5	16
7.5	10.8	2.5	16
10.0	14.4	4.0	25
12.5	18.0	6.0	35
15.0	21.6	6.0	35
20.0	28.8	10.0	50
25.0	36.0	16.0	63
30.0	43.2	25.0	80
40.0	57.6	35.0	100
50.0	72.0	50.0	125
75.0	108.3	70.0	160
100.0	144.3	120.0	250
125.0	180.3	185.0	315
150.0	216.5	2x 95.0	350
175.0	252.6	2x 95.0	400
200.0	288.0	2x 120.0	500
<b>Rated voltage 440 V, 60 Hz</b>			
2.5	3.3	1.5	10
5.0	6.6	2.5	16
7.5	10.0	2.5	16
10.0	13.2	4.0	25
12.5	16.8	4.0	25
15.0	19.8	6.0	35
20.0	26.4	10.0	50
25.0	33.0	16.0	63
30.0	39.6	25.0	80
40.0	52.8	35.0	100
50.0	66.0	50.0	125
75.0	99.0	70.0	160
100.0	132.0	95.0	200
125.0	165.0	185.0	315
150.0	198.0	2x 95.0	350
175.0	231.0	2x 95.0	400
200.0	264.0	2x 120.0	500

The above mentioned values are guidelines for operation in normal conditions at ambient temperatures up to +35 °C. Upgrade accordingly if conditions differ, e.g. temperature or harmonics differ. The internal wiring of a capacitor bank is sometimes possible with a smaller cross section. Various parameters such as temperature inside the cabinet, cable quality, maximum cable insulation temperature, single or multi core cable, cable length and laying system have to be considered for a proper selection. The local panelbuilder/installer is responsible for a proper selection of the cable sizes and fuses according to the valid regulations and standards in the specific country where the PFC panels are installed.



## Standard Values: Selection Tables for Cables, Cable Cross Sections and Fuses

Power kvar	Current A	Section mm <sup>2</sup>	Fuse A
<b>Rated voltage 480 V, 60 Hz</b>			
2.5	3.0	1.5	10
5.0	6.0	2.5	16
7.5	9.0	2.5	16
10.0	12.0	4.0	25
12.5	18.0	6.0	35
15.0	21.0	6.0	35
20.0	24.0	10.0	50
25.0	30.0	10.0	50
30.0	36.0	16.0	63
40.0	48.0	25.0	80
50.0	60.0	35.0	100
75.0	90.0	70.0	160
100.0	120.0	95.0	200
125.0	150.0	120.0	250
150.0	180.0	185.0	315
175.0	210.0	2x 95.0	350
200.0	240.0	2x 95.0	400
<b>Rated voltage 525 V, 50 Hz</b>			
2.5	2.7	1.5	10
5.0	5.5	1.5	10
7.5	6.9	2.5	16
10.0	11.0	2.5	16
12.5	13.7	4.0	25
15.0	16.5	4.0	25
20.0	22.0	6.0	35
25.0	27.5	10.0	50
30.0	33.0	16.0	63
40.0	44.0	25.0	80
50.0	55.0	35.0	100
75.0	82.5	70.0	160
100.0	110.0	95.0	200
125.0	137.5	95.0	200
150.0	165.0	185.0	300
175.0	193.0	2x 95.0	350
200.0	220.0	2x 95.0	350
<b>Rated voltage 690 V, 50 Hz</b>			
2.5	2.1	1.5	10
5.0	4.2	1.5	10
7.5	6.3	1.5	10
10.0	8.4	2.5	16
12.5	10.5	2.5	16
15.0	12.6	4.0	25
20.0	16.7	4.0	25
25.0	20.9	6.0	35
30.0	25.1	10.0	50
40.0	33.5	16.0	63
50.0	41.8	25.0	80
75.0	62.8	50.0	125
100.0	83.7	70.0	160
125.0	105.0	70.0	160
150.0	126.0	95.0	200
175.0	146.0	120.0	250
200.0	167.0	128.5	315

The above mentioned values are guidelines for operation in normal conditions at ambient temperatures up to +35 °C. Upgrade accordingly if conditions differ, e.g. temperature or harmonics differ. The internal wiring of a capacitor bank is sometimes possible with a smaller cross section. Various parameters such as temperature inside the cabinet, cable quality, maximum cable insulation temperature, single or multi core cable, cable length and laying system have to be considered for a proper selection. The local panelbuilder/installer is responsible for a proper selection of the cable sizes and fuses according to the valid regulations and standards in the specific country where the PFC panels are installed.

## Calculation Table for Reactive Power Demand (Qc)

Current (ACTUAL) tan φ	cos φ	Achievable (TARGET) cos φ							TARGET cos φ = 0.96		
		Faktor F							cos φ ≤ 1		
		0.80	0.82	0.85	0.88	0.90	0.92	0.94	Qc = Pmot · F (0.96) = ... [kvar] 100 · 1.01 = 101.0 kvar		
		0.96	0.98	1.00							
3.18	0.30	2.43	2.48	2.56	2.64	2.70	2.75	2.82	2.89	2.98	3.18
2.96	0.32	2.21	2.26	2.34	2.42	2.48	2.53	2.60	2.67	2.76	2.96
2.77	0.34	2.02	2.07	2.15	2.23	2.28	2.34	2.41	2.48	2.56	2.77
2.59	0.36	1.84	1.89	1.97	2.05	2.10	2.17	2.23	2.30	2.39	2.59
2.43	0.38	1.68	1.73	1.81	1.89	1.95	2.01	2.07	2.14	2.23	2.43
2.29	0.40	1.54	1.59	1.67	1.75	1.81	1.87	1.93	2.00	2.09	2.29
2.16	0.42	1.41	1.46	1.54	1.62	1.68	1.73	1.80	1.87	1.96	2.16
2.04	0.44	1.29	1.34	1.42	1.50	1.56	1.61	1.68	1.75	1.84	2.04
1.93	0.46	1.18	1.23	1.31	1.39	1.45	1.50	1.57	1.64	1.73	1.93
1.83	0.48	1.08	1.13	1.21	1.29	1.34	1.40	1.47	1.54	1.62	1.83
1.73	0.50	0.98	1.03	1.11	1.19	1.25	1.31	1.37	1.45	1.63	1.73
1.64	0.52	0.89	0.94	1.02	1.10	1.16	1.22	1.28	1.35	1.44	1.64
1.56	0.54	0.81	0.86	0.94	1.02	1.07	1.13	1.20	1.27	1.36	1.56
1.48	0.56	0.73	0.78	0.86	0.94	1.00	1.05	1.12	1.19	1.28	1.48
1.40	0.58	0.65	0.70	0.78	0.86	0.92	0.98	1.04	1.11	1.20	1.40
1.33	0.60	0.58	0.63	0.71	0.79	0.85	0.91	0.97	1.04	1.13	1.33
1.30	0.61	0.55	0.60	0.68	0.76	0.81	0.87	0.94	1.01	1.10	1.30
1.27	0.62	0.52	0.57	0.65	0.73	0.78	0.84	0.91	0.99	1.06	1.27
1.23	0.63	0.48	0.53	0.61	0.69	0.75	0.81	0.87	0.94	1.03	1.23
1.20	0.64	0.45	0.50	0.58	0.66	0.72	0.77	0.84	0.91	1.00	1.20
1.17	0.65	0.42	0.47	0.55	0.63	0.68	0.74	0.81	0.88	0.97	1.17
1.14	0.66	0.39	0.44	0.52	0.60	0.65	0.71	0.78	0.85	0.94	1.14
1.11	0.67	0.36	0.41	0.49	0.57	0.63	0.68	0.75	0.82	0.90	1.11
1.08	0.68	0.33	0.38	0.46	0.54	0.59	0.65	0.72	0.79	0.88	1.08
1.05	0.69	0.30	0.35	0.43	0.51	0.56	0.62	0.69	0.76	0.85	1.05
1.02	0.70	0.27	0.32	0.40	0.48	0.54	0.59	0.66	0.73	0.82	1.02
0.99	0.71	0.24	0.29	0.37	0.45	0.51	0.57	0.63	0.70	0.79	0.99
0.96	0.72	0.21	0.26	0.34	0.42	0.48	0.54	0.60	0.67	0.76	0.96
0.94	0.73	0.19	0.24	0.32	0.40	0.45	0.51	0.58	0.65	0.73	0.94
0.91	0.74	0.16	0.21	0.29	0.37	0.42	0.48	0.55	0.62	0.71	0.91
0.88	0.75	0.13	0.18	0.26	0.34	0.40	0.46	0.52	0.59	0.68	0.88
0.86	0.76	0.11	0.16	0.24	0.32	0.37	0.43	0.50	0.57	0.65	0.86
0.83	0.77	0.08	0.13	0.21	0.29	0.34	0.40	0.47	0.54	0.63	0.83
0.80	0.78	0.05	0.10	0.18	0.26	0.32	0.38	0.44	0.51	0.60	0.80
0.78	0.79	0.03	0.08	0.16	0.24	0.29	0.35	0.42	0.49	0.57	0.78
0.75	0.80		0.05	0.13	0.21	0.27	0.32	0.39	0.46	0.55	0.75
0.72	0.81			0.10	0.18	0.24	0.30	0.36	0.43	0.52	0.72
0.70	0.82			0.08	0.16	0.21	0.27	0.34	0.41	0.49	0.70
0.67	0.83			0.05	0.13	0.19	0.25	0.31	0.38	0.47	0.67
0.65	0.84			0.03	0.11	0.16	0.22	0.29	0.36	0.44	0.65
0.62	0.85				0.08	0.14	0.19	0.26	0.33	0.42	0.62
0.59	0.86				0.05	0.11	0.17	0.23	0.30	0.39	0.59
0.57	0.87					0.08	0.14	0.21	0.28	0.36	0.57
0.54	0.88					0.06	0.11	0.18	0.25	0.34	0.54
0.51	0.89					0.03	0.09	0.15	0.22	0.31	0.51
0.48	0.90						0.06	0.12	0.19	0.28	0.48
0.46	0.91						0.03	0.10	0.17	0.25	0.46
0.43	0.92							0.07	0.14	0.22	0.43
0.40	0.93							0.04	0.11	0.19	0.40
0.36	0.94								0.07	0.16	0.36
0.33	0.95									0.13	0.33

$$Q_C = P_A \cdot (\tan \varphi_1 - \tan \varphi_2)$$

$$Q_C \text{ [kvar]} = P_A \cdot F = \text{active power [kW]} \cdot \text{factor "F"}$$

$$P_A = S \cdot \cos \varphi = \text{apparent power} \cdot \cos \varphi$$

tan φ1 + φ2 according to cos φ values ref. table

### Example:

Actual motor power

ACTUAL cos φ

TARGET cos φ

Factor F from table

Capacitor reactive power Qc

$$Q_C = 100 \cdot 1.01 = 101.0 \text{ kvar}$$

P = 100 kW

0.61

0.96

1.01

## Individual PFC for Motors

Approximate values (specified by the German Electricity Association VDEW) for fixed PFC of motors			
Motor nominal rating kW	Capacitor power rating (1500 r.p.m.*) kvar	Capacitor power rating (1000 r.p.m.*) kvar	Capacitor power rating (750 r.p.m.*) kvar
1 ... 1.9	0.5	0.5	0.6
2 ... 2.9	1	1.1	1.2
3 ... 3.9	1.5	1.6	1.7
4 ... 4.9	2	2.1	2.3
5 ... 5.9	2.5	2.6	2.9
6 ... 7.9	3	3.2	3.5
8 ... 10.9	4	4.2	4.6
11 ... 13.9	5	5.3	5.8
14 ... 17.9	6	6.3	6.9
18 ... 21.9	7.5	8.0	8.6
22 ... 29.9	10	10.5	11.5
30 ... 39.9	approx. 40% of the motor power		
40 and above	approx. 35% of the motor power		
*r.p.m.: revolutions per minute			

The capacitor output should be approx. 90% of the apparent power of the motor when idle.

This means a power factor of 0.9% at full load and 0.95 to 0.98 during idling. Important: The capacitor output must not be rated too high for individual compensated machines where the capacitor is directly connected with the motor clamp. This especially applies when the machine has a big

oscillating weight and still continues to rotate after switching off.

The capacitor placed in parallel may act as generator for the motor which will cause serious overvoltages. The consequence could be heavy damage to the capacitor as well as to the motor.

## Individual PFC for Transformers

Standard values for transformer power factor correction		
Rated apparent power of transformer	Rated capacitor power for oil immersed transformers	Rated capacitor power for cast resin transformers
kVA	kvar	kvar
10	1.0	1.5
20	2.0	1.7
50	4.0	2.0
75	5.0	2.5
100	5.0	2.5
160	7.0	4.0
200	7.5	5.0
250	8.0	7.5
315	10.0	8.0
400	12.5	8.5
500	15.0	10.0
630	17.5	12.5
800	20.0	15.0
1000	25.0	16.7
1250	30.0	20.0
1600	35.0	22.0
2000	40.0	25.0
2500	50.0	35.0
3150	60.0	50.0

For an exact calculation of the right capacitor value, following formula can be used:

$$Q_c = I_0\% \cdot \frac{AN}{100}$$

$Q_c$  = needed capacitor (kvar)

$I_0\%$  = magnetising current of the transformer (AS%)

$AN$  = apparent rated power of the transformer in kVA

There are regional differences in the guidelines of power suppliers concerning the admissible size of capacitors directly connected with a transformer. Therefore a consultation with the respective power supplier is recommended before installation of a compensation bank. Modern transformers have laminations which only need low capacity to reverse the magnetism. In case the capacitor output is too high, stress increase may occur during idling.





# Your partners

## Sales offices:

**Ahmedabad**  
3rd Floor, Prerna Arbour  
Girish Coldrinks Cross Roads, Navrangpura  
Ahmedabad - 380 009  
☎ : +91 79 30927600  
Fax: +91 79 30927699

**Baroda**  
Ground Floor, Urja Bhavan  
Opp.Makarpura Railway Station, Maneja  
Vadodara - 390 013  
☎ : +91 265 3957700  
Fax: +91 265 3039190

**Bengaluru**  
1st Floor, Jyoti Mahal, No. 49, St. Marks Rd.  
Bengaluru - 560 001  
☎ : +91 80 33422000  
Fax: +91 80 33424131

**Bhubaneswar**  
Unit: 1102 & 1103, DLF Cyber City  
Chandaka Industrial Estate, Patia, Bhubaneswar  
Odisha - 751024

**Chandigarh**  
SCO 188/191, 3rd Floor, Sector-17 C  
Chandigarh - 160 017  
☎ : +91 172 4690300  
Fax: +91 172 4690399

## Territory managers:

**Agra**  
F7B, ACR Desire Appartment  
Near Kargil Petrol Pump, Sikandra  
Agra - 282007, U.P.  
Mobile: +91 7665590333  
E-mail: jain.nitin@siemens.com

**Aurangabad**  
Mobile: +91 9673333024  
E-mail: brajesh.rathor@siemens.com

**Belgavi**  
Flat no-201, 2nd Floor, Harimanor Apartment  
1st Cross- Bhagya Nagar, Angol Extension, Belgavi  
Karnataka 590006  
Tel.: +91 0831 2495156  
Mobile: +91 9740277991  
E-mail: anand.gawade@siemens.com  
Mobile: +91 8105254395  
E-mail: siddu.mareguddi@siemens.com

**Bharuch**  
Gold B, 804, Samruddhi Residency  
Opp. Zadeshwar Bus Stop, Zadeshwar Road  
Bharuch - 392011  
Mobile: +91 9429037805  
E-mail: kalpeshkumar.darji@siemens.com

**Bhilai**  
C/o. Mr. Anil Dhusia  
Qtr No. 4A, Street 33, Sector - 4  
Bhilai - 490001  
Mobile: +91 7869922211  
E-mail: pravlin.deshbhatar@siemens.com

**Bhopal**  
Flat-102, Tower – Jasmine Nikhil Nestles  
Jatkeri Hoshangabad Road  
Bhopal, MP - 462026  
Mobile: +91 9711007466  
E-mail: vinay.mittal@siemens.com

**Boisar**  
Flat No. A-21, Sai Sagar CHS, MAHADA Colony  
Chitrayalaya Road, Boisar - 401506  
Mobile: +91 9819231892  
E-mail: debashis.biswas@siemens.com

**Cochin**  
Jomer Symphony, 33/2317, 5th Floor  
Chalikkavattom, Ponnurrunni North, Vytilla  
Kochi - 682019  
Tel.: +91 4028611122  
Mobile: +91 9656690111  
E-mail: vinu.pillai@siemens.com

**Durgapur**  
6/15, Bengal Ambuja  
(Near Durgapur Cinema Hall), Citi Centre  
Durgapur - 713216  
Mobile: +91 9051020207  
E-mail: sayantan.ghosh@siemens.com

**Gandhidham**  
Plot No. 299, Ward 3A, Adipur  
Gandhidham - 370205, Gujarat  
Mobile: +91 9099010323  
E-mail: Vismay.pandya@siemens.com

**Gorakhpur**  
Flat No. 3B, 3rd Floor, Plot No. 298  
Near Sawatri Hospital, Purdilpur, Vijay Chowk  
Gorakhpur - 273001, UP  
Mobile: +91 917800960310  
E-mail: tiwari.mayank@siemens.com

**Guwahati**  
Shivalaya Housing Society, Flat No. B3A  
Bylane 4, Joymati Nagar, Adabari, Pandu  
Guwahati - 781012  
Mobile: +91 9864110684  
E-mail: biplab.datta@siemens.com

**Chennai**  
4th Floor, ETA Mount Centre  
Seethakathi Business Centre, Mount Road  
Chennai - 600006  
☎ : +91 44 30474000  
Fax: +91 44 30474080

**Coimbatore**  
1st Floor, "Senthil Towers", 1078, Avinashi Road  
Coimbatore - 641018  
☎ : +91 422 3076300  
Fax: +91 422 3076310

**Gurgaon**  
Plot No. - 78, Tower - B  
Jagatjit Industries Building (JIL)  
Opposite SBI Academy, Sector-18  
Gurgaon - 122015  
☎ : +91 124 2842000, 3810200

**Hyderabad**  
5-9-19, 4th & 5th Floor, Laxmi Narasinh Estate  
Opp. Secretariat Road, Saifabad  
Hyderabad - 500 004  
☎ : +91 40 30922500  
Fax: +91 40 30923145

**Haridwar**  
Flat No. 204, Shiv Asthaly Appartment  
Purshotyam Vihar, Kankhal, Haridwar - 249408  
Mobile: +91 9889384222  
E-mail: umesh.pandey@siemens.com

**Hospet**  
#727, Lakshmi Narasimha Nilaya  
Near Surbhi Kalyana Mantapa, Amaravathi  
Hospet - 583203  
Mobile: +91 9741114877  
E-mail: naveen.sn@siemens.com

**Hosur**  
Plot No. 12 Vishnu Anandam Galaxy  
Chittanapalli Nallur Village, Hosur - 635109  
Mobile: +91 8971200266  
E-mail: dinesh.rajaian@siemens.com

**Hubli**  
Plot No. 8, Abhi Nilay, Manjunath Nagar  
Gokul Road, Hubli - 30, Karnataka  
Mobile: +91 9945961052  
E-mail: kiran.kage@siemens.com

**Jalandhar**  
H.No. 140, Ground Floor, Defence Colony  
Jalandhar, Punjab - 144001  
Mobile: +91 8427979870  
E-mail: himanshu.kaushik@siemens.com

**Jodhpur**  
A-240, Shastri Nagar, Jodhpur - 342003  
Mobile: +91 9929110493  
E-mail: rajendra.kabra@siemens.com

**Kanpur**  
Flat No. 702, Pushpi Apartments  
Sharda Nagar, Kanpur - 208025, Uttar Pradesh  
Mobile: +91 8802011478  
E-mail: singh.amar@siemens.com

**Khopoli**  
Samarthanagar Co-op Hsg. Soc.  
Mogalwadi Road, Khopoli,  
Taluka - Khalapur, Dist. Raigad - 410 203  
Mobile: +91 9867748975  
E-mail: deshpande.sachin@siemens.com

**Kolhapur**  
RS No. 84-1, Pinac Prasad, Flat No. A-35  
New Palace Road, Kolhapur - 416006  
Mobile: +91 9850836839  
E-mail: vinay.todkar@siemens.com

**Kota**  
406, Manglayatan Appartment  
Near Jain Temple, Bhimgarj Mandi  
Kota - 324002  
Mobile: +91 9828419111  
E-mail: avinash.mathur@siemens.com

**Ludhiana**  
H.No. 1858, First Floor, Sector - 32 A  
Ludhiana - 141008, Punjab  
Mobile: +91 9876047929  
E-mail: sunil.singla@siemens.com

**Ludhiana**  
R-115, Near DAV School  
Sarabha Nagar Ext Ph-2, Pakhowal Road  
Ludhiana, Punjab - 142022  
Mobile: +91 9888484066  
E-mail: padam.sharma@siemens.com

**Madurai**  
Anirudh block, F-Top 3, Vasudhara Apartment  
84, TPK Main Road, Andalpuram  
Madurai - 625 003, Tamil Nadu  
Mobile: +91 9894617776  
E-mail: sivaprakasam.r@siemens.com

**Jaipur**  
International Business Center, K14 First Floor  
Ashok Marg, Ashok Nagar, C Scheme  
Jaipur - 302001  
☎ : +91 141 5152108  
Fax: +91 141 2370482

**Jamshedpur**  
"Roshan Tower", Main Road, Bistupur (2nd Floor)  
Jamshedpur - 831001  
☎ : +91 657 6682201

**Kolkata**  
3rd Floor, 43, Shanti Palli  
Rashbihari Bypass Connector  
Kolkata - 700042, India  
☎ : +91 33 30939000  
Fax: +91 33 30939010

**Lucknow**  
510-511, 5th Floor, Shalimar Titanium  
Plot No. TC.G-1/1, Vibhuti Khand  
Gomti Nagar, Lucknow  
Uttar Pradesh 226010  
☎ : +91 522 4031039

**Maraimalainagar**  
No.11, Ambedkar Street, SRS Buildings, Upstairs Raga  
Dental Clinic, Potheri, Chennai - 603203  
Mobile: +91 9840392926  
E-mail: shanmuga.v@siemens.com

**Meerut**  
D-205, Ansal Courtyard, Roorkee Bypass  
Modipuram, Meerut - 250110, UP  
Mobile: +91 7619047999  
E-mail: achint.mathur@siemens.com

**Mehsana**  
Mr. Prabhakaran Mudaliar  
Mobile: +91 9724753579  
E-mail: prabhakaran.mudaliar@siemens.com

**Mysore**  
No. 980, 4th Cross, 6th Main  
Bannimantap B layout, SS Nagar  
Mysore - 570015  
Mobile: +91 9611311645  
E-mail: raashid.syed@siemens.com

**Naidupeta**  
Door No. 3-3-140, Raghavaiahpeta  
Sriharikota Road, Opp to Race School  
Sullurpeta Town & Mandal, SP5R Nellore District  
AP - 524123  
Mobile: +91 9840255185  
E-mail: r.pradeep@siemens.com

**Nashik**  
Flat No 402, "D" Wing, Hari Shrushti  
Near Jogging Track, Opposite WNS, Indira Nagar  
Nashik - 422009  
Mobile: +91 9822193204  
E-mail: dhananjay.thorat@siemens.com

**Neemrana**  
Flat No. F111, Anantraj Aashray Apartment  
Plot No. 236, Japanese Zone  
Neemrana - 301705, Dist.- Alwar  
Mobile: +91 9650481919  
E-mail: deepak.benival@siemens.com

**Patna**  
A-53, 5th Floor, Krishna Apartment, Boring Road  
Patna - 800001  
Mobile: +91 9641574289  
E-mail: rajendra.mitra@siemens.com

**Pondicherry**  
R.A.M. Paradise, II Floor, No.4, 2nd Cross  
Kamban Nagar, Reddiarpalayam  
Puducherry - 605010  
Mobile: +91 9176609374  
E-mail: gopalakrishnan.shanmugam@siemens.com

**Rajpur**  
103 Risabh Regency, Near Shri Medishine Hospital  
New Rajendra Nagar, Raipur (CG) - 492001  
Mobile: +91 9425601849  
E-mail: raghuraj.bisen@siemens.com

**Rajkot**  
301, Snowhill Apartment  
Near Golden Supermarket, Amin Marg  
Rajkot - 360007, Gujarat  
Mobile: +91 9909904993  
E-mail: piyush.thaker@siemens.com

**Ranchi**  
Flat No. A-101, 1st Floor, Sundaram Apartment  
Kilburn Colony, Hinoo, Ranchi  
Jharkhand - 834002  
Mobile: +91 8294052647  
E-mail: shyamal.bhattacharyya@siemens.com

**Mumbai**  
Business Centre-1  
Thane Belapur Road, Thane - 400 601  
☎ : +91 22 39663000  
Fax: +91 22 39663721

**Nagpur**  
4th Floor, Land Mark Building  
Wardha Road, Ramdas Peth  
Nagpur - 440 010  
☎ : +91 712 3093000  
Fax: +91 712 3093111

**Pune**  
Tower B/701-705, ICC Trade Tower  
403A, Senapati Bapat Road  
Pune - 411016  
☎ : +91 20 30466000  
Fax: +91 20 30466000

**Vishakhapatnam**  
2nd Floor, 30-8-47, Lakshmi Narasimha Towers  
Banu Street, Daba Gardens  
Visakhapatnam - 530 020  
Andhra Pradesh  
☎ : +91 891 3050200  
Fax: +91 891 3050222

**Renukoot**  
Vijay Gupta Bhawan, Swami Vivekanand Colony  
Murdhawa, Renukoot - 231217, U.P.  
Mobile: +91 854500021  
E-mail: kumardeepak@siemens.com

**Rourkela**  
D/7, Gafour Colony, Ground Floor  
Near LIC Office, Udit Nagar  
Rourkela - 769012, Odisha  
Mobile: +91 9776967773  
E-mail: prakhar.chaturvedi@siemens.com

**Rudrapur**  
Shanti Vihar Colony, Chatarpur Road  
Opposite - Dr. Pandey Hospital  
Rudrapur - 263153, Uttarakhand  
Mobile: +91 9839174578  
E-mail: girish.pandey@siemens.com

**Salem**  
A 604, Stuti Universal, Green City Road  
Pal-Adajan, Surat - 395009, Gujarat  
Mobile: +91 9712445504  
E-mail: harshwardhan.mishra@siemens.com

**Siliguri**  
C/o Ratan Saha  
Ground Floor, Raja Rammohan Roy Road  
Beside Babubhai Atta Mill, Hakimpara  
Siliguri - 734001, West Bengal  
Mobile: +91 9932276294  
E-mail: dibyojyoti.karmakar@siemens.com

**Sonepat**  
H.No. 1103, 1st Floor, Sector - 14  
Sonepat, Haryana - 131001  
Mobile: +91 9855526122  
E-mail: kumar.manish@siemens.com

**Sriperumbudur**  
Villa No. 97, Casa Grande Futura, Chengalpet Road  
Sriperumbudur, Kanchipuram Dist - 602105  
Mobile: +91 9791045280  
E-mail: murugaraj.s@siemens.com

**Surat**  
A 604, Stuti Universal, Green City Road  
Pal-Adajan, Surat - 395009, Gujarat  
Mobile: +91 9712445504  
E-mail: harshwardhan.mishra@siemens.com

**Trichy**  
Flat No.102, 'B' Block, 2nd Floor, Vignesh Empire  
Apartments, Salai Road, Woraipur, Trichy - 620003  
Mobile: +91 8056025127  
E-mail: ponnivalavan.p@siemens.com

**Trissur**  
Plot No. 12, Cherakaran House, Unity Nagar  
Kurichira P.O, Thrissur, Kerala - 680006  
Mobile: +91 9947957839  
E-mail: nobin.babu@siemens.com

**Udaipur**  
A-39, New Ahinsapuri, Fatehpura  
Udaipur - 313004  
Mobile: +91 8696222212  
E-mail: rohit.nandan@siemens.com

**Vapi**  
Flat No. 302, 3rd Floor, Samrajya-IV  
Royal Residency, Gokul Vihar Township  
Charwada Road, Taluka - Pardi, Dist. Valsad  
Vapi - 396195  
Mobile: +91 9825147957  
E-mail: rohit.darji@siemens.com

**Vijayawada**  
Mobile: +91 9948664228  
E-mail: naga.ganesna@siemens.com

Siemens Ltd.  
Digital Factory  
Control Products  
R&D Technology Centre  
Kalwa Works, Thane Belapur Road, Thane - 400 601  
Fax: +91 22 33265627  
For more information contact toll free 1800 209 1800  
E-mail: lvsg-rmktg.india@siemens.com

[www.siemens.co.in](http://www.siemens.co.in)

Order No.: 109556591  
PQS\_CC96112018

Customer Care Toll free no.  
1800 209 897  
Email: ics.india@siemens.com

Product upgradation is a continuous process. Hence, data in this catalog is subject to change without prior notice. For the latest information, please get in touch with our Sales Offices.