



**HOME OWNER / INSTALLER  
FOR YOUR SAFETY**  
THIS MANUAL MUST BE READ IN ITS  
ENTIRETY BEFORE OPERATING HEATER

## **RCE-592ACPA**

**VENT-FREE GAS CONVECTION HEATER**  
**With Plasmacluster™ +HEPA AIR CLEANING TECHNOLOGY**  
**FC-420 HEPA+**

Owner's Operation and Installation Manual

THIS IS AN UNVENTED GAS-FIRED HEATER. IT USES AIR (OXYGEN) FROM THE ROOM IN WHICH IT IS INSTALLED. PROVISIONS FOR ADEQUATE COMBUSTION AND VENTILATION AIR MUST BE PROVIDED. REFER TO INSTALLATION INSTRUCTIONS ON PAGE 6.

**WARNING:** IF THE INFORMATION IN THIS MANUAL IS NOT FOLLOWED EXACTLY, A FIRE OR EXPLOSION MAY RESULT CAUSING PROPERTY DAMAGE, PERSONAL INJURY OR LOSS OF LIFE.

DO NOT STORE OR USE GASOLINE OR OTHER FLAMMABLE VAPORS AND LIQUIDS IN THE VICINITY OF THIS OR ANY OTHER APPLIANCE.

### **WHAT TO DO IF YOU SMELL GAS**

- DO NOT TRY TO LIGHT ANY APPLIANCE.
- DO NOT TOUCH ANY ELECTRICAL SWITCH; DO NOT USE ANY PHONE IN YOUR BUILDING.
- IMMEDIATELY CALL YOUR GAS SUPPLIER FROM A NEIGHBOR'S PHONE. FOLLOW THE GAS SUPPLIER'S INSTRUCTIONS.
- IF YOU CANNOT REACH YOUR GAS SUPPLIER, CALL THE FIRE DEPARTMENT.

INSTALLATION AND SERVICE MUST BE PERFORMED BY A QUALIFIED INSTALLER, SERVICE AGENCY OR THE GAS SUPPLIER.

This appliance may be installed in an aftermarket, permanently located, manufactured (mobile) home, where not prohibited by local codes. This appliance is only for use with the type of gas indicated on the rating plate. This appliance is not convertible for use with other gases.

**INSTALLER:** Leave this manual with the appliance.  
**CONSUMER:** Retain this manual for future reference.



# Rinnai

**Rinnai** CORPORATION  
NAGOYA, JAPAN

## WARNING

THIS APPLIANCE IS INTENDED FOR SUPPLEMENTAL HEATING. IMPROPER INSTALLATION, ADJUSTMENT, ALTERATION, SERVICE OR MAINTENANCE CAN CAUSE PROPERTY DAMAGE, PERSONAL INJURY OR LOSS OF LIFE. REFER TO THE OWNER'S INFORMATION MANUAL PROVIDED WITH THIS APPLIANCE. INSTALLATION AND SERVICE MUST BE PERFORMED BY A QUALIFIED INSTALLER, SERVICE AGENCY OR THE GAS SUPPLIER. FOR ASSISTANCE OR ADDITIONAL INFORMATION CONSULT A QUALIFIED INSTALLER, SERVICE AGENCY OR THE GAS SUPPLIER.

## GENERAL INFORMATION



THIS SERIES HEATER IS DESIGN CERTIFIED BY CSA INTERNATIONAL AS A VENT-FREE ROOM HEATER AND MUST BE INSTALLED ACCORDING TO THESE INSTRUCTIONS.

ANY ALTERATION OF THE ORIGINAL DESIGN INSTALLED OTHER THAN AS SHOWN IN THESE INSTRUCTIONS OR USED WITH A TYPE OF GAS NOT SHOWN ON THE RATING PLATE, IS THE RESPONSIBILITY OF THE PERSON AND COMPANY MAKING THE CHANGE.

## WARNING

THIS APPLIANCE IS EQUIPPED FOR (NATURAL OR PROPANE) GAS. FIELD CONVERSION IS NOT PERMITTED.

## TABLE OF CONTENTS

	Page
SPECIFICATIONS .....	1
SAFETY DEVICES .....	1
IMPORTANT POINTS .....	2
SAFETY POINTS .....	3
USAGE AND INSTALLATION INFORMATION .....	5
INSTALLATION INSTRUCTIONS .....	6
OPERATING INSTRUCTION PLATE .....	9
CONTROL PANEL OPERATING INFORMATION .....	10
REPLACING THE HEPA FILTER .....	11
OPERATING THE HEATER .....	12
TIMER OPERATION .....	14
MAINTENANCE / SERVICE .....	17
TROUBLE SHOOTING CHART .....	20
SCHEMATIC DISASSEMBLY .....	22
ERROR MESSAGES .....	28
LIMITED WARRANTY .....	back cover

# SPECIFICATIONS

Model	Input Rating BTU/H HIGH	Input Rating BTU/H LOW	Thermostat	Weight in pounds	Dimension in inches	Fan CFM Output
RCE-592ACPA-N	20,000	4,000	YES	32	Height: 26 3/10" Width: 18 9/10" Depth: 11 4/10"	High:129
RCE-592ACPA-P	18,000	6,000	YES			Low:82

"-N" Models are for Natural Gas. (Inlet Pressure within 5.9"-10.5" W.C.)

"-N" Models manifold pressure: 5.1" W.C.

"-P" Models are for L.P. Gas. (Inlet Pressure within 7.9"-13" W.C.)

"-P" Models manifold pressure: 6.2" W.C.

Gas connection pipe size 1/2" N.P.T.all models.

# SAFETY DEVICES

## ■ Overheat Switch

When the heater gets too hot during operation (for example when the filters or air outlet louvers are blocked) this device turns the gas off automatically. Remove cause of overheat (clean filters) allow heater to cool, then re-ignite.

## ■ Fuse

The electrical circuits are protected by a fuse. When the fuse blows, the heaters will not operate at all. The fuse must be replaced by an authorized person.

## ■ Flame Failure Device

This device automatically cuts off the gas supply to the heater in the event of a gas failure. To restore the gas supply to the heater, turn it off, then follow the ignition procedure.

## ■ Oxygen Depletion Safety Device

If the oxygen level in the room drops below a pre-set limit, this device cuts the gas supply off to the heater. If the oxygen depletion device operates, turn the heater off, ventilate the room, then follow the ignition procedure to re-light. Heater will not re-light until room is fully ventilated.

## ■ Tilt Switch

If the heater is knocked over, the tilt switch will cut the gas supply off. The fan keeps running. To restore the gas supply, stand the heater upright, turn it off then follow the ignition procedure. The tilt switch may also operate if the heater is jolted or picked up while in operation.

## ■ Power Failure

In the event of a power failure or power cut, the gas valves will automatically close. After the power is re-instated the appliance must be restarted manually.

# IMPORTANT POINTS

## **UNPACK HEATER:**

Check for damage. (DO NOT INSTALL DAMAGED HEATER.) If heater is damaged, contact your supplier for advice. Before installing a heater, check the label for the correct gas type (see label on back of heater). Refer to local gas authority for confirmation of gas type if you are in doubt.

## **INCLUDED IN CARTON:**

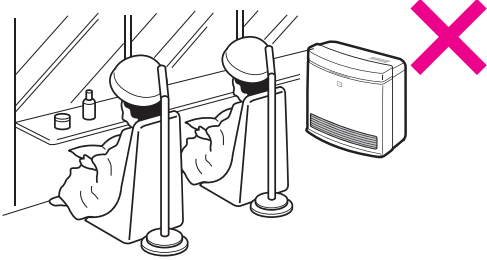
Customers Operating Information/Manual Gas Valve

## **IMPORTANT**

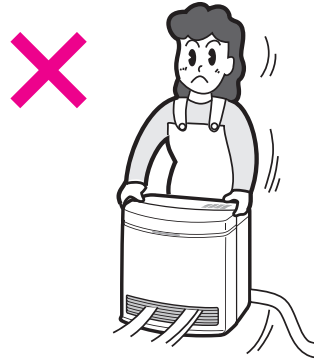
1. The appliance must be installed in accordance with state and local codes.
2. For information on gas rate, see data plate on the appliance.
3. When using this appliance, ensure that the room is correctly ventilated. Check the local gas authority for information on ventilation requirements.
4. The heater must not be installed where curtains or other combustible materials could come into contact with it. In some cases, curtains may need restraining. It must be installed 2" (50mm) away from walls.
5. This appliance is not designed to be built in.
6. If you move, check the gas type in the area where you are moving to. The local gas authority will be able to advise on local regulations.
7. This heater discharges a large volume of warm air at low level to provide even heat distribution. If the air in the room contains cooking vapor or cigarette smoke, and the heater is used on a carpet, the surface of the carpet may become discolored.  
In addition, some nylon carpets contain dyes which may be affected by the warm air flow. Some soft vinyl surfaces are also subject to distortion, or discoloration by warm air. To prevent discoloration of carpets etc., a nonflammable board should be placed under the appliance, extending about 30" (750mm) in front of it.

# SAFETY POINTS

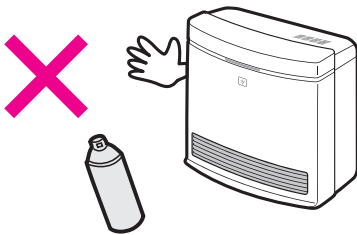
Do not install this heater in areas where spray painting or plating is taking place, or in places such as hair dressers, where there may be a lot of fluff and dust, and where aerosols are used. May create strong odors and irritate eyes and sinuses.



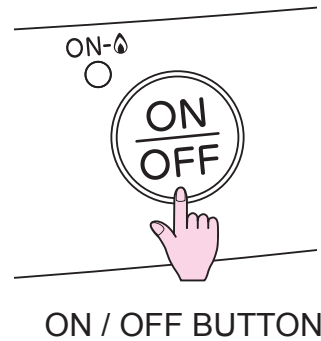
Do not move the heater while it is turned on.



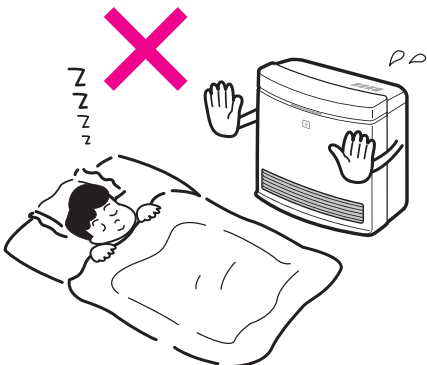
Do not spray aerosols near this heater while it is in use. Many aerosols contain flammable gas and can be a fire hazard. Use of aerosols, paint, polishes etc., while this heater is in use will cause unpleasant smells.



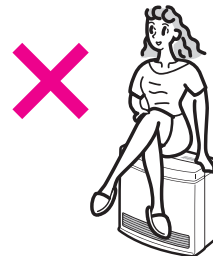
Turn off heater when not in use and when away for long periods of time.



Do not allow children or elderly persons to sleep in the warm air discharge from the heater.

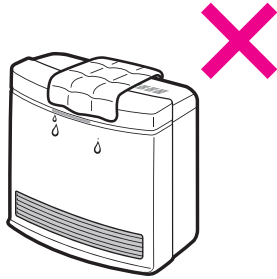


Do not sit on this heater.

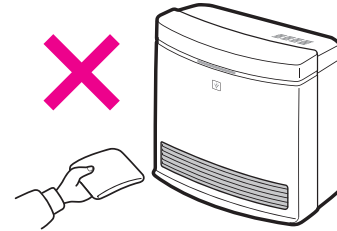


# SAFETY POINTS

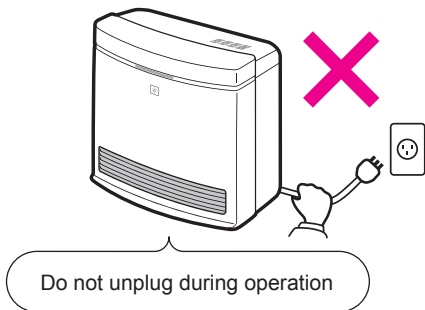
Do not place wet articles on this heater, the water may drip into the electrical parts.



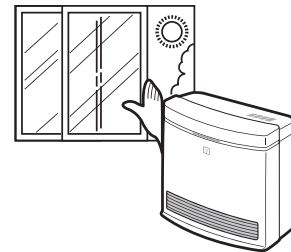
Do not allow children to put articles in the louvers.  
Supervise children playing near this heater.



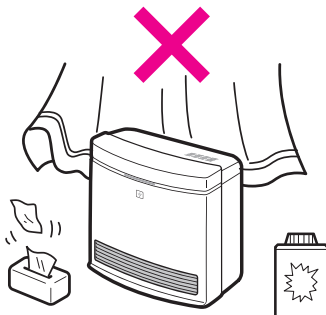
Do not turn the heater off by unplugging it from the wall, or while the fan is cooling the heater off. (This heater is not suitable for use with a plug in type timer.)



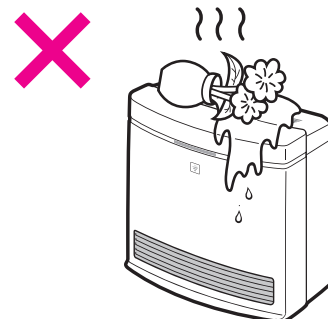
Ventilate the room when this heater is in use. Correct, fixed ventilation is usually sufficient, consult your local gas authority for local regulations.



Keep away from flammable materials.  
Combustible materials must not be placed where the heater could ignite them.  
Do not place articles in front of the hot air discharge.



Do not place containers of liquid on top of the heater. Water in the heater can cause extensive damage.



# USAGE AND INSTALLATION INFORMATION

1. Read these rules and the instructions carefully. Check all local codes. Failure to follow these could cause a malfunction of the heater resulting in death, serious bodily injury and/or property damage.
2. This heater is designed for use only with one type of gas, either L.P.G. or Natural Gas. Make sure that the type of gas to be supplied to this unit matches that shown on the rating plate on the heater. This unit is not convertible to another fuel.
3. **WARNING:** Any change to this heater or its controls can be dangerous.
4. If a gas leak is suspected, turn heater off, turn gas supply valve off at regulator or appliance connector valve. Open windows to ventilate area immediately and contact your dealer or gas company.
5. **WARNING:** Failure to keep the primary air opening(s) of the burner(s) clean may result in sooting and property damage.
6. Installation and repair should be done by a qualified service person. Heater should be inspected before use and at least annually by a professional service person. More frequent cleaning may be required due to excessive lint from carpeting, bedding material, etc. It is imperative that control compartment, burners and circulating air passageways be kept clean.
7. **An unvented room heater having an input rating of more than 10,000 BTU's per hour shall not be installed in a bedroom or bathroom or where state or local codes do not allow.**  
**An unvented room heater having an input rating of more than 6,000 BTU's per hour shall not be installed in a bathroom or where state or local codes do not allow.**
8. Keep area near the heater clear and free from combustible materials, gasoline and other flammable vapors and liquids.
9. Due to its high temperature, the heater should be located out of traffic and away from furniture and draperies.
10. Do not place clothing or flammable material on or near the heater.
11. Any safety panel or guard removed for servicing must be replaced prior to operating the heater.
12. An unvented gas heater will increase the amount of humidity in the room.
13. This heater is intended for space heating purposes only. Do not use for other purposes such as drying clothes or baking paints.
14. Do not touch the outlet area while the heater is in use. To avoid burns, do not move the heater during use and avoid touching the heater just after turning off.
15. Children and adults should be alerted to the hazard of high surface temperatures and should stay away to avoid burns or clothing ignition.
16. Young children should be carefully supervised when they are in the same room with the heater.
17. L.P.G. containers must not be installed indoors.
18. Do not install in a windy area such as facing a window or a door leading to the outside.
19. Do not use this room heater if any part has been under water. Immediately call a qualified service technician to inspect the room heater and to replace any part of the control system and any gas control which has been under water.
20. Carpet lint or cigarette smoke may pass through the heater, discolor, and be deposited into the room.
21. This unit discharges a large volume of warm air at a low level to provide even heat distribution. If the air in the room contains cooking vapors, cigarette smoke, and if used on carpet, the surface in front of unit is subject to discoloration. Some carpets contain dyes which can be effected by warm air flow and could discolor. To aid in prevention of discoloration, place a mat under the unit to extend to the front 30".

# INSTALLATION INSTRUCTIONS

## NOTICE BEFORE INSTALLATION

The heater must be installed by a qualified service person according to these installation instructions. When used without adequate combustion and ventilation heater air the heater may give off carbon monoxide.

Check your local building codes for the proper method of installation. In the absence of local codes, this heater installation must conform with American National Standard (National Fuel Gas Code) ANSI Z223. 1/NFPA54.

Available from the American National Standards Institute, Inc.,  
1430 Broadway, New York, NY 10018, or from the National Fire  
Protection Association, Batterymarch Park, Quincy, MA 02269.

All correspondence should refer to Model No., Serial No., and type of gas.

### **WARNING:** Electrical Grounding Instructions

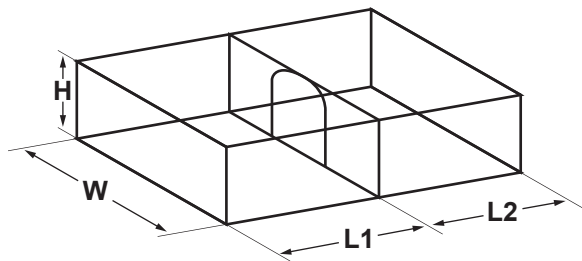
This appliance is equipped with a three-prong (grounding) plug for your protection against shock hazard and should be plugged directly into a properly grounded three-prong receptacle.

This appliance may be installed in an aftermarket manufactured (mobile) home when not prohibited by state or local code. (Aftermarket = completion of sale, not for purpose of resale from manufacturer.)

This heater shall not be installed in a confined space or unusually tight construction unless provisions are provided for adequate combustion and ventilation air.

The National Fuel Gas Code ANSI Z223. 1/NFPA54 defines a confined space as a space whose volume is less than 50 cubic feet per 1,000 Btu per hour (4.8m<sup>3</sup> per kW) of the aggregate input rating of all appliances installed in that space and an unconfined space as a space whose volume is not less than 50 cubic feet per 1,000 Btu per hour (4.8m<sup>3</sup> per kW) of the aggregate input rating of all appliances installed in that space.

Rooms communicating directly with the space in which the appliances are installed, through openings not furnished with doors, are considered a part of the unconfined space.



The following formula can be used to determine the maximum heater rating per the definition of unconfined space:

$$\text{BTU/HR} = \frac{(L1+L2)\text{Ft} \times (W)\text{Ft} \times (H)\text{Ft} \times 1000}{50}$$

Consider two connecting rooms with an open area between, with the following dimensions:

$$\begin{aligned} \text{BTU/HR} &= \frac{(15\frac{1}{2}+12) \times (12) \times (8) \times 1000}{50} \\ &= 52800 \text{ BTU/HR} \end{aligned}$$

If there is a door between the two rooms that can be closed the calculation must be based only on the room with the heater.

$$\begin{aligned} \text{BTU/HR} &= \frac{(15\frac{1}{2}) \times (12) \times (8) \times 1000}{50} \\ &= 29760 \text{ BTU/HR} \end{aligned}$$

**WARNING:** If the area in which the heater may be operated is smaller than that defined as an unconfined space or if the building is of unusually tight construction, provide adequate combustion and ventilation air by one of the methods described in the National Fuel Gas Code, ANSI Z223.1/NFPA54, Section 5.3 or applicable local codes.



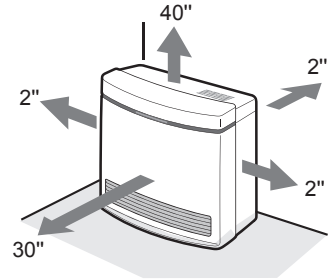
Unusually tight construction is defined as construction where:

- a) Walls and ceilings exposed to the outside atmosphere have a continuous water vapor retarder with a rating of 1 perm ( $6 \times 10^{-11}$  kg per pa-sec- $m^2$ ) or less with openings gasketed or sealed, and
- b) Weather stripping has been added on openable windows and doors, and
- c) Caulking or sealants are applied to areas such as joints around window and door frames, between sole plates and floors, between wall-ceiling joints, between wall panels, at penetrations for plumbing, electrical, and gas lines, and at other openings.

### LOCATION AND CLEARANCES

1. The minimum clearances from the combustible materials are as follows:

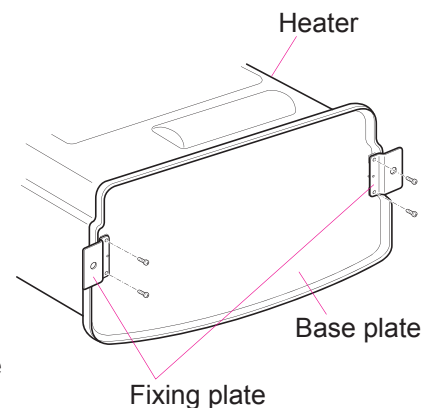
- 40 inches from top
- 2 inches from back
- 2 inches from sides
- 30 inches from front
- 0 inches from bottom



2. This heater may be installed on combustible flooring. When the heater is installed directly on carpeting, tile or other combustible material other than wood flooring, the heater shall be installed on a metal or wood panel extending the full width and depth of the heater.
3. Adequate clearances for accessibility for purposes of servicing and proper operation must be provided.
4. Adequate clearances around air openings must be provided.
5. Do not install this heater in bedrooms or bathrooms.
6. Right and left sides are determined when facing the front.
7. Do not install in areas where curtains, drapes, clothing, or other moving flammables are within 12 inches of this unit.
8. This unit is not designed to mount directly to a wall.
9. Make certain of adequate combustion and ventilation air.
10. Do not oversize the heater to the room.

### GAS CONNECTION

1. Attach (2) floor fixing plates in the bottom of base plate before gas connecting.
2. The gas supply line shall be gas-tight, sized and installed so as to provide a supply of gas sufficient to meet the maximum demand of the heater without loss of pressure.
3. A shut off valve (or appliance connector valve) should be installed in the upstream of the gas line to permit servicing.
4. Flexible pipe and any appliance connector valve used for gas piping shall be types approved by nationally recognized agencies.



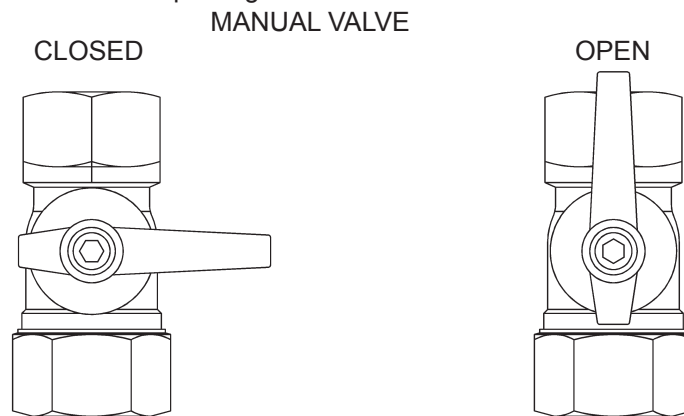
5. Any compound used on the threaded joint of gas piping shall be a type which resists the action of liquefied petroleum gas.
6. Supplied gas pressure must be within the limits shown in the specifications.
7. After completion of gas pipe connections, all joints including the heater must be checked for gas-tightness by means of leak detector solution, soap and water, or an equivalent nonflammable solution, as applicable.

**CAUTION:** Since some leak test solutions, including soap and water, may cause corrosion or stress cracking, the piping shall be rinsed with water after testing, unless it has been determined that the leak test solution is noncorrosive.

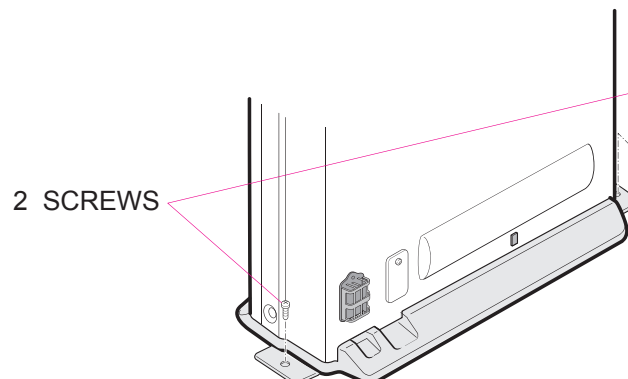
8. The appliance and its appliance main gas valve must be disconnected from the gas supply piping system during any pressure testing of that system at test pressures in excess of 1/2 psi (3.5kPa).

The appliance must be isolated from the gas supply piping system by closing its equipment shut-off valve during any pressure testing of the gas supply piping system at test pressures equal to or less than 1/2 psi (3.5kPa).

9. A valve supplied must be installed on back of unit at time of installation. This is for compliance to ANSI standard Z21.11.2. Valve is packaged with unit.



10. After completing pipework, secure the heater to the floor. Use the two screws provided, as shown in the drawing. To prevent deforming floor fixing plate, do not over torque screws.



## OPERATING INSTRUCTION PLATE CONVECTOR RCE-592ACPA

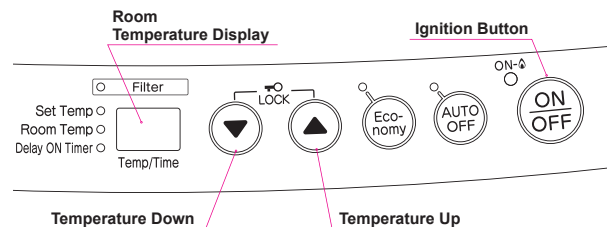
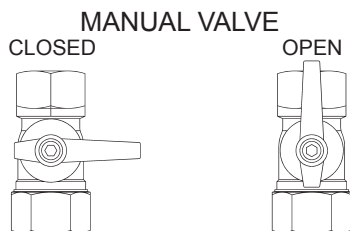
### FOR YOUR SAFETY READ BEFORE OPERATING

**WARNING:** If you do not follow these instructions exactly, a fire or explosion may result causing property damage, personal injury or loss of life.

- A. This appliance does not have a pilot. It is equipped with an ignition device which automatically lights the burner. Do not try to light the burner by hand.
- B. BEFORE OPERATING smell all around the appliance area for gas. Be sure to smell next to the floor because some gas is heavier than air and will settle on the floor.  
  
WHAT TO DO IF YOU SMELL GAS.
  - Do not try to light any appliance.
  - Do not touch any electrical switch; do not use any phone in your building.
  - Immediately call your gas supplier from a neighbor's phone. Follow the gas supplier's instructions.
- If you cannot reach your gas supplier, call the fire department.
- C. Use only your finger to push with. Never use tools. If the button will not reactivate by touch, don't try to repair it, call a qualified service technician. Force or attempted repair may result in a fire or explosion.
- D. Do not use this appliance if any part has been under water. Immediately call a qualified service technician to inspect the appliance and to replace any part of the control system and any gas control which has been under water.

### OPERATING INSTRUCTIONS

- STOP! Read the safety information above on this label. This appliance is equipped with an ignition device which automatically lights the burner. Do not try to light the burner by hand.
1. Turn off all electric power to the appliance via the ON/OFF button on the control panel. Locate manual gas valve to be found on back side of heater.
2. Turn Manual valve clockwise ↻ to the full OFF position.
3. Wait five (5) minutes to clear out any gas. Then smell for gas, including near the floor. If you then smell gas, STOP! Follow "B" in the safety information above on this label. If you don't smell gas, go to next step.
4. Turn Manual gas valve to the full ON position.
5. Turn on all electric power to the appliance.
6. Press ON/OFF button to "ON".
7. Set the thermostat to desired setting.
8. Burner is lit when operation lamp glows red.
9. If operation lamp is flashing red, burner has not been lit.
10. If the appliance will not operate, follow the instructions "To turn off gas to appliance" and call your service technician or gas supplier.



### TO TURN OFF GAS TO APPLIANCE

1. Turn off electric power to the appliance using the ON/OFF switch located on the control panel.
2. Turn manual valve clockwise ↻ to the full OFF position.

**NOTE:** The fan will continue to operate until the appliance is cool, do not turn the appliance off by unplugging it from the wall. Keep burner and control compartment clean. See installation and operating instructions accompanying heater.

**WARNING:** Improper installation, adjustment, alteration, service or maintenance can cause personal injury or loss of life. Refer to the owner's information manual provided with this appliance. Installation and service must be performed by a qualified installer, service agency or the gas supplier.

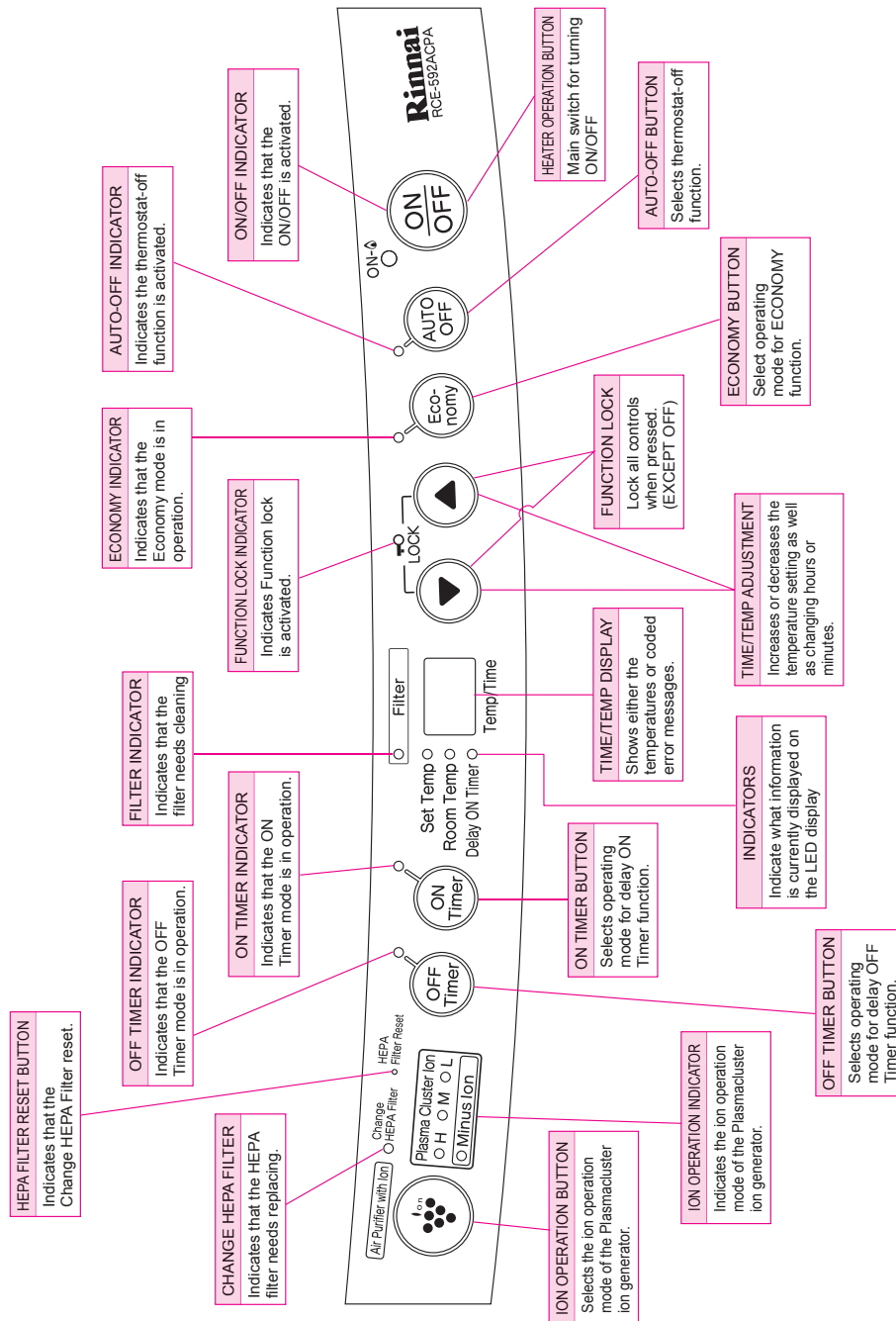
# CONTROL PANEL OPERATING INFORMATION

## INSTALLATION

Check room size and ventilation. Do not oversize. Improper sizing may cause nuisance lock outs.

Make certain the heater is connected into both the gas and the electric power.

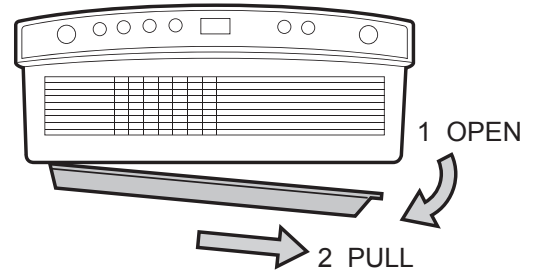
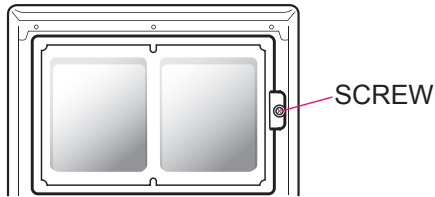
## CONTROL PANEL LAYOUT



# REPLACING THE HEPA FILTER

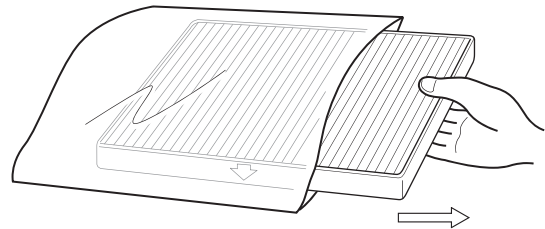
## 1. To remove the HEPA filter

- Remove the screw using Philips head.
- Remove the Filter Screen and the HEPA Filter.

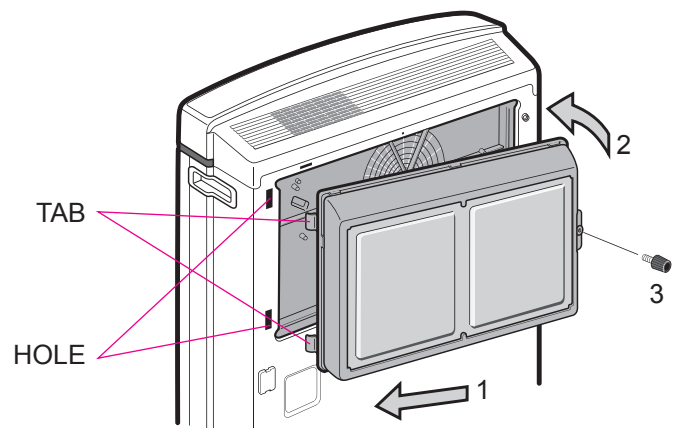
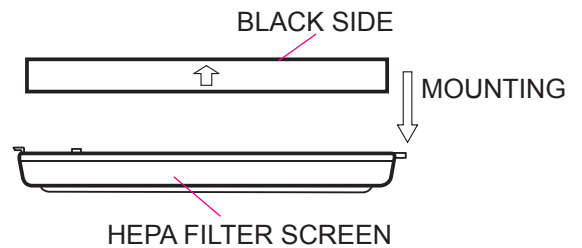


## 2. To install the HEPA filter

- Remove the HEPA Filter from bag and place into the Filter Screen.
- Install into the back of Appliance using the top and bottom left-tab as locators.
- Apply screw using Philips head.



Note: Please turn off the "Air Purifier With Ion" button when replacing the HEPA filter.



# OPERATING THE HEATER

## ■ TURNING ON

Press the ON/OFF button to operate the heater. The ON indicator will glow green. After approximately 20 seconds the spark generator will be heard before the burner ignites and the ON indicator glows red, indicating that the burner is lit. Warm air can be felt coming from the louvers 15 seconds later.



If the heater does not ignite on initial try, air may be remaining in the gas supply line. The spark generator will only continue for 30 seconds. After this, it will be necessary to press the ON/OFF button OFF, then ON again.

## ■ TURNING OFF

Simply press the ON/OFF button to switch off the heater. The ON indicator will go out. The convection fan will continue to operate for several minutes after the burner has gone out in order to cool the appliance. **Do not unplug the appliance while the convection fan is running.**



**DO NOT** turn heater off by unplugging. The convection fan will continue to run until the appliance cools.

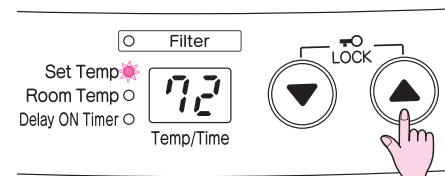
## ■ ROOM TEMPERATURE ADJUSTMENT

The room temperature and pre-set temperatures can only be displayed and adjusted when the heater is running.

Press the "▲" button to increase the temperature setting or "▼" button to decrease the temperature setting.

The temperatures can be preset to:

- [L] low (about 50°F)
- [60°F] to [80°F] in 2°F increments
- [H] (continuously high)

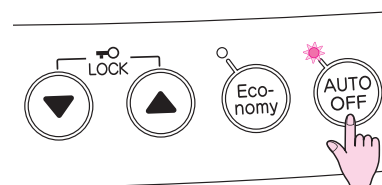


If the heater does not ignite then the pre-set temperature may not be set to a setting which is higher than the actual room temperature.

## ■ AUTO-OFF FUNCTION

When you select AUTO-OFF, the indicator light will glow. You have selected a Full Thermostat Control Function. The heater will cycle High, Low and OFF to maintain the selected room temperatures.

When the AUTO-OFF indicator is not glowing, you have selected a manual on/off mode of operation. The unit will continue to produce at least 4000 BTU/h of heat until you turn the unit off manually.

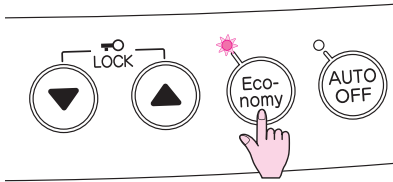


# OPERATING THE HEATER

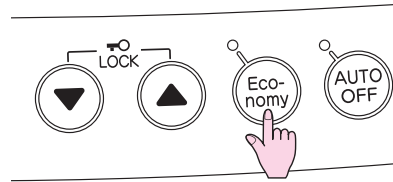
## ■ ECONOMY MODE

The Economy mode may only be operated when the heater is turned on, and remains in the system memory once set until deactivated.

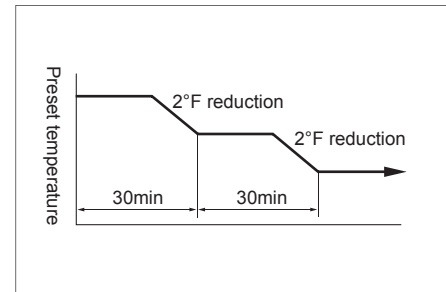
Press the Economy button to start the Economy function. The Economy indicator will glow.



Press the Economy button once more to switch off the function.



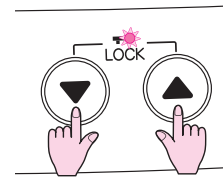
After the room is heated initially the air temperature may be dropped to a lower level without affecting comfort. 30 minutes after the selected room temperature (set with the thermostat) is reached, the Economy mode, if set, reduces the temperature by 2°F. After another 30 minutes it reduces the temperature by a further 2°F. This is an energy saving feature. The Economy mode does not operate if the heater is under capacity for the room size.



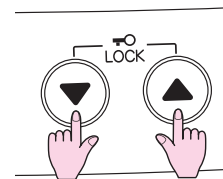
## ■ FUNCTION LOCK

The Function Lock will help to prevent accidental operation as well as making the control panel child resistant.

To operate the Function Lock simply press the "▼" and "▲" buttons at the same time. The function is activated immediately and the Function Lock indicator will glow.



To deactivate the Function Lock simply press the "▼" and "▲" buttons at the same time for 2 seconds and the Function Lock indicator will go out.



During normal operation the Function Lock may be activated and all controls other than the OFF switch will be locked. Deactivating the lock releases the controls. If the lock is activated while the heater is turned OFF, then all functions will be locked. If the heater is turned OFF while the Function Lock is activated, it cannot be turned ON again until the lock is deactivated.

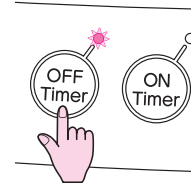
# TIMER OPERATION

## ■ OFF TIMER OPERATION

This feature is useful on cold nights when the unit continues to operate after you have gone to bed.

The OFF Timer can be selected when the heater is operating manually, in OFF, or in ON Timer mode. When the OFF Timer feature is selected, the heater will automatically switch off after 60 minutes.

- 1 Press the OFF Timer button. The OFF Timer indicator lights up.



The heater will operate at the preset temperature selected in the system memory.

The temperature will automatically run at 80°F if the set temperature is "H".

If selected while the ON Timer is set, the heater will come on and run for 60 minutes, after which it will remain in ON Timer standby mode.

If the ON Timer is selected after the OFF Timer has been selected, the unit will run for 60 minutes (OFF Timer mode) and then remain in the ON Timer standby mode.

In all cases where the ON and OFF Timers are selected together, the OFF Timer will take precedence and run the heater for 60 minutes after which the heater will remain in the ON Timer standby mode.

## OFF TIMER STOPS AFTER 1 HOUR.

Five minutes before the finish of the OFF Timer, the OFF Timer indicator will flash, indicating that the function is nearing completion.

The OFF Timer indicator will then go out at completion of the 60 minute time delay.

In cases where both the ON and OFF Timers are selected, once the OFF Timer has run the heater for 60 minutes, the ON Timer indicator will remain lit and the heater will be in ON Timer standby mode.

To cancel the OFF Timer, press either the ON-OFF button or the OFF Timer button at any time.

## ■ ON TIMER OPERATION

The ON Timer allows you to program the heater to turn on after a pre-determined time period.

As an example, if the time now is 10:30 pm and you wish the heater to start at 6:00 am tomorrow morning, then the ON Timer must be set to 7.5 (hours)

The ON Timer preset times are from 30 minutes to 24 hours.

These times can be selected in 30 minute increments up to 10 hours and then 1 hour increments up to the maximum of 24 hours.

### BEFORE SELECTING THE ON TIMER CONFIRM:

That the desired preset room temperature has been set (see page 12)



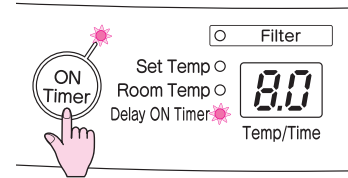
## WARNING

- Ensure there are no obstacles or foreign materials directly in front of the appliance where the warm air will discharge into the room.
- Ensure the appliance is not positioned where warm air discharge will blow directly on someone sleeping.

### 1 Press the "ON Timer" button

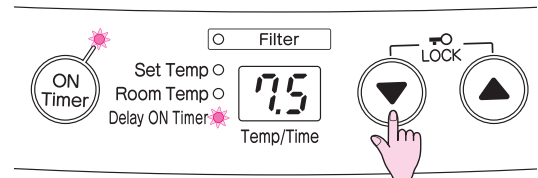
The "ON Timer" and "ON/Combustion" (green) indicators will light up.  
A preset time will be displayed on the digital monitor.  
(The first time the ON Timer is preset, this time will be "8.0")

The ON Timer can be selected while the unit is in operation, or while it is off (if set during operation, pressing the ON Timer button will stop the unit heating and the ON/Combustion indicator will change from red to green). The appliance will remain in standby mode.



### 2 Presetting the time

Pressing the "▼" or "▲" buttons alters the preset time.  
After 10 seconds the digital monitor will go out.  
If the display has gone out:  
Pressing the "▼" or "▲" buttons once will show the remaining time on the digital monitor.  
Pressing the button more than once will alter the preset time.



### 3 The heater will operate after reaching the end of the preset time.

"ON/Combustion" Indicator glows red.  
The heater will operate at the preset temperature selected in the system memory.  
The heater will automatically operate at 80°F if the preset temperature is set to "H".

### 4 The heater stops automatically after 1 hour.

The "ON Timer" indicator will flash to indicate that heating is about to stop (at approximately 55 minutes).  
After another 5 minutes the heater will automatically stop heating and turn off completely.  
The "ON Timer" indicator will continue to flash until the heater is manually operated again. The "ON/Combustion" indicator will go out.  
Pressing the ON-OFF button will turn off the ON Timer indicator.

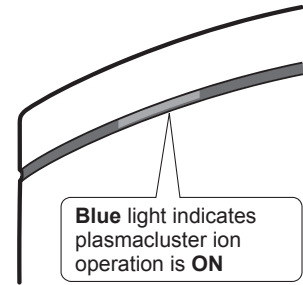
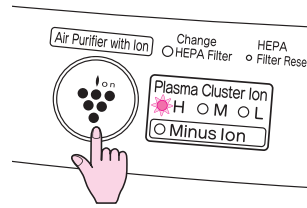
## TO CANCEL THE ON TIMER

Press the "ON Timer" button or press the "ON-OFF" button.  
The setting will be cancelled and the timer indicators will go out.

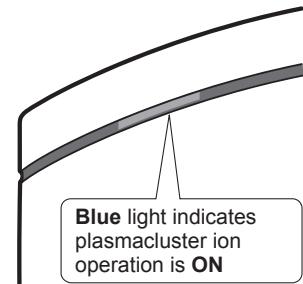
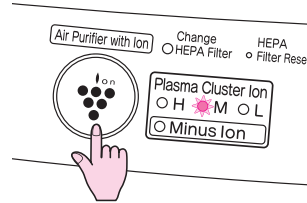
The ON Timer will be cancelled if the power plug is disconnected, a power failure occurs while the appliance was in standby mode, or if the ON Timer setting is cancelled. "00" will flash on the digital monitor when power is reinstated. Pressing the ON button and starting the unit will delete the "00".

## ■ Air purifier with Plasmacluster Ion Operation

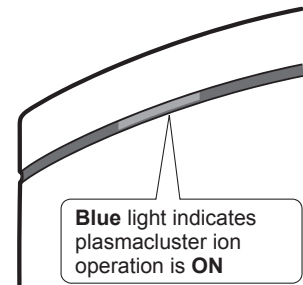
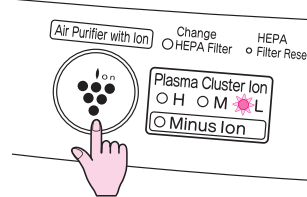
- 1 Press Air Purifier with Ion button.
- When "H" is selected, the unit will continually clean air at the air at the highest fan speed. During this operation, the same number of positive and negative ions are discharged. (Plasmacluster light is Blue during this operation.)



- 2 Press Air Purifier with Ion button.
- When "M" is selected, the unit will continually clean air at the air at the medium fan speed. During this operation, the same number of positive and negative ions are discharged. (Plasmacluster light is Blue during this operation.)

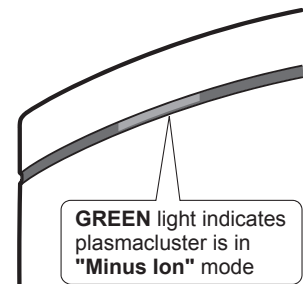
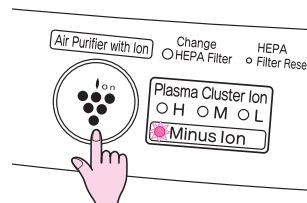


- 3 Press Air Purifier with Ion button.
- When "L" is selected, the unit will continually clean air at the air at the lower fan speed. During this operation, the same number of positive and negative ions are discharged. (Plasmacluster light is Blue during this operation.)

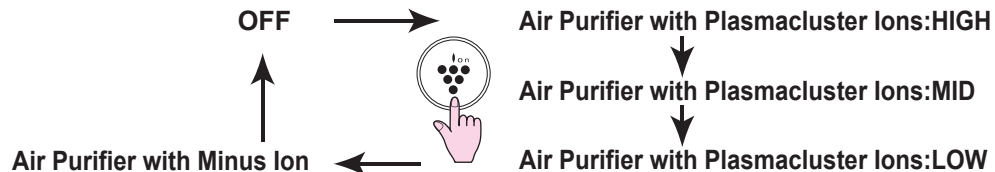


## ■ Air purifier with Minus Ion Operation

- 4 Press Air Purifier with Ion button.
- When "Minus Ion" is selected, the unit will maintain an ion balance at the lower fan speed. Ion balance is achieved by increasing the ratio of negative ions. (Plasmacluster light is Green during this operation.)



- 5 By pressing the Ion Operation Button the operation mode will change.



- Notice
- When you use Plasmacluster Ion or Minus Ion, Air purifier operates together with Plasmacluster Ion or Minus Ion.
  - When you use this appliance for the first time, you must remove plastic bag of Air purifier filter.
  - Air purifier with ion will begin to blow from top of appliance.
  - Do not obstruct the Air purifier and Plasmacluster Ion air inlet or outlet. Obstruction may result in unit malfunction.

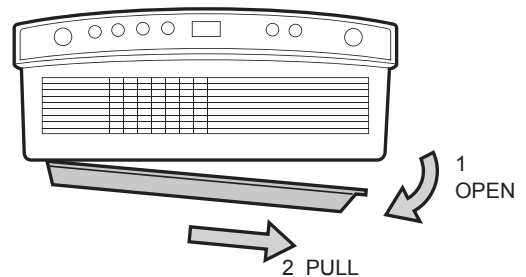
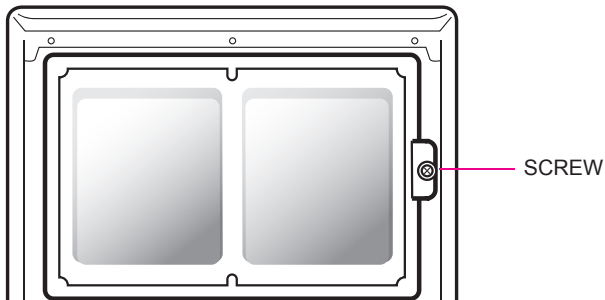
# MAINTENANCE / SERVICE

## MAINTENANCE SUGGESTIONS

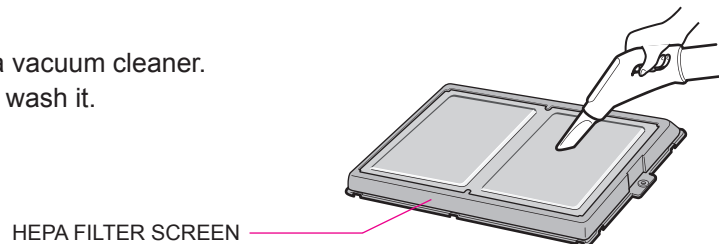
This heater has been designed and constructed for a long performance life when installed and operated properly under normal conditions. Regular inspections, as outlined in this section, are strongly recommended as means of keeping your heater operating efficiently and throughout the season. Access to internal parts is from the front of the heater.

### ■ Cleaning (HEPA Filter)

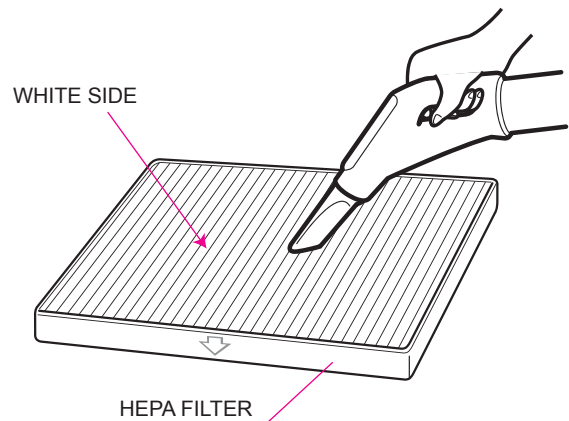
1. Remove the HEPA Filter Screen
  - 1) Remove the screw.
  - 2) Remove the HEPA Filter Screen.



2. Clean the HEPA Filter Screen
  - Clean the HEPA Filter Screen with a vacuum cleaner.
  - If the HEPA Filter Screen is so dirty, wash it.



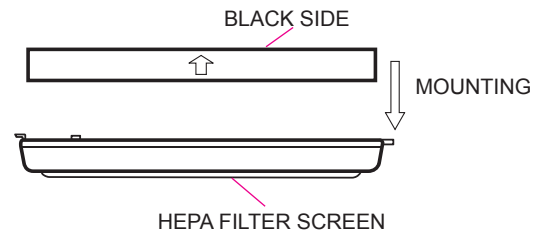
3. Remove the HEPA Filter



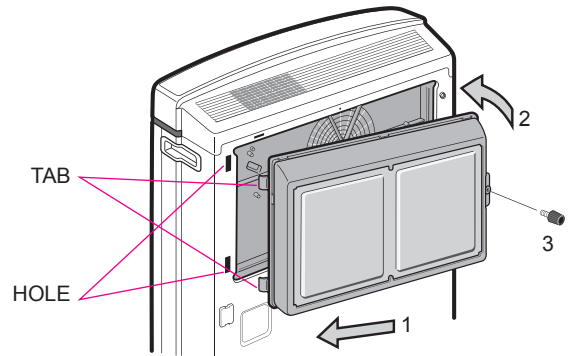
4. Clean the HEPA Filter
  - Clean the HEPA Filter (white area) with a vacuum cleaner.

Notice: Do not wash a HEPA Filter.

5. Install the HEPA Filter in the HEPA Filter Screen
  - Install the HEPA Filter as illustrated beside.  
An arrow indicates position of filter installation.

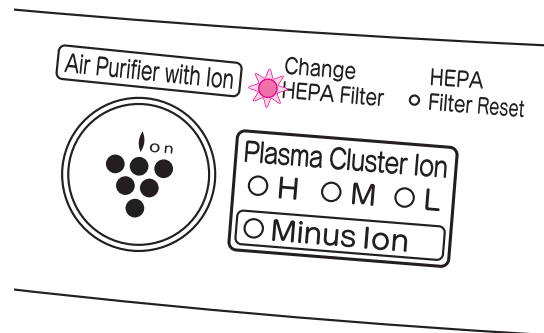


6. Install the HEPA Filter Screen into the appliance
  - 1) Cover the HEPA Filter with the HEPA Filter Screen using the top and bottom left tab as locators.
  - 2) Apply the screw.



### HEPA Filter Replacement Indicator

When the air purifier with Ion has operated for 4000 hours, "Change HEPA Filter" will illuminate to let you know that the HEPA Filter needs to be replaced.

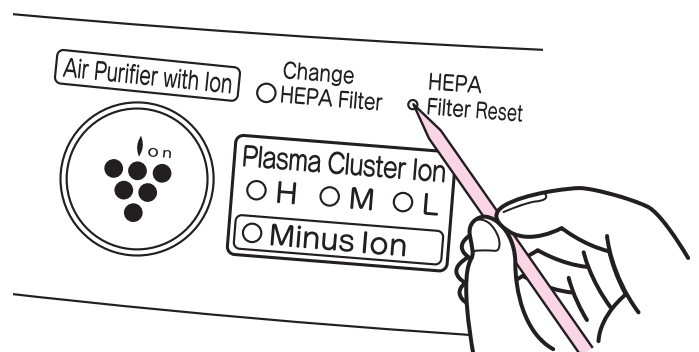


### To reset the HEPA Filter Button

- Press "HEPA Filter Reset" button for 3 sec after replacing the HEPA filter by using sharp object.
- Be careful not to damage the surface.

Note: DO NOT press the "HEPA Filter Reset" Button except after replacing with a new HEPA filter.

Note: If the consumer has trouble finding the replacement HEPA filters at the dealer where they bought the unit, they could contact us directly at our web site. ( [www.rinnai.us](http://www.rinnai.us) )



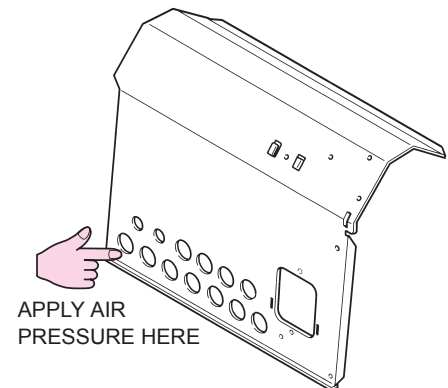
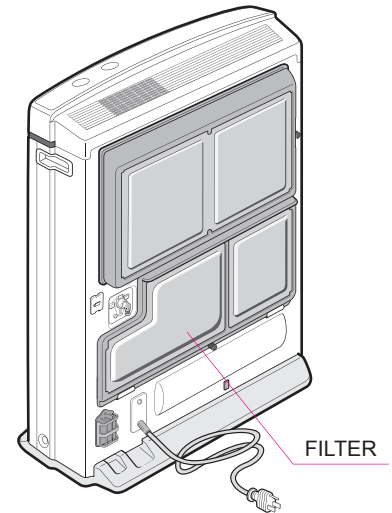
Clean air filter at least once a week. Do not wait for filter warning lamp to come on before cleaning filter. Do not use the heater with the filter warning lamp on, this may cause it to overheat. A dusty filter reduces the air flow through the heater, as well as, reducing the heater's effectiveness. Clean filter with air pressure or vacuum cleaner.

Heater must be cleaned annually.

Keep heater clear of dust and debris especially in and around the OXYGEN DEPLETION SENSING burner.

Cleaning procedures of heater are as follows;

- 1) Turn heater off.  
Unplug electric cord and allow to cool for one hour.
- 2) Remove the front panel by removing the (2) louver screws, (2) side panel screws located inside the handles on the left and right sides of the heater.
- 3) Use pressurized air to remove dust from around burner and electrical components.  
Apply air pressure with nozzle to (13) holes on combustion chamber cover.  
(See page 24 of schematics, part#RC-E5801-17-2, key#118)
- 4) All outside parts of the heater can be cleaned using soap and water on a soft damp cloth.



DO NOT DAMAGE OR DISTORT ANY PARTS OF HEATER.  
DO NOT USE WET CLOTH OR SPRAY CLEANERS ON BURNER.  
UNIT SHOULD BE CHECKED AND CLEANED ANNUALLY BY A PROFESSIONAL.

## TROUBLE SHOOTING

### STEP 1:

- 1) Be sure the heater is properly installed. See Section 2. INSTALLATION.
- 2) Make sure gas valve on L.P. Gas bottle or gas supply line is ON and gas pressure is available.
- 3) Make a careful visual inspection of all electrical connections and wiring.

### STEP 2:

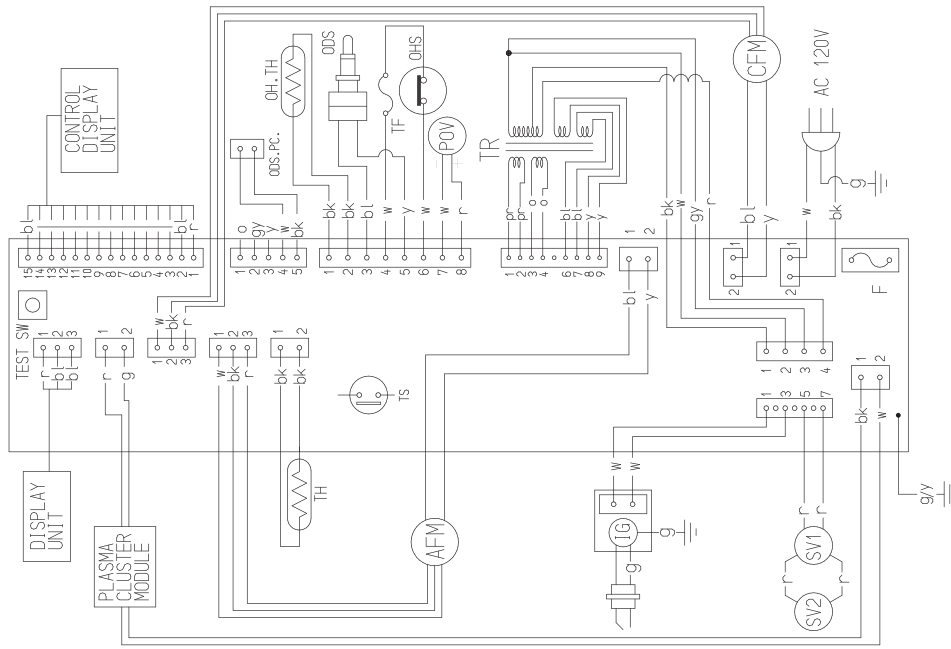
If the trouble persists after checking step 1, please check the cause of trouble in the following trouble shooting chart and correct it by following the procedures shown.

# TROUBLE SHOOTING CHART

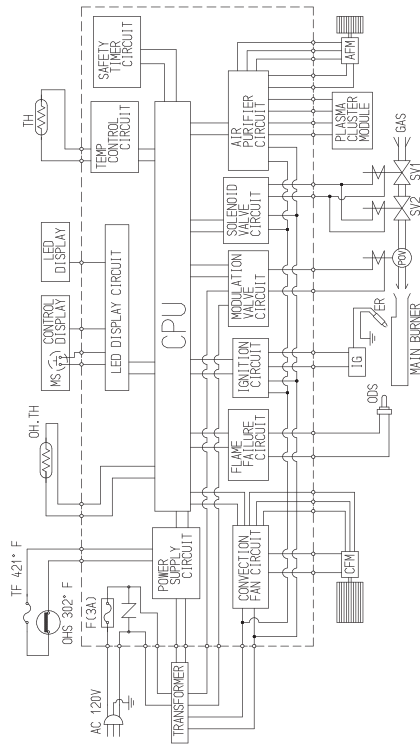
Please note: General cleaning, maintenance and wear and tear are not necessarily covered under the guarantee. Calls of this nature may be chargeable.

Problem Cause	No ON indicator	Burner doesn't ignite	Filter warming Lamp glows	Combustion stops during operation	Smell of gas	Takes too long to warm the room	Remedy
Not Plugged In	●	●					Plug In
Power OFF	●	●		●			Re-ignite manually after power is restored
(Initial Installation) Air in gas pipe		●					Purge air (installer)
Room too large						●	Check with supplier
Dust on the air filter			●				Clean the air filter (WEEKLY)
Louvers obstructed				●		●	Clean obstruction
Air filter blocked				●		●	Clean filter (weekly)
Gas Leak					●		Service Call
ON Timer is set		●					Cancel ON Timer
Function Lock set		●					Cancel Function Lock
Gas turned off at meter	●	●					Turn gas on

**WIRING DIAGRAM**



**BLOCK DIAGRAM**



MARK	PARTS NAME	MARK	PARTS NAME
POV	MODULATING SOLENOID VALVE	TH	THERMISTOR
OH, TH	OVER HEAT THERMISTOR	F	FUSE
OHS	OVER HEAT SWITCH	ER	ELECTRODE
SV1~2	MAIN SOLENOID VALVE 1~2	TS	TILT SWITCH
ODS	OXYGEN DEPLETION SENSOR	TR	TRANSFORMER
CFM	CONVECTION FAN MOTOR	IG	IGNITER
AFM	AIR PURIF. FAN MOTOR	TF	THERMAL FUSE

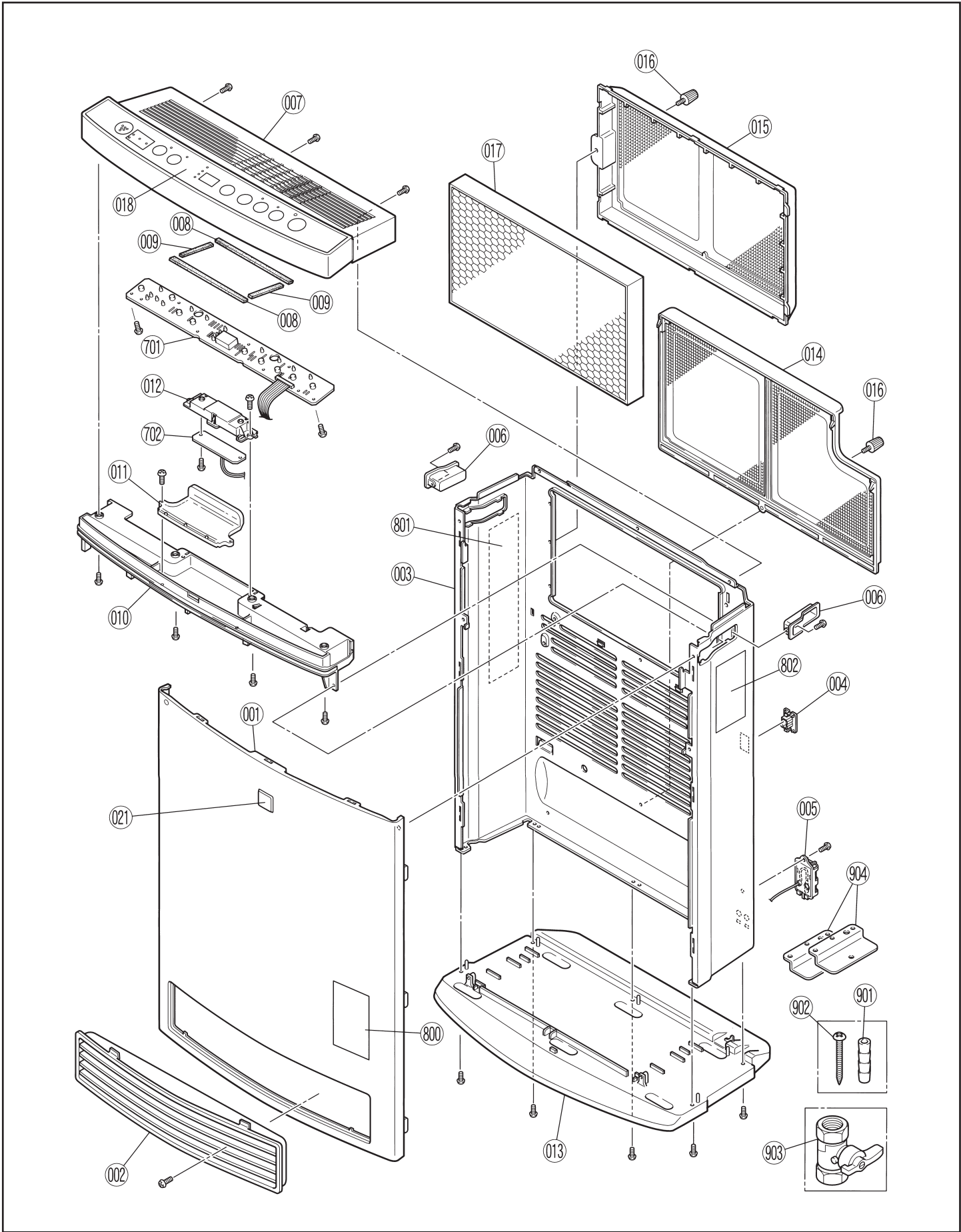
CODE	COLOR	CODE	COLOR
bk	black	o	orange
bl	blue	gy	grey
br	brown	r	red
g	green	w	white
g/y	green/yellow	y	yellow
pr	purple		

**CAUTION:** Label all wires prior to disconnecting when servicing controls. Wire errors can cause improper and dangerous operation. Verify proper operation after servicing.

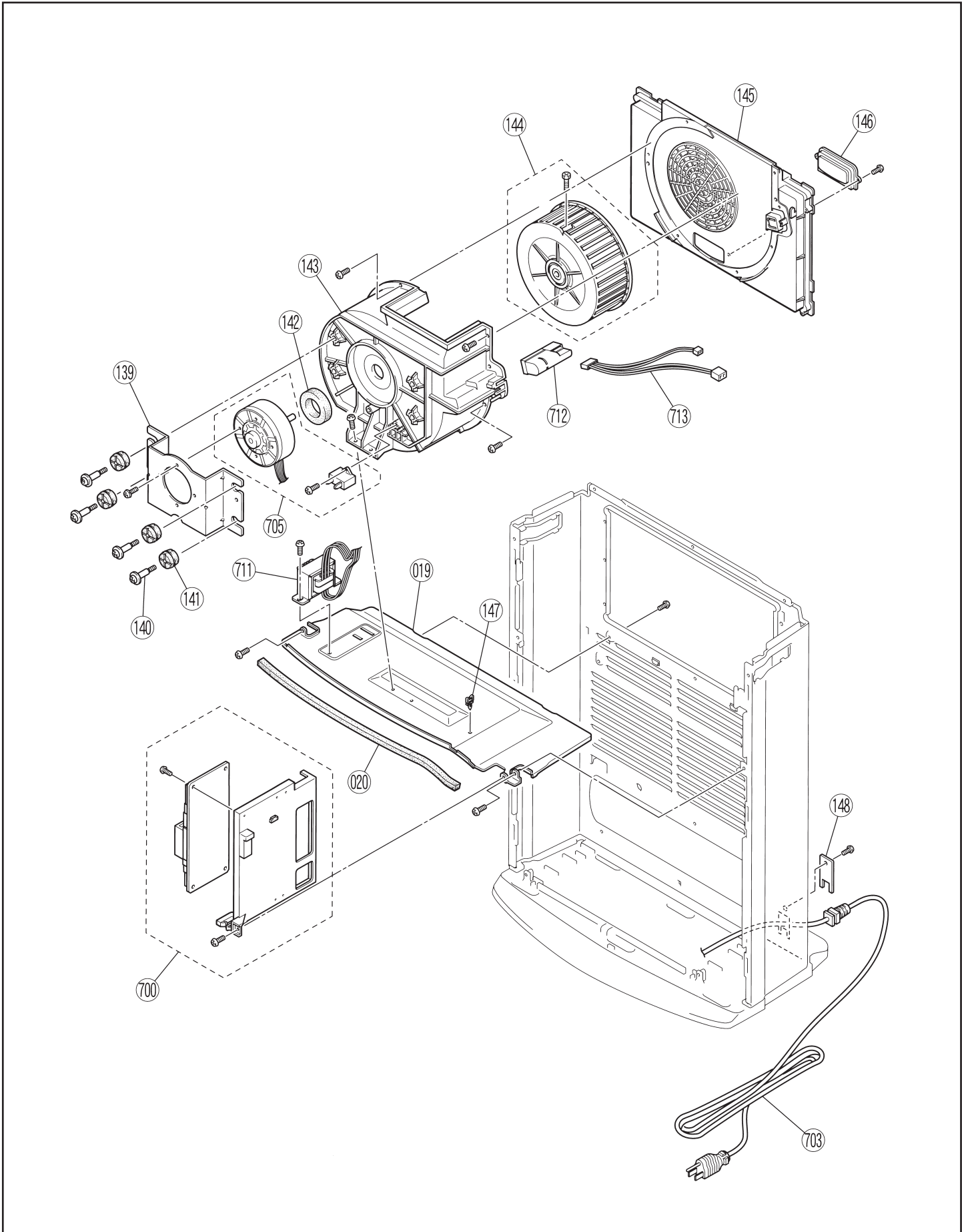
If any of the original wire as supplied with the appliance must be replaced, it must be replaced with a wire of at least a 194°F temperature rating.

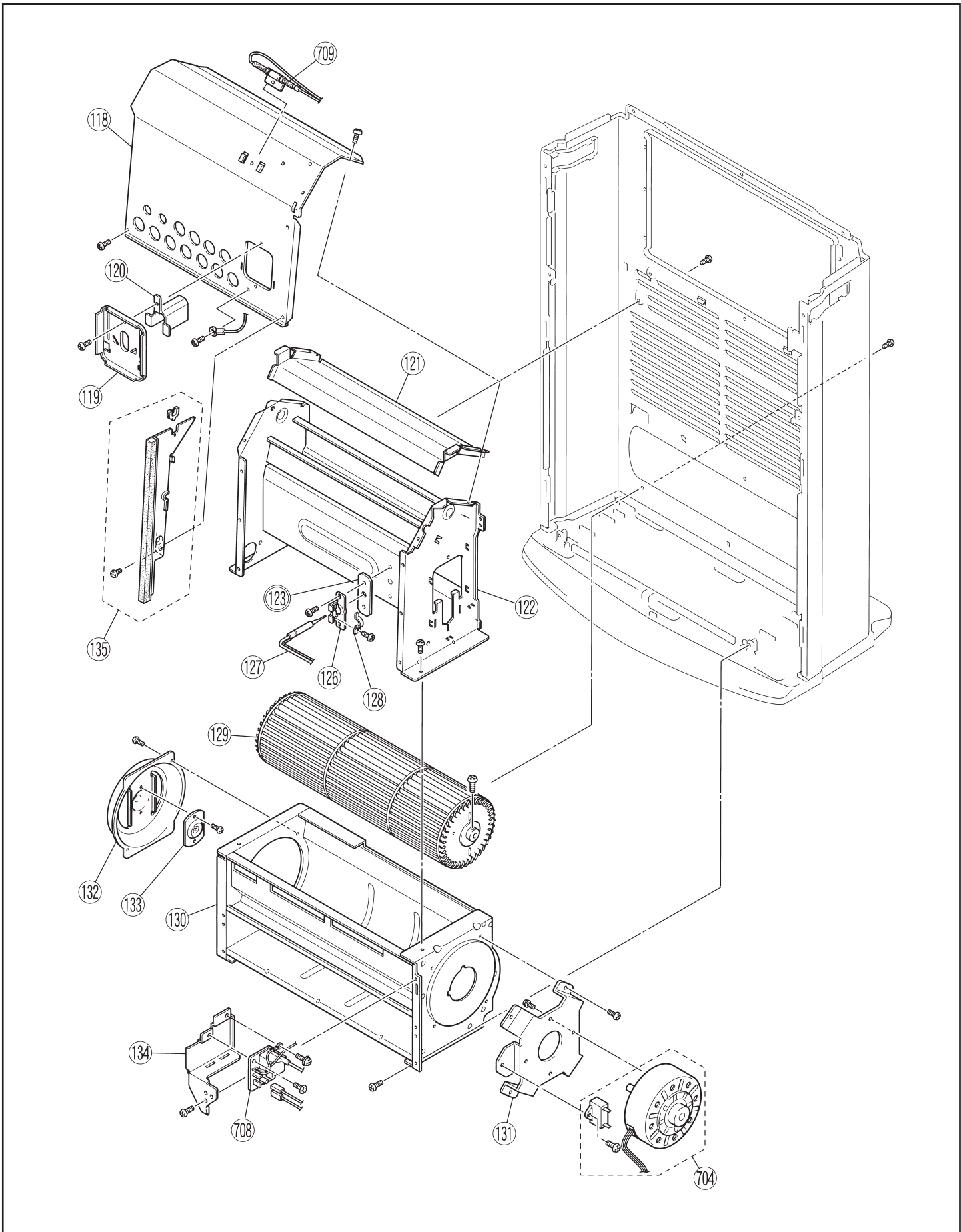
**WARNING:** Electrical Grounding Instructions

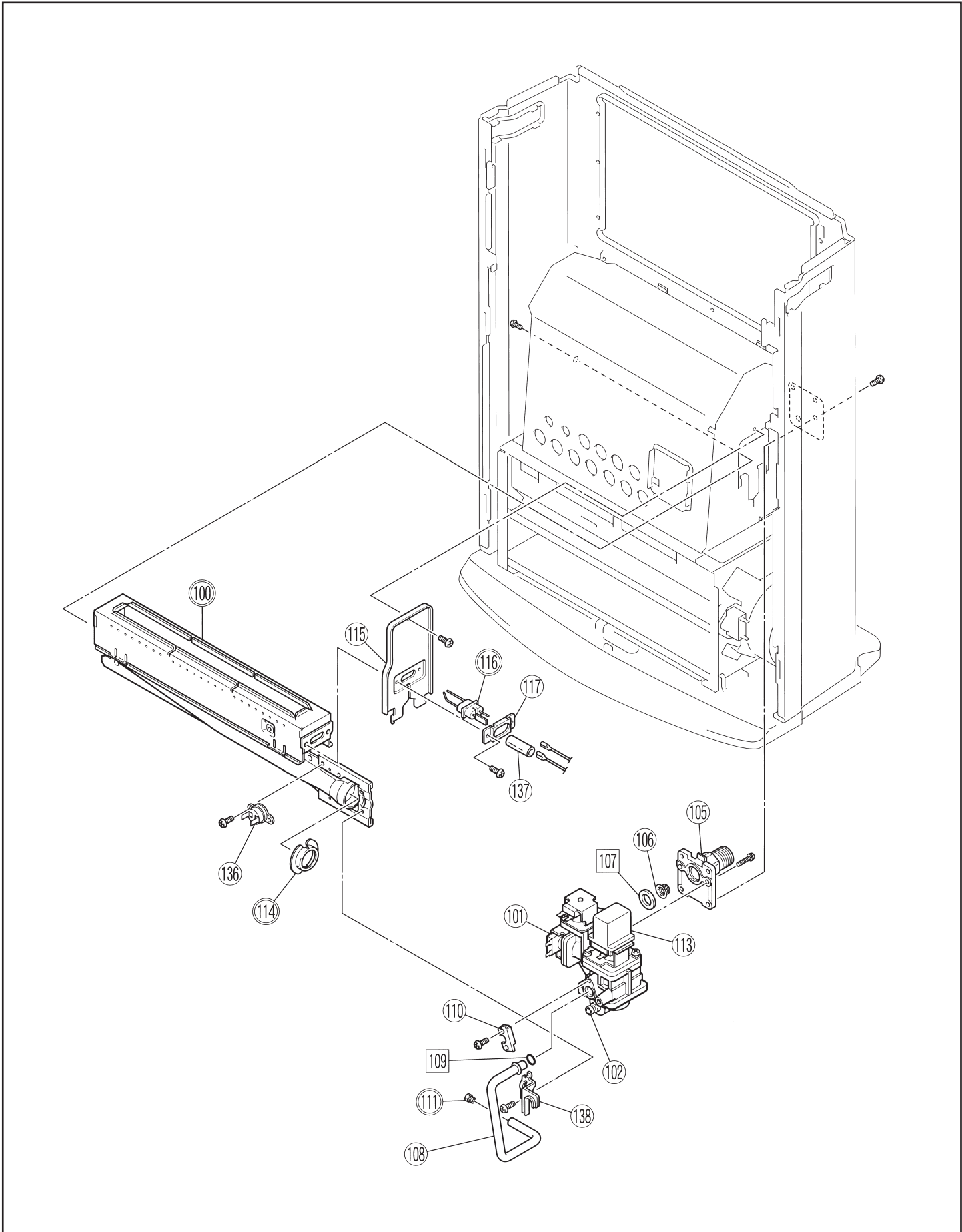
This appliance is equipped with a three-prong (grounding) plug for your protection against shock hazard and should be plugged directly into a properly grounded three-prong receptacle. **DO NOT CUT OR REMOVE THE GROUNDING PRONG FROM THIS PLUG!**

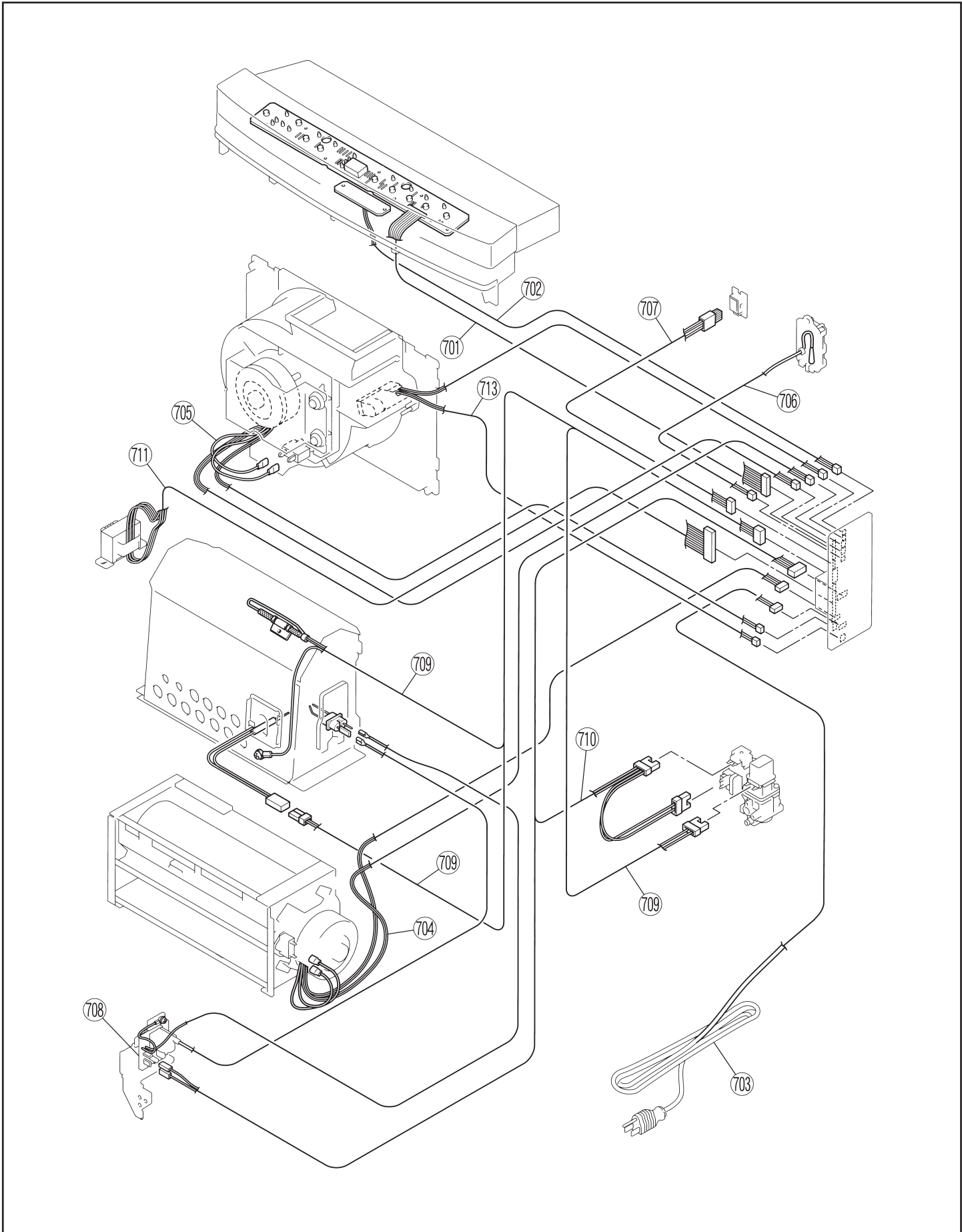












No.	PART NAME	PART No.	QTY.	REMARKS	No.	PART NAME	PART No.	QTY.	REMARKS
001	FRONT PANEL	RC-592-20-1	1		128	THERMOCOUPLE FIXER	RC-210-89-2	1	
002	LOUVER ASS'Y	RC-592-25-1	1		129	CONVECTION FAN	RC-592-17	1	
003	REAR PANEL	RC-592-21-2	1		130	CASING ASS'Y	RC-511-28	1	
004	TC CHECK HOLDER	RC-334-73-1	1		131	MOTOR BRACKET	RC-513-215	1	
005	THERMISTOR COVER	RC-353-233	1		132	BEARING BRACKET	RC-504-32	1	
006	HANDLE	RC-392-37-1	2		133	BEARING	RC-670-108	1	
007	TOP PLATE	RC-592-31-1	1		134	IGNITER BRACKET	RC-590-2011	1	
008	SEAL MATERIAL	RC-501-23-32	2		135	PARTITION BOARD ASS'Y	RC-512-18	1	
009	SEAL MATERIAL	RC-501-23-33	2		136	OVER HEAT SWITCH	ES-01178	1	
010	TOP PLATE UNDER	RC-592-33-1	1		137	SILICON TUBE	RC-223-84-B	1	
011	LENS	RC-392-34	1		138	PIPE FIXER	RC-E5801-53	1	
012	CONTROL PCB CASING	RC-392-38	1		139	AC MOTOR BRACKET	RC-392-57	1	
013	BASE	RC-592-22-1	1		140	M5 SCREW	CP-30532	4	
014	AIR FILTER	RC-592-42	1		141	CUSHION RUBBER	308F-8273-2	4	
015	PRE-FILTER	RC-360-027	1		142	SEAL MATERIAL	RC-392-58	1	
016	RESIN SCREW	RC-513-20	2		143	AC FAN CASING	RC-392-52	1	
017	HEPA FILTER	HEOT-004	1		144	AC FAN	RC-361-046	1	
018	CONTROL PANEL	RC-592-1023	1		145	AC FAN CASING REAR	RC-392-53	1	
019	PARTITION	RC-592-45	1		146	MAINTENANCE LID	RC-392-54	1	
020	SEAL MATERIAL	RC-501-23-31	1		147	WIRE SUDDLE	CP-90451	1	
021	PLASMA CLUSTER MARK	RC-390-29	1		148	POWER CORD BRACKET	RC-329-1033	1	
100	BURNER ASS'Y	B6E3-1	1	NG	700	P.C.B. ASS'Y	RC-592-1025	1	
100	BURNER ASS'Y	B6E3-2	1	LPG	701	OPERATION P.C.B.	RC-392-36	1	
101	GAS CONTROL ASS'Y	C36U-6-S	1		702	LAMP P.C.B.	RC-390-33	1	
102	BLIND SCREW	AU39-965	1		703	POWER SUPPLY CORD	CP-90466-3	1	
105	GAS INLET FLANGE	307F-0202	1		704	CONVECTION FAN MOTOR	RC-592-1015	1	
106	FILTER	RCK-6808	1		705	AC MOTOR	RC-592-1016	1	
107	PACKING	C311-7	1		706	THERMISTOR	RC-361-140-1	1	
108	CONNECTION PIPE	RC-592-1021	1		707	TC CHECK LEAD WIRE	RC-606-11-1	1	
109	O RING	M10B-1-8	1		708	IGNITER	EI-181-1	1	
110	CONNECTION PIPE BRACKET	RC-152-220	1		709	TF HARNESS	RC-592-1012	1	
111	INJECTOR	RC-511-143	1	NG	710	MVIG HARNESS	RC-592-1026	1	
111	INJECTOR	CP-60055S	1	LPG	711	TRANSFORMER	ET-315	1	
113	VALVE COVER	RC-390-2010	1		712	PLASMA CLUSTER MODULE	RC-390-44	1	
114	DAMPER	B6E2-22	1	NG	713	CLUSTER HARNESS	RC-590-2014	1	
115	BURNER LID	RC-339-83	1			OWNER'S MANUAL	RC-592-1033	1	
116	ELECTRODE	RC-328-32-2	1	NG	800	CAUTION MARK	RC-606-29	1	
116	ELECTRODE	RC-460-190	1	LPG	801	OPERATING LABEL	RC-592-1032	1	
117	ELECTRODE BRACKET	RC-512-51	1		802	WARNING PLATE	RC-506-1042	1	
118	COMBUSTION CHAMBER COVER	RC-E5801-17-2	1		901	ANCHOR	AU102-902	2	
119	COMBUSTION CHAMBER COVER LID	RC-352-29	1		902	SCREW	CP-30408	2	
120	HEAT SHIELD	RC-511-23	1		903	MANUAL VALVE ASS'Y	BRR37-244	1	
121	SEPARATION BOARD	RC-E5801-16	1		904	FLOOR FIXING PLATE	RC-592-1035	2	
122	COMBUSTION CHAMBER ASS'Y	RC-E5801-11	1						
123	SPACER	RC-209-68-1	1						
123	SPACER	RC-209-68-2	1						
126	THERMOCOUPLE BRACKET	RC-152-224	1						
127	THERMOCOUPLE TOTAL ASS'Y	RC-511-166-3	1						

# ERROR MESSAGES

This heater has the ability to check its own operation continuously. If a fault occurs, an Error Message will flash on the Digital Display of the control panel. This assists with diagnosing the fault, and may enable you to overcome a problem without a service call. Please quote the code displayed when inquiring about service.

CODE DISPLAYED	FAULT	REMEDY
03	Tilt switch activated	Turn heater ON, after setting heater upright.
11	Miss ignition	Check gas is turned ON, Service call if repeated.
12	Flame failure	Ventilate the room. Service call if repeated.
14	Back fire sensor activated	Turn heater OFF, after a while ON again. Service call if repeated.
	Overheat	Clean filter. Service call if repeated.
16	Room overheat	Service call.
00	Power cut	Turn heater OFF, then ON again.

If you see other codes displayed, contact Rinnai or your nearest service agent and arrange for a service call.

In all cases, you may be able to clear the Error Message simply by turning the heater OFF, then ON again. If the Error Message still remains or returns on the next operation, contact Rinnai or your nearest service agent and arrange for a service call.



## LIMITED WARRANTY RINNAI SPACE HEATERS

Rinnai America Corporation warrants the products described in this warranty including any parts and components thereof, to be free from any defects in materials and workmanship for the period specified below, subject to the terms specified in this warranty. This warranty gives you specific legal rights and you may also have other rights which vary from state to state. This warranty extends to the original purchaser.

MODEL	PERIOD OF COVERAGE	TYPE OF FAILURE COVERED
RCE-592ACPA	THREE YEARS FROM DATE OF PURCHASE	DEFECTIVE MATERIALS AND WORKMANSHIP

In the event of a malfunction, operational difficulty or failure of the product, or any parts or components, during the warranty term, resulting from defects in materials or workmanship Rinnai will remedy the malfunction, operational difficulty, or failure without charge to the owner. The remedy will consist of repair or replacement of the product (including payment of reasonable shipping costs) at the option of Rinnai. You may obtain the benefits of warranty coverage by returning the product to a qualified Rinnai servicing agent which has been qualified by Rinnai or its authorized distributor. Any such warranty replacement or repair shall be subject to the terms and conditions of this warranty for the remainder of the original period of coverage. In order to obtain the name and location of the qualified Rinnai servicing agent closest to you, please write Rinnai at the address shown on the warranty card or call Rinnai at 1-800-621-9419.

This warranty does not cover any failure, operational difficulty, or malfunction due to accident, abuse, misuse, alteration, Acts of God, misapplication, improper installation or improper maintenance or service, or from any cause other than defects in materials and workmanship.

**Any implied warranties of merchantability and fitness applicable to the equipment are limited in duration to the period of coverage of this express written warranty.** Some states do not allow limitations on how long an implied warranty lasts, so this limitation may not apply to you. **Rinnai is not liable for any special, indirect or consequential damages; some states do not allow the exclusion or limitation of incidental or consequential damages, so this limitation may not apply to you.**

**Rinnai does not authorize any person of company to assume for it any other obligation or liability in connection with the sale, application, engineering, installation, use, removal, return, or replacement of its products; and no such representatives are binding on Rinnai.** The Warranty Registration Card provided below should be returned within two weeks of purchase to help Rinnai better serve you. However, the return of the Registration Card is not necessary in order to validate this warranty.

# Rinnai

AMERICA CORPORATION

103 International Drive,  
Peachtree City, Georgia 30269  
Phone: 1-800-621-9419  
Fax: 1-888-474-6624



107311

RC-592-1033(00)  
Printed in Japan 2005.06