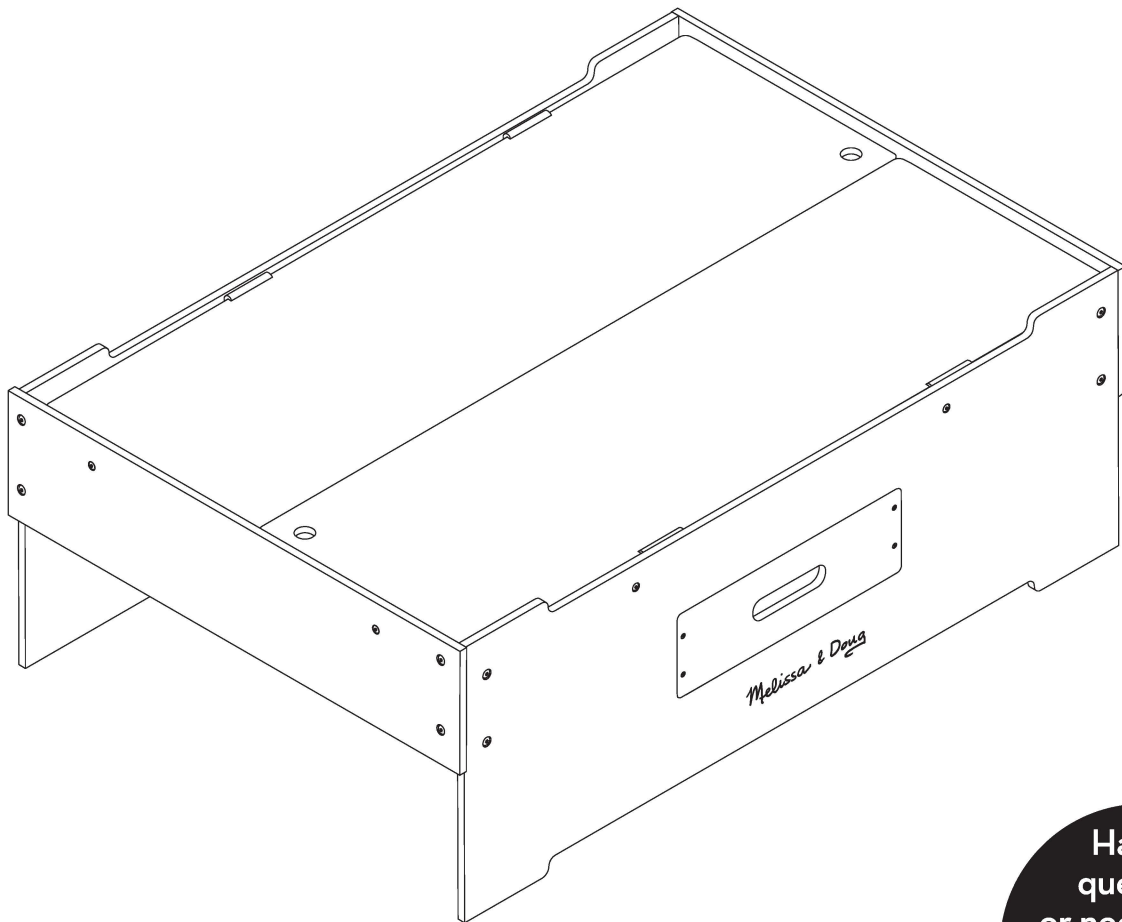




# Multi-Activity Play Table

## ASSEMBLY INSTRUCTIONS



Have a question or need help? Give us a call! 1-800-284-3948

Item # 2371

We care about your comments. Please call us!

**Melissa & Doug**  
1-800-284-3948  
www.MelissaAndDoug.com

Melissa & Doug products meet or exceed U.S. testing standards and pass our high quality requirements.

© Melissa & Doug, LLC, P.O. Box 590, Westport, CT 06881

MADE IN CHINA

**WARNING:**  
CHOKING HAZARD - Small Parts.  
Not for children under 3 years.

**Ages 3+**  
**CAUTION:**  
ADULT ASSEMBLY REQUIRED.

# THANK YOU!

Thank you for choosing the Melissa & Doug Multi-Activity Play Table! It's a terrific way to help nurture a child's creativity and imagination, and to inspire hands-on independent play for years to come.

---

## NOW IT'S TIME TO PUT IT TOGETHER!

Don't worry, assembling your new table is simple, and we're here to help. It may go a little faster with a partner to lend a hand, but we've made it so one person can assemble the table. Here are a few tips before you begin:

- Read through all the instructions first.
- Clear a flat, covered space (carpeted is best) to lay out all the materials so everything is close at hand.
- You will need a Phillips head and flat head screwdriver (not included) to assemble the table. We've included everything else you need. All parts are labeled with a sticker (A-V).
- The instructions include lots of helpful pictures—we show you, step-by-step, how to align pieces and parts for speedy and accurate assembly. Note that the hardware needed for each step is shown in the upper right corner of the page, each piece being added in a given step is highlighted in gray, and the “assembled view” (what it looks like in the completed product when the step is completed) is included in the lower right corner of every page.
- In the instructions, the name of a part is followed by a letter in parentheses. This letter corresponds to the sticker on the part, as well as the picture of the part shown on pages 2-3.
- Helpful hints are highlighted with a large exclamation point.



**IMPORTANT:** Helpful hints are found here.

- If you have any questions, we're here for you! Give our customer service team a call at 1-800-284-3948!
- 

## WARNINGS!

Retain these instructions for future reference.

Warning—Prevent Tip Overs!

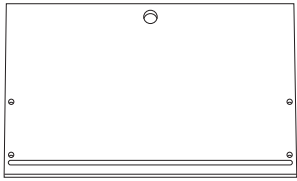
- Do not allow children to pull, climb, sit, or stand on any part of the table.
  - Never place computers, televisions, or other heavy objects on top of the table.
  - The table must be placed on a hard, flat, and level surface.
  - For more information on how to prevent furniture tip overs in your home, visit [AnchorIt.gov](http://AnchorIt.gov).
  - The table must be assembled as instructed.
- 

## MAINTENANCE:

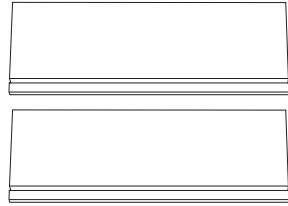
Ensure the table continues to function properly and safely by regularly checking the hardware and tightening when necessary.

# PARTS - Be Smart—Sort Your Parts

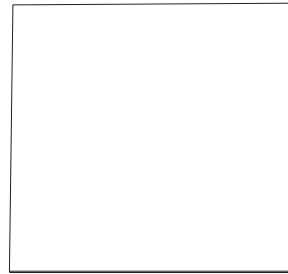
Before you begin assembly, make sure you have all the parts listed below. Use the hex wrench (part V) to attach the bolts, a Phillips head screwdriver (not included) to attach the screws, and a flat head screwdriver (not included) to align the barrel nuts.



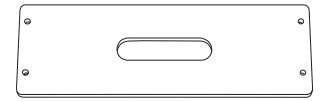
**A** rear drawer panel



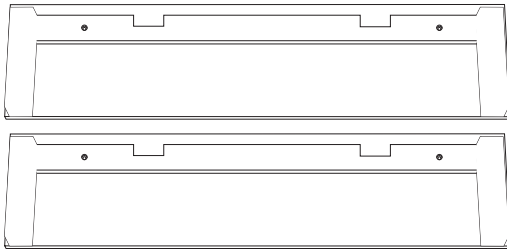
**B** side drawer panels (2)



**C** bottom drawer panel



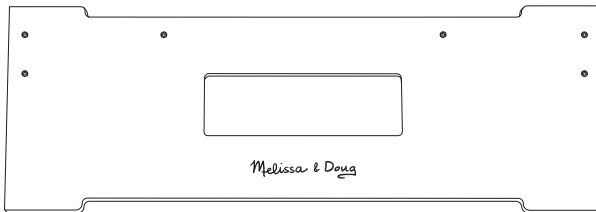
**D** front drawer panel



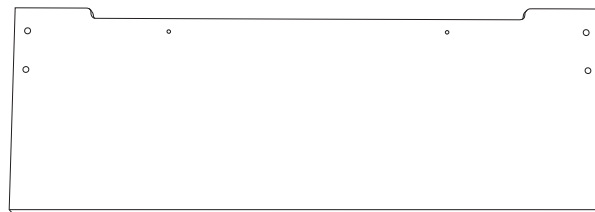
**E** side panels (2)



**F** front/rear supports (2)



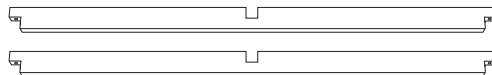
**G** front panel



**H** rear panel



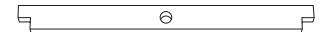
**I** drawer stabilizer



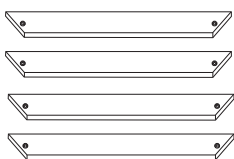
**J** table cross supports



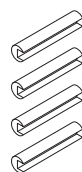
**K** wood dowel



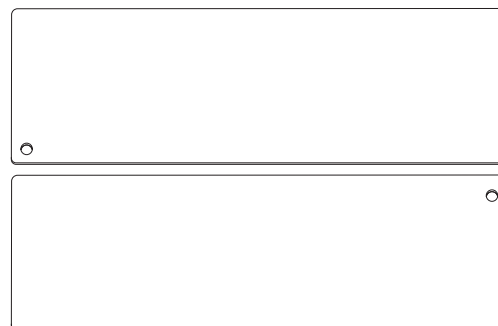
**L** drawer support



**M** corner braces (4)

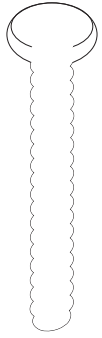


**N** rubber bumpers (4)



**O** surface panels (2)

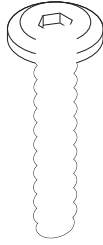
# HARDWARE



**P** long bolt (8)



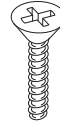
**Q** barrel nut (8)



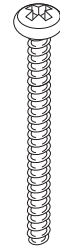
**R** short bolt (4)



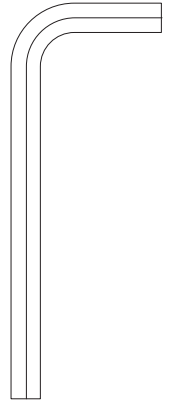
**S** bolt cap (4)



**T** short screw (2)



**U** long screw (24)

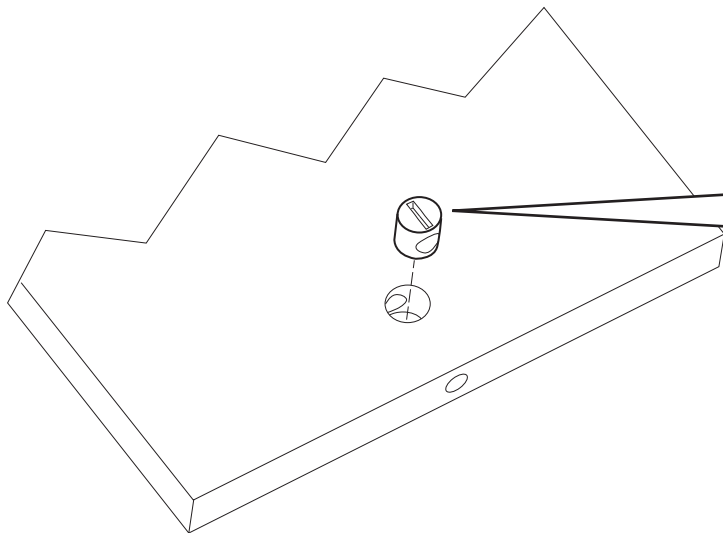


**V** hex wrench

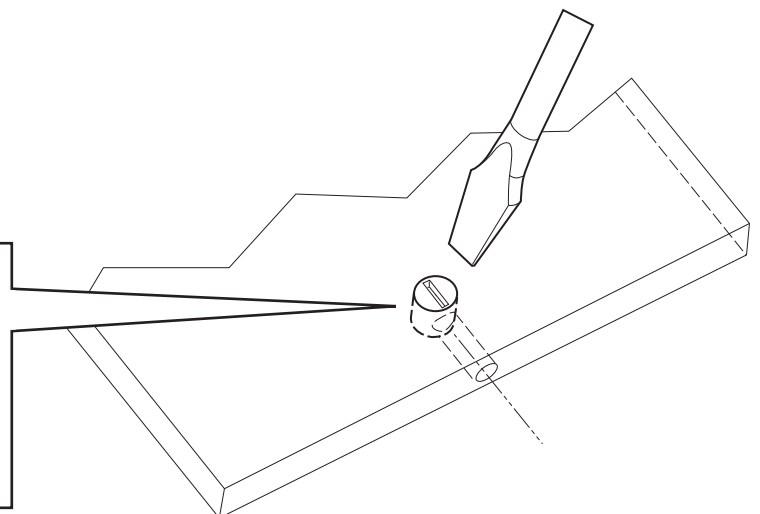
## Helpful Hints and Tips

- Note: Some packages of hardware may have extra pieces.
- You will need a Phillips head and flat head screwdriver (not included) to assemble the table.

## How to Correctly Install Barrel Nuts



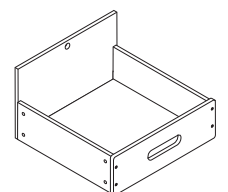
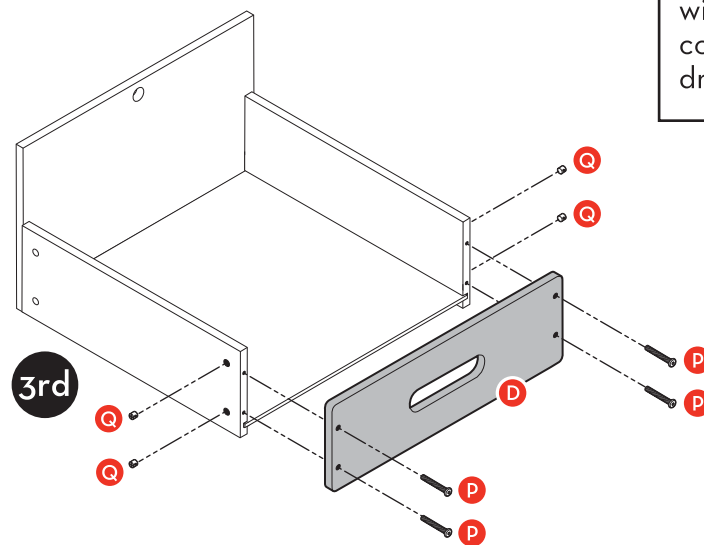
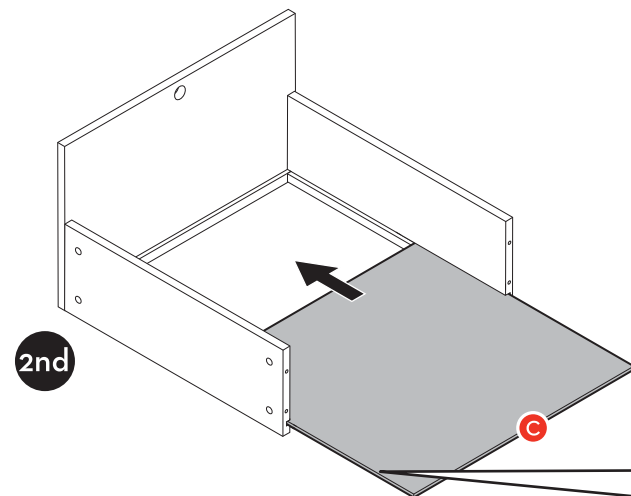
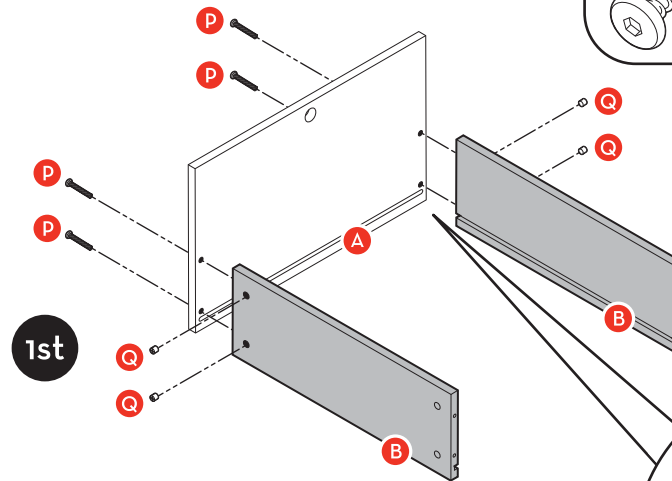
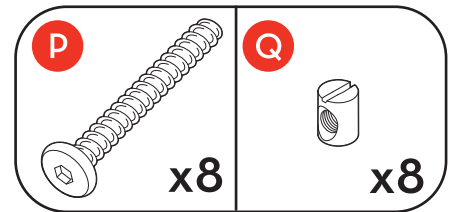
**!**  
**IMPORTANT:** Press a barrel nut into the hole in the part, making sure the “-” pattern is facing up.



**!**  
**IMPORTANT:** Using a flat head screwdriver, turn the nut until the “-” slot is straight and the threaded hole is facing outward to accept the screw.

# STEP 1 - Every Journey Begins with the First Step

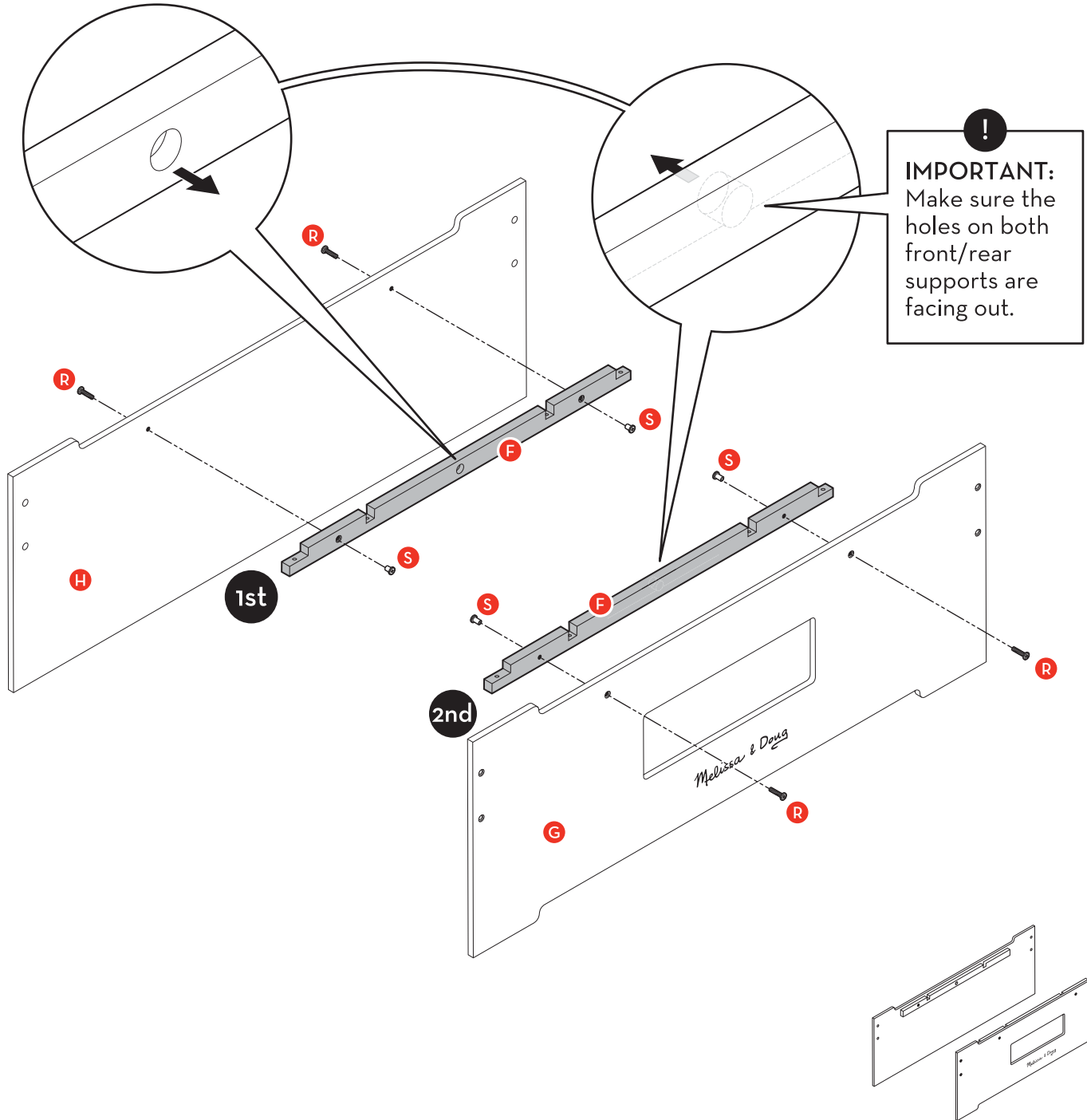
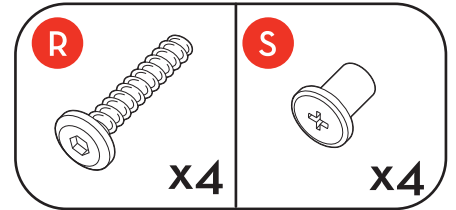
- First, attach the 2 side drawer panels (part B) to the rear drawer panel (part A) using 4 long bolts (part P) and 4 barrel nuts (part Q). Make sure the grooves on the bottom of all the panels face the inside.
- Second, slide the bottom drawer panel (part C) into the grooves on the drawer assembly.
- Third, using 4 long bolts (part P) and 4 barrel nuts (part Q), attach the front drawer panel (part D) to the drawer assembly.



Assembled View

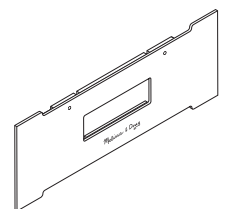
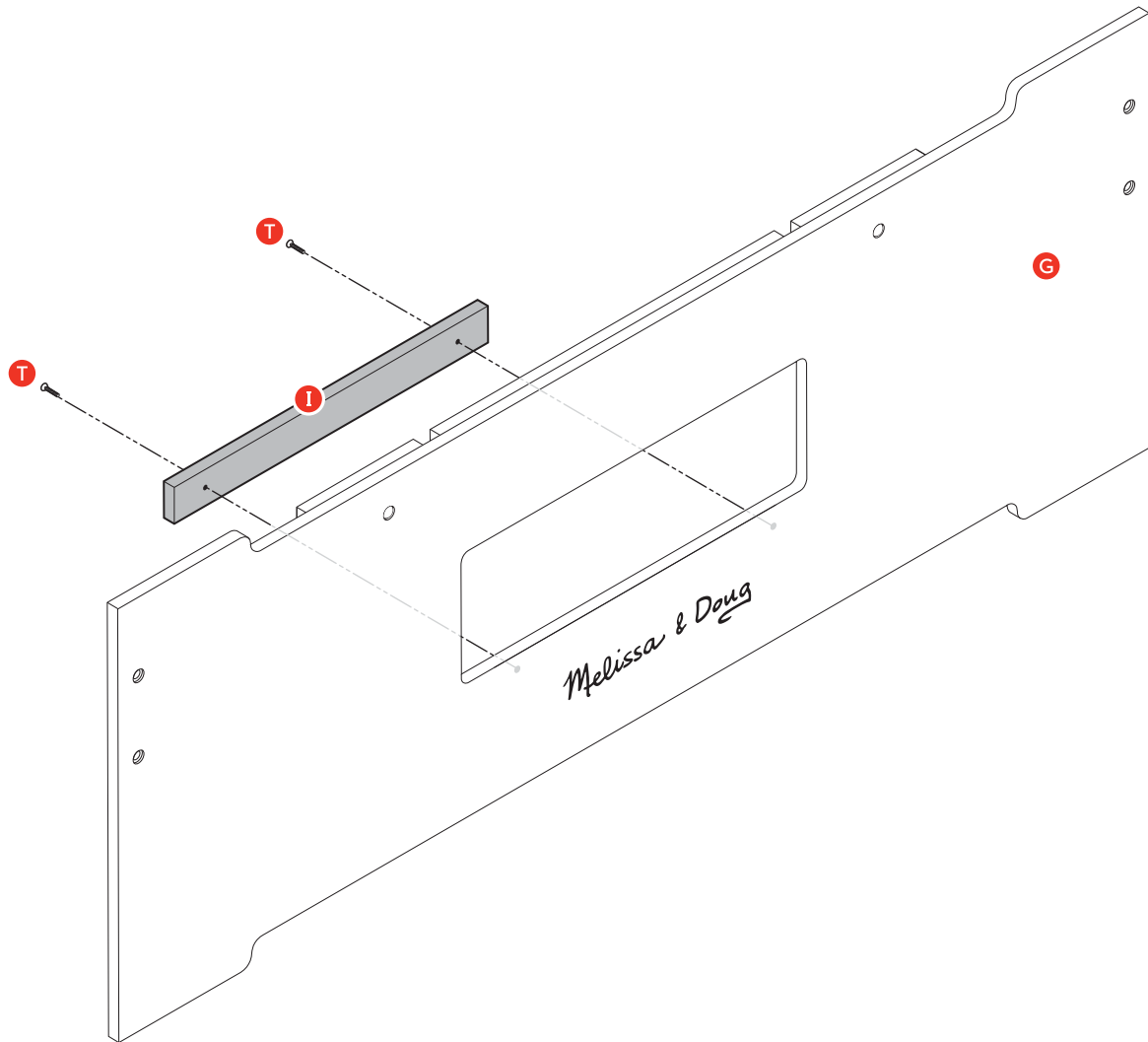
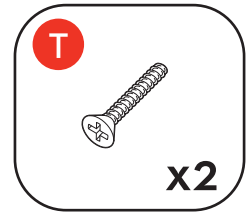
# STEP 2 - We're Here to Support You

- First, using 2 short bolts (part R) and 2 bolt caps (part S), attach a front/rear support (part F) to the rear panel (Part H).
- Second, using 2 short bolts (part R) and 2 bolt caps (part S), attach remaining front/rear support (part F) to the front panel (part G).



# STEP 3 - Be Wise Stabilize

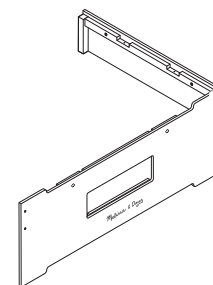
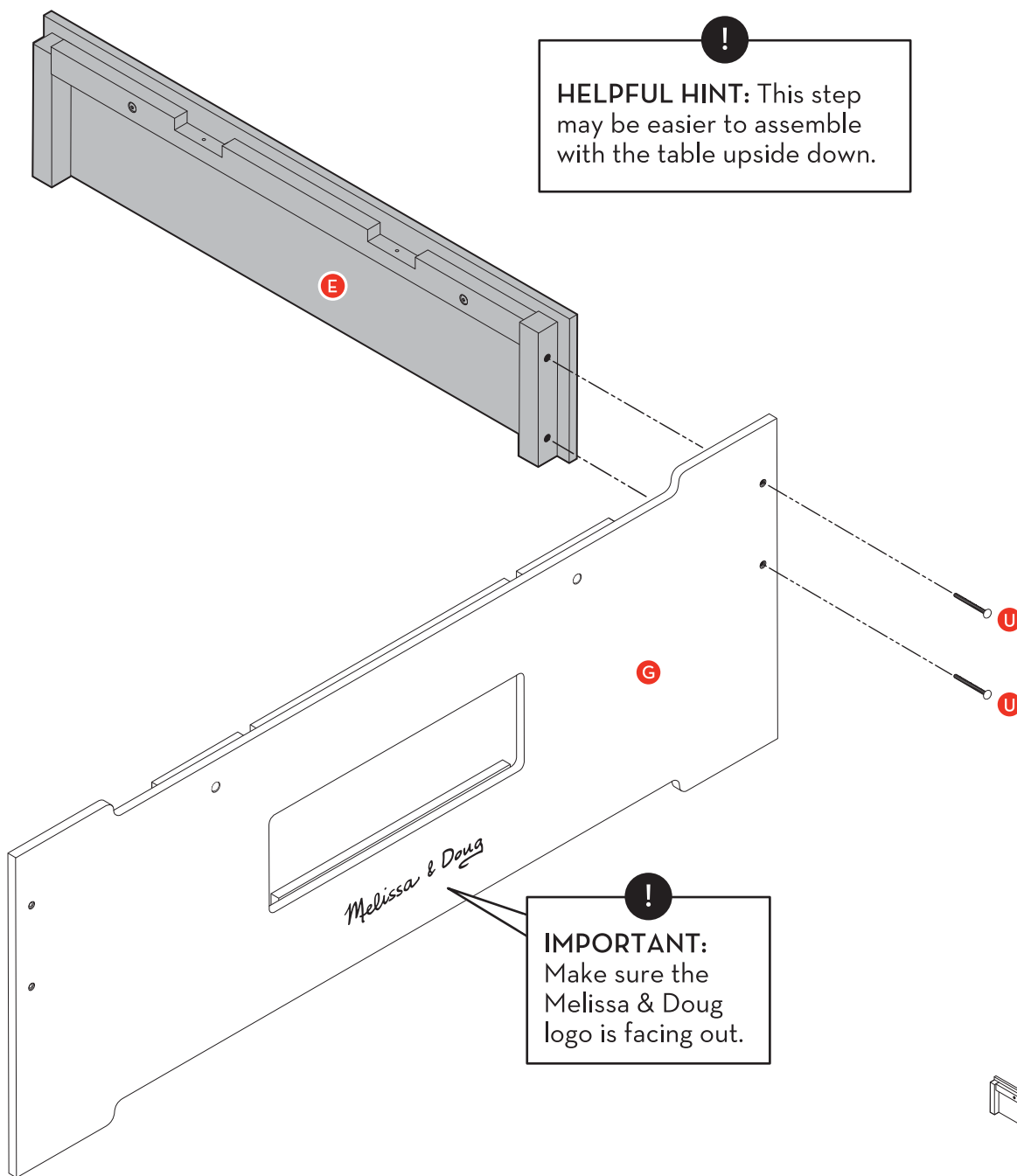
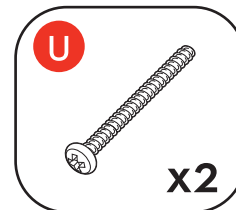
Using 2 short screws (part T),  
attach the drawer stabilizer (part I)  
to the front panel (part G).



Assembled View

# STEP 4 - That's Right

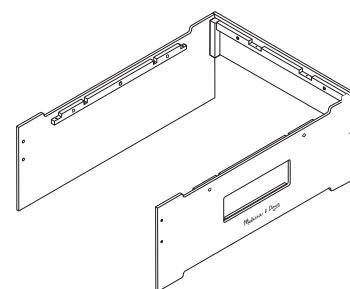
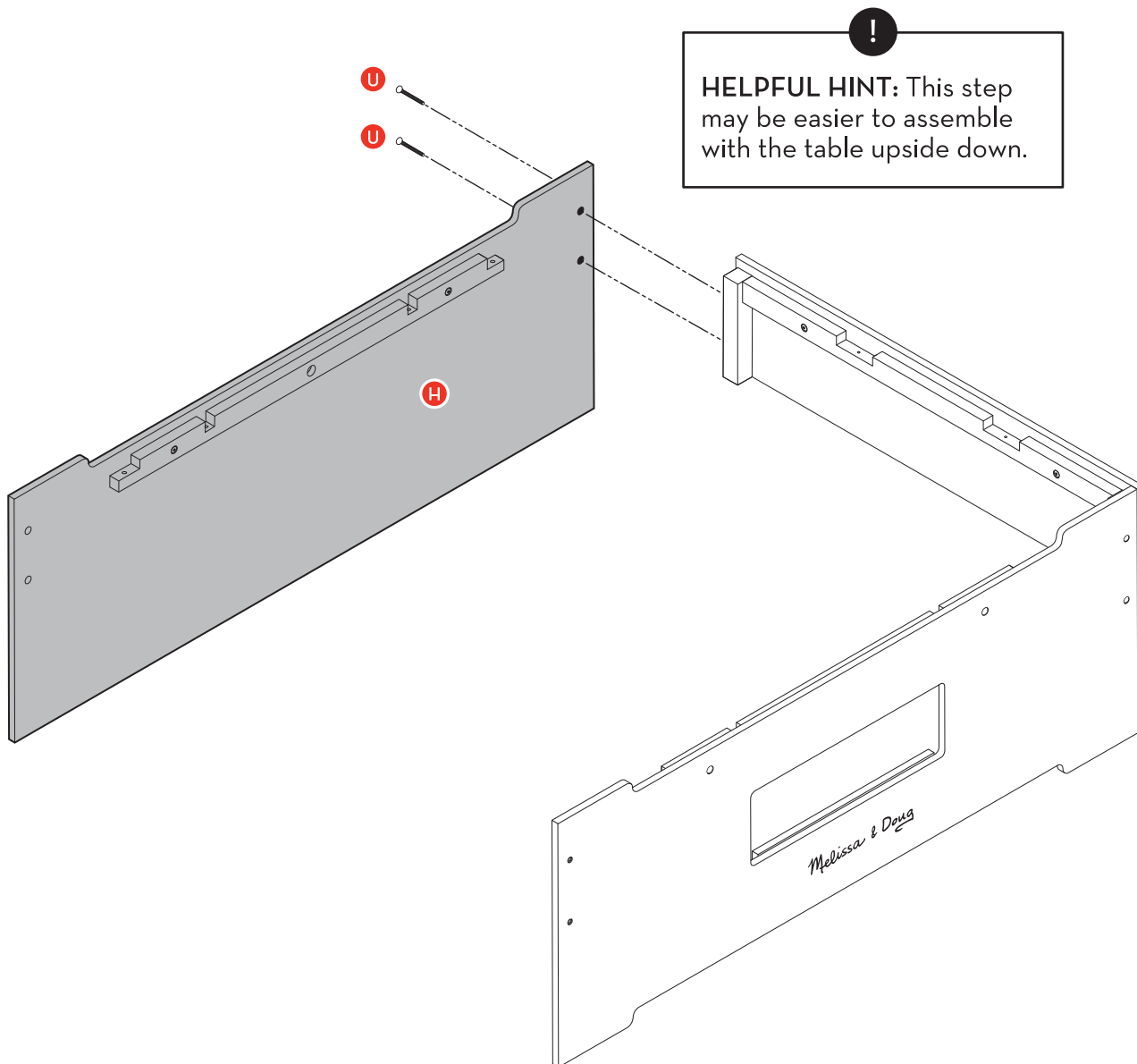
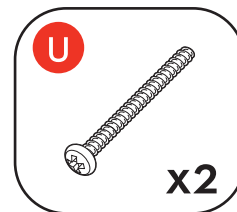
Using 2 long screws (part U), attach the right side panel (part E) to the front panel (part G).





# STEP 5 - Put Up a Good Front

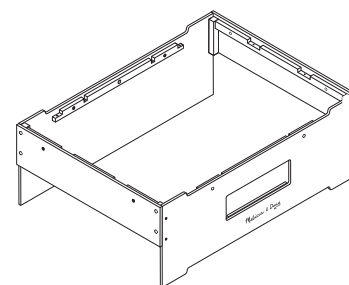
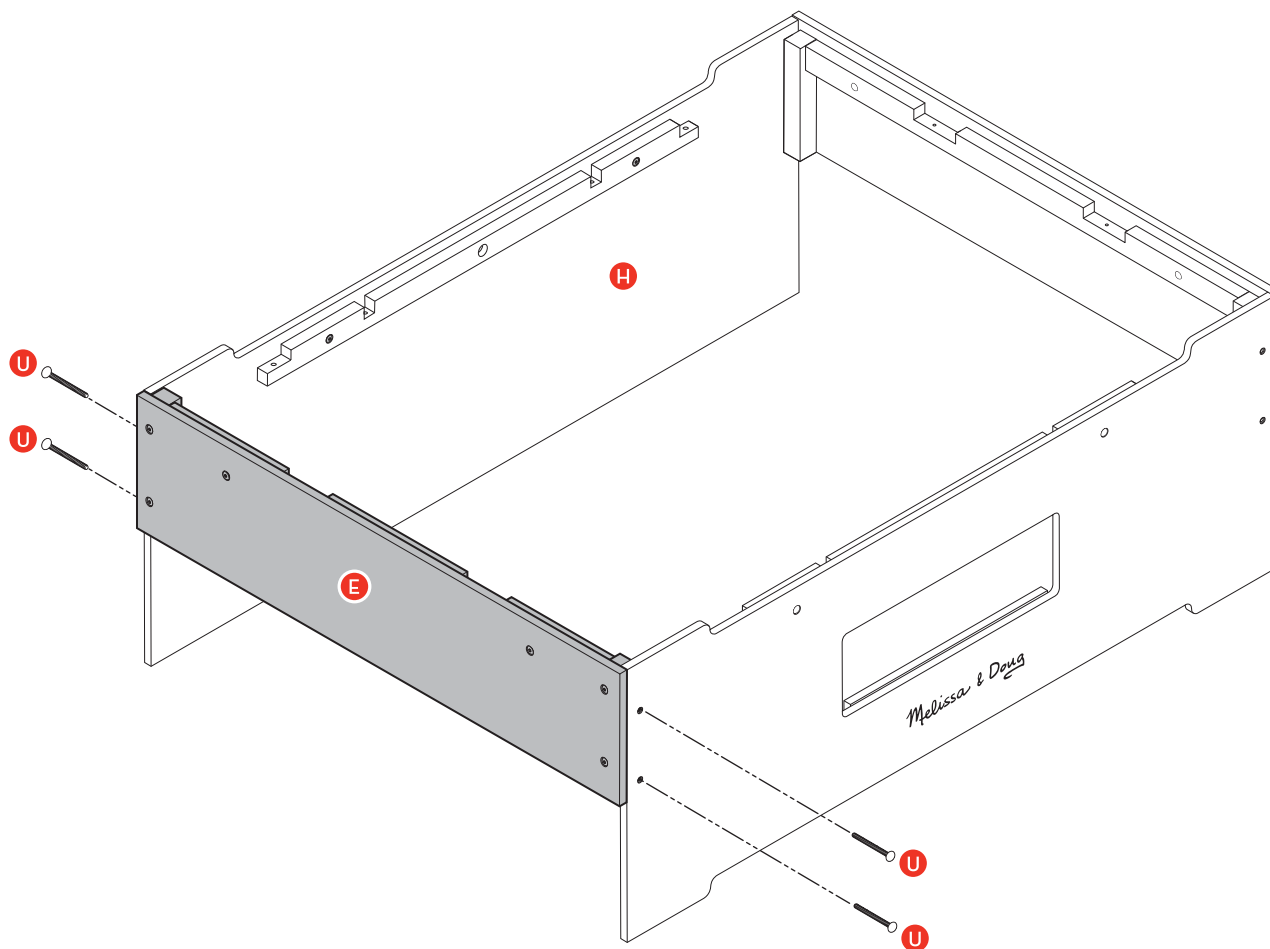
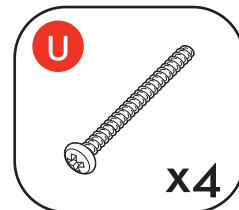
Using 2 long screw (part U),  
attach the rear panel (part H)  
to the table assembly.



Assembled View

# STEP 6 - What's Left

Using 4 long screws (part U) , attach the left side panel (part E) to the table assembly.

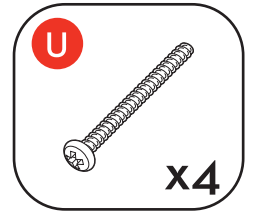


Melissa & Doug Customer Service: 1-800-284-3948

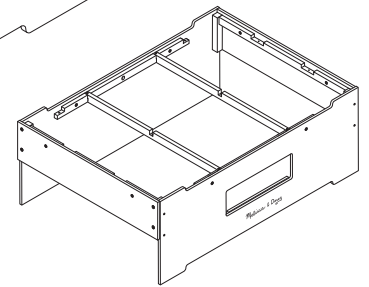
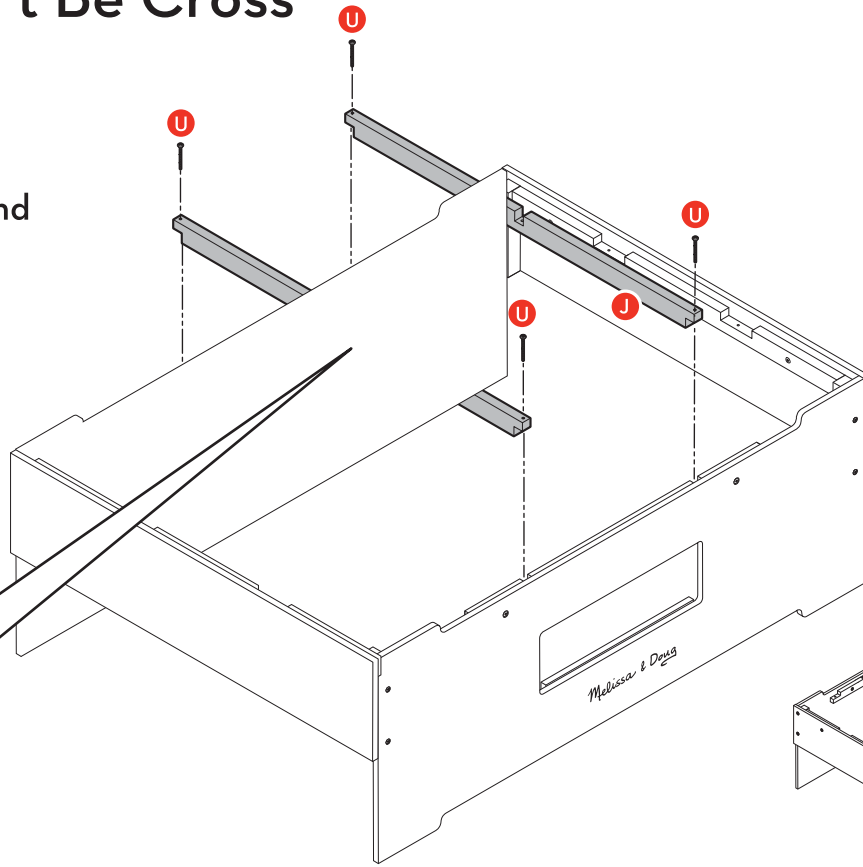
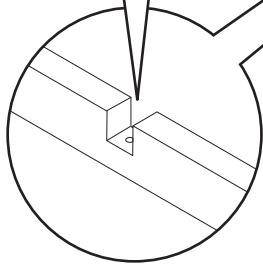
Assembled View

## STEP 7 - Don't Be Cross

Using 4 long screws (part U), attach the table cross supports (part J) to the front and rear supports on the inside of the table.



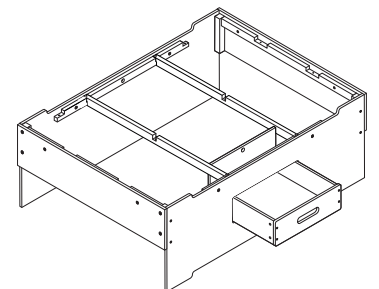
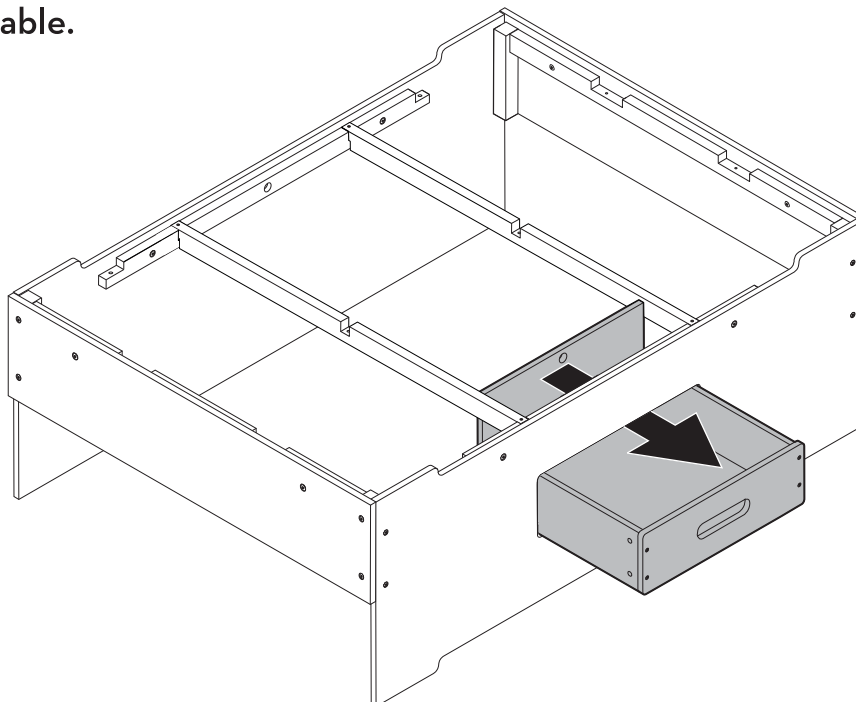
**!**  
**IMPORTANT:** Make sure the notches in the cross supports are facing up.



Assembled View

## STEP 8 - There's More—There's a Drawer

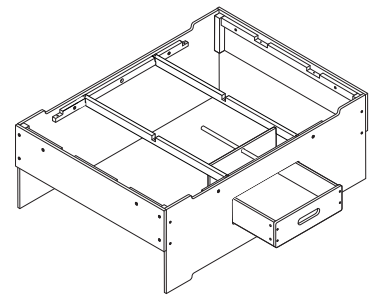
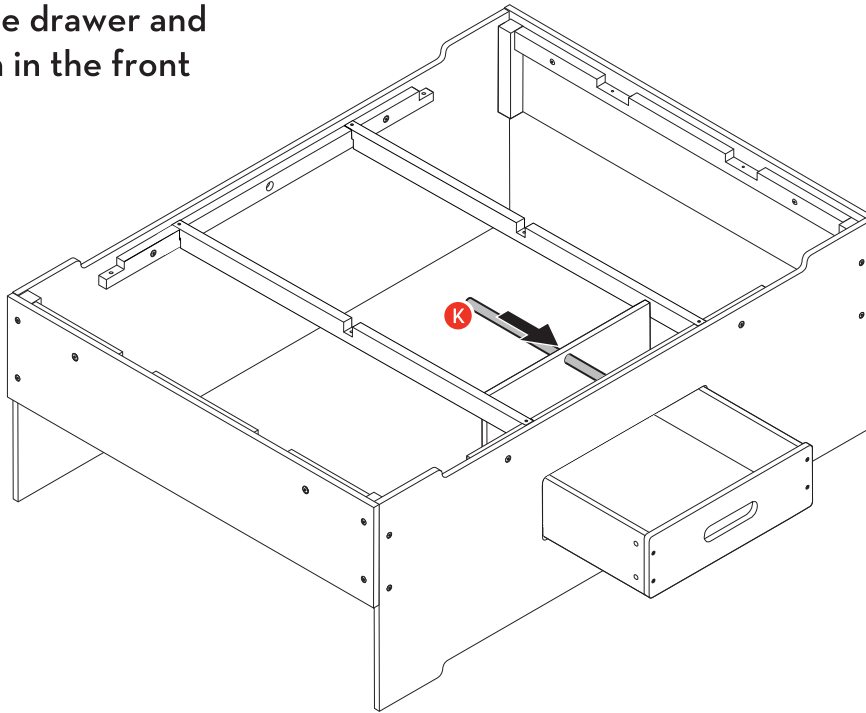
Slide the drawer into the opening in the front of the table.



Assembled View

# STEP 9 - This Dowel Will Do Well

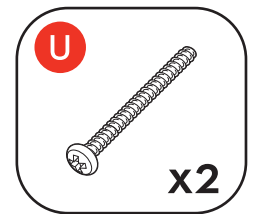
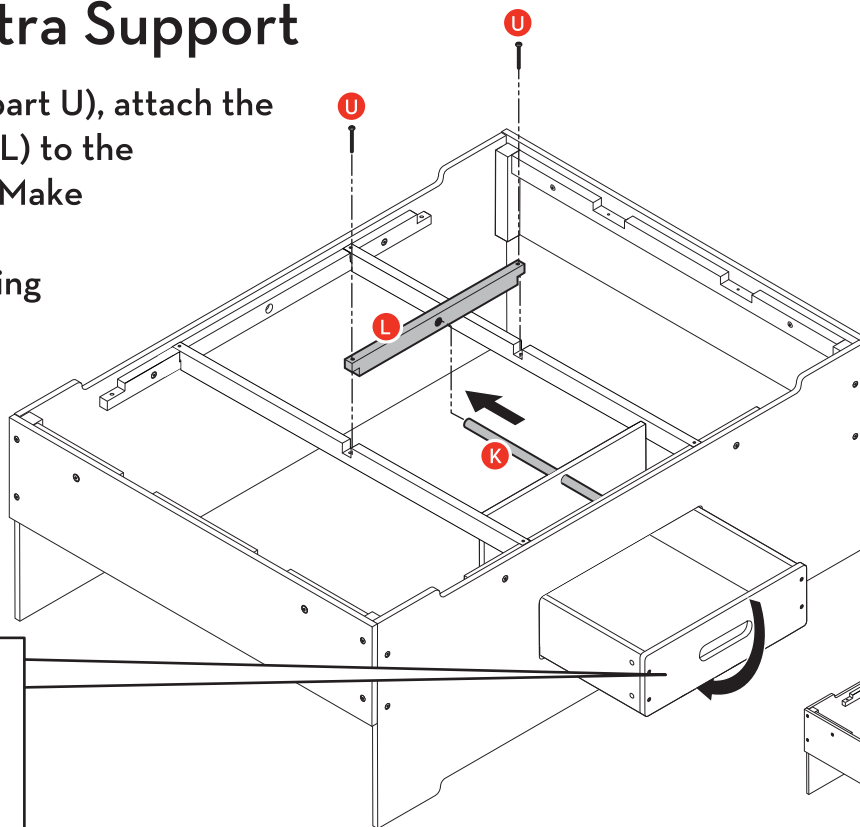
Slide the wooden dowel (part K) through the hole in the back of the drawer and into the notch in the front support.



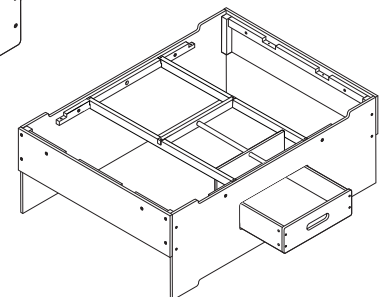
Assembled View

# STEP 10 - Extra Support

Using 2 long screws (part U), attach the drawer support (part L) to the table cross supports. Make sure the notch in the drawer support is facing the drawer. Slide the wooden dowel (part K) into the notch in the drawer support.



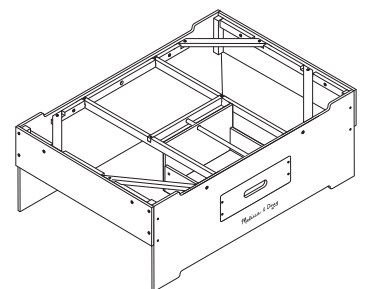
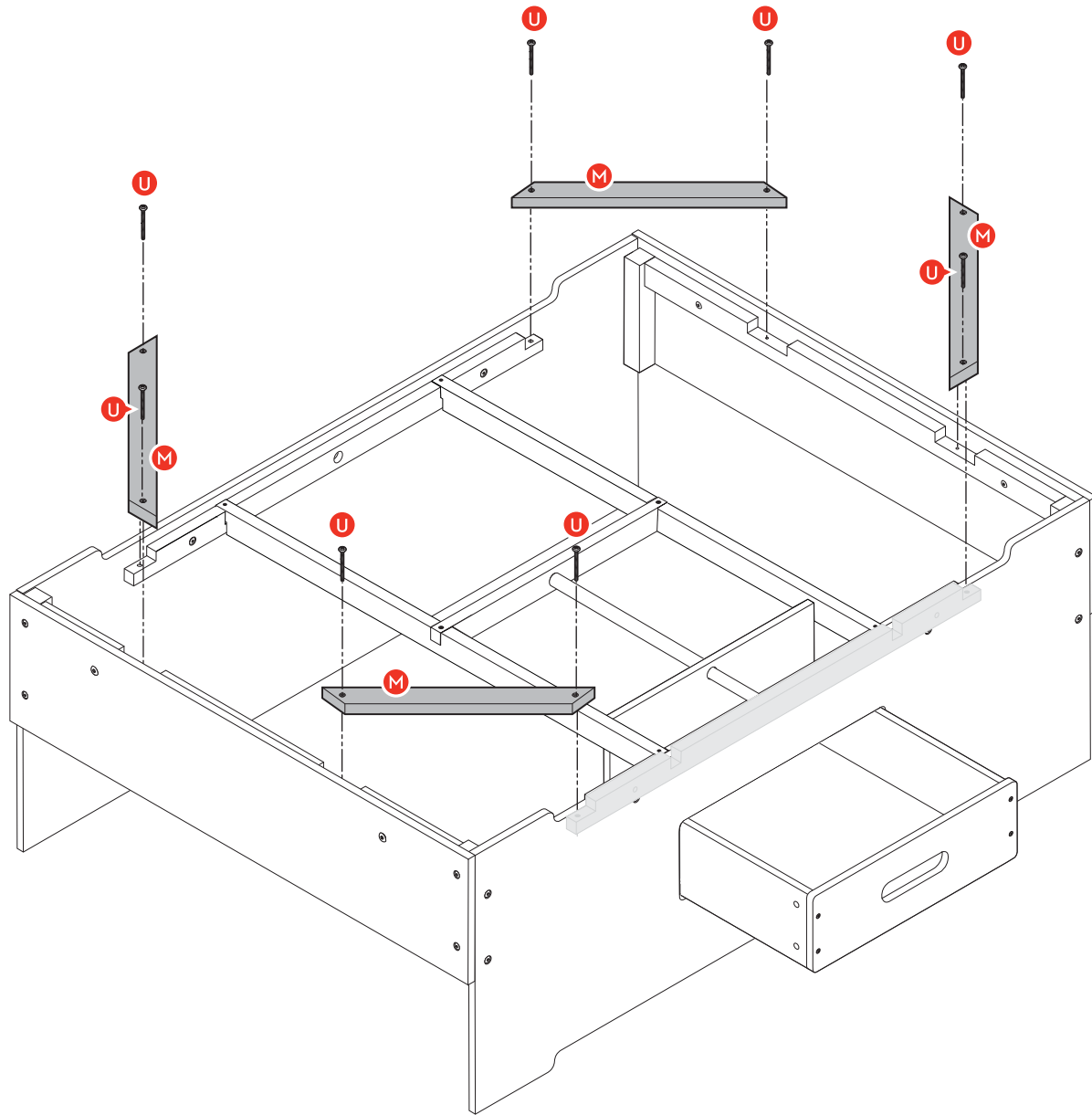
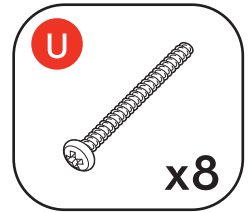
**!**  
**IMPORTANT:** You may need to rotate the front of the drawer slightly downward for the dowel to fit.



Assembled View

# STEP 11 - Brace Yourself

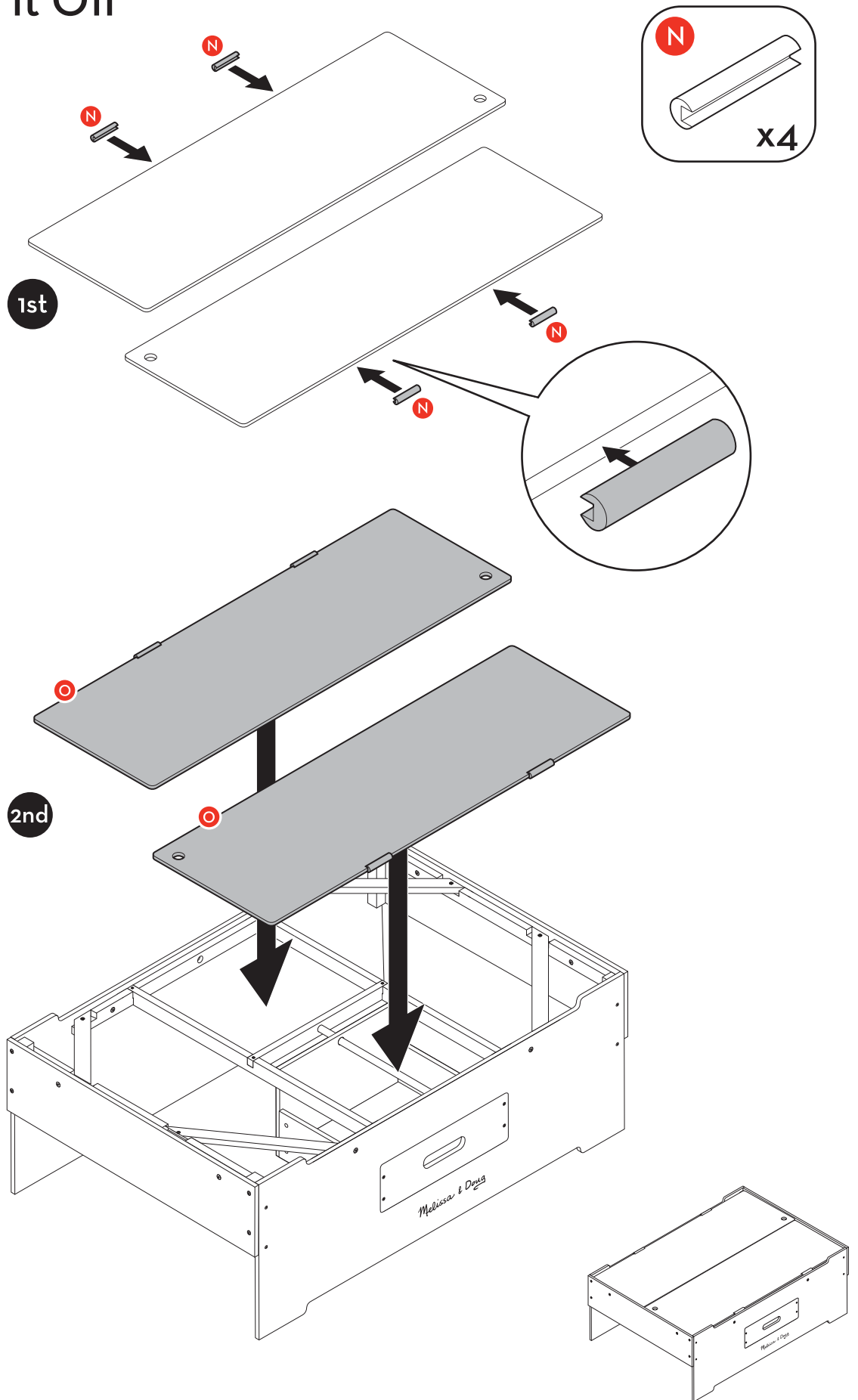
Using 8 long screws (part U), attach the 4 corner braces (part M) to the notches in both the table cross supports and the front/rear supports.



Assembled View

# STEP 12 - Top it Off

- First, slide the 4 rubber bumpers (part N) onto the a long side of the surface panels (part O). Each panel will have two bumpers
- Second, place the surface panels (part Q) onto the table.



# YOU DID IT!

Now the real fun begins—it's time to get playing! This space-defining play area is ideal for lots of different activities. Here are some of the suggested uses and special features of the Multi-Activity Play Table:

- **MANY USES:** The play possibilities are endless with this versatile table! Set up and play with train sets, blocks, race cars, puzzles, games, dollhouses, and more! It's the perfect spot for drawing, painting, or other arts and crafts projects. Spread out picture books, arrange dolls or stuffed animals, or clear a spot for a tea party!
- **LARGE PLAY AREA:** With approximately 11 square feet (3.35 square meters) of play space, there's ample room for independent play or for lots of kids to play together. There's even enough space for multiple activities at once!
- **JUST THE RIGHT HEIGHT:** At 17.5 inches tall, the activity table works for small and tall alike—toddlers will use it as they learn to stand and walk, and older kids will gather around it on knees, pillows, or kid-sized chairs for years to come!
- **STORAGE DRAWER:** Use the jumbo-sized pull out drawer for convenient storage of train tracks, puzzle and game pieces, craft supplies, and more. It's perfect for keeping toys and crafts together, in reach, and off the floor!
- **LIFT-OUT PLAY BOARDS:** When it comes time to move or clean around the table, simply clear it off and lift out the play boards! Clean-up is breeze!

---

## ACCESSORIZE

Melissa & Doug offers lots of toys, games, and crafts that can be used with your Multi-Activity Play Table! To find the full range of items we offer, visit us at [MelissaAndDoug.com](http://MelissaAndDoug.com)!

