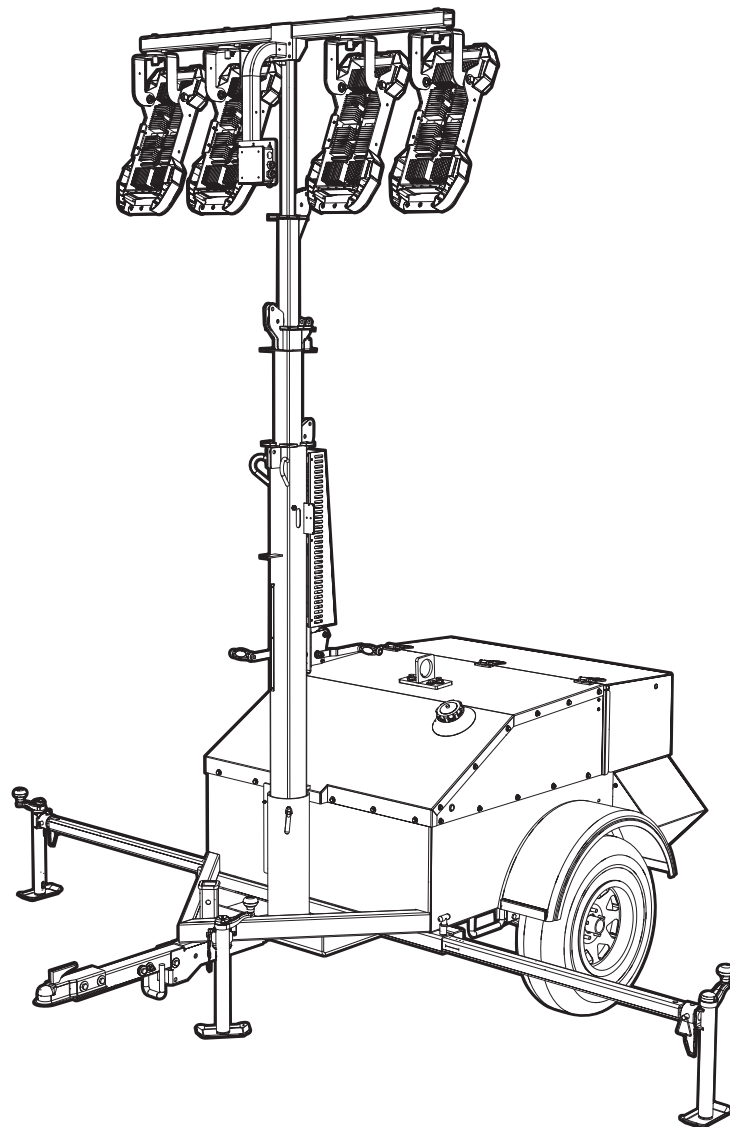


GENERAC[®]

MAGNUM

DIESEL LIGHT TOWER MLT4060MVD



01908

PARTS MANUAL

⚠️ WARNING

California Proposition 65. Engine exhaust and some of its constituents are known to the state of California to cause cancer, birth defects, and other reproductive harm.

(000004)

⚠️ WARNING

California Proposition 65. This product contains or emits chemicals known to the state of California to cause cancer, birth defects, and other reproductive harm.

(000005)

⚠️ WARNING

Environmental Hazard. Always recycle batteries at an official recycling center in accordance with all local laws and regulations. Failure to do so could result in environmental damage, death or serious injury.

(000228)

Introduction

This parts manual was prepared based on the information available at the time of publication and is subject to change without notice. Generac Mobile Products reserves the right to change parts at any time. To check whether a revised parts manual is available, contact Generac Mobile Products.

DO NOT MODIFY or use this equipment for any application other than which it was designed for. To keep your equipment fully operational, it is suggested you maintain a stock of commonly used maintenance or service parts. A recommended spare parts list can be found in the back of this manual. To order service parts, please go to www.generacmobileproducts.com or call Generac Mobile Products.

▲ WARNING

Before operating or servicing this equipment, read and understand the Generac Operating Manual which was included with the unit when shipped from the factory.

Failure to do so increases the risk of injury to yourself or others.

GENERAC MOBILE PRODUCTS LLC

215 Power Drive • Berlin, WI 54923 U.S.A.

Phone: 920-361-4442

FAX: 920-361-4416

Toll Free: 1-800-926-9768

www.generacmobileproducts.com

For technical or parts QUESTIONS, please contact the Generac Mobile Products Customer Support or Technical Support team at 1-800-926-9768.

Engine Make: _____

Engine Serial Number: _____

Engine Model Number: _____

Generator Make: _____

Generator Model Number: _____

Generator Serial Number: _____

Unit Model Number: _____

Unit Serial Number: _____

This Page Intentionally Left Blank

Table of Contents

Introduction	iii
Parts Manual Instructions.....	1
Unit Decals - Exterior.....	2
Unit Decals - Interior	4
Mast, Junction Box and Lights to Unit	6
Light Assembly	8
Mast Junction Box Assembly - Hard Wired Lights.....	10
Mast Assembly	12
Mast Assembly - Bottom Post - Manual Winch	14
Mast Assembly - Bottom Post - Electric Winch	16
Rear Hood to Unit.....	18
Rear Hood Assembly.....	20
Front and Side Panels to Unit.....	22
Control Box Assembly (1 of 2).....	24
Control Box Assembly (2 of 2).....	26
Cooling System Assembly.....	28
Engine and Generator to Unit.....	30
Engine Assembly - Mitsubishi Right Side	32
Engine Assembly - Mitsubishi Left Side	34
Generator Assembly	36
Driver Box Assembly	38
Driver Box Assembly	39
Fuel Tank and Driver Box To Unit	41
Trailer Assembly.....	42
Axle Assembly	44
Recommended Spare Parts List.....	46

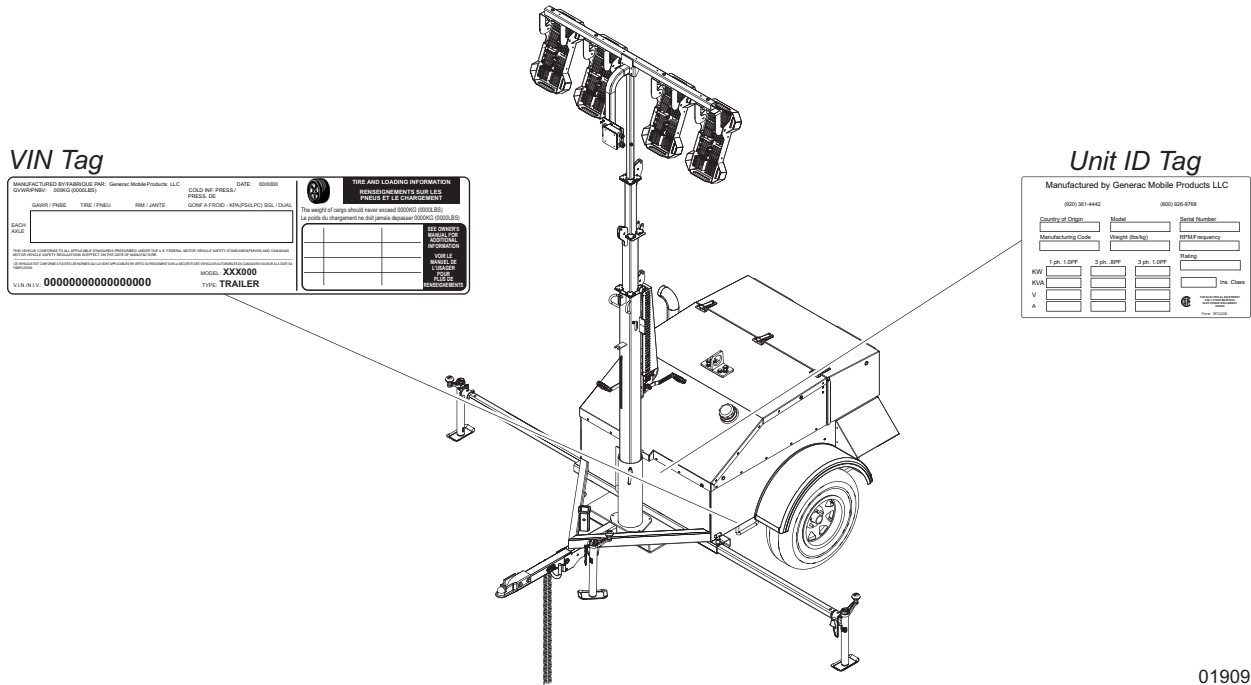
This Page Intentionally Left Blank

Parts Manual Instructions

Product illustrations are only representations. Products supplied may vary from the illustrations in this parts manual. Parts not shown in the illustration are indicated by a double dash (--) in the item column.

Please be prepared to provide the following information when ordering replacement parts: model number, serial number (on unit serial tag), part number, purchase order number (if applicable), shipping address, shipping method.

Refer to the illustration below to locate the unit ID tag and Vehicle Identification Number (VIN) tag on the unit. Important information, such as the unit serial number, model number, VIN and tire loading information are found on these tags. Record the information from these tags so it is available if the tags are lost or damaged. When ordering parts or requesting assistance, you may be asked to provide this information.

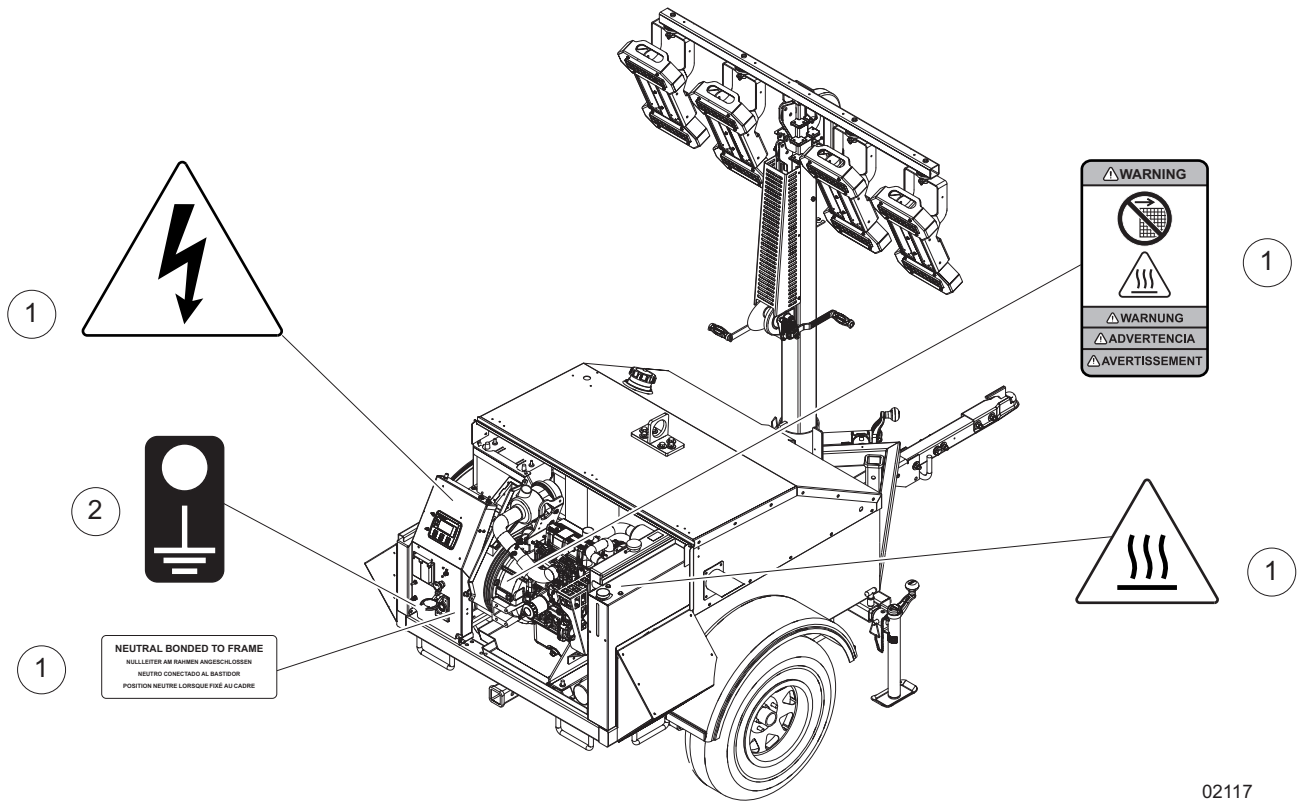
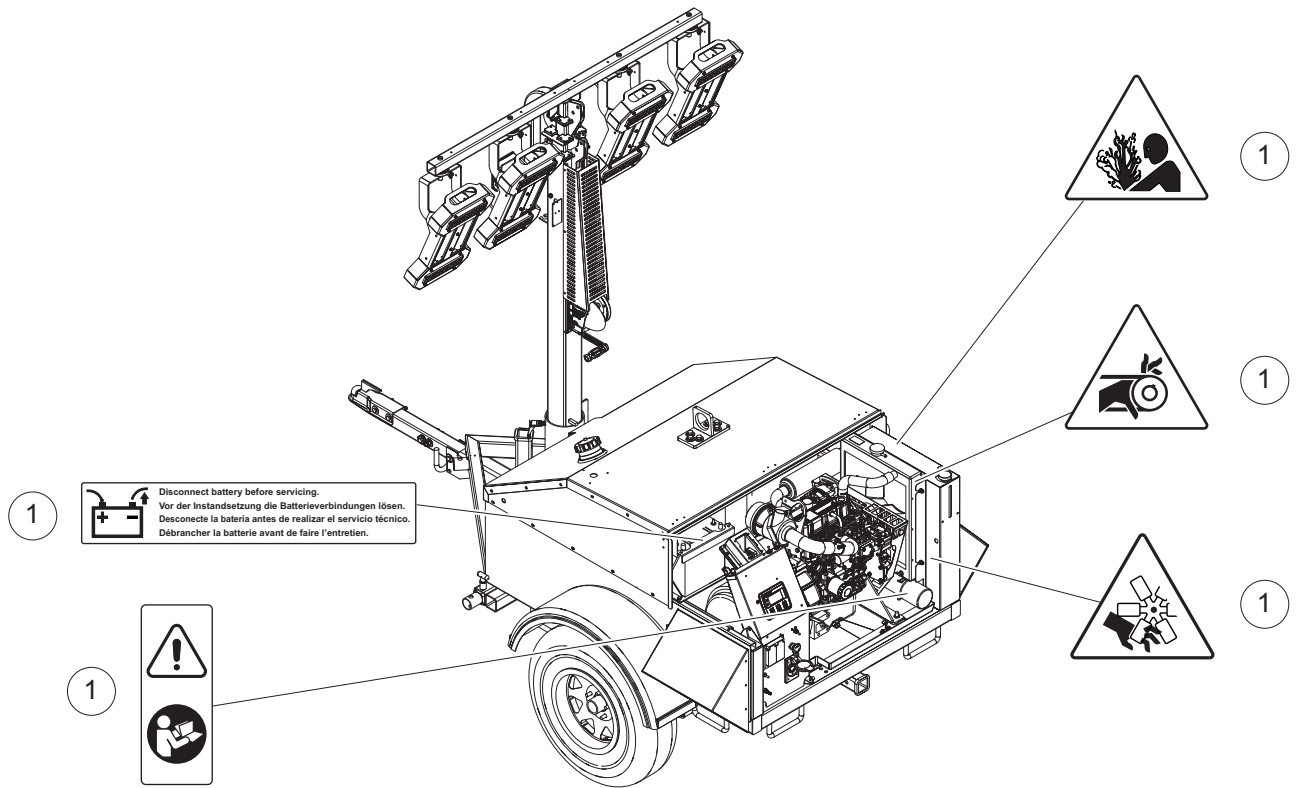


01909

UNIT DECALS - EXTERIOR

Item	Part No.	Qty	Description	Notes
1	73119	1	Decals, safety MLT4060K/MVD	
2	73121	1	Decal, operation - MLT4060K/MVD	
	73122	1	Decal, operation, EW - MLT4060K/MVD	Electric Winch only
3	72149	1	Reflector, 4.250 x .750 - red	2 per set
4	72150	1	Reflector, 4.250 x .750 - yellow	2 per set
5	72132	2	Decal, rear reflector 2.0 x 2.0	2 per set

UNIT DECALS - INTERIOR

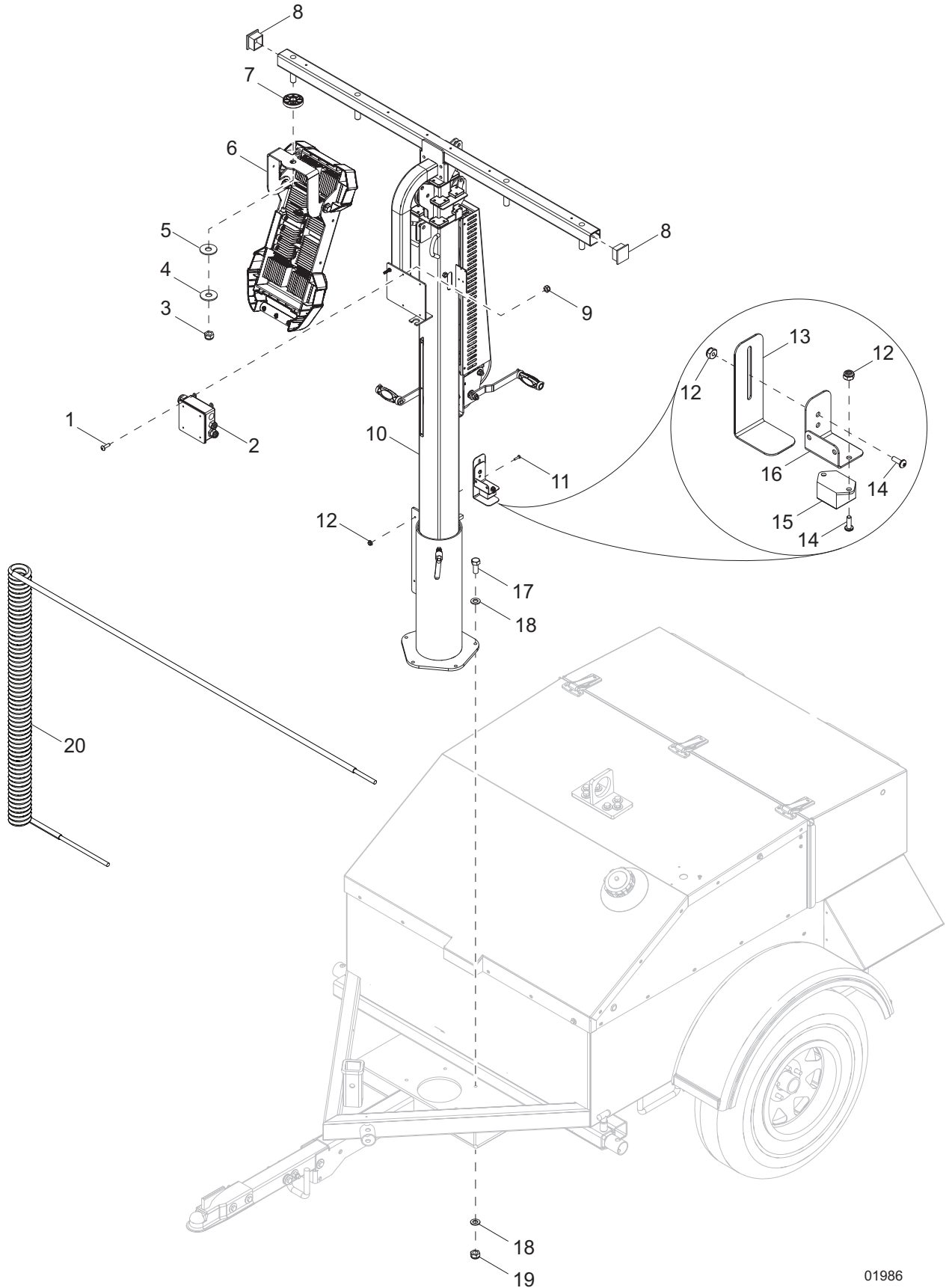


02117

UNIT DECALS - INTERIOR

Item	Part No.	Qty	Description	Notes
1	73119	1	Decals, safety MLT4060K/MVD	
2	73120	1	Decal, controls - MLT4060K/MVD	

MAST, JUNCTION BOX AND LIGHTS TO UNIT

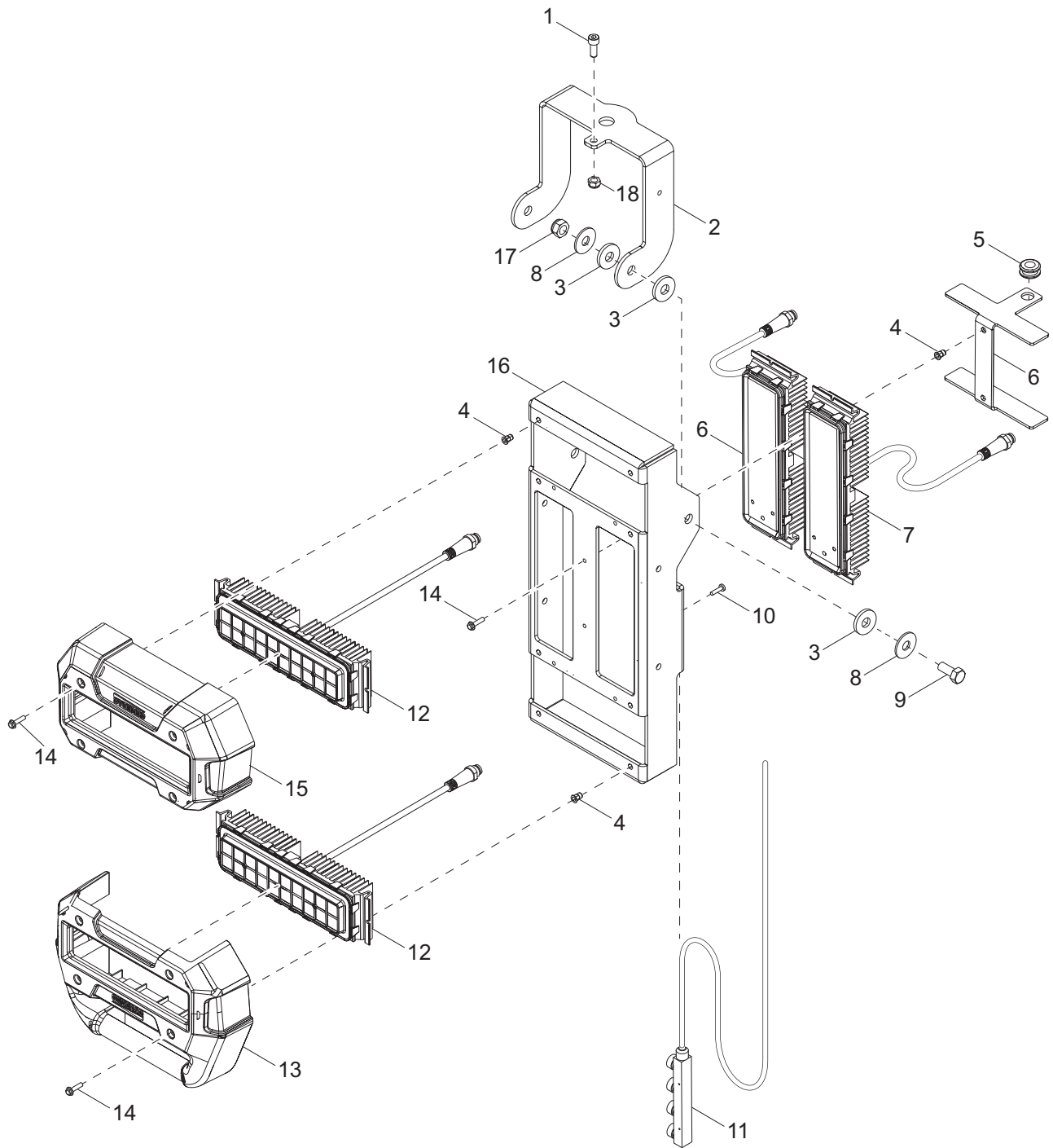


01986

MAST, JUNCTION BOX AND LIGHTS TO UNIT

Item	Part No.	Qty	Description	Notes
1	60062	4	Screw, 10-32 x .750 pan phil, G2	
2	31250	3	Assembly, mast box	
3	60584	4	Nut, .750-10 nylock, G5	
4	60247	4	Washer, .750 flat 2.020/.130	
5	63357	4	Washer, .750 flat 2.0/.062 - plastic	
6	72103	4	Assembly, LED light - 4 module	
7	73183	4	Spacer, light - machined	
8	31254	2	Plug, 2.0 square x .125 wall tube, plastic	
9	60415	4	Nut, 10-32 nylock, SS	
10	72028	1	Assembly, mast - manual winch	
11	60488	2	Screw, 8-32 x .750 pan phil, G2	
12	60270	6	Nut, 8-32 nylock	
13	10000008059	1	Cover, dusk to dawn sensor	
14	62054	4	Screw, 8-32 x .500 pan phil - SS	
15	65643	1	Relay, night watchman	
16	10000008106	1	Cover, dusk to dawn sensor	
17	60139	5	Screw, .375-16 x 1.50 hex, G5	
18	60386	10	Washer, .375 flat .993/.064	
19	60358	5	Nut, .375-16 nylock, G5	
20	69806	1	Coil cord w/connector	
--	68763	1	Night Watchman Assembly	
--	72146	1	Harness, driver box to mast	

LIGHT ASSEMBLY

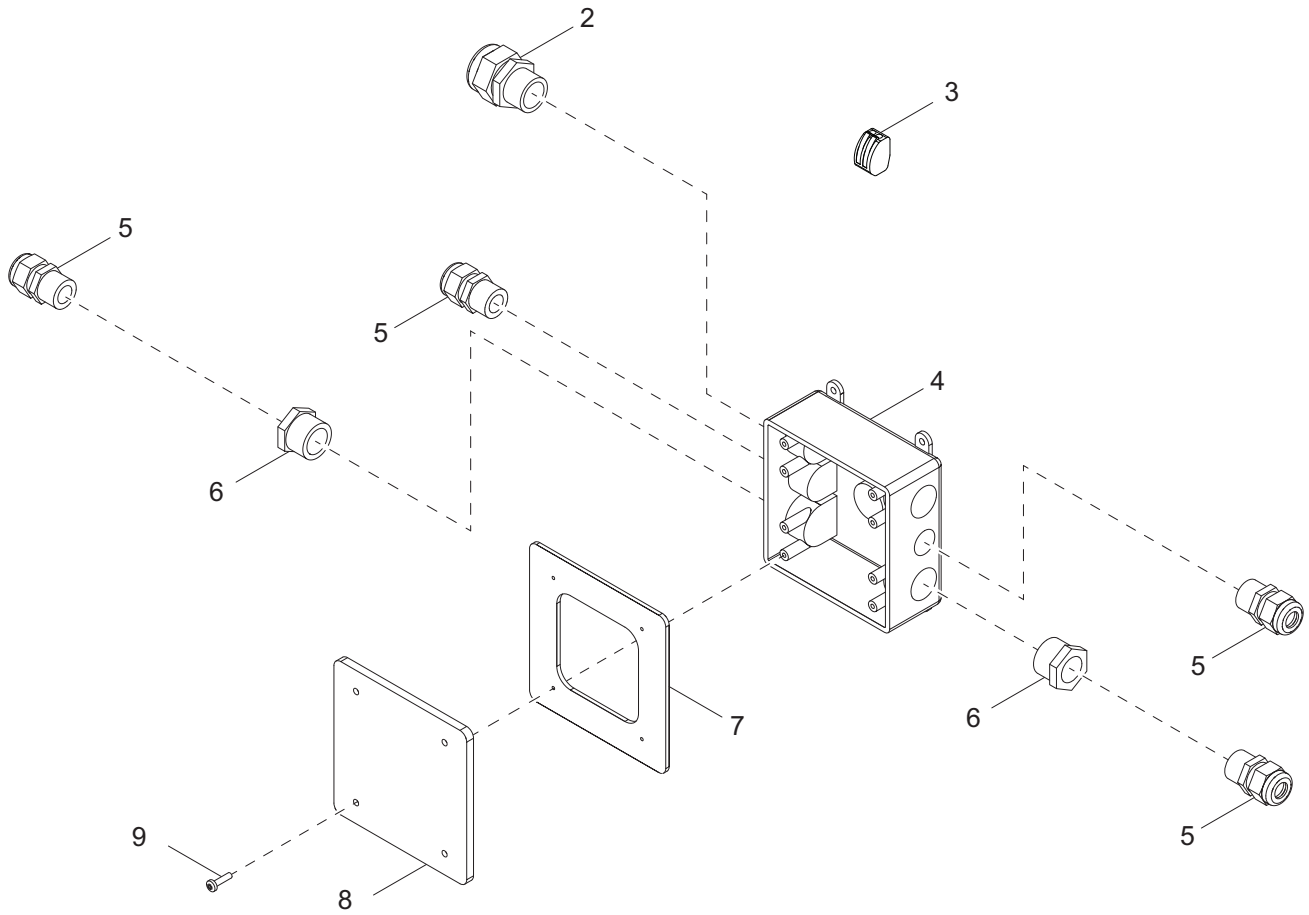
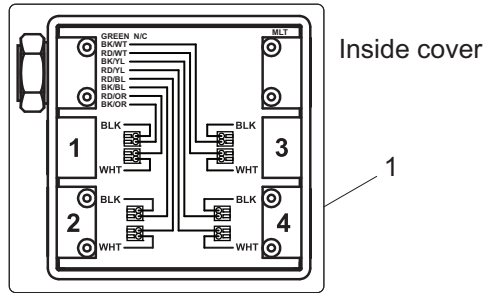


02118

LIGHT ASSEMBLY

Item	Part No.	Qty	Description	Notes
1	73173	1	Screw, .312-18 x .750 socket cap, G8	
2	72109B	1	Trunnion, LED light	
3	72134	6	Washer, .500, 1.250/.100 - nylon	
4	62234	10	Insert, threaded 10-32 hex, .020-.130 grip	
5	12231	1	Grommet, .500 ID x .259 x .750 hole - rubber	
6	72107B	1	Bracket, mounting, LED module	
7	72118	2	Module, LED, 90°	
8	60700	4	Washer, .500 flat 1.250/.060 - SS	
9	60830	2	Screw, .500-13 x 1.75 hex - SS	
10	60424	2	Screw, 6-32 x .750 pan phil, G2	
11	10000009700	1	Connector block, LED handle	
12	72119	2	Module, LED 60°	
13	73198	1	Assembly, end cap - LED light	
14	72112	10	Screw, 10-32 x .75 sflg hex - SS	
15	73181	1	End cap, LED module	
16	73186B	1	Frame, support, 4 LED module - vert.	
17	60680	2	Nut, .500-13 nylock - SS	
18	60784	1	Nut, .312-18 nylock - SS	
--	72174	1	Assembly, mast box, LED, hard wire	
--	72145	1	Cable, extension, LED module	

MAST JUNCTION BOX ASSEMBLY - HARD WIRED LIGHTS

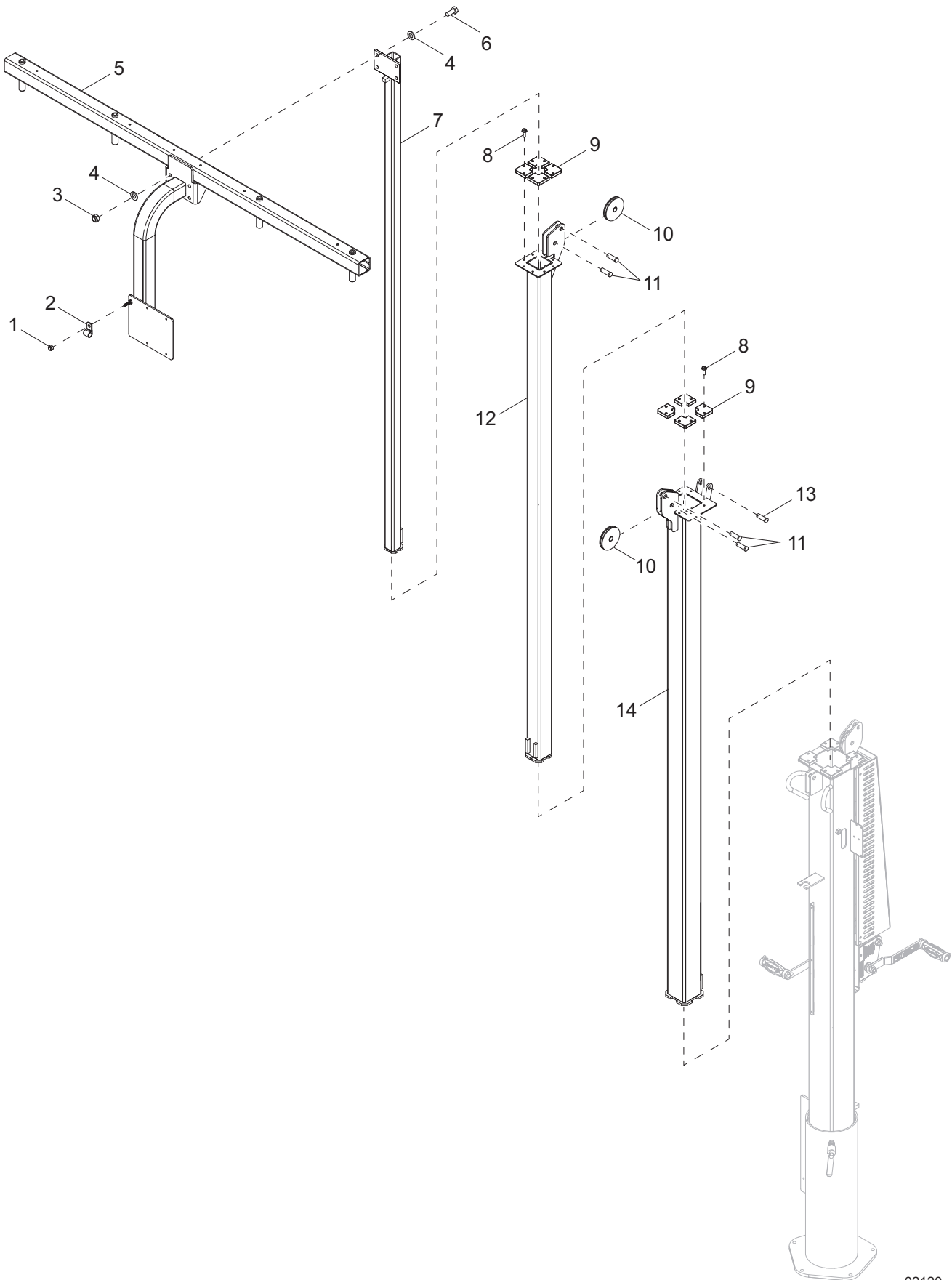


02119

MAST JUNCTION BOX ASSEMBLY - HARD WIRED LIGHTS

Item	Part No.	Qty	Description	Notes
1	73123	1	Decal, mast junction box	
2	14656	1	Strain relief, .750NPT water tight	
3	66100	8	Connector, 2 position	
4	12094	1	Box, junction	
5	15864	4	Strain relief, .500NPT water tight	
6	60755	2	Fitting, straight .750MNPT x .500FNPT, nylon	
7	13749	1	Gasket, junction box - HFI 281000	
8	12109	1	Cover, box, 2-gang plastic	
9	60424	4	Screw, 6-32 x .750 pan phil, G2	

MAST ASSEMBLY

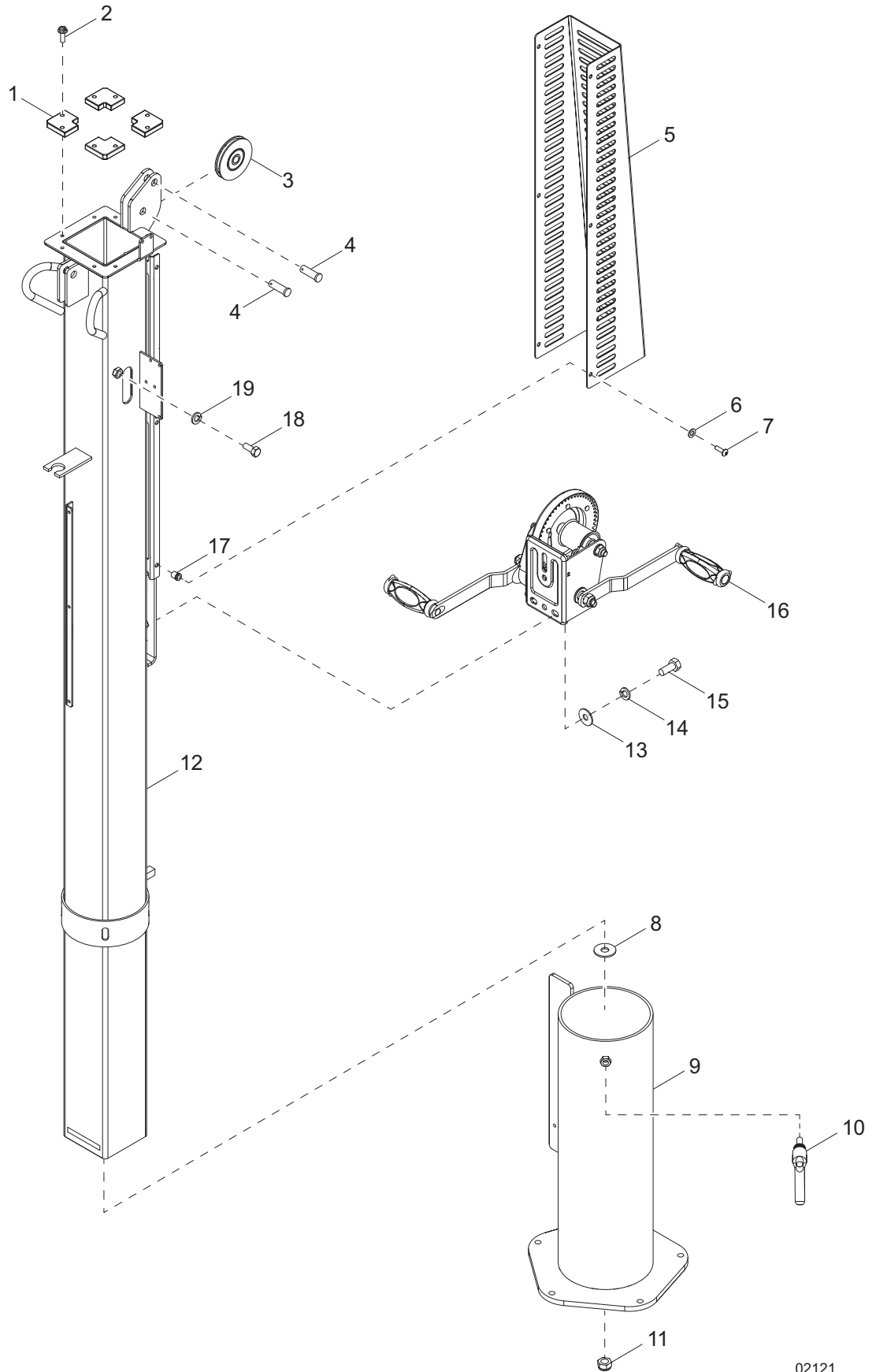


02120

MAST ASSEMBLY

Item	Part No.	Qty	Description	Notes
1	60787	1	Nut, .250-20 nylock	
2	16143	1	Clamp, tubing .500	
3	60358	4	Nut, .375-16 nylock, G5	
4	60386	8	Washer, .375 flat .993/.064	
5	72101B	1	Weldment, mast, crossbar LED	
6	60352	4	Screw, .375-16 x 1.250 hex, G5	
7	31264B	1	Weldment, mast - 1.50	
8	63358	16	Screw, .250-20 x .625 hex wash hd	
9	31225	8	Guide	
10	33736	2	Assembly, pulley - vertical mast	
11	63325	4	Pin, clevis .500 dia x 1.063 UL	
12	31261B	1	Weldment, mast - 2.25	
13	35655	1	Pin, clevis .500 dia x 1.750 ZP	
14	37465B	1	Weldment, mast - 3.0	
--	31247	1	Cable, .188 x 144 w/ ball swedge	top cable
--	31248	2	Cable, .188 x 79.750 w/ball swedge	middle cable
--	31277	1	Cable, .188 x 78.0 w/ball swedge	winch cable

MAST ASSEMBLY - BOTTOM POST - MANUAL WINCH

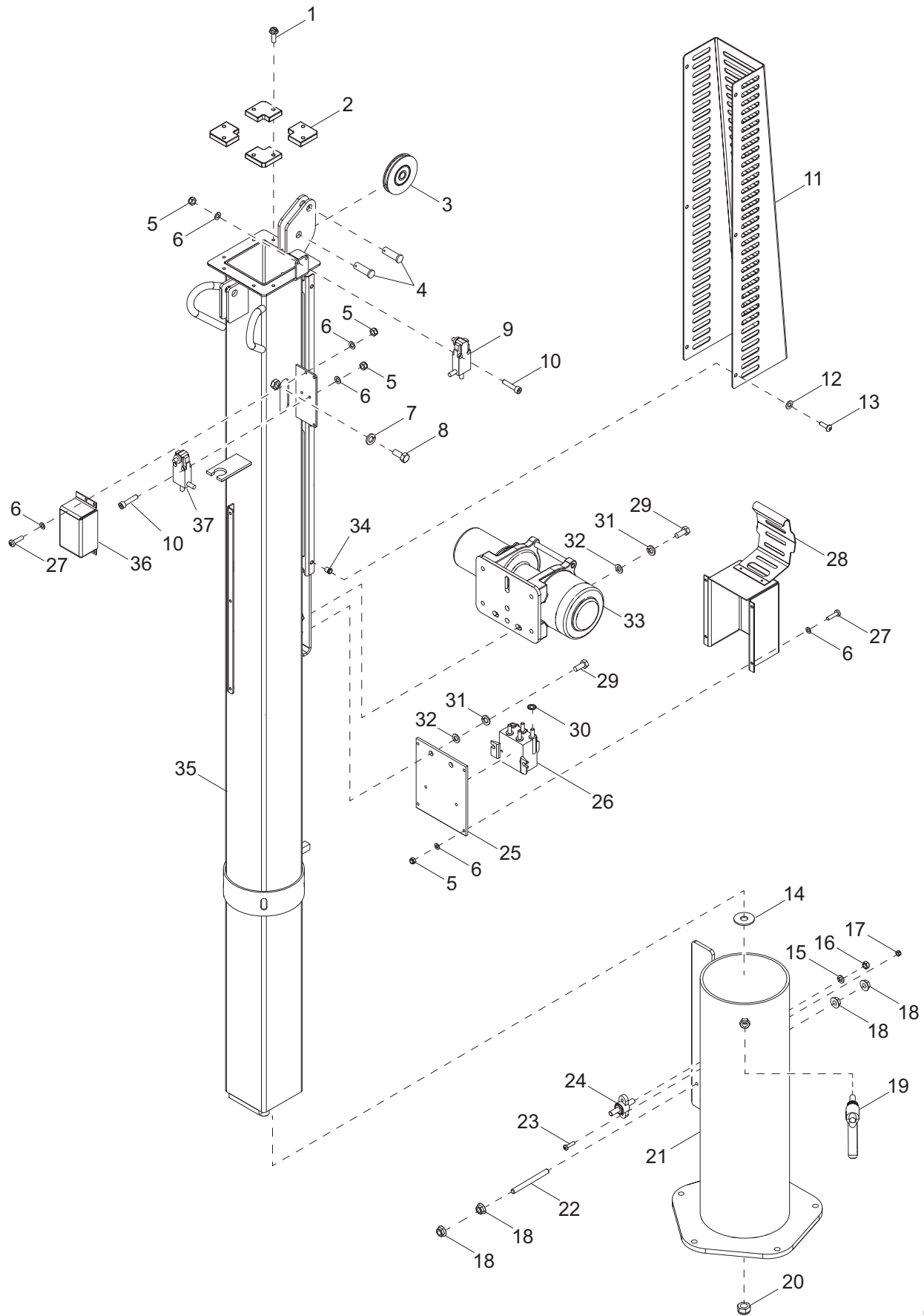


02121

MAST ASSEMBLY - BOTTOM POST - MANUAL WINCH

Item	Part No.	Qty	Description	Notes
1	31225	4	Guide	
2	63358	8	Screw, .250-20 x .625 hex washer head	
3	33736	1	Assembly, pulley vertical mast	
4	63325	2	Pin, clevis .500 dia x 1.063 UL	
5	72116B	1	Guard, cable - manual winch	
6	60067	6	Washer, #10 flat .435/.060 - SS	
7	60398	6	Screw, 10-32 x .500 pan phil - SS	
8	60247	1	Washer, .750 flat 2.020/.130	
9	72032B	1	Weldment, mast rotation tube	
10	36978	1	Handle, .375-16 x 1.0 adjustable	
11	60584	1	Nut, .750-10 nylock, G5	
12	73158B	1	Weldment, mast 4.0 in	
13	60386	3	Washer, .375 flat .993/.064	
14	60206	3	Washer, .375 split lock - hardened	
15	60205	3	Screw, .375-16 x 1.0 hex, G5	
16	72127	1	Winch, manual - 1500 lb, dual handle	
17	32922	6	Insert, threaded 10-32 splined, .020-.130 grip	
18	62269	2	Screw, .375-16 x .75 hex, SS - red	
19	60703	2	Washer, .375 split lock, SS	

MAST ASSEMBLY - BOTTOM POST - ELECTRIC WINCH

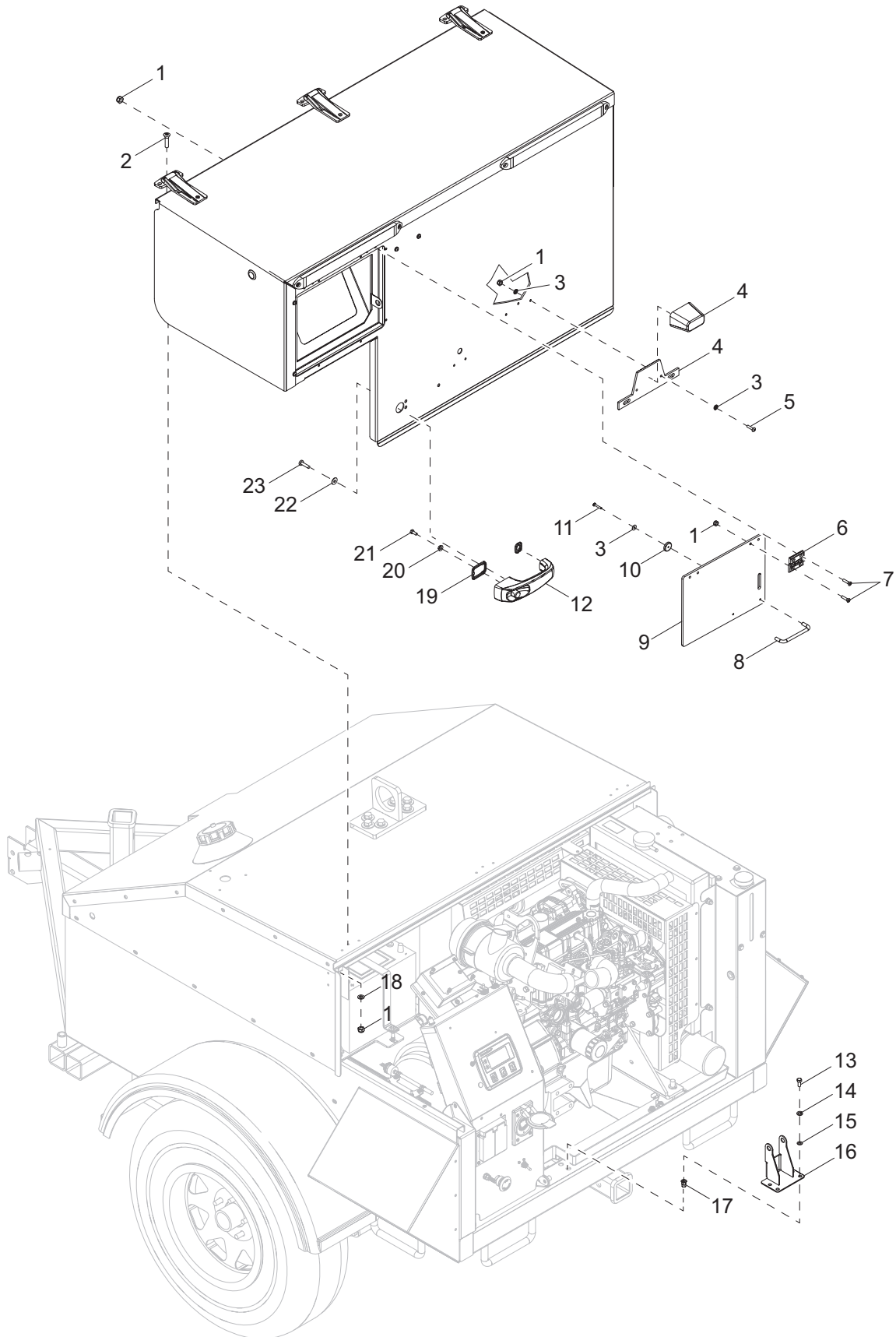


02122

MAST ASSEMBLY - BOTTOM POST - ELECTRIC WINCH

Item	Part No.	Qty	Description	Notes
1	63358	8	Screw, .250-20 x .625 hex washer head	
2	31225	4	Guide	
3	33736	1	Assembly, pulley vertical mast	
4	63325	2	Pin, clevis .500 dia x 1.063 UL	
5	60207	11	Nut, 8-32 nylock, G6	
6	60269	18	Washer, #8 flat .433/.036	
7	60703	2	Washer, .375 split lock, SS	
8	62269	2	Screw, .375-16 x .75 hex, SS - red	
9	31740	1	Assembly, down switch	
10	67190	4	Screw, 8-32 x 1.125 socket head, SS	
11	72116B	1	Guard, cable - manual winch	
12	60067	6	Washer, #10 flat .435/.060 - SS	
13	60398	6	Screw, 10-32 x .500 pan phil - SS (diff. on manual)	
14	60247	1	Washer, .750 flat 2.020/.130	
15	60206	1	Washer, .375 split lock	
16	60140	1	Nut, .375-16 hex	
17	60038	2	Nut, M5-0.80 nylock, G6	
18	60020	4	Nut, M8-1.25 sflg, G8.8	
19	36978	1	Handle, .375-16 x 1.0 adjustable	
20	60584	1	Nut, .750-10 nylock, G5	
21	72032B	1	Weldment, mast rotation tube	
22	18992	1	Stud, ground M8-1.25 x 100mm	
23	60037	2	Screw, M5-.80 x 20 pan phil, G4.8	
24	66986	1	Stud, pass-through .375-16 red	
25	37207B	1	Plate, contactor	
26	11293	1	Contacto	Hardware included
27	60244	7	Screw, 8-32 x .750 pan phil, G2	
28	37468B	1	Weldment, winch cover	
29	60205	5	Screw, .375-16 x 1.0 std hex, G5	
30	60069	4	Washer, M8 external star	
31	60206	5	Washer, .375 split lock	
32	60386	5	Washer, .375 flat .993/.064	
33	12874	1	Winch, electric - 770 lb hoist	
34	32922	6	Insert, threaded 10-32 splined, .020-.130 grip	
35	73158B	1	Weldment, mast 4.0 in	
36	37205B	1	Cover, up limit switch	
37	31739	1	Assembly, up stop switch	
--	12922	2	Boot, battery cable - red	
--	31742	1	Wire group, electric winch box	
--	31743	1	Harness, winch power cables	
--	72143	1	Harness, winch, stud-contacto	

REAR HOOD TO UNIT

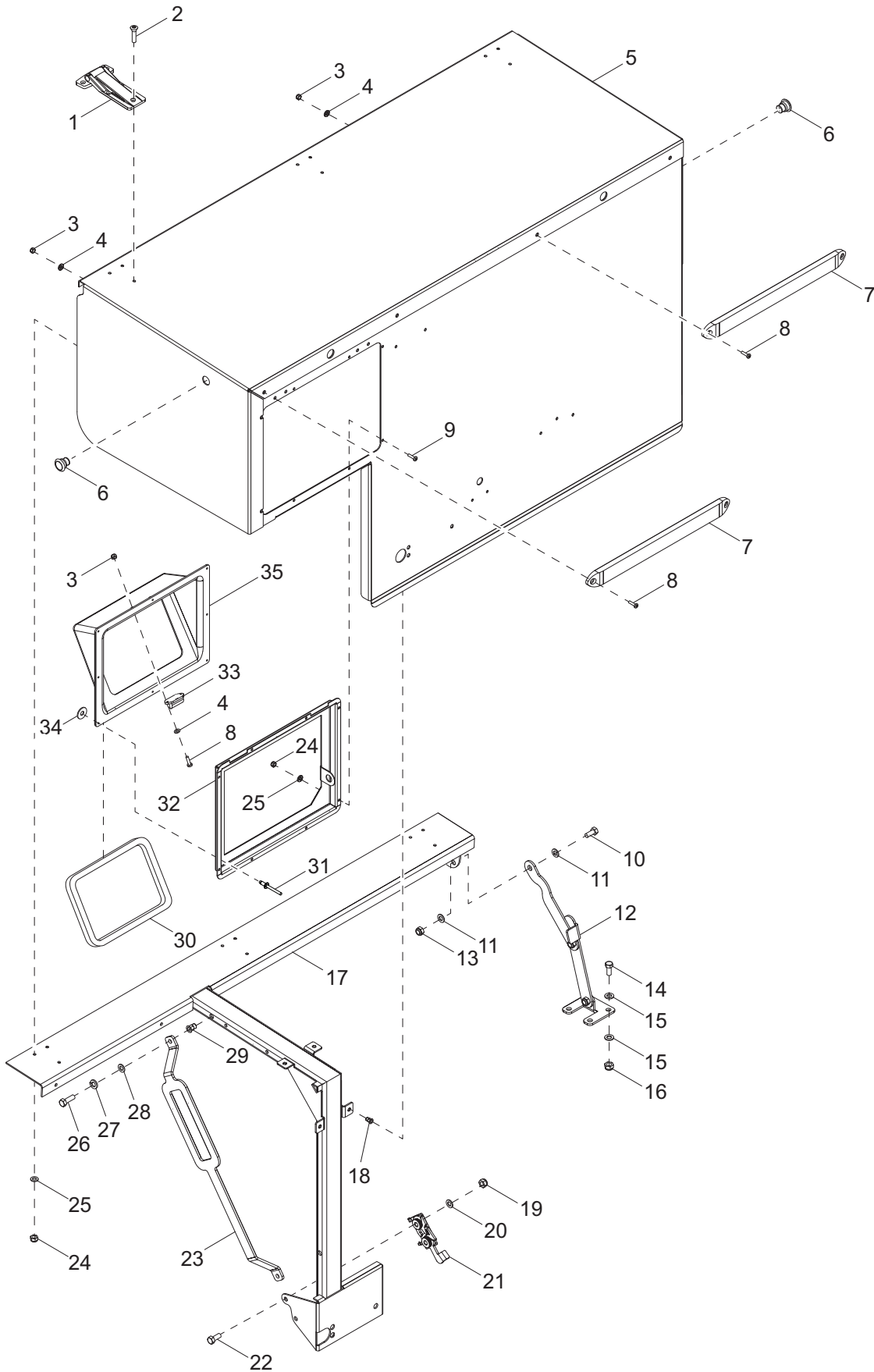


02123

REAR HOOD TO UNIT

Item	Part No.	Qty	Description	Notes
1	60457	17	Nut, 10-24 nylock, G2	
2	35290	9	Screw, 10-24 x 1.0 flat head phil, SS	
3	60067	4	Washer, #10 flat .435/.060, SS	
4	10223SRV	1	Assembly, license plate light/holder	
5	60540	2	Screw, 10-24 x .750 pan phil, SS	
6	35394	2	Hinge, door-small	
7	73124	8	Screw, 10-24 x .875 flat head phil, SS	
8	37123	1	Handle, control box cover	
9	72045	1	Door, control panel	
10	29311	1	Magnet, cup 1.40 x .281 x .188 hole	
11	60695	2	Screw, 8-32 x 1.0 pan phil, SS	
12	35138	1	Handle, push button	
13	60028	4	Screw, .312-18 x 1.0 hex, G5	
14	60271	4	Washer, .312 split lock	
15	60119	4	Washer, .312 flat .875.070	
16	73084B	1	Weldment, mount, door latch striker	
17	62133	4	Insert, threaded .312-18 splined, ..027-.150 grip	
18	60237	9	Washer, #10 flat .495/.036	
19	70216	1	Gasket kit, handle, push button	
20	60036	1	Nut, M6-1.0 sflg, G8.8	
21	60335	1	Screw, M6-1.0 x 25 hex, SS	
22	60243	3	Washer, .250 flat .735/.060	
23	60146	3	Screw, M6-1.0 x 20 pan phil, G4.8	

REAR HOOD ASSEMBLY

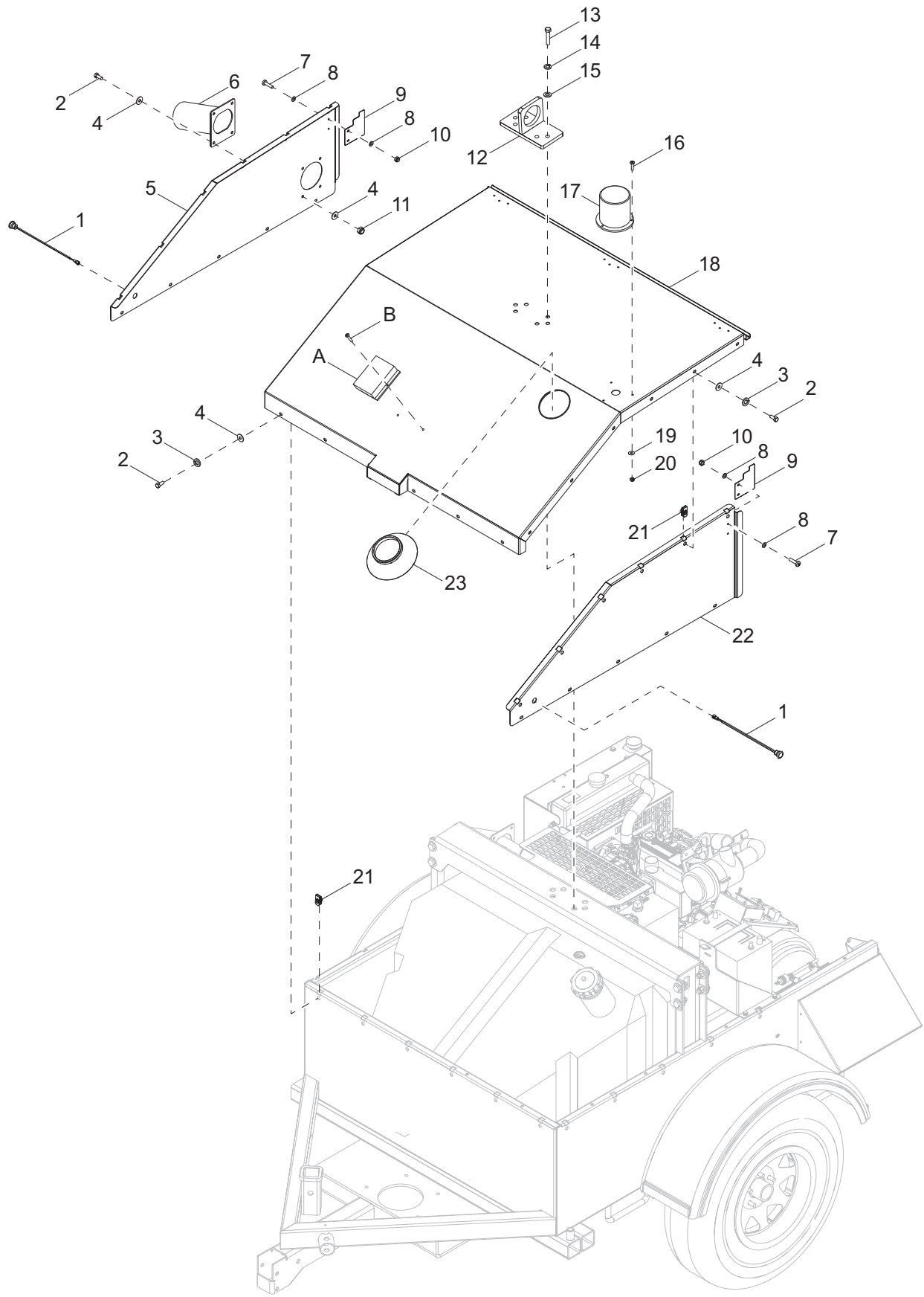


02124

REAR HOOD ASSEMBLY

Item	Part No.	Qty	Description	Notes
1	35136	3	Hinge, flush mount	
2	35290	9	Screw, 10-24 x 1.0 flat head phil, SS	
3	60270	5	Nut, 8-32 nylock, G6	
4	60269	5	Washer, #8 flat .433/.036	
5	72047W	1	Weldment, hood assembly	
6	36962	2	Assembly, red side marker light	
7	60398	2	Assembly, tail light	
8	60694	5	Screw, 8-32 x .750 pan phil, SS	
9	60540	8	Screw, 10-24 x .750 pan phil, SS	
10	60690	3	Screw, .375-16 x 1.0 hex, SS	
11	60698	6	Washer, .375 flat .875/.040, SS	
12	72167	1	Assembly, door stay	
13	60358	1	Nut, .375-16 nylock, G5	
14	60507	4	Screw, .312-18 x 1.0 hex, SS	
15	60340	8	Washer, .312 flat .875/.040, SS	
16	60303	4	Nut, .312-18 nylock, G2	
17	73100B	1	Weldment, hood support	
18	62234	2	Insert, threaded #10-32 hex, .020-.130 grip	
19	60303	2	Nut, .312-18 nylock, G2	
20	60119	4	Washer, .312 flat .875/.036	
21	35139	1	Latch, rotary	
22	62001	2	Screw, .312-18 x 1.250 hex, G5	
23	73168B	1	Handle, rear hood	
24	60457	17	Nut, 10-24 nylock, G2	
25	60237	17	Washer, #10 flat .435/.060, SS	
26	60393	2	Screw, .250-20 x 1.0 hex, G5	
27	60286	2	Washer, .250 split lock	
28	60243	2	Washer, .250 flat .735	
29	62132	1	Insert, threaded .250-20 splined .027-.165 grip	
30	73157	1	Gasket, control panel - foam	
31	60260	8	Rivet, .188 dia x .375 to .500 grip - SS	
32	72041B	1	Weldment, control panel base	
33	36963	1	Assembly, license plate light	
34	60067	8	Washer, #10 flat .435/.060 -SS	
35	72124	1	Bezel, control panel	
--	72147	1	Harness, rear hood	

FRONT AND SIDE PANELS TO UNIT



02125

FRONT AND SIDE PANELS TO UNIT

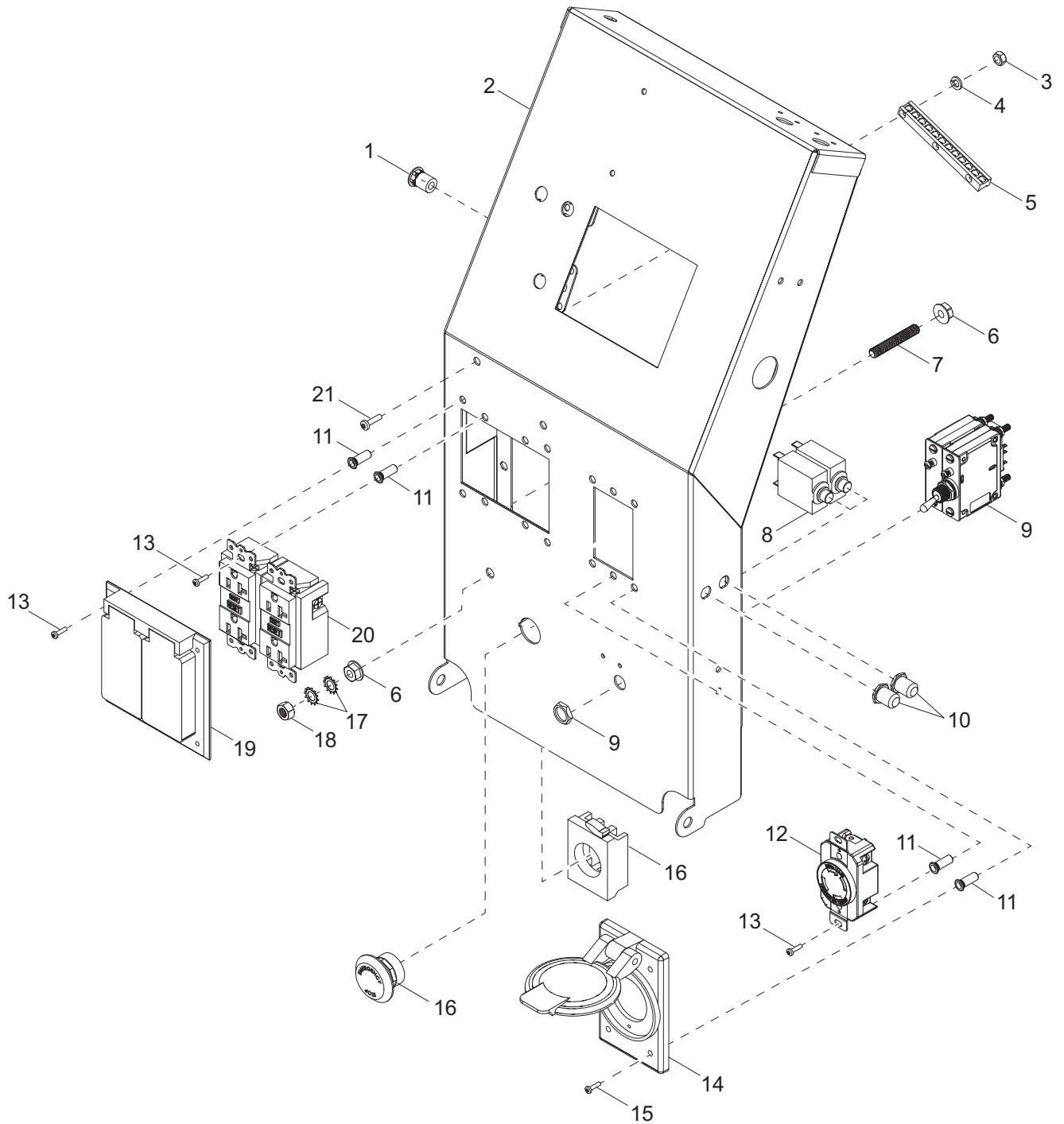
Item	Part No.	Qty	Description	Notes
1	36961	2	Assembly, amber side marker light	
2	60687	32	Screw, .312-18 x .750 hex, SS	
3	60701	28	Washer .312 split lock, SS	
4	60340	32	Washer, flat .875/.040, SS	
5	72015W	1	Panel, PS front	
6	73114BH	1	Weldment, exhaust deflector	
7	60540	4	Screw, 10-24 x .750 pan phil, SS	
8	60067	8	Washer, #10 flat .435/.060, SS	
9	73103W	2	Panel, side deflector	
10	60457	4	Nut, 10-24 nylock, G2	
11	60303	4	Nut, .312-18 nylock, G2	
12	72027B	1	Weldment, lift eye	
13	72136	6	Screw, .500-13 x 2.0 hex, G8	
14	60204	6	Washer, .500 split lock	
15	60670	6	Washer, .500 flat1.060/.110, G8	
16	60695	3	Screw, 8-32 x 1.0 pan phil, SS	
17	76176	1	Light, amber strobe - 12V, LED	
18	73118W	1	Weldment, front roof	
19	62060	3	Washer, #8 flat .435/.060, SS	
20	60270	3	Nut, 8-32 nylock, G8	
21	62086	28	Nut, .312-18 U-clip - short type	
22	72014W	1	Panel, DS front	
23	72115	1	Gasket, fuel fill	

OPTIONAL FEATURES

ZTR Telemetry:

A	37731	1	Telemetry, ZTR -MH6	
B	55075	2	Screw, .250 x 20 x .75 self-tapping	

CONTROL BOX ASSEMBLY (1 OF 2)

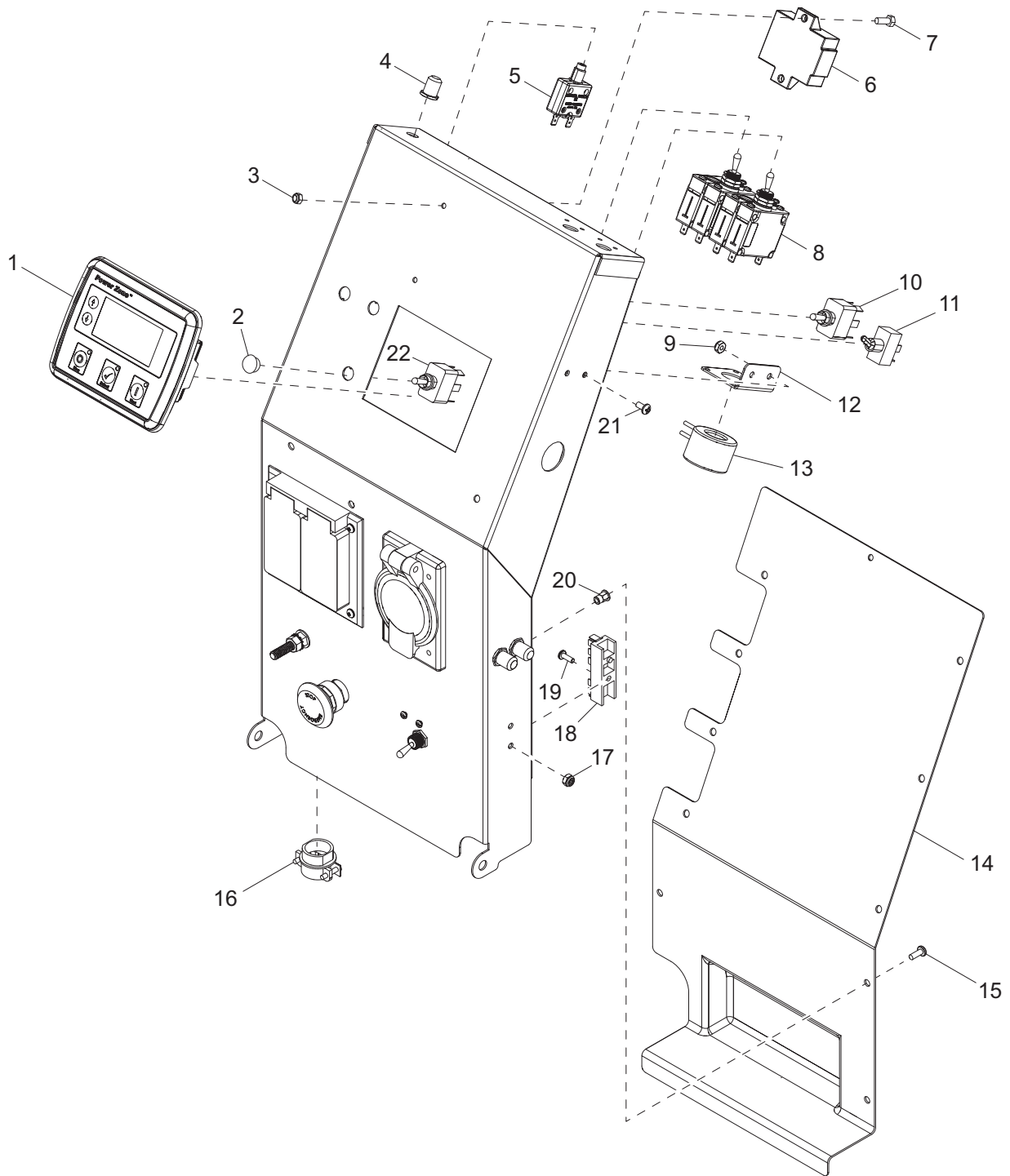


02126

CONTROL BOX ASSEMBLY (1 OF 2)

Item	Part No.	Qty	Description	Notes
1	63097	1	Insert, threaded .313-18 hex, .027 -.150 grip	
2	73160B	1	Weldment, control box	
3	60318	2	Nut, 8-32 hex, G5	
4	60252	2	Washer, #10 split lock	
5	14204	1	Kit, ground bar	
6	62067	2	Nut, .312-18 sflg, SS	
7	72123	1	Stud, ground .312-18 x 2.0	
8	65849	2	Breaker, 20A, 120V - 1 pole, push button	
9	36975	1	Breaker, 30A main	
10	36938	2	Boot, push button breaker	
11	73092	14	Insert, 8-32, .020-.080 grip	
12	65488	1	Receptacle, 240V/30A twist	
13	60526	10	Screw, 8-32 x .500 pan phil, G2	
14	36939	1	Cover, receptacle, 20/30A - weatherproof	
15	60244	4	Screw, 8-32 x .750 pan phil, G2	
16	65470	1	Switch, E-stop operator	
17	62059	2	Washer, .312 external star, SS	
18	60515	1	Nut, .312-18 hex, SS	
19	15849	1	Cover, receptacle, 20A GFC - weatherproof	
20	14130	2	Receptacle, 120V/20A GFI	
21	60406	2	Screw, 8-32 x 1.00 pan phil, G2	

CONTROL BOX ASSEMBLY (2 OF 2)

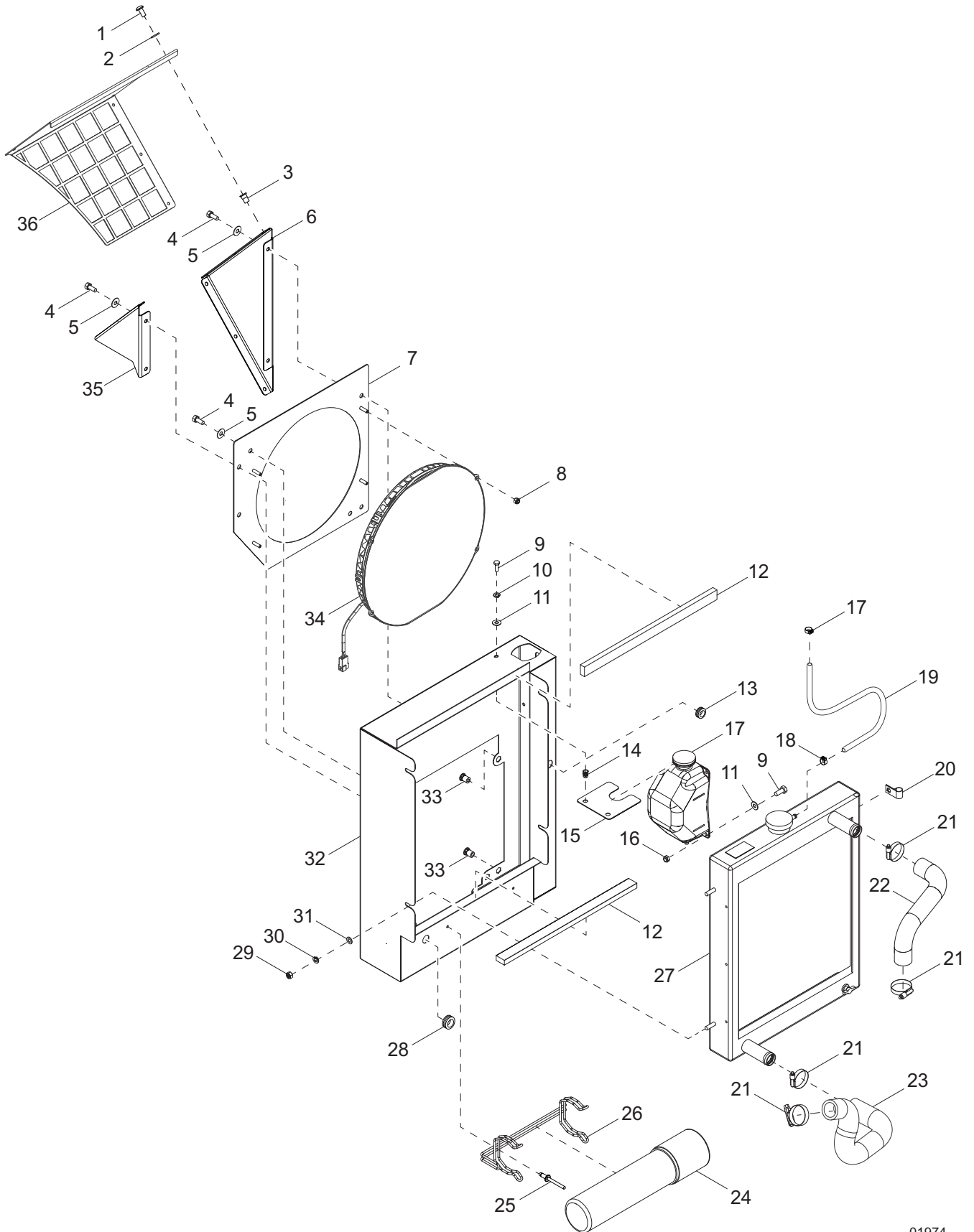


02127

CONTROL BOX ASSEMBLY (2 OF 2)

Item	Part No.	Qty	Description	Notes
1	72111	1	Controller, programmed - MLT4060K/MVD	
2	65798	1	Plug, hole .468 x .06	Manual winch only
3	60144	1	Nut, .250-20 nylock, G5	
4	36938	1	Boot, push button breaker	
5	36937	1	Breaker, 10A DC	
6	73221	1	Controller, idle	
7	60281	1	Screw, .250-20 x .750 hex, G5	
8	69600	2	Breaker, 5A, 250V - 2 pole	
9	60061	2	Nut, 10-32 nylock	
10	68508	1	Switch, toggle SPST 12A 125V	
11	25077	1	Switch, toggle SPST 20A VAC	
12	73089B	1	Bracket, CT mount	
13	66255	1	Transformer, current 100:5 wires	
14	72065	1	Back, control box	
15	60398	11	Screw, 10-32 x .500 pan phil, SS	
16	14219	1	Strain relief, .750 Romex w/nut	
17	60270	1	Nut, 8-32 nylock, G6	
18	69680	1	Block, terminal, 5 and 7 position	
19	60526	1	Screw, 8-32 x .500 pan phil, G2	
20	62234	11	Insert, threaded 10-32 hex, .020-.130 grip	
21	62242	2	Screw, 10-32 x .375 pan phil, SS	
22	65707	1	Switch, toggle SPDT spring, weatherproof	Electric winch only
--	73120	1	Decal, control set	
--	69827	1	Wire group, control panel	
--	69656	1	Harness, control panel	
--	61025	1	Screw, .250-20 x 1.50 std hex, SS	Use with 69656
--	60696	1	Washer, .250 flat .625/.050, SS	Use with 69656
--	60787	1	Nut, .250-20 nylock, SS	Use with 69656

COOLING SYSTEM ASSEMBLY

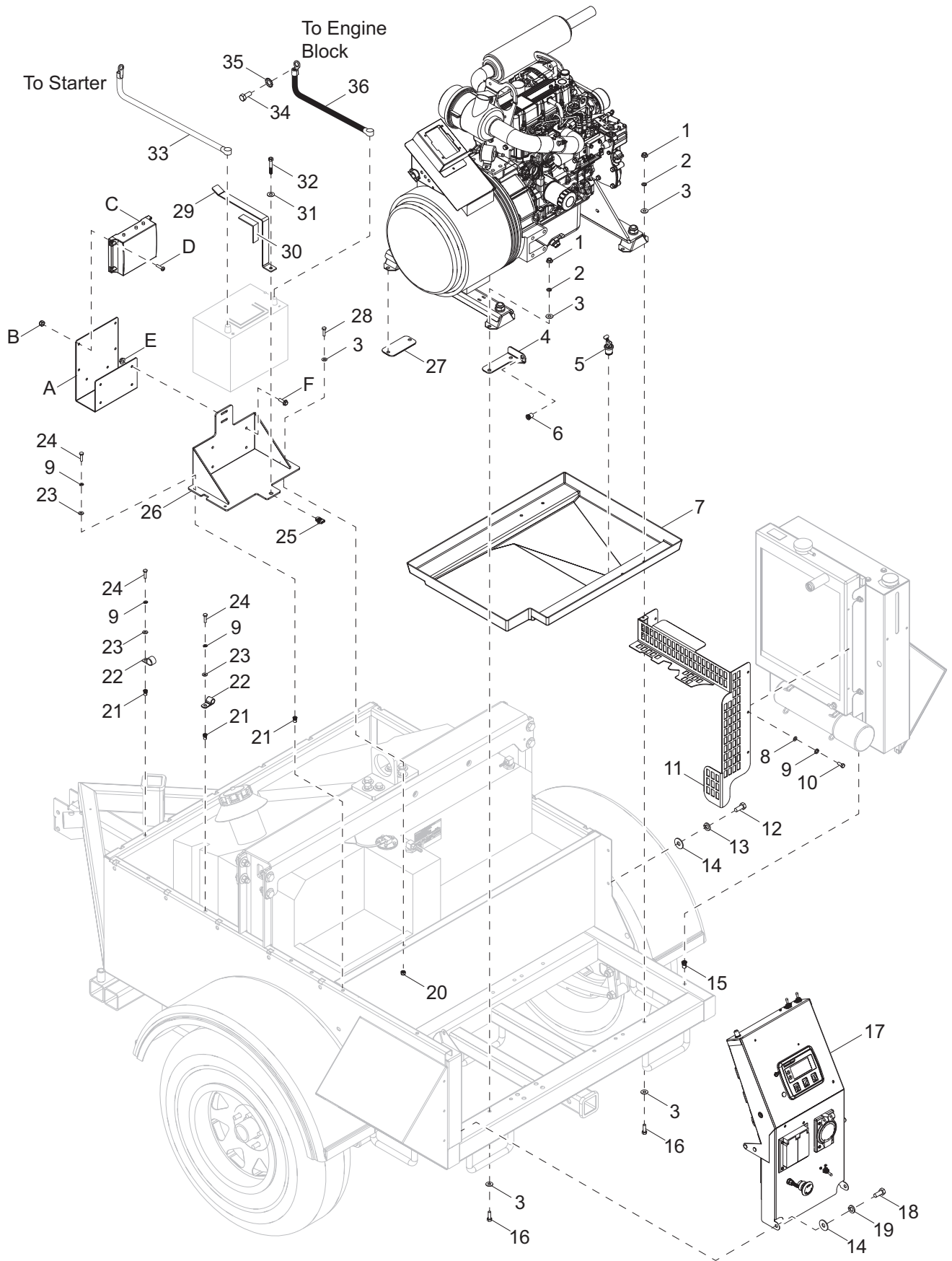


01974

COOLING SYSTEM ASSEMBLY

Item	Part No.	Qty	Description	Notes
1	60813	8	Screw, 10-32 x 1.0 pan phil, SS	
2	60017	8	Washer, 10-32 flat .735/.060, SS	
3	32922	8	Insert, threaded 10-32 splined, .020-.130 grip	
4	60687	9	Screw, .312-18 x .750 hex, SS	
5	60340	9	Washer, .312 flat .875/.040, SS	
6	73192B	1	Panel, rear cover	
7	72067B	1	Assembly, fan grate	
8	60144	4	Nut, .250-20 nylock, G5	
9	60281	4	Screw, .250-20 x .750 hex, G5	
10	60286	2	Washer, .250 split lock	
11	60243	4	Washer, .250 flat .735/.060	
12	72083	2	Seal, fan shroud	
13	12231	1	Grommet, .500 x .250 x .750 ID hole, rubber	
14	62132	2	Insert, threaded .250-20 splined, .027-.165 grip	
15	73163B	1	Plate, coolant jug holder	
16	60161	2	Nut, .250-20 sflg, G5	
17	72010	1	Bottle, overflow - 1.1 qt.	
18	60777	2	Clamp, hose - .312 fuel hose, crimp style	
19	50018	2.29 ft	Hose, fuel - .312 ID, 50PSI-SAE30R7	
20	60649	1	Clamp, tubing - .750 heavy duty	
21	19338	4	Clamp, hose - SAE 016 (.68-1.50)	
22	36977	1	Hose, radiator - upper	
23	16688	1	Hose, radiator - lower	
24	11121	1	Holder, manual, 14.0 tube, black	
25	60195	2	Rivet, .188 x .375 to .500 grip	
26	11222	1	Bracket, manual holder	
27	35747	1	Radiator	
28	12231	1	Grommet, .500ID x .250TH x .750ID hole, rubber	
29	60032	4	Nut, M8-1.25 hex, G8.8	
30	60029	4	Washer, M8 split lock	
31	60166	4	Washer, M8 flat	
32	72054B	1	Shroud, fan	
33	63097	6	Insert, threaded .312-18 hex, .027-.150 grip	
34	76187	1	Fan, 14.0 electric, 12V sucker	
35	73194B	1	Panel, front snow hood	
36	73191B	1	Panel, rear snow hood	
--	72148	1	Harness, interconnect, main to fan	

ENGINE AND GENERATOR TO UNIT



02128

ENGINE AND GENERATOR TO UNIT

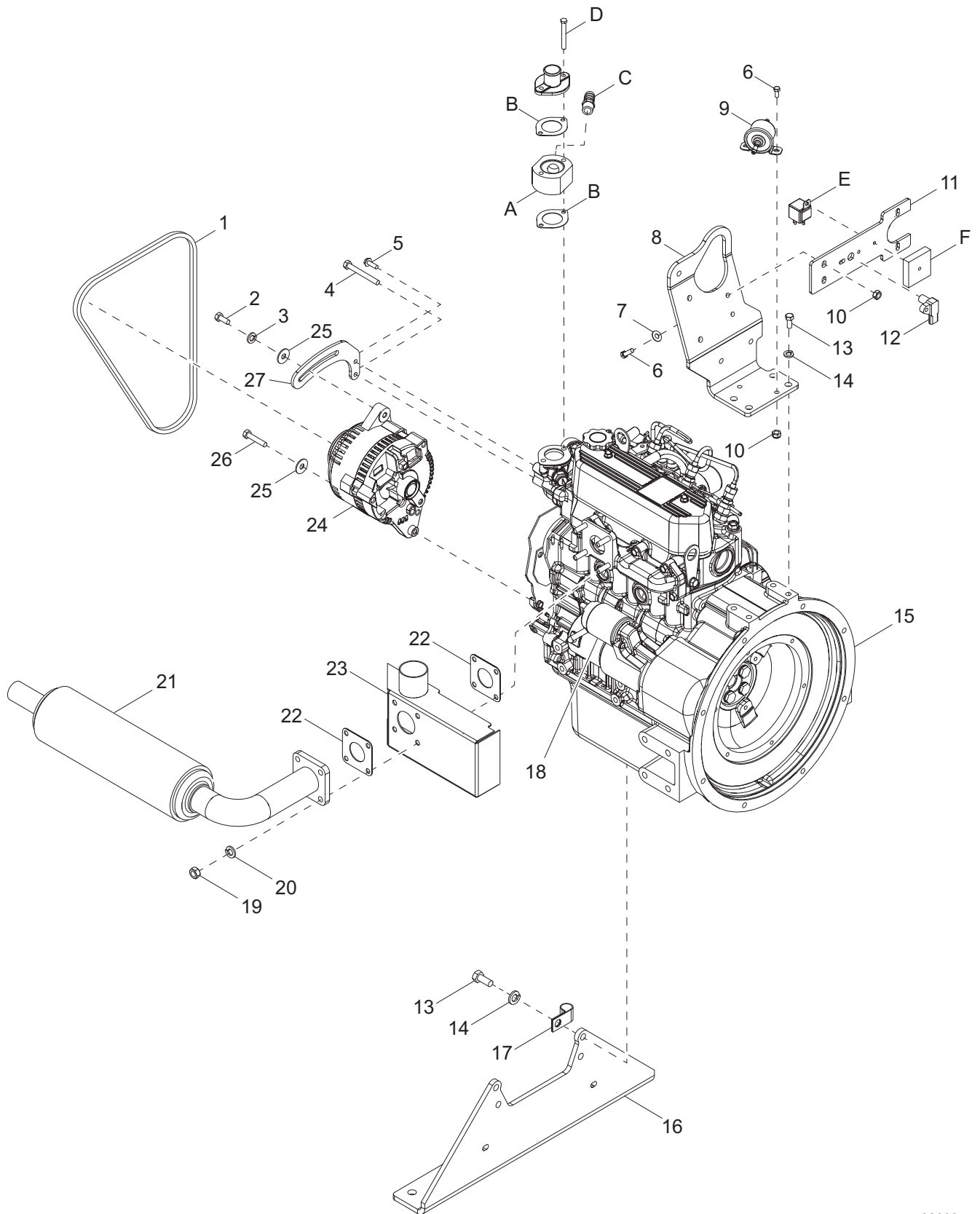
Item	Part No.	Qty	Description	Notes
1	60285	8	Nut, .312-18 hex, G2	
2	60271	8	Washer, .312 split lock	
3	60119	17	Washer, .312 flat .875/.070	
4	72078B	1	Bracket, control box mount	
5	72125	1	Plug, expansion .875 dia.	
6	60397	1	Insert, threaded .313-18 hex .27-.150 grip	
7	73155	1	Pan, engine containment	
8	60243	5	Washer, .250 flat .735/.060	
9	60286	13	Washer, .250 split lock	
10	60281	5	Screw, .250-20 x .750 hex, G5	
11	73195B	1	Panel, belt guard	
12	60687	3	Screw, .312-18 x .750 hex, SS	
13	60271	3	Washer, .312 split lock, SS	
14	60340	6	Washer, .312 flat .875/.040, SS	
15	62133	1	Insert, threaded .312-18 splined .027-.150 grip	
16	61052	8	Screw, .312-18 x 1.50 hex, SS	
17	73159	1	Assembly, control box	
18	60507	3	Screw, .312-18 x 1.0 hex, SS	
19	60703	3	Washer, .375 split lock, SS	
20	60784	1	Nut, .312-18 nylock, SS	
21	63231	8	Insert, threaded, .250-20 hex .027-.165 grip	
22	60716	6	Clamp, tubing 1.50 - light-duty	
23	60696	8	Washer, .250 flat .625/.050, SS	
24	60393	8	Screw, .250-20 x 1.0 hex. G5	
25	62086	1	Nut, .312-18 U clip - short type	
26	73166B	1	Tray, battery	
27	72080B	1	Spacer, gen mount	
28	60028	1	Screw, .312-18 x 1.0 hex, G5	
29	73226	1	Bracket, battery hold down	
30	50354	1	Seal, .750 bubble type-rubber	
31	60119	1	Washer, .312 flat .875/.070	
32	60403	1	Screw, .312-18 x 2.0 std hex, G5	
33	15074	1	Cable, battery 38.0 in, 4GA -.438 lug - red	
34	60762	1	Screw, M12-1.25 x 20 hex, G10.9	
35	60369	1	Washer, M12 external star	
36	12535	1	Cable, battery 25.0 in, 4GA -.500 lug - black	
--	69681	1	Harness, control box to generator	

OPTIONAL FEATURES

Battery Charger:

A	10000011682	1	Bracket, battery charger
B	60061	4	Nut, 10-32 nylock
C	66212	1	Charger, battery
D	60062	4	Screw, 10-32 x .750 pan phil, G2
E	60161	4	Nut, .250-20 sflg, G5
F	60528	4	Screw, .250-20 x .625 sflg hex, G5

ENGINE ASSEMBLY - MITSUBISHI RIGHT SIDE



02008

ENGINE ASSEMBLY - MITSUBISHI RIGHT SIDE

Item	Part No.	Qty	Description	Notes
1	72177	1	Belt, cold weather, L3E 36.50 in.	
2	63168	1	Screw, M8-1.25 x 30 hex	
3	60031	1	Washer, M8 flat	
4	60074	1	Screw, M8-1.25 x 65 hex, G8.8	
5	60115	1	Screw, M6 -1.00 sflg hex, G8.8	
6	60393	4	Screw, .250-20 x 1.0 hex, G5	
7	60243	2	Washer, .250 flat .735/.060	
8	72094B	1	Bracket, air cleaner	
9	13278SRV	1	Pump, fuel - electric	
10	60144	4	Nut, .250-20 nylock, G5	
11	72138B	1	Bracket, intake heater	
12	72175	1	Sensor, atmospheric pressure	
13	60422	8	Screw, M10-1.25 x 25 hex, G8.8	
14	60026	8	Washer, M10 split lock	
15	72155	1	Engine, Mitsubishi L3E - T4 - electric gov	
16	72053B	1	Mount, engine	
17	60649	1	Clamp, tubing .750 - heavy duty	
18	16833	1	Starter	
19	60032	4	Nut, M8-1.25 x hex, G8.8	
20	60271	4	Washer, .312 split lock	
21	73113SRV	1	Muffler	
22	11042	2	Gasket, muffler	
23	73169BH	1	Weldment, exhaust heat shield	
24	72129	1	Alternator, 12V, 60A	
25	60019	1	Washer, .312 flat .875/.070	
26	60782	1	Screw, .312-18 x 2.50 hex, SS	
27	73193B	1	Bracket, alternator	

OPTIONAL FEATURES

Block Heater:

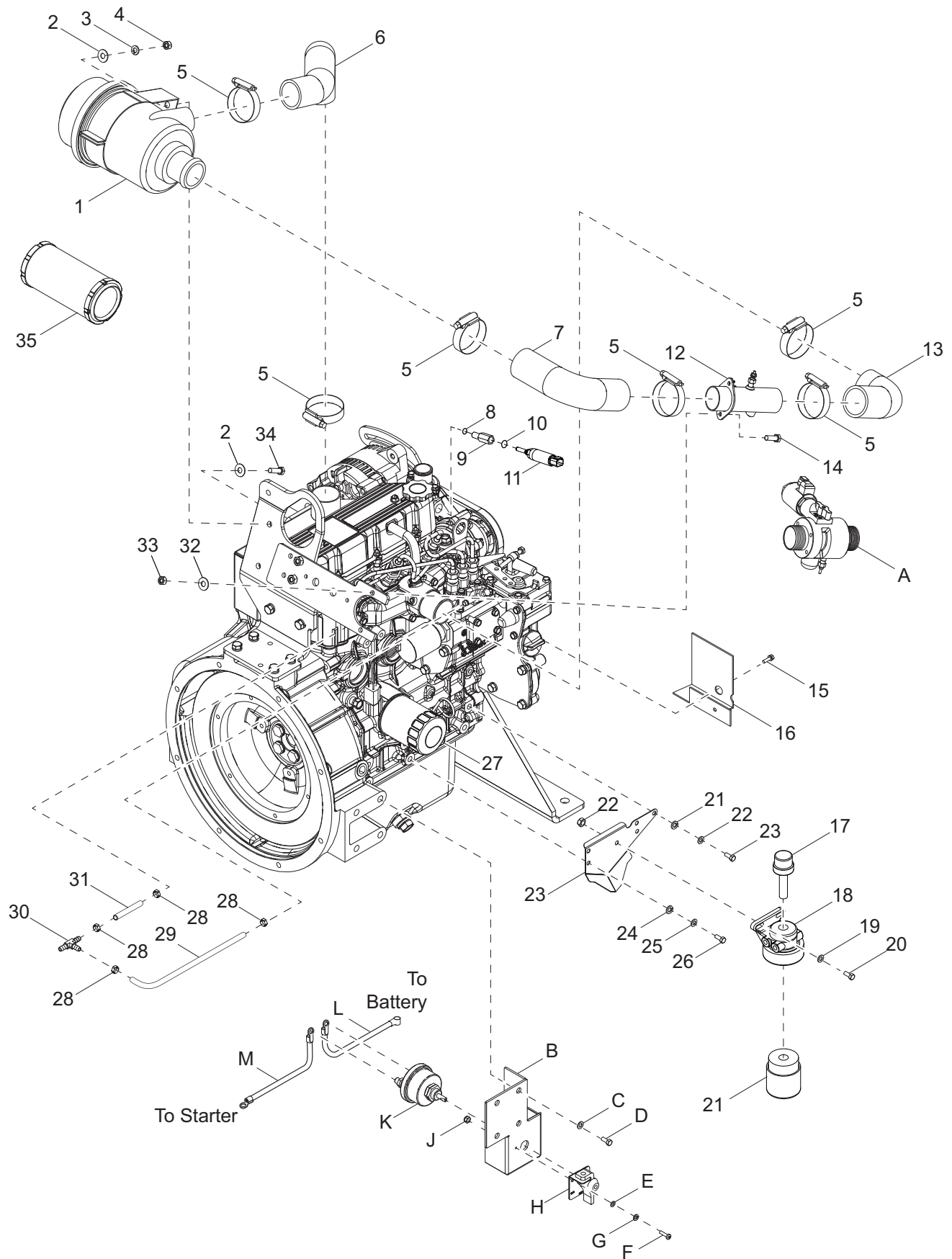
A	12214	2	Gasket, thermostat L3E	with block heater
B	69881	1	Housing, thermostat	with block heater
C	25931	1	Fitting, strt .375NPT x .625 barb	with block heater
D	60368	2	Screw, .M6-1.00 x 50 std hex	with block heater

Positive Air Shutdown:

E	66455	1	Relay, 12V, 70A N.C./80A N.O. w/diode	with PAS
F	68528	1	Relay, SPDT 10A 12VDC - time delay - 1 sec	with PAS
--	60414	2	Screw, .250-20 x 1.50 std hex, G5	with PAS
--	60144	2	Nut, .250-20 nylock, G5	with PAS
--	60286	2	Washer, .250 split lock	with PAS
--	60243	2	Washer, .250 flat .735/.060	with PAS
--	50051	1.30 ft	Hose, fuel .375 ID 50PSI SAE 30R7	with PAS
--	50051	.125 ft	Hose, fuel .375 ID 50PSI SAE 30R7	with PAS
--	63063	4	Clamp, hose .328 to .390 crimp style	with PAS
--	40734	1	Fitting, strt .250MNPT x .375 barb - brass	with PAS
--	10000009169	1	Plug, .375 barb - brass	with PAS

Note: Engine parts used in all Generac Mobile Products, LLC equipment carry the Original Equipment Manufacturer (OEM) warranty unless otherwise stated. OEM warranty parts must be purchased through an OEM dealer. Please contact Generac Mobile Products, LLC with questions

ENGINE ASSEMBLY - MITSUBISHI LEFT SIDE



02007

ENGINE ASSEMBLY - MITSUBISHI LEFT SIDE

Item	Part No.	Qty	Description	Notes
1	34066	1	Filter, air with bracket	
2	60119	4	Washer, .312 flat .875/.070	
3	60271	2	Washer, .312 split lock	
4	60285	2	Nut, .312--18 hex, G2	
5	60316	6	Clamp, hose - SAE 032 (1.56-2.50)	
6	72131	1	Hose, air intake	
7	70100	1	Hose, intake, air filter to heater	
8	69959	1	Washer, 16mm - sealing	
9	73213	1	Fitting, adapter M16-1.5 to .437-15 UNC	
10	56493	1	Washer, pressure - sealing	
11	10000008988	1	Switch, NC, intake heater	
12	72142	1	Assembly, intake heater	
13	70101	1	Hose, intake, air filter-heater-engine	
14	60518	2	Screw, .250-20 x 1.50 std hex, G5	
15	10184	2	Screw, w/washer	
16	11691	1	Bracket, guard - lower radiator hose	
17	13876	1	Heater, fuel filter	
18	17641	1	Filter, fuel - head	
19	60119	2	Washer, .312 flat .875/.070	
20	60352	2	Screw, .375-16 x 1.1250 std hex, G5	
21	17647	1	Filter, fuel - element	
22	60358	2	Nut,.375-16 hex, G5	
23	72060B	1	Plate, oil deflector	
24	60386	3	Washer,.375 flat .993/.064	
25	60026	3	Washer, M10 split lock	
26	60422	3	Screw, M10-1.125 x 25 std hex, G8.8	
27	70124	1	Filter, oil	
28	60778	4	Clamp, hose, .188, crimp style	
29	14211	1.0 ft	Hose, fuel .188ID, 50 PSI, SAE 30R7	
30	17145	1	Fitting, tee .188 x .188 x .188 barb	
31	14211	.33 ft	Hose, fuel .188ID, 50 PSI, SAE 30R7	
32	60696	2	Washer, .250 flat .625/.050, SS	
33	60144	2	Nut, .250-10 nylock, G5	
34	60028	2	Screw, .312-18 x 1.0 hex, G5	
35	16444	1	Element, air filter	

OPTIONAL FEATURES

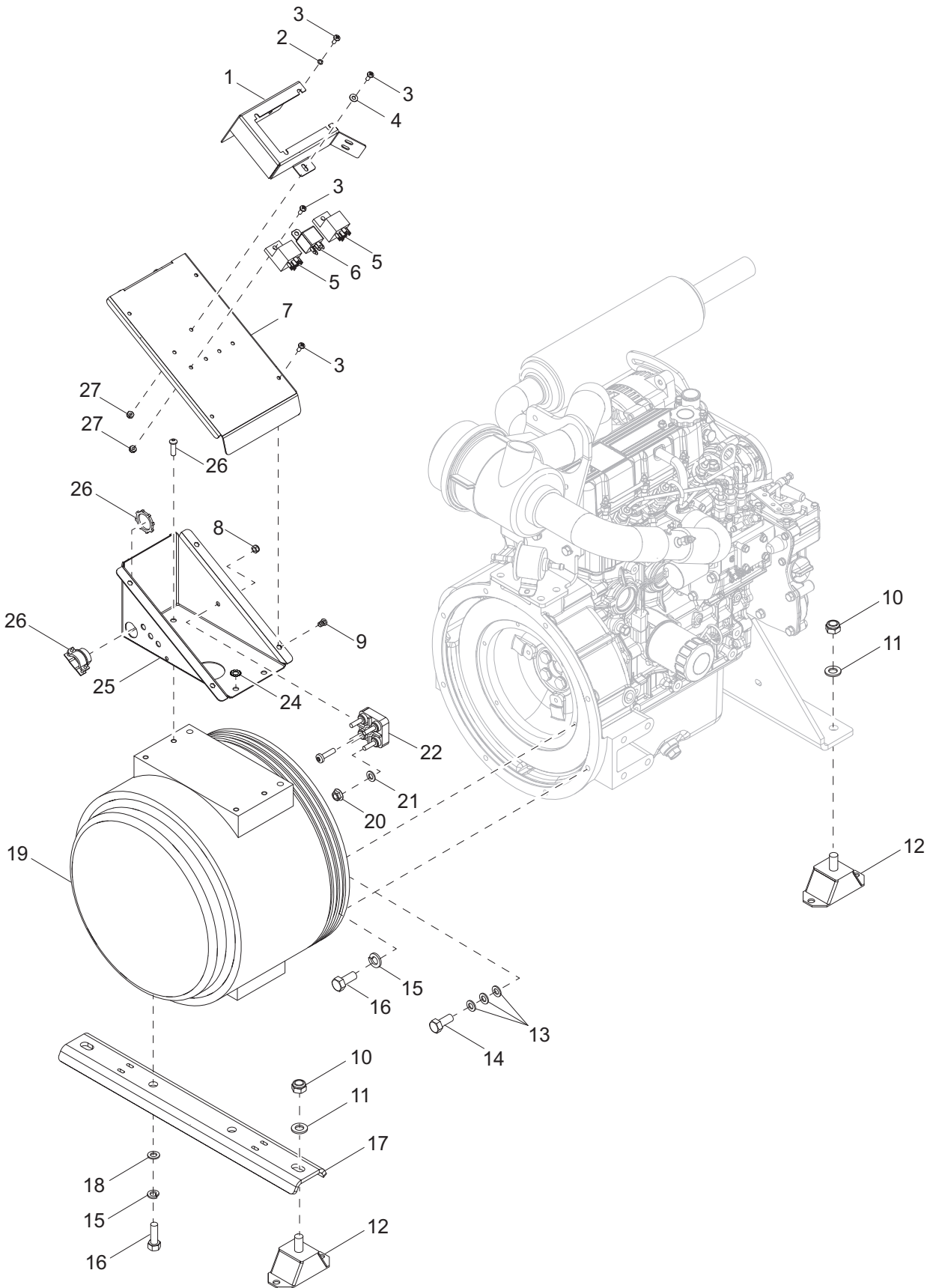
Positive Air Shutdown:

A 72137 1 Intake heater w.PAS

Battery Disconnect:

B 10000008538 1 Bracket, battery disconnect
 C 60026 4 Washer, M10 split lock
 D 60422 4 Screw, M8-1.25 x 25 carriage square, SS
 E 60237 2 Washer, #10 flat .495/.036
 F 60252 2 Washer, #10 split lock
 G 60277 2 Screw, 10-32 x .500 pan phil, G2
 H 65499 1 Lockout, switch lever
 J 60061 2 Nut, 10-32 nylock
 K 65498 1 Switch, disconnect
 L 10000008986 1 Cable, battery 50.0 in 4GA - Red w/boot
 M 10000009040 1 Cable, battery 50.0 in 4 GA .375 ring - Red

GENERATOR ASSEMBLY

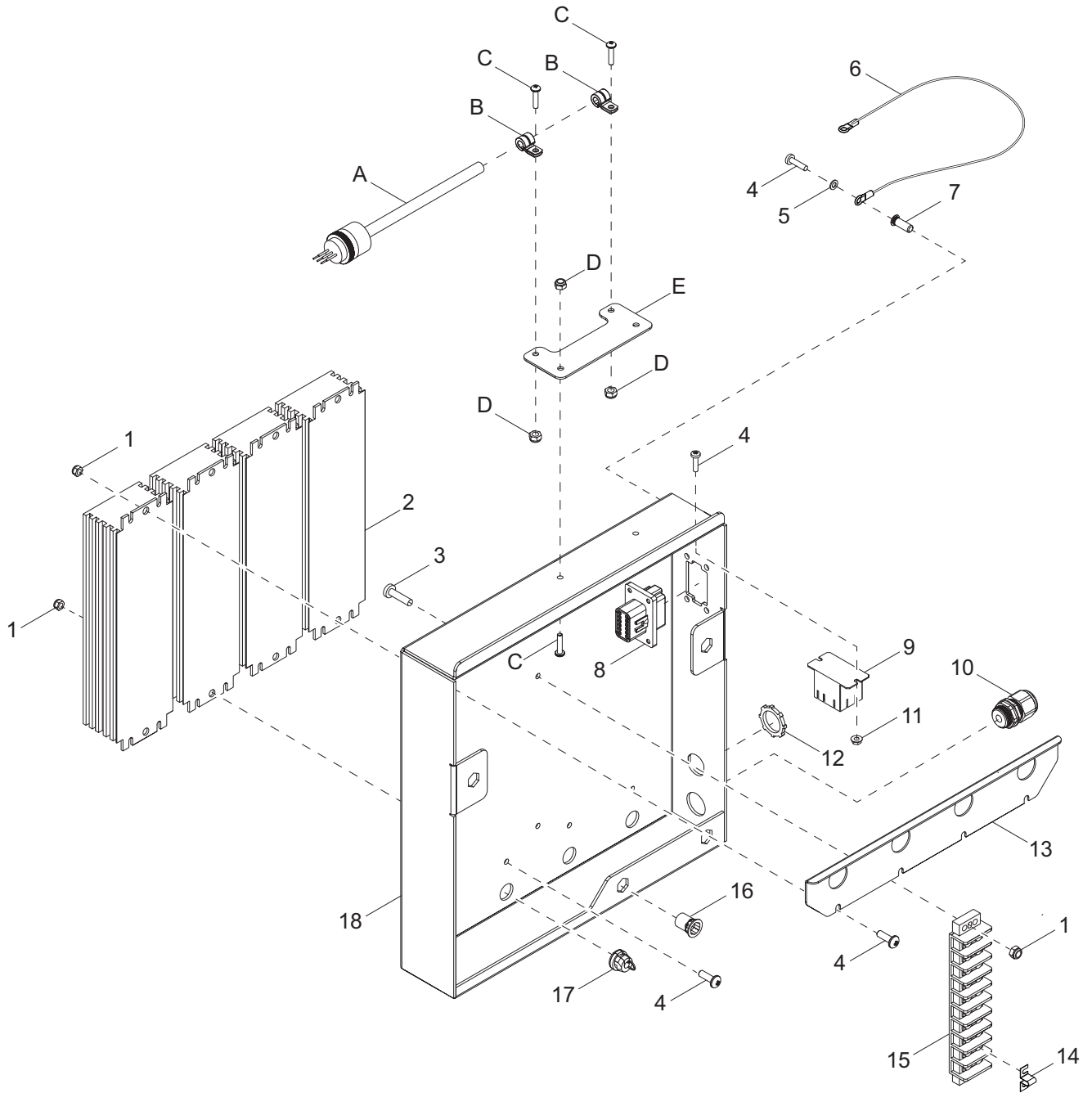


02129

GENERATOR ASSEMBLY

Item	Part No.	Qty	Description	Notes
1	69956B	1	Cover, Bussman box	
2	60252	4	Washer, #10 split lock	
3	60398	14	Screw, 10-32 x .500 pan phil - thread forming, G2	
4	60237	3	Washer, #10 flat .495/.036	
5	66455	2	Relay, 12V 70A N.C./80A N.O. w/diode	
6	65049	1	Relay, 12V 30/40 N.O. w/diode	
7	76914B	1	Cover, generator box	
8	60457	1	Nut, 10-24 nylock, G2	
9	62234	4	Insert, threaded #10-32 hex .020-.130 grip	
10	60784	4	Nut, .312-18 nylock	
11	60309	2	Washer, .500 flat 1.060/.090	
12	17948	4	Isolator, 150lbs - rubber	
13	60166	18	Washer, M8 flat	
14	60165	6	Screw, M8-1.25 x 16 hex, G10.9	
15	60026	10	Washer, M10 split lock	
16	60494	10	Screw, M10-1.25 x 30 hex, G8.8	
17	72048B	1	Mounting rail, generator	
18	60027	2	Washer, M10 flat	
19	13740	1	Generator, Marathon 331CSA/B3018, 8Kw	
20	60036	4	Nut, M6-1.0 sflg, G8.8	
21	60067	4	Washer, #10 flat .435/.060, SS	
22	65519	1	Block, terminal	
23	60540	1	Screw, 10-24 x .750 pan phil, SS	
24	60053	1	Washer, .375 external star	
25	72057B	1	Box, generator base	
26	14219	1	Strain relief, .750 Romex w/nut	
27	60061	7	Nut, #10-32 nylock	
--	69752	1	Harness, main	
--	60744	1	Washer, .750 flat 1.250/.060	Use with 69752
--	61082	1	Screw, M8-1.25 x 20 hex, G8.8	Use with 69752

DRIVER BOX ASSEMBLY



02130

DRIVER BOX ASSEMBLY

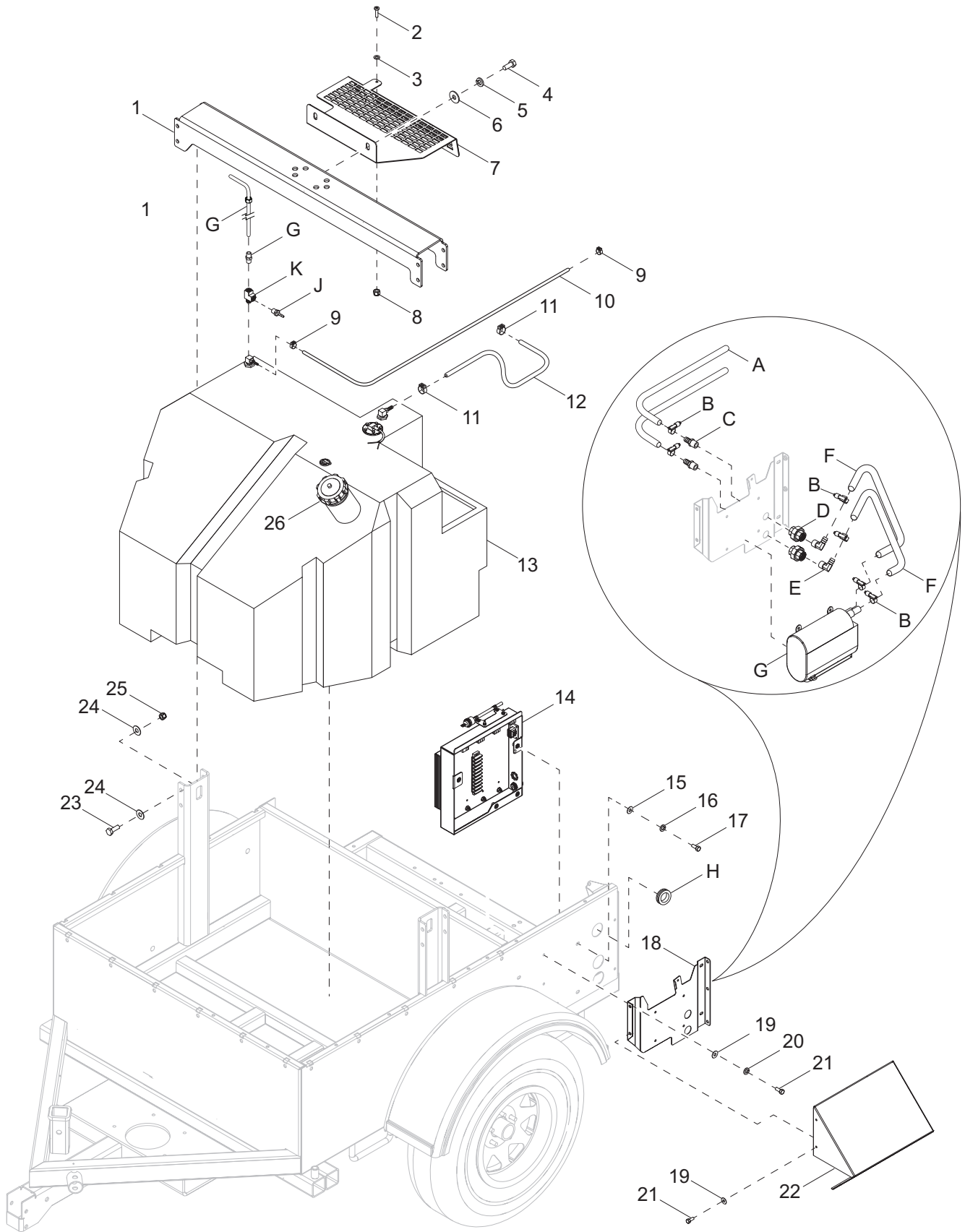
Item	Part No.	Qty	Description	Notes
1	60270	10	Nut, 8-32 nylock, G6	
2	69809	4	Driver, LED 30V, 8A-CC, 240W - terminated	
3	60244	2	Screw, 8-32 x .750 pan phil, G2	
4	60526	13	Screw, 8-32 x .500 pan phil, G2	
5	60269	1	Washer, #8 flat .433/.036	
6	12467	1	Cable, pin tether 18 in.	
7	73092	1	Insert, #8-32, .020-.080 grip	
8	66695	1	Connector, Duetsch 12 pos, flange	
9	29759	4	Relay, 12V coil, 120-240 VAC rated	
10	38463	1	Cord grip, 1/2 liquid tight	
11	61097	4	Nut, 8-32 sflg hex, G5	
12	14202	1	Strain relief, .375 Romex w/nut	
13	73091B	1	Bracket, relay mount	
14	15125	1	Jumper	
15	14203	1	Block, terminal 10 pos, 30A, 600V	
16	63097	4	Insert, threaded .313-18 hex, .027-.150 grip	
17	73111	8	Cord grip, .33-.36, .625 mtg hole	
18	72069B	1	Box, light driver	
--	69825	1	Wire Group, driver box	
--	69826	1	Harness, driver box	
--	60648	4	Screw, 10-32 x .500 pan phil, G2 - thread forming	Use with 69826

OPTIONAL FEATURES

Keep Run Switch:

A	1000008039	1	Switch, keep run TSA200
B	1000008192	2	Clamp, loop -40
C	60488	4	Screw, 8-32 x .750 pan phil, G2
D	60270	4	Nut, 8-32 nylock, G6
E	1000008187	1	Bracket, keep run switch

FUEL TANK AND DRIVER BOX TO UNIT



01981

FUEL TANK AND DRIVER BOX TO UNIT

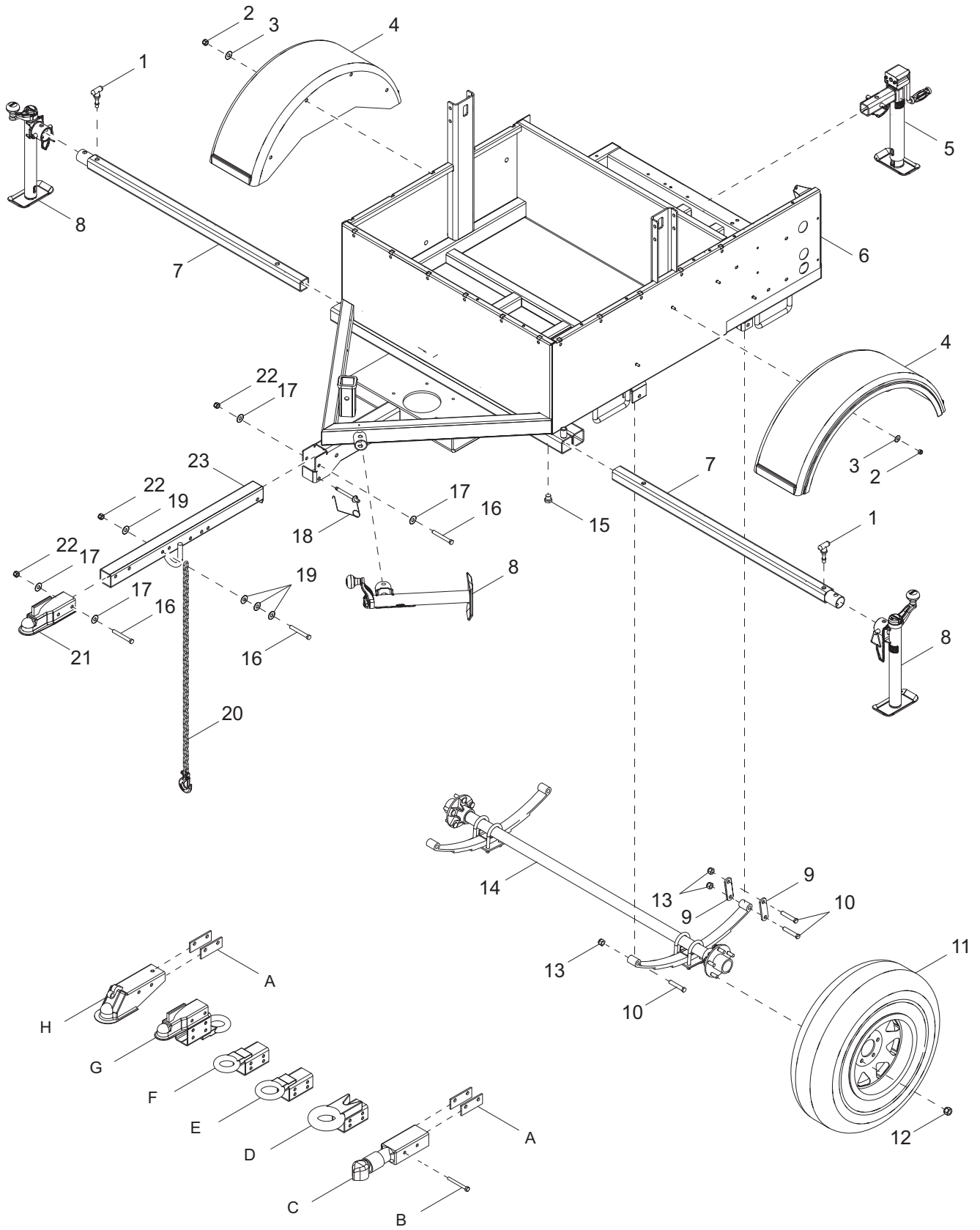
Item	Part No.	Qty	Description	Notes
1	73088B	1	Weldment, lift structure	
2	62054	1	Screw, 8-32 x .500 pan phil - SS	
3	60237	1	Washer, #10 flat .495/.036	
4	60388	2	Screw, .500-13 x 1.50 hex, G5	
5	60276	2	Washer, .500 split lock	
6	60309	2	Washer, .500 flat 1.060/.090	
7	72172B	1	Guard, exhaust	
8	60270	1	Nut, 8-32 nylock, G6	
9	60778	2	Clamp, hose, .188, crimp style	
10	14211	3.667 ft	Hose, fuel - .188ID, 50PSI, SAE 30R7	
11	60777	2	Clamp, hose, .312, crimp style	
12	50018	1.5 ft	Hose, fuel - .312ID, 50PSI, SAE 30R7	
13	72016	1	Tank, fuel - 177 gal.	
14	<i>Page 38</i>	1	Assembly, light driver	
15	60340	4	Washer, .312 flat .875/.040, SS	
16	60701	4	Washer, .312 split lock, SS	
17	60687	4	Screw, .312-18 x .750 hex, SS	
18	10000008553	1	Weldment, mount, block heater	
19	60696	9	Washer, .250 flat .625/.050 _ SS	
20	60286	4	Washer, .250 split lock	
21	60107	9	Screw, .250-20 x .750 sflg hex, G5	
22	10000007889	1	Cover, block heater	
23	61101	8	Screw, .500-13 x 1.0 hex, G8	
24	60670	16	Washer, .500 flat 1.060/.110, G8	
25	60668	8	Nut, .500-13 nylock, G8	
26	16326	1	Cap, fuel tank 3.50 dia	

OPTIONAL FEATURES

Block heater:

A	35380	1	Hose, coolant 0.625 ID - 20R3
B	60365	6	Clamp, hose SAE010 (.56-1.06)
C	60502	2	Fitting, strt .500MNPT x .625 barb - brass
D	62016	2	Fitting, bulkhead 1.125-14 x .500FNPT - brass
E	61014	2	Fitting, 90 degree .500MNPT x .625 barb - brass
F	10000008705	2	Hose, coolant 90 degree formed
G	73171	1	Heater, diesel fired coolant
H	63132	1	Grommet, .875ID x .125TH, 1.25ID hole - rubber
J	17896	1	Fitting, strt .250NPT x .188 barb - brass
K	63291	1	Fitting, tee .250 MNPT street - brass

TRAILER ASSEMBLY

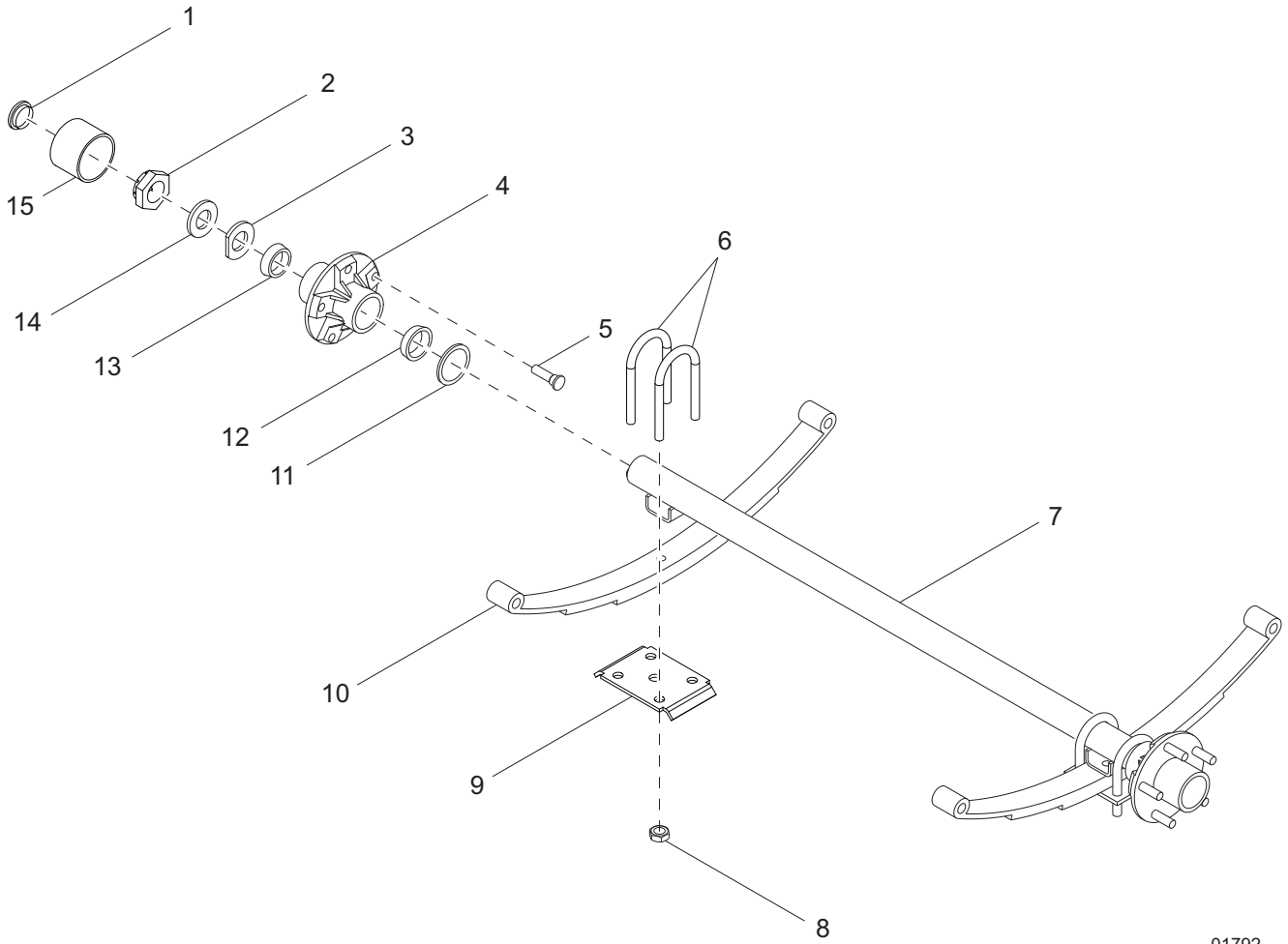


02131

TRAILER ASSEMBLY

Item	Part No.	Qty	Description	Notes
1	36890	2	Handle, spring pin	
2	60784	8	Nut, .312-18 nylock, SS	
3	60340	8	Washer, .312 flat .875/.040, SS	
4	11381	2	Fender, plastic	
5	72021	1	Jack, side wind, 2000 lb square tube mount	
6	72005B	1	Weldment, frame	
7	72091ZY	2	Weldment, outrigger	
8	72126	3	Jack, top wind, 1200 lb tube mount, large foot	
9	19637	4	Plate, shackle bracket - 3.125 in.	
10	60503	6	Screw, .562-18 x 3.0 hex, G5	
11	15540B	2	Wheel, ST205/75R-1598 lb.	
12	60096	10	Nut, .500-20 lug, G5	
13	60504	6	Nut, .562-18 lhex, G5	
14	<i>Page 44</i>	1	Assembly, axle	
15	60498	1	Fitting, square plug .750NPT	
16	50215	5	Screw, .500-13 x 4.0 std hex, G5	
17	60309	4	Washer, .500 flat 1.060/.090	
18	33943	2	Pin, locking .500 x 3.50	
19	60416	8	Washer, .500 flat 1.375/.090	
20	23367	2	Chain, safety - 7800 lb.	
21	16830	1	Coupler, 2.0 ball / 2.50 channel	
22	62221	5	Nut, .500-13 nylock, G5	
23	17969B	1	Weldment, tilt tongue	
--	69811	1	Harness, trailer - rear	
--	72164	1	Harness, tandem tow	
--	63308	3	Screw, 10-24 x .750 pan phil, SS	With 72164
--	60067	3	Washer, #10 flat .435/.060, SS	With 72164
--	60061	3	Nut, 10-32 nylock	With 72164
OPTIONAL FEATURES				
<i>Hitch Options:</i>				
A	12155B	2	Spacer, coupler	
B	60376	2	Screw, .500-13 x 4.50 std hex, G5	Attaches item C & H
C	13003B	1	Coupler, 2.0 ball/3.0 channel	
D	11672B	1	Weldment, hitch - 3.0 x 1.625 ring/2.50 tube	
E	16835B	1	Weldment, lunette ring - 3.0 x 1.0 ring/2.50 tongue	
F	16999B	1	Weldment, lunette ring - 2.5 x 1.0 ring/2.50 tongue	
G	16741ZC	1	Weldment, combo hitch - 2.50 tongue	
H	12229	1	Coupler, 2.31 ball/3.0 channel	
--	50215	2	Screw, .500-13 x 4.0 std hex, G5	Attaches items A - H
--	60309	4	Washer, .500 flat 1.060/.090	Attaches items A - H
--	62221	2	Nut, .500-13 nylock, G5	Attaches items A - H
<i>Adapters</i>				
--	65463	1	Adapter, flat 4 to round 6 pin	
--	65464	1	Adapter, flat 4 to round 7 pin	
--	65465	1	Adapter, flat 4 to round 7 spade	

AXLE ASSEMBLY



01792

AXLE ASSEMBLY

Item	Part No.	Qty	Description	Notes
1	11254	2	Rubber plug	
2	12308	2	Spindle nut	
3	12309	2	D-washer	
4	11276	2	Hub w/races	
5	60674	10	Stud, wheel	
6	11277	4	U-bolt	
7	13131	2	Assembly, axle	
8	11279	8	Axle nut	
9	11278	2	Tie plate	
10	11280	2	Axle leaf spring	
11	12307	2	Bearing seal	
12	11511	2	Roller bearing	
13	70055	2	Bearing L44643	
14	12310	2	Tang washer	
15	11253	2	Dust cap	

RECOMMENDED SPARE PARTS LIST

ENGINE

Alternator	72129
Belt	72177
Cap, radiator	19219
Cap, oil	11147
Dipstick	11148
Fan, engine	16742
Filter, air (element)	16444
Filter, fuel	17647
Filter, oil (break-in filter16691)	70124
Hose, radiator - lower	16688
Hose, radiator - upper	36977
Pump, fuel	13278SRV
Starter	16833
Switch, coolant temperature	16678
Switch, oil pressure	16677
Thermostat	16745
Thermostat gasket	12214

ELECTRICAL

Assembly, Light fixture - hard wired	73188
Breaker, main	36975
Coil cord	69807
Contact, electric winch	11293
Controller	70137
Driver	69809
GFI	14130
Receptacle, 30A, twist	14137

MAST

Cable, middle	31248
Cable, top	31277
Cable, winch	31247

JACKS

Jack, top wind, 2000 lb	72126
Jack handle	37155

MAINTENANCE KITS

Filter, service kit, 750 hr, Mitsubishi MLT6SM	SK334
Filter, service kit, 3000 hr, Mitsubishi MLT6SM	SK335

Part No. 72097 Rev. A 03/17
©2017 Generac Mobile Products
All rights reserved
Specifications are subject to change without notice.
No reproduction allowed in any form without prior written
consent from Generac Mobile Products.

GENERAC[®]

MAGNUM

Generac Mobile Products
215 Power Drive, Berlin, WI 54923

GeneracMobileProducts.com | 800-926-9768 | 920-361-4442