



SPECIFICATIONS

- Part Number: 112842
- Set Up Size: (L 93" x W 72" x H 75")
- Packed Size: (L 72" x W 40" x H 26")
- Weight: 120lbs.
- Instructions Document No: 105835

THERMAL X

MODEL 10132

WARRANTY INFORMATION



Please contact customer service directly at the E-mail or phone number listed below for any quality issues. **ONCE USED THIS PRODUCT CANNOT BE RETURNED TO STORE.**

**** Warranty cannot be honored without an original, dated receipt ****

**** REGISTER YOUR PURCHASE ONLINE AT CLAMOUTDOORS.COM ****

IMPORTANT-PLEASE READ:

This product is warranted to the original retail purchaser (from an authorized dealer) and is non-transferable. Clam Outdoors has a three year **manufacturer's defect warranty** from the date of original purchase. Warranty does not cover cracked or worn bases (if runner kits have not been installed as recommended), cracked windows, tent tears or cuts, or broken or bent hoops due to high wind weather conditions or unattended use. Defective parts will be replaced or repaired (at the manufacturer's option) if found to be defective within three year from the date of original purchase. Warranty will be void if product has been subject to neglect, misuse, improper installation, misapplication, alteration, accident including but not limited to improper maintenance, or use of unauthorized parts or attachments. Please read the entire owner's manual to ensure proper installation, use, storage and care of your Clam Shelter.

To submit a warranty claim request, please use one of the following methods:

- Customer Service Hrs: 9am to 4pm, Monday – Friday Central Standard Time
- Clam Outdoors, Inc.
Attn: Customer Service – Warranty Department
12135 Brockton Lane
Rogers, MN 55369
- Phone: 763-231-4120
- Fax: 763-231-4121
- Email: customerservice@clamcorp.com
- Website: Clamoutdoors.com

In your request, please include your full name, address, phone number, a copy of your receipt, a brief description of the problem, and pictures to clearly show the area(s) of concern. Our Warranty Department will review your request, and a Clam representative will contact you regarding your claim status. All returns must be shipped to us postage pre-prepaid.

LIMITATION OF LIABILITY

It is expressly understood that Clam Outdoors Inc., liability for its products, whether due to breach of warranty, negligence, strict liability, or otherwise, is limited to the repair of the product as stated above. Clam is not liable for any injury, loss, damage, or expense, whether direct or consequential, including but not limited to loss of use, income, profit, or damage to material arising in connection with the sale, installation, use of, inability to use, or the repair or replacement of Clam products. Clam reserves the right to make alterations or modifications in its products at any time, which in its opinion, may improve the performance and efficiency of the product. Clam shall not be obligated to make such alterations or modifications to products already in service.

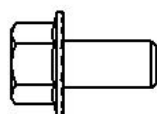
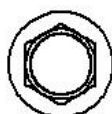
PARTS LIST

QTY.	PART NO.	DESCRIPTION
1	103883	BASE, JM THRML-X/VOY-TCX, IS-14
3	103595	TUBE, VOY, THRML-X HOOP
2	102759	ASSY, DELUXE SEAT
2	102775	SLIP COVER, BOTTOM
2	103638	SLIP COVER, BACK
1	102814	EXTRUSION, V-CHANNEL
1	101095	ROPE, 3/8 DIA X 9 FT TOW
1	105835	INSTRUCTIONS, JM THERMAL X
1	104965	TENT, JASON MITCHELL THERMAL X
2	101466	HAMMOCK, ACCESSORY <i>(PACKED WITH TENT)</i>
1	102506	TUBE, THRML-X SEAT RAIL SPPRT
2	103977	TUBE, VOY, THRML-X HOOP
1	109560	LIGHT STICK LARGE
1	108829	ASSY, BATTERY BRKT/HRDWR
1	102846	KIT, POLES, SPREADERS, VOY. <i>(INCLUDES THE FOLLOWING)</i>
1	101840	ASSY, REAR SPREADER POLE
1	101836	ASSY, FRONT SPREADER POLE
1	101839	ASSY, X2 ROOF SPREADER
1	102078	ASSY, THRML-X ROOF SPREADER
1	102841	CONSOLE, CLAM CENTER
1	105503	TRAVEL COVER, JM THERMAL X
1	105834	INNRPAK, VGR TCX IS-15 <i>(INCLUDES THE FOLLOWING)</i>
8	103605	ASSY, LARGE COLLAR
2	103597	ASSY, BENT PORCH
6	103599	ASSY, STRAIGHT CANOPY
2	104142	BRKT, X2 CANOPY
2	101420	BRKT, FRONT RETAINER
4	101652	TUBE, 20.00 SEAT RAIL
8	101429	PLUG, 1.16 DIA TUBE
4	101048	BLOCK, SLIDE
4	104674	BLOCK, SLIDE
4	101146	CHANNEL, 8.78 ALUM EXT
2	101430	CAP, TUBE 1 X 2 - 1/8 WALL
2	103788	ASSY, RETAINER BRACKET
2	102083	BRKT, THRML-X HANGER
2	105478	SWIVEL SEAT
1	103885	HRDWR, VGR TCX 13/14 <i>(INCLUDES THE FOLLOWING)</i>
10	101147	SCREW, #10 x 1.00 PPHTCHL YZ
12	101486	SCREW, 1/4-20 X 1.75 PTH GR5 YZ
18	101470	SCREW, 1/4-20 X 0.50" SER HXFLGHD
39	101082	NUT, 1/4-20 THIN NYLOCK YZ
31	101081	WASHER, 1/4 FLAT REG YZ
10	101906	SCREW, 1/4-20 X 2.50 PTH GR5 CZ
12	101088	SCREW, 1/4-20 X 0.75 PTH GR5 YZ
18	101148	SCREW, #6 X 0.38 PPH BZ

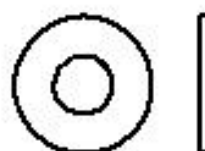
HARDWARE FASTENERS REFERENCE



18X 101148



18X 101470



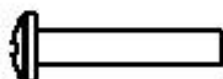
31X 101081



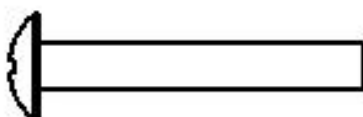
12X 101088



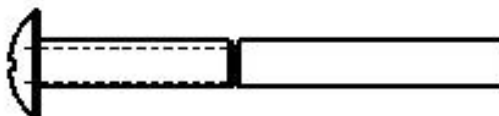
39X 101082



10X 101147



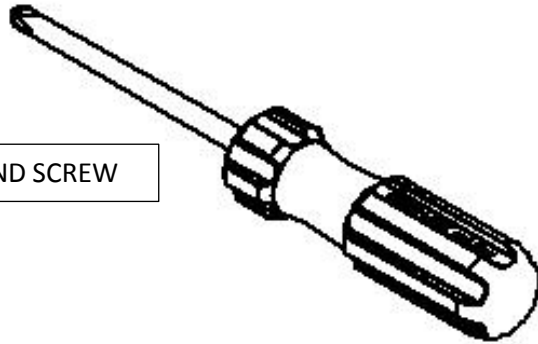
12X 101486



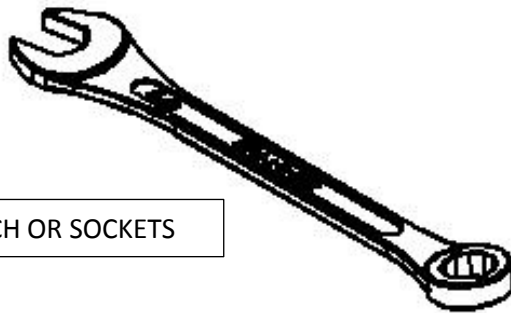
10X 101906

REQUIRED TOOLS

#2 AND #3 PHILLIPS HAND SCREW



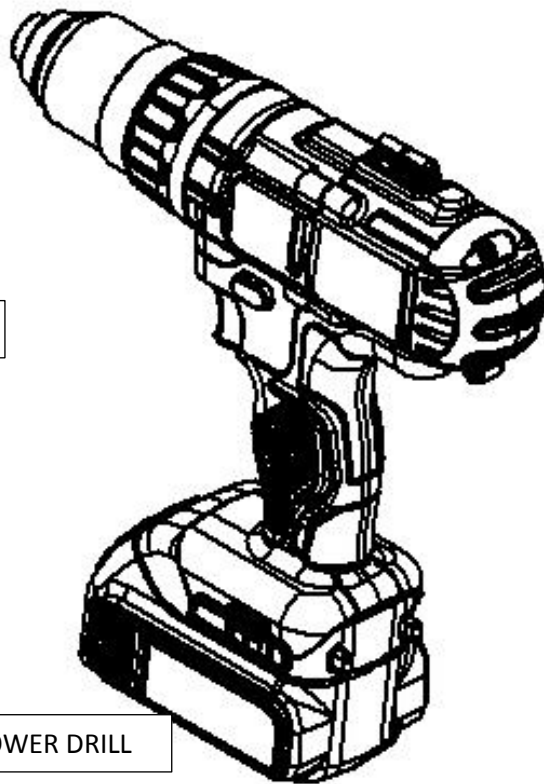
3/8 AND 7/16 COMBINATION WRENCH OR SOCKETS



#2 PHILLIPS SCREW BIT



POWER DRILL



3/8 DRILL BIT



Please Notice This

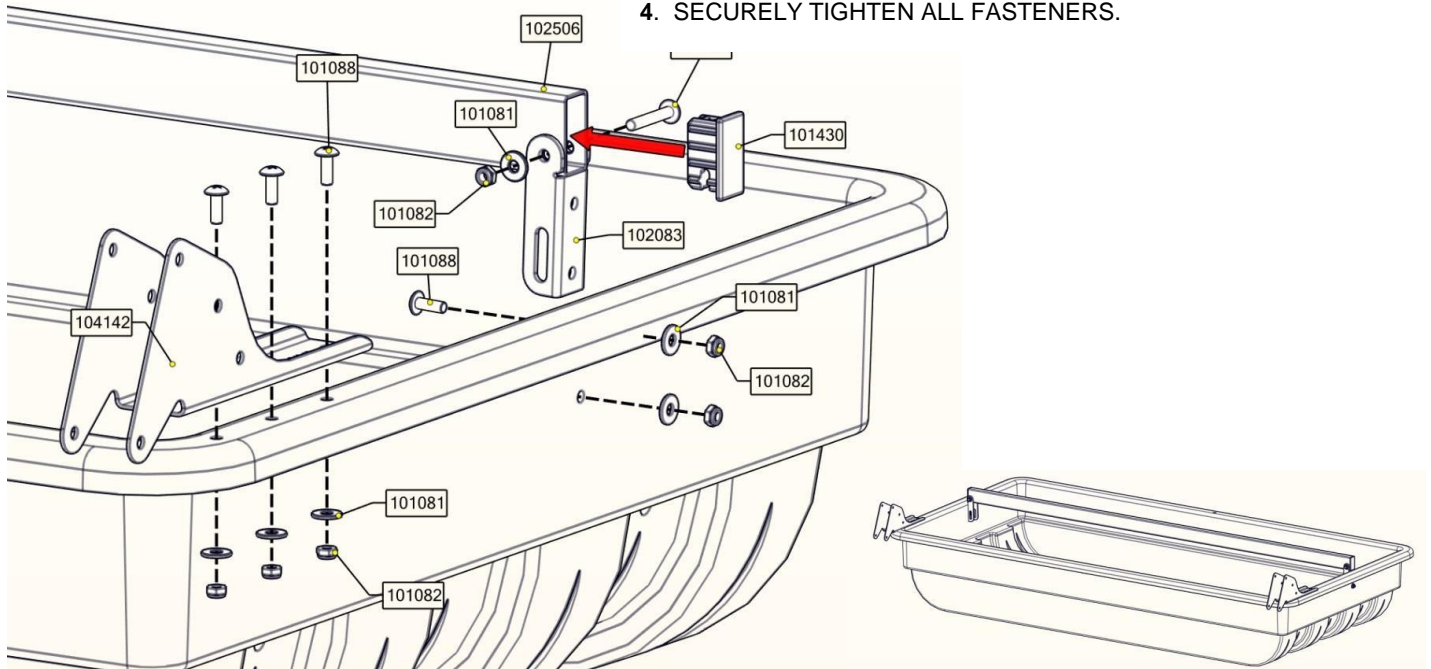


***USING A DROP OF OIL ON ALL NUTS WILL EASE THE ASSEMBLY PROCESS.
*IT IS BEST TO USE THE AID OF ANOTHER PERSON DURING ASSEMBLY.**

STEP-1

! INSTALL ANY RUNNER KIT OPTIONS BEFORE ASSEMBLING SHELTER. REFER TO RUNNER KIT INSTRUCTIONS !

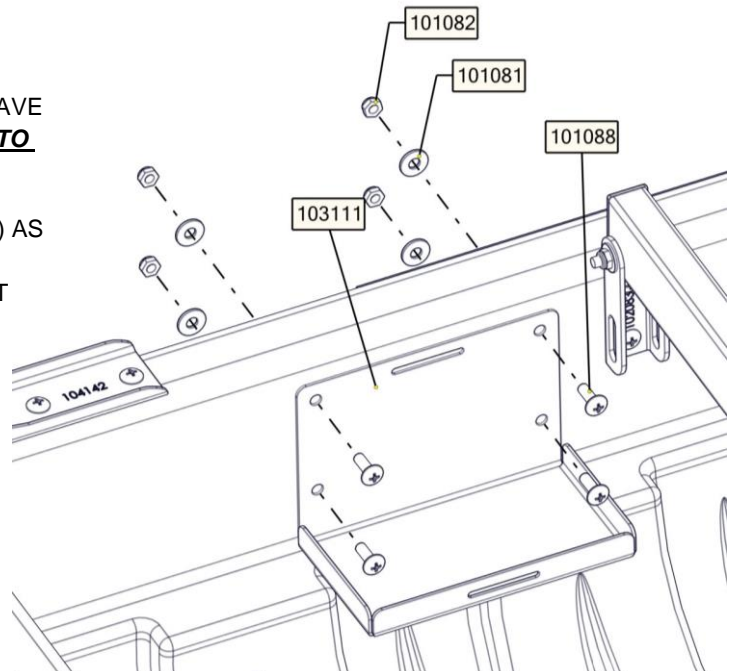
1. INSERT CAP TUBES (101430) INTO EACH SIDE OF RAIL SUPPORT.
2. INSTALL BOTH BRACKET (102083) TO RAIL SUPPORT(102506)
3. INSTALL RAIL SUPPORT TO BASE USING THE PRE DRILLED HOLES.
4. SECURELY TIGHTEN ALL FASTENERS.



STEP-2

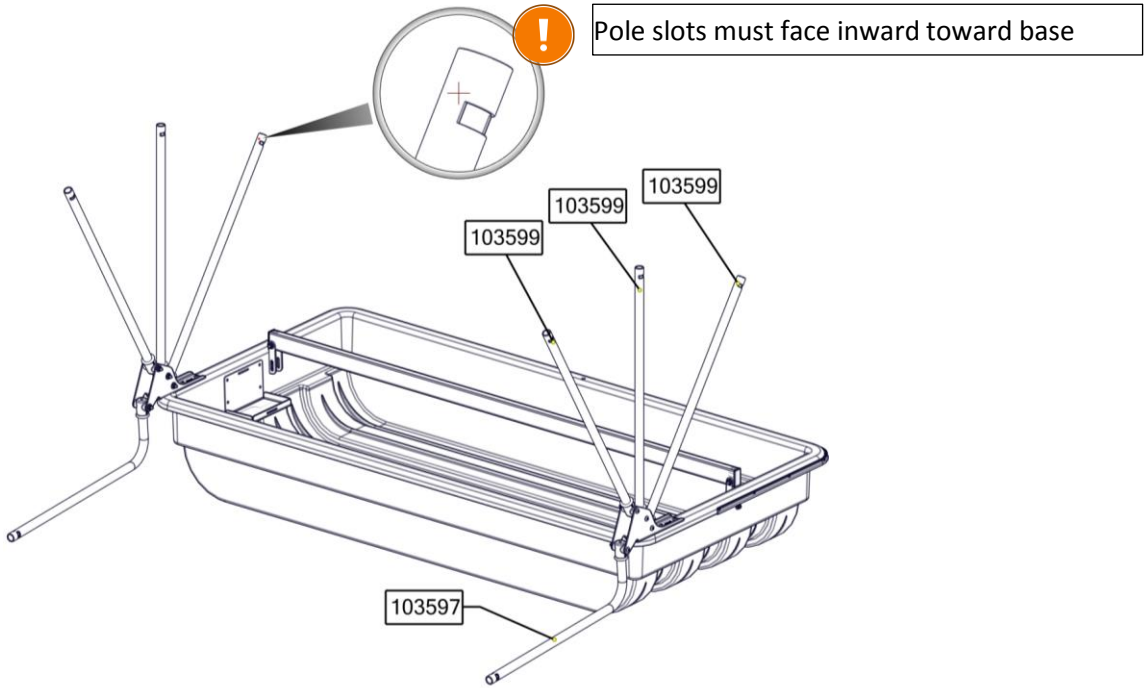
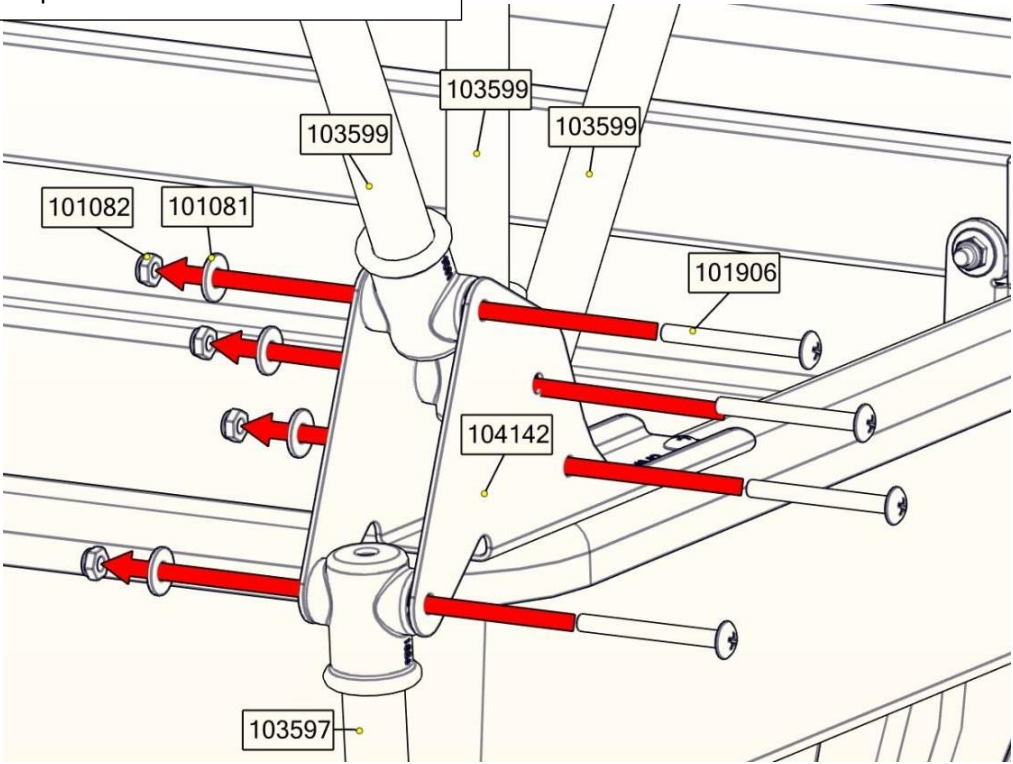
! CHOOSE WHICH LOCATION YOU PREFER TO HAVE BATTERY LOCATED. LIGHT POLE WIRE WILL NEED TO BE ABLE TO REACH BATTERY.

1. INSTALL BATTERY BRACKET, ASSEMBLY (108829) AS SHOWN USING 3/8" DRILL BIT OR REFER TO INSTALLATION MANUAL THAT IS INCLUDED WITH KIT



STEP-3

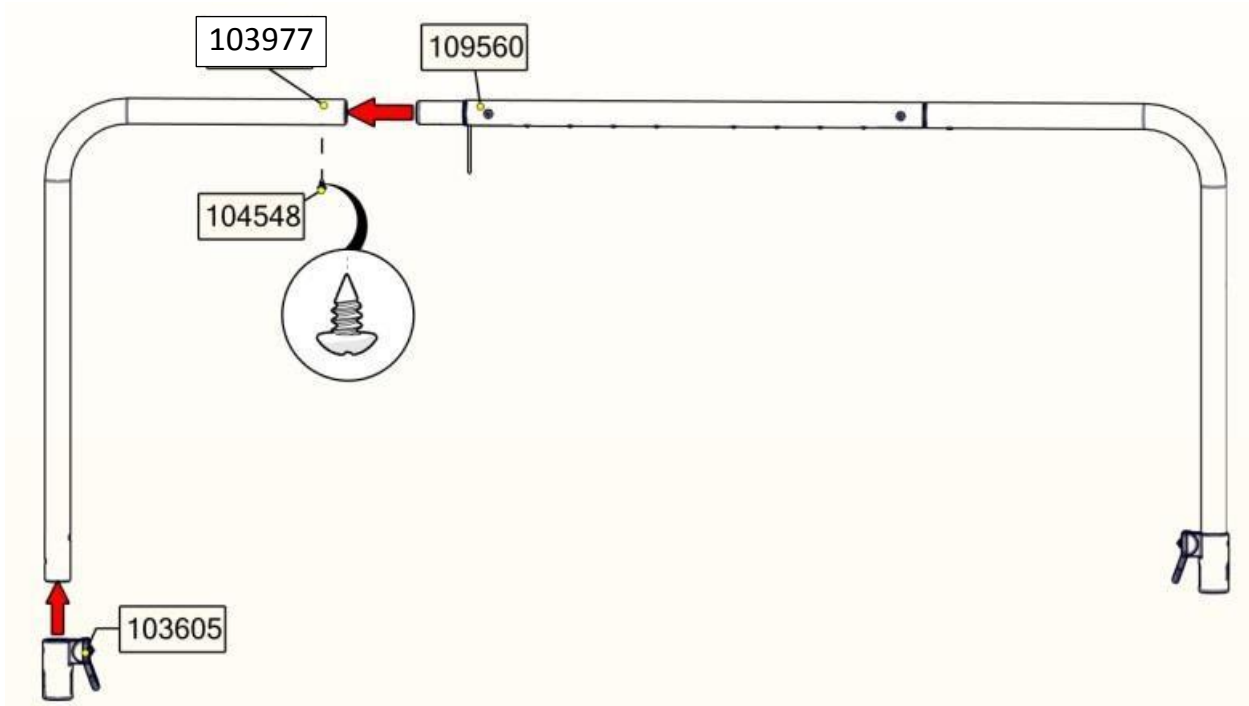
Install Hoop Pole with fastener as shown



STEP-4

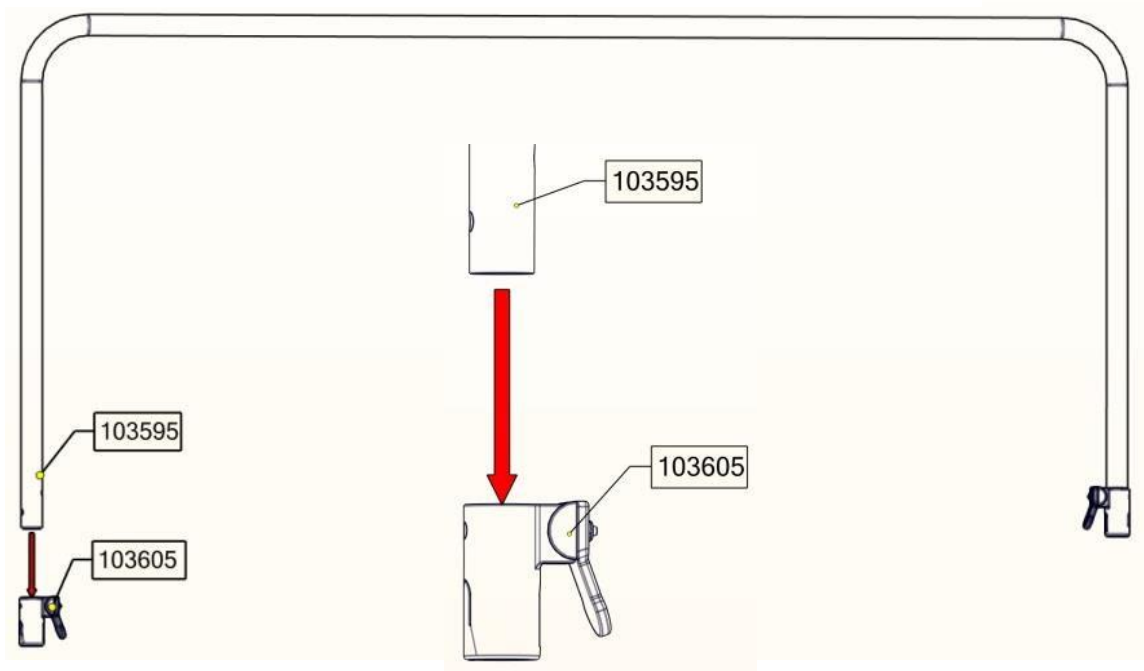
1. ASSEMBLE LIGHT STICK, 109560, TO HALF POLES, 103977, AS SHOW.

! DO NOT CUT ANY OF YOUR POLES



STEP-5

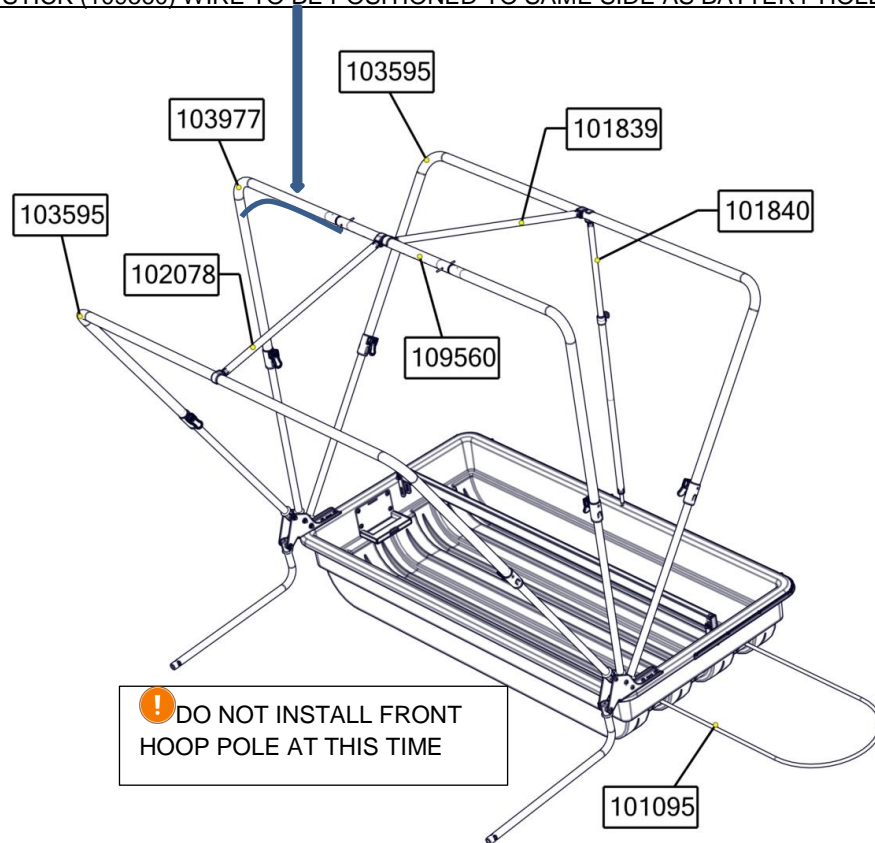
2. ASSEMBLE REMAINING POLES AS SHOWN



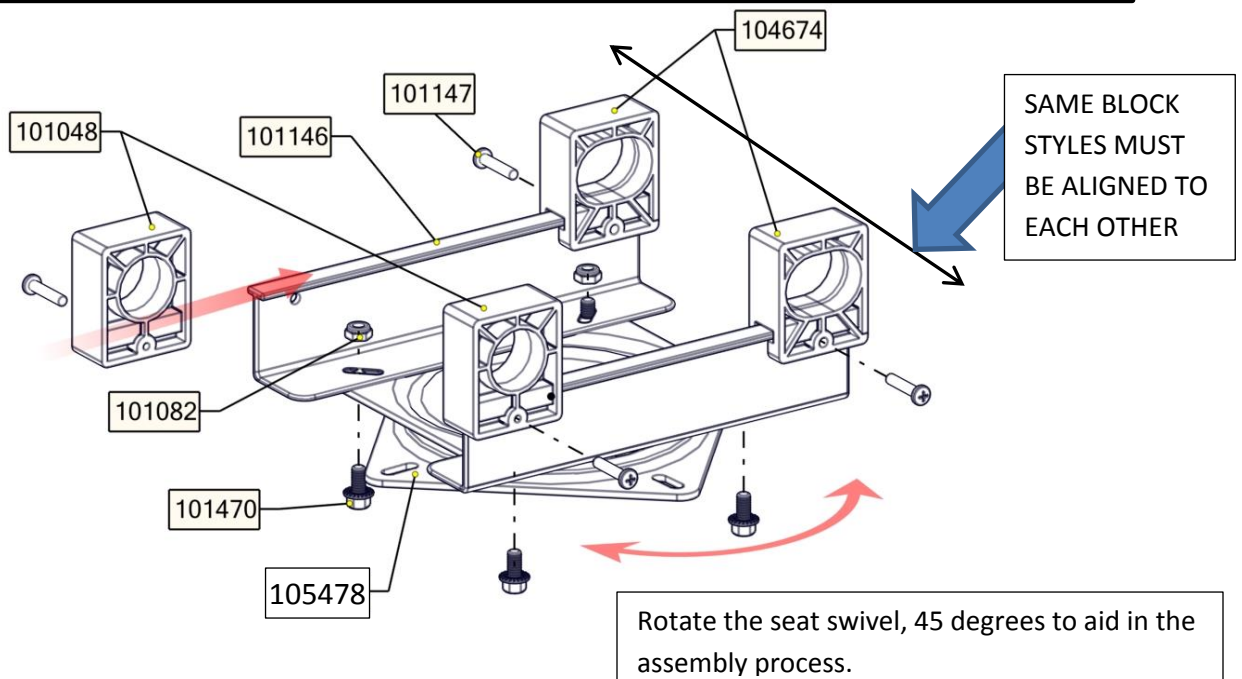
STEP-6

1. INSTALL HOOP POLES OVER POLES AND SUPPORTING SPREADER POLES AS SHOWN
2. INSERT(101095) ROPE ENDS THRU HOLES IN FRONT OF BASE AND KNOT EACH END.

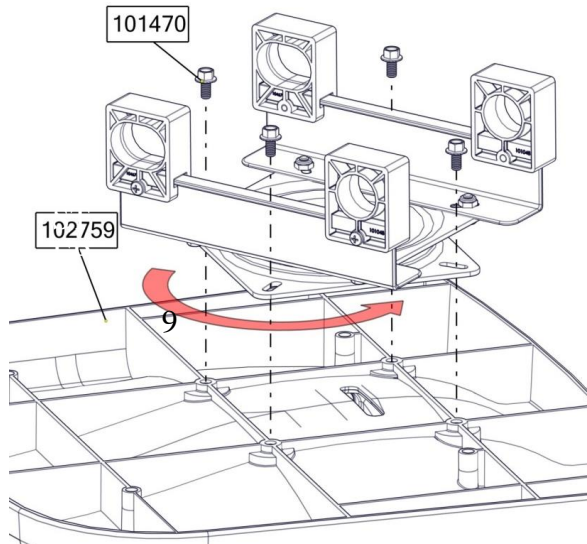
! LIGHT STICK (109560) WIRE TO BE POSITIONED TO SAME SIDE AS BATTERY HOLDER!!



STEP-7



STEP-8



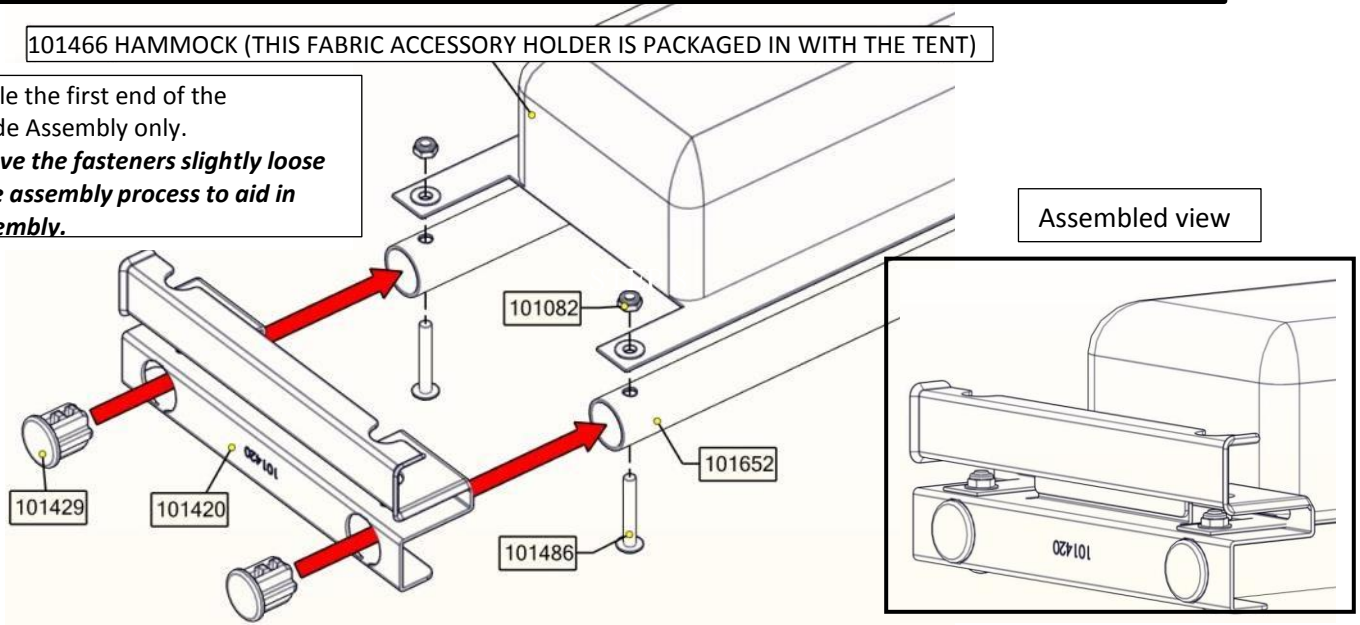
Rotate the seat swivel, 45 degrees to aid in the assembly process.

STEP-9

101466 HAMMOCK (THIS FABRIC ACCESSORY HOLDER IS PACKAGED IN WITH THE TENT)

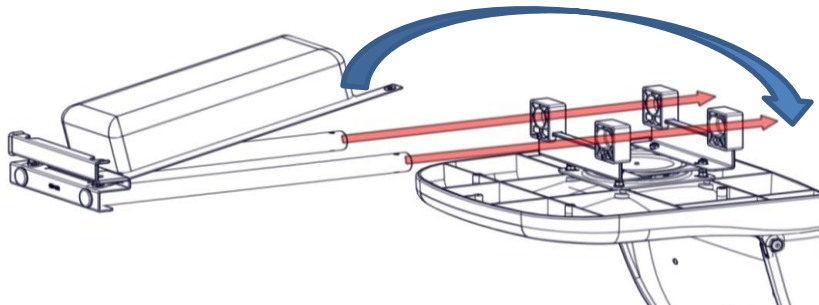
Assemble the first end of the Seat Slide Assembly only.

Tip: Leave the fasteners slightly loose thru the assembly process to aid in the assembly.

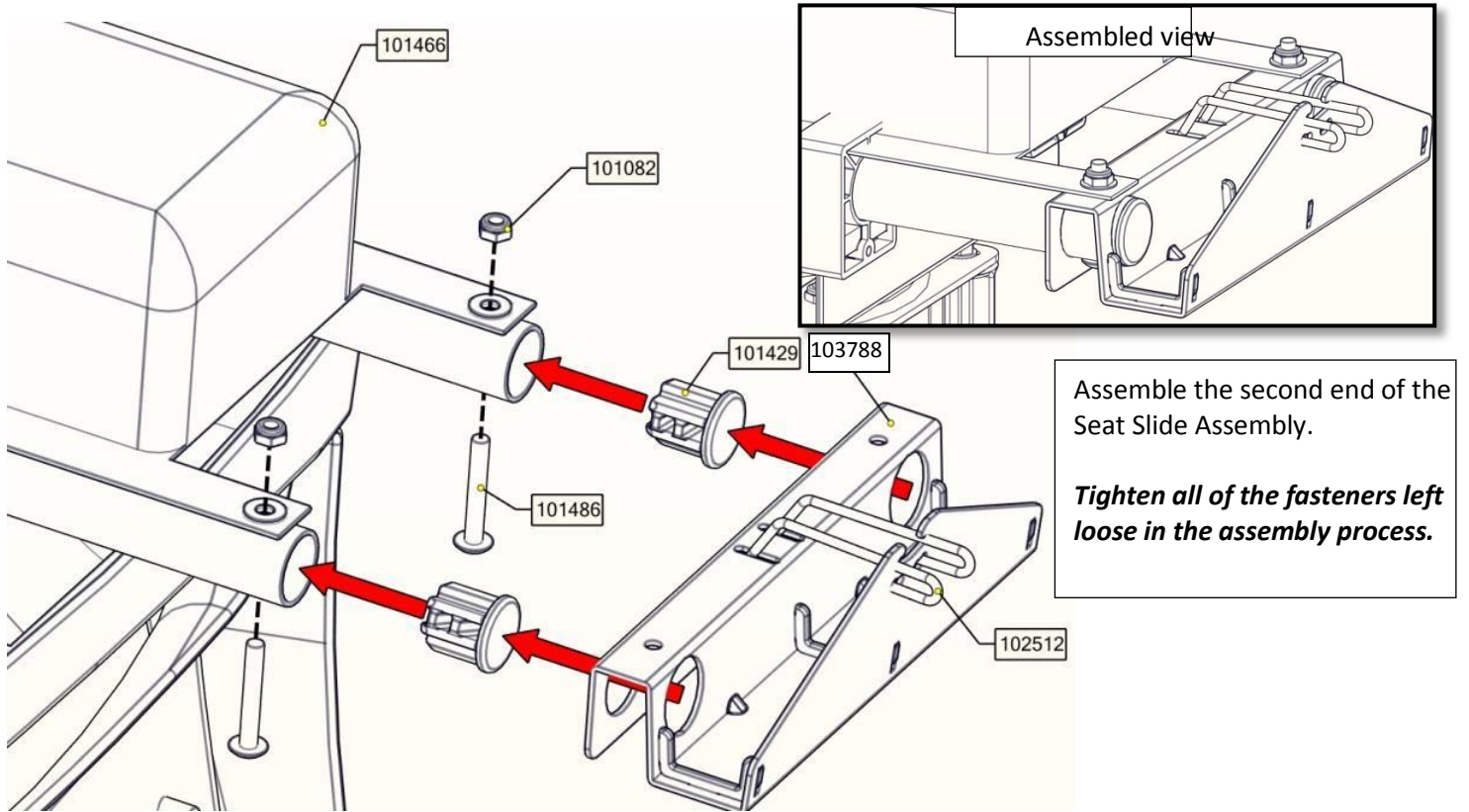


1. SLIDE THE ASSEMBLY FROM PREVIOUS STEP THRU SEAT BLOCKS AS SHOWN.

❗ MUST LIFT HAMMOCK OVER BLOCKS AND SECURE TO TUBE AS SHOWN IN NEXT STEP.

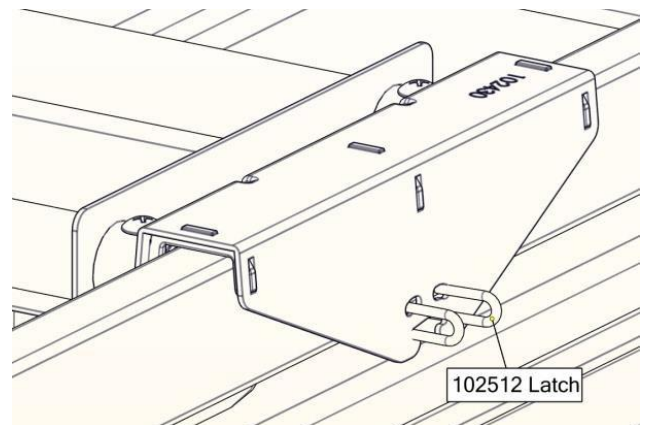
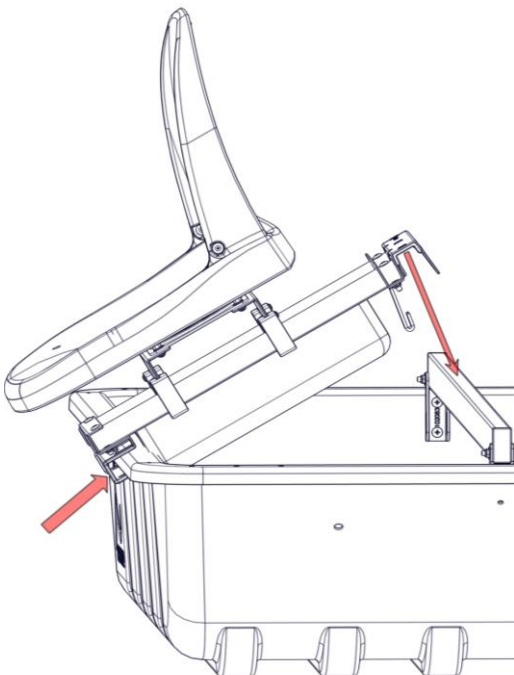


STEP-10



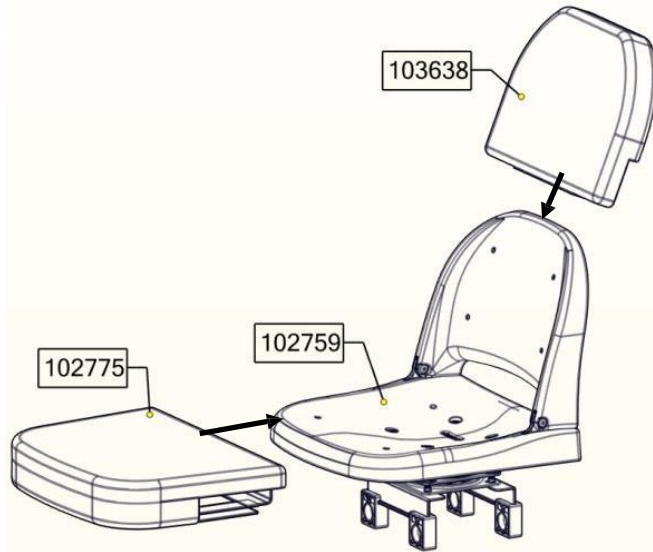
STEP-11

1. SLIDE FRONT OF SEAT ASSEMBLY INTO OUTER FLANGE OF BASE AND DROP BACK SIDE INTO PLACE. THEN SNAP (102512) LATCH INTO POSITION TO SECURE SEAT ASSEMBLY AS SHOWN



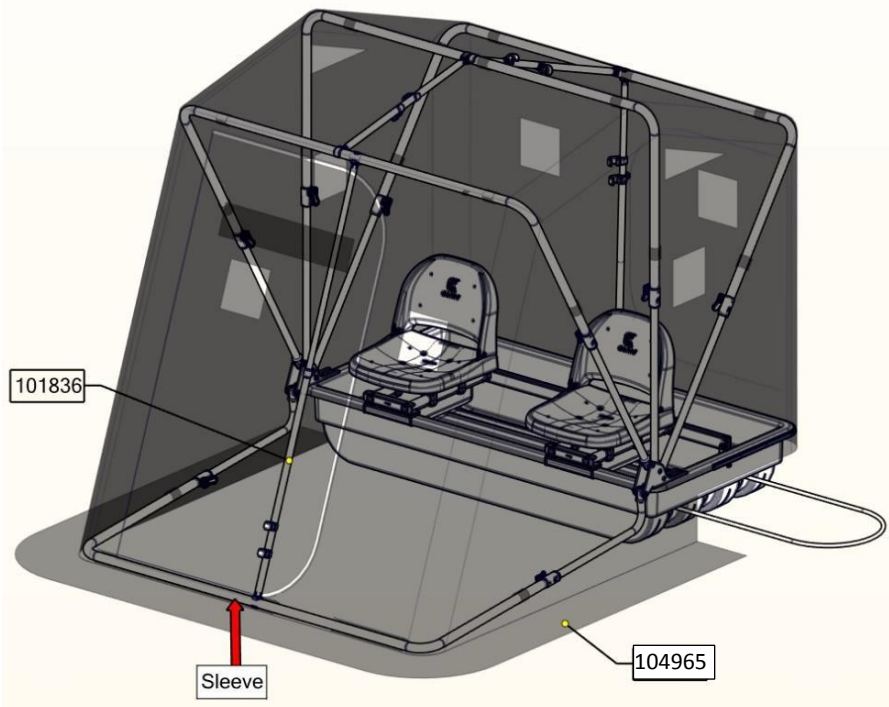
STEP-12

Install the Seat Covers, PN 102775 and 103638 to the Seat, PN 102759. Attach them with the Velcro straps that are attached to the seat covers.

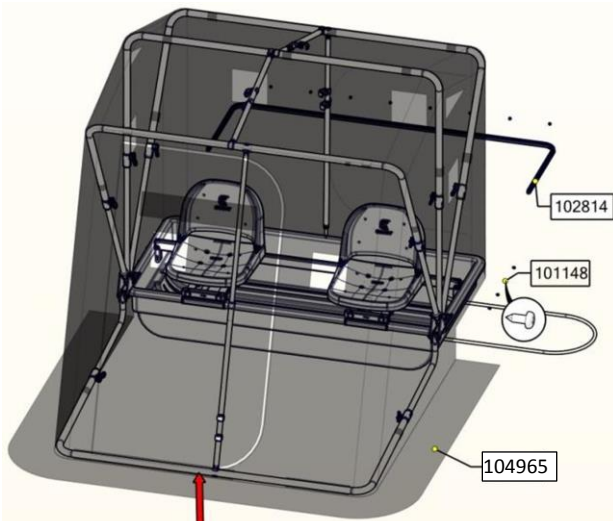


STEP-13

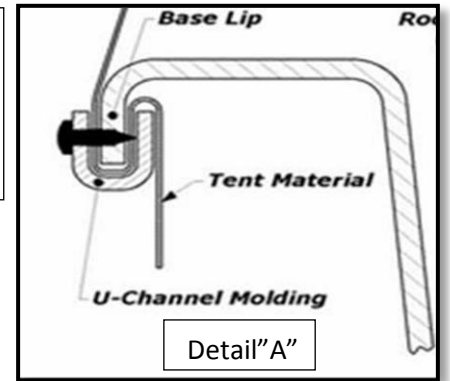
- 1) Drape the Tent, over the hoop poles. Attach the tent to the poles on the inside with the Velcro straps.
- 1) Slide the remaining Hoop Pole through the sleeve in the front of the tent.
- 3) Install the last Spreader Pole, PN 101836.
- 2) Attach the last hoop pole to the remaining two poles connected to the bracket.



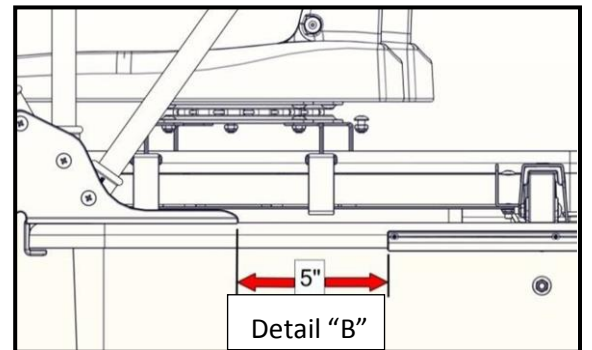
STEP-14



Tip: Heat the Molding, PN 102814 with a Blow dryer, Heat gun or by soaking it in hot water to make it pliable.



THE FRONT HOOP POLE SHOULD TOUCH THE FLOOR WHEN THE TENT IS SET CORRECTLY



To “set” the tent, grasp the tent material at the rear of the shelter and pull it downward. Observe the front fishing area of the tent lifting accordingly as you pull. When the V-Channel molding, PN 102814 is correctly installed, the front floor porch pole will lightly touch the floor.

Start by finding the middle of the V-Channel molding and set it in place on the floor. From behind the unit, pull the midpoint of the tent downward and fold the tent material under the base lip. Press the middle of the V-channel molding over the tent material and base lip. (See Detail “A”) Continue pressing outward in both directions until you have secured about 2 or 3 feet of the V-Channel molding onto the base.

Having temporarily secured the tent to the base, walk around the shelter and Re-adjust the molding until you have verified the proper front floor hoop pole position (barely touching the floor in front) and also that the tent sides and corners are properly proportioned. It is also advised to sit in the seats prior to permanently attaching the tent to ensure that the front porch pole stays in the correct position when weight is added to the shelter seats & base.

Continue applying the molding around the shelter, one direction from center and then the other, pulling the material as you go so that surface is relatively wrinkle-free and snug. Use a side-cutters to trim the ends of the molding approximately (5) inches behind the centerline seam of the shelter on both sides. (See Detail “B”).

Reinstall the rear adjustable spreader pole to tighten the fit of the tent. If everything looks good, secure the molding with the #6 phillips screws, PN 101148. Evenly space them about every six to eight inches, and also put a screw in the center of both corners. There are no predrilled holes. We advise using a powered driver for this operation.

- Tips for Use -

Folding and transporting your Clam Ice Fishing shelter is easy:

- **Unsnap the spreader poles and lay them in the bottom of the base.**
- **Push the Rapid Pole Slide push buttons and retract each hoop, starting with the floor hoop and working towards the middle. Rotate all retracted hoops to the resting position. Tuck the tent into the base and between the hoops so that no material is left hanging on the ground for transport.**
- **Cover with the Travel Cover* (PN 105503)-to help prolong the life of the unit.**
- **We recommend the optional Runner Kit* (PN 108996 or 10390) be mounted to the base of your shelter (NOTE: Pulling behind an ATV or snowmobile may result in premature wear of the base).**
- **In windy conditions it is advised to secure your shelter to the ice using Clam's Ice Anchor Kit (PN 108064) and Ice Anchor Installation Tool (PN 108348).**

Make sure your Ice Shelter is completely dried out after each use. Store your Ice Shelter in a cool, dry place. Keep away from rodents.

***For replacement parts, frequently asked questions, shelter information, and all of your ice fishing needs visit our web site at www.clamoutdoors.com.**

- Safety Instructions -

Please fully understand and follow all safety instructions as outlined. Failure to do so could result in severe injury or death.

- **Do not use open flame heaters in your ice shelter. Injury or death may result from fire if tent fabric is exposed to open flame. The tent is not fireproof, but the fabric is treated with a fire retardant that meets CPAI-84 specifications. Application of any foreign substance may render the flame retardant properties ineffective. Ice Armor fabric will melt when contact is made with hot surfaces (i.e., heaters).**
- **Death from asphyxiation may result from use of oxygen depleting heaters. Open all vents for fresh air ventilation.**
- **Never leave shelter unattended when set up.**
- **Due to the increase in traffic (snowmobiles, autos, etc.) on area lakes, ice fishing can be hazardous at night. If you choose to fish at night or in poor visibility conditions, be sure to take precautions with lights or reflectors to show drivers your whereabouts. Night time: exterior reflectors must be visible to reduce risk of collisions.**

WARNING

Death from asphyxiation may result from use of oxygen depleting heaters. Open all vents for fresh air ventilation.

Injury or death may result from fire if tent fabric is exposed to open flame.

Tent fabric is not fireproof. Fabric will burn with extended exposure to open flame. Do not use open flame products inside tent. Tent fabric is treated with fire retardant. Application of any foreign substance may render the flame retardant properties ineffective.

Night time: exterior reflectors must be visible to reduce risk of collisions.

This tent is made with flame resistant fabric which meets CPAI-84 specifications.

FREQUENTLY ASKED QUESTIONS

Fish Trap FAQ's

Find parts and accessories at www.clamoutdoors.com

Q: The zipper on my shelter freezes up and/or sticks. Is there anything I can use to help prevent this from happening?

A: Yes, there are a couple of zipper lubricants available that our customers and pro staff have used with good results.

- Zipper Lube is one brand, often found in the camping section of sporting goods stores. This is a gel applied to the zipper.

- There are also a few silicone sprays that may be used to lubricate the zipper.

Q: Are there replacement bases available for my Clam/Fish Trap?

A: We have bases available for current shelters. If your shelter is an older model, we may not have the exact replacement for that shelter, but may have one that will work. Go to www.clamoutdoors.com or email Customer Service at customerservice@clamcorp.com

Q: What will help keep mice or rodents from eating the tent of my Clam or Fish Trap?

A: We recommend that you keep your tent in a sealed plastic tote with laundry dryer sheets or moth balls. If the shelter is stored in a barn or shed take the tent off the house and store it in a rodent-free environment such as in your home.

Q: I have lost the owner's manual for my shelter. Where can I get another one?

A: There are owner's manuals available online at www.clamoutdoors.com

Q: Do you have replacement tents for Clam and/or Fish Trap shelters that are a few years old?

A: We have replacement tents available, but are limited on tents that are 5 seasons old. Go to our **On-line** store at www.clamoutdoors.com

Q: The sliding seat poles, frame poles, or spreader poles of my shelter are sticking. Is there anything to put on these poles to help them slide better?

A: Our pro staff and customers have used the following with good results.

- Zipper Lube, a gel, can be found in the camping section of your local sporting goods store. Apply the gel to the poles and use a rag to wipe off the excess.
- Car wax can be effective in helping to lubricate poles. Apply wax and rub well. Wipe off excess wax.
- When poles slide up and down against each other sometimes burrs are created. If this happens separate the affected poles and use a fine file or sand paper to deburr the pole(s) and then apply a thin coat of lubricant before rejoining the poles.

Q: Must I put screws through the V-channel molding and tent of my shelter?

A: Yes, putting screws through the V-channel helps to securely fasten the tent of your shelter to the base. This is a necessary step for proper installation and failure to do so will void the warranty.

Q: I am trying to attach the V-channel molding to my shelter, but am having difficulty getting it started, as it seems too stiff and will not stay attached to the edge of the sled. What can be done to help?

A: It may be difficult to attach the V-channel in cold conditions. Assembly of the shelter should be done indoors with the V-channel warmed with a hair dryer, heat gun, or soak it in a bucket of hot water for several minutes so it will be more pliable.

Q: I can see pinholes of light through the fabric of my tent. What can be done?

A: Tent fabric is a woven material and these pin holes are part of the thread that the coating did not attach to. Also, sometimes more pinholes appear along seams, and are simply holes where the stitching is pulling the fabric. In either case, this has no effect on the function of the fabric and is simply an appearance issue.

Q: There are cracks on the inside finish of the fabric of my shelter. Is this normal? Can anything be done to fix this?

A: It is normal for some of the dark colored coating to come off the inside of the tent. Over time, as you set up and take down the shelter, the dark coating can begin to flake off, especially along the folds in the fabric when the shelter is collapsed. This does not affect the function of the fabric. If you feel that too much light is now entering your shelter in the places where some of the coating has come off, you may wish to apply a new layer of rubberized coating. A product you may use for this is Loctite Color Guard (black), available in liquid (paint-on) or aerosol form. The product number is LOC 34894. This is available at many hardware or home improvement stores.

Q: Would it be best to completely dry out my shelter after every time it gets used?

A: It is recommended that your tent be dried out completely after each use. If it is not dried out, moisture may cause some damage to the shelter. This is especially important if the shelter is to be stored for a long period of time.

Q: I bought the correct travel cover for my Fish Trap or flip over style shelter, but it does not seem to fit properly. Is there a certain way the travel cover should be put on?

A: The travel covers are custom made and most of them do need to be put on a certain way. If you are have trouble getting the cover on over the last corner, or if it seems too short, try rotating the cover 180 degrees and pull it over the collapsed shelter.

Q: How do I wash the tent of my ice fishing shelter?

A: We recommend that you use a mild bleach and water solution (1 part bleach to 10 parts water), or a mild soap

FREQUENTLY ASKED QUESTIONS

detergent and water solution. This will help to get rid of mildew and odor in your tent. Be sure to dry the tent thoroughly.

Note: We do not recommend using a washing machine to wash your tent, as this may damage the tent.

Q: Will my fish house leak because I see pinholes in the fabric?

A: While the fabric of the tents on the shelters is water resistant it is not waterproof, so some water from rain or melting snow may come through your tent. It is good to have small holes in the fabric to allow vapors inside the shelter to escape.

Q: Will using a heater help to eliminate or reduce water vapor and condensation in my shelter?

A: No. A byproduct of burning propane is water. A bigger heater will produce more water vapor. Also, the colder the temperature the more condensation there will be inside the shelter.

Q: Are tent patch kits available for my flip over style Fish Trap or Clam ice fishing shelter?

A: Yes, patch kits are available for a wide range of shelters, and may be purchased at clamoutdoors.com

Q: How do I apply the patch material?

A: When applying a patch it works best to spray some adhesive (we recommend using 3M #77 or 3M #90 spray adhesive) on to both surfaces—the part of the tent where the patch is going to be applied and the patch itself. Wait until the adhesive begins to dry and becomes tacky, then place the patch on the tent, and they will stick together. (Note: Care should be taken to apply the patch evenly and smoothly, since wrinkles or uneven areas will be very difficult to correct once the two surfaces with the adhesive have come into contact with each other.)

Q: Is there anything that can be applied to the outside of the tent to prevent water from coming through?

A: There are products that can be applied to the outside of a tent that will make it more water repellent, such as Kiwi Camp Dry.

Q: I have seen some flip over style shelters with a removable console. Where can I get one?

A: This console now comes with a retractable leg, and can be purchased from our **On-line Store** at clamoutdoors.com

Q: I have a plastic C-clip connector on the poles of my Clam/Fish Trap that have broken. Are these clips available for purchase?

A: These clips, called Quick Connects, may be purchased through our **On-line Store** at clamoutdoors.com.

Q: What is the proper way to set up and take down my Fish Trap?

Set-Up:

- Face the seats. Grab the hoop that is on top and pull on it until you feel and hear the push buttons engaging in the full open position. Grab the next hoop and do the same until all the hoops are fully open. When finished, you should be inside the shelter.
- Install the roof spreaders, then the front spreader(s), and finally the rear spreader(s). (Spreader count varies with shelter style/configuration – smaller shelters use only a rear spreader).

Take-Down:

- Remove all spreaders.
- For adjustable spreaders, snug the tension knobs after compacting so that they don't vibrate out during transit.
- From inside the shelter, start with the rear wall hoop. Compress both buttons and retract the hoop, then the same with next inward hoop, etc. Continue until all upright hoops are collapsed.
- Step out of the shelter, disengage the porch hoop buttons and swing the porch hoop onto the previously retracted hoops. Make sure the tent does not catch on the mount brackets while collapsing the porch hoop.
- Go around the shelter and tuck the tent material in between the rested hoops the best you can to keep the tent material from dragging during transit – a travel cover works great here to hold everything together.

***Please Note: Make sure that the tent material is clear of the canopy brackets to minimize rubbing or possible tearing.

Q : Do you ship outside of the United States?

A: We are only set up to ship warranty or replacement parts required to **MAINTAIN** a Clam shelter (tents, poles, parts, patch kits, etc.). No accessories – see a local dealer or an online dealer of Clam products. If the replacement parts are not under warranty you will be charged for the product plus actual shipping charges. It will be the customer's responsibility to pay all importing costs (duties, taxes, etc) at the time the goods are delivered.

Q: The poles to my Clam/Fish Trap have gotten bent out of place. Should I try to bend them back?

A: It might be possible to bend the poles back into their proper place. If your bent pole is not creased lay it on a flat surface and bend it back into shape. If you need to order replacement poles you can do that on our **On-line** store at clamoutdoors.com.