

# *Designer Topaz*<sup>TM</sup>

## User's Guide



This household sewing machine is designed to comply with IEC/EN 60335-2-28 and UL1594

## **IMPORTANT SAFETY INSTRUCTIONS**

When using an electrical appliance, basic safety precautions should always be followed, including the following:

Read all instructions before using this household sewing machine.

### **DANGER – To reduce the risk of electric shock:**

- A sewing machine should never be left unattended when plugged in. Always unplug this sewing machine from the electric outlet immediately after using and before cleaning.
- Always unplug before relamping. Replace bulb with same type rated 5 Watt.

### **WARNING – To reduce the risk of burns, fire, electric shock, or injury to person:**

- This sewing machine is not intended for use by persons (including children) with reduced physical, sensory or mental capabilities, or lack of experience and knowledge, unless they have been given supervision or instruction concerning use of the sewing machine by a person responsible for their safety.
- Children should be supervised to ensure that they do not play with the sewing machine.
- Use this sewing machine only for its intended use as described in this manual. Use only attachments recommended by the manufacturer as contained in this manual.
- Never operate this sewing machine if it has a damaged cord or plug, if it is not working properly, if it has been dropped or damaged, or dropped into water. Return the sewing machine to the nearest authorized dealer or service center for examination, repair, electrical or mechanical adjustment.
- Never operate the sewing machine with any air openings blocked. Keep ventilation openings of the sewing machine and foot controller free from the accumulation of lint, dust, and loose cloth.
- Keep fingers away from all moving parts. Special care is required around the sewing machine needle.
- Always use the proper needle plate. The wrong plate can cause the needle to break.
- Do not use bent needles.
- Do not pull or push fabric while stitching. It may deflect the needle causing it to break.
- Wear safety glasses.
- Switch the sewing machine off ("0") when making any adjustment in the needle area, such as threading needle, changing needle, threading bobbin, or changing presser foot, etc.
- Always unplug sewing machine from the electrical outlet when removing covers, lubricating, or when making any other user servicing adjustments mentioned in the instruction manual.
- Never drop or insert any object into any opening.
- Do not use outdoors.
- Do not operate where aerosol (spray) products are being used or where oxygen is being administered.
- To disconnect, turn all controls to the off ("0") position, then remove plug from outlet.
- Do not unplug by pulling on cord. To unplug, grasp the plug, not the cord.
- This sewing machine is provided with double insulation. Use only identical replacement parts. See instructions for Servicing of Double-Insulated Appliances.

## **SAVE THESE INSTRUCTIONS**

## **SERVICING OF DOUBLE INSULATED PRODUCTS**

In a double-insulated product, two systems of insulation are provided instead of grounding. No ground means is provided on a double-insulated product, nor should a means for grounding be added to the product. Servicing of a double-insulated product requires extreme care and knowledge of the system and should be done only by qualified service personnel. Replacement parts for a double-insulated product must be identical to those parts in the product. A double-insulated product is marked with the words 'DOUBLE INSULATION' or 'DOUBLE INSULATED'.

## **Set Up**

Page 10-31

**1**

## **Sewing Mode**

Page 32-44

**2**

## **Basic Sewing Techniques**

Page 45-54

**3**

## **Embroidery Set Up**

Page 55-58

**4**

## **Embroidery Mode**

Page 59-67

**5**

## **Taking care of the machine**

Page 68-70

**6**

Machine overview and accessories, page 6-9

Stitch and alphabet overview, page 71-73

## Table of contents

Machine overview .....	6	Touch Panel overview .....	27
Included accessories .....	8	SET Menu .....	28

### 1. Set Up

Unpacking .....	10
Connecting the foot control cord.....	10
Connect the power cord and foot control.....	10
Packing away after sewing .....	11
Extended Sewing Surface .....	11
Using the free arm .....	11
Spool pins and spool caps .....	12
Threading the Upper Thread.....	13
Needle threader .....	14
Cutting the thread .....	14
Threading for twin needles.....	15
Thread sensor .....	15
Bobbin Winding, model 20 .....	16
Bobbin Winding, model 30 .....	17
Inserting the bobbin .....	18
Thread tension.....	19
EXCLUSIVE SENSOR SYSTEM™ (ESS) .....	19
Lower the feed teeth .....	20
Changing the presser foot.....	20
Changing the needle .....	20
Needles .....	21
Threads.....	22
Pictogram Pen .....	22
Stabilizers .....	22
USB port .....	23
USB embroidery stick.....	23
5D™ Embroidery Software.....	24
How to Update your machine .....	24
Function Buttons.....	25

### 2. Sewing Mode

Sewing Mode overview.....	32
Selecting a stitch.....	33
Selecting a font .....	33
Exclusive SEWING ADVISOR™ .....	34
Stitch Settings.....	35
Programming.....	37
My Stitches Menu.....	40
Sewing pop-up messages .....	41

### 3. Basic Sewing Techniques

Seam.....	45
Overcast.....	45
Seam and Overcast .....	46
Baste.....	47
Darning and Mending .....	47
Hem.....	48
Blind Hem .....	49
Sewing buttonholes .....	50
Sewing on buttons .....	52
Sewing zippers .....	53
Taper Satin Stitch, model 30 .....	54

### 4. Embroidery Set Up

Embroidery unit overview .....	55
Embroidery hoop overview.....	55
Designs .....	55
Connect the embroidery unit .....	56

Remove the embroidery unit .....	56
Hoop the fabric .....	57
Slide on the hoop.....	57
Getting started embroidering .....	58

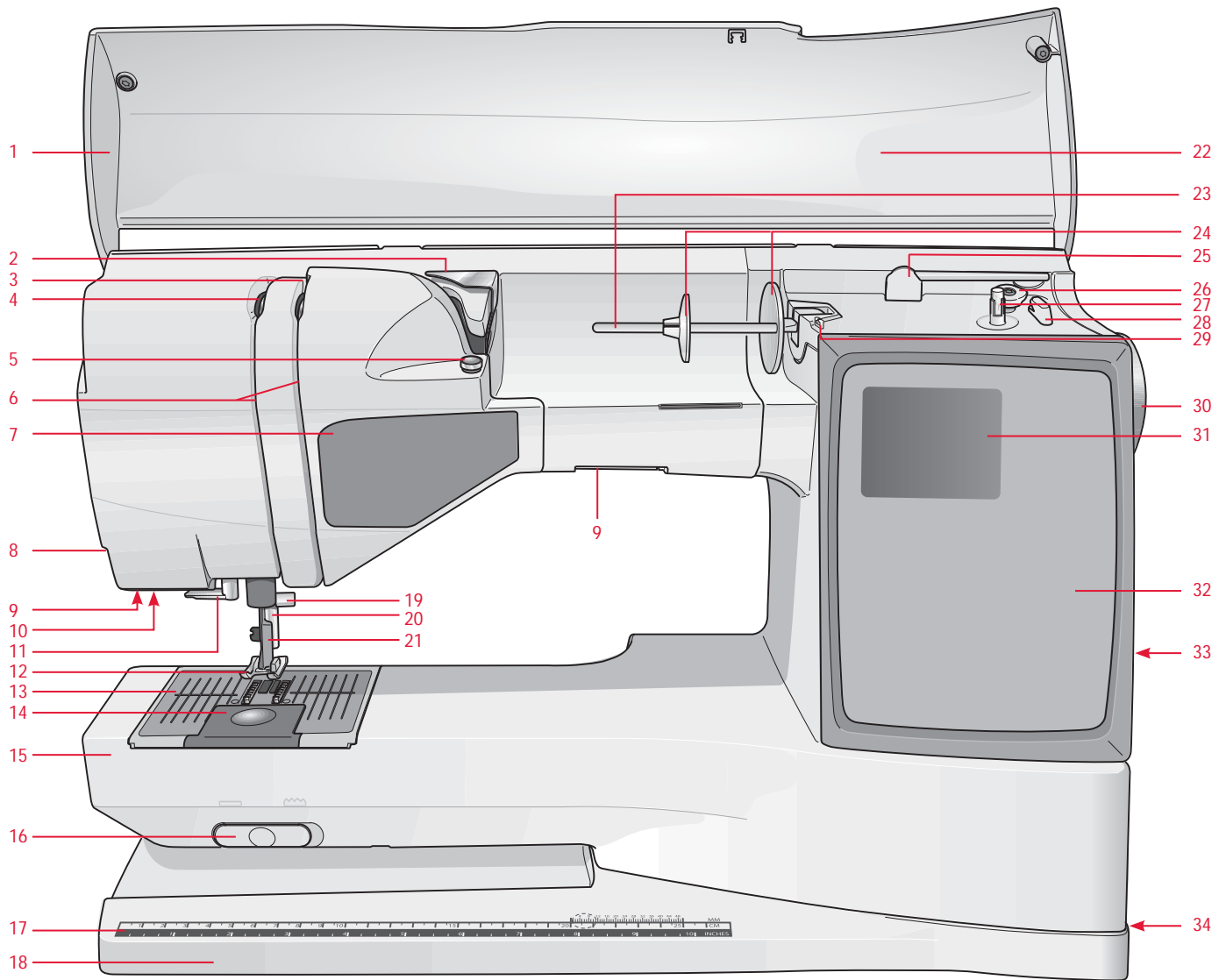
## 5. Embroidery Mode

Embroidery Mode overview.....	59
Load a design.....	60
Load a font.....	60
Embroidery information .....	61
Adjust designs .....	62
Hoop options.....	63
Embroidery functions.....	64
Embroidery pop-up messages .....	65

## 4. Taking care of the machine

Changing the light bulbs .....	68
Cleaning the machine.....	68
Trouble shooting .....	69
Stitch table - menu 1. Utility stitches.....	71
Stitch overview .....	73
Alphabets .....	73
Index .....	74

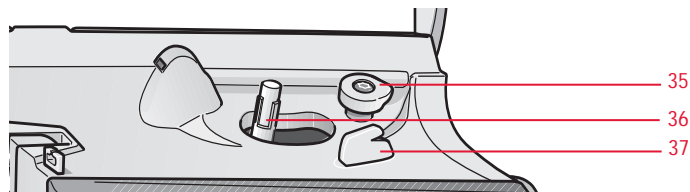
## Machine overview



### Front side

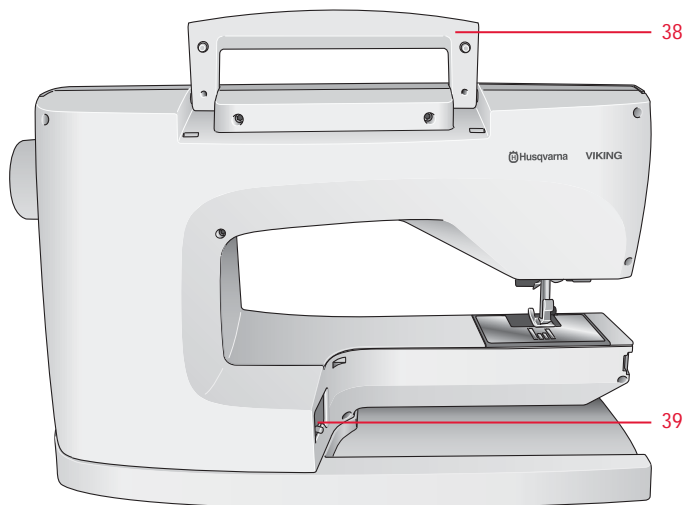
- |  |  |   |
|--|--|---|
| 1. Lid                                     | 12. Presser foot                           | 24. Spool caps  |
| 2. Pre-Tension thread guide                | 13. Stitch plate                           | 25. Auxiliary spool pin                                       |
| 3. Thread tension discs                    | 14. Bobbin cover                           | 26. Bobbin winding lever (model 30)                           |
| 4. Thread take-up lever                    | 15. Free arm                               | 27. Bobbin winder (model 30)                                  |
| 5. Thread tension for bobbin winding       | 16. Drop feed teeth switch                 | 28. Thread cutter for bobbin winding (model 30)               |
| 6. Thread slots                            | 17. Button ruler and built-in tape measure | 29. Bobbin winding thread guide                               |
| 7. Function Button Panel                   | 18. Base plate                             | 30. Handwheel   |
| 8. Thread cutter                           | 19. Needle bar with needle clamp screw     | 31. Graphic Display   |
| 9. Light bulbs                             | 20. Presser bar                            | 32. Touch Panel   |
| 10. Sensor One-Step Buttonhole Foot socket | 21. Presser foot ankle                     | 33. Built-in USB port   |
| 11. Built-In Needle threader               | 22. Stitch panel                           | 34. ON/OFF switch, connectors for power cord and foot control |
|  | 23. Main spool pin                         |   |

- 35. Bobbin stop (model 20)
- 36. Bobbin winder (model 20)
- 37. Thread cutter for bobbin winding (model 20)



## Rear side

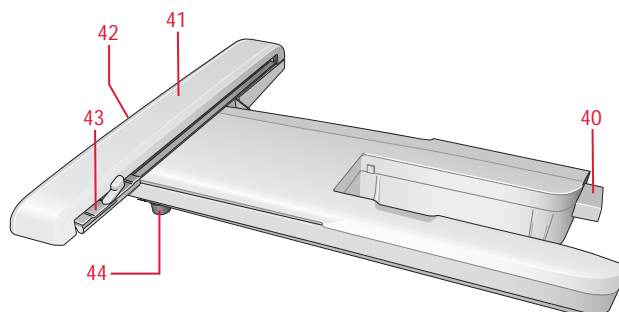
- 38. Handle
- 39. Embroidery unit connection socket



## Parts of the embroidery unit

(For model 30 type BE18, for model 20 type BE19)

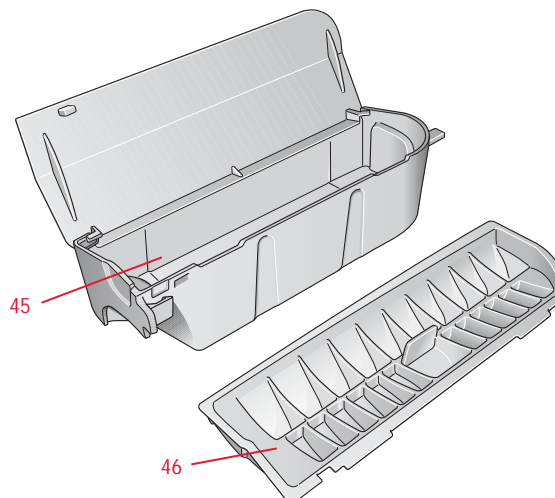
- 40. Embroidery unit socket
- 41. Embroidery arm
- 42. Embroidery unit release button (underside)
- 43. Embroidery hoop attachment
- 44. Level adjusting feet



## Accessory tray

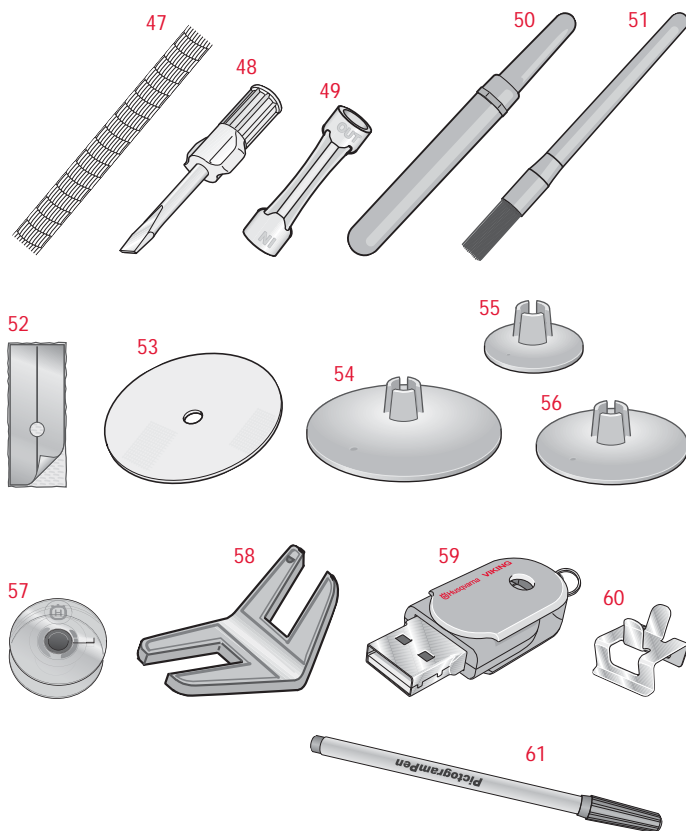
There are special places for presser feet and bobbins in the accessory tray, plus space for needles and other accessories. Store the accessories in the tray so they are easily accessible.

- 45. Space for accessories
- 46. Removable presser feet and bobbin holder



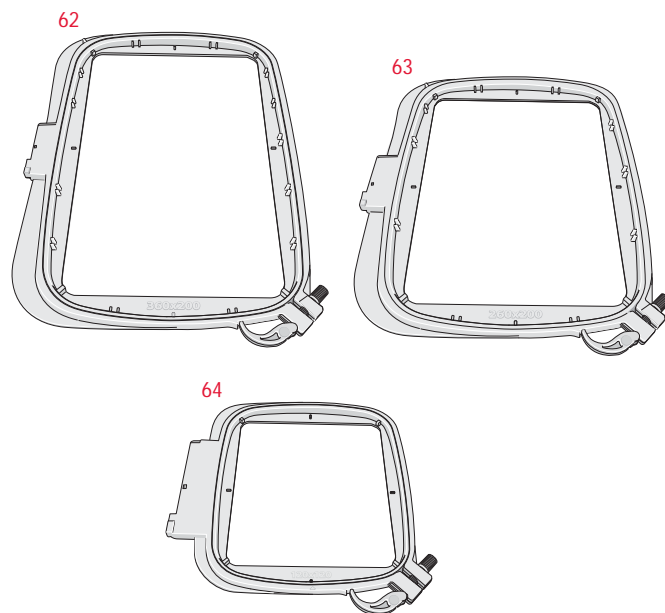
## Included accessories

47. 2 thread nets. Slide on the spool when using synthetic threads that easily unwind.
48. Screwdriver
49. Light bulb remover
50. Seam ripper
51. Brush
52. 2 non-stick glide plates
53. 2 felt pads
54. 2 spool caps, large (1 attached to the machine upon delivery)
55. Spool cap, small
56. Spool cap, medium (attached to the machine upon delivery)
57. 6 bobbins (one in machine upon delivery)
58. Multipurpose tool/Button reed
59. USB embroidery stick (1 GB)
60. Hoop Clips (16 with model 30, 10 with model 20)
61. Pictogram Pen



## Hoops Included

62. DESIGNER™ Royal Hoop, 360x200mm (Only with model 30)
63. DESIGNER™ Crown Hoop, 260x200mm (Only with model 20)
64. DESIGNER™ Splendid Square Hoop, 120x120mm

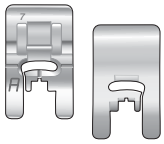
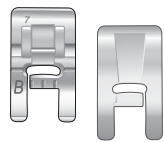
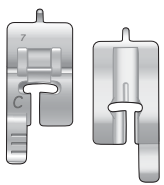
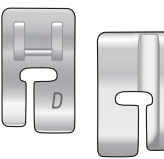
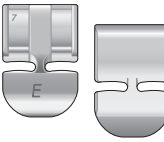
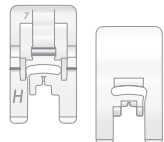
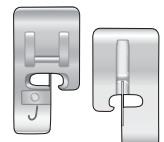
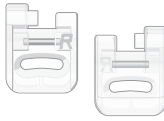
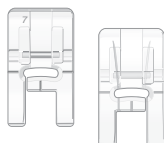
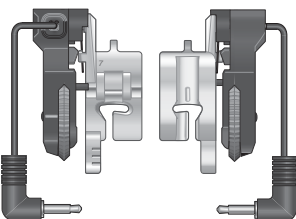


## Accessories Included - not in picture

- Scissors
- Needles
- Carrying case (attached on the machine upon delivery)
- Foot control
- Foot control cord
- Power cord
- Embroidery thread
- Pieces of fabric and stabilizer
- 5D™ Embroidery Machine Communication CD
- DESIGNER TOPAZ™ Sampler CD
- DESIGNER TOPAZ™ 30 Bonus Sampler CD (Only with model 30)
- DESIGNER TOPAZ™ Sampler Book
- User's Guide
- Quick Guide
- Accessory User's Guide
- Warranty card



## Presser feet

	<b>Utility Foot A</b>	<p>Attached on the machine upon delivery. This foot is used mainly for straight stitching and zigzag stitching with a stitch length longer than 1.0.</p>
	<b>Decorative Stitch Foot B</b>	<p>When sewing decorative stitches or short zigzag stitches and other utility stitches with less than 1.0 mm stitch length, use this foot. The tunnel on the underside of the foot is designed to feed smoothly over the stitches.</p>
	<b>Buttonhole Foot C</b>	<p>This foot is used for sewing buttonholes step by step. Use the guide lines on the toe of the foot to position the garment edge. The two tunnels on the bottom of the foot ensures a smooth feed over the buttonhole columns. The finger on the back of the foot holds cording for corded buttonhole.</p>
	<b>Blind Hem Foot D</b>	<p>This foot is used for blind hem stitches. The inner edge of this foot guides the fabric. The right toe of the foot is designed to ride along the hem edge.</p>
	<b>Zipper Foot E</b>	<p>This foot can be snapped on either to the right or to the left of the needle, making it easy to sew close to both sides of the zipper teeth. Move needle position to right or left to sew closer to zipper teeth or for covering large cording.</p>
	<b>Non-Stick Glide Foot H</b>	<p>This foot, with a non-stick coating underneath, is used when sewing foam, vinyl, plastic or leather to minimize the risk of these materials sticking to the foot.</p>
	<b>Edging Foot J</b>	<p>This foot is used for overcasting and seam/overcasting. Stitches form over the pin which prevents puckering at the edge of the fabric.</p>
	<b>Embroidery/ Darning Foot R</b>	<p>This foot is used for free motion embroidery/quilting/stitching and hoop embroidery.</p>
	<b>Decorative Stitch Foot B Transparent</b>	<p>A clear foot for decorative sewing makes it easy to match stitches. Same tunnel on the underside as Presser Foot B.</p>
	<b>Sensor One-Step Buttonhole Foot</b>	<p>When connected to the machine, the buttonhole is sewn in a suitable length to the button size that has been entered into the machine.</p>

## 1. Set Up

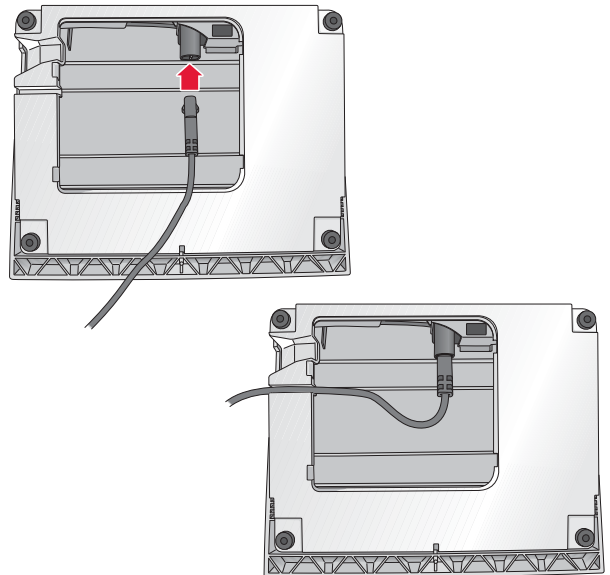
### Unpacking

1. Place the machine on a sturdy, flat surface, remove the packaging and lift off the cover.
2. Remove the packing material and the foot control.
3. The machine is delivered with an accessory bag, a power cord and a foot control cord.
4. Wipe the machine, particularly around the needle and stitch plate to remove any soil before sewing.

### Connecting the foot control cord

Among the accessories you will find the foot control cord and the power cord. Connecting the foot control cord to the foot control is only necessary the very first time you are going to use the machine.

1. Take out the foot control cord. Turn the foot control over. Connect the cord to the socket inside the space of the foot control.
2. Push firmly to make sure it is properly connected.
3. Lay the cord in the slot on the underside of the foot control.



### Connect the power cord and foot control

On the underside of the machine you will find information about the power supply voltage (V) and the frequency (Hz).

*Note: Before plugging in the foot control, check to ensure that it is of type "FR5" (see underside of foot control).*

1. Connect the foot control cord to the front socket on the bottom right side of the machine (1).
2. Connect the power cord to the rear socket on the bottom right side of the machine (2).
3. Press the ON/OFF switch to ON to turn on power and light (3).

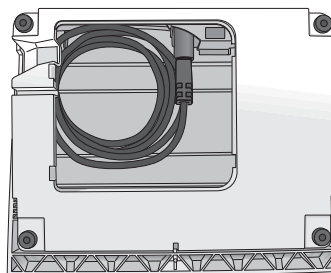


#### For the USA and Canada

This sewing machine has a polarized plug (one blade wider than the other). To reduce the risk of electric shock, this plug is intended to fit in a polarized outlet only one way. If the plug does not fit fully in the outlet, reverse the plug. If it still does not fit, contact a qualified electrician to install the proper outlet. Do not modify the plug in any way.

## Packing away after sewing

1. Press the ON/OFF switch (3) to OFF.
2. Unplug the cord from the wall socket and then from the machine (2).
3. Unplug the foot control cord from the machine (1). Wind the foot control cord inside the space on the underside of the foot control.
4. Place all accessories in the accessory tray. Slide the tray on to the machine, behind the free arm.
5. Place the foot control in the space above the free arm.
6. Put on the cover.



## Extended Sewing Surface

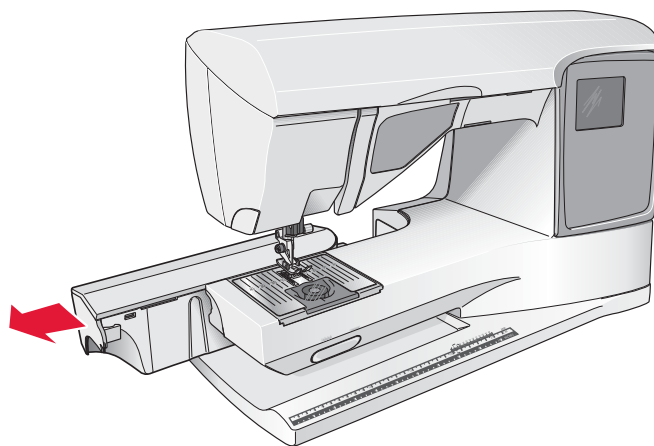
The space at the right side of the needle, between the needle and the arm, gives you a great deal of extra space. This makes sewing large projects and quilts much easier than on other sewing machines. Keep the accessory tray on the machine to provide a large, flat work surface.

## Using the free arm

Slide the accessory tray to the left when you wish to remove it and use the free arm.

Use the free arm to facilitate sewing trouser legs and sleeve hems.

To replace the accessory tray, slide it onto the machine until it fits in place.



## Spool pins and spool caps

Your sewing machine has two spool pins; a main spool pin and an auxiliary spool pin. The spool pins are designed for all types of thread. The main spool pin is adjustable and can be used in a horizontal position (the thread reels off the stationary spool) or in a vertical position (the thread spool rotates). Use the horizontal position for all regular sewing threads and the vertical position for large spools or specialty threads.

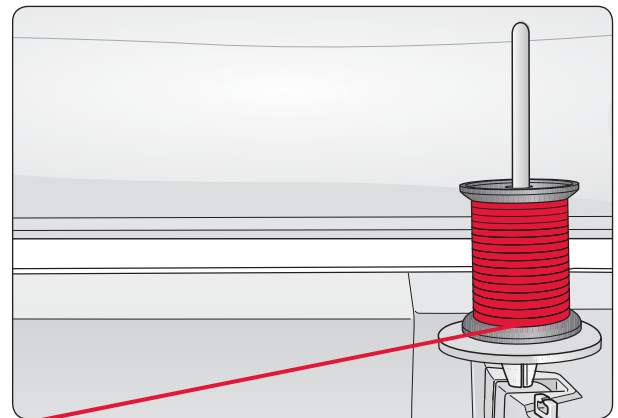
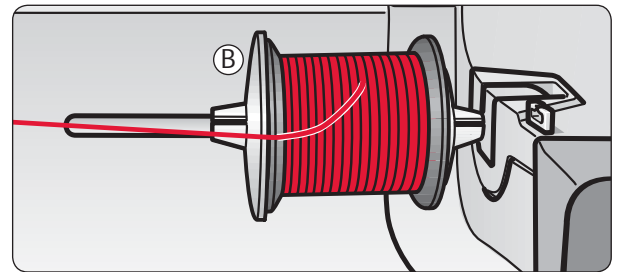
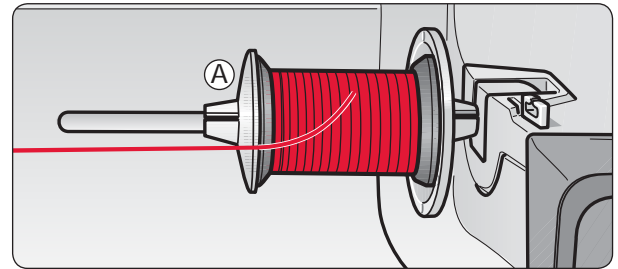
### Horizontal position

Lift the spool pin up slightly from its horizontal position to easily place the thread spool on the pin. The thread should reel over the top, in a counterclockwise direction, as shown in the picture. Slide on a spool cap and then move the spool pin back to the horizontal position.

There are two spool caps on the spool pin upon delivery. For medium sized thread spools, the medium sized cap (A) is placed in front of the spool. For large thread spools, the large cap (B) is placed in front of the spool.

The flat side of the spool cap should be pressed firmly against the spool. There should be no space between spool cap and thread spool.

Two extra spool caps, one small and one large, are also included as accessories for your machine. The small spool cap can be used for small thread spools. The second large spool cap can be used when winding a bobbin from a second spool of thread or when sewing with a twin needle.



### Vertical position

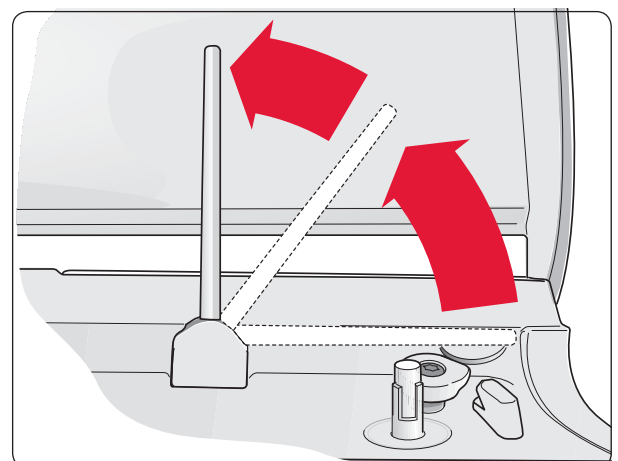
Lift the spool pin up and all the way to the right. Lock the spool pin in the vertical position by slightly pressing it down. Slide on the large spool cap. For spools smaller than the medium size spool cap or when using specialty threads, place a felt pad under the thread spool to prevent the thread from reeling off too fast. For larger spools, the felt pad is not needed.

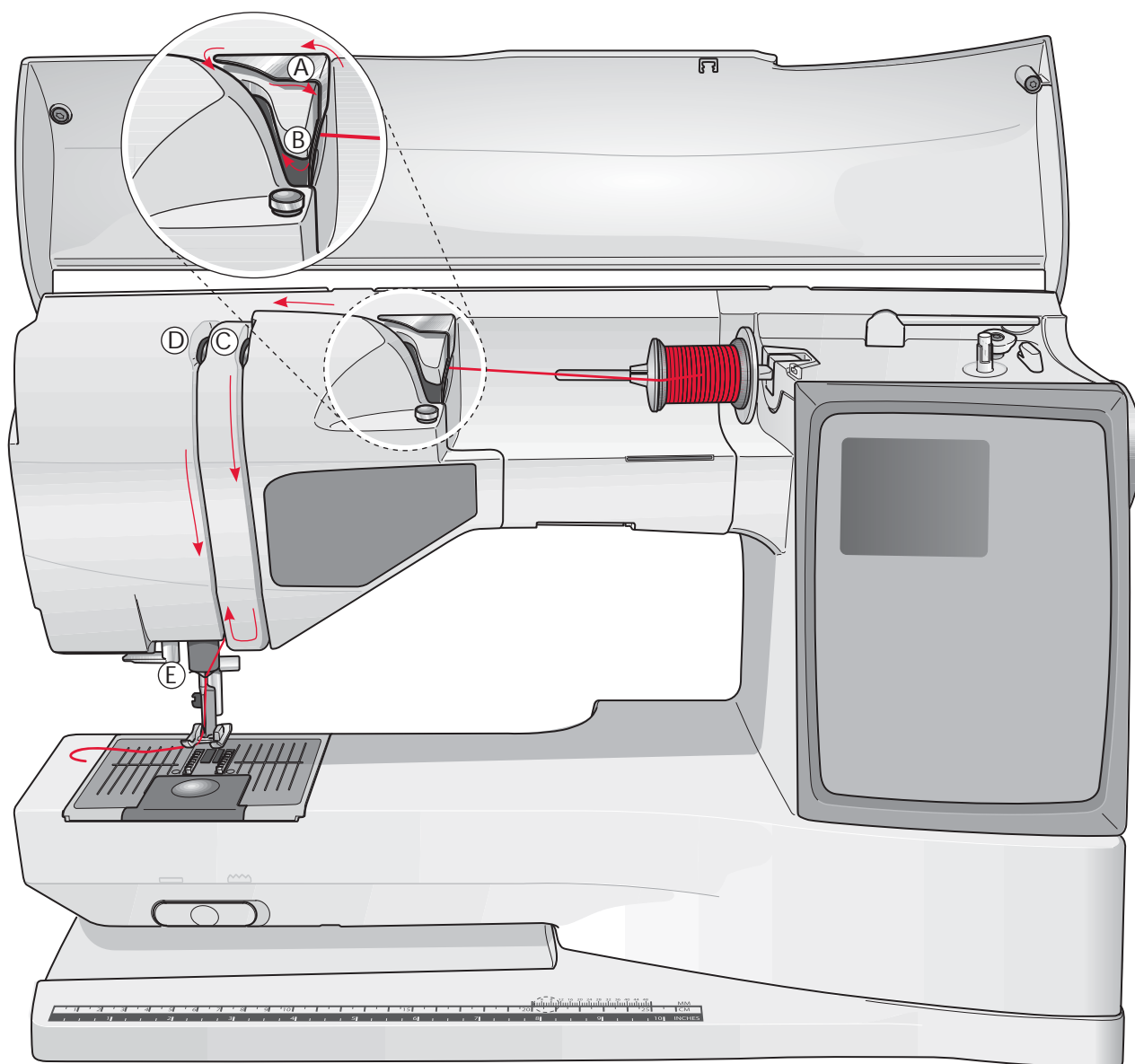
*Note: No spool cap should be placed on top of the spool as this prevents the spool from rotating.*

### Auxiliary spool pin

The auxiliary spool pin is used when winding a bobbin from a second spool of thread or for a second spool when sewing with a twin needle.

Lift the auxiliary spool pin up and to the left. Slide on the large spool cap. For spools smaller than the medium size spool cap, place a felt pad under the thread spool to prevent the thread from reeling off too fast. For larger spools, the felt pad shall not be used.





## Threading the Upper Thread

Make sure the presser foot is raised and the needle is in the up position.

1. Place the thread on the spool pin and the spool cap on the spool as described on page 12.
2. **Spool pin in horizontal position:**  
Bring the thread over and behind the pre-tension thread guide (A) and under the thread guide (B).

### Spool pin in vertical position:

Instead of bringing the thread into the pre-tension guide (A), bring it directly under the thread guide (B).

3. Bring the thread down between the thread tension discs (C).

4. Continue threading in the direction indicated by the arrows. Bring the thread from the right into the slot on the take-up lever (D).
5. Take the thread down and behind the last guide just above the needle (E).

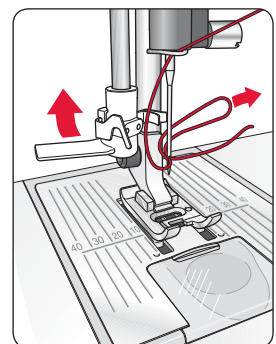
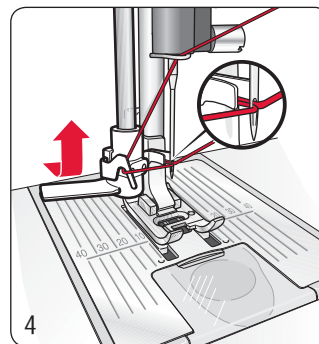
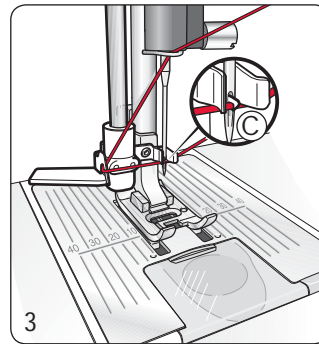
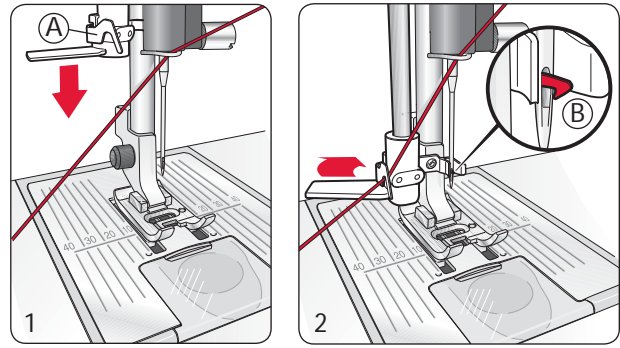
## Needle threader

The needle must be in the up position to use the built-in needle threader. We also recommend lowering the presser foot.

1. Use the handle to pull the needle threader all the way down, catching the thread under the guide (A).
2. Push back to bring the needle threader forward until the metal flanges cover the needle. A small hook will pass through the needle eye (B).
3. Place the thread under the flanges in front of the needle, so the thread catches into the small hook (C).
4. Let the needle threader gently swing back. The hook pulls the thread through the needle eye and forms a loop behind the needle. Pull the thread loop out behind the needle.
5. Place the thread under the presser foot.

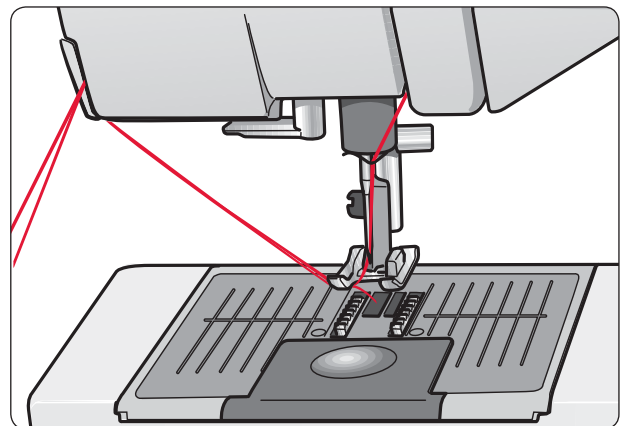
*Note: The needle threader is designed to be used for size 70-120 needles. You cannot use the needle threader for size 60 needles or smaller, the wing needle, twin needle, triple needle or when the Sensor One-Step Buttonhole Foot is on. There are also some other optional accessories that require manual threading of the needle.*

*When threading the needle manually, make sure that the needle is threaded from front to back. The white presser foot ankle makes it easy to see the eye of the needle. The bobbin case cover can be used as a magnifying glass.*



## Cutting the thread

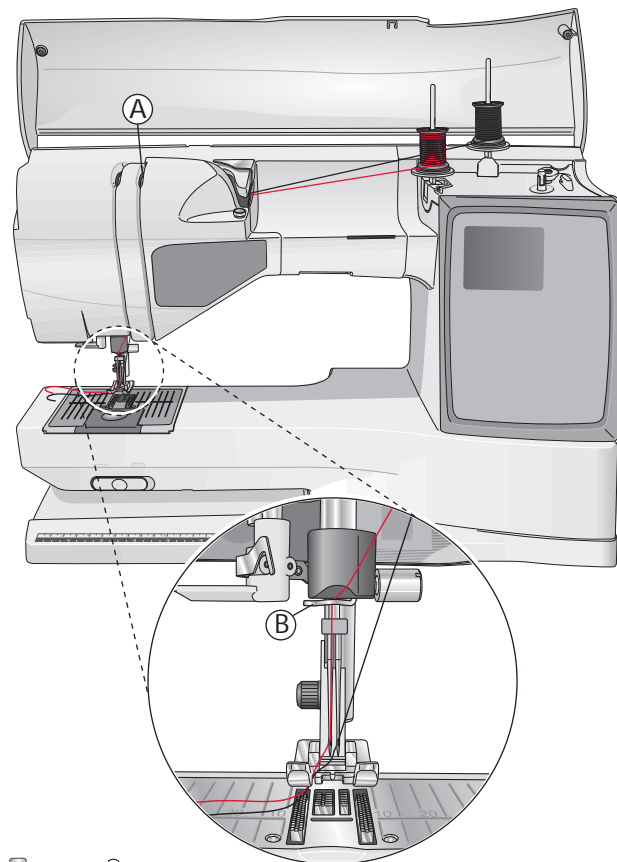
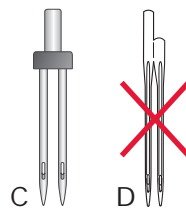
Once you have finished sewing, you can cut the threads by raising the presser foot and pulling the threads on the left side of the machine from back to front into the thread cutter.



## Threading for twin needles

1. Insert a twin needle.
2. Use a second thread spool or wind a bobbin with the thread you are going to use as the second upper thread.
3. Lift the spool pin up and all the way to the right. Lock the spool pin in the vertical position by slightly pressing it down. Slide on the large spool cap. For spools smaller than the medium size spool cap, place a felt pad under the thread spool.
4. Place the first thread spool on the spool pin. The spool should rotate in a clockwise direction when the thread reels off the spool.
5. **LEFT NEEDLE:** Thread the machine as described on page 13. Check to ensure that the thread lies between the left thread tension discs (A). Thread the left needle manually.
6. Pull out the auxiliary spool pin and slide on the large spool cap. For spools smaller than the medium size spool cap, place a felt pad under the thread spool.
7. Place the second thread on the spool pin. The second spool should rotate in a counterclockwise direction when the thread reels off the spool.
8. **RIGHT NEEDLE:** Thread the machine as before but this thread should lie between the right thread tension discs (A) and outside the needle thread guide (B). Thread the right needle manually.

*Note: Only use symmetrical twin needles (C). Do not use this type of twin needle (D), since it may damage your sewing machine.*



## Thread sensor

If the upper thread breaks or runs out or if the bobbin thread runs out, the machine stops and a pop-up appears on the display.

If upper thread breaks: Re-thread the machine and press OK.

The pop-up disappears. If bobbin thread runs out; replace with a full bobbin and continue sewing.

## Bobbin Winding, model 20

### Winding the bobbin with the machine threaded

Make sure that the presser foot is up and the needle is in the highest position.

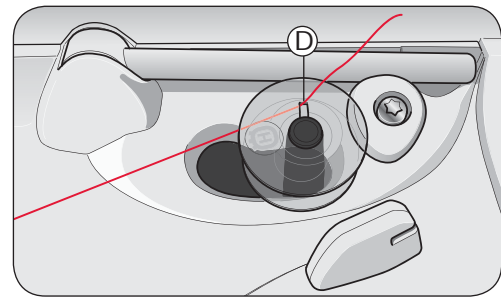
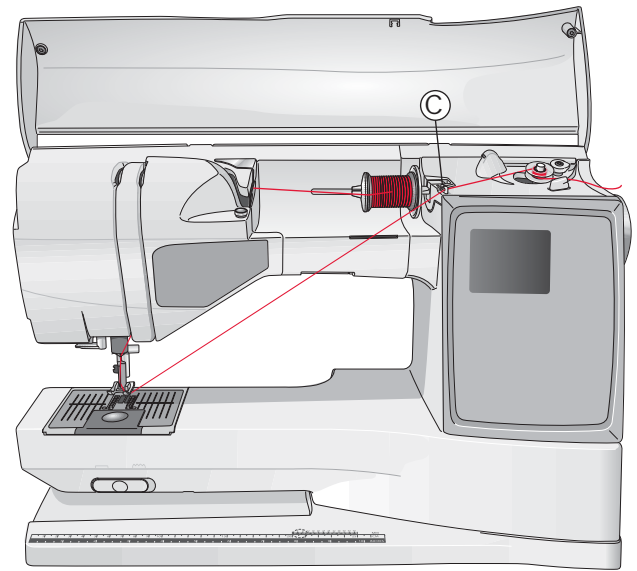
*Note! Do not use a plastic presser foot when bobbin winding.*

1. Place an empty bobbin on the bobbin winder on the top of the machine. The bobbin only fits on one way, with the logo facing up. Use only original HUSQVARNA VIKING® bobbins.
2. Thread the machine with the main spool pin in the horizontal position.

*Note: If the thread spool is too large to be in horizontal position, wind the bobbin as described under "Winding Specialty Threads" below.*

3. Pull the thread from the needle under the presser foot and to the right through the bobbin winding thread guide (C).
4. Guide the thread through the hole in the bobbin (D) from the inside to the outside.
5. Push the bobbin winder to the right. A pop-up message appears on the GraphicDisplay. Press the foot control or the Start/Stop button to start winding. Hold the end of the thread firmly when starting to wind. Once the bobbin begins to wind, cut the excess thread.

When the bobbin is full, it will stop automatically. Push the bobbin winder back to the left, remove the bobbin and cut off the thread on the thread cutter.



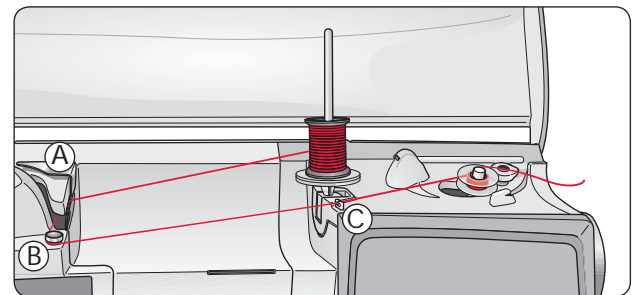
*Note: When using earlier version of HUSQVARNA VIKING® bobbins that do not have a hole, wind several turns of thread on the bobbin to get started.*

### Winding Specialty Threads

We do not recommend winding speciality threads such as "invisible" or other stretchy threads, metallic or flat metallic threads through the needle.

Always wind these threads at minimum speed.

1. Place an empty bobbin on the bobbin winder on the top of the machine. The bobbin only fits on one way, with the logo facing up. Use only original HUSQVARNA VIKING® bobbins.
2. Place the large spool cap and a felt pad under the spool on the main spool pin set in the vertical position.
3. Bring the thread over and behind the pre-tension thread guide (A) and down around the thread tension disc (B), then through bobbin winding thread guide (C) as illustrated.
4. See Winding the bobbin with the machine threaded, step 4-5.



*Note: Depending on the type of thread, wrap the thread one or two turns around the bobbin thread tension disc (B) to put more tension on the thread. Embroidery weight bobbin thread should be taken two turns around the bobbin thread tension disc.*



## Bobbin Winding, model 30

### Winding the bobbin with the machine threaded

Make sure that the presser foot is up and the needle is in the highest position.

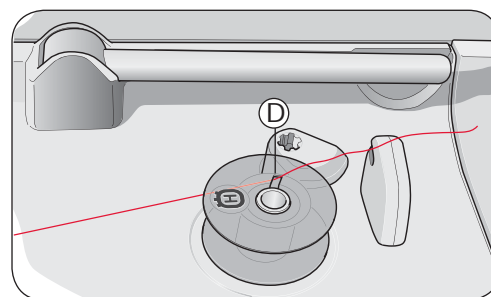
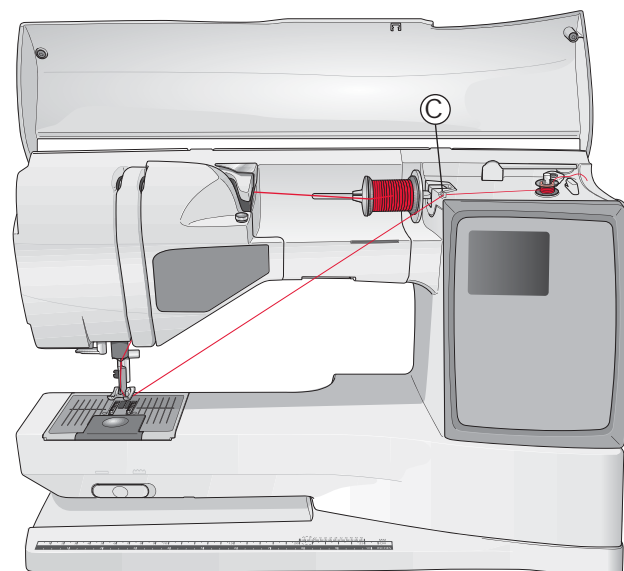
*Note! Do not use a plastic presser foot when bobbin winding.*

1. Place an empty bobbin on the bobbin winder on the top of the machine. The bobbin only fits on one way, with the logo facing up. Use only original HUSQVARNA VIKING® bobbins.
2. Thread the machine with the main spool pin in the horizontal position.

*Note: If the thread spool is too large to be in horizontal position, wind the bobbin as described under "Winding Specialty Threads" below.*

3. Pull the thread from the needle under the presser foot and to the right through the bobbin winding thread guide (C).
4. Guide the thread through the hole in the bobbin (D) from the inside to the outside.
5. Push the bobbin winder lever towards the bobbin to wind. A pop-up message appears on the GraphicDisplay. Press the OK button to start winding. To adjust the winding speed use the left/right arrow buttons. Hold the thread firmly when starting to wind. Once the bobbin begins to wind, cut the excess thread.

Once the bobbin is full, the bobbin winder lever will move back and the winding will stop automatically. The pop-up message closes. Remove the bobbin and cut the thread using the bobbin thread cutter.



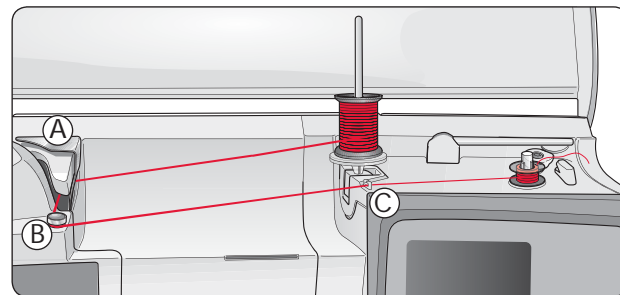
*Note: When using earlier version of HUSQVARNA VIKING® bobbins that do not have a hole, wind several turns of thread on the bobbin to get started.*

### Winding Specialty Threads

We do not recommend winding speciality threads such as "invisible" or other stretchy threads, metallic or flat metallic threads through the needle.

Always wind these threads at minimum speed.

1. Place an empty bobbin on the bobbin winder on the top of the machine. The bobbin only fits on one way, with the logo facing up. Use only original HUSQVARNA VIKING® bobbins.
2. Place the large spool cap and a felt pad under the spool on the main spool pin set in the vertical position.
3. Bring the thread over and behind the pre-tension thread guide (A) and down around the thread tension disc (B), then through bobbin winding thread guide (C) as illustrated.
4. See Winding the bobbin with the machine threaded, step 4-5.



*Note: Depending on the type of thread, wrap the thread one or two turns around the bobbin thread tension disc (B) to put more tension on the thread. Embroidery weight bobbin thread should be taken two turns around the bobbin thread tension disc.*

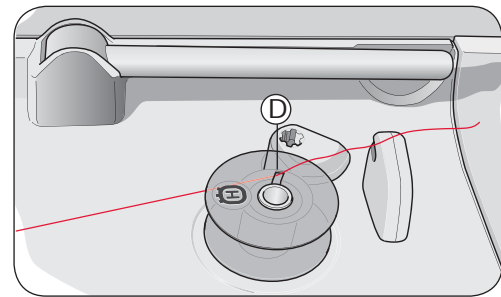
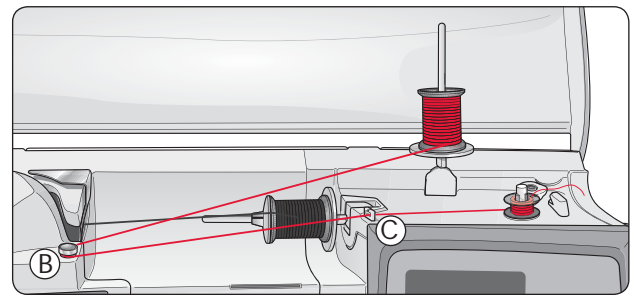
## Bobbin Winding while embroidering or sewing

Model 30 has a separate motor for bobbin winding to wind bobbins while sewing or embroidering.

1. Place an empty bobbin on the bobbin winder on the top of the machine. The bobbin only fits on one way, with the logo facing up. Use only original HUSQVARNA VIKING® bobbins.
2. Raise the auxiliary spool pin. Place the large spool cap, felt pad and thread spool on the spool pin.
3. Bring the bobbin thread around the thread tension disc (B) and through the thread guide (C) as illustrated.
4. Guide the thread through the hole in the bobbin (D) from the inside to the outside.
5. Push the bobbin winder lever towards the bobbin to wind. A pop-up message appears on the GraphicDisplay. Press the OK button to start winding. To adjust the winding speed use the left/right arrow buttons. Hold the thread firmly when starting to wind. Once the bobbin begins to wind, cut the excess thread.

Once the bobbin is full, the bobbin winder lever will move back and the winding will stop automatically. The pop-up message closes. Remove the bobbin and cut the thread using the bobbin thread cutter.

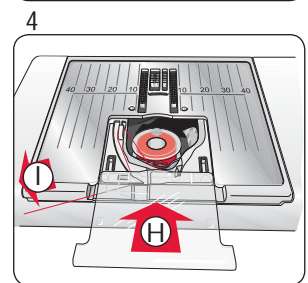
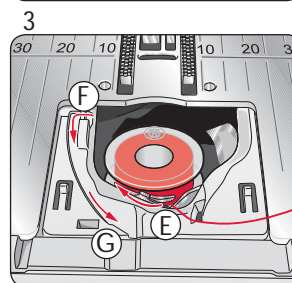
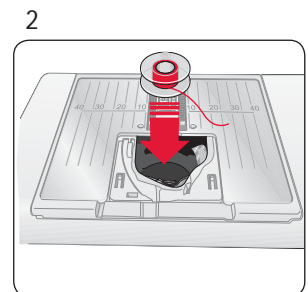
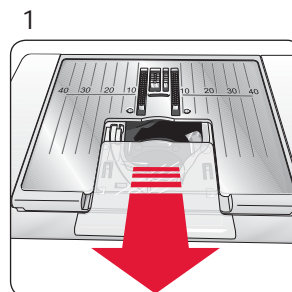
*Note: Make sure that the thread does not touch the cap of the horizontal spool pin when winding the bobbin. If it does, place the cap and spool on the vertical spool pin higher.*



*Note: When using earlier version of HUSQVARNA VIKING® bobbins that do not have a hole, wind several turns of thread on the bobbin to get started.*

## Inserting the bobbin

1. Remove the bobbin cover by sliding it towards you.
2. Place the bobbin in the bobbin case. It drops in only one way with the logo facing up. The thread unreels from the left of the bobbin. The bobbin will then rotate counter-clockwise when you pull the thread.
3. Place your finger on the bobbin to keep it from turning as you pull the thread firmly to the right and then to the left into the tension spring (E) until it "clicks" into place.
4. Continue threading around (F) and to the right of the thread cutter (G). Slide on the bobbin cover (H). Pull the thread to the left to cut (I).



## Thread tension

Your machine automatically sets the best thread tension for the selected stitch and fabric. Go to the SET Menu to adjust the thread tension for specialty thread, techniques or fabric (see page 28).

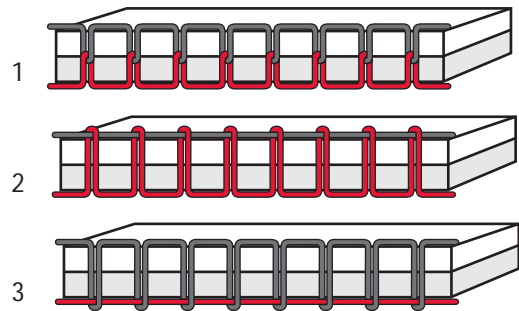
### Correct and incorrect thread tension

For the best stitch appearance and durability make sure the needle thread tension is correctly adjusted, i.e. for general sewing, the threads evenly meet between the two fabric layers (1).

If the bobbin thread is visible on the top side of the fabric, the needle thread tension is too tight (2). Reduce the needle thread tension.

If top thread is visible on the underside of the fabric, the needle thread tension is too loose (3). Increase the needle thread tension.

*Note: For decorative stitches and buttonholes the top thread should be visible on the underside of the fabric.*



## EXCLUSIVE SENSOR SYSTEM™ (ESS)

### Sensor Foot Pressure

Thanks to the Sensor Foot Pressure, the presser foot actually senses the thickness of fabric, embroidery or stitching to sew over it smoothly and evenly with perfect fabric feeding.

If you want to see the actual setting of the presser foot pressure for the selected fabric and adjust the pressure manually, go to the SET Menu (see page 28).

### Sensor Foot Lift



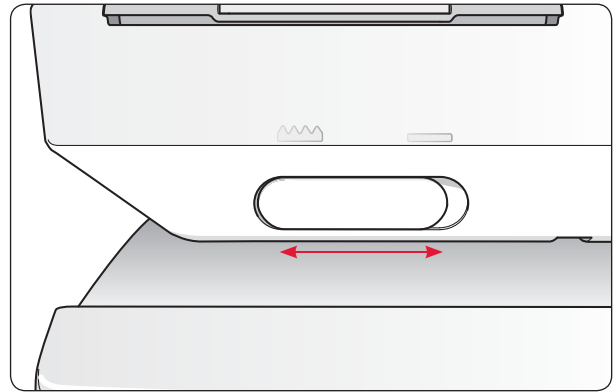
The presser foot on your sewing machine is raised and lowered in four levels with the Sensor Foot Up and Down buttons (see page 25).

The presser foot is automatically lowered when you start sewing. When you stop with the needle in the down position, the presser foot automatically senses the thickness of the fabric and raises the presser foot to just the right height to float over the fabric for pivoting. Go to the SET Menu to turn off this function (see page 28).

## Lower the feed teeth

The feed teeth are lowered when you move the switch on the front of the free arm to the right. Move the switch to the left if you wish to raise the feed teeth. The feed teeth will raise as you begin to sew. The feed teeth should be lowered when sewing on buttons and for free motion sewing.

When embroidering, the feed teeth are lowered automatically as the embroidery unit is connected. When the embroidery unit is removed, the feed teeth are raised automatically when you start sewing.

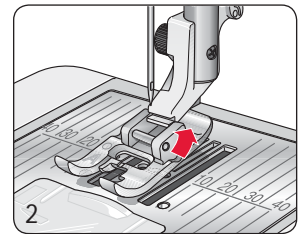
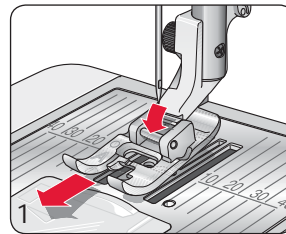


## Changing the presser foot



*Turn off the ON/OFF switch*

1. Make sure the needle is in the highest position and the presser foot lifted. Pull the presser foot towards you.
2. Line up the cross pin on the foot with the gap in the presser foot ankle. Push back until the foot snaps into place.

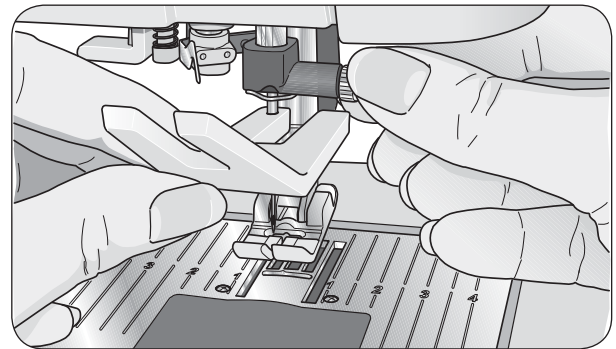


## Changing the needle



*Turn off the ON/OFF switch*

1. Use the hole in the multipurpose tool to hold the needle.
2. Loosen the screw in the needle clamp with the screwdriver.
3. Remove the needle.
4. Insert the new needle using the multipurpose tool. Push the new needle upwards with the flat side away from you until it will go no further.
5. Use the screwdriver to tighten the screw.



## Needles

The sewing machine needle plays an important role in successful sewing. To ensure you will get a quality needle, we recommend needles of system 130/705H. The needle package included with your machine contains needles of the most frequently used sizes for sewing on woven and stretch fabrics.

### Universal needle (A)

Universal needles have a slightly rounded point and come in a variety of sizes. For general sewing in a variety of fabric types and weights.

### Stretch needle (B)

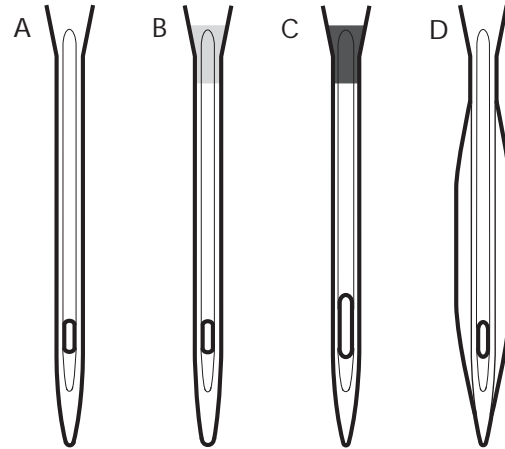
Stretch needles have a special scarf to eliminate skipped stitches when there is a flex in the fabric. For knits, swimwear, fleece, synthetic suedes and leathers. Marked with a yellow band.

### Denim needle (C)

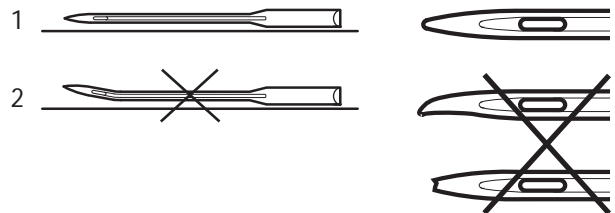
Denim needles have a sharp point to penetrate tightly woven fabrics without deflecting the needle. For canvas, denim, microfibers. Marked with a blue band.

### Wing needle (D)

The Wing needle has wide wings on the side of the needle to poke holes in the fabric when sewing entredeux and other hemstitches on natural fiber fabrics.



*Note: Change the needle often. Always use a straight needle with a sharp point (1). A damaged needle (2) can cause skipped stitches, breakage of needles or snapping of thread. A damaged needle can also damage the stitch plate.*



## Threads

There are many threads on the market today developed for different purposes.

### All purpose sewing thread

All purpose sewing thread is made of synthetic, cotton or cotton covered polyester. This type of thread is used for sewing garments and projects.

### Embroidery thread

Embroidery thread is made of various fibers: rayon, polyester, acrylic or metallic. These threads create a smooth glossy appearance for embroidery and other decorative stitching.

When embroidering, use embroidery bobbin thread.

*Note: When using a metallic or a flat film thread for embroidering, you may need to use a needle with a larger eye and lower the embroidery speed. Thread the sewing machine with the spool in the vertical position.*

### Transparent thread

Transparent thread, also called monofilament thread, is single clear synthetic thread. It is used for quilting and other decorative sewing. Thread the sewing machine with the spool in the vertical position. When winding a bobbin, wind at slow speed and wind the bobbin half full.

### Pictogram Pen

Use an air or water soluble marking pen for embroidery and Pictograms on all types of fabrics. The color disappears after a few hours. You can also use cold water to completely remove the markings. Make sure that all markings are removed before ironing or washing with soap or detergent.



## Stabilizers

### Tear-away stabilizers

Tear-away stabilizers are used with stable woven fabrics. Place underneath fabric for decorative stitching or hoop with the fabric when embroidering. Tear away excess stabilizer after stitching.

### Iron-on tear-away

Iron-on tear-away is a totally stable stabilizer that has a slick side that will iron on to fabric. It is recommended for knits and all unstable fabrics. Fuse it to the wrong side of the fabric before decorative stitching or hooping. Tear away excess stabilizer after stitching.

### Cut-away stabilizer

Cut-away stabilizer does not tear so the excess has to be cut away. It is recommended for knits and all unstable fabrics, especially for hoop embroidery.

### Water soluble stabilizer

Water soluble stabilizer is placed on top of the fabric when embellishing/embroidering napped and looped fabrics such as terry cloth. When embroidering cutwork, use it underneath the fabric. Place your work in water to dissolve the excess stabilizer. It is available in different thicknesses.

### Disintegrating stabilizer

Disintegrating stabilizer is a stable, loosely woven fabric that is used for techniques such as cutwork and to crochet off the fabric edge. The stabilizer disappears with heat.

### Sticky stabilizer

Sticky stabilizer is used for hoop embroidery when the fabric to be embroidered is too delicate or too small to be hooped. Hoop the sticky stabilizer with the paper side up. Remove the paper and place the project to be embroidered onto the sticky surface. Tear away sticky stabilizer after stitching.

Some fabrics have excess dye which can cause discoloration on other fabrics or on your sewing machine. This discoloring may be very difficult or impossible to remove.

Fleece and denim fabric, especially in red and blue, often contain a lot of excess dye.

If you suspect that your fabric/ready-to-wear garment contains a lot of excess dye, always pre-wash it before sewing/embroidering to avoid the discoloration.

## USB port

On the right side of your machine you will find a USB port to connect your USB embroidery stick.

## USB embroidery stick

Delivered with your machine is a USB embroidery stick. Upon delivery the stick contains embroidery designs and one embroidery font. Use the stick to save designs from your PC and load them on your machine.

*Note: Only original HUSQVARNA VIKING® USB embroidery sticks will be supported.*

## Connect to and remove from USB port

Insert the USB embroidery stick in the USB port on the right side of your machine. The USB plug can only be inserted one way - do not force it into the port!

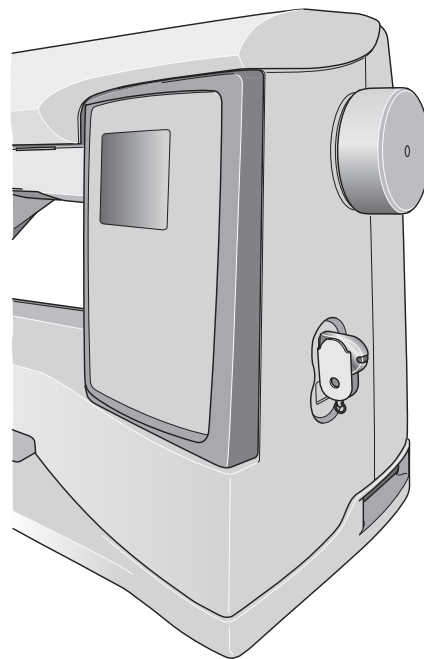
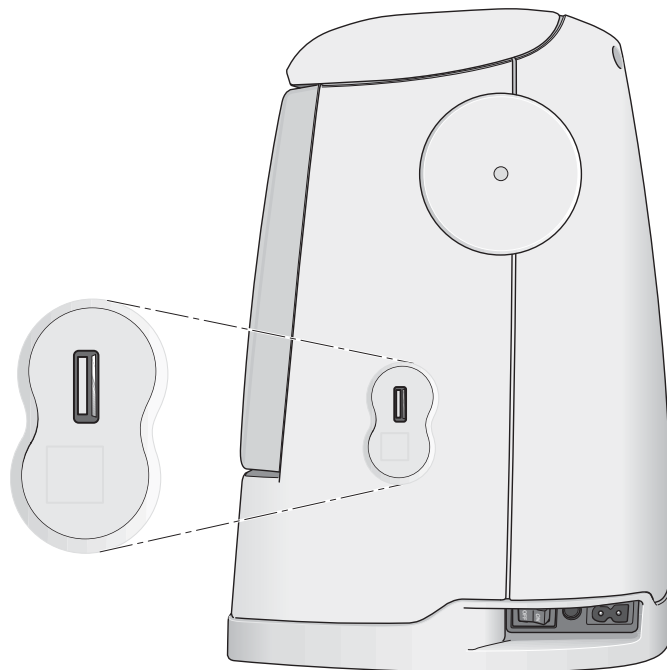
To remove, carefully pull the USB embroidery stick out straight.

## Using the USB embroidery stick

A light at the end of the stick indicates that the USB embroidery stick is plugged in correctly. When loading from the stick the light flashes.

*Note: Do not remove the USB embroidery stick while loading, adjusting or stitching-out a design.*

The USB embroidery stick provided with the machine can be left in the machine when putting on the hard cover. Make sure that the cover of the USB stick is turned downwards.



1

## 5D™ Embroidery Software

### 5D™ QuickFont

Create font files (.vfb) for your HUSQVARNA VIKING® DESIGNER TOPAZ™ embroidery machine from most TrueType® or OpenType® fonts on your computer.

### 5D™ Organizer

Find your designs and pictures easily. Browse them in different sizes and print selected groups as full worksheets or thumbnail catalogs. Convert your designs between major embroidery formats, to pictures or desktop wallpaper for your computer.

### Installing your software

If you own other HUSQVARNA VIKING® 5D™ Embroidery System software, you may need to install the 5D™ Embroidery System 9.2 (or higher version) Update instead of installing the Embroidery Machine Communication Software. Then add the HUSQVARNA VIKING® DESIGNER TOPAZ™ 30 or 20 sewing and embroidery machine from the Machine Manager in 5D™ Configure, as described in Step 4.

1. Ensure you are logged onto your computer with a user name that is an administrator on the computer, then install your software from the CD provided (attached inside the back cover of this User's Guide).
2. Insert your CD. In Windows® 7/Vista, an AutoPlay message may appear, asking what you wish to do with the CD. Click the option to Run Menu.exe. Select your desired language, and select the 'Install Embroidery Machine Communication Software' option from the menu.
3. Follow the instructions in the installation Wizard. When asked to enter your Installation Code, enter the following number: **9200**.
4. In the 5D™ Configure Wizard under MyMachines select your machine type: HUSQVARNA VIKING® DESIGNER TOPAZ™ 30 or 20. Under Send 1 or Send 2 select HUSQVARNA VIKING® DESIGNER TOPAZ™ 30 or 20, USB Embroidery Stick.

*Note You can find more detailed information about the installation in the 5D™ Embroidery System Getting Started Guide, in the folder 'UserGuides' on the CD. Your installation CD includes an option to Install Drivers. However, this is not required for the HUSQVARNA VIKING® DESIGNER TOPAZ™ series embroidery machine.*

### Register your 5D™ software

After finishing the software installation, you can select to register your software by clicking on Register in the menu. Create an account and enter your details to receive customized 5D™ newsletters.

### Important!

During the registration process you will be given an option to enter which sewing and embroidery machine(s) you own. This is NOT a product or warranty registration. The machine information entered here is only used to customize 5D™ Software newsletters. For product and warranty registration, go to the HUSQVARNA VIKING® web site at [www.husqvarnaviking.com](http://www.husqvarnaviking.com).

To register later, select the Register button in 5D™ Configure at any time.

### How to Launch the Programs

#### Shortcuts on the Desktop

1. Double-click on the Shortcut to the 5D™ Embroidery System program folder. A list of the programs appears.
2. Double-click on 5D™ Organizer, 5D™ QuickFont or 5D™ Configure to launch it.

Alternatively use the Start Menu to open modules under Start, All Programs, 5D™ Embroidery System.

### Viewing and Printing PDF Guides

To find all the Reference and Sample Guides for your 5D™ Embroidery System software, go to Start, All Programs, 5D™ Embroidery System then choose Reference Guides or Sample Guides. Choose the relevant folder, then select the desired PDF Guide. Double-click on the desired name to launch the relevant .pdf file if you have Adobe Acrobat installed on your computer. To install the Acrobat Reader, insert the 5D™ Embroidery System CD and select that option from the menu that appears.

### How to Update your machine

Be sure to consult the web site at [www.husqvarnaviking.com](http://www.husqvarnaviking.com) and/or your local authorized HUSQVARNA VIKING® dealer for updates and upgrades for your machine and User's Guide.

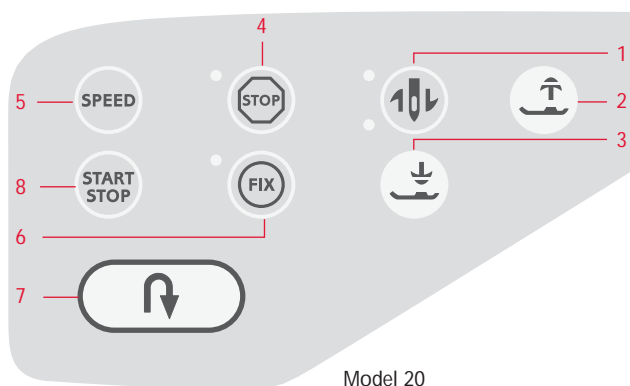
#### Update instructions

1. Go to the HUSQVARNA VIKING® web site at [www.husqvarnaviking.com](http://www.husqvarnaviking.com) and find your sewing machine. Here you will find updates available for your machine.
2. Download the update software to your USB embroidery stick, following the instructions on the web site.
3. Make sure that your machine is turned off. Connect the USB embroidery stick loaded with the new software version to the USB port on your machine.
4. Press and hold the Needle Stop Up/Down button and the Reverse button at the same time. With both of these buttons firmly depressed, turn on your machine.
5. The new Software version will install automatically. When the LED next to the reverse button starts flashing, release the buttons.
6. The update procedure can take several minutes. The GraphicDisplay will be blank while the LEDs next to the Reverse button and two other buttons are indicating in different combinations.
7. When the update is completed the machine will restart automatically. Check the software version number in the SET Menu.

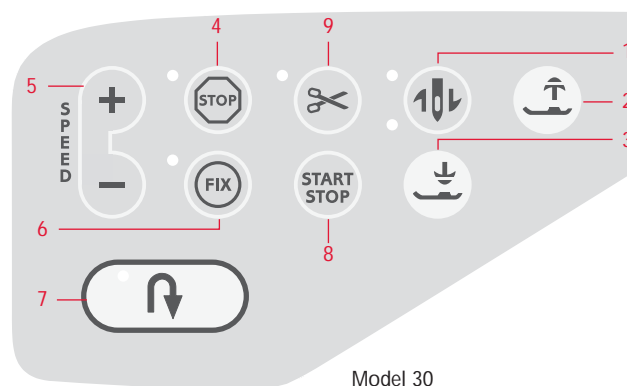
*Note: If the update is not completed successfully the LEDs next to the Reverse button and two other buttons will flash simultaneously. Turn off the machine and start the update from the beginning. If the problem remains contact your authorized dealer.*



## Function Buttons



Model 20



Model 30

### 1. Needle Stop Up/Down

**IN SEWING MODE:** Press this button to move the needle down or up. The setting of the needle stop position is changed at the same time.

The upper LED next to the button is lit when needle up is activated and the lower LED is lit when needle down is activated.

You can also tap the foot control to raise or lower the needle. If both the needle and the presser foot are in up position, only the presser foot will be lowered when you tap the foot control the first time. Tap again to lower the needle as well.

**IN EMBROIDERY MODE:** If no hoop is attached, the embroidery unit will move the embroidery arm to Park Position when you select Needle Stop Up/Down. If a hoop is attached, the machine will move the hoop forward, towards you, for easy thread trimming (see page 64).

### 2. Sensor Foot Up and Extra Lift

This button raises the presser foot to the up position. Press the button once more and the presser foot will raise to an Extra Lift position, to make it easy to place and remove heavy or fluffy fabrics and battings under the presser foot.

### 3. Sensor Foot Down and Pivot Position

**IN SEWING MODE:** Press Sensor Foot Down and Pivot and the presser foot will be completely lowered and the machine firmly holds the fabric. Press Sensor Foot Down again to raise the presser foot to pivot position or a floating position over the fabric for easier placement of the fabric.

The presser foot will be lowered automatically when you start sewing. You can also tap the foot control to lower the presser foot.

When you stop with the needle in the down position, the presser foot is automatically lifted to pivot position. This function can be turned off in the SET Menu, see page 28.

**IN EMBROIDERY MODE:** Press the Sensor Foot Down button to lower the presser foot into the Embroidery “float” position.

### 4. Stop

**IN SEWING MODE:** STOP is used to conclude a stitch or to sew just one unit of the stitch. Your sewing machine ties off the thread and stops automatically when one stitch unit or stitch program has been completed. The LED next to the button is lit when STOP is activated. STOP is cancelled once you have used the function. Press the button again if you wish to activate it once more.

STOP is also used to repeat the darning or bartack stitch with the same size.

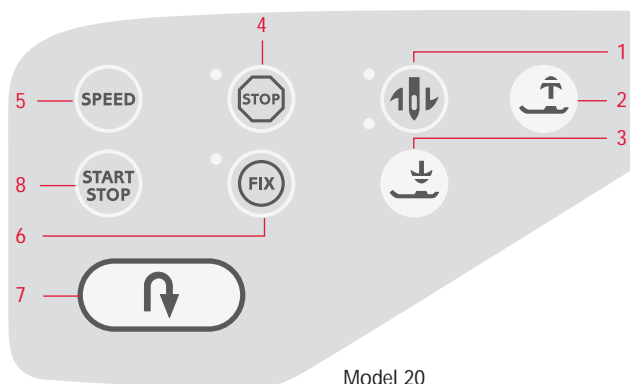
*Tip: If you want to repeat the STOP function for a stitch unit several times in a row you can save the stitch with a STOP at the end in a program (see programming, page 37).*

**IN EMBROIDERY MODE:** When embroidering STOP is automatically activated and the machine stops at color changes. Deselect STOP to eliminate stops for color changes to create one-color embroidery (see page 64). The LED next to the button is lit when STOP is activated.

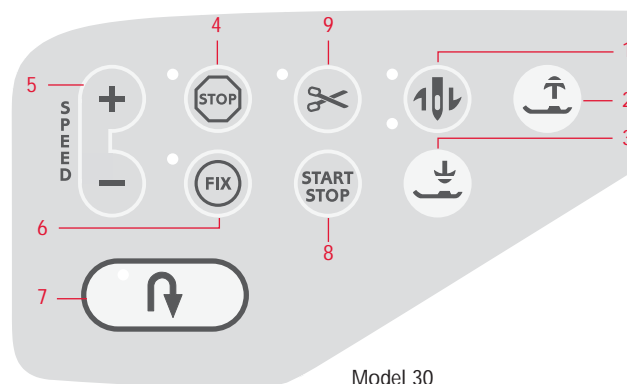
### 5. Speed

**IN SEWING MODE:** All stitches in your sewing machine have a pre-set, recommended sewing speed. Press the SPEED button or, on model 30: SPEED+ or SPEED- to increase or decrease the sewing speed. For model 20 there are three speed levels and for model 30 there are five speed levels. The speed level is shown on the GraphicDisplay. You cannot select a higher speed than the max speed for the selected stitch.

**IN EMBROIDERY MODE:** Each stitch type in a design has a pre-set maximum speed at which it can be sewn. To reduce the speed when using specialty threads, press the SPEED button or, on model 30, SPEED-. To increase the speed again press the SPEED button again, or on model 30 SPEED+.



Model 20



Model 30

## 6. FIX

**IN SEWING MODE:** By using the FIX button you can lock the stitch at the beginning and/or at the end. The LED next to the button is lit when FIX is activated. Press the FIX button to turn off the function.

The FIX function is automatically activated when a stitch is selected or when STOP, the Selective Thread Cutter\* or Stitch Re-start\* has been used. You can turn off the automatic FIX function in the SET Menu, see page 28. No tie-off stitches will be sewn unless you select the FIX button on your machine.

The FIX function can be programmed (see page 38).

**IN EMBROIDERY MODE:** Press FIX to baste an outline of the embroidery area (see page 64).

## 7. Reverse

If you press the button while sewing, the machine will sew in reverse until the button is released. Then your sewing machine will sew forward. The LED on the button is lit when reverse is activated.

For permanent reverse, press the button once before starting to sew. Your sewing machine sews in reverse until you press the button again.

Reverse is also used when sewing buttonholes, bartacks, darning and tapering stitches\* to step between the parts of the stitch.

## 8. Start/Stop

**IN SEWING MODE:** Press this button to start and stop the machine without the foot control. Press START/STOP once to begin sewing and press again to stop sewing.

**IN EMBROIDERY MODE:** Press Start/Stop to begin embroidering and press again to stop. Your machine stops automatically at color changes and when the embroidery is finished.

## 9. Selective Thread Cutter (Only on model 30)

**IN SEWING MODE:** Press the Selective Thread Cutter button and your machine ties off the threads, cuts the top and bottom threads, raises the presser foot and the needle, and activates the FIX function for the next start. To cut threads at the end of a stitch or stitch program, press Selective Thread Cutter while sewing. The LED next to the button starts flashing indicating that a cut is requested. When the stitch or stitch program is completed, the upper thread and bobbin will be cut.

The Selective Thread Cutter function can be programmed (see page 38).

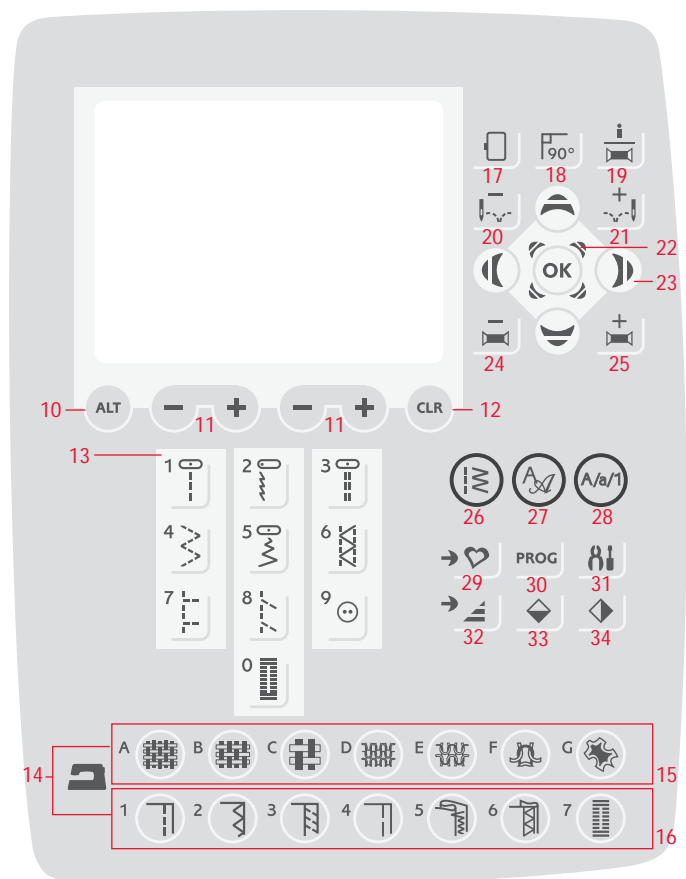
*Note: Your machine cuts automatically after a sensor buttonhole or an eyelet is sewn. Automatic Selective Thread Cutter can be cancelled in the SET Menu, see page 29.*

**IN EMBROIDERY MODE:** Cuts top and bobbin threads and raises presser foot. Top thread only is cut automatically at color changes. When the design is finished both top and bobbin threads are cut automatically.

\* Only on model 30

## Touch Panel overview

10. Alternate View
11. +/- buttons for stitch and design adjustments
12. Clear
13. Stitch Selection buttons
14. Exclusive SEWING ADVISOR™
15. Fabric selection
16. Sewing Technique
17. Hoop options
18. Rotate design
19. Embroidery Info button
20. Step Stitch-by-Stitch -
21. Step Stitch-by-Stitch +
22. OK/Corner check
23. Navigator Arrow buttons
24. Step Color-by-Color -
25. Step Color-by-Color +
26. Stitch Menu/Load design
27. Font Menu
28. Shift Fonts to upper case, lower case or numbers
29. Save to My Stitches
30. Programming Mode
31. SET Menu
32. Stitch Re-Start (Only on model 30)
33. Mirror End-to-End (Only on model 30)
34. Mirror Side-to-Side



## SET Menu

You can change the pre-set machine settings and make manual adjustments to the automatic functions in the SET Menu. Open the menu by pressing the SET Menu button and select the setting you wish to adjust by pressing the up/down arrow buttons. To activate the function, use the OK button to place an X in the box. To cancel the function, press the OK button again to leave the box empty. To change the number settings use the right/left arrow buttons. Press the SET Menu button again to leave the SET Menu.

*Note: When a number is set to default the figures will be black. If you change the number the figures will be inverted on a black background.*

### Thread tension

Your machine will automatically set the best thread tension for the selected stitch and fabric. Use the left/right arrow buttons if you need to adjust the thread tension.

In Sewing Mode the changes only affect the selected stitch. If another stitch is selected or the same stitch is selected again, the value is reset to the default value. In Embroidery Mode the value is reset to the default value when a new design is loaded. The setting will go back to default when the machine is turned off.

### Presser foot pressure (Only in Sewing Mode)

Use the left/right arrow buttons if you want to adjust the presser foot pressure for the selected stitch. The value can be adjusted between 0 and 8.5 in steps of 0.5. Your manual setting will be cancelled when you select another stitch or turn off the machine.

*Note: When you save a stitch or program in My Stitches the setting of the presser foot pressure is also saved.*

### Pivot height

If Free Motion is activated or if the machine is in Embroidery Mode you will be able to set the height of the presser foot pivot position. The float/pivot position can be raised or lowered in 15 steps by pressing the left/right arrow buttons. Your setting for the actual mode will be saved even when the machine is turned off.

**Free Motion:** Skipped stitches can occur if your fabric moves up and down with the needle as you are stitching. Lowering the pivot height will reduce the space between the presser foot and the fabric and eliminate the skipped stitches.

*Note: Be careful not to reduce the pivot height too much. The fabric must still move freely under the presser foot.*

**Embroidery Mode:** Some embroideries may build up under the presser foot. If there is not enough space between the presser foot and the embroidery, the top thread will form loops on the underside of the embroidery. Increase the pivot height in small steps until the embroidery moves freely under the presser foot.

### Sensor Foot Auto (Only in Sewing Mode)

Use the OK button to turn on or off the automatic pivot function for lifting the presser foot for example when stopping with the needle down. The setting will go back to default when the machine is turned off.

### FIX Auto (Only in Sewing Mode)

Use the OK button to turn on or off the automatic FIX function in the beginning of each stitch. Your setting will be saved even when the machine is turned off.



Machine SET Menu, Sewing Mode



Machine SET Menu, Sewing Mode

## Selective Thread Cutter Auto (Only on model 30)

The Selective Thread Cutter will automatically cut the threads and the presser foot will raise after a Sensor Buttonhole or eyelet is sewn, at color changes or when an embroidery is finished. Use the OK button to turn off this function. The setting will go back to default when the machine is turned off.

## Twin needle

If you are using a twin needle, set the size of the needle to limit the width of all stitches and prevent needle breakage. Activate or deactivate the twin needle function with the OK button and use the left/right arrow buttons to set the twin needle size. Your setting will be saved even when the machine is turned off. A pop-up message reminds you of the setting when you turn on the machine. Close the pop-up message by pressing OK.

*Note: You cannot set the twin needle size if the Stitch Width Safety is on, or turn on the Stitch Width Safety if the machine is set for twin needle.*

## Stitch Width Safety

Use the OK button to turn on the Stitch Width Safety when using a straight stitch needle plate or a straight stitch presser foot. The stitch width will be limited to zero for all stitches to prevent damage to the needle, presser foot and needle plate. This setting is saved when the machine is turned off. A pop-up message reminds you of the setting when you turn on the machine. Close the pop-up message by pressing OK.

## Free Motion Floating\*

To sew in free motion with the included Embroidery/Darning Foot R or with any optional Free Motion Floating presser foot, set the machine in Free Motion Floating Mode. In Sewing Mode the drop feed teeth recommendation will be activated. The setting remains when the machine is turned off. A pop-up reminds you of the setting when you turn on the machine. Close the pop-up message by pressing OK.

*Note: You cannot set the machine in Free Motion Floating Mode if Free Motion Spring Action is activated or vice versa.*

## Free Motion Spring Action\*\*

If you are using any of the optional Free Motion Spring Action presser feet, you need to set the machine in Free Motion Spring Action Mode. In Sewing Mode the drop feed teeth recommendation will be activated. The setting remains when the machine is turned off. A pop-up message reminds you of the setting when you turn on the machine. Close the pop-up message by pressing OK.



Machine SET Menu, Sewing Mode

### \*Free Motion Floating

When you are sewing free motion at low speed the foot will raise and lower with each stitch to hold the fabric on the stitch plate while the stitch is being formed. When sewing in high speed, the foot floats over the fabric while sewing. The feed teeth must be lowered and the fabric is moved manually. All stitches can be sewn in Free Motion Mode.

### \*\*Free Motion Spring Action

The Free Motion Spring Action presser feet follows the up and down movement of the needle with help of the spring and the arm on the presser foot. The feed teeth must be lowered and the fabric is moved manually. It is recommended to turn on the Stitch Width Safety for the presser feet that are only intended for straight stitch sewing.

## Buttonhole Balance (Only in Sewing Mode)

If the Sensor One-Step Buttonhole Foot is not connected or if you select stitch 1:25, the columns in the buttonhole stitch will be sewn in different directions. On some fabrics this may cause the columns to appear with different density. Use the left/right buttons to balance the density between -7 and 7. The changes only affect the selected stitch. If another stitch is selected or the same stitch is selected again, the value is reset to the default value.

## Automatic Jump Stitch Trim (Only in Embroidery Mode on model 30)

Model 30 features the Automatic Jump Stitch Trim. This function saves you time trimming after the embroidery is completed. Use the OK button to turn on or off the function. The default setting is on. As you embroider, your machine will trim the top jump stitch thread and pull the thread end to the underside of the fabric.

*Note: The machine will also cut the thread after you have changed to a new color. Hold the thread end when you start embroidering again, so that you can easily remove the thread end when cut.*

Not all designs are programmed for Automatic Jump Stitch Trim. Jump stitch trim commands can be added to any design using the 5D™ Software.

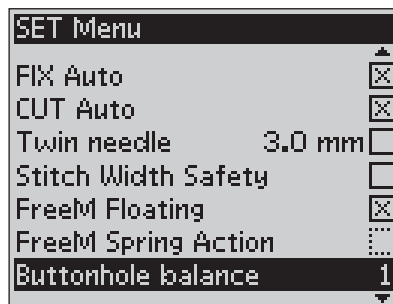


Some embroidery designs you purchase may have trim commands in them. To check if a design includes trim commands you can open the design in 5D™ Stitch Editor and look for the trim command symbol.

*Note: If the front and back of your embroidery will be visible, turn off the Automatic Jump Stitch Trim and cut the threads manually.*

## My Hoops (Only in Embroidery Mode)

Use the right arrow button to open a menu where you can set the hoops you own. Use the OK button to select or deselect a hoop. When you load a design your machine will automatically select the smallest hoop size that fits the design among the hoops that you have set. If none or all hoops are selected in the My Hoops list you will be able to select from all hoops in Embroidery Mode. Press the left arrow button to return to the SET Menu.



Machine SET Menu, Sewing Mode



Machine SET Menu, Embroidery Mode



My Hoops Selections Menu

## Audible Alarm

Turns on or off all alarm sounds of the machine. Default setting is on. This setting is saved even if the machine is turned off.

## Contrast

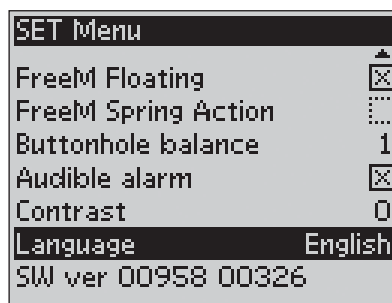
Adjust the contrast of the GraphicDisplay by using the left/right arrow buttons. The value can be set between -20 and 20 in steps of 1. The setting is stored even when the machine is turned off.

## Language

Use the left/right arrow buttons to change the language of all text in your machine. The language setting is saved even when the machine is turned off.

## Software Version

The currently loaded software version for the sewing machine is displayed.



Machine SET Menu, Sewing Mode

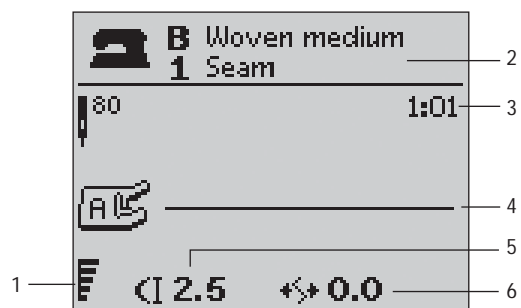


## 2. Sewing Mode

Sewing Mode is the first view on the display after you turn on the machine without the embroidery unit connected. Here you will find the basic information you need to start sewing. This is also the menu where you adjust the settings of your stitch. Straight stitch is selected by default.

### Sewing Mode overview

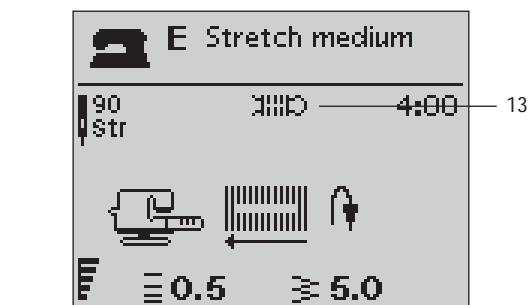
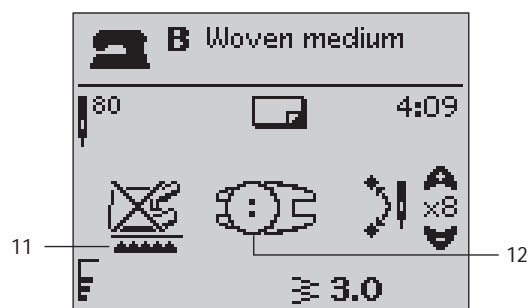
1. Sewing speed indicated by three, or for model 30, five levels.
2. The fabric and sewing technique selected on the Exclusive SEWING ADVISOR™ feature.
3. Selected stitch number
4. Stitch field
5. Stitch Length/Density
6. Stitch Width/Needle position



### Sewing recommendations

Depending on the fabric and sewing technique selected on the Exclusive SEWING ADVISOR™ feature, different recommendations are shown on the GraphicDisplay.

7. Recommended needle for the selected fabric. If twin needle is activated the selected twin needle size will be shown.
8. Recommendation to use glide plate under the presser foot.
9. Recommended presser foot for the selected stitch and fabric.
10. Recommendation to use stabilizer under your fabric.
11. Recommendation to lower the feed teeth.
12. Recommendation to use the multipurpose tool/button reed when sewing on a button.
13. Recommendation for corded buttonhole.

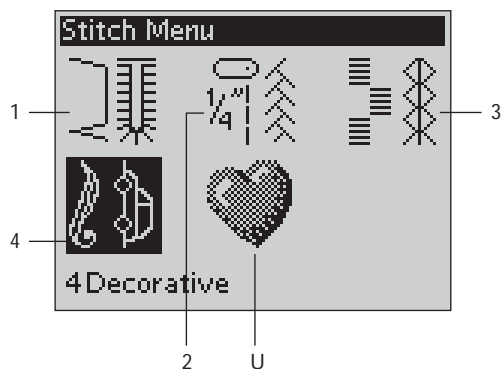




## Selecting a stitch

Press the Stitch Menu button to select a stitch menu. Use the arrow buttons to select among the menus:

1. Utility stitches
2. Quilt stitches
3. Decorative stitches
4. Decorative stitches
- U. My Stitches



The name and number of the selected menu is shown at the bottom of the display. The stitches are pictured inside the lid of your machine with the menu numbers on the left and the stitch numbers within the menus across the center.

When you have selected the menu, press the number of the stitch you wish to use with the Stitch Selection buttons, or press OK and the first stitch in the selected menu will be selected (stitch number 10). Press the Stitch Menu button again to close the selection menu without making any selection.

Stitches 0-9 are the same in all stitch menus. If you press any of the Stitch Selection buttons once, you select the stitch illustrated on that button immediately, regardless of the selected stitch menu.

By pressing two digits in quick succession you will be able to select a stitch from 10 and up from the selected stitch menu. If the stitch number does not exist in the menu you will hear a beep and the first entered digit will be selected as a stitch.

The selected stitch menu, stitch and stitch number will be visible on the GraphicDisplay in Sewing Mode. To select another stitch in the same menu just press the number of the stitch or use the left and right arrow buttons to step stitch by stitch in numerical order. To select a stitch in another menu you will first need to change stitch menu and then select the stitch.

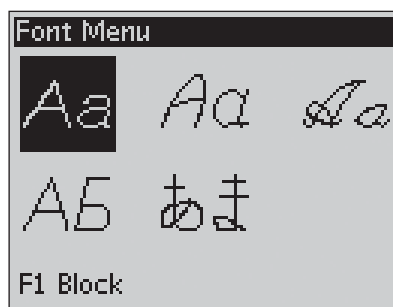
## Selecting a font

Press the Font Menu button to open the Font Menu on the GraphicDisplay. Use the arrow buttons to select among the fonts:

Model 20: Block, Cyrillic Alphabet, Hiragana Alphabet.

Model 30: Block, Brush Line, Script, Cyrillic Alphabet, Hiragana Alphabet.

Press the OK button. This automatically opens the mode for programming letters, see page 37.



Model 30, Font Menu

## Exclusive SEWING ADVISOR™

Your sewing machine has the Exclusive HUSQVARNA VIKING® SEWING ADVISOR™ feature. The Exclusive SEWING ADVISOR™ feature automatically sets the best stitch, stitch length, stitch width, thread tension, sewing speed and sensor foot pressure for your project. The stitch is displayed on screen with presser foot and needle recommendations.

Press the buttons for fabric type and sewing technique desired.

### Fabric selection

#### Woven or Knit

The difference between woven and knit fabric is the way the threads are put together. Woven fabrics are made of two thread systems, warp lengthwise and weft crosswise, that intersect at right angles. A knit fabric is made of one thread system with interlaced stitches. A knit fabric usually has stretch.

As a general rule, enter Woven for stable fabrics that have no stretch and Stretch for fabrics that have stretch.



A WOVEN LIGHT: chiffon, organza, batiste, silk, wool challis, etc.



B WOVEN MEDIUM: calico, quilting fabrics, wool crepe, broadcloth, etc.



C WOVEN HEAVY: denim, wool suiting and coating, canvas, terrycloth, quilt layers with batting, etc.



D STRETCH LIGHT: charmeuse, nylon, tricot, single knit jerseys, etc.



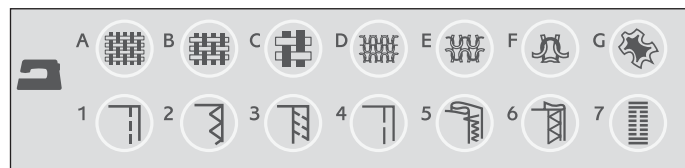
E STRETCH MEDIUM: double knit, velour, swimwear, etc.



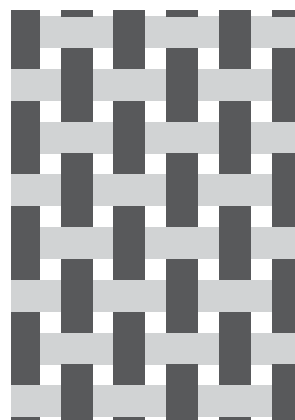
F STRETCH HEAVY: sweater knits, fleece, etc.



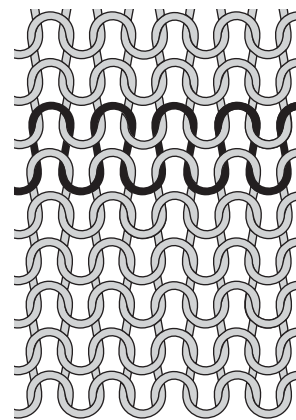
G LEATHER AND VINYL: suede, leather, vinyl and synthetic leather.



*Note: If an unsuitable combination is selected (for example woven light-blind hem), the machine beeps and the technique remains unselected.*



Woven fabric



Knit fabric

### Sewing technique



1 SEAM: sews two pieces of fabric together.



2 OVERCAST: finish fabric edges to prevent them from fraying and to help them lay flat.



3 SEAM/OVERCAST: sews the seam and overcasts the edge all at one time.



4 BASTE: a temporary stitching for fitting garments, gathering and marking. The Exclusive SEWING ADVISOR™ feature automatically sets a long stitch length and reduces the tension so the threads are easy to remove or to pull for gathering.



5 BLIND HEM: creates an invisible hem on garments. Is not recommended for light weight fabric or for leather/vinyl.



6 HEM: selects the best visible or top stitch hem for your fabric type and weight.



7 BUTTONHOLE: the Exclusive SEWING ADVISOR™ feature selects the best buttonhole possible for your fabric.

## Stitch Settings

Your machine automatically sets the best settings for the selected stitch. The settings are visible on the GraphicDisplay. You can make your own adjustments on the selected stitch using the + or – buttons below the settings.

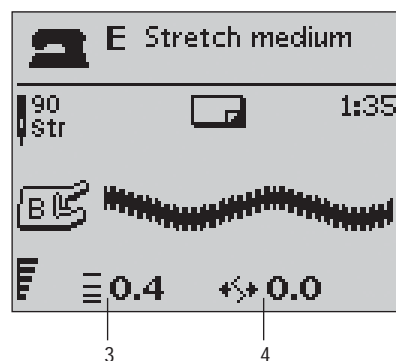
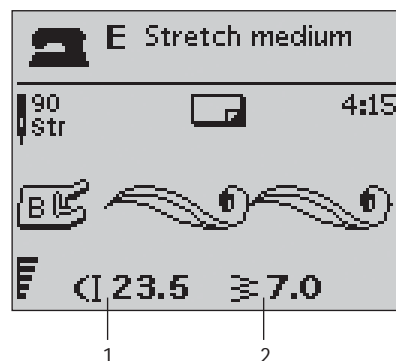
The setting changes only affect the selected stitch. Your changed settings will be reset to default when selecting another stitch. The changed settings are not automatically saved when turning your machine off. You can save the adjusted stitch in My Stitches, see page 40.

*Note: When the number for stitch length/width/density or needle position is set to default the figures will be black. If you change the number, the numbers will be inverted on a black background. When trying to exceed minimum or maximum settings a beep will be heard.*

### Stitch length (1)

Increase or decrease the stitch length using the the + or – button.

If lengthening a zigzag stitch or a decorative stitch, the entire stitch will be longer. If lengthening a satin stitch, where the density can be adjusted, the entire stitch will be longer but the density will remain the same.



### Stitch width (2)

Increase or decrease the stitch width using the + or – button.

### Stitch density (3)

If you have selected a buttonhole the GraphicDisplay will show the density setting instead of the stitch length setting. You will now be able to change the density setting by pressing the + and – buttons.

If you press the Alternate View button the GraphicDisplay will show the density setting for satin stitches. Use the + and – buttons to change the setting.

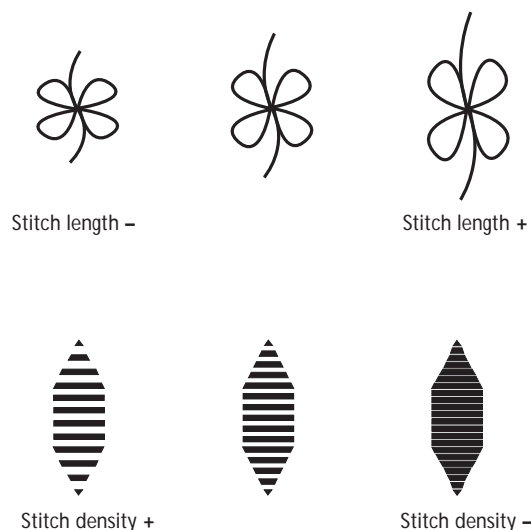
*Note This is often used with specialty threads and when a less dense satin stitch is desired.*

### Needle position (4)

If a straight stitch is selected the needle position is shown on the GraphicDisplay instead of the stitch width. The + and – buttons are used to move the needle to the left or right in 29 positions.

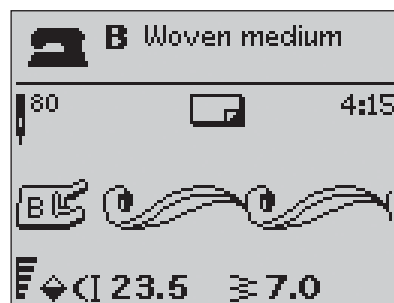
### Model 30: Stitch positioning

The Stitch Positioning function on model 30 makes it possible to change the needle position of all stitches. Press the Alternate View button and the GraphicDisplay will show the needle position instead of the stitch width settings. You will now be able to change the needle position to the left or right by pressing the + and – buttons. The needle position can only be changed to the limit of the maximum stitch width. Changing the needle position will also limit the stitch width adjustment.



### **Mirror End-to-End (Only on model 30)**

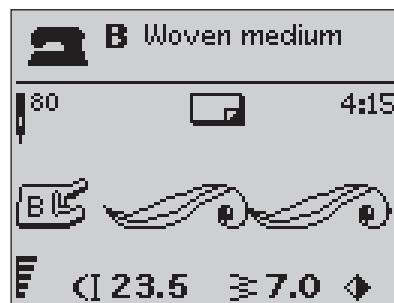
Press the Mirror End-to-End button to mirror the selected stitch end to end. If the button is pressed in Sew Out Mode for stitch programs, the whole stitch program is mirrored. The change is visible on the GraphicDisplay and an icon is shown indicating that Mirror End-to-End is selected.



### **Mirror Side-to-Side**

Press the Mirror Side-to-Side button to mirror the selected stitch side to side. If the button is pressed when straight stitch with left needle position is selected, the needle position is changed from left to right. If the button is pressed in Sew Out Mode for stitch programs, the whole stitch program is mirrored. The change is visible on the GraphicDisplay and an icon is shown indicating that Mirror Side-to-Side is activated.

*Note: Some stitches cannot be mirrored. When you try to mirror a stitch that cannot be mirrored a beep will be heard.*



### **Stitch Re-Start (Only on model 30)**

If you have stopped sewing in the middle of a stitch, press Stitch Re-Start to start sewing at the beginning of the stitch again without having to re-set any special settings you have made.

## PROG Programming

The programming function on your machine makes it possible to create stitches with your own personal settings and to combine stitches and letters into stitch programs. You can add up to 40 stitches and letters in the same program. Save your own stitches and programs in My Stitches and recall them any time you like.

All stitches in your sewing machine are programmable except for buttonholes, darning, tapering stitches\*, button sewing and bartacks.

### Create a stitch program

1. Press the PROG button to open the mode for programming.
2. The Stitch Menu which was previously selected will be kept when entering the Programming Mode. To change the stitch menu, press the Stitch Menu button and select another stitch menu by using the arrow buttons.
3. Press the number of the stitch you wish to use. The stitch will appear in Programming Mode.
4. Press the number of the next stitch and it will appear to the right of the last entered stitch.

*Note: Two numbers are displayed above the stitch program on the left side of the GraphicDisplay. The first number is the position of the selected stitch in the program. The second number, put in brackets, is the total number of stitches in the program. The number above the stitch program on the right side of the GraphicDisplay is the number of the selected stitch.*

### Add letters

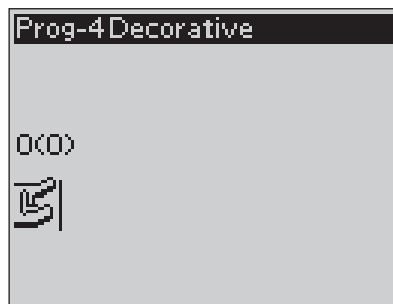
5. Press the Font Menu button. Use the arrow buttons to select a font and press OK. The machine will show the upper case alphabet in Programming Mode.
6. Use the arrow buttons to select a letter and press OK to add the letter to the program.
7. To switch to a lower case alphabet or numbers press the Shift button.

### About programming letters

Both upper and lower case letters will be stitched with a 7 mm stitch width. If there are letters going below the baseline included in the program (e.g. j, p, y) the height of the uppercase letters will be reduced.

All text to be sewn out on the same project, should be in the same program to ensure the letters are sewn out in the same height.

For instance, a name and an address should be in the same program with a STOP after the name.



Programming Mode



4.



6.

Husqvarna VIKING

"Husqvarna" and "VIKING" have been programmed separately.

Husqvarna VIKING

"Husqvarna" and "VIKING" are in the same program.

\*Only on model 30

## Add stitches or letters at other positions

If you wish to add a stitch or letter at another position in the program, move the cursor by pressing the arrow buttons. The stitch or letter will be inserted to the right of the cursor.

*Note: When programming letters, press the arrow down button to activate the cursor in the stitch program instead of in the alphabet.*

## Add the same stitch several times

If you want to add the same stitch several times in a row you can just press the OK button directly after the first stitch has been inserted. The same stitch, including any adjustments you have made to the stitch, will be inserted each time you press OK.

You can also move the cursor to select another stitch and press the OK button. The selected stitch will be inserted once more to the right of the selected stitch.

## Delete stitches or letters

To delete a stitch in the program, select the stitch with the cursor by pressing the arrow buttons and press the Clear (CLR) button.

To delete the whole program, move the cursor to the left of the first position and press the Clear (CLR) button. A pop-up will appear asking you to verify the deletion. Select Yes or No with the arrow buttons and press OK.

## Add commands

The commands FIX, STOP and Selective Thread Cut\* can be added to the program. Each command takes one memory space in the program.

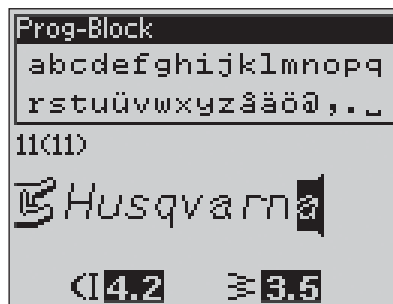
*Note: If Auto FIX is activated on your machine you do not need to add a FIX in the beginning of the program.*

## Join two stitch programs into one

You can add a previously saved program to a new one in Programming Mode. Press the Stitch Menu button, select My Stitches and the program you wish to add. Press OK and the program will be inserted in Programming Mode to the right of the cursor.

## Adjust a single stitch or letter

To adjust the settings of a single stitch in a program you must select the stitch in Programming Mode. You can adjust the stitch width, stitch length, density, needle or stitch position\* or mirror the stitch. The settings for the selected stitch are shown on the GraphicDisplay. Press the Alternate View button to toggle between different settings.



Add commands



Adjust a single stitch or letter

\*Only on model 30

## Adjust the entire stitch program

Adjustments that affect the whole program and not just single stitches, are done in Sewing Mode. Press the PROG button, Start/Stop button or step on the foot control to leave Programming Mode and switch to Sewing Mode. In Sewing Mode you can adjust the width and length or mirror the whole program.

There are a few things you need to know when adjusting the stitch program in Sewing Mode:

The adjustments you make to the program in Sewing Mode can be saved to My Stitches. However, these adjustments cannot be brought back to Programming Mode. If you have made adjustments in Sewing Mode and press the PROG button to go back to Programming Mode, these adjustments will be cancelled. This will also happen if you load a saved program from My Stitches to Programming Mode.

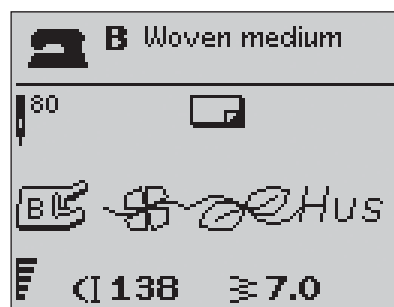
If you have programmed a STOP, FIX or Selective Thread Cut\* and mirror the program end to end\*, the commands will change positions just as the stitches. This might not give the result you intended.

## Sew out the stitch program

When you are done with your program press the My Stitches button to save it (see next page) or, if still in Programming Mode, press the PROG button, Start/Stop button or step on the foot control to switch to Sewing Mode.

Once you are in Sewing Mode and step on the foot control the machine will sew out your stitch program. The program will be sewn continuously if no STOP is programmed. Press the STOP button to sew your stitch program only once.

It is possible to start sewing at any stitch in the program. Use the left/right arrow buttons to step through the program in Sewing Mode.



Sewing Mode

\*Only on model 30

## →♥ My Stitches Menu

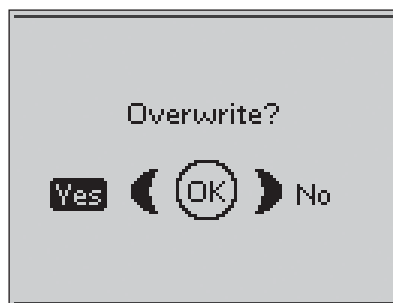
My Stitches is your own personal menu where you can save and recall your programs or favorite stitches with personal settings.

Model 20 has 15 memories and model 30 has 20 memories.

Each memory has a maximum space of 40 stitches.

### Save a stitch or a program

Press the My Stitches button from Programming or Sewing Mode. This will open the My Stitches Menu. Select an empty memory by pressing the up/down arrow buttons. Confirm your selection by pressing the OK button. If the selected memory is not empty, a pop-up message will appear asking if you wish to overwrite the previously saved stitch/program with the new one. Select Yes or No with the arrow buttons and press the OK button. Press the My Stitches button again to return to Sewing Mode or Programming Mode.



### Load a saved stitch or program

To load a saved stitch or program from My Stitches, press the Stitch Menu button and open the My Stitches Menu. Use the arrow buttons to select the stitch or program and press OK. The stitch/program will appear in Sewing Mode ready to be sewn.



### Delete saved stitches or programs

To delete a stitch or a program from My Stitches, press the Clear button (CLR) when the stitch/program is selected. A pop-up message will appear asking you to verify the deletion. Select Yes or No with the arrow buttons and press OK. Press the My Stitches button again to return to the previous menu.

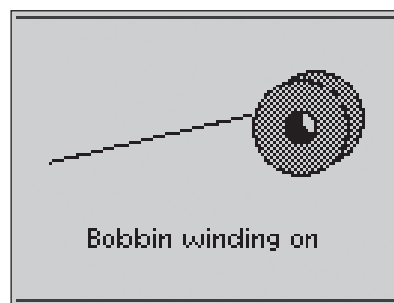




## Sewing pop-up messages

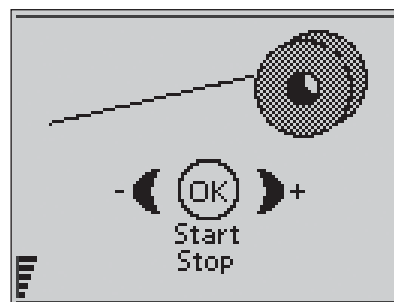
### Bobbin winding on (model 20)

This pop-up message appears when the bobbin winder is pushed to the right and bobbin winding is activated.



### Bobbin winding on (model 30)

This pop-up message appears when the bobbin winder lever is pushed towards the bobbin and bobbin winding is activated. Press the OK button to start/stop winding and use the left/right arrow buttons to adjust the winding speed.



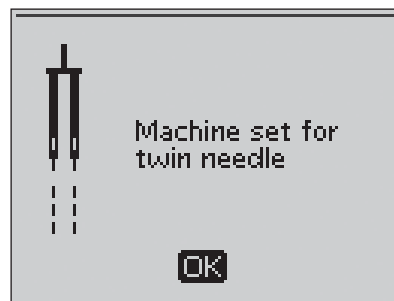
### Presser foot too high

Your machine will not sew if there is too much fabric under the presser foot. Remove some of the fabric or use another fabric. Press the OK button, or tap the foot control to close the pop-up message.



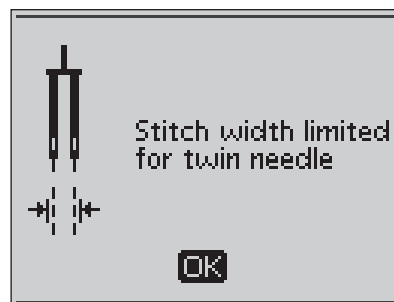
### Machine set for twin needle

When you have set the machine for twin needle in the SET Menu, a pop-up message is shown to remind you of the setting when you turn on your machine. Press the OK button or tap the foot control to close the pop-up message.



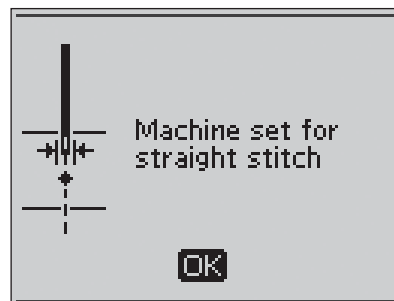
### Stitch width limited for twin needle

This message is shown when the machine is set for twin needle and you try to adjust the stitch width to wider than possible with the twin needle. Close the pop-up message by pressing the OK button.



### Machine set for straight stitch

This message is shown when the stitch width safety is on and you turn on the machine or try to adjust the stitch width. Close the pop-up message by pressing the OK button.



### This stitch cannot be sewn with twin needle

This pop-up message appears when the machine is set for twin needle and you select a stitch that cannot be sewn with twin needle. Press the OK button to close the pop-up.



### This stitch cannot be sewn with Stitch Width Safety on

This pop-up message appears when the machine is set for Stitch Width Safety and you select a stitch that is wider than 0 mm.



### Restart the buttonhole?

If you are sewing a buttonhole and stop to adjust the length setting you will get this question once you start sewing again. If you select "Yes", the machine will restart and sew the buttonhole from the beginning with the new settings. If you select "No", the change will be cancelled and the machine will continue sewing the rest of the buttonhole with the previous settings. Use the arrow buttons to select "Yes" or "No" and press the OK button.



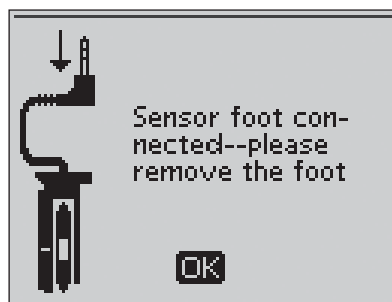
### Sensor One-Step Buttonhole Foot line up - "Adjust white area to white line"

When you insert the fabric for sewing a buttonhole, the wheel of the Sensor One-Step Buttonhole Foot might move. A pop-up message prompts you to line up the white area with the white line. Line up the white areas and close the pop-up message by pressing the OK button.



### Sensor One-Step Buttonhole Presser Foot connected

The Sensor One-Step Buttonhole Foot can only be used for the buttonhole stitches recommended for the foot. If the Sensor One-Step Buttonhole Foot is connected and you select a stitch that is not possible to sew with the foot, this message will appear when you start to sew. Remove the foot or select a buttonhole that can be sewn with the Sensor One-Step Buttonhole Foot. Close the pop-up message by pressing the OK button.



### Machine set for free motion sewing

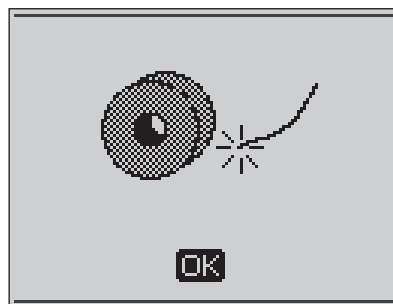
This message is shown when the machine is set to Free Motion Floating or Free Motion Spring Action and you turn on the machine. Close the pop-up message by pressing the OK button.



## Bobbin thread low

Your machine stops when the bobbin is almost empty. Replace the empty bobbin with a full one and close the pop-up message by pressing the OK button.

*Note: Continue sewing without closing the pop-up message if you want all thread on the bobbin to run out.*



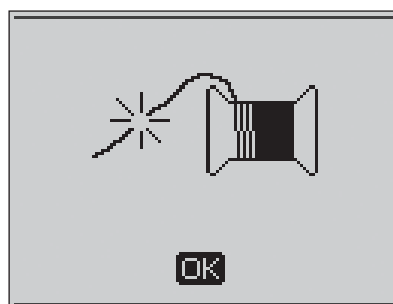
## Remove thread from under stitch plate and in bobbin area (Only on model 30)

When this pop-up appears you need to clean the area under the stitch plate from thread and lint in order for the Selective Thread Cutter to cut properly. Close the pop-up message by pressing the OK button.



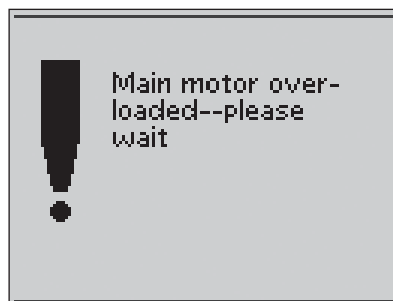
## Check upper thread

Your machine stops automatically if the top thread runs out or breaks. Re-thread the top thread and close the pop-up message by pressing the OK button.



## Main motor overload

If you are sewing on very heavy fabric or if the machine is blocked when sewing, the main motor can get overloaded. The pop-up message will close when the main motor and power supply is secure.



## The stitch cannot be programmed

This message is shown if you try to program or add a buttonhole, bartack or taper stitch\* or the sew-on-button stitch to a program. All stitches in your sewing machine are programmable except for these. Close the pop-up message by pressing the OK button.



## The stitch cannot be saved

This message is shown if you try to save a buttonhole, bartack, darning or taper stitch\* or the sew-on-button stitch to My Stitches. All stitches in your machine can be saved in My Stitches except for these. Close the pop-up message by pressing the OK button.



\*Only on model 30

## Program too long to add more stitches

If you try to add more than 40 stitches or letters in the same program this message is shown. Close the pop-up message by pressing the OK button.

*Note: If you add a FIX, STOP or a Selective Thread Cut\* to the program these will each use one memory space in the program.*



## Delete program?

This pop-up message will ask you to confirm when you have chosen to delete an entire program in Programming Mode. Select Yes or No with the arrow buttons and press OK.



## The combination of commands is incorrect

If you are programming stitches or letters and try to insert any of the commands STOP, FIX or Selective Thread Cut\* into a stitch program in an order that is not allowed, this message will appear. Close the pop-up message by pressing the OK button.



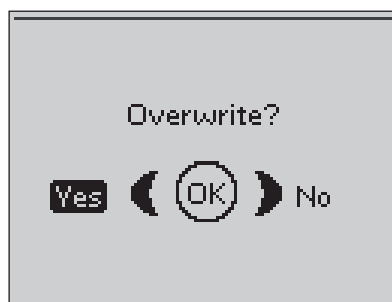
## Commands removed from program

If you try to insert a previously saved program into a new one or if you are using the mirroring end to end\* function on the whole program, the result may be that the commands are put in an order that is not allowed. To avoid this, the commands will be removed from the program. Close the pop-up message by pressing the OK button.



## Overwrite?

If you choose to save a stitch or a program in a memory that is not empty this message will appear asking if you wish to overwrite the previously saved stitch/program with the new one. Select Yes or No with the arrow buttons and press the OK button.



## Delete?

This message will ask you to confirm when you have selected to delete a stitch or program from My Stitches. Select Yes or No with the arrow buttons and press the OK button.



\*Only on model 30

### 3. Basic Sewing Techniques

#### Seam

A seam sews two pieces of fabric together with a seam allowance that usually will be pressed open. In most cases, edges of the seam allowance are finished with an overcast stitch before sewing the seam.

Seams on stretch fabric must stretch with the fabric. The Stretch Stitch makes a stretchy seam that is suitable for sewing together pieces of light stretch fabric.



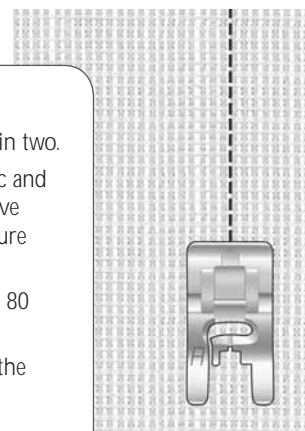
#### 1:1 Straight Stitch

**Fabric:** Woven medium, cut in two.

**Select:** Woven medium fabric and Seam technique (The Exclusive SEWING ADVISOR™ feature selects a straight stitch).

**Use:** Presser Foot A and size 80 needle as recommended.

Line up the fabric edge with the 5/8" (15 mm) seam guide.



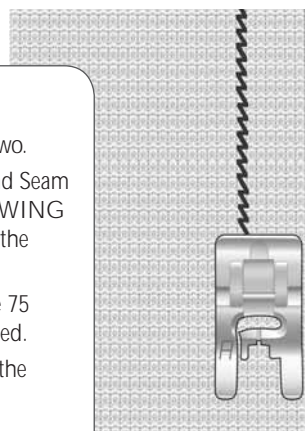
#### 1:2 Stretch Stitch

**Fabric:** Stretch light, cut in two.

**Select:** Stretch light fabric and Seam technique (The Exclusive SEWING ADVISOR™ feature selects the Stretch Stitch).

**Use:** Presser Foot A and size 75 stretch needle as recommended.

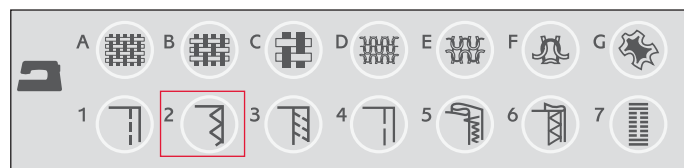
Line up the fabric edge with the 3/8" (10 mm) seam guide.



#### Overcast

The three-step zigzag, is up to 1/4" (6 mm) wide and suitable for all types of fabrics. Use this stitch for overcasting, butting two edges together to join them, mending tears and other special finishing.

Use Edging Foot J when overcasting.



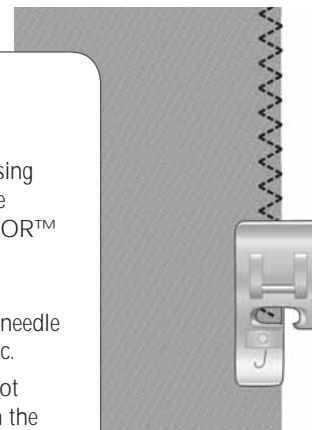
#### 1:13 Three-Step Zigzag

**Fabric:** All types of fabric.

**Select:** The fabric you are using and Overcast technique (The Exclusive SEWING ADVISOR™ feature selects the three-step zigzag).

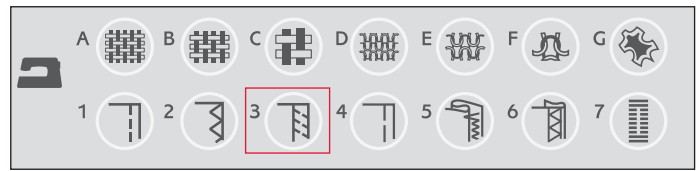
**Use:** Presser Foot J and the needle recommended for your fabric.

Let the toe of the presser foot guide the fabric as shown on the picture.



## Seam and Overcast

The Seam/Overcast stitch sews the seam and overcasts the edge all at one time. There are a number of different Seam/Overcast stitches on your sewing machine, to give the best result for your chosen fabric.



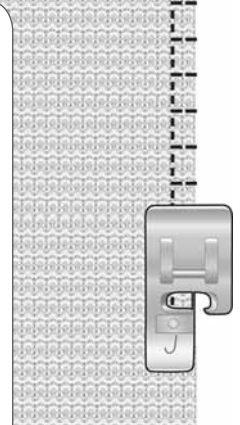
### 1:7 Overcast Stitch

**Fabric:** Stretch light or woven light/medium, cut in two.

**Select:** Stretch light or woven light/medium fabric and Seam/Overcast technique (The Exclusive SEWING ADVISOR™ feature selects the Overcast Stitch).

**Use:** Presser Foot J and the needle recommended for your fabric.

Let the toe of the presser foot guide the fabric as shown on the picture.

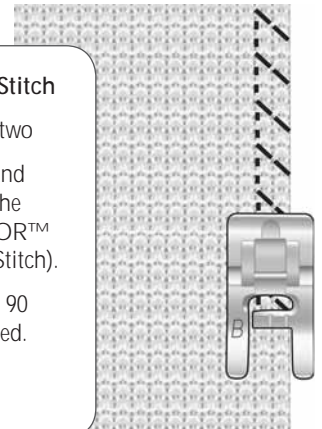


### 1:8 Stretch Seam Overcast Stitch

**Fabric:** Stretch heavy, cut in two

**Select:** Stretch heavy fabric and Seam/Overcast technique (The Exclusive SEWING ADVISOR™ feature selects the Overlock Stitch).

**Use:** Presser Foot B and size 90 stretch needle as recommended.

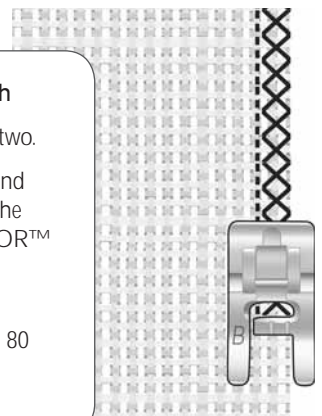


### 1:10 Double Overlock Stitch

**Fabric:** Woven heavy, cut in two.

**Select:** Woven heavy fabric and Seam/Overcast technique (The Exclusive SEWING ADVISOR™ feature selects the Double Overlock Stitch).

**Use:** Presser Foot B and size 80 needle as recommended.



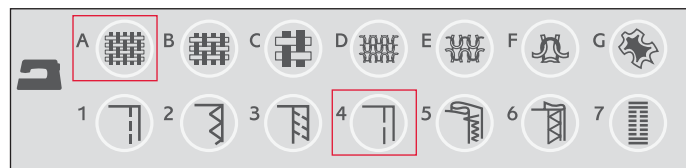
## Baste

Basting is temporary stitching for fitting garments, gathering and marking.

The Exclusive SEWING ADVISOR™ feature automatically sets a long stitch length and reduces the tension so the threads are easy to remove or to pull for gathering.

Place the fabrics right sides together. Put the fabric in position under the presser foot with 5/8" (15 mm) seam allowance. Stitch along seam line.

To remove stitching pull the bobbin thread.

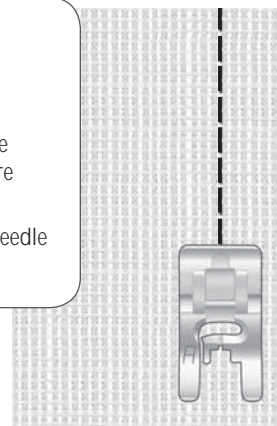


### 1:15 Baste Stitch

**Fabric:** All types of fabric.

**Select:** The fabric you are using and baste. (The Exclusive SEWING ADVISOR™ feature selects the Baste stitch)

**Use:** Presser Foot A and the needle recommended for your fabric.



## Darning and Mending

Darning a small hole or a tear before it becomes larger can save a garment. Choose a fine thread in a color as close to your garment as possible.

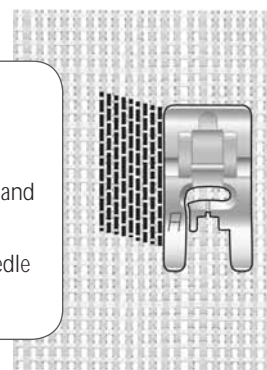
1. Place the fabric in position under the presser foot.
2. Start sewing above the hole and over it.
3. Once over the hole, press the Reverse button. Continue sewing. The machine sews back and forth across the hole 14 times and then stops.
4. To repeat the stitch with the same size, press the STOP button. Reposition your fabric, then step on the foot control to sew again. The stitch will now repeat the same size darning square. The machine will stop automatically when the stitch is completed.

### 1:21 Darning Stitch

**Fabric:** All types of fabric.

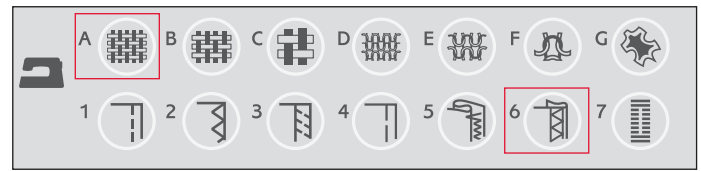
**Select:** The fabric you are using and stitch 1:21.

**Use:** Presser Foot A and the needle recommended for your fabric.



## Hem

The Hem technique on your Exclusive SEWING ADVISOR™ feature will select the visible or topstitch hem that is best for your fabric weight and type. For woven fabric and leather and vinyl, a straight stitch is selected. For stretch fabrics, stitches that stretch are selected.



## Jeans Hem

When sewing over seams in extra heavy fabric or a blue jeans hem, the foot can tip as it rides over the seam. Use the multipurpose tool to balance the height of the presser foot as you sew.

Press Needle Up/Down to select the needle down position. Begin sewing the bottom hem at or near the center back. As you near the side seam, stop sewing. Your machine stops with the needle in the fabric and raises the presser foot. Insert the multipurpose tool from behind.

Both sides of the multipurpose tool are raised. Use the side which corresponds closest to the thickness of the seam. Step on the foot control to lower the presser foot and continue sewing slowly over the thick seam.

Stop sewing again just in front of the seam (notice how the needle is in the fabric). Remove the multipurpose tool and reinsert it under the presser foot from the front.

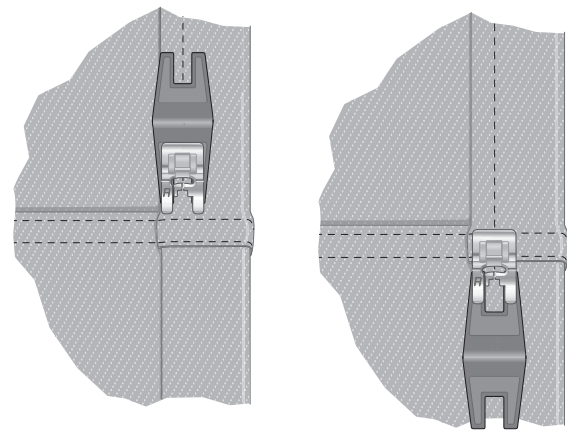
Sew a few stitches until the whole presser foot has passed the seam and is resting on the multipurpose tool. Stop sewing once again. The needle is in the fabric, and the presser foot lifts. Remove the multipurpose tool. Continue sewing the hem.

### 1:1 Jeans hem

**Fabric:** Denim fabric.

**Select:** Woven heavy and Hem (The Exclusive SEWING ADVISOR™ feature selects a straight stitch).

**Use:** Presser Foot B as recommended and size 80 denim needle.



## Stretch Hem

Select Stretch Medium and the Exclusive SEWING ADVISOR™ feature selects a flatlock stitch. Follow other recommendations given on the GraphicDisplay.

Fold a hem to the wrong side and stitch with flatlock stitch from the right side. Trim away excess fabric. Use this technique for belt loops too.

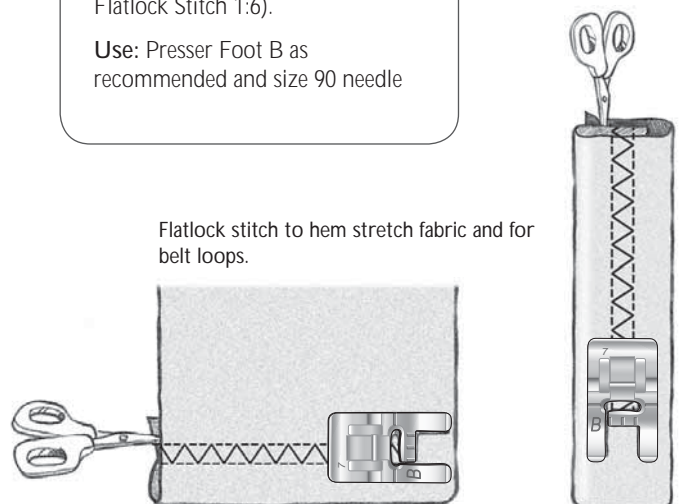
### 1:6 Flatlock Stitch

**Fabric:** Stretch Medium

**Select:** Stretch Medium and Hem (The Exclusive SEWING ADVISOR™ feature selects the Flatlock Stitch 1:6).

**Use:** Presser Foot B as recommended and size 90 needle

Flatlock stitch to hem stretch fabric and for belt loops.





## Blind Hem

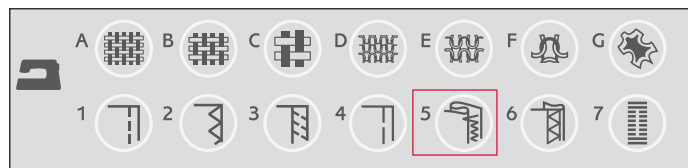
The blind hem creates an invisible hem on garments. There are two types of blind hem; one is recommended for medium to heavy stretch fabric, the other for medium to heavy woven fabric.

Fold the fabric as illustrated. Make sure the folded edge of the fabric follows the inside of the right "toe" of Blind Hem Foot D.

The left swing of the needle should just catch the edge of the folded fabric.

If necessary, adjust the stitch width as needed to barely "catch" the fold.

*Note: The blind hem technique is not recommended for light weight fabric or leather/vinyl. If you select the blind hem and light woven, light stretch or leather and vinyl you will hear a beep and the technique will be unselected.*



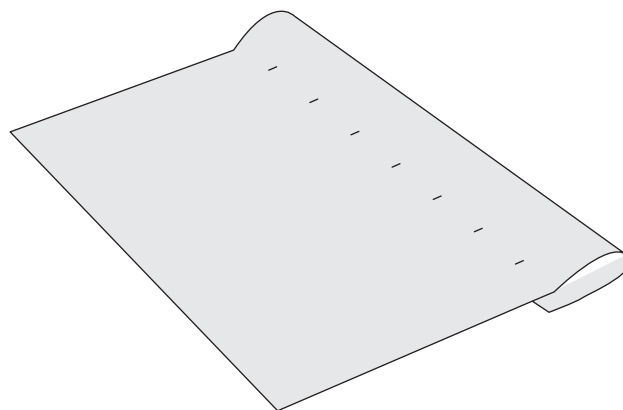
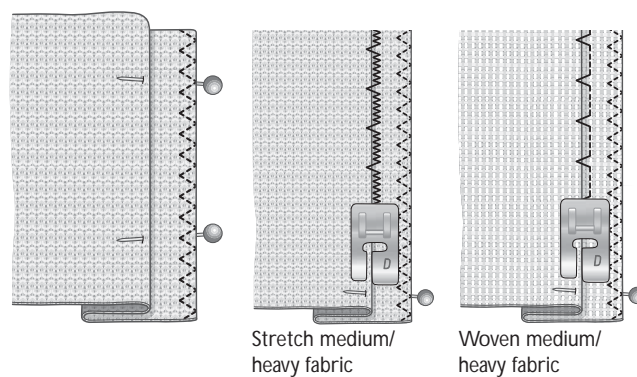
1:16 Stretch Blind Hem Stitch

1:17 Woven Blind Hem Stitch

**Fabric:** Stretch medium/heavy or woven medium/heavy

**Select:** The fabric you are using and the Blind hem technique (The Exclusive SEWING ADVISOR™ feature selects the Blind Hem Stitch 1:16 or 1:17).

**Use:** Blind Hem Foot D and the needle recommended for your fabric.

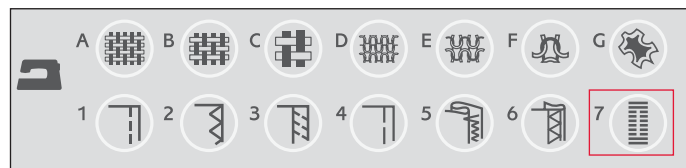


3

## Sewing buttonholes

The buttonholes in your sewing machine are specially adjusted for different kinds of fabric and garments. Look at the stitch table on the last pages in this book to find descriptions of each buttonhole.

The Exclusive SEWING ADVISOR™ feature will select the best buttonhole and stitch settings for your fabric. Fabric should be interfaced and/or stabilized where buttonholes are to be sewn.



### Perfectly Balanced Sensor One-Step Buttonhole

When you select a buttonhole stitch with the Sensor One-Step Buttonhole Foot connected, you will be able to set the size of the button on the GraphicDisplay using the up and down arrow buttons. When sewing, your sewing machine automatically sews the buttonhole long enough to fit the selected button size. Because the Sensor One-Step Buttonhole Foot measures as it sews, every buttonhole will be the same size.

*Note: The buttonhole size will vary with the thickness and style of your button. Always stitch a sample buttonhole on scrap fabric first.*

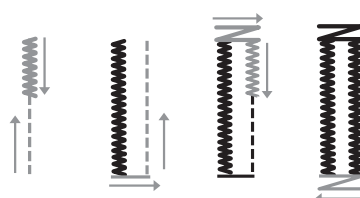
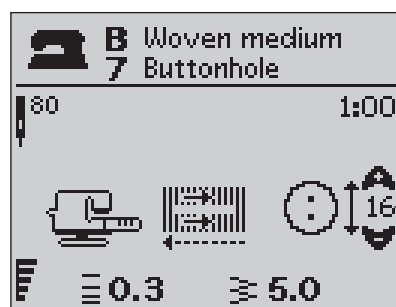
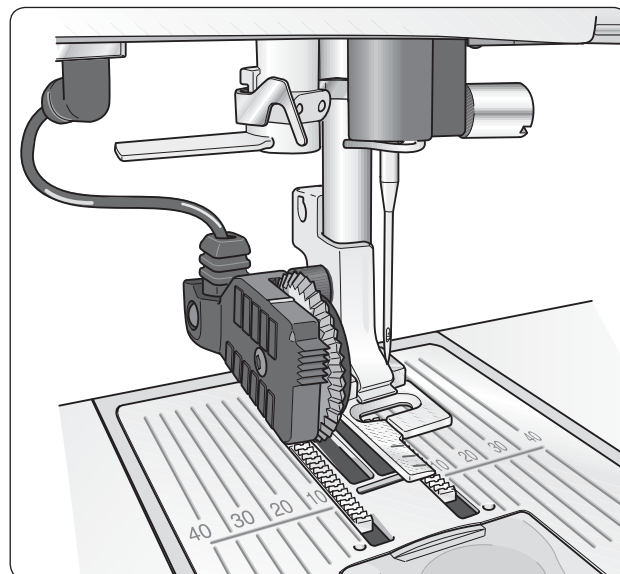
1. Attach the Sensor One-Step Buttonhole Foot.
2. Plug the cord into the socket above the needle area, behind the light bulb.
3. Measure the button diameter using the button ruler on the front of the machine.
4. Use the up and down arrow buttons to set the button size (A) on the GraphicDisplay. The size can be set between 0-50 mm.
5. Place the fabric and stabilizer under the Sensor One-Step Buttonhole Foot. The measurement wheel can be raised by lifting it, which makes it easier to place the fabric under the presser foot. Use the markings on the left toe of the Sensor One-Step Buttonhole Foot to position the garment edge. Place the edge of the garment at the middle mark to have 5/8" (15 mm) from the edge to the buttonhole.
6. Before sewing, line up white area on the side of the red wheel with the white marking line on the foot.
7. Step on the foot control. The Sensor One-Step Buttonhole Foot lowers automatically. A straight stitch is sewn away from you stabilizing the left buttonhole column, then the satin column is sewn toward you. This is repeated for the right column. The bartacks are also sewn automatically. The arrows on the GraphicDisplay will show when each part of the buttonhole is sewn and in what direction. Keep the foot control depressed until the buttonhole is finished. The machine will stop automatically when the buttonhole is complete.

1:0, 1:23, 1:25, 1:26, 1:27 Buttonhole Stitches

Fabric: All types of fabric.

**Select:** The fabric you are using and the Buttonhole technique (The Exclusive SEWING ADVISOR™ feature selects a buttonhole stitch suitable for your fabric).

**Use:** The Sensor One-Step Buttonhole Foot and the needle recommended for your fabric.



## Manual Buttonhole

A buttonhole can also be sewn step by step without the Sensor One-Step Buttonhole Foot connected. Use the Reverse button to set the length of the buttonhole.

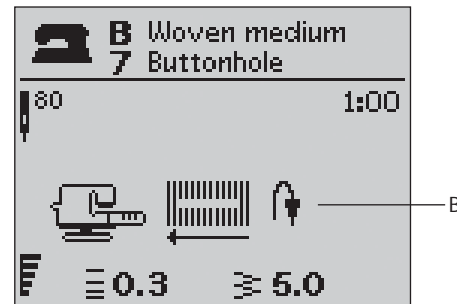
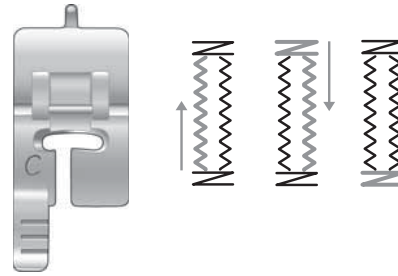
1. Snap on Presser Foot C.
2. Place the fabric and stabilizer under the presser foot. Use the markings on the left toe of the buttonhole foot to position the garment edge. Place the edge of the garment at the middle mark to have 5/8" (15 mm) from the edge to the buttonhole.
3. Begin sewing the buttonhole. The sewing machine will sew the left column in reverse. A reverse icon (B) is shown on the GraphicDisplay indicating that you need to press the Reverse button to step to the next part of the stitch. When the buttonhole has reached the desired length, press the Reverse button. Your sewing machine will bartack the end and stitch the right side.
4. Sew to the starting mark and press the Reverse button to sew the second bartack. Keep the foot control depressed until the buttonhole is finished. The machine will stop automatically when the buttonhole is complete.

1:0, 1:23-28 Buttonhole Stitches

**Fabric:** All types of fabric.

**Select:** The fabric you are using and the Buttonhole technique (The Exclusive SEWING ADVISOR™ feature selects a buttonhole stitch suitable for your fabric).

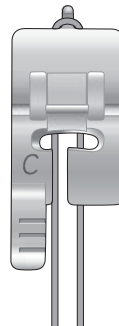
**Use:** Presser Foot C and the needle recommended for your fabric.



## Corded Buttonhole (Stretch fabrics)

When sewing buttonholes in stretch fabrics we recommend cording the buttonhole to increase the stability and to keep the buttonhole from stretching out.

1. Loop a piece of heavy thread or perle cotton over the finger at the back of Presser Foot C.
2. Stitch a buttonhole. Let the satin buttonhole columns stitch over the cord.
3. Stop sewing before the last end of the buttonhole is sewn. Lift the cord off the finger and pull out the slack.
4. Cross the cord in front of the needle and stitch the end of the buttonhole over the cord.



## Sewing on buttons

Sew buttons, snaps, hooks and eyes quickly with your sewing machine.

1. Snap off the presser foot and lower the feed teeth.
2. Place the fabric, multipurpose tool and button under the ankle with the holes in the button lined up with the swing of the needle. Check the swing of the needle by pressing the mirror side to side button to be sure the needle will not hit the button. Bring the needle down into the holes of the button with the handwheel to verify.

*Note: The recommended width of 3.0 is set for most buttons. If you sew a tiny button or a very large coat button, decrease (-) or increase (+) the stitch width until the swing of the needle sews in the holes of the button.*

3. Set the number of stitches to sew on the button (C) by pressing the up and down arrow buttons. Six to eight stitches is normal.
4. Press the foot control. The sewing machine will sew the number of stitches set on the display and then tie off and stop.

*Tip: Place the thin end of the multipurpose tool under the button when sewing on light fabrics. Use the thick end for heavier fabrics. Hold in place on the fabric with transparent tape.*

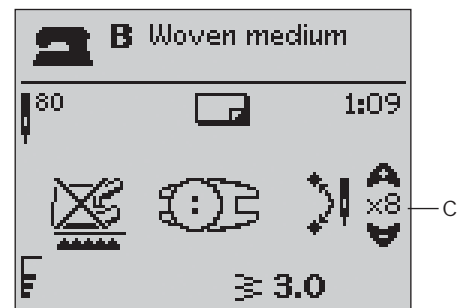
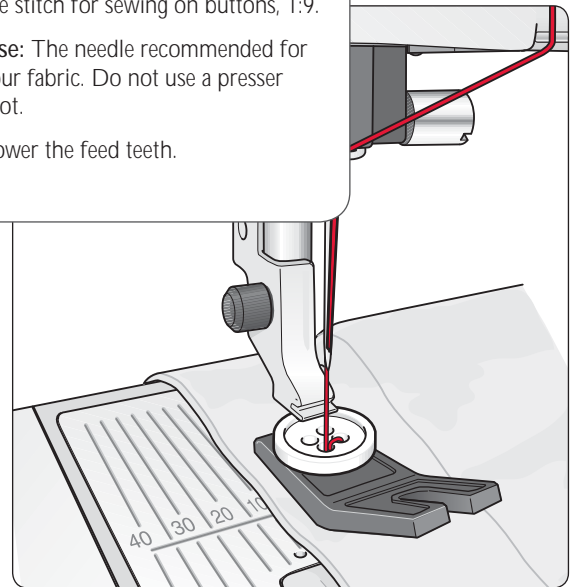
### 1:9 Sew-on-button

**Fabric:** All types of fabric.

**Select:** The fabric you are using and the stitch for sewing on buttons, 1:9.

**Use:** The needle recommended for your fabric. Do not use a presser foot.

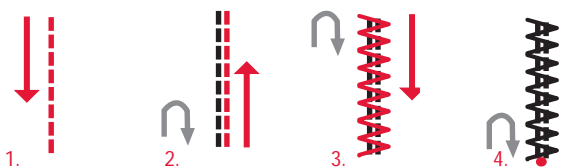
Lower the feed teeth.



## Bartack (manual)

Secure elastic ends, drapery pleats, belt loops, and pocket corners with the same look as ready-to-wear.

1. Place fabric under the presser foot.
2. Touch Sensor Foot Down and Pivot twice and adjust the fabric if necessary.
3. Step on the foot control, the Sensor Foot lowers automatically and stitch.
  - Your machine will sew a straight stitch until you touch Reverse.
  - Your machine will then sew in reverse until you touch reverse again.
  - Your machine will then sew a zigzag, covering the straight stitches.
  - Touch reverse to automatically tie off.

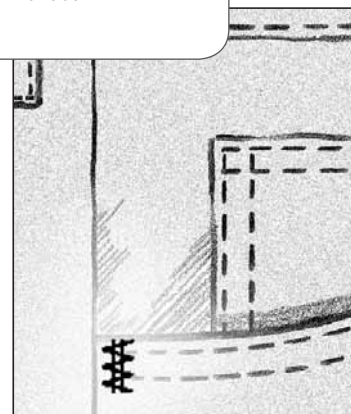


### 1:22 Bartack (manual)

**Fabric:** Woven heavy

**Select:** Woven heavy and stitch 1:22.

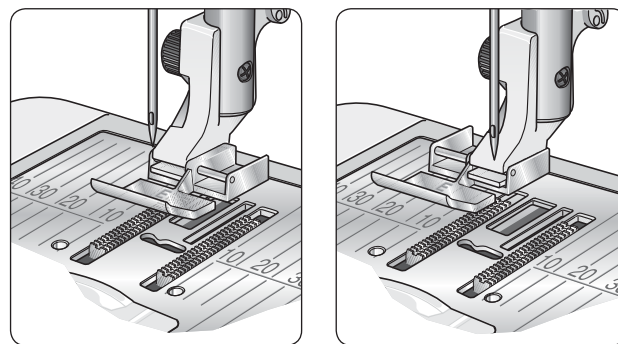
**Use:** Presser foot B and size 90 needle as recommended.



## Sewing zippers

The Zipper Foot E can be snapped on either the right or the left of the needle, making it easy to sew both sides of the zipper. To sew the other side of the zipper, reposition the Zipper Foot.

Move the needle position far left or far right to stitch close to the zipper teeth or cording.



## Center Zipper

1. Sew the two fabrics right sides together along the 5/8" (15 mm) seam line, stopping at the notch for the zipper placement.
2. Baste the remaining seam where the zipper will be placed. Press the seam open. Place the zipper right side to the pressed open seam allowance, placing the zipper stop at the notch. Pin the zipper on the right side so it stays in place (see fig. 1).
3. Select straight stitch and move the needle position to the left. Snap on the Zipper Foot E so the needle is on the left side of the foot. Place fabric under the foot right side up with the zipper foot on the right side of the zipper.
4. Begin stitching across the bottom, turn the fabric and stitch the right side of the zipper to the top (see fig. 2).
5. To avoid fabric shifting, sew the left side of the zipper in the same direction. Snap on the Zipper Foot E so the needle is on the right side of the foot. Move the needle position to the right.
6. Begin stitching across the bottom, turn the fabric and stitch the left side of the zipper sewing from the bottom to the top (see fig. 3).
7. Remove the basting stitches.

*Note: To adjust the position of the stitching line, adjust the needle position with the +/- buttons.*

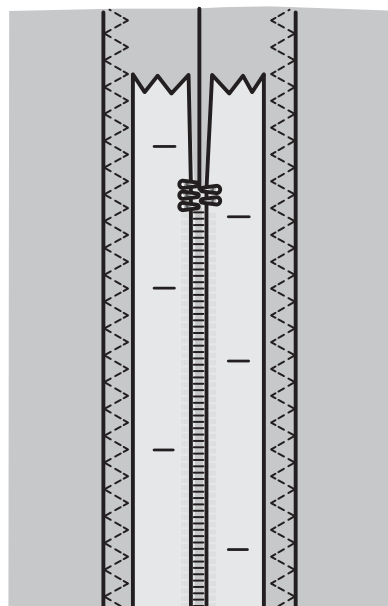


Fig. 1

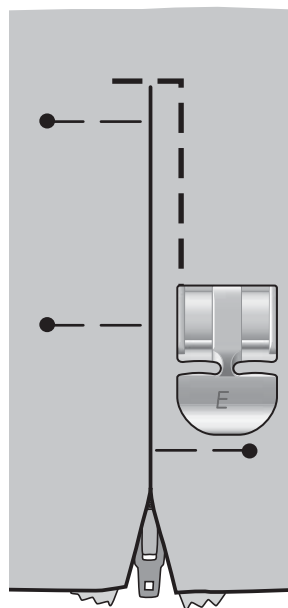


Fig. 2

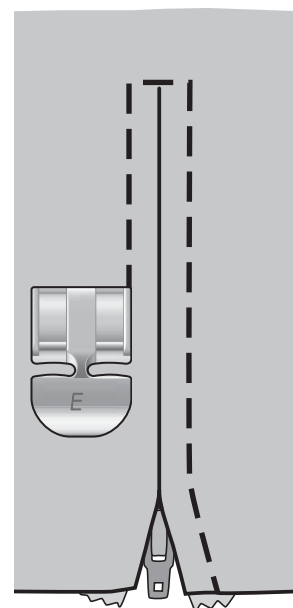


Fig. 3

## Tapering Stitch, model 30

The tapering stitch automatically tapers the satin stitch for corners and points and can be used for satin stitch lettering.

1. Place the fabric in position under the presser foot.
2. Start sewing. The machine will sew the tapered point and then continue with a satin stitch at the selected stitch width. A reverse icon (D) is shown on the Graphic Display indicating that you need to press the Reverse button to step to the next part of the stitch. When the satin stitch is as long as desired, press the Reverse button. This will start the tapering of the end. When the tapering is completed the machine stops automatically.
3. To repeat the stitch with the same size, press the STOP button. Reposition your fabric, then step on the foot control to sew again. The machine will stop automatically when the stitch is completed.

*Tip: For a narrower satin stitch, adjust the stitch width.*

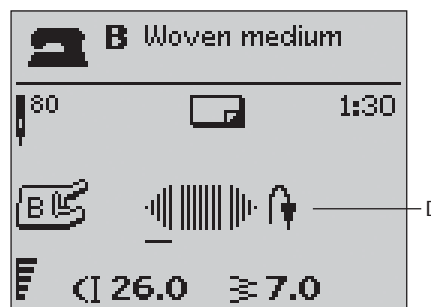
*To begin with a flat end satin stitch, press the Reverse button before starting to sew.*

### 1:30, 1:31 Tapering Stitches

**Fabric:** All types of fabric.

**Select:** The fabric you are using and the Tapering stitch 1:30 or 1:31, depending on what sort of beginning and end you wish to have on your stitch.

**Use:** Presser foot B as recommended and the needle recommended for your fabric.



## More Sewing Techniques

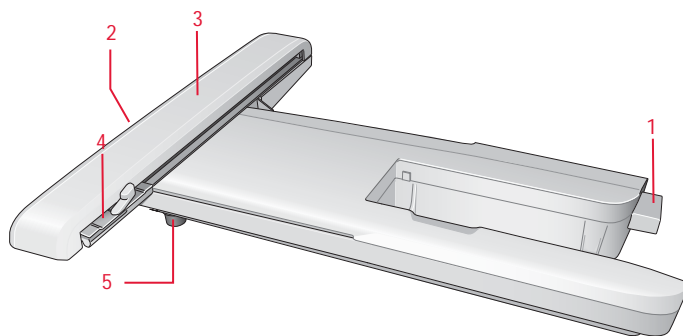
Find instructions for many more sewing techniques on the HUSQVARNA VIKING® Internet web site. Enter [www.husqvarnaviking.com](http://www.husqvarnaviking.com) and go to Sewing, Sewing Room, Sewing Techniques.

## 4. Embroidery Set Up

### Embroidery unit overview

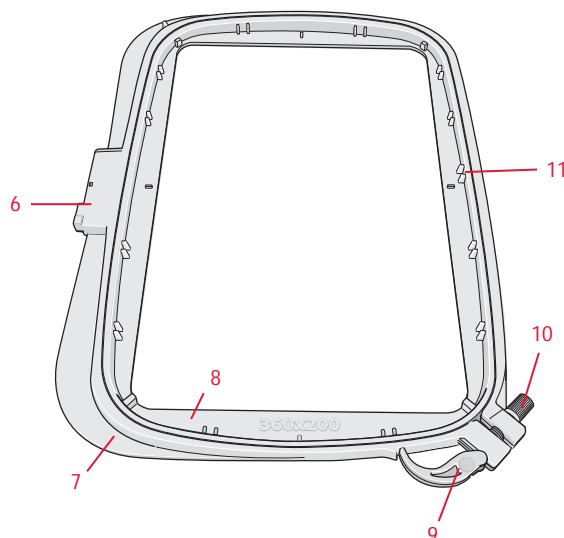
(For model 30 type BE18, for model 20 type BE19)

1. Embroidery unit socket
2. Embroidery unit release button
3. Embroidery arm
4. Embroidery hoop attachment
5. Level adjusting feet



### Embroidery hoop overview

6. Embroidery hoop connector
7. Outer hoop
8. Inner hoop
9. Quick release
10. Retaining screw
11. Ribs for fitting the clips



### Designs

75 designs and 1 embroidery font are stored on the USB embroidery stick delivered with your machine. All these designs are also included on the DESIGNER TOPAZ™ CD for backup if you temporarily want to remove them from the USB embroidery stick. For model 30 a CD with 25 bonus designs is also delivered with your machine.

*Note: Save the bonus designs on your USB embroidery stick to be able to load them on your machine.*

### DESIGNER TOPAZ™ Sampler Book

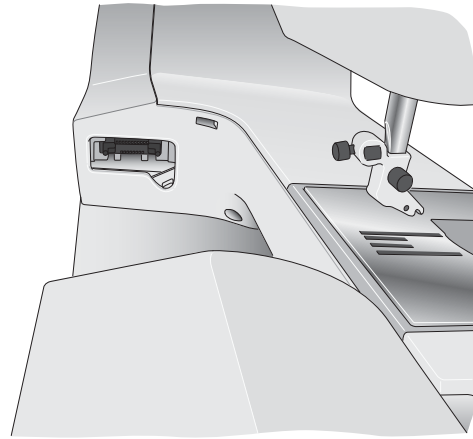
Page through the DESIGNER TOPAZ™ Sampler Book for designs.

The design number, stitch count (number of stitches in the design) and the design size are displayed next to each design. The suggested thread colors for each color number are shown.

On the bonus CD for model 30 you will find .pdf files with the same information about the 25 bonus designs for this model.

## Connect the embroidery unit

1. Slide the accessory tray off.
2. There is a covered socket at the back of the machine. Turn the cover to the right to open it. The embroidery unit plugs into the socket.
3. Slide the embroidery unit onto the free arm of the machine until it plugs firmly into the socket. If needed use the level adjusting feet so that the machine and embroidery unit are even. If the machine is turned off, turn it on.
4. A pop-up message tells you to clear the embroidery area and remove the hoop for calibration. Press OK. The machine will calibrate and the embroidery arm will move to the ready position. This calibration will set your embroidery functions each time you slide on the embroidery unit.



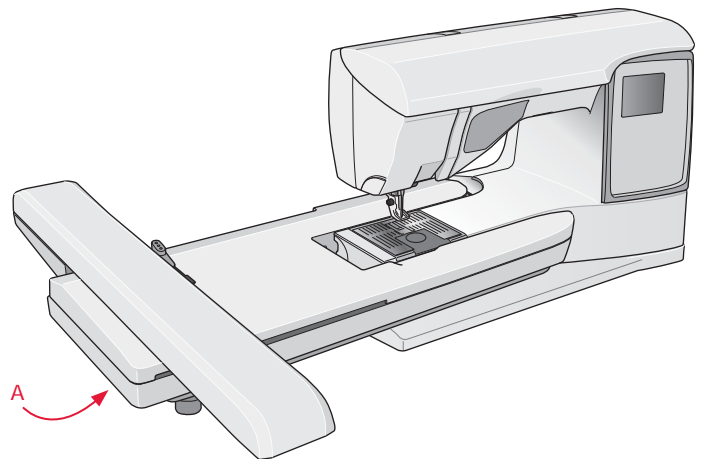
*Note: DO NOT calibrate the machine with the embroidery hoop attached as this can damage the needle, presser foot, hoop and/or the embroidery unit. Be sure to clear all materials from around the machine before calibrating so the embroidery arm does not bump into anything while calibrating.*

## Remove the embroidery unit

1. To store the embroidery unit, remove the hoop and move the embroidery arm to Park Position by pressing the Needle Up/Down button. You can also select Park Position in the Hoop Options Menu. Press the Hoop Options button to enter the menu.

*Note: It is very important that the hoop is removed, otherwise the hoop, needle or presser foot may be damaged.*

2. Press the button at the left, underneath the embroidery unit (A) and slide the unit to the left to remove it.
3. Close the cover on the socket.



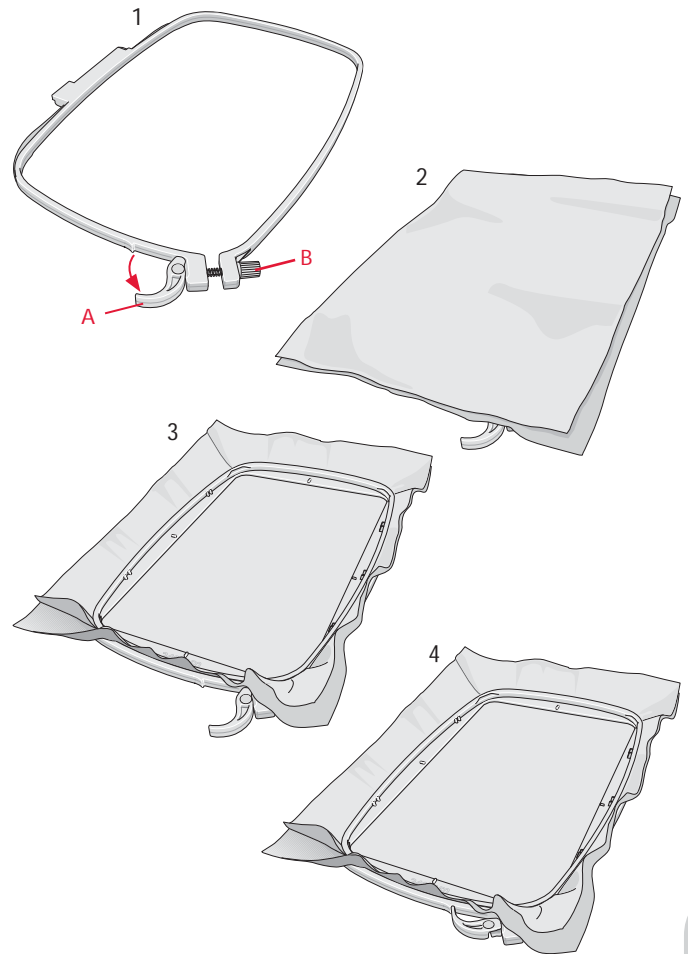


## Hoop the fabric

For the best embroidery results, place a layer of stabilizer beneath the fabric. When hooping stabilizer and fabric make sure that they are smooth and securely hooped.

1. Open the quick release (A) on the outer hoop. Remove the inner hoop. Place the outer hoop on a firm flat surface with the screw on the lower right. There is a small arrow in the center of the lower edge of the hoop which will line up with a small arrow on the inner hoop.
2. Place stabilizer and the fabric, with the right sides facing up, on top of the outer hoop. Place the inner hoop on top of the fabric with the small arrow on the bottom edge.
3. Push the inner hoop firmly into the outer hoop.
4. Close the quick release. Adjust the pressure of the outer hoop by turning the retaining screw (B). The fabric should be taut in the hoop for the best results.

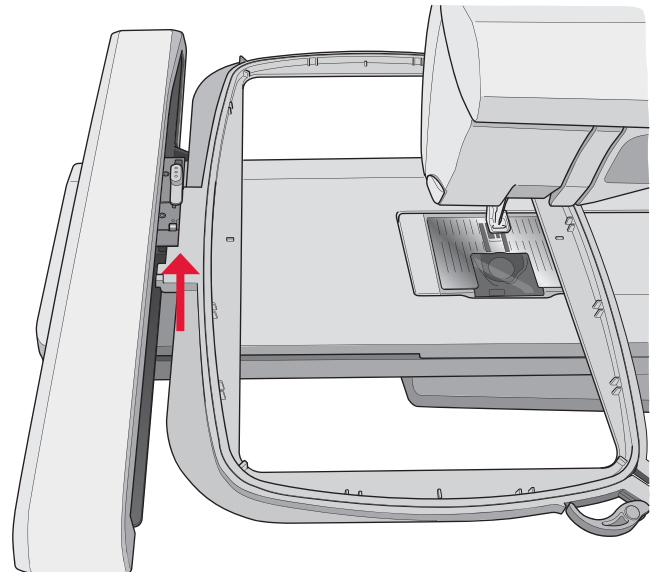
*Note: When embroidering additional designs on the same fabric, open the quick release, move the hoop to the new position on the fabric and close the quick release. When changing type of fabric, you might need to adjust the pressure using the retaining screw. Do not force the quick release.*



## Slide on the hoop

Slide the hoop onto the embroidery unit from front to back until it clicks into place.

To remove the hoop from the embroidery arm, press the grey button on the hoop attachment and slide the hoop towards you.



## Getting started embroidering

1. Attach the embroidery unit. The machine automatically switches to Embroidery Mode. A pop-up message prompts you to clear the embroidery area for calibration. Press OK to calibrate and move the embroidery arm to ready position.
2. The load menu automatically opens. Make sure that the USB embroidery stick is connected. Select your design using the arrow buttons and confirm with OK. The design is placed in the center of the hoop.
3. Attach the embroidery foot and insert a bobbin with lightweight bobbin thread.
4. Hoop a piece of fabric and stabilizer and slide on the hoop onto the embroidery arm.
5. Your machine automatically selects the smallest hoop size that fits the design. Make sure that the hoop attached matches the hoop size shown on the GraphicDisplay or change hoop size by pressing the Hoop Options button and select correct size from the list (see page 63).
6. Thread the machine with the first color in the color block list. To show the complete color block list on the GraphicDisplay press the Embroidery Info button.
7. Clear sufficient space to accommodate movement of the embroidery arm and the hoop. Hold the needle thread and press the Start/Stop button or the foot control. The machine starts embroidering.
8. After stitching a few stitches, the machine stops and a pop-up message appears on the screen asking you to cut the thread end. Cut the thread and press Start/Stop to continue embroidering.

*Note: If "Automatic Jump Stitch Trim" is activated in the SET Menu on model 30 the machine will cut the thread end automatically and the machine will not stop. Hold the thread end when starting to embroider so that you can easily remove it when cut.*

9. When the first color is completed, your machine stops. A pop-up message appears on the GraphicDisplay asking you to change color. Re-thread with the next color and continue embroidering by pressing Start/Stop. Each color segment is tied off at the end and on model 30 the needle thread is cut.

*Note: If "Automatic Jump Stitch Trim" is activated in the SET Menu on model 30, the machine will also cut the thread after you have changed to a new thread color. When you start embroidering again, hold the thread end so you can easily remove it after it is cut.*

*Not all designs are programmed for Automatic Jump Stitch Trim. Jump stitch trim commands can be added to any design using 5D™ Embroidery Software.*

10. When the embroidery is completed your machine stops automatically. For model 30 the needle and bobbin thread are cut. The needle and presser foot raise automatically for easy removal of the hoop. A pop-up message informs you that your embroidery is finished. Close the pop-up message by pressing the OK button

Calibrate embroidery unit.  
Remove hoop. Clear embroidery arm for calibration. Snap on the embroidery presser foot.

OK

USB embroidery stick

DT 01-07  
DT 08-17  
DT 18-28  
DT 29-37  
DT 38-47  
DT 48-54  
DT 55-64



Cut thread end

OK

Change thread color.  
New color:  
Su 1274  
Nile Green

OK

Embroidery finished

OK

## 5. Embroidery Mode

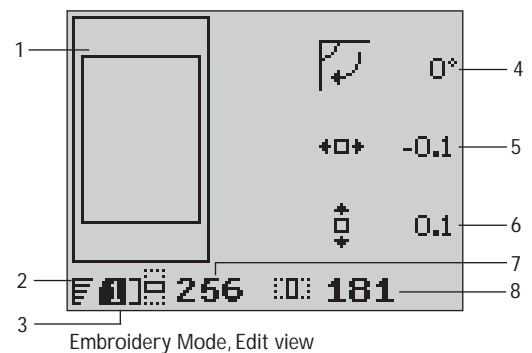
In Embroidery Mode you can adjust the position and size of your designs and stitch them out. The machine automatically switches to Embroidery Mode when the embroidery unit is attached. Functions used when embroidering are now shown.

### Embroidery Mode overview

In Embroidery Mode there are two different views on the GraphicDisplay; Embroidery Edit view and Embroidery Stitch-out view. Use the Alternate View button to switch between the views.

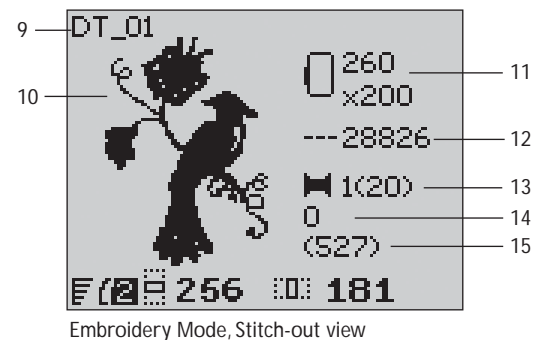
#### Edit view

1. Embroidery field
2. Embroidery speed indicated by three, or for model 30, five levels.
3. Current view
4. Design rotation
5. Horizontal position of design
6. Vertical position of design
7. Design height
8. Design width



#### Stitch-out view

9. Name of loaded design
10. Design preview
11. Selected hoop
12. Remaining stitches in embroidery
13. Current color block and total number of color blocks in embroidery
14. Current stitch in the current color block
15. Number of stitches in the current color block



## Load a design

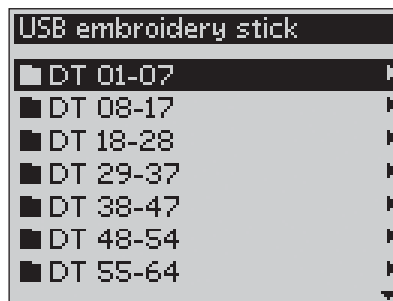
To load a design press the Stitch Menu button with the USB embroidery stick connected. Your machine can load .vp3 embroidery files and .vf3 embroidery font files.

Select a design from the files and folders shown in the menu. Use the arrow up/down buttons to select a folder and then press the OK button or the right arrow button to open it. To go back to the previous folder, press the left arrow button.

Select the design you want to load and press OK to confirm. It will be loaded onto the embroidery field.

*Note: If you have already loaded a design onto the embroidery field, the next design you load will automatically replace the first one.*

*When saving designs on the USB embroidery stick, make sure not to create too many levels of subfolders as this may create a file path that is too long. Also make sure to keep the file name short. When trying to open such a file or folder, an alarm sound will be heard and the file or folder will not open.*

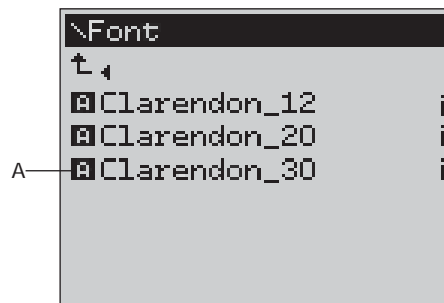


Convert your designs between different embroidery formats using the HUSQVARNA VIKING® 5D™ Organizer software that comes with your machine.

## Load a font

One font is stored on the USB embroidery stick upon delivery. To load a font press the Stitch Menu button with the USB embroidery stick connected. Font files are marked with an icon (A) in the list. You can select between three different files with different sizes of the included font, 12 mm, 20 mm and 30 mm. Select the font file you want to load and press OK to confirm. A text editor opens.

Create additional embroidery fonts from fonts available on your PC computer with the HUSQVARNA VIKING® 5D™ QuickFont software, which is included with your machine.



## Add a letter

When loading a font the upper case alphabet is shown in the text editor. Use the arrow buttons to select a letter and press OK to add the letter to the program. To switch to lower case alphabet or numbers press the Shift button.

If you wish to add a letter at another position move the cursor in the program by pressing the left/right arrow buttons. The letter will be inserted to the right of the cursor.

*Note: Press the arrow down button to activate the cursor in the program instead of in the alphabet.*

Two numbers are displayed above the program on the left side of the GraphicDisplay (B). The first number is the position of the selected letter in the program. The second number, put in brackets, is the total number of letters in the program. The height and width of the program are also shown on the GraphicDisplay.



## Delete a letter

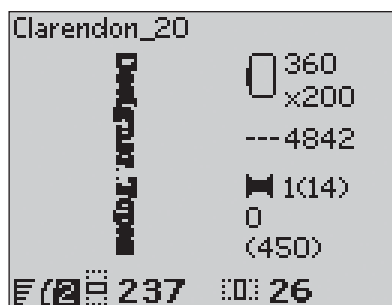
To delete a letter select the letter with the cursor by pressing the arrow buttons and press the Clear (CLR) button.

To delete the whole program, move the cursor to the left of the first position and press the Clear (CLR) button. A pop-up message will appear asking you to verify the deletion. Select Yes or No with the arrow buttons and press OK.

## Load text to embroidery

When you want to sew the text, press the PROG button to load the text to Embroidery Mode. The text is now handled as one design and you can make adjustments on the entire text. If you wish to go back to the text editor and make further adjustments on the text before stitching it out press the PROG button in Embroidery Mode.

*Note: All adjustments made in Embroidery Mode will be cancelled if you go back to the text editor.*



## Embroidery information

To view information about a design before loading it to Embroidery Mode, select the file in the load menu and press the Embroidery Info button. An info view opens where you can see design size and number of stitches and color blocks in the design.

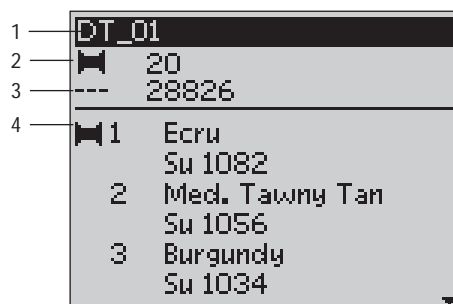
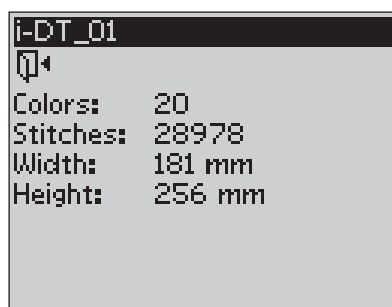
Press the left arrow button to close the Information view and go back to the load menu.

When you have loaded a design into Embroidery Mode, press the Embroidery Info button to view information about the current design.

1. Design name
2. Number of color blocks in the design
3. Number of stitches in the design
4. Color block list. All colors in the loaded design are shown in the order they will be embroidered. The current color block is always placed at the top of the list and is marked with a thread spool. Each listed color shows order, name, thread manufacturer and color code. Use the up/down buttons to scroll through the list.

*Note: If you have questions about abbreviations of thread manufacturers, go to your 5D™ Embroidery Software Configure program (installed with your Machine Communication program) and enter the Thread Manager. There you can find information about thread manufacturers and thread type abbreviations.*

Press the Embroidery Info button once more to close the information view.



## Adjust designs

There are many options to adjust your designs. Always adjust before starting to stitch-out. The settings are shown on the GraphicDisplay. If you change the numbers for width and height the figures will be inverted on a black background. The changes are also visible on the GraphicDisplay.

### Design height (1)

You can increase or decrease the size of the design up to 20%. Increase or decrease the design height using the + and – buttons below the setting displayed on the GraphicDisplay. The design height is scaled 5% each time you press the button. The stitch count remains the same.

### Design width (2)

You can increase or decrease the size of the design up to 20%. Increase or decrease the design width using the + and – buttons below the setting displayed on the GraphicDisplay. The design width is scaled 5% each time you press the button. The stitch count remains the same.

*Note: You can Resize the design in the 5D™ Embroidery Software (sold separately).*

### Moving designs to position (3)

Place your design anywhere in the embroidery area using the arrow buttons. The numbers to the right of the Design position icons on the GraphicDisplay show in millimeters how much the design has been moved vertically and horizontally from its original center position.

### Rotate (4)

You can rotate the design around its center point. Each time you press the Rotate button, the design will rotate 90 degrees clockwise. To the right of the rotate icon on the GraphicDisplay you can see how many degrees the design has rotated from its original position.

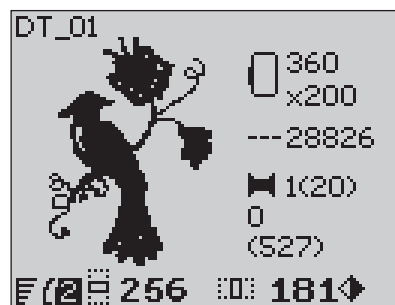
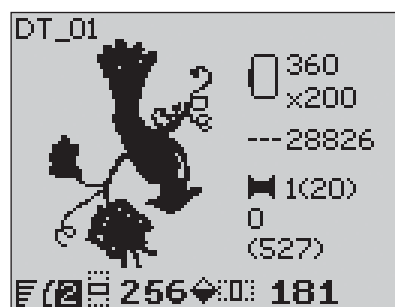
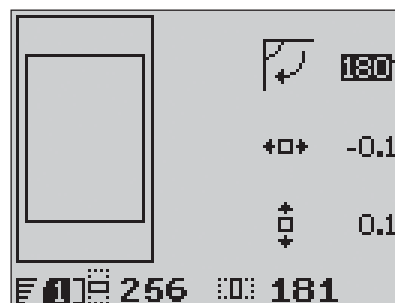
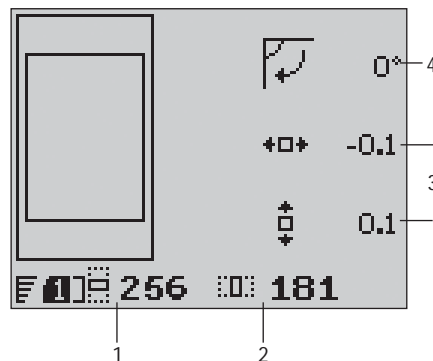
*Note: Some designs are too large to rotate 90 degrees. Each press of the button will then rotate the design 180 degrees.*

### Mirror End-to-End (Only on model 30)

Press the Mirror End-to-End button to mirror the loaded design end to end. An icon is shown on the GraphicDisplay indicating that Mirror End-to-End is selected.

### Mirror Side-to-Side

Press the Mirror Side-to-Side button to mirror the loaded design side to side. An icon is shown on the GraphicDisplay indicating that Mirror Side-to-Side is selected.



## Hoop options

Press the Hoop Options button to open a list of Hoop options. Use the up/down arrow buttons to make a selection and confirm by pressing the OK button. Close the Hoop Options Menu by pressing the Hoop Options button once more or select the Current Stitch position.

### Hoop size

When a design is loaded to the embroidery field the smallest hoop that fits the design is automatically selected.

Use the right arrow button to open a list of available hoop sizes, including hoops that are available to purchase from your authorized dealer. Depending on the size of the design, some hoops may not be available for selection.

If you have set the hoops that you own in the My Hoops list in the SET Menu your machine will select the most suitable hoop among the hoops that you have set. Only the hoops that you have set will be available in the Hoop list, see page 30.

Use the up and down arrow buttons to select a different hoop and confirm your selection by pressing the OK button.

*Note: If you start embroidering and the hoop you have selected is not the same as the hoop attached to the embroidery unit, a pop-up message will appear to inform you of this. Attach the correct hoop or select another hoop in the list.*

### Current Stitch

If you have selected one of the hoop positions and want to return to the current stitch and start embroidering where the embroidery was interrupted, select Current Stitch. You can also press the Start/Stop button once to return to current stitch and start to embroider.

### Park Position

When you have finished your embroidery, remove the hoop and select Park Position. The embroidery arm will be placed in a position that will allow easy storage.

*Note: It is very important that the hoop is removed, otherwise the hoop, needle or presser foot may be damaged.*

### Bobbin Position

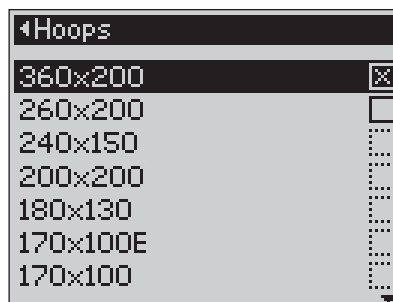
To make it easier to change the bobbin, select Bobbin Position. The hoop will move away from you, allowing you to open the bobbin cover and replace the bobbin.

### Trim Position

Trim Position will move the hoop towards you, making it easier to cut jump stitches and trim fabric.

### Center Position

Use the Center Position if you want to check where the Center Position of the hoop will be placed on the fabric.



## Embroidery functions

### Park Position/Trim Position

Remove the hoop and press the Needle Stop Up/Down button to put the embroidery unit in Park Position for easy storage.

Press the Needle Stop Up/Down button when the hoop is attached and the hoop moves towards you, making it easy to cut jump stitches or trim fabric. Cut the jump threads and press the button again. The hoop moves back to the current stitch. Press Start/Stop to resume the embroidery.

*Note: The Hoop Options menu will open to show the actual position.*

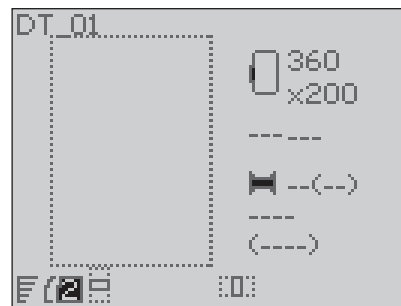
### One-Color Embroidery

Press STOP to cancel the color stops if you want to sew a design in one color only.

*Note: If the Automatic Jump Stitch Trim function is activated in the SET Menu on model 30 it will still be active between the color blocks.*

### Basting

Press the FIX button and the machine will add a basting stitch around the design area. Basting enables you to secure your fabric to a stabilizer placed beneath. It is especially useful when the fabric to be embroidered cannot be hooped. Basting provides support for stretchy fabric and also shows where the design will be placed on the fabric.

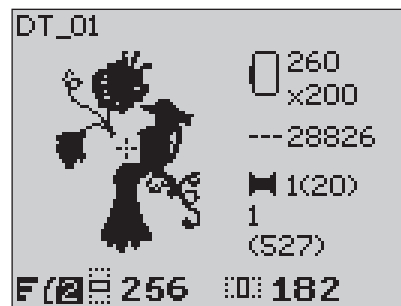


Basting

### Corner Check

Corner check can be used to trace the four corners of the design. Press the OK button. Each time you press the OK button the hoop will move to one of the corners in the following order: upper left, upper right, lower right and lower left. On the fifth press the hoop will move to the center position of the design and on the sixth press back to the current stitch position. A crosshair will indicate the current needle position on the screen.

The Corner check function also shows where the design will be embroidered on the fabric. This makes it easier to position designs when embroidering several designs in succession.



Corner Check

### Step Stitch-by-Stitch

Use the Step Stitch-by-Stitch – and + buttons to step through the design stitch by stitch. If the top or bobbin thread runs out or is broken, step backwards a few stitches before starting to embroider again. Current stitch number is shown on the GraphicDisplay in the Stitch-out view.

### Step Color-by-Color

Use the Step Color-by-Color – and + buttons to step to the first stitch of the previous or next color. The current color block number is shown, next to the total number of color blocks in the design, shown in brackets, in the Stitch-out view on the GraphicDisplay. Press the Embroidery Info button to view the complete color block list.



## Embroidery pop-up messages

### Embroidery unit calibration

When the embroidery unit is attached, a pop-up message asks you to slide off the hoop and clear the machine area for calibrating the embroidery arm. You will also be reminded to snap on the R foot for embroidery. Press the OK button to calibrate.

*Note: It is very important to remove the hoop, otherwise the hoop or the embroidery unit may be damaged while calibrating.*

### Embroidery unit not supported. Please replace embroidery unit.

You can only use the type of embroidery unit that is delivered with your machine. Attach the correct embroidery unit.

### Attach correct hoop

When the size of the hoop on the machine does not match the size displayed on the GraphicDisplay, your machine will not sew. Change the hoop to the size displayed or change the setting for hoop size to match your selected hoop, see page 63.

### Check upper thread

Your machine stops automatically if the top thread runs out or breaks. Re-thread the top thread and close the pop-up message by pressing the OK button. Press the Start/Stop button to continue.

### Cut thread end

When starting to embroider or after changing the thread, the machine will sew a few stitches and then stop so you can cut the thread end.

*Note: This function is cancelled if "Automatic Jump Stitch Trim" is activated in the SET Menu on model 30, see page 30.*

### Bobbin thread low

Your machine stops when the bobbin is almost empty. Replace the empty bobbin with a full one and close the pop-up message by pressing the OK button. Pull back excess top thread. Step back a few stitches by pressing the Step Stitch-by-Stitch – button. Press Start/Stop to resume the embroidery.

*Note: When changing the bobbin select Bobbin Position in the Hoop Options Menu. The hoop will move away for easy access to the bobbin case. Once the bobbin is replaced select Current Stitch in the Hoop Options Menu to move the hoop back to where the embroidery stopped.*

Calibrate embroidery unit.  
Remove hoop. Clear embroidery arm for calibration. Snap on the embroidery presser foot.

OK

Embroidery unit not supported. Please replace embroidery unit.

Attach correct hoop

OK



OK



Cut thread end

OK



OK

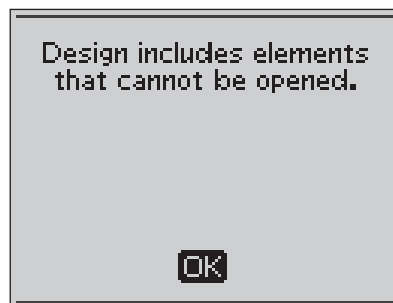
## Change thread color

When it is time to change the needle thread the machine stops and on model 30 the upper thread is cut. Change the spool and re-thread the machine. The next recommended color is shown in the pop-up message.



## Design includes elements that cannot be opened

Some designs may contain data that is too complex for this embroidery machine. Please use your 5D™ Organizer software to re-save the design.



## Remove the hoop

This pop-up will appear when a function has been chosen that forces the embroidery unit to move outside the limits for the attached hoop. In order for the embroidery arm to move freely, remove the hoop and then press the OK button.



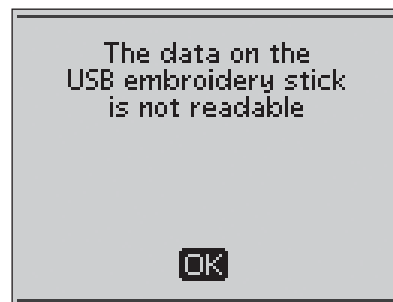
## Connect USB embroidery stick

If you attach the embroidery unit or press the Stitch Menu button in Embroidery Mode without having a USB stick connected, this pop-up message will appear. Connect a USB stick and press the OK button so that you can load a design. This pop-up message also appears if the USB stick is removed while a design is being loaded or stitched out.



## The data on the USB embroidery stick is not readable

This pop-up message will appear when your sewing machine can not access the information on the USB embroidery stick. The USB stick could be damaged or you might be using a USB stick that is non-compatible with the sewing machine. Press the OK button to close the pop-up message.



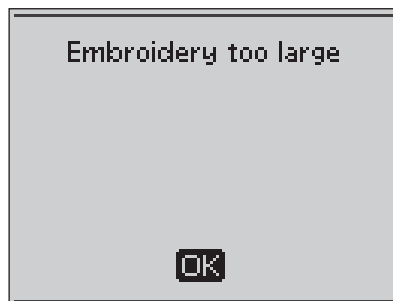
## Embroidery finished

A pop-up message informs you when the embroidery is finished. Press the OK button to close the pop-up message.



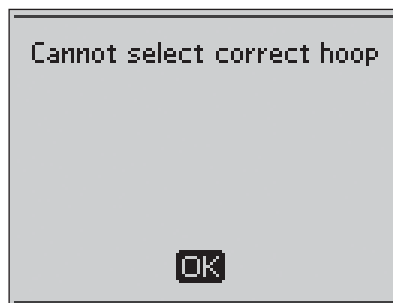
## Embroidery too large

This pop-up message appears if the design you are trying to load is too large to be sewn on your machine. Press the OK button to close the pop-up and select another design.



## Cannot select correct hoop

If you are trying to load a design that is too large for the selectable hoops this pop-up message will appear. If you have set the hoops that you own in the My Hoops list in the SET Menu you will not be able to load designs that are too large to fit in the hoops that you have set. Make sure that you have selected the correct hoops in the My Hoops list or load another design.



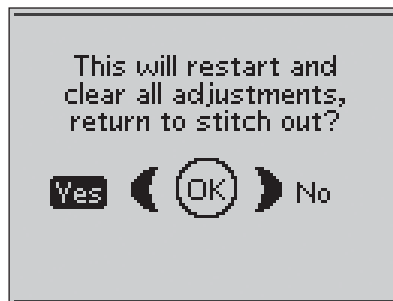
## Stop command in design

Your machine stops automatically for you to trim the fabric on cut work, applique etc. See explanation for each design in the Embroidery Sampler Booklet.



## This will restart and clear all adjustments, return to stitch out?

This pop-up message will appear if you press the PROG button in Embroidery Mode to go back to the text editor and change an existing embroidery text. If you select "No" the text editor will open and all your adjustments made in Embroidery Mode will be cancelled. If you select "Yes" you will return to Embroidery Mode and all your adjustments will be kept. Use the arrow buttons to select "Yes" or "No" and press the OK button.



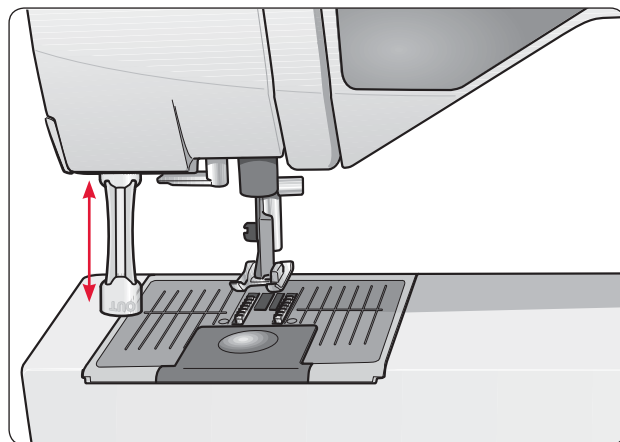
## 6. Taking Care of the Machine

### Changing the light bulbs

Your sewing machine is equipped with two light bulbs. One is placed under the sewing head and one above the free arm. Only use light bulbs of a type as indicated on the front of the machine (24V, 5W). They are available at your authorized HUSQVARNA VIKING® dealer. Change the light bulbs as described below.

 Turn off the ON/OFF switch.

1. Place the light bulb remover with the deep hole, marked OUT, around the bulb. Do not turn the bulb, just pull it out to remove it.
2. When inserting a new light bulb place the remover with the shallow hole, marked IN, around the new bulb. Insert the new bulb by pushing it up.



### Cleaning the machine

To keep your sewing machine operating well, clean it often. No lubrication (oiling) is needed.

Wipe the exterior surfaces of your sewing machine with a soft cloth to remove any dust or lint built up.

 Turn off the ON/OFF switch.

### Clean the Bobbin Area

Remove the presser foot and slide off the bobbin cover. Lower the feed teeth. Place the screwdriver under the stitch plate as shown in the picture and gently turn the screwdriver to pop off the stitch plate. Clean the feed teeth with the brush.

### Cleaning Under the Bobbin Area

After sewing several projects or any time you notice an accumulation of lint in the bobbin case area, the area under the bobbin case must be cleaned.

Remove the bobbin case holder (1) covering the front part of the bobbin case. Remove the bobbin case (2) by lifting it up. Clean with the brush. A small vacuum attachment works well to remove dust and lint built up.

 On model 30: Use caution when cleaning around the thread cut knife.

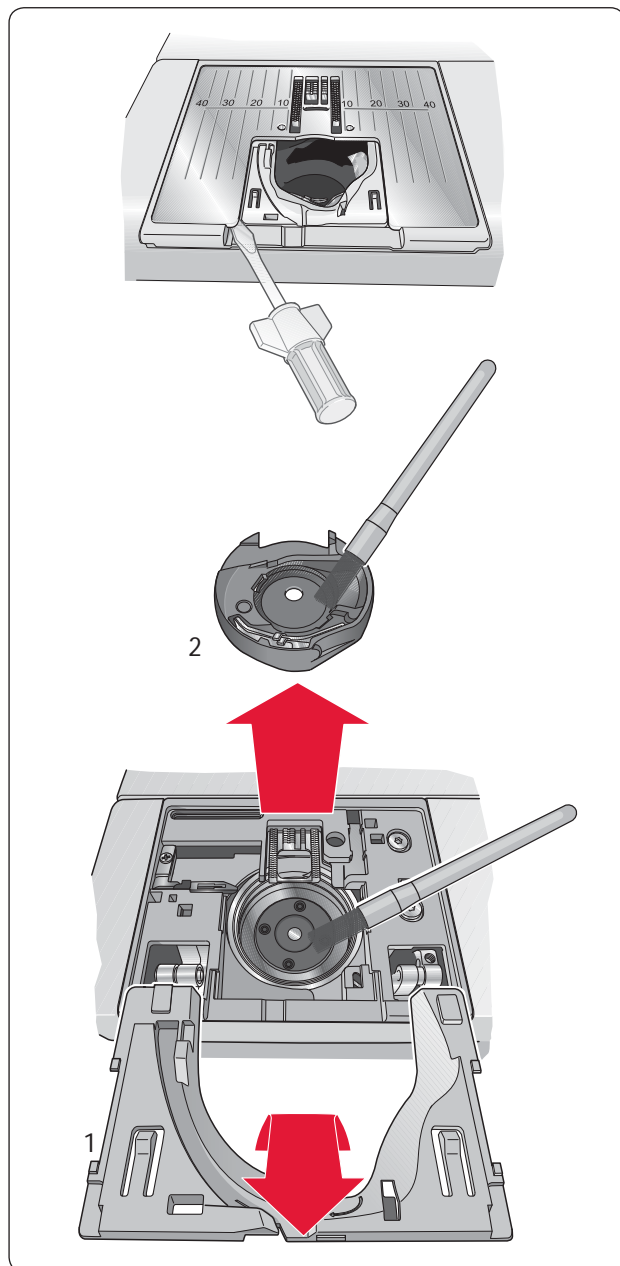
Put the bobbin case and the bobbin case holder back in place.

*Note: Do not blow air into the bobbin case area. The dust and lint will be blown into your machine.*

*Note: When using the optional accessory HUSQVARNA VIKING® Embroidery Cutwork Needles, it is necessary to clean the bobbin area after each embroidered design/project.*

### Replacing the Stitch Plate

With feed teeth lowered, place the stitch plate so that it fits into the notch at the back. Press the stitch plate down until it clicks into place. Slide on bobbin cover.



## Trouble shooting

### Any time you experience a problem when sewing:

- Select correct type and weight of fabric in the Exclusive SEWING ADVISOR™ feature.
- Insert needle size and type as recommended on the GraphicDisplay.
- Rethread the top and bobbin threads.
- Use different spool pin positions (vertical or horizontal).
- Use thread nets and quality thread. We recommend the same sewing thread on top and bobbin for general sewing. For decorative sewing and embroidery we recommend embroidery thread on top and bobbin thread on bobbin.

### If you experience problems when sewing the Sensor Buttonhole:

- Make sure the white area on the side of the wheel is lined up with the white marking line on the foot.
- Check to insure that the cord to the Sensor One-Step Buttonhole Foot is properly plugged into the socket above the needle area behind the light bulb.

### Fabric Puckers?

- Select correct type and weight of fabric in the Exclusive SEWING ADVISOR™ feature.
- Check needle, it could be damaged.
- Insert needle size and type as recommended on the GraphicDisplay.
- Rethread top and bobbin threads.
- Change thread type to match fabric and sewing technique.
- Use quality thread.
- Shorten stitch length.
- Use stabilizer.
- Check your thread tension.

### Skipped Stitches?

- Check needle - it could be damaged.
- Change needle to recommended size and type.
- Be sure the needle is inserted correctly all the way into the clamp.
- Rethread top and bobbin threads.
- Use recommended presser foot.
- Turn machine off and on to reset.
- Is the fabric moving up and down with the needle when free-motion sewing or embroidering? Reduce the presser foot pivot height in the settings menu.

- Consult your Authorized HUSQVARNA VIKING® dealer for service.

### Needle Breaks?

- Use care not to pull fabric when sewing.
- Insert needle size and type as recommended on the GraphicDisplay.
- Insert needle correctly as described in this User's Guide.

### Poor Tension?

- Enter fabric weight and type in the Exclusive SEWING ADVISOR™ feature.
- Rethread top and bobbin - use quality thread.
- Insert needle size and type as recommended on the GraphicDisplay.
- Turn machine off and on to reset automatic tension.
- Follow recommendations for stabilizer.

### Upper Thread Breaks?

- Does thread feed smoothly/not catching?
- Use thread nets and quality thread. For special threads such as metallic etc. please consult your Accessory User's Guide for special needle recommendations.
- Rethread top and bobbin threads - check for correct threading. When using embroidery thread on top, you should use bobbin thread in the bobbin, not regular sewing thread.
- Insert needle size and type as recommended on the GraphicDisplay.
- Turn the machine off and on to reset automatic tension.
- Try different spool pin positions (horizontal or vertical).
- If stitch plate hole is damaged, replace stitch plate.
- Is the correct spool cap used in front of the thread?

### Fabric Does Not Move?

- Make sure machine is not set to Free Motion in the SET Menu.
- Increase stitch length.
- Be sure the feed teeth are in the up position.

### Bobbin Thread Breaks?

- Wind a new bobbin.
- Replace the bobbin in the machine, check correct threading.
- If stitch plate hole is damaged - replace stitch plate.
- Clean bobbin area.

### Bobbin Winds Irregularly?

- Check threading for bobbin winding.

### **Bobbin alarm does not work?**

- Clean lint from bobbin area.
- Use only original HUSQVARNA VIKING® bobbins approved for this model.

### **Thread cutter does not cut? (Only on model 30)**

- Remove stitch plate and clean lint from bobbin area.
- Make sure Selective Thread Cutter Auto is turned on in the SET Menu.

### **Wrong Stitch, Irregular or Narrow Stitches?**

- Cancel twin needle or stitch width safety in the SET Menu.
- Turn machine off and on to reset.
- Change needle, rethread top and bobbin threads.
- Use stabilizer.

### **Machine Sews Slowly?**

- Check speed.
- Remove stitch plate and brush lint from bobbin and teeth area.
- Have your sewing machine serviced at your authorized HUSQVARNA VIKING® dealer.

### **Machine Will Not Sew?**

- On model 20: put bobbin winder to the left into sewing position.
- On model 30: put bobbin winder lever to the right into sewing position.
- Check plugs are securely plugged all the way into the machine.
- Check wall plug and power to wall plug.
- Check foot control connection.

### **Embroidery puckers?**

- Use correct stabilizer - see Accessory User's Guide.
- Hoop fabric tightly as described on page 57.

### **Thread loops are forming on the underside of the embroidery design?**

- Has the embroidery built up too much to move freely under the embroidery foot? Increase the pivot height in the Settings menu in small steps until problem is solved.

### **Machine will not embroider?**

- Push embroidery unit firmly into machine socket.
- Slide on the correct hoop.

### **The sewing and embroidery machine function buttons do not respond to touch?**

- The sockets and function buttons on the machine can be sensitive to static electricity. If the function buttons do not respond to touch, turn the machine off and then on again. If the problem persists, contact your authorized HUSQVARNA VIKING® dealer.

### **Have your sewing machine serviced regularly by your authorized HUSQVARNA VIKING® Dealer!**









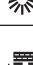
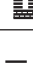
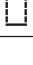










If you have followed this trouble shooting information and still have sewing problems, take the sewing machine to your authorized HUSQVARNA VIKING® dealer. If there is a specific problem, it is a great help to test sew with your thread on a scrap of your sewing fabric and bring it to your authorized HUSQVARNA VIKING® dealer. A sewing sample will often give much better information than words.

### **Non-Original Parts and Accessories**

The warranty does not cover any defect or damage caused by use of non-original accessories or parts.

## Stitch table - menu 1. Utility Stitches

Stitch	Stitch no.		Stitch name	Presser Foot	Application
	20	30			
	0	0	Bartack Buttonhole	Sensor One-Step Buttonhole Foot/C	Standard buttonhole for most fabric weights.
	1	1	Straight Stitch, center needle position	A/B	For all types of sewing. Select 29 different needle positions.
	2	2	Stretch Stitch, left needle position	A/B	For seams in tricot and stretch fabric.
	3	3	Reinforced Straight Stitch, center needle position	A/B	For seams which are subject to considerable strain. Triple and elastic for reinforced seams. Use to reinforce and topstitch sportswear and working clothes. For topstitch, increase the stitch length. 29 needle positions.
	4	4	Three-Step Zigzag	A/B	For mending, sewing on patches and elastics. Suitable for light and medium weight fabric. For overcasting, select stitch 1:13.
	5	5	Zigzag	A/B	For appliqué work, lace edging, sewing on bands etc. Stitch width increases equally to the left and right.
	6	6	Flatlock Stitch	B	Decorative hems and overlapped seams, belts and bands. For medium/heavy stretch fabrics.
	7	7	Overcast Stitch	J	Seam and overcast in one step along the edge or trim later. For light stretch and non-stretch fabrics.
	8	8	Stretch Seam Overcast Stitch	B	Seam and overcast in one step along the edge or trim later. For medium and medium/heavy stretch fabrics.
	9	9	Automatic Button Sewing	No presser foot	For sewing on buttons. Set the number of stitches on the GraphicDisplay.
	10	10	Double Overlock Stitch	B	Seam and overcast in one step along the edge or trim later. For heavy stretch and heavy woven fabrics.
	11	11	Overlock Stitch	B	Seam and overcast in one step along the edge or trim later. For medium stretch fabrics.
	12	12	Elastic/Casing Stitch	B	For overlapped seams in tricot. To sew casing over narrow elastic.
	13	13	Three-step Zigzag Overcast	J/B	For overcasting in all kinds of fabric
	14	14	Reinforced Zigzag	B	For joining fabric edge to edge or overlapping in leather. For decorative sewing.
	15	15	Baste Stitch	A/B	For joining two pieces of fabric with a long stitch length.
	16	16	Stretch Blind Hem Stitch	D	Blind hems in medium and heavy stretch fabrics.
	17	17	Woven Blind Hem	D	Blind hems in medium and heavy woven fabrics.
	18	18	Shell Edge	A/B	For edgings, sew over the edge on light stretch fabrics, sew woven fabrics on bias.

	19	19	Elastic Stitch or Smocking	A/B	Sew over two rows of elastic thread for elastic shirring.
	20	20	Bridging stitch	A/B	For joining two pieces of fabric with finished edges and for elastic shirring.
	21	21	Darning Stitch (forward and backward)	A/B	Darn and mend small holes in work clothes, jeans, tablecloths and more. Stitch over the hole, press reverse for continuous darning and auto stop.
	22	22	Bartack (manual)	A/B	Reinforce pockets, shirts openings, belt loops as well as at lower end of a zipper.
	23	23	Round End Buttonhole	Sensor One-Step Buttonhole Foot/C	For blouses and children's garments.
	24	24	Medium Reinforced Buttonhole	C	For medium and heavy fabrics.
	25	25	Heirloom Buttonhole	Sensor One-Step Buttonhole Foot/C	For "hand look" on fine and delicate fabrics. Tip: For jeans buttonholes, increase length and width of the buttonhole. Use thicker thread.
	26	26	Keyhole Buttonhole	Sensor One-Step Buttonhole Foot/C	For tailored jackets, coats, etc.
	27	27	Heavy Duty Buttonhole	Sensor One-Step Buttonhole Foot/C	With reinforced bartacks.
	28	28	Leather Straight Stitch Buttonhole	A/B	For leather and suede.
	29	29	Eyelet	B	For belts, laces, etc.
	-	30	Tapering Stitch	B	Begins and ends with a point. Used for corners, points and satin stitch lettering. Press reverse to taper.
	-	31	Tapering stitch	B	Begins and ends with a point. Used for corners, points and satin stitch lettering. Press reverse to taper.
	30	32	Satin stitch, narrow	B	For appliqués, sewing on laces and trims. For light and medium fabrics.
	31	33	Satin stitch, medium	B	For appliqués, sewing on laces and trims. For light and medium fabrics.
	32	34	Satin stitch, wide	B	For appliqués, sewing on laces and trims. For heavy fabrics.
	-	35	Scallop Wave	B	For edge finishing. Trim away fabric outside scallops.
	33	36	Narrow Rick Rack Stitch	B	For edge finishing. Trim away fabric outside scallops.
	34	37	Scallop Stitch	B	For edge finishing. Trim away fabric outside scallops.
	-	38	Scallop Stitch	B	For edge finishing. Trim away fabric outside scallops.
	35	39	Satin Arrow Head	B	For edge finishing. Trim away fabric outside scallops.

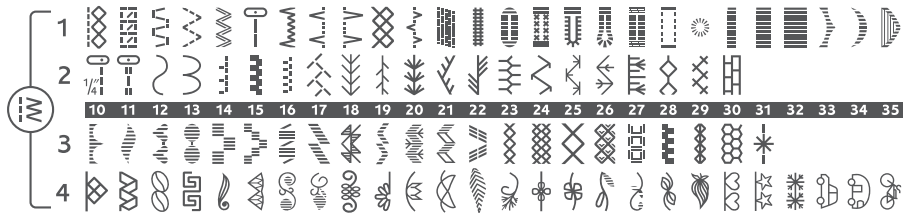


## Stitch overview

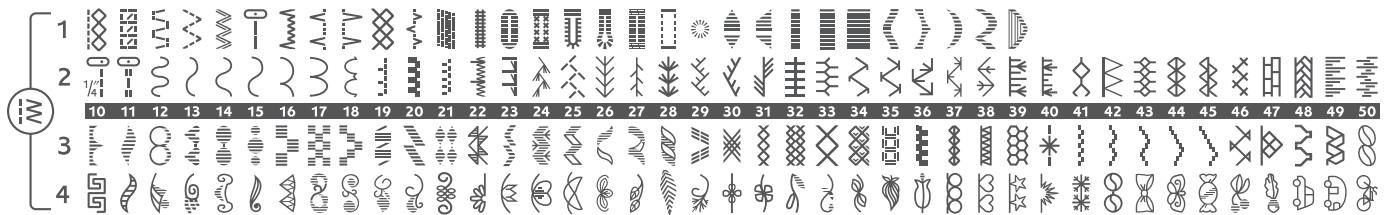
Menu 1: Utility Stitches, Menu 2: Quilt Stitches,  
Menu 3: Satin and Heirloom Stitches, Menu 4: Decorative Stitches

Stitches 0-9 are the same in all four stitch menus.

### DESIGNER TOPAZ™ 20



### DESIGNER TOPAZ™ 30



## Alphabets

### Block (model 20 and 30)

A B C D E F G H I J K L M N O P Q R S T U U V W X Y Z Å Ä Ö - . \_  
 a b c d e f g h i j k l m n o p q r s t u ü v w x y z å ä ö @ . . \_  
 1 2 3 4 5 6 7 8 9 0 Æ æ Ø ø à á ç è é ê í ó ù ú Ñ ñ ß & ? ! ' . \_

### Brush Line (model 30)

A B C D E F G H I J K L M N O P Q R S T U U V W X Y Z Å Ä Ö - . . \_  
 a b c d e f g h i j k l m n o p q r s t u ü v w x y z å ä ö @ . . \_  
 1 2 3 4 5 6 7 8 9 0 Æ æ Ø ø à á ç è é ê í ó ù ú Ñ ñ ß & ? ! ' . \_

### Script (model 30)

A B C D E F G H I J K L M N O P Q R S T U U V W X Y Z Å Ä Ö - . . \_  
 a b c d e f g h i j k l m n o p q r s t u ü v w x y z å ä ö @ . . \_  
 1 2 3 4 5 6 7 8 9 0 Æ æ Ø ø à á ç è é ê í ó ù ú Ñ ñ ß & ? ! ' . \_

### Cyrillic and Hiragana (model 20 and 30)

Russian and Japanese alphabets. See the fonts on the GraphicDisplay of your sewing machine.

# Index

+/- buttons.....27, 35, 62

## A

Accessories User's Guide.....8  
Accessories.....8  
Accessory tray.....7  
Accessory tray, Remove.....11  
Add a letter.....37, 60  
Add a letter at another position.....60  
Add commands in a program.....38  
Add stitches or letters at other positions.....38  
Add the same stitch several times.....38  
Adjust a single stitch or letter in a program.....38  
Adjust designs.....62  
Adjust the entire stitch program.....39  
Alarm.....31  
All purpose sewing thread.....22  
Alphabets.....73  
Alternate View.....27, 35, 59  
Attach correct hoop.....63, 65  
Automatic Jump Stitch Trim.....30, 58  
Auxiliary spool pin.....6, 12, 15, 18

## B

Balance buttonhole.....30  
Base plate.....6  
Baste.....26, 34, 47, 64  
Blind Hem.....34, 49  
Blind Hem Foot D.....9  
Block Alphabet.....73  
Bobbin area.....43, 68  
Bobbin case.....18, 68  
Bobbin cover.....6, 18, 68  
Bobbin Position.....63  
Bobbins.....8, 16, 17, 18, 58  
    Insert.....18  
Bobbin thread low.....43, 65  
Bobbin winder.....6, 16, 17, 18  
Bobbin winder lever.....6, 17, 18  
Bobbin Winding, model 20.....16  
Bobbin Winding, model 30.....17  
Bobbin winding, specialty Threads.....16, 17  
Bobbin winding speed.....17, 18  
Bobbin winding thread guide.....6, 16, 17  
Bobbin Winding while embroidering or sewing.....18  
Bobbin winding with the machine threaded.....16, 17  
Brush.....8, 68  
Brush Line Alphabet.....73  
Built-In Needle threader.....6  
Built-in tape measure.....6

Built-in USB port.....6  
Buttonhole.....34, 50  
Buttonhole balance.....30  
Buttonhole Foot C.....9  
Buttonhole, restart.....42  
Button reed.....8  
Button ruler.....6, 50  
Button, sew on.....52  
Button size.....50  
Buttons on the machine.....25

## C

Calibrate.....56, 58  
Carrying case.....8  
Center Position.....63  
Change thread color.....58, 66  
Changing the light bulbs.....68  
Changing the needle.....20  
Changing the presser foot.....20  
Check upper thread.....43, 65  
Cleaning the Bobbin Area.....68  
Cleaning the machine.....68  
Cleaning Under the Bobbin Area.....68  
Clear.....27, 38, 40, 61  
Color block.....61  
Color Block list.....61  
Commands in program.....44  
Connecting the foot control.....10  
Connector for foot control.....6  
Connector for power cord.....6  
Connect the embroidery unit.....56  
Connect to the power supply.....10  
Connect to USB port.....23  
Contrast.....31  
Convert designs.....24  
Corded Buttonhole.....51  
Corded Buttonhole recommendation.....32  
Corner Check.....64  
Create a stitch program.....37  
Current color.....59  
Current Stitch.....59, 63  
Current view.....59  
Cut.....26, 29, 38  
Cut-away stabilizer.....22  
Cut thread end.....65  
Cutting the thread.....14  
Cyrillic Alphabet.....73

## D

Darning.....47  
Darning Foot R.....9  
Decorative Stitches.....33, 73  
Decorative Stitch Foot B.....9

Decorative Stitch Foot B Transparent.....	9	Embroidery unit	
Delete a letter .....	61	Calibrate .....	56, 58, 65
Delete saved stitches or programs .....	40, 44	Connect.....	56
Delete stitches or letters .....	38	Overview .....	55
Denim needle.....	21	Remove .....	56
DESIGNER™ Crown Hoop.....	8	Embroidery unit connection socket .....	7, 56
DESIGNER™ Royal Hoop.....	8	Embroidery unit not supported .....	65
DESIGNER™ Splendid Square Hoop.....	8	Embroidery unit release button .....	7, 55, 56
DESIGNER TOPAZ™ 30 Bonus Sampler CD.....	8, 55	Embroidery unit socket .....	7, 55, 56
DESIGNER TOPAZ™ Sampler Book.....	8, 55	EXCLUSIVE SENSOR SYSTEM™ (ESS) .....	19
DESIGNER TOPAZ™ Sampler CD .....	8, 55	Exclusive SEWING ADVISOR™ .....	27, 34
Design height .....	59, 62	Fabric selection.....	27, 32, 34
Design name.....	61	Sewing Techniques.....	27, 32, 34
Design number.....	55	Extended Sewing Surface .....	11
Design preview.....	59	Extra Lift.....	25
Design rotation .....	59		
Designs.....	23, 55	<b>F</b>	
Adjust.....	62	Fabric selection .....	27, 32, 34
Convert .....	24	Feed teeth, lower .....	20
Load.....	58, 60	Feed teeth recommendation .....	32
Mirror End-to-End .....	62	Felt pad.....	8
Mirror Side-to-Side .....	62	File formats .....	60
Position .....	59, 62	FIX.....	26, 38, 64
Rotate .....	62	FIX auto.....	28
Scale.....	62	Float position .....	25, 28
Stop command.....	67	Folders.....	60
Design width .....	59, 62	Font files .....	60
Disintegrating stabilizer .....	22	Font Menu .....	27, 33
Drop feed teeth recommendation .....	29	Fonts.....	33
Drop feed teeth switch .....	6, 20	Load.....	60
		Select .....	33
<b>E</b>		Font size.....	60
Edging Foot J.....	9	Foot control.....	8
Embroidery arm .....	7, 55	Connect.....	10
Embroidery/Darning Foot R.....	9, 29, 58	Foot control cord.....	8, 10
Embroidery Edit view .....	59	Formats .....	60
Embroidery field.....	59, 60	Free arm .....	6, 11
Embroidery finished .....	66	Free Motion.....	29, 42
Embroidery fonts .....	23, 24, 55, 60	Free Motion Floating .....	29
Embroidery formats.....	24, 60	Free Motion Floating presser foot.....	29
Embroidery functions.....	64	Free Motion Spring Action .....	29
Embroidery hoop attachment .....	7, 55, 57	Free Motion Spring Action presser feet.....	29
Embroidery hoop connector .....	55	Function Button Panel.....	6, 25
Embroidery Info button.....	27, 58, 61	Function Buttons.....	25
Embroidery information .....	61		
Embroidery Machine Communication CD.....	24	<b>G</b>	
Embroidery Mode.....	59–66	Getting started embroidering .....	58
Embroidery Mode overview.....	59	Glide plate recommendation .....	32
Embroidery pop-up messages.....	65	GraphicDisplay .....	6
Embroidery Set Up .....	55–56		
Embroidery Stitch-out view.....	59		
Embroidery thread .....	8, 22		
Embroidery too large.....	67		

<b>H</b>		<b>M</b>	
Handle .....	7	Machine overview .....	6–7
Handwheel .....	6	Magnifying glass .....	14
Hem .....	34, 48	Main cord .....	8
Hiragana Alphabet .....	73	Connect .....	10
Hoop		Main motor overload .....	43
Overview .....	55	Main spool pin .....	6, 12
Slide on .....	57	Horizontal position .....	12, 13, 16, 17
Hoop Clips .....	8, 55	Vertical position .....	12, 13, 15, 16, 17, 22
Hoop Options .....	27, 58, 63	Manual Buttonhole .....	51
Hoop position .....	63	Memories .....	40
Hoops Included .....	8	Mending .....	47
Hoop size .....	30, 58, 63, 67	Mirror End-to-End .....	27, 36, 62
Hoop the fabric .....	57	Mirror Side-to-Side .....	27, 36, 62
Horizontal position .....	12, 13, 16, 17	Multipurpose tool .....	8, 20, 48, 52
		Recommendation .....	32
<b>I</b>		My Hoops .....	30, 63
Included accessories .....	8–9	My Stitches .....	33, 40
Hoops Included .....	8		
Presser feet .....	9	<b>N</b>	
Inner hoop .....	55, 57	Name of loaded design .....	59
Inserting the bobbin .....	18	Navigator Arrow buttons .....	27
Installation Code .....	24	Needle bar .....	6
Installing your software .....	24	Needle, changing .....	20
Iron-on tear-away .....	22	Needle clamp .....	20
		Needle position .....	32, 35
<b>J</b>		Needle recommendation .....	32
Jeans Hem .....	48	Needles .....	8, 14, 21
Join two stitch programs into one .....	38	Needle stop position .....	25
		Needle Stop Up/Down .....	25, 64
<b>K</b>		Needle threader .....	14
Knit fabric .....	34	Non-Original Parts and Accessories .....	70
		Non-Stick Glide Foot H .....	9
<b>L</b>		Non-Stick glide plates .....	8
Language .....	31	Non-Stick glide plates recommendation .....	32
Launch the Programs .....	24	Number of colors .....	61
Leather .....	34	Number of colors in embroidery .....	59
Letters .....	37, 60	Number of stitches in the current color block .....	59
Level adjusting feet .....	7, 55, 56	Numbers .....	27, 37, 60
Lid .....	6, 33		
Light bulb remover .....	68	<b>O</b>	
Light bulbs .....	6	OK .....	27, 64
Change .....	68	One-color embroidery .....	25, 64
Ligh bulb remover .....	8	ON/OFF switch .....	6, 10
Load a design .....	58, 60	Outer hoop .....	55, 57
Load a font .....	60	Overcast .....	34, 45
Load a saved stitch or program .....	40		
Load text to embroidery .....	61	<b>P</b>	
Lower case .....	27, 37, 60	Packing away after sewing .....	11
Lowering the feed teeth .....	20	Park Position .....	25, 56, 63, 64
Recommendation .....	32	Perfectly Balanced Sensor One-Step Buttonhole .....	50
Lower presser foot .....	25	Pictogram Pen .....	8, 22

Pieces of fabric and stabilizer.....	8	Selected hoop.....	59
Pivot height.....	28	Selecting a font.....	33
Pivot Position.....	25	Selecting a stitch.....	33
Pop-up messages.....	41, 65	Selective Thread Cutter.....	26, 38
Position designs.....	62	Selective Thread Cutter auto.....	29
Power supply.....	10	Sensor Foot auto.....	28
Presser bar.....	6	Sensor Foot Down and Pivot Position.....	25
Presser feet.....	9	Sensor Foot Lift.....	19, 25
Presser feet and bobbin holder.....	7	Sensor Foot Pressure.....	19
Presser foot ankle.....	6, 20	Sensor Foot Up and Extra Lift.....	25
Presser Foot C.....	51	Sensor One-Step Buttonhole Foot.....	9, 14, 30, 42, 50, 51
Presser foot, changing.....	20	Sensor One-Step Buttonhole Foot socket.....	6, 50
Presser foot, lower.....	25	SET Menu.....	27, 28
Presser foot pressure.....	19, 28	Sewing Mode.....	32–42
Presser foot, raise.....	6, 25	Sewing Mode overview.....	32
Presser foot recommendation.....	32	Sewing on buttons.....	52
Presser foot too high.....	41	Sewing pop-up messages.....	41
Pre-Tension Thread guide.....	6, 13	Sewing recommendations.....	32
PROG button.....	37, 61	Sewing speed.....	32
Programming.....	37	Sewing Techniques.....	27, 32, 34, 45–52
Programming letters.....	37	Sewing zippers.....	53
Programming Mode.....	27	Sew out the stitch program.....	39
<b>Q</b>			
Quick Guide.....	8	Shift button.....	27, 37, 60
Quick release.....	55, 57	Slide on the hoop.....	57
Quilt Stitches.....	33, 73	Software.....	24, 30
<b>R</b>			
Raise presser foot.....	25	5D™ Configure.....	24
Recommendations.....	32	5D™ Organizer.....	24, 60
Register you machine.....	24	5D™ QuickFont.....	24, 60
Remaining stitches in embroidery.....	59	Getting Started Guide.....	24
Remove from USB port.....	23	How to Launch the Programs.....	24
Remove the embroidery unit.....	56	Installing.....	24
Remove thread.....	43	PDF Guides.....	24
Replacing the Stitch Plate.....	68	Software Version.....	31
Retaining screw.....	55, 57	Space for accessories.....	7
Reverse.....	26, 47, 51, 54	Speed.....	25
Ribs for fitting the clips.....	55	Bobbin Winding.....	17, 18, 22
Rotate design.....	27, 62	Embroidery.....	25, 59
<b>S</b>			
Sampler Book.....	55	Sewing.....	25, 32
Satin and Heirloom Stitches.....	33, 73	Spool caps.....	6, 8, 12
Save to My Stitches.....	27, 40	Spool pins.....	12
Scale.....	62	Auxiliary spool pin.....	6, 12, 15, 18
Scissors.....	8	Horizontal position.....	12, 13, 16, 17
Screwdriver.....	8, 20, 68	Vertical position.....	12, 13, 15, 16, 17, 22
Script Alphabet.....	73	Stabilizer recommendation.....	32
Seam.....	34, 45	Stabilizers.....	22, 57
Seam/Overcast.....	34, 46	Start/Stop.....	26
Seam ripper.....	8	Step Color-by-Color.....	27, 64
		Step Stitch-by-Stitch.....	27, 64
		Sticky stabilizer.....	22
		Stitch Count.....	55, 59, 61
		Stitch Density.....	32, 35
		Stitch field.....	32
		Stitch Length.....	32, 35

Stitch Menu.....	27, 33, 60
Stitch number.....	32, 33
Stitch overview.....	73
Stitch panel.....	6
Stitch Plate.....	68
Stitch positioning.....	35
Stitch Re-Start.....	27, 36
Stitch Selection buttons.....	27, 33
Stitch Settings.....	35
Stitch table.....	71
Stitch Width.....	32, 35
Stitch Width Safety.....	29, 41, 42
STOP.....	25, 38, 47, 54, 64
Stop command in design.....	67
Stretch heavy.....	34
Stretch Hem.....	48
Stretch light.....	34
Stretch medium.....	34
Stretch needle.....	21
<b>T</b>	
Take-up lever.....	13
Taking Care.....	68
Taper Satin Stitch.....	54
Tear-away stabilizers.....	22
Text editor.....	60
Thread color change.....	66
Thread colors.....	55
Thread Cutter.....	6, 14, 16, 17, 18, 26
Thread cutter for bobbin winding.....	6
Threading for twin needles.....	15
Threading the needle.....	14
Threading the Upper Thread.....	13
Thread manufacturer.....	61
Thread net.....	8
Threads.....	22
Thread sensor.....	15, 43
Thread slots.....	6
Thread take-up lever.....	6
Thread tension.....	19, 28
Thread tension discs.....	6, 13
Thread tension for bobbin winding.....	6, 16, 17, 18
Tie-off.....	26
Touch Panel.....	6, 27
Transparent thread.....	22
Trim commands.....	30, 58
Trim Position.....	25, 63, 64
Trouble shooting.....	69
Twin needle.....	15, 29, 41, 42
Twin needle size.....	29
Twin needle, threading.....	15

## U

Universal needle.....	21
Unpacking.....	10
Update your machine.....	24
Upper case.....	27, 37, 60
USB embroidery stick.....	8, 23, 24, 55, 60
Using.....	23
USB port.....	23
User's Guide.....	8
Utility Foot A.....	9
Utility Stitches.....	33, 71, 73

## V

Vertical position.....	12, 15, 17, 22
Vinyl.....	34

## W

Warranty card.....	8
Water soluble stabilizer.....	22
Winding Bobbin, model 20.....	16
Winding Bobbin, model 30.....	17
Winding Specialty Threads.....	16, 17
Winding speed.....	17, 18
Winding the bobbin while embroidering or sewing.....	18
Winding the bobbin with the machine threaded.....	16, 17
Wing needle.....	21
Woven fabric.....	34
Woven heavy.....	34
Woven light.....	34
Woven medium.....	34
Woven or Knit.....	34

## Z

Zipper Foot E.....	9, 53
Zippers.....	53

We reserve the right to change the machine equipment and the assortment of accessories without prior notice, or make modifications to the performance or design.

Such modifications, however, will always be to the benefit of the user and the product.

## Intellectual property

Patents protecting this product are listed on a label positioned underneath the sewing machine.

VIKING, KEEPING THE WORLD SEWING & Design, DESIGNER, DESIGNER TOPAZ, 5D, SEWING ADVISOR and EXCLUSIVE SENSOR SYSTEM are trademarks of KSIN Luxembourg II, S.ar.l.

HUSQVARNA and the "crowned H-mark" are trademarks of Husqvarna AB.  
All trademarks are used under license by VSM Group AB.

## 5D™ Embroidery Machine Communication CD

(For personal computer. See page 24)



Please note that on disposal, this product must be safely recycled in accordance with relevant National legislation relating to electrical/ electronic products. If in doubt please contact your retailer for guidance.



