



Agilent Technologies

Vacuum Products Division

***Calibrated Leak
Replacement for VS
C15 and VS Series
Leak Detectors***

*FIELD REPLACEMENT
INSTRUCTIONS*

Part Number 699909998

Rev. B

March 2011

This page intentionally left blank.

Agilent Field Instruction Sheet

Calibrated Leak Replacement for VS C15 and VS Series Leak Detectors

Preface

This instruction sheet gives the procedure for replacing the calibrated leak for both the VS C15 (“Section One: VS C15 Calibrated Leak Replacement” on page 3) and VS Series leak detectors (“Section Two: Calibrated Leak Replacement for VS Series Leak Detectors” on page 7).

Documentation Standards

This manual uses the following documentation standards:

NOTE



Notes contain important information.

CAUTION



Cautions appear before instructions, which if not followed, could cause damage to the equipment or data loss.

WARNING



Warnings appear for a particular procedure or practice which, if not followed correctly, could lead to serious injury or death.

Hazard and Safety Information

Operators and service personnel must be aware of all hazards associated with this equipment. They must know how to recognize hazardous and potentially hazardous conditions, and know how to avoid them. The consequences of unskilled, improper, or careless operation of the equipment can be serious. Every operator or service person must read and thoroughly understand operation/maintenance manuals and any additional information provided by Agilent. All warning and cautions must be read carefully and strictly observed. Consult local, state, and national agencies regarding specific requirements and regulations. Address any safety, operation, and/or maintenance questions to your nearest Agilent office.

Solvents

WARNING



The mechanical components of leak detectors may be cleaned with one of the recommended solvents. When heated, sprayed, or exposed to high-temperature equipment, these solvents become flammable and explosive, causing serious injury or death. Do not use these solvents near a high-temperature source. Ventilate the working area with a blower and work in a large, well-ventilated room.



Solvents are irritants, narcotics, depressants and/or carcinogens. Their inhalation and/or ingestion may produce serious side effects. Prolonged or continued contact with the skin results in absorption through the skin and moderate toxicity. Always ensure that cleaning operations are carried out in large, well-ventilated rooms, and wear eye shields, gloves, and protective clothing.

Vacuum Equipment and Cleanliness

Cleanliness is vital when servicing the leak detector or any vacuum equipment. There are some techniques that are more important in leak detector servicing than in general vacuum work:

O-ring Care

When removing, checking or replacing O-rings, keep in mind the following:

NOTE



Agilent recommends replacing all O-rings during routine maintenance or during any maintenance procedure requiring that O-rings be removed.

CAUTION



Remove O-rings carefully with your fingers. Do not use metal tools for this task; this prevents scratching of any sealing surfaces.

- **Wipe all O-rings clean with a lint-free cloth before installation to ensure that no foreign matter is present to impair the seal.**
- **Do not use grease or any other substance on O-rings that will come in contact with the vacuum surfaces.**
- **Do not use alcohol, methanol or other solvents on O-rings. Doing so causes deterioration and reduces their ability to hold a vacuum.**
- **Agilent does not recommend the use of vacuum grease. If applicable, apply a small amount of Apiezon[®] L grease and wipe the O-rings shiny dry.**

Section One: VS C15 Calibrated Leak Replacement

Equipment Required

- M4 Allen Wrench
- Flat Head Screwdriver

Installation Procedure

WARNING



Disconnect power from the unit before performing any maintenance procedure that requires physically disconnecting any part of the system.

1. Disconnect the power to back of the unit and unplug.
2. Wait 30 seconds for the high voltage to dissipate.
3. Using an M4 Allen wrench, remove the two screws on the unit's top and open the unit (Figure 1: Unit Top Screws).



Figure 1: Unit Top Screws



4. Loosen and remove the clamp (Figure 2: Remove Clamp).

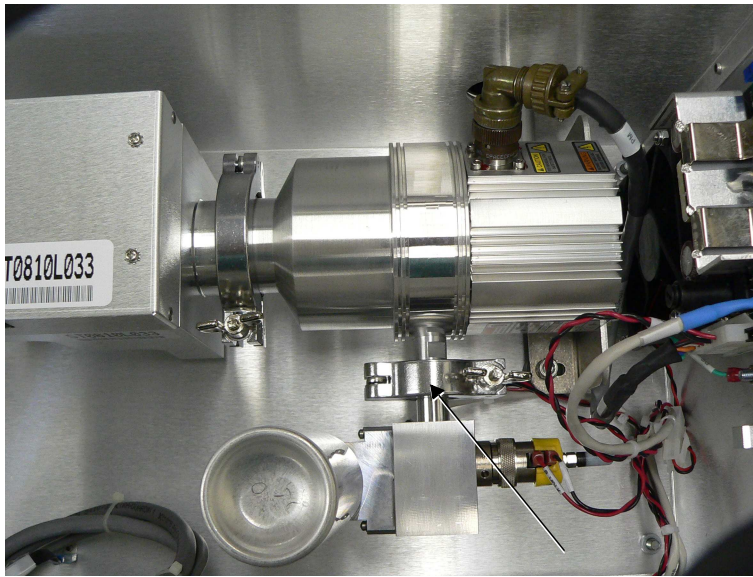


Figure 2: Remove Clamp

5. Disconnect the cable from the calibrated leak board (Figure 3: Cable to Calibrated Leak Connection).



Figure 3: Cable to Calibrated Leak Connection

6. Remove the assembly and use a flat head screw driver to remove the two screws holding the calibrated leak (Figure 4: Calibrated Leak Screws).



Figure 4: Calibrated Leak Screws

7. Discard the calibrated leak and the O-ring.
8. Inspect the replacement calibrated leak and O-ring for damage or particle contamination and remove any particle contamination.
9. Install the O-ring in the groove and then assemble the replacement calibrated leak to the valve block using a slotted screwdriver.
10. Connect the calibrated leak temperature cable end labeled P1A to the leak assembly board connector J1A (Figure 5: Leak Assembly Board Connection).

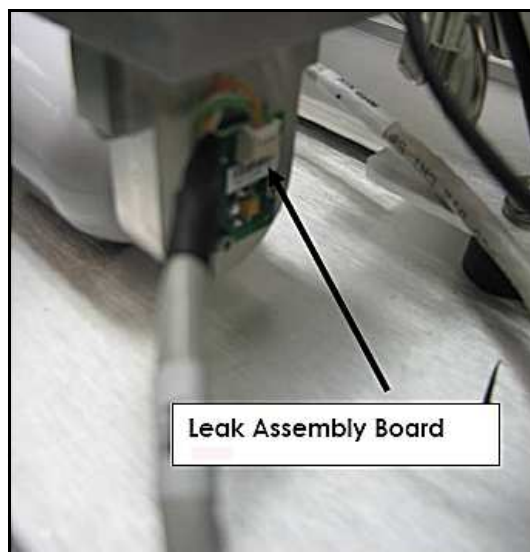


Figure 5: Leak Assembly Board Connection

11. Reattach the leak assembly to the flange with the clamp.
 12. Close the cover and secure using the existing hardware.
 13. Power up the VS C15 component leak detector.
 14. Set up the Internal Calibrated Leak by either:
 - *Setting up the Internal Calibrated Leak Option via the front panel display by:*
 - a. Select *Advanced Parameters > Internal Type* and select *STD LEAK*.
 - b. Select *Maintenance > Internal Calibrated Leak* and input the calibration data from the Calibration Certificate for the internal calibrated leak including:
 - *Internal Leak Value*
 - *Temperature*
 - *Temperature coefficient factor*
 - *Cal Leak - Date of Expiration*
 - c. Validate the setup using the *Calibration Set Up* menu: the temperature compensated leak value, internal calibrated leak temperature and date of expiration.
 - **or** —
 - *Setting up the Internal Calibrated Leak Option via the RS232 serial communications port (see the operation manual for communicating via the RS232 serial port) by:*
 - a. Enter the following commands:
 - *1 INIT-INTERANL-TYPE*
 - *X.XE-0X INIT-STDLEAK* (Enter the leak rate value from the calibration certificate ex. *1.8E-07 INIT-STDLEAK*).
 - *XX.X INIT-LEAKTEMP* (Enter the temperature from the calibration certificate ex. *23.5 INIT-LEAKTEMP*).
 - *-/+XX INIT-TEMPFACTOR* (Enter the temperature coefficient from the calibration certificate ex. *-7 INIT-TEMPFACTOR*).
 - *mm dd yyyy INIT-LKEXPIRE* (Enter the date of expiration from the calibration certificate ex. *12 22 2008 INIT-LKEXPIRE*).
 - b. Validating that the correct internal leak data was inputted (data from the Calibration Certificate) by:
 - *?STDLEAK* (reports back the value of the internal calibrated leak).
 - *?LEAKTEMP* (reports back the temperature of the calibrated leak from the factory calibration).
 - *?TEMPFACTOR* (reports back the temperature coefficient).
 - *?LKEXPIRE* (reports back the date of expiration).
- Perform an internal calibration (via the I/O, Front Panel Display or RS232) to validate a successful installation of the internal calibrated leak.



Section Two: Calibrated Leak Replacement for VS Series Leak Detectors

Equipment Required

- Extended Length M5 Allen Wrench (included with leak detector)
- Slotted Screw Driver

Installation Procedure

For clarity, some items have been omitted from views.

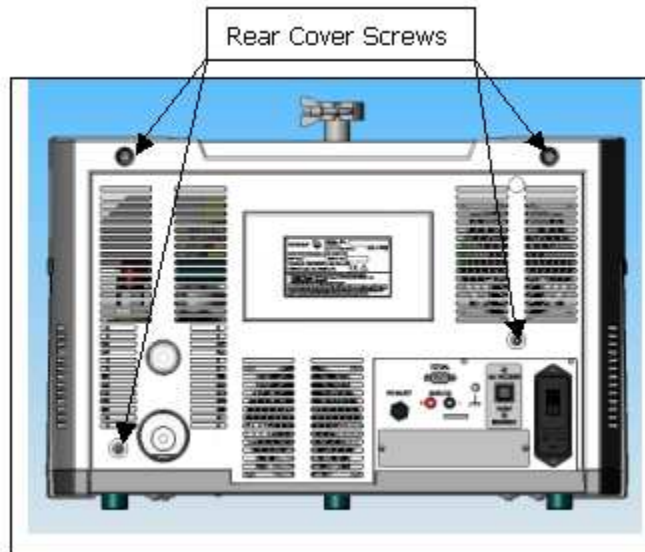


Figure 1: Rear Cover Screws

WARNING



Disconnect power from the unit before performing any maintenance procedure that requires physically disconnecting any part of the system.

1. Turn off the power switch located on the back of the unit and unplug.
2. Wait 30 seconds for the high voltage to dissipate.
3. Using an extended length M5 Allen wrench, remove the four screws holding the rear plastic cover (Figure 1: Rear Cover Screws) and detach the rear plastic cover from the unit.



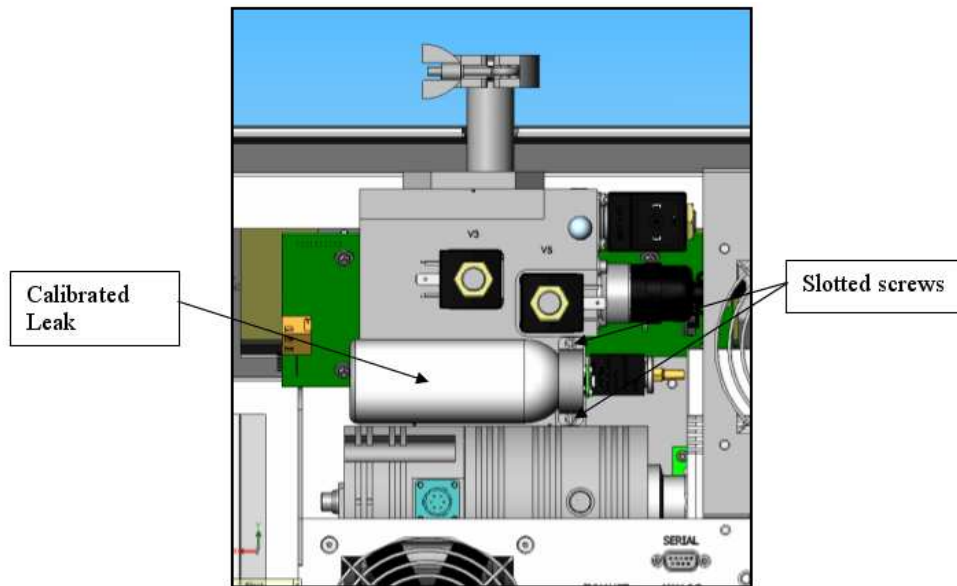


Figure 2: Calibrated Leak Location

4. Carefully disconnect the calibrated leak temperature cable from the calibrated leak PC board.
5. Using a slotted screwdriver, remove the two screws holding the calibrated leak in place (Figure 2: Calibrated Leak Location).
6. Discard the calibrated leak and the O-ring.
7. Inspect the replacement calibrated leak and O-ring for damage or particle contamination and remove any particle contamination.
8. Install the O-ring in the groove and then assemble the replacement calibrated leak to the valve block using a slotted screwdriver (Figure 2: Calibrated Leak Location).
9. Reconnect the calibrated leak temperature cable to the replacement calibrated leak.

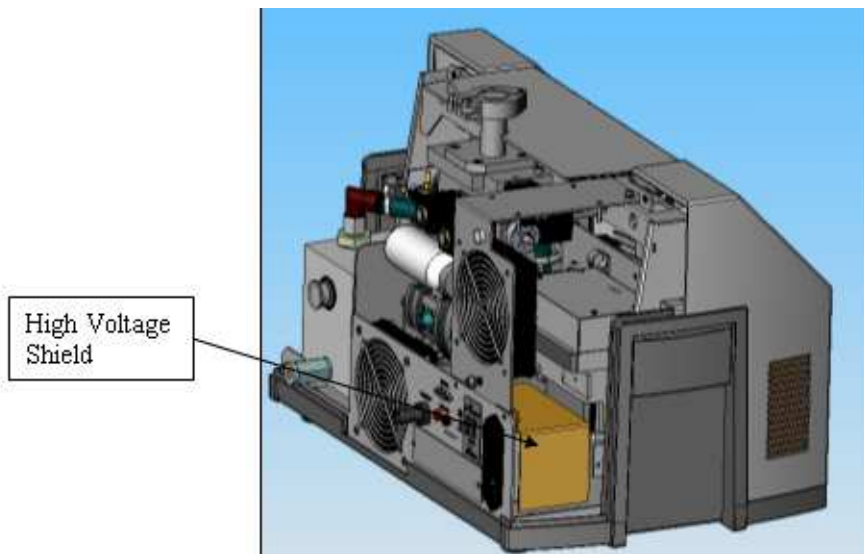




Figure 3: High Voltage Location

WARNING



Extreme care must be taken due to the presence of high voltage. Ensure that high voltage shield and front cover are in position before proceeding (Figure 3: High Voltage Location).

10. Connect the power cord and power up the unit.
 11. Watch the *Home* screen to verify that the *Spectube Pressure Wait* message progresses to *Stabilization Wait* and *System Ready* within ten minutes.
Refer to the operator's manual if the system fails to reach the System Ready mode.
 12. Leak check the calibrated leak O-ring to ensure a leak free joint between the atmosphere and the vacuum space inside.
 13. Configure the internal leak by:
 - a. Opening the VS Display screen and selecting **Menu/Setup/  /Maintenance/Internal Calibrated Leak**.
 - b. Entering the following information from the calibration certificate and pressing **OK** after each input:
 - Leak rate
 - Temperature
 - Temperature coefficient
 - Calibration expiration date
 - c. Pressing  to exit.
 14. Attach the rear cover and secure it to the frame using the existing hardware.
- Agilent recommends a full calibration of the unit prior to leak test operations.



Vacuum Products Division Instructions for returning products

Dear Customer:

Please follow these instructions whenever one of our products needs to be returned.

- 1) Complete the attached Request for Return form and send it to Agilent Technologies (see below), taking particular care to identify all products that have pumped or been exposed to any toxic or hazardous materials.
- 2) After evaluating the information, Agilent Technologies will provide you with a Return Authorization (RA) number via email or fax, as requested.
Note: Depending on the type of return, a Purchase Order may be required at the time the Request for Return is submitted. We will quote any necessary services (evaluation, repair, special cleaning, eg).
- 3) **Important steps for the shipment of returning product:**
 - Remove all accessories from the core product (e.g. inlet screens, vent valves).
 - Prior to shipment, drain any oils or other liquids, purge or flush all gasses, and wipe off any excess residue.
 - If ordering an Advance Exchange product, **please use the packaging from the Advance Exchange to return the defective product.**
 - Seal the product in a plastic bag, and package product carefully to avoid damage in transit. You are responsible for loss or damage in transit.
 - Agilent Technologies is not responsible for returning customer provided packaging or containers.
 - **Clearly label package with RA number.** Using the shipping label provided will ensure the proper address and RA number are on the package. Packages shipped to Agilent without a RA clearly written on the outside cannot be accepted and will be returned.
- 4) Return only products for which the RA was issued.
- 5) **Product being returned under a RA must be received within 15 business days.**
- 6) **Ship to the location specified on the printable label, which will be sent, along with the RA number, as soon as we have received all of the required information.** Customer is responsible for freight charges on returning product.
- 7) Return shipments must comply with all applicable **Shipping Regulations** (IATA, DOT, etc.) and carrier requirements.

RETURN THE COMPLETED **REQUEST FOR RETURN** FORM TO YOUR NEAREST LOCATION:

EUROPE:
Fax: 00 39 011 9979 330
Fax Free: 00 800 345 345 00
Toll Free: 00 800 234 234 00
vpt-customer@agilent.com

NORTH AMERICA:
Fax: 1 781 860 9252
Toll Free: 800 882 7426, Option 3
vpl-ra@agilent.com

PACIFIC RIM:
please visit our website for individual
office information
<http://www.agilent.com>



Please read important policy information on Page 3 that applies to all returns.

1) CUSTOMER INFORMATION

Company Name:		Contact Name:	
Tel:	Email:	Fax:	
Customer Ship To:		Customer Bill To:	
Europe only: VAT reg. Number:		USA/Canada only: <input type="checkbox"/> Taxable <input type="checkbox"/> Non-taxable	

2) PRODUCT IDENTIFICATION

Product Description	Agilent P/N	Agilent S/N	Original Purchasing Reference

3) TYPE OF RETURN (Choose one from each row and supply Purchase Order if requesting a billable service)

- 3A.** Non-Billable Billable **➔** New PO # (hard copy must be submitted with this form):
- 3B.** Exchange Repair Upgrade Consignment/Demo Calibration Evaluation Return for Credit

4) HEALTH and SAFETY CERTIFICATION

AGILENT TECHNOLOGIES CANNOT ACCEPT ANY PRODUCTS CONTAMINATED WITH BIOLOGICAL OR EXPLOSIVE HAZARDS, RADIOACTIVE MATERIAL, OR MERCURY AT ITS FACILITY.

Call Agilent Technologies to discuss alternatives if this requirement presents a problem.

The equipment listed above (check one):

- HAS NOT** pumped or been exposed to any toxic or hazardous materials. OR
- HAS** pumped or been exposed to the following toxic or hazardous materials. If this box is checked, the following information must also be filled out. Check boxes for all materials to which product(s) pumped or was exposed:

- Toxic Corrosive Reactive Flammable Explosive Biological Radioactive

List all toxic/hazardous materials. Include product name, chemical name, and chemical symbol or formula:

NOTE: If a product is received at Agilent which is contaminated with a toxic or hazardous material that was not disclosed, **the customer will be held responsible** for all costs incurred to ensure the safe handling of the product, and **is liable** for any harm or injury to Agilent employees as well as to any third party occurring as a result of exposure to toxic or hazardous materials present in the product.

Print Name: _____ **Authorized Signature:** **Date:** _____

5) FAILURE INFORMATION:

Failure Mode (REQUIRED FIELD. See next page for suggestions of failure terms):
Detailed Description of Malfunction: (Please provide the error message)
Application (system and model):

I understand and agree to the terms of Section 6, Page 3/3.

Print Name: _____ **Authorized Signature:** **Date:** _____



**Vacuum Products Division
Request for Return Form
(Health and Safety Certification)**

Please use these Failure Mode to describe the concern about the product on Page 2.

TURBO PUMPS and TURBO CONTROLLERS

APPARENT DEFECT/MALFUNCTION	POSITION	PARAMETERS
- Does not start - Does not spin freely - Does not reach full speed - Mechanical Contact - Cooling defective - Noise - Vibrations -Leak -Overtemperature -Clogging	- Vertical -Horizontal -Upside-down -Other:	Power: Rotational Speed: Current: Inlet Pressure: Temp 1: Foreline Pressure: Temp 2: Purge flow: OPERATING TIME:

ION PUMPS/CONTROLLERS

- Bad feedthrough - Vacuum leak - Error code on display - Poor vacuum - High voltage problem - Other

VALVES/COMPONENTS

- Main seal leak - Solenoid failure - Damaged sealing area - Bellows leak - Damaged flange -Other
--

LEAK DETECTORS

- Cannot calibrate - Vacuum system unstable - Failed to start -No zero/high background - Cannot reach test mode - Other
--

INSTRUMENTS

- Gauge tube not working - Communication failure - Error code on display - Display problem - Degas not working - Other

SCROLL AND ROTARY VANE PUMPS

- Pump doesn't start - Doesn't reach vacuum - Pump seized - Noisy pump (describe) - Over temperature - Other

DIFFUSION PUMPS

- Heater failure - Doesn't reach vacuum - Vacuum leak - Electrical problem - Cooling coil damage - Other

Section 6) **ADDITIONAL TERMS**

Please read the terms and conditions below as they apply to all returns and are in addition to the Agilent Technologies Vacuum Product Division – Products and Services Terms of Sale.

- Customer is responsible for the freight charges for the returning product. Return shipments must comply with all applicable **Shipping Regulations** (IATA, DOT, etc.) and carrier requirements.
- Customers receiving an Advance Exchange product agree to return the defective, rebuildable part to Agilent Technologies **within 15 business days**. Failure to do so, or returning a non-rebuildable part (crashed), will result in an invoice for the non-returned/non-rebuildable part.
- Returns for credit toward the purchase of new or refurbished Products are subject to prior Agilent approval and may incur a restocking fee. Please reference the original purchase order number.
- Units returned for evaluation will be evaluated, and a quote for repair will be issued. If you choose to have the unit repaired, the cost of the evaluation will be deducted from the final repair pricing. A Purchase Order for the final repair price should be issued within 3 weeks of quotation date. Units without a Purchase Order for repair will be returned to the customer, and the evaluation fee will be invoiced.
- A Special Cleaning fee will apply to all exposed products per Section 4 of this document.
- If requesting a calibration service, units must be functionally capable of being calibrated.

This page intentionally left blank.

Agilent Technologies

Vacuum Product Division

United States & Canada

Agilent Technologies
Vacuum Products Division
121 Hartwell Avenue
Lexington, MA 02421 USA
Tel: +1 781 861 7200
Toll-Free: +1 800 882 7426
Fax: +1 871 860 5437

Benelux

Agilent Technologies
Vacuum Products Division
Herculesweg 8
4338 PL Middelburg
THE NETHERLANDS
Tel: +31 118 671570
Fax: +31 118 671569

China

Agilent Technologies
Vacuum Products Division
Room 1648
Central Tower South Wing
Beijing Junefield Plaza
No. 10 XuanWuMenWai Street
Beijing 100052 P.R. CHINA
Tel.: +86 (10) 6310 8550
Toll-Free: 800 820 6556
Fax: +86 (10) 6310 0141

France

Agilent Technologies
Vacuum Products Division
7 avenue des Tropiques
Z.A. de Courtaboeuf - B.P. 12
91941 Les Ulis cedex FRANCE
Tel.: +33 (0) 1 69 86 38 84
Fax: +33 (0) 1 69 86 29 88

Germany & Austria

Agilent Technologies
Vacuum Products Division
Alsfelder Strasse 6
Postfach 11 14 35
64289 Darmstadt GERMANY
Tel.: +49 (0) 6151 703 353
Fax: +49 (0) 6151 703 302

India

Agilent Technologies
Vacuum Product Division
205-A, "A" wing of Galleria,
2nd floor, Hiranandani Gardens,
Powai, Mumbai-400 076, India
Tel.: +91 22-2570 8595 / 8597
Fax: +91 22- 2570 8599

Italy

Agilent Technologies
Vacuum Products Division
via F.lli Varian 54
10040 Leini, (Torino) ITALY
Tel.: +39 011 997 9111
Toll-Free: 00 800 234 234 00
Fax: +39 011 997 9350

Japan

Agilent Technologies
Vacuum Products Division
Sumitomo Shibaura Building 4-16-36
8th Floor
4-16-36 Shibaura Minato-ku
Tokyo 108 JAPAN
Tel.: +81 3 5232 1253
Toll-Free: 0120 655 040
Fax: +81 3 5232 1710

Korea

Agilent Technologies
Vacuum Products Division
Shinsa 2nd Bldg. 2F 966-5
Daechi-dong
Kangnam-gu, Seoul
KOREA 135-280
Tel.: +82 2 3452 2452
Toll-Free: 080 222 2452
Fax: +82 2 3452 2451

Mexico

Agilent Technologies
Vacuum Products Division
Concepcion Beistegui No 109
Col Del Valle C.P. 03100
MEXICO, D.F.
Tel.: +52 5 523 9465
Fax: +52 5 523 9472

Southeast Asia

Agilent Technologies
Vacuum Products Division
South East Asia (SEA) - Alex Ho
H/P: +601 2213 1253
Fax: +603 6733 8121

Singapore

Agilent Technologies
Vacuum Products Division
Singapore
Unit 10-04 Helios
Biopolis @ one-north
11 Biopolis Way, 138667
Singapore
H/P: +65 92364988
Fax: +65 64789603

Taiwan

Agilent Technologies
Vacuum Products Division
14F-6, No. 77, Hsin Tai Wu Road,
Sec. 1
Hsi chih, Taipei Hsien, Taiwan,
R.O.C.
Tel.: +886 2 2698 9555
Toll Free: 0800 051 342
Fax: +886 2 2698 9678

UK & Ireland

Agilent Technologies
Vacuum Products Division
6 Mead Road
Oxford Industrial Park
Tel.: +44 (0) 1865 291570
Fax: +44 (0) 1865 291571



Agilent Technologies