

Mimaki

CUTTING PLOTTER

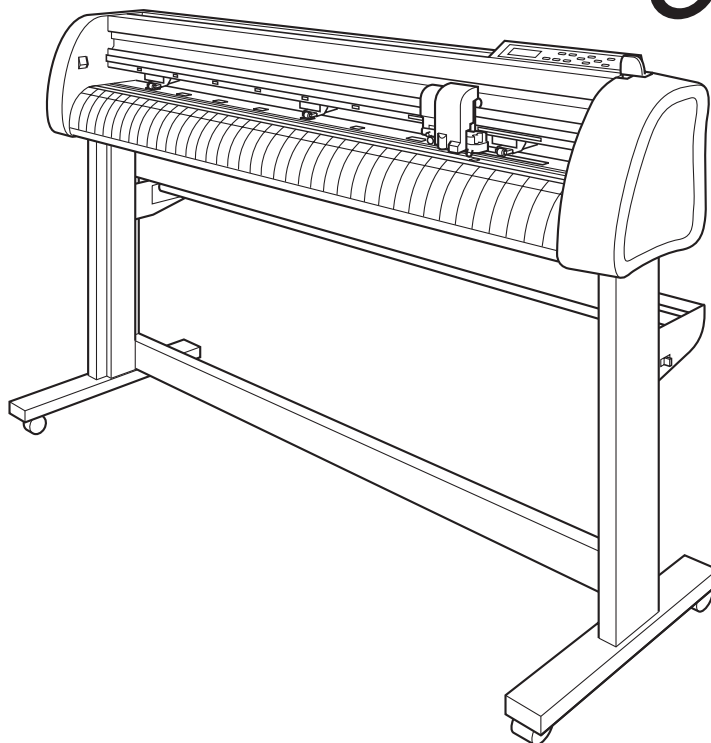
CG-FX Series

OPERATION MANUAL

CG-75FX
CUTTING PLOTTER

CG-130FX
CUTTING PLOTTER

CG-160FX
CUTTING PLOTTER



MIMAKI ENGINEERING CO., LTD.

TKB Gotenyama Building, 5-9-41, Kitashinagawa, Shinagawa-ku, Tokyo 141-0001, Japan

Phone: +81-3-5420-8671 Fax: +81-3-5420-8687

URL: <http://www.mimaki.co.jp/>

D200805

CAUTION

DISCLAIMER OF WARRANTY: THIS LIMITED WARRANTY OF MIMAKI SHALL BE THE SOLE AND EXCLUSIVE WARRANTY AND IS IN LIEU OF ALL OTHER WARRANTIES, EXPRESS OR IMPLIED, INCLUDING, BUT NOT LIMITED TO, ANY IMPLIED WARRANTY OF MERCHANTABILITY OR FITNESS, AND MIMAKI NEITHER ASSUMES NOR AUTHORIZES DEALER TO ASSUME FOR IT ANY OTHER OBLIGATION OR LIABILITY OR MAKE ANY OTHER WARRANTY OR MAKE ANY OTHER WARRANTY IN CONNECTION WITH ANY PRODUCT WITHOUT MIMAKI'S PRIOR WRITTEN CONSENT. IN NO EVENT SHALL MIMAKI BE LIABLE FOR SPECIAL, INCIDENTAL OR CONSEQUENTIAL DAMAGES OR FOR LOSS OF PROFITS OF DEALER OR CUSTOMERS OF ANY PRODUCT.

Requests

- This Operation manual has been carefully prepared for your easy understanding, however, please do not hesitate to contact a distributor in your district or our office if you have any inquiry.
- Description contained in this Operation manual are subject to change without notice for improvement.

- Generally, names and designations referred to in this Operation manual are trade marks or registered trade marks of the manufacturers or suppliers.

Not for use in a computer room as defined in the Standard for Protection of Electronic Computer/Data Processing Equipment, ANSI/NFPA 75 National Devision.

FCC Statement (USA)

This equipment has been tested and found to comply with the limits for a Class A digital device, pursuant to Part 15 of the FCC Rules. These limits are designed to provide reasonable protection against harmful interference when the equipment is operated in a commercial environment. This equipment generates, uses and can radiate radio frequency energy and, if not installed and used in accordance with the Operation manual, may cause harmful interference to radio communications.

Operation of this equipment in a residential area is likely to cause harmful interference in which cause the user will be required to correct the interference at his own expense.



- In the case where MIMAKI-recommended cable is not used for connection of this device, limits provided by FCC rules can be exceeded. To prevent this, use of MIMAKI-recommended cable is essential for the connection of this device.

Interference to televisions and radios

The product described in this manual generates high frequency when operating.

The product can interfere with radios and televisions if set up or commissioned under improper conditions. The product is not guaranteed against any damage to specific-purpose radio and televisions.

The product's interference with your radio or television will be checked by turning on/off the power switch of the product.

In the event that the product is the cause of interference, try to eliminate it by taking one of the following corrective measures or taking some of them in combination.

- Change the orientation of the antenna of the television set or radio to find a position without reception difficulty.
- Separate the television set or radio from this product.
- Plug the power cord of this product into an outlet which is isolated from power circuits connected to the television set or radio.

Foreword

Congratulations on your purchase of a CG-FX series cutting plotter.

CG-FX series cutting plotter is a highly functional cutting plotter with the high-speed registration mark detection.

Read this Operation manual carefully and make the most effective use of your plotter.

Be sure to read this Operation manual carefully, before starting to operate the plotter.

This Operation manual to the models as firmware version 2.50 or later.

When turning on the power, you can confirm the firmware version. To confirm the firmware version refer to "Turning the power on" (Refer to Page 2.7)

On This Operation manual

- This Operation manual describes the operation and maintenance of CG-FX series cutting plotter (hereinafter referred to as the device).
- Please read and fully understand this Operation manual before putting the machine into service. It is also necessary to keep this Operation manual on hand.
- Make arrangements to deliver this Operation manual to the person in charge of the operation of this device.
- This Operation manual has been carefully prepared for your easy understanding, however, please do not hesitate to contact a distributor in your district or our office if you have any inquiry.
- Description contained in this Operation manual are subject to change without notice for improvement.
- In the case where this Operation manual should be illegible due to destruction or lost by fire or breakage, purchase another copy of the Operation manual from our office.

Features

The features of the device are described below. Together with the method of operation of the device explained in this manual, they help you understand how to use the device properly.

Photo electric eye

High accuracy mark-detection sensor enables the mark plotted on sheets to automatically read, compensate distances, set the plotting and compensate paper gradient.

Roll Sheet Stopper Function

The newly developed roll stopper is incorporated so as to set a wide roll paper without sagging.

Two Clamp Pressure Modes Change Over Mechanism

The sheet clamp system has been modified to incorporate two clamp pressure modes change over mechanism so as to widen the applicable sheet size limit.

Strong pressure mode substantially increases the clamp pressure that prevents a long sheet slippage.

The moderate pressure mode prevents from getting scratching by grit roller during plot operation.

New Cutter Holder

The new cutter holder equipping with a capped tip has a mechanism enabling the tip protrusion to adjust by the rotatable knob with attaching to the pen carriage. (Former type cutter holders are also usable.)

Front Loading Capability

By installing the roll table at the front side, the roll sheet can be cut by arranging the front loading. (Unsuitable in use of the automatic sheet cutting function.)

Roll sheet settable up to 6 rolls

Up to 6 roll tables attachable to leg assy.

Plug-in cutting software (FineCut) attached

The plug-in software, FineCut enables to perform finely cutting characters or illustration edited on the Illustrator.

Automatic Sheet Cutting Function

Enables to cut a roll sheet or a leaf sheet automatically

For safe operation

Pictorial signs

Pictorial signs are used in this Operation manual for safe operation of and in prevention of damages to the device. Pictorial signs and their meanings are given below. Read and fully understand before reading the text.



- Indicates the case where it is assumed that misuse of the machine, ignoring this sign, as this may cause fire or poisoning. Be sure to read this manual for proper operation.



- Indicates the case where it is assumed that misuse of the machine, ignoring this sign, can cause damage only to property.



- Indicates a caution you must observe when operating the product.



- The symbol "💡" indicates helpful information that will facilitate the use of the device.



- Indicates the reference page for related contents.

Example of pictorial signs



- The symbol "⚠" indicates the case where some phenomenon that requires a CAUTION sign (including "DANGER" and "WARNING" signs) exists. A concrete precaution (precaution against an electric shock in the case of the sketch given on the left) is shown in the illustration.



- The symbol "🚫" indicates a prohibited behavior. A concrete illustration of prohibition (disassembly is prohibited in the sketch given on the left) is shown in or next to the illustration.



- The symbol "●" indicates a thing that is forced to be done and instruction that is forced to be followed. A concrete illustration of instruction (the removal of a plug from the receptacle is instructed in the sketch given on the left) is drawn in the illustration.

Never Do the Following

WARNING

Do not disassemble or remodel the device.



- Never disassemble or remodel the main unit of the plotter. Disassembling/remodeling any of them will result in electric shocks or breakdown of the device.

Do not use the device in damp places.



- Avoid damp environments when putting the device into service. Do not splash water onto the device.
High-humidity or water will give rise to fire, electric shocks or breakdown of the device.

Abnormal event occurs.



- If the device is used under an abnormal condition where the device produces smoke or unpleasant smell, fire or electric shocks can result. Be sure to turn off the power switch immediately and detach the plug from the receptacle. Check first to be sure that the device no longer produces smoke, and contact a distributor in your district for repair. Never repair your device by yourself since it is very dangerous for you to do so.

Handling of the power cable

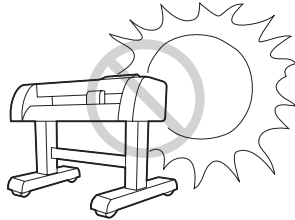


- Use the supplied power cable.
- Take care not to damage, break or work on the power cable.
If a heavy matter is placed on the power cable, heated or drawn, the power cable can break to cause fire or electric shocks.

Precautions in installation

CAUTION

A place exposed to direct sunlight



A place in which temperature and humidity vary by a great margin



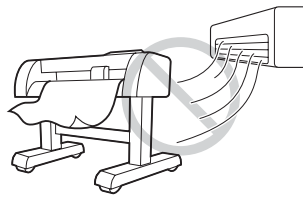
Use the device under the following environment.

Operating environment:

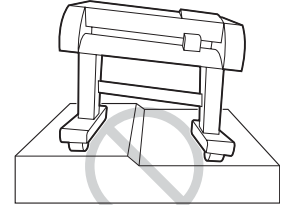
20 to 35°C

35 to 65% (Rh)

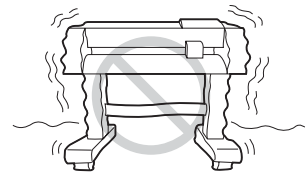
A place exposed to direct air blow from air conditioner, etc.



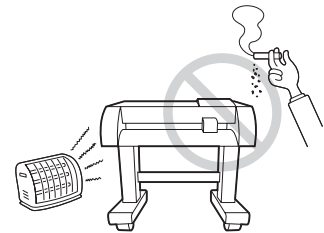
A place that is not horizontal



A place that vibrates



A place where fire is present



Precautions in use

CAUTION

Be careful with the movable parts



- Do not touch a rolling grit roller, or may hurt fingertips or tear off finger nails



- Keep head and hands away from any moving parts during plot operation, or may cause accidental injuries.



- Wear proper clothes. (Do not wear such as loose-fit clothes and accessories).
Bind a long hair.

Sheets



- If media that is likely to tightly curl, flatten first the paper before using it for printing. Heavily-curved sheet affect the Cut (plotted) result.

Caution with cutters



- Do not touch the edged cutter blade.
- Do not swing a cut holder to avoid danger. The blade may be lunged out.

Warning labels



- Be sure understand firmly the warnings given on the labels. In the case where any of the warning label has become so soiled that the warning message is illegible or has come off, purchase a new one from your local distributor or our office.
Refer to Appendix for the label adhering locations.

Safety labels

The device is adhered with a safety label that informs the customer of possible risks associated with the device.

Be sure to understand the correct meaning of the safety label to avoid danger.

If the safety label is illegible due to stains or has come off, purchase a new one from our sales office.
(Order No. M901176)

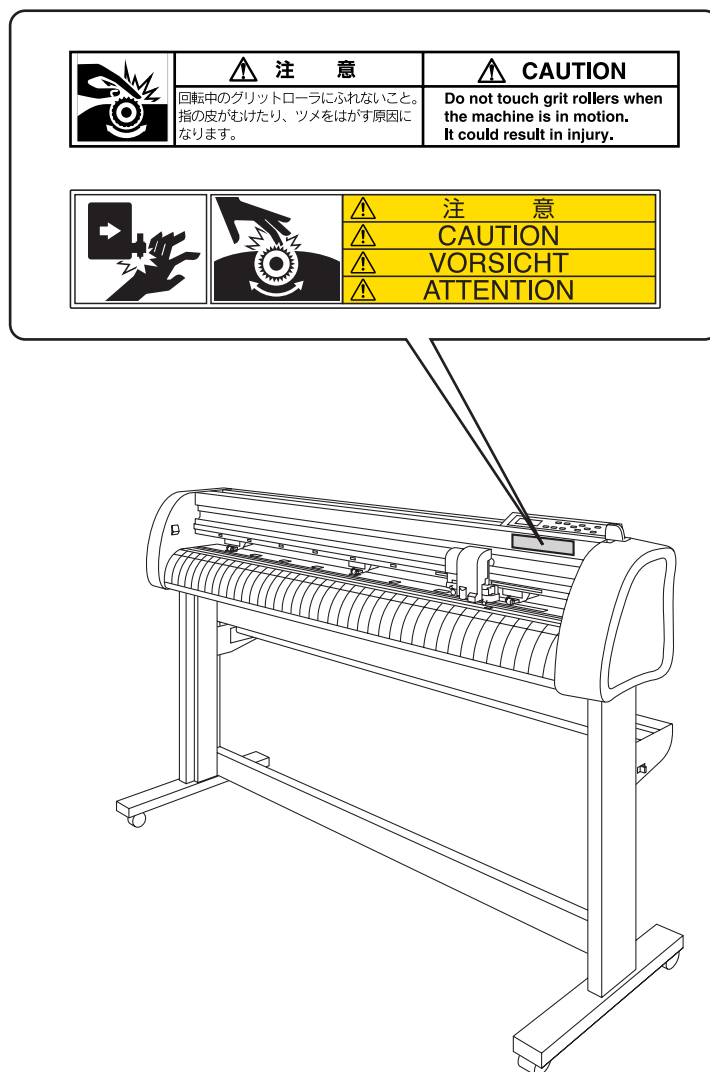


TABLE OF CONTENTS

Foreword	iii
On This Operation manual	iii
Features	iv
For safe operation	v
Pictorial signs	v
Example of pictorial signs	v
Never Do the Following	vi
Precautions in installation	vii
Precautions in use	viii
Safety labels	ix
How to read this operation manual	xiii
Display panel and Indication of the Keys	xiii

CHAPTER 1 Before Use

Checking the accessories	1. 2
Configuration and function	1. 4
The Front	1. 4
The Rear	1. 5
Operation Panel	1. 6
Carriage	1. 8
Pinch rollers and grit rollers	1. 8
Control the clamp pressure	1. 10
The sheet sensor	1. 11
Pen line	1. 11
Scale seal	1. 12
Connecting the cables	1. 13
Menu mode	1. 14

CHAPTER 2 Basic Operations

Operation	2. 2
Attach a tool	2. 3
Adjusting the blade tip of the cutter	2. 4
Attaching a tool	2. 5
Attaching ball-point pen on the market	2. 6
Turining the power on	2. 7

Tool conditions setting	2. 8
Cut conditions (CT1, CT2, CT3, CT4, CT5) settings	2. 9
Plotting conditions (PEN) settings	2. 11
Pouncing conditions (PIN) settings	2. 11
Half cut conditions (HLF) settings	2. 12
Loading a sheet of media	2. 13
Maximum cutting area	2. 13
Sheet detection	2. 14
Loading a leaf sheet	2. 16
Loading a roll sheet	2. 17
Execute test cutting (plotting).....	2. 19
Starting cutting (plotting)	2. 20
Setting an origin	2. 20
Starting cutting (plotting)	2. 21
Putting the cutting (plotting) on hold	2. 21
Turning the power off	2. 22

CHAPTER 3 Function

Functions invoked with the jog mode (jog keys)	3. 2
Setting an origin	3. 4
Paper cut	3. 4
Two-point axis alignment	3. 4
Cutting area	3. 5
Digitization operation	3. 6
Functions invoked with the specific keys	3. 7
Switch between remote and the local mode [REMOTE]	3. 8
Set the tool configurations [TOOL]	3. 8
Set the distance compensation [TOOL]	3. 9
Feed the paper [FEED]	3-12
Clear the data [DATA CLEAR]	3-12
Modify the sheet displacement [ENTER / HOLD]	3-13
Enter the registration mark detection mode [END]	3-13
Functions	3-14
Test cutting [SQUARE CUT]	3-16
Cut (plot) the same data on multiple sheets [No. COPIES]	3-16
Check the sensor for the registration mark detection [MARK sensor]	3-17
Correct the light pointer position [MARK SENSOR]	3-20
Examine the cut error [SAMPLE CUT]	3. 21
Output the list of configurations [LIST]	3. 21
Output the received data by the ASCII code [ASCII DUMP]	3. 22
Cut a roll sheet at intervals automatically [SHEET CUT]	3. 22
Switch the displayed language [DISPLAY]	3. 24
Set each functions [SET UP]	3. 24
Setting function	3. 25
Set the operation of the registration mark detection [MARK DETECT]	3. 26
Warnings on inputting data with registration marks	3. 26

Method to detect registration marks	3. 35
Expand the cut (plot) area [EXPANDS]	3. 44
Switch the cutting mode [CUT MODE]	3. 45
Set the function according to the blade tip direction [DUMMY CUT]	3. 45
Specify the sheet type [SHEET SET]	3. 46
Set the offset value of the automatic feeding function [FEED OFFSET]	3. 46
Cut off the sheet automatically after completing cutting operation [AUTO. CUT]	3. 46
Divide a large data before cutting [DIVISION CUT]	3. 49
Perform cutting with a dotted line [HALF CUT]	3. 52
Perform plotting with a perforated line [POUNCING]	3. 53
Switch the origin point [ORGN SELECT]	3. 54
RotationSwitch the cut (plot) moving direction [ROTATION]	3. 55
Change the cutting (plotting) order [SORTING]	3. 56
Switch the commands from a host computer [COMMAND]	3. 59
Set the configurations with a computer [INTERFACE]	3. 60
Set the each device number for a USB connection [DEVICE No.]	3. 60
Command priority setting [PRIORITY]	3. 61
The maximum size of the response [DISTANCE]	3. 61
In use of the undetectable sheet [SHEET sensor]	3. 62
Set the movement speed of carriage and sheet [UP SPEED]	3. 63
Set the movement distance of carriage and sheet [JOG STEP]	3. 63
Mute setting on the key noise and the error buzzer [BUZZER]	3. 64
Switch the unit of length [MM/INCH]	3. 64
Uncut parts on the corner [ADJ-PRS OFS]	3. 64
Select the bumper of pinch roller to use [PINCH ROLL.]	3. 65
Reset the setting values [SETUP RESET]	3. 65

CHAPTER 4 In Case Of Trouble


Before taking a phenomenon as a trouble	4. 2
Trouble for which error messages are given on the LCD	4. 4
Error message	4. 4
Warning message	4. 7

CHAPTER 5 Appendix

Specifications of the main unit	5. 2
Repeatability condition	5. 3
Cutter blade	5. 4
Replacing the cutter blade	5. 4
Adjusting the cutter blade	5. 5
How to replace the blade for sheet cutter	5. 6
Sheet setting	5. 7
Function Flowchart	5. 8
Functions invoked with the specific keys	5. 8
Functions invoked with the jog mode (jog keys)	5. 10
Functions	5. 11

How to read this operation manual

Display panel and Indication of the Keys

In this Operation manual, the characters Display panel of the operation panel and the keys used to operate the device are explained, together with the operation procedure.  page 1.6

Operate the device while confirming the Display panel.

Display panel

The content of display is shown in characters in a box as shown at right.


Operate the device according to the explanation of the operation procedure and the content of display on the LCD.

In this Operation manual, each setting and messages displayed on the LCD is enclosed in [], like [DATA CLEAR], [CT1], etc.

Operation keys

In the text of this Operation manual, the operation keys are shown enclosed in brackets.

[▲] and [▼] indicate JOG keys.

The other operation keys are enclosed in brackets, as [FUNCTION].  page 1.6

CHAPTER 1

Before Use

This chapter describes on the parts name and setting procedures before use.

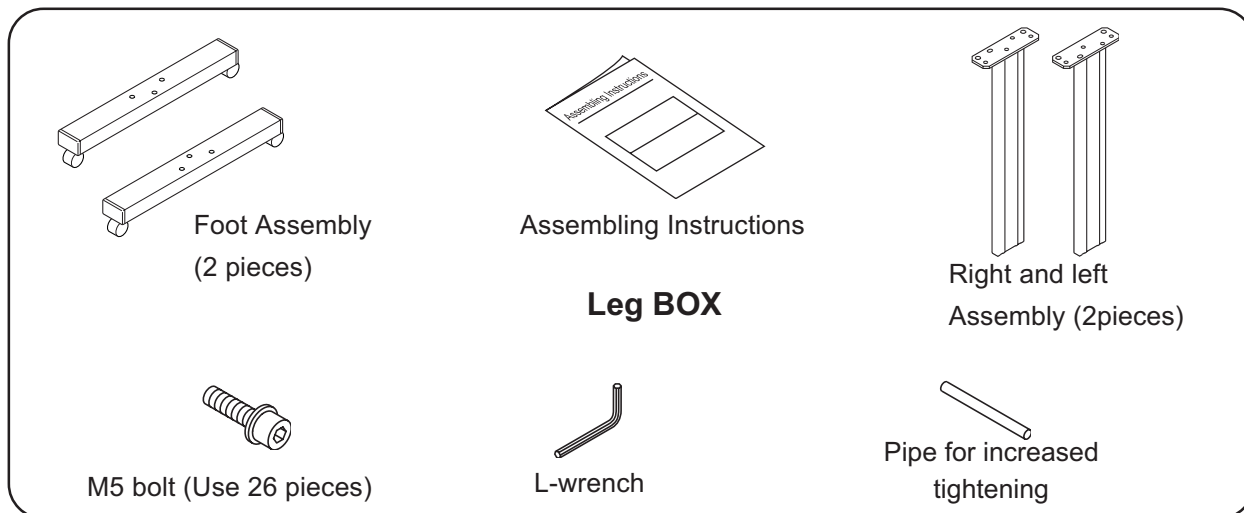
Table of contents

Checking the accessories	1. 2
Configuration and function	1. 4
Scale seal	1. 12
Connecting the cables	1. 13
Menu mode	1. 14

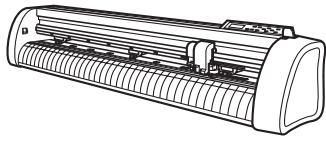
Checking the accessories

The articles illustrated below are supplied with your device as accessories.

Check them up for correct quantities and appearance. If you should find any fault, please contact your distributor.



Product name	Q'ty	Remarks
Foot Assembly	2	
Right and left Assembly	2	
M5 bolt	26	
L-wrench	1	
Pipe for increased tightening	1	
Assembling Instructions	1	
Main unit	1	
Cutter holder	1	Provided with blade
Cutter blade	1	
Ball-point pen	1	Black, Marketed item
Cap	1	
Pen adapter	1	
Cable clamp	4	Use for fixing a power supply cable or a interface cable.
Scale seal	1	Use for measuring a leaf sheet.
Roll bar	2	
Roll assist bar	1	
Roll holder	2	
Stay	2	
Roll stay Assembly	2	
Power cable	1	
Operation Manual	1	
CD-ROM (FineCut)	1	FineCut, USB Driver.
USB Driver Install Guide	1	



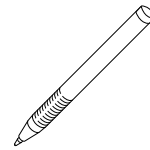
Main unit



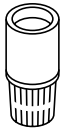
Cutter holder



Cutter blade



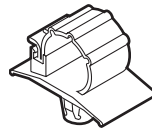
Ball-point pen



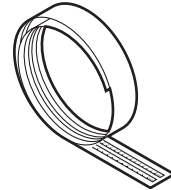
Cap



Pen adapter

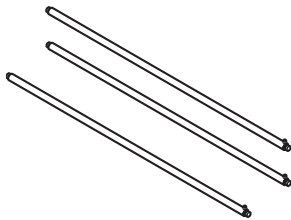


Cable clamp

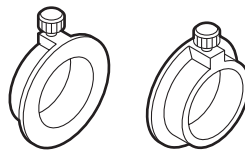


Scale seal

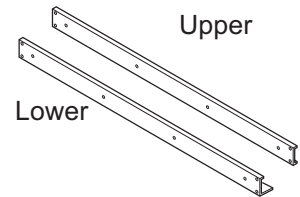
Main unit BOX



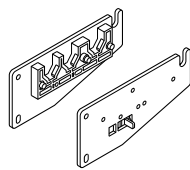
Roll bar (2 pieces)
Roll assist bar (1 pieces)



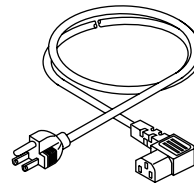
Roll holder



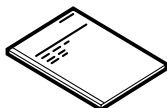
Upper
Lower
Stay



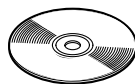
Roll stay Assembly



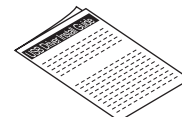
Power cable



Operation Manual



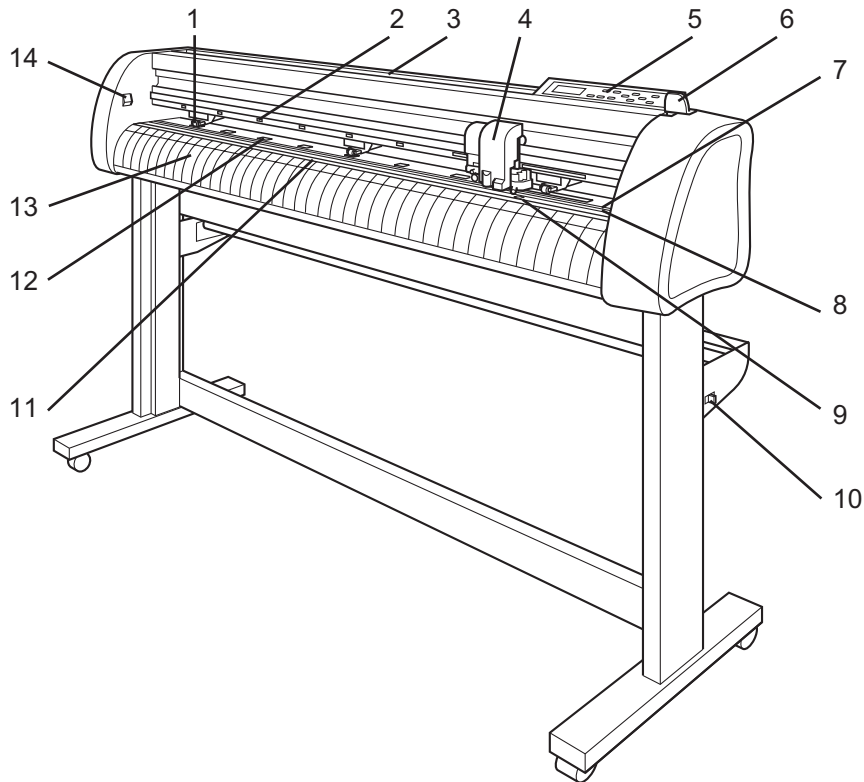
CD-ROM (FineCut)



USB Driver
Install Guide

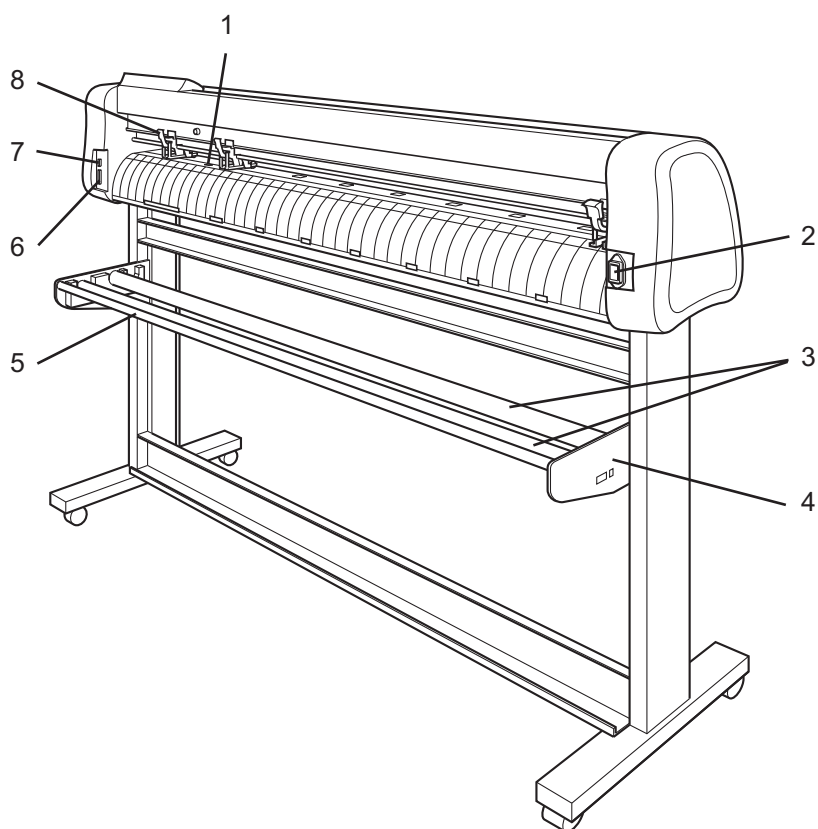
Configuration and function

The Front



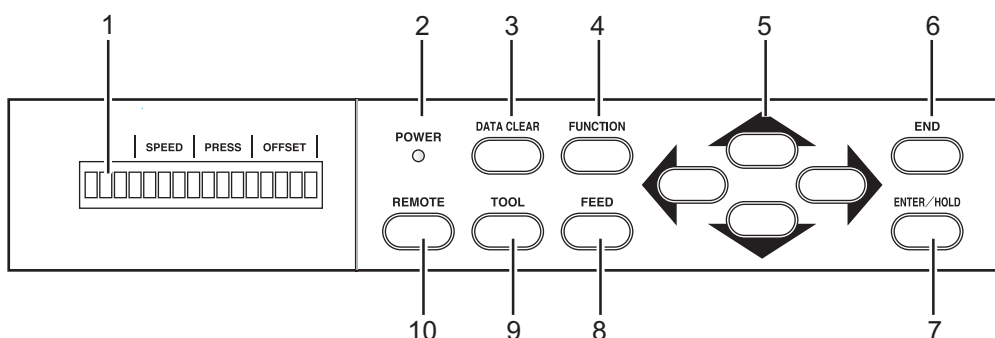
	Name	Function
1	Pinch roller	The pinch rollers can be moved to the right or left to adapt to the size of sheet to be used. The pinch rollers feed out the sheet while pressing it against the corresponding grit rollers. Page 1.8
2	“PINCH ROLLER SETTINGS” Mark	The marks indicate the locations at which the pinch rollers are set. Page 1.8 Note that the cutter has to be kept out of reach of children since it can be dangerous.
3	Tray	Small articles can be placed on it.
4	Carriage	The carriage travels from side to side while holding a tool. It is also used to raise/lower the tool. Page 1.8
5	Operation panel	The device is operated and functions are set on the operation panel. Page 1.6
6	Clamp lever	Tilting the lever away from you lowers the pinch rollers to retain the sheet of medium.
7	Pen line rubber	The device performs cutting or plotting on the pen line rubber. Page 1.11
8	Pen line sponge	The device performs pouncing on the pen line sponge. Page 1.11
9	Sheet sensor	It detects the presence of the sheet and sheet length. Page 1.11
10	Roll stopper	When setting a sheet, prevents from the roll sheet rotating. Page 2.18
11	Gage seal	Use as the indication of setting a leaf sheet. Page 1.12
12	Grit roller	The grit rollers operate in combination with the pinch rollers to feed out the sheet. Page 1.8
13	Platen	The sheet of medium moves along the platen.
14	Power switch	It turn on/off the power. Page 2.7

The Rear



	Name	Function
1	Sheet sensor	It detects the presence of the sheet and sheet length. Page 1.11
2	AC inlet	The power cable is connected to the AC inlet. Page 1.14
3	Roll bar	A roll sheet is placed on the two roll bars.
4	Roll stay	Roll stays support the roll bars.
5	Roll assist bar	In the case where two rolls of sheet are loaded on the device, the turn-back lever works to prevent the lower roll sheet from coming in contact with the upper roll sheet.
6	RS-232C interface connector	The RS-232C compatible interface connector. It is connected to the RS-232C connector of the host computer via an interface cable. Page 1.14
7	USB interface connector	The USB interface connector. Connects with the USB connector of the host computer through a USB interface cable. Page 1.14
8	Clamp pressure lever	This lever is used to adjust the force by which the clamp is held. Page 1.10





Operation Panel



1	Display panel	The display panel indicates tool conditions such as speed, pressure and offset, tool coordinates, functions and error messages.
2	POWER lamp	It lights up when the power to the device is turned on.
3	[DATA CLEAR] key	This key is used to clear the data received. Page 3.12
4	[FUNCTION] key	Function setting mode
5	[JOG] key	These arrow keys are used to shift the carriage or sheet in the corresponding direction or change settings. Page 1.7
6	[END] key	It is used to cancel the value is last previously input. Use the key to detect only the sheet width.
7	[ENTER/HOLD] key	This key is used to enter the last previous input value for a setup item. Use the key to replace the slipped sheet during plot operation.
8	[FEED] key	This key is used to execute the sheet feeding. Page 3.12
9	[TOOL] key	This key is used to select a tool and establish tool conditions.
10	[REMOTE] key	It is used to change over the operation mode between the REMOTE mode and LOCAL mode. Page 1.15 If this key is pressed while the device is in operation, the device will be brought to a halt. To restart the device, repress the key.

Jog keys

The arrow keys are used as described in the table below.

	Before the detection of a sheet	After the detection of a sheet	When selecting a function	When inputting a choice selected among several alternatives
	Detects the sheet width and the top end of the sheet. (In the case where a roll sheet is loaded onto the rear of the device)	Shifts and carriage to the left.	_____	_____
	Detects the width and length of the sheet. (In the case where a cut sheet is loaded onto the rear of the device)	Shifts the carriage to the right.	_____	_____
	Detects the sheet width and the top end of the sheet. (In the case where a roll sheet is loaded onto the front of the device)	Shifts the sheet away from you.	Restores the last previous function.	Selects the last previous value.
	Detects the width and length of the sheet. (In the case where a cut sheet is loaded onto the front of the device)	Moves the sheet toward you.	Moves to the next function.	Select the next function.

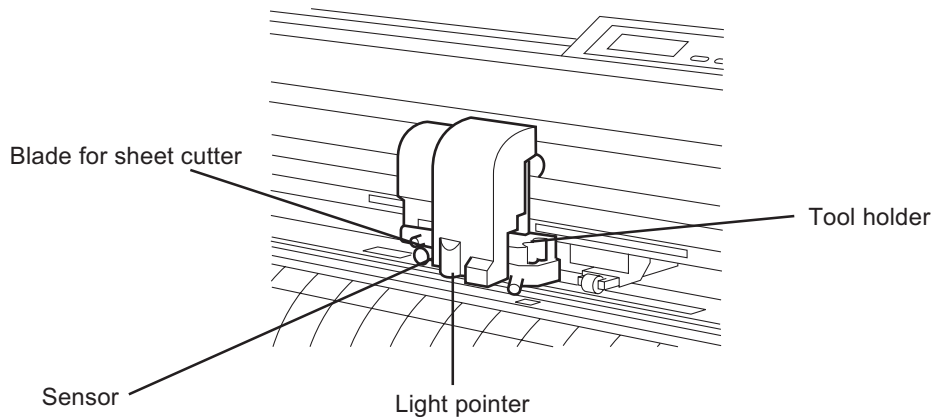
Carriage

Pen-shaped cutter and tool holder are attached to the carriage. Sensor for detecting a sheet / registration mark, and sheet cutter are also attached.

Light pointer lights up in red during positioning for the registration mark detection.

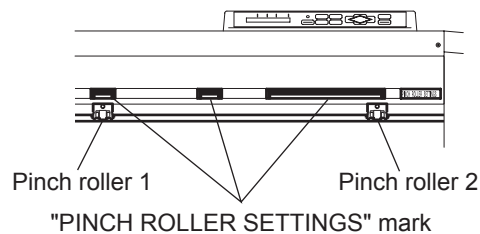
When the registration mark detection is set to non-OFF, the light pointer goes out by pushing over the clamp lever. Pull the lever forward to light up the light pointer.

Make sure if no action performed for five minutes after pulling clamp lever down, the light pointer will automatically go out.



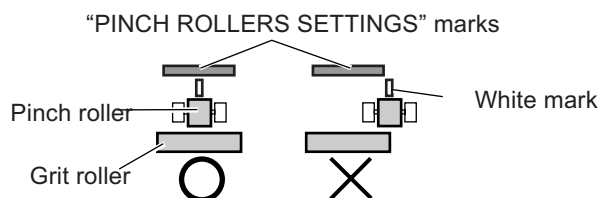
Pinch rollers and grit rollers

The portion located between the pinch rollers 1 and 2 is the travel range of the carriage. Move the pinch rollers to appropriate grit rollers in accordance with the width of sheet to be loaded on the device. The areas within which the pinch rollers may be shifted are described below. Change the location of the pinch rollers using the "PINCH ROLLERS SETTINGS" marks as a guide.



(NOTE!)

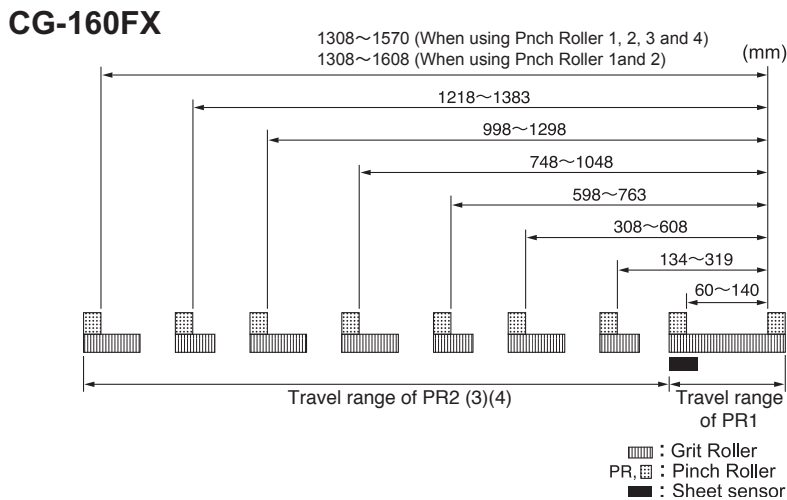
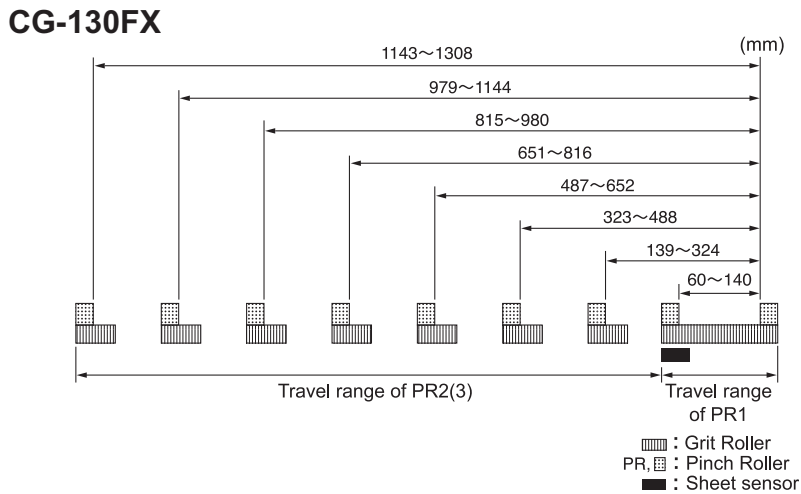
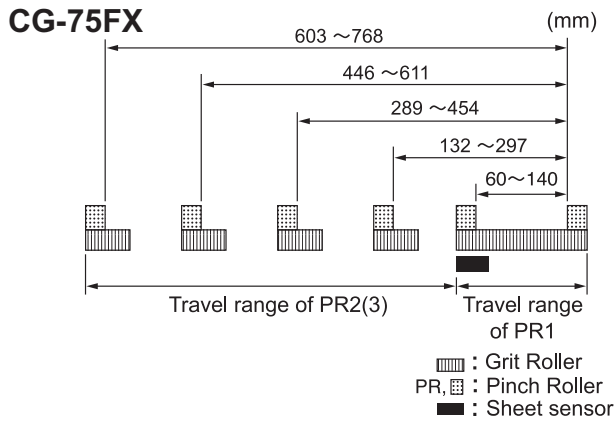
- * Be sure to raise the pinch rollers whenever the machine is not in operation.
- * Keep away from the rotating grit rollers. Injury could result if the rotating grit rollers are contacted since the rotating grit rollers and platen can catch fingers between them.
- * Never set the pinch rollers with deviated or separated from the grit rollers. In case the pinch rollers not set properly, it may cause an error and the sheet detect cannot be performed correctly.



NOTE!

- * When using three pinch rollers, arrange the middle pinch roller in the center of the sheet. In case positioning to one-side, it may cause sheet slippage. Or when using four pinch rollers (CG-160FX), positioning to equally.
- * Move the pinch roller 3 to the retracted point located at the leftmost end of its travel range in the case where the pinch roller 3 is not used for operation. Or set to the number of pinch roller its using. (☞ Page 3.65)
If the pinch roller 3 is located at any position other the retracted point, the device will not be able to perform the sheet detection.

Travel range of pinch rollers 1 and 2

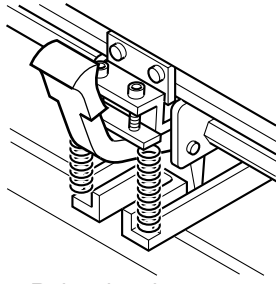


Control the clamp pressure

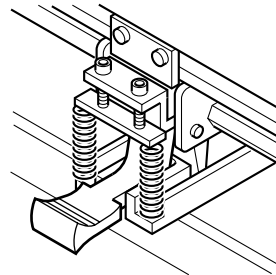
The clamp pressure can be changed in two levels using the clamp pressure lever. Select higher or lower level of the clamp pressure that matches the sheet to be used.

(NOTE!) * Set the both clamp pressure is high mode when in using. If using the clamp in a low mode, it may cause the misaligned sheet. Use the middle clamp in need. (See below)

CG-75FX, CG-130FX

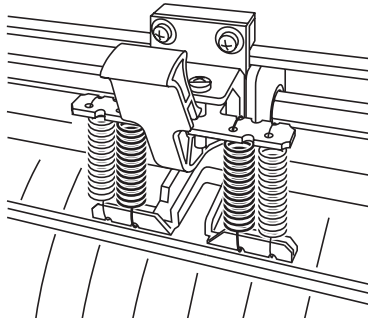


High mode : Raise the clamp pressure lever.

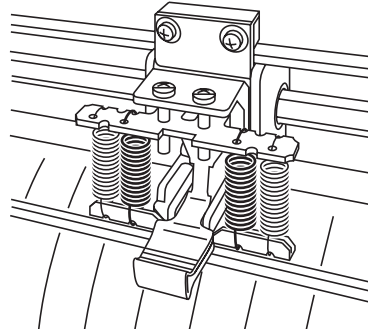


Low mode : Lower the clamp pressure lever.

CG-160FX



High mode : Raise the clamp pressure lever.

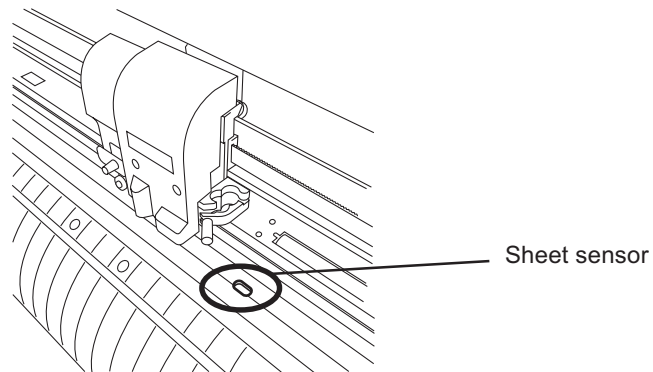


Low mode : Lower the clamp pressure lever.

Clamp pressure	Application
High mode	For cutting the sheet. In the case where heavy-weight paper (70 kg or more) is used.
Low mode	In the case where impressions of the pinch rollers should not be left on the sheet of media. (NOTE!) Depends on the sheet type, feed length, or the sheet width, the sheet may be misaligned.

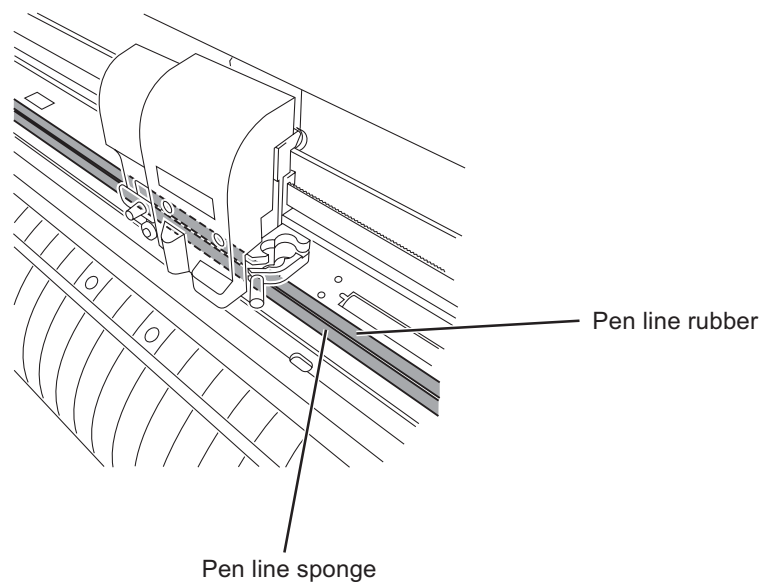
The sheet sensor

The sheet sensors detect the presence of the sheet and the sheet length.
There are 2 media sensors on the platen.



Pen line

Two types of the pen line, rubber pen line and sponge pen line provided.
Use the rubber pen line for cutting and plotting. The sponge pen line is used for pouncing and cutting on dotted line.
Use the appropriate pen line depends on the tool attached position.



Scale seal

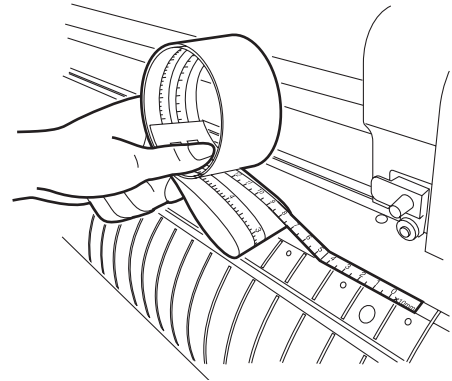
Scale seal is the seal with a scale to measure a leaf sheet.

We provide the two types of the scale seals, mm unit scale seal and the inch unit scale seal.

Put a scale seal on a main unit

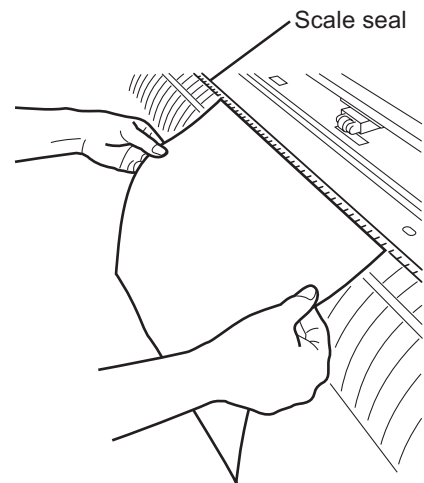
- 1) **Remove the seal little by little from the end to put on the main unit.**

Put the seal on the platen as shown on the picture right.



Measure a leaf sheet

Measure a leaf sheet as shown on the picture right.



Connecting the cables

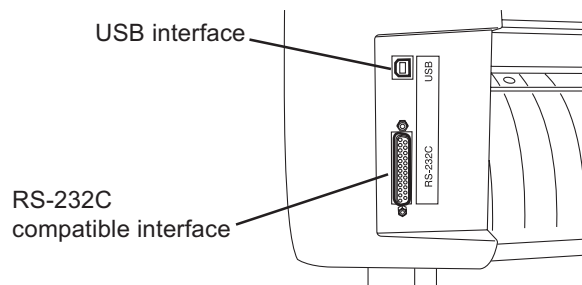
- (NOTE!)**
- * When connecting the cables, turn off first the power to the device and that to the host computer which the power cable is to be connected.
 - * Do not insert/remove the cable during data transferring.
 - * For details on USB connection, refer to attached USB install guide.
 - * Follow the instructions in case the wizard displayed when connected a USB cable.

Connecting the interface cables

The device comes with two different kinds of interfaces.

Select either one that matches the host computer.

- RS-232C compatible interface
- USB interface



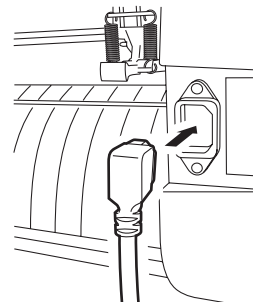
- (NOTE!)**
- * It is necessary the settings of interface which to use.
 - * Plug in/out the connector carefully. Too much pressure may damage the connector.

Connecting the power cables

After the completion of interface cable connection, connect the power cable.

Connect the power cable to the receptacle of the following power specification.

- Voltage AC100V to 240V $\pm 10\%$
- Frequency 50/60Hz $\pm 1\%$
- Capacity 100W or more (equivalent to 2 A)



Menu mode

There are the following four mode in this device.
Each of the four modes is explained below.

< NOT-READY > mode

This is the mode before the medium detector.
The keys other than the [REMOTE] key are effective.

< LOCAL > mode

This is the mode after the sheet detection.
All keys are effective to enable setups.
The device is able to receive data from computer, however, it will not perform cutting (plotting).
In this mode, it is possible to perform the following operations.

1. Pushing the appropriate [JOG] keys to detect a sheet and set up an origin.
2. Pushing the [TOOL] key to select a tool and set the configurations.
3. Pushing the [DATA CLEAR] key to erase the cutting (plotting) data the device has received.
4. Pushing the [FUNCTION] key to set cutting (plotting) conditions.
5. Pushing the [FEED] key to feed the sheet to be used.

< REMOTE > mode

The device cut(plots) an image from data it receives.
During the cutting (plotting) operation, push the [REMOTE] key to interrupt the cutting (plotting) operation.

< FUNCTION > mode

This is the mode in which cutting (plotting) conditions can be set.
While the device is in the LOCAL mode, push the [FUNCTION] key to put the device into the FUNCTION mode.

CHAPTER 2

Basic Operations

This chapter describes on the setting procedures from tool attaching to cut(plot) operation.

NOTE!

* Display panel shows the following message during saving the setting values such as tool setting value. Make sure not to turn off power during displaying the following message.

F-ROM WRITING

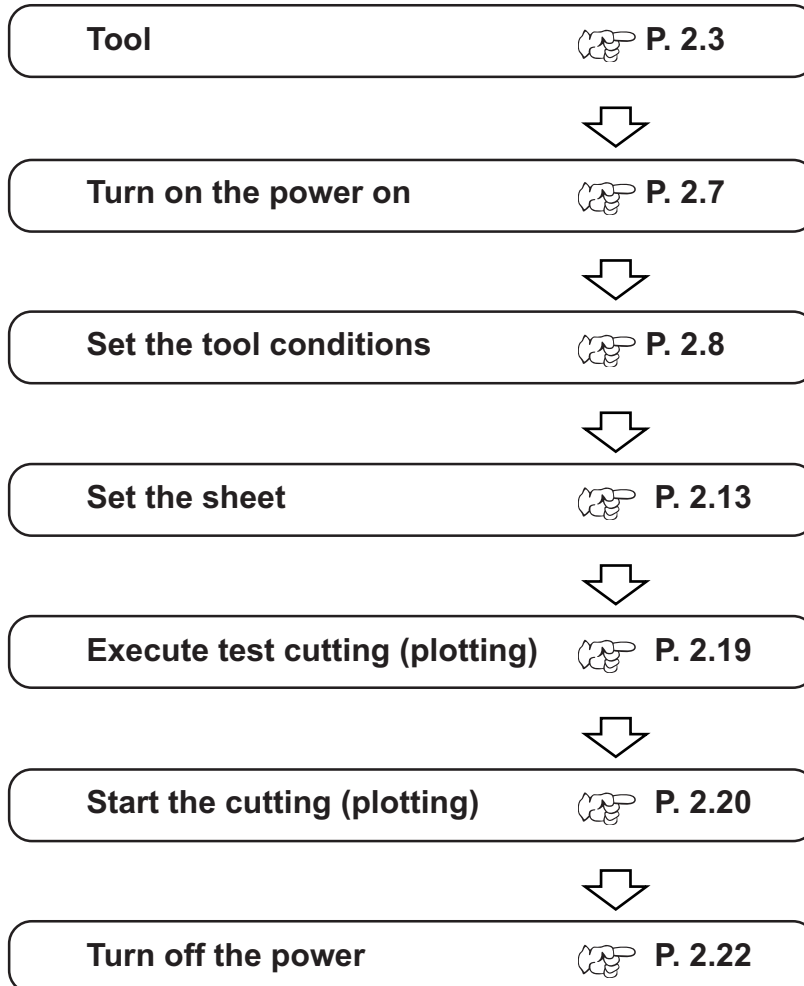
In the case setting values cannot be saved normally, all the values return to default values at the factory.

Table of contents

Operation	2. 2
Attach a tool	2. 3
Turining the power on	2. 7
Tool conditions setting	2. 8
Loading a sheet of media	2. 13
Execute test cutting (plotting)	2. 19
Starting cutting (plotting)	2. 20
Turning the power off.....	2. 22

Operation

The following shows a series of operations and settings, ranging from power-on to end of cutting (plotting). For details on each item, refer to the reference page.



Attach a tool

The following tools are available on this plotter.

Cutter/Pen(Rollerball)/Poncing Pin(option)

When in use of a cutter, adjust the cutter blade before attaching.



- Refer to the appendix for exchanging the cutter blade or procedure of adjusting the other cutter blade. (Refer to Page 5.4)

How to attach a cutter blade

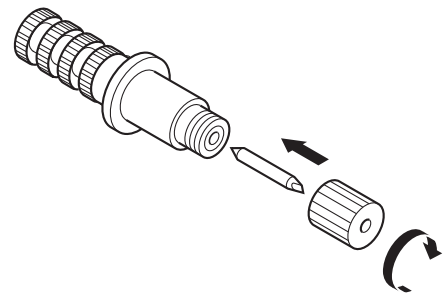
1) Loosen the cutter holder cap.

2) Insert the cutter blade into the cutter holder using the tweezers.

NOTE! * The cutter blade is sharp. Keep your fingers away from the cutter blade.

3) Tighten the cutter holder cap.

NOTE! * Do not swing the cutter holder, or the blade may jut out from the cutter holder.

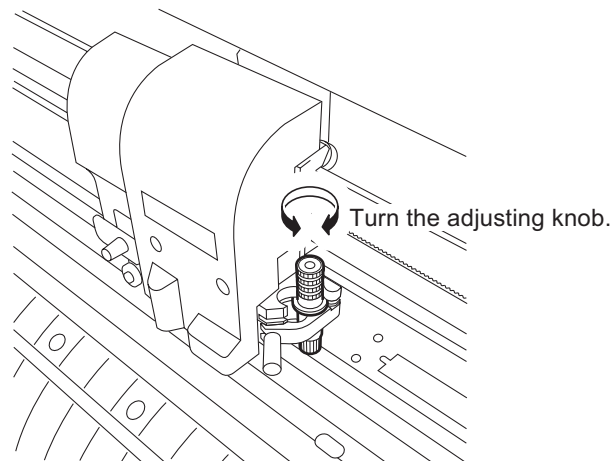


Adjusting the blade tip of the cutter

Adjust the protruding amount of the cutter blade to the type of cutter and sheet of media to be used. When you have adjusted the cutter blade, conduct test cutting to check the cutter for sharpness. For the cutter supplied with unit, the protruding amount of the blade can be adjusted with the cutter mounted in the pen carriage.



- Turn the adjusting knob to the right. The blade tip comes out. (0.5mm for a circle)



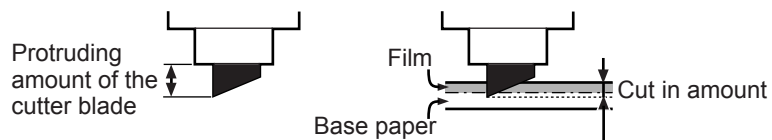
Protruding amount of the cutter blade

$$\text{Cut in amount} = \frac{(\text{Film thickness} + \text{Base paper thickness}) *1}{2}$$

*1 Film thickness < Base paper thickness

Protruding amount of the cutter blade = 0.3 to 0.5mm

(If the cutter blade is dull, replace to a new one.)



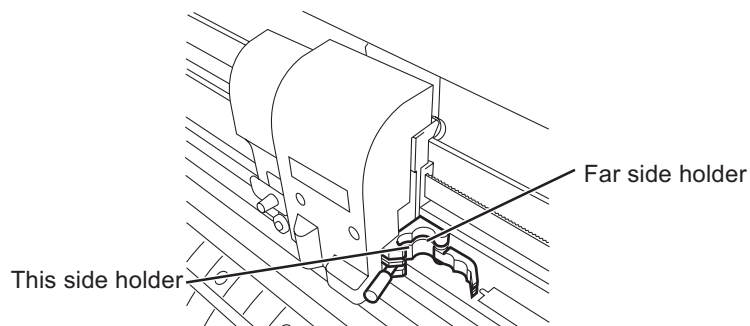
NOTE!

- * Adjust the pressure slightly patterns remain on the base sheet.
- * If cut quality is not accurate in order that base sheet thickness is thinner than film, changing the cut in amount may obtain the better cut quality.

Attaching a tool

Attach a tool to the tool holder of the carriage.

The tool can be loaded this side or far side of the tool holder. The attached position differs according to the selected tool.



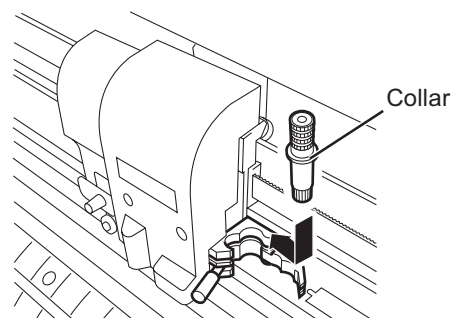
Far side holder	Pen-plotting or cutting of PVC sheet on the pen line rubber is enabled.
This side holder	Pouncing or half-cut cutting on the pen line sponge is enabled.

NOTE!

- * Two tools cannot be loaded in the tool holder at a time.
- * If the device performs cutting on this side sponge, an adequate pressure will not be applied to the sheet of media, adversely affecting the cutting result.
- * The device is not able to perform pouncing on the far side rubber.

1) Put a tool in the tool holder.

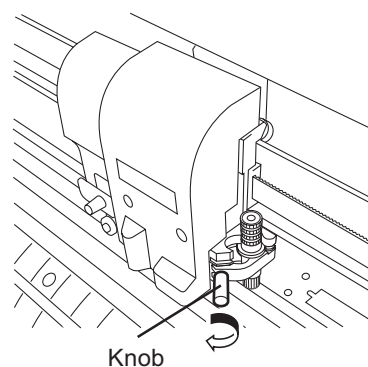
Fitting the collar of the tool in the slit on the tool holder, put the tool in the holder.



2) Turn the knob of the tool holder clockwise until the tool is secured.

NOTE!

- * Be sure to securely fix the tool. If not, accurate and high-quality cutting (plotting) results will not be obtained.

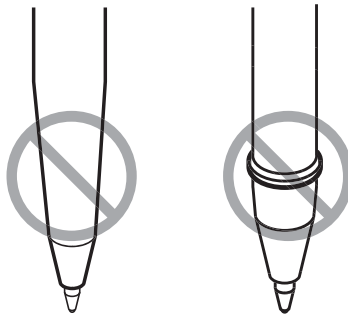


Attaching ball-point pen on the market

(NOTE!) * As for the ball-point pen on the market, use the ones with 8 to 9 mm diameter. Picture quality may vary depending on the pen used.
The recommended ball point pen is as follows,
PENTEL CO., LTD. Products No. : K105-A, K105-GA

* In case holding the ball point pen of the following figures by pen adapter, it may cause slant or hit covers.

Uneven gauge
With level or bumps



1) Put the cap on the pen adapter.

Use the cap to adjust a pen height.

2) Insert the pen into the pen adapter.

Insert the pen all the way until the pen tip hits the cap.

3) Fix the pen tip.

Now, tighten the fixing screw clock-wise.

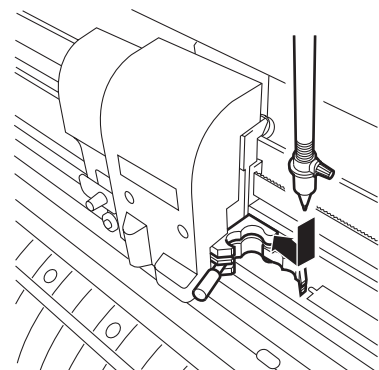
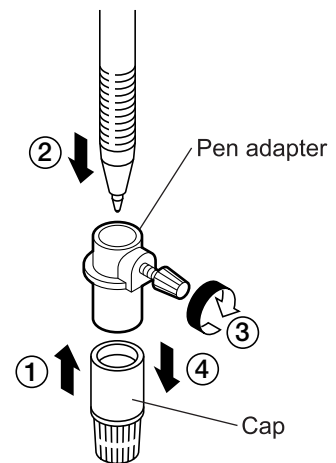
(NOTE!) * Be careful not to over tighten the fixing screw of the pen adapter. If tightened too much, ball-point pen may crack.

4) Remove the cap.

5) Insert the pen adapter with the pen into the tool.

(NOTE!) * Set the adapter in a way that the fixing screw will not hinder operation.

6) Turn the knob of the tool holder clock-wise to fix the tool.



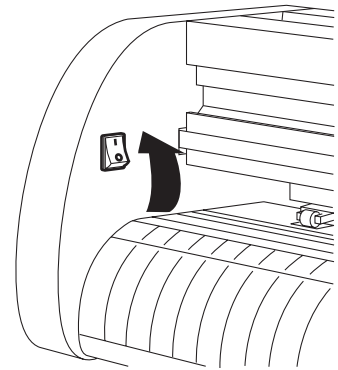
Turining the power on

- (NOTE!)** * Be sure to check to ascertain that the pinch rollers have been raised before turning the power on.
- * Turn on the power switch of the device after turning on the power to the host computer. If the aforementioned order is not correctly followed, the device can malfunction.

1) Press the “|” side of the power switch.

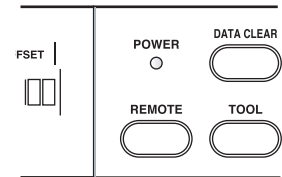


- When the device is turned on, the device will enter operation modes in the predetermined order. Refer to page 1.14 for the operation modes.



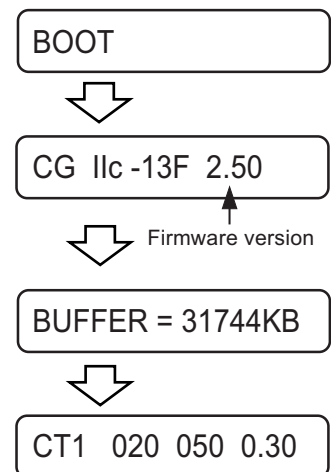
2) The **POWER** indicator lamp lights up in green.

The sheet suction fan rotates.



3) Check the receiving buffer.

Then, the tool conditions for the currently selected tool appears on the LCD.



Tool conditions setting

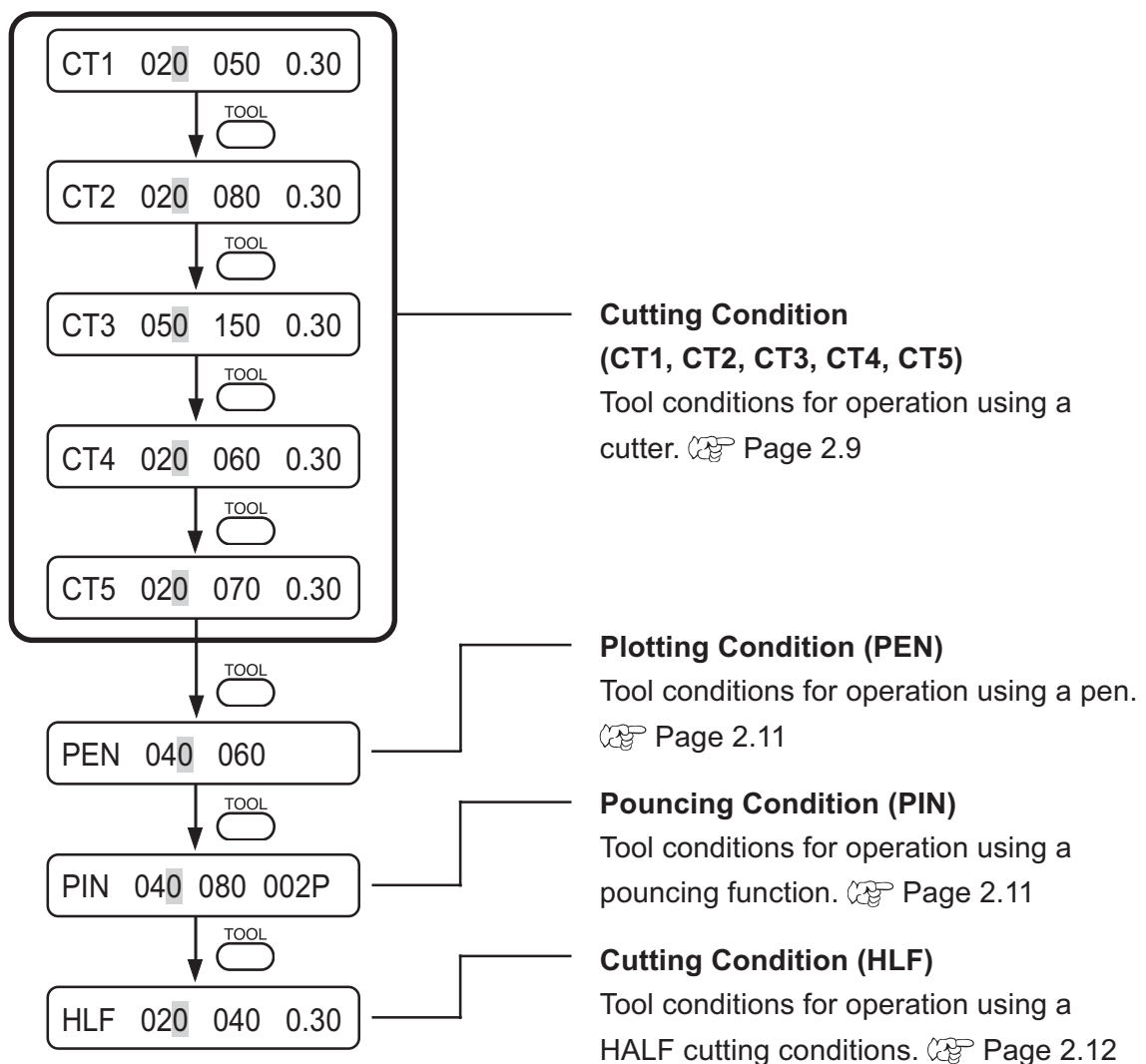
Three different tool conditions are to be set such as cutting conditions, plotting conditions and pouncing conditions.

Specify “SPEED”, “PRESSURE” and “OFFSET” settings that suit the tool to be used.

To set tool conditions, press the [TOOL] key under the local mode, select tool condition and input settings.

(NOTE!) * Do not adjust only the blade length as remaining the cutting pressure setting at high, but adjust the cutting pressure (PRESSURE).

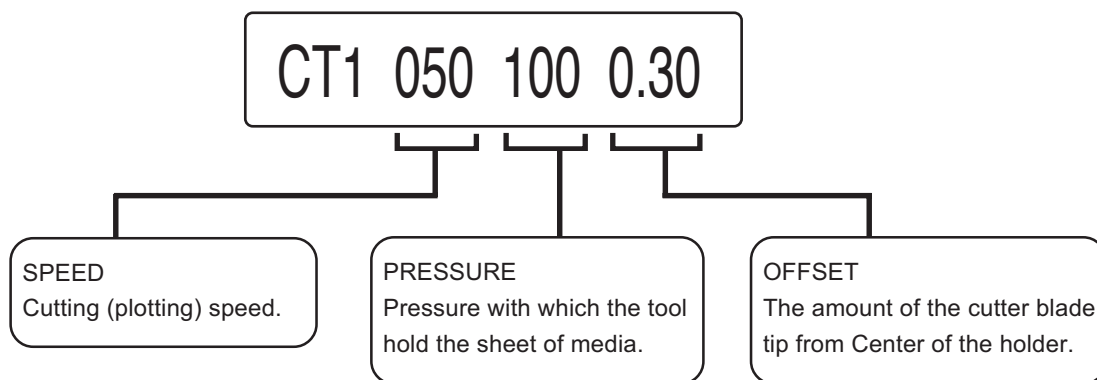
In case performing cutting with a short blade length under the high cutting pressure, the abnormal noise may occur, and the surface of the sheet may be damaged, resulting inferior cutting quality.



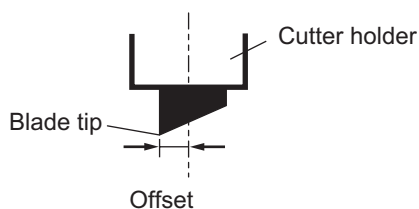
- PIN and the HLF are not displayed unless setting the [POUNCING] and [HALF CUT] functions.

Cut conditions (CT1, CT2, CT3, CT4, CT5) settings

Enter tool conditions for the operation using a cutter. Three kinds of cutting conditions (CT1, CT2, CT3, CT4 and CT5) can be entered at a time. This means these conditions can be entered separately according to the cutter to be used. Once cutting conditions are specified, the cutter will perform a dummy cutting (to adjust the blade direction) (☞ Page 3.45).



- If the offset amount is increased, square-shaped characters will be cut/ plotted. If it is decreased, round-edged characters will be finished. Change the offset value depending of the sheet thickness or the type of blade. For the cutter supplied with the unit, set the offset to 0.30 mm.



Setting value

SPEED	1 to 10 cm/s (1 cm/s step) 15, 20, 25, 30, 35, 40, 50, 60, 70, 80, 90, 100 cm/s
PRESSURE	10 to 20 g (2 g step) 20 to 100 g (5 g step) 100 to 400 g (10 g step)
OFFSET	0.00 to 2.50 mm (0.05 mm step)

(NOTE!) * If a sheet width is 800mm or more, the cut speed is automatically slower than the preset speed. (Exc.CG-75FX)

Procedure

- 1) Press [TOOL] key to select the cut number.

Select [CT2].



CT2 020 080 0.30

- 2) Change the speed value with the jog keys [▲] and [▼].

Increase the speed value to fast the speed. Decrease the value to slow the speed.



CT2 050 080 0.30

- 3) Press [ENTER/HOLD] key or the jog key [▶] to move the cursor to PRESSURE.

Press the jog key [◀] to return to the previous setting.



CT2 050 080 0.30

- 4) Change the PRESSURE value by pressing the jog keys [▲] and [▼].



CT2 050 100 0.30

- 5) Move the cursor to the OFFSET by pressing the [ENTER/HOLD] key or the jog key [▶].

Press the jog key [◀] to return to the previous setting.



CT2 050 080 0.30

- 6) Change the OFFSET value by pressing the jog keys [▲] and [▼].



CT2 050 080 0.35

- 7) Determine the setting values by pressing [ENTER/HOLD] key or the jog key [▶].



CT2 050 080 0.35



- In the case where the pressure is smaller than 20 g, set the speed using a 10 cm/sec as a guide. If the speed is higher than the appropriate value, the tool can rise to produce blurred characters or a portion that remains uncut.
- In case setting an over 1200mm width sheet, the maximum cutting speed is limited up to 60cm/s to protect the sheet. (Even if the cutting speed is set to 60cm/s and above, the cutting speed is limited maximum at 60cm/s.)
- In case setting a cut line segment at 1000mm and above, the cutting speed is limited maximum at 60cm/s.

Plotting conditions (PEN) settings

Enter conditions for the operation using a pen.

Set the SPEED and PRESSURE values. No setting for the OFFSET value.

Setting value

SPEED	1 to 10 cm/s (1 cm/s step) 15, 20, 25, 30, 35, 40, 50, 60, 70, 80, 90, 100 cm/s
PRESSURE	10 to 20 g (2 g step) 20 to 100 g (5 g step) 100 to 150 g (10 g step)

Operation Procedure

Refer to the Cut condition settings (☞ Page 2.9).

Select [PEN] in the step 1.



- Reference values of conditions for plotting
Before actually cutting a sheet of media, conduct test plotting to check the quality of finished characters and marks.

Type of pen	SPEED	PRESSURE
Water-ink ball-point pen (0.3 mm)	40 cm/s	60 g
Oil-based ink ball-point pen	40 cm/s	150 g

Pouncing conditions (PIN) settings

When the POUNCING settings is set to ON, the PINis available to register the setting.

OFFSET condition indicates the interval between pins (P).

Setting value

SPEED	1 to 10 cm/s (1 cm/s step) 15, 20, 25, 30, 35, 40, 50, 60, 70, 80, 90, 100 cm/s
PRESSURE	10 to 20 g (2 g step) 20 to 100 g (5 g step) 100 to 400 g (10 g step)
DOT INTERVAL	1 to 100 mm (1 mm step)

Operation Procedure

Refer to the Cut condition settings (☞ Page 2.9).

Select [PIN] in the step 1.

Half cut conditions (HLF) settings

When the HARP settings is set to ON, the HLF is available to register the setting.

The following items are settable in the HARP settings. (☞ Page 3.52)

- Half cut : Setting of broken-line cutting
- Half cut press : Cutting pressure to remain after cutting
- Half cut length : Length of sheet to remain after cutting
- Cut length : Length by which the sheet is cut out.

Setting value

SPEED	1 to 10 cm/s (1 cm/s step) 15, 20, 25, 30, 35, 40, 50, 60, 70, 80, 90, 100 cm/s
PRESSURE	10 to 20 g (2 g step) 20 to 100 g (5 g step) 100 to 400 g (10 g step)
OFFSET	0.00 to 2.50 mm (0.05 mm step)

Operation Procedure

Refer to the Cut condition settings (☞ Page 2.9).

Select [HLF] in the step 1.

Loading a sheet of media

Either a cut sheet or a roll sheet can be loaded on the device.

The pinch rollers and grit rollers hold the sheet in position.

Specify the location of the pinch rollers to match the sheet to be used.

There are three pinch rollers on the main unit. (CG-160FX is four pinch rollers on the main unit.)

When setting a slippery surface material, such as a soft sheet, wider sheet, or film, set a pinch roller to the both sheet ends and the center (CG-160FX set the two pinch roller at the middle).

For a narrow sheet, no need to set the pinch roller in the center of the sheet.

(NOTE!) * When in use of the center pinch roller, it may have the mark of the grit roller in the sheet.

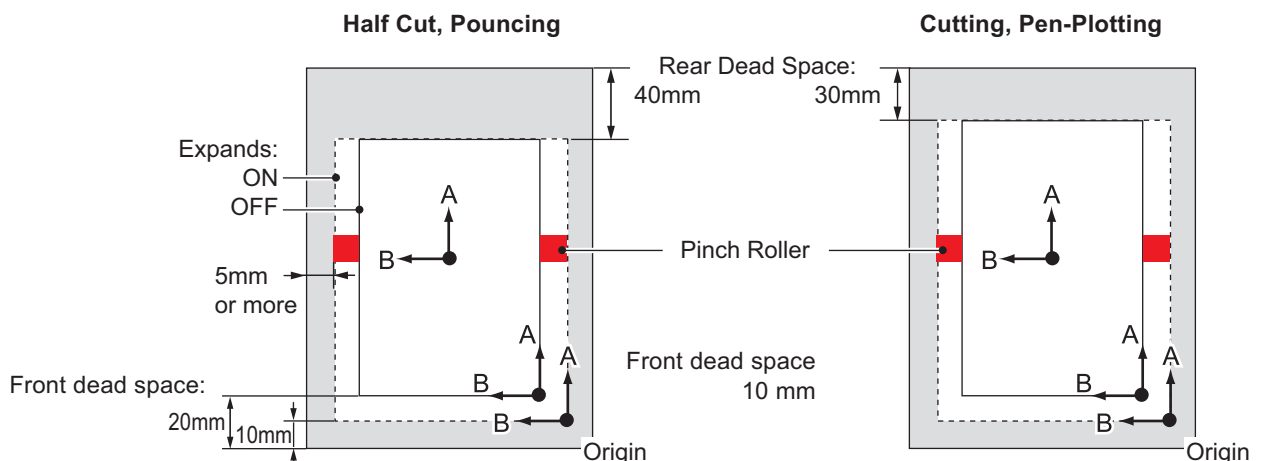
Enable to load of the Sheet width

	mm	inch
CG-75FX	90 to 1040	24, 30, 36, 40
CG-130FX	90 to 1580	24, 30, 36, 42, 48, 50, 52, 60, 62
CG-160FX	90 to 1880	24, 30, 36, 42, 48, 50, 52, 60, 62

Maximum cutting area

The maximum cutting area (the area in which cutting (plotting) is enabled) varies depending on the location of pinch rollers, the tool used, and the location of the origin. The white portion of the illustration shown below represents the maximum cutting area.

	The origin is set at the lower right corner of the area.	The origin is set at the center of the area.
CG-75FX	760 mm x 51 m	760 mm x 3 m
CG-130FX	1300 mm x 51 m	1300 mm x 3 m
CG-160FX	1600 mm x 51 m	1600 mm x 3 m

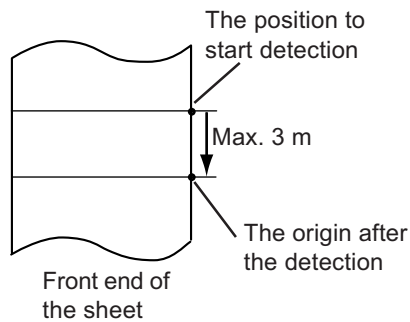


* **Dead space:** The area in which cutting is disabled.

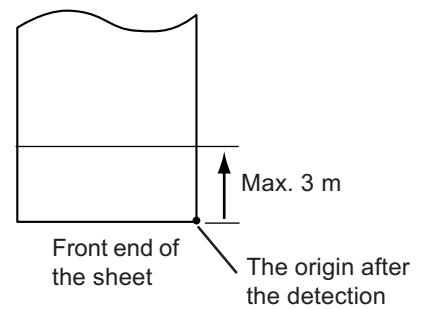
Sheet detection

The width and length of the sheet is detected by pressing the arrow keys or [END] key in accordance with the sheet loaded.

- (NOTE!)** *
- Once the length of a sheet of media has been detected, if the received data is larger than the sheet, only the portion of data that exceeds the sheet will not be cut.
 - If the length of a sheet of media is not detected, the device will terminate cutting operation at the time when data goes beyond the sheet.
 - * If the sheet sensor feature is set to the [OFF], a press on jog key [▲] [▼] [◀] [▶] will cause the device to perform the same sheet detection as with the case where the [END] key is pressed.
 - The setting direction of the media is rendered effective.
 - * The maximum length that can be detected at the front and rear ends of the sheet of media is 3 m.



When detecting the front end of the sheet



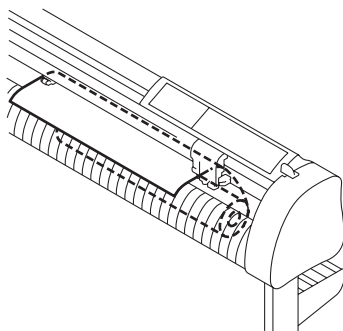
When detecting the rear end of the sheet

Method to detect a sheet

When a sheet of media is retained with the pinch rollers, the following two displays will appear alternately on the LCD panel.

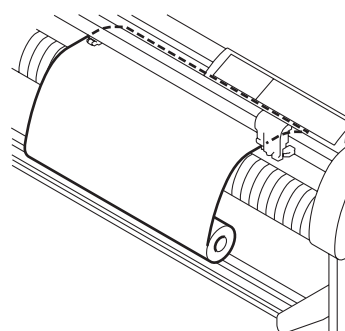
Press on jog key [▲] [▼] [◀] [▶], in accordance with the direction of the sheet loaded on the device.

ROLL < R > LEAF





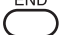
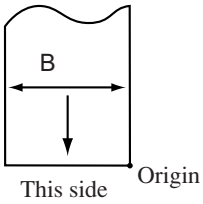
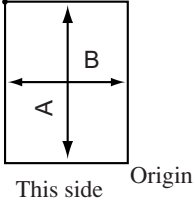
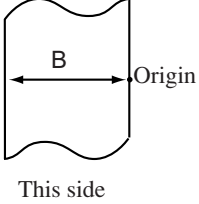

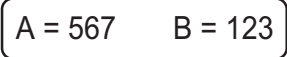



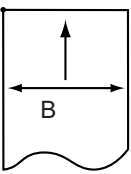
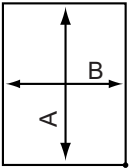


R set
Set a sheet from a rear side.

ROLL ^ F v LEAF



F set
Set a sheet from a front side.

The device detects a sheet of media in the five different methods as shown below.

Key	 A roll sheet is loaded to the rear face of the device.	 A leaf sheet is loaded to the rear face of the device.	 Only the sheet width is detected.
Detecting method	The sheet width is detected first, then front end of the sheet is detected. 	The sheet width is detected first, then the sheet length is detected by feeding the sheet forward and backward. 	Only the sheet width is detected. 
Example of display after the sheet detection			
Key	 A roll sheet is loaded to the front face of the device.	 A leaf sheet is loaded to the front face of the device.	
Detecting method	The sheet width is detected first, then rear end of the sheet is detected. 	The sheet width is detected first, then the sheet length is detected by feeding the sheet forward and backward. 	
Example of display after the sheet detection			

(NOTE!) * In the case where the detected dimension is 3 m or more, the display “****” will appear on the LCD.

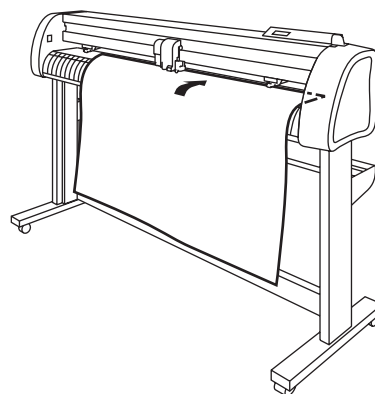
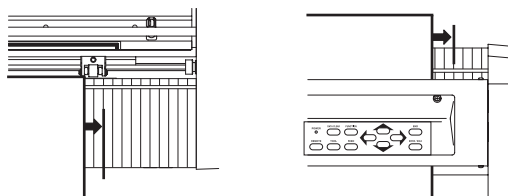


- In the case where a long sheet of media is used or a drawn-out sheet is used from its middle area, the sheet detection will require an extended period of time. In such a case, the detection time can be reduced by detecting only the sheet width.

Loading a leaf sheet

1) Pass a leaf sheet under the platen.

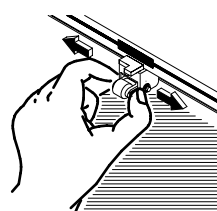
Tilt the set lever toward you, raise the pinch rollers and adjust the rightmost end of the leaf of sheet to the lib of the platen. Alternatively, align the sheet front parallel to the platen.



2) Move the pinch rollers according to the sheet width.

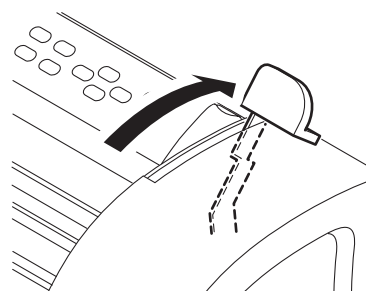
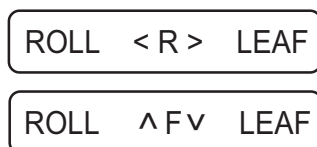
Refer to page 1.9 for the pinch rollers.

(NOTE!) * Change the location of the pinch rollers so that each one is placed 5 mm or more inside the sheet width. If not, the sheet can slip off the pinch rollers while it is being fed.



3) Tilt the clamp lever away from you and lower the pinch rollers.

The display shown on the display panel will change as illustrated below.



4) Press the jog key [▶] or [▼] to select "LEAF".

[▶] : In the case where the media is loaded from the rear

[▼] : In the case where the media is loaded from the front

5) In case [ROLL. SELECT] is set [ON], select the number of pinch roller to use.

Press the jogkey [◀] or [▲] to select.

PINCH ROLL . : 3

6) Press the [ENTER/HOLD] key

The device performs the sheet detection (see page 2.14), then performs a dummy cutting (see page 3.45).

Displays the detected size of the leaf sheet.

A=654 B=459

Unit: mm

(NOTE!) * The device is not able to detect a leaf sheet of which length is 3 m or more.

CT1 020 050 0.30

Displays the currently specified tool conditions.

Loading a roll sheet

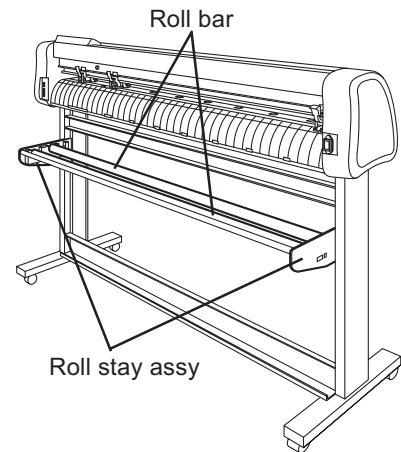
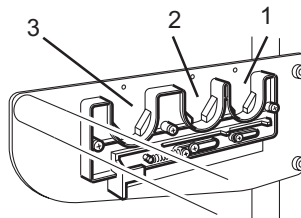
In the case where a roll of sheet is used, roll stays are required to be mounted on the device. Refer to Assembling Instructions.

1) Attach the roll bar assembly to the roll stays.

Place the roll bar assy. in the slit 1 or 2 according to the outside diameter of the roll sheet to be used. Fit the turn-back lever



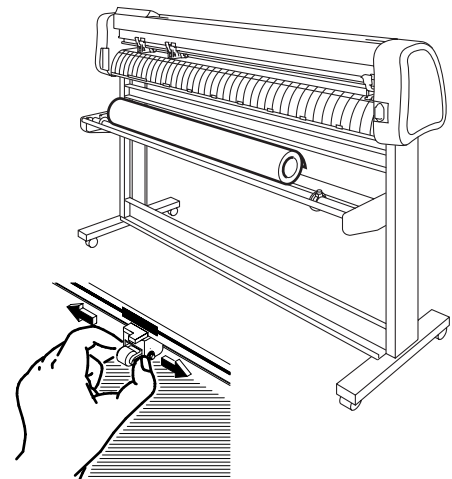
- If the outside diameter of the roll sheet is 3 inches or more, put the roll bar assy. in the slit 1 and 2.
- If the outside diameter of the roll sheet is 3 inches or less, put the roll bar assy. in the slit 2 and 3.



2) Load a roll sheet.

Place a roll sheet on the roll bar, pass the top end of the sheet through the platen and change the location of the pinch rollers according to the sheet width.

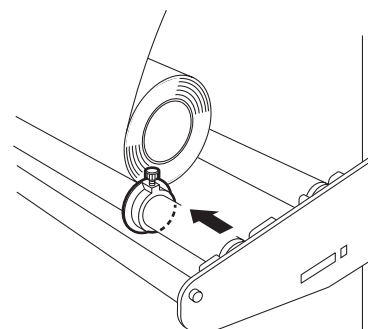
- (NOTE!)** * Change the location of the pinch rollers so that each one is placed 5 mm or more inside the sheet width. If not, the sheet can slip off the pinch rollers while it is being fed.



3) Secure the roll sheet with the roll holder.

Move the respective sheet set rings to the rightmost and leftmost ends of the roll sheet and fix them by tightening screws to secure the roll.

- (NOTE!)** * Fix a roll holder 2 - 3 mm apart from a sheet end. In case fixing the both ends too tight, sheet feeding may not be performed normally.

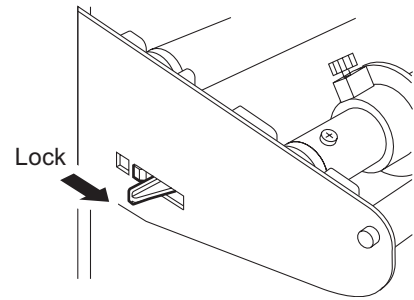


4) Lock the roller stoppers.

Press the lock lever toward the rear from the front of the main unit to lock them.



- The roll stoppers work to prevent the roll sheet from turning when you draw out the rolled sheet.



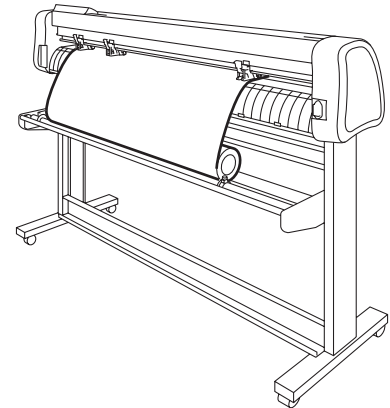
5) Hold a sheet.

Draw the sheet to tense it.

Tilt the clamp lever away from you.

- **In the case where the power to the device has been turned on:**
The suction fan will rotate to adhere the rolled sheet by suction.
- **In the case where the power to the device has been turned off:**
The suction fan will not rotate.

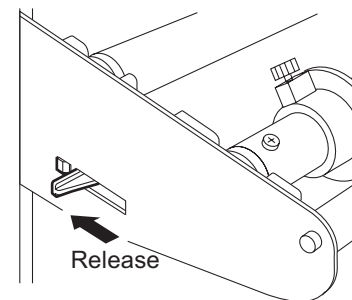
It is, therefore, necessary to tilt the clamp lever away from you while retaining the sheet with your left hand to prevent the sheet from warping.



6) Release the roll stopper.

Draw the roll stopper toward you from the front side of the main unit.

- NOTE!** * If you don't release the roll stopper, the device stop with buzzer during sheet feeding.



7) The display shown on the LCD changes.

Press the jogkey [◀] or [▲] to select [ROLL].

[◀] : In the case where the roll sheet is loaded this side

[▲] : In the case where the roll sheet is loaded far side

ROLL < R > LEAF

ROLL ^ F v LEAF

5) In case [ROLL. SELECT] is set [ON], select the number of pinch roller to use.

Press the jogkey [◀] or [▲] to select.

PINCH ROLL . : 3

6) Press the [ENTER/HOLD] key

The device detects the width and front end of the rolled sheet.

After giving the width of sheet on the LCD, the sheet will conduct a dummy cut (see page 3.45) and displays the currently specified tool conditions.

A = **** B = 559



CT1 020 050 0.30

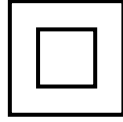
8) Draw out the rolled sheet by the length to be used.

Press the [FEED] key to draw out the rolled sheet.

- NOTE!** * Feed the paper before performing cutting (plotting) to prevent from sheet slipping.

Execute test cutting (plotting)

Execute test cutting (plotting) to confirm the tool configurations.
In the test cutting, the device cuts two different types of squares.



- The proper tool configurations results in the following test cutting (plotting).
 - The both two squares cut completely.
 - Base sheet uncut.
 - All square corners cut sharply.
 - No square corners curled-up.

Operation Procedure

1) Confirm a plotter is set to the local mode.

CT2 020 050 0.30

2) Press (FUNCTION) key.



SUQUARE CUT <ENT>

3) Select [SQUARE CUT], and press [ENTER/HOLD] key.



SUQUARE CUT <ENT>

Execute test cutting (plotting). Back to the local mode after plotting.



CT1 020 050 0.30

Reset the cut configurations according to the test cutting (plotting) results.

Cut Condition	Cause
Some parts uncut.	The blade edge cannot touch the part of sheet for the fast cutting speed.
The base sheet has been cut.	Set too high pressure. Too large amount of the blade tip from a holder.
Any of the square corners rounded.	Improper OFFSET value.
Any of the square corners curled-up.	Too large amount of the blade tip from a holder.

Starting cutting (plotting)

After the completion of loading of a tool and sheet and establishment of tool conditions, you can start cutting (plotting).



- Check up the following settings before executing cutting (plotting).

Setting of the origin (Page 2.20)

Setting of the origin select (Page 3.54)

Setting of the commands (Page 3.59)

Priority of commands (Page 3.61)

Setting of communication conditions (Page 3.60)

Setting of the Maximum size of response (Page 3.61)

Setting an origin

The origin is a reference point of data to be cut (plotted).

To start cutting (plotting), be sure to specify an origin in prior.

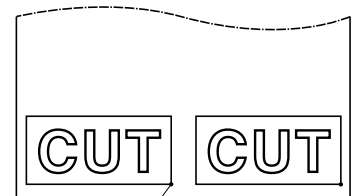
- (NOTE!)** * Reset the origin point before performing the subsequent data cutting to prevent from cutting on the previous cut (plotted) data.

1) Move the head to a point that is specified as an origin.

- [▶] : Moves the head to the right.
- [◀] : Moves the head to the left.
- [▲] : Moves the sheet away from you.
- [▼] : Moves the sheet toward you.



- Every time you press the [TOOL] key, the tool will go up and come down alternately. This helps you to set an origin at a correct position with accuracy.



New origin

2) Press the [ENTER/HOLD] key to enter the origin.

After the effective cutting area appears on the LCD, tool conditions will appear there.



** ORIGIN **



A = **** B = ****



CT1 020 050 0.30

Starting cutting (plotting)

- 1) **After the set of the origin, press the [REMOTE] key.**

The display on the LCD will change over to the remote mode.

CT1 **REMOTE**

- 2) **Send data from the host computer to the device.**

Once the device receives data, the device will give the remaining amount of data while performing cutting (plotting).

When the device completes cutting (plotting), the display shown on the left will appear on the LCD.

CT1 * 1356KB *



When selecting the cutter

CT1 **REMOTE**

When selecting the pen

PEN **REMOTE**

Putting the cutting (plotting) on hold

To temporarily stop the device during cutting (plotting), press the [REMOTE] key once. Another press on the same key will allow the device to resume cutting (plotting).



- If any function that initiates some action or any operation that can affect the command coordinate system is executed during a pause period, the error message shown below will appear on the LCD.

ERR34 DAT REMAIN

In the event that the error message appears on the LCD, press the [REMOTE] key to cut the remaining portion of data or execute data clearing (see page 3-12).

- (NOTE!)** * In case a sheet deviated from the plotter during cut operation, turn off the power immediately, or may hurt the main unit.

Turning the power off

When plotting is completed, press the “ O ” side of the power switch on the front face to turn the power off.

To turn the power off, check first whether or not there is data received.

1) Confirm not receiving any data

Confirm the display indicates the remote mode or the local mode.

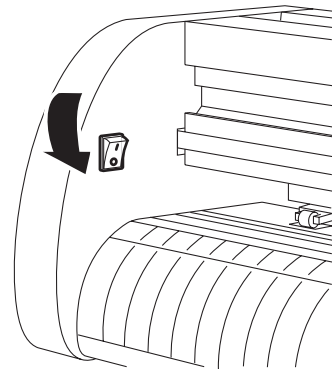
(NOTE!) * Leave 5 seconds and more intervals before turning on the power after once turning off.

CT1 **REMOTE**

CT1 020 050 0.30

2) Press the “ O ” side of the power switch.

The POWER indicator lamp turn off.



CHAPTER 3

Function

This chapter describes the functions invoked with the jog key, functions invoked with specific keys, and other functions.

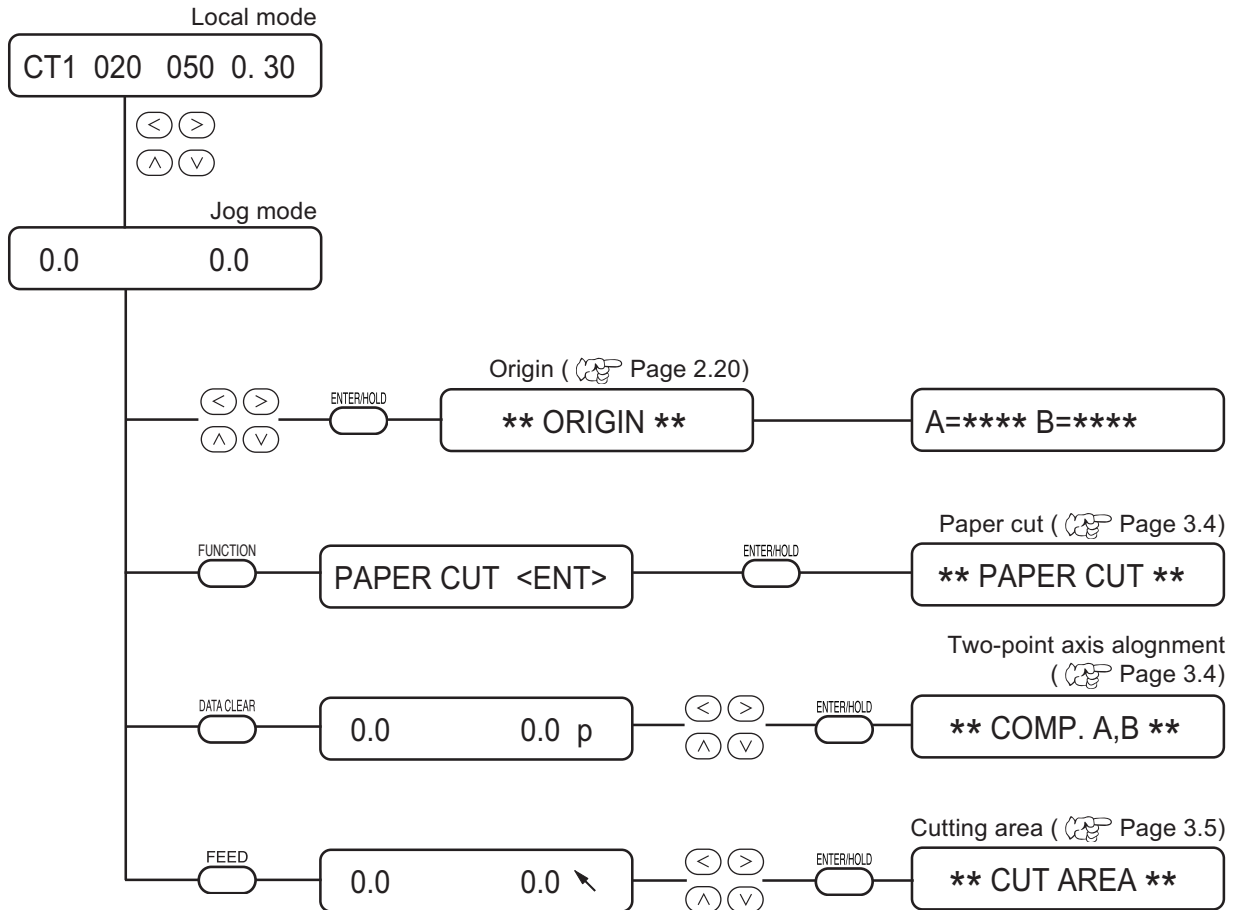
Table of contents

Functions invoked with the jog mode (jog keys)	3. 2
Functions invoked with the specific keys	3. 7
Functions	3-14
Setting function	3. 25

Functions invoked with the jog mode (jog keys)

This section describes the procedure for switching to functions invoked with specific keys, and the operating instructions on each menu.

For detailed menu configuration, refer to Appendix. (👉 Page 5.11)



- | | | | |
|--|---------------------------------|--|----------------------------------|
| | Move the carriage to the left. | | Move the sheet to the far side. |
| | Move the carriage to the right. | | Move the sheet to the this side. |
| | Tool up/down | | Light pointer on/off |

1) Select the local mode.

Ascertain first the device does not cutting (plotting) under the REMOTE mode, then press the [REMOTE] key to enter the LOCAL mode.

2) Press any of the jog keys[▲] [▼] [◀] or [▶] to switch to the jog mode.

Press any of the jog keys to enter the jog mode.

3) Select the jog function.

Select any of the [FEED], [DATA CLEAR], or [FUNCTION] key according to the settings.

4) Select parameters to determine the setting.

Select parameters for the functions: origin point setting, cut area setting, and the two point axis alignment setting. Use the jog keys to select parameters.

5) Register/Perform the settings.

Push on the [ENTER/HOLD] key to register the setting values. Return to the local mode after displaying the setting values for a little while.

Paper cutting function returns to the local mode after executing cut operation.

(NOTE!) * In case specifying a point in the jog mode, the center of the tool indicates the position regardless the light pointer on/off.

Setting an origin

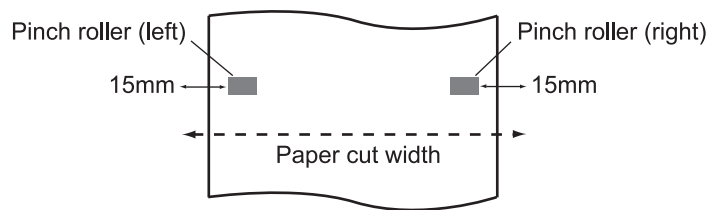
The origin is a reference point of data to be cut (plotted).

Paper cut

The sheet is cut off at the current location of the tool.

For the paper cutting, the sheet will be cut up to the location 100 mm outside each of the pinch roller. (Do not exceed the maximum paper cutting area.)

Refer to the AUTO CUT for procedures of automatic cutting after plotting.



(NOTE!)

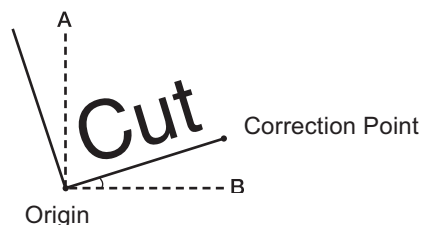
- * In case setting a roll sheet to the front side, reset the sheet configuration.
- * When setting the width between the pinch roller 1 and the pinch roller 3 as the maximum width, the available paper cut range is as follows.
 - 40mm from the inside of the pinch roller 1
 - 80mm from the inside of the pinch roller 3
- * The minimum cut length differs from the sheet type in use. In case the both sides hang free during the paper cut operation, set the longer cut length.

Two-point axis alignment

If setting a ruled line sheet, align the horizontal and vertical axis according to the lines on the sheet.

Axial inclination (q) is corrected between the origin and correction point specified.

To clear the alignment point, raise the sheet set lever.



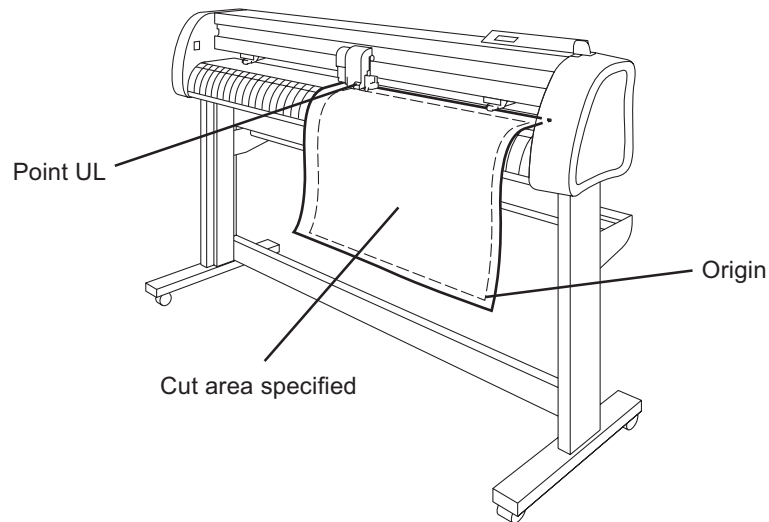
Setting value

-45° to 45°

Cutting area

An area in which the device performs cutting (plotting) is specified.

The area that has a diagonal line extending from the origin and a given UL (upper left) point is the effective cutting area. If you tilt the clamp lever toward you, the cut area specified will be cleared.



(NOTE!)

- * Be sure to specify an upper left point in the area that is located in the normal direction from the origin.
- * Be sure to set an origin in the cutting area. If you establish an origin outside the cutting area, an operation error will result.

Digitization operation

Coordinates of the plotted figure as from the origin are displayed on the host computer.

When the device receives a digitization command (DP) from the host computer, the digitization operation is enabled.

To conduct digitization, install a sheet with patterns to be used to specify points on the device.



- The digitization operation is only enabled in the case where the application software that incorporates a digitization function. Refer to the instruction manual for the application software for how to use the digitization function.

- 1) **Set the device in the remote mode. The device receives the digitization command from the host computer.**

The display on the LCD will change as illustrated on the left.

PEN ** REMOTE **


** DIGITIZE **

- 2) **Move the pen with a jog key [▲] [▼] [◀] or [▶] until the pen tip reaches a given point of the pattern.**

Coordinates as from the origin will be displayed.

100.1 250.5



- If you specify the step unit to a smaller value using the jog step function, you may specify the desired point with increased accuracy. ( Page 3.63)

- 3) **Press the [ENTER/HOLD] key.**

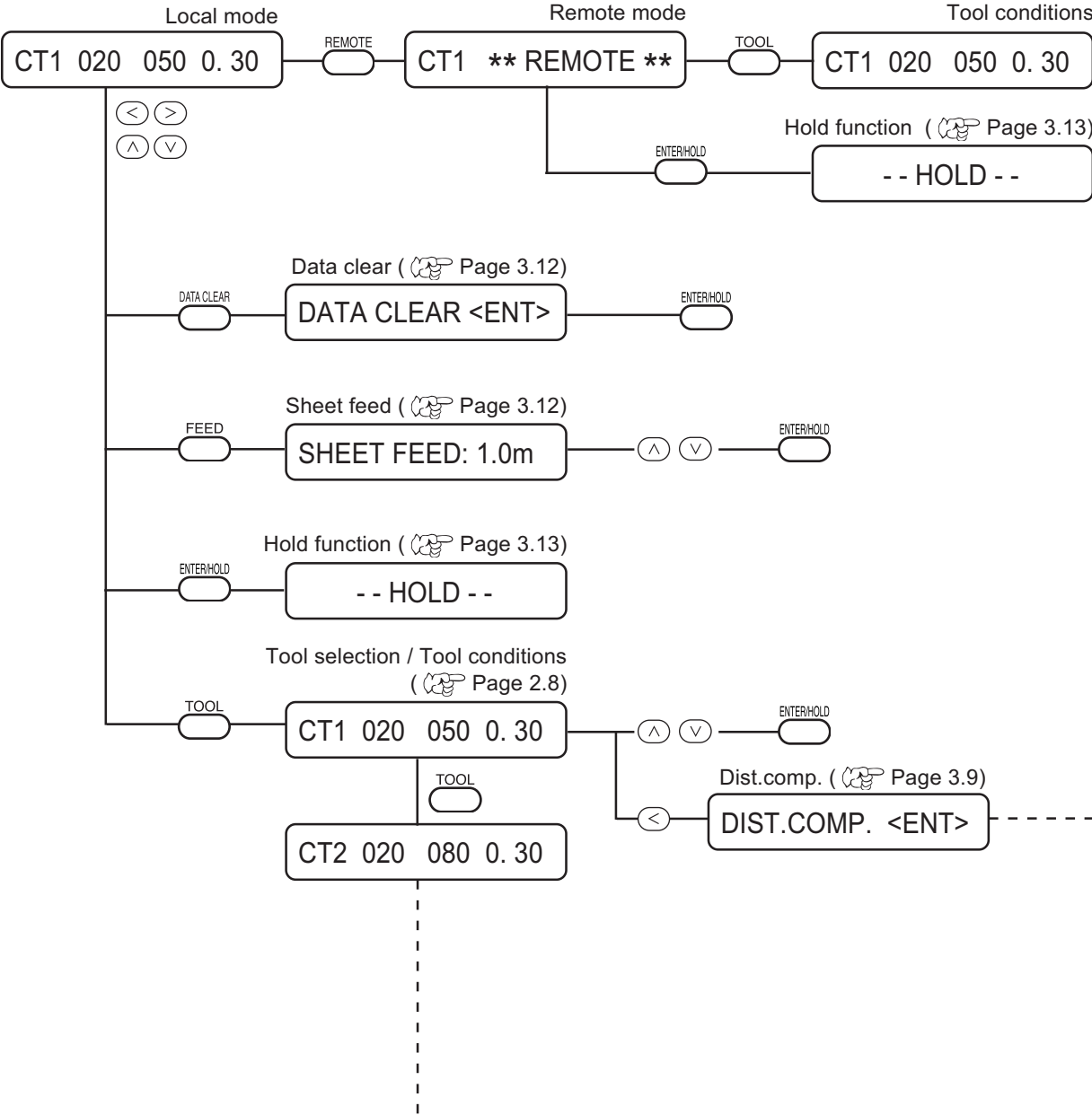
The information on the point on which the pen tip rests will be sent to the host computer.

PEN ** REMOTE **

Functions invoked with the specific keys

This section describes the procedure for switching menus by the specific keys and the operating instructions.

For detailed menu configuration, refer to Appendix. (👉 Page 5.9)



Switch between remote and the local mode [REMOTE]

Switch between remote and the local mode each time pushing on the [REMOTE] key.

During cut (plot) operation, push on the [REMOTE] to interrupt cutting temporarily. Push on the key again to restart the cutting operation.



- In a remote mode, push on the jog keys [▲] [▼] to change the cutting (plotting) speed.

The changed cutting (plotting) speed cannot be stored.

Turn off the power supply to return to the toll configuration values.

NOTE!

- * [REMOTE] key is effective after detecting a sheet.


- * In case temporarily interrupt cut operation, some functions may not be effective with the error message following below.

In that case, complete the remaining data cutting (plotting), or push on the [DATA CLEAR] key to execute data clear function. (Refer to Page 3.12).

ERR34 DAT RE MAIN

Set the tool configurations [TOOL]

Set the distance compensation and cutting (plotting) configurations.

For details on setting cutting (plotting) configurations refer to Tool conditions setting . ( Page 2.8).

Set the distance compensation [TOOL]

In case executing a long data cutting, the cut length may have an error depends on the thickness of the sheet. Additionally, the diameter difference between the right and the left grit rollers may cause the sheet shirting distance difference between the both sheets. This function compensates those errors.

One type of the distance compensation can be set for each tool configuration, totally eight types can be set.

(NOTE) * If altering the tool number on the host computer, the altered tool number will be applied to the correction values. Carefully specify the tool number by commands.

Find compensation value

Compensation value = Measurement of the OFF line – Reference length input

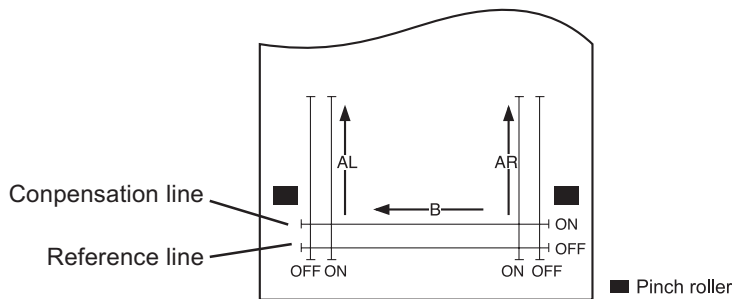
Example)

Measurement of the OFF line = 999.0 mm

Reference length input = 1000 mm

$999.0 - 1000 = -1.0$ mm/Compensation value

As a result, the compensation value to be input will be “-1.0 mm.”



Setting value

Reference value

• For “mm”

A-axis : 500, 1000, 1500, 2500 mm

B-axis : 200, 400, 600, 800, 1000, 1200, 1400, 1600 mm

* Set value of the B direction differs according to the model size in use.

• For “inch”

A-axis : 24, 36, 48, 60, 72, 96 inch

B-axis : 6, 12, 18, 24, 30, 36, 42, 48 inch

Compensation value

A-axis : $\pm 2\%$ (0.1 mm step)

B-axis : $\pm 2\%$ (0.1 mm step)

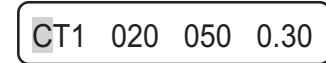
Plotting offset

Push on the (TOOL) in a local mode.

- 1) **Push on the [TOOL] in a local mode.**
 Tool configuration displayed. Cursor blinking on the [SPEED] value.



- 2) **Push on the jog key [◀].**
 Cursor blinking on the tool conditions.
 Push on the jog keys [▲] [▼] to change the tool conditions.



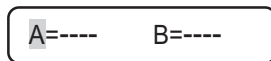
- 3) **Push on the jog key [▶].**
 Push on the jog key [▶] in [DIST.COMP.] mode to return to the tool conditions selection.



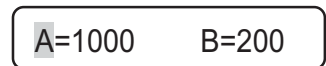
- 4) **Push on the [ENTER/HOLD] key.**
 The reference length (unit: mm) that was used in the previous correction will appear on the LCD.
 If no distance compensation has been performed, the minimum reference length will appear on the LCD.



- The length display shown below means that the [DIST. COMP] was executed using the mark detecting function or the [DIST. COMP] was changed over to the [MM/INCH]. A press on the jog key [▲] [▼] will enable the inputting of a numeric.



- 5) **Change the reference length of the A direction (cross direction) with the jog keys [▲] [▼].**



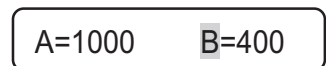
- NOTE!** • If you change the reference lengths in direction A, the distance correction value (AR, AL) will be cleared.

- 6) **Determine the reference length of the A direction by pushing on the [ENTER/HOLD] key or the jog key [▶].**



The both AR and AL direction lengths refer to the A direction length.

- 7) **Change the reference length of the B direction (horizontal direction) with the jog keys [▲] [▼].**



- NOTE!** • If you change the reference lengths in direction B, the distance correction value (B) will be cleared.

8) Push on the [ENTER/HOLD] key to determine the reference length of the B direction.



DRAW SHIFT= 0mm

9) Specify the plotting position of the adjustment pattern.



DRAW SHIFT=10mm

Offset the all the line segment (AR, AL, B) inside of a sheet.

10) Push on the [ENTER/HOLD] key.

The device plots an adjustment pattern.

NOTE!

* If no sheet is placed on the device, or the sheet size is too small to plot a reference length, the device will not conduct plotting and proceed to the correction value inputting stage.

11) Upon completion of plotting, the device will give the current compensation value on the LCD.

AR=0.0 AL=0.0

12) Measure the ON line along A- and B-axis.

Measure the line without a sheet by tilting the clamp lever toward you.

13) Perform step1 to step11.

Since there is no sheet set, the input compensation value screen will be displayed.

14) In case the reference value and the actual value differ, change the correction value with the jog keys [▲] or [▼].



AR=1.0 AL=0.0

15) Determine the AR direction correction value with the [ENTER/HOLD] key or jog key [▶].



AR=1.0 AL=0.0

16) Input the AL direction correction value as the step14.



AR=1.0 AL=1.5

17) Determine the AL direction correction value with the [ENTER/HOLD] key or jog key [▶].



B=0.0

18) Change the B direction correction value with the jog keys [▲] or [▼].



B=0.5

19) Determine the B direction correction value with the [ENTER/HOLD] key.



CT1 020 050 0.30

Return to the local mode.

Feed the paper [FEED]

The sheet is fed by the length to be used.

In the case where a roll sheet is used or a long-dimension data is to be cut (plotted), the sheet has to be fed by the length to be used to provide an allowance. In addition, displacement of the sheet can be checked by feeding the sheet.

Setting value

For “mm”: 0.1 m to 51.0 m (in increments of 0.1 m)

For “inch”: 1 to 167 feet (in increments of 1 ft.)

- 1) Push on the [FEED] key in a local mode.



SHEET FEED: 1.0m

- 2) Press the jog key [▲] [▼] to set the feed amount.



SHEET FEED: 10.0m

- 3) Push on the [ENTER/HOLD] key.

The sheet is fed from the origin.



SHEET FEED: 8.0m

In case the sheet length is shorter than the set value, sheet feeding stops as displaying the fed sheet length.

If this display appears on the LCD, press any key to reset it.

** STOP : 0.3m **



- To interrupt the sheet feed, press the [END] key.

Clear the data [DATA CLEAR]

Clear the data to interrupt the data cutting (plotting).

In case data not cleared, the received data will be cut when returning to the remote mode.

DATA CLEAR <ENT>



- After the execution of data clearance, the received data will remain in the receiver buffer. It is, therefore, possible to cut (plot) the data in repetition using the plural sheet cutting function.



- * Do not execute the data clear function during data sending.

Execute data clear before receive a data in a remote mode to cut (plot) a new data.

Modify the sheet displacement [ENTER / HOLD]

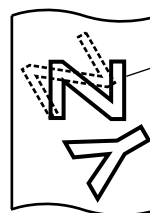
In the case where the sheet slips out of position during cutting (plotting) of long-distance data, the hold function is used to put the device on hold to allow the operator to correct the displacement of the sheet and re-start the operation after the completion of correction.

A press on the [ENTER / HOLD] key during cutting (plotting) will put the device on hold.



- Under the local mode, the [ENTER/HOLD] key has to be held pressed for approximately 1.5 seconds.

-- HOLD --



Data after the correction of displacement of sheet

NOTE!

- * Be sure to execute the hold function at the boundary between characters. If you execute the hold function while the device is cutting (plotting) a line segment of a character, the starting point and end point of cutting (plotting) will not meet.
- * When correcting the displacement of the sheet, move neither the carriage nor the pinch rollers. If they are moved out of position, a damage to the device or an error will arise.
- * After executing HOLD, put the pinch roller down by pushing over the clamp lever. If they are held raised, the hold function cannot be terminated.

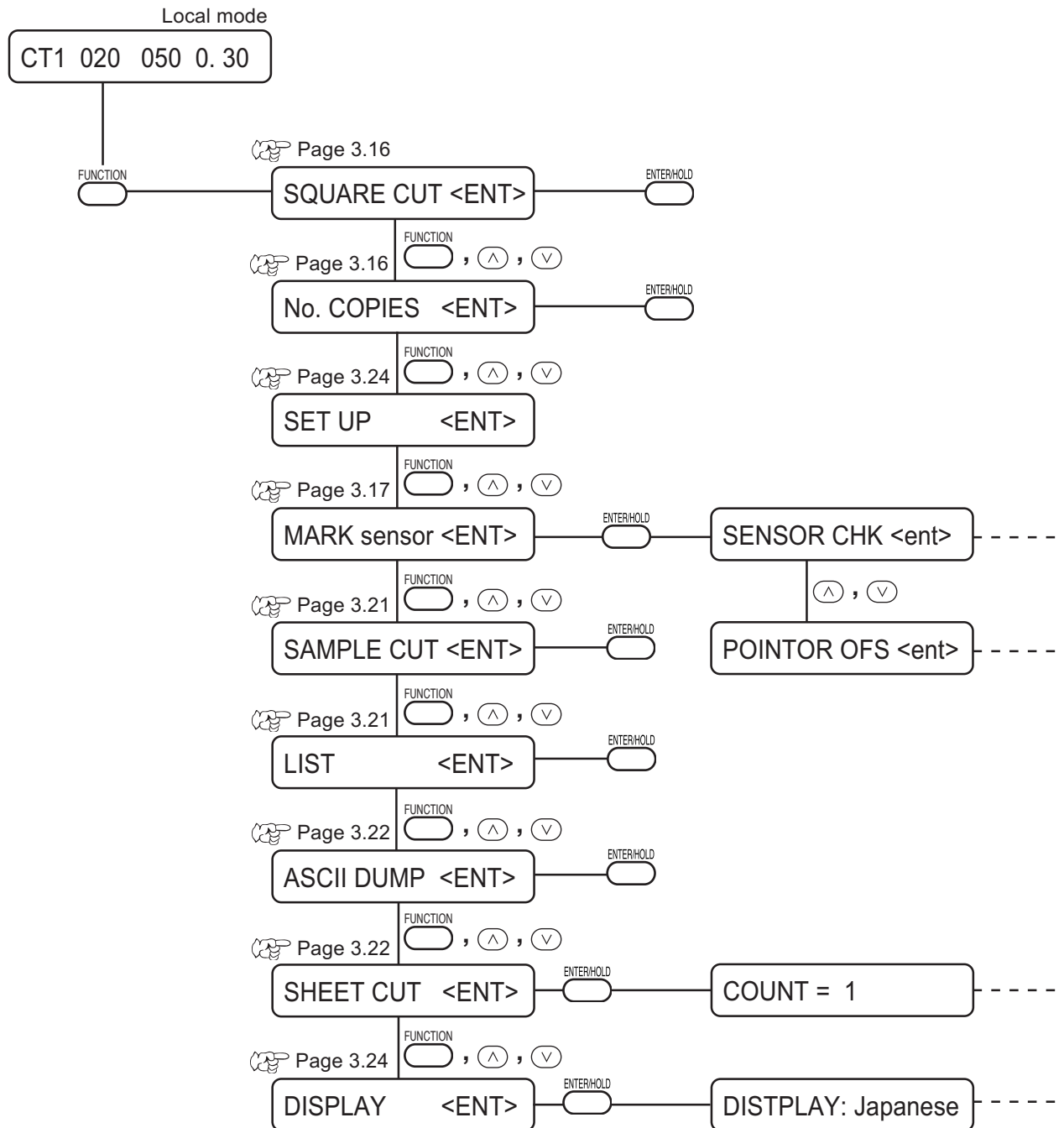
Enter the registration mark detection mode [END]

Push on the [END] key to enter the registration mark detection mode from the local mode. If the registration mark detection configuration is set to OFF, cannot enter the registration mark detection mode. (Refer to Page 3.35).

The [END] key is also used as the cancel button or returning to the previous setting.

Functions

This section describes the procedure of switching function menu and the operating instructions.
 For detailed menu configuration, refer to Appendix. (☞ Page 5.13)



1) Select the local mode.

Ascertain first the device does not cutting (plotting) under the REMOTE mode, then press the [REMOTE] key to enter the LOCAL mode.

2) Press [FUNCTION] key to switch to the function menu.

Display functions during each pushing on the [FUNCTION] key or the jog keys [▲] [▼].

3) Select a function.

The following functions perform the operation.

[SQUARE CUT], [No.COPIES], [SAMPLE CUT], [LIST], [ASCII DUMP], [SHEET CUT]

Other following functions perform more detail setting.

[MARK sensor], [SET UP], [DIAPLAY]

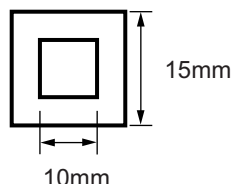
4) Perform functions and entering the setting values.

Perform test cutting and registration mark sensor checking, etc.

Test cutting [SQUARE CUT]

In the case where you have changed the type of sheet or tool and cutting conditions have been changed correspondingly, the test cutting function is used to execute test cutting to check that the cutting conditions such as SPEED, PRESSURE and OFFSET are appropriate.

In the test cutting, the device cuts two different types of squares.



- Change the settings for cutting conditions, if necessary, depending on how the squares are cut. (👉 Page 2.19)
- The device executes the [SQUARE] at the current tool location.

Cut (plot) the same data on multiple sheets [No. COPIES]

This function is used to perform cutting (plotting) of the received data on two or more sheets.

The device stores the received data in the receiver buffer to enable cutting (plotting) in repetition on as many as 999 sheets.

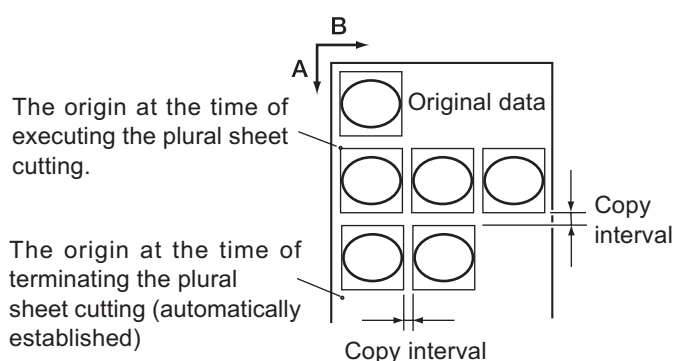
When the device receives new data, the data stored in the receiver buffer will be updated.

Cannot cut the previous data on multiple sheets.

Setting value (input of numeric data)

Number of copies : 1 to 999 sheets

Margins between the copied data : 0 to 30 mm



The locations of copies for second cutting (plotting) and beyond are to be allocated according to the size of the original data.

Lengthwise and widthwise interval between copies of the original data is 1 mm.

After the completion of copying, the location of origin will be updated.

- (NOTE!)** * If the plural sheet cutting is executed immediately after cutting under the remote mode, the data will be cut (plotted) overlapped. To avoid this trouble, re-set an origin.

- * While the device is executing the plural sheet cutting, it ignores data sent from the host computer. To send plural pieces of data from the host computer to the device, the data has to be sent while providing an interval of 10 seconds or more between any two pieces of data. If two pieces of data are sent from the host computer to the device within 10 seconds, the two pieces of data will be subjected to the plural sheet cutting.
- * If the origin updated inside the device during setting up the two-point axis alignment fails to fall within the effective cutting area, the device will not cut the data.
- * The device cuts divided cut data by the specified number of sheets without dividing the data.
- * In the event that any error appears on the LCD, refer to Chapter 4.

Check the sensor for the registration mark detection [MARK sensor]

Check the sensor.

- (NOTE!)** * Affects to the registration mark detection noise.

Registration mark condition

Printed registration mark is required to fulfill all the following conditions.

- * The mark shall be printed in black against the white background.
- * The registration mark length must be 4 - 40mm on a side.
- * The line width of mark shall be equal to or more than 0.3 mm and equal to or less than 0.5 mm.
- * To detect the registration marks, no stain or print image should be in between the marks.

The TP4 is used to perform trapezium correction for adjusting the sheet feeding length. If not perform the trapezium correction, no need for the TP4.

- (NOTE!)** * The registration mark described in this paragraph means a registration mark that is used to detect the sheet inclination and the length of A- and B-axis. It is different from a mark for trimming.

Setting Procedure

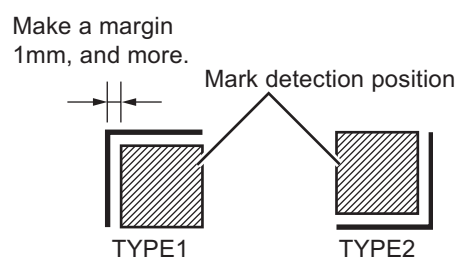
- 1) Set a plotter to local mode

CT1 020 050 0.30

- 2) Enter the jog mode by pushing on the jog keys [▲], [▼], [◀] and [▶].

- 3) Lighten the Light Pointer by pushing on the [REMOTE] key.

- 4) Shift the Light Pointer to the registration mark detection position by pushing on the jog keys [▲], [▼], [◀] and [▶].



- 5) Return to the local mode after completing the jog mode with the [END] key.

- 6) Push on the [FUNCTION] key.

FUNCTION

SQUARE CUT <ENT>

- 7) Select [MARK sensor] by pushing on the jog keys [▲] [▼].



MARK sensor <ENT>

- 8) Push on the [ENTER/HOLD] key.

ENTERHOLD

SENSOR CHK <ent>

- 9) Push [ENTER/HOLD] key after confirming [SENSOR CHK] is displayed.

ENTERHOLD

PAPER HOLD :OFF

- 10) Set the each configurations, paper hold ON/OFF, length of the registration mark, shape of the registration mark, and speed of the registration mark detection.

For details on setting the [PAPER HOLD], [SIZE], [FORM], refer to the [MARK DETECT] setting procedure. (Refer to Page 3.26)

PAPER HOLD :OFF

SIZE : 7mm

FORM : TYPE1 ≠

The setting value of the [SPEED] is set to 10cm/s to 30cm/s. Change the value according to the test results.

SPEED : 20cm/s

11) Perform registration mark detection 1 (*1) with the jog key [▶].

Perform registration mark detection 2 (* 2) (set the detection speed automatically.) with the jog key [◀].

***1) Detect operation 1**

1) Scan to the B direction (plus direction) to detect the line.

Buzzer sounds when the line detected. If the line cannot be detected, no buzzer sounds.

2) Scan to the B direction (minus direction) to detect the line.

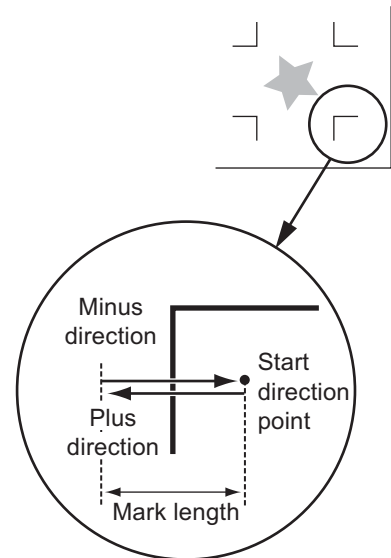
3) Scan to the A direction (plus direction) to detect the line.

4) Scan to the A direction (minus direction) to detect the line.

5) Confirm buzzer sounds at each operation.

In case no buzzer sounds, retry detection after changing the detection speed.

If no buzzer sounds even after changing the detection speed, check the registration of mark condition and contact us.



Scan to the B direction

***2) Detect operation 2**

1) Set the detection speed at 10cm/s

2) Scan to the B direction (plus direction) to detect the line.

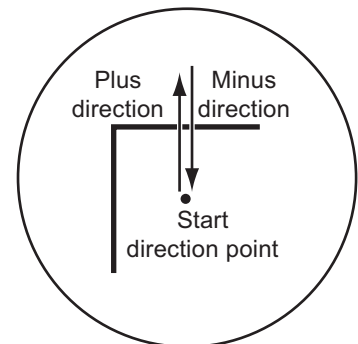
3) If succeed to detect the line, back to the detection starting position and perform "detection operation 1".

If fails to detect, back to the detection starting position and increase the detection speed by 5cm/s. Retry the detect operation from "Detect operation 2 Step 2".

4) When all detections succeed in the "detect operation 1", determine the detection speed.

In case any of detections fails, increase the detection speed and retry the detect operation from "Step 2, detect operation2".

5) In case no registration mark detected even though increasing the detection speed up to 30cm/s, check the registration of mark condition contact us.



Scan to the A direction

Correct the light pointer position [MARK SENSOR]

In case fails to recognize a registration mark, adjust the light pointer position.

Setting Procedure

- 1) Attach a roller ball pen [for a plotter use] on the tool holder.

NOTE! * Be sure to use the applied pen for the pen adapter(not marketed pens).

- 2) Confirm the plotter is in the local mode.

CT1 020 050 0.30

- 3) Push [FUNCTION] key.



SQUARE CUT <ENT>

- 4) Select [MARK SENSOR] by pushing jog keys, [▲] [▼].



MARK sensor <ENT>

- 5) Push [ENTER/HOLD] key.



SENSOR CHK <ent>

- 6) Select [POINTER OFS] by pushing jog keys, [▲] [▼].



SENSOR OFS <ent>

- 7) Push [ENTER/HOLD] key.

The light pointer on, and moves to a center of a crisscross pattern to plot a 10mm-by-10mm crisscross pattern.



A = -3.9 B = -6.0

- 8) Adjust the light pointer position to match both center of the light pointer and the crisscross pattern.

- 9) Push [ENTER/HOLD] key.

Return to the local mode after registered the adjustment position.



CT1 020 050 0.30

NOTE! * The value registered in the [POINTER OFS] cannot initialize even if executing the [SETUP RESET].

Examine the cut error [SAMPLE CUT]

In the case where the device fails to cut data correctly or the end point of cutting of a character fails to meet the starting point, the cause of such a fault can be checked up by cutting the characters “Cut.”

Cut

- In the case where the device is able to normally cut the characters “Cut” but fails to cut other data:
The host computer is faulty.
- In the case where the device fails to cut both the characters “Cut” and other data:
Increase the set value of [ADJ-PRS OFS] to increase the pressure on the cutter blade.

Output the list of configurations [LIST]

With this function, the device plots tool conditions, communication conditions and functions setting conditions for your notes or for facsimile sending at the of maintenance.

Use a pen as a tool and plot on a leaf paper (A4 size paper in portrait orientation).

```
LIST (CG Iic-13Fv1.04)

(1) PEN PARAMETER      DIST.COMP      XR      Y      XL
CT1 020 050 0.30      1.00000 1.00000 1.00000
CT2 020 080 0.30      1.00000 1.00000 1.00000
CT3 005 150 0.30      1.00000 1.00000 1.00000
CT4 020 060 0.30      1.00000 1.00000 1.00000
CT5 020 070 0.30      1.00000 1.00000 1.00000
PEN 040 050           1.00000 1.00000 1.00000
PIN 040 080 002P      1.00000 1.00000 1.00000
HLF 020 050 0.30      1.00000 1.00000 1.00000

(2) INTERFACE PARAMETER
MGL-Iic : 9600, 8, NON , 1, HARD , 0.025mm, 10s
MGL-Ic1 : 9600, 8, NON , 1, HARD , 0.05mm , 10s
AUTO : 9600, 8, NON , 1, HARD , 10s

(3) FUNCTION PARAMETER
DISPLAY      = English
MARK DETECT  = OFF ON ON 10mm 0.00mm 0.00mm TYPE1 1 1 10cm/s
COMMAND      = MGL-Iic
DEVICE No.   = 00
CUT MODE     = NORMAL
ORGN SELECT  = LOWER RIGHT
EXPANDS      = OFF
AUTO.CUT     = OFF 30mm 3STEP
ROTATION     = OFF
BUZZER       = ON
DIVISIONcut  = OFF ON ON
HALF CUT     = OFF 0g 0.5mm 10mm
POUNCING     = OFF
PRIORITY     = HOST
DISTANCE     = 51m
SHEETsensor  = ON
UP SPEED     = AUTO
JOG STEP     = 1.0mm
MM/INCH      = MM
FEED OFFSET  = 000cm
DUMMY CUT    = ON
SHEET TYPE   = STANDARD
SORTING      = OFF
POINTER OFF
```


(NOTE!)

* When setting the width between the pinch roller 1 and the pinch roller 3 as the maximum width, the available automatic sheet cut range is as follows.

40mm from the inside of the pinch roller 1

80mm from the inside of the pinch roller 3

Setting value

Number of cutting sheet :1 to 999,999 sheets

Cut length :1 to 10,000 mm

Front cut off :0 to 30 mm

1 Make sure that the plotter is in local mode, and then press the [FUNCTION] key.



SHEET CUT <ENT>

2 Press the [ENTER/HOLD] key.



COUNT = 1

3 By pressing the jog key [▲] or [▼], set the number of times cutting is to be performed.



COUNT = 100

4 Press the [ENTER/HOLD] key.



SPACE = 000 mm

5 Set the cut length (mm) by pressing the jog key [▲] or [▼].



SPACE = 1000 mm

6 Press the [ENTER/HOLD] key.



FRONT CUToff = 0

7 Set the front cut off length by pressing the jog key [▲] or [▼].



FRONT CUToff = 10

8 Press the [ENTER/HOLD] key after completing the settings.



CN : 10 / 999999

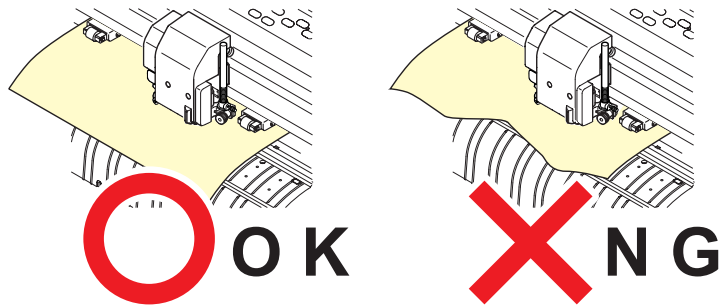
The number of cut sheets is displayed while cutting operation is being performed.



- When “Front cut off” is enabled, the leading edge of the sheet is cut at start of [SHEETCUT].

A constant cut length may not be obtained if the leading edge is askew or if the cut end of the sheet is not neat.

The “Front cut off” is designed to cut the leading edge at start of operation to ensure a constant cut length.



Switch the displayed language [DISPLAY]

The displayed language can switch to other languages as follows.

Setting value

Japanese
English
German
French
Spanish
Italian
Portuguese

(NOTE!) * The default is set to English.
Change the language as needed.

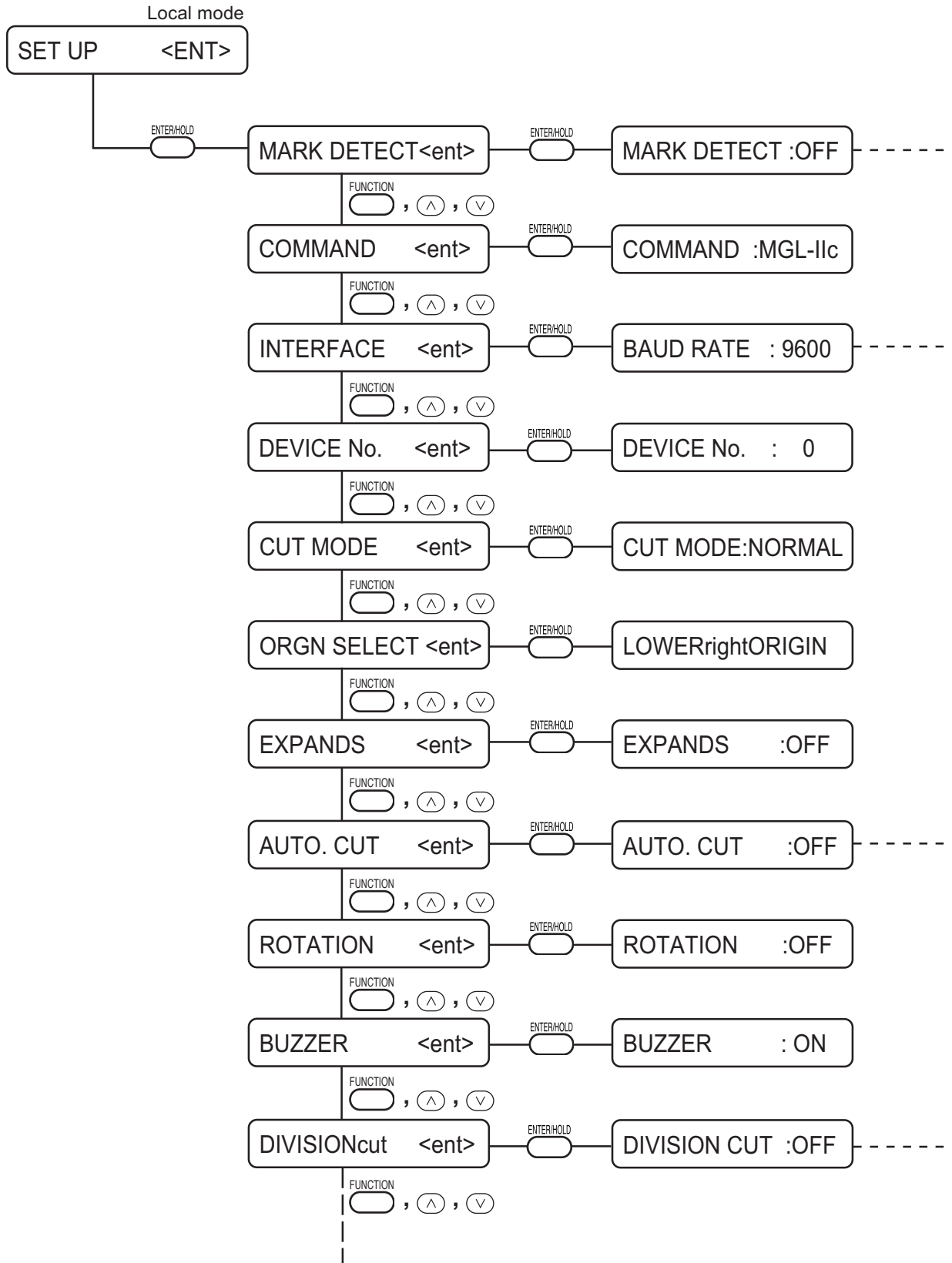
Set each functions [SET UP]

(Refer to Page 3.25)

Setting function

This section describes the configurations in the function menu.

For detailed menu configuration, refer to Appendix. (☞ Page 5.13)



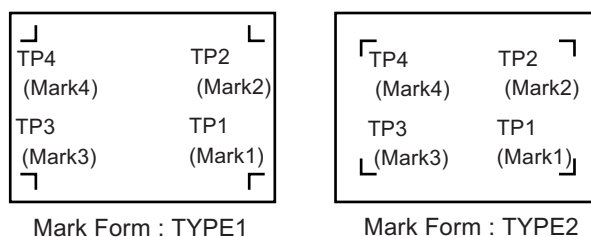
Set the operation of the registration mark detection [MARK DETECT]

This function is used to automatically detect a registration mark.

Correct the inclination of the sheet loaded on the device, origin of plotting and distance between registration marks. Then, cut the contour of a picture pattern printed on a seal.

The following types of the registration marks are to be read.

The TP4 is used to perform trapezium correction for adjusting the sheet feeding length. If not perform the trapezium correction, no need for the TP4, but cutting distortion will increase.



Warnings on inputting data with registration marks

There are some limitations on inputting data with registration marks.

In order to fully utilize this function, please read the following details carefully.

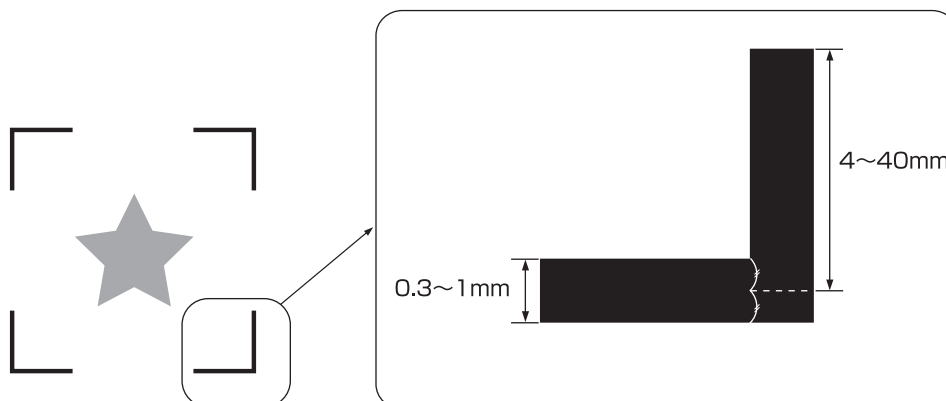
(NOTE!) * The registration mark described in this paragraph means a registration mark that is used to detect the sheet inclination and the length of A- and B-axis. It is different from a mark for trimming.

Size of the registration marks

The registration mark length must be 4 - 40mm on a side.

The line width of mark shall be equal to or more than 0.3 mm and equal to or less than 1 mm.

Please refer to [The size of, and the distance between, registration marks] (P.3-29) for the length of the registration line in accordance with the data.



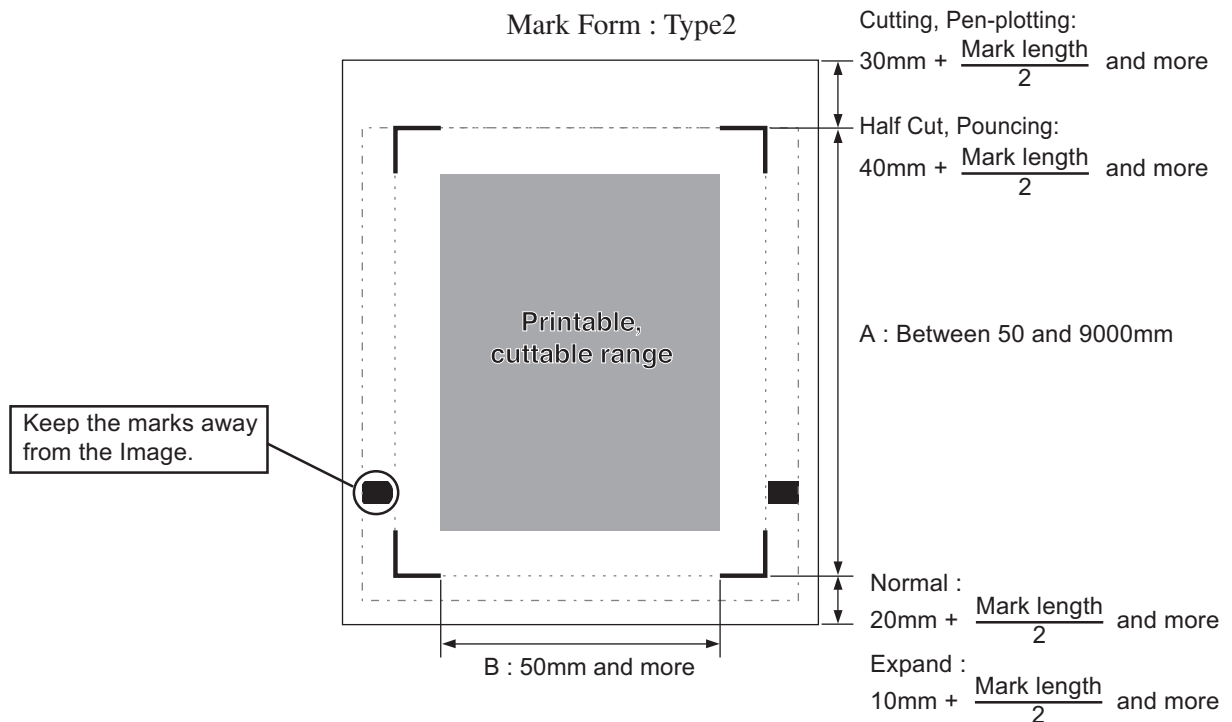
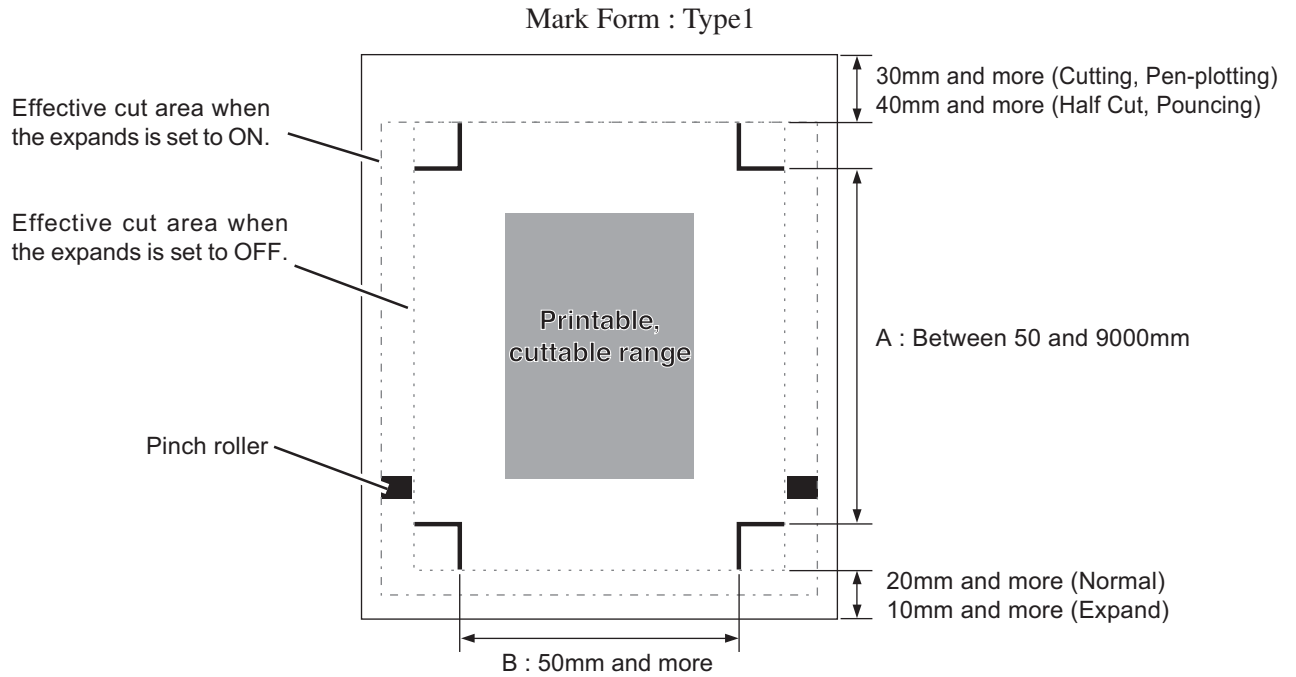
Mark and printable, cuttable range

The TP1 starting line should be 20mm or more away from the sheet line.

When feeding out, certain types of sheet may get stuck.

The TP2 end line should be 30mm or more outside the sheet end line.

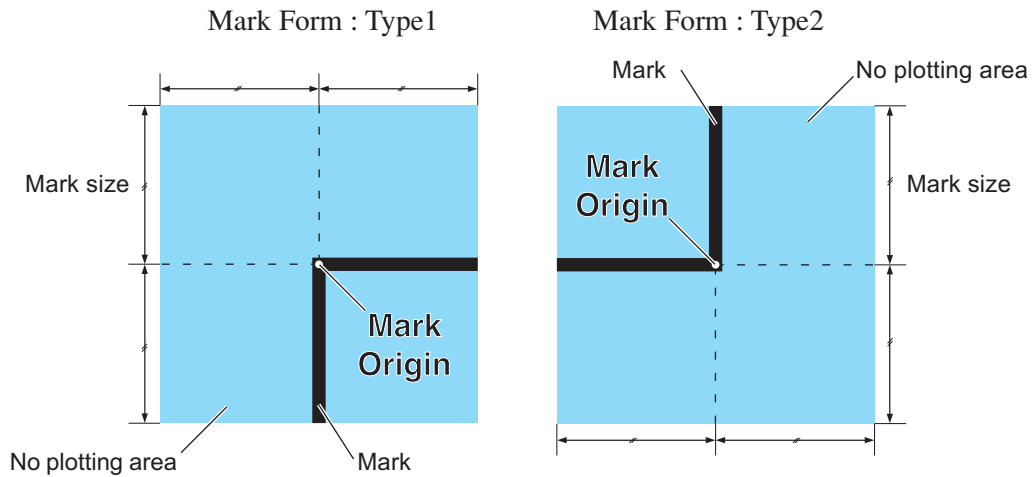
When feeding out, separation from the grit rollers may occur.



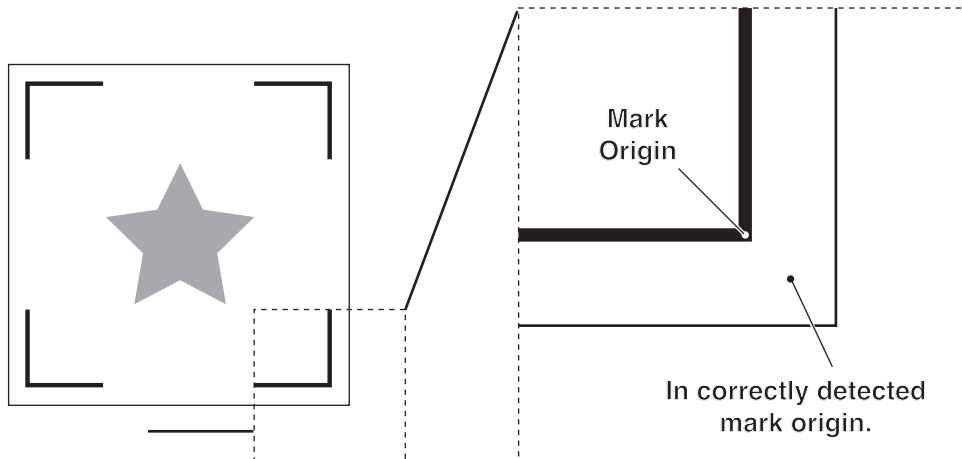
No plotting area around the registration marks

Around the registration marks (from the mark origin to the mark size area), there should be no data or stains, which can lead to incorrect detection of the origin or marks.

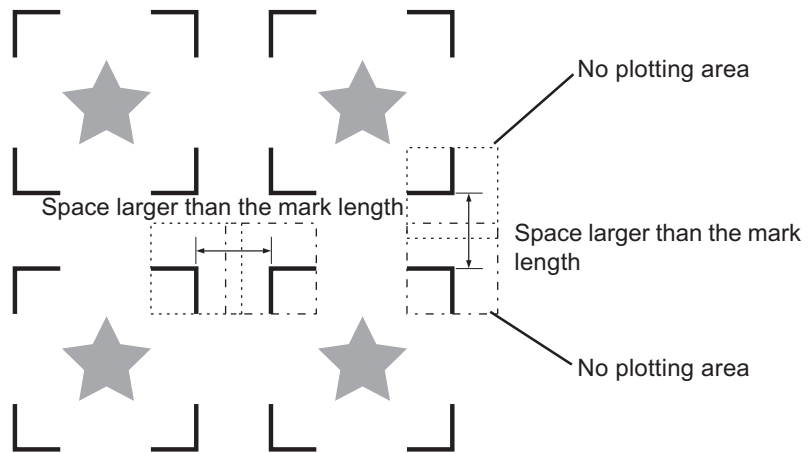
(NOTE!) * When the mark origin gets detected incorrectly, the cutting area will be altered.



Example of incorrect detection 1 : The plot is outside the registration marks

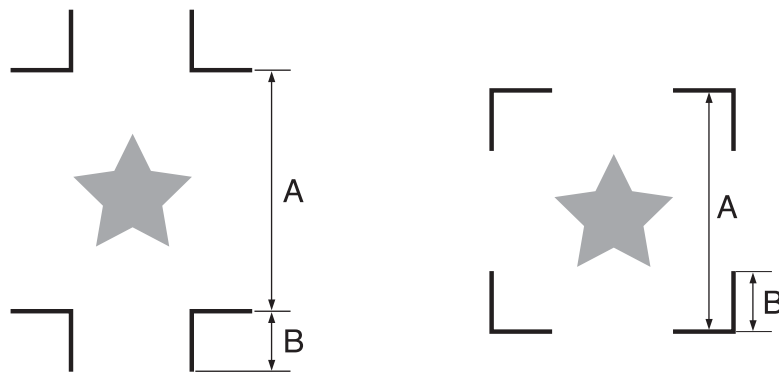


Example of incorrect detection 2 : The distance between registration marks(TP2&TP1, TP4&TP2) is smaller than the mark length (for TYPE2)



The size of, and the distance between, registration marks

The size of the registration mark in accordance with the distance between marks is as follows. When the size is too small, the marks will not be detected correctly.

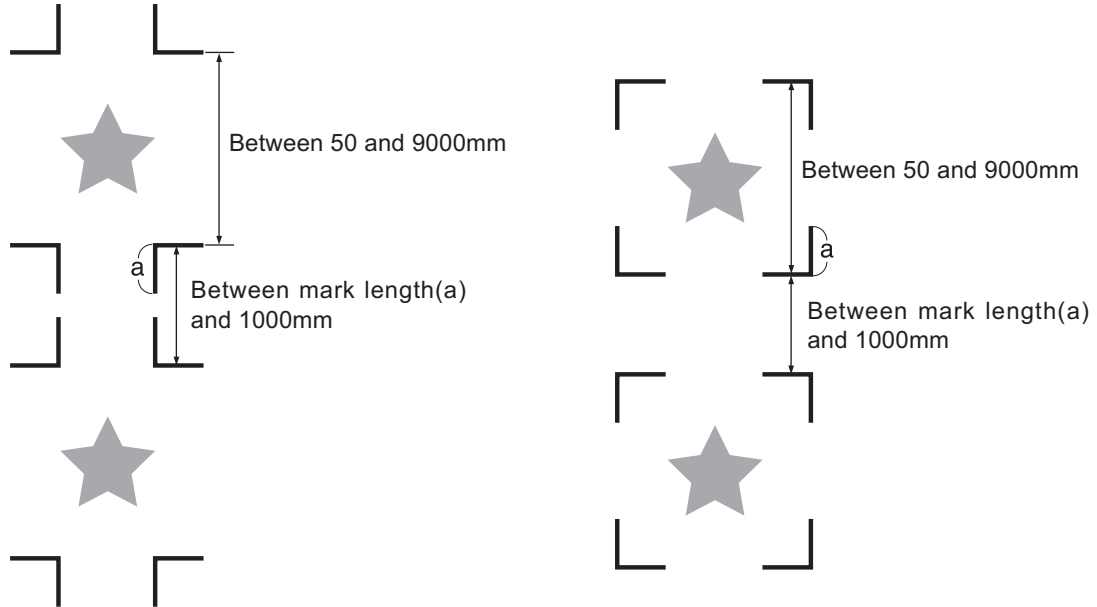


A	200 and less	500	1000	2000	3000	5000 and more
B	4 ~	8 ~	15 ~	25 ~	35 ~	40

(mm)

The distance between TP2 and TP1

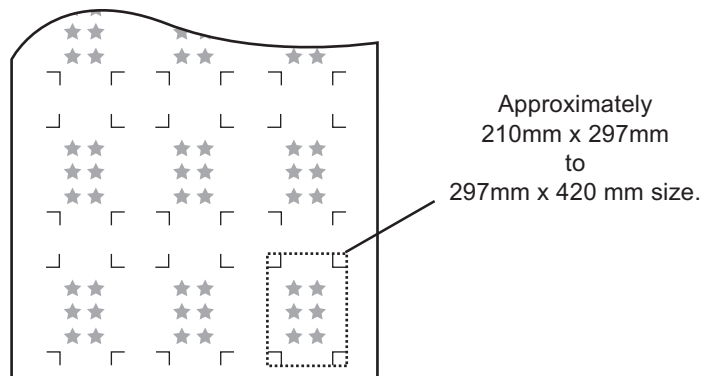
The distance between registration marks(blank space) should be somewhere between the mark length and 1000mm.



The size of the marks including all four sides

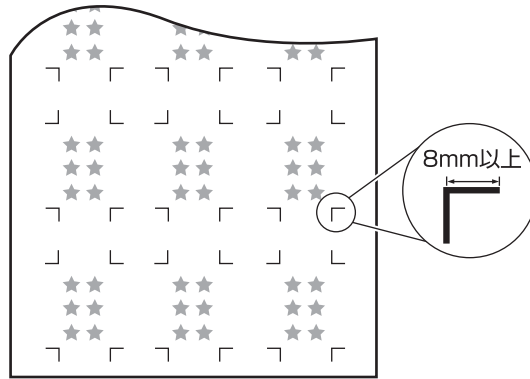
When in use of a wider (800mm, or wider) sheet, set in 210mm x 297mm to 297mm x 420mm size including four sides of the registration marks. It enables to the wasteful margins to place efficiently the image. *1

*1 : Depends on the size of the image, restrictions above may not be applied.



In case of perform printing a registration mark continuously

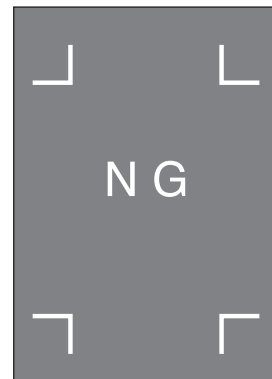
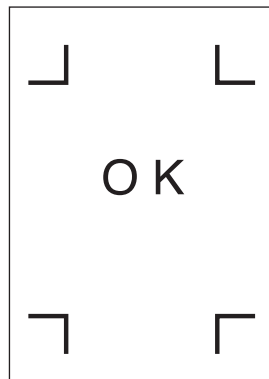
When perform printing a registration mark continuously, set the one side of the registration mark size to 8mm. In case 8mm or shorter registration mark recognized continuously, may cause the glitches on the main unit.



Color of mark

The mark shall be printed in black against the white background.

The registration mark won't be detected correctly when the background color is anything other than white, or the mark color is anything other than black.



Mark jagged

When the mark is jagged, the mark origin will be detected incorrectly, and that may lead to cutting distortion.



NOTE!

- * To make the distance between registration marks equal to the cutting length, input the distance between printed marks found by the mark detecting function. In this case, scale correction between the registration marks is prior to distance correction in the function.
If changes the distance correction value, the scale correction between the registration marks will be invalid.
- * Clear the origin position, sheet slope correction, and the scale correction of the registration marks by turning over the clamp lever toward you.
- * Once the device detects marks, the origin will be established at the location of TP1. If you establish another origin at a different location using the jog key (arrow key), the origin will be rendered effective.
- * The rotating function is rendered ineffective.

Operation settings for detection of marks

The settings of the following nine functions are specified when detecting a mark.

MARK DETECT : Cutting accuracy will increase when there are more detection points.
Set to “1pt” when using FineCut.

Setting	Description
OFF	This setting is specified with cutting a normal sheet instead of the contour of a pattern.
1pt	Detect the TP1. Perform only the origin point setting.
2ptA	Detect the two registration marks, TP1 and TP2. Perform the slope correction and the scale correction of the sheet feeding direction.
2ptB	Detect the two registration marks, TP1 and TP3. Perform the slope correction and the scale correction of the width direction.
3pt	Detect the three registration marks, TP1, TP2 and TP3. Perform the slope correction and the scale correction of the sheet feeding and the width direction.
4pt	Detect the three registration marks, TP1, TP2, TP3 and TP4. Perform the slope correction and the scale corrections, and the trapezium correction.

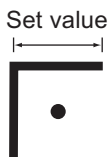
PAPER HOLD : Set to “ON” normally.

Setting	Description
ON	The sheet clamps mounted on the carriage hole the sheet to facilitate the mark detection.
OFF	The sheet clamps are not used for the mark detection. Set to OFF when in use of the thin sheet, or prevent from scratching on the sheet. (If the sheet clamps are not used, the clamp detection may fail.)

DIST.REVI. : Set to “OFF” when using FineCut.

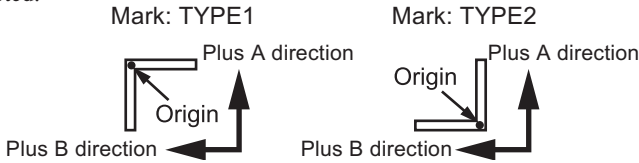
Setting	Description
OFF	The device will not conduct the distance compensation.
BEFOR	Enter the scale correction values and the trapezium correction*1 value before executing the registration mark detection. (☞ Page 3.36, Page 3.39) Since the distance between registration marks is pre-set, rapid movement is expected when detecting. It is suitable when the distance is long.
AFTER	Enter the scale correction values and the trapezium correction*1 value after executing the registration mark detection. (☞ Page 3.38, Page 3.42) Since there is an understanding of the distance between marks, set-value inputting will be done rapidly. The AFTER setting will take less time than the BEFORE setting.

Size :

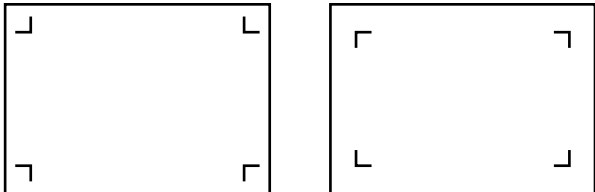
Setting	Description
4-40mm	Setting the detection offset of the registration marks. In case the printed mark's horizontal and vertical lengths differ, set the value to the shorter length. 

*1) Diameter difference between the right and the left grit rollers may cause the sheet shirting distance difference between the both sheets. The trapezium correction compensates the errors.

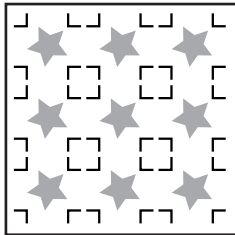
OffsetA, OffsetB :

Setting	Description
-40.00 - +40.00mm	<p>Generally the origin will set the following position. However, the position of the origin may differ depending on the application software. In this case, it can be corrected.</p> <div style="text-align: center;">  </div> <p>When the origin becomes out of the effective cutting area, "ERR37 MARK ORG" will be appeared on the display. In the cause, please write the position of registration marks on the seat on a center side of the seat.</p>

MARK FORM :

Setting	Description
TYPE1 ☒ TYPE2 ☐	<p>Select either one of the following types of the registration mark.</p> <div style="text-align: center;">  </div>

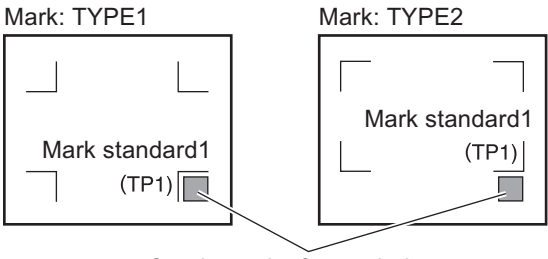
COPIES A(↑), COPIES B(←) :

Setting	Description
1 to 9999	<p>Effective when one pattern is multi-printed at regular intervals. Cut automatically as detecting the registration marks continuously based on the first data.</p> <div style="text-align: center;">  </div> <p>When in use of a leaf sheet, the copy numbers refers to the [COPIES A] value.</p> <p>If the number of copies can specify on the application software, like an attached FineCut, specify the value to [1]</p>

SPD LIMIT :

Setting	Description
0 to 60 cm/s	<p>Set the speed limit when rapidly moving in performing continuous copy. Depends on the sheet type in use, mark detect may not be performed correctly if using a slippery sheet. In the case, set the speed limit. If not setting the speed limit, set the value to "0".</p>

SKEW CHECK :

Setting	Description
0 to 99 mm	<p>Set the range of the sheet feeding error when performing continuous copy.</p> <p>In case performing continuous copy on roll sheet, it may be misaligned by degrees for the sheet direction. In case the TP1 mark misaligned over the range, cutting performance is temporally stopped.</p> <p>Push on the [ENTER] key after altering the sheet feeding error.</p> <p>Push on the [ENTER] key after moving the light pointer to the position as the pictures below for re-starting the mark detect. In case not detecting the marks, set the value to "0".</p> <div style="text-align: center;">  <p>Starting point for mark detect</p> </div>

Method to detect registration marks

Registration marks are detected in two different ways; full-automatic detection and semi-automatic detection. Use the semi-automatic function when no TP1 is at the bottom right of the sheet, or using FineCut attached to cutting software.

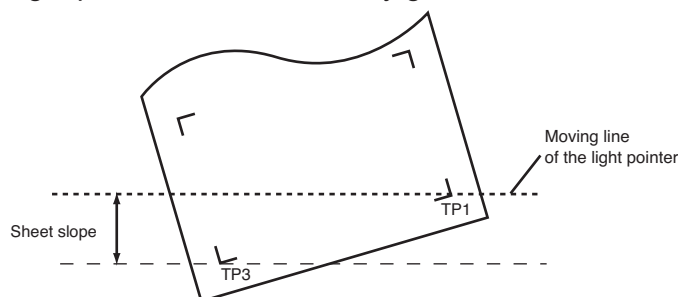
- (NOTE!)**
- * If the sheet is curling up, straighten the sheet.
 - * Use a sheet which has neither stains nor images in the area (A) located between TP1 and TP2 and in the area (B) located between TP1 and TP3.

Confirm sheet slope by a light pointer

Pull clamp lever down and the pinch rollers upholds to light the light pointer. The carriage is manually moved from side to side.

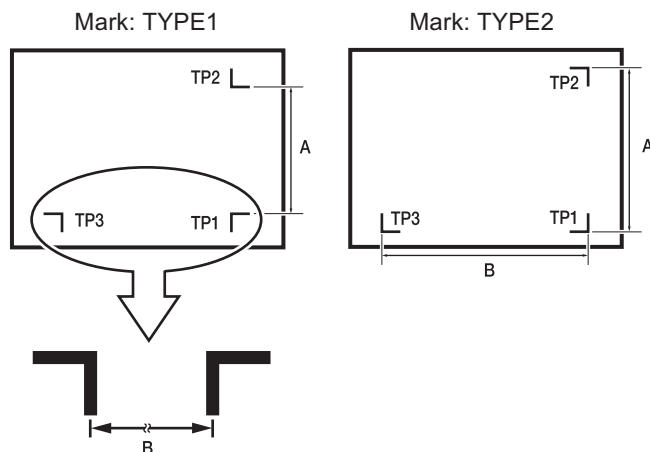
Pull clamp lever down, and manually move the carriage between TP and TP3 to confirm the sheet slope with a line of the light pointer. Adjust the sheet slope according to the line.

- (NOTE!)**
- * In case no action performed for five minutes after pulling clamp lever down, the light pointer will automatically go out.



Full-automatic detection of marks

It enables to compensate the difference in length of the registration marks between printed length and detected length (A and B). For this purpose, measure the length A and B beforehand. Measure the length between the registration marks.



Detect procedure ([DIST.REVI.] Setting value is "BEFOR")

1) Measure lengths A and B contained in the data to be output.

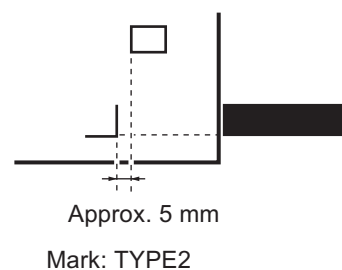
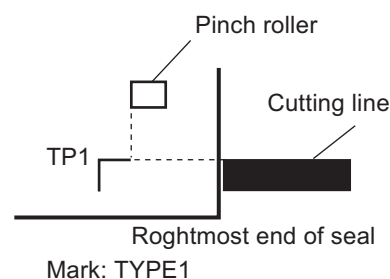
2) Place TP1 at a location as illustrated on the left.

Cutting line depends on the tool in use.

- In the case where the "PEN" or "CUT" is specified in the tool conditions: To the pen line rubber side
- In the case where the "PIN" or "HALF" is specified in the tool conditions: To the pen line sponge side



- If it is impossible to place the registration TP1 at the location given in the sketch, proceed to the section describing "Semi-automatic registration mark detection."




3) Taking care not to allow the sheet to slip out of position, turn the clamp lever toward you.

Then, the pinch rollers will retain the sheet.

4) Press the [ENTER / HOLD] key.



- In case [ROLL. SELECT] is set [ON], select the number of pinch roller to use. ( Page 2.16)

scale correction display appears after detecting only the sheet width.(The right sample shows the 4 points detection display.)



ROLL < R > LEAF



A (1-2) = ***.*

5) Set the value with the jog keys [▲] [▼].

Push on the [ENTER/HOLD] key to the following scale correction setting.



- If [MARK DETECT] its set to [2ptA], the display to enter the B length will not appear.
- If [MARK DETECT] is set to [1pt], the scale correction setting display will not appear but the origin point.

A (1-2) = ***.*



B (1-3) = ***.*

6) Push on the [ENTER/HOLD] key after completing the settings.

Start the registration mark detection.
If any of the marks cannot be detected, the message shown on the below will appear on the LCD. In this case, set the sheet properly.



B (1-3) = ***.*



** MARK DETECT **

ERROR36 MARKdetect



- For details on numbers of the detected registration marks, refer to the Page 3.33.

NOTE! * Sheet set should set to rear.

7) Set the origin.

After detecting the registration marks, the appropriate cutting area will be displayed, then local mode will return.

** ORIGIN **




A = **** B = ****




CT1 020 050 0.30

Detect procedure ([DIST.REVI.] Setting value is "AFTER")

- 1) Perform the procedure "Detect procedure ([DIST.REVI.] Setting value is "BEFOR")" of step1 to step3. ( Page 3.36)

- 2) Press the [ENTER / HOLD] key.



- In case [ROLL. SELECT] is set [ON], select the number of pinch roller to use. ( Page 2.16)

Start the registration mark detection after detecting only the sheet width.

If any of the marks cannot be detected, the message shown on the below will appear on the LCD. In this case, set the sheet properly.

ERROR36 MARKdetect



- For details on numbers of the detected registration marks, refer to the Page 3.33.

NOTE!

- * Sheet set should set to rear.

- 3) After detecting the registration marks, the scale correction display appears. (The right sample shows the 4 points detection display.)

In case the actual measured value and the detected lengths differ, set the value with the jog keys [▲] [▼].

Push on the [ENTER/HOLD] key to the following scale correction setting.



- If [DIST. REVI.] is set to [OFF], the display will not appear.
- If [MARK DETECT] its set to [2ptA], the display to enter the B length will not appear.
- If [MARK DETECT] is set to [1pt], the scale correction setting display will not appear but the origin point.

- 6) Push on the [ENTER/HOLD] key after completing the settings.

Set the origin.

After detecting the registration marks, the appropriate cutting area will be displayed, then local mode will return.



ROLL < R > LEAF



** MARK DETECT **

A (1-2) = ***.*



B (1-3) = ***.*



A (3-4) = ***.*



** ORIGIN **



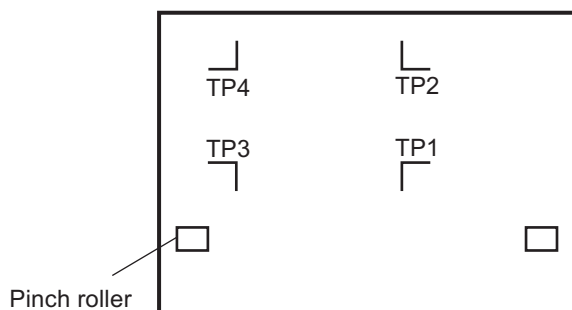
A = **** B = ****



CT1 020 050 0.30

Semi-automatic registration marks detection

In case TP1 cannot locate to the registration mark detection position by the full automatic, detect marks under the semi-automatic mode.



Detect procedure ([DIST.REVI.] Setting value is "BEFOR")

1) Place the sheet on the device and turn the clamp lever toward you.

Then, the pinch rollers will retain the sheet and the device will perform the sheet detection.

2) Perform the sheet detection by pushing on the jog keys [◀] [▶]. (When the sheet is set to the rear position.)



ROLL < R > LEAF

TP1



- In case [ROLL. SELECT] is set [ON], select the number of pinch roller to use. (👉 Page 2.16)

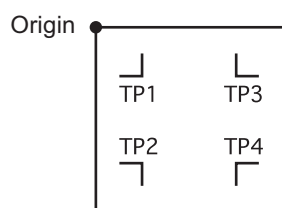
When detects the sheet, the display shows the registration mark detection wait.



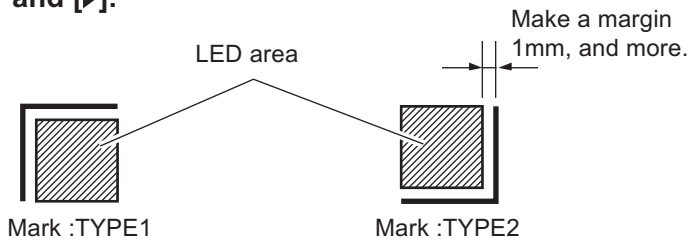
- * We strongly recommend the rear set for the front set is functionally limited.



- When the sheet position is set to front, the view position of the TP1 - TP4 will turn as follows.



- 3) Move the Light Pointer within the area shown below by pushing on the jog keys [▲], [▼], [◀] and [▶].



- 4) Press the [ENTER/HOLD] key.

scale correction display appears. (The right sample shows the 4 points detection display.)



TP1



A (1-2) = ***.*

- 5) In case the actual measured value and the detected lengths differ, set the value with the jog keys [▲] [▼].

Push on the [ENTER/HOLD] key to the following scale correction setting.

A (1-2) = ***.*



B (1-3) = ***.*



- If [DIST. REVI.] is set to [OFF], the display will not appear.
- If [MARK DETECT] its set to [2ptA], the display to enter the B length will not appear.
- If [MARK DETECT] is set to [1pt], the scale correction setting display will not appear but the origin point.

- 6) Push on the [ENTER/HOLD] key after completing the settings.

Start detecting the registration marks according to the setting on [MARK DETECT].



B (1-3) = ***.*



** MARK DETECT **



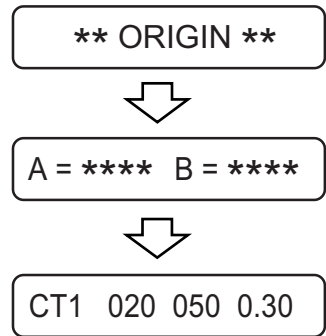
- Refer to the Operation settings for detection of marks. (👉 Page 3.33)

If any of the marks cannot be detected, the message shown on the left will appear on the LCD. In this case, set the sheet properly.


ERROR36 MARKdetect

7) Set the origin.

After detecting the registration marks, the appropriate cutting area will be displayed, then local mode will return.



Detect procedure ([DIST.REVI.] Setting value is "AFTER")

- 1) Perform the procedure "Detect procedure ([DIST.REVI.] Setting value is "BEFOR")" of step1 to step3. ( Page 3.39)


- 2) Press the [ENTER/HOLD] key.

Start detecting the registration marks according to the setting on [MARK DETECT].



** MARK DETECT **



- Refer to the Operation settings for detection of marks. ( Page 3.33)

If any of the marks cannot be detected, the message shown on the below will appear on the LCD. In this case, set the sheet properly.

ERROR36 MARKdetect

- 3) After detecting the registration marks, the scale correction display appears. (The right sample shows the 4 points detection display.)

In case the actual measured value and the detected lengths differ, set the value with the jog keys [▲] [▼].

Push on the [ENTER/HOLD] key to the following scale correction setting.



A (1-2) = ***.*



B (1-3) = ***.*



- If [DIST. REVI.] is set to [OFF], the display will not appear.
- If [MARK DETECT] its set to [2ptA], the display to enter the B length will not appear.
- If [MARK DETECT] is set to [1pt], the scale correction setting display will not appear but the origin point.

- 4) Push on the [ENTER/HOLD] key after completing the settings.

Set the origin.

After detecting the registration marks, the appropriate cutting area will be displayed, then local mode will return.

** ORIGIN **



A = **** B = ****



CT1 020 050 0.30

How to release the registration mark detection setting

If (TP1) is displayed by detecting the sheet without registration marks, set the registration mark detection setting to [OFF].

Procedure

- 1) Push on the [END] key to release the registration mark detection mode.

Return to the local mode after displaying the available cutting area.



TP1



A = **** B = ****

CT1 020 050 0.30

- 2) Push on the [FUNCTION] key.

Enter the function mode.



SQUARE CUT <ENT>

- 3) Select [SET UP] by pushing on the jog keys [▲] [▼].



SET UP <ENT>

- 4) Push on the [ENTER] key.



COMMAND <ent>

- 5) Select [MARK DETECT] by pushing on the jog keys [▲] [▼].



MARK DETECT <ent>

- 6) Push on the [ENTER] key.



MARK DETECT : 4pt

- 7) Select [OFF] by pushing on the jog keys [▲] [▼].



MARK DETECT :OFF

- 8) Push on the [ENTER] key.

Return to the [MARK DETECT] setting.



MARK DETECT <ent>

- 9) Push on the [END] key twice.

Return to the local mode.



CT1 020 050 0.30

Expand the cut (plot) area [EXPANDS]

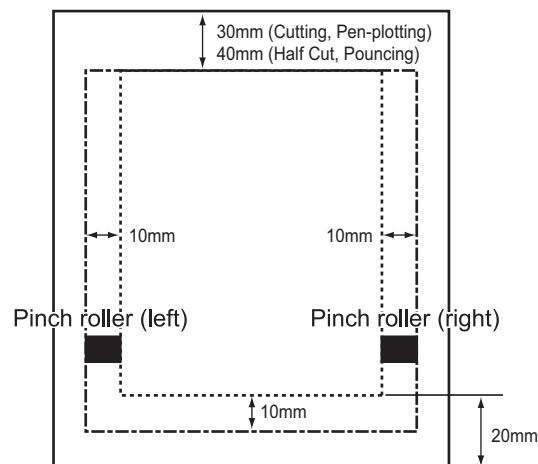
Expand is the function enables to expand the cut (plot) area.

Reduce the dead space to expand the cut (plot) area.

Reduce the both right and left dead space at 10mm.

When setting a sheet to the rear, the forward dead space reduced at 10mm.

When setting a sheet to the front, the back-end dead space reduced at 10mm.



When a sheet is set to the rear

NOTE!

- * In case too strong pressure to the sheet, may cause the paper jam when the Expand mode is set to ON.
- * In case no axis alignment setting, the blade tip protrudes from a sheet may cause the paper jam. The protruded blade tip may damage itself or the plotter.
- * In case feeding the cut sheet with the pinch roller, inferior cutting quality.
- * In case the pinch roller moves on the registration marks during detecting, the registration marks may not detect precisely.
- * When setting the Expand after detecting the sheet, retry the sheet detection.

Switch the cutting mode [CUT MODE]

This function is used to specify the cutting quality.

Setting value

- QUALITY : The device conducts cutting giving priority to the cutting quality.
NORMAL : The device conducts cutting normally.
HIGHspd : The device conducts cutting quickly.



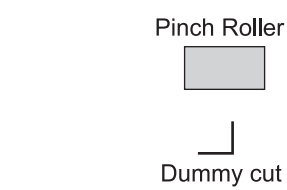
- Select the “QUALITY” in the following cases:
 - a) Where a character of which size is 10 mm or less is to be cut
 - b) Where a picture pattern or character that have many sharp curves is to be cut
 - c) Where minute cutting is to be performed

It should be noted, however, that a pattern with a rugged edges may be finished in the case where the data sent from the host computer is excessively minute. It is recommended in such a case to select the “HIGHspd” for smoother finish.

Set the function according to the blade tip direction [DUMMY CUT]

With this function, the device operates in such a way as to orient the blade tip to a predetermined direction when starting cutting. Execute dummy cut when you have taken the following procedure.

- When selecting a tool (CT1, CT2, CT3, CT4, CT5 or HLF)
- When establishing cutting conditions



Execute dummy cut this side of the pinch roller that is located near either end of the sheet as observed from the current location of the carriage.

Set the dummy cut function to OFF if you want to protect the sheet when plotting a cut-out character.

Setting value

ON, OFF



- * The initial setting of the dummy cut function is ON.
If you have set the dummy cut function to OFF, execute test cutting to adjust the blade-tip direction in prior to cutting.

Specify the sheet type [SHEET SET]

In the case where a heavy sheet or wide sheet is to be used, the sheet setting is performed using the sheet setting function to avoid displacement of the sheet.

In the case where the [SHEET SET] is set to [HEAVY], the maximum speed that can be specified will be 20 cm/s and the acceleration will be a half of the normal value.

Setting value

NORMAL · HEAVY

- (NOTE!)** * Do not cut (plot) a heavier or wider sheet at high speed, or the sheet may displace.
Too heavy or wide sheet may result in the [ERR41 MOTOR B] error.
In this case, set the sheet setting to [HEAVY].

Set the offset value of the automatic feeding function [FEED OFFSET]

Set the offset value to feed with a little extra.

When performing the auto feeding function, a paper tube may move loudly in case of the roll sheet comes up to the wire. Feed the roll sheet with a little extra to keep staying on a roll bar.

Setting value

0 to 100 cm

Cut off the sheet automatically after completing cutting operation [AUTO. CUT]

Perform the sheet cut automatically after completing cutting operation/

The automatic sheet cut function is effective when a roll sheet is selected (Refer to 2.14).

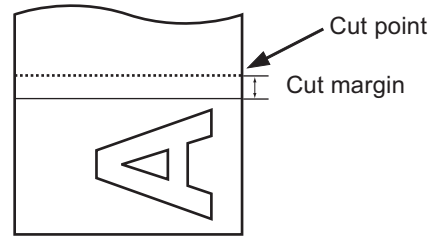
Cut timing:

When in use of a roll sheet, perform the cut off operation automatically after completing the first data cutting.

When performing [No.COPIES], or copying the registration marks continuously, the first line is cut off after completing the second line cutting.

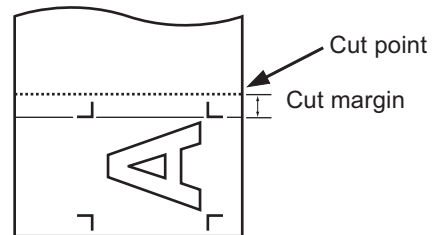
Cut position: No registration mark detected

Perform the cut off operation away from the data by the [CUT MARGIN].

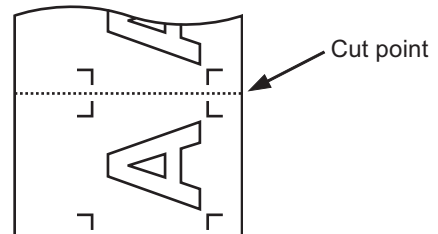


Cut position: When registration mark detected

Perform the cut off operation away from the B direction of TP2 registration mark by the [CUT MARGIN].



In case detected the distance from the TP2 and the TP1 registration mark during copying the registration mark continuously, cut off the sheet in between TP1 and TP2.



NOTE!

- * When copying the registration mark continuously, it will happen to cut both side of the edge automatically as follow,
 - it is narrower value of cutting point than setting value of Mark detection
 - Paper scale is over more than normal. (prevend from cutting plots with marks)



- The device will cut the sheet of paper, in the case where any of the following conditions is satisfied.
 - 1) When receiving a command to shift to the local mode.
The location at which the auto-cut is performed: The location found by adding 25 mm to the maximum cutting position in A-axis.
 - 2) When receiving a command to switch the pages. When the device does not receive any command for ten seconds or more after the completion of cutting (plotting).
The location at which the auto-cut is performed: The top of the next page.

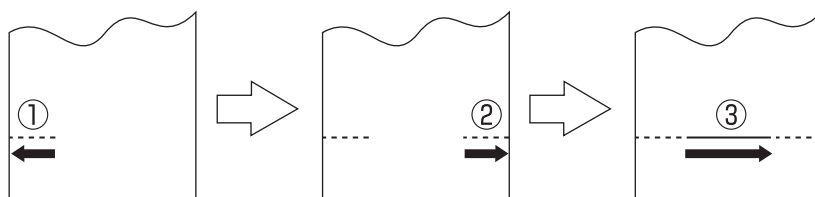
Setting value

AUTO CUT	: ON, OFF
CUT MARGIN	: 0 to 50 mm
CUT TYPE	: 3 STEP, 2 STEP
OVERLAP	: 1 to 50 mm

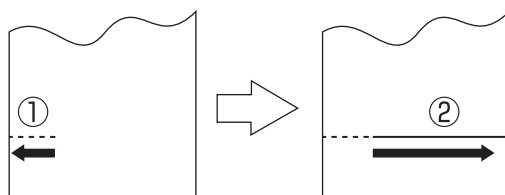


• Cutting methods

In case of selecting three steps cutting, the center part is cut after cutting the both left and right sides.



For the two steps cutting, the right part is cut off after cutting 10 cm of the left side.



NOTE!

- * When performing the three steps cutting, the cut part may be roughly and some paper chips may be generated.
- * When performing the two steps cutting for a wider or heavier sheet, the correct cutting may not be performed for the heavy sheet weight. Select an appropriate cutting method in accordance with a sheet in use.

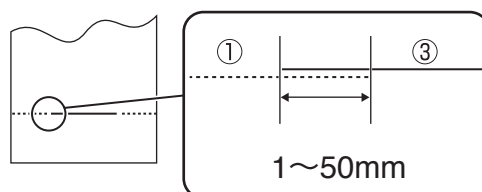
OVERLAP

Able to specify the width to be cut overlapped with 1 to 50mm range.

The overlap cut position is as follows,

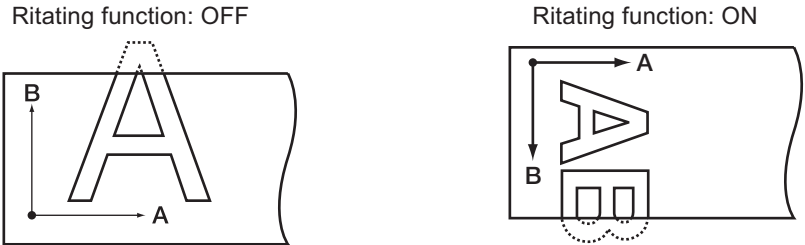
For 3 step cut, between first and third step, or second and third step.

For 2 step cut, between first and second step.

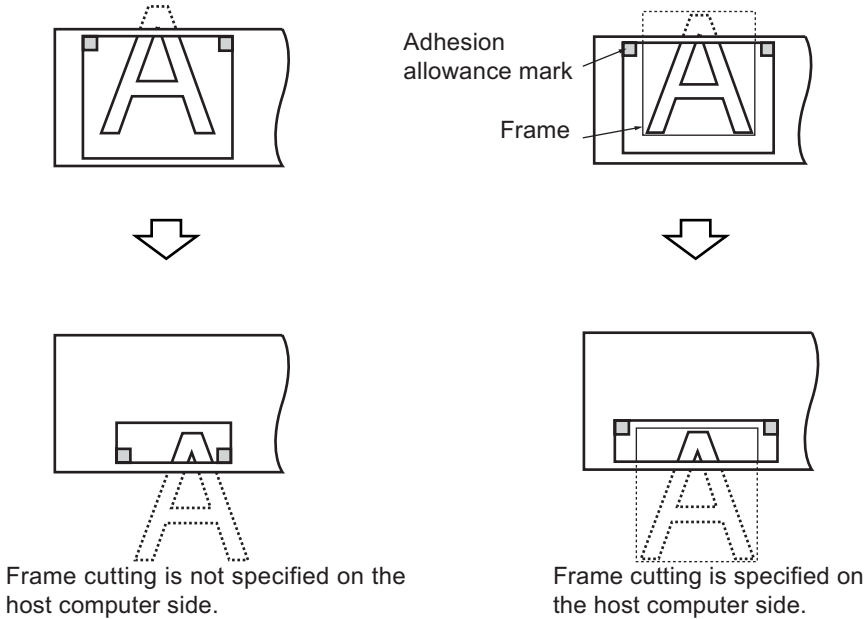


Divide a large data before cutting [DIVISION CUT]

In the case where the data on cutting exceeds the sheet width, the device is able to cut the data with divided appropriately. While the device is engaged in division cut, it will ignore other data sent from the host computer. In the case where the rotating function is set to the ON state, the result will be as illustrated below.



In the case of the frame cutting or adhesion allowance marking, the device will perform cutting based on the size of data on cutting. If the host computer designates the frame cutting and sends data to the device, the frame will align with the adhesion allowance marks to facilitate adhesion.



(NOTE!) * The sheet has an adhesion allowance of 1 cm. It is, therefore, necessary that the effective cutting area shall be wider than 1 cm at all times.

NOTE!

- In any of the following case, the device will cut neither the frame nor the adhesion allowance marks.
 - a) Where the capacity of data is larger than the receiver buffer capacity
 - b) Where the origin updating command is contained in the data on cutting
 - c) Where the two-point correcting function is specified
 - d) Where the width of effective cutting area is 1 cm or less
 - e) Where the device cuts the test data stored in it

The following display will appear on the LCD panel.

****END DIVISION****

Setting value

DIVISION CUT : ON, OFF

FRAME CUT : ON, OFF

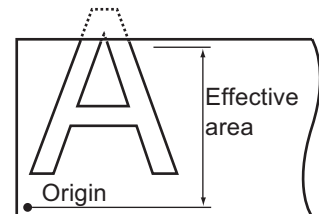
MARK CUT : ON, OFF

Procedure

1) Set the [DIVISIONcut] to the ON state.

2) Send data from the host computer to the device.

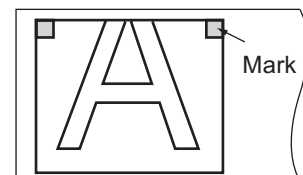
If the data exceeds the cutting area, the display given on the left will appear on the LCD.



**** OFF SCALE ****

3) Upon completion of cutting, wait until the device cuts the frame and adhesion allowance mark.

Remaining time until the completion of cutting the frame and mark



****DIVISION** XXs**

The time required to cut the frame and adhesion allowance mark will appear on the LCD panel.

4) Upon completion of the frame cutting, the device will enter the local mode.

The display shown on the left will appear on the LCD panel.

(NOTE!) * Do not raise the clamp lever while the LCD panel gives the aforementioned display. If you raise the clamp lever, the machine will terminate cutting.

5) Establish a new origin.

Move on the sheet using the jog key (arrow key) to establish an origin.

If the sheet has no space for cutting, replace the sheet with a new one.

6) Press the [REMOTE] key to set the device in the remote mode.

Feed the sheet by the maximum sheet length required by data on cutting and start cutting.

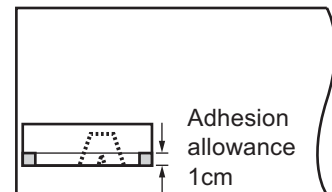
If the sheet is not fed or the sheet is not sufficiently long, replace the sheet with a larger one in the aforementioned step 5) .

7) Carry out steps 5) and 6) in repetition.

Repeat those steps continuously until there is no data that exceeds the sheet width.

Upon completion of those steps, the LCD display will give the tool conditions.

CUT1 DIVISION



CT1 020 050 0.30

Perform cutting with a dotted line [HALF CUT]

When cutting the sheet according to data, the device cuts the data in broken lines without cutting it out.

In addition, the “auto cut” can be specified to cut out the sheet automatically upon completion cutting. To conduct the broken-line cutting, place the tool on this side of the tool holder and set the cutting conditions to “HALF.”

- NOTE!**
- * For the broken-line cutting, use the cutter (model: SPB-0001, a set of three cemented carbide blades) that is optionally available.
 - * In case performing dot-line cutting on the pen line rubber, the blade tip may be damaged.
 - * Since the broken-line cutting cuts the media together with the base paper, the life of the cutter blade used for broken-line cutting will be shorter than that of the one used for normal cutting.

Setting value

Half cut (Setting of broken-line cutting)	: ON, OFF
Half cut press (Cutting pressure of sheet to remain after cutting)	: 0 g to 80 g
Half cut length (Length of sheet to remain after cutting)	: 0.1 mm to 5.0 mm
Cut length (Length by which the sheet is cut out.)	: 5 to 150 mm

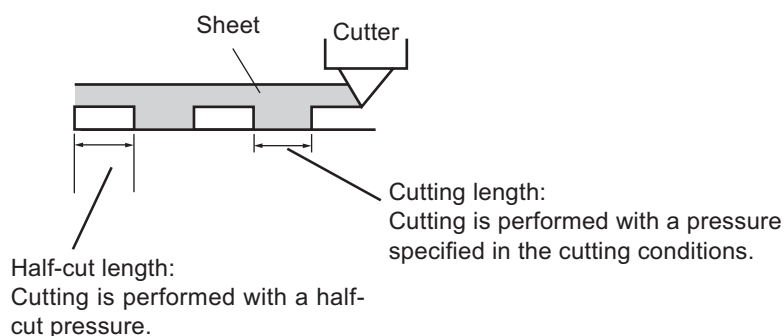


- Reference value
Cutting conditions and broken-line cutting conditions for the case where the sheet that weighs 65 kg is cut are as follows:

<Cutting conditions>		<Broken-line cutting conditions>	
• SPEED	40 cm/s	• Half cut press	0 g
• PRESSURE	40 g	• Half cut length	0.5 mm
• OFFSET	0.30 mm	• Cut length	10 mm

Set the “ CUT LENGTH” to a comparatively small value when cutting a character with many strokes or small-size character.

Side view of the sheet

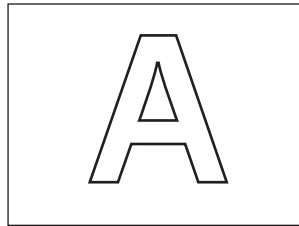


Perform plotting with a perforated line [POUNCING]

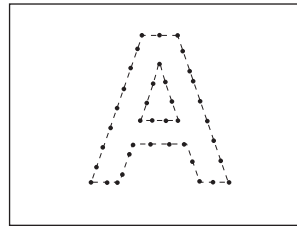
Pouncing is a perforated pattern. The pattern is as described below;



- * Mark the perforated sheet with the marker or spray. It is useful for positioning of the signboard, formation of a construction, etc.



Standard cutting



Pouncing

In order to create perforated pattern, pin (pouncing tool) and use a paper sheet, but a vinyl sheet. Setting of the cutting conditions [PIN].

Setting value

OFF : The pouncing function is rendered ineffective.

ON : The pouncing function is rendered effective.

Setting of the pouncing conditions (Refer to Page 2.11)

SPEED : 1 to 10cm/s(1cm/s step)
15,20,25,30,35,40,50,60,70,80, 90 100 cm/s

PRESSURE : 10 to 400(g)

Dot interval : 1 to 100 (mm)



Switch the origin point [ORGN SELECT]

Set the command origin point according to the command specifications of the application software. This setting is effective in use of the MGL-II c command. When the MGL- I c1 command in use, the “LOWER right ORIGIN” is set.

Setting value

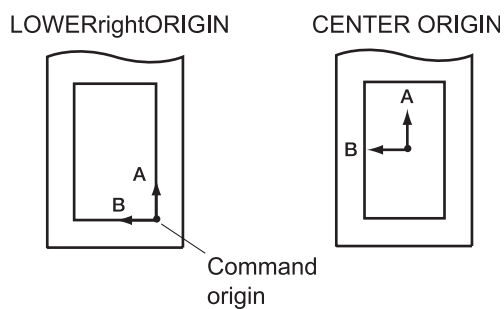
- CENTER ORIGIN : Center of the available cutting area
LOWER right ORIGIN : Lower right of the available cutting area (Lower right origin of the A-B coordinate.)



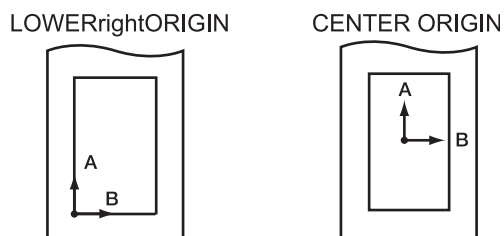
- Set the command origin point to the [LOWERrightORIGIN] to expand the cutting area up to 51m.
- The cut area is set to 3m if the command origin is set to [CENTER ORIGIN].

(NOTE!) * When the ROTATION function id ON, Origin is as follows.

Rotation :OFF



Rotation :ON

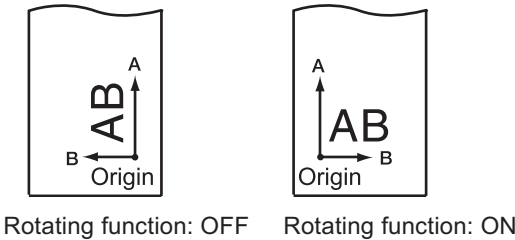


RotationSwitch the cut (plot) moving direction [ROTATION]

This function is used to specify the location of origin and direction of the axis of coordinates according to the application software to be used.

Setting value

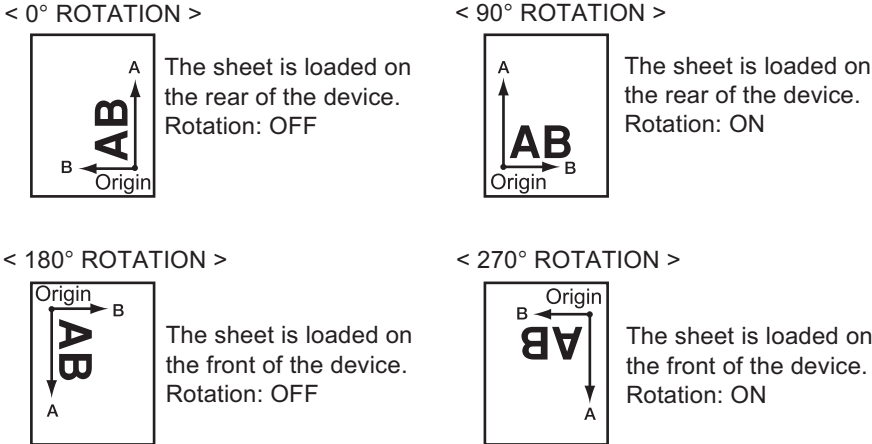
- ON : The device rotates the coordinate axis and relocates the origin at a time.
- OFF : The device does not perform rotation of the coordinate axis.



After the sheet detection, the carriage will stop at the origin.

Axis of coordinates

The device has four different axis of coordinates according to how the sheet loading direction and the angle of rotation of the coordinate axis determined by the rotating function are combined.



Change the cutting (plotting) order [SORTING]

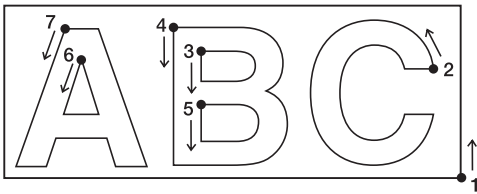
The sorting function is used to re-arrange the pieces of cutting data transmitted from the host computer to change the order of cutting. Pieces of data to be transmitted to the plotter by application will be arranged in the order in which they are created or edited.

If touching up the scanned data, the part will be cut afterward. In that case, the cornered data will not be cut as the single stroked data. In such a case, the use of sorting function re-arranges the pieces of data in the correct order to enable one-stroke plotting.



- Set the sorting function to [ON] to enable the automatic sheet feed function. The automatic sheet feed function enables to feed the required length of the sheet beforehand.

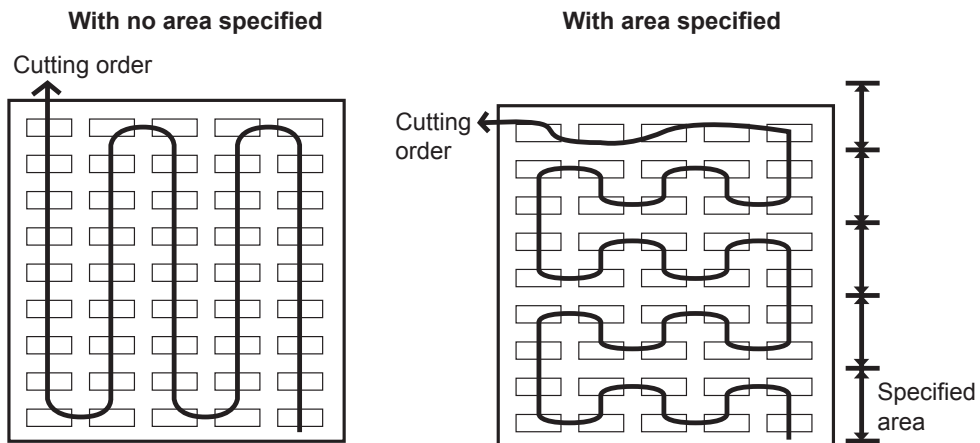
When the sorting is effective, a block of data from the starting point of pendown to the ending point of penup is taken as a unit for cutting. After the completion of cutting of one block, another block of data of which starting point is nearest to the completed data will be cut.



For data transmitted from the host computer, the starting position and cutting direction will not be changed.

- : Starting point of data = Starting point of cutting
- Arrow : Direction of data = Cutting direction
- Number : Block cutting order

Specify the cutting area with the [AREA] function to perform the block data cutting ahead on the area.



Setting value

Sorting : ON, OFF
Auto feed : ON, OFF
Area : 10 to 510 cm

Procedure

- 1) Push on the [FUNCTION] key anytime, in a local mode and displayed [SET UP].



SET UP <ENT>

- 2) Push on the [ENTER/HOLD] key.



SORTING < ent >

- 3) Set the sorting to ON or OFF by pushing on the jog keys [▲] [▼].



SORTING : ON

Push on the [ENTER/HOLD] key to display the [AUTO FEED].



- Set the [SORTING] to OFF to return to the step 2) display.

- 4) Set the sorting to ON or OFF by pushing on the jog keys [▲] [▼].



AUTO FEED : ON

Push on the [ENTER/HOLD] key to display the AREA functions.

- 5) Set the AREA functions by pushing on the jog keys [▲] [▼].



AREA : 10cm

Set the value in between the 10 - 5100 cm (10cm unit), or set to OFF.

- 6) Push on the [ENTER/HOLD] key.



SORTING < ent >

- 7) Push the [END] key twice to return to the local mode

NOTE!

- * If changing the set values, the received buffer will be cleared
- * If setting the sorting function to ON, the received buffer size is to be 1MB.

Sorting sequence

1. Data are being transmitted.

Unprocessed data size in the receiving buffer is displayed.
Cutting is not conducted. The processed line segments are stored in the sorting buffer.

CT1 * 2KB *

2. Data transmission completes.

Waiting time required to start cutting (Remaining time is displayed in seconds)
If no data is received during the waiting time, the counter starts counting down. The waiting time can be changed in the [CLOSE TIME] of the communication conditions.

** PLOT ** 5S

3. Auto-feed is executed.

Before starting cutting, the sheet is drawn by the length of data to be cut. If the sheet is not long enough to cover the whole data, the error shown below is displayed.

* SORTING * 1%

ERROR15 AUTOFEED

After changing to a long sheet, transmit data or execute [No.COPIES]. (Refer to Page 3.16)

4. Cutting starts.

Data that has been already cut is displayed in percents.

* SORTING * 10%

5. Cutting completes.

The plotter enters the remote mode.

CT1 ** REMOTE **



- When the SORTING is set to the ON state, cutting will not start until the specified close time has elapsed after receiving all pieces of data to be cut. It should be noted, however, that received pieces of data are sorted and cut in the following cases.
- When the sorting buffer is full of data. (Approximately 540000 line segments.)
- In case changing the Toll number, SPEED, PRESSURE, or cutting condition.
- When executing a feed command or origin change command

Switch the commands from a host computer [COMMAND]

Switch the commands according to the commands specifications from the host computer. Display the recognized commands before starting to cut.

Setting value

AUTO : Switch automatically to MGL-I or MGL-IIc according to the received data commands.

MGL - Ic1: Use the value when receiving the MGL-I c1 commands data.

MGL-IIc : Use the value when receiving the MGL-II c commands data.

- (NOTE!)**
- * When receiving a large data, the [AUTO] mode may not function normally. In that case, change the command to the specific command, MGL - Ic1, or MGL-IIc.
 - * When the value is set to [AUTO] in receiving a data from a computer, the display panel indicates the recognized command before starting to cut. In case the display panel continues to indicating the recognized command or displaying the [ERR16 UTO I/F], the command cannot be recognized automatically.
In the case, change the command to MGL-I c1 or the MGL- IIc to perform cutting normally.
 - * The recognized command by the [AUTO] setting is effective until executing the data clear (refer to 3.12) or pushing over the clamp lever.

Set the configurations with a computer [INTERFACE]

Set the communication condition with the RS-232C interface and the USB identification number. Settings of the communication conditions differ with the command (AUTO, MGL-I c1 or MGL-II c) specified using the command change-over function.

(NOTE!) * If you have changed the step size, be sure to raise the pinch rollers using the sheet set lever and re-load the sheet on the device.

Setting value

Baud rate	1200, 4800, 9600, 19200, 38400 (bps)	
Data bit	7, 8 (bit)	
Parity	NON, EVEN, ODD	
Stop bit	1, 2 (bit)	
Handshake	AUTO	HARD
	MGL-IIc	HARD, ENQACK, X-PRM, SOFT
	MGL-Ic1	HARD, XONOFF
Step size	AUTO(MGL-IIc)	0.025 (mm)
	AUTO(MGL-Ic1)	0.05 (mm)
	MGL-IIc	0.025, 0.01 (mm)
	MGL-Ic1	0.05, 0.1 (mm)
Close time *1)	3 to 60 (sec.)	

*1) Close time

The minimum waiting time is required until the subsequent data is received.

The setting range is 3 to 60 seconds. If no data is received when the established waiting time has elapsed after the completion of cutting, the device will judge that one piece of data has completed to enable discrimination between the completed data and the subsequent data.

Guide to the establishment of close time.

- Breakpoint in object data to be cut by piece-cutting feature
- Waiting time Required to start division-cutting
- Waiting time retired to start outputting a sorting command

Set the each device number for a USB connection [DEVICE No.]

In case two and more plotters connected to a host computer with the USB cable, give the different plotter number to the each plotter.

Setting value

DEVICE No. : 0 to 99

Command priority setting [PRIORITY]

This function is used to specify the setting that is given priority in terms of the following commands; either the setting established on the device or that established on the host computer is given priority.

The following is the settable commands.

Command name	Command
Pen selection command	SP:
Pen lowering speed setting command	VS:
Pen lifting speed setting command	ZA:
Acceleration setting command	AS:
Pen pressure setting command	FS:, ZF:
Blade-tip correction setting command	ZO:

Setting value

- PANEL : The device operates using the setting established on its operation panel.
HOST : The device operates using the setting established by the command setting function of the host computer.

The maximum size of the response [DISTANCE]

Set the maximum size of the response in meter unit.

This function is effective in the MGL-I c1 used.

Setting value

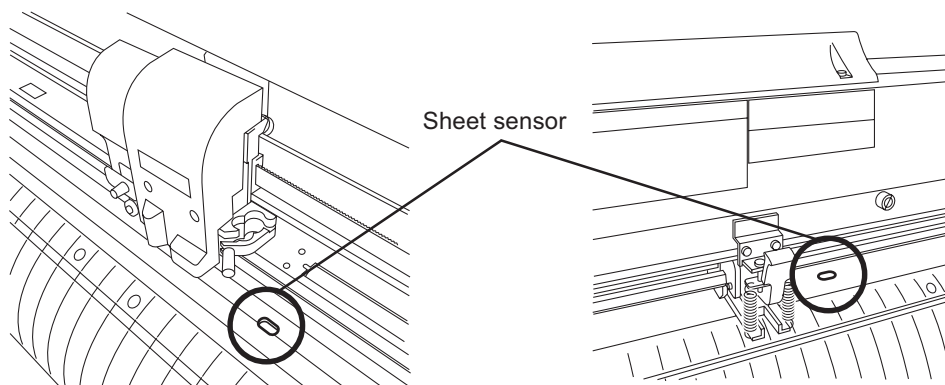
1 to 51 m



- The set value not affect on the actual available cut area
In case the detected sheet size is smaller than the [DISTANCE], the detected size is to be the response value.

In use of the undetectable sheet [SHEET sensor]

The sheet sensor detects the presence/absence of a sheet and the sheet length. Two sheet sensors are mounted on the platen.



In the case where any of the following types of sheet is used, the sheet sensors will not be able to detect it to give the error message shown below.

- Transparent sheet that does not reflect the light coming from the sheet sensor.
- The sheet of which wrong side is black that does not reflect the light coming from the sheet sensor.

**** NO SHEET ****

In this case, cutting is enabled by setting the [SHEET SENSOR] function contained in the SET UP of FUNCTION to OFF.

Setting value

- OFF : The sheet sensor function is rendered ineffective.
ON : The sheet sensor function is rendered effective.

(NOTE!) * In the case where the [SHEET SENSOR] function is set to the OFF state, a cutting area has to be established since the device may cut data that exceeds the sheet or continue cutting if there is no sheet left.

Set the movement speed of carriage and sheet [UP SPEED]

This function is used to establish a traveling speed of the sheet and carriage to be employed when the tool placed in the carriage is in the raised position.

If a lower speed is specified, displacement of the sheet will be eliminated at the time of long-distance feed.

Setting value

5, 10, 20, 30, 40, 50, 60, 70, 80, AUTO (cm/s)



- If the [AUTO] is specified, the SPEED setting established in the tool conditions will be employed. It should be noted, however, the minimum SPEED setting will be 10 cm/s.

Set the movement distance of carriage and sheet [JOG STEP]

This function is used to select the amount of travel of the carriage and sheet when the jog key (arrow key) is pressed.

In the following cases, accurate positioning will be enabled.

- When performing two-point axis alignment.
- When performing digitization.
- When establishing an origin at a desired location with accuracy.

Setting value

For “mm”:

1.0: A press on the jog key will move the carriage and sheet by 1.0 mm.

0.1: A press on the jog key will move the carriage and sheet by 0.1 mm.

For “inch”:

1/16: A press on the jog key will move the carriage and sheet by 1.0 mm.

1/254: A press on the jog key will move the carriage and sheet by 0.1 mm.

Mute setting on the key noise and the error buzzer [BUZZER]

Set the key noise and the error buzzer to ON/OFF.

(NOTE!) * Affects to the registration mark detection noise. (Refer to 3.17)

Setting value

ON : Buzzer sounds
OFF : Mute the buzzer

Switch the unit of length [MM/INCH]

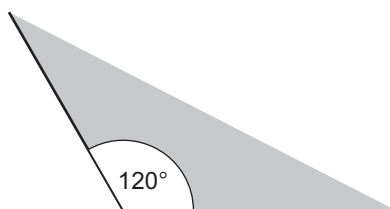
Switch the displayed length unit between millimeter unit and inch unit.
The displayed jog movement unit and the sheet size unit depend on the setting.

Set value

Millimeter : Display in a millimeter unit
Inch : Display in a inch unit

Uncut parts on the corner [ADJ-PRS OFS]

If some uncut parts on the starting point and the end point, increase the value.
Due to the low pressure on the cutter blade, some parts remain uncut.
When using a slant blade (supplied as an option), some corner parts under 120-degree angle may remain uncut.



This is due to performing cutting automatically with lower pressure (approx.5 g) on the corners.
Some corners may enable to remain uncut for the lower cutting pressure prevents smoothly turning to the direction of movement. In case this, the setting enables to up the cutting pressure for smooth cutting on the corners.

Set value

1 to 7 : Approximately 4g to 28g

Select the number of pinch roller to use [PINCH ROLL.]

Set the number of pinch roller to detect when the sheet detection.

Set the [ROLL. SELECTION] is [ON], enable to select the number of pinch roller when sheet detection.

Setting value

PINCH ROLL. : 2, 3 (CG-75FX, CG-130FX)
 : 2, 3, 4 (CG-160FX)
ROLL. SELECT : ON, OFF

Reset the setting values [SETUP RESET]

Initialize the setting items and the parameters to the default values.

Procedure

- 1) Confirm the plotter in the local mode.

CT1 020 050 0.30

- 2) Push on the [FUNCTION] key.



SQUARE CUT <ENT>

- 3) Select [SET UP] by pushing the jog keys [▲] [▼].



SET UP <ENT>

- 4) Push on the [ENTER/HOLD] key.



COMMAND < ent >

- 5) Select [SETUP RESET] by pushing the jog keys [▲] [▼].



SETUP RESET < ent >

- 6) Push on the [ENTER/HOLD] key.

Initialize the setting items and the parameters.



Ilc COMMAND : ent

- 7) Pushing on the [END] key three times to return to the local mode.



CT1 020 050 0.30

CHAPTER 4

In Case Of Trouble

This chapter describes on the actions on the errors.

Table of contents

Before taking a phenomenon as a trouble	4. 2
Trouble for which error messages are given on the LCD	4. 4

Before taking a phenomenon as a trouble

Take appropriate remedies referring to the phenomena described below.

If still the problem cannot be solved, contact us or the dealer.

Phenomenon	Cause	Remedy
Cannot turn on the power.	The power supply plug is not connected firmly.	Connect the power supply cable between the plotter and the plug outlet firmly.
The device cannot perform cutting (protting).	The plotter name specified on the host computer is wrong.	Check up the plotter name specified on the host computer.
	The interface cable is not securely connected to the device and/or the host computer.	Securely connect the interface cable.
	USB driver has not been installed.	Install the attached USB driver.
A communication error arises in prior to receiving data.	The power to the device and that to the host computer have been turned on in wrong order.	Turn on the power to the host computer first. Then, turn on the power to the device.
An error arises on the device when the host computer sends data to the device.	Communication conditions have not been properly established.	Check up the communication conditions.
	A wrong operation has been executed.	Execute the correct operation.
The device cannot detect a sheet. [** NO SHEET **]	A transparent sheet or a sheet of which wrong side is black is used.	Set the sheet sensor function to OFF.
The device performs cutting to produce broken lines.	Screw in the tool holder has loosened.	Tighten the screw.
	The blade of the cutter protrudes excessively.	Adjust the protruding amount of the blade adequately.
	Is the tool condition set to [HLF].	Set the tool condition to [CT1]~[CT5].
	The blade is chipped or has worn out.	Replace the blade with a new one.
	Difficulty in turning the blade tip.	Exchange to a new holder.
The data length and the actual cut length differ.	Because of the sheet feeding length difference according to the sheet thickness in use.	Correct the error margins by executing the distance compensation function. (Refer to Page 3.9)

Phenomenon	Cause	Remedy	
Slippage of sheet arises in cutting.	The pinch rollers and grit rollers fail to securely retain the sheet in position.	Check the position of the pinch rollers and grit roller and adjust them so that they securely retain the sheet in position.	
	The clamp pressure (high or low mode) has not been properly selected.	Select the adequate clamp pressure.	
	The roller sheet is not wound with properly tensed and is slack. The sheet meanders or becomes aslant at the time of the sheet feed.	Remove a slack of the roll sheet and straighten the right and left end faces of the roll when loading the roll sheet on the device. Then, execute the sheet feed.	
	The sheet has bent to come off the mount to have air bubbles between them.	If the sheet is to be cut longer, take care not to allow the sheet to bend while it is fed or cut to avoid an extra load to the sheet.	If the sheet is to be cut longer, be sure to secure a sufficient space for working in the direction to which the sheet is fed. (Front: 1.5 m or more Back: 1.5 m or more)
			Decrease the cutting speed (SPEED) to reduce the load to the sheet when it contacts the floor surface.
	The sheet comes in contact with the floor surface. (The front end of the sheet is cut aslant.)		
	Side margins of the sheet at the location of the pinch rollers is inadequate.	Be sure to secure a side margin of 20 mm or more on each side of the sheet at the location of the pinch rollers.	
The device drags the tool during running. Unnecessary imprint of cutting remains on the sheet.	The sheet is warped.	Load the sheet on the device taking care not to warp it.	
	The lifting/lowering of the tool is faulty.	Turn the power off and lift/lower the tool holder by hand. If the tool holder does not go up but remains in the lower position, call your distributor on the phone for maintenance.	
Some parts remain uncut.	Low pressure on the cutter blade.	Increase the set value of [ADJ-PRS OFS].(Refer to Page 3.64)	

Trouble for which error messages are given on the LCD


Error message

Error messages shows as the error numbers.

Take an appropriate corrective measure according to the remedies given in the table below.

Error message	Cause	Remedy
ERR02 MAIN RAM	Trouble has occurred in the control RAM.	Please call your dealer or our company's sales office for service.
ERR04 EEPROM	Trouble has occurred in the system ROM.	
ERR06 BUFFER	Trouble has occurred in the receiver buffer.	
ERR08 POWER	Trouble related to the motor has occurred.	
ERR10 COMMAND	Code other than command data have been received.	Check up the command data sent from the host computer.
ERR11 PARAMETER	A parameter outside the numerical limits has been received.	Check up the parameter.
ERR12 DEVICE	The device received an improper device control command.	Check up the device control command.
ERR13 PM OVER	Data on polygon has overflown the polygon buffer.	Divide the data on polygon.
ERR15 AUTO FEED	The device has failed to feed the sheet by the length specified with ZX command.	After the receipt of data sent from the host computer, replace the sheet with a longer-dimension one and execute the plural sheets cutting.
	During division cut, the device has failed to feed the sheet, according to the second data, by the length specified by the first data.	Load a longer sheet on the device and re-set the device in the remote mode.
ERR16 AUTO I/F	The device has failed to detect a command automatically.	Set the command name.
ERR20 I/O	Communication conditions are wrong.	Establish the same communication conditions with those established on the host computer.
ERR27 BUFFERover	The interface is faulty.	Establish the same communication conditions with those established on the host computer or check up the interface cable.
ERR30 OPERATION	An inappropriate operation was performed on the control panel.	Perform the correct operation.
ERR31 NO DATA	The device has executed the plural sheets cutting to find that there is no data in the receiver buffer.	Refer to the explanation of the plural sheets cutting function. (See page 3.16)

Error message	Cause	Remedy
ERR32 DATAtooBIG	The amount of received data is too large for the device to perform the plural sheets cutting.	Refer to the explanation of the plural sheets cutting function. (See page 3.16)
ERR33 SHEET SIZE	The sheet is too short in terms of the feeding direction.	Use a longer sheet.
ERR34 DAT REMAIN	The device has executed an improper operation while it is put on hold.	Press the [REMOTE] key to cut the remaining data or clear it. (See page 3.12)
ERR36 MARKdetect	No registration mark detected. (Right after the sheet detection)	<p>Check whether or not the sheet is curling up.</p> <p>Confirm the appropriate detect starting point specified.</p> <p>Confirm the black registration mark printed against the white back-ground.</p> <p>Confirm no dust or dirt in between the registration marks.</p> <p>In case setting value of [DIST. REVI.] is [BEFORE], confirm no mistake on the specified length.</p> <p>Confirm no mistake on the registration mark settings.</p> <p>Confirm the status and the settings described above. If still no registration mark detected, contact your distributor or us.</p>
ERR36 MARKdetect Display the "ERR38 MARKSCALE" and the "JOG & ENT or END" alternately.	No registration mark detected. (During copy-cutting operation)	<p>In case using a non elastic sheet or a wider sheet (approximately 800mm, and more), use three pinch rollers to hold the sheet.</p> <p>Confirm no dust or dirt in between the registration marks.</p> <p>Confirm the black registration mark printed against the white back-ground.</p> <p>Confirm no mistake on the registration mark settings.</p> <p>In case a sheet raised during the registration mark detection, set the PAPER HOLD to OFF.</p>

Error message	Cause	Remedy
<p>ERR36 MARKdetect</p> <p>Display the "ERR38 MARKSCALE" and the "JOG & ENT or END" alternately.</p>	<p>No registration mark detected. (During copy-cutting operation)</p>	<p>In case using a non elastic sheet, the used registration mark size should be 8mm size and more. Make 8mm and more margins between the copied registration marks as well.</p> <p>In case error occurs, the Light Pointer stops at the detection starting point. If the position is improper, move the Light Pointer to the appropriate position using the jog keys.</p> <div style="text-align: center;">  <p>Type 1 Registration Mark Type 2 Registration Mark</p> </div> <p>● : Starting point of the registration mark detection for the landscape copy. ○ : Starting point of the registration mark detection for the portrait copy.</p> <p>Retry the registration mark detection until detected successfully. In case no registration mark detected even if retrying the detection for several times, contact your distributor or our office.</p>
<p>ERR37 MARK ORG</p>	<p>Detect the origin point out of the cut area.</p>	<p>Arrange the registration marks inside of the sheet.</p>
<p>ERR40 MOTOR A</p>	<p>The sheet feeding motor has been applied with an extra load.</p>	<p>Turn off the power to the device once. Then, re-turn it on.</p>
<p>ERR41 MOTOR B</p>	<p>The carriage driving motor has been applied with an extra load.</p>	<p>Set the sheet setting to [HEAVY]. (Refer to 3.46)</p>
<p>ERR42 A CURRENT</p>	<p>An overcurrent error in the motor in the lengthwise direction of the sheet has been detected.</p>	<p>When in use of a roll sheet, perform sheet feeding as needed margins in advance.</p>
<p>ERR43 B CURRENT</p>	<p>An overcurrent error in the motor in the widthwise direction of the sheet has been detected.</p>	<p>If the same error message re-appears on the LCD, contact your distributor.</p>
<p>ERR50 ORIGIN</p>	<p>The device has failed to detect the sheet size.</p>	<p>Turn off the power to the device once. Then, re-turn it on. If the same error message re-appears on the LCD, contact your distributor. When in use of a roll sheet, perform sheet feeding as needed margins in advance.</p>
<p>ERR51 PINCH POS*</p>	<p>Pinch rollers are not properly set on the grit roller.</p>	<p>Set the pinch rollers on the grit roller.</p>

Warning message

The messages given below appear under the remote mode.
They do not indicate errors but require an appropriate action.

Message	Cause	Remedy
CUT1 * REMOTE *	The device is in the remote mode.	A press on the [REMOTE] key will cause the device to enter the local mode.
CUT1 * 128KB *	This indicates the amount of data received.	When starting cutting, the amount of data will decrease in increments of 1 KB.
** OFFSCALE **	The data on cutting exceeds the effective cutting area.	Use a larger sheet, decrease the amount of data or execute the divided cutting function.
** NO SHEET **	Move the clamp lever without attaching a sheet.	Move the clamp lever after attaching a sheet.
** VIEW **	The device has received the not-ready-mode signal (NR;) from the host computer to enter the local mode.	Execute required operations such as the sheet detection or the establishment of an origin. Then, press the [REMOTE] key to make the device to enter the remote mode.
** DIGITIZE **	The device has received the digitization command (DP;) from the host computer to enter the digitization mode.	Move the pen to a desired location, where necessary, and press the [REMOTE] key. To reset the digitization mode, execute the data clear using the [DATA CLEAR] key.
* 1/10 COPY *	The device is engaged in the plural sheets cutting. The number indicates the "1st sheet is being cut/Established number of sheets to be cut."	Upon completion of the plural sheets cutting, the device will automatically enter the remote mode.
** END COPY **	The device terminates copying when one copy is finished since the data received contains the origin updating command (ZT;, !PG;).	The plural sheets cutting is disabled.

Message	Cause	Remedy
* DIVISION * 5s	The device has finished the cutting of data that exceeds the sheet width using the division cut and is now waiting for the receipt of next data.	If the device does not receive any data from the host computer within ten seconds, it will recognize the data has ended. Then, the device will perform the frame cutting and mark cutting and enter the local mode.
** DIVISION **	You have made the device to enter the remote mode during the division cut without establishing an origin or replacing the sheet.	Establish an origin or replace the sheet. Then, set the device in the remote mode.
* END DIVISION *	<p>This message appears in the following cases.</p> <ul style="list-style-type: none"> • In the case where the device has received data that contains the origin updating command (ZT;, !PG;) • In the case where the sheet width is 1 cm or less • In the case where the sample cutting data exceeds the sheet width • In the case where the two-point axis alignment is set to ON • Registration marks have already detected. 	Division cut is disabled.
COPY SKIP	Mark cannot be detected in performing continuous copy. Skip one pattern.	If the marks are successfully detected after skipping one pattern, there is no problem. In case marks cannot be detected continuously over five patterns, [ERR36 MARKdetect] is displayed.
MEDIA SKEW <ENT>	The sheet may be misaligned, or over the setting value of the SKEW CHECK.	Push on the [ENTER] key after resetting the sheet.

CHAPTER 5

Appendix

The appendix describes the replacement of blade and the specifications of the main unit of the device.

Table of contents

Specifications of the main unit.....	5. 2
Cutter blade	5. 4
Sheet setting	5. 7
Function Flowchart	5. 8

Specifications of the main unit

Item	CG-75FX		CG-130FX		CG-160FX		
	mm	inch	mm	inch	mm	inch	
Acceptable sheet width	90 ~ 1040	4 ~ 40	90 ~ 1580	4 ~ 62	90 ~ 1880	4 ~ 62	
Effective cutting area *1	760mm x 51m		1300 mm x 51 m		1600 mm *2 x 51 m		
Automatic Cutting area *3	885mm		1425 mm		1720 mm		
Maximum speed *4	140 cm/s (At 45 degrees direction with the pen up.)						
Speed setting (cutting/plotting)	1 ~ 10 cm/s (in 1 cm/s steps), 10 ~ 40 cm/s (in 5 cm/s steps) 40 ~ 100 cm/s (in 10 cm/s steps)						
Mechanical resolution	5 μm (excluding expansion/contraction due to film temperatures)						
Program steps	25 μm, 10 μm (MGL-IIc), 100 μm, 50μm (MGL-Ic)						
Repeatability	±0.2 mm (excluding expansion/contraction due to film temperatures)						
Guaranteed range of accuracy (repeatability) *5	760mm x 10 m		1300 mm x 10 m		1300 mm x 10 m		
	(depending on the specified film and cutting conditions)						
Maximum pressure	400 g						
Pressure setting	Cutter	10 ~ 20 g (2 g step), 20 ~ 100 g (5 g step), 100 ~ 400 g (10 g step)					
	Pin	10 ~ 20 g (2 g step), 20 ~ 100 g (5 g step), 100 ~ 400 g (10 g step)					
	Pen	10 ~ 20 g (2 g step), 20 ~ 100 g (5 g step), 100 ~ 150 g (10 g step)					
Acceptable films	PVC sheets (0.2 mm thick or less), fluorescent sheets *6, reflective sheets *6, laminated sheets (0.2 mm thick or less)						
Acceptable sheet for pouncing	Paper (thickness: 0.06 to 0.13 mm) *7						
Applicable tools	Cutters, water-ink ball-point pens, oil-ink ball-point pens, Commercial product for a boll-point pen *8						
Commands *9	MGL-IIc, MGL-Ic1						
Interface	RS-232C, USB						
Receiver buffer	30 MB standard (20Mb when the sorting function is effective.)						
Operating environment	5 to 35°C, 35 to 75 % (Rh) Non-condensing						
Power capacity	220/240 VAC, 170 VA or less						
Outside dimensions	(W)	1285 mm		1825 mm		2125 mm	
	(D)	610 mm				700 mm	
	(H)	1217 mm					
Weight (With the legs attached)	50 kg		60 kg		66 kg		
Noise *10	during discontinuous cutting (plotting) 49 dB (Absorption fan at low speed)						
	during continuous cutting (plotting) 60 dB (Continuous sounds)						

*1: The maximum feeding length is restricted by the software to be used.

*2: When using four Pinch Rollers. In case using Pinch Roller 1 and Pinch Roller 2, the effective cutting area is 1570 mm.

*3: The maximum speed may be restricted by the sheet size.

*4: The sheet width with the cut off function available.

*5: To achieve the guaranteed range of accuracy, the next page's requirements shall be satisfied.

*6: Provided that the blade specific to fluorescent sheets and the blade specific to reflective sheets are used.

*7: Pouncing tool intended specifically to pouncing shall be used.

*8: The commercial product between the 8 to 9 mm diameter. Accuracy and the quality of the image are covered under warranty for the pen tip position differs according to the pen in use.

*9: When in use of the USB, the ESC type of the commands in the MGL-IIc commands cannot be used.

*10: Standard measure of our products.

Repeatability condition

Plotter conditions

- Exclusive roll bars and sheet set rings (when a roll sheet is used) shall be used.
- The clamp pressure shall be set to “HIGH.”

Sheet setting conditions

- Side margin of the sheet: 20 mm or more
- Front side condition of the sheet: No leaning or rising shall be observed.
- The sheet shall not bend and shall not come off the base paper to invite air bubbles between them.
- The sheet shall be loaded in the correct matter using the sheet feeding function.
- A roll sheet shall not slacken. (No difference in height shall be observed between the right and left end faces.)

Cutting speed

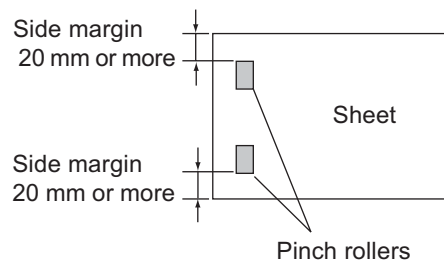
- 40 cm/s or less (when the cutter supplied with the unit is used)

Data on cutting

- Test pattern for maintenance (continuous 10 strokes in the lengthwise direction)
While the sheet is being cut, the sheet shall not come off the base paper to invite air bubbles between them due to an excessive bend.

Types of sheets

- Depends on material of the cutting sheet or ink jet media in use, accuracy of the repeatability may not be guaranteed.



Cutter blade

NOTE!

- * The cutter blade is sharp. Keep your fingers away from the blade.
- * Never swing the cutter holder to avoid danger. Blade can jut out from the cutter holder, if swung.
- * Keep the cutter blade out of reach of children.
Discard the used cutter blade under your district law.

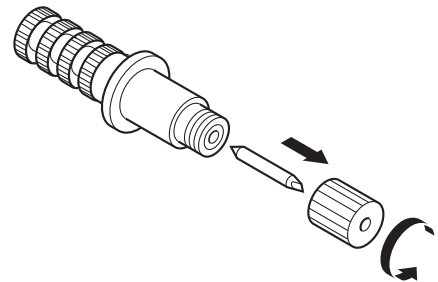
Replacing the cutter blade

If the cutter blade is chipped or blunt, replace it with a new one.

New blades (low-pressure blade set for PVC sheet: Model SPB-0030) are available from your distributor MIMAKI sales office.

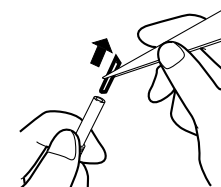
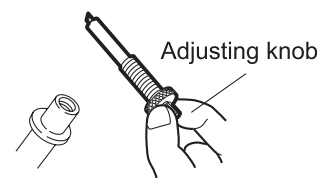
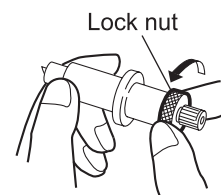
Replacing the blade of the cutter supplied with the unit as an accessory

- 1) Screw the cutter holder to remove the cutter blade.
- 2) Exchange the cutter blade with tweezers.



Replacing the blade of any cutter other than that supplied with the unit

- 1) Loosen the locknut.
- 2) Turning the adjusting knob, draw out the cutter from the holder.
- 3) Replace the blade with a new one using tweezers or the like.

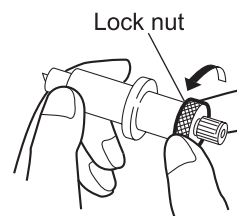


Adjusting the cutter blade

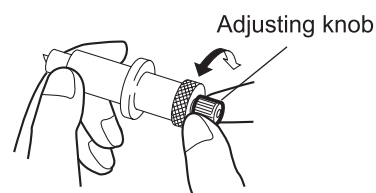
Adjustment of the blade of any cutter other than that supplied with the unit is described below. After the completion of adjustment, be sure to set cutting conditions and perform test cutting to check the blade for sharpness.

Refer to page 2.4 for how to adjust the cutter blade supplied with the unit.

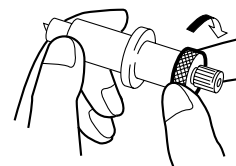
1) Loosen the locknut.



2) Turn the adjusting knob to adjust the protruding amount of the blade.



3) Tighten the locknut to secure the adjusting knob.

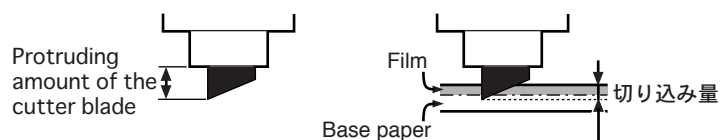


$$\text{Cut in amount} = \frac{(\text{Film thickness} + \text{Base paper thickness})^{*1}}{2}$$

*1 Film thickness < Base paper thickness

Protruding amount of the cutter blade = 0.3 to 0.5mm

(If the cutter blade is dull, replace to a new one.)



- The blade adjuster (model: OPT-S1005) will facilitate the adjustment of the protruding amount of the blade.

How to replace the blade for sheet cutter

If the cutter blade is chipped or blunt, replace it with a new one.

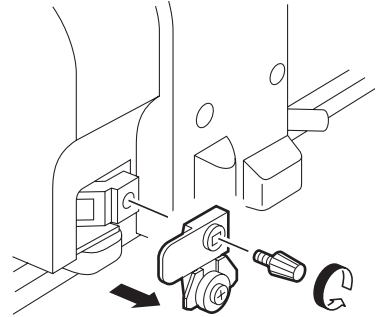
NOTE!

- * The cutter blade is sharp. Keep your fingers away from the blade.
- * Keep the cutter blade out of reach of children.
Discard the used cutter blade under your district low.

Procedure of replacing the blade for sheet cutter.

1) Loosen the screws of the blade for sheet cutter.

2) Remove the blade.

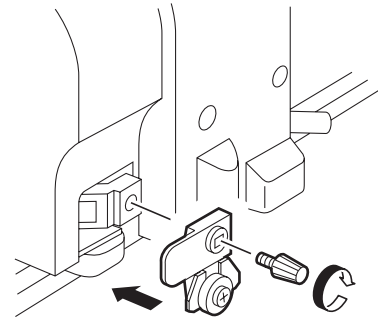


3) Attach a new blade.

NOTE!

- * Handle the sheet cutter with care when replace it so as not to touch the blade to the upper platen, or it may break the blade edge.

4) Tighten up screws to fix the blade for sheet cutter.



NOTE!

- * Tighten the blade for sheet cutter, or the screws loosened and the blade may be off.

Sheet setting

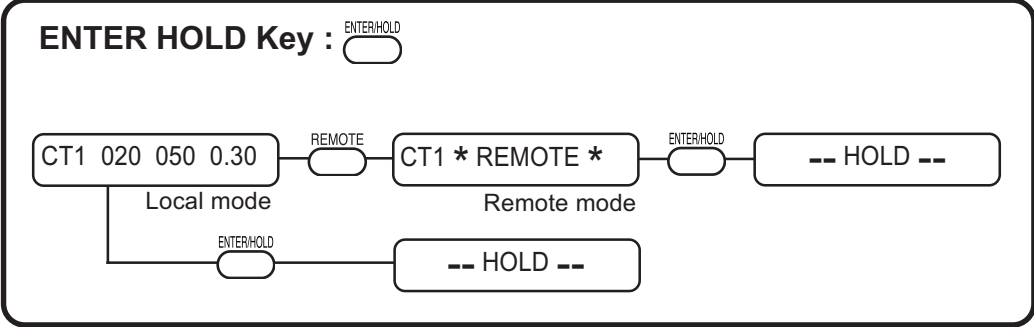
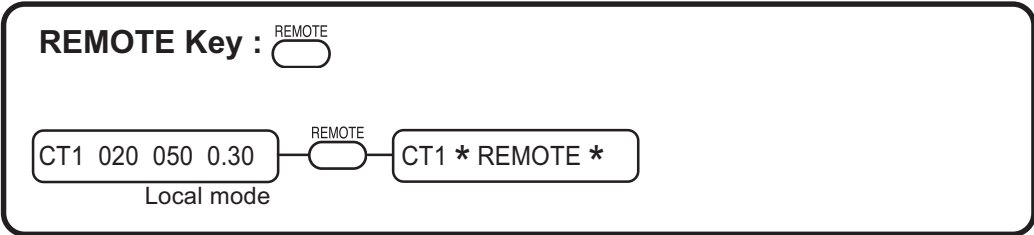
When in changing the cutting (plotting) sheet type, distance correction may be required according to the sheet thickness in use. (Refer to 3.9)

In that case, the following memorandum sheet is useful to make a note of the sheet type and the distance correction value.

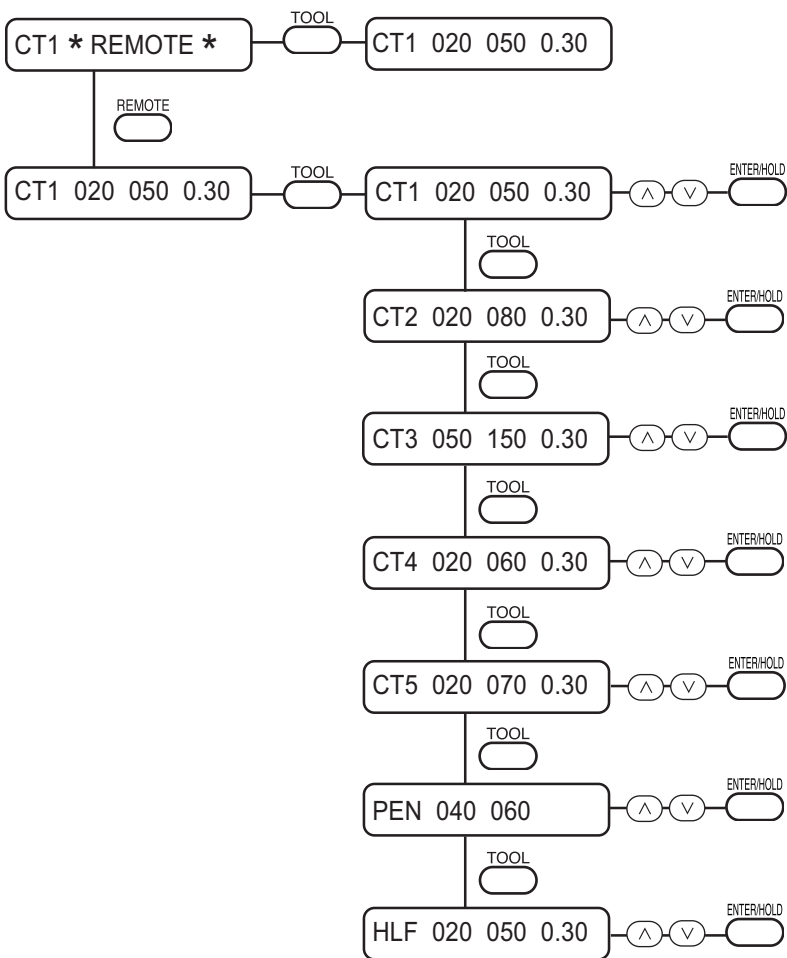
Sheet Name: A= B=	Sheet Name: A= B=
Sheet Name: A= B=	Sheet Name: A= B=
Sheet Name: A= B=	Sheet Name: A= B=
Sheet Name: A= B=	Sheet Name: A= B=
Sheet Name: A= B=	Sheet Name: A= B=
Sheet Name: A= B=	Sheet Name: A= B=

Function Flowchart

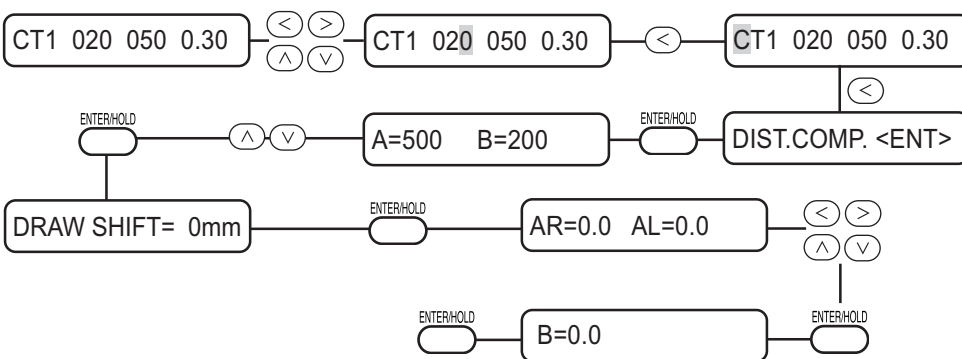
Functions invoked with the specific keys



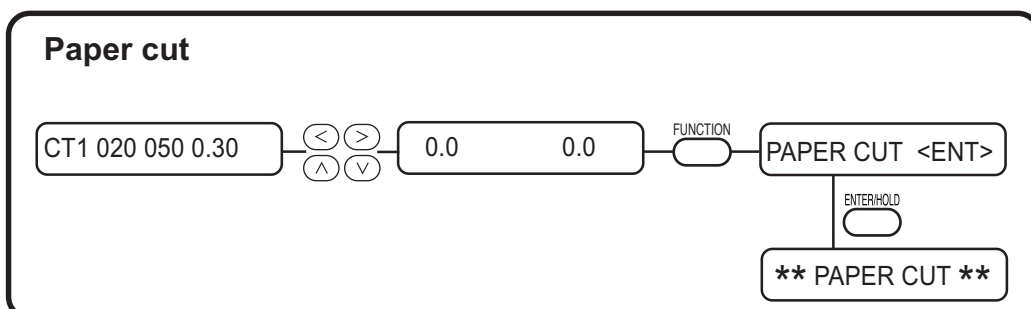
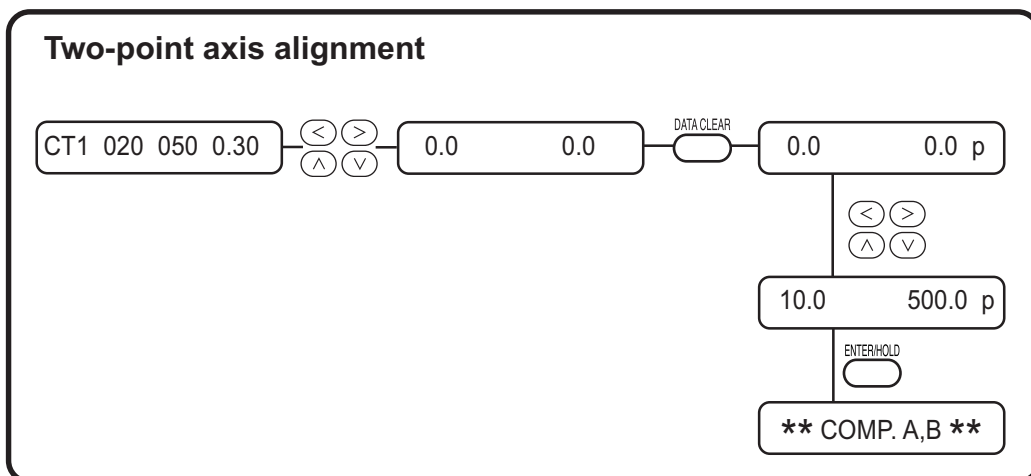
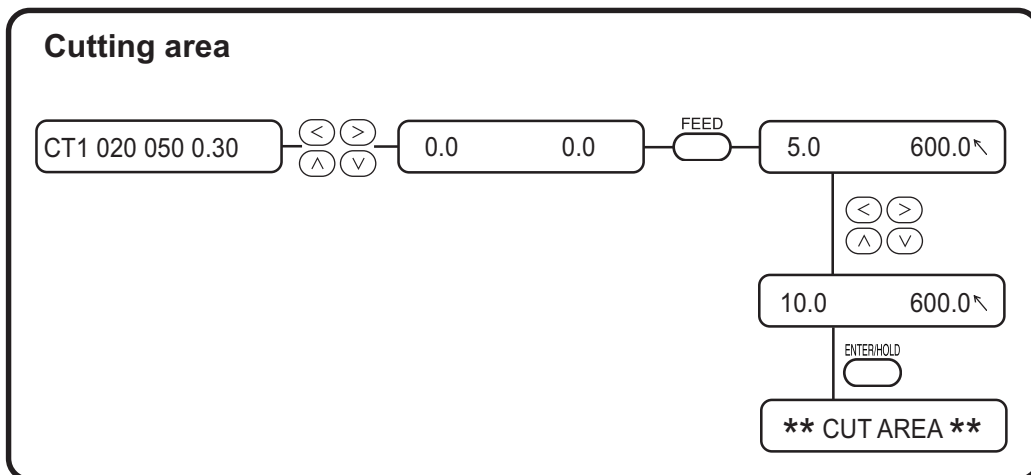
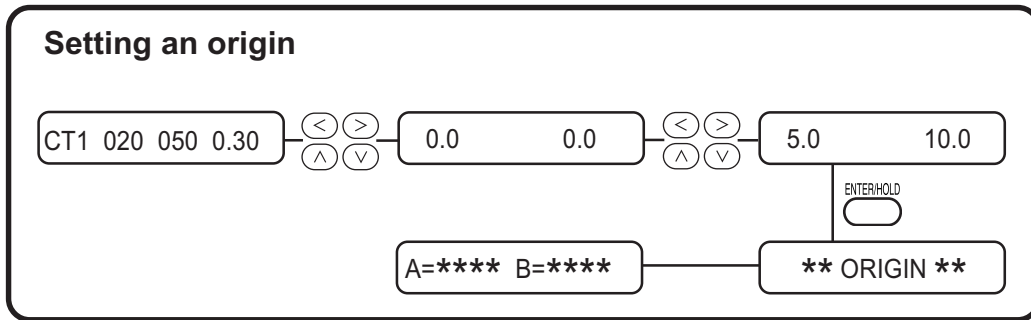
TOOL key (Settings of Tool conditions) : 



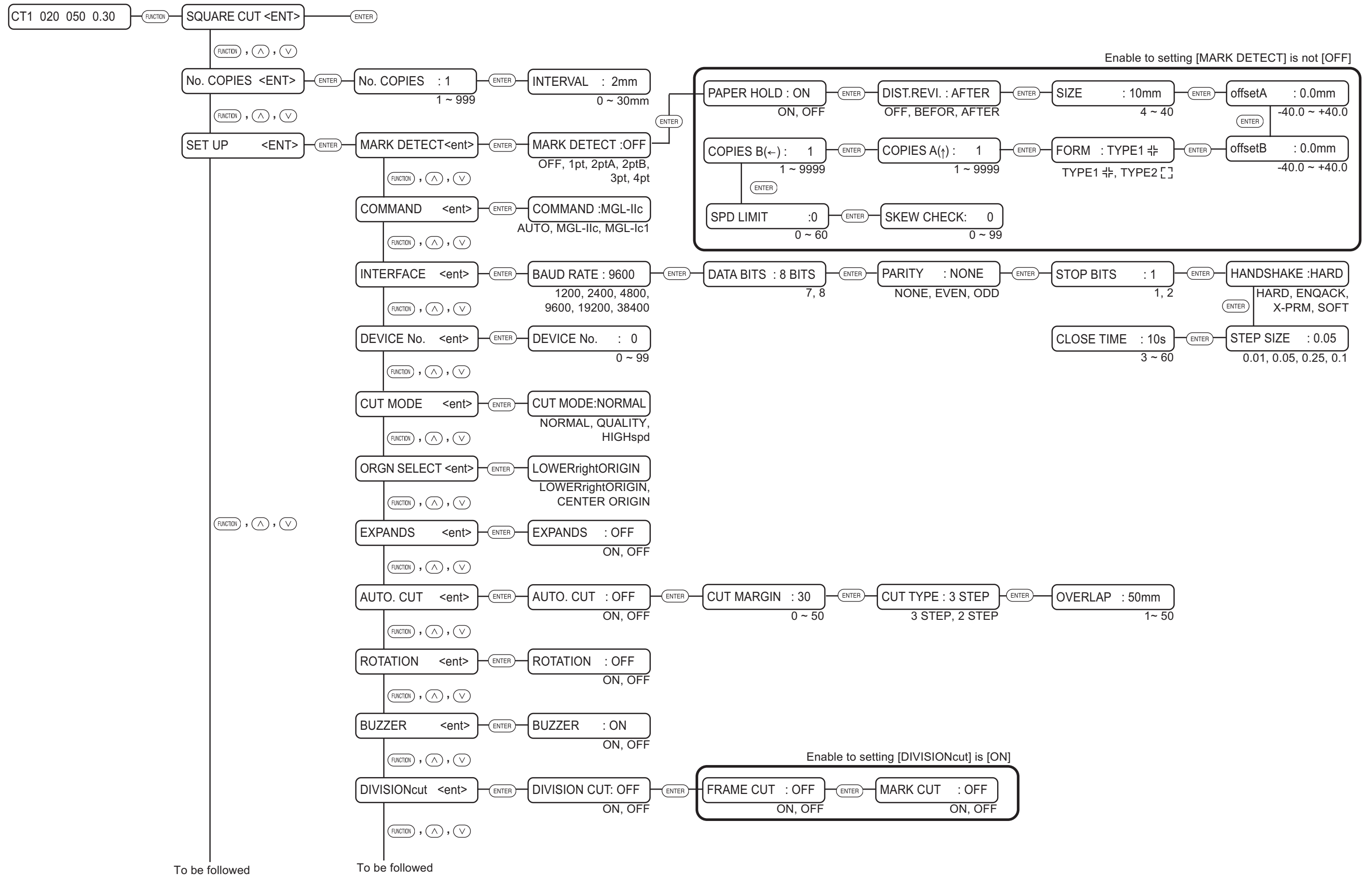
TOOL key (DIST.COMP.) : 

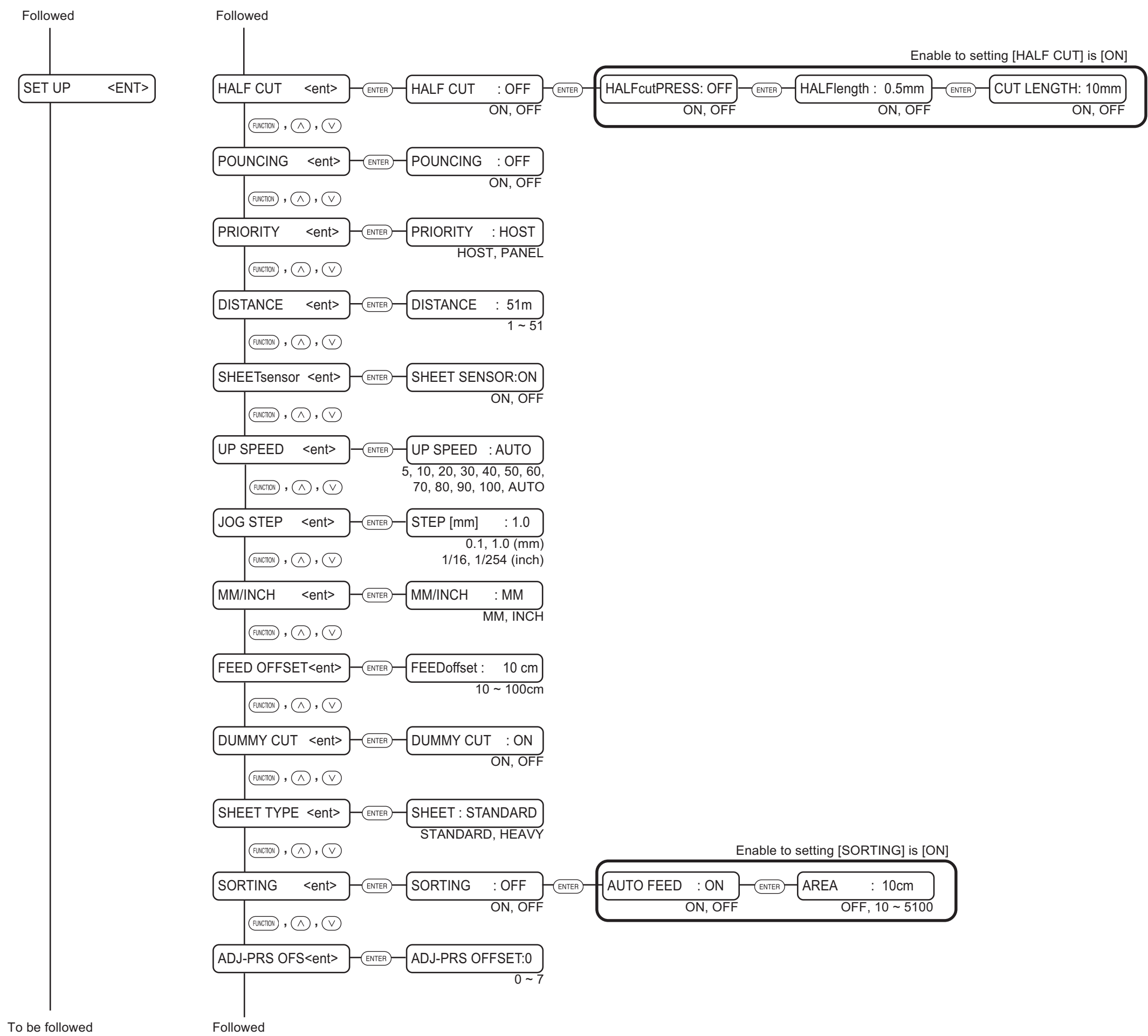


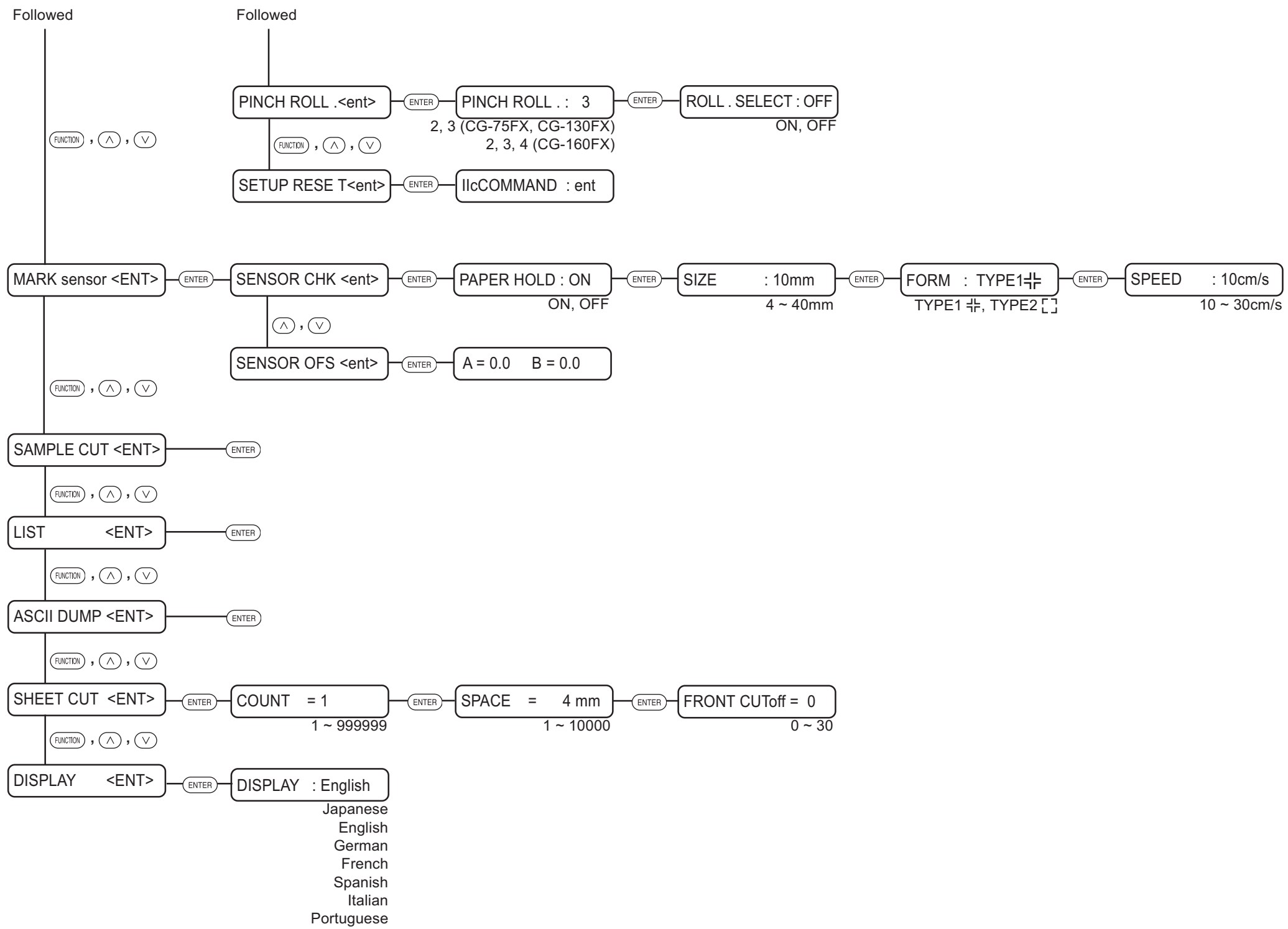
Functions invoked with the jog mode (jog keys)



Functions









Printed in Japan

D200805

© MIMAKI ENGINEERING CO., LTD.

IT

FW: 2.60