

DS31406

2-Input, 14-Output, Single DPLL Timing IC with Sub-ps Output Jitter

General Description

The DS31406 is a flexible, high-performance timing IC for diverse frequency conversion and frequency synthesis applications. On each of its two input clocks and fourteen output clocks, the device can accept or generate nearly any frequency between 2kHz and 750MHz.

The input clocks are divided down, fractionally scaled as needed, and continuously monitored for activity and frequency accuracy. The best input clock is selected, manually or automatically, as the reference clock for the rest of the device. A flexible, high-performance digital PLL locks to the selected reference and provides programmable bandwidth, very high resolution holdover capability and truly hitless switching between input clocks. The digital PLL is followed by a clock synthesis subsystem which has seven fully programmable digital frequency synthesis blocks, three high-speed low-jitter APLLs, and fourteen output clocks, each with its own 32-bit divider and phase adjustment. The APLLs provide fractional scaling and output jitter less than 1ps rms.

For telecom systems, the DS31406 has all required features and functions to serve as a central timing function or as a line card timing IC. With a suitable oscillator the DS31406 meets the requirements of stratum 2, 3E, 3, 4E and 4, G.812 Types I – IV, G.813 and G.8262.

Applications

Frequency Conversion Applications in a Wide Variety of Equipment Types

Telecom Line Cards or Timing Cards with Any Mix of SONET/SDH, Synchronous Ethernet and/or OTN Ports in WAN Equipment Including MSPPs, Ethernet Switches, Routers, DSLAMs, and Base Stations

Ordering Information

| PART | TEMP RANGE | PIN-PACKAGE |
|------------|----------------|-------------------------------|
| DS31406GN2 | -40°C to +85°C | 256 CSBGA (17mm) ² |

Suffix 2 denotes a lead-free/RoHS-compliant package.

Block Diagram appears on page 8.
Register Map appears on page 45.

Features

- ◆ **Two Input Clocks**
 - ◆ Differential or CMOS/TTL Format
 - ◆ Any Frequency from 2kHz to 750MHz
 - ◆ Fractional Scaling for 64B/66B and FEC Scaling (e.g. 64/66, 237/255, 238/255) or Any Other Downscaling Requirement
 - ◆ Continuous Input Clock Quality Monitoring
 - ◆ Automatic or Manual Clock Selection
 - ◆ Two 2/4/8kHz Frame Sync Inputs
- ◆ **High-Performance DPLL**
 - ◆ Hitless Reference Switching on Loss of Input
 - ◆ Automatic or Manual Phase Build-Out
 - ◆ Holdover on Loss of All Inputs
 - ◆ Programmable Bandwidth, 0.5mHz to 400Hz
- ◆ **Seven Digital Frequency Synthesizers**
 - ◆ Produce Any 2kHz Multiple up to 77.76MHz
 - ◆ Per-DFS Clock Phase Adjust
- ◆ **Three Output APLLs**
 - ◆ Output Frequencies to 750MHz
 - ◆ High Resolution Fractional Scaling for FEC and 64B/66B (e.g. 255/237, 255/238, 66/64) or Any Other Scaling Requirement
 - ◆ Less than 1ps RMS Output Jitter
 - ◆ Simultaneously Produce Three Low-Jitter Rates from the Same Reference (e.g. 622.08MHz for SONET, 255/237*622.08MHz for OTU2, and 156.25MHz for 10GE)
- ◆ **Fourteen Output Clocks in Seven Groups**
 - ◆ Nearly Any Frequency from <1Hz to 750MHz
 - ◆ Each Group Slaves to a DFS Clock, Any APLL Clock, or Any Input Clock (Divided and Scaled)
 - ◆ Each Has a Differential Output (3 CML, 4 LVDS/LVPECL) AND Separate CMOS/TTL Output
 - ◆ 32-Bit Frequency Divider Per Output
 - ◆ Two Sync Pulse Outputs: 8kHz and 2kHz
- ◆ **General Features**
 - ◆ Suitable Line Card IC or Timing Card IC for Stratum 2/3E/3/4E/4, SMC, SEC/EEC or SSU
 - ◆ Accepts and Produces Nearly Any Frequency up to 750MHz Including 1Hz, 2kHz, 8kHz, NxDS1, NxE1, DS2/J2, DS3, E3, 2.5M, 25M, 125M, 156.25M, and Nx19.44M up to 622.08M
 - ◆ Internal Compensation for Local Oscillator Frequency Error
 - ◆ SPI™ Processor Interface
 - ◆ 1.8V Operation with 3.3V I/O (5V Tolerant)

Table of Contents

| | | |
|-----------|---|-----------|
| 1. | STANDARDS | 6 |
| 2. | APPLICATION EXAMPLE | 7 |
| 3. | BLOCK DIAGRAM | 8 |
| 4. | DETAILED DESCRIPTION..... | 9 |
| 5. | DETAILED FEATURES..... | 10 |
| 5.1 | INPUT CLOCK FEATURES | 10 |
| 5.2 | DPLL FEATURES..... | 10 |
| 5.3 | DIGITAL FREQUENCY SYNTHESIZER FEATURES | 10 |
| 5.4 | OUTPUT APLL FEATURES..... | 10 |
| 5.5 | OUTPUT CLOCK FEATURES | 11 |
| 5.6 | GENERAL FEATURES | 11 |
| 6. | PIN DESCRIPTIONS | 12 |
| 7. | FUNCTIONAL DESCRIPTION | 15 |
| 7.1 | OVERVIEW | 15 |
| 7.2 | DEVICE IDENTIFICATION AND PROTECTION | 15 |
| 7.3 | LOCAL OSCILLATOR AND MASTER CLOCK CONFIGURATION | 15 |
| 7.3.1 | <i>Oscillator Characteristics to Minimize DS31406 Output Jitter</i> | <i>15</i> |
| 7.4 | INPUT CLOCK CONFIGURATION..... | 16 |
| 7.4.1 | <i>Signal Format Configuration</i> | <i>16</i> |
| 7.4.2 | <i>Frequency Dividers, Scaling and Inversion.....</i> | <i>16</i> |
| 7.5 | INPUT CLOCK MONITORING | 17 |
| 7.5.1 | <i>Frequency Monitoring</i> | <i>17</i> |
| 7.5.2 | <i>Activity Monitoring</i> | <i>18</i> |
| 7.5.3 | <i>Selected Reference Fast Activity Monitoring</i> | <i>19</i> |
| 7.6 | INPUT CLOCK PRIORITY, SELECTION AND SWITCHING | 19 |
| 7.6.1 | <i>Priority Configuration.....</i> | <i>19</i> |
| 7.6.2 | <i>Automatic Selection</i> | <i>20</i> |
| 7.6.3 | <i>Forced Selection</i> | <i>20</i> |
| 7.6.4 | <i>Ultra-Fast Reference Switching</i> | <i>20</i> |
| 7.6.5 | <i>External Reference Switching Mode.....</i> | <i>21</i> |
| 7.6.6 | <i>Output Clock Phase Continuity During Reference Switching</i> | <i>21</i> |
| 7.7 | DPLL ARCHITECTURE AND CONFIGURATION | 21 |
| 7.7.1 | <i>DPLL State Machine</i> | <i>22</i> |
| 7.7.2 | <i>Bandwidth</i> | <i>25</i> |
| 7.7.3 | <i>Damping Factor.....</i> | <i>25</i> |
| 7.7.4 | <i>Phase Detectors.....</i> | <i>26</i> |
| 7.7.5 | <i>Loss of Phase Lock Detection</i> | <i>27</i> |
| 7.7.6 | <i>Phase Monitor and Phase Build-Out.....</i> | <i>27</i> |
| 7.7.7 | <i>Manual Phase Adjustment</i> | <i>28</i> |
| 7.7.8 | <i>Phase Recalibration</i> | <i>29</i> |
| 7.7.9 | <i>Frequency and Phase Measurement.....</i> | <i>29</i> |
| 7.7.10 | <i>Input Wander and Jitter Tolerance.....</i> | <i>29</i> |
| 7.7.11 | <i>Jitter and Wander Transfer</i> | <i>29</i> |
| 7.7.12 | <i>Output Jitter and Wander.....</i> | <i>30</i> |
| 7.7.13 | <i>±160ppm Tracking Range Mode.....</i> | <i>30</i> |
| 7.8 | OUTPUT CLOCK CONFIGURATION | 30 |
| 7.8.1 | <i>Enable and Interfacing</i> | <i>31</i> |
| 7.8.2 | <i>Frequency Configuration.....</i> | <i>31</i> |
| 7.8.3 | <i>Phase Adjustment</i> | <i>34</i> |

| | | |
|------------|--|------------|
| 7.8.4 | <i>Embedded Sync Signal Using Pulse Width Modulation</i> | 35 |
| 7.9 | FRAME AND MULTIFRAME ALIGNMENT..... | 36 |
| 7.9.1 | <i>Separate Frame Sync Signal</i> | 36 |
| 7.9.2 | <i>Embedded Frame Sync Signal Using Pulse Width Modulation</i> | 39 |
| 7.10 | MICROPROCESSOR INTERFACE | 40 |
| 7.11 | RESET LOGIC..... | 43 |
| 7.12 | POWER-SUPPLY CONSIDERATIONS | 43 |
| 7.13 | INITIALIZATION..... | 43 |
| 8. | REGISTER DESCRIPTIONS..... | 44 |
| 8.1 | REGISTER TYPES | 44 |
| 8.1.1 | <i>Status Bits</i> | 44 |
| 8.1.2 | <i>Configuration Fields</i> | 44 |
| 8.1.3 | <i>Multiregister Fields</i> | 44 |
| 8.1.4 | <i>Bank-Switched Registers</i> | 45 |
| 8.2 | REGISTER MAP | 45 |
| 8.3 | REGISTER DEFINITIONS | 48 |
| 8.3.1 | <i>Global Registers</i> | 48 |
| 8.3.2 | <i>Real-Time Status Registers</i> | 51 |
| 8.3.3 | <i>Latched Status and Interrupt Enable Registers</i> | 53 |
| 8.3.4 | <i>Input Clock Registers</i> | 55 |
| 8.3.5 | <i>DPLL Registers</i> | 65 |
| 8.3.6 | <i>Output Clock Registers</i> | 80 |
| 8.3.7 | <i>Frame Sync Registers</i> | 95 |
| 8.3.8 | <i>GPIO Registers</i> | 98 |
| 9. | JTAG TEST ACCESS PORT AND BOUNDARY SCAN..... | 101 |
| 9.1 | JTAG DESCRIPTION | 101 |
| 9.2 | JTAG TAP CONTROLLER STATE MACHINE DESCRIPTION | 102 |
| 9.3 | JTAG INSTRUCTION REGISTER AND INSTRUCTIONS..... | 104 |
| 9.4 | JTAG TEST REGISTERS..... | 105 |
| 10. | ELECTRICAL CHARACTERISTICS | 106 |
| 10.1 | DC CHARACTERISTICS | 106 |
| 10.2 | INPUT CLOCK TIMING..... | 110 |
| 10.3 | OUTPUT CLOCK TIMING | 110 |
| 10.4 | SPI INTERFACE TIMING..... | 111 |
| 10.5 | JTAG INTERFACE TIMING | 113 |
| 11. | PIN ASSIGNMENTS..... | 114 |
| 12. | PACKAGE INFORMATION..... | 117 |
| 13. | THERMAL INFORMATION | 117 |
| 14. | ACRONYMS AND ABBREVIATIONS..... | 118 |
| 15. | DATA SHEET REVISION HISTORY | 119 |

List of Figures

| | |
|---|-----|
| Figure 2-1. Typical Application Example | 7 |
| Figure 3-1. DS31406 Block Diagram | 8 |
| Figure 7-1. Input Clock Block Diagram | 16 |
| Figure 7-2. DPLL Block Diagram | 21 |
| Figure 7-3. DPLL State Transition Diagram | 22 |
| Figure 7-4. APLL Block Diagram | 32 |
| Figure 7-5. FSYNC 8kHz Options..... | 34 |
| Figure 7-6. Embedded Sync in Output Clocks, Functional Timing..... | 35 |
| Figure 7-7. Embedded Sync in Output Clocks, One PWM Cycle..... | 36 |
| Figure 7-8. Embedded Sync in Output Clocks, Three PWM Cycles | 36 |
| Figure 7-9. Embedded Sync in Input Clocks, One PWM Cycle | 39 |
| Figure 7-10. Embedded Sync in Input Clocks, Three PWM Cycles | 39 |
| Figure 7-11. SPI Clock Phase Options | 41 |
| Figure 7-12. SPI Bus Transactions..... | 42 |
| Figure 9-1. JTAG Block Diagram | 101 |
| Figure 9-2. JTAG TAP Controller State Machine | 103 |
| Figure 10-1. Recommended External Components for Interfacing to Differential Inputs | 107 |
| Figure 10-2. Recommended External Components for Interfacing to CML Outputs..... | 108 |
| Figure 10-3. Recommended External Components for Interfacing to LVDS/LVPECL Outputs..... | 109 |
| Figure 10-4. SPI Interface Timing Diagram | 112 |
| Figure 10-5. JTAG Timing Diagram..... | 113 |
| Figure 11-1. Pin Assignment Diagram—Left Half..... | 115 |
| Figure 11-2. Pin Assignment Diagram—Right Half | 116 |

List of Tables

| | |
|--|-----|
| Table 1-1. Applicable Telecom Standards..... | 6 |
| Table 6-1. Input Clock Pin Descriptions | 12 |
| Table 6-2. Output Clock Pin Descriptions..... | 12 |
| Table 6-3. Global Pin Descriptions | 12 |
| Table 6-4. SPI Bus Mode Pin Descriptions | 13 |
| Table 6-5. JTAG Interface Pin Descriptions | 14 |
| Table 6-6. Power-Supply Pin Descriptions | 14 |
| Table 7-1. Input Clock Capabilities | 16 |
| Table 7-2. Activity Monitoring, Missing Clock Cycles vs. Frequency | 19 |
| Table 7-3. Default Input Clock Priorities | 19 |
| Table 7-4. Damping Factors and Peak Jitter/Wander Gain..... | 26 |
| Table 7-5. Output Clock Capabilities | 30 |
| Table 7-6. External Frame Sync Enable and Selection..... | 37 |
| Table 8-1. Register Map | 45 |
| Table 9-1. JTAG Instruction Codes | 104 |
| Table 9-2. JTAG ID Code | 105 |
| Table 10-1. Recommended DC Operating Conditions | 106 |
| Table 10-2. DC Characteristics..... | 106 |
| Table 10-3. DC Characteristics for CMOS/TTL Pins | 107 |
| Table 10-4. DC Characteristics for Differential Input Pins | 107 |
| Table 10-5. DC Characteristics for CML Differential Output Pins | 108 |
| Table 10-6. DC Characteristics for LVDS Output Pins | 109 |
| Table 10-7. DC Characteristics for LVPECL Level-Compatible Output Pins | 109 |
| Table 10-8. Input Clock Timing..... | 110 |
| Table 10-9. Output Clock Timing | 110 |
| Table 10-10. Typical Input Clock to Output Clock Delay | 110 |
| Table 10-11. Typical Output Clock Phase Alignment, Frame Sync Alignment Mode | 111 |
| Table 10-12. SPI Interface Timing..... | 111 |
| Table 10-13. JTAG Interface Timing..... | 113 |
| Table 11-1. Pin Assignments Sorted by Signal Name..... | 114 |
| Table 13-1. CSBGA Package Thermal Properties, Natural Convection | 117 |
| Table 13-2. Theta-JA (θ_{JA}) vs. Airflow..... | 117 |

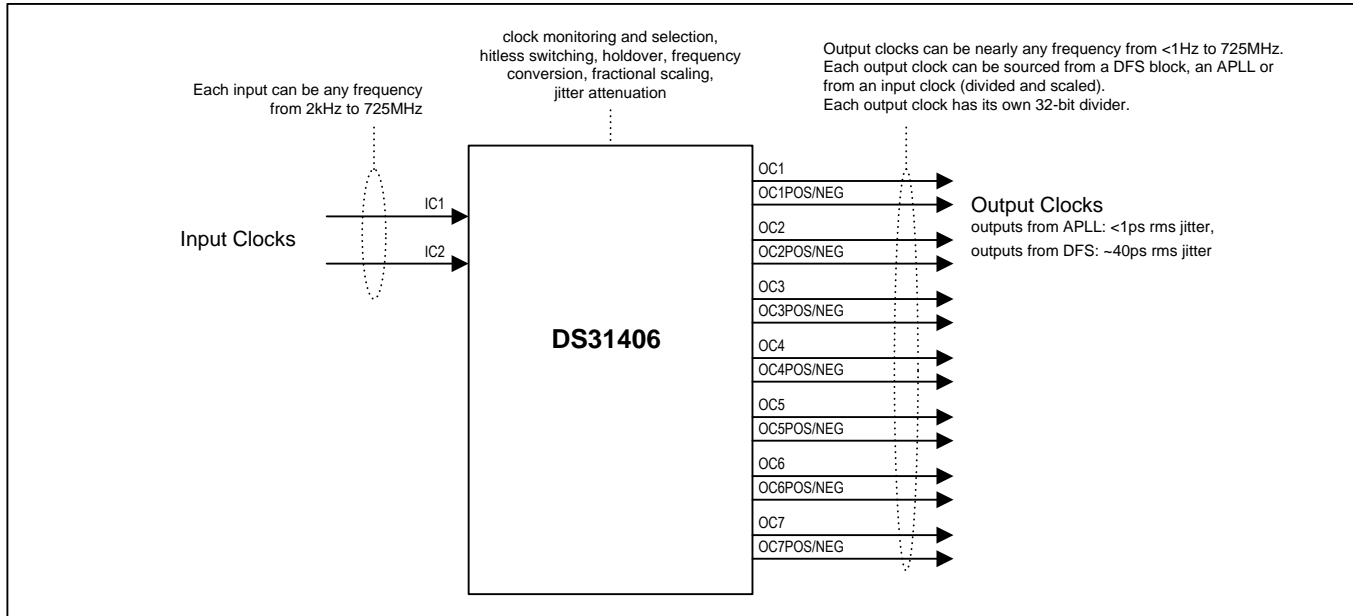
1. Standards

Table 1-1. Applicable Telecom Standards

| SPECIFICATION | SPECIFICATION TITLE |
|----------------------|--|
| ANSI | |
| T1.101 | <i>Synchronization Interface Standard, 1999</i> |
| TIA/EIA-644-A | <i>Electrical Characteristics of Low Voltage Differential Signaling (LVDS) Interface Circuits, 2001</i> |
| ETSI | |
| EN 300 417-6-1 | <i>Transmission and Multiplexing (TM); Generic Requirements of Transport Functionality of Equipment; Part 6-1: Synchronization Layer Functions, v1.1.3 (1999-05)</i> |
| EN 300 462-3-1 | <i>Transmission and Multiplexing (TM); Generic Requirements for Synchronization Networks; Part 3-1: The Control of Jitter and Wander within Synchronization Networks, v1.1.1 (1998-05)</i> |
| EN 300 462-5-1 | <i>Transmission and Multiplexing (TM); Generic Requirements for Synchronization Networks; Part 5-1: Timing Characteristics of Slave Clocks Suitable for Operation in Synchronous Digital Hierarchy (SDH) Equipment, v1.1.1 (1998-05)</i> |
| IEEE | |
| IEEE 1149.1 | <i>Standard Test Access Port and Boundary-Scan Architecture, 1990</i> |
| ITU-T | |
| G.781 | <i>Synchronization Layer Functions (06/1999)</i> |
| G.783 | <i>ITU G.783 Characteristics of Synchronous Digital Hierarchy (SDH) Equipment Functional Blocks (10/2000 plus Amendment 1 06/2002 and Corrigendum 2 03/2003)</i> |
| G.812 | <i>Timing Requirements of Slave Clocks Suitable for Use as Node Clocks in Synchronization Networks (06/1998)</i> |
| G.813 | <i>Timing characteristics of SDH equipment slave clocks (SEC) (03/2003)</i> |
| G.823 | <i>The Control of Jitter and Wander within Digital Networks which are Based on the 2048kbps Hierarchy (03/2000)</i> |
| G.824 | <i>The Control of Jitter and Wander within Digital Networks which are Based on the 1544kbps Hierarchy (03/2000)</i> |
| G.825 | <i>The Control of Jitter and Wander within Digital Networks which are Based on the Synchronous Digital Hierarchy (SDH) (03/2000)</i> |
| G.8261 | <i>Timing and Synchronization Aspects in Packet Networks (05/2006)</i> |
| G.8262 | <i>Timing characteristics of Synchronous Ethernet Equipment slave clock (EEC) (06/2007, pre-published)</i> |
| TELCORDIA | |
| GR-253-CORE | <i>SONET Transport Systems: Common Generic Criteria, Issue 3, September 2000</i> |
| GR-378-CORE | <i>Generic Requirements for Timing Signal Generators, Issue 2, February 1999</i> |
| GR-499-CORE | <i>Transport Systems Generic Requirements (TSGR) Common Requirements, Issue 2, December 1998</i> |
| GR-1244-CORE | <i>Clocks for the Synchronized Network: Common Generic Criteria, Issue 2, December 2000</i> |

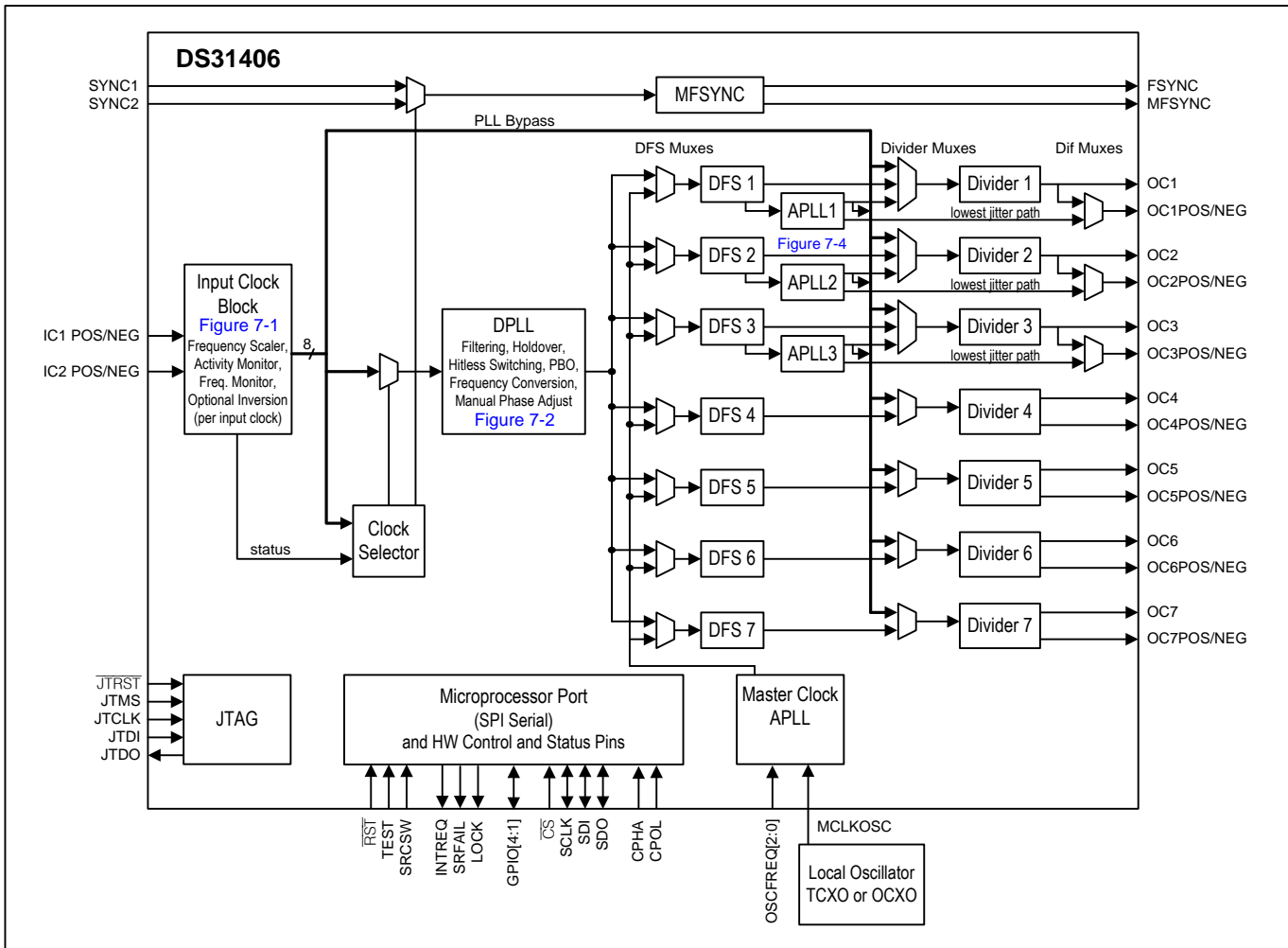
2. Application Example

Figure 2-1. Typical Application Example



3. Block Diagram

Figure 3-1. DS31406 Block Diagram



See Figure 7-1 for a detailed block diagram of the input clock block.

See Figure 7-2 for a detailed block diagram of the DPLL.

See Figure 7-4 for a detailed block diagram of the APLLs.

4. Detailed Description

Figure 3-1 illustrates the blocks described in this section and how they relate to one another. Section 5 provides a detailed feature list.

The DS31406 is a high-performance clock synchronization and clock synthesis component. In its primary application as a telecom equipment timing and synchronization IC, the DS31406 can be used in several equipment types, including:

- (a) large backplane-oriented systems where the clock synchronization system is distributed between dual redundant central timing functions and per-line-card timing ICs
- (b) small systems where the clock synchronization system is often all on the same main board
- (c) wireless systems where the clock synchronization system is on a baseband or uplink board.

In addition to telecom equipment, the DS31406 is suitable for a wide variety frequency conversion and clock generation applications.

The DS31406 can accept one or two input clocks of any frequency from 2kHz to 750MHz and any signal format, differential or single-ended. Each of these input clocks is continually monitored for activity and frequency accuracy with very high resolution. Each input clock can be internally divided and/or fractionally (i.e. ratiometrically) scaled to make one of the several clock frequencies that the digital PLL (DPLL) can lock to. This fractional scaling allows, for example, a clock signal recovered from a SONET port where 255/237 FEC scaling is in use, to be scaled by 237/255 and divided down to 19.44MHz for use by the DPLL. The input clocks can be given relative priorities, and the DS31406's input selection logic can then automatically select the highest priority valid clock for the DPLL. Switching between input clocks can be revertive or nonrevertive. Input clock selection can also be done manually by system software when needed.

The DS31406's DPLL can be configured for any level of performance from simple frequency conversion up through stratum 2 compliance. For frequency synthesis applications, the DPLL can be configured to free-run, rather than lock to an input clock, to produce output clocks at the local oscillator's frequency accuracy. The DPLL has programmable bandwidth, damping factor, phase detector behavior, and holdover averaging behavior. The DPLL can switch between primary and secondary clocks with an arbitrary phase difference without causing a phase change on the output clocks. This feature is often called hitless switching. Other DPLL features are outlined in the detailed features list of section 5.2.

The DPLL is followed by a flexible, high-performance output clock generation subsystem. This subsystem consists of seven digital frequency synthesis (DFS) blocks, three high-performance analog PLLs (APLLs) plus internal muxes and dividers. See the block diagram in Figure 3-1 for a visual representation of the output clock subsystem. The DS31406 has 14 output clocks arranged in seven groups. Each output clock group has a differential output clock and a single-ended CMOS/TTL output clock.

Output clock groups 1 through 3 have a DFS block and a multi-GHz APLL with high-resolution fractional scaling and sub-ps rms output jitter. These three output clock groups each have a direct differential signal path from the APLL to a CML output driver. This path provides the lowest jitter output clocks (and the highest frequency, up to 750MHz). The three APLLs are completely independent from one another. Each APLL can multiply its input clock rate by an integer or non-integer value, and each can produce two independent integer divides of its VCO frequency, one for the CML output, and the other for internal use by any of the seven output clock groups.

Output clock groups 4 through 7 each have a DFS block, a source selection mux, an output divider block, a CMOS/TTL output (≤ 125 MHz), and an LVDS/LVPECL output (≤ 312.5 MHz). The output clocks in each of these groups can be integer divides of the frequency generated by the DFS (any multiple of 2kHz to 77.76MHz) or the internal frequency generated by any of the three APLLs. When the clock source for an output clock group is one of the APLLs, the output clocks can be used to provide multiple low-jitter copies of a clock signal. For example, APLL3 could be configured to generate 156.25MHz for 10G Synchronous Ethernet. Then any of output clock groups OC4 through OC7 could be configured to follow APLL3's output signal and provide additional 156.25MHz clock signals for use by other system components. Configuring the DS31406 in this way can reduce the need for external fanout buffers.

The DS31406 requires a local oscillator connected to the MCLKOSC input. The oscillator clock signal can be single-ended or differential and any of several frequencies, as specified by the OSCFREQ input pins (see section 7.3).

Many aspects of the behavior of the DS31406 can be reconfigured or reprogrammed, including the DPLL state machines and DSP code. Contact the factory if your application has special requirements.

5. Detailed Features

5.1 Input Clock Features

- Two input clocks, differential or CMOS/TTL signal format
- Input clocks can be any frequency from 2kHz up to 750MHz
- Supported telecom frequencies include PDH, SDH, Synchronous Ethernet, OTU-1, OTU-2, OTU-3
- Per-input fractional scaling (i.e. multiplying by $N \div D$ where N is a 16-bit integer and D is a 32-bit integer and $N < D$) to undo 64B/66B and FEC scaling (e.g. 64/66, 238/255, 237/255, 236/255)
- Special mode allows locking to 1Hz input clocks
- All inputs constantly monitored by programmable activity monitors and frequency monitors
- Fast activity monitor can disqualify the selected reference after a few missing clock cycles
- Frequency measurement and frequency monitor thresholds with 0.2ppm resolution
- Three optional 2/4/8kHz frame-sync inputs

5.2 DPLL Features

- Very high-resolution DPLL architecture
- Sophisticated state machine automatically transitions between free-run, locked, and holdover states
- Revertive or nonrevertive reference selection algorithm
- Programmable bandwidth from 0.5mHz to 400Hz
- Separately configurable acquisition bandwidth and locked bandwidth
- Programmable damping factor: 1.2, 2.5, 5, 10 or 20
- Multiple phase detectors: phase/frequency and multicycle
- Phase/frequency locking ($\pm 360^\circ$ capture) or nearest-edge phase locking ($\pm 180^\circ$ capture)
- Multicycle phase detection and locking (up to ± 8191 UI) improves jitter tolerance and lock time
- Phase build-out in response to reference switching for true hitless switching
- Less than 1 ns output clock phase transient during phase build-out
- Output phase adjustment up to ± 200 ns in 6ps steps with respect to selected input reference
- High-resolution frequency and phase measurement
- Holdover frequency averaging over 1 second, 5.8 minute and 93.2 minute intervals
- Fast detection of input clock failure and transition to holdover mode
- Low-jitter frame sync (8kHz) and multiframe sync (2kHz) aligned with output clocks

5.3 Digital Frequency Synthesizer Features

- Seven independently programmable DFS engines
- Each DFS can synthesize any 2kHz multiple up to 77.76MHz
- Per-DFS phase adjust (1/256UI steps)
- Approximately 40ps rms output jitter

5.4 Output APLL Features

- Simultaneously produce three high-frequency, low-jitter, rates from the same reference clock, e.g. 622.08MHz for SONET, 255/237*622.08MHz for OTU2, and 156.25MHz for 10GE
- Standard telecom output frequencies include 622.08MHz, 155.52MHz and 19.44MHz for SONET/SDH and 156.25MHz, 125MHz and 25MHz for Synchronous Ethernet
- Very high-resolution fractional scaling (i.e. non-integer multiplication)
- Less than 1ps rms output jitter

5.5 Output Clock Features

- Fourteen output clock signals in seven groups
- Output clock groups OC1 – OC3 have a very high-speed differential output (current-mode logic, $\leq 750\text{MHz}$) and a separate CMOS/TTL output ($\leq 125\text{MHz}$)
- Output clock groups OC4 – OC7 have a high-speed differential output (LVDS/LVPECL, $\leq 312.5\text{MHz}$) and a separate CMOS/TTL output ($\leq 125\text{MHz}$)
- Each output can be any frequency from $< 1\text{Hz}$ to max frequency stated above
- Supported telecom frequencies include PDH, SDH, Synchronous Ethernet, OTN, microprocessor clock frequencies and much more
- Internal clock muxing allows each output group to slave to its associated DFS block, any of the APLLs, or any input clock (after being divided and scaled)
- Outputs sourced directly from APLLs have less than 1ps rms output jitter
- Outputs sourced directly from DFS blocks have approximately 40ps rms output jitter
- Optional 32-bit frequency divider per output
- 8kHz frame sync and 2kHz multiframe sync outputs have programmable polarity and pulse width and can be disciplined by a 2kHz or 8kHz frame sync input
- Per-output delay adjustment
- Per-output enable/disable
- All outputs disabled during reset

5.6 General Features

- SPI serial microprocessor interface
- Four general-purpose I/O pins
- Register set can be write-protected
- Operates from a 12.8MHz, 25.6MHz, 10.24MHz, 20.48MHz, 10MHz, 20MHz, 19.44MHz or 38.88MHz local oscillator
- On-chip watchdog circuit for the local oscillator
- Internal compensation for local oscillator frequency error

6. Pin Descriptions

Table 6-1. Input Clock Pin Descriptions

| PIN NAME ⁽¹⁾ | TYPE ⁽²⁾ | PIN DESCRIPTION |
|-------------------------|---------------------|---|
| IC1POS, IC1NEG | I _{DIFF} | Input Clocks 1 and 2. Differential or CMOS/TTL signal format. Programmable frequency. Default frequency is 19.44MHz. <i>Differential:</i> See Table 10-4 for electrical specifications, and see Figure 10-1 for recommended external circuitry for interfacing these differential inputs to LVDS, LVPECL or CML output pins on other devices. <i>CMOS/TTL:</i> Connect the single-ended signal to the POS pin. Connect the NEG pin to a capacitor (0.1µF or 0.01µF) to VSS_IO. As shown in Figure 10-1 , the NEG pin is internally biased to approximately 1.2V. Treat the NEG pin as a sensitive node; minimize stubs; do not connect to anything else including other NEG pins. <i>Unused:</i> The POS and NEG pins can be left unconnected. Set <code>ICCR1.ICEN=0</code> . |
| IC2POS, IC2NEG | | |
| SYNC1 | I | Frame Sync Inputs 1 and 2. 2kHz, 4kHz, or 8kHz. Each input clock, IC1 and IC2, can be associated with either one of these SYNC pins using the <code>ICCR1:FS</code> field. |
| SYNC2 | | |

Table 6-2. Output Clock Pin Descriptions

| PIN NAME ⁽¹⁾ | TYPE ⁽²⁾ | PIN DESCRIPTION |
|-------------------------|---------------------|--|
| OC1POS, OC1NEG | O _{DIFF} | Differential Output Clocks 1 through 3. CML. Programmable frequency. See Table 10-5 for electrical specifications, and see Figure 10-2 for recommended external circuitry for interfacing these CML outputs to LVDS, LVPECL or CML input pins on other devices. |
| OC2POS, OC2NEG | | |
| OC3POS, OC3NEG | | |
| OC4POS, OC4NEG | O _{DIFF} | Differential Output Clocks 4 through 7. LVDS/LVPECL. Programmable frequency. The output signal format is selected by <code>OCCR4:DIFSF</code> . See Figure 10-3 for recommended external circuitry for interfacing these LVDS/LVPECL outputs to LVDS, LVPECL or CML input pins on other devices. |
| OC5POS, OC5NEG | | |
| OC6POS, OC6NEG | | |
| OC7POS, OC7NEG | | |
| OC1 | O | Single-Ended Output Clocks 1 through 7. CMOS/TTL. Programmable frequency. |
| OC2 | | |
| OC3 | | |
| OC4 | | |
| OC5 | | |
| OC6 | | |
| OC7 | | |
| FSYNC | O ₃ | Frame Sync. CMOS/TTL. 8kHz frame sync or clock (default 50% duty cycle clock, noninverted). This pin is enabled and configured using fields in FSCR2 . |
| MFSYNC | O ₃ | Multiframe Sync. CMOS/TTL. 2kHz frame sync or clock (default 50% duty cycle clock, noninverted). This pin is enabled and configured using fields in FSCR2 . |

Table 6-3. Global Pin Descriptions

| PIN NAME ⁽¹⁾ | TYPE ⁽²⁾ | PIN DESCRIPTION |
|-------------------------|---------------------|---|
| MCLKOSCP, MCLKOSCN | I _{DIFF} | Master Clock Oscillator. Differential or CMOS/TTL signal format. Connect to a high-accuracy, high-stability, low-noise local oscillator. Oscillator can be any of several frequencies, as specified by the <code>OSCFREQ[2:0]</code> pins. See Section 7.3 . <i>Differential:</i> See Table 10-4 for electrical specifications, and see Figure 10-1 for recommended external circuitry for interfacing these differential inputs to LVDS, LVPECL or CML output pins |

| PIN NAME ⁽¹⁾ | TYPE ⁽²⁾ | PIN DESCRIPTION |
|-------------------------------------|--|--|
| | | on other devices. <i>CMOS/TTL:</i> Connect the single-ended signal to the MCLKOSCP pin. Connect the MCLKOSCN pin to a capacitor (0.1µF or 0.01µF) to VSS_IO. As shown in Figure 10-1 , the MCLKOSCN pin is internally biased to approximately 1.2V. Treat MCLKOSCN as a sensitive node; minimize stubs; do not connect to anything else. |
| OSCFREQ[2:0] | I _{PD} | Reference Clock Frequency. These pins specify the frequency of the oscillator connected to the MCLKOSC pins. The OSCFREQ pins must be hardwired to 3.3V or VSS. 000 = 12.8MHz 001 = 25.6MHz 010 = 10MHz 011 = 20MHz 100 = 19.44MHz 101 = 38.88MHz 110 = 10.24MHz {not supported on rev A1 ICs} 111 = 20.48MHz {not supported on rev A1 ICs} |
| $\overline{\text{RST}}$ | I _{PU} | Reset (Active Low). When this global asynchronous reset is pulled low, all internal circuitry is reset to default values. The device is held in reset as long as $\overline{\text{RST}}$ is low. $\overline{\text{RST}}$ should be held low for at least two MCLKOSC cycles after the external oscillator has stabilized and is providing valid clock signals. |
| TEST0, TEST1, TEST2, TEST3 | I _{PD} I _{PD} I _{PD} I | Factory Test Mode Select. Wire these pins to VSS for normal operation. |
| SRCSW | I _{PD} | Source Switching. Fast source-switching control input. See Section 7.6.5. The value of this pin is latched into the DPLL's DPLLCCR1.EXTSW configuration bit when $\overline{\text{RST}}$ goes high. After $\overline{\text{RST}}$ goes high this pin can be used to select between IC1 and IC2, if enabled. |
| INTREQ | O ₃ | Interrupt Request. The behavior of this pin is configured in the IOCR register. Polarity can be active-high or active-low. Drive action can be push-pull or open-drain. The pin can also be configured as a general-purpose output if the interrupt request function is not needed. |
| SRFAIL | O ₃ | SRFAIL Status. When IOCR.SRFEN = 1, this pin follows the state of the PLL1LSR.SRFAIL status bit. This gives the system a very fast indication of the failure of the current reference. When IOCR.SRFEN = 0, SRFAIL is disabled (not driven, high impedance). |
| LOCK | O ₃ | DPLL LOCK Status. When IOCR.LOCKEN =1, this pin indicates the lock state of the DPLL. When IOCR.LOCKEN =0, LOCK is disabled (low). 0 = Not Locked 1 = Locked |
| GPIO1, GPIO2, GPIO3, GPIO4 | I/O _{PD} | General-Purpose I/O Pins 1 through 4. Fields in GPCR configure these pins as inputs or outputs and specify the output value. Fields in GPSR indicate the states of the pins. |

Table 6-4. SPI Bus Mode Pin Descriptions

See Section 7.10 for functional description and Section 10.4 for timing specifications.

| PIN NAME ⁽¹⁾ | TYPE ⁽²⁾ | PIN DESCRIPTION |
|-------------------------|---------------------|--|
| $\overline{\text{CS}}$ | I | Chip Select. This pin must be asserted (low) to read or write internal registers. It must deasserted (high) at the end of each access. |
| SCLK | I | Serial Clock. SCLK is always driven by the SPI bus master. |
| SDI | I | Serial Data Input. The SPI bus master transmits data to the device on this pin. |
| SDO | O ₃ | Serial Data Output. The device transmits data to the SPI bus master on this pin. |
| CPHA | I | Clock Phase. See Figure 7-11 . 0 = Data is latched on the leading edge of the SCLK pulse. 1 = Data is latched on the trailing edge of the SCLK pulse. |
| CPOL | I | Clock Polarity. See Figure 7-11 . 0 = SCLK is normally low and pulses high during bus transactions. 1 = SCLK is normally high and pulses low during bus transactions. |

Table 6-5. JTAG Interface Pin Descriptions

See Section 9 for functional description and Section 10.5 for timing specifications.

| PIN NAME ⁽¹⁾ | TYPE ⁽²⁾ | PIN DESCRIPTION |
|---------------------------|---------------------|--|
| $\overline{\text{JTRST}}$ | I _{PU} | JTAG Test Reset (Active Low). Asynchronously resets the test access port (TAP) controller. If not used, $\overline{\text{JTRST}}$ can be held low or high. |
| JTCLK | I | JTAG Clock. Shifts data into JTDI on the rising edge and out of JTDO on the falling edge. If not used, JTCLK can be held low or high. |
| JTDI | I _{PU} | JTAG Test Data Input. Test instructions and data are clocked in on this pin on the rising edge of JTCLK. If not used, JTDI can be held low or high. |
| JTDO | O ₃ | JTAG Test Data Output. Test instructions and data are clocked out on this pin on the falling edge of JTCLK. If not used, leave unconnected. |
| JTMS | I _{PU} | JTAG Test Mode Select. Sampled on the rising edge of JTCLK and is used to place the port into the various defined IEEE 1149.1 states. If not used connect to 3.3V or leave unconnected. |

Table 6-6. Power-Supply Pin Descriptions

| PIN NAME ⁽¹⁾ | TYPE ⁽²⁾ | PIN DESCRIPTION |
|-------------------------|---------------------|--|
| VDD_DIG_18 | P | Core Digital Power Supply. 1.8V ±10%. |
| VSS_DIG | P | Core Digital Return. |
| VDD_IO_18 | P | I/O Power Supply. 1.8V ±10%. |
| VDD_IO_33 | P | I/O Power Supply. 3.3V ±5%. |
| VSS_IO | P | Return for VDD_IO Supplies. |
| VSUB | P | Substrate Voltage. Connect to board ground. |
| VDD_MCPLL_18 | P | Master Clock APLL Power Supply. 1.8V ±10%. |
| VDD_MCPLL_33 | P | Master Clock APLL Power Supply. 3.3V ±5%. |
| VSS_MCPLL | P | Master Clock APLL Return. |
| VDD_APLL1_18 | P | APLL1 Power Supply. 1.8V ±10%. |
| VDD_APLL1_33 | P | APLL1 Power Supply. 3.3V ±5%. |
| VSS_APLL1 | P | APLL1 Return. |
| VDD_APLL2_18 | P | APLL2 Power Supply. 1.8V ±10%. |
| VDD_APLL2_33 | P | APLL2 Power Supply. 3.3V ±5%. |
| VSS_APLL2 | P | APLL2 Return. |
| VDD_APLL3_18 | P | APLL3 Power Supply. 1.8V ±10%. |
| VDD_APLL3_33 | P | APLL3 Power Supply. 3.3V ±5%. |
| VSS_APLL3 | P | APLL3 Return. |
| VDD_OC_18 | P | Output Clock Power Supply. 1.8V ±10%. |
| VSS_OC | P | Output Clock Return. |

Note 1: All pin names with an overbar (e.g., $\overline{\text{RST}}$) are active low.

Note 2: All pins, except power and analog pins, are CMOS/TTL unless otherwise specified in the pin description.

PIN TYPES

I = input pin

I_{DIFF} = differential input, can be interfaced to LVDS, LVPECL, CML, HSTL or CMOS/TTL signals

I_{PD} = input pin with internal 50kΩ pulldown

I_{PU} = input pin with internal 50kΩ pullup

I/O = input/output pin

IO_{PD} = input/output pin with internal 50kΩ pulldown

IO_{PU} = input/output pin with internal 50kΩ pullup

O = output pin

O₃ = output pin that can tri-stated (i.e., placed in a high-impedance state)

O_{DIFF} = differential output, CML or LVDS/LVPECL

P = power-supply pin

Note 3: All digital pins, except OCn, are I/O pins in JTAG mode. OCn pins do not have JTAG functionality.

7. Functional Description

7.1 Overview

See section 4, Detailed Description.

7.2 Device Identification and Protection

The 16-bit read-only ID field in the **ID1** and **ID2** registers is set to 7AAEh = 31406 decimal. The device revision can be read from the **REV** register. Contact the factory to interpret this value and determine the latest revision. The register set can be protected from inadvertent writes using the **PROT** register.

7.3 Local Oscillator and Master Clock Configuration

The DPLL and the output DFS blocks operate from a 204.8MHz master clock. The master clock is synthesized from a local oscillator clock signal applied to the MCLKOSC pins. The stability of the DPLLs in free-run or holdover is equivalent to the stability of the local oscillator. Selection of an appropriate local oscillator is therefore of crucial importance if the telecom standards listed in [Table 1-1](#) are to be met. Simple XOs can be used in less stringent cases (e.g. line card timing), but TCXOs or even OCXOs may be required in the most demanding central timing function applications. Careful evaluation of the stability of the local oscillator component is necessary to ensure proper performance. Contact Microsemi timing products technical support for recommended oscillators.

While the stability of the local oscillator is very important, its absolute frequency accuracy is less important because the DPLLs can compensate for local oscillator frequency inaccuracies. The **MCFREQ** field specifies the frequency adjustment to be applied. The adjustment range is ± 80 ppm in ~ 2.5 ppb steps.

The MCLK oscillator APLL is self-oscillating, and therefore its output toggles even when the signal on the MCLKOSC pins is not toggling. This allows the DS31406 to continue to operate (although not in a standards-compliant manner) even during a complete MCLK oscillator failure. If the MCLK oscillator is not toggling or is grossly off frequency, the DS31406 sets the **MCLSR.MCFAIL** latched status bit. This in turn can cause an interrupt on the INTREQ pin if configured to do so.

The frequency of the MCLKOSC oscillator can be 12.8MHz, 25.6MHz, 10.24MHz, 20.48MHz, 10MHz, 20MHz, 19.44MHz or 38.88MHz, as specified by the OSCFREQ[2:0] pins. See [Table 6-3](#).

7.3.1 Oscillator Characteristics to Minimize DS31406 Output Jitter

The jitter on DS31406 output clock signals depends on the phase noise and frequency of the master clock oscillator. For the DS31406 to operate with the lowest possible output jitter, the oscillator should have the following characteristics:

- Phase Noise: Typical value of -148dBc/Hz or lower at 10kHz offset from the carrier.
- Frequency: an integer divisor of 4096MHz, i.e. 12.8MHz, 25.6MHz, 10.24MHz or 20.48MHz. At equal phase noise, higher oscillator frequencies produce lower DS31406 output jitter.

When the oscillator is a 12.8MHz or 20.48MHz TCXO with -148 to -150dBc/Hz phase noise at 10kHz offset from the carrier, typical DS31406 output jitter is 0.6 to 0.75ps rms (measured 12kHz to 20MHz) on the OC1, OC2 and OC3 differential outputs (the lowest jitter paths, as shown in [Figure 3-1](#)).

Oscillator frequencies of 10MHz, 20MHz, 19.44MHz or 38.88MHz are also supported by the DS31406, but output jitter is typically about 0.2ps higher, i.e. 0.8 to 0.95ps rms (12kHz to 20MHz) on the OC1, OC2 and OC3 differential outputs.

7.4 Input Clock Configuration

The DS31406 has two differential input clocks, IC1 and IC2, that can receive clock signals from 2kHz to 750MHz. The device tolerates a wide range of duty cycles out to a minimum high time or minimum low time of 3ns or 30% of the clock period, whichever is smaller. The input clock registers are bank-selected by the ICSEL register (see section 8.1.4 for explanation).

7.4.1 Signal Format Configuration

An input clock's differential receiver is enabled by setting ICCR1.ICEN=1 and disabled by setting ICEN=0. The power consumed by a differential receiver is shown in Table 10-2. The electrical specifications for these inputs are listed in

Table 10-4. Each input clock can be configured to accept LVDS, LVPECL, CML or CMOS/TTL signals by using the proper set of external components (see

Table 10-4 and Figure 10-1). To configure these differential inputs to accept single-ended 3.3V CMOS or TTL signals, connect the single-ended signal to the POS pin, and connect the NEG pin to a capacitor (0.1µF or 0.01µF) to VSS_IO. As shown in Figure 10-1, the NEG pin is internally biased to approximately 1.2V. If an input is not used, both POS and NEG pins can be left unconnected.

Table 7-1. Input Clock Capabilities

| INPUT CLOCK | SIGNAL FORMATS | FREQUENCIES (MHz) | DEFAULT FREQUENCY |
|-------------|----------------|--|-------------------|
| IC1 | Diferential | Differential: 2kHz to 750MHz | 19.44MHz |
| IC2 | or CMOS/TTL | or Single-ended: 2kHz to 125MHz (1) | 19.44MHz |

Note 1: See sections 7.4.2 for details on frequency dividers, fractional scaling, and direct-lock frequencies supported by the DPPLL.

7.4.2 Frequency Dividers, Scaling and Inversion

Figure 7-1. Input Clock Block Diagram

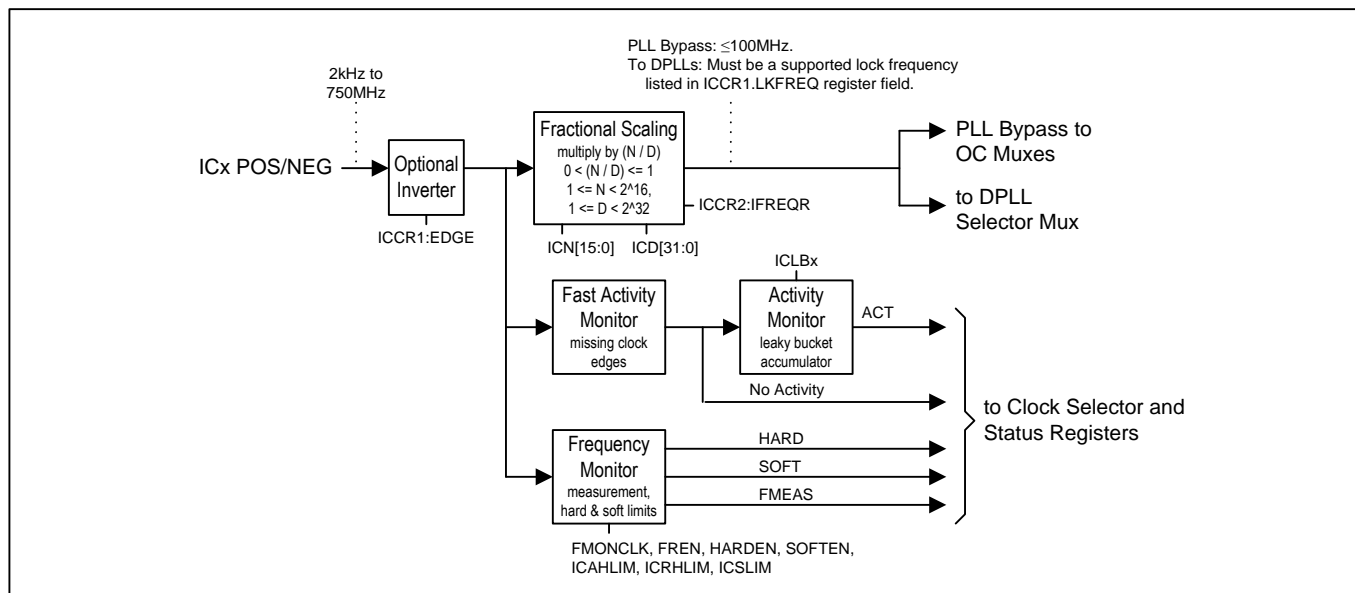


Figure 7-1 is a detailed block diagram of the input clock block in Figure 3-1. As shown in Figure 7-1, any frequency in the 2kHz to 750MHz range can be applied to the input clock pins as long as the frequency meets one of the following criteria:

1. A DPLL locking frequency listed in the **ICCR1.LKFREQ** register description
2. A frequency that can be divided by an unsigned integer (**ICD**) to produce a DPLL locking frequency listed in **ICCR1.LKFREQ**
3. A frequency that can be multiplied by the ratio of two integers (**ICN+1**) / **ICD+1**) to produce a DPLL locking frequency listed in **ICCR1.LKFREQ**

An example of item 3 above is the frequency 161,132,812.5Hz, which is the 10G Ethernet baud rate divided by 64 (i.e. $66 / 64 * 10.0\text{GHz} / 64$). The DS31406 can accept and lock to this frequency by setting **ICN=64-1=63**, **ICD=66*5-1=329**, and **ICCR1.LKFREQ=1100b** to fractionally scale this frequency to the 31.25MHz DPLL lock frequency.

Another example is the OTU2 rate divided by 16 (i.e. $255 / 237 * 9.95328\text{GHz} / 16$, approximately 669,326,582.278481Hz). The DS31406 can accept and lock to this frequency by setting **ICN=237-1=236**, **ICD=255*32-1=8159** and **ICCR1.LKFREQ=1001b** to fractionally scale this frequency to the 19.44MHz DPLL lock frequency.

Important notes about the input clock block:

- **ICCR1.POL** specifies the edge to which the DPLL will lock (by default, the falling edge).
- The frequency range field **ICCR1.IFREQR** must be set correctly for the actual frequency of the input clock.
- For fractional scaling, the input clock frequency must be $\geq 1\text{MHz}$, and **ICN** and **ICD** must be set to meet the requirement $0 < (\text{ICN} + 1) / (\text{ICD} + 1) \leq 0.25$.
- The frequency out of the scaling block must be a DPLL locking frequency listed in **ICCR1.LKFREQ**.
- **ICN** and **ICD** are set to 0 by default to give no dividing or scaling. This setting is useful for telecom rates that are DPLL locking frequencies (e.g. 8kHz, 1.544MHz, 2.048MHz and 19.44MHz)

7.5 Input Clock Monitoring

Each input clock is continuously monitored for activity. Activity monitoring is described in Sections 7.5.2 and 7.5.3. The valid/invalid state of each input clock is reported in the corresponding real-time status bit in the **VALSR** registers. When the valid/invalid state of a clock changes, the corresponding latched status bit is set in the **ICLSR1** register, and an interrupt request occurs if the corresponding interrupt enable bit is set in the **ICIER1** register. Input clocks marked invalid cannot be automatically selected as the reference for the DPLL.

7.5.1 Frequency Monitoring

The DS31406 monitors the frequency of each input clock and invalidates any clock whose frequency is outside of specified limits. Measured frequency can be read from the **FMEAS** field, which has ~5ppb resolution. In addition, three frequency limits can be specified: a soft limit (**ICSLIM**), a rejection hard limit (**ICRHLIM**), and an acceptance hard limit (**IC AHLIM**). When the frequency of an input clock is greater than or equal to the soft limit, the corresponding **ISR.SOFT** alarm bit is set to 1. The soft limit is only for monitoring; triggering it does not invalidate the clock. When the frequency of an input clock is greater than or equal to the rejection hard limit, the corresponding **ISR.HARD** alarm bit is set to 1, and the clock is marked invalid in the **VALSR** registers. When the frequency of an input clock is less than the acceptance hard limit, the **ISR.HARD** alarm bit is cleared to 0. Together, the acceptance hard limit and the rejection hard limit allow hysteresis to be configured as required by Telcordia spec GR-1244-CORE.

Monitoring according to the hard and soft limits is enabled/disabled using the **HARDEN** and **SOFTEN** bits in the **ICCR2** register. Limits can be set from $\pm 0.2\text{ppm}$ to $\pm 51\text{ppm}$ in 0.2ppm steps. Frequency monitoring is only done on an input clock when the clock does not have an activity alarm.

When `ICCR2.S2LIM=1`, the resolution of the `ICAH LIM` and `ICRH LIM` hard limit field changes from ~0.2ppm to ~5ppb for stratum 2 (and G.812 type I and type II) applications. In this mode limits can be set from ±5ppb to ±1.25ppm in 5ppb steps. The resolution of the `ICSLIM` soft limit is not changed when `S2LIM=1`.

The frequency monitoring logic determines the nominal (ideal, zero-error) frequency of the input clock from the values in the `ICCR1.LKFREQ`, `ICN`, `ICD`, and `ICCR1.IFREQR` fields. As must be done in any frequency measurement system, the frequency monitor counts the number of input clock cycles that occur in an interval of time equal to a specific number of reference clock periods. It then compares the actual count to the expected count to determine the fractional frequency offset of the input clock. The reference clock for the frequency monitor can be either the internal master clock (see section 7.3) or the output of one of the DPLLs, depending on the setting of `ICCR2.FMONCLK`.

Frequency measurement time can be specified in the `ICCR3.FMONLEN` field. For any input clock there is a relationship among frequency measurement precision, measurement length (time duration), and maximum input jitter amplitude as follows:

$$\text{freq_meas_length} \geq \text{max_p-p_jitter_amplitude} / (0.5 * \text{freq_meas_precision})$$

The default setting of `ICCR3.FMONLEN` is suitable for applications where maximum expected sinusoidal jitter is 1µs and a suitable `freq_meas_precision` is 0.2ppm. However, if 5 U1pp of DS1 jitter must be tolerated as described in GR-1244 requirement [50v2] then `freq_meas_length` should be $\geq 3.238\mu\text{s} / (0.5 * 0.2\text{ppm}) = 32.38\text{sec}$. For 10U1pp DS1 jitter, `freq_meas_length` should be $\geq 3.238\mu\text{s} / (0.5 * 0.2\text{ppm}) = 64.76\text{sec}$. If these measurement times are excessive then measurement time can be reduced with a corresponding reduction in measurement precision.

In stratum 2 applications, where the accept and reject limits are in the 10s of ppb, if maximum jitter is 1µs and 5ppb resolution is desired, `freq_meas_length` should be $\geq 1\mu\text{s} / (0.5 * 5\text{ppb}) = 400\text{sec}$. This duration is within the 600sec allowed by GR-1244 [131] for stratum 2.

When `ICCR2.FREN=1` the DS31406 performs gross frequency monitoring and invalidates any clock whose frequency is more than 10,000ppm away from nominal. This function is useful when hard limits are not enabled (`ICCR2.HARDEN=0`).

7.5.2 Activity Monitoring

Each input clock is monitored for activity and proper behavior using a leaky bucket accumulator. A leaky bucket accumulator is similar to an analog integrator: the output amplitude increases in the presence of input events and gradually decays in the absence of events. When events occur infrequently, the accumulator value decays fully between events and no alarm is declared. When events occur close enough together, the accumulator increments faster than it can decay and eventually reaches the alarm threshold. After an alarm has been declared, if events occur infrequently enough, the accumulator can decay faster than it is incremented by new events and eventually reaches the alarm clear threshold. The leaky bucket events come from the fast activity monitor.

The leaky bucket accumulator for each input clock has programmable size, alarm declare threshold, alarm clear threshold, and decay rate, all of which are specified in the `ICLB` registers.

Activity monitoring is divided into 128ms intervals. The accumulator is incremented once for each 128ms interval in which the input clock is inactive for a few clock cycles (see Table 7-2). Thus the “fill” rate of the bucket is at most 1 unit per 128ms, or approximately 8 units/second. During each period of 1, 2, 4 or 8 intervals (programmable), the accumulator decrements if no irregularities occur. Thus the “leak” rate of the bucket is approximately 8, 4, 2, or 1 units/second. A leak is prevented when a fill event occurs in the same interval.

When the value of an accumulator reaches the alarm threshold (`ICLBU` register), the corresponding `ISR.ACT` alarm bit is set to 1, and the clock is marked invalid in the `VALSR1` register. When the value of an accumulator reaches the alarm clear threshold (`ICLBL` register), the activity alarm is cleared by clearing the clock’s ACT bit. The accumulator cannot increment past the size of the bucket specified in the `ICLBS` register. The decay rate of the accumulator is specified in the `ICLBD` register. The values stored in the leaky bucket configuration registers must

have the following relationship at all times: $ICLBS \geq ICLBU > ICLBL$. If $ICLBS$ is set to 00h, the leaky bucket count is set to 0, the leaky bucket is disabled, and $ISR.ACT$ alarm bit is set to 0.

When the leaky bucket is empty, the minimum time to declare an activity alarm in seconds is $ICLBU / 8$. The minimum time to clear an activity alarm in seconds is $2^{ICLBD} \times (ICLBS - ICLBL) / 8$. As an example, assume $ICLBU = 8$, $ICLBL = 1$, $ICLBS = 10$, and $ICLBD = 0$. The minimum time to declare an activity alarm would be $8 / 8 = 1$ second. The minimum time to clear the activity alarm would be $2^0 \times (10 - 1) / 8 = 1.125$ seconds.

Table 7-2. Activity Monitoring, Missing Clock Cycles vs. Frequency

| INPUT CLOCK FREQUENCY | NUMBER OF MISSING CLOCK CYCLES |
|-----------------------|--------------------------------|
| <100 MHz | 2 |
| 100 – 200 MHz | 4 |
| 200 – 400 MHz | 8 |
| >400 MHz | 16 |

7.5.3 Selected Reference Fast Activity Monitoring

The input clock that the DPLL is currently locked to is called the selected reference. The quality of the DPLL's selected reference is exceedingly important, since missing cycles and other anomalies on the selected reference can cause unwanted jitter, wander or frequency offset on the output clocks. When anomalies occur on the selected reference they must be detected as soon as possible to give the DPLL opportunity to temporarily disconnect from the reference until the reference is available again. By design, the regular input clock activity monitor (the leaky bucket accumulator described in section 7.5.2) is too slow to be suitable for monitoring the selected reference. Instead, the input clock block provides a fast activity monitor that detects inactivity after a few missing clock cycles (see Table 7-2).

When the fast activity monitor detects a no-activity event, the DPLL immediately enters mini-holdover mode to isolate itself from the selected reference and sets the $SRFAIL$ bit in $PLL1LSR$. The setting of the $SRFAIL$ bit can cause an interrupt request if the corresponding enable bit is set in $PLL1IER$. If $IOCR.SRFEN = 1$, the $SRFAIL$ output pin follows the state of the $SRFAIL$ status bit. Optionally, a no-activity event can also cause an ultra-fast reference switch (see Section 7.6.4). When $DPLL5.NALOL = 0$ (default), the DPLL does not declare loss-of-lock during no-activity events. If the selected reference becomes available again before any alarms are declared by the activity monitor or frequency monitor, then the DPLL continues to track the selected reference using nearest-edge locking ($\pm 180^\circ$) to avoid cycle slips. When $NALOL = 1$, the DPLL declares loss-of-lock during no-activity events. This causes the DPLL state machine to transition to the loss-of-lock state, which sets the $STATE$ bit in $PLL1LSR$ and causes an interrupt request if enabled. If the selected reference becomes available again before any alarms are declared by the activity monitor or frequency monitor, then the DPLL tracks the selected reference using phase/frequency locking ($\pm 360^\circ$) until phase lock is reestablished.

7.6 Input Clock Priority, Selection and Switching

7.6.1 Priority Configuration

During normal operation, the selected reference for the DPLL is chosen automatically based on the priority rankings assigned to the input clocks in the input priority register ($IPR1$). The default input clock priorities are shown in Table 7-3.

Any unused input clock should be given the priority value 0, which disables the clock and marks it as unavailable for selection. Priority 1 is highest while priority 15 is lowest. The same priority can be given to two or more clocks.

Table 7-3. Default Input Clock Priorities

| INPUT CLOCK | DPLL DEFAULT PRIORITY |
|-------------|-----------------------|
|-------------|-----------------------|

| | |
|-----|---|
| IC1 | 1 |
| IC2 | 2 |

7.6.2 Automatic Selection

The reference selection algorithm for the DPLL chooses the highest-priority valid input clock to be the selected reference. The real-time valid/invalid state of each input clock is maintained in the **VALSR** registers (see section 7.5). The priority of each input clock is set as described in section 7.6.1. To select the proper input clock based on these criteria, the selection algorithm maintains a priority table of valid inputs. The top three entries in this priority table and the selected reference are displayed in the **PTAB1** and **PTAB2** registers.

If both input clocks are given the same priority number then they are prioritized among themselves using a fixed circular list. If one equal-priority clock is the selected reference but becomes invalid then the next equal-priority clock in the list becomes the selected reference. If an equal-priority clock that is not the selected reference becomes invalid, it is simply skipped over in the circular list. The selection among equal-priority inputs is inherently nonrevertive, and revertive switching mode (see next paragraph) has no effect in the case where multiple equal-priority inputs have the highest priority.

An important input to the selection algorithm is the REVERT bit in the **DPLLCR1** register. In revertive mode (REVERT = 1), if an input clock with a higher priority than the selected reference becomes valid, the higher priority reference immediately becomes the selected reference. In nonrevertive mode (REVERT = 0), the higher priority reference does not immediately become the selected reference but does become the highest priority reference in the priority table (REF1 field in the **PTAB1** register). (The selection algorithm always switches to the highest-priority valid input when the selected reference goes invalid, regardless of the state of the REVERT bit.) For many applications, nonrevertive mode is preferred because it minimizes disturbances on the output clocks due to reference switching.

In nonrevertive mode, planned switchover to a newly-valid higher priority input clock can be done manually under software control. The validation of the new higher priority clock sets the corresponding status bit in the **ICLSR** registers, which can drive an interrupt request on the INTREQ pin if needed. System software can then respond to this change of state by briefly enabling revertive mode (toggling REVERT high then back low) to force the switchover to the higher priority clock.

7.6.3 Forced Selection

The **DPLLCR1.FORCE** field provides a way to force a specified input clock to be the selected reference for the DPLL. In this register field, 0 specifies normal operation with automatic reference selection. Nonzero values specify the input clock to be the forced selection. Internally, forcing is accomplished by giving the specified clock the highest priority (as specified in **PTAB1.REF1**). In revertive mode (**DPLLCR1.REVERT** = 1) the forced clock automatically becomes the selected reference (as specified in **PTAB1.SELREF**) as well. In nonrevertive mode the forced clock only becomes the selected reference when the existing selected reference is invalidated or made unavailable for selection. In both revertive and nonrevertive modes when an input is forced to be the highest priority, the normal highest priority input (when no input is forced) is listed as the second-highest priority (**PTAB2.REF2**).

7.6.4 Ultra-Fast Reference Switching

By default, disqualification of the selected reference and switchover to another reference occurs when the activity monitor's inactivity alarm threshold has been crossed, a process that takes on the order of hundreds of milliseconds or seconds. However, an option for extremely fast disqualification and switchover is also available. When ultra-fast switching is enabled (**DPLLCR1.UFSW** = 1), if the fast activity monitor detects approximately two missing clock cycles it declares the reference failed (by forcing the leaky bucket accumulator to its upper threshold, see Section 7.5.2) and initiates reference switching. This is in addition to setting the SRFAIL bit and optionally generating an interrupt request, as described in Section 7.5.3. When ultra-fast switching occurs, the DPLL transitions to the prelocked 2 state, which allows switching to occur faster by bypassing the loss-of-lock state. The device should be in nonrevertive mode when ultra-fast switching is enabled. If the device is in revertive mode, ultra-fast switching could cause excessive reference switching when the highest priority input is intermittent.

7.6.5 External Reference Switching Mode

In this mode the SRCSW input pin controls reference switching between two clock inputs. This mode is enabled by setting the EXTSW bit to 1 in the [DPLLCR1](#) register. In this mode, if the SRCSW pin is high, the DPLL is forced to lock to input IC1 (if the priority of IC1 is nonzero in [IPR1](#)) whether or not the selected input has a valid reference signal. If the SRCSW pin is low the DPLL is forced to lock to input IC2 (if the priority of IC2 is nonzero in [IPR1](#)) whether or not the selected input has a valid reference signal. During reset the default value of the DPLL's EXTSW bit is latched from the SRCSW pin. If external reference switching mode is enabled during reset, the default frequency tolerance ([HRDLIM](#) registers) is configured to ± 80 ppm rather than the normal default of ± 9.2 ppm.

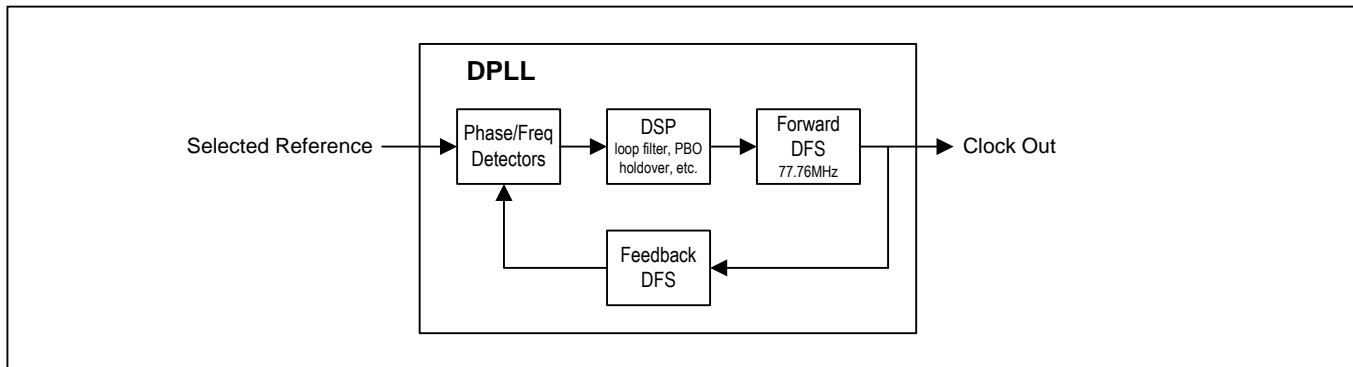
In external reference switching mode the device is simply a clock switch, and the DPLL is forced to lock onto the selected reference whether it is valid or not. Unlike forced reference selection (Section [7.6.3](#)) this mode controls the [PTAB1.SELREF](#) field directly and is, therefore, not affected by the state of the [DPLLCR1.REVERT](#) bit. During external reference switching mode, only [PTAB1.SELREF](#) is affected; the REF1 and REF2 fields in the [PTAB](#) registers continue to indicate the highest and second-highest priority valid inputs chosen by the automatic selection logic.

7.6.6 Output Clock Phase Continuity During Reference Switching

If phase build-out is enabled ([DPLLCR6.PBOEN](#) = 1) or the DPLL frequency limit ([HRDLIM](#)) is set to less than ± 30 ppm, the device always complies with the GR-1244-CORE requirement that the rate of phase change must be less than 81ns per 1.326ms during reference switching.

7.7 DPLL Architecture and Configuration

Figure 7-2. DPLL Block Diagram



Digital PLLs have two key benefits: (1) stable, repeatable performance that is insensitive to process variations, temperature, and voltage; and (2) flexible behavior that is easily programmed via configuration registers. DPLLs use digital frequency synthesis (DFS) to generate various clocks. In DFS a high-speed master clock (204.8MHz) is multiplied up from the local oscillator clock applied to the MCLKOSC pins. This master clock is then digitally divided down to the desired output frequency. The DFS output clock has approximately 40ps rms jitter.

The analog PLLs (see [Figure 3-1](#)) can then be used to filter the jitter from the DPLL, reducing the output jitter to less than 1ps RMS, typical (measured over 12kHz to 20MHz)..

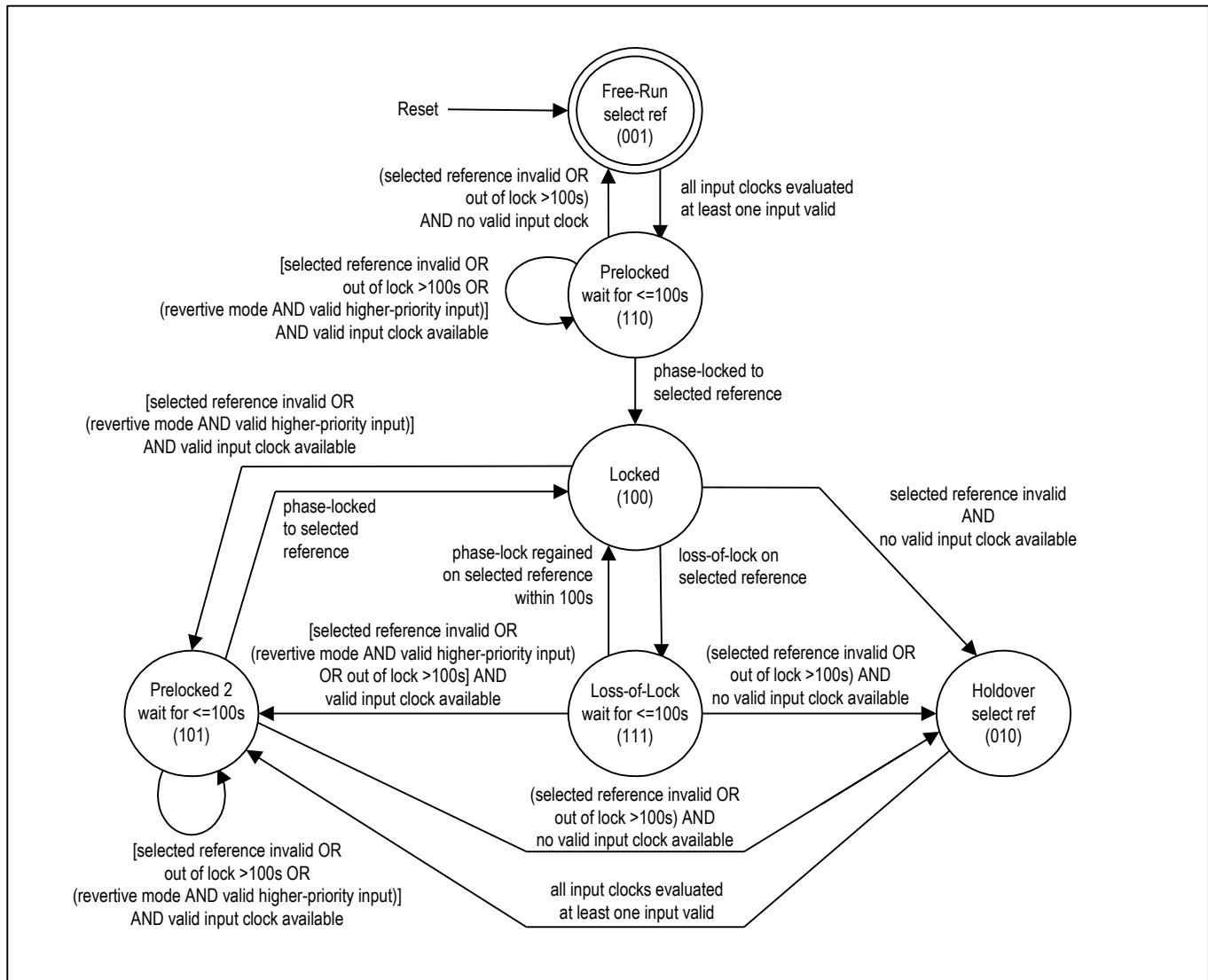
The DPLL in the device is configurable for many PLL parameters including bandwidth, damping factor, input frequency, pull-in/hold-in range, input-to-output phase offset, phase build-out, and more. No knowledge of loop equations or gain parameters is required to configure and operate the device. No external components are required for the DPLL or the APLLs except the high-quality local oscillator connected to the MCLKOSC pins.

7.7.1 DPLL State Machine

The DPLL has three main timing modes: locked, holdover and free-run. The control state machine for the DPLL has states for each timing mode as well as three temporary states: prelocked, prelocked 2 and loss-of-lock. The state transition diagram is shown in Figure 7-3. Descriptions of each state are given in the paragraphs below. During normal operation the state machine controls state transitions. When necessary, however, the state can be forced using the `DPLLCR2.STATE` configuration field.

Whenever the DPLL changes state, the STATE bit in `PLL1LSR` is set, which can cause an interrupt request if enabled. The current DPLL state can be read from the `PLL1SR.STATE`.

Figure 7-3. DPLL State Transition Diagram



Notes:

- An input clock is valid when it has no activity alarm, no frequency hard limit alarm, and no phase lock alarm (see the `VALSR` registers and the `ISR` register).
- All input clocks are continuously monitored for activity and frequency.
- Only the selected reference is monitored for loss of lock.
- Phase lock is declared internally when the DPLL has maintained phase lock continuously for approximately 1 to 2 seconds.
- To simplify the diagram, the phase-lock timeout period is always shown as 100s, which is the default value of the `PHLKTO` register. Longer or shorter timeout periods can be specified as needed by writing the appropriate value to the `PHLKTO` register.
- When selected reference is invalid and the DPLL is not in free-run or holdover, the DPLL is in a temporary holdover state.

7.7.1.1 Free-Run State

Free-run mode is the reset default state. In free-run the DPLL output clock is derived from the local oscillator attached to the MCLKOSC pins. The frequency of the output clock is a specific multiple of the local oscillator, and the frequency accuracy of the output clock is equal to the frequency accuracy of the master clock as calibrated by the [MCFREQ](#) field (see Section 7.3). The state machine transitions from free-run to the prelocked state when a selected reference is available at the input of the DPLL.

7.7.1.2 Prelocked State

The prelocked state provides a 100-second period (default value of [PHLKTO](#) register) for the DPLL to lock to the selected reference. If phase lock (see Section 7.7.5) is achieved for 2 seconds during this period then the state machine transitions to locked mode.

If the DPLL fails to lock to the selected reference within the phase-lock timeout period specified by [PHLKTO](#) then a phase lock alarm is raised (corresponding [LOCK](#) bit set in the [ISR](#) register), invalidating the input ([ICn](#) bit goes low in [VALSR](#) registers). If the clock selector block determines that another input clock is valid then the DPLL state machine re-enters the prelocked state and tries to lock to the alternate input clock. If no other input clocks are valid for two seconds, then the state machine transitions back to the free-run state. Meanwhile, for the invalidated clock, the phase lock alarm can automatically timeout after an amount of time specified by the [LKATO](#) register (default 100 seconds) or can be cleared by software writing a 0 to the [LOCK](#) bit.

In revertive mode ([DPLLCR1.REVERT](#) = 1), if a higher priority input clock becomes valid during the phase-lock timeout period then the state machine re-enters the prelocked state and tries to lock the higher priority input.

If a phase-lock timeout period longer than 100 seconds is required for locking, then the [PHLKTO](#) register must be configured accordingly.

7.7.1.3 Locked State

The DPLL state machine can reach the locked state from the prelocked, prelocked 2, or loss-of-lock states when the DPLL has locked to the selected reference for at least 2 seconds (see Section 7.7.5). In the locked state the output clocks track the phase and frequency of the selected reference.

If the [IOCR.LOCKEN](#) bit is set properly, the [LOCK](#) pin is driven high when the DPLL is in the locked state.

While in the locked state, if the selected reference is so impaired that an activity alarm is raised (corresponding [ACT](#) bit set in the [ISR](#) register), then the selected reference is invalidated ([ICn](#) bit goes low in [VALSR](#) registers), and the state machine immediately transitions to either the prelocked 2 state (if another valid input clock is available) or, after being invalid for 2 seconds, to the holdover state (if no other input clock is valid).

If loss-of-lock (see Section 7.7.5) is declared while in the locked state then the state machine transitions to the loss-of-lock state.

7.7.1.4 Loss-of-Lock State

When the loss-of-lock detectors (see Section 7.7.5) indicate loss of phase lock, the state machine immediately transitions from the locked state to the loss-of-lock state. In the loss-of-lock state the DPLL tries for 100 seconds (default value of [PHLKTO](#) register) to regain phase lock. If phase lock is regained during that period for more than 2 seconds, the state machine transitions back to the locked state.

If, during the phase-lock timeout period specified by [PHLKTO](#), the selected reference is so impaired that an activity alarm or a hard frequency limit alarm is raised (corresponding [ACT](#) or [HARD](#) bit set in the [ISR](#) register), then the selected reference is invalidated ([ICn](#) bit goes low in [VALSR](#) registers), and after being invalid for 2 seconds the state machine transitions to either the prelocked 2 state (if another valid input clock is available) or the holdover state (if no other input clock is valid).

If phase lock cannot be regained by the end of the phase-lock timeout period then a phase lock alarm is raised (corresponding LOCK bit set in the [ISR](#) register), the selected reference is invalidated (ICn bit goes low in [VALSR](#) registers), and the state machine transitions to either the prelocked 2 state (if another valid input clock is available) or, after being invalid for 2 seconds, to the holdover state (if no other input clock is valid). The phase lock alarm can automatically timeout after an amount of time specified by the [LKATO](#) register (default 100 seconds) or can be cleared by software writing a 0 to the LOCK bit.

Note that if [PHLKTO](#)[5:0]=0 then the phase lock timeout is disabled, and the DPLL can remain indefinitely in the loss-of-lock state. Also, if [LKATO](#)[5:0]=0, the lock alarm timeout is disabled, and any phase lock alarm remains active until cleared by software writing a 0 to the LOCK bit.

7.7.1.5 Prelocked 2 State

The prelocked and prelocked 2 states are similar. The prelocked 2 state provides a 100-second period (default value of [PHLKTO](#) register) for the DPLL to lock to the new selected reference. If phase lock (see Section 7.7.5) is achieved for more than 2 seconds during this period then the state machine transitions to locked mode.

If the DPLL fails to lock to the new selected reference within the phase-lock timeout period specified by [PHLKTO](#) then a phase lock alarm is raised (corresponding LOCK bit set in the [ISR](#) register), invalidating the input (ICn bit goes low in [VALSR](#) registers). If the clock selector block determines that another input clock is valid then the state machine re-enters the prelocked 2 state and tries to lock to the alternate input clock. If no other input clocks are valid for 2 seconds, the state machine transitions to the holdover state. Meanwhile, for the invalidated clock, the phase lock alarm can automatically timeout after an amount of time specified by the [LKATO](#) register (default 100 seconds) or can be cleared by software writing a 0 to the LOCK bit.

In revertive mode ([DPLLCR1](#).REVERT = 1), if a higher priority input clock becomes valid during the phase-lock timeout period then the state machine re-enters the prelocked 2 state and tries to lock to the higher priority input.

If a phase-lock timeout period longer than 100 seconds is required for locking, then the [PHLKTO](#) register must be configured accordingly.

7.7.1.6 Holdover State

The device reaches the holdover state when it declares its selected reference invalid for 2 seconds and has no other valid input clocks available. During holdover the DPLL is not phase locked to any input clock but instead generates its output frequency from stored frequency information acquired while it was in the locked state. When at least one input clock has been declared valid the state machine immediately transitions from holdover to the prelocked 2 state and tries to lock to the highest priority valid clock. The DPLL can be configured for any of several holdover modes as described in the following subsections.

7.7.1.6.1 Automatic Holdover

For automatic holdover ([DPLLCR2](#).HOMODE \neq 01), the device can be further configured for instantaneous mode or averaged mode. In *instantaneous mode* ([DPLLCR2](#).HOMODE = 00), the holdover frequency is set to the DPLL's current frequency (i.e., the value of the [FREQ](#) field) 50 to 100 ms before entry into holdover. The [FREQ](#) field is the DPLL's integral path and therefore is an average frequency with a rate of change inversely proportional to the DPLL bandwidth. The DPLL's proportional path is not used in order to minimize the effect of recent phase disturbances on the holdover frequency.

In *averaged mode* ([DPLLCR2](#).HOMODE = 10 or 11), the holdover frequency is set to an internally averaged value. During locked operation the frequency indicated in the [FREQ](#) field is internally averaged over a 5.8 minute period (fast average, [DPLLCR2](#).HOMODE = 11) or a 93.2 minute period (slow average, [DPLLCR2](#).HOMODE = 10). The DPLL indicates that it has acquired a valid holdover value by setting the FHORDY and SHORDY status bit in [PLL1SR](#) (real-time status) and [PLL1LSR](#) (latched status). If the DPLL is configured for slow average holdover mode and must enter holdover before the 93.2-minute average is available, then the 5.8-minute average is used, if available. Otherwise the one second average or the instantaneous value from the integral path is used. Similarly, if the DPLL is configured for fast average holdover mode and must enter holdover before the 5.8-minute average is available, then the one-second average or the instantaneous value is used.

Stored holdover values can be reset (erased) by setting [DPLLCR2.HORST](#) to 1. Typically this would be done when the system knows its new selected reference and its previous selected reference are several ppm apart in frequency. One scenario where this could occur is if the DPLL was previously locked to a poor-quality reference (e.g. ± 20 ppm SONET Minimum Clock) but is now locked to a high quality reference (e.g. a Stratum 1 traceable reference). If system software does not toggle HORST after the transition from the poor-quality reference to the high-quality reference then (1) the DPLL continues its averaging process using frequency measurements from the previous reference and gradually including new frequency measurements from the new reference, causing the stored holdover averages to gradually change from the frequency of the previous reference to the frequency of the new reference over time, (2) the fast and slow holdover averages will not be computed on only the new reference until 5.8 minutes and 93.2 minutes, respectively, after the DPLL locks to the new reference, and (3) the FHORDY and SHORDY bits in [PLL1SR](#) will not be cleared and therefore won't be set again to indicate when the 5.8 minute and 93.2 minute periods have elapsed.

7.7.1.6.2 Manual Holdover

For *manual holdover* ([DPLLCR2.HOMODE](#) = 01), the holdover frequency is set by the [HOFREQ](#) field. The HOFREQ field has the same size and format as the current frequency field ([FREQ](#)).

If desired, software can, during locked operation, read the current frequency from [FREQ](#), filter or average it over time, and then write the resulting holdover frequency to [HOFREQ](#). When [DPLLCR6.RDAVG](#) = 0, the value read from the [FREQ](#) field is derived from the DPLL's integral path, and thus can be considered a very short-term average frequency with a rate of change inversely proportional to the DPLL bandwidth. When [DPLLCR6.RDAVG](#) \neq 0, the value read from the [FREQ](#) field is one of the longer-term frequency averages computed by the DPLL: 1 second, 5.8 minutes or 93.2 minutes. The FHORDY and SHORDY status bits, respectively, in [PLL1SR](#) indicate when valid 5.8-minute or 93.2-minute averages are available to be read.

7.7.1.7 Mini-Holdover

When the selected reference fails, the fast activity monitor (Section [7.5.3](#)) isolates the DPLL from the reference within one or two clock cycles to avoid adverse effects on the DPLL frequency. When this fast isolation occurs, the DPLL enters a temporary mini-holdover mode, with a mini-holdover frequency as specified by [DPLLCR2.MINIHO](#). Mini-holdover lasts until the selected reference returns or a new input clock has been chosen as the selected reference or the state machine enters the holdover state.

7.7.2 Bandwidth

The bandwidth of the DPLL is configured by the [DPLLCR3.ABW](#) and [DPLLCR4.LBW](#) fields for various values from 0.5mHz to 400Hz. The [DPLLCR6.AUTOBW](#) bit controls automatic bandwidth selection. When AUTOBW = 1, the DPLL uses the ABW bandwidth during acquisition (not phase locked) and the LBW bandwidth when phase locked. When AUTOBW = 0 the DPLL uses the LBW bandwidth all the time, both during acquisition and when phase locked.

When [DPLLCR6.LIMINT](#) = 1, the DPLL's integral path is limited (i.e., frozen) when the DPLL reaches minimum or maximum frequency. Setting LIMINT = 1 minimizes overshoot when the DPLL is pulling in.

7.7.3 Damping Factor

The damping factor for the DPLL is configured in the [DPLLCR3.ADAMP](#) and [DPLLCR4.LDAMP](#) fields. The reset default damping factor is chosen to give a maximum jitter/wander gain peak of approximately 0.1dB. Available settings are a function of DPLL bandwidth (section [7.7.2](#)). See [Table 7-4](#).

Table 7-4. Damping Factors and Peak Jitter/Wander Gain

| BANDWIDTH (Hz) | DAMP[2:0] VALUE | DAMPING FACTOR | GAIN PEAK (dB) |
|----------------|-----------------|----------------|----------------|
| 0.1 to 4 | 1, 2, 3, 4, 5 | 5 | 0.1 |
| 8 | 1 | 2.5 | 0.2 |
| | 2, 3, 4, 5 | 5 | 0.1 |
| 18 | 1 | 1.2 | 0.4 |
| | 2 | 2.5 | 0.2 |
| | 3, 4, 5 | 5 | 0.1 |
| 35 | 1 | 1.2 | 0.4 |
| | 2 | 2.5 | 0.2 |
| | 3 | 5 | 0.1 |
| | 4, 5 | 10 | 0.06 |
| 70 to 400 | 1 | 1.2 | 0.4 |
| | 2 | 2.5 | 0.2 |
| | 3 | 5 | 0.1 |
| | 4 | 10 | 0.06 |
| | 5 | 20 | 0.03 |

7.7.4 Phase Detectors

Phase detectors are used to compare the DPLL's feedback clock with its input clock. Two phase detectors are available in the DPLL:

- Phase/frequency detector (PFD)
- Multicycle phase detector (MCPD) for large input jitter tolerance and/or faster lock times

These detectors can be used in combination to give fine phase resolution combined with large jitter tolerance. As with the rest of the DPLL logic, the phase detectors operate at input frequencies up to 77.76MHz. The multicycle phase detector detects and remembers phase differences of many cycles (up to 8191UI). When locking to 8kHz or lower, the normal phase/frequency detector is always used.

The DPLL phase detectors can be configured for normal phase/frequency locking ($\pm 360^\circ$ capture) or nearest-edge phase locking ($\pm 180^\circ$ capture). With nearest-edge locking the phase detectors are immune to occasional missing clock cycles. The DPLL automatically switches to nearest-edge locking when the multicycle phase detector is disabled and the PFD determines that phase lock has been achieved. Setting `DPLLCR5.D180 = 1` disables nearest-edge locking and forces the DPLL to use phase/frequency locking.

The multicycle phase detector is enabled by setting `DPLLCR5.MCPDEN = 1`. The range of the MCPD—from ± 1 UI up to ± 8191 UI—is configured in the `PHLIM.COARSELIM` field. The MCPD tracks phase position over many clock cycles, giving high jitter tolerance.

When `DPLLCR5.USEMCPD = 1`, the MCPD is used in the DPLL loop, giving faster pull-in but more overshoot. In this mode the loop has behavior similar to a scenario where the input clock is divided down and the lock frequency is 8kHz or 2kHz.. In both cases large phase differences contribute to the dynamics of the loop. When enabled by `MCPDEN = 1`, the MCPD tracks the phase position whether or not it is used in the DPLL loop.

When the input clock is divided before being sent to the phase detector, the divider output clock edge gets aligned to the feedback clock edge before the DPLL starts to lock to a new input clock signal or after the input clock signal has a temporary signal loss. This helps ensure locking to the nearest input clock edge which reduces output transients and decreases lock times.

7.7.5 Loss of Phase Lock Detection

Loss of phase lock can be triggered by any of the following:

- The fine phase limit
- The coarse limit
- Hard frequency limit
- Inactivity detector

The fine phase limit is enabled by setting `DPLLCR5.FLEN = 1` and configured in the `PHLIM.FINELIM` field.

The coarse phase limit is enabled by setting `DPLLCR5.CLEN = 1` and configured in the `PHLIM.COARSELIM` field. This coarse phase limit is part of the multicycle phase detector (MCPD) described in Section 7.7.4. The `COARSELIM` field sets both the MCPD range and the coarse phase limit, since the two are equivalent. If loss of phase lock should not be declared for multiple-UI input jitter then the fine phase limit should be disabled and the coarse phase limit should be used instead.

The hard frequency limit detector is enabled by setting `DPLLCR5.FLLOL = 1`. The hard limit is configured in the `HRDLIM` field. When the DPLL frequency reaches the hard limit, loss-of-lock is declared. The DPLL also has a frequency soft limit specified in the `SOFTLIM` register. Exceeding the soft frequency limit causes the `SOFT` status bit is set in the `PLL1SR` register to be set but does not cause loss-of-lock to be declared.

The inactivity detector is enabled by setting `DPLLCR5.NALOL = 1`. When this detector is enabled the DPLL declares loss-of-lock after one or two missing clock cycles on the selected reference. See Section 7.5.3.

When the DPLL declares loss of phase lock, the `PALARM` bit is set in `PLL1SR`, and the state machine immediately transitions to the loss-of-lock state, which sets the `STATE` bit in the `PLL1LSR` register and causes an interrupt request if enabled.

7.7.6 Phase Monitor and Phase Build-Out

7.7.6.1 Phase Monitor

The DPLL has a phase monitor that measures the phase error between the input clock reference and the DPLL output clock. The phase monitor is enabled by setting `PHMON.PMEN = 1`. When the DPLL is set for low bandwidth, a phase transient on the input causes an immediate phase error that is gradually reduced as the DPLL tracks the input. When the measured phase error exceeds the limit set in the `PHMON.PHMONLIM` field, the phase monitor declares a phase monitor alarm by setting the `PLL1LSR.PHMON`. The `PHMONLIM` field can specify a limit ranging from about 1 μ s to about 3.5 μ s.

7.7.6.2 Phase Build-Out in Response to Input Phase Transients

See Telcordia GR-1244-CORE Section 5.7 for an explanation of phase build-out (PBO) and the requirement for stratum 3E clocks to perform PBO in response to input phase transients.

When the phase monitor is enabled (as described in Section 7.7.6.1) and `PHMON.PMPBEN = 1`, the DPLL automatically triggers PBO events in response to input transients greater than the limit set in `PHMON.PHMONLIM`. The range of limits available in the `PHMONLIM` field allows the DPLL to be configured to build out input transients greater than 3.5 μ s, greater than 1 μ s, or any threshold in between.

To determine when to perform PBO, the phase monitor watches for phase changes greater than 100ns in a 10ms interval on the selected reference. When such a phase change occurs, an internal 0.1 second timer is started. If during this interval the phase change is greater than the `PHMONLIM` threshold then a PBO event occurs. During a PBO event the device enters a temporary holdover state in which the phase difference between the selected reference and the output is measured and fed into the DPLL loop to absorb the input transient. After a PBO event, regardless of the input phase transient, the output phase transient is less than or equal to 1ns. Phase build-out can

be frozen at the current phase offset by setting `DPLL6.PBOFRZ = 1`. When PBO is frozen the DPLL ignores subsequent phase build-out events and maintains the current phase offset between input and outputs.

7.7.6.3 Automatic Phase Build-Out in Response to Reference Switching

When `DPLL6.PBOEN = 0`, phase build-out is not performed during reference switching, and the DPLL always locks to the selected reference at zero degrees of phase. With PBO disabled, transitions from a failed reference to the next highest priority reference and transitions from holdover or free-run to locked mode cause phase transients on output clocks as the DPLL jumps from its previous phase to the phase of the new selected reference.

When `DPLL6.PBOEN = 1`, phase build-out is performed during reference switching (or exiting from holdover). With PBO enabled, if the selected reference fails and another valid reference is available then the device enters a temporary holdover state in which the phase difference between the new reference and the output is measured and fed into the DPLL loop to absorb the input phase difference. Similarly, during transitions from full-holdover, mini-holdover or free-run to locked mode, the phase difference between the new reference and the output is measured and fed into the DPLL loop to absorb the input phase difference. After a PBO event, regardless of the input phase difference, the output phase transient is less than or equal to 1ns.

Any time that PBO is enabled it can also be frozen at the current phase offset by setting `DPLL6.PBOFRZ = 1`. When PBO is frozen the DPLL ignores subsequent phase build-out events and maintains the current phase offset between inputs and outputs.

Disabling PBO while the DPLL is not in the free-run or holdover states (locking or locked) will cause a phase change on the output clocks while the DPLL switches to tracking the selected reference with zero degrees of phase error. The rate of phase change on the output clocks depends on the DPLL bandwidth. Enabling PBO (which includes un-freezing) while locking or locked also causes a PBO event.

7.7.6.4 Manual Phase Build-Out Control

Software can have manual control over phase build-out, if required. Initial configuration for manual PBO involves locking to an input clock with frequency $\geq 6.48\text{MHz}$, setting `DPLL6.PBOEN = 0` and `PHMON.PMPBEN = 0` to disable automatic phase build-out, and setting `PHMON.PMEN = 1` and the proper phase limit in `PHMON.PHMONLIM` to enable monitoring for a phase transient.

During operation, software can monitor for either a phase transient (`PLL1LSR.PHMON = 1`) or a DPLL state change (`PLL1LSR.STATE = 1`). When either event occurs, software can perform the following procedure to execute a manual phase build-out (PBO) event:

- 1) Read the phase offset from the `PHASE` registers to decide whether or not to initiate a PBO event.
- 2) If a PBO event is desired then save the phase offset and set `DPLL6.PBOEN` to cause a PBO event.
- 3) When the PBO event is complete (wait for a timeout and/or `PHASE = 0`), write the manual phase offset registers (`OFFSET`) with the phase offset read earlier. (**Note:** the `PHASE` register is in degrees, the `OFFSET` register is in picoseconds)
- 4) Clear `DPLL6.PBOEN` and wait for the next event that may need a manual PBO.

7.7.6.5 PBO Phase Offset Adjustment

An uncertainty of up to 5ns is introduced each time a phase build-out event occurs. This uncertainty results in a phase hit on the output. Over a large number of phase build-out events the mean error should be zero. The `PBOFF` register specifies a small fixed offset for each phase build-out event to skew the average error toward zero and eliminate accumulation of phase shifts in one direction.

7.7.7 Manual Phase Adjustment

When phase build-out is disabled (`DPLL6.PBOEN = 0`), the `OFFSET` field can be used to adjust the phase of the DPLL's output clock with respect to its input clock. Output phase offset can be adjusted over a $\pm 200\text{ns}$ range in 6ps increments. This phase adjustment occurs in the feedback clock so that the output clocks are adjusted to compensate. The rate of change is therefore a function of DPLL bandwidth. Simply writing to the `OFFSET` registers

with phase build-out disabled causes a change in the input to output phase, which can be considered to be a delay adjustment. Changing the OFFSET adjustment while in free-run or holdover state will not cause an output phase offset until the DPLL enters one of the locking states.

7.7.8 Phase Recalibration

When a phase buildout occurs, either automatic or manual, the feedback frequency synthesizer does not get an internal alignment signal to keep it aligned with the output dividers, and therefore the phase difference between input and output may become incorrect. This could occur if there is a power supply glitch or EMI event that affects the sequential logic state machines. Setting the [DPLLCR6.RECAL](#) bit periodically causes a recalibration process to be executed which corrects any phase error that may have occurred.

During the recalibration process the device puts the DPLL into mini-holdover, internally ramps the phase offset to zero, resets all clock dividers, ramps the phase offset to the value stored in the [OFFSET](#) registers, and then switches the DPLL out of mini-holdover. If the [OFFSET](#) registers are written during the recalibration process, the process will ramp the phase offset to the new offset value.

7.7.9 Frequency and Phase Measurement

If the DPLL is otherwise unused, it can be employed as a high-resolution frequency and phase measurement system. As described in Section [7.5.1](#), the input clock frequency monitors report measured frequency with ~5ppb resolution. For higher resolution frequency measurement, the DPLL can be used. When the DPLL is locked to an input clock, the frequency of the DPLL, and therefore of the input clock, is reported in the [FREQ](#) field. This frequency measurement has a resolution of 3.7427766E-8ppm over a ± 80 ppm range. The value read from the FREQ field is the DPLL's integral path value, which is an averaged measurement with an averaging time inversely proportional to DPLL bandwidth. The reference for frequency measurements is the frequency of the MCLKOSC signal after adjustment by the [MCFREQ](#) field.

DPLL phase measurements can be read from the [PHASE](#) field. This field indicates the phase difference between the input clock and the feedback clock. This phase measurement has a resolution of approximately 0.707 degrees and is internally averaged with a -3dB attenuation point of approximately 100Hz. Thus for low DPLL bandwidths the PHASE field gives input phase wander in the frequency band from the DPLL corner frequency up to 100Hz. This information could be used by software to compute a crude MTIE measurement.

7.7.10 Input Wander and Jitter Tolerance

The device is compliant with the jitter and wander tolerance requirements of the standards listed in [Table 1-1](#). Wander is tolerated up to the point where wander causes an apparent long-term frequency offset larger than the limits specified in the [ICRHLIM](#) register. In such a situation the input clock would be declared invalid. When using the $\pm 360^\circ/\pm 180^\circ$ phase/frequency detector, jitter can be tolerated up to the point of eye closure. The multicycle phase detector (see Section [7.7.4](#)) should be used for high jitter tolerance.

7.7.11 Jitter and Wander Transfer

The transfer of jitter and wander from the selected reference to the output clocks has a programmable transfer function that is determined by the DPLL bandwidth. (See Section [7.7.2](#).) The 3dB corner frequency of the jitter transfer function can be set to any of a number of values from 0.5mHz to 400Hz.

During locked mode, the transfer of wander from the local oscillator clock (connected to the MCLKOSC pins) to the output clocks is not significant as long as the DPLL bandwidth is set high enough to allow the DPLL to quickly compensate for oscillator frequency changes. During free-run and holdover modes, local oscillator wander has a much more significant effect. See Section [7.3](#).

7.7.12 Output Jitter and Wander

Several factors contribute to jitter and wander on the output clocks, including:

- Jitter and wander amplitude on the selected reference (while in the locked state)
- The jitter/wander transfer characteristic of the device (while in the locked state)
- The jitter and wander on the local oscillator clock signal (especially wander while in the holdover state)

The DPLL has programmable bandwidth (see Section 7.7.2). With respect to jitter and wander, the DPLL behaves as a low-pass filter with a programmable pole. The bandwidth of the DPLL is normally set low enough to strongly attenuate jitter. The wander and jitter attenuation depends on the DPLL bandwidth chosen.

Over time frequency changes in the local oscillator can cause a phase difference between the selected reference and the output clocks. This is especially true at lower frequency DPLL bandwidths because the DPLL's rate of change may be slower than the oscillator's rate of change. Oscillators with better stability will minimize this effect. In the most demanding applications an OCXO may be required rather than a TCXO.

7.7.13 ±160ppm Tracking Range Mode

Each DPLL has an optional mode where the resolution and range of all internal frequency offsets are scaled up by a factor of two. This mode is useful in systems where DPLL pull-in and hold-in range must be larger than the normal ±80ppm maximum. To enable this mode, set bit 1 at address 0x247.

When this mode is enabled the value of an lsb and the range of the following fields are doubled: [HRDLIM](#), [SOFTLIM](#), [HOFREQ](#) and [FREQ](#). In addition the DPLL bandwidths listed in [DPLLCR3.ABW](#) and [DPLLCR4.LBW](#) are doubled, and the damping factors listed in [DPLLCR3.ADAMP](#) and [DPLLCR4.LDAMP](#) are multiplied by the square root of 2.

7.8 Output Clock Configuration

In addition to an 8kHz clock or frame pulse on the FSYNC pin and a 2kHz clock or frame pulse on the MFSYNC pin, the DS31406 features fourteen programmable output clock signals organized into seven pairs: OC1 through OC7. See [Figure 3-1](#). Each output clock group consists of a differential clock signal and a CMOS clock signal. Output clock groups OC1, OC2 and OC3 have high-speed APLLs in their paths and therefore have CML differential outputs to handle frequencies up to 750MHz. Output clock groups OC4 through OC7 don't have APLLs and therefore have lower-power LVDS/LVPECL differential outputs suitable for frequencies up to 312.5MHz. [Table 7-5](#) provides more detail on the capabilities of the output clock pins.

Table 7-5. Output Clock Capabilities

| OUTPUT CLOCK | SIGNAL FORMAT | FREQUENCIES SUPPORTED |
|--------------|---------------|--|
| OC1 | CMOS/TTL | Nearly any frequency from <1Hz through 125MHz. See Section 7.8.2.4 . |
| OC2 | | |
| OC3 | | |
| OC4 | | |
| OC5 | | |
| OC6 | | |
| OC7 | | |
| OC1POS/NEG | CML | Nearly any frequency from <1Hz through 750MHz. See Section 7.8.2.4 . |
| OC2POS/NEG | | |
| OC3POS/NEG | | |
| OC4POS/NEG | LVDS/LVPECL | Nearly any frequency from <1Hz through 312.5MHz. See Section 7.8.2.4 . |
| OC5POS/NEG | | |
| OC6POS/NEG | | |
| OC7POS/NEG | | |

| OUTPUT CLOCK | SIGNAL FORMAT | FREQUENCIES SUPPORTED |
|--------------|---------------|--|
| FSYNC | CMOS/TTL | 8kHz frame sync with programmable pulse width and polarity. |
| MFSYNC | | 2kHz multiframe sync with programmable pulse width and polarity. |

7.8.1 Enable and Interfacing

For each output clock, the CMOS output pin is enabled by setting [OCCR3.CEN](#) = 1 and optionally can be inverted by setting [OCCR3.CINV](#) = 1. CMOS outputs can put in a high-impedance state by setting the appropriate bit in [OCCOE1](#) or [OCCOE2](#).

The differential outputs can be enabled by setting [OCCR4.DEN](#)=1 and can be inverted by setting [OCCR4.DINV](#)=1. For output clocks OC4 through OC7, the differential signal format is set by [OCCR1.DIFS](#). When DEN=0, CML output drivers are turned off and both POS and NEG outputs are pulled up to VDD_APLLx_33 by the internal 50Ω pullup resistors. When DEN=0, LVDS/LVPECL output drivers are turned off and output impedance is approximately 4kΩ.

The differential outputs can be easily interfaced to LVDS, LVPECL, CML and HSTL inputs on neighboring ICs using a few external passive components. See [App Note HFAN-1.0](#) for details.

7.8.2 Frequency Configuration

The frequency of each output is determined by the configuration of its DFS block, APLL, output divider and muxes (all shown in [Figure 3-1](#)).

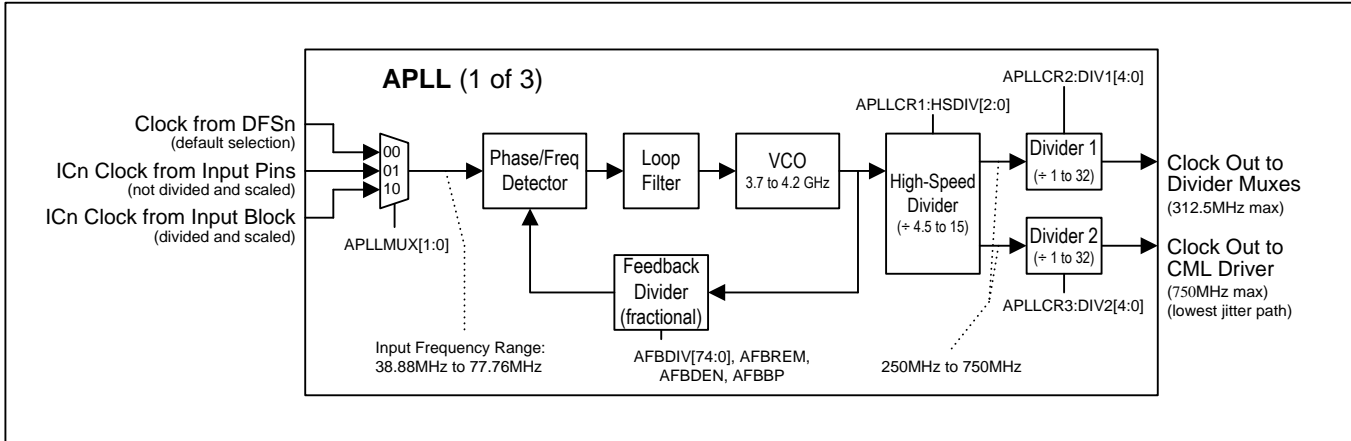
7.8.2.1 DFS Block

The DFS block is slaved to either the DPLL or the local oscillator clock signal on the MCLKOSC pins, depending on the setting of [OCCR1.DFSMUX](#). The DFS block uses digital frequency synthesis (DFS) to synthesize a clock. In DFS a high-speed master clock (204.8MHz) is divided down to the desired output frequency by continually adding a number to an accumulator. The output of the DFS block is a coding of the clock output phase which is used by a precision circuit to determine where to put the edges of the output clock between the clock edges of the master clock. The edges of the output clock, however, are not ideally located in time resulting in DFS output clock jitter with an amplitude approximately 40ps rms.

The DFS block has two modes of operation. When [OCCR1.DFSFREQ](#)≠1111, the DFS block synthesizes one of 15 common telecom, datacom or Nx10MHz frequencies. When [DFSFREQ](#)=1111, the DFS block is configured for programmable DFS mode in which it can synthesize any multiple of 2kHz from 38.88MHz to 77.76MHz. The DS31406DK demo kit software makes configuration in programmable DFS mode easy.

7.8.2.2 APLL

Figure 7-4. APLL Block Diagram



Output clock paths OC1, OC2 and OC3 each have an APLL that can multiply and fractionally scale the frequency and filter the jitter down to levels that are compliant with OC-192 and 10G Ethernet. The APLL is enabled when [APLLCR1.APPLLEN=1](#). The APLL has a fractional-N architecture and therefore can produce output frequencies that are either integer or non-integer multiples of the input clock frequency. [Figure 7-4](#) shows a block diagram of the APLL, which is built around an ultra-low jitter multi-GHz VCO. Register field [APLLCR9.APLLIFR\[2:0\]](#) specifies the approximate frequency of the input clock signal to the APLL. This field must be configured correctly for proper APLL operation. Register fields [AFBDIV](#), [AFBREM](#), [AFBDEN](#) and [AFBBP](#) configure the APLL's feedback divider value (i.e. the APLL's frequency multiplication ratio). The [APLLCR1.APLLMUX](#) field enables special modes in which the APLL can be locked directly to an input clock or to a divided-down and scaled version of an input clock. The [APLLCR1.HSDIV](#) field specifies how the VCO frequency is divided down by the high-speed divider. Dividing by six is the typical setting to produce 622.08MHz for SDH/SONET or 625MHz from which 1G and 10G Ethernet rates can be produced.

Divider 1 and Divider 2 in [Figure 7-4](#) are configured by [APLLCR2.DIV1](#) and [APLLCR3.DIV2](#), respectively. To be used, Divider 1 must be enabled by setting [APLLCR1.D1EN=1](#). A 625MHz clock from the high-speed divider can be further divided by five in Divider 1 and by four in Divider 2 to get the 125MHz GMII clock rate for 1G Ethernet on a CMOS output and the 156.25MHz XGMII clock rate for 10G Ethernet on a differential output at the same time. Similarly, a 622.08MHz clock from the high-speed divider can be further divided by 4 to get 155.52MHz, by 8 to get 77.76MHz, by 16 to get 38.88MHz or by 32 to get 19.44MHz.

Using two of the APLLs at the same time, a full set of low-jitter Ethernet clock rates and a full set of low-jitter SDH/SONET clock rates can be produced simultaneously. By configuring the divider muxes and output dividers (see section 7.8.2.3) of output clocks OC4 –OC7 to source from these APLLs and divide as needed, any or all of the DS31406 outputs can produce clocks derived from the APLL clock rates.

The fractional frequency multiplication capability of the APLLs enables the creation of nearly any clock rate up to 750MHz, including OTN and FEC rates, such as 622.08MHz * 255 / 237, and Ethernet baud rates, such as 156.25MHz * 66/64.

Internally, the exact APLL feedback divider value is expressed in the form $AFBDIV + AFBREM / AFBDEN * 2^{-(68-AFBBP)}$. This feedback divider value must be chosen such that $DFS_output_frequency * feedback_divider_value$ is in the 3.7GHz to 4.2GHz operating range of the VCO. The AFBDIV term is a fixed-point number with 7 integer bits and a configurable number of fractional bits (up to 68, as specified by [AFBBP](#)). Typically [AFBBP](#) is set to 44 to specify that [AFBDIV](#) has 68 – 44 = 24 fractional bits. Using more than 24 fractional bits does not yield a detectable benefit. Using less than 12 fractional bits is not recommended..

The following equations show how to calculate the feedback divider values for the situation where the APLL should multiply the APLL input frequency by integer M and also fractionally scale by the ratio of integers N / D. In other

words, $VCO_frequency = input_frequency * M * N / D$. An example of this is multiplying 77.76MHz from a DFS engine by $M=48$ and scaling by $N / D = 255 / 237$ for forward error correction applications.

$$AFBDIV = trunc(M * N / D * 2^{24}) \quad (1)$$

$$lsb_fraction = M * N / D * 2^{24} - AFBDIV \quad (2)$$

$$AFBDEN = D \quad (3)$$

$$AFBREM = round(lsb_fraction * AFBDEN) \quad (4)$$

$$AFBBP = 68 - 24 = 44 \quad (5)$$

The `trunc()` function returns only the integer portion of the number. The `round()` function rounds the number to the nearest integer. In Equation (1), **AFBDIV** is set to the full-precision feedback divider value $M * N / D$ truncated after the 24th fractional bit. In Equation (2) the temporary variable 'lsb_fraction' is the fractional number of least significant bits that were truncated in Equation (1) and therefore are not represented in the **AFBDIV** value. In Equation (3), **AFBDEN** is set to the denominator of the original $M * N / D$ ratio. In Equation (4), **AFBREM** is calculated as the integer numerator of a fraction (with denominator **AFBDEN**) that equals the 'lsb_fraction' temporary variable. Finally, in Equation (5) **AFBBP** is set to $68 - 24 = 44$ to correspond with **AFBDIV** having 24 fractional bits.

When a fractional scaling scenario involves multiplying an integer M times multiple scaling ratios N_1 / D_1 through N_n / D_n , the equations above can still be used if the numerators are multiplied together to get $N = N_1 * N_2 * \dots * N_n$ and the denominators are multiplied together to get $D = D_1 * D_2 * \dots * D_n$.

Note that one easy way to calculate the exact values to write to the APLL registers is to use the DS31400DK evaluation board software, available on Microsemi's website. This software can be used even when no evaluation board is attached to the computer.

Note: After the APLL's feedback divider settings are configured in register fields **AFBDIV**, **AFBREM**, **AFBDEN** and **AFBBP**, the APLL enable bit **APLLCR1.APPLLEN** must be changed from 0 to 1 to cause the APLL to reacquire lock with the new settings.

7.8.2.3 Divider Mux, Output Divider and Dif Mux

The Divider Mux can be configured (using **OCCR2.DIVMUX**) to select the DFS output signal, any APLL output signal or either of the input clocks (divided, scaled and optionally inverted) from the PLL bypass.

For each of output clock groups OC1 through OC3, the CMOS output clock signal is the divider mux clock signal divided by the value specified in the 32-bit **CDIV** field. The differential output clock can be either the Divider 2 output of the APLL or the same signal as the CMOS output clock (as specified by **OCCR1.DIFMUX**).

For each of output clock groups OC4 through OC7, the CMOS output clock signal is the divider mux clock signal divided by the value specified in the 32-bit **CDIV** field. The differential output clock signal is the divider mux clock signal divided by the value specified in the 32-bit **DDIV** field.

7.8.2.4 OC1 to OC7 Frequency Configuration

The following is a step-by-step procedure for configuring the frequency of an output clock groups:

- 1) Set the DFS Mux to slave the DFS block to either the DPLL or the local oscillator clock signal on the MCLKOSC pins (**OCCR1.DFSMUX**)
- 2) Calculate a DFS frequency that can be multiplied and scaled by the APLL and/or divided by the output divider to get the frequency desired on the output clock. Possible DFS frequencies are those listed in **OCCR1.DFSFREQ** (normal DFS mode) or any multiple of 2kHz from 38.88MHz to 77.76MHz (programmable DFS mode). When using the APLL, calculate appropriate values for the High-Speed Divider, Divider 1 and Divider 2 as well (see [Figure 7-4](#)).

- 3) Set the DFS frequency in `OCCR1.DFSFREQ` or set the programmable DFS registers as instructed by the DS31406DK demo kit software.
- 4) If the APLL is needed to make the desired frequency, configure the APLL's multiplication factor in the `AFBDIV` registers and its divider factors in `APLLCR1.HSDIV`, `APLLCR2.DIV1` and `APLLCR3.DIV2` (see Figure 7-4). Then set `APLLCR1.APLEN=1`.
- 5) Configure the Divider Mux in `OCCR2.DIVMUX` to select the output of the DFS block (if the APLL is not present or not needed) or the output of the APLL.
- 6) Configure the CMOS output divider value in the `CDIV` field to get the desired frequency on the CMOS output pin.
- 7) For outputs OC1 – OC3, configure the Dif Mux (see Figure 3-1) in `OCCR1.DIFMUX` appropriately. For outputs OC4 – OC7, configure the differential output divider value in the `DDIV` field.

7.8.2.5 FSYNC and MFSYNC Configuration

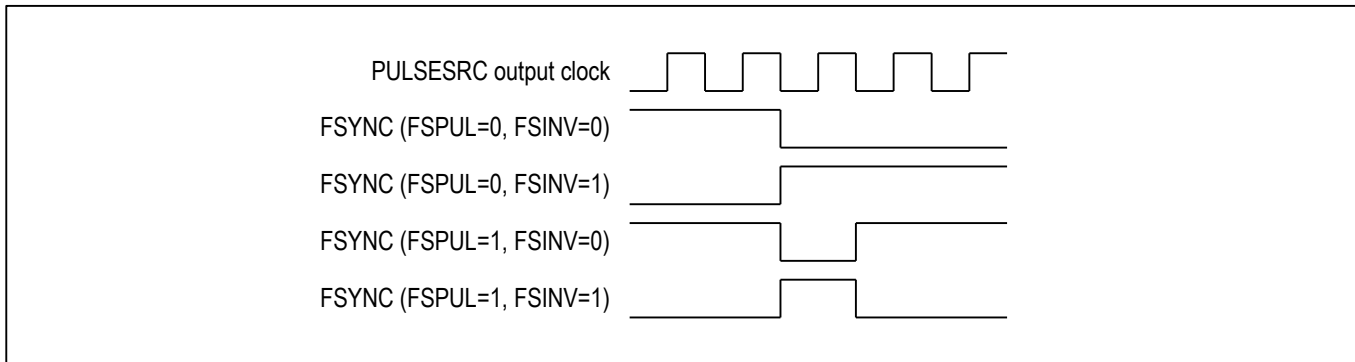
The FSYNC output is enabled by setting `FSCR2.FSEN = 1`, while the MFSYNC output is enabled by setting `FSCR2.MFSEN = 1`. When disabled, these pins are driven low.

When `FSCR2.FSPUL = 0`, FSYNC is configured as an 8kHz clock with 50% duty cycle. When `FSPUL = 1`, FSYNC is an 8kHz frame sync that pulses low once every 125µs with pulse width equal to one cycle of the output clock specified in `FSCR3.PULSESRC`. When `FSCR2.FSINV = 1`, the clock or pulse polarity of FSYNC is inverted.

When `FSCR2.MFSPUL = 0`, MFSYNC is configured as an 2kHz clock with 50% duty cycle. When `MFSPUL = 1`, MFSYNC is a 2kHz frame sync that pulses low once every 500µs with pulse width equal to one cycle of the output clock specified in `FSCR3.PULSESRC`. When `FSCR2.MFSINV = 1`, the clock or pulse polarity of MFSYNC is inverted.

If either `FSPUL = 1` or `MFSPUL = 1`, then the output clock specified in `FSCR3.PULSESRC` must be generated from the DPLL, must be configured for a frequency of 1.544MHz or higher, and must be an integer multiple of 8kHz or the FSYNC/MFSYNC pulses may not be generated correctly. Figure 7-5 shows how the FSPUL and FSINV control bits affect the FSYNC output. The MFSPUL and MFSINV bits have an identical effect on MFSYNC.

Figure 7-5. FSYNC 8kHz Options



7.8.3 Phase Adjustment

Coarse phase adjustment of 180 degrees can be done by inverting the output clock using the `OCCR3.CINV` or `OCCR4.DINV` configuration bits. Also, on all outputs except the CML outputs of OC1 – OC3, the `OCCR3.CDELAY` field and the `OCCR4.DDELAY` field allow delay to be added to the CMOS output and the differential output, respectively to adjust the relative timing of output clock signals.

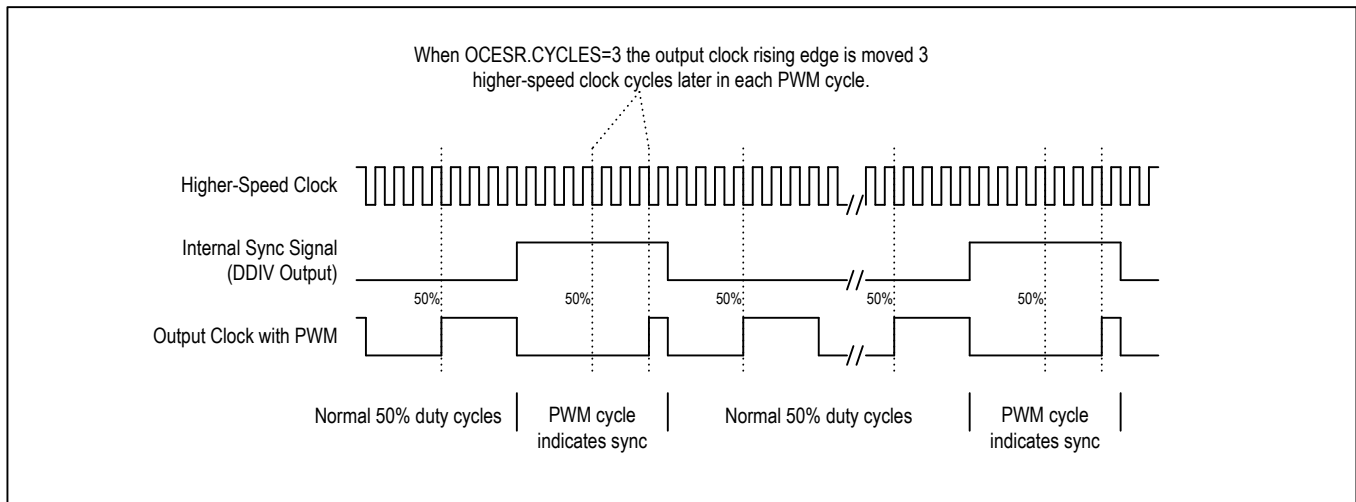
7.8.4 Embedded Sync Signal Using Pulse Width Modulation

Any of outputs OC4 through OC7 can be configured to use pulse width modulation (PWM) to output a clock signal with an embedded sync signal. In this mode, both the clock signal and the sync signal can be nearly any frequency the device can produce as long as the clock frequency is an integer multiple of the sync frequency.

This mode is enabled for an output clock by setting `OCSR.PWMWID` to a non-zero value. In this mode the `CDIV` divider is used to divide down a higher-speed clock from an output DFS block or an APLL to make the output clock frequency, while the `DDIV` divider is used to divide down the same higher-speed clock to make the sync frequency. Because both the `CDIV` and `DDIV` dividers are required, the single-ended and differential outputs of an output clock group are not independent in this mode. Instead, the output clock signal with embedded sync is available on both the single-ended output and the differential output.

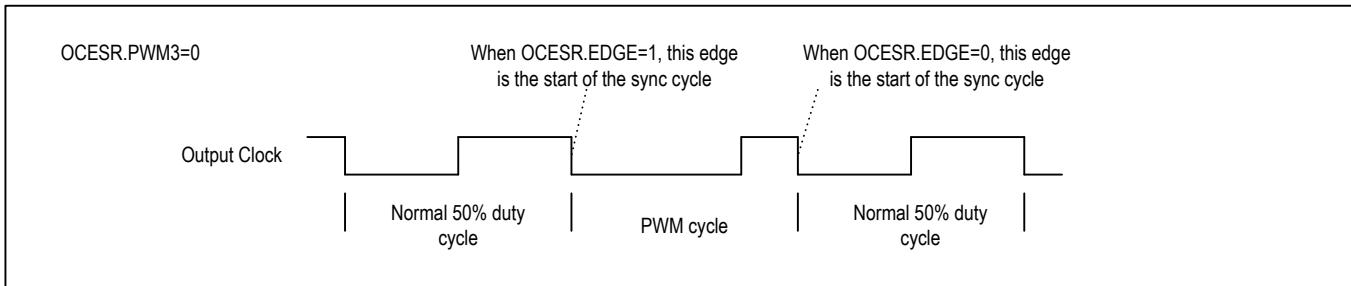
The higher-speed clock at the input of the `CDIV` and `DDIV` dividers is used to place the output clock rising edges to make the pulse width modulations that indicate the embedded sync frequency. Both rising and falling edges of the output clock are coincident with the falling edges of the higher-speed clock. In output clock cycles that do not have PWM, the rising edge of the output clock is automatically placed on the higher-speed clock falling edge half way between falling edges of the output clock (50% duty cycle). For PWM output clock cycles, the `OCSR.PWMWID` field specifies the number of higher-speed clock cycles early or late that the modulated rising edge should be vs. the normal 50% duty cycle location. See Figure 7-6. The `CDIV` divide ratio (`CDIV+1`) must be a minimum of four so that there is at least one higher-speed clock falling edge before and after the normal 50% duty cycle point in each output clock cycle.

Figure 7-6. Embedded Sync in Output Clocks, Functional Timing



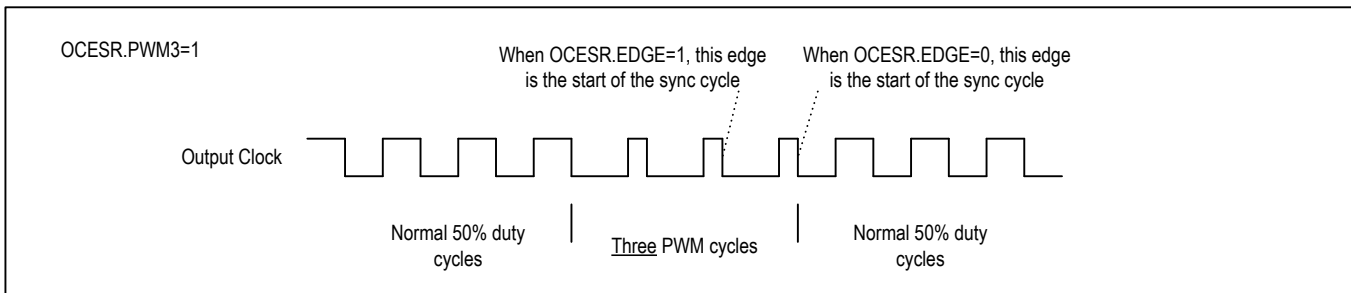
A PWM cycle in the output clock signal indicates that a specific falling edge of the output clock signal is the start of the sync cycle. When `OCSR.EDGE=0` (default) the output clock falling edge immediately *after* the modulated rising edge is the start of the sync cycle. When `OCSR.EDGE=1`, the output clock falling edge immediately *before* the modulated rising edge is the start of the sync cycle. See Figure 7-7.

Figure 7-7. Embedded Sync in Output Clocks, One PWM Cycle



To provide further noise immunity, when `OCESR.PWM3=1`, the output clock signal has the same PWM in three consecutive output clock periods to indicate the start of the sync cycle. In this case, when `OCESR.EDGE=0`, the input clock falling edge immediately *after* the third modulated rising edge is the start of the sync cycle. When `OCESR.EDGE=1`, the output clock falling edge immediately before the third modulated rising edge is the start of the sync cycle. See Figure 7-8.

Figure 7-8. Embedded Sync in Output Clocks, Three PWM Cycles



If a signal with steady rising edge and PWM falling edge is required, rather than the opposite as described above, the output clock can be internally inverted by setting `OCCR3.CINV=1`.

If the embedded sync must be 2kHz and phase-aligned with the 2kHz alignment of the MFSYNC output pin and/or other output clock pins, set `OCCR3.CALIGN=1`, `OCCR4.DALIGN=1` and set the `DDIV` register to a value that will divide the higher-speed clock to 2kHz. If the embedded sync frequency is not 2kHz or does not need to be 2kHz phase aligned with other output pins, set `OCCR3.CALIGN=0` and `OCCR4.DALIGN=0` and set `DDIV` as described above.

7.9 Frame and Multiframe Alignment

In addition to receiving and locking to system clocks such as 19.44MHz from system timing cards, the DS31406 can also receive and align its outputs to 2kHz multiframe sync or 8kHz frame sync signals from system timing cards. The DS31406 support two methods for conveying such a frame/multiframe sync signal from one place to another within a system: (1) a separate frame/multiframe sync signal on a separate wire (discussed in section 7.9.1 below), or (2) a frame/multiframe sync signal embedded in the system clock signal using pulse-width modulation (discussed in section 7.9.2 below).

7.9.1 Separate Frame Sync Signal

In this mode of operation, both a higher speed system clock (such as 6.48MHz or 19.44MHz) and a frame (or multiframe) sync signal from each timing card are passed to the line cards. The DS314060 can function as either the timing card or the line card in such systems, but in the discussion that follows, the context will be the DS31406's role as a line card IC.

The higher speed clock from each timing card is connected to a regular input clock pin on the DS31406, such as IC1 or IC2, while the frame sync signal is connected to a SYNCn input pin on the DS31406, such as SYNC1 or SYNC2. The DS31406's DPLL locks to the higher speed clock from one of the timing cards and samples the associated SYNCn signal. It then uses the SYNCn signal to falling-edge align some or all of the output clocks. A 2kHz, 4kHz or 8kHz clock can be used on the SYNCn pins without any changes to the register configuration, but when a 4kHz or 8kHz signal is used, only output clocks of 8kHz and above are aligned. Phase build-out should be disabled ([DPLLCR6.PBOEN](#) = 0) when using SYNCn signals.

Each input clock can be associated with one of the input frame sync signals, SYNC1 or SYNC2, by setting the [ICCR1.FS](#) field appropriately. When an input clock is chosen as the selected reference for the DPLL, the input frame sync signal associated with that input clock (if any) is automatically selected as well.

An external frame sync signal is only allowed to align output clocks if the DPLL is locked and the SYNCn signal is enabled and qualified. Section [7.9.1.1](#) discusses enable, while section [7.9.1.4](#) covers qualification.

7.9.1.1 Enable and SYNCn Pin Selection

[Table 7-6](#) shows how to configure the device for external frame sync mode. When [FSCR1.EFSEN](#)=1, the [ICCR1.FS](#) field for the DPLL's selected reference specifies the SYNCn pin to be used. When [EFSEN](#)=0 or [FS](#)=00, external frame sync is disabled. When [EFSEN](#)=1 and [FSCR1.AD](#)=1, [EFSEN](#) is automatically cleared when the DPLL's selected reference changes.

There are two phase select fields, SYNCnPH[1:0] (n=1,2), in the [FSCR1](#) register. SYNC1PH[1:0] is associated with SYNC1 and SYNC2PH[1:0] with SYNC2. These fields can be used to adjust the timing of the SYNCn inputs to account for frame sync vs. clock signal delay differences.

Table 7-6. External Frame Sync Enable and Selection

| FSCR1.EFSEN | ICCR1.FS[1:0] | Mode | Frame Sync Source |
|-----------------------------|-------------------------------|----------|---|
| 0 | XX ¹ | Disabled | Internal ² |
| 1 | 00 | Disabled | Internal |
| | <>00 | Enabled | SYNCn pin specified by ICCR1.FS[1:0] ³ |

Note 1: X = Don't Care

Note 2: None of the SYNCn pins is used. The internal 2 kHz alignment generators free-run at their existing alignment. See section [7.9.1.5](#).

Note 3: For the DPLL's selected reference. I.e. when [ICSEL=PTAB1.SELREF](#) then [ICCR1.FS](#) specifies the SYNCn pin.

Note 4: When [FSCR1.AD](#)=1, [EFSEN](#) is automatically cleared when the DPLL's selected reference changes.

Note 5: [ICESR.ESEN](#)=1 enables the embedded frame sync mode covered in section [7.9.2](#), disables the use of the SYNCn pins, and causes the FS fields to be ignored.

7.9.1.2 Sampling

By default the input frame sync signal is first sampled on the rising edge of the selected reference. This gives the most margin, given that the input frame sync signal is usually falling-edge aligned with the selected reference since both come from the same timing card. If the relative timing between input frame sync signal and selected reference is different than falling-edge alignment, the expected timing of the input frame sync signal with respect to the sampling clock can be adjusted from 0.5 cycles early to 1 cycle late using the [FSCR1.SYNCnPH\[1:0\]](#) field.

7.9.1.3 Resampling

After the sampling described above, the input frame sync signal is then resampled by an internal clock derived from the DPLL. The resampling resolution is a function of [FSCR2.OCN](#). When [OCN](#) = 0, the resampling resolution is 6.48MHz, which gives the highest sampling margin and also aligns clocks at 6.48MHz and multiples thereof. When [OCN](#) = 1, the resampling resolution is 19.44MHz.

7.9.1.4 Qualification

The input frame sync signal is qualified when it has consistent phase and correct frequency. Specifically, it is qualified when its significant edge has been found at exact 2kHz boundaries (when resampled as described above) for 32 cycles in a row. It is disqualified when one significant edge is not found at the 2kHz boundary.

7.9.1.5 Output Clock Alignment

When the DPLL is locked, external frame sync is enabled, and the input frame sync signal is qualified, the the input frame sync signal can be used to falling-edge align (a) the FSYNC and MFSYNC outputs signals, (b) the outputs of any of the seven DFS blocks that are slaved to the DPLL (i.e., DFS blocks where `OCCR1.DFSMUX = 0`), (c) optionally any of the Divider 1 and Divider 2 blocks in the APLLs, (d) optionally any of the output dividers (see [Figure 3-1](#)), and (e) optionally an embedded frame sync signal in one or more of the OC4 through OC7 output clock signals.

Output clocks FSYNC and MFSYNC share a 2kHz alignment generator, while the DFS blocks and the dividers share a second 2kHz alignment generator called the DFS/divider alignment generator. When external frame sync is not enabled or the input frame sync signal is not qualified, these 2kHz alignment generators free-run with their existing 2kHz alignments. When external frame sync is enabled and the input frame sync signal is qualified, the FSYNC/MFSYNC 2kHz alignment generator is always synchronized by the input frame sync signal, and therefore FSYNC and MFSYNC are always falling-edge aligned with the input frame sync signal. When `FSCR2.INDEP = 0`, the DFS/divider 2kHz alignment generator is also synchronized with the FSYNC/MFSYNC 2kHz alignment generator. When `INDEP = 1`, the DFS/divider 2kHz alignment generator is not synchronized with the FSYNC/MFSYNC 2kHz alignment generator and continues to free-run with its existing 2kHz alignment. This avoids any disturbance on DPLL-derived output clocks when the input frame sync signal has a change of phase position.

When `FSCR2.INDEP = 0` and the DFS/divider 2kHz alignment generator is synchronized with the input frame sync signal, the outputs of the DFS blocks are falling-edge aligned with the input frame sync signal. In addition any of the following can be configured to have their outputs falling-edge aligned with the input frame sync signal as well:

- The APLL Divider 1 block, when `APLLCR2.D1ALIGN=1`
- The APLL Divider 2 block, when `APLLCR3.D2ALIGN=1`
- Any CMOS 32-bit divider block, when `OCCR3.CALIGN=1`
- Any Differential 32-bit divider block, when `OCCR4.DALIGN=1`
- The embedded frame sync in any OC4 through OC7 output clock, when `OCSR.PWMWID≠0`.

For an output clock signal to be falling-edge aligned with the SYNCn signal, `FSCR2.INDEP` must be 0, and any divider in the path must have its `xALIGN` bit set to 1.

7.9.1.6 Frame Sync Monitor

The frame sync monitor signal `PLL1SR.FSMON` operates in two modes, depending on the setting of the enable bit (`FSCR1.EFSEN`).

When `EFSEN = 1` (external frame sync enabled) the `PLL1SR.FSMON` bit is set when SYNCn is not qualified and cleared when SYNCn is qualified. If SYNCn is disqualified then both 2kHz alignment generators are immediately disconnected from the input frame sync signal to avoid phase movement on the DPLL-derived outputs clocks. When `PLL1SR.FSMON` is set, the latched status bit `PLL1LSR.FSMON` is also set, which can cause an interrupt if enabled in the `PLL1IER` register. If the input frame sync signal immediately stabilizes at a new phase and proper frequency, then it is requalified after 64 2kHz cycles (nominally 32ms). Unless system software intervenes, after the input frame sync signal is requalified the 2kHz alignment generators will synchronize with the input frame sync signal's new phase alignment, causing a sudden phase movement on the output clocks. System software can avoid this sudden phase movement on the output clocks by responding to the FSMON interrupt within the 32ms window with appropriate action, which might include disabling external frame sync (`FSCR1.EFSEN = 0`) to prevent the resynchronization of the 2kHz alignment generators with the input frame sync signal, forcing the DPLL into holdover (`DPLL2.STATE = 010`) to avoid affecting the output clocks with any other phase hits, and possibly even disabling the master timing card and promoting the slave timing card to master since the frame sync signal from the master should not have such phase movements.

When `EFSEN = 0` (external frame sync disabled) `PLL1SR.FSMON` is set when the negative edge of the re-sampled the input frame sync signal is outside of the window determined by `FSCR3.FSMONLIM` relative to the MFSYNC negative edge (or positive edge if MFSYNC is inverted) and cleared when within the window. When `PLL1SR.FSMON` is set, the latched status bit `PLL1LSR.FSMON` is also set, which can cause an interrupt if enabled in the `PLL1IER` register.

7.9.2 Embedded Frame Sync Signal Using Pulse Width Modulation

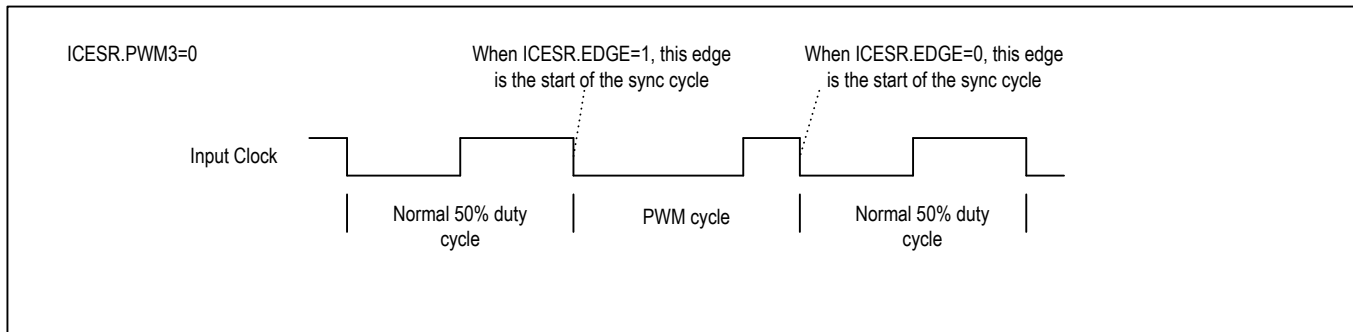
In this mode of operation, pulse width modulation (PWM) is used to embed the frame sync signal in the input clock signal. In this mode, which can only be used with 6.48MHz or 19.44MHz input clocks, once every 500µs (2kHz period), 250µs (4kHz period) or 125µs (8kHz period) the rising edge of the input clock is moved away from its normal 50% duty cycle position to either shorten or lengthen the low time of the input clock. This modulated low pulse width can be detected by the input clock logic and used as a signal to indicate frame sync alignment.

By default the input clock logic accepts an input clock with a steady falling edge and PWM rising edge. An input clock signal that has a steady rising edge and PWM falling edge can also be accepted if it is inverted. To internally invert a clock, set `ICCR1.POL=1`.

This embedded frame sync mode is enabled by setting `FSCR1.EFSEN=1` and then setting `ICESR.ESEN=1` for each input clock pin that must receive a signal with embedded frame sync. For each input clock where `ICESR.ESEN=1`, the `ICCR2.FS` field is ignored, meaning that frame sync alignment is not taken from any `SYNCn` pin that may be specified by `ICCR2.FS`.

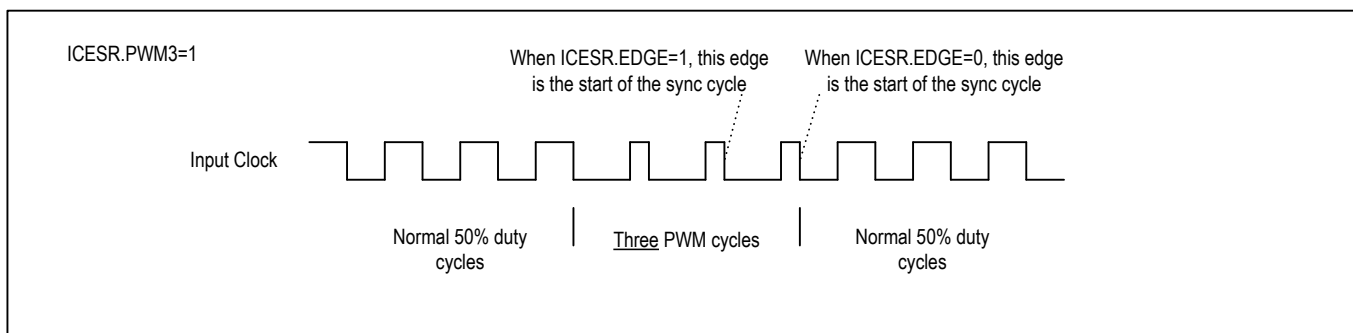
A PWM cycle in the input clock signal indicates that a specific falling edge of the input clock is the start of the frame sync cycle. When `ICESR.EDGE=0` (default) the input clock falling edge immediately *after* the shifted modulated rising edge is the start of the frame sync cycle. When `ICESR.EDGE=1`, the input clock falling edge immediately *before* the modulated rising edge is the start of the frame sync cycle. See Figure 7-9.

Figure 7-9. Embedded Sync in Input Clocks, One PWM Cycle



To provide additional noise immunity, when `ICESR.PWM3=1` the input clock signal must have the same PWM in three consecutive input clock periods to indicate the start of the frame sync cycle. In this case, when `ICESR.EDGE=0`, the input clock falling edge immediately *after* the third modulated rising edge is the start of the frame sync cycle. When `ICESR.EDGE=1`, the input clock falling edge immediately *before* the third modulated rising edge is the start of the frame sync cycle. See Figure 7-10.

Figure 7-10. Embedded Sync in Input Clocks, Three PWM Cycles



The `ICESR.PWMLLEN` field specifies whether the low pulse width during PWM cycles should be shorter (`PWMLLEN=0`) or longer (`PWMLLEN=1`) than 50%. The input clock logic considers 50% duty cycle to be any duty

cycle between 45% and 55%. Taking into account this duty cycle tolerance and the uncertainty that comes from the sampling clock and input clock being asynchronous, the input clock logic is compatible with input clocks with short PWM duty cycles between 10% and 41% and long PWM duty cycles between 59% and 90%. (These percentages are low pulse width divided by input clock period.)

When an input clock is the selected reference and the input clock has `ICESR.ESEN=1` and an embedded frame sync signal is detected in the input clock signal, the extracted frame sync signal is forwarded to the frame and multiframe alignment logic described in section 7.9.1.2 through 7.9.1.6 for qualification and use in aligning output clocks.

7.10 Microprocessor Interface

The device presents an SPI interface on the \overline{CS} , SCLK, SDI, and SDO pins. SPI is a widely used master/slave bus protocol that allows a master device and one or more slave devices to communicate over a serial bus. The DS31406 is always a slave device. Masters are typically microprocessors, ASICs or FPGAs. Data transfers are always initiated by the master device, which also generates the SCLK signal. The DS31406 receives serial data on the SDI pin and transmits serial data on the SDO pin. SDO is high impedance except when the DS31406 is transmitting data to the bus master.

Bit Order. When both bit 3 and bit 4 are low at device address 3FFFh, the register address and all data bytes are transmitted MSB first on both SDI and SDO. When either bit 3 or bit 4 is set to 1 at device address 3FFFh, the register address and all data bytes are transmitted LSB first on both SDI and SDO. The reset default setting and Motorola SPI convention is MSB first.

Clock Polarity and Phase. The CPOL pin defines the polarity of SCLK. When CPOL = 0, SCLK is normally low and pulses high during bus transactions. When CPOL = 1, SCLK is normally high and pulses low during bus transactions. The CPHA pin sets the phase (active edge) of SCLK. When CPHA = 0, data is latched in on SDI on the leading edge of the SCLK pulse and updated on SDO on the trailing edge. When CPHA = 1, data is latched in on SDI on the trailing edge of the SCLK pulse and updated on SDO on the following leading edge. SCLK does not have to toggle between access, i.e., when \overline{CS} is high. See Figure 7-11.

Device Selection. Each SPI device has its own chip-select line. To select the DS31406, pull its \overline{CS} pin low.

Control Word. After \overline{CS} is pulled low, the bus master transmits the control word during the first sixteen SCLK cycles. In MSB-first mode the control word has the form:

$$\overline{R/W} \ A13 \ A12 \ A11 \ A10 \ A9 \ A8 \ A7 \quad A6 \ A5 \ A4 \ A3 \ A2 \ A1 \ A0 \ \text{BURST}$$

where A[13:0] is the register address, $\overline{R/W}$ is the data direction bit (1 = read, 0 = write), and BURST is the burst bit (1 = burst access, 0 = single-byte access). In LSB-first mode the order of the 14 address bits is reversed. In the discussion that follows, a control word with $\overline{R/W} = 1$ is a read control word, while a control word with $\overline{R/W} = 0$ is a write control word.

Single-Byte Writes. See Figure 7-12. After \overline{CS} goes low, the bus master transmits a write control word with BURST = 0 followed by the data byte to be written. The bus master then terminates the transaction by pulling \overline{CS} high.

Single-Byte Reads. See Figure 7-12. After \overline{CS} goes low, the bus master transmits a read control word with BURST = 0. The DS31406 then responds with the requested data byte. The bus master then terminates the transaction by pulling \overline{CS} high.

Burst Writes. See Figure 7-12. After \overline{CS} goes low, the bus master transmits a write control word with BURST = 1 followed by the first data byte to be written. The DS31406 receives the first data byte on SDI, writes it to the specified register, increments its internal address register, and prepares to receive the next data byte. If the master continues to transmit, the DS31406 continues to write the data received and increment its address counter. After the address counter reaches 3FFFh it rolls over to address 0000h and continues to increment. At the end of the burst the bus master then terminates the transaction by pulling \overline{CS} high.

Burst Reads. See Figure 7-12. After \overline{CS} goes low, the bus master transmits a read control word with BURST = 1. The DS31406 then responds with the requested data byte on SDO, increments its address counter, and prefetches the next data byte. If the bus master continues to demand data, the DS31406 continues to provide the data on SDO, increment its address counter, and prefetch the following byte. After the address counter reaches 3FFFh it rolls over to address 0000h and continues to increment. At the end of the burst the bus master then terminates the transaction by pulling \overline{CS} high.

Early Termination of Bus Transactions. The bus master can terminate SPI bus transactions at any time by pulling \overline{CS} high. In response to early terminations, the DS31406 resets its SPI interface logic and waits for the start of the next transaction. If a write transaction is terminated prior to the SCLK edge that latches the LSB of a data byte, the data byte is not written.

Design Option: Wiring SDI and SDO Together. Because communication between the bus master and the DS31406 is half-duplex, the SDI and SDO pins can be wired together externally to reduce wire count. To support this option, the bus master must not drive the SDI/SDO line when the DS31406 is transmitting.

AC Timing. See Table 10-12 and Figure 10-4 for AC timing specifications for the SPI interface.

Figure 7-11. SPI Clock Phase Options

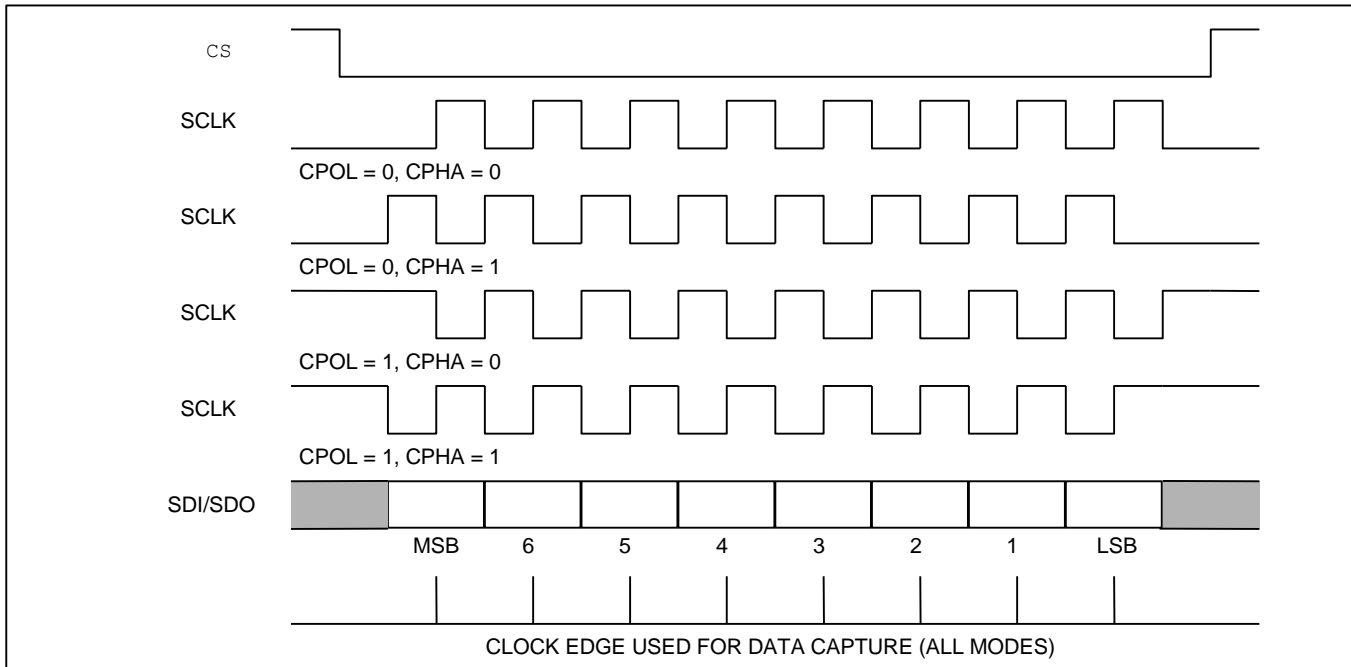
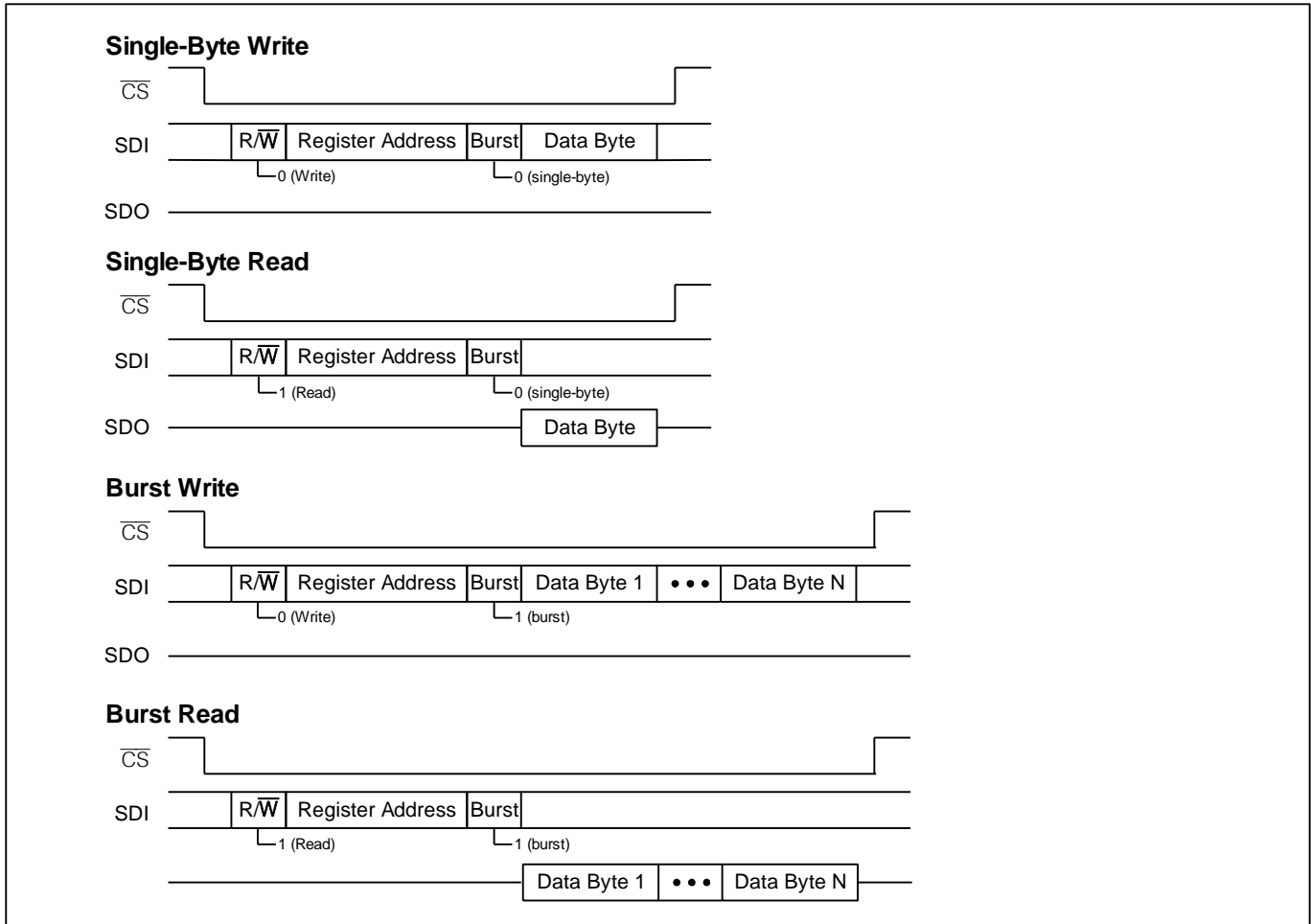


Figure 7-12. SPI Bus Transactions



7.11 Reset Logic

The device has three reset controls: the $\overline{\text{RST}}$ pin, the RST bit in [MCR1](#), and the JTAG reset pin $\overline{\text{JTRST}}$. The $\overline{\text{RST}}$ pin asynchronously resets the entire device, except for the JTAG logic. When the $\overline{\text{RST}}$ pin is low all internal registers are reset to their default values, including those fields which latch their default values from, or based on, the states of configuration input pins when the $\overline{\text{RST}}$ goes high. **The $\overline{\text{RST}}$ pin must be asserted once after power-up while the external oscillator is stabilizing.** Reset should be asserted for at least 100ns.

The [MCR1.RST](#) bit resets the entire device (except for the microprocessor interface, the JTAG logic, and the RST bit itself), but when RST is active, the register fields with pin-programmed defaults do not latch their values from, or based on, the corresponding input pins. Instead these fields are reset to the default values that were latched when the $\overline{\text{RST}}$ pin was last active.

Microsemi recommends holding $\overline{\text{RST}}$ low while the external oscillator starts up and stabilizes. An incorrect reset condition could result if $\overline{\text{RST}}$ is released before the oscillator has started up completely.

Important: System software must wait at least 100 μ s after reset ($\overline{\text{RST}}$ pin or RST bit) is deasserted before initializing the device as described in section [7.13](#).

7.12 Power-Supply Considerations

Due to the dual-power-supply nature of the DS31406, some I/Os have parasitic diodes between a 1.8V supply and a 3.3V supply. When ramping power supplies up or down, care must be taken to avoid forward-biasing these diodes because it could cause latchup. Two methods are available to prevent this. The first method is to place a Schottky diode external to the device between the 1.8V supply and the 3.3V supply to force the 3.3V supply to be within one parasitic diode drop of the 1.8V supply (i.e. $V_{\text{DD33}} > V_{\text{DD18}} - \sim 0.4\text{V}$). The second method is to ramp up the 3.3V supply first and then ramp up the 1.8V supply.

7.13 Initialization

After power-up or reset, a series of writes must be done to the DS31406 to tune it for optimal performance. This series of writes is called the initialization script. Each die revision of the DS31406 has a different initialization script. For the latest initialization scripts contact Microsemi timing products technical support.

8. Register Descriptions

The DS31406 has an overall address range from 000h to 1FFh. [Table 8-1](#) in [Section 8.2](#) shows the register map. In each register, bit 7 is the MSB and bit 0 is the LSB. Register addresses not listed and bits marked “—” are reserved and must be written with 0. Writing other values to these registers may put the device in a factory test mode resulting in undefined operation. Bits labeled “0” or “1” must be written with that value for proper operation. Register fields with underlined names are read-only fields; writes to these fields have no effect. All other fields are read-write. Register fields are described in detail in the register descriptions that follow [Table 8-1](#).

8.1 Register Types

8.1.1 Status Bits

The device has two types of status bits. Real-time status bits are read-only and indicate the state of a signal at the time it is read. Latched status bits are set when a signal changes state (low-to-high, high-to-low, or both, depending on the bit) and cleared when written with a logic 1 value. Writing a 0 has no effect. When set, some latched status bits can cause an interrupt request on the INTREQ pin if enabled to do so by corresponding interrupt enable bits. The LOCK bits in the [ISR](#) register are special-case latched status bits because they cannot create an interrupt request on the INTREQ pin and a “write 0” is needed to clear them.

8.1.2 Configuration Fields

Configuration fields are read-write. During reset, each configuration field reverts to the default value shown in the register definition. Configuration register bits marked “—” are reserved and must be written with 0.

8.1.3 Multiregister Fields

Multiregister fields—such as [FREQ\[23:0\]](#) in registers [FREQ1](#), [FREQ2](#) and [FREQ3](#)—must be handled carefully to ensure that the bytes of the field remain consistent. A write access to a multiregister field is accomplished by writing all the registers of the field in order from smallest address to largest. Writes to registers other than the last register in the field (i.e. the register with the largest address) are stored in a transfer register. When the last register of the field is written, the entire multiregister field is updated simultaneously from the transfer register. If the last register of the field is not written, the field is not updated. Any reads to the multiregister field that occur during the middle of the multiregister write will read the existing value of the field not the new value in the transfer register.

A read access from a multiregister field is accomplished by reading the registers of the field in order from smallest address to largest. When the first register in the field (i.e. the register with the lowest address) is read, the entire multiregister field is copied to the transfer register. During subsequent reads from the other registers in the multiregister field, the data comes from the transfer register. Any writes to the multiregister field that occur during the middle of the multiregister read will overwrite values in the transfer register.

Each multiregister field has its own transfer register. The same transfer register is used for read and writes. For best results, system software should be organized such that only one software process accesses the DS31406’s registers. If two or more processes are allowed to make uncoordinated accesses to the DS31406’s registers, their accesses to multiregister fields could interrupt one another leading to incorrect writes and reads of the multiregister fields. The multiregister fields are:

| FIELD | REGISTERS | TYPE |
|--------------|---|------------|
| MCFREQ[15:0] | MCFREQ1 , MCFREQ2 | Read/Write |
| ICN[15:0] | ICN1 , ICN2 | Read/Write |
| ICD [15:0] | ICD1 , ICD2 , ICD3 , ICD4 | Read/Write |
| FMEAS[15:0] | FMEAS1 , FMEAS2 | Read-Only |
| HRDLIM[9:0] | HRDLIM1 , HRDLIM2 | Read/Write |

| FIELD | REGISTERS | TYPE |
|--------------|---|------------|
| OFFSET[15:0] | OFFSET1 , OFFSET2 | Read/Write |
| HOFREQ[31:0] | HOFREQ1 , HOFREQ2 , HOFREQ3 , HOFREQ4 | Read/Write |
| PHASE[15:0] | PHASE1 , PHASE2 | Read-Only |
| FREQ[23:0] | FREQ1 , FREQ2 , FREQ3 , FREQ4 | Read-Only |
| CDIV[31:0] | CDIV1 , CDIV2 , CDIV3 , CDIV4 | Read/Write |
| DDIV[31:0] | DDIV1 , DDIV2 , DDIV3 , DDIV4 | Read/Write |
| AFBDIV[74:0] | AFBDIV1 – AFBDIV10 | Read/Write |
| AFBDEN[31:0] | AFBDEN1 , AFBDEN2 , AFBDEN3 , AFBDEN4 | Read/Write |
| AFBREM[74:0] | AFBREM1 , AFBREM2 , AFBREM3 , AFBREM4 | Read/Write |

8.1.4 Bank-Switched Registers

To simplify the DS31406's register map and documentation, many registers are bank-switched, meaning banks of registers are switched in and out of the register map based on the value of a bank-select control field. There are two bank-switched sections of the DS31406 memory map: the input clock registers and the output clock registers.

The registers for the DS31406's two identical input clocks are bank-switched in the Input Clock Register section of [Table 8-1](#). The [ICSEL](#) register is the bank-select control field for the other input clock registers.

The registers for the DS31406's seven output clock groups are bank-switched in the Output Clock Register section of [Table 8-1](#). The [OCSEL](#) register is the bank-select control field for the other output clock registers.

8.2 Register Map

Table 8-1. Register Map

Note: Register names are hyperlinks to register definitions. Underlined fields are read-only.

| ADDR | REGISTER | BIT 7 | BIT 6 | BIT 5 | BIT 4 | BIT 3 | BIT 2 | BIT 1 | BIT 0 |
|--|-------------------------|------------------------------|------------------------|------------------------|------------------------|-----------------------|----------------------------|----------------------|---------------------|
| Global Registers | | | | | | | | | |
| 00h | ID1 | ID[7:0] | | | | | | | |
| 01 | ID2 | ID[15:8] | | | | | | | |
| 02 | REV | REV[7:0] | | | | | | | |
| 03 | PROT | PROT[7:0] | | | | | | | |
| 04 | MCFREQ1 | MCFREQ[7:0] | | | | | | | |
| 05 | MCFREQ2 | MCFREQ[15:8] | | | | | | | |
| 06 | MCR1 | RST | — | — | — | — | — | — | — |
| 07 | IOCR | LOCKEN | — | SRFEN | SRFSRC | — | GPO | OD | POL |
| 08 | VALCR1 | — | — | — | — | — | — | IC2 | IC1 |
| Real-Time Status Registers | | | | | | | | | |
| 20 | PLL1SR | FSMON | FHORDY | SHORDY | PALARM | SOFT | STATE[2:0] | | |
| 24 | VALSR1 | — | — | — | — | — | — | IC2 | IC1 |
| 28 | ISR1 | SOFT2 | HARD2 | ACT2 | LOCK2 | SOFT1 | HARD1 | ACT1 | LOCK1 |
| Latched Status and Interrupt Enable Registers | | | | | | | | | |
| 38 | PLL1LSR | FSMON | FHORDY | SHORDY | STATE | SRFAIL | NOIN | PHMON | — |
| 39 | MCLSR | MCFAIL | — | — | — | — | — | — | — |
| 3C | ICLSR1 | — | — | — | — | — | — | IC2 | IC1 |
| 40 | PLL1IER | FSMON | FHORDY | SHORDY | STATE | SRFAIL | NOIN | PHMON | — |
| 41 | MCIER | MCFAIL | — | — | — | — | — | — | — |
| 44 | ICIER1 | — | — | — | — | — | — | IC2 | IC1 |

| ADDR | REGISTER | BIT 7 | BIT 6 | BIT 5 | BIT 4 | BIT 3 | BIT 2 | BIT 1 | BIT 0 | |
|------------------------------|----------|---------------|--------------|--------------|------------|----------------|------------|------------|--------|--|
| Input Clock Registers | | | | | | | | | | |
| 60 | ICSEL | — | — | — | ICSEL[3:0] | | | | | |
| 61 | ICCR1 | ICEN | POL | IFREQR[1:0] | | LKFREQ[3:0] | | | | |
| 62 | ICCR2 | FS[1:0] | | FMONCLK[1:0] | | S2LIM | SOFTEN | HARDEN | FREN | |
| 63 | ICCR3 | — | — | — | NSEN | FMONLEN[3:0] | | | | |
| 64 | ICN1 | ICN[7:0] | | | | | | | | |
| 65 | ICN2 | ICN[15:8] | | | | | | | | |
| 66 | ICD1 | ICD[7:0] | | | | | | | | |
| 67 | ICD2 | ICD[15:8] | | | | | | | | |
| 68 | ICD3 | ICD[23:16] | | | | | | | | |
| 69 | ICD4 | ICD[31:24] | | | | | | | | |
| 6A | ICLBU | ICLBU[7:0] | | | | | | | | |
| 6B | ICLBL | ICLBL[7:0] | | | | | | | | |
| 6C | ICLBS | ICLBS[7:0] | | | | | | | | |
| 6D | ICLBD | — | — | — | — | — | — | ICLBD[1:0] | | |
| 6E | ICAHLIM | ICAHLIM[7:0] | | | | | | | | |
| 6F | ICRHLIM | ICRHLIM[7:0] | | | | | | | | |
| 70 | ICSLIM | ICSLIM[7:0] | | | | | | | | |
| 71 | FMEAS1 | FMEAS[7:0] | | | | | | | | |
| 72 | FMEAS2 | FMEAS[15:8] | | | | | | | | |
| 73 | ICESR | — | — | — | — | PWMLEN | PWM3 | EDGE | ESEN | |
| DPLL Registers | | | | | | | | | | |
| 81 | DPLLCR1 | EXTSW | UFSW | REVERT | — | FORCE[3:0] | | | | |
| 82 | DPLLCR2 | HOMODE[1:0] | | MINIHO[1:0] | | HORST | STATE[2:0] | | | |
| 83 | DPLLCR3 | ADAMP[2:0] | | | | ABW[4:0] | | | | |
| 84 | DPLLCR4 | LDAMP[2:0] | | | | LBW[4:0] | | | | |
| 85 | DPLLCR5 | NALOL | FLLOL | FLEN | CLEN | MCPDEN | USEMCPD | D180 | PFD180 | |
| 86 | DPLLCR6 | AUTOBW | LIMINT | PBOEN | PBOFRZ | RECAL | — | RDAVG[1:0] | | |
| 88 | PHMON | NW | — | PMEN | PMPBEN | PHMONLIM[3:0] | | | | |
| 89 | PHLIM | — | FINELIM[2:0] | | | COARSELIM[3:0] | | | | |
| 8A | PHLKT0 | PHLKTOM[1:0] | | PHLKT0[5:0] | | | | | | |
| 8B | LKAT0 | LKATOM[1:0] | | LKAT0[5:0] | | | | | | |
| 8C | HRDLIM1 | HRDLIM[7:0] | | | | | | | | |
| 8D | HRDLIM2 | HRDLIM[15:8] | | | | | | | | |
| 8E | SOFTLIM | SOFTLIM[7:0] | | | | | | | | |
| 8F | PBOFF | — | — | PBOFF[5:0] | | | | | | |
| 90 | OFFSET1 | OFFSET[7:0] | | | | | | | | |
| 91 | OFFSET2 | OFFSET[15:8] | | | | | | | | |
| 92 | HOFREQ1 | HOFREQ[7:0] | | | | | | | | |
| 93 | HOFREQ2 | HOFREQ[15:8] | | | | | | | | |
| 94 | HOFREQ3 | HOFREQ[23:16] | | | | | | | | |
| 95 | HOFREQ4 | HOFREQ[31:24] | | | | | | | | |
| 96 | PTAB1 | REF1[3:0] | | | | SELREF[3:0] | | | | |
| 97 | PTAB2 | — | — | — | — | REF2[3:0] | | | | |
| 98 | PHASE1 | PHASE[7:0] | | | | | | | | |
| 99 | PHASE2 | PHASE[15:8] | | | | | | | | |
| 9A | FREQ1 | FREQ[7:0] | | | | | | | | |
| 9B | FREQ2 | FREQ[15:8] | | | | | | | | |
| 9C | FREQ3 | FREQ[23:16] | | | | | | | | |

| ADDR | REGISTER | BIT 7 | BIT 6 | BIT 5 | BIT 4 | BIT 3 | BIT 2 | BIT 1 | BIT 0 |
|-------------------------------|--------------------------|---------------|---------------|-------------|---------------|--------------|--------------|--------------|--------|
| 9D | FREQ4 | FREQ[31:24] | | | | | | | |
| A0 | IPR1 | PRI2[3:0] | | | | PRI1[3:0] | | | |
| Output Clock Registers | | | | | | | | | |
| C0 | OCSEL | — | — | — | — | — | OCSEL[2:0] | | |
| C1 | OCCR1 | DFSFREQ[3:0] | | | | DFSMUX | DIFMUX | DIFSF | ASQUEL |
| C2 | OCCR2 | DIVMUX[3:0] | | | | — | — | — | — |
| C3 | OCCR3 | CEN | CINV | CALIGN | CDELAY[4:0] | | | | |
| C4 | OCCR4 | DEN | DINV | DALIGN | DDELAY[4:0] | | | | |
| C5 | OCESR | PWM3 | EDGE | CYCLES[5:0] | | | | | |
| C8 | CDIV1 | CDIV[7:0] | | | | | | | |
| C9 | CDIV2 | CDIV[15:8] | | | | | | | |
| CA | CDIV3 | CDIV[23:16] | | | | | | | |
| CB | CDIV4 | CDIV[31:24] | | | | | | | |
| CC | DDIV1 | DDIV[7:0] | | | | | | | |
| CD | DDIV2 | DDIV[15:8] | | | | | | | |
| CE | DDIV3 | DDIV[23:16] | | | | | | | |
| CF | DDIV4 | DDIV[31:24] | | | | | | | |
| D0 | APLLCR1 | APLLEN | APLLMUX[1:0] | | D1EN | HSDIV[3:0] | | | |
| D1 | APLLCR2 | — | — | D1ALIGN | DIV1[4:0] | | | | |
| D2 | APLLCR3 | — | — | D2ALIGN | DIV2[4:0] | | | | |
| D8 | APLLCR9 | — | — | — | — | — | APLLIFR[2:0] | | |
| E0 | AFBDIV1 | AFBDIV[3:0] | | | | | | | |
| E1 | AFBDIV2 | AFBDIV[11:4] | | | | | | | |
| E2 | AFBDIV3 | AFBDIV[19:12] | | | | | | | |
| E3 | AFBDIV4 | AFBDIV[27:20] | | | | | | | |
| E4 | AFBDIV5 | AFBDIV[35:28] | | | | | | | |
| E5 | AFBDIV6 | AFBDIV[43:36] | | | | | | | |
| E6 | AFBDIV7 | AFBDIV[51:44] | | | | | | | |
| E7 | AFBDIV8 | AFBDIV[59:52] | | | | | | | |
| E8 | AFBDIV9 | AFBDIV[67:60] | | | | | | | |
| E9 | AFBDIV10 | — | AFBDIV[74:68] | | | | | | |
| EA | AFBDEN1 | AFBDEN[7:0] | | | | | | | |
| EB | AFBDEN2 | AFBDEN[15:8] | | | | | | | |
| EC | AFBDEN3 | AFBDEN[23:16] | | | | | | | |
| ED | AFBDEN4 | AFBDEN[31:24] | | | | | | | |
| EE | AFBREM1 | AFBREM[7:0] | | | | | | | |
| EF | AFBREM2 | AFBREM[15:8] | | | | | | | |
| F0 | AFBREM3 | AFBREM[23:16] | | | | | | | |
| F1 | AFBREM4 | AFBREM[31:24] | | | | | | | |
| F2 | AFBBP | AFBBP[7:0] | | | | | | | |
| 3B8 | OCCOE1 | FSOE | OC7OE | OC6OE | OC5OE | OC4OE | OC3OE | OC2OE | OC1OE |
| 3B9 | OCCOE2 | — | — | — | — | — | — | — | MSOE |
| Frame Sync Registers | | | | | | | | | |
| 100 | FSCR1 | EFSEN | AD | — | — | SYNC2PH[1:0] | | SYNC1PH[1:0] | |
| 101 | FSCR2 | INDEP | OCN | FSEN | FSINV | FSPUL | MFSEN | MFSINV | MFSPUL |
| 102 | FSCR3 | PULSESRC[2:0] | | | FSMONLIM[2:0] | | | FSP1 | MFSP2 |
| GPIO Registers | | | | | | | | | |
| 108 | GPCR | GPIO4C[1:0] | | GPIO3C[1:0] | | GPIO2C[1:0] | | GPIO1C[1:0] | |

| ADDR | REGISTER | BIT 7 | BIT 6 | BIT 5 | BIT 4 | BIT 3 | BIT 2 | BIT 1 | BIT 0 |
|------|-------------------------|----------|-------|-------|-------|-----------------------|-----------------------|-----------------------|-----------------------|
| 109 | GPSR | — | — | — | — | GPIO4 | GPIO3 | GPIO2 | GPIO1 |
| 10A | GPIO1SS | REG[4:0] | | | | BIT[2:0] | | | |
| 10B | GPIO2SS | REG[4:0] | | | | BIT[2:0] | | | |
| 10C | GPIO3SS | REG[4:0] | | | | BIT[2:0] | | | |
| 10D | GPIO4SS | REG[4:0] | | | | BIT[2:0] | | | |

8.3 Register Definitions

8.3.1 Global Registers

Register Name: ID1
Register Description: Device Identification Register, LSB
Register Address: 00h

| | Bit 7 | Bit 6 | Bit 5 | Bit 4 | Bit 3 | Bit 2 | Bit 1 | Bit 0 |
|---------|---------|-------|-------|-------|-------|-------|-------|-------|
| Name | ID[7:0] | | | | | | | |
| Default | 1 | 0 | 1 | 0 | 1 | 0 | 0 | 0 |

Bits 7 to 0: Device ID (ID[7:0]). ID[15:0] = 7AAEh = 31406 decimal.

Register Name: ID2
Register Description: Device Identification Register, MSB
Register Address: 01h

| | Bit 7 | Bit 6 | Bit 5 | Bit 4 | Bit 3 | Bit 2 | Bit 1 | Bit 0 |
|---------|----------|-------|-------|-------|-------|-------|-------|-------|
| Name | ID[15:8] | | | | | | | |
| Default | 0 | 1 | 1 | 1 | 1 | 0 | 1 | 0 |

Bits 7 to 0: Device ID (ID[15:8]). See the [ID1](#) register description.

Register Name: REV
Register Description: Device Revision Register
Register Address: 02h

| | Bit 7 | Bit 6 | Bit 5 | Bit 4 | Bit 3 | Bit 2 | Bit 1 | Bit 0 |
|---------|----------|-------|-------|-------|-------|-------|-------|-------|
| Name | REV[7:0] | | | | | | | |
| Default | 0 | 0 | 0 | 0 | 0 | 0 | 0 | 0 |

Bits 7 to 0: Device Revision (REV[7:0]). Contact the factory to interpret this value and determine the latest revision.

Register Name: PROT
Register Description: Protection Register
Register Address: 03h

| | Bit 7 | Bit 6 | Bit 5 | Bit 4 | Bit 3 | Bit 2 | Bit 1 | Bit 0 |
|----------------|-----------|-------|-------|-------|-------|-------|-------|-------|
| Name | PROT[7:0] | | | | | | | |
| Default | 1 | 0 | 0 | 0 | 0 | 1 | 0 | 1 |

Bits 7 to 0: Protection Control (PROT[7:0]). This field can be used to protect the rest of the register set from inadvertent writes. In protected mode writes to all other registers are ignored. In single unprotected mode, one register (other than PROT) can be written, but after that write the device reverts to protected mode (and the value of PROT is internally changed to 00h). In fully unprotected mode all register can be written without limitation. See Section 7.2.

- 1000 0101 = Fully unprotected mode
- 1000 0110 = Single unprotected mode
- All other values = Protected mode

Register Name: MCFREQ1
Register Description: Master Clock Frequency Adjustment Register 1
Register Address: 04h

| | Bit 7 | Bit 6 | Bit 5 | Bit 4 | Bit 3 | Bit 2 | Bit 1 | Bit 0 |
|----------------|-------------|-------|-------|-------|-------|-------|-------|-------|
| Name | MCFREQ[7:0] | | | | | | | |
| Default | 0 | 0 | 0 | 0 | 0 | 0 | 0 | 0 |

The MCFREQ1 and MCFREQ2 registers must be read consecutively and written consecutively. See Section 8.1.3.

Bits 7 to 0: Master Clock Frequency Adjustment (MCFREQ[7:0]). The full 16-bit MCFREQ[15:0] field spans this register and MCFREQ2. MCFREQ is an unsigned integer that adjusts the frequency of the internal 204.8MHz master clock with respect to the frequency of the local oscillator clock on the MCLKOSC pins by up to ±80ppm in ~2.5ppb steps. The master clock adjustment has the effect of speeding up the master clock with a positive adjustment and slowing it down with a negative adjustment. For example, if the oscillator connected to MCLKOSC has an offset of +1ppm the adjustment should be -1ppm to correct the offset.

The formulas below translate adjustments to register values and vice versa. The default register value of 32,768 corresponds to 0ppm. See Section 7.3.

$$\text{MCFREQ}[15:0] = \text{adjustment_in_ppm} / 0.002452866 + 32,768$$

$$\text{adjustment_in_ppm} = (\text{MCFREQ}[15:0] - 32,768) \times 0.002452866$$

Register Name: MCFREQ2
Register Description: Master Clock Frequency Adjustment Register 2
Register Address: 05h

| | Bit 7 | Bit 6 | Bit 5 | Bit 4 | Bit 3 | Bit 2 | Bit 1 | Bit 0 |
|----------------|--------------|-------|-------|-------|-------|-------|-------|-------|
| Name | MCFREQ[15:8] | | | | | | | |
| Default | 1 | 0 | 0 | 0 | 0 | 0 | 0 | 0 |

The MCFREQ1 and MCFREQ2 registers must be read consecutively and written consecutively. See Section 8.1.3.

Bits 7 to 0: Master Clock Frequency Adjustment (MCFREQ[15:8]). See the MCFREQ1 register description.

Register Name: MCR1
Register Description: Master Configuration Register 1
Register Address: 06h

| | Bit 7 | Bit 6 | Bit 5 | Bit 4 | Bit 3 | Bit 2 | Bit 1 | Bit 0 |
|----------------|-------|-------|-------|-------|-------|-------|-------|-------|
| Name | RST | — | — | — | — | — | — | — |
| Default | 0 | 0 | 0 | 0 | 0 | 0 | 0 | 0 |

Bit 7: Device Reset (RST). When this bit is high the entire device is held in reset, and all register fields, except the RST bit itself, are reset to their default states. When RST is active, the register fields with pin-programmed defaults do not latch their values from the corresponding input pins. Instead these fields are reset to the default values that were latched from the pins when the RST pin was last active. See Section 7.11.

0 = Normal operation
 1 = Reset

Register Name: IOCR
Register Description: I/O Configuration Register
Register Address: 07h

| | Bit 7 | Bit 6 | Bit 5 | Bit 4 | Bit 3 | Bit 2 | Bit 1 | Bit 0 |
|----------------|--------|-------|-------|-------|-------|-------|-------|-------|
| Name | LOCKEN | — | SRFEN | — | — | GPO | OD | POL |
| Default | 0 | 0 | 0 | 0 | 0 | 0 | 1 | 0 |

Bit 7: LOCK Pin Enable (LOCKEN). When this bit is set to 1, the LOCK pin is enabled. When enabled the LOCK pin indicates when the DPLL state machine is in the LOCK state ([PLL1SR:STATE=100](#)). See Section 7.7.1.3.

0 = LOCK pin is disabled (not driven)
 1 = LOCK pin enabled

Bit 5: SRFAIL Pin Enable (SRFEN). When this bit is set to 1, the SRFAIL pin is enabled. When enabled the SRFAIL pin follows the state of the [PLL1LSR.SRFAIL](#) latched status bit. This pin gives the system a very fast indication of the failure of the current reference. See Section 7.5.3.

0 = SRFAIL pin disabled (not driven, high impedance)
 1 = SRFAIL pin enabled

Bit 2: INTREQ Pin General-Purpose Output Enable (GPO). When set to 1 this bit configures the interrupt request pin to be a general-purpose output whose value is set by the POL bit.

0 = INTREQ is an interrupt output
 1 = INTREQ is a general-purpose output

Bit 1: INTREQ Pin Open-Drain Enable (OD).

When GPO = 0:
 0 = INTREQ is driven in both inactive and active states
 1 = INTREQ is driven high or low in the active state but is high impedance in the inactive state
 When GPO = 1:
 0 = INTREQ is driven as specified by POL
 1 = INTREQ is high impedance and POL has no effect

Bit 0: INTREQ Pin Polarity (POL).

When GPO = 0:
 0 = INTREQ goes low to signal an interrupt request
 1 = INTREQ goes high to signal interrupt request
 When GPO = 1:
 0 = INTREQ driven low
 1 = INTREQ driven high

Register Name: VALCR1
Register Description: Input Clock Valid Control Register 1
Register Address: 08h

| | Bit 7 | Bit 6 | Bit 5 | Bit 4 | Bit 3 | Bit 2 | Bit 1 | Bit 0 |
|----------------|-------|-------|-------|-------|-------|-------|-------|-------|
| Name | — | — | — | — | — | — | IC2 | IC1 |
| Default | 1 | 1 | 1 | 1 | 1 | 1 | 1 | 1 |

Bits 1 to 0: Input Clock Valid Control (IC2 to IC1). These control bits can be used to force input clocks to be considered invalid. If a clock is invalidated by one of these control bits it will not appear in the priority table in the [PTAB1](#) and [PTAB2](#) registers, even if the clock is otherwise valid. These bits are useful when system software needs to force clocks to be invalid in response to OAM commands. Note that setting a VALCR bit low has no effect on the corresponding bit in the [VALSR](#) register. See Sections [7.6.2](#).

- 0 = Force invalid
- 1 = Don't force invalid; determine validity normally

8.3.2 Real-Time Status Registers

Register Name: PLL1SR
Register Description: DPLL Status Register
Register Address: 20h

| | Bit 7 | Bit 6 | Bit 5 | Bit 4 | Bit 3 | Bit 2 | Bit 1 | Bit 0 |
|----------------|--------------|---------------|---------------|---------------|-------------|-------------------|-------|-------|
| Name | <u>FSMON</u> | <u>FHORDY</u> | <u>SHORDY</u> | <u>PALARM</u> | <u>SOFT</u> | <u>STATE[2:0]</u> | | |
| Default | 0 | 0 | 0 | 0 | 0 | 0 | 0 | 1 |

Bit 7: Frame Sync Input Monitor Alarm (FSMON). This real-time status bit indicates the current status of the frame sync input monitor. See Section [7.9.1.6](#).

- 0 = no alarm
- 1 = alarm

Bit 6: DPLL Fast Holdover Frequency Ready (FHORDY). This real-time status bit is set to 1 when the DPLL has a holdover value that has been averaged over the 5.8-minute holdover averaging period. See the related latched status bit in [PLL1LSR](#) and Section [7.7.1.6](#).

Bit 5: DPLL Slow Holdover Frequency Ready (SHORDY). This real-time status bit is set to 1 when the DPLL has a holdover value that has been averaged over the 93.2-minute holdover averaging period. See the related latched status bit in [PLL1LSR](#) and Section [7.7.1.6](#).

Bit 4: DPLL Phase Alarm (PALARM). This real-time status bit indicates the state of the DPLL's phase lock detector. See Section [7.7.5](#). (NOTE: This is not the same as STATE = Locked.)

- 0 = DPLL phase-lock parameters are met (as determined by [DPLL5.NALOL](#), [FLL1.LOL](#), [FLEN](#), [CLEN](#))
- 1 = DPLL loss of phase lock

Bit 3: DPLL Frequency Soft Alarm (SOFT). This real-time status bit indicates whether or not the DPLL is tracking its reference within the soft alarm limits specified in the [SOFTLIM](#) register. See Section [7.7.5](#).

- 0 = No alarm; frequency is within the soft alarm limits
- 1 = Soft alarm; frequency is outside the soft alarm limits

Bits 2 to 0: DPLL Operating State (STATE[2:0]). This real-time status field indicates the current state of the DPLL state machine. Values not listed below correspond to invalid (unused) states. See Section [7.7.1](#).

- 001 = Free-run
- 010 = Holdover
- 100 = Locked
- 101 = Prelocked 2
- 110 = Prelocked
- 111 = Loss-of-lock

Register Name: VALSR1
Register Description: Input Clock Valid Status Register 1
Register Address: 24h

| | Bit 7 | Bit 6 | Bit 5 | Bit 4 | Bit 3 | Bit 2 | Bit 1 | Bit 0 |
|----------------|-------|-------|-------|-------|-------|-------|------------|------------|
| Name | — | — | — | — | — | — | <u>IC2</u> | <u>IC1</u> |
| Default | 0 | 0 | 0 | 0 | 0 | 0 | 0 | 0 |

Bits 1 to 0: Input Clock Valid Status (IC[2:1]). Each of these real-time status bits is set to 1 when the corresponding input clock is valid. An input is valid if it has no active alarms (HARD = 0, ACT = 0, LOCK = 0 in the [ISR1](#) register). See also the [ICLSR1](#) register and Section 7.5.

0 = Invalid
 1 = Valid

Register Name: ISR1
Register Description: Input Status Register 1
Register Address: 28h

| | Bit 7 | Bit 6 | Bit 5 | Bit 4 | Bit 3 | Bit 2 | Bit 1 | Bit 0 |
|----------------|--------------|--------------|-------------|--------------|--------------|--------------|-------------|--------------|
| Name | <u>SOFT2</u> | <u>HARD2</u> | <u>ACT2</u> | <u>LOCK2</u> | <u>SOFT1</u> | <u>HARD1</u> | <u>ACT1</u> | <u>LOCK1</u> |
| Default | 0 | 1 | 1 | 0 | 0 | 1 | 1 | 0 |

Bit 7: Soft Frequency Limit Alarm for Input Clock 2 (SOFT2). This bit has the same behavior as the SOFT1 bit but for the IC2 input clock.

Bit 6: Hard Frequency Limit Alarm for Input Clock 2 (HARD2). This bit has the same behavior as the HARD1 bit but for the IC2 input clock.

Bit 5: Activity Alarm for Input Clock 2 (ACT2). This bit has the same behavior as the ACT1 bit but for the IC2 input clock.

Bit 4: Phase Lock Alarm for Input Clock 2 (LOCK2). This bit has the same behavior as the LOCK1 bit but for the IC2 input clock.

Bit 3: Soft Frequency Limit Alarm for Input Clock 1 (SOFT1). This real-time status bit indicates a soft frequency limit alarm for input clock 1. SOFT1 is set to 1 when the frequency of IC1 is greater than or equal to the soft limit set in the [ICSLIM](#) register. Soft alarms are disabled by default but can be enabled by setting [ICCR2.SOFTEN](#) = 1. A soft alarm does not invalidate an input clock. See Section 7.5.1.

Bit 2: Hard Frequency Limit Alarm for Input Clock 1 (HARD1). This real-time status bit indicates a hard frequency limit alarm for input clock 1. HARD1 is set to 1 when the frequency of IC1 is greater than or equal to the rejection hard limit set in the [ICRHLIM](#) register. HARD1 is set to 0 when the frequency of IC1 is less than or equal to the acceptance hard limit set in the [ICAHLIM](#) register. Hard alarms are enabled by default but can be disabled by setting [ICCR2.HARDEN](#) = 0. A hard alarm clears the IC1 status bit in the [VALSR1](#) register, invalidating the IC1 clock. See Section 7.5.1.

Bit 1: Activity Alarm for Input Clock 1 (ACT1). This real-time status bit is set to 1 when the leaky bucket accumulator for IC1 reaches the alarm threshold specified in the [ICLBU](#) register. An activity alarm clears the IC1 status bit in the [VALSR1](#) register, invalidating the IC1 clock. See Section 7.5.2.

Bit 0: Phase Lock Alarm for Input Clock 1 (LOCK1). This status bit is set to 1 if IC1 is the selected reference for the DPLL and the DPLL cannot lock to it within the duration specified in the [PHLKTO](#) register (default = 100 seconds). A phase lock alarm clears the IC1 status bit in [VALSR1](#), invalidating the IC1 clock. LOCK1 can be automatically cleared after a programmable timeout period specified in the [LKATO](#) register (default = 100 seconds). System software can clear LOCK1 by writing 0 to it, but writing 1 is ignored. See Section 7.7.1.4.

8.3.3 Latched Status and Interrupt Enable Registers

Register Name: PLL1LSR
Register Description: DPLL Latched Status Register
Register Address: 38h

| | Bit 7 | Bit 6 | Bit 5 | Bit 4 | Bit 3 | Bit 2 | Bit 1 | Bit 0 |
|---------|-------|--------|--------|-------|--------|-------|-------|-------|
| Name | FSMON | FHORDY | SHORDY | STATE | SRFAIL | NOIN | PHMON | — |
| Default | 0 | 0 | 0 | 0 | 0 | 0 | 0 | 0 |

Bit 7: Frame Sync Input Monitor Alarm (FSMON). This latched status bit is set to 1 when [PLL1SR.FSMON](#) transitions from 0 to 1. FSMON is cleared when written with a 1. When FSMON is set it can cause an interrupt request on the INTREQ pin if the [PLL1IER.FSMON](#) interrupt enable bit is set. See Section [7.9.1.6](#).

Bit 6: DPLL Fast Holdover Frequency Ready (FHORDY). This latched status bit is set to 1 when the DPLL has a holdover value that has been averaged over the 5.8-minute holdover averaging period. FHORDY is cleared when written with a 1. When FHORDY is set it can cause an interrupt request on the INTREQ pin if the [PLL1IER.FHORDY](#) interrupt enable bit is set. See Section [7.7.1.6](#).

Bit 5: DPLL Slow Holdover Frequency Ready (SHORDY). This latched status bit is set to 1 when the DPLL has a holdover value that has been averaged over the 93.2-minute holdover averaging period. SHORDY is cleared when written with a 1. When SHORDY is set it can cause an interrupt request on the INTREQ pin if the [PLL1IER.SHORDY](#) interrupt enable bit is set. See Section [7.7.1.6](#).

Bit 4: DPLL State Change (STATE). This latched status bit is set to 1 when the operating state of the DPLL changes. STATE is cleared when written with a 1 and not set again until the DPLL operating state changes again. When STATE is set it can cause an interrupt request on the INTREQ pin if the [PLL1IER.STATE](#) interrupt enable bit is set. The current operating state can be read from [PLL1SR.STATE](#). See Section [7.7.1](#).

Bit 3: DPLL Selected Reference Failed (SRFAIL). This latched status bit is set to 1 when the DPLL's selected reference fails, (i.e., no clock edges in two UI). SRFAIL is cleared when written with a 1. When SRFAIL is set it can cause an interrupt request on the INTREQ pin if the [PLL1IER.SRFAIL](#) interrupt enable bit is set. SRFAIL is not set in free-run mode or holdover mode. See Section [7.5.3](#).

Bit 2: DPLL No Valid Inputs Alarm (NOIN). This latched status bit is set to 1 when the DPLL has no valid inputs available. NOIN is cleared when written with a 1 unless the DPLL still has no valid inputs available. When NOIN is set it can cause an interrupt request on the INTREQ pin if the [PLL1IER.NOIN](#) interrupt enable bit is set.

Bit 1: DPLL Phase Monitor Alarm (PHMON). This latched status bit is set to 1 when the DPLL's phase monitor alarm limit ([PHMON.PHMONLIM](#)) has been exceeded. PHMON is cleared when written with a 1 and not set again until the threshold is exceeded again. When PHMON is set it can cause an interrupt request on the INTREQ pin if the [PLL1IER.PHMON](#) interrupt enable bit is set. See Section [7.7.6](#).

Register Name: MCLSR
Register Description: MCLK Latched Status Register
Register Address: 39h

| | Bit 7 | Bit 6 | Bit 5 | Bit 4 | Bit 3 | Bit 2 | Bit 1 | Bit 0 |
|---------|--------|-------|-------|-------|-------|-------|-------|-------|
| Name | MCFAIL | — | — | — | — | — | — | — |
| Default | 1 | 0 | 0 | 0 | 0 | 0 | 0 | 0 |

Bit 7: MCLK Oscillator Failure (MCFAIL). This latched status bit is set to 1 when the master clock APLL detects that the MCLKOSC signal is not toggling or is grossly off frequency. MCFAIL is cleared when written with a 1. When MCFAIL is set it can cause an interrupt request on the INTREQ pin if the [MCIER.MCFAIL](#) interrupt enable bit is set. See Section [7.3](#).

Register Name: ICLSR1
Register Description: Input Clock Latched Status Register 1
Register Address: 3Ch

| | Bit 7 | Bit 6 | Bit 5 | Bit 4 | Bit 3 | Bit 2 | Bit 1 | Bit 0 |
|---------|-------|-------|-------|-------|-------|-------|-------|-------|
| Name | — | — | — | — | — | — | IC2 | IC1 |
| Default | 1 | 1 | 1 | 1 | 1 | 1 | 1 | 1 |

Bits 1 to 0: Input Clock Status Change (IC[2:1]). Each of these latched status bits is set to 1 when the corresponding **VALSR1** status bit changes state (set or cleared). If soft frequency limit alarms are enabled (**ICCR2.SOFTEN** = 1), then each of these latched status bits is also set to 1 when the corresponding **ISR.SOFT** bit changes state (set or cleared). Each bit is cleared when written with a 1 and not set again until the **VALSR1** bit (or **SOFT** bit) changes state again. When one of these latched status bits is set it can cause an interrupt request on the **INTREQ** pin if the corresponding interrupt enable bit is set in the **ICIER1** register. See Section 7.5 for input clock validation/invalidation criteria.

Register Name: PLL1IER
Register Description: DPLL Interrupt Enable Register
Register Address: 40h

| | Bit 7 | Bit 6 | Bit 5 | Bit 4 | Bit 3 | Bit 2 | Bit 1 | Bit 0 |
|---------|-------|--------|--------|-------|--------|-------|-------|-------|
| Name | FSMON | FHORDY | SHORDY | STATE | SRFAIL | NOIN | PHMON | — |
| Default | 0 | 0 | 0 | 0 | 0 | 0 | 0 | 0 |

Bit 7: Interrupt Enable for Frame Sync Input Monitor Alarm (FSMON). This bit is an interrupt enable for the **FSMON** bit in the **PLL1LSR** register.

- 0 = Mask the interrupt
- 1 = Enable the interrupt

Bit 6: Interrupt Enable for DPLL Fast Holdover Ready (FHORDY). This bit is an interrupt enable for the **FHORDY** bit in the **PLL1LSR** register.

- 0 = Mask the interrupt
- 1 = Enable the interrupt

Bit 5: Interrupt Enable for DPLL Slow Holdover Ready (SHORDY). This bit is an interrupt enable for the **SHORDY** bit in the **PLL1LSR** register.

- 0 = Mask the interrupt
- 1 = Enable the interrupt

Bit 4: Interrupt Enable for DPLL State Change (STATE). This bit is an interrupt enable for the **STATE** bit in the **PLL1LSR** register.

- 0 = Mask the interrupt
- 1 = Enable the interrupt

Bit 3: Interrupt Enable for DPLL Selected Reference Failed (SRFAIL). This bit is an interrupt enable for the **SRFAIL** bit in the **PLL1LSR** register.

- 0 = Mask the interrupt
- 1 = Enable the interrupt

Bit 2: Interrupt Enable for DPLL No Valid Inputs Alarm (NOIN). This bit is an interrupt enable for the **NOIN** bit in the **PLL1LSR** register.

- 0 = Mask the interrupt
- 1 = Enable the interrupt

Bit 1: Interrupt Enable for DPLL Phase Monitor Alarm (PHMON). This bit is an interrupt enable for the **PHMON** bit in the **PLL1LSR** register.

- 0 = Mask the interrupt
- 1 = Enable the interrupt

Register Name: MCIER
Register Description: MCLK Interrupt Enable Register
Register Address: 41h

| | Bit 7 | Bit 6 | Bit 5 | Bit 4 | Bit 3 | Bit 2 | Bit 1 | Bit 0 |
|----------------|--------|-------|-------|-------|-------|-------|-------|-------|
| Name | MCFAIL | — | — | — | — | — | — | — |
| Default | 0 | 0 | 0 | 0 | 0 | 0 | 0 | 0 |

Bit 7: Interrupt Enable for MCLK Oscillator Failure (MCFAIL). This bit is an interrupt enable for the MCFAIL bit in the [MCLSR](#) register.

- 0 = Mask the interrupt
- 1 = Enable the interrupt

Register Name: ICIER1
Register Description: Input Clock Interrupt Enable Register 1
Register Address: 44h

| | Bit 7 | Bit 6 | Bit 5 | Bit 4 | Bit 3 | Bit 2 | Bit 1 | Bit 0 |
|----------------|-------|-------|-------|-------|-------|-------|-------|-------|
| Name | — | — | — | — | — | — | IC2 | IC1 |
| Default | 0 | 0 | 0 | 0 | 0 | 0 | 0 | 0 |

Bits 1 to 0: Interrupt Enable for Input Clock Status Change (IC2 to IC1). Each of these bits is an interrupt enable control for the corresponding bit in the [ICLSR1](#) register.

- 0 = Mask the interrupt
- 1 = Enable the interrupt

8.3.4 Input Clock Registers

Register Name: ICSEL
Register Description: Input Clock Select Register
Register Address: 60h

| | Bit 7 | Bit 6 | Bit 5 | Bit 4 | Bit 3 | Bit 2 | Bit 1 | Bit 0 |
|----------------|-------|-------|-------|-------|------------|-------|-------|-------|
| Name | 0 | 0 | 0 | 0 | ICSEL[3:0] | | | |
| Default | 0 | 0 | 0 | 0 | 0 | 0 | 0 | 0 |

Bits 3 to 0: Input Clock Select (ICSEL[3:0]). This field is the bank-select control that specifies the input clock for which registers are mapped into the Input Clock Registers section of [Table 8-1](#). See [Section 8.1.4](#).

- 0000 = {unused value}
- 0001 = Input clock 1
- 0010 = Input clock 2
- 0011 to 1111 = {unused values}

Register Name: ICCR1
Register Description: Input Clock Configuration Register 1
Register Address: 61h

| | Bit 7 | Bit 6 | Bit 5 | Bit 4 | Bit 3 | Bit 2 | Bit 1 | Bit 0 |
|----------------|-------|-------|-------------|-------|-------------|-------|-------|-------|
| Name | ICEN | POL | IFREQR[1:0] | | LKFREQ[3:0] | | | |
| Default | 0 | 0 | 0 | 0 | see below | | | |

The input clock registers are bank-selected by the [ICSEL](#) register. See Section [8.1.4](#).

Bit 7: Input Clock Enable (ICEN). This field enables and disables the input clock's differential receiver. The power consumed by a differential receiver is shown in [Table 10-2](#). See section [7.4.1](#).

- 0 = Disable
- 1 = Enable

Bit 6: Locking Polarity (POL). This field specifies which input clock signal edge the DPLL will lock to. See Section [7.4.2](#).

- 0 = Falling edge
- 1 = Rising edge

Bits 5 to 4: Input Frequency Range (IFREQR[1:0]). This field specifies the approximate frequency of the input clock at the pins of the DS31406. This field must be set correctly for proper operation of the fractional scaling block. See section [7.4.2](#).

- 00 = Input clock frequency < 100MHz
- 01 = 100MHz <= input clock frequency < 200MHz
- 10 = 200MHz <= input clock frequency < 400MHz
- 11 = Input clock frequency >= 400MHz

Bits 3 to 0: DPLL Lock Frequency (LKFREQ[3:0]). The input clock frequency is optionally scaled by the ratio $(ICN+1) / (ICD+1)$ before being presented to the DPLL. This field specifies the frequency at which the DPLL locks to the scaled signal. See section [7.4.2](#).

- 0000 = 2kHz
- 0001 = 8kHz
- 0010 = 64kHz
- 0011 = 1.544MHz
- 0100 = 2.048MHz
- 0101 = 6.312MHz
- 0110 = 6.48MHz
- 0111 = 19.44MHz
- 1000 = 25.92MHz
- 1001 = 1MHz
- 1010 = 2.5MHz
- 1011 = 25MHz
- 1100 = 31.25MHz
- 1101 = 10.24MHz
- 1110 – 1111 = undefined

LKFREQ[3:0] Default Values:

- ICR1 – ICR2: 0111 (19.44MHz)
- ICR3 – ICR4: 1011 (25MHz)
- ICR5 – ICR6: 1100 (31.25MHz)
- ICR7: 0011 (1.544MHz)
- ICR8: 0100 (2.048MHz)

Register Name: ICCR2
Register Description: Input Clock Configuration Register 2
Register Address: 62h

| | Bit 7 | Bit 6 | Bit 5 | Bit 4 | Bit 3 | Bit 2 | Bit 1 | Bit 0 |
|----------------|---------|-------|--------------|-------|-------|--------|--------|-------|
| Name | FS[1:0] | | FMONCLK[1:0] | | S2LIM | SOFTEN | HARDEN | FREN |
| Default | 0 | 1 | 0 | 0 | 0 | 0 | 1 | 1 |

The input clock registers are bank-selected by the [ICSEL](#) register. See Section [8.1.4](#).

Bits 7 to 6: Frame Sync (FS[1:0]). This field specifies the input frame sync pin associated with the input clock pin. If [FSCR1.EFSEN](#)=1, when the input clock pin is chosen as the selected reference for the DPLL, the specified input frame sync signal is automatically selected as well. Note that when [ICESR.ESEN](#)=1, this field is ignored. See Section [7.9.1.1](#).

- 00 = None
- 01 = SYNC1
- 10 = SYNC2
- 11 = {unused value}

Bits 5 to 4: Frequency Monitor Clock Source (FMONCLK[1:0]). This field specifies the reference clock source for the input clock frequency monitor. See section [7.5.1](#).

- 00 = Internal master clock
- 01 = DPLL output
- 10, 11 = {unused values}

Bit 3: Stratum 2 Frequency Limits (S2LIM). When this bit is set to 1, the resolution of the [ICAHLIM](#) and [ICRHLIM](#) registers increases from ~0.2ppm for stratum 3/3E/4/4E/SMC applications to ~5ppb for stratum 2 applications. See section [7.5.1](#).

- 0 = Stratum 3 limits, ~0.2ppm resolution
- 1 = Stratum 2 limits, ~5ppb resolution

Bit 2: Soft Frequency Alarm Enable (SOFTEN). This bit enables input clock frequency monitoring with the soft alarm limits set in the [ICSLIM](#) register. Soft alarms are reported in the SOFT status bits of the [ISR](#) register. See Section [7.5.1](#).

- 0 = Disabled
- 1 = Enabled

Bit 1: Hard Frequency Limit Enable (HARDEN). This bit enables input clock frequency monitoring with the hard alarm limits set in the [ICAHLIM](#) and [ICRHLIM](#) registers. Hard alarms are reported in the HARD status bits of the [ISR](#) register. See Section [7.5.1](#).

- 0 = Disabled
- 1 = Enabled

Bit 0: Frequency Range Detect Enable (FREN). When this bit is set to 1 the frequency of each input clock is measured and used to quickly declare the input inactive. See section [7.5.1](#).

- 0 = Frequency Range Detect disabled
- 1 = Frequency Range Detect enabled

Register Name: ICCR3
Register Description: Input Clock Configuration Register 3
Register Address: 63h

| | Bit 7 | Bit 6 | Bit 5 | Bit 4 | Bit 3 | Bit 2 | Bit 1 | Bit 0 |
|----------------|-------|-------|-------|-------|--------------|-------|-------|-------|
| Name | 0 | 0 | 0 | NSEN | FMONLEN[3:0] | | | |
| Default | 0 | 0 | 0 | 0 | 0 | 0 | 1 | 0 |

The input clock registers are bank-selected by the [ICSEL](#) register. See Section [8.1.4](#).

Bits 4: Noise Shaping Enable (NSEN). Setting this bit to one enables noise shaping circuitry in the input clock fractional scaling block. The effect of this noise shaping is to move the phase noise generated by the fractional scaling digital circuitry up to higher frequencies where it can be attenuated more by a downstream PLL. This feature is most beneficial when one or more of the divider muxes is configured for PLL bypass ([OCCR2.DIVMUX=1XXXb](#)).

Bits 3 to 0: Frequency Monitor Measurement Length (FMONLEN[3:0]). This field specifies the length of time the input frequency monitor takes to measure the frequency of the input clock. The frequency measurement length specified by FMONLEN is a function of the measurement reference clock specified by [ICCR2.FMONCLK](#) as shown below. See section [7.5.1](#).

If [ICCR2.FMONCLK\[1:0\] = 00](#):

- 0000 = 3.982 sec
- 0001 = 7.962 sec
- 0010 = 15.926 sec
- 0011 = 31.850 sec
- 0100 = 62.700 sec
- 0101 = 127.402 sec
- 0110 = 254.804 sec
- 0111 = 509.608 sec
- 1000 = 1019.216 sec
- 1001 = 2038.432 sec
- 1010-1111 = {unused values}

If [ICCR2.FMONCLK\[1:0\] = 01 or 10](#):

- 0000 = 2.622 sec
- 0001 = 5.242 sec
- 0010 = 10.486 sec
- 0011 = 20.972 sec
- 0100 = 41.944 sec
- 0101 = 83.006 sec
- 0110 = 167.772 sec
- 0111 = 335.544 sec
- 1000 = 671.088 sec
- 1001 = 1342.178 sec
- 1010-1111 = unused

Register Name: ICN1
Register Description: Input Clock Fractional Scaling Numerator Register 1
Register Address: 64h

| | Bit 7 | Bit 6 | Bit 5 | Bit 4 | Bit 3 | Bit 2 | Bit 1 | Bit 0 |
|----------------|----------|-------|-------|-------|-------|-------|-------|-------|
| Name | ICN[7:0] | | | | | | | |
| Default | 0 | 0 | 0 | 0 | 0 | 0 | 0 | 0 |

The input clock registers are bank-selected by the [ICSEL](#) register. See Section [8.1.4](#).
 The ICN1 and ICN2 registers must be read consecutively and written consecutively. See Section [8.1.3](#).

Bits 7 to 0: Input Clock Fractional Scaling Numerator (ICN[7:0]). The full 16-bit ICN[15:0] field spans this register and [ICN2](#). ICN is an unsigned integer. The value ICN+1 is the numerator used for fractional scaling of the input clock frequency. See section [7.4.2](#).

Register Name: ICN2
Register Description: Input Clock Fractional Scaling Numerator Register 2
Register Address: 65h

| | Bit 7 | Bit 6 | Bit 5 | Bit 4 | Bit 3 | Bit 2 | Bit 1 | Bit 0 |
|----------------|-----------|-------|-------|-------|-------|-------|-------|-------|
| Name | ICN[15:8] | | | | | | | |
| Default | 0 | 0 | 0 | 0 | 0 | 0 | 0 | 0 |

The input clock registers are bank-selected by the [ICSEL](#) register. See Section [8.1.4](#).
 The ICN1 and ICN2 registers must be read consecutively and written consecutively. See Section [8.1.3](#).

Bits 7 to 0: Input Clock Fractional Scaling Numerator (ICN[15:8]). See the [ICN1](#) register description.

Register Name: ICD1
Register Description: Input Clock Fractional Scaling Denominator Register 1
Register Address: 66h

| | Bit 7 | Bit 6 | Bit 5 | Bit 4 | Bit 3 | Bit 2 | Bit 1 | Bit 0 |
|----------------|----------|-------|-------|-------|-------|-------|-------|-------|
| Name | ICD[7:0] | | | | | | | |
| Default | 0 | 0 | 0 | 0 | 0 | 0 | 0 | 0 |

The input clock registers are bank-selected by the [ICSEL](#) register. See Section [8.1.4](#).
 The ICD1 through ICD4 registers must be read consecutively and written consecutively. See Section [8.1.3](#).

Bits 7 to 0: Input Clock Fractional Scaling Denominator (ICD[7:0]). The full 32-bit ICD[31:0] field spans this register, [ICD2](#), [ICD3](#) and [ICD4](#). ICD is an unsigned integer. The value ICD+1 is the denominator used for fractional scaling of the input clock frequency. See section [7.4.2](#).

Register Name: ICD2
Register Description: Input Clock Fractional Scaling Denominator Register 2
Register Address: 67h

| | Bit 7 | Bit 6 | Bit 5 | Bit 4 | Bit 3 | Bit 2 | Bit 1 | Bit 0 |
|----------------|-----------|-------|-------|-------|-------|-------|-------|-------|
| Name | ICD[15:8] | | | | | | | |
| Default | 0 | 0 | 0 | 0 | 0 | 0 | 0 | 0 |

The input clock registers are bank-selected by the [ICSEL](#) register. See Section [8.1.4](#).
 The ICD1 through ICD4 registers must be read consecutively and written consecutively. See Section [8.1.3](#).

Bits 7 to 0: Input Clock Fractional Scaling Denominator (ICD[15:8]). See the [ICD1](#) register description.

Register Name: ICD3
Register Description: Input Clock Fractional Scaling Denominator Register 3
Register Address: 68h

| | Bit 7 | Bit 6 | Bit 5 | Bit 4 | Bit 3 | Bit 2 | Bit 1 | Bit 0 |
|----------------|------------|-------|-------|-------|-------|-------|-------|-------|
| Name | ICD[23:16] | | | | | | | |
| Default | 0 | 0 | 0 | 0 | 0 | 0 | 0 | 0 |

The input clock registers are bank-selected by the [ICSEL](#) register. See Section [8.1.4](#).
 The ICD1 through ICD4 registers must be read consecutively and written consecutively. See Section [8.1.3](#).

Bits 7 to 0: Input Clock Fractional Scaling Denominator (ICD[23:16]). See the [ICD1](#) register description.

Register Name: ICD4
Register Description: Input Clock Fractional Scaling Denominator Register 4
Register Address: 69h

| | Bit 7 | Bit 6 | Bit 5 | Bit 4 | Bit 3 | Bit 2 | Bit 1 | Bit 0 |
|----------------|------------|-------|-------|-------|-------|-------|-------|-------|
| Name | ICD[31:24] | | | | | | | |
| Default | 0 | 0 | 0 | 0 | 0 | 0 | 0 | 0 |

The input clock registers are bank-selected by the [ICSEL](#) register. See Section [8.1.4](#).
 The ICD1 through ICD4 registers must be read consecutively and written consecutively. See Section [8.1.3](#).

Bits 7 to 0: Input Clock Fractional Scaling Denominator (ICD[31:24]). See the [ICD1](#) register description.

Register Name: ICLBU
Register Description: Input Clock Leaky Bucket Upper Threshold
Register Address: 6Ah

| | Bit 7 | Bit 6 | Bit 5 | Bit 4 | Bit 3 | Bit 2 | Bit 1 | Bit 0 |
|----------------|------------|-------|-------|-------|-------|-------|-------|-------|
| Name | ICLBU[7:0] | | | | | | | |
| Default | 0 | 0 | 0 | 0 | 0 | 1 | 1 | 0 |

The input clock registers are bank-selected by the [ICSEL](#) register. See Section [8.1.4](#).

Bits 7 to 0: Input Clock Leaky Bucket Upper Threshold (ICLBU[7:0]). When the leaky bucket accumulator is equal to the value stored in this field, the activity monitor declares an activity alarm by setting the input clock's ACT bit in the [ISR](#) register. See Section [7.5.2](#).

Register Name: ICLBL
Register Description: Input Clock Leaky Bucket Lower Threshold
Register Address: 6Bh

| | Bit 7 | Bit 6 | Bit 5 | Bit 4 | Bit 3 | Bit 2 | Bit 1 | Bit 0 |
|----------------|------------|-------|-------|-------|-------|-------|-------|-------|
| Name | ICLBL[7:0] | | | | | | | |
| Default | 0 | 0 | 0 | 0 | 0 | 1 | 0 | 0 |

The input clock registers are bank-selected by the [ICSEL](#) register. See Section [8.1.4](#).

Bits 7 to 0: Input Clock Leaky Bucket Lower Threshold (ICLBL[7:0]). When the leaky bucket accumulator is equal to the value stored in this field, the activity monitoring logic clears the activity alarm (if previously declared) by clearing the input clock's ACT bit in the [ISR](#) register. See Section [7.5.2](#).

Register Name: ICLBS
Register Description: Input Clock Leaky Bucket Size
Register Address: 6Ch

| | Bit 7 | Bit 6 | Bit 5 | Bit 4 | Bit 3 | Bit 2 | Bit 1 | Bit 0 |
|----------------|------------|-------|-------|-------|-------|-------|-------|-------|
| Name | ICLBS[7:0] | | | | | | | |
| Default | 0 | 0 | 0 | 0 | 1 | 0 | 0 | 0 |

The input clock registers are bank-selected by the [ICSEL](#) register. See Section [8.1.4](#).

Bits 7 to 0: Input Clock Leaky Bucket Size (ICLBS[7:0]). This field specifies the maximum value of the leaky bucket accumulator. The accumulator cannot increment past this value. Setting this register to 00h disables activity monitoring and forces the ACT bit to 1 in the [ISR](#) register. See Section [7.5.2](#).

Register Name: ICLBD
Register Description: Input Clock Leaky Bucket Decay Rate
Register Address: 6Dh

| | Bit 7 | Bit 6 | Bit 5 | Bit 4 | Bit 3 | Bit 2 | Bit 1 | Bit 0 |
|----------------|-------|-------|-------|-------|-------|-------|------------|-------|
| Name | — | — | — | — | — | — | ICLBD[1:0] | |
| Default | 0 | 0 | 0 | 0 | 0 | 0 | 0 | 1 |

The input clock registers are bank-selected by the [ICSEL](#) register. See Section [8.1.4](#).

Bits 1 to 0: Input Clock Leaky Bucket Decay Rate (ICLBD[1:0]). This field specifies the decay or “leak” rate of the leaky bucket accumulator. For each period of 1, 2, 4, or 8 128ms intervals in which no irregularities are detected on the input clock, the accumulator decrements by 1. See Section [7.5.2](#).

- 00 = decrement every 128ms (8 units/second)
- 01 = decrement every 256ms (4 units/second)
- 10 = decrement every 512ms (2 units/second)
- 11 = decrement every 1024ms (1 unit/second)

Register Name: ICAHLIM
Register Description: Input Clock Frequency Acceptance Hard Limit
Register Address: 6Eh

| | Bit 7 | Bit 6 | Bit 5 | Bit 4 | Bit 3 | Bit 2 | Bit 1 | Bit 0 |
|----------------|--------------|-------|-------|-------|-------|-------|-------|-------|
| Name | ICAHLIM[7:0] | | | | | | | |
| Default | 0 | 0 | 1 | 0 | 1 | 1 | 1 | 1 |

The input clock registers are bank-selected by the [ICSEL](#) register. See Section [8.1.4](#).

Bits 7 to 0: Input Clock Frequency Acceptance Hard Limit (ICAHLIM[7:0]). This field is an unsigned integer that specifies the hard frequency limit for accepting an input clock (i.e. the pull-in range for the input clock). When the fractional frequency offset of the input clock is less than this limit, the frequency monitor indicates the input clock has valid frequency by setting HARD = 0 in the [ISR](#) register.

When [ICCR2.S2LIM](#)=0 (stratum 3/3E/4/4E/SMC/SEC/EEC operation), ICAHLIM can be set as high as ±50ppm and has ~0.2ppm resolution. The default limit is approximately ±9.2ppm. The limit in ppm is ±ICAHLIM x 0.19622928.

When [ICCR2.S2LIM](#)=1 (stratum 2 operation), ICAHLIM can be set as high as ±1.25ppm and has ~5ppb resolution. To meet the stratum 2 requirements of GR-1244, ICAHLIM should be set to 7 to get a ±34.34ppb accept limit. The limit in ppb is ±ICAHLIM x 4.905732.

The reference clock used to measure the frequency of the input clock is specified by [ICCR2.FMONCLK](#). The hard alarm is enabled for an input by setting [ICCR2.HARDEN](#) = 1. Set $ICRHLIM \geq ICAHLIM * 1.05$ to meet the hysteresis and rejection requirements of GR-1244 R3-30 [110] and R3-31 [111]. The value 00h is undefined. See Section [7.5.1](#).

Register Name: ICRHLIM
Register Description: Input Clock Frequency Rejection Hard Limit
Register Address: 6Fh

| | Bit 7 | Bit 6 | Bit 5 | Bit 4 | Bit 3 | Bit 2 | Bit 1 | Bit 0 |
|----------------|--------------|-------|-------|-------|-------|-------|-------|-------|
| Name | ICRHLIM[7:0] | | | | | | | |
| Default | 0 | 0 | 1 | 1 | 1 | 1 | 0 | 1 |

The input clock registers are bank-selected by the [ICSEL](#) register. See Section [8.1.4](#).

Bits 7 to 0: Input Clock Frequency Rejection Hard Limit (ICRHLIM[7:0]). This field is an unsigned integer that specifies the hard frequency limit for rejecting an input clock. When the fractional frequency offset of the input clock is greater than or equal to this limit, the frequency monitor indicates hard frequency alarm by setting HARD = 1 in the [ISR](#) register, which immediately invalidates the clock.

When [ICCR2.S2LIM](#)=0 (stratum 3/3E/4/4E/SMC/SEC/EEC operation), ICRHLIM can be set as high as ±50ppm and has ~0.2ppm resolution. The default limit is approximately ±12.0ppm. The limit in ppm is ±ICRHLIM x 0.19622928.

When [ICCR2.S2LIM](#)=1 (stratum 2 operation), ICRHLIM can be set as high as ±1.25ppm and has ~5ppb resolution. To meet the stratum 2 requirements of GR-1244, ICRHLIM should be set to 8 to get a ±39.25ppb reject limit. The limit in ppb is ±ICRHLIM x 4.905732.

The reference clock used to measure the frequency of the input clock is specified by [ICCR2.FMONCLK](#). The hard alarm is enabled for an input by setting [ICCR2.HARDEN](#) = 1. Set $ICRHLIM \geq ICAHLIM * 1.05$ to meet the hysteresis and rejection requirements of GR-1244 R3-30 [110] and R3-31 [111]. The value 00h is undefined. See Section [7.5.1](#).

Register Name: ICSLIM
Register Description: Input Clock Frequency Soft Limit
Register Address: 70h

| | Bit 7 | Bit 6 | Bit 5 | Bit 4 | Bit 3 | Bit 2 | Bit 1 | Bit 0 |
|----------------|-------------|-------|-------|-------|-------|-------|-------|-------|
| Name | ICSLIM[7:0] | | | | | | | |
| Default | 0 | 0 | 1 | 0 | 1 | 0 | 0 | 1 |

The input clock registers are bank-selected by the [ICSEL](#) register. See Section [8.1.4](#).

Bits 7 to 0: Input Clock Frequency Soft Limit (ICSLIM[7:0]). This field is an unsigned integer that specifies the soft frequency limit for an input clock. ICSLIM can be set as high as ± 50 ppm and has ~ 0.2 ppm resolution. The default limit is approximately ± 8.0 ppm. When the fractional frequency offset of the input clock is greater than or equal to this soft limit, the frequency monitor indicates soft frequency alarm by setting SOFT=1 in the [ISR](#) register. The soft alarm limit is only used for monitoring; soft alarms do not invalidate input clocks. The limit in ppm is $\pm \text{ICSLIM} \times 0.19622928$. The reference clock used to measure the frequency of the input clock is specified by [ICCR2.FMONCLK](#). The soft alarm is enabled for an input by setting [ICCR2.SOFTEN](#)=1. The value 00h is undefined. See Section [7.5.1](#).

Register Name: FMEAS1
Register Description: Input Clock Frequency Measurement Register 1
Register Address: 71h

| | Bit 7 | Bit 6 | Bit 5 | Bit 4 | Bit 3 | Bit 2 | Bit 1 | Bit 0 |
|----------------|------------|-------|-------|-------|-------|-------|-------|-------|
| Name | FMEAS[7:0] | | | | | | | |
| Default | 0 | 0 | 0 | 0 | 0 | 0 | 0 | 0 |

The input clock registers are bank-selected by the [ICSEL](#) register. See Section [8.1.4](#).

The FMEAS1 and FMEAS2 registers must be read consecutively. See Section [8.1.3](#).

Bits 7 to 0: Measured Frequency (FMEAS[7:0]). The full 16-bit FMEAS[15:0] field spans this register and [FMEAS2](#). This read-only field indicates the measured frequency of the input clock. FMEAS is a two's-complement signed integer that expresses the fractional frequency offset of the input clock in ~ 5 ppb steps. The measured frequency is $\text{FMEAS}[15:0] \times 4.905732\text{ppb}$. See Section [7.5.1](#).

Register Name: FMEAS2
Register Description: Input Clock Frequency Measurement Register 2
Register Address: 72h

| | Bit 7 | Bit 6 | Bit 5 | Bit 4 | Bit 3 | Bit 2 | Bit 1 | Bit 0 |
|----------------|-------------|-------|-------|-------|-------|-------|-------|-------|
| Name | FMEAS[15:8] | | | | | | | |
| Default | 0 | 0 | 0 | 0 | 0 | 0 | 0 | 0 |

The input clock registers are bank-selected by the [ICSEL](#) register. See Section [8.1.4](#).

The FMEAS1 and FMEAS2 registers must be read consecutively. See Section [8.1.3](#).

Bits 7 to 0: Measured Frequency (FMEAS[15:8]). See the [FMEAS1](#) register description.

Register Name: ICESR
Register Description: Input Clock Embedded Sync Register
Register Address: 73h

| | Bit 7 | Bit 6 | Bit 5 | Bit 4 | Bit 3 | Bit 2 | Bit 1 | Bit 0 |
|----------------|-------|-------|-------|-------|---------|-------|-------|-------|
| Name | — | — | — | — | PWMLLEN | PWM3 | EDGE | ESEN |
| Default | 0 | 0 | 0 | 0 | 0 | 0 | 0 | 0 |

The fields in this register are used to configure the device to extract a 2kHz, 4kHz or 8kHz frame sync signal embedded in the input clock signal using pulse width modulation (PWM). See section 7.9.2 for details.

Bit 3: Pulse Width Modulation Length (PWMLLEN). This bit specifies whether the pulse width modulation has a low time shorter or longer than 50% duty cycle.

- 0 = Shorter than 50%
- 1 = Longer than 50%

Bit 2: Pulse Width Modulation for 3 Cycles (PWM3). This bit specifies whether one or three consecutive PWM cycles are required in the input clock signal to indicate the start of the frame sync cycle. The use of three consecutive PWM cycles provides better noise immunity.

- 0 = One PWM cycle
- 1 = Three consecutive PWM cycles

Bit 1: Frame Sync Edge (EDGE). This bit specifies the input clock falling edge that is the exact start of the frame sync cycle.

- PWM3 = 0:
 - 0 = Next. The falling edge immediately after the modulated rising edge
 - 1 = Previous. The falling edge immediately before the modulated rising edge
- PWM3 = 1:
 - 0 = Next. The falling edge immediately after the third modulated rising edge
 - 1 = Previous. The falling edge immediately before the third modulated rising edge

Bit 0: Embedded Frame Sync Enable (ESEN). This bit enables and disables the input clock embedded frame sync logic.

- 0 = Disabled
- 1 = Enabled

8.3.5 DPLL Registers

Register Name: DPLLCR1
Register Description: DPLL Configuration Register 1
Register Address: 81h

| | Bit 7 | Bit 6 | Bit 5 | Bit 4 | Bit 3 | Bit 2 | Bit 1 | Bit 0 |
|----------------|-----------|-------|--------|-------|------------|-------|-------|-------|
| Name | EXTSW | UFSW | REVERT | — | FORCE[3:0] | | | |
| Default | see below | 0 | 0 | 0 | 0 | 0 | 0 | 0 |

Bit 7: External Reference Switching Mode (EXTSW). This bit enables external reference switching mode. In this mode, if the SRCSW pin is high the DPLL is forced to lock to input IC1 (if the priority of IC1 is nonzero) whether or not the selected input has a valid reference signal. If the SRCSW pin is low the DPLL is forced to lock to input IC2 (if the priority of IC2 is nonzero) whether or not the selected input has a valid reference signal. During reset the default value of the DPLL's EXTSW bit is latched from the SRCSW pin. See Section 7.6.5.

- 0 = Normal operation
- 1 = External switching mode

Bit 6: Ultra-Fast Switching Mode (UFSW). See Section 7.6.4.

- 0 = Disabled
- 1 = Enabled. The current selected reference is disqualified after less than three missing clock cycles.

Bit 5: Revertive Mode (REVERT). This bit configures the DPLL for revertive or nonrevertive operation. In revertive mode, if an input clock with a higher priority than the selected reference becomes valid, the higher priority reference immediately becomes the selected reference. In nonrevertive mode the higher priority reference does not immediately become the selected reference but does become the highest-priority reference in the priority table (REF1 field in the PTAB1 register). See Section 7.6.2.

Bits 3 to 0: Force Selected Reference (FORCE[3:0]). This field provides a way to force a specified input clock to be the selected reference for the DPLL. Internally this is accomplished by forcing the clock to have the highest priority (as specified in PTAB1.REF1). In revertive mode (REVERT=1) the forced clock automatically becomes the selected reference (as specified in PTAB1.SELREF) as well. In nonrevertive mode (REVERT=0) the forced clock only becomes the selected reference when the existing selected reference is invalidated or made unavailable for selection.

When a reference is forced, the frequency monitor and activity monitor for that input and the DPLL's loss-of-lock timeout logic all continue to operate and affect the relevant **ISR**, **VALSR** and **ICLSR** register bits. However, when the reference is declared invalid the DPLL is not allowed to switch to another input clock. The DPLL continues to respond to the fast activity monitor, transitioning to mini-holdover in response to short-term events and to full holdover in response to longer events. This field has no effect when EXTSW=1. See Section 7.6.3.

- 0000 = Automatic source selection (normal operation)
- 0001 = Force to IC1
- 0010 = Force to IC2
- 0011 to 1111 = {unused values}

Register Name: DPLLCR2
Register Description: DPLL Configuration Register 2
Register Address: 82h

| | Bit 7 | Bit 6 | Bit 5 | Bit 4 | Bit 3 | Bit 2 | Bit 1 | Bit 0 |
|----------------|-------------|-------|-------------|-------|-------|------------|-------|-------|
| Name | HOMODE[1:0] | | MINIHO[1:0] | | HORST | STATE[2:0] | | |
| Default | 0 | 0 | 0 | 0 | 0 | 0 | 0 | 0 |

Bits 7 to 6: Holdover Mode (HOMODE[1:0]). This field specifies the DPLL's main holdover mode. See Section 7.7.1.6.

- 00 = Instantaneous
- 01 = Manual Holdover (set by [HOFREQ](#))
- 10 = Fast Average
- 11 = Slow Average

Bits 5 to 4: Miniholdover Mode (MINIHO). Miniholdover is a transitional state the DPLL enters immediately after losing its selected reference. In miniholdover the DPLL behaves exactly the same as in holdover but with a holdover frequency specified by this field. See Section 7.7.1.7.

- 00 = Instantaneous
- 01 = Manual Holdover (set by [HOFREQ](#))
- 10 = Fast Average
- 11 = Slow Average

Bit 3: Holdover Reset (HORST). A zero to one transition of this bit causes the DPLL to reset (i.e. erase) all stored holdover values, clear the FHORDY and SHORDY bits in [PLL1SR](#), and restart the holdover accumulation process. See section 7.7.1.6.1 for details.

Bits 2 to 0: DPLL State Control (STATE[2:0]). This field can be used to force the DPLL state machine to a specified state. The state machine remains in the forced state, and therefore cannot react to alarms and other events, as long as STATE is not equal to 000. See Section 7.7.1.

- 000 = Automatic (normal state machine operation)
- 001 = Free-run
- 010 = Holdover
- 011 = {unused value}
- 100 = Locked
- 101 = Prelocked 2
- 110 = Prelocked
- 111 = Loss-of-lock

Register Name: DPLLCR3
Register Description: DPLL Configuration Register 3
Register Address: 83h

| | Bit 7 | Bit 6 | Bit 5 | Bit 4 | Bit 3 | Bit 2 | Bit 1 | Bit 0 |
|----------------|------------|-------|-------|----------|-------|-------|-------|-------|
| Name | ADAMP[2:0] | | | ABW[4:0] | | | | |
| Default | 0 | 1 | 1 | 0 | 1 | 1 | 1 | 1 |

Bits 7 to 5: Acquisition Damping Factor (ADAMP[2:0]). This field configures the DPLL’s damping factor when acquiring lock (i.e. pulling in). Acquisition damping factor is a function of both ADAMP and the acquisition DPLL bandwidth (ABW field below). The default value corresponds to a damping factor of 5 for all bandwidths. See Section 7.7.3. See also the ±160 tracking range mode described in section 7.7.13.

| | ≤ 4Hz | 8Hz | 18Hz | 35Hz | ≥ 70Hz |
|---------------------|-----------------|-----|------|------|--------|
| 001 = | 5 | 2.5 | 1.2 | 1.2 | 1.2 |
| 010 = | 5 | 5 | 2.5 | 2.5 | 2.5 |
| 011 = | 5 | 5 | 5 | 5 | 5 |
| 100 = | 5 | 5 | 5 | 10 | 10 |
| 101 = | 5 | 5 | 5 | 10 | 20 |
| 000, 110, and 111 = | {unused values} | | | | |

The gain peak for each damping factor is shown below:

| DAMPING FACTOR | GAIN PEAK (dB) |
|----------------|----------------|
| 1.2 | 0.4 |
| 2.5 | 0.2 |
| 5.0 | 0.1 |
| 10 | 0.06 |
| 20 | 0.03 |

Bits 4 to 0: Acquisition Bandwidth (ABW[4:0]). This field configures the bandwidth of the DPLL when acquiring lock (i.e. pulling in). When DPLLCR6.AUTOBW=0, DPLLCR4.LBW bandwidth is used for acquisition and for locked operation. When AUTOBW=1, ABW bandwidth is used for acquisition while LBW bandwidth is used for locked operation. See Section 7.7.2. See also the ±160 tracking range mode described in section 7.7.13.

- 00000 = 0.5 mHz
- 00001 = 1 mHz
- 00010 = 2 mHz
- 00011 = 4 mHz
- 00100 = 8 mHz
- 00101 = 15 mHz
- 00110 = 30 mHz
- 00111 = 60 mHz
- 01000 = 0.1 Hz
- 01001 = 0.3 Hz
- 01010 = 0.6 Hz
- 01011 = 1.2 Hz
- 01100 = 2.5 Hz
- 01101 = 4 Hz
- 01110 = 8 Hz
- 01111 = 18 Hz (default)
- 10000 = 35 Hz
- 10001 = 70 Hz
- 10010 = 120Hz
- 10011 = 250Hz
- 10100 = 400Hz
- 10101 to 11111 = {unused values}

Register Name: DPLLCR4
Register Description: DPLL Configuration Register 4
Register Address: 84h

| | Bit 7 | Bit 6 | Bit 5 | Bit 4 | Bit 3 | Bit 2 | Bit 1 | Bit 0 |
|----------------|------------|-------|-------|----------|-------|-------|-------|-------|
| Name | LDAMP[2:0] | | | LBW[4:0] | | | | |
| Default | 0 | 1 | 1 | 0 | 1 | 1 | 0 | 1 |

Bits 7 to 5: Locked Damping Factor (LDAMP[2:0]). This field configures the DPLL’s damping factor when locked to an input clock. Locked damping factor is a function of both LDAMP and the locked DPLL bandwidth (LBW field below). The default value corresponds to a damping factor of 5 for all bandwidths. See Section 7.7.3. See also the ±160 tracking range mode described in section 7.7.13.

| | ≤ 4Hz | 8Hz | 18Hz | 35Hz | ≥ 70Hz |
|---------------------|-----------------|-----|------|------|--------|
| 001 = | 5 | 2.5 | 1.2 | 1.2 | 1.2 |
| 010 = | 5 | 5 | 2.5 | 2.5 | 2.5 |
| 011 = | 5 | 5 | 5 | 5 | 5 |
| 100 = | 5 | 5 | 5 | 10 | 10 |
| 101 = | 5 | 5 | 5 | 10 | 20 |
| 000, 110, and 111 = | {unused values} | | | | |

The gain peak for each damping factor is shown below:

| DAMPING FACTOR | GAIN PEAK (dB) |
|----------------|----------------|
| 1.2 | 0.4 |
| 2.5 | 0.2 |
| 5.0 | 0.1 |
| 10 | 0.06 |
| 20 | 0.03 |

Bits 4 to 0: Locked Bandwidth (LBW[4:0]). This field configures the bandwidth of the DPLL when locked to an input clock. When DPLLCR6.AUTOBW=0, the LBW bandwidth is used for acquisition and for locked operation. When AUTOBW=1, DPLLCR3.ABW bandwidth is used for acquisition while LBW bandwidth is used for locked operation. See Section 7.7.2. See also the ±160 tracking range mode described in section 7.7.13.

- 00000 = 0.5 mHz
- 00001 = 1 mHz
- 00010 = 2 mHz
- 00011 = 4 mHz
- 00100 = 8 mHz
- 00101 = 15 mHz
- 00110 = 30 mHz
- 00111 = 60 mHz
- 01000 = 0.1 Hz
- 01001 = 0.3 Hz
- 01010 = 0.6 Hz
- 01011 = 1.2 Hz
- 01100 = 2.5 Hz
- 01101 = 4 Hz (default)
- 01110 = 8 Hz
- 01111 = 18 Hz
- 10000 = 35 Hz
- 10001 = 70 Hz
- 10010 = 120Hz
- 10011 = 250Hz
- 10100 = 400Hz
- 10101 to 11111 = {unused values}

Register Name: DPLLCR5
Register Description: DPLL Configuration Register 5
Register Address: 85h

| | Bit 7 | Bit 6 | Bit 5 | Bit 4 | Bit 3 | Bit 2 | Bit 1 | Bit 0 |
|----------------|-------|-------|-------|-------|--------|---------|-------|--------|
| Name | NALOL | FLLOL | FLEN | CLEN | MCPDEN | USEMCPD | D180 | PFD180 |
| Default | 0 | 1 | 1 | 1 | 0 | 0 | 0 | 0 |

Bit 7: No-Activity Loss of Lock (NALOL). The DPLL can detect that an input clock has no activity very quickly (within two clock cycles). When NALOL = 1, the DPLL internally declares loss-of-lock as soon as no activity is detected, and then switches to phase/frequency locking ($\pm 360^\circ$). When NALOL = 0, loss-of-lock is not declared when clock cycles are missing, and nearest edge locking ($\pm 180^\circ$) is used when the clock recovers. This gives tolerance to missing cycles. See Sections 7.5.3 and 7.7.5.

- 0 = No activity does not trigger loss-of-lock
- 1 = No activity does trigger loss-of-lock

Bit 6: Frequency Limit Loss of Lock (FLLOL). When this bit is set to 1, the DPLL internally declares loss-of-lock when the DPLL's frequency exceeds the frequency hard limit specified in the HRDLIM registers. See Section 7.7.5.

- 0 = DPLL does not declare loss-of-lock when the hard frequency limit is reached
- 1 = DPLL declares loss-of-lock when the hard frequency limit is reached

Bit 5: Fine Phase Limit Enable (FLEN). When this bit is set to 1, the DPLL internally declares loss-of-lock when the DPLL's phase (difference between output phase and input phase) exceeds the fine phase limit specified in the PHLIM.FINELIM[2:0] field. The fine limit must be disabled for multi-UI jitter tolerance. See Section 7.7.5.

- 0 = Disabled
- 1 = Enabled

Bit 4: Coarse Phase Limit Enable (CLEN). When this bit is set to 1, the DPLL internally declares loss-of-lock when the DPLL's phase (difference between output phase and input phase) exceeds the coarse phase limit specified in the PHLIM.COARSELIM[3:0] field. See Section 7.7.5.

- 0 = Disabled
- 1 = Enabled

Bit 3: Multicycle Phase Detector Enable (MCPDEN). This configuration bit enables the multicycle phase detector and allows the DPLL to tolerate large-amplitude jitter and wander. The range of the multicycle phase detector is the same as the coarse phase limit specified in the PHLIM.COARSELIM[3:0] field. See Section 7.7.4.

- 0 = Disabled
- 1 = Enabled

Bit 2: Use Multicycle Phase Detector in the DPLL Algorithm (USEMCPD). This configuration bit enables the DPLL algorithm to use the multicycle phase detector so that a large phase measurement drives faster DPLL pull-in. When USEMCPD = 0, phase measurement is limited to $\pm 360^\circ$, giving slower pull-in at higher frequencies but with less overshoot. When USEMCPD = 1, phase measurement is set as specified in the COARSELIM[3:0] field, giving faster pull-in. MCPDEN should be set to 1 when USEMCPD = 1. See Section 7.7.4.

- 0 = Disabled
- 1 = Enabled

Bit 1: Disable 180 (D180). When locking to a new reference, the DPLL first tries nearest-edge locking ($\pm 180^\circ$) for the first two seconds. If unsuccessful it then tries full phase/frequency locking ($\pm 360^\circ$). Disabling the nearest-edge locking can reduce lock time by up to two seconds but may cause an unnecessary phase shift (up to 360°) when the new reference is close in frequency/phase to the old reference. See Section 7.7.4.

- 0 = normal operation: try nearest-edge locking then phase/frequency locking
- 1 = phase/frequency locking only

Bit 0: 180° PFD Enable (PFD180). If D180 = 1, then PFD180 has no effect.

- 0 = Use 180° phase detector (nearest-edge locking mode)
- 1 = Use 180° phase-frequency detector

Register Name: DPLLCR6
Register Description: DPLL Configuration Register 6
Register Address: 86h

| | Bit 7 | Bit 6 | Bit 5 | Bit 4 | Bit 3 | Bit 2 | Bit 1 | Bit 0 |
|----------------|--------|--------|-------|--------|-------|-------|------------|-------|
| Name | AUTOBW | LIMINT | PBOEN | PBOFRZ | RECAL | — | RDAVG[1:0] | |
| Default | 1 | 1 | 1 | 0 | 0 | 0 | 0 | 0 |

Bit 7: Automatic Bandwidth Selection (AUTOBW). See Section 7.7.2.

- 0 = Use bandwidth specified in DPLLCR4.LBW during acquisition and while locked
- 1 = Use bandwidth specified in DPLLCR3.ABW during acquisition and use bandwidth specified in DPLLCR4.LBW while locked

Bit 6: Limit Integral Path (LIMINT). When this bit is set to 1, the DPLL's integral path is limited (i.e., frozen) when the DPLL reaches minimum or maximum frequency, as set in the HRDLIM registers. When the integral path is frozen, the current DPLL frequency in the FREQ registers is also frozen. Setting LIMINT = 1 minimizes overshoot when the DPLL is pulling in. See Section 7.7.2.

- 0 = Do not freeze integral path at min/max frequency
- 1 = Freeze integral path at min/max frequency

Bit 5: Phase Build-Out Enable (PBOEN). When this bit is set to 1 a phase build-out event occurs every time the DPLL changes to a new reference, including exiting the holdover and free-run states. Phase build-out on change of reference is also known as hitless switching. When this bit is set to 0, the DPLL locks to the new source with zero degrees of phase difference. See Section 7.7.6.

- 0 = Disabled
- 1 = Enabled

Bit 4: Phase Build-Out Freeze (PBOFRZ). This bit freezes the current input-output phase relationship and does not allow further phase build-out events to occur. This bit affects phase build-out in response to input transients (Section 7.7.6.2) and phase build-out during reference switching (Section 7.7.6.1).

- 0 = Not frozen
- 1 = Frozen

Bit 3: Phase Offset Recalibration (RECAL). When set to 1 this configuration bit causes a recalibration of the phase offset between the output clocks and the selected reference. This process puts the DPLL into mini holdover, internally ramps the phase offset to zero, resets all clock dividers, ramps the phase offset to the value stored in the OFFSET registers, and then switches the DPLL out of mini holdover. Unlike simply writing the OFFSET registers, the RECAL process causes no change in the phase offset of the output clocks. RECAL is automatically reset to 0 when recalibration is complete. See Section 7.7.7.

- 0 = Normal operation
- 1 = Phase offset recalibration

Bits 1 to 0: Read Average (RDAVG[1:0]). This field controls which value is accessed when reading the FREQ field: the DPLL's instantaneous frequency or one of the long-term frequency averages. This allows control software, optionally, to make use of the DPLL's averager plus manual holdover mode to implement a software-controlled holdover algorithm. See Section 7.7.1.6.2.

- 00 = Read the instantaneous value
- 01 = Read the 1-second average
- 10 = Read the 5.8-minute average
- 11 = Read the 93.2-minute average

Register Name: PHMON
Register Description: DPLL Phase Monitor Register
Register Address: 88h

| | Bit 7 | Bit 6 | Bit 5 | Bit 4 | Bit 3 | Bit 2 | Bit 1 | Bit 0 |
|----------------|-------|-------|-------|--------|---------------|-------|-------|-------|
| Name | NW | — | PMEN | PMPBEN | PHMONLIM[3:0] | | | |
| Default | 0 | 0 | 0 | 0 | 0 | 1 | 1 | 0 |

Bit 7: Low-Frequency Input Clock Noise Window (NW). For 2kHz to 8 kHz input clocks, this configuration bit enables a $\pm 5\%$ tolerance noise window centered around the expected clock edge location. Noise-induced edges outside this window are ignored, reducing the possibility of phase hits on the output clocks. NW should be enabled only when the device is locked to an input and [DPLL5.D180=0](#).

0 = All edges are recognized by the DPLL

1 = Only edges within the $\pm 5\%$ tolerance window are recognized by the DPLL

Bit 5: Phase Monitor Enable (PMEN). This configuration bit enables the phase monitor, which measures the phase error between the input clock reference and the DPLL output. When the DPLL is set for low bandwidth, a phase transient on the input causes an immediate phase error that is gradually reduced as the DPLL tracks the input. When the measured phase error exceeds the limit set in the PHMONLIM field (below), the phase monitor declares a phase monitor alarm by setting [PLL1SR.PHMON](#). See Section [7.7.6](#).

0 = Disabled

1 = Enabled

Bit 4: Phase Monitor Phase Build-Out Enable (PMPBEN). This bit enables phase build-out in response to phase hits on the selected reference. See Section [7.7.6](#).

0 = Phase monitor alarm does not trigger a phase build-out event

1 = Phase monitor alarm does trigger a phase build-out event

Bits 3 to 0: Phase Monitor Limit (PHMONLIM[3:0]). This field is an unsigned integer that specifies the magnitude of phase error that causes a phase monitor alarm to be declared ([PLL1SR.PHMON](#)). The phase monitor limit in nanoseconds is equal to $(PMLIM[3:0] + 7) * 156.25$, which corresponds to a range of $1.094\mu s$ to $3.437\mu s$ in $156.25ns$ steps. The phase monitor is enabled by setting $PMEN=1$. See Section [7.7.6](#).

Register Name: PHLIM
Register Description: DPLL Phase Limit Register
Register Address: 89h

| | Bit 7 | Bit 6 | Bit 5 | Bit 4 | Bit 3 | Bit 2 | Bit 1 | Bit 0 |
|----------------|-------|--------------|-------|-------|----------------|-------|-------|-------|
| Name | — | FINELIM[2:0] | | | COARSELIM[3:0] | | | |
| Default | 0 | 0 | 1 | 0 | 0 | 1 | 0 | 1 |

Bits 6 to 4: Fine Phase Limit (FINELIM[2:0]). This field specifies the fine phase limit window, outside of which loss-of-lock is declared. The [DPLL5.FLEN](#) bit enables this feature. The phase of the input clock has to be inside the fine limit window for two seconds before phase lock is declared. Loss-of-lock is declared immediately if the phase of the input clock is outside the phase limit window. The default value of 010 is appropriate for most situations. See Section [7.7.5](#).

- 000 = Always indicates loss of phase lock—do not use
- 001 = Small phase limit window, ± 45 to $\pm 90^\circ$
- 010 = Normal phase limit window, ± 90 to $\pm 180^\circ$ (default)
- 100, 101, 110, 111 = Proportionately larger phase limit window

Bits 3 to 0: Coarse Phase Limit (COARSELIM[3:0]). This field specifies the coarse phase limit and the tracking range of the multicycle phase detector. The [DPLL5.CLLEN](#) bit enables this feature. If jitter tolerance greater than 0.5UI is required and the input clock is a high frequency ($\geq 10\text{MHz}$) signal then the DPLL can be configured to track phase errors over many UI using the multicycle phase detector. See Section [7.7.4](#) and [7.7.5](#).

- 0000 = $\pm 1\text{UI}$
- 0001 = $\pm 3\text{UI}$
- 0010 = $\pm 7\text{UI}$
- 0011 = $\pm 15\text{UI}$
- 0100 = $\pm 31\text{UI}$
- 0101 = $\pm 63\text{UI}$
- 0110 = $\pm 127\text{UI}$
- 0111 = $\pm 255\text{UI}$
- 1000 = $\pm 511\text{UI}$
- 1001 = $\pm 1023\text{UI}$
- 1010 = $\pm 2047\text{UI}$
- 1011 = $\pm 4095\text{UI}$
- 1100 to 1111 = $\pm 8191\text{UI}$

Register Name: PHLKTO
Register Description: DPLL Phase Lock Timeout Register
Register Address: 8Ah

| | Bit 7 | Bit 6 | Bit 5 | Bit 4 | Bit 3 | Bit 2 | Bit 1 | Bit 0 |
|----------------|--------------|-------|-------------|-------|-------|-------|-------|-------|
| Name | PHLKTOM[1:0] | | PHLKTO[5:0] | | | | | |
| Default | 0 | 0 | 1 | 1 | 0 | 0 | 1 | 0 |

Bits 7 to 6: Phase Lock Timeout Multiplier (PHLKTOM[1:0]). This field is an unsigned integer that specifies the resolution of the PHLKTO field below.

- 00 = 2 seconds
- 01 = 4 seconds
- 10 = 8 seconds
- 11 = 16 seconds

Bits 5 to 0: Phase Lock Timeout (PHLKTO[5:0]). This field is an unsigned integer that, together with the PHLKTOM field above, specifies the length of time that the DPLL attempts to lock to an input clock before declaring a phase lock alarm (by setting the corresponding LOCK bit in the [ISR](#) register). The timeout period in seconds is $PHLKTO[5:0] \times 2^{(PHLKTOM[1:0]+1)}$. When unable to declare lock, the DPLL remains in the prelocked, prelocked 2, or loss-of-lock states for the specified time before declaring a phase lock alarm on the selected input. When PHLKTO=0, the timeout is disabled, and the DPLL can remain indefinitely in the prelocked, prelocked 2 or loss-of-lock states. See Section [7.7.1.4](#).

Register Name: LKATO
Register Description: DPLL Lock Alarm Timeout Register
Register Address: 8Bh

| | Bit 7 | Bit 6 | Bit 5 | Bit 4 | Bit 3 | Bit 2 | Bit 1 | Bit 0 |
|----------------|-------------|-------|------------|-------|-------|-------|-------|-------|
| Name | LKATOM[1:0] | | LKATO[5:0] | | | | | |
| Default | 0 | 0 | 1 | 1 | 0 | 0 | 1 | 0 |

Bits 7 to 6: Lock Alarm Timeout Multiplier (LKATOM[1:0]). This field is an unsigned integer that specifies the resolution of the LKATO field below.

- 00 = 2 seconds
- 01 = 4 seconds
- 10 = 8 seconds
- 11 = 16 seconds

Bits 5 to 0: Lock Alarm Timeout (LKATO[5:0]). This field is an unsigned integer that, together with the LKATOM field above, specifies the length of time that a phase lock alarm remains active before being automatically deasserted (by clearing the corresponding LOCK bit in the [ISR](#) register). The timeout period in seconds is $LKATO[5:0] \times 2^{(LKATOM[1:0]+1)}$. When LKATO=0, the timeout is disabled, and the phase lock alarm remains active until cleared by software writing a 0 to the LOCK bit. See Section [7.7.1.4](#).

Register Name: HRDLIM1
Register Description: DPLL Hard Frequency Limit Register 1
Register Address: 8Ch

| | Bit 7 | Bit 6 | Bit 5 | Bit 4 | Bit 3 | Bit 2 | Bit 1 | Bit 0 |
|----------------|-------------|-------|-------|-------|-------|-------|-------|-------|
| Name | HRDLIM[7:0] | | | | | | | |
| Default | 0 | 0 | 1 | 1 | 0 | 0 | 1 | 0 |

The HRDLIM1 and HRDLIM2 registers must be read consecutively and written consecutively. See Section [8.1.3](#).

Bits 7 to 0: DPLL Hard Frequency Limit (HRDLIM[7:0]). The full 16-bit HRDLIM[15:0] field spans this register and [HRDLIM2](#). HRDLIM is an unsigned integer that specifies the hard frequency limit or pull-in/hold-in range of the DPLL. This is a limit of the DPLL's integral path. HRDLIM can be set as high as ± 80 ppm and has ~ 1.2 ppb resolution. The default limit is ± 12 ppm. When frequency limit detection is enabled by setting [DPLLCR5.FLLOL](#) = 1, if the DPLL frequency exceeds the hard limit the DPLL declares loss-of-lock. The hard frequency limit in ppb is $\pm \text{HRDLIM}[12:0] \times 1.2272$. If external reference switching mode is enabled during reset (see Section [7.6.5](#)), the default value is configured to ± 80 ppm (FFFFh). The value 00h is undefined. See Section [7.7.5](#). See also the ± 160 tracking range mode described in section [7.7.13](#).

Register Name: HRDLIM2
Register Description: DPLL Hard Frequency Limit Register 2
Register Address: 8Dh

| | Bit 7 | Bit 6 | Bit 5 | Bit 4 | Bit 3 | Bit 2 | Bit 1 | Bit 0 |
|----------------|--------------|-------|-------|-------|-------|-------|-------|-------|
| Name | HRDLIM[15:8] | | | | | | | |
| Default | 0 | 0 | 1 | 0 | 0 | 1 | 1 | 0 |

The HRDLIM1 and HRDLIM2 registers must be read consecutively and written consecutively. See Section [8.1.3](#).

Bits 7 to 0: DPLL Hard Frequency Limit (HRDLIM[15:8]). See the [HRDLIM1](#) register description.

Register Name: SOFTLIM
Register Description: DPLL Soft Frequency Limit Register
Register Address: 8Eh

| | Bit 7 | Bit 6 | Bit 5 | Bit 4 | Bit 3 | Bit 2 | Bit 1 | Bit 0 |
|----------------|--------------|-------|-------|-------|-------|-------|-------|-------|
| Name | SOFTLIM[7:0] | | | | | | | |
| Default | 0 | 0 | 0 | 1 | 1 | 0 | 1 | 0 |

Bits 7 to 0: DPLL Soft Frequency Limit (SOFTLIM[7:0]). This field is an unsigned integer that specifies the soft frequency limit for the DPLL. The soft limit is only used for monitoring; exceeding this limit does not cause loss-of-lock. The limit in ppm is $\pm \text{SOFTLIM}[7:0] \times 0.3141632$. The default value is approximately ± 8.2 ppm. When the DPLL frequency reaches the soft limit, the SOFT status bit is set in the [PLL1SR](#) register. The value 00h is undefined. See Section [7.7.5](#). See also the ± 160 tracking range mode described in section [7.7.13](#).

Register Name: PBOFF
Register Description: DPLL Phase Build-Out Offset Register
Register Address: 8Fh

| | Bit 7 | Bit 6 | Bit 5 | Bit 4 | Bit 3 | Bit 2 | Bit 1 | Bit 0 |
|---------|------------|-------|-------|-------|-------|-------|-------|-------|
| Name | PBOFF[5:0] | | | | | | | |
| Default | 0 | 0 | 0 | 0 | 0 | 0 | 0 | 0 |

Bits 5 to 0: Phase Build-Out Offset Register (PBOFF[5:0]). An uncertainty of up to 5ns is introduced each time a phase build-out event occurs. This uncertainty results in a phase hit on the output. Over a large number of phase build-out events the mean error should be zero. The PBOFF field specifies a fixed offset for each phase build-out event to skew the average error toward zero. This field is a two's-complement signed integer. The offset in nanoseconds is $PBOFF[5:0] \times 0.101$. Values greater than 1.4ns or less than -1.4ns can cause internal math errors and should not be used. See Section 7.7.6.5.

Register Name: OFFSET1
Register Description: DPLL Phase Offset Register 1
Register Address: 90h

| | Bit 7 | Bit 6 | Bit 5 | Bit 4 | Bit 3 | Bit 2 | Bit 1 | Bit 0 |
|---------|-------------|-------|-------|-------|-------|-------|-------|-------|
| Name | OFFSET[7:0] | | | | | | | |
| Default | 0 | 0 | 0 | 0 | 0 | 0 | 0 | 0 |

The OFFSET1 and OFFSET2 registers must be read consecutively and written consecutively. See Section 8.1.3.

Bits 7 to 0: Phase Offset (OFFSET[7:0]). The full 16-bit OFFSET[15:0] field spans this register and the OFFSET2 register. OFFSET is a two's-complement signed integer that specifies the desired phase offset between the output of the DPLL and the selected input reference. The phase offset in picoseconds is equal to $OFFSET[15:0] \times actual_internal_clock_period / 2^{11}$. If the internal clock is at its nominal frequency of 77.76MHz then the phase offset equation simplifies to $OFFSET[15:0] \times 6.279ps$. If, however, the DPLL is locked to a reference whose frequency is +1ppm from ideal, for example, then the actual internal clock period is 1ppm shorter and the phase offset is 1ppm smaller. When the OFFSET field is written, the phase of the output clocks is automatically ramped to the new offset value to avoid loss of synchronization. To adjust the phase offset without changing the phase of the output clocks, use the recalibration process enabled by DPLLCR6.RECAL. The OFFSET field is ignored when phase build-out is enabled (DPLLCR6.PBOEN = 1 or PHMON.PMPBEN = 1) and when the DPLL is not locked. See Section 7.7.7.

Register Name: OFFSET2
Register Description: DPLL Phase Offset Register 2
Register Address: 91h

| | Bit 7 | Bit 6 | Bit 5 | Bit 4 | Bit 3 | Bit 2 | Bit 1 | Bit 0 |
|---------|--------------|-------|-------|-------|-------|-------|-------|-------|
| Name | OFFSET[15:8] | | | | | | | |
| Default | 0 | 0 | 0 | 0 | 0 | 0 | 0 | 0 |

The OFFSET1 and OFFSET2 registers must be read consecutively and written consecutively. See Section 8.1.3.

Bits 7 to 0: Phase Offset (OFFSET[15:8]). See the OFFSET1 register description.

Register Name: HOFREQ1
Register Description: Holdover Frequency Register 1
Register Address: 92h

| | Bit 7 | Bit 6 | Bit 5 | Bit 4 | Bit 3 | Bit 2 | Bit 1 | Bit 0 |
|----------------|-------------|-------|-------|-------|-------|-------|-------|-------|
| Name | HOFREQ[7:0] | | | | | | | |
| Default | 0 | 0 | 0 | 0 | 0 | 0 | 0 | 0 |

The HOFREQ1 to HOFREQ4 registers must be read consecutively and written consecutively. See Section 8.1.3.

Bits 7 to 0: Holdover Frequency (HOFREQ[7:0]). The full 32-bit HOFREQ[31:0] field spans this register, [HOFREQ2](#), [HOFREQ3](#) and [HOFREQ4](#). HOFREQ is a two's-complement signed integer that specifies the manual holdover frequency as an offset with respect to the master clock frequency (see Section 7.3). This manual holdover frequency is used when [DPLLCR2.HOMODE=01](#) (manual holdover mode). The HOFREQ field has the same size and format as the [FREQ](#) field to allow software to read FREQ, filter the value, and then write to HOFREQ. Holdover frequency offset in ppm is equal to $\text{HOFREQ}[31:0] \times 3.7427766\text{E-}8$. See Section 7.7.1.6. See also the ± 160 tracking range mode described in section 7.7.13.

Register Name: HOFREQ2
Register Description: Holdover Frequency Register 2
Register Address: 93h

| | Bit 7 | Bit 6 | Bit 5 | Bit 4 | Bit 3 | Bit 2 | Bit 1 | Bit 0 |
|----------------|--------------|-------|-------|-------|-------|-------|-------|-------|
| Name | HOFREQ[15:8] | | | | | | | |
| Default | 0 | 0 | 0 | 0 | 0 | 0 | 0 | 0 |

The HOFREQ1 to HOFREQ4 registers must be read consecutively and written consecutively. See Section 8.1.3.

Bits 7 to 0: Holdover Frequency (HOFREQ[15:8]). See the [HOFREQ1](#) register description.

Register Name: HOFREQ3
Register Description: Holdover Frequency Register 3
Register Address: 94h

| | Bit 7 | Bit 6 | Bit 5 | Bit 4 | Bit 3 | Bit 2 | Bit 1 | Bit 0 |
|----------------|---------------|-------|-------|-------|-------|-------|-------|-------|
| Name | HOFREQ[23:16] | | | | | | | |
| Default | 0 | 0 | 0 | 0 | 0 | 0 | 0 | 0 |

The HOFREQ1 to HOFREQ4 registers must be read consecutively and written consecutively. See Section 8.1.3.

Bits 7 to 0: Holdover Frequency (HOFREQ[23:16]). See the [HOFREQ1](#) register description.

Register Name: HOFREQ4
Register Description: Holdover Frequency Register 4
Register Address: 95h

| | Bit 7 | Bit 6 | Bit 5 | Bit 4 | Bit 3 | Bit 2 | Bit 1 | Bit 0 |
|----------------|---------------|-------|-------|-------|-------|-------|-------|-------|
| Name | HOFREQ[31:24] | | | | | | | |
| Default | 0 | 0 | 0 | 0 | 0 | 0 | 0 | 0 |

The HOFREQ1 to HOFREQ4 registers must be read consecutively and written consecutively. See Section 8.1.3.

Bits 7 to 0: Holdover Frequency (HOFREQ[31:24]). See the [HOFREQ1](#) register description.

Register Name: PTAB1
Register Description: Priority Table Register 1
Register Address: 96h

| | Bit 7 | Bit 6 | Bit 5 | Bit 4 | Bit 3 | Bit 2 | Bit 1 | Bit 0 |
|----------------|-----------|-------|-------|-------|-------------|-------|-------|-------|
| Name | REF1[3:0] | | | | SELREF[3:0] | | | |
| Default | 0 | 0 | 0 | 0 | 0 | 0 | 0 | 0 |

Bits 7 to 4: Highest Priority Valid Reference (REF1[3:0]). This real-time status field indicates the DPLL's highest-priority valid input reference. Note that an input reference cannot be indicated in this field if it has been marked invalid in the [VALCR1](#) register. When the DPLL is in nonrevertive mode ([DPLLCR1.REVERT](#) = 0) this field may not have the same value as the SELREF[3:0] field. See Section 7.6.2.

- 0000 = No valid input reference available
- 0001 = Input IC1
- 0010 = Input IC2
- 0011 to 1111 = {unused values}

Bits 3 to 0: Selected Reference (SELREF[3:0]). This real-time status field indicates the DPLL's current selected reference. Note that an input clock cannot be indicated in this field if it has been marked invalid in the [VALCR1](#). When the DPLL is in nonrevertive mode ([DPLLCR1.REVERT](#) = 0) this field may not have the same value as the REF1[3:0] field. See Section 7.6.2.

- 0000 = No source currently selected
- 0001 = Input IC1
- 0010 = Input IC2
- 0011 to 1111 = {unused values}

Register Name: PTAB2
Register Description: Priority Table Register 2
Register Address: 97h

| | Bit 7 | Bit 6 | Bit 5 | Bit 4 | Bit 3 | Bit 2 | Bit 1 | Bit 0 |
|----------------|-------|-------|-------|-------|-----------|-------|-------|-------|
| Name | — | — | — | — | REF2[3:0] | | | |
| Default | 0 | 0 | 0 | 0 | 0 | 0 | 0 | 0 |

Bits 3 to 0: Second Highest Priority Valid Reference (REF2[3:0]). This real-time status field indicates the DPLL's second highest priority validated input reference. Note that an input reference cannot be indicated in this field if it has been marked invalid in the [VALCR1](#) register. See Section 7.6.2.

- 0000 = Less than two valid sources available
- 0001 = Input IC1
- 0010 = Input IC2
- 0011 to 1111 = {unused values}

Register Name: PHASE1
Register Description: Phase Register 1
Register Address: 98h

| | Bit 7 | Bit 6 | Bit 5 | Bit 4 | Bit 3 | Bit 2 | Bit 1 | Bit 0 |
|----------------|------------|-------|-------|-------|-------|-------|-------|-------|
| Name | PHASE[7:0] | | | | | | | |
| Default | 0 | 0 | 0 | 0 | 0 | 0 | 0 | 0 |

The PHASE1 and PHASE2 registers must be read consecutively. See Section 8.1.3.

Bits 7 to 0: Current DPLL Phase (PHASE[7:0]). The full 16-bit PHASE[15:0] field spans this register and the PHASE2 register. PHASE is a two's-complement signed integer that indicates the current value of the phase detector (i.e. the phase difference between DPLL output and DPLL input). The value is the output of the phase averager. The averaged phase difference in degrees is equal to PHASE x 0.707. See Section 7.7.9.

Register Name: PHASE2
Register Description: Phase Register 2
Register Address: 99h

| | Bit 7 | Bit 6 | Bit 5 | Bit 4 | Bit 3 | Bit 2 | Bit 1 | Bit 0 |
|----------------|-------------|-------|-------|-------|-------|-------|-------|-------|
| Name | PHASE[15:8] | | | | | | | |
| Default | 0 | 0 | 0 | 0 | 0 | 0 | 0 | 0 |

The PHASE1 and PHASE2 registers must be read consecutively. See Section 8.1.3.

Bits 7 to 0: Current DPLL Phase (PHASE[15:8]). See the PHASE1 register description.

Register Name: FREQ1
Register Description: Frequency Register 1
Register Address: 9Ah

| | Bit 7 | Bit 6 | Bit 5 | Bit 4 | Bit 3 | Bit 2 | Bit 1 | Bit 0 |
|----------------|-----------|-------|-------|-------|-------|-------|-------|-------|
| Name | FREQ[7:0] | | | | | | | |
| Default | 0 | 0 | 0 | 0 | 0 | 0 | 0 | 0 |

The FREQ1 to FREQ4 registers must be read consecutively. See Section 8.1.3.

Bits 7 to 0: Current DPLL Frequency (FREQ[7:0]). The full 32-bit FREQ[31:0] field spans this register, FREQ2, FREQ3 and FREQ4. This read-only field is a two's-complement signed integer that expresses the fractional frequency offset of the DPLL. The frequency in ppm is equal to FREQ[31:0] x 3.7427766E-8. When DPLLCR6.RDAVG=0, the value in this field is derived from the DPLL integral path and can be considered a very short-term average frequency with a rate of change inversely proportional to the DPLL bandwidth. If DPLLCR6.LIMINT = 1, the value of FREQ freezes when the DPLL reaches its minimum or maximum frequency. When DPLLCR6.RDAVG≠0, the value in this field is one of the longer-term frequency averages computed by the DPLL. See Section 7.7.1.6. See also the ±160 tracking range mode described in section 7.7.13.

Note: After DPLLCR6.RDAVG is changed, system software must wait at least 50µs before reading the corresponding holdover value from the FREQ field.

The reference clock for DPLL frequency measurement is the internal master clock derived from the local oscillator clock signal on the MCLKOSCP/N pins (see section 7.3). This means the device counts the number of DPLL clock cycles that occur in an interval of time equal to a specific number of local oscillator clock periods. It then compares the actual count to the expected count to determine the fractional frequency offset of the DPLL vs. the fractional frequency offset of the local oscillator. Thus DPLL frequency measurements are relative. If the DPLL's input clock is known to have worse frequency accuracy than the local oscillator then the FREQ field can be assumed to indicate the fractional frequency offset of the input clock. If, however, the DPLL's input clock is known to be stratum 1 traceable and therefore has much better frequency accuracy than the local oscillator then the FREQ field actually indicates the fractional frequency offset of the local oscillator.

Register Name: FREQ2
Register Description: Frequency Register 2
Register Address: 9Bh

| | Bit 7 | Bit 6 | Bit 5 | Bit 4 | Bit 3 | Bit 2 | Bit 1 | Bit 0 |
|----------------|------------|-------|-------|-------|-------|-------|-------|-------|
| Name | FREQ[15:8] | | | | | | | |
| Default | 0 | 0 | 0 | 0 | 0 | 0 | 0 | 0 |

The FREQ1 to FREQ4 registers must be read consecutively. See Section [8.1.3](#).

Bits 7 to 0: Current DPLL Frequency (FREQ[15:8]). See the [FREQ1](#) register description.

Register Name: FREQ3
Register Description: Frequency Register 3
Register Address: 9Ch

| | Bit 7 | Bit 6 | Bit 5 | Bit 4 | Bit 3 | Bit 2 | Bit 1 | Bit 0 |
|----------------|-------------|-------|-------|-------|-------|-------|-------|-------|
| Name | FREQ[23:16] | | | | | | | |
| Default | 0 | 0 | 0 | 0 | 0 | 0 | 0 | 0 |

The FREQ1 to FREQ4 registers must be read consecutively. See Section [8.1.3](#).

Bits 7 to 0: Current DPLL Frequency (FREQ[23:16]). See the [FREQ1](#) register description.

Register Name: FREQ4
Register Description: Frequency Register 4
Register Address: 9Dh

| | Bit 7 | Bit 6 | Bit 5 | Bit 4 | Bit 3 | Bit 2 | Bit 1 | Bit 0 |
|----------------|-------------|-------|-------|-------|-------|-------|-------|-------|
| Name | FREQ[31:24] | | | | | | | |
| Default | 0 | 0 | 0 | 0 | 0 | 0 | 0 | 0 |

The FREQ1 to FREQ4 registers must be read consecutively. See Section [8.1.3](#).

Bits 7 to 0: Current DPLL Frequency (FREQ[31:24]). See the [FREQ1](#) register description.

Register Name: IPR1
Register Description: Input Priority Register 1
Register Address: A0h

| | Bit 7 | Bit 6 | Bit 5 | Bit 4 | Bit 3 | Bit 2 | Bit 1 | Bit 0 |
|----------------|-----------|-------|-------|-------|-----------|-------|-------|-------|
| Name | PRI2[3:0] | | | | PRI1[3:0] | | | |
| Default | 0 | 0 | 1 | 0 | 0 | 0 | 0 | 1 |

Bits 7 to 4: Priority for Input Clock 2 (PRI2[3:0]). This field specifies the priority of IC2. Priority 0001 is highest; priority 1111 is lowest. See Section 7.6.1.

- 0000 = IC2 unavailable for selection.
- 0001–1111 = IC2 relative priority

Bits 3 to 0: Priority for Input Clock 1 (PRI1[3:0]). This field specifies the priority of IC1. Priority 0001 is highest; priority 1111 is lowest. See Section 7.6.1.

- 0000 = IC1 unavailable for selection.
- 0001–1111 = IC1 relative priority

8.3.6 Output Clock Registers

Register Name: OCSEL
Register Description: Output Clock Select Register
Register Address: C0h

| | Bit 7 | Bit 6 | Bit 5 | Bit 4 | Bit 3 | Bit 2 | Bit 1 | Bit 0 |
|----------------|-------|-------|-------|-------|-------|------------|-------|-------|
| Name | — | — | — | — | — | OCSEL[2:0] | | |
| Default | 0 | 0 | 0 | 0 | 0 | 0 | 0 | 0 |

Bits 2 to 0: Output Clock Select (OCSEL[2:0]). This field is a bank-select control that specifies the output clock for which registers are mapped into the Output Clock Registers section of Table 8-1. See Section 8.1.4.

- 0000 = {unused value}
- 0001 = Output clock 1
- 0010 = Output clock 2
- 0011 = Output clock 3
- 0100 = Output clock 4
- 0101 = Output clock 5
- 0110 = Output clock 6
- 0111 = Output clock 7
- 1000 to 1111 = {unused value}

Register Name: OCCR1
Register Description: Output Clock Configuration Register 1
Register Address: C1h

| | Bit 7 | Bit 6 | Bit 5 | Bit 4 | Bit 3 | Bit 2 | Bit 1 | Bit 0 |
|----------------|-------------|-------|-------|-------|--------|--------|-------|--------|
| Name | DFSREQ[3:0] | | | | DFSMUX | DIFMUX | DIFSF | ASQUEL |
| Default | 0 | 0 | 0 | 0 | 0 | 0 | 0 | 0 |

The output clock registers are bank-selected by the [OCSEL](#) register. See Section [8.1.4](#).

Bits 7 to 4: DFS Frequency (DFSREQ[3:0]). This field sets the frequency of the output DFS block. See section [7.8.2.1](#).

- 0000 = Disabled (DFS output clock held low)
- 0001 = 77.760MHz (SONET/SDH)
- 0010 = 62.500MHz (Ethernet)
- 0011 = 49.152MHz (24 x E1)
- 0100 = 65.536MHz (32 x E1)
- 0101 = 74.112MHz (48 x DS1)
- 0110 = 68.736MHz (2 x E3)
- 0111 = 44.736MHz (DS3)
- 1000 = 50.496MHz (8 x 6312kHz)
- 1001 = 61.440MHz (2 x 30.72MHz, 6 x 10.24MHz)
- 1010 = 52.000MHz (4 x 13MHz)
- 1011 = 40.000MHz (4 x 10MHz)
- 1100 = 50.000MHz (2 x 25MHz)
- 1101 = 60.000MHz
- 1110 = 70.000MHz
- 1111 = Programmable DFS mode

Bit 3: Output DFS Mux Control (DFSMUX). This bit controls the output DFS mux. See [Figure 3-1](#) and Section [7.8.2.1](#).

- 0 = Source from DPLL
- 1 = Source from Master Clock APLL (frequency locked to local oscillator clock signal on MCLKOSC pins)

Bit 2: Differential Mux (DIFMUX). For output clock groups OC1 through OC3, this bit controls the Dif Mux (see [Figure 3-1](#)). For output clocks OC4 through OC7 this bit is ignored.

- 0 = Source CML clock signal from APLL
- 1 = Source CML clock signal from the output of the CMOS output divider

Bit 1: Differential Output Signal Format (DIFSF). For output clock groups OC4 through OC7, this bit sets the output clock's differential signal format. For output clock groups OC1 through OC3 this bit is ignored. See Section [7.8.1](#).

- 0 = LVDS (default)
- 1 = LVPECL level compatible

Bit 0: Auto-Squelch Enable (ASQUEL). This configuration bit enables automatic squelching of the output clock pins (both CMOS and LVDS/LVPECL differential) whenever the DPLL has no selected reference ([PTAB1.SELREF=0](#)). When a CMOS output is squelched it is forced low. When a differential output is squelched, its POS pin is forced low and its NEG pin is forced high. Note, this bit has no effect on the CML outputs and on outputs where [OCCR1.DFSMUX=1](#).

- 0 = Auto-squelch disabled
- 1 = Auto-squelch enabled

Register Name: OCCR2
Register Description: Output Clock Configuration Register 2
Register Address: C2h

| | Bit 7 | Bit 6 | Bit 5 | Bit 4 | Bit 3 | Bit 2 | Bit 1 | Bit 0 |
|----------------|-------------|-------|-------|-------|-------|-------|-------|-------|
| Name | DIVMUX[3:0] | | | | — | — | — | — |
| Default | 0 | 0 | 0 | 0 | 0 | 0 | 0 | 0 |

The output clock registers are bank-selected by the [OCSEL](#) register. See Section [8.1.4](#).

Bits 7 to 4: Divider Mux Control (DIVMUX[3:0]). This field specifies the clock source for the 32-bit output clock dividers (see [Figure 3-1](#)). The APLL1, APLL2 and APLL3 clocks (options 0001 through 0011) come from the APLL's Divider 1 output (see [Figure 7-4](#)). The input clocks (options 1000 and 1001) are the divided, fractionally scaled and optionally inverted signals from the input clock block. See Section [7.8.2.3](#).

- 0000 = DFS output clock
- 0001 = APLL1 clock
- 0010 = APLL2 clock
- 0011 = APLL3 clock
- 0100 - 0110 = {unused value}
- 0111 = No clock source, divider output held low.
- 1000 = IC1
- 1001 = IC2
- 1010 – 1111 = {unused value}

Register Name: OCCR3
Register Description: Output Clock Configuration Register 3
Register Address: C3h

| | Bit 7 | Bit 6 | Bit 5 | Bit 4 | Bit 3 | Bit 2 | Bit 1 | Bit 0 |
|----------------|-------|-------|--------|-------------|-------|-------|-------|-------|
| Name | CEN | CINV | CALIGN | CDELAY[4:0] | | | | |
| Default | 0 | 0 | 0 | 0 | 0 | 0 | 0 | 0 |

The output clock registers are bank-selected by the [OCSEL](#) register. See Section [8.1.4](#).

Bit 7: CMOS Output Enable (CEN). This bit enables the output clock's CMOS output. See Section [7.8.1](#).

- 0 = Disabled (held low)
- 1 = Enabled

Bit 6: CMOS Output Invert (CINV). This field specifies whether or not the signal on the CMOS/TTL output pin is inverted. See Section [7.8.1](#).

- 0 = Not inverted
- 1 = Inverted

Bit 5: CMOS Divider Align (CALIGN). When this bit is set to one the 32-bit output divider for the CMOS output pin is aligned by the 2kHz DFS/divider alignment generator as described in section [7.9.1.5](#). This bit should only be set to one when the frequency of the clock coming out of the divider is an integer multiple of 2kHz and 2kHz alignment of the output clock is desired. All output clocks that have this bit set to 1 will be falling-edge aligned with each other as long as their frequencies are integer multiples of 2kHz. When FSCR2.INDEP = 0, these outputs will also be falling-edge aligned with the FSYNC and MFSYNC signals.

- 0 = Don't align the CMOS output with the 2kHz alignment signal
- 1 = Align the CMOS output with the 2kHz alignment signal

Bits 4 to 0: CMOS Delay (CDELAY[4:0]). This field specifies the delay added to the CMOS output clock signal. This field can be used to adjust the timing of the CMOS output clock signal vs. other signals. When CDELAY=0, the delay element is disabled. When CDELAY>0, the delay added to the CMOS output clock signal is approximately CDELAY * 0.5ns.

Register Name: OCCR4
Register Description: Output Clock Configuration Register 4
Register Address: C4h

| | Bit 7 | Bit 6 | Bit 5 | Bit 4 | Bit 3 | Bit 2 | Bit 1 | Bit 0 |
|----------------|-------|-------|--------|-------------|-------|-------|-------|-------|
| Name | DEN | DINV | DALIGN | DDELAY[4:0] | | | | |
| Default | 0 | 0 | 0 | 0 | 0 | 0 | 0 | 0 |

The output clock registers are bank-selected by the [OCSEL](#) register. See Section [8.1.4](#).

Bit 7: Differential Output Enable (DEN). This bit enables the output clock’s differential output. See Section [7.8.1](#).
 0 = Disabled (low-power mode)
 1 = Enabled

Bit 6: Differential Output Invert (DINV). This field specifies whether or not the signal on the LVDS/LVPECL differential output pin is inverted. This bit has no effect on the CML outputs. See Section [7.8.1](#).
 0 = Not inverted
 1 = Inverted

Bit 4: Differential Divider Align (DALIGN). When this bit is set to one the 32-bit output divider for the differential output pin is aligned by the 2kHz DFS/divider alignment generator as described in section [7.9.1.5](#). This bit should only be set to one when the frequency of the clock coming out of the divider is an integer multiple of 2kHz and 2kHz alignment of the output clock is desired. All output clocks that have this bit set to 1 will be falling-edge aligned with each other as long as their frequencies are integer multiples of 2kHz. When [FSCR2.INDEP](#) = 0, these outputs will also be falling-edge aligned with the FSYNC and MFSYNC signals. This bit has no effect for output clocks OC1 through OC3, which do not have an output divider in the differential path to minimize jitter.
 0 = Don’t align the differential output with the 2kHz alignment signal
 1 = Align the differential output with the 2kHz alignment signal

Bits 4 to 0: Differential Delay (DDELAY[4:0]). This field specifies the delay added to the differential output clock signal. This field can be used to adjust the timing of the differential output clock signal vs. other signals. When DDELAY=0, the delay element is disabled. When DDELAY>0, the delay added to the differential output clock signal is approximately DDELAY * 0.5ns. This field has no effect for output clocks OC1 through OC3 for the lowest-jitter path (i.e. when [OCCR1.DIFMUX](#)=0, see [Figure 3-1](#)).

Register Name: OCSR
Register Description: Output Clock Embedded Sync Register
Register Address: C5h

| | Bit 7 | Bit 6 | Bit 5 | Bit 4 | Bit 3 | Bit 2 | Bit 1 | Bit 0 |
|----------------|-------|-------|--------------|-------|-------|-------|-------|-------|
| Name | PWM3 | EDGE | PWMLLEN[5:0] | | | | | |
| Default | 0 | 0 | 0 | 0 | 0 | 0 | 0 | 0 |

The fields in this register are used to configure the device to encode a sync frequency in the output clock signal using pulse width modulation (PWM). See section 7.8.4 for details.

Bit 7: Pulse Width Modulation for 3 Cycles (PWM3). This bit specifies whether one or three consecutive PWM cycles are required in the output clock signal to indicate the start of the sync cycle. The use of three consecutive PWM cycles provides more noise immunity.

- 0 = One PWM cycle
- 1 = Three consecutive PWM cycles

Bits 6: Sync Edge (EDGE). This bit specifies the output clock falling edge that is the exact start of the sync cycle.

- PWM3 = 0:
 - 0 = Next. The falling edge immediately after the modulated rising edge
 - 1 = Previous. The falling edge immediately before the modulated rising edge
- PWM3 = 1:
 - 0 = Next. The falling edge immediately after the third modulated rising edge
 - 1 = Previous. The falling edge immediately before the third modulated rising edge

Bits 5 to 0: PWM Pulse Width Adjustment (PWMWID[5:0]). This field is a 2's-complement integer that specifies the number of higher-speed clock cycles early or late that the modulated rising edge should be vs. the normal 50% duty cycle location. Positive values are late vs. 50% duty cycle and therefore give longer low pulse width during PWM cycles, while negative values are early and give shorter low pulse width. A non-zero value in this field enables the embedded sync signal in the output clock.

Register Name: CDIV1
Register Description: CMOS Output Clock Divider 1
Register Address: C8h

| | Bit 7 | Bit 6 | Bit 5 | Bit 4 | Bit 3 | Bit 2 | Bit 1 | Bit 0 |
|----------------|-----------|-------|-------|-------|-------|-------|-------|-------|
| Name | CDIV[7:0] | | | | | | | |
| Default | 0 | 0 | 0 | 0 | 0 | 0 | 0 | 0 |

The output clock registers are bank-selected by the [OCSEL](#) register. See Section [8.1.4](#).
 The CDIV1 through CDIV4 registers must be read consecutively and written consecutively. See Section [8.1.3](#).

Bits 7 to 0: CMOS Output Clock Divider (CDIV[7:0]). The full 32-bit CDIV[31:0] field spans this register, [CDIV2](#), [CDIV3](#) and [CDIV4](#). CDIV is an unsigned integer. The frequency of the clock from the Divider Mux (see [Figure 3-1](#)) is divided by CDIV+1 to make the CMOS/TTL output clock signal. See Section [7.8.2.3](#).

Register Name: CDIV2
Register Description: CMOS Output Clock Divider 2
Register Address: C9h

| | Bit 7 | Bit 6 | Bit 5 | Bit 4 | Bit 3 | Bit 2 | Bit 1 | Bit 0 |
|----------------|-------------|-------|-------|-------|-------|-------|-------|-------|
| Name | CDIV [15:8] | | | | | | | |
| Default | 0 | 0 | 0 | 0 | 0 | 0 | 0 | 0 |

The output clock registers are bank-selected by the [OCSEL](#) register. See Section [8.1.4](#).
 The CDIV1 through CDIV4 registers must be read consecutively and written consecutively. See Section [8.1.3](#).

Bits 7 to 0: CMOS Output Clock Divider (CDIV[15:8]). See the [CDIV1](#) register description.

Register Name: CDIV3
Register Description: CMOS Output Clock Divider 3
Register Address: CAh

| | Bit 7 | Bit 6 | Bit 5 | Bit 4 | Bit 3 | Bit 2 | Bit 1 | Bit 0 |
|----------------|--------------|-------|-------|-------|-------|-------|-------|-------|
| Name | CDIV [23:16] | | | | | | | |
| Default | 0 | 0 | 0 | 0 | 0 | 0 | 0 | 0 |

The output clock registers are bank-selected by the [OCSEL](#) register. See Section [8.1.4](#).
 The CDIV1 through CDIV4 registers must be read consecutively and written consecutively. See Section [8.1.3](#).

Bits 7 to 0: CMOS Output Clock Divider (CDIV[23:16]). See the [CDIV1](#) register description.

Register Name: CDIV4
Register Description: CMOS Output Clock Divider 4
Register Address: CBh

| | Bit 7 | Bit 6 | Bit 5 | Bit 4 | Bit 3 | Bit 2 | Bit 1 | Bit 0 |
|----------------|--------------|-------|-------|-------|-------|-------|-------|-------|
| Name | CDIV [31:24] | | | | | | | |
| Default | 0 | 0 | 0 | 0 | 0 | 0 | 0 | 0 |

The output clock registers are bank-selected by the [OCSEL](#) register. See Section [8.1.4](#).
 The CDIV1 through CDIV4 registers must be read consecutively and written consecutively. See Section [8.1.3](#).

Bits 7 to 0: CMOS Output Clock Divider (CDIV[31:24]). See the [CDIV1](#) register description.

Register Name: DDIV1
Register Description: Differential Output Clock Divider 1
Register Address: CCh

| | Bit 7 | Bit 6 | Bit 5 | Bit 4 | Bit 3 | Bit 2 | Bit 1 | Bit 0 |
|----------------|-----------|-------|-------|-------|-------|-------|-------|-------|
| Name | DDIV[7:0] | | | | | | | |
| Default | 0 | 0 | 0 | 0 | 0 | 0 | 0 | 0 |

The output clock registers are bank-selected by the [OCSEL](#) register. See Section [8.1.4](#).
 The DDIV1 through DDIV4 registers must be read consecutively and written consecutively. See Section [8.1.3](#).

Bits 7 to 0: Differential Output Clock Divider (DDIV[7:0]). The full 32-bit DDIV[31:0] field spans this register, [DDIV2](#), [DDIV3](#) and [DDIV4](#). DDIV is an unsigned integer. The frequency of the clock from the Divider Mux (see [Figure 3-1](#)) is divided by DDIV+1 to make the differential output clock signal. This field is ignored for output clocks OC1 through OC3, which do not have a 32-bit divider in the differential path. See Section [7.8.2.3](#).

Register Name: DDIV2
Register Description: Differential Output Clock Divider 2
Register Address: CDh

| | Bit 7 | Bit 6 | Bit 5 | Bit 4 | Bit 3 | Bit 2 | Bit 1 | Bit 0 |
|----------------|-------------|-------|-------|-------|-------|-------|-------|-------|
| Name | CDIV [15:8] | | | | | | | |
| Default | 0 | 0 | 0 | 0 | 0 | 0 | 0 | 0 |

The output clock registers are bank-selected by the [OCSEL](#) register. See Section [8.1.4](#).
 The DDIV1 through DDIV4 registers must be read consecutively and written consecutively. See Section [8.1.3](#).

Bits 7 to 0: Differential Output Clock Divider (DDIV[15:8]). See the [DDIV1](#) register description.

Register Name: DDIV3
Register Description: Differential Output Clock Divider 3
Register Address: CEh

| | Bit 7 | Bit 6 | Bit 5 | Bit 4 | Bit 3 | Bit 2 | Bit 1 | Bit 0 |
|----------------|--------------|-------|-------|-------|-------|-------|-------|-------|
| Name | CDIV [23:16] | | | | | | | |
| Default | 0 | 0 | 0 | 0 | 0 | 0 | 0 | 0 |

The output clock registers are bank-selected by the [OCSEL](#) register. See Section [8.1.4](#).
 The DDIV1 through DDIV4 registers must be read consecutively and written consecutively. See Section [8.1.3](#).

Bits 7 to 0: Differential Output Clock Divider (DDIV[23:16]). See the [DDIV1](#) register description.

Register Name: DDIV4
Register Description: Differential Output Clock Divider 4
Register Address: CFh

| | Bit 7 | Bit 6 | Bit 5 | Bit 4 | Bit 3 | Bit 2 | Bit 1 | Bit 0 |
|----------------|--------------|-------|-------|-------|-------|-------|-------|-------|
| Name | CDIV [31:24] | | | | | | | |
| Default | 0 | 0 | 0 | 0 | 0 | 0 | 0 | 0 |

The output clock registers are bank-selected by the [OCSEL](#) register. See Section [8.1.4](#).
 The DDIV1 through DDIV4 registers must be read consecutively and written consecutively. See Section [8.1.3](#).

Bits 7 to 0: Differential Output Clock Divider (DDIV[31:24]). See the [DDIV1](#) register description.

Register Name: APLLCR1
Register Description: APLL Configuration Register 1
Register Address: D0h

| | Bit 7 | Bit 6 | Bit 5 | Bit 4 | Bit 3 | Bit 2 | Bit 1 | Bit 0 |
|----------------|--------|--------------|-------|-------|-------|------------|-------|-------|
| Name | APLLEN | APLLMUX[1:0] | | D1EN | | HSDIV[3:0] | | |
| Default | 0 | 0 | 0 | 0 | 0 | 0 | 0 | 0 |

The output clock registers are bank-selected by the [OCSEL](#) register. See Section [8.1.4](#).

This register is only present for output clocks that have APLLs (OC1 through OC3, see [Figure 3-1](#)).

Bit 7: APLL Enable (APLLEN). This bit enables and disables the APLL. Unused APLLs should be disabled to reduce power consumption. This bit has no effect for output clocks OC4 through OC7, which don't have APLLs. See section [7.8.2.2](#). Note: After [AFBDIV](#) is changed, APLLEN must be changed from 0 to 1.

- 0 = Disabled
- 1 = Enabled

Bits 6 to 5: APLL Mux Control (APLLMUX[1:0]). This field specifies the clock source for the APLL. Because the non-zero values of APLLMUX are special modes not typically used, this mux is not shown in [Figure 3-1](#) to avoid overcomplicating the diagram. Instead this mux is shown in the APLL block diagram in [Figure 7-4](#). By default the input clock to the APLL is the output clock of the DFS block as shown in [Figure 3-1](#). Selecting either the APLLMUX=01 or 10 options below allows the APLL to be used as a stand-alone resource, without the DPLL or a DFS in the path. In these modes, the corresponding input clock for APLL1 is IC1, and the corresponding input clock for APLL2 is IC2. APLL3 must not be configured for this mode because it does not have a corresponding input clock pin.

When APLLMUX=01, the differential signal on the corresponding input clock pins is passed straight to the APLL. This mode provides the lowest-jitter path, but the input clock frequency is constrained to be in the 38.88MHz to 77.76MHz range required by the APLL. Also, the [ICCR1.IFREQR](#) register must be set appropriately for the frequency used.

When APLLMUX=10 the input clock is passed to the APLL after being divided and scaled by the Input Clock block. In this mode the clock signal is single-ended and will not be as low-jitter as when APLLMUX=01, but a greater range of frequency options can be accepted on the input clock pins because the divider of the Input Clock block can be used to convert the input clock frequency to the 38.88MHz to 77.76MHz range required by the APLL. The Input Clock registers must be set appropriately for the frequency used. Note, when APLLMUX=10, the Input Clock block should not be configured for fractional scaling because the fractional scaling logic generates jitter that the APLL does not filter. Instead, the APLL itself should be configured to handle any fractional scaling required.

- 00 = DFS block (default)
- 01 = Input clock straight from the input pins.
- 10 = Input clock divided and scaled by the Input Clock block
- 11 = {unused value}

Bit 4: APLL Divider 1 Enable (D1EN). This bit enables and disables the APLL's Divider 1. See [Figure 7-4](#). When D1EN=0, The clock from divider 1 to the divider muxes ([Figure 3-1](#)) is held low.

- 0 = Disable
- 1 = Enable

Bits 3 to 0: APLL High-Speed Divider (HSDIV[3:0]). This bit controls the high-speed divider block in the APLL (see [Figure 7-4](#)). See section [7.8.2.2](#).

- 0000 = Divide by 6
- 0001 = Divide by 4.5
- 0010 = Divide by 5
- 0011 = Divide by 5.5
- 0100 = Divide by 6
- 0101 = Divide by 6.5
- 0110 = Divide by 7
- 0111 = Divide by 7.5
- 1000 = Divide by 8
- 1001 = Divide by 9
- 1010 = Divide by 10
- 1011 = Divide by 11
- 1100 = Divide by 12
- 1101 = Divide by 13
- 1110 = Divide by 14
- 1111 = Divide by 15

Register Name: APLLCR2
Register Description: APLL Configuration Register 2
Register Address: D1h

| | Bit 7 | Bit 6 | Bit 5 | Bit 4 | Bit 3 | Bit 2 | Bit 1 | Bit 0 |
|----------------|-------|-------|---------|-------|-------|-----------|-------|-------|
| Name | — | — | D1ALIGN | | | DIV1[4:0] | | |
| Default | 0 | 0 | 0 | 0 | 0 | 0 | 0 | 0 |

The output clock registers are bank-selected by the [OCSEL](#) register. See Section [8.1.4](#).
 This register is only present for output clocks that have APLLs (OC1 through OC3, see [Figure 3-1](#)).

Bit 5: Divider 1 Align (D1ALIGN). When this bit is set to one, APLL Divider 1 is aligned by the 2kHz DFS/divider alignment generator as described in section [7.9.1.5](#). This bit should only be set to one when the frequency of the divider's output clock is an integer multiple of 2kHz and 2kHz alignment of the output clock is desired. All output clocks that have this bit set to 1 will be falling-edge aligned with each other as long as their frequencies are integer multiples of 2kHz. When [FSCR2.INDEP](#) = 0, these outputs will also be falling-edge aligned with the FSYNC and MFSYNC signals. For best results, this signal should be set to 1 for at least 2ms then set back to 0.

- 0 = Align the output of APLL Divider 1 with the 2kHz alignment signal
- 1 = Don't align the output of APLL Divider 1 with the 2kHz alignment signal

Bits 4 to 0: Divider 1 Value (DIV1[4:0]). This field specifies the setting for APLL Divider 1. See [Figure 7-4](#). The divisor is DIV1 + 1. Note that DIV1 must be set to a value that causes the output clock of APLL Divider 1 to be 312.5MHz or less. The value DIV1=0 disables the divider to reduce power consumption and noise generation. See section [7.8.2.2](#).

Register Name: APLLCR3
Register Description: APLL Configuration Register 3
Register Address: D2h

| | Bit 7 | Bit 6 | Bit 5 | Bit 4 | Bit 3 | Bit 2 | Bit 1 | Bit 0 |
|----------------|-------|-------|---------|-------|-------|-----------|-------|-------|
| Name | — | — | D2ALIGN | | | DIV2[4:0] | | |
| Default | 0 | 0 | 0 | 0 | 0 | 0 | 0 | 0 |

The output clock registers are bank-selected by the [OCSEL](#) register. See Section [8.1.4](#).
 This register is only present for output clocks that have APLLs (OC1 through OC3, see [Figure 3-1](#)).

Bit 5: APLL Divider 2 Align (D2ALIGN). When this bit is set to one, APLL Divider 2 is aligned by the 2kHz DFS/divider alignment generator as described in section [7.9.1.5](#). This bit should only be set to one when the frequency of the divider's output clock is an integer multiple of 2kHz and 2kHz alignment of the output clock is desired. All output clocks that have this bit set to 1 will be falling-edge aligned with each other as long as their frequencies are integer multiples of 2kHz. When [FSCR2.INDEP](#) = 0, these outputs will also be falling-edge aligned with the FSYNC and MFSYNC signals. For best results, this signal should be set to 1 for at least 2ms then set back to 0.

- 0 = Align the output of APLL Divider 2 with the 2kHz alignment signal
- 1 = Don't align the output of APLL Divider 2 with the 2kHz alignment signal

Bits 4 to 0: Divider 2 Value (DIV2[4:0]). This field specifies the setting for APLL Divider 2. See [Figure 7-4](#). The divisor is DIV2 + 1. See section [7.8.2.2](#).

Register Name: APLLCR9
Register Description: APLL Configuration Register 9
Register Address: D8h

| | Bit 7 | Bit 6 | Bit 5 | Bit 4 | Bit 3 | Bit 2 | Bit 1 | Bit 0 |
|----------------|-------|-------|-------|-------|-------|--------------|-------|-------|
| Name | — | — | — | — | — | APLLIFR[2:0] | | |
| Default | 0 | 0 | 0 | 0 | 0 | 0 | 0 | 0 |

The output clock registers are bank-selected by the [OCSEL](#) register. See Section [8.1.4](#).

This register is only present for output clocks that have APLLs (OC1 through OC3, see [Figure 3-1](#)).

Bits 2 to 0: APLL Input Frequency Range (APLLIFR[2:0]). This field specifies the approximate frequency of the input clock signal to the APLL. The APLL configures internal components based on this value. See section [7.8.2.2](#).

000 = 38.88MHz to 43.74MHz

001 = 43.74MHz to 48.60MHz

010 = 48.60MHz to 53.46MHz

011 = 53.46MHz to 58.32MHz

100 = 58.32MHz to 63.18MHz

101 = 63.18MHz to 68.04MHz

110 = 68.04MHz to 72.90MHz

111 = 72.90MHz to 77.76MHz

Register Name: AFBDIV1
Register Description: APLL Feedback Divider Register 1
Register Address: E0h

| | Bit 7 | Bit 6 | Bit 5 | Bit 4 | Bit 3 | Bit 2 | Bit 1 | Bit 0 | |
|----------------|-------------|-------|-------|-------|-------|-------|-------|-------|---|
| Name | AFBDIV[4:0] | | | | | | | — | — |
| Default | 0 | 0 | 0 | 0 | 0 | 0 | 0 | 0 | |

The output clock registers are bank-selected by the [OCSEL](#) register. See Section [8.1.4](#).

All ten AFBDIV1 – AFBDIV10 registers must be read consecutively and written consecutively to write the AFBDIV field. Unused least significant bits must be written with 0. See Section [8.1.3](#).

These registers are only present for output clocks that have APLLs (OC1 through OC3, see [Figure 3-1](#)).

Bits 7 to 4: APLL Feedback Divider Register (AFBDIV[3:0]). The full 75-bit AFBDIV[74:0] field spans the AFBDIV1 through AFBDIV10 registers. AFBDIV is an unsigned number with 7 integer bits (AFBDIV[74:68]) and up to 68 fractional bits. AFBDIV specifies the fixed-point term of the APLL's fractional feedback divide value. The value AFBDIV=0 is undefined.

Register Name: AFBDIV2
Register Description: APLL Feedback Divider Register 2
Register Address: E1h

| | Bit 7 | Bit 6 | Bit 5 | Bit 4 | Bit 3 | Bit 2 | Bit 1 | Bit 0 |
|----------------|--------------|-------|-------|-------|-------|-------|-------|-------|
| Name | AFBDIV[11:4] | | | | | | | |
| Default | 0 | 0 | 0 | 0 | 0 | 0 | 0 | 0 |

Bits 7 to 0: APLL Feedback Divider Register (AFBDIV[11:4]). See the [AFBDIV1](#) register description.

Register Name: AFBDIV3
Register Description: APLL Feedback Divider Register 3
Register Address: E2h

| | Bit 7 | Bit 6 | Bit 5 | Bit 4 | Bit 3 | Bit 2 | Bit 1 | Bit 0 |
|----------------|---------------|-------|-------|-------|-------|-------|-------|-------|
| Name | AFBDIV[19:12] | | | | | | | |
| Default | 0 | 0 | 0 | 0 | 0 | 0 | 0 | 0 |

Bits 7 to 0: APLL Feedback Divider Register (AFBDIV[19:12]). See the [AFBDIV1](#) register description.

Register Name: AFBDIV4
Register Description: APLL Feedback Divider Register 4
Register Address: E3h

| | Bit 7 | Bit 6 | Bit 5 | Bit 4 | Bit 3 | Bit 2 | Bit 1 | Bit 0 |
|----------------|---------------|-------|-------|-------|-------|-------|-------|-------|
| Name | AFBDIV[27:20] | | | | | | | |
| Default | 0 | 0 | 0 | 0 | 0 | 0 | 0 | 0 |

Bits 7 to 0: APLL Feedback Divider Register (AFBDIV[27:20]). See the [AFBDIV1](#) register description.

Register Name: AFBDIV5
Register Description: APLL Feedback Divider Register 5
Register Address: E4h

| | Bit 7 | Bit 6 | Bit 5 | Bit 4 | Bit 3 | Bit 2 | Bit 1 | Bit 0 |
|----------------|---------------|-------|-------|-------|-------|-------|-------|-------|
| Name | AFBDIV[35:28] | | | | | | | |
| Default | 0 | 0 | 0 | 0 | 0 | 0 | 0 | 0 |

Bits 7 to 0: APLL Feedback Divider Register (AFBDIV[35:28]). See the [AFBDIV1](#) register description.

Register Name: AFBDIV6
Register Description: APLL Feedback Divider Register 6
Register Address: E5h

| | Bit 7 | Bit 6 | Bit 5 | Bit 4 | Bit 3 | Bit 2 | Bit 1 | Bit 0 |
|---------|---------------|-------|-------|-------|-------|-------|-------|-------|
| Name | AFBDIV[43:36] | | | | | | | |
| Default | 0 | 0 | 0 | 0 | 0 | 0 | 0 | 0 |

Bits 7 to 0: APLL Feedback Divider Register (AFBDIV[43:36]). See the [AFBDIV1](#) register description.

Register Name: AFBDIV7
Register Description: APLL Feedback Divider Register 7
Register Address: E6h

| | Bit 7 | Bit 6 | Bit 5 | Bit 4 | Bit 3 | Bit 2 | Bit 1 | Bit 0 |
|---------|---------------|-------|-------|-------|-------|-------|-------|-------|
| Name | AFBDIV[51:44] | | | | | | | |
| Default | 0 | 0 | 0 | 0 | 0 | 0 | 0 | 0 |

Bits 7 to 0: APLL Feedback Divider Register (AFBDIV[51:44]). See the [AFBDIV1](#) register description.

Register Name: AFBDIV8
Register Description: APLL Feedback Divider Register 8
Register Address: E7h

| | Bit 7 | Bit 6 | Bit 5 | Bit 4 | Bit 3 | Bit 2 | Bit 1 | Bit 0 |
|---------|---------------|-------|-------|-------|-------|-------|-------|-------|
| Name | AFBDIV[59:52] | | | | | | | |
| Default | 0 | 0 | 0 | 0 | 0 | 0 | 0 | 0 |

Bits 7 to 0: APLL Feedback Divider Register (AFBDIV[59:52]). See the [AFBDIV1](#) register description.

Register Name: AFBDIV9
Register Description: APLL Feedback Divider Register 9
Register Address: E8h

| | Bit 7 | Bit 6 | Bit 5 | Bit 4 | Bit 3 | Bit 2 | Bit 1 | Bit 0 |
|---------|---------------|-------|-------|-------|-------|-------|-------|-------|
| Name | AFBDIV[67:60] | | | | | | | |
| Default | 0 | 0 | 0 | 0 | 0 | 0 | 0 | 0 |

Bits 7 to 0: APLL Feedback Divider Register (AFBDIV[67:60]). See the [AFBDIV1](#) register description.

Register Name: AFBDIV10
Register Description: APLL Feedback Divider Register 10
Register Address: E9h

| | Bit 7 | Bit 6 | Bit 5 | Bit 4 | Bit 3 | Bit 2 | Bit 1 | Bit 0 |
|---------|-------|---------------|-------|-------|-------|-------|-------|-------|
| Name | — | AFBDIV[74:68] | | | | | | |
| Default | 0 | 0 | 1 | 1 | 0 | 0 | 0 | 0 |

Bits 6 to 0: APLL Feedback Divider Register (AFBDIV[74:68]). These are the integer bits of the AFBDIV value. See the [AFBDIV1](#) register description.

Register Name: AFBDEN1
Register Description: APLL Feedback Divider Denominator Register 1
Register Address: EAh

| | Bit 7 | Bit 6 | Bit 5 | Bit 4 | Bit 3 | Bit 2 | Bit 1 | Bit 0 |
|----------------|-------------|-------|-------|-------|-------|-------|-------|-------|
| Name | AFBDEN[7:0] | | | | | | | |
| Default | 0 | 0 | 0 | 0 | 0 | 0 | 0 | 1 |

The output clock registers are bank-selected by the [OCSEL](#) register. See Section [8.1.4](#).
 The AFBDEN1 – AFBDEN4 registers must be read consecutively and written consecutively. See Section [8.1.3](#).
 These registers are only present for output clocks that have APLLs (OC1 through OC3, see [Figure 3-1](#)).

Bits 7 to 0: APLL Feedback Divider Denominator Register (AFBDEN[7:0]). The full 32-bit AFBDEN[31:0] field spans AFBDEN1 through AFBDEN4 registers. AFBDEN is an unsigned integer that specifies the denominator of the APLL's fractional feedback divide value. The value AFBDEN=0 is undefined. When AFBBP=0, [AFBDEN](#) must be set to 1. See section [7.8.2.2](#).

Register Name: AFBDEN2
Register Description: APLL Feedback Divider Denominator Register 2
Register Address: EBh

| | Bit 7 | Bit 6 | Bit 5 | Bit 4 | Bit 3 | Bit 2 | Bit 1 | Bit 0 |
|----------------|--------------|-------|-------|-------|-------|-------|-------|-------|
| Name | AFBDEN[15:8] | | | | | | | |
| Default | 0 | 0 | 0 | 0 | 0 | 0 | 0 | 0 |

Bits 7 to 0: APLL Feedback Divider Denominator Register (AFBDEN[15:8]). See the [AFBDEN1](#) register description.

Register Name: AFBDEN3
Register Description: APLL Feedback Divider Denominator Register 3
Register Address: ECh

| | Bit 7 | Bit 6 | Bit 5 | Bit 4 | Bit 3 | Bit 2 | Bit 1 | Bit 0 |
|----------------|---------------|-------|-------|-------|-------|-------|-------|-------|
| Name | AFBDEN[23:16] | | | | | | | |
| Default | 0 | 0 | 0 | 0 | 0 | 0 | 0 | 0 |

Bits 7 to 0: APLL Feedback Divider Denominator Register (AFBDEN[23:16]). See the [AFBDEN1](#) register description.

Register Name: AFBDEN4
Register Description: APLL Feedback Divider Denominator Register 4
Register Address: EDh

| | Bit 7 | Bit 6 | Bit 5 | Bit 4 | Bit 3 | Bit 2 | Bit 1 | Bit 0 |
|----------------|---------------|-------|-------|-------|-------|-------|-------|-------|
| Name | AFBDEN[31:24] | | | | | | | |
| Default | 0 | 0 | 0 | 0 | 0 | 0 | 0 | 0 |

Bits 7 to 0: APLL Feedback Divider Denominator Register (AFBDEN[31:24]). See the [AFBDEN1](#) register description.

Register Name: AFBREM1
Register Description: APLL Feedback Divider Remainder Register 1
Register Address: EEh

| | Bit 7 | Bit 6 | Bit 5 | Bit 4 | Bit 3 | Bit 2 | Bit 1 | Bit 0 |
|----------------|-------------|-------|-------|-------|-------|-------|-------|-------|
| Name | AFBREM[7:0] | | | | | | | |
| Default | 0 | 0 | 0 | 0 | 0 | 0 | 0 | 0 |

The output clock registers are bank-selected by the [OCSEL](#) register. See Section [8.1.4](#).
 The AFBREM1 – AFBREM4 registers must be read consecutively and written consecutively. See Section [8.1.3](#).
 These registers are only present for output clocks that have APLLs (OC1 through OC3, see [Figure 3-1](#)).

Bits 7 to 0: APLL Feedback Divider Remainder Register (AFBREM[7:0]). The full 32-bit AFBDEN[31:0] field spans AFBREM1 through AFBREM4 registers. AFBREM is an unsigned integer that specifies the remainder of the APLL's fractional feedback divider value. When AFBBP=0, [AFBREM](#) must be set to 0. See section [7.8.2.2](#).

Register Name: AFBREM2
Register Description: APLL Feedback Divider Remainder Register 2
Register Address: EFh

| | Bit 7 | Bit 6 | Bit 5 | Bit 4 | Bit 3 | Bit 2 | Bit 1 | Bit 0 |
|----------------|--------------|-------|-------|-------|-------|-------|-------|-------|
| Name | AFBREM[15:8] | | | | | | | |
| Default | 0 | 0 | 0 | 0 | 0 | 0 | 0 | 0 |

Bits 7 to 0: APLL Feedback Divider Remainder Register (AFBREM[15:8]). See the [AFBREM1](#) register description.

Register Name: AFBREM3
Register Description: APLL Feedback Divider Remainder Register 3
Register Address: F0h

| | Bit 7 | Bit 6 | Bit 5 | Bit 4 | Bit 3 | Bit 2 | Bit 1 | Bit 0 |
|----------------|---------------|-------|-------|-------|-------|-------|-------|-------|
| Name | AFBREM[23:16] | | | | | | | |
| Default | 0 | 0 | 0 | 0 | 0 | 0 | 0 | 0 |

Bits 7 to 0: APLL Feedback Divider Remainder Register (AFBREM[23:16]). See the [AFBREM1](#) register description.

Register Name: AFBREM4
Register Description: APLL Feedback Divider Remainder Register 4
Register Address: F1h

| | Bit 7 | Bit 6 | Bit 5 | Bit 4 | Bit 3 | Bit 2 | Bit 1 | Bit 0 |
|----------------|---------------|-------|-------|-------|-------|-------|-------|-------|
| Name | AFBREM[31:24] | | | | | | | |
| Default | 0 | 0 | 0 | 0 | 0 | 0 | 0 | 0 |

Bits 7 to 0: APLL Feedback Divider Remainder Register (AFBREM[31:24]). See the [AFBREM1](#) register description.

Register Name: AFBBP
Register Description: APLL Feedback Divider Truncate Bit Position
Register Address: F2h

| | Bit 7 | Bit 6 | Bit 5 | Bit 4 | Bit 3 | Bit 2 | Bit 1 | Bit 0 |
|----------------|------------|-------|-------|-------|-------|-------|-------|-------|
| Name | AFBBP[7:0] | | | | | | | |
| Default | 0 | 0 | 0 | 0 | 0 | 0 | 0 | 0 |

The output clock registers are bank-selected by the [OCSEL](#) register. See Section [8.1.4](#).
 This register is only present for output clocks that have APLLs (OC1 through OC3, see [Figure 3-1](#)).

Bits 7 to 0: APLL Feedback Divider Truncate Bit Position (AFBBP[7:0]). This unsigned integer specifies the number of fractional bits that are valid in the [AFBDIV](#) value. There are 68 fractional bits in AFBDIV. The value in this AFBBP field specifies $68 - \text{number_of_valid_AFBDIV_fractional_bits}$. When AFBBP=0 all 68 AFBDIV fractional bits are valid. When AFBBP=44, the most significant 24 AFBDIV fractional bits are valid and the least significant 44 bits must be set to 0. This register field is only used when the feedback divider value is expressed in the form [AFBDIV](#) + [AFBREM](#) / [AFBDEN](#). AFBBP values greater than 68 are invalid. When AFBBP=0, [AFBREM](#) must be set to 0 and [AFBDEN](#) must be set to 1. See section [7.8.2.2](#).

Register Name: OCCOE1
Register Description: Output Clock CMOS Output Enable Register 1
Register Address: 3B8h

| | Bit 7 | Bit 6 | Bit 5 | Bit 4 | Bit 3 | Bit 2 | Bit 1 | Bit 0 |
|----------------|-------|-------|-------|-------|-------|-------|-------|-------|
| Name | F5OE | OC7OE | OC6OE | OC5OE | OC4OE | OC3OE | OC2OE | OC1OE |
| Default | 1 | 1 | 1 | 1 | 1 | 1 | 1 | 1 |

All of the bits in this register have this encoding:
 0 = Output is high impedance
 1 = Output is enabled

- Bit 7: F5SYNC Output Enable (F5OE).**
- Bit 6: Output Clock 7 CMOS Output Enable (OC7OE).**
- Bit 5: Output Clock 6 CMOS Output Enable (OC6OE).**
- Bit 4: Output Clock 5 CMOS Output Enable (OC5OE).**
- Bit 3: Output Clock 4 CMOS Output Enable (OC4OE).**
- Bit 2: Output Clock 3 CMOS Output Enable (OC3OE).**
- Bit 1: Output Clock 2 CMOS Output Enable (OC2OE).**
- Bit 0: Output Clock 1 CMOS Output Enable (OC1OE).**

Register Name: OCCOE2
Register Description: Output Clock CMOS Output Enable Register 1
Register Address: 3B9h

| | Bit 7 | Bit 6 | Bit 5 | Bit 4 | Bit 3 | Bit 2 | Bit 1 | Bit 0 |
|----------------|-------|-------|-------|-------|-------|-------|-------|-------|
| Name | — | — | — | — | — | — | — | M5OE |
| Default | 0 | 0 | 0 | 0 | 0 | 0 | 0 | 1 |

- Bit 0: M5SYNC Output Enable (M5OE).**
 0 = Output is high impedance
 1 = Output is enabled

8.3.7 Frame Sync Registers

Register Name: FSCR1
Register Description: Input Frame Sync Configuration Register 1
Register Address: 100h

| | Bit 7 | Bit 6 | Bit 5 | Bit 4 | Bit 3 | Bit 2 | Bit 1 | Bit 0 |
|----------------|-------|-------|-------|-------|--------------|-------|--------------|-------|
| Name | EFSEN | AD | — | — | SYNC2PH[1:0] | | SYNC1PH[1:0] | |
| Default | 0 | 1 | 0 | 0 | 0 | 0 | 0 | 0 |

Bit 7: External Frame Sync Enable (EFSEN). When this bit is set to 1 the DPLL looks for an external frame sync signal on the SYNCn pin(s). If AD=1 then EFSEN is automatically cleared when the DPLL's selected reference changes. See Section 7.9.1.1.

- 0 = Disable external frame sync; ignore SYNCn pins
- 1 = Enable external frame sync on SYNCn pin(s)

Bit 6: Auto Disable (AD). See Section 7.9.1.1.

- 0 = EFSEN is not automatically cleared when the DPLL's selected reference changes.
- 1 = EFSEN is automatically cleared when the DPLL's selected reference changes.
(EFSEN must be set by system software to enable it again.)

Bits 3 to 2: SYNC2 Sampling Phase (SYNC2PH[1:0]). This field adjusts the sampling of the SYNC2 input pin. Normally the falling edge of SYNC2 is aligned with the falling edge of the selected reference. All UI numbers listed below are UI of the sampling clock. See Section 7.9.1.1.

- 00 = Coincident
- 01 = 0.5UI early
- 10 = 1UI late
- 11 = 0.5UI late

Bits 1 to 0: SYNC1 Sampling Phase (SYNC1PH[1:0]). This field adjusts the sampling of the SYNC1 input pin. Normally the falling edge of SYNC1 is aligned with the falling edge of the selected reference. All UI numbers listed below are UI of the sampling clock. See Section 7.9.1.1.

- 00 = Coincident
- 01 = 0.5UI early
- 10 = 1UI late
- 11 = 0.5UI late

Register Name: FSCR2
Register Description: Frame Sync Configuration Register 1
Register Address: 101h

| | Bit 7 | Bit 6 | Bit 5 | Bit 4 | Bit 3 | Bit 2 | Bit 1 | Bit 0 |
|----------------|-------|-------|-------|-------|-------|-------|--------|--------|
| Name | INDEP | OCN | FSEN | FSINV | FSPUL | MFSEN | MFSINV | MFSPUL |
| Default | 0 | 0 | 0 | 0 | 0 | 0 | 0 | 0 |

Bit 7: Independent Frame Sync and Multiframe Sync (INDEP). When this bit is set to 0, the 8kHz frame sync on FSYNC and the 2kHz multiframe sync on MFSYNC are aligned with the other output clocks when synchronized with the SYNCn input. When this bit is 1, FSYNC and MFSYNC are independent of the other output clocks, and their edge position may change without disturbing the other output clocks. See Section [7.9.1.5](#).

- 0 = FSYNC and MFSYNC are aligned with other output clocks; all are synchronized by the SYNCn input
- 1 = FSYNC and MFSYNC are independent of the other clock outputs; only FSYNC and MFSYNC are synchronized by the SYNCn input

Bit 6: Sync OC-N Rates (OCN). See Section [7.9.1.3](#).

- 0 = SYNCn is sampled with a 6.48MHz resolution; the selected reference must be 6.48MHz
- 1 = SYNCn is sampled with a 19.44MHz resolution; the selected reference must be 19.44MHz

Bit 5: FSYNC Enable (FSEN). This bit enables the 8kHz output on the FSYNC output pin. See Section [7.8.2.5](#).

- 0 = Disabled, driven low
- 1 = Enabled, output is 8kHz

Bit 4: FSYNC Invert (FSINV). When this bit is set to 1 the 8kHz signal on the FSYNC output pin is inverted. See Section [7.8.2.5](#).

- 0 = Not inverted
- 1 = Inverted

Bit 3: FSYNC Pulse (FSPUL). When this bit is set to 1, the 8kHz signal on the FSYNC output pin is pulsed rather than 50% duty cycle. In this mode the output clock specified by FSCR3.PULSRC must be enabled, and the pulse width of FSYNC is equal to the clock period of that output clock. See Section [7.8.2.5](#).

- 0 = Not pulsed; 50% duty cycle
- 1 = Pulsed

Bit 2: MFSYNC Enable (MFSEN). This bit enables the 2kHz output on the MFSYNC output pin. See Section [7.8.2.5](#).

- 0 = Disabled, driven low
- 1 = Enabled, output is 2kHz

Bit 1: MFSYNC Invert (MFSINV). When this bit is set to 1 the 2kHz signal on the MFSYNC output pin is inverted. See Section [7.8.2.5](#).

- 0 = Not inverted
- 1 = Inverted

Bit 0: MFS Pulse (MFSPUL). When this bit is set to 1, the 2kHz signal on the MFSYNC output pin is pulsed rather than 50% duty cycle. In this mode the output clock specified by FSCR3.PULSRC must be enabled, and the pulse width of MFSYNC is equal to the clock period of that output clock. See Section [7.8.2.5](#).

- 0 = Not pulsed; 50% duty cycle
- 1 = Pulsed

Register Name: FSCR3
Register Description: Frame Sync Configuration Register 3
Register Address: 102h

| | Bit 7 | Bit 6 | Bit 5 | Bit 4 | Bit 3 | Bit 2 | Bit 1 | Bit 0 |
|---------|---------------|-------|-------|---------------|-------|-------|-------|-------|
| Default | PULSESRC[2:0] | | | FSMONLIM[2:0] | | | — | — |
| Default | 0 | 0 | 0 | 0 | 1 | 0 | 0 | 0 |

Bits 7 to 5: Pulse Source for FSYNC and MFSYNC (PULSESRC[2:0]). This field specifies the output clock from which the FSYNC and/or MFSYNC pins derive their pulse width when **FSCR2.FSPUL=1** and/or **MFSPUL=1**. The signal on the output clock's CMOS/TTL pin is the source. See section [7.8.2.5](#).

- 000 = Output clock 1
- 001 = Output clock 2
- 010 = Output clock 3
- 011 = Output clock 4
- 100 = Output clock 5
- 101 = Output clock 6
- 110 = Output clock 7
- 111 = {unused value}

Bits 4 to 2: Frame Sync Monitor Limit (FSMONLIM[2:0]). This field configures the frame sync monitor limit. When the external frame sync input is misaligned with respect to the MFSYNC output by the specified number of resampling clock cycles then a frame sync monitor alarm is declared in the FSMON bit of the **PLL1SR** register. See Section [7.9.1.6](#).

- 000 = ± 1UI
- 001 = ± 2UI
- 010 = ± 3UI
- 011 = ± 4UI
- 100 = ± 5UI
- 101 = ± 6UI
- 110 = ± 7UI
- 111 = ± 8UI

8.3.8 GPIO Registers

Register Name: GPCR
Register Description: GPIO Configuration Register
Register Address: 108h

| | Bit 7 | Bit 6 | Bit 5 | Bit 4 | Bit 3 | Bit 2 | Bit 1 | Bit 0 |
|---------|-------------|-------|-------------|-------|-------------|-------|-------------|-------|
| Name | GPIO4C[1:0] | | GPIO3C[1:0] | | GPIO2C[1:0] | | GPIO1C[1:0] | |
| Default | 0 | 0 | 0 | 0 | 0 | 0 | 0 | 0 |

Bits 7 to 6: GPIO4 Configuration (GPIO4C[1:0]). This field configures the GPIO4 pin as a general-purpose input a general-purpose output driving low or high, or a status output. When GPIO4 is an input its current state can be read from [GPSR.GPIO4](#). When GPIO4 is a status output, the [GPIO4SS](#) register specifies which status bit is output.

- 00 = General-purpose input
- 01 = Status output
- 10 = General-purpose output driving low
- 11 = General-purpose output driving high

Bits 5 to 4: GPIO3 Configuration (GPIO3C[1:0]). This field configures the GPIO3 pin as a general-purpose input a general-purpose output driving low or high, or a status output. When GPIO3 is an input its current state can be read from [GPSR.GPIO3](#). When GPIO3 is a status output, the [GPIO3SS](#) register specifies which status bit is output.

- 00 = General-purpose input
- 01 = Status output
- 10 = General-purpose output driving low
- 11 = General-purpose output driving high

Bits 3 to 2: GPIO2 Configuration (GPIO2C[1:0]). This field configures the GPIO2 pin as a general-purpose input a general-purpose output driving low or high, or a status output. When GPIO2 is an input its current state can be read from [GPSR.GPIO2](#). When GPIO2 is a status output, the [GPIO2SS](#) register specifies which status bit is output.

- 00 = General-purpose input
- 01 = Status output
- 10 = General-purpose output driving low
- 11 = General-purpose output driving high

Bits 1 to 0: GPIO1 Configuration (GPIO1C[1:0]). This field configures the GPIO1 pin as a general-purpose input a general-purpose output driving low or high, or a status output. When GPIO1 is an input its current state can be read from [GPSR.GPIO1](#). When GPIO1 is a status output, the [GPIO1SS](#) register specifies which status bit is output.

- 00 = General-purpose input
- 01 = Status output
- 10 = General-purpose output driving low
- 11 = General-purpose output driving high

Register Name: GPSR
Register Description: GPIO Status Register
Register Address: 109h

| | Bit 7 | Bit 6 | Bit 5 | Bit 4 | Bit 3 | Bit 2 | Bit 1 | Bit 0 |
|----------------|-------|-------|-------|-------|--------------|--------------|--------------|--------------|
| Name | — | — | — | — | <u>GPIO4</u> | <u>GPIO3</u> | <u>GPIO2</u> | <u>GPIO1</u> |
| Default | 0 | 0 | 0 | 0 | 0 | 0 | 0 | 0 |

Bit 3: GPIO4 State (GPIO4). This bit indicates the current state of the GPIO4 pin.
 0 = low
 1 = high

Bit 2: GPIO3 State (GPIO3). This bit indicates the current state of the GPIO3 pin.
 0 = low
 1 = high

Bit 2: GPIO2 State (GPIO2). This bit indicates the current state of the GPIO2 pin.
 0 = low
 1 = high

Bit 1: GPIO1 State (GPIO1). This bit indicates the current state of the GPIO1 pin.
 0 = low
 1 = high

Register Name: GPIO1SS
Register Description: GPIO1 Status Select Register
Register Address: 10Ah

| | Bit 7 | Bit 6 | Bit 5 | Bit 4 | Bit 3 | Bit 2 | Bit 1 | Bit 0 |
|---------|----------|-------|-------|-------|-------|----------|-------|-------|
| Name | REG[4:0] | | | | | BIT[2:0] | | |
| Default | 0 | 0 | 0 | 0 | 0 | 0 | 0 | 0 |

Bits 7 to 3: Status Register (REG[4:0]). When `GPCR.GPIO1C=01`, this field specifies the register of the status bit that GPIO1 will follow while the BIT field below specifies the status bit within the register. Setting the combination of this field and the BIT field below to point to a bit that isn't implemented as a real-time or latched status register bit results in GPIO1 being driven low.

00000 – 11101 = The address of the status bit that GPIO1 follows is `20h + REG[4:0]`

11110 = GPIO1 is high when `PLL1SR.STATE=Locked` (100b) and low otherwise

11111 = {unused value; GPIO1 is low}

Bits 2 to 0: Status Bit (BIT[2:0]). When `GPCR.GPIO1C=01`, the REG field above specifies the register of the status bit that GPIO1 will follow while this field specifies the status bit within the register. Setting the combination of the REG field and this field to point to a bit that isn't implemented as a real-time or latched status register bit results in GPIO1 being driven low. 000=bit 0 of the register. 111=bit 7 of the register.

Register Name: GPIO2SS
Register Description: GPIO2 Status Select Register
Register Address: 10Bh

| | Bit 7 | Bit 6 | Bit 5 | Bit 4 | Bit 3 | Bit 2 | Bit 1 | Bit 0 |
|---------|----------|-------|-------|-------|-------|----------|-------|-------|
| Name | REG[4:0] | | | | | BIT[2:0] | | |
| Default | 0 | 0 | 0 | 0 | 0 | 0 | 0 | 0 |

These fields are identical to those in [GPIO1SS](#) except they control GPIO2.

Register Name: GPIO3SS
Register Description: GPIO3 Status Select Register
Register Address: 10Ch

| | Bit 7 | Bit 6 | Bit 5 | Bit 4 | Bit 3 | Bit 2 | Bit 1 | Bit 0 |
|---------|----------|-------|-------|-------|-------|----------|-------|-------|
| Name | REG[4:0] | | | | | BIT[2:0] | | |
| Default | 0 | 0 | 0 | 0 | 0 | 0 | 0 | 0 |

These fields are identical to those in [GPIO1SS](#) except they control GPIO3.

Register Name: GPIO4SS
Register Description: GPIO4 Status Select Register
Register Address: 10Dh

| | Bit 7 | Bit 6 | Bit 5 | Bit 4 | Bit 3 | Bit 2 | Bit 1 | Bit 0 |
|---------|----------|-------|-------|-------|-------|----------|-------|-------|
| Name | REG[4:0] | | | | | BIT[2:0] | | |
| Default | 0 | 0 | 0 | 0 | 0 | 0 | 0 | 0 |

These fields are identical to those in [GPIO1SS](#) except they control GPIO4.

9. JTAG Test Access Port and Boundary Scan

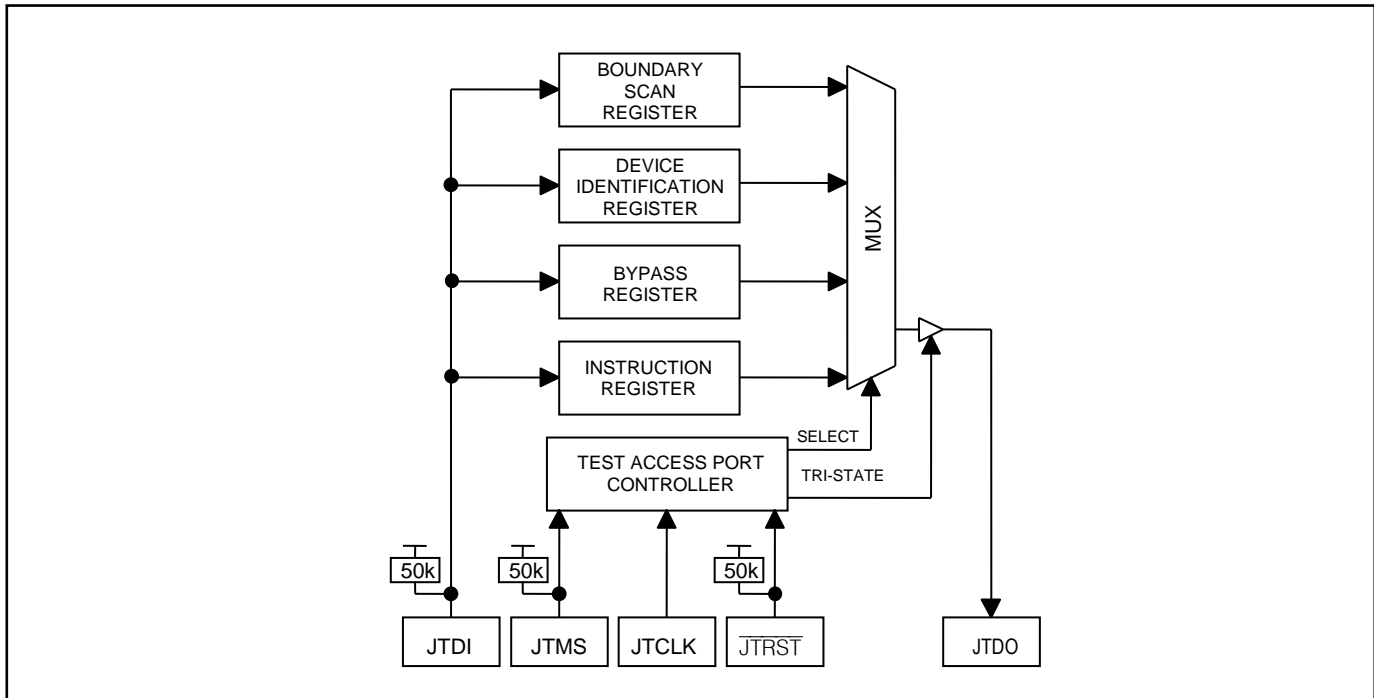
9.1 JTAG Description

The DS31406 supports the standard instruction codes SAMPLE/PRELOAD, BYPASS, and EXTEST. Optional public instructions included are HIGHZ, CLAMP, and IDCODE. Figure 9-1 shows a block diagram. The DS31406 contains the following items, which meet the requirements set by the IEEE 1149.1 Standard Test Access Port and Boundary Scan Architecture:

- | | |
|------------------------|--------------------------------|
| Test Access Port (TAP) | Bypass Register |
| TAP Controller | Boundary Scan Register |
| Instruction Register | Device Identification Register |

The TAP has the necessary interface pins, namely JTCLK, $\overline{\text{JTRST}}$, JTDI, JTDO, and JTMS. Details on these pins can be found in Table 6-5. Details about the boundary scan architecture and the TAP can be found in IEEE 1149.1-1990, IEEE 1149.1a-1993, and IEEE 1149.1b-1994.

Figure 9-1. JTAG Block Diagram



9.2 JTAG TAP Controller State Machine Description

This section discusses the operation of the TAP controller state machine. The TAP controller is a finite state machine that responds to the logic level at JTMS on the rising edge of JTCLK. Each of the states denoted in [Figure 9-2](#) is described in the following paragraphs.

Test-Logic-Reset. Upon device power-up, the TAP controller starts in the Test-Logic-Reset state. The instruction register contains the IDCODE instruction. All system logic on the device operates normally.

Run-Test-Idle. Run-Test-Idle is used between scan operations or during specific tests. The instruction register and all test registers remain idle.

Select-DR-Scan. All test registers retain their previous state. With JTMS low, a rising edge of JTCLK moves the controller into the Capture-DR state and initiates a scan sequence. JTMS high moves the controller to the Select-IR-SCAN state.

Capture-DR. Data can be parallel-loaded into the test register selected by the current instruction. If the instruction does not call for a parallel load or the selected test register does not allow parallel loads, the register remains at its current value. On the rising edge of JTCLK, the controller goes to the Shift-DR state if JTMS is low or to the Exit1-DR state if JTMS is high.

Shift-DR. The test register selected by the current instruction is connected between JTDI and JTDO and data is shifted one stage toward the serial output on each rising edge of JTCLK. If a test register selected by the current instruction is not placed in the serial path, it maintains its previous state.

Exit1-DR. While in this state, a rising edge on JTCLK with JTMS high puts the controller in the Update-DR state, which terminates the scanning process. A rising edge on JTCLK with JTMS low puts the controller in the Pause-DR state.

Pause-DR. Shifting of the test registers is halted while in this state. All test registers selected by the current instruction retain their previous state. The controller remains in this state while JTMS is low. A rising edge on JTCLK with JTMS high puts the controller in the Exit2-DR state.

Exit2-DR. While in this state, a rising edge on JTCLK with JTMS high puts the controller in the Update-DR state and terminates the scanning process. A rising edge on JTCLK with JTMS low puts the controller in the Shift-DR state.

Update-DR. A falling edge on JTCLK while in the Update-DR state latches the data from the shift register path of the test registers into the data output latches. This prevents changes at the parallel output because of changes in the shift register. A rising edge on JTCLK with JTMS low puts the controller in the Run-Test-Idle state. With JTMS high, the controller enters the Select-DR-Scan state.

Select-IR-Scan. All test registers retain their previous state. The instruction register remains unchanged during this state. With JTMS low, a rising edge on JTCLK moves the controller into the Capture-IR state and initiates a scan sequence for the instruction register. JTMS high during a rising edge on JTCLK puts the controller back into the Test-Logic-Reset state.

Capture-IR. The Capture-IR state is used to load the shift register in the instruction register with a fixed value. This value is loaded on the rising edge of JTCLK. If JTMS is high on the rising edge of JTCLK, the controller enters the Exit1-IR state. If JTMS is low on the rising edge of JTCLK, the controller enters the Shift-IR state.

Shift-IR. In this state, the instruction register's shift register is connected between JTDI and JTDO and shifts data one stage for every rising edge of JTCLK toward the serial output. The parallel register and the test registers remain at their previous states. A rising edge on JTCLK with JTMS high moves the controller to the Exit1-IR state. A rising edge on JTCLK with JTMS low keeps the controller in the Shift-IR state, while moving data one stage through the instruction shift register.

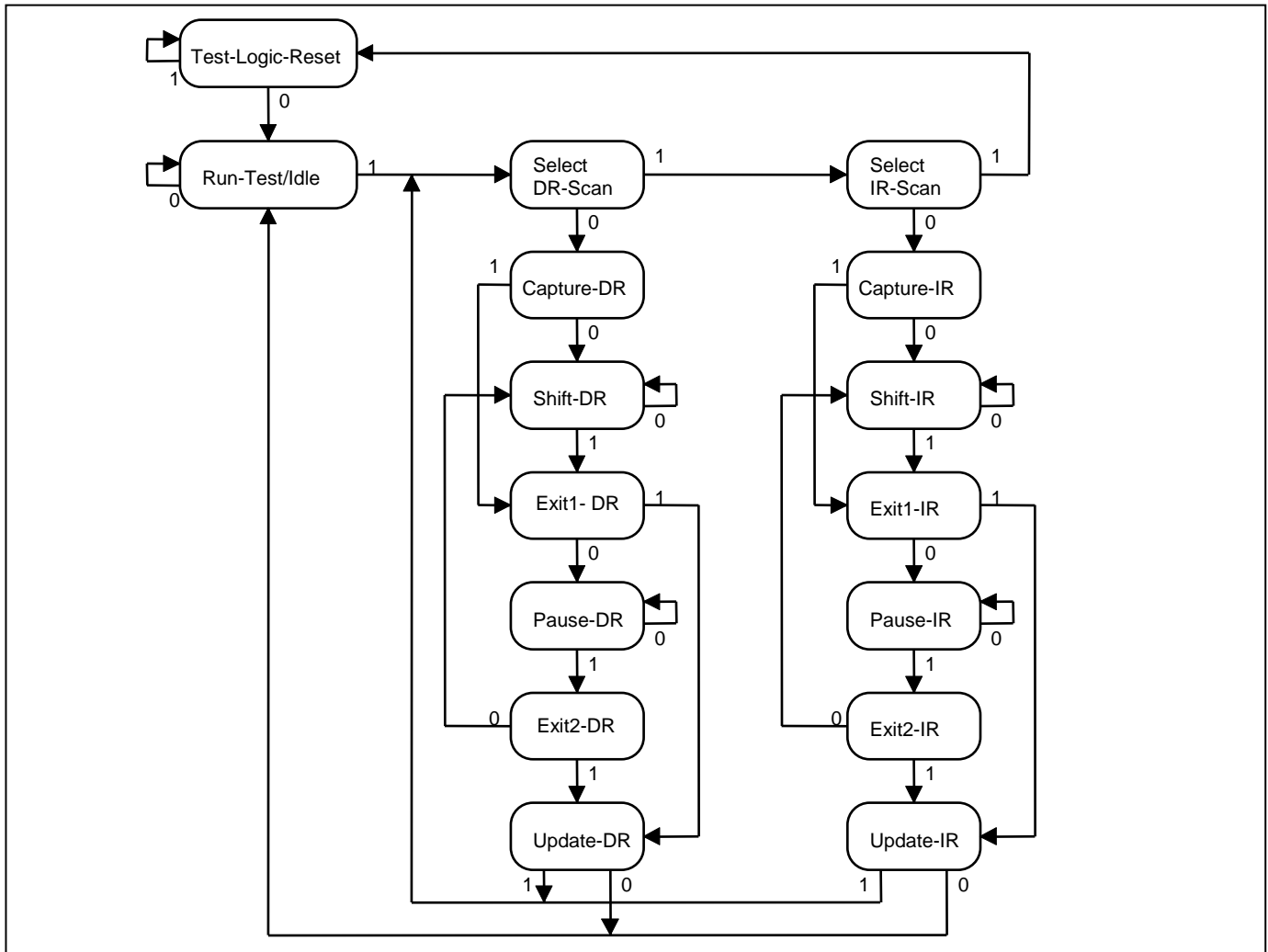
Exit1-IR. A rising edge on JTCLK with JTMS low puts the controller in the Pause-IR state. If JTMS is high on the rising edge of JTCLK, the controller enters the Update-IR state and terminates the scanning process.

Pause-IR. Shifting of the instruction register is halted temporarily. With JTMS high, a rising edge on JTCLK puts the controller in the Exit2-IR state. The controller remains in the Pause-IR state if JTMS is low during a rising edge on JTCLK.

Exit2-IR. A rising edge on JTCLK with JTMS high puts the controller in the Update-IR state. The controller loops back to the Shift-IR state if JTMS is low during a rising edge of JTCLK in this state.

Update-IR. The instruction shifted into the instruction shift register is latched into the parallel output on the falling edge of JTCLK as the controller enters this state. Once latched, this instruction becomes the current instruction. A rising edge on JTCLK with JTMS low puts the controller in the Run-Test-Idle state. With JTMS high, the controller enters the Select-DR-Scan state.

Figure 9-2. JTAG TAP Controller State Machine



9.3 JTAG Instruction Register and Instructions

The instruction register contains a shift register as well as a latched parallel output and is 3 bits in length. When the TAP controller enters the Shift-IR state, the instruction shift register is connected between JTDI and JTDO. While in the Shift-IR state, a rising edge on JTCLK with JTMS low shifts data one stage toward the serial output at JTDO. A rising edge on JTCLK in the Exit1-IR state or the Exit2-IR state with JTMS high moves the controller to the Update-IR state. The falling edge of that same JTCLK latches the data in the instruction shift register to the instruction parallel output. [Table 9-1](#) shows the instructions supported by the DS31406 and their respective operational binary codes.

Table 9-1. JTAG Instruction Codes

| INSTRUCTIONS | SELECTED REGISTER | INSTRUCTION CODES |
|----------------|-----------------------|-------------------|
| SAMPLE/PRELOAD | Boundary Scan | 010 |
| BYPASS | Bypass | 111 |
| EXTEST | Boundary Scan | 000 |
| CLAMP | Bypass | 011 |
| HIGHZ | Bypass | 100 |
| IDCODE | Device Identification | 001 |

SAMPLE/PRELOAD. SAMPLE/RELOAD is a mandatory instruction for the IEEE 1149.1 specification. This instruction supports two functions. First, the digital I/Os of the device can be sampled at the boundary scan register, using the Capture-DR state, without interfering with the device's normal operation. Second, data can be shifted into the boundary scan register through JTDI using the Shift-DR state.

EXTEST. EXTEST allows testing of the interconnections to the device. When the EXTEST instruction is latched in the instruction register, the following actions occur: (1) Once the EXTEST instruction is enabled through the Update-IR state, the parallel outputs of the digital output pins are driven. (2) The boundary scan register is connected between JTDI and JTDO. (3) The Capture-DR state samples all digital inputs into the boundary scan register.

BYPASS. When the BYPASS instruction is latched into the parallel instruction register, JTDI is connected to JTDO through the 1-bit bypass register. This allows data to pass from JTDI to JTDO without affecting the device's normal operation.

IDCODE. When the IDCODE instruction is latched into the parallel instruction register, the device identification register is selected. The device ID code is loaded into the device identification register on the rising edge of JTCLK, following entry into the Capture-DR state. Shift-DR can be used to shift the ID code out serially through JTDO. During Test-Logic-Reset, the ID code is forced into the instruction register's parallel output.

HIGHZ. All digital outputs are placed into a high-impedance state. The bypass register is connected between JTDI and JTDO.

CLAMP. All digital output pins output data from the boundary scan parallel output while connecting the bypass register between JTDI and JTDO. The outputs do not change during the CLAMP instruction.

9.4 JTAG Test Registers

IEEE 1149.1 requires a minimum of two test registers—the bypass register and the boundary scan register. An optional test register, the identification register, has been included in the device design. It is used with the IDCODE instruction and the Test-Logic-Reset state of the TAP controller.

Bypass Register. This is a single 1-bit shift register used with the BYPASS, CLAMP, and HIGHZ instructions to provide a short path between JTDI and JTDO.

Boundary Scan Register. This register contains a shift register path and a latched parallel output for control cells and digital I/O cells. BSDL files are available at www.maxim-ic.com/TechSupport/telecom/bsdl.htm.

Identification Register. This register contains a 32-bit shift register and a 32-bit latched parallel output. It is selected during the IDCODE instruction and when the TAP controller is in the Test-Logic-Reset state. The device identification code for the DS31406 is shown in Table 9-2.

Table 9-2. JTAG ID Code

| DEVICE | REVISION | DEVICE CODE | MANUFACTURER CODE | REQUIRED |
|---------|-----------------|---------------------|-------------------|----------|
| DS31406 | Contact factory | 0000 0000 1010 1110 | 00010100001 | 1 |

10. Electrical Characteristics

ABSOLUTE MAXIMUM RATINGS

| | |
|--|-----------------|
| Voltage Range on Any Pin with Respect to V_{SS} (except Power Supply Pins) | -0.3V to +5.5V |
| Supply Voltage Range, Nominal 1.8V Supply with Respect to V_{SS} | -0.3V to +1.98V |
| Supply Voltage Range, Nominal 3.3V Supply with Respect to V_{SS} | -0.3V to +3.63V |
| Ambient Operating Temperature Range | -40°C to +85°C |
| Junction Operating Temperature Range | -40°C to +125°C |
| Storage Temperature Range | -55°C to +125°C |
| Soldering Temperature (reflow) | |
| Lead (Pb) free | +260°C |
| Containing lead (Pb)..... | +240°C |

Stresses beyond those listed under “Absolute Maximum Ratings” may cause permanent damage to the device. These are stress ratings only, and functional operation of the device at these or any other conditions beyond those indicated in the operational sections of the specifications is not implied. Exposure to the absolute maximum rating conditions for extended periods may affect device. Ambient operating temperature range when device is mounted on a four-layer JEDEC test board with no airflow.

Note 1: The typical values listed in the tables of Section 10 are not production tested.

Note 2: Specifications to -40°C are guaranteed by design and not production tested.

10.1 DC Characteristics

Table 10-1. Recommended DC Operating Conditions

| PARAMETER | SYMBOL | CONDITIONS | MIN | TYP | MAX | UNITS |
|------------------------------|--------|------------|-------|-----|-------|-------|
| Supply Voltage, Nominal 1.8V | VDD18 | | 1.62 | 1.8 | 1.98 | V |
| Supply Voltage, Nominal 3.3V | VDD33 | | 3.135 | 3.3 | 3.465 | V |
| Ambient Temperature Range | T_A | | -40 | | +85 | °C |
| Junction Temperature Range | T_J | | -40 | | +125 | °C |

Table 10-2. DC Characteristics

(1.8V Supplies: 1.8V \pm 10%; 3.3V Supplies: 3.3V \pm 5%, T_A = -40°C to +85°C)

| PARAMETER | SYMBOL | CONDITIONS | MIN | TYP ² | MAX | UNITS |
|---|-----------------------|------------|-----|------------------|-----|-------|
| Total Supply Current, All 1.8V Supply Pins | I_{DD18} | Note 1 | | 590 | 664 | mA |
| Total Supply Current, All 3.3V Supply Pins | I_{DD33} | Note 1 | | 269 | 302 | mA |
| 1.8V Supply Current Change from Enabling or Disabling an APLL | $\Delta I_{DD18APLL}$ | | | 95 | | mA |
| 3.3V Supply Current Change from Enabling or Disabling an APLL | $\Delta I_{DD33APLL}$ | | | 35 | | mA |
| 1.8V Supply Current Change from Enabling or Disabling a CML Output | $\Delta I_{DD18CML}$ | | | 18 | | mA |
| 3.3V Supply Current Change from Enabling or Disabling a CML Output | $\Delta I_{DD33CML}$ | | | 18 | | mA |
| 1.8V Supply Current Change from Enabling or Disabling an LVDS/LVPECL Output | $\Delta I_{DD18LVDS}$ | | | 8 | | mA |
| 3.3V Supply Current Change from Enabling or Disabling a CMOS Output | $\Delta I_{DD33CMOS}$ | | | 6 | | mA |
| 1.8V Supply Current Change from Enabling or Disabling an Input Clock | ΔI_{DD18IN} | | | 6 | | mA |
| 1.8V Supply Current Change from Enabling or Disabling an Output DFS Block | $\Delta I_{DD18DFS}$ | | | 4 | | mA |
| Input Capacitance | C_{IN} | | | 5 | | pF |
| Output Capacitance | C_{OUT} | | | 7 | | pF |

Note 1: Max I_{DD} measurements made with all block enabled, 750MHz signals on all inputs, 750MHz signals out of all CML outputs, 250MHz signals out of all LVDS/LVPECL outputs, and 125MHz signals out of all CMOS outputs.

Note 2: Typical values measured at 1.80V and 3.30V supply voltages and 25°C ambient temperature.

Table 10-3. DC Characteristics for CMOS/TTL Pins

(1.8V Supplies: 1.8V ±10%; 3.3V Supplies: 3.3V ±5%, T_A = -40°C to +85°C)

| PARAMETER | SYMBOL | CONDITIONS | MIN | TYP | MAX | UNITS |
|--|-------------------|------------|------|-----|-------|-------|
| Input High Voltage | V _{IH} | | 2.0 | | 5.5 | V |
| Input Low Voltage | V _{IL} | | -0.3 | | +0.8 | V |
| Input Leakage | I _{IL} | (Note 1) | -10 | | +10 | μA |
| Input Leakage, Pins with Internal Pullup Resistor (50kΩ typ) | I _{ILPU} | (Note 1) | -85 | | +10 | μA |
| Input Leakage, Pins with Internal Pulldown Resistor (50kΩ typ) | I _{ILPD} | (Note 1) | -10 | | +85 | μA |
| Output Leakage (when High Impedance) | I _{LO} | (Note 1) | -10 | | +10 | μA |
| Output High Voltage (I _o = -4.0mA) | V _{OH} | | 2.4 | | VDD33 | V |
| Output Low Voltage (I _o = +4.0mA) | V _{OL} | | 0 | | 0.4 | V |

Note 1: 0V < V_{IN} < VDD33 for all other digital inputs.

Table 10-4. DC Characteristics for Differential Input Pins

(1.8V Supplies: 1.8V ±10%; 3.3V Supplies: 3.3V ±5%, T_A = -40°C to +85°C)

| PARAMETER | SYMBOL | CONDITIONS | MIN | TYP | MAX | UNITS |
|------------------------------------|-------------------|-------------------------|------|-----|-------|-------|
| Input Voltage Tolerance | V _{TOL} | (Note 1) | 0 | | VDD33 | V |
| Input Voltage Range | V _{IN} | V _{ID} = 100mV | 0 | | 2.4 | V |
| Input Differential Voltage | V _{ID} | | 0.1 | | 1.4 | V |
| Input Differential Logic Threshold | V _{IDTH} | | -100 | | +100 | mV |

- Note 1:** The device can tolerate voltages as specified in V_{TOL} w.r.t. VSS on its ICxPOS and ICxNEG pins without being damaged. For differential input signals, proper operation of the input circuitry is only guaranteed when the other specifications in this table, including V_{IN}, are met. For single-ended signals, the input circuitry accepts signals that meet the V_{IH} and V_{IL} specifications in Table 10-3 above (but with V_{IH} max of VDD33).
- Note 2:** The differential inputs can easily be interfaced to LVDS, LVPECL, and CML outputs on neighboring ICs using a few external passive components. See Figure 10-1 and App Note HFAN-1.0 for details.

Figure 10-1. Recommended External Components for Interfacing to Differential Inputs

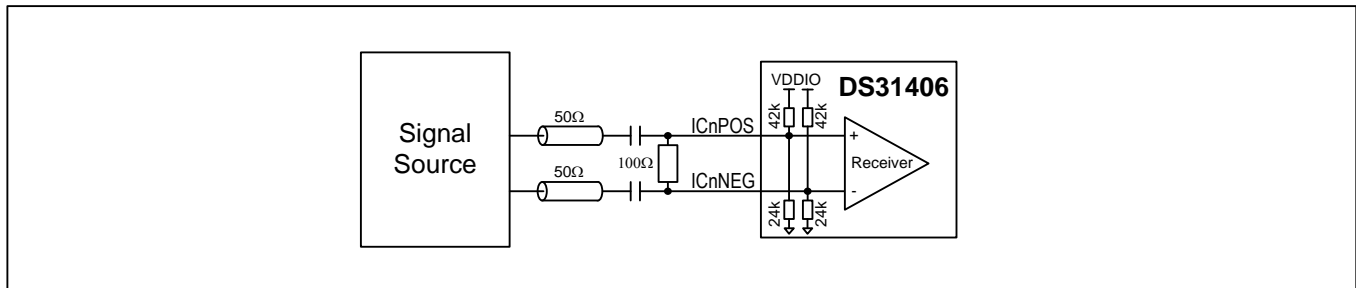


Table 10-5. DC Characteristics for CML Differential Output Pins

(1.8V Supplies: 1.8V ±10%; 3.3V Supplies: 3.3V ±5%, T_A = -40°C to +85°C)

| PARAMETER | SYMBOL | CONDITIONS | MIN | TYP | MAX | UNITS |
|---|---------------------|---------------|-----|-----------------|------|------------------|
| Differential Output Voltage | V _{ODCML} | | 640 | 800 | 1000 | mV _{pp} |
| Output Common Mode Voltage | V _{CMCML} | 25°C (Note 1) | | VDD33 - 0.4V | | V |
| Difference in Magnitude of Output Differential Voltage for Complementary States | V _{DOSCML} | | | | 50 | mV |

Note 1: AC coupled to 50Ω termination.

Note 2: The differential CML outputs can easily be interfaced to LVDS, LVPECL, and CML outputs on neighboring ICs using a few external passive components. See [Figure 10-2](#) and [App Note HFAN-1.0](#) for details.

Figure 10-2. Recommended External Components for Interfacing to CML Outputs

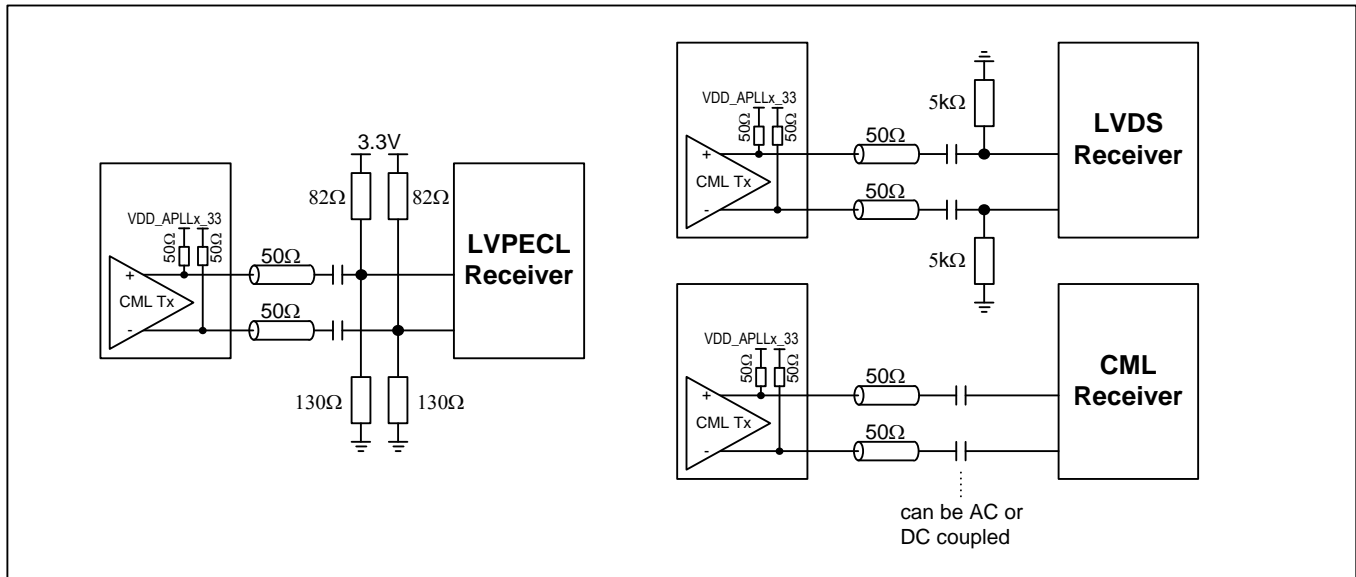


Table 10-6. DC Characteristics for LVDS Output Pins

(1.8V Supplies: 1.8V ±10%; 3.3V Supplies: 3.3V ±5%, T_A = -40°C to +85°C)

| PARAMETER | SYMBOL | CONDITIONS | MIN | TYP | MAX | UNITS |
|---|----------------------|---------------|-------|------|-------|-------|
| Output High Voltage | V _{OHLVDS} | (Note 1) | | | 1.63 | V |
| Output Low Voltage | V _{OLLVDS} | (Note 1) | 0.9 | | | V |
| Differential Output Voltage | V _{ODLVDS} | | 247 | 350 | 454 | mV |
| Output Offset (Common Mode) Voltage | V _{OSLVDS} | 25°C (Note 1) | 1.125 | 1.25 | 1.425 | V |
| Difference in Magnitude of Output Differential Voltage for Complementary States | V _{DOSLVDS} | | | | 25 | mV |

Note 1: With 100Ω load across the differential outputs.

Note 2: The differential outputs can easily be interfaced to LVDS, LVPECL, and CML inputs on neighboring ICs using a few external passive components. See [Figure 10-3](#) and [App Note HFAN-1.0](#) for details.

Table 10-7. DC Characteristics for LVPECL Level-Compatible Output Pins

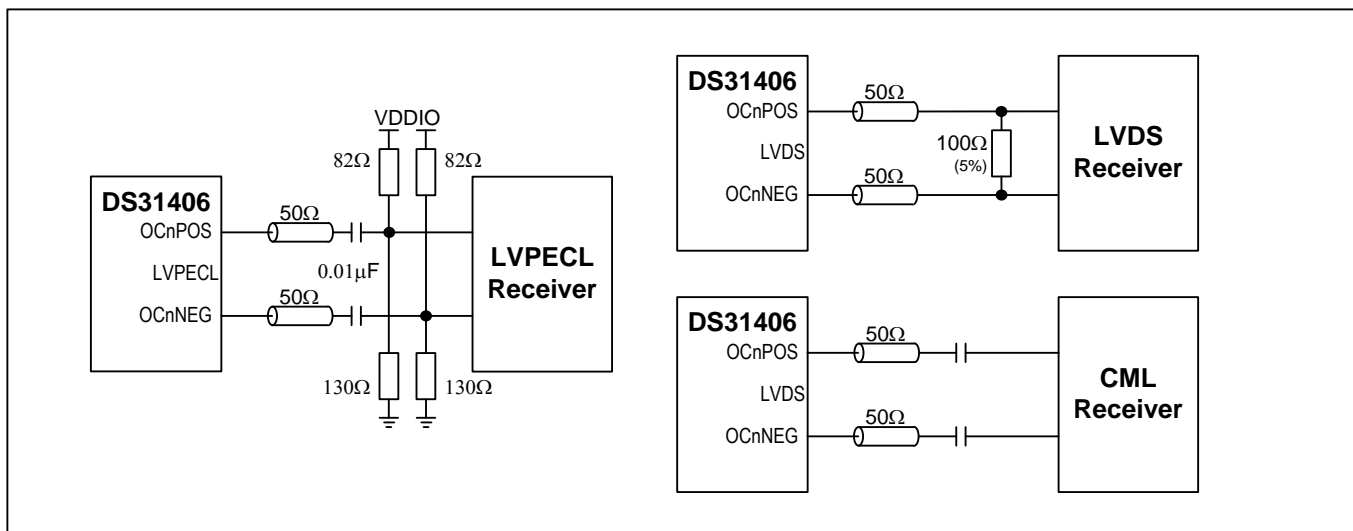
(1.8V Supplies: 1.8V ±10%; 3.3V Supplies: 3.3V ±5%, T_A = -40°C to +85°C)

| PARAMETER | SYMBOL | CONDITIONS | MIN | TYP | MAX | UNITS |
|---|----------------------|---------------|-----|-----|-----|-------|
| Differential Output Voltage | V _{ODPECL} | | 595 | 700 | 930 | mV |
| Output Offset (Common Mode) Voltage | V _{OSPECL} | 25°C (Note 1) | | 0.8 | | V |
| Difference in Magnitude of Output Differential Voltage for Complementary States | V _{DOSPECL} | | | | 50 | mV |

Note 1: With 100Ω load across the differential outputs.

Note 2: The differential outputs can easily be interfaced to LVDS, LVPECL, and CML inputs on neighboring ICs using a few external passive components. See [Figure 10-3](#) and [App Note HFAN-1.0](#) for details.

Figure 10-3. Recommended External Components for Interfacing to LVDS/LVPECL Outputs



10.2 Input Clock Timing

Table 10-8. Input Clock Timing

(1.8V Supplies: 1.8V \pm 10%; 3.3V Supplies: 3.3V \pm 5%, T_A = -40°C to +85°C)

| PARAMETER | SYMBOL | MIN | TYP | MAX | UNITS |
|----------------------------|---------------------------------|-------------------------------------|-----|-----|-------|
| Input Clock Frequency | f _i | 0.002 | | 750 | MHz |
| Input Clock High, Low Time | t _H , t _L | 30% of actual input clock frequency | | | |

10.3 Output Clock Timing

Table 10-9. Output Clock Timing

(1.8V Supplies: 1.8V \pm 10%; 3.3V Supplies: 3.3V \pm 5%, T_A = -40°C to +85°C)

| PARAMETER | SYMBOL | MIN | TYP | MAX | UNITS |
|--|--------------------|------|------|-------|-------|
| APLL VCO Frequency Range | f _{VCO} | 3700 | 4000 | 4200 | MHz |
| Output Clock Frequency, CML Output | f _{OCML} | | | 750 | MHz |
| Output Clock Frequency, LVDS/LVPECL Output | f _{OLVDS} | | | 312.5 | MHz |
| Output Clock Frequency, CMOS/TTL Output | f _{OCMOS} | | | 125 | MHz |

As shown in [Table 10-10](#), by default the DS31406 is carefully designed to have the phase of all outputs sourced from the DPLL be nominally coincident with the phase of the input clock to which that DPLL is locked. Enabling phase build-out ([DPLLCR6.PBOEN=1](#) or [PHMON.PMPBEN=1](#)) or a non-zero value in the [OFFSET](#) register causes a non-zero phase relationship between input and outputs.

Table 10-10. Typical Input Clock to Output Clock Delay

| INPUT FREQUENCY | OUTPUT FREQUENCY | DELAY, INPUT CLOCK EDGE TO OUTPUT CLOCK EDGE (ns) |
|-----------------|------------------|---|
| 2kHz | 2kHz | 0.0 \pm 1.5 |
| 8kHz | 8kHz | 0.0 \pm 1.5 |
| 6.48MHz | 6.48MHz | 0.0 \pm 1.5 |
| 19.44MHz | 19.44MHz | 0.0 \pm 1.5 |
| 25.92MHz | 25.92MHz | 0.0 \pm 1.5 |
| 51.84MHz | 51.84MHz | 0.0 \pm 1.5 |
| 77.76MHz | 77.76MHz | 0.0 \pm 1.5 |
| 155.52MHz | 155.52MHz | 0.0 \pm 1.5 |
| 622.08MHz | 622.08MHz | 0.0 \pm 1.5 |

As shown in [Table 10-11](#), by default the DS31406 is carefully designed to have the phase of all outputs sourced from the DPLL be nominally coincident in phase with one another.

Table 10-11. Typical Output Clock Phase Alignment, Frame Sync Alignment Mode

| OUTPUT FREQUENCY | DELAY, MFSYNC FALLING EDGE TO OUTPUT CLOCK FALLING EDGE (ns) |
|--|--|
| 8kHz (FSYNC) | 0.0 ± 0.5 |
| 2kHz, 8kHz | 0.0 ± 0.5 |
| 1.544MHz, 2.048MHz | 0.0 ± 1.25 |
| 6.48MHz, 19.44MHz, 25.92MHz, 38.88MHz, 51.84MHz, 77.76MHz, 155.52MHz, 311.04MHz, 622.08MHz, 44.736MHz, 34.368MHz | -2.0 ± 1.25 |

See Section 7.9 for details on frame sync alignment and the SYNC1 and SYNC2 pins.

10.4 SPI Interface Timing

Table 10-12. SPI Interface Timing

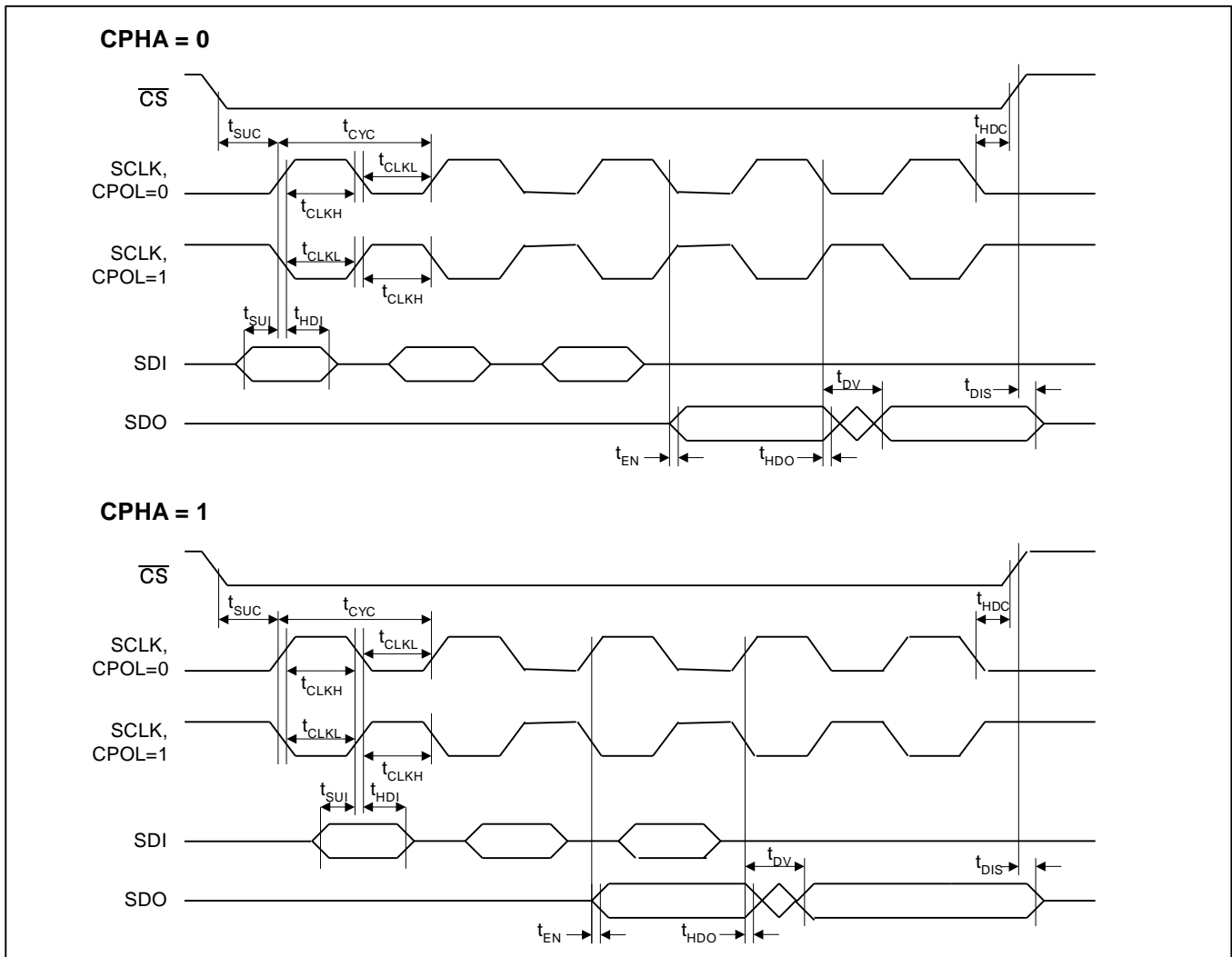
(1.8V Supplies: 1.8V ±10%; 3.3V Supplies: 3.3V ±5%, T_A = -40°C to +85°C) (See Figure 10-4.)

| PARAMETER (Note 1, 2) | SYMBOL | MIN | TYP | MAX | UNITS |
|--|-------------------|-----|-----|-----|-------|
| SCLK Frequency | f _{BUS} | | | 6 | MHz |
| SCLK Cycle Time | t _{CYC} | 167 | | | ns |
| \overline{CS} Setup to First SCLK Edge | t _{SUC} | 15 | | | ns |
| \overline{CS} Hold Time After Last SCLK Edge | t _{HDC} | 15 | | | ns |
| SCLK High Time | t _{CLKH} | 50 | | | ns |
| SCLK Low Time | t _{CLKL} | 50 | | | ns |
| SDI Data Setup Time | t _{SUI} | 15 | | | ns |
| SDI Data Hold Time | t _{HDI} | 15 | | | ns |
| SDO Enable Time (High-Impedance to Output Active) | t _{EN} | 0 | | | ns |
| SDO Disable Time (Output Active to High-Impedance) | t _{DIS} | | | 25 | ns |
| SDO Data Valid Time | t _{DV} | | | 50 | ns |
| SDO Data Hold Time After Update SCLK Edge | t _{HDO} | 5 | | | ns |

Note 1: All timing is specified with 100pF load on all SPI pins.

Note 2: All parameters in this table are guaranteed by design and not production tested.

Figure 10-4. SPI Interface Timing Diagram



10.5 JTAG Interface Timing

Table 10-13. JTAG Interface Timing

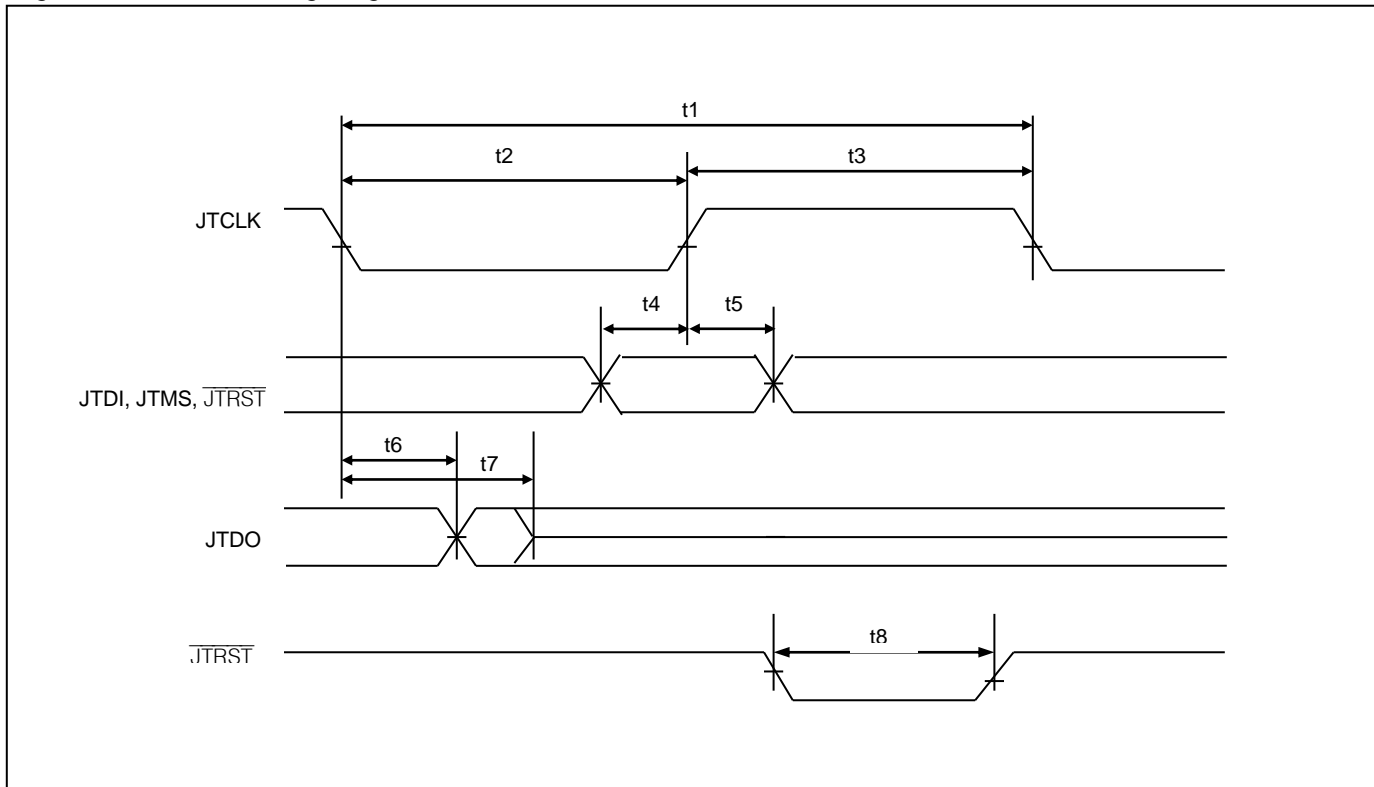
(1.8V Supplies: 1.8V ±10%; 3.3V Supplies: 3.3V ±5%, T_A = -40°C to +85°C) (See [Figure 10-5.](#))

| PARAMETER (Note 2) | SYMBOL | MIN | TYP | MAX | UNITS |
|------------------------------------|--------|-----|------|-----|-------|
| JTCLK Clock Period | t1 | | 1000 | | ns |
| JTCLK Clock High/Low Time (Note 1) | t2/t3 | 50 | 500 | | ns |
| JTCLK to JTDI, JTMS Setup Time | t4 | 50 | | | ns |
| JTCLK to JTDI, JTMS Hold Time | t5 | 50 | | | ns |
| JTCLK to JTDO Delay | t6 | 2 | | 50 | ns |
| JTCLK to JTDO High-Impedance Delay | t7 | 2 | | 50 | ns |
| JTRST Width Low Time | t8 | 100 | | | ns |

Note 1: Clock can be stopped high or low.

Note 2: All parameters in this table are guaranteed by design and not production tested.

Figure 10-5. JTAG Timing Diagram



11. Pin Assignments

Table 11-1 below lists pin assignments sorted in alphabetical order by pin name. Figure 11-1 shows pin assignments arranged by pin number.

Table 11-1. Pin Assignments Sorted by Signal Name

| PIN NAME | PIN NUMBERS | PIN NAME | PIN NUMBERS |
|----------|---|--------------|---|
| CPHA | C2 | OC6NEG | T4 |
| CPOL | C1 | OC6POS | R4 |
| CS_N | C4 | OC7 | P6 |
| FSYNC | P2 | OC7NEG | T2 |
| GPIO1 | H3 | OC7POS | R2 |
| GPIO2 | J3 | OSCFREQ0 | D3 |
| GPIO3 | K3 | OSCFREQ1 | E3 |
| GPIO4 | K1 | OSCFREQ2 | F3 |
| IC1NEG | B9 | RST_N | G3 |
| IC1POS | A9 | SCLK | A1 |
| IC2NEG | B8 | SDI | B1 |
| IC2POS | A8 | SDO | C3 |
| INTREQ | L1 | SRCSW | L2 |
| JTCLK | N1 | SRFAIL | C8 |
| JTDI | N2 | SYNC1 | C5 |
| JTDO | N3 | SYNC2 | C6 |
| JTMS | P1 | TEST0 | L3 |
| JTRST_N | M3 | TEST1 | M1 |
| LOCK | K2 | TEST2 | M2 |
| MCLKOSCN | D2 | TEST3 | C7 |
| MCLKOSCP | D1 | VDD_APLL1_18 | A13, A15, B15 |
| MFSYNC | P3 | VDD_APLL1_33 | C13, C15, D15, D16 |
| N.C. | A2, A3, A4, A5, A6, A7, A10, B2, B3, B4, B5, B6, B7, B10, C9, C10, C11, E16, K16, P4, P5, P13 | VDD_APLL2_18 | E15, F15, G15 |
| OC1 | P12 | VDD_APLL2_33 | H15, J15, J16 |
| OC1NEG | B16 | VDD_APLL3_18 | K15, L15, M15 |
| OC1POS | C16 | VDD_APLL3_33 | N15, P15, P16 |
| OC2 | P11 | VDD_DIG_18 | A11, A12, E5, E6, E7, E8, E9, E10, E11, E12, F5, G5, H5, J5, K5, L5, M5, M6, M7, M8, M9, M10, M11, M12, T16 (25 pins) |
| OC2NEG | G16 | VDD_IO_18 | D4, D5, D12, D13, N4, N5, N12, N13 (8 pins) |
| OC2POS | H16 | VDD_IO_33 | D6, D7, D8, E4, F4, L4, M4, N6, N7, N8, E13, M13 (12 pins) |
| OC3 | P10 | VDD_MCPLL_18 | E1, F1, G1 |
| OC3NEG | M16 | VDD_MCPLL_33 | H1, J1 |
| OC3POS | N16 | VDD_OC_18 | T1, T3, T5, T7, T9, T10, T11, T12, T13, T14, T15 (11 pins) |
| OC4 | P9 | VSS_APLL1 | A14, A16, B13, B14, C12, C14, D14 (7 pins) |
| OC4NEG | T8 | VSS_APLL2 | E14, F14, F16, G14, H14, J14 (6 pins) |
| OC4POS | R8 | VSS_APLL3 | K14, L14, L16, M14, N14, P14 (6 pins) |
| OC5 | P8 | VSS_DIG | B11, B12, F6, F7, F8, F9, F10, F11, F12, G6, G7, G8, G9, G10, G11, G12, H6, H7, H8, H9, H10, H11, H12, J6, J7, J8, J9, J10, J11, J12, K6, K7, K8, K9, K10, K11, K12, L6, L7, L8, L9, L10, L11, L12, R16 (45 pins) |
| OC5NEG | T6 | VSS_IO | D9, D10, D11, N9, N10, N11 (6 pins) |
| OC5POS | R6 | VSS_MCPLL | E2, F2, G2, H2, J2 (5 pins) |
| OC6 | P7 | VSS_OC | R1, R3, R5, R7, R9, R10, R11, R12, R13, R14, R15 (11 pins) |
| | | VSUB | F13, G4, G13, H4, H13, J4, J13, K4, K13, L13 (10 pins) |

Figure 11-1. Pin Assignment Diagram—Left Half

| | 1 | 2 | 3 | 4 | 5 | 6 | 7 | 8 |
|---|--------------|-----------|-----------|-----------|------------|------------|------------|------------|
| A | SCLK | N.C. | N.C. | N.C. | N.C. | N.C. | N.C. | IC2POS |
| B | SDI | N.C. | N.C. | N.C. | N.C. | N.C. | N.C. | IC2NEG |
| C | CPOL | CPHA | SDO | CS_N | SYNC1 | SYNC2 | TEST3 | SRFAIL |
| D | MCLKOSCP | MCLKOSCN | OSCFREQ0 | VDD_IO_18 | VDD_IO_18 | VDD_IO_33 | VDD_IO_33 | VDD_IO_33 |
| E | VDD_MCPLL_18 | VSS_MCPLL | OSCFREQ1 | VDD_IO_33 | VDD_DIG_18 | VDD_DIG_18 | VDD_DIG_18 | VDD_DIG_18 |
| F | VDD_MCPLL_18 | VSS_MCPLL | OSCFREQ2 | VDD_IO_33 | VDD_DIG_18 | VSS_DIG | VSS_DIG | VSS_DIG |
| G | VDD_MCPLL_18 | VSS_MCPLL | RST_N | VSUB | VDD_DIG_18 | VSS_DIG | VSS_DIG | VSS_DIG |
| H | VDD_MCPLL_33 | VSS_MCPLL | GPIO1 | VSUB | VDD_DIG_18 | VSS_DIG | VSS_DIG | VSS_DIG |
| J | VDD_MCPLL_33 | VSS_MCPLL | GPIO2 | VSUB | VDD_DIG_18 | VSS_DIG | VSS_DIG | VSS_DIG |
| K | GPIO4 | LOCK | GPIO3 | VSUB | VDD_DIG_18 | VSS_DIG | VSS_DIG | VSS_DIG |
| L | INTREQ | SRCSW | TEST0 | VDD_IO_33 | VDD_DIG_18 | VSS_DIG | VSS_DIG | VSS_DIG |
| M | TEST1 | TEST2 | JTRST_N | VDD_IO_33 | VDD_DIG_18 | VDD_DIG_18 | VDD_DIG_18 | VDD_DIG_18 |
| N | JTCLK | JTDI | JTDO | VDD_IO_18 | VDD_IO_18 | VDD_IO_33 | VDD_IO_33 | VDD_IO_33 |
| P | JTMS | FSYNC | MFSYNC | N.C. | N.C. | OC7 | OC6 | OC5 |
| R | VSS_OC | OC7POS | VSS_OC | OC6POS | VSS_OC | OC5POS | VSS_OC | OC4POS |
| T | VDD_OC_18 | OC7NEG | VDD_OC_18 | OC6NEG | VDD_OC_18 | OC5NEG | VDD_OC_18 | OC4NEG |
| | 1 | 2 | 3 | 4 | 5 | 6 | 7 | 8 |

- Differential I/O (up to 750MHz)
- Single-Ended Outputs (up to 150MHz)
- Low-Speed Digital I/O (<10MHz)
- VDD 3.3V
- VDD 1.8V
- VSS
- APLL VDD 3.3V
- APLL VDD 1.8V
- APLL VSS
- Output VDD 1.8V
- Output VSS
- N.C. = No Connection. Lead is not connected to anything inside the device.

Figure 11-2. Pin Assignment Diagram—Right Half

| 9 | 10 | 11 | 12 | 13 | 14 | 15 | 16 | |
|------------|------------|------------|------------|--------------|-----------|--------------|--------------|---|
| IC1POS | N.C. | VDD_DIG_18 | VDD_DIG_18 | VDD_APLL1_18 | VSS_APLL1 | VDD_APLL1_18 | VSS_APLL1 | A |
| IC1NEG | N.C. | VSS_DIG | VSS_DIG | VSS_APLL1 | VSS_APLL1 | VDD_APLL1_18 | OC1NEG | B |
| N.C. | N.C. | N.C. | VSS_APLL1 | VDD_APLL1_33 | VSS_APLL1 | VDD_APLL1_33 | OC1POS | C |
| VSS_IO | VSS_IO | VSS_IO | VDD_IO_18 | VDD_IO_18 | VSS_APLL1 | VDD_APLL1_33 | VDD_APLL1_33 | D |
| VDD_DIG_18 | VDD_DIG_18 | VDD_DIG_18 | VDD_DIG_18 | VDD_IO_33 | VSS_APLL2 | VDD_APLL2_18 | N.C. | E |
| VSS_DIG | VSS_DIG | VSS_DIG | VSS_DIG | VSUB | VSS_APLL2 | VDD_APLL2_18 | VSS_APLL2 | F |
| VSS_DIG | VSS_DIG | VSS_DIG | VSS_DIG | VSUB | VSS_APLL2 | VDD_APLL2_18 | OC2NEG | G |
| VSS_DIG | VSS_DIG | VSS_DIG | VSS_DIG | VSUB | VSS_APLL2 | VDD_APLL2_33 | OC2POS | H |
| VSS_DIG | VSS_DIG | VSS_DIG | VSS_DIG | VSUB | VSS_APLL2 | VDD_APLL2_33 | VDD_APLL2_33 | J |
| VSS_DIG | VSS_DIG | VSS_DIG | VSS_DIG | VSUB | VSS_APLL3 | VDD_APLL3_18 | N.C. | K |
| VSS_DIG | VSS_DIG | VSS_DIG | VSS_DIG | VSUB | VSS_APLL3 | VDD_APLL3_18 | VSS_APLL3 | L |
| VDD_DIG_18 | VDD_DIG_18 | VDD_DIG_18 | VDD_DIG_18 | VDD_IO_33 | VSS_APLL3 | VDD_APLL3_18 | OC3NEG | M |
| VSS_IO | VSS_IO | VSS_IO | VDD_IO_18 | VDD_IO_18 | VSS_APLL3 | VDD_APLL3_33 | OC3POS | N |
| OC4 | OC3 | OC2 | OC1 | N.C. | VSS_APLL3 | VDD_APLL3_33 | VDD_APLL3_33 | P |
| VSS_OC | VSS_OC | VSS_OC | VSS_OC | VSS_OC | VSS_OC | VSS_OC | VSS_DIG | R |
| VDD_OC_18 | VDD_OC_18 | VDD_OC_18 | VDD_OC_18 | VDD_OC_18 | VDD_OC_18 | VDD_OC_18 | VDD_DIG_18 | T |
| 9 | 10 | 11 | 12 | 13 | 14 | 15 | 16 | |

- Differential I/O (up to 750MHz)
- Single-Ended Outputs (up to 150MHz)
- Low-Speed Digital I/O (<10MHz)
- VDD 3.3V
- VDD 1.8V
- VSS
- APLL VDD 3.3V
- APLL VDD 1.8V
- APLL VSS
- Output VDD 1.8V
- Output VSS
- N.C. = No Connection. Lead is not connected to anything inside the device.

12. Package Information

For the latest package outline information and land patterns contact Microsemi timing products technical support. Note that a "+", "#", or "-" in the package code indicates RoHS status only. Package drawings may show a different suffix character, but the drawing pertains to the package regardless of RoHS status.

| PACKAGE TYPE | PACKAGE CODE | OUTLINE NO. | LAND PATTERN NO. |
|----------------------------|--------------|-------------------------|-------------------------|
| 256 CSBGA (17mm x 17mm) | X25677-12 | 21-0315 | 90-0291 |

13. Thermal Information

Table 13-1. CSBGA Package Thermal Properties, Natural Convection

| PARAMETER | MIN | TYP | MAX |
|-------------------------------------|-------|-----------|--------|
| Ambient Temperature (Note 1) | -40°C | | +85°C |
| Junction Temperature | -40°C | | +125°C |
| Theta-JA (θ_{JA}) (Note 2) | | 18.7 °C/W | |
| Theta-JC (θ_{JC}) | | 2.6 °C/W | |

Note 1: The package is mounted on a four-layer JEDEC standard test board with no airflow and dissipating maximum power.

Note 2: Theta-JA (θ_{JA}) is the junction to ambient thermal resistance, when the package is mounted on a four-layer JEDEC standard test board with no airflow and dissipating maximum power.

Table 13-2. Theta-JA (θ_{JA}) vs. Airflow

| FORCED AIR (m/s) | THETA-JA (θ_{JA}) |
|------------------|----------------------------|
| 0 | 18.7 |
| 0.5 | 15.7 |
| 1.0 | 14.6 |
| 2.0 | 13.3 |

14. Acronyms and Abbreviations

| | |
|-------------------|--|
| AIS | alarm indication signal |
| AMI | alternate mark inversion |
| APLL | analog phase locked loop |
| BITS | building integrated timing supply |
| BPV | bipolar violation |
| CML | current mode logic |
| DFS | digital frequency synthesis |
| DPLL | digital phase locked loop |
| EEC | Ethernet equipment clock |
| ESF | extended superframe |
| EXZ | excessive zeros |
| GbE | gigabit Ethernet |
| I/O | input/output |
| LOS | loss of signal |
| LVDS | low-voltage differential signal |
| LVPECL | low-voltage positive emitter-coupled logic |
| MTIE | maximum time interval error |
| OCXO | oven controlled crystal oscillator |
| OOF | out of frame alignment |
| PBO | phase build-out |
| PFD | phase/frequency detector |
| PLL | phase locked loop |
| ppb | parts per billion |
| ppm | parts per million |
| pk-pk | peak-to-peak |
| RMS | root-mean-square |
| RAI | remote alarm indication |
| RO | read-only |
| R/W | read/write |
| SDH | synchronous digital hierarchy |
| SEC | SDH equipment clock |
| SETS | synchronous equipment timing source |
| SF | superframe |
| SONET | synchronous optical network |
| SSM | synchronization status message |
| SSU | synchronization supply unit |
| STM | synchronous transport module |
| TDEV | time deviation |
| TCXO | temperature-compensated crystal oscillator |
| UI | unit interval |
| UI _{P-P} | unit interval, peak to peak |
| XO | crystal oscillator |

15. Data Sheet Revision History

| REVISION DATE | DESCRIPTION |
|--------------------------|--|
| 2010-12 | Initial release |
| 2012-04 | Reformatted for Microsemi. No content change. |
| 2015-06 | In section 7.4.2 third bullet, specified that input frequency must be ≥ 1 MHz and must divide by at least 4. In section 7.7.1.6.2 corrected parenthetical to HOMODE=01. Deleted three references to a LOCKSRC bit which isn't present on this device. Corrected several references to section 0. |
| 2019-04 | Change "+" to "2" in ordering part number. |



Microsemi Corporate Headquarters
One Enterprise, Aliso Viejo CA 92656 USA
Within the USA: +1 (949) 380-6100
Sales: +1 (949) 380-6136
Fax: +1 (949) 215-4996

Microsemi Corporation (NASDAQ: MSCC) offers a comprehensive portfolio of semiconductor solutions for: aerospace, defense and security; enterprise and communications; and industrial and alternative energy markets. Products include high-performance, high-reliability analog and RF devices, mixed signal and RF integrated circuits, customizable SoCs, FPGAs, and complete subsystems. Microsemi is headquartered in Aliso Viejo, Calif. Learn more at www.microsemi.com.

© 2019 Microsemi Corporation. All rights reserved. Microsemi and the Microsemi logo are trademarks of Microsemi Corporation. All other trademarks and service marks are the property of their respective owners.