



**SALON™ SPA BATH
SERIES**

INSTALLATION AND OPERATION INSTRUCTIONS

Jacuzzi® Luxury Bath

14525 Monte Vista Avenue
Chino, CA 91710
1-800-288-4002
www.jacuzzi.com

Contents

Contents.....	3
Product Information.....	3
Safety instructions.....	4
Operational Safety instructions.....	5
Inspection and Testing.....	6
Framing.....	7
Fuzion™ Specific Material.....	9
Electrical Connections.....	11
Drop-in Installation.....	13
Undermount Installation.....	15
Cleanup.....	15
General Operation Information.....	16
Blower Operation.....	16
Purging Air Channels.....	18
Whirlpool Operation.....	19
Controlling Whirlpool Direction and Flow.....	20
Purging the Whirlpool System.....	21
Bathtub Additives.....	21
Maintenance.....	22
Troubleshooting Procedures.....	23
Authorized Service.....	24
Warranty.....	25

Product Information

Save these instructions for future use. Use the form below to record your model and serial number for future reference.

Date Purchased _____

Purchased From _____

Installed By _____

Serial Number _____

Model _____

Installer: Leave the manual for the homeowner.

Homeowner: Read this manual and keep for future reference.

Safety instructions

INSTRUCTIONS PERTAINING TO A RISK OF FIRE, ELECTRIC SHOCK, OR INJURY TO PERSONS.

This is a professional grade product. A knowledge of construction techniques, plumbing and electrical installation according to codes are required for proper installation and user satisfaction. We recommend that a licensed contractor perform the installation of all Jacuzzi® Luxury Bath products. Our warranty does not cover improper installation related problems.



CAUTION: When using this unit, basic precautions should always be performed, including the following:

- **READ AND FOLLOW ALL INSTRUCTIONS. SAVE THESE INSTRUCTIONS.**
- Use this unit only for its intended use as described in this manual. Do not use attachments not recommended by the manufacturer.
- Never drop or insert any object into any opening.



WARNING: RISK OF ACCIDENTAL INJURY OR DROWNING!

Do not permit children to use this unit unless they are closely supervised at all times. Do not use hydromassage bathtubs unless all suction guards are installed to prevent body and hair entrapment. Never operate the hydromassage bath if the suction cover is broken, damaged or missing.



DANGER: RISK OF SEVERE INJURY FROM ELECTRIC SHOCK OR DEATH FROM ELECTROCUTION!

This unit must be connected only to a supply circuit that is protected by a 15 amp ground fault circuit interrupter (GFCI). Such a GFCI should be provided by the installer and should be tested on a routine basis. To test the GFCI, push the test button. The GFCI should interrupt power. Push the reset button. Power should be restored. If the GFCI fails to operate in this manner, the GFCI is defective. If the GFCI interrupts power to the bathtub without the test button being pushed, a ground current is flowing, indicating a possibility of an electric shock. Do not use this hydromassage bathtub. Disconnect the hydromassage bathtub and have the problem corrected by a qualified service representative before using.



WARNING: Do not operate this unit without the guard over the intake for the circulation pump (suction cover/strainer).



WARNING: RISK OF ELECTRIC SHOCK!

Connect only to a circuit protected by a ground fault circuit interrupter (GFCI). (For permanently connected units) A green-colored terminal (or a wire connector) marked "G," "GR," "GROUND," or "GROUNDING" is provided within the terminal compartment. To reduce the risk of electric shock, connect the terminal or connector to the grounding terminal of your electric service or supply panel with a conductor equivalent in size to the circuit conductors supplying the equipment.



CAUTION: This equipment is intended for indoor use only. Install the equipment in accordance with these instructions. Use supply wires that are suitable for 167°F (75°C), including the temperature rating of the supply conductors to be used. This unit should be electrically grounded and installed by a licensed contractor, electrician, and plumber. Building materials and wiring should be routed away from the motor/pump or blower or other heat producing components of this unit. A pressure wire connector is provided on the exterior of the motor/pump and heater to permit connection of an No. 8 AWG solid copper bonding conductor between this unit and all other electric equipment and exposed metal in the vicinity, as needed to comply with local requirements.

Important CSA safety instructions (Canadian models only)



When using this electrical equipment, basic safety precautions should always be followed, including the following:

1. **WARNING: RISK OF ACCIDENTAL INJURY OR DROWNING! CHILDREN SHOULD NOT USE HYDROMASSAGE BATHTUB WITHOUT ADULT SUPERVISION.**
2. **WARNING: RISK OF ACCIDENTAL INJURY OR DROWNING! DO NOT USE HYDROMASSAGE BATHTUB UNLESS ALL SUCTION GUARDS ARE INSTALLED TO PREVENT BODY AND HAIR ENTRAPMENT.**
3. **WARNING: TO AVOID INJURY, EXERCISE CARE WHEN ENTERING OR EXITING THE HYDROMASSAGE BATHTUB.**
4. **WARNING: RISK OF ACCIDENTAL INJURY OR DROWNING! DO NOT USE DRUGS OR ALCOHOL BEFORE OR DURING THE USE OF A HYDROMASSAGE BATHTUB EQUIPPED WITH A HEATER TO AVOID UNCONSCIOUSNESS AND POSSIBLE DROWNING.**
5. **WARNING: RISK OF FETAL INJURY! PREGNANT OR POSSIBLY PREGNANT WOMEN SHOULD CONSULT A PHYSICIAN BEFORE USING A HYDROMASSAGE BATHTUB EQUIPPED WITH A HEATER.**
6. **WARNING: RISK OF HYPERTHERMIA AND POSSIBLE DROWNING: DO NOT USE A HYDROMASSAGE BATHTUB EQUIPPED WITH A HEATER IMMEDIATELY FOLLOWING STRENUOUS EXERCISE.**
7. **SAVE THESE INSTRUCTIONS .**

Operational Safety instructions



WARNING: RISK OF HYPERTHERMIA AND POSSIBLE DROWNING!

Do not use a hydromassage bathtub equipped with a heater immediately following strenuous exercise.



WARNING: RISK OF ELECTRICAL SHOCK!

- Do not permit electrical appliances (such as a hair dryer, lamp, telephone, radio or television) within 60" (1524mm) of this hydromassage bathtub.
- Do not operate hydromassage system unless the bath is filled with water to at least 1-2" (25-51 mm) above the highest jet.
- Do not immerse the control panel by overfilling the bath.
- When cleaning your bath, do not use abrasive substances which will damage the bath's surface.
- To prevent discoloration of the acrylic finish, do not fill the bath with water in excess of 140°F (60°C).



WARNING: PROLONGED IMMERSION IN HOT WATER MAY INDUCE HYPERTHERMIA!

Hyperthermia occurs when the internal temperature of the body reaches a level several degrees above the normal body temperature of 98.6°F (37°C). The symptoms of hyperthermia include an increase in the internal temperature of the body, dizziness, lethargy, drowsiness and fainting. The effects of hyperthermia include:

- A. Failure to perceive heat.
- B. Failure to recognize the need to exit the bath.
- C. Unawareness of impending hazard.
- D. Fetal damage in pregnant women.
- E. Physical inability to exit the bath.
- F. Unconsciousness resulting in danger of drowning.



WARNING: RISK OF FETAL INJURY!

Pregnant or possibly pregnant women should consult a physician before using a hydromassage bathtub equipped with a heater.



WARNING: Keep body and hair a minimum of 6" (152mm) away from the suction fitting at all times when the hydromassage system is in operation. Hair longer than shoulder length should be secured close to the head.



WARNING: The use of alcohol, drugs or medication can greatly increase the risk of fatal hyperthermia. People using medications or having an adverse medical history should consult a physician before using a hydromassage bathtub equipped with a heater.



WARNING: Do not tamper with user-operated controls or such devices.



WARNING: Use this unit only for its intended use as described in this manual. Do not use attachments not recommended by the manufacturers.



WARNING: To avoid injury, exercise caution when entering or exiting the hydromassage bathtub.



WARNING: Do not use hydromassage bathtub unless all suction guards are installed to prevent body and hair entrapment. Never operate the hydromassage bath if the suction cover is broken, damaged or missing.



WARNING: Water temperature in excess of 104°F (40°C) may be injurious to your health. Check and adjust water temperature before use.



CAUTION: Test the ground fault circuit interrupter protecting this appliance periodically in accordance with manufacturer's instructions.



IMPORTANT: Read the complete instructions provided in this manual before beginning installation.



IMPORTANT: For optimal operation, the water level must remain at 1" to 2" (25mm to 50mm) above the highest jet; do not use oil-based bathtub additives in your hydromassage bathtub.

The Company has obtained applicable code (standards) listings generally available on a national basis for products of this type. It is the responsibility of the installer/owner to determine specific local code compliance prior to installation of the product. The Company makes no representation or warranty regarding, and will not be responsible for any code compliance. Product specifications are subject to change without notice.

Inspection and Testing

Visual Inspection

- 1 Remove the bathtub from the shipping carton. Be careful not to scratch the surface of the bathtub on exposed staples. Remove the staples or fold them into the carton. Retain the carton until satisfactory inspection of the product has been made. Do not lift the bathtub by the plumbing at any time; handle by the shell only.
- 2 Inspect the shell and bathtub components. Should inspection reveal any damage or defect in the finish or visible damage to any components, do not install the bathtub. Damage or defect to the finish claimed after the bathtub is installed is excluded from the warranty. Jacuzzi Luxury Bath's responsibility for shipping damage ceases upon delivery of the products in good order to the carrier.
- 3 Refer any claims for damage to the carrier. For definitions of warranty coverage and limitations, refer to the published warranty information packed with the product or in the back of this manual.

Bathtub Water and Operational Test

All bathtub units are factory tested for proper operation and watertight connections prior to shipping. However, the unit must be retested by the installer prior to installation. Jacuzzi Luxury Bath is not responsible for any defect that could have been discovered, repaired, or avoided by following this inspection and testing procedure:

- 1 Place the bathtub on a level surface, near appropriate electrical supply, water supply, and water drainage. A driveway is a suitable choice.
- 2 Seal the drain and overflow hole with tape or a stopper and fill the bathtub to the bottom of the overflow hole.
- 3 Allow bathtub to stand for 5 minutes.
- 4 Plug in blower, motor/pump and turn unit on. Confirm that all features function as described in the Operation section of this manual. Do not install the bathtub if bathtub fails to operate as described.
- 5 Visually inspect all joints for leaks. Do not install the bathtub if leaks are detected.
- 6 Return bathtub to box or otherwise protect from damage until time of installation.

Framing

A technical specifications manual has been included with your bathtub. The Technical Specifications Manual will contain pertinent information regarding your Jacuzzi Luxury Bath product. Locate the Technical Specifications Manual at this time.

Frame out the space where the bathtub is to be located. The following should be taken into consideration when preparing the area:

- Dimensions provided on rough-in diagrams are nominal. Measure your actual unit upon receipt and build according to the actual dimensions.
- The floor structure beneath the bathtub must be able to support the total weight of the bathtub, water and bather.
- The unit must be supported from the bottom of the bathtub and not from the bathtub rim. For drop-in installations, take into account the thickness of the surround material and finishing material (marble, tile, etc.).
- Ensure the rim will rest on a level surface.
- Per code, access must be provided to the blower and motor/pump for your specific model. Primary service access locations are shown in the rough-in diagrams contained in the Technical Specifications Manual. Figure 1 shows common access locations.



It is the responsibility of the installer, building contractor, or owner to provide access for service. Jacuzzi is not responsible for any costs relating to obtaining access for repair. The owner shall bear such costs and, if appropriate, must seek recovery from the installer.

- Provide adequate ventilation for cooling and supply sufficient air for the blower and motor/pump. Do not insulate around the equipment.
- Your bathtub may have blower/motor parts that extend beyond the rim of the bathtub. Refer to the rough-in diagrams included in the warranty pack and construction framing to correctly accommodate.

Common Access Locations

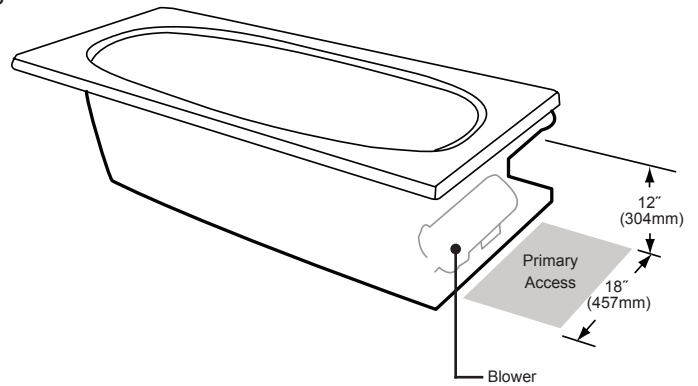
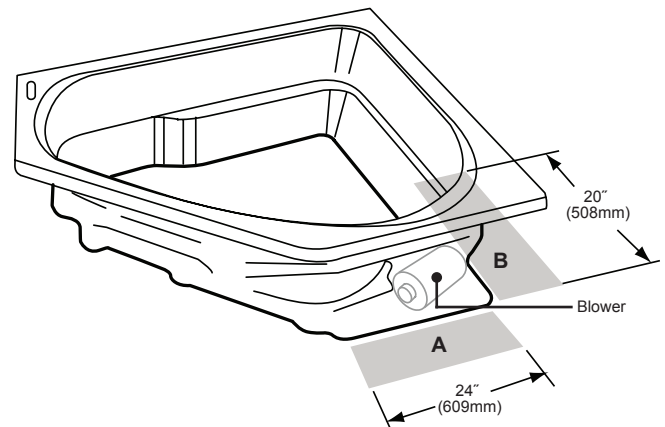


Figure 1



A = Primary access

B = Secondary access for equipment (optional)



Left hand unit access is on the opposite side (mirror).

Figure 2

Framing (con't)

- To ensure the installer has space to maneuver and install the bathtub, allow adequate wall and ceiling clearance (Figure 3).

Clearance Examples

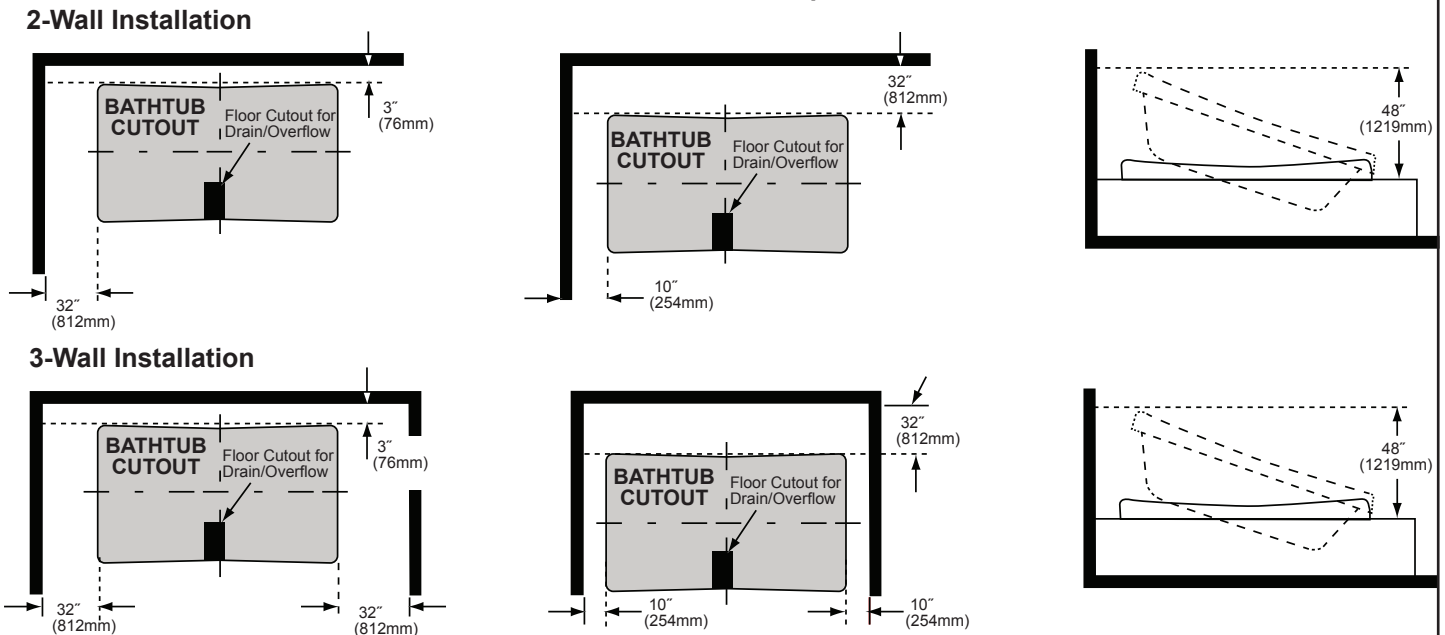


Figure 3

Subfloor

Prepare the subfloor for the drain and ensure that the area is level.

- The drain/overflow of the bathtub extends below the bottom of the bathtub. Identify the drawing in the Technical Specifications Manual that corresponds with your bathtub.
- Make appropriate cuts to the subfloor to accommodate the drain.
- Jacuzzi's Tru-Level™ base is a standard feature on all bathtubs. If the subfloor is level and a continuous surface, no other preparation is necessary. Proceed to the "Installation" section.
- If the subfloor is not level, you must level the entire surface prior to installing the bathtub. The materials used will insure that the bathtub is supported from the bottom. These materials include: leveling compound, mortar, plaster or minimal expansion structural foam (having a density of a minimum 5lbs/cubic foot). The bathtub must remain level in order for it to drain properly and must make contact with the leveling material. Both sides of a joint or splice of subfloor should be level to each other.

Fuzion™ Specific Material

The additional design features of the Fuzion™ require that the following steps be completed prior to installing the bathtub in the constructed surround. The following steps must also be completed in the order specified:

- Fuzion™ Overflow/Drain Installation
- Fuzion™ Wood Frame Installation
- Fuzion™ Control Panel Installation

Fuzion™ Faucet Installation



Selecting a faucet for rim mounting: The combined thickness at the rim of the bathtub shell and optional wood deck is 2" (50mm) nominal. The length of the faucet tailpiece(s) must be long enough to extend past this dimension and have ample clearance to assemble any hardware (i.e. locknut, water supply fittings, etc.) necessary for installation. For undermount units, the combined thickness of the bathtub shell is ½" (12mm) nominal and the undermount deck should not exceed the length of the faucet tailpiece(s), including any assembly hardware.

Fuzion™ Overflow Drain Installation



Assemble in accordance with the local plumbing or building codes.

- 1 Identify drain overflow kit provided with your bathtub. Remove and open the overflow package and confirm that all parts are present.
- 2 Remove washers and nuts from the overflow fitting.
- 3 Place a small bead of plumbers putty, silicone, or similar approved sealant around the underside of the top flange of the overflow fitting.
- 4 Place the overflow fitting into the overflow hole of the bathtub (Figure 4).
- 5 From the underside of the unit, place the rubber washer then locknut on the overflow fitting and tighten securely. Be careful not to overtighten.
- 6 Assemble the remaining drain pieces as shown in the illustration.
- 7 After the drain is fully installed, test for proper drainage. If the unit does not drain properly, rectify this condition before proceeding with further bathtub installation.



Watertight installation of the drain and overflow is the installer's responsibility. Drain leakage is excluded from the Jacuzzi Luxury Bath warranty of this product

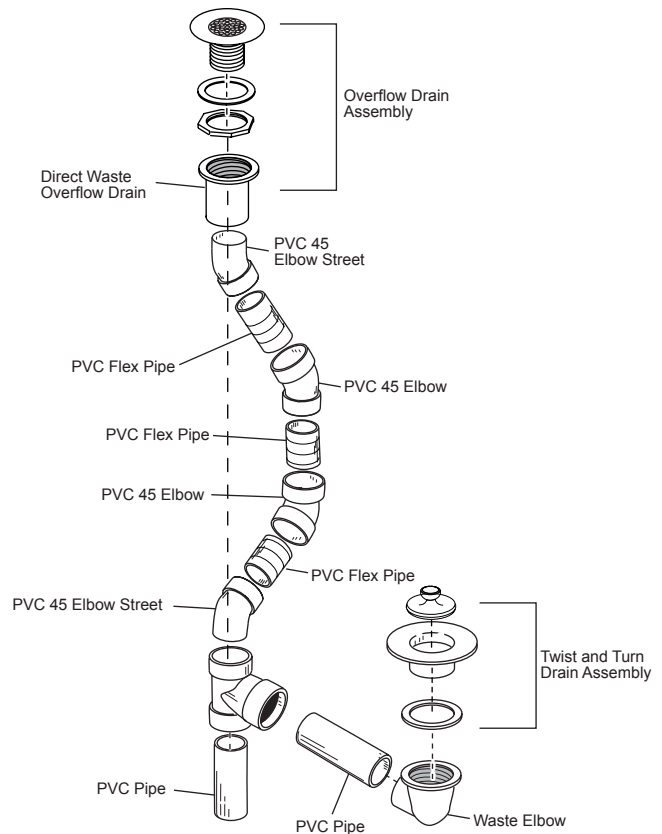
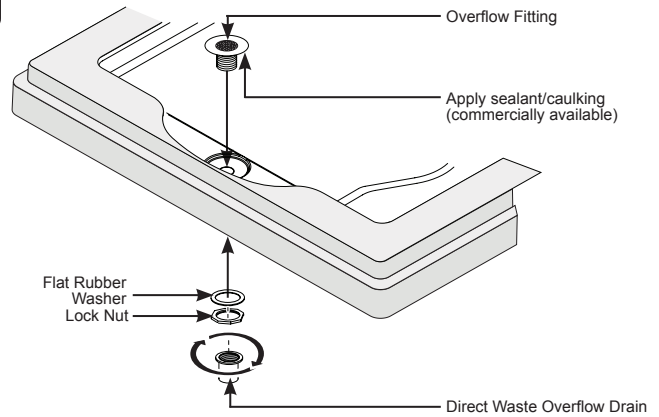



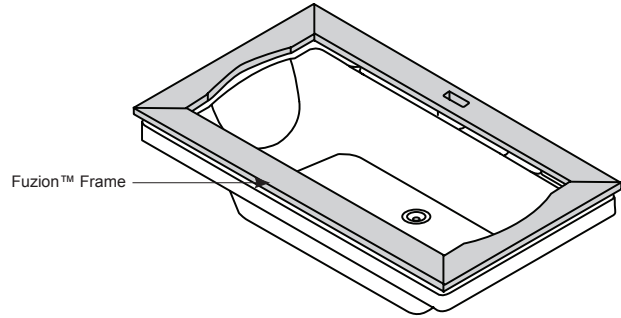
Figure 4 - Overflow Installation




OPTIONAL - If the Fuzion™ Wood Frame is not being used, please proceed to Step 2 in the Undermount Installation section.

Fuzion™ Frame Installation

-  If you are installing a Fuzion™ bathtub with accessory frame, please refer to the Fuzion™ Frame Installation Guide (#GL44000) before proceeding any further. Complete the installation and assembly steps according to the Fuzion™ Frame Installation Guide.



Fuzion™ Control Panel Installation

-  The following cutouts must be clear and free of any dirt or adhesive:

- Control panel cutout in the assembled wood frame
- Control panel cutout in the assembled counter
- Control panel cutout in the bathtub

- 1** Insert the wire connector into the back of the control panel (Figure 5).

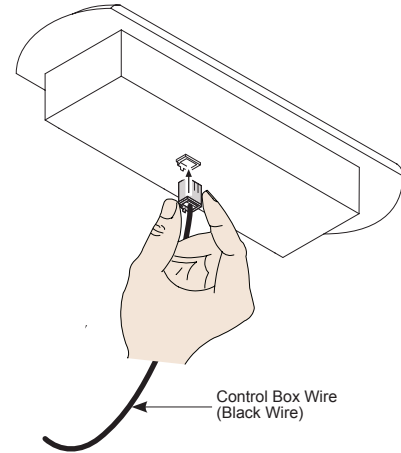


Figure 5 - Control Panel

- 2** Sparingly apply adhesive around the base of the control panel (Figure 6).

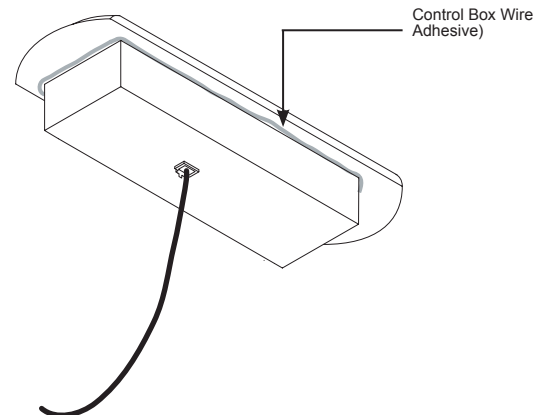


Figure 6 - Adhesive Application

- 3** Thread the wire through the cutout and to the control box.
- 4** Orient control panel in the following manner: the logo will be on the right side of the J4 control panel when you are sitting in the bathtub (the power button will be on the right side of the J5 LCD control panel).
- 5** Lower the control panel into the cutout and press firmly to embed the adhesive (Figure 7).
- 6** Connect the wire to the control box.
- 7** Please proceed to Step 3 in the Drop-In Installation section.

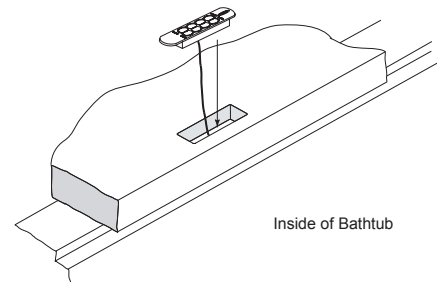


Figure 7 - Control Panel

Electrical Connections



Risk of electric shock. Connect only to a circuit protected by a GFCI.



When using electrical products, basic precautions should always be followed:

- Always follow local building and electrical codes.
- Grounding is required. The unit should be installed and grounded by a qualified electrician.

Two separate GFCI protected circuits are required.

A separate, 240VAC, 20 Amp GFCI circuit is required for the heater and pump/motor.

A separate, 120VAC, 20 Amp GFCI circuit is required for the blower.



Risk of component overheat. Do not use electric extension cord to power this unit.



Operating the motor/pump without enough water in the bathtub can cause leaking and permanent damage.



At initial startup, the 8 button electronic control system enters an automatic self diagnostic program for 15-20 seconds. During the diagnostic program, the system will not accept user commands.

Blower , Pump and Motor

- 1 For the blower, install a 120 VAC, 15AMP, GFCI duplex outlet to the stud wall underneath the bathtub at 4" (101mm) above the floor. The duplex outlet is not supplied.



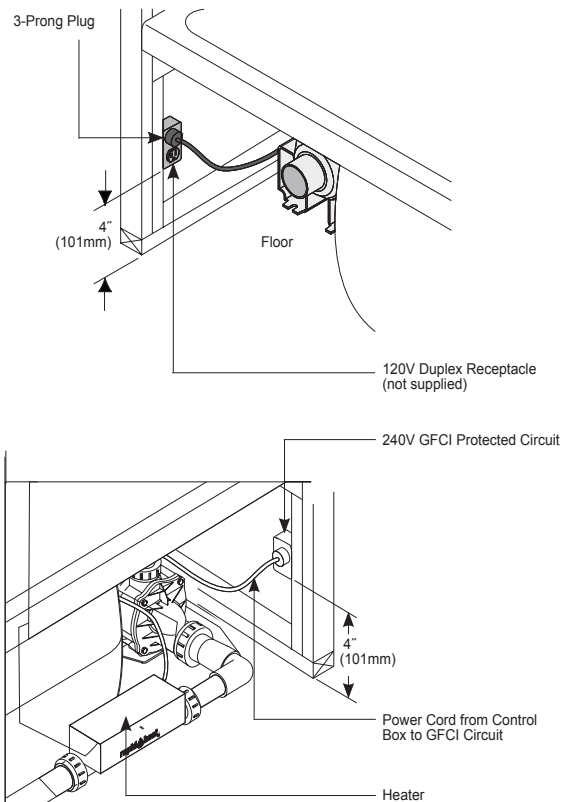
The duplex outlet must be mounted 4" (101mm) above the floor line, or in accordance with local building and electrical codes.

- 2 For the pump/motor and heater, install a 240 VAC, 20 AMP RATED GFCI outlet to the wall stud underneath the bathtub, at least 4" (101mm) above the floor. The outlet is not provided.

- 3 Power cords from the heater and the pump/motor are routed to a fused junction box at the factory. A supplied power cord from the junction box with a 240 VAC plug connects to the customer supplied GFCI dedicated circuit.

- 4 With a #8 solid copper wire, ground the heater to the house electrical panel or approved local bond. A grounding lug is provided on the heater.

- 5 At initial start-up, and before each use thereafter with power ON, push the GFCI test button. The reset button should pop out.





Push the GFCI test button in to reset. If the interrupter fails to operate in this manner, there is a ground current flowing or a device malfunction, indicating the possibility of electrical shock.



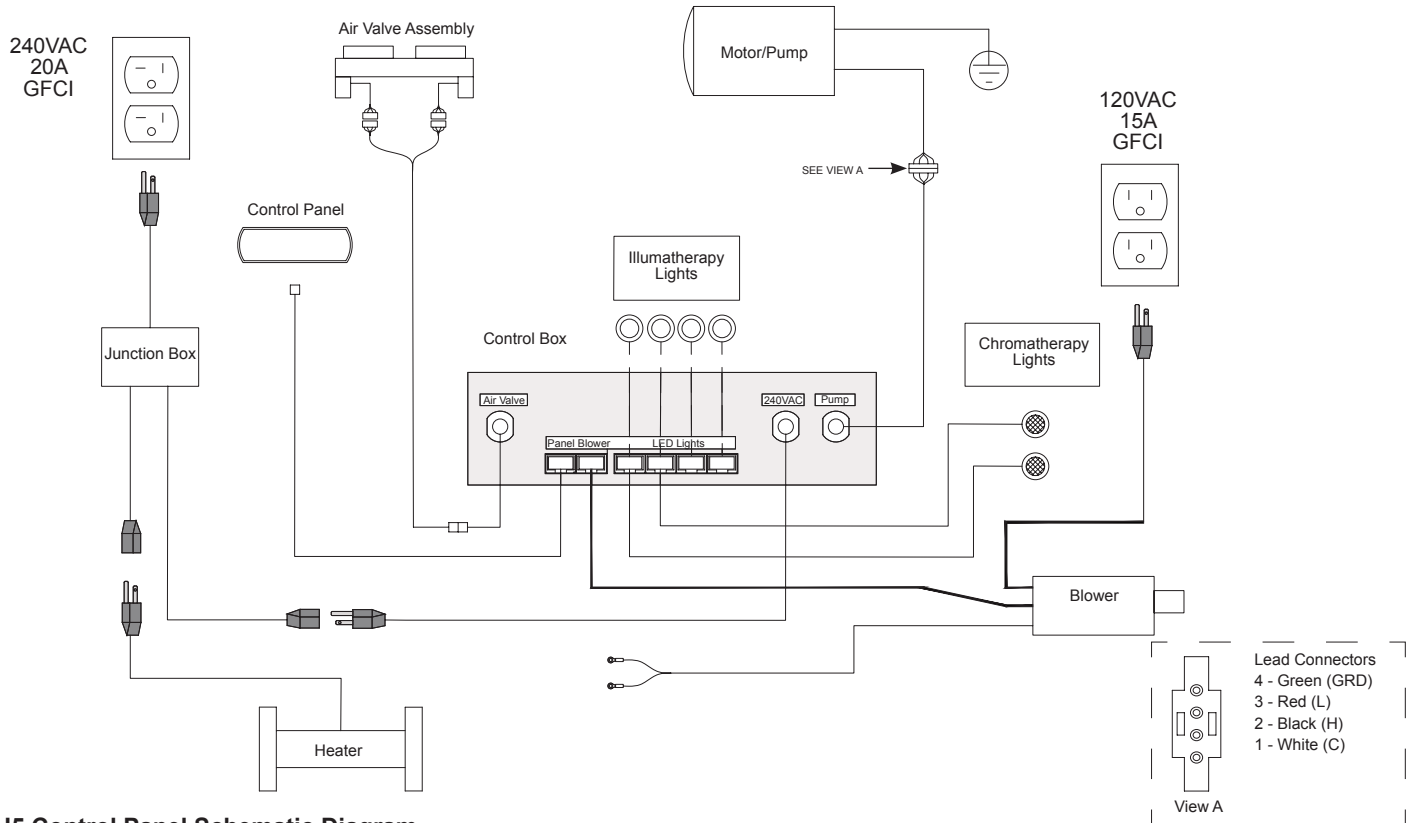
Turn OFF power and do not use the bathtub until the source of the problem has been identified and corrected.

Reference Illustrations

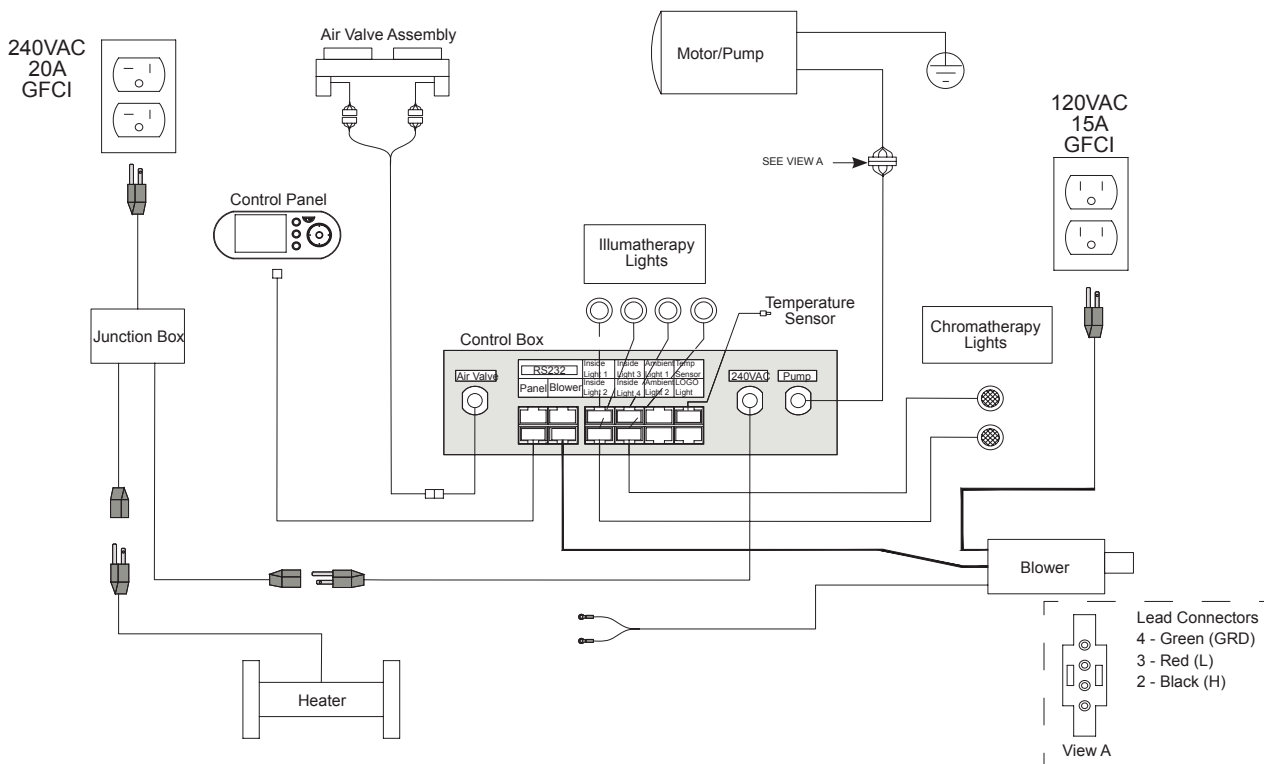
 These illustrations are for reference only, as the unit comes fully assembled.

 Risk of electric shock. Before servicing these connections, disconnect all power supply cables to both 120VAC service and 240VAC service.

J4 Control Panel Schematic Diagram



J5 Control Panel Schematic Diagram



Drop-in Installation



Before you begin your installation, please read the following:

- Observe all local and building codes.
- Determine which tools will be used during the installation.
- Additional bathtub drain parts and plumbing are commercially available at plumbing and hardware stores.
- Drain/Overflow rough-in information is included with your bathtub in the installation instruction manual.

Complete the bathtub surround installation (Figure 8).

- 1 Install drain/overflow according to the manufacturer's instructions. Refer also to the Technical Specifications Manual.



Watertight installation of the drain is the installer's responsibility. Drian leakage is excluded from the Jacuzzi Luxury Bath warranty of this product.

- 2 Install the faucet at this time. It is recommended that the faucet be installed by a qualified plumber.



Proper installation of the spout plumbing and compliance with local codes are the responsibility of the installer. Jacuzzi Luxury Bath does not warrant connections of water supply fittings and piping, fill systems, or drain/overflow systems. Nor is it responsible for damage to the bathtub which may occur during installation.



A non-flammable protective barrier must be placed between the soldering work and the bathtub unit to prevent damage to the bathtub.

- 3 Prepare the cut-out hole for the bathtub using either the provided full scale template or the cutout dimensions listed in the specifications table in the Technical Specifications Manual.



The template may show guides for more than one bathtub, be certain to select the appropriate guide lines. If under mounting is an option, be careful to select the guide lines that apply to the installation that you are performing.

- 4 Complete all deck finish work and cover to protect from damaging while placing the bathtub.

- 5 Insulation may be placed within the bathtub surround.



Provide adequate ventilation around the blower and motor/pump to ensure sufficient air flow and cooling. Do not block blower intake for any reason. Do not insulate the blower for any reason. Keep blower clear of all debris.

- 6 Turn off power supply to dedicated GFCI protected circuits.

- 7 Place a piece of scrap lumber on each of the ends of the cutout – this will be used as a temporary support prior to lowering the bathtub fully into the opening (Figure 9).

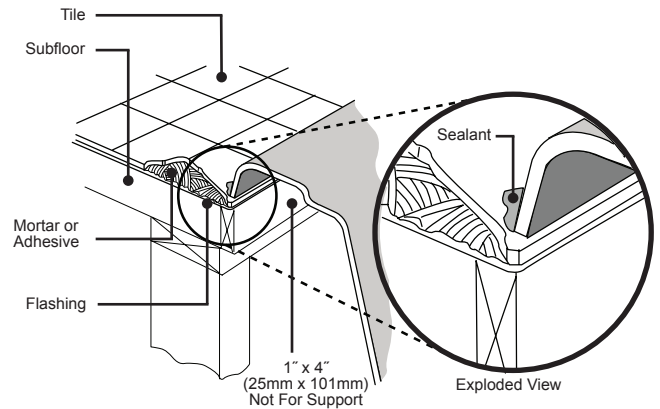


Figure 8

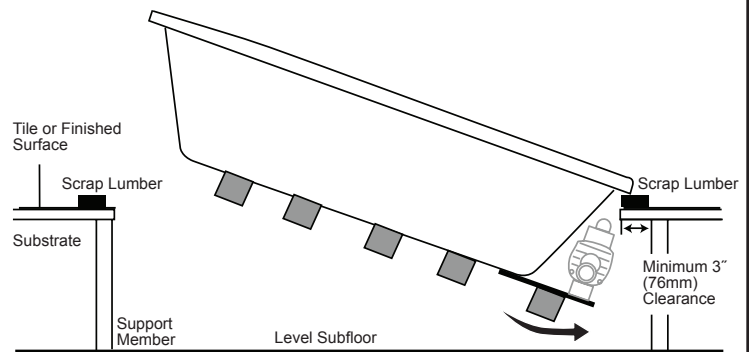



Figure 9

Drop-in Installation (con't)

- 8** Install the unit, inserting the equipment- end first, lowering the bathtub into the opening as shown in the illustration (Figure 10).
-  **DO NOT** use plumbing fixtures or lines to lower the unit. Allow the bathtub to rest on the supports.

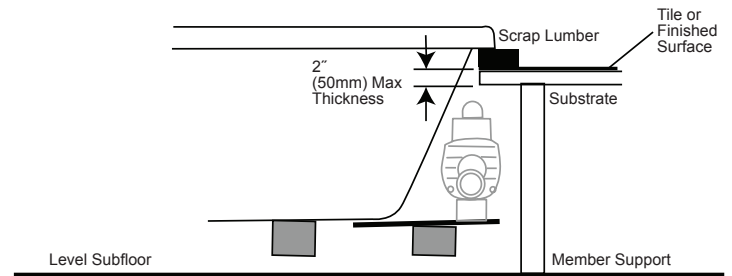


Figure 10

- 9** Inspect all fittings, plumbing, and control lines after inserting to insure the components are not damaged, disconnected, or contacting the finish surface substrate or support members.
- 10** Connect flex water supply lines to faucet and plug power cords into GFCI outlet.
- 11** Remove scrap lumber and lower the bathtub fully into the opening (Figures 11 and 12).
- 12** Align the bathtub and connect the drain.
- 13** Turn on the power supply to the dedicated GFCI protected circuits and check system operation.
- 14** Caulk around the perimeter of bathtub to seal the space between the rim and the finished deck (Figure 8 on previous page).

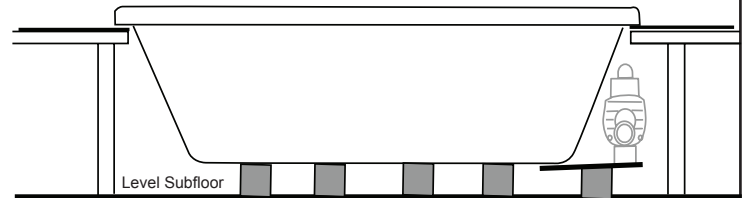


Figure 11

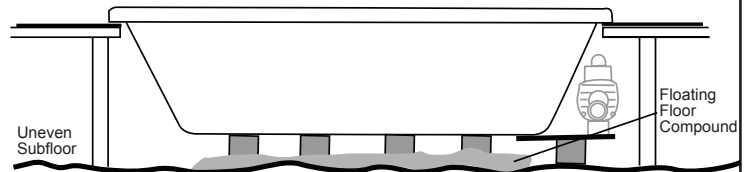


Figure 12

Undermount Installation

- 1 Install drain/overflow according to the manufacturer's instructions.
- ⚠️ Watertight installation of the drain is the installer's responsibility. Drain leakage is excluded from the Jacuzzi Luxury Bath warranty of this product.
- 2 Turn off power supply to dedicated GFCI protected circuits.
- 3 Install the unit in desired location. DO NOT use plumbing fixtures or lines to carry or lower the unit.
- 4 Inspect all fittings, plumbing, and control lines after inserting to insure the components are not damaged or disconnected.
- 5 Align the bathtub and connect the drain.
- 6 Insulation may be placed within the bathtub surround.
- ⚠️ Provide adequate ventilation around the blower and motor/pump to ensure sufficient air flow and cooling. Do not block blower intake for any reason. Do not insulate the blower for any reason. Keep blower clear of all debris.
- 7 Cut deck/counter to fit using the undermount template provided as follows:
 - Position the template so that the desired undermount guidelines are aligned with the rim edge as shown (Figure 13).
 - Using a grease pencil, mark the center lines (denoted by Φ on template). Remove template.
 - Measure the distance from the wall, or other fixed point, to the center lines (Figure 14).
- 8 Affix counter to bathtub. Clean any dirt or debris from the top of the bathtub rim. Apply a bead of silicone sealant around the entire rim of bathtub.
- ⚠️ Do not use an adhesive or adhesive sealant to secure the counter to the bathtub. If maintenance or remodeling is required, the counter may have to be removed. Adhesive will permanently bond the counter to the bathtub. Carefully position the deck/counter over the bathtub. Follow manufacturer's instructions to determine cure time.
- 9 Apply a continuous bed of silicone sealant around the entire seam between the counter and the bathtub rim. Allow sealant to cure according to manufacturer's instructions.
- 10 Turn on the power supply to the dedicated GFCI protected circuits and check system operation.

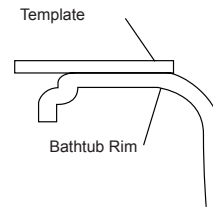


Figure 13 - Template Placement

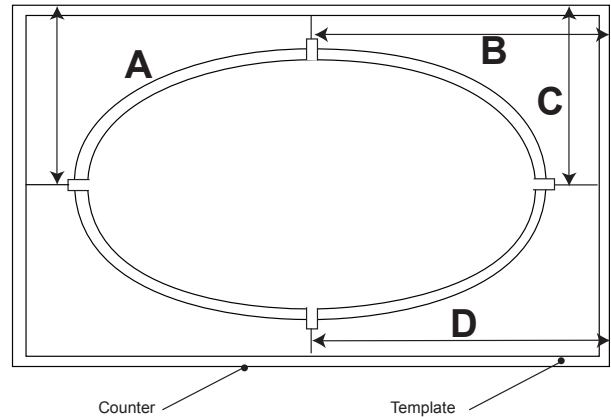


Figure 14 - Distance Measurement

Cleanup

To avoid dulling and scratching the surface of the bathtub, never use abrasive cleaners. For most soiled surfaces, a mild liquid detergent and warm water is sufficient. The following is also recommended:

- Remove spilled plaster with a wood or plastic edge. Spots left by plaster or grout can be removed if lightly rubbed with detergent on a damp cloth or sponge. Do not use metal scrapers, wire brushes or other metal tools, as they will damage the bathtub's surface.
- Paint, tar, or other difficult stains can be removed with Fantastik® or soapy water.
- Minor scratches which do not penetrate the color finish can be removed by lightly sanding with 600-grit wet/dry sandpaper. You can restore the glossy finish to the acrylic surface of the bathtub with a special compound, Meguiar's #10 Mirror Glaze. If that is not available, use automotive rubbing compound followed by an application of automotive paste wax.
- Major scratches and gouges which penetrate the acrylic surface will require refinishing. Call Jacuzzi Luxury Bath to find a service agent in your area.


General Operation Information

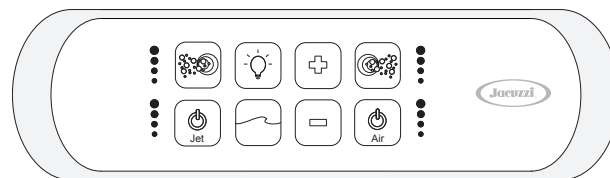
All bathtubs manufactured by Jacuzzi Luxury Bath are designed for “fill and drain,” which means the bathtub should be drained after each use and filled with fresh water by the next bather. This is a health precaution, as these bathtubs are not designed to hold water continuously like pools or spas.

Two control panel types are available for the Luxury Salon Spa series. Refer to details below:

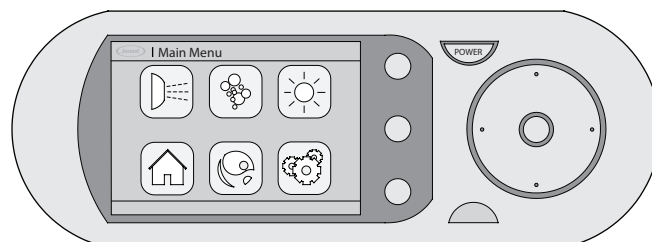
- J4 Luxury Electronic Control Panel: Operational instructions for this panel is listed below.
- Optional J5 Luxury LCD Control Panel: Operation instructions for this panel are outlined in the supplemental guide provided in your warranty pack. Refer to this document for complete operation details (P/N GU47000).

Close the drain and fill the bathtub until water is at least 1” to 2” (25mm to 51mm) above the highest jet (see water line indicated in the illustration). Do not turn on the whirlpool system at any time if the jets are not completely immersed in water. Running the whirlpool system when there is insufficient water in the bathtub could result in water spraying outside the bath area. Running the whirlpool system without sufficient water will damage the recirculating pump.

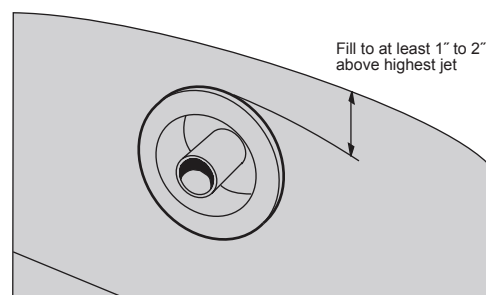
 When exiting the bathtub, the water level will drop below the jets which could result in water being sprayed out of the unit. To prevent this, you must turn unit OFF before exiting bathtub.



J4 Control Panel



J5 Control Panel




Fill to at least 1” to 2” above highest jet


Blower Operation


ON: Press the blower button once to turn the blower ON.

The indicator light(s) at right will illuminate brightly. The blower is on a timer and will operate for 20 minutes.

OFF: Press the blower button a second time to turn the blower OFF.

 The last blower setting used is remembered by the system and will automatically resume upon next use.

 When the blower is turned off, operation does not immediately cease. There is a delay of 15-20 seconds to allow the blower to cool down. The unit is shutting down, as indicated by the blinking of indicator lights.

 If in chromatherapy lighting, or whirlpool, mode (indicator lights are dim), you will need to press the blower button once to resume blower operation mode and then a second time to turn the blower power off.



Increase Speed

Press the (+) button to increase blower speed.

There are 8 blower intensities. Each push and release of the (+) button will increase blower intensity through 8 incremental steps. The indicator lights display intensity of blower power.

- 1 light on = Low settings 1 and 2
- 2 lights on = Medium low settings 3 and 4
- 3 lights on = Medium high settings 5 and 6
- 4 lights on = High settings 7 and 8

Alternately, if the (+) button is depressed and held, the blower intensity will increase through each of the 8 blower intensities, stopping when the button is released.



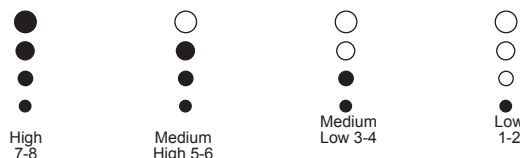
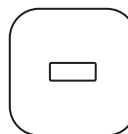
Decrease Speed

Press the (-) button to decrease blower speed.

There are 8 blower intensities. Each push and release of the (-) button will decrease blower intensity through 8 incremental steps. The indicator lights display intensity of blower power.

- 4 lights on = High settings 7 and 8
- 3 lights on = Medium low settings 5 and 6
- 2 lights on = Medium high settings 3 and 4
- 1 light on = Low settings 1 and 2

Alternately, if the (-) button is depressed and held, the blower intensity will decrease through each of the 8 blower intensities, stopping when the button is released.



Your air bath is designed to provide different massage experiences based on selected blower intensity. You can generally expect the following:

- Setting 1 – only the Thermal Lumbar Comfort (TLC) areas (inverted U on backrests) will be active
- Setting 2 – the TLC area and most of the perimeter will be active
- Setting 3 – the TLC area and all of the perimeter will be active
- Setting 4 – all air channels will be active, including TLC, perimeter, and bottom
- Settings 5-8 – all air channels active

Wave Mode

With the blower ON, press the wave button to cycle the blower from its minimum setting to a user defined maximum.

The cycle from minimum to maximum completes in 6.4 seconds. The indicator lights will display the blower intensity as it cycles from minimum to maximum. To turn off wave mode, press the wave button.

Press the (+) or (-) button while in wave mode to set the maximum intensity level from 50% - 100%. There is a 5 second delay after adjusting the maximum intensity level before changes are observed.



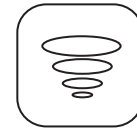
Pulse Mode

With the blower ON, press the pulse button to cycle between off and a user defined maximum.

The blower will cycle on (1.5 seconds) to the user defined maximum (1.5 seconds). All four indicator lights will blink. To turn off pulse mode, press the (pulse) button.

Press the (+) or (-) button while in pulse mode to set the maximum intensity level from 50%-100%. There is a 5 second delay after adjusting the maximum intensity level before changes are observed.

If the wave or pulse functions do not immediately operate when the wave button or pulse button is pressed, you may be in chromatherapy lighting mode, you must first press blower button to switch to blower operation.



Purging Air Channels

The purge cycle is automatic and will reduce excessive accumulation of residual water in the air channels.



There are two purge cycles, drain assisted purge and daily purge.

Drain Assist Purge

The purge cycle is sensor assisted – two sensors (metal dials) are located near the drain of the bathtub. The sensors detect the presence and absence of water in the bathtub.



To ensure effective and correct operation of the water sensors, it is important to keep them clean and free from blockage or objects.

After bathing and following the emptying of the bathing well, the sensors detect a “no water” condition. A five minute wait time elapses and then the blower is activated. The blower will cycle through a range of speeds for 2 ½ minutes, during which either 2 or 3 indicator lights will flash at various speeds.

- The purge cycle will engage even if the blower is not used during bathing.
- The cycle may initiate more than once if the sensors become wet during any part of the purge operation or during routine cleaning of the bathtub. This is normal and does not require attention.

Daily Purge

Each day, the blower will automatically activate a daily purge. The blower will operate for one minute on high power, followed by 15 seconds at ½ power.

To set purge time:

Wait until the time which you desire the daily purge to activate, with the blower off, press and hold the plus button for five seconds. To confirm that you have set the time, the blower will cycle between on and off 2 times in a 4 second span.

To cancel daily purge:

With the blower off, press and hold the plus button for five seconds. To confirm that you have cancelled the purge, the blower will come on for 1 second and then stop.



YOU MUST SET THE DAILY PURGE UPON INSTALLATION; THE DEFAULT IS NO PRE-SET DAILY PURGE.



If a power failure occurs, the system will default to no daily purge cycle.

Whirlpool Operation

ON: Press the jet button once to turn the whirlpool jets ON.

The whirlpool motor will be on high speed. The indicator lights at left will illuminate brightly.



OFF: Press the jet button a second time to turn the whirlpool jets OFF.



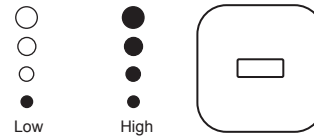
If in chromatherapy lighting mode or blower mode (indicator lights to the left of the jet button are dim), you will need to press jet button once to resume whirlpool operation mode and then a second time to turn the whirlpool power off.

Decrease Speed

Press the (-) button to decrease whirlpool speed.

There are 2 whirlpool motor speeds, high and low. The indicator lights display the setting.

- 1 light on = Low speed
- 4 lights on = High speed

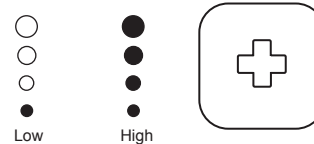


Increase Speed

Press the (+) button to increase whirlpool speed.

There are 2 whirlpool motor speeds, high and low. The indicator lights display the setting.

- 1 light on = Low speed
- 4 lights on = High speed

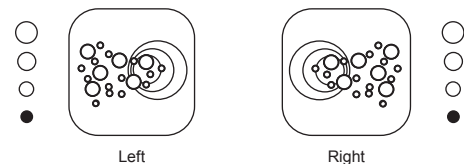


Air Flow

Press the left air valve button to activate the left air valves, press the right air valve button to activate the right air valves.

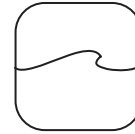
The amount of air induced into the whirlpool jets can be controlled from maximum to none. Use the (+) and (-) buttons to increase or decrease air flow.


The indicator lights immediately to the left and right of the air valve buttons indicate the amount of air induced (show images of max = 4 lights and off = 1 light).




Wave Mode

Press the wave button to cycle the air flow in the jets from maximum to no air flow.



 If the wave mode does not initiate, ensure that you are in whirlpool operation mode (lights immediately to the left of the jet button should be brightly lit).

 Both right and left air valves are cycled simultaneously from a closed position (no air) to open.

The indicator lights will display the flow as it cycles from minimum to maximum. To turn off wave mode, press the (wave) button.

Chromatherapy or Illumatherapy (Light) Operation

Press light button 1st time:

Turns colored lighting ON, use up and down buttons to start color scroll or select alternate color.



Press light button 2nd time:

Turns white lighting ON, use up and down buttons to select intensity of white light.

Press light button 3rd time:

Turns all lighting OFF

Colored Lighting Operation

The colored lighting default is constant blue. Pressing the (+) button activates color scroll in this order: blue, teal, green, yellow, orange, red, pink, purple and then returns to blue and continuously repeats. To stop on a selected color, press the (+) button again. Pressing the (-) button activates color scroll in this order: blue, purple, pink, red, orange, yellow, green, teal and then returns to blue and continuously repeats. To stop on a selected color, press the (-) button again.

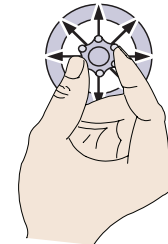
White Lighting Operation

There are five white light intensities. Press the (+) button to increase light intensity. Press the (-) button to decrease light intensity.

Controlling Whirlpool Direction and Flow

Direction -

All Jacuzzi jets, except the rotating neck jets, can be directionally adjusted. To change the direction of the water flow, swivel the jet nozzle to the desired angle. The jets can be directed individually toward any location on your body to provide a hydromassage. The jets can also be adjusted so that they all point in the same direction (clockwise or counterclockwise) to circulate the water in a circular motion around the bath, causing a total whirlpool effect.

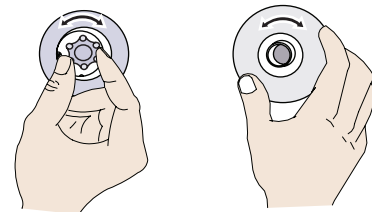



Multidirectional Jets


Water Force -

Most Jacuzzi jets are designed for flow adjustment. For robust action, increase the force of the flow by rotating the nozzle, or face, to the left (counterclockwise). For a more gentle effect, or to close off the jet, rotate the nozzle, or face, to the right (clockwise).

Closing one or more jets can increase the water force in the remaining jets.



 The rotating neck jets, and some AccuPro™ jets, cannot be adjusted for water force.

 Never run the whirlpool system with all the jets closed.

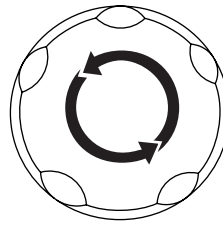
Controlling the Waterfall



The waterfall can only be activated when the whirlpool pump is in operation.

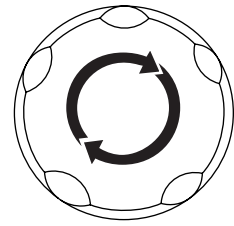
The more the waterfall control knob is turned in a counter-clockwise direction, the flow of water will increase.

Turning ON...



Turning the Waterfall Control knob counter-clockwise will turn on the waterfall

Turning OFF...



Turning the Waterfall Control knob clockwise will turn off the waterfall

RapidHeat™

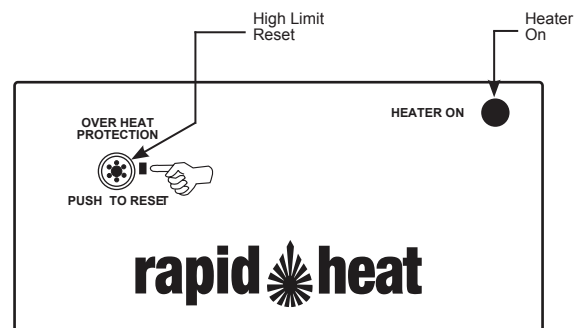
The heater turns ON automatically any time the whirlpool operation is active. Heater operation is not displayed on the control panel. There is a visible indicator light on the heater itself that signifies the heater is operating. The heater will help maintain the temperature of the water in the bathtub.

Vacuum Switch

The heater is equipped with a preset vacuum switch which will not allow the heater to turn ON if the pump is not running and water is not flowing through the whirlpool system.

High-Limit Switch

The heater includes an exclusive High-Limit switch. This safety circuit will not false trip from hot tap water. It will only turn OFF the heater if the thermostat fails. To reset, press the button. If the high-limit trips frequently, please contact us at www.jacuzzi.com, or at 1-800-288-4002.



Purging the Whirlpool System

To remove accumulations of bathtub residue from the whirlpool system, it is recommended that a whirlpool bathtub be cleaned at least twice a month. For best results, however, we recommend that you clean your whirlpool bathtub after each use using, Systems Clean™, our exclusive two-part plumbing system cleaner made specifically for whirlpool bathtubs. Systems Clean™ is available through an authorized Jacuzzi Whirlpool Bath Distributor or by calling us direct at 1-800-288-4002.

Bathtub Additives



Do not use oil or oil-based bathtub additives.

If you want to use any kind of bathtub additive, use only a small amount of low-foaming powder or crystal substance; the whirlpool action intensifies the foaming properties of soaps.

The use of certain bathtub oils, bubble baths, and bathtub additives may increase the level of accumulations of bathtub residue in the whirlpool system and may cause false reading of the water level sensors. If excess accumulations persist, you should discontinue use of these products.

Maintenance

To clean your bathtub, simply use a mild, nonabrasive liquid detergent solution. You can protect and restore the gloss to a dulled acrylic surface by applying Meguiar's #10 Mirror Glaze, a product specifically designed for use on acrylic finishes. If Meguiar's is not available, use a fine grade automotive rubbing compound followed by an application of automotive paste wax.



Never use abrasive household cleaners on any Jacuzzi Luxury Bath product.

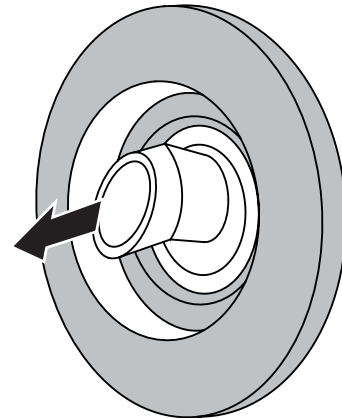
Surface Repair

Minor scratches which do not penetrate the color finish can be removed by lightly sanding with 600-grit wet/dry sandpaper. Restore the gloss using Meguiar's Mirror Glaze or automotive paste wax. Major scratches and gouges which penetrate the acrylic surface will require refinishing. Call Jacuzzi Luxury Bath to find a service agent in your area.

Spinning Jet Maintenance

If hair, or other types of debris, get caught in the bearings of these jets, it could cause them to stop spinning. This may require disassembly and removal.

To do this, simply grab the nozzle and pull it straight out of the jet housing. The bearing casing will be attached to the nozzle. These two items can be separated by holding the casing and pushing the nozzle out from the rear of the casing. After the cleaning is complete, reassemble and reinstall.



Suction Cover/Strainer Maintenance

Clean the suction cover/strainer of hair and debris when necessary.

- 1 Remove the center screw and detach the suction cover.
- 2 Clean the cover by backflushing debris from the holes.
- 3 Replace the suction cover immediately after cleaning.



When reinstalling, orient the cover/strainer with the small notch at the bottom. The gasket must be inserted into the groove of the cover/strainer before reinstalling onto the suction fitting.

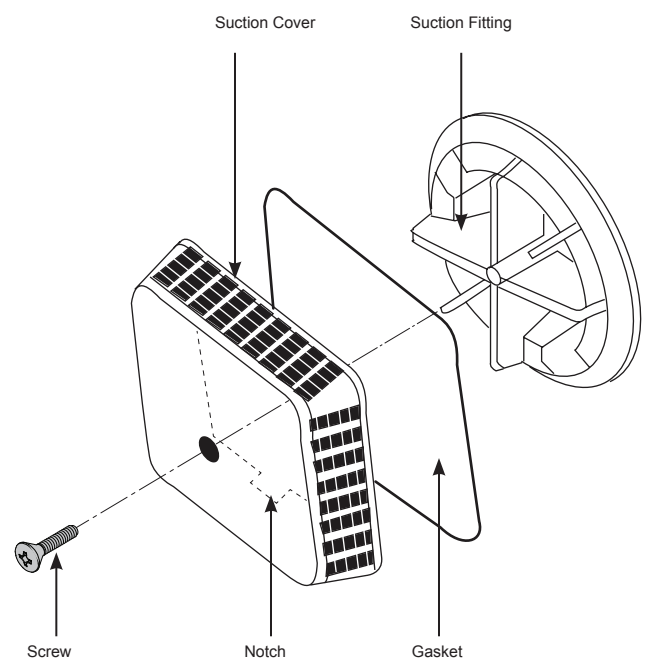


Keep hair a minimum of 6 inches (152 mm) away from the suction fitting at all times when the whirlpool system is operating. Hair longer than shoulder length should be secured close to the head, or a bathing cap should be worn.



Do not operate the whirlpool system with the suction cover/strainer removed!

It is a safety device and must always be in place on the suction fitting to minimize the potential hazard of hair and body entrapment.



Troubleshooting Procedures

PROBLEM	PROBABLE CAUSES	REMEDY
Pump/motor does not start	No power to pump/motor Pump/motor not plugged in	Reset GFCI Insert plug securely into outlet Ensure control panel is connected to control box Contact Jacuzzi Luxury Bath @ 800-288-4002
	Pump/motor faulty	Contact Jacuzzi Luxury Bath @ 800-288-4002
Pump/motor operates but no fully adjustable jets are functioning	Jets are closed	Open jets by rotating counter-clockwise
	Suction cover/strainer may be clogged	With the motor turned OFF, remove the suction cover/strainer and remove any debris. Replace the suction cover before operating
Pump/motor operates but air is not injected into the water	Air valves are closed	Open air control valves
Water leakage from pump unions	Overtightened, O-ring may be pinched or improperly seated, undertightened	Loosen unions , check and reseal O-ring. If O-ring has been pinched out of shape, replace (refer to number below). When tightening union nuts, handtighten only.
Pump/motor shuts off by itself before time elapses	Motor thermal protection has deactivated pump/motor due to overheating (supply voltage low)	Let motor cool; thermal protection will reset. Check for proper ventilation (check supply voltage)
	GFCI tripped	Reset GFCI. If it continues to trip, do not use this unit. Disconnect the unit and have the problem corrected by a licensed electrician before using.
	Inadequate supply wiring	Consult a licensed electrician to correct the wiring unit.
Chromatherapy lights do not operate	Connector has come loose	Contact Jacuzzi Luxury Bath @ 800-288-4002
Blower does not start	No power to pump/motor Blower not connected	Reset GFCI and/or breaker Ensure plug is fully in outlet Ensure control panel is connected to control box Ensure control box is connected to control panel Contact Jacuzzi Luxury Bath @ 800-288-4002
	Blower faulty	Contact Jacuzzi Luxury Bath @ 800-288-4002
Blower operates but NO air is exiting the holes	Check valves are stuck in the closed position	Contact Jacuzzi Luxury Bath @ 800-288-4002
Blower operates but air is not exiting all of the holes	Blower intensity is not sufficient	Increase the blower intensity. NOTE: The system is designed such that all air channels operate at the 4th blower setting.
	Obstructed air holes	Remove debris with a toothpick or tooth brush
Blower shuts off unexpectedly	20 minute timer has elapsed	Turn on blower
	GFCI tripped	Reset GFCI. If it continues, to trip, do not use the unit
	Inadequate supply wiring	Consult a licensed electrician to correct
	Improper ventilation	Contact Jacuzzi Luxury Bath @ 800-288-4002
	Connector has come loose	Contact Jacuzzi Luxury Bath @ 800-288-4002
Daily purge does not come on at specified time	Purge not set (default setting is no purge)	Set daily purge by holding down the 'UP' arrow for 5 seconds
Drain assist purge cycle comes on multiple times	Water sensors detect multiple wet and dry conditions	If during a purge, water is coming in contact with both sensors, the system is working as designed and will continue to purge until excess water is expelled
		Remove any washcloth or toy that may be covering the sensors
Drain assist purge does not come on 5 minutes after bathtub is drained out completely	Water sensors not connected and not detecting water being drained out of the tub	Contact Jacuzzi Luxury Bath @ 800-288-4002
	Faulty control box	Contact Jacuzzi Luxury Bath @ 800-288-4002
Water not maintaining temperature	High limit switch on heater has tripped	Press Reset button on heater
Waterfall not working	Whirlpool function not on	Turn on whirlpool
	Waterfall control knob is in the OFF position	Turn waterfall control knob counter-clockwise until water flow is at the desired flow
	Debris in waterfall outlet	Use a thin, rigid and non-abrasive material (ie. credit card) and gently swipe back and forth until debris is cleared away from the waterfall opening



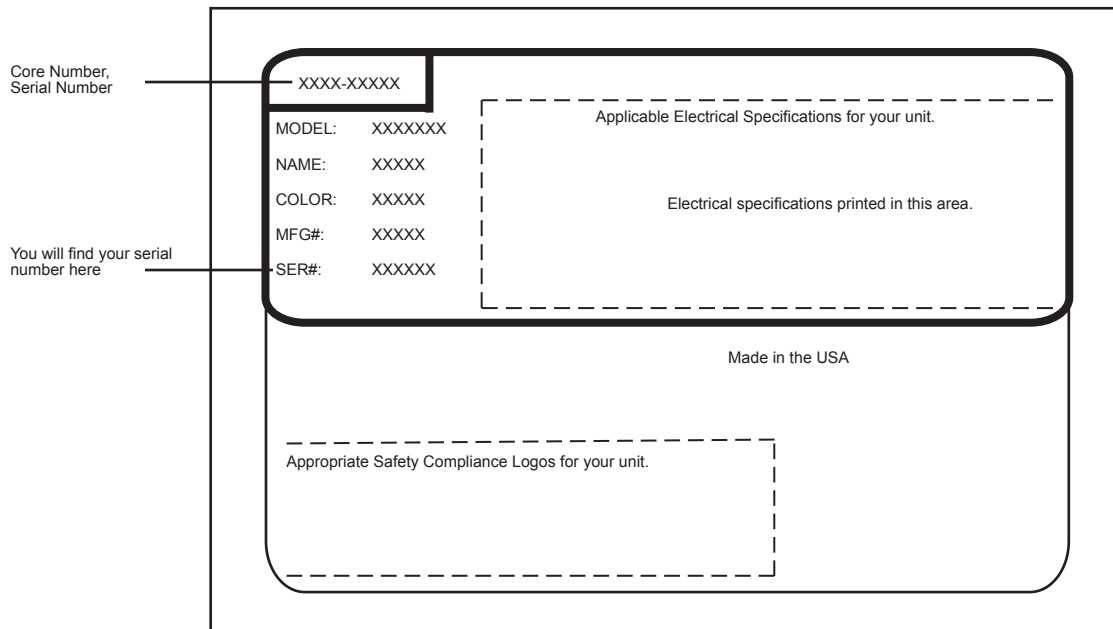
If the unit is within the warranty period, contact Jacuzzi Whirlpool Bath Service Support at 1-800-288-4002 with your bath's serial number before work is started. The serial number is located on the Specification/Serial Number Plate (see the following page).

Authorized Service

If you need a referral for a service company near you, or need assistance with operation or maintenance-related questions, please call our Service Support Department at 1-800-288-4002. Visit our web site at <http://www.jacuzzi.com/> for products, services, and an online copy of these Installation and Operation Instructions.

When requesting service or technical assistance please have available both the model and serial number of your unit. This information can be obtained from the product registration card provided with your unit. If the card has been misplaced, this information can be obtained from the specification/serial number label on the unit itself. The label is located on the wall of the bathtub near the blower motor.

SPECIFICATION/SERIAL NUMBER LABEL



PRODUCT SPECIFICATIONS ARE SUBJECT TO CHANGE WITHOUT NOTICE.

USE TECHNICAL SPECIFICATIONS MANUAL SUPPLIED WITH PRODUCT.

Jacuzzi® Luxury Bath has obtained applicable code (standards) listings generally available on a national basis for products of this type. It is the responsibility of the installer/owner to determine specific local code compliance prior to installation of the product.

Jacuzzi® Luxury Bath makes no representation or warranty regarding, and will not be responsible for any code compliance.

Jacuzzi® Luxury Bath
 14525 Monte Vista Avenue
 Chino, California, 91710
 1-800-288-4002
www.jacuzzi.com

Limited Lifetime Warranty on Jacuzzi Luxury Branded Baths for the Comfort, Comfort Plus, Pure Air®, Luxury, Salon™ Spa, and Pure Air® II Collections

WARRANTY COVERAGE

Jacuzzi Luxury Bath (the "Company") offers the following expressed limited lifetime warranty to the original purchaser of any Jacuzzi® Luxury Bath products provided in the Company's Comfort, Comfort Plus, Pure Air®, Pure Air® II, and Luxury™ collections ("Bath") who purchases the Bath for personal or single family residential use ("User"): The Company will repair or replace, at its sole option, the Bath or its equipment in accordance with the following terms and conditions. This warranty does not apply to non-branded Bath products manufactured by the Company.

LIFETIME WARRANTY ON BATHS

The Company extends to the User of the Bath a non-transferable limited lifetime warranty that the shell will maintain its structural integrity and configuration and be free of water loss due to a defect in the bathtub shell. This warranty covers only the bathtub shell and the manufacturer installed pump, jets, controls, and blower against defects in material or workmanship. This warranty does not apply to any display models or to any options or accessories which are covered under our limited ninety (90) day warranty set forth below. Warranty coverage begins on the date the unit was originally purchased by the User and upon receipt by the Company of a completely filled out Warranty Registration Card as described below.

2 YEAR LABOR WARRANTY FOR ALL FACTORY INSTALLED COMPONENTS

Our limited labor warranty is for a period of two (2) years from the date the unit was originally purchased by the User, but not more than Three (3) Years from date of manufacture. All factory installed components (e.g., pump, motor, blower, and plumbing) are covered under our labor warranty against failure due to defects in materials and workmanship.

NINETY DAY (PARTS ONLY) LIMITED WARRANTY ON OPTIONS AND ACCESSORIES

Our limited warranty on options and accessories is for ninety (90) days for parts only. Our warranty covers options and accessories manufactured (e.g., drains fill spout kits, trim kits, skirts, video monitors, plasma television screens, CD and MP3 players and other music and video devices and optional heaters) against defects in material or workmanship. Warranty coverage begins on the date the option or accessory was originally purchased by the User. These items may be covered by a manufacturer's warranty which may have a longer duration than this limited warranty. Please confirm with the manufacturer the duration of the appropriate warranty for Options and Accessories.

WARRANTY LIMITATIONS

Our limited warranty does not cover defects, damage, or failure caused by the common carrier, installer, user, or other persons, pets, or rodents, or resulting from, without limitation, any of the following: careless handling (lifting unit by plumbing, abrading finish, etc.) including its own negligence; modification of any type for any reason (including modification to meet local codes); improper installation (including installation not in accordance with instructions and specifications provided with the unit); connections supplied by the installer of the equipment; improper voltage supply or unauthorized electrical modification; misuse; incorrect operation, or lack of proper routine maintenance; operation of the unit without specified minimum amount of water or at inappropriate water temperature; use of abrasive or improper cleaners; or acts of God, such as lightning, floods, earthquakes, etc.

In addition, THE COMPANY WILL NOT BE RESPONSIBLE FOR INCIDENTAL OR CONSEQUENTIAL DAMAGES or losses arising from any cause (e.g., water damage to carpet, ceiling, tiles, marble, loss of use, etc.) including its own negligence; damages to, respecting, or resulting from: plated parts when pool and/or spa chemicals are used in the unit or hard water conditions; optional bath equipment not manufactured by the Company but supplied by Dealer, installer or the Company; the unit's prior usage as an operational display; or defects that should have been discovered before installation.

This limited warranty does not include: labor, transportation, or other costs incurred in the removal and/or reinstallation of the original unit and/or installation of a replacement unit; any costs relating to obtaining access for repair; or loss of use damage, including loss of sales, profit or business advantage of any kind under any circumstances. Bath units are excluded from any warranty coverage if any addition, deletion, or modification of any kind whatsoever has been made to the unit (or to any component). Warranty coverage is provided in the United States of America and Canada only.

EXCLUSION OF IMPLIED WARRANTIES

IMPLIED WARRANTIES OF MERCHANTABILITY AND FITNESS FOR A PARTICULAR PURPOSE ARE DISCLAIMED ALTOGETHER OR TO THE FULLEST EXTENT ALLOWED BY LAW.

NOTICE: This warranty gives you specific legal rights, and you may also have other rights which vary from state to state. There are no warranties applicable to Jacuzzi Luxury Bath products except as expressly stated herein or as implied by applicable state and federal laws. The Company will not be responsible for any statements or representations made in any form that go beyond, are broader than or are inconsistent with any authorized literature or specifications furnished by the Company. Some states do not allow limitations on how long an implied warranty lasts, or the exclusion or limitation of incidental or consequential damages, so the above limitations and exclusions may not apply to you.



Luxury Bath by Jacuzzi®
HD91000

Jacuzzi® Luxury Bath
14525 Monte Vista Avenue
Chino, California 91710

RETURN OF WARRANTY REGISTRATION

To register your product, please go to our web-site Jacuzzi.com, click on Bath and Showers, then select ONLINE WARRANTY REGISTRATION from the top of the page. You will then be prompted to enter your product Serial Number followed by your warranty registration information. Or you may also register by completing the registration below and mailing it to jacuzzi at the address provided below.

The attached Warranty Registration MUST be filled out by the purchaser within thirty (30) days from purchase and received by Jacuzzi Luxury Bath in order for this warranty to become effective.

RESPONSIBILITIES OF OTHERS

Inspecting the unit prior to installation is the responsibility of the installer or building contractor who acts on behalf of the User. They are responsible for ensuring the unit is free of defect or damage. Notices are placed on and in the unit and on the shipping carton advising the installer of this responsibility. In the event of a problem, the unit must not be installed. The Company is not responsible for failures or damage that could have been discovered, repaired, or avoided by proper inspection and testing (including proper water testing) prior to installation.

Damage occurring in transit is the responsibility of the carrier. The User or installer MUST open the crate and inspect the unit for damage when it is delivered. If damage is discovered, it must be reported immediately to the seller and the carrier in writing, and an inspection requested. Failure of the carrier to respond should be reported to the seller and the carrier. Your freight claims should be filed promptly thereafter.

Damage occurring to the unit during installation is the responsibility of the installer and/or building contractor and damage occurring thereafter is the responsibility of the user.

Failure of any optional equipment is the sole responsibility of the equipment manufacturer except as provided above and shall not extend to or apply to any replacement parts for the Options and Accessories. Any replacement parts shall be covered by the original equipment manufacturer.

The Distributor or Dealer is responsible for knowing local code requirements and notifying the installing contractor and/or User of these requirements at the time of purchase. The Company is not responsible for costs to modify any product to obtain any code approval, such as city, county, or state building codes in U.S.A. or municipal or provincial codes in Canada.

WARRANTY SERVICE

For the customer's benefit, the Company maintains a list of independent service personnel to perform required warranty service repairs. Such firms are not agents or representatives of the Company and cannot bind the Company by words or conduct.

The Company will provide the warranty service described above when the following conditions have been met: the failure is of the nature or type covered by the warranty; the User has informed an Authorized Jacuzzi Luxury Bath Service Agent or Warranty Service Department Representative of the nature of the problem during the warranty period; conclusive evidence (e.g., proof of purchase or installation) is provided to the foregoing by the user proving that the failure occurred or was discovered within the warranty period; an authorized independent service person or Company representative has been permitted to inspect the unit during regular business hours within a reasonable time after the problem was reported by the User. In order to obtain warranty service, contact Jacuzzi Luxury Bath at:

jacuzzi.com
or
Warranty Service Department
14525 Monte Vista Avenue
Chino, California 91710
Call: 1-(800) 288-4002

To obtain warranty replacement for factory-installed components for Company supplied options and accessories manufactured and supplied by the Company, call or write the above. Provide a description of the problem and proof of purchase. You will be instructed how to obtain replacements and where to return, at your expense, the failed component(s), option(s), or accessory(ies).

All replacement parts, equipment, and repairs shall assume the remaining warranty period of the part(s) replaced.

The Company's warranty obligation shall be discharged upon tender of replacement or repair. The customer's refusal to accept the tender terminates the Company's warranty obligation.

Ninety-Day
Parts Only
Limited Warranty
On
Accessory(ies)

Ninety-Day
Parts Only
Limited Warranty
On
Accessory(ies)

JACUZZI LUXURY BATH

HD91000



**WARRANTY
REGISTRATION CARD**

To complete your product registration, visit our website at www.jacuzzi.com, or fill out and mail this card to the address printed on the other side within thirty (30) days from date of purchase in order for this warranty to become effective.

Purchaser's Name _____

Purchaser's Address _____

City _____ State _____ Zip _____

Date of Purchase _____

Model Name _____

Serial Number _____

Dealer's Name _____

Dealer's Address _____

- How did you first hear about this Jacuzzi® product?
 Advertisement Article in Magazine/Newsaper
 Visited Dealer/Plumbing Supplier Yellow Pages
 Builder/Plumber/Remodeler Decorator/Architect
 Visited Retailer/Home Center Store
 Word of Mouth ... Friend/Relative/Acquaintance
 Other (Please Describe) _____
- Who first gave you specific information about this product (specifications, prices, etc.)?
 Dealer/Plumbing Supplier Builder Remodeler
 Plumbing Contractor Retailer/Home Center Store
 Decorator/Architect Already installed
- What was the main reason for purchase?
 Styling Warranty Service Product Features
 Brand Name Price Hydrotherapy
 Home Resale
 Other _____
- Who finally decided which product you would buy?
 Self Spouse Self and Spouse Together
 Other Family Member Designer/Architect
 Builder/Plumber/Remodeler Already installed
- Who installed? Already installed/New Home
 Contractor/Plumber when remodeling
 Self/Spouse when remodeling
 Other _____
- What is the current market value of this property?

- Please estimate \$ _____ years
- What is the age of the head of the household?
 Eiler Lasco Price Pfister Aqua Glass
 Kohler American Standard Sterling
 Other (Specify) _____
- How long did you shop before purchasing unit?
 1 day 2 months - 6 months
 2-7 days 6 months - 1 year
 1 week - 2 weeks 1 year - 2 years
 2 weeks - 4 weeks +2 years
- Approximately how long have you lived in this home?
 1 month - 2 months
 2 months - 6 months
 6 months - 1 year
 1 year - 2 years
 +2 years
- Please indicate, approximately, the total annual income of your household.
 Up to \$24,999 \$50,000 to \$74,999
 \$25,000 to \$29,999 \$75,000 to \$99,999
 \$30,000 to \$39,999 \$100,000 to \$149,999
 \$40,000 to \$49,999 \$150,000 and Above
- Was your purchase process?
 Very easy Easy Difficult Very Difficult
- How technically aware were you of the patented Jacuzzi® jet system prior to your purchase?
 Not aware Somewhat aware Very aware



**SALÓN™ DE BAÑERA DE
HIDROMASAJE SERIE**

INSTRUCCIONES PARA LA INSTALACIÓN Y EL FUNCIONAMIENTO

Jacuzzi® Luxury Bath

14525 Monte Vista Avenue
Chino, CA 91710
1-800-288-4002
www.jacuzzi.com

Contenido

Contenido.....	29
Información del producto.....	29
Instrucciones de seguridad.....	30
Instrucciones de seguridad operacional.....	31
Inspección y prueba.....	32
Estructura.....	33
Material específico de Fuzion™.....	35
Conexiones eléctricas.....	37
Instalación empotrada.....	39
Instalación de montaje bajo cubierta.....	41
Limpieza.....	41
Información general sobre el funcionamiento.....	42
Funcionamiento del generador de burbujas de aire.....	42
Depuración de canales de aire.....	44
Funcionamiento Whirlpool.....	45
Control de la dirección y del flujo Whirlpool.....	46
Aditivos para baño.....	47
Purga del sistema Whirlpool.....	47
Mantenimiento.....	47
Procedimientos para la resolución de problemas.....	49
Servicio técnico autorizado.....	50
Warranty.....	51

Información del producto



Conserve estas instrucciones para uso futuro. Utilice el formulario a continuación para registrar su modelo y número de serie para referencia futura.

Fecha de la compra _____

Comprado a _____

Instalado por _____

Número de serie _____

Modelo _____

Instalador: Deje el manual para el propietario.

Propietario: Lea este manual y consérvelo para referencia futura.

Instrucciones de seguridad

INSTRUCCIONES RELATIVAS A RIESGOS DE INCENDIO, DESCARGAS ELÉCTRICAS O LESIONES A PERSONAS.

Éste es un producto de calidad profesional. Se requieren conocimientos de técnicas de construcción, fontanería e instalación eléctrica conforme a los códigos para la instalación apropiada y la satisfacción del usuario. Recomendamos que un contratista matriculado realice la instalación de todos los productos Jacuzzi® Luxury Bath. Nuestra garantía no cubre problemas relacionados con instalaciones inadecuadas.



PRECAUCIÓN: AL UTILIZAR ESTA UNIDAD, SIEMPRE DEBE TOMAR LAS PRECAUCIONES BÁSICAS, QUE INCLUYEN LO SIGUIENTE:

- **LEA Y SIGA TODAS LAS INSTRUCCIONES. CONSERVE ESTAS INSTRUCCIONES.**
- Utilice esta unidad sólo para el fin para el cual fue diseñada, según se describe en este manual. No utilice accesorios que no están recomendados por el fabricante.
- Nunca deje caer ni introduzca objetos en ninguna de las aberturas.



ADVERTENCIA: RIESGO DE LESIONES ACCIDENTALES O AHOGAMIENTO.

No permita que los niños utilicen esta unidad a menos que sean supervisados atentamente en todo momento. No utilice la bañera de hidromasaje a menos que todas las tapas protectoras de succión estén instaladas para evitar que el cabello o partes del cuerpo queden atrapados. Nunca utilice la bañera de hidromasaje si la tapa protectora de succión está rota, dañada o extraviada.



PELIGRO: RIESGO DE LESIONES GRAVES POR DESCARGA ELÉCTRICA O MUERTE POR ELECTROCUCIÓN

Esta unidad se debe conectar solamente a un circuito de suministro que esté protegido por un interruptor de circuito con detección de falla a tierra (GFCI, por su sigla en inglés) de 15 A. Dicho GFCI debe ser suministrado por el instalador y debe ser puesto a prueba habitualmente. Para probar el GFCI, pulse el botón de prueba. El GFCI debería interrumpir la alimentación. Pulse el botón de restablecimiento. La alimentación debería restablecerse. Si el GFCI no funciona de esta manera, el GFCI está defectuoso. Si el GFCI interrumpe la alimentación hacia la bañera sin que se pulse el botón de prueba, un flujo de corriente de retorno por tierra está indicando la posibilidad de una descarga eléctrica. No utilice esta bañera de hidromasaje. Desconecte la bañera de hidromasaje y haga corregir el problema por un representante calificado del servicio técnico antes de usarla.



ADVERTENCIA: RIESGO DE DESCARGA ELÉCTRICA

Realice la conexión solamente a un circuito protegido por un interruptor de circuito con detección de falla a tierra (GFCI). (Para unidades conectadas permanentemente) Hay un terminal de color verde (o un conector de cable) marcado como "G", "GR", "GROUND" o "GROUNDING" dentro del compartimiento del terminal. Para reducir el riesgo de descarga eléctrica, conecte el terminal o el conector al terminal a tierra de su servicio eléctrico o panel de alimentación con un conductor de igual tamaño a los conductores del circuito que alimentan el equipo.



PRECAUCIÓN: Este equipo está previsto para uso en interiores solamente. Instale el equipo conforme a estas instrucciones. Utilice los cables de alimentación adecuados para 167 °F (75 °C), incluido el índice de temperatura de los conductores de alimentación que se van a utilizar. Esta unidad debe conectarse eléctricamente a tierra, y debe instalarse un contratista, electricista o fontanero matriculado. Los materiales de construcción y el cableado deben direccionarse lejos del motor/bomba o del generador de burbujas de aire, o de otros componentes de producción de calor de esta unidad. En el exterior del motor/bomba y del calentador, se proporciona un conector de cable de presión para facilitar la conexión de un conductor de unión de cobre sólido N.º 8 AWG entre esta unidad y todos los otros equipos eléctricos y los metales expuestos próximos, según sea necesario para cumplir con los requerimientos locales.

Instrucciones importantes de seguridad de la Asociación de Normas Canadienses (sólo para modelos canadienses)



Cuando utilice este equipo eléctrico, siempre debe tomar las precauciones de seguridad básicas, que incluyen las siguientes:

1. **ADVERTENCIA: RIESGO DE LESIONES ACCIDENTALES O AHOGAMIENTO. LOS NIÑOS NO DEBEN UTILIZAR BAÑERAS DE HIDROMASAJE SIN LA SUPERVISIÓN DE UN ADULTO. BAÑERA DE HIDROMASAJE CON CALENTADOR.**
2. **ADVERTENCIA: RIESGO DE LESIONES ACCIDENTALES O AHOGAMIENTO. NO UTILICE LA BAÑERA DE HIDROMASAJE A MENOS QUE TODAS LAS TAPAS PROTECTORAS DE SUCCIÓN ESTÉN INSTALADAS PARA EVITAR QUE EL CABELLO O PARTES DEL CUERPO QUEDEN ATRAPADOS.**
3. **ADVERTENCIA: PARA EVITAR LESIONES, TENGA CUIDADO AL ENTRAR O SALIR DE LA BAÑERA DE HIDROMASAJE.**
4. **ADVERTENCIA: RIESGO DE LESIONES ACCIDENTALES O AHOGAMIENTO. NO UTILICE DROGAS O ALCOHOL ANTES O DURANTE LA UTILIZACIÓN DE UNA BAÑERA DE HIDROMASAJE CON CALENTADOR PARA EVITAR LA PÉRDIDA DEL CONOCIMIENTO Y UN POSIBLE AHOGAMIENTO.**
5. **ADVERTENCIA: RIESGO DE LESIÓN FETAL. LAS MUJERES EMBARAZADAS O CON POSIBILIDAD DE EMBARAZO DEBEN CONSULTAR A UN MÉDICO ANTES DE UTILIZAR UNA BAÑERA DE HIDROMASAJE CON CALENTADOR.**
6. **ADVERTENCIA: RIESGO DE HIPERTEMIAS Y POSIBLE AHOGAMIENTO: NO UTILICE UNA BAÑERA DE HIDROMASAJE CON CALENTADOR INMEDIATAMENTE DESPUÉS DE REALIZAR EJERCICIOS FÍSICOS EXTENUANTES.**
7. **CONSERVE ESTAS INSTRUCCIONES.**

Instrucciones de seguridad operacional


ADVERTENCIA:
RIESGO DE HIPERTERMIA Y POSIBLE AHOGAMIENTO!

No utilice una bañera de hidromasaje con calentador inmediatamente después de realizar ejercicios físicos extenuantes.


ADVERTENCIA:
RIESGO DE DESCARGA ELÉCTRICA

- No utilice electrodomésticos como secadores de pelo, lámparas, teléfonos, radios o televisores dentro de un radio de 60 pulgadas (1524 mm) de esta bañera de hidromasaje.
- No ponga en funcionamiento el sistema de hidromasaje a menos que la bañera tenga un nivel de agua de, al menos, 1 a 2 pulgadas (de 25 a 51 mm) por encima del orificio de aire más alto.
- No sumerja el panel de control llenando en exceso la bañera.
- No utilice sustancias abrasivas para limpiar su bañera, ya que pueden dañar la superficie.
- Para evitar la decoloración del acabado acrílico, no llene la bañera con agua a más de 140 °F (60 °C).


ADVERTENCIA:
LA INMERSIÓN PROLONGADA EN AGUA CALIENTE PUEDE CAUSAR HIPERTERMIA

La hipertermia ocurre cuando la temperatura interna del cuerpo alcanza un nivel superior a la temperatura corporal normal de 98,6 °F (37 °C). Los síntomas de la hipertermia incluyen el aumento de la temperatura corporal interna, mareos, aletargamiento, somnolencia y desvanecimiento. Los efectos de la hipertermia incluyen los siguientes:

- A. Incapacidad para percibir el calor.
- B. Incapacidad para reconocer la necesidad de salir de la bañera.
- C. Desconocimiento de un peligro inminente.
- D. Daño fetal en mujeres embarazadas.
- E. Incapacidad física para salir de la bañera.
- F. PÉRDIDA DEL CONOCIMIENTO CON PELIGRO DE AHOGAMIENTO.


ADVERTENCIA:
RIESGO DE LESIÓN FETAL

LAS MUJERES EMBARAZADAS O CON POSIBILIDAD DE EMBARAZO DEBEN CONSULTAR A UN MÉDICO ANTES DE UTILIZAR UNA BAÑERA DE HIDROMASAJE CON CALENTADOR.


ADVERTENCIA:

El uso de alcohol, drogas o medicamentos puede aumentar en gran medida el riesgo de hipertermia fatal. Las personas que tomen medicamentos o tengan una historia clínica desfavorable deben consultar a un médico antes de utilizar una bañera de hidromasaje con calentador.


ADVERTENCIA:

NO ALTERE LOS CONTROLES OPERADOS POR EL USUARIO NI LOS DISPOSITIVOS SEMEJANTES.


ADVERTENCIA:

UTILICE ESTA UNIDAD SÓLO PARA EL FIN PARA EL CUAL FUE DISEÑADA, SEGÚN SE DESCRIBE EN ESTE MANUAL. NO UTILICE ACCESORIOS QUE NO ESTÁN RECOMENDADOS POR LOS FABRICANTES.


ADVERTENCIA:

PARA EVITAR LESIONES, TENGA CUIDADO AL ENTRAR Y AL SALIR DE LA BAÑERA DE HIDROMASAJE.


ADVERTENCIA:

No utilice la bañera de hidromasaje a menos que todas las tapas protectoras de succión estén instaladas para evitar que el cabello o partes del cuerpo queden atrapados. Nunca utilice la bañera de hidromasaje si la tapa protectora de succión está rota, dañada o extraviada.


ADVERTENCIA:

La temperatura del agua que excede los 104 °F (40 °C) puede resultar perjudicial para su salud. Controle y regule la temperatura del agua antes de utilizar la bañera.


PRECAUCIÓN:

Controle el interruptor de circuito con detección de falla a tierra que protege este dispositivo de forma periódica conforme a las instrucciones del fabricante.


IMPORTANT:

LEA LAS INSTRUCCIONES COMPLETAS PROPORCIONADAS EN ESTE MANUAL ANTES DE COMENZAR LA INSTALACIÓN.

La empresa ha obtenido los listados de los códigos (normas) aplicables que suelen estar disponibles a nivel nacional para productos de este tipo. Es responsabilidad del instalador o propietario determinar el cumplimiento de los códigos locales específicos antes de instalar el producto. La empresa no realiza manifestaciones ni ofrece garantías con respecto al cumplimiento de ningún código, ni será responsable de dicho cumplimiento. Las especificaciones del producto están sujetas a cambio sin previo aviso.

Inspección y prueba

Inspección visual

- 1 Retire la bañera de la caja de envío. Tenga cuidado de no rayar la superficie de la bañera con las grapas expuestas. Retire las grapas o plieguelas hacia el interior de la caja. Conserve la caja hasta que la inspección del producto haya sido satisfactoria. Nunca levante la bañera sujetándola por la fontanería; solo hágalo por el armazón.
- 2 Inspeccione el armazón y los componentes de la bañera. En caso de que la inspección revele cualquier daño o defecto en el acabado o daño visible en los componentes, no instale la bañera. Los daños o defectos en el acabado reclamados después de la instalación de la bañera están excluidos de la garantía. La responsabilidad de Jacuzzi Luxury Bath por daños durante el transporte finaliza contra entrega de los productos en buen estado al transportista.
- 3 Presente sus reclamos por daños al transportista. Para conocer los términos de la cobertura y las limitaciones de la garantía, consulte la información publicada sobre la garantía embalada con el producto o al dorso de este manual.

Verificación del funcionamiento y del agua de la bañera

El funcionamiento apropiado de todas las unidades y el buen estado de las conexiones herméticas son probados en fábrica antes del envío. No obstante, el instalador debe examinar la unidad nuevamente antes de la instalación. Jacuzzi Luxury Bath no se hace responsable de ningún defecto que pudiera haberse descubierto, reparado o evitado de haberse seguido este procedimiento de inspección y prueba:

- 1 Coloque la bañera sobre una superficie nivelada, cerca de un conveniente suministro eléctrico, suministro de agua y drenaje de agua. Una vía de acceso es una opción adecuada.
- 2 Selle el orificio de drenaje y de desborde con una cinta o un tapón y llene la bañera hasta la base del orificio de desborde.
- 3 Permita que el agua de la bañera repose por 5 minutos.
- 4 Conecte el generador de burbujas de aire, el motor/bomba y encienda la unidad. Confirme que todas las características funcionen según se describe en la sección de Funcionamiento de este manual. No instale la bañera si no funciona como se describe.
- 5 Inspeccione visualmente todas las uniones para ver si existen pérdidas. No instale la bañera si se detectan pérdidas.
- 6 Vuelva a colocar la bañera en la caja o de lo contrario protéjala de daños hasta el momento de la instalación.

Estructura

Se ha incluido un Manual de especificaciones técnicas con su bañera. El Manual de especificaciones técnicas incluirá la información importante relacionada a su producto Jacuzzi Luxury Bath. Haga uso del Manual de especificaciones técnicas en este momento.

Enmarque el espacio donde colocará la bañera. Al preparar el área deberá tener en cuenta lo siguiente:

- Las dimensiones proporcionadas en los diagramas de instalación son nominales. Tome las medidas de su unidad al recibirla y construya conforme a las dimensiones reales.
- La estructura del piso debajo de la bañera debe poder soportar el peso total de la bañera, el agua y el ocupante.
- La bañera debe estar apoyada sobre su base, no sobre su borde. En el caso de instalaciones empotradas, tenga en cuenta el espesor del material de recubrimiento y del material de acabado (mármol, azulejo, etc.).
- Asegúrese de que el borde descanse en una superficie nivelada.
- Por norma, se debe facilitar el acceso al generador de burbujas y al motor/bomba de su modelo específico. Las ubicaciones principales de acceso al servicio se muestran en los diagramas de instalación incluidos en el Manual de especificaciones técnicas. La Figura 1 muestra las ubicaciones comunes de acceso.



Es responsabilidad del instalador, el contratista de obra o el propietario proporcionar el acceso al servicio. Jacuzzi no se responsabiliza de ninguno de los costos relacionados con la obtención de accesos para efectuar reparaciones. El propietario debe soportar dichos costos y, si es apropiado, debe solicitar la reposición del instalador.

- Provea una ventilación apropiada para el enfriamiento y un suministro de aire suficiente para el generador de burbujas y el motor/bomba. No coloque aislamiento alrededor del equipo.
- La bañera puede tener piezas del generador de burbujas de aire/motor que se prolongan más allá del borde de la bañera. Consulte los diagramas de instalación incluidos en el paquete de la garantía y la estructura para la construcción para darle una ubicación correcta.

Ubicaciones comunes de acceso

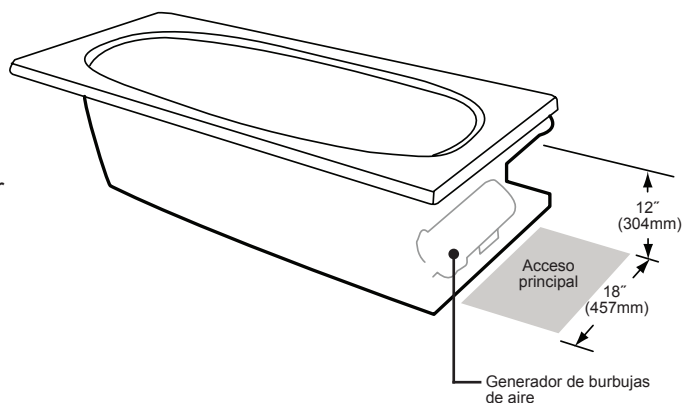
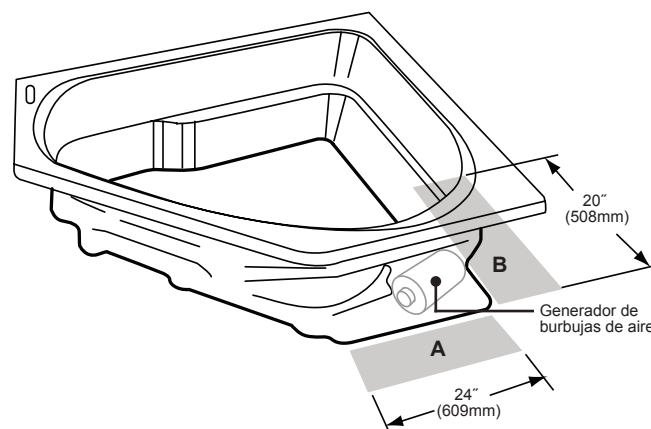


Figura 1



A = Acceso principal

B = Acceso secundario para el equipo (opcional)



El acceso a la unidad por la izquierda se encuentra en el lado opuesto (en espejo).

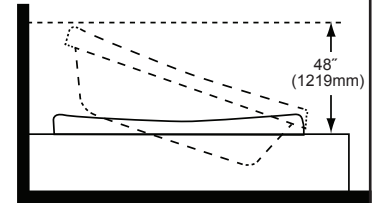
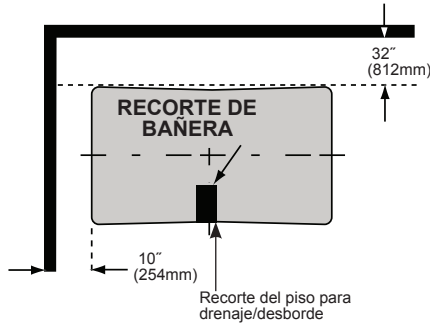
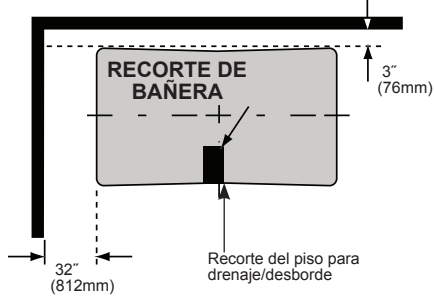
Figura 2

Estructura (continuación)

- Para asegurarse de que el instalador tenga espacio suficiente para maniobrar e instalar la bañera, deje un espacio libre respecto a la pared y el cielorraso (Figura 3).

Ejemplos de espacio libre

Instalación entre dos paredes



Instalación entre tres paredes

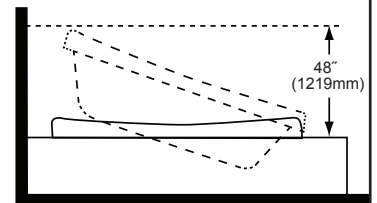
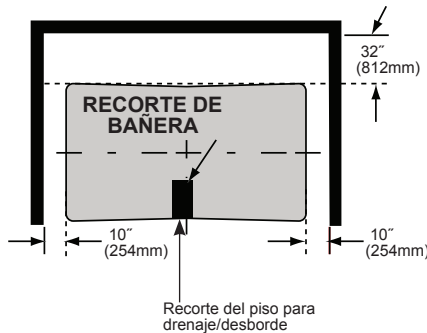
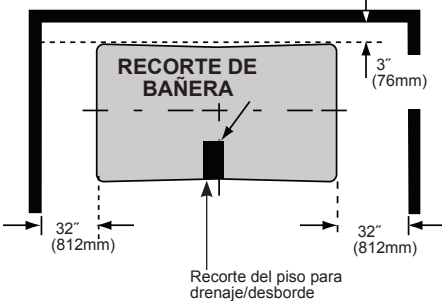


Figura 3

Contrapiso

Prepare el contrapiso para el drenaje y asegúrese de que el área esté nivelada.

- 1 El drenaje/desborde de la bañera se extiende por debajo de la parte inferior de ésta. Identifique la ilustración que corresponde a su bañera en el Manual de especificaciones técnicas.
- 2 Realice los cortes adecuados en el contrapiso para ubicar el drenaje.
- 3 La base Tru-Level™ de Jacuzzi es una características estándar en todas las bañeras. Si el contrapiso está nivelado y tiene una superficie continua, no es necesario realizar otra preparación. Vaya a la sección "Instalación".
- 4 Si el contrapiso no está nivelado, debe nivelar toda la superficie antes de instalar la bañera. Los materiales utilizados asegurarán que la bañera esté sostenida desde la parte inferior. Estos materiales incluyen: compuesto de nivelación, mortero, yeso o espuma estructural de mínima expansión (con una densidad de un mínimo de 5 lb/pie cúbico). La bañera debe permanecer nivelada para que pueda drenar adecuadamente, y debe hacer contacto con el material de nivelación. Ambos lados de una junta o un empalme del contrapiso deben estar nivelados.

Material específico de Fuzion™

Las características de diseño adicionales de Fuzion™ requieren que se completen los siguientes pasos antes de instalar la bañera en el recubrimiento construido. Los pasos siguientes además deben completarse en el orden especificado:

- Instalación del drenaje/desborde Fuzion™
- Instalación del marco de madera Fuzion™
- Instalación del panel de control Fuzion™

Instalación del grifo Fuzion™

Selección de un grifo para el montaje en el borde de la bañera: El espesor combinado del borde de la carcasa de la bañera y la plataforma opcional de madera es de 2" (50 mm) nominales. La longitud del/de los apéndice/s del grifo debe ser lo suficientemente extensa para superar esta dimensión y tener espacio suficiente para ensamblar cualquier herraje (es decir, contratuerca, accesorios para el suministro de agua, etc.) necesario para la instalación. Para las unidades de montaje bajo cubierta, el espesor combinado de la carcasa de la bañera es de un valor nominal de 1/2" (12 mm), y la plataforma de montaje bajo cubierta no debe superar la longitud del/de los apéndice/s, incluidos los herrajes para montaje.

Instalación del drenaje/desborde Fuzion™

Montaje conforme a los códigos de fontanería y de construcción locales.

- 1 Identifique el equipo de drenaje contra desbordes proporcionado con su bañera. Retire y abra el conjunto contra desbordes y confirme que se encuentren todas las partes.
- 2 Extraiga las arandelas y las tuercas del accesorio de desborde.
- 3 Coloque una pequeña cantidad de masilla de fontanería, silicona o un sellador similar autorizado alrededor de la base del ala superior del accesorio de desborde.
- 4 Coloque el accesorio contra desborde en el agujero contra desbordes de la bañera (Figura 4).
- 5 Desde la parte inferior de la unidad, coloque la arandela de goma, luego ajuste la contratuerca en el accesorio contra desbordes y apriete para que quede seguro. Tenga cuidado de no apretar demasiado.
- 6 Arme las piezas restantes de drenaje como se muestra en la ilustración.
- 7 Luego de que el drenaje esté completamente instalado, pruébelo para controlar que el drenaje sea apropiado. Si la unidad no drena adecuadamente, corrija esta condición antes de continuar con la instalación de la bañera.

La instalación hermética del agua de drenaje y el sistema contra desbordes es responsabilidad del instalador. La pérdida del drenaje no está incluida en la garantía Jacuzzi Luxury Bath de este producto.

OPCIONAL - Si el marco de madera Fuzion™ no se utiliza, continúe con el Paso 2 en la sección de Instalación de montaje bajo cubierta.

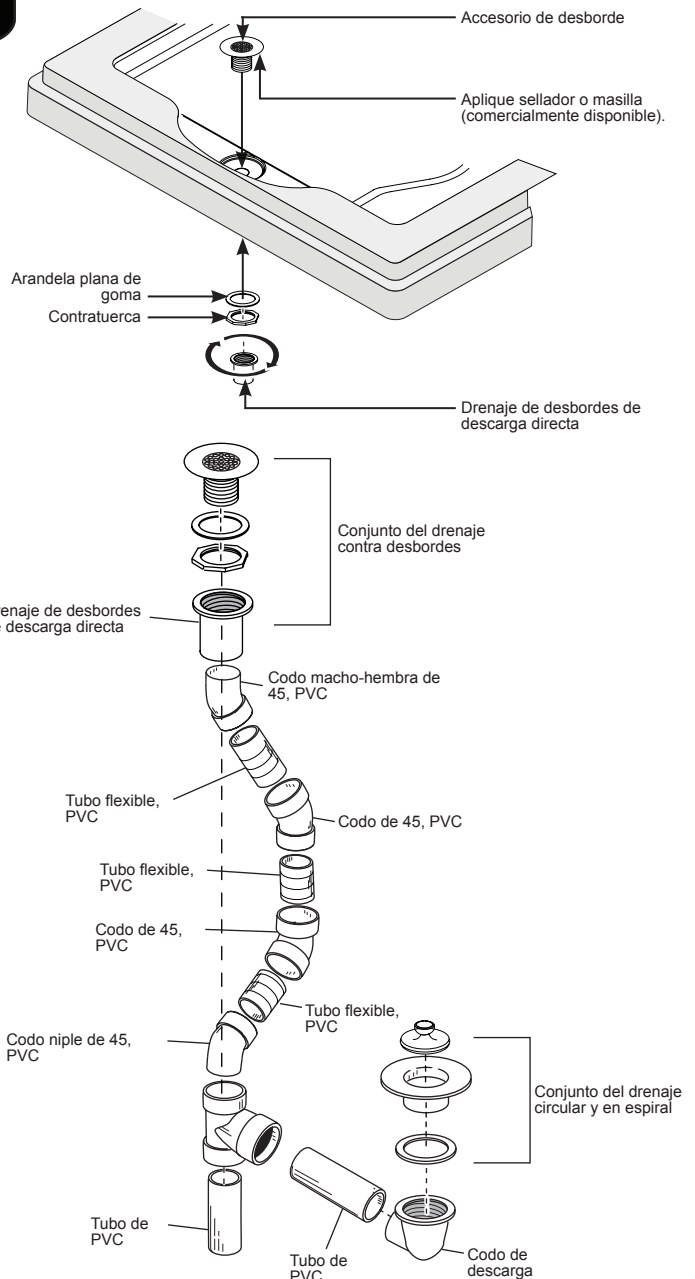


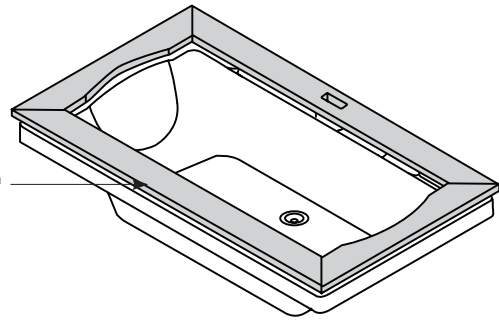
Figura 4 - Instalación del sistema contra desbordes

Instalación del marco Fuzion™



Si está instalando una bañera Fuzion™ con un marco accesorio, consulte la Guía de instalación del marco Fuzion™ (#GL44000) antes de continuar. Complete los pasos de armado e instalación conforme a la Guía de instalación del marco Fuzion™.

Marco Fuzion™



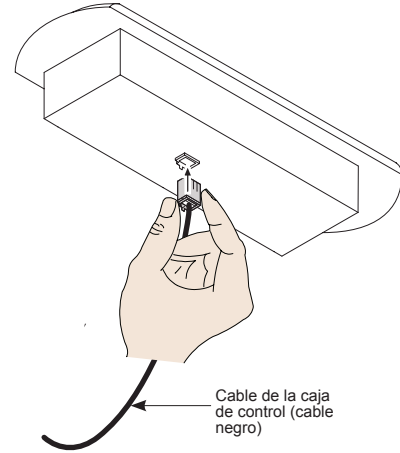
Instalación del panel de control Fuzion™



Los siguientes recortes deben estar limpios y libres de suciedad o adhesivos:

- Recorte del panel de control en el marco de madera armado.
- Recorte del panel de control en la encimera armada.
- Recorte del panel de control en la bañera.

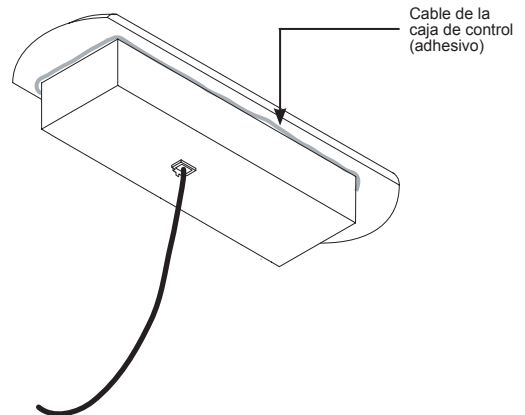
1 Inserte el/los conector/es de cable en la parte posterior del panel de control (Figura 5).



Cable de la caja de control (cable negro)

Figura 5 - Panel de control

2 El adhesivo con moderación alrededor de la base del panel de control (Figura 6).



Cable de la caja de control (adhesivo)

Figura 6 - Aplicación del adhesivo

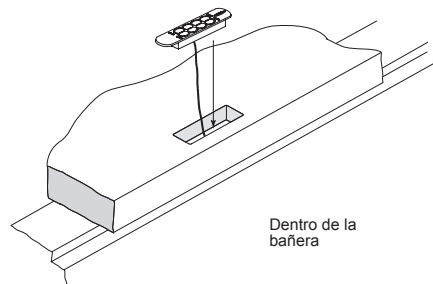
3 Pase el cable por el recorte y hacia la caja de control.

4 Oriente el panel de control de la siguiente manera: el logotipo estará en el lado derecho del panel de control J4 cuando usted esté sentado en la bañera (el botón de encendido estará a la derecha del panel de control de LCD J5).

5 Baje el panel de control hacia el recorte y presione con firmeza para incrustar el adhesivo (Figura 7).

6 Conecte el cable con la caja de control.

7 Vaya al Paso 3 en la sección de Instalación empotrada.



Dentro de la bañera

Figura 7 - Panel de control

Conexiones eléctricas



Riesgo de descarga eléctrica. Realice la conexión sólo a un circuito protegido por un GFCI.



Al utilizar productos eléctricos, siempre debe tomar las siguientes precauciones básicas:

- Siempre siga los códigos eléctricos y de construcción locales.
- Es necesario una conexión a tierra. La unidad debe ser instalada y conectada a tierra por un electricista especializado.

Se necesitan dos circuitos independientes protegidos por un GFCI.

Se requiere un circuito independiente con un GFCI de 240 VAC, 15 A para el calentador y el motor/bomba.

Se requiere un circuito independiente con un GFCI de 120 VAC, 15 A para el generador de burbujas.



Riesgo de calentamiento excesivo de los componentes. No utilice el prolongador eléctrico para suministrar corriente a esta unidad.



El funcionamiento del motor/bomba sin la cantidad de agua suficiente en la bañera puede provocar pérdidas y daño permanente.



En la puesta en marcha inicial, el sistema de control electrónico de 8 botones introduce un programa de autodiagnóstico automático por un período de 15 a 20 segundos. Durante el programa de diagnóstico, el sistema no aceptará comandos del usuario.

Generador de burbujas, motor y bomba

- 1 Para el generador de burbujas, instale una toma doble GFCI de 120 VAC, 20 A en la pared de entramado por debajo de la bañera, 4" (101 mm) sobre el suelo. No se incluye la toma doble.



La toma doble debe instalarse 4" (101 mm) por encima de la línea del piso o de acuerdo con los códigos eléctricos y de construcción locales.

- 2 Para el motor/bomba y el calentador, instale una toma simple GFCI con CAPACIDAD NOMINAL de 240 VAC, 20 A en la pared de entramado por debajo de la bañera, 4" (101 mm) sobre el piso. No se incluye la toma.

- 3 Los cables de alimentación del calentador y el motor/bomba son dirigidos hacia una caja de empalmes con protección de fusibles de fábrica. Se suministra un cable de alimentación de la caja de empalmes con un enchufe de 240 VAC que se conecta al circuito especializado con protección por GFCI suministrado por el cliente.

- 4 Con un alambre de cobre sólido N.º 8, conecte a tierra el calentador a la caja de distribución eléctrica de la casa o unión local aprobada. Se proporciona un terminal de puesta a tierra en el calentador.

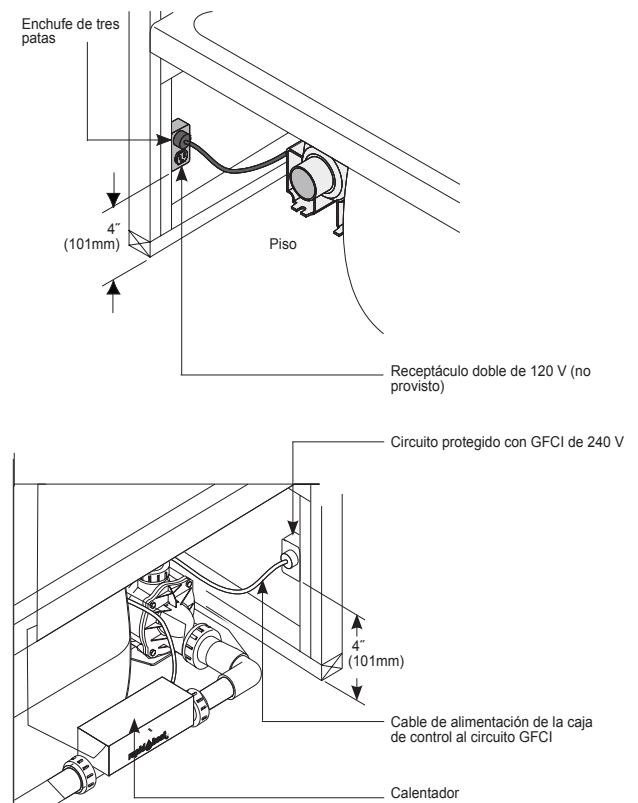
- 5 En la puesta en marcha inicial, y antes de cada uso posterior con la alimentación activada, oprima el botón de prueba del GFCI. El botón de restablecimiento debe saltar hacia afuera.



Oprima el botón de prueba del GFCI para restablecerlo. Si el interruptor no funciona de esta manera, existe una avería en el flujo de corriente de retorno por tierra o en el dispositivo, que indica la posibilidad de una descarga eléctrica.



DESCONECTE la alimentación y no utilice la bañera hasta haber identificado y corregido el origen del problema.



Ilustraciones de referencia



Estas ilustraciones son sólo de referencia, dado que la unidad viene completamente armada.



Riesgo de descarga eléctrica. Antes de reparar estas conexiones, desconecte todos los cables de suministro de energía de los circuitos de 120 VAC y 240 VAC.

Diagrama esquemático del panel de control J4

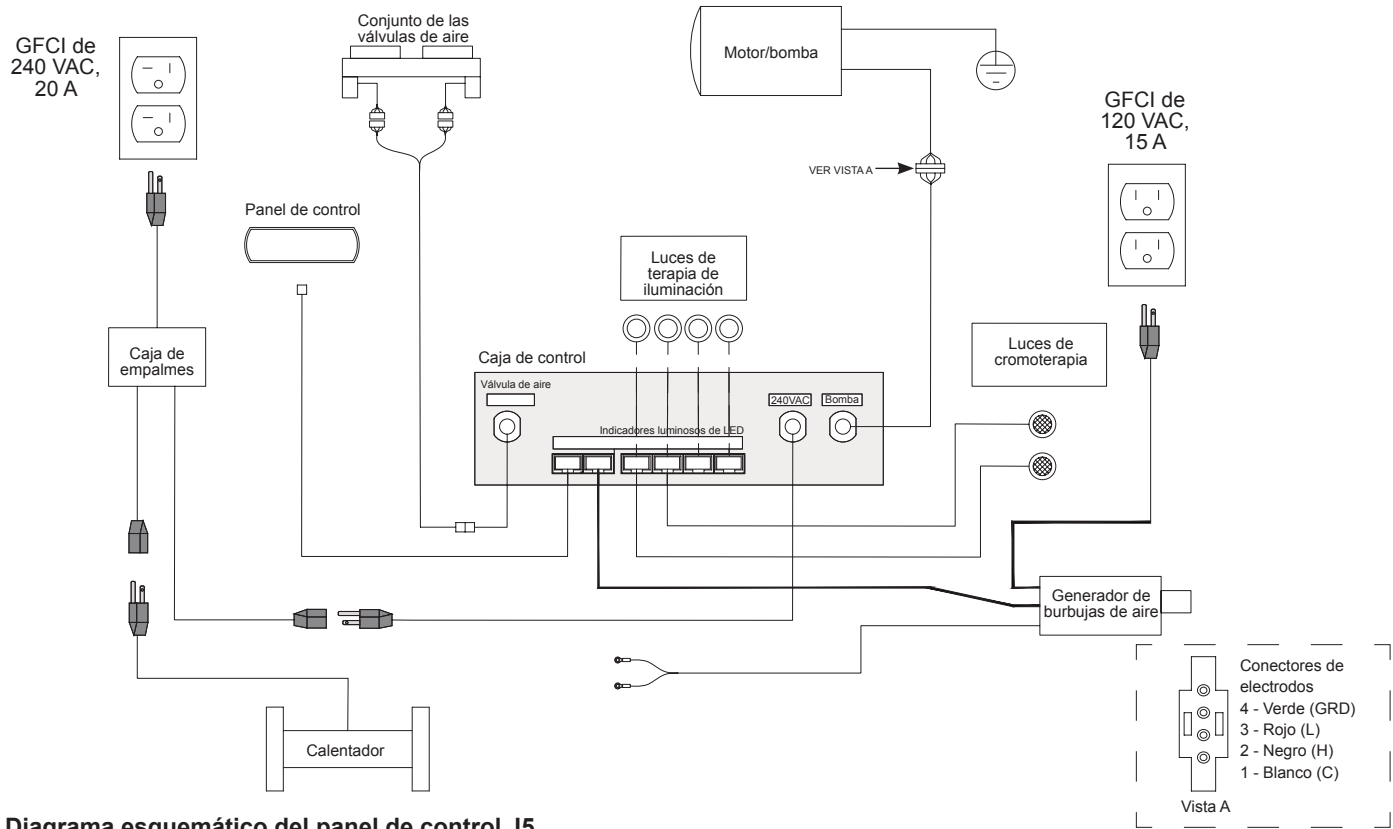
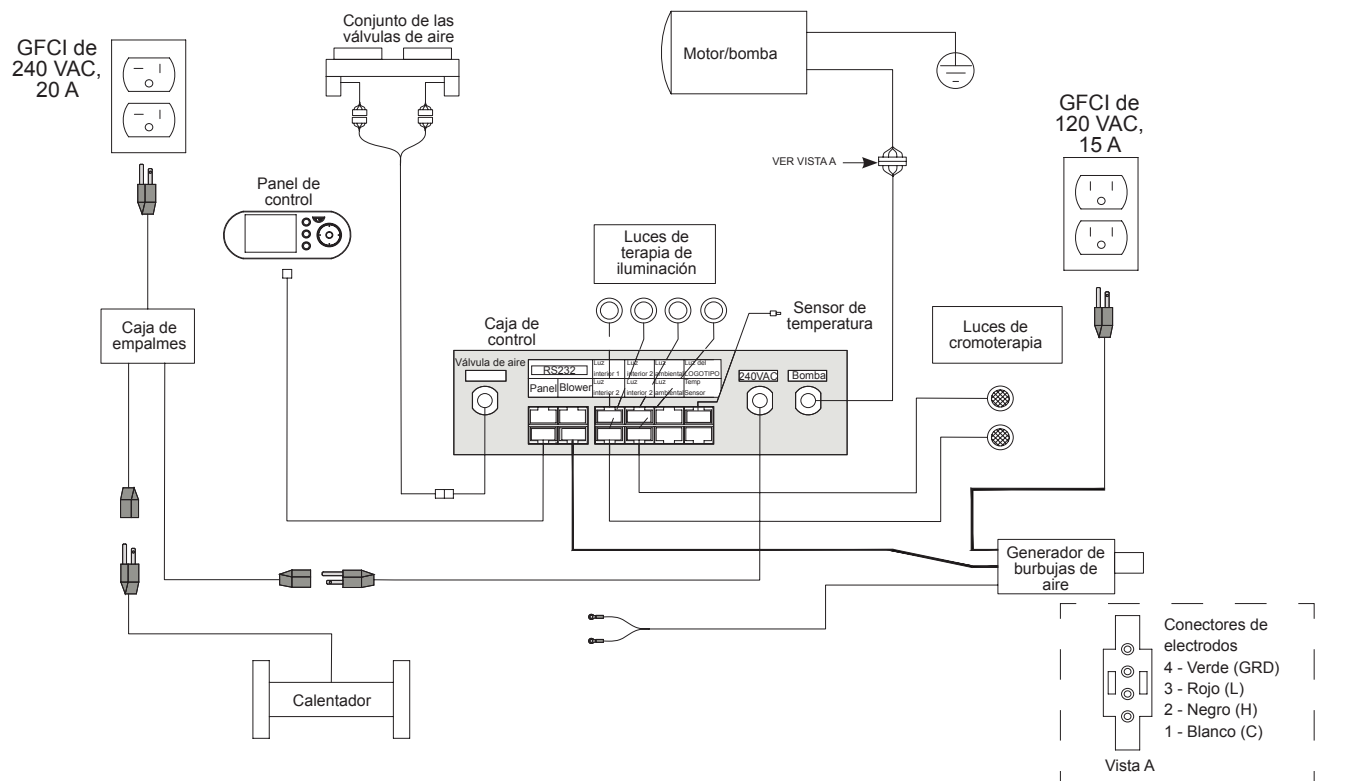


Diagrama esquemático del panel de control J5



Instalación empotrada



Antes de que comience con la instalación, lea lo siguiente:

- Respete todos los códigos locales y de construcción.
- Defina las herramientas que va a utilizar durante la instalación.
- Las piezas adicionales de drenaje de la bañera y la fontanería se pueden conseguir en ferreterías y tiendas de instalaciones sanitarias.
- La información para la instalación del drenaje/desborde está incluida con su bañera en el Manual de instrucciones de instalación.

Finalice la instalación del recubrimiento de la bañera (Figura 8).

1

Instale el drenaje/desborde conforme a las instrucciones del fabricante. Consulte también el Manual de especificaciones técnicas.



La instalación impermeable del drenaje es responsabilidad del instalador. La pérdida del drenaje no está incluida en la garantía Jacuzzi Luxury Bath de este producto.

2

Instale el grifo en este momento. Se recomienda que el grifo sea instalado por un fontanero calificado.



La instalación adecuada de las tuberías de descarga y el cumplimiento con los códigos locales son responsabilidad del instalador. Jacuzzi Luxury Bath no garantiza las conexiones de las tuberías ni los accesorios para el suministro de agua, los sistemas de llenado o los sistemas de drenaje/desborde. Tampoco se responsabiliza de los daños ocasionados a la bañera que puedan ocurrir durante la instalación.



Se debe colocar una barrera protectora no inflamable entre el trabajo de soldadura y la bañera para evitar daños en la unidad.

3

Prepare el orificio de recorte para la bañera; utilice la plantilla de tamaño natural proporcionada o las dimensiones de recorte enumeradas en la tabla de especificaciones del Manual de especificaciones técnicas.



La plantilla puede mostrar las pautas para más de una bañera; asegúrese de seleccionar los lineamientos apropiados. Si considera el montaje bajo cubierta como una opción, procure seleccionar los lineamientos que se aplican a la instalación que está realizando.

4

Finalice todo el trabajo de terminación de la plataforma y la cubierta para evitar daños mientras coloca la bañera.

5

El aislamiento se puede colocar dentro del recubrimiento de la bañera.



Procure una ventilación adecuada alrededor del generador de burbujas de aire y el motor/bomba para asegurar el suficiente flujo de aire y enfriamiento. No bloquee la toma de aire del generador de burbujas por ningún motivo. No aisle el generador de burbujas de aire por ningún motivo. Mantenga el generador de burbujas de aire libre de toda suciedad.

6

Desconecte el suministro de energía hacia los circuitos especializados protegidos con GFCI.

7

Coloque trozos de madera para desecho en cada una de las terminaciones del recorte; esto se utilizará como un soporte temporal antes de bajar la bañera completamente en la abertura (Figura 9).

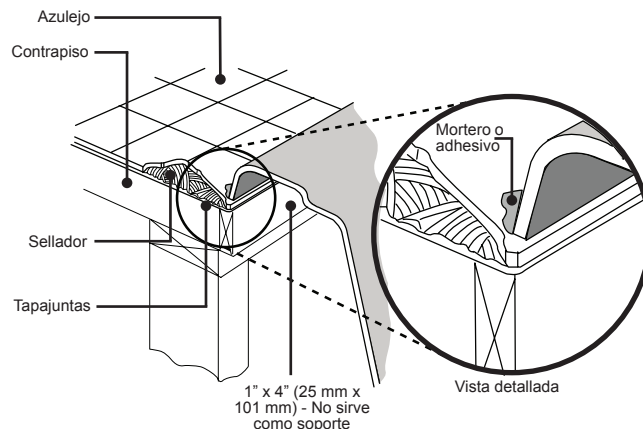


Figura 8

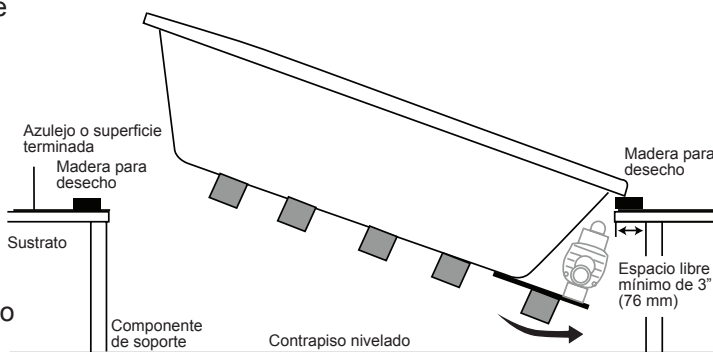


Figura 9

Instalación empotrada (continuación)

- 8** Instale la unidad, introduciendo primero el extremo del equipo y bajando la bañera dentro de la apertura como se muestra en la ilustración (Figura 10).



NO utilice tuberías ni accesorios de fontanería para bajar la unidad. Permita que la bañera descance sobre los soportes.

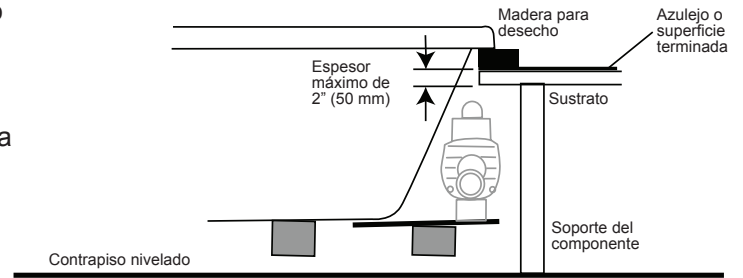


Figura 10

- 9** Examine todos los accesorios, las instalaciones de cañerías y las líneas de control luego de insertar la bañera para asegurar que los componentes no estén dañados, desconectados o en contacto con el sustrato de la superficie terminada o con los componentes de soporte.

- 10** Conecte las tuberías flexibles de suministro de agua hacia el grifo y enchufe los cables de alimentación en la toma del GFCI.

- 11** Quite los trozos de madera para desecho y baje la bañera completamente dentro de la abertura (Figuras 11 y 12).

- 12** Encuadre la bañera y conecte el drenaje.

- 13** Encienda el suministro de energía para los circuitos especializados protegidos con GFCI y compruebe el funcionamiento del sistema.

- 14** Cierre las juntas de alrededor del perímetro de la bañera para sellar el espacio entre el borde y la plataforma terminada.

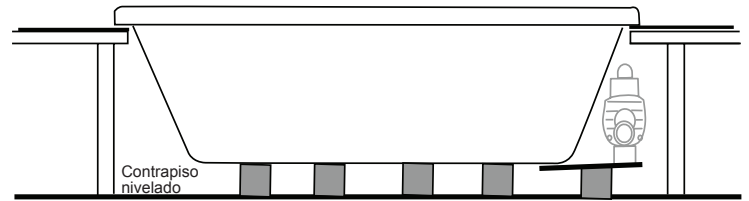


Figura 11

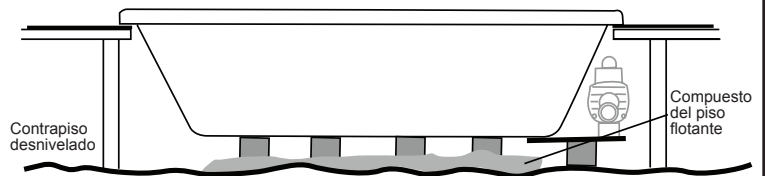


Figura 12

Instalación de montaje bajo cubierta

1 Instale el drenaje/desborde conforme a las instrucciones del fabricante.

La instalación impermeable del drenaje es responsabilidad del instalador. La pérdida del drenaje no está incluida en la garantía Jacuzzi Luxury Bath de este producto.

2 Desconecte el suministro de energía hacia los circuitos especializados protegidos con GFCI.

3 Instale la unidad en la ubicación deseada. NO utilice cañerías ni accesorios de fontanería para transportar o bajar la unidad.

4 Inspeccione todos los accesorios, las instalaciones de cañerías y las líneas de control luego de colocar la bañera para verificar que ninguno de los componentes esté dañado o desconectado.

5 Encadre la bañera y conecte el drenaje.

6 El aislamiento se puede colocar dentro del recubrimiento de la bañera.

Procure una ventilación adecuada alrededor del generador de burbujas de aire y el motor/bomba para asegurar el suficiente flujo de aire y enfriamiento. No bloquee la toma de aire del generador de burbujas por ningún motivo. No aisle el generador de burbujas de aire por ningún motivo. Mantenga el generador de burbujas de aire libre de toda suciedad.

7 Corte la plataforma/encimera para que calce utilizando la plantilla de montaje bajo cubierta que viene con la unidad de la siguiente manera:

- Ubique la plantilla de modo que las guías deseadas de montaje bajo cubierta estén alineadas con el borde tal como se muestra (Figura 13).
- un lápiz litográfico, marque las líneas del centro (indicadas con en la plantilla). Quite la plantilla.
- Mida la distancia desde la pared u otro punto fijo hasta las líneas del centro (Figura 14).

8 Fije la encimera a la bañera. Limpie cualquier suciedad o residuo de la parte superior del borde de la bañera. Aplique gotas de sellador de silicona en todo el borde de la bañera.

No utilice adhesivo ni sellador adhesivo para fijar la encimera a la bañera. Si se requiere mantenimiento o remodelación, es posible que deba quitarse la encimera. El adhesivo unirá de manera permanente la encimera a la bañera. Ubique con cuidado la plataforma/encimera por encima de la bañera. Siga las instrucciones del fabricante para determinar el tiempo de curado.

9 Aplique una gota continua de sellador de silicona alrededor de toda la junta entre la encimera y el borde de la bañera. Deje curar el sellador de acuerdo con las instrucciones del fabricante.

10 Encienda el suministro de energía para los circuitos especializados protegidos con GFCI y compruebe el funcionamiento del sistema.

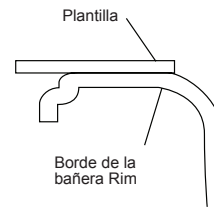


Figura 13 - Colocación de la plantilla

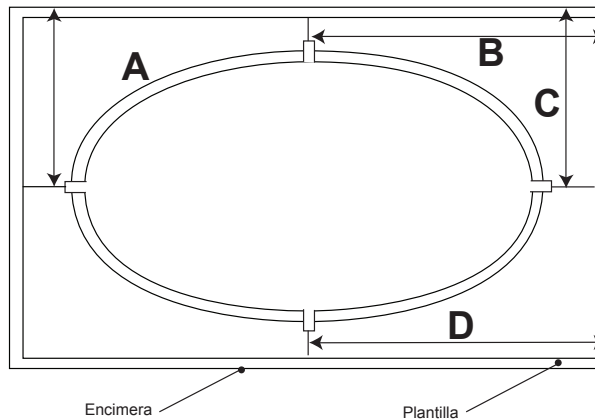


Figura 14 - Medición de distancias

Limpieza

Para evitar que la superficie de la bañera se raye o pierda brillo, nunca use limpiadores abrasivos. Para las superficies más sucias, basta el uso de detergente líquido suave y agua tibia. Se recomienda lo siguiente:

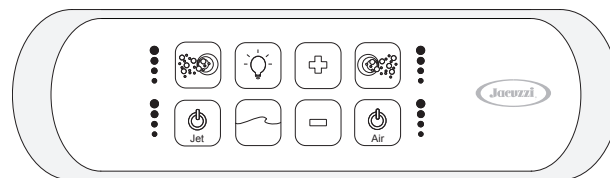
- Quite el yeso derramado con un filo de madera o plástico. Las manchas dejadas por el yeso o la lechada pueden eliminarse frotando ligeramente con una esponja o un paño húmedo con detergente. No use rasquetas de metal, cepillos de acero ni otras herramientas metálicas ya que dañarán la superficie de la bañera.
- Las manchas de pintura, alquitrán u otras manchas difíciles se pueden eliminar con Fantastik® o agua jabonosa.
- Los rayones menores que no penetran en el acabado de color se pueden eliminar lijando suavemente con un papel de lija húmedo o seco de grano 600. Puede restaurar el acabado brillante de la superficie acrílica de la bañera con un compuesto especial, el Mirror Glaze N.º 10 de Meguiar. Si no se lo puede conseguir, utilice un compuesto de lustrado de automóviles seguido de una aplicación de cera en pasta para automóviles.
- Será necesario volver a aplicar el acabado si los rayones y estrías penetran en la superficie acrílica. Llame a Jacuzzi Luxury Bath para localizar a un agente de servicio cercano a su domicilio.

Información general sobre el funcionamiento

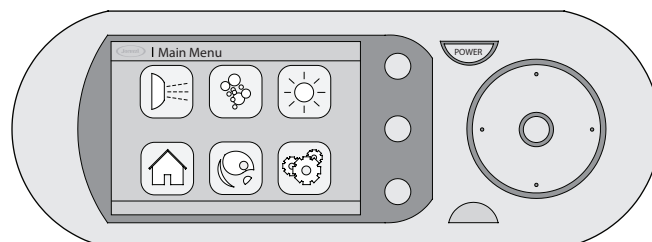
All bathtubs manufactured by Jacuzzi Luxury Bath are Todas las bañeras fabricadas por Jacuzzi Luxury Bath están diseñadas para "llenar y drenar", lo que significa que se debe vaciar la bañera después de cada uso y llenarla con agua limpia para el próximo baño. Esto es una precaución para la salud, ya que estas bañeras no están diseñadas para contener agua de manera continua como las piscinas o bañeras de hidromasaje.

La serie Luxury Salon Spa viene con dos tipos de paneles de control. Consulte los detalles a continuación:

- Panel de control electrónico J4 Luxury: Las instrucciones de funcionamiento para este panel se presentan más abajo.
- Panel de control LCD J5 Luxury opcional: Las instrucciones de funcionamiento para este panel se describen en la guía complementaria incluida en el paquete de la garantía. Consulte este documento para conocer los detalles completos sobre el funcionamiento (P/N GU47000).




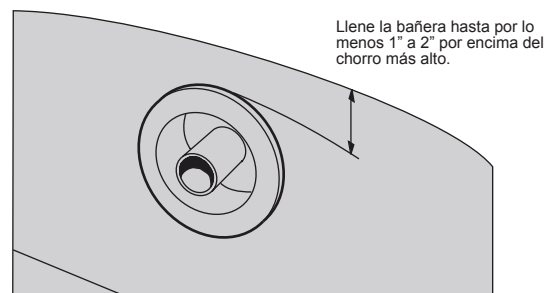
Panel de control J4



Panel de control J5

Cierre el drenaje y llene la bañera hasta que el agua alcance un nivel de 1" a 2" (25 mm a 51 mm) por encima del chorro más alto (ver la línea de agua indicada en la ilustración). No active el sistema Whirlpool en ningún momento si los chorros no están completamente sumergidos en el agua. El funcionamiento del sistema Whirlpool sin una cantidad suficiente de agua en la bañera podría provocar la aspersión de agua fuera de la bañadera. El funcionamiento del sistema Whirlpool sin agua suficiente dañará la bomba de recirculación.

 Cuando salga de la bañera, el nivel de agua descenderá por debajo de los chorros, lo cual podría provocar la aspersión de agua fuera de la unidad. Para evitarlo, debe desconectar la unidad antes de salir de la bañera.





Funcionamiento del generador de burbujas de aire


ENCENDIDO: Oprima el botón del generador de burbujas de aire una vez para **ENCENDER** el generador.

La/s luz/ces indicadora/s de la derecha se iluminará/n intensamente. El generador de burbujas de aire trabaja con un temporizador y funcionará durante 20 minutos.

APAGADO: Oprima el botón del generador de burbujas de aire una segunda vez para **APAGARLO**.

 El sistema recuerda el último ajuste del generador de burbujas de aire que se utilizó y lo reanudará automáticamente la próxima vez que se lo use.

 Cuando se apaga el generador de burbujas de aire, éste no deja de funcionar de inmediato. Hay una demora de 15 a 20 segundos para permitir que el generador se enfríe. Las luces parpadeantes indican que la unidad se está deteniendo.

 Si está activado el modo de iluminación de cromoterapia o Whirlpool (las luces indicadoras están tenues), deberá oprimir el botón del generador de burbujas de aire una vez para reanudar el modo de funcionamiento del generador y luego volver a oprimirlo para apagarlo.



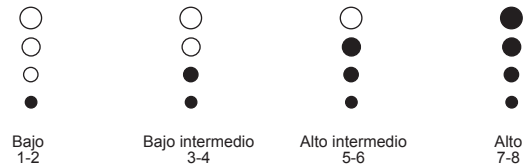
Aumento de la velocidad

Oprima el botón (+) para aumentar la velocidad del generador de burbujas de aire

El generador de burbujas de aire tiene 8 intensidades. Cada vez que pulse y suelte el botón (+), aumentará la intensidad del generador de burbujas de aire a través de 8 pasos graduales. Las luces indicadoras muestran la intensidad de la potencia del generador de burbujas de aire.

- 1 luz encendida = ajustes bajos 1 y 2
- 2 luces encendidas = ajustes bajos intermedios 3 y 4
- 3 luces encendidas = ajustes altos intermedios 5 y 6
- 4 luces encendidas = ajustes altos 7 y 8

También puede mantener presionado el botón (+); la intensidad del generador de burbujas de aire aumentará pasando por cada una de las 8 intensidades y se detendrá cuando suelte el botón.



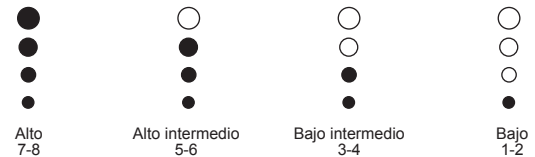
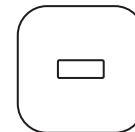
Disminución de la velocidad

Oprima el botón (-) para disminuir la velocidad del generador de burbujas de aire.

El generador de burbujas de aire tiene 8 intensidades. Cada vez que pulse y suelte el botón (-), disminuirá la intensidad del generador de burbujas de aire a través de 8 pasos graduales. Las luces indicadoras muestran la intensidad de la potencia del generador de burbujas de aire.

- 4 luces encendidas = ajustes altos 7 y 8
- 3 luces encendidas = ajustes bajos intermedios 5 y 6
- 2 luces encendidas = ajustes altos intermedios 3 y 4
- 1 luz encendida = ajustes bajos 1 y 2

También puede mantener presionado el botón (-); la intensidad del generador de burbujas de aire disminuirá pasando por cada una de las 8 intensidades y se detendrá cuando suelte el botón.



Su bañera de burbujas de aire está diseñada para ofrecer diferentes experiencias de masaje según la intensidad elegida del generador de burbujas de aire. En general, puede esperar lo siguiente:

- Ajuste 1: sólo se activarán las zonas de confort lumbar térmico (Thermal Lumbar Comfort, TLC) (U invertida en los respaldos)
- Ajuste 2: se activarán la zona TLC y la mayor parte del perímetro
- Ajuste 3: se activarán la zona TLC y todo el perímetro
- Ajuste 4: se activarán todos los canales de aire, incluidos la zona TLC, el perímetro y el fondo
- Ajustes 5 a 8: se activarán todos los canales de aire

Modo de olas

Mientras el generador de burbujas de aire esté ENCENDIDO, oprima el botón de ola para que el generador pase desde su ajuste mínimo hasta un máximo definido por el usuario.

El ciclo de mínimo a máximo finaliza en 6,4 segundos. Las luces indicadoras mostrarán la intensidad del generador de burbujas de aire a medida que pasa de mínimo a máximo. Para desactivar el modo de olas, oprima el botón de ola.

Oprima el botón (+) o (-) mientras esté en modo de olas para ajustar el nivel de intensidad máxima de 50% a 100%. Hay una demora de 5 segundos después de regular el nivel de intensidad máxima antes de observar algún cambio.



Modo de pulsaciones

Mientras el generador de burbujas de aire esté **ENCENDIDO**, oprima el botón de pulsaciones para pasar de apagado a un máximo definido por el usuario.

El generador de burbujas de aire pasará desde el punto de arranque (1,5 segundos) hasta el máximo definido por el usuario (1,5 segundos). Las cuatro luces indicadoras parpadearán. Para desactivar el modo de pulsaciones, oprima el botón (pulsaciones).



Estas luces parpadearán

Oprima el botón (+) o (-) mientras esté en el modo de pulsaciones para ajustar el nivel de intensidad máxima de 50% a 100%. Hay una demora de 5 segundos después de regular el nivel de intensidad máxima antes de observar algún cambio.

Si las funciones de olas o pulsaciones no se activan de inmediato al oprimir los botones correspondientes, es posible que esté en el modo de iluminación de cromoterapia; en este caso, primero debe oprimir el botón del generador de burbujas de aire para que comience a funcionar.

Depuración de canales de aire

El ciclo de purga es automática y se reduce la acumulación excesiva de agua residual en los canales de aire.



Existen dos ciclos de purga, de drenaje de purga asistida y todos los días de purga.

Purga de drenaje Ayudar

El ciclo de purga es sensor de asistencia - dos sensores (indicadores de metal) se encuentran cerca del desagüe de la bañera. Los sensores detectan la presencia y la ausencia de agua en la bañera.



Para garantizar la eficacia y el correcto funcionamiento de los sensores de agua, es importante mantenerlos limpios y libres de obstrucciones u objetos.

- Después de bañarse, y tras el vaciado de la bañera, los sensores detectan una “falta de agua” condición. A cinco minutos esperar que transcurre el tiempo y entonces el ventilador se activa. El mando de un ciclo a través de una gama de velocidades de 2 minutos y medio, durante el cual las luces ya sea 2 o 3 indicador parpadeará a varias velocidades.
- El ciclo de purga se dedicará incluso si el ventilador no se utiliza durante el baño.
- El ciclo puede iniciar más de una vez si los sensores se mojan durante cualquier parte de la operación de purga o durante rutina de limpieza de la bañera. Esto es normal y no requiere atención.

Purga diaria

Cada día, el ventilador se activará automáticamente una purga diaria. El ventilador funcionará durante un minuto a máxima potencia, seguido por 15 segundos a potencia media.

Para establecer el tiempo de purga:

Espere hasta que el tiempo que usted la voluntad de la purga de todos los días para activar, con el ventilador apagado, presione y mantenga presionado el botón más de cinco segundos. Para confirmar que ha ajustado la hora, el ventilador del ciclo entre encendido y apagado 2 veces en un lapso de 4 segundos.

Para cancelar la purga de todos los días:

Con el ventilador apagado, presione y mantenga presionado el botón más de cinco segundos. Para confirmar que ha cancelado la purga, el ventilador se enciende durante 1 segundo y luego se detiene.



Debe establecer la PURGA TODOS LOS DIAS después de la instalación, el valor predeterminado es NO TODOS LOS DIAS PURGA PRE-SET.



Si un fallo de corriente, el sistema por defecto a no ciclo de purga diaria.

Funcionamiento Whirlpool

ENCENDIDO: Oprima el botón de los chorros una vez para ACTIVAR los chorros Whirlpool.

El motor Whirlpool funcionará a alta velocidad. Las luces indicadoras de la izquierda se iluminarán intensamente.



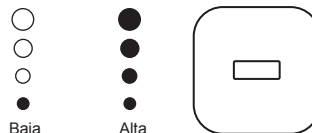
APAGADO: Oprima el botón de la boquilla una segunda vez para DESACTIVAR los chorros Whirlpool.

Si está activado el modo de iluminación de cromoterapia o de generador de burbujas de aire (las luces indicadoras de la izquierda del botón de los chorros están tenues), deberá oprimir el botón de los chorros una vez para reanudar el modo de funcionamiento Whirlpool y luego volver a oprimirlo para desactivarlo.

Disminución de la velocidad

Oprima el botón (-) para disminuir la velocidad del remolino.

Hay 2 velocidades del motor Whirlpool: alta y baja. Las luces indicadoras muestran la configuración.

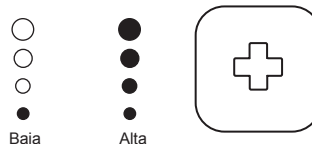


- 1 luz encendida = velocidad baja
- 4 luces encendidas = velocidad alta

Aumento de la velocidad

Oprima el botón (+) para aumentar la velocidad del remolino.

Hay 2 velocidades del motor Whirlpool: alta y baja. Las luces indicadoras muestran la configuración.

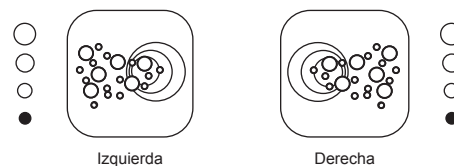


- 1 luz encendida = velocidad baja
- 4 luces encendidas = velocidad alta

Flujo de aire

Oprima el botón izquierdo de las válvulas de aire para activar las válvulas de aire de la izquierda, oprima el botón derecho de las válvulas de aire para activar las válvulas de aire de la derecha.

La cantidad de aire inducido en los chorros Whirlpool se pueden controlar desde un valor máximo a cero. Utilice los botones (+) y (-) para aumentar o disminuir el flujo de aire.



Las luces indicadoras ubicadas inmediatamente a la izquierda y a la derecha de los botones de las válvulas de aire indican la cantidad de aire inducido (se muestran imágenes de máximo = 4 luces y apagado = 1 luz).

Modo de olas

Oprima el botón de ola para iniciar la circulación del flujo de aire en los chorros desde la posición de flujo de aire máximo a cero.



Si el modo de olas no se inicia, asegúrese de que está en el modo de funcionamiento Whirlpool (las luces ubicadas inmediatamente a la izquierda del botón de los chorros deben iluminarse intensamente).

Tanto las válvulas de aire de la derecha como las de la izquierda se alternan simultáneamente desde la posición de cerrado (sin aire) a la posición de abierto.

Las luces indicadoras mostrarán el flujo a medida que pasa de mínimo a máximo. Para desactivar el modo de olas, pulse el botón (de ola).

Funcionamiento de la cromoterapia o terapia de iluminación (luz)

Oprima el botón de la luz una primera vez:

Se ENCIENDE la iluminación de color; utilice los botones ascendente y descendente para comenzar la visualización secuencial de colores o seleccionar otro color.



Oprima el botón de la luz una segunda vez:

Se ENCIENDE la iluminación blanca; utilice los botones ascendente y descendente para seleccionar la intensidad de la luz blanca.

Oprima el botón de la luz por tercera vez:

Se APAGA toda la iluminación.

Funcionamiento de la luz de color

La iluminación de color predeterminada es azul constante. Al oprimir el botón (+), se activa la visualización secuencial de colores en este orden: azul, verde azulado, verde, amarillo, anaranjado, rojo, rosado, morado y luego regresa al azul y así sucesivamente. Para detenerse en el color deseado, oprima nuevamente el botón (+). Al oprimir el botón (-), se activa la visualización secuencial de colores en este orden: azul, morado, rosado, rojo, anaranjado, amarillo, verde, verde azulado y luego regresa al azul y así sucesivamente. Para detenerse en el color deseado, oprima nuevamente el botón (-).

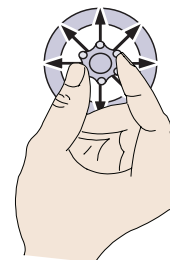
Funcionamiento de la luz blanca

Hay cinco intensidades de luz blanca. Oprima el botón (+) para aumentar la intensidad de las luces. Oprima el botón (-) para disminuir la intensidad de la luz.

Control de la dirección y del flujo Whirlpool

Dirección:

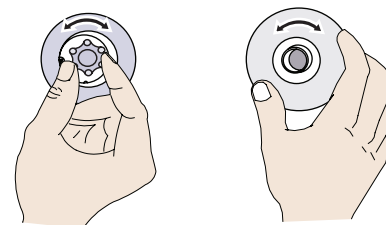
Todos los chorros Jacuzzi, excepto los giratorios para el cuello, se pueden ajustar de modo direccional. Para cambiar la dirección del flujo del agua, gire la boquilla de chorro hasta el ángulo deseado. Los chorros se pueden direccionar de forma individual hacia cualquier lugar del cuerpo para realizar un hidromasaje. Los chorros también se pueden adaptar de manera que todos apunten en la misma dirección (en sentido horario o antihorario) para hacer circular el agua con un movimiento circular alrededor de la bañera, produciendo así un efecto total de remolino.



Chorros multidireccionales

Fuerza del agua:

La mayoría de los chorros Jacuzzi está diseñada para posibilitar un ajuste del flujo. Para movimientos vigorosos, aumente la fuerza del flujo girando la boquilla, o el frente, hacia la izquierda (en sentido antihorario). Para obtener un efecto más suave, o para detener el flujo del chorro, gire la boquilla, o el frente, hacia la derecha (sentido horario).



El cierre de uno o más chorros puede aumentar la fuerza del agua en los restantes.



Los chorros giratorios para el cuello, y algunos chorros AccuPro™, no permiten regular la fuerza del agua.



Nunca ponga en funcionamiento el sistema Whirlpool con todos los chorros cerrados.

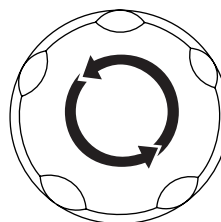
El control de la Cascada



El salto de agua sólo se puede activar cuando la bomba de hidromasaje está en funcionamiento.

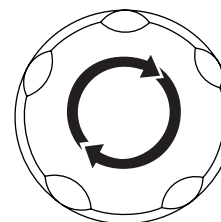
Cuanto más la perilla de control se activa la cascada en un sentido contrario a las agujas del reloj, el flujo de agua aumentará.

Encendido...



Al girar la perilla de control de cascada hacia la izquierda se encenderá la cascada

Apagado...



Al girar la perilla de control de la cascada las agujas del reloj se apagará la cascada

RapidHeat™

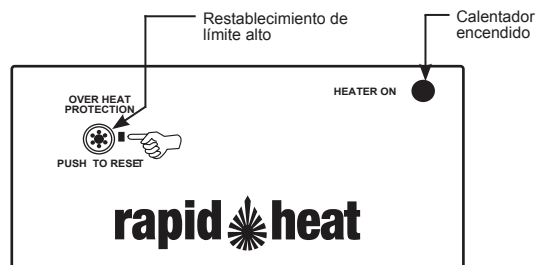
El calentador se ENCIENDE automáticamente cada vez que se activa el funcionamiento Whirlpool. El funcionamiento del calentador no se muestra en el panel de control. Hay una luz indicadora visible en el calentador que señala que el calentador está funcionando. El calentador ayudará a mantener la temperatura del agua en la bañera.

Interruptor de vacío

El calentador está equipado con un interruptor de vacío previamente configurado que impedirá que el calentador se ENCIENDA si la bomba no está funcionando y el agua no está fluyendo a través del sistema Whirlpool.

Interruptor de límite alto

El calentador incluye un interruptor de límite alto exclusivo. Este circuito de seguridad no será accionado en falso por el agua caliente del grifo. Su única función es APAGAR el calentador si falla el termostato. Para restablecerlo, oprima el botón. Si el interruptor de límite alto se acciona con frecuencia, póngase en contacto con nosotros visitando www.jacuzzi.com, o llamando al 1-800-288-4002.



Aditivos para baño

No utilice aceite o aditivos para baño a base de aceites.

Si quiere usar alguna clase de aditivo para baño, utilice sólo una pequeña cantidad de polvo de baja espuma o sustancias cristalizadas; la acción de remolino intensifica las propiedades espumantes de los jabones.

El uso de algunos aceites para baño, baños de espumas y aditivos para baño puede aumentar el nivel de acumulaciones de residuos en el sistema Whirlpool y puede provocar una falsa lectura de los sensores de nivel de agua. Si persiste el exceso de acumulaciones, deberá suspender el uso de estos productos.

Purga del sistema Whirlpool

Para eliminar la acumulación de los residuos de la bañera del sistema Whirlpool, se recomienda que limpie la bañera de hidromasajes por lo menos dos veces al mes. Sin embargo, para obtener mejores resultados, le recomendamos que limpie su bañera de hidromasajes luego de cada uso con Systems Clean™, nuestro exclusivo limpiador de dos componentes para sistemas de fontanería fabricado específicamente para bañeras de hidromasajes. Systems Clean™ se puede conseguir por medio de un distribuidor autorizado de Jacuzzi Whirlpool Bath o llamándonos directamente al 1-800-288-4002.

Mantenimiento

Para limpiar la bañera, simplemente use un detergente líquido suave no abrasivo. Puede proteger y restaurar el brillo de una superficie acrílica aplicando Mirror Glaze N.º 10 de Meguiar, un producto diseñado específicamente para uso en acabados acrílicos. Si no se puede conseguir este producto de Meguiar, utilice un compuesto de buena calidad para el lustrado de automóviles seguido de una aplicación de cera en pasta para automóviles.

Nunca utilice limpiadores abrasivos de uso doméstico en ningún producto Jacuzzi Luxury Bath.

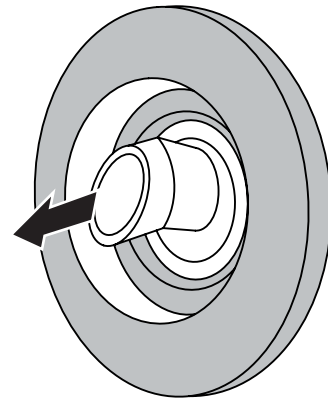
Reparación de superficies

Los rayones menores que no penetran en el acabado de color se pueden eliminar lijando suavemente con un papel de lija húmedo o seco de grano 600. Restaure el brillo con Mirror Glaze de Meguiar o con cera en pasta para automóviles. Será necesario volver a aplicar el acabado si los rayones y estrías penetran en la superficie acrílica. Llame a Jacuzzi Luxury Bath para localizar a un agente de servicio cercano a su domicilio.

Mantenimiento de los chorros giratorios

Si cabellos u otros tipos de residuos quedan atrapados en los cojinetes de estos chorros, los chorros podrían dejar de girar. Es posible que resulte necesario desarmar y eliminar los residuos.


Para ello, simplemente tome la boquilla y retírela del alojamiento del chorro. La carcasa del cojinete estará unida a la boquilla. Estos dos elementos se pueden separar sosteniendo la carcasa y empujando la boquilla para retirarla desde la parte trasera de la carcasa. Una vez terminada la limpieza, vuelva a armar e instalar los componentes.




Mantenimiento de la tapa protectora de succión y del filtro

Limpie la tapa protectora de succión y el filtro retirando el cabello y los residuos cuando sea necesario.

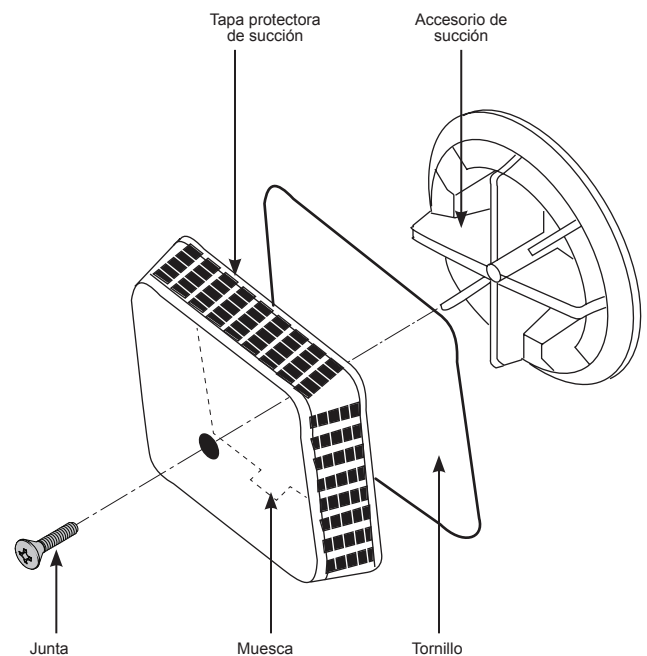
- 1 Retire el tornillo central y separe la tapa protectora de succión.
- 2 Limpie la tapa aplicando una descarga de agua inversa a los residuos desde los agujeros.
- 3 Vuelva a colocar la tapa protectora de succión inmediatamente después de la limpieza.

 Cuando la vuelva a instalar, oriente la tapa/el filtro con la pequeña muesca hacia abajo. La junta debe insertarse en la ranura de la tapa/del filtro antes de volver a instalarla en el accesorio de succión.

 Mantenga alejado el cabello a un mínimo de 6 pulgadas (152 mm) del accesorio de succión siempre que el sistema Whirlpool esté funcionando. El cabello que caiga por debajo de los hombros debe llevarse recogido o cubierto con una gorra de baño.

 No haga funcionar el sistema Whirlpool sin la placa protectora de succión/el filtro en su ubicación!

Es un dispositivo de seguridad y siempre debe estar colocado en el accesorio de succión para minimizar el riesgo posible de que el cabello o alguna parte del cuerpo queden atrapados.



Procedimientos para la resolución de problemas

PROBLEMA	CAUSAS PROBABLES	SOLUCIÓN
El motor/la bomba no enciende	El motor/la bomba no tiene suministro de energía El motor/la bomba no está enchufado/a	Reinicie el GFCI Asegure el enchufe en la toma de corriente Asegúrese de que el panel de control esté conectado a la caja de control
	Motor/bomba defectuoso/a	Comuníquese con Jacuzzi Luxury Bath al 800-288-4002.
El motor/la bomba funciona pero ningún chorro de ajuste completo está funcionando	Los chorros están cerrados	Abra los chorros girándolos en sentido horario
	La tapa protectora de succión/el filtro pueden estar atascados	Con el motor APAGADO, retire la tapa protectora de succión/el filtro y elimine los residuos. Vuelva a colocar la tapa protectora de succión antes de encender la unidad
El motor/la bomba funciona pero no se inyecta aire en el agua	Las válvulas de aire están cerradas	Abra las válvulas de control de aire
Pérdidas de agua en las uniones de la bomba	Demasiado apretado. La junta tórica puede estar mordida o mal asentada. Tensado insuficiente	Uniones sueltas. Controle y vuelva a asentar la junta tórica. Si la junta tórica está mordida y perdió su forma, reemplácela (consulte el número a continuación). Cuando ajuste las tuercas de las uniones, hágalo sólo manualmente
El motor/la bomba se desconecta solo antes de que transcurra el tiempo necesario	La protección térmica del motor desactivó el motor/la bomba debido a un sobrecalentamiento (suministro de voltaje bajo)	Deje enfriar el motor; la protección térmica se restablecerá. Asegúrese de que haya una ventilación adecuada (controle el voltaje de suministro)
	Se activó el GFCI	Reinicie el GFCI. Si continúa activándose, no utilice esta unidad.
	El cableado de alimentación eléctrica es inadecuado	Desconecte la unidad y procure que un electricista matriculado solucione el problema antes de utilizarla. Consulte a un electricista matriculado para corregir la unidad de cableado
Las luces de cromoterapia no funcionan	El conector se aflojó.	Comuníquese con Jacuzzi Luxury Bath al 800-288-4002
El generador de burbujas de aire no arranca	El motor/la bomba no tiene suministro de energía.	Reinicie el GFCI y/o el disyuntor.
	El generador de burbujas de aire no está conectado. El generador de burbujas de aire está averiado.	Asegúrese de que el enchufe esté bien colocado en la toma. Asegúrese de que el panel de control esté conectado a la caja de control. Asegúrese de que la caja de control esté conectada al panel de control. Comuníquese con Jacuzzi Luxury Bath al 800-288-4002.
El generador de burbujas de aire funciona pero NO sale aire de los orificios	Verifique que las válvulas estén fijas en la posición de cerrado.	Comuníquese con Jacuzzi Luxury Bath al 800-288-4002.
El generador de burbujas de aire funciona pero NO sale aire de todos los orificios.	La intensidad del generador de burbujas de aire no es suficiente.	Aumente la intensidad del generador de burbujas de aire. NOTA: El sistema está diseñado de manera que todos los canales de aire funcionen en el cuarto ajuste del generador de burbujas de aire.
	Los orificios de aire están obstruidos	Elimine los residuos con un palillo de dientes o un cepillo dental.
El generador de burbujas de aire se apaga de manera imprevista	Han transcurrido los 20 minutos del temporizador.	Encienda el generador de burbujas de aire. Reinicie el GFCI.
	Se activó el GFCI.	Si continúa activándose, no utilice la unidad.
	El cableado de alimentación eléctrica es inadecuado.	Consulte a un electricista matriculado para que lo arregle.
	La ventilación es inadecuada.	Comuníquese con Jacuzzi Luxury Bath al 800-288-4002.
La purga diaria no arranca a la hora especificada	La purga no está programada (configuración predeterminada en "sin purga").	Programa la purga diaria manteniendo oprimida la flecha ascendente durante 5 segundos.
La purga asistida por drenaje no arranca a los 5 minutos de haberse vaciado la bañera por completo.	Los sensores de agua no están conectados y no detectan agua cuando la bañera se está desagotando.	Comuníquese con Jacuzzi Luxury Bath al 800-288-4002
	La caja de control está averiada.	Comuníquese con Jacuzzi Luxury Bath al 800-288-4002.
El agua no mantiene la temperatura	Se activó el interruptor de límite alto en el calentador.	Oprima el botón de restablecimiento en el calentador
Cascada no funciona	Bañera de hidromasaje no funciona en	Encienda el hidromasaje
	Cascada de mando de control está en la posición OFF	Gire la perilla de control de cascada hacia la fluja hasta que el flujo de agua es a la presión deseada
	Escombros en la cascada de salida	Use un material fino, rígido y no abrasivos (es decir, tarjeta de crédito) y con cuidado deslice hacia atrás y adelante hasta que los desechos es eliminada de la apertura de la cascada



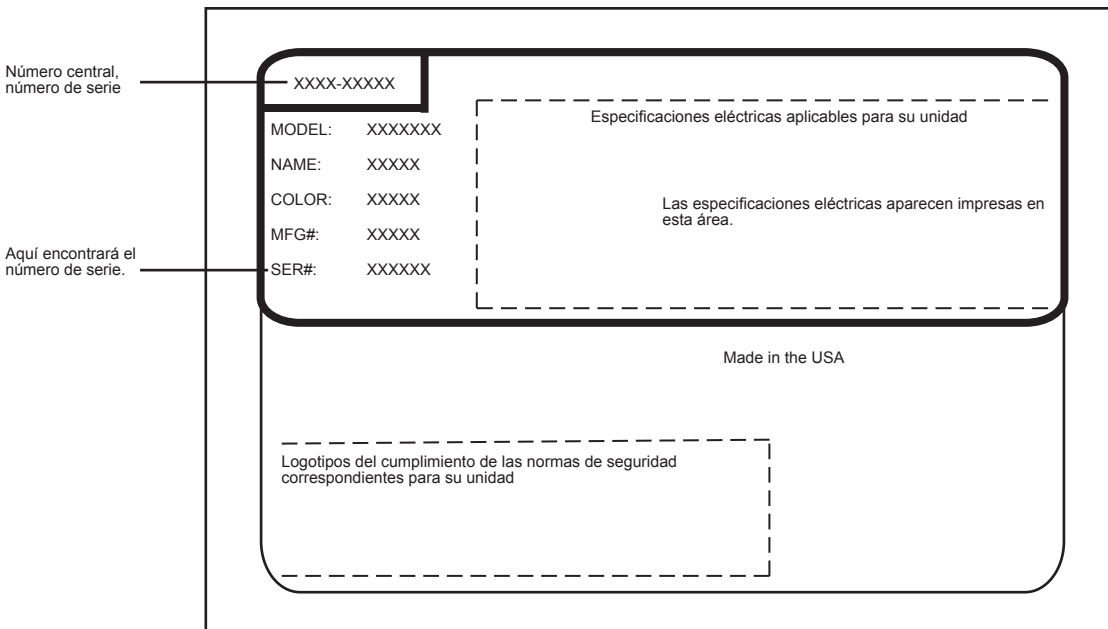
Si la unidad aún se encuentra dentro del período de la garantía, comuníquese con Asistencia de Servicio Técnico de Jacuzzi Whirlpool Bath llamando al 1-800-288-4002 y verifique el número de serie de su bañera antes de que se inicie el trabajo. El número de serie está ubicado en la placa de Especificaciones/número de serie (consulte la página siguiente).

Servicio técnico autorizado

Si necesita obtener los datos de una empresa de servicio técnico cercana a su domicilio o necesita ayuda con dudas relacionadas con el funcionamiento o mantenimiento, llame a nuestro Departamento de Asistencia de Servicio Técnico al 1-800-288-4002. Visite nuestro sitio web en <http://www.jacuzzi.com/> para conocer los productos y servicios y obtener una copia electrónica de estas Instrucciones para la instalación y el funcionamiento.

Cuando solicite un servicio o asistencia técnica, tenga a mano tanto el número de modelo como el número de serie de su unidad. Puede consultar esta información en la tarjeta de registro del producto que se proporciona junto con la unidad. Si extravió la tarjeta, puede obtener esta información en la etiqueta de especificaciones/número de serie que se encuentra en la unidad misma. La etiqueta está ubicada en la pared de la bañera cerca del motor del generador de burbujas de aire.

ETIQUETA DE ESPECIFICACIONES/NÚMERO DE SERIE



LAS ESPECIFICACIONES DEL PRODUCTO ESTÁN SUJETAS A CAMBIO SIN PREVIO AVISO.

UTILICE EL MANUAL DE ESPECIFICACIONES TÉCNICAS PROVISTO CON EL PRODUCTO.

Jacuzzi® Luxury Bath ha obtenido los listados de los códigos (normas) aplicables que suelen estar disponibles a nivel nacional para productos de este tipo. Es responsabilidad del instalador o propietario determinar el cumplimiento de los códigos locales específicos antes de instalar el producto. Jacuzzi® Luxury Bath no realiza manifestaciones ni ofrece garantías con respecto al cumplimiento de ningún código, ni será responsable de dicho cumplimiento.

Jacuzzi® Luxury Bath
 14525 Monte Vista Avenue
 Chino, California, 91710
 1-800-288-4002
www.jacuzzi.com

Garantía limitada de por vida para las bañeras de marca Jacuzzi Luxury de las Colecciones Comfort, Comfort Plus, Pure Air®, Luxury, Salon™ Spa y Pure Air® II

COBERTURA DE LA GARANTÍA

Jacuzzi Luxury Bath (la "Empresa") ofrece la siguiente garantía expresa limitada de por vida al comprador original de cualquiera de los productos Jacuzzi® Luxury Bath incluidos en las colecciones Comfort, Comfort Plus, Pure Air®, Pure Air® II y Luxury™ ("Bañera") de la Empresa que adquiera la Bañera para uso personal o residencial unifamiliar ("Usuario"): La Empresa reparará o reemplazará, a su exclusiva elección, la Bañera o su equipo conforme a los siguientes términos y condiciones. Esta garantía no tiene validez para productos de Bañera que no son de la marca fabricados por la Empresa.

GARANTÍA DE POR VIDA PARA LAS BAÑERAS

La Empresa extiende al Usuario de la Bañera una garantía intransferible limitada de por vida, que establece que el armazón mantendrá su configuración e integridad estructural y que no presentará pérdidas de agua debido a un defecto. Esta garantía cubre los defectos en el material o en la confección únicamente del armazón de la bañera y la bomba, los chorros, los controles y el generador de burbujas de aire instalados por el fabricante. Esta garantía no tiene validez para ninguno de los modelos de exhibición ni para ninguna de las opciones o los accesorios que están cubiertos por nuestra garantía limitada de noventa (90) días estipulada a continuación. La cobertura de la garantía comienza a partir de la fecha en que el Usuario compró originalmente la unidad y cuando la Empresa recibe la Tarjeta de registro de la garantía llenada en su totalidad según se describe más adelante.

GARANTÍA DE MANO DE OBRA DE 2 AÑOS PARA TODOS LOS COMPONENTES INSTALADOS DE FÁBRICA

Nuestra garantía limitada de mano de obra cubre un período de dos (2) años a partir de la fecha en que el Usuario compró originalmente la unidad y de no más de tres (3) años a partir de la fecha de fabricación. Todos los componentes instalados de fábrica (p. ej., bomba, motor, generador de burbujas de aire y conexiones de fontanería) están cubiertas por nuestra garantía de mano de obra por cualquier falla debida a defectos en los materiales y la confección.

GARANTÍA LÍMITADA DE NOVENTA DÍAS (ÚNICAMENTE PARA LAS PIEZAS) SOBRE OPCIONES Y ACCESORIOS

Nuestra garantía limitada sobre opciones y accesorios cubre piezas únicamente por un período de noventa (90) días. Nuestra garantía cubre opciones y accesorios fabricados (p. ej., drenajes, equipos de tubos de llenado, juegos de accesorios ornamentales, faldones, monitores de video, pantallas planas LCD, reproductores de CD y MP3 y otros dispositivos de música y video y calentadores opcionales) contra defectos en el material o la confección. La cobertura de la garantía entra en vigencia a partir de la fecha de compra de la opción o el accesorio por parte del Usuario. Estos artículos pueden estar cubiertos por una garantía del fabricante, la cual puede tener una mayor duración que esta garantía limitada. Confirme con el fabricante la duración de la garantía pertinente para Opciones y Accesorios.

LIMITACIONES DE LA GARANTÍA

Nuestra garantía limitada no cubre fallas, defectos ni daños causados por el transportista común, el instalador, el usuario u otras personas, mascotas o roedores ni aquellos que sean consecuencia, aunque no exclusivamente, de cualquiera de las siguientes situaciones: manipulación imprudente (incluidos levantamiento de la unidad por sus accesorios de fontanería, abrasión del acabado, etc.) que incluya su propia negligencia; modificación de cualquier tipo por cualquier motivo (incluida la modificación para cumplir con los códigos locales); instalación incorrecta (incluida la instalación no conforme a las instrucciones y especificaciones proporcionadas con la unidad); conexiones suministradas por el instalador del equipo; suministro de voltaje inadecuado o modificación eléctrica no autorizada; mal uso; operación incorrecta o falta de mantenimiento de rutina adecuado; funcionamiento de la unidad sin la cantidad mínima especificada de agua o con agua a temperatura inadecuada; uso de limpiadores abrasivos o inapropiados; o desastres naturales, como rayos, inundaciones, terremotos, etc.

Además, LA EMPRESA NO SE RESPONSABILIZARÁ DE LOS DAÑOS FORTUITOS O EMERGENTES o pérdidas originadas por cualquier causa (p. ej., daños ocasionados por el agua en alfombras, cielorraso, azulejos, mármol, pérdida de uso, etc.) que incluyan su propia negligencia; daños en, relativos a o resultantes de: piezas enchapadas cuando se utilizan productos químicos para piscinas o bañeras de hidromasajes en la unidad o condiciones de agua dura; equipos opcionales para bañeras no fabricados por la Empresa pero sí suministrados por el Distribuidor, instalador o la Empresa; uso previo de la unidad como producto exhibido en funcionamiento; o defectos que deben descubrirse antes de la instalación.

Esta garantía limitada no incluye: mano de obra, transporte ni otros costos incurridos en el retiro y/o la reinstalación de la unidad original y/o la instalación de una unidad de reemplazo; ningún costo relacionado con la obtención de accesos para efectuar reparaciones; o daños por pérdida de uso, incluida la pérdida de ventas, lucro cesante o pérdida de ventaja comercial de cualquier tipo en cualquier circunstancia. Las bañeras están excluidas de cualquier cobertura de garantía si se ha realizado alguna adición, eliminación o modificación de cualquier tipo en la unidad (o en cualquiera de los componentes). La cobertura de la garantía se brinda exclusivamente en los Estados Unidos de América y Canadá.

EXCLUSIÓN DE GARANTÍAS IMPLÍCITAS

LAS GARANTÍAS IMPLÍCITAS DE COMERCIABILIDAD Y APTITUD PARA UN FIN ESPECÍFICO QUEDAN EXCLUIDAS EN SU TOTALIDAD O EN LA MÁXIMA MEDIDA PERMITIDA POR LA LEY.

AVISO: La presente garantía le otorga derechos legales específicos, y es posible que usted goce de otros derechos que varían de un estado a otro. No existen garantías que se apliquen a los productos Jacuzzi Luxury Bath excepto las estipuladas expresamente en la presente o las implícitas en las leyes estatales y federales pertinentes. La Empresa no será responsable de ninguna declaración o manifestación realizada en cualquier forma que sobrepase, exceda o resulte contraria a cualquier material publicado autorizado o las especificaciones entregadas por la Empresa. Algunos estados no permiten las limitaciones a la duración de una garantía implícita ni la exclusión o limitación de daños fortuitos o emergentes, de modo que es posible que las limitaciones y exclusiones mencionadas no se apliquen a su caso.

Luxury Bath by Jacuzzi®
HD91000



Jacuzzi® Luxury Bath
14525 Monte Vista Avenue
Chino, California 91710

DEVOLUCIÓN DE LA TARJETA DE REGISTRO DE LA GARANTÍA

Para registrar su producto, ingrese en nuestro sitio web Jacuzzi.com, haga clic en Bath and Showers (Bañeras y duchas) y luego seleccione ONLINE WARRANTY REGISTRATION (REGISTRO DE LA GARANTÍA EN LÍNEA) en la parte superior de página. Se le pedirá que ingrese el número de serie de su producto y, a continuación, la información de registro de la garantía. También puede completar el registro que se encuentra abajo y enviarlo por correo a Jacuzzi a la dirección indicada a continuación.

Para que esta garantía entre en vigencia, el comprador DEBE llenar el Registro de la garantía que se adjunta en un plazo de treinta (30) días a partir de la compra, y Jacuzzi Luxury Bath debe recibirlo.

RESPONSABILIDADES DE TERCEROS

La inspección de la unidad antes de la instalación es responsabilidad del instalador o el contratista de obra que actúa en representación del Usuario. Estos terceros son responsables de verificar que la unidad no presente defectos ni daños. Hay avisos colocados en la unidad y en la caja de envío en los que se informa al instalador acerca de esta responsabilidad. En caso de producirse un problema, no se debe instalar la unidad. La Empresa no se responsabiliza de las fallas o los daños que podrían haberse descubierto, reparado o evitado mediante una inspección y pruebas adecuadas (incluida la prueba de agua correspondiente) antes de la instalación. Los daños ocurridos durante el transporte son responsabilidad del transportista. El Usuario o instalador DEBE abrir la caja e inspeccionar la unidad para verificar que no tenga daños al momento de la entrega. Si se descubre algún daño, inmediatamente debe informarse por escrito al vendedor y al transportista y solicitar una inspección. Si el transportista no responde, se debe informar al vendedor y al transportista. Sus reclamos de flete deben presentarse sin demoras después de eso. Los daños ocasionados en la unidad durante la instalación son responsabilidad del instalador y/o contratista de obra, y los daños ocasionados posteriormente son responsabilidad del usuario. Las fallas de cualquier equipo opcional son responsabilidad exclusiva del fabricante del equipo, excepto por lo estipulado anteriormente, y no se extenderá ni aplicará a ninguna pieza de reemplazo para las Opciones y Accesorios. Todas las piezas de reemplazo estarán cubiertas por el fabricante del equipo original. El Distribuidor o Vendedor es responsable de conocer los requisitos de los códigos locales y de notificar estos requisitos al contratista instalador y/o al Usuario al momento de la compra. La Empresa no es responsable de los costos incurridos para la modificación de algún producto con el fin de obtener la aprobación de los códigos, como los códigos de construcción de la ciudad, el condado o el estado en los EE. UU. o los códigos municipales o provinciales en Canadá.

SERVICIO DE GARANTÍA

Para beneficio del cliente, la Empresa mantiene una lista de personal de servicio técnico independiente para efectuar las reparaciones requeridas del servicio de garantía. Estas empresas no son agentes ni representantes de la Empresa ni pueden obligar a la Empresa mediante palabras o proceder.

La Empresa proporcionará el servicio de garantía antes descrito siempre que se cumplan las siguientes condiciones: la falla es de la naturaleza o del tipo cubierto por la garantía; el Usuario ha informado a un Agente de Servicio Autorizado de Jacuzzi Luxury Bath o a un Representante del Departamento de Servicio de Garantía acerca de la naturaleza del problema durante el período de la garantía; el usuario entrega a dicho agente o representante pruebas concluyentes (p. ej., comprobante de compra o instalación) que demuestran que la falla ocurrió o se descubrió dentro del período de la garantía; se le ha permitido a una persona del servicio técnico independiente autorizado o un representante de la Empresa inspeccionar la unidad en horario comercial normal dentro de un tiempo razonable después de que el Usuario informó sobre el problema. A fin de obtener servicio de garantía, comuníquese con Jacuzzi Luxury Bath al:

jacuzzi.com
or
Warranty Service Department
14525 Monte Vista Avenue
Chino, California 91710
Call: 1-(800) 288-4002

Para obtener un reemplazo cubierto por la garantía de componentes instalados de fábrica para las opciones y los accesorios proporcionados y fabricados por la Empresa, llame al teléfono o escriba a la dirección que se indican arriba. Brinde una descripción del problema y un comprobante de compra. Se le indicará cómo obtener los reemplazos y dónde devolver, a su cargo, el/los componente/s, la/s opción/opciones o el/los accesorio/s fallado/s.

Todas las piezas y los equipos de reemplazo y las reparaciones asumirán lo que quede del período de la garantía de la/s pieza/s reemplazada/s.

La obligación de la Empresa con relación a la garantía finalizará con la oferta de reemplazo o reparación. La negativa del cliente a aceptar la oferta deja sin efecto la obligación de la Empresa con relación a la garantía.

Garantía limitada de noventa días únicamente para piezas sobre accesorio(s)

Garantía limitada de noventa días únicamente para piezas sobre accesorio(s)

Para que esta garantía entre en vigencia, visite nuestro sitio web en www.jacuzzi.com o llene esta tarjeta y envíela por correo a la dirección impresa al dorso dentro de los treinta (30) días a partir de la fecha de compra.

Nombre del comprador _____
Dirección del comprador _____
Ciudad _____ Estado _____ Código postal _____
Fecha de compra _____
Nombre del modelo _____
Número de serie _____
Nombre del distribuidor _____
Dirección del distribuidor _____

- ¿Cómo se enteró por primera vez de este producto Jacuzzi?
 - Anuncio publicitario Artículo en revista/perifoneo
 - Visitó al distribuidor/proveedor de instalaciones sanitarias
 - Páginas amarillas
 - Constructor/fontanero/remodelador Decorador/arquitecto
 - Visitó tienda minorista de artículos para el hogar
 - Referido por otros... Amigo/partiente/conocido
 - Otro (Describa) _____
- ¿Quién fue el primero en darle información específica sobre este producto (especificaciones, precios, etc.)?
 - Distribuidor/proveedor de instalaciones sanitarias Constructor remodelador
 - Contratista de fontanería Tienda minorista de artículos para el hogar
- ¿Cuál fue el principal motivo para la compra?
 - Esilio Servicio de garantía Características del producto
 - Marca Precio Hidroterapia
 - Reventa de la casa _____
 - Otro _____
- ¿Quién tomó la decisión final de qué producto comprar?
 - Usted mismo Conyuge Usted y su conyuge
 - Otro miembro de la familia Diseñador/arquitecto
 - Constructor/fontanero/remodelador Ya estaba instalado
- ¿Quién lo instaló? () Ya estaba instalado/casa nueva
 - Contratista/fontanero durante la remodelación
 - Usted/conyuge durante la remodelación
 - Otro _____
- ¿Cuál es el valor de mercado actual de esta propiedad?
 - Estime en \$ _____ años
- ¿Qué edad tiene el jefe de familia? _____ años
- ¿Qué otros fabricantes tuvieron en cuenta?
 - Eijer Lasco Price Pfister Aqua Glass
 - Kohler American Standard Sterling
- Otro (especifique) _____
- ¿Cuánto tiempo estuvo buscando antes de comprar la unidad?
 - 1 día de 2 a 6 meses
 - de 2 a 7 días de 6 meses a 1 año
 - de 1 a 2 semanas de 1 a 2 años
 - de 2 a 4 semanas más de 2 años
 - de 1 a 2 meses
- Aproximadamente, ¿cuánto tiempo lleva viviendo en esta casa?
 - Hasta \$24,999 de \$50,000 a \$74,999
 - De \$25,000 a \$29,999 de \$75,000 a \$99,999
 - De \$30,000 a \$39,999 de \$100,000 a \$149,999
 - De \$40,000 a \$49,999 más de \$150,000
- ¿Cómo fue el proceso de compra?
 - Muy fácil Fácil Difícil Muy difícil
- Desde el punto de vista técnico, ¿cuánto conoció usted sobre el sistema de chorros Jacuzzi® patentado antes de realizar la compra?
 - No conocía nada Conocía algo Conocía mucho



**TARJETA DE REGIS-
TRO DE LA GARANTÍA**

JACUZZI LUXURY BATH
HD91000



**SÉRIE DE BAIGNOIRES
SALON™ SPA**

DIRECTIVES D'INSTALLATION ET D'UTILISATION

Jacuzzi® Luxury Bath

14525 Monte Vista Avenue
Chino, CA 91710
1-800-288-4002
www.jacuzzi.com

Contenu

Contenu	54
Product Information	54
Directives de sécurité	55
Instrucciones de seguridad operacional	56
Inspection et essai	57
Cadrage	58
Matériau spécifique à Fuzion™	60
Connexions électriques	62
Installation par le dessus	64
Installation en dessous	66
Nettoyage	66
Renseignements généraux sur l'utilisation	67
Fonctionnement du ventilateur	67
Purge des canaux d'air	69
Fonctionnement du bain tourbillon	70
Contrôle de la direction et du débit du bain tourbillon	71
Vidange du système du bain tourbillon	72
Additifs pour baignoire	72
Entretien	73
Procédures de dépannage	74
Service autorisé	75
Garantie	76

Product Information


Conservez ces directives pour utilisation ultérieure. Utilisez le formulaire ci-dessous pour noter votre modèle et numéro de série pour consultation future.

Date d'achat _____

Acheté chez _____

Installé par _____

Numéro de série _____

Modèle _____

Installateur : laissez le manuel au propriétaire.

Propriétaire : lisez ce manuel et gardez-le pour consultation future.

Directives de sécurité

DIRECTIVES RELATIVES AUX RISQUES D'INCENDIE, D'ÉLECTROCUTION OU DE BLESSURES.

Il s'agit d'un produit de qualité professionnelle. Des connaissances relatives aux techniques de construction, de plomberie et d'installation électrique conformes aux codes sont requises pour effectuer une installation adéquate à la satisfaction de l'utilisateur. Nous vous recommandons d'obtenir les services d'un entrepreneur agréé pour effectuer l'installation des produits Jacuzzi® Luxury Bath. Notre garantie ne couvre pas les problèmes causés par une mauvaise installation.



MISE EN GARDE :

Des mesures de sécurité de base doivent toujours être prises lors de l'utilisation de cet appareil, y compris

- **LEA Y SIGA TODAS LAS INSTRUCCIONES. CONSERVE ESTAS INSTRUCCIONES.**

- Utilisez cette unité seulement pour son utilisation prévue qui est décrite dans ce manuel. N'utilisez pas des accessoires qui ne sont pas recommandés par le fabricant.
- Ne déposez ou n'insérez jamais des objets dans les ouvertures.



AVERTISSEMENT :

RISQUE DE BLESSURE ACCIDENTELLE OU DE NOYADE!

Ne laissez pas les enfants utiliser cette unité à moins qu'ils ne soient étroitement surveillés en tout temps. N'utilisez pas la baignoire d'hydromassage sans que tous les gardes à ventouse soient installés pour prévenir les accidents dus à la prise de cheveux ou des membres. Ne faites jamais fonctionner la baignoire d'hydromassage si le couvercle de succion est brisé, endommagé ou manquant.



DANGER :

RISQUE DE BLESSURE GRAVE CAUSÉE PAR UNE DÉCHARGE ÉLECTRIQUE OU DE DÉCÈS PAR ÉLECTROCUTION !

Cet appareil ne doit être relié qu'à un circuit d'alimentation protégé par un disjoncteur détecteur de fuite à la terre (DDFT) de 15 ampères. Un tel disjoncteur doit être fourni par l'installateur et doit être vérifié sur une base régulière. Pour vérifier le disjoncteur, enfoncez le bouton d'essai. Le disjoncteur devrait interrompre le courant. Appuyez sur le bouton de réinitialisation. Le courant devrait être rétabli. Si le disjoncteur ne fonctionne pas de cette façon, il est défectueux. Si le disjoncteur interrompt le courant vers la baignoire sans devoir enfoncer le bouton d'essai, il y a un courant mis à la terre qui circule, indiquant la possibilité d'une décharge électrique. N'utilisez pas cette baignoire d'hydromassage. Débranchez la baignoire d'hydromassage et faites réparer le problème par un représentant de service qualifié avant de l'utiliser à nouveau.



AVERTISSEMENT :

RISQUE DE DÉCHARGE ÉLECTRIQUE !

Ne reliez l'appareil qu'à un circuit protégé par un disjoncteur détecteur de fuite à la terre (DDFT). (Pour les unités reliées de façon permanente) une borne verte (ou un connecteur de fil) marquée « G », « GR », « GROUND » ou « GROUNDING » est fournie dans le compartiment des bornes. Pour réduire le risque de décharge électrique, reliez la borne ou le connecteur à la borne de mise à la terre de votre service électrique ou panneau d'alimentation avec un conducteur de taille équivalente aux conducteurs du circuit alimentant l'équipement.



MISE EN GARDE :

Cet équipement est conçu pour être utilisé à l'intérieur seulement. Installez l'équipement en respectant ces directives. Utilisez des fils d'alimentation appropriés pour une température de 75 °C (167 °F), y compris la température nominale des conducteurs d'alimentation devant être utilisés. Cette unité doit être mise à la terre électriquement et installée par un entrepreneur, un électricien et un plombier agréés. Les matériaux de construction et le câblage doivent être acheminés loin du moteur/de la pompe ou du ventilateur ou des autres composants de cette unité produisant de la chaleur. Un connecteur de fil à pression est fourni à l'extérieur du moteur/de la pompe et de l'appareil de chauffage pour permettre la connexion d'un conducteur de mise à la masse en cuivre massif n° 8 AWG entre cette unité et tout autre équipement électrique et métal exposé dans les environs, au besoin pour se conformer aux exigences locales.

Instrucciones importantes de seguridad de la Asociación de Normas Canadienses (sólo para modelos canadienses)



Cuando utilice este equipo eléctrico, siempre debe tomar las precauciones de seguridad básicas, que incluyen las siguientes:

1. ADVERTENCIA: RIESGO DE LESIONES ACCIDENTALES O AHOGAMIENTO. LOS NIÑOS NO DEBEN UTILIZAR BAÑERAS DE HIDROMASAJE SIN LA SUPERVISIÓN DE UN ADULTO. BAÑERA DE HIDROMASAJE CON CALENTADOR.
2. ADVERTENCIA: RIESGO DE LESIONES ACCIDENTALES O AHOGAMIENTO. NO UTILICE LA BAÑERA DE HIDROMASAJE A MENOS QUE TODAS LAS TAPAS PROTECTORAS DE SUCCIÓN ESTÉN INSTALADAS PARA EVITAR QUE EL CABELLO O PARTES DEL CUERPO QUEDEN ATRAPADOS.
3. ADVERTENCIA: PARA EVITAR LESIONES, TENGA CUIDADO AL ENTRAR O SALIR DE LA BAÑERA DE HIDROMASAJE.
4. ADVERTENCIA: RIESGO DE LESIONES ACCIDENTALES O AHOGAMIENTO. NO UTILICE DROGAS O ALCOHOL ANTES O DURANTE LA UTILIZACIÓN DE UNA BAÑERA DE HIDROMASAJE CON CALENTADOR PARA EVITAR LA PÉRDIDA DEL CONOCIMIENTO Y UN POSIBLE AHOGAMIENTO.
5. ADVERTENCIA: RIESGO DE LESIÓN FETAL. LAS MUJERES EMBARAZADAS O CON POSIBILIDAD DE EMBARAZO DEBEN CONSULTAR A UN MÉDICO ANTES DE UTILIZAR UNA BAÑERA DE HIDROMASAJE CON CALENTADOR.
6. ADVERTENCIA: RIESGO DE HIPERTEMIYA Y POSIBLE AHOGAMIENTO: NO UTILICE UNA BAÑERA DE HIDROMASAJE CON CALENTADOR INMEDIATAMENTE DESPUÉS DE REALIZAR EJERCICIOS FÍSICOS EXTENUANTES.
7. CONSERVE ESTAS INSTRUCCIONES.

Instrucciones de seguridad operacional


AVERTISSEMENT :
RISQUE D'HYPOTHERMIE ET DE NOYADE !

N'utilisez pas une baignoire d'hydromassage munie d'un appareil de chauffage immédiatement après avoir fait des exercices vigoureux.


ADVERTENCIA:
RIESGO DE DESCARGA ELÉCTRICA

- Ne permettez pas les appareils électriques (comme les sèche-cheveux, les lampes, les téléphones, les radios ou les téléviseurs) à une distance de moins de 1,5 m (60 po) de cette baignoire d'hydromassage.
- Ne faites pas fonctionner le système d'hydromassage à moins que la baignoire ne soit remplie d'eau jusqu'à une distance d'au moins 2,5 à 5 cm (1 à 2 po) au-dessus du trou d'air le plus élevé.
- N'immergez pas le panneau de commande en remplissant la baignoire de façon excessive.
- Pour nettoyer votre baignoire, n'utilisez pas de substances abrasives qui endommageront la surface de la baignoire.
- Pour éviter la décoloration du fini en acrylique, ne remplissez pas la baignoire avec de l'eau dont la température dépasse 60 °C (140 °F).


AVERTISSEMENT :
UNE IMMERSION PROLONGÉE DANS DE L'EAU CHAUDE PEUT ENTRAÎNER L'HYPERTHERMIE !

L'hyperthermie survient lorsque la température interne du corps dépasse de plusieurs degrés la température normale du corps de 37 °C (98,6 °F). Les symptômes de l'hyperthermie comprennent une augmentation de la température interne du corps, des étourdissements, la léthargie, la somnolence et l'évanouissement. Les effets de l'hyperthermie comprennent :

- A. l'omission de percevoir la chaleur;
- B. ne pas reconnaître la nécessité de sortir de la baignoire;
- C. l'ignorance des dangers imminents;
- D. des dommages fœtaux pour les femmes enceintes;
- E. l'incapacité physique de sortir de la baignoire;
- F. l'évanouissement entraînant le danger de noyade.


AVERTISSEMENT :
RISQUE DE BLESSURE FŒTALE !

Les femmes enceintes ou possiblement enceintes doivent consulter un médecin avant d'utiliser une baignoire d'hydromassage munie d'un appareil de chauffage.


AVERTISSEMENT :

L'usage d'alcool, de narcotiques ou de médicaments peut grandement augmenter le risque de décès par hyperthermie. Les gens qui prennent des médicaments ou qui ont des antécédents médicaux néfastes doivent consulter un médecin avant d'utiliser une baignoire d'hydromassage munie d'un appareil de chauffage.


AVERTISSEMENT :

Ne falsifiez pas les commandes actionnées par l'utilisateur ou les dispositifs similaires.


AVERTISSEMENT :

Utilisez cette unité seulement pour son utilisation prévue qui est décrite dans ce manuel. N'utilisez pas des accessoires qui ne sont pas recommandés par le fabricant.


AVERTISSEMENT :

Pour éviter les accidents, soyez prudents en entrant et en sortant de la baignoire d'hydromassage.


AVERTISSEMENT :

N'utilisez pas la baignoire d'hydromassage sans que tous les gardes à ventouse soient installés pour prévenir les accidents dus à la prise de cheveux ou des membres. Ne faites jamais fonctionner la baignoire à hydromassage si le couvercle de succion est brisé, endommagé ou manquant.


AVERTISSEMENT :

Une température d'eau excédant 40 °C (104 °F) peut produire des effets physiologiques dangereux. Vérifiez et ajustez la température de l'eau avant l'utilisation.


MISE EN GARDE :

Vérifiez périodiquement le disjoncteur de fuite de terre protégeant cet appareil conformément aux directives du fabricant.


IMPORTANT:

Lisez toutes les directives fournies dans ce manuel avant de commencer l'installation.

L'entreprise a obtenu les classifications de code (normes) applicables habituellement offertes à l'échelle nationale pour les produits de ce type. L'installateur/le propriétaire doivent déterminer la conformité au code local précis avant d'installer le produit. L'entreprise n'effectue aucune représentation ou garantie relatives à la conformité au code et elle ne sera pas responsable de cette dernière. Les spécifications du produit peuvent être modifiées sans préavis.

Inspection et essai

Inspection visuelle

- 1 Retirez la baignoire de la boîte d'expédition. Faites attention de ne pas égratigner la surface de la baignoire sur les agrafes exposées. Retirez les agrafes ou pliez-les sur la boîte. Conservez la boîte jusqu'à ce que vous ayez effectué une inspection satisfaisante du produit. Ne soulevez jamais la baignoire par la plomberie; manipulez-la par la coquille seulement.
- 2 Examinez la coquille et les composants de la baignoire. Si l'inspection révèle des dommages ou des défauts dans le fini ou des dommages visibles à l'un ou l'autre des composants, n'installez pas la baignoire. Les dommages ou les défauts au fini réclamés après l'installation de la baignoire sont exclus de la garantie. La responsabilité de Jacuzzi Luxury Bath quant aux dommages causés par l'expédition prend fin au moment de la livraison au transporteur de produits en bon état.
- 3 Communiquez avec le transporteur pour toute réclamation pour des dommages. Pour obtenir des détails sur la couverture et les limites de la garantie, reportez-vous aux renseignements sur la garantie publiés et emballés avec le produit ou à ceux qui se trouvent à la fin de ce manuel.

Essai d'eau et de fonctionnement de la baignoire

Toutes les baignoires sont testées en usine avant d'être expédiées pour assurer leur fonctionnement adéquat et l'étanchéité des connexions. Cependant, l'unité doit être testée à nouveau par l'installateur avant l'installation. Jacuzzi Luxury Bath n'est pas responsable des défauts qui auraient pu être découverts, réparés ou évités en effectuant cette inspection et procédure d'essai :

- 1 Placez la baignoire sur une surface de niveau près d'une l'alimentation électrique appropriée, d'une alimentation en eau et d'une évacuation d'eau. Une voie d'accès pour autos est un bon endroit.
- 2 Scellez le trou d'évacuation et de trop-plein avec du ruban ou un bouchon et remplissez la baignoire jusqu'à la partie inférieure du trou de trop-plein.
- 3 Laissez la baignoire reposer pendant cinq minutes.
- 4 Branchez le ventilateur et mettez l'unité en marche. Confirmez que toutes les caractéristiques fonctionnent selon leur description dans la section Utilisation de ce manuel. N'installez pas la baignoire si elle ne fonctionne pas correctement.
- 5 Examinez tous les joints pour vous assurer qu'ils ne fuient pas. N'installez pas la baignoire si vous découvrez des fuites.
- 6 Remettez la baignoire dans la boîte ou protégez-la des dommages jusqu'au moment de l'installation.

Cadrage

Un manuel de spécifications techniques est offert avec votre baignoire. Le manuel de spécifications techniques comprend des renseignements utiles concernant votre produit Jacuzzi Luxury Bath. Localisez le manuel de spécifications techniques.

Encadrez l'espace où sera installée la baignoire. Considérez les éléments suivants lors de la préparation de la zone :

- Les dimensions fournies sur les diagrammes de disposition des tuyaux sont nominales. Mesurez votre unité dès sa réception et effectuez le cadre en fonction des dimensions réelles.
- La structure du plancher sous la baignoire doit être capable de soutenir le poids total de la baignoire, de l'eau et du baigneur.
- L'unité doit être soutenue par le dessous de la baignoire et non par le rebord de la baignoire. Pour les installations par le dessus, n'oubliez pas l'épaisseur du matériau en périphérie et du matériau de finition (marbre, carreaux, etc.).
- Assurez-vous que le rebord s'appuiera sur une surface de niveau.
- En vertu du code, vous devez fournir un accès vers le ventilateur de votre modèle précis. Des emplacements d'accès de service principaux sont illustrés dans les diagrammes de disposition des tuyaux se trouvant dans le manuel de spécifications techniques. La figure 1 indique les emplacements d'accès commun.



L'installateur, l'entrepreneur ou le propriétaire doivent fournir un accès pour le service. Jacuzzi n'est pas responsable des frais encourus pour obtenir l'accès en cas de réparation. Le propriétaire sera responsable de tels frais et, le cas échéant, doit alors demander un recouvrement à l'installateur.

- Prévoyez une ventilation adéquate pour le refroidissement et fournissez suffisamment d'air au ventilateur et au bloc pompe/moteur. N'isolez pas autour de l'équipement.
- Votre baignoire peut avoir des pièces de ventilateur/moteur qui se prolongent au-delà du rebord de la baignoire. Reportez-vous aux diagrammes de disposition des tuyaux dans le paquet de garantie et effectuez le cadrage correctement en conséquence.

Emplacements d'accès communs

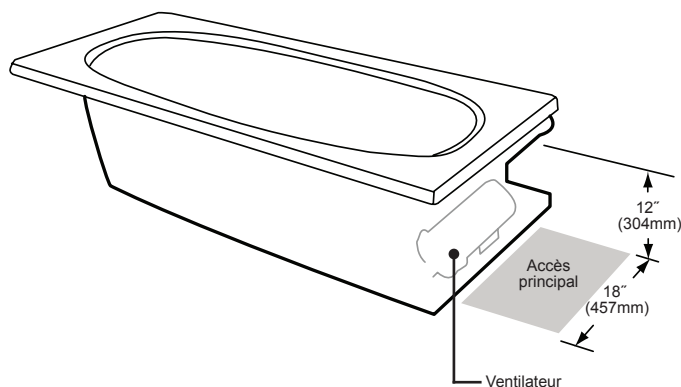
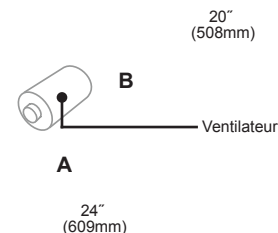


Figure 1



A = accès principal

B = accès secondaire pour l'équipement (en option)

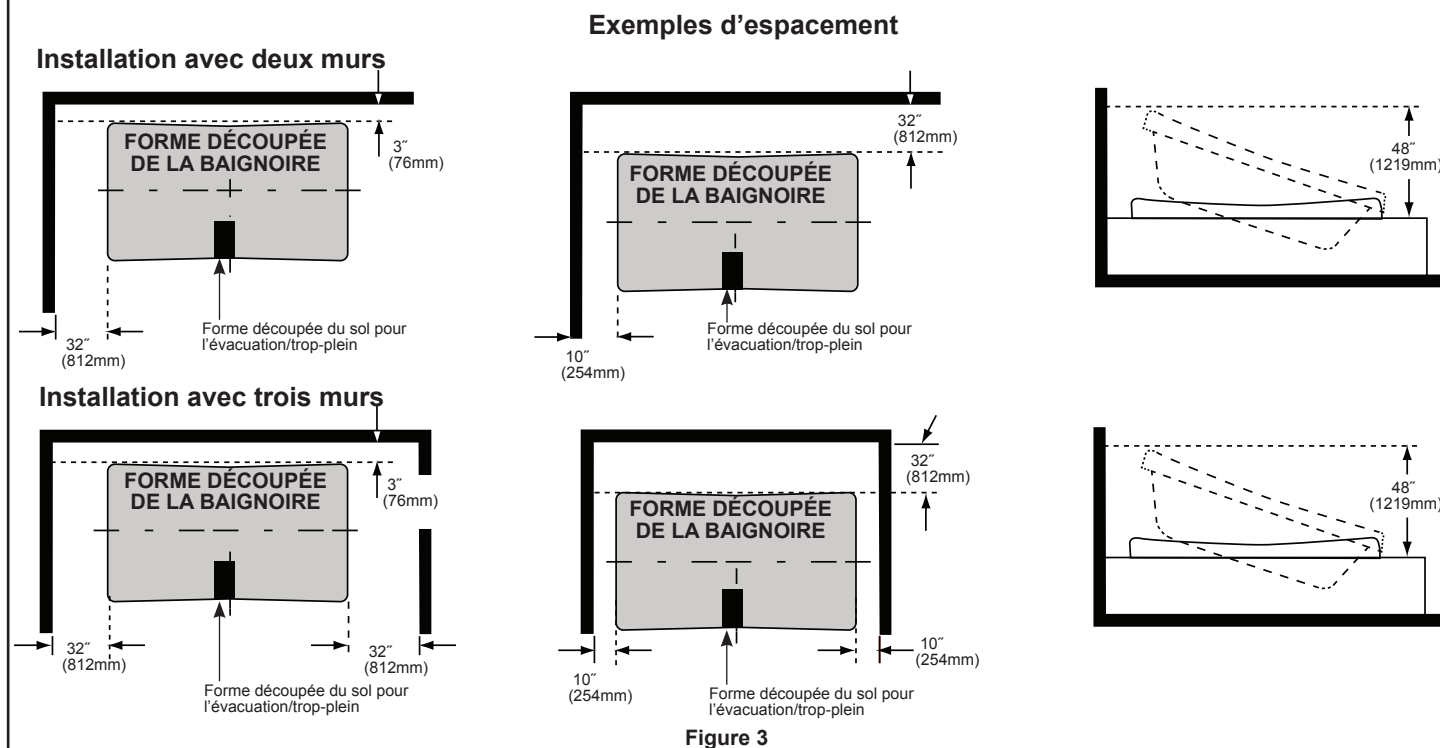


L'accès à une unité gauche se trouve du côté opposé (miroir).

Figure 2

Cadrage (suite)

- Pour s'assurer que l'installateur a de l'espace pour se déplacer et installer la baignoire, allouez suffisamment d'espace au mur et au plafond (figure 3).



Sous-plancher

Préparez le sous-plancher pour l'évacuation et assurez-vous que la zone est de niveau.

- 1 L'évacuation/trop-plein de la baignoire se prolonge sous le fond de la baignoire. Dans le manuel de spécifications techniques, identifiez le dessin qui correspond à votre baignoire.
- 2 Effectuez les coupes appropriées dans le sous-plancher pour accommoder l'évacuation.
- 3 La base Tru-Level™ de Jacuzzi est une caractéristique standard sur toutes les baignoires. Si le sous-plancher est une surface continue de niveau, aucune autre préparation n'est requise. Procédez à la section « Installation ».
- 4 Si le sous-plancher n'est pas au niveau, vous devez niveler la surface au complet avant d'installer la baignoire. Les matériaux utilisés permettront de vous assurer que la baignoire est soutenue par le fond. Ces matériaux sont : composé de nivellement, mortier, plâtre ou mousse structurale à expansion minimale (avec une densité d'au moins 80 kg/m³). La baignoire doit demeurer de niveau afin qu'elle s'évacue correctement et elle doit être en contact avec le matériau de nivellement. Les deux côtés d'un joint ou d'une épaisseur d'un sous-plancher doivent être au même niveau.

Matériau spécifique à Fuzion™

Les caractéristiques supplémentaires de conception de Fuzion™ exigent que les étapes suivantes soient terminées avant l'installation de la baignoire dans la périphérie construite. Les étapes suivantes doivent aussi être terminées dans l'ordre précisé :

- Installation de l'évacuation/du trop-plein Fuzion™
- Installation du cadre en bois Fuzion™
- Installation du panneau de commande Fuzion™

Installation du robinet Fuzion™

⚠ Sélection d'un robinet pour montage sur le rebord : l'épaisseur combinée du rebord de la coquille de la baignoire et du support en bois est de 5 cm (2 po). La longueur de la (des) pièce(s) de raccordement du robinet doit être suffisante pour se prolonger au-delà de cette dimension et avoir assez d'espace pour assembler la quincaillerie (comme les écrous de blocage, les raccords d'alimentation en eau, etc.) nécessaire pour l'installation. Pour les unités montées en dessous, l'épaisseur combinée de la coquille de la baignoire est de 1,2 cm (½ po) et le support de montage en dessous ne doit pas dépasser la longueur de la (des) pièce(s) de raccordement du robinet, y compris la quincaillerie d'assemblage.

Installation de l'évacuation du trop-plein Fuzion™

⚠ Assemblez conformément aux codes locaux de plomberie et de construction.

- 1 Identifiez la trousse d'évacuation du trop-plein fournie avec votre baignoire. Retirez et ouvrez le paquet de l'évacuation et confirmez qu'il ne manque pas de pièces.
- 2 Retirez les rondelles et les écrous du raccord de trop-plein.
- 3 Placez un petit boudin de mastic de plombier, de silicone ou d'agent d'étanchéité similaire approuvé autour de la partie inférieure de la bride supérieure du raccord de trop-plein.
- 4 Placez le raccord de trop-plein dans le trou de trop-plein de la baignoire (figure 4).
- 5 Sous l'unité, placez la rondelle en caoutchouc, puis l'écrou de blocage sur le raccord de trop-plein, puis serrez fermement. Prenez soin de ne pas trop serrer.
- 6 Assemblez le reste des pièces de l'évacuation comme dans l'illustration.
- 7 Une fois l'évacuation complètement installée, vérifiez que l'eau s'évacue correctement. Si l'unité ne s'évacue pas correctement, rectifiez le problème avant de continuer l'installation de la baignoire.

⚠ L'installateur est responsable de l'étanchéité de l'installation de l'évacuation et du trop-plein. Toute fuite de l'évacuation est exclue de la garantie Jacuzzi Luxury Bath de ce produit.

⚠ EN OPTION – si le cadre en bois Fuzion™ n'est pas utilisé, veuillez passer à l'étape 2 dans la section Installation en dessous.

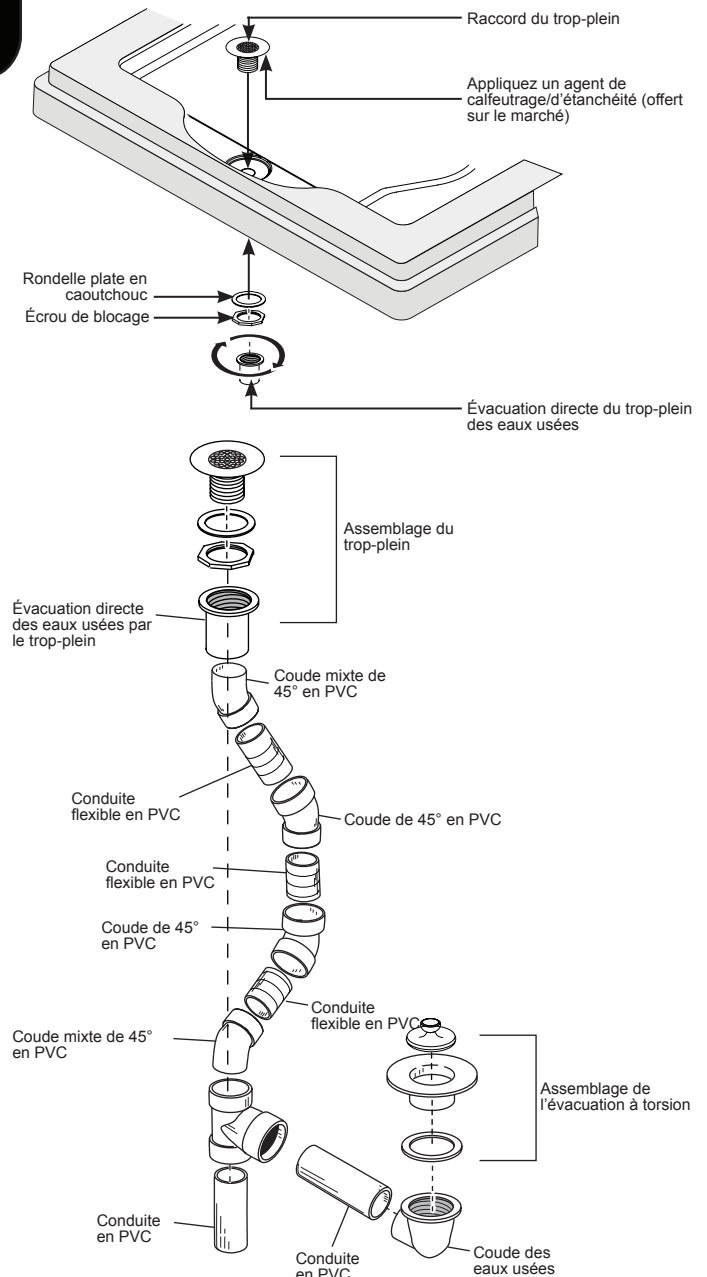


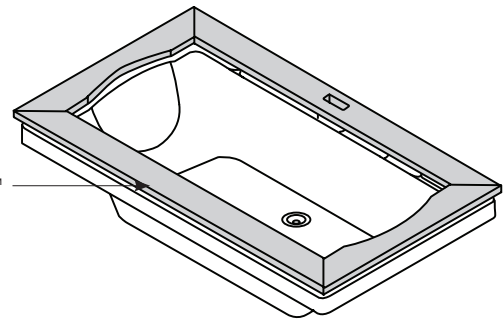
Figure 4 - Overflow Installation

Installation du cadre Fuzion™



Si vous installez une baignoire Fuzion™ avec un cadre accessoire, veuillez vous reporter au guide d'installation du cadre Fuzion™ (n° GL44000) avant de continuer. Terminez l'installation et les étapes d'assemblage conformément au guide d'installation du cadre Fuzion™.

Cadre Fuzion™



Installation du panneau de commande Fuzion™



Les formes découpées suivantes doivent être propres et libres de toute saleté et de tout adhésif :

- forme découpée du panneau de commande dans le cadre en bois assemblé;
- forme découpée du panneau de commande dans le comptoir assemblé;
- forme découpée du panneau de commande dans la baignoire.

1 Insérez le(s) connecteur(s) de fil à l'arrière du panneau de commande (figure 4).

2 Appliquez une petite quantité d'adhésif autour de la base du panneau de commande (figure 5).

3 Acheminez le fil dans la forme découpée jusqu'à la boîte de commande.

4 Orientez le panneau de commande de la façon suivante : le logo doit se trouver du côté droit du panneau de commande J4 lorsque vous êtes assis dans la baignoire (le bouton de mise en marche sera du côté droit du panneau de commande ACL J5).

5 Abaissez le panneau de commande dans la forme découpée et appuyez fermement pour incruster l'adhésif (figure 6).

6 Reliez le fil à la boîte de commande.

7 passer à l'étape 3 dans la section Installation par le dessus.

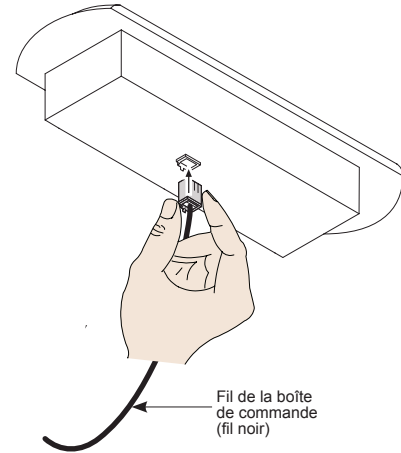


Figure 5 - panneau de commande

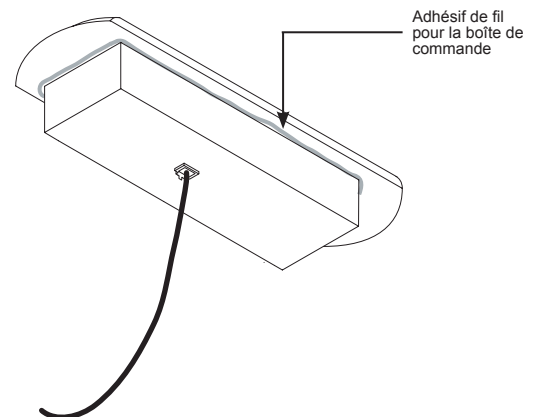


Figure 6 - application de l'adhésif

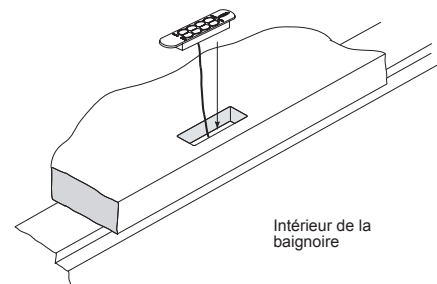



Figure 7 - panneau de commande

Connexions électriques

 Risque de décharge électrique. Reliez seulement à un circuit protégé par un disjoncteur de fuite de terre.


 Des précautions de base doivent toujours être prises lorsque vous utilisez des appareils électriques :


- respectez toujours les codes locaux d'électricité et de construction;
- la mise à la terre est requise. L'unité doit être installée et mise à la terre par un électricien qualifié.


Deux circuits distincts protégés par des disjoncteurs de fuite de terre sont requis.

Un circuit séparé de 240 volts CA, 20 ampères avec disjoncteur de fuite de terre est requis pour l'appareil de chauffage et le bloc pompe/moteur.

Un circuit séparé de 120 volts CA, 20 ampères avec disjoncteur de fuite de terre est requis pour le ventilateur.


 Risque de surchauffe des composants. N'utilisez pas de cordon de rallonge électrique pour alimenter cette unité.

 Le fonctionnement du bloc pompe/moteur sans une quantité suffisante d'eau dans la baignoire peut causer des fuites et des dommages permanents.

 Lors de la mise en marche initiale, le système de commande électronique à huit boutons passe automatiquement à un programme d'autodiagnostic pendant 15 à 20 secondes. Pendant le programme de diagnostic, le système n'accepte pas les commandes de l'utilisateur.

Ventilateur, pompe et moteur

1 Pour le ventilateur, installez une prise double de 120 volts CA, 15 ampères sur le colombage sous la baignoire à une distance de 10 cm (4 po) du sol. La prise double n'est pas fournie.


 La prise double doit être installée à une distance de 10 cm (4 po) du sol ou conformément aux codes locaux de construction et d'électricité.


2 Pour le bloc pompe/moteur et l'appareil de chauffage, installez une prise à disjoncteur de fuite de terre de 240 volts CA, 20 ampères sur le colombage sous la baignoire à une distance d'au moins 10 cm (4 po) du sol. La prise n'est pas fournie.

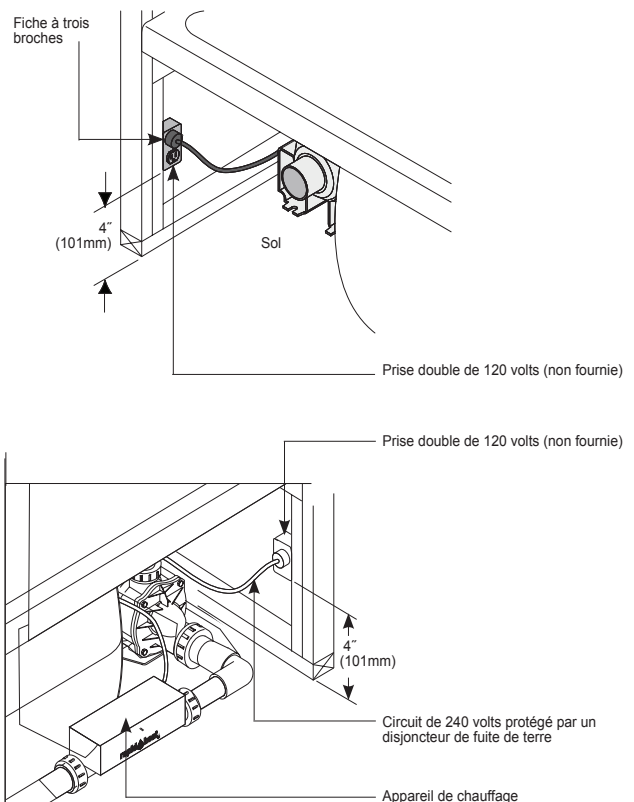
3 Les cordons d'alimentation de l'appareil de chauffage et du bloc pompe/moteur sont acheminés jusqu'à une boîte de connexion fusionnée en usine. Un cordon d'alimentation fourni de la boîte de connexion avec une fiche de 240 volts CA relie le circuit spécialisé à disjoncteur de fuite de terre fourni par le client.

4 Avec un fil n° 8 en cuivre massif, mettez l'appareil de chauffage à la terre sur le panneau électrique de la maison ou un lien local approuvé. Un taquet de mise à la terre est fourni sur l'appareil de chauffage.

5 Lors du démarrage initial et avant chaque utilisation par la suite avec l'appareil en marche (ON), enfoncez le bouton d'essai GFCI. Le bouton de réinitialisation devrait sortir.

 Enfoncez le bouton d'essai GFCI pour réinitialiser. Si le disjoncteur ne fonctionne pas de cette façon, il y a un courant mis à la terre qui circule ou une défaillance de l'appareil, indiquant la possibilité d'une décharge électrique.

 Arrêtez l'appareil et n'utilisez pas la baignoire avant que la source du problème n'ait été identifiée et corrigée.



Illustrations de référence



Ces illustrations ne sont offertes qu'à titre de référence puisque l'unité est vendue entièrement assemblée.



Risque de décharge électrique. Avant de réparer ces connexions, débranchez tous les câbles d'alimentation électrique du service à 120 volts CA et du service à 240 volts CA.

Diagramme schématique du panneau de commande J4

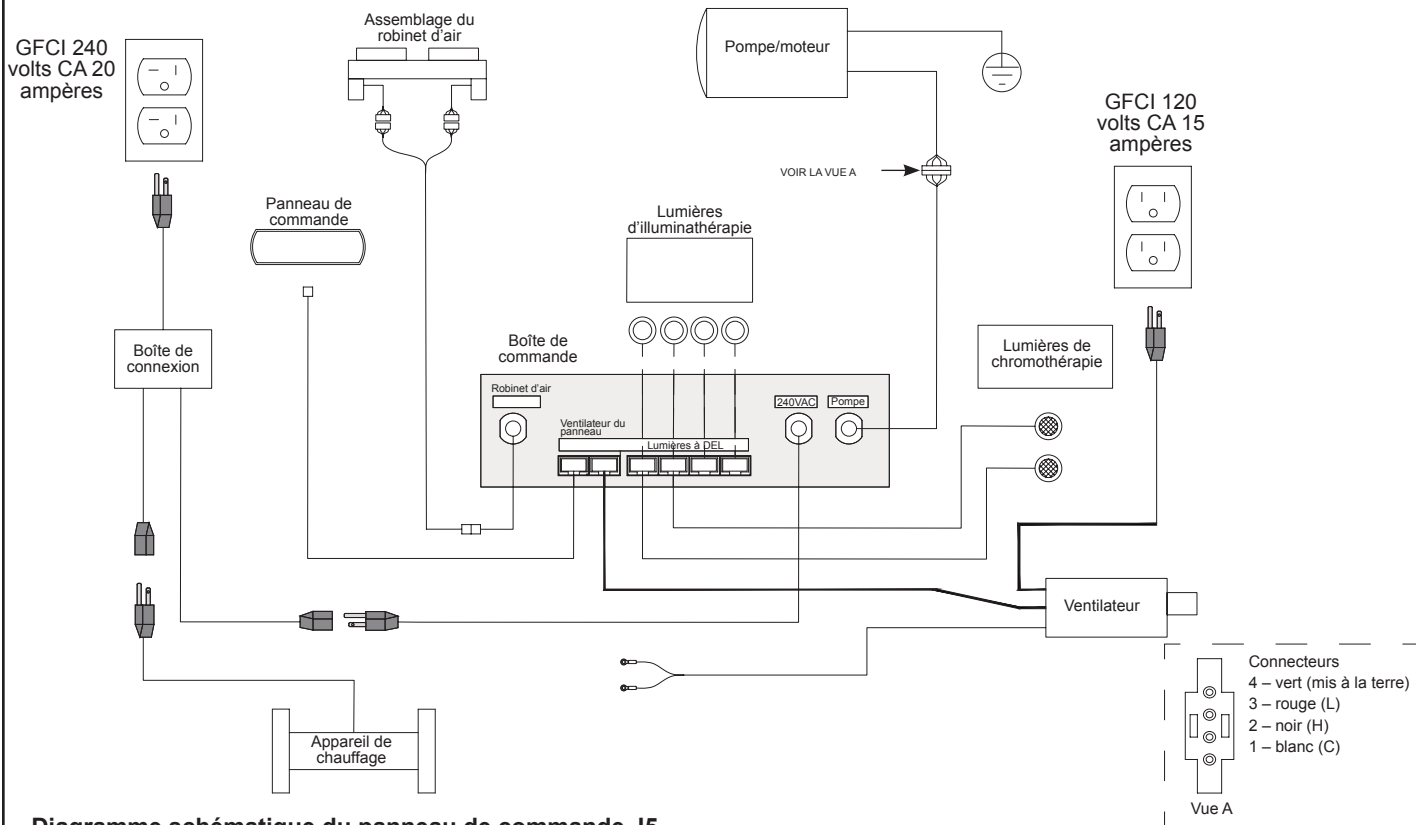
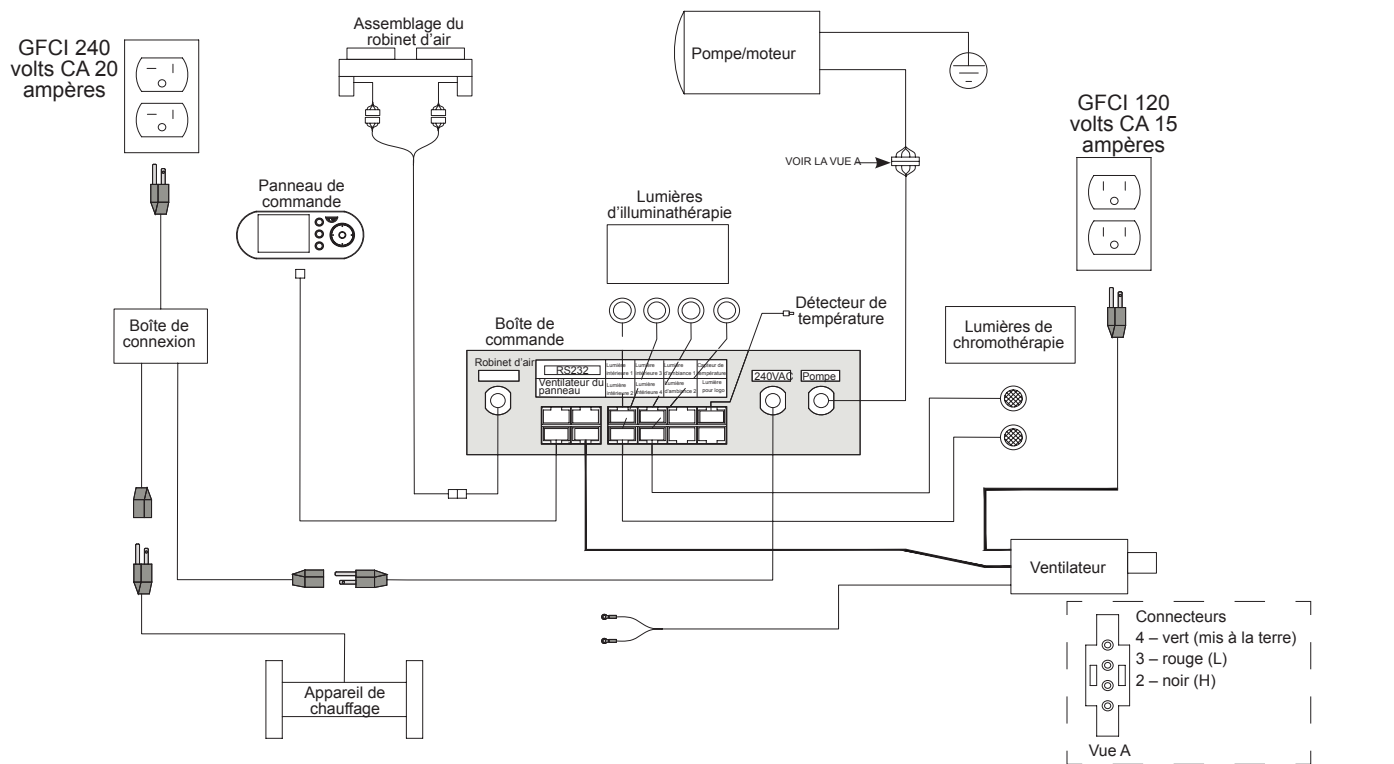


Diagramme schématique du panneau de commande J5



Installation par le dessus

⚠ Avant de commencer l'installation, veuillez lire ce qui suit :

- Respectez tous les codes locaux et de construction.
- Déterminez les outils qui seront utilisés pendant l'installation.
- D'autres pièces de plomberie et d'évacuation de la baignoire sont offertes sur le marché dans des quincailleries et des magasins de fourniture de plomberie.
- Les renseignements sur la disposition des tuyaux d'évacuation/du trop-plein sont compris avec votre baignoire et se trouvent dans le manuel des spécifications techniques.

Terminez l'installation de la périphérie de la baignoire (figure 8).

1 Installez l'évacuation/le trop-plein conformément aux directives du fabricant. Reportez-vous aussi au manuel de spécifications techniques.

⚠ L'installateur est responsable de l'étanchéité de l'installation de l'évacuation. Toute fuite de l'évacuation est exclue de la garantie Jacuzzi Luxury Bath de ce produit.

2 Installez maintenant le robinet. Nous recommandons de faire installer le robinet par un plombier qualifié.

⚠ L'installateur est responsable de l'installation adéquate du bec de plomberie et de la conformité aux codes locaux. Jacuzzi Luxury Bath ne garantit pas les connexions des conduites et des raccords d'alimentation en eau, les systèmes de remplissage ou les systèmes d'évacuation/de trop-plein. Elle n'est également pas responsable des dommages à la baignoire qui pourraient survenir pendant l'installation.

⚠ Une barrière protectrice ininflammable doit être placée entre le travail de soudure et la baignoire pour éviter d'endommager cette dernière.

3 Préparez le trou de la baignoire en utilisant le gabarit pleine grandeur fourni ou les dimensions de coupe indiquées dans le tableau de spécifications du manuel de spécifications techniques.

⚠ Le gabarit peut indiquer des guides pour plus d'une baignoire; assurez-vous alors de sélectionner les lignes de guidage appropriées. Si le montage par en dessous est une option, sélectionnez soigneusement les lignes qui s'appliquent à l'installation que vous effectuez.

4 Terminez tout le travail du support et couvrez-le pour éviter de l'endommager lorsque vous placerez la baignoire.

5 Vous pouvez installer un matériau isolant à l'intérieur de la périphérie de la baignoire.

⚠ Prévoyez une ventilation adéquate autour du ventilateur et du moteur/pompe pour obtenir un débit d'air suffisant et assurer le refroidissement. Ne bloquez pas la prise d'aspiration du ventilateur pour quelque raison qui soit. N'isolez pas le ventilateur pour quelque raison qui soit. Gardez le ventilateur libre de débris.

6 Coupez l'alimentation des circuits spécialisés protégés par un disjoncteur de fuite de terre.

7 Placez un morceau de retailles de bois sur chaque extrémité de la forme découpée – ils serviront de support temporaire avant d'abaisser la baignoire complètement dans l'ouverture (figure 9).

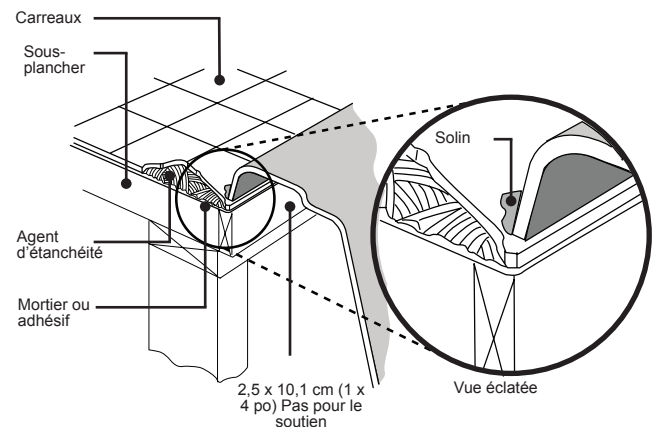


Figure 8

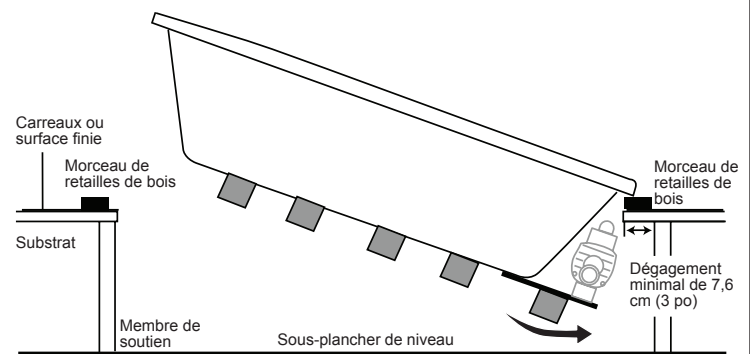


Figure 9

Installation par le dessus (suite)

- 8** Installez l'unité en insérant l'extrémité de l'équipement en premier, en abaissant la baignoire dans l'ouverture, comme dans l'illustration (figure 10)



N'UTILISEZ PAS les accessoires de plomberie ou les conduites pour abaisser l'unité. Laissez la baignoire s'appuyer sur les supports.

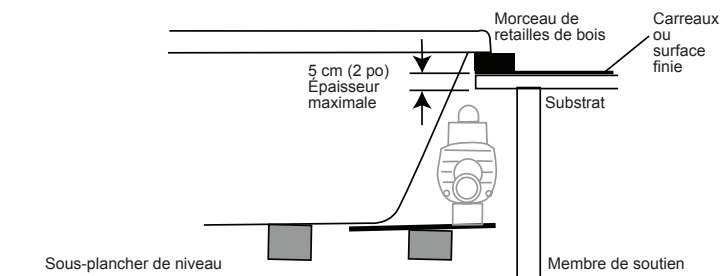


Figure 10

- 9** Examinez tous les raccords, la plomberie et les conduites après l'insertion de la baignoire pour vous assurer que les composants ne sont pas endommagés, débranchés ou en contact avec le substrat de la surface finie ou les membres de soutien.

- 10** Reliez les conduites flexibles d'alimentation en eau au robinet et branchez les cordons d'alimentation dans la prise à disjoncteur de fuite de terre.

- 11** Retirez les morceaux de retailles de bois et abaissez la baignoire complètement dans l'ouverture (figures 11 et 12).

- 12** Alignez la baignoire et reliez l'évacuation.

- 13** Appliquez l'alimentation aux circuits spécialisés protégés par un disjoncteur de fuite de terre et vérifiez le fonctionnement du système.

- 14** Calfeutrez autour du périmètre de la baignoire pour sceller l'espace entre le rebord et le support fini (figure 8 à la page précédente).

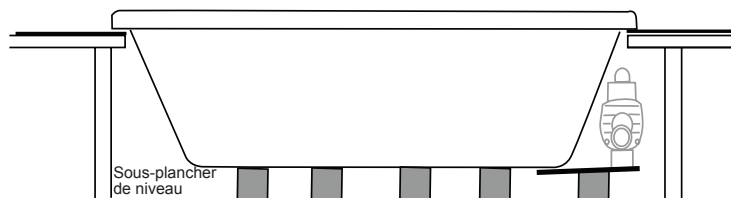


Figure 11

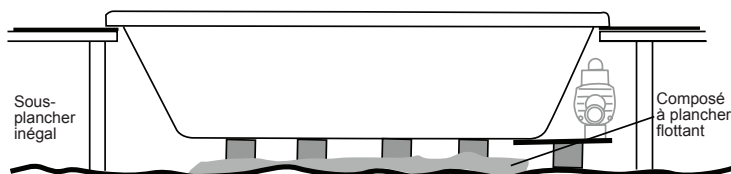


Figure 12

Installation en dessous

- 1 Installez l'évacuation/le trop-plein conformément aux directives du fabricant.
- ⚠ L'installateur est responsable de l'étanchéité de l'installation de l'évacuation. Toute fuite de l'évacuation est exclue de la garantie Jacuzzi Luxury Bath de ce produit.
- 2 Coupez l'alimentation des circuits spécialisés protégés par un disjoncteur de fuite de terre.
- 3 Installez l'unité à l'endroit désiré. **N'UTILISEZ PAS** les accessoires de plomberie ou les conduites pour transporter ou abaisser l'unité.
- 4 Inspectez tous les raccords, la plomberie et les conduites de commande après l'insertion pour s'assurer que les composants ne sont pas endommagés ou débranchés.
- 5 Alignez la baignoire et reliez l'évacuation.
- 6 Vous pouvez installer un matériau isolant à l'intérieur de la périphérie de la baignoire.
- ⚠ Prévoyez une ventilation adéquate autour du ventilateur et du moteur/pompe pour obtenir un débit d'air suffisant et assurer le refroidissement. Ne bloquez pas la prise d'aspiration du ventilateur pour quelque raison qui soit. N'isolez pas le ventilateur pour quelque raison qui soit. Gardez le ventilateur libre de débris.
- 7 Coupez le support/comptoir selon les dimensions au moyen du gabarit du montage en dessous fourni comme suit :
 - Placez le gabarit de manière à ce que les lignes du montage en dessous désiré soient alignées avec le rebord comme dans l'illustration (figure 12).
 - Au moyen d'un crayon gras, marquez les lignes centrales (notées sur le gabarit). Retirez le gabarit.
 - Mesurez la distance du mur ou d'un autre point fixe jusqu'aux lignes centrales (figure 13).
- 8 Fixez le comptoir à la baignoire. Nettoyez la saleté ou les débris de la partie supérieure du rebord de la baignoire.
- ⚠ Appliquez un boudin d'agent d'étanchéité en silicone autour du rebord complet de la baignoire. N'utilisez pas un adhésif ou un agent d'étanchéité adhésif pour fixer le comptoir à la baignoire. Si de l'entretien ou une rénovation sont requis, le comptoir pourra devoir être enlevé. L'adhésif liera le comptoir à la baignoire de façon permanente. Placez soigneusement le support/comptoir sur la baignoire. Suivez les directives du fabricant pour déterminer le temps de séchage.
- 9 Appliquez un boudin d'agent d'étanchéité en silicone continu autour de tout le joint entre le comptoir et le rebord de la baignoire. Laissez l'agent d'étanchéité sécher conformément aux directives du fabricant.
- 10 Appliquez l'alimentation aux circuits spécialisés protégés par un disjoncteur de fuite de terre et vérifiez le fonctionnement du système.

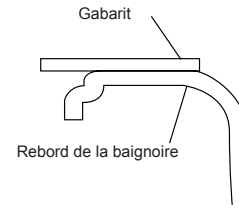


Figure 13 - position du gabarit

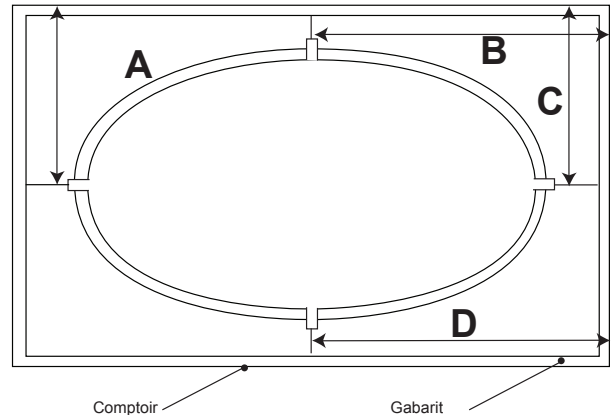


Figure 14 - mesure de la distance

Nettoyage

Pour éviter de dépolir et d'égratigner la surface de la baignoire, n'utilisez jamais des nettoyants abrasifs. Pour la plupart des surfaces sales, un détergent liquide doux et de l'eau tempérée suffisent. Nous conseillons aussi les recommandations suivantes :

- Retirez le plâtre renversé au moyen d'une lame en bois ou en plastique. Les taches laissées par le plâtre ou le coulis peuvent être éliminées en les frottant légèrement avec un détergent versé sur un chiffon ou une éponge humide. N'utilisez pas des grattoirs en métal, des brosses métalliques ou d'autres outils en métal puisqu'ils endommageront la surface de la baignoire.
- La peinture, le goudron et les autres taches rebelles peuvent être éliminées avec du Fantastik® ou de l'eau savonneuse.
- Les égratignures mineures qui ne pénètrent pas le fini en couleur peuvent être éliminées en ponçant légèrement avec un papier de verre mouillé/sec de 600 grains. Vous pouvez restaurer le fini brillant de la surface acrylique de la baignoire au moyen d'un composé spécial appelé Meguiar's #10 Mirror Glaze. Si ce produit n'est pas disponible, utilisez une pâte à polir automobile suivie de l'application d'une cire automobile en pâte.
- Les égratignures et les rainures majeures qui pénètrent la surface acrylique devront être finies à nouveau. Communiquez avec Jacuzzi Luxury Bath pour trouver un agent de service dans votre région.

Renseignements généraux sur l'utilisation

Toutes les baignoires fabriquées par Jacuzzi Luxury Bath sont conçues pour « remplissage et évacuation », ce qui signifie que la baignoire doit être vidée après chaque utilisation et remplie d'eau fraîche par le baigneur suivant. Il s'agit d'une précaution de santé puisque ces baignoires ne sont pas conçues pour conserver de l'eau continuellement comme les piscines ou les spas.

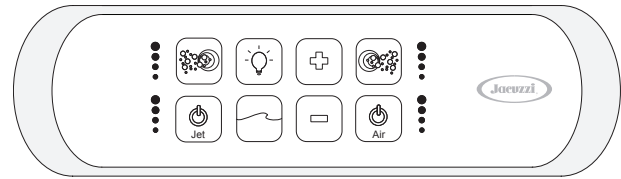
Deux types de panneau de commande sont offerts pour la série de baignoires Luxury Salon Spa. Reportez-vous aux détails ci-dessous :

- Panneau de commande électronique de luxe J4 : les directives d'utilisation de ce panneau sont indiquées ci-dessous.
- Panneau de commande ACL de luxe J5 en option : les directives d'utilisation pour ce panneau sont décrites dans le guide supplémentaire se trouvant dans votre paquet de garantie. Reportez-vous à ce document pour obtenir tous les détails sur l'utilisation (n° de pièce GU47000).

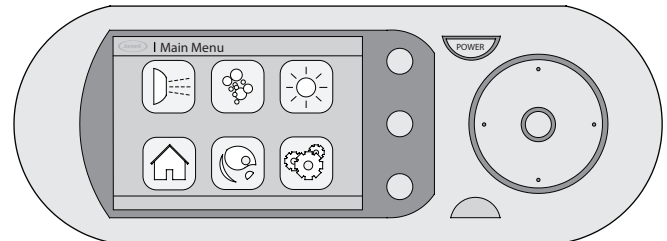
Fermez l'évacuation et remplissez la baignoire jusqu'à ce que l'eau soit à au moins 2,5 à 5 cm (1 à 2 po) au-dessus du jet le plus élevé (reportez-vous à la ligne d'eau indiquée dans l'illustration). Ne mettez pas le système du bain tourbillon en marche si les jets ne sont pas complètement immergés dans l'eau. Faire fonctionner le système du bain tourbillon lorsqu'il n'y a pas assez d'eau peut entraîner la pulvérisation de l'eau à l'extérieur de la baignoire. Le fonctionnement du système du bain tourbillon sans une quantité suffisante d'eau endommagera la pompe de recirculation.



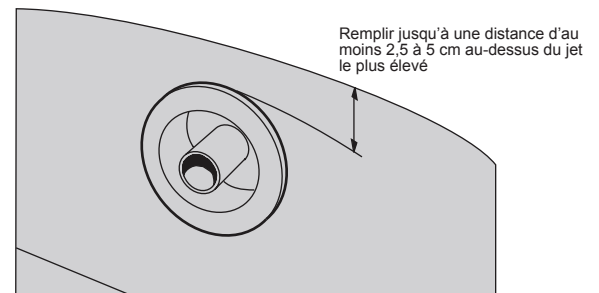
Lorsque vous sortez de la baignoire, le niveau d'eau s'abaissera sous les jets ce qui pourrait entraîner la pulvérisation de l'eau à l'extérieur de la baignoire. Pour empêcher cette pulvérisation, vous devez éteindre l'unité avant de sortir de la baignoire.



Panneau de commande J4



Panneau de commande J5



Fonctionnement du ventilateur

EN MARCHÉ : appuyez sur le bouton du ventilateur une fois pour mettre le ventilateur **EN MARCHÉ**.

Le(s) voyant(s) lumineux à la droite s'allumera(ont).
Le ventilateur est muni d'une minuterie et fonctionnera pendant 20 minutes.

ÉTEINT : appuyez sur le bouton du ventilateur une seconde fois pour **ÉTEINDRE** le ventilateur.



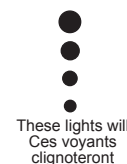
Le dernier réglage utilisé du ventilateur est gardé en mémoire par le système et sera automatiquement utilisé lors de l'utilisation suivante.



Lorsque le ventilateur est éteint, le fonctionnement ne s'arrête pas immédiatement. Il y a un délai de 15 à 20 secondes pour permettre au ventilateur de se refroidir. L'unité s'éteint, comme il est indiqué par le clignotement des voyants lumineux.



En mode d'éclairage à chromothérapie ou à tourbillon (les voyants lumineux sont faibles), vous devrez appuyer sur le bouton du ventilateur une fois pour retourner au mode de fonctionnement du ventilateur, puis une seconde fois pour éteindre le ventilateur.



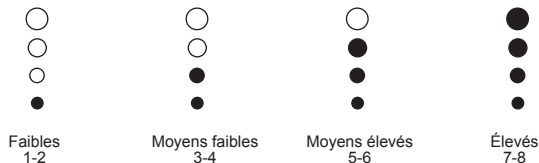
Augmenter la vitesse

Appuyez sur le bouton (+) pour augmenter la vitesse du ventilateur

Il y a huit intensités pour le ventilateur. Chaque appui et relâche du bouton (+) augmente l'intensité du ventilateur selon huit niveaux distincts. Les voyants lumineux affichent l'intensité du ventilateur.

- 1 voyant allumé = réglages faibles 1 et 2
- 2 voyants allumés = réglages moyens faibles 3 et 4
- 3 voyants allumés = réglages moyens élevés 5 et 6
- 4 voyants allumés = réglages élevés 7 et 8

Autrement, si le bouton (+) est enfoncé et tenu, l'intensité du ventilateur augmente à travers chacune des huit intensités du ventilateur et s'arrête lorsque le bouton est relâché.



Diminuer la vitesse

Appuyez sur le bouton (-) pour diminuer la vitesse du ventilateur.

Il y a huit intensités pour le ventilateur. Chaque appui et relâche du bouton (-) diminue l'intensité du ventilateur selon huit niveaux distincts. Les voyants lumineux affichent l'intensité du ventilateur.

- 4 voyants allumés = réglages élevés 7 et 8
- 3 voyants allumés = réglages moyens élevés 5 et 6
- 2 voyants allumés = réglages moyens faibles 3 et 4
- 1 voyant allumé = réglages faibles 1 et 2

Autrement, si le bouton (-) est enfoncé et tenu, l'intensité du ventilateur diminue à travers chacune des huit intensités du ventilateur et s'arrête lorsque le bouton est relâché.

Votre baignoire à air est conçue pour fournir différentes expériences de massage selon le choix de l'intensité du ventilateur. Vous pouvez habituellement constater les choses suivantes :

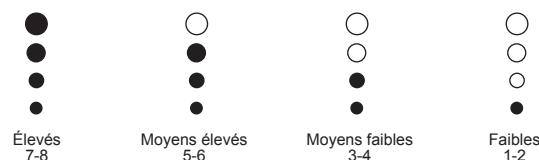
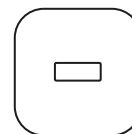
Réglage 1 – seules les zones du confort lombaire thermique (CLT) (U inversé sur les dossiers) sont actives

Réglage 2 – la zone du CLT et la plus grande partie du périmètre sont actives

Réglage 3 – la zone du CLT et tout le périmètre sont actifs

Réglage 4 – toutes les conduites d'air sont actives, y compris le CLT, le périmètre et le fond

Réglages 5-8 – toutes les conduites d'air sont actives



Mode à vague

Lorsque le ventilateur est EN MARCHÉ, appuyez sur le bouton à vague pour faire passer le ventilateur de son réglage minimum à un maximum défini par l'utilisateur.

Le passage du minimum au maximum prend 6,4 secondes. Les voyants lumineux afficheront l'intensité du ventilateur lorsqu'il passe du minimum au maximum. Pour éteindre le mode à vague, appuyez sur le bouton à vague.

Appuyez sur le bouton (+) ou (-) pendant le mode à vague pour régler le niveau d'intensité maximum entre 50 et 100 %. Il y a un délai de cinq secondes après le réglage du niveau maximum d'intensité avant que les changements soient remarqués.



Mode à pulsation

Avec le ventilateur EN MARCHE, appuyez sur le bouton à pulsation pour basculer entre éteint et un maximum défini par l'utilisateur.

Le ventilateur passera (1,5 seconde) au maximum défini par l'utilisateur (1,5 seconde). Les quatre voyants lumineux clignoteront. Pour éteindre le mode à pulsation, appuyez sur le bouton à pulsation.

Appuyez sur le bouton (+) ou (-) pendant le mode à pulsation pour régler le niveau d'intensité maximum entre 50 et 100 %. Il y a un délai de cinq secondes après le réglage du niveau maximum d'intensité avant que les changements soient remarqués.

Si les fonctions à vague ou à pulsation ne fonctionnent pas immédiatement lorsque le bouton à vague ou à pulsation sont enfoncés, il est possible que vous soyez en mode d'éclairage à chromothérapie. Vous devez d'abord appuyer sur le bouton du ventilateur pour passer au fonctionnement du ventilateur



Purge des canaux d'air

Le cycle de purge est automatique et permettra de réduire l'accumulation excessive d'eau résiduelle dans les canaux d'air.



Il ya deux cycles de purge, de purge et de l'aide quotidienne de purge.

Égoutter Aider Purge

Le cycle de purge est le capteur de l'aide - deux capteurs (cadrans métalliques) sont situés près du drain de la baignoire. Les capteurs détectent la présence et l'absence d'eau dans la baignoire.



Pour assurer l'efficacité et le bon fonctionnement des capteurs de l'eau, il est important de les garder propres et exemptes de blocage ou d'objets.

Après le bain et après la vidange de la baignoire, les capteurs détectent un "pas d'eau" condition. A cinq minutes d'attente le temps s'écoule, puis le ventilateur est activé. Le ventilateur se met en marche à travers une gamme de vitesses de 2 ½ minutes, soit au cours de laquelle 2 ou 3 feux clignote à différentes vitesses.

- Le cycle de purge se livrer, même si le ventilateur n'est pas utilisé pendant la baignade.
- Le cycle peut engager plus d'une fois si les capteurs deviennent humides pendant une partie de l'opération de purge ou pendant nettoyage de routine de la baignoire. Ceci est normal et ne nécessite pas une attention.

Daily Purge

Chaque jour, le ventilateur s'active automatiquement une purge quotidienne. Le ventilateur fonctionnera pendant une minute à puissance maximale, suivies de 15 secondes à la puissance ½.

Pour régler le temps de purge:

Attendez que l'heure que vous désirez la purge quotidienne pour activer, avec le ventilateur éteint, appuyez et maintenez le bouton plus de cinq secondes. Pour confirmer que vous avez mis le temps, le ventilateur se met en marche en et hors service 2 fois en l'espace de 4 secondes.

Pour annuler la purge quotidienne:

Avec le ventilateur, appuyez et maintenez le bouton plus de cinq secondes. Pour confirmer que vous avez annulé la purge, le ventilateur s'allume pendant 1 seconde et puis arrêtez.



Vous devez définir la PURGE QUOTIDIEN Lors de l'installation; le défaut est sans purge PRE-SET QUOTIDIEN.



Si une panne de courant survient, le système par défaut à aucun cycle de purge quotidienne.

Fonctionnement du bain tourbillon

EN MARCHÉ : appuyez sur le bouton du jet une fois pour mettre les jets du bain tourbillon en marche.

Le moteur du bain tourbillon tournera à une vitesse élevée. Les voyants lumineux à la gauche s'allumeront.



ÉTEINT : appuyez sur le bouton du jet une seconde fois pour ÉTEINDRE les jets du bain tourbillon.

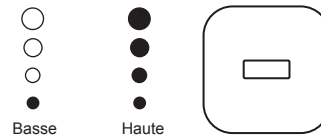


En mode d'éclairage à chromothérapie ou à ventilateur (les voyants lumineux à la gauche du bouton du jet sont faibles), vous devrez appuyer sur le bouton du jet une fois pour retourner au mode de fonctionnement du bain tourbillon, puis une seconde fois pour éteindre le bain tourbillon.

Diminuer la vitesse

Appuyez sur le bouton (-) pour diminuer la vitesse du bain tourbillon. Le bain tourbillon a deux vitesses, haute et basse. Les voyants lumineux indiquent le réglage.

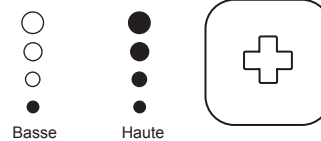
- 1 voyant = basse vitesse
- 4 voyants = haute vitesse



Augmenter la vitesse

Appuyez sur le bouton (+) pour augmenter la vitesse du bain tourbillon. Il y a deux vitesses du moteur du bain tourbillon, haute et basse. Les voyants lumineux indiquent le réglage..

- 1 voyant = basse vitesse
- 4 voyants = haute vitesse

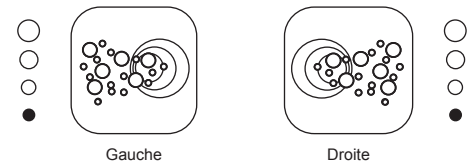


Débit d'air

Appuyez sur le bouton du robinet d'air gauche pour activer les robinets d'air gauches, appuyez sur le bouton de robinet d'air droit pour activer les robinets d'air droits.

La quantité d'air induite dans les jets du bain tourbillon peut être contrôlée de maximum à aucune. Utilisez les boutons (+) et (-) pour augmenter ou diminuer le débit d'air.

Les voyants lumineux immédiatement à la gauche et à la droite des boutons du robinet d'air indiquent la quantité d'air induite (montre les images du maximum = 4 voyants et éteint = 1 voyant).



Mode à vague

Appuyez sur le bouton à vague pour faire passer le débit d'air des jets de maximum à aucun.



Si le mode à vague ne s'active pas, assurez-vous que vous êtes en mode de fonctionnement du bain tourbillon (voyants immédiatement à la gauche du bouton de jet doivent être illuminés).



Les robinets d'air droit et gauche passent simultanément de la position fermée (pas d'air) à la position ouverte.

Les voyants lumineux afficheront le débit lorsqu'il passe du minimum au maximum.



Fonctionnement de la chromothérapie ou de l'illuminothérapie (éclairage)

Appuyez sur le bouton d'éclairage une fois :

met l'éclairage en couleur EN MARCHE; utilisez les boutons vers le haut et vers le bas pour faire défiler les couleurs ou sélectionner une autre couleur



Appuyez sur le bouton d'éclairage une seconde fois :

met l'éclairage blanc EN MARCHE; utilisez les boutons vers le haut et vers le bas pour sélectionner l'intensité de l'éclairage blanc.

Appuyez sur le bouton une troisième fois : éteint tout éclairage.

Fonctionnement de l'éclairage en couleur

L'éclairage en couleur par défaut est le bleu constant. Appuyez sur le bouton (+) pour activer le défilement des couleurs dans cet ordre : bleu, bleu sardaigne, vert, jaune, orange, rouge, rose, mauve, puis le défilement retourne au bleu et se répète continuellement. Pour arrêter sur une couleur précise, appuyez sur le bouton (+) à nouveau. Enfoncer sur le bouton (-) active le défilement des couleurs dans cet ordre : bleu, mauve, rose, rouge, orange, jaune, vert, bleu sardaigne, puis le défilement retourne au bleu et se répète continuellement. Pour arrêter sur une couleur précise, appuyez sur le bouton (-) à nouveau.

Fonctionnement de l'éclairage blanc

Il y a cinq intensités d'éclairage blanc. Appuyez sur le bouton (+) pour augmenter l'intensité de l'éclairage. Appuyez sur le bouton (-) pour diminuer l'intensité de l'éclairage

Contrôle de la direction et du débit du bain tourbillon

Direction –

la direction de tous les jets Jacuzzi, à l'exception des jets rotatifs pour le cou, peut être réglée. Pour modifier la direction du débit d'eau, pivotez la buse du jet jusqu'à l'angle désiré. Les jets peuvent être dirigés individuellement vers tout endroit de votre corps pour vous procurer un hydromassage. Les jets peuvent aussi être réglés de manière à ce qu'ils soient dirigés dans la même direction (sens horaire ou antihoraire) pour faire circuler l'eau d'un mouvement circulaire autour de la baignoire et obtenir un effet à tourbillon complet.

Force de l'eau –

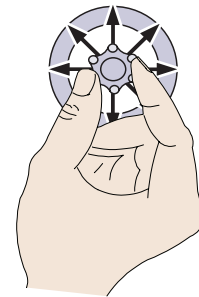
le débit de la plupart des jets Jacuzzi peut être ajusté. Pour une action robuste, augmentez la force du débit en tournant la buse, ou façade, vers la gauche (sens antihoraire). Pour un effet plus doux, ou pour fermer le jet, tournez la buse, ou façade, vers la droite (sens horaire)
Fermer un ou plusieurs jets peut augmenter la force de l'eau dans le reste des jets.



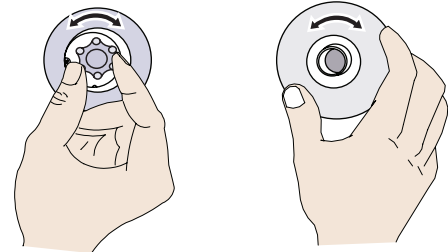
La force de l'eau des jets rotatifs pour le cou et de certains jets AccuPro™ ne peut pas être réglée.



Ne faites jamais fonctionner le système du bain tourbillon lorsque tous les jets sont fermés.



Jets à plusieurs directions



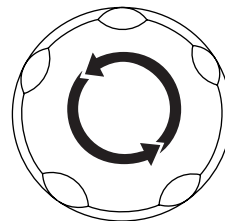
Contrôle de la cascade



La chute d'eau ne peut être activé lorsque la pompe fonctionne à remous

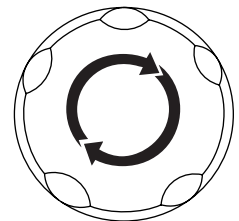
Le plus de la cascade bouton de commande est activé dans une direction opposée à droite, le débit d'eau va augmenter.

Activation...



En tournant le bouton de contrôle Waterfall sens anti-horaire se met en marche la cascade

Eteindre...



En tournant le bouton de contrôle Waterfall aiguilles d'une montre s'éteint la cascade

RapidHeat™

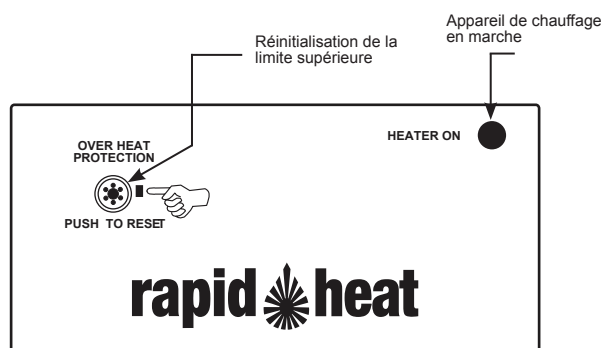
L'appareil de chauffage se met en marche automatiquement dès que le fonctionnement du bain tourbillon est actif. Le fonctionnement de l'appareil de chauffage n'est pas affiché sur le panneau de commande. Il y a un voyant lumineux visible sur l'appareil de chauffage lui-même qui indique que l'appareil de chauffage fonctionne. L'appareil de chauffage aidera à maintenir la température de l'eau dans la baignoire.

Interrupteur d'aspiration

L'appareil de chauffage est muni d'un interrupteur d'aspiration pré-réglé qui ne lui permettra pas de se mettre en marche si la pompe ne fonctionne pas et si l'eau ne circule pas dans le système du bain tourbillon.

Interrupteur de limite supérieure

L'appareil de chauffage comprend un interrupteur de limite supérieure exclusif. Ce circuit de sécurité ne sera pas déclenché indûment par l'eau chaude du robinet. Il n'arrêtera l'appareil de chauffage que si le thermostat est défectueux. Pour réinitialiser, appuyez sur le bouton. Si la limite supérieure se déclenche souvent, veuillez communiquer avec nous à www.jacuzzi.com ou en composant le 1-800-288-4002



Vidange du système du bain tourbillon

Pour éliminer les accumulations de résidus de la baignoire du système du bain tourbillon, nous vous recommandons de nettoyer votre bain tourbillon au moins deux fois par mois. Pour obtenir de meilleurs résultats, nous vous recommandons de nettoyer votre bain tourbillon après chaque utilisation en utilisant Systems Clean™ notre nettoyant pour plomberie en deux parties exclusif conçu spécialement pour les bains tourbillons. Systems Clean™ est offert par les distributeurs de bains tourbillons Jacuzzi autorisés ou en composant directement le 1-800-288-4002.

Additifs pour baignoire



N'utilisez pas des additifs pour baignoire à l'huile ou à base d'huile.

Si vous désirez utiliser un additif pour baignoire, utilisez seulement une petite quantité de poudre ou de substance cristalline peu moussante; l'action du bain tourbillon intensifie les propriétés moussantes des savons.

L'utilisation de certaines huiles et d'additifs pour baignoire peut augmenter le niveau d'accumulation de résidus de baignoire dans le système du bain tourbillon et peut causer une fausse lecture des capteurs du niveau d'eau. Si une accumulation excessive persiste, vous devez cesser d'utiliser ces produits. **POUSSEZ POUR RÉINITIALISER PROTECTION DE SURCHAUFFE APPAREIL DE CHAUFFAGE EN MARCHÉ**

Entretien

Pour nettoyer votre baignoire, utilisez simplement une solution de détergent liquide doux non abrasif. Vous pouvez protéger et restaurer le lustre d'une surface acrylique dépolie en appliquant Meguiar's #10 Mirror Glaze, un produit spécifiquement conçu pour être utilisé sur les finis en acrylique. Si le produit Meguiar n'est pas disponible, utilisez une pâte à polir automobile de haute qualité suivie de l'application d'une cire automobile en pâte.



N'utilisez jamais des nettoyeurs domestiques abrasifs sur aucun produit Jacuzzi Luxury Bath.

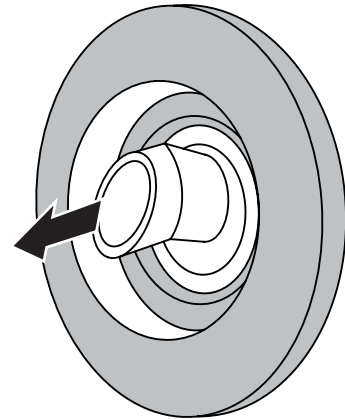
Réparation de la surface

Les égratignures mineures qui ne pénètrent pas le fini en couleur peuvent être éliminées en ponçant légèrement avec un papier de verre mouillé/sec de 600 grains. Restaurez le lustre au moyen de Meguiar's Mirror Glaze ou d'une cire automobile en pâte. Les égratignures et les rainures majeures qui pénètrent la surface acrylique devront être finies à nouveau. Communiquez avec Jacuzzi Luxury Bath pour trouver un agent de service dans votre région

Entretien des jets rotatifs

Si des cheveux ou d'autres types de débris se prennent dans les paliers de ces jets, cela pourrait les empêcher de tourner. Ce problème peut nécessiter leur démontage et leur retrait.

Pour ce faire, agrippez simplement la buse et tirez-la directement hors du boîtier du jet. Le caisson du palier sera fixé à la buse. Ces deux éléments peuvent être séparés en tenant le caisson et en poussant la buse hors de l'arrière du caisson. Après avoir terminé le nettoyage, remontez et réinstallez.



Entretien du couvercle/tamis d'aspiration

Retirez les cheveux et les débris du couvercle/tamis d'aspiration lorsque cela s'avère nécessaire.

- 1 Retirez la vis centrale et retirez le couvercle d'aspiration.
- 2 Nettoyez le couvercle en contre-balayant les débris des trous.
- 3 Remplacez le couvercle d'aspiration immédiatement après le nettoyage.



Pour le réinstaller, orientez le couvercle/tamis en plaçant la petite encoche dans le bas. Le joint doit être inséré dans la rainure du couvercle/tamis avant de réinstaller sur le raccord d'aspiration.

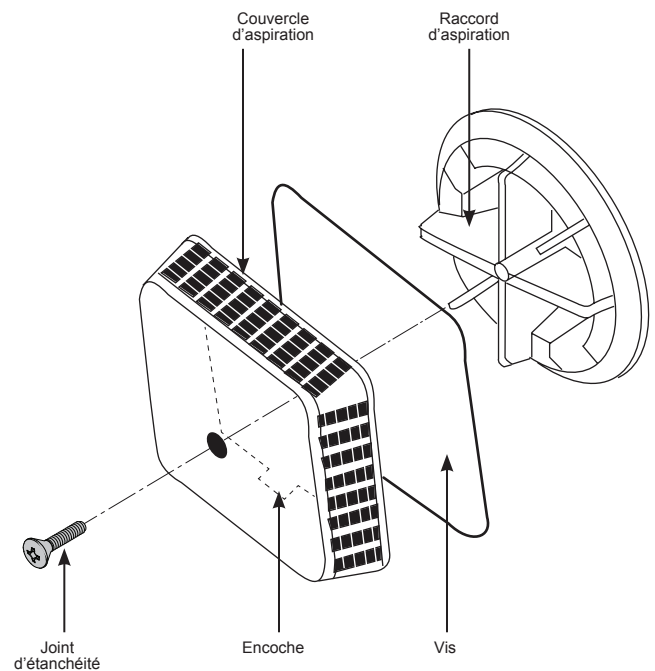


Gardez les cheveux à une distance d'au moins 15 cm (6 po) du raccord d'aspiration en tout temps lorsque le système du bain tourbillon fonctionne. Les cheveux longs (au-delà des épaules) doivent être attachés près de la tête ou encore, nous suggérons le port d'un bonnet de bain.



Ne faites pas fonctionner le système du bain tourbillon lorsque le couvercle/tamis d'aspiration est retiré!

Il s'agit d'un dispositif de sécurité et il doit toujours être en place sur le raccord d'aspiration pour minimiser les risques de piégeage des cheveux ou du corps.



Procédures de dépannage

PROBLÈME	CAUSES PROBABLES	REMÈDE
Le bloc pompe/moteur ne se met pas en marche	Il n'y a pas d'alimentation vers le bloc pompe/moteur Le bloc pompe/moteur n'est pas branché Le bloc pompe/moteur est défectueux	Réinitialisez le disjoncteur de fuite de terre Insérez la fiche fermement dans la prise Assurez-vous que le panneau de commande est relié à la boîte de commande Communiquez avec Jacuzzi Luxury Bath au 800-288-4002
Le bloc pompe/moteur fonctionne, mais les jets entièrement réglables ne fonctionnent pas	Les jets sont fermés Le couvercle/tamis d'aspiration peut être obstrué	Ouvrez les jets en les tournant dans le sens horaire Avec le moteur ÉTEINT, retirez le couvercle/tamis d'aspiration et retirez les débris. Remplacez le couvercle d'aspiration avant de faire fonctionner
Le bloc pompe/moteur fonctionne, mais l'air n'est pas injecté dans l'eau	Les robinets d'air sont fermés	Ouvrez les robinets d'air
Fuite d'eau des unions de pompe	Trop serrés, le joint torique peut être coincé ou mal appuyé, pas assez serrés	Desserrez les unions, vérifiez et appuyez le joint torique à nouveau. Si le joint torique était coincé et s'est déformé, remplacez-le (reportez-vous au numéro ci-dessous). Serrez les écrous d'union manuellement seulement.
Le bloc pompe/moteur s'éteint par lui-même avant que la période ne soit écoulée.	La protection thermique du moteur a désactivé le bloc pompe/moteur à cause d'une surchauffe (faible tension d'alimentation) Le disjoncteur de fuite de terre est déclenché Câblage d'alimentation inadéquat	Laissez le moteur se refroidir; la protection thermique se réinitialisera. Vérifiez la ventilation (vérifiez la tension d'alimentation) Réinitialisez le disjoncteur de fuite de terre S'il continue à se déclencher, n'utilisez pas cette unité. Débranchez l'unité et faites corriger le problème par un électricien agréé avant de l'utiliser à nouveau. Consultez un électricien agréé pour faire réparer le câblage.
L'éclairage à chromothérapie ne fonctionne pas	Pas d'alimentation vers le bloc pompe/moteur Le ventilateur n'est pas relié Le ventilateur est défectueux Le ventilateur ne se met pas en marche	Réinitialisez le GFCI et/ou le disjoncteur Assurez-vous que la fiche est bien insérée dans la prise Assurez-vous que le panneau de commande est relié à la boîte de commande Assurez-vous que la boîte de commande est reliée au panneau de commande Communiquez avec Jacuzzi Luxury Bath @ 800-288-4002
Le ventilateur fonctionne, mais il n'y a PAS d'air qui sort des trous	Les soupapes de vérification sont prises en position fermée	Communiquez avec Jacuzzi Luxury Bath au 800-288-4002
Ventilateur fonctionne, mais l'air n'est pas sorti de tous les trous	L'intensité du ventilateur n'est pas suffisante Les trous d'air sont obstrués	Augmentez l'intensité du ventilateur. REMARQUE : Le système est conçu de manière à ce que toutes les voies d'air fonctionnent au quatrième réglage du ventilateur Retirez les débris avec un cure-dents ou une brosse à dents
Le ventilateur s'éteint inopinément	La temporisation de 20 minutes est écoulée Le disjoncteur de fuite de terre s'est déclenché Alimentation électrique inadéquate Mauvaise ventilation Le connecteur s'est desserré	Mettez le ventilateur en marche Réinitialisez le disjoncteur de fuite de terre. S'il continue à se déclencher, n'utilisez pas l'unité Consultez un électricien agréé pour faire réparer le problème Communiquez avec Jacuzzi Luxury Bath au 800-288-4002 Communiquez avec Jacuzzi Luxury Bath au 800-288-4002
La vidange quotidienne ne s'active pas à l'heure précisée	Le cycle de vidange aidée par l'évacuation s'active plusieurs fois	Réglez la vidange quotidienne en tenant la flèche vers le haut enfoncée pendant cinq secondes
Retirez toute débarbouillette ou tout jouet qui peut couvrir les capteurs	Les capteurs d'eau détectent plusieurs états mouillés et secs	Si de l'eau entre en contact avec les deux capteurs pendant une vidange, le système fonctionne comme il se doit et continuera la vidange jusqu'à ce qu'il n'y ait plus d'eau
La vidange aidée par l'évacuation ne s'active pas cinq minutes après avoir complètement vidé la baignoire	Les capteurs d'eau ne sont pas reliés et ne détectent pas l'eau s'écoulant hors de la baignoire Boîte de commande défectueuse	Communiquez avec Jacuzzi Luxury Bath au 800-288-4002 Communiquez avec Jacuzzi Luxury Bath au 800-288-4002
Cascade ne fonctionne pas	Hot tub ne fonctionne pas Bouton de commande Cascade est en position OFF Débris dans la cascade de sortie	Mettez le bain à remous Tourner le bouton de commande de la cascade à flux jusqu'à ce que le débit de l'eau à la pression désirée Utilisez une matière fine, rigide et non-abrasive (par exemple carte de crédit) et glissez soigneusement avant et en arrière jusqu'à ce que les débris sont retirés de l'ouverture de la cascade
L'eau ne conserve pas sa température	L'interrupteur de limite supérieure de l'appareil de chauffage s'est déclenché	Appuyez sur le bouton de réinitialisation de l'appareil de chauffage



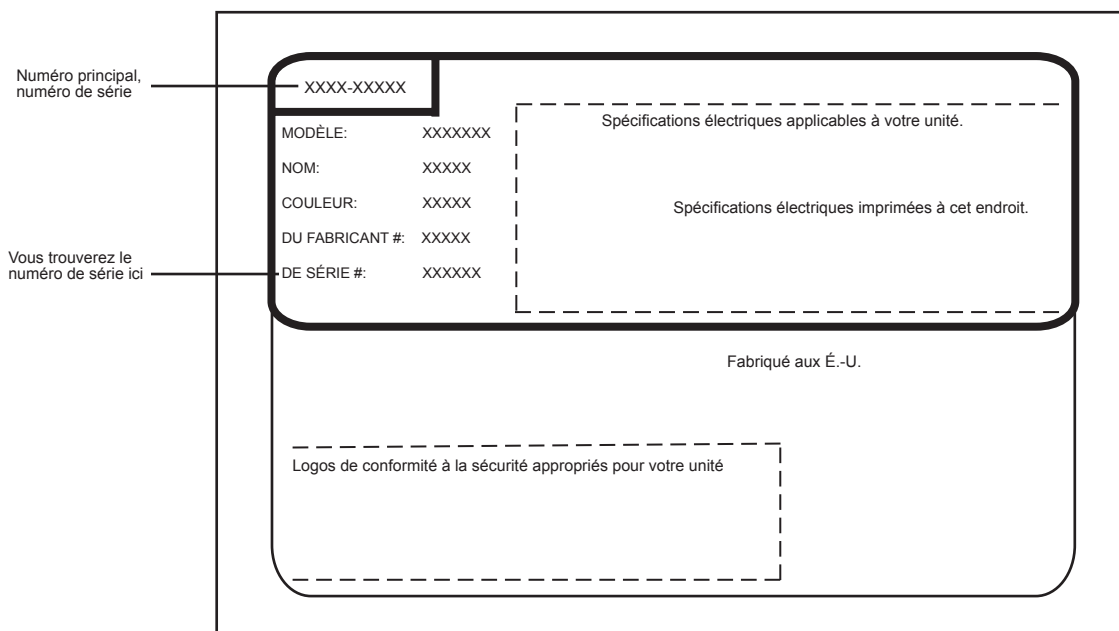
Si l'unité est encore couverte par la garantie, communiquez avec le service technique de Jacuzzi Whirlpool Bath au 1-800-288-4002 avec le numéro de série de votre baignoire avant d'effectuer toute réparation. Le numéro de série est situé sur la plaque de spécifications/numéro de série (reportez-vous à la page suivante).

Service autorisé

Si vous avez besoin d'une référence pour une entreprise de service près de chez vous ou si vous avez des questions concernant le fonctionnement ou l'entretien, veuillez communiquer avec notre service à la clientèle au 1-800-288-4002. Visitez notre site Web à <http://www.jacuzzi.com> pour les produits, les services et une copie en ligne de ces directives d'installation et d'utilisation.

Lorsque vous demandez une visite de service ou de l'aide technique, ayez le modèle et le numéro de série de votre unité à la portée de la main. Ces renseignements se trouvent sur la fiche d'enregistrement du produit fournie avec votre unité. Si la fiche a été égarée, ces renseignements se trouvent sur l'étiquette de spécifications/numéro de série située sur l'unité elle-même. Cette étiquette se trouve sur le mur de la baignoire près du moteur du ventilateur.

ÉTIQUETTE DE SPÉCIFICATIONS/NUMÉRO DE SÉRIE



LES SPÉCIFICATIONS DU PRODUIT PEUVENT ÊTRE MODIFIÉES SANS PRÉAVIS.

UTILISEZ LE MANUEL DE SPÉCIFICATIONS TECHNIQUES FOURNI AVEC CE PRODUIT.

Jacuzzi® Luxury Bath a obtenu les classifications de code (normes) applicables habituellement offertes à l'échelle nationale pour les produits de ce type. L'installateur/le propriétaire doivent déterminer la conformité au code local précis avant d'installer le produit. Jacuzzi® Luxury Bath n'effectue aucune représentation ou garantie relatives à la conformité au code et elle ne sera pas responsable de cette dernière.

Jacuzzi® Luxury Bath

14525 Avenue Monte Vista

Chino, Californie, 91710 É.-U.

1-800-288-4002

www.jacuzzi.com

Garantie limitée à vie sur les baignoires de marque Jacuzzi Luxury pour les collections Comfort, Comfort Plus, Pure Air®, Luxury, Salon™ Spa et Pure Air® II

COUVERTURE DE LA GARANTIE

Jacuzzi Luxury Bath (« l'Entreprise ») offre la garantie limitée à vie expresse suivante à l'acheteur original des produits Jacuzzi® Luxury Bath offerts au sein des collections Comfort, Comfort Plus, Pure Air®, Pure Air® II et Luxury™ (« Baignoire ») qui a acheté la Baignoire pour un usage personnel ou unifamilial résidentiel (« Utilisateur »). L'Entreprise réparera ou remplacera, à son entière discrétion, la Baignoire ou son équipement conformément aux conditions et modalités suivantes. Cette garantie ne s'applique pas aux Baignoires sans marque fabriquées par l'Entreprise.

GARANTIE À VIE SUR LES BAIGNOIRES

L'Entreprise offre à l'Utilisateur de la Baignoire une garantie limitée à vie non transférables que la coquille conservera son intégrité structurelle et sa configuration et sera exempte de fuite d'eau causée par un défaut dans sa coquille. La garantie ne couvre que la coquille de la baignoire et la pompe, les jets, les commandes et le ventilateur installés par le fabricant contre les défauts de matériaux ou de fabrication. La garantie ne s'applique pas aux modèles de présentation ou aux options ou aux accessoires qui sont couverts en vertu de notre garantie limitée de quatre-vingt-dix (90) jours décrite ci-dessous. La couverture de la garantie commence à la date où l'unité a été achetée par l'Utilisateur et dès la réception par l'Entreprise d'une fiche d'enregistrement de garantie dûment remplie, comme il est décrit ci-dessous.

GARANTIE DE DEUX ANS SUR LA MAIN D'OEUVRE POUR TOUS LES COMPOSANTS INSTALLÉS EN USINE

Notre garantie limitée sur la main d'œuvre est offerte pendant une période de deux (2) ans à compter de la date où l'unité a été achetée par l'Utilisateur, mais ne devant pas dépasser trois (3) ans à compter de la date de fabrication. Tous les composants installés en usine (comme la pompe, le moteur, le ventilateur et la plomberie) sont couverts en vertu de notre garantie sur la main d'œuvre contre les pannes causées par des défauts de matériaux et de main d'œuvre.

GARANTIE LIMITÉE DE QUATRE-VINGT-DIX JOURS (PIÈCES SEULEMENT) SUR LES OPTIONS ET LES ACCESSOIRES

Notre garantie limitée sur les options et les accessoires est en vigueur pendant quatre-vingt-dix (90) jours pour les pièces seulement. Notre garantie couvre les options et les accessoires fabriqués (comme les trousseaux de bec de remplissage d'évacuation, les trousseaux de parement, les jupes, les moniteurs vidéo, les écrans plats ACL et les lecteurs MP3 et les autres appareils de musique et de vidéo et les appareils de chauffage en option) contre les défauts de matériaux ou de fabrication. La couverture de garantie commence à la date où l'option ou l'accessoire ont été originalement achetés par l'Utilisateur. Ces articles peuvent être couverts par la garantie d'un fabricant qui peut être plus longue que celle offerte par cette garantie limitée. Veuillez confirmer avec le fabricant la durée de la garantie pertinente pour les options et les accessoires.

LIMITES DE LA GARANTIE

Notre garantie limitée ne couvre pas les défauts, les dommages ou les pannes causés par le transporteur, l'installateur ou d'autres personnes, les animaux ou les rongeurs ou décollant, sans en exclure d'autres, de l'un ou l'autre des éléments suivants : la manipulation négligente (soulever l'unité par la plomberie, abraser le fini, etc.) y compris sa propre négligence; les modifications de toute sorte pour quelque raison que soit (y compris les modifications effectuées pour satisfaire les codes locaux); une mauvaise installation (y compris toute installation non conforme aux directives et spécifications fournies avec l'unité); les connexions fournies par l'installateur de l'équipement; une mauvaise tension d'alimentation ou une modification électrique non autorisée; une mauvaise utilisation; un fonctionnement inadéquat ou l'absence d'une routine d'entretien appropriée; le fonctionnement de l'unité sans la quantité minimale d'eau précisée ou à une température d'eau inappropriée; l'utilisation de nettoyants abrasifs ou inappropriés ou les catastrophes naturelles, comme les éclairs, les inondations, les tremblements de terre, etc.

De plus, L'ENTREPRISE NE SERA PAS RESPONSABLE DES DOMMAGES CONSÉCUTIFS OU INDIRECTS ou des pertes découlant de toute cause (par ex., dommages d'eau aux tapis, plafonds, carreaux, marbre, perte d'utilisation, etc.), y compris sa propre négligence; les dommages causés à, concernant ou décollant : de pièces plaquées lorsque des produits chimiques de piscine et/ou de spa sont utilisés dans l'unité ou lorsque l'eau est dure; de l'équipement de baignoire en option non fabriqué par l'Entreprise, mais fourni par le dépositaire, l'installateur ou l'Entreprise; d'un usage antérieur de l'unité à titre de présentoir fonctionnel; ou de défauts qui auraient dû être découverts avant l'installation.

Cette garantie limitée ne comprend pas : la main d'œuvre, le transport ou les autres frais encourus pour le retrait et/ou la réinstallation de l'unité originale et/ou l'installation d'une unité de rechange; les frais encourus pour obtenir l'accès pour effectuer la réparation; ou les dommages causés par la perte d'utilisation, y compris la perte de ventes, de profits ou d'avantages concurrentiels de toute sorte quelles que soient les circonstances. Les baignoires sont exclues de toute couverture de garantie si un ajout, une suppression ou une modification de toutes sortes a été effectué à l'unité (ou à un de ses composants). La couverture de garantie est fournie aux États-Unis d'Amérique et au Canada seulement.

EXCLUSION DES GARANTIES IMPLICITES

LES GARANTIES IMPLICITES DE VALEUR MARCHANDE ET D'ADAPTATION À UN USAGE PARTICULIER SONT ENTIÈREMENT DÉCLINÉES OU DANS LA MESURE LA PLUS GRANDE PERMISE PAR LA LOI.

REMARQUE : Cette garantie vous confère des droits légaux précis et vous pouvez aussi avoir d'autres droits qui varient d'une province à l'autre. Il n'y a pas de garanties qui s'appliquent aux produits Jacuzzi Luxury Bath à l'exception de ce qui est expressément indiqué aux présentes ou impliqué par les lois fédérales et provinciales en vigueur. L'Entreprise ne sera pas responsable des déclarations ou des représentations effectuées sous toute forme qui vont au-delà, qui sont plus vastes ou qui ne sont pas conformes à la documentation autorisée ou aux spécifications fournies par l'Entreprise. Certaines provinces ne permettent pas les limites sur la durée des garanties limitées ou l'exclusion ou la limite des dommages consécutifs ou indirects; par conséquent, les limites précédentes peuvent ne pas s'appliquer à votre cas.



Luxury Bath by Jacuzzi®
HD91000

Jacuzzi® Luxury Bath
14525 Monte Vista Avenue
Chino, California 91710

RETOUR DE L'ENREGISTREMENT DE LA GARANTIE

Pour enregistrer votre produit, veuillez visiter notre site Web, Jacuzzi.com, cliquez sur « Bath and Showers » (baignoires et douches), puis sélectionnez ONLINE WARRANTY REGISTRATION (enregistrement de la garantie en ligne) dans la partie supérieure de la page. On vous demandera d'entrer le numéro de série de votre produit, suivi des renseignements d'enregistrement de votre garantie. Ou encore, vous pouvez aussi enregistrer votre produit en remplissant la fiche ci-dessous et en l'envoyant à Jacuzzi à l'adresse indiquée.

L'enregistrement de garantie ci-joint DOIT être rempli par l'acheteur dans un délai de trente (30) jours de l'achat et reçu par Jacuzzi Luxury Bath afin que cette garantie soit en vigueur.

RESPONSABILITÉS DES AUTRES

L'installateur ou l'entrepreneur qui agit au nom de l'Utilisateur doit examiner l'unité avant de l'installer. Il doit s'assurer que l'unité est libre de défauts ou de dommages. Des avis sont placés sur et dans l'unité ainsi que sur la boîte d'expédition avisant l'installateur de cette responsabilité. En cas de problème, l'unité ne doit pas être installée. L'Entreprise n'est pas responsable des pannes ou des dommages qui auraient pu être découverts, réparés ou évités grâce à une inspection et un essai adéquats (y compris un essai d'eau approprié) avant l'installation.

Le transporteur est responsable des dommages qui surviennent pendant le transport. L'Utilisateur ou l'installateur DOIT ouvrir la boîte et examiner l'unité lorsqu'elle est livrée. Si des dommages sont découverts, ils doivent être immédiatement signalés au vendeur et au transporteur par écrit et une inspection doit être demandée. Si le transporteur ne répond pas, vous devez le signaler au vendeur et au transporteur. Vos réclamations de transport doivent être présentées dans un court délai.

L'installateur et/ou l'entrepreneur sont responsables des dommages survenant pendant l'installation et l'Utilisateur est responsable des dommages survenant par la suite.

Le fabricant d'équipement est entièrement responsable de toute défaillance des équipements en option à l'exception de ce qui est prévu ci-dessus et cette responsabilité ne se prolonge pas ou ne s'applique pas aux pièces de rechange pour les options et les accessoires. Les pièces de rechange seront couvertes par le fabricant original de l'équipement.

Le distributeur ou le dépositaire doit connaître les exigences relatives aux codes locaux et aviser l'entrepreneur qui effectuera l'installation et/ou l'Utilisateur de ces exigences au moment de l'achat. L'Entreprise n'est pas responsable des frais encourus pour modifier un produit pour se conformer à un code, comme les codes de construction de la ville, du comté ou de l'État aux États-Unis ou les codes municipaux ou provinciaux au Canada.

SERVICE DE GARANTIE

Pour la commodité des clients, l'Entreprise conserve une liste de réparateurs indépendants qui effectuent les réparations requises en vertu de la garantie. Ces personnes ne sont pas des agents ou des représentants de l'Entreprise et ne peuvent pas lier l'Entreprise par leurs paroles ou leur comportement.

L'Entreprise fournit le service de garantie décrit ci-dessus lorsque les conditions suivantes sont respectées : la panne est de nature ou de type couvert par la garantie; l'Utilisateur a informé l'agent de service Jacuzzi Luxury Bath autorisé ou un représentant du service de la garantie de la nature du problème pendant la période de garantie; des preuves concluantes (par ex., une preuve d'achat ou d'installation) est fournie par l'utilisateur prouvant que la panne s'est produite ou a été découverte pendant la période de garantie; un réparateur indépendant autorisé ou un représentant de l'Entreprise a eu la permission d'inspecter l'unité pendant les heures normales d'affaire dans un délai raisonnable après la signalisation du problème par l'Utilisateur. Afin d'obtenir le service en vertu de la garantie, communiquez avec Jacuzzi Luxury Bath à :

jacuzzi.com

ou

Service de garantie
14525 Avenue Monte Vista
Chino, Californie 91710 É.-U.
Composez le : 1-(800) 288-4002

Pour obtenir un remplacement de garantie pour les composants installés en usine pour les options et les accessoires fournis par l'Entreprise et fabriqués et fournis par l'Entreprise, composez le numéro ou écrivez à l'adresse indiqués ci-dessus. Fournissez une description du problème et une preuve d'achat. On vous indiquera comment obtenir des pièces de rechange et où retourner, à vos frais, le(s) composant(s), l'option (les options) ou l'accessoire (les accessoires) défectueux.

Toutes les pièces ou l'équipement de rechange et les réparations seront garantis pendant la période de garantie restante de la(es) pièce(s) remplacée(s).

L'obligation de garantie de l'Entreprise sera acquittée au moment de la remise du remplacement ou de la réparation. Si le client refuse le remplacement ou la réparation, l'obligation de garantie de l'Entreprise est alors terminée.

Garantie limitée de quatre-vingt-dix jours seulement sur les pièces des acces- soires	Garantie limitée de quatre-vingt-dix jours seulement sur les pièces des acces- soires
--	--

Pour effectuer votre enregistrement, visitez notre site Web à www.jacuzzi.com ou remplissez et postez cette fiche à l'adresse indiquée au verso, et ce, dans un délai de trente (30) jours de la date d'achat afin que cette garantie soit en vigueur.

Nom de l'acheteur _____

Adresse de l'acheteur _____

Ville _____ Province _____ Code postal _____

Date d'achat _____

Nom du modèle _____

Numéro de série _____

Nom du dépositaire _____

Adresse du dépositaire _____

1. Comment avez-vous entendu parler de ce produit Jacuzzi® ?
 Publicité Article dans une revue/un journal
 Visite un détaillant/fournisseur de plomberie Pages jaunes
 Constructeur/plombier/rénovateur Décorateur/architecte
 Visite un détaillant/magasin de rénovation
 Bouche à oreille... Ami/parent/connaissance
 Autre (veuillez préciser) _____
2. Qui est la première personne vous ayant donné des renseignements précis au sujet de ce produit (spécifications, prix, etc.) ?
 Dépositaire/fournisseur de plomberie Constructeur Rénovateur
 Entrepreneur en plomberie Détaillant/magasin de rénovation
 Décorateur/architecte Déjà installé
3. Quelle était la principale raison de votre achat ?
 Style Service de garantie Caractéristiques du produit
 Nom de la marque Prix Hydrothérapie
 Revente de la résidence _____
 Autre _____
4. Qui a finalement choisi le produit que vous avez acheté ?
 Moi Mon conjoint Moi et mon conjoint ensemble
 Autre membre de la famille Décorateur/architecte
 Constructeur/plombier/rénovateur Déjà installé
5. Qui l'a installé ? Déjà installé/nouvelle résidence
 Entrepreneur/plombier lors de la rénovation
 Moi/mon conjoint lors d'une rénovation
 Autre _____
6. Quelle est la valeur actuelle sur le marché de cette propriété ?
 Veuillez l'évaluer en dollars _____
7. Quel est l'âge du chef de ménage ? _____ ans
8. Quel autre fabricant avez-vous considéré ?
 Eljer Lascio Price Pfister Aqua Glass
 Kohler American Standard Sterling
 Autre (précisez) _____
9. Combien de temps avez-vous magasiné avant d'acheter cette unité ?
 1 jour 2 à 6 mois
 2 à 7 jours 6 mois à 1 an
 1 à 2 semaines 1 à 2 ans
 2 à 4 semaines +2 ans
 1 à 2 mois
10. Depuis combien de temps approximativement habitez-vous dans cette résidence ?
 11. Veuillez indiquer, approximativement, le revenu annuel total de votre ménage
 Jusqu'à 24 999 \$ 50 000 à 74 999 \$
 25 000 à 29 999 \$ 75 000 à 99 999 \$
 30 000 à 39 999 \$ 100 000 à 149 999 \$
 40 000 à 49 999 \$ 150 000 \$ et plus
12. Est-ce que votre processus d'achat a été... ?
 Très facile Facile Difficile Très difficile
13. Est-ce que vous connaissez le système de jets breveté de Jacuzzi avant votre achat ?
 Non, je ne le connaissais pas Je le connaissais un peu Je le connaissais très bien



JACUZZI LUXURY BATH
HD91000