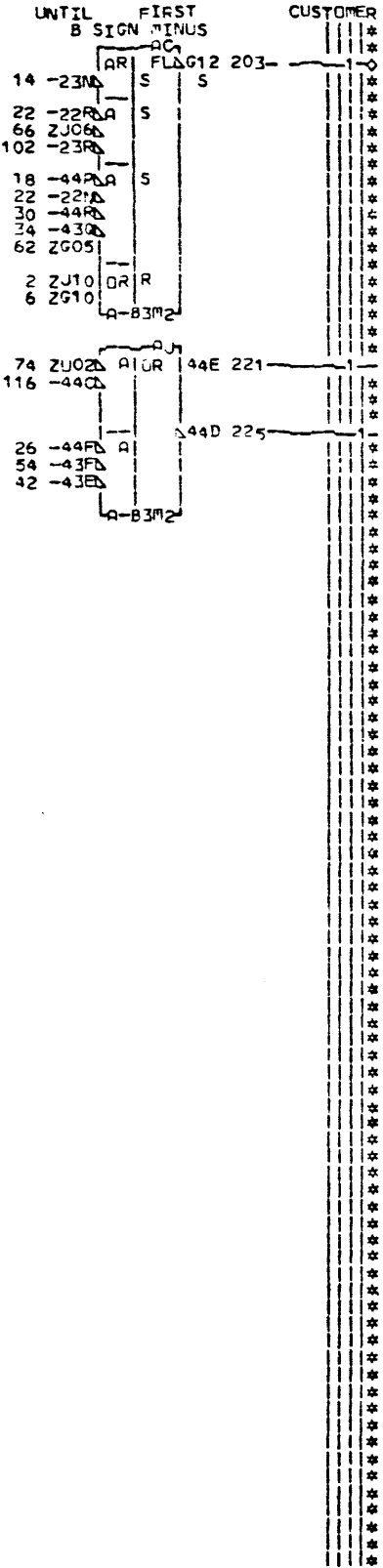
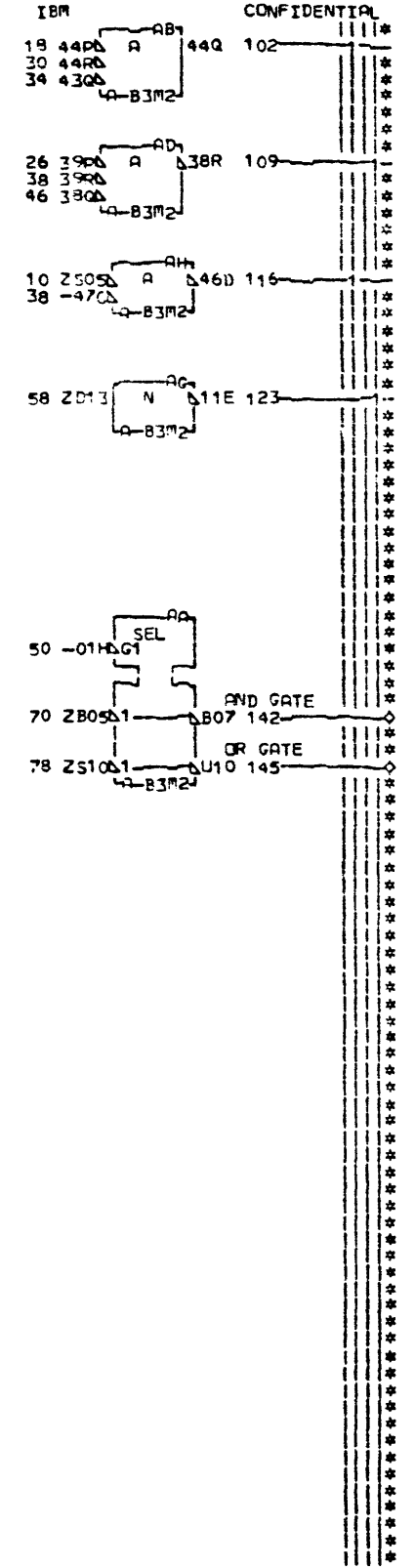


+ SYSTEM RESET TO CHANNEL KA202AX6 2  
 + CLOCK 3CD KC142AL2 6  
 - EA CYCLE KD121AN6 10-1  
 + TIE UP KY111AM4 14  
 - ZERO AND ADD INSTR KY111BQ6 19-1  
 - 3CD CLOCK KY141AD2 22-2  
 - DEC INSTR KY141AF6 26-1-1  
 - E-B CYCLE KY141AH6 30-1  
 + RECOMPL CYCLE KY141AJ2 34-1-1  
 - CLOCK 3C TO 5C KY141AK6 38-2-1  
 + FIRST E CYCLE KY141AL2 42-1  
 - FIRST E CYCLE KY141AL6 46-1-1  
 - E-B CLOCK 3C TO 5C KY141AV6 50-1  
 - E CYCLE 3C TO 5C KY141AX6 54-1  
 - B REG BIT 2 RA101AP2 59-1  
 - A REG BIT 2 RA121AV2 62-1  
 - SDR SIGN MINUS RA151AU6 66-1  
 - AND RN121AN6 70-1  
 - EDIT INSTR RN121AY6 74-1  
 - OR RN121AZ6 78-1



LOC. TYPE  
P-B3M2 Y642

PAGE VER EC LEV  
KY101 000 830225

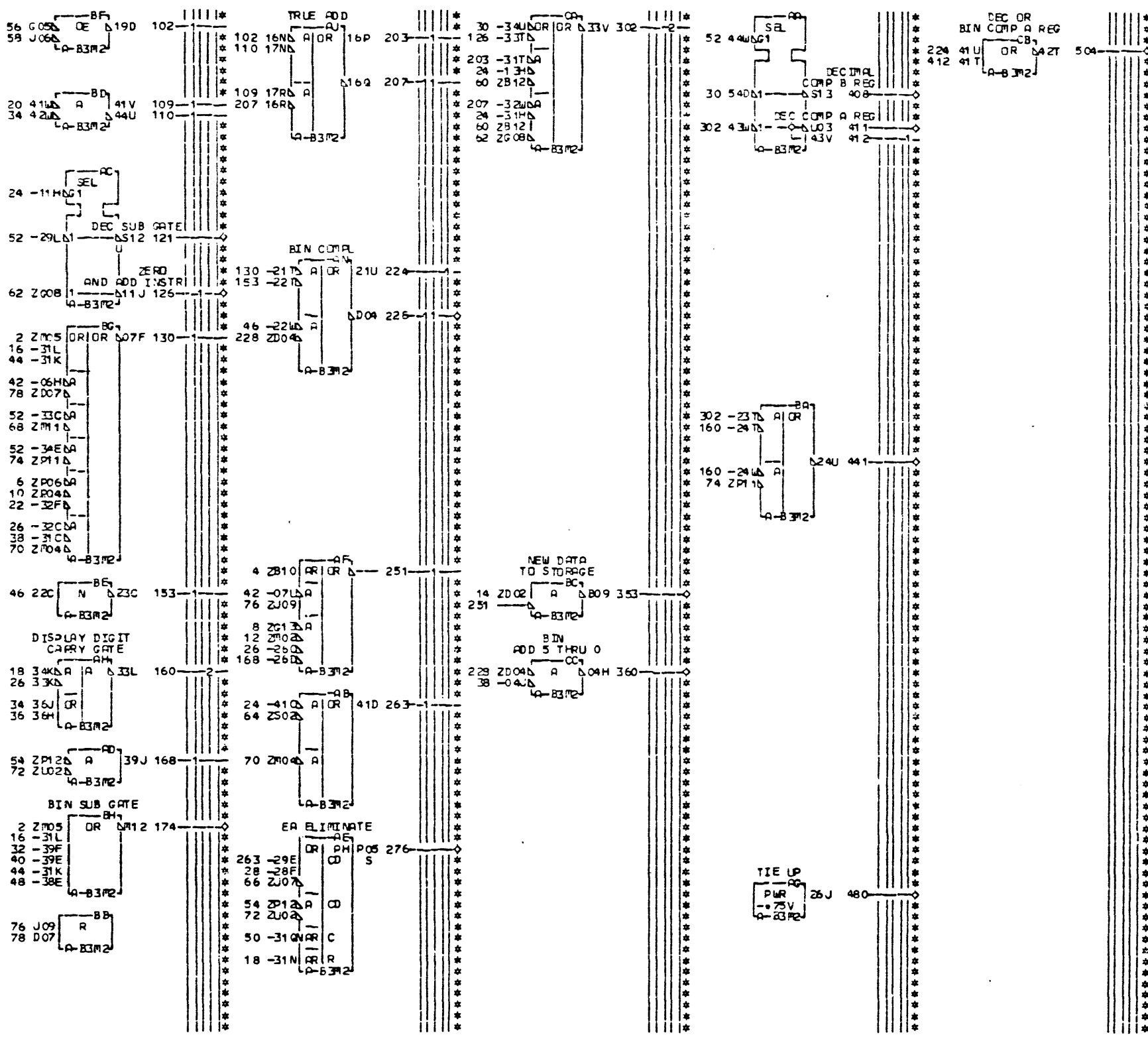
000 KY101. KY101

203 - B REG SIGN MINUS KG111-AG6  
 331 - SIGN CONTRL AV112-AL2  
 406 - CHANGE ALU BIT 2 AV112-AP6  
 142 - AND GATE A06  
 LAV122 LAV144  
 145 - OR GATE AS6  
 LAV122 LAV144

ALU CONTROLS			
E.C. HISTORY	MACH. CPU15FST	FRAME 01	KY101
DATE LAST EC	IBM CORP. GSD		KY101
04-15-76 830225	P. No. 4278854		000

KY101  
 KY101  
 000

+ TEST MODE ----- KA24 2AB6 2-2  
 + ALTER STORAGE ----- KA31 2AU6 4  
 - IR CYCLE ----- KD12 1AG6 6-1  
 + SIGNIFICANT DIGIT ----- KD13 1DE6 8  
 + IR PROG BACKUP ----- KD15 1AP2 10  
 - STORE DATA GRP NEW ----- KN13 1AG6 12  
 - INVALID ADDRESS ----- KR26 2AL2 14  
 + FAST I CYC ----- KY14 1AB2 16-2  
 + OP END ----- KY14 1AC2 18  
 - 300 CLOCK ----- KY14 1AD2 20  
 + CLOCK 3-4 ----- KY14 1AE2 22  
 - DEC INSTR ----- KY14 1AF6 24-12  
 - E-B CYCLE ----- KY14 1AH6 26-2  
 + RECOMPL CYCLE ----- KY14 1AJ2 28  
 - RECOMPL CYCLE ----- KY14 1AJ6 30  
 - CLOCK 3C TO 50 ----- KY14 1AK6 32  
 - FIRST E CYCLE ----- KY14 1AL5 34-2  
 + CLOCK 5 THRU 0 ----- KY14 1AM2 36  
 - CLOCK 5 THRU 0 ----- KY14 1AM6 38  
 + I/O NO CE MODE ----- KY14 1AN2 40  
 - I/O NO CE MODE ----- KY14 1AN6 42  
 + I/R SKIP TRUE ----- KY14 1AP6 44-0  
 + ODD CD CLOCK ----- KY14 1AR2 46  
 + E-B BINARY ADD OR SUB ----- KY14 1AS2 48  
 - E-B CLOCK 5-6 ----- KY14 1AT6 50  
 - E-B CLOCK 3C TO 5C ----- KY14 1AV6 52-3  
 + B REG 20 ----- RA10 1AV2 54  
 - A REG BIT 2 ----- RA12 1AV2 56  
 - SR SIGN MINUS ----- RA15 1AU6 58  
 - OP BIT 7 ----- RN10 1AD6 60  
 - OP BIT 6 ----- RN10 1AE6 62  
 - Q NUM BLANK ----- RN10 1AZ6 64  
 - 1 ADDRESS FORMAT ----- RN11 1AF2 66  
 - SET OR TEST OFF ----- RN12 1AS6 68  
 - FC INSTR ----- RN12 1AX6 70  
 - EDIT INSTR ----- RN12 1AY6 72  
 - BIN ADD GROUP ----- RN13 1AL6 74  
 + CHAN STORE DATA ----- UB10 3PA4 76  
 + CHAN BINARY SUBTRACT ----- UB10 5PL4 78-2



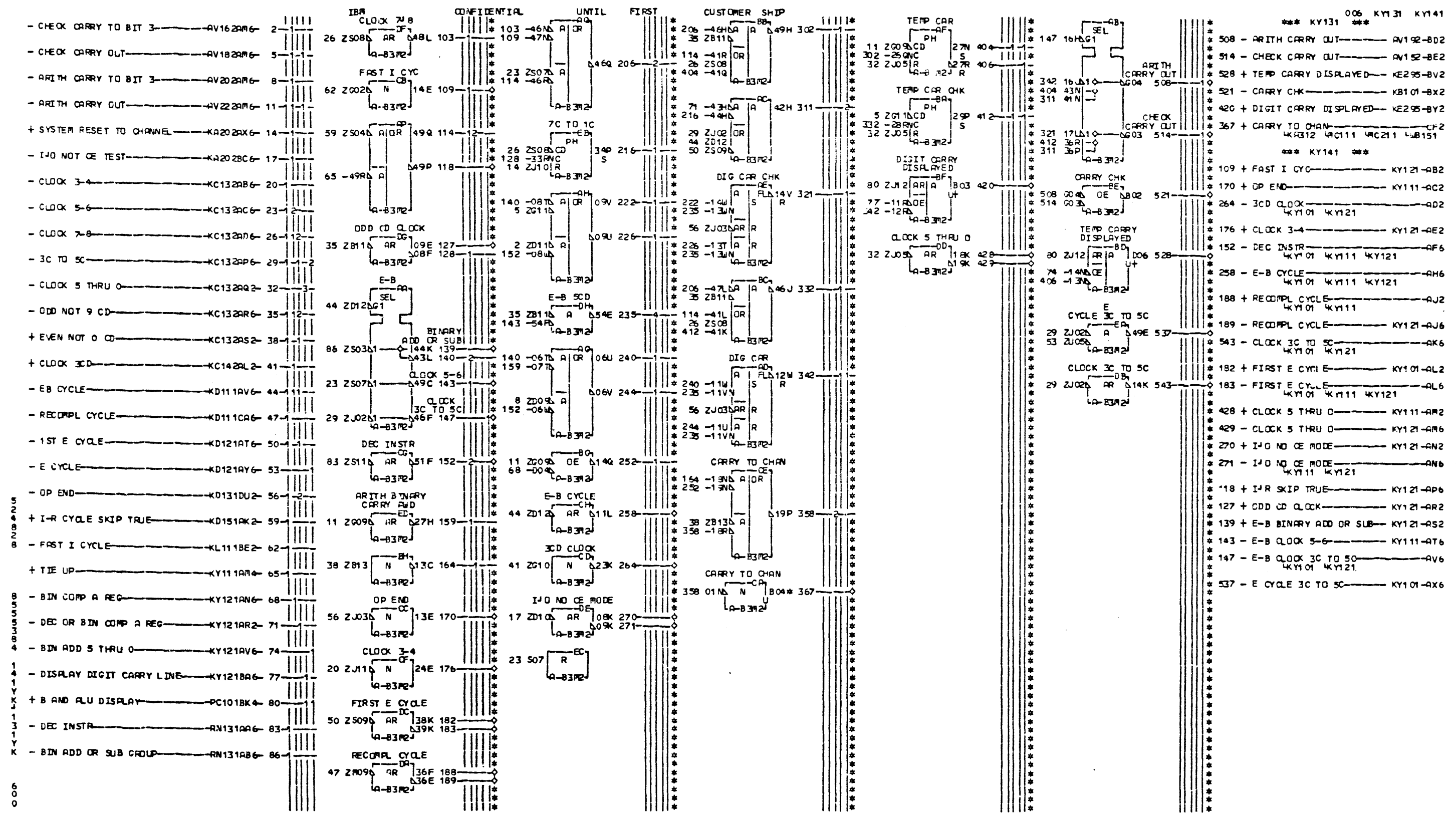
006 KY111 KY121  
 \*\*\* KY111 \*\*\*  
 276 + E-A ELIMINATE ----- AH2  
 KY101 KY131  
 480 + TIE UP ----- AM4  
 KY101 KY141  
 126 - ZERO AND ADD INSTR ----- KY101-BQ6  
 353 - NEW DATA TO STORAGE ----- KC13-BW4  
 \*\*\* KY121 \*\*\*  
 174 - BIN SUB GATE ----- AV12-AL2  
 228 - BIN COMP A REG ----- AN6  
 LAV122 KP112 KP152 KY131  
 408 - DECIMAL COMP B REG ----- AP6  
 LAV112 LAV144  
 121 - DEC SUB GATE ----- AQ6  
 LAV122 LAV142 LAV144 KGV111  
 504 - DEC OR BIN COMP A REG ----- KY131-AR2  
 360 - BIN ADD 5 THRU 0 ----- KY131-AV6  
 411 - DEC COMP A REG ----- AQ6  
 LAV101 LAV122 KGV111 KGV121  
 441 - DISPLAY DIGIT CARRY LINE ----- BA6  
 KY131

A-SIA TO PA      EC 830225  
 B-SIA TO PA      EC 830225  
 F KY111  
 S KY121  
 U 006

LOC. TYPE  
 A-B3R2 Y642

PAGE VER EC LEV  
 KY111 006 828425  
 KY121 006 828425

ALU CONTROLS			
E-C-HISTORY	E1	ARCH-CPU15FST	
		FRAPE	01 KY111
DATE	LAST EC	IBM CORP #CSD	KY121
05-09-77	828425	P.N.	483557 006



A-SIR TO PN EC 830225

EDGE CONN 01A-A3P1E13

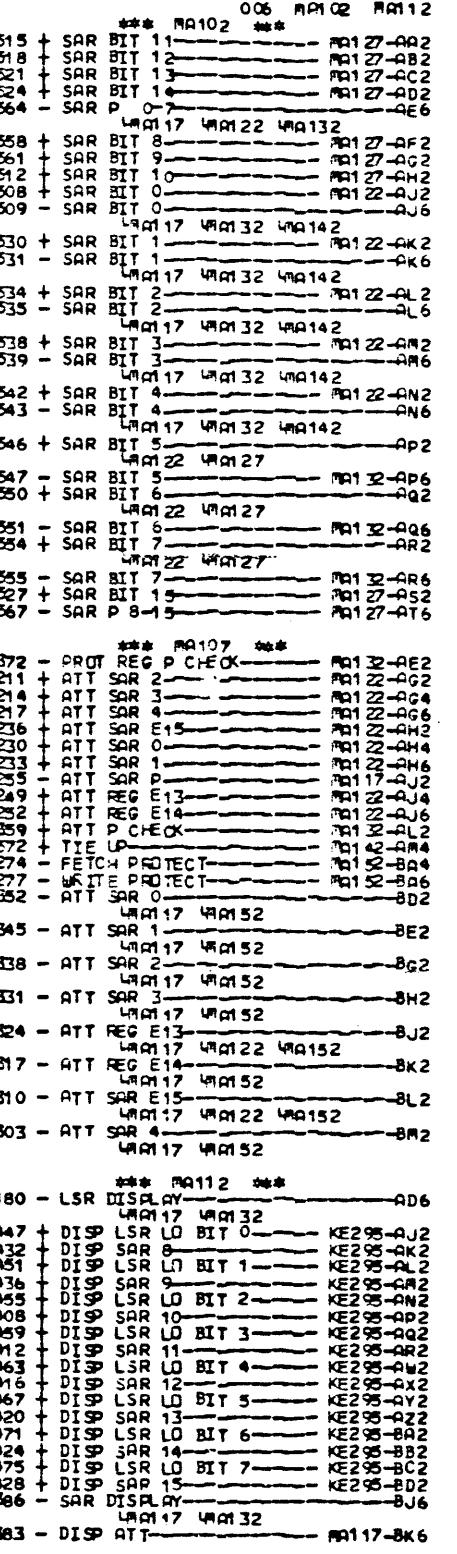
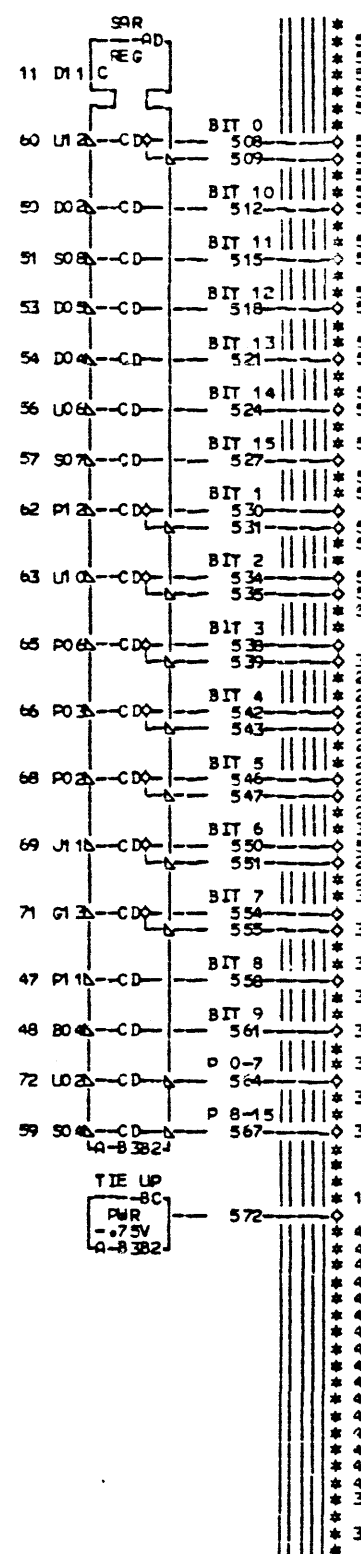
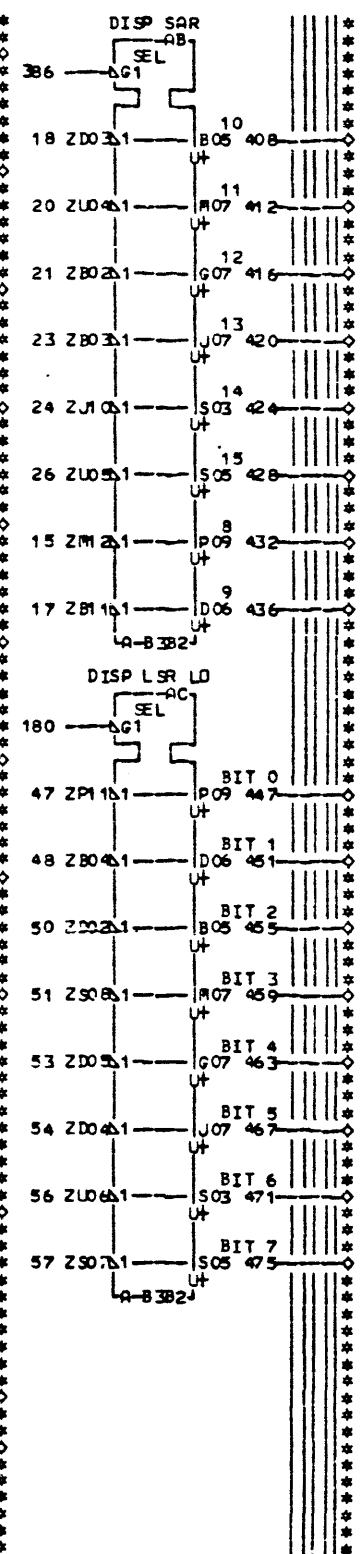
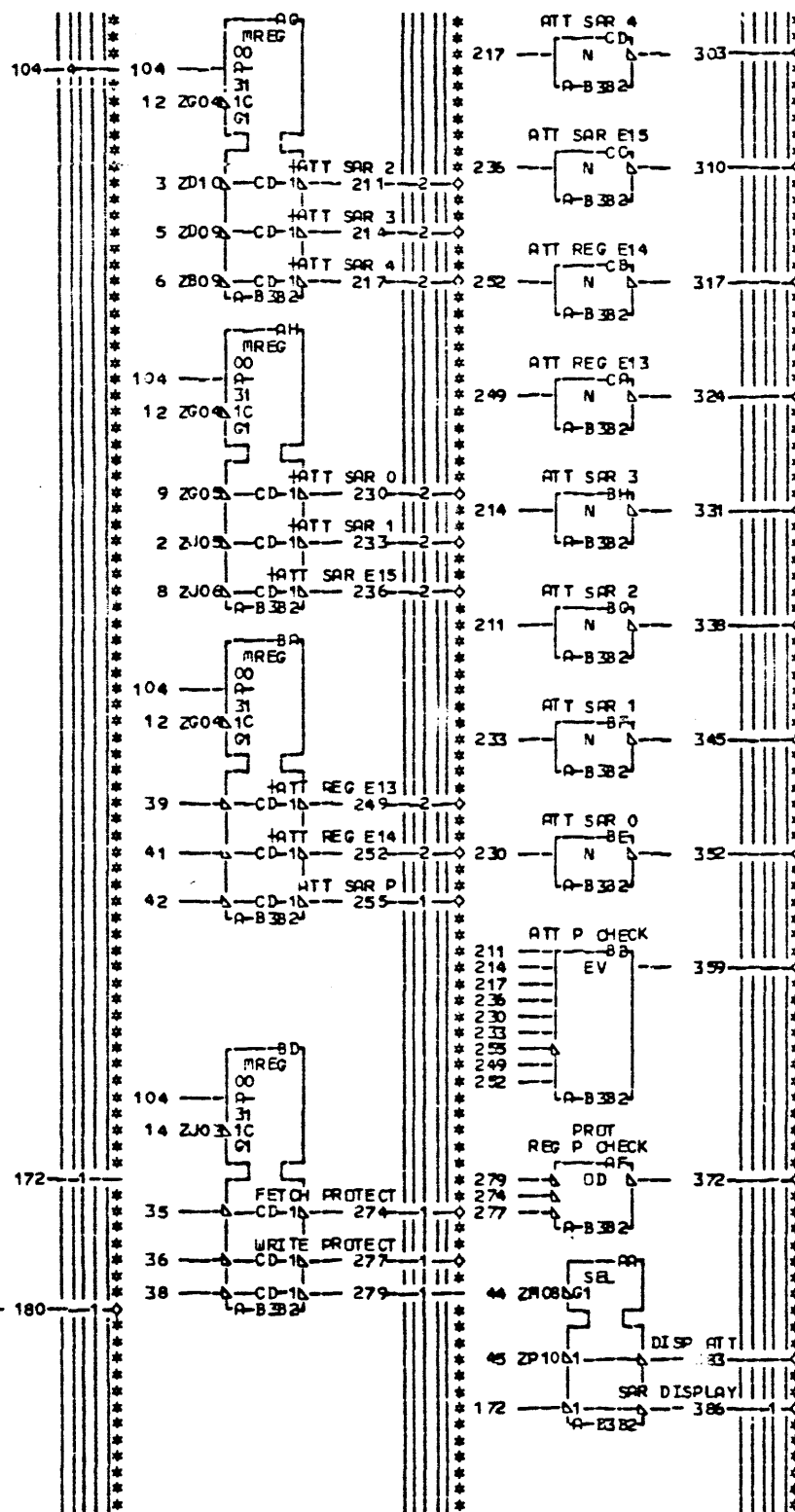
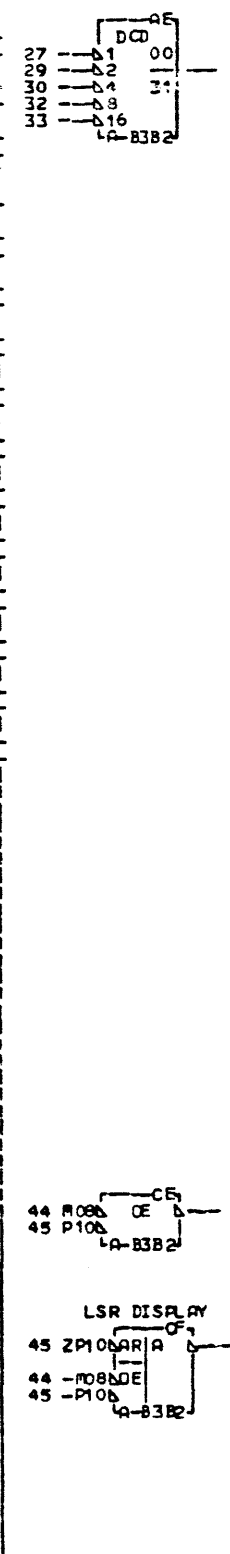
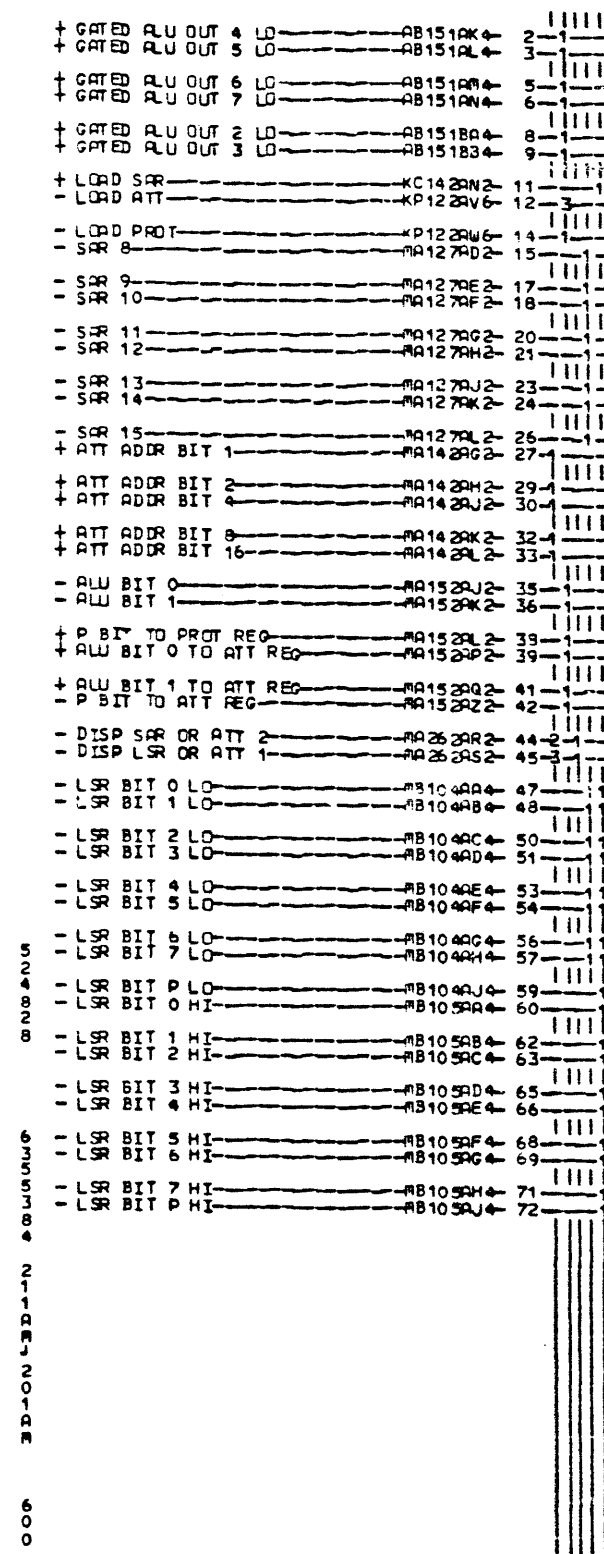
LCC TYPE A-B3P2 Y642

PAGE VER EC LEV KY131 006 828425 KY141 000 830225

F KY131  
J KY141  
K 006

367 A-B3J1B13  
01A-B2D1E13  
01A-B2J6B04  
01A-B1D6E04  
01A-B1A3B02  
01A-A1P1E13  
01A-A1P6E04  
01A-A1P1E13  
01A-A1P6E04

ALL CONTROLS			
Ea Co-HISTORY	830225	FRCH CPU15FST	01 KY131
DATE	05-09-77	IBM CORP-GSD	006 KY141
LAST EC	828425	PoN	483558



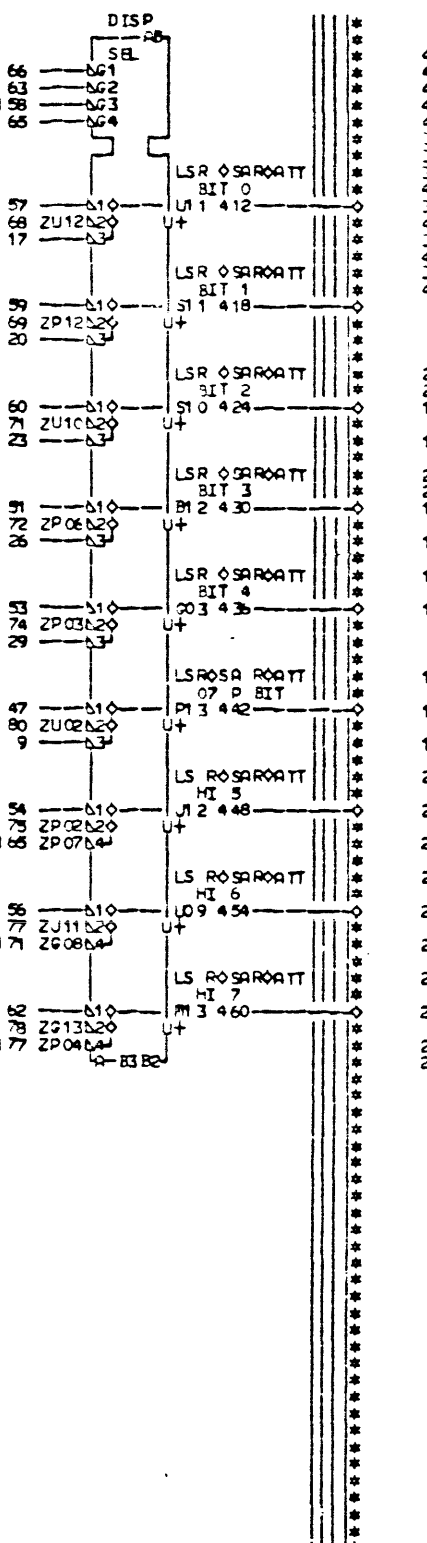
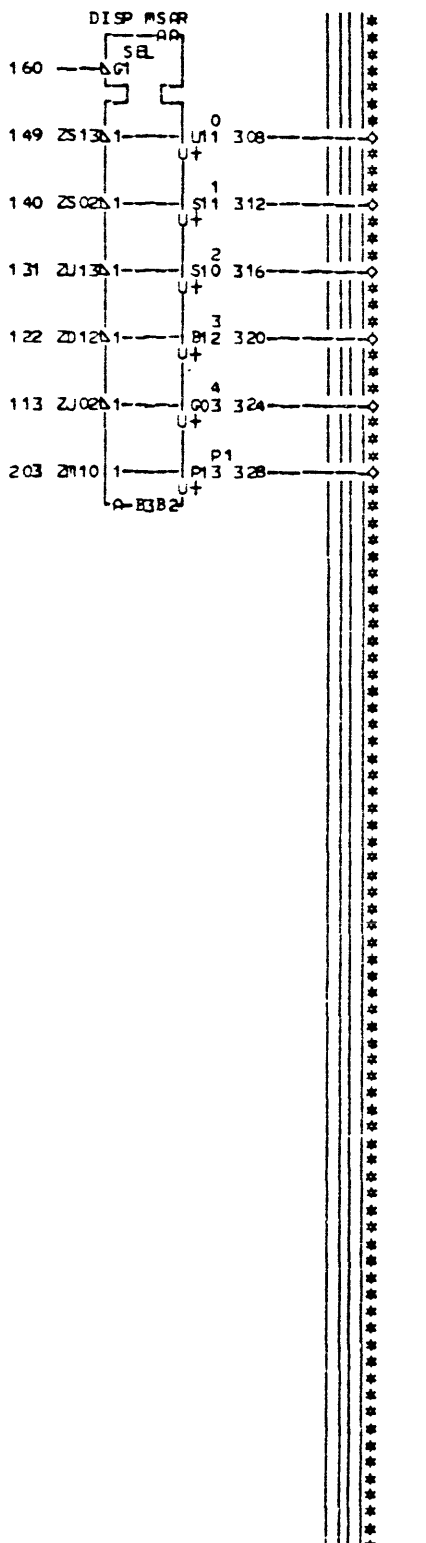
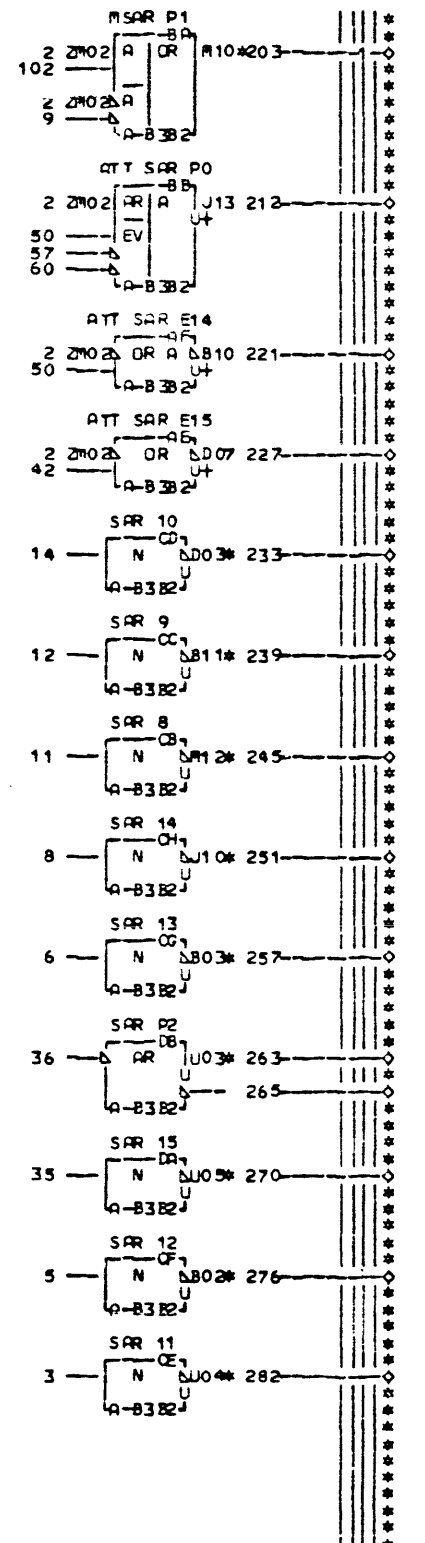
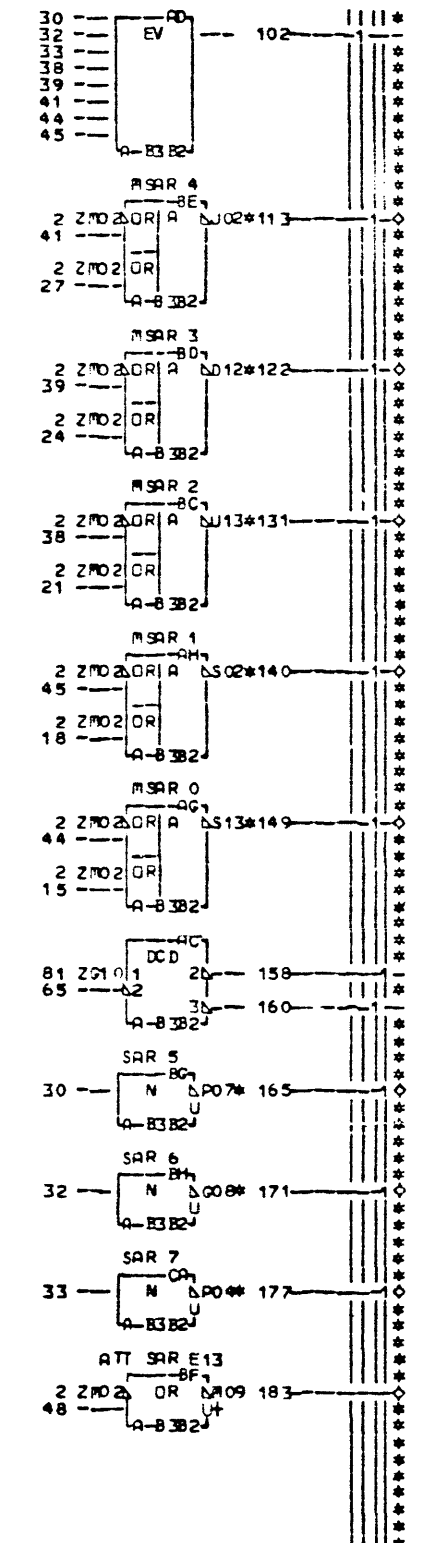
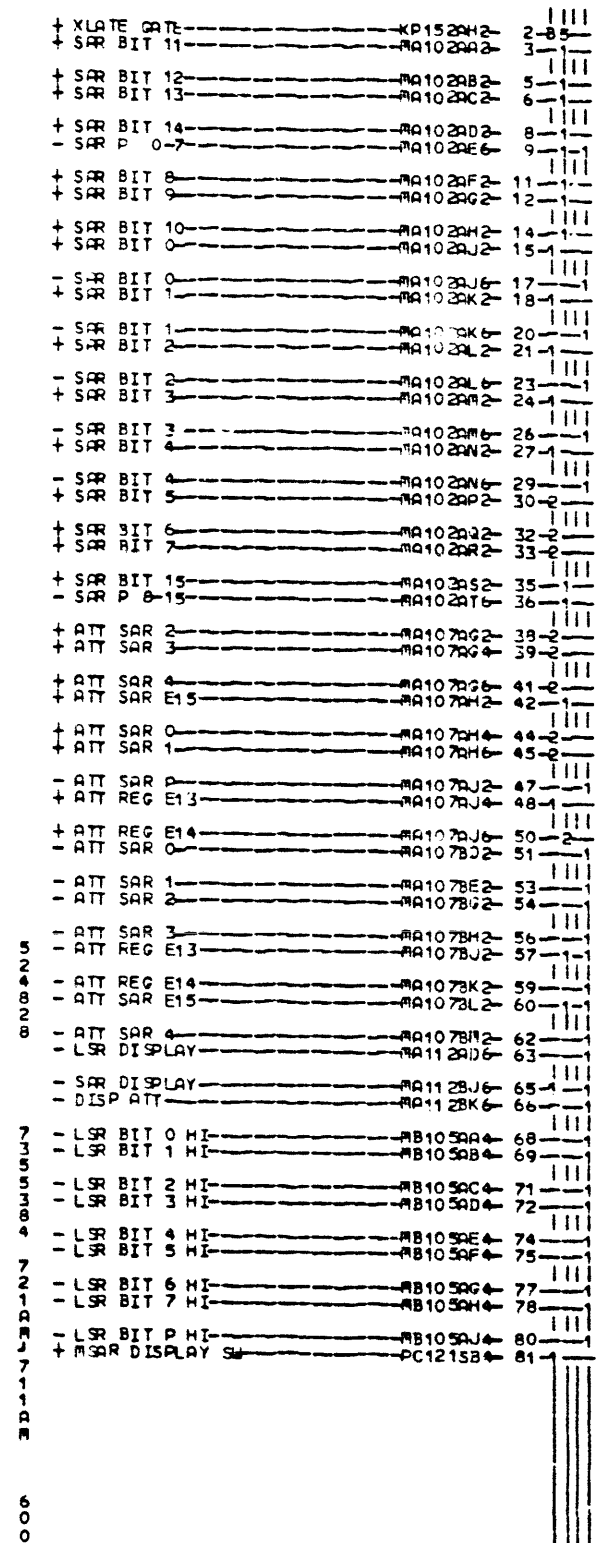
A. SIM TO 2N EC 830225  
 B. SIM TO 2N EC 830225  
 C. SIM TO 2N EC 830225

LOC. TYPE  
 A-B3B2 BE06

RA102 06 828425  
 RA107 06 828425  
 RA112 06 828425

SAR CARD  
 -E- Co-HI STORY -E- ARCH. CPU15FST  
 RA102  
 RA112  
 DATE LAST EC 05-09-77 328425  
 P.N. 483536 006

006



- \*\*\* RA117 \*\*\*
- 460 + DIS LSR 0 BIT 0
- 454 + DIS LSR 0 BIT 1
- 436 + DIS LSR 0 BIT 2
- 420 + DIS LSR 0 BIT 3
- 404 + DIS LSR 0 BIT 4
- 388 + DIS LSR 0 BIT 5
- 372 + DIS LSR 0 BIT 6
- 356 + DIS LSR 0 BIT 7
- 340 + DIS LSR 0 BIT 8
- 324 + DIS LSR 0 BIT 9
- 308 + DIS LSR 0 BIT 10
- 292 + DIS LSR 0 BIT 11
- 276 + DIS LSR 0 BIT 12
- 260 + DIS LSR 0 BIT 13
- 244 + DIS LSR 0 BIT 14
- 228 + DIS LSR 0 BIT 15
- 212 + DIS LSR 0 BIT 16
- 196 + DIS LSR 0 BIT 17
- 180 + DIS LSR 0 BIT 18
- 164 + DIS LSR 0 BIT 19
- 148 + DIS LSR 0 BIT 20
- 132 + DIS LSR 0 BIT 21
- 116 + DIS LSR 0 BIT 22
- 100 + DIS LSR 0 BIT 23
- 84 + DIS LSR 0 BIT 24
- 68 + DIS LSR 0 BIT 25
- 52 + DIS LSR 0 BIT 26
- 36 + DIS LSR 0 BIT 27
- 20 + DIS LSR 0 BIT 28
- 4 + DIS LSR 0 BIT 29
- \*\*\* RA122 \*\*\*
- 227 - ATT SAR E15
- 221 - ATT SAR E14
- 149 - MSAR 0
- 140 - MSAR 1
- 203 + MSAR P1
- 212 + ATT SAR P0
- 131 - MSAR 2
- 122 - MSAR 3
- 113 - MSAR 4
- 183 - ATT SAR E13
- \*\*\* RA127 \*\*\*
- 165 - SAR 5
- 171 - SAR 6
- 177 - SAR 7
- 245 - SAR 8
- 239 - SAR 9
- 233 - SAR 10
- 282 - SAR 11
- 276 - SAR 12
- 257 - SAR 13
- 201 - SAR 14
- 270 - SAR 15
- 263 + SAR P0
- 265 - SAR P1

A. SIM TO PN      EC 830225  
 B. SIM TO PN      EC 830225  
 C. SIM TO PN      EC 830225

EDGE CONT    01A-B4V2B02    01P-A4V2B12    01A-B4V2D03    01P-B4V2D10    01P-A4V2D11  
 113 P-B3B6E04    165 P-B3B6A04    01P-A4V2B12    01A-B4V2D03    257 P-B3C6A02    01P-A4V2D11  
 12 P-B3B6C04    01A-B4V2B09    203 P-B3B6E04    245 P-B3B6B02    01P-A4V2D09    01P-A4V2D11  
 91 P-B4V2B06    01A-B4V2B09    31 P-B3B6E04    01A-B4V2D02    01P-B4V2D09    01P-A4V2D11  
 131 P-B3B6B04    171 P-B3B6B04    233 P-B3B6B02    01A-B4V2D02    263 P-B3C6E02    01P-A4V2D07  
 01P-A4V2B05    01A-B4V2B10    01P-A4V2D05    01A-B4V2D02    01P-B4V2D13    01P-A4V2D07  
 140 P-B3B6B04    01A-B4V2B10    01P-B4V2D05    251 P-B3C6B02    01P-A4V2D13    282 P-B3B6C02  
 01P-A4V2D04    01A-B4V2B10    01P-B4V2D05    01A-B4V2D10    01P-B4V2D13    01P-A4V2D06  
 149 P-B3B6C04    177 P-B3B6D04    239 P-B3B6E02    01A-B4V2D10    270 P-B3C6C02    01P-A4V2D06

01A-B4V2D06      LOC# TYPE      PAGE VER EC LEV  
 P-B3B2 BE06

**SAR CARD**  
**E-C-HISTORY**      E-PAGE CPU15FST  
 DATE    LAST EC      FRAME 01    RA117  
 05-09-77 828425      P-N. 4835537    RA127

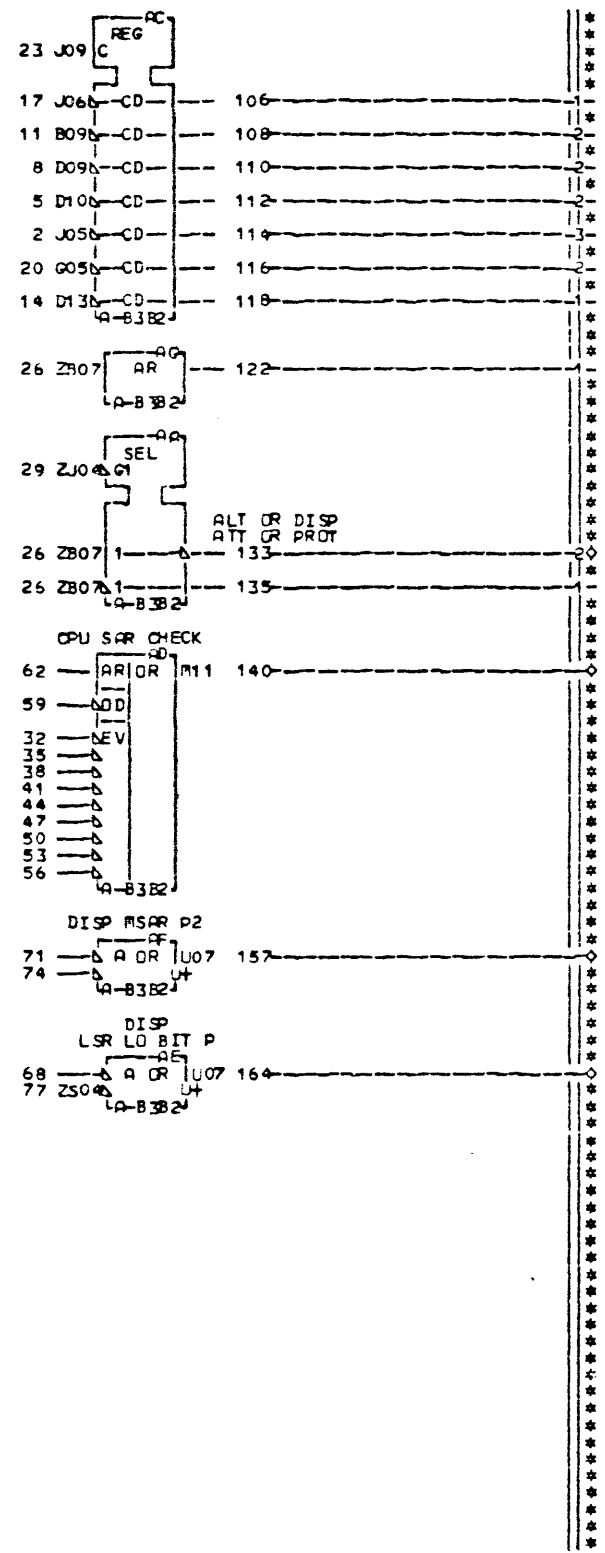
VC-UT  
RA117  
RA127  
CC6

+ GATED ALU OUT 4 LD --- AB151AK4 --- 2  
 + GATED ALU OUT 5 LD --- AB151AL4 --- 5  
 + GATED ALU OUT 6 LD --- AB151AM4 --- 8  
 + GATED ALU OUT 7 LD --- AB151AN4 --- 11  
 + GATED ALU OUT 1 LU --- AB151AZ4 --- 14  
 + GATED ALU OUT 2 LD --- AB151BA4 --- 17  
 + GATED ALU OUT 3 LD --- AB151BB4 --- 20  
 + LOAD Q REG --- KD141BC6 --- 23  
 - LOAD STOP ATT PROT EB --- KP152AE6 --- 26-32  
 - ALTER DISP ATT OR GATE EVEN --- KP152AG2 --- 29  
 - SAR P 0-7 --- RA102AE6 --- 32  
 - SAR BIT 0 --- RA102AJ6 --- 35  
 - SAR BIT 1 --- RA102AK6 --- 38  
 - SAR BIT 2 --- RA102AL6 --- 41  
 - SAR BIT 3 --- RA102AM6 --- 44  
 - SAR BIT 4 --- RA102AN6 --- 47  
 - SAR BIT 5 --- RA102AP6 --- 50  
 - SAR BIT 6 --- RA102AQ6 --- 53  
 - SAR BIT 7 --- RA102AR6 --- 56  
 - PROT REG P CHECK --- RA102AE2 --- 59  
 + ATT P CHECK --- RA102AL2 --- 62  
 + TIE UP --- RA102AM4 --- 65  
 - LSR DISPLAY --- RA112AD6 --- 68  
 - SAR DISPLAY --- RA112BJ6 --- 71  
 - SAR P2 --- RA122AM6 --- 74  
 - LSR BIT P LD --- AB104AJ4 --- 77

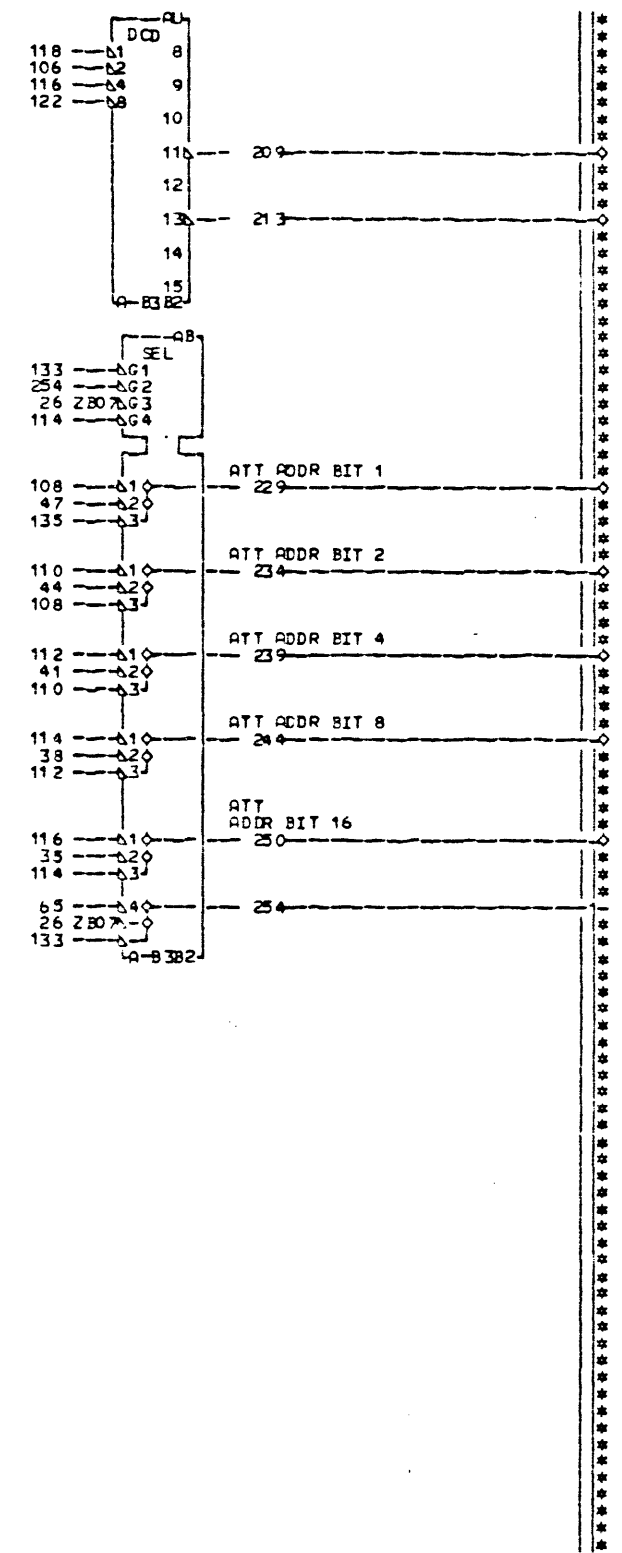
UNNUMBERED  
 BURNED  
 NET-DE-UM-DE  
 600

A. SIM TO PN      EC 830225  
 B. SIM TO PN      EC 830225

F  
 S  
 I  
 D  
 C  
 006



LOC. TYPE  
 A-B 3B2 BE06

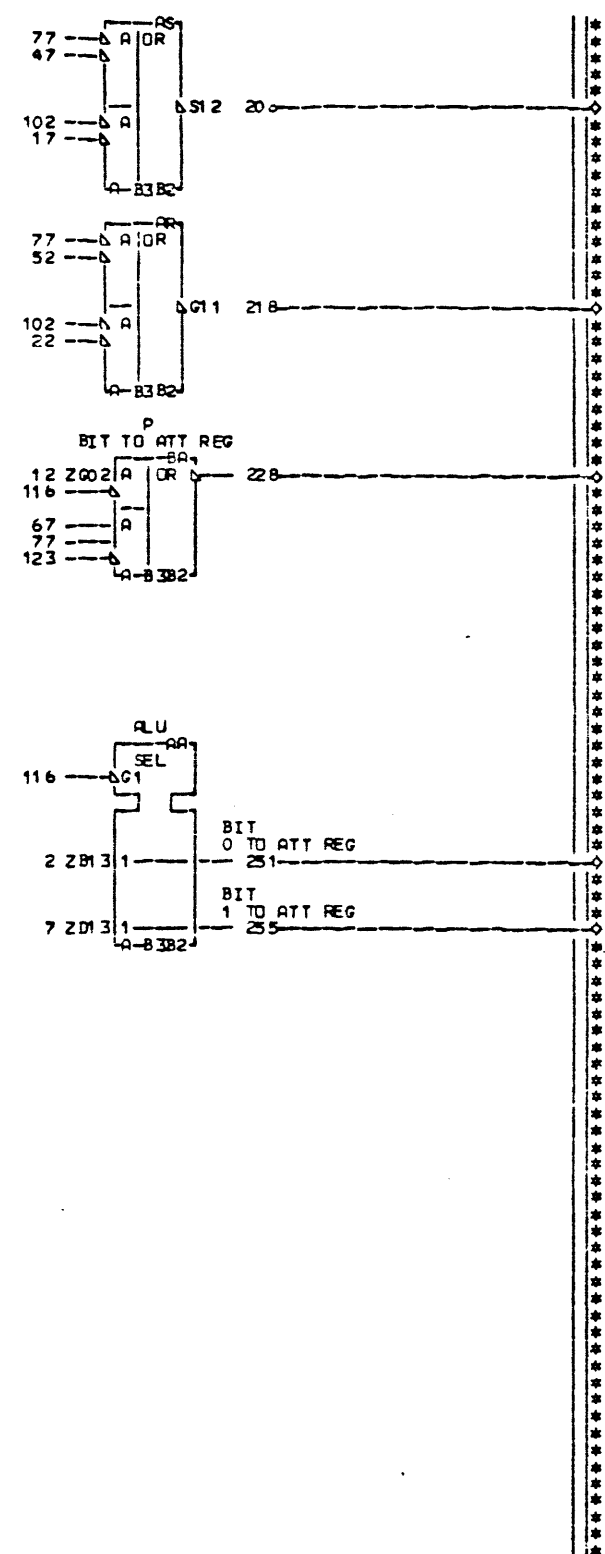
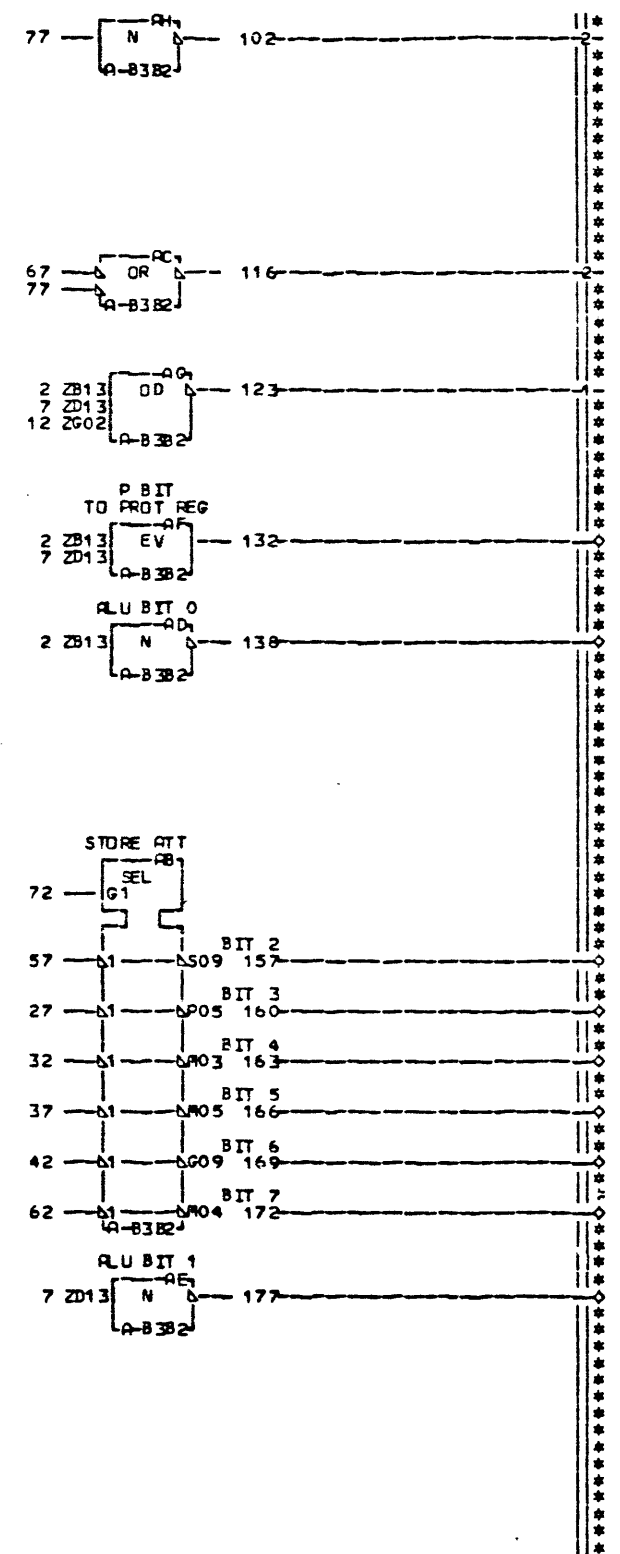


PAGE VER EC LEV  
 RA132 006 828425  
 RA142 006 828425

\*\*\* RA132 006 RA132 RA142 \*\*\*  
 140 + CPU SAR CHECK --- KB101-AH4  
 164 + DISP LSR LO BIT P --- KE295-AL2  
 157 + DISP MSAR P2 --- KE295-AM2  
 \*\*\* RA142 \*\*\*  
 229 + ATT ADDR BIT 1 --- RA107-AG2  
 234 + ATT ADDR BIT 2 --- RA107-AH2  
 239 + ATT ADDR BIT 4 --- RA107-AJ2  
 244 + ATT ADDR BIT 8 --- RA107-AK2  
 250 + ATT ADDR BIT 16 --- RA107-AL2  
 133 - ALT OR DISP ATT OR PROT RA152-AP6  
 209 - LD-STR PROT 6X EB --- RA152-AU6  
 213 - LD-STR ATT 5X EB --- RA152-AUB

SAR CARD	
E-C-HISTORY	5 ARCH CPU15FST
FRAME	01 RA132
DATE	LAST EC
05-09-77	828425
IBB CORP RD	RA142
P.N.	483538
	006

+ GATED ALU OUT 0 LD	AB151AY	2-3
+ GATED ALU OUT 1 LD	AB151AZ	7-3
+ GATED ALU OUT P LD	AB151BC	12-1
- FETCH PROTECT	AA107BA	17
- WRITE PROTECT	AA107BA	22
- ATT SAR 0	AA107BD	27
- ATT SAR 1	AA107BE	32
- ATT SAR 2	AA107BF	37
- ATT SAR 3	AA107BH	42
- ATT REG E13	AA107BJ	47
- ATT REG E14	AA107BK	52
- ATT SAR E15	AA107BL	57
- ATT SAR 4	AA107BM	62
- ALT OR DISP ATT OR PROT	AA142AP	67
- LD-STR PROT 6X EB	AA142AU	72
- LD-STR ATT 5X EB	AA142AU	77-23



006 AA152 AA152

160 - STORE ATT BIT 3	KR242-AA6
157 - STORE ATT BIT 2	KR242-AB6
163 - STORE ATT BIT 4	KR252-AC6
172 - STORE ATT BIT 7	KR252-AD6
169 - STORE ATT BIT 6	KR252-AE6
166 - STORE ATT BIT 5	KR252-AF6
138 - ALU BIT 0	AA107-AJ2
177 - ALU BIT 1	AA107-AK2
132 + P BIT TO PROT REG	AA107-AL2
251 + ALU BIT 0 TO ATT REG	AA107-AP2
255 + ALU BIT 1 TO ATT REG	AA107-AQ2
218 - WRITE PROTECT OR STR BIT 1	AA6 KCM 01 KR242
206 - FETCH PROTECT OR STR BIT 0	AS6 KCM 01 KR242
228 - P BIT TO ATT REG	AA107-AZ2

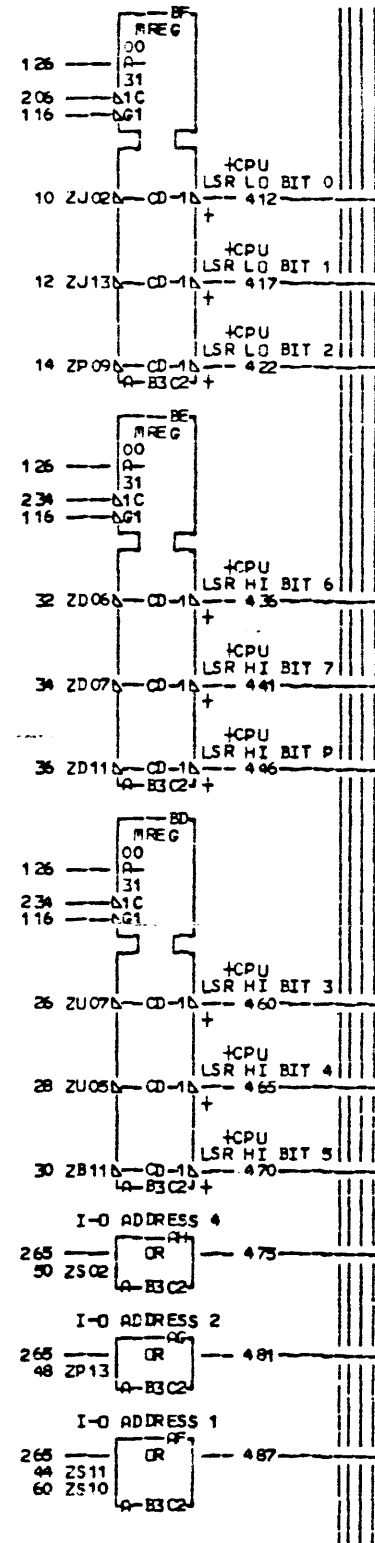
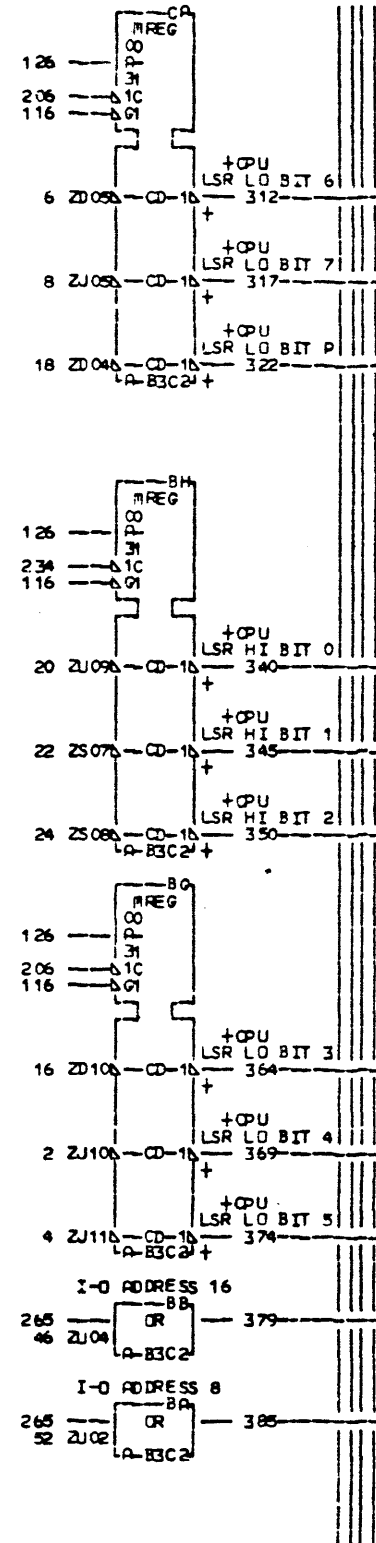
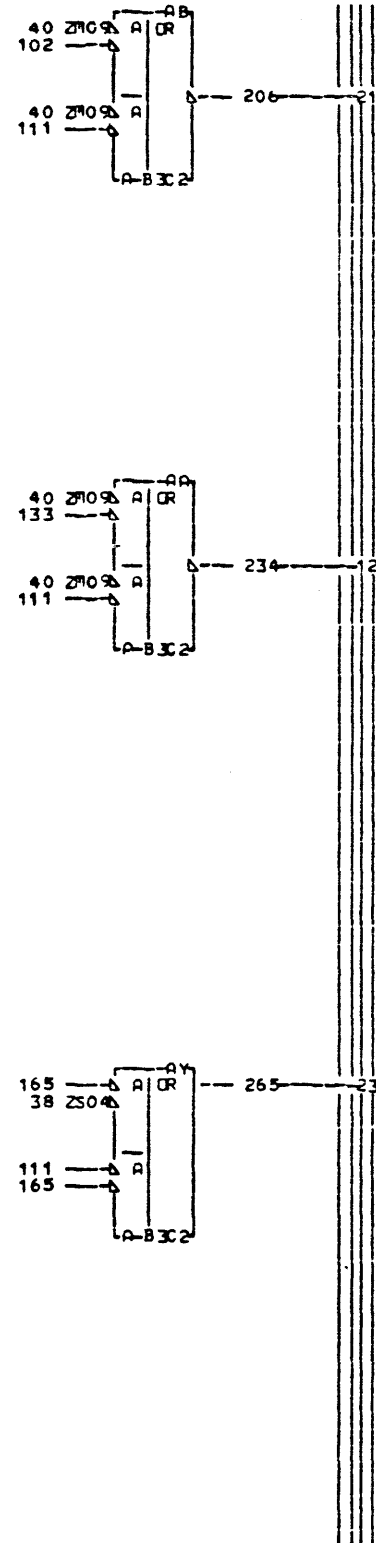
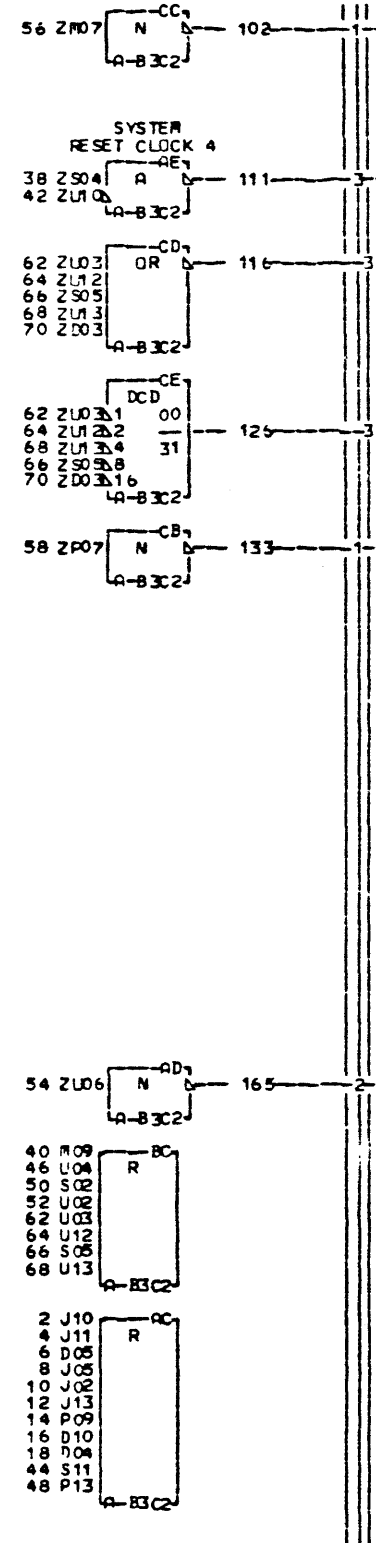
006  
 AA152  
 AA152  
 006 SIM TO PW EC 830225

LOC. TYPE  
 A-B382 BE06

PAGE VER EC LEV  
 AA152 006 828425

SAR CARD	
—E-C-HISTORY—	—E-ARCH-CPU15FST
DATE LAST EC	FRAME 01 AA152
05-09-77 828425	IBM CORP RD AA152
	P.N. 4835539 006

+ GATED ALU OUT 4 LO	AB151AK4	2
+ GATED ALU OUT 5 LO	AB151AL4	4
+ GATED ALU OUT 6 LO	AB151AM4	6
+ GATED ALU OUT 7 LO	AB151AN4	8
+ GATED ALU OUT 0 LO	AB151AY4	10
+ GATED ALU OUT 1 LO	AB151AZ4	12
+ GATED ALU OUT 2 LO	AB151BA4	14
+ GATED ALU OUT 3 LO	AB151BB4	16
+ GATED ALU OUT P LO	AB151BC4	18
+ GATED ALU OUT 0 HI	AB241AA2	20
+ GATED ALU OUT 1 HI	AB241AB2	22
+ GATED ALU OUT 2 HI	AB241AC2	24
+ GATED ALU OUT 3 HI	AB241AD2	26
+ GATED ALU OUT 4 HI	AB241AE2	28
+ GATED ALU OUT 5 HI	AB241AF2	30
+ GATED ALU OUT 6 HI	AB241AG2	32
+ GATED ALU OUT 7 HI	AB241AH2	34
+ GATED ALU OUT BIT P HI	AB241AJ2	36
+ SYSTEM RESET TO CHANNEL	KA202AX6	38
- PHASE D	KC102AJ6	40
- CLOCK	KC122AJ6	42
+ SELECT I-O LSR ADDR BIT 1	KE311AP4	44
+ SELECT I-O LSR ADDR BIT 16	KE311AQ4	46
+ SELECT I-O LSR ADDR BIT 2	KE311AR4	48
+ SELECT I-O LSR ADDR BIT 4	KE311AS4	50
+ SELECT I-O LSR ADDR BIT 8	KE311AT4	52
+ PSR SELECT	KL101AY2	54
+ LSR WRITE LO GATE	KL111BJ2	56
+ LSR WRITE HI GATE	KL111BK2	58
+ BAR SEL	KL121AS2	60
+ CPU HDB ADDR 1	KL131AV4	62
+ CPU HDB ADDR 2	KL131AW4	64
+ CPU HDB ADDR 8	KL131BA4	66
+ CPU HDB ADDR 4	KL131SA4	68
+ CPU HDB ADDR 16	KA111AG2	70



006 PA202 PA212  
\*\*\* PA202 \*\*\*

265 + SELECT PSR	PA222-AY2
487 + I-O ADDRESS 1	PA222-BE6
481 + I-O ADDRESS 2	PA222-BF6
475 + I-O ADDRESS 4	PA222-BG6
385 + I-O ADDRESS 8	PA222-BH6
379 + I-O ADDRESS 16	PA222-BJ6
*** PA212 ***	
234 - WRITE HI	PA222-AA6
206 - WRITE LO	PA222-AB6
460 + CPU LSR HI BIT 3	PA232-AC2
465 + CPU LSR HI BIT 4	PA232-AC4
470 + CPU LSR HI BIT 5	PA232-AC6
436 + CPU LSR HI BIT 6	PA232-AD2
441 + CPU LSR HI BIT 7	PA232-AD4
446 + CPU LSR HI BIT P	PA232-AD6
412 + CPU LSR LO BIT 0	PA232-AE2
417 + CPU LSR LO BIT 1	PA232-AE4
422 + CPU LSR LO BIT 2	PA232-AE6
364 + CPU LSR LO BIT 3	PA232-AF2
369 + CPU LSR LO BIT 4	PA232-AF4
374 + CPU LSR LO BIT 5	PA232-AF6
340 + CPU LSR HI BIT 0	PA232-AG2
345 + CPU LSR HI BIT 1	PA232-AG4
350 + CPU LSR HI BIT 2	PA232-AG6
312 + CPU LSR LO BIT 6	PA232-AH2
317 + CPU LSR LO BIT 7	PA232-AH4
322 + CPU LSR LO BIT P	PA232-AH6

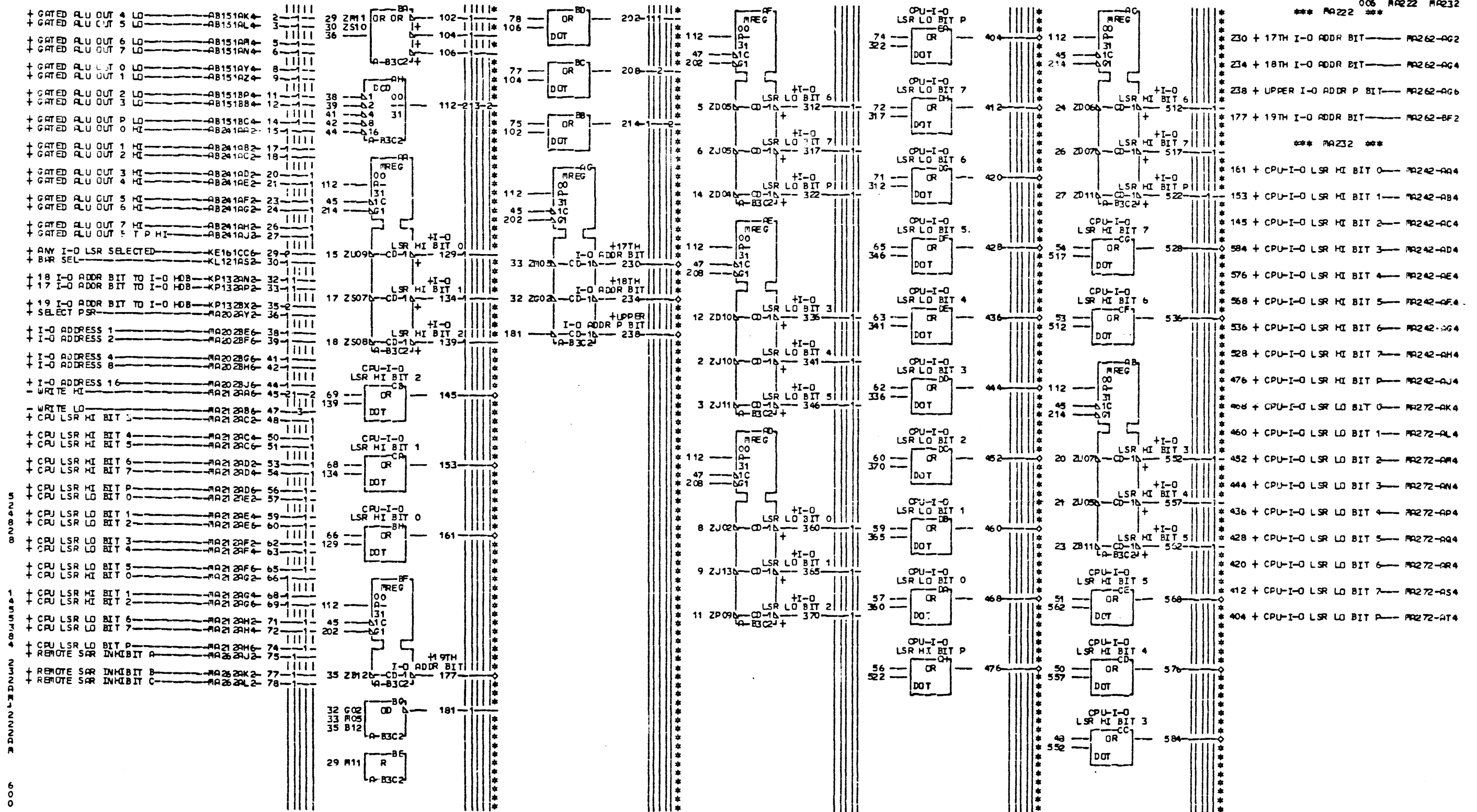
A: SIM TO PN      EC 830225  
B: SIM TO PN      EC 830225

LOGIC TYPE  
A-B3C2 BE01

PAGE VER EC LEV  
PA202 006 828425  
PA212 006 828425

LSR CARD			
—Eo Co—HISTORY—Ei	PA222	CPU15FST	
	FRAME	01	PA202
	IBM CORP.		PA212
DATE	LAST EC		
05-09-77	828425	PoN.	4835840 006





A. SIM TO PN EC 830225  
 B. SIM TO PN EC 830225

LOC. TYPE  
 A-B3C2 BE01

PAGE VER EC LEV  
 RA222 006 828425  
 RA232 006 828425

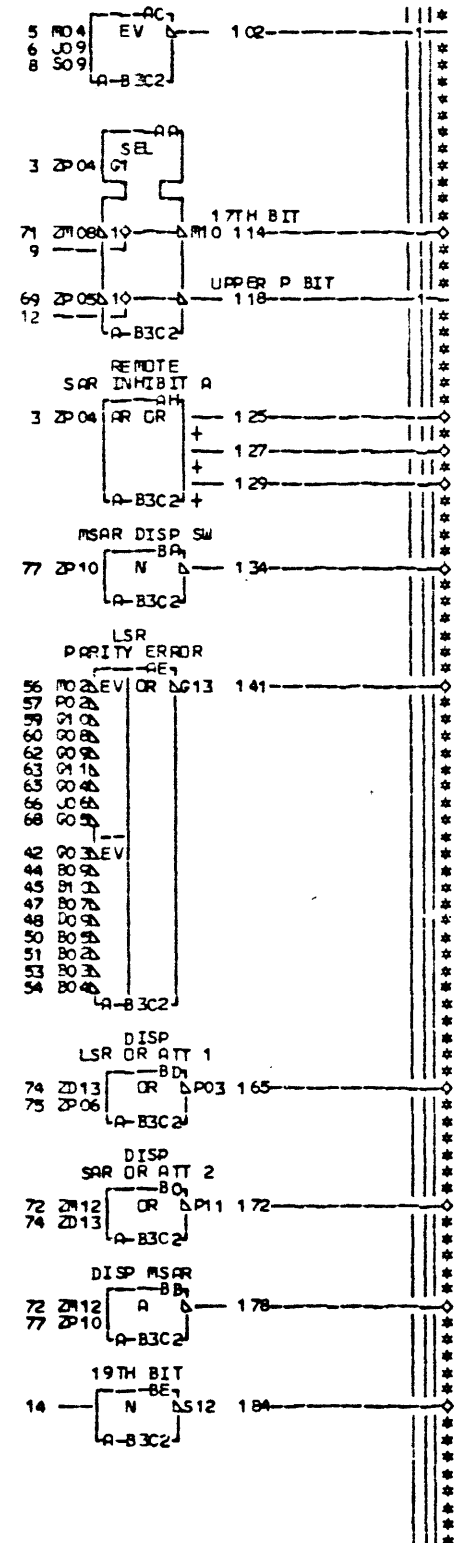
LSR CARD			
—E—C—H—I—S—T—O—R—Y—	E	PACK#	CPU15F5T
DATE	LAST EC	FRAME	01 RA222
05-09-77	828425	IBM CORP#RD	RA232
		P.#N.	4835541 006

9000  
 1 2 3 4 5 6 7 8 9 10 11 12 13 14 15 16 17 18 19 20 21 22 23 24 25 26 27 28 29 30 31 32 33 34 35 36 37 38 39 40 41 42 43 44 45 46 47 48 49 50 51 52 53 54 55 56 57 58 59 60 61 62 63 64 65 66 67 68 69 70 71 72 73 74 75 76 77 78 79 80 81 82 83 84 85 86 87 88 89 90 91 92 93 94 95 96 97 98 99 100

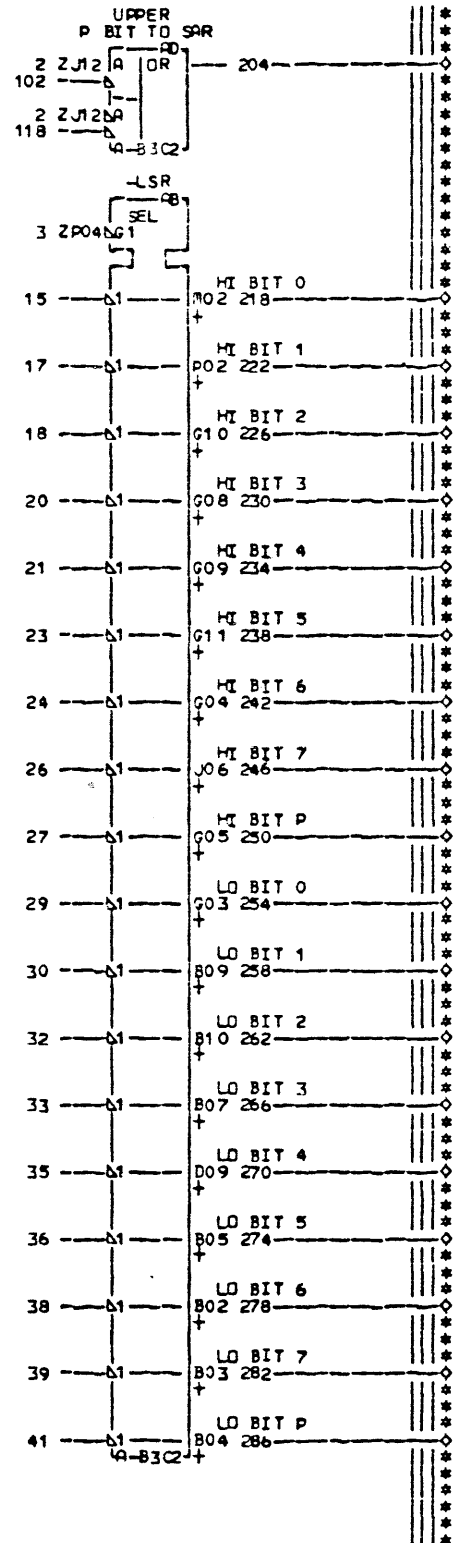
RA222  
 RA232  
 006

- I/O NOT OF TEST ----- KA202BC6 2-2  
 + MLTA SELECTED ----- KE401BU2 3-2  
 + 17TH BIT TO SAR ----- KP132BK2 5-1  
 + 18TH BIT TO SAR ----- KP132BK2 6-1  
 + 19TH BIT TO SAR ----- KP132BY2 8-1  
 + 17TH I-O ADDR BIT ----- MA223AG2 9-1  
 + 18TH I-O ADDR BIT ----- MA223AG2 11-1  
 + UPPER I-O ADDR P BIT ----- MA223AG2 12-1  
 + 19TH I-O ADDR BIT ----- MA223BF2 14-1  
 + CPU-I-O LSR HI BIT 0 ----- MA233AA4 15-1  
 + CPU-I-O LSR HI BIT 1 ----- MA233AB4 17-1  
 + CPU-I-O LSR HI BIT 2 ----- MA233AC4 18-1  
 + CPU-I-O LSR HI BIT 3 ----- MA233AD4 20-1  
 + CPU-I-O LSR HI BIT 4 ----- MA233AE4 21-1  
 + CPU-I-O LSR HI BIT 5 ----- MA233AF4 23-1  
 + CPU-I-O LSR HI BIT 6 ----- MA233AG4 24-1  
 + CPU-I-O LSR HI BIT 7 ----- MA233AH4 26-1  
 + CPU-I-O LSR HI BIT P ----- MA233AJ4 27-1  
 + CPU-I-O LSR LO BIT 0 ----- MA233AK4 29-1  
 + CPU-I-O LSR LO BIT 1 ----- MA233AL4 30-1  
 + CPU-I-O LSR LO BIT 2 ----- MA233AM4 32-1  
 + CPU-I-O LSR LO BIT 3 ----- MA233AN4 33-1  
 + CPU-I-O LSR LO BIT 4 ----- MA233AP4 35-1  
 + CPU-I-O LSR LO BIT 5 ----- MA233AQ4 36-1  
 + CPU-I-O LSR LO BIT 6 ----- MA233AR4 38-1  
 + CPU-I-O LSR LO BIT 7 ----- MA233AS4 39-1  
 + CPU-I-O LSR LO BIT P ----- MA233AT4 41-1  
 - LSR BIT 0 LO ----- MB104BA4 42-1  
 - LSR BIT 1 LO ----- MB104BB4 44-1  
 - LSR BIT 2 LO ----- MB104BC4 45-1  
 - LSR BIT 3 LO ----- MB104BD4 47-1  
 - LSR BIT 4 LO ----- MB104BE4 48-1  
 - LSR BIT 5 LO ----- MB104BF4 50-1  
 - LSR BIT 6 LO ----- MB104BG4 51-1  
 - LSR BIT 7 LO ----- MB104BH4 53-1  
 - LSR BIT P LO ----- MB104BI4 54-1  
 - LSR BIT 0 HI ----- MB104BJ4 56-1  
 - LSR BIT 1 HI ----- MB104BK4 57-1  
 - LSR BIT 2 HI ----- MB104BL4 59-1  
 - LSR BIT 3 HI ----- MB104BM4 60-1  
 - LSR BIT 4 HI ----- MB104BN4 62-1  
 - LSR BIT 5 HI ----- MB104BP4 63-1  
 - LSR BIT 6 HI ----- MB104BQ4 65-1  
 - LSR BIT 7 HI ----- MB104BR4 66-1  
 - LSR BIT P HI ----- MB104BS4 68-1  
 - EXTERNAL ADDR BIT 17 P ----- MD201AP6 69-1  
 + SAR DISPLAY ----- PC101AV4 72-2  
 + COND REG DISPLAY ----- PC101AV4 74-2  
 + LSR DISPLAY ----- PC101BL4 75-1  
 + MSAR DISPLAY SW ----- PC1215B4 77-2

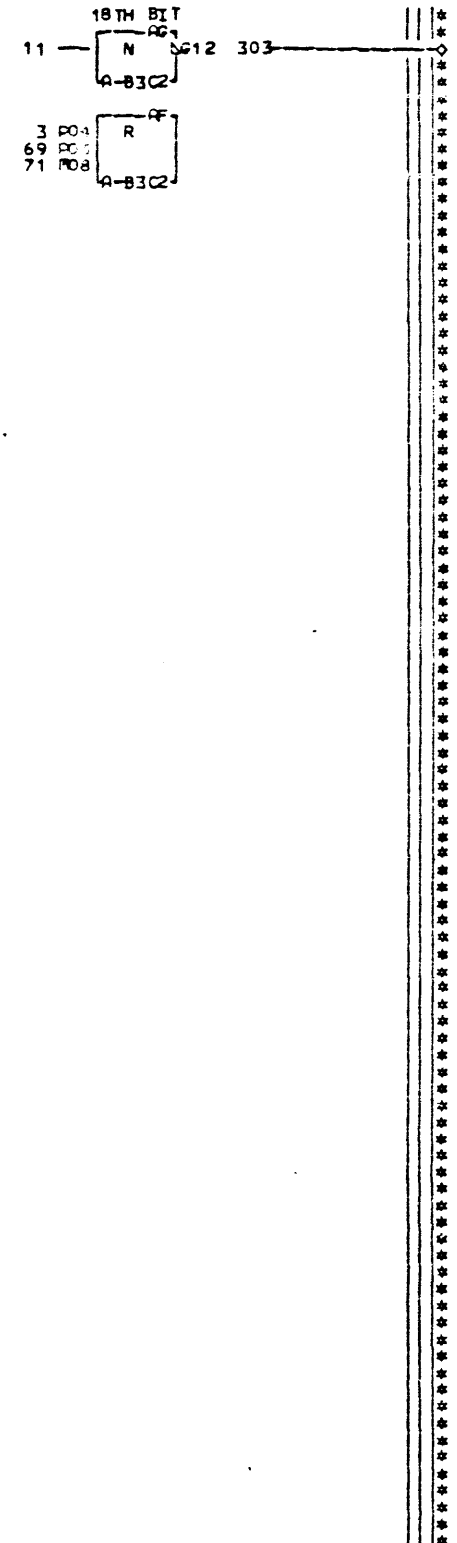
A. SIM TO PN                    EC 830225  
 B. SIM TO PN                    EC 830225  
 C. SIM TO PN                    EC 830225  
 D. SIM TO PN                    EC 830225  
 F MA242  
 5 1 MA272  
 P 006



LC TYPE  
 A-B3C2 BE01



BB 06 VER EC LEV  
 BB 242 006 82 8425  
 BB 272 006 82 8425  
 BB 272 006 82 8425

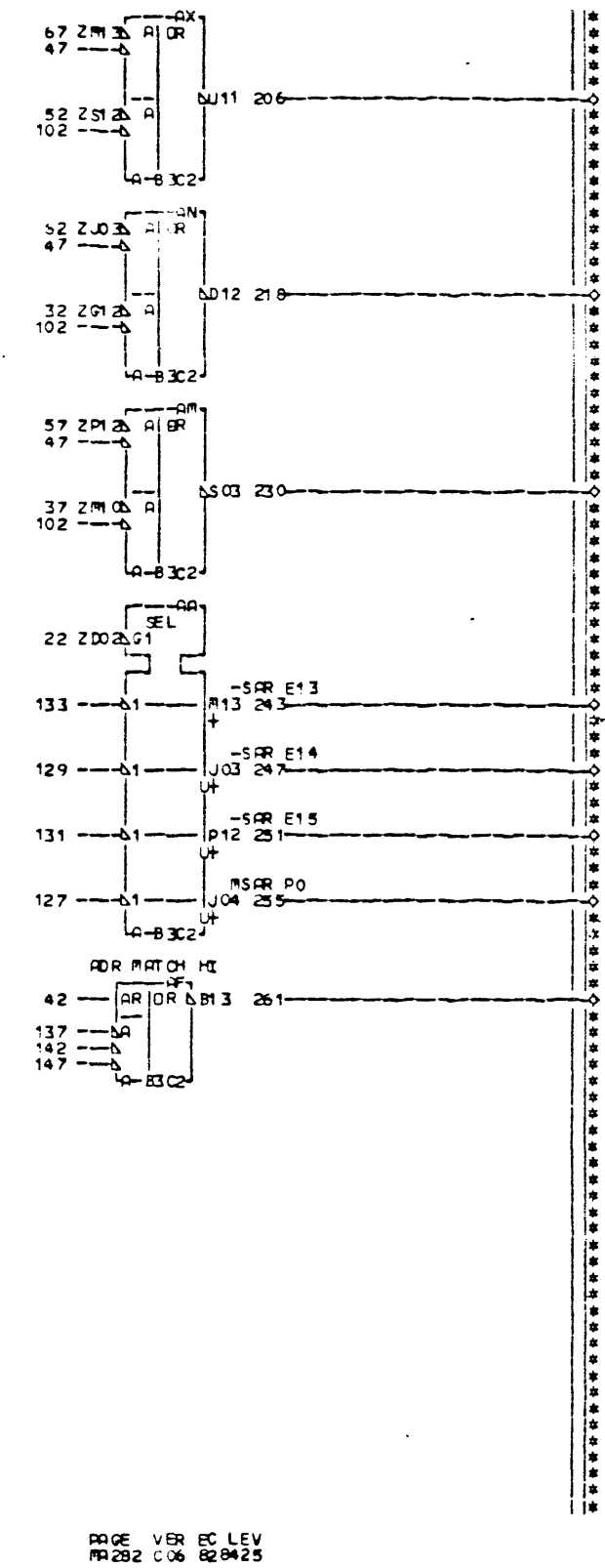
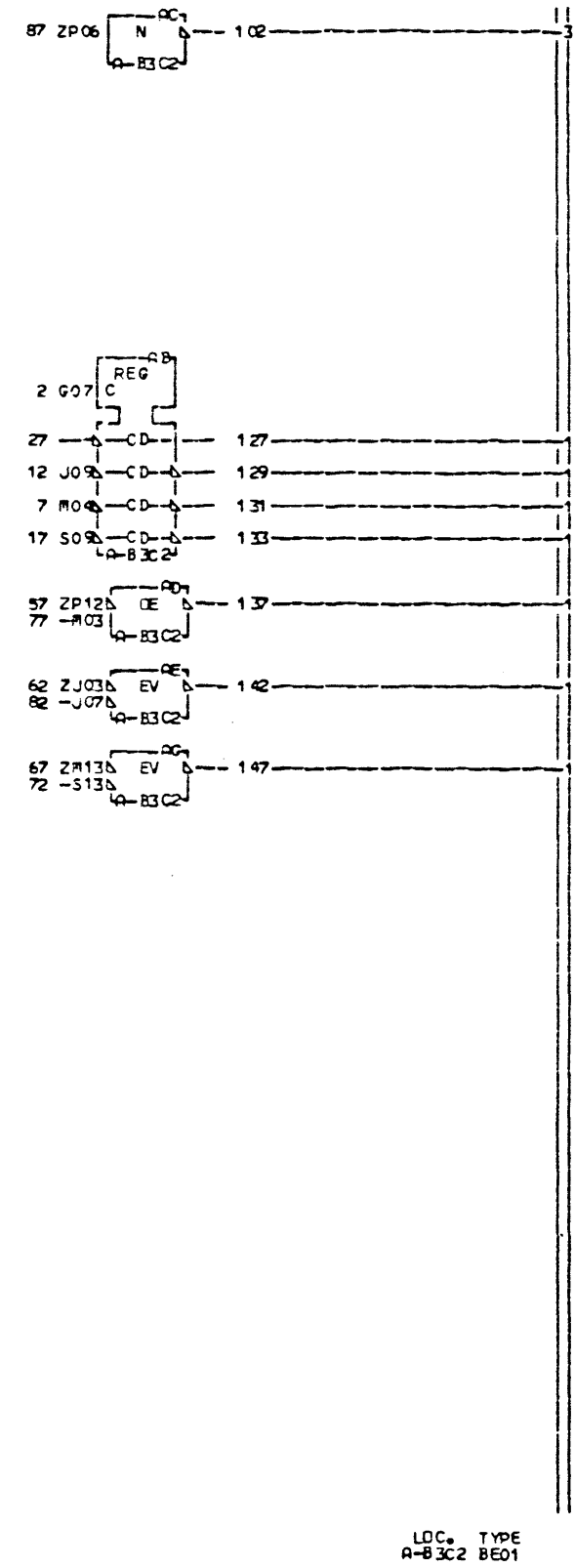


LSR CARD			
Ec Co-HISTORY	Ec	MA242	MA272
FRAME	01	MA242	
IBN CORP.RO		MA272	
DATE	LAST EC	P.N.	
05-09-77	828425	483342	006

006 MA242 MA272  
 \*\*\* MA242 \*\*\*  
 218 - LSR HI BIT 0 ----- MB105-AA2  
 222 - LSR HI BIT 1 ----- MB105-AB2  
 226 - LSR HI BIT 2 ----- MB105-AC2  
 230 - LSR HI BIT 3 ----- MB105-AD2  
 234 - LSR HI BIT 4 ----- MB105-AE2  
 238 - LSR HI BIT 5 ----- MB105-AF2  
 242 - LSR HI BIT 6 ----- MB105-AG2  
 246 - LSR HI BIT 7 ----- MB105-AH2  
 250 - LSR HI BIT P ----- MB105-AJ2  
 204 + UPPER P BIT TO SAR ----- MA282-AP6  
 \*\*\* MA252 \*\*\*  
 141 - LSR PARITY ERROR ----- KB101-AA2  
 \*\*\* MA262 \*\*\*  
 303 - 18TH BIT ----- AC2  
 KP102 KP132 MA282  
 114 - 17TH BIT ----- AH2  
 KP102 KP132 MA282  
 125 + REMOTE SAR INHIBIT A ----- MA22-AJ2  
 127 + REMOTE SAR INHIBIT B ----- MA22-AK2  
 129 + REMOTE SAR INHIBIT C ----- MA22-AL2  
 134 - MSAR DISP SW ----- MA282-AR2  
 178 - DISP MSAR ----- MA282-AP6  
 172 - DISP SAR OR ATT 2 ----- MA112-AR2  
 165 - DISP LSR OR ATT 1 ----- MA112-AS2  
 184 - 19TH BIT ----- AW2  
 KP102 KP132 MA282  
 \*\*\* MA272 \*\*\*  
 251 - LSR LO BIT 0 ----- MB104-AK2  
 258 - LSR LO BIT 1 ----- MB104-AL2  
 262 - LSR LO BIT 2 ----- MB104-AM2  
 266 - LSR LO BIT 3 ----- MB104-AN2  
 270 - LSR LO BIT 4 ----- MB104-AO2  
 274 - LSR LO BIT 5 ----- MB104-AQ2  
 278 - LSR LO BIT 6 ----- MB104-AR2  
 282 - LSR LO BIT 7 ----- MB104-AS2  
 286 - LSR LO BIT P ----- MB104-AT2

+ LOAD SAR	KC142AN2	2
+ 17TH BIT TO SAR	KP132BJ2	7
+ 18TH BIT TO SAR	KP132BK2	12
+ 19TH BIT TO SAR	KP132BY2	17
+ XLATE GATE	KP152AH2	22
+ UPPER P BIT TO SAR	MA242AP6	27
- 18TH BIT	MA262AG2	32
- 17TH BIT	MA262AH2	37
- MSAR DISP SW	MA262AM2	42
- DISP MSAR	MA262AP6	47
- 19TH BIT	MA262AW2	52
- MSAR E15	MB105AK	57
- MSAR E14	MB105AL	62
- MSAR E13	MB105AN	67
- 25K SW	PA101AU	72
+ 64K ADDR SW	PA101BM	77
- 128K SW	PA101BQ	82
+ LSR DISPLAY	PC101BL	87

PC-UNIT  
 MA252  
 MA262  
 006 SIM TO FN      EC 830225



006 MA282 MA282

251 - SAR E15	MB105-AE2
247 - SAR E14	MB105-AF2
255 + MSAR P0	MB105-AG2
230 - DISP 17TH BIT	PC121-AM6
218 - DISP 18TH BIT	PC121-AN6
261 - ADR MATCH HI	KM171-AU2
206 - DISP 19TH BIT	PC121-AX6
243 - SAR E13	MB105-BA2

LSR CARD	
— E <sub>0</sub> CH— HISTORY —	E <sub>1</sub> MATCH CPU15FST
DATE LAST EC	FRAME 01 MA282
05-09-77 828425	IBM CORP. PC MA282
	PoN 4835543 006

IBM

CONFIDENTIAL

UNTIL FIRST

CUSTOMER SHIP

\*\*\* MB101 000 MB101 MB102 \*\*\*

+ MLTA SELECTED TO RSAR CARD KE401B26- 2-2

- EXT ADR BIT P LO MB103AH1- 6-

- EXT ADR BIT 0 LO MB103AH2- 10-

- EXT ADR BIT 1 LO MB103AH3- 14-

- EXT ADR BIT 2 LO MB103AH4- 18-

- EXT ADR BIT 3 LO MB103AH5- 22-

- EXT ADR BIT 4 LO MB103AH6- 26-

- EXT ADR BIT 5 LO MB103AH7- 30-

- EXT ADR BIT 6 LO MB103AH8- 34-

- EXT ADR BIT 7 LO MB103AH9- 38-

- EXT ADR BIT P HI MB103AJ1- 42-

- EXT ADR BIT 0 HI MB103AJ2- 46-

- EXT ADR BIT 1 HI MB103AJ3- 50-

- EXT ADR BIT 2 HI MB103AJ4- 54-

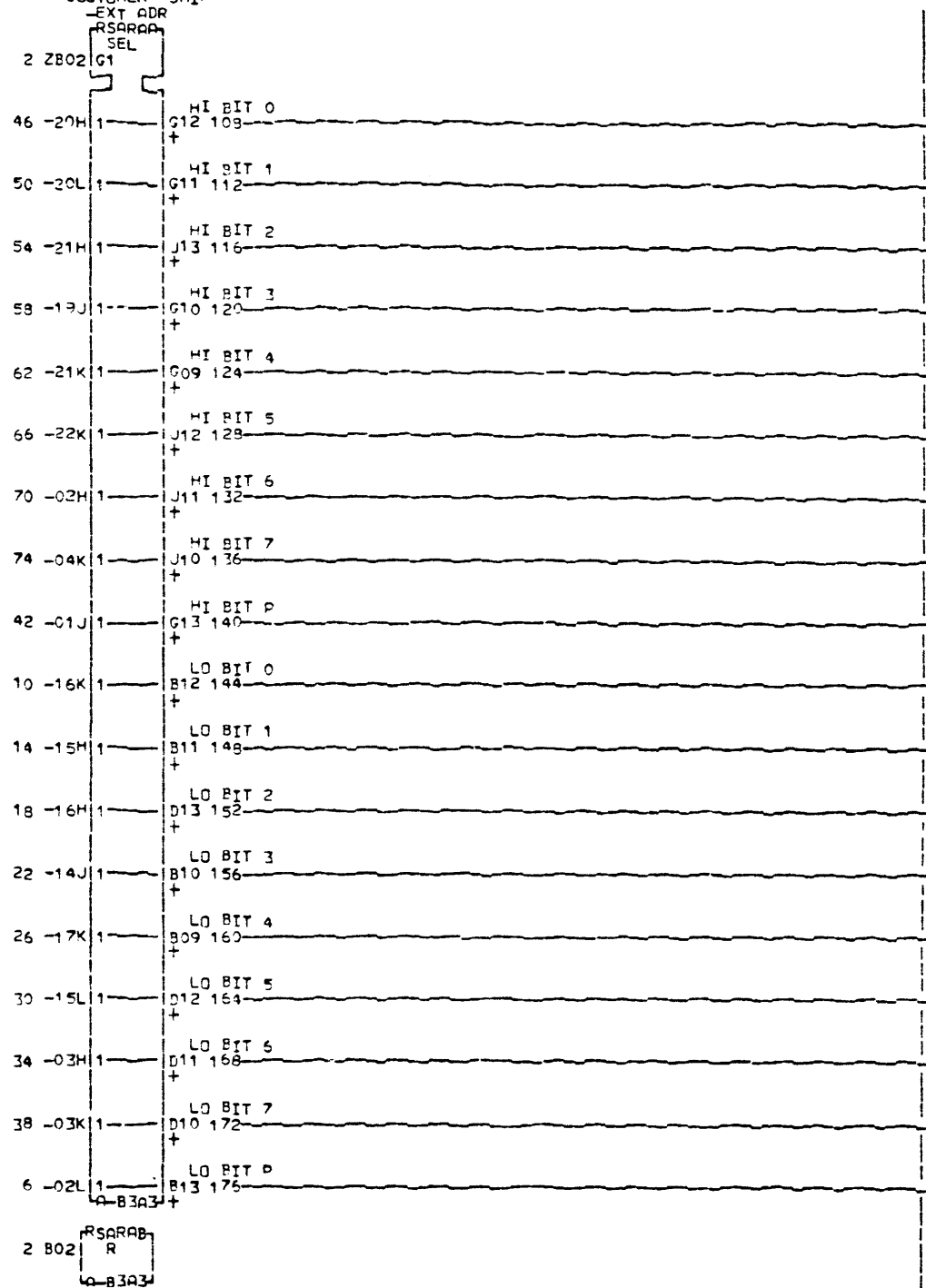
- EXT ADR BIT 3 HI MB103AJ5- 58-

- EXT ADR BIT 4 HI MB103AJ6- 62-

- EXT ADR BIT 5 HI MB103AJ7- 66-

- EXT ADR BIT 6 HI MB103AJ8- 70-

- EXT ADR BIT 7 HI MB103AJ9- 74-



108 - EXT ADR HI BIT 0 MB105-BA2

112 - EXT ADR HI BIT 1 MB105-BB2

115 - EXT ADR HI BIT 2 MB105-BC2

120 - EXT ADR HI BIT 3 MB105-BD2

124 - EXT ADR HI BIT 4 MB105-BE2

128 - EXT ADR HI BIT 5 MB105-BF2

132 - EXT ADR HI BIT 6 MB105-BG2

136 - EXT ADR HI BIT 7 MB105-BH2

140 - EXT ADR HI BIT P MB105-BJ2

\*\*\* MB102 \*\*\*

144 - EXT ADR LO BIT 0 MB104-BA2

148 - EXT ADR LO BIT 1 MB104-BB2

152 - EXT ADR LO BIT 2 MB104-BC2

156 - EXT ADR LO BIT 3 MB104-BD2

160 - EXT ADR LO BIT 4 MB104-BE2

164 - EXT ADR LO BIT 5 MB104-BF2

168 - EXT ADR LO BIT 6 MB104-BG2

172 - EXT ADR LO BIT 7 MB104-BH2

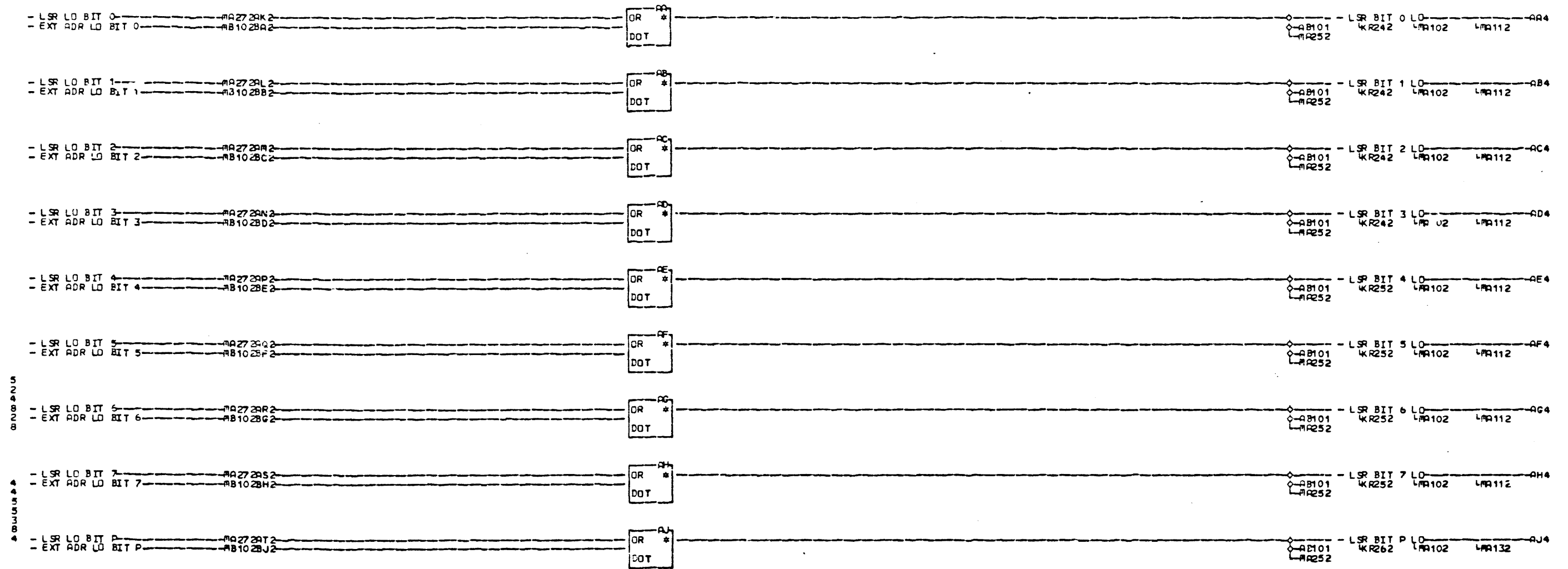
176 - EXT ADR LO BIT P MB104-BJ2

LOC. TYPE  
A-B3A3 Y664

PAGE VER EC LEV  
MB101 000 830225  
MB102 000 830225

MB101  
MB102  
000

REMOTE SAR			
E.C. HISTORY	C. MACH. CPU15FST	FRAME 01	MB101
DATE	LAST FC	IBM CORP. 059	MB102
04-15-76	830225	IP. N. 4238863	000



5  
2  
4  
8  
2  
8

4  
4  
4  
4  
4  
4  
4  
4

4  
0  
1  
B  
E

0  
0  
0

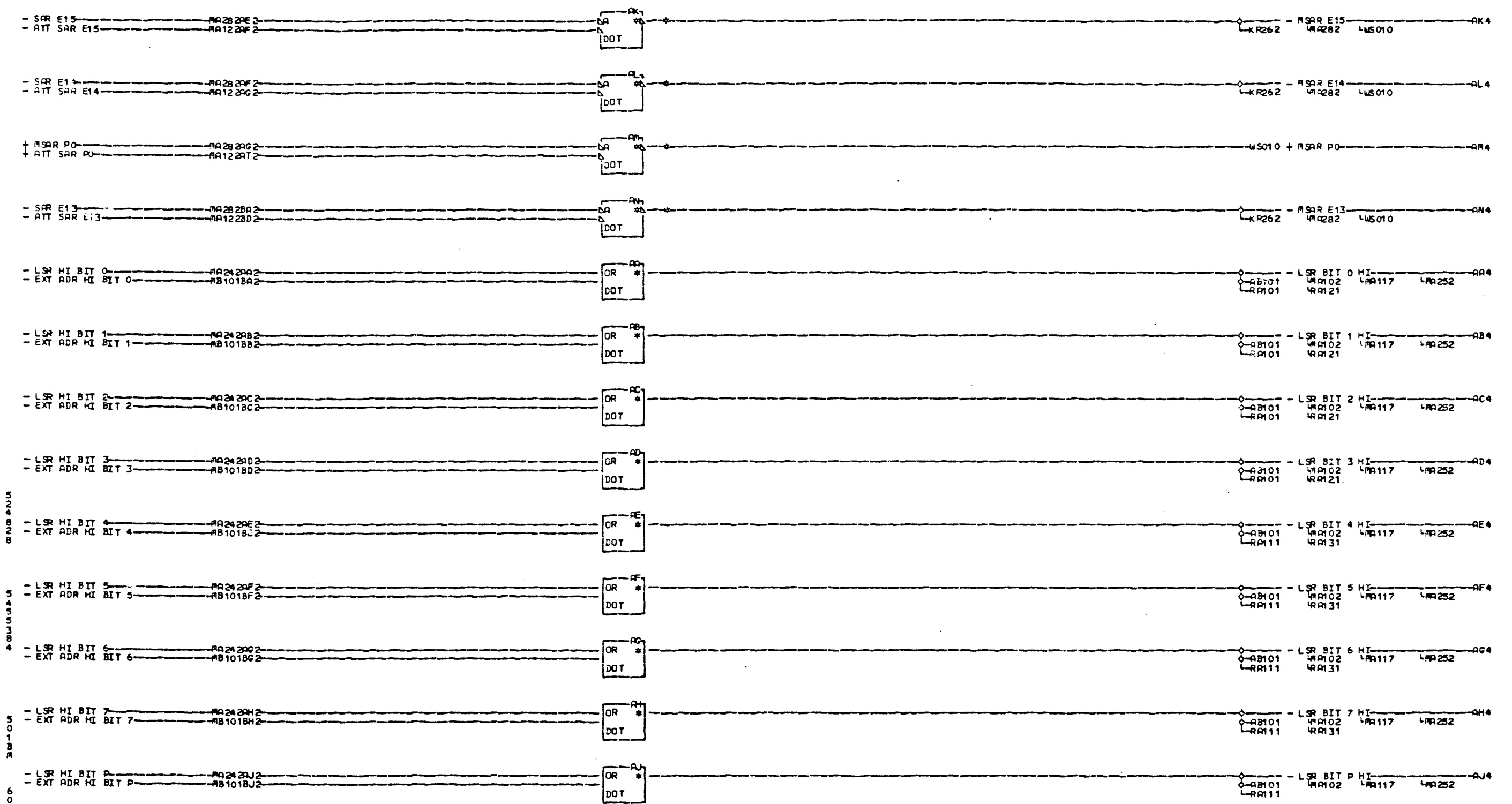
T  
S  
T  
S  
T  
S  
T  
P  
1  
0  
0  
6  
S  
I  
M  
T  
O  
A  
N

EC 830225

LOC. TYPE

LSR DOT LO	
EoC-HISTORY	E1 MACH-CPU15FST
DATE LAST EC	FRAME 01
05-09-77 828425	IBM CORP. GSD
	P.N. 4835544

RB  
1  
0  
4  
006



6000  
S01-8E  
4  
S  
4

REPOR  
006  
SIA TO PA

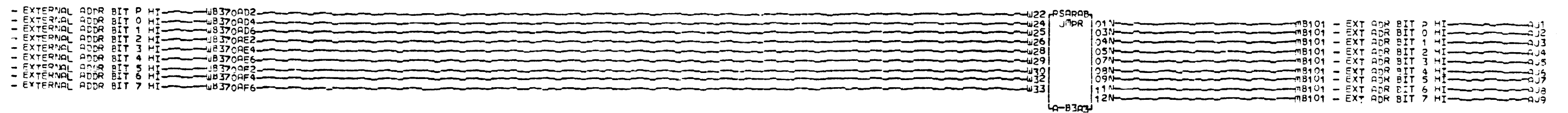
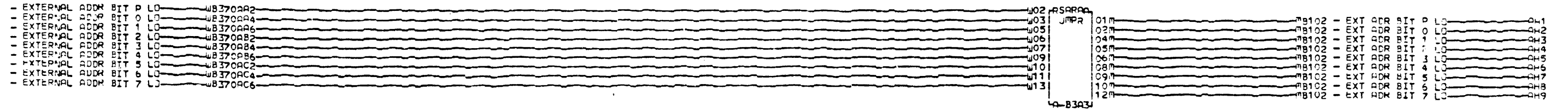
AK2 A-B3M6804 01A-A4V5B09  
 01A-A4V5B05  
 01A-A4V5B05  
 01A-A4V5B05  
 AL2 A-B3M6804  
 01A-A4V5B04  
 AM2 A-B3M6C04  
 01A-A4V5B06  
 AN2 A-B3M6A04  
 01A-A4V5B06

EC 830225  
 AN2 A-B3M6A04

LOC TYPE

LSR DOT HI	
-EoC-HISTORY-	E-MACH-CPU15FST
	FRAME 01
DATE LAST EC	IBM CORP. GSD
05-09-77 828425	P/N. 4835545

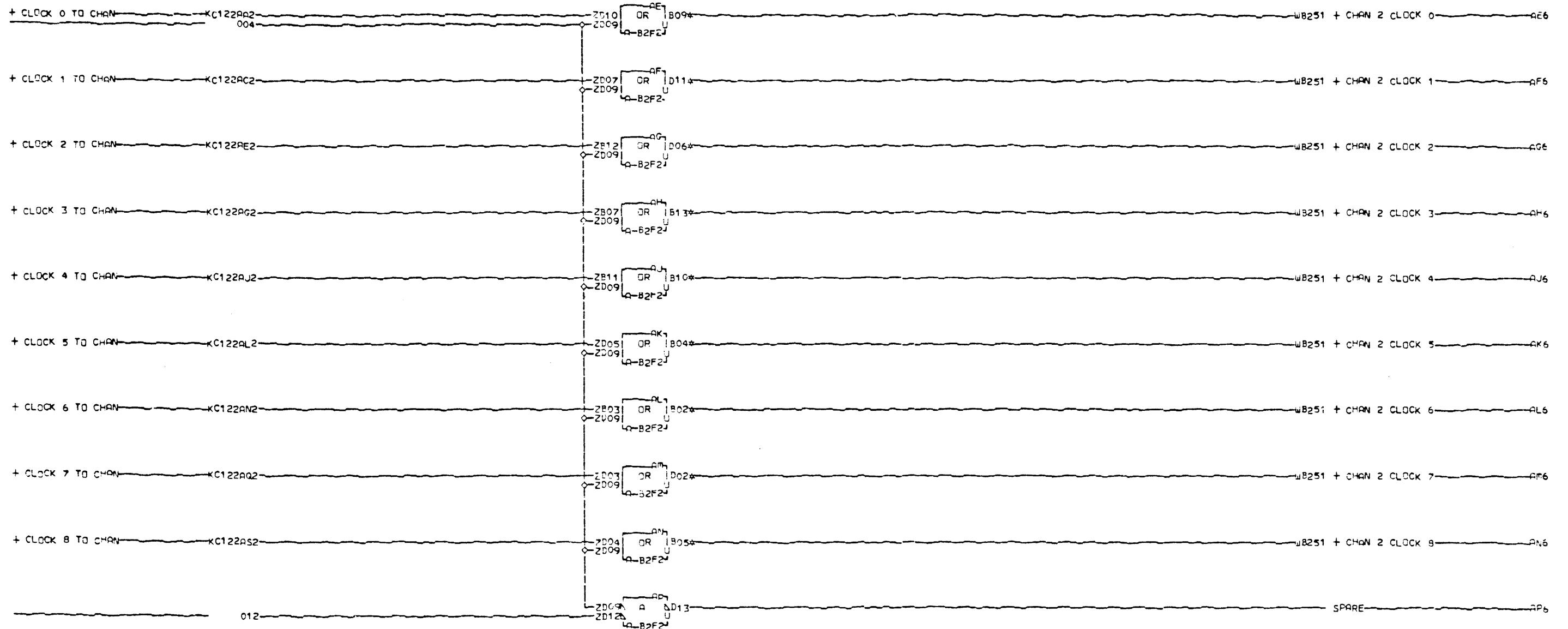
006



8  
1  
0  
3  
000

LOC. TYPE  
A-83A3 Y664

REMOTE SAR		
ENTER EXT PAGE		
E.C. HISTORY	C. MACH. CPU15FST	B
	FRAME	01
		3
DATE	LAST EC	IBM CORR. GSD
104-15-76 830225		P.N. 4238664



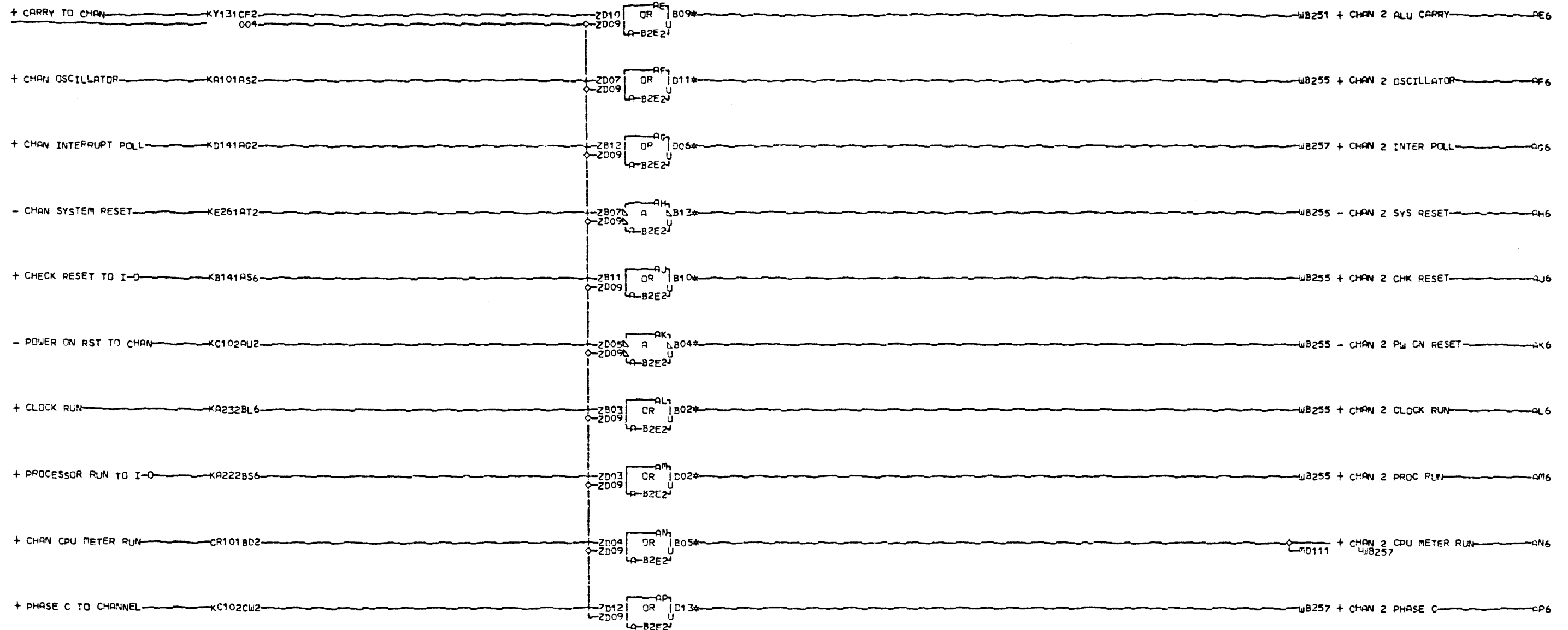
MC101  
000

- AE2 A-B2B2D02
- AF2 A-B2B2D03
- AG2 A-B2B2D05
- AH2 A-B2B2D06
- AJ2 A-B2B2D07
- AK2 A-B2B2D09
- AL2 A-B2B2D10
- AM2 A-B2B2D11
- AN2 A-B2B2D13

LOC. TYPE  
A-B2F2 2661

DBO BANK 2		MC101
E.C. HISTORY		
C. MACH. CPU15FST		0101
FRAME		
IBM CORP. GSD		000
DATE	LAST EC	
04-15-75	830225	IP.N. 4238867



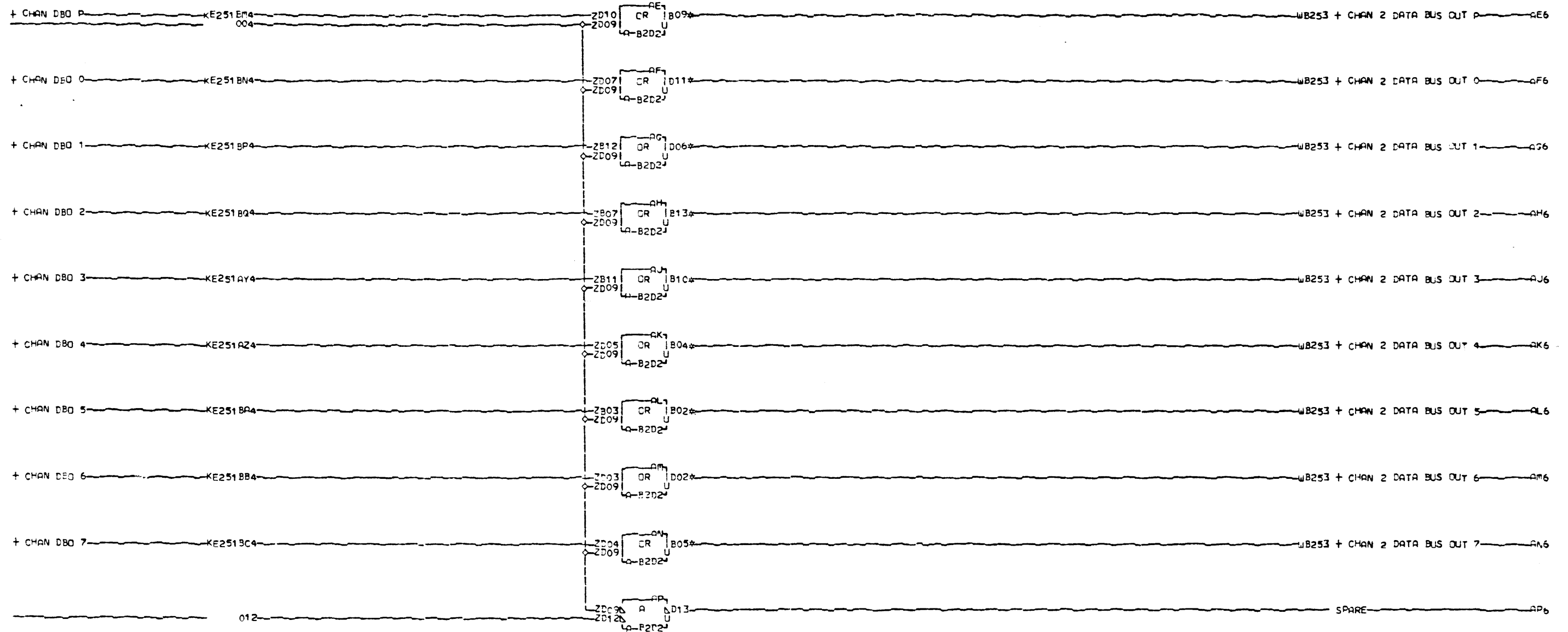


EC 111  
000

AE2 A-B2B2B02 AD2 A-B2B2B13  
 AF2 A-B2B2B04  
 AG2 A-B2B2B05  
 AH2 A-B2B2B06  
 AJ2 A-B2B2B08  
 AK2 A-B2B2B09  
 AL2 A-B2B2B10  
 AM2 A-B2B2B12  
 AN2 A-B2C4B13

LDC. TYPE  
A-B2E2 2661

DBO BANK 2		M
E.C. HISTORY	C1 MACH CPU15FST	C
	FRAME 01	1
	IBM CORP. GSD	1
DATE	LAST FC	000
04-15-76	830225	
	P.N. 4238868	



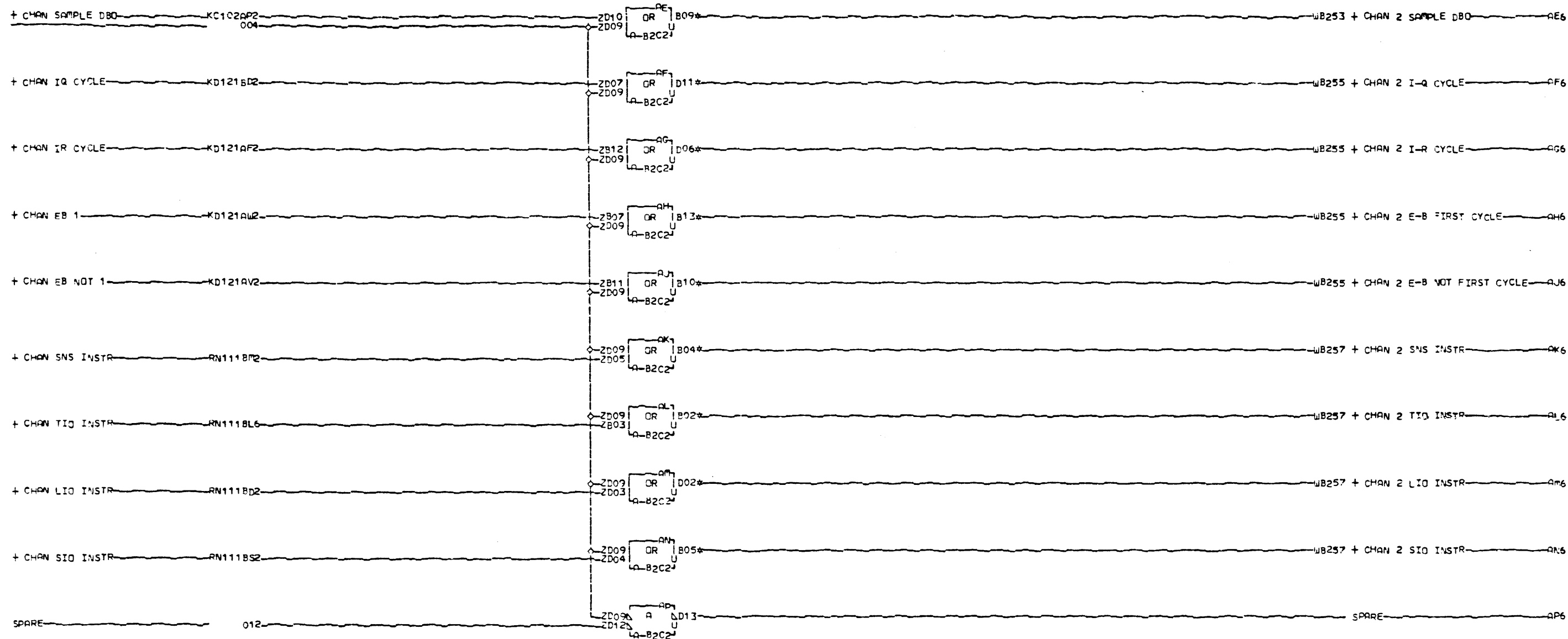
MC121

000

- AE2 A-B2A2D02
- AF2 A-B2A2D03
- AG2 A-B2A2D05
- AH2 A-B2A2D06
- AJ2 A-B2A2D07
- AK2 A-B2A2D09
- AL2 A-B2A2D10
- AM2 A-B2A2D11
- AN2 A-B2A2D13

LOC. TYPE  
A-B2D2 2661

DBO BRK 2		P C 1 2 1
E.C. HISTORY - C <sub>1</sub> MACH. CPU15FST		
DATE	LAST EC	000
104-15-76	830225	
IBM CORP. GSD		
P.N. 4238869		

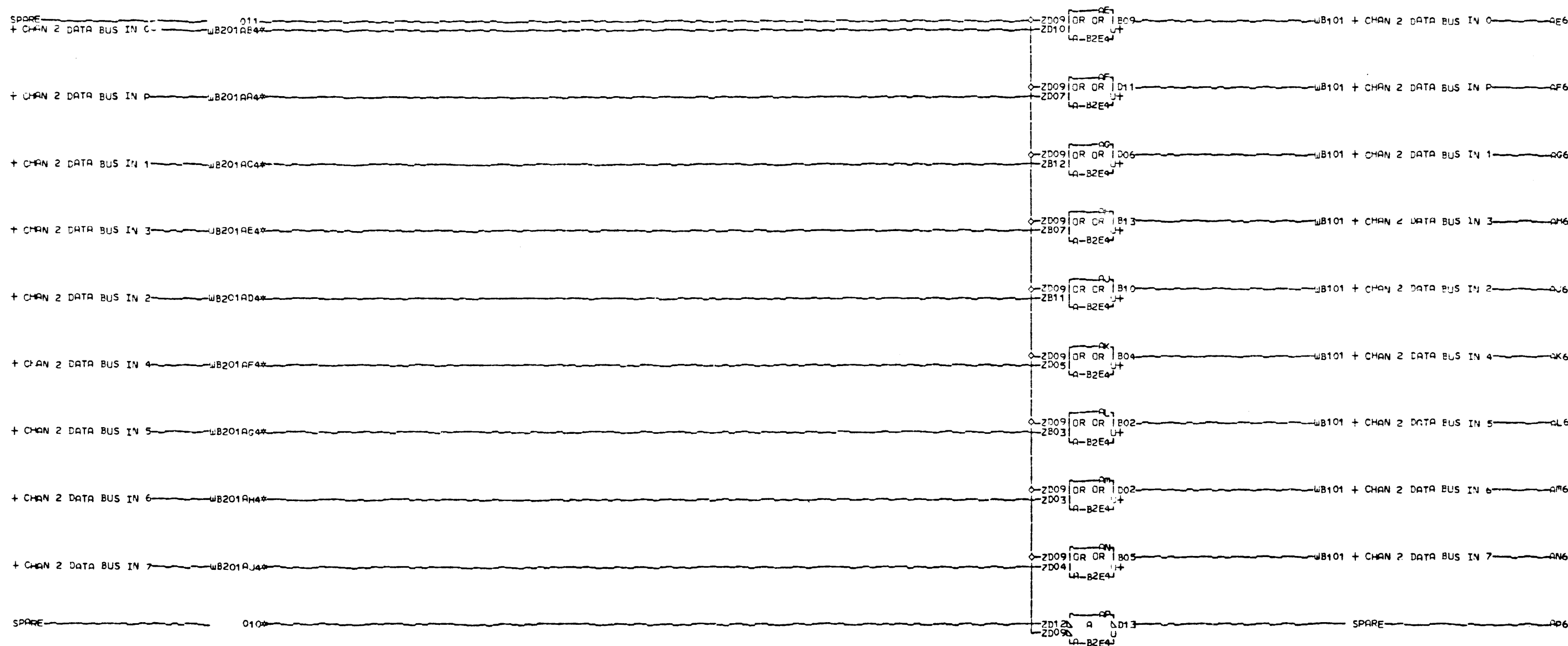


M  
C  
1  
3  
1  
000

AE2 A-B2A2B02  
AF2 A-B2A2B04  
AG2 A-B2A2B05  
AH2 A-B2A2B06  
AJ2 A-B2A2B08  
AK2 A-B2A2B09  
AL2 A-B2A2B10  
AM2 A-B2A2B12  
AN2 A-B2A2B13

LOC. TYPE  
A-B2C2 2661

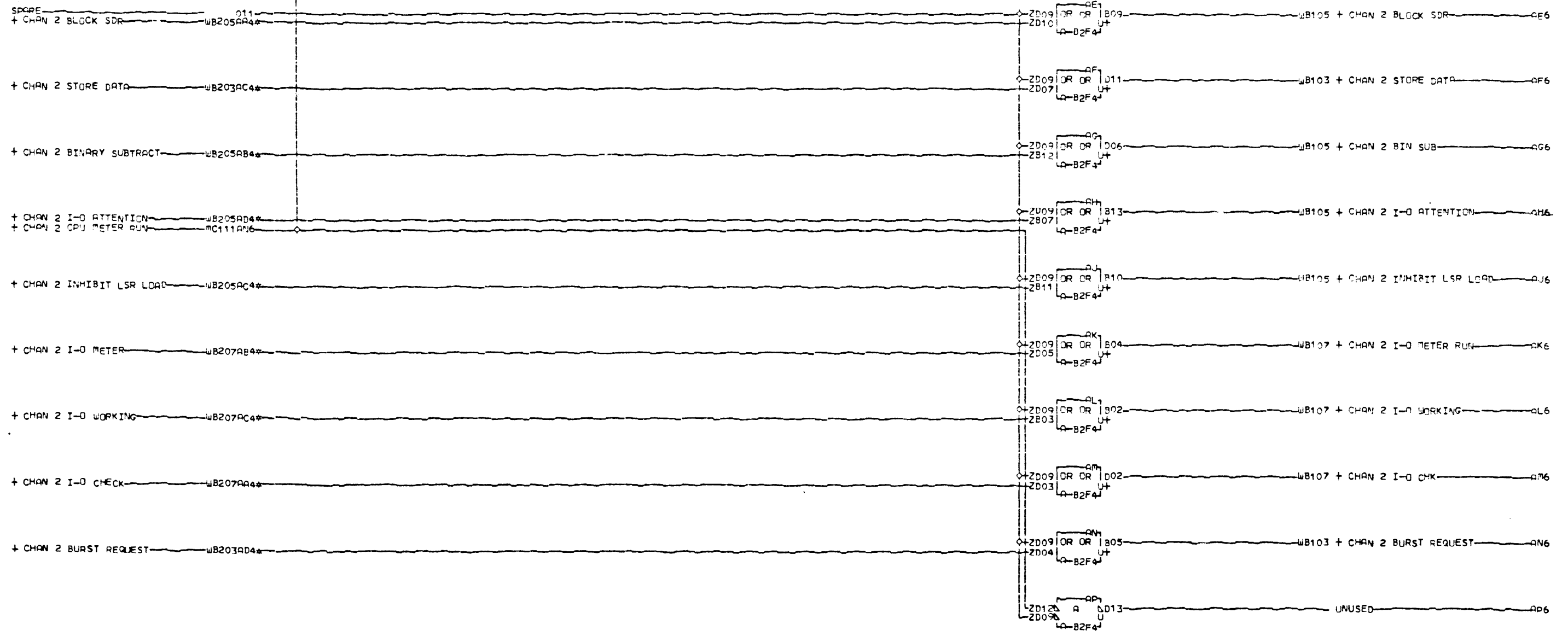
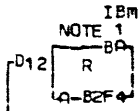
DBD BANK 2		M
E.C. HISTORY	C. RACH. CPU15FST	C
FRAME	01	3
IBM CORP. GSD		1
PAT=	LAST EC	000
104-15-76 830225	IP#N. 4238870	



M	010	WB201A4	WB201AF4	WB201AJ4
D	RESISTOR	RESISTOR	RESISTOR	RESISTOR
1	A-B2E4D12	A-B2E4B12	A-B2E4D05	A-B2E4D04
0	WB201AA4	WB201AD4	WB201AG4	
1	RESISTOR	RESISTOR	RESISTOR	
000	A-B2E4D07	A-B2E4B11	A-B2E4B03	
	WB201AB4	WB201AE4	WB201AH4	
	RESISTOR	RESISTOR	RESISTOR	
	A-B2E4D10	A-B2E4B07	A-B2E4D03	

LCC TYPE  
A-B2E4 2582

IN PHASE TERMINATED B 2		M
TLDS		D
E.C. HISTORY	C. MACHINE 15FST	1
FRAME	01	0
IBM CORP. GSD		1
DATE LAST FC		000
104-15-76 830225	P.N. 4238875	

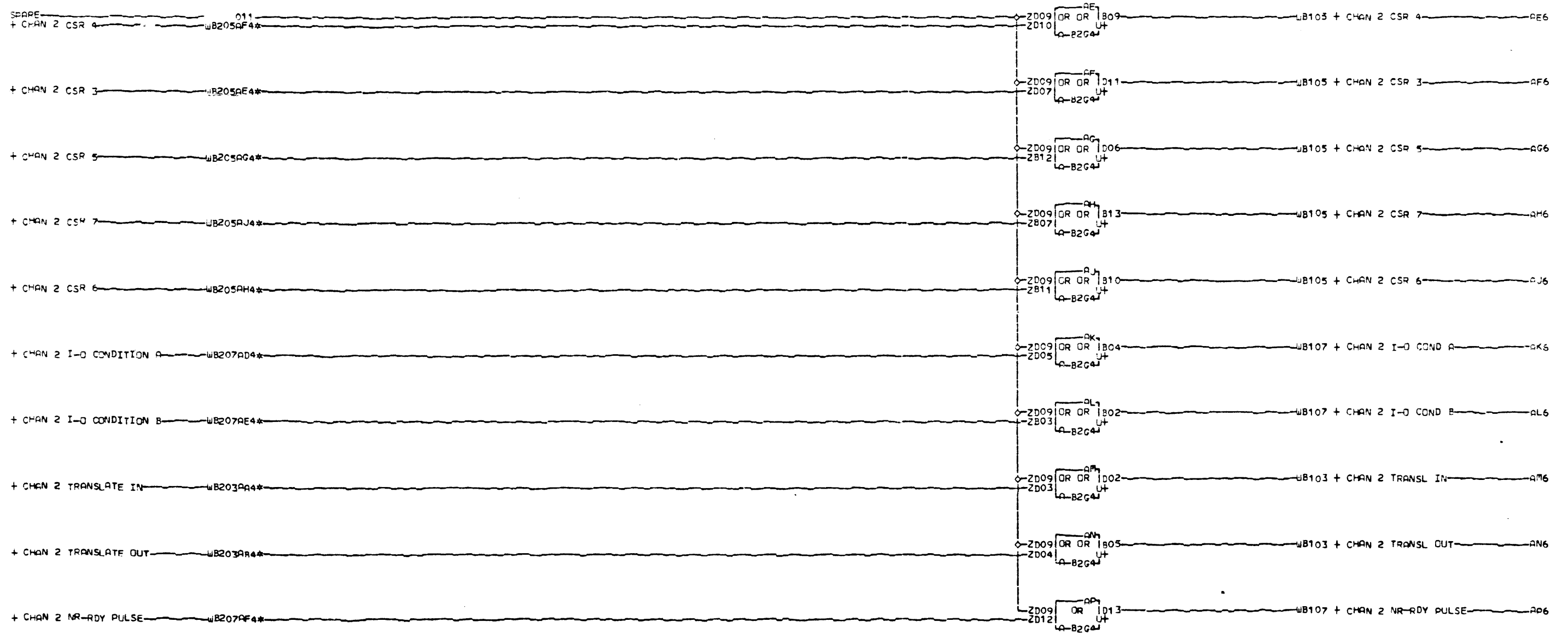


NOTE 1  
 THIS TERMINATOR IS USED TO  
 TERMINATE THE CHAN 2 CPU METER  
 RUN LINE.  
 1  
 1  
 000

WB203AC4	WB205AB4	WB207AA4
RESISTOR	RESISTOR	RESISTOR
A-B2F4D07	A-B2F4B12	A-B2F4D03
WB203AD4	WB205AC4	WB207AB4
RESISTOR	RESISTOR	RESISTOR
A-B2F4D04	A-B2F4B11	A-B2F4D05
WB205AA4	WB205AD4	WB207AC4
RESISTOR	RESISTOR	RESISTOR
A-B2F4D10	A-B2F4B07	A-B2F4B03

LCC TYPE  
 A-B2F4 2582

IN PHASE TERMINATED B 2		
E.C.-HISTORY		MACH. CPU 15FST
DATE	LAST FC	IBN CORP. GSD
104-15-76	830225	IP.N. 4238876

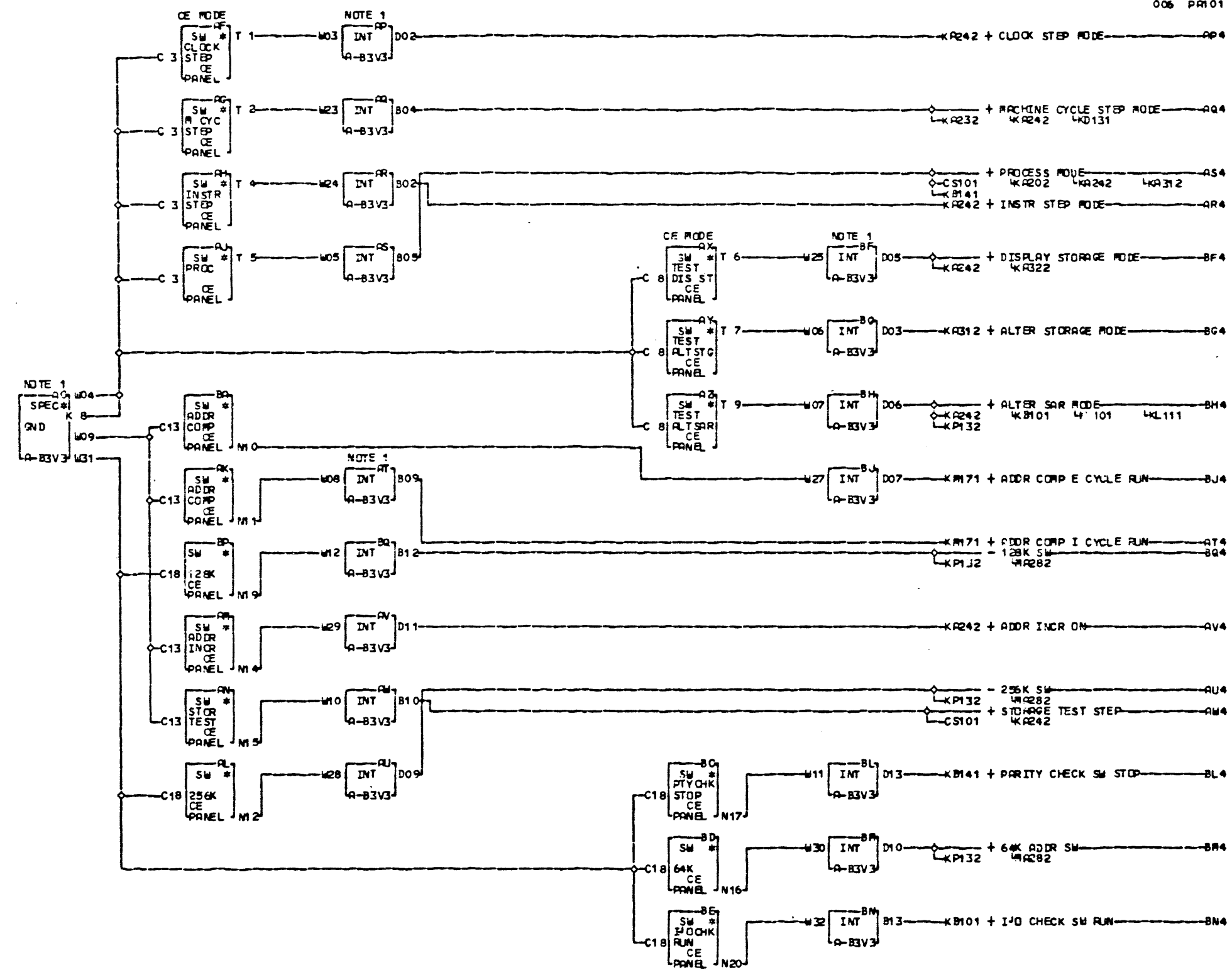


000

WB203AA4	WB205AF4	WB205AJ4	WB207AF4
RESISTOR	RESISTOR	RESISTOR	RESISTOR
A-B2G4D03	A-B2G4D10	A-B2G4B07	A-B2G4D12
WB203AR4	WB205AG4	WB207AD4	
RESISTOR	RESISTOR	RESISTOR	
A-B2G4D04	A-B2G4B12	A-B2G4D05	
WB205AE4	WB205AH4	WB207AE4	
RESISTOR	RESISTOR	RESISTOR	
A-B2G4D07	A-B2G4B11	A-B2G4B03	

LOC. TYPE  
A-B2G4 2582

IN PHASE TERMINATED B 2		M D 1 2 1
E.C. HISTORY	TLDS MACH. CPU 15FST	
DATE LAST FC		IBN CORP. GSD
104-15-76 830225		IP.N. 4238877



NOTE 1  
SPEC #1  
W04  
W09  
W31  
A-B3V3

NOTE 1  
W03  
W23  
W24  
W05  
A-B3V3

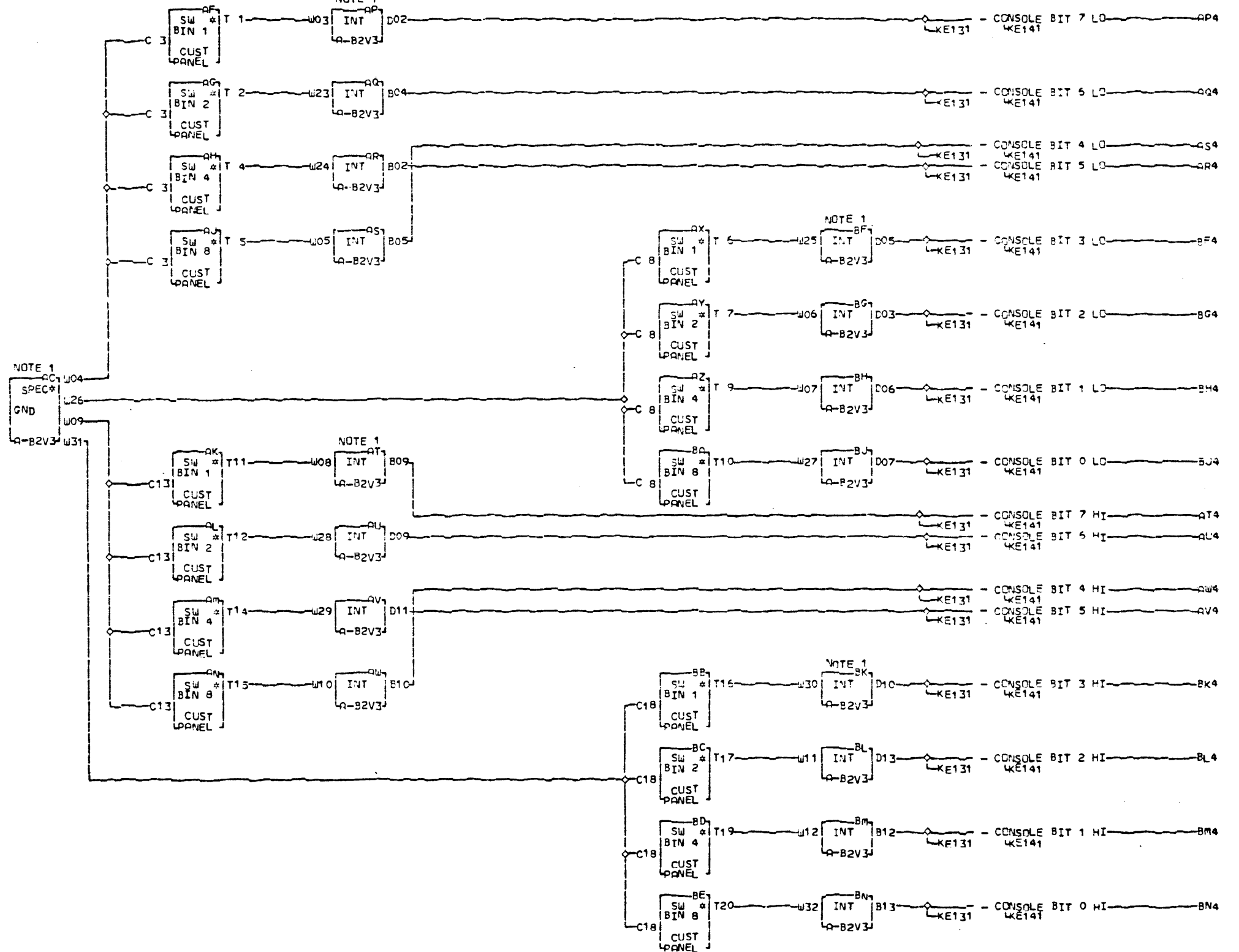
NOTE 1  
W08  
W12  
W29  
W10  
W28  
A-B3V3

LOC. TYPE  
A-B3V3 2589

CE MODE + TOGGLE SWITCHES		P A 1 0 1 006
E-C-HISTORY	E-MACH-CPU15FST	
	FRAME 01	
DATE LAST EC	IBM CORP. GSD	
05-09-77 828425	P.N. 463546	

006  
 PA101  
 006  
 000  
 T  
 1  
 0  
 1  
 006  
 SIM TO PN  
 EC 830225

NOTE 1 SEE PAGE 28110 FOR  
WAX CABLE WIRE DESIGNATION.  
P T DENOTES NORMALLY OPEN  
A N DENOTES NORMALLY CLOSED



NOTE 1  
 AC W04  
 SPEC# L26  
 GND W09  
 A-B2V3 W31

NOTE 1  
 AX W25  
 INT BF  
 A-B2V3

NOTE 1  
 AT W08  
 INT B09  
 A-B2V3

NOTE 1  
 BK W30  
 INT D10  
 A-B2V3

NOTE 1 SEE PAGE ZB110 FOR  
 LXX CABLE WIRE DESIGNATION.

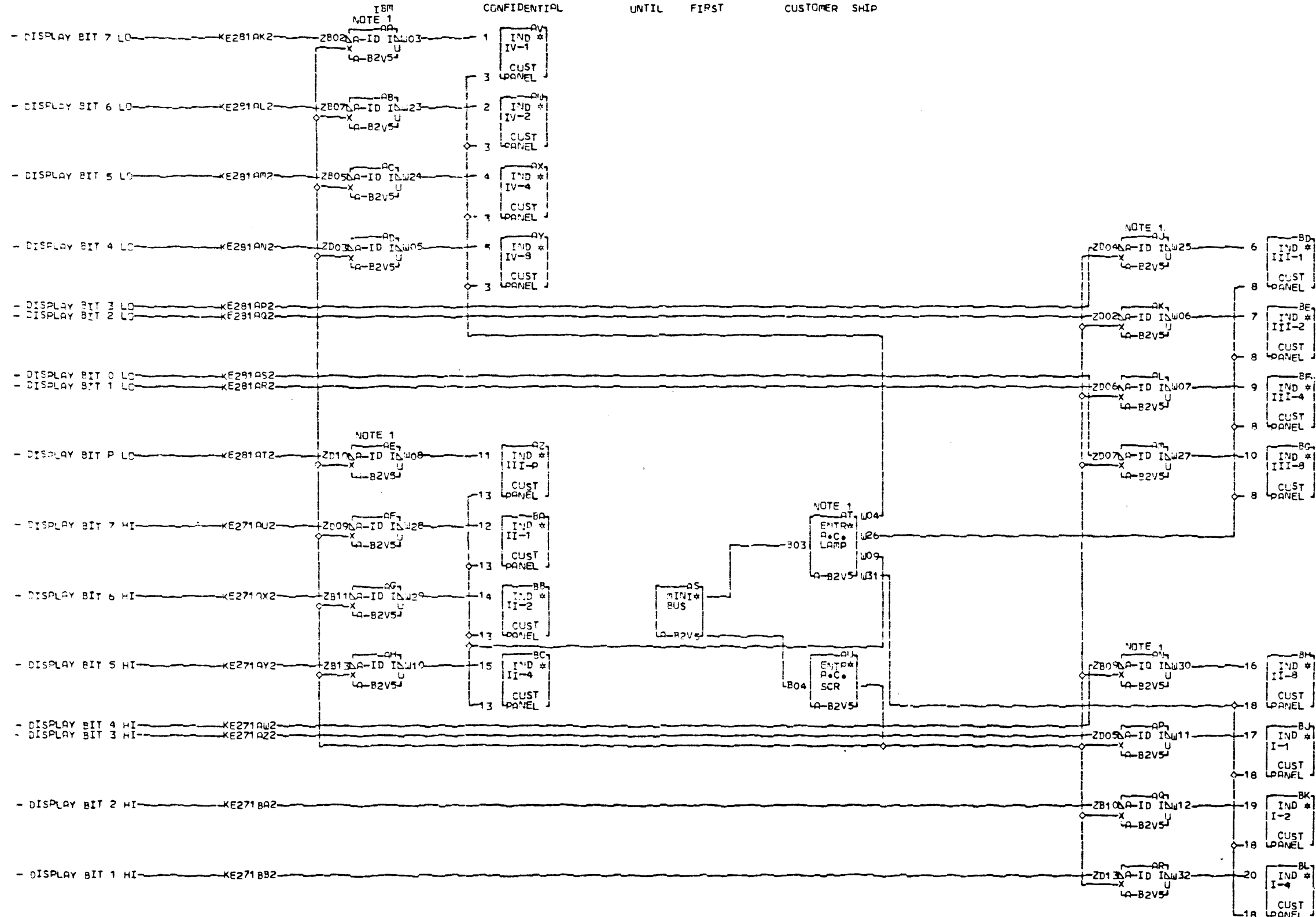
P A T DENOTES NORMALLY OPEN  
 1 N DENOTES NORMALLY CLOSED  
 1  
 1

LCC TYPE  
 A-B2V3 2589

ROTARY BIT SWITCHES			
E.C. HISTORY	C1	MACH. CPU 15 FST	P
		FRAME	A
		IBM CORP. GSD	1
DATE	LAST EC		1
104-15-76	830225	IP.N. 4238882	000



CONFIDENTIAL UNTIL FIRST CUSTOMER SHIP



NOTE 1 SEE PAGE 28110 FOR  
WXX CABLE WIRE DESIGNATION.

D  
B  
1  
0  
1

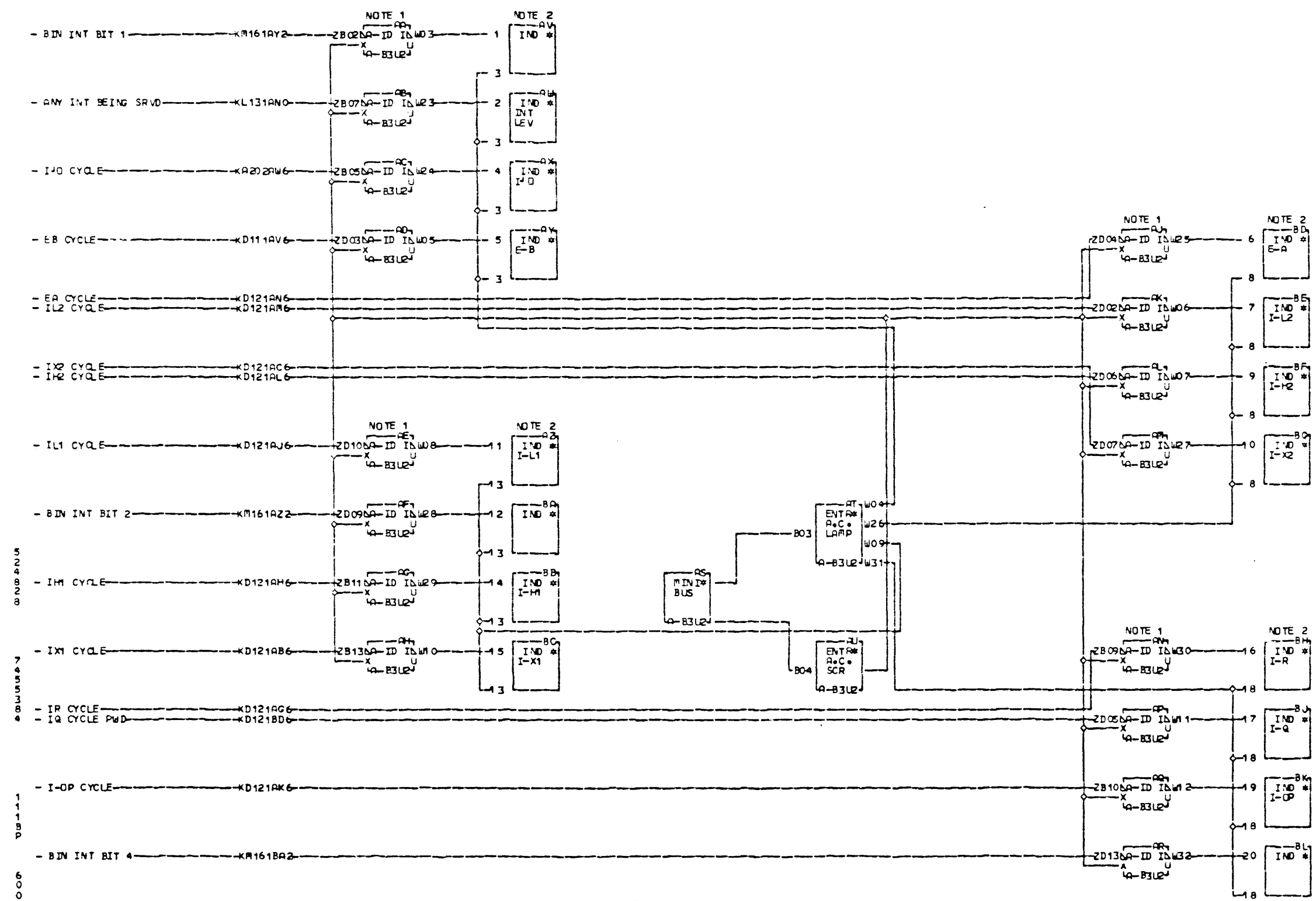
000

LOC. TYPE  
A-B2V5 2588

DRUM INDICATORS	
E.C. HISTORY	MACH. CPY 15FST
	FRAME 01
	IBM CORP. G50
DATE LAST FC	P.N. 423883
104-15-76 830225	

D  
B  
1  
0  
1

000

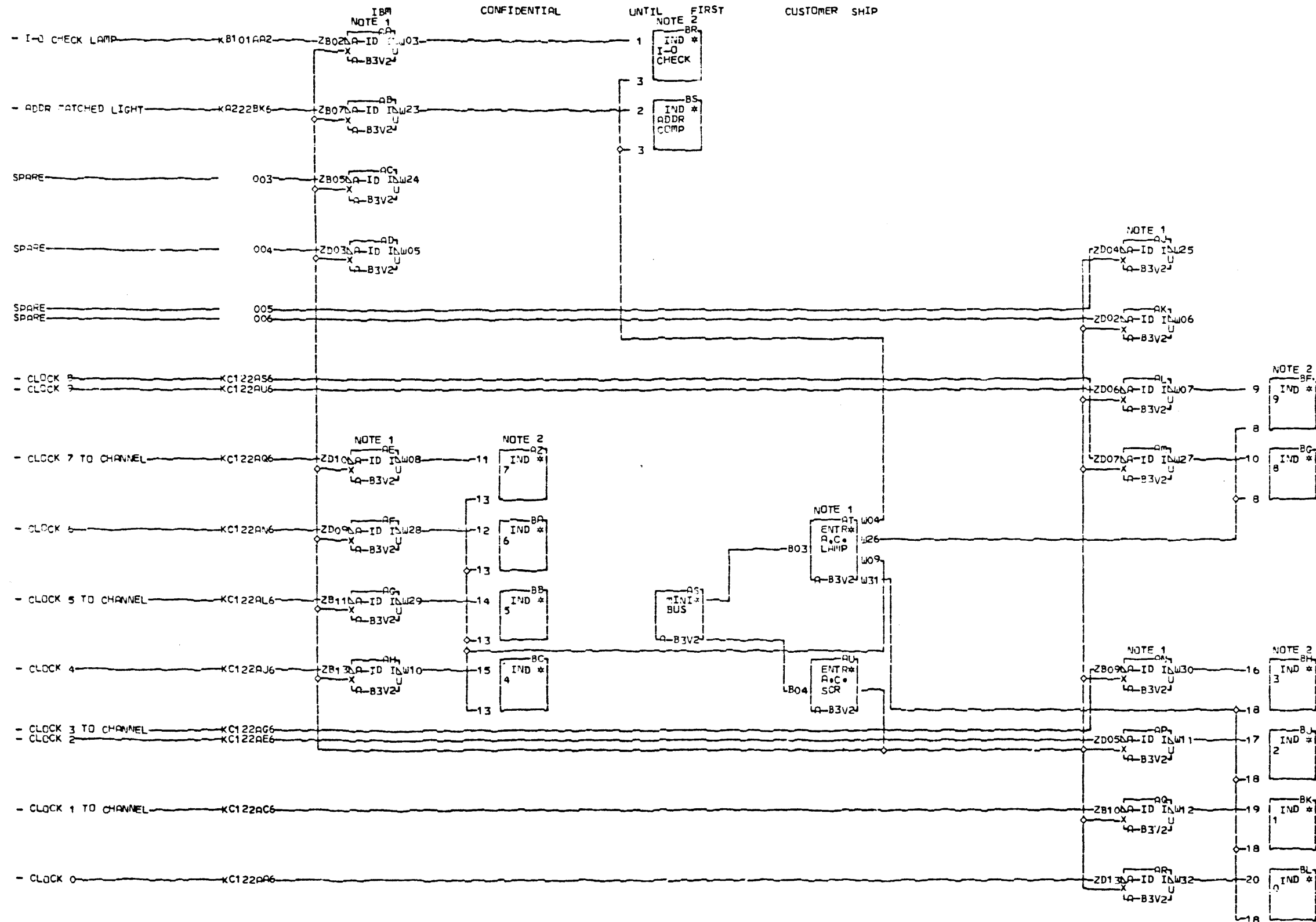


NOTE 1 SEE PAGE ZB110 FOR  
 XXX CABLE WIRE DESIGNATION.  
 NOTE 2 INDICATORS ARE ON  
 CUSTOMER PANEL.

006  
 SIM TO PN EC 830241

LOC. TYPE  
 A-B3U2 2588

INDICATORS MACHINE CYCLE		P
E.C. HISTORY	E. MACH. CRU15FST	B
	FRAME 01	1
	IBM CORP. GSD	1
DATE LAST EC	P.N. 483547	006
05-09-77 828425		



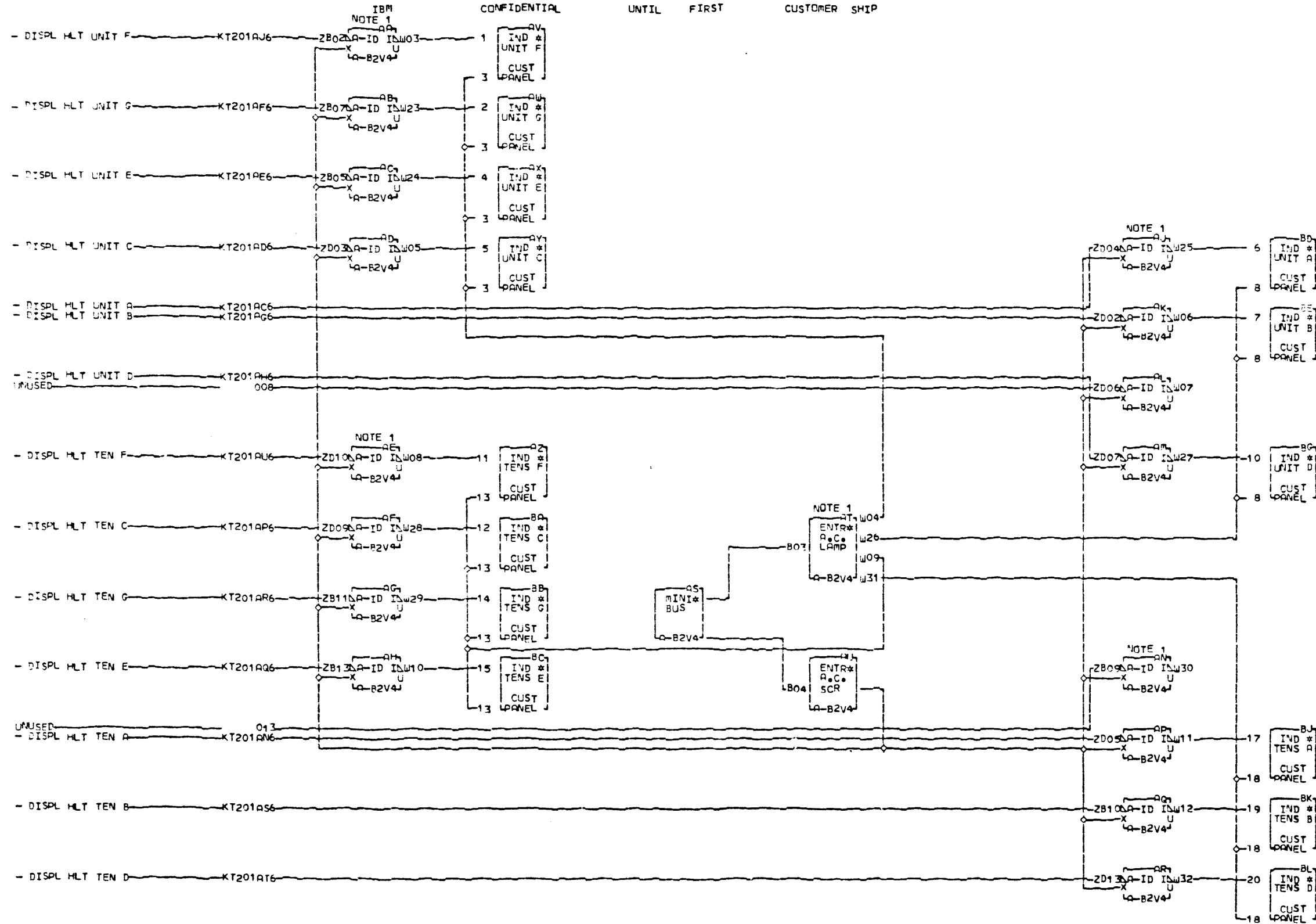
NOTE 1 SEE PAGE ZB110 FOR  
WXX CABLE WIRE DESIGNATIONS  
NOTE 2 INDICATORS ARE ON  
CUSTOMER PANEL.

LOC. TYPE  
A-B3V2 2588

CLOCK INDICATORS	
E.C.-HISTORY	C1MACH-CPU15FST
FRAME	01
IBM CORP. GSD	
DATE LAST EC	104-15-76 830225
P.N.	4238885

P  
B  
1  
2  
1  
000

CONFIDENTIAL UNTIL FIRST CUSTOMER SHIP



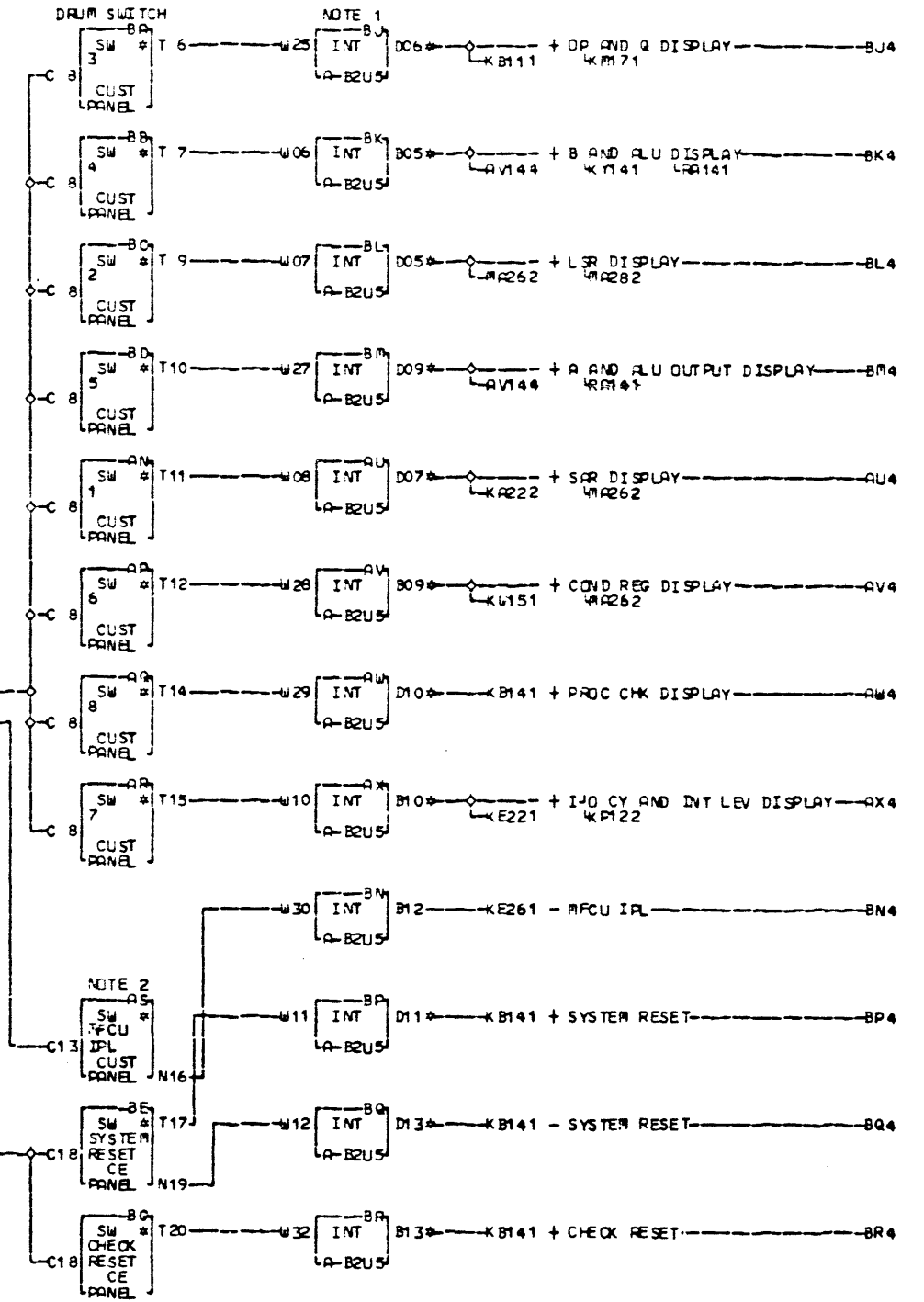
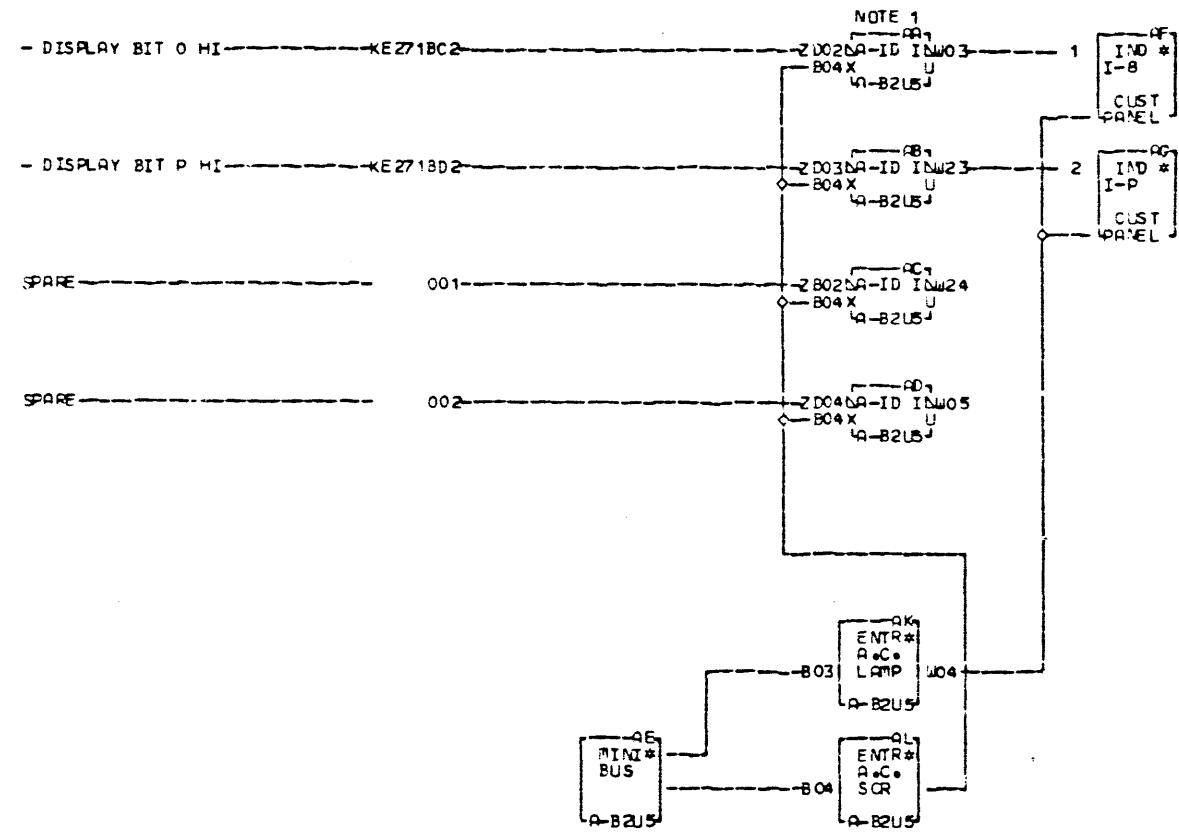
LOC. TYPE A-B2V4 2588

NOTE 1 SEE PAGE ZB110 FOR WXX CABLE WIRE DESIGNATIONS.

P  
B  
1  
3  
1

000

INDICATOR HALT IDENTIFIER		P
E.C.-HISTORY	C. MACH. CPU15FST	B
	FRAME 01	3
	IBM CORP. GSD	1
DATE LAST EC	IP.N. 4238886	000
104-15-76 830225		



NOTE 1  
SPEC# W26  
GND W09  
A-B2U5 W31

NOTE 2  
SW #15  
IPL CUST PANEL  
N16

LOC. TYPE  
A-B2U5 2590

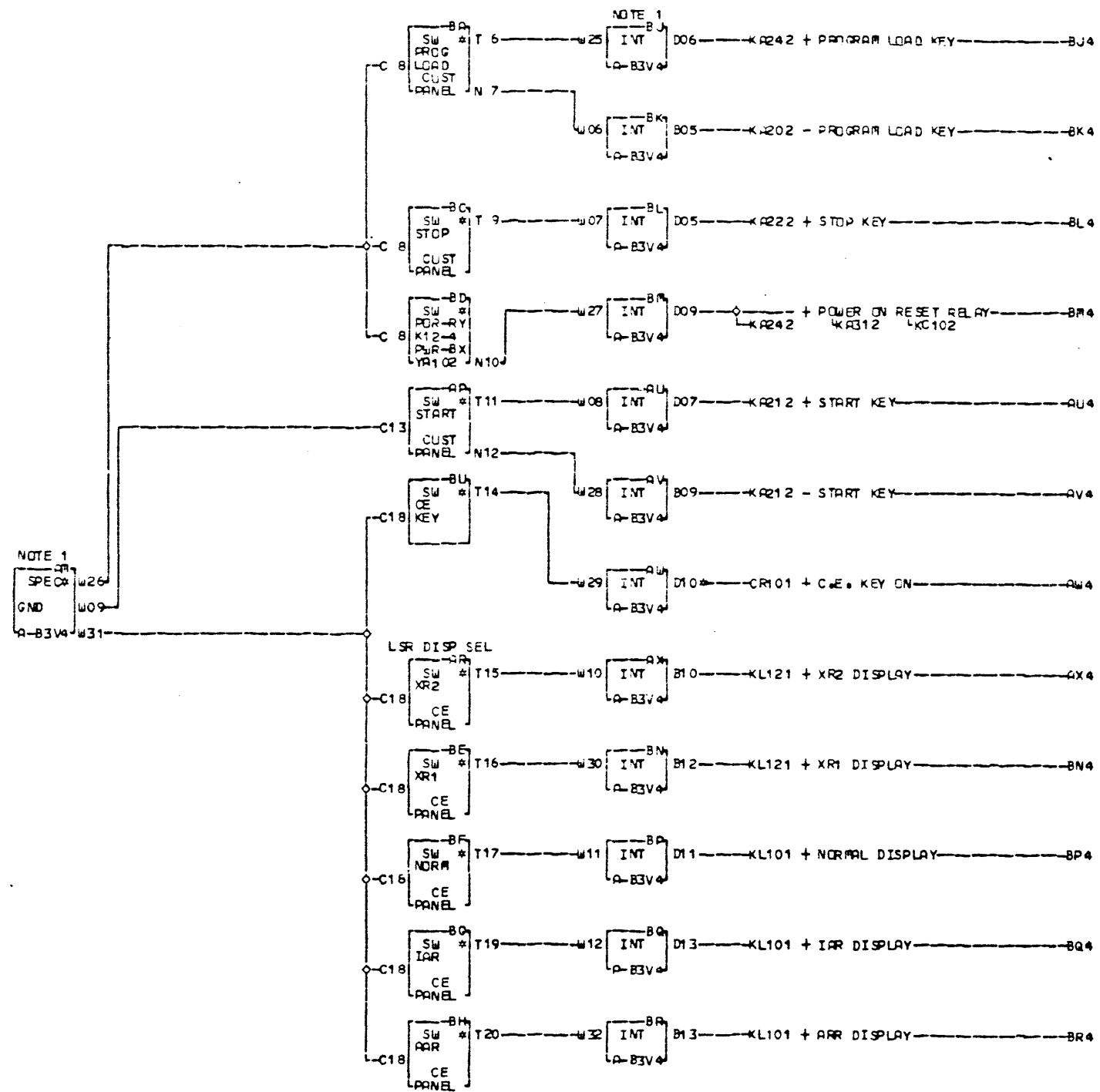
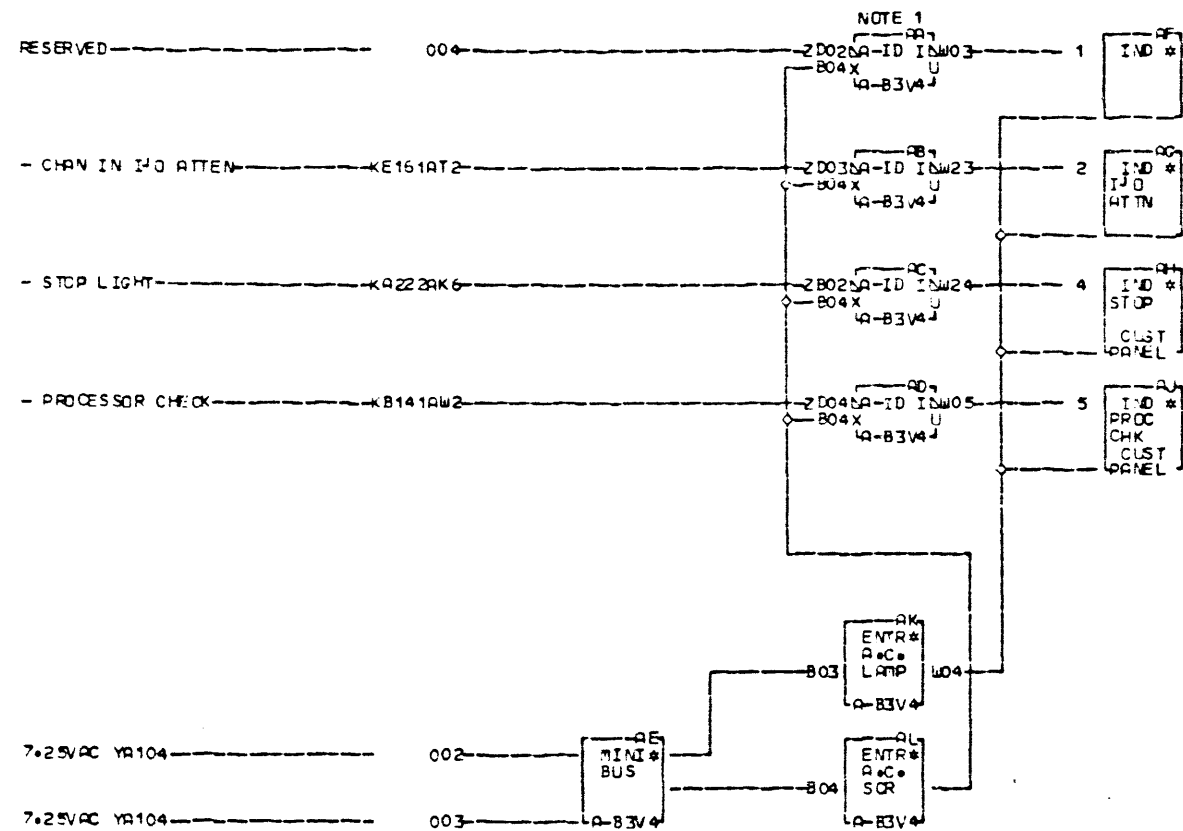
DISPLAY SELECTOR DRUM	
E.C. HISTORY	E. MACH. CPU15FST
FRAME	01
DATE LAST EC	05-09-77 828425
P.N.	4835548

NOTE 1 SEE PAGE ZB110 FOR CABLE WIRE DESIGNATIONS. NOTE 2 PT TO PT WIRING REFER TO YD100

PC 101  
006  
SIM TO PN EC 830225

AL2 P-B2V6A04	01A P-B3T1D11	B02 P-B2U6E02
01P P-B3V1A13	BK2 P-B2T6E02	01T P-B3U6E11
AV2 P-B3V6B04	BL2 P-B2U6A02	B02 P-B2V6B02
01P P-B3V1B13	01A P-B3U1A11	01T P-B3V1B11
AV6 P-B3T6B02	01A P-B2U6C02	
01P P-B3T1A11	01A P-B3U1C11	
AX2 P-B3T6B02	B02 P-B2U6D02	
01P P-B3T1B11	01A P-B3U1D11	
B02 P-B2T6B02		

BUSINESS  
COMMUNICATIONS  
10-10-60

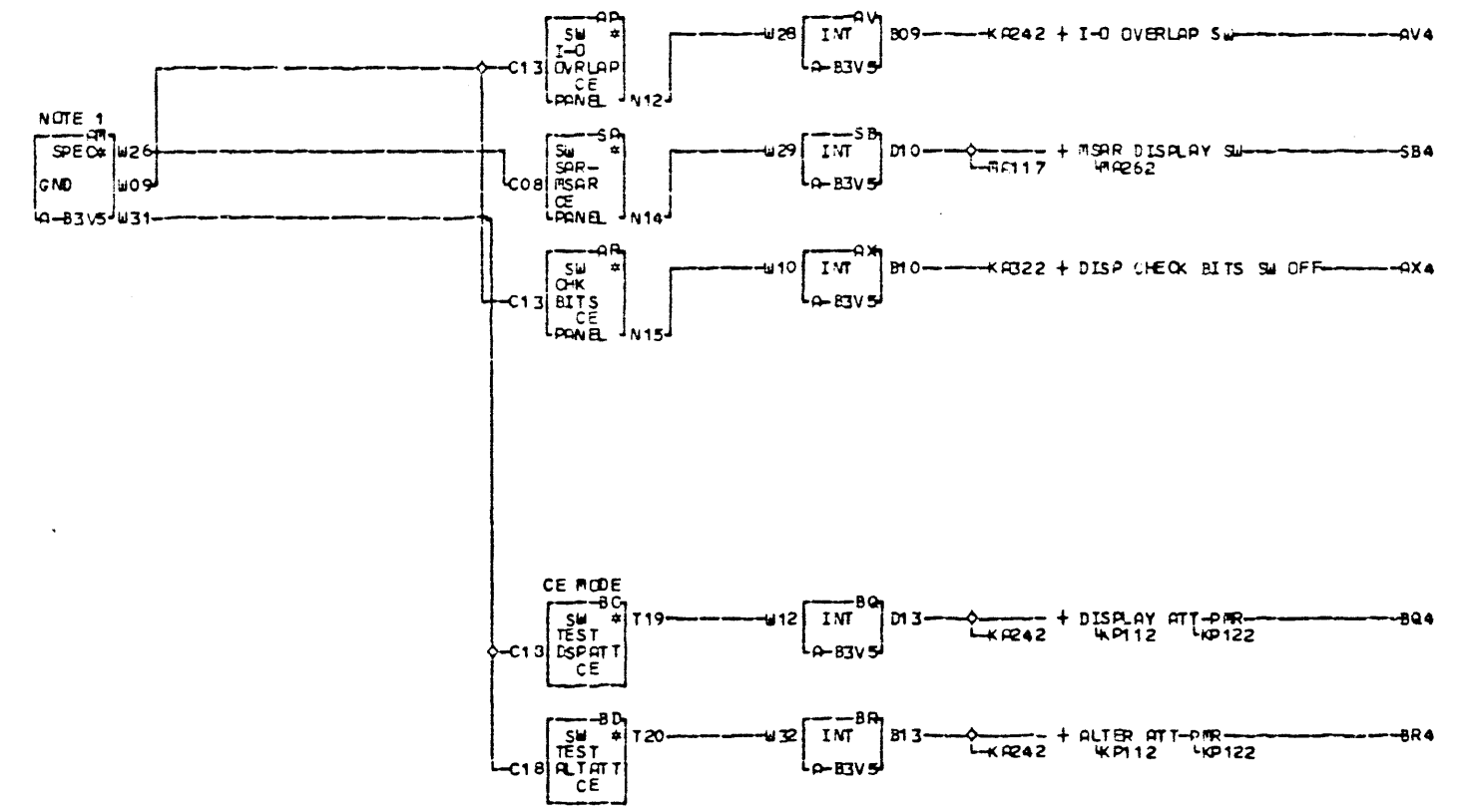
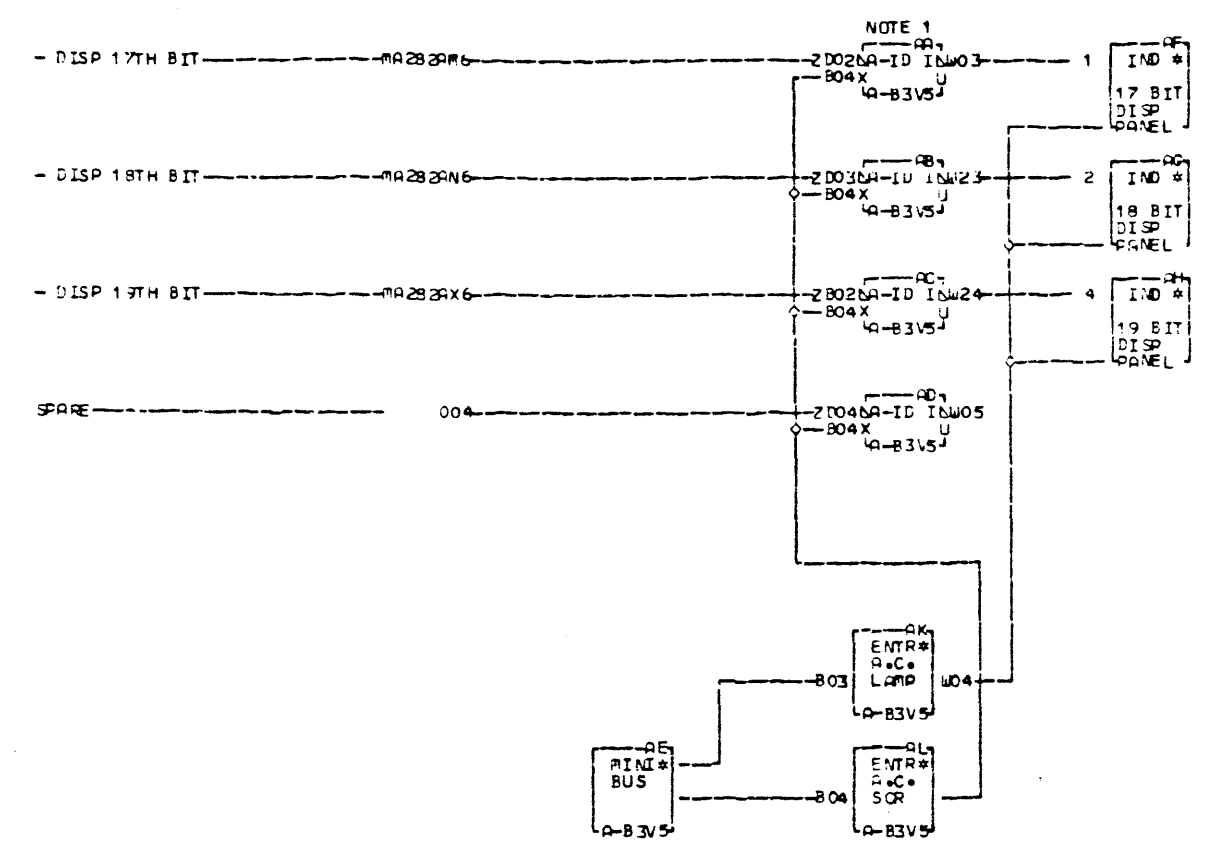


00000000  
 00000000  
 00000000  
 006  
 006  
 006  
 006

NOTE 1 SEE PAGE ZB110 FOR  
 JXX CABLE WIRE DESIGNATIONS. AWG A-B3U1B13  
 P N DENOTES NORMALLY CLOSED 01A-B2U6B04  
 C T DENOTES NORMALLY OPEN  
 006 SIM TO PN EC 830225

LOC. TYPE  
 A-B3V4 2590

LSR SELECT AND OPERATOR		P
—E.C.—HISTORY—	E.MACH.CPU15F5T	C
	FRAME 01	1
	IBM CORP. GSD	1
DATE LAST EC		006
05-09-77 828425	Part. 483549	

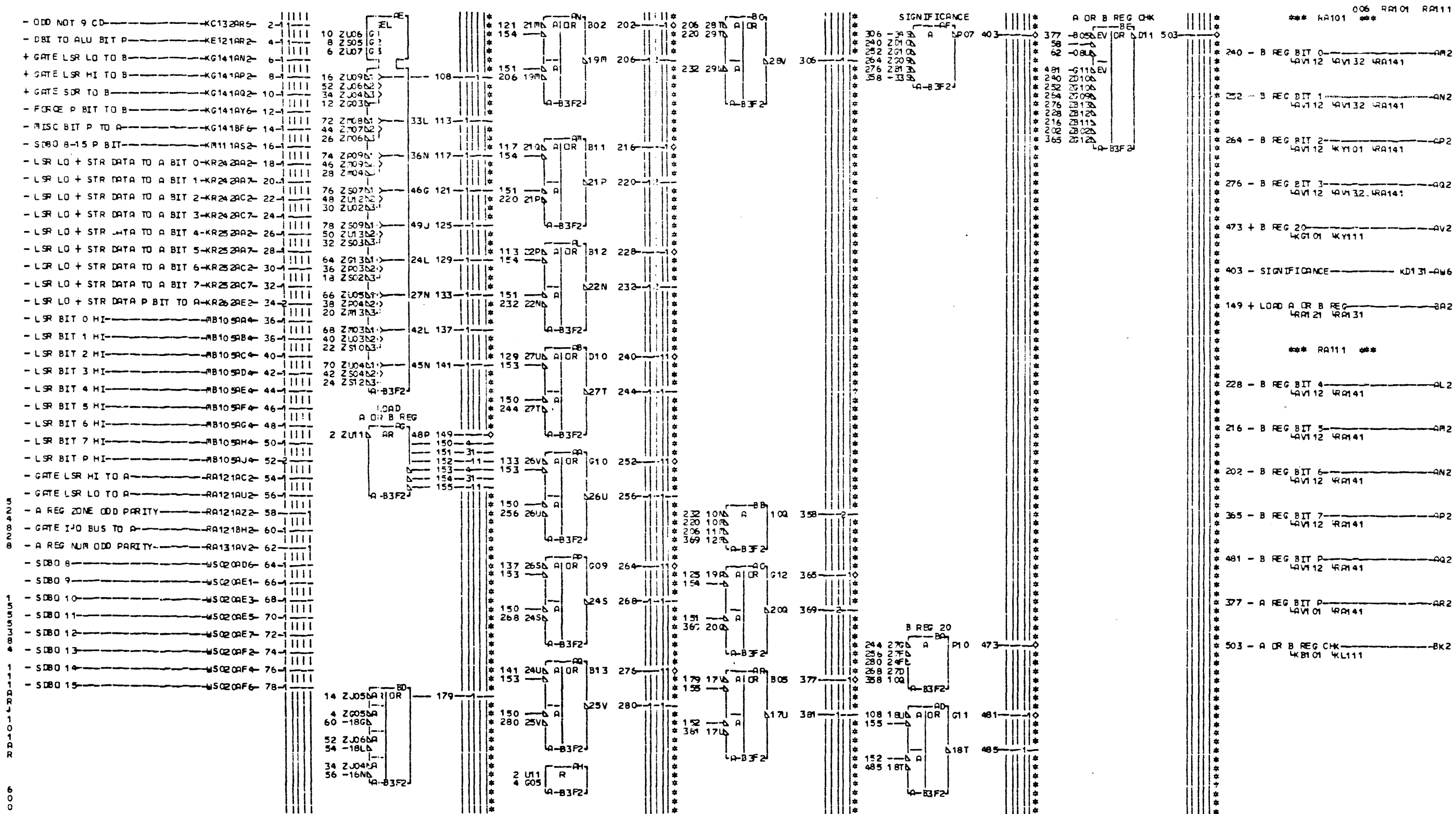


006  
 1  
 2  
 3  
 4  
 5  
 6  
 7  
 8  
 9  
 0  
 A  
 B  
 C  
 D  
 E  
 F  
 G  
 H  
 I  
 J  
 K  
 L  
 M  
 N  
 O  
 P  
 Q  
 R  
 S  
 T  
 U  
 V  
 W  
 X  
 Y  
 Z  
 006  
 SIM TO PN  
 EC 830225

NOTE 1 SEE PAGE ZB110 FOR  
 WXX CABLE WIRE DESIGNATIONS.  
 P DENOTES NORMALLY CLOSED  
 C DENOTES NORMALLY OPENED

LOC. TYPE  
 A-B3V5 2590

MISC CONSOLE		P
E-C-HISTORY	E-MACH-CPU15FST	C
	FRAME 01	2
	IBM CORP. GSD	1
DATE LAST EC	P.N. 483550	006
05-09-77 828425		



A. SIA TO PN  
B. SIA TO PN

EC 830225  
EC 830225

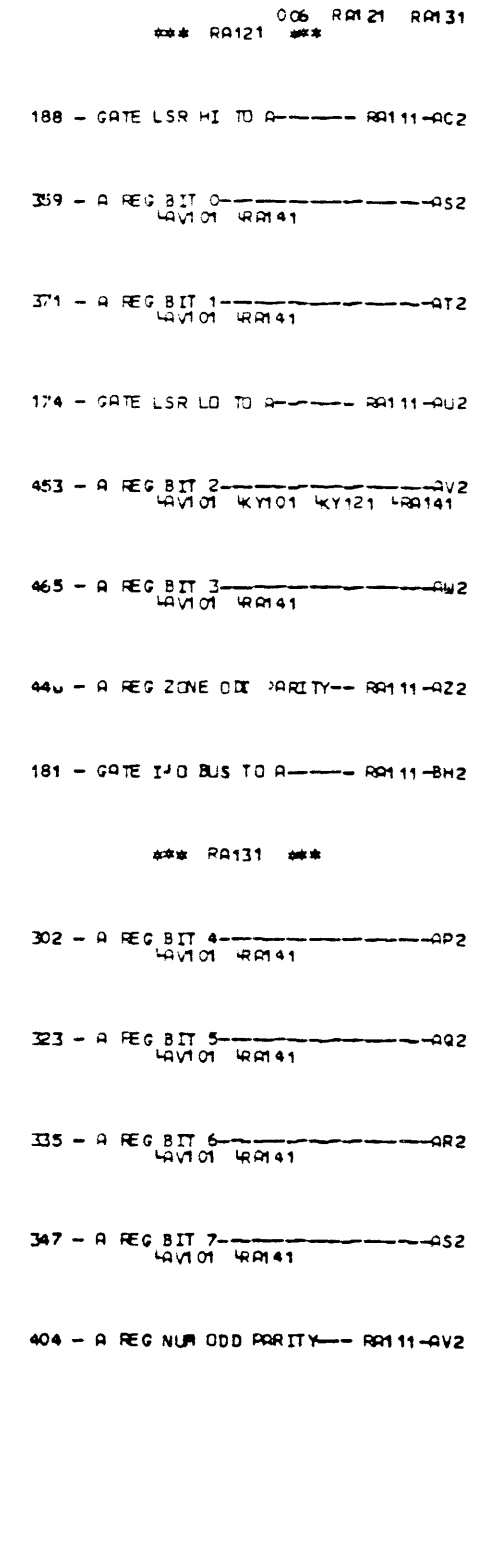
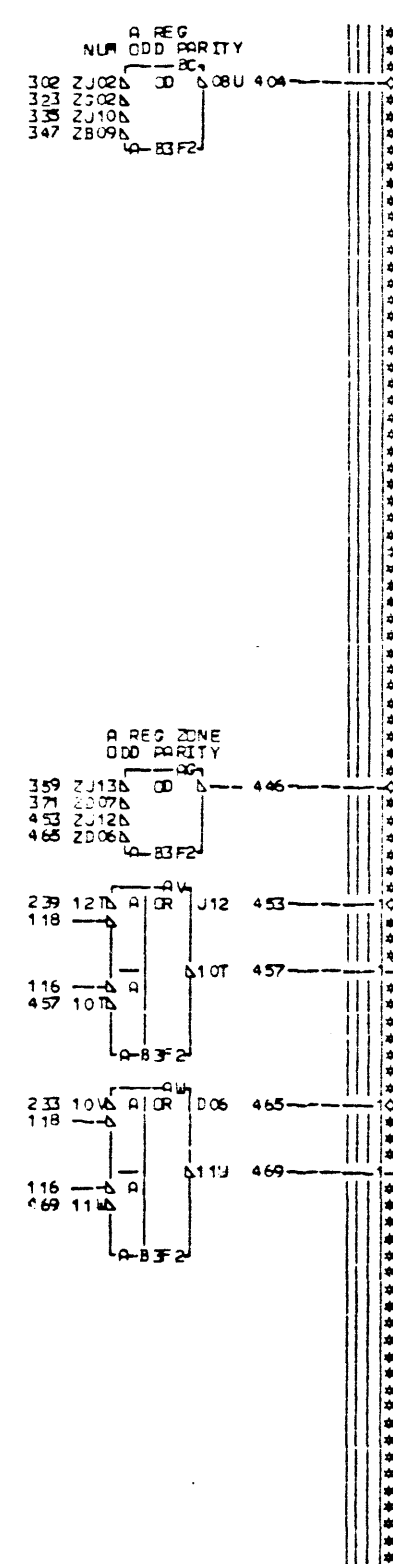
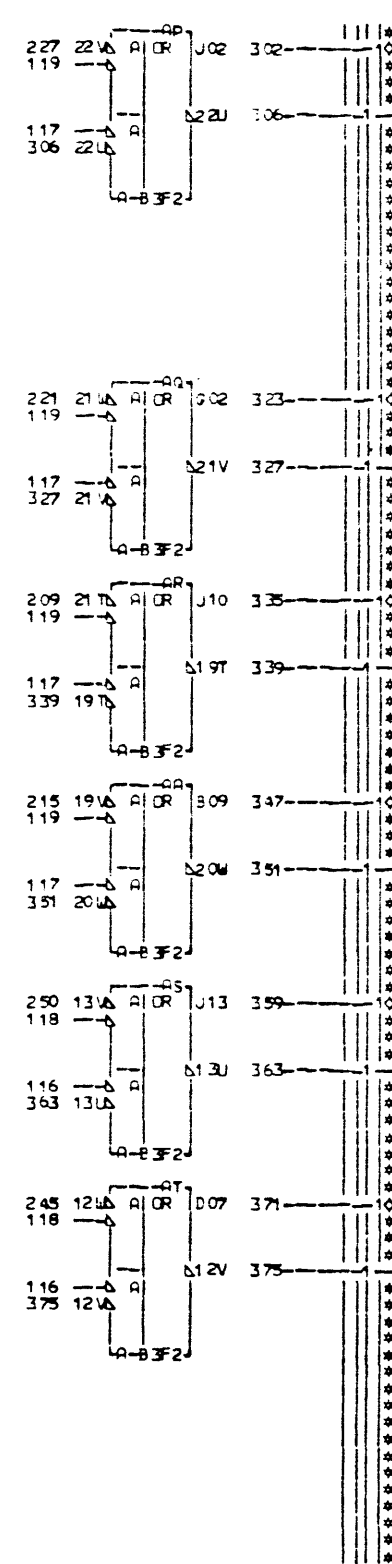
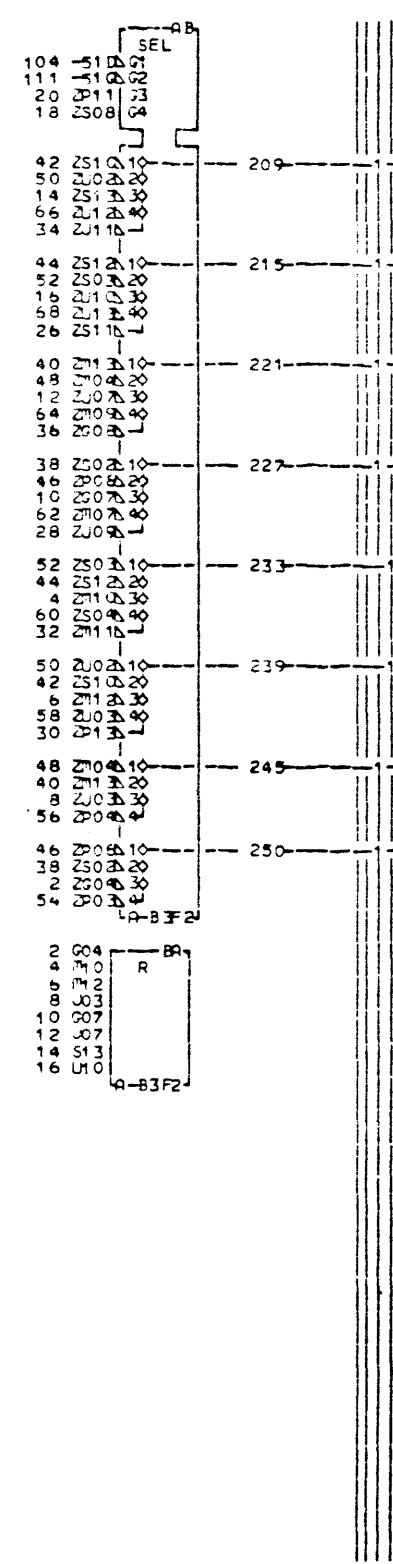
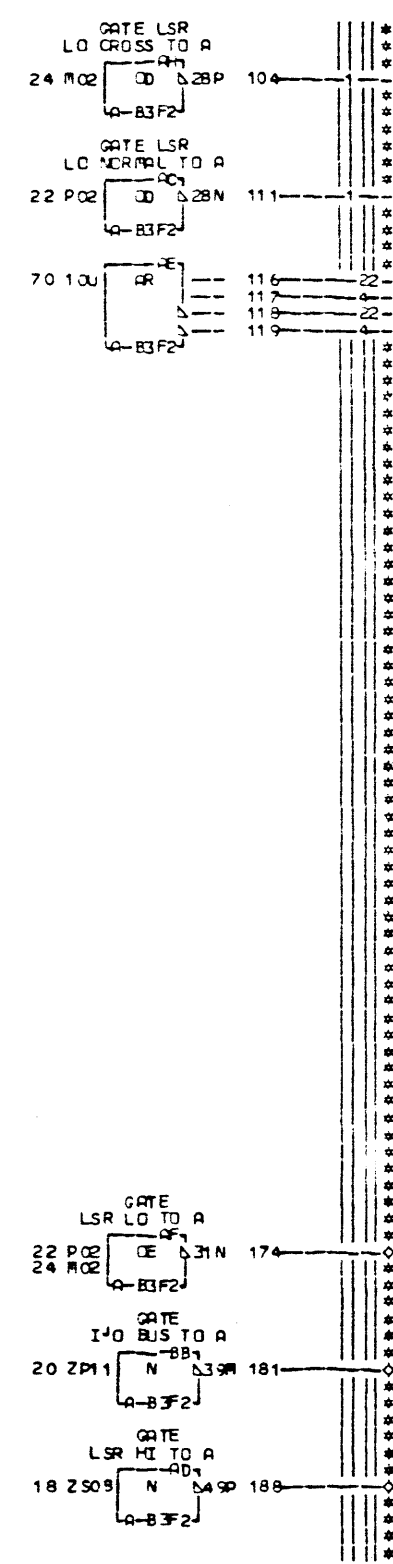
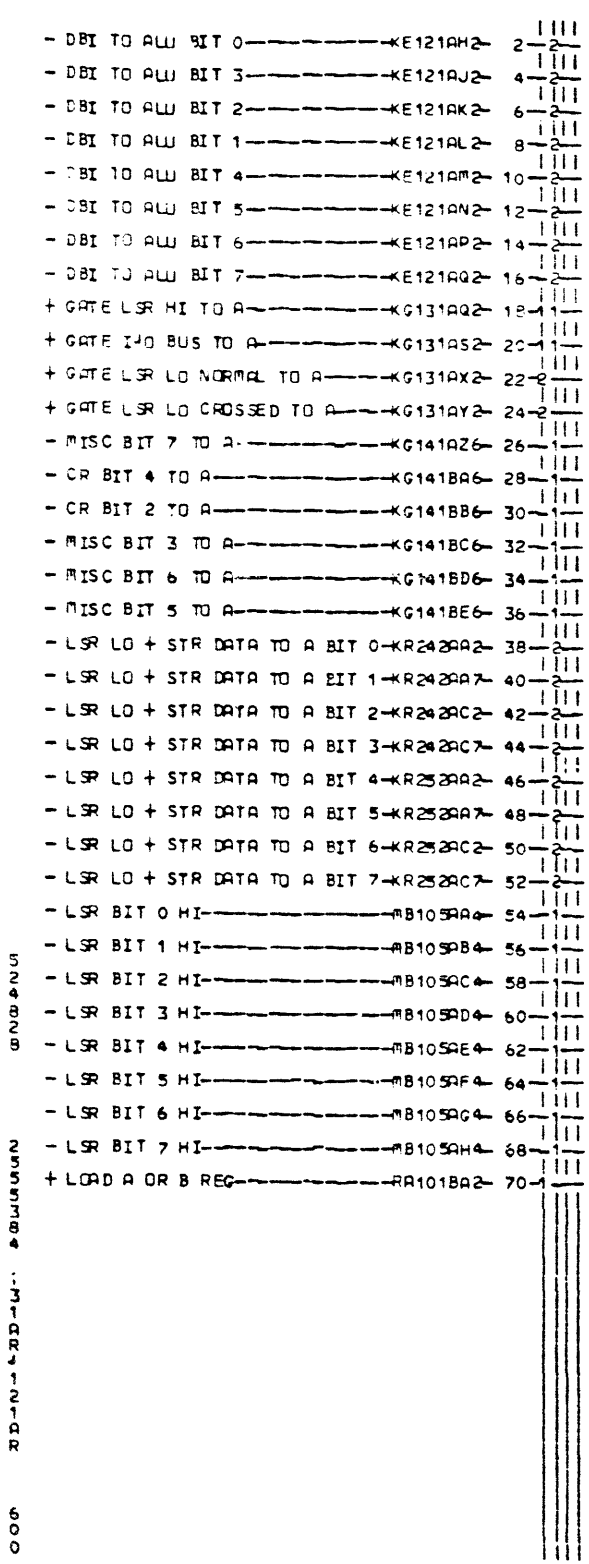
LOC. TYPE  
A-B3F2 2573

BAE VER EC LEV  
RA101 006 828425  
RA111 006 828425

A AND B REGISTERS			
E. C. - HISTORY		E. MACH. CPU15FST	
DATE	LAST EC	FRAME	01 RA101
05-09-77	828425	IBM CORP GSD	RA111
P. N. 4835551		006	

PC-15 F  
RA101  
RA111  
006





A SIM TO PN EC 830225  
 B SIM TO PN EC 830225

LOC. TYPE  
 A-B 2573

PAGE VER EC LEV  
 RA121 006 828425  
 RA131 006 828425

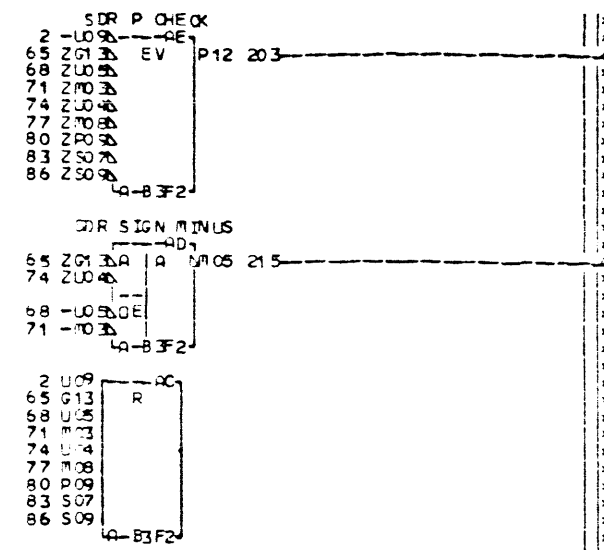
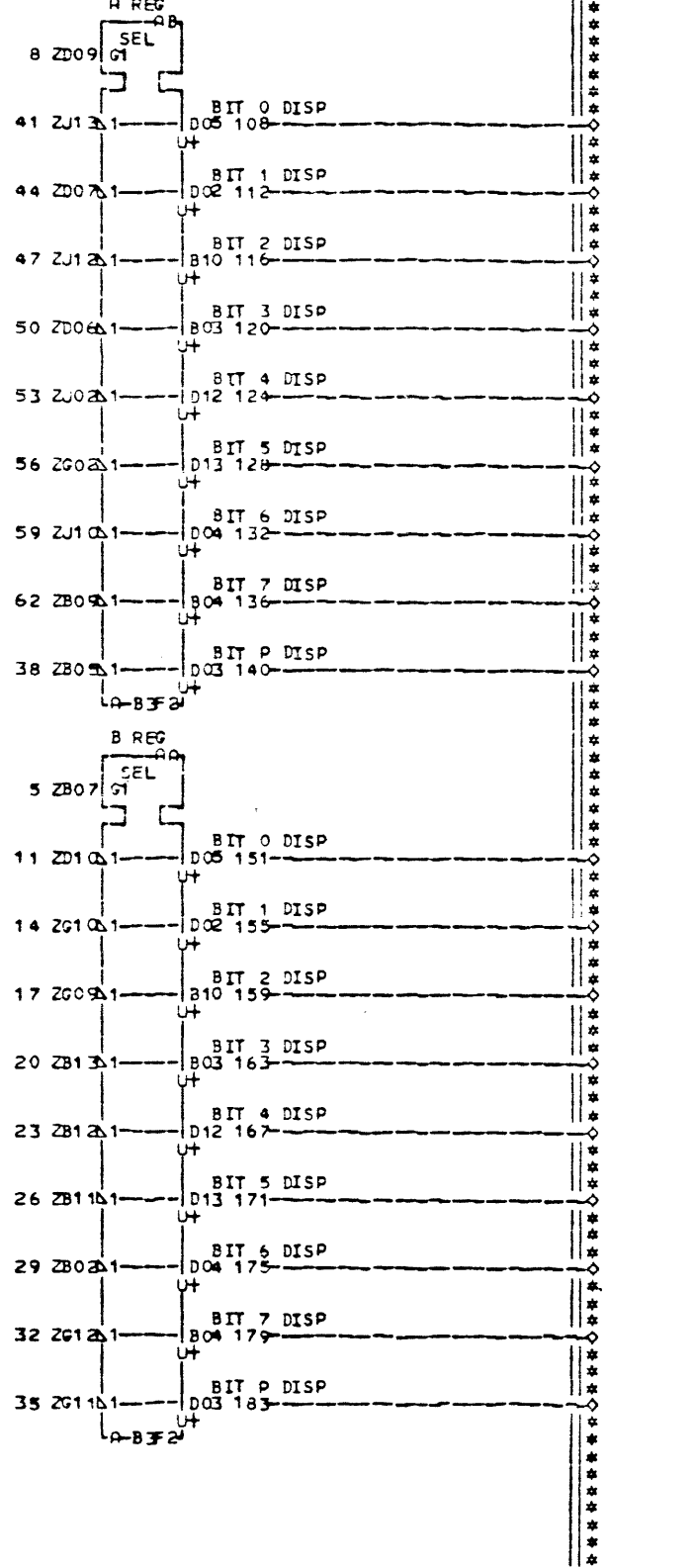
A AND B REGISTERS	
E-C-HISTORY	ARCH CPU15FST
DATE	LAST EC
05-09-77	828425
IBM CORP QSD	RA131
P.N. 4835532	006

RA121  
 RA131  
 006

IBM

CONFIDENTIAL UNTIL FIRST CUSTOMER SHIP

- SDBO 8-15 P BIT	KM111AS2	2-2
+ B AND ALU DISPLAY	PC101BK4	5-1
+ A AND ALU OUTPUT DISPLAY	PC101BM4	8-1
- B REG BIT 0	RA101AM2	11-1
- B REG BIT 1	RA101AN2	14-1
- B REG BIT 2	RA101AP2	17-1
- B REG BIT 3	RA101AQ2	20-1
- B REG BIT 4	RA111AL2	23-1
- B REG BIT 5	RA111AM2	26-1
- B REG BIT 6	RA111AN2	29-1
- B REG BIT 7	RA111AP2	32-1
- B REG BIT P	RA111AQ2	35-1
- A REG BIT P	RA111AR2	38-1
- A REG BIT 0	RA121AS2	41-1
- A REG BIT 1	RA121AT2	44-1
- A REG BIT 2	RA121AV2	47-1
- A REG BIT 3	RA121AW2	50-1
- A REG BIT 4	RA131AP2	53-1
- A REG BIT 5	RA131AQ2	56-1
- A REG BIT 6	RA131AR2	59-1
- A REG BIT 7	RA131AS2	62-1
- SDBO 8	WS02OAD6	65-3
- SDBO 9	WS02OAE1	68-3
- SDBO 10	WS02OAE3	71-3
- SDBO 11	WS02OAE5	74-3
- SDBO 12	WS02OAE7	77-2
- SDBO 13	WS02OAF2	80-2
- SDBO 14	WS02OAF4	83-2
- SDBO 15	WS02OAF6	86-2



*** RA141 ***	006 RA141 RA151
108 + A REG BIT 0 DISP	KE293-AC2
151 + B REG BIT 0 DISP	KE293-AD2
116 + A REG BIT 2 DISP	KE293-AF2
159 + B REG BIT 2 DISP	KE293-AG2
124 + A REG BIT 4 DISP	KE293-AJ2
167 + B REG BIT 4 DISP	KE293-AK2
132 + A REG BIT 6 DISP	KE293-AM2
175 + B REG BIT 6 DISP	KE293-AN2
140 + A REG BIT P DISP	KE293-AQ2
183 + B REG BIT P DISP	KE293-AS2
112 + A REG BIT 1 DISP	KE293-AT2
155 + B REG BIT 1 DISP	KE293-AU2
120 + A REG BIT 3 DISP	KE293-AX2
163 + B REG BIT 3 DISP	KE293-AY2
128 + A REG BIT 5 DISP	KE293-AZ2
171 + B REG BIT 5 DISP	KE293-BB2
136 + A REG BIT 7 DISP	KE293-BC2
179 + B REG BIT 7 DISP	KE293-BE2
*** RA151 ***	
215 - SDR SIGN MINUS	AU6
LK1101 LK1121	
203 + SDR P CHECK	AB131-AX2

B-SIM TO PN EC 830225

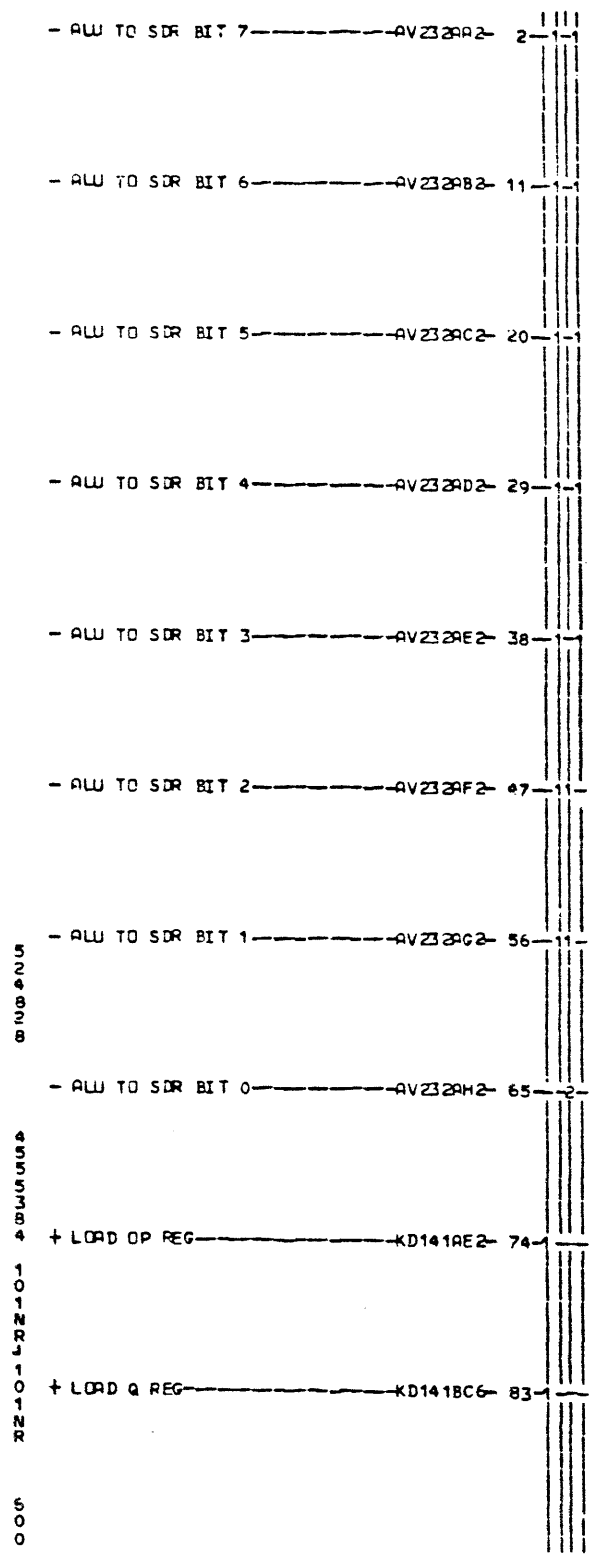
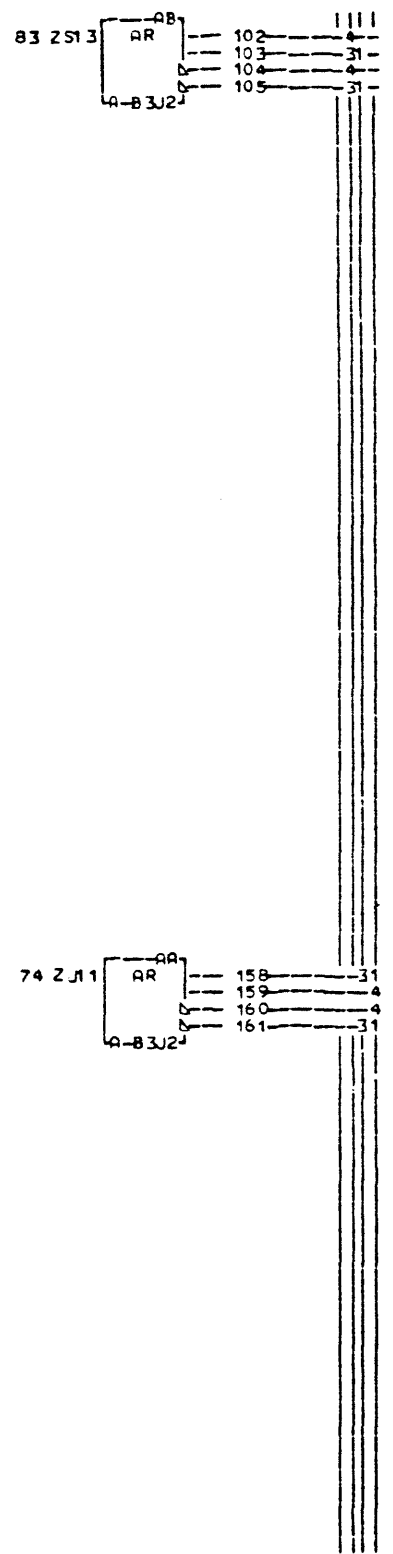
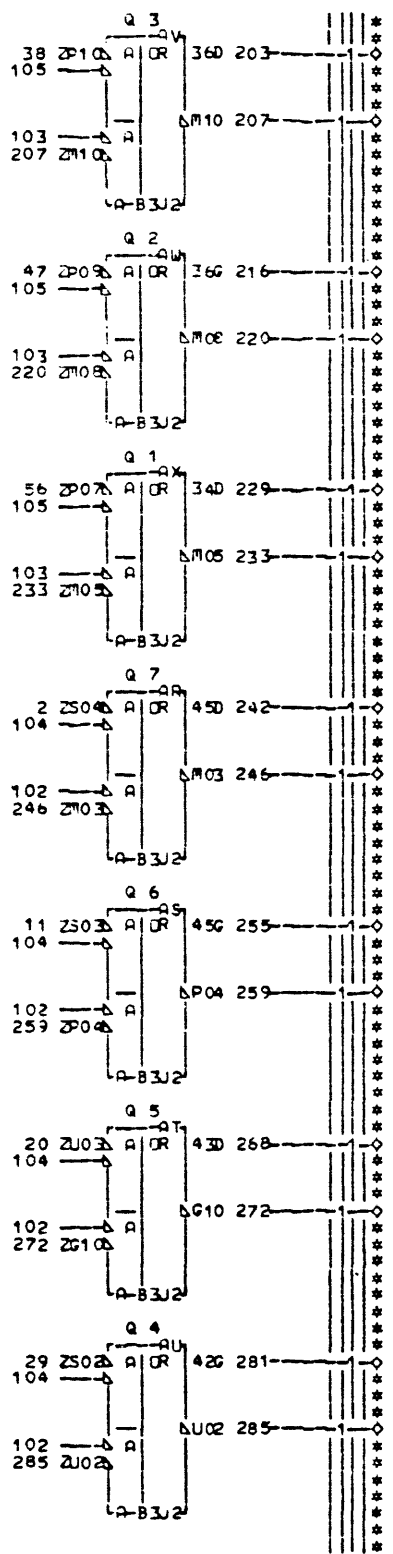
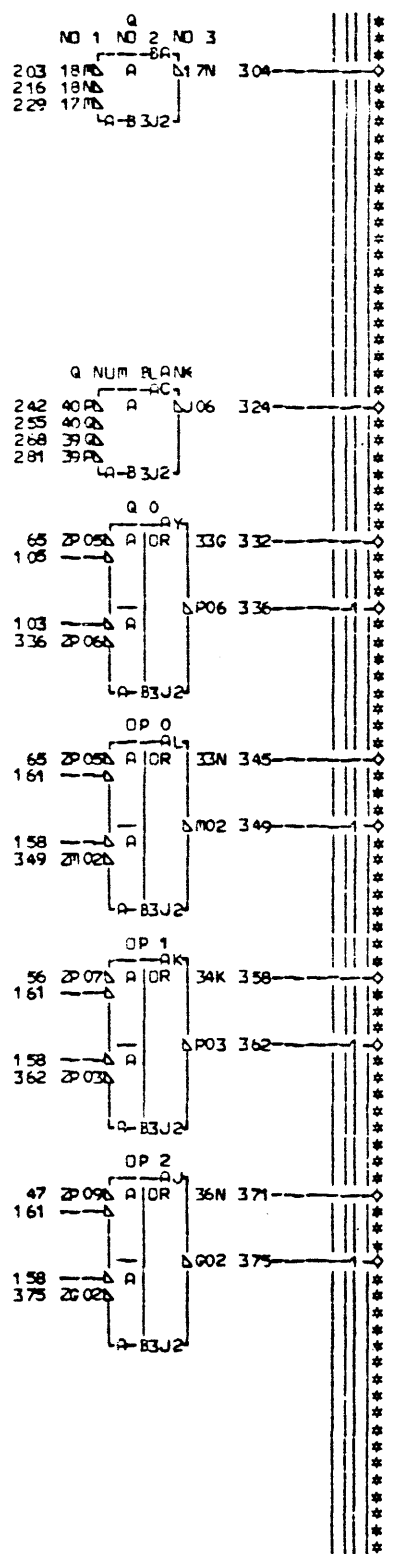
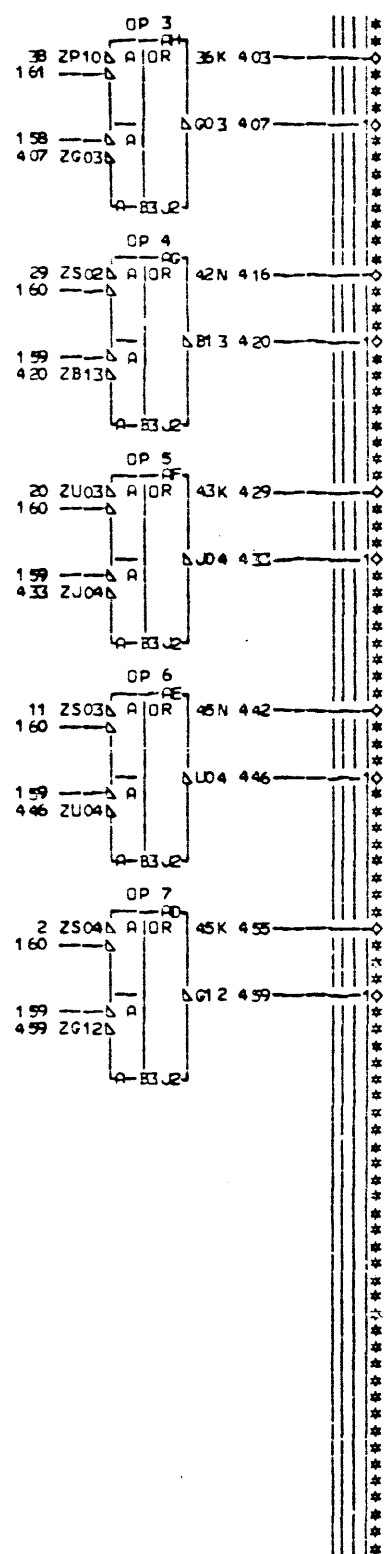
LOC. TYPE A-B F2 2573

PAGE VER EC LEV RA141 000 830225 RA151 006 828425

F RA141  
S RA151  
U  
P 006

A AND B REGISTERS	
-E-C-HISTORY- 830225	-E-MACH-CPU15FST
DATE LAST EC 05-09-77 828425	FRAME 01 RA141
	IBM CORP GSD RA151
	P.N. 4835553 006

455 + OP BIT 7 RM11-AD2  
 459 - OP BIT 7 RM11-KM31 KY111 LN121  
 462 + OP BIT 7 RM11-KM31 KY111 LN121  
 466 - OP BIT 7 RM11-KM31 KY111  
 429 + OP BIT 7 RM11-KM31 KY111 LN141  
 433 - OP BIT 7 RM11-KM31 LN131  
 416 + OP BIT 7 RM11-KM31 LN141  
 420 - OP BIT 7 RM11-KM31 LN121  
 403 + OP BIT 7 RM11-KM31 LN121  
 407 - OP BIT 7 RM11-KL121 LN111  
 371 + OP BIT 7 RM11-KM31 LN111  
 375 - OP BIT 7 RM11-KL121 LN111  
 358 + OP BIT 7 RM11-KM31 LN111  
 362 - OP BIT 7 RM11-KM31 LN111  
 345 + OP BIT 7 RM11-KM31 LN111  
 349 - OP BIT 7 RM11-KM31 LN111  
 242 + Q BIT 7 RM11-KM31 LN121  
 246 - Q BIT 7 RM11-KM31 LN121  
 255 + Q BIT 6 RM11-KM31 LN121  
 259 - Q BIT 6 RM11-KL121 LN121  
 268 + Q BIT 5 RM11-KM31 LN121  
 272 - Q BIT 5 RM11-KM31 LN121  
 281 + Q BIT 4 RM11-KM31 LN121  
 285 - Q BIT 4 RM11-KL101 KM41 KN131  
 203 + Q BIT 3 RM11-KL101 KM41 KN131  
 207 - Q BIT 3 RM11-KM31 LN121  
 216 + Q BIT 2 RM11-KL101 KM31 KN121 LK222  
 220 - Q BIT 2 RM11-KL101 KM31 KN121 LK222  
 229 + Q BIT 1 RM11-KM31 LN121  
 233 - Q BIT 1 RM11-KL131 KM21 KN121  
 332 + Q BIT 0 RM11-KM31 LN121  
 336 - Q BIT 0 RM11-KL101 KM71 KN101 LN121  
 324 - Q NUM BLK RM11-KM31 LN111  
 304 - Q NO 1 NO 2 NO 3 RM11-KM31 LN111

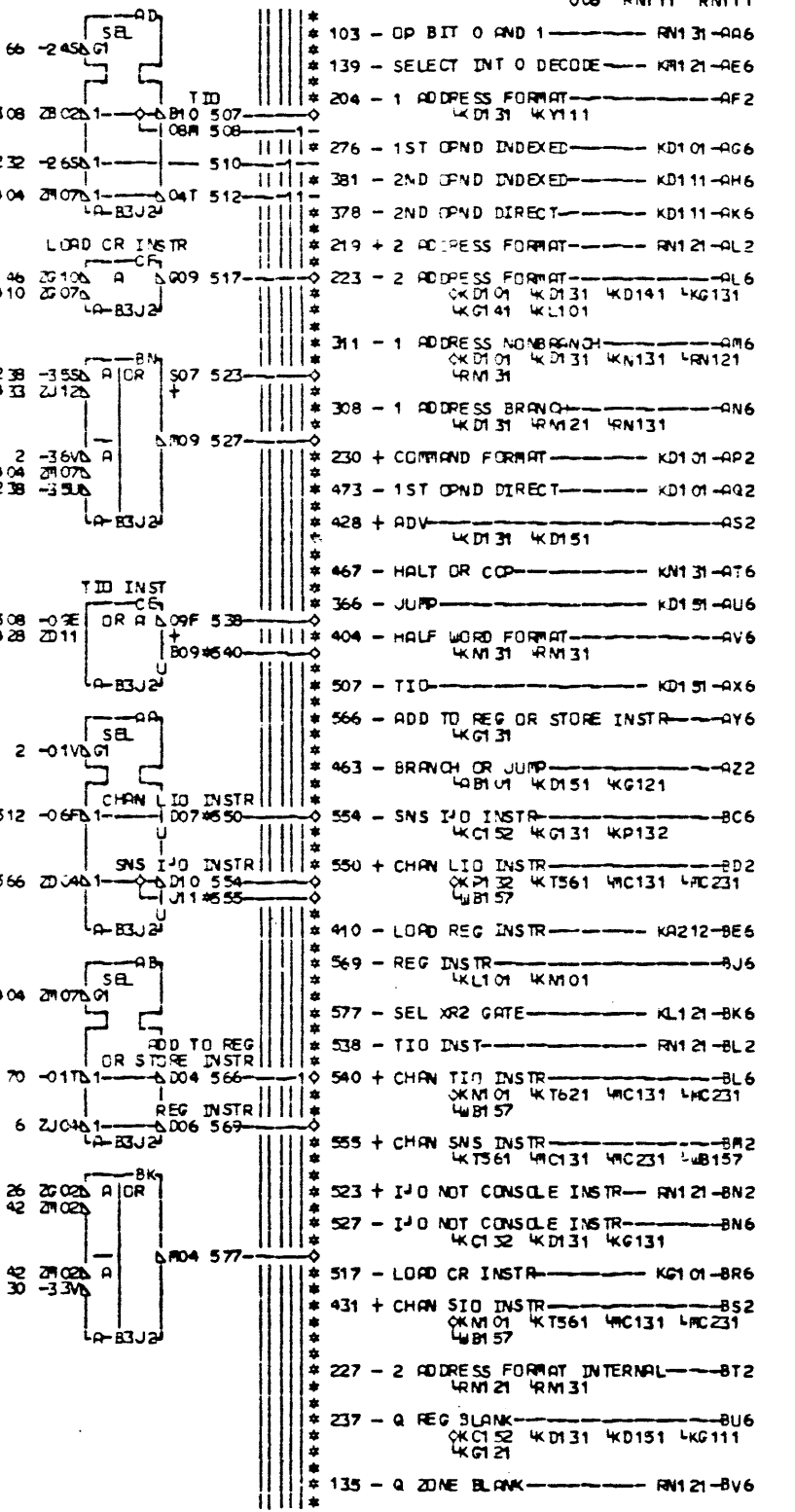
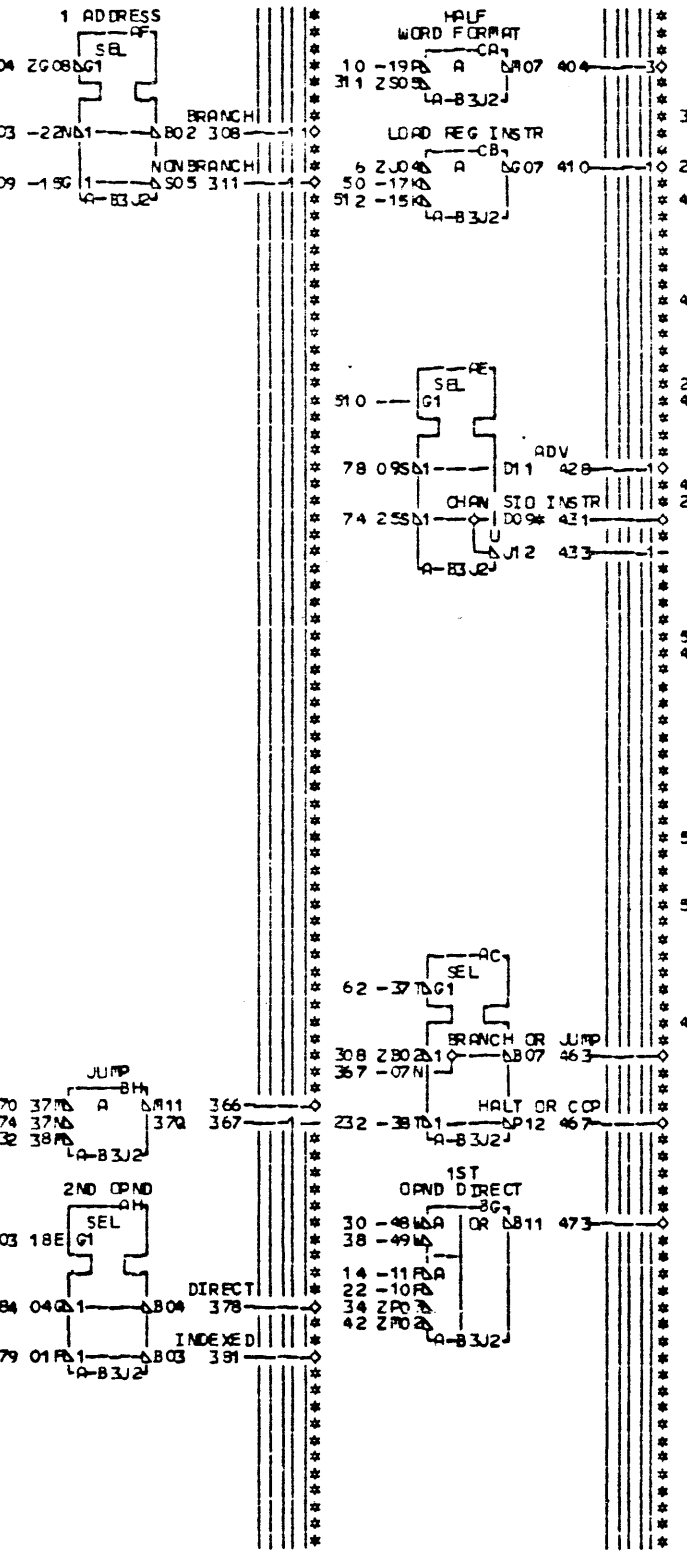
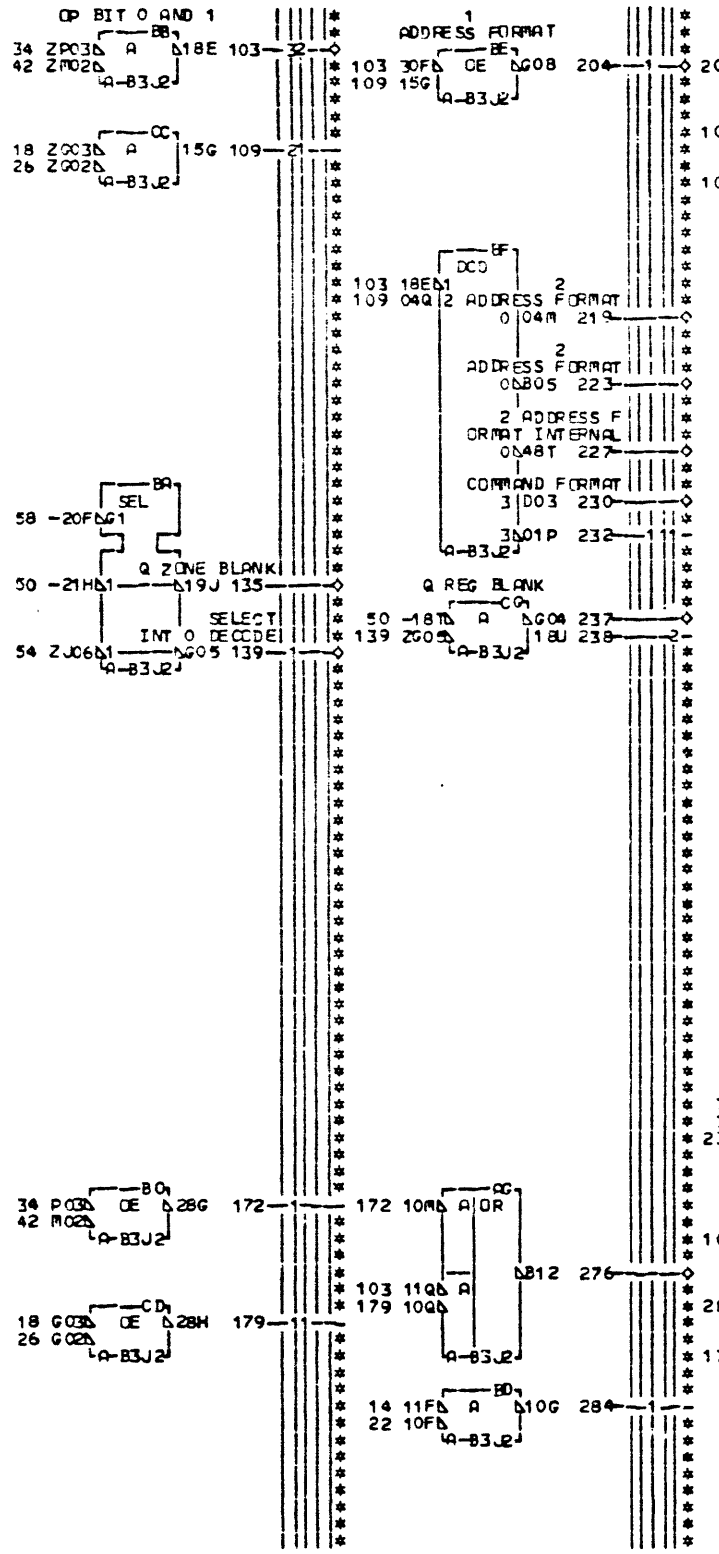
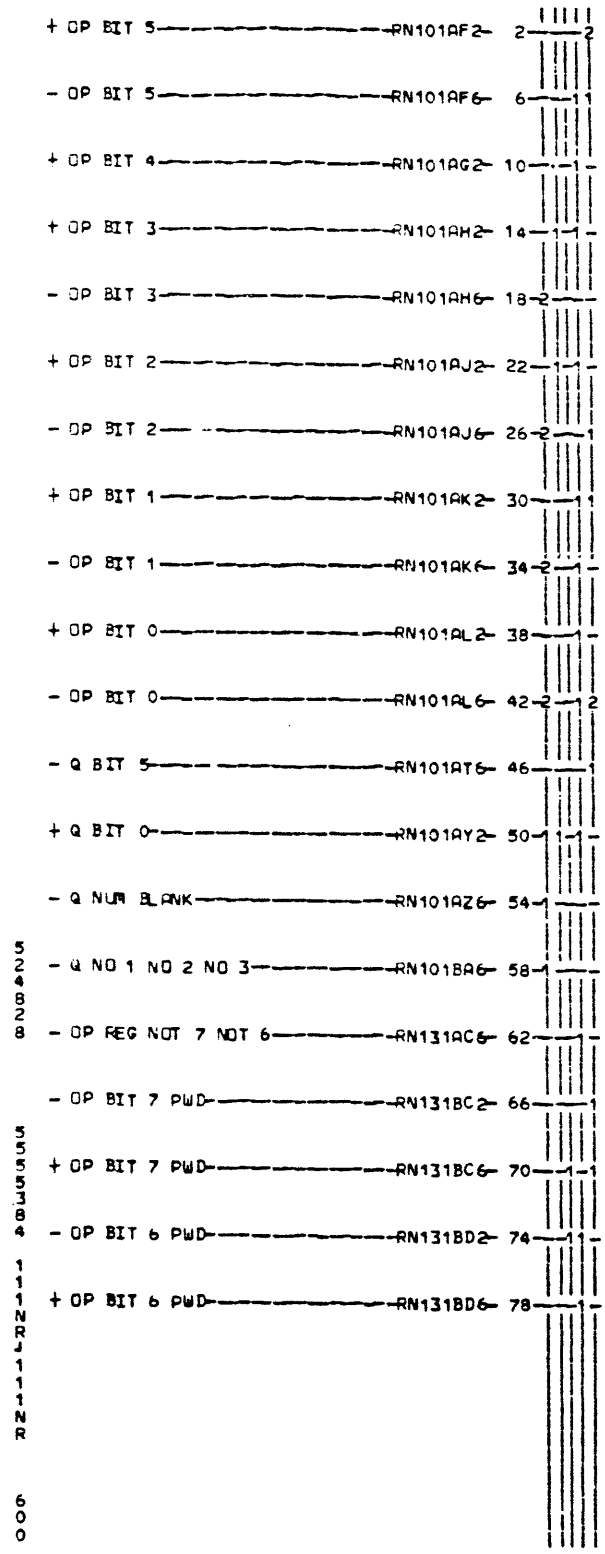


F RM101  
 S RM101  
 U  
 P 006 SIM TO RM EC 830225

LOC. TYPE  
 A-B3J2 2574

PAGE VER EC LEV.  
 RM101 006 828425

OP AND Q REG		E-PACK CPU15F5T	
E-C-HISTORY		FRAME 01	RM101
DATE LAST EC		IBM CORP 4050	RM101
05-09-77 828425		P.N. 483554	006



006 RM11 RM11  
 103 - OP BIT 0 AND 1 --- RN131-AA6  
 139 - SELECT INT 0 DECODE --- RM121-AE6  
 204 - 1 ADDRESS FORMAT --- AF2  
 276 - 1ST OPND INDEXED --- KD101-AG6  
 381 - 2ND OPND INDEXED --- KD111-AH6  
 378 - 2ND OPND DIRECT --- KD111-AK6  
 219 + 2 ADDRESS FORMAT --- RM121-AL2  
 223 - 2 ADDRESS FORMAT --- AL6  
 311 - 1 ADDRESS NONBRANCH --- AM6  
 308 - 1 ADDRESS BRANCH --- AN6  
 230 + COMMAND FORMAT --- KD101-AP2  
 473 - 1ST OPND DIRECT --- KD101-AQ2  
 428 + ADV --- AS2  
 467 - HALT OR COP --- KN131-AT6  
 366 - JUMP --- KD151-AU6  
 404 - HALF WORD FORMAT --- AV6  
 507 - TID --- KD151-AX6  
 566 - ADD TO REG OR STORE INSTR --- AY6  
 463 - BRANCH OR JUMP --- AZ2  
 554 - SNS I/O INSTR --- BC6  
 550 + CHAN LIO INSTR --- BD2  
 410 - LOAD REG INSTR --- KA212-BE6  
 569 - REG INSTR --- BJ6  
 577 - SEL XR2 GATE --- KL121-BK6  
 538 - TID INST --- RM121-BL2  
 540 + CHAN TIO INSTR --- BL6  
 555 + CHAN SNS INSTR --- BA2  
 523 + I/O NOT CONSOLE INSTR --- RN121-BN2  
 527 - I/O NOT CONSOLE INSTR --- BN6  
 517 - LOAD CR INSTR --- KG101-BR6  
 431 + CHAN SID INSTR --- BS2  
 227 - 2 ADDRESS FORMAT INTERNAL --- BT2  
 237 - Q REG BLANK --- BU6  
 135 - Q ZONE BLANK --- RM121-BV6

EDGE CONN

431 A-B3B1C11	01 P-B3V1B13	50 01 P-A-A3J1D13	01 P-B3V1A13
01A-B2B6C02	01 P-B3A1E11	50 01 P-A-B3A1D11	01 P-B3V1B11
01A-B2C1E13	01 P-B3C1813	01 P-A-B3B1D12	01 P-B3V1B02
01A-B1C6E04	01 P-B3C6B04	01 P-A-B3C1D13	01 P-B3V1A13
01A-B1A2B13	01 P-B3A2B10	01 P-A-B3A1D12	01 P-B3V1B09
01A-A1V1B13	01 P-B3U6B04	01 P-A-B3A1D13	01 P-B3V1C13
01A-A1V6B04	01 P-B3U1D13	01 P-A-B3V1B13	01 P-B3V1B04
01A-A2V1B13	01 P-B3U6B04	01 P-A-B3V1A13	01 P-B3V1C13
01A-A2V6B04	01 P-B3U1D13	01 P-A-B3V1B13	01 P-B3V1B04

01P-B3U1C13  
 LCC TYPE  
 RM11  
 page VEP EC LEV  
 RM11 006 828425

OP AND Q REG	
- E-C-HISTORY	- E-MACH-CPU15FST
DATE LAST EC	FRAME 01 RM11
07-09-77 828425	IBM CORP-650 RM11
	P.N. 4835555 006

F RN111  
 P RN111  
 006 SIM TO PN  
 EC 830225

