



Leaders in Reception Seating

Lesro Industries, Inc.
1 Griffin Road South
Bloomfield, CT
06002

Phone 860.243.3226
Fax 860.243.5392
www.lesro.com

Connecting Center Table Instructions For Belmont, Brewster, Ravenna, Savoy, Siena & Somerset

Tools required: Phillips screwdriver

Note: These instructions are intended for various models and configurations. Your product may not look exactly as shown in the diagrams.

Important: Use 2 or more people when moving table and chair assembly from one place to another. Avoid putting excessive strain on connections or damage may occur.

Recommendation: Retighten all bolts on a seasonal basis to ensure your product remains strong and stable for many years of use.

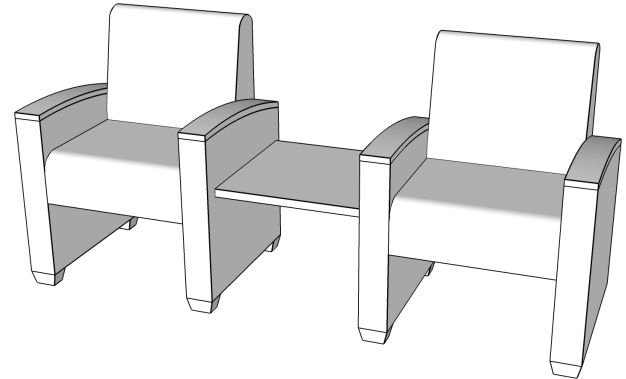
Weight Capacity: This table is not intended for use as a seat.

Parts List

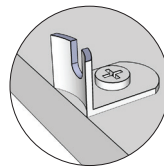
Tabletop

Hardware Pack

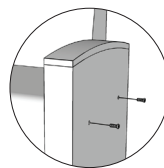
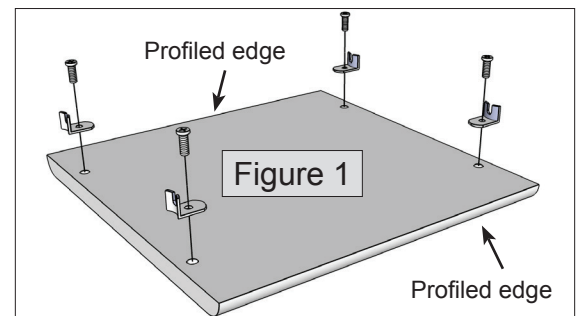
Slotted Brackets, 4 pcs.
3/4" Phillips Bolts, 8 pcs.



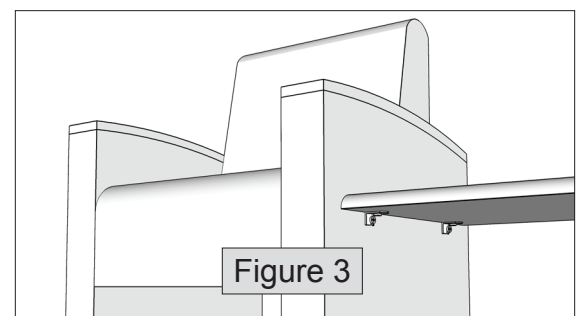
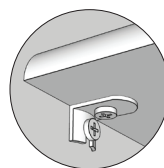
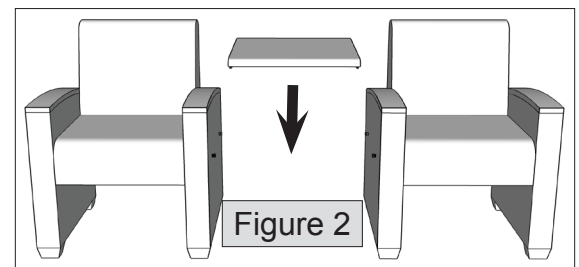
1. Unpack and identify parts. Profiled edges of tabletop face front and back.
2. Assemble chairs individually according to chair instructions. Arms with table bolt inserts must be oriented to face each other when chairs are adjacent.
3. Place the tabletop upside down on a soft, clean surface to prevent scratches.
4. Attach slotted brackets to tabletop using bolts into threaded inserts, as shown in figure 1. Be sure brackets are flush with edge of tabletop. Keep bolts slightly loose for now.
5. Position chairs about 2 feet apart. Arms with table bolt inserts must face each other.
6. Insert bolts about halfway into bolt inserts in facing arms, as shown in figure 2.
7. Set tabletop between chairs. The slotted brackets should slide onto the bolts from step 6.
8. Press down on the tabletop until bolts are fully inserted into each of the bracket slots, as shown in figure 3. Tighten all bolts securely, including bracket bolts from step 4 and arm bolts from step 6.
9. Your product is now assembled and ready to use.



Brackets flush to edge



Insert bolts into arms



Thank you for purchasing a Lesro product.
Need assistance with assembly? Call Lesro customer service 1-800-275-7545.
Visit us on-line at www.lesro.com