



CATALOG OF REPLACEMENT PARTS



CL44e AND CL54e SERIES DISHWASHERS

CLe MODELS

ML-138101	CL44e (R-L)
ML-138102	CL44e (L-R)
ML-138105	CL54e (R-L)
ML-138106	CL54e (L-R)

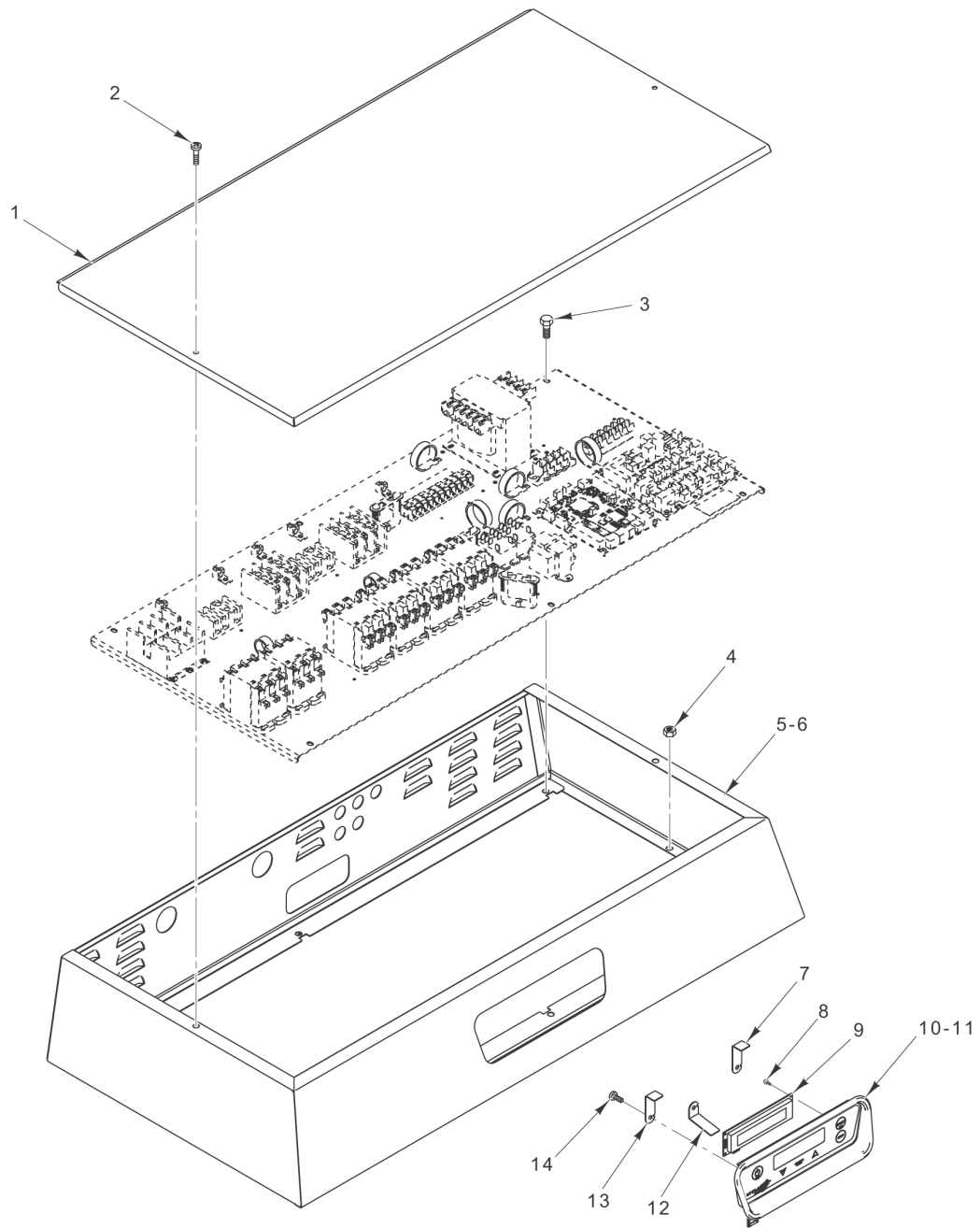
CLeR ENERGY RECOVERY MODELS

ML-138251	CL44eR (R-L)
ML-138252	CL44eR (L-R)
ML-138255	CL54eR (R-L)
ML-138256	CL54eR (L-R)

THIS CATALOG OBSOLETES AND
REPLACES F43158

Table of Contents

5	CONTROL BOX
7	COMPONENT PANEL (ELECTRIC)
9	COMPONENT PANEL (GAS HEAT)
11	COMPONENT PANEL (STEAM HEAT)
13	COMPONENT PANEL (ENERGY RECOVERY)
15	WASH MOTOR AND PUMP UNIT
17	CONVEYOR DRIVE MOTOR
19	CONVEYOR DRIVE
21	CONVEYOR
23	UPPER WASH ARM
25	LOWER WASH ARM
27	RINSE PIPING
29	PIPING (ENERGY RECOVERY)
31	DRAIN (ON CL44E AND CL54E)
33	WASH TANK DRAIN (ON CLPS66E AND CLPS76E)
35	DOORS
37	VENT HOOD
39	CANOPY HOOD BLOWER
41	HOOD ASSEMBLY (ENERGY RECOVERY)
43	ELECTRIC HEAT AND FLOATS
45	GAS HEAT COMPONENTS
47	GAS HEAT PIPING
49	STEAM INLET PIPING
51	STEAM COIL AND RETURN
53	WIREWAY
55	BOOSTER
57	INCOMING WATER AND BOOSTER SUPPORT
59	LOWER PANELS
61	CL54E FLOWBACK AND PANELS
63	TABLE LIMIT SWITCH (ML-138163)

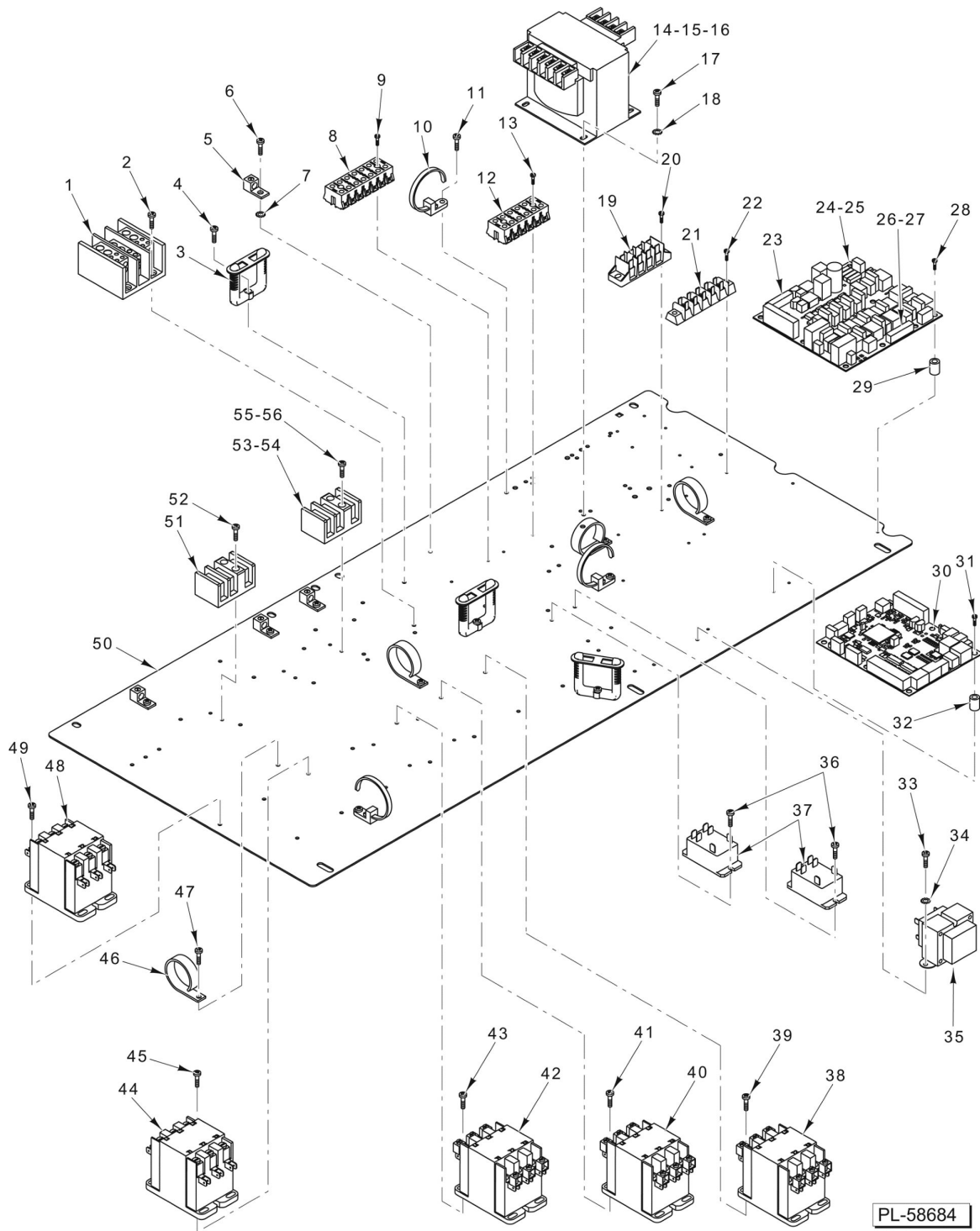


PL-58683

CONTROL BOX

CONTROL BOX

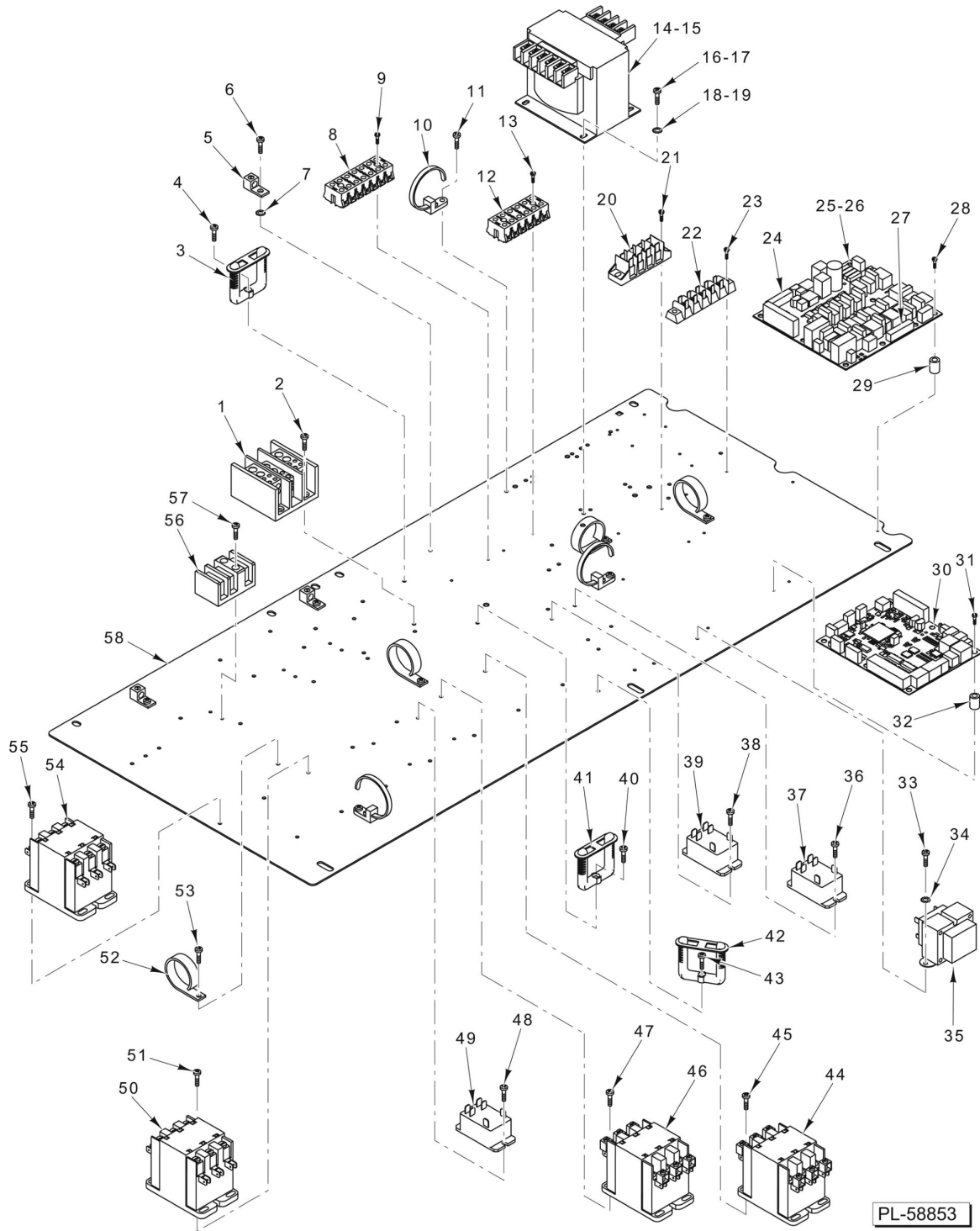
ILLUS.	PART NO.	NAME OF PART	AMT.
PL-58683			
1	00-936728	Lid - Control Box.....	1
2	SC-125-15	Mach. Screw 1/4-20 x 1/2 Phil. Truss Hd.....	2
3	SC-041-05	Cap Screw 1/4-20 x 5/8 Hex Hd. (SST).....	6
4	NS-031-19	Stop Nut 1/4-20 Hex (SST).....	7
5	00-936419-00001	Control Box (R-L).....	1
6	00-936419-00002	Control Box (L-R).....	1
7	00-919938	Bracket - Bezel Mounting.....	1
8	00-893777-00001	Self-Tapping Screw (Thread Forming).....	4
9	00-918409	Display - Graphic 140 x 16.....	1
10	00-936557-00001	Bezel & Keypad Assy.....	1
11	00-936557-00002	Bezel & Keypad Assy. (Bilingual).....	1
12	00-936154	Bracket - Lower Bezel Mounting.....	1
13	00-919938	Bracket - Bezel Mounting.....	1
14	SC-066-05	Mach. Screw 10-24 x 3/8 Phil. Truss Hd. (SST).....	3
	00-936432	Label - Sanitation.....	1
	00-918576	Cable - Ribbon (Keypad).....	1
	00-918577	Cable - Ribbon (Display).....	1



COMPONENT PANEL (ELECTRIC)

COMPONENT PANEL (ELECTRIC)

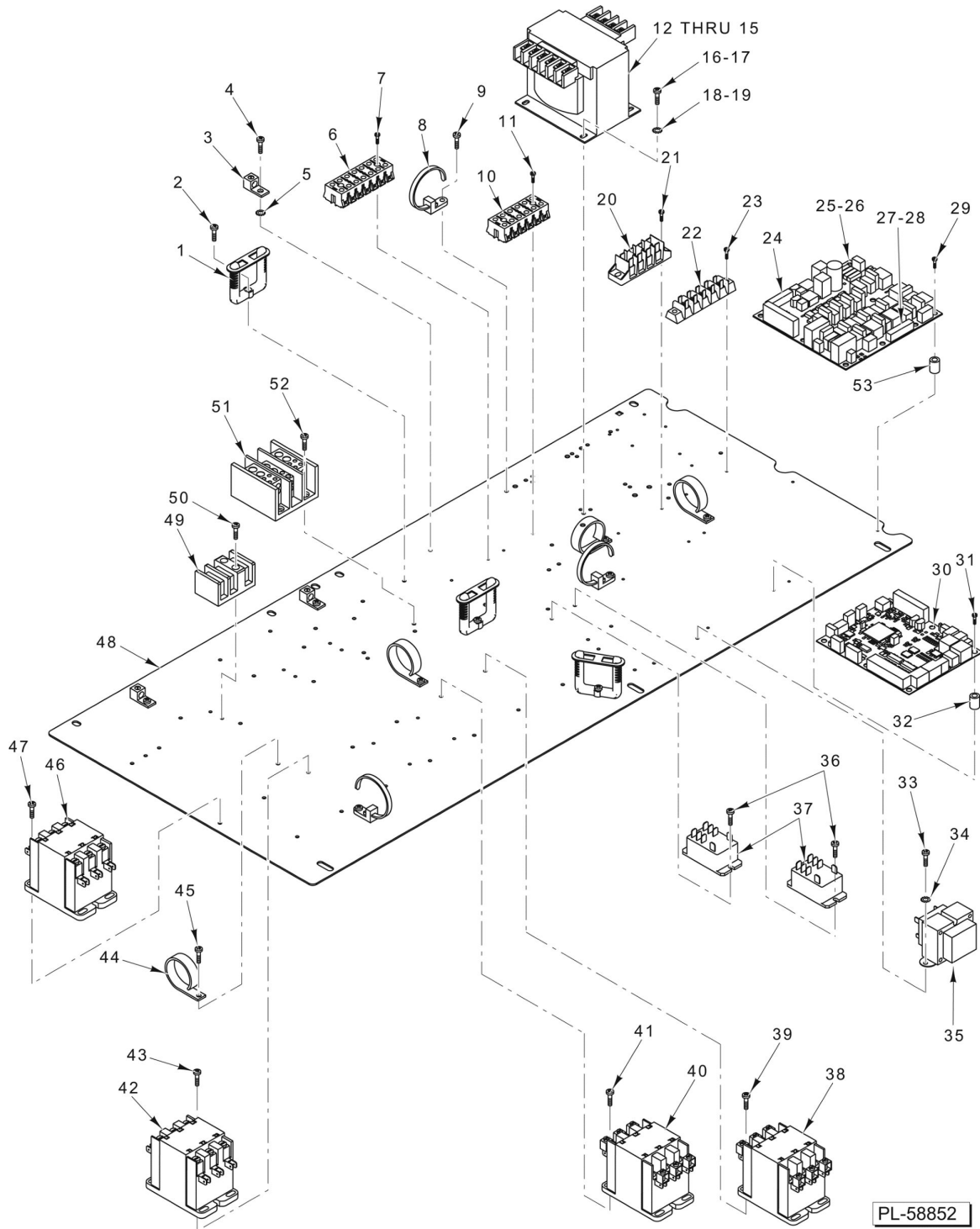
ILLUS. PL-58684	PART NO.	NAME OF PART	AMT.
1	00-119031	Block - Terminal (Booster Only).....	1
2	SD-008-25	Self-Tapping Screw 10-16 x 1/2 Phil. Pan Hd., Type B (Booster Only).....	2
3	00-476946-00001	Clamp - D With Keeper Bar.....	3
4	SD-008-25	Self-Tapping Screw 10-16 x 1/2 Phil. Pan Hd., Type B.....	3
5	00-118544-00002	Lug - Grounding.....	AR
6	SD-008-25	Self-Tapping Screw 10-16 x 1/2 Phil. Pan Hd., Type B.....	AR
7	WL-014-07	Lockwasher #10 External Shakeproof (SST).....	AR
8	00-814301-00005	Block - Terminal.....	1
9	SD-019-29	Self-Tapping Screw 6-20 x 1/2 Phil. Pan Hd., Type B.....	2
10	00-328678	Clamp - Tie.....	3
11	SD-008-25	Self-Tapping Screw 10-16 x 1/2 Phil. Pan Hd., Type B.....	3
12	00-814301-00002	Block - Terminal.....	1
13	SD-019-29	Self-Tapping Screw 6-20 x 1/2 Phil. Pan Hd., Type B.....	2
14	00-294500-046-1	Transformer (150 VA, 50/60 Hz.) (Except 50 Hz. Machines With 30 kW Booster or Machines With 15 kW Booster and Blower Dryer).....	1
15	00-294500-046-2	Transformer (300 VA, 50 Hz.) (Machines With 30 kW Booster or Machines With 15 kW Booster and Blower Dryer).....	1
16	00-294500-024-4	Transformer (600 VA, 60 Hz.).....	1
17	SD-008-25	Self-Tapping Screw 10-16 x 1/2 Phil. Pan Hd., Type B.....	4
18	WL-014-07	Lockwasher #10 External Shakeproof (SST).....	4
19	00-936138	Block - Terminal (Single Row).....	1
20	SD-038-02	Self-Tapping Screw 6-20 x 5/8 Phil. Pan Hd., Type B.....	2
21	00-919742	Block - Terminal (Single Row).....	1
22	SD-019-29	Self-Tapping Screw 6-20 x 1/2 Phil. Pan Hd., Type B.....	2
23	FE-016-40	Fuse (1.0 Amp., 250 V.) (F2).....	1
24	00-919472-00002	Board Assy. - Relay (Incls. Fuses).....	1
25	00-941124	Barrier - Mylar.....	1
26	FE-022-39	Fuse (1.5 Amp.) (250 V.) (F1) (Use With 150 VA Transformer).....	1
27	FE-021-19	Fuse (3.2 Amp., 250 V.) (F1) (Use With 300 VA Trans., 50 Hz., & 30 kW Booster)	1
28	SD-038-02	Self-Tapping Screw 6-20 x 5/8 Phil. Pan Hd., Type B.....	4
29	00-476653	Spacer - Circuit Board.....	9
30	00-919471-00002	Board Assy. - Control.....	1
31	SD-038-02	Self-Tapping Screw 6-20 x 5/8 Phil. Pan Hd., Type B.....	4
32	00-476653	Spacer - Circuit Board.....	6
33	SD-008-18	Self-Tapping Screw 8-18 x 3/8 Phil. Bndg. Hd., Type B.....	2
34	WL-014-07	Lockwasher #10 External Shakeproof (SST).....	2
35	00-294500-00056	Transformer (30 VA, 50/60 Hz.).....	1
36	SD-008-18	Self-Tapping Screw 8-18 x 3/8 Phil. Bndg. Hd., Type B.....	4
37	00-087714-042-1	Relay (2-Pole) (120 VAC) (30 Amp.).....	2
38	00-918322	Contact (40 Amp., 3-Pole) (15 kW or 30 kW Booster Only).....	1
39	SD-008-25	Self-Tapping Screw 10-16 x 1/2 Phil. Pan Hd., Type B.....	2
40	00-918322	Contact (40 Amp., 3-Pole) (30 kW Booster Only).....	1
41	SD-008-25	Self-Tapping Screw 10-16 x 1/2 Phil. Pan Hd., Type B.....	2
42	00-918322	Contact (40 Amp., 3-Pole).....	1
43	SD-008-25	Self-Tapping Screw 10-16 x 1/2 Phil. Pan Hd., Type B.....	2
44	00-087713-040-2	Contact (30 Amp., 3-Pole).....	1
45	SD-008-25	Self-Tapping Screw 10-16 x 1/2 Phil. Pan Hd., Type B.....	2
46	00-294677-00005	Clamp - Wire 1-1/2 In.....	4
47	SD-008-25	Self-Tapping Screw 10-16 x 1/2 Phil. Pan Hd., Type B.....	4
48	00-087713-040-2	Contact (30 Amp., 3-Pole).....	1
49	SD-008-25	Self-Tapping Screw 10-16 x 1/2 Phil. Pan Hd., Type B.....	2
50	00-936181	Base Plate - Control Box.....	1
51	00-294325-015-1	Block - Terminal.....	1
52	SD-008-36	Self-Tapping Screw 8-18 x 7/8 Phil. Rd. Hd., Type B.....	2
53	00-294325-015-1	Block - Terminal (50/60 Hz., 3 Ph.) (Use Item 55).....	1
54	00-119031	Block - Terminal (60 Hz., 1 Ph.) (Use Item 56).....	1
55	SD-008-36	Self-Tapping Screw 8-18 x 7/8 Phil. Rd. Hd., Type B.....	2
56	SD-008-25	Self-Tapping Screw 10-16 x 1/2 Phil. Pan Hd., Type B.....	2



**COMPONENT PANEL
(GAS HEAT)**

COMPONENT PANEL (GAS HEAT)

ILLUS. PL-58853	PART NO.	NAME OF PART	AMT.
1	00-119031	Block - Terminal (Booster Only).....	1
2	SD-008-25	Self-Tapping Screw 10-16 x 1/2 Phil. Pan Hd., Type B (Booster Only).....	2
3	00-476946-00001	Clamp - D With Keeper Bar.....	1
4	SD-008-25	Self-Tapping Screw 10-16 x 1/2 Phil. Pan Hd., Type B.....	1
5	00-118544-00002	Lug - Grounding.....	AR
6	SD-008-25	Self-Tapping Screw 10-16 x 1/2 Phil. Pan Hd., Type B.....	AR
7	WL-014-07	Lockwasher #10 External Shakeproof (SST).....	AR
8	00-814301-00005	Block - Terminal.....	1
9	SD-019-29	Self-Tapping Screw 6-20 x 1/2 Phil. Pan Hd., Type B.....	2
10	00-328678	Clamp - Tie.....	3
11	SD-008-25	Self-Tapping Screw 10-16 x 1/2 Phil. Pan Hd., Type B.....	3
12	00-814301-00002	Block - Terminal.....	1
13	SD-019-29	Self-Tapping Screw 6-20 x 1/2 Phil. Pan Hd., Type B.....	2
14	00-294500-046-3	Transformer (150 VA, 300 VA) (Use Items 16 & 18).....	1
15	00-294500-024-6	Transformer (600 VA) (Use Items 17 & 19).....	1
16	SD-008-25	Self-Tapping Screw 10-16 x 1/2 Phil. Pan Hd., Type B.....	4
17	SD-035-17	Self-Tapping Screw 6-20 x 1/4 Phil. Rd. Hd., Type B.....	4
18	WL-014-07	Lockwasher #10 External Shakeproof (SST).....	4
19	WL-007-15	Lockwasher 1/4 External Shakeproof.....	4
20	00-936138	Block - Terminal (Single Row).....	1
21	SD-038-02	Self-Tapping Screw 6-20 x 5/8 Phil. Pan Hd., Type B.....	2
22	00-919742	Block - Terminal (Single Row).....	1
23	SD-019-29	Self-Tapping Screw 6-20 x 1/2 Phil. Pan Hd., Type B.....	2
24	FE-016-40	Fuse (1.0 Amp., 250 V.) (F2).....	1
25	00-919472-00002	Board Assy. - Relay (Incls. Fuses).....	1
26	00-941124	Barrier - Mylar.....	1
27	FE-023-25	Fuse (5.0 Amp., 250 V.) (F1).....	1
28	SD-038-02	Self-Tapping Screw 6-20 x 5/8 Phil. Pan Hd., Type B.....	4
29	00-476653	Spacer - Circuit Board.....	9
30	00-919471-00002	Board Assy. - Control.....	1
31	SD-038-02	Self-Tapping Screw 6-20 x 5/8 Phil. Pan Hd., Type B.....	4
32	00-476653	Spacer - Circuit Board.....	6
33	SD-008-18	Self-Tapping Screw 8-18 x 3/8 Phil. Bndg. Hd., Type B.....	2
34	WL-014-07	Lockwasher #10 External Shakeproof (SST).....	2
35	00-294500-00056	Transformer (30 VA, 50/60 Hz.).....	1
36	SD-008-18	Self-Tapping Screw 8-18 x 3/8 Phil. Bndg. Hd., Type B.....	2
37	00-087714-042-1	Relay (2-Pole) (120 VAC) (30 Amp.).....	1
38	SD-008-18	Self-Tapping Screw 8-18 x 3/8 Phil. Bndg. Hd., Type B.....	2
39	00-087714-042-1	Relay (2-Pole) (120 VAC) (30 Amp.).....	1
40	SD-008-25	Self-Tapping Screw 10-16 x 1/2 Phil. Pan Hd., Type B.....	1
41	00-476946-00001	Clamp - D With Keeper Bar.....	1
42	00-476946-00001	Clamp - D With Keeper Bar.....	1
43	SD-008-25	Self-Tapping Screw 10-16 x 1/2 Phil. Pan Hd., Type B.....	1
44	00-918322	Contactor (40 Amp., 3-Pole) (15 kW or 30 kW Booster Only).....	1
45	SD-008-25	Self-Tapping Screw 10-16 x 1/2 Phil. Pan Hd., Type B.....	2
46	00-918322	Contactor (40 Amp., 3-Pole) (30 kW Booster Only).....	1
47	SD-008-25	Self-Tapping Screw 10-16 x 1/2 Phil. Pan Hd., Type B.....	2
48	SD-008-18	Self-Tapping Screw 8-18 x 3/8 Phil. Bndg. Hd., Type B.....	2
49	00-087714-042-1	Relay (2-Pole) (120 VAC) (30 Amp.) (1 or 2 Tank).....	1
50	00-087713-040-2	Contactor (30 Amp., 3-Pole).....	1
51	SD-008-25	Self-Tapping Screw 10-16 x 1/2 Phil. Pan Hd., Type B.....	2
52	00-294677-00005	Clamp - Wire 1-1/2 In.....	4
53	SD-008-25	Self-Tapping Screw 10-16 x 1/2 Phil. Pan Hd., Type B.....	4
54	00-087713-040-2	Contactor (30 Amp., 3-Pole).....	1
55	SD-008-25	Self-Tapping Screw 10-16 x 1/2 Phil. Pan Hd., Type B.....	2
56	00-294325-015-1	Block - Terminal.....	1
57	SD-008-36	Self-Tapping Screw 8-18 x 7/8 Phil. Rd. Hd., Type B.....	2
58	00-936181	Base Plate - Control Box.....	1



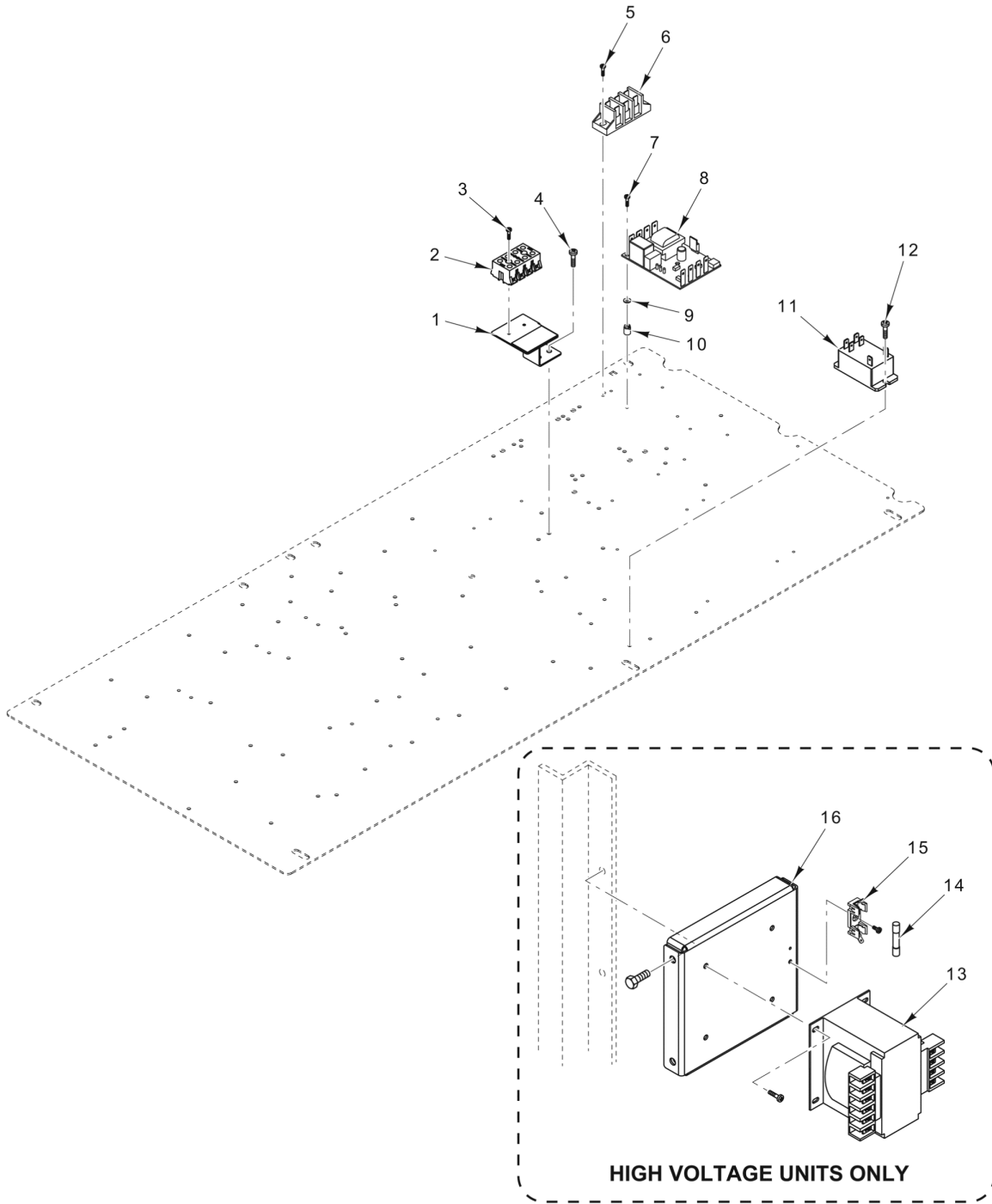
**COMPONENT PANEL
(STEAM HEAT)**

COMPONENT PANEL (STEAM HEAT)

ILLUS. PL-58852	PART NO.	NAME OF PART	AMT.
1	00-476946-00001	Clamp - D With Keeper Bar.....	3
2	SD-008-25	Self-Tapping Screw 10-16 x 1/2 Phil. Pan Hd., Type B.....	3
3	00-118544-00002	Lug - Grounding.....	AR
4	SD-008-25	Self-Tapping Screw 10-16 x 1/2 Phil. Pan Hd., Type B.....	AR
5	WL-014-07	Lockwasher #10 External Shakeproof (SST).....	AR
6	00-814301-00005	Block - Terminal.....	1
7	SD-019-29	Self-Tapping Screw 6-20 x 1/2 Phil. Pan Hd., Type B.....	2
8	00-328678	Clamp - Tie.....	3
9	SD-008-25	Self-Tapping Screw 10-16 x 1/2 Phil. Pan Hd., Type B.....	3
10	00-814301-00002	Block - Terminal.....	1
11	SD-019-29	Self-Tapping Screw 6-20 x 1/2 Phil. Pan Hd., Type B.....	2
*12	00-294500-046-1	Transformer (150 VA, 50/60 Hz.).....	1
**13	00-294500-046-2	Transformer (300 VA).....	1
*14	00-294500-024-4	Transformer (600 VA, 60 Hz.).....	1
**15	00-294500-024-5	Transformer (600 V.).....	1
16	SD-008-25	Self-Tapping Screw 10-16 x 1/2 Phil. Pan Hd., Type B.....	4
17	SD-035-77	Self-Tapping Screw 1/4-20 x 3/8 Phil. Pan Hd., Type TT.....	4
18	WL-014-07	Lockwasher #10 External Shakeproof (SST).....	4
19	WL-007-15	Lockwasher 1/4 External Shakeproof.....	4
20	00-936138	Block - Terminal (Single Row).....	1
21	SD-038-02	Self-Tapping Screw 6-20 x 5/8 Phil. Pan Hd., Type B.....	2
22	00-919742	Block - Terminal (Single Row).....	1
23	SD-019-29	Self-Tapping Screw 6-20 x 1/2 Phil. Pan Hd., Type B.....	2
24	FE-016-40	Fuse (1.0 Amp., 250 V.).....	1
25	00-919472-00002	Board Assy. - Relay (Incls. Fuses).....	1
26	00-941124	Barrier - Mylar.....	1
*27	FE-022-39	Fuse (1.5 Amp.) (250 V.) (F1).....	1
**28	FE-021-19	Fuse (3.2 Amp., 250 V.) (F1).....	1
29	SD-038-02	Self-Tapping Screw 6-20 x 5/8 Phil. Pan Hd., Type B.....	4
30	00-919471-00002	Board Assy. - Control.....	1
31	SD-038-02	Self-Tapping Screw 6-20 x 5/8 Phil. Pan Hd., Type B.....	4
32	00-476653	Spacer - Circuit Board.....	6
33	SD-008-18	Self-Tapping Screw 8-18 x 3/8 Phil. Bndg. Hd., Type B.....	2
34	WL-014-07	Lockwasher #10 External Shakeproof (SST).....	2
35	00-294500-00056	Transformer (30 VA, 50/60 Hz.).....	1
36	SD-008-18	Self-Tapping Screw 8-18 x 3/8 Phil. Bndg. Hd., Type B.....	4
37	00-087714-046-1	Relay (2-Pole) (30 Amp.).....	2
38	00-918322	Contact (40 Amp., 3-Pole) (15 kW or 30 kW Booster Only).....	1
39	SD-008-25	Self-Tapping Screw 10-16 x 1/2 Phil. Pan Hd., Type B.....	2
40	00-918322	Contact (40 Amp., 3-Pole) (30 kW Booster Only).....	1
41	SD-008-25	Self-Tapping Screw 10-16 x 1/2 Phil. Pan Hd., Type B.....	2
42	00-087713-040-2	Contact (30 Amp., 3-Pole).....	1
43	SD-008-25	Self-Tapping Screw 10-16 x 1/2 Phil. Pan Hd., Type B.....	2
44	00-294677-00005	Clamp - Wire 1-1/2 In.....	4
45	SD-008-25	Self-Tapping Screw 10-16 x 1/2 Phil. Pan Hd., Type B.....	4
46	00-087713-040-2	Contact (30 Amp., 3-Pole).....	1
47	SD-008-25	Self-Tapping Screw 10-16 x 1/2 Phil. Pan Hd., Type B.....	2
48	00-936181	Base Plate - Control Box.....	1
49	00-294325-015-1	Block - Terminal.....	1
50	SD-008-36	Self-Tapping Screw 8-18 x 7/8 Phil. Rd. Hd., Type B.....	2
51	00-119031	Block - Terminal (Booster Only).....	1
52	SD-008-25	Self-Tapping Screw 10-16 x 1/2 Phil. Pan Hd., Type B (Booster Only).....	2
53	00-476653	Spacer - Circuit Board.....	9

* (Except Machines With 30 kW Booster or With 15 kW Booster and Blower Dryer)

** (Machines With 30 kW Booster or With 15 kW Booster and Blower Dryer)

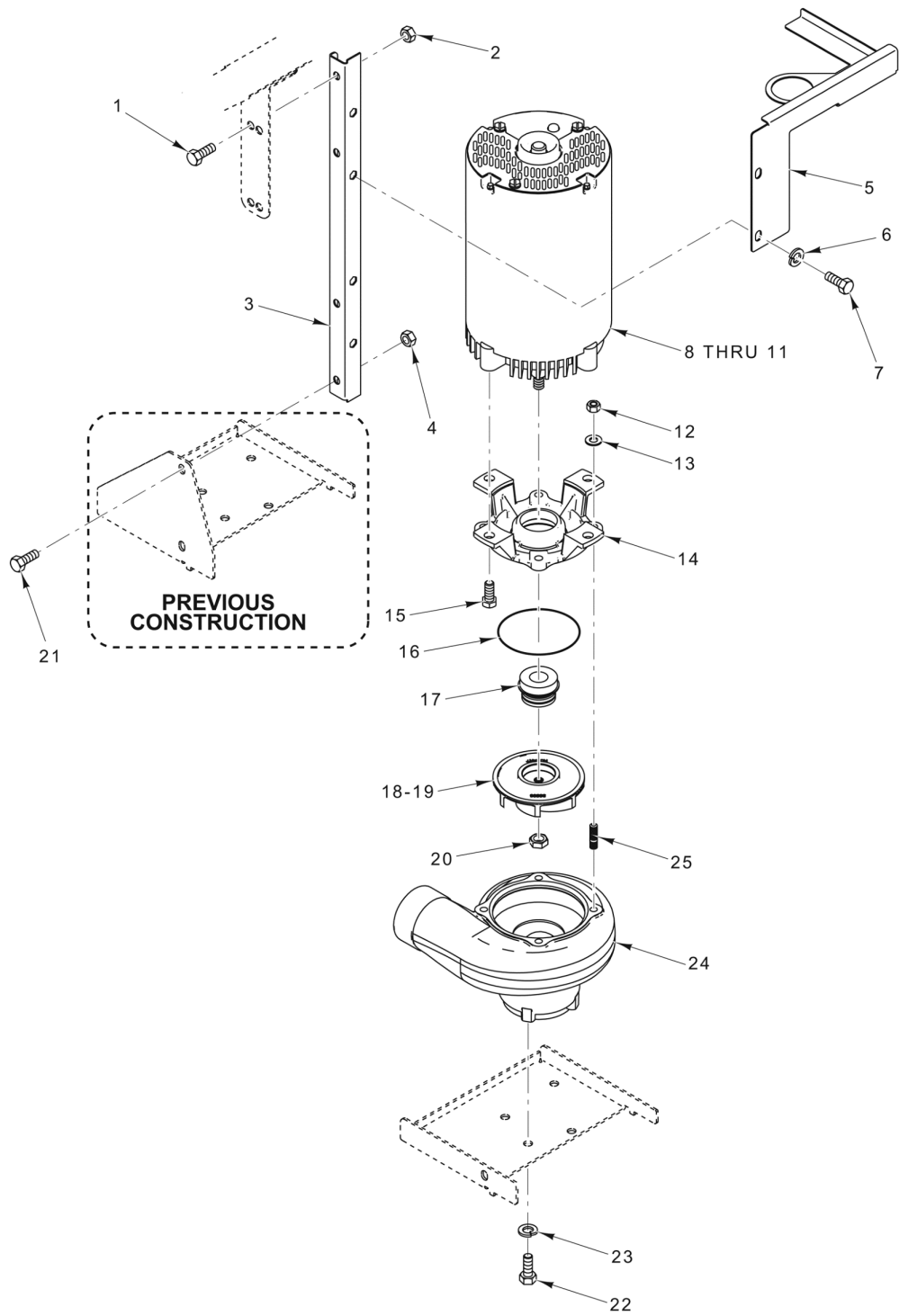


PL-59655

**COMPONENT PANEL
(ENERGY RECOVERY)**

**COMPONENT PANEL
(ENERGY RECOVERY)**

ILLUS. PL-59655	PART NO.	NAME OF PART	AMT.
1	00-941460	Bracket - Terminal.....	1
2	00-814301-00004	Block - Terminal.....	1
3	SD-019-29	Self-Tapping Screw 6-20 x 1/2 Phil. Pan Hd., Type B.....	2
4	SD-008-25	Self-Tapping Screw 10-16 x 1/2 Phil. Pan Hd., Type B.....	2
5	SD-038-02	Self-Tapping Screw 6-20 x 5/8 Phil. Pan Hd., Type B.....	2
6	00-941330	Block - Terminal Single Row (3-Pole).....	1
7	SD-038-02	Self-Tapping Screw 6-20 x 5/8 Phil. Pan Hd., Type B.....	4
8	00-936686-00001	Board Assy. - Temperature Control.....	1
9	WS-028-12	Washer.....	4
10	00-476653	Spacer - Circuit Board.....	4
11	00-087714-042-1	Relay (2-Pole) (120 VAC) (30 Amp.).....	1
12	SD-008-18	Self-Tapping Screw 8-18 x 3/8 Phil. Bndg. Hd., Type B.....	2
13	00-294500-018-2	Transformer (High Voltage Units Only).....	1
14	FE-022-39	Fuse (1.5 Amp.) (250 V.) (High Voltage Units Only).....	1
15	00-294436-00003	Block - Fuse (High Voltage Units Only).....	1
16	00-941517	Bracket - Transformer (High Voltage Units Only).....	1
	00-941545	Barrier - Mylar (High Voltage Units Only).....	1
	00-748513-00002	Pin - Snubber Assy.....	1

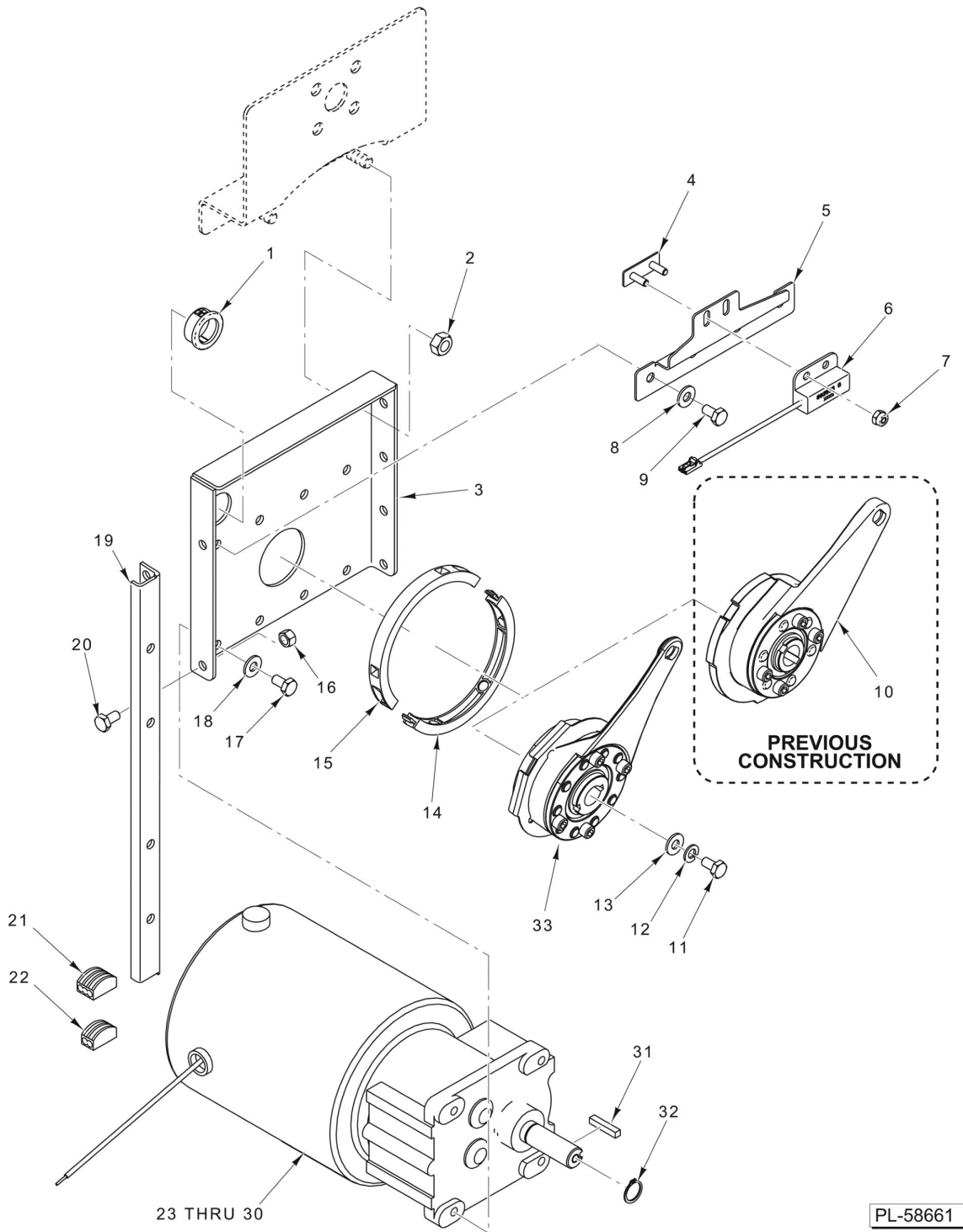


PL-58688

WASH MOTOR AND PUMP UNIT

WASH MOTOR AND PUMP UNIT

ILLUS. PL-58688	PART NO.	NAME OF PART	AMT.
1	SC-041-10	Cap Screw 5/16-18 x 5/8 Hex Hd. (SST).....	2
2	NS-036-19	Stop Nut 5/16-18 Hex (SST).....	2
3	00-919621	Support - Frame.....	1
4	NS-036-19	Stop Nut 5/16-18 Hex (SST).....	2
5	00-919631	Support Strap - Motor.....	1
6	WL-006-17	Lockwasher 1/4 Helical (SST).....	2
7	SC-041-50	Cap Screw 1/4-20 x 1/2 Hex Hd. (SST).....	2
8	00-893039-00008	Motor (208-240/480 V., 60 Hz., 3 Ph.).....	1
9	00-893039-00009	Motor (208-240 V., 60 Hz., 1 Ph.).....	1
10	00-893039-00010	Motor (240-380 V., 50 Hz., 3 Ph.).....	1
11	00-919229-00008	Motor (600 V., 60 Hz., 3 Ph.).....	1
12	NS-015-11	Nut 5/16-18 Hex (SST).....	4
13	WS-005-32	Washer (SST).....	4
14	00-919229-00001	Adapter - Pump Motor.....	1
15	SC-041-29	Cap Screw 3/8-16 x 7/8 Hex Hd. (SST).....	4
16	00-067500-00152	O-Ring.....	1
17	00-274227-00006	Seal - Shaft.....	1
18	00-919229-00004	Impeller (60 Hz.).....	1
19	00-919229-00005	Impeller (50 Hz.).....	1
20	00-893039-00003	Jam Nut 7/16-20 Hex.....	1
21	SC-041-10	Cap Screw 5/16-18 x 5/8 Hex Hd. (SST).....	2
22	SC-041-50	Cap Screw 1/4-20 x 1/2 Hex Hd. (SST).....	4
23	WL-006-17	Lockwasher 1/4 Helical (SST).....	4
24	00-919229-00002	Pump - Involute.....	1
25	00-919229-00003	Stud 5/16-18 x 1-1/8.....	4

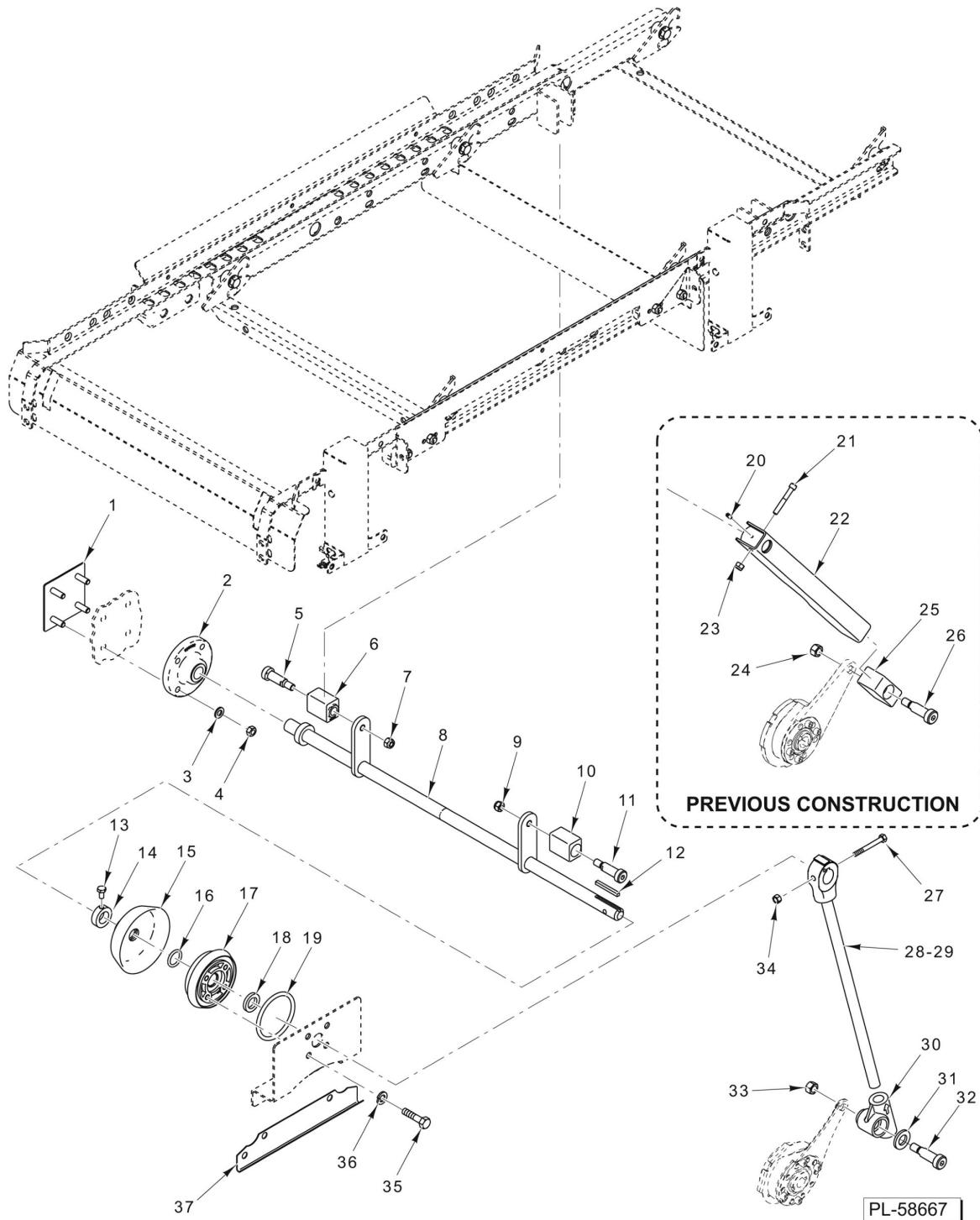


PL-58661

CONVEYOR DRIVE MOTOR

CONVEYOR DRIVE MOTOR

ILLUS. PL-58661	PART NO.	NAME OF PART	AMT.
1	FE-022-40	Bushing - Electrical Snap (3/4 In.).....	1
2	NS-036-19	Stop Nut 5/16-18 Hex (SST).....	2
3	00-919602	Bracket - Motor Mount.....	1
4	00-892570	Plate - Sensor Mounting.....	1
5	00-919697	Bracket - Sensor.....	1
6	00-892533	Sensor - Latching Hall.....	1
7	NS-031-15	Stop Nut 10-24 Hex (SST).....	2
8	WL-006-17	Lockwasher 1/4 Helical (SST).....	2
9	SC-041-05	Cap Screw 1/4-20 x 5/8 Hex Hd. (SST).....	2
10	00-918930	Drive Clutch Assy. (Previous Construction).....	1
11	SC-041-05	Cap Screw 1/4-20 x 5/8 Hex Hd. (SST).....	1
12	WL-006-17	Lockwasher 1/4 Helical (SST).....	1
13	WS-017-01	Washer (SST).....	1
14	00-892024-00001	Housing Ring - Magnet (Male).....	1
15	00-892024-00002	Housing Ring - Magnet (Female).....	1
16	NS-036-19	Stop Nut 5/16-18 Hex (SST).....	2
17	SC-041-05	Cap Screw 1/4-20 x 5/8 Hex Hd. (SST).....	2
18	WL-006-17	Lockwasher 1/4 Helical (SST).....	2
19	00-919621	Support - Frame.....	1
20	SC-041-10	Cap Screw 5/16-18 x 5/8 Hex Hd. (SST).....	2
21	00-557975	Connector - Wire Terminal Block (3 Circuit).....	1
22	00-557976	Connector - Wire Terminal Block (2 Circuit).....	1
23	00-919978-00001	Motor - Conveyor Drive (200-230/460 V., 60 Hz., 3 Ph.) (CL44e).....	1
24	00-919978-00002	Motor - Conveyor Drive (200-240 V., 60 Hz., 1Ph.) (CL44e).....	1
25	00-919978-00003	Motor - Conveyor Drive (220-240/380-415 V., 50Hz., 3 Ph.) (CL44e).....	1
26	00-919978-00004	Motor - Conveyor Drive (575 V., 60 Hz., 3 Ph.) (CL44e).....	1
27	00-919978-00005	Motor - Conveyor Drive (200-230/460 V., 60 Hz., 3 Ph.) (CL54e).....	1
28	00-919978-00006	Motor - Conveyor Drive (220-240 V., 60 Hz., 1 Ph.) (CL54e).....	1
29	00-919978-00007	Motor - Conveyor Drive (220-240/380-415 V., 50 Ph., 3 Ph.) (CL54e).....	1
30	00-919978-00008	Motor - Conveyor Drive (575 V., 60 Hz., 3 Ph.) (CL54e).....	1
31	00-012430-00087	Key (1 1/4 In. Lg.).....	1
32	RR-012-36	Retaining Ring.....	1
33	00-941322-00002	Drive Clutch Assy. (6 Spring).....	1

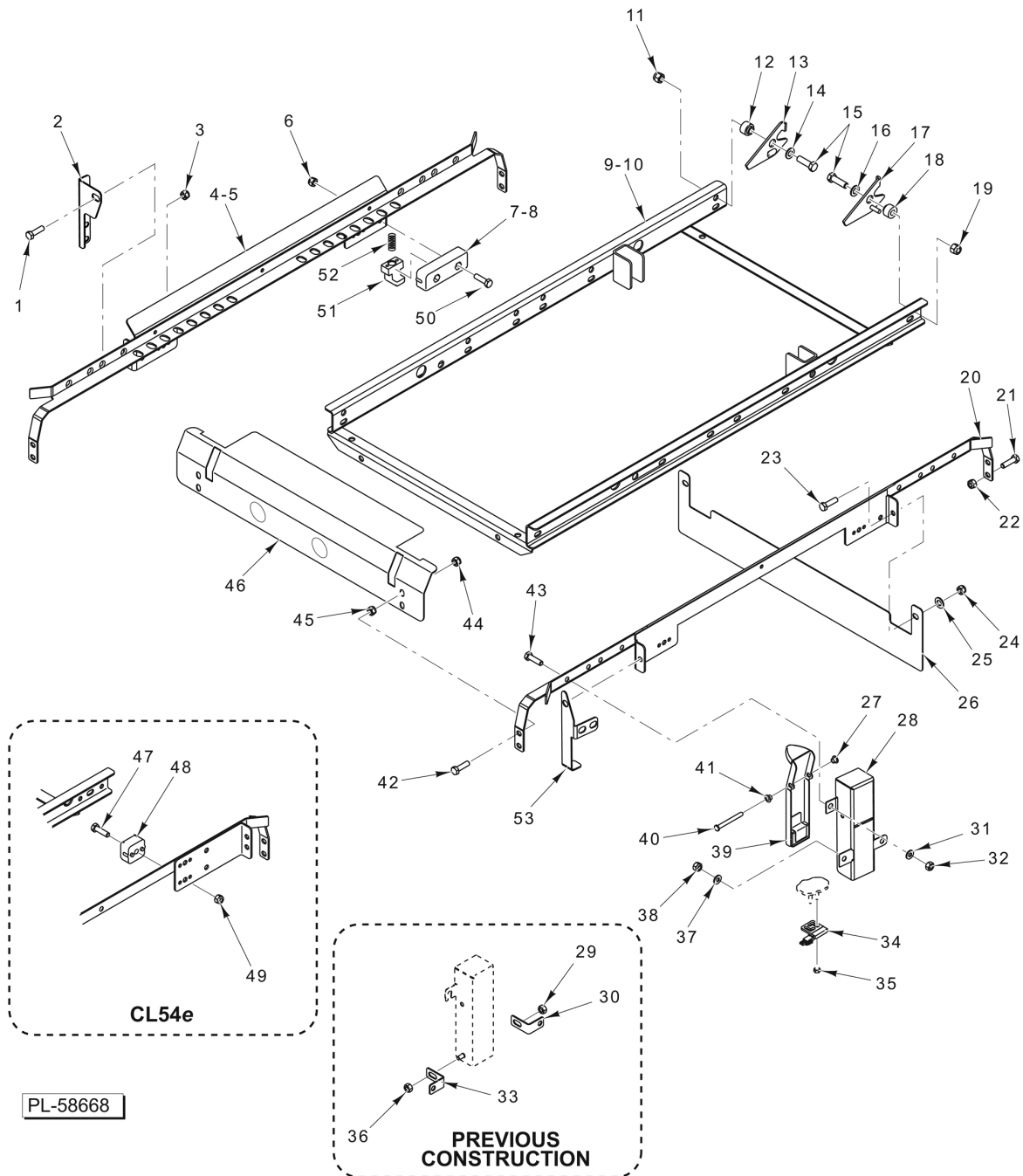


CONVEYOR DRIVE

CONVEYOR DRIVE

ILLUS.	PART NO.	NAME OF PART	AMT.
PL-58667			
1	00-935985	Plate - Housing Bearing Mounting.....	1
2	00-935982	Bearing - Back Housing.....	1
3	WS-017-18	Washer.....	4
4	NS-036-19	Stop Nut 5/16-18 Hex (SST).....	4
5	SC-130-15	Shoulder Screw 3/8-16 x 1-1/4 Hex Socket Hd. (SST).....	1
6	00-919274	Slider - Conveyor Drive.....	1
7	NS-048-86	Lock Nut 3/8-16 Flexloc (SST).....	1
8	00-919800	Shaft - Drive.....	1
9	NS-048-86	Lock Nut 3/8-16 Flexloc (SST).....	1
10	00-919274	Slider - Conveyor Drive.....	1
11	SC-130-15	Shoulder Screw 3/8-16 x 1-1/4 Hex Socket Hd. (SST).....	1
12	00-012430-00088	Key.....	1
13	SC-041-50	Cap Screw 1/4-20 x 1/2 Hex Hd. (SST).....	1
14	00-918993	Collar.....	1
15	00-918957	Deflector - Bearing.....	1
16	00-067500-00151	O-Ring.....	1
17	00-918956	Bearing - Front Housing.....	1
18	00-936177	Seal - Shaft.....	1
19	00-067500-00150	O-Ring.....	1
20	SC-130-41	Set Screw 10-32 x 1/2 Hdls. (SST) (Previous Construction).....	1
21	SC-130-43	Cap Screw 1/4-20 x 1-3/4 Hex Hd. (SST) (Previous Construction).....	1
*22		Channel (Previous Construction).....	1
23	NS-031-19	Stop Nut 1/4-20 Hex (SST) (Previous Construction).....	1
24	NS-048-86	Lock Nut 3/8-16 Flexloc (SST) (Previous Construction).....	1
25	00-935991	Slide - Crank Drive (Previous Construction).....	1
26	00-918991	Screw - Shoulder Block.....	1
27	SC-041-04	Cap Screw 1/4-20 x 1 3/4 Hex Hd. (SST).....	1
28	00-941145	Kit - Slider Rod (Incls. Items 30, 31, & 32).....	1
29	00-941156	Rod - Hub.....	1
30	00-936939	Slider - Rod.....	1
31	WS-019-39	Washer.....	1
32	SC-131-13	Shoulder Screw 1/2 Dia. x 1 Lg. 3/8-16 Hex Socket Hd. (SST).....	1
33	NS-048-86	Lock Nut 3/8-16 Flexloc (SST).....	1
34	NS-031-19	Stop Nut 1/4-20 Hex (SST).....	1
35	SC-041-10	Cap Screw 5/16-18 x 5/8 Hex Hd. (SST).....	4
36	WL-006-23	Lockwasher 5/16 Helical (SST).....	4
37	00-936103	Diverter - Water.....	1
	00-936250	Track - Support.....	1

* Order Slider Rod Kit 00-941145 for replacement.



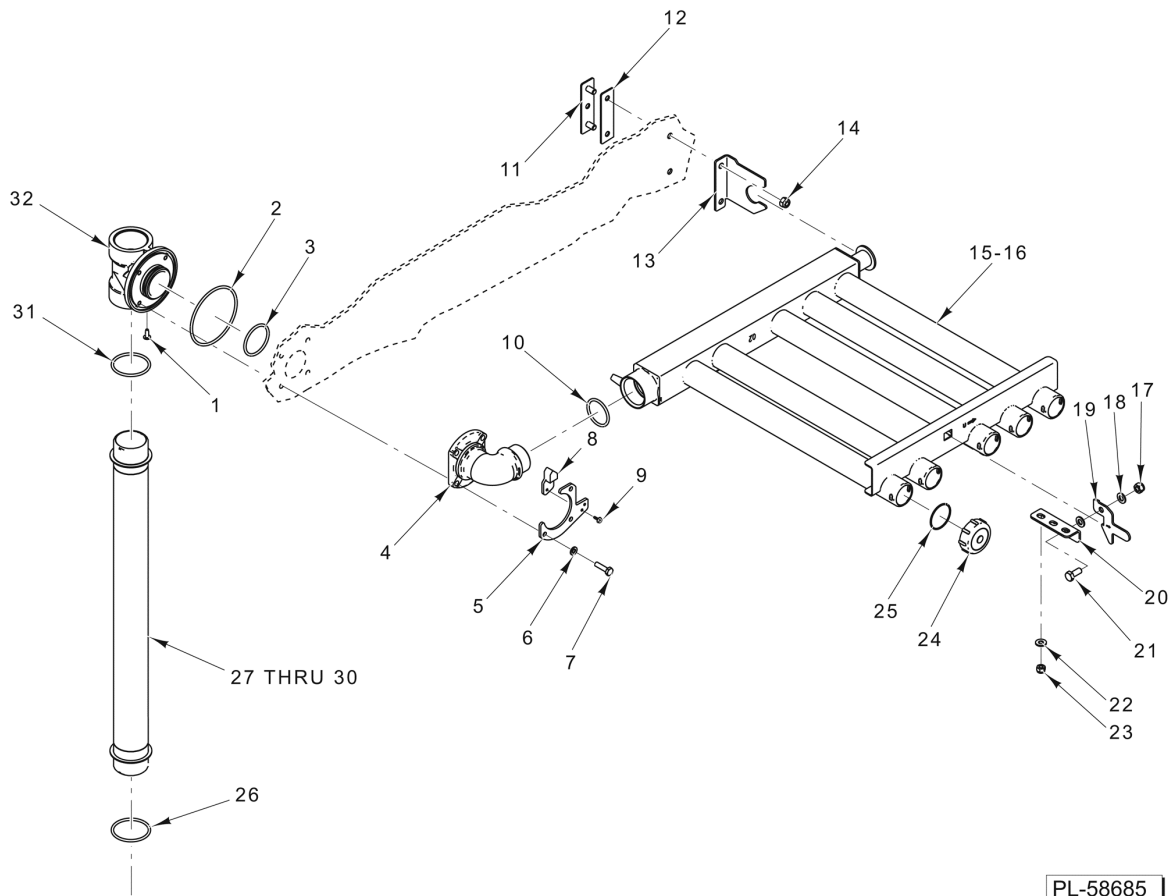
CONVEYOR

CONVEYOR

ILLUS.	PART NO.	NAME OF PART	AMT.
PL-58668			
1	SC-041-10	Cap Screw 5/16-18 x 5/8 Hex Hd. (SST) (CL54e Only).....	3
2	00-936252	Track - Back Support (CL54e Only).....	1
3	NS-015-11	Nut 5/16-18 Hex (SST) (CL54e Only).....	3
4	00-919830-00001	Track - Rack (CL44e) (Shown) (Front & Back, R-L & L-R).....	2
5	00-919833-00002	Track - Rack (CL54e) (Front, R-L; Back, L-R).....	1
6	NS-036-19	Stop Nut 5/16-18 Hex (SST).....	8
*7	00-941181	Kit - Slider Plunger (Incls. Items 8, 51, & 52).....	4
8	00-936951	Slider - Large.....	4
9	00-919694	Cradle (CL44e) (Shown).....	1
10	00-936070	Cradle (CL54e).....	1
11	NS-046-09	Stop Nut 3/8-16 (SST).....	6
12	00-270983	Spacer (CL44e).....	6
**13	00-436704-00001	Dog Pin (Front R-L; Rear L-R).....	3
14	WS-018-04	Washer (SST).....	3
15	SC-041-31	Cap Screw 3/8-16 x 1-1/4 Hex Hd. (SST).....	6
16	WS-018-04	Washer (SST).....	3
**17	00-436704-00002	Dog Pin (Front L-R; Rear R-L).....	3
18	00-270983	Spacer (CL44e).....	3
19	NS-046-09	Stop Nut 3/8-16 (SST).....	3
20	00-919833-00001	Track - Rack (CL54e) (Front, L-R; Back, R-L).....	1
21	SC-041-10	Cap Screw 5/16-18 x 5/8 Hex Hd. (SST) (CL54e).....	4
22	NS-036-19	Stop Nut 5/16-18 Hex (SST).....	4
23	SC-041-05	Cap Screw 1/4-20 x 5/8 Hex Hd. (SST).....	2
24	NS-031-19	Stop Nut 1/4-20 Hex (SST).....	2
25	WS-017-06	Washer (SST).....	2
26	00-936185	Baffle - Rinse Area (Not Used On HTS eR Units).....	1
27	00-919722	Bearing - IGUS.....	1
28	00-936249	Shroud - Actuator.....	1
29	NS-031-19	Stop Nut 1/4-20 Hex (SST).....	1
30	00-936248	Bracket - Actuator Shroud.....	1
31	WS-017-06	Washer (SST).....	2
32	NS-047-82	Stop Nut 1/4-20 Hex (SST).....	2
33	00-936248	Bracket - Actuator Shroud.....	1
34	00-814641	Kit - Door Switch.....	2
35	NS-031-15	Stop Nut 10-24 Hex (SST).....	4
36	NS-031-19	Stop Nut 1/4-20 Hex (SST).....	1
37	WS-017-01	Washer (SST).....	2
38	NS-036-19	Stop Nut 5/16-18 Hex (SST).....	2
39	00-919703	Pivot - Rinse Actuator.....	1
40	00-936369	Pin - Pivot SLIC.....	1
41	00-919722	Bearing - IGUS.....	1
42	SC-041-11	Cap Screw 5/16-18 x 3/4 Hex Hd. (SST).....	4
43	SC-022-40	Mach. Screw 1/4-20 x 3/4 Phil. Flat Hd. (SST).....	2
44	NS-036-19	Stop Nut 5/16-18 Hex (SST).....	1
45	NS-015-11	Nut 5/16-18 Hex (SST).....	4
46	00-936176	Baffle - Load.....	1
47	SC-041-14	Cap Screw 5/16-18 x 1-1/8 Hex Hd. (SST).....	1
48	00-473232	Slider - Small.....	1
49	NS-036-19	Stop Nut 5/16-18 Hex (SST).....	1
50	SC-041-14	Cap Screw 5/16-18 x 1-1/8 Hex Hd. (SST).....	8
51	00-936913	Follower - Slider.....	1
52	00-936990	Spring - Slider.....	1
53	00-936250	Track - Support.....	1
	00-919906-00001	Dog Cradle Assy. (CL44e) (STD) (Incls. Items 9 & 11 thru 19).....	1
	00-919911-00001	Dog Cradle Assy. (CL54e) (STD) (Incls. Items 10 thru 19).....	1
	00-919704	Actuator Assy. - Pivot (Incls. Items 27, 28, 39, 40, & 41).....	2

* Order Kit when replacing Slider that does NOT use items 51 & 52.

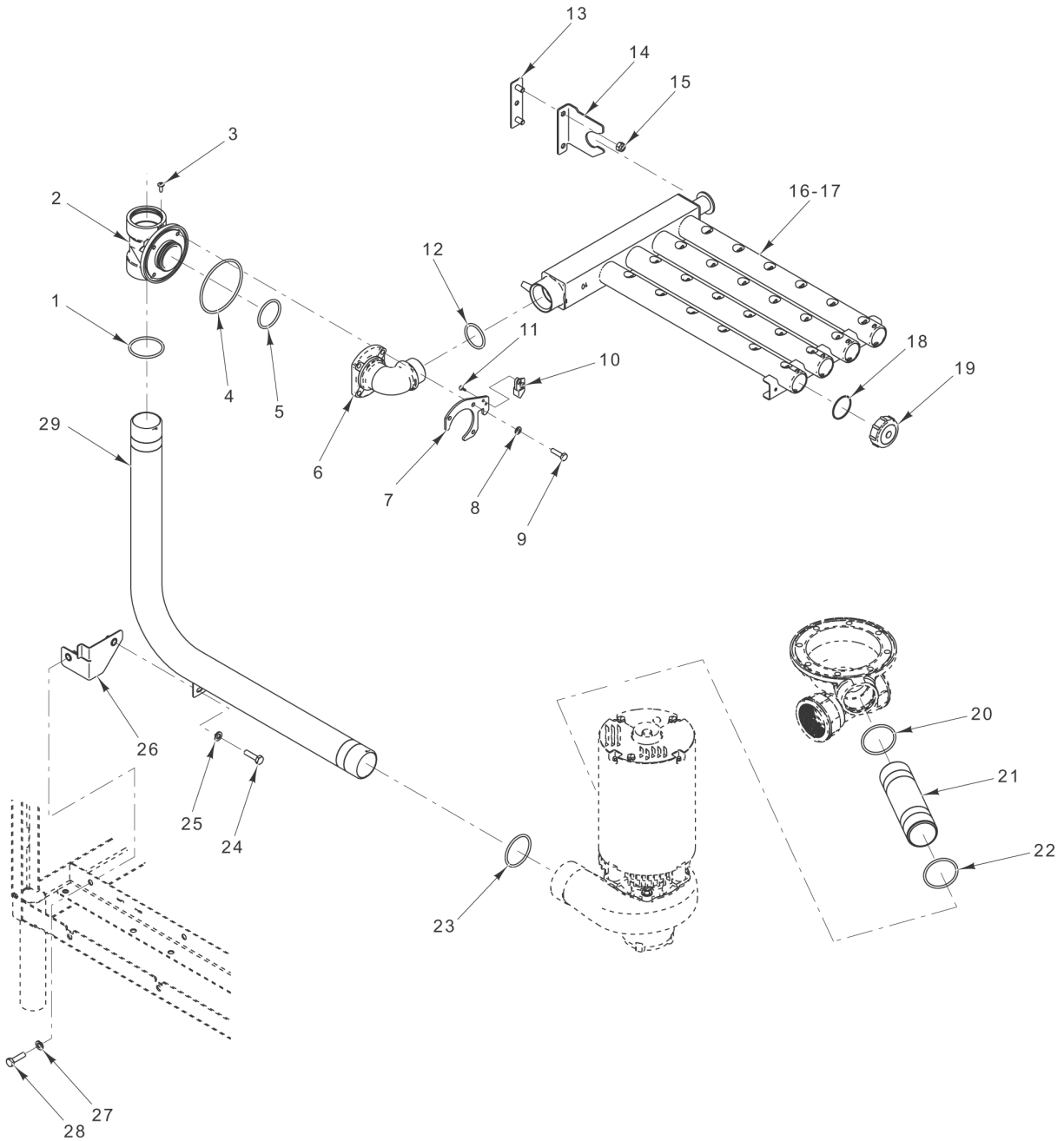
** The CL54e has eight of these plus their associated parts.



UPPER WASH ARM

UPPER WASH ARM

ILLUS.	PART NO.	NAME OF PART	AMT.
1	SD-038-84	Self-Tapping Screw 10-24 x 1/2 Phil. Truss Hd., Type F (SST).....	1
2	00-067500-00132	O-Ring.....	1
3	00-067500-00019	O-Ring.....	1
4	00-919926	Manifold - Elbow.....	1
5	00-936168	Plate - Adjuster.....	1
6	WL-006-17	Lockwasher 1/4 Helical (SST).....	4
7	SC-109-47	Cap Screw 1/4-20 x 7/8 Hex Hd. (SST).....	4
8	00-936166	Block - Wear.....	1
9	00-893777-00001	Self-Tapping Screw (Thread Forming).....	2
10	00-067500-00014	O-Ring.....	1
11	00-936202	Plate - Mounting.....	1
12	00-814592	Gasket - Mounting Plate.....	1
13	00-919931	Bracket - Guide (Wash Arm).....	1
14	NS-036-19	Stop Nut 5/16-18 Hex (SST).....	2
15	00-936002	Arm - Upper Wash (L-R).....	1
16	00-936001	Arm - Upper Wash (R-L).....	1
17	NS-036-19	Stop Nut 5/16-18 Hex (SST).....	1
18	WS-017-08	Washer (SST).....	2
19	00-919378	Latch.....	1
20	00-919379	Bracket - Latch.....	1
21	SC-041-11	Cap Screw 5/16-18 x 3/4 Hex Hd. (SST).....	1
22	WS-017-06	Washer (SST).....	3
23	NS-031-19	Stop Nut 1/4-20 Hex (SST).....	3
24	00-919363	End Cap Assy. (Incls. Item 25).....	5
25	00-067500-00069	O-Ring.....	5
26	00-067500-00057	O-Ring.....	1
27	00-936020-00001	Tube - Wash Feed (Upper) (STD) (L-R).....	1
28	00-936020-00002	Tube - Wash Feed (Upper) (HTS) (L-R).....	1
29	00-936021-00001	Tube - Wash Feed (Offset) (STD) (R-L).....	1
30	00-936021-00002	Tube - Wash Feed (Offset) (HTS) (R-L).....	1
31	00-067500-00057	O-Ring.....	1
32	00-919663-00001	Manifold - Elbow.....	1
	00-936222	Cam Plate Assy. (Incls. Items 5, 8, & 9).....	1
	00-941121	Kit - Orifice Washer (Use With Light Wares Applications).....	1

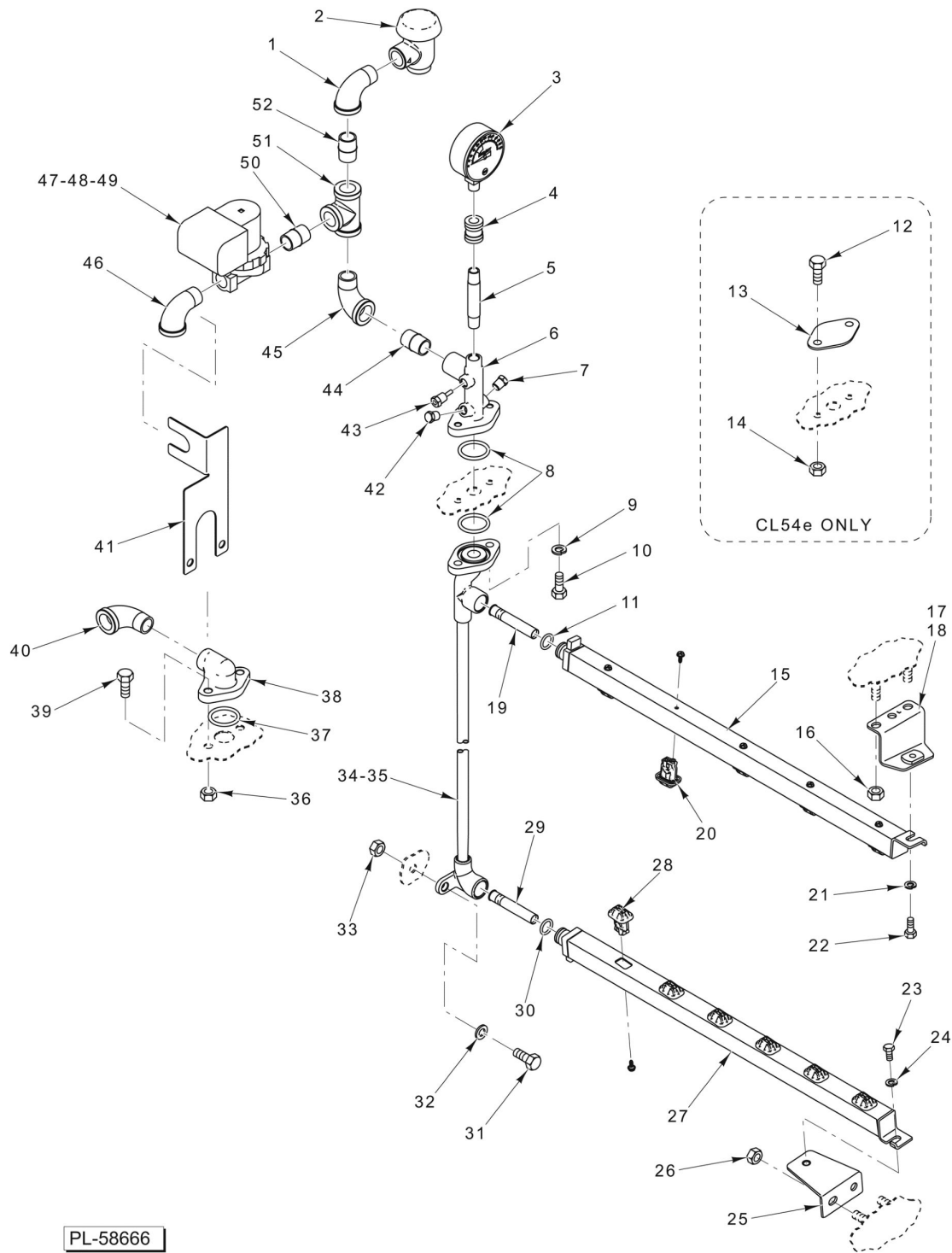


PL-58662

LOWER WASH ARM

LOWER WASH ARM

ILLUS. PL-58662	PART NO.	NAME OF PART	AMT.
1	00-067500-00057	O-Ring.....	1
2	00-919663-00002	Manifold - Tee.....	1
3	SD-038-84	Self-Tapping Screw 10-24 x 1/2 Phil. Truss Hd., Type F (SST).....	1
4	00-067500-00132	O-Ring.....	1
5	00-067500-00019	O-Ring.....	1
6	00-919926	Manifold - Elbow.....	1
7	00-936168	Plate - Adjuster.....	1
8	WL-006-17	Lockwasher 1/4 Helical (SST).....	4
9	SC-109-47	Cap Screw 1/4-20 x 7/8 Hex Hd. (SST).....	4
10	00-936166	Block - Wear.....	1
11	00-893777-00001	Self-Tapping Screw (Thread Forming).....	2
12	00-067500-00014	O-Ring.....	1
13	00-936202	Plate - Mounting.....	1
14	00-919931	Bracket - Guide (Wash Arm).....	1
15	NS-036-19	Stop Nut 5/16-18 Hex (SST).....	2
16	00-935993	Arm - Lower Wash (R-L).....	1
17	00-935994	Arm - Lower Wash (L-R).....	1
18	00-067500-00069	O-Ring.....	4
19	00-919363	End Cap Assy. (Incls. Item 18).....	4
20	00-067500-00057	O-Ring.....	1
21	00-919738-00003	Tube - Feed.....	1
22	00-067500-00057	O-Ring.....	1
23	00-067500-00057	O-Ring.....	1
24	SC-041-50	Cap Screw 1/4-20 x 1/2 Hex Hd. (SST).....	1
25	WL-006-17	Lockwasher 1/4 Helical (SST).....	1
26	00-936368-00001	Bracket Assy. - Pump Mount.....	1
27	WL-006-17	Lockwasher 1/4 Helical (SST).....	1
28	SC-041-50	Cap Screw 1/4-20 x 1/2 Hex Hd. (SST).....	1
29	00-935979	Tube - Feed.....	1
	00-936222	Cam Plate Assy. (Incls. Items 7, 10, & 11).....	1
	00-941121	Kit - Orifice Washer (Use With Light Wares Applications).....	1

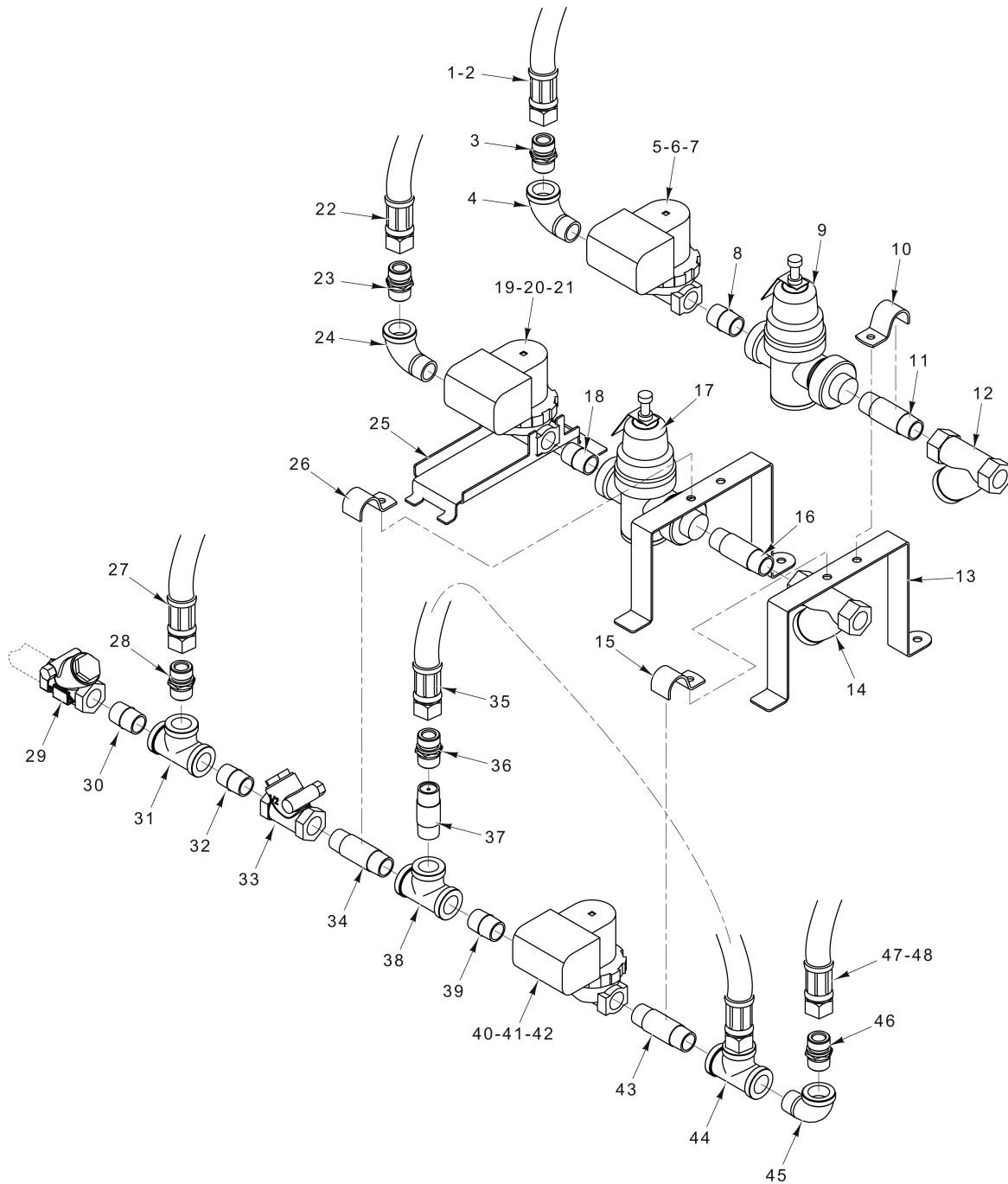


RINSE PIPING

RINSE PIPING

ILLUS.	PART NO.	NAME OF PART	AMT.
	PL-58666		
1	FP-015-17	Elbow - Pipe 1/2 x 90 Deg. (Brass).....	1
*2	00-292909-00002	Vacuum Breaker 1/2 In.....	1
3	00-918460	Gauge - Water Pressure.....	1
4	FP-023-07	Coupling - Pipe 1/4 (CL44e Only).....	1
5	FP-075-70	Pipe 1/4 x 3 TBE (Brass) (CL44e Only).....	1
6	00-919560	Manifold - Top Rinse.....	1
7	FP-028-03	Pipe Plug 1/8 Sq. Hd. (Brass).....	1
8	00-067500-00012	O-Ring.....	2
9	WL-006-23	Lockwasher 5/16 Helical (SST).....	2
10	SC-041-12	Cap Screw 5/16-18 x 7/8 Hex Hd. (SST).....	2
11	00-067500-00145	O-Ring.....	1
12	SC-041-10	Cap Screw 5/16-18 x 5/8 Hex Hd. (SST) (CL54e Only).....	1
13	00-122402-00002	Flange (CL54e Only).....	1
14	NS-015-11	Nut 5/16-18 Hex (SST) (CL54e Only).....	1
15	00-936273	Arm - Rinse Upper (5 Nozzle).....	1
16	NS-031-19	Stop Nut 1/4-20 Hex (SST).....	2
17	00-936064-00003	Bracket - Upper Rinse (L-R).....	1
18	00-936064-00004	Bracket - Upper Rinse (R-L).....	1
19	00-936197	Strainer - Opti-Rinse Short Inlet.....	1
20	00-893535	Nozzle Assy. (Incls. Screw).....	5
21	WL-006-23	Lockwasher 5/16 Helical (SST).....	1
22	SC-041-10	Cap Screw 5/16-18 x 5/8 Hex Hd. (SST).....	1
23	SC-041-10	Cap Screw 5/16-18 x 5/8 Hex Hd. (SST).....	1
24	WL-006-23	Lockwasher 5/16 Helical (SST).....	1
25	00-935872-00002	Support - Rinse Lower.....	1
26	NS-031-19	Stop Nut 1/4-20 Hex (SST).....	2
27	00-918973	Arm - Rinse Lower.....	1
28	00-893535	Nozzle Assy. (Incls. Screw).....	6
29	00-936197	Strainer - Opti-Rinse Short Inlet.....	1
30	00-067500-00145	O-Ring.....	1
31	SC-041-12	Cap Screw 5/16-18 x 7/8 Hex Hd. (SST).....	1
32	WS-029-05	Washer (SST).....	1
33	NS-036-19	Stop Nut 5/16-18 Hex (SST).....	1
34	00-936047-00001	Manifold - Rinse (Single) (STD).....	1
35	00-936047-00002	Manifold - Rinse (Single) (HTS).....	1
36	NS-036-19	Stop Nut 5/16-18 Hex (SST).....	2
37	00-067500-00012	O-Ring.....	1
38	00-918336	Manifold - Outside Rinse.....	1
39	SC-041-12	Cap Screw 5/16-18 x 7/8 Hex Hd. (SST).....	2
40	FP-015-17	Elbow - Pipe 1/2 x 90 Deg. (Brass).....	1
41	00-936292	Support - Upper Plumbing.....	1
42	FP-028-03	Pipe Plug 1/8 Sq. Hd. (Brass).....	1
43	00-328994	Probe Assy. - Rinse.....	1
44	FP-040-42	Pipe 1/2 x 1-1/8 TBE (Brass).....	1
45	FP-015-17	Elbow - Pipe 1/2 x 90 Deg. (Brass).....	1
46	FP-015-17	Elbow - Pipe 1/2 x 90 Deg. (Brass).....	1
47	00-435968-00001	Valve - Solenoid (1/2 In.) (110-120 V.) (Incls. Items 48 & 49).....	1
48	00-271839-00001	Coil - Solenoid Valve.....	1
49	00-271837	Service Kit - Solenoid Valve.....	1
50	FP-040-42	Pipe 1/2 x 1-1/8 TBE (Brass).....	3
51	FP-019-21	Tee - Pipe 1/2 x 1/2 x 1/2 (Brass).....	1
52	FP-040-54	Pipe 1/2 x 2-1/2 TBE (Brass).....	1
	00-292910	Service Kit - Vacuum Breaker.....	1

* - Service Kit - Vacuum Breaker Listed Below

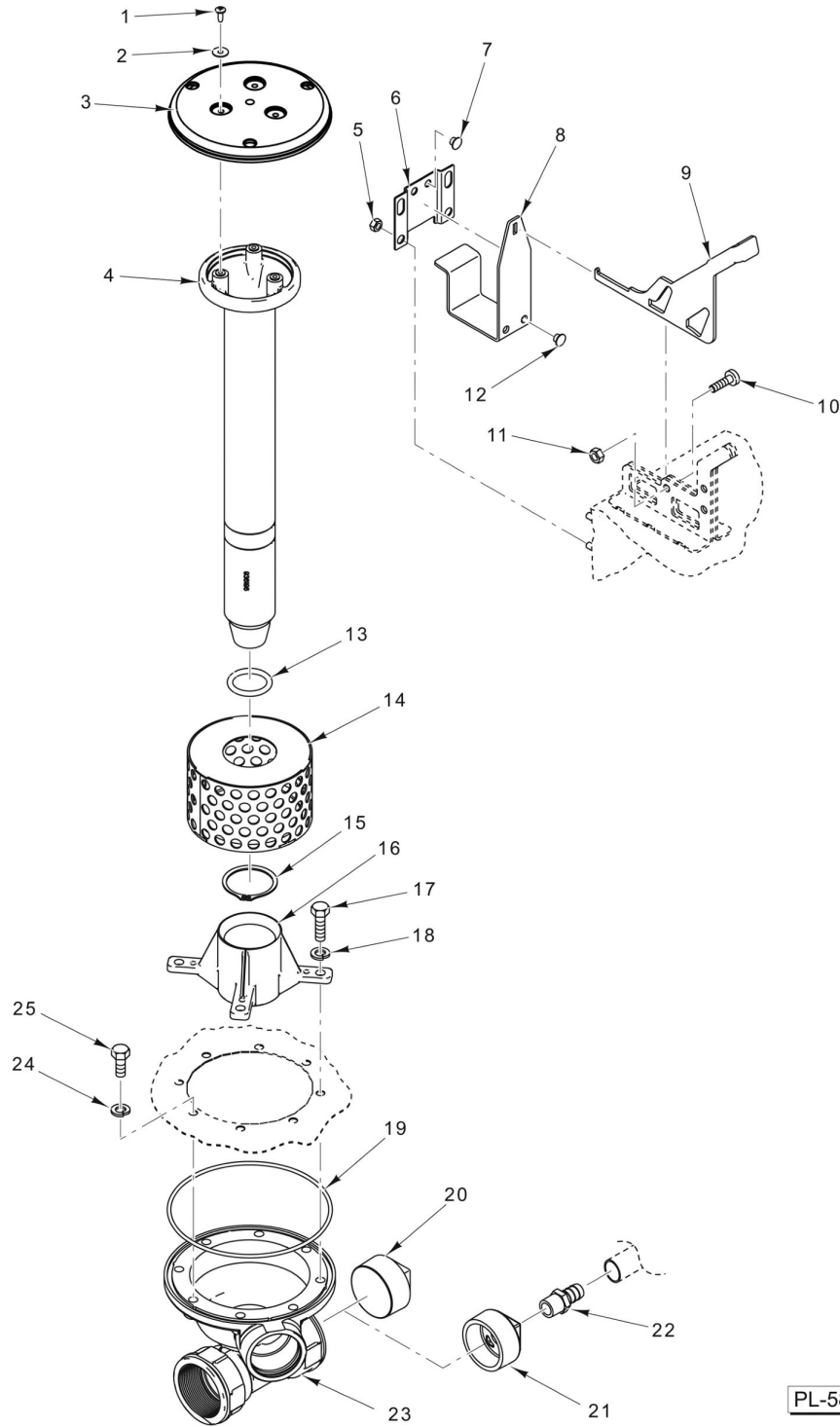


PL-59654

**PIPING
(ENERGY RECOVERY)**

PIPING (ENERGY RECOVERY)

ILLUS.	PART NO.	NAME OF PART	AMT.
PL-59654			
1	00-918390-00008	Hose - Braided Water 1/2 x 66 In. (SST).....	1
2	00-918390-00009	Hose - Braided Water 1/2 x 84 In. (SST).....	1
3	00-893445	Adapter - Ground Joint (1/2).....	1
4	FP-015-17	Elbow - Pipe 1/2 x 90 Deg. (Brass).....	1
5	00-435968-00001	Valve - Solenoid (1/2 In.) (110-120 V.) (Incls. Items 6 & 7).....	1
6	00-271839-00001	Coil - Solenoid Valve.....	1
7	00-271837	Service Kit - Solenoid Valve.....	1
8	FP-040-42	Pipe 1/2 x 1-1/8 TBE (Brass).....	1
9	00-118038-00003	Regulator - Pressure (1/2) (Brass).....	1
10	FE-026-88	Clamp - Pipe (1/2).....	1
11	FP-040-54	Pipe 1/2 x 2-1/2 TBE (Brass).....	1
12	00-270258	Strainer - Line (1/2) (Brass).....	1
13	00-941335	Bracket - Plumbing.....	1
14	00-270258	Strainer - Line (1/2) (Brass).....	1
15	FE-026-88	Clamp - Pipe (1/2).....	1
16	FP-040-54	Pipe 1/2 x 2-1/2 TBE (Brass).....	1
17	00-118038-00003	Regulator - Pressure (1/2) (Brass).....	1
18	FP-040-42	Pipe 1/2 x 1-1/8 TBE (Brass).....	1
19	00-435968-00001	Valve - Solenoid (1/2 In.) (110-120 V.) (Incls. Items 20 & 21).....	1
20	00-271839-00001	Coil - Solenoid Valve.....	1
21	00-271837	Service Kit - Solenoid Valve.....	1
22	00-918390-00006	Hose - Braided Water 1/2 x 22 In. (SST).....	1
23	00-893445	Adapter - Ground Joint (1/2).....	1
24	FP-015-17	Elbow - Pipe 1/2 x 90 Deg. (Brass).....	1
25	00-936221	Support - Inlet Piping.....	1
26	FE-026-88	Clamp - Pipe (1/2).....	1
27	00-918390-00010	Hose - Braided Water 1/2 x 58 In. (SST).....	1
28	00-893445	Adapter - Ground Joint (1/2).....	1
29	00-084071	Valve - Check 1/2.....	1
30	FP-040-42	Pipe 1/2 x 1-1/8 TBE (Brass).....	1
31	FP-019-21	Tee - Pipe 1/2 x 1/2 x 1/2 (Brass).....	1
32	FP-040-42	Pipe 1/2 x 1-1/8 TBE (Brass).....	1
33	00-084071	Valve - Check 1/2.....	1
34	FP-040-54	Pipe 1/2 x 2-1/2 TBE (Brass).....	1
35	00-918390-00006	Hose - Braided Water 1/2 x 22 In. (SST).....	1
36	00-941441	Adapter.....	1
37	00-941435	Restrictor (1/2).....	1
38	FP-019-21	Tee - Pipe 1/2 x 1/2 x 1/2 (Brass).....	1
39	FP-040-42	Pipe 1/2 x 1-1/8 TBE (Brass).....	1
40	00-435968-00001	Valve - Solenoid (1/2 In.) (110-120 V.) (Incls. Items 41 & 42).....	1
41	00-271839-00001	Coil - Solenoid Valve.....	1
42	00-271837	Service Kit - Solenoid Valve.....	1
43	FP-040-54	Pipe 1/2 x 2-1/2 TBE (Brass).....	1
44	FP-019-21	Tee - Pipe 1/2 x 1/2 x 1/2 (Brass).....	1
45	FP-015-17	Elbow - Pipe 1/2 x 90 Deg. (Brass).....	1
46	00-893445	Adapter - Ground Joint (1/2).....	1
47	00-918390-00007	Hose - Braided Water 1/2 x 48 In. (SST) (All except CL54e, HTS).....	1
48	00-918390-00010	Hose - Braided Water 1/2 x 58 In. (SST) (CL54e, HTS).....	1

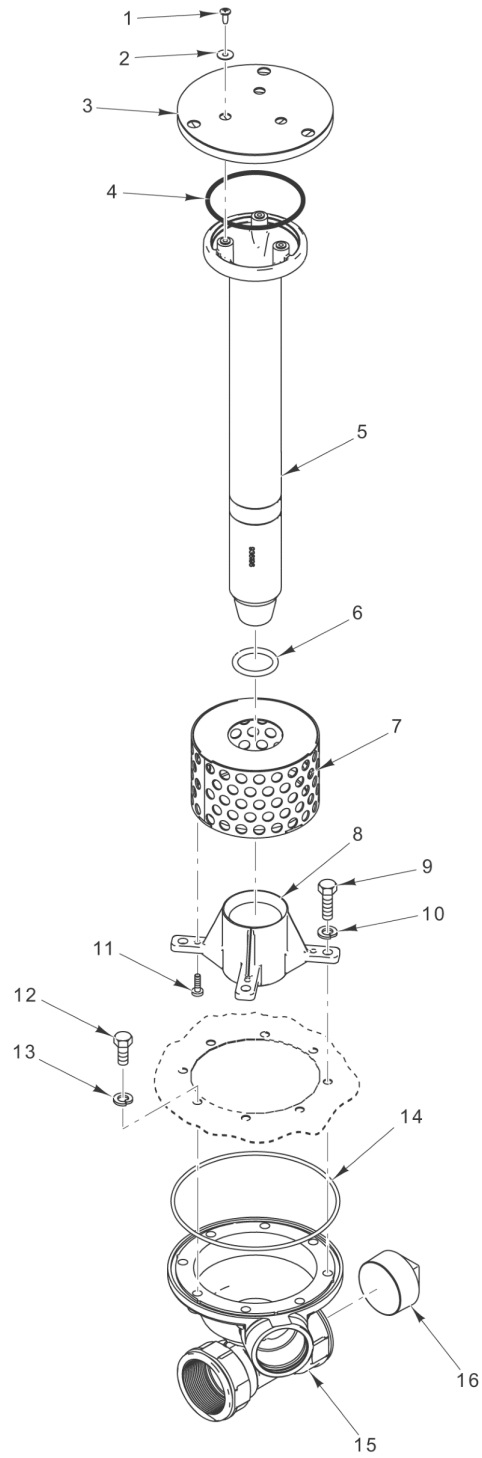


PL-58669

**DRAIN
(ON CL44E AND CL54E)**

**DRAIN
(ON CL44E AND CL54E)**

ILLUS. PL-58669	PART NO.	NAME OF PART	AMT.
1	SD-038-84	Self-Tapping Screw 10-24 x 1/2 Phil. Truss Hd., Type F (SST).....	3
2	WS-017-06	Washer (SST).....	3
3	00-936738	Cover - Standpipe.....	1
4	00-936196	Tube - Overflow.....	1
5	NS-031-19	Stop Nut 1/4-20 Hex (SST).....	4
6	00-919790	Guide - Lift.....	1
7	00-936372	Button - Wear.....	2
8	00-936237	Lift - Guide.....	1
9	00-936236	Link - Lift.....	1
10	SC-130-42	Shoulder Screw 5/16 Dia. 1/4-20 x 1/2 Socket Hex Hd. (SST).....	2
11	NS-047-82	Stop Nut 1/4-20 Hex (SST).....	2
12	00-936372	Button - Wear.....	2
13	00-067500-00120	O-Ring.....	1
14	00-936223	Strainer - Overflow Weldment.....	1
15	RR-012-35	Retaining Ring (External) (SST).....	1
16	00-936247	Guide - Standpipe.....	1
17	SC-041-11	Cap Screw 5/16-18 x 3/4 Hex Hd. (SST).....	4
18	WS-017-08	Washer (SST).....	4
19	00-067500-00136	O-Ring.....	1
20	FP-028-32	Pipe Plug 2 In. Sq. Hd.....	1
21	00-936767-00002	Connector - Drain Valve Pipe.....	1
22	FP-087-39	Fitting - Hose 5/8 Hose to 1/2 NPT (Brass).....	1
23	00-919725	Drain.....	1
24	WL-006-23	Lockwasher 5/16 Helical (SST).....	4
25	SC-041-10	Cap Screw 5/16-18 x 5/8 Hex Hd. (SST).....	4
	00-936759	Support - Drain Guide.....	1
	00-936831-00001	Guide Link - Bolted Drain (Right).....	1
	00-936831-00002	Guide Link - Bolted Drain (Left).....	1

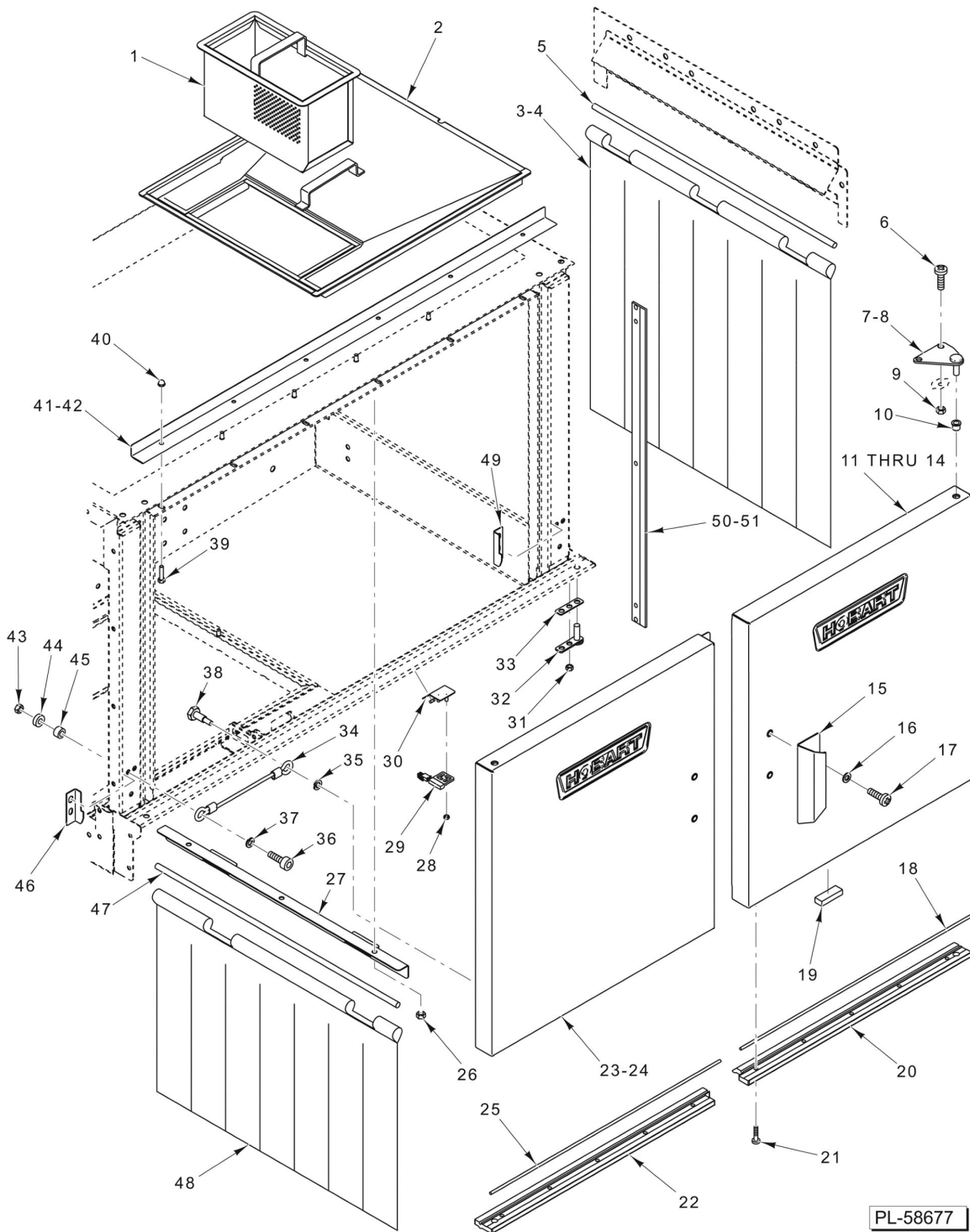


PL-58796

**WASH TANK DRAIN
(ON CLPS66E AND CLPS76E)**

**WASH TANK DRAIN
(ON CLPS66E AND CLPS76E)**

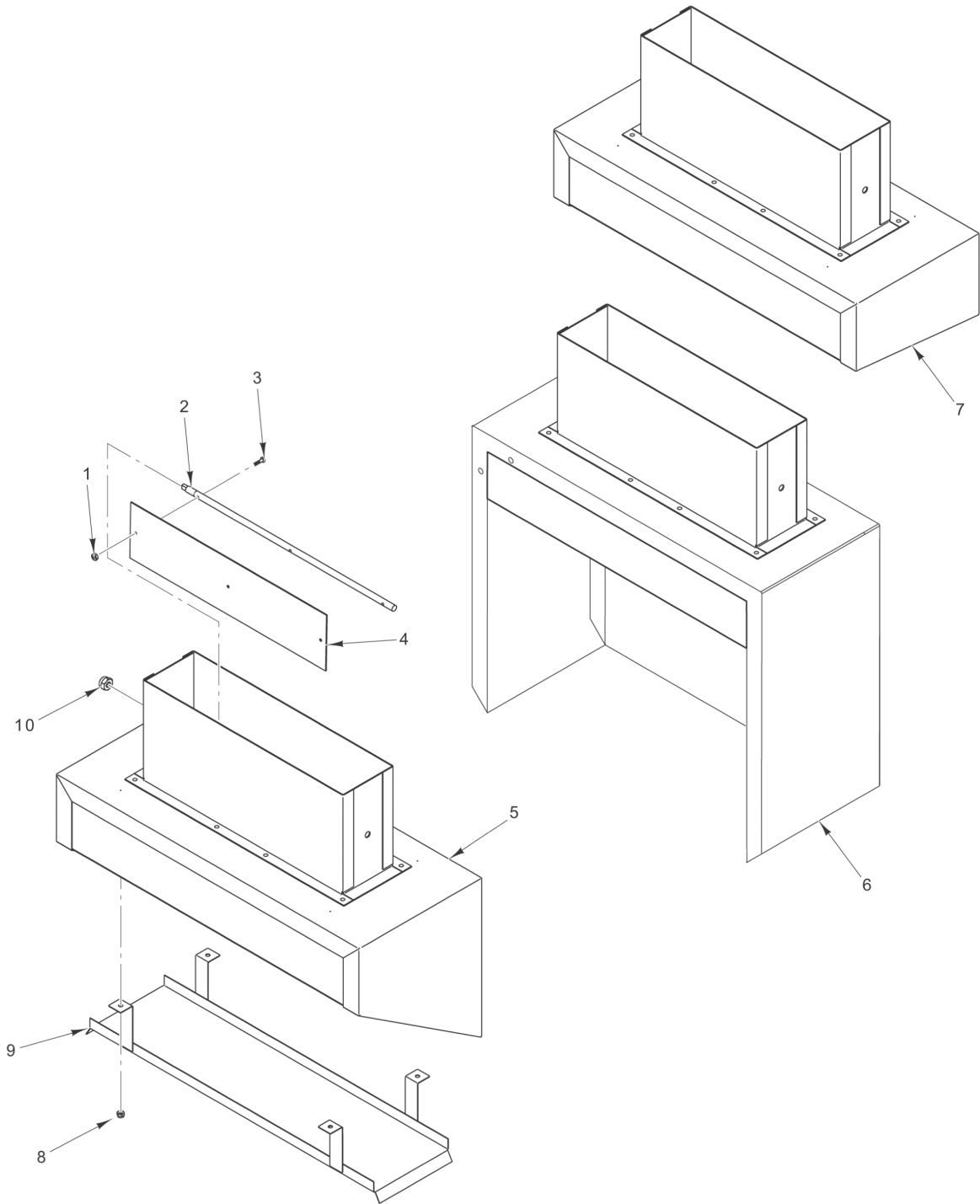
ILLUS.	PART NO.	NAME OF PART	AMT.
PL-58796			
1	SD-038-84	Self-Tapping Screw 10-24 x 1/2 Phil. Truss Hd., Type F (SST).....	3
2	WS-017-06	Washer (SST).....	3
3	00-935896	Cover - Standpipe Weldment.....	1
4	00-936788	Seal - Standpipe Cover.....	1
5	00-936196	Tube - Overflow.....	1
6	00-067500-00120	O-Ring.....	1
7	00-936223	Strainer - Overflow Weldment.....	1
8	00-936247	Guide - Standpipe.....	1
9	SC-041-11	Cap Screw 5/16-18 x 3/4 Hex Hd. (SST).....	4
10	WS-017-08	Washer (SST).....	4
11	SC-120-35	Mach. Screw 8-32 x 3/8 Phil. Pan Hd. (SST).....	4
12	SC-041-10	Cap Screw 5/16-18 x 5/8 Hex Hd. (SST).....	4
13	WL-006-23	Lockwasher 5/16 Helical (SST).....	4
14	00-067500-00136	O-Ring.....	1
15	00-919725	Drain.....	1
16	FP-028-32	Pipe Plug 2 In. Sq. Hd.....	1



DOORS

DOORS

ILLUS. PL-58677	PART NO.	NAME OF PART	AMT.
1	00-936161	Strainer - Bucket.....	1
2	00-936025-00002	Strainer - One-Piece.....	1
3	00-919758	Curtain - Splash (4 Ply) (STD).....	2
4	00-919975	Curtain - Splash (4 Ply) (HTS).....	2
5	00-919507	Rod - Curtain.....	2
6	SC-041-10	Cap Screw 5/16-18 x 5/8 Hex Hd. (SST).....	4
7	00-936014-00002	Hinge - Top Door (RH).....	1
8	00-936014-00003	Hinge - Top Door (LH).....	1
9	NS-015-11	Nut 5/16-18 Hex (SST).....	1
10	00-919218	Bearing.....	2
11	00-913102-00022	Door (STD) (RH) (Units Built With Serial Numbers Before 85-1068256).....	1
12	00-936770-00001	Door (STD) (RH) (Units Built With Serial Numbers On Or After 85-1068300).....	1
13	00-913102-00023	Door (HTS) (RH) (Units Built With Serial Numbers Before 85-1068256).....	1
14	00-936770-00002	Door (HTS) (RH) (Units Built With Serial Numbers On Or After 85-1068300).....	1
15	00-814335	Handle - Door.....	2
16	WS-017-06	Washer (SST).....	2
17	SC-041-50	Cap Screw 1/4-20 x 1/2 Hex Hd. (SST).....	4
18	00-557950	Gasket.....	1
19	00-290160	Magnet.....	2
20	00-919949	Seal - Door Bottom (RH).....	1
21	SC-125-85	Mach. Screw 1/4-20 x 5/8 Phil. Truss Hd. (SST).....	10
22	00-919958	Seal - Door Bottom (LH).....	1
23	00-919960-00001	Door (STD) (LH).....	1
24	00-919960-00002	Door (HTS) (LH).....	1
25	00-557950	Gasket.....	2
26	NS-036-19	Stop Nut 5/16-18 Hex (SST).....	3
27	00-919809	Bracket - Curtain (Short).....	1
28	NS-031-15	Stop Nut 10-24 Hex (SST).....	4
29	00-814641	Kit - Door Switch.....	2
30	00-814634	Kit - Bracket.....	2
31	NS-047-82	Stop Nut 1/4-20 Hex (SST).....	4
32	00-935868	Pin - Hinge.....	2
33	00-936266	Gasket - Hinge.....	2
34	00-936527	Cable - Door Stop.....	2
35	WL-006-17	Lockwasher 1/4 Helical (SST).....	2
36	SC-130-42	Shoulder Screw 5/16 Dia. 1/4-20 x 1/2 Socket Hex Hd. (SST).....	2
37	WL-006-23	Lockwasher 5/16 Helical (SST).....	2
38	SC-129-82	Shoulder Screw 1/4 Dia. 1/4-20 x 1/4 Socket Hex Hd. (SST).....	2
39	SC-041-50	Cap Screw 1/4-20 x 1/2 Hex Hd. (SST).....	6
40	NS-025-06	Crown Nut 1/4-20 (SST).....	6
41	00-936762	Deflector - Steam (Long).....	1
42	00-936763	Deflector - Steam (Short).....	1
43	NS-036-19	Stop Nut 5/16-18 Hex (SST).....	2
44	WS-017-06	Washer (SST).....	2
45	00-936526	Cushion - Door Stop.....	2
46	00-936581-00002	Brace - Chamber Front (Left).....	1
47	00-919507	Rod - Curtain.....	1
48	00-919509	Curtain - Splash (Short).....	1
49	00-936581-00001	Brace - Chamber Front (Right).....	1
50	00-919956-00001	Deflector - Chamber (STD).....	2
51	00-919956-00002	Deflector - Chamber (HTS).....	2
	00-936408	Shield - Splash.....	1
	00-936263	Seal - Door Bottom.....	1

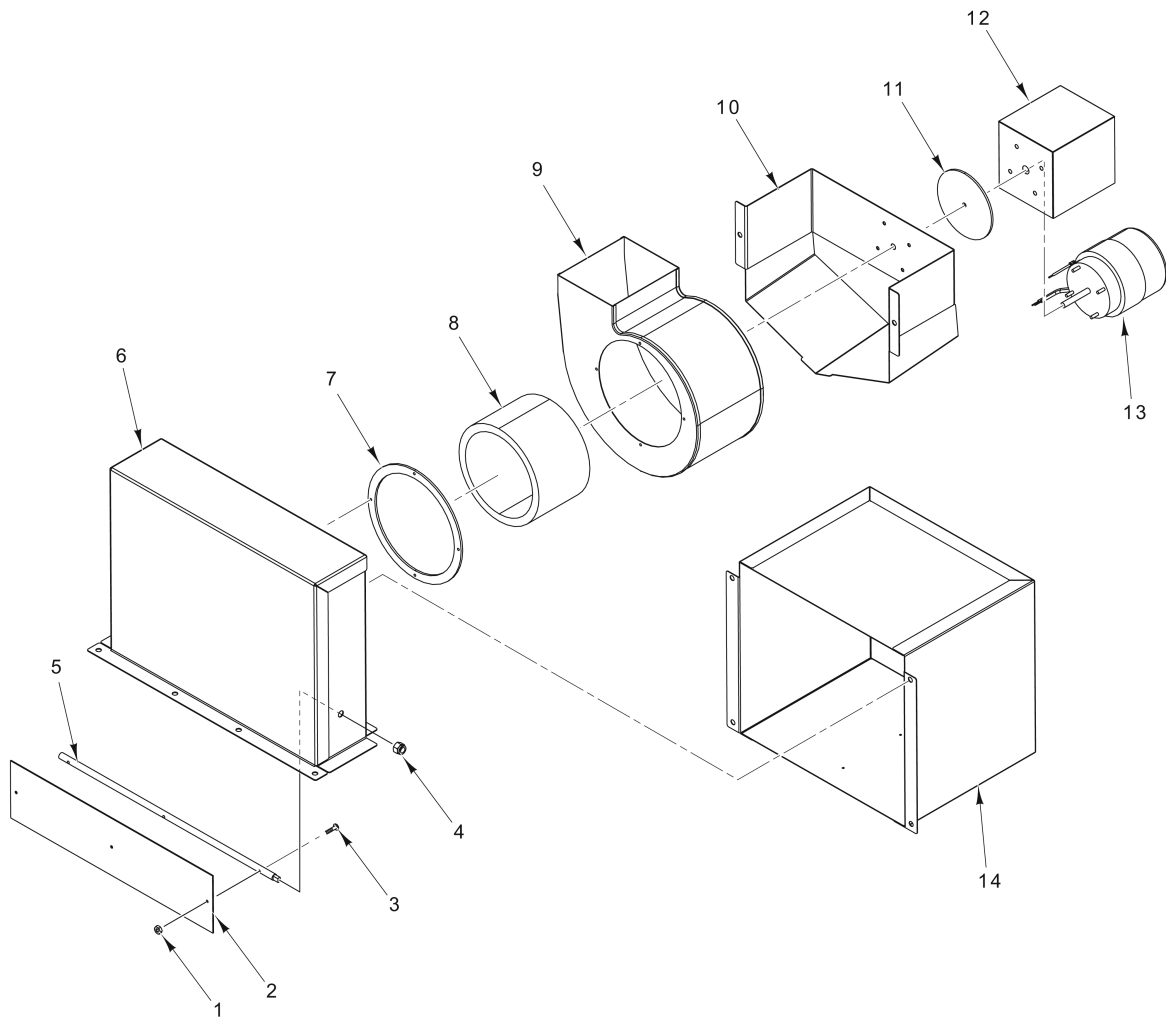


PL-58663

VENT HOOD

VENT HOOD

ILLUS.	PART NO.	NAME OF PART	AMT.
PL-58663			
1	NS-031-50	Stop Nut 6-32 Hex (SST).....	3
2	00-064919	Shaft - Damper.....	1
3	SC-125-25	Mach. Screw 6-32 x 3/4 Phil. Rd. Hd. (SST).....	3
4	00-075623	Damper - Vent Stack.....	1
5	ML-138156-0000Z	Vent Hood Assy. (Standard) (Incls. Items 1 thru 4, 8, 9, & 10).....	1
6	ML-138158-0000Z	Vent Hood Assy. (Extended) (Incls. Items 1 thru 4, 8, 9, & 10).....	1
7	ML-138160-0000Z	Vent Hood Assy. (Short) (Incls. Items 1 thru 4, 8, 9, & 10).....	1
8	NS-031-19	Stop Nut 1/4-20 Hex (SST).....	4
9	00-435799	Drip Shield Assy.....	1
10	NS-036-12	Stop Nut 3/8-24 Hex (SST).....	1

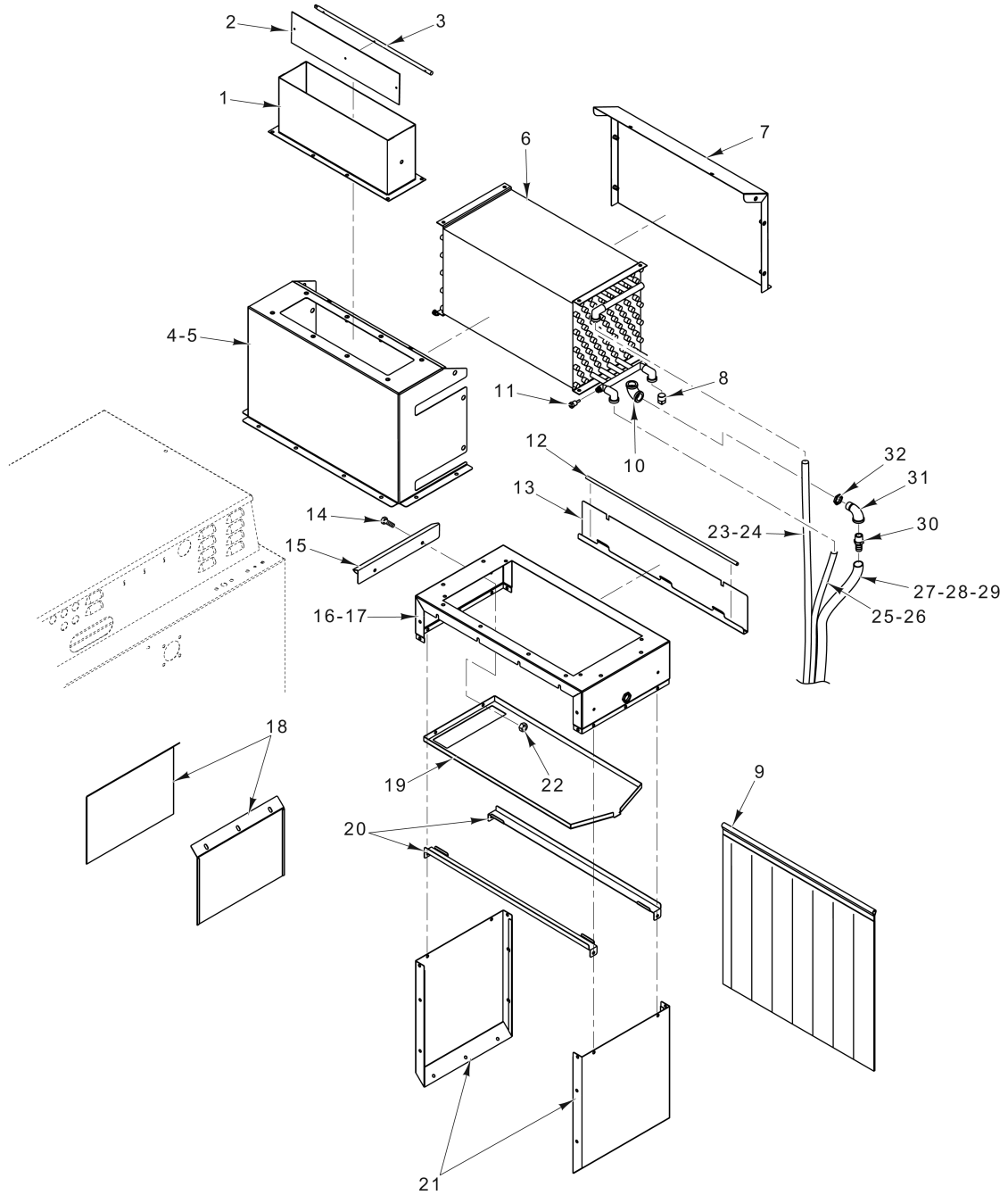


PL-59665

CANOPY HOOD BLOWER

CANOPY HOOD BLOWER

ILLUS.	PART NO.	NAME OF PART	AMT.
PL-59665			
1	NS-031-50	Stop Nut 6-32 Hex (SST).....	3
2	00-075623	Damper - Vent Stack.....	1
3	SC-125-25	Mach. Screw 6-32 x 3/4 Phil. Rd. Hd. (SST).....	3
4	NS-036-12	Stop Nut 3/8-24 Hex (SST).....	1
5	00-064919	Shaft - Damper.....	1
6	00-941520	Stack - Vent Hood.....	1
7	00-941197-00001	Gasket.....	1
8	00-941200-00003	Wheel - Blower.....	1
9	00-941200-00002	Shroud - Blower.....	1
10	00-941525	Bracket.....	1
11	00-941197-00002	Gasket - Motor.....	1
12	00-941544	Cover.....	1
13	00-941187	Motor - Fan.....	1
14	00-941542	Cover - Blower.....	1

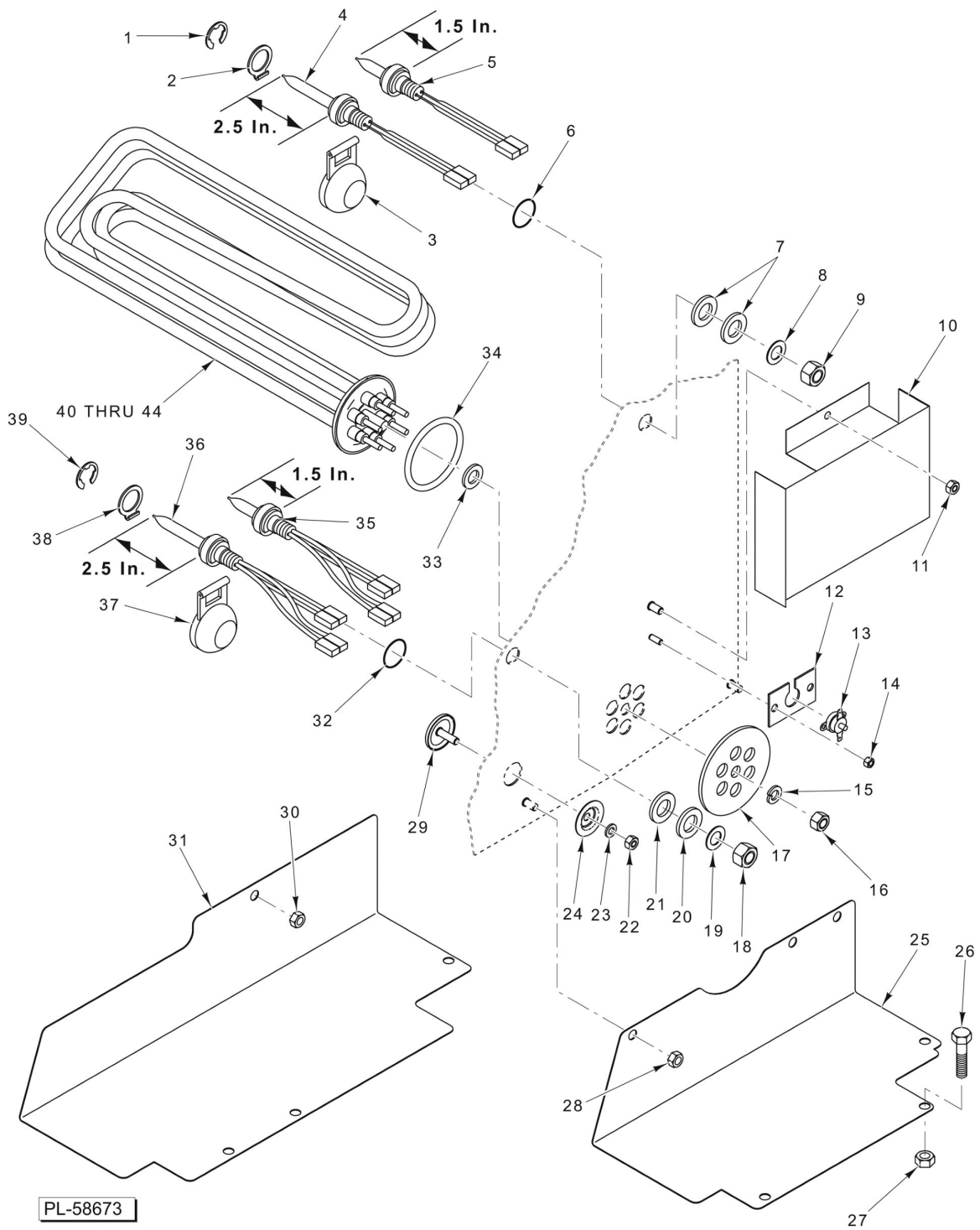


PL-59652

**HOOD ASSEMBLY
(ENERGY RECOVERY)**

HOOD ASSEMBLY (ENERGY RECOVERY)

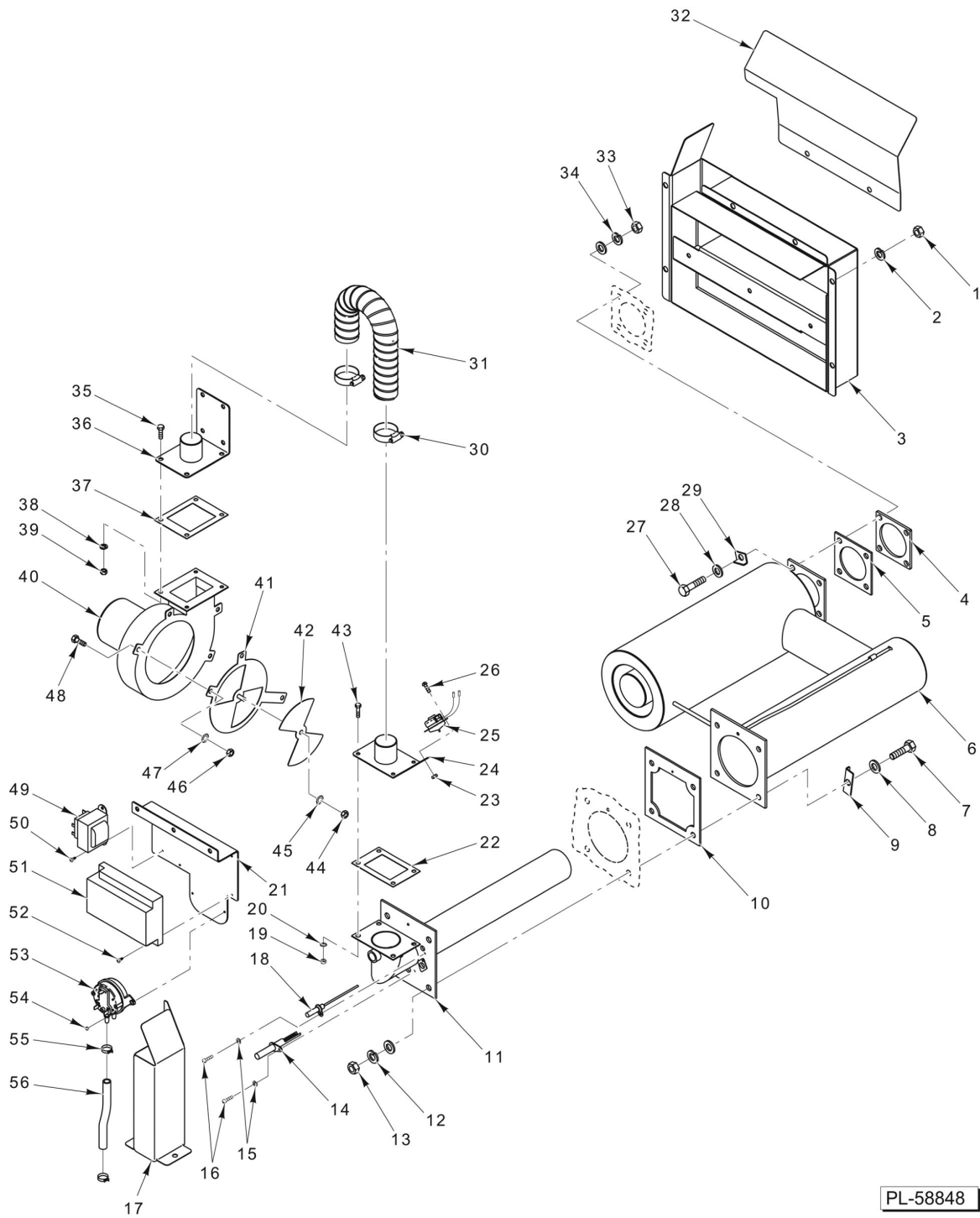
ILLUS. PL-59652	PART NO.	NAME OF PART	AMT.
1	00-075621	Vent Stack Assy.....	1
2	00-075623	Damper - Vent Stack.....	1
3	00-064919	Shaft - Damper.....	1
4	00-941399-00002	Housing - Coil (R-L).....	1
5	00-941399-00001	Housing - Coil (L-R).....	1
6	00-941302	Coil - Water Heat Recovery.....	1
7	00-941383-00002	Cover - Coil Assy.....	1
8	FP-028-15	Pipe Plug 1/2 Sq. Hd. (Brass).....	1
9	00-919758	Curtain - Splash (4-Ply).....	1
10	FP-015-16	Elbow - Pipe 1/2 x 90 Deg. (Brass).....	1
11	00-328994	Probe Assy. - Rinse.....	1
12	00-919507	Rod - Curtain.....	1
13	00-941407	Vent - Endplate.....	1
14	SC-041-50	Cap Screw 1/4-20 x 1/2 Hex Hd. (SST).....	2
15	00-941410	Handle - Pan.....	1
16	00-941449-00002	Vent - Straight Hood (R-L).....	1
17	00-941449-00001	Vent - Straight Hood (L-R).....	1
18	00-941526	Panel - Side Extension (HTS).....	2
19	00-941303	Pan - Collection.....	1
20	00-941394	Track - Pan.....	2
21	00-941437	Panel - Side.....	2
22	NS-047-86	Stop Nut 1/4-20 Hex (SST).....	2
23	00-918390-00008	Hose - Braided Water 1/2 x 66 In. (SST).....	1
24	00-918390-00009	Hose - Braided Water 1/2 x 84 In. (SST).....	1
25	00-918390-00007	Hose - Braided Water 1/2 x 48 In. (SST) (All except CL54eR, HTS).....	1
26	00-918390-00010	Hose - Braided Water 1/2 x 58 In. (SST) (CL54eR, HTS).....	1
27	00-292856-00005	Hose - Drain (88 In.) (CL44eR).....	1
28	00-292856-00006	Hose - Drain (98 In.) (CL54eR).....	1
29	00-292856-00008	Hose - Drain (116 In.) (CL76eR).....	1
30	FP-087-39	Fitting - Hose 5/8 Hose to 1/2 NPT (Brass).....	1
31	FP-015-17	Elbow - Pipe 1/2 x 90 Deg. (Brass).....	1
32	FP-030-16	Lock Nut 1/2 Pipe (Brass).....	1
	00-936408	Shield - Splash.....	1
	00-936644	Bracket - Curtain Stop.....	AR



ELECTRIC HEAT AND FLOATS

ELECTRIC HEAT AND FLOATS

ILLUS.	PART NO.	NAME OF PART	AMT.
PL-58673			
1	RR-010-13	Retaining Ring.....	1
2	00-112467	Retainer - Float.....	1
3	00-122674	Float Assy.....	1
4	00-328495	Probe & Switch Assy. (2-Wire) (Long) (Incls. Items 1, 2, & 3) (Electric Only).....	1
5	00-936547-00001	Probe & Switch Assy. (2-Wire) (Short) (Incls. Items 1, 2, & 3).....	1
6	00-067500-00072	O-Ring.....	1
7	WS-010-40	Washer - Thrust.....	2
8	WL-014-31	Lockwasher 1/2 External Shakeproof (SST).....	1
9	NS-018-28	Jam Nut 1/2-20 Hex (SST).....	1
10	00-936634	Barrier - Mylar.....	1
11	NS-031-19	Stop Nut 1/4-20 Hex (SST).....	1
12	00-475967	Bracket - High Limit.....	1
13	00-294615-00001	Control - Temperature.....	1
14	NS-031-15	Stop Nut 10-24 Hex (SST).....	2
15	WL-006-27	Lockwasher 3/8 Helical (SST).....	1
16	NS-014-15	Nut 3/8-16 (Brass) (Supplied With Heater).....	1
17	00-919523	Heat Plate - Electric.....	1
18	NS-018-28	Jam Nut 1/2-20 Hex (SST).....	1
19	WL-014-31	Lockwasher 1/2 External Shakeproof (SST).....	1
20	WS-010-40	Washer - Thrust.....	1
21	WS-010-40	Washer - Thrust.....	1
22	NS-015-01	Nut 1/4-20 Hex (SST).....	1
23	WL-006-17	Lockwasher 1/4 Helical (SST).....	1
24	00-119254	Retainer - Cap.....	1
25	00-935871	Panel - Bottom (L-R).....	2
26	SC-041-05	Cap Screw 1/4-20 x 5/8 Hex Hd. (SST).....	2
27	NS-031-19	Stop Nut 1/4-20 Hex (SST).....	1
28	NS-031-19	Stop Nut 1/4-20 Hex (SST).....	1
29	00-119243	Cap - Detent Disposable.....	1
30	NS-031-19	Stop Nut 1/4-20 Hex (SST).....	1
31	00-919884	Panel - Bottom (R-L).....	1
32	00-067500-00072	O-Ring.....	1
33	WS-018-04	Washer (SST).....	1
34	00-067500-00034	O-Ring.....	1
35	00-936547-00002	Switch & Probe Assy. (4-Wire) (Short) (Incls. Items 37, 38, & 39).....	1
36	00-186091	Probe & Switch Assy. (4 Wire) (Incls. Items 37, 38, & 39) (Electric Only).....	1
37	00-122674	Float Assy.....	1
38	00-112467	Retainer - Float.....	1
39	RR-010-13	Retaining Ring.....	1
40	00-919549-00001	Element - Heater (15 kW, 200 V.).....	1
41	00-919549-00002	Element - Heater (15 kW, 220 V.).....	1
42	00-919549-00003	Element - Heater (15 kW, 380 V.).....	1
43	00-919549-00004	Element - Heater (15 kW, 440 V.).....	1
44	00-919549-00005	Element - Heater (15 kW, 600 V.).....	1

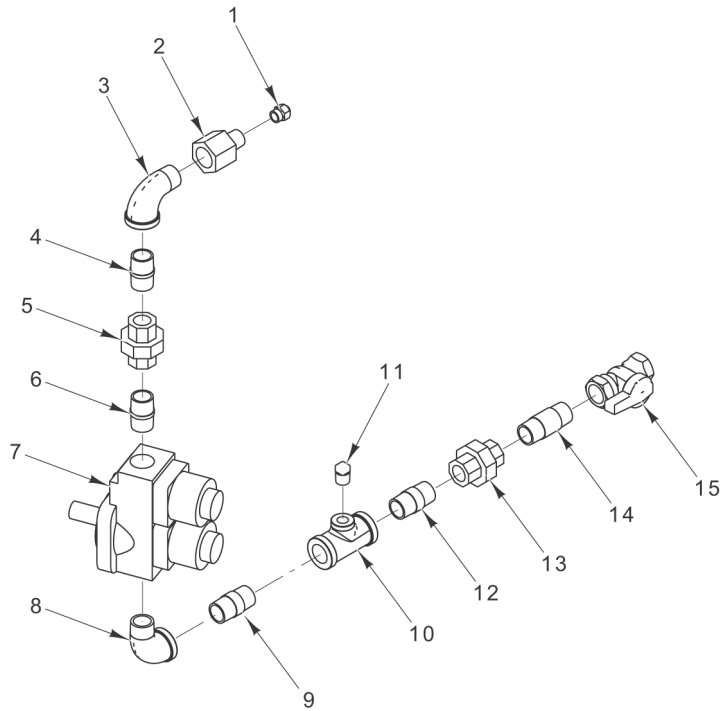


PL-58848

GAS HEAT COMPONENTS

GAS HEAT COMPONENTS

ILLUS.	PART NO.	NAME OF PART	AMT.
PL-58848			
1	NS-031-21	Stop Nut 1/4-20 Hex (SST).....	6
2	WL-014-10	Lockwasher 1/4 External Shakeproof.....	6
3	00-919455	Shroud Assy.....	1
4	00-936757	Flange - Exhaust Mounting.....	1
5	00-919457	Gasket - Immersion Tube.....	1
6	00-919470	Tube - Immersion.....	1
7	SC-041-31	Cap Screw 3/8-16 x 1-1/4 Hex Hd. (SST).....	4
8	WS-028-22	Washer.....	8
9	00-936585	Stop - Hex Head.....	4
10	00-919456	Gasket - Immersion Tube.....	1
11	00-919458	Burner - Infrared.....	1
12	WL-006-28	Lockwasher 3/8 Helical.....	4
13	NS-015-13	Nut 3/8-16 Hex (SST).....	4
14	00-748571-00002	Ignitor (With Terminals).....	1
15	WL-006-02	Lockwasher #8 Helical (SST).....	2
16	SC-021-13	Mach. Screw 8-32 x 1/4 Slotted Rd. Hd.....	2
17	00-936636	Tube - Gas Intake.....	1
18	00-748572	Electrode Assy.....	1
19	NS-031-21	Stop Nut 1/4-20 Hex (SST).....	4
20	WL-014-10	Lockwasher 1/4 External Shakeproof.....	4
21	00-919355	Plate - Base (Under Tank).....	1
22	00-919922	Seal - Blower.....	1
23	NS-031-50	Stop Nut 6-32 Hex (SST).....	2
24	00-919475	Plate - Air Tube Weldment.....	1
25	00-271123	Protector - High Limit.....	1
26	SC-021-08	Mach. Screw 6-32 x 3/8 Slotted Rd. Hd. (SST).....	2
27	SC-041-31	Cap Screw 3/8-16 x 1-1/4 Hex Hd. (SST).....	4
28	WS-028-22	Washer.....	8
29	00-892710	Stop - Hex Hd.....	4
30	00-557579	Clamp.....	2
31	00-919930	Tube - Blower Intake.....	1
32	00-936753	Rail - Deflector.....	1
33	NS-015-13	Nut 3/8-16 Hex (SST).....	4
34	WL-006-28	Lockwasher 3/8 Helical.....	4
35	SC-041-05	Cap Screw 1/4-20 x 5/8 Hex Hd. (SST).....	4
36	00-919480	Mount - Blower Weldment.....	1
37	00-919923	Seal - Blower.....	1
38	WL-014-10	Lockwasher 1/4 External Shakeproof.....	4
39	NS-031-21	Stop Nut 1/4-20 Hex (SST).....	4
40	00-919892	Blower - Gas.....	1
41	00-919916	Intake - Air Weldment.....	1
42	00-919917	Plate - Air Intake Adjuster.....	1
43	SC-041-05	Cap Screw 1/4-20 x 5/8 Hex Hd. (SST).....	4
44	NS-031-21	Stop Nut 1/4-20 Hex (SST).....	3
45	WL-014-10	Lockwasher 1/4 External Shakeproof.....	3
46	NS-031-21	Stop Nut 1/4-20 Hex (SST).....	3
47	WL-014-10	Lockwasher 1/4 External Shakeproof.....	3
48	SC-041-05	Cap Screw 1/4-20 x 5/8 Hex Hd. (SST).....	3
49	00-294500-040-1	Transformer (30 VA, 50/60 Hz.).....	1
50	SD-038-02	Self-Tapping Screw 6-20 x 5/8 Phil. Pan Hd., Type B.....	2
51	00-748512	Board - Ignitor (24 VAC).....	1
52	SD-038-02	Self-Tapping Screw 6-20 x 5/8 Phil. Pan Hd., Type B.....	2
53	00-918116-00001	Switch - Air.....	1
54	NS-031-21	Stop Nut 1/4-20 Hex (SST).....	2
55	00-113156-00001	Clamp - Spring Action Hose.....	2
56	00-814754-00001	Tube - Rubber.....	1
	00-936665	Panel - Bottom (R-L).....	1
	00-936667	Panel - Bottom (L-R).....	1

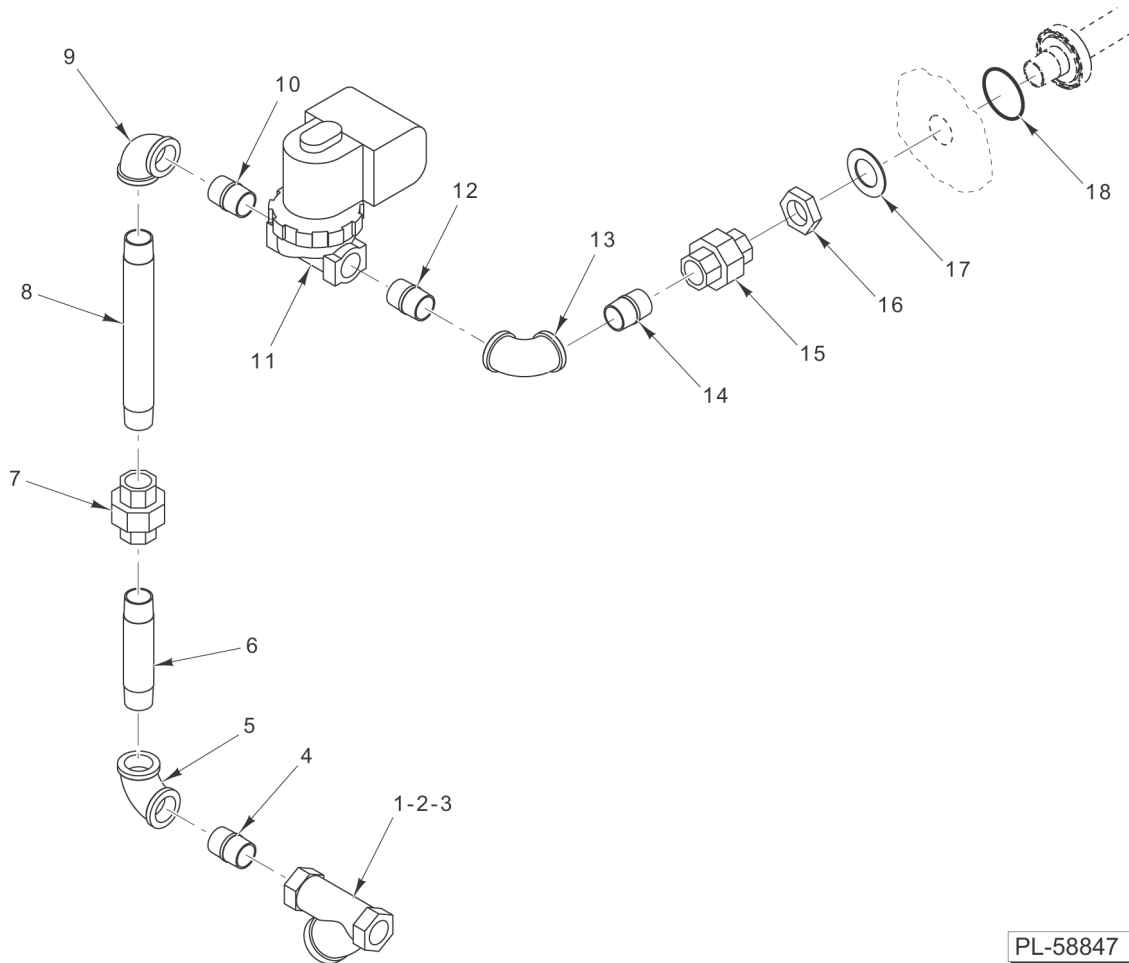


PL-58849

GAS HEAT PIPING

GAS HEAT PIPING

ILLUS.	PART NO.	NAME OF PART	AMT.
PL-58849			
1	00-893149-00003	Orifice (NAT).....	1
2	00-893132	Adapter 1/2 to 7/16-20.....	1
3	FP-013-17	Elbow - Street 1/2 x 90 Deg.....	1
4	FP-035-91	Pipe 1/2 x 1-1/8 TBE.....	1
5	FP-022-11	Union - Pipe (1/2 Straight).....	1
6	FP-035-91	Pipe 1/2 x 1-1/8 TBE.....	1
7	00-328426-00004	Valve - Regulator (NAT).....	1
8	FP-013-17	Elbow - Street 1/2 x 90 Deg.....	1
9	FP-035-91	Pipe 1/2 x 1-1/8 TBE.....	1
10	FP-084-31	Tee Pipe 1/2 x 1/2 x 1/4.....	1
11	FP-028-06	Pipe Plug 1/4 Sq. Hd.....	1
12	FP-035-91	Pipe 1/2 x 1-1/8 TBE.....	1
13	FP-022-11	Union - Pipe (1/2 Straight).....	1
14	FP-035-96	Pipe 1/2 x 2-1/2 TBE.....	1
15	00-291988-00003	Valve - Gas (Shut Off).....	1

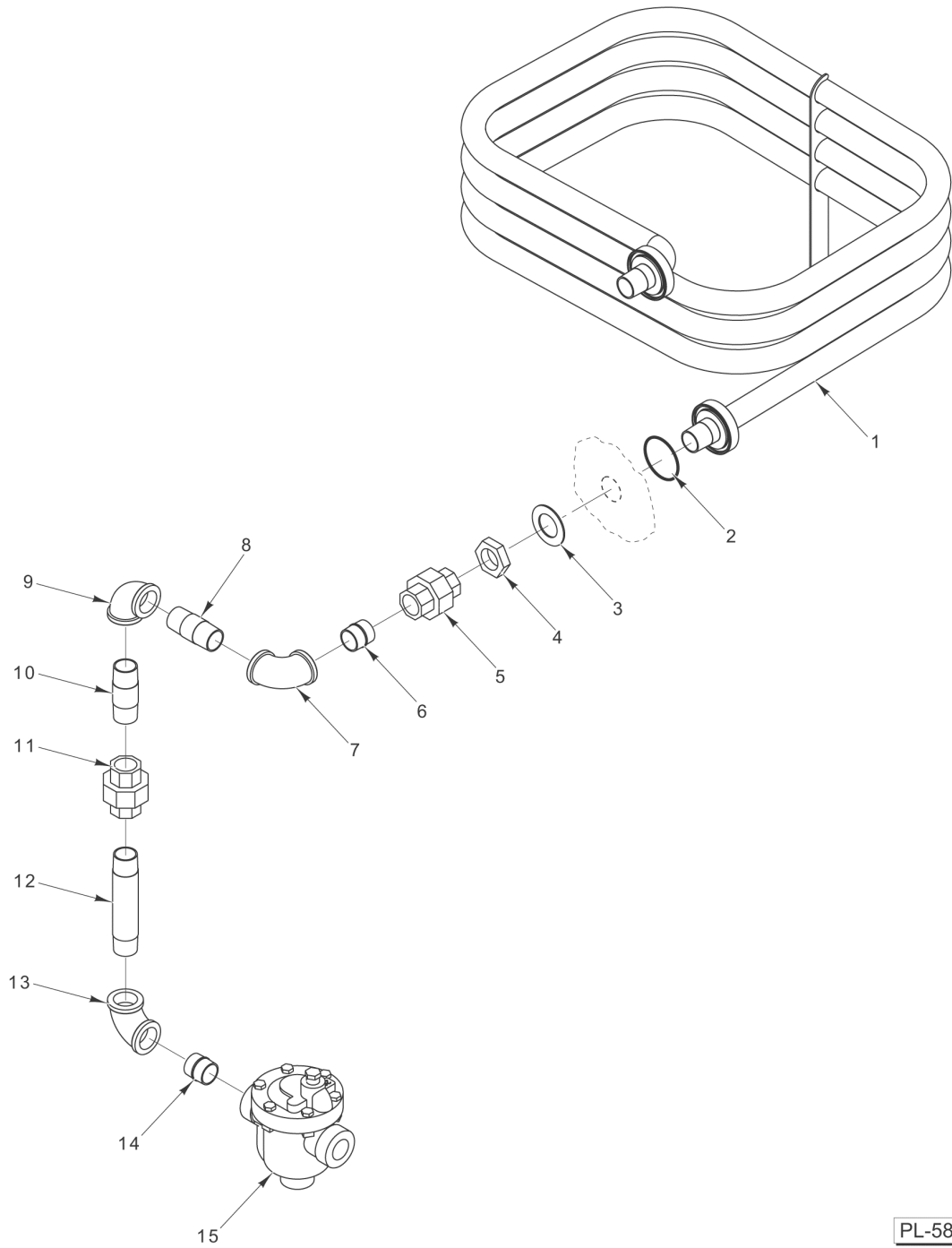


PL-58847

STEAM INLET PIPING

STEAM INLET PIPING

ILLUS.	PART NO.	NAME OF PART	AMT.
PL-58847			
1	00-186922	Strainer - Line (3/4 In.) (Brass) (Incls. Items 2 & 3).....	1
2	00-186924	Gasket - Branch Plug.....	1
3	00-186925	Screen - Line Strainer.....	1
4	FP-085-01	Pipe 3/4 x 1 TBE.....	1
5	FP-013-22	Elbow Pipe 3/4 x 90 Deg.....	1
6	FP-059-14	Pipe 3/4 x 4-1/2 TBE.....	1
7	FP-022-17	Union - Pipe (3/4 Straight).....	1
8	FP-036-12	Pipe 3/4 x 7-3/4 TBE.....	1
9	FP-013-22	Elbow Pipe 3/4 x 90 Deg.....	1
10	FP-085-01	Pipe 3/4 x 1 TBE.....	1
11	00-892004-00002	Valve - Solenoid (3/4 Steam).....	1
12	FP-085-01	Pipe 3/4 x 1 TBE.....	1
13	FP-013-22	Elbow Pipe 3/4 x 90 Deg.....	1
14	FP-085-01	Pipe 3/4 x 1 TBE.....	1
15	FP-022-17	Union - Pipe (3/4 Straight).....	1
16	FP-053-09	Lock Nut 3/4 NPSL (SST).....	1
17	WS-013-45	Washer.....	1
18	00-067500-00019	O-Ring.....	1
	00-892363-00002	Coil - Solenoid Valve (110 - 120 V.) (Parker).....	1
	00-892072	Kit - 3/4 In. Valve Service.....	1

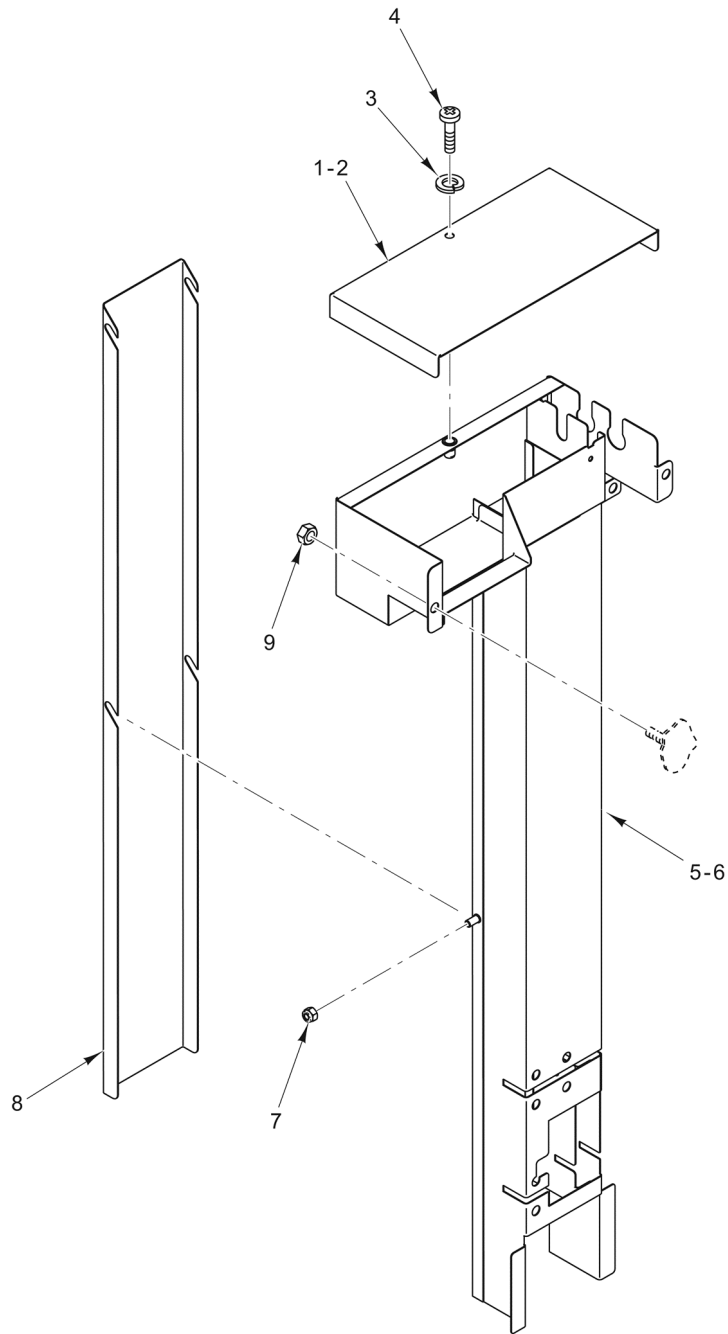


PL-58846

STEAM COIL AND RETURN

STEAM COIL AND RETURN

ILLUS.	PART NO.	NAME OF PART	AMT.
1	00-919973	Coil - Steam Weldment.....	1
2	00-067500-00019	O-Ring.....	1
3	WS-013-45	Washer.....	1
4	FP-053-09	Lock Nut 3/4 NPSL (SST).....	1
5	FP-022-17	Union - Pipe (3/4 Straight).....	1
6	FP-085-01	Pipe 3/4 x 1 TBE.....	1
7	FP-013-22	Elbow Pipe 3/4 x 90 Deg.....	1
8	FP-036-03	Pipe 3/4 x 2-3/4 TBE.....	1
9	FP-013-22	Elbow Pipe 3/4 x 90 Deg.....	1
10	FP-036-03	Pipe 3/4 x 2-3/4 TBE.....	1
11	FP-022-17	Union - Pipe (3/4 Straight).....	1
12	FP-036-10	Pipe 3/4 x 4-3/4 Lg. TBE.....	1
13	FP-013-22	Elbow Pipe 3/4 x 90 Deg.....	1
14	FP-085-01	Pipe 3/4 x 1 TBE.....	1
15	00-118317	Steam Trap (21-50 PSI).....	1
	00-936664	Panel - Bottom (R-L).....	1
	00-936666	Panel - Bottom (L-R).....	1

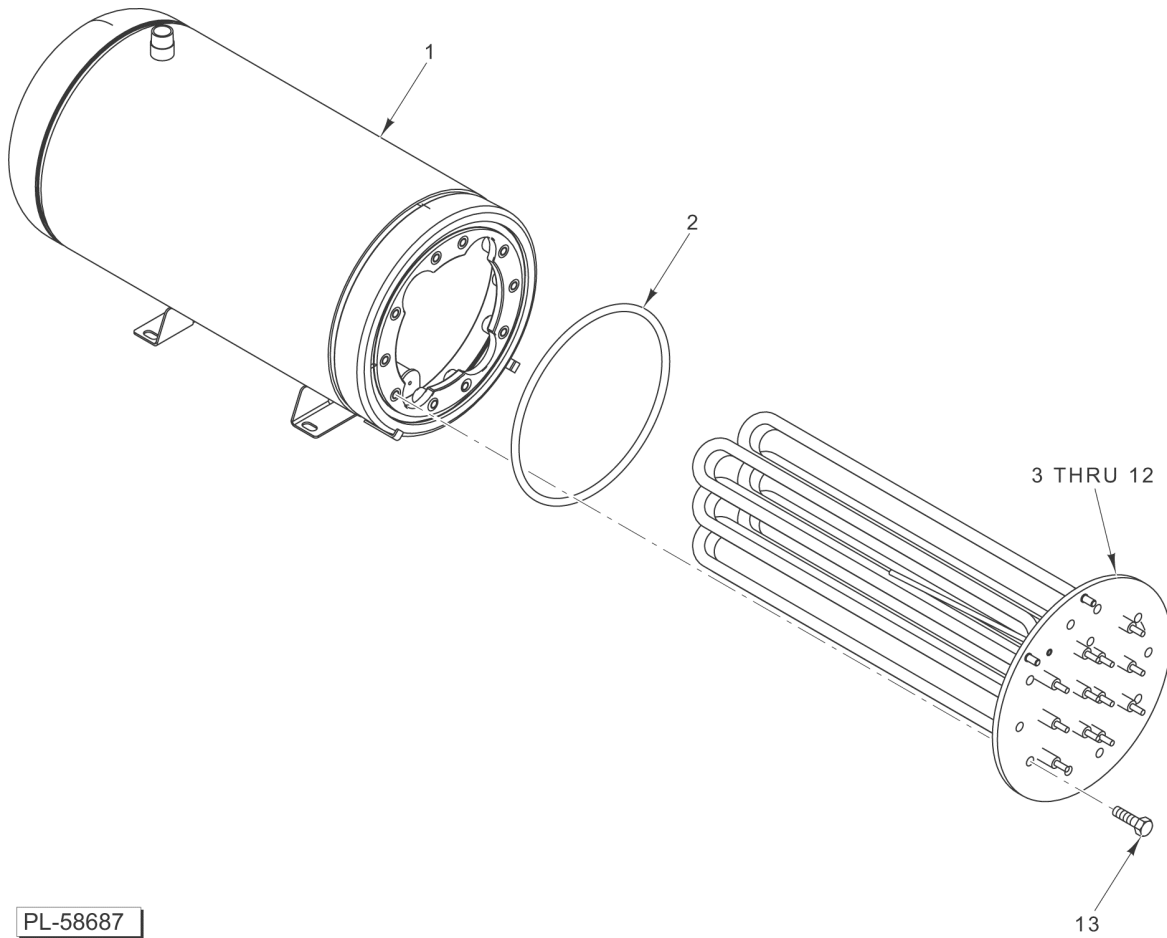


PL-58680

WIREWAY

WIREWAY

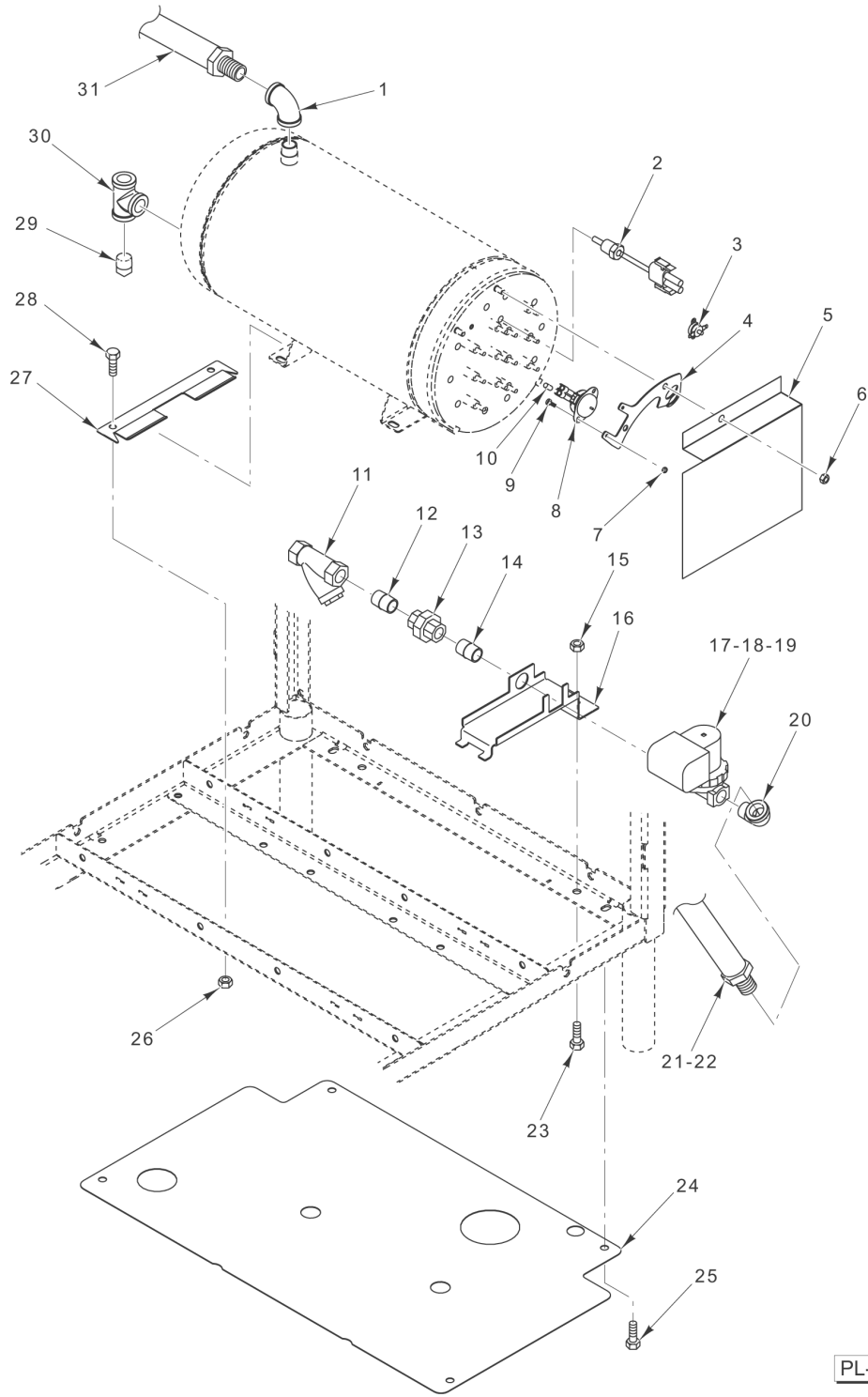
ILLUS.	PART NO.	NAME OF PART	AMT.
PL-58680			
1	00-936040	Lid (L-R) (Shown).....	1
2	00-936055	Lid (R-L).....	1
3	WL-006-17	Lockwasher 1/4 Helical (SST).....	1
4	SC-041-50	Cap Screw 1/4-20 x 1/2 Hex Hd. (SST).....	1
5	00-936128	Wireway (L-R) (Shown).....	1
6	00-936050	Wireway (R-L).....	1
7	NS-047-82	Stop Nut 1/4-20 Hex (SST).....	4
8	00-936113	Cover - Wireway.....	1
9	NS-031-19	Stop Nut 1/4-20 Hex (SST).....	4
	00-936042	Divider - Wireway (STD).....	1
	00-936366	Divider - Wireway (L-R).....	1
	00-936054	Box - Wireway.....	1



BOOSTER

BOOSTER

ILLUS.	PART NO.	NAME OF PART	AMT.
PL-58687			
1	00-918500	Tank - Booster Assy.....	1
2	00-067500-00148	O-Ring.....	1
3	00-913102-00140	Heater - Booster & Install Kit (With Stud) (208 V., 30 kW).....	1
4	00-913102-00141	Heater - Booster & Install Kit (With Stud) (240 V., 30 kW).....	1
5	00-913102-00142	Heater - Booster & Install Kit (With Stud) (480 V., 30 kW).....	1
6	00-913102-00143	Heater - Booster & Install Kit (With Stud) (415 V., 30 kW).....	1
7	00-913102-00156	Heater - Booster & Install Kit (With Stud) (655 V., 30 kW).....	1
8	00-913102-00144	Heater - Booster & Install Kit (With Stud) (208 V., 15 kW).....	1
9	00-913102-00145	Heater - Booster & Install Kit (With Stud) (240 V., 15 kW).....	1
10	00-913102-00146	Heater - Booster & Install Kit (With Stud) (480 V., 15 kW).....	1
11	00-936376-00004	Heater - Booster (With Stud) (415 V., 15 kW).....	1
12	00-913102-00147	Heater - Booster & Install Kit (With Stud) (600 V., 15 kW).....	1
13	00-918512	Mounting Screw (With Sealer).....	10
	00-918706	Kit - Service Booster (Included With Items 3 thru 12) (Incls. Items 2 & 13).....	1



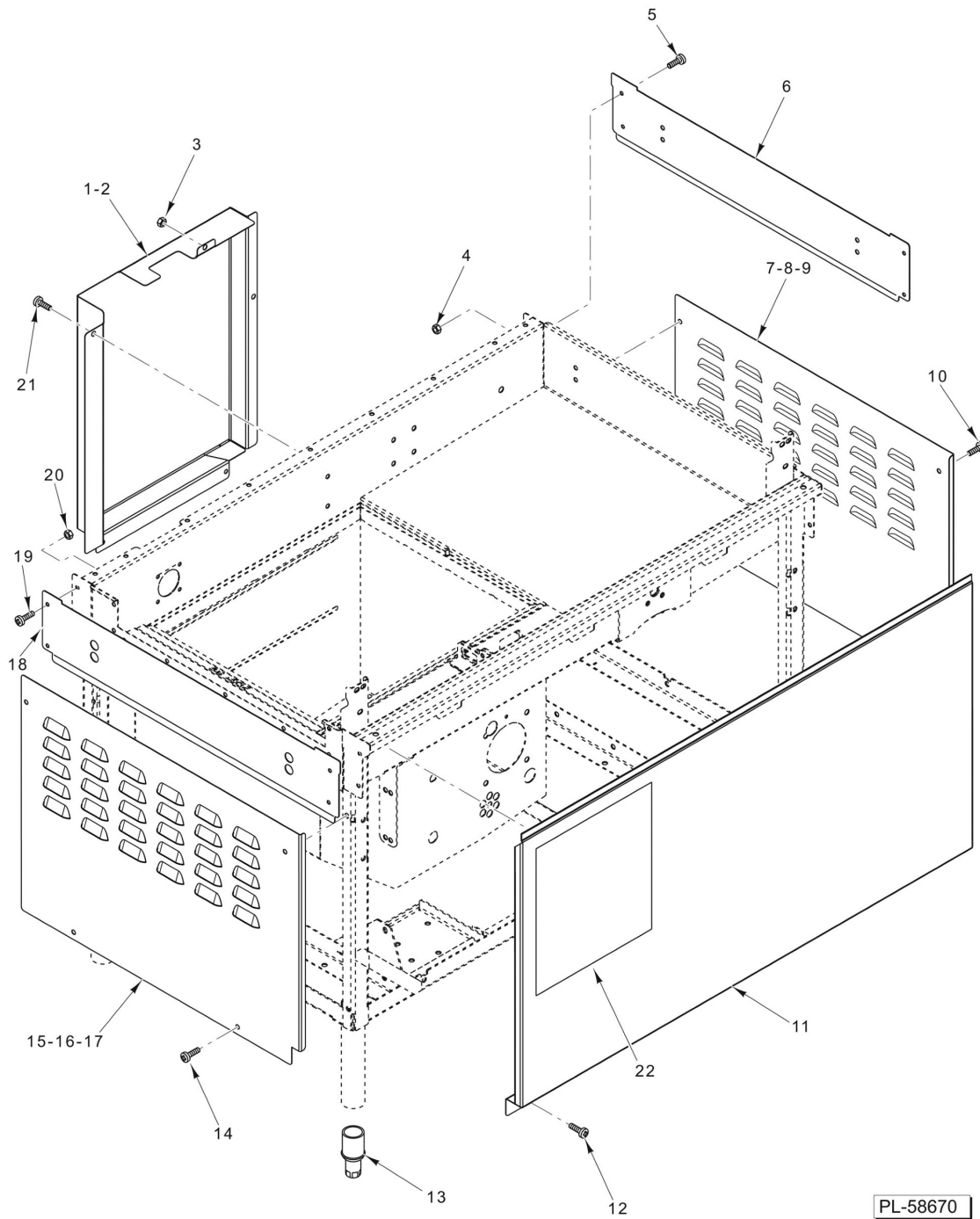
PL-58671

INCOMING WATER AND BOOSTER SUPPORT

INCOMING WATER AND BOOSTER SUPPORT

ILLUS.	PART NO.	NAME OF PART	AMT.
1	FP-015-16	Elbow - Pipe 1/2 x 90 Deg. (Brass).....	1
2	00-328994	Probe Assy. - Rinse.....	1
3	00-294615-00001	Control - Temperature.....	1
4	00-936374	Bracket - Booster High Limit.....	1
5	00-936229	Barrier - Mylar.....	1
6	NS-031-15	Stop Nut 10-24 Hex (SST).....	2
7	NS-031-50	Stop Nut 6-32 Hex (SST).....	2
8	00-271123	Protector - High Limit.....	1
9	SC-127-26	Mach. Screw 6-32 x 3/8 Phil. Rd. Hd. (SST).....	2
10	00-293946-00002	Sleeve.....	AR
*11	00-270258	Strainer - Line (1/2) (Brass).....	1
*12	FP-040-42	Pipe 1/2 x 1-1/8 TBE (Brass).....	1
*13	FP-022-12	Union - Pipe 1/2 Straight (Brass).....	1
*14	FP-040-42	Pipe 1/2 x 1-1/8 TBE (Brass).....	1
*15	NS-036-19	Stop Nut 5/16-18 Hex (SST).....	4
*16	00-936221	Support - Inlet Piping.....	1
*17	00-435968-00001	Valve - Solenoid (1/2 In.) (110-120 V.).....	1
*18	00-271839-00001	Coil - Solenoid Valve.....	1
*19	00-271837	Service Kit - Solenoid Valve.....	1
*20	FP-015-17	Elbow - Pipe 1/2 x 90 Deg. (Brass).....	1
21	00-893444-00002	Hose - Water (Braided) (84 In.) (SST) (No Booster).....	1
22	00-918390-00007	Hose - Braided Water 1/2 x 48 In. (SST) (Booster).....	1
23	SC-041-10	Cap Screw 5/16-18 x 5/8 Hex Hd. (SST).....	3
24	00-919877	Panel - Bottom Trim.....	1
25	SC-041-05	Cap Screw 1/4-20 x 5/8 Hex Hd. (SST).....	4
26	NS-036-19	Stop Nut 5/16-18 Hex (SST).....	4
27	00-936360	Mount - Booster Slide.....	1
28	SC-041-05	Cap Screw 1/4-20 x 5/8 Hex Hd. (SST).....	4
29	FP-028-15	Pipe Plug 1/2 Sq. Hd. (Brass).....	1
30	FP-019-21	Tee - Pipe 1/2 x 1/2 x 1/2 (Brass).....	1
31	00-918390-00010	Hose - Braided Water 1/2 x 58 In. (SST).....	1
*32	00-118038-00003	Regulator - Pressure (1/2) (Brass).....	1

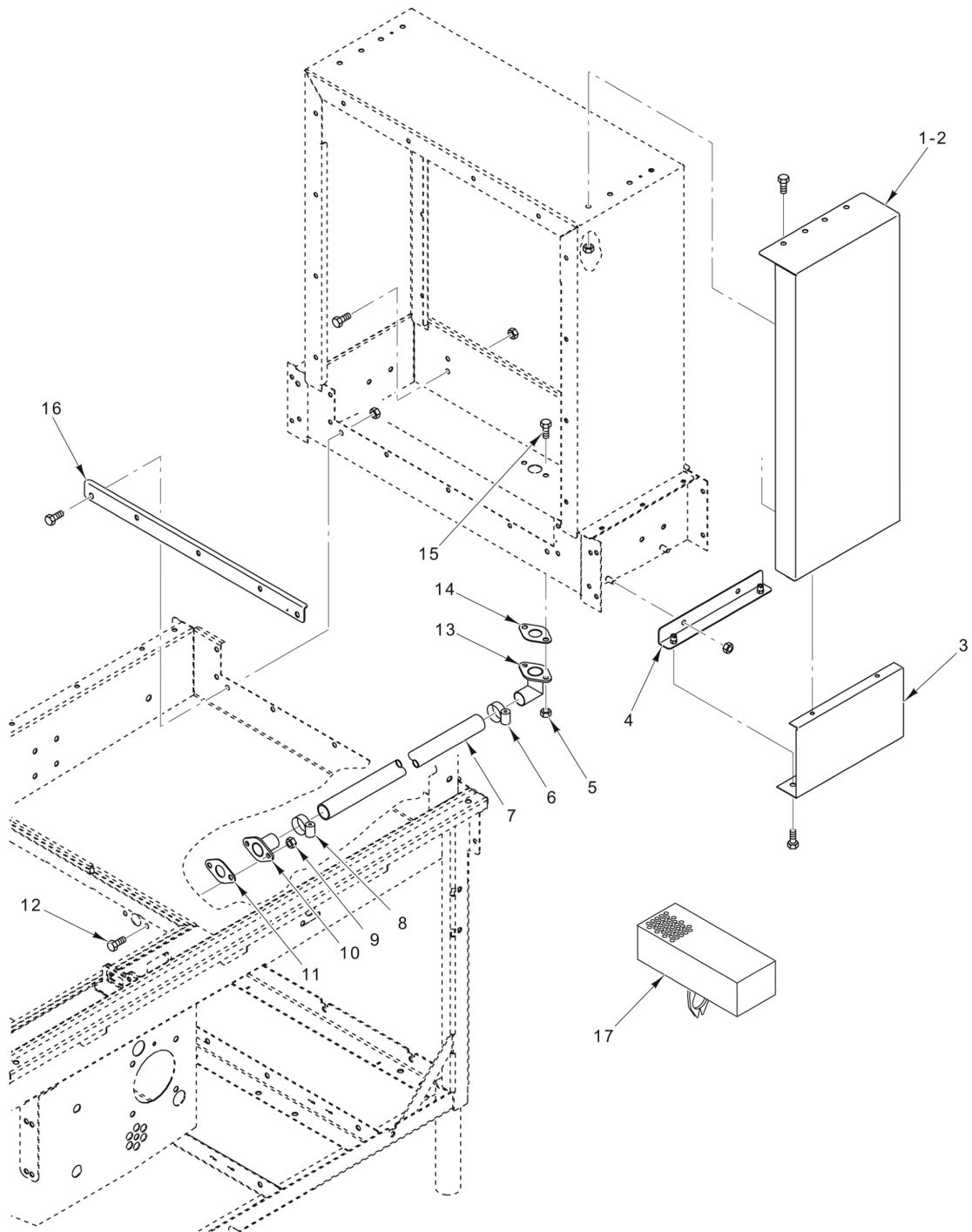
* Used with units NOT equipped with Energy Recovery



LOWER PANELS

LOWER PANELS

ILLUS. PL-58670	PART NO.	NAME OF PART	AMT.
1	00-936131	Trim - Rear Panel (L-R).....	1
2	00-919876	Trim - Rear Panel (R-L).....	1
3	NS-031-19	Stop Nut 1/4-20 Hex (SST).....	2
4	NS-031-19	Stop Nut 1/4-20 Hex (SST).....	4
5	SC-125-15	Mach. Screw 1/4-20 x 1/2 Phil. Truss Hd.....	4
6	00-936574-00002	Trim - Tank End (RH) (CL44e, L-R & R-L) (CL54e, R-L).....	1
7	00-814733	Trim - Panel Right End (CL44e & CL66e L-R & R-L) (DDU, CL54e and CL76e R-L Only).....	1
8	00-814733-00002	Trim - Panel Right End (CL54e and CL76e L-R Only).....	1
9	00-814733-00003	Trim - Panel Right End (DDU L-R Only).....	1
10	SC-125-15	Mach. Screw 1/4-20 x 1/2 Phil. Truss Hd.....	4
11	00-919866	Trim - Front Panel.....	1
12	SC-125-15	Mach. Screw 1/4-20 x 1/2 Phil. Truss Hd.....	2
13	00-288946-00002	Foot - Adjustable.....	4
14	SC-125-15	Mach. Screw 1/4-20 x 1/2 Phil. Truss Hd.....	4
15	00-814734	Trim - Panel Left End (CL44e & CL66e L-R & R-L) (DDU, CL54e and CL76e L-R Only).....	1
16	00-814734-00002	Trim - Panel Left End (CL54e and CL76e R-L Only).....	1
17	00-814734-00003	Trim - Panel Left End (DDU R-L Only).....	1
18	00-936574-00001	Trim - Tank End (LH) (CL44e, L-R & R-L) (CL54e, L-R).....	1
19	SC-125-15	Mach. Screw 1/4-20 x 1/2 Phil. Truss Hd.....	4
20	NS-031-19	Stop Nut 1/4-20 Hex (SST).....	4
21	SC-041-05	Cap Screw 1/4-20 x 5/8 Hex Hd. (SST).....	3
22	00-936524	Label - Cleaning Instructions.....	1
	00-294677-00002	Clamp - Wire (1/2 I.D.).....	AR
	00-294677-00003	Clamp - Wire (3/4 I.D.).....	AR
	00-294677-00004	Clamp - Wire (1 I.D.).....	AR
	00-294677-00005	Clamp - Wire 1-1/2 In.....	AR
	00-748192	Clamp 1-1/2.....	AR
	NS-047-94	Speed Nut (Use With Clamps).....	AR
	00-936430	Baffle - Tank Separator.....	1



PL-58686

CL54E FLOWBACK AND PANELS

CL54E FLOWBACK AND PANELS

ILLUS.	PART NO.	NAME OF PART	AMT.
PL-58686			
1	00-936074-00001	Panel - Chamber Trim (STD).....	1
2	00-936074-00002	Panel - Chamber Trim (HTS).....	1
3	00-936075	Panel - Bottom Trim (10 In.).....	1
4	00-936093	Trim Assy. - Panel Mount (10 In.).....	1
5	NS-036-19	Stop Nut 5/16-18 Hex (SST).....	2
6	00-557627	Clamp - Hose.....	1
7	00-936468-00001	Hose (1 In. I.D. x 26 In. Lg.).....	1
8	00-557627	Clamp - Hose.....	1
9	NS-036-19	Stop Nut 5/16-18 Hex (SST).....	2
10	00-936312	Bulkhead - Drain 1 In. Hose.....	1
11	00-276407	Gasket - Rinse Pipe.....	1
12	SC-041-10	Cap Screw 5/16-18 x 5/8 Hex Hd. (SST).....	2
13	00-936310	Fitting - Drain 90 Deg.....	1
14	00-276407	Gasket - Rinse Pipe.....	1
15	SC-041-10	Cap Screw 5/16-18 x 5/8 Hex Hd. (SST).....	2
16	00-935968	Support - Tank.....	1
17	00-936415	Strainer - Drain Basket.....	1

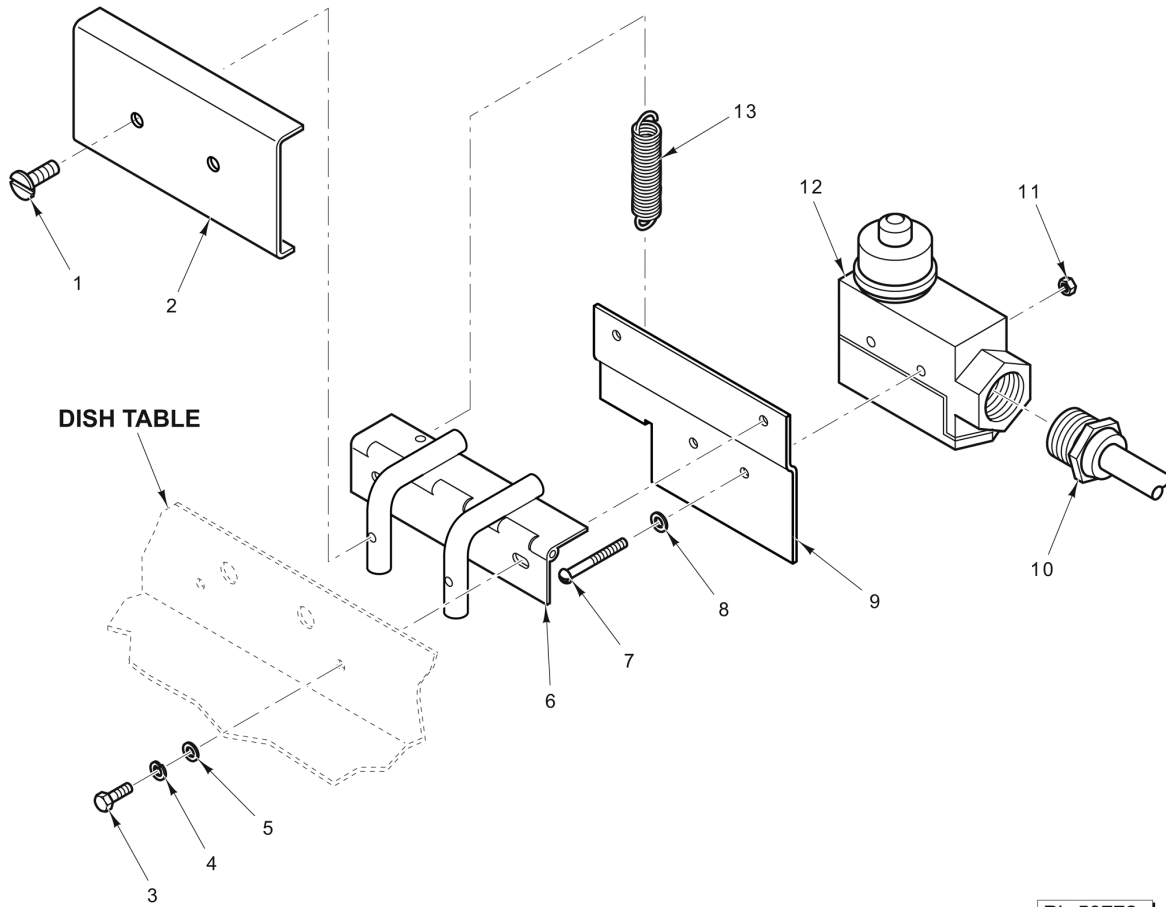


TABLE LIMIT SWITCH (ML-138163)

TABLE LIMIT SWITCH (ML-138163)

ILLUS.	PART NO.	NAME OF PART	AMT.
PL-59772			
1	SC-122-93	Mach. Screw 10-24 x 1/2 Phil. Truss Hd. (SST).....	2
2	00-814110	Plate - Actuator.....	1
3	SC-067-07	Mach. Screw 10-24 x 1/2 Hex Hd. (SST).....	2
4	WL-006-06	Lockwasher #10 Helical (SST).....	2
5	WS-023-03	Washer (SST).....	2
6	00-814109	Hinge Assy.....	1
7	SC-027-24	Mach. Screw 6-32 x 1-1/2 Slotted Rd. Hd. (Brass).....	2
8	WL-014-03	Lockwasher #6 External (SST).....	2
9	00-812936	Bracket - Interlock Switch.....	1
10	00-935951-00004	Cable - Table Limit Switch.....	1
11	NS-031-50	Stop Nut 6-32 Hex (SST).....	2
12	00-936279	Switch - Interlock.....	1
13	00-064165-00003	Spring - Connection.....	1
	FE-024-88	Lock Nut 1/2 Electrical.....	1
	FE-022-84	Connector - Strain Relief.....	2

