

SC-F3000 Series

User's Guide

Copyrights and Trademarks

Copyrights and Trademarks

No part of this publication may be reproduced, stored in a retrieval system, or transmitted in any form or by any means, electronic, mechanical, photocopying, recording, or otherwise, without the prior written permission of Seiko Epson Corporation. The information contained herein is designed only for use with this Epson printer. Epson is not responsible for any use of this information as applied to other printers.

Neither Seiko Epson Corporation nor its affiliates shall be liable to the purchaser of this product or third parties for damages, losses, costs, or expenses incurred by the purchaser or third parties as a result of accident, misuse, or abuse of this product or unauthorized modifications, repairs, or alterations to this product, or (excluding the U.S.) failure to strictly comply with Seiko Epson Corporation's operating and maintenance instructions.

Seiko Epson Corporation shall not be liable for any damages or problems arising from the use of any options or any consumable products other than those designated as Original Epson Products or Epson Approved Products by Seiko Epson Corporation.

Seiko Epson Corporation shall not be held liable for any damage resulting from electromagnetic interference that occurs from the use of any interface cables other than those designated as Epson Approved Products by Seiko Epson Corporation.

EPSON, EPSON EXCEED YOUR VISION, EXCEED YOUR VISION and their logos are registered trademarks or trademarks of Seiko Epson.

Microsoft® and Windows® are registered trademarks of Microsoft Corporation.

Apple, Mac, OS X, macOS, Bonjour are registered trademarks of Apple, Inc.

Adobe, Acrobat, Illustrator, Photoshop, and Reader are either registered trademarks or trademarks of Adobe Systems Incorporated in the United States and/or other countries.

YouTube® and the YouTube logo are registered trademarks or trademarks of YouTube, LLC.

General Notice: Other product names used herein are for identification purposes only and may be trademarks of their respective owners. Epson disclaims any and all rights in those marks.

© 2020 Seiko Epson Corporation. All rights reserved.

Contents

Copyrights and Trademarks

Viewing the Manuals

Meaning of Symbols.	5
Screenshots.	5
Illustrations.	5
Manual Organization.	5
Viewing Video Manuals.	5
Viewing PDF Manuals.	6

Introduction

Printer Parts.	7
Front Section.	7
Rear Section.	10
Interior.	12
Ink Unit.	14
Control Panel.	16
Understanding and Operating the Display.	17
Screen View.	17
Operating procedure.	21
Notes on Usage and Storage.	23
Installation space.	23
Notes for using the printer.	23
Notes for when not using the printer.	23
Notes on Handling Ink Supply Units/Cleaning Ink Supply Units.	24
Notes on Handling White Ink.	25
Notes on Handling T-shirts (Media).	25
Introducing the Supplied Software.	27
Supplied software.	27
Built-in Software in the Printer.	28
Using Epson Edge Dashboard.	29
Instructions for Starting.	29
Registering the Printer.	29
Checking and Managing the Printer's Status.	30
Copying media settings of other printers.	32
Exiting procedure.	33
Using EPSON Software Updater.	34
Checking software update availability.	34
Receiving update notifications.	34
How to Use Web Config.	34
How to Start.	34
Function Summary.	35
Closing.	35

Uninstalling Software.	35
--------------------------------	----

Basic Printing

Preparation.	36
Under Normal Usage.	36
Items for Use in Pre-treatment.	37
Overview.	38
Before Printing.	39
Pre-treatment.	39
Cautions when operating.	39
Agitating the polyester pre-treatment liquid.	40
Opening the pre-treatment liquid.	41
Diluting the pre-treatment liquid.	42
Applying the pre-treatment liquid.	43
Fixing the pre-treatment liquid.	44
Creating and Sending Jobs.	46
Workflow for Creating and Sending Jobs.	46
Overview of Garment Creator for SC-F3000 Series.	48
Selecting the base color (T-shirt type).	50
Image arrangement.	51
Sending and printing jobs.	53
Notes on Receiving Jobs.	53
Preparing the Platen.	54
Attaching/Removing a Grip Pad.	54
Switching from Polo to Zipper (only when using the medium grooved platen).	56
Replacing platens.	56
How to change the platen position.	58
Load the T-shirt (media).	59
Loading on a Grip Pad Covered Platen.	59
Loading on a Platen without a Grip Pad.	62
Loading on Sleeve Platens.	65
Loading on Medium Grooved Platens.	67
Starting and Canceling Printing.	70
Checking the platen position.	70
Starting.	70
Canceling.	71
Fixing the Ink.	72
Precautions when Fixing the Ink.	72
Fix conditions.	72
Printing from a USB Memory.	73
USB memory requirements.	73
Printing Procedures.	74
Deleting.	74

Contents

Maintenance

When to Perform Various Maintenance Operations. 76

 Cleaning Locations and Cleaning Timing. 76

 Locations of Consumables and Replacement Timing. 77

 Other maintenance. 78

Preparation. 79

Cautions when operating. 79

Cleaning. 81

 Using ink cleaner. 81

 Cleaning the Sensor Cover. 81

 Clean around the print head and the edges of the metal. 83

 Cleaning the Suction Cap. 85

 Cleaning the Platen Without a Grip Pad. 88

Replacing Consumables. 89

 Shaking and Replacing Ink Supply Units. 89

 Disposing of Waste Ink. 92

 Replacing the Head Cleaning Set. 94

 Replacing the Anti-Drying Caps. 96

 Replacing the Air Filters. 98

Other maintenance. 100

 Checking for clogged nozzles. 100

 Head Cleaning. 101

 Changing the **Printer Mode**. 102

 Pre-Storage Maintenance for Long-Term Non-Use. 103

Disposal of used consumables. 105

 Disposal. 105

Control Panel Menu

Menu List. 106

Details of the Menu. 111

 General Settings menu. 111

 Media Settings menu. 116

 Maintenance menu. 118

 Supply Status menu. 120

 Status menu. 120

Problem Solver

What to Do When a Message Is Displayed. 121

When a Maintenance Request/Printer Error Occurs. 122

Troubleshooting. 123

 You cannot print (because the printer does not work). 123

The printer operates, but does not print. 124

Print results are not what you expected. 124

Others. 131

Appendix

Options and Consumable Products. 133

 Ink Supply Unit. 133

 Maintenance Parts. 134

 Others. 135

Notes When Moving or Transporting the Printer 137

 Preparing to Move. 137

 Setting up the Printer After Moving. 139

 Transporting the Printer. 139

Printable area. 140

Table for **Platen Gap** setting values for media thicknesses. 142

 When using L/M/S size hanger platens or the XS size platen. 142

 When using the sleeve or medium grooved platens. 143

System Requirements. 144

 Epson Edge Dashboard. 144

 Garment Creator for SC-F3000 Series. 145

 Garment Creator Easy Print System (Windows only). 145

 Web Config. 146

Specifications Table. 147

Where To Get Help

Technical Support Web Site. 149

Contacting Epson Support. 149

 Before Contacting Epson. 149

 Help for Users in North America. 150

 Help for Users in Europe. 150

 Help for Users in Taiwan. 150

 Help for Users in Australia/New Zealand. 151

 Help for Users in Singapore. 151

 Help for Users in Thailand. 152

 Help for Users in Vietnam. 152

 Help for Users in Indonesia. 152

 Help for Users in Hong Kong. 153

 Help for Users in Malaysia. 153





 Help for Users in India. 153

 Help for Users in the Philippines. 153

Viewing the Manuals

Viewing the Manuals

Meaning of Symbols

 Warning:	Warnings must be followed to avoid serious bodily injury.
 Caution:	Cautions must be followed to avoid bodily injury.
 Important:	Important must be followed to avoid damage to this product.
Note:	Notes contain useful or additional information on the operation of this product.
	Indicates related content.

Screenshots

- Screenshots used in this manual may differ slightly from the actual screen. Screens may also differ depending on the operating system and usage environment.
- Unless otherwise stated, the Windows screenshots used in this manual are from Windows 10.

Illustrations

The illustrations may differ slightly from the model you are using. Please be aware of this when using the manual.

Manual Organization

The manuals for the product are organized as shown below.

You can view the PDF manuals using Adobe Reader or Preview (Mac).

Setup Guide (booklet)	This manual provides information on how to setup the printer after unpacking it from the box. Make sure you read this manual to perform operations safely.
User's Guide (Excerpt) (PDF)	This manual explains the necessary basic operations and maintenance for daily use.
Online Manual	
User's Guide (this guide)	This manual explains basic operations and necessary items for daily use, maintenance operations, and troubleshooting.
Epson Video Manuals	These videos show you how to load T-shirts (media) and perform maintenance.
Network Guide (PDF)	This manual provides information on using the printer over a network.

Viewing Video Manuals

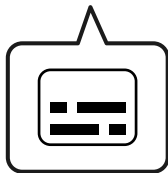
The video manuals have been uploaded to YouTube.

Click **Epson Video Manuals** from the top page of Online Manual, or click the following blue text to view the manuals.

[Epson Video Manuals](#)

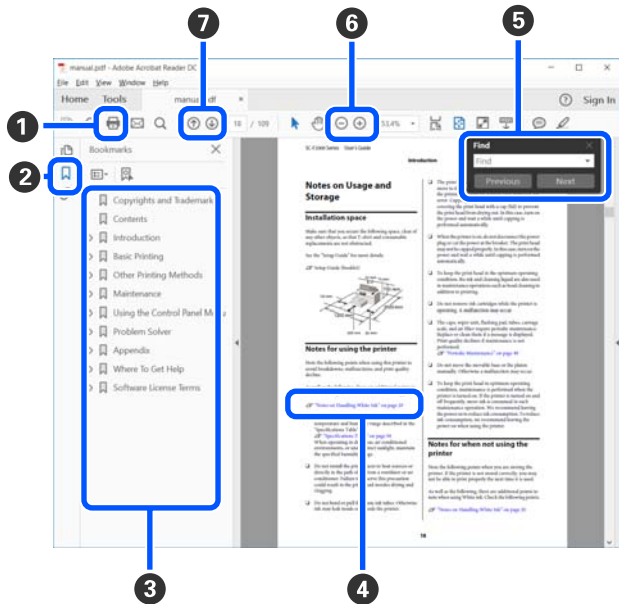
Viewing the Manuals

If the subtitles are not displayed when you play the video, click the subtitles icon shown in the image below.



Viewing PDF Manuals

This section uses the Adobe Acrobat Reader as an example to explain the basic operations for viewing the PDF in Adobe Acrobat Reader DC.



- 1 Click to print the PDF manual.
- 2 Each time it is clicked the bookmarks are hidden or shown.

- 3 Click the title to open the relevant page.
Click [+] to open the titles lower in the hierarchy.
- 4 If the reference is in blue text, click the blue text to open the relevant page.

To return to the original page, do the following.

For Windows

While pressing the Alt key press the ← key.

For Mac

While pressing the command key press the ← key.

- 5 You can input and search for keywords, such as the names of items you want to confirm.

For Windows

Right click on a page in the PDF manual and select **Find** in the menu that is displayed to open the search toolbar.

For Mac

Select **Edit** in the **Find** menu to open the search toolbar.

- 6 To enlarge the text in the display that is too small to see well, click ⊕ . Click ⊖ to reduce the size. To specify a part of an illustration or screenshot to enlarge, do the following.

For Windows

Right click on the page in the PDF manual and select **Marquee Zoom** in the menu that is displayed. The pointer changes to a magnifying glass, use it to specify the range of the place you want to enlarge.

For Mac

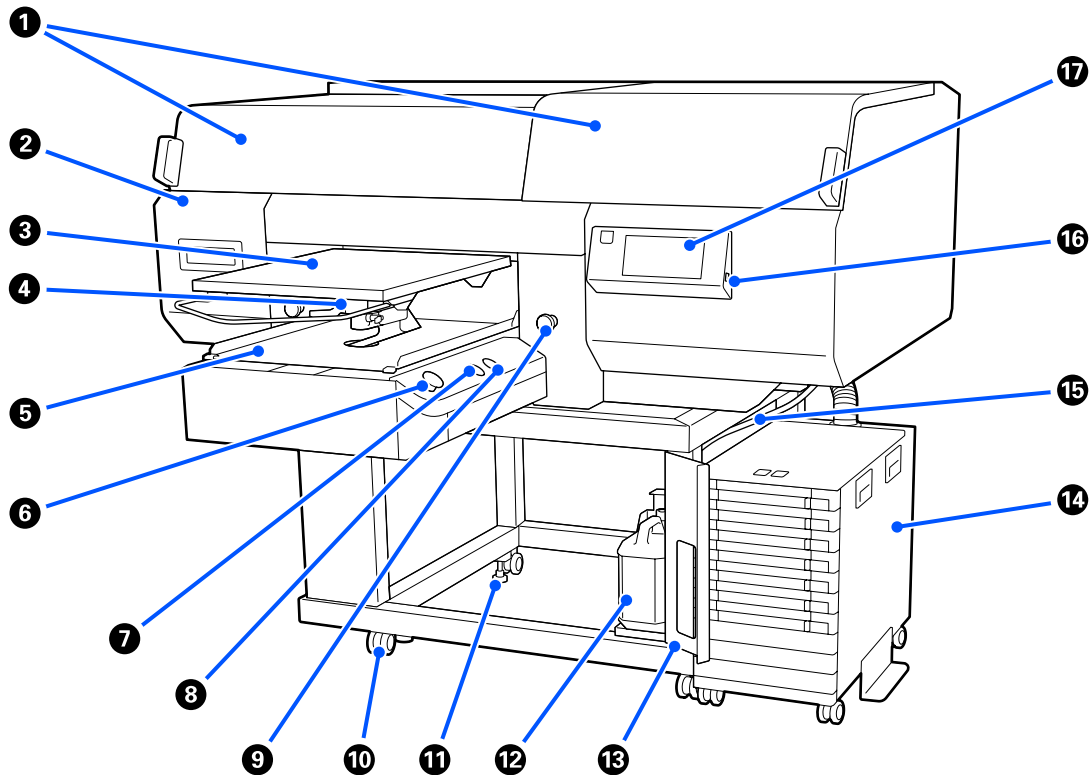
Click **View** menu - **Zoom** - **Marquee Zoom** in this order to change the pointer to a magnifying glass. Use the pointer as a magnifying glass to specify the range of the place you want to enlarge.

- 7 Opens the previous page or next page.

Introduction

Printer Parts

Front Section



1 Printer Cover (left)/(right)

Open when replacing consumables and cleaning the suction caps. Normally closed when using the printer.

Note:

Items can be placed on top of the printer covers. (The right side and left side can each support up to 5 kg.)

There is a risk of damage or injury if anything falls off, so do not open or close the covers while anything is on top of them.

2 Maintenance Cover

Open to clean the print head.

Introduction

3 Platen

A plate for loading T-shirts. As well as the platen supplied with the printer, there are five optional platens available to suit the size and purpose of the print job.

 [“Options and Consumable Products” on page 133](#)

4 Platen Gap Lever

Use to adjust the platen's position. The height can be selected from 9 levels.

 [“How to change the platen position” on page 58](#)

5 Movable Base

Moves the platen to the print position and the T-shirt loading position.

6 button (Start button)

Press to start printing. The button becomes a lamp that lights or flashes to indicate the printer is ready to start printing.

On : Ready to print.

Flashing : Printing.

7 button (Pause button)

If you press this button after a job has been sent, the Cancel Job confirmation screen is displayed. You can cancel the current print process by selecting **Cancel**.

If you press this button while a message or menu is displayed, the message or menu is closed and you are returned to the Ready screen.

8 button (Platen Move button)

Press this button while the platen is in front of the printer to move it inside the printer. When you press this button when the platen is inside the printer, the platen moves to the front. Press it while the platen is moving to stop it.

9 Emergency Stop Button

They are on the left and right sides of the movable base. Press them in an emergency to stop the platen and cut off the power supply.

 [“Emergency stop button was pressed” on page 132](#)

10 Casters

There are two casters each on the left and right side legs. Once installation is complete, the front casters should be kept locked while the printer is in use.

11 Adjustable feet

There are two adjustable feet each on the left and right side legs. Once installation is complete, be sure to lower them to the floor before using the printer.

 *Setup Guide* (booklet)

Introduction

12 Waste Ink Bottle

A bottle for collecting waste ink. Replace it with a new waste ink bottle when a message is displayed on the control panel prompting you to do so.

 [“Disposing of Waste Ink” on page 92](#)

13 Waste Ink Bottle Cover

Open to replace the waste ink bottle. Normally closed when using the printer.

14 Ink Unit

 [“Ink Unit” on page 14](#)

15 Waste Ink Tube

Tubes for ejecting waste ink. Be sure the end of this tube is in the waste ink bottle while the printer is in use.

16 USB Memory Port

Connect the USB memory stick here.

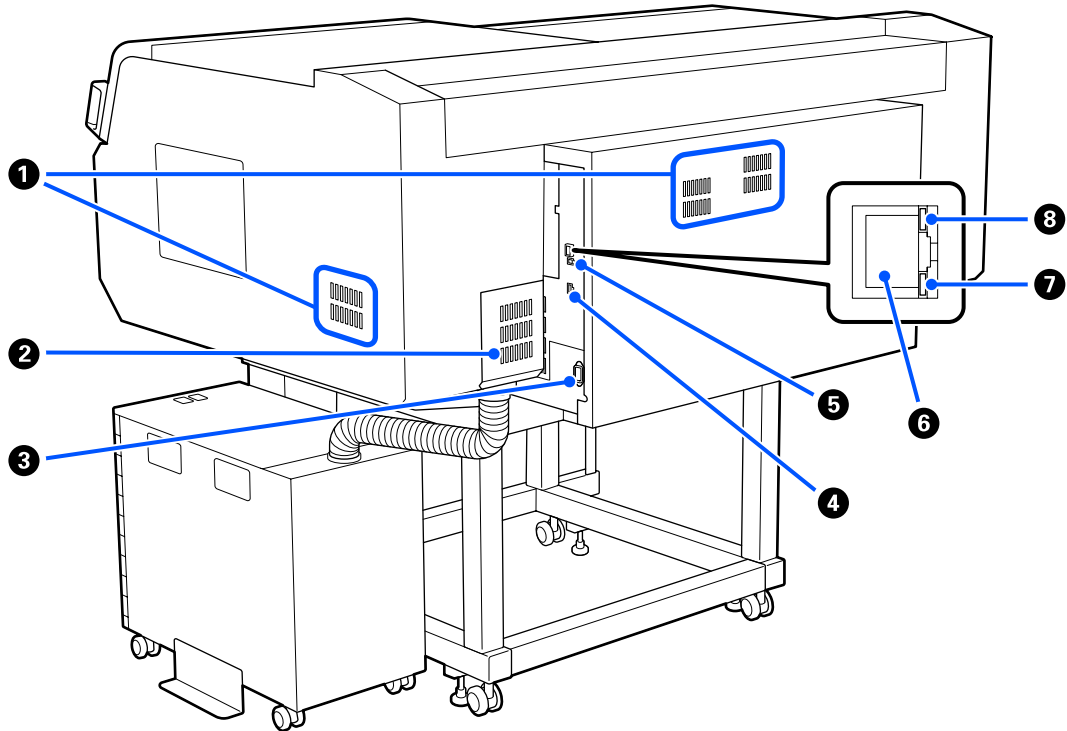
 [“Printing from a USB Memory” on page 73](#)

17 Control Panel

 [“Control Panel” on page 16](#)

Introduction

Rear Section



1 Vent

Allows air to flow into the printer. The vents are on both the left and right sides. Do not block the vents.

2 Connector Cover

Do not open and close this after the ink unit's connector is connected to the printer during setup.

3 AC Inlet

Connect the power cable supplied with the printer here.

4 Optional Port

Connect the connection cable supplied with the ink unit.

5 USB Port

Connect the USB cable here.

6 LAN Port

Connect the LAN cable here. Use a shielded twisted pair cable (category 5 or higher).

Introduction

7 Data Light

Indicates the network connection status and data reception by lighting or flashing.

On : Connected.

Flashing : Connected. Receiving data.

8 Status Light

Indicates the network transmission speed by the color of the light.

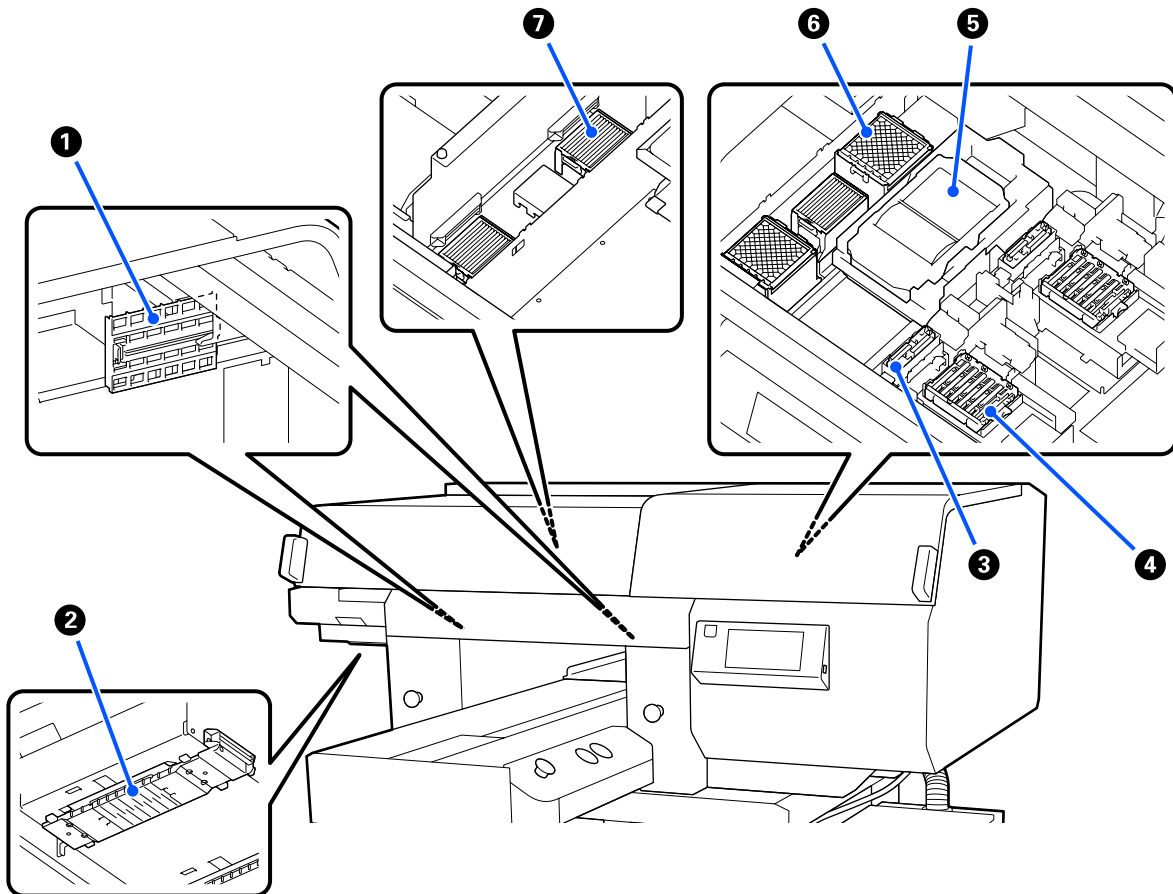
Red : 100Base-TX

Green : 1000Base-T

Introduction

Interior

Dirt on any of the following parts may reduce print quality. Regularly clean and replace these parts as described in the reference pages shown for the following items.



1 Sensor Cover (2 places, left and right)

They protect the sensors, which are on the left and right sides of the opening and detect the position of the platen, so they do not get dirty. Clean them if a message is displayed.

 [“Cleaning the Sensor Cover” on page 81](#)

2 Print Head

The print head prints by moving left and right while emitting ink. There are two print heads, one for white and one for colors. When nozzles remain clogged, even after doing **Head Cleaning**, clean them.

 [“Clean around the print head and the edges of the metal” on page 83](#)

3 Suction Cap

Sucks out the ink during head cleaning to unclog the nozzles. There are two suction caps, one for white and one for colors. Clean them if a message is displayed.

 [“Cleaning the Suction Cap” on page 85](#)

Introduction

4 Anti-Drying Caps

Caps that close the print head nozzles to prevent them from drying while not printing. There are two anti-drying caps, one for white and one for colors. Anti-drying caps are consumables. Replace them if a message is displayed.

 [“Replacing the Anti-Drying Caps” on page 96](#)

5 Wiper Unit

Used to wipe off the ink that is stuck to the print head nozzles. Wiper units are consumables. Replace them if a message is displayed.

 [“Replacing the Head Cleaning Set” on page 94](#)

6 Flushing Pad (2 places, front and back)

The ink is ejected to here during flushing. Flushing pads are consumables. Replace them if a message is displayed.

 [“Replacing the Head Cleaning Set” on page 94](#)

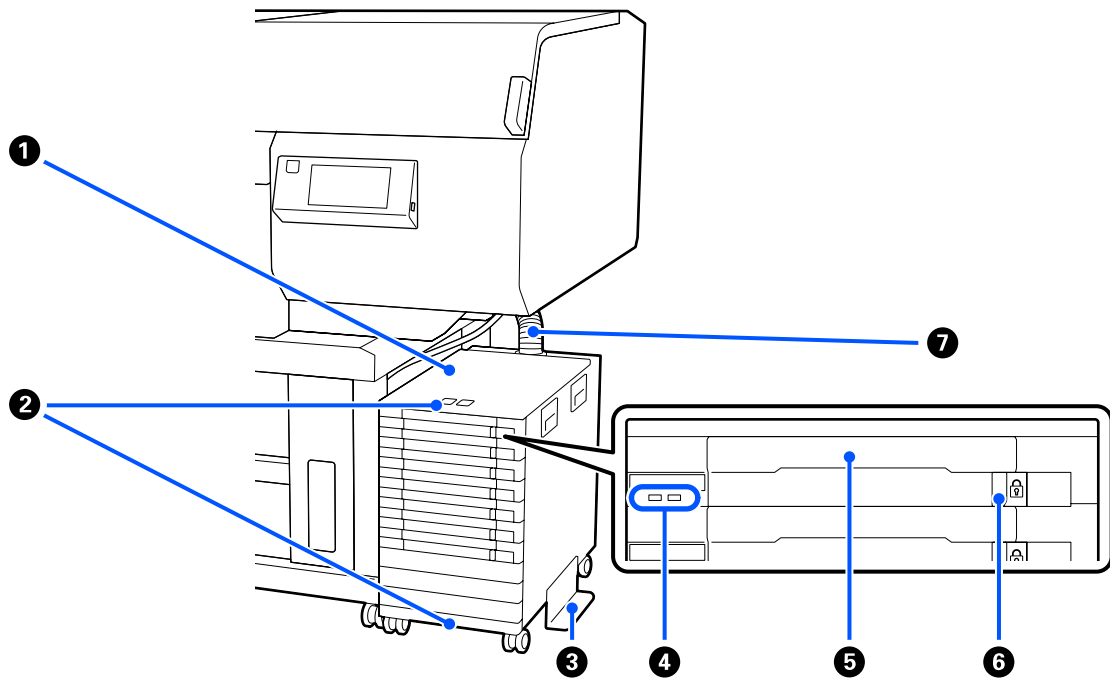
7 Air Filter (3 places total, left and right)

The air from the printer passes through this filter during operation. Air filters are consumables. Replace them if a message is displayed.

 [“Replacing the Air Filters” on page 98](#)

Introduction

Ink Unit

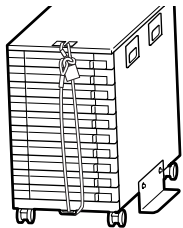


1 Ink Unit

The ink unit supplies ink to the printer. Insert ink supply units into all the ink supply unit trays.

2 Security Cable Bracket

Pass a commercially available security cable through the upper and lower mounting parts to prevent the ink supply unit from being stolen.



3 Overturn-Prevention Plate

Be sure the overturn-prevention plate is attached to the ink unit to prevent it from overturning.


Introduction

4 LED Light

The LED lamp indicates, by lighting or flashing, the status of the ink unit and the ink supply units inserted into their trays, as shown below.

Lit blue : Ink is being supplied to the printer. Do not pull out the tray.

Flashing blue: It is time to shake the ink supply unit. Pull out the tray and shake it.

 [“Shaking” on page 89](#)

Lit or flashing orange : An error or warning has occurred. The type of error or warning is indicated by how the lamp lights or flashes.

You can check the details of the error or warning on the control panel's screen.

Off : No error. You can pull out the tray if needed.

5 Ink Supply Unit Tray

Insert the ink supply unit for the color indicated on the label. Place all of the ink supply unit trays in the ink unit.

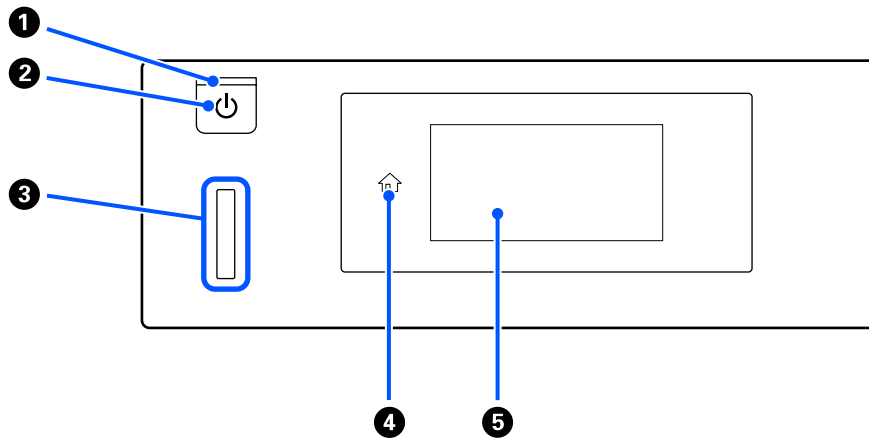
6 Lock Switch

To pull out a tray, unlock it by shifting the lock switch to the right. After placing the tray in the ink unit, lock it by shifting the lock switch to the left.

7 Ink Tube

This tube supplies ink from the ink supply unit to the printer.

Introduction


Control Panel
**1**  **light (Power light)**

Indicates the printer's operational status by lighting or flashing.

On : The power is on.

Flashing : The printer is operating such as receiving data, shutting down, or moving the movable base.

Off : The power is off.

2  **button (Power button)**

Turns the power on and off.


3 **Alert Lamp**


Lights or flashes when an error occurs.

Lights or flashes : An error has occurred. The type of error is indicated by how the lamp lights or flashes.

Check the contents of the error on the control panel's screen.

Off : No error.

4  **(Home)**

Press this button while a menu is displayed to return to the Home screen. It is turned off when  (Home) cannot be used.

5 **Screen**

This is a touch panel that displays the printer's status, menus, and error messages. You can select the menu items and options displayed on this screen by gently touching (tapping) them, and scroll the screen by moving your finger while it remains touching the screen.

 [“Understanding and Operating the Display” on page 17](#)

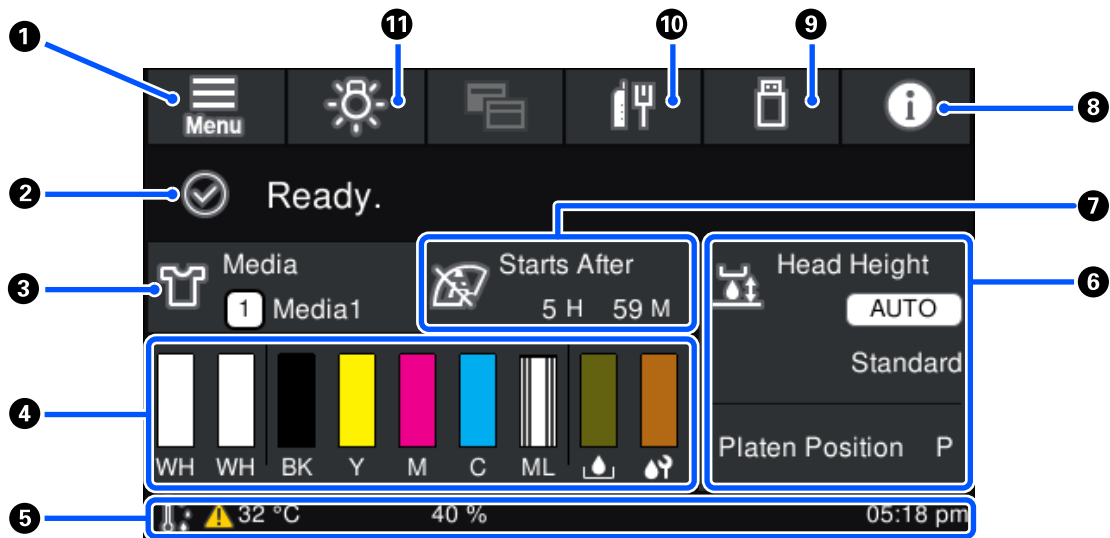
Understanding and Operating the Display

Screen View

The section describes the three states of the display; the home screen, receiving print jobs, and printing.

Home screen

You can do settings and check the status of the printer.




1  **(Menu)**

Displays the settings menu.

[👉 “Control Panel Menu” on page 106](#)

2 **Status display area**

Displays notifications, such as the status of the printer and when to replace consumables. Only the most recent notifications are shown in this area. You can check all the notifications by pressing  (information).

3 **Media info**

Displays the name and number of the currently selected media settings. Pressing this area displays the **Media Settings** menu for doing settings, in which you can change to a different media setting number or change the settings of the media setting number that is currently selected.

[👉 “Media Settings menu” on page 116](#)

4 **Status of consumables**

The status of the ink supply unit/cleaning ink supply unit, waste ink bottle, and head cleaning set are displayed as follows. Pressing this area shows the details screen, in which you can check the part numbers for consumables, etc.

Introduction



Status of Ink Supply Unit/Cleaning Ink Supply Unit

Displays the approximate level of ink/cleaning liquid remaining. The bar goes lower as the remaining ink runs low. The letters under the bar are abbreviations of the colors. The relation of the abbreviations and the ink colors is shown below.

WH : White

CL : Cleaning Ink Supply Unit

BK : Black

Y : Yellow

M : Magenta

C : Cyan

ML : Maintenance Liquid

The icons appear according to the status of the ink supply unit. The meanings of the icons is as follows.



: Ink is low. You need to prepare a new ink supply unit.



: It is time to shake the ink supply unit. Shake the ink supply unit.

[🔗 “Shaking method” on page 89](#)




: The cleaning ink supply unit is installed.



Waste Ink Bottle status


Displays the approximate amount of space available in the waste ink bottle. The bar goes lower as the amount of remaining space decreases.

You need to prepare a new waste ink bottle when the  icon appears.



Head Cleaning Set status


Displays the status of the remaining wiper unit. The bar goes lower according to the status of the remaining wiper unit.

You need to prepare a new head cleaning set when the  icon appears.

5 Footer

Introduction

The left side shows the temperature and humidity around the printer, and the right side shows the current time and a guide to buttons that can be operated.

The  icon is displayed when the temperature around the printer exceeds approximately 30°C. If you continue to use the printer while this is displayed, the frequency of maintenance cleanings* increases from that when the printer is used below 30°C. Reduce the room temperature or temporarily stop printing to reduce the temperature around the print head.

* This is head cleaning that the printer automatically does, after a period of time has passed, to keep the print heads in good condition.

6 Platen Gap/Platen Position

The top side displays the settings for the **Platen Gap** for the currently selected media settings.

The bottom side displays the current position of the platen gap lever.

Pressing this area displays the setting screen for the **Platen Gap**.



7 Notice on when to do maintenance cleaning

Displays the time remaining until maintenance cleaning. There may be large variations in the time when it is executed depending on the temperature around the print heads.

Pressing this area displays the following items on the screen.

- Time remaining until maintenance cleaning is executed
- Time, or number of pages printed, until Periodic Cleaning is executed
- Menu to execute preventive cleaning
When it is almost time to implement maintenance cleaning, implementing cleaning in advance is effective at preventing printing from being interrupted.

8 (Information)

When there are notifications, such as about running low on consumables,  appears at the top right of the icon, like . Pressing **Message List**, in the screen that appears when this button is pressed, displays a list of notifications for matters that need to be handled. You can check detailed information and the handling procedure for an item by pressing it in the list. Items are deleted from the list as those items are handled.

9 (Printing jobs in USB memory)


You can select and then print/delete print jobs in a USB memory. This is only enabled when a USB memory is connected.


 [“Printing from a USB Memory” on page 73](#)


10 / (network connection status and network settings)

Introduction

The status of wired LAN network connections is shown by the following icons.

Connection on: 


Connection off: 

Press this area while either of the above icons is displayed to open the **Network Settings** setup screen. When the icon looks like , it is disabled.

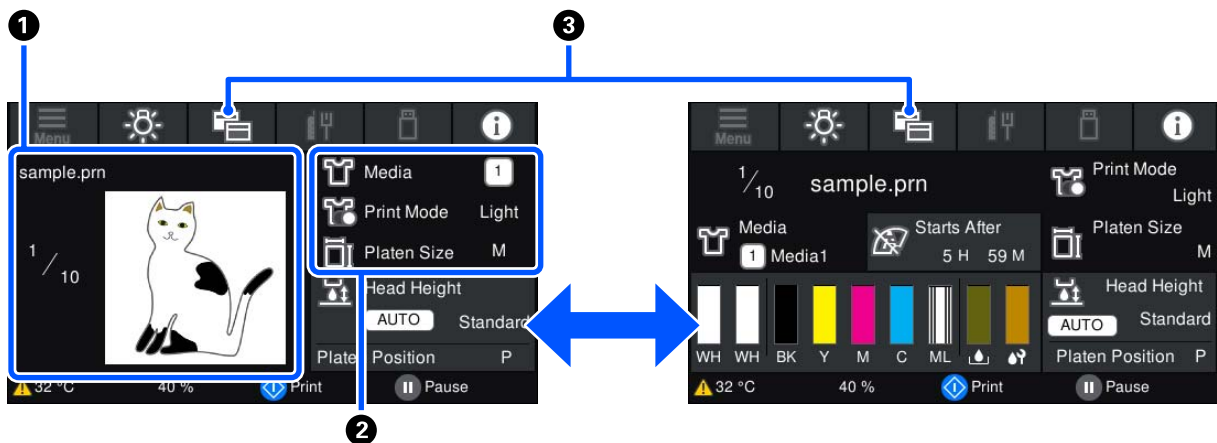
11 (Inside Light)

Switches the internal lamp on or off. Press this button to turn off the inside light, when it is on. Pressing it while the inside light is off, turns it on. It may not light, even if you turn it on, depending on the state of printer operations.

When receiving print jobs

When a print job is sent to the printer, the screen changes to the preview screen (screen below on the left). After a job is received, starting printing by pressing the  button changes the screen to the information screen (screen below on the right).

This section explains only the differences from other screens.



1 **Image preview area**

You can check a preview image of the print job. The number of prints is shown on the left side of the preview image.

2 **Print settings confirmation area**

Displays the media settings selected on the printer and the print job.


3 (Switch display)

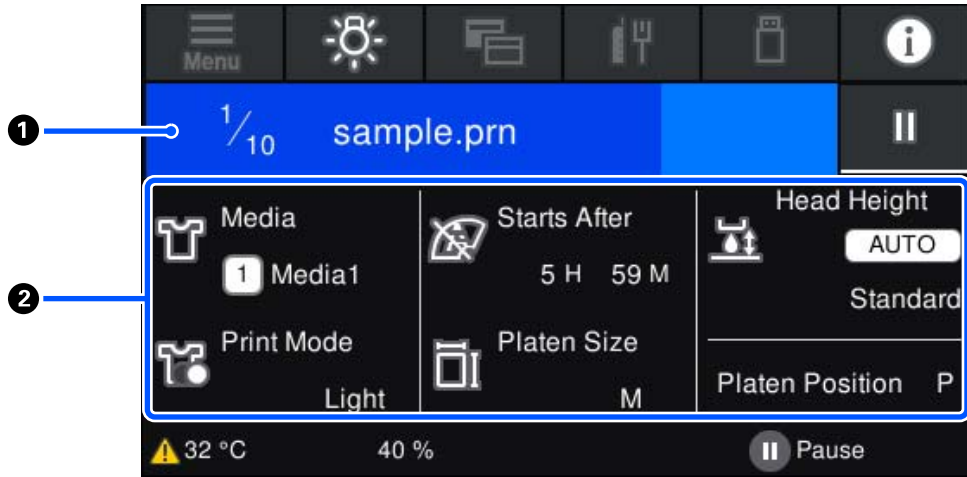
Each time this button is pressed, the display switches between the information screen and the preview screen.

This button is only enabled when a print job has been received.



Introduction

While printing

Starting printing by pressing the  button switches to the following screen. This section explains only the differences from other screens.



1 Status display area

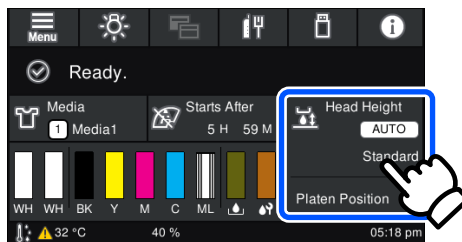
- ❑ The color gradually changes from the left edge to the right edge of the area to show the progress of printing.
- ❑ The  (pause) icon is displayed on the right edge of the area. It has the same function as the  button on the printer.

2 Setting/status confirmation area

Displays the settings of the printer and the print job that is currently printing. The settings cannot be changed while printing.

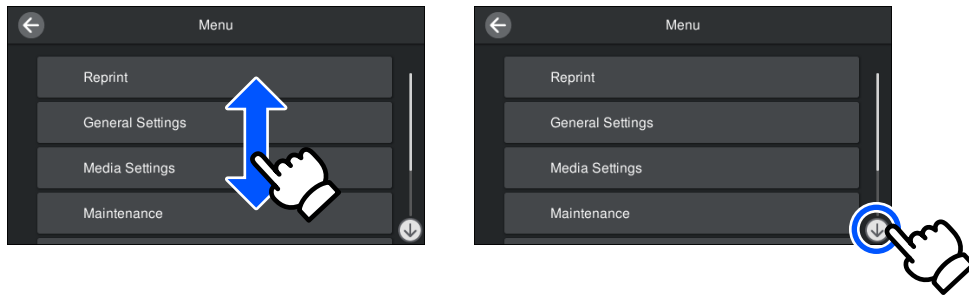
Operating procedure

The operation areas are gray tiles in the home screen, print job receiving and printing screen. Pressing them changes the screens and settings. The area with a black background is the display area. It does not respond if you press it.

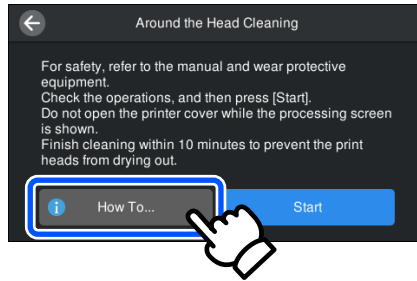


Introduction

Operation areas do operations when pressed. As shown below, when a scroll bar is displayed, you can scroll the screen by moving (sliding) your finger up and down on the screen. You can also scroll by pressing the up and down icons on the scroll bar.



When there is a **How To** button, such as in a message screen, you can press this button to look at a guide for the operating procedure.



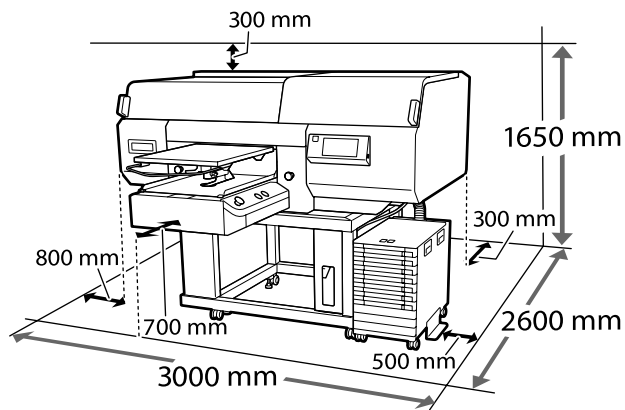
Notes on Usage and Storage

Installation space

Be sure to keep the following space clear and place nothing in it, so that loading T-shirts and consumable replacements are not obstructed.

See the *Setup Guide* for details.

 [Setup Guide](#) (booklet)



Notes for using the printer

Note the following points when using this printer to avoid breakdowns, malfunctions, and print quality decline.

As well as the following, there are additional points to note when using White ink. Check the following points.

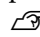
 ["Notes on Handling White Ink" on page 25](#)

- ❑ When using the printer, observe the operating temperature and humidity range described in the "Specifications Table".

 ["Specifications Table" on page 147](#)

When operating in dry areas, air conditioned environments, or under direct sunlight, maintain the specified humidity range.

- ❑ Do not install the printer next to heat sources or directly in the path of air from a ventilator or air conditioner. Failure to observe this precaution could result in the print head nozzles drying and clogging.

- ❑ Do not bend or tug the waste ink tube. Ink could spill inside or around the printer.
- ❑ The print head may not be capped (the print head may not return to the right side) if the printer is turned off when the media is jammed or an error has occurred. Capping is a function for automatically covering the print head with a cap (lid) to prevent the print head from drying out. In this case, turn on the power and wait a while until capping is performed automatically.
- ❑ When the power is on, do not remove the power plug or cut the power at the breaker. The print head may not be capped properly. In this case, turn on the power and wait a while until capping is performed automatically.
- ❑ To keep the print head in the optimum operating condition, the ink and cleaning liquid are also used in maintenance operations such as head cleaning in addition to printing.
- ❑ Do not remove ink supply units while the printer is operating. A malfunction may occur.
- ❑ Maintenance, such as cleaning and replacing consumables, must be performed according to usage frequency or at recommended intervals. Print quality declines if maintenance is not performed.
 ["Maintenance" on page 76](#)
- ❑ Do not move the movable base or the platen manually. Otherwise a malfunction may occur.
- ❑ To keep the print head in optimum operating condition, maintenance is performed when the printer is turned on. If the printer is turned on and off frequently, more ink is consumed in each maintenance operation. We recommend leaving the power on to reduce ink consumption. To reduce ink consumption, we recommend that you always leave the printer power on.

Notes for when not using the printer

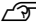
Note the following points when you are storing the printer. If the printer is not stored correctly, you may not be able to print properly the next time it is used.

As well as the following, there are additional points to note when using White ink. Check the following points.

Introduction

 [“Notes on Handling White Ink” on page 25](#)

- ❑ If the printer will not be used (and will be switched off) for an extended period, use the cleaning ink supply unit (sold separately) to do the long-term storage process. If the printer is left in this condition, it may be impossible to clear clogging in the print head. See the following for details.

 [“Pre-Storage Maintenance for Long-Term Non-Use” on page 103](#)

- ❑ If you do not print for a long time and do not do the long-term storage process, turn the printer on at least once every seven days.

If you do not print for a long time, the print head nozzles may become clogged. Maintenance cleaning is performed automatically after the printer is turned on and started. Maintenance cleaning prevents clogged print heads and maintains print quality. Do not turn the printer off until maintenance cleaning is complete.

- ❑ If you do not use the printer for a long time, make sure you check for clogged nozzles before printing. If clogged nozzles are detected in the print head, perform print head cleaning.

 [“Checking for clogged nozzles” on page 100](#)

- ❑ Even if the printer is not turned on, ink that has accumulated in the waste ink tubes may leak out. Make sure the waste ink bottle is installed even when the printer is not on.

- ❑ Make sure that the print head has been capped (the print head is positioned at the right edge) before storing the printer. If it is left uncapped for a long time, the print quality may decline, and it may be impossible to clear clogged nozzles. If the print head is not capped, turn the printer on, check that capping has been performed, and then turn it off.


- ❑ Close all covers when storing the printer to prevent dust and other foreign matters getting in. If the printer will be not be used for an extended period, protect it with an anti-static cloth or other cover.

The print head nozzles are very small, and they can become clogged easily if fine dust gets on the print head, and you may not be able to print properly.

Notes on Handling Ink Supply Units/Cleaning Ink Supply Units

Note the following points when handling Ink Supply Units/Cleaning Ink Supply Units to maintain good print quality.

As well as the following, there are additional points to note when using White ink. Check the following points.

 [“Notes on Handling White Ink” on page 25](#)

- ❑ When installing ink supply units for the first time, a lot of ink is consumed to fill all parts of print head nozzles to get the printer ready for printing. Prepare replacement ink supply units well in advance.

- ❑ Store Ink Supply Units/Cleaning Ink Supply Units at room temperature in a location that is not exposed to direct sunlight.

- ❑ To ensure print quality, we recommend using all the ink in the ink supply units before the earlier of the following dates:

- ❑ The expiry date shown on the packaging

- ❑ One year from the day they are inserted into the Ink Supply Unit Tray

- ❑ Ink Supply Unit/Cleaning Ink Supply Unit that have been stored at low temperatures for an extended period should be allowed to return to room temperature over a period of four hours before use.

- ❑ Do not touch the Ink Supply Units/Cleaning Ink Supply Units IC chips. Doing so may prevent normal operation and printing.

- ❑ Printing is not possible unless Ink Supply Units are installed in all of the Ink Supply Unit Trays that are installed in the Ink Unit.

- ❑ Do not leave the printer without ink supply units installed. The ink in the printer may dry, preventing it from printing as expected. Leave ink supply units inserted in all Ink Supply Unit Trays, even when the printer is not in use.

Introduction

- ❑ Even if the Ink Supply Units/Cleaning Ink Supply Units are removed from the printer, they can be re-installed and used because their IC chips manage their information, such as the amounts remaining in them.
- ❑ Before you store ink supply units that you remove during use, use a wide cleaning stick from the supplied Maintenance Kit to adsorb the ink stuck on their ink supply ports. Dried ink on the supply port may cause ink leaks when the ink supply unit is reinserted and used.
See the following for more information on cleaning methods.
[🔗 “Performing Pre-storage Maintenance” on page 103](#)
Make sure that the supply port is free of dust when storing ink supply units. The port does not need to be capped since there is a valve inside.
- ❑ Removed ink supply units may have ink around the ink supply port, so be careful not to get any ink on the surrounding area.
- ❑ To maintain the quality of the print head, the printer is designed to stop printing before ink is completely expended, leaving ink in the used ink supply units.
- ❑ Although the Ink Supply Units/Cleaning Ink Supply Units may contain recycled materials, it does not affect the printer's function or performance.
- ❑ Do not dismantle or modify Ink Supply Units/Cleaning Ink Supply Units. You may not be able to print properly.
- ❑ Do not drop or knock the Ink Supply Units/Cleaning Ink Supply Units against hard objects; otherwise ink may leak from them.
- ❑ Ink Supply Units (except for WH) that have been loaded in the Ink Unit must be removed and thoroughly shaken once every month.
WH must be removed and thoroughly shaken every day before starting printing work.
You do not need to shake the Cleaning Ink Supply Unit and ML.
Shaking ink supply units [🔗 “Shaking” on page 89](#)

Notes on Handling White Ink

A characteristic of White ink is that it sediments easily (ink particles sink to the bottom of the liquid). If the ink is used while in this state, print quality may decline or the printer may malfunction. Note the following points to use the printer under optimum conditions.

- ❑ Ink supply units that have been loaded must be removed and thoroughly shaken before starting work and once every 24 hours (when a message is displayed).
[🔗 “Shaking and Replacing Ink Supply Units” on page 89](#)
- ❑ Print quality may decline due to the ink's components sedimenting in the ink tubes. See the following if there is not enough white or the white is uneven in the print results.
[🔗 “Not enough or uneven whiteness” on page 130](#)
- ❑ When storing ink supply units, place them down flat (keep them level). If ink supply units are stored standing upright, you may not be able to clear the sedimentation even by shaking them.
- ❑ If the printer will not be used for more than 2 weeks, use the cleaning ink supply unit (sold separately) to do pre-storage maintenance. If the printer is left in this condition without performing maintenance, it may be impossible to clear clogging in the print head.
[🔗 “Pre-Storage Maintenance for Long-Term Non-Use” on page 103](#)

Note:

While in White ink mode, White ink is still consumed during maintenance even when printing with color ink only.

Notes on Handling T-shirts (Media)

Note the following points when handling and storing printed T-shirts.

- ❑ Avoid locations that are subject to direct sunlight, excessive heat, or humidity. If T-shirts are stored in a hot place after printing, the printed surface may soften and stick.

Introduction

- ❑ Do not use a tumble drier.
- ❑ Do not dry clean.
- ❑ Turn the T-shirt inside out before washing, and then let it dry while inside out.
- ❑ Do not use bleach. It may cause discoloration.
- ❑ Do not iron directly on the printed surface.
- ❑ Do not expose to direct sunlight for extended periods of time.
- ❑ Do not use organic solvents such as alcohol.
- ❑ Do not rub the printed surface against vinyl chloride based artificial leather. The colors may transfer to the leather.
- ❑ Colors may transfer if you rub the surface printed with color ink only against a surface printed with White ink only. If this happens, use a soft cloth or brush with a little household detergent to wipe away the transferred color.
- ❑ If you have applied pre-treatment liquid and fixed the ink, we recommend washing the T-shirt in water before wearing it to remove the remaining traces of pre-treatment liquid.
- ❑ If traces of the pre-treatment liquid are visible, try washing in water; however, the effects depend on the material of the T-shirt.
- ❑ If pre-treatment liquid is applied to a white or light-colored T-shirt, the application side may turn yellow. Print soon after applying the pre-treatment liquid and wash in water. Avoid direct sunlight if you store the T-shirt without printing.

Introduction

Introducing the Supplied Software

Supplied software

The following table shows the software that is supplied.



Windows versions are provided on the software disc that is supplied. If you are using a Mac or a computer without a disc-drive, you can download and install the software from the following link: <http://epson.sn>.

For information about the software, see the manual for the application or the *Network Guide* (Online Manual).

Note:

Printer drivers are not provided. To print, you need software for the printer; Garment Creator for SC-F3000 Series or software RIP.

The Epson Web site provides plug-ins for the printer.

Software Name	Summary
Garment Creator for SC-F3000 Series*	<ul style="list-style-type: none"> ❑ You can load images created with commercially available drawing software, make the following settings, and then create jobs. <ul style="list-style-type: none"> ❑ Set the position and size of the image according to the platen size used for printing. ❑ Set the Print Quality and so on ❑ You can send created jobs to the printer or save them to your computer. <p> "Creating and Sending Jobs" on page 46</p>
Garment Creator Easy Print System* (Windows only)	<p>This software allows you to create a hot folder for printing. By simply copying an image file to the hot folder, you can automatically create a print job and send it to the printer. This is useful when frequently printing using the same print and layout settings. Install this software on the computer on which Garment Creator for SC-F3000 Series is installed.</p>
Epson Edge Dashboard*	<ul style="list-style-type: none"> ❑ You can easily acquire the following variety of information provided by Epson on the internet. <ul style="list-style-type: none"> ❑ Update information for the printer firmware (you can update the firmware easily from Epson Edge Dashboard) ❑ Update information (when update information is available, start EPSON Software Updater to perform the update) for software and manuals installed from the supplied software disc and setup navigator. ❑ Information from Epson ❑ With Epson Edge Dashboard installed, you can monitor the status of the printer connected to a computer over a network or USB connection. <p> "Using Epson Edge Dashboard" on page 29</p>
EPSON Software Updater	<p>The software checks if new software or update information is available on the Internet and installs it if it is available. It can also update the printer's manuals, Garment Creator for SC-F3000 Series, and Epson Edge Dashboard.</p>
Epson communications drivers (Windows only)	<p>Epson communications drivers is required to use Epson Edge Dashboard, or Garment Creator for SC-F3000 Series, and when a computer is connected to the printer via USB. Make sure these are installed.</p>


Introduction

Software Name	Summary
Install Navi	This is the installer. During installation, you can easily use a wizard to set the address settings for connecting to a network.
EpsonNet Config SE	With this software, you can configure various network settings for the printer from your computer. This is useful as it allows you to enter addresses and names using the keyboard.

* Download and install the software from the Internet. Connect your computer to the Internet and install the software.

Built-in Software in the Printer

The following software comes preinstalled in the printer. Start and use it from a Web browser via the network.

Software Name	Function
Web Config	<p>This software is for network administrators.</p> <p>The network security settings can be configured from Web Config. This software also has an email notification function for notifying of printer errors and other problems.</p> <p> "How to Use Web Config" on page 34</p>

Introduction

Using Epson Edge Dashboard

This section explains the following basic operating procedures.

- Checking and Managing the Printer's Status
- Copying media settings

Instructions for Starting

Epson Edge Dashboard is a web application.

- 1** The application can be launched using the following methods.

Windows

Click the **Epson Edge Dashboard** icon on the desktop toolbar, and select **Show Epson Edge Dashboard**.



Mac

Click the **Epson Edge Dashboard** icon displayed on the menu bar of the desktop, and select **Show Epson Edge Dashboard**.



- 2** Epson Edge Dashboard starts.

Registering the Printer

The Epson Edge Dashboard can monitor, manage, and copy media settings to registered printers.

On Windows computers, printers are registered automatically. This allows you to monitor and manage them immediately after starting the Epson Edge Dashboard. If your printer is not automatically registered, check that you are using it under the following conditions, and then register it manually.

- A communication driver provided with the printer has been installed on a computer

- The computer and printer are connected
- The printer is on standby

Printers are not automatically registered to Mac. Register your printer manually from the Printer Registration screen. This screen is displayed upon starting up Epson Edge Dashboard for the first time.

Manual registration procedure

- 1** Check the printers displayed on the printer list.

Windows

Make sure that the printer you want to register is on the printer list. Click **Add Search** as needed to search for printers you can register. Any printers that are found are added to the printer list.

Mac

- If your computer and printers are connected via USB
Click **Add Search** to place the printers on the list.
- If your computer and printers are connected via a network
Click **Search Option**, enter the IP address of the printer on the network, and click **+**. Next, click **Add Search** to place the printer you want on the list.

- 2** Place a beside the **Name** of the printer you want to register.

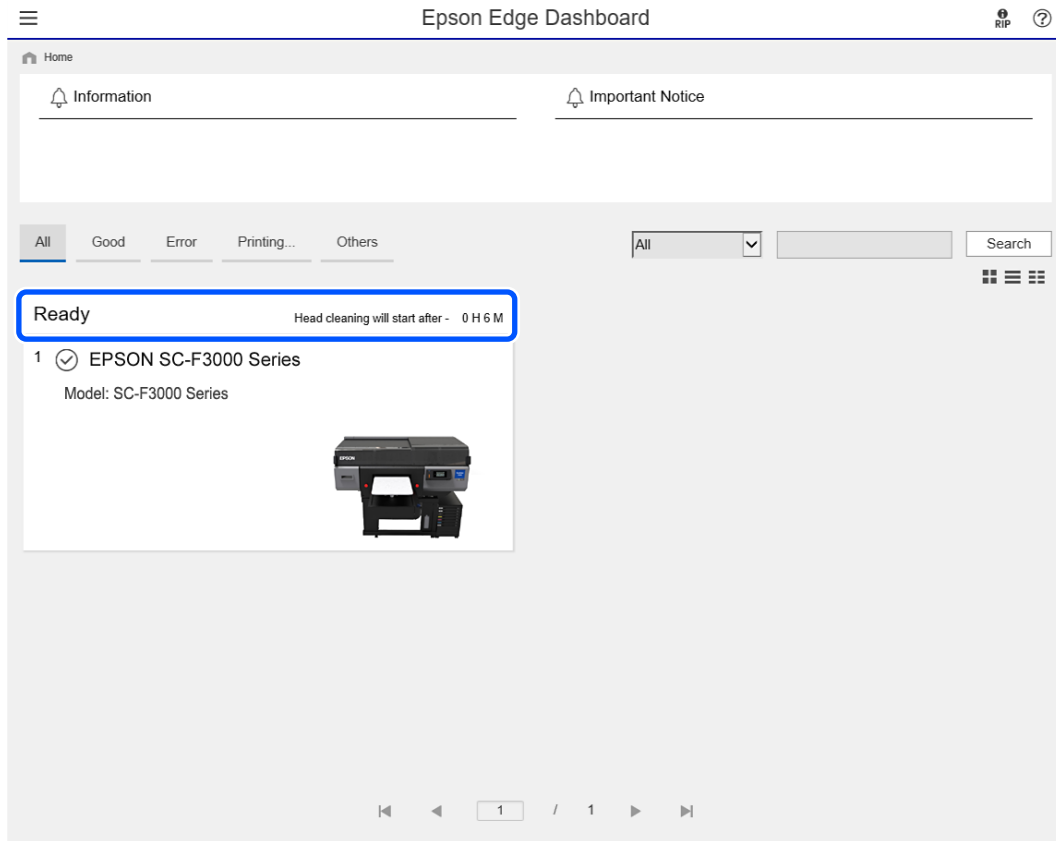
- 3** Click **Apply**.
The changes made to the printer list are applied.

Introduction

Checking and Managing the Printer's Status

Follow the next steps on the Printer Operation screen to check and manage the printer's status.

- 1 In the Home screen, click the area surrounding the printer that you want to check.

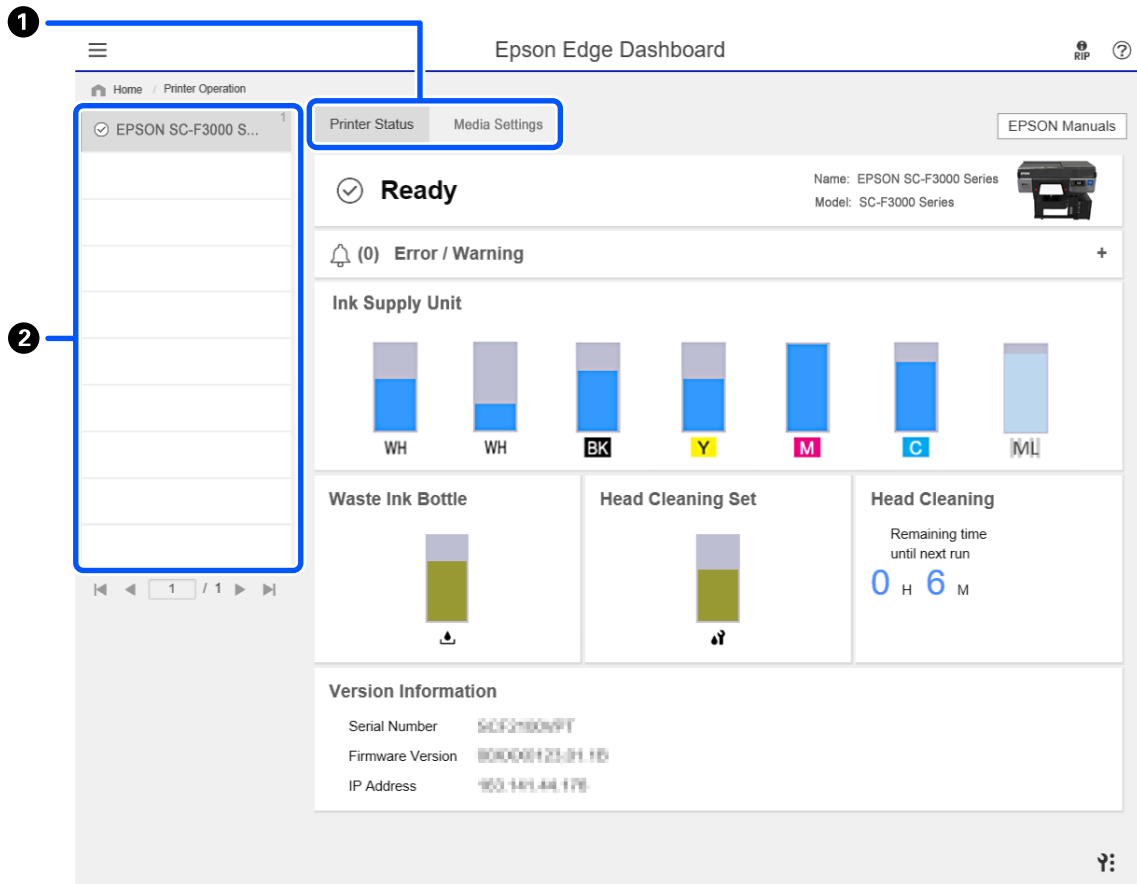


- 2 Make sure that the **Printer Status** tab is selected.
The Printer Operation screen is displayed, and you can check the content of the status display in the same way as in the screen on the operation panel of the printer.

By selecting the **Media Settings** tab in the Switch display tab (1), you can check the media settings registered to the selected printer, and import or export the media settings. See the next section for details.

Introduction

When multiple printers are registered with this software, you can switch the printer being monitored in the registered printers list (2).

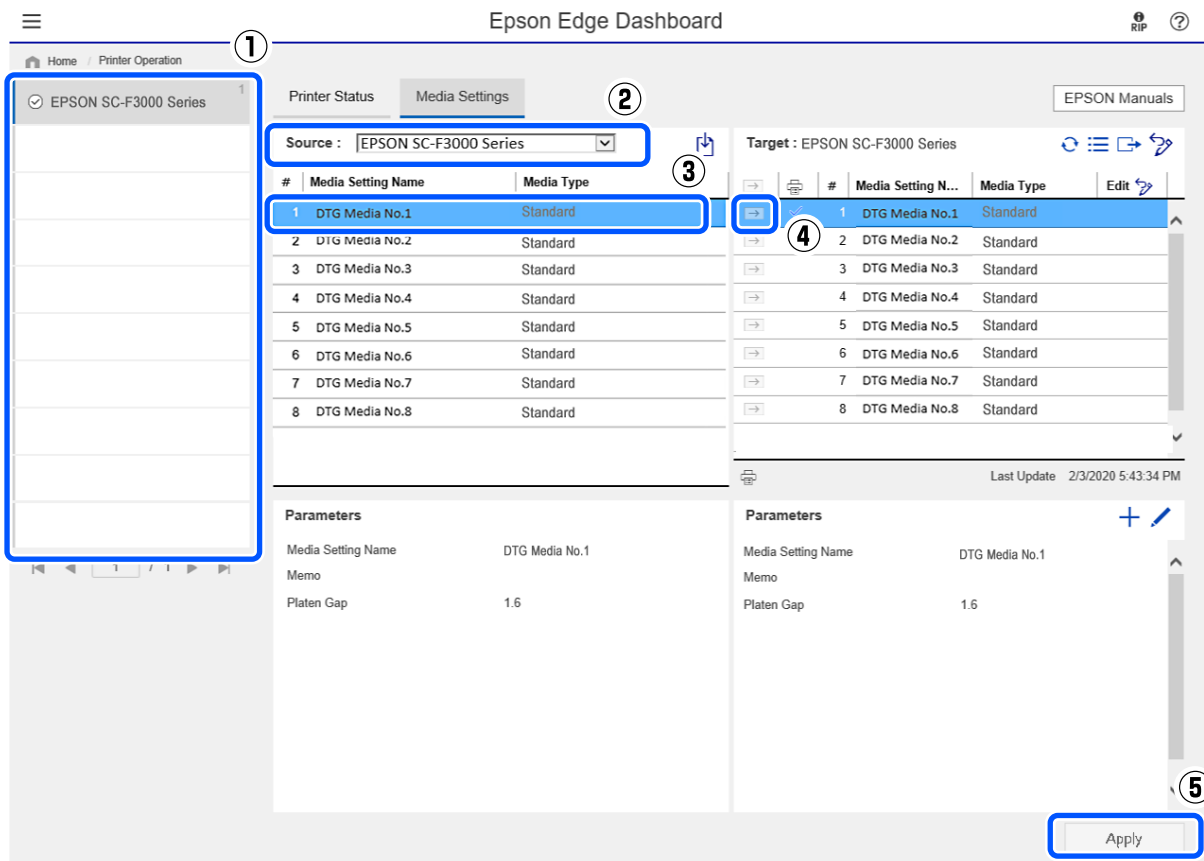


Introduction

Copying media settings of other printers

In the Media Settings tab, you can check a list of media settings that are registered to the printer from which you want to copy them, and then you can copy them as a batch or select only the ones you need.

This section explains an example of registering media settings, which are already registered in one printer, to another printer.




(1) Select the printer from which you will copy the media settings.

(2) Select the source (printer) from which to copy.

(3) Select the media settings to copy from the printer.

(4) Click the  to the left of the media setting number of the target.

To copy multiple media settings, repeat steps 3 and 4.

To copy all media settings in the source as a batch, click  at the top left of the list of targets.

(5) Click the **Apply** button.

Completes the registration of media settings.

Introduction

Exiting procedure

Close the Web browser.

Using EPSON Software Updater

Checking software update availability

- 1 Check the following status.
 - The computer is connected to the Internet.
 - The printer and the computer can communicate.

- 2 Start EPSON Software Updater.

Windows 8.1

Enter the software name in the search charm, and select the icon displayed.

Except for Windows 8.1

Click Start - **All Programs** (or **Programs**) - **Epson Software** - **EPSON Software Updater**.

Mac

Click **Move** - **Applications** - **Epson Software** - **EPSON Software Updater**.

Note:

*In Windows, you can also start by clicking the printer icon on the desktop toolbar and selecting **Software Update**.*

- 3 Update the software and manuals.
Follow the on-screen instructions to continue.

Important:

Do not turn off the computer or printer while updating.

Note:

Software that is not displayed in the list cannot be updated using EPSON Software Updater. Check for the latest versions of the software from the Epson Web site.

<https://www.epson.com>

Receiving update notifications


- 1 Start EPSON Software Updater.
- 2 Click **Auto update settings**.
- 3 Select an interval for checking for updates on the printer's **Interval to Check** box, and then click **OK**.

How to Use Web Config

This section describes how to start the software and provides a summary of its functions.

How to Start

Start the software from a web browser on a computer or smart device that is connected to the same network as the printer.

- 1 Press , and then press in the order of **General Settings**-**Network Settings**-**Advanced**-**TCP/IP** to check the IP address of the printer.

Note:

The IP address can also be checked by printing a network connection check report. A report can be printed by touching the following in order from the Home screen.

 -**General Settings**-**Network Settings**-**Connection Check**

- 2 Start a Web browser on a computer or smart device connected to the printer via the network.
- 3 Enter the IP address of the printer in the address bar of the Web browser and press the **Enter** or **Return** key.

Format:

IPv4: http://IP address of printer/

IPv6: http://[IP address of printer]/

Example:

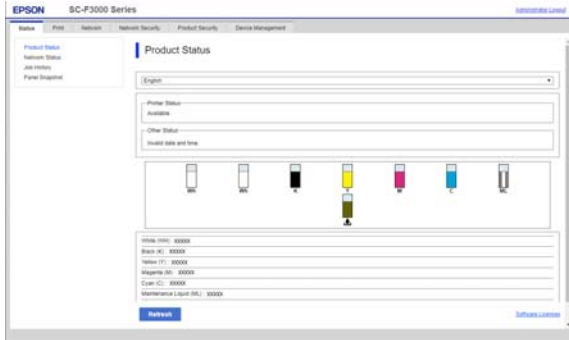
IPv4: http://192.168.100.201/

IPv6: http://[2001:db8::1000:1]/

Introduction

Function Summary

This section introduces the main functions of Web Config.



- Check the printer's status, such as the remaining amount of ink.
- Check and update the printer's firmware version.
- Configure the printer's network settings and advanced security settings, such as SSL/TLS communication, IPsec/IP filtering, and IEEE802.1X, which cannot be configured with the printer alone.

Closing

Close the Web browser.

Uninstalling Software

Important:

- Log into a "Computer administrator" account (an account with administrative privileges).
- Enter the administrator password when prompted and then proceed with the remainder of the operation.
- Exit any other applications that may be running.

Windows

This section describes how to uninstall Epson Edge Dashboard and the Epson communications drivers using them as an example.

- 1** Turn off the printer, and disconnect the cable from the computer.
- 2** On the computer on which the software is installed, click **Control Panel**, and then click **Uninstall a program** from the **Programs** category.
- 3** Select the software you want to remove and then click **Uninstall/Change** (or **Change/Remove**).
By selecting **SC-F3000 Series Comm Driver Printer Uninstall**, you can delete Epson communications drivers.
To uninstall **Epson Edge Dashboard**, select Epson Edge Dashboard.
- 4** Select the target printer icon, and then click **OK**.
- 5** Follow the on-screen instructions to continue.
When the delete confirmation message appears, click **Yes**.

If you are reinstalling the Epson communications drivers, restart the computer.

Mac

The following describes how to remove Epson Edge Dashboard.

- 1** Quit **Epson Edge Dashboard**.
- 2** Double-click **Applications - Epson Software - Epson Edge Dashboard - Epson Edge Dashboard Uninstaller**.
Follow the on-screen instructions to continue.

Basic Printing

Preparation

To print on a T-shirt using this printer, you need the following devices and parts.

Prepare genuine ink supply units, pre-treatment liquid, and a platen for use with this printer.

 [“Options and Consumable Products” on page 133](#)

Under Normal Usage

Platen (provided with the printer or option)

The printer comes with an M-size hanger platen. As well as this M-size platen, there are five other types of platens at different sizes available.

 [“Options and Consumable Products” on page 133](#)

Grip Pad Tool (provided with printer)

This is used to remove slack and creases when loading a T-shirt on a grip pad covered platen.

T-shirts (commercially available)

You can use the following types of fabric.

- Fabric with a cotton blend ratio of 100% to 50%
We recommend using a cotton blend ratio of 100%, thick fabric with a high weave density.
- Fabric with a polyester blend ratio of 100% to 50%
We recommend using a polyester blend ratio of 100%.

We recommend making a test print in advance to check the print quality since the type of fabric being used may affect the print quality.

Sticky tape or a sticky roller (commercially available)

This is used to remove lint from the print surface of the T-shirt before printing.

Hard roller (optional item or commercially available)

This is used to press the fibers flat on the print surface of the T-shirt before printing.

When using commercially available products, make sure you prepare a separate hard roller and pre-treatment liquid roller.

Device for Fixing Ink

You need one of the following devices to fix the ink after printing. Use as required.

Heat press (commercially available)

As well as fixing the ink, this is also used for the following purposes.

- Removing creases from T-shirts before printing
- Pressing down standing fibers on T-shirts before printing to prevent nozzles from clogging
- Fixing the pre-treatment liquid

The heat press needs to be larger than your platen and to be able to sustain 170 °C or more for 90 seconds. We recommend a heat press with a foam sheet or mat to allow the steam to escape. If these are not supplied, you need to acquire them beforehand.

Oven (commercially available)

This can only perform ink fixing. Use the heat press to fix the pre-treatment liquid.

Prepare the following items when using the heat press.

Heat-resistant release sheet (commercially available)

Place this over the T-shirt to prevent any pre-treatment liquid or ink from touching the press side of the heat press. You can also use it to load T-shirts on the grip pad covered platen using the grip pad tool.

Prepare silicon paper, fluoro-resin sheets, and so on.

Heat-resistant fabric (commercially available)

Use when fixing ink to uneven areas near seams, such as around sleeves. We recommend using the same type of fabric as the T-shirt.

Basic Printing

Items for Use in Pre-treatment

Prepare the following items for pre-treatment when printing using White ink on cotton T-shirts, or when printing on polyester T-shirts.

Pre-treatment liquid (consumable)

The following 2 types are available.

- ❑ Cotton pre-treatment liquid: Use this only when printing using White ink on a T-shirt with a cotton blend ratio of 100% to 50%.
- ❑ Polyester pre-treatment liquid : Use this regardless of the ink being used when printing on a T-shirt with a polyester blend ratio of 100% to 50%.

You can use either pre-treatment liquid for fabric with a 50% blend ratio of polyester and cotton, but there may be differences in the pre-treatment effects depending on the actual type of fabric. If necessary, make a test print in advance to determine which pre-treatment liquid to use.

Pure water (commercially available)

Used to dilute pre-treatment liquid and to clean sensor covers.

Pre-treatment liquid roller (option or commercially available)

This is used to apply pre-treatment liquid to the T-shirts. Using a roller makes it easier to apply the liquid better to uneven areas such as pockets, and wastes less liquid from splashing and so on compared to sprays. However, if the liquid is not applied evenly, the coloring may not be sufficient or it may uneven.

The optional pre-treatment roller set consists of the roller and handle (roller grip), and a tray.

We recommend the following items when using commercially available products.

Roller: Short bristled, polyester fiber with excellent absorption and release of liquid (such as a paint roller).

Roller handle: Made of rust-resistant aluminum

You also need a separate tray to allow the pre-treatment liquid to soak into the roller.

Sprayer (commercially available)

This is used to apply pre-treatment liquid to the T-shirts.

This allows you to apply quickly and easily compared to a roller. However, when spraying a mist on to T-shirts, the pre-treatment liquid is often wasted as it sprays beyond the edges of the T-shirt, you also need to secure a space to use the spray.

Prepare a sprayer that allows you to spray a fine mist (we recommend an electric sprayer).

Characteristics such as the range and uniformity of the spray depend on the type of pre-treatment liquid and sprayer, as well as the dilution ratio of the pre-treatment liquid. When using a sprayer, we recommend checking in advance if the liquid can be applied properly according to the pre-treatment liquid and pre-treatment conditions.

Basic Printing

Overview

This section explains the basic workflow from preparing a T-shirt before printing to fixing the ink after printing.

The following shows the procedure for sending a job from the Garment Creator for SC-F3000 Series, which is provided, to the printer and then printing it on a T-shirt.



Before Printing

To maintain good print quality, perform the following inspection before starting printing operations each day.

Check the amount of ink remaining:

Check the amount of ink remaining on the screen, and replace the ink supply unit with a new one when the remaining ink is below the limit. When ink is running low, we recommend replacing the ink supply unit as soon as possible.

If an ink supply unit runs out while printing, you can continue printing after replacing it. However, if the ink supply unit is replaced during a print job, the tone of the print results may differ depending on the drying conditions.

 [“Shaking and Replacing Ink Supply Units” on page 89](#)

Checking for clogged nozzles

Before you start printing, we recommend confirming that the nozzles are not clogged. If the nozzles are clogged, do a **Head Cleaning**.

By clearing any clogged nozzles in advance, you can reduce the risk of printing with clogged nozzles or having to stop printing to handle clogged nozzles.

 [“Checking for clogged nozzles” on page 100](#)

 [“Head Cleaning” on page 101](#)

Shaking White Ink

Shake the ink supply unit when the message about shaking is displayed on the screen.

White ink may sediment (components settling to the bottom of the liquid) easier than other ink due to the ink characteristics. Sedimentation may cause print quality to decline and nozzles to become clogged.

 [“Shaking and Replacing Ink Supply Units” on page 89](#)

Pre-treatment

Apply pre-treatment liquid to the T-shirt when printing using White ink on cotton T-shirts, or when printing on polyester T-shirts. Applying pre-treatment liquid improves the color development for the ink.

When only printing with color ink on a cotton T-shirt, we recommend that you do not perform pre-processing as printed fabric can become too delicate for washing and rubbing.

Prepare a roller or sprayer to apply the liquid to the T-shirts.

 [“Preparation” on page 36](#)

Perform pre-processing in the following order.

Agitating pre-treatment liquid (polyester pre-treatment liquid only)



Opening the pre-treatment liquid



Diluting the pre-treatment liquid



Applying the pre-treatment liquid



Fixing the pre-treatment liquid

Cautions when operating

Note the following cautions when performing pre-treatment operations. Read the safety data sheet before operating. You can download the safety data sheet from the Epson Web site.

Basic Printing

URL: <https://www.epson.com>


Caution:

- ❑ Always wear protective eyewear, gloves, and a mask when working.
Should any pre-treatment liquid contact your skin or enter your eyes or mouth, immediately take the following actions:
 - ❑ If fluid adheres to your skin, immediately wash it off using large volumes of soapy water. Consult a physician if the skin appears irritated or is discolored.
 - ❑ If fluid enters your eyes, rinse immediately with water. Failure to observe this precaution could result in bloodshot eyes or mild inflammation. If problems persist, consult a physician.
 - ❑ If any enters your mouth, consult a physician immediately.
 - ❑ If fluid is swallowed, do not force the person to vomit and consult a physician immediately. If the person is forced to vomit, fluid may get caught in the trachea which can be dangerous.
- ❑ Store out of the reach of children.
- ❑ After work, wash your hands and gargle thoroughly.

Important:

- ❑ Make sure you are in a well ventilated location when applying pre-treatment liquid.
- ❑ Only prepare as much liquid as necessary for the current job. If you prepare more than required and leave it, it may harden.
- ❑ Do not store in high or freezing temperatures.
- ❑ Avoid direct sunlight. Store at normal room temperature.
- ❑ If pre-treatment liquid gets stuck to the print head, it could cause the printer to malfunction and print quality to decline. Make sure that liquid does not stick to the inside of the printer by accident during maintenance operations and so on.

Disposal method

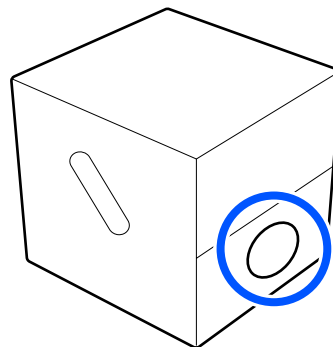
Disposing of Used Consumables  “Disposal” on page 105

Agitating the polyester pre-treatment liquid

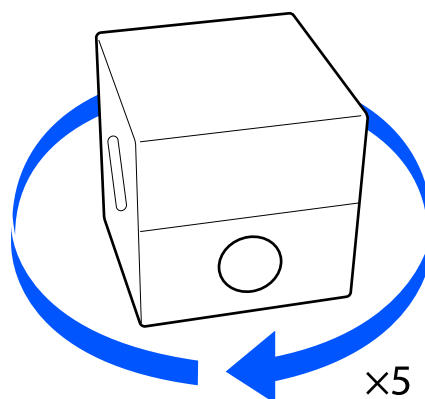
Follow the steps below to stir the polyester pre-treatment liquid before opening. If you use it without stirring, the effect of pre-treatment may not be sufficient.

You do not need to stir after opening.

- 1** Place it on a flat surface with the section where the tap comes out at the side.

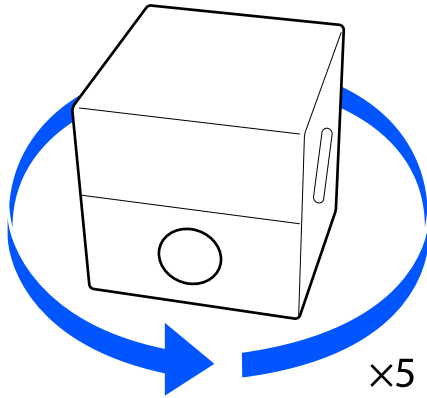


- 2** Turn it to the right five times.
Rotate at a speed of about one turn every two seconds.

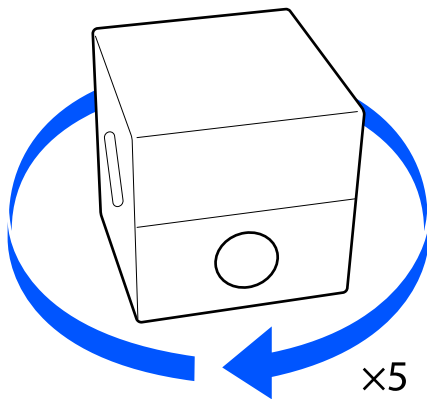


Basic Printing

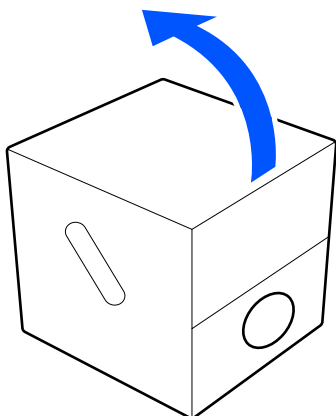
- 3 Turn it to the left five times.
Rotate at a speed of about one turn every two seconds.



- 4 Turn it to the right five times.
Rotate at a speed of about one turn every two seconds.

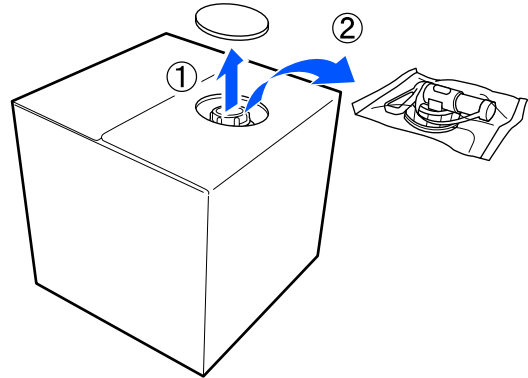


- 5 Turn the box so that the section where the tap comes out is at the top.

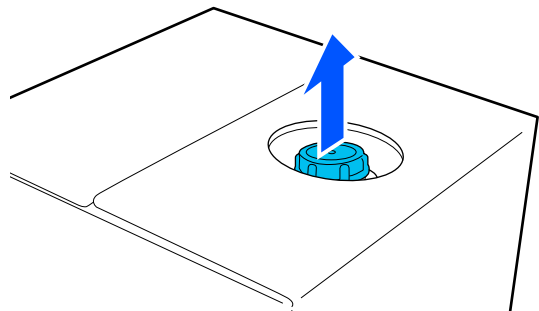


Opening the pre-treatment liquid

- 1 Cut the cardboard along the perforations, and then remove the tap from inside.



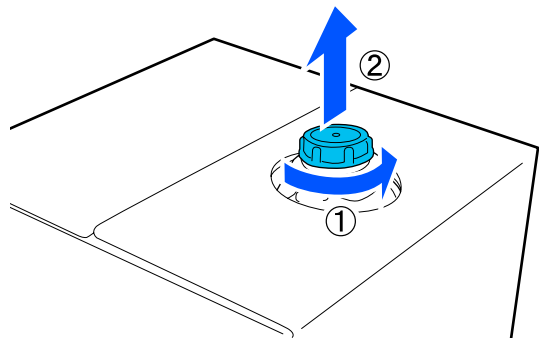
- 2 Pull the cap section out of the hole in the cardboard.



! Important:

Make sure you pull the cap section out of the hole in the cardboard. If the cap is opened without being pulled out, the pre-treatment liquid may spill out.

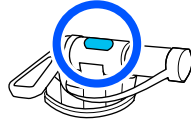
- 3 Remove the cap.



Basic Printing

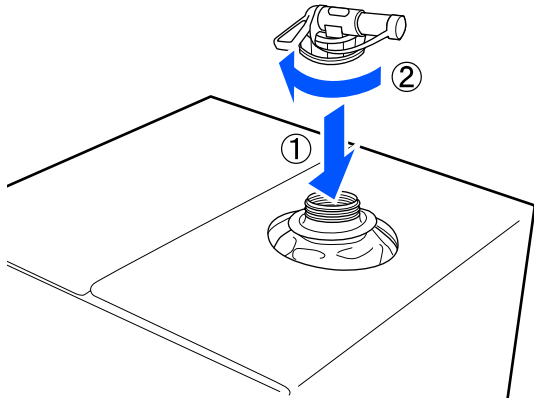
- 4** Remove the tap from the bag and check that the hole is visible.

If you cannot see the hole, turn the tap's handle section until the hole is visible.



Note:
If you cannot see the hole or if the tap is damaged, contact the store where you purchased the product.

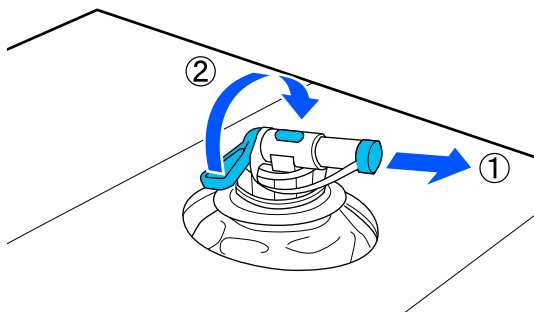
- 5** Attach the tap.



! Important:
Do not put waste liquid in the waste ink bottle as it will solidify if mixed with waste ink.

Pouring

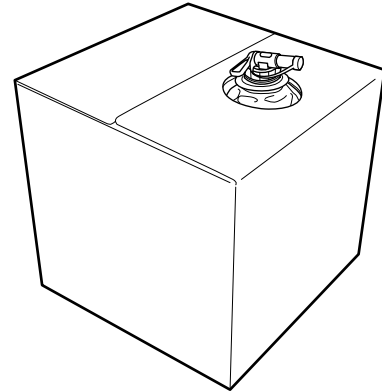
- 1** Remove the cap from the tap, and then turn the lever until the hole is facing down.



- 2** Tip the cardboard or the container and pour the pre-treatment liquid into the target container.

- 3** When you have finished pouring liquid, reverse the steps in step 1 to put the cap for the tap back on the tap.

- 4** Make sure you keep the mouth of the tap facing up as shown in the illustration.



Diluting the pre-treatment liquid

Apply the diluted or undiluted pre-treatment liquid to the T-shirt. Whether or not the liquid is diluted and the dilution ratio depend on the pre-treatment liquid, the ink used, and the device for fixing ink; so be sure to follow the information in the next section. When diluting, be sure to use distilled or purified water.

Cotton pre-treatment liquid

Be sure to dilute the cotton pre-treatment liquid before use. As the dilution ratio differs according to the type of device for fixing ink, use the following information to determine the dilution ratio.

When fixing ink with a heat press

Dilute by a factor of two. (Pre-treatment liquid: Pure water = 1:1)

If unevenness occurs after fixing the ink (when color ink is overlaid on White ink, and so on) or traces of the pre-treatment liquid are visible, try increasing the dilution ratio to the following maximum value.

Printing area is A4 or smaller: Dilute by a maximum of a factor of three

Printing area is larger than A4: Dilute by a maximum of a factor of four

Basic Printing

When fixing ink with an oven

Dilute by a factor of three. (Pre-treatment liquid: Pure water = 1:2)

If unevenness occurs after fixing the ink, or traces of the pre-treatment liquid are visible, try increasing the dilution ratio up to a factor of four.

If you do not dilute the pre-treatment liquid or make it too strong, the liquid leaves noticeable traces or the printed surface cracks after washing (the washing fastness deteriorates). On the other hand, if the pre-treatment liquid is too weak, White ink does not stay on the fabric and the whiteness cannot be achieved while traces from the pre-treatment liquid become less noticeable. Adjust the dilution ratio while checking the ink fixing results in advance.

Polyester pre-treatment liquid

Polyester pre-treatment liquid can be used diluted or undiluted according to the type of ink used as shown below. When diluting the liquid, follow the guide below irrespective of the type of device for fixing ink being used.

When using White ink

Use the liquid as it is without diluting.

When using Color ink only

Dilute by a factor of seven. (Pre-treatment liquid: Pure water = 1:6)

Applying the pre-treatment liquid

Amount of pre-treatment liquid to apply

Apply the pre-treatment liquid to the T-shirt with a roller or sprayer.

Apply approximately 15 g of pre-treatment liquid to printing areas of A4 size.

Note:

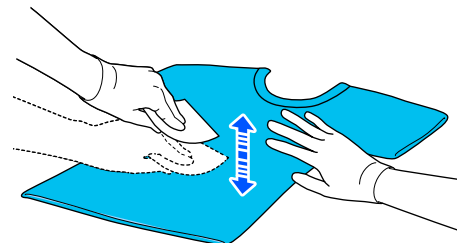
Depending on the properties of the material, traces of the pre-treatment liquid may be visible after performing ink fixing when you apply pre-treatment liquid by using a roller. If this does happen, you may be able to improve the results by using a sprayer instead of a roller.

Applying with a roller

To prevent T-shirt fibers on the roller from sticking to other T-shirts, use a different roller for each color on the T-shirt.

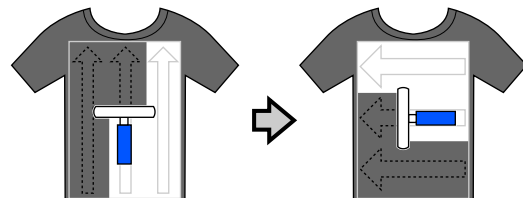
☞ [“Options and Consumable Products” on page 133](#)

- 1 Fill the tray with pre-treatment liquid and dip the roller in it.
- 2 Spread out the T-shirt on a flat surface.
- 3 Use sticky tape (a roller) and so on to remove lint from the area to which you will apply the pre-treatment liquid.



- 4 Squeeze the pre-treatment liquid out of the roller by pressing it against the edge of the tray, and apply the liquid evenly.

We recommend applying to an area larger than the target print area.



- 5 Fix the pre-treatment liquid with the heat press.

☞ [“Fixing the pre-treatment liquid” on page 44](#)

Basic Printing

Applying with a sprayer

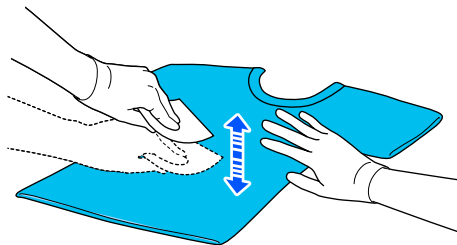
! Important:

Depending on the type of sprayer, it may create a mist when applying the pre-treatment liquid. Wear a mask, protective eye-wear, and gloves as required, and make sure the area is well ventilated while working with the pre-treatment liquid.

Mist could also enter the printer which could cause a breakdown or malfunction to occur. If necessary, install the sprayer at a location away from the printer.

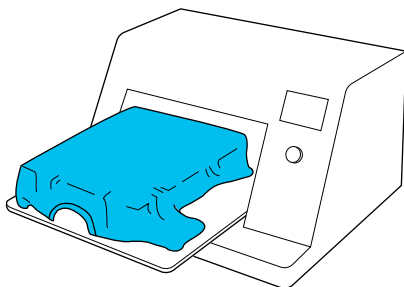
For details on using the sprayer, see the manual supplied with the sprayer.

- 1 Pour the pre-treatment liquid into the sprayer.
- 2 Spread out the T-shirt on a flat surface.
- 3 Use sticky tape (a roller) and so on to remove lint from the area to which you will apply the pre-treatment liquid.



- 4 Load the T-shirt into the sprayer, and then spray the pre-treatment liquid evenly over the printing surface.

We recommend applying to an area larger than the target print area.



Note:

You can apply the liquid evenly if you run the roller over the area after spraying.

- 5 Fix the pre-treatment liquid with the heat press. [“Fixing the pre-treatment liquid” on page 44](#)

Fixing the pre-treatment liquid

Use the heat press to remove creases from the T-shirt and to fix the pre-treatment liquid. Because the oven does not press the fibers down, the printed surface does not become even which causes creases and unevenness in color. When fixing the pre-treatment liquid by using a heat press, place a heat-resistant release sheet, such as silicone paper, between the T-shirt and the surface of the press to prevent the pre-treatment liquid from sticking to the surface of the press.

As the optimum conditions vary depending on the amount of pre-treatment liquid, the following values are only a guide.

Fixing conditions for cotton pre-treatment liquid

Temperature	Time	Pressure*1
170 °C	45 seconds*2	4.2 N/cm ²

*1 The optimum conditions vary depending on the type of heat press such as the manual adjustment type. Be sure to test the ink fixing result in advance to find the right pressure.

*2 If the application area for the pre-treatment liquid is larger than A4, it may not dry even after 45 seconds. Try extending the time up to 90 seconds while checking if the pre-treatment liquid is dry.

Fixing conditions for polyester pre-treatment liquid

Temperature	Time	Pressure*1
130 °C	60 seconds*2	3.0 N/cm ²

Basic Printing

- *1 The optimum conditions vary depending on the type of heat press such as the manual adjustment type. Be sure to test the ink fixing result in advance to find the right pressure.
- *2 If the application area for the pre-treatment liquid is larger than A4, it may not dry even after 60 seconds. Try extending the time up to 90 seconds while checking if the pre-treatment liquid is dry.

 **Important:**

- Make sure you dry the pre-treatment liquid thoroughly. Insufficient drying time may cause the print quality to decline.*
- Do not wet the T-shirt or leave it in a humid location for a long time after fixing the pre-treatment liquid. Color development deteriorates in the wet areas causing unevenness.
If the T-shirt is left for an extended period of time in such conditions, press for 5 to 10 seconds to dry it just before printing.*

Note:

If traces of the pre-treatment liquid are visible, try washing in water; however, the effects depend on the material of the T-shirt.

Basic Printing

Creating and Sending Jobs

You cannot print directly from commercially available software.

Send jobs to the printer through the specialized application Garment Creator for SC-F3000 Series to print them.

Workflow for Creating and Sending Jobs

The following shows the basic work procedure for using Garment Creator for SC-F3000 Series, which is provided, to create and print a job.

1 Prepare

Selecting a printer	Select a printer (printer for printing jobs) to which to send the jobs you created. Normally, you only do this the first time.
---------------------	--



Ink Density	To get the best print results, we recommend that you adjust the Ink Density on the first T-shirt you print before you start doing the actual print job. For details on adjustment procedures, see the manual for Garment Creator for SC-F3000 Series.
-------------	---

2 Creating jobs

Selecting the base color (T-shirt type)	To make the best use of the base color of the T-shirt on which you are printing, and to print using an efficient amount of ink, select an appropriate type of T-shirt. 🔗 "Selecting the base color (T-shirt type)" on page 50
---	--



Image arrangement	Do settings while checking in the preview area the position, size, and direction of the image you are printing. 🔗 "Image arrangement" on page 51
-------------------	---



Sending jobs to the printer	Specify the number of prints, and then send the job to the printer that you selected. 🔗 "Sending and printing jobs" on page 53
-----------------------------	---

Basic Printing

3 Print (operate with printer)

Start printing	Load a T-shirt on the platen, and then print. 👁️ "Load the T-shirt (media)" on page 59
----------------	---

Basic Printing

Overview of Garment Creator for SC-F3000 Series

Starting

The application can be launched using the following methods.

Windows

- Click **Start - All Programs (or Programs) - Epson Software - Garment Creator for SC-F3000 Series**, in this order.
- Double click the **Garment Creator for SC-F3000 Series** icon on the desktop.



Mac

Select **Move - Applications - Epson Software**, in this order, and then double click the **Garment Creator for SC-F3000 Series** icon.

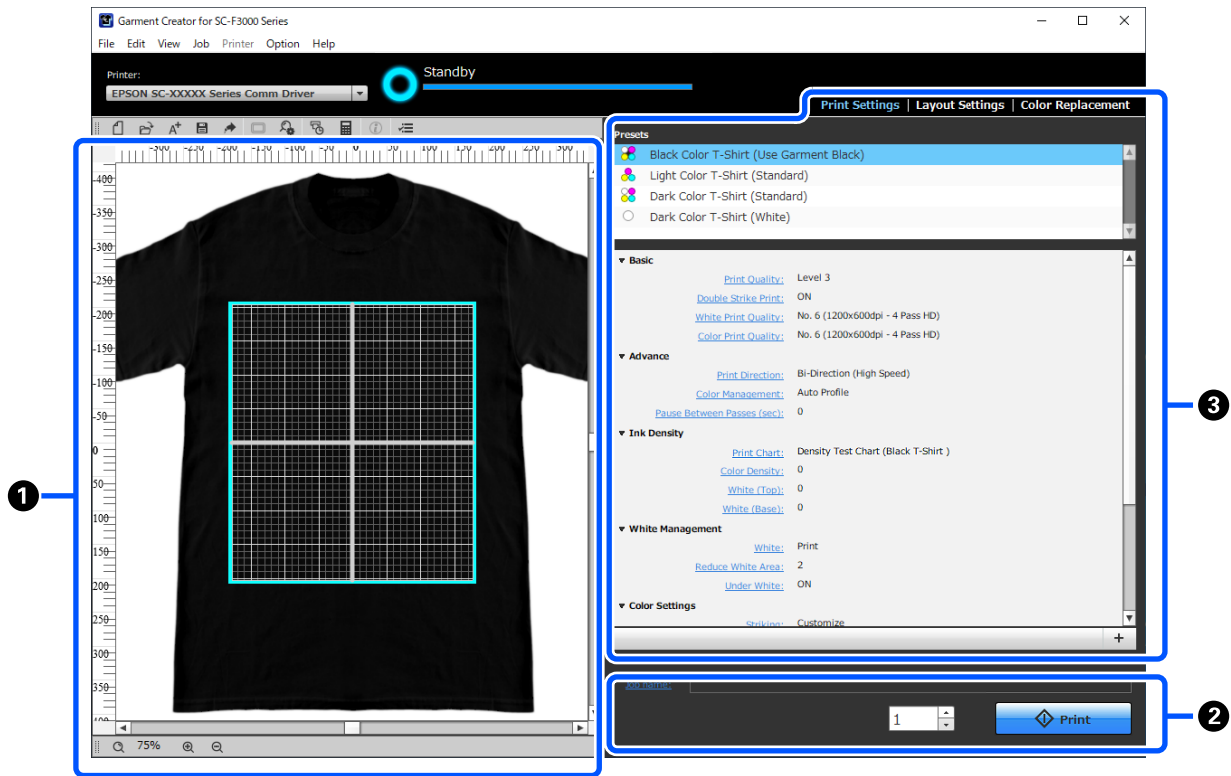


Understanding the main screen

The following main screen appears when you start the software.

Basic Printing

This section explains the items used to create and send jobs.



Names of parts		Functions
1	Preview area	<p>You can decide the arrangement, size, direction, etc., of the image while checking it in this preview area. The printable area is inside the light blue frame. When an image is imported, it appears in the frame.</p> <p>You can reduce or enlarge the preview area display each time you click or at the bottom of the preview area. Clicking the or ***% parts reduces or enlarges the display by a specified magnification ratio.</p>
2	Job settings	<p>When you click the Print button, the laid out image in the preview area (1) is sent as a job to the printer.</p> <p>The file name of the image that was imported appears in Job name. To change the name, click Job name.</p> <p>When printing multiple T-shirts, set the number of prints either with the spin button or by directly entering the numerical value.</p>
3	Settings tab and settings area	<p>You can do Print Settings, Layout Settings, and Color Replacement for the image imported in the preview area. Clicking the tabs at the top changes the settings area according to the tab you selected.</p>

Closing Procedure

Click the icon in the upper right of the main screen.

Basic Printing

Selecting the base color (T-shirt type)

Overview of T-shirt types

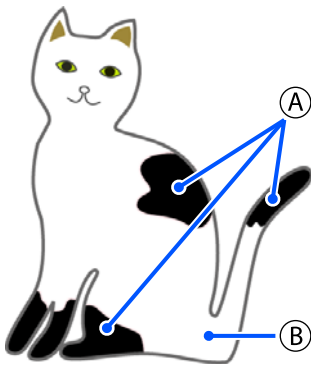
In order to be able to make the best use of the base color of the T-shirt on which you are printing, and to print using an efficient amount of ink, the following four types have already been prepared.

Select the optimum type of T-shirt.

Additionally, the types of T-shirts that you can print vary, as shown below, according to the **Printer Mode** settings of the printer to which you send the jobs.

- When **White ink mode** is selected: All types can be printed
- When **Color ink mode** is selected: Only light color t-shirts (standard) can be printed

This section explains the types of T-shirts by using the case in which the following image is printed as an example.



(A): Black (R,G,B = 0,0,0)

(B): White (R,G,B = 255,255,255)

Black Color T-Shirt (Use Garment Black)

The consumption of black ink can be reduced because black ink is not applied onto the black (R,G,B = 0,0,0) areas of the image data.

This software recognizes black (R,G,B = 0,0,0) only when the data was created with drawing software, which was configured as RGB for color mode and sRGB for color space.

Example of printing on a black T-shirt



Example of printing on a pink T-shirt



In the example image for (A), black ink is not applied, so it is the base color of the T-shirt.

In the colored parts, except for black (R,G,B = 0,0,0), the white under-base is automatically created using a density that matches the color being used.

When printing, after the automatically generated under-base is printed with white ink, color ink is used to print in layers on top of that. As a result, the colors can be printed well.

Light Color T-Shirt (Standard)

Only color ink, and not white ink, is used for printing.

The consumption of white ink can be reduced because white ink is not used. The print results differ according to the color of the T-shirt.

Example of printing on a white T-shirt



Example of printing on a pink T-shirt



In the example image for (B), white ink is not applied, so it is the base color of the T-shirt.

If you want to print color on a colored T-shirt the way it is in the image data, select **Dark Color T-Shirt (Standard)** as the type of T-shirt.

Dark Color T-Shirt (Standard)

Both white ink and color ink are used to print the colors as they are in the image data.

Basic Printing

Example of printing on a black T-shirt



Example of printing on a pink T-shirt



In the colored parts (including black (R,G,B = 0,0,0)), the white under-base is automatically created using a density that matches the color being used.

When printing, after the automatically generated under-base is printed with white ink, color ink is used to print in layers on top of that. As a result, the colors can be printed well.

Dark Color T-Shirt (White)

Prints using only white ink.

This is applicable when printing photos with shades of white.

Dark Color T-Shirt (Standard)



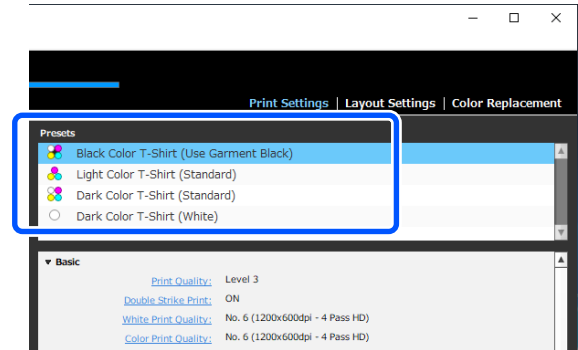
Dark Color T-Shirt (White)



Procedure for selecting a T-shirt type

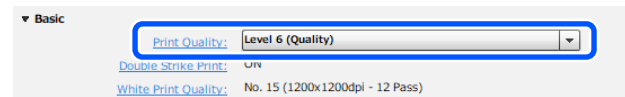
- 1 Select **Print Settings** on the settings tab.
The settings area switches to the print settings.

- 2 Select the type of T-shirt that matches the T-shirt on which you are printing in your **Presets**.



Print Quality settings for printing on polyester T-shirts

When printing with White ink on a polyester T-shirt, we recommend setting the **Print Quality** in **Basic** to **Level6 (Quality)** in Garment Creator for SC-F3000 Series, and to perform **Ink Density** at the same time.



Using the appropriate white density improves print quality and makes printed fabric more resistant to washing.


If you have performed **Ink Density**, and then notice blurring, try clearing **Double Strike Print**.

For details on the **Print Quality** settings and the **Ink Density** procedure, see the manual for Garment Creator for SC-F3000 Series.

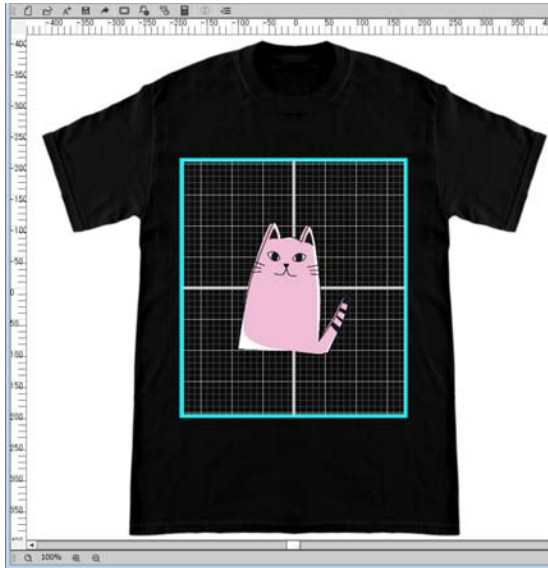
Image arrangement

Set how to arrange and print images on the T-shirt on the platen while checking it in the preview area.

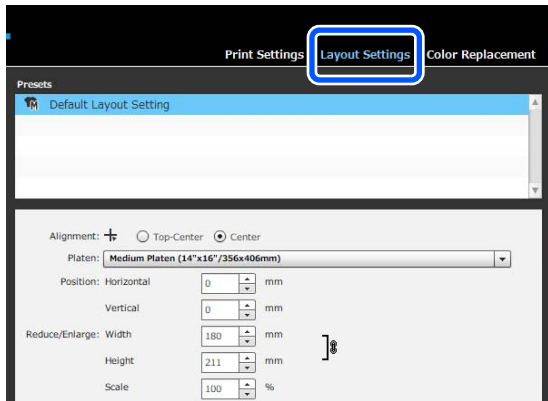
Basic Printing

- 1 On the toolbar, click  (Open) and import the image you are going to print in the preview area. This can also be done by dragging and dropping the image file to the preview area.

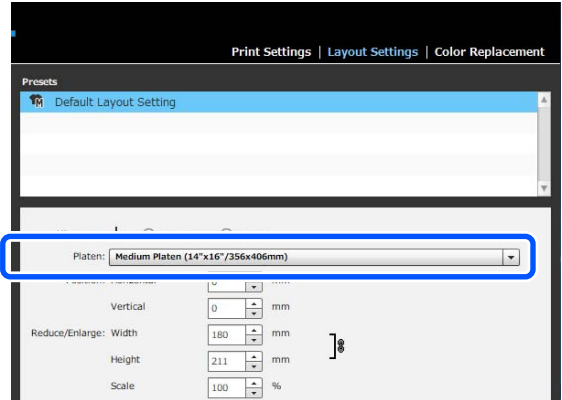
The image appears in the preview area. The light blue frame indicates the platen. The printable area is inside the light blue frame. Arrange the image inside the frame.



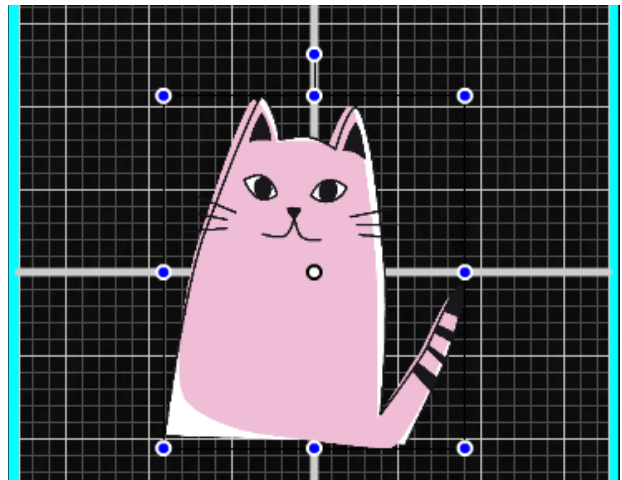
- 2 Select **Layout Settings** on the settings tab. The settings area switches to Layout Settings.



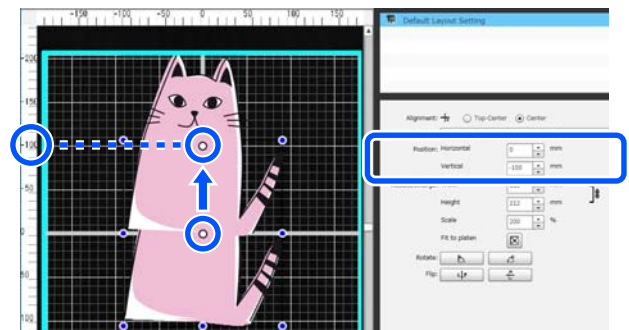
- 3 Determine the platen size. Usually, it is set to M size. If you are printing using a different size of the platen, change the type of platen in **Platen** in the settings area.



- 4 Click the preview area's image. The editing frame appears around the image, and you are now able to edit the position and size.

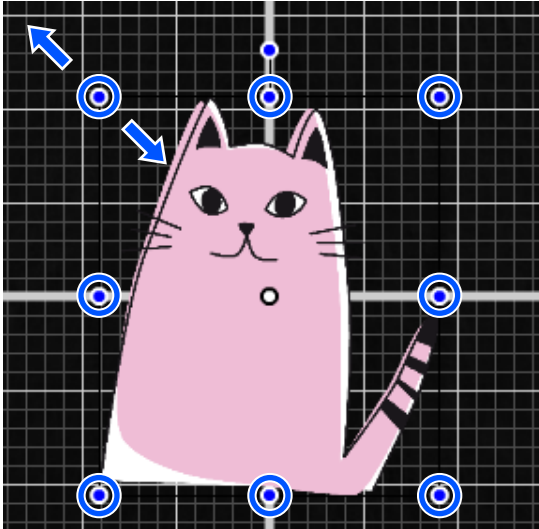


Changing positions



Basic Printing

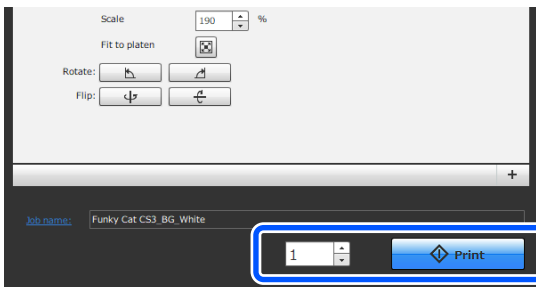
Enlarging and reducing




After you have finished the settings, send the job to the printer.

Sending and printing jobs

- 1 Specify the number of prints on the bottom of the settings area, and then click the **Print** button.



- 2 When the printer has finished receiving a job, the preview display opens on the printer's screen and the  button lights.

See the following, and load a T-shirt (media) and start printing.

 [“Load the T-shirt \(media\)” on page 59](#)

Notes on Receiving Jobs

Only the following operations are possible while is receiving jobs. If buttons do not respond when operating the control panel, the printer may be receiving a job; wait for a while and then try again.

- Canceling a job

- Moving the movable base (platen)
- Turning off the power

Note:

- After canceling a job, it takes a while before the printer is ready to print again.
- It takes a while to turn off the printer after performing the power off operation. Also, jobs that have been received are deleted.

Preparing the Platen

The following explains preparations for three points.

Grip pad covered platen (first time only when printing on cotton T-shirts)

When printing on cotton T-shirts, we recommend attaching a grip pad when using the platen supplied with the printer or the optional L, M, S, size hanger platens.

Using a grip pad covered platen prevents the T-shirt (media) from moving around easily during printing which reduces print misalignments.

When printing on polyester T-shirts, do not attach a grip pad. Otherwise, the fabric of the platen may be soiled with ink while printing.

The next section explains how to attach the grip pad to the platen.

The printer comes with a grip pad that you can attach to a platen. For the optional L, M, and S size hanger platens, purchase commercially available cloth sheets and attach them to the platens.


Do not attach grip pad to the XS size, sleeve, and medium grooved platens.

When using platens without attaching a grip pad, make sure you load the platen using the platen frame supplied.

Switching medium grooved platens according to media (only for medium grooved platens)

Use the medium grooved platen when printing on polo shirts or shirts with zippers.

When printing on media with a protruding section in the center such as a zipper, remove the square part from the top section in advance.

 [“Switching from Polo to Zipper \(only when using the medium grooved platen\)” on page 56](#)

Replacing platens

There are six platens available according to the size of the T-shirt and the area you want to print. When changing the size or area of the T-shirt being printed on, make sure you replace the platen with the appropriate platen in advance.

 [“Replacing platens” on page 56](#)

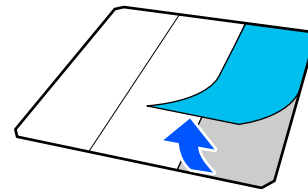
Attaching/Removing a Grip Pad

Grip pads are consumable items. If it gets dirty, purchase a new pad and replace it.

 [“Options and Consumable Products” on page 133](#)

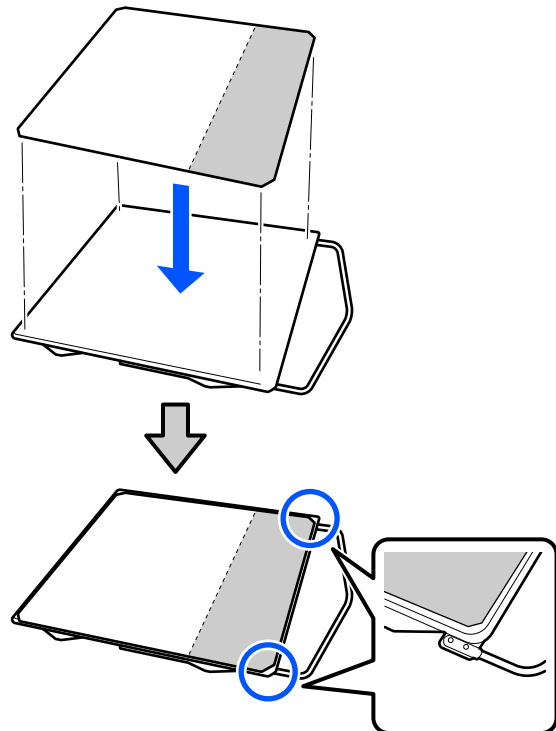
Attaching the Pad

- 1 Only peel off one section on the back of the grip pad as shown in the illustration.



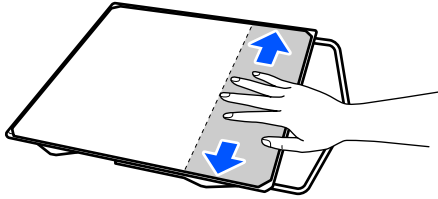
- 2 Place the platen on a flat surface, align the corners of the grip pad so they are slightly inside the corners of the platen, and then fasten the adhesive side of the grip pad to the platen.

Do not allow the corners of the grip pad from which the back has not been removed to protrude from the edges of the other side of the platen.

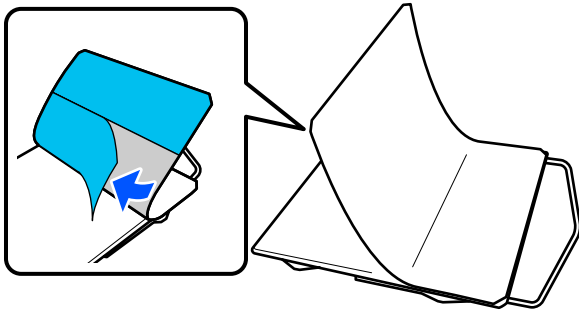


Basic Printing

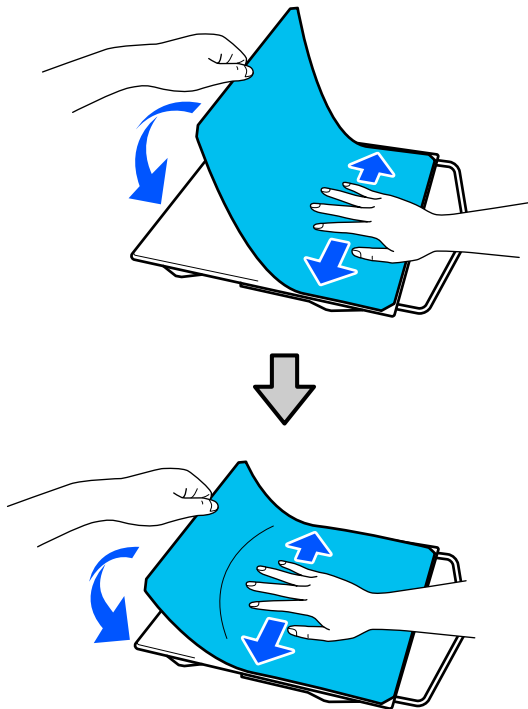
- 3** Gently press on the section from which the back has been peeled off the grip pad to stick the grip pad onto the platen.



- 4** Peel off all of the other sections on the back of the grip pad as shown in the illustration.



- 5** Stick it from the end that is already stuck, as shown in the illustration.

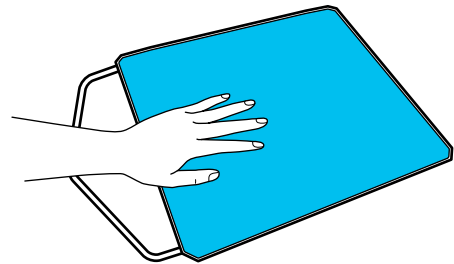


Removing the Sheet

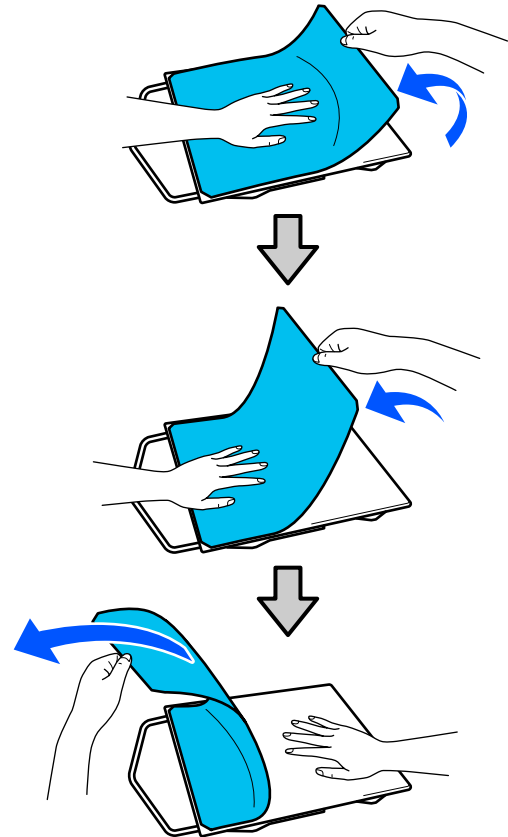
! **Important:**

- ❑ Do not apply hot air such as a drier to soften the glue. Failure to observe this precaution could result in deformed parts.
- ❑ Do not use organic solvents such as alcohol. Failure to observe this precaution could result in discoloration, warping, or damage to parts.

- 1** Place the platen on a flat surface and press on the front side.



- 2** Peel off the grip pad from back to front.



Basic Printing

Note:
Pads that have been stuck to the platen for a long time may be hard to peel off. In this case, use a commercially available spatula for peeling off labels.

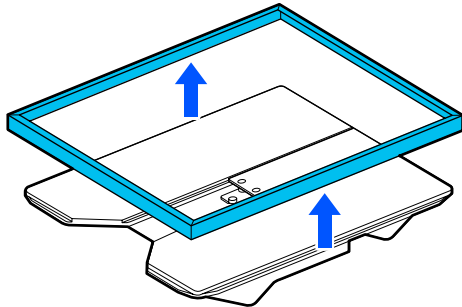
If any glue remains on the platen, soak a soft cloth in a diluted neutral detergent, wring it out thoroughly, and then wipe off the glue.

Switching from Polo to Zipper (only when using the medium grooved platen)

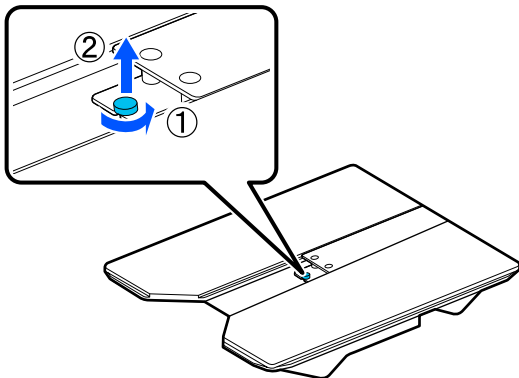
When loading media with a protruding section in the center such as a zipper, remove the square part before use.

For other media, install the square part.

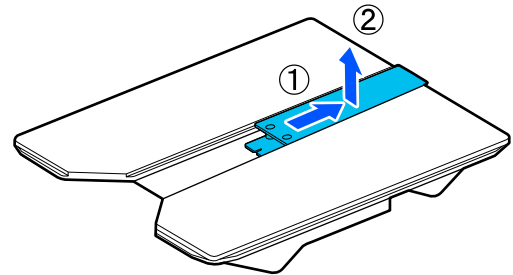
1 Remove the platen's frame.



2 Remove the screw.



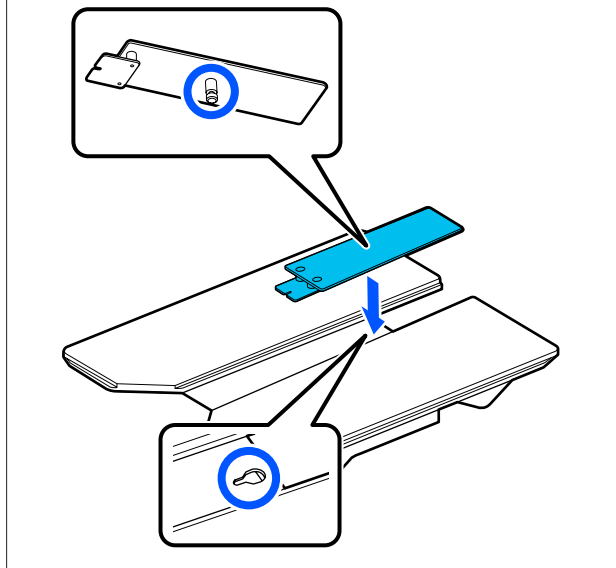
3 Remove the parts.
 Slide in the direction shown in (1), and then remove it.



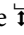
You need the removed screw and parts when loading polo shirts and so on. Store them in a safe place. We recommend keeping the screw attached to the platen.

To install the parts, perform the removal procedure in reverse.

Note:
When installing, align the protruding shaft with the hole as shown in the following illustration.

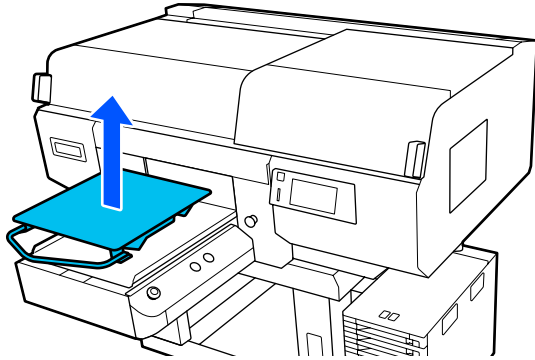


Replacing platens

- 1** Check that the platen is ejected forward.
 If it is not ejected, press the  button to move the platen forward.
- 2** Turn off the printer.

Basic Printing

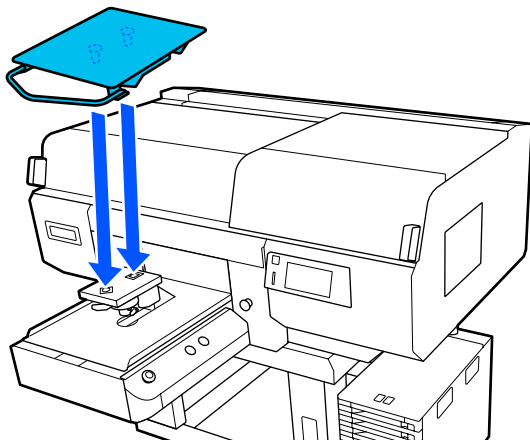
- 3** Grip the left and right of the platen, and lift it straight up to remove it.



- 4** Make sure the protruding shaft of the replacement platen fit into the holes.

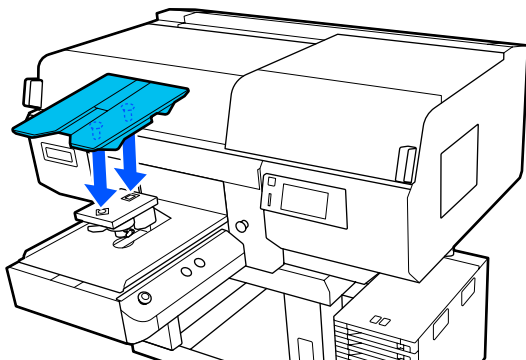
Installing the L/M/S size hanger platens and XS size platen

Insert the L/M/S size hanger platens so the hanger is towards the front. The XS size platen does not have front and rear orientations.



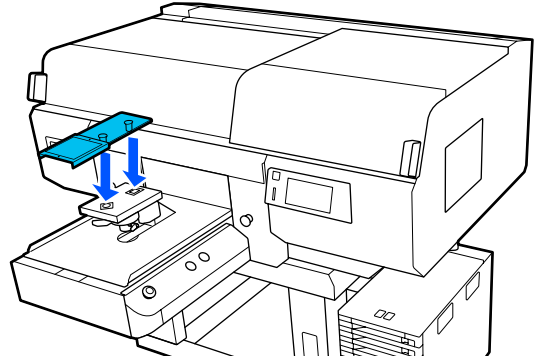
Installing the medium grooved platen

Install so that the cut out section is at the front.

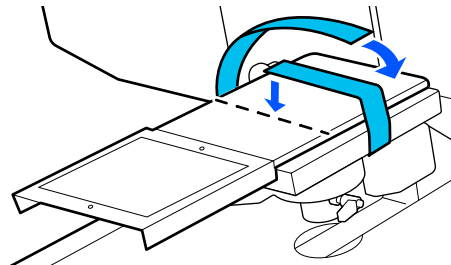


Installing the sleeve platen

- (1) Install the platen in the orientation shown in the illustration.

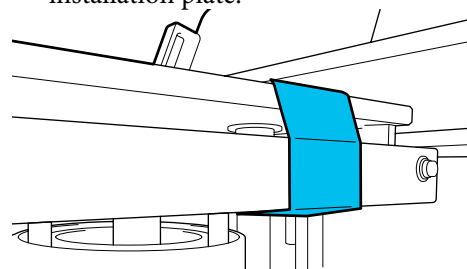


- (2) Align the fixing band with the groove on the top of the platen and wind it tightly.

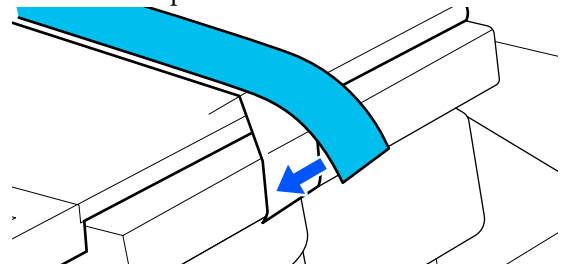


Note the following two points when winding.

- ❑ Pass the fixing band under the platen installation plate.

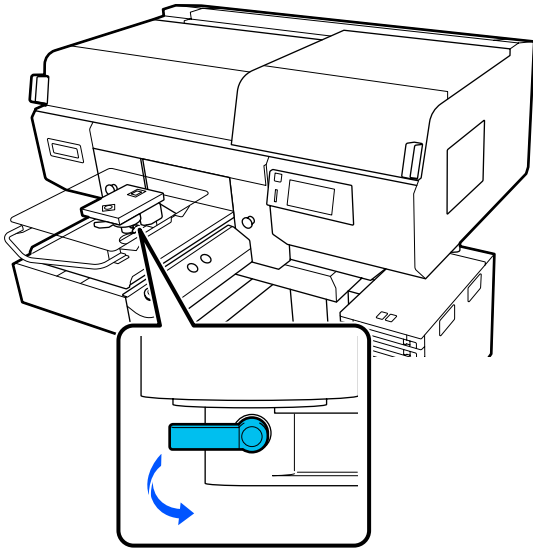


- ❑ Make sure the end of the fixing band is on the side of the platen.



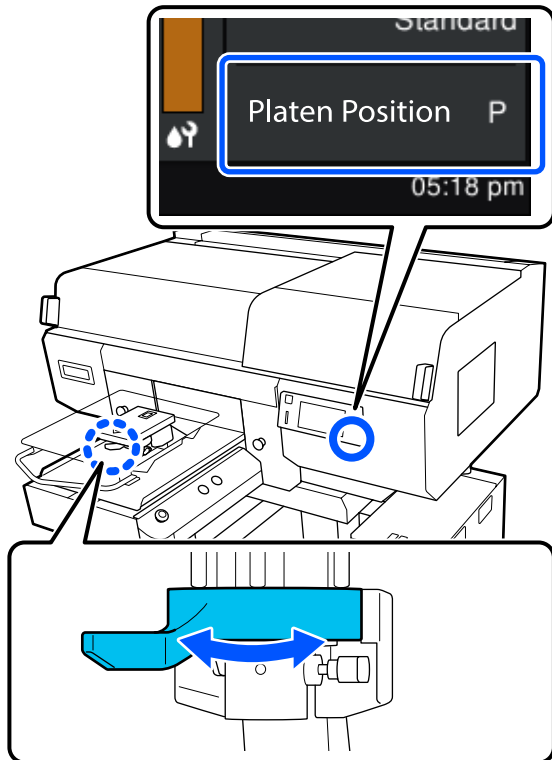
How to change the platen position

- 1 Loosen the fixing lever.



- 2 Operate the platen gap lever while checking the printer's screen.

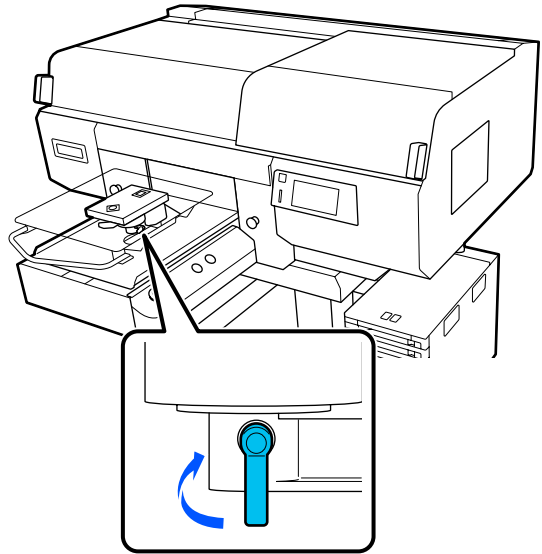
When the screen displays P, the platen is at its highest position; the platen position lowers as the number increases.



Moving the lever in the counterclockwise direction increases the numbers, which lowers the platen position.

Moving the lever in the clockwise direction decreases the numbers, which raises the platen position.

- 3 Tighten the fixing lever, and then secure the platen gap lever.



Basic Printing

Load the T-shirt (media)

If you notice any creases on the T-shirt, use the heat press to iron them out before you load them on the platen.

Load polyester T-shirts on a platen that is not covered with a grip pad. If you load them on a platen that is covered with a grip pad, there is a risk that the fabric of the platen may be stained with ink while printing.

See the next section for how to load T-shirts on a grip pad covered platen.

See the following for how to load T-shirts on a platen that is not covered with a grip pad.

L/M/S size hanger platens, and XS size platen
[☞ “Loading on a Platen without a Grip Pad” on page 62](#)


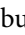
Sleeve platen [☞ “Loading on Sleeve Platens” on page 65](#)

Medium grooved platen [☞ “Loading on Medium Grooved Platens” on page 67](#)

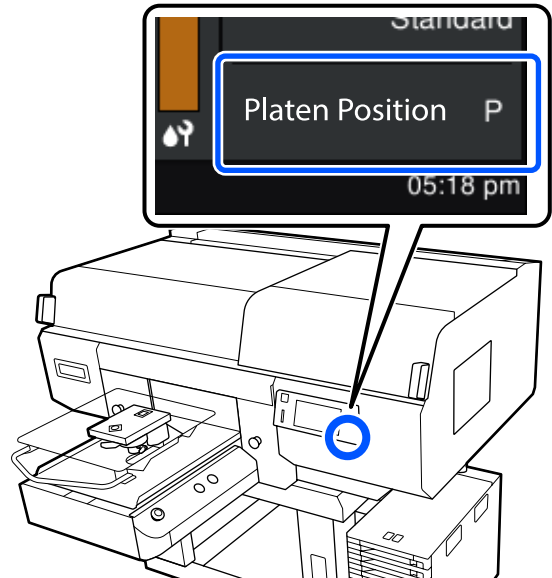
Loading on a Grip Pad Covered Platen

You can check the procedure in a video on YouTube.

[Epson Video Manuals](#)

- 1** Press the  button to turn on the printer.
- 2** Check that the platen is ejected forward.
 If it is not ejected, press the  button to move the platen forward.

- 3** On the printer's screen, confirm that the platen position is as shown below.



When Platen Gap is set to Auto:

The optimum platen position varies depending on the thickness of the media. Use the following guideline to change the platen position.

Media thickness	Platen position
0 mm to 4 mm	P
4 mm to 7 mm	1
7 mm to 10 mm	2
10 mm to 13 mm	3
13 mm to 16 mm	4
16 mm to 19 mm	5
19 mm to 22 mm	6
22 mm to 25 mm	7
25 mm to 28.5 mm	8


When Platen Gap is set to Manual:

The optimum platen position varies depending on the thickness of the media being loaded and the type of platen being used. See the following for more details.

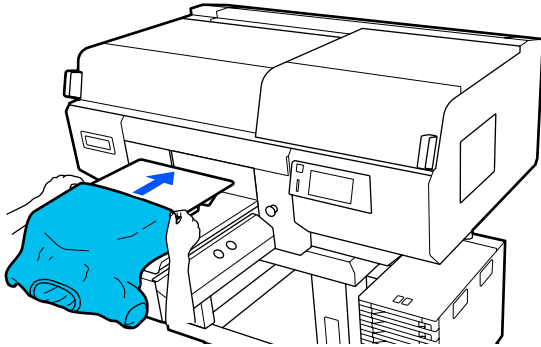
[☞ “Table for Platen Gap setting values for media thicknesses” on page 142](#)

Basic Printing

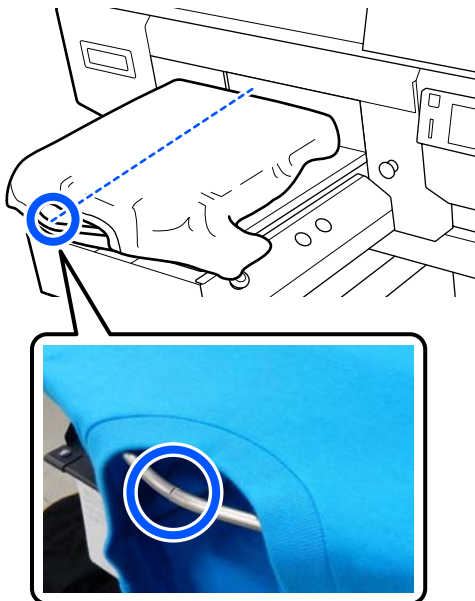
See the following for how to change the platen position.

 [“How to change the platen position” on page 58](#)

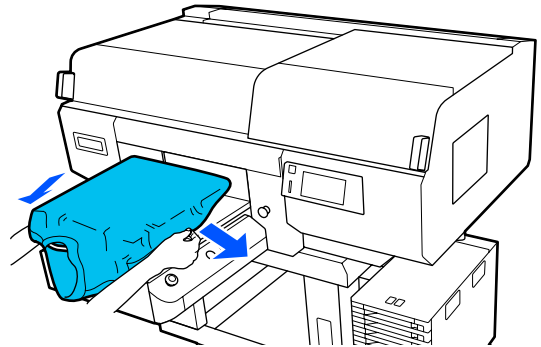
- 4** Slide the hem of the T-shirt over the platen from the front.



The line inside the frame in the illustration indicates the center of the platen.



- 5** Pull the parts of the shirt that extend beyond the platen to flatten the print surface.

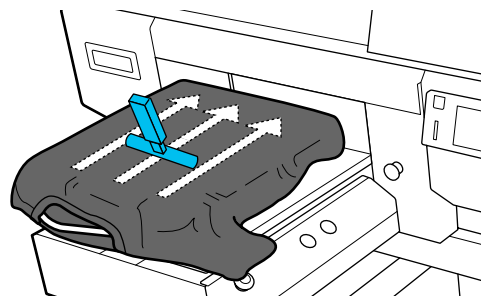
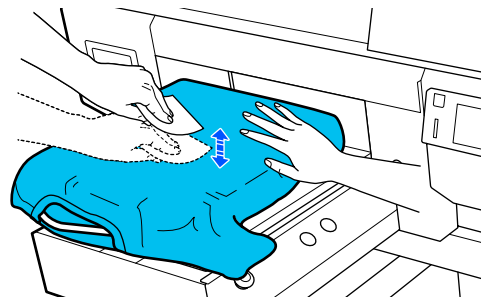


! Important:

Do not pull too hard on the T-shirt. If the T-shirt is stretched too much, the print quality may decline due to deformed images and so on, and the white under-base print may extend outside the image.

- 6** Remove any lint from the printing surface, and press the fibers flat.

There may be lint on the T-shirt if you have not applied pre-treatment liquid. Remove the lint using the sticky tape or roller and press the fibers flat using the hard roller. Lint and fibers may stick to the print head and stain other areas.

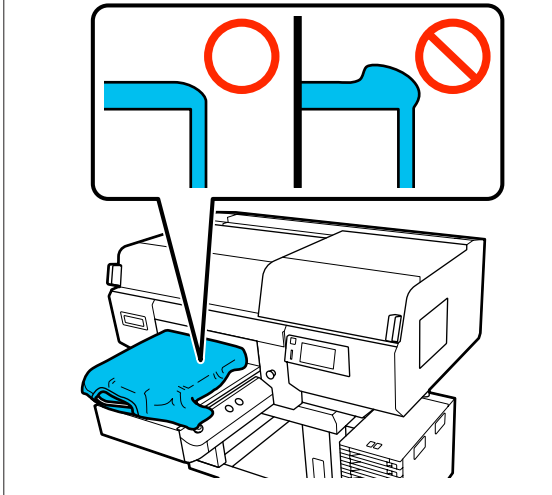


Basic Printing

7 Remove any slack or creases from the printing surface and make it flat.

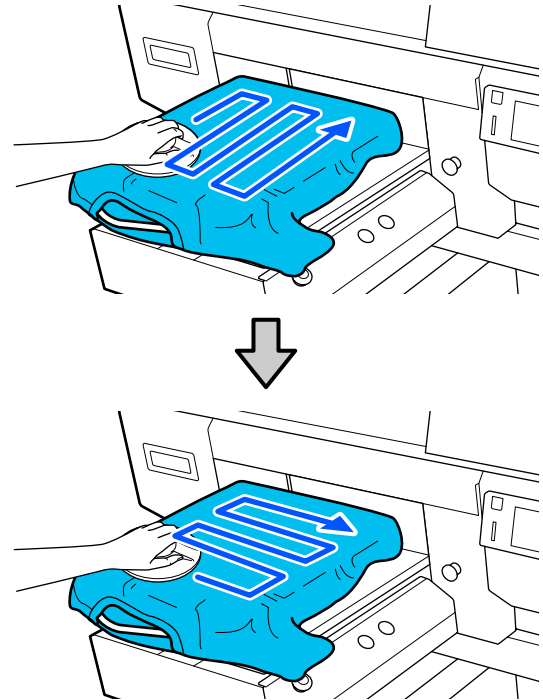
! Important:

The printer detects the highest part of the print surface and adjusts the height. If there are any creases or slack remaining as shown in the illustration below, the distance between the print head and the print surface may increase and print quality may decline. Flatten the T-shirt so that there are no creases or sagging.

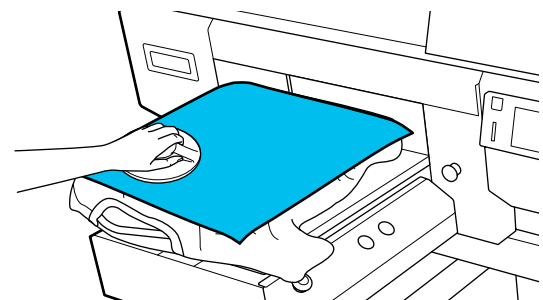


Use the grip pad tool supplied to flatten the printing surface. The T-shirt sticks to the grip on the platen keeping it flat and preventing it from moving during printing.

Press the T-shirt lightly with the grip pad tool and move it vertically and horizontally from the edges as shown in the following illustration. Repeat this step 2 to 3 times to remove any slack or creases and make the printing surface flat.



When loading a T-shirt coated with pre-treatment liquid, or when the grip pad tool gets caught due to the characteristics of the fabric, use the grip pad tool with a release sheet such as silicon paper on the T-shirt as shown in the figure.

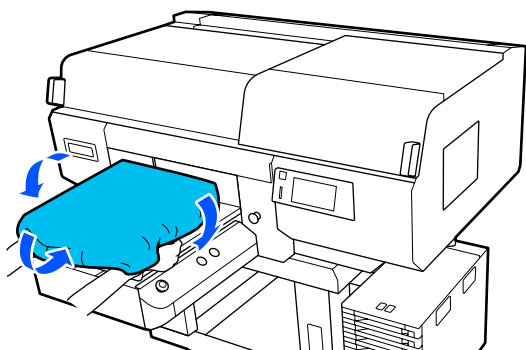


Note:

When the grip pad tool becomes dirty, make sure you wipe it with a damp cloth.

Basic Printing

- 8 Tuck in the T-shirt so that it does not drape over the movable base.



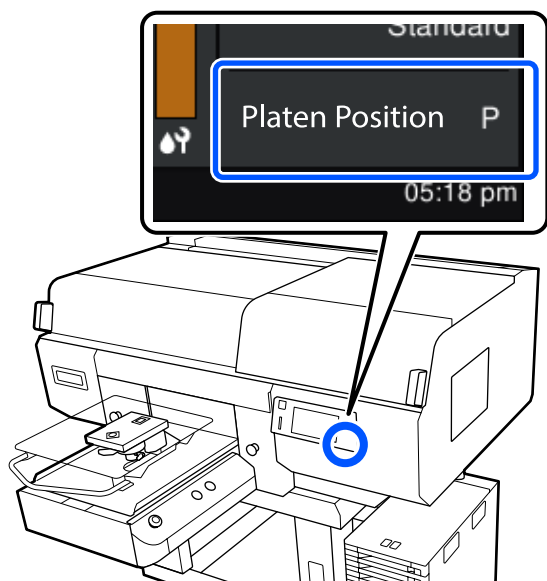
Loading on a Platen without a Grip Pad

When loading a T-shirt (media) on a platen without a grip pad, use the frame supplied with the platen.

You can check the procedure in a video on YouTube.

[Epson Video Manuals](#)

- 1 Press the button to turn on the printer.
- 2 Check that the platen is ejected forward.
If it is not ejected, press the button to move the platen forward.
- 3 On the printer's screen, confirm that the platen position is as shown below.



When Platen Gap is set to Auto:

The optimum platen position varies depending on the thickness of the media. Use the following guideline to change the platen position.

Media thickness	Platen position
0 mm to 4 mm	P
4 mm to 7 mm	1
7 mm to 10 mm	2
10 mm to 13 mm	3
13 mm to 16 mm	4
16 mm to 19 mm	5
19 mm to 22 mm	6
22 mm to 25 mm	7
25 mm to 29.5 mm	8

When Platen Gap is set to Manual:

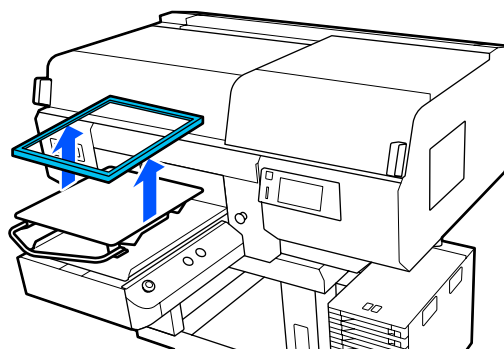
The optimum platen position varies depending on the thickness of the media being loaded and the type of platen being used. See the following for more details.

[“Table for Platen Gap setting values for media thicknesses” on page 142](#)

See the following for how to change the platen position.

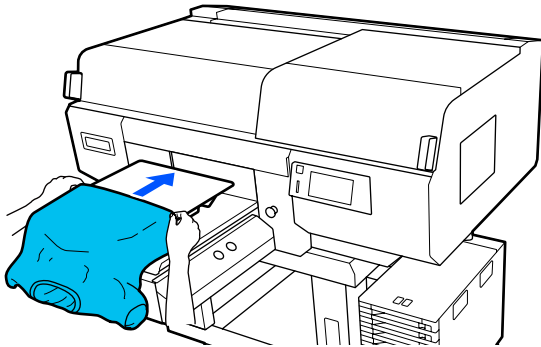
[“How to change the platen position” on page 58](#)

- 4 Remove the frame from the platen.

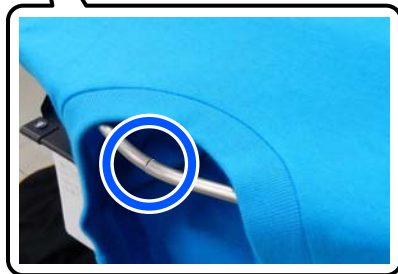
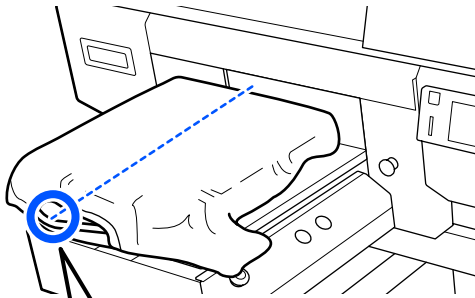


Basic Printing

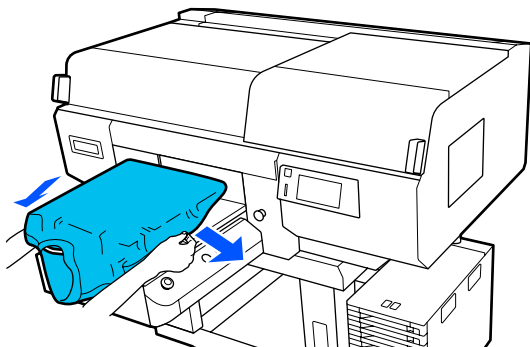
- 5 Slide the hem of the T-shirt over the platen from the front.



The line inside the frame in the illustration indicates the center of the platen. (L/M/S size hanger platens only)



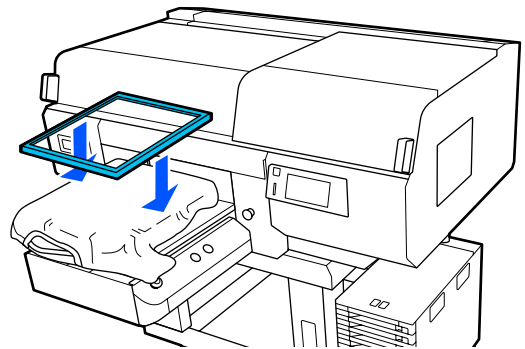
- 6 Pull the parts of the shirt that extend beyond the platen to flatten the print surface.



! Important:

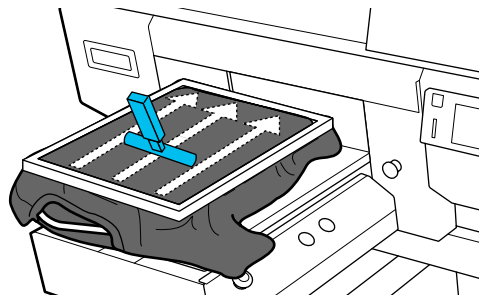
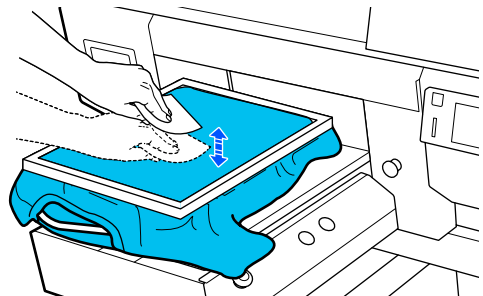
Do not pull too hard on the T-shirt. If the T-shirt is stretched too much, the print quality may decline due to deformed images and so on, and the white under-base print may extend outside the image.

- 7 Attach the platen frame again.



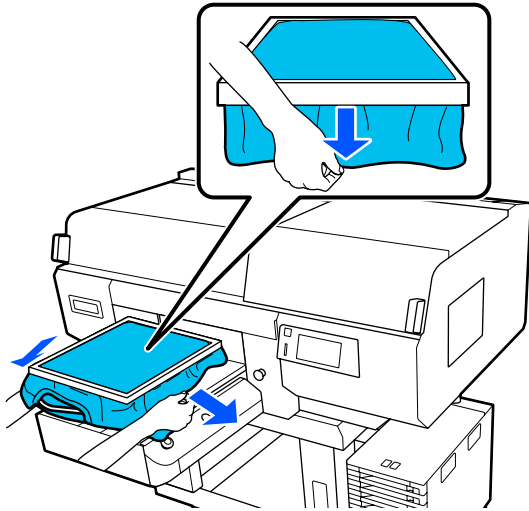
- 8 Remove any lint from the printing surface, and press the fibers flat.

There may be lint on the T-shirt if you have not applied pre-treatment liquid. Remove the lint using the sticky tape or roller and press the fibers flat using the hard roller. Lint and fibers may stick to the print head and stain other areas.



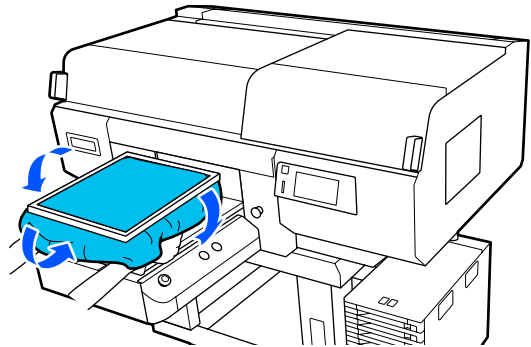
Basic Printing

- 9** Pull the T-shirt outside of the frame to remove any creases and slack.



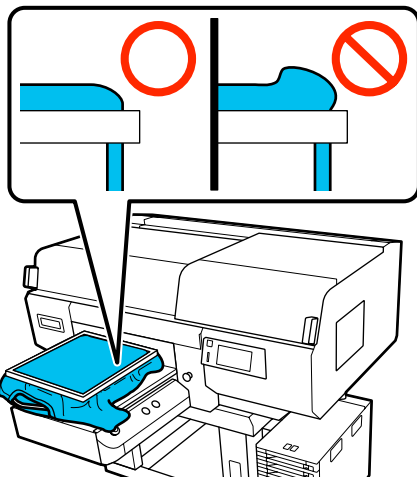
- 10** Press down the frame of the platen so that it does not become loose.

- 11** Tuck in the T-shirt around the frame so that it does not drape over the movable base.



! Important:

The printer detects the highest part of the print surface and adjusts the height. If there are any creases or slack near the inside edge of the frame as shown in the diagram below, the distance between the print head and the print surface may increase and print quality may decline. Stretch the T-shirt so that there are no creases or slack. However, if the T-shirts is stretched too much, the print quality may decline due to deformation of the image, and the white under-base print may extend outside the image.

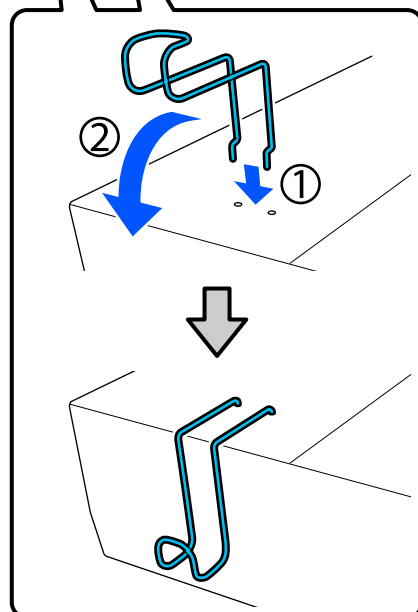
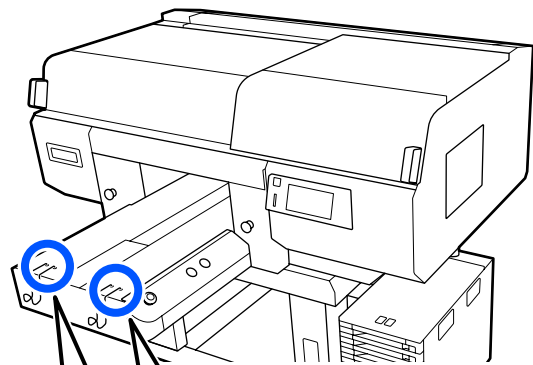


Note:

Using the platen frame to place the print surface under a suitable amount of tension can reduce swelling of the print surface while printing.

Using the supplied hook

Attaching the hook supplied with the printer as shown in the illustration allows you to hang the frame removed from the platen.



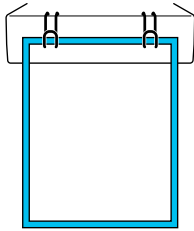
Basic Printing

Important:

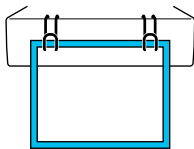
Do not hang hanger platens on the hooks. They could fall on the floor and be damaged.

Depending on the type of frame, only hang one as shown in the illustration.

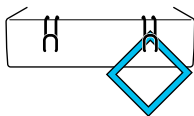
- ❑ Frames for L/M size hanger platens and medium grooved platens



- ❑ Frames for S size hanger platens



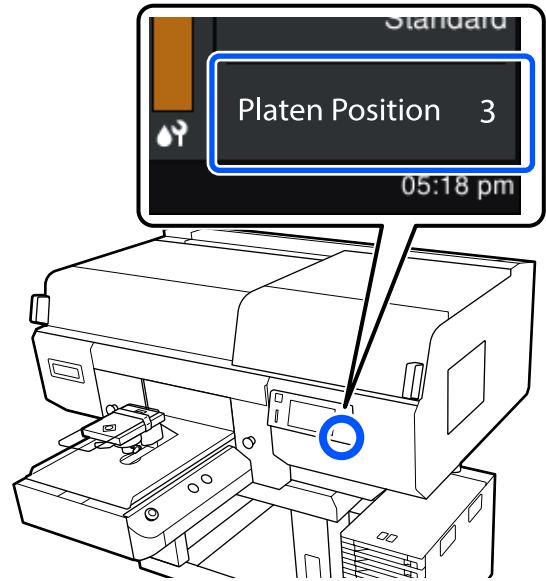
- ❑ Frames for XS size platens as well as sleeve platens



Loading on Sleeve Platens

- 1 Press the button to turn on the printer.
- 2 Check that the platen is ejected forward.
If it is not ejected, press the button to move the platen forward.

- 3 On the printer's screen, confirm that the platen position is as shown below.



When Platen Gap is set to Auto:

The optimum platen position varies depending on the thickness of the media. Use the following guideline to change the platen position.

Media thickness	Platen position
0 mm to 4 mm	3
4 mm to 7 mm	4
7 mm to 10 mm	5
10 mm to 13 mm	6
13 mm to 16 mm	7
16 mm to 19.5 mm	8

When Platen Gap is set to Manual:

The optimum platen position varies depending on the thickness of the media being loaded and the type of platen being used. See the following for more details.

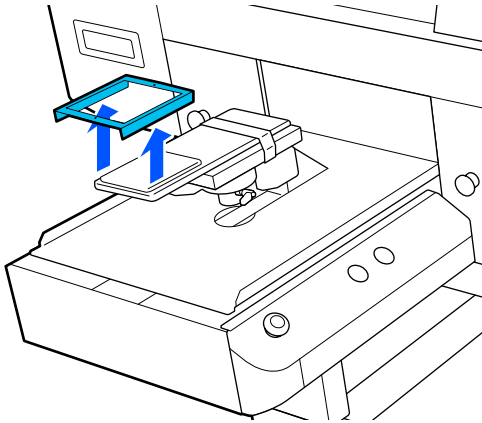
[“Table for Platen Gap setting values for media thicknesses” on page 142](#)

See the following for how to change the platen position.

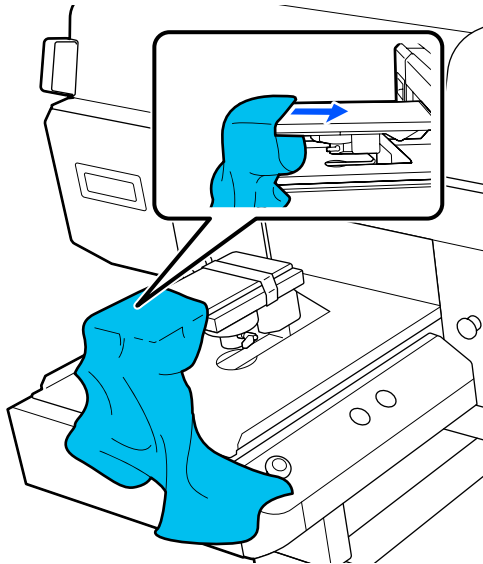
[“How to change the platen position” on page 58](#)

Basic Printing

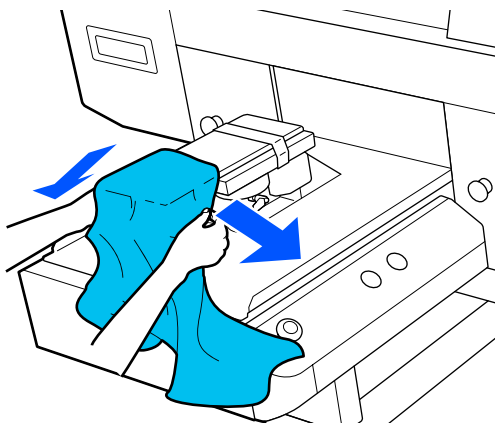
4 Remove the frame from the platen.



5 Pass the platen through the T-shirt sleeve.



6 Pull the parts of the shirt that extend beyond the platen to flatten the print surface.

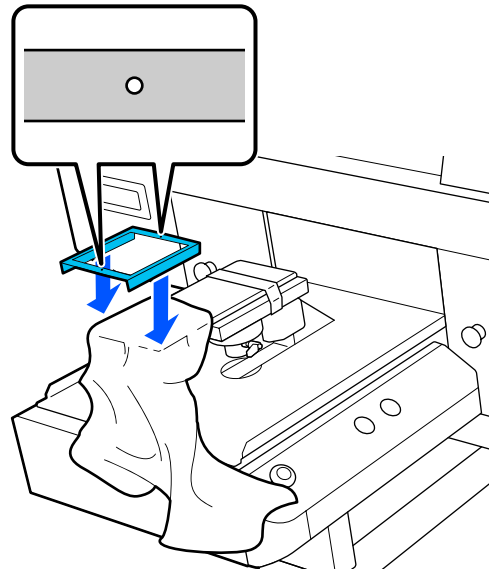


! Important:

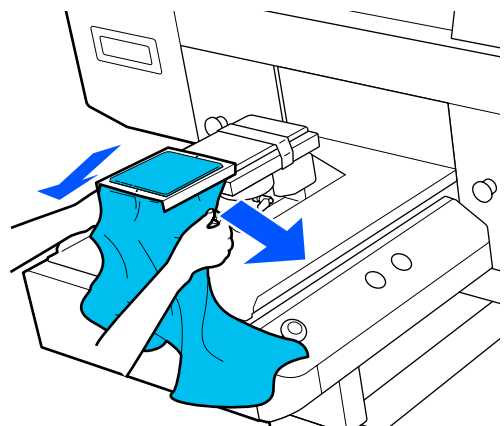
- ❑ Load the T-shirt so that the side seams and sleeve seams are not on the top. If there are raised sections, such as seams, an error may occur, or the print quality may decline.
- ❑ Do not pull too hard on the T-shirt. If the T-shirt is stretched too much, the print quality may decline due to deformed images and so on, and the white under-base print may extend outside the image.

7 Attach the platen frame again.

Load it so that the small holes in the frame are at the front and back.



8 Pull the T-shirt outside of the frame to remove any creases and slack.

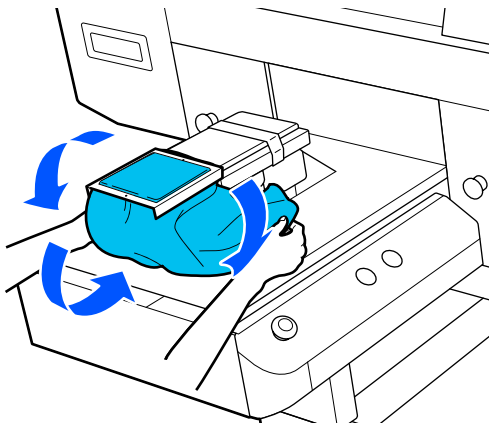


Basic Printing

! Important:
 Stretch the T-shirt so that there are no creases or slack. However, if the T-shirts is stretched too much, the print quality may decline due to deformation of the image, and the white under-base print may extend outside the image.

9 Press down the frame of the platen so that it does not become loose.

10 Tuck in the T-shirt around the frame so that it does not drape over the movable base.

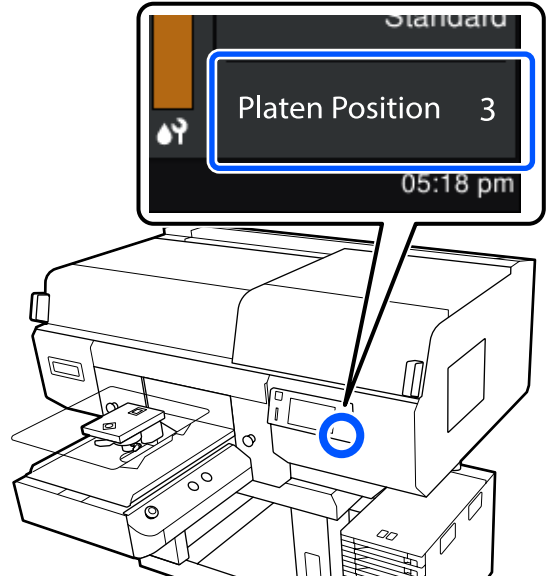


Loading on Medium Grooved Platens

1 Press the button to turn on the printer.

2 Check that the platen is ejected forward.
 If it is not ejected, press the button to move the platen forward.

3 On the printer's screen, confirm that the platen position is as shown below.



When Platen Gap is set to Auto:

The optimum platen position varies depending on the thickness of the media. Use the following guideline to change the platen position.

Media thickness	Platen position
0 mm to 4 mm	3
4 mm to 7 mm	4
7 mm to 10 mm	5
10 mm to 13 mm	6
13 mm to 16 mm	7
16 mm to 19.5 mm	8

When Platen Gap is set to Manual:

The optimum platen position varies depending on the thickness of the media being loaded and the type of platen being used. See the following for more details.

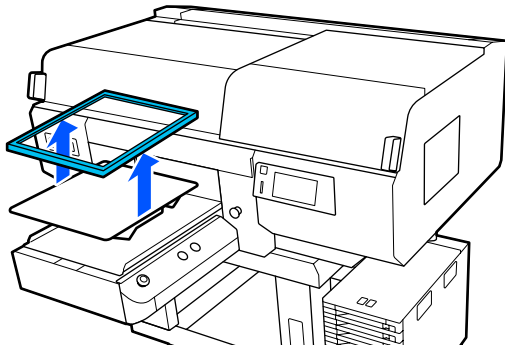
[“Table for Platen Gap setting values for media thicknesses” on page 142](#)

See the following for how to change the platen position.

[“How to change the platen position” on page 58](#)

Basic Printing

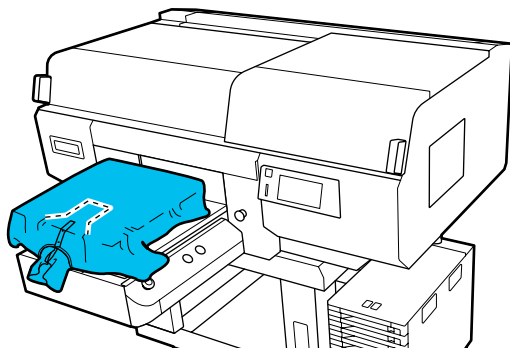
- 4** Remove the frame from the platen.



- 5** Slide the hem of the T-shirt over the platen from the front.

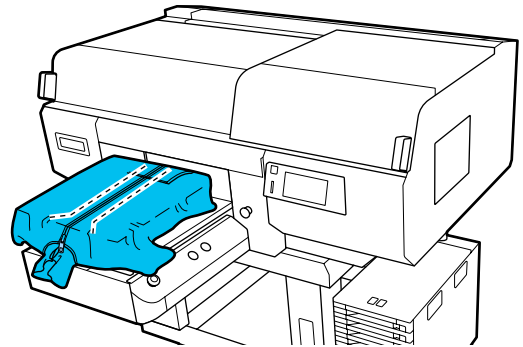
When the square part is attached (for shirts such as polo shirts)

Make sure that the collar or button section fits into the cutout on the top plate, and then load it so that the raised section does not extend above the printing side.

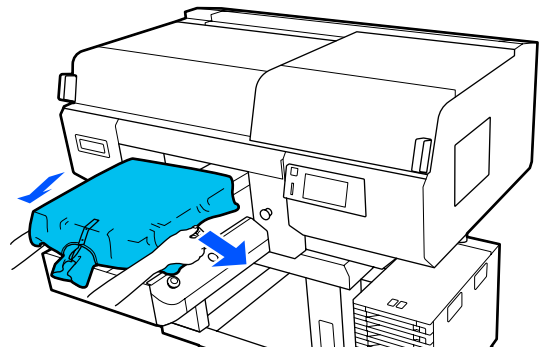


When the square part is removed (for shirts such as front-opening shirts)

Remove the square part from the top plate so that protruding sections such as zippers fit into the removed section, and then load it so that the raised section does not extend above the printing side.



- 6** Pull the parts of the shirt that extend beyond the platen to flatten the print surface.

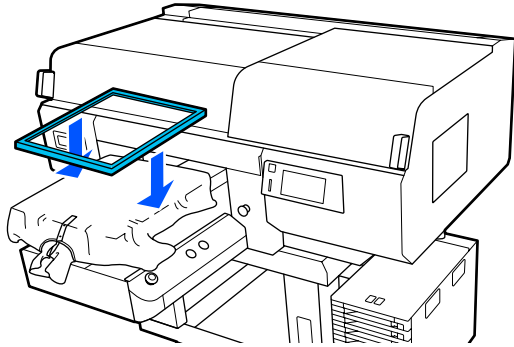


! Important:

Do not pull too hard on the media. If the media is stretched too much, the print quality may decline due to deformed images and so on, and the white under-base print may extend outside the image.

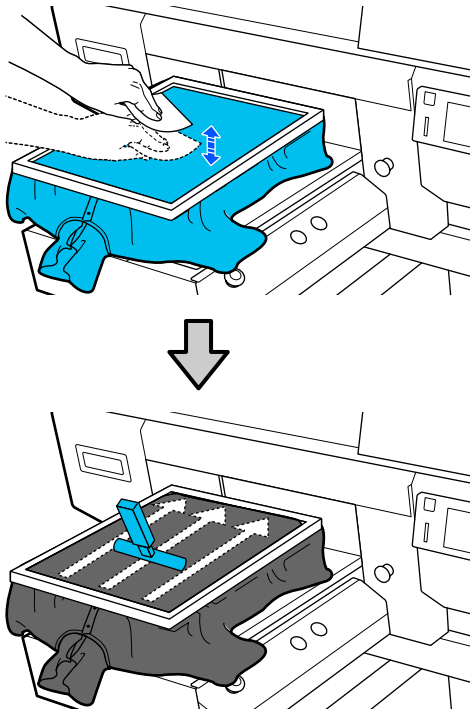
Basic Printing

7 Attach the platen frame again.

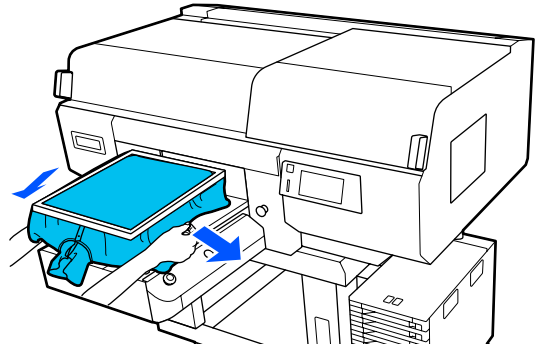


8 Remove any lint from the printing surface, and press the fibers flat.

There may be lint on the media if you have not applied pre-treatment liquid. Remove the lint using the sticky tape or roller and press the fibers flat using the hard roller. Lint and fibers may stick to the print head and stain other areas.



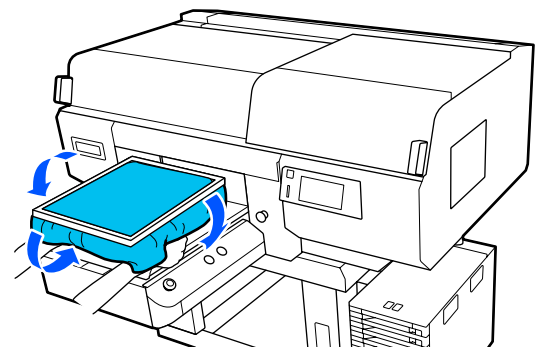
9 Pull the T-shirt outside of the frame to remove any creases and slack.



! Important:
Stretch the media so that there are no creases or slack. However, if the T-shirts is stretched too much, the print quality may decline due to deformation of the image, and the white under-base print may extend outside the image.

10 Press down the frame of the platen so that it does not become loose.

11 Tuck in the T-shirt around the frame so that it does not drape over the movable base.



Starting and Canceling Printing

Checking the platen position

When you start printing on media that is 4 mm or thicker, we recommend checking whether the position of the platen is appropriate before sending a job.

How to check

If a job is already being sent to the printer, cancel that job.

How to cancel jobs [↗](#) “Canceling” on page 71

1 Check that the T-shirt is loaded, and then press the **◇** button.

The platen moves into position to start printing.

2 Check the state of the display on the control panel's screen.

When the The surface of the media cannot be detected. error appears

If the media is loaded correctly, press **OK**, raise the platen position one level, and then check again.

When the The position of the media surface is too high. error appears

If there is no dust on the surface of the media and no problem with how the media is loaded, press **OK**, lower the platen position one level, and then check again.

[↗](#) “How to change the platen position” on page 58

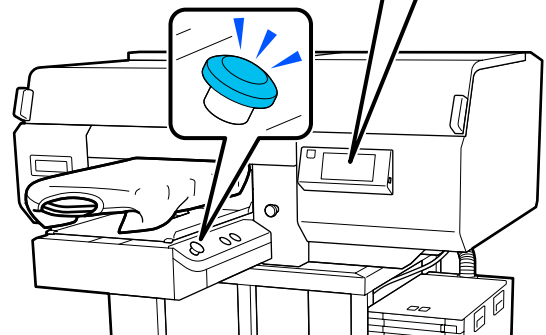
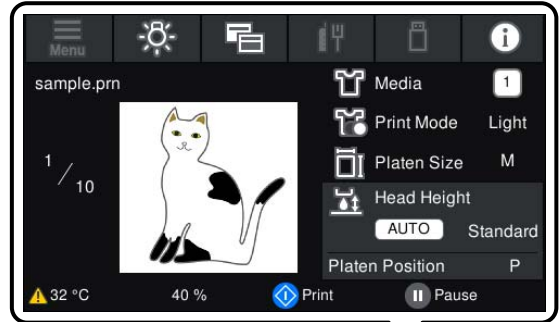
When the above errors disappear

The platen position is appropriate.

Go to the next section to start printing.

Starting

1 When a job is finished being received, the preview display opens on the screen and the **◇** button lights.



2 Check that the T-shirt is loaded, and then press the **◇** button.

Note:

When you execute **Print Head Nozzle Check** or **Head Cleaning** before you start printing or in between repeated printings, press in the order of **Menu** (menu) - **Maintenance**, and then select the menu.

When executing **Print Head Nozzle Check**, be sure to load the media in the center of the platen.

[↗](#) “Loading media” on page 100

When reprinting (repeat printing) the same job

After the specified number of garments is finished printing, the job sent to the printer is saved to the printer until one of the following events occurs.

- A new job is sent
- The power is turned off

Basic Printing


Note:

Jobs that are larger than 576 MB are not saved to the printer. Resend these jobs again.

Note:

You can stop a job by clicking **Cancel** in the screen that is displayed while the job is being sent from Garment Creator for SC-F3000 Series, the software for the printer. If a job being sent from the computer to the printer has finished sending, cancel it at the printer.

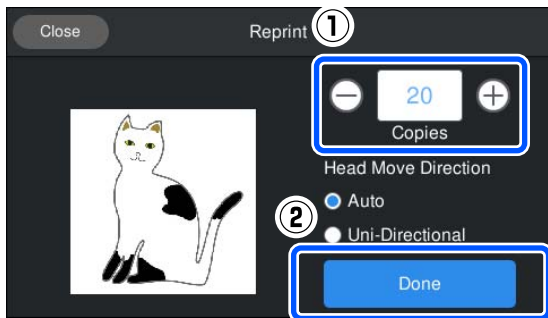
By using the following procedure to access a saved job, you can repeatedly print the job just by operating the printer, without resending the job from the computer.



1 Press in the order of  (menu) - **Reprint**.

2 Input the number of prints, and then press **Done**.

You can also change the **Head Move Direction** setting here.

- Auto:** Printing is done according to the settings of the print job.
- Uni-Directional:** While moving left and right, the print head prints only in the first direction.





3 When the preview display opens on the printer's screen and the  button lights, load a T-shirt on the platen, and then press the  button.

 [“Load the T-shirt \(media\)” on page 59](#)

Canceling

Use this when you want to cancel printing, or to cancel a job that is being received by the printer.

You can use the same procedure to cancel repeat printing or printing from a USB memory.

1 Press the  button on the printer or  (pause) on the right edge of the status display area on the screen.

2 Select **Cancel**.
Printing or receiving stops, and the job is deleted.

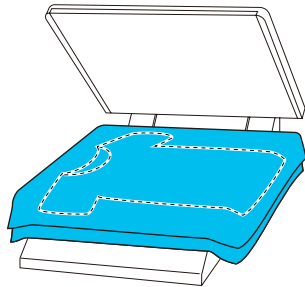
Basic Printing

Fixing the Ink

After printing, the T-shirt is processed in a heat press or oven to fix the ink.

Precautions when Fixing the Ink

- ❑ If you use a heat press with a T-shirt (media) that has printing near the seams such as the sleeves, fixing may not be performed correctly as ink is not heated sufficiently due to the difference of levels in the seams.
We recommend placing a heat-resistant fabric above and below the T-shirt and applying pressure as shown below to reduce the difference in levels.



- ❑ When ink is fixed to polyester T-shirts by using a heat press, the heat press can be soiled with ink due to the properties of the fabric. Clean the heat press if necessary.
- ❑ If the ink is not fixed sufficiently, colors may come out in the wash or when rubbing against something.
- ❑ If the T-shirts (media) have plastic buttons or zippers, we recommend that you first confirm whether or not they will be damaged before using the heat-press.

Fix conditions

The conditions required for fixing differ depending on the type of fabric and the device for fixing ink.

Use the following values as a guide. The optimum conditions vary depending on the type of fabric or the device for fixing ink, and the amount of ink.

For cotton T-shirts

Heat press

Temperature	Time	Pressure*1
170 °C	45 seconds*2	4.2 N/cm ²

- *1 The optimum conditions vary depending on the type of heat press such as the manual adjustment type. Be sure to test the ink fixing result in advance to find the right pressure.
- *2 Images larger than A4 that have White ink may take longer than 45 seconds to dry. Try extending the time up to 90 seconds while checking if the ink is dry.

Oven

Because the optimum conditions vary depending on the oven, test and check the ink fixing result in advance to determine the temperature and duration.

Type of Oven	Temperature	Time
Batch type	160 °C	3.5 to 5 minutes*2
Conveyor type	160 °C*1	3.5 to 4.5 minutes*2

- *1 Temperature of the fixing surface of the T-shirt. Not the internal temperature. If the surface of the T-shirt exceeds 180 °C, the T-shirt and the print surface may change color.
- *2 Images that have White ink require the maximum fixing time (batch type: 5 mins., conveyor type: 4.5 mins.).

For polyester T-shirts

Due to the characteristics of polyester T-shirts, the fabric may be discolored due to the heat applied during fixing. Also, if fixing is performed at too high a temperature, for too long, or under too much pressure, the printed color may be too thin or traces of the heat press may remain on the fabric. Be sure to test the ink fixing result in advance to determine the right conditions.

Basic Printing

Heat press

- When using White ink

Temperature	Time	Pressure* ¹
130 °C	90 seconds	3.0 N/cm ²

- When using Color ink only

Temperature	Time	Pressure* ¹
130 °C	30 seconds* ²	3.0 N/cm ²

- *1 The optimum conditions vary depending on the type of heat press such as the manual adjustment type. Be sure to test the ink fixing result in advance to find the right pressure.
- *2 Images larger than A4 and images with large amounts of ink may not be sufficiently dried after 30 seconds depending on the type of fabric being used, such as blended fabric. If the ink does not dry enough, try extending the time while checking if the ink is dry.

Oven

Type of Oven	Temperature	Time
Batch type/ Conveyor type	140 °C* ¹	5 to 10 minutes* ²

- *1 Temperature of the fixing surface of the T-shirt. Not the internal temperature.
- *2 Images that contain White ink require the maximum time (10 minutes) to fix.

Printing from a USB Memory

You can select and print jobs directly from the printer's control panel by saving jobs to a USB memory from Garment Creator for SC-F3000 Series on your computer in advance.

See the manual for Garment Creator for SC-F3000 Series for the procedure to save jobs to a USB memory from Garment Creator for SC-F3000 Series.

USB memory requirements

The following requirements need to be met to use a USB memory.

- FAT device compatible with Windows
- Format: FAT, FAT32, or exFAT
- No security functions such as encryption or passwords
- Memory capacity: Up to 2TB
- Partitions: 1

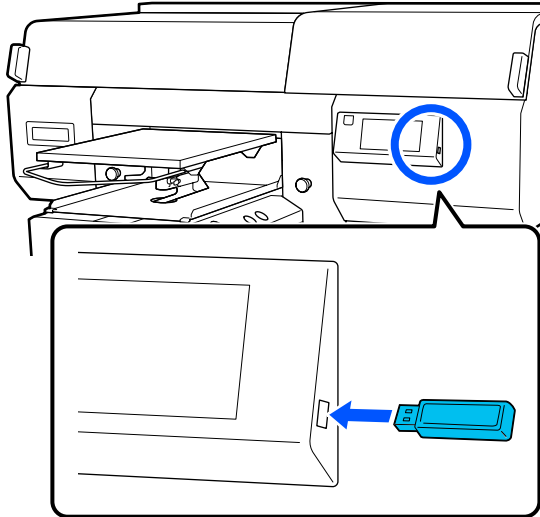
Requirements for supported data

- Data name: Up to 255 single-byte characters
- Data size: Up to 4 GB
- Number of data items: Up to 999 (prn files only)
Save the data in the root folder on the USB memory. Furthermore, even for files saved in the root folder, only files with the extension "prn" are displayed.

Basic Printing

Printing Procedures

1 Insert the USB memory containing the saved jobs to the USB memory port.

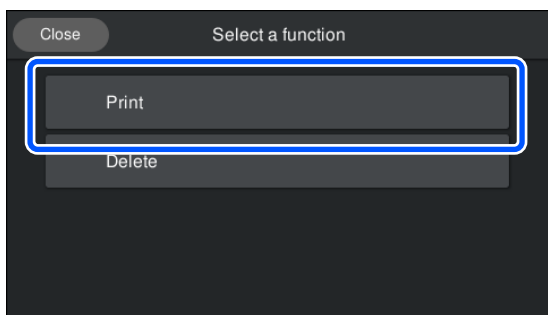


2 On the control panel screen, press (USB printing).

Important:

- ❑ Do not connect or disconnect the USB memory when the light is flashing.
- ❑ Connect the USB memory stick directly to the printer. We cannot guarantee connections that use an extension cable, a USB hub, or a card reader.

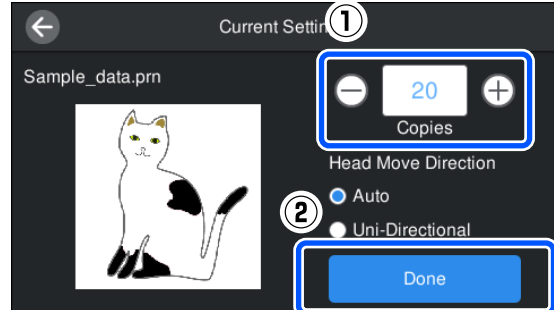
3 When the following screen appears, press **Print**.



4 Select the data to print.
A preview of the print data appears.

5 Input the number of prints, and then press **Done**.
You can also change the settings for the **Head Move Direction** here.

- ❑ **Auto:** Printing is done according to the settings of the print job.
- ❑ **Uni-Directional:** While moving left and right, the print head prints only in the first direction.



6 When the preview display opens on the printer's screen and the button lights, load a T-shirt on the platen, and then press the button.

[“Load the T-shirt \(media\)” on page 59](#)

Note:

When you execute **Print Head Nozzle Check** or **Head Cleaning** before you start printing or in between repeated printings, press in the order of (menu) - **Maintenance**, and then select the menu.

When executing **Print Head Nozzle Check**, be sure to load the media in the center of the platen.

[“Loading media” on page 100](#)

After printing the specified number of garments, a list of print jobs appears on screen.

To change the specified number of garments while printing

Press the button on the printer or the screen to stop printing, and then redo the settings from step 4.

To print a different job before the specified number of garments are finished printing

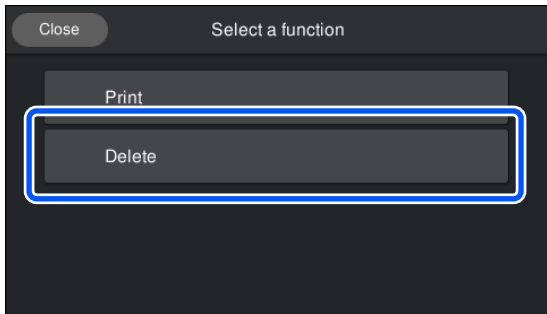
Press the button on the printer or the screen to stop printing, in the preview screen, press to return to the list of print jobs screen, and then redo the settings from step 3.

Deleting

1 On the control panel screen, press (USB printing).

Basic Printing

- 2 When the following screen appears, press **Delete**.



- 3 Select the data to delete.
A preview of the print data appears.
To delete the data, select **Yes**.

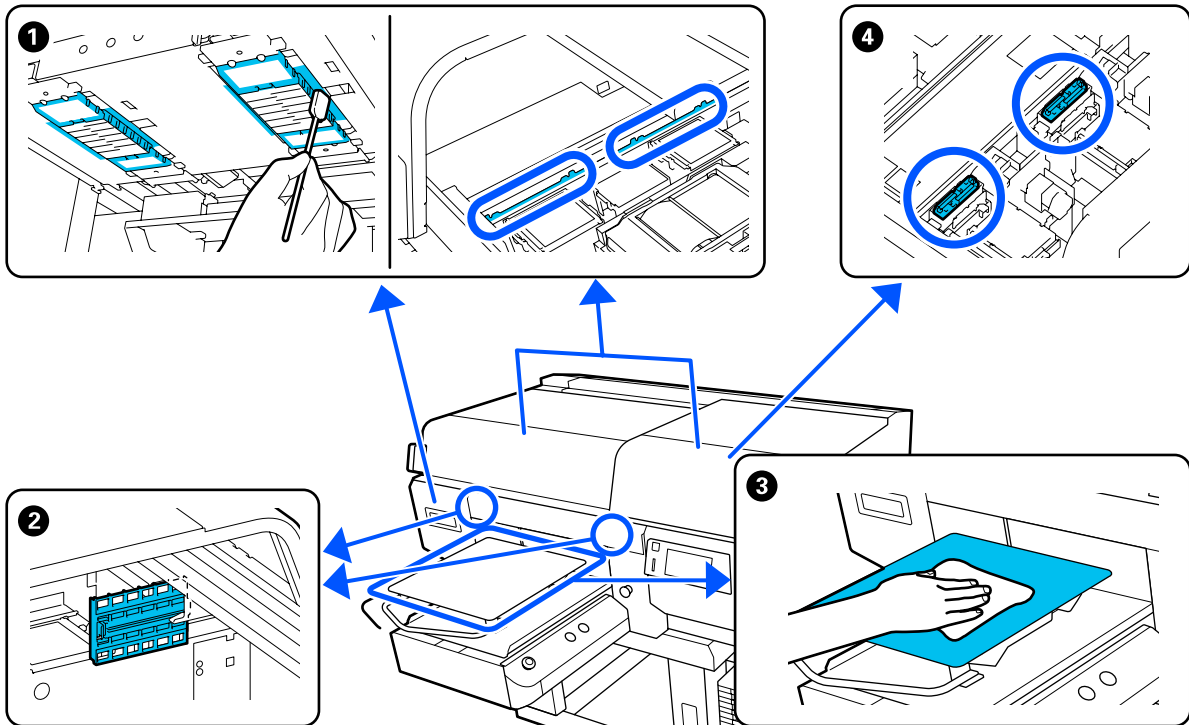
Maintenance

When to Perform Various Maintenance Operations

To maintain the print quality of the printer, you need to perform cleaning and replace consumables.

If maintenance is not performed, print quality may decline, the printer's service life may be reduced, or you may be liable for the cost of any repairs. Always perform maintenance when a message is displayed on the screen.

Cleaning Locations and Cleaning Timing



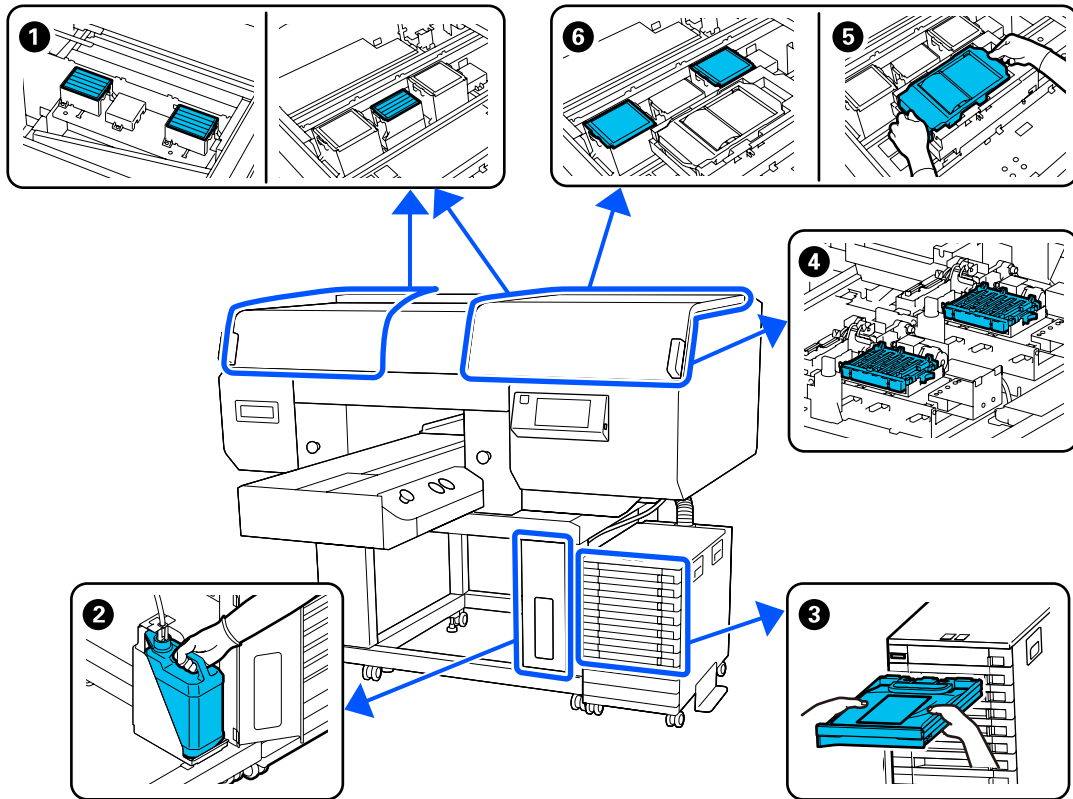
When to perform	Component to be cleaned
<p>When It is time to clean the Sensor Cover, appears on the control panel screen</p>	<p>② Cleaning the sensor cover 🔗 "Cleaning the Sensor Cover" on page 81</p> <p>You can check the procedure in a video on YouTube. Epson Video Manuals</p>
<ul style="list-style-type: none"> ❑ The printing surface and other areas are soiled even after cleaning the caps ❑ When printing is not performed normally even after head cleaning 	<p>① Clean around the print head and the edges of the metal 🔗 "Clean around the print head and the edges of the metal" on page 83</p> <p>You can check the procedure in a video on YouTube. Epson Video Manuals</p>

Maintenance

When to perform	Component to be cleaned
If a platen without a grip pad is soiled	<p>③ Clean the platen without a grip pad</p> <p>“Cleaning the Platen Without a Grip Pad” on page 88</p>
<p>☐ When It is time to clean the Suction Cap. appears on the control panel screen*</p> <p>☐ When there are ink stains on the printing surface of the T-shirt</p>	<p>④ Suction cap</p> <p>“Cleaning the Suction Cap” on page 85</p> <p>You can check the procedure in a video on YouTube.</p> <p>Epson Video Manuals</p>

* If this message is displayed frequently, contact your dealer or Epson support.

Locations of Consumables and Replacement Timing





When to perform	Component to be replaced
When a prepare and replacement message is displayed on the control panel screen	<p>① Air Filter</p> <p>“Replacing the Air Filters” on page 98</p> <p>② Waste Ink Bottle</p> <p>“Disposing of Waste Ink” on page 92</p> <p>④ Anti-Drying Caps</p> <p>“Replacing the Anti-Drying Caps” on page 96</p> <p>⑤ Wiper Unit, ⑥ Flushing Pad</p> <p>“Replacing the Head Cleaning Set” on page 94</p>

Maintenance

When to perform	Component to be replaced
When You need to replace Ink Supply Unit. appears on the control panel screen.	<p>③ Ink Supply Unit</p> <p>☞ "Shaking and Replacing Ink Supply Units" on page 89</p>

Other maintenance

When to perform	Operation
<ul style="list-style-type: none"> <input type="checkbox"/> Before starting printing operations for the day (WH only) <input type="checkbox"/> Ink shaking is needed. Shake the Ink Supply Unit which  /  is displayed. is displayed <input type="checkbox"/> When the LED lamp on the Ink Unit is flashing blue 	<p>Shaking the Ink Supply Unit</p> <p>☞ "Shaking" on page 89</p>
<ul style="list-style-type: none"> <input type="checkbox"/> When checking if nozzles are clogged <input type="checkbox"/> When checking which colors are clogged <input type="checkbox"/> Horizontal stripes or tint unevenness (banding) are appeared. 	<p>Checking for clogged nozzles</p> <p>☞ "Checking for clogged nozzles" on page 100</p>
<ul style="list-style-type: none"> <input type="checkbox"/> When printouts are blurred or parts are missing <input type="checkbox"/> When a clog is found after checking for clogged nozzles 	<p>Cleaning the print head</p> <p>☞ "Head Cleaning" on page 101</p>
When changing the printer mode	<p>Changing the printer mode</p> <p>☞ "Changing the Printer Mode" on page 102</p>
When the printer will not be used for an extended period (and switched off)	<p>Pre-Storage Maint.</p> <p>☞ "Pre-Storage Maintenance for Long-Term Non-Use" on page 103</p>

Maintenance

Preparation

Ready the following items before beginning cleaning and replacement.

When the supplied parts have been completely used, purchase new consumables.

Prepare genuine parts when replacing ink supply units or performing maintenance.

 [“Options and Consumable Products” on page 133](#)

Protective eye-wear (commercially available)

Protects your eyes against ink and ink cleaner.

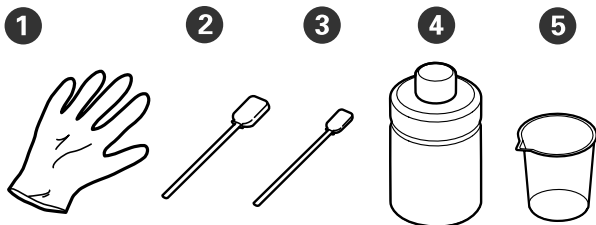
Tweezers (supplied with the printer)

Use this to remove lump or film of waste liquid.

Maintenance kit (supplied with the printer)

Use this to clean around the caps and print head, and the sensor cover.

The set contains gloves, cleaning sticks, ink cleaner, and a cup.



- 1 Gloves (x4)
- 2 Cleaning stick (wide) (x25)
- 3 Cleaning stick (narrow) (x25)
- 4 Ink cleaner (x1)
- 5 Cup (x1)

Clean-room wipers (supplied with the printer)

Use to clean the Sensor Cover.

Metal or plastic tray (commercially available)

Use this to hold used cleaning sticks, removed parts, or to prevent ink from soiling the printer when cleaning around the print head.

Soft cloth

Use this to clean the edges of the metal and to clean platens without a grip pad.

Cautions when operating



Caution:

- Always wear protective eyewear, gloves, and a mask when working. Should any waste ink or ink cleaner come into contact with your skin or enter your eyes or mouth, immediately take the following actions.
 - If fluid adheres to your skin, immediately wash it off using large volumes of soapy water. Consult a physician if the skin appears irritated or inflamed.
 - If fluid enters your eyes, rinse immediately with water. Failure to observe this precaution could result in bloodshot eyes or mild inflammation. If problems persist, consult a physician.
 - If any enters your mouth, consult a physician immediately.
 - If fluid is swallowed, do not force the person to vomit and consult a physician immediately. If the person is forced to vomit, fluid may get caught in the trachea which can be dangerous.
- Store ink supply units, waste ink, ink cleaner, and Cleaning ink supply units out of the reach of children.

- Remove the T-shirt from the printer before starting periodic cleaning.
- Do not touch any parts or circuit boards other than the parts that need to be cleaned. It may cause a malfunction or decline of the print quality.
- Always use new cleaning sticks. Reusing sticks may soil the parts you are trying to clean.

Maintenance

- ❑ Do not touch the tip of the cleaning stick with your hand. Oils on your hand may compromise the cleaning ability.
- ❑ Mixing ink with water or organic solvents causes it to harden, which causes malfunctions.
 - ❑ Use only pure water to clean the specified areas. Do not use tap water.
 - ❑ Do not use organic solvents, such as alcohol, for cleaning. Organic solvents could result in discoloration, warping, or damage to parts.
- ❑ Touch a metal object before starting operations to disperse any static electricity.

Maintenance

Cleaning

Using ink cleaner

The ink cleaner is used to clean the following parts.

Parts you can clean

- ❑ When cleaning the suction cap
Dampen a cleaning stick with ink cleaner to use it.
- ❑ When cleaning around the suction cap
If there are ink stains that cannot be removed by wiping with a dry cleaning stick, dampen a cleaning stick with ink cleaner and wipe it.
- ❑ When cleaning around the print head
Dampen a cleaning stick with ink cleaner to use it.
- ❑ When cleaning the platen without a grip pad
If there are ink stains that cannot be removed by wiping with a soft dry cloth or diluted neutral detergent, dampen the soft cloth with ink cleaner and try again.
- ❑ When cleaning the Sensor Cover
If there are ink stains that cannot be removed by wiping with water, soak a clean-room wiper in ink cleaner, and use it.

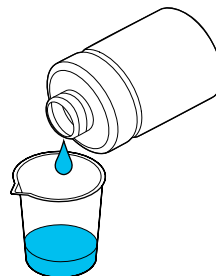
Important:

- ❑ Do not use it to clean any areas not specified in "Parts you can clean". Failure to observe this precaution could result in damaged parts.
- ❑ Depending on the usage and storage environment, the ink cleaner may change color after opening.
- ❑ If you notice that the ink cleaner has changed color or emits a bad odor, stop using the cleaner and open a new maintenance kit.
- ❑ Make sure you close the lid securely after use, and avoid storing in locations subject to high temperatures, high humidity, and direct sunlight.

1 Remove the lid from the ink cleaner.

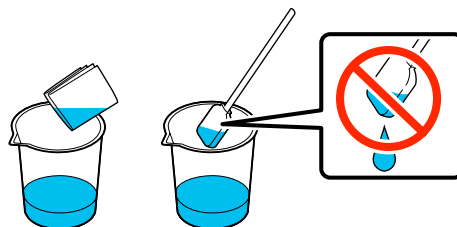
2 Pour an appropriate amount of ink cleaner into the cup supplied with the maintenance kit.

To clean the Sensor Cover, pour about 5 ml (about halfway to the bottom line).



3 Let the ink cleaner soak into the cleaning stick or soft cloth.

When doing this, make sure that ink cleaner does not drip from the cleaning stick or soft cloth.



Cleaning the Sensor Cover

When it is time to clean the Sensor Cover, **It is time to clean the Sensor Cover.** appears on the control panel screen. If you continue to use it as is, the position of the platen cannot be detected so printing becomes impossible. See the following to do cleaning.

You can check the procedure in a video on YouTube.

[Epson Video Manuals](#)

Important:


Do not move the platen manually. A malfunction may occur.

Before starting this procedure, be sure to read the following:

 ["Cautions when operating" on page 79](#)

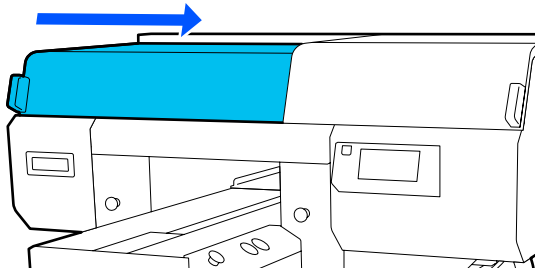
Maintenance

- 1** Check the messages that appear on the printer's screen, and then press **Cleaning**.

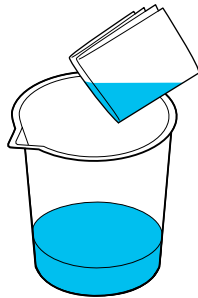
When the message is not displayed, press in the order of  (menu) - **Maintenance** - **Cleaning the Maintenance Parts - Sensor Cover**.


- 2** Check the message, and then press **Start**.
The platen moves to the maintenance position.

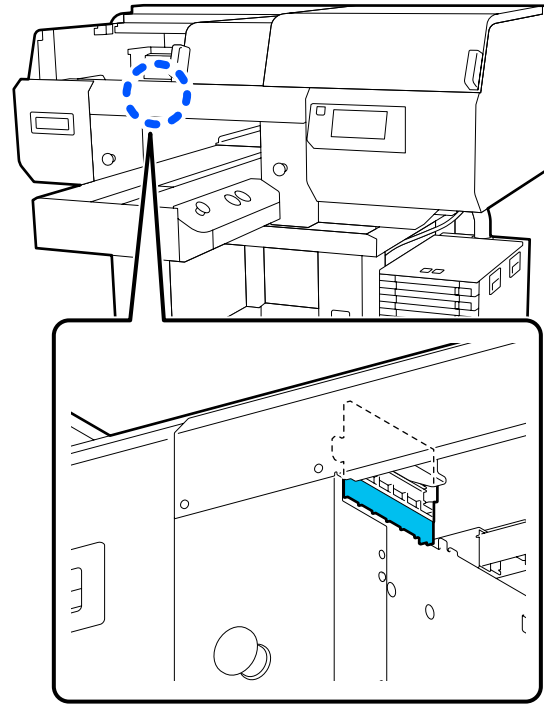
- 3** Open the left side of the Printer Cover.



- 4** Pour an appropriate amount of water into the cup supplied with the maintenance kit, and soak a clean-room wiper in it.



- 5** Put your hand into the opening and use the clean-room wiper, which was soaked in water, to dampen the  area shown in the illustration.
Be careful so that water does not drip into the printer.



- 6** Use a dry clean-room wiper to wipe off the dried ink.
Continue wiping until the clear part is no longer opaque, as shown in the lower illustration, and you can clearly see the inside.

Before cleaning



Maintenance

After cleaning



Note:

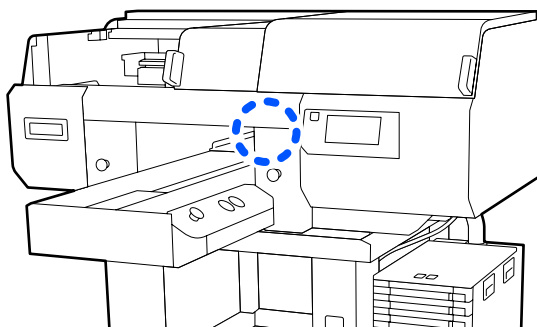
The red and green lights that are visible inside the clear part are LED lights. They cannot damage your eyes.

If the ink stains cannot be removed completely, return to step 4 and instead of water use the ink cleaner provided with the maintenance kit to do the cleaning again.

[“Using ink cleaner” on page 81](#)

- 7** Use the same procedure to clean the Sensor Cover on the right, also.

Do steps 4 to 6.



- 8** After you finish cleaning both Sensor Covers, close the left side of the Printer Cover, and then press **Done** on the control panel screen.

- 9** Check the on-screen messages, and then press **OK**.

The platen moves to its normal position.

Disposing of Used Consumables [“Disposal” on page 105](#)

If The Sensor Cover cannot be recognized. appears

If this message appears immediately after you finish cleaning, then cleaning was insufficient. Do the cleaning again.

Clean around the print head and the edges of the metal

If the printing surface and other areas are dirty even after performing **Head Cleaning** several times, fibers, such as lint, may have accumulated around the print head nozzles and edges of the metal. Follow the steps below to clean them.

You can check the procedure in a video on YouTube.

[Epson Video Manuals](#)

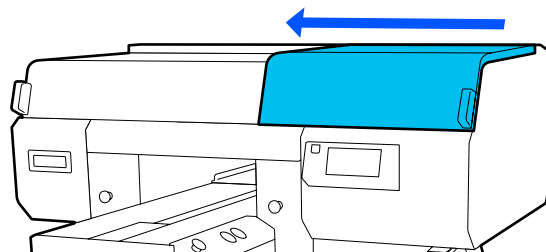
Important:

Do not move the print head or the platen manually. A malfunction may occur.

Before starting this procedure, be sure to read the following:


[“Cautions when operating” on page 79](#)

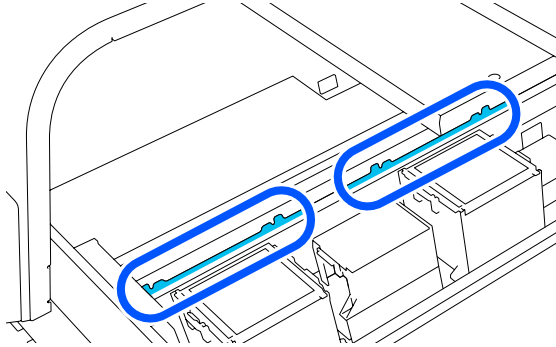
- 1** Confirm that the power is turned on, and then press in the order of (menu) - **Maintenance - Cleaning the Maintenance Parts - Around the Head**.
- 2** Check the message, and then press **Start**.
The platen moves to the maintenance position.
- 3** Open the right side of the printer cover.



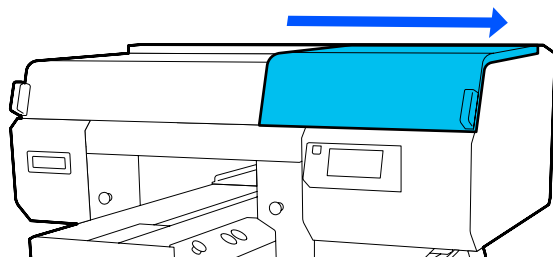
Maintenance

- 4** Soak a soft cloth in water and wring it out thoroughly, wipe the edges of the metal, and then wipe them dry.

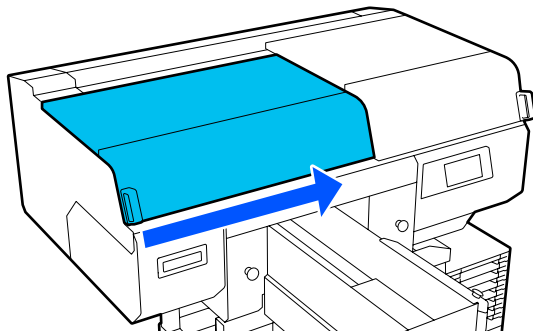
Wipe off any ink, lint, or dust that is stuck to the  parts indicated in the diagram below.




- 5** Close the right side of the printer cover.

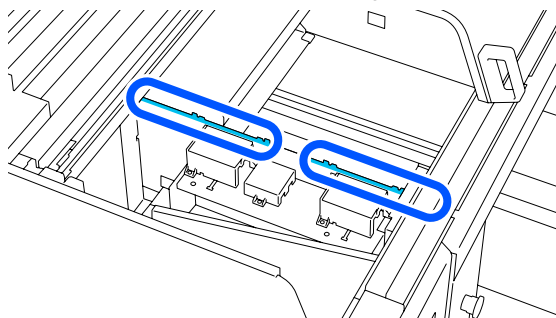


- 6** Open the left side of the printer cover.

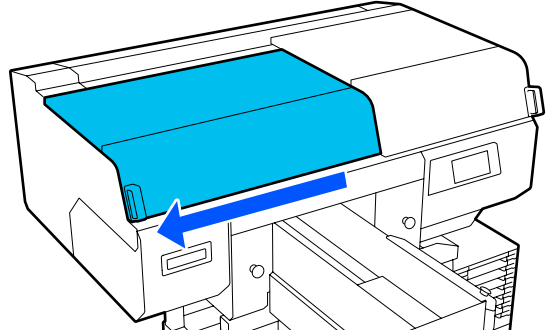


- 7** Soak a soft cloth in water and wring it out thoroughly, wipe the edges of the metal, and then wipe them dry.

Wipe off any ink, lint, or dust that is stuck to the  parts indicated in the diagram below.



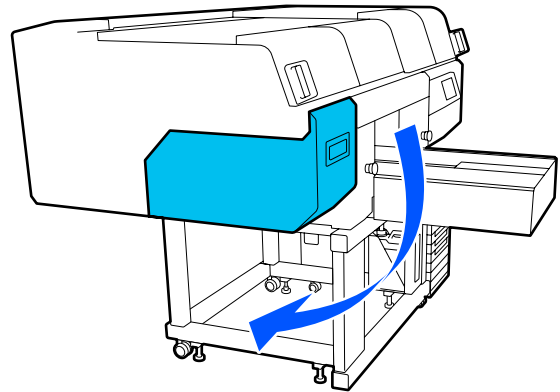
- 8** Close the left side of the printer cover.



- 9** Check the message, and then press **Done**.

The print head moves to the maintenance position.

- 10** Confirm that the print head moved, and then open the maintenance cover.



Note:

The buzzer sounds 10 minutes after the print head is moved (default setting).


Check the message on the screen, press **OK**, and then continue working. After 10 more minutes have passed, the buzzer sounds again.


- 11** Prepare, and let the ink cleaner soak into, 2 new, wide cleaning sticks.

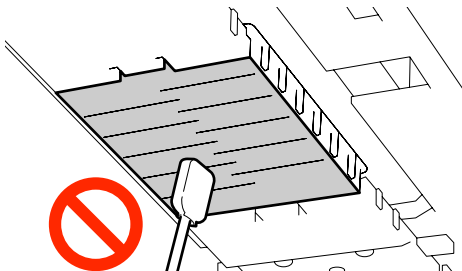
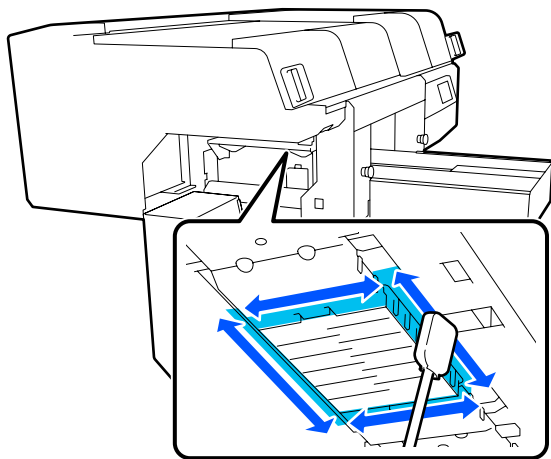
Use separate cleaning sticks to clean the front and back print heads.


 [“Using ink cleaner” on page 81](#)

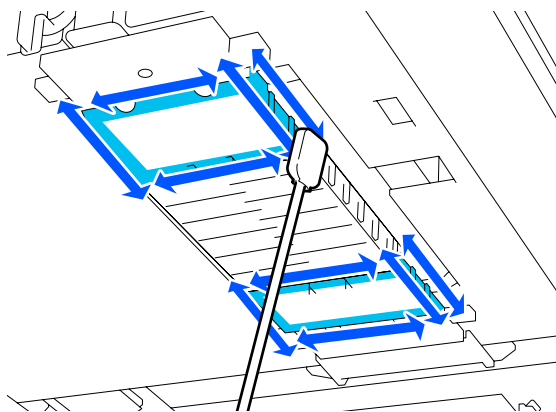
Maintenance

- 12 Look into the print head, and wipe off any ink, lint, or dust that has adhered to the parts that are indicated by  in the illustration.

 **Important:**
Do not touch the nozzle surfaces with the cleaning stick. A malfunction may occur.

- 13 Wipe off any ink, lint, or dust that has adhered to the parts that are indicated by  in the illustration.



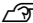
If you could not remove the dirt in one wipe, soak the cleaning stick in ink cleaner, and then repeat steps 12 to 13 to wipe off the dirt. If the cleaning stick is dirty at this time, replace it with a new one.

- 14 After you finish cleaning both heads, close the maintenance cover and press **Done** in the control panel screen.

When the print head returns to its normal position, the Settings menu closes.

After you finish cleaning, we recommend checking for clogged nozzles.

 [“Checking for clogged nozzles” on page 100](#)


Disposing of Used Consumables  [“Disposal” on page 105](#)

Cleaning the Suction Cap

When it is time to clean the suction caps, **It is time to clean the Suction Cap.** appears on the control panel screen. If you continue to use the printer without cleaning, the nozzles may clog and print quality may decline. Even if the message is not displayed, clean the suction cap if printing surface is soiled with ink.

You can check the procedure in a video on YouTube.

[Epson Video Manuals](#)

 **Caution:**

If you opened the printer cover in operation, do not touch the area as indicated by the warning labels.

High temperatures may cause burns.


 **Important:**

Do not move the print head or the platen manually. A malfunction may occur.

Before starting this procedure, be sure to read the following:

 [“Cautions when operating” on page 79](#)

- 1 Check the messages that appear on the printer's screen, and then press **Cleaning**.

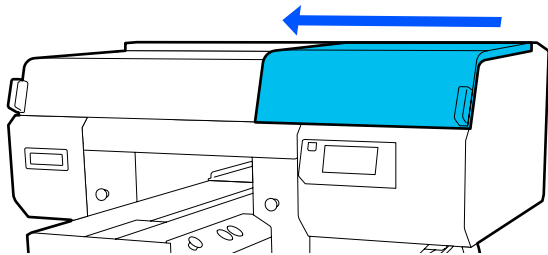
When the message is not displayed, press in the order of  (menu) - **Maintenance** - **Cleaning the Maintenance Parts** - **Suction Cap**.

Maintenance

- 2** Check the message, and then press **Start**.
The platen and print head move to the maintenance position.

Note:
The buzzer sounds 10 minutes after the print head is moved (default setting).
Check the message on the screen, press **OK**, and then continue working. After 10 more minutes have passed, the buzzer sounds again.

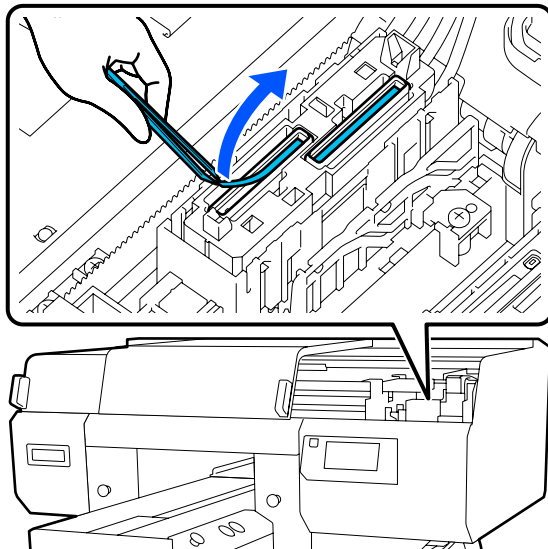
- 3** Open the right side of the printer cover.



- 4** If there is a lump or film of waste liquid stuck to the suction cap, remove it with the supplied pair of tweezers.

! Important:

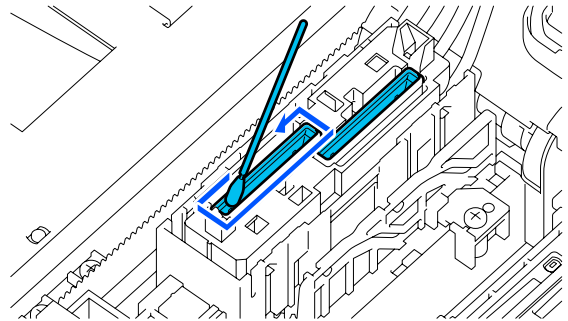
- Do not rub the cap section hard. Scratches may cause air leaks, and Head Cleaning cannot be done correctly.
- Do not use any tweezers such as metal tweezers other than the supplied pair.



- 5** Prepare two new thin cleaning sticks and two new wide cleaning sticks, and soak them with ink cleaner.
Use separate cleaning sticks to clean the front and back suction caps.

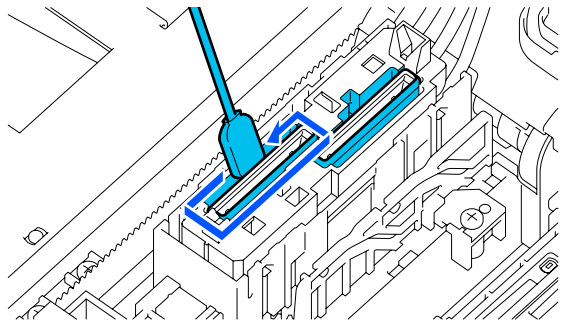
[“Using ink cleaner” on page 81](#)

- 6** Wipe the inside of the suction cap while rotating the thin cleaning stick.

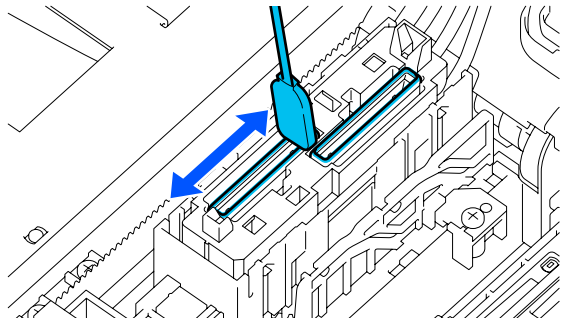


! Important:
Make sure ink cleaner does not drip onto the anti-drying caps. If any cleaner does drip, wipe it with a dry cleaning stick. If cleaner is left on the anti-drying caps, the print head nozzles could become clogged.

- 7** Wipe the outside of the suction cap with a wide cleaning stick.



- 8** When wiping the outside of the suction cap, remember to also wipe the top edge.



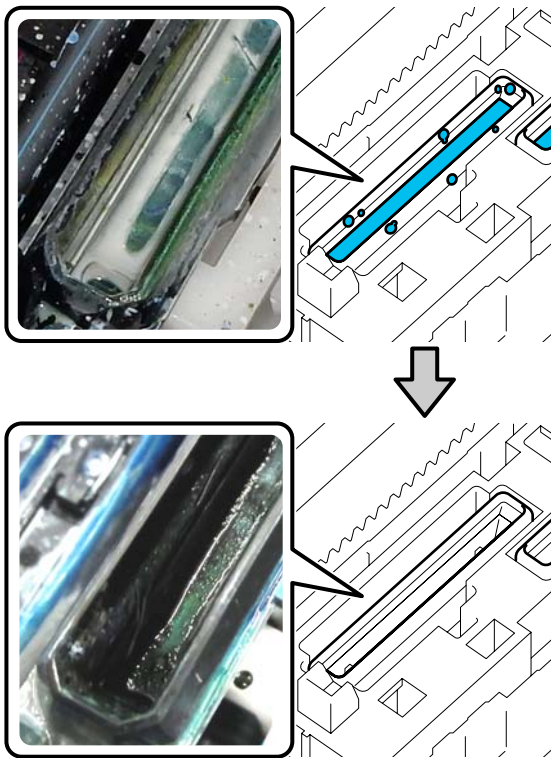
Maintenance

! Important:
Carefully wipe off any dirt from the edges until you can see the color of the cap.
If dirt is left, it creates a gap between the caps and the print head that causes a decrease in suction strength and the print head nozzles could become clogged.

[☞](#) “Checking for clogged nozzles” on page 100

Disposing of Used Consumables [☞](#) “Disposal” on page 105

- 9** Make sure that ink stains, fibers, and dust that have adhered to the cap have been removed.
 After checking the following, go to the next procedure.



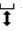
Any dirt around the edges can cause a decrease in suction power. If there is any dirt remaining, soak the cleaning stick in ink cleaner, and then repeat steps 7 to 8 to wipe off the dirt. If the cleaning stick is dirty at this time, replace it with a new one.

- 10** Close the right side of the printer cover, and then press **Done** on the control panel screen.
 When the print head returns to its normal position, the Settings menu closes.
 After you finish cleaning, we recommend checking for clogged nozzles.

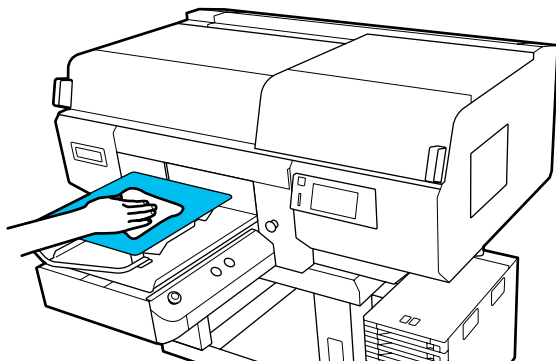
Cleaning the Platen Without a Grip Pad

If the platen without a grip pad is dirty, follow the steps below to wipe off the dirt.

When printing on polyester T-shirts, the platen can easily be soiled with ink due to the properties of the fabric. If the platen is soiled with ink, wipe it off quickly before it has a chance to dry.

- 1** Check that the platen is ejected forward.
If it is not ejected, press the  button to move the platen forward.
- 2** Turn off the printer and check that the displayed screen disappears.
- 3** Use a soft, clean cloth to carefully remove any dust or dirt.

If there is a serious dirt problem, clean it using a soft, clean cloth dampened with water and a small amount of detergent or ink cleaner and wrung tight. Then wipe off moisture with a dry, soft cloth.



Replacing Consumables

Shaking and Replacing Ink Supply Units

Shaking

Timing and frequency of shaking

Important:

Due to ink characteristics, the ink supply units of this printer are prone to sedimentation (components settling to the bottom of the liquid). If ink settles, tint unevenness and nozzle clogs occur.

Shake a new ink supply unit before installing it. After installing it in the ink unit, remove and shake it periodically.

- When replacing
The number of shakes depends on the ink color. You do not need to shake the ML and cleaning ink supply unit.

WH	Approx. 25 times in 25 seconds
Colors other than WH	Approx. 5 times in 5 seconds

- Before starting printing operations for the day (WH only)
WH tends to settle more than other colors. Before the start of daily print work, remove the ink supply units, and then shake them the number of times listed below.

Approx. 5 times in 5 seconds

If they are not shaken for 24 hours or more, the following message appears. If the message appears, remove the tray immediately, and then shake it.

Ink shaking is needed.

- Once every month (each color except WH)
Remove any tray whose LED lamp is flashing blue, and then shake the tray. To maintain print quality, do not continue using them when they are flashing blue.

Approx. 5 times in 5 seconds

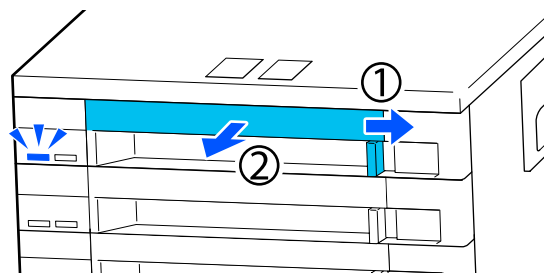
Shaking method

- 1 Make sure the printer is on, and then pull the tray that needs to be shaken out of the ink unit.

Any ink supply unit whose LED lamp is flashing blue needs to be shaken.

Important:

Place your hand on the bottom of the tray while removing it. If you use only one hand, the weight of the tray may cause it to fall, and be damaged, as you remove it.



Note:

While the tray is pulled out, check the ink supply ports of the ink supply units. If ink has dripped from the port as shown in the photo or accumulated below, wipe it off using a cleaning stick.



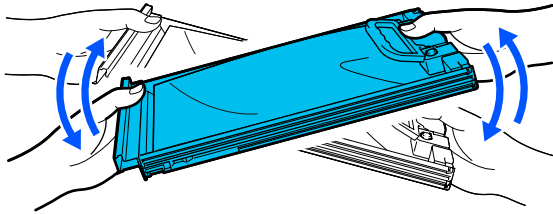
Do not touch the ink supply ports while wiping.



Maintenance

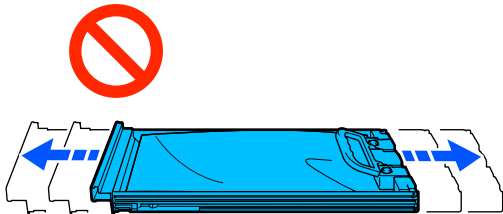
- 2** While the ink supply unit is in the tray, as shown in the illustration below, carefully shake it by tilting it up and down at about a 60 degree angle 5 times in 5 seconds.

In the case of WH, shake it well approx. 25 times in 25 seconds during replacement only.



! Important:

Do not forcefully shake or swing ink supply units or trays holding an ink supply unit. Ink could leak.



Replacement procedure

If one of the installed ink supply units is expended, printing cannot be performed.

! Important:

When using WH ink, immediately replace the ink supply unit with a new one if **You need to replace Ink Supply Unit.** appears.

If the printer is left with the ink remaining alert displayed, a print head or other part may be damaged.

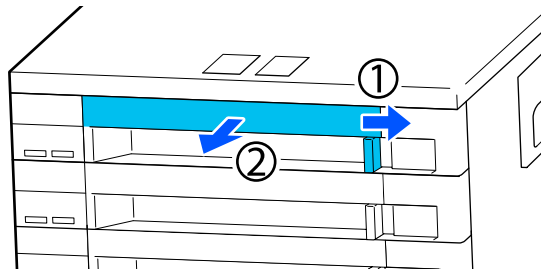
If ink is expended while printing, you can continue printing after replacing the ink supply unit. If you continue to use an ink supply unit that is running low, you may need to replace the ink supply unit while printing. If you replace it while printing, colors may look different depending on how the ink dries. If you want to avoid issues such as this, we recommend replacing the supply unit before printing. You can still use the removed ink supply unit in the future until the ink supply unit is expended.

The following procedure explains how to replace ink supply units and cleaning ink supply unit.

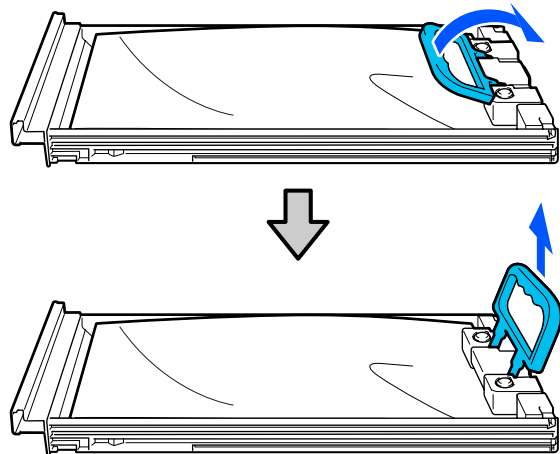
! Important:

Epson recommends the use of genuine Epson ink supply units. Epson cannot guarantee the quality or reliability of non-genuine ink. The use of non-genuine ink may cause damage that is not covered by Epson's warranties, and under certain circumstances, may cause erratic printer behavior. Information about non-genuine ink levels may not be displayed, and use of non-genuine ink is recorded for possible use in service support.

- 1** Make sure the printer is on.
- 2** Pull the tray of the ink supply unit you want to replace out of the ink unit.



- 3** Remove the ink supply unit from the tray.

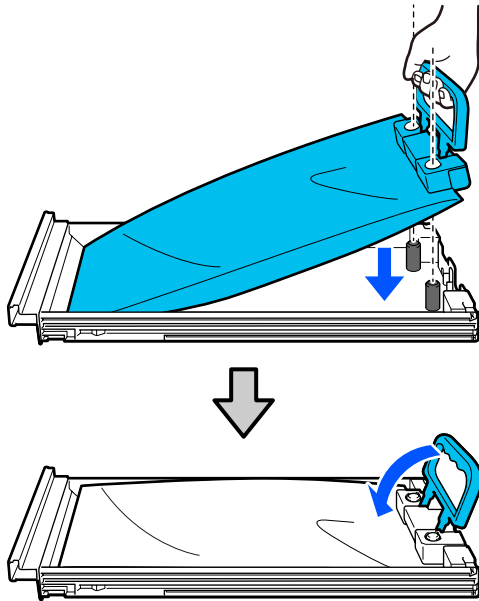


! Important:

Removed ink supply units may have ink around the ink supply port, so be careful not to get any ink on the surrounding area when removing the ink supply units.

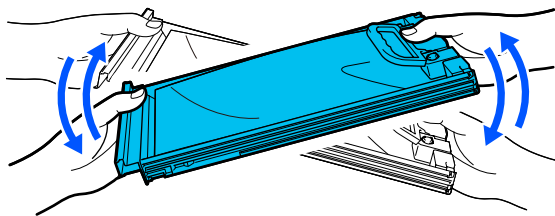
Maintenance

- 4** Place the new ink supply unit into the tray and lower the handle.



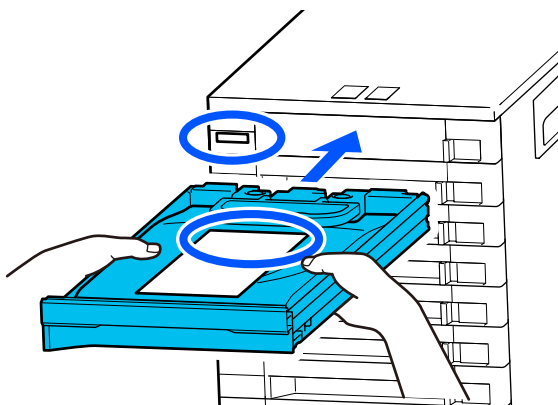
- 5** While the ink supply unit is in the tray, as shown in the illustration below, carefully shake it by tilting it up and down at about a 60 degree angle 5 times in 5 seconds.

In the case of WH, shake it well approx. 25 times in 25 seconds.

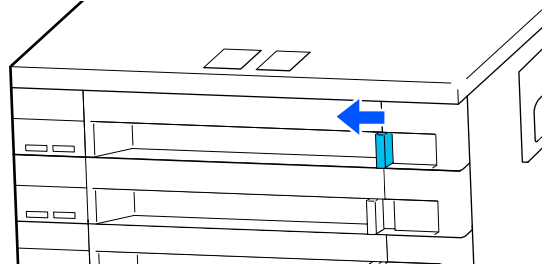


You do not need to shake the ML and cleaning ink supply unit.

- 6** Match the color on the label on the ink supply unit with the label on the ink unit, and then fully insert the tray.



- 7** Move the lock switch to the left to lock it.



Repeat steps 2 to 7 to replace other ink supply units.

! Important:


Place ink supply units in all the trays, and then insert them into the ink unit. Printing is not possible if, for even one color, an ink supply unit is not loaded into a tray or a tray is not inserted into the ink unit.

Disposal  "Disposal" on page 105

Disposing of Waste Ink

Preparing and Replacement Timing

When The Waste Ink Bottle is nearing the end of its service life. is displayed

Prepare a new Waste Ink Bottle as soon as possible. When you want to replace the waste ink bottle at this stage, such as to do night operations, press in the order of  (menu) - **Maintenance - Replace Maintenance Parts - Waste Ink Bottle** on the control panel screen, and then do the replacement work. If you do not do the replacement work from the settings menu, the waste ink counter cannot operate correctly.

Waste Ink Counter  [“Waste Ink Counter” on page 92](#)


 **Important:**

Never remove the waste ink bottle while printing or carrying out the following maintenance procedures. Waste ink may leak.

- Head Cleaning
- Changing the printer mode
- Maintenance before long-term storage


When Waste Ink Bottle is at the end of its service life. is displayed

Replace the Waste Ink Bottle with a new bottle immediately.

Replacement procedure  [“Replacing the waste ink bottle” on page 92](#)

Waste Ink Counter

The printer uses the waste ink counter to track waste ink and displays a message when the counter reaches the warning level. If you follow the message instructions (**Waste Ink Bottle is at the end of its service life.**) and replace the Waste Ink Bottle with a new one, the counter is cleared automatically.

If you need to replace the waste ink bottle before the message is displayed, press in the order of  (menu) - **Maintenance - Replace Maintenance Parts - Waste Ink Bottle** on the control panel screen, and then do the replacement work.

Maintenance Menu  [“Maintenance menu” on page 118](#)

 **Important:**

Always do the replacement work from the settings menu and clear the waste ink counter if you replace the waste ink bottle before being prompted to do so by a message. Otherwise, the replacement interval for the Waste Ink Bottle will no longer be measured correctly.

Replacing the waste ink bottle

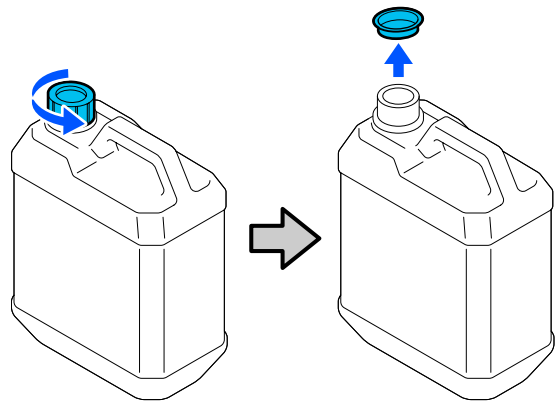
Before starting this procedure, be sure to read the following:

 [“Cautions when operating” on page 79](#)

- 1** Remove the outer and inner caps from the new waste ink bottle.

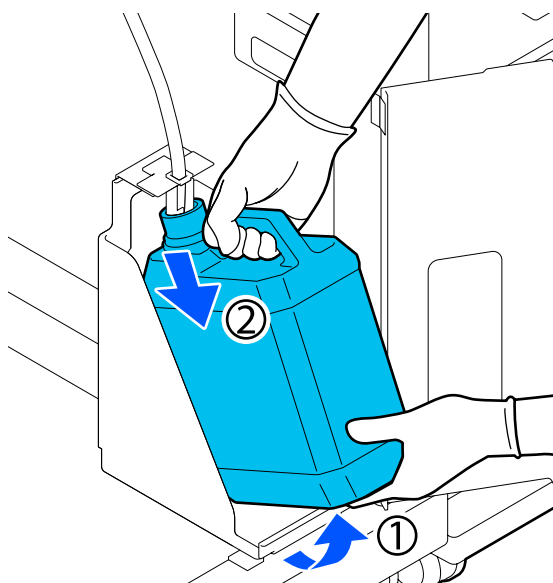
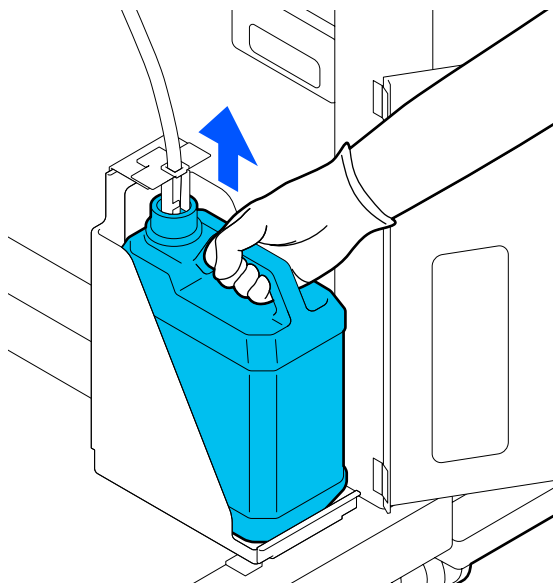
 **Important:**

You need the caps when disposing of the waste ink bottle. Keep them in a safe place.



Maintenance

- 2** Remove the Waste Ink Bottle from the Waste Ink Bottle holder.



- 3** Insert the waste ink tube into the mouth of the new Waste Ink Bottle and place the Waste Ink Bottle in the holder.

Tightly seal the lid on the used Waste Ink Bottle.

- 4** On the control panel screen, press **OK**.
The waste ink counter is cleared.

! **Important:**

Make sure that the waste ink tube is inserted into the neck of the bottle. If the waste ink tube comes out of the bottle, waste ink will spill out.

Dispose of the waste ink with the waste ink bottle. Do not pour it into another container.

Note:

Note the following points when transferring waste ink from the waste ink bottle to another container.

- Use a container made of PE (polyethylene) when transferring the waste ink.
- Attach the spout included with the printer to the rim of the waste ink bottle and transfer the waste ink.
- Pour the waste ink carefully. Pouring the waste ink quickly may cause it to spill and splatter.
- Store the waste ink by securely closing the lid of the container to which you transferred it.

Disposing of used waste ink and Waste Ink Bottles
👉 ["Disposal" on page 105](#)


Maintenance

Replacing the Head Cleaning Set

Preparing and Replacement Timing

When The Head Cleaning Set is nearing the end of its service life. is displayed

Prepare a new head cleaning set as soon as possible.

When you want to replace it at this stage, press in the order of  (menu) - **Maintenance - Replace Maintenance Parts - Head Cleaning Set** on the control panel screen, and then do the replacement work. If you do not do the replacement work from the settings menu, the head cleaning set counter cannot operate correctly.

Important:

About the Head Cleaning Set Counter

The printer tracks amounts consumed using the head cleaning set counter and displays a message when the counter reaches the warning level.

*If you replace the head cleaning set according to the message **Head Cleaning Set is at the end of its service life.**, the counter is cleared automatically.*

If you replace it before this message is displayed, be sure to do the replacement work from the settings menu.

When Head Cleaning Set is at the end of its service life. is displayed

See the following page, and replace all the parts included in the head cleaning set. Printing cannot be performed if the parts are not replaced.

The head cleaning sets contains the following parts.

- Wiper unit (x1)
- Flushing pad (x2)

Replacement procedure

Always choose a replacement head cleaning set that is specified for this printer.

 [“Options and Consumable Products” on page 133](#)

Before starting this procedure, be sure to read the following:


 [“Cautions when operating” on page 79](#)

Caution:

If you opened the printer cover in operation, do not touch the area as indicated by the warning labels.

High temperatures may cause burns.

1 In the **Head Cleaning Set is at the end of its service life.** screen, press **OK**.

When the message is not displayed, press in the order of  (menu) - **Maintenance - Replace Maintenance Parts - Head Cleaning Set**.

2 Check the message, and then press **Start**.

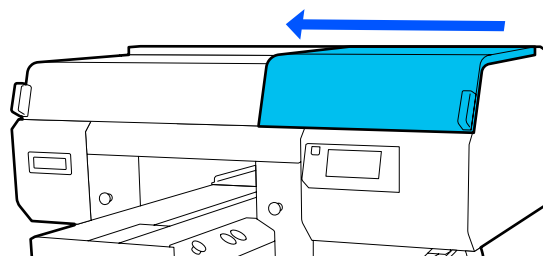
The platen and print head move to the maintenance position.

Note:

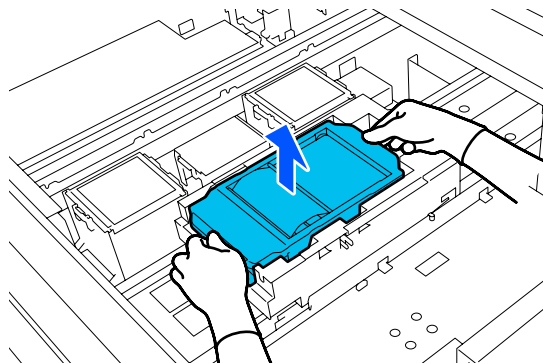
The buzzer sounds 10 minutes after the print head is moved (default setting).

*Check the message on the screen, press **OK**, and then continue working. After 10 more minutes have passed, the buzzer sounds again.*

3 Open the right side of the printer cover.

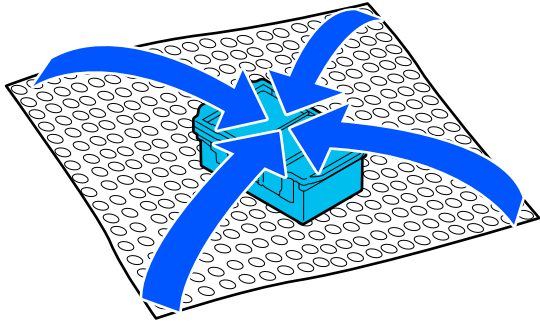


4 Hold the tabs on both sides, and lift the wiper unit straight up to remove it.

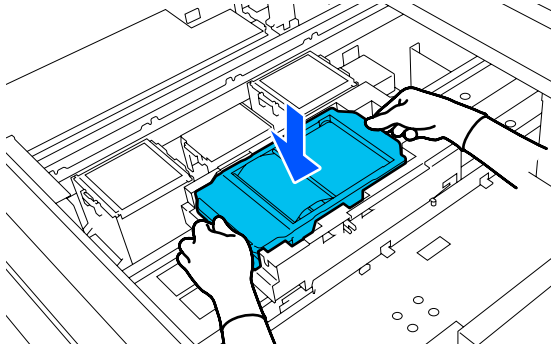


Maintenance

- 5** To avoid soiling your surroundings with ink, wrap the used wiper unit in the packaging supplied with the new wiper unit.



- 6** Insert the new wiper unit.

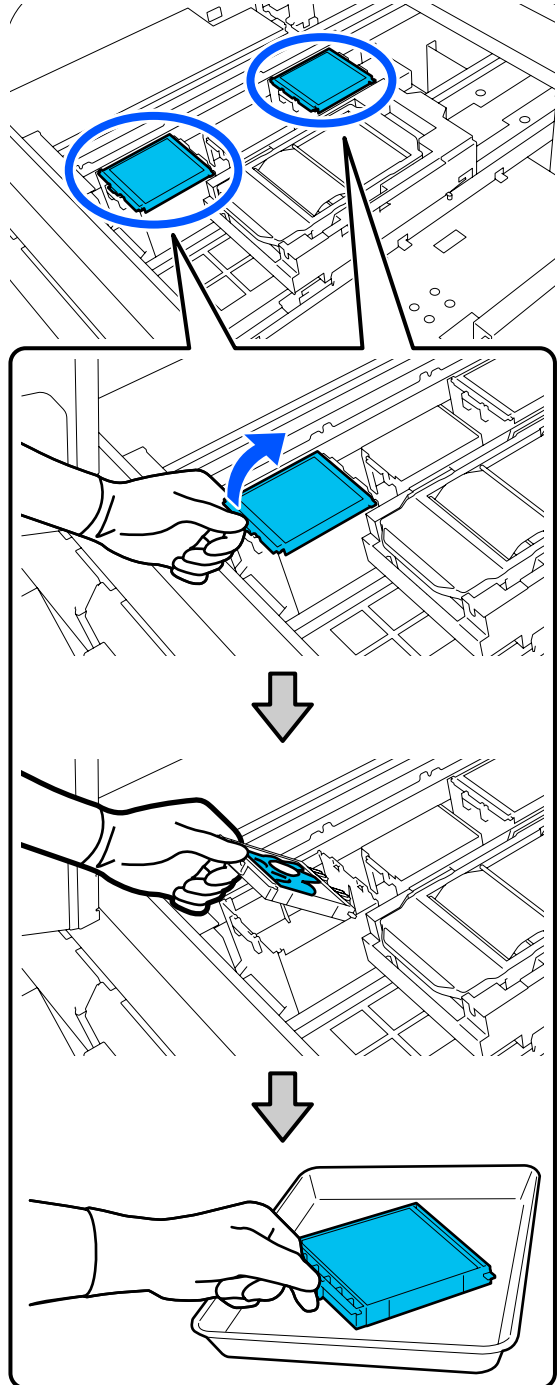


- 7** Lift up the tab on the flushing pad, and remove it.

! **Important:**

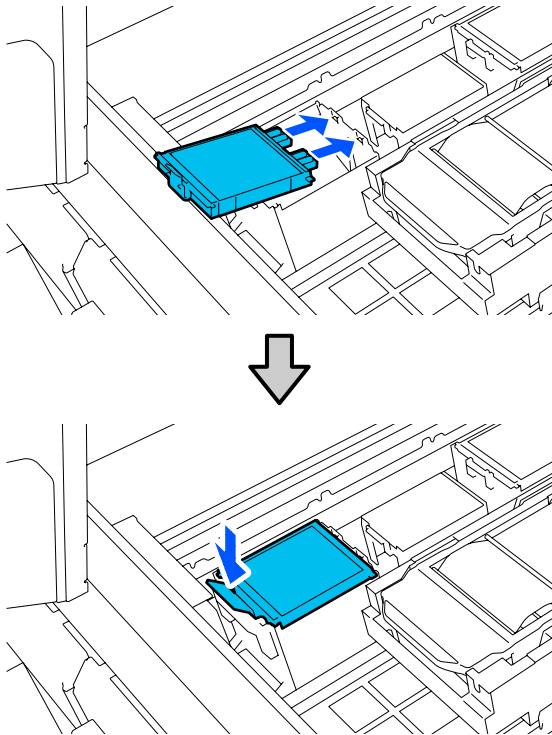
Do this carefully as ink could spray out if it is raised with too much force.

Hold it at an angle and wait until the waste ink stops dripping from the Flushing Pad. Remove and place it on the metal tray.



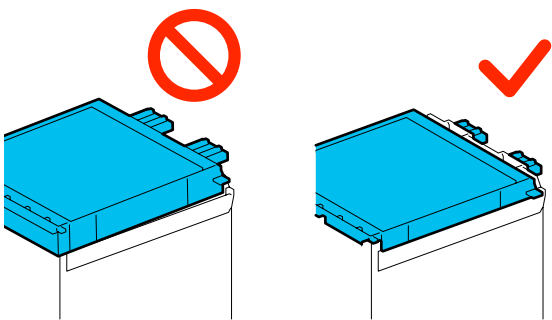
Maintenance

- 8 Insert the two hooks on the new Flushing Pad into the slots on the printer and press the tab down until the pad clicks into place.

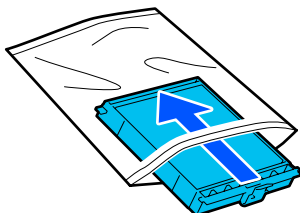


- 9 Confirm that both flushing pads are correctly installed.

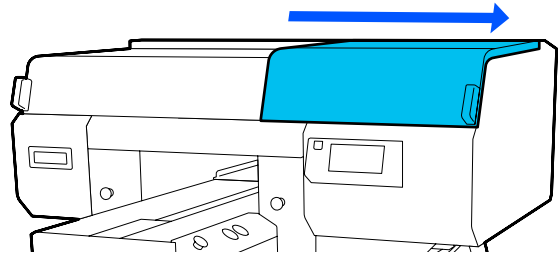
! Important:
 If the hooks are in a raised up state, the print head could be damaged.



- 10 Place the removed flushing pad in the packaging that contained the new flushing pad.



- 11 Close the right side of the printer cover.



- 12 Check the on-screen message, and then press Yes.

The head cleaning set counter is cleared.

Disposing of Used Consumables [“Disposal” on page 105](#)

Replacing the Anti-Drying Caps

When it is time to replace the Anti-Drying Caps, **Anti-Drying Cap is at the end of its service life.** is displayed on the control panel of the printer. See the next section to replace both the front and back Anti-Drying Caps at the same time with new parts.

Be sure to select Anti-Drying Caps that are specified for this printer.

[“Options and Consumable Products” on page 133](#)

Before starting this procedure, be sure to read the following:

[“Cautions when operating” on page 79](#)

Replacement procedure

! Caution:


If you open the Printer Cover while the printer is being used, do not touch the areas indicated by the warning labels.

High temperatures may cause burns.

- 1 Unpack the new Anti-Drying Caps.

Maintenance

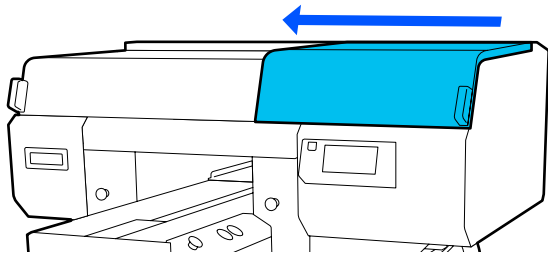
- 2** In the **Anti-Drying Cap is at the end of its service life** screen, press **Replace Parts**.

When the message is not displayed, press in the order of  (menu) - **Maintenance** - **Replace Maintenance Parts** - **Anti-Drying Cap**.

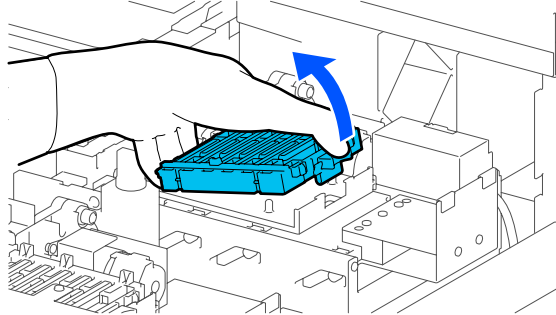
- 3** Check the message, and then press **Start**.
The platen and print head move to the maintenance position.

Note:
The buzzer sounds 10 minutes after the print head is moved (default setting).
Check the message on the screen, press **OK**, and then continue working. After 10 more minutes have passed, the buzzer sounds again.

- 4** Open the right side of the Printer Cover.



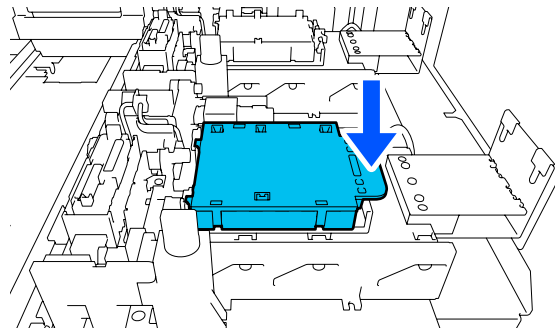
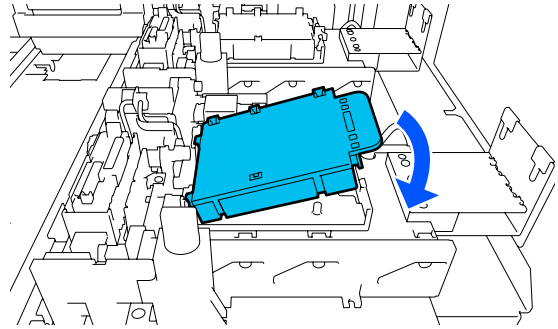
- 5** Press on the indents of the hooks to remove the Anti-Drying Caps.



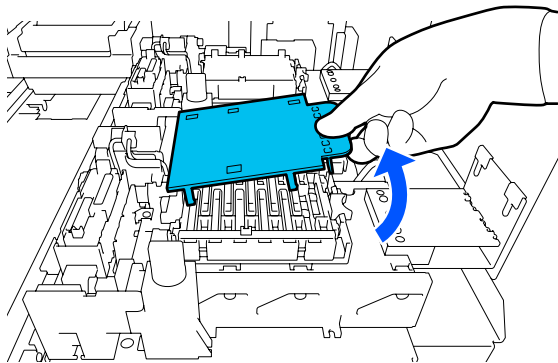
Remove both the back (for white) and the front (for colors).

- 6** Place the removed Anti-Drying Caps in the packaging that contained the new ones.

- 7** Install the new Anti-Drying Caps, and press on them until you hear a click.



- 8** Remove the cover.

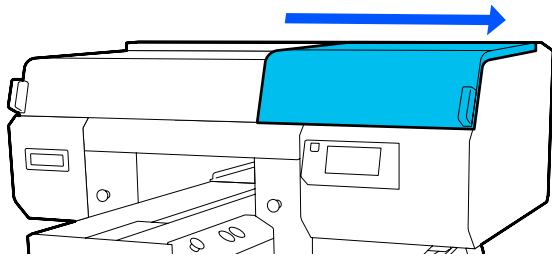


 **Important:**

If you use the printer while the cover is attached, the print head could be damaged.

Maintenance

- 9 Close the right side of the Printer Cover.



- 10 Check the message, and then press **Done**.
When the print head returns to its normal position, the Settings menu closes.

Disposing of Used Consumables [“Disposal” on page 105](#)

Replacing the Air Filters

When it is time to replace the Air Filters, **Air Filter is at the end of its service life.** is displayed on the control panel of the printer. See the next section to replace all three at the same time with new parts.

Be sure to select Air Filters that are specified for this printer.

[“Options and Consumable Products” on page 133](#)

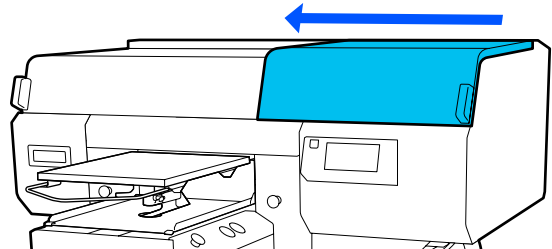
Before starting this procedure, be sure to read the following:

[“Cautions when operating” on page 79](#)

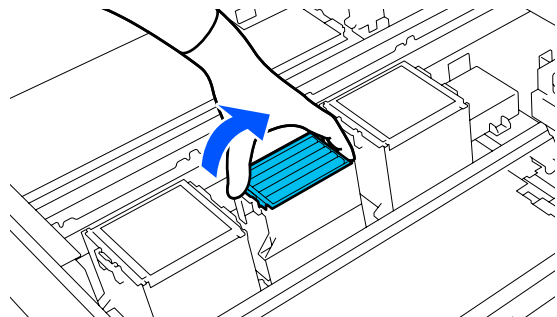
- 1 In the **Air Filter is at the end of its service life.** screen, press **Replace Parts**.

When the message is not displayed, press in the order of (menu) - **Maintenance** - **Replace Maintenance Parts** - **Air Filter**.

- 2 Open the right side of the printer cover.

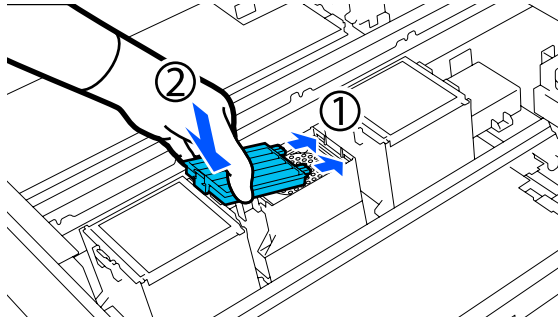


- 3 Grip the tab on the air filter and remove it.

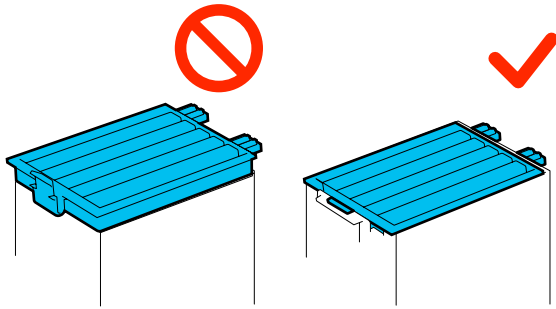


Maintenance

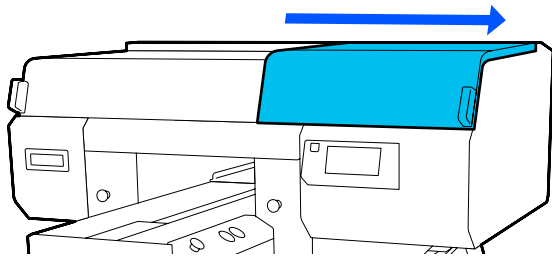
- 4 Attach the new air filter.
- Insert the two hooks at the end of the filter into the holes in the printer, and then press down until you hear the tab click into place.



- 5 Confirm that the Air Filters are correctly installed.



- 6 Close the right side of the printer cover.

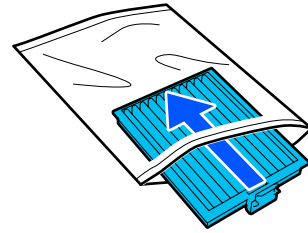



- 7 Open the left side of the Printer Cover, and then replace the remaining 2 air filters using the same procedure as for the right side.

Do steps 3 to 5.

- 8 Close the left side of the Printer Cover, and then press **Done** on the control panel screen.

- 9 Put the old air filters into the bags of the new air filters.



Disposing of Used Consumables  "Disposal" on page 105

Other maintenance

Checking for clogged nozzles

We recommend that you check the nozzles for clogs each time you print to ensure quality results.

Ways to Check for Clogs

There are the following two ways to check for clogged nozzles.

Perform auto cleaning

The printer automatically checks for clogged nozzles, and then executes cleaning at the optimum strength. If the nozzles are not clogged, cleaning is not done. See the following for more details.

 [“Head Cleaning” on page 101](#)

On-Demand Nozzle Pattern

When you want to check that there is no clogging or stripes and unevenness in print results before printing, print a nozzle check pattern. Inspect the printed check pattern visually to determine whether the nozzles are clogged.

See the following for how to print a check pattern.

Supported Media

You need the following media to print a check pattern. The type of media you use varies depending on the **Printer Mode** you are using.

Size

A4 or letter size

Media type

White ink mode: Transparent media, such as OHP film, or colored paper*

Color ink mode: Plain paper*

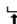
* When a medium grooved platen is installed, use thick paper. If no thick paper is available, replace the platen with the platen provided with the printer, and then print the check pattern.

Attach the media to the platen before printing. See the following section for information on loading media.

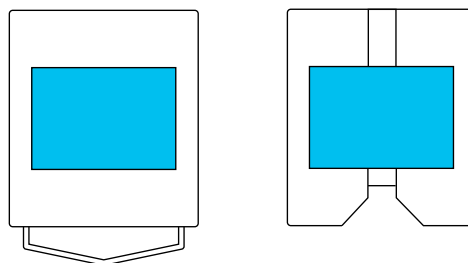
Loading media

You cannot use the S size hanger platen, XS size platen or the sleeve platen to print a check pattern. Replace them with the platen provided with the printer.

 [“Replacing platens” on page 56](#)

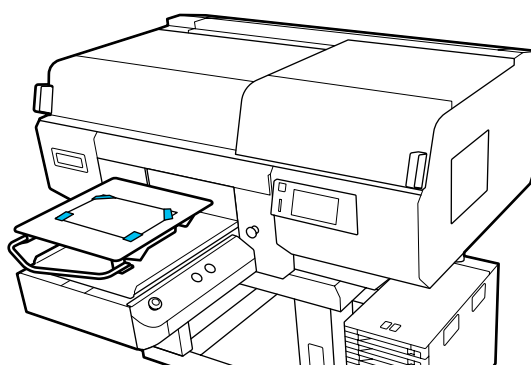
- 1 Check that the platen is ejected forward.
If it is not ejected, press the  button to move the platen forward.

- 2 Place the media in the center of the platen.



Make sure you place the media in the center. If it is placed in a different position, the platen may be soiled with ink.

- 3 Secure the media with cellophane tape and so on to keep it in place.

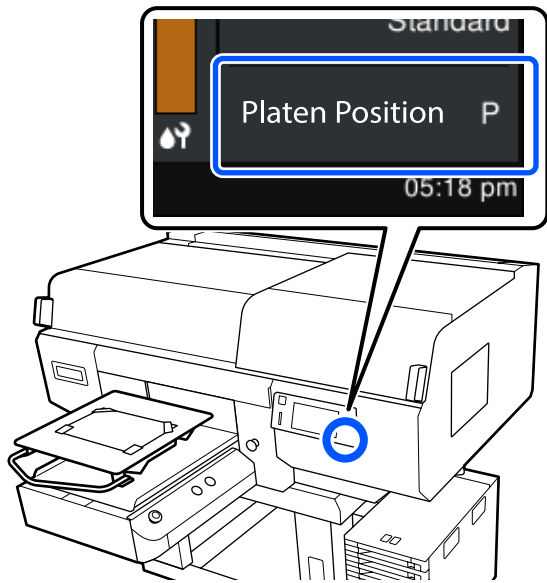


- 4 On the printer's screen, confirm that the platen position is as shown below.

- When L/M size hanger platen is installed: P

Maintenance

- When medium grooved platen is installed: 3




When **Platen Gap** is set to **Manual** in **Media Settings**, change it to **Auto**.

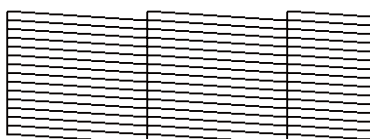
➤ “Media Settings menu” on page 116

See the following for how to change the platen position.

➤ “How to change the platen position” on page 58

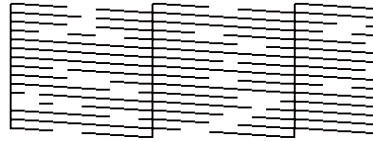
How to Print a Nozzle Check Pattern

- 1 Press in the order of  (menu) - **Maintenance** - **Print Head Nozzle Check**.
- 2 Select the type of nozzle check pattern.
If you select **All**, a check pattern is printed for all the colors.
- 3 Check that media is loaded on the platen, and then press **Start**.
The nozzle check pattern is printed.
- 4 Check the nozzle check pattern.
Example of clean nozzles



There are no gaps in the check pattern.

Example of clogged nozzles




Perform head cleaning if there are gaps in the nozzle check pattern.

➤ “Head Cleaning” on page 101

Head Cleaning

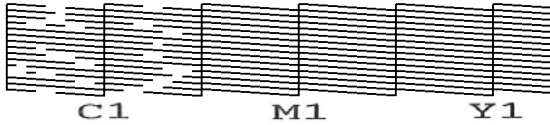
For print head cleaning, there are **Auto Cleaning** and three levels of print head cleaning available: **Cleaning(Light)**, **Cleaning(Medium)**, and **Cleaning(Heavy)**.

Perform **Auto Cleaning** first. If the clogs are not cleared by doing it, then do in the order of **Cleaning(Light)**, **Cleaning(Medium)** and **Cleaning(Heavy)** until the clogs are cleared.

- 1 Confirm that the power is turned on, and then press in the order of  (menu) - **Maintenance** - **Head Cleaning**.
- 2 Select a cleaning method.
When Auto Cleaning Is Selected
Go to step 4.
When a Cleaning Level Is Selected
When cleaning all the rows on both print heads, select **All Nozzles**, and then go to step 4.
When checking a nozzle check pattern to specify which rows to clean, go to the next step.
- 3 Confirm the nozzle check pattern, select the nozzle rows for cleaning, and then press **OK**.
The text printed on the bottom of the nozzle check pattern indicate the combination of ink color and nozzle row.
Confirm which rows are missing in the nozzle check pattern, and then select the rows to clean in the print heads for the various Colors and White.

Maintenance

For the situation shown in the following illustration, select **C1**.



- 4** Check the message, and then press **Start**.
Cleaning starts. When cleaning is finished, we recommend that you select **Yes** in the confirmation screen, and then print a nozzle check pattern to confirm that the clogs have been eliminated.

If clogging is cleared

Continue with normal operations.

If clogging is not cleared

Go back to step 1 and execute Cleaning(Light). After executing Cleaning(Light), execute the next higher level of cleaning.

When nozzles remain clogged even after cleaning the print heads several times

The edge of the metal may be soiled. Perform the following.

[“Clean around the print head and the edges of the metal” on page 83](#)

Changing the Printer Mode

Prepare the following ink supply units according to the color mode being changed to. If other ink supply units are running low, prepare new ones.

Color ink mode -> White ink mode

WH Ink Supply Unit 2

White ink mode -> Color ink mode

Cleaning Ink Supply Unit 2

- 1** Confirm that the power is turned on, and then press in the order of (menu) - **Printer Settings - Printer Mode**.
- 2** Select the mode to which you want to switch.
- 3** Check the on-screen messages, and then press **Start**.
- 4** Switch the white Ink Supply Unit or the Cleaning Ink Supply Unit, according to the mode to which you want to switch.

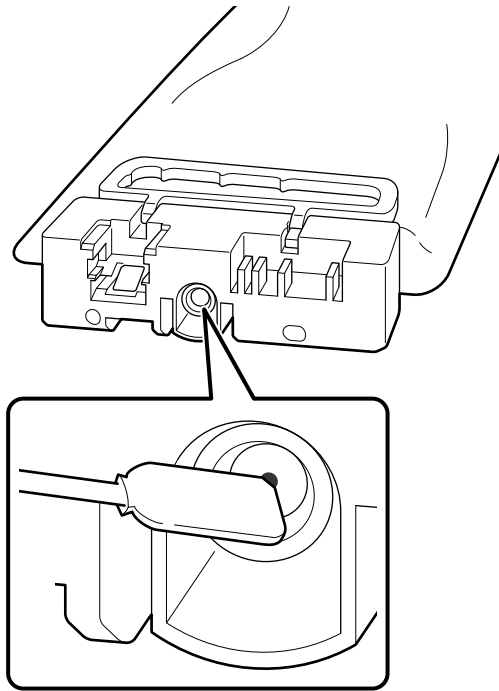
[“Shaking and Replacing Ink Supply Units” on page 89](#)

Closing all the Lock Switches starts the switching process. When it is complete, the processing screen on the control panel changes to the settings screen.

Maintenance

5 When switching from White ink to cleaning liquid, clean the ink supply port on the removed ink supply unit before you store it.

Lightly touch the corner of a wide Cleaning Stick from the supplied Maintenance Kit to the hole of the ink supply port to absorb the ink. You do not need to wipe off the ink. Do not forcefully press or move the Cleaning Stick.



Observe the following precautions when storing the partially used Ink Supply Units that were removed.

[“Notes on Handling Ink Supply Units/Cleaning Ink Supply Units” on page 24](#)

Note:

If you use the printer in Color ink mode for an extended period and then switch to White ink mode, the density of the White ink may be too low. If the density is too low, see the following.

[“Not enough or uneven whiteness” on page 130](#)

Pre-Storage Maintenance for Long-Term Non-Use

Always perform pre-storage maintenance if the printer will not be used (and will be switched off) for an extended period.

! Important:

If you do not perform pre-storage maintenance, a print head nozzle could become permanently clogged.

If you do not print for a long time and do not perform pre-storage maintenance, turn the printer on at least once every seven days.

Pre-storage Maintenance Timing

The pre-storage maintenance process varies depending on the length of time the printer is not used, as shown below.

Two weeks or more but less than one month

When using **White ink mode**, change to **Color ink mode**.

[“Changing the Printer Mode” on page 102](#)

One month or more

See the following to do **Keeping Preparation**.

When performing **Keeping Preparation**, prepare 6 Cleaning Ink Supply Units and a new Waste Ink Bottle.


[“Options and Consumable Products” on page 133](#)

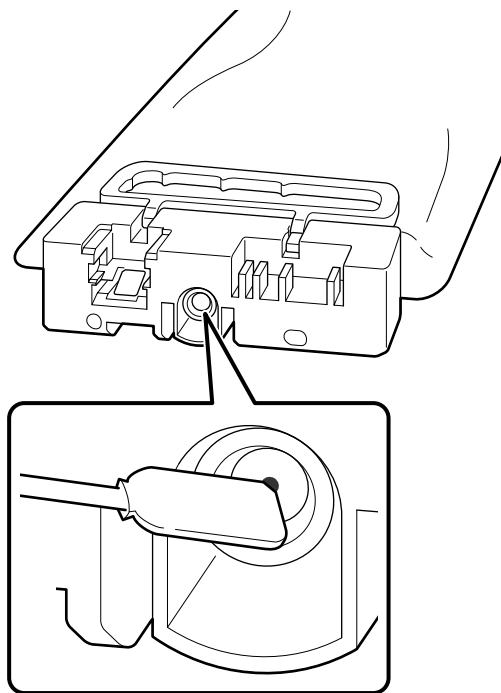
Performing Pre-storage Maintenance

! Important:

If the amount of remaining ink or cleaning liquid is insufficient, the function may not operate. If there is an insufficient amount of ink remaining, have new Ink Supply Units/Cleaning Ink Supply Units on hand as a precaution.

Maintenance

- 1 Confirm that the power is turned on, and then press in the order of  (menu) - **Maintenance - Keeping Preparation.**
- 2 Check the on-screen messages, and then press **Start.**
- 3 If there is waste ink in the Waste Ink Bottle, replace it with a new one.
[☞ “Disposing of Waste Ink” on page 92](#)
- 4 See the ink supply unit replacement procedure and replace color ink and White ink with cleaning liquid.
[☞ “Shaking and Replacing Ink Supply Units” on page 89](#)
- 5 Before storing them, clean off any ink stuck on the ink supply ports of the ink supply units that you removed.
 Lightly touch the corner of a wide Cleaning Stick from the supplied Maintenance Kit to the hole of the ink supply port to absorb the ink. You do not need to wipe off the ink.
 Use a new Cleaning Stick for each color to avoid mixing the colors. Do not forcefully press or move the Cleaning Stick.



- 6 When the replacement complete message is displayed, turn off the power.

Observe the following precautions when storing the printer and the partially used Ink Supply Units that were removed.

[☞ “Notes for when not using the printer” on page 23](#)

[☞ “Notes on Handling Ink Supply Units/Cleaning Ink Supply Units” on page 24](#)

Restarting use of the printer

Important:

When restarting use of the printer, charge the printer with ink. When charging with ink supply units that were removed, have new ink supply units on hand as a precaution.

Turn on the printer, and then follow the instructions on the control panel to replace the Waste Ink Bottle and install the Ink Supply Units.

[☞ “Replacing the waste ink bottle” on page 92](#)

[☞ “Shaking and Replacing Ink Supply Units” on page 89](#)

Note:

The next time the printer is turned on and White ink mode is used, the density of the White ink may be low. If the density is too low, see the following.

[☞ “Not enough or uneven whiteness” on page 130](#)

Disposal of used consumables

Disposal

The following used parts with adhered ink or pre-treatment liquid are classified as industrial waste.

- Cleaning stick
- Clean-room wiper
- Soft cloth
- Ink cleaner
- Waste ink
- Waste ink bottle
- Wiper unit
- Anti-drying caps
- Flushing pad
- Air filter
- Media after printing
- Empty Ink Supply Units, Cleaning Ink Supply Units, and used pre-treatment liquid units

Dispose of tube cleaning liquid according to your local laws and statutes such as entrusting it to an industrial waste disposal company. In such cases, submit the "Safety data sheet" to the industrial waste disposal company.

You can download it at your local Epson Web site.

Control Panel Menu

Menu List

The following items and parameters can be set and executed in the Menu. See the reference pages for more details on each item.

Reprint

By selecting this you can reprint (repeat print) print jobs that are stored in the printer. See the following for more details.

[☞ “When reprinting \(repeat printing\) the same job” on page 70](#)

General Settings

For more information on these items, see [☞ “General Settings menu” on page 111](#)

Setting Item	Setting
Basic Settings	
LCD Brightness	1 to 9
Sounds	
Button Press	0 to 3
Completion Notice	0 to 3
Ready Notice	0 to 3
Warning Notice	
Volume	0 to 3
Repeat	Off, Until Stopped
Error Tone	
Volume	0 to 3
Repeat	Off, Until Stopped
Sound Type	Pattern1, Pattern2
Sleep Timer	
Off	
On	1 to 240 minutes
Date/Time Settings	
Date/Time	
Daylight Saving Time	Off, On

Control Panel Menu

Setting Item		Setting
	Time Difference	-12:45 to +13:45
	Language	Dutch, English, French, German, Italian, Japanese, Korean, Portuguese, Russian, Simplified Chinese, Spanish, Traditional Chinese, Turkish
Screen Customization		
	Background Color	Gray, Black, White
	Print Standby Screen	Automatic, Thumbnail View, Info View
	Keyboard	QWERTY, AZERTY, QWERTZ
Unit Settings		
	Length Unit	m, ft/in
	Temperature	°C, °F
Printer Settings		
	Printer Mode	White ink mode, Color ink mode
	Head Movement Range	Data Width, Printer Width
	Inside Light	Auto, Manual
	Restore Default Settings	Network Settings, Clear All Data and Settings
Maintenance Setting		
Cleaning Setting		
Threshold Of Clogged Nozzles		
	White	1 to 8000
	Color	1 to 6400
	Max Retry Cleaning Count	0 to 2
	Nozzle Compensation	On, Off
	Actions Beyond Threshold of Missing Nozzles	Stop Printing, Show Alert, Auto Cleaning
Periodic Cleaning		
	Scheduled	1 to 9999
	Print Page	1 to 9999
	Off	
	Power On Cleaning	On, Off
Network Settings		

Control Panel Menu

Setting Item	Setting
Network Status	Wired LAN Status, Print Status Sheet
Advanced	
Device Name	
TCP/IP	
Proxy Server	
IPv6 Address	Enable, Disable
Link Speed & Duplex	Auto, 100BASE-TX Auto, 10BASE-T Half Duplex, 10BASE-T Full Duplex, 100BASE-TX Half Duplex, 100BASE-TX Full Duplex
Redirect HTTP to HTTPS	Enable, Disable
Disable IPsec/IP Filtering	
Disable IEEE802.1X	

Media Settings

This menu can be accessed directly by pressing the media info area on the screen.


For more information on these items, see [🔗 “Media Settings menu” on page 116](#)

Setting Item	Setting
Current Settings	
Media	01 to 30
Platen Gap	Auto, Manual
Print Adjustments	
Print Head Alignment	
Standard	-8 to +8
Micro Adjust	-10 to +10
Media Feed Adjustment	-1.00 to 1.00%
Media Management	

Control Panel Menu

Setting Item	Setting
01 XXXXXXXXXXXX to 30 XXXXXXXXXXXX	
Change Name	
Platen Gap	
Auto	
Head Height	Narrow, Standard, Wide
Reference Height	Standard, Bottom, Top
Manual	
Value	3.0 to 35.0

Maintenance

For more information on these items, see  [“Maintenance menu” on page 118](#)

Setting Item	Setting
Print Head Nozzle Check	All, White Only, Color Only
Head Cleaning	
Auto Cleaning	
Cleaning(Light)	
All Nozzles	
Select Nozzles	Color, White
Cleaning(Medium)	
All Nozzles	
Select Nozzles	Color, White
Cleaning(Heavy)	
All Nozzles	
Select Nozzles	Color, White
Replace Maintenance Parts	Head Cleaning Set, Waste Ink Bottle, Anti-Drying Cap, Air Filter
Cleaning the Maintenance Parts	Around the Head, Suction Cap, Sensor Cover
Keeping Preparation	
Print Head Nozzle Limitation	Off, On

Supply Status

Details on menu  [“Supply Status menu” on page 120](#)

Control Panel Menu

Replacement Part Information

Select this to display the degree of wear on replacement parts, such as the Print Head. When the service life of replacement parts approaches, **Maintenance Request** is displayed.

 [“When a Maintenance Request/Printer Error Occurs” on page 122](#)

Status

Details on menu  [“Status menu” on page 120](#)

Control Panel Menu

Details of the Menu

General Settings menu


* indicates default settings.

Setting Item	Setting	Explanation
Basic Settings		
LCD Brightness	1 to 9 (9*)	Adjust the brightness of the control panel's screen.
Sounds		
Button Press	0 to 3 (1*)	Set the volume of the sounds when menus and other items are pressed on the control panel screen.
Completion Notice	0 to 3 (3*)	Set the volume of the sounds when print jobs or maintenance operations are finished.
Ready Notice	0 to 3 (3*)	Set the volume of the sound when the printer becomes ready for printing.
Warning Notice		Set the repetition and volume of the sounds for notifications, such as when to replace consumables and when to clean parts.
Volume	0 to 3 (2*)	
Repeat	Off* Until Stopped	
Error Tone		Set the repetitions and the volume of the sounds when an error occurs that stops printing.
Volume	0 to 3 (3*)	
Repeat	Off Until Stopped*	
Sound Type		Set the type of sounds. Sounds that are easy to hear in the printer's operating environment can be set.
Pattern1* Pattern2		
Sleep Timer		The printer enters sleep mode when no errors are detected and no print jobs have been received for a specific time. When the printer enters sleep mode, the control panel's screen and other parts turn off to reduce power consumption. Touch the control panel screen, to reactivate the screen display. When a print job is received or a hardware operation is done to recover from sleep mode, some time is needed for the printer to restart.
Off		
On	1 to 240 (15*)	
Date/Time Settings		
Date/Time		Set the printer's built-in clock. The time that is set here is displayed on the home screen. It is also used for job logs and the printer's status as shown in Epson Edge Dashboard.
Daylight Saving Time		You can set whether to apply daylight saving time to the clock.
Off* On		



Control Panel Menu

Setting Item	Setting	Explanation
Time Difference	-12:45 to +13:45	Set the time difference in the coordinated universal time (UTC) in 15 minute increments. Set this as necessary, such as when managing the printer in a network environment that has time differences.
Language	Dutch	Select the language used in the control panel display.
	English*	
	French	
	German	
	Italian	
	Japanese	
	Korean	
	Portuguese	
	Russian	
	Simplified Chinese	
	Spanish	
	Traditional Chinese	
	Turkish	
Screen Customization		

Control Panel Menu

Setting Item	Setting	Explanation
Background Color	Gray	Select the color scheme used in the control panel screen. You can set a color scheme that is easy to see in the printer's operating environment.
	Black*	
	White	
Print Standby Screen	Automatic*	<p>You can select the screen that is displayed after a print job is received. No matter what setting you select, if you press  (switch display), you can switch between the preview screen (thumbnail view) and the information screen.</p> <p>When Thumbnail View is selected, the preview screen appears when a print job is received, but after printing starts, the display does not change to the information screen.</p> <p>When Info View is selected, the information screen is displayed as soon as a print job is received.</p>
	Thumbnail View	
	Info View	
Keyboard	QWERTY*	Select the key layout for the text input screen that appears, such as when inputting names to register for media settings.
	AZERTY	
	QWERTZ	
Unit Settings		
Length Unit	m*	Set the units of length used in the control panel screen and when printing test patterns.
	ft/in	
Temperature	°C*	Set the temperature units used on the control panel screen.
	°F	
Printer Settings		

Control Panel Menu

Setting Item	Setting	Explanation
Printer Mode	White ink mode*	You can switch the ink mode used when printing.
	Color ink mode	You can reduce consumption of WH ink by changing to Color ink mode for a specified period of time during which WH ink is not used for any printing. For details on execution conditions and procedure, see: ☞ "Changing the Printer Mode" on page 102
Head Movement Range	Data Width*	You can set the range in which the print head moves during printing. With Data Width , the print head moves in the range of the width of the data. Narrowing the range of print head movement increases print speed.
	Printer Width	With Printer Width , the print head moves in the range of the largest media supported by the printer. Set this option if you need print quality that is more uniform and consistent.
Inside Light	Auto*	Select whether the inside light turns on and off automatically. With Auto , the light automatically turns on for operations that need light, such as while printing, and turns off when that operation is complete.
	Manual	With Manual , the light turns on and off only when you press  on the control panel. When you press  during an operation that does not allow the light to turn on, the light turns on as soon as possible.
Restore Default Settings	Network Settings	Selecting Network Settings returns just the values set in General Settings - Network Settings to their default setting values.
	Clear All Data and Settings	Selecting Clear All Data and Settings returns all the values set in the printer's menus to their default settings.
Maintenance Setting		
Cleaning Setting		
Threshold Of Clogged Nozzles	White	1 to 8000 (50*)
	Color	1 to 6400 (50*)
	Max Retry Cleaning Count	0 to 2 (0*)
Nozzle Compensation	On*	The printer monitors the condition of the print head nozzles while printing. These setting items are for settings related to the maintenance (Head Cleaning) that is performed when clogged nozzles are detected. Threshold Of Clogged Nozzles sets whether maintenance is implemented when a certain number of nozzles become clogged, for each of the White and Color print heads. Max Retry Cleaning Count sets the number of times maintenance is repeated if nozzles are still clogged after doing maintenance one time.
	Off	The printer monitors the condition of the print head nozzles while printing. These setting items set whether to print by supplementing ink from normal nozzles when enough ink is not output from clogged nozzles when clogged nozzles are detected. By selecting On , printing is done while normal nozzles compensate for the ink that could not be ejected by clogged nozzles. However, print time may become longer than normal, depending on the number of clogged nozzles.

Control Panel Menu

Setting Item	Setting	Explanation
Actions Beyond Threshold of Missing Nozzles	Stop Printing	<p>Set the operation for when the number of clogged nozzles exceeds the number set in Cleaning Setting - Threshold Of Clogged Nozzles.</p> <p>Stop Printing displays the The Print head may require maintenance. It is recommended to perform a Print Head Nozzle Check before printing. message on the control panel screen, and then stops printing and stands by.</p> <p>Show Alert displays the above message on the control panel screen, but continues printing without stopping.</p> <p>Auto Cleaning performs maintenance before printing starts.</p>
	Show Alert*	
	Auto Cleaning	
Periodic Cleaning		
Scheduled	1 to 9999 (60*)	<p>You can set either time (minutes) or number of pages printed for the timing at which to perform cleaning so as to keep the print head nozzles in optimum condition.</p> <p>Periodic cleaning is not done if you select Off.</p>
	Print Page	
	Off*	
Power On Cleaning	On*	<p>Set whether the printer automatically performs cleaning when the power is turned on so as to keep the print head nozzles in optimum condition.</p>
	Off	
Network Settings		
Network Status	Wired LAN Status	<p>You can check all the information for the various network settings that are set in Advanced.</p> <p>Selecting Print Status Sheet prints a list of the settings.</p>
	Print Status Sheet	
Connection Check		<p>Diagnoses the current state of network connections, and displays the results.</p>

Control Panel Menu



Setting Item	Setting	Explanation
Advanced		
Device Name		Set individual network settings. When using 1000BASE-T Full Duplex, set Link Speed & Duplex to Auto .
TCP/IP		
Proxy Server		
Email Server	Server Settings	
	Connection Check	
IPv6 Address	Enable*	
	Disable	
Link Speed & Duplex	Auto*	
	100BASE-TX Auto	
	10BASE-T Half Duplex	
	10BASE-T Full Duplex	
	100BASE-TX Half Duplex	
	100BASE-TX Full Duplex	
Redirect HTTP to HTTPS	Enable*	
	Disable	
Disable IPsec/IP Filtering		
Disable IEEE802.1X		

Media Settings menu

* indicates default settings.

Setting Item	Setting	Explanation
Current Settings		
Media	01 to 30	Displays a list of the values set for the currently selected media settings. You can change the set values by pressing on a setting item.
Platen Gap	Auto	
	Manual	
Print Adjustments		

Control Panel Menu

Setting Item	Setting	Explanation
Print Head Alignment		<p>Do adjustments when print results appear grainy or unfocused (lines are misaligned, small text is uneven).</p> <p>This adjustment adjusts small misalignments in the positions that ink is output during bi-direction printing. In the following situations, print results are not improved even if you do these adjustments.</p> <ul style="list-style-type: none"> <input type="checkbox"/> Print Direction is set to Uni-Direction (Low Speed) in Garment Creator for SC-F3000 Series, the specialized software for the printer. <input type="checkbox"/> When doing repeat printing or printing from a USB memory, Current Settings - Head Move Direction is set to Uni-Directional. <p>See the following for more details.</p> <p> "Execute Print Head Alignment" on page 128</p>
Standard	-8 to +8	
Micro Adjust	-10 to +10	
Media Feed Adjustment	-1.00 to 1.00%	<p>Do this adjustment when horizontal stripes (banding) appear in the print results.</p> <p>Use this adjustment to adjust how far (width) the platen feeds between each movement of the print head.</p> <p>When the banding colors are dark, change the values to the + side; when the colors are faint (whitish), change them to the - side. First set 0.1% (or -0.1%), and check the printout, then do further adjustments as needed.</p> <p>Read the following before doing these adjustments.</p> <p> "Precautions when executing Print Adjustments" on page 127</p>
Media Management		

Control Panel Menu

Setting Item	Setting	Explanation
01 XXXXXXXXXXXX to 30 XXXXXXXXXXXX (shows the registered name)		
Change Name		Assign a name of up to 20 characters to the media settings to be saved. (You can use either 1-byte or 2-byte characters) Assigning descriptive names makes them easier to identify when making a selection later.
Platen Gap		<p>The printer uses sensors to automatically detect the surface of the media that is loaded on the platen so it can print with an appropriate Head Height (platen gap). Normally, keep this set to Auto when using the printer. In the following situations, we recommend setting Manual.</p> <ul style="list-style-type: none"> <input type="checkbox"/> When the media is not loaded uniformly <input type="checkbox"/> When there are wrinkles or fuzz due to the texture or material of the media
Auto*		The surface of the media that is loaded on the platen is detected automatically, aligned to the set head height (platen gap), and then printing is done.
Head Height	Narrow	<p>Set the gap between the print head and the media. Normally, keep this set to Standard when using the printer.</p> <p>Narrow: Set when you want to do higher quality printing, etc. Note that fibers contacting the print head could easily cause nozzles to clog.</p> <p>Wide: Set when printing on media that easily sheds fibers or when the print results are scratched or smudged. However, setting it carelessly may reduce print quality.</p>
	Standard*	
	Wide	
Reference Height	Standard*	Set the position of the surface of the media as a reference when deciding the gap between the print head and the media. Normally, keep this set to Standard when using the printer.
	Bottom	Change this setting only when using the media's highest position and lowest position as references.
	Top	
Manual		<p>Fix the value specified as the gap between the print head and the media when printing.</p> <p>When Head Height is set to Auto, the reference height that is detected may vary, because of wrinkles or fuzz caused by the texture or material of the media that is loaded. Variations in the reference height causes small differences to occur in the head height (platen gap), so inconsistencies may occur in the print results. To eliminate these inconsistencies, set Manual, such as when you want to fix the head height and print.</p> <p>The Value varies depending on the type of platen you are using and the thickness of the media that is loaded. See the following for more details.</p> <p>📄 "Table for Platen Gap setting values for media thicknesses" on page 142</p>
Value	3.0 to 35.0	<p>Set a suitable gap between the print head and the media in Value.</p> <p>Pressing Detecting recommended value displays the value recommended for the thickness of the media loaded on the platen on the screen.</p>

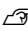
Maintenance menu

* indicates default settings.

Control Panel Menu

Setting Item	Setting	Explanation
Print Head Nozzle Check	All*	<p>A check pattern is printed to check for clogged nozzles in the print head. Inspect the printed pattern visually and perform head cleaning if there are faint or missing colors.</p> <p> "Checking for clogged nozzles" on page 100</p>
	White Only	
	Color Only	
Head Cleaning		
Auto Cleaning		<p>The printer automatically checks for clogged nozzles and then performs head cleaning with the appropriate strength.</p> <p>If the clogs are not cleared after doing this, then do in the order of Cleaning(Light), Cleaning(Medium) and Cleaning(Heavy) until the clogs are cleared.</p>
Cleaning(Light)		<p>You can set one of three types of print head cleaning levels.</p> <p>Perform Cleaning(Light) first. If the clogs are not cleared after doing this, then do Cleaning(Medium), and then Cleaning(Heavy).</p> <p>Find the number of the patterns with faint or missing areas on the printed check pattern sheet, and then you can specify and clean all nozzle rows or clean specific nozzle rows for the white or color print heads.</p> <p> "Head Cleaning" on page 101</p>
All Nozzles		
Select Nozzles	Color	
	White	
Cleaning(Medium)		
All Nozzles		
Select Nozzles	Color	
	White	
Cleaning(Heavy)		
All Nozzles		
Select Nozzles	Color	
	White	
Replace Maintenance Parts	Head Cleaning Set	<p>Use this menu when replacing maintenance parts before the message indicating it is time to replace maintenance parts is displayed on the control panel screen.</p>
	Waste Ink Bottle	
	Anti-Drying Cap	
	Air Filter	
Cleaning the Maintenance Parts	Around the Head	<p>Be sure to use this menu to clean the Print Head and edges of the metal. Also, use this menu when cleaning the Suction Cap and Sensor Cover before the message indicating it is time to clean them is displayed on the control panel screen.</p> <p>You cannot clean them correctly unless the Print Head and platen are moved to the maintenance positions.</p>
	Suction Cap	
	Sensor Cover	
Keeping Preparation		<p>Always perform this maintenance if the printer will not be used (and will be switched off) for one month or more.</p> <p>See the following for more details.</p> <p> "Pre-Storage Maintenance for Long-Term Non-Use" on page 103</p>

Control Panel Menu

Setting Item	Setting	Explanation
Print Head Nozzle Limitation	Off*	<p>When clogs are not cleared even after repeating Head Cleaning, you can continue printing by using only the nozzle rows that are not clogged.</p> <p>When this function is turned On, printing time may increase because printing is done using only half of all the nozzle rows (upper side or lower side). There is also a risk of reduced print quality. We recommend using this function only temporarily, such as during the time until the Print Head can be replaced to eliminate the clogged nozzles.</p> <p>How to Select Restricted Nozzles</p> <p>Print a check pattern using Print Head Nozzle Check, and then confirm whether the nozzle row whose clogs cannot be cleared is on the upper side or lower side, relative to the center of the check pattern.</p> <p> "Checking for clogged nozzles" on page 100</p> <p>Put a check mark on the side (upper or lower) of the check pattern where you can see clogged nozzles in the screen showing, in order, the White then Color. Even if you cannot see clogs in the White nozzle rows, put a check mark on the side of the check pattern in which you can see clogs in the other colors, and then proceed to the Color selection screen.</p>
	On	

Supply Status menu

Setting Item	Setting	Explanation
Ink/Waste Ink Bottle/Head Cleaning Set		
Ink		Displays the remaining ink levels and ink part numbers
Waste Ink Bottle		Displays the space available in the Waste Ink Bottle
Head Cleaning Set		Displays the consumption level of the Wiper Unit
Others		Displays the consumption level of the other consumables (Anti-Drying Cap and Air Filter)



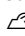
Status menu

Setting Item	Setting	Explanation
Firmware Version		Displays the selected information.
Printer Name		
Fatal Error Log		
Operation Report	Total Print Numbers	Printer Name is the name set in Epson Edge Dashboard.
	Total Carriage Pass	

Problem Solver

What to Do When a Message Is Displayed

If the printer displays one of the messages shown below, refer to the solution listed and take the necessary steps.

Message	What to do
It is time to clean the Sensor Cover.	The surface of the Sensor Cover is dirty. See the following to do cleaning.
The Sensor Cover cannot be recognized.	<p> "Cleaning the Sensor Cover" on page 81</p> <p>If you continue to use the printer while the Sensor Cover is dirty, the sensor cannot correctly detect the position of the platen, so printing may not be done at an appropriate head height. We recommend cleaning it immediately if this message is displayed.</p>
Printing has stopped. Check whether there is an obstruction inside the printer, and then press [OK].	<p>Check the following points, and then press OK.</p> <ul style="list-style-type: none"> <input type="checkbox"/> If there are wrinkles in the surface of the media that is loaded on the platen, reload the media so it is flat. <input type="checkbox"/> When thick media is loaded, confirm that the platen position and head height are suitable for that media.  "Load the T-shirt (media)" on page 59 <input type="checkbox"/> Confirm that nothing has fallen into the printer.
Cannot move the movable base. Check around the movable base, and then press [OK].	<p>Check the following points, and then press OK.</p> <ul style="list-style-type: none"> <input type="checkbox"/> Remove anything that is on the platen other than the media. <input type="checkbox"/> If the surface of the media has risen up or become extremely wrinkled, reload the media so it is flat. <input type="checkbox"/> When the type of platen has been changed, confirm that the platen position is suitable for that type of platen.  "Replacing platens" on page 56 <input type="checkbox"/> Remove anything that has fallen around the movable base.
The combination of the IP address and the subnet mask is invalid. See your documentation for more details.	Input the correct value in the IP address or the default gateway. If you do not know the correct values, check with your network administrator.

Problem Solver

When a Maintenance Request/Printer Error Occurs

Message	What to do
Maintenance Request: Replace Parts Soon XXXXXXXXXXXXXXXXXXXX	A part used in the printer is nearing the end of its service life. Contact your dealer or Epson Support and tell them the maintenance request code. You cannot clear the maintenance request until the part is replaced. A printer error occurs if you continue to use the printer.
Maintenance Request: End Of Parts Service Life XXXXXXXXXXXXXXXXXXXX	
Printer error. Turn the power off and on again. If the problem persists, contact Epson Support. XXXXXX	Printer error is displayed in the following cases. <ul style="list-style-type: none"> <input type="checkbox"/> The power cable is not connected securely <input type="checkbox"/> An error that cannot be cleared occurs When a printer error occurs, the printer automatically stops printing. Turn off the printer, disconnect the power cable both from the outlet and from the printer, and then reconnect. Turn the printer on and off several times. If the same printer error is displayed on the LCD panel, contact your dealer or EpsonSupport for assistance. Tell them the printer error code is "XXXXXX".

Troubleshooting

You cannot print (because the printer does not work)

The printer does not turn on.

■ **Is the power cable plugged into the electrical outlet and the printer?**

Check the following points.

- ❑ Are power plugs of both the printer and the Ink Unit connected to power outlets?
- ❑ Is the power plug plugged in insufficiently or at an angle?

Also, check whether the printer and Ink Unit are connected correctly.

 [Setup Guide](#) (booklet)

■ **Is there a problem with the power outlet?**

Make sure your outlet works by connecting the power cable for another electric product.

The printer is not communicating with the computer.

■ **Is the cable connected properly?**

Confirm that the interface cable is securely connected to both the printer port and the computer. Also, make sure the cable is not broken or bent. If you have a spare cable, try connecting with the spare cable.

■ **Do the cable's specifications satisfy the requirements of the computer?**

Check the model and specifications of the interface cable to see if the cable is appropriate for the type of the computer and specifications of the printer.

 ["System Requirements"](#) on page 144

■ **If you are using a USB hub, is it being used correctly?**

Up to five USB hubs can be daisy chained according to the USB specifications. However, we recommend that you connect the printer to the first hub connected directly to the computer. Depending on the hub you are using, the operation of the printer may become unstable. If this occurs, connect the USB cable directly to your computer's USB port.

■ **Is the USB hub recognized correctly?**

Check if the USB hub is recognized correctly on the computer. If the computer correctly recognizes the USB hub, disconnect all USB hubs from the computer and connect the printer directly to the computer's USB port. Contact the USB hub manufacturer to find out more about USB hub operations.

You cannot print in the network environment.

■ **Are the network settings correct?**

Ask your network administrator for the network settings.

■ **Connect the printer directly to the computer using a USB cable, and then try to print.**

If you are able to print via USB, there is a problem in the network settings. Ask your system administrator, or refer to the documentation for your network system. If you cannot print via USB, see the appropriate section in this User's Guide.

The printer has an error.

■ **Check the message displayed on the control panel.**

 ["Control Panel"](#) on page 16

 ["What to Do When a Message Is Displayed"](#) on page 121

Problem Solver

The printer operates, but does not print

The print head moves, but does not print.

■ Is the platen gap set correctly?

The printer cannot print properly if the print surface is too far from the print head. If **Platen Gap** is set to **Manual**, check whether the value input in **Value** and the platen position are suitable for the media being used.

 ["Table for Platen Gap setting values for media thicknesses" on page 142](#)

■ Check the printer operations.

Print a nozzle check pattern. Because a nozzle check pattern can be printed without connecting to a computer, you can check the operations and print status for the printer.


 ["Checking for clogged nozzles" on page 100](#)

Check the next section if the nozzle check pattern is not printed correctly.

The nozzle check pattern is not printed correctly.

■ Has the printer been left unused for a long time?

Nozzles may be dried and clogged if the printer is not used for a long time.

Steps to take when the printer has not been used for a long time  ["Notes for when not using the printer" on page 23](#)

■ Are you in color ink mode?

Cleaning ink supply units are installed in color ink mode, so it is difficult to see the rows (CL) printed with the cleaning liquid.

There is no problem if the rows you cannot see are printed with the Cleaning liquid.

■ Are you printing on paper in White ink mode?

It is hard to see White ink when it is printed on paper. Use an OHP sheet and so on to confirm the nozzle check pattern for White ink.

 ["Loading media" on page 100](#)

If none of the above items are applicable, the nozzles may be clogged. Do these measures in the following order.

1. Execute Head Cleaning

See the following, execute **Head Cleaning**, and then check whether the clogged nozzles were cleared.

 ["Head Cleaning" on page 101](#)

2. Clean the edges of the metal

If fibers stick to the edges of the metal, the fibers may contact the print head when it moves and prevent ink from being output. See the following, and clean around the print heads and the edges of the metal. After finishing cleaning, execute **Head Cleaning** again, and then check whether the clogged nozzles were cleared.

 ["Clean around the print head and the edges of the metal" on page 83](#)

3. If the problem is not cleared after executing measures 1 and 2

Contact your dealer or Epson Support.

Print results are not what you expected

Print quality is poor, uneven, too light, or too dark, or there are lines in the prints.

■ Are the print head nozzles clogged?

If the nozzles are clogged, the corresponding colors do not fire and the print quality declines. Print a nozzle check pattern.

 ["Checking for clogged nozzles" on page 100](#)

Also, if there is fuzz on the print surface, it could contact the print head and cause nozzles to clog. We recommend flattening any fuzz on the media by using a heat press immediately before printing.

Problem Solver

■ Have you adjusted the height of the platen?

When **Platen Gap** is set to **Manual**, if the print surface is too far from the print head, the printout may be as follows.

- Lines in the print result
- Edges of the image are blurry
- Text and straight lines are doubled
- Image is grainy

Check whether the value input in **Value** for **Platen Gap - Manual** and the platen position are suitable for the media being used.

 ["Table for Platen Gap setting values for media thicknesses" on page 142](#)

■ Did you perform Print Head Alignment?

The print head normally prints bi-directionally. Lines may appear misaligned due to the misalignment of the print head in bi-directional printing. Try Print Head Alignment when vertical lines are misaligned.

 ["Execute Print Head Alignment" on page 128](#)

■ Perform Media Feed Adjustment.

The problem may improve by adjusting the platen feed for each time the print head moves.

If the lines are dark, adjust to the + side, and if the lines are faint, adjust to the - side.

 ["Media Settings menu" on page 116](#)

■ Are you using the recommended genuine Epson ink supply units?

This printer is developed for use with Epson ink supply units. If you use non-Epson products, printouts may be faint, or the colors may change because the remaining ink levels are not correctly detected. Be sure to use the correct ink supply units.

■ Are you using old ink supply units?

The print quality declines if you use old ink supply units. Replace them with new ink supply units. We recommend using ink supply units before the expiry date printed on the package (within a year once they are installed in the printer).

■ Have you shaken the ink supply units?

The ink supply units for this printer contain pigment ink. Shake the units thoroughly before installing them in the printer. To maintain optimum print quality, we recommend removing and shaking the installed White ink supply unit at the start of every working day and every 24 hours (when a message is displayed), and the other colors once a month.

 ["Shaking and Replacing Ink Supply Units" on page 89](#)

■ Have you compared the printing result with the image on the display monitor?

Since monitors and printers produce colors differently, printed colors and colors on the screen do not always look the same.

■ Did you open the printer cover while printing?

If the printer cover is opened while printing, the print head stops suddenly and this causes unevenness in the color. Do not open the printer cover while printing.

■ Is Ink is low. displayed on the control panel?

The print quality may decline when the ink is low. We recommend replacing the ink supply units with new ones. If there is a difference in color after replacing an ink supply unit, try performing head cleaning a few times.

■ Are you printing vivid colors?

Vivid colors may appear as lines depending on the amount of ink fired and the unevenness of the T-shirt surface. Try setting **Quality** for **Color Print Quality** or **White Print Quality** in Garment Creator for SC-F3000 Series, the software for the printer.

Problem Solver

■ **Does the T-shirt you are printing on absorb ink easily?**

As it is difficult to force the ink to remain on the surface of the T-shirt, misalignment may appear as lines due to the unevenness of the T-shirt surface when Bi-Direction (High Speed) printing is set for the print head. If this occurs, do Print Head Alignment.

 ["Execute Print Head Alignment" on page 128](#)

If the problem is not resolved by doing Print Head Alignment, try setting **Uni-Direction (Low Speed)** for **Print Direction** in Garment Creator for SC-F3000 Series, the software for the printer. To do repeat printing or to print a job from a USB memory stick that has already been set to **Bi-Direction (High Speed)**, set **Head Move Direction** to **Uni-Directional** on the preview screen.

 ["When reprinting \(repeat printing\) the same job" on page 70](#)

 ["Printing from a USB Memory" on page 73](#)

If lines are still visible, set either **Color Print Quality** or **White Print Quality** to **Quality**.

■ **Have you made the pre-treatment liquid too weak?**

If the cotton pre-treatment liquid has been diluted too much, the solidity of the White ink is weakened and the edges of the image may be blurred. Try reducing the density of the White ink in the software, or make the pre-treatment liquid stronger.

If the polyester pre-treatment liquid has been diluted too much, the ink color development deteriorates. Adjust the dilution ratio of the pre-treatment liquid.

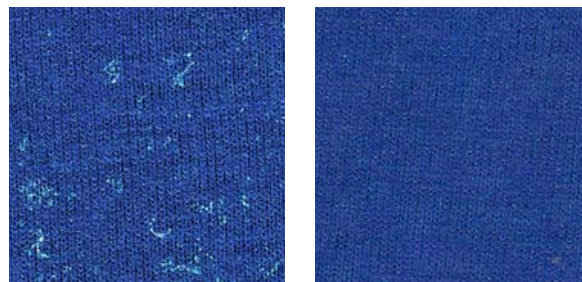
■ **Adjust the density of the White ink.**

When printing on dark colored T-shirts, vertical unevenness may occur depending on the base color. If this occurs, try reducing the density of the White ink used for the under-base. You can adjust the White ink density in the printer's Garment Creator for SC-F3000 Series software.

Unevenness such as white spots occurs in the print results for polyester T-shirts

Uneven print result

Normal print result



■ **Did you remove lint from the surface of the fabric before applying the pre-treatment liquid?**

If pre-treatment is applied when lint remains, it can cause unevenness. Use sticky tape (a roller) to remove lint, and then apply the pre-treatment liquid.

 ["Applying the pre-treatment liquid" on page 43](#)

■ **Was the pre-treatment liquid applied correctly?**

Applying too much or too little pre-treatment liquid, or applying it unevenly can cause uneven print results. Apply the correct amount of pre-treatment liquid uniformly.

 ["Applying the pre-treatment liquid" on page 43](#)

■ **Increase the temperature when fixing the pre-treatment liquid.**

Depending on the type of polyester, uneven print results may occur even if the pre-treatment liquid is applied correctly. In this situation, try increasing the temperature when fixing the pre-treatment liquid. This may improve unevenness.

 ["Fixing the pre-treatment liquid" on page 44](#)

Vertical ruled lines are misaligned, small print is blurry, or a grainy appearance

The print head normally prints when moving both to the left and the right. While this is happening, a misalignment (gap) in the print head may cause lines to misalign, small print to blur, or create a grainy appearance. In these cases, do these measures in the following order.

Problem Solver

1. Register media settings

We recommend categorizing media setting numbers and registering and managing them so you can categorize the print settings for individual media manufacturers (types) and projects (print jobs).

You do not need to register them if categorizing is unnecessary.

"Register media settings" on page 127



2. Execute Print Head Alignment

Execute **Standard** or **Micro Adjust** according to the type of platen and media you are using.

"Execute **Print Head Alignment**" on page 128



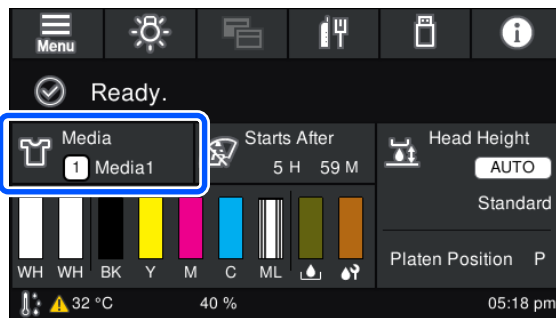
3. Change the Platen Gap setting

First, leave **Auto** set, and change the **Head Height** to **Narrow**. If that does not improve the print quality, try settings **Manual**.

Register media settings

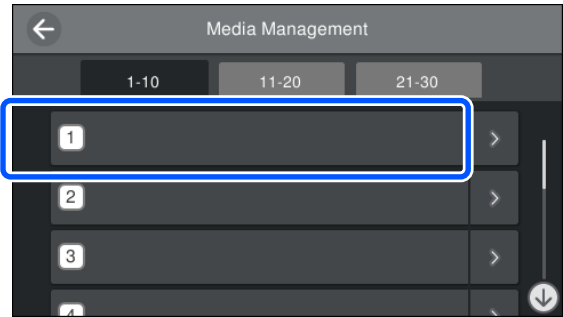
Use the following procedure to name and register media settings.

- 1 Make sure the printer is on, and then press the media info area on the home screen.



- 2 Press **Media Management**.

- 3 Select the media settings to register.

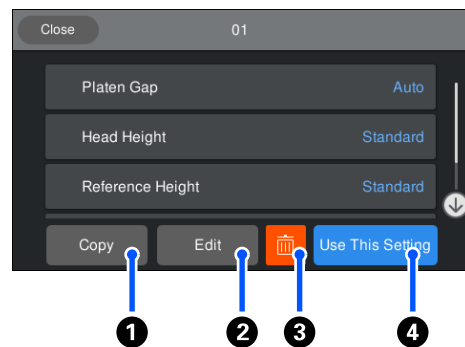


- 4 Press **Change Name**.

- 5 Input a suitable name, and then press **OK**.
Next, when you execute **Print Adjustments**, press (home) to return to the home screen.

Note:

Press the on the right edge of the media setting to open the following screen.



This displays a list of the settings for the selected media settings. Pressing the buttons 1 to 4 lets you do the following.

- 1 (Copy): Allows you to copy the content of the selected settings to a different media setting number. Pressing this button opens a screen where you can select the media setting number to which to copy the settings.
- 2 (Edit): Opens a screen in which you can change the content of settings.
- 3: Initializes all the content of the settings.
- 4 (Use This Setting): The selected media settings are used for subsequent print jobs.

Precautions when executing Print Adjustments

Adjustments are made according to the media loaded in the printer.

Correctly load the media, for which adjustment needs to be done, on the platen that is actually used for printing.

Problem Solver

The results of the adjustment are reflected only in the currently selected media settings.

Before you start making adjustments, select the correct Media Settings to which to save them. The number of the currently selected media settings is displayed on the printer's screen.

[“Screen View” on page 17](#)

Make sure nozzles are not clogged before adjusting.

If nozzles are clogged, adjustments are not performed correctly.

Print a check pattern and visually inspect it, and then perform **Head Cleaning** if necessary.

[“Checking for clogged nozzles” on page 100](#)

Redo the adjustments if the settings for Platen Gap are changed as follows.

- When switched to or from **Auto** or **Manual**
- When the **Value** is changed in **Manual**

Execute Print Head Alignment

Adjustment types and execution sequence

There are two types of **Print Head Alignment**, **Standard** and **Micro Adjust**.

With **Standard**, visually inspect the printed adjustment pattern and input the adjustment values.

With **Micro Adjust**, input the adjustment values, and then do an actual printout to confirm whether the results of the adjustment are suitable.

Do **Standard** adjustment first, and if the image quality is not improved after the adjustment, then do **Micro Adjust**. However, in the following cases, select **Micro Adjust** first.

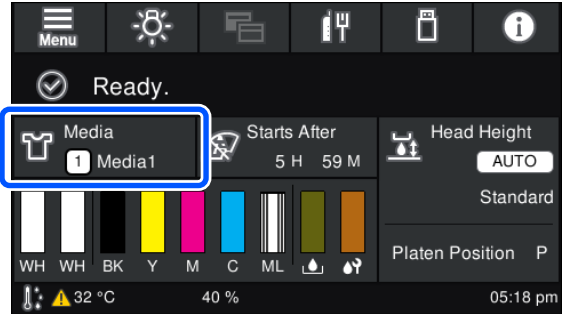
- When using the S size hanger platen, XS size platen, or sleeve platen
- When the print surface of the media is not flat, such as when there is a pocket

Adjustment procedure

Read the following before starting adjustments.

[“Precautions when executing Print Adjustments” on page 127](#)

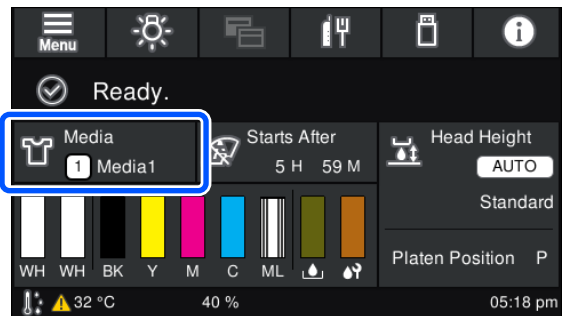
- 1** Load the media, for which adjustments are being done, on the platen that is actually being used.
[“Load the T-shirt \(media\)” on page 59](#)
- 2** Confirm the media settings that are currently selected in the media info area on the printer's screen.



To save the adjustment results for the currently selected media settings, go to step 5.

To save the adjustment results to a different media setting, go to the next step.

- 3** Press the media info area, and then press in the order of **Current Settings - Media**.
- 4** Select the media settings to which to save the adjustment results, and then press (home).
- 5** Press the media info area.




- 6** Press in the order of **Print Adjustments - Print Head Alignment**, and then select either **Standard** or **Micro Adjust**.

If you select **Standard**: Go to step 7.

If you select **Micro Adjust**: Go to step 9.

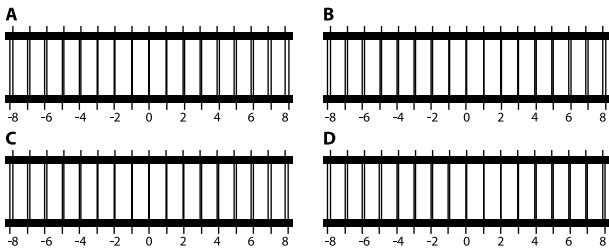
Problem Solver

7 Select the items to adjust according to the color of the media being used, and then press **Start**.

Pressing the  button starts printing the adjustment pattern. When printing the pattern is complete, the adjustment value entry screen is displayed. Continue to the next procedure.

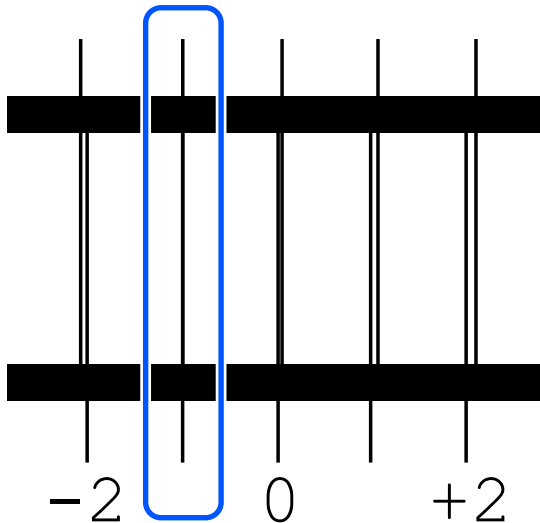
8 Check the printed adjustment pattern.

When **Light Media** is selected, 2 blocks (#1 to #2) of black patterns are printed. When **Dark Media** is selected, 2 blocks at a time (#1 to #4) of black patterns are printed.



Check the 4 patterns A to D in each block, and select from -8 to +8, where the line appears thinnest (lines overlap) in the pattern.

Select "-1" in the following illustration.



Check the patterns in all the blocks, and then go to the next step.

9 Input the adjustment values.
When executing Standard:

Input the adjustment values in order A to D that you selected in step 8 for all of the blocks #1 to #4 (#1 to #2 for **Light Media**). Inputting all of the adjustment values and pressing **OK** opens a screen for confirming the adjustment values.

Check the adjustment results and press **OK** to reflect the adjustment results to the media settings.

When executing Micro Adjust:

You can input setting values from +10 to -10. We recommend first setting both adjustment values to +1 and -1 and printing, and then doing further adjustments based on the value that improved image quality.

When image quality is not improved after adjustments


- When executing **Standard**:
Next, execute **Micro Adjust**.
- When executing **Micro Adjust**:
When using **Auto** for the **Platen Gap**, try setting the **Head Height** to **Narrow**. However, when **Narrow** is set, the surface of the media is more likely to contact the print head. Load the media carefully so there are no wrinkles on its surface. If changing the **Head Height** to **Narrow** does not improve image quality, try setting the **Platen Gap** to **Manual**.


 ["Media Settings menu" on page 116](#)

Alternatively, try the following measures.

■ Try uni-directional printing.

If the problem is not resolved by doing the above measures, try setting **Uni-Direction (Low Speed)** for **Print Direction** in Garment Creator for SC-F3000 Series, the software for the printer. To do repeat printing or to print a job from a USB memory stick that has already been set to **Bi-Direction (High Speed)**, set **Head Move Direction** to **Uni-Directional** on the preview screen.


 ["When reprinting \(repeat printing\) the same job" on page 70](#)

 ["Printing from a USB Memory" on page 73](#)

The printed surface is soiled

■ Is the suction cap clean?

The printed surface may be soiled from dripping ink if lumps of ink or lint are stuck around the suction cap. Clean the suction cap.

 ["Cleaning the Suction Cap" on page 85](#)

Problem Solver

■ Is there any lint or standing fibers on the print surface?

Lint or standing fibers on the print surface may stick to the print head and stain other areas of the T-shirt. Remove any lint with the sticky tape or roller and press the fibers flat with a hard roller when you load a T-shirt on the platen.

 ["Load the T-shirt \(media\)" on page 59](#)

■ Clean around the print head.

If the printing surface and so on is dirty even after performing cap cleaning, fibers, such as lint, may have accumulated around the print head nozzles. Clean around the print head.

 ["Clean around the print head and the edges of the metal" on page 83](#)

Not enough or uneven whiteness

■ Are the print head nozzles clogged?

If the nozzles are clogged, nozzles do not fire ink and the print quality declines. Print a nozzle check pattern.

 ["Checking for clogged nozzles" on page 100](#)

■ Have you shaken White ink supply units?

Because the ink particles in White ink can sediment easily, it needs to be shaken at the start of every working day and every 24 hours (when a message is displayed). Remove and thoroughly shake the ink supply unit(s).

 ["Shaking and Replacing Ink Supply Units" on page 89](#)

■ Have you applied the pre-treatment liquid evenly?

If the pre-treatment liquid is not applied evenly, the printed result will be uneven. Refer to the instructions and apply the pre-treatment liquid evenly.

 ["Applying the pre-treatment liquid" on page 43](#)

■ Have you dried the T-shirt completely after pre-treatment?

If the T-shirt is in the following condition, whiteness may decline.

- Insufficient heat press process
- Moisture has accumulated because the T-shirt was left for an extended period of time

Dry the T-shirt completely after the pre-treatment referring to the fixing conditions. If the T-shirt is left for an extended period, dry it for several seconds in the heat press before printing.

 ["Fixing the pre-treatment liquid" on page 44](#)


■ Have you optimized the temperature and pressure of the heat press?

The temperature of the heat press decreases when you press a T-shirt that has had pre-treatment liquid applied. When pressing several T-shirts one after another, check that the temperature of the heat press is not lower than required. Also, the whiteness becomes uneven if the pressure is insufficient since the T-shirt does not dry completely and the fibers are not pressed flat. Make sure you optimize the pressure of the heat press.

 ["Fixing the pre-treatment liquid" on page 44](#)

If there is not enough white even after doing the above measures and there are no applicable items, do these measures in the following order.

1. Execute Cleaning(Heavy)

1 Confirm that the power is turned on, and then press in the order of  (menu) - **Maintenance - Head Cleaning - Cleaning(Heavy) - Select Nozzles - White.**

2 Select all the WH rows, and then press **OK.**

If there is not enough white even after executing **Cleaning(Heavy)** 1 or 2 times, try the following measures.

2. Change the Printer Mode

See the following, and then switch **Printer Mode** to **Color ink mode**, and then return it to **White ink mode.**

 ["Changing the Printer Mode" on page 102](#)

Problem Solver

3. If there is not enough white after doing 1 and 2

Contact your dealer or Epson Support.

The under-base white is showing outside the image


■ Adjust the print area of the under-base white in the software.

The printed under-base white may show outside the image depending on the material of the T-shirt and the amount of ink fired. If this occurs, adjust the print area of the under-base white from the printer's Garment Creator for SC-F3000 Series software or the RIP software.

Others

The control panel display keeps turning off.

■ Is the printer in sleep mode?

Normal operation can be restored by pressing any of the buttons in the control panel to reactivate the display and then performing a hardware operation such as opening the printer cover or sending a job to the printer. You can change the time until going into sleep mode from  (menu) - **General Settings** - **Basic Settings** - **Sleep Timer**.

 ["Menu List" on page 106](#)

Printing does not stop or printed text is corrupted

■ Have you started Garment Creator for SC-F3000 Series and software RIP over a USB connection?

Only start Garment Creator for SC-F3000 Series or software RIP. Do not run them both at the same time.

Areas not printed are stained with ink

■ Is the platen clean?

The platen's frame and the top plate may be stained. Check the platen and clean it if necessary.

 ["Cleaning the Platen Without a Grip Pad" on page 88](#)

The printer status and log are printed over the edges of the paper

■ Are you printing with an M size (standard) platen?

Depending on the paper size the print area may extend beyond the edges of the paper if it is loaded on an optional platen. Load paper on the M size (standard) platen, and then print.

 ["Load the T-shirt \(media\)" on page 59](#)

Printing is slow or stops half way

■ Is the head move direction set to uni-directional?

Uni-Direction (Low Speed) may be set for **Print Direction** in Garment Creator for SC-F3000 Series, the software for the printer. Try setting **Bi-Direction (High Speed)** for **Print Direction** in Garment Creator for SC-F3000 Series.

When doing repeat printing or to print a job from a USB memory stick that has already been set to **Bi-Direction (High Speed)**, **Head Move Direction** may be set to **Uni-Directional** on the preview screen. Try changing the setting to **Auto**.

 ["When reprinting \(repeat printing\) the same job" on page 70](#)

 ["Printing from a USB Memory" on page 73](#)

■ Are you using a USB memory stick with a slow reading speed?

If you use a USB memory stick with a slow reading speed (4.63 MB/sec or less) when printing from a USB memory stick, the print head stops at times during printing and printing continues. Use a USB memory stick with a fast reading speed.

Problem Solver

■ **Are you using a platen without a grip pad to print a job that requires a large amount of ink?**

Using a lot of ink to print, such as from data that covers the entire print area, may cause the print surface to swell up with ink.

If something like this happens, an error as shown below may occur and printing may be stopped, even if the T-shirt is correctly loaded before printing starts.

Printing has stopped.

The print head may strike the media.

If a T-shirt is loaded using a frame, removing the frame may allow any wrinkles or slack in the printed surface to spread to the outer edges and solve the problem.

Note that the following steps are necessary if you remove the frame.

- ❑ You need to reduce the width of the White ink in Garment Creator for SC-F3000 Series, the software for the printer, or in the RIP software, so that the white under-base print does not extend outside the image.
- ❑ Be careful not to touch the T-shirt while printing as it can easily move out of position.

■ **Have you dried pre-treatment liquid completely?**

Printing while the pre-treatment liquid is not sufficiently dry means the print surface may become damp and swell up, then as you are printing, an error as shown below may occur and printing may be stopped.


Printing has stopped.

The print head may strike the media.

Check that the pre-treatment liquid is dry.

Cannot use the USB memory

■ **After inserting the USB memory stick, did you press ?**

The USB memory is not read by just inserting the USB memory stick. Be sure to press the  icon at the top of the screen, and then do operations from the USB printing menu.

There is a red light inside the printer

■ **This is not a failure.**

The light is a light inside the printer.

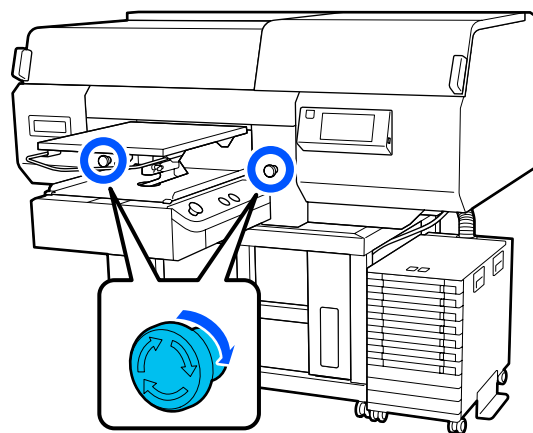
I have forgotten the network password

- Contact your dealer or Epson Support.

Emergency stop button was pressed

Confirm that everything is safe, and then use the following procedure to release the emergency stop button.

- 1 Turn the button as you pull it out, as shown in the illustration.



- 2 Turn the printer off, and then turn it on again.

 **Important:**

After turning off the power, immediately turn the power on again.

The print head may not be capped properly if the printer is turned off while an error has occurred. If it is left uncapped for a long time, the print quality may decline, and it may be impossible to clear clogged nozzles.

Appendix

Options and Consumable Products

The following options and consumable products are available for use with your printer. (As of May, 2020)

For the latest information, see the Epson Web site.

Ink Supply Unit

Printer model	Product name	Part number
SC-F3000	Black	T47W1
	Cyan	T47W2
	Magenta	T47W3
	Yellow	T47W4
	White	T47WA
	Maintenance Liquid	T47WB
SC-F3030	Black	T48A1
	Cyan	T48A2
	Magenta	T48A3
	Yellow	T48A4
	White	T48AA
	Maintenance Liquid	T48AB
SC-F3060	Black	T47Y1
	Cyan	T47Y2
	Magenta	T47Y3
	Yellow	T47Y4
	White	T47YA
	Maintenance Liquid	T47YB

Appendix

Printer model	Product name	Part number
SC-F3070	Black	T47X1
	Cyan	T47X2
	Magenta	T47X3
	Yellow	T47X4
	White	T47XA
	Maintenance Liquid	T47XB
SC-F3080	Black	T48B1
	Cyan	T48B2
	Magenta	T48B3
	Yellow	T48B4
	White	T48BA
	Maintenance Liquid	T48BB

Epson recommends the use of genuine Epson Ink Supply Unit. Epson cannot guarantee the quality or reliability of nongenuine ink. The use of non-genuine ink may cause damage that is not covered by Epson's warranties, and under certain circumstances, may cause erratic printer behavior.

Information about non-genuine ink levels may not be displayed, and use of non-genuine ink is recorded for possible use in service support.

Maintenance Parts

Except for SC-F3080

Product name	Product number	Explanation
Waste Ink Bottle	C13S210071	Identical to the waste ink bottle supplied with the printer.
Head Cleaning Set	C13S210105	Set of flushing pads and wiper unit.
Anti-Drying Cap	C13S210109	Replacement anti-drying caps.
Air filter	C13S210111	Replacement air filters.
Flushing Pad Set	C13S210107	Purchase when changing only the flushing pads.
Maintenance Kit	T7362	The same as the maintenance kit supplied with the printer.
Cleaning ink supply unit	T44A9	Use for Keeping Preparation and to change the Printer Mode.
Clean Room Wiper*	C13S090016	The same as the clean-room wipers supplied with the printer.

* Not available for purchase in some countries and regions. We recommend BEMCOT M-3II by Asahi Kasei Corporation when purchasing commercial products.

Appendix

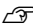

For SC-F3080

Product name	Product number	Explanation
Waste Ink Bottle	C13S210072	Identical to the waste ink bottle supplied with the printer.
Head Cleaning Set	C13S210106	Set of flushing pads and wiper unit.
Anti-Drying Cap	C13S210110	Replacement anti-drying caps.
Air filter	C13S210112	Replacement air filters.
Flushing Pad Set	C13S210108	Purchase when changing only the flushing pads.
Maintenance Kit	T7362	The same as the maintenance kit supplied with the printer.
Cleaning ink supply unit	T44AC	Use for Keeping Preparation and to change the Printer Mode.
Clean Room Wiper*	C13S090016	The same as the clean-room wipers supplied with the printer.

* Not available for purchase in some countries and regions. We recommend BEMCOT M-3II by Asahi Kasei Corporation when purchasing commercial products.

Others



Except for SC-F3080

Product	Part number	Explanation
Pre-treatment Liquid	T43R1 T7361	20 liters. Dilute before use.  "Pre-treatment" on page 39
Polyester Pre-treatment Liquid	T43R2	18 liters. Use undiluted or diluted depending on the ink used for printing.  "Pre-treatment" on page 39
Hanger Platen - L	C12C936241	Printable area: 16" x 20"/406 x 508 mm
Hanger Platen - M	C12C936261	Printable area: 14" x 16"/356 x 406 mm
Hanger Platen - S	C12C936281	Printable area: 10" x 12"/254 x 305 mm
Extra Small Platen	C12C933951	Printable area: 7" x 8"/178 x 203 mm
Sleeve Platen	C12C933971	This platen allows you to print on T-shirt cuffs. Printable area: 4" x 4"/102 x 102 mm
Medium Grooved Platen	C12C933961	This platen allows you to print correctly on polo shirts as well as shirts with zippers and buttons. Printable area: Equivalent to the area for M size hanger platen
Platen Grip Pad - L	C13S210118	A grip pad for using the L-size hanger platen as a grip pad covered platen.
Platen Grip Pad - M	C13S210119	A grip pad for using the M-size hanger platen as a grip pad covered platen.

Appendix

Product	Part number	Explanation
Platen Grip Pad - S	C13S210120	A grip pad for using the S-size hanger platen as a grip pad covered platen.
Pre-treatment roller set	C12C891201	Set of roller sections x3, handle, and tray.
Replacement rollers for pre-treatment (3 pieces)	C12C891211	The same as the roller section supplied with the Pre-treatment roller set.
Hard roller	C12C891221	Set of roller sections (hard) and handle.
Grip Pad Tool	C12C934151	The same as the grip pad tool supplied with the printer.

For SC-F3080

Product	Part number	Explanation
Pre-treatment Liquid	T43R1 T7361	20 liters. Dilute before use.  "Pre-treatment" on page 39
Polyester Pre-treatment Liquid	T43R2	18 liters. Use undiluted or diluted depending on the ink used for printing.  "Pre-treatment" on page 39
Hanger Platen - L	C12C936251	Printable area: 16" x 20"/406 x 508 mm
Hanger Platen - M	C12C936271	Printable area: 14" x 16"/356 x 406 mm
Hanger Platen - S	C12C936291	Printable area: 10" x 12"/254 x 305 mm
Extra Small Platen	C12C934011	Printable area: 7" x 8"/178 x 203 mm
Sleeve Platen	C12C934031	This platen allows you to print on T-shirt cuffs. Printable area: 4" x 4"/102 x 102 mm
Medium Grooved Platen	C12C934021	This platen allows you to print correctly on polo shirts as well as shirts with zippers and buttons. Printable area: Equivalent to the area for M size hanger platen
Platen Grip Pad - L	C13S210121	A grip pad for using the L-size hanger platen as a grip pad covered platen.
Platen Grip Pad - M	C13S210122	A grip pad for using the M-size hanger platen as a grip pad covered platen.
Platen Grip Pad - S	C13S210123	A grip pad for using the S-size hanger platen as a grip pad covered platen.
Pre-treatment roller set	C12C891201	Set of roller sections x3, handle, and tray.
Replacement rollers for pre-treatment (3 pieces)	C12C891211	The same as the roller section supplied with the Pre-treatment roller set.
Hard roller	C12C891221	Set of roller sections (hard) and handle.
Grip Pad Tool	C12C934161	The same as the grip pad tool supplied with the printer.

Notes When Moving or Transporting the Printer

This section explains how to move or transport the printer.

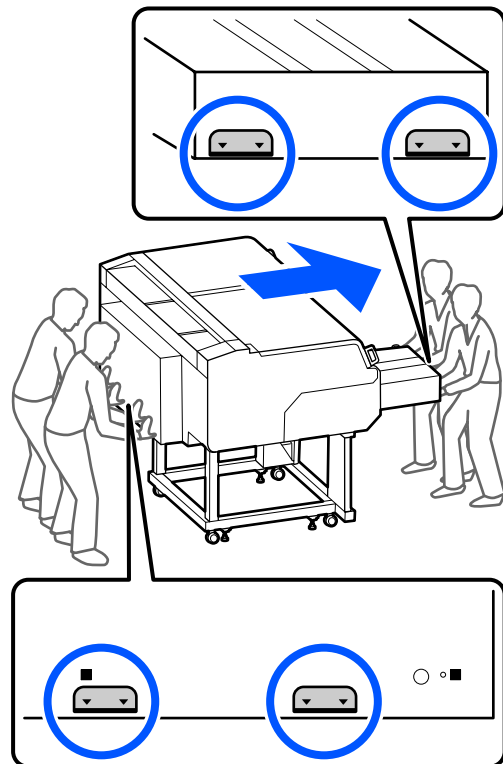
Preparing to Move

This section explains how to move the printer on the same floor without any changes in the floor level. See the following for instructions on moving the printer to another floor or building.

 [“Transporting the Printer” on page 139](#)

Caution:

- ❑ Do not attempt to carry the printer on your own. The printer should be moved by 4 people.
- ❑ When moving the printer, do not tilt it more than 10 degrees. Otherwise it could fall and cause an accident.
- ❑ When lifting the printer, hold it in the areas indicated by the position of the labels. It may cause an injury if you lift the printer by holding other areas since the printer may fall, or your fingers may be caught when placing the printer.






Important:

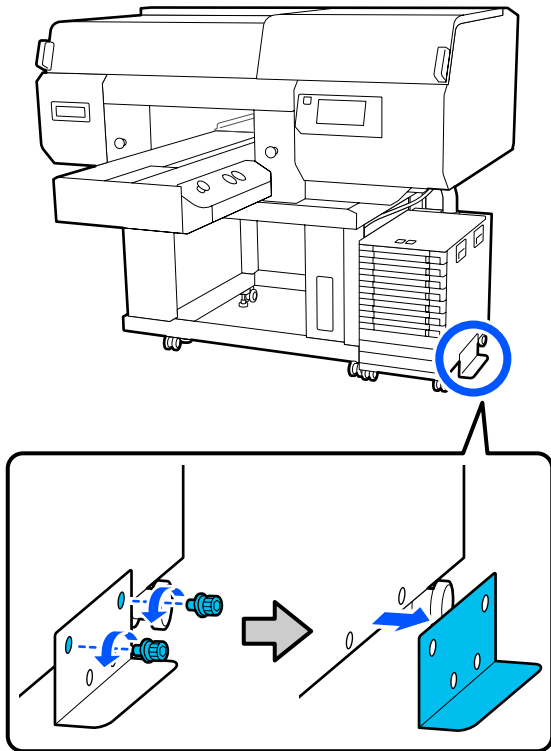
- ❑ Touch only the necessary areas; otherwise, a malfunction may occur.
- ❑ Do not remove the ink supply units. The print head nozzles may become clogged so printing is impossible, or ink may leak.
- ❑ Do not separate the Ink Unit from the printer. (Leave the Ink Tube connected to the back of the printer while moving the printer.)
- ❑ Keep the ink unit wire of the Ink Unit attached to the printer's stand.

Appendix

Your hands may be soiled by waste ink. If necessary, wear the gloves included in the maintenance kit supplied.

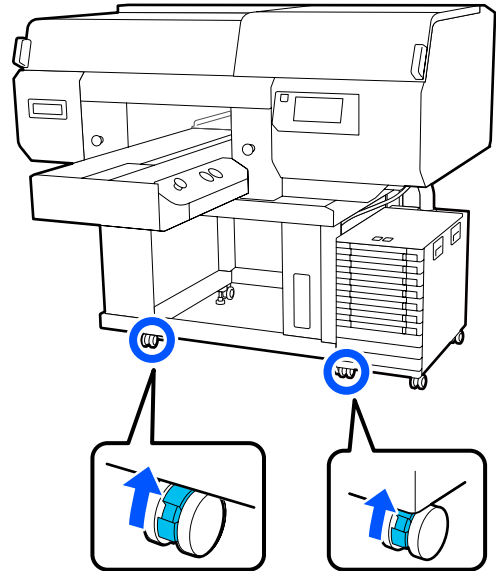
 "Options and Consumable Products" on page 133

- 1 Check that the power is off.
- 2 Remove the waste ink bottle.
 "Replacing the waste ink bottle" on page 92
- 3 Disconnect all the wires, such as the power cable and connecting cables, from the printer and Ink Unit.
- 4 Remove the platen.
 "Replacing platens" on page 56
- 5 Close the fixing lever of the Platen Gap Lever.
 "How to change the platen position" on page 58
- 6 Remove the Overturn-Prevention Plate from the Ink Unit.



- 7 Release all the locks on the casters of the ink unit and stand.

There are 2 casters each on the front and back of both the stand and ink unit.



- 8 Raise all the adjustable feet so they are higher than the casters.

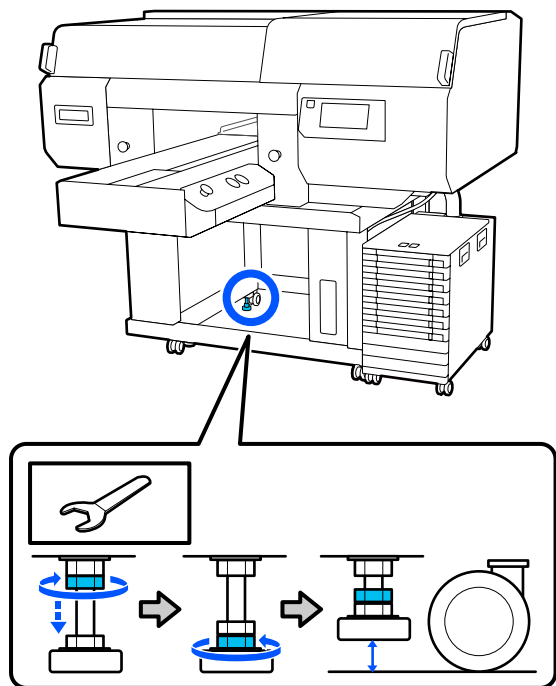
There are 2 adjustable feet each on the front and back of the stand.

 **Important:**

Be sure to raise all the adjustable feet before moving the printer. Moving the printer without raising the adjustable feet could cause a malfunction.

You need to use the provided wrench to loosen the adjustable feet.

- (1) Loosen the middle nut on the adjustable foot until it touches the bottom nut.
- (2) Turn the nut on the bottom counter-clockwise until the adjustable foot is higher than the caster.



Transporting the Printer

Before transporting the printer, contact your dealer or Epson Support.

👉 “Where To Get Help” on page 149

Setting up the Printer After Moving

Follow the steps below to use the printer after moving.

- 1 Confirm that the location is suitable for setting up the printer, lock the casters on the printer and ink unit, and then lower the adjustable feet to stabilize the printer.

👉 *Setup Guide* (booklet)

If you do not have the *Setup Guide* on hand, select and refer to the model of your printer from <http://epson.sn>.

- 2 Install all the items that were removed, such as the waste ink bottle.

👉 *Setup Guide* (booklet)

- 3 Connect the power plug to an electrical outlet, and then turn on the printer.

👉 *Setup Guide* (booklet)

- 4 Perform a nozzle check and confirm that there are no clogged nozzles.

👉 “Checking for clogged nozzles” on page 100

Appendix

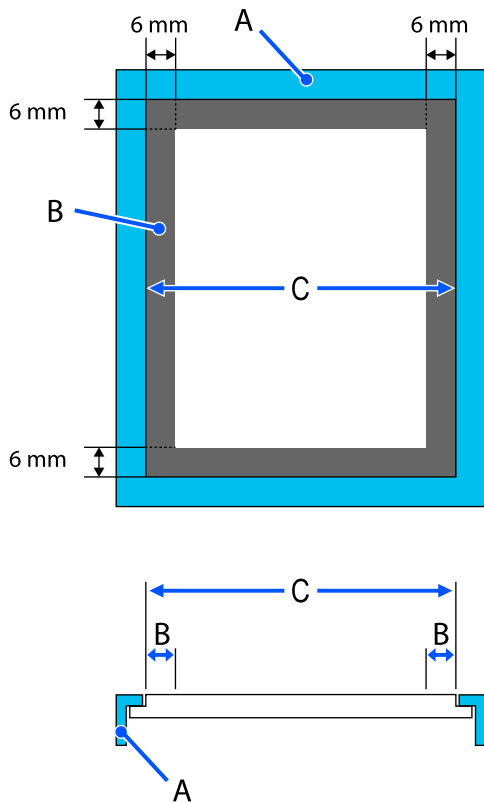
Printable area

Type	Available Area
L size hanger platen	16 x 20 inches (406 x 508 mm)
M size hanger platen	14 x 16 inches (356 x 406 mm)
S size hanger platen	10 x 12 inches (254 x 305 mm)
XS size platen	7 x 8 inches (178 x 203 mm)
Sleeve platen	4 x 4 inches (102 x 102 mm)
Medium grooved platen	Refer to illustration of areas that cannot be printed

You cannot print on certain areas inside each platen frame or certain areas from the top, bottom, left, or right of the edge of the top plate. The areas indicated by A and B in the following illustration cannot be printed.

L/M/S size hanger platens, and XS size platen

You cannot print on certain areas from the top, bottom, left, or right of the inside edge of the platen frame or the raised section (top plate) inside the platen.



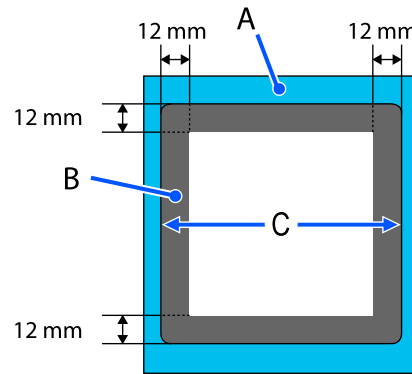
A: Platen frame

B: Areas that Cannot be Printed

C: Top plate

Sleeve platen

You cannot print on certain areas from the raised section inside the platen frame.



A: Platen frame

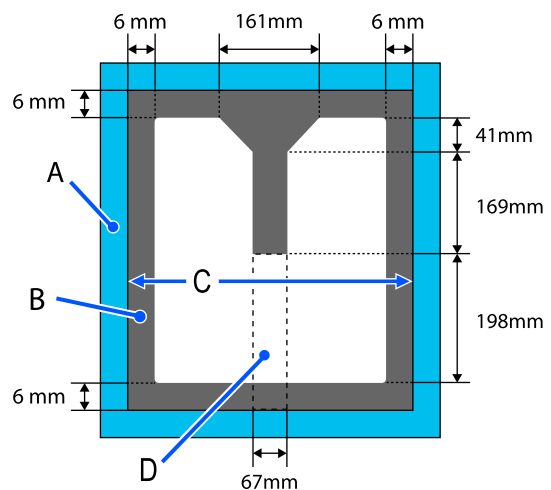
B: Areas that Cannot be Printed

C: Top plate

Medium grooved platen

You cannot print on certain areas inside the platen frame and in areas where there is no top plate.

The D section has a square part. When you remove the square part, you cannot print over this section.



A: Platen frame

B: Areas that Cannot be Printed

C: Top section

Appendix

D: Square part



Appendix

Table for Platen Gap setting values for media thicknesses

When using L/M/S size hanger platens or the XS size platen

Media thickness		Input in Manual - Value	Platen position
Grip pad covered platen*	Platen without a grip pad		
-	0 mm to 1 mm	4.0	P
0 mm to 1 mm	1 mm to 2 mm	5.0	
1 mm to 2 mm	2 mm to 3 mm	6.0	
2 mm to 3 mm	3 mm to 4 mm	7.0	
3 mm to 4 mm	4 mm to 5 mm	8.0	1
4 mm to 5 mm	5 mm to 6 mm	9.0	
5 mm to 6 mm	6 mm to 7 mm	10.0	
6 mm to 7 mm	7 mm to 8 mm	11.0	2
7 mm to 8 mm	8 mm to 9 mm	12.0	
8 mm to 9 mm	9 mm to 10 mm	13.0	
9 mm to 10 mm	10 mm to 11 mm	14.0	3
10 mm to 11 mm	11 mm to 12 mm	15.0	
11 mm to 12 mm	12 mm to 13 mm	16.0	
12 mm to 13 mm	13 mm to 14 mm	17.0	4
13 mm to 14 mm	14 mm to 15 mm	18.0	
14 mm to 15 mm	15 mm to 16 mm	19.0	
15 mm to 16 mm	16 mm to 17 mm	20.0	5
16 mm to 17 mm	17 mm to 18 mm	21.0	
17 mm to 18 mm	18 mm to 19 mm	22.0	
18 mm to 19 mm	19 mm to 20 mm	23.0	6
19 mm to 20 mm	20 mm to 21 mm	24.0	
20 mm to 21 mm	21 mm to 22 mm	25.0	
21 mm to 22 mm	22 mm to 23 mm	26.0	7
22 mm to 23 mm	23 mm to 24 mm	27.0	
23 mm to 24 mm	24 mm to 25 mm	28.0	

Appendix

Media thickness		Input in Manual - Value	Platen position
Grip pad covered platen*	Platen without a grip pad		
24 mm to 25 mm	25 mm to 26 mm	29.0	8
25 mm to 26 mm	26 mm to 27 mm	30.0	
26 mm to 27 mm	27 mm to 28 mm	31.0	
27 mm to 28 mm	28 mm to 29 mm	32.0	
28 mm to 28.5 mm	29 mm to 29.5 mm	33.0	

* XS size platen is not supported.

When using the sleeve or medium grooved platens

Media thickness	Input in Manual - Value	Platen position
0 mm to 1 mm	14.0	3
1 mm to 2 mm	15.0	
2 mm to 3 mm	16.0	
3 mm to 4 mm	17.0	4
4 mm to 5 mm	18.0	
5 mm to 6 mm	19.0	
6 mm to 7 mm	20.0	5
7 mm to 8 mm	21.0	
8 mm to 9 mm	22.0	
9 mm to 10 mm	23.0	6
10 mm to 11 mm	24.0	
11 mm to 12 mm	25.0	
12 mm to 13 mm	26.0	7
13 mm to 14 mm	27.0	
14 mm to 15 mm	28.0	
15 mm to 16 mm	29.0	8
16 mm to 17 mm	30.0	
17 mm to 18 mm	31.0	
18 mm to 19 mm	32.0	
19 mm to 19.5 mm	33.0	

Appendix

System Requirements

Each software can be used in the following environments. (As of May, 2020)

The supported operating systems may change.

For the latest information, see the Epson Web site.

Epson Edge Dashboard

The Epson Edge Dashboard can be used in the following environments.

 **Important:**

Make sure the computer on which the Epson Edge Dashboard is installed meets the following requirements. If these requirements are not met, the software cannot monitor the printer correctly.

- Disable your computer's hibernate function.*
- Disable the sleep function so that the computer does not enter sleep status.*

Windows

Operating systems	Windows 7 SP1 / Windows 7 x64 SP1 Windows 8 / Windows 8 x64 Windows 8.1 / Windows 8.1 x64 Windows 10 / Windows 10 x64
CPU	Multi-core processor (3.0 GHz or more recommended)
Free memory	4 GB or more
Hard disk (free space during installation)	2 GB or more
Display resolution	1280 x 1024 or better
Communication interface	High Speed USB Ethernet 1000Base-T
Browser	Internet Explorer 11 Microsoft Edge

Mac

Operating systems	Mac OS X 10.7 Lion or later
CPU	Multi-core processor (3.0 GHz or more recommended)
Free memory	4 GB or more
Hard disk (free space during installation)	2 GB or more

Appendix

Display resolution	1280 x 1024 or better
Communication interface	High Speed USB Ethernet 1000Base-T
Browser	Safari 6 or later

Garment Creator for SC-F3000 Series

Windows

Operating systems	Windows 8.1 / Windows 8.1 x64 Windows 10 / Windows 10 x64
CPU	Multi-core processor (2.0 GHz or more recommended)
Memory capacity	2 GB or more (8 GB or more recommended)
Storage (free space during installation)	HDD 32 GB or more (SSD recommended)
Display resolution	1024 x 768 or higher
Communication interface	High Speed USB Ethernet 100Base-TX

Mac

Operating systems	Mac OS 10.12 or later
CPU	Multi-core processor (2.0 GHz or more recommended)
Memory capacity	2 GB or more (8 GB or more recommended)
Storage (free space during installation)	HDD 32 GB or more (SSD recommended)
Display resolution	1024 x 768 or higher
Communication interface	High Speed USB Ethernet 100Base-TX

Garment Creator Easy Print System (Windows only)

Operating systems	Windows 8.1 / Windows 8.1 x64 Windows 10 / Windows 10 x64
CPU	Multi-core processor (3.0 GHz or better recommended)
Free memory	2 GB or more
Hard disk (free space during installation)	32 GB or more
Display resolution	1024 x 768 or higher

Appendix

Communication interface	High Speed USB Ethernet 100Base-TX
-------------------------	---------------------------------------

Web Config

The following is a list of supported browsers.

Microsoft Edge, Internet Explorer 11, Firefox*, Chrome*, Safari*

*Use the newest version.

Appendix

Specifications Table

Printer Specifications	
Printing method	On-demand ink jet
Nozzle configuration	
White ink mode	White: 800 nozzles × 10 rows Color: 800 nozzles × 2 rows × 4 colors (Black, Cyan, Magenta, Yellow)
Color ink mode	Color: 800 nozzles × 2 rows × 4 colors (Black, Cyan, Magenta, Yellow)
Resolution (maximum)	1200 × 1200 dpi
Control code	ESC/P raster (undisclosed command)
Platen feed method	Conveyor belt
Built-in memory	4 GB
Interface	2 ports of Hi-Speed USB-Compatible with the USB 2.0 Specification (Rear: for connecting with a computer, Front: for a USB memory device) Ethernet 1000Base-T/100Base-TX/10Base-T*
Rated voltage (printer, ink unit)	AC100-240 V
Rated frequency (printer, ink unit)	50/60 Hz
Rated current	Printer: 6.8 - 3.2 A Ink unit: 1.4 A
Power consumption	
In use	Printer: Approx. 140 W Ink unit: Approx. 28 W
Ready mode	Printer: Approx. 100 W Ink unit: Approx. 11 W
Sleep mode	Printer: Approx. 12 W Ink unit: Approx. 8 W
Power off	Printer: Approx. 0.9 W Ink unit: Approx. 0.04 W

Printer Specifications	
Temperature	Recommended: 15 to 25°C Operating: 10 to 35°C Storage: -20 to 40°C (within one month at 40°C)
Humidity (without condensation)	Recommended: 40 to 60% Operating: 20 to 80% Storage: 5 to 85%
<p>Operating temperature/humidity</p> <p>Gray area: When in use</p> <p>Diagonal line area: Recommended</p> <p>(%)</p> <p>90 80 70 60 55 50 40 30 20</p> <p>10 15 20 25 27 30 35 40 (°C)</p>	
Dimension	(W) 1712 x (D) 1809 x (H) 1336 mm
Weight	Approx. 330 Kg (When supplied platen is installed, not including ink supply units)

* Use a shielded twisted pair cable (category 5 or better).

Note:

To ensure the colors you want to print, maintain a constant room temperature of 15 to 25 °C.

Important:

Use this printer at altitudes below 2000 m.

Warning:

This is a class A product. In a domestic environment this product may cause radio interference in which case the user may be required to take adequate measures.

Appendix

Specifications for ink supply unit, and cleaning ink supply unit	
Type	Dedicated ink supply unit
Types of ink	Pigment ink
Expiry date	Time limit printed on the package and ink supply unit (when stored at normal temperature)
Print quality guarantee expiry	1 year (after installed in printer)
Temperature	Operating: 10 to 35 °C In storage (in package) and after installation in printer: -20 to 40 °C (within 4 days at -20 °C, a month at 40 °C) Transporting (in package): -20 to 60 °C (within 4 days at -20 °C, a month at 40 °C, 72 hours at 60 °C)
Dimensions	(W) 180 x (D) 410 x (H) 30 mm
Capacity	1500 ml

**Important:**

Do not refill the ink.

Pre-treatment liquid specifications	
Expiry date	See the date printed on the package (at normal temperature)
Temperature	Cotton pre-treatment liquid Operating: 10 to 35 °C In storage (in package): -20 to 40 °C (within 4 days at -20 °C, a month at 40 °C) Transporting (in package): -20 to 60 °C (within 4 days at -20 °C, a month at 40 °C, 72 hours at 60 °C)
	Polyester pre-treatment liquid Operating: 10 to 35 °C In storage (in package): 0 to 40 °C (within 4 days at 0 °C, a month at 40 °C) Transporting (in package): -20 to 60 °C (within 4 days at -20 °C, a month at 40 °C, 72 hours at 60 °C)

Pre-treatment liquid specifications	
Capacity	Cotton pre-treatment liquid 20 L
	Polyester pre-treatment liquid 18 L
Dimensions	(W) 300 x (D) 300 x (H) 300 mm

Ink cleaner specifications	
Expiry date	See the date printed on the package (at normal temperature)
Temperature	Operating: 10 to 35 °C In storage (in package): -20 to 40 °C (within 4 days at -20 °C, a month at 40 °C) Transporting (in package): -20 to 60 °C (within 4 days at -20 °C, a month at 40 °C, 72 hours at 60 °C)
Capacity	150 ml

Information of EU declaration of conformity

The full text of the EU declaration of conformity of this equipment is available at the following internet address.

<https://www.epson.eu/conformity>

Where To Get Help

Technical Support Web Site

Epson's Technical Support Web Site provides help with problems that cannot be solved using the troubleshooting information in your product documentation. If you have a Web browser and can connect to the Internet, access the site at:

<https://support.epson.net/>

If you need the latest drivers, FAQs, manuals, or other downloadables, access the site at:

<https://www.epson.com>

Then, select the support section of your local Epson Web site.

Contacting Epson Support

Before Contacting Epson

If your Epson product is not operating properly and you cannot solve the problem using the troubleshooting information in your product documentation, contact Epson support services for assistance. If Epson support for your area is not listed below, contact the dealer where you purchased your product.

Epson support will be able to help you much more quickly if you give them the following information:

- Product serial number
(The serial number label is usually on the back of the product.)
- Product model
- Product software version
(Click **About**, **Version Info**, or similar button in the product software.)
- Brand and model of your computer
- Your computer operating system name and version
- Names and versions of the software applications you normally use with your product

Where To Get Help

Help for Users in North America

Epson provides the technical support services listed below.

Internet Support

Visit Epson's support website at <https://epson.com/support> and select your product for solutions to common problems. You can download drivers and documentation, get FAQs and troubleshooting advice, or e-mail Epson with your questions.

Speak to a Support Representative

Dial: (562) 276-1300 (U.S.), or (905) 709-9475 (Canada), 6 am to 6 pm, Pacific Time, Monday through Friday. Days and hours of support are subject to change without notice. Toll or long distance charges may apply.

Before you call Epson for support, please have the following information ready:

- Product name
- Product serial number
- Proof of purchase (such as a store receipt) and date of purchase
- Computer configuration
- Description of the problem

Note:

For help using any other software on your system, see the documentation for that software for technical support information.

Purchase Supplies and Accessories

You can purchase genuine Epson ink cartridges, ribbon cartridges, paper, and accessories from an Epson authorized reseller. To find the nearest reseller, call 800-GO-EPSON (800-463-7766). Or you can purchase online at <https://www.epsonstore.com> (U.S. sales) or <https://www.epson.ca> (Canadian sales).

Help for Users in Europe

Check your **Pan-European Warranty Document** for information on how to contact Epson support.

Help for Users in Taiwan

Contacts for information, support, and services are:

World Wide Web (<https://www.epson.com.tw>)

Information on product specifications, drivers for download, and products enquiry are available.

Epson HelpDesk (Phone: +0800212873)

Our HelpDesk team can help you with the following over the phone:

- Sales enquiries and product information
- Product usage questions or problems
- Enquiries on repair service and warranty

Repair service center:

Telephone number	Fax number	Address
02-23416969	02-23417070	No.20, Beiping E. Rd., Zhongzheng Dist., Taipei City 100, Taiwan
02-27491234	02-27495955	1F., No.16, Sec. 5, Nanjing E. Rd., Songshan Dist., Taipei City 105, Taiwan
02-32340688	02-32340699	No.1, Ln. 359, Sec. 2, Zhongshan Rd., Zhonghe City, Taipei County 235, Taiwan
039-605007	039-600969	No.342-1, Guangrong Rd., Luodong Township, Yilan County 265, Taiwan
038-312966	038-312977	No.87, Guolian 2nd Rd., Hualien City, Hualien County 970, Taiwan
03-4393119	03-4396589	5F., No.2, Nandong Rd., Pingzhen City, Taoyuan County 32455, Taiwan (R.O.C.)

Where To Get Help

Telephone number	Fax number	Address
03-5325077	03-5320092	1F., No.9, Ln. 379, Sec. 1, Jingguo Rd., North Dist., Hsinchu City 300, Taiwan
04-23011502	04-23011503	3F., No.30, Dahe Rd., West Dist., Taichung City 40341, Taiwan (R.O.C.)
04-23805000	04-23806000	No.530, Sec. 4, Henan Rd., Nantun Dist., Taichung City 408, Taiwan
05-2784222	05-2784555	No.463, Zhongxiao Rd., East Dist., Chiayi City 600, Taiwan
06-2221666	06-2112555	No.141, Gongyuan N. Rd., North Dist., Tainan City 704, Taiwan
07-5520918	07-5540926	1F., No.337, Minghua Rd., Gushan Dist., Kaohsiung City 804, Taiwan
07-3222445	07-3218085	No.51, Shandong St., Sanmin Dist., Kaohsiung City 807, Taiwan
08-7344771	08-7344802	1F., No.113, Shengli Rd., Pingtung City, Pingtung County 900, Taiwan

Help for Users in Australia/New Zealand

Epson Australia/New Zealand wishes to provide you with a high level of customer service. In addition to your product documentation, we provide the following sources for obtaining information:

Your Dealer

Don't forget that your dealer can often help identify and resolve problems. The dealer should always be the first call for advise on problems; they can often solve problems quickly and easily as well as give advise on the next step to take.

Internet URL

Australia

<https://www.epson.com.au>

New Zealand

<https://www.epson.co.nz>

Access the Epson Australia/New Zealand World Wide Web pages.

The site provides a download area for drivers, Epson contact points, new product information and technical support (e-mail).

Epson Helpdesk

Epson Helpdesk is provided as a final backup to make sure our clients have access to advice. Operators on the Helpdesk can aid you in installing, configuring and operating your Epson product. Our Pre-sales Helpdesk staff can provide literature on new Epson products and advise where the nearest dealer or service agent is located. Many types of queries are answered here.

The Helpdesk numbers are:

Australia	Phone:	1300 361 054
	Fax:	(02) 8899 3789
New Zealand	Phone:	0800 237 766

We encourage you to have all the relevant information on hand when you ring. The more information you prepare, the faster we can help solve the problem. This information includes your Epson product documentation, type of computer, operating system, application programs, and any information you feel is required.

Help for Users in Singapore

Sources of information, support, and services available from Epson Singapore are:

World Wide Web

<https://www.epson.com.sg>

Information on product specifications, drivers for download, Frequently Asked Questions (FAQ), Sales Enquiries, and Technical Support via e-mail are available.

Where To Get Help

Epson HelpDesk

Toll Free: 800-120-5564

Our HelpDesk team can help you with the following over the phone:

- Sales enquiries and product information
- Product usage questions or problems
- Enquiries on repair service and warranty

Help for Users in Thailand

Contacts for information, support, and services are:

World Wide Web

<https://www.epson.co.th>

Information on product specifications, drivers for download, Frequently Asked Questions (FAQ), and e-mail are available.

Epson Hotline

(Phone: (66)2685-9899)

Our Hotline team can help you with the following over the phone:

- Sales enquiries and product information
- Product usage questions or problems
- Enquiries on repair service and warranty

Help for Users in Vietnam

Contacts for information, support, and services are:

Epson Hotline (Phone): +84 28 3925 5545

Service Center: 68 Nam Ky Khoi Nghia Street, Nguyen Thai Binh Ward, District 1, Ho Chi Minh City, Vietnam

Help for Users in Indonesia

Contacts for information, support, and services are:

World Wide Web

<https://www.epson.co.id>

- Information on product specifications, drivers for download
- Frequently Asked Questions (FAQ), Sales Enquiries, questions through e-mail

Epson Hotline

- Sales enquiries and product information
- Technical support
 - Phone (62) 21-572 4350
 - Fax (62) 21-572 4357

Epson Service Center

Jakarta	Mangga Dua Mall 3rd floor No 3A/B Jl. Arteri Mangga Dua, Jakarta Phone/Fax: (62) 21-62301104
Bandung	Lippo Center 8th floor Jl. Gatot Subroto No.2 Bandung Phone/Fax: (62) 22-7303766
Surabaya	Hitech Mall It IIB No. 12 Jl. Kusuma Bangsa 116 – 118 Surabaya Phone: (62) 31-5355035 Fax: (62)31-5477837
Yogyakarta	Hotel Natour Garuda Jl. Malioboro No. 60 Yogyakarta Phone: (62) 274-565478
Medan	Wisma HSBC 4th floor Jl. Diponegoro No. 11 Medan Phone/Fax: (62) 61-4516173

Where To Get Help

Makassar MTC Karebosi Lt. Ill Kav. P7-8
 Jl. Ahmad Yani No.49
 Makassar

Phone: (62)411-350147/411-350148

Help for Users in Hong Kong

To obtain technical support as well as other after-sales services, users are welcome to contact Epson Hong Kong Limited.

Internet Home Page

Epson Hong Kong has established a local home page in both Chinese and English on the Internet to provide users with the following information:

- Product information
- Answers to Frequently Asked Questions (FAQs)
- Latest versions of Epson product drivers

Users can access our World Wide Web home page at:

<https://www.epson.com.hk>

Technical Support Hotline

You can also contact our technical staff at the following telephone and fax numbers:

Phone: (852) 2827-8911

Fax: (852) 2827-4383

Help for Users in Malaysia

Contacts for information, support, and services are:

World Wide Web

<https://www.epson.com.my>

- Information on product specifications, drivers for download
- Frequently Asked Questions (FAQ), Sales Enquiries, questions through e-mail

Epson Trading (M) Sdn. Bhd.

Head Office.

Phone: 603-56288288

Fax: 603-56288388/399

Epson Helpdesk

- Sales enquiries and product information (Infoline)
 Phone: 603-56288222
- Enquiries on repair services & warranty, product usage and technical support (Techline)
 Phone: 603-56288333

Help for Users in India

Contacts for information, support, and services are:

World Wide Web

<https://www.epson.co.in>

Information on product specifications, drivers for download, and products enquiry are available.

Helpline

For Service, Product info or to order a cartridge - 18004250011 (9AM - 9PM) - This is a Toll-free number.

For Service (CDMA & Mobile Users) - 3900 1600 (9AM - 6PM) Prefix local STD code

Help for Users in the Philippines

To obtain technical support as well as other after sales services, users are welcome to contact the Epson Philippines Corporation at the telephone and fax numbers and e-mail address below:

Trunk Line: (63-2) 706 2609

Fax: (63-2) 706 2665

Where To Get Help

Helpdesk (63-2) 706 2625
Direct Line:

E-mail: epchelpdesk@epc.epson.com.ph

World Wide Web

(<https://www.epson.com.ph>)

Information on product specifications, drivers for download, Frequently Asked Questions (FAQ), and E-mail Enquiries are available.

Toll-Free No. 1800-1069-EPSON(37766)

Our Hotline team can help you with the following over the phone:

- Sales enquiries and product information
- Product usage questions or problems
- Enquiries on repair service and warranty