



US009893795B1

(12) **United States Patent**
Henry et al.

(10) **Patent No.:** **US 9,893,795 B1**
(45) **Date of Patent:** **Feb. 13, 2018**

(54) **METHOD AND REPEATER FOR BROADBAND DISTRIBUTION**
(71) Applicant: **AT&T INTELLECTUAL PROPERTY I, L.P.**, Atlanta, GA (US)

1,721,785 A 7/1929 Meyer
1,798,613 A 3/1931 Manson et al.
1,860,123 A 5/1932 Yagi
2,058,611 A 10/1936 Merkle et al.
(Continued)

(72) Inventors: **Paul Shala Henry**, Holmdel, NJ (US); **Robert Bennett**, Southold, NY (US); **Irwin Gerszberg**, Kendall Park, NJ (US); **Farhad Barzegar**, Branchburg, NJ (US); **Donald J. Barnickel**, Flemington, NJ (US); **Thomas M. Willis, III**, Tinton Falls, NJ (US)

FOREIGN PATENT DOCUMENTS

AU 565039 B2 9/1987
AU 582630 B2 4/1989
(Continued)

(73) Assignee: **AT&T INTELLECTUAL PROPERTY I, LP**, Atlanta, GA (US)

OTHER PUBLICATIONS

“AirCheck G2 Wireless Tester”, NetScout®, enterprise.netscout.com, Dec. 6, 2016, 10 pages.
(Continued)

(*) Notice: Subject to any disclaimer, the term of this patent is extended or adjusted under 35 U.S.C. 154(b) by 0 days.

Primary Examiner — David S Huang
(74) *Attorney, Agent, or Firm* — Ed Guntin; Bruce E. Stuckman

(21) Appl. No.: **15/371,299**

(22) Filed: **Dec. 7, 2016**

(57) **ABSTRACT**

(51) **Int. Cl.**
H04B 3/52 (2006.01)
H04B 7/14 (2006.01)
H04B 1/40 (2015.01)
H04B 1/00 (2006.01)

Aspects of the subject disclosure may include, for example, a method that includes extracting first channel signals from first guided electromagnetic waves bound to an outer surface of a transmission medium of a guided wave communication system; amplifying the first channel signals to generate amplified first channel signals in accordance with a phase correction; selecting one or more of the amplified first channel signals to wirelessly transmit to at least one client device via an antenna; and guiding the amplified first channel signals to the transmission medium of the guided wave communication system to propagate as second guided electromagnetic waves, wherein the phase correction aligns a phase of the second guided electromagnetic waves to add in-phase with a residual portion of the first guided electromagnetic waves that continues propagation along the transmission medium.

(52) **U.S. Cl.**
CPC **H04B 7/14** (2013.01); **H04B 1/0057** (2013.01); **H04B 1/40** (2013.01)

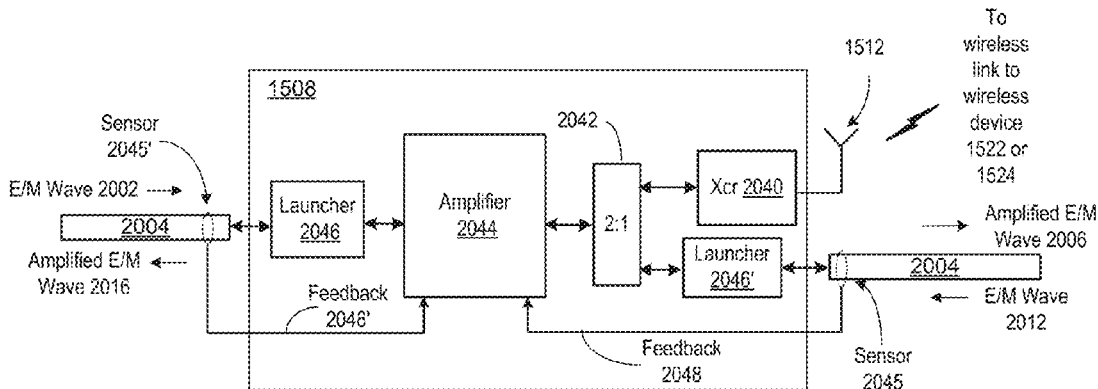
(58) **Field of Classification Search**
CPC H04B 2203/5445; H04B 3/52; H04B 3/54; H04B 3/542; H04B 2203/5479
See application file for complete search history.

(56) **References Cited**

U.S. PATENT DOCUMENTS

395,814 A 1/1889 Henry et al.
529,290 A 11/1894 Harry et al.

20 Claims, 33 Drawing Sheets



(56)

References Cited

U.S. PATENT DOCUMENTS

2,106,770	A	2/1938	Southworth et al.	2,933,701	A	4/1960	Lancot et al.
2,129,711	A	9/1938	Southworth	2,946,970	A	7/1960	Hafner et al.
2,129,714	A	9/1938	Southworth et al.	2,949,589	A	8/1960	Hafner
2,147,717	A	2/1939	Schelkunoff	2,960,670	A	11/1960	Marcatili et al.
2,187,908	A	1/1940	McCreary	2,970,800	A	2/1961	Smalley et al.
2,199,083	A	4/1940	Schelkunoff	2,972,148	A	2/1961	Rupp et al.
2,232,179	A	2/1941	King	2,974,297	A	3/1961	Ros
2,283,935	A	5/1942	King	2,981,949	A	4/1961	Elliott et al.
2,398,095	A	4/1946	Katzin	2,990,151	A	6/1961	Phillips et al.
2,402,622	A	6/1946	Hansen	2,993,205	A	7/1961	Cooper et al.
2,405,242	A	8/1946	Southworth et al.	3,016,520	A	1/1962	Chaimowicz et al.
2,407,068	A	9/1946	Fiske et al.	3,025,478	A	3/1962	Marcatili et al.
2,407,069	A	9/1946	Fiske	3,028,565	A	4/1962	Walker et al.
2,410,113	A	10/1946	Edwin, Jr.	3,040,278	A	6/1962	Griemsmann et al.
2,411,338	A	11/1946	Roberts	3,045,238	A	7/1962	Cheston et al.
2,415,089	A	2/1947	Feldman et al.	3,046,550	A	7/1962	Schlaud et al.
2,415,807	A	2/1947	Barrow et al.	3,047,822	A	7/1962	Lakatos et al.
2,419,205	A	4/1947	Feldman et al.	3,065,945	A	11/1962	Newsome et al.
2,420,007	A	5/1947	Olden	3,072,870	A	1/1963	Walker
2,422,058	A	6/1947	Whinnery	3,077,569	A	2/1963	Ikraht et al.
2,432,134	A	12/1947	Bagnall	3,096,462	A	7/1963	Joseph et al.
2,461,005	A	2/1949	Southworth	3,101,472	A	8/1963	Goubau
2,471,021	A	5/1949	Bradley	3,109,175	A	10/1963	Lloyd
2,488,400	A	11/1949	Harder	3,129,356	A	4/1964	Phillips
2,513,205	A	6/1950	Roberts et al.	3,134,951	A	5/1964	Huber et al.
2,514,679	A	7/1950	Southworth	3,146,297	A	8/1964	Hahne
2,519,603	A	8/1950	Reber	3,146,453	A	8/1964	Hagaman
2,540,839	A	2/1951	Southworth	3,201,724	A	8/1965	Hafner
2,541,843	A	2/1951	Tiley et al.	3,205,462	A	9/1965	Meinke
2,542,980	A	2/1951	Barrow	3,218,384	A	11/1965	Shaw
2,557,110	A	6/1951	Jaynes	3,219,954	A	11/1965	Rutelli
2,562,281	A	7/1951	Mumford	3,234,559	A	2/1966	Bartholoma et al.
2,596,190	A	5/1952	Wiley	3,255,454	A	6/1966	Walter et al.
2,599,864	A	6/1952	Robertson-Shersby-Ha et al.	3,296,364	A	1/1967	Jefferson et al.
2,659,817	A	11/1953	Cutler et al.	3,296,685	A	1/1967	Menaheem et al.
2,667,578	A	1/1954	Carlson et al.	3,310,808	A	3/1967	Friis et al.
2,677,055	A	4/1954	Allen	3,316,344	A	4/1967	Toms et al.
2,685,068	A	7/1954	Goubau	3,316,345	A	4/1967	Toms et al.
2,688,732	A	9/1954	Kock	3,318,561	A	5/1967	Robertson, Jr. et al.
2,691,766	A	10/1954	Clapp	3,321,763	A	5/1967	Ikraht et al.
2,706,279	A	4/1955	Aron	3,329,958	A	7/1967	Anderson et al.
2,711,514	A	6/1955	Rines	3,351,947	A	11/1967	Hart et al.
2,723,378	A	11/1955	Clavier et al.	3,355,738	A	11/1967	Algeo et al.
2,727,232	A	12/1955	Pryga	3,369,788	A	2/1968	Eisele
2,735,092	A	2/1956	Brown	3,389,394	A	6/1968	Lewis et al.
2,737,632	A	3/1956	Grieg et al.	3,392,388	A	7/1968	Tsuneo et al.
2,740,826	A	4/1956	Bondon	3,392,395	A	7/1968	Hannan
2,745,101	A	5/1956	Marie	3,411,112	A	11/1968	Honig et al.
2,748,350	A	5/1956	Miller et al.	3,413,637	A	11/1968	Goebels, Jr. et al.
2,749,545	A	6/1956	Kostriza	3,413,642	A	11/1968	Cook
2,754,513	A	7/1956	Goubau	3,414,903	A	12/1968	Bartlett et al.
2,761,137	A	8/1956	Atta et al.	3,420,596	A	1/1969	Osterberg
2,769,147	A	10/1956	Black et al.	3,427,573	A	2/1969	White et al.
2,769,148	A	10/1956	Clogston et al.	3,448,455	A	6/1969	Alfandari et al.
2,770,783	A	11/1956	Thomas et al.	3,453,617	A	7/1969	Brickey et al.
2,794,959	A	6/1957	Fox	3,459,873	A	8/1969	Harris et al.
2,805,415	A	9/1957	Berkowitz	3,465,346	A	9/1969	Patterson et al.
2,806,177	A	9/1957	Haefl et al.	3,474,995	A	10/1969	Amidon et al.
2,806,972	A	9/1957	Sensiper	3,482,251	A	12/1969	Bowes
2,810,111	A	10/1957	Cohn	3,487,158	A	12/1969	Killian
2,819,451	A	1/1958	Sims et al.	3,495,262	A	2/1970	Robert et al.
2,820,083	A	1/1958	Hendrix	3,500,422	A	3/1970	Grady et al.
2,825,060	A	2/1958	Ruze et al.	3,509,463	A	4/1970	Woodward et al.
2,835,871	A	5/1958	Raabe	3,522,560	A	8/1970	Hayany
2,851,686	A	9/1958	Hagaman et al.	3,524,192	A	8/1970	Sakiotis et al.
2,867,776	A	1/1959	Wilkinson, Jr.	3,529,205	A	9/1970	Miller
2,883,135	A	4/1959	Smalley et al.	3,530,481	A	9/1970	Tanaka et al.
2,883,136	A	4/1959	Smalley et al.	3,531,803	A	9/1970	Hudspeth et al.
2,900,558	A	8/1959	Watkins et al.	3,536,800	A	10/1970	Hubbard
2,910,261	A	10/1959	Ward et al.	3,555,553	A	1/1971	Boyns
2,912,695	A	11/1959	Cutler	3,557,341	A	1/1971	Sochilin et al.
2,914,741	A	11/1959	Unger	3,566,317	A	2/1971	Theodore
2,915,270	A	12/1959	Gladson et al.	3,568,204	A	3/1971	Blaisdell
2,921,277	A	1/1960	Goubau	3,569,979	A	3/1971	Munk et al.
2,925,458	A	2/1960	Lester et al.	3,573,838	A	4/1971	Ajioka
				3,588,754	A	6/1971	Theodore
				3,588,755	A	6/1971	Kunio et al.
				3,589,121	A	6/1971	Mulvey
				3,594,494	A	7/1971	Ross et al.

(56)

References Cited

U.S. PATENT DOCUMENTS

3,599,219	A	8/1971	Hansen et al.	4,216,449	A	8/1980	Kach
3,603,904	A	9/1971	Theodore	4,220,957	A	9/1980	Britt et al.
3,603,951	A	9/1971	Bracken et al.	4,231,042	A	10/1980	Turrin et al.
3,609,247	A	9/1971	Halstead	4,234,753	A	11/1980	Clutter
3,623,114	A	11/1971	Seaton	4,238,974	A	12/1980	Fawcett et al.
3,624,655	A	11/1971	Yamada et al.	4,246,584	A	1/1981	Noerpel et al.
3,638,224	A	1/1972	Bailey et al.	4,247,858	A	1/1981	Eichweber et al.
3,653,622	A	4/1972	Farmer	4,250,489	A	2/1981	Dudash et al.
3,666,902	A	5/1972	Owen et al.	4,268,804	A	5/1981	Spinner et al.
3,668,459	A	6/1972	Symons et al.	4,274,097	A	6/1981	Krall et al.
3,668,574	A	6/1972	Barlow	4,274,112	A	6/1981	Leysieffer et al.
3,672,202	A	6/1972	Barber et al.	4,278,955	A	7/1981	Lunden et al.
3,686,596	A	8/1972	Albee	4,293,833	A	10/1981	Popa et al.
3,693,922	A	9/1972	Gueguen	4,298,877	A	11/1981	Sletten et al.
3,699,574	A	10/1972	Plunk et al.	4,300,242	A	11/1981	Nava et al.
3,703,690	A	11/1972	Ravenscroft et al.	4,307,938	A	12/1981	Dyott et al.
3,704,001	A	11/1972	Sloop	4,316,646	A	2/1982	Siebens et al.
3,725,937	A	4/1973	Schreiber	4,319,074	A	3/1982	Yaste et al.
3,753,086	A	8/1973	Shoemaker et al.	4,329,690	A	5/1982	Parker et al.
3,760,127	A	9/1973	Grossi et al.	4,333,082	A	6/1982	Susman et al.
3,765,021	A	10/1973	Chiron et al.	4,335,613	A	6/1982	Luukkala et al.
3,772,528	A	11/1973	Anderson et al.	4,336,719	A	6/1982	Lynnworth
3,775,769	A	11/1973	Heeren et al.	4,345,256	A	8/1982	Rainwater et al.
3,787,872	A	1/1974	Kauffman	4,366,565	A	12/1982	Herskowitz
3,796,970	A	3/1974	Snell	4,367,446	A	1/1983	Hall et al.
3,806,931	A	4/1974	Wright	4,378,143	A	3/1983	Winzer et al.
3,833,909	A	9/1974	Schaufelberge	4,384,289	A	5/1983	Fernandes et al.
3,835,407	A	9/1974	Yariv et al.	4,398,058	A	8/1983	Gerth et al.
3,845,426	A	10/1974	Barlow	4,398,121	A	8/1983	Chodorow et al.
3,858,214	A	12/1974	Jones	4,413,263	A	11/1983	Amitay et al.
3,877,032	A	4/1975	Rosa	4,447,811	A	5/1984	Hamid et al.
3,888,446	A	6/1975	O'Brien et al.	4,458,250	A	7/1984	Bodnar et al.
3,896,380	A	7/1975	Martin	4,463,329	A	7/1984	Suzuki et al.
3,906,508	A	9/1975	Foldes	4,468,672	A	8/1984	Dragone et al.
3,911,415	A	10/1975	Whyte	4,475,209	A	10/1984	Udren
3,921,949	A	11/1975	Coon	4,477,814	A	10/1984	Brumbaugh et al.
3,925,763	A	12/1975	Wadhvani	4,482,899	A	11/1984	Dragone et al.
3,935,577	A	1/1976	Hansen et al.	4,488,156	A	12/1984	DuFort et al.
3,936,836	A	2/1976	Wheeler et al.	4,491,386	A	1/1985	Negishi et al.
3,936,838	A	2/1976	Foldes et al.	4,495,498	A	1/1985	Petrelis et al.
3,952,984	A	4/1976	Dimitry et al.	4,516,130	A	5/1985	Dragone
3,956,751	A	5/1976	Herman	4,525,432	A	6/1985	Saito et al.
3,959,794	A	5/1976	Chrepta et al.	4,525,693	A	6/1985	Suzuki et al.
3,973,087	A	8/1976	Fong et al.	4,533,875	A	8/1985	Lau et al.
3,973,240	A	8/1976	Fong et al.	4,541,303	A	9/1985	Kuzunishi et al.
3,976,358	A	8/1976	Thompson et al.	4,550,271	A	10/1985	Lau et al.
3,983,560	A	9/1976	MacDougall et al.	4,553,112	A	11/1985	Saad et al.
4,010,799	A	3/1977	Kern et al.	4,556,271	A	12/1985	Hubbard
4,012,743	A	3/1977	Maciejewski et al.	4,558,325	A	12/1985	Stroem et al.
4,020,431	A	4/1977	Saunders et al.	4,565,348	A	1/1986	Larsen
4,026,632	A	5/1977	Hill et al.	4,566,012	A	1/1986	Choung et al.
4,030,048	A	6/1977	Foldes et al.	4,567,401	A	1/1986	Barnett et al.
4,030,953	A	6/1977	Rutschow et al.	4,568,943	A	2/1986	Bowman
4,031,536	A	6/1977	Alford et al.	4,573,215	A	2/1986	Oates et al.
4,035,054	A	7/1977	Lattanzi et al.	4,589,424	A	5/1986	Vaguine et al.
4,047,180	A	9/1977	Kuo et al.	4,598,262	A	7/1986	Chen et al.
4,079,361	A	3/1978	Woode et al.	4,599,598	A	7/1986	Komoda et al.
4,080,600	A	3/1978	Toman et al.	4,604,551	A	8/1986	Moeller et al.
4,099,184	A	7/1978	Rapshys et al.	4,604,624	A	8/1986	Amitay et al.
4,114,121	A	9/1978	Barlow et al.	4,604,627	A	8/1986	Saad et al.
4,115,782	A	9/1978	Han et al.	4,618,867	A	10/1986	Gans et al.
4,123,759	A	10/1978	Hines et al.	4,636,753	A	1/1987	Geller et al.
4,125,768	A	11/1978	Jackson et al.	4,638,322	A	1/1987	Lamberty et al.
4,129,872	A	12/1978	Toman et al.	4,641,916	A	2/1987	Oestreich et al.
4,141,015	A	2/1979	Wong et al.	4,642,651	A	2/1987	Kuhn et al.
4,149,170	A	4/1979	Campbell et al.	4,644,365	A	2/1987	Horning et al.
4,155,108	A	5/1979	Tuttle et al.	4,647,329	A	3/1987	Oono et al.
4,156,241	A	5/1979	Mobley et al.	4,660,050	A	4/1987	Phillips et al.
4,166,669	A	9/1979	Leonberger et al.	4,665,660	A	5/1987	Krall et al.
4,175,257	A	11/1979	Smith et al.	4,672,384	A	6/1987	Roy et al.
4,188,595	A	2/1980	Cronson et al.	4,673,943	A	6/1987	Hannan
4,190,137	A	2/1980	Shimada et al.	4,680,558	A	7/1987	Ghosh et al.
4,191,953	A	3/1980	Woode et al.	4,694,599	A	9/1987	Hart et al.
4,195,302	A	3/1980	Leupelt et al.	4,704,611	A	11/1987	Edwards et al.
4,210,357	A	7/1980	Adachi et al.	4,715,695	A	12/1987	Nishimura et al.
				4,717,974	A	1/1988	Baumeister et al.
				4,728,910	A	3/1988	Owens et al.
				4,730,172	A	3/1988	Bengeult
				4,730,888	A	3/1988	Darcie et al.

(56)

References Cited

U.S. PATENT DOCUMENTS

4,731,810	A	3/1988	Watkins	5,082,349	A	1/1992	Cordova-Plaza et al.
4,735,097	A	4/1988	Lynnworth et al.	5,086,467	A	2/1992	Malek
4,743,915	A	5/1988	Rammos et al.	5,107,231	A	4/1992	Knox et al.
4,743,916	A	5/1988	Bengeult	5,109,232	A	4/1992	Monte et al.
4,745,377	A	5/1988	Stern et al.	5,113,197	A	5/1992	Luh et al.
4,746,241	A	5/1988	Burbank, III	5,117,237	A	5/1992	Legg
4,749,244	A	6/1988	Luh	5,121,129	A	6/1992	Lee et al.
4,755,830	A	7/1988	Plunk et al.	5,126,750	A	6/1992	Wang et al.
4,757,324	A	7/1988	Dhanjal et al.	5,132,968	A	7/1992	Cephus
4,758,962	A	7/1988	Fernandes	5,134,251	A	7/1992	Martin et al.
4,764,738	A	8/1988	Fried et al.	5,134,423	A	7/1992	Haupt et al.
4,772,891	A	9/1988	Svy	5,134,965	A	8/1992	Tokuda et al.
4,777,457	A	10/1988	Ghosh et al.	5,136,671	A	8/1992	Dragone et al.
4,785,304	A	11/1988	Stern et al.	5,142,767	A	9/1992	Adams et al.
4,786,913	A	11/1988	Barendregt et al.	5,148,509	A	9/1992	Kannabiran et al.
4,788,553	A	11/1988	Phillips et al.	5,152,861	A	10/1992	Hann
4,792,771	A	12/1988	Siu et al.	5,153,676	A	10/1992	Bergh et al.
4,792,812	A	12/1988	Rinehart et al.	5,166,698	A	11/1992	Ashbaugh et al.
4,799,031	A	1/1989	Lang et al.	5,174,164	A	12/1992	Wilheim
4,800,350	A	1/1989	Bridges et al.	5,175,560	A	12/1992	Lucas et al.
4,801,937	A	1/1989	Fernandes	5,182,427	A	1/1993	McGaffigan et al.
4,818,963	A	4/1989	Green et al.	5,187,409	A	2/1993	Ito et al.
4,818,990	A	4/1989	Fernandes	5,193,774	A	3/1993	Rogers et al.
4,821,006	A	4/1989	Ishikawa et al.	5,198,823	A	3/1993	Litchford et al.
4,825,221	A	4/1989	Suzuki et al.	5,212,755	A	5/1993	Holmberg et al.
4,829,310	A	5/1989	Losee et al.	5,214,394	A	5/1993	Wong et al.
4,829,314	A	5/1989	Barbier et al.	5,214,438	A	5/1993	Smith et al.
4,831,346	A	5/1989	Brooker et al.	5,216,616	A	6/1993	Masters
4,832,148	A	5/1989	Becker et al.	5,218,657	A	6/1993	Tokudome et al.
4,835,517	A	5/1989	Van Der Gracht et al.	5,235,662	A	8/1993	Prince et al.
4,839,659	A	6/1989	Stern et al.	5,239,537	A	8/1993	Sakauchi
4,845,508	A	7/1989	Krall et al.	5,241,321	A	8/1993	Tsao et al.
4,847,610	A	7/1989	Ozawa et al.	5,241,701	A	8/1993	Andoh et al.
4,849,611	A	7/1989	Whitney et al.	5,248,876	A	9/1993	Kerstens et al.
4,851,788	A	7/1989	Ives et al.	5,254,809	A	10/1993	Martin
4,855,749	A	8/1989	DeFonzo et al.	5,265,266	A	11/1993	Trinh
4,866,454	A	9/1989	Droessler et al.	5,266,961	A	11/1993	Milroy et al.
4,873,534	A	10/1989	Wohlleben et al.	5,276,455	A	1/1994	Fitzsimmons et al.
4,879,544	A	11/1989	Maki et al.	5,278,687	A	1/1994	Jannson et al.
4,881,028	A	11/1989	Bright et al.	5,280,297	A	1/1994	Profera et al.
4,886,980	A	12/1989	Fernandes et al.	5,291,211	A	3/1994	Tropper et al.
4,897,663	A	1/1990	Kusano et al.	5,298,911	A	3/1994	Li et al.
4,904,996	A	2/1990	Fernandes	5,299,773	A	4/1994	Bertrand et al.
4,915,468	A	4/1990	Kim et al.	5,304,999	A	4/1994	Roberts et al.
4,916,460	A	4/1990	Powell et al.	5,311,596	A	5/1994	Scott et al.
4,922,180	A	5/1990	Saffer et al.	5,327,149	A	7/1994	Kuffer et al.
4,929,962	A	5/1990	Begout et al.	5,329,285	A	7/1994	McCandless et al.
4,931,808	A	6/1990	Munson et al.	5,341,088	A	8/1994	David
4,932,620	A	6/1990	Foy	5,345,522	A	9/1994	Vali et al.
4,946,202	A	8/1990	Perricone et al.	5,347,287	A	9/1994	Speciale et al.
4,956,620	A	9/1990	Moeller et al.	5,352,984	A	10/1994	Priesinger et al.
4,965,856	A	10/1990	Swanic	5,353,036	A	10/1994	Baldry
4,977,593	A	12/1990	Ballance	5,359,338	A	10/1994	Hatcher et al.
4,977,618	A	12/1990	Allen	5,371,623	A	12/1994	Eastmond et al.
4,989,011	A	1/1991	Rosen et al.	5,379,455	A	1/1995	Koschek et al.
4,998,095	A	3/1991	Shields	5,380,224	A	1/1995	Dicicco
5,003,318	A	3/1991	Hall et al.	5,381,160	A	1/1995	Landmeier
5,006,846	A	4/1991	Granville et al.	5,389,442	A	2/1995	Kathiresan et al.
5,006,859	A	4/1991	Wong et al.	5,400,040	A	3/1995	Lane et al.
5,015,914	A	5/1991	Ives et al.	5,402,140	A	3/1995	Rodeffer et al.
5,017,936	A	5/1991	Massey et al.	5,402,151	A	3/1995	Duwaer
5,017,937	A	5/1991	Newham et al.	5,404,146	A	4/1995	Rutledge et al.
5,018,180	A	5/1991	Shoulders	5,410,318	A	4/1995	Wong et al.
5,019,832	A	5/1991	Ekdahl et al.	5,412,654	A	5/1995	Perkins
5,036,335	A	7/1991	Jairam et al.	5,428,364	A	6/1995	Lee et al.
H956	H	8/1991	Reindel	5,428,818	A	6/1995	Meidan et al.
5,042,903	A	8/1991	Jakubowski et al.	5,434,575	A	7/1995	Jelinek et al.
5,043,538	A	8/1991	Hughey et al.	5,440,660	A	8/1995	Dombrowski et al.
5,043,629	A	8/1991	Doane et al.	5,451,969	A	9/1995	Toth et al.
5,044,722	A	9/1991	Voser et al.	5,457,469	A	10/1995	Diamond et al.
5,045,820	A	9/1991	Oehlerking et al.	5,479,176	A	12/1995	Zavrel et al.
5,057,106	A	10/1991	Kasevich et al.	5,481,268	A	1/1996	Higgins
5,065,760	A	11/1991	Krause et al.	5,482,525	A	1/1996	Kajioka et al.
5,065,969	A	11/1991	McLean et al.	5,486,839	A	1/1996	Rodeffer
5,072,228	A	12/1991	Kuwahara et al.	5,488,380	A	1/1996	Harvey et al.
				5,495,546	A	2/1996	Bottoms et al.
				5,499,308	A	3/1996	Arai et al.
				5,499,311	A	3/1996	DeCusatis et al.
				5,502,392	A	3/1996	Arjavalingam et al.

(56)

References Cited

U.S. PATENT DOCUMENTS

5,512,906	A	4/1996	Speciale et al.	5,905,949	A	5/1999	Hawkes et al.
5,513,176	A	4/1996	Dean et al.	5,910,790	A	6/1999	Ohmuro et al.
5,514,965	A	5/1996	Westwood et al.	5,917,977	A	6/1999	Barrett et al.
5,515,059	A	5/1996	How et al.	5,922,081	A	7/1999	Seewig et al.
5,519,408	A	5/1996	Schnetzer et al.	5,926,128	A	7/1999	Brash et al.
5,528,208	A	6/1996	Kobayashi et al.	5,933,422	A	8/1999	Suzuki et al.
5,539,421	A	7/1996	Hong et al.	5,936,589	A	8/1999	Kawahata
5,543,000	A	8/1996	Lique	5,948,044	A	9/1999	Varley et al.
5,557,283	A	9/1996	Sheen	5,948,108	A	9/1999	Lu et al.
5,559,359	A	9/1996	Reyes	5,952,964	A	9/1999	Chan et al.
5,566,022	A	10/1996	Segev	5,952,972	A	9/1999	Ittipiboon et al.
5,566,196	A	10/1996	Scifres	5,952,984	A	9/1999	Kuramoto et al.
5,576,721	A	11/1996	Hwang et al.	5,955,992	A	9/1999	Shattil
5,586,054	A	12/1996	Jensen et al.	5,959,578	A	9/1999	Kreutel et al.
5,592,183	A	1/1997	Henf	5,959,590	A	9/1999	Sanford et al.
5,600,630	A	2/1997	Takahashi et al.	5,973,641	A	10/1999	Smith et al.
5,603,089	A	2/1997	Searle et al.	5,977,650	A	11/1999	Rickard et al.
5,619,015	A	4/1997	Kirma	5,978,738	A	11/1999	Brown et al.
5,621,421	A	4/1997	Kolz et al.	5,982,276	A	11/1999	Stewart
5,627,879	A	5/1997	Russell et al.	5,986,331	A	11/1999	Letavic et al.
5,628,050	A	5/1997	McGraw et al.	5,987,099	A	11/1999	O'Neill et al.
5,630,223	A	5/1997	Bahu et al.	5,990,848	A	11/1999	Annamaa et al.
5,637,521	A	6/1997	Rhodes et al.	5,994,984	A	11/1999	Stancil et al.
5,640,168	A	6/1997	Heger et al.	5,994,998	A	11/1999	Fisher et al.
5,646,936	A	7/1997	Shah et al.	6,005,694	A	12/1999	Liu
5,650,788	A	7/1997	Jha	6,005,758	A	12/1999	Spencer et al.
5,652,554	A	7/1997	Krieg et al.	6,009,124	A	12/1999	Smith
5,663,693	A	9/1997	Doughty et al.	6,011,520	A	1/2000	Howell et al.
5,671,304	A	9/1997	Duguay	6,011,524	A	1/2000	Jervis et al.
5,677,699	A	10/1997	Strickland	6,014,110	A	1/2000	Bridges et al.
5,677,909	A	10/1997	Heide	6,018,659	A	1/2000	Ayyagari et al.
5,680,139	A	10/1997	Huguenin et al.	6,023,619	A	2/2000	Kaminsky
5,682,256	A	10/1997	Motley et al.	6,026,173	A	2/2000	Svenson et al.
5,684,495	A	11/1997	Dyott et al.	6,026,208	A	2/2000	Will et al.
5,686,930	A	11/1997	Brydon	6,026,331	A	2/2000	Feldberg et al.
5,724,168	A	3/1998	Oschmann et al.	6,031,455	A	2/2000	Grube et al.
5,726,980	A	3/1998	Rickard et al.	6,034,638	A	3/2000	Thiel et al.
5,748,153	A	5/1998	McKinzie et al.	6,037,894	A	3/2000	Pfizenmaier et al.
5,750,941	A	5/1998	Ishikawa et al.	6,038,425	A	3/2000	Jeffrey et al.
5,757,323	A	5/1998	Spencer et al.	6,049,647	A	4/2000	Register et al.
5,767,807	A	6/1998	Pritchett et al.	6,057,802	A	5/2000	Nealy
5,768,689	A	6/1998	Borg	6,061,035	A	5/2000	Kinasewitz et al.
5,769,879	A	6/1998	Levay et al.	6,063,234	A	5/2000	Chen et al.
5,784,033	A	7/1998	Boldissar, Jr. et al.	6,075,451	A	6/2000	Lebowitz et al.
5,784,034	A	7/1998	Konishi et al.	6,075,493	A	6/2000	Sugawara et al.
5,784,683	A	7/1998	Sistanizadeh et al.	6,076,044	A	6/2000	Brown et al.
5,787,673	A	8/1998	Noble	6,078,297	A	6/2000	Kormanyos et al.
5,793,334	A	8/1998	Harrison et al.	6,088,001	A	7/2000	Burger et al.
5,800,494	A	9/1998	Campbell et al.	6,095,820	A	8/2000	Luxon et al.
5,805,983	A	9/1998	Naidu et al.	6,100,846	A	8/2000	Li et al.
5,809,395	A	9/1998	Hamilton-Piercy et al.	6,103,031	A	8/2000	Aeschbacher et al.
5,812,524	A	9/1998	Moran et al.	6,107,897	A	8/2000	Hewett et al.
5,818,390	A	10/1998	Hill	6,111,553	A	8/2000	Steenbuck et al.
5,818,396	A	10/1998	Harrison et al.	6,114,998	A	9/2000	Scheffe et al.
5,818,512	A	10/1998	Fuller	6,121,885	A	9/2000	Masone et al.
5,845,391	A	12/1998	Miklosko et al.	6,122,753	A	9/2000	Masuo et al.
5,848,054	A	12/1998	Mosebrook et al.	6,140,911	A	10/2000	Fisher et al.
5,850,199	A	12/1998	Wan et al.	6,140,976	A	10/2000	Locke et al.
5,854,608	A	12/1998	Leisten	6,142,434	A	11/2000	Brinkman et al.
5,859,618	A	1/1999	Miller, II et al.	6,146,330	A	11/2000	Tujino et al.
5,861,843	A	1/1999	Sorace et al.	6,150,612	A	11/2000	Grandy et al.
5,867,763	A	2/1999	Dean et al.	6,151,145	A	11/2000	Srivastava et al.
5,870,060	A	2/1999	Chen et al.	6,154,488	A	11/2000	Hunt
5,872,544	A	2/1999	Schay et al.	6,158,383	A	12/2000	Watanabe et al.
5,872,547	A	2/1999	Martek	6,163,296	A	12/2000	Lier et al.
5,873,324	A	2/1999	Kaddas et al.	6,166,694	A	12/2000	Ying et al.
5,886,666	A	3/1999	Schellenberg et al.	6,167,055	A	12/2000	Ganek et al.
5,889,449	A	3/1999	Fiedziuszko	6,175,917	B1	1/2001	Arrow et al.
5,890,055	A	3/1999	Chu et al.	6,177,801	B1	1/2001	Chong et al.
5,892,480	A	4/1999	Killen et al.	6,184,828	B1	2/2001	Shoki et al.
5,898,133	A	4/1999	Bleich et al.	6,195,058	B1	2/2001	Nakamura et al.
5,898,830	A	4/1999	Wesinger, Jr. et al.	6,195,395	B1	2/2001	Frodsham et al.
5,900,847	A	5/1999	Ishikawa et al.	6,198,440	B1	3/2001	Krylov et al.
5,903,373	A	5/1999	Welch et al.	6,208,161	B1	3/2001	Suda et al.
5,905,438	A	5/1999	Weiss et al.	6,208,308	B1	3/2001	Lemons et al.
				6,208,903	B1	3/2001	Richards et al.
				6,211,836	B1	4/2001	Monosson et al.
				6,211,837	B1	4/2001	Crouch et al.
				6,215,443	B1	4/2001	Komatsu et al.

(56)

References Cited

U.S. PATENT DOCUMENTS

6,219,006 B1	4/2001	Rudish et al.	6,510,152 B1	1/2003	Gerszberg et al.
6,222,503 B1	4/2001	Gietema et al.	6,515,635 B2	2/2003	Chiang et al.
6,225,960 B1	5/2001	Collins et al.	6,522,305 B2	2/2003	Sharman et al.
6,229,327 B1	5/2001	Boll et al.	6,531,991 B2	3/2003	Adachi et al.
6,236,365 B1	5/2001	Karr et al.	6,532,215 B1	3/2003	Muntz et al.
6,239,377 B1	5/2001	Nishikawa et al.	6,534,996 B1	3/2003	Amrany et al.
6,239,379 B1	5/2001	Cotter et al.	6,535,169 B2	3/2003	Fourdeux et al.
6,239,761 B1	5/2001	Guo et al.	6,542,739 B1	4/2003	Garner
6,241,045 B1	6/2001	Reeve et al.	6,549,106 B2	4/2003	Martin et al.
6,243,049 B1	6/2001	Chandler et al.	6,549,173 B1	4/2003	King et al.
6,246,821 B1	6/2001	Hemken et al.	6,552,693 B1	4/2003	Leisten et al.
6,252,553 B1	6/2001	Solomon et al.	6,559,811 B1	5/2003	Cash et al.
6,259,337 B1	7/2001	Wen et al.	6,563,981 B2	5/2003	Weisberg et al.
6,266,016 B1	7/2001	Bergstedt et al.	6,567,573 B1	5/2003	Domash et al.
6,266,025 B1	7/2001	Popa et al.	6,573,803 B1	6/2003	Ziegner et al.
6,268,835 B1	7/2001	Toland et al.	6,573,813 B1	6/2003	Joannopoulos et al.
6,271,790 B2	8/2001	Smith et al.	6,580,295 B2	6/2003	Takekuma et al.
6,271,799 B1	8/2001	Rief et al.	6,584,084 B1	6/2003	Barany et al.
6,271,952 B1	8/2001	Epworth et al.	6,584,252 B1	6/2003	Schier et al.
6,278,357 B1	8/2001	Croushore et al.	6,587,077 B2	7/2003	Vail et al.
6,278,370 B1	8/2001	Underwood et al.	6,593,893 B2	7/2003	Hou et al.
6,281,855 B1	8/2001	Aoki et al.	6,594,238 B1	7/2003	Wallentin et al.
6,282,354 B1	8/2001	Jones et al.	6,596,944 B1	7/2003	Clark et al.
6,283,425 B1	9/2001	Liljevik	6,600,456 B2	7/2003	Gothard et al.
6,285,325 B1	9/2001	Nalbandian et al.	6,606,057 B2	8/2003	Chiang et al.
6,292,139 B1	9/2001	Yamamoto et al.	6,606,066 B1	8/2003	Fawcett et al.
6,292,143 B1	9/2001	Romanofsky et al.	6,606,077 B2	8/2003	Ebling et al.
6,292,153 B1	9/2001	Aiello et al.	6,611,252 B1	8/2003	DuFaux et al.
6,300,898 B1	10/2001	Schneider et al.	6,614,237 B2	9/2003	Ademian et al.
6,300,906 B1	10/2001	Rawnick et al.	6,628,859 B2	9/2003	Huang et al.
6,301,420 B1	10/2001	Greenaway et al.	6,631,229 B1	10/2003	Norris et al.
6,308,085 B1	10/2001	Shoki et al.	6,634,225 B1	10/2003	Reime et al.
6,311,288 B1	10/2001	Heeren et al.	6,639,484 B2	10/2003	Tzuang et al.
6,317,028 B1	11/2001	Valiulis et al.	6,639,566 B2	10/2003	Knop et al.
6,317,092 B1	11/2001	de Schweinitz et al.	6,642,887 B2	11/2003	Owechko et al.
6,320,509 B1	11/2001	Brady et al.	6,643,254 B1	11/2003	Abe et al.
6,320,553 B1	11/2001	Ergene et al.	6,650,296 B2	11/2003	Wong et al.
6,323,819 B1	11/2001	Ergene et al.	6,653,598 B2	11/2003	Sullivan et al.
6,329,959 B1	12/2001	Varadan et al.	6,653,848 B2	11/2003	Adamian et al.
6,348,683 B1	2/2002	Verghese et al.	6,657,437 B1	12/2003	LeCroy et al.
6,351,247 B1	2/2002	Linstrom et al.	6,659,655 B2	12/2003	Dair et al.
6,357,709 B1	3/2002	Parduhn et al.	6,661,391 B2	12/2003	Ohara et al.
6,362,788 B1	3/2002	Louzir	6,668,104 B1	12/2003	Mueller-Fiedler et al.
6,362,789 B1	3/2002	Trumbull et al.	6,670,921 B2	12/2003	Sievenpiper et al.
6,366,238 B1	4/2002	DeMore et al.	6,671,824 B1	12/2003	Hyland et al.
6,373,436 B1	4/2002	Chen et al.	6,677,899 B1	1/2004	Lee et al.
6,373,441 B1	4/2002	Porath et al.	6,680,903 B1	1/2004	Moriguchi et al.
6,376,824 B1	4/2002	Michenfelder et al.	6,683,580 B2	1/2004	Kuramoto
6,388,564 B1	5/2002	Piercy et al.	6,686,832 B2	2/2004	Abraham et al.
6,396,440 B1	5/2002	Chen et al.	6,686,873 B2	2/2004	Patel et al.
6,404,773 B1	6/2002	Williams et al.	6,686,875 B1	2/2004	Wolfson et al.
6,404,775 B1	6/2002	Leslie	6,697,027 B2	2/2004	Mahon et al.
6,421,021 B1	7/2002	Rupp et al.	6,697,030 B2	2/2004	Gleener
6,433,736 B1	8/2002	Timothy et al.	6,703,981 B2	3/2004	Meitzler et al.
6,433,741 B2	8/2002	Tanizaki et al.	6,714,165 B2	3/2004	Verstraeten
6,436,536 B2	8/2002	Peruzzotti et al.	6,720,935 B2	4/2004	Lamensdorf et al.
6,441,723 B1	8/2002	Mansfield, Jr. et al.	6,725,035 B2	4/2004	Jochim et al.
6,445,351 B1	9/2002	Baker et al.	6,727,470 B2	4/2004	Reichle et al.
6,445,774 B1	9/2002	Kidder et al.	6,727,891 B2	4/2004	Moriya et al.
6,452,467 B1	9/2002	McEwan	6,728,439 B2	4/2004	Weisberg et al.
6,452,569 B1	9/2002	Park et al.	6,728,552 B2	4/2004	Chatain et al.
6,452,923 B1	9/2002	Gerszberg et al.	6,731,210 B2	5/2004	Swanson et al.
6,455,769 B1	9/2002	Belli et al.	6,731,649 B1	5/2004	Silverman
6,456,251 B1	9/2002	Rao et al.	6,741,705 B1	5/2004	Nelson et al.
6,462,700 B1	10/2002	Schmidt et al.	6,747,557 B1	6/2004	Petite et al.
6,463,295 B1	10/2002	Yun et al.	6,750,827 B2	6/2004	Manasson et al.
6,469,676 B1	10/2002	Fehrenbach et al.	6,754,470 B2	6/2004	Hendrickson et al.
6,473,049 B2	10/2002	Takeuchi et al.	6,755,312 B2	6/2004	Dziedzic et al.
6,480,168 B1	11/2002	Lam et al.	6,756,538 B1	6/2004	Murga-Gonzalez et al.
6,483,470 B1	11/2002	Hohnstein et al.	6,765,479 B2	7/2004	Stewart et al.
6,489,928 B2	12/2002	Sakurada	6,768,454 B2	7/2004	Kingsley et al.
6,489,931 B2	12/2002	Liu et al.	6,768,456 B1	7/2004	Lalezari et al.
6,492,957 B2	12/2002	Carillo, Jr. et al.	6,768,471 B2	7/2004	Bostwick et al.
6,501,433 B2	12/2002	Popa et al.	6,768,474 B2	7/2004	Hunt et al.
6,507,573 B1	1/2003	Brandt et al.	6,771,216 B2	8/2004	Patel et al.
			6,771,225 B2	8/2004	Tits et al.
			6,771,739 B1	8/2004	Beamon et al.
			6,774,859 B2	8/2004	Schantz et al.
			6,788,865 B2	9/2004	Kawanishi et al.

(56)

References Cited

U.S. PATENT DOCUMENTS

6,788,951	B2	9/2004	Aoki et al.	7,012,572	B1	3/2006	Schaffner et al.
6,789,119	B1	9/2004	Zhu et al.	7,016,585	B2	3/2006	Diggle, III et al.
6,792,290	B2	9/2004	Proctor, Jr. et al.	7,019,704	B2	3/2006	Weiss et al.
6,798,223	B2	9/2004	Huang et al.	7,023,400	B2	4/2006	Hill et al.
6,806,710	B1	10/2004	Renz et al.	7,026,917	B2	4/2006	Berkman et al.
6,809,633	B2	10/2004	Cern et al.	7,027,003	B2	4/2006	Sasaki et al.
6,809,695	B2	10/2004	Le Bayon et al.	7,027,454	B2	4/2006	Dent et al.
6,812,895	B2	11/2004	Anderson et al.	7,032,016	B2	4/2006	Cerami et al.
6,819,744	B1	11/2004	Galli et al.	7,038,636	B2	5/2006	Larouche et al.
6,822,615	B2	11/2004	Quan et al.	7,039,048	B1	5/2006	Monta et al.
6,839,032	B2	1/2005	Teshirogi et al.	7,042,403	B2	5/2006	Colburn et al.
6,839,160	B2	1/2005	Tsuda et al.	7,042,416	B2	5/2006	Kingsley et al.
6,839,846	B2	1/2005	Mangold et al.	7,042,420	B2	5/2006	Ebling et al.
6,842,157	B2	1/2005	Phelan et al.	7,054,286	B2	5/2006	Ertel et al.
6,842,430	B1	1/2005	Melnik et al.	7,054,376	B1	5/2006	Rubinstain et al.
6,850,128	B2	2/2005	Park	7,054,513	B2	5/2006	Herz et al.
6,853,351	B1	2/2005	Mohuchy et al.	7,055,148	B2	5/2006	Marsh et al.
6,856,273	B1	2/2005	Bognar et al.	7,057,558	B2	6/2006	Yasuho et al.
6,859,185	B2	2/2005	Royalty et al.	7,057,573	B2	6/2006	Ohira et al.
6,859,187	B2	2/2005	Ohlsson et al.	7,058,524	B2	6/2006	Hayes et al.
6,859,590	B1	2/2005	Zaccone	7,061,370	B2	6/2006	Cern et al.
6,861,998	B2	3/2005	Louzir	7,061,891	B1	6/2006	Kilfoyle et al.
6,864,851	B2	3/2005	McGrath et al.	7,064,726	B2	6/2006	Kitamori et al.
6,864,853	B2	3/2005	Judd et al.	7,068,998	B2	6/2006	Zavidniak et al.
6,867,744	B2	3/2005	Toncich et al.	7,069,163	B2	6/2006	Gunther et al.
6,868,258	B2	3/2005	Hayata et al.	7,075,414	B2	7/2006	Giannini et al.
6,870,465	B1	3/2005	Song et al.	7,075,485	B2	7/2006	Song et al.
6,873,265	B2	3/2005	Bleier et al.	7,075,496	B2	7/2006	Hidai et al.
6,885,674	B2	4/2005	Hunt et al.	7,082,321	B2	7/2006	Kuwahara et al.
6,886,065	B2	4/2005	Sides et al.	7,084,742	B2	8/2006	Haines et al.
6,888,623	B2	5/2005	Clements	7,088,221	B2	8/2006	Chan
6,901,064	B2	5/2005	Billhartz et al.	7,088,306	B2	8/2006	Chiang et al.
6,904,218	B2	6/2005	Sun et al.	7,098,405	B2	8/2006	Glew et al.
6,906,676	B2	6/2005	Killen et al.	7,098,773	B2	8/2006	Berkman et al.
6,906,681	B2	6/2005	Hoppenstein et al.	7,102,581	B1	9/2006	West et al.
6,909,893	B2	6/2005	Aoki et al.	7,106,265	B2	9/2006	Robertson et al.
6,917,974	B1	7/2005	Stytz et al.	7,106,270	B2	9/2006	Iigusa et al.
6,920,289	B2	7/2005	Zimmerman et al.	7,106,273	B1	9/2006	Brunson et al.
6,920,315	B1	7/2005	Wilcox et al.	7,109,939	B2	9/2006	Lynch et al.
6,920,407	B2	7/2005	Phillips et al.	7,113,002	B2	9/2006	Otsuka et al.
6,922,135	B2	7/2005	Abraham et al.	7,113,134	B1	9/2006	Berkman et al.
6,924,732	B2	8/2005	Yokoo et al.	7,119,755	B2	10/2006	Harvey et al.
6,924,776	B2	8/2005	Le et al.	7,120,338	B2	10/2006	Gunn, III et al.
6,928,194	B2	8/2005	Mai et al.	7,120,345	B2	10/2006	Naitou et al.
6,933,887	B2	8/2005	Regnier et al.	7,122,012	B2	10/2006	Bouton et al.
6,934,655	B2	8/2005	Jones et al.	7,123,191	B2	10/2006	Goldberg et al.
6,937,595	B2	8/2005	Barzegar et al.	7,123,801	B2	10/2006	Fitz et al.
6,943,553	B2	9/2005	Zimmermann et al.	7,125,512	B2	10/2006	Crump et al.
6,944,555	B2	9/2005	Blackett et al.	7,126,557	B2	10/2006	Warnagiris et al.
6,947,147	B2	9/2005	Motamedi et al.	7,126,711	B2	10/2006	Fruth
6,947,376	B1	9/2005	Deng et al.	7,127,348	B2	10/2006	Smitherman et al.
6,947,635	B2	9/2005	Kohns et al.	7,130,516	B2	10/2006	Wu et al.
6,948,371	B2	9/2005	Tanaka et al.	7,132,950	B2	11/2006	Stewart et al.
6,950,567	B2	9/2005	Kline et al.	7,133,930	B2	11/2006	Sabio et al.
6,952,143	B2	10/2005	Kinayman et al.	7,134,012	B2	11/2006	Doyle et al.
6,952,183	B2	10/2005	Yuanzhu et al.	7,134,135	B2	11/2006	Cerami et al.
6,956,506	B2	10/2005	Koivumaeki et al.	7,136,397	B2	11/2006	Sharma et al.
6,958,729	B1	10/2005	Metz et al.	7,136,772	B2	11/2006	Duchi et al.
6,965,302	B2	11/2005	Mollenkopf et al.	7,137,605	B1	11/2006	Guertler et al.
6,965,355	B1	11/2005	Durham et al.	7,138,767	B2	11/2006	Chen et al.
6,965,784	B2	11/2005	Kanamaluru et al.	7,138,958	B2	11/2006	Syed et al.
6,967,627	B2	11/2005	Roper et al.	7,139,328	B2	11/2006	Thomas et al.
6,970,502	B2	11/2005	Kim et al.	7,145,440	B2	12/2006	Gerszberg et al.
6,970,682	B2	11/2005	Crilly, Jr. et al.	7,145,552	B2	12/2006	Hollingsworth et al.
6,972,729	B2	12/2005	Wang et al.	7,151,497	B2	12/2006	Crystal et al.
6,980,091	B2	12/2005	White, II et al.	7,151,508	B2	12/2006	Schaffner et al.
6,982,611	B2	1/2006	Cope et al.	7,155,238	B2	12/2006	Katz et al.
6,982,679	B2	1/2006	Kralovec et al.	7,161,934	B2	1/2007	Buchsbaum et al.
6,983,174	B2	1/2006	Hoppenstein et al.	7,164,354	B1	1/2007	Panzer et al.
6,985,118	B2	1/2006	Killen et al.	7,167,139	B2	1/2007	Kim et al.
6,992,639	B1	1/2006	Lier et al.	7,171,087	B2	1/2007	Takahashi et al.
6,999,667	B2	2/2006	Jang et al.	7,171,308	B2	1/2007	Campbell et al.
7,008,120	B2	3/2006	Zaborsky et al.	7,171,493	B2	1/2007	Shu et al.
7,009,471	B2	3/2006	Elmore	7,176,589	B2	2/2007	Rouquette et al.
7,012,489	B2	3/2006	Fisher et al.	7,180,459	B2	2/2007	Damini et al.
				7,180,467	B2	2/2007	Fabrega-Sanchez
				7,183,922	B2	2/2007	Mendolia et al.
				7,183,991	B2	2/2007	Bhattacharyya et al.
				7,183,998	B2	2/2007	Wilhelm et al.

(56)

References Cited

U.S. PATENT DOCUMENTS

7,193,562	B2	3/2007	Kish et al.	7,358,808	B2	4/2008	Berkman et al.
7,194,528	B1	3/2007	Davidow et al.	7,358,921	B2	4/2008	Snyder et al.
7,199,680	B2	4/2007	Fukunaga et al.	7,369,085	B1	5/2008	Jacomb-Hood et al.
7,200,391	B2	4/2007	Chung et al.	7,369,095	B2	5/2008	Thudor et al.
7,200,658	B2	4/2007	Goeller et al.	7,376,191	B2	5/2008	Melick et al.
7,205,950	B2	4/2007	Imai et al.	7,380,272	B2	5/2008	Sharp et al.
7,212,163	B2	5/2007	Huang et al.	7,381,089	B2	6/2008	Hosler, Sr.
7,215,220	B1	5/2007	Jia	7,382,232	B2	6/2008	Gidge et al.
7,215,928	B2	5/2007	Gage et al.	7,383,577	B2	6/2008	Hrastar et al.
7,218,285	B2	5/2007	Davis et al.	7,388,450	B2	6/2008	Camiade et al.
7,224,170	B2	5/2007	Graham et al.	7,397,422	B2	7/2008	Tekawy et al.
7,224,243	B2	5/2007	Cope et al.	7,398,946	B1	7/2008	Marshall
7,224,272	B2	5/2007	White, II et al.	7,400,304	B2	7/2008	Lewis et al.
7,224,320	B2	5/2007	Cook et al.	7,403,169	B2	7/2008	Svensson et al.
7,224,985	B2	5/2007	Caci et al.	7,406,337	B2	7/2008	Kim et al.
7,228,123	B2	6/2007	Moursund et al.	7,408,426	B2	8/2008	Broyde et al.
7,234,413	B2	6/2007	Suzuki et al.	7,408,507	B1	8/2008	Paek et al.
7,234,895	B2	6/2007	Richardson et al.	7,408,923	B1	8/2008	Khan et al.
7,239,284	B1	7/2007	Staal et al.	7,410,606	B2	8/2008	Atkinson et al.
7,243,610	B2	7/2007	Ishii et al.	7,417,587	B2	8/2008	Iskander et al.
7,248,148	B2	7/2007	Kline et al.	7,418,178	B2	8/2008	Kudou et al.
7,250,772	B2	7/2007	Furse et al.	7,418,273	B2	8/2008	Suyama et al.
7,255,821	B2	8/2007	Priedeman, Jr. et al.	7,420,474	B1	9/2008	Elks et al.
7,259,657	B2	8/2007	Mollenkopf et al.	7,420,525	B2	9/2008	Colburn et al.
7,260,424	B2	8/2007	Schmidt et al.	7,423,604	B2	9/2008	Nagai et al.
7,266,154	B2	9/2007	Gundrum et al.	7,426,554	B2	9/2008	Kennedy et al.
7,266,275	B2	9/2007	Hansen et al.	7,427,927	B2	9/2008	Borleske et al.
7,272,281	B2	9/2007	Stahulak et al.	7,430,257	B1	9/2008	Shattil et al.
7,272,362	B2	9/2007	Jeong et al.	7,430,932	B2	10/2008	Mekhanoshin et al.
7,274,305	B1	9/2007	Luttrell	7,443,334	B2	10/2008	Rees et al.
7,274,936	B2	9/2007	Stern-Berkowitz et al.	7,444,404	B2	10/2008	Wetherall et al.
7,276,990	B2	10/2007	Sievenpiper et al.	7,446,567	B2	11/2008	Otsuka et al.
7,280,033	B2	10/2007	Berkman et al.	7,450,000	B2	11/2008	Gidge et al.
7,280,803	B2	10/2007	Nelson et al.	7,450,001	B2	11/2008	Berkman
7,282,922	B2	10/2007	Lo et al.	7,453,352	B2	11/2008	Kline et al.
7,286,099	B1	10/2007	Lier et al.	7,453,393	B2	11/2008	Duivendoorden et al.
7,289,449	B1	10/2007	Rubinstein et al.	7,456,650	B2	11/2008	Lee et al.
7,289,704	B1	10/2007	Wagman et al.	7,459,834	B2	12/2008	Knowles et al.
7,289,828	B2	10/2007	Cha et al.	7,460,834	B2	12/2008	Johnson et al.
7,292,125	B2	11/2007	Mansour et al.	7,463,877	B2	12/2008	Iwamura
7,292,196	B2	11/2007	Waterhouse et al.	7,465,879	B2	12/2008	Glew et al.
7,295,161	B2	11/2007	Gaucher et al.	7,466,225	B2	12/2008	White, II et al.
7,297,869	B2	11/2007	Hiller et al.	7,468,657	B2	12/2008	Yaney
7,301,440	B2	11/2007	Mollenkopf	7,477,285	B1	1/2009	Johnson et al.
7,301,508	B1	11/2007	O'Loughlin et al.	7,479,776	B2	1/2009	Renken et al.
7,307,357	B2	12/2007	Kopp et al.	7,479,841	B2	1/2009	Stenger et al.
7,307,596	B1	12/2007	West et al.	7,486,247	B2	2/2009	Ridgway et al.
7,308,264	B2	12/2007	Stern-Berkowitz et al.	7,490,275	B2	2/2009	Zerbe et al.
7,308,370	B2	12/2007	Mason, Jr. et al.	7,492,317	B2	2/2009	Tinsley et al.
7,309,873	B2	12/2007	Ishikawa	7,496,674	B2	2/2009	Jorgensen et al.
7,310,065	B2	12/2007	Anguera et al.	7,498,822	B2	3/2009	Lee et al.
7,310,335	B1	12/2007	Garcia-Luna-Aceves et al.	7,502,619	B1	3/2009	Katz et al.
7,311,605	B2	12/2007	Moser	7,504,938	B2	3/2009	Eiza et al.
7,312,686	B2	12/2007	Bruno	7,508,834	B2	3/2009	Berkman et al.
7,313,087	B2	12/2007	Patil et al.	7,509,009	B2	3/2009	Suzuki et al.
7,313,312	B2	12/2007	Kimball et al.	7,509,675	B2	3/2009	Aaron et al.
7,315,224	B2	1/2008	Gurovich et al.	7,511,662	B2	3/2009	Mathews et al.
7,315,678	B2	1/2008	Siegel	7,512,090	B2	3/2009	Benitez Pelaez et al.
7,318,564	B1	1/2008	Marshall et al.	7,515,041	B2	4/2009	Eisold et al.
7,319,717	B2	1/2008	Zitting et al.	7,516,487	B1	4/2009	Szeto et al.
7,321,291	B2	1/2008	Gidge et al.	7,518,529	B2	4/2009	O'Sullivan et al.
7,321,707	B2	1/2008	Noda et al.	7,518,952	B1	4/2009	Padden et al.
7,324,046	B1	1/2008	Wu et al.	7,519,323	B2	4/2009	Mohebbi et al.
7,324,817	B2	1/2008	Iacono et al.	7,522,115	B2	4/2009	Waltman et al.
7,329,815	B2	2/2008	Johnston et al.	7,522,812	B2	4/2009	Zitting
7,333,064	B1	2/2008	Timothy et al.	7,525,501	B2	4/2009	Black et al.
7,333,593	B2	2/2008	Beamon et al.	7,525,504	B1	4/2009	Song et al.
7,339,466	B2	3/2008	Mansfield et al.	7,531,803	B2	5/2009	Mittleman et al.
7,339,897	B2	3/2008	Larsson et al.	7,532,792	B2	5/2009	Skovgaard et al.
7,340,768	B2	3/2008	Rosenberger et al.	7,535,867	B1	5/2009	Kilfoyle et al.
7,345,623	B2	3/2008	McEwan et al.	7,539,381	B2	5/2009	Li et al.
7,346,244	B2	3/2008	Gowan et al.	7,541,981	B2	6/2009	Piskun et al.
7,346,359	B2	3/2008	Damarla et al.	7,545,818	B2	6/2009	Chen et al.
7,353,293	B2	4/2008	Hipfinger et al.	7,546,214	B2	6/2009	Rivers, Jr. et al.
7,355,560	B2	4/2008	Nagai et al.	7,548,212	B2	6/2009	Chekroun et al.
				7,551,921	B2	6/2009	Petermann et al.
				7,554,998	B2	6/2009	Simonsson et al.
				7,555,182	B2	6/2009	Martin et al.
				7,555,186	B2	6/2009	De Montmorillon et al.

(56)

References Cited

U.S. PATENT DOCUMENTS

7,555,187	B2	6/2009	Bickham et al.	7,750,244	B1	7/2010	Melding et al.
7,557,563	B2	7/2009	Cowan et al.	7,750,763	B2	7/2010	Praßmayer et al.
7,561,025	B2	7/2009	Gerszberg et al.	7,751,054	B2	7/2010	Backes et al.
7,567,154	B2	7/2009	Elmore	7,760,978	B2	7/2010	Fishteyn et al.
7,567,740	B2	7/2009	Bayindir et al.	7,761,079	B2	7/2010	Mollenkopf et al.
7,570,137	B2	8/2009	Kintis et al.	7,764,943	B2	7/2010	Radtke et al.
7,570,470	B2	8/2009	Holley	7,773,664	B2	8/2010	Myers et al.
7,577,398	B2	8/2009	Tennant et al.	7,782,156	B2	8/2010	Woods et al.
7,580,643	B2	8/2009	Moore et al.	7,783,195	B2	8/2010	Riggsby et al.
7,581,702	B2	9/2009	Wheeler et al.	7,786,894	B2	8/2010	Polk et al.
7,583,074	B1	9/2009	Lynch et al.	7,786,945	B2	8/2010	Baldauf et al.
7,583,233	B2	9/2009	Goldberg et al.	7,786,946	B2	8/2010	Diaz et al.
7,584,470	B2	9/2009	Barker et al.	7,791,549	B2	9/2010	Clymer et al.
7,589,470	B2	9/2009	Oksuz et al.	7,792,016	B2	9/2010	Arai et al.
7,589,630	B2	9/2009	Drake et al.	7,795,877	B2	9/2010	Radtke et al.
7,589,686	B2	9/2009	Balzovsky et al.	7,795,994	B2	9/2010	Radtke et al.
7,590,404	B1	9/2009	Johnson	7,796,025	B2	9/2010	Berkman et al.
7,591,020	B2	9/2009	Kammer et al.	7,796,122	B2	9/2010	Shih et al.
7,591,792	B2	9/2009	Bouton et al.	7,796,890	B1	9/2010	Johnson
7,593,067	B2	9/2009	Taguchi et al.	7,797,367	B1	9/2010	Girod et al.
7,596,222	B2	9/2009	Jonas et al.	7,805,029	B2	9/2010	Bayindir et al.
7,598,844	B2	10/2009	Corcoran et al.	7,808,441	B2	10/2010	Parsche et al.
7,602,333	B2	10/2009	Hiramatsu et al.	7,809,223	B2	10/2010	Miyabe et al.
7,602,815	B2	10/2009	Houghton et al.	7,812,686	B2	10/2010	Woods et al.
7,605,768	B2	10/2009	Ebling et al.	7,812,778	B2	10/2010	Hasegawa et al.
7,620,370	B2	11/2009	Barak et al.	7,813,344	B2	10/2010	Cheswick
7,625,131	B2	12/2009	Zienkewicz et al.	7,817,063	B2	10/2010	Hawkins et al.
7,626,489	B2	12/2009	Berkman et al.	7,825,793	B1	11/2010	Spillman et al.
7,626,542	B2	12/2009	Kober et al.	7,825,867	B2	11/2010	Tuttle et al.
7,627,300	B2	12/2009	Abramov et al.	7,826,602	B1	11/2010	Hunyady et al.
7,633,442	B2	12/2009	Lynch et al.	7,827,610	B2	11/2010	Wang et al.
7,634,250	B1	12/2009	Prasad et al.	7,830,228	B2	11/2010	Evans et al.
7,639,201	B2	12/2009	Marklein et al.	7,835,128	B2	11/2010	Divan et al.
7,640,562	B2	12/2009	Bouilloux-Lafont et al.	7,835,600	B1	11/2010	Yap et al.
7,640,581	B1	12/2009	Brenton et al.	7,843,375	B1	11/2010	Rennie et al.
7,653,363	B2	1/2010	Karr et al.	7,844,081	B2	11/2010	McMakin et al.
RE41,147	E	2/2010	Pang et al.	7,848,517	B2	12/2010	Britz et al.
7,656,167	B1	2/2010	McLean et al.	7,852,752	B2	12/2010	Kano
7,656,358	B2	2/2010	Haziza et al.	7,852,837	B1	12/2010	Au et al.
7,660,244	B2	2/2010	Kadaba et al.	7,853,267	B2	12/2010	Jensen et al.
7,660,252	B1	2/2010	Huang et al.	7,855,612	B2	12/2010	Zienkewicz et al.
7,660,328	B1	2/2010	Oz et al.	7,856,007	B2	12/2010	Corcoran et al.
7,664,117	B2	2/2010	Lou et al.	7,869,391	B2	1/2011	Lee et al.
7,669,049	B2	2/2010	Wang et al.	7,872,610	B2	1/2011	Motzer et al.
7,671,701	B2	3/2010	Radtke	7,873,249	B2	1/2011	Kachmar et al.
7,671,820	B2	3/2010	Tokoro et al.	7,876,174	B2	1/2011	Radtke et al.
7,672,271	B2	3/2010	Lee et al.	7,884,285	B2	2/2011	Spencer
7,676,679	B2	3/2010	Weis et al.	7,884,648	B2	2/2011	Broyde et al.
7,680,478	B2	3/2010	Willars et al.	7,885,542	B2	2/2011	Riggsby et al.
7,680,516	B2	3/2010	Lovberg et al.	7,889,129	B2	2/2011	Fox et al.
7,680,561	B2	3/2010	Rodgers et al.	7,889,148	B2	2/2011	Diaz et al.
7,683,848	B2	3/2010	Musch et al.	7,889,149	B2	2/2011	Peebles et al.
7,684,383	B1	3/2010	Thompson et al.	7,890,053	B2	2/2011	Washiro
7,693,079	B2	4/2010	Cerami et al.	7,893,789	B2	2/2011	Paynter et al.
7,693,162	B2	4/2010	McKenna et al.	7,894,770	B2	2/2011	Washiro et al.
7,693,939	B2	4/2010	Wu et al.	7,898,480	B2	3/2011	Rebeiz et al.
7,697,417	B2	4/2010	Chen et al.	7,899,403	B2	3/2011	Aaron
7,701,931	B2	4/2010	Kajiwara	7,903,918	B1	3/2011	Bickham et al.
7,705,747	B2	4/2010	Twitchell, Jr.	7,903,972	B2	3/2011	Riggsby et al.
7,710,346	B2	5/2010	Bloss et al.	7,906,973	B1	3/2011	Orr et al.
7,714,536	B1	5/2010	Silberg et al.	7,907,097	B2	3/2011	Syed et al.
7,714,709	B1	5/2010	Daniel	7,915,980	B2	3/2011	Hardacker et al.
7,714,725	B2	5/2010	Medve et al.	7,916,081	B2	3/2011	Lakkis et al.
7,715,672	B2	5/2010	Dong et al.	7,928,750	B2	4/2011	Miller et al.
7,716,660	B2	5/2010	Mackay	7,929,940	B1	4/2011	Dianda et al.
7,724,782	B2	5/2010	Wang et al.	7,930,750	B1	4/2011	Gauvin et al.
7,728,772	B2	6/2010	Mortazawi et al.	7,937,699	B2	5/2011	Schneider et al.
7,729,285	B2	6/2010	Yoon et al.	7,940,207	B1	5/2011	Kienzle et al.
7,733,094	B2	6/2010	Bright et al.	7,940,731	B2	5/2011	Gao et al.
7,734,717	B2	6/2010	Saarimäki et al.	7,956,818	B1	6/2011	Hsu et al.
7,737,903	B1	6/2010	Rao et al.	7,958,120	B2	6/2011	Muntz et al.
7,739,402	B2	6/2010	Graham et al.	7,961,710	B2	6/2011	Lee et al.
7,743,403	B2	6/2010	McCarty et al.	7,962,957	B2	6/2011	Keohane et al.
7,747,356	B2	6/2010	Andarawis et al.	7,965,842	B2	6/2011	Whelan et al.
7,747,774	B2	6/2010	Aaron et al.	7,970,365	B2	6/2011	Martin et al.
				7,970,937	B2	6/2011	Shuster et al.
				7,971,053	B2	6/2011	Gibson, Sr. et al.
				7,973,296	B2	7/2011	Quick et al.
				7,974,387	B2	7/2011	Lutz et al.

(56)

References Cited

U.S. PATENT DOCUMENTS

7,983,740	B2	7/2011	Culver et al.	8,160,825	B1	4/2012	Roe, Jr. et al.
7,986,711	B2	7/2011	Horvath et al.	8,164,531	B2	4/2012	Lier et al.
7,990,146	B2	8/2011	Lazar et al.	8,171,146	B2	5/2012	Chen et al.
7,990,329	B2	8/2011	Deng et al.	8,172,173	B2	5/2012	Carlson et al.
7,991,877	B2	8/2011	Keohane et al.	8,173,943	B2	5/2012	Vilo et al.
7,992,014	B2	8/2011	Langgood et al.	8,175,535	B2	5/2012	Mu et al.
7,994,996	B2	8/2011	Rebeiz et al.	8,175,649	B2	5/2012	Harel et al.
7,994,999	B2	8/2011	Maeda et al.	8,179,787	B2	5/2012	Knapp et al.
7,997,546	B1	8/2011	Andersen et al.	8,180,917	B1	5/2012	Yan et al.
8,010,116	B2	8/2011	Scheinert	8,184,015	B2	5/2012	Lilien et al.
8,013,694	B2	9/2011	Sagala et al.	8,184,059	B2	5/2012	Bunch et al.
8,019,288	B2	9/2011	Yu et al.	8,184,311	B2	5/2012	Sakai et al.
8,022,885	B2	9/2011	Smoyer et al.	8,185,062	B2	5/2012	Rofougaran et al.
8,022,887	B1	9/2011	Zarnaghi et al.	8,188,855	B2	5/2012	Sharma et al.
8,023,410	B2	9/2011	O'Neill	8,199,762	B2	6/2012	Michelson et al.
8,027,391	B2	9/2011	Matsubara et al.	8,203,501	B2	6/2012	Kim et al.
8,036,207	B2	10/2011	Sivakumar et al.	8,212,635	B2	7/2012	Miller, II et al.
8,049,576	B2	11/2011	Broyde et al.	8,212,722	B2	7/2012	Ngo et al.
8,054,199	B2	11/2011	Addy et al.	8,213,758	B2	7/2012	Dong et al.
8,059,576	B2	11/2011	Vavik et al.	8,218,929	B2	7/2012	Bickham et al.
8,059,593	B2	11/2011	Shih et al.	8,222,919	B2	7/2012	Broyde et al.
8,060,308	B2	11/2011	Breed et al.	8,222,977	B2	7/2012	Oyama et al.
8,063,832	B1	11/2011	Weller et al.	8,225,379	B2	7/2012	van de Groenendaal
8,064,744	B2	11/2011	Atkins et al.	8,233,905	B2	7/2012	Vaswani et al.
8,064,944	B2	11/2011	Yun et al.	8,237,617	B1	8/2012	Johnson et al.
8,065,099	B2	11/2011	Gibala et al.	8,238,824	B2	8/2012	Washiro
8,069,483	B1	11/2011	Matlock et al.	8,238,840	B2	8/2012	Iio et al.
8,072,323	B2	12/2011	Kodama et al.	8,242,358	B2	8/2012	Park et al.
8,072,386	B2	12/2011	Lier et al.	8,243,603	B2	8/2012	Gossain et al.
8,073,810	B2	12/2011	Maes	8,249,028	B2	8/2012	Porras et al.
8,077,049	B2	12/2011	Yaney et al.	8,251,307	B2	8/2012	Goossen et al.
8,077,113	B2	12/2011	Renilson et al.	8,253,516	B2	8/2012	Miller, II et al.
8,081,854	B2	12/2011	Yoon et al.	8,255,952	B2	8/2012	Boylan, III et al.
8,089,356	B2	1/2012	Moore et al.	8,258,743	B2	9/2012	Tyler et al.
8,089,404	B2	1/2012	Nichols et al.	8,259,028	B2	9/2012	Hills et al.
8,089,952	B2	1/2012	Spade et al.	8,264,417	B2	9/2012	Snow et al.
8,090,258	B2	1/2012	DeLew et al.	8,269,583	B2	9/2012	Miller, II et al.
8,090,379	B2	1/2012	Lambert et al.	8,284,102	B2	10/2012	Hayes et al.
8,094,081	B1	1/2012	Boone et al.	8,287,323	B2	10/2012	Kiesow et al.
8,094,985	B2	1/2012	Imamura et al.	8,295,301	B2	10/2012	Yonge, III et al.
8,095,093	B2	1/2012	Takinami et al.	8,300,538	B2	10/2012	Kim et al.
8,098,198	B2	1/2012	Thiesen et al.	8,300,640	B2	10/2012	Al-Banna et al.
8,102,324	B2	1/2012	Tuau et al.	8,316,228	B2	11/2012	Winslow et al.
8,102,779	B2	1/2012	Kim et al.	8,316,364	B2	11/2012	Stein et al.
8,106,749	B2	1/2012	Ina et al.	8,324,990	B2	12/2012	Vouloumanos
8,106,849	B2	1/2012	Suddath et al.	8,325,034	B2	12/2012	Moore et al.
RE43,163	E	2/2012	Anderson	8,325,636	B2	12/2012	Binder
8,111,148	B2	2/2012	Parker et al.	8,325,693	B2	12/2012	Binder et al.
8,112,649	B2	2/2012	Potkonjak et al.	8,330,259	B2	12/2012	Soler et al.
8,116,598	B2	2/2012	Shutter et al.	8,335,596	B2	12/2012	Raman et al.
8,120,488	B2	2/2012	Bloy et al.	8,340,438	B2	12/2012	Anderson et al.
8,121,624	B2	2/2012	Cai et al.	8,343,145	B2	1/2013	Brannan et al.
8,125,282	B2	2/2012	Bao et al.	8,344,829	B2	1/2013	Miller, II et al.
8,125,399	B2	2/2012	McKinzie et al.	8,354,970	B2	1/2013	Ambrecht et al.
8,126,393	B2	2/2012	Wu et al.	8,359,124	B2	1/2013	Zhou et al.
8,129,817	B2	3/2012	Jou et al.	8,362,775	B2	1/2013	Speckner et al.
8,131,125	B2	3/2012	Molin et al.	8,363,313	B2	1/2013	Nakaguma et al.
8,131,266	B2	3/2012	Cai et al.	8,369,667	B2	2/2013	Rose et al.
8,132,239	B2	3/2012	Wahl	8,373,095	B2	2/2013	Huynh et al.
8,134,424	B2	3/2012	Kato et al.	8,373,597	B2	2/2013	Schadler et al.
8,134,458	B2	3/2012	Lund	8,374,821	B2	2/2013	Rousselle et al.
8,135,050	B1	3/2012	Stadler et al.	8,384,600	B2	2/2013	Huang et al.
8,140,113	B2	3/2012	Rofougaran et al.	8,385,978	B2	2/2013	Leung et al.
8,150,311	B2	4/2012	Hart et al.	8,386,198	B2	2/2013	Lancaster
8,151,306	B2	4/2012	Rakib	8,390,307	B2	3/2013	Slupsky et al.
8,156,520	B2	4/2012	Casagrande et al.	8,390,402	B2	3/2013	Kunes et al.
8,159,316	B2	4/2012	Miyazato et al.	8,405,567	B2	3/2013	Park et al.
8,159,342	B1	4/2012	Medina, III et al.	8,406,239	B2	3/2013	Hurwitz et al.
8,159,385	B2	4/2012	Farneth et al.	8,406,593	B2	3/2013	Molin et al.
8,159,394	B2	4/2012	Hayes et al.	8,407,687	B2	3/2013	Moshir et al.
8,159,742	B2	4/2012	McKay et al.	8,412,130	B2	4/2013	Suematsu et al.
8,159,933	B2	4/2012	Henry	8,414,326	B2	4/2013	Bowman
8,159,955	B2	4/2012	Larsson et al.	8,415,884	B2	4/2013	Chen et al.
8,160,064	B2	4/2012	Kokernak et al.	8,428,033	B2	4/2013	Hettstedt et al.
8,160,530	B2	4/2012	Corman et al.	8,433,168	B2	4/2013	Filippov et al.
				8,433,338	B1	4/2013	Flynn et al.
				8,434,103	B2	4/2013	Tsuchida et al.
				8,437,383	B2	5/2013	Wiwel et al.
				8,452,101	B2	5/2013	Ishikawa et al.

(56)

References Cited

U.S. PATENT DOCUMENTS

8,452,555	B2	5/2013	Hayward et al.	8,656,458	B2	2/2014	Heffez et al.
8,457,027	B2	6/2013	Dougherty et al.	8,660,526	B1	2/2014	Heiderscheidt et al.
8,458,453	B1	6/2013	Mahalingaiah et al.	8,660,698	B2	2/2014	Phillips et al.
8,462,063	B2	6/2013	Gummalla et al.	8,665,102	B2	3/2014	Salewske et al.
8,467,363	B2	6/2013	Lea et al.	8,666,553	B2	3/2014	Phillips et al.
8,468,244	B2	6/2013	Redlich et al.	8,670,946	B2	3/2014	Salazar et al.
8,471,513	B2	6/2013	Han	8,674,630	B1	3/2014	Cornelius et al.
8,472,327	B2	6/2013	DelRegno et al.	8,676,186	B2	3/2014	Niu
8,484,137	B2	7/2013	Johnson et al.	8,680,450	B2	3/2014	Pritchard et al.
8,484,511	B2	7/2013	Tidwell et al.	8,680,706	B2	3/2014	Zyren et al.
8,495,718	B2	7/2013	Han et al.	8,681,463	B2	3/2014	Franks et al.
8,497,749	B2	7/2013	Elmore	8,686,911	B2	4/2014	Kim et al.
8,503,845	B2	8/2013	Winzer et al.	8,687,650	B2	4/2014	King
8,504,135	B2	8/2013	Bourqui et al.	8,688,153	B2	4/2014	Komori et al.
8,505,057	B2	8/2013	Rogers	8,699,454	B2	4/2014	Hapsari et al.
8,509,114	B1	8/2013	Szajdecki	8,699,461	B2	4/2014	Qian et al.
8,514,980	B2	8/2013	Kuhtz	8,705,925	B2	4/2014	Terada et al.
8,515,383	B2	8/2013	Prince et al.	8,706,026	B2	4/2014	Truong et al.
8,516,129	B1	8/2013	Skene et al.	8,707,432	B1	4/2014	Rathi et al.
8,516,470	B1	8/2013	Joshi et al.	8,711,538	B2	4/2014	Woodworth et al.
8,516,474	B2	8/2013	Lamba et al.	8,711,732	B2	4/2014	Johnson et al.
8,519,892	B2	8/2013	Ding et al.	8,711,806	B2	4/2014	Lim et al.
8,520,578	B2	8/2013	Rayment et al.	8,711,857	B2	4/2014	Jackson et al.
8,520,636	B2	8/2013	Xu	8,712,200	B1	4/2014	Abernathy et al.
8,520,931	B2	8/2013	Tateno et al.	8,719,938	B2	5/2014	Demeter et al.
8,528,059	B1	9/2013	Saluzzo et al.	8,723,730	B2	5/2014	Lu et al.
8,532,023	B2	9/2013	Buddhikot et al.	8,724,102	B2	5/2014	Urban
8,532,046	B2	9/2013	Hu et al.	8,729,857	B2	5/2014	Stählin et al.
8,532,492	B2	9/2013	Sadowski et al.	8,731,358	B2	5/2014	Pare et al.
8,536,857	B2	9/2013	Nero, Jr. et al.	8,732,476	B1	5/2014	Van et al.
8,537,068	B2	9/2013	Call et al.	8,736,502	B1	5/2014	Mehr et al.
8,537,705	B2	9/2013	Afkhameh et al.	8,737,793	B2	5/2014	Imamura et al.
8,538,428	B2	9/2013	Bartlett et al.	8,738,318	B2	5/2014	Spillane
8,539,540	B2	9/2013	Zenoni	8,742,997	B2	6/2014	McPeak et al.
8,539,569	B2	9/2013	Mansour	8,743,004	B2	6/2014	Haziza
8,542,968	B2	9/2013	Dong et al.	8,749,449	B2	6/2014	Caldwell et al.
8,545,322	B2	10/2013	George et al.	8,750,097	B2	6/2014	Maenpaa et al.
8,548,294	B2	10/2013	Toge et al.	8,750,664	B2	6/2014	Huang et al.
8,553,646	B2	10/2013	Kumar	8,754,852	B2	6/2014	Lee et al.
8,561,104	B1	10/2013	Dow et al.	8,755,659	B2	6/2014	Imamura et al.
8,561,181	B1	10/2013	Sobel et al.	8,760,354	B2	6/2014	Flannery et al.
8,565,568	B2	10/2013	Bigot-Astruc et al.	8,761,792	B2	6/2014	Sennett et al.
8,566,058	B2	10/2013	Pupalaikis et al.	8,763,097	B2	6/2014	Bhatnagar et al.
8,572,247	B2	10/2013	Larson et al.	8,766,657	B2	7/2014	DeJean et al.
8,572,639	B2	10/2013	Ficco	8,767,071	B1	7/2014	Marshall
8,572,661	B2	10/2013	Strong et al.	8,769,622	B2	7/2014	Chang et al.
8,578,076	B2	11/2013	van der Linden et al.	8,773,312	B1	7/2014	Diaz et al.
8,578,486	B2	11/2013	Lifliand et al.	8,780,012	B2	7/2014	Llombart Juan et al.
8,582,502	B2	11/2013	Conte et al.	8,782,195	B2	7/2014	Foti
8,584,195	B2	11/2013	Sherlock et al.	8,786,284	B2	7/2014	Sirigiri et al.
8,587,490	B2	11/2013	Niver et al.	8,786,514	B2	7/2014	Dickie et al.
8,587,492	B2	11/2013	Runyon et al.	8,789,091	B2	7/2014	Eldering et al.
8,588,567	B2	11/2013	Kamps et al.	8,792,760	B2	7/2014	Choi et al.
8,588,840	B2	11/2013	Truong et al.	8,792,933	B2	7/2014	Chen et al.
8,588,991	B1	11/2013	Forbes, Jr.	8,793,363	B2	7/2014	Sater et al.
8,593,238	B2	11/2013	Miller, II et al.	8,793,742	B2	7/2014	MacRae et al.
8,594,956	B2	11/2013	McBee et al.	8,797,207	B2	8/2014	Kienzle et al.
8,595,141	B2	11/2013	Hao et al.	8,804,667	B2	8/2014	Wang
8,599,150	B2	12/2013	Philipp	8,806,202	B2	8/2014	Shoemake et al.
8,600,602	B1	12/2013	Watson et al.	8,810,404	B2	8/2014	Bertoncini et al.
8,604,982	B2	12/2013	Gummalla et al.	8,810,421	B2	8/2014	Deaver, Sr. et al.
8,604,999	B2	12/2013	Abumrad et al.	8,810,468	B2	8/2014	Cannon et al.
8,605,361	B2	12/2013	Batchko et al.	8,811,278	B2	8/2014	Hori et al.
8,605,579	B2	12/2013	Abraham et al.	8,811,912	B2	8/2014	Austin et al.
8,612,550	B2	12/2013	Yoo et al.	8,812,050	B1	8/2014	Bencheikh et al.
8,613,020	B2	12/2013	Knudson et al.	8,812,154	B2	8/2014	Vian et al.
8,615,190	B2	12/2013	Lu	8,817,741	B2	8/2014	Shaheen
8,625,547	B1	1/2014	Miller et al.	8,824,380	B2	9/2014	Jetcheva et al.
8,629,811	B2	1/2014	Grandfield et al.	8,825,239	B2	9/2014	Cooper et al.
8,639,260	B2	1/2014	Fox et al.	8,829,934	B2	9/2014	Sellathamby et al.
8,639,390	B2	1/2014	Tamarkin et al.	8,830,112	B1	9/2014	Buehler et al.
8,639,934	B2	1/2014	Kruglick	8,831,506	B2	9/2014	Claret et al.
8,644,219	B2	2/2014	Nishizaka et al.	8,836,503	B2	9/2014	Girod et al.
8,653,906	B2	2/2014	Mahon et al.	8,836,607	B2	9/2014	Cook et al.
8,655,396	B2	2/2014	Malladi et al.	8,839,350	B1	9/2014	Shapcott et al.
				8,847,840	B1	9/2014	Diaz et al.
				8,847,846	B1	9/2014	Diaz et al.
				8,856,239	B1	10/2014	Oliver et al.
				8,856,530	B2	10/2014	Lamberg et al.

(56)

References Cited

U.S. PATENT DOCUMENTS

8,863,245	B1	10/2014	Abhyanker	9,019,595	B2	4/2015	Jain et al.
8,866,691	B2	10/2014	Montgomery et al.	9,019,846	B2	4/2015	Shetty et al.
8,866,695	B2	10/2014	Jefferson et al.	9,019,892	B2	4/2015	Zhou et al.
8,867,226	B2	10/2014	Colomb et al.	9,020,555	B2	4/2015	Sheikh et al.
8,867,798	B2	10/2014	Shuster	9,021,251	B2	4/2015	Chawla
8,872,032	B2	10/2014	Su et al.	9,021,575	B2	4/2015	Martini
8,875,224	B2	10/2014	Gross et al.	RE45,514	E	5/2015	Brown
8,878,740	B2	11/2014	Coupland et al.	9,024,831	B2	5/2015	Wang et al.
8,880,765	B2	11/2014	Seal et al.	9,031,725	B1	5/2015	Diesposti et al.
8,881,588	B2	11/2014	Baer et al.	9,037,516	B2	5/2015	Abhyanker
8,885,689	B2	11/2014	Blasco et al.	9,042,245	B2	5/2015	Tzannes et al.
8,886,229	B2	11/2014	Agrawal et al.	9,042,812	B1	5/2015	Bennett et al.
8,887,212	B2	11/2014	Dua	9,065,172	B2	6/2015	Lewry et al.
8,890,759	B2	11/2014	Pantea et al.	9,065,177	B2	6/2015	Alexopoulos
8,893,246	B2	11/2014	El-Moussa et al.	9,066,224	B2	6/2015	Schwengler
8,897,215	B2	11/2014	Hazani et al.	9,070,962	B2	6/2015	Kobayashi
8,897,499	B2	11/2014	Rekimoto	9,070,964	B1	6/2015	Schuss et al.
8,897,695	B2	11/2014	Becker et al.	9,079,349	B2	7/2015	Slafer
8,897,697	B1	11/2014	Bennett	9,082,307	B2	7/2015	Sharawi
8,901,916	B2	12/2014	Rodriguez et al.	9,083,083	B2	7/2015	Hills et al.
8,903,214	B2	12/2014	Alkeskjold	9,083,425	B1	7/2015	Moussouris et al.
8,907,222	B2	12/2014	Stranskky	9,083,581	B1	7/2015	Addepalli et al.
8,907,845	B2	12/2014	Jones	9,084,124	B2	7/2015	Nickel et al.
8,908,502	B2	12/2014	Hayashitani	9,092,962	B1	7/2015	Merrill et al.
8,908,573	B1	12/2014	Wang et al.	9,092,963	B2	7/2015	Fetzer et al.
8,913,862	B1	12/2014	Emmerich et al.	9,094,407	B1	7/2015	Matthieu
8,917,210	B2	12/2014	Shamim et al.	9,094,840	B2	7/2015	Liu et al.
8,917,215	B2	12/2014	Pohl	9,098,325	B2	8/2015	Reddin
8,917,964	B2	12/2014	Blew et al.	9,099,787	B2	8/2015	Blech
8,918,108	B2	12/2014	Van et al.	9,103,864	B2	8/2015	Ali
8,918,135	B2	12/2014	Kang et al.	9,105,981	B2	8/2015	Syed
8,922,447	B2	12/2014	Gao et al.	9,106,617	B2	8/2015	Kshirsagar et al.
8,925,079	B2	12/2014	Miyake et al.	9,112,281	B2	8/2015	Bresciani et al.
8,929,841	B2	1/2015	Rofougaran et al.	9,113,347	B2	8/2015	Shala
8,934,747	B2	1/2015	Smith et al.	9,119,127	B1	8/2015	Henry
8,937,577	B2	1/2015	Gerini et al.	9,119,179	B1	8/2015	Firoiu et al.
8,938,144	B2	1/2015	Hennink et al.	9,128,941	B2	9/2015	Shulman
8,938,255	B2	1/2015	Dalla et al.	9,130,641	B2	9/2015	Mohebbi
8,941,912	B2	1/2015	Ichii et al.	9,134,945	B2	9/2015	Husain
8,947,258	B2	2/2015	Reid et al.	9,137,485	B2	9/2015	Bar-Niv et al.
8,948,235	B2	2/2015	Proctor, Jr. et al.	9,142,334	B2	9/2015	Muto et al.
8,948,690	B2	2/2015	Duerksen et al.	9,143,084	B2	9/2015	Perez et al.
8,952,678	B2	2/2015	Giboney et al.	9,143,196	B2	9/2015	Schwengler
8,955,051	B2	2/2015	Marzii	9,148,186	B1	9/2015	Murphy et al.
8,955,075	B2	2/2015	Smith et al.	9,154,641	B2	10/2015	Shaw
8,957,818	B2	2/2015	Chen et al.	9,157,954	B2	10/2015	Nickel
8,957,821	B1	2/2015	Matyas et al.	9,158,418	B2	10/2015	Oda et al.
8,958,356	B2	2/2015	Lu et al.	9,158,427	B1	10/2015	Wang
8,958,665	B2	2/2015	Ziari et al.	9,167,535	B2	10/2015	Christoffersson et al.
8,958,812	B2	2/2015	Weiguo	9,171,458	B2	10/2015	Salter
8,958,980	B2	2/2015	Hagan et al.	9,173,217	B2	10/2015	Teng et al.
8,963,424	B1	2/2015	Neilson et al.	9,178,282	B2	11/2015	Mittleman et al.
8,963,790	B2	2/2015	Brown et al.	9,194,930	B2	11/2015	Pupalaikis
8,964,433	B2	2/2015	Hai-Maharsi	9,201,556	B2	12/2015	Free et al.
8,966,609	B2	2/2015	Lee et al.	9,202,371	B2	12/2015	Jain
8,968,287	B2	3/2015	Shroff et al.	9,203,149	B2	12/2015	Henderson
8,970,438	B2	3/2015	Hager et al.	9,204,112	B2	12/2015	Pasteris et al.
8,984,113	B2	3/2015	Li et al.	9,204,418	B2	12/2015	Siomina et al.
8,989,788	B2	3/2015	Kim et al.	9,207,168	B2	12/2015	Lovely et al.
8,994,473	B2	3/2015	Levi et al.	9,209,902	B2	12/2015	Willis, III et al.
8,994,474	B2	3/2015	Mahon et al.	9,210,192	B1	12/2015	Pathuri et al.
8,996,188	B2	3/2015	Frader-thompson et al.	9,210,586	B2	12/2015	Catovic et al.
8,996,728	B2	3/2015	Cochinwala et al.	9,213,905	B2	12/2015	Lange et al.
9,000,353	B2	4/2015	Seo et al.	9,219,307	B2	12/2015	Takahashi et al.
9,001,689	B1	4/2015	Ponnampalam et al.	9,219,594	B2	12/2015	Khlat
9,001,717	B2	4/2015	Chun et al.	9,225,396	B2	12/2015	Maltsev et al.
9,003,492	B2	4/2015	Katar	9,229,956	B2	1/2016	Ke et al.
9,008,208	B2	4/2015	Khandani	9,235,763	B2	1/2016	Brown et al.
9,008,513	B2	4/2015	Kim et al.	9,240,835	B2	1/2016	Cune et al.
9,009,460	B2	4/2015	Chen	9,244,117	B2	1/2016	Khan et al.
9,013,361	B1	4/2015	Lam et al.	9,246,231	B2	1/2016	Ju
9,014,621	B2	4/2015	Mohebbi	9,246,334	B2	1/2016	Lo et al.
9,015,139	B2	4/2015	Wong	9,253,588	B2	2/2016	Schmidt et al.
9,015,467	B2	4/2015	Buer	9,260,244	B1	2/2016	Cohn
9,019,164	B2	4/2015	Syed et al.	9,264,204	B2	2/2016	Seo et al.
				9,265,078	B2	2/2016	Lim et al.
				9,270,013	B2	2/2016	Ley
				9,271,185	B2	2/2016	Abdelmonem et al.
				9,276,303	B2	3/2016	Chang et al.

(56)		References Cited					
U.S. PATENT DOCUMENTS				9,509,415	B1	11/2016	Henry et al.
				9,510,203	B2	11/2016	Jactat et al.
				9,515,367	B2	12/2016	Herbsommer et al.
				9,544,006	B2	1/2017	Henry et al.
9,276,304	B2	3/2016	Behan	2001/0030789	A1	10/2001	Jiang et al.
9,277,331	B2	3/2016	Chao et al.	2002/0002040	A1	1/2002	Kline et al.
9,281,564	B2	3/2016	Vincent	2002/0008672	A1	1/2002	Gothard et al.
9,282,144	B2	3/2016	Tebay et al.	2002/0011960	A1	1/2002	Yuanzhu et al.
9,285,461	B2	3/2016	Townley et al.	2002/0021716	A1	2/2002	Terk et al.
9,287,605	B2	3/2016	Daughenbaugh et al.	2002/0024424	A1	2/2002	Burns et al.
9,288,844	B1	3/2016	Akhavan-saraf et al.	2002/0027481	A1	3/2002	Fiedziuszko et al.
9,289,177	B2	3/2016	Samsudin et al.	2002/0040439	A1	4/2002	Kellum et al.
9,293,798	B2	3/2016	Ye	2002/0057223	A1	5/2002	Hook
9,293,801	B2	3/2016	Courtney et al.	2002/0061217	A1	5/2002	Hillman et al.
9,302,770	B2	4/2016	Cohen et al.	2002/0069417	A1	6/2002	Kliger et al.
9,306,682	B2	4/2016	Singh	2002/0083194	A1	6/2002	Bak et al.
9,312,919	B1	4/2016	Barzegar et al.	2002/0091807	A1	7/2002	Goodman et al.
9,312,929	B2	4/2016	Forenza et al.	2002/0099949	A1	7/2002	Fries et al.
9,315,663	B2	4/2016	Appleby	2002/0101852	A1	8/2002	Say et al.
9,319,311	B2	4/2016	Wang et al.	2002/0111997	A1	8/2002	Herlihy et al.
9,324,003	B2	4/2016	France et al.	2002/0156917	A1	10/2002	Nye et al.
9,324,020	B2	4/2016	Nazarov	2002/0186694	A1	12/2002	Mahajan et al.
9,325,067	B2	4/2016	Ali et al.	2002/0197979	A1	12/2002	Vanderveen et al.
9,325,516	B2	4/2016	Frei et al.	2003/0002125	A1	1/2003	Fuse et al.
9,326,316	B2	4/2016	Yonge et al.	2003/0002476	A1	1/2003	Chung et al.
9,334,052	B2	5/2016	Ubhi et al.	2003/0010528	A1	1/2003	Niles
9,338,823	B2	5/2016	Saban et al.	2003/0022694	A1	1/2003	Olsen et al.
9,346,560	B2	5/2016	Wang	2003/0038753	A1	2/2003	Mahon et al.
9,350,063	B2	5/2016	Herbsommer et al.	2003/0049003	A1	3/2003	Ahmad et al.
9,351,182	B2	5/2016	Elliott et al.	2003/0054793	A1	3/2003	Manis et al.
9,356,358	B2	5/2016	Hu et al.	2003/0054811	A1	3/2003	Han et al.
9,362,629	B2	6/2016	Miller et al.	2003/0061346	A1	3/2003	Pekary et al.
9,363,333	B2	6/2016	Basso et al.	2003/0094976	A1	5/2003	Miyashita et al.
9,363,690	B1	6/2016	Suthar et al.	2003/0095208	A1	5/2003	Chourraqui et al.
9,363,761	B2	6/2016	Venkatraman	2003/0137464	A1	7/2003	Foti et al.
9,366,743	B2	6/2016	Doshi et al.	2003/0151548	A1	8/2003	Kingsley et al.
9,368,275	B2	6/2016	McBee et al.	2003/0152331	A1	8/2003	Dair et al.
9,369,177	B2	6/2016	Hui et al.	2003/0164794	A1	9/2003	Haynes et al.
9,372,228	B2	6/2016	Gavin et al.	2003/0188308	A1	10/2003	Kizuka
9,379,527	B2	6/2016	Jean et al.	2003/0190110	A1	10/2003	Kline et al.
9,379,556	B2	7/2016	Haensgen et al.	2003/0202756	A1	10/2003	Hurley et al.
9,380,857	B2	7/2016	Davis et al.	2003/0210197	A1	11/2003	Cencich et al.
9,391,874	B2	7/2016	Corti et al.	2003/0224784	A1	12/2003	Hunt et al.
9,393,683	B2	7/2016	Kimberlin et al.	2004/0015725	A1	1/2004	Boneh et al.
9,394,716	B2	7/2016	Butler et al.	2004/0023640	A1	2/2004	Ballai et al.
9,397,380	B2	7/2016	Kudela et al.	2004/0024913	A1	2/2004	Ikeda et al.
9,400,941	B2	7/2016	Meier et al.	2004/0048596	A1	3/2004	Wyrzykowska et al.
9,401,863	B2	7/2016	Hui et al.	2004/0054425	A1	3/2004	Elmore
9,404,750	B2	8/2016	Rios et al.	2004/0084582	A1	5/2004	Kralic et al.
9,413,519	B2	8/2016	Khoshnood et al.	2004/0085153	A1	5/2004	Fukunaga et al.
9,414,126	B1	8/2016	Zinevich	2004/0090312	A1	5/2004	Manis et al.
9,417,731	B2	8/2016	Premont et al.	2004/0091032	A1	5/2004	Duchi et al.
9,419,712	B2	8/2016	Heidler	2004/0100343	A1	5/2004	Tsu et al.
9,421,869	B1	8/2016	Ananthanarayanan et al.	2004/0104410	A1	6/2004	Gilbert et al.
9,422,139	B1	8/2016	Bialkowski	2004/0109608	A1	6/2004	Love et al.
9,432,478	B2	8/2016	Gibbon et al.	2004/0113756	A1	6/2004	Mollenkopf et al.
9,432,865	B1	8/2016	Jadunandan et al.	2004/0113757	A1	6/2004	White, II et al.
9,439,092	B1	9/2016	Chukka et al.	2004/0119564	A1	6/2004	Itoh et al.
9,443,417	B2	9/2016	Wang	2004/0131310	A1	7/2004	Walker et al.
9,458,974	B2	10/2016	Townsend, Jr. et al.	2004/0163135	A1	8/2004	Giaccherini et al.
9,459,746	B2	10/2016	Zarraga et al.	2004/0165669	A1	8/2004	Otsuka et al.
9,461,706	B1	10/2016	Bennett et al.	2004/0169572	A1	9/2004	Elmore et al.
9,465,397	B2	10/2016	Forbes, Jr. et al.	2004/0196784	A1	10/2004	Larsson et al.
9,467,219	B2	10/2016	Vilhar	2004/0198228	A1	10/2004	Raghothaman et al.
9,467,870	B2	10/2016	Bennett	2004/0212481	A1	10/2004	Abraham et al.
9,476,932	B2	10/2016	Furse et al.	2004/0213147	A1	10/2004	Wiese et al.
9,478,865	B1	10/2016	Willis et al.	2004/0213189	A1	10/2004	Alspaugh et al.
9,479,241	B2	10/2016	Pabla	2004/0213294	A1	10/2004	Hughes et al.
9,479,266	B2	10/2016	Henry et al.	2004/0242185	A1	12/2004	Lee et al.
9,479,299	B2	10/2016	Kim et al.	2004/0250069	A1	12/2004	Kosamo et al.
9,479,392	B2	10/2016	Anderson et al.	2005/0002408	A1	1/2005	Lee et al.
9,479,535	B2	10/2016	Cohen et al.	2005/0005854	A1	1/2005	Suzuki et al.
9,490,869	B1	11/2016	Henry	2005/0017825	A1	1/2005	Hansen
9,490,913	B2	11/2016	Berlin	2005/0031267	A1	2/2005	Sumimoto et al.
9,495,037	B2	11/2016	King-Smith	2005/0063422	A1	3/2005	Lazar et al.
9,496,921	B1	11/2016	Corum	2005/0068223	A1	3/2005	Vavik et al.
9,497,572	B2	11/2016	Britt et al.	2005/0069321	A1	3/2005	Sullivan et al.
9,503,170	B2	11/2016	Vu	2005/0074208	A1	4/2005	Badcock et al.
9,503,189	B2	11/2016	Henry et al.	2005/0097396	A1	5/2005	Wood

(56)

References Cited

U.S. PATENT DOCUMENTS

2005/0102185	A1	5/2005	Barker et al.	2007/0252998	A1	11/2007	Berthold et al.
2005/0111533	A1	5/2005	Berkman et al.	2007/0257858	A1	11/2007	Liu et al.
2005/0141808	A1	6/2005	Cheben et al.	2007/0258484	A1	11/2007	Toliao et al.
2005/0143868	A1	6/2005	Whelan et al.	2007/0268124	A1	11/2007	Berkman et al.
2005/0151659	A1	7/2005	Donovan et al.	2007/0268846	A1	11/2007	Proctor et al.
2005/0159187	A1	7/2005	Mendolia et al.	2007/0300280	A1	12/2007	Turner et al.
2005/0164666	A1	7/2005	Lang et al.	2008/0002652	A1	1/2008	Gupta et al.
2005/0168326	A1	8/2005	White et al.	2008/0003872	A1	1/2008	Chen et al.
2005/0169056	A1	8/2005	Berkman et al.	2008/0007416	A1	1/2008	Cern et al.
2005/0169401	A1	8/2005	Abraham et al.	2008/0008116	A1	1/2008	Buga et al.
2005/0177463	A1	8/2005	Crutchfield et al.	2008/0043655	A1	2/2008	Lee et al.
2005/0190101	A1	9/2005	Hiramatsu et al.	2008/0055149	A1	3/2008	Rees et al.
2005/0208949	A1	9/2005	Chiueh et al.	2008/0060832	A1	3/2008	Razavi et al.
2005/0212626	A1	9/2005	Takamatsu et al.	2008/0064331	A1	3/2008	Washiro et al.
2005/0219126	A1	10/2005	Rebeiz et al.	2008/0077336	A1	3/2008	Fernandes et al.
2005/0219135	A1	10/2005	Lee et al.	2008/0080389	A1	4/2008	Hart et al.
2005/0220180	A1	10/2005	Barley	2008/0084937	A1	4/2008	Barthold et al.
2005/0226353	A1	10/2005	Gebara et al.	2008/0094298	A1	4/2008	Kralovec et al.
2005/0249245	A1	11/2005	Hazani et al.	2008/0120667	A1	5/2008	Zaltsman
2005/0258920	A1	11/2005	Elmore	2008/0122723	A1	5/2008	Rofougaran et al.
2006/0034724	A1	2/2006	Hamano et al.	2008/0130639	A1	6/2008	Costa-Requena et al.
2006/0038660	A1	2/2006	Doumuki et al.	2008/0143491	A1	6/2008	Deaver et al.
2006/0053486	A1	3/2006	Wesinger et al.	2008/0150790	A1	6/2008	Voigtlaender et al.
2006/0071776	A1	4/2006	White et al.	2008/0153416	A1	6/2008	Washiro et al.
2006/0077906	A1	4/2006	Maegawa et al.	2008/0177678	A1	7/2008	Di Martini et al.
2006/0082516	A1	4/2006	Strickland et al.	2008/0191851	A1	8/2008	Koga et al.
2006/0085813	A1	4/2006	Giraldin et al.	2008/0211727	A1	9/2008	Elmore et al.
2006/0094439	A1	5/2006	Christian	2008/0247716	A1	10/2008	Thomas et al.
2006/0106741	A1	5/2006	Janarthanan	2008/0252522	A1	10/2008	Asbridge et al.
2006/0111047	A1	5/2006	Louberg et al.	2008/0253723	A1	10/2008	Stokes et al.
2006/0113425	A1	6/2006	Rader et al.	2008/0255782	A1	10/2008	Bilac et al.
2006/0114925	A1	6/2006	Gerszberg et al.	2008/0258993	A1	10/2008	Gummalla et al.
2006/0119528	A1	6/2006	Bhattacharyya et al.	2008/0266060	A1	10/2008	Takei et al.
2006/0120399	A1	6/2006	Claret et al.	2008/0267076	A1	10/2008	Laperi et al.
2006/0128322	A1	6/2006	Igarashi et al.	2008/0279199	A1	11/2008	Park et al.
2006/0132380	A1	6/2006	Imai et al.	2008/0280574	A1	11/2008	Rofougaran et al.
2006/0153878	A1	7/2006	Savarino et al.	2008/0313691	A1	12/2008	Cholas
2006/0172781	A1	8/2006	Mohebbi et al.	2009/0002137	A1	1/2009	Radtke et al.
2006/0176124	A1	8/2006	Mansour et al.	2009/0007189	A1	1/2009	Gutknecht
2006/0181394	A1	8/2006	Clarke et al.	2009/0007190	A1	1/2009	Weber et al.
2006/0187023	A1	8/2006	Iwamura et al.	2009/0007194	A1	1/2009	Brady, Jr. et al.
2006/0192672	A1	8/2006	Gidge et al.	2009/0009408	A1	1/2009	Rofougaran et al.
2006/0220833	A1	10/2006	Berkman et al.	2009/0015239	A1	1/2009	Georgiou et al.
2006/0221995	A1	10/2006	Berkman et al.	2009/0054056	A1	2/2009	Gil et al.
2006/0232493	A1	10/2006	Huang et al.	2009/0054737	A1	2/2009	Magar et al.
2006/0238347	A1	10/2006	Parkinson et al.	2009/0061940	A1	3/2009	Scheinert et al.
2006/0239501	A1	10/2006	Petrovic et al.	2009/0067441	A1	3/2009	Ansari et al.
2006/0244672	A1	11/2006	Avakian et al.	2009/0079660	A1	3/2009	Elmore
2006/0249622	A1	11/2006	Steele et al.	2009/0085726	A1	4/2009	Radtke et al.
2006/0255930	A1	11/2006	Berkman et al.	2009/0088907	A1	4/2009	Lewis et al.
2006/0286927	A1	12/2006	Berkman et al.	2009/0093267	A1	4/2009	Ariyur et al.
2007/0002771	A1	1/2007	Berkman et al.	2009/0109981	A1	4/2009	Keselman
2007/0022475	A1	1/2007	Rossi et al.	2009/0125351	A1	5/2009	Davis, Jr. et al.
2007/0025265	A1	2/2007	Porras et al.	2009/0129301	A1	5/2009	Belimpasakis
2007/0025386	A1	2/2007	Riedel et al.	2009/0135848	A1	5/2009	Chan et al.
2007/0040628	A1	2/2007	Kanno et al.	2009/0138931	A1	5/2009	Lin et al.
2007/0041464	A1	2/2007	Kim et al.	2009/0140852	A1	6/2009	Stolarczyk et al.
2007/0041554	A1	2/2007	Newman	2009/0144417	A1	6/2009	Kisel et al.
2007/0054622	A1	3/2007	Berkman	2009/0171780	A1	7/2009	Aldrey et al.
2007/0063914	A1	3/2007	Becker et al.	2009/0175195	A1	7/2009	MacAuley et al.
2007/0090185	A1	4/2007	Lewkowitz et al.	2009/0181664	A1	7/2009	Kuruville et al.
2007/0105508	A1	5/2007	Tong et al.	2009/0201133	A1	8/2009	Bruns et al.
2007/0135044	A1	6/2007	Rhodes et al.	2009/0202020	A1	8/2009	Hafeez et al.
2007/0144779	A1	6/2007	Vicente et al.	2009/0210901	A1	8/2009	Hawkins et al.
2007/0164908	A1	7/2007	Turchinets et al.	2009/0212938	A1	8/2009	Swaim et al.
2007/0189182	A1	8/2007	Berkman et al.	2009/0250449	A1	10/2009	Petrenko et al.
2007/0201540	A1	8/2007	Berkman et al.	2009/0254971	A1	10/2009	Herz et al.
2007/0202913	A1	8/2007	Ban et al.	2009/0258652	A1	10/2009	Lambert et al.
2007/0211689	A1	9/2007	Campero et al.	2009/0284435	A1	11/2009	Elmore et al.
2007/0211786	A1	9/2007	Shattil et al.	2009/0286482	A1	11/2009	Gorokhov et al.
2007/0216596	A1	9/2007	Lewis et al.	2009/0289863	A1	11/2009	Lier et al.
2007/0223381	A1	9/2007	Radtke et al.	2009/0304124	A1	12/2009	Graef et al.
2007/0226779	A1	9/2007	Yokomitsu et al.	2009/0311960	A1	12/2009	Farahani et al.
2007/0229184	A1	10/2007	Liu et al.	2009/0315668	A1	12/2009	Leete, III et al.
2007/0229231	A1	10/2007	Hurwitz et al.	2009/0320058	A1	12/2009	Wehmeyer et al.
				2009/0325479	A1	12/2009	Chakrabarti et al.
				2009/0325628	A1	12/2009	Becker et al.
				2010/0002618	A1	1/2010	Eichinger et al.
				2010/0002731	A1	1/2010	Kimura et al.

(56)

References Cited

U.S. PATENT DOCUMENTS

2010/0013696	A1	1/2010	Schmitt et al.	2011/0220394	A1	9/2011	Szylakowski et al.
2010/0026607	A1	2/2010	Imai et al.	2011/0225046	A1	9/2011	Eldering et al.
2010/0039339	A1	2/2010	Kuroda et al.	2011/0228814	A1	9/2011	Washiro et al.
2010/0045447	A1	2/2010	Mollenkopf et al.	2011/0235536	A1	9/2011	Nishizaka et al.
2010/0052799	A1	3/2010	Watanabe et al.	2011/0268085	A1	11/2011	Barany et al.
2010/0053019	A1	3/2010	Ikawa et al.	2011/0274396	A1	11/2011	Nakajima et al.
2010/0057894	A1	3/2010	Glasser	2011/0286506	A1	11/2011	Libby et al.
2010/0080203	A1	4/2010	Reynolds et al.	2011/0291878	A1	12/2011	McLaughlin et al.
2010/0085036	A1	4/2010	Banting et al.	2011/0294509	A1	12/2011	Kim et al.
2010/0090887	A1	4/2010	Cooper et al.	2011/0311231	A1	12/2011	Ridgway et al.
2010/0091712	A1	4/2010	Lu et al.	2011/0316645	A1	12/2011	Takeuchi et al.
2010/0100918	A1	4/2010	Egan, Jr. et al.	2012/0002973	A1	1/2012	Bruzzi et al.
2010/0111521	A1	5/2010	Kim et al.	2012/0015382	A1	1/2012	Weitz et al.
2010/0119234	A1	5/2010	Suematsu et al.	2012/0015654	A1	1/2012	Palanki et al.
2010/0121945	A1	5/2010	Gerber et al.	2012/0019420	A1	1/2012	Caimi et al.
2010/0127848	A1	5/2010	Mustapha et al.	2012/0019427	A1	1/2012	Ishikawa et al.
2010/0141527	A1	6/2010	Lalezari et al.	2012/0038520	A1	2/2012	Cornwell et al.
2010/0142435	A1	6/2010	Kim et al.	2012/0039366	A1	2/2012	Wood et al.
2010/0150215	A1	6/2010	Black et al.	2012/0046891	A1	2/2012	Yaney et al.
2010/0153990	A1	6/2010	Ress et al.	2012/0054571	A1	3/2012	Howard et al.
2010/0169937	A1	7/2010	Atwal et al.	2012/0068903	A1	3/2012	Thevenard et al.
2010/0175080	A1	7/2010	Yuen et al.	2012/0077485	A1	3/2012	Shin et al.
2010/0176894	A1	7/2010	Tahara et al.	2012/0078452	A1	3/2012	Daum et al.
2010/0177894	A1	7/2010	Yasuma et al.	2012/0084807	A1	4/2012	Thompson et al.
2010/0185614	A1	7/2010	O'Brien et al.	2012/0091820	A1	4/2012	Campanella et al.
2010/0201313	A1	8/2010	Vorenkamp et al.	2012/0092161	A1	4/2012	West et al.
2010/0214183	A1	8/2010	Stoneback et al.	2012/0093078	A1	4/2012	Perlman et al.
2010/0214185	A1	8/2010	Sammoura et al.	2012/0102568	A1	4/2012	Tarbotton et al.
2010/0220024	A1	9/2010	Snow et al.	2012/0105246	A1	5/2012	Sexton et al.
2010/0224732	A1	9/2010	Olson et al.	2012/0105637	A1	5/2012	Yousefi et al.
2010/0225426	A1	9/2010	Unger et al.	2012/0109545	A1	5/2012	Meynardi et al.
2010/0232539	A1	9/2010	Han et al.	2012/0109566	A1	5/2012	Adamian et al.
2010/0243633	A1	9/2010	Huynh et al.	2012/0117584	A1	5/2012	Gordon
2010/0253450	A1	10/2010	Kim et al.	2012/0129566	A1	5/2012	Lee et al.
2010/0256955	A1	10/2010	Pupalaikis et al.	2012/0133373	A1	5/2012	Ali et al.
2010/0265877	A1	10/2010	Foxworthy et al.	2012/0137332	A1	5/2012	Kumar et al.
2010/0266063	A1	10/2010	Harel et al.	2012/0144420	A1	6/2012	Del Sordo et al.
2010/0283693	A1	11/2010	Xie et al.	2012/0146861	A1	6/2012	Ambrecht et al.
2010/0284446	A1	11/2010	Mu et al.	2012/0153087	A1	6/2012	Collette et al.
2010/0319068	A1	12/2010	Abbadessa et al.	2012/0154239	A1	6/2012	Bar-Sade et al.
2010/0327880	A1	12/2010	Stein et al.	2012/0161543	A1	6/2012	Reuven et al.
2011/0018704	A1	1/2011	Burrows et al.	2012/0176906	A1	7/2012	Hartenstein et al.
2011/0040861	A1	2/2011	Van Der Merwe et al.	2012/0181258	A1	7/2012	Shan et al.
2011/0042120	A1	2/2011	Otsuka et al.	2012/0181258	A1	7/2012	Shan et al.
2011/0043051	A1	2/2011	Meskens et al.	2012/0190386	A1	7/2012	Anderson
2011/0053498	A1	3/2011	Nogueira-Nine	2012/0197558	A1	8/2012	Henig et al.
2011/0068893	A1	3/2011	Lahiri et al.	2012/0201145	A1	8/2012	Ree et al.
2011/0068988	A1	3/2011	Monte et al.	2012/0214538	A1	8/2012	Kim et al.
2011/0080301	A1	4/2011	Chang et al.	2012/0224807	A1	9/2012	Winzer et al.
2011/0083399	A1	4/2011	Lettkeman et al.	2012/0226394	A1	9/2012	Marcus et al.
2011/0103274	A1	5/2011	Vavik et al.	2012/0235864	A1	9/2012	Lu et al.
2011/0107364	A1	5/2011	Lajoie et al.	2012/0235881	A1	9/2012	Pan et al.
2011/0109936	A1	5/2011	Coffee et al.	2012/0250534	A1	10/2012	Langer et al.
2011/0110404	A1	5/2011	Washiro	2012/0250752	A1	10/2012	McHann et al.
2011/0118888	A1	5/2011	White et al.	2012/0263152	A1	10/2012	Fischer et al.
2011/0132658	A1	6/2011	Miller, II et al.	2012/0267863	A1	10/2012	Kiest et al.
2011/0133865	A1	6/2011	Miller, II et al.	2012/0268340	A1	10/2012	Capozzoli et al.
2011/0133867	A1	6/2011	Miller, II et al.	2012/0270507	A1	10/2012	Qin et al.
2011/0136432	A1	6/2011	Miller, II et al.	2012/0272741	A1	11/2012	Xiao et al.
2011/0140911	A1	6/2011	Pant et al.	2012/0274528	A1	11/2012	Apostolos et al.
2011/0141555	A1	6/2011	Fermann et al.	2012/0287922	A1	11/2012	Heck et al.
2011/0143673	A1	6/2011	Landesman et al.	2012/0299671	A1	11/2012	Ikeda et al.
2011/0148578	A1	6/2011	Aloi et al.	2012/0304294	A1	11/2012	Fujiwara et al.
2011/0148687	A1	6/2011	Wright et al.	2012/0306587	A1	12/2012	Strid et al.
2011/0164514	A1	7/2011	Atkhamie et al.	2012/0306708	A1	12/2012	Henderson et al.
2011/0165847	A1	7/2011	Kawasaki et al.	2012/0313895	A1	12/2012	Haroun et al.
2011/0169336	A1	7/2011	Yerazunis et al.	2012/0319903	A1	12/2012	Huseth et al.
2011/0172000	A1	7/2011	Quigley et al.	2012/0322380	A1	12/2012	Nannarone et al.
2011/0173447	A1	7/2011	Zhang et al.	2012/0322492	A1	12/2012	Koo et al.
2011/0187578	A1	8/2011	Farneth et al.	2012/0324018	A1	12/2012	Metcalfe et al.
2011/0199265	A1	8/2011	Lin et al.	2012/0327908	A1	12/2012	Gupta et al.
2011/0201269	A1	8/2011	Hobbs et al.	2012/0329523	A1	12/2012	Stewart et al.
2011/0208450	A1	8/2011	Salka et al.	2012/0330756	A1	12/2012	Morris et al.
2011/0214176	A1	9/2011	Burch et al.	2013/0002409	A1	1/2013	Molina et al.
2011/0219402	A1	9/2011	Candelore et al.	2013/0003876	A1	1/2013	Bennett
				2013/0010679	A1	1/2013	Ma et al.
				2013/0015922	A1	1/2013	Liu et al.
				2013/0016022	A1	1/2013	Heiks et al.
				2013/0023302	A1	1/2013	Sivanesan et al.
				2013/0039624	A1	2/2013	Scherer et al.

(56)

References Cited

U.S. PATENT DOCUMENTS

2013/0064178	A1	3/2013	Cs et al.	2014/0015705	A1	1/2014	Ebihara et al.
2013/0064311	A1	3/2013	Turner et al.	2014/0019576	A1	1/2014	Lobo et al.
2013/0070621	A1	3/2013	Marzetta et al.	2014/0026170	A1	1/2014	Francisco et al.
2013/0077612	A1	3/2013	Khorami et al.	2014/0028184	A1	1/2014	Voronin et al.
2013/0077664	A1	3/2013	Lee et al.	2014/0028190	A1	1/2014	Voronin et al.
2013/0080290	A1	3/2013	Kamm	2014/0028532	A1	1/2014	Ehrenberg et al.
2013/0086639	A1	4/2013	Sondhi et al.	2014/0032005	A1	1/2014	Iwamura
2013/0093638	A1	4/2013	Shoemaker et al.	2014/0036694	A1	2/2014	Courtice et al.
2013/0095875	A1	4/2013	Reuven et al.	2014/0041925	A1	2/2014	Davis et al.
2013/0108206	A1	5/2013	Sasaoka et al.	2014/0043189	A1	2/2014	Lee et al.
2013/0109317	A1	5/2013	Kikuchi et al.	2014/0043977	A1	2/2014	Wiley et al.
2013/0117852	A1	5/2013	Stute et al.	2014/0044139	A1	2/2014	Dong et al.
2013/0120548	A1	5/2013	Li et al.	2014/0050212	A1	2/2014	Braz et al.
2013/0122828	A1	5/2013	Choi	2014/0052810	A1	2/2014	Osorio et al.
2013/0124365	A1	5/2013	Pradeep	2014/0056130	A1	2/2014	Grayson et al.
2013/0127678	A1	5/2013	Chandler et al.	2014/0057576	A1	2/2014	Monte et al.
2013/0136410	A1	5/2013	Sasaoka et al.	2014/0062784	A1	3/2014	Rison et al.
2013/0144750	A1	6/2013	Brown	2014/0071818	A1	3/2014	Wang et al.
2013/0148194	A1	6/2013	Altug et al.	2014/0072064	A1	3/2014	Lemson et al.
2013/0159153	A1	6/2013	Lau et al.	2014/0072299	A1	3/2014	Stapleton et al.
2013/0159856	A1	6/2013	Ferren	2014/0077995	A1	3/2014	Artemenko et al.
2013/0160122	A1	6/2013	Choi et al.	2014/0086080	A1	3/2014	Hui et al.
2013/0162490	A1	6/2013	Blech et al.	2014/0086152	A1	3/2014	Bontu et al.
2013/0166690	A1	6/2013	Shatzkamer et al.	2014/0112184	A1	4/2014	Chai
2013/0169499	A1	7/2013	Lin et al.	2014/0124236	A1	5/2014	Vu et al.
2013/0173807	A1	7/2013	De Groot et al.	2014/0126914	A1	5/2014	Berlin et al.
2013/0178998	A1	7/2013	Gadiraju et al.	2014/0130111	A1	5/2014	Nulty et al.
2013/0182804	A1	7/2013	Yutaka et al.	2014/0132728	A1	5/2014	Verano et al.
2013/0185552	A1	7/2013	Steer et al.	2014/0139375	A1	5/2014	Faragher et al.
2013/0187636	A1	7/2013	Kast et al.	2014/0143055	A1	5/2014	Johnson
2013/0191052	A1	7/2013	Fernandez	2014/0146902	A1	5/2014	Liu et al.
2013/0201006	A1	8/2013	Kummetz et al.	2014/0148107	A1	5/2014	Maltsev et al.
2013/0201904	A1	8/2013	Toskala et al.	2014/0155054	A1	6/2014	Henry et al.
2013/0205370	A1	8/2013	Kalgi et al.	2014/0165145	A1	6/2014	Baentsch et al.
2013/0207681	A1	8/2013	Slupsky et al.	2014/0169186	A1	6/2014	Zhu et al.
2013/0207859	A1	8/2013	Legay et al.	2014/0177692	A1	6/2014	Yu et al.
2013/0219308	A1	8/2013	Britton et al.	2014/0179302	A1	6/2014	Polehn et al.
2013/0230235	A1	9/2013	Tateno et al.	2014/0189677	A1	7/2014	Curzi et al.
2013/0234904	A1	9/2013	Blech et al.	2014/0189732	A1	7/2014	Shkedi et al.
2013/0234961	A1	9/2013	Garfinkel et al.	2014/0191913	A1	7/2014	Ge et al.
2013/0235845	A1	9/2013	Kovvali et al.	2014/0204000	A1	7/2014	Sato et al.
2013/0235871	A1	9/2013	Brzozowski et al.	2014/0204754	A1	7/2014	Jeong et al.
2013/0262656	A1	10/2013	Cao et al.	2014/0207844	A1	7/2014	Mayo et al.
2013/0262857	A1	10/2013	Neuman et al.	2014/0208272	A1	7/2014	Vats et al.
2013/0263263	A1	10/2013	Narkolayev et al.	2014/0222997	A1	8/2014	Mermoud et al.
2013/0265732	A1	10/2013	Herbsommer et al.	2014/0223527	A1	8/2014	Bortz et al.
2013/0268414	A1	10/2013	Lehtiniemi et al.	2014/0225129	A1	8/2014	Inoue et al.
2013/0271349	A1	10/2013	Wright et al.	2014/0227905	A1	8/2014	Knott et al.
2013/0278464	A1	10/2013	Xia et al.	2014/0227966	A1	8/2014	Artemenko et al.
2013/0279523	A1	10/2013	Denney et al.	2014/0233900	A1	8/2014	Hugonnot et al.
2013/0279561	A1	10/2013	Jin et al.	2014/0241718	A1	8/2014	Jiang et al.
2013/0279868	A1	10/2013	Zhang et al.	2014/0254516	A1	9/2014	Lee et al.
2013/0285864	A1	10/2013	Clymer et al.	2014/0254896	A1	9/2014	Zhou et al.
2013/0303089	A1	11/2013	Wang et al.	2014/0254979	A1	9/2014	Zhang et al.
2013/0305369	A1	11/2013	Karta et al.	2014/0266946	A1	9/2014	Bily et al.
2013/0306351	A1	11/2013	Lambert et al.	2014/0266953	A1	9/2014	Yen et al.
2013/0307645	A1	11/2013	Mita et al.	2014/0267700	A1	9/2014	Wang et al.
2013/0311661	A1	11/2013	McPhee	2014/0269260	A1	9/2014	Xue et al.
2013/0314182	A1	11/2013	Takeda et al.	2014/0269691	A1	9/2014	Xue et al.
2013/0321225	A1	12/2013	Pettus et al.	2014/0269972	A1	9/2014	Rada et al.
2013/0326063	A1	12/2013	Burch et al.	2014/0273873	A1	9/2014	Huynh et al.
2013/0326494	A1	12/2013	Nunez et al.	2014/0285277	A1	9/2014	Herbsommer et al.
2013/0330050	A1	12/2013	Yang et al.	2014/0285293	A1	9/2014	Schuppener et al.
2013/0335165	A1	12/2013	Arnold et al.	2014/0285373	A1	9/2014	Kuwahara et al.
2013/0336370	A1	12/2013	Jovanovic et al.	2014/0285389	A1	9/2014	Fakharzadeh et al.
2013/0336418	A1	12/2013	Tomeba et al.	2014/0286189	A1	9/2014	Kang et al.
2013/0341094	A1	12/2013	Taherian et al.	2014/0286235	A1	9/2014	Chang et al.
2013/0342287	A1	12/2013	Randall et al.	2014/0286284	A1	9/2014	Lim et al.
2013/0343213	A1	12/2013	Reynolds et al.	2014/0287702	A1	9/2014	Schuppener et al.
2013/0343351	A1	12/2013	Sambhwani et al.	2014/0299349	A1	10/2014	Yamaguchi et al.
2014/0003394	A1	1/2014	Rubin et al.	2014/0304498	A1	10/2014	Gonuguntla et al.
2014/0003775	A1	1/2014	Ko et al.	2014/0317229	A1	10/2014	Hughes et al.
2014/0007076	A1	1/2014	Kim et al.	2014/0320364	A1	10/2014	Gu et al.
2014/0009270	A1	1/2014	Yamazaki et al.	2014/0321273	A1	10/2014	Morrill et al.
2014/0009822	A1	1/2014	Dong et al.	2014/0325594	A1	10/2014	Klein et al.
				2014/0334773	A1	11/2014	Mathai et al.
				2014/0334789	A1	11/2014	Matsuo et al.
				2014/0340271	A1	11/2014	Petkov et al.
				2014/0343883	A1	11/2014	Libby et al.

(56)

References Cited

U.S. PATENT DOCUMENTS

2014/0349696	A1	11/2014	Hyde et al.	2015/0284079	A1	10/2015	Matsuda
2014/0351571	A1	11/2014	Jacobs	2015/0288532	A1	10/2015	Veyseh et al.
2014/0355525	A1	12/2014	Barzegar et al.	2015/0289247	A1	10/2015	Liu et al.
2014/0355989	A1	12/2014	Finckelstein	2015/0303892	A1	10/2015	Desclos
2014/0357269	A1	12/2014	Zhou et al.	2015/0304045	A1	10/2015	Henry et al.
2014/0359275	A1	12/2014	Murugesan et al.	2015/0304869	A1	10/2015	Johnson et al.
2014/0362374	A1	12/2014	Santori	2015/0311951	A1	10/2015	Hariz
2014/0362694	A1	12/2014	Rodrigues	2015/0312774	A1	10/2015	Lau
2014/0368301	A1	12/2014	Herbsommer et al.	2015/0318610	A1	11/2015	Lee et al.
2014/0369430	A1	12/2014	Parnell	2015/0323948	A1	11/2015	Jeong
2014/0372068	A1	12/2014	Seto et al.	2015/0325913	A1	11/2015	Vagman
2014/0373053	A1	12/2014	Leley et al.	2015/0326274	A1	11/2015	Flood
2014/0376655	A1	12/2014	Ruan et al.	2015/0326287	A1	11/2015	Kazmi et al.
2015/0008996	A1	1/2015	Jessup et al.	2015/0333386	A1	11/2015	Kaneda et al.
2015/0009089	A1	1/2015	Pesa	2015/0333804	A1	11/2015	Yang et al.
2015/0016260	A1	1/2015	Chow et al.	2015/0334769	A1	11/2015	Kim et al.
2015/0017473	A1	1/2015	Verhoeven et al.	2015/0339912	A1	11/2015	Farrand et al.
2015/0022399	A1	1/2015	Clymer et al.	2015/0344136	A1	12/2015	Dahlstrom
2015/0026460	A1	1/2015	Walton	2015/0349415	A1	12/2015	Iwanaka
2015/0029065	A1	1/2015	Cheng	2015/0356482	A1	12/2015	Whipple et al.
2015/00336610	A1	2/2015	Kim et al.	2015/0356848	A1	12/2015	Hatch
2015/0042526	A1	2/2015	Zeine	2015/0369660	A1	12/2015	Yu
2015/0048238	A1	2/2015	Kawai	2015/0370251	A1	12/2015	Siegel et al.
2015/0049998	A1	2/2015	Dumais	2015/0373557	A1	12/2015	Bennett et al.
2015/0061859	A1	3/2015	Matsuoka et al.	2015/0380814	A1	12/2015	Boutayeb et al.
2015/0065166	A1	3/2015	Ward et al.	2015/0382208	A1	12/2015	Elliott et al.
2015/0070231	A1	3/2015	Park et al.	2015/0382363	A1	12/2015	Wang et al.
2015/0071594	A1	3/2015	Register	2016/0006129	A1	1/2016	Haziza
2015/0073594	A1	3/2015	Trujillo et al.	2016/0012460	A1	1/2016	Kruglick
2015/0077740	A1	3/2015	Fuse	2016/0014749	A1	1/2016	Kang et al.
2015/0078756	A1	3/2015	Soto	2016/0021545	A1	1/2016	Shaw
2015/0084660	A1	3/2015	Knierim et al.	2016/0026301	A1	1/2016	Zhou et al.
2015/0084703	A1	3/2015	Sanduleanu	2016/0029009	A1	1/2016	Lu et al.
2015/0084814	A1	3/2015	Rojanski et al.	2016/0038074	A1	2/2016	Brown et al.
2015/0091650	A1	4/2015	Nobbe	2016/0043478	A1	2/2016	Hartenstein
2015/0094104	A1	4/2015	Wilmhoff et al.	2016/0044705	A1	2/2016	Gao
2015/0098387	A1	4/2015	Garg et al.	2016/0050028	A1	2/2016	Henry et al.
2015/0099555	A1	4/2015	Krishnaswamy et al.	2016/0056543	A1	2/2016	Kwiatkowski
2015/0102972	A1	4/2015	Scire-Scappuzzo et al.	2016/0063642	A1	3/2016	Luciani et al.
2015/0103685	A1	4/2015	Butchko et al.	2016/0064794	A1	3/2016	Henry et al.
2015/0104005	A1	4/2015	Holman	2016/0065252	A1	3/2016	Preschutti
2015/0105115	A1	4/2015	Hata et al.	2016/0065335	A1	3/2016	Koo et al.
2015/0109178	A1	4/2015	Hyde et al.	2016/0066191	A1	3/2016	Li
2015/0116154	A1	4/2015	Artemenko	2016/0068265	A1	3/2016	Hoareau et al.
2015/0185425	A1	4/2015	Gundel et al.	2016/0068277	A1	3/2016	Manitta
2015/0122886	A1	5/2015	Koch	2016/0069934	A1	3/2016	Saxby et al.
2015/0126107	A1	5/2015	Bennett et al.	2016/0070265	A1	3/2016	Liu et al.
2015/0130675	A1	5/2015	Parsche	2016/0072173	A1	3/2016	Herbsommer et al.
2015/0138022	A1	5/2015	Takahashi	2016/0072191	A1	3/2016	Iwai
2015/0138144	A1	5/2015	Tanabe	2016/0072287	A1	3/2016	Jia
2015/0153248	A1	6/2015	Hayward et al.	2016/0079769	A1	3/2016	Corum et al.
2015/0156266	A1	6/2015	Gupta	2016/0079771	A1	3/2016	Corum
2015/0162988	A1	6/2015	Henry et al.	2016/0079809	A1	3/2016	Corum et al.
2015/0171522	A1	6/2015	Liu et al.	2016/0080035	A1	3/2016	Fuchs et al.
2015/0172036	A1	6/2015	Katar et al.	2016/0080839	A1	3/2016	Fuchs et al.
2015/0181449	A1	6/2015	Didenko et al.	2016/0082460	A1	3/2016	McMaster et al.
2015/0195349	A1	7/2015	Cardamore	2016/0087344	A1	3/2016	Artemenko et al.
2015/0195719	A1	7/2015	Rahman	2016/0088498	A1	3/2016	Sharawi
2015/0201228	A1	7/2015	Hasek	2016/0094420	A1	3/2016	Clemm et al.
2015/0207527	A1	7/2015	Eliasz et al.	2016/0094879	A1	3/2016	Gerszberg et al.
2015/0214615	A1	7/2015	Patel et al.	2016/0069935	A1	4/2016	Kreikebaum et al.
2015/0215268	A1	7/2015	Dinha	2016/0099749	A1	4/2016	Bennett et al.
2015/0223078	A1	8/2015	Bennett et al.	2016/0100324	A1	4/2016	Henry et al.
2015/0223113	A1	8/2015	Matsunaga	2016/0103199	A1	4/2016	Rappaport
2015/0223160	A1	8/2015	Ho	2016/0105218	A1	4/2016	Henry et al.
2015/0230109	A1	8/2015	Socaciu et al.	2016/0105233	A1	4/2016	Jalali
2015/0236778	A1	8/2015	Jalali	2016/0105239	A1	4/2016	Henry et al.
2015/0236779	A1	8/2015	Jalali	2016/0105255	A1	4/2016	Henry et al.
2015/0237519	A1	8/2015	Ghai	2016/0111890	A1	4/2016	Corum et al.
2015/0249965	A1	9/2015	Dussmann et al.	2016/0112092	A1	4/2016	Henry et al.
2015/0263424	A1	9/2015	Sanford	2016/0112093	A1	4/2016	Barzegar
2015/0271830	A1	9/2015	Shin et al.	2016/0112094	A1	4/2016	Stuckman et al.
2015/0276577	A1	10/2015	Ruege et al.	2016/0112094	A1	4/2016	Henry et al.
2015/0277569	A1	10/2015	Sprenger	2016/0112115	A1	4/2016	Henry et al.
2015/0280328	A1	10/2015	Sanford et al.	2016/0112132	A1	4/2016	Gerszberg et al.
				2016/0112133	A1	4/2016	Henry et al.
				2016/0112135	A1	4/2016	Henry et al.
				2016/0112263	A1	4/2016	Henry et al.
				2016/0116914	A1	4/2016	Mucci
				2016/0118717	A1	4/2016	Britz et al.

(56)

References Cited

U.S. PATENT DOCUMENTS

2016/0124071 A1 5/2016 Baxley et al.
 2016/0127931 A1 5/2016 Baxley et al.
 2016/0131347 A1 5/2016 Hill et al.
 2016/0134006 A1 5/2016 Ness et al.
 2016/0135132 A1 5/2016 Donepudi et al.
 2016/0135184 A1 5/2016 Zavadsky et al.
 2016/0137311 A1 5/2016 Peverill et al.
 2016/0139731 A1 5/2016 Kim
 2016/0149312 A1 5/2016 Henry et al.
 2016/0149614 A1 5/2016 Barzegar
 2016/0149636 A1 5/2016 Gerszberg et al.
 2016/0149665 A1 5/2016 Henry et al.
 2016/0149731 A1 5/2016 Henry et al.
 2016/0149753 A1 5/2016 Gerszberg et al.
 2016/0150427 A1 5/2016 Ramanath
 2016/0153938 A1 6/2016 Balasubramaniam et al.
 2016/0164571 A1 6/2016 Bennett et al.
 2016/0164573 A1 6/2016 Birk et al.
 2016/0165472 A1 6/2016 Gopalakrishnan et al.
 2016/0165478 A1 6/2016 Yao et al.
 2016/0174040 A1 6/2016 Roberts et al.
 2016/0179134 A1 6/2016 Ryu
 2016/0181701 A1 6/2016 Sangaran et al.
 2016/0182161 A1 6/2016 Barzegar
 2016/0182981 A1 6/2016 Minarik et al.
 2016/0188291 A1 6/2016 Vilermo et al.
 2016/0189101 A1 6/2016 Kantor et al.
 2016/0197392 A1 7/2016 Henry et al.
 2016/0197409 A1 7/2016 Henry et al.
 2016/0197630 A1 7/2016 Kawasaki
 2016/0197642 A1 7/2016 Henry et al.
 2016/0207627 A1 7/2016 Hoareau et al.
 2016/0212065 A1 7/2016 To et al.
 2016/0212641 A1 7/2016 Kong et al.
 2016/0214717 A1 7/2016 De Silva
 2016/0218407 A1 7/2016 Henry et al.
 2016/0218437 A1 7/2016 Guntupalli
 2016/0221039 A1 8/2016 Fuchs et al.
 2016/0224235 A1 8/2016 Forsstrom
 2016/0226681 A1 8/2016 Henry et al.
 2016/0244165 A1 8/2016 Patrick et al.
 2016/0248149 A1 8/2016 Kim et al.
 2016/0248165 A1 8/2016 Henry
 2016/0248509 A1 8/2016 Henry
 2016/0249233 A1 8/2016 Murray
 2016/0252970 A1 9/2016 Dahl
 2016/0261309 A1 9/2016 Henry
 2016/0261310 A1 9/2016 Fuchs et al.
 2016/0261311 A1 9/2016 Henry et al.
 2016/0261312 A1 9/2016 Fuchs et al.
 2016/0269156 A1 9/2016 Barzegar et al.
 2016/0276725 A1 9/2016 Barnickel et al.
 2016/0277939 A1 9/2016 Bertrand et al.
 2016/0278094 A1 9/2016 Henry et al.
 2016/0285508 A1 9/2016 Bennett et al.
 2016/0285512 A1 9/2016 Henry et al.
 2016/0294444 A1 10/2016 Gerszberg et al.
 2016/0294517 A1 10/2016 Barzegar et al.
 2016/0295431 A1 10/2016 Henry et al.
 2016/0306361 A1 10/2016 Shalom et al.
 2016/0315659 A1 10/2016 Henry
 2016/0315660 A1 10/2016 Henry
 2016/0315661 A1 10/2016 Henry
 2016/0315662 A1 10/2016 Henry
 2016/0322691 A1 11/2016 Bennett et al.
 2016/0323015 A1 11/2016 Henry et al.
 2016/0329957 A1 11/2016 Schmid et al.
 2016/0336091 A1 11/2016 Henry et al.
 2016/0336092 A1 11/2016 Henry et al.
 2016/0336636 A1 11/2016 Henry et al.
 2016/0336996 A1 11/2016 Henry
 2016/0336997 A1 11/2016 Henry
 2016/0351987 A1 12/2016 Henry
 2016/0359523 A1 12/2016 Bennett
 2016/0359524 A1 12/2016 Bennett et al.

2016/0359529 A1 12/2016 Bennett et al.
 2016/0359530 A1 12/2016 Bennett
 2016/0359541 A1 12/2016 Bennett
 2016/0359542 A1 12/2016 Bennett
 2016/0359543 A1 12/2016 Bennett et al.
 2016/0359544 A1 12/2016 Bennett
 2016/0359546 A1 12/2016 Bennett
 2016/0359547 A1 12/2016 Bennett
 2016/0359649 A1 12/2016 Bennett et al.
 2016/0360511 A1 12/2016 Barzegar
 2016/0360533 A1 12/2016 Bennett et al.
 2016/0365175 A1 12/2016 Bennett et al.
 2016/0365893 A1 12/2016 Bennett et al.
 2016/0365894 A1 12/2016 Bennett et al.
 2016/0365897 A1 12/2016 Gross
 2016/0365916 A1 12/2016 Bennett et al.
 2016/0365943 A1 12/2016 Henry et al.
 2016/0365966 A1 12/2016 Bennett et al.
 2016/0366586 A1 12/2016 Gross et al.
 2016/0366587 A1 12/2016 Gross
 2016/0373937 A1 12/2016 Bennett et al.
 2016/0380327 A1 12/2016 Henry
 2016/0380328 A1 12/2016 Henry
 2016/0380358 A1 12/2016 Henry
 2016/0380701 A1 12/2016 Henry et al.
 2016/0380702 A1 12/2016 Henry et al.
 2017/0012667 A1 1/2017 Bennett
 2017/0018174 A1 1/2017 Gerszberg
 2017/0018332 A1 1/2017 Barzegar et al.
 2017/0018830 A1 1/2017 Henry et al.
 2017/0018831 A1 1/2017 Henry et al.
 2017/0018832 A1 1/2017 Henry et al.
 2017/0018833 A1 1/2017 Henry et al.
 2017/0018851 A1 1/2017 Henry et al.
 2017/0018852 A1 1/2017 Adriaola et al.
 2017/0018856 A1 1/2017 Henry et al.
 2017/0019130 A1 1/2017 Henry et al.
 2017/0019131 A1 1/2017 Henry et al.
 2017/0019150 A1 1/2017 Henry
 2017/0019189 A1 1/2017 Henry et al.
 2017/0025728 A1 1/2017 Henry et al.
 2017/0025732 A1 1/2017 Henry et al.
 2017/0025734 A1 1/2017 Henry et al.
 2017/0025839 A1 1/2017 Henry et al.
 2017/0026063 A1 1/2017 Henry
 2017/0026082 A1 1/2017 Henry et al.
 2017/0026084 A1 1/2017 Henry et al.
 2017/0026129 A1 1/2017 Henry
 2017/0033464 A1 2/2017 Henry et al.
 2017/0033465 A1 2/2017 Henry et al.
 2017/0033466 A1 2/2017 Henry et al.
 2017/0033834 A1 2/2017 Gross
 2017/0033835 A1 2/2017 Bennett et al.
 2017/0033953 A1 2/2017 Henry et al.
 2017/0033954 A1 2/2017 Henry et al.
 2017/0034042 A1 2/2017 Gross et al.
 2017/0041081 A1 2/2017 Henry et al.
 2017/0047662 A1 2/2017 Henry et al.
 2017/0063430 A1 3/2017 Henry et al.
 2017/0064715 A1 3/2017 Niewczas

FOREIGN PATENT DOCUMENTS

AU 606303 B2 1/1991
 AU 7261000 A 4/2001
 AU 760272 B2 5/2003
 AU 2005227368 B2 2/2009
 AU 2010101079 A4 11/2010
 AU 2007215252 B2 1/2011
 AU 2014200748 A1 3/2014
 CA 1136267 A1 11/1982
 CA 1211813 A1 9/1986
 CA 1328009 C 3/1994
 CA 2260380 C 12/2000
 CA 2348614 A1 3/2001
 CA 2449596 A1 6/2005
 CA 2515560 A1 2/2007
 CA 2664573 A1 4/2008
 CA 2467988 C 11/2010

(56)

References Cited

FOREIGN PATENT DOCUMENTS

CA	2777147	A1	4/2011	DE	102004024356	A1	9/2005
CA	2814529	A1	4/2012	DE	69732676	T2	4/2006
CA	2787580	A1	2/2013	DE	4337835	B4	5/2008
CA	2927054	A1	5/2015	DE	102007049914	A1	4/2009
CA	2940976		9/2015	DE	102012004998	A1	7/2013
CN	2116969	U	9/1992	DE	102012203816	A1	9/2013
CN	1155354	C	7/1997	EP	0102846		3/1984
CN	1411563	A	4/2003	EP	0110478		6/1984
CN	1126425	C	10/2003	EP	0136818		4/1985
CN	2730033	Y	9/2005	EP	0280379		8/1988
CN	1833397	A	9/2006	EP	0330303		8/1989
CN	1885736	A	12/2006	EP	0331248		9/1989
CN	201048157	Y	4/2008	EP	0342149		11/1989
CN	201146495	Y	11/2008	EP	0391719		4/1990
CN	201207179	Y	3/2009	EP	425979	A2	5/1991
CN	100502181	C	6/2009	EP	0485467		5/1992
CN	201282193	Y	7/2009	EP	272785	B1	2/1994
CN	101834011	U	4/2010	EP	0651487		10/1994
CN	1823275	B	5/2010	EP	0371660		4/1996
CN	101785201	A	7/2010	EP	0756392		1/1997
CN	1820482	B	12/2010	EP	834722	A2	4/1998
CN	101075702	B	2/2011	EP	0840464		5/1998
CN	101978613	A	2/2011	EP	0871241	B1	10/1998
CN	102130698	A	7/2011	EP	0890132		1/1999
CN	102136634	A	7/2011	EP	755092	A3	4/1999
CN	201985870	U	9/2011	EP	0896380		10/1999
CN	102208716	A	10/2011	EP	676648	B1	5/2000
CN	102280704	A	12/2011	EP	1085599	A2	3/2001
CN	102280709	A	12/2011	EP	0907983	B1	6/2001
CN	202093126	U	12/2011	EP	0756786		8/2001
CN	102351415	A	2/2012	EP	1127283	A1	8/2001
CN	102396111	A	3/2012	EP	1129550	A1	9/2001
CN	202253536	U	5/2012	EP	1184930	A1	3/2002
CN	102544736	A	7/2012	EP	1195847	A2	4/2002
CN	102590893	A	7/2012	EP	1237303	A2	9/2002
CN	102694351	A	9/2012	EP	1296146	A1	3/2003
CN	202424729	U	9/2012	EP	0772061		7/2003
CN	101662076	B	11/2012	EP	1346431	A1	9/2003
CN	102780058	A	11/2012	EP	1249056	B1	1/2004
CN	102017692	B	4/2013	EP	1376755	A1	1/2004
CN	103078673	A	5/2013	EP	1401048	A1	3/2004
CN	103117118	A	5/2013	EP	1454422	A1	9/2004
CN	103163881	A	6/2013	EP	1488397	A1	12/2004
CN	203204743	U	9/2013	EP	1509970		3/2005
CN	1863244	B	10/2013	EP	1371108	B1	6/2005
CN	101958461	B	11/2013	EP	1550327	A2	7/2005
CN	103700442	A	4/2014	EP	1341255	B8	8/2005
CN	103943925	A	7/2014	EP	1577687	A1	9/2005
CN	104052742	A	9/2014	EP	1312135	B1	11/2005
CN	104064844	A	9/2014	EP	1608110	A1	12/2005
CN	203813973	U	9/2014	EP	1624685	A2	2/2006
CN	104091987	A	10/2014	EP	1642468	A2	4/2006
CN	104092028	A	10/2014	EP	1647072	A1	4/2006
CN	203931626	U	11/2014	EP	1608110	B1	10/2006
CN	203950607	U	11/2014	EP	1793508	A1	6/2007
CN	104181552	A	12/2014	EP	1842265	A1	10/2007
CN	204538183		8/2015	EP	1898532	A2	3/2008
CN	102412442	B	10/2015	EP	1930982	A1	6/2008
CN	204760545	U	11/2015	EP	1953940	A1	8/2008
CN	105262551	A	1/2016	EP	1696509	B1	10/2009
CN	205265924		1/2016	EP	2159749	A1	3/2010
CN	105359572	A	2/2016	EP	2165550	A1	3/2010
CN	105453340		3/2016	EP	1166599	B1	5/2010
CN	105594138	A	5/2016	EP	1807950	A4	1/2011
CN	104162995	B	6/2016	EP	2404347	A2	1/2012
CN	105813193	A	7/2016	EP	2472671	A1	7/2012
DE	3504546	A1	8/1986	EP	1817855	B1	1/2013
DE	3533204	A1	3/1987	EP	2568528	A2	3/2013
DE	3533211	A1	3/1987	EP	2302735	B1	9/2013
DE	3827956	A1	3/1989	EP	2472737	B1	9/2013
DE	4027367	C1	7/1991	EP	2640115	A1	9/2013
DE	4225595	C1	9/1993	EP	2016643	B1	7/2014
DE	19501448	A1	7/1996	EP	2760081	A1	7/2014
DE	19939832	A1	2/2001	EP	2804259	A1	11/2014
DE	10043761	C2	11/2002	EP	2507939	B1	12/2014
				EP	2680452	B1	1/2015
				EP	2838155	A1	2/2015
				EP	2846480	A1	3/2015
				EP	2849524	A1	3/2015

(56) References Cited			IN	7352/CHENP/2015	A	7/2016
FOREIGN PATENT DOCUMENTS			IN	201647015348	A	8/2016
			JP	S50109642		9/1975
			JP	55124303	U	9/1980
EP	2850695	A1 3/2015	JP	55138902	U	10/1980
EP	2853902	A1 4/2015	JP	574601		1/1982
EP	2854361	A1 4/2015	JP	61178682	U	11/1986
EP	2870802	A1 5/2015	JP	61260702	A	11/1986
EP	2710400	A4 6/2015	JP	62110303	U	7/1987
EP	3076482	A1 10/2016	JP	62190903	U	8/1987
ES	2120893	A1 11/1998	JP	02214307	A	8/1990
FR	2119804	A1 8/1972	JP	03167906	A	7/1991
FR	2214161	A1 8/1974	JP	0653894		8/1991
FR	2416562	A1 8/1979	JP	04369905	A	12/1992
FR	2583226	A1 12/1986	JP	3001844	U	9/1994
FR	2691602	A1 11/1993	JP	077769		1/1995
FR	2849728	A1 7/2004	JP	7212126		11/1995
FR	2841387	B1 4/2006	JP	0829545		2/1996
FR	2893717	A1 5/2007	JP	08167810	A	6/1996
FR	2946466	B1 3/2012	JP	08196022	A	7/1996
FR	2986376	B1 10/2014	JP	08316918	A	11/1996
FR	3034203	9/2016	JP	2595339	B2	4/1997
GB	175489	A 2/1922	JP	2639531	B2	8/1997
GB	462804	A 3/1937	JP	10206183	A	8/1998
GB	529290	A 11/1940	JP	10271071	A	10/1998
GB	603119	A 10/1945	JP	116928	A	1/1999
GB	589603	A 6/1947	JP	1114749	A	1/1999
GB	640181	A 7/1950	JP	11239085	A	8/1999
GB	663166	A 12/1951	JP	11313022	A	11/1999
GB	667290	A 2/1952	JP	2000077889	A	3/2000
GB	668827	A 3/1952	JP	2000216623	A	8/2000
GB	682115	A 11/1952	JP	2000244238	A	9/2000
GB	682817	A 11/1952	JP	2001217634	A	8/2001
GB	731473	A 6/1955	JP	2002029247	A	1/2002
GB	746111	A 3/1956	JP	2002236174	A	8/2002
GB	751153	A 6/1956	JP	200328219	A	1/2003
GB	767506	A 2/1957	JP	2003008336	A	1/2003
GB	835976	A 6/1960	JP	2003057464	A	2/2003
GB	845492	A 8/1960	JP	2003511677	A	3/2003
GB	859951	A 1/1961	JP	3411428	B2	6/2003
GB	889856	A 2/1962	JP	2003324309	A	11/2003
GB	905417	A 9/1962	JP	3480153	B2	12/2003
GB	926958	A 5/1963	JP	2003344883	A	12/2003
GB	993561	A 5/1965	JP	2004521379	A	7/2004
GB	1004318	A 9/1965	JP	2004253853	A	9/2004
GB	1076772	A 7/1967	JP	2004274656	A	9/2004
GB	1141390	A 1/1969	JP	2004297107	A	10/2004
GB	1298387	A 11/1972	JP	2004304659	A	10/2004
GB	1383549	A 2/1974	JP	2005110231	A	4/2005
GB	1370669	A 10/1974	JP	2005182469	A	7/2005
GB	1422956	A 1/1976	JP	3734975	B2	1/2006
GB	1424351	A 2/1976	JP	2006153878	A	6/2006
GB	1468310	A 3/1977	JP	2006163886	A	6/2006
GB	1469840	A 4/1977	JP	2006166399	A	6/2006
GB	1527228	A 10/1978	JP	2007042009	A	2/2007
GB	2010528	A 6/1979	JP	2007072945	A	3/2007
GB	2045055	A 10/1980	JP	3938315	B2	6/2007
GB	1580627	A 12/1980	JP	2007174017	A	7/2007
GB	1584193	A 2/1981	JP	2007259001	A	10/2007
GB	2227369	A 7/1990	JP	4025674	B2	12/2007
GB	2247990	A 3/1992	JP	2008017263	A	1/2008
GB	2368468	A 5/2002	JP	2008021483	A	1/2008
GB	2362472	B 10/2003	JP	4072280	B2	4/2008
GB	2393370	A 3/2004	JP	4142062	B2	8/2008
GB	2394364	B 6/2005	JP	2008209965	A	9/2008
GB	2414862	A 12/2005	JP	2008218362	A	9/2008
GB	2411554	B 1/2006	JP	2009004986	A	1/2009
GB	705192	4/2007	JP	4252573	B2	4/2009
GB	714974	9/2007	JP	4259760	B2	4/2009
GB	718597	10/2007	JP	2009124229	A	6/2009
GB	2474037	A 4/2011	JP	2010045471	A	2/2010
GB	2476787	A 7/2011	JP	2010192992	A	9/2010
GB	2474605	B 9/2011	JP	2010541468	A	12/2010
GB	2485355	A 5/2012	JP	2011160446	A	8/2011
GB	2481715	B 1/2014	JP	2012058162	A	3/2012
GB	2507269	A 4/2014	JP	2012090242	A	5/2012
GB	2476149	B 7/2014	JP	2012175680	A	9/2012
GB	2532207	A 5/2016	JP	2012205104	A	10/2012
IN	261253	A1 6/2014	JP	2012248035	A	12/2012

(56)

References Cited

FOREIGN PATENT DOCUMENTS

JP	2013046412	A	3/2013	WO	2004011995	A1	2/2004
JP	2013110503	A	6/2013	WO	2004038891	A2	5/2004
JP	5230779	B2	7/2013	WO	2004/051804		6/2004
JP	2014045237	A	3/2014	WO	2004054159	A2	6/2004
JP	5475475	B2	4/2014	WO	2004077746	A1	9/2004
JP	5497348	B2	5/2014	WO	2005015686	A1	2/2005
JP	5618072	B2	11/2014	WO	2005072469	A2	8/2005
JP	2015095520	A	5/2015	WO	2006012610	A2	2/2006
JP	2015188174		10/2015	WO	2006061865	A1	6/2006
KR	20000074034		12/2000	WO	2006085804	A1	8/2006
KR	20020091917		12/2002	WO	2006102419	A2	9/2006
KR	100624049	B1	9/2006	WO	2006111809	A1	10/2006
KR	200425873	Y1	9/2006	WO	2006116396	A2	11/2006
KR	100636388	B1	10/2006	WO	2006122041	A2	11/2006
KR	100725002	B1	6/2007	WO	2006125279	A1	11/2006
KR	100849702	B1	7/2008	WO	2007000777	B1	2/2007
KR	100916077	B1	8/2009	WO	2006050331	A3	3/2007
KR	100952976	B1	4/2010	WO	2007031435	A1	3/2007
KR	100989064	B1	10/2010	WO	2007071797	A1	6/2007
KR	101060584	B1	8/2011	WO	2007148097	A2	12/2007
KR	101070364	B1	9/2011	WO	2008003939	A1	1/2008
KR	101212354	B1	12/2012	WO	2007094944	A3	3/2008
KR	101259715	B1	4/2013	WO	2007149746	A3	4/2008
KR	101288770	B1	7/2013	WO	2008044062	A1	4/2008
KR	20140104097	A	8/2014	WO	2008055084	A2	5/2008
KR	101435538	B1	9/2014	WO	2008061107	A2	5/2008
KR	101447809	B1	10/2014	WO	2008069358	A1	6/2008
KR	20150087455		7/2015	WO	2008070957	A1	6/2008
KR	101549622		9/2015	WO	2008102987	A1	8/2008
KR	200479199	Y1	12/2015	WO	2008117973	A1	10/2008
KR	101586236	B1	1/2016	WO	2008155769	A2	12/2008
KR	101606803		1/2016	WO	2009014704	A1	1/2009
KR	101607420	B1	3/2016	WO	2007098061	A3	2/2009
NL	69072		1/1945	WO	2009031794	A1	3/2009
RU	2129746	C1	4/1999	WO	2009035285	A2	3/2009
RU	2432647	C1	10/2011	WO	2009090602	A1	7/2009
TW	201537432		10/2015	WO	2009123404	A4	10/2009
WO	8301711	A1	5/1983	WO	2009131316	A2	10/2009
WO	9116770	A1	10/1991	WO	2010017549	A1	2/2010
WO	9210014		6/1992	WO	2010050892	A1	5/2010
WO	9323928		11/1993	WO	2010147806	A1	12/2010
WO	9424467	A1	10/1994	WO	2011006210	A1	1/2011
WO	9523440	A1	8/1995	WO	2011032605	A1	3/2011
WO	9529537	A1	11/1995	WO	2011085650	A1	7/2011
WO	199529537		11/1995	WO	2011137793	A1	11/2011
WO	9603801	A1	2/1996	WO	2012/007831		1/2012
WO	199619089		6/1996	WO	2012038816	A1	3/2012
WO	9639729	A1	12/1996	WO	2012050069	A1	4/2012
WO	9641157		12/1996	WO	2012064333	A1	5/2012
WO	9735387	A1	9/1997	WO	2012113219	A1	8/2012
WO	9737445	A1	10/1997	WO	2012171205	A1	12/2012
WO	9829853	A1	7/1998	WO	2012172565	A1	12/2012
WO	9857207		12/1998	WO	2013013162	A2	1/2013
WO	9859254	A1	12/1998	WO	2013013465	A1	1/2013
WO	9923848	A2	5/1999	WO	2013017822		2/2013
WO	9948230	A1	9/1999	WO	2013023226	A1	2/2013
WO	199945310		9/1999	WO	2013028197	A1	2/2013
WO	9967903	A1	12/1999	WO	2013035110	A2	3/2013
WO	0070891	A1	11/2000	WO	2013073548	A1	5/2013
WO	2000/74428	A1	12/2000	WO	2013100912	A1	7/2013
WO	2001014985	A1	3/2001	WO	2013112353	A1	8/2013
WO	0128159	A2	4/2001	WO	2013115802	A1	8/2013
WO	0131746	A1	5/2001	WO	2013121682	A1	8/2013
WO	0145206	A1	6/2001	WO	2013123445	A1	8/2013
WO	0192910	A2	12/2001	WO	2013/138627		9/2013
WO	02061467	A2	8/2002	WO	2013136213	A1	9/2013
WO	02061971	A1	8/2002	WO	2013157978	A1	10/2013
WO	03/005629		1/2003	WO	2013172502	A1	11/2013
WO	2003009083		1/2003	WO	2014/018434		1/2014
WO	03012614	A1	2/2003	WO	2014011438	A1	1/2014
WO	200326166		3/2003	WO	2014/045236		3/2014
WO	03026462	A1	4/2003	WO	2014065952	A1	5/2014
WO	03044981	A1	5/2003	WO	2014069941	A1	5/2014
WO	2003088418		10/2003	WO	2014083500	A1	6/2014
WO	03099740	A1	12/2003	WO	2014092644	A1	6/2014
				WO	2014094559	A1	6/2014
				WO	2014096868	A1	6/2014
				WO	2014099340	A2	6/2014
				WO	2013076499	A3	7/2014

(56)

References Cited

FOREIGN PATENT DOCUMENTS

WO 2014112994 A1 7/2014
 WO 2014128253 A1 8/2014
 WO 2014137546 A1 9/2014
 WO 2014145862 A2 9/2014
 WO 2014147002 A1 9/2014
 WO 2014197926 A1 12/2014
 WO 2015002658 A1 1/2015
 WO 2015006636 A1 1/2015
 WO 2015008442 A1 1/2015
 WO 2015024006 A1 2/2015
 WO 2015027033 A1 2/2015
 WO 2015035463 A1 3/2015
 WO 2015/055230 4/2015
 WO 2015052478 4/2015
 WO 2015052480 4/2015
 WO 2015069090 A1 5/2015
 WO 2015069431 A2 5/2015
 WO 2015077644 5/2015
 WO 2015088650 A1 6/2015
 WO 2015120626 8/2015
 WO 2015123623 A1 8/2015
 WO 2015132618 A1 9/2015
 WO 2015167566 A1 11/2015
 WO 2015175054 A2 11/2015
 WO 2015197580 A1 12/2015
 WO 2016003291 A1 1/2016
 WO 2016004003 1/2016
 WO 2016009402 A2 1/2016
 WO 2016012889 1/2016
 WO 2016027007 A1 2/2016
 WO 2016028767 2/2016
 WO 2016/043949 3/2016
 WO 2016032592 A1 3/2016
 WO 2016036951 A1 3/2016
 WO 2016043949 A1 3/2016
 WO 2016048214 A1 3/2016
 WO 2016048257 A1 3/2016
 WO 2016/064502 4/2016
 WO 2016053572 A1 4/2016
 WO 2016053573 A1 4/2016
 WO 2016060761 A1 4/2016
 WO 2016060762 A1 4/2016
 WO 2016061021 A1 4/2016
 WO 2016064505 A1 4/2016
 WO 2016064516 A1 4/2016
 WO 2016064700 A2 4/2016
 WO 2016073072 A1 5/2016
 WO 2016081125 5/2016
 WO 2016081128 5/2016
 WO 2016081129 A1 5/2016
 WO 2016081134 5/2016
 WO 2016081136 5/2016
 WO 2015090382 6/2016
 WO 2016086306 A1 6/2016
 WO 2016089491 6/2016
 WO 2016089492 A1 6/2016
 WO 2016096029 A1 6/2016
 WO 2016/125161 8/2016
 WO 2016/133509 8/2016
 WO 2016122409 A1 8/2016
 WO 2016133672 A1 8/2016
 WO 2016/137982 9/2016
 WO 2016145411 9/2016
 WO 2016161637 A1 10/2016
 WO 2016169058 A1 10/2016
 WO 2016171907 10/2016
 WO 2016176030 11/2016
 WO 2016200492 12/2016
 WO 2016200579 12/2016
 WO 2017/011099 1/2017
 WO 2017011100 1/2017
 WO 2017011101 1/2017
 WO 2017011102 1/2017
 WO 2017011103 1/2017
 WO 2017011227 1/2017

WO 2017014840 1/2017
 WO 2017014842 1/2017
 WO 2017023412 2/2017
 WO 2017023413 2/2017
 WO 2017023417 2/2017

OTHER PUBLICATIONS

“Brackets, Conduit Standoff”, Hubbell Power Systems, Inc., hubbellpowersystems.com, Dec. 2, 2010, 2 pages.
 “Broadband Negligible Loss Metamaterials”, Computer Electromagnetics and Antennas Research Laboratory, cearl.ee.psu.edu., May 15, 2012, 3 pages.
 “Broadband Over Power Lines (BPL): Developments and Policy Issues”, Organisation for Economic Co-operation and Development, Directorate for Science, Technology and Industry, Committee for Information, Computer and Communications Policy, Jun. 2, 2009, 35 pages.
 “Broadband: Bringing Home the Bits: Chapter 4 Technology Options and Economic Factors”, The National Academies Press, nap.edu, 2002, 61 pages.
 “Cisco Aironet 1500 Series Access Point Large Pole Mounting Kit Instructions”, www.cisco.com/c/en/us/td/docs/wireless/antenna/installation/guide/18098.html, 2008, 9 pages.
 “Cisco IP VSAT Satellite WAN Network Module for Cisco Integrated Services Routers”, www.cisco.com/c/en/us/products/collateral/interfaces-modules/ip-vsatsatellite-wan-module/product_data_sheet0900aecd804bbbf6f.html, Jul. 23, 2014, 6 pages.
 “Cloud Management”, Cisco Meraki, cisco.com., Sep. 11, 2015, 2 pages.
 “Decryption: Identify & Control Encrypted Traffic”, Palo Alto Networks, paloaltonetworks.com, Mar. 7, 2011, 4 pages.
 “Delivering broadband over existing wiring”, Cabling Installation & Maintenance, cablinginstall.com, May 1, 2002, 6 pages.
 “Directional Couplers—Coaxial and Waveguide”, Connecticut Microwave Corporation, http://connecticutmicrowave.com, Accessed Aug. 2016, 21 pages.
 “Doubly-fed Cage-cone Combined Broadband Antennas for Marine Applications”, http://www.edatop.com/down/paper/antenna/%E5%A4%A9%E7%BA%BF%E8%AE%BE%E8%AE%A1-890w5nebp5ilpq.pdf, 2007, 7 pages.
 “Dual Band Switched-Parasitic Wire Antennas for Communications and Direction Finding”, www.researchgate.net/profile/David_Thiel2/publication/3898574_Dual_band_switched-parasitic_wire_antennas_for_communications_and_direction_finding/links/0fcfd5091b4273ce54000000.pdf, 2000, 5 pages.
 “Electronic Countermeasure (ECM) Antennas”, vol. 8, No. 2, Apr. 2000, 2 pages.
 “Elliptical Polarization”, Wikipedia, http://en.wikipedia.org/wiki/Elliptical_polarization, Apr. 21, 2015, 3 pages.
 “Harvest energy from powerline”, www.physicsforums.com/threads/harvest-energy-from-powerline.685148/, Discussion thread about harvesting power from powerlines that includes the suggestion of clamping a device to the power line., 2013, 8 pages.
 “Identity Management”, Tuomas Aura CSE-C3400 Information Security, Aalto University, Autumn 2014, 33 pgs.
 “IEEE Standard for Information technology—Local and metropolitan area networks—Specific requirements”, Part 15.4: Wireless Medium Access Control (MAC) and Physical Layer (PHY) Specifications for Low Rate Wireless Personal Area Networks (WPANs), IEEE Std 802.15.4, (Revision of IEEE Std 802.15.4-2003), Sep. 7, 2006, 1-320.
 “International Preliminary Report on Patentability”, PCT/US2014/039746, dated Dec. 10, 2015.
 “International Preliminary Report on Patentability”, PCT/US2014/060841, dated May 19, 2016, 8 pages.
 “International Preliminary Report on Patentability & Written Opinion”, PCT/US2014/061445, dated Jun. 23, 2016, 9 pages.
 “International Search Report & Written Opinion”, PCT/US2015/034827, dated Sep. 30, 2015.
 “International Search Report & Written Opinion”, PCT/US2015/056316, dated Jan. 21, 2016.

(56)

References Cited

OTHER PUBLICATIONS

- “International Search Report & Written Opinion”, PCT/US2015/056320, dated Jan. 29, 2016.
- “International Search Report & Written Opinion”, PCT/US2015/056365, dated Jan. 22, 2016.
- “International Search Report & Written Opinion”, PCT/US2015/056368, dated Jan. 25, 2016.
- “International Search Report & Written Opinion”, PCT/US2015/056598, dated Jan. 28, 2016.
- “International Search Report & Written Opinion”, PCT/US2015/056615, dated Jan. 21, 2016.
- “International Search Report & Written Opinion”, PCT/US2015/056626, dated Jan. 21, 2016.
- “International Search Report & Written Opinion”, PCT/US2015/056632, dated Jan. 26, 2016.
- “International Search Report & Written Opinion”, PCT/US2016/013988, dated Apr. 8, 2016.
- “International Search Report & Written Opinion”, PCT/US2016/035384, dated Oct. 31, 2016.
- “International Search Report & Written Opinion”, PCT/US2016/020001, dated May 23, 2016.
- “International Search Report & Written Opinion”, PCT/US2016/026193, dated Jun. 1, 2016.
- “International Search Report & Written Opinion”, PCT/US2016/026860, dated Jun. 1, 2016.
- “International Search Report & Written Opinion”, PCT/US2016/026318, dated Jun. 15, 2016.
- “International Search Report & Written Opinion”, PCT/US16/027397, dated Jun. 24, 2016.
- “International Search Report & Written Opinion”, PCT/US2016/028412, dated Jun. 27, 2016.
- “International Search Report & Written Opinion”, PCT/US2016/028206, dated Jun. 29, 2016.
- “International Search Report & Written Opinion”, PCT/US16/033182, dated Jul. 12, 2016.
- “International Search Report & Written Opinion”, PCT/US2016/036290, dated Aug. 11, 2016.
- “International Search Report & Written Opinion”, PCT/US2016/036551, dated Aug. 11, 2016.
- “International Search Report & Written Opinion”, PCT/US2016/036798, dated Aug. 11, 2016.
- “International Search Report & Written Opinion”, PCT/US2016/028205, dated Aug. 16, 2016.
- “International Search Report & Written Opinion”, PCT/US2016/032460, dated Aug. 17, 2016.
- “International Search Report & Written Opinion”, PCT/US2016/036303, dated Aug. 24, 2016.
- “International Search Report & Written Opinion”, PCT/US2016/036288, dated Sep. 1, 2016.
- “International Search Report & Written Opinion”, PCT/2016/035383, dated Sep. 2, 2016.
- “International Search Report & Written Opinion”, PCT/US16/036284, dated Sep. 8, 2016.
- “International Search Report & Written Opinion”, PCT/US2016/036286, dated Sep. 13, 2016.
- “International Search Report & Written Opinion”, PCT/US2016/036293, dated Sep. 15, 2016.
- “International Search Report & Written Opinion”, PCT/US2014/039746, dated Jan. 12, 2015.
- “International Search Report & Written Opinion”, PCT/US2014/060841, dated Jan. 7, 2015.
- “International Search Report & Written Opinion”, PCT/US2016/040992, dated Oct. 17, 2006.
- “International Search Report & Written Opinion”, PCT/US2015/039848, dated Oct. 20, 2015.
- “International Search Report & Written Opinion”, PCT/US2015/047315, dated Oct. 30, 2015.
- “International Search Report & Written Opinion”, PCT/US2015/048454, dated Nov. 11, 2015.
- “International Search Report & Written Opinion”, PCT/US16/050488, dated Nov. 11, 2016.
- “International Search Report & Written Opinion”, PCT/US16/50345, dated Nov. 15, 2016.
- “International Search Report & Written Opinion”, PCT/US2015/049928, dated Nov. 16, 2015.
- “International Search Report & Written Opinion”, PCT/US2015/049932, dated Nov. 16, 2015.
- “International Search Report & Written Opinion”, PCT/US2016/050346, dated Nov. 17, 2016.
- “International Search Report & Written Opinion”, PCT/US2015/049927, dated Nov. 24, 2015.
- “International Search Report & Written Opinion”, PCT/US2015/051193, dated Nov. 27, 2015.
- “International Search Report & Written Opinion”, PCT/US2015/051146, dated Dec. 15, 2015.
- “International Search Report & Written Opinion”, PCT/US2015/051183, dated Dec. 15, 2015.
- “International Search Report & Written Opinion”, PCT/US2015/051194, dated Dec. 15, 2015.
- “International Search Report & Written Opinion”, PCT/US2015/051578, dated Dec. 17, 2015.
- “International Search Report & Written Opinion”, PCT/US2015/051583, dated Dec. 21, 2015.
- “International Search Report & Written Opinion”, PCT/US2015/048458, dated Dec. 23, 2015.
- “International Search Report & Written Opinion”, PCT/US2015/051213, dated Dec. 4, 2015.
- “International Search Report & Written Opinion”, PCT/US2015/051163, dated Dec. 7, 2015.
- “International Search Report & Written Opinion”, PCT/US2014/061445, dated Feb. 10, 2015.
- “International Search Report & Written Opinion”, PCT/US16/28207, dated Jun. 15, 2016.
- “International Search Report & Written Opinion”, PCT/US16/027403, dated Jun. 22, 2016.
- “International Search Report & Written Opinion”, PCT/US2016/015501, dated Apr. 29, 2016, 11 pages.
- “International Search Report & Written Opinion”, PCT/US2016/050860, dated Nov. 17, 2016, 11 pages.
- “International Search Report & Written Opinion”, PCT/US2016/050344, dated Nov. 25, 2016, 16 pages.
- “International Search Report & Written Opinion”, PCT/US2015/047225, dated Nov. 6, 2015, dated Nov. 6, 2015.
- “International Search Report and Written Opinion”, PCT/US16/027398, dated Jun. 24, 2016.
- “International Search Report and Written Opinion”, PCT/US16/028395, dated Jun. 29, 2016.
- “International Search Report and Written Opinion”, PCT/US2016/028417, Authorized officer Brigitte Bettiol, dated Jul. 5, 2016.
- “International Search Report and Written Opinion”, PCT/US16/032441, dated Jul. 29, 2016.
- “International Search Report and Written Opinion”, PCT/US2016/036285, dated Aug. 23, 2016.
- “International Search Report and Written Opinion”, PCT/US16/036388, dated Aug. 30, 2016.
- “International Search Report and Written Opinion”, PCT/US2016/036297, dated Sep. 5, 2016.
- “International Search Report and Written Opinion”, PCT/US2016/036292, dated Sep. 13, 2016.
- “International Search Report and Written Opinion”, PCT/US2016/046315, dated Nov. 3, 2016.
- “International Search Report and Written Opinion”, PCT/US2016/050039, dated Nov. 14, 2016.
- “International Search Report and Written Opinion”, PCT/US2016/050347, dated Nov. 15, 2016.
- “International Search Report and Written Opinion”, PCT/US2016/051217, dated Nov. 29, 2016.
- “International Search Report and Written Opinion”, PCT/US2016/028197, dated Jun. 24, 2016.
- “International Search Report and Written Opinion”, PCT/US2016/036289, dated Aug. 11, 2016.

(56)

References Cited

OTHER PUBLICATIONS

- "International Search Report and Written Opinion", PCT/US2016/036295, dated Aug. 30, 2016.
- "International Search Report and Written Opinion", PCT/US2016/030964, dated Aug. 4, 2016.
- "International Search Report and Written Opinion", PCT/US2016/036553, dated Aug. 30, 2016, 1-14.
- "International Search Report and Written opinion", PCT/US2016/036556, dated Sep. 22, 2016.
- "International Search Report and Written opinion", PCT/US2016/057161, dated Jan. 12, 2017, 1-13.
- "International Searching Authority", International Search Report and Written Opinion, dated Sep. 28, 2016, 1-12.
- "Invitation to Pay Additional Fees & Partial Search Report", PCT/US2016/028205, dated Jun. 22, 2016.
- "Invitation to Pay Additional Fees & Partial Search Report", PCT/US2016/032430, dated Jun. 22, 2016.
- "Invitation to Pay Additional Fees and, Where Applicable, Protest Fee," PCT/US2016/035384, dated Aug. 31, 2016, 7 pages.
- "Iptek All-Optical Sensors", www.ipitek.com/solutions-by-industry/all-optical-sensors, Jun. 2, 2014, 3 pages.
- "Micromem Demonstrates UAV Installation of Power Line Monitoring Mounting System", MicroMem, micromem.com, Mar. 4, 2015, 1-3.
- "Newsletter 4.4—Antenna Magus version 4.4 released!", antennamagus.com, Aug. 10, 2013, 8 pages.
- "PCT International Search Report", PCT/US2016/057161, PCT International Search Report and Written Opinion, dated Jan. 12, 2017, 1-13, Jan. 12, 2017, 1-13.
- "PCT/US2016/041561, PCT International Search Report and Written Opinion", dated Oct. 10, 2016, 1-15.
- "PCT/US2016/046323, PCT International Search Report", dated Oct. 24, 2016, 1-13.
- "Quickly identify malicious traffics: Detect", lancepe.com, Mar. 15, 2015, 8 pages.
- "Radar at St Andrews", mmwaves.epr.st-andrews.ac.uk, Feb. 4, 2011, 2 pages.
- "Resilience to Smart Meter Disconnect Attacks", ADSC Illinois at Singapore PTE LTD., <http://publish.illinois.edu/integrativesecurityassessment/resiliencetosmartmeterdisconnectattacks>, 2015, 2 pages.
- "RF Sensor Node Development Platform for 6LoWPAN and 2.4 GHz Applications", www.ti.com/tool/TIDM-RF-SENSORNODE, Jun. 2, 2014, 3 pages.
- "Technology Brief 13: Touchscreens and Active Digitizers", <https://web.archive.org/web/20100701004625/http://web.engr.oregonstate.edu/~moon/engr203/read/read4.pdf>, 2010, 289-311.
- "The world's first achievement of microwave electric-field measurement utilizing an optical electric-field sensor mounted on an optical fiber, within a microwave discharge ion engine boarded on asteroid explorers etc.", Investigation of internal phenomena and performance improvement in microwave discharge ion engines, Japan Aerospace Exploration Agency (JAXA), Nippon Telegraph and Telephone Corporation, Aug. 7, 2013, 4 pages.
- "Transducer", IEEE Std 100-2000, Sep. 21, 2015, 1154.
- "Wireless powerline sensor", [wikipedia.org/wiki/Wireless_powerline_sensor](http://en.wikipedia.org/wiki/Wireless_powerline_sensor), 2014, 3 pages.
- ACE, "Installing Satellite Accessories", www.acehardware.com, May 8, 2006, 4 pages.
- Adabo, Geraldo J. "Long Range Unmanned Aircraft System for Power Line Inspection of Brazilian Electrical System", Journal of Energy and Power Engineering 8 (2014), Feb. 28, 2014, 394-398.
- Aerohive Networks, "HiveManager Network Management System", www.aerohive.com, Sep. 2015, 3 pages.
- Akiba, Shigeyuki et al., "Photonic Architecture for Beam Forming of RF Phased Array Antenna", Optical Fiber Communication Conference, Optical Society of America, Abstract Only, 2014, 1 page.
- Al-Ali, A.R. et al., "Mobile RFID Tracking System", Information and Communication Technologies: From Theory to Applications, ICTTA 2008, 3rd International Conference on IEEE, 2008, 4 pages.
- Alam, M. N. et al., "Novel Surface Wave Exciters for Power Line Fault Detection and Communications", Department of Electrical Engineering, University of South Carolina, Antennas and Propagation (APSURSI), 2011 IEEE International Symposium, IEEE, 2011, 1-4.
- Alam, MD N. et al., "Design and Application of Surface Wave Sensors for nonintrusive Power Line Fault Detection", IEEE Sensors Journal, IEEE Service Center, New York, NY, US, vol. 13, No. 1, Jan. 1, 2013, 339-347.
- Alaridhee, T. et al., "Transmission properties of slanted annular aperture arrays. Giant energy deviation over sub-wavelength distance", Optics express 23.9, 2015, 11687-11701.
- Ali, Muhammad Q. et al., "Randomizing AMI configuration for proactive defense in smart grid", Smart Grid Communications (SmartGridComm), IEEE International Conference on IEEE, Abstract Only, 2013, 2 pages.
- Ali, Tariq et al., "Diagonal and Vertical Routing Protocol for Underwater Wireless Sensor Network", Procedia-Social and Behavioral Sciences 129, 2014, 372-379.
- Allen, Jeffrey et al., "New Concepts in Electromagnetic Materials and Antennas", Air Force Research Laboratory, Jan. 2015, 80 pages.
- Amirshahi, P. et al., "Transmission channel model and capacity of overhead multiconductor medium-voltage powerlines for broadband communications", Consumer Communications and Networking Conference, 2005, 5 pages.
- Amt, John H. et al., "Flight Testing of a Pseudolite Navigation System on a UAV", Air Force Institute of Technology: ION Conference, Jan. 2007, 9 pages.
- Angove, Alex "How the NBN Differs from ADSL2+, Cable and Wireless", www.whistleout.com.au/Broadband/Guides/How-the-NBN-Differs-from-ADSL2-Cable-and-Wireless, Jul. 30, 2014, 4 pages.
- Antenna Magus, "Waveguide-fed Conical Horn", www.antennamagus.com, Aug. 2015, 1 page.
- AntennaMagus, "Parabolic focus pattern fed reflector with shroud", antennamagus.com, Jul. 4, 2014, 2 pages.
- Arage, Alebel et al., "Measurement of wet antenna effects on millimetre wave propagation", 2006 IEEE Conference on Radar, Abstract Only, 2006, 1 page.
- Ares-Pena, Francisco J. et al., "A simple alternative for beam reconfiguration of array antennas", Progress in Electromagnetics Research 88, 2008, 227-240.
- Arthur, Joseph Kweku et al., "Improving QoS in UMTS Network in ACCRA Business District Using Tower-Less Towers", IPASJ International Journal of Electrical Engineering (IJEE), vol. 2, Issue 11, Nov. 2014, 11 pages.
- Asadallahi, Sina et al., "Performance comparison of CSMA/CA Advanced Infrared (Alr) and a new pointtomultipoint optical MAC protocol", 2012 8th International Wireless Communications and Mobile Computing Conference (IWCMC), Abstract Only, Aug. 2012, 2 pages.
- ASCOM, "TEMS Pocket—a Complete Measurement Smartphone System in your Hand", http://www.ascom.us/us-en/tems_pocket_14.0_feature_specific_datasheet.pdf, 2014, 2 pages.
- A-Tech Fabrication, "Dual Antenna Boom Assembly", http://web.archive.org/web/20090126192215/http://atechfabrication.com/products/dual_antenna_boom.htm, 2009, 2 pages.
- Atlas Sound, "Bi-Axial PA Horn with Gimbal Mount", MCM Electronics, mcmelectronics.com, 2011, 555-13580.
- ATMEL, "Power Line Communications", www.atmel.com/products/smartenergy/powerlinecommunications/default.aspx, 2015, 3 pages.
- Atwater, Harry A. "The promise of plasmonics", Scientific American 296.4, 2007, 56-62.
- Baanto, "Surface Acoustive Wave (SAW) Touch Screen", <http://baanto.com/surface-acoustic-wave-saw-touch-screen>, 2016, 4 pages.
- Babakhani, Aydin "Direct antenna modulation (DAM) for on-chip mm-wave transceivers", Diss. California Institute of Technology, 2008, 2 pages.
- Bach, Christian "Current Sensor—Power Line Monitoring for Energy Demand Control", Application Note 308, <http://www.>

(56)

References Cited

OTHER PUBLICATIONS

- enocan.com/fileadmin/redaktion/pdf/app_notes/AN308_CUR-RENT_SENSOR_Jan09.pdf, Jan. 2009, 4 pages.
- Barlow, H. M. et al., "Surface Waves", 621.396.11 : 538.566, Paper No. 1482 Radio Section, 1953, pp. 329-341.
- Barnes, Heidi et al., "DeMystifying the 28 Gb/s PCB Channel: Design to Measurement", Design Con. 2014, Feb. 28, 2014, 54 pages.
- Barron, Ashleigh L. "Integrated Multicore Fibre Devices for Optical Trapping", Diss. Heriot-Watt University, 2014, 11-15.
- Beal, J.C. et al., "Coaxial-slot surface-wave launcher", Electronics Letters 4.25: 557559, Abstract Only, Dec. 13, 1968, 1 page.
- Benevent, Evangéline "Transmission lines in MMIC technology", Università Mediterranea di Reggio Calabria, Jan. 28, 2010, 63 pages.
- Beninca, "Flashing Light: IR Lamp", www.beninca.com/en/news/2015/02/23/lampeggiante-irlamp.html, Feb. 23, 2015, 4 pages.
- Benkhelifa, Elhadj "User Profiling for Energy Optimisation in Mobile Cloud Computing", 2015, 1159-1165.
- Berweger, Samuel et al., "Light on the Tip of a Needle: Plasmonic Nanofocusing for Spectroscopy on the Nanoscale", The Journal of Physical Chemistry Letters; pubs.acs.org/JPLC, 2012, 945-952.
- Bhushan, Naga et al., "Network densification: the dominant theme for wireless evolution into 5G", IEEE Communications Magazine, 52.2:, Feb. 2014, 82-89.
- Bing, Benny "Ubiquitous Broadband Access Networks with Peer-to-Peer Application Support", Evolving the Access Network, 2006, 27-36.
- Blanco-Redondo, Andrea et al., "Coupling midinfrared light from a photonic crystal waveguide to metallic transmission lines", Applied Physics Letters 104.1, 2014, 6 pages.
- Blattenberger, Kirt "DroneBased Field Measurement System (dBFMS)", RF Cafe, rfcafe.com, Jul. 29, 2014, 3 pages.
- Bock, James et al., "Optical coupling", Journal of Physics: Conference Series. vol. 155. No. 1, IOP Publishing, 2009, 32 pages.
- Bowen, Leland H. et al., "A Solid Dielectric Lens Impulse Radiating Antenna with High Dielectric Constant Surrounded by a Cylindrical Shroud", Sensor and Simulation Note 498, Introduction, Apr. 2005, 3 pages.
- Brambilla, Gilberto et al., "Ultra-low-loss optical fiber nanotapers", Optoelectronics Research Centre, University of Southampton; http://www.orc.soton.ac.uk, vol. 12, No. 10, May 7, 2004, 2258-2263.
- Bridges, Greg E. et al., "Plane wave coupling to multiple conductor transmission lines above a lossy earth", Compatibility, IEEE Transactions on 31.1, Abstract Only, 1989, 21-33.
- Bridges, William B. "Low-Loss Flexible Dielectric Waveguide for Millimeter-Wave Transmission and Its Application to Devices", California Institute of Technology, Office of Naval Research, Mar. 1981, 91 pages.
- Briso-Rodriguez, "Measurements and Modeling of Distributed Antenna Systems in Railway Tunnels", IEEE Transactions on Vehicular Technology, vol. 56, No. 5, Sep. 2007, 2870-2879.
- Brooke, Gary H. "Properties of surface waveguides with discontinuities and perturbations in cross-section", Diss. University of British Columbia, 1977, 42 pages.
- Brown, J. et al., "The launching of radial cylindrical surface waves by a circumferential slot", Proceedings of the IEEE Part B: Radio and Electronic Engineering, vol. 106, Issue 26, Abstract Only, Mar. 1959, 1 page.
- Brown-Iposs, "Integrated Radio Masts Fully camouflaged Outdoor-Wi-Fi APs in GRP-lamp poles", www.brown-ipposs.com, Mar. 21, 2014, 4 pages.
- Bruno, Joseph "Interference Reduction in Wireless Networks", Computing Research Topics, Computing Sciences Department, Villanova University, Nov. 14, 2007, 8 pages.
- Budde, Matthias "Using a 2DST Waveguide for Usable, Physically Constrained Out-of-Band Wi-Fi Authentication", https://pdfs.semanticscholar.org/282e/826938ab7170c198057f9236799e92e21219.pdf, 2013, 8 pages.
- Burkhart, Martin et al., "Does Topology Control Reduce Interference?", Department of Computer Science, ETH Zurich, Proceedings of the 5th ACM international symposium on Mobile ad hoc networking and computing, 2004, 11 pages.
- Callis, R.W. et al., "An In-Line Power Monitor for HE11 Low Loss Transmission Lines", Proceedings of the 29th International Conference on Infrared and Millimeter Waves (IRMMW), Karlsruhe, Germany, Jun. 2004, 7 pages.
- Campista, Miguel E. et al., "Improving the Data Transmission Throughput Over the Home Electrical Wiring", The IEEE Conference on Local Computer Networks 30th Anniversary, 2005, 1-8.
- Capece, P. et al., "FDTD Analysis of a Circular Coaxial Feeder for Reflector Antenna", Antennas and Propagation Society International Symposium, IEEE Digest, vol. 3, 1997, pp. 1570-1573.
- Carroll, John M. et al., "Developing the Blacksburg Electronic Village", Communications of the ACM, vol. 39, No. 12, Dec. 1996, 69-74.
- Chaimae, Elmakfalji et al., "New Way of Passive RFID Deployment for Smart Grid", Journal of Theoretical and Applied Information Technology 82.1, Dec. 10, 2015, 81-84.
- Chen, Dong et al., "A trust management model based on fuzzy reputation for internet of things", Computer Science and Information Systems 8.4: 12071228, Abstract Only, 2011, 1 page.
- Chen, Ke et al., "Geometric phase coded metasurface: from polarization dependent directive electromagnetic wave scattering to diffusionlike scattering", Scientific Reports 6, 2016, 1-10.
- Chen, Yingying "Detecting and Localizing Wireless Spoofing Attacks", Sensor, Mesh and Ad Hoc Communications and Networks, SECON'07, 4th Annual IEEE Communications Society Conference on IEEE, 2007, 10 pages.
- Chiba, Jiro "Experimental Studies of the Losses and Radiations Due to Bends in the Goubau Line", IEEE Transactions on Microwave Theory and Techniques, Feb. 1977, 94-100.
- Chiba, Jiro "On the Equivalent Circuit for the G-Line Above Ground", International Wroclaw Symposium on Electromagnetic Compatibility, 1998, 78-82.
- Choudhury, Romit R. "Utilizing Beamforming Antennas for Wireless Multi-hop Networks", www.slideserve.com, Sep. 20, 2012, 4 pages.
- Chu, Eunmi et al., "Self-organizing and self-healing mechanisms in cooperative small cell networks", PIMRC, 2013, 6 pages.
- Cimini, Carlos Alberto et al., "Temperature profile of progressive damaged overhead electrical conductors", Journal of Electrical Power & Energy Systems 49, 2013, 280-286.
- CIPO, "Office Action dated Feb. 3, 2017 for Canadian application 2,928,355", 1-4.
- Cisco, "Troubleshooting Problems Affecting Radio Frequency Communication", cisco.com, Oct. 19, 2009, 5 pages.
- Cliff, Oliver M. et al., "Online localization of radio-tagged wildlife with an autonomous aerial robot system", Proceedings of Robotics Science and Systems XI, 2015, 1317.
- Collins, D.D. et al., "Final Report on Advanced Antenna Design Techniques", GER 11246, Report No. 4, Sep. 6, 1963, 1-70.
- Communication Power Solutions, I, "Power Communication", www.cpspower.biz/services/powercommunications, Oct. 2013, 6 pages.
- Comsol, "Fast Numerical Modeling of a Conical Horns Lens Antenna", comsol.com, Application ID: 18695, Sep. 16, 2016, 3 pages.
- Corridor Systems, "A New Approach to Outdoor DAS Network Physical Layer Using E-Line Technology", Mar. 2011, 5 pages.
- Costantine, Joseph et al., "The analysis of a reconfigurable antenna with a rotating feed using graph models", Antennas and Wireless Propagation Letters, vol. 8, 2009, 943-946.
- Covington, Michael J. et al., "Threat implications of the internet of things", 2013 5th International Conference on IEEE Cyber Conflict (CyCon), Abstract Only, 2013, 1 page.
- Cradle Point, "Out-of-Band Management", www.cradlepoint.com, Sep. 2015, 7 pages.
- Crane, Robert K. "Analysis of the effects of water on the ACTS propagation terminal antenna", Antennas and Propagation, IEEE Transactions on 50.7: 954965, Abstract Only, 2002, 1 page.

(56)

References Cited

OTHER PUBLICATIONS

- Crisp, "Uplink and Downlink Coverage Improvements of 802.11g Signals Using a Distributed Antenna Network", *Journal of Lightwave Technology* (vol. 25, Issue: 11), Dec. 6, 2007, 1-4.
- Crosswell, "Aperture excited dielectric antennas", <http://ntrs.nasa.gov/archive/nasa/casi.ntrs.nasa.gov/19740017567.pdf>, 1974, 128 pages.
- CST, "A Dielectric Lens Antenna with Enhanced Aperture Efficiency for Industrial Radar Applications", *Computer Simulation Technology*, cst.com, May 10, 2011, 3 pages.
- Curry, James M. "A Web of Drones: A 2040 Strategy to Reduce the United States Dependence on Space Based Capabilities", *Air War College*, Feb. 17, 2015, 34 pages.
- Cypress Perform, "Powerline Communication", www.cypress.com, Apr. 23, 2015, 2 pages.
- Daniel, Kai et al., "Using Public Network Infrastructures for UAV Remote Sensing in Civilian Security Operations", *Homeland Security Affairs*, Supplement 3, Mar. 2011, 11 pages.
- DarkTrace, "www.darktrace.com", Jul. 10, 2014, 4 pages.
- De Freitas, Carvalho et al., "Unmanned Air Vehicle Based Localization and Range Estimation of WiFi Nodes", 2014, 109 pages.
- De Sabata, Aldo et al., "Universitatea "Politehnica"", din Timisoara Facultatea de Electronica si Telecomunicatii, ii, 2012, 149 pages.
- DEA+, "24 Volt D.C Flashing Light With Built-in Antenna 433Mhz, DEA+ Product Guide", Meteor electrical, meteor-electrical.com, Code: LUMY/24A, Jul. 28, 2010, 3 pages.
- Debord, Benoit et al., "Generation and confinement of microwave gas-plasma in photonic dielectric microstructure", *Optics express* 21.21, 2013, 25509-25516.
- Deilmann, Michael "Silicon oxide permeation barrier coating and sterilization of PET bottles by pulsed low-pressure microwave plasmas", Dissertation, 2008, 142 pages.
- Deng, Chuang et al., "Unmanned Aerial Vehicles for Power Line Inspection: A Cooperative Way in Platforms and Communications", *Journal of Communications* Vol No. 9, No. 9, Sep. 2014, 687-692.
- Denso, , Winn & Coales (Denso) Ltd. UK, www.denso.net, 2015, 1 page.
- Dini, Gianluca et al., "MADAM: A Multilevel Anomaly Detector for Android Malware", *MMMACNS*, vol. 12, 2012, 16 pages.
- Doane, J.L. et al., "Oversized rectangular waveguides with modefree bends and twists for broadband applications", *Microwave Journal* 32(3), Abstract Only, 1989, 153-160.
- Doelitzscher, Frank et al., "ViteraaS: Virtual cluster as a Service", *Cloud Computing Technology and Science (CloudCom)*, 2011 IEEE Third International Conference, 2011, 8 pages.
- Dooley, Kevin "Out-of-Band Management", auvik.com, Apr. 12, 2014, 5 pages.
- Doshi, D.A. et al., "Real Time Fault Failure Detection in Power Distribution Line using Power Line Communication", *International Journal of Engineering Science*, vol. 6, Issue No. 5, May 2016, 4834-4837.
- Dostert, Klaus "Frequency-hopping spread-spectrum modulation for digital communications over electrical power lines", *Selected Areas in Communications*, IEEE Journal on 8.4, Abstract Only, 1990, 700-710.
- Dragoo, R. E. et al., "Fiber Optic Data Bus for the AN/GYQ21(V)", Harris Corp, U.S. Communications Syst. Div. Chart, Microcopy Resolution Test, 1980, 115 pages.
- Dutton, Harry J. "Understanding Optical Communications", International Technical Support Organization, SG24-5230-00, Sep. 1998, 55 pages.
- Dyson, John D. "The Equiangular Spiral Antenna", *IRE Transactions on Antennas and Propagation*, 1959, 181-187.
- Earth Data, "Remote Sensors", NASA, earthdata.nasa.gov, Oct. 17, 2016, 36 pages.
- Ehyaie, Danial "Novel Approaches to the Design of Phased Array Antennas", Diss., The University of Michigan, 2011, 153 pages.
- Eizo, "How can a screen sense touch? A basic understanding of touch panels", www.eizo.com/library/basics/basic_understanding_of_touch_panel, Sep. 27, 2010, 8 pages.
- Ekstrom, "Slot-line end-fire antennas for THz frequencies", Third International Symposium on Space Terahertz Technology, 280-290.
- Electric Power Research Institut, "Examination of the Exacter Outage-Avoidance System", www.epri.com/abstracts/Pages/ProductAbstract.aspx?ProductId=00000000001020393, Nov. 30, 2009, 2 pages.
- Eline Corridor Systems, "How is ELine Different?", www.corridor.biz/ELine_is_different.html, Apr. 23, 2015, 1 page.
- Elmore, Glenn et al., "A Surface Wave Transmission Line", *QEX*, May/June, 2012, pp. 3-9.
- Elmore, Glenn "Introduction to the Propagating Wave on a Single Conductor", www.corridor.biz, Jul. 27, 2009, 30 pages.
- Emerson, "About Rosemount 5300 Level Transmitter", www.emerson.com, Nov. 2016, 6 pages.
- Eom, Seung-Hyun et al., "Pattern switchable antenna system using inkjet-printed directional bow-tie for bi-direction sensing applications", *Sensors* 15.12, 2015, 31171-31179.
- EPRI—Electronic Power Research, "Product Abstract—Program on Technology Innovation: Study on the Integration of High Temperature Superconducting DC Cables Within the Eastern and Western North American Power Grids", epri.com, Product ID:10203, Nov. 25, 2009, 2 pages.
- Erickson, Katherine "Conductive cylindrical surface waveguides", www.ideals.illinois.edu/bitstream/handle/2142/30914/Erickson_Katherine.pdf?sequence=1, 2012, 74 pages.
- Ericsson, "Direct Bury Duct Assemblies, MPB 302 3+—Ribbonnet Microducts", www.archive.ericsson.net, Jul. 30, 2014, 2 pages.
- Eskelinen, Harri et al., "DFM (A)—aspects for a horn antenna design", Lappeenranta University of Technology, 2004, 34 pages.
- Eskelinen, P. "A low-cost microwave rotary joint", International Radar Conference, 13-17, Abstract Only, Oct. 2014, 1-4.
- Faggiani, Adriano "Smartphone-based crowdsourcing for network monitoring: opportunities, challenges, and a case study", <http://vecchio.iet.unipi.it/vecchio/files/2010/02/article.pdf>, 2014, 8 pages.
- Farr Research, Inc., "An Improved Solid Dielectric Lens Impulse Radiating Antenna", SBIR/STTR, DoD, sbir.gov, 2004, 3 pages.
- Farzaneh, Masoud et al., "Systems for Prediction and Monitoring of Ice Shedding, Anti-Icing and De-Icing for Power Line Conductors and Ground Wires", Dec. 1, 2010, 1-100.
- Fattah, E. Abdel et al., "Numerical 3D simulation of surface wave excitation in planar-type plasma processing device with a corrugated dielectric plate", *Elsevier, Vacuum* 86, 2011, 330-334.
- Feko, "Lens Antennas", Altair, feko.info, Jun. 30, 2014, 2 pages.
- Feko, "mmWave Axial Choke Horn Antenna with Lens", Sep. 24, 2013, 2 pages.
- Feng, Taiming et al., "Design of a survivable hybrid wireless-optical broadband-access network", *Journal of Optical Communications and Networking* 3.5, 2011, 458-464.
- Feng, Wei et al., "Downlink power allocation for distributed antenna systems in a multi-cell environment", 2009 5th International Conference on Wireless Communications, Networking and Mobile Computing, 2009, 2 pages.
- Fenn, Alan J. et al., "A Terrestrial Air Link for Evaluating Dual-Polarization Techniques in Satellite Communications", vol. 9, No. 1, *The Lincoln Laboratory Journal*, 1996, 3-18.
- Fenye, Bao et al., "Dynamic trust management for internet of things applications", *Proceedings of the 2012 international workshop on Selfaware internet of things*, ACM, Abstract Only, 2012, 1 page.
- Fiorelli, Riccardo et al., "ST7580 power line communication systemonchip design guide", Doc ID 022923 Rev 2, Jul. 2012, 63 pages.
- Firelight Media Group, "About Firelight Media Group", www.insurancetechnologies.com/Products/Products_firelight_overview.html, Apr. 19, 2015, 4 pages.
- Firelight Media Group LLC, "Electronic Business Fulfillment FireLight", www.firelightmedia.net/fmg/index.php/home, Apr. 19, 2015, 2 pages.
- Fitzgerald, William D. "A 35-GHz Beam Waveguide System for the Millimeter-Wave Radar", *The Lincoln Laboratory Journal*, vol. 5, No. 2, 1992, 245-272.

(56)

References Cited

OTHER PUBLICATIONS

- Ford, Steven "AT&T's new antenna system will boost cellular coverage at Walt Disney World", Orlando Sentinel, orlandosentinel.com, Mar. 9, 2014, 4 pages.
- Freyer, Dan et al., "Combating the Challenges of Ka-Band Signal Degradation", SatMagazine, satmagazine.com, Sep. 2014, 9 pages.
- Friedman, M et al., "Low-loss RF transport over long distances", IEEE Transactions on Microwave Theory and Techniques, Jan. 1, 2001, 341-348.
- Friedman, M et al., "Low-Loss RF Transport Over Long Distances", IEEE Transactions on Microwave Theory and Techniques, vol. 49, No. 2, Feb. 2001, 8 pages.
- Friedman, M. et al., "Low-Loss RF Transport Over Long Distances", IEEE Transactions on Microwave Theory and Techniques, vol. 49, No. 2, Feb. 2001, 341-348.
- Fromm, W. et al., "A new microwave rotary joint", 1958 IRE International Convention Record, 21-25, 6:78-82, Abstract Only, Mar. 1966, 2 pages.
- Galli, "For the Grid and Through the Grid: The Role of Power Line Communications in the Smart Grid", Proceedings of the IEEE 99.6, Jun. 2011, 1-26.
- Garcia-Etxarri, Aitzol et al., "A combination of concave/convex surfaces for fieldenhancement optimization: the indented nanocone", Optics express 20.23, 2012, 2520125212.
- Gerini, Giampiero "Multilayer array antennas with integrated frequency selective surfaces conformal to a circular cylindrical surface", <http://alexandria.tue.nl/openaccess/Metis248614.pdf>, 2005, 2020-2030.
- Geterud, Erik G. "Design and Optimization of Wideband Hat-Fed Reflector Antenna with Radome for Satellite Earth Station", <http://publications.lib.chalmers.se/records/fulltext/163718.pdf>, Discloses Frequency Selective Surfaces for antenna coverings for weather protection (table of materials on p. 29-30; pp. 37-46), 2012, 70 pages.
- Ghazisaidi, Navid et al., "Survivability analysis of next-generation passive optical networks and fiber-wireless access networks", Reliability, IEEE Transactions on 60.2, 2011, 479-492.
- Gigamon, "Out-of-Band Security Solution", www.gigamon.com, Aug. 3, 2014, 7 pages.
- Gilbert, Barrie et al., "The Gears of Genius", IEEE SolidState Circuits Newsletter 4.12, 2007, 10-28.
- Glockler, Roman "Phased Array for Millimeter Wave Frequencies", International Journal of Infrared and Millimeter Waves, Springer, vol. 11, No. 2, Feb. 1, 1990, 10 pages.
- Godara, "Applications of Antenna Arrays to Mobile Communications, Part I: Performance Improvement, Feasibility, and System Considerations", Proceedings of the IEEE, vol. 85, No. 7, Jul. 1997, 1031-1060.
- Goldsmith, Paul F. "Quasi-optical techniques", Proceedings of the IEEE., vol. 80, No. 11, Nov. 1, 1992, 1729-1747.
- Golrezaei, Negin et al., "FemtoCaching: Wireless Video Content Delivery through Distributed Caching Helpers", INFOCOM, Proceedings IEEE, 2012, 9 pages.
- Gomes, Nathan J. et al., "Radio-over-fiber transport for the support of wireless broadband services", Journal of Optical Networking, vol. 8, No. 2, 2009, 156-178.
- Gonthier, François et al., "Mode coupling in nonuniform fibers: comparison between coupled-mode theory and finite-difference beam-propagation method simulations", Josa B 8.2: 416421, Abstract Only, 1991, 3 pages.
- Greco, R. "Soil water content inverse profiling from single TDR waveforms", Journal of hydrology 317.3, 2006, 325-339.
- Gritzalis, Dimitris et al., "The Sphinx enigma in critical VoIP infrastructures: Human or botnet?", Information, Intelligence, Systems and Applications (IISA), 2013 Fourth International Conference, IEEE, 2013, 6 pages.
- Gunduz, Deniz et al., "The multiway relay channel", IEEE Transactions on Information Theory 59.1, 2013, 5163.
- Guo, Shuo et al., "Detecting Faulty Nodes with Data Errors for Wireless Sensor Networks", 2014, 25 pages.
- Hadi, Ghozali S. et al., "Autonomous UAV System Development for Payload Dropping Mission", The Journal of Instrumentation, Automation and Systems, vol. 1, No. 2, 2014, pp. 72-22.
- Hafeez, "Smart Home Area Networks Protocols within the Smart Grid Context", Journal of Communications vol. 9, No. 9, Sep. 2014, 665-671.
- Haider, Muhammad Kumail et al., "Mobility resilience and overhead constrained adaptation in directional 60 GHz WLANs: protocol design and system implementation", Proceedings of the 17th ACM International Symposium on Mobile Ad Hoc Networking and Computing, 2016, 10 pages.
- Halder, Achintya et al., "Low-cost alternate EVM test for wireless receiver systems", 23rd IEEE VLSI Test Symposium (VTS'05), 2005, 6 pages.
- Hale, Paul et al., "A statistical study of deembedding applied to eye diagram analysis", IEEE Transactions on Instrumentation and Measurement 61.2, 2012, 475-488.
- Halligan, Matthew S. "Maximum crosstalk estimation and modeling of electromagnetic radiation from PCB/highdensity connector interfaces", http://scholarsmine.mst.edu/cgi/viewcontent.cgi?article=3326&context=doctoral_dissertations, 2014, 251 pages.
- Han, Chong et al., "crosslayer communication module for the Internet of Things", Computer Networks 57.3: 622633, Abstract Only, 2013, 1 page.
- Hanashi, Abdalla M. et al., "Effect of the Dish Angle on the Wet Antenna Attenuation", IEEE, 2014, 1-4.
- Haroun, Ibrahim et al., "WLANs meet fiber optics-Evaluating 802.11 a WLANs over fiber optics links", www.rfdesign.com, 2003, 36-39.
- Hassan, Karim "Fabrication and characterization of thermo-plasmonic routers for telecom applications", Diss. Univ. de Bourgogne., 2014, 59 pages.
- Hassan, Maaly A. "Interference reduction in mobile ad hoc and sensor networks", Journal of Engineering and Computer Innovations vol. 2(7), Sep. 2011, 138-154.
- Hassani, Alireza et al., "Porous polymer fibers for low-loss Terahertz guiding", Optics express 16.9, 2008, 6340-6351.
- Hautakorpi, Jani et al., "Requirements from Session Initiation Protocol (SIP) Session Border Control (SBC) Deployments", RFC5853, IETF, 2010, 27 pages.
- Hawrylyshen, A. et al., "Sipping Working Group", J. Hautakorpi, Ed. Internet-Draft G. Camarillo Intended status: Informational Ericsson Expires: Dec. 18, 2008 R. Penfield Acme Packet, Oct. 23, 2008, 26 pages.
- Hays, Phillip "SPG-49 Tracking Radar", www.okieboat.com/SPG-49%20description.html, 2015, 15 pages.
- Heo, Joon et al., "Identity-Based Mutual Device Authentication Schemes for PLC Systems", IEEE International Symposium on Power Line Communications and Its Applications, 2008, pp. 47-51.
- Hoss, R.J. et al., "Manufacturing Methods and Technology Program for Ruggedized Tactical Fiber Optic Cable", No. ITT-80-03-078. ITT Electrooptical Products DIV Roanoke VA., 1980, 69 pages.
- Howard, Courtney "UAV command, control & communications", Military & Aerospace Electronics, militaryaerospace.com, Jul. 11, 2013, 15 pages.
- Hussain, Mohamed T. et al., "Closely Packed Millimeter-Wave MIMO Antenna Arrays with Dielectric Resonator Elements", Antennas and Propagation (EuCAP) 2016 10th European Conference, Apr. 2016, 1-5.
- Huth, G. K. "Integrated source and channel encoded digital communication system design study", <http://ntrs.nasa.gov/archive/nasa/casi.ntrs.nasa.gov/19750003064.pdf>, 1974, 65 pages.
- Ikath, K. et al., "Antenna Innovation Glass-Fiber Tube Focuses Microwave Beam", Electronics, vol. 35, No. 38, Sep. 21, 1962, 44-47.
- Illinois Historic Archive, "Antennas on the Web", Photo Archive of Antennas, ece.illinois.ed, 1-18, Dec. 2016.
- Industrial Fiber Optics, "Asahi Multi-Core Fiber Cable", <http://i-fiberoptics.com/multi-core-fiber-cable.php>, Apr. 26, 2015, 2 pages.
- Infoexpress, "Detecting and Preventing MAC Spoofing", Network Access Control Solutions, 2014, 1 page.

(56) **References Cited**

OTHER PUBLICATIONS

- Ippolito, Louis J. "Propagation effects handbook for satellite systems design. A summary of propagation impairments on 10 to 100 GHz satellite links with techniques for system design", 1989, Abstract Only, 1989, 1 page.
- Islam, M. T. "Coplanar Waveguide Fed Microstrip Patch Antenna", *Information Technology Journal* 9.2 (2010): 367-370., 2010, 367-370.
- Izumiyama, Hidetaka et al., "Multicast over satellite", *Applications and the Internet, (SAINT 2002)*, IEEE Proceedings, 2002, 4 pages.
- Jackson, Mark "Timico CTO Hit by Slow FTTC Broadband Speeds After Copper Corrosion", www.ispreview.co.uk, Mar. 5, 2013, 2 pages.
- Jaeger, Raymond et al., "Radiation Performance of Germanium Phosphosilicate Optical Fibers", RADC-TR-81-69: Final Technical Report, Galileo Electro-Optical Corp, May 1981, 101 pages.
- James, Graeme L. et al., "Diplexing Feed Assemblies for Application to Dual-Reflector Antennas", *IEEE Transactions on Antennas and Propagation*, vol. 51, No. 5, May 2003, 1024-1029.
- James, J. R. et al., "Investigations and Comparisons of New Types of Millimetre-Wave Planar Arrays Using Microstrip and Dielectric Structures", *Royal Military College of Science*, Apr. 1985, 122 pages.
- Jang, Hung-Chin "Applications of Geometric Algorithms to Reduce Interference in Wireless Mesh Network", *Journal on Applications of Graph Theory in Wireless Ad hoc Networks and Sensor Networks (JGRAPH-HOC)* vol. 2, No. 1, Abstract Only, Mar. 2010, 1 page.
- Jawhar, Imad et al., "A hierarchical and topological classification of linear sensor networks", *Wireless Telecommunications Symposium, WTS, IEEE*, http://faculty.uau.ac.ae/Nader_M/papers/WTS2009.pdf, 2009, 8 pages.
- Jee, George et al., "Demonstration of the Technical Viability of PLC Systems on Medium- and Low-Voltage Lines in the United States", *Broadband in Power: Internet Access Via Power Line Networks*, *IEEE Communication Magazine*, May 2003, 5 pages.
- Jensen, Michael "Data-Dependent Fingerprints for Wireless Device Authentication", www.dtic.mil/cgi-bin/GetTRDoc?AD=ADA626320, 2014, 15 pages.
- Jeong, et al., "Study of elliptical polarization requirement of KSTAR 84-GHz ECH system", *Journal of the Korean Physical Society*, vol. 49, Dec. 2006, 201-205.
- Jiang, Peng "A New Method for Node Fault Detection in Wireless Sensor Networks", 2009, 1282-1294.
- Jiang, Y.S. et al., "Electromagnetic orbital angular momentum in remote sensing", *PIERS Proceedings, Moscow, Russia*, Aug. 18-21, 2009, 1330-1337.
- Jin, "Quasi-optical mode converter for a coaxial cavity gyrotron", *Forschungszentrum Karlsruhe*, Mar. 2007, 107 pages.
- Jin, Yu et al., "Nevermind, the Problem Is Already Fixed: Proactively Detecting and Troubleshooting Customer DSL Problems", *ACM CoNEXT, Philadelphia, USA*, Nov.-Dec. 2010, 12 pages.
- Jones, Jr., Howard S. "Conformal and Small Antenna Designs", *U.S. Army Electronics Research and Development Command, Harry Diamond Laboratories*, Apr. 1981, 32 pages.
- Kado, Yuichi et al., "Exploring SubTHz Waves for Communications, Imaging, and Gas Sensing", *Fog 2: O2, Piers Proceedings, Beijing, China*, Mar. 23-27, 2009, 42-47.
- Kamilaris, Andreas et al., "Exploring the Use of DNS as a Search Engine for the Web of Things", *Internet of Things (WF-IoT)*, 2014 *IEEE World Forum*, 2014, 6 pages.
- Kang, Eyung W. "Chapter 6: Array Antennas", www.globalspec.com/reference/75109/203279/chapter-6-array-antennas, Apr. 22, 2015, 2 pages.
- Karbowiak, A. E. et al., "Characteristics of Waveguides for Long-Distance Transmission", *Journal of Research of the National Bureau of Standards*, vol. 65D, No. 1, Jan.-Feb. 1961, May 23, 1960, 75-88.
- Katkovnik, Vladimir et al., "High-resolution signal processing for a switch antenna array FMCW radar with a single channel receiver", 2002 *IEEE Sensor Array and Multichannel Signal Processing Workshop Proceedings*, 2002, 6 pages.
- Katrasnik, Jaka "New Robot for Power Line Inspection", 2008 *IEEE Conference on Robotics, Automation and Mechatronics*, 2008, 1-6.
- Kedar, "Wide Beam Tapered Slot Antenna for Wide Angle Scanning Phased Array Antenna", *Progress in Electromagnetics Research B*, vol. 27, 2011, 235-251.
- Khan, Kaleemullah "Authentication in Multi-Hop Wireless Mesh Networks", *World Academy of Science, Engineering and Technology, International Journal of Electrical, Computer, Energetic, Electronic and Communication Engineering* vol. 2, No. 10, 2008, 2406-2411.
- Khan, Mohammed R. "A beam steering technique using dielectric wedges", *Diss. University of London*, Dec. 1985, 3 pages.
- Khan, Ubaid Mahmood et al., "Dual polarized dielectric resonator antennas", *Chalmers University of Technology*, Jun. 2010, 128 pages.
- Kikuchi, H. et al., "Hybrid transmission mode of Goubau lines", *J.Inst.Electr.Comm.Engrs., Japan*, vol. 43, 1960, 39-45.
- Kim, Jong-Hyuk et al., "Real-time Navigation, Guidance, and Control of a UAV using Low-cost Sensors", *Australian Centre for Field Robotics*, Mar. 5, 2011, 6 pages.
- Kim, Myungsik et al., "Automated RFID-based identification system for steel coils", *Progress in Electromagnetics Research* 131, 2012, 1-17.
- Kima, Yi-Gon et al., "Generating and detecting torsional guided waves using magnetostrictive sensors of crossed coils", *Chonnam National University, Republic of Korea, Elsevier Ltd.*, 2010, 145-151.
- Kirkham, H. et al., "Power system applications of fiber optics (Jet Propulsion Lab)", *JPL Publication 84-28, Electric Energy Systems Division, U.S. DoE*, 1984, 180.
- Kleinrock, Leonard et al., "On measured behavior of the ARPA network", *National Computer Conference*, 1974, 767-780.
- Kliros, George S. "Dielectric-EBG covered conical antenna for UWB applications", www.researchgate.net/profile/George_Kliros/publication/235322849_Dielectric-EBG_covered_conical_antenna_for_UWB_applications/links/54329e410cf225bddec7c037.pdf, 2010, 10 pages.
- Koga, Hisao et al., "High-Speed Power Line Communication System Based on Wavelet OFDM", 7th *International Symposium on Power-Line Communications and Its Applications*, Mar. 26-28, 2003, 226-231.
- Kolpakov, Stanislav A. et al., "Toward a new generation of photonic humidity sensors", *Sensors* 14.3, 2014, 3986-4013.
- Koshiba, Masanori et al., "Analytical expression of average power-coupling coefficients for estimating intercore crosstalk in multicore fibers", *Photonics Journal, IEEE* 4.5, 2012, 1987-1995.
- Kroon, Barnard et al., "Steady state RF fingerprinting for identity verification: one class classifier versus customized ensemble", *Artificial Intelligence and Cognitive Science. Springer Berlin Heidelberg*, 198206, Abstract Only, 2010, 3 pages.
- Kroyer, Thomas "A Waveguide High Order Mode Reflectometer for the Large Hadron Collider Beam-pipe", *Diss. TU Wien.*, 2003, 76 pages.
- Kuehn, E "Self-configuration and self-optimization of 4G Radio Access Networks", http://wirelessman.org/tgm/contrib/S80216m-07_169.pdf, 2007, 13 pages.
- Kuhn, Marc et al., "Power Line Enhanced Cooperative Wireless Communications", *IEEE Journal on Selected Areas in Communications*, vol. 24, No. 7, Jul. 2006, 10 pages.
- Kumar, Sailesh "Survey of Current Network Intrusion Detection Techniques", *Washington Univ. in St. Louis*, Dec. 2007, 18 pages.
- Kumar, Sumeet et al., "Urban street lighting infrastructure monitoring using a mobile sensor platform", *IEEE Sensors Journal*, 16.12, 2016, 4981-4994.
- Kune, Denis F. et al., "Ghost Talk: Mitigating EMI Signal Injection Attacks against Analog Sensors", *IEEE Symposium on Security and Privacy*, 2013, 145-159.
- Laforte, J.L. et al., "State-of-the-art on power line de-icing", *Atmospheric Research* 46, 1998, 143-158.

(56)

References Cited

OTHER PUBLICATIONS

- Lairdtech, "Allpurpose Mount Kit", www.lairdtech.com, Mar. 29, 2015, 2 pages.
- LAPPGROUPUSA, "Selection of Number of Cable Cores With Emphasis on Sizing Parameters", Industrial Cable & Connector Technology News, lappconnect.blogspot.com, http://lappconnect.blogspot.com/2014_10_01_archive.html, Oct. 30, 2014, 4 pages.
- Lazaropoulos, Athanasios "Towards Modal Integration of Overhead and Underground Low-Voltage and Medium-Voltage Power Line Communication Channels in the Smart Grid Landscape: Model Expansion, Broadband Signal Transmission Characteristics, and Statistical Performance Metrics", International Scholarly Research Network, ISRN Signal Processing, vol. 2012, Article ID 121628, 17 pages, Mar. 26, 2012, 18 pages.
- Lazaropoulos, Athanasios G. "Wireless sensor network design for transmission line monitoring, metering, and controlling: introducing broadband over power lines-enhanced network model (BPLeNM)", ISRN Power Engineering, 2014, 23 pages.
- Lee, Joseph C. "A Compact Q-/K-Band Dual Frequency Feed Horn", No. TR-645, Massachusetts Institute of Technology, Lincoln Laboratory, May 3, 1983, 40 pages.
- Lee, Sung-Woo "Mutual Coupling Considerations in the Development of Multi-feed Antenna Systems", http://ntrs.nasa.gov/archive/nasa/casi.ntrs.nasa.gov/19750003064.pdf, 2008, 127 pages.
- Leech, Jamie et al., "Experimental investigation of a low-cost, high performance focal-plane horn array", Terahertz Science and Technology, IEEE Transactions on 2.1, 2012, 61-70.
- Li, Mo et al., "Underground structure monitoring with wireless sensor networks", Proceedings of the 6th international conference on Information processing in sensor networks, ACM, 2007, 69-78.
- Li, Xi et al., "A FCM-Based peer grouping scheme for node failure recovery in wireless P2P file sharing", 2009 IEEE International Conference on Communications, 2009, 2 pages.
- Li, Xiang-Yang et al., "Interference-Aware Topology Control for Wireless Sensor Networks", SECON, vol. 5, 2005, 12 pages.
- Li, Xiaowei et al., "Integrated plasmonic semi-circular launcher for dielectric-loaded surface plasmon polariton waveguide", Optics Express, vol. 19, Issue 7, 2011, 6541-6548.
- Li, Xu et al., "Smart community: an internet of things application", Communications Magazine, IEEE 49.11, Nov. 2011, 68-75.
- Liang, Bin "Cylindrical Slot FSS Configuration for Beam-Switching Applications", IEEE Transactions on Antennas and Propagation, vol. 63, No. 1, Jan. 2015, 166-173.
- Lier, E. et al., "Simple hybrid mode horn feed loaded with a dielectric cone", Electronics Letters 21.13: 563564, 1985, 563-564.
- Lier, Erik "A Dielectric Hybrid Mode Antenna Feed: A Simple Alternative to the Corrugated Horn", IEEE Transactions on Antennas and Propagation, vol. AP-34, No. 1, Jan. 1986, 21-30.
- Lim, Christina et al., "Fiber-wireless networks and subsystem technologies", Lightwave Technology, Journal of 28.4, Feb. 5, 2010, 390-405.
- Liu, et al., "A 25 Gb/s (km²) urban wireless network beyond IMTAdvanced", IEEE Communications Magazine 49.2, 2011, 122-129.
- Lou, Tiancheng "Minimizing Average Interference through Topology Control", Algorithms for Sensor Systems, Springer Berlin Heidelberg, 2012, 115-129.
- L-TEL: Quanzhou L-TEL Communicat, "Products: GSM Micro Repeater", www.l-tel.com, Apr. 24, 2015, 3 pages.
- Lucyszyn, S. et al., "Novel RF MEMS Switches", Proceedings of Asia-Pacific Microwave Conference 2007, 2007, 55-58.
- Lucyszyn, Stepan et al., "RF MEMS for antenna applications", 7th European Conference on Antennas and Propagation (EUCAP 2103), 2013, 1988-1992.
- Lumerical Solutions, Inc., "Tapered waveguide", www.docs.lumerical.com, 2010, 3 pages.
- Lumerical Solutions, Inc., "Waveguide Bragg Microcavity", www.lumerical.com, Sep. 2016, 6 pages.
- Luo, Hailu et al., "Reversed propagation dynamics of Laguerre-Gaussian beams in left-handed materials", Physical Review A 77.2, 023812., Feb. 20, 2008, 1-7.
- Luo, Qi et al., "Circularly polarized antennas", John Wiley & Sons, Book—description only, 2013, 1 page.
- Mahato, Suvranshu Sekhar "Studies on an Infrared Sensor Based Wireless Mesh Network. Diss.", Abstract Only, 2010, 2 pages.
- Maier, Martin et al., "The Audacity of Fiberwireless (FiWi) Networks", AccessNets, 2009, 16-35.
- Makwana, G. D. et al., "Wideband Stacked Rectangular Dielectric Resonator Antenna at 5.2 GHz", International Journal of Electromagnetics and Applications 2012, 2(3), 2012, 41-45.
- Marcatili, E.A. et al., "Hollow Metallic and Dielectric Waveguides for Long Distance Optical Transmission and Lasers", Bell System Technical Journal 43(4), Abstract Only, 2 pages, 1964, 1783-1809.
- Marin, Leandro "Optimized ECC Implementation for Secure Communication between Heterogeneous IoT Devices", www.mdpi.com/1424-8220/15/9/21478/pdf, 2015, 21478-21499.
- Marrucci, Lorenzo "Rotating light with light: Generation of helical modes of light by spin-to-orbital angular momentum conversion in inhomogeneous liquid crystals", International Congress on Optics and Optoelectronics. International Society for Optics and Photonics, 2007, 12 pages.
- Marzetta, "Noncooperative Cellular Wireless with Unlimited Numbers of Base Station Antennas", IEEE Transactions on Wireless Communications, vol. 9, No. 11, Nov. 2010, 3590-3600.
- Matikainen, Leena et al., "Remote sensing methods for power line corridor surveys", ISPRS Journal of Photogrammetry and Remote Sensing, 119, 2016, 10-31.
- Matsukawa, et al., "A dynamic channel assignment scheme for distributed antenna networks", Vehicular Technology Conference (VTC Spring), 2012 IEEE 75th, 2012, 5 pages.
- McAllister, M.W. et al., "Resonant hemispherical dielectric antenna", Electronics Letters 20.16: 657659, Abstract Only, 1984, 1 page.
- McKeown, David M. et al., "Rulebased interpretation of aerial imagery", IEEE Transactions on Pattern Analysis and Machine Intelligence 5, 1985, 570-585.
- Meessen, A. "Production of EM Surface Waves by Superconducting Spheres: A New Type of Harmonic Oscillators", Progress in Electromagnetics Research Symposium Proceedings, Moscow, Russia, Aug. 19-23, 2012, pp. 529-533.
- Mehta, "Advance Featuring Smart Energy Meter With Bi-Directional Communication", Electronics & Communication MEEGI, Feb. 9, 2014, 169-174.
- Mena, F.P. et al., "Design and Performance of a 600720GHz Sideband Separating Receiver Using and AIN SIS Junctions", IEEE Transactions on Microwave Theory and Techniques 59.1, 2011, 166-177.
- Meng, H. et al., "A transmission line model for high-frequency power line communication channel", Power System Technology, PowerCon 2002, International Conference on IEEE, vol. 2, 2002, 6 pages.
- Menon, S.S. et al., "Propagation characteristics of guided modes in a solid dielectric pyramidal horn", Proceedings of the 2012 International Conference on Communication Systems and Network Technologies, IEEE Computer Society, Abstract Only, 2012, 2 pages.
- Microwave Technologies, IND, "Dielectric Antenna", www.microwavetechnologiesinc.co.in/microwavecom-communicationlabproducts.html#dielectricantenna, May 21, 2015, 13 pages.
- Miller, Ashley et al., "Pathway to Ubiquitous Broadband: Environments, Policies, and Technologies to Implementation", Oct. 2016, 20 pages.
- Miller, David A. "Establishing Optimal Wave Communication Channels Automatically", Journal of Lightwave Technology, vol. 31, No. 24, Dec. 15, 2013, 3987-3994.
- Mishra, Sumita et al., "Load Balancing Optimization in LTE/LTEA Cellular Networks: A Review", arXiv preprint arXiv:1412.7273 (2014), 2014, 1-7.

(56)

References Cited

OTHER PUBLICATIONS

- Mitchell, John E. "Integrated Wireless Backhaul Over Optical Access Networks", *Journal of Lightwave Technology* 32.20, 2014, 3373-3382.
- Miyagi, M. "Bending losses in hollow and dielectric tube leaky waveguides", *Applied Optics* 20(7), Abstract Only, 2 pages, 1981, 1221-1229.
- Moaveni-Nejad, Kousha et al., "Low-Interference Topology Control for Wireless Ad Hoc Networks", Department of Computer Science, Illinois Institute of Technology, Ad Hoc & Sensor Wireless Networks 1.1-2, 2005, 41-64.
- Moisan, M. et al., "Plasma sources based on the propagation of electromagnetic surface waves", *Journal of Physics D: Applied Physics* 24, 1991, 1025-1048.
- Mokhtarian, Kianoosh et al., "Caching in Video CDNs: Building Strong Lines of Defense", EuroSys, Amsterdam, Netherlands, 2014, 13 pages.
- Mori, A. et al., "The Power Line Transmission Characteristics for an OFDM Signal", *Progress in Electromagnetics Research*, Pier 61, Musashi Institute of Technology, 2006, 279-290.
- Morse, T.F. "Research Support for the Laboratory for Lightwave Technology", Brown Univ Providence RI Div of Engineering, 1992, 32 pages.
- Mruk, Joseph Rene "Wideband monolithically integrated frontend subsystems and components", Diss. University of Colorado, 2011, 166 pages.
- Mueller, G.E. et al., "Polyrod Antennas", *Bell System Technical Journal*, vol. 26., No. 4, Oct. 29, 1947, 837-851.
- Mushref, Muhammad "Matrix solution to electromagnetic scattering by a conducting cylinder with an eccentric metamaterial coating", www.sciencedirect.com/science/article/pii/S0022247X06011450/pdf?md5=4823be0348a3771b5cec9ffb7f326c2c&pid=1-s2.0-S0022247X06011450-main.pdf, Discloses controlling antenna radiation pattern with coatings, 2007, 356-366.
- MWAVE, "Dual Linear C-Band Horn", www.mwavellc.com/custom-Band-LS-BandTelemetryHornAntennas.php, Jul. 6, 2012, 1 page.
- Nakano, Hisamatsu "A Low-Profile Conical Beam Loop Antenna with an Electromagnetically Coupled Feed System", [http://repo.lib.hosei.ac.jp/bitstream/10114/3835/1/31_TAP\(Low-Profile\).pdf](http://repo.lib.hosei.ac.jp/bitstream/10114/3835/1/31_TAP(Low-Profile).pdf), Dec. 2000, 1864-1866.
- Nakano, Hisamatsu et al., "A Spiral Antenna Backed by a Conducting Plane Reflector", *IEEE Transactions on Antennas and Propagation*, vol. AP-34 No. 6, Jun. 1986, 791-796.
- Nandi, Somen et al., "Computing for rural empowerment: enabled by last-mile telecommunications", *IEEE Communications Magazine* 54.6, 2016, 102-109.
- Narayanan, Arvind "Fingerprinting of RFID Tags and HighTech Stalking", 33 Bits of Entropy, 33bits.org, Oct. 4, 2011, 4 pages.
- Nassa, Vinay Kumar "Wireless Communications: Past, Present and Future", *Dronacharya Research Journal*: 50. vol. III, Issue-II, Jul.-Dec. 2011, 2011, 96 pages.
- Nassar, "Local Utility Powerline Communications in the 3-500 kHz Band: Channel Impairments, Noise, and Standards", *IEEE Signal Processing Magazine*, 2012, 1-22.
- NBNTM, "Network technology", nbco.com.au, Jun. 27, 2014, 2 pages.
- Netgear, "Powerline—Juice Up Your Network With Powerline", www.netgear.com/home/products/networking/powerline, Apr. 21, 2015, 3 pages.
- Newmark System, Inc, "GM-12 Gimbal Mount", newmarksystems.com, 2015, 1 page.
- Nibarger, John P. "An 84 pixel all-silicon corrugated feedhorn for CMB measurements", *Journal of Low Temperature Physics* 167.3-4, 2012, 522-527.
- Nicholson, Basil J. "Microwave Rotary Joints for X-, C-, and S-band", Battelle Memorial Inst Columbus OH, 1965, 51 pages.
- Niedermayer, Uwe et al., "Analytic modeling, simulation and interpretation of broadband beam coupling impedance bench measurements", *Nuclear Instruments and Methods in Physics Research Section A: Accelerators, Spectrometers, Detectors and Associated Equipment* 776, 2015, 129-143.
- Nikitin, A. Y. et al., "Efficient Coupling of Light to Graphene Plasmons by Compressing Surface Polaritons with Tapered Bulk Materials", *NanoLetters*; pubs.acs.org/NanoLett, Apr. 28, 2014, 2896-2901.
- Nikitin, Pavel V. et al., "Propagation Model for the HVAC Duct as a Communication Channel", *IEEE Transactions on Antennas and Propagation* 51.5, 2003, 7 pages.
- Norse Appliance, "Block attacks before they target your network, and dramatically improve the ROI on your entire security infrastructure", norsecorp.com, 2015, 4 pages.
- Nuvotronics, "PolyStrata—Phased Arrays & Antennas", Nuvotronics, www.nuvotronics.com/antennas.php, Apr. 26, 2015, 1 page.
- NWCLIMATE, "Weather Instruments and Equipment Explained", nwclimate.org, May 7, 2015, 22 pages.
- OECD, "Alternative Local Loop Technologies: A Review", Organisation for Economic Co-Operation and Development, Paris, <https://www.oecd.org/sti/2090965.pdf>, 1996, 25 pages.
- Ohliger, Michael "An introduction to coil array design for parallel MRI", http://mriquestions.com/uploads/3/4/5/7/34572113/intro_to_coil_design_parallel_.pdf, 2006, 16 pages.
- Olver, A. D. "Microwave horns and feeds", vol. 39. IET, Book description only, 1994, 1 page.
- Olver, A.D. et al., "Dielectric cone loaded horn antennas", *Micro-waves, Antennas and Propagation*, IEEE Proceedings H. vol. 135. No. 3. IET, Abstract Only, 1988, 1 page.
- Opengear, "Smart Out-Of-Band Management", www.opengear.com, Sep. 2015, 2 pages.
- Orfanidis, Sophocles J. "Antenna Arrays", Rutgers University, 2002, 910-939.
- Pahlavan, Kaveh et al., "Wireless data communications", *Proceedings of the IEEE* 82.9, 1994, 1398-1430.
- Paruchuri, et al., "Securing Powerline Communication", *IEEE*, 2008, 64-69.
- Patel, Pinak S. et al., "Sensor Fault Detection in Wireless Sensor Networks and Avoiding the Path Failure Nodes", *International Journal of Industrial Electronics and Electrical Engineering*, vol. 2, Issue-3, Mar. 2014, 2347-6982.
- Patel, Shwetak N. et al., "The Design and Evaluation of an End-User-Deployable, Whole House, Contactless Power Consumption Sensor", CHI 2010: Domestic Life, Apr. 2010, 10 pages.
- Pato, Silvia et al., "On building a distributed antenna system with joint signal processing for next generation wireless access networks: The FUTON approach", 7th Conference on Telecommunications, Portugal, 2008, 4 pages.
- Paul, Sanjoy et al., "The Cache-and-Forward Network Architecture for Efficient Mobile Content Delivery Services in the Future Internet", *Innovations in NGN: Future Network and Services*, First ITU-T Kaleidoscope Academic Conference, 2008, 8 pages.
- PCT, "International Search Report", dated Oct. 25, 2016, 1-12.
- Perkons, Alfred R. et al., "TM surface-wave power combining by a planar active-lens amplifier", *IEEE Transactions on Microwave Theory and Techniques*, 46.6, Jun. 1998, 775-783.
- Péter, Zsolt et al., "Assessment of the current intensity for preventing ice accretion on overhead conductors", *Power Delivery*, *IEEE Transactions on* 22.1: 4, 2007, 565-57.
- Petrovsky, Oleg "The Internet of Things: A Security Overview", www.druva.com, Mar. 31, 2015, 3 pages.
- Pham, Tien-Thang et al., "A WDM-PON-compatible system for simultaneous distribution of gigabit baseband and wireless ultrawideband services with flexible bandwidth allocation", *Photonics Journal*, *IEEE* 3.1, 2011, 13-19.
- Pike, Kevin J. et al., "A spectrometer designed for 6.7 and 14.1 T DNP-enhanced solid-state MAS NMR using quasi-optical microwave transmission", *Journal of Magnetic Resonance*, 2012, 9 pages.
- Piksa, Petr et al., "Elliptic and hyperbolic dielectric lens antennas in mmwaves", *Radioengineering* 20.1, 2011, 271.
- Pixel Technologies, "Pro 600 Sirius XM Radio Amplified Outdoor Antenna", Oct. 3, 2014, 1 page.

(56)

References Cited

OTHER PUBLICATIONS

- Plagemann, Thomas et al., "Infrastructures for Community Networks", Content Delivery Networks. Springer Berlin Heidelberg, 2008, 367-388.
- Pohl, Nils "A dielectric lens-based antenna concept for high-precision industrial radar measurements at 24GHz", Radar Conference (EuRAD), 2012 9th European, IEEE, 2012, 5 pages.
- Ponchak, George E. et al., "A New Model for Broadband Waveguide to Microstrip Transition Design", NASA TM-88905, Dec. 1, 1986, 18 pgs.
- Potlapally, Nachiketh R. et al., "Optimizing Public-Key Encryption for Wireless Clients", Proceedings of the IEEE International Conference on Communications, 2002, 1050-1056.
- Pranonsatit, S. et al., "Sectorised horn antenna array using an RF MEMS rotary switch", Asia-Pacific Microwave Conference, 2010, 1909-1913.
- Pranonsatit, Suneat et al., "Single-pole eight-throw RF MEMS rotary switch", Journal of Microelectromechanical Systems 15.6, 2006, 1735-1744.
- Prashant, R.R. et al., "Detecting and Identifying the Location of Multiple Spoofing Adversaries in Wireless Network", International Journal of Computer Science and Mobile Applications, vol. 2 Issue. 5, May 2014, 1-6.
- Qi, Xue et al., "Ad hoc QoS ondemand routing (AQOR) in mobile ad hoc networks", Journal of parallel and distributed computing 63.2, 2003, 154-165.
- Qiu, Lili et al., "Fault Detection, Isolation, and Diagnosis in Multihop Wireless Networks", Dec. 2003, 16 pages.
- Quan, Xulin "Analysis and Design of a Compact Dual-Band Directional Antenna", IEEE Antennas and Wireless Propagation Letters, vol. 11, 2012, 547-550.
- Quinstar Technology, Inc., "Prime Focus Antenna (QRP series)", quinstar.com, Aug. 19, 2016, 2 pages.
- Rahim, S. K. A. et al., "Measurement of wet antenna losses on 26 GHz terrestrial microwave link in Malaysia", Wireless Personal Communications 64.2, 2012, 225-231.
- Rambabu, K. et al., "Compact single-channel rotary joint using ridged waveguide sections for phase adjustment", IEEE Transactions on Microwave Theory and Techniques, 51(8):1982-1986, Abstract Only, Aug. 2003, 2 pages.
- Ranga, Yogesh et al., "An ultra-wideband quasi-planar antenna with enhanced gain", Progress in Electromagnetics Research C 49, 2014, 59-65.
- Rangan, Sundeep et al., "Millimeter-Wave Cellular Wireless Networks: Potentials and Challenges", Proceedings of the IEEE, vol. 102, No. 3, Mar. 2014, 366-385.
- Rangel, Rodrigo K. et al., "Sistema de Inspecao de Linhas de Transmissao de Energia Electrica Utilizando Veiculos Aereos Nao-Tripulados", Sep. 14-16, 2009, 1-9.
- Rappaport, Theodore S. et al., "Mobile's Millimeter-Wave Makeover", Spectrum.IEEE.Org, Sep. 2014, 8 pages.
- Raychaudhuri, Dipankar et al., "Emerging Wireless Technologies and the Future Mobile Internet", Cambridge University Press, Abstract Only, Mar. 2011, 1 page.
- Rekimoto, Jun "SmartSkin: An Infrastructure for Freehand Manipulation on Interactive Surfaces", <https://vs.inf.ethz.ch/edu/SS2005/DS/papers/surfaces/rekimoto-smartskin.pdf>, 2002, 8 pages.
- Ren-Bin, Zhong et al., "Surface plasmon wave propagation along single metal wire", Chin. Phys. B, vol. 21, No. 11, May 2, 2012, 9 pages.
- Reynet, Olivier et al., "Effect of the magnetic properties of the inclusions on the high-frequency dielectric response of diluted composites", Physical Review B66.9: 094412, 2002, 10 pages.
- RF Check, "Examples of Cell Antennas", <https://web.archive.org/web/20100201214318/http://www.rfcheck.com/Examplesof-Cell-Antennas.php>, Feb. 1, 2010, 1 page.
- Ricardi, L. J. "Some Characteristics of a Communication Satellite Multiple-Beam Antenna", Massachusetts Institute of Technology, Lincoln Laboratory, Technical Note 1975-3, Jan. 28, 1975, 62 pages.
- Rieke, M. et al., "High-Precision Positioning and Real-Time Data Processing of UAV Systems", International Archives of the Photogrammetry, Remote Sensing and Spatial Information Sciences, vol. XXXVIII-1/C22, 2011, 119-124.
- Robinson, D.A. et al., "Advancing processbased watershed hydrological research using nearsurface geophysics: A vision for, and review of, electrical and magnetic geophysical methods", Hydrological Processes 22.18, Mar. 11, 2008, 3604-3635.
- Robles, Rosslyn John et al., "A Review on Security in Smart Home Development", International Journal of Advanced Science and Technology 15, Feb. 2010, 13-22.
- Rosenberg, Uwe et al., "A novel frequency-selective power combiner/divider in single-layer substrate integrated waveguide technology", IEEE Microwave and Wireless Components Letters, vol. 23, No. 8, Aug. 2013, 406-408.
- Rouse, Margaret "Transport Layer Security (TLS)", TechTarget, searchsecurity.techtarget.com, Jul. 2006, 4 pages.
- Rousstia, M. W. "Switched-beam antenna array design for millimeter-wave applications", <https://pure.tue.nl/ws/files/4418145/599448877400424.pdf>, Jan. 1, 2011, 148 pages.
- Roze, Mathieu et al., "Suspended core subwavelength fibers: towards practical designs for low-loss terahertz guidance", Optics express 19.10, 2011, 9127-9138.
- Sagar, Nishant "Powerline Communications Systems: Overview and Analysis", Thesis, May 2011, 80 pages.
- Sagues, Mikel et al., "Multi-tap complex-coefficient incoherent microwave photonic filters based on optical single-sideband modulation and narrow band optical filtering", Optics express 16.1, 2008, 295-303.
- Sahoo, Srikanta "Faulty Node Detection in Wireless Sensor Networks Using Cluster", Apr. 2013, 212-223.
- Saied, Yosra Ben et al., "Trust management system design for the internet of things: a contextaware and multiservice approach", Computers & Security 39: 351365, Abstract Only, 2013, 2 pages.
- Salema, Carlos et al., "Solid Dielectric Horn Antennas", Artech House Publishers, Amazon, Book—description only, 1998, 3 pages.
- Sarafi, Angeliki et al., "Hybrid wireless-broadband over power lines: A promising broadband solution in rural areas", Communications Magazine, IEEE 47.11, 2009, 140-147.
- Sarnecki, Joseph et al., "Microcell design principles", Communications Magazine, IEEE 31.4, 1993, 76-82.
- Saruhan, Ibrahim Halil "Detecting and Preventing Rogue Devices on the Network", SANS Institute InfoSec Reading Room, sans.org, Aug. 8, 2007, 1 page.
- Scarfone, Karen et al., "Technical Guide to Information Security Testing and Assessment", National Institute of Standards and Technology, csrc.nist.gov, Special Publication, Sep. 2008, 800-115.
- Scerri, Paul et al., "Geolocation of RF emitters by many UAVs", AIAA Infotech, Aerospace 2007 Conference and Exhibit, 2007, 1-13.
- Schoning, Johannes et al., "Multi-Touch Surfaces: A Technical Guide", Johannes Schöning, Institute for Geoinformatics University of Münster, Technical Report TUM-10833, 2008, 19 pages.
- Sciencedaily, "New Wi-Fi antenna enhances wireless coverage", www.sciencedaily.com, Apr. 29, 2015, 2 pages.
- Security Matters, "Product Overview: Introducing SilentDefense", secmatters.com, Nov. 9, 2013, 1 page.
- Sembiring, Krisantus "Dynamic Resource Allocation for Cloud-based Media Processing", <http://www.chinacloud.cn/upload/2013-04/13042109511919.pdf>, 2013, 49-54.
- Sengled, "Boost: The world's first Wi-Fi extending led bulb", www.sengled.com/sites/default/files/field/product/downloads/manual/a01-a60_na_user_manual.pdf, Dec. 2014, 32 pages.
- Shafai, Lotfollah "Dielectric Loaded Antennas", John Wiley & Sons, Inc, www.researchgate.net/publication/227998803_Dielectric_Loaded_Antennas, Apr. 15, 2005, 82 pages.
- Shafi, Mansoor et al., "Advances in Propagation Modeling for Wireless Systems", EURASIP Journal on Wireless Communications and Networking, Hindawi Publishing Corp, 2009, p. 5.

(56)

References Cited

OTHER PUBLICATIONS

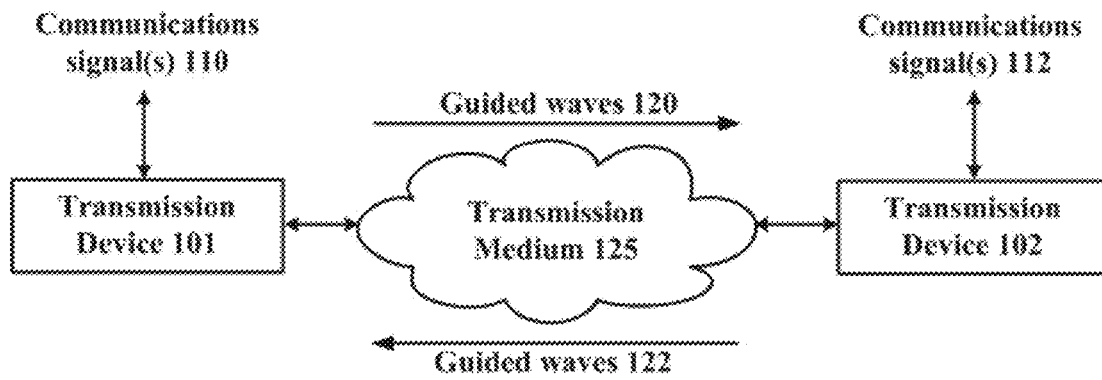
- Shankland, Steven "Lowly DSL poised for gigabit speed boost", www.cnet.com, Oct. 21, 2014, 5 pages.
- Sharma, Archana et al., "Dielectric Resonator Antenna for X band Microwave Application", Research & Reviews, International Journal of Advanced Research in Electrical, Electronics and Instrumentation Engineering, Oct. 2016, 9 pages.
- Shekar, Chandra P. "Transmission Line Fault Detection & Indication through GSM", IRD India, ISSN (Online): 2347-2812, vol. 2, Issue 5, 2014, 28-30.
- Shila, Devu M. "Load-Aware Traffic Engineering for Mesh Networks", Computer Communications 31.7, 2008, 1460-1469.
- Shimabukuko, F.I. et al., "Attenuation measurement of very low-loss dielectric waveguides by the cavity resonator method in the millimeter/submillimeter wavelength range", No. TR-0086A (2925-06)-1, Aerospace Corp El Segundo CA Electronics Research Lab, Mar. 20, 1989, 35 pages.
- Shin, Donghoon et al., "10 Gbps Millimeter-Wave OFDM Experimental System with Iterative Phase Noise Compensation", Tokyo Institute of Technology, IEEE, 2013, 184-186.
- Shindo, Shuichi et al., "Attenuation measurement of cylindrical dielectric-rod waveguide", Electronics Letters 12.5, 1976, 117-118.
- Shumate, Paul W. et al., "Evolution of fiber in the residential loop plant", IEEE Communications Magazine 29.3, 1991, 68-74.
- Sieven Piper, D.F. et al., "Two-dimensional beam steering using an electrically tunable impedance surface", IEEE Transactions on Antennas and Propagation, vol. 51, No. 10, Nov. 2003, pp. 2713-2722.
- Silver, Ralph U. "Local Loop Overview", National Communications System (NCS), BellSouth Network Training, newnetworks.com, Aug. 2016, 100 pages.
- Silvonen, Kimmo "Calibration and DeEmbedding of Microwave Measurements Using Any Combination of One or TwoPort Standards", Publication of the Circuit Theory Laboratory, CT4, 1987, 1-28.
- Simionovici, Ana-Maria et al., "Predictive Modeling in a VoIP System", 2013, 32-40.
- Simons, Rainee N. "Coplanar Waveguide Feeds for Phased Array Antennas", Solid State Technology Branch of NASA Lewis Research Center Fourth Annual Digest, Conference on Advanced Space Exploration Initiative Technologies cosponsored by AIAA, NASA and OAI, 1992, 1-9.
- Singh, Sapana et al., "Key Concepts and Network Architecture for 5G Mobile Technology", International Journal of Scientific Research Engineering & Technology (IJSRET), IIMT Engineering College, Meerut, India, vol. 1, Issue 5, Aug. 2012, 165-170.
- Singh, Seema M. et al., "Broadband Over Power Lines a White Paper", State of New Jersey, Division of the Ratepayer Advocate, NJ, Oct. 2016, 67 pages.
- Sommerfeld, A. "On the propagation of electrodynamic waves along a wire", Annals of Physics and Chemistry New Edition, vol. 67, No. 2, 1899, 72 pages.
- Song, Kaijun et al., "Broadband radial waveguide power amplifier using a spatial power combining technique", www.mtech.edu/academics/mines/geophysical/xzhou/publications/songfanzhou_2009b_imp.pdf, 2009, 7 pages.
- Sospedra, Joaquim et al., "Badalona Oil PierBased Met-Ocean Monitoring Station", Campbell Scientific, www.campbellsci.com, Nov. 2016, 2 pages.
- Souryal, Michael R. et al., "Rapidly Deployable Mesh Network Testbed", <https://pdfs.semanticscholar.org/f914/1ce6999c4095eab3bdea645745761ebe5141.pdf>, 2009, 6 pages.
- Sowmya, Arcot et al., "Modelling and representation issues in automated feature extraction from aerial and satellite images", ISPRS journal of photogrammetry and remote sensing, 55.1, 2000, 34-47.
- Spencer, D G. "Novel Millimeter ACC Antenna Feed", IEEE Colloquium on Antennas for Automotives, Mar. 10, 2000, 10 pages.
- Stancil, Daniel D. et al., "High-speed internet access via HVAC ducts: a new approach", Global Telecommunications Conference, IEEE vol. 6, 2001, 4 pages.
- Steatite, "Custom Horn Antennas", Steatite QPar Antennas, steatiteqparantennas.co.uk, May 21, 2015, 1 page.
- Strahler, Olivier "Network Based VPNs", SANS Institute InfoSec Reading Room, www.sans.org, Aug. 2002, 18 pages.
- Strieby, M.E. et al., "Television transmission over wire lines", American Institute of Electrical Engineers, Transactions of the 60.12: 1090-1096, Abstract Only, 1941, 2 pages.
- STUF, "How to Use STUF", STUF Page Link Info, www.crossdevices.com, http://www.crossdevices.com/cross_devices_010.htm, 2015, 1 page.
- Sun, Zhi et al., "Magnetic Induction Communications for Wireless Underground Sensor Networks", IEEE Transactions on Antennas and Propagation, vol. 58, No. 7, Jul. 2010, 2426-2435.
- Sundqvist, Lassi "Cellular Controlled Drone Experiment: Evaluation of Network Requirements", 2015, 71 pages.
- Szabó, Csaba A. "European Broadband Initiatives with Public Participation", Broadband Services: 255, 2005, 305 pages.
- Szczys, Mike "Cameras Perch on Power Lines, Steal Electricity", <http://hackaday.com/2010/06/28/cameras-perch-on-power-lines-steal-electricity/>, Discloses cameras that clamp on to power lines and use induction as a power source., 2010, 1 page.
- Taboada, John M. et al., "Thermo-optically tuned cascaded polymer waveguide taps", Applied physics letters 75.2, 1999, 163-165.
- Talbot, David "Adapting Old-Style Phone Wires for Superfast Internet", Jul. 30, 2013, 3 pages.
- Tantawi, Sami G. et al., "High-power multimode X-band rf pulse compression system for future linear colliders", Physical Review Special Topics-Accelerators and Beams, 1098-4402/05/8(4)/042002, 2005, 19 pages.
- Tech Briefs Media Group, "Tapered Waveguides Improve Fiber Light Coupling Efficiency", www.techbriefs.com, Jan. 1, 2006, 2 pages.
- Templeton, Steven J. et al., "Detecting Spoofed Packets", DARPA Information Survivability Conference and Exposition, vol. 1, IEEE, 2003, 12 page.
- Teng, Ervin et al., "Aerial Sensing and Characterization of ThreeDimensional RF Fields", Univ. at Buffalo, cse.buffalo.edu, Sep. 2016, 6 pages.
- Tesoriero, Ricardo et al., "Tracking autonomous entities using RFID technology", IEEE Transactions on Consumer Electronics 55.2, 2009, 650-655.
- Theoley, Fabrice "Internet of Things and M2M Communications", books.google.com, ISBN13: 9788792982483, Book—description only, Apr. 17, 2013, 1 page.
- Thornton, John et al., "Modern lens antennas for communications engineering", vol. 39, 2013, 48 pages.
- Thota, Saigopal et al., "Computing for Rural Empowerment: Enabled by Last-Mile Telecommunications (Extended Version)", Technical Report, 2013, 14 pages.
- Thottapan, M. "Design and simulation of metal PBG waveguide mode launcher", www.researchgate.net/profile/Dr_M_Thottapan/publication/262415753_Design_and_Simulation_of_Metal_PBG_Waveguide_Mode_Launcher/links/0f317537ad93a5e2a4000000.pdf, 2014, 383-387.
- Tillack, M. S. et al., "Configuration and engineering design of the ARIES-RS tokamak power plant", https://www.researchgate.net/publication/222496003_Configuration_and_engineering_design_of_the_ARIES-RS_tokamak_power_plant, 1997, 87-113.
- Tucson Electric Power, "Energy-Harvesting Power Supply", <http://sdpm.arizona.edu/projects/project-publi/upid/38a8cf3b2f35576de25de1f6dcc20f3>, Discloses a project to harvest energy from a power line and that a device was built that clamps onto a power line., 2016, 1 page.
- Tyco Electronics, "Raychem: Wire and Cable", Dimensions 2:1, 1996, 58 pages.
- UK Essays, "Beam Adaptive Algorithms for Smart Antennas Computer Science Essay", www.ukessays.com, Mar. 23, 2015, 21 pages.
- Valladares, Cindy "20 Critical Security Controls: Control 7—Wireless Device Control", Tripwire—The State of Security, www.tripwire.com, Mar. 21, 2013, 10 pages.

(56)

References Cited

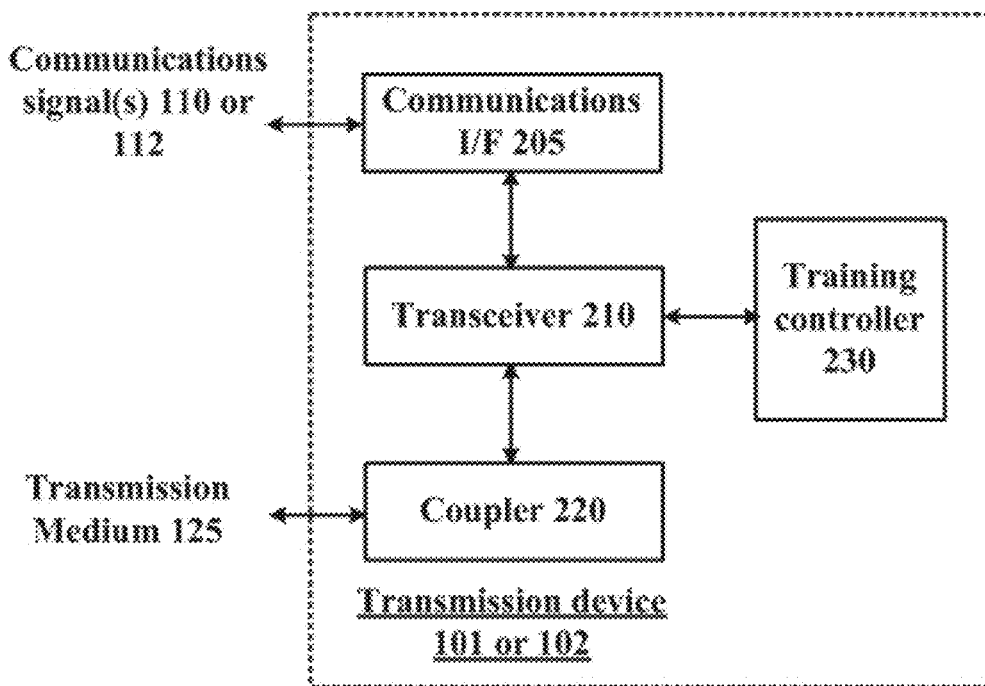
OTHER PUBLICATIONS

- Van Atta, L.C. "Contributions to the antenna field during World War II", www.nonstop-systems.com/radio/pdf-hell/article-IRE-5-1962.pdf, 1962, 692-697.
- Vogelgesang, Ralf et al., "Plasmonic nanostructures in aperture-less scanning near-field optical microscopy (aSNOM)", *physica status solidi (b)* 245.10, 2008, 2255-2260.
- Volat, C. et al., "De-icing/anti-icing techniques for power lines: current methods and future direction", Proceedings of the 11th International Workshop on Atmospheric Icing of Structures, Montreal, Canada, Jun. 2005, 11 pages.
- Wade, Paul "Multiple Reflector Dish Antennas", www.wlghz.org/antbook/conf/Multiple_reflector_antennas.pdf, 2004, 45 pages.
- Wagter, Herman "Fiber-to-the-X: the economics of last-mile fiber", ARS Technica, www.arstechnica.com, Mar. 31, 2010, 3 pages.
- Wake, David et al., "Radio over fiber link design for next generation wireless systems", *Journal of Lightwave Technology* 28.16, 2010, 2456-2464.
- Wang, Hao et al., "Dielectric Loaded Substrate Integrated Waveguide (SIW)—Plan Horn Antennas", *IEEE Transactions on Antennas and Propagation*, IEEE Service Center, Piscataway, NJ, US, vol. 56, No. 3, Mar. 1, 2010, 640-647.
- Wang, Jing et al., "The influence of optical fiber bundle parameters on the transmission of laser speckle patterns", *Optics express* 22.8, 2014, 8908-8918.
- Wang, Wei "Optimization Design of an Inductive Energy Harvesting Device for Wireless Power Supply System Overhead High-Voltage Power Lines", <https://pdfs.semanticscholar.org/3941/601af7a21d55e8b57ab0c50d5f1d9f9f6868.pdf>, Discloses an induction based energy harvesting device that takes energy from overhead powerlines (Figure 4), 2016, 16 pages.
- Wang, Xingfu et al., "Zigzag coverage scheme algorithm & analysis for wireless sensor networks", *Network Protocols and Algorithms* 5.4, 2013, 19-38.
- Washiro, Takanori "Applications of RFID over power line for Smart Grid", *Power Line Communications and Its Applications (ISPLC)*, 2012 16th IEEE International Symposium on. IEEE, 2012, 83-87.
- Wenger, N. "The launching of surface waves on an axial-cylindrical reactive surface", *IEEE Transactions on Antennas and Propagation* 13.1, 1965, 126-134.
- Werner, Louis B. et al., "Operation Greenhouse", Scientific Director's Report of Atomic Weapon Tests at Eniwetok, Annex 6.7 Contamination-Decontamination Studies Naval Radiological Defense Lab, 1951, 209 pages.
- Wikipedia, "Angular Momentum of Light", https://en.wikipedia.org/wiki/Angular_momentum_of_light, Nov. 10, 2016, 1-7.
- Wilkes, Gilbert "Wave Length Lenses", Dec. 5, 1946, 49 pages.
- Wilkins, George A. "Fiber Optic Telemetry in Ocean Cable Systems", Chapter in new edition of *Handbook of Oceanographic Winch, Wire and Cable Technology*, Alan H. Driscoll, Ed, 1986, 50 pages.
- Wolfe, Victor et al., "Feasibility Study of Utilizing 4G LTE Signals in Combination With Unmanned Aerial Vehicles for the Purpose of Search and Rescue of Avalanche Victims (Increment 1)", University of Colorado at Boulder, Research Report, 2014, 26 pages.
- Wolff, Christian "Phased Array Antenna", Radar Tutorial, [web.archive.org, radartutorial.eu](http://web.archive.org/web/20141021090000/http://radartutorial.eu), Oct. 21, 2014, 2 pages.
- Won Jung, Chang et al., "Reconfigurable Scan-Beam Single-Arm Spiral Antenna Integrated With RF-MEMS Switches", *IEEE Transactions on Antennas and Propagation*, vol. 54, No. 2, Feb. 2006, 455-463.
- Woodford, Chris "How do touchscreens work?", www.explainthatstuff.com/touchscreens.html, Aug. 23, 2016, 8 pages.
- Wu, Xidong et al., "Design and characterization of singleband multiplebeam mmwave circularly polarized substrate lens antennas for wireless communications", *Microwave Theory and Techniques*, *IEEE Transactions on* 49.3, 2001, 431-441.
- Xi, Liu Xiao "Security services in SoftLayer", Sep. 21, 2015, 18 pages.
- Xia, Cen et al., "Supermodes for optical transmission", *Optics express* 19.17, 2011, 16653-16664.
- Xiao, Shiyi et al., "Spin-dependent optics with metasurfaces", *Nanophotonics* 6.1, 2016, 215-234.
- Yang, et al., "Power line sensornet—a new concept for power grid monitoring", *IEEE Power Engineering Society General Meeting*, Abstract Only, 2006, pp. 8.
- Yang, Yi "Power Line Sensor Networks for Enhancing Power Line Reliability and Utilization", Georgia Institute of Technology, https://smartech.gatech.edu/bitstream/handle/1853/41087/Yang_Yi_2011108_phd.pdf, Apr. 26, 2011, 264 pages.
- Yeh, C. et al., "Ceramic Waveguides", *Interplanetary Network Progress Report 141.26: 1*, May 15, 2000, 21 pages.
- Yeh, C. et al., "Thin-Ribbon Tapered Coupler for Dielectric Waveguides", 5/151994, 42-48.
- Yilmaz, et al., "Self-optimization of coverage and capacity in LTE using adaptive antenna systems", Aalto University, Feb. 2010, 72 pages.
- Yousuf, Muhammad Salman "Power line communications: An Overview Part I", King Fahd University of Petroleum and Minerals, Dhahran, KSA, 2008, 5 pages.
- Yu, Shui et al., "Predicted packet padding for anonymous web browsing against traffic analysis attacks", *Information Forensics and Security*, *IEEE Transactions on* 7.4, <http://nsp.org.au/syu/papers/tifs12.pdf>, 2012, 1381-1393.
- Zelby, Leon W. "Propagation Modes on a Dielectric Coated Wire", *Journal of the Franklin Institute*, vol. 274(2), Aug. 1962, pp. 85-97.
- Zhang, "Modified Tapered Slot-line Antennas for Special Applications", *REV Journal on Electronics and Communications*, vol. 2, Jul.-Dec. 2012, 106-112.
- Zhang, Ming et al., "PlanetSeer: Internet Path Failure Monitoring and Characterization in Wide Area Services", *OSDI*, vol. 4, 2004, 33 pages.
- Zhao, et al., "Energy harvesting for a wireless-monitoring system of overhead high-voltage power lines", *IET Generation, Transmission & Distribution* 7, *IEEE Xplore Abstract*, 2013, 2 pages.
- Zheng, Zhu et al., "Efficient coupling of propagating broadband terahertz radial beams to metal wires", *Optics express* 21.9, 2013, 10642-10650.
- Zucker, Francis J. "Surface-Wave Antennas", *Antenna Engineering Handbook*, Chapter 10, 2007, 32 pages.



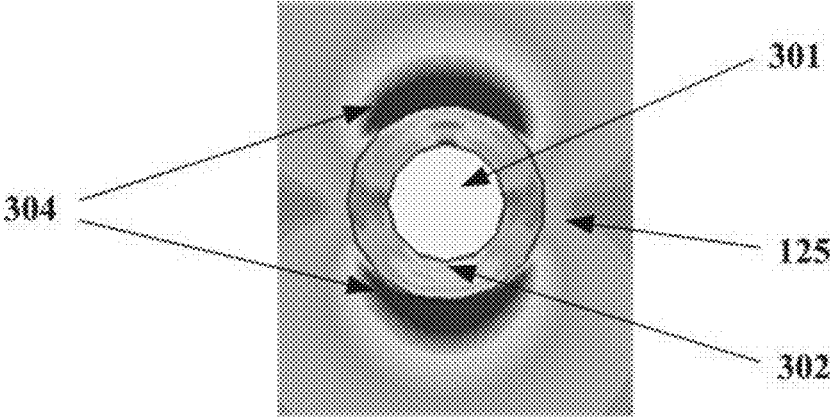
100

FIG. 1

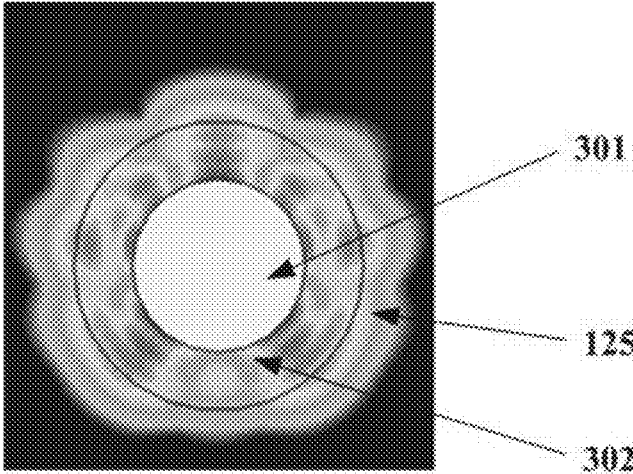


200

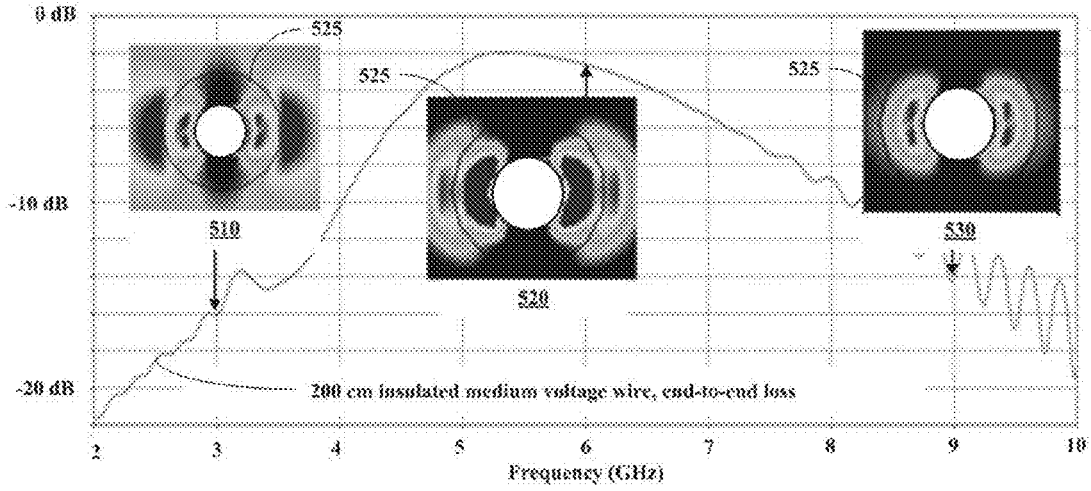
FIG. 2



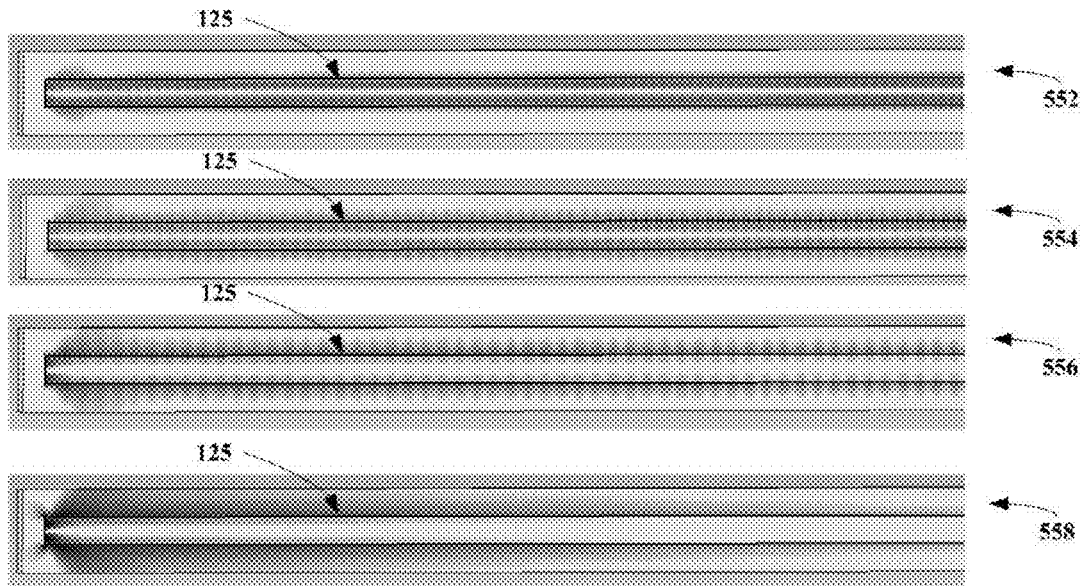
300
FIG. 3



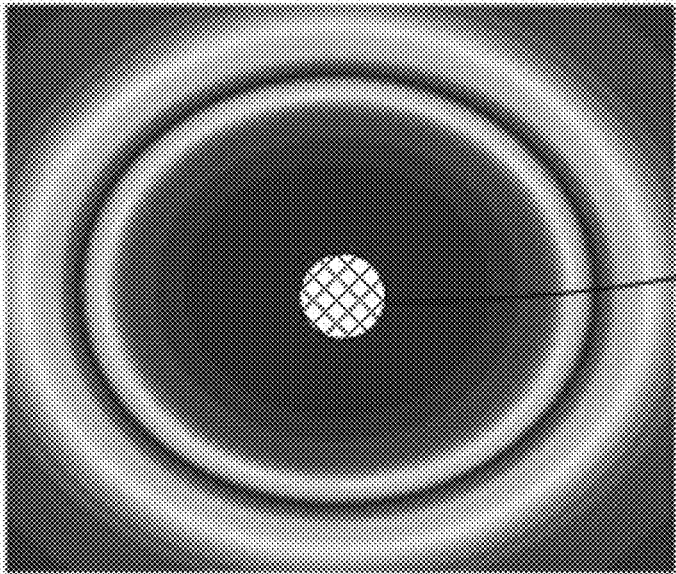
400
FIG. 4



500
FIG. 5A

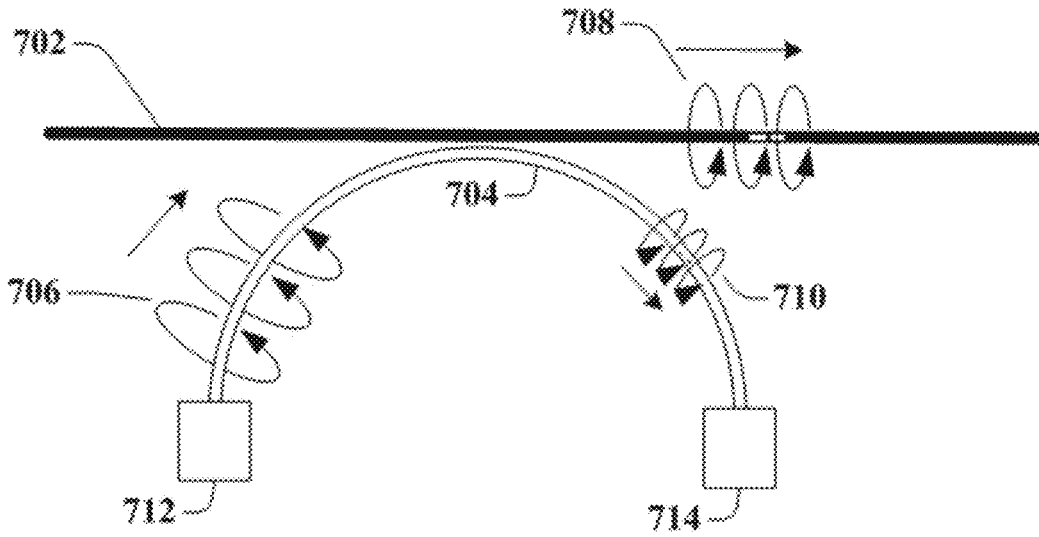


550
FIG. 5B

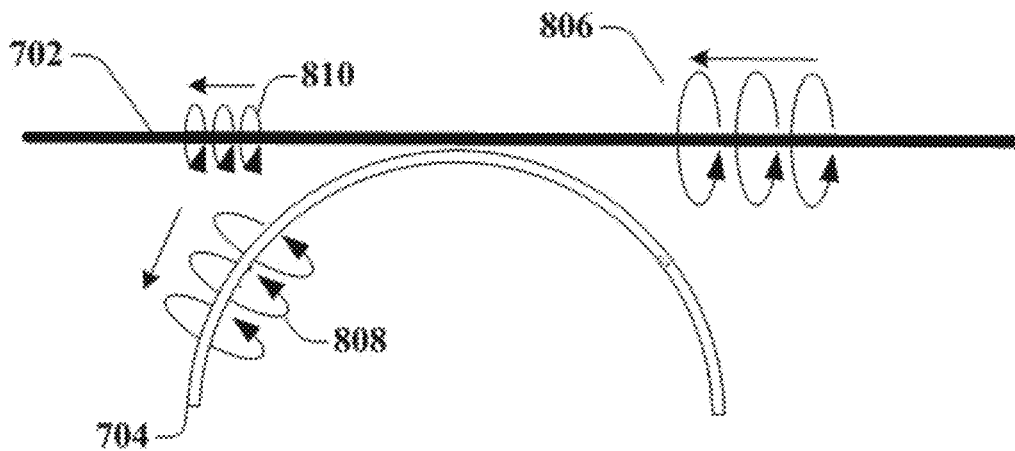


602

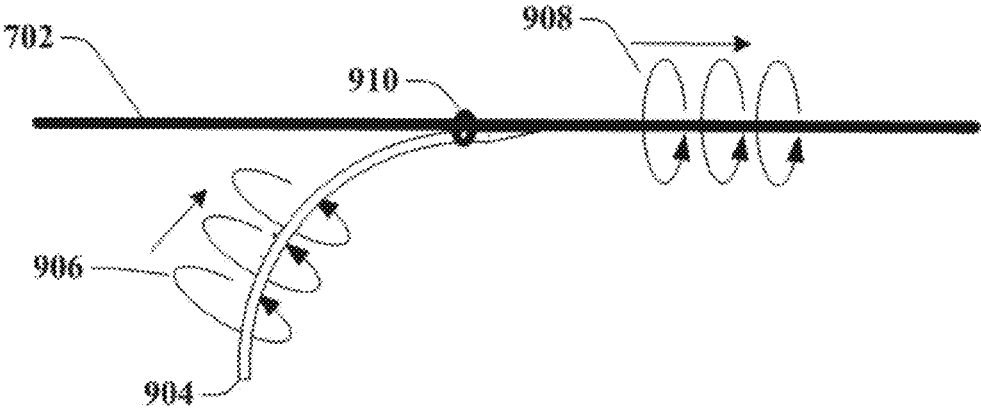
600
FIG. 6



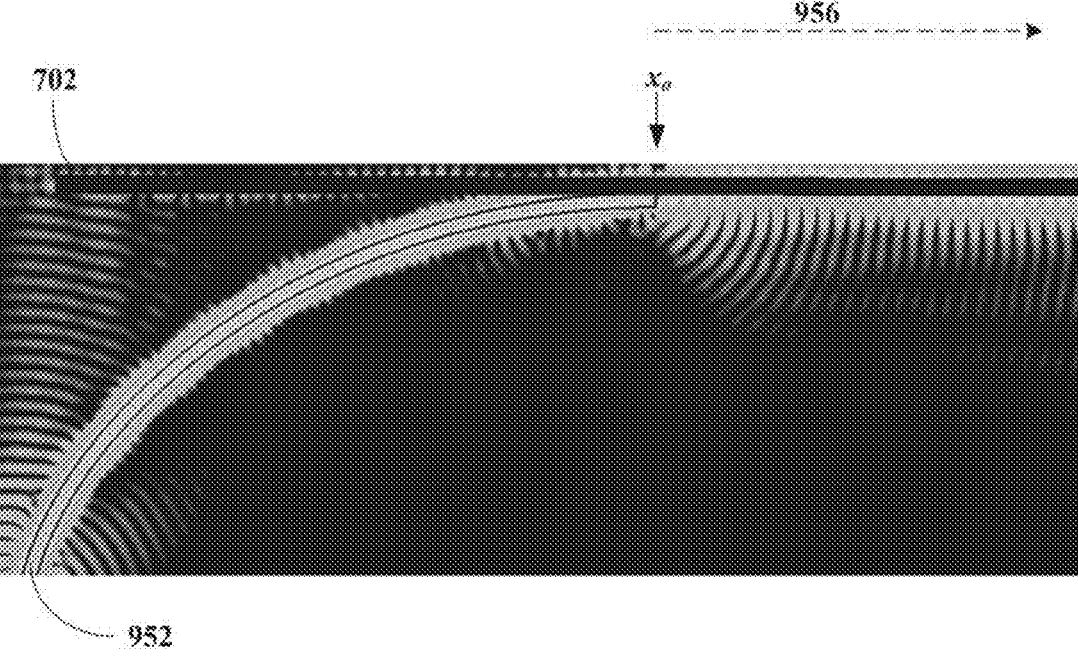
700
FIG. 7



800
FIG. 8

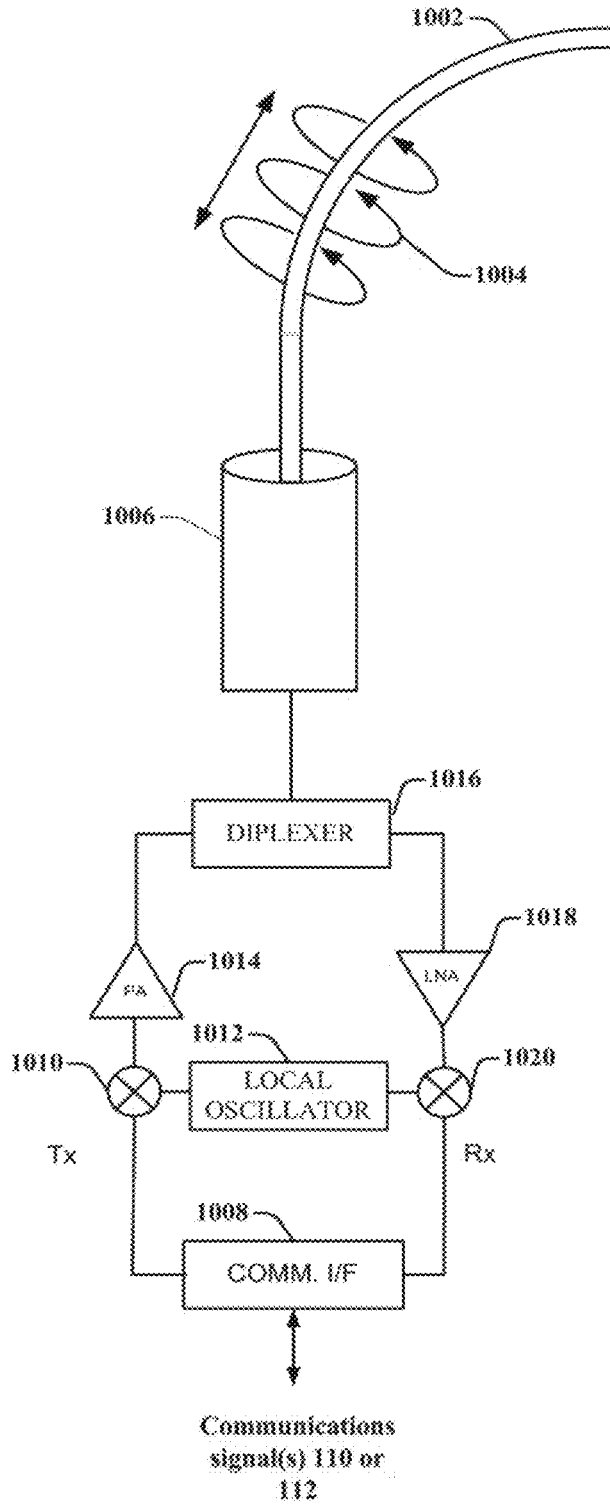


900
FIG. 9A



950
FIG. 9B

1000
FIG. 10A



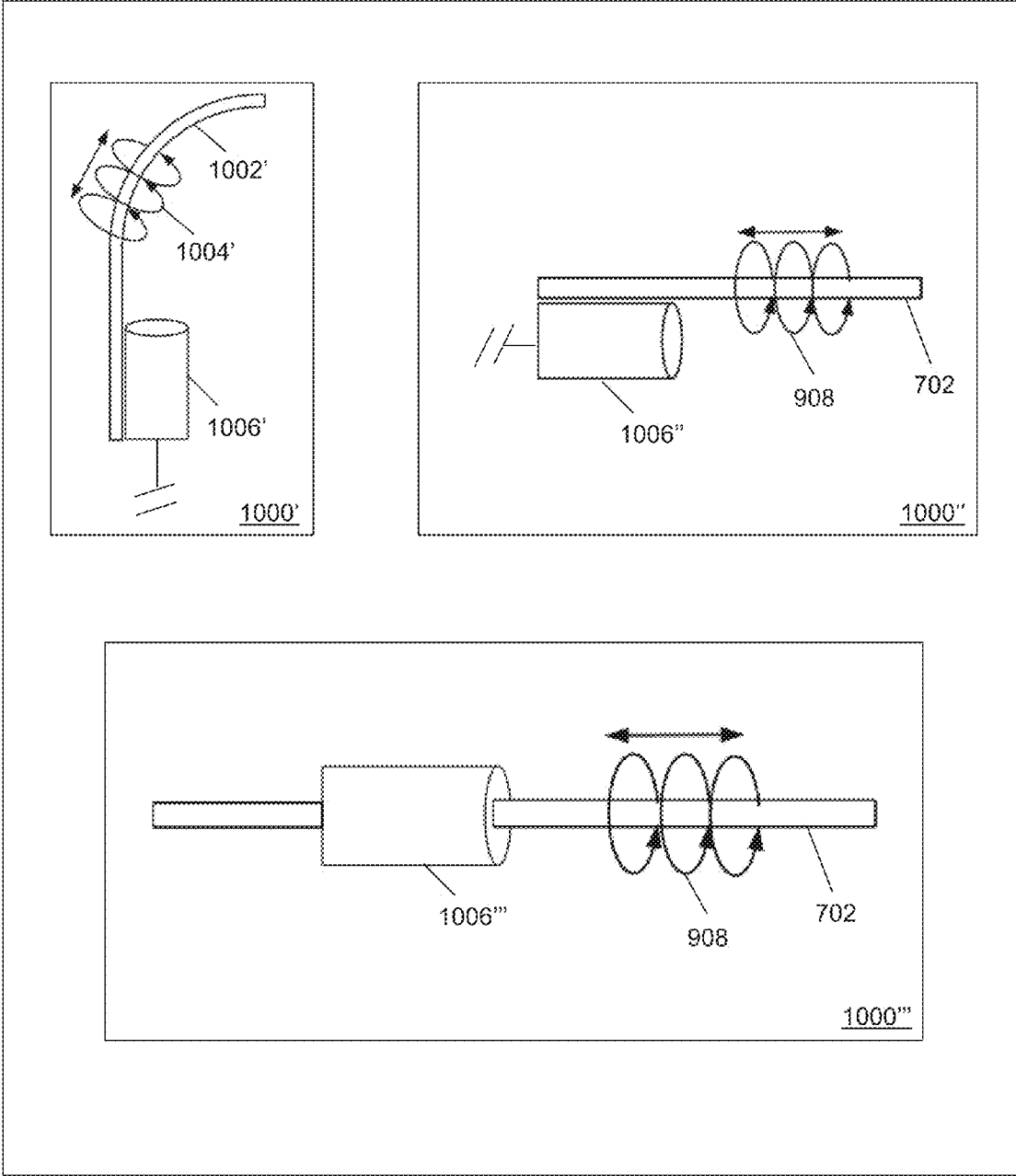
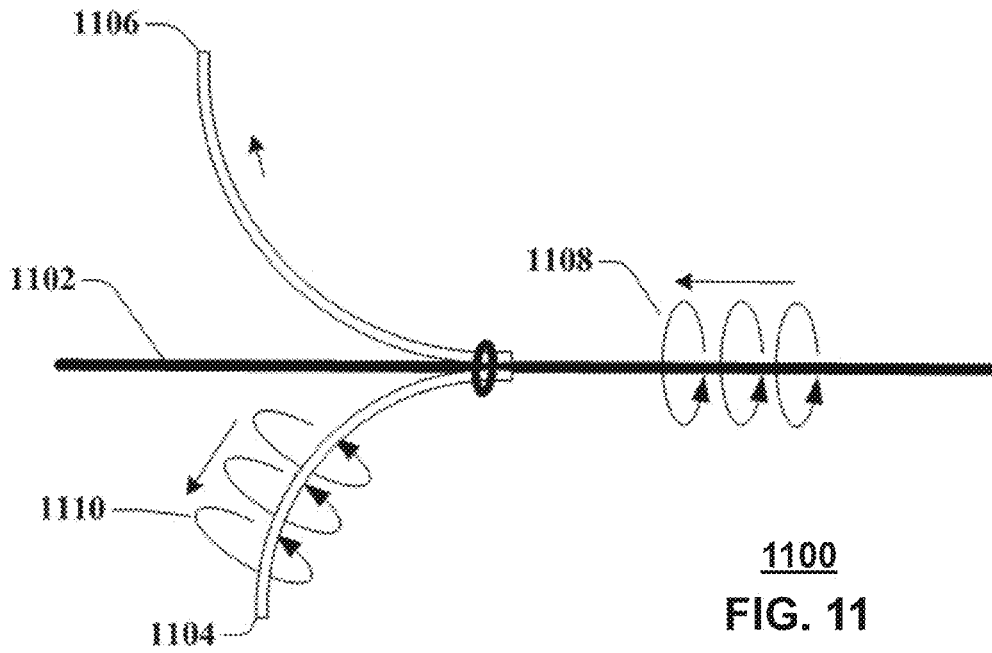
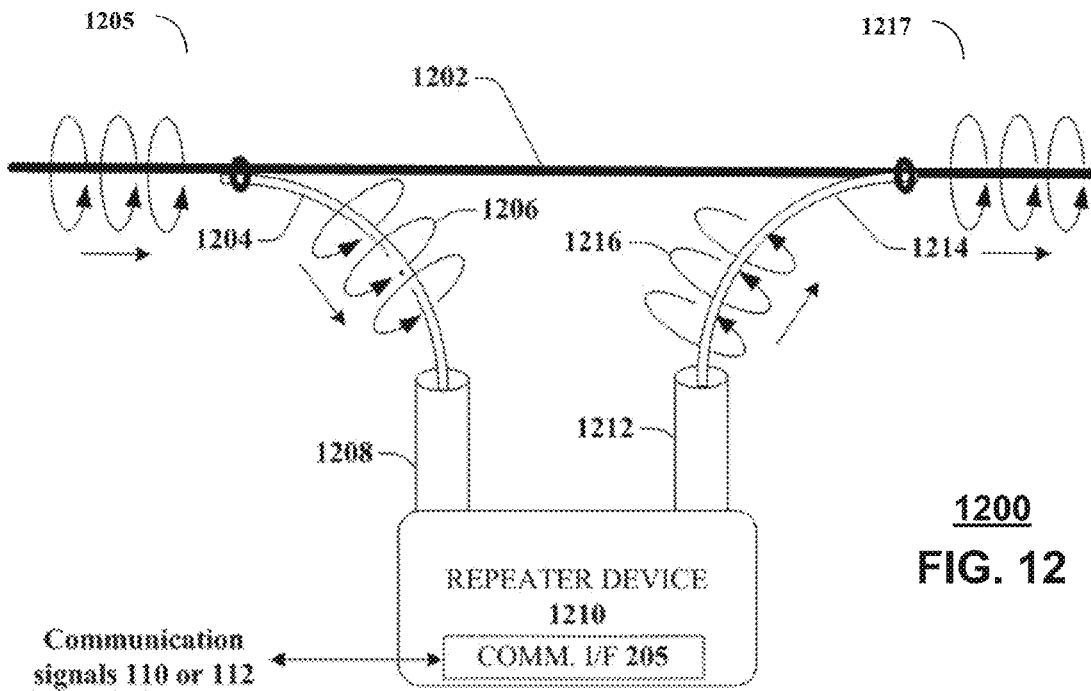


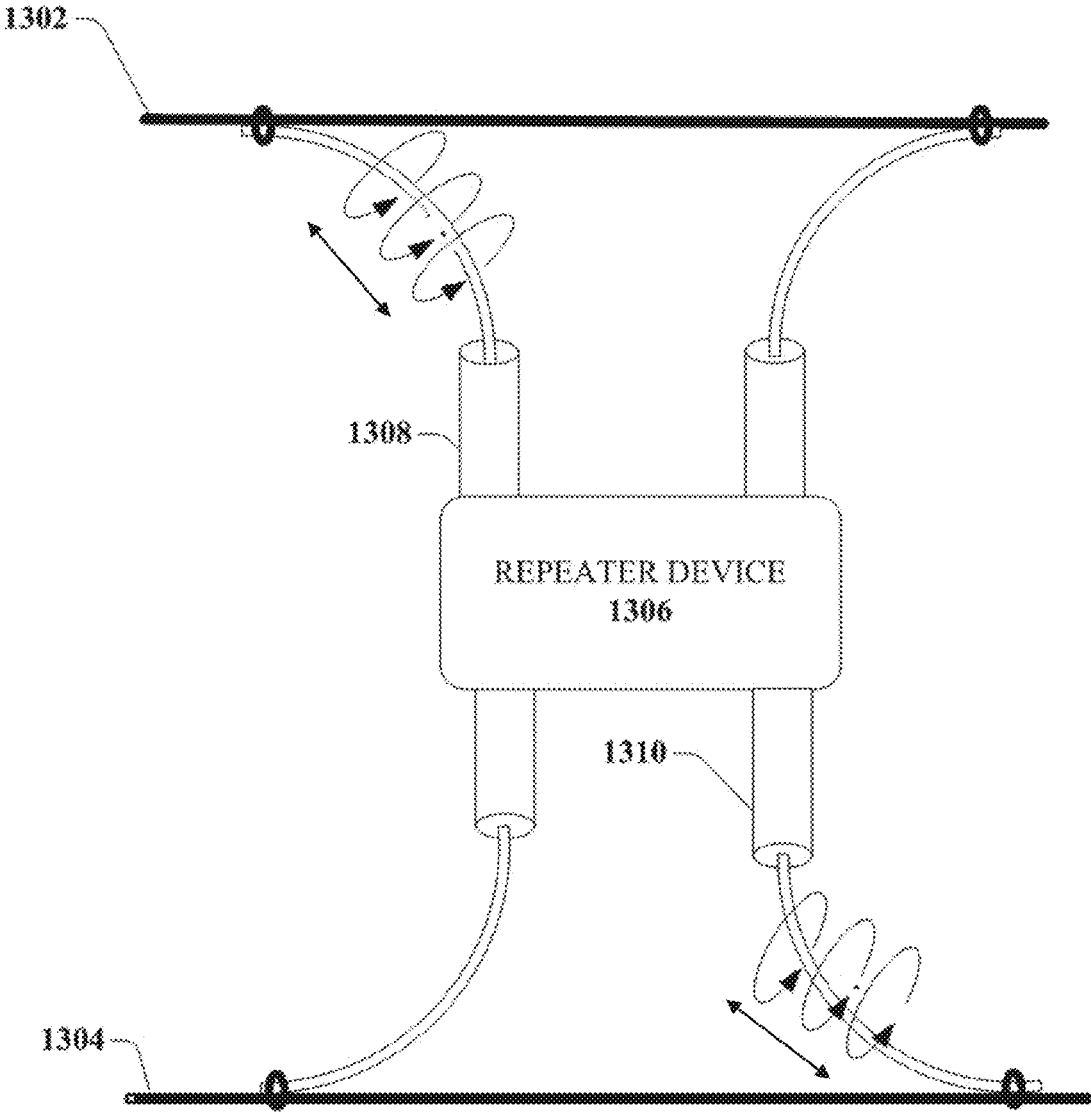
FIG. 10B



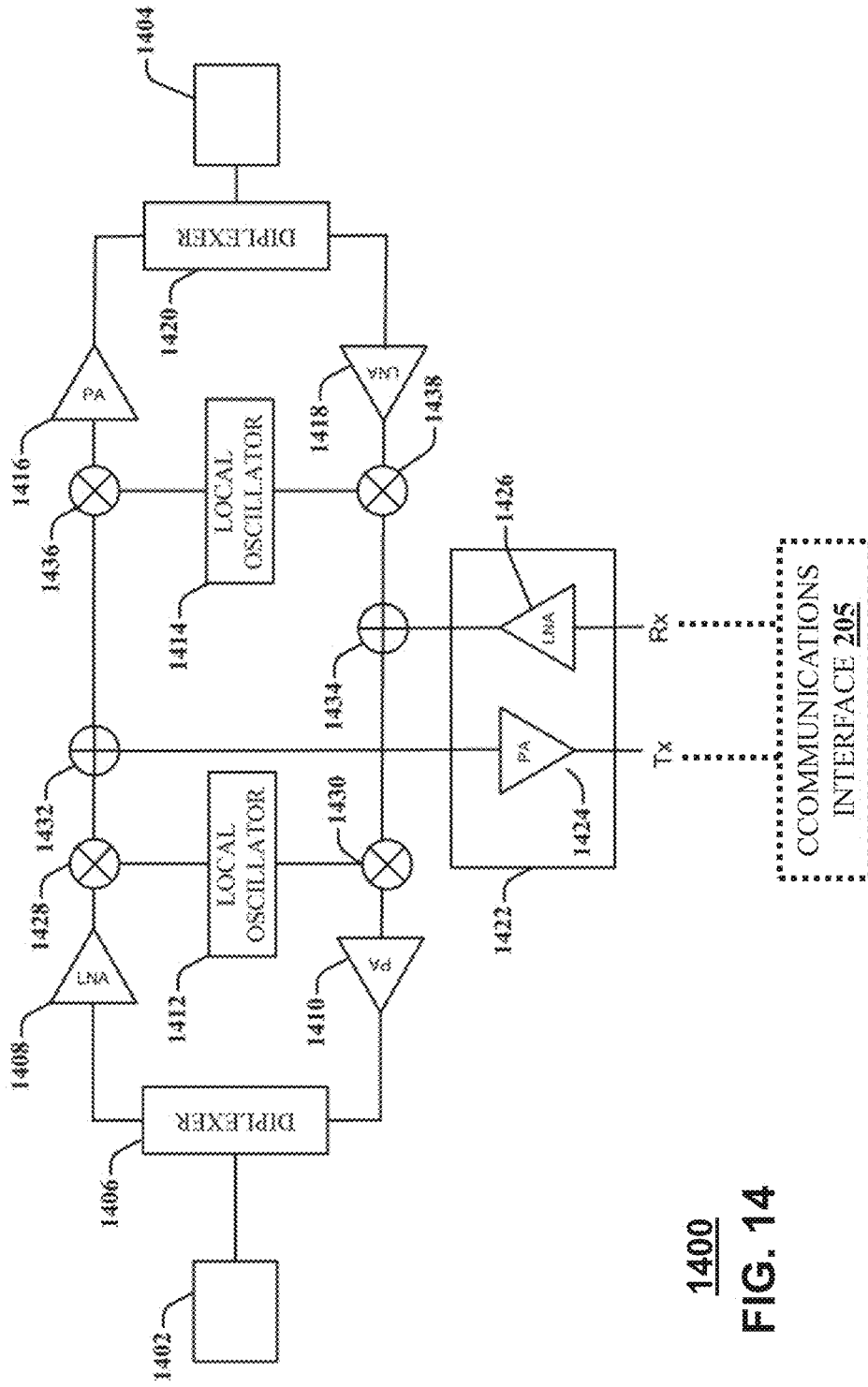
1100
FIG. 11



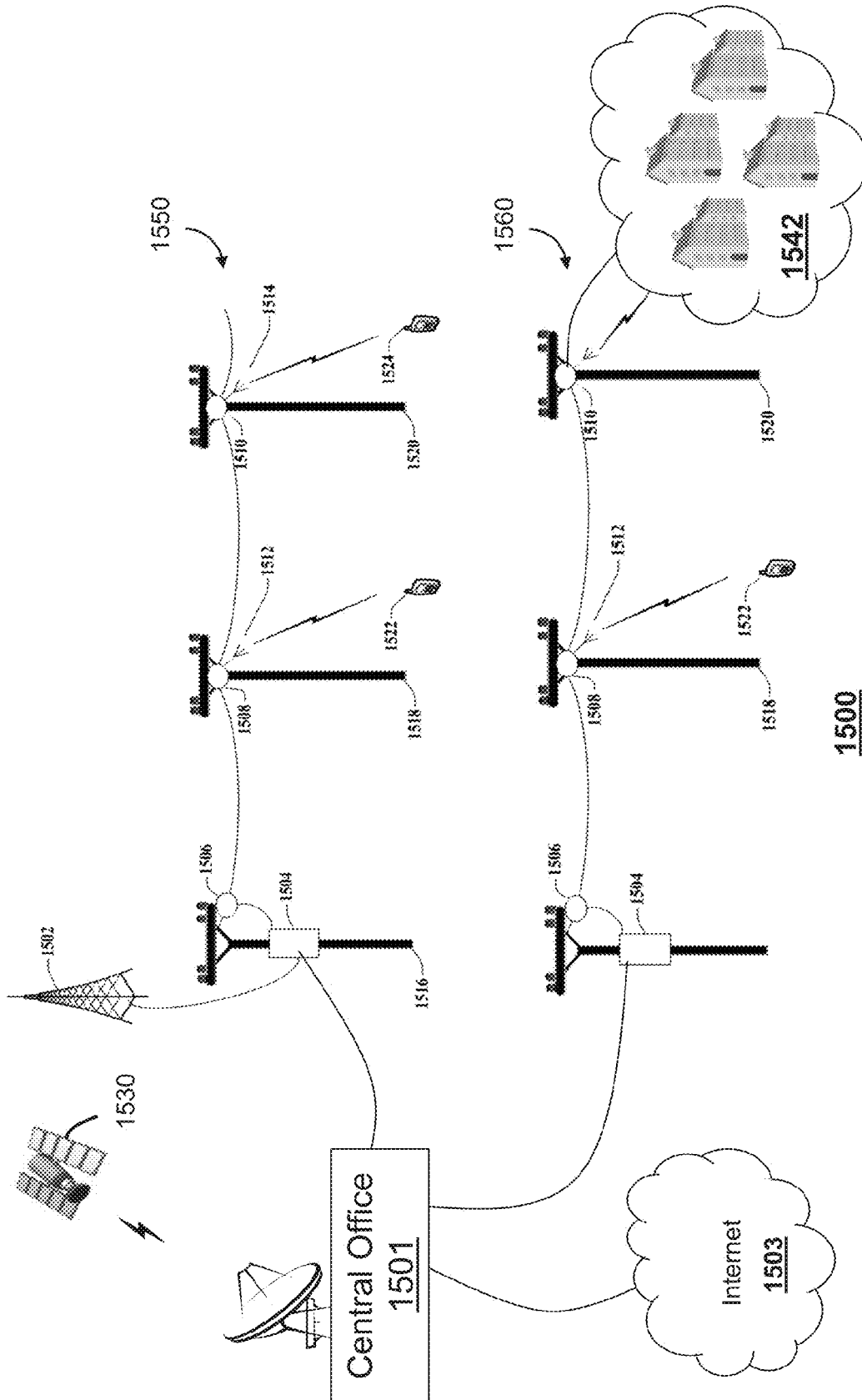
1200
FIG. 12



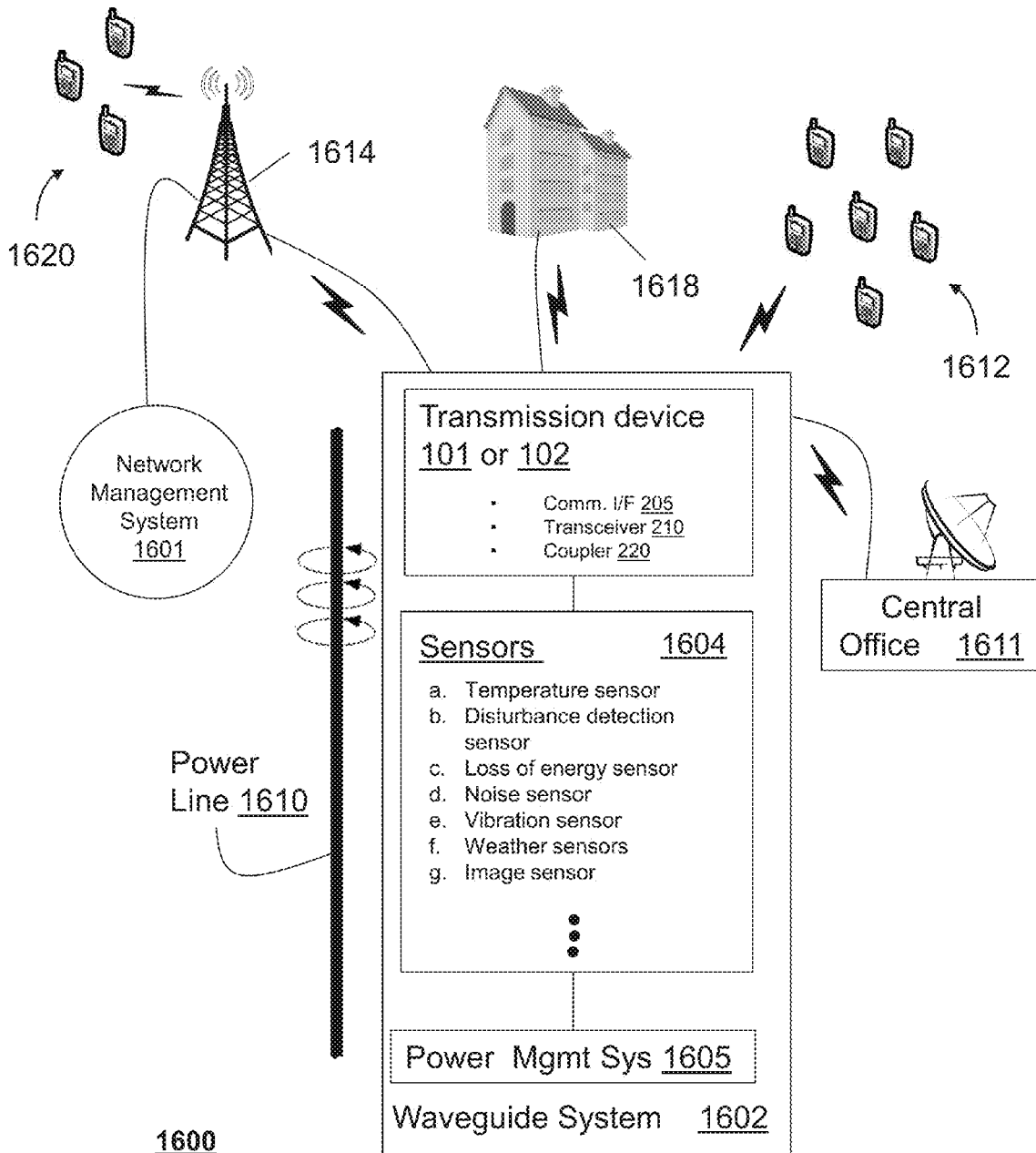
1300
FIG. 13



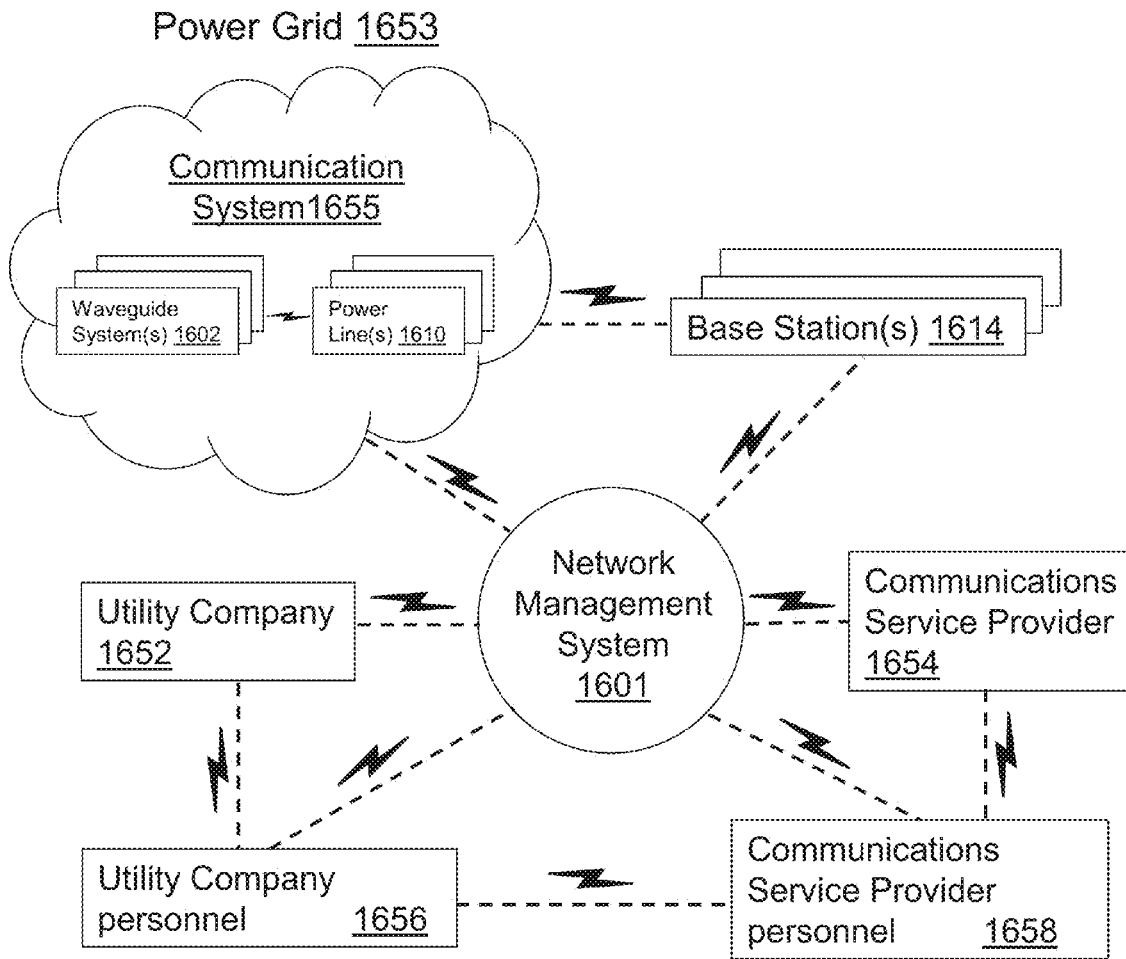
1400
FIG. 14



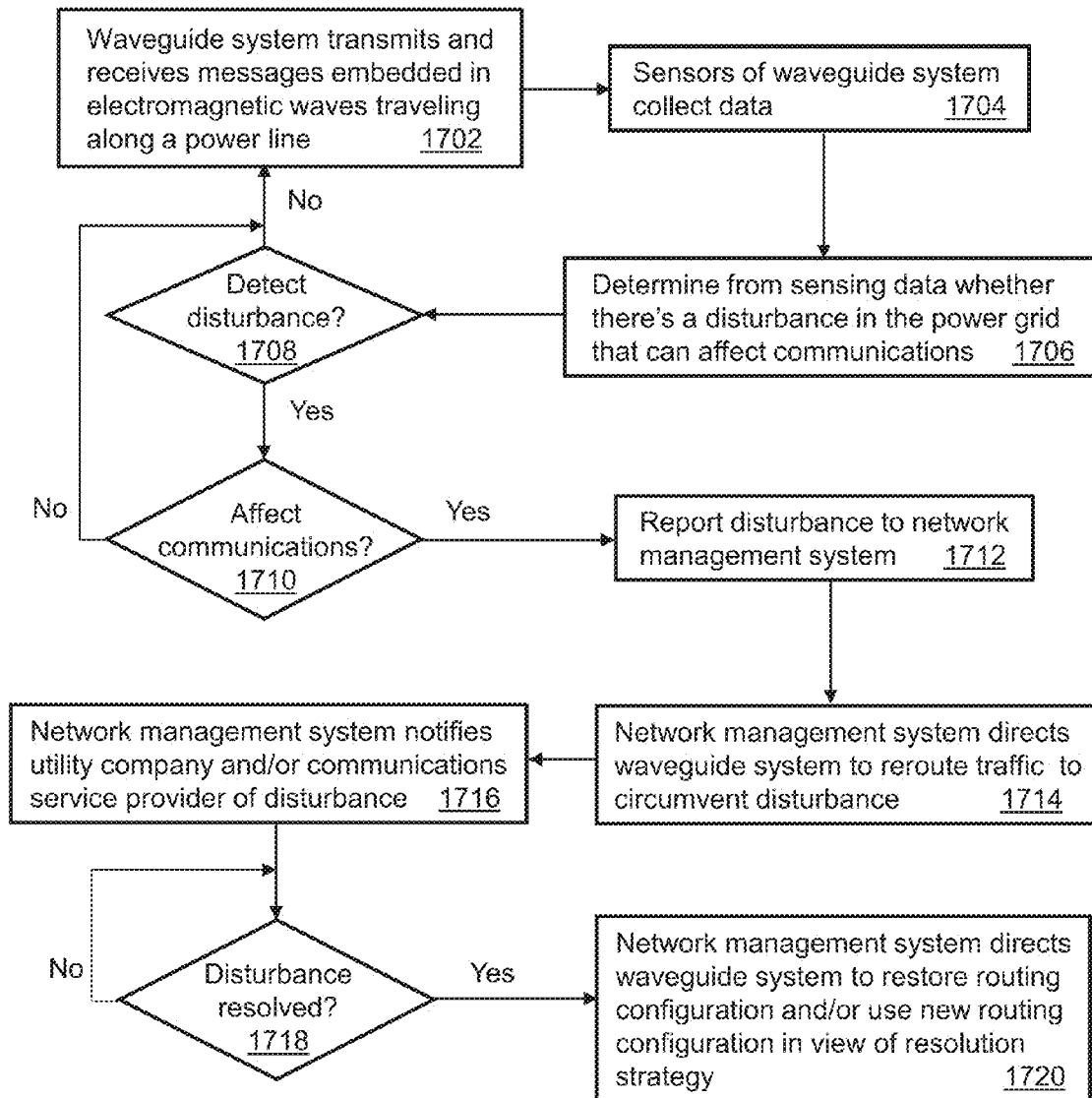
1500
FIG. 15



1600
FIG. 16A

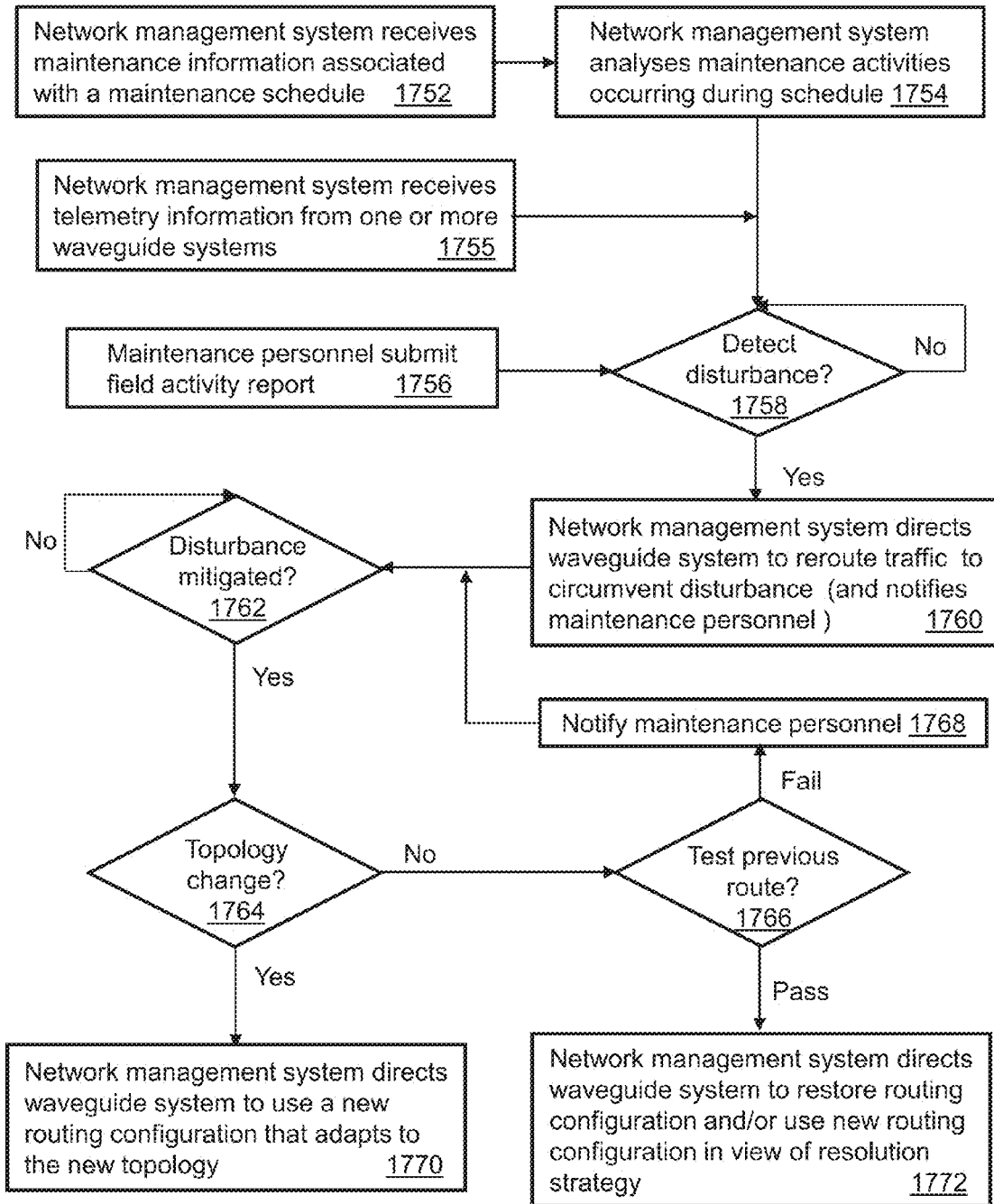


1650
FIG. 16B



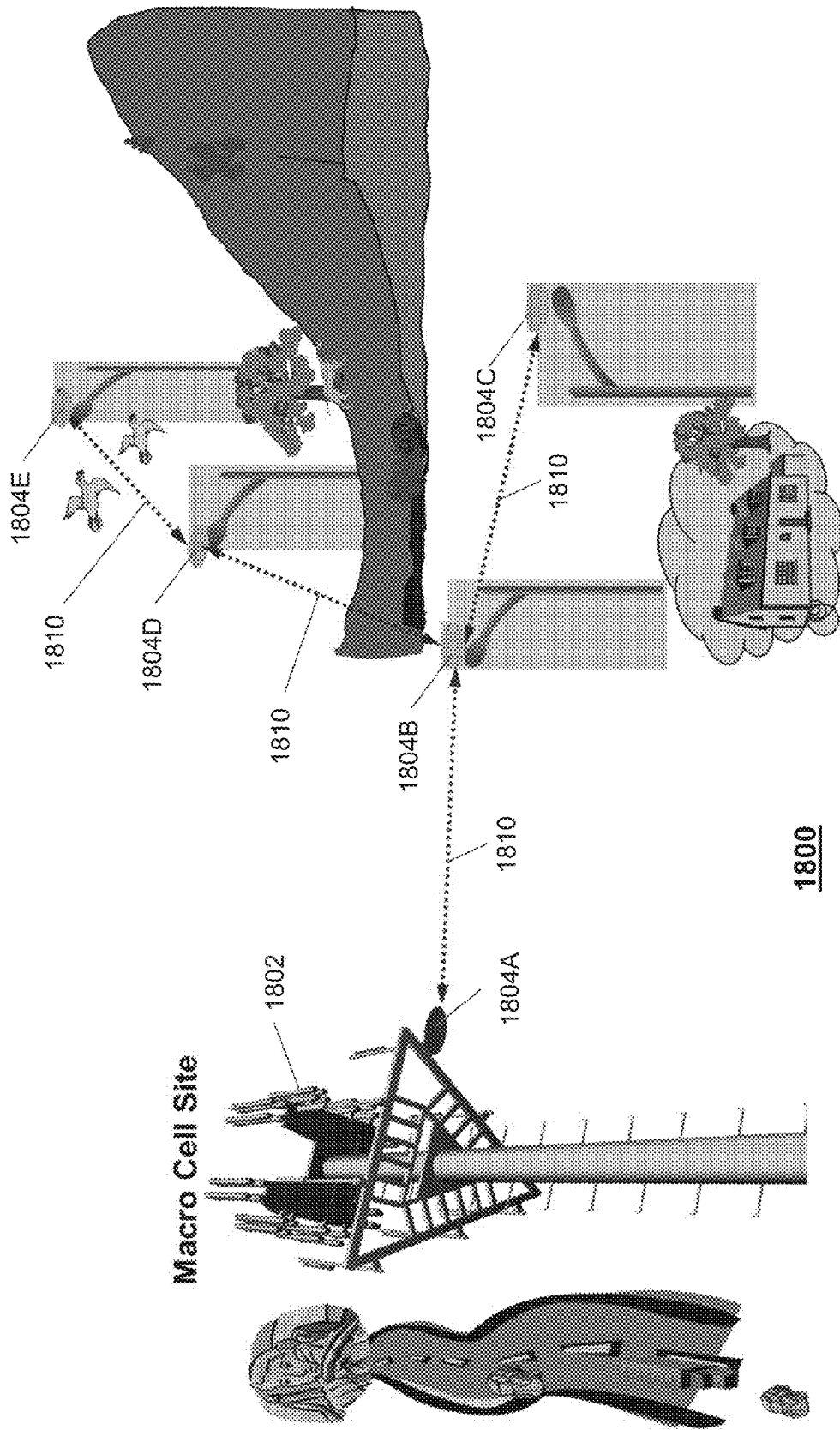
1700

FIG. 17A



1750

FIG. 17B



1800
FIG. 18A

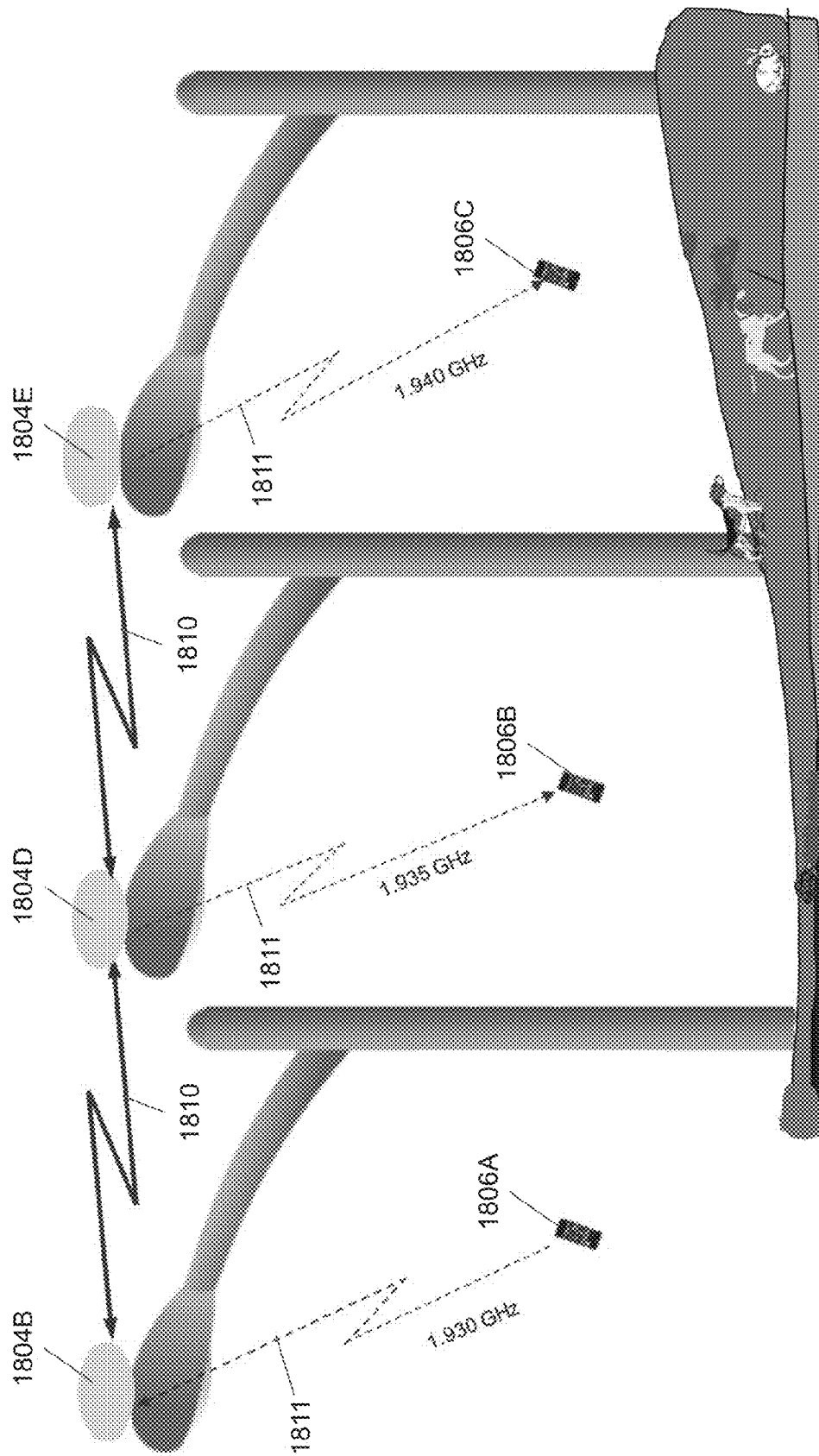


FIG. 18B

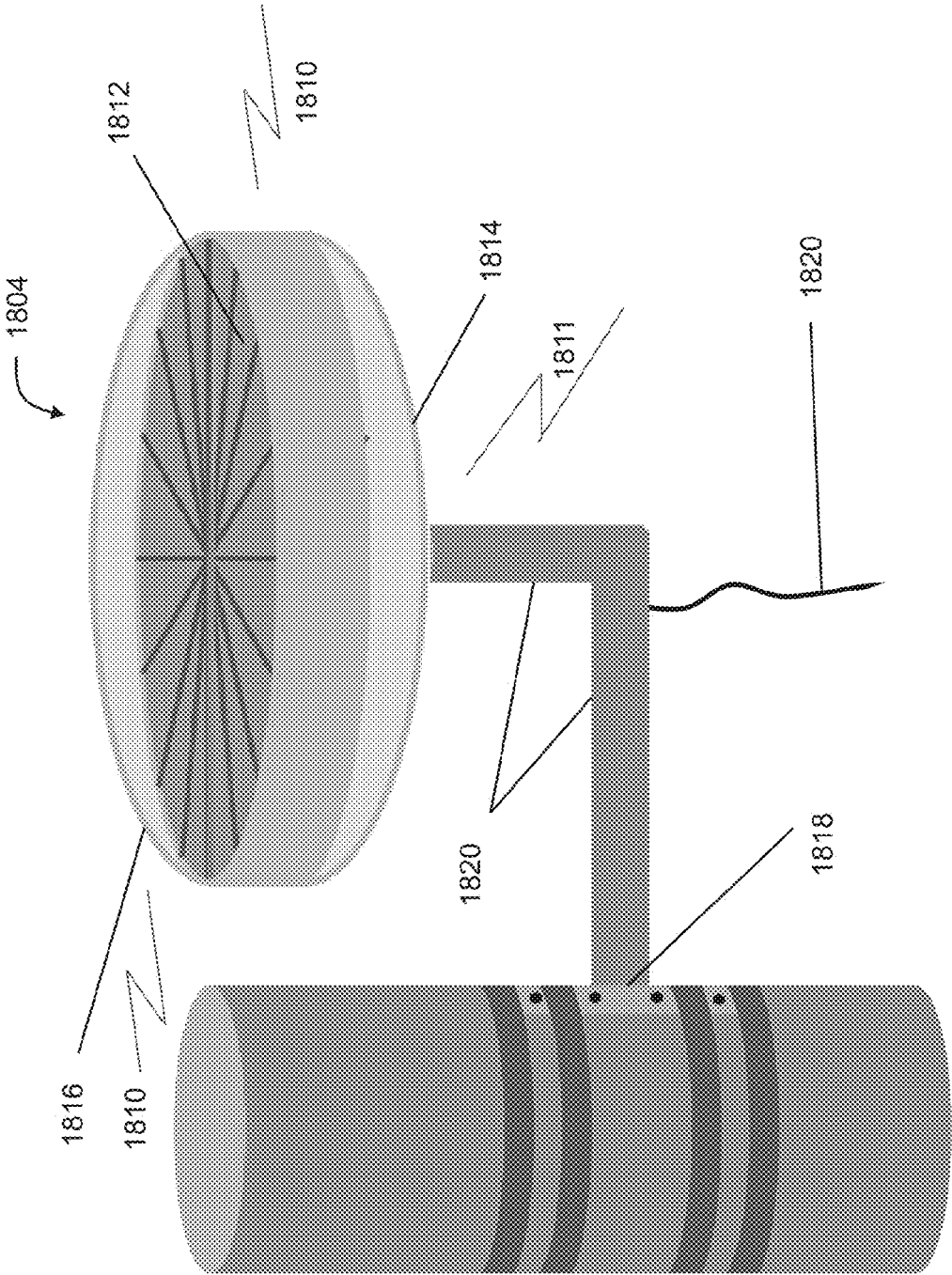


FIG. 18C

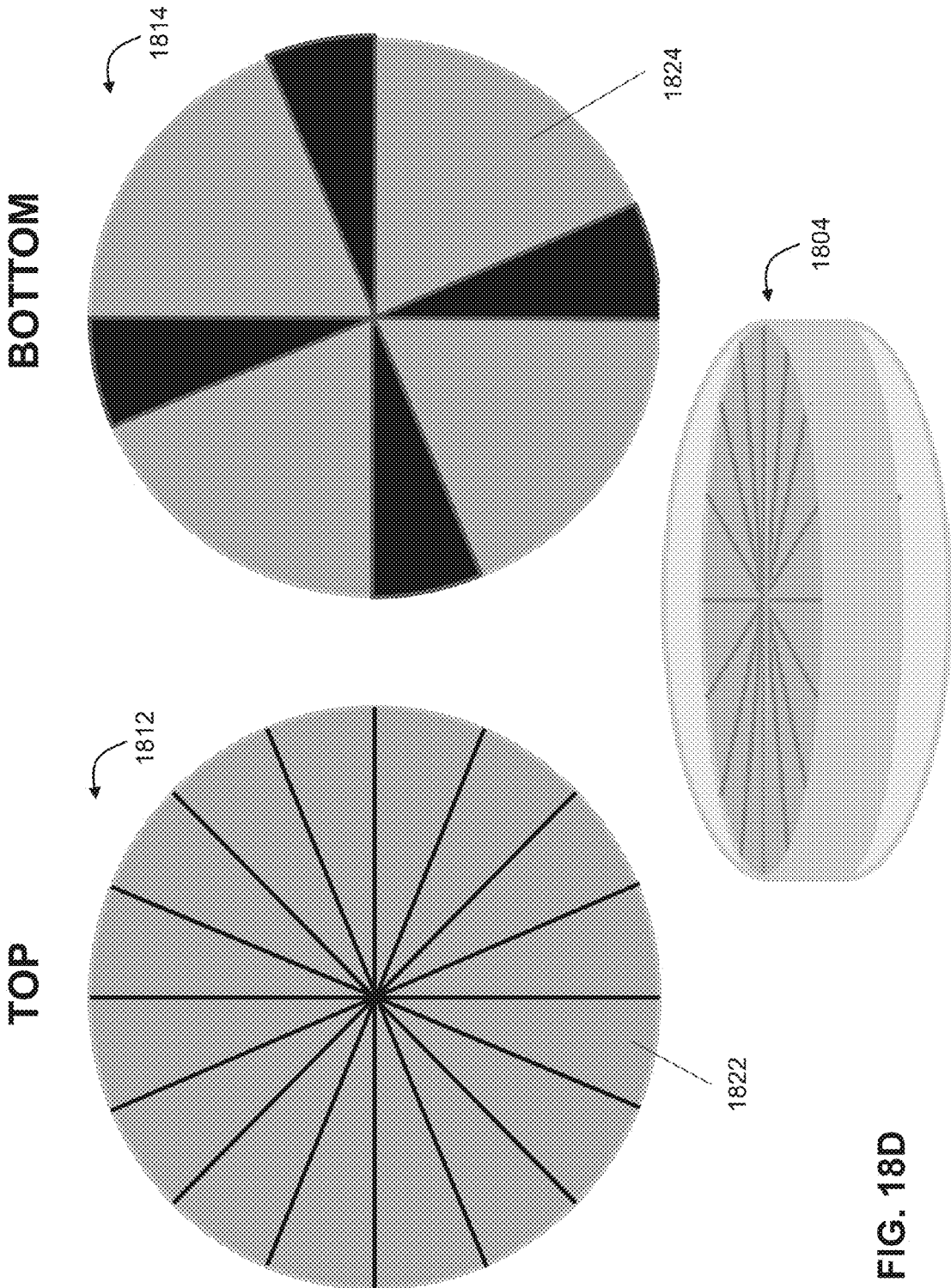
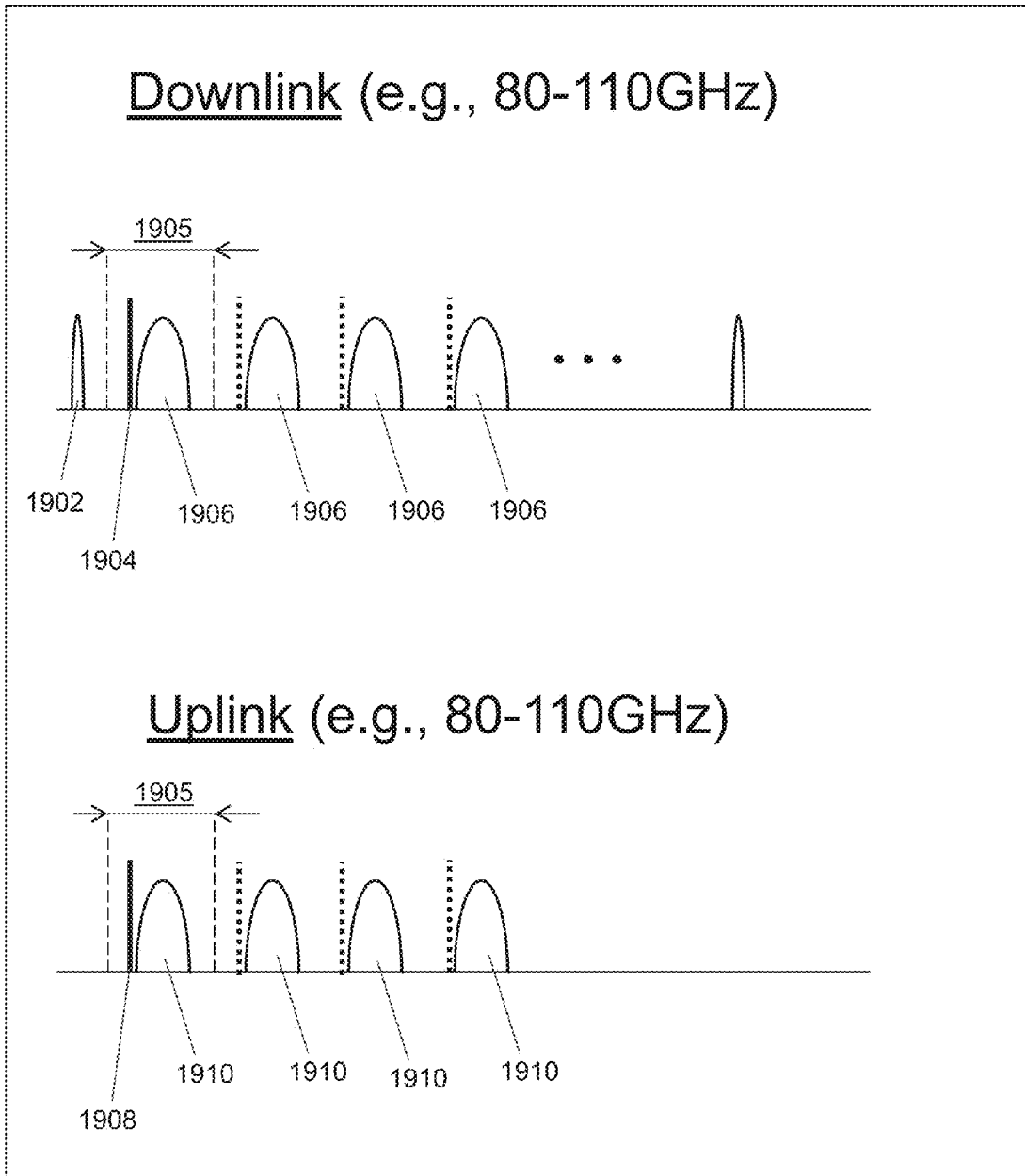
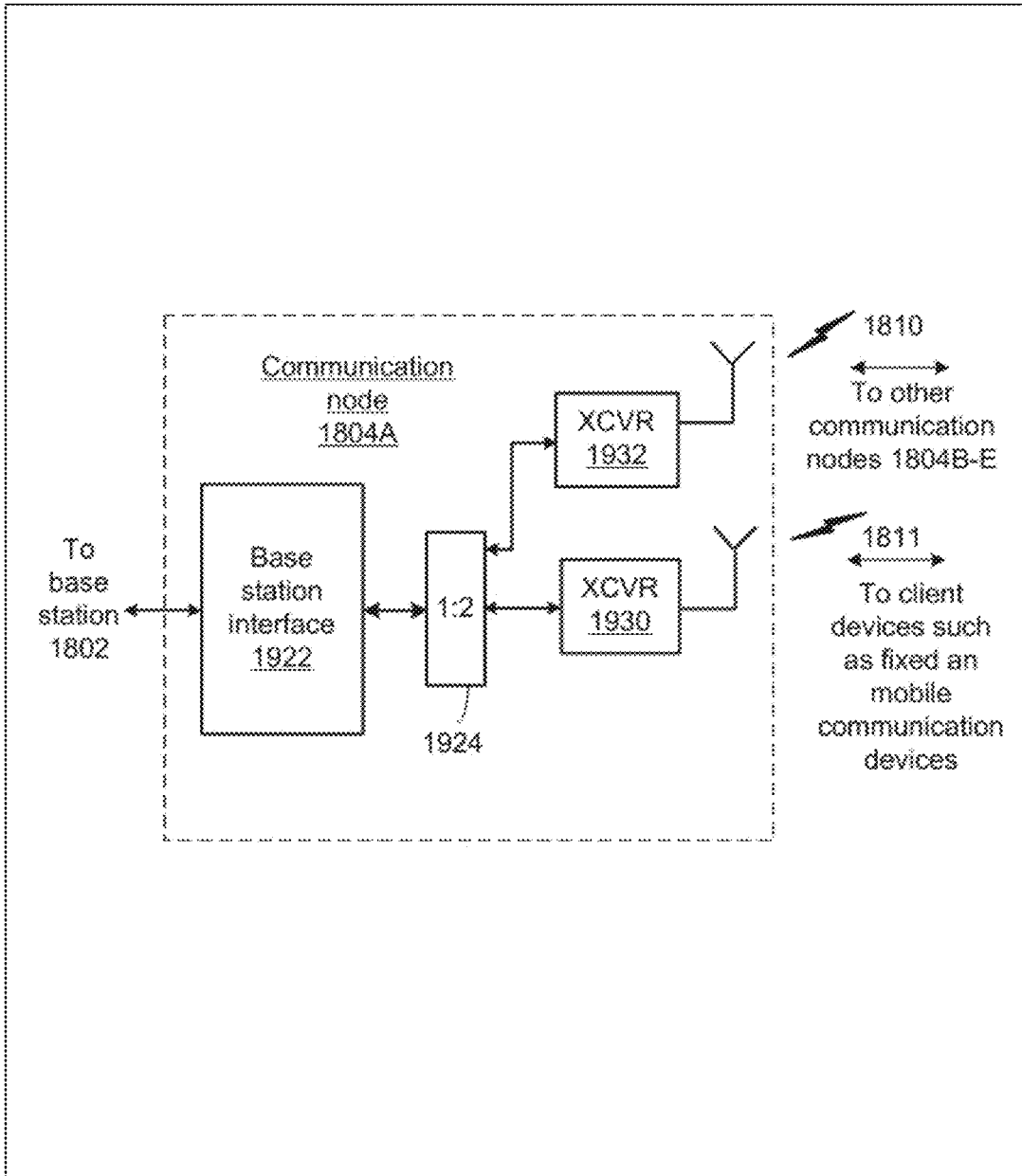


FIG. 18D

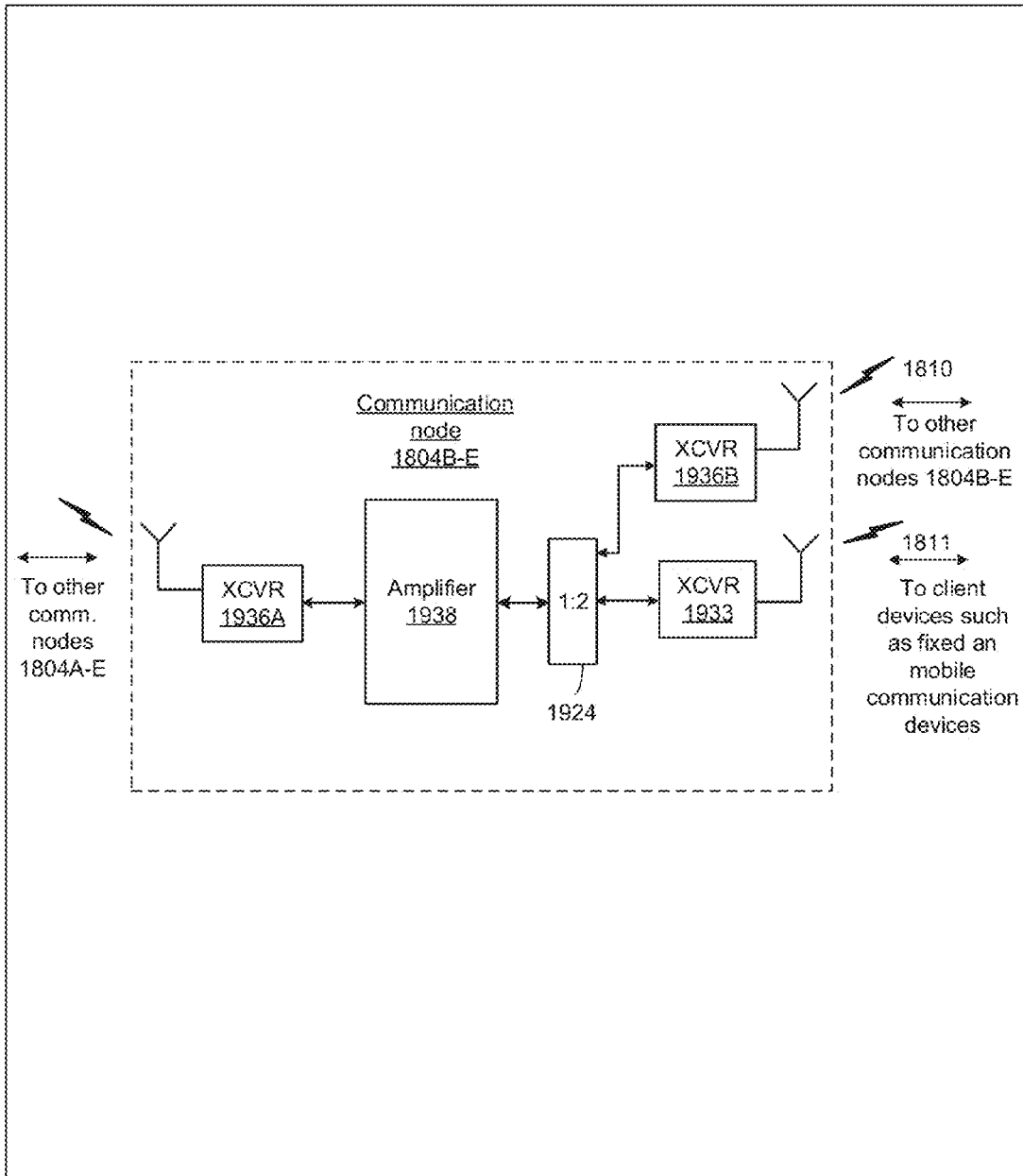


1900
FIG. 19A



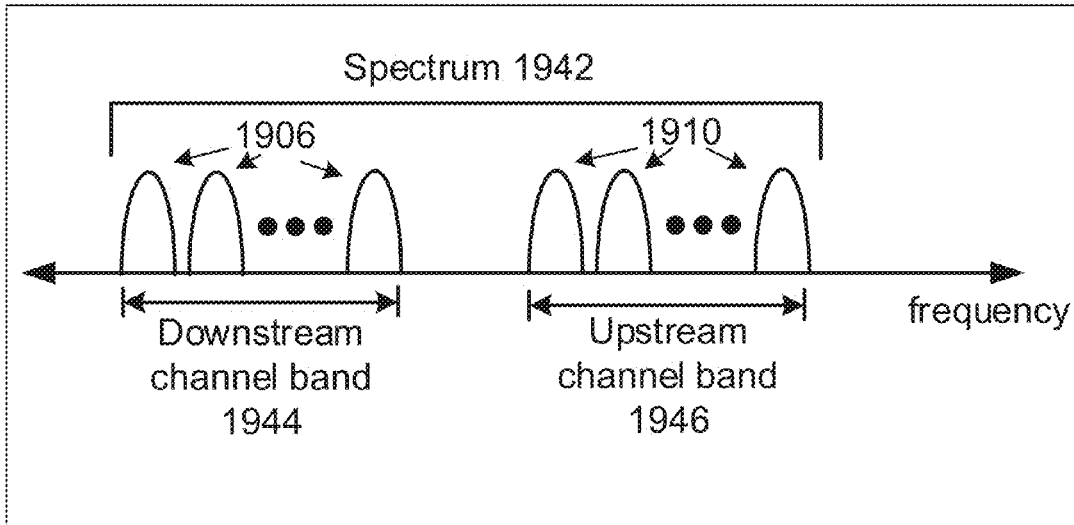
1920

FIG. 19B

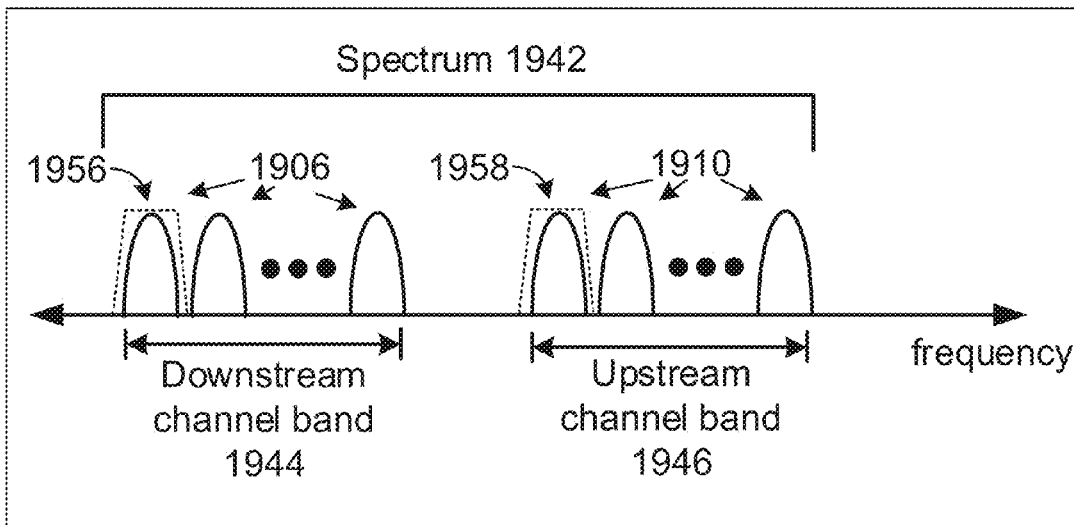


1935

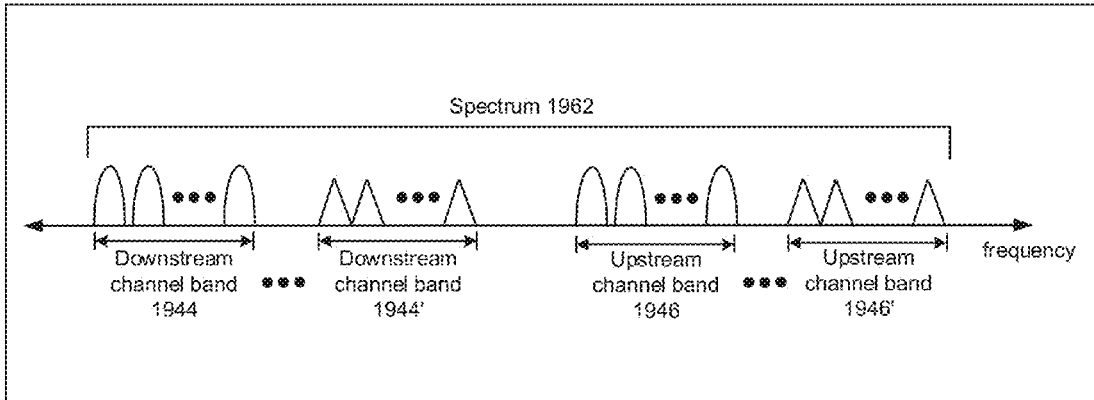
FIG. 19C



1940
FIG. 19D

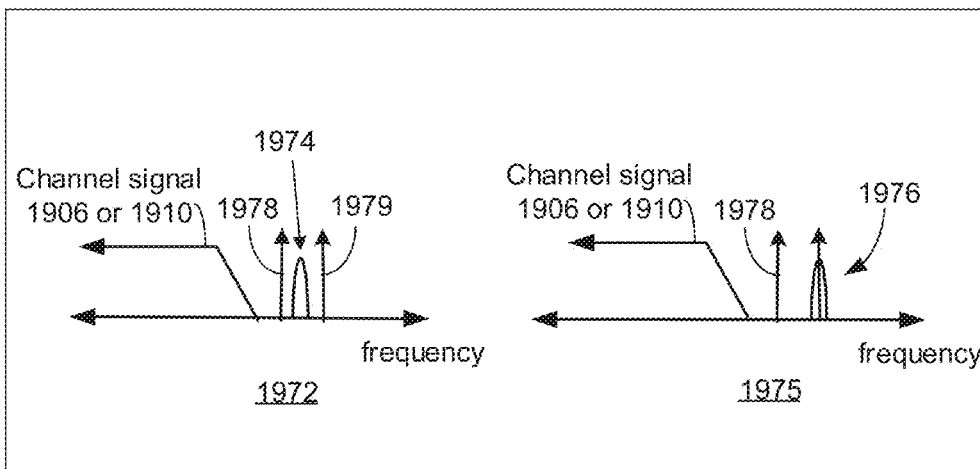


1950
FIG. 19E



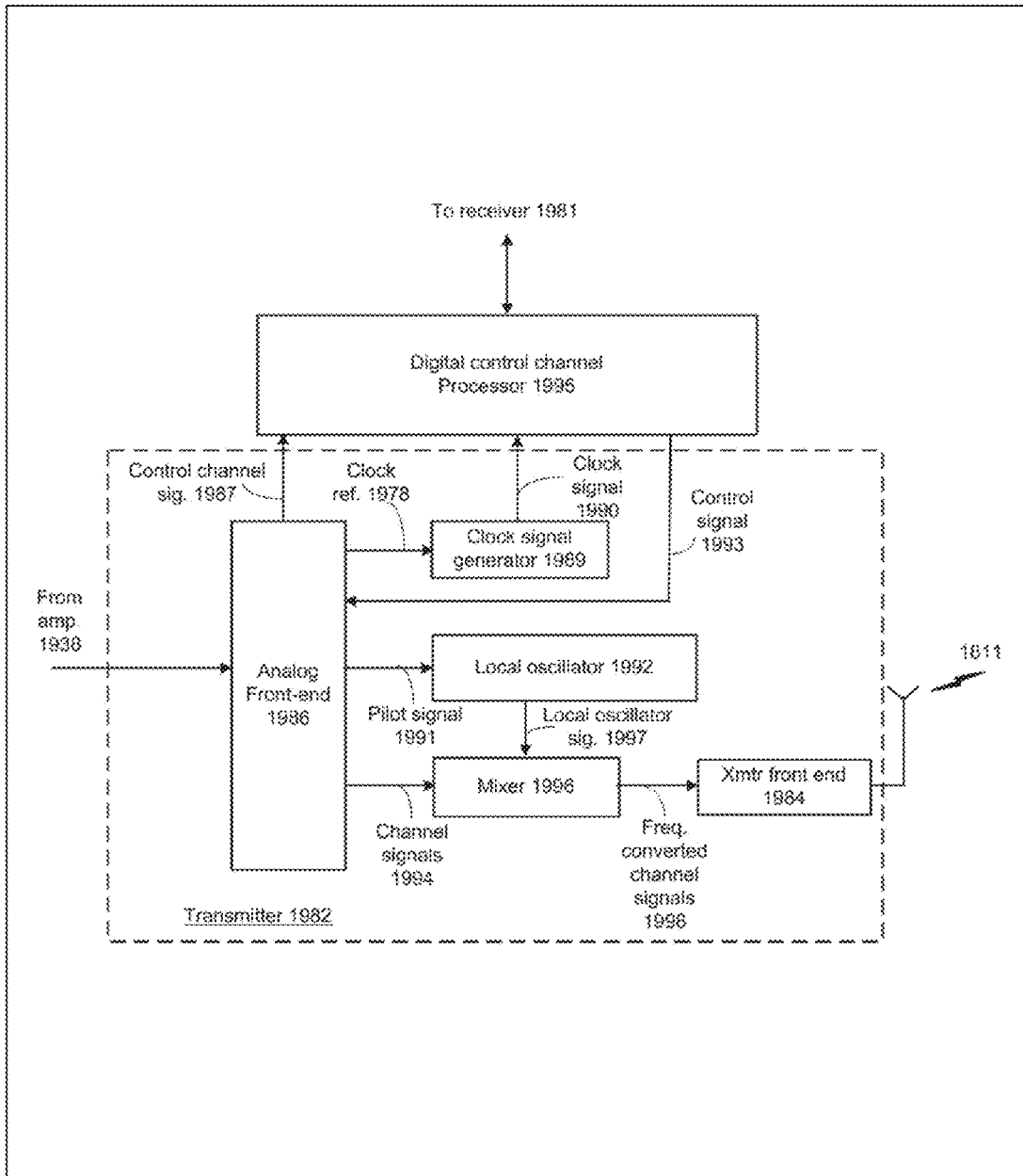
1960

FIG. 19F



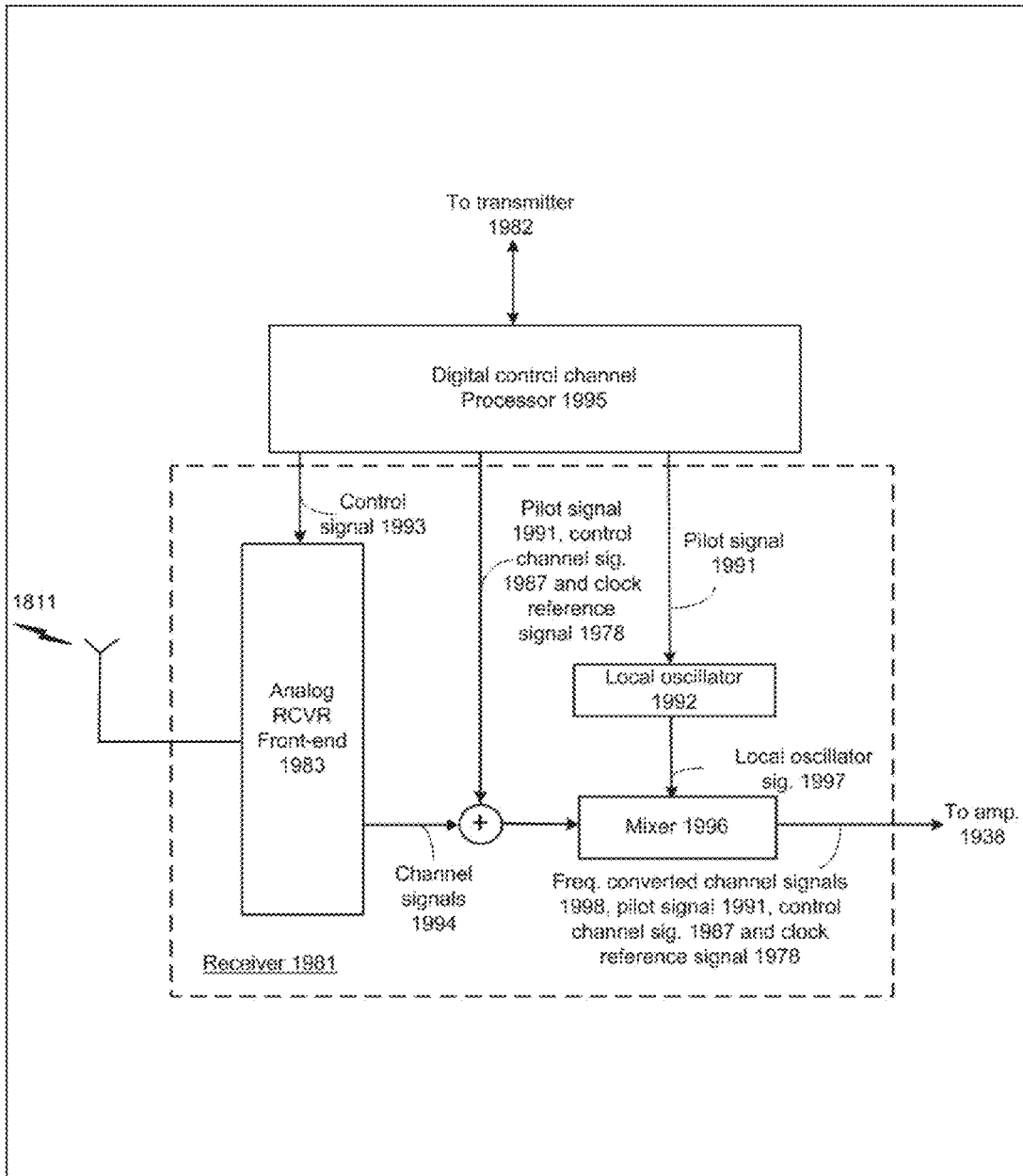
1970

FIG. 19G



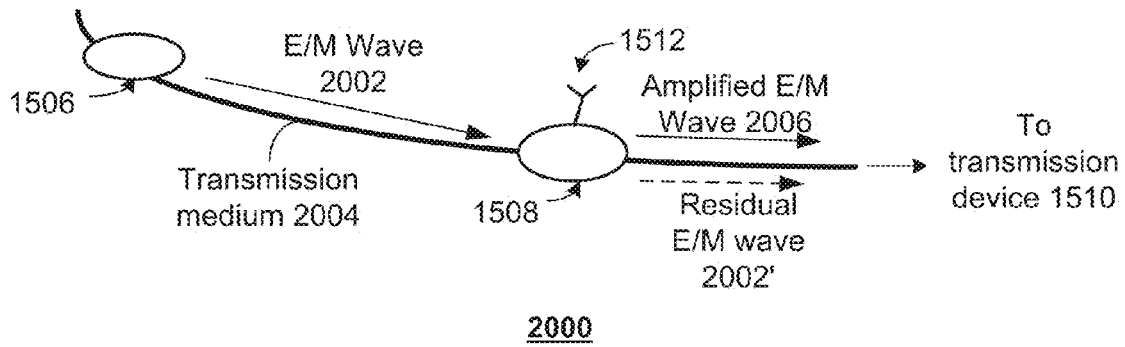
1980

FIG. 19H

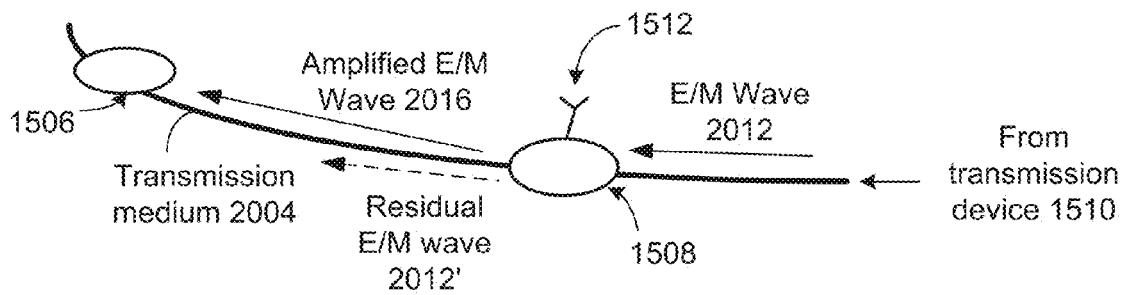


1985

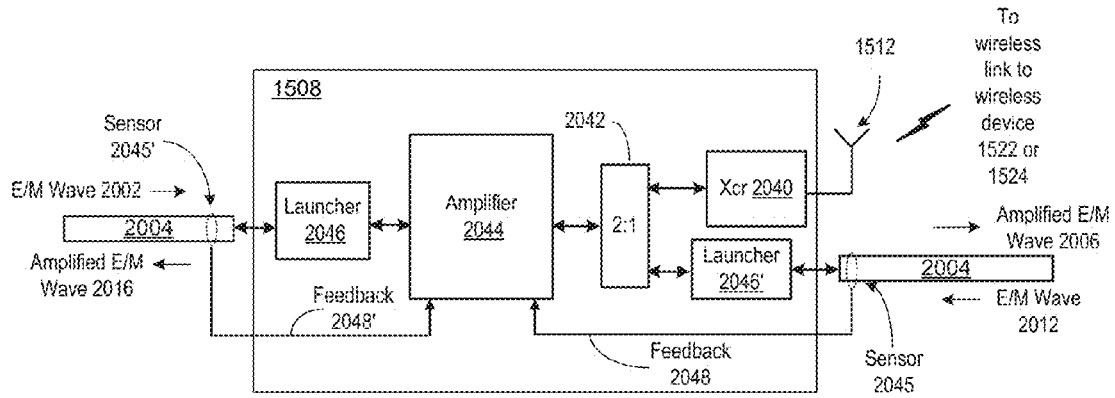
FIG. 19I



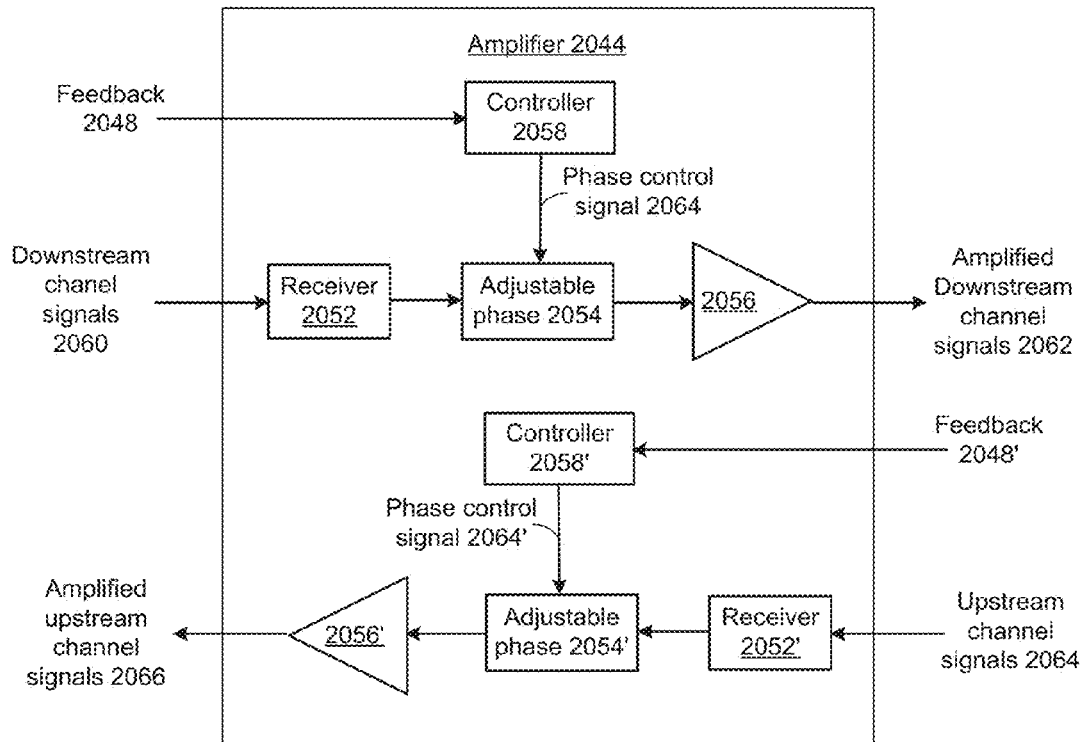
2000
FIG. 20A



2010
FIG. 20B



2030
FIG. 20C



2050
FIG. 20D

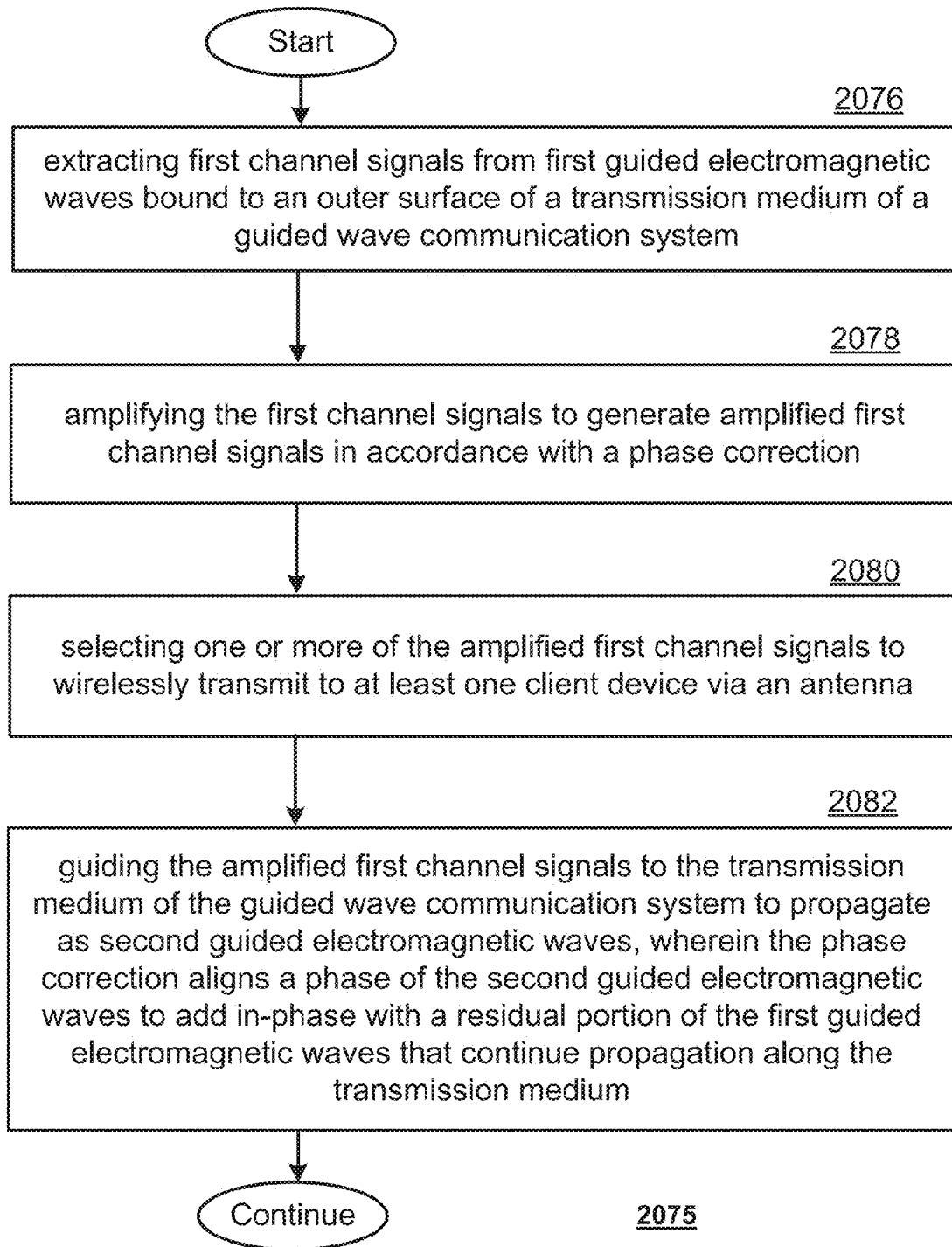


FIG. 20E

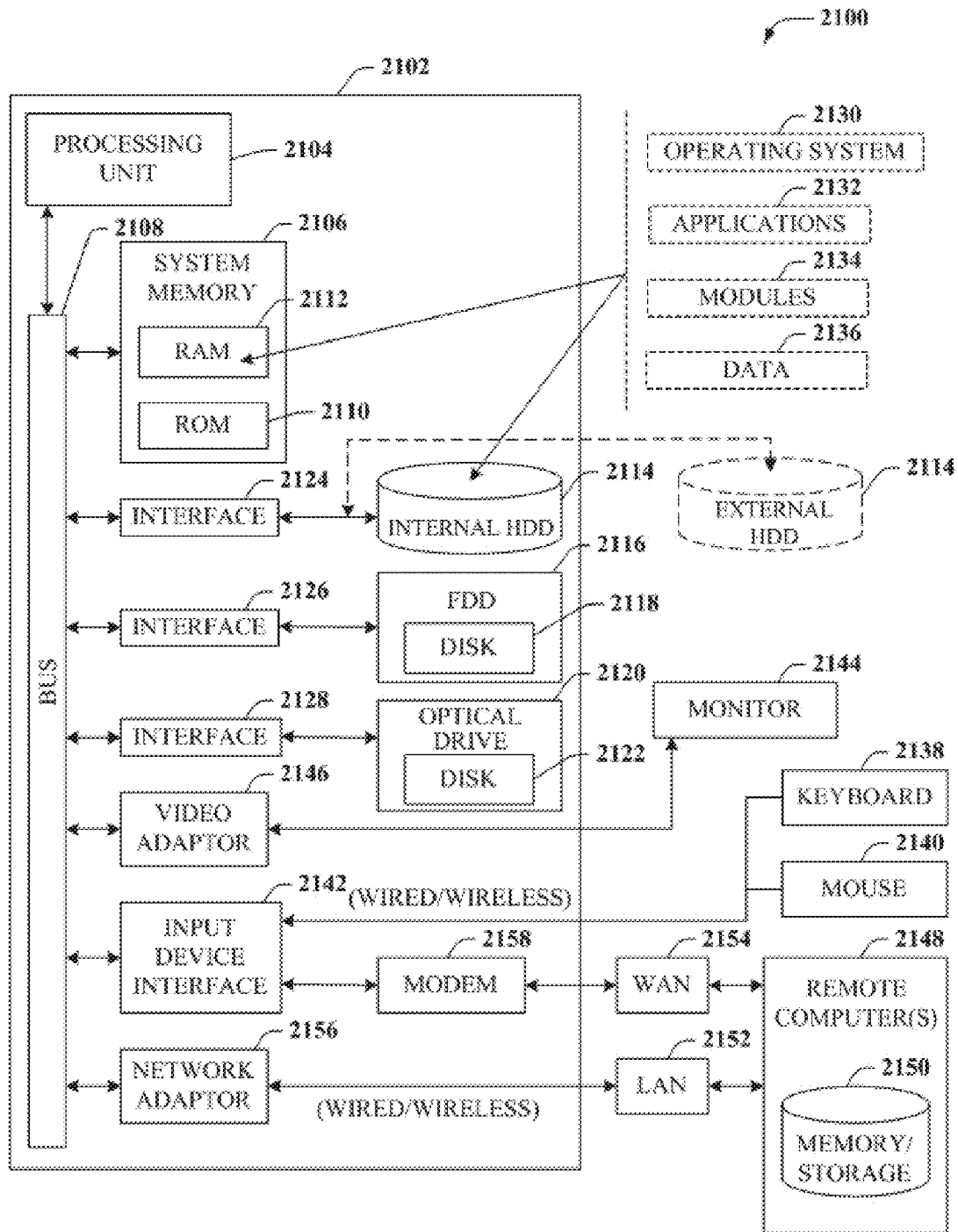


FIG. 21

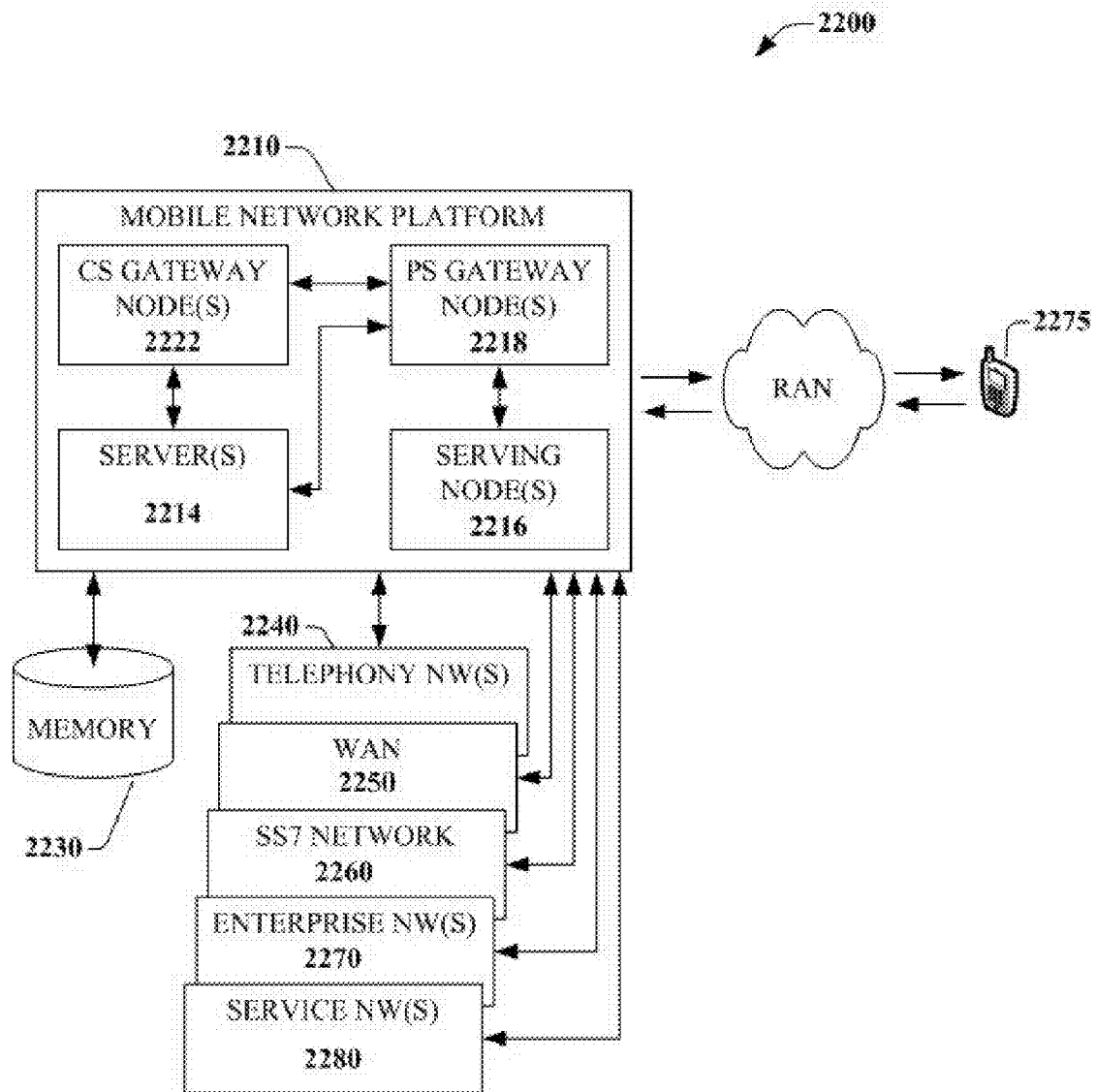
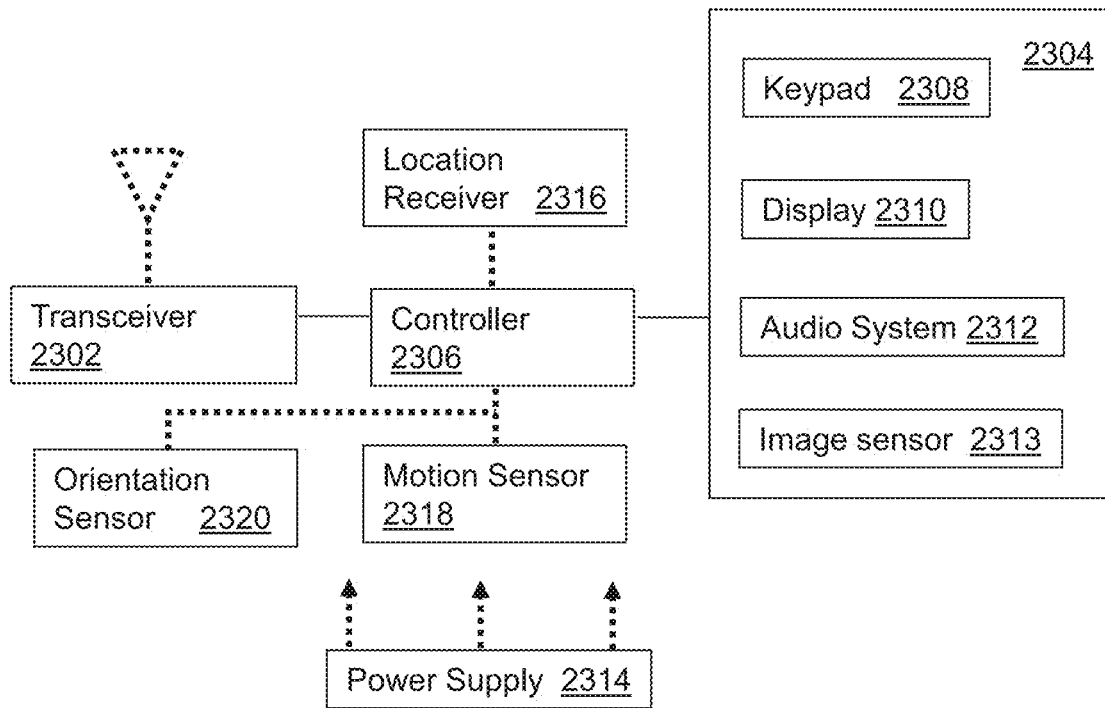


FIG. 22



2300

FIG. 23

1

METHOD AND REPEATER FOR BROADBAND DISTRIBUTION

FIELD OF THE DISCLOSURE

The subject disclosure relates to a method and apparatus for managing utilization of wireless resources.

BACKGROUND

As smart phones and other portable devices increasingly become ubiquitous, and data usage increases, macrocell base station devices and existing wireless infrastructure in turn require higher bandwidth capability in order to address the increased demand. To provide additional mobile bandwidth, small cell deployment is being pursued, with microcells and picocells providing coverage for much smaller areas than traditional macrocells.

In addition, most homes and businesses have grown to rely on broadband data access for services such as voice, video and Internet browsing, etc. Broadband access networks include satellite, 4G or 5G wireless, power line communication, fiber, cable, and telephone networks.

BRIEF DESCRIPTION OF THE DRAWINGS

Reference will now be made to the accompanying drawings, which are not necessarily drawn to scale, and wherein:

FIG. 1 is a block diagram illustrating an example, non-limiting embodiment of a guided-wave communications system in accordance with various aspects described herein.

FIG. 2 is a block diagram illustrating an example, non-limiting embodiment of a transmission device in accordance with various aspects described herein.

FIG. 3 is a graphical diagram illustrating an example, non-limiting embodiment of an electromagnetic field distribution in accordance with various aspects described herein.

FIG. 4 is a graphical diagram illustrating an example, non-limiting embodiment of an electromagnetic field distribution in accordance with various aspects described herein.

FIG. 5A is a graphical diagram illustrating an example, non-limiting embodiment of a frequency response in accordance with various aspects described herein.

FIG. 5B is a graphical diagram illustrating example, non-limiting embodiments of a longitudinal cross-section of an insulated wire depicting fields of guided electromagnetic waves at various operating frequencies in accordance with various aspects described herein.

FIG. 6 is a graphical diagram illustrating an example, non-limiting embodiment of an electromagnetic field distribution in accordance with various aspects described herein.

FIG. 7 is a block diagram illustrating an example, non-limiting embodiment of an arc coupler in accordance with various aspects described herein.

FIG. 8 is a block diagram illustrating an example, non-limiting embodiment of an arc coupler in accordance with various aspects described herein.

FIG. 9A is a block diagram illustrating an example, non-limiting embodiment of a stub coupler in accordance with various aspects described herein.

FIG. 9B is a diagram illustrating an example, non-limiting embodiment of an electromagnetic distribution in accordance with various aspects described herein.

FIGS. 10A and 10B are block diagrams illustrating example, non-limiting embodiments of couplers and transceivers in accordance with various aspects described herein.

2

FIG. 11 is a block diagram illustrating an example, non-limiting embodiment of a dual stub coupler in accordance with various aspects described herein.

FIG. 12 is a block diagram illustrating an example, non-limiting embodiment of a repeater system in accordance with various aspects described herein.

FIG. 13 illustrates a block diagram illustrating an example, non-limiting embodiment of a bidirectional repeater in accordance with various aspects described herein.

FIG. 14 is a block diagram illustrating an example, non-limiting embodiment of a waveguide system in accordance with various aspects described herein.

FIG. 15 is a block diagram illustrating an example, non-limiting embodiment of a guided-wave communications system in accordance with various aspects described herein.

FIGS. 16A and 16B are block diagrams illustrating an example, non-limiting embodiment of a system for managing a communication system in accordance with various aspects described herein.

FIG. 17A illustrates a flow diagram of an example, non-limiting embodiment of a method for detecting and mitigating disturbances occurring in a communication network of the system of FIGS. 16A and 16B.

FIG. 17B illustrates a flow diagram of an example, non-limiting embodiment of a method for detecting and mitigating disturbances occurring in a communication network of the system of FIGS. 16A and 16B.

FIG. 18A is a block diagram illustrating an example, non-limiting embodiment of a communication system in accordance with various aspects described herein.

FIG. 18B is a block diagram illustrating an example, non-limiting embodiment of a portion of the communication system of FIG. 18A in accordance with various aspects described herein.

FIGS. 18C-18D are block diagrams illustrating example, non-limiting embodiments of a communication node of the communication system of FIG. 18A in accordance with various aspects described herein.

FIG. 19A is a graphical diagram illustrating an example, non-limiting embodiment of downlink and uplink communication techniques for enabling a base station to communicate with communication nodes in accordance with various aspects described herein.

FIG. 19B is a block diagram illustrating an example, non-limiting embodiment of a communication node in accordance with various aspects described herein.

FIG. 19C is a block diagram illustrating an example, non-limiting embodiment of a communication node in accordance with various aspects described herein.

FIG. 19D is a graphical diagram illustrating an example, non-limiting embodiment of a frequency spectrum in accordance with various aspects described herein.

FIG. 19E is a graphical diagram illustrating an example, non-limiting embodiment of a frequency spectrum in accordance with various aspects described herein.

FIG. 19F is a graphical diagram illustrating an example, non-limiting embodiment of a frequency spectrum in accordance with various aspects described herein.

FIG. 19G is a graphical diagram illustrating an example, non-limiting embodiment of a frequency spectrum in accordance with various aspects described herein.

FIG. 19H is a block diagram illustrating an example, non-limiting embodiment of a transmitter in accordance with various aspects described herein.

FIG. 19I is a block diagram illustrating an example, non-limiting embodiment of a receiver in accordance with various aspects described herein.

FIG. 20A is a block diagram illustrating an example, non-limiting embodiment of a communication system in accordance with various aspects described herein.

FIG. 20B is a block diagram illustrating an example, non-limiting embodiment of a communication system in accordance with various aspects described herein.

FIG. 20C is a block diagram illustrating an example, non-limiting embodiment of a transmission device in accordance with various aspects described herein.

FIG. 20D is a block diagram illustrating an example, non-limiting embodiment of an amplifier in accordance with various aspects described herein.

FIG. 20E illustrates a flow diagram of an example, non-limiting embodiment of a method in accordance with various aspects described herein.

FIG. 21 is a block diagram of an example, non-limiting embodiment of a computing environment in accordance with various aspects described herein.

FIG. 22 is a block diagram of an example, non-limiting embodiment of a mobile network platform in accordance with various aspects described herein.

FIG. 23 is a block diagram of an example, non-limiting embodiment of a communication device in accordance with various aspects described herein.

DETAILED DESCRIPTION

One or more embodiments are now described with reference to the drawings, wherein like reference numerals are used to refer to like elements throughout. In the following description, for purposes of explanation, numerous details are set forth in order to provide a thorough understanding of the various embodiments. It is evident, however, that the various embodiments can be practiced without these details (and without applying to any particular networked environment or standard).

In an embodiment, a guided wave communication system is presented for sending and receiving communication signals such as data or other signaling via guided electromagnetic waves. The guided electromagnetic waves include, for example, surface waves or other electromagnetic waves that are bound to or guided by a transmission medium. It will be appreciated that a variety of transmission media can be utilized with guided wave communications without departing from example embodiments. Examples of such transmission media can include one or more of the following, either alone or in one or more combinations: wires, whether insulated or not, and whether single-stranded or multi-stranded; conductors of other shapes or configurations including wire bundles, cables, rods, rails, pipes; non-conductors such as dielectric pipes, rods, rails, or other dielectric members; combinations of conductors and dielectric materials; or other guided wave transmission media.

The inducement of guided electromagnetic waves on a transmission medium can be independent of any electrical potential, charge or current that is injected or otherwise transmitted through the transmission medium as part of an electrical circuit. For example, in the case where the transmission medium is a wire, it is to be appreciated that while a small current in the wire may be formed in response to the propagation of the guided waves along the wire, this can be due to the propagation of the electromagnetic wave along the wire surface, and is not formed in response to electrical potential, charge or current that is injected into the wire as

part of an electrical circuit. The electromagnetic waves traveling on the wire therefore do not require a circuit to propagate along the wire surface. The wire therefore is a single wire transmission line that is not part of a circuit. Also, in some embodiments, a wire is not necessary, and the electromagnetic waves can propagate along a single line transmission medium that is not a wire.

More generally, “guided electromagnetic waves” or “guided waves” as described by the subject disclosure are affected by the presence of a physical object that is at least a part of the transmission medium (e.g., a bare wire or other conductor, a dielectric, an insulated wire, a conduit or other hollow element, a bundle of insulated wires that is coated, covered or surrounded by a dielectric or insulator or other wire bundle, or another form of solid or otherwise non-liquid or non-gaseous transmission medium) so as to be at least partially bound to or guided by the physical object and so as to propagate along a transmission path of the physical object. Such a physical object can operate as at least a part of a transmission medium that guides, by way of an interface of the transmission medium (e.g., an outer surface, inner surface, an interior portion between the outer and the inner surfaces or other boundary between elements of the transmission medium), the propagation of guided electromagnetic waves, which in turn can carry energy, data and/or other signals along the transmission path from a sending device to a receiving device.

Unlike free space propagation of wireless signals such as unguided (or unbounded) electromagnetic waves that decrease in intensity inversely by the square of the distance traveled by the unguided electromagnetic waves, guided electromagnetic waves can propagate along a transmission medium with less loss in magnitude per unit distance than experienced by unguided electromagnetic waves.

An electrical circuit allows electrical signals to propagate from a sending device to a receiving device via a forward electrical path and a return electrical path, respectively. These electrical forward and return paths can be implemented via two conductors, such as two wires or a single wire and a common ground that serves as the second conductor. In particular, electrical current from the sending device (direct and/or alternating) flows through the electrical forward path and returns to the transmission source via the electrical return path as an opposing current. More particularly, electron flow in one conductor that flows away from the sending device, returns to the receiving device in the opposite direction via a second conductor or ground. Unlike electrical signals, guided electromagnetic waves can propagate along a transmission medium (e.g., a bare conductor, an insulated conductor, a conduit, a non-conducting material such as a dielectric strip, or any other type of object suitable for the propagation of surface waves) from a sending device to a receiving device or vice-versa without requiring the transmission medium to be part of an electrical circuit (i.e., without requiring an electrical return path) between the sending device and the receiving device. Although electromagnetic waves can propagate in an open circuit, i.e., a circuit without an electrical return path or with a break or gap that prevents the flow of electrical current through the circuit, it is noted that electromagnetic waves can also propagate along a surface of a transmission medium that is in fact part of an electrical circuit. That is electromagnetic waves can travel along a first surface of a transmission medium having a forward electrical path and/or along a second surface of a transmission medium having an electrical return path. As a consequence, guided electromagnetic waves can propagate along a surface of a transmission

medium from a sending device to a receiving device or vice-versa with or without an electrical circuit.

This permits, for example, transmission of guided electromagnetic waves along a transmission medium having no conductive components (e.g., a dielectric strip). This also permits, for example, transmission of guided electromagnetic waves that propagate along a transmission medium having no more than a single conductor (e.g., an electromagnetic wave that propagates along the surface of a single bare conductor or along the surface of a single insulated conductor or an electromagnetic wave that propagates all or partly within the insulation of an insulated conductor). Even if a transmission medium includes one or more conductive components and the guided electromagnetic waves propagating along the transmission medium generate currents that, at times, flow in the one or more conductive components in a direction of the guided electromagnetic waves, such guided electromagnetic waves can propagate along the transmission medium from a sending device to a receiving device without a flow of an opposing current on an electrical return path back to the sending device from the receiving device. As a consequence, the propagation of such guided electromagnetic waves can be referred to as propagating via a single transmission line or propagating via a surface wave transmission line.

In a non-limiting illustration, consider a coaxial cable having a center conductor and a ground shield that are separated by an insulator. Typically, in an electrical system a first terminal of a sending (and receiving) device can be connected to the center conductor, and a second terminal of the sending (and receiving) device can be connected to the ground shield. If the sending device injects an electrical signal in the center conductor via the first terminal, the electrical signal will propagate along the center conductor causing, at times, forward currents and a corresponding flow of electrons in the center conductor, and return currents and an opposing flow of electrons in the ground shield. The same conditions apply for a two terminal receiving device.

In contrast, consider a guided wave communication system such as described in the subject disclosure, which can utilize different embodiments of a transmission medium (including among others a coaxial cable) for transmitting and receiving guided electromagnetic waves without an electrical circuit (i.e., without an electrical forward path or electrical return path depending on your perspective). In one embodiment, for example, the guided wave communication system of the subject disclosure can be configured to induce guided electromagnetic waves that propagate along an outer surface of a coaxial cable (e.g., the outer jacket or insulation layer of the coaxial cable). Although the guided electromagnetic waves will cause forward currents on the ground shield, the guided electromagnetic waves do not require return currents in the center conductor to enable the guided electromagnetic waves to propagate along the outer surface of the coaxial cable. Said another way, while the guided electromagnetic waves will cause forward currents on the ground shield, the guided electromagnetic waves will not generate opposing return currents in the center conductor (or other electrical return path). The same can be said of other transmission media used by a guided wave communication system for the transmission and reception of guided electromagnetic waves.

For example, guided electromagnetic waves induced by the guided wave communication system on an outer surface of a bare conductor, or an insulated conductor can propagate along the outer surface of the bare conductor or the other surface of the insulated conductor without generating oppos-

ing return currents in an electrical return path. As another point of differentiation, where the majority of the signal energy in an electrical circuit is induced by the flow of electrons in the conductors themselves, guided electromagnetic waves propagating in a guided wave communication system on an outer surface of a bare conductor, cause only minimal forward currents in the bare conductor, with the majority of the signal energy of the electromagnetic wave concentrated above the outer surface of the bare conductor and not inside the bare conductor. Furthermore, guided electromagnetic waves that are bound to the outer surface of an insulated conductor cause only minimal forward currents in the center conductor or conductors of the insulated conductor, with the majority of the signal energy of the electromagnetic wave concentrated in regions inside the insulation and/or above the outside surface of the insulated conductor—in other words, the majority of the signal energy of the electromagnetic wave is concentrated outside the center conductor(s) of the insulated conductor.

Consequently, electrical systems that require two or more conductors for carrying forward and reverse currents on separate conductors to enable the propagation of electrical signals injected by a sending device are distinct from guided wave systems that induce guided electromagnetic waves on an interface of a transmission medium without the need of an electrical circuit to enable the propagation of the guided electromagnetic waves along the interface of the transmission medium.

It is further noted that guided electromagnetic waves as described in the subject disclosure can have an electromagnetic field structure that lies primarily or substantially outside of a transmission medium so as to be bound to or guided by the transmission medium and so as to propagate non-trivial distances on or along an outer surface of the transmission medium. In other embodiments, guided electromagnetic waves can have an electromagnetic field structure that lies primarily or substantially inside a transmission medium so as to be bound to or guided by the transmission medium and so as to propagate non-trivial distances within the transmission medium. In other embodiments, guided electromagnetic waves can have an electromagnetic field structure that lies partially inside and partially outside a transmission medium so as to be bound to or guided by the transmission medium and so as to propagate non-trivial distances along the transmission medium. The desired electronic field structure in an embodiment may vary based upon a variety of factors, including the desired transmission distance, the characteristics of the transmission medium itself, and environmental conditions/characteristics outside of the transmission medium (e.g., presence of rain, fog, atmospheric conditions, etc.).

It is further noted that guided wave systems as described in the subject disclosure also differ from fiber optical systems. Guided wave systems of the subject disclosure can induce guided electromagnetic waves on an interface of a transmission medium constructed of an opaque material (e.g., a dielectric cable made of polyethylene) or a material that is otherwise resistive to the transmission of light waves (e.g., a bare conductive wire or an insulated conductive wire) enabling propagation of the guided electromagnetic waves along the interface of the transmission medium over non-trivial distances. Fiber optic systems in contrast cannot function with a transmission medium that is opaque or other resistive to the transmission of light waves.

Various embodiments described herein relate to coupling devices, that can be referred to as “waveguide coupling devices”, “waveguide couplers” or more simply as “cou-

plers”, “coupling devices” or “launchers” for launching and/or extracting guided electromagnetic waves to and from a transmission medium at millimeter-wave frequencies (e.g., 30 to 300 GHz), wherein the wavelength can be small compared to one or more dimensions of the coupling device and/or the transmission medium such as the circumference of a wire or other cross sectional dimension, or lower microwave frequencies such as 300 MHz to 30 GHz. Transmissions can be generated to propagate as waves guided by a coupling device, such as: a strip, arc or other length of dielectric material; a horn, monopole, rod, slot or other antenna; an array of antennas; a magnetic resonant cavity, or other resonant coupler; a coil, a strip line, a waveguide or other coupling device. In operation, the coupling device receives an electromagnetic wave from a transmitter or transmission medium. The electromagnetic field structure of the electromagnetic wave can be carried inside the coupling device, outside the coupling device or some combination thereof. When the coupling device is in close proximity to a transmission medium, at least a portion of an electromagnetic wave couples to or is bound to the transmission medium, and continues to propagate as guided electromagnetic waves. In a reciprocal fashion, a coupling device can extract guided waves from a transmission medium and transfer these electromagnetic waves to a receiver.

According to an example embodiment, a surface wave is a type of guided wave that is guided by a surface of a transmission medium, such as an exterior or outer surface of the wire, or another surface of the wire that is adjacent to or exposed to another type of medium having different properties (e.g., dielectric properties). Indeed, in an example embodiment, a surface of the wire that guides a surface wave can represent a transitional surface between two different types of media. For example, in the case of a bare or uninsulated wire, the surface of the wire can be the outer or exterior conductive surface of the bare or uninsulated wire that is exposed to air or free space. As another example, in the case of insulated wire, the surface of the wire can be the conductive portion of the wire that meets the insulator portion of the wire, or can otherwise be the insulator surface of the wire that is exposed to air or free space, or can otherwise be any material region between the insulator surface of the wire and the conductive portion of the wire that meets the insulator portion of the wire, depending upon the relative differences in the properties (e.g., dielectric properties) of the insulator, air, and/or the conductor and further dependent on the frequency and propagation mode or modes of the guided wave.

According to an example embodiment, the term “about” a wire or other transmission medium used in conjunction with a guided wave can include fundamental guided wave propagation modes such as a guided waves having a circular or substantially circular field distribution, a symmetrical electromagnetic field distribution (e.g., electric field, magnetic field, electromagnetic field, etc.) or other fundamental mode pattern at least partially around a wire or other transmission medium. In addition, when a guided wave propagates “about” a wire or other transmission medium, it can do so according to a guided wave propagation mode that includes not only the fundamental wave propagation modes (e.g., zero order modes), but additionally or alternatively non-fundamental wave propagation modes such as higher-order guided wave modes (e.g., 1st order modes, 2nd order modes, etc.), asymmetrical modes and/or other guided (e.g., surface) waves that have non-circular field distributions around a wire or other transmission medium. As used herein, the term “guided wave mode” refers to a guided wave

propagation mode of a transmission medium, coupling device or other system component of a guided wave communication system.

For example, such non-circular field distributions can be unilateral or multi-lateral with one or more axial lobes characterized by relatively higher field strength and/or one or more nulls or null regions characterized by relatively low-field strength, zero-field strength or substantially zero-field strength. Further, the field distribution can otherwise vary as a function of azimuthal orientation around the wire such that one or more angular regions around the wire have an electric or magnetic field strength (or combination thereof) that is higher than one or more other angular regions of azimuthal orientation, according to an example embodiment. It will be appreciated that the relative orientations or positions of the guided wave higher order modes or asymmetrical modes can vary as the guided wave travels along the wire.

As used herein, the term “millimeter-wave” can refer to electromagnetic waves/signals that fall within the “millimeter-wave frequency band” of 30 GHz to 300 GHz. The term “microwave” can refer to electromagnetic waves/signals that fall within a “microwave frequency band” of 300 MHz to 300 GHz. The term “radio frequency” or “RF” can refer to electromagnetic waves/signals that fall within the “radio frequency band” of 10 kHz to 1 THz. It is appreciated that wireless signals, electrical signals, and guided electromagnetic waves as described in the subject disclosure can be configured to operate at any desirable frequency range, such as, for example, at frequencies within, above or below millimeter-wave and/or microwave frequency bands. In particular, when a coupling device or transmission medium includes a conductive element, the frequency of the guided electromagnetic waves that are carried by the coupling device and/or propagate along the transmission medium can be below the mean collision frequency of the electrons in the conductive element. Further, the frequency of the guided electromagnetic waves that are carried by the coupling device and/or propagate along the transmission medium can be a non-optical frequency, e.g., a radio frequency below the range of optical frequencies that begins at 1 THz.

As used herein, the term “antenna” can refer to a device that is part of a transmitting or receiving system to transmit/radiate or receive wireless signals.

In accordance with one or more embodiments, a repeater device, includes a first launcher configured to extract first channel signals from first guided electromagnetic waves bound to an outer surface of a transmission medium of a guided wave communication system. An amplifier is configured to amplify the first channel signals to generate amplified first channel signals in accordance with a phase correction. A wireless transceiver is configured to wirelessly transmit one or more of the amplified first channel signals to at least one device. A second launcher is configured to guide the amplified first channel signals to the transmission medium of the guided wave communication system to propagate as second guided electromagnetic waves, wherein the phase correction aligns a phase of the second guided electromagnetic waves with a phase of a residual portion of the first guided electromagnetic waves that continue propagation along the transmission medium. A channel duplexer is configured to transfer the amplified first channel signals to the second launcher and to the wireless transceiver.

In accordance with one or more embodiments, a method includes extracting first channel signals from first guided electromagnetic waves bound to an outer surface of a transmission medium of a guided wave communication

system; amplifying the first channel signals to generate amplified first channel signals in accordance with a phase correction; selecting one or more of the amplified first channel signals to wirelessly transmit to at least one client device via an antenna; and guiding the amplified first channel signals to the transmission medium of the guided wave communication system to propagate as second guided electromagnetic waves, wherein the phase correction aligns a phase of the second guided electromagnetic waves to add in-phase with a residual portion of the first guided electromagnetic waves that continue propagation along the transmission medium.

In accordance with one or more embodiments, repeater device includes first coupling means for extracting channel signals from first guided electromagnetic waves bound to a transmission medium of a guided wave communication system; amplifier means for amplifying the channel signals to generate amplified channel signals in accordance with a phase correction; transceiver means configured to wirelessly transmit one or more of the amplified channel signals to at least one device; and second launcher means configured to guide the amplified channel signals to the at least one transmission medium of the guided wave communication system to propagate as second guided electromagnetic waves, wherein the phase correction aligns a phase of the second guided electromagnetic waves to align with a residual portion of the first guided electromagnetic waves that continue propagation along the transmission medium.

Referring now to FIG. 1, a block diagram 100 illustrating an example, non-limiting embodiment of a guided wave communications system is shown. In operation, a transmission device 101 receives one or more communication signals 110 from a communication network or other communications device that includes data and generates guided waves 120 to convey the data via the transmission medium 125 to the transmission device 102. The transmission device 102 receives the guided waves 120 and converts them to communication signals 112 that include the data for transmission to a communications network or other communications device. The guided waves 120 can be modulated to convey data via a modulation technique such as phase shift keying, frequency shift keying, quadrature amplitude modulation, amplitude modulation, multi-carrier modulation such as orthogonal frequency division multiplexing and via multiple access techniques such as frequency division multiplexing, time division multiplexing, code division multiplexing, multiplexing via differing wave propagation modes and via other modulation and access strategies.

The communication network or networks can include a wireless communication network such as a mobile data network, a cellular voice and data network, a wireless local area network (e.g., WiFi or an 802.xx network), a satellite communications network, a personal area network or other wireless network. The communication network or networks can also include a wired communication network such as a telephone network, an Ethernet network, a local area network, a wide area network such as the Internet, a broadband access network, a cable network, a fiber optic network, or other wired network. The communication devices can include a network edge device, bridge device or home gateway, a set-top box, broadband modem, telephone adapter, access point, base station, or other fixed communication device, a mobile communication device such as an automotive gateway or automobile, laptop computer, tablet, smartphone, cellular telephone, or other communication device.

In an example embodiment, the guided wave communication system 100 can operate in a bi-directional fashion where transmission device 102 receives one or more communication signals 112 from a communication network or device that includes other data and generates guided waves 122 to convey the other data via the transmission medium 125 to the transmission device 101. In this mode of operation, the transmission device 101 receives the guided waves 122 and converts them to communication signals 110 that include the other data for transmission to a communications network or device. The guided waves 122 can be modulated to convey data via a modulation technique such as phase shift keying, frequency shift keying, quadrature amplitude modulation, amplitude modulation, multi-carrier modulation such as orthogonal frequency division multiplexing and via multiple access techniques such as frequency division multiplexing, time division multiplexing, code division multiplexing, multiplexing via differing wave propagation modes and via other modulation and access strategies.

The transmission medium 125 can include a cable having at least one inner portion surrounded by a dielectric material such as an insulator or other dielectric cover, coating or other dielectric material, the dielectric material having an outer surface and a corresponding circumference. In an example embodiment, the transmission medium 125 operates as a single-wire transmission line to guide the transmission of an electromagnetic wave. When the transmission medium 125 is implemented as a single wire transmission system, it can include a wire. The wire can be insulated or uninsulated, and single-stranded or multi-stranded (e.g., braided). In other embodiments, the transmission medium 125 can contain conductors of other shapes or configurations including wire bundles, cables, rods, rails, pipes. In addition, the transmission medium 125 can include non-conductors such as dielectric pipes, rods, rails, or other dielectric members; combinations of conductors and dielectric materials, conductors without dielectric materials or other guided wave transmission media. It should be noted that the transmission medium 125 can otherwise include any of the transmission media previously discussed.

Further, as previously discussed, the guided waves 120 and 122 can be contrasted with radio transmissions over free space/air or conventional propagation of electrical power or signals through the conductor of a wire via an electrical circuit. In addition to the propagation of guided waves 120 and 122, the transmission medium 125 may optionally contain one or more wires that propagate electrical power or other communication signals in a conventional manner as a part of one or more electrical circuits.

Referring now to FIG. 2, a block diagram 200 illustrating an example, non-limiting embodiment of a transmission device is shown. The transmission device 101 or 102 includes a communications interface (I/F) 205, a transceiver 210 and a coupler 220.

In an example of operation, the communications interface 205 receives a communication signal 110 or 112 that includes data. In various embodiments, the communications interface 205 can include a wireless interface for receiving a wireless communication signal in accordance with a wireless standard protocol such as LTE or other cellular voice and data protocol, WiFi or an 802.11 protocol, WIMAX protocol, Ultra Wideband protocol, Bluetooth protocol, Zigbee protocol, a direct broadcast satellite (DBS) or other satellite communication protocol or other wireless protocol. In addition or in the alternative, the communications interface 205 includes a wired interface that operates in accordance with an Ethernet protocol, universal serial bus

(USB) protocol, a data over cable service interface specification (DOCSIS) protocol, a digital subscriber line (DSL) protocol, a Firewire (IEEE 1394) protocol, or other wired protocol. In addition to standards-based protocols, the communications interface **205** can operate in conjunction with other wired or wireless protocol. In addition, the communications interface **205** can optionally operate in conjunction with a protocol stack that includes multiple protocol layers including a MAC protocol, transport protocol, application protocol, etc.

In an example of operation, the transceiver **210** generates an electromagnetic wave based on the communication signal **110** or **112** to convey the data. The electromagnetic wave has at least one carrier frequency and at least one corresponding wavelength. The carrier frequency can be within a millimeter-wave frequency band of 30 GHz-300 GHz, such as 60 GHz or a carrier frequency in the range of 30-40 GHz or a lower frequency band of 300 MHz-30 GHz in the microwave frequency range such as 26-30 GHz, 11 GHz, 6 GHz or 3 GHz, but it will be appreciated that other carrier frequencies are possible in other embodiments. In one mode of operation, the transceiver **210** merely upconverts the communications signal or signals **110** or **112** for transmission of the electromagnetic signal in the microwave or millimeter-wave band as a guided electromagnetic wave that is guided by or bound to the transmission medium **125**. In another mode of operation, the communications interface **205** either converts the communication signal **110** or **112** to a baseband or near baseband signal or extracts the data from the communication signal **110** or **112** and the transceiver **210** modulates a high-frequency carrier with the data, the baseband or near baseband signal for transmission. It should be appreciated that the transceiver **210** can modulate the data received via the communication signal **110** or **112** to preserve one or more data communication protocols of the communication signal **110** or **112** either by encapsulation in the payload of a different protocol or by simple frequency shifting. In the alternative, the transceiver **210** can otherwise translate the data received via the communication signal **110** or **112** to a protocol that is different from the data communication protocol or protocols of the communication signal **110** or **112**.

In an example of operation, the coupler **220** couples the electromagnetic wave to the transmission medium **125** as a guided electromagnetic wave to convey the communications signal or signals **110** or **112**. While the prior description has focused on the operation of the transceiver **210** as a transmitter, the transceiver **210** can also operate to receive electromagnetic waves that convey other data from the single wire transmission medium via the coupler **220** and to generate communications signals **110** or **112**, via communications interface **205** that includes the other data. Consider embodiments where an additional guided electromagnetic wave conveys other data that also propagates along the transmission medium **125**. The coupler **220** can also couple this additional electromagnetic wave from the transmission medium **125** to the transceiver **210** for reception.

The transmission device **101** or **102** includes an optional training controller **230**. In an example embodiment, the training controller **230** is implemented by a standalone processor or a processor that is shared with one or more other components of the transmission device **101** or **102**. The training controller **230** selects the carrier frequencies, modulation schemes and/or guided wave modes for the guided electromagnetic waves based on feedback data

received by the transceiver **210** from at least one remote transmission device coupled to receive the guided electromagnetic wave.

In an example embodiment, a guided electromagnetic wave transmitted by a remote transmission device **101** or **102** conveys data that also propagates along the transmission medium **125**. The data from the remote transmission device **101** or **102** can be generated to include the feedback data. In operation, the coupler **220** also couples the guided electromagnetic wave from the transmission medium **125** and the transceiver receives the electromagnetic wave and processes the electromagnetic wave to extract the feedback data.

In an example embodiment, the training controller **230** operates based on the feedback data to evaluate a plurality of candidate frequencies, modulation schemes and/or transmission modes to select a carrier frequency, modulation scheme and/or transmission mode to enhance performance, such as throughput, signal strength, reduce propagation loss, etc.

Consider the following example: a transmission device **101** begins operation under control of the training controller **230** by sending a plurality of guided waves as test signals such as pilot waves or other test signals at a corresponding plurality of candidate frequencies and/or candidate modes directed to a remote transmission device **102** coupled to the transmission medium **125**. The guided waves can include, in addition or in the alternative, test data. The test data can indicate the particular candidate frequency and/or guided-wave mode of the signal. In an embodiment, the training controller **230** at the remote transmission device **102** receives the test signals and/or test data from any of the guided waves that were properly received and determines the best candidate frequency and/or guided wave mode, a set of acceptable candidate frequencies and/or guided wave modes, or a rank ordering of candidate frequencies and/or guided wave modes. This selection of candidate frequenc(ies) or/and guided-mode(s) are generated by the training controller **230** based on one or more optimizing criteria such as received signal strength, bit error rate, packet error rate, signal to noise ratio, propagation loss, etc. The training controller **230** generates feedback data that indicates the selection of candidate frequenc(ies) or/and guided wave mode(s) and sends the feedback data to the transceiver **210** for transmission to the transmission device **101**. The transmission device **101** and **102** can then communicate data with one another based on the selection of candidate frequenc(ies) or/and guided wave mode(s).

In other embodiments, the guided electromagnetic waves that contain the test signals and/or test data are reflected back, repeated back or otherwise looped back by the remote transmission device **102** to the transmission device **101** for reception and analysis by the training controller **230** of the transmission device **101** that initiated these waves. For example, the transmission device **101** can send a signal to the remote transmission device **102** to initiate a test mode where a physical reflector is switched on the line, a termination impedance is changed to cause reflections, a loop back mode is switched on to couple electromagnetic waves back to the source transmission device **102**, and/or a repeater mode is enabled to amplify and retransmit the electromagnetic waves back to the source transmission device **102**. The training controller **230** at the source transmission device **102** receives the test signals and/or test data from any of the guided waves that were properly received and determines selection of candidate frequenc(ies) or/and guided wave mode(s).

While the procedure above has been described in a start-up or initialization mode of operation, each transmission device **101** or **102** can send test signals, evaluate candidate frequencies or guided wave modes via non-test such as normal transmissions or otherwise evaluate candidate frequencies or guided wave modes at other times or continuously as well. In an example embodiment, the communication protocol between the transmission devices **101** and **102** can include an on-request or periodic test mode where either full testing or more limited testing of a subset of candidate frequencies and guided wave modes are tested and evaluated. In other modes of operation, the re-entry into such a test mode can be triggered by a degradation of performance due to a disturbance, weather conditions, etc. In an example embodiment, the receiver bandwidth of the transceiver **210** is either sufficiently wide or swept to receive all candidate frequencies or can be selectively adjusted by the training controller **230** to a training mode where the receiver bandwidth of the transceiver **210** is sufficiently wide or swept to receive all candidate frequencies.

Referring now to FIG. 3, a graphical diagram **300** illustrating an example, non-limiting embodiment of an electromagnetic field distribution is shown. In this embodiment, a transmission medium **125** in air includes an inner conductor **301** and an insulating jacket **302** of dielectric material, as shown in cross section. The diagram **300** includes different gray-scales that represent differing electromagnetic field strengths generated by the propagation of the guided wave having an asymmetrical and non-fundamental guided wave mode.

In particular, the electromagnetic field distribution corresponds to a modal “sweet spot” that enhances guided electromagnetic wave propagation along an insulated transmission medium and reduces end-to-end transmission loss. In this particular mode, electromagnetic waves are guided by the transmission medium **125** to propagate along an outer surface of the transmission medium—in this case, the outer surface of the insulating jacket **302**. Electromagnetic waves are partially embedded in the insulator and partially radiating on the outer surface of the insulator. In this fashion, electromagnetic waves are “lightly” coupled to the insulator so as to enable electromagnetic wave propagation at long distances with low propagation loss.

As shown, the guided wave has a field structure that lies primarily or substantially outside of the transmission medium **125** that serves to guide the electromagnetic waves. The regions inside the conductor **301** have little or no field. Likewise regions inside the insulating jacket **302** have low field strength. The majority of the electromagnetic field strength is distributed in the lobes **304** at the outer surface of the insulating jacket **302** and in close proximity thereof. The presence of an asymmetric guided wave mode is shown by the high electromagnetic field strengths at the top and bottom of the outer surface of the insulating jacket **302** (in the orientation of the diagram)—as opposed to very small field strengths on the other sides of the insulating jacket **302**.

The example shown corresponds to a 38 GHz electromagnetic wave guided by a wire with a diameter of 1.1 cm and a dielectric insulation of thickness of 0.36 cm. Because the electromagnetic wave is guided by the transmission medium **125** and the majority of the field strength is concentrated in the air outside of the insulating jacket **302** within a limited distance of the outer surface, the guided wave can propagate longitudinally down the transmission medium **125** with very low loss. In the example shown, this “limited distance” corresponds to a distance from the outer surface that is less than half the largest cross sectional

dimension of the transmission medium **125**. In this case, the largest cross sectional dimension of the wire corresponds to the overall diameter of 1.82 cm, however, this value can vary with the size and shape of the transmission medium **125**. For example, should the transmission medium **125** be of a rectangular shape with a height of 0.3 cm and a width of 0.4 cm, the largest cross sectional dimension would be the diagonal of 0.5 cm and the corresponding limited distance would be 0.25 cm. The dimensions of the area containing the majority of the field strength also vary with the frequency, and in general, increase as carrier frequencies decrease.

It should also be noted that the components of a guided wave communication system, such as couplers and transmission media can have their own cut-off frequencies for each guided wave mode. The cut-off frequency generally sets forth the lowest frequency that a particular guided wave mode is designed to be supported by that particular component. In an example embodiment, the particular asymmetric mode of propagation shown is induced on the transmission medium **125** by an electromagnetic wave having a frequency that falls within a limited range (such as F_c to $2F_c$) of the lower cut-off frequency F_c for this particular asymmetric mode. The lower cut-off frequency F_c is particular to the characteristics of transmission medium **125**. For embodiments as shown that include an inner conductor **301** surrounded by an insulating jacket **302**, this cutoff frequency can vary based on the dimensions and properties of the insulating jacket **302** and potentially the dimensions and properties of the inner conductor **301** and can be determined experimentally to have a desired mode pattern. It should be noted however, that similar effects can be found for a hollow dielectric or insulator without an inner conductor. In this case, the cutoff frequency can vary based on the dimensions and properties of the hollow dielectric or insulator.

At frequencies lower than the lower cut-off frequency, the asymmetric mode is difficult to induce in the transmission medium **125** and fails to propagate for all but trivial distances. As the frequency increases above the limited range of frequencies about the cut-off frequency, the asymmetric mode shifts more and more inward of the insulating jacket **302**. At frequencies much larger than the cut-off frequency, the field strength is no longer concentrated outside of the insulating jacket, but primarily inside of the insulating jacket **302**. While the transmission medium **125** provides strong guidance to the electromagnetic wave and propagation is still possible, ranges are more limited by increased losses due to propagation within the insulating jacket **302**—as opposed to the surrounding air.

Referring now to FIG. 4, a graphical diagram **400** illustrating an example, non-limiting embodiment of an electromagnetic field distribution is shown. In particular, a cross section diagram **400**, similar to FIG. 3 is shown with common reference numerals used to refer to similar elements. The example shown corresponds to a 60 GHz wave guided by a wire with a diameter of 1.1 cm and a dielectric insulation of thickness of 0.36 cm. Because the frequency of the guided wave is above the limited range of the cut-off frequency of this particular asymmetric mode, much of the field strength has shifted inward of the insulating jacket **302**. In particular, the field strength is concentrated primarily inside of the insulating jacket **302**. While the transmission medium **125** provides strong guidance to the electromagnetic wave and propagation is still possible, ranges are more limited when compared with the embodiment of FIG. 3, by increased losses due to propagation within the insulating jacket **302**.

Referring now to FIG. 5A, a graphical diagram illustrating an example, non-limiting embodiment of a frequency response is shown. In particular, diagram 500 presents a graph of end-to-end loss (in dB) as a function of frequency, overlaid with electromagnetic field distributions 510, 520 and 530 at three points for a 200 cm insulated medium voltage wire. The boundary between the insulator and the surrounding air is represented by reference numeral 525 in each electromagnetic field distribution.

As discussed in conjunction with FIG. 3, an example of a desired asymmetric mode of propagation shown is induced on the transmission medium 125 by an electromagnetic wave having a frequency that falls within a limited range (such as F_c to $2F_c$) of the lower cut-off frequency F_c of the transmission medium for this particular asymmetric mode. In particular, the electromagnetic field distribution 520 at 6 GHz falls within this modal “sweet spot” that enhances electromagnetic wave propagation along an insulated transmission medium and reduces end-to-end transmission loss. In this particular mode, guided waves are partially embedded in the insulator and partially radiating on the outer surface of the insulator. In this fashion, the electromagnetic waves are “lightly” coupled to the insulator so as to enable guided electromagnetic wave propagation at long distances with low propagation loss.

At lower frequencies represented by the electromagnetic field distribution 510 at 3 GHz, the asymmetric mode radiates more heavily generating higher propagation losses. At higher frequencies represented by the electromagnetic field distribution 530 at 9 GHz, the asymmetric mode shifts more and more inward of the insulating jacket providing too much absorption, again generating higher propagation losses.

Referring now to FIG. 5B, a graphical diagram 550 illustrating example, non-limiting embodiments of a longitudinal cross-section of a transmission medium 125, such as an insulated wire, depicting fields of guided electromagnetic waves at various operating frequencies is shown. As shown in diagram 556, when the guided electromagnetic waves are at approximately the cutoff frequency (f_c) corresponding to the modal “sweet spot”, the guided electromagnetic waves are loosely coupled to the insulated wire so that absorption is reduced, and the fields of the guided electromagnetic waves are bound sufficiently to reduce the amount radiated into the environment (e.g., air). Because absorption and radiation of the fields of the guided electromagnetic waves is low, propagation losses are consequently low, enabling the guided electromagnetic waves to propagate for longer distances.

As shown in diagram 554, propagation losses increase when an operating frequency of the guide electromagnetic waves increases above about two-times the cutoff frequency (f_c)—or as referred to, above the range of the “sweet spot”. More of the field strength of the electromagnetic wave is driven inside the insulating layer, increasing propagation losses. At frequencies much higher than the cutoff frequency (f_c) the guided electromagnetic waves are strongly bound to the insulated wire as a result of the fields emitted by the guided electromagnetic waves being concentrated in the insulation layer of the wire, as shown in diagram 552. This in turn raises propagation losses further due to absorption of the guided electromagnetic waves by the insulation layer. Similarly, propagation losses increase when the operating frequency of the guided electromagnetic waves is substantially below the cutoff frequency (f_c), as shown in diagram 558. At frequencies much lower than the cutoff frequency (f_c) the guided electromagnetic waves are weakly (or nomi-

nally) bound to the insulated wire and thereby tend to radiate into the environment (e.g., air), which in turn, raises propagation losses due to radiation of the guided electromagnetic waves.

Referring now to FIG. 6, a graphical diagram 600 illustrating an example, non-limiting embodiment of an electromagnetic field distribution is shown. In this embodiment, a transmission medium 602 is a bare wire, as shown in cross section. The diagram 300 includes different gray-scales that represent differing electromagnetic field strengths generated by the propagation of a guided wave having a symmetrical and fundamental guided wave mode at a single carrier frequency.

In this particular mode, electromagnetic waves are guided by the transmission medium 602 to propagate along an outer surface of the transmission medium—in this case, the outer surface of the bare wire. Electromagnetic waves are “lightly” coupled to the wire so as to enable electromagnetic wave propagation at long distances with low propagation loss. As shown, the guided wave has a field structure that lies substantially outside of the transmission medium 602 that serves to guide the electromagnetic waves. The regions inside the conductor 602 have little or no field.

Referring now to FIG. 7, a block diagram 700 illustrating an example, non-limiting embodiment of an arc coupler is shown. In particular a coupling device is presented for use in a transmission device, such as transmission device 101 or 102 presented in conjunction with FIG. 1. The coupling device includes an arc coupler 704 coupled to a transmitter circuit 712 and termination or damper 714. The arc coupler 704 can be made of a dielectric material, or other low-loss insulator (e.g., Teflon, polyethylene, etc.), or made of a conducting (e.g., metallic, non-metallic, etc.) material, or any combination of the foregoing materials. As shown, the arc coupler 704 operates as a waveguide and has a wave 706 propagating as a guided wave about a waveguide surface of the arc coupler 704. In the embodiment shown, at least a portion of the arc coupler 704 can be placed near a wire 702 or other transmission medium, (such as transmission medium 125), in order to facilitate coupling between the arc coupler 704 and the wire 702 or other transmission medium, as described herein to launch the guided wave 708 on the wire. The arc coupler 704 can be placed such that a portion of the curved arc coupler 704 is tangential to, and parallel or substantially parallel to the wire 702. The portion of the arc coupler 704 that is parallel to the wire can be an apex of the curve, or any point where a tangent of the curve is parallel to the wire 702. When the arc coupler 704 is positioned or placed thusly, the wave 706 travelling along the arc coupler 704 couples, at least in part, to the wire 702, and propagates as guided wave 708 around or about the wire surface of the wire 702 and longitudinally along the wire 702. The guided wave 708 can be characterized as a surface wave or other electromagnetic wave that is guided by or bound to the wire 702 or other transmission medium.

A portion of the wave 706 that does not couple to the wire 702 propagates as a wave 710 along the arc coupler 704. It will be appreciated that the arc coupler 704 can be configured and arranged in a variety of positions in relation to the wire 702 to achieve a desired level of coupling or non-coupling of the wave 706 to the wire 702. For example, the curvature and/or length of the arc coupler 704 that is parallel or substantially parallel, as well as its separation distance (which can include zero separation distance in an embodiment), to the wire 702 can be varied without departing from example embodiments. Likewise, the arrangement of arc coupler 704 in relation to the wire 702 may be varied based

upon considerations of the respective intrinsic characteristics (e.g., thickness, composition, electromagnetic properties, etc.) of the wire 702 and the arc coupler 704, as well as the characteristics (e.g., frequency, energy level, etc.) of the waves 706 and 708.

The guided wave 708 stays parallel or substantially parallel to the wire 702, even as the wire 702 bends and flexes. Bends in the wire 702 can increase transmission losses, which are also dependent on wire diameters, frequency, and materials. If the dimensions of the arc coupler 704 are chosen for efficient power transfer, most of the power in the wave 706 is transferred to the wire 702, with little power remaining in wave 710. It will be appreciated that the guided wave 708 can still be multi-modal in nature (discussed herein), including having modes that are non-fundamental or asymmetric, while traveling along a path that is parallel or substantially parallel to the wire 702, with or without a fundamental transmission mode. In an embodiment, non-fundamental or asymmetric modes can be utilized to minimize transmission losses and/or obtain increased propagation distances.

It is noted that the term parallel is generally a geometric construct which often is not exactly achievable in real systems. Accordingly, the term parallel as utilized in the subject disclosure represents an approximation rather than an exact configuration when used to describe embodiments disclosed in the subject disclosure. In an embodiment, substantially parallel can include approximations that are within 30 degrees of true parallel in all dimensions.

In an embodiment, the wave 706 can exhibit one or more wave propagation modes. The arc coupler modes can be dependent on the shape and/or design of the coupler 704. The one or more arc coupler modes of wave 706 can generate, influence, or impact one or more wave propagation modes of the guided wave 708 propagating along wire 702. It should be particularly noted however that the guided wave modes present in the guided wave 706 may be the same or different from the guided wave modes of the guided wave 708. In this fashion, one or more guided wave modes of the guided wave 706 may not be transferred to the guided wave 708, and further one or more guided wave modes of guided wave 708 may not have been present in guided wave 706. It should also be noted that the cut-off frequency of the arc coupler 704 for a particular guided wave mode may be different than the cutoff frequency of the wire 702 or other transmission medium for that same mode. For example, while the wire 702 or other transmission medium may be operated slightly above its cutoff frequency for a particular guided wave mode, the arc coupler 704 may be operated well above its cut-off frequency for that same mode for low loss, slightly below its cut-off frequency for that same mode to, for example, induce greater coupling and power transfer, or some other point in relation to the arc coupler's cutoff frequency for that mode.

In an embodiment, the wave propagation modes on the wire 702 can be similar to the arc coupler modes since both waves 706 and 708 propagate about the outside of the arc coupler 704 and wire 702 respectively. In some embodiments, as the wave 706 couples to the wire 702, the modes can change form, or new modes can be created or generated, due to the coupling between the arc coupler 704 and the wire 702. For example, differences in size, material, and/or impedances of the arc coupler 704 and wire 702 may create additional modes not present in the arc coupler modes and/or suppress some of the arc coupler modes. The wave propagation modes can comprise the fundamental transverse electromagnetic mode (Quasi-TEM₀₀), where only small

electric and/or magnetic fields extend in the direction of propagation, and the electric and magnetic fields extend radially outwards while the guided wave propagates along the wire. This guided wave mode can be donut shaped, where few of the electromagnetic fields exist within the arc coupler 704 or wire 702.

Waves 706 and 708 can comprise a fundamental TEM mode where the fields extend radially outwards, and also comprise other, non-fundamental (e.g., asymmetric, higher-level, etc.) modes. While particular wave propagation modes are discussed above, other wave propagation modes are likewise possible such as transverse electric (TE) and transverse magnetic (TM) modes, based on the frequencies employed, the design of the arc coupler 704, the dimensions and composition of the wire 702, as well as its surface characteristics, its insulation if present, the electromagnetic properties of the surrounding environment, etc. It should be noted that, depending on the frequency, the electrical and physical characteristics of the wire 702 and the particular wave propagation modes that are generated, guided wave 708 can travel along the conductive surface of an oxidized uninsulated wire, an unoxidized uninsulated wire, an insulated wire and/or along the insulating surface of an insulated wire.

In an embodiment, a diameter of the arc coupler 704 is smaller than the diameter of the wire 702. For the millimeter-band wavelength being used, the arc coupler 704 supports a single waveguide mode that makes up wave 706. This single waveguide mode can change as it couples to the wire 702 as guided wave 708. If the arc coupler 704 were larger, more than one waveguide mode can be supported, but these additional waveguide modes may not couple to the wire 702 as efficiently, and higher coupling losses can result. However, in some alternative embodiments, the diameter of the arc coupler 704 can be equal to or larger than the diameter of the wire 702, for example, where higher coupling losses are desirable or when used in conjunction with other techniques to otherwise reduce coupling losses (e.g., impedance matching with tapering, etc.).

In an embodiment, the wavelength of the waves 706 and 708 are comparable in size, or smaller than a circumference of the arc coupler 704 and the wire 702. In an example, if the wire 702 has a diameter of 0.5 cm, and a corresponding circumference of around 1.5 cm, the wavelength of the transmission is around 1.5 cm or less, corresponding to a frequency of 70 GHz or greater. In another embodiment, a suitable frequency of the transmission and the carrier-wave signal is in the range of 30-100 GHz, perhaps around 30-60 GHz, and around 38 GHz in one example. In an embodiment, when the circumference of the arc coupler 704 and wire 702 is comparable in size to, or greater, than a wavelength of the transmission, the waves 706 and 708 can exhibit multiple wave propagation modes including fundamental and/or non-fundamental (symmetric and/or asymmetric) modes that propagate over sufficient distances to support various communication systems described herein. The waves 706 and 708 can therefore comprise more than one type of electric and magnetic field configuration. In an embodiment, as the guided wave 708 propagates down the wire 702, the electrical and magnetic field configurations will remain the same from end to end of the wire 702. In other embodiments, as the guided wave 708 encounters interference (distortion or obstructions) or loses energy due to transmission losses or scattering, the electric and magnetic field configurations can change as the guided wave 708 propagates down wire 702.

In an embodiment, the arc coupler **704** can be composed of nylon, Teflon, polyethylene, a polyamide, or other plastics. In other embodiments, other dielectric materials are possible. The wire surface of wire **702** can be metallic with either a bare metallic surface, or can be insulated using plastic, dielectric, insulator or other coating, jacket or sheathing. In an embodiment, a dielectric or otherwise non-conducting/insulated waveguide can be paired with either a bare/metallic wire or insulated wire. In other embodiments, a metallic and/or conductive waveguide can be paired with a bare/metallic wire or insulated wire. In an embodiment, an oxidation layer on the bare metallic surface of the wire **702** (e.g., resulting from exposure of the bare metallic surface to oxygen/air) can also provide insulating or dielectric properties similar to those provided by some insulators or sheathings.

It is noted that the graphical representations of waves **706**, **708** and **710** are presented merely to illustrate the principles that wave **706** induces or otherwise launches a guided wave **708** on a wire **702** that operates, for example, as a single wire transmission line. Wave **710** represents the portion of wave **706** that remains on the arc coupler **704** after the generation of guided wave **708**. The actual electric and magnetic fields generated as a result of such wave propagation may vary depending on the frequencies employed, the particular wave propagation mode or modes, the design of the arc coupler **704**, the dimensions and composition of the wire **702**, as well as its surface characteristics, its optional insulation, the electromagnetic properties of the surrounding environment, etc.

It is noted that arc coupler **704** can include a termination circuit or damper **714** at the end of the arc coupler **704** that can absorb leftover radiation or energy from wave **710**. The termination circuit or damper **714** can prevent and/or minimize the leftover radiation or energy from wave **710** reflecting back toward transmitter circuit **712**. In an embodiment, the termination circuit or damper **714** can include termination resistors, and/or other components that perform impedance matching to attenuate reflection. In some embodiments, if the coupling efficiencies are high enough, and/or wave **710** is sufficiently small, it may not be necessary to use a termination circuit or damper **714**. For the sake of simplicity, these transmitter **712** and termination circuits or dampers **714** may not be depicted in the other figures, but in those embodiments, transmitter and termination circuits or dampers may possibly be used.

Further, while a single arc coupler **704** is presented that generates a single guided wave **708**, multiple arc couplers **704** placed at different points along the wire **702** and/or at different azimuthal orientations about the wire can be employed to generate and receive multiple guided waves **708** at the same or different frequencies, at the same or different phases, at the same or different wave propagation modes.

FIG. **8**, a block diagram **800** illustrating an example, non-limiting embodiment of an arc coupler is shown. In the embodiment shown, at least a portion of the coupler **704** can be placed near a wire **702** or other transmission medium, (such as transmission medium **125**), in order to facilitate coupling between the arc coupler **704** and the wire **702** or other transmission medium, to extract a portion of the guided wave **806** as a guided wave **808** as described herein. The arc coupler **704** can be placed such that a portion of the curved arc coupler **704** is tangential to, and parallel or substantially parallel to the wire **702**. The portion of the arc coupler **704** that is parallel to the wire can be an apex of the curve, or any point where a tangent of the curve is parallel

to the wire **702**. When the arc coupler **704** is positioned or placed thusly, the wave **806** travelling along the wire **702** couples, at least in part, to the arc coupler **704**, and propagates as guided wave **808** along the arc coupler **704** to a receiving device (not expressly shown). A portion of the wave **806** that does not couple to the arc coupler propagates as wave **810** along the wire **702** or other transmission medium.

In an embodiment, the wave **806** can exhibit one or more wave propagation modes. The arc coupler modes can be dependent on the shape and/or design of the coupler **704**. The one or more modes of guided wave **806** can generate, influence, or impact one or more guide-wave modes of the guided wave **808** propagating along the arc coupler **704**. It should be particularly noted however that the guided wave modes present in the guided wave **806** may be the same or different from the guided wave modes of the guided wave **808**. In this fashion, one or more guided wave modes of the guided wave **806** may not be transferred to the guided wave **808**, and further one or more guided wave modes of guided wave **808** may not have been present in guided wave **806**.

Referring now to FIG. **9A**, a block diagram **900** illustrating an example, non-limiting embodiment of a stub coupler is shown. In particular a coupling device that includes stub coupler **904** is presented for use in a transmission device, such as transmission device **101** or **102** presented in conjunction with FIG. **1**. The stub coupler **904** can be made of a dielectric material, or other low-loss insulator (e.g., Teflon, polyethylene and etc.), or made of a conducting (e.g., metallic, non-metallic, etc.) material, or any combination of the foregoing materials. As shown, the stub coupler **904** operates as a waveguide and has a wave **906** propagating as a guided wave about a waveguide surface of the stub coupler **904**. In the embodiment shown, at least a portion of the stub coupler **904** can be placed near a wire **702** or other transmission medium, (such as transmission medium **125**), in order to facilitate coupling between the stub coupler **904** and the wire **702** or other transmission medium, as described herein to launch the guided wave **908** on the wire.

In an embodiment, the stub coupler **904** is curved, and an end of the stub coupler **904** can be tied, fastened, or otherwise mechanically coupled to a wire **702**. When the end of the stub coupler **904** is fastened to the wire **702**, the end of the stub coupler **904** is parallel or substantially parallel to the wire **702**. Alternatively, another portion of the dielectric waveguide beyond an end can be fastened or coupled to wire **702** such that the fastened or coupled portion is parallel or substantially parallel to the wire **702**. The fastener **910** can be a nylon cable tie or other type of non-conducting/dielectric material that is either separate from the stub coupler **904** or constructed as an integrated component of the stub coupler **904**. The stub coupler **904** can be adjacent to the wire **702** without surrounding the wire **702**.

Like the arc coupler **704** described in conjunction with FIG. **7**, when the stub coupler **904** is placed with the end parallel to the wire **702**, the guided wave **906** travelling along the stub coupler **904** couples to the wire **702**, and propagates as guided wave **908** about the wire surface of the wire **702**. In an example embodiment, the guided wave **908** can be characterized as a surface wave or other electromagnetic wave.

It is noted that the graphical representations of waves **906** and **908** are presented merely to illustrate the principles that wave **906** induces or otherwise launches a guided wave **908** on a wire **702** that operates, for example, as a single wire transmission line. The actual electric and magnetic fields generated as a result of such wave propagation may vary

depending on one or more of the shape and/or design of the coupler, the relative position of the dielectric waveguide to the wire, the frequencies employed, the design of the stub coupler **904**, the dimensions and composition of the wire **702**, as well as its surface characteristics, its optional insulation, the electromagnetic properties of the surrounding environment, etc.

In an embodiment, an end of stub coupler **904** can taper towards the wire **702** in order to increase coupling efficiencies. Indeed, the tapering of the end of the stub coupler **904** can provide impedance matching to the wire **702** and reduce reflections, according to an example embodiment of the subject disclosure. For example, an end of the stub coupler **904** can be gradually tapered in order to obtain a desired level of coupling between waves **906** and **908** as illustrated in FIG. 9A.

In an embodiment, the fastener **910** can be placed such that there is a short length of the stub coupler **904** between the fastener **910** and an end of the stub coupler **904**. Maximum coupling efficiencies are realized in this embodiment when the length of the end of the stub coupler **904** that is beyond the fastener **910** is at least several wavelengths long for whatever frequency is being transmitted.

Turning now to FIG. 9B, a diagram **950** illustrating an example, non-limiting embodiment of an electromagnetic distribution in accordance with various aspects described herein is shown. In particular, an electromagnetic distribution is presented in two dimensions for a transmission device that includes coupler **952**, shown in an example stub coupler constructed of a dielectric material. The coupler **952** couples an electromagnetic wave for propagation as a guided wave along an outer surface of a wire **702** or other transmission medium.

The coupler **952** guides the electromagnetic wave to a junction at x_0 via a symmetrical guided wave mode. While some of the energy of the electromagnetic wave that propagates along the coupler **952** is outside of the coupler **952**, the majority of the energy of this electromagnetic wave is contained within the coupler **952**. The junction at x_0 couples the electromagnetic wave to the wire **702** or other transmission medium at an azimuthal angle corresponding to the bottom of the transmission medium. This coupling induces an electromagnetic wave that is guided to propagate along the outer surface of the wire **702** or other transmission medium via at least one guided wave mode in direction **956**. The majority of the energy of the guided electromagnetic wave is outside or, but in close proximity to the outer surface of the wire **702** or other transmission medium. In the example shown, the junction at x_0 forms an electromagnetic wave that propagates via both a symmetrical mode and at least one asymmetrical surface mode, such as the first order mode presented in conjunction with FIG. 3, that skims the surface of the wire **702** or other transmission medium.

It is noted that the graphical representations of guided waves are presented merely to illustrate an example of guided wave coupling and propagation. The actual electric and magnetic fields generated as a result of such wave propagation may vary depending on the frequencies employed, the design and/or configuration of the coupler **952**, the dimensions and composition of the wire **702** or other transmission medium, as well as its surface characteristics, its insulation if present, the electromagnetic properties of the surrounding environment, etc.

Turning now to FIG. 10A, illustrated is a block diagram **1000** of an example, non-limiting embodiment of a coupler and transceiver system in accordance with various aspects described herein. The system is an example of transmission

device **101** or **102**. In particular, the communication interface **1008** is an example of communications interface **205**, the stub coupler **1002** is an example of coupler **220**, and the transmitter/receiver device **1006**, diplexer **1016**, power amplifier **1014**, low noise amplifier **1018**, frequency mixers **1010** and **1020** and local oscillator **1012** collectively form an example of transceiver **210**.

In operation, the transmitter/receiver device **1006** launches and receives waves (e.g., guided wave **1004** onto stub coupler **1002**). The guided waves **1004** can be used to transport signals received from and sent to a host device, base station, mobile devices, a building or other device by way of a communications interface **1008**. The communications interface **1008** can be an integral part of system **1000**. Alternatively, the communications interface **1008** can be tethered to system **1000**. The communications interface **1008** can comprise a wireless interface for interfacing to the host device, base station, mobile devices, a building or other device utilizing any of various wireless signaling protocols (e.g., LTE, WiFi, WiMAX, IEEE 802.xx, etc.) including an infrared protocol such as an infrared data association (IrDA) protocol or other line of sight optical protocol. The communications interface **1008** can also comprise a wired interface such as a fiber optic line, coaxial cable, twisted pair, category 5 (CAT-5) cable or other suitable wired or optical mediums for communicating with the host device, base station, mobile devices, a building or other device via a protocol such as an Ethernet protocol, universal serial bus (USB) protocol, a data over cable service interface specification (DOCSIS) protocol, a digital subscriber line (DSL) protocol, a Firewire (IEEE 1394) protocol, or other wired or optical protocol. For embodiments where system **1000** functions as a repeater, the communications interface **1008** may not be necessary.

The output signals (e.g., Tx) of the communications interface **1008** can be combined with a carrier wave (e.g., millimeter-wave carrier wave) generated by a local oscillator **1012** at frequency mixer **1010**. Frequency mixer **1010** can use heterodyning techniques or other frequency shifting techniques to frequency shift the output signals from communications interface **1008**. For example, signals sent to and from the communications interface **1008** can be modulated signals such as orthogonal frequency division multiplexed (OFDM) signals formatted in accordance with a Long-Term Evolution (LTE) wireless protocol or other wireless 3G, 4G, 5G or higher voice and data protocol, a Zigbee, WiMAX, UltraWideband or IEEE 802.11 wireless protocol; a wired protocol such as an Ethernet protocol, universal serial bus (USB) protocol, a data over cable service interface specification (DOCSIS) protocol, a digital subscriber line (DSL) protocol, a Firewire (IEEE 1394) protocol or other wired or wireless protocol. In an example embodiment, this frequency conversion can be done in the analog domain, and as a result, the frequency shifting can be done without regard to the type of communications protocol used by a base station, mobile devices, or in-building devices. As new communications technologies are developed, the communications interface **1008** can be upgraded (e.g., updated with software, firmware, and/or hardware) or replaced and the frequency shifting and transmission apparatus can remain, simplifying upgrades. The carrier wave can then be sent to a power amplifier ("PA") **1014** and can be transmitted via the transmitter receiver device **1006** via the diplexer **1016**.

Signals received from the transmitter/receiver device **1006** that are directed towards the communications interface **1008** can be separated from other signals via diplexer **1016**. The received signal can then be sent to low noise amplifier

(“LNA”) **1018** for amplification. A frequency mixer **1020**, with help from local oscillator **1012** can downshift the received signal (which is in the millimeter-wave band or around 38 GHz in some embodiments) to the native frequency. The communications interface **1008** can then receive the transmission at an input port (Rx).

In an embodiment, transmitter/receiver device **1006** can include a cylindrical or non-cylindrical metal (which, for example, can be hollow in an embodiment, but not necessarily drawn to scale) or other conducting or non-conducting waveguide and an end of the stub coupler **1002** can be placed in or in proximity to the waveguide or the transmitter/receiver device **1006** such that when the transmitter/receiver device **1006** generates a transmission, the guided wave couples to stub coupler **1002** and propagates as a guided wave **1004** about the waveguide surface of the stub coupler **1002**. In some embodiments, the guided wave **1004** can propagate in part on the outer surface of the stub coupler **1002** and in part inside the stub coupler **1002**. In other embodiments, the guided wave **1004** can propagate substantially or completely on the outer surface of the stub coupler **1002**. In yet other embodiments, the guided wave **1004** can propagate substantially or completely inside the stub coupler **1002**. In this latter embodiment, the guided wave **1004** can radiate at an end of the stub coupler **1002** (such as the tapered end shown in FIG. 4) for coupling to a transmission medium such as a wire **702** of FIG. 7. Similarly, if guided wave **1004** is incoming (coupled to the stub coupler **1002** from a wire **702**), guided wave **1004** then enters the transmitter/receiver device **1006** and couples to the cylindrical waveguide or conducting waveguide. While transmitter/receiver device **1006** is shown to include a separate waveguide—an antenna, cavity resonator, klystron, magnetron, travelling wave tube, or other radiating element can be employed to induce a guided wave on the coupler **1002**, with or without the separate waveguide.

In an embodiment, stub coupler **1002** can be wholly constructed of a dielectric material (or another suitable insulating material), without any metallic or otherwise conducting materials therein. Stub coupler **1002** can be composed of nylon, Teflon, polyethylene, a polyamide, other plastics, or other materials that are non-conducting and suitable for facilitating transmission of electromagnetic waves at least in part on an outer surface of such materials. In another embodiment, stub coupler **1002** can include a core that is conducting/metallic, and have an exterior dielectric surface. Similarly, a transmission medium that couples to the stub coupler **1002** for propagating electromagnetic waves induced by the stub coupler **1002** or for supplying electromagnetic waves to the stub coupler **1002** can, in addition to being a bare or insulated wire, be wholly constructed of a dielectric material (or another suitable insulating material), without any metallic or otherwise conducting materials therein.

It is noted that although FIG. 10A shows that the opening of transmitter receiver device **1006** is much wider than the stub coupler **1002**, this is not to scale, and that in other embodiments the width of the stub coupler **1002** is comparable or slightly smaller than the opening of the hollow waveguide. It is also not shown, but in an embodiment, an end of the coupler **1002** that is inserted into the transmitter/receiver device **1006** tapers down in order to reduce reflection and increase coupling efficiencies.

Before coupling to the stub coupler **1002**, the one or more waveguide modes of the guided wave generated by the transmitter/receiver device **1006** can couple to the stub coupler **1002** to induce one or more wave propagation

modes of the guided wave **1004**. The wave propagation modes of the guided wave **1004** can be different than the hollow metal waveguide modes due to the different characteristics of the hollow metal waveguide and the dielectric waveguide. For instance, wave propagation modes of the guided wave **1004** can comprise the fundamental transverse electromagnetic mode (Quasi-TEM₀₀), where only small electrical and/or magnetic fields extend in the direction of propagation, and the electric and magnetic fields extend radially outwards from the stub coupler **1002** while the guided waves propagate along the stub coupler **1002**. The fundamental transverse electromagnetic mode wave propagation mode may or may not exist inside a waveguide that is hollow. Therefore, the hollow metal waveguide modes that are used by transmitter/receiver device **1006** are waveguide modes that can couple effectively and efficiently to wave propagation modes of stub coupler **1002**.

It will be appreciated that other constructs or combinations of the transmitter/receiver device **1006** and stub coupler **1002** are possible. For example, a stub coupler **1002'** can be placed tangentially or in parallel (with or without a gap) with respect to an outer surface of the hollow metal waveguide of the transmitter/receiver device **1006'** (corresponding circuitry not shown) as depicted by reference **1000'** of FIG. 10B. In another embodiment, not shown by reference **1000'**, the stub coupler **1002'** can be placed inside the hollow metal waveguide of the transmitter/receiver device **1006'** without an axis of the stub coupler **1002'** being coaxially aligned with an axis of the hollow metal waveguide of the transmitter/receiver device **1006'**. In either of these embodiments, the guided wave generated by the transmitter/receiver device **1006'** can couple to a surface of the stub coupler **1002'** to induce one or more wave propagation modes of the guided wave **1004'** on the stub coupler **1002'** including a fundamental mode (e.g., a symmetric mode) and/or a non-fundamental mode (e.g., asymmetric mode).

In one embodiment, the guided wave **1004'** can propagate in part on the outer surface of the stub coupler **1002'** and in part inside the stub coupler **1002'**. In another embodiment, the guided wave **1004'** can propagate substantially or completely on the outer surface of the stub coupler **1002'**. In yet other embodiments, the guided wave **1004'** can propagate substantially or completely inside the stub coupler **1002'**. In this latter embodiment, the guided wave **1004'** can radiate at an end of the stub coupler **1002'** (such as the tapered end shown in FIG. 9) for coupling to a transmission medium such as a wire **702** of FIG. 9.

It will be further appreciated that other constructs the transmitter/receiver device **1006** are possible. For example, a hollow metal waveguide of a transmitter/receiver device **1006''** (corresponding circuitry not shown), depicted in FIG. 10B as reference **1000''**, can be placed tangentially or in parallel (with or without a gap) with respect to an outer surface of a transmission medium such as the wire **702** of FIG. 4 without the use of the stub coupler **1002**. In this embodiment, the guided wave generated by the transmitter/receiver device **1006''** can couple to a surface of the wire **702** to induce one or more wave propagation modes of a guided wave **908** on the wire **702** including a fundamental mode (e.g., a symmetric mode) and/or a non-fundamental mode (e.g., asymmetric mode). In another embodiment, the wire **702** can be positioned inside a hollow metal waveguide of a transmitter/receiver device **1006'''** (corresponding circuitry not shown) so that an axis of the wire **702** is coaxially (or not coaxially) aligned with an axis of the hollow metal waveguide without the use of the stub coupler **1002**—see FIG. 10B reference **1000'''**. In this embodiment, the guided wave

generated by the transmitter/receiver device **1006** can couple to a surface of the wire **702** to induce one or more wave propagation modes of a guided wave **908** on the wire including a fundamental mode (e.g., a symmetric mode) and/or a non-fundamental mode (e.g., asymmetric mode).

In the embodiments of **1000** and **1000'**, for a wire **702** having an insulated outer surface, the guided wave **908** can propagate in part on the outer surface of the insulator and in part inside the insulator. In embodiments, the guided wave **908** can propagate substantially or completely on the outer surface of the insulator, or substantially or completely inside the insulator. In the embodiments of **1000** and **1000'**, for a wire **702** that is a bare conductor, the guided wave **908** can propagate in part on the outer surface of the conductor and in part inside the conductor. In another embodiment, the guided wave **908** can propagate substantially or completely on the outer surface of the conductor.

Referring now to FIG. **11**, a block diagram **1100** illustrating an example, non-limiting embodiment of a dual stub coupler is shown. In particular, a dual coupler design is presented for use in a transmission device, such as transmission device **101** or **102** presented in conjunction with FIG. **1**. In an embodiment, two or more couplers (such as the stub couplers **1104** and **1106**) can be positioned around a wire **1102** in order to receive guided wave **1108**. In an embodiment, one coupler is enough to receive the guided wave **1108**. In that case, guided wave **1108** couples to coupler **1104** and propagates as guided wave **1110**. If the field structure of the guided wave **1108** oscillates or undulates around the wire **1102** due to the particular guided wave mode(s) or various outside factors, then coupler **1106** can be placed such that guided wave **1108** couples to coupler **1106**. In some embodiments, four or more couplers can be placed around a portion of the wire **1102**, e.g., at 90 degrees or another spacing with respect to each other, in order to receive guided waves that may oscillate or rotate around the wire **1102**, that have been induced at different azimuthal orientations or that have non-fundamental or higher order modes that, for example, have lobes and/or nulls or other asymmetries that are orientation dependent. However, it will be appreciated that there may be less than or more than four couplers placed around a portion of the wire **1102** without departing from example embodiments.

It should be noted that while couplers **1106** and **1104** are illustrated as stub couplers, any other of the coupler designs described herein including arc couplers, antenna or horn couplers, magnetic couplers, etc., could likewise be used. It will also be appreciated that while some example embodiments have presented a plurality of couplers around at least a portion of a wire **1102**, this plurality of couplers can also be considered as part of a single coupler system having multiple coupler subcomponents. For example, two or more couplers can be manufactured as single system that can be installed around a wire in a single installation such that the couplers are either pre-positioned or adjustable relative to each other (either manually or automatically with a controllable mechanism such as a motor or other actuator) in accordance with the single system.

Receivers coupled to couplers **1106** and **1104** can use diversity combining to combine signals received from both couplers **1106** and **1104** in order to maximize the signal quality. In other embodiments, if one or the other of the couplers **1104** and **1106** receive a transmission that is above a predetermined threshold, receivers can use selection diversity when deciding which signal to use. Further, while reception by a plurality of couplers **1106** and **1104** is illustrated, transmission by couplers **1106** and **1104** in the

same configuration can likewise take place. In particular, a wide range of multi-input multi-output (MIMO) transmission and reception techniques can be employed for transmissions where a transmission device, such as transmission device **101** or **102** presented in conjunction with FIG. **1** includes multiple transceivers and multiple couplers.

It is noted that the graphical representations of waves **1108** and **1110** are presented merely to illustrate the principles that guided wave **1108** induces or otherwise launches a wave **1110** on a coupler **1104**. The actual electric and magnetic fields generated as a result of such wave propagation may vary depending on the frequencies employed, the design of the coupler **1104**, the dimensions and composition of the wire **1102**, as well as its surface characteristics, its insulation if any, the electromagnetic properties of the surrounding environment, etc.

Referring now to FIG. **12**, a block diagram **1200** illustrating an example, non-limiting embodiment of a repeater system is shown. In particular, a repeater device **1210** is presented for use in a transmission device, such as transmission device **101** or **102** presented in conjunction with FIG. **1**. In this system, two couplers **1204** and **1214** can be placed near a wire **1202** or other transmission medium such that guided waves **1205** propagating along the wire **1202** are extracted by coupler **1204** as wave **1206** (e.g. as a guided wave), and then are boosted or repeated by repeater device **1210** and launched as a wave **1216** (e.g. as a guided wave) onto coupler **1214**. The wave **1216** can then be launched on the wire **1202** and continue to propagate along the wire **1202** as a guided wave **1217**. In an embodiment, the repeater device **1210** can receive at least a portion of the power utilized for boosting or repeating through magnetic coupling with the wire **1202**, for example, when the wire **1202** is a power line or otherwise contains a power-carrying conductor. It should be noted that while couplers **1204** and **1214** are illustrated as stub couplers, any other of the coupler designs described herein including arc couplers, antenna or horn couplers, magnetic couplers, or the like, could likewise be used.

In some embodiments, repeater device **1210** can repeat the transmission associated with wave **1206**, and in other embodiments, repeater device **1210** can include a communications interface **205** that extracts data or other signals from the wave **1206** for supplying such data or signals to another network and/or one or more other devices as communication signals **110** or **112** and/or receiving communication signals **110** or **112** from another network and/or one or more other devices and launch guided wave **1216** having embedded therein the received communication signals **110** or **112**. In a repeater configuration, receiver waveguide **1208** can receive the wave **1206** from the coupler **1204** and transmitter waveguide **1212** can launch guided wave **1216** onto coupler **1214** as guided wave **1217**. Between receiver waveguide **1208** and transmitter waveguide **1212**, the signal embedded in guided wave **1206** and/or the guided wave **1216** itself can be amplified to correct for signal loss and other inefficiencies associated with guided wave communications or the signal can be received and processed to extract the data contained therein and regenerated for transmission. In an embodiment, the receiver waveguide **1208** can be configured to extract data from the signal, process the data to correct for data errors utilizing for example error correcting codes, and regenerate an updated signal with the corrected data. The transmitter waveguide **1212** can then transmit guided wave **1216** with the updated signal embedded therein. In an embodiment, a signal embedded in guided wave **1206** can be extracted from the transmission and

processed for communication with another network and/or one or more other devices via communications interface **205** as communication signals **110** or **112**. Similarly, communication signals **110** or **112** received by the communications interface **205** can be inserted into a transmission of guided wave **1216** that is generated and launched onto coupler **1214** by transmitter waveguide **1212**.

It is noted that although FIG. **12** shows guided wave transmissions **1206** and **1216** entering from the left and exiting to the right respectively, this is merely a simplification and is not intended to be limiting. In other embodiments, receiver waveguide **1208** and transmitter waveguide **1212** can also function as transmitters and receivers respectively, allowing the repeater device **1210** to be bi-directional.

In an embodiment, repeater device **1210** can be placed at locations where there are discontinuities or obstacles on the wire **1202** or other transmission medium. In the case where the wire **1202** is a power line, these obstacles can include transformers, connections, utility poles, and other such power line devices. The repeater device **1210** can help the guided (e.g., surface) waves jump over these obstacles on the line and boost the transmission power at the same time. In other embodiments, a coupler can be used to jump over the obstacle without the use of a repeater device. In that embodiment, both ends of the coupler can be tied or fastened to the wire, thus providing a path for the guided wave to travel without being blocked by the obstacle.

Turning now to FIG. **13**, illustrated is a block diagram **1300** of an example, non-limiting embodiment of a bidirectional repeater in accordance with various aspects described herein. In particular, a bidirectional repeater device **1306** is presented for use in a transmission device, such as transmission device **101** or **102** presented in conjunction with FIG. **1**. It should be noted that while the couplers are illustrated as stub couplers, any other of the coupler designs described herein including arc couplers, antenna or horn couplers, magnetic couplers, or the like, could likewise be used. The bidirectional repeater **1306** can employ diversity paths in the case of when two or more wires or other transmission media are present. Since guided wave transmissions have different transmission efficiencies and coupling efficiencies for transmission medium of different types such as insulated wires, un-insulated wires or other types of transmission media and further, if exposed to the elements, can be affected by weather, and other atmospheric conditions, it can be advantageous to selectively transmit on different transmission media at certain times. In various embodiments, the various transmission media can be designated as a primary, secondary, tertiary, etc. whether or not such designation indicates a preference of one transmission medium over another.

In the embodiment shown, the transmission media include an insulated or uninsulated wire **1302** and an insulated or uninsulated wire **1304** (referred to herein as wires **1302** and **1304**, respectively). The repeater device **1306** uses a receiver coupler **1308** to receive a guided wave traveling along wire **1302** and repeats the transmission using transmitter waveguide **1310** as a guided wave along wire **1304**. In other embodiments, repeater device **1306** can switch from the wire **1304** to the wire **1302**, or can repeat the transmissions along the same paths. Repeater device **1306** can include sensors, or be in communication with sensors (or a network management system **1601** depicted in FIG. **16A**) that indicate conditions that can affect the transmission. Based on the feedback received from the sensors, the repeater device **1306** can make the determination about

whether to keep the transmission along the same wire, or transfer the transmission to the other wire.

Turning now to FIG. **14**, illustrated is a block diagram **1400** illustrating an example, non-limiting embodiment of a bidirectional repeater system. In particular, a bidirectional repeater system is presented for use in a transmission device, such as transmission device **101** or **102** presented in conjunction with FIG. **1**. The bidirectional repeater system includes waveguide coupling devices **1402** and **1404** that receive and transmit transmissions from other coupling devices located in a distributed antenna system or backhaul system.

In various embodiments, waveguide coupling device **1402** can receive a transmission from another waveguide coupling device, wherein the transmission has a plurality of subcarriers. Diplexer **1406** can separate the transmission from other transmissions, and direct the transmission to low-noise amplifier (“LNA”) **1408**. A frequency mixer **1428**, with help from a local oscillator **1412**, can downshift the transmission (which is in the millimeter-wave band or around 38 GHz in some embodiments) to a lower frequency, such as a cellular band (~1.9 GHz) for a distributed antenna system, a native frequency, or other frequency for a backhaul system. An extractor (or demultiplexer) **1432** can extract the signal on a subcarrier and direct the signal to an output component **1422** for optional amplification, buffering or isolation by power amplifier **1424** for coupling to communications interface **205**. The communications interface **205** can further process the signals received from the power amplifier **1424** or otherwise transmit such signals over a wireless or wired interface to other devices such as a base station, mobile devices, a building, etc. For the signals that are not being extracted at this location, extractor **1432** can redirect them to another frequency mixer **1436**, where the signals are used to modulate a carrier wave generated by local oscillator **1414**. The carrier wave, with its subcarriers, is directed to a power amplifier (“PA”) **1416** and is retransmitted by waveguide coupling device **1404** to another system, via diplexer **1420**.

An LNA **1426** can be used to amplify, buffer or isolate signals that are received by the communication interface **205** and then send the signal to a multiplexer **1434** which merges the signal with signals that have been received from waveguide coupling device **1404**. The signals received from coupling device **1404** have been split by diplexer **1420**, and then passed through LNA **1418**, and downshifted in frequency by frequency mixer **1438**. When the signals are combined by multiplexer **1434**, they are upshifted in frequency by frequency mixer **1430**, and then boosted by PA **1410**, and transmitted to another system by waveguide coupling device **1402**. In an embodiment bidirectional repeater system can be merely a repeater without the output device **1422**. In this embodiment, the multiplexer **1434** would not be utilized and signals from LNA **1418** would be directed to mixer **1430** as previously described. It will be appreciated that in some embodiments, the bidirectional repeater system could also be implemented using two distinct and separate unidirectional repeaters. In an alternative embodiment, a bidirectional repeater system could also be a booster or otherwise perform retransmissions without downshifting and upshifting. Indeed in example embodiment, the retransmissions can be based upon receiving a signal or guided wave and performing some signal or guided wave processing or reshaping, filtering, and/or amplification, prior to retransmission of the signal or guided wave.

Referring now to FIG. **15**, a block diagram **1500** illustrating an example, non-limiting embodiment of a guided

wave communications system is shown. This diagram depicts an exemplary environment in which a guided wave communication system, such as the guided wave communication system presented in conjunction with FIG. 1, can be used.

To provide network connectivity to additional base station devices, a backhaul network that links the communication cells (e.g., macrocells and macrocells) to network devices of a core network correspondingly expands. Similarly, to provide network connectivity to a distributed antenna system, an extended communication system that links base station devices and their distributed antennas is desirable. A guided wave communication system **1500** such as shown in FIG. **15** can be provided to enable alternative, increased or additional network connectivity and a waveguide coupling system can be provided to transmit and/or receive guided wave (e.g., surface wave) communications on a transmission medium such as a wire that operates as a single-wire transmission line (e.g., a utility line), and that can be used as a waveguide and/or that otherwise operates to guide the transmission of an electromagnetic wave.

The guided wave communication system **1500** can comprise a first instance of a distribution system **1550** that includes one or more base station devices (e.g., base station device **1504**) that are communicably coupled to a central office **1501** and/or a macrocell site **1502**. Base station device **1504** can be connected by a wired (e.g., fiber and/or cable), or by a wireless (e.g., microwave wireless) connection to the macrocell site **1502** and the central office **1501**. A second instance of the distribution system **1560** can be used to provide wireless voice and data services to mobile device **1522** and to residential and/or commercial establishments **1542** (herein referred to as establishments **1542**). System **1500** can have additional instances of the distribution systems **1550** and **1560** for providing voice and/or data services to mobile devices **1522-1524** and establishments **1542** as shown in FIG. **15**.

Macrocells such as macrocell site **1502** can have dedicated connections to a mobile network and base station device **1504** or can share and/or otherwise use another connection. Central office **1501** can be used to distribute media content and/or provide internet service provider (ISP) services to mobile devices **1522-1524** and establishments **1542**. The central office **1501** can receive media content from a constellation of satellites **1530** (one of which is shown in FIG. **15**) or other sources of content, and distribute such content to mobile devices **1522-1524** and establishments **1542** via the first and second instances of the distribution system **1550** and **1560**. The central office **1501** can also be communicatively coupled to the Internet **1503** for providing internet data services to mobile devices **1522-1524** and establishments **1542**.

Base station device **1504** can be mounted on, or attached to, utility pole **1516**. In other embodiments, base station device **1504** can be near transformers and/or other locations situated nearby a power line. Base station device **1504** can facilitate connectivity to a mobile network for mobile devices **1522** and **1524**. Antennas **1512** and **1514**, mounted on or near utility poles **1518** and **1520**, respectively, can receive signals from base station device **1504** and transmit those signals to mobile devices **1522** and **1524** over a much wider area than if the antennas **1512** and **1514** were located at or near base station device **1504**.

It is noted that FIG. **15** displays three utility poles, in each instance of the distribution systems **1550** and **1560**, with one base station device, for purposes of simplicity. In other embodiments, utility pole **1516** can have more base station

devices, and more utility poles with distributed antennas and/or tethered connections to establishments **1542**.

A transmission device **1506**, such as transmission device **101** or **102** presented in conjunction with FIG. **1**, can transmit a signal from base station device **1504** to antennas **1512** and **1514** via utility or power line(s) that connect the utility poles **1516**, **1518**, and **1520**. To transmit the signal, radio source and/or transmission device **1506** upconverts the signal (e.g., via frequency mixing) from base station device **1504** or otherwise converts the signal from the base station device **1504** to a microwave band signal and the transmission device **1506** launches a microwave band wave that propagates as a guided wave traveling along the utility line or other wire as described in previous embodiments. At utility pole **1518**, another transmission device **1508** receives the guided wave (and optionally can amplify it as needed or desired or operate as a repeater to receive it and regenerate it) and sends it forward as a guided wave on the utility line or other wire. The transmission device **1508** can also extract a signal from the microwave band guided wave and shift it down in frequency or otherwise convert it to its original cellular band frequency (e.g., 1.9 GHz or other defined cellular frequency) or another cellular (or non-cellular) band frequency. An antenna **1512** can wireless transmit the down-shifted signal to mobile device **1522**. The process can be repeated by transmission device **1510**, antenna **1514** and mobile device **1524**, as necessary or desirable.

Transmissions from mobile devices **1522** and **1524** can also be received by antennas **1512** and **1514** respectively. The transmission devices **1508** and **1510** can upshift or otherwise convert the cellular band signals to microwave band and transmit the signals as guided wave (e.g., surface wave or other electromagnetic wave) transmissions over the power line(s) to base station device **1504**.

Media content received by the central office **1501** can be supplied to the second instance of the distribution system **1560** via the base station device **1504** for distribution to mobile devices **1522** and establishments **1542**. The transmission device **1510** can be tethered to the establishments **1542** by one or more wired connections or a wireless interface. The one or more wired connections may include without limitation, a power line, a coaxial cable, a fiber cable, a twisted pair cable, a guided wave transmission medium or other suitable wired mediums for distribution of media content and/or for providing internet services. In an example embodiment, the wired connections from the transmission device **1510** can be communicatively coupled to one or more very high bit rate digital subscriber line (VDSL) modems located at one or more corresponding service area interfaces (SAIs—not shown) or pedestals, each SAI or pedestal providing services to a portion of the establishments **1542**. The VDSL modems can be used to selectively distribute media content and/or provide internet services to gateways (not shown) located in the establishments **1542**. The SAIs or pedestals can also be communicatively coupled to the establishments **1542** over a wired medium such as a power line, a coaxial cable, a fiber cable, a twisted pair cable, a guided wave transmission medium or other suitable wired mediums. In other example embodiments, the transmission device **1510** can be communicatively coupled directly to establishments **1542** without intermediate interfaces such as the SAIs or pedestals.

In another example embodiment, system **1500** can employ diversity paths, where two or more utility lines or other wires are strung between the utility poles **1516**, **1518**, and **1520** (e.g., for example, two or more wires between poles **1516** and **1520**) and redundant transmissions from

31

base station/macrocell site **1502** are transmitted as guided waves down the surface of the utility lines or other wires. The utility lines or other wires can be either insulated or uninsulated, and depending on the environmental conditions that cause transmission losses, the coupling devices can selectively receive signals from the insulated or uninsulated utility lines or other wires. The selection can be based on measurements of the signal-to-noise ratio of the wires, or based on determined weather/environmental conditions (e.g., moisture detectors, weather forecasts, etc.). The use of diversity paths with system **1500** can enable alternate routing capabilities, load balancing, increased load handling, concurrent bi-directional or synchronous communications, spread spectrum communications, etc.

It is noted that the use of the transmission devices **1506**, **1508**, and **1510** in FIG. **15** are by way of example only, and that in other embodiments, other uses are possible. For instance, transmission devices can be used in a backhaul communication system, providing network connectivity to base station devices. Transmission devices **1506**, **1508**, and **1510** can be used in many circumstances where it is desirable to transmit guided wave communications over a wire, whether insulated or not insulated. Transmission devices **1506**, **1508**, and **1510** are improvements over other coupling devices due to no contact or limited physical and/or electrical contact with the wires that may carry high voltages. The transmission device can be located away from the wire (e.g., spaced apart from the wire) and/or located on the wire so long as it is not electrically in contact with the wire, as the dielectric acts as an insulator, allowing for cheap, easy, and/or less complex installation. However, as previously noted conducting or non-dielectric couplers can be employed, for example in configurations where the wires correspond to a telephone network, cable television network, broadband data service, fiber optic communications system or other network employing low voltages or having insulated transmission lines.

It is further noted, that while base station device **1504** and macrocell site **1502** are illustrated in an embodiment, other network configurations are likewise possible. For example, devices such as access points or other wireless gateways can be employed in a similar fashion to extend the reach of other networks such as a wireless local area network, a wireless personal area network or other wireless network that operates in accordance with a communication protocol such as a 802.11 protocol, WIMAX protocol, UltraWideband protocol, Bluetooth protocol, Zigbee protocol or other wireless protocol.

Referring now to FIGS. **16A** & **16B**, block diagrams illustrating an example, non-limiting embodiment of a system for managing a power grid communication system are shown. Considering FIG. **16A**, a waveguide system **1602** is presented for use in a guided wave communications system, such as the system presented in conjunction with FIG. **15**. The waveguide system **1602** can comprise sensors **1604**, a power management system **1605**, a transmission device **101** or **102** that includes at least one communication interface **205**, transceiver **210** and coupler **220**.

The waveguide system **1602** can be coupled to a power line **1610** for facilitating guided wave communications in accordance with embodiments described in the subject disclosure. In an example embodiment, the transmission device **101** or **102** includes coupler **220** for inducing electromagnetic waves on a surface of the power line **1610** that longitudinally propagate along the surface of the power line **1610** as described in the subject disclosure. The transmission device **101** or **102** can also serve as a repeater for retrans-

32

mitting electromagnetic waves on the same power line **1610** or for routing electromagnetic waves between power lines **1610** as shown in FIGS. **12-13**.

The transmission device **101** or **102** includes transceiver **210** configured to, for example, up-convert a signal operating at an original frequency range to electromagnetic waves operating at, exhibiting, or associated with a carrier frequency that propagate along a coupler to induce corresponding guided electromagnetic waves that propagate along a surface of the power line **1610**. A carrier frequency can be represented by a center frequency having upper and lower cutoff frequencies that define the bandwidth of the electromagnetic waves. The power line **1610** can be a wire (e.g., single stranded or multi-stranded) having a conducting surface or insulated surface. The transceiver **210** can also receive signals from the coupler **220** and down-convert the electromagnetic waves operating at a carrier frequency to signals at their original frequency.

Signals received by the communications interface **205** of transmission device **101** or **102** for up-conversion can include without limitation signals supplied by a central office **1611** over a wired or wireless interface of the communications interface **205**, a base station **1614** over a wired or wireless interface of the communications interface **205**, wireless signals transmitted by mobile devices **1620** to the base station **1614** for delivery over the wired or wireless interface of the communications interface **205**, signals supplied by in-building communication devices **1618** over the wired or wireless interface of the communications interface **205**, and/or wireless signals supplied to the communications interface **205** by mobile devices **1612** roaming in a wireless communication range of the communications interface **205**. In embodiments where the waveguide system **1602** functions as a repeater, such as shown in FIGS. **12-13**, the communications interface **205** may or may not be included in the waveguide system **1602**.

The electromagnetic waves propagating along the surface of the power line **1610** can be modulated and formatted to include packets or frames of data that include a data payload and further include networking information (such as header information for identifying one or more destination waveguide systems **1602**). The networking information may be provided by the waveguide system **1602** or an originating device such as the central office **1611**, the base station **1614**, mobile devices **1620**, or in-building devices **1618**, or a combination thereof. Additionally, the modulated electromagnetic waves can include error correction data for mitigating signal disturbances. The networking information and error correction data can be used by a destination waveguide system **1602** for detecting transmissions directed to it, and for down-converting and processing with error correction data transmissions that include voice and/or data signals directed to recipient communication devices communicatively coupled to the destination waveguide system **1602**.

Referring now to the sensors **1604** of the waveguide system **1602**, the sensors **1604** can comprise one or more of a temperature sensor **1604a**, a disturbance detection sensor **1604b**, a loss of energy sensor **1604c**, a noise sensor **1604d**, a vibration sensor **1604e**, an environmental (e.g., weather) sensor **1604f**, and/or an image sensor **1604g**. The temperature sensor **1604a** can be used to measure ambient temperature, a temperature of the transmission device **101** or **102**, a temperature of the power line **1610**, temperature differentials (e.g., compared to a setpoint or baseline, between transmission device **101** or **102** and **1610**, etc.), or any combination thereof. In one embodiment, temperature met-

rics can be collected and reported periodically to a network management system **1601** by way of the base station **1614**.

The disturbance detection sensor **1604b** can perform measurements on the power line **1610** to detect disturbances such as signal reflections, which may indicate a presence of a downstream disturbance that may impede the propagation of electromagnetic waves on the power line **1610**. A signal reflection can represent a distortion resulting from, for example, an electromagnetic wave transmitted on the power line **1610** by the transmission device **101** or **102** that reflects in whole or in part back to the transmission device **101** or **102** from a disturbance in the power line **1610** located downstream from the transmission device **101** or **102**.

Signal reflections can be caused by obstructions on the power line **1610**. For example, a tree limb may cause electromagnetic wave reflections when the tree limb is lying on the power line **1610**, or is in close proximity to the power line **1610** which may cause a corona discharge. Other obstructions that can cause electromagnetic wave reflections can include without limitation an object that has been entangled on the power line **1610** (e.g., clothing, a shoe wrapped around a power line **1610** with a shoe string, etc.), a corroded build-up on the power line **1610** or an ice build-up. Power grid components may also impede or obstruct with the propagation of electromagnetic waves on the surface of power lines **1610**. Illustrations of power grid components that may cause signal reflections include without limitation a transformer and a joint for connecting spliced power lines. A sharp angle on the power line **1610** may also cause electromagnetic wave reflections.

The disturbance detection sensor **1604b** can comprise a circuit to compare magnitudes of electromagnetic wave reflections to magnitudes of original electromagnetic waves transmitted by the transmission device **101** or **102** to determine how much a downstream disturbance in the power line **1610** attenuates transmissions. The disturbance detection sensor **1604b** can further comprise a spectral analyzer circuit for performing spectral analysis on the reflected waves. The spectral data generated by the spectral analyzer circuit can be compared with spectral profiles via pattern recognition, an expert system, curve fitting, matched filtering or other artificial intelligence, classification or comparison technique to identify a type of disturbance based on, for example, the spectral profile that most closely matches the spectral data. The spectral profiles can be stored in a memory of the disturbance detection sensor **1604b** or may be remotely accessible by the disturbance detection sensor **1604b**. The profiles can comprise spectral data that models different disturbances that may be encountered on power lines **1610** to enable the disturbance detection sensor **1604b** to identify disturbances locally. An identification of the disturbance if known can be reported to the network management system **1601** by way of the base station **1614**. The disturbance detection sensor **1604b** can also utilize the transmission device **101** or **102** to transmit electromagnetic waves as test signals to determine a roundtrip time for an electromagnetic wave reflection. The round trip time measured by the disturbance detection sensor **1604b** can be used to calculate a distance traveled by the electromagnetic wave up to a point where the reflection takes place, which enables the disturbance detection sensor **1604b** to calculate a distance from the transmission device **101** or **102** to the downstream disturbance on the power line **1610**.

The distance calculated can be reported to the network management system **1601** by way of the base station **1614**. In one embodiment, the location of the waveguide system **1602** on the power line **1610** may be known to the network

management system **1601**, which the network management system **1601** can use to determine a location of the disturbance on the power line **1610** based on a known topology of the power grid. In another embodiment, the waveguide system **1602** can provide its location to the network management system **1601** to assist in the determination of the location of the disturbance on the power line **1610**. The location of the waveguide system **1602** can be obtained by the waveguide system **1602** from a pre-programmed location of the waveguide system **1602** stored in a memory of the waveguide system **1602**, or the waveguide system **1602** can determine its location using a GPS receiver (not shown) included in the waveguide system **1602**.

The power management system **1605** provides energy to the aforementioned components of the waveguide system **1602**. The power management system **1605** can receive energy from solar cells, or from a transformer (not shown) coupled to the power line **1610**, or by inductive coupling to the power line **1610** or another nearby power line. The power management system **1605** can also include a backup battery and/or a super capacitor or other capacitor circuit for providing the waveguide system **1602** with temporary power. The loss of energy sensor **1604c** can be used to detect when the waveguide system **1602** has a loss of power condition and/or the occurrence of some other malfunction. For example, the loss of energy sensor **1604c** can detect when there is a loss of power due to defective solar cells, an obstruction on the solar cells that causes them to malfunction, loss of power on the power line **1610**, and/or when the backup power system malfunctions due to expiration of a backup battery, or a detectable defect in a super capacitor. When a malfunction and/or loss of power occurs, the loss of energy sensor **1604c** can notify the network management system **1601** by way of the base station **1614**.

The noise sensor **1604d** can be used to measure noise on the power line **1610** that may adversely affect transmission of electromagnetic waves on the power line **1610**. The noise sensor **1604d** can sense unexpected electromagnetic interference, noise bursts, or other sources of disturbances that may interrupt reception of modulated electromagnetic waves on a surface of a power line **1610**. A noise burst can be caused by, for example, a corona discharge, or other source of noise. The noise sensor **1604d** can compare the measured noise to a noise profile obtained by the waveguide system **1602** from an internal database of noise profiles or from a remotely located database that stores noise profiles via pattern recognition, an expert system, curve fitting, matched filtering or other artificial intelligence, classification or comparison technique. From the comparison, the noise sensor **1604d** may identify a noise source (e.g., corona discharge or otherwise) based on, for example, the noise profile that provides the closest match to the measured noise. The noise sensor **1604d** can also detect how noise affects transmissions by measuring transmission metrics such as bit error rate, packet loss rate, jitter, packet retransmission requests, etc. The noise sensor **1604d** can report to the network management system **1601** by way of the base station **1614** the identity of noise sources, their time of occurrence, and transmission metrics, among other things.

The vibration sensor **1604e** can include accelerometers and/or gyroscopes to detect 2D or 3D vibrations on the power line **1610**. The vibrations can be compared to vibration profiles that can be stored locally in the waveguide system **1602**, or obtained by the waveguide system **1602** from a remote database via pattern recognition, an expert system, curve fitting, matched filtering or other artificial intelligence, classification or comparison technique. Vibra-

tion profiles can be used, for example, to distinguish fallen trees from wind gusts based on, for example, the vibration profile that provides the closest match to the measured vibrations. The results of this analysis can be reported by the vibration sensor **1604e** to the network management system **1601** by way of the base station **1614**.

The environmental sensor **1604f** can include a barometer for measuring atmospheric pressure, ambient temperature (which can be provided by the temperature sensor **1604a**), wind speed, humidity, wind direction, and rainfall, among other things. The environmental sensor **1604f** can collect raw information and process this information by comparing it to environmental profiles that can be obtained from a memory of the waveguide system **1602** or a remote database to predict weather conditions before they arise via pattern recognition, an expert system, knowledge-based system or other artificial intelligence, classification or other weather modeling and prediction technique. The environmental sensor **1604f** can report raw data as well as its analysis to the network management system **1601**.

The image sensor **1604g** can be a digital camera (e.g., a charged coupled device or CCD imager, infrared camera, etc.) for capturing images in a vicinity of the waveguide system **1602**. The image sensor **1604g** can include an electromechanical mechanism to control movement (e.g., actual position or focal points/zooms) of the camera for inspecting the power line **1610** from multiple perspectives (e.g., top surface, bottom surface, left surface, right surface and so on). Alternatively, the image sensor **1604g** can be designed such that no electromechanical mechanism is needed in order to obtain the multiple perspectives. The collection and retrieval of imaging data generated by the image sensor **1604g** can be controlled by the network management system **1601**, or can be autonomously collected and reported by the image sensor **1604g** to the network management system **1601**.

Other sensors that may be suitable for collecting telemetry information associated with the waveguide system **1602** and/or the power lines **1610** for purposes of detecting, predicting and/or mitigating disturbances that can impede the propagation of electromagnetic wave transmissions on power lines **1610** (or any other form of a transmission medium of electromagnetic waves) may be utilized by the waveguide system **1602**.

Referring now to FIG. **16B**, block diagram **1650** illustrates an example, non-limiting embodiment of a system for managing a power grid **1653** and a communication system **1655** embedded therein or associated therewith in accordance with various aspects described herein. The communication system **1655** comprises a plurality of waveguide systems **1602** coupled to power lines **1610** of the power grid **1653**. At least a portion of the waveguide systems **1602** used in the communication system **1655** can be in direct communication with a base station **1614** and/or the network management system **1601**. Waveguide systems **1602** not directly connected to a base station **1614** or the network management system **1601** can engage in communication sessions with either a base station **1614** or the network management system **1601** by way of other downstream waveguide systems **1602** connected to a base station **1614** or the network management system **1601**.

The network management system **1601** can be communicatively coupled to equipment of a utility company **1652** and equipment of a communications service provider **1654** for providing each entity, status information associated with the power grid **1653** and the communication system **1655**, respectively. The network management system **1601**, the

equipment of the utility company **1652**, and the communications service provider **1654** can access communication devices utilized by utility company personnel **1656** and/or communication devices utilized by communications service provider personnel **1658** for purposes of providing status information and/or for directing such personnel in the management of the power grid **1653** and/or communication system **1655**.

FIG. **17A** illustrates a flow diagram of an example, non-limiting embodiment of a method **1700** for detecting and mitigating disturbances occurring in a communication network of the systems of FIGS. **16A** & **16B**. Method **1700** can begin with step **1702** where a waveguide system **1602** transmits and receives messages embedded in, or forming part of, modulated electromagnetic waves or another type of electromagnetic waves traveling along a surface of a power line **1610**. The messages can be voice messages, streaming video, and/or other data/information exchanged between communication devices communicatively coupled to the communication system **1655**. At step **1704** the sensors **1604** of the waveguide system **1602** can collect sensing data. In an embodiment, the sensing data can be collected in step **1704** prior to, during, or after the transmission and/or receipt of messages in step **1702**. At step **1706** the waveguide system **1602** (or the sensors **1604** themselves) can determine from the sensing data an actual or predicted occurrence of a disturbance in the communication system **1655** that can affect communications originating from (e.g., transmitted by) or received by the waveguide system **1602**. The waveguide system **1602** (or the sensors **1604**) can process temperature data, signal reflection data, loss of energy data, noise data, vibration data, environmental data, or any combination thereof to make this determination. The waveguide system **1602** (or the sensors **1604**) may also detect, identify, estimate, or predict the source of the disturbance and/or its location in the communication system **1655**. If a disturbance is neither detected/identified nor predicted/estimated at step **1708**, the waveguide system **1602** can proceed to step **1702** where it continues to transmit and receive messages embedded in, or forming part of, modulated electromagnetic waves traveling along a surface of the power line **1610**.

If at step **1708** a disturbance is detected/identified or predicted/estimated to occur, the waveguide system **1602** proceeds to step **1710** to determine if the disturbance adversely affects (or alternatively, is likely to adversely affect or the extent to which it may adversely affect) transmission or reception of messages in the communication system **1655**. In one embodiment, a duration threshold and a frequency of occurrence threshold can be used at step **1710** to determine when a disturbance adversely affects communications in the communication system **1655**. For illustration purposes only, assume a duration threshold is set to 500 ms, while a frequency of occurrence threshold is set to 5 disturbances occurring in an observation period of 10 sec. Thus, a disturbance having a duration greater than 500 ms will trigger the duration threshold. Additionally, any disturbance occurring more than 5 times in a 10 sec time interval will trigger the frequency of occurrence threshold.

In one embodiment, a disturbance may be considered to adversely affect signal integrity in the communication systems **1655** when the duration threshold alone is exceeded. In another embodiment, a disturbance may be considered as adversely affecting signal integrity in the communication systems **1655** when both the duration threshold and the frequency of occurrence threshold are exceeded. The latter embodiment is thus more conservative than the former embodiment for classifying disturbances that adversely

affect signal integrity in the communication system 1655. It will be appreciated that many other algorithms and associated parameters and thresholds can be utilized for step 1710 in accordance with example embodiments.

Referring back to method 1700, if at step 1710 the disturbance detected at step 1708 does not meet the condition for adversely affected communications (e.g., neither exceeds the duration threshold nor the frequency of occurrence threshold), the waveguide system 1602 may proceed to step 1702 and continue processing messages. For instance, if the disturbance detected in step 1708 has a duration of 1 msec with a single occurrence in a 10 sec time period, then neither threshold will be exceeded. Consequently, such a disturbance may be considered as having a nominal effect on signal integrity in the communication system 1655 and thus would not be flagged as a disturbance requiring mitigation. Although not flagged, the occurrence of the disturbance, its time of occurrence, its frequency of occurrence, spectral data, and/or other useful information, may be reported to the network management system 1601 as telemetry data for monitoring purposes.

Referring back to step 1710, if on the other hand the disturbance satisfies the condition for adversely affected communications (e.g., exceeds either or both thresholds), the waveguide system 1602 can proceed to step 1712 and report the incident to the network management system 1601. The report can include raw sensing data collected by the sensors 1604, a description of the disturbance if known by the waveguide system 1602, a time of occurrence of the disturbance, a frequency of occurrence of the disturbance, a location associated with the disturbance, parameters readings such as bit error rate, packet loss rate, retransmission requests, jitter, latency and so on. If the disturbance is based on a prediction by one or more sensors of the waveguide system 1602, the report can include a type of disturbance expected, and if predictable, an expected time occurrence of the disturbance, and an expected frequency of occurrence of the predicted disturbance when the prediction is based on historical sensing data collected by the sensors 1604 of the waveguide system 1602.

At step 1714, the network management system 1601 can determine a mitigation, circumvention, or correction technique, which may include directing the waveguide system 1602 to reroute traffic to circumvent the disturbance if the location of the disturbance can be determined. In one embodiment, the waveguide coupling device 1402 detecting the disturbance may direct a repeater such as the one shown in FIGS. 13-14 to connect the waveguide system 1602 from a primary power line affected by the disturbance to a secondary power line to enable the waveguide system 1602 to reroute traffic to a different transmission medium and avoid the disturbance. In an embodiment where the waveguide system 1602 is configured as a repeater the waveguide system 1602 can itself perform the rerouting of traffic from the primary power line to the secondary power line. It is further noted that for bidirectional communications (e.g., full or half-duplex communications), the repeater can be configured to reroute traffic from the secondary power line back to the primary power line for processing by the waveguide system 1602.

In another embodiment, the waveguide system 1602 can redirect traffic by instructing a first repeater situated upstream of the disturbance and a second repeater situated downstream of the disturbance to redirect traffic from a primary power line temporarily to a secondary power line and back to the primary power line in a manner that avoids the disturbance. It is further noted that for bidirectional

communications (e.g., full or half-duplex communications), repeaters can be configured to reroute traffic from the secondary power line back to the primary power line.

To avoid interrupting existing communication sessions occurring on a secondary power line, the network management system 1601 may direct the waveguide system 1602 to instruct repeater(s) to utilize unused time slot(s) and/or frequency band(s) of the secondary power line for redirecting data and/or voice traffic away from the primary power line to circumvent the disturbance.

At step 1716, while traffic is being rerouted to avoid the disturbance, the network management system 1601 can notify equipment of the utility company 1652 and/or equipment of the communications service provider 1654, which in turn may notify personnel of the utility company 1656 and/or personnel of the communications service provider 1658 of the detected disturbance and its location if known. Field personnel from either party can attend to resolving the disturbance at a determined location of the disturbance. Once the disturbance is removed or otherwise mitigated by personnel of the utility company and/or personnel of the communications service provider, such personnel can notify their respective companies and/or the network management system 1601 utilizing field equipment (e.g., a laptop computer, smartphone, etc.) communicatively coupled to network management system 1601, and/or equipment of the utility company and/or the communications service provider. The notification can include a description of how the disturbance was mitigated and any changes to the power lines 1610 that may change a topology of the communication system 1655.

Once the disturbance has been resolved (as determined in decision 1718), the network management system 1601 can direct the waveguide system 1602 at step 1720 to restore the previous routing configuration used by the waveguide system 1602 or route traffic according to a new routing configuration if the restoration strategy used to mitigate the disturbance resulted in a new network topology of the communication system 1655. In another embodiment, the waveguide system 1602 can be configured to monitor mitigation of the disturbance by transmitting test signals on the power line 1610 to determine when the disturbance has been removed. Once the waveguide system 1602 detects an absence of the disturbance it can autonomously restore its routing configuration without assistance by the network management system 1601 if it determines the network topology of the communication system 1655 has not changed, or it can utilize a new routing configuration that adapts to a detected new network topology.

FIG. 17B illustrates a flow diagram of an example, non-limiting embodiment of a method 1750 for detecting and mitigating disturbances occurring in a communication network of the system of FIGS. 16A and 16B. In one embodiment, method 1750 can begin with step 1752 where a network management system 1601 receives from equipment of the utility company 1652 or equipment of the communications service provider 1654 maintenance information associated with a maintenance schedule. The network management system 1601 can at step 1754 identify from the maintenance information, maintenance activities to be performed during the maintenance schedule. From these activities, the network management system 1601 can detect a disturbance resulting from the maintenance (e.g., scheduled replacement of a power line 1610, scheduled replacement of a waveguide system 1602 on the power line 1610, scheduled reconfiguration of power lines 1610 in the power grid 1653, etc.).

In another embodiment, the network management system **1601** can receive at step **1755** telemetry information from one or more waveguide systems **1602**. The telemetry information can include among other things an identity of each waveguide system **1602** submitting the telemetry information, measurements taken by sensors **1604** of each waveguide system **1602**, information relating to predicted, estimated, or actual disturbances detected by the sensors **1604** of each waveguide system **1602**, location information associated with each waveguide system **1602**, an estimated location of a detected disturbance, an identification of the disturbance, and so on. The network management system **1601** can determine from the telemetry information a type of disturbance that may be adverse to operations of the waveguide, transmission of the electromagnetic waves along the wire surface, or both. The network management system **1601** can also use telemetry information from multiple waveguide systems **1602** to isolate and identify the disturbance. Additionally, the network management system **1601** can request telemetry information from waveguide systems **1602** in a vicinity of an affected waveguide system **1602** to triangulate a location of the disturbance and/or validate an identification of the disturbance by receiving similar telemetry information from other waveguide systems **1602**.

In yet another embodiment, the network management system **1601** can receive at step **1756** an unscheduled activity report from maintenance field personnel. Unscheduled maintenance may occur as result of field calls that are unplanned or as a result of unexpected field issues discovered during field calls or scheduled maintenance activities. The activity report can identify changes to a topology configuration of the power grid **1653** resulting from field personnel addressing discovered issues in the communication system **1655** and/or power grid **1653**, changes to one or more waveguide systems **1602** (such as replacement or repair thereof), mitigation of disturbances performed if any, and so on.

At step **1758**, the network management system **1601** can determine from reports received according to steps **1752** through **1756** if a disturbance will occur based on a maintenance schedule, or if a disturbance has occurred or is predicted to occur based on telemetry data, or if a disturbance has occurred due to an unplanned maintenance identified in a field activity report. From any of these reports, the network management system **1601** can determine whether a detected or predicted disturbance requires rerouting of traffic by the affected waveguide systems **1602** or other waveguide systems **1602** of the communication system **1655**.

When a disturbance is detected or predicted at step **1758**, the network management system **1601** can proceed to step **1760** where it can direct one or more waveguide systems **1602** to reroute traffic to circumvent the disturbance. When the disturbance is permanent due to a permanent topology change of the power grid **1653**, the network management system **1601** can proceed to step **1770** and skip steps **1762**, **1764**, **1766**, and **1772**. At step **1770**, the network management system **1601** can direct one or more waveguide systems **1602** to use a new routing configuration that adapts to the new topology. However, when the disturbance has been detected from telemetry information supplied by one or more waveguide systems **1602**, the network management system **1601** can notify maintenance personnel of the utility company **1656** or the communications service provider **1658** of a location of the disturbance, a type of disturbance if known, and related information that may be helpful to such personnel to mitigate the disturbance. When a disturbance is expected due to maintenance activities, the network man-

agement system **1601** can direct one or more waveguide systems **1602** to reconfigure traffic routes at a given schedule (consistent with the maintenance schedule) to avoid disturbances caused by the maintenance activities during the maintenance schedule.

Returning back to step **1760** and upon its completion, the process can continue with step **1762**. At step **1762**, the network management system **1601** can monitor when the disturbance(s) have been mitigated by field personnel. Mitigation of a disturbance can be detected at step **1762** by analyzing field reports submitted to the network management system **1601** by field personnel over a communications network (e.g., cellular communication system) utilizing field equipment (e.g., a laptop computer or handheld computer/device). If field personnel have reported that a disturbance has been mitigated, the network management system **1601** can proceed to step **1764** to determine from the field report whether a topology change was required to mitigate the disturbance. A topology change can include rerouting a power line **1610**, reconfiguring a waveguide system **1602** to utilize a different power line **1610**, otherwise utilizing an alternative link to bypass the disturbance and so on. If a topology change has taken place, the network management system **1601** can direct at step **1770** one or more waveguide systems **1602** to use a new routing configuration that adapts to the new topology.

If, however, a topology change has not been reported by field personnel, the network management system **1601** can proceed to step **1766** where it can direct one or more waveguide systems **1602** to send test signals to test a routing configuration that had been used prior to the detected disturbance(s). Test signals can be sent to affected waveguide systems **1602** in a vicinity of the disturbance. The test signals can be used to determine if signal disturbances (e.g., electromagnetic wave reflections) are detected by any of the waveguide systems **1602**. If the test signals confirm that a prior routing configuration is no longer subject to previously detected disturbance(s), then the network management system **1601** can at step **1772** direct the affected waveguide systems **1602** to restore a previous routing configuration. If, however, test signals analyzed by one or more waveguide coupling device **1402** and reported to the network management system **1601** indicate that the disturbance(s) or new disturbance(s) are present, then the network management system **1601** will proceed to step **1768** and report this information to field personnel to further address field issues. The network management system **1601** can in this situation continue to monitor mitigation of the disturbance(s) at step **1762**.

In the aforementioned embodiments, the waveguide systems **1602** can be configured to be self-adapting to changes in the power grid **1653** and/or to mitigation of disturbances. That is, one or more affected waveguide systems **1602** can be configured to self-monitor mitigation of disturbances and reconfigure traffic routes without requiring instructions to be sent to them by the network management system **1601**. In this embodiment, the one or more waveguide systems **1602** that are self-configurable can inform the network management system **1601** of its routing choices so that the network management system **1601** can maintain a macro-level view of the communication topology of the communication system **1655**.

While for purposes of simplicity of explanation, the respective processes are shown and described as a series of blocks in FIGS. **17A** and **17B**, respectively, it is to be understood and appreciated that the claimed subject matter is not limited by the order of the blocks, as some blocks may

occur in different orders and/or concurrently with other blocks from what is depicted and described herein. Moreover, not all illustrated blocks may be required to implement the methods described herein.

Turning now to FIG. 18A, a block diagram illustrating an example, non-limiting embodiment of a communication system 1800 in accordance with various aspects of the subject disclosure is shown. The communication system 1800 can include a macro base station 1802 such as a base station or access point having antennas that covers one or more sectors (e.g., 6 or more sectors). The macro base station 1802 can be communicatively coupled to a communication node 1804A that serves as a master or distribution node for other communication nodes 1804B-E distributed at differing geographic locations inside or beyond a coverage area of the macro base station 1802. The communication nodes 1804 operate as a distributed antenna system configured to handle communications traffic associated with client devices such as mobile devices (e.g., cell phones) and/or fixed/stationary devices (e.g., a communication device in a residence, or commercial establishment) that are wirelessly coupled to any of the communication nodes 1804. In particular, the wireless resources of the macro base station 1802 can be made available to mobile devices by allowing and/or redirecting certain mobile and/or stationary devices to utilize the wireless resources of a communication node 1804 in a communication range of the mobile or stationary devices.

The communication nodes 1804A-E can be communicatively coupled to each other over an interface 1810. In one embodiment, the interface 1810 can comprise a wired or tethered interface (e.g., fiber optic cable). In other embodiments, the interface 1810 can comprise a wireless RF interface forming a radio distributed antenna system. In various embodiments, the communication nodes 1804A-E can be configured to provide communication services to mobile and stationary devices according to instructions provided by the macro base station 1802. In other examples of operation however, the communication nodes 1804A-E operate merely as analog repeaters to spread the coverage of the macro base station 1802 throughout the entire range of the individual communication nodes 1804A-E.

The micro base stations (depicted as communication nodes 1804) can differ from the macro base station in several ways. For example, the communication range of the micro base stations can be smaller than the communication range of the macro base station. Consequently, the power consumed by the micro base stations can be less than the power consumed by the macro base station. The macro base station optionally directs the micro base stations as to which mobile and/or stationary devices they are to communicate with, and which carrier frequency, spectral segment(s) and/or timeslot schedule of such spectral segment(s) are to be used by the micro base stations when communicating with certain mobile or stationary devices. In these cases, control of the micro base stations by the macro base station can be performed in a master-slave configuration or other suitable control configurations. Whether operating independently or under the control of the macro base station 1802, the resources of the micro base stations can be simpler and less costly than the resources utilized by the macro base station 1802.

Turning now to FIG. 18B, a block diagram illustrating an example, non-limiting embodiment of the communication nodes 1804B-E of the communication system 1800 of FIG. 18A is shown. In this illustration, the communication nodes 1804B-E are placed on a utility fixture such as a light post. In other embodiments, some of the communication nodes

1804B-E can be placed on a building or a utility post or pole that is used for distributing power and/or communication lines. The communication nodes 1804B-E in these illustrations can be configured to communicate with each other over the interface 1810, which in this illustration is shown as a wireless interface. The communication nodes 1804B-E can also be configured to communicate with mobile or stationary devices 1806A-C over a wireless interface 1811 that conforms to one or more communication protocols (e.g., fourth generation (4G) wireless signals such as LTE signals or other 4G signals, fifth generation (5G) wireless signals, WiMAX, 802.11 signals, ultra-wideband signals, etc.). The communication nodes 1804 can be configured to exchange signals over the interface 1810 at an operating frequency that may be higher (e.g., 28 GHz, 38 GHz, 60 GHz, 80 GHz or higher) than the operating frequency used for communicating with the mobile or stationary devices (e.g., 1.9 GHz) over interface 1811. The high carrier frequency and a wider bandwidth can be used for communicating between the communication nodes 1804 enabling the communication nodes 1804 to provide communication services to multiple mobile or stationary devices via one or more differing frequency bands, (e.g. a 900 MHz band, 1.9 GHz band, a 2.4 GHz band, and/or a 5.8 GHz band, etc.) and/or one or more differing protocols, as will be illustrated by spectral downlink and uplink diagrams of FIG. 19A described below. In other embodiments, particularly where the interface 1810 is implemented via a guided wave communications system on a wire, a wideband spectrum in a lower frequency range (e.g. in the range of 2-6 GHz, 4-10 GHz, etc.) can be employed.

Turning now to FIGS. 18C-18D, block diagrams illustrating example, non-limiting embodiments of a communication node 1804 of the communication system 1800 of FIG. 18A is shown. The communication node 1804 can be attached to a support structure 1818 of a utility fixture such as a utility post or pole as shown in FIG. 18C. The communication node 1804 can be affixed to the support structure 1818 with an arm 1820 constructed of plastic or other suitable material that attaches to an end of the communication node 1804. The communication node 1804 can further include a plastic housing assembly 1816 that covers components of the communication node 1804. The communication node 1804 can be powered by a power line 1821 (e.g., 110/220 VAC). The power line 1821 can originate from a light pole or can be coupled to a power line of a utility pole.

In an embodiment where the communication nodes 1804 communicate wirelessly with other communication nodes 1804 as shown in FIG. 18B, a top side 1812 of the communication node 1804 (illustrated also in FIG. 18D) can comprise a plurality of antennas 1822 (e.g., 16 dielectric antennas devoid of metal surfaces) coupled to one or more transceivers such as, for example, in whole or in part, the transceiver 1400 illustrated in FIG. 14. Each of the plurality of antennas 1822 of the top side 1812 can operate as a sector of the communication node 1804, each sector configured for communicating with at least one communication node 1804 in a communication range of the sector. Alternatively, or in combination, the interface 1810 between communication nodes 1804 can be a tethered interface (e.g., a fiber optic cable, or a power line used for transport of guided electromagnetic waves as previously described). In other embodiments, the interface 1810 can differ between communication nodes 1804. That is, some communications nodes 1804 may communicate over a wireless interface, while others communicate over a tethered interface. In yet other embodi-

ments, some communications nodes **1804** may utilize a combined wireless and tethered interface.

A bottom side **1814** of the communication node **1804** can also comprise a plurality of antennas **1824** for wirelessly communicating with one or more mobile or stationary devices **1806** at a carrier frequency that is suitable for the mobile or stationary devices **1806**. As noted earlier, the carrier frequency used by the communication node **1804** for communicating with the mobile or station devices over the wireless interface **1811** shown in FIG. **18B** can be different from the carrier frequency used for communicating between the communication nodes **1804** over interface **1810**. The plurality of antennas **1824** of the bottom portion **1814** of the communication node **1804** can also utilize a transceiver such as, for example, in whole or in part, the transceiver **1400** illustrated in FIG. **14**.

Turning now to FIG. **19A**, a block diagram illustrating an example, non-limiting embodiment of downlink and uplink communication techniques for enabling a base station to communicate with the communication nodes **1804** of FIG. **18A** is shown. In the illustrations of FIG. **19A**, downlink signals (i.e., signals directed from the macro base station **1802** to the communication nodes **1804**) can be spectrally divided into control channels **1902**, downlink spectral segments **1906** each including modulated signals which can be frequency converted to their original/native frequency band for enabling the communication nodes **1804** to communicate with one or more mobile or stationary devices **1906**, and pilot signals **1904** which can be supplied with some or all of the spectral segments **1906** for mitigating distortion created between the communication nodes **1904**. The pilot signals **1904** can be processed by the top side **1816** (tethered or wireless) transceivers of downstream communication nodes **1804** to remove distortion from a receive signal (e.g., phase distortion). Each downlink spectral segment **1906** can be allotted a bandwidth **1905** sufficiently wide (e.g., 50 MHz) to include a corresponding pilot signal **1904** and one or more downlink modulated signals located in frequency channels (or frequency slots) in the spectral segment **1906**. The modulated signals can represent cellular channels, WLAN channels or other modulated communication signals (e.g., 10-20 MHz), which can be used by the communication nodes **1804** for communicating with one or more mobile or stationary devices **1806**.

Uplink modulated signals generated by mobile or stationary communication devices in their native/original frequency bands can be frequency converted and thereby located in frequency channels (or frequency slots) in the uplink spectral segment **1910**. The uplink modulated signals can represent cellular channels, WLAN channels or other modulated communication signals. Each uplink spectral segment **1910** can be allotted a similar or same bandwidth **1905** to include a pilot signal **1908** which can be provided with some or each spectral segment **1910** to enable upstream communication nodes **1804** and/or the macro base station **1802** to remove distortion (e.g., phase error).

In the embodiment shown, the downlink and uplink spectral segments **1906** and **1910** each comprise a plurality of frequency channels (or frequency slots), which can be occupied with modulated signals that have been frequency converted from any number of native/original frequency bands (e.g. a 900 MHz band, 1.9 GHz band, a 2.4 GHz band, and/or a 5.8 GHz band, etc.). The modulated signals can be up-converted to adjacent frequency channels in downlink and uplink spectral segments **1906** and **1910**. In this fashion, while some adjacent frequency channels in a downlink spectral segment **1906** can include modulated signals origi-

nally in a same native/original frequency band, other adjacent frequency channels in the downlink spectral segment **1906** can also include modulated signals originally in different native/original frequency bands, but frequency converted to be located in adjacent frequency channels of the downlink spectral segment **1906**. For example, a first modulated signal in a 1.9 GHz band and a second modulated signal in the same frequency band (i.e., 1.9 GHz) can be frequency converted and thereby positioned in adjacent frequency channels of a downlink spectral segment **1906**. In another illustration, a first modulated signal in a 1.9 GHz band and a second communication signal in a different frequency band (i.e., 2.4 GHz) can be frequency converted and thereby positioned in adjacent frequency channels of a downlink spectral segment **1906**. Accordingly, frequency channels of a downlink spectral segment **1906** can be occupied with any combination of modulated signals of the same or differing signaling protocols and of a same or differing native/original frequency bands.

Similarly, while some adjacent frequency channels in an uplink spectral segment **1910** can include modulated signals originally in a same frequency band, adjacent frequency channels in the uplink spectral segment **1910** can also include modulated signals originally in different native/original frequency bands, but frequency converted to be located in adjacent frequency channels of an uplink segment **1910**. For example, a first communication signal in a 2.4 GHz band and a second communication signal in the same frequency band (i.e., 2.4 GHz) can be frequency converted and thereby positioned in adjacent frequency channels of an uplink spectral segment **1910**. In another illustration, a first communication signal in a 1.9 GHz band and a second communication signal in a different frequency band (i.e., 2.4 GHz) can be frequency converted and thereby positioned in adjacent frequency channels of the uplink spectral segment **1906**. Accordingly, frequency channels of an uplink spectral segment **1910** can be occupied with any combination of modulated signals of a same or differing signaling protocols and of a same or differing native/original frequency bands. It should be noted that a downlink spectral segment **1906** and an uplink spectral segment **1910** can themselves be adjacent to one another and separated by only a guard band or otherwise separated by a larger frequency spacing, depending on the spectral allocation in place.

Turning now to FIG. **19B**, a block diagram illustrating an example, non-limiting embodiment of a communication node is shown. In particular, the communication node device such as communication node **1804A** of a radio distributed antenna system includes a base station interface **1922**, duplexer/diplexer assembly **1924**, and two transceivers **1930** and **1932**. It should be noted however, that when the communication node **1804A** is collocated with a base station, such as a macro base station **1802**, the duplexer/diplexer assembly **1924** and the transceiver **1930** can be omitted and the transceiver **1932** can be directly coupled to the base station interface **1922**.

In various embodiments, the base station interface **1922** receives a first modulated signal having one or more downlink channels in a first spectral segment for transmission to a client device such as one or more mobile communication devices. The first spectral segment represents an original/native frequency band of the first modulated signal. The first modulated signal can include one or more downlink communication channels conforming to a signaling protocol such as a LTE or other 4G wireless protocol, a 5G wireless communication protocol, an ultra-wideband protocol, a WiMAX protocol, a 802.11 or other wireless local area

network protocol and/or other communication protocol. The duplexer/duplexer assembly **1924** transfers the first modulated signal in the first spectral segment to the transceiver **1930** for direct communication with one or more mobile communication devices in range of the communication node **1804A** as a free space wireless signal. In various embodiments, the transceiver **1930** is implemented via analog circuitry that merely provides: filtration to pass the spectrum of the downlink channels and the uplink channels of modulated signals in their original/native frequency bands while attenuating out-of-band signals, power amplification, transmit/receive switching, duplexing, diplexing, and impedance matching to drive one or more antennas that sends and receives the wireless signals of interface **1810**.

In other embodiments, the transceiver **1932** is configured to perform frequency conversion of the first modulated signal in the first spectral segment to the first modulated signal at a first carrier frequency based on, in various embodiments, an analog signal processing of the first modulated signal without modifying the signaling protocol of the first modulated signal. The first modulated signal at the first carrier frequency can occupy one or more frequency channels of a downlink spectral segment **1906**. The first carrier frequency can be in a millimeter-wave or microwave frequency band. As used herein analog signal processing includes filtering, switching, duplexing, diplexing, amplification, frequency up and down conversion, and other analog processing that does not require digital signal processing, such as including without limitation either analog to digital conversion, digital to analog conversion, or digital frequency conversion. In other embodiments, the transceiver **1932** can be configured to perform frequency conversion of the first modulated signal in the first spectral segment to the first carrier frequency by applying digital signal processing to the first modulated signal without utilizing any form of analog signal processing and without modifying the signaling protocol of the first modulated signal. In yet other embodiments, the transceiver **1932** can be configured to perform frequency conversion of the first modulated signal in the first spectral segment to the first carrier frequency by applying a combination of digital signal processing and analog processing to the first modulated signal and without modifying the signaling protocol of the first modulated signal.

The transceiver **1932** can be further configured to transmit one or more control channels, one or more corresponding reference signals, such as pilot signals or other reference signals, and/or one or more clock signals together with the first modulated signal at the first carrier frequency to a network element of the distributed antenna system, such as one or more downstream communication nodes **1904B-E**, for wireless distribution of the first modulated signal to one or more other mobile communication devices once frequency converted by the network element to the first spectral segment. In particular, the reference signal enables the network element to reduce a phase error (and/or other forms of signal distortion) during processing of the first modulated signal from the first carrier frequency to the first spectral segment. The control channel can include instructions to direct the communication node of the distributed antenna system to convert the first modulated signal at the first carrier frequency to the first modulated signal in the first spectral segment, to control frequency selections and reuse patterns, handoff and/or other control signaling. In embodiments where the instructions transmitted and received via the control channel are digital signals, the transceiver can **1932** can include a digital signal processing component that

provides analog to digital conversion, digital to analog conversion and that processes the digital data sent and/or received via the control channel. The clock signals supplied with the downlink spectral segment **1906** can be utilized to synchronize timing of digital control channel processing by the downstream communication nodes **1904B-E** to recover the instructions from the control channel and/or to provide other timing signals.

In various embodiments, the transceiver **1932** can receive a second modulated signal at a second carrier frequency from a network element such as a communication node **1804B-E**. The second modulated signal can include one or more uplink frequency channels occupied by one or more modulated signals conforming to a signaling protocol such as a LTE or other 4G wireless protocol, a 5G wireless communication protocol, an ultra-wideband protocol, a 802.11 or other wireless local area network protocol and/or other communication protocol. In particular, the mobile or stationary communication device generates the second modulated signal in a second spectral segment such as an original/native frequency band and the network element frequency converts the second modulated signal in the second spectral segment to the second modulated signal at the second carrier frequency and transmits the second modulated signal at the second carrier frequency as received by the communication node **1804A**. The transceiver **1932** operates to convert the second modulated signal at the second carrier frequency to the second modulated signal in the second spectral segment and sends the second modulated signal in the second spectral segment, via the duplexer/duplexer assembly **1924** and base station interface **1922**, to a base station, such as macro base station **1802**, for processing.

Consider the following examples where the communication node **1804A** is implemented in a distributed antenna system. The uplink frequency channels in an uplink spectral segment **1910** and downlink frequency channels in a downlink spectral segment **1906** can be occupied with signals modulated and otherwise formatted in accordance with a DOCSIS 2.0 or higher standard protocol, a WiMAX standard protocol, an ultra-wideband protocol, a 802.11 standard protocol, a 4G or 5G voice and data protocol such as an LTE protocol and/or other standard communication protocol. In addition to protocols that conform with current standards, any of these protocols can be modified to operate in conjunction with the system of FIG. **18A**. For example, a 802.11 protocol or other protocol can be modified to include additional guidelines and/or a separate data channel to provide collision detection/multiple access over a wider area (e.g. allowing network elements or communication devices communicatively coupled to the network elements that are communicating via a particular frequency channel of a downlink spectral segment **1906** or uplink spectral segment **1910** to hear one another). In various embodiments all of the uplink frequency channels of the uplink spectral segment **1910** and downlink frequency channel of the downlink spectral segment **1906** can all be formatted in accordance with the same communications protocol. In the alternative however, two or more differing protocols can be employed on both the uplink spectral segment **1910** and the downlink spectral segment **1906** to, for example, be compatible with a wider range of client devices and/or operate in different frequency bands.

When two or more differing protocols are employed, a first subset of the downlink frequency channels of the downlink spectral segment **1906** can be modulated in accordance with a first standard protocol and a second subset of

the downlink frequency channels of the downlink spectral segment **1906** can be modulated in accordance with a second standard protocol that differs from the first standard protocol. Likewise a first subset of the uplink frequency channels of the uplink spectral segment **1910** can be received by the system for demodulation in accordance with the first standard protocol and a second subset of the uplink frequency channels of the uplink spectral segment **1910** can be received in accordance with a second standard protocol for demodulation in accordance with the second standard protocol that differs from the first standard protocol.

In accordance with these examples, the base station interface **1922** can be configured to receive modulated signals such as one or more downlink channels in their original/native frequency bands from a base station such as macro base station **1802** or other communications network element. Similarly, the base station interface **1922** can be configured to supply to a base station modulated signals received from another network element that is frequency converted to modulated signals having one or more uplink channels in their original/native frequency bands. The base station interface **1922** can be implemented via a wired or wireless interface that bidirectionally communicates communication signals such as uplink and downlink channels in their original/native frequency bands, communication control signals and other network signaling with a macro base station or other network element. The duplexer/diplexer assembly **1924** is configured to transfer the downlink channels in their original/native frequency bands to the transceiver **1932** which frequency converts the frequency of the downlink channels from their original/native frequency bands into the frequency spectrum of interface **1810**—in this case a wireless communication link used to transport the communication signals downstream to one or more other communication nodes **1804B-E** of the distributed antenna system in range of the communication device **1804A**.

In various embodiments, the transceiver **1932** includes an analog radio that frequency converts the downlink channel signals in their original/native frequency bands via mixing or other heterodyne action to generate frequency converted downlink channels signals that occupy downlink frequency channels of the downlink spectral segment **1906**. In this illustration, the downlink spectral segment **1906** is within the downlink frequency band of the interface **1810**. In an embodiment, the downlink channel signals are up-converted from their original/native frequency bands to a 28 GHz, 38 GHz, 60 GHz, 70 GHz or 80 GHz band of the downlink spectral segment **1906** for line-of-sight wireless communications to one or more other communication nodes **1804B-E**. It is noted, however, that other frequency bands can likewise be employed for a downlink spectral segment **1906** (e.g., 3 GHz to 5 GHz). For example, the transceiver **1932** can be configured for down-conversion of one or more downlink channel signals in their original/native spectral bands in instances where the frequency band of the interface **1810** falls below the original/native spectral bands of the one or more downlink channels signals.

The transceiver **1932** can be coupled to multiple individual antennas, such as antennas **1822** presented in conjunction with FIG. **18D**, for communicating with the communication nodes **1804B**, a phased antenna array or steerable beam or multi-beam antenna system for communicating with multiple devices at different locations. The duplexer/diplexer assembly **1924** can include a duplexer, triplexer, splitter, switch, router and/or other assembly that operates as a “channel duplexer” to provide bi-directional

communications over multiple communication paths via one or more original/native spectral segments of the uplink and downlink channels.

In addition to forwarding frequency converted modulated signals downstream to other communication nodes **1804B-E** at a carrier frequency that differs from their original/native spectral bands, the communication node **1804A** can also communicate all or a selected portion of the modulated signals unmodified from their original/native spectral bands to client devices in a wireless communication range of the communication node **1804A** via the wireless interface **1811**. The duplexer/diplexer assembly **1924** transfers the modulated signals in their original/native spectral bands to the transceiver **1930**. The transceiver **1930** can include a channel selection filter for selecting one or more downlink channels and a power amplifier coupled to one or more antennas, such as antennas **1824** presented in conjunction with FIG. **18D**, for transmission of the downlink channels via wireless interface **1811** to mobile or fixed wireless devices.

In addition to downlink communications destined for client devices, communication node **1804A** can operate in a reciprocal fashion to handle uplink communications originating from client devices as well. In operation, the transceiver **1932** receives uplink channels in the uplink spectral segment **1910** from communication nodes **1804B-E** via the uplink spectrum of interface **1810**. The uplink frequency channels in the uplink spectral segment **1910** include modulated signals that were frequency converted by communication nodes **1804B-E** from their original/native spectral bands to the uplink frequency channels of the uplink spectral segment **1910**. In situations where the interface **1810** operates in a higher frequency band than the native/original spectral segments of the modulated signals supplied by the client devices, the transceiver **1932** down-converts the up-converted modulated signals to their original frequency bands. In situations, however, where the interface **1810** operates in a lower frequency band than the native/original spectral segments of the modulated signals supplied by the client devices, the transceiver **1932** up-converts the down-converted modulated signals to their original frequency bands. Further, the transceiver **1930** operates to receive all or selected ones of the modulated signals in their original/native frequency bands from client devices via the wireless interface **1811**. The duplexer/diplexer assembly **1924** transfers the modulated signals in their original/native frequency bands received via the transceiver **1930** to the base station interface **1922** to be sent to the macro base station **1802** or other network element of a communications network. Similarly, modulated signals occupying uplink frequency channels in an uplink spectral segment **1910** that are frequency converted to their original/native frequency bands by the transceiver **1932** are supplied to the duplexer/diplexer assembly **1924** for transfer to the base station interface **1922** to be sent to the macro base station **1802** or other network element of a communications network.

Turning now to FIG. **19C**, a block diagram **1935** illustrating an example, non-limiting embodiment of a communication node is shown. In particular, the communication node device such as communication node **1804B**, **1804C**, **1804D** or **1804E** of a radio distributed antenna system includes transceiver **1933**, duplexer/diplexer assembly **1924**, an amplifier **1938** and two transceivers **1936A** and **1936B**.

In various embodiments, the transceiver **1936A** receives, from a communication node **1804A** or an upstream communication node **1804B-E**, a first modulated signal at a first carrier frequency corresponding to the placement of the

channels of the first modulated signal in the converted spectrum of the distributed antenna system (e.g., frequency channels of one or more downlink spectral segments **1906**). The first modulated signal includes first communications data provided by a base station and directed to a mobile communication device. The transceiver **1936A** is further configured to receive, from a communication node **1804A** one or more control channels and one or more corresponding reference signals, such as pilot signals or other reference signals, and/or one or more clock signals associated with the first modulated signal at the first carrier frequency. The first modulated signal can include one or more downlink communication channels conforming to a signaling protocol such as a LTE or other 4G wireless protocol, a 5G wireless communication protocol, an ultra-wideband protocol, a WiMAX protocol, a 802.11 or other wireless local area network protocol and/or other communication protocol.

As previously discussed, the reference signal enables the network element to reduce a phase error (and/or other forms of signal distortion) during processing of the first modulated signal from the first carrier frequency to the first spectral segment (i.e., original/native spectrum). The control channel includes instructions to direct the communication node of the distributed antenna system to convert the first modulated signal at the first carrier frequency to the first modulated signal in the first spectral segment, to control frequency selections and reuse patterns, handoff and/or other control signaling. The clock signals can synchronize timing of digital control channel processing by the downstream communication nodes **1804B-E** to recover the instructions from the control channel and/or to provide other timing signals.

The amplifier **1938** can be a bidirectional amplifier that amplifies the first modulated signal at the first carrier frequency together with the reference signals, control channels and/or clock signals for coupling via the duplexer/diplexer assembly **1924** to transceiver **1936B**, which in this illustration, serves as a repeater for retransmission of the amplified first modulated signal at the first carrier frequency together with the reference signals, control channels and/or clock signals to one or more others of the communication nodes **1804B-E** that are downstream from the communication node **1804B-E** that is shown and that operate in a similar fashion.

The amplified first modulated signal at the first carrier frequency together with the reference signals, control channels and/or clock signals are also coupled via the duplexer/diplexer assembly **1924** to the transceiver **1933**. The transceiver **1933** performs digital signal processing on the control channel to recover the instructions, such as in the form of digital data, from the control channel. The clock signal is used to synchronize timing of the digital control channel processing. The transceiver **1933** then performs frequency conversion of the first modulated signal at the first carrier frequency to the first modulated signal in the first spectral segment in accordance with the instructions and based on an analog (and/or digital) signal processing of the first modulated signal and utilizing the reference signal to reduce distortion during the converting process. The transceiver **1933** wirelessly transmits the first modulated signal in the first spectral segment for direct communication with one or more mobile communication devices in range of the communication node **1804B-E** as free space wireless signals.

In various embodiments, the transceiver **1936B** receives a second modulated signal at a second carrier frequency in an uplink spectral segment **1910** from other network elements such as one or more other communication nodes **1804B-E** that are downstream from the communication node **1804B-E**

that is shown. The second modulated signal can include one or more uplink communication channels conforming to a signaling protocol such as a LTE or other 4G wireless protocol, a 5G wireless communication protocol, an ultra-wideband protocol, a 802.11 or other wireless local area network protocol and/or other communication protocol. In particular, one or more mobile communication devices generate the second modulated signal in a second spectral segment such as an original/native frequency band and the downstream network element performs frequency conversion on the second modulated signal in the second spectral segment to the second modulated signal at the second carrier frequency and transmits the second modulated signal at the second carrier frequency in an uplink spectral segment **1910** as received by the communication node **1804B-E** shown. The transceiver **1936B** operates to send the second modulated signal at the second carrier frequency to amplifier **1938**, via the duplexer/diplexer assembly **1924**, for amplification and retransmission via the transceiver **1936A** back to the communication node **1804A** or upstream communication nodes **1804B-E** for further retransmission back to a base station, such as macro base station **1802**, for processing.

The transceiver **1933** may also receive a second modulated signal in the second spectral segment from one or more mobile communication devices in range of the communication node **1804B-E**. The transceiver **1933** operates to perform frequency conversion on the second modulated signal in the second spectral segment to the second modulated signal at the second carrier frequency, for example, under control of the instructions received via the control channel, inserts the reference signals, control channels and/or clock signals for use by communication node **1804A** in reconvert-ing the second modulated signal back to the original/native spectral segments and sends the second modulated signal at the second carrier frequency, via the duplexer/diplexer assembly **1924** and amplifier **1938**, to the transceiver **1936A** for amplification and retransmission back to the communication node **1804A** or upstream communication nodes **1804B-E** for further retransmission back to a base station, such as macro base station **1802**, for processing.

Turning now to FIG. **19D**, a graphical diagram **1940** illustrating an example, non-limiting embodiment of a frequency spectrum is shown. In particular, a spectrum **1942** is shown for a distributed antenna system that conveys modulated signals that occupy frequency channels of a downlink segment **1906** or uplink spectral segment **1910** after they have been converted in frequency (e.g. via up-conversion or down-conversion) from one or more original/native spectral segments into the spectrum **1942**.

In the example presented, the downstream (downlink) channel band **1944** includes a plurality of downstream frequency channels represented by separate downlink spectral segments **1906**. Likewise the upstream (uplink) channel band **1946** includes a plurality of upstream frequency channels represented by separate uplink spectral segments **1910**. The spectral shapes of the separate spectral segments are meant to be placeholders for the frequency allocation of each modulated signal along with associated reference signals, control channels and clock signals. The actual spectral response of each frequency channel in a downlink spectral segment **1906** or uplink spectral segment **1910** will vary based on the protocol and modulation employed and further as a function of time.

The number of the uplink spectral segments **1910** can be less than or greater than the number of the downlink spectral segments **1906** in accordance with an asymmetrical com-

munication system. In this case, the upstream channel band **1946** can be narrower or wider than the downstream channel band **1944**. In the alternative, the number of the uplink spectral segments **1910** can be equal to the number of the downlink spectral segments **1906** in the case where a symmetrical communication system is implemented. In this case, the width of the upstream channel band **1946** can be equal to the width of the downstream channel band **1944** and bit stuffing or other data filling techniques can be employed to compensate for variations in upstream traffic. While the downstream channel band **1944** is shown at a lower frequency than the upstream channel band **1946**, in other embodiments, the downstream channel band **1844** can be at a higher frequency than the upstream channel band **1946**. In addition, the number of spectral segments and their respective frequency positions in spectrum **1942** can change dynamically over time. For example, a general control channel can be provided in the spectrum **1942** (not shown) which can indicate to communication nodes **1804** the frequency position of each downlink spectral segment **1906** and each uplink spectral segment **1910**. Depending on traffic conditions, or network requirements necessitating a reallocation of bandwidth, the number of downlink spectral segments **1906** and uplink spectral segments **1910** can be changed by way of the general control channel. Additionally, the downlink spectral segments **1906** and uplink spectral segments **1910** do not have to be grouped separately. For instance, a general control channel can identify a downlink spectral segment **1906** being followed by an uplink spectral segment **1910** in an alternating fashion, or in any other combination which may or may not be symmetric. It is further noted that instead of utilizing a general control channel, multiple control channels can be used, each identifying the frequency position of one or more spectral segments and the type of spectral segment (i.e., uplink or downlink).

Further, while the downstream channel band **1944** and upstream channel band **1946** are shown as occupying a single contiguous frequency band, in other embodiments, two or more upstream and/or two or more downstream channel bands can be employed, depending on available spectrum and/or the communication standards employed. Frequency channels of the uplink spectral segments **1910** and downlink spectral segments **1906** can be occupied by frequency converted signals modulated formatted in accordance with a DOCSIS 2.0 or higher standard protocol, a WiMAX standard protocol, an ultra-wideband protocol, a 802.11 standard protocol, a 4G or 5G voice and data protocol such as an LTE protocol and/or other standard communication protocol. In addition to protocols that conform with current standards, any of these protocols can be modified to operate in conjunction with the system shown. For example, a 802.11 protocol or other protocol can be modified to include additional guidelines and/or a separate data channel to provide collision detection/multiple access over a wider area (e.g. allowing devices that are communicating via a particular frequency channel to hear one another). In various embodiments all of the uplink frequency channels of the uplink spectral segments **1910** and downlink frequency channel of the downlink spectral segments **1906** are all formatted in accordance with the same communications protocol. In the alternative however, two or more differing protocols can be employed on both the uplink frequency channels of one or more uplink spectral segments **1910** and downlink frequency channels of one or more

downlink spectral segments **1906** to, for example, be compatible with a wider range of client devices and/or operate in different frequency bands.

It should be noted that, the modulated signals can be gathered from differing original/native spectral segments for aggregation into the spectrum **1942**. In this fashion, a first portion of uplink frequency channels of an uplink spectral segment **1910** may be adjacent to a second portion of uplink frequency channels of the uplink spectral segment **1910** that have been frequency converted from one or more differing original/native spectral segments. Similarly, a first portion of downlink frequency channels of a downlink spectral segment **1906** may be adjacent to a second portion of downlink frequency channels of the downlink spectral segment **1906** that have been frequency converted from one or more differing original/native spectral segments. For example, one or more 2.4 GHz 802.11 channels that have been frequency converted may be adjacent to one or more 5.8 GHz 802.11 channels that have also been frequency converted to a spectrum **1942** that is centered at 80 GHz. It should be noted that each spectral segment can have an associated reference signal such as a pilot signal that can be used in generating a local oscillator signal at a frequency and phase that provides the frequency conversion of one or more frequency channels of that spectral segment from its placement in the spectrum **1942** back into its original/native spectral segment.

Turning now to FIG. **19E**, a graphical diagram **1950** illustrating an example, non-limiting embodiment of a frequency spectrum is shown. In particular a spectral segment selection is presented as discussed in conjunction with signal processing performed on the selected spectral segment by transceivers **1930** of communication node **1840A** or transceiver **1932** of communication node **1804B-E**. As shown, a particular uplink frequency portion **1958** including one of the uplink spectral segments **1910** of uplink frequency channel band **1946** and a particular downlink frequency portion **1956** including one of the downlink spectral segments **1906** of downlink channel frequency band **1944** is selected to be passed by channel selection filtration, with the remaining portions of uplink frequency channel band **1946** and downlink channel frequency band **1944** being filtered out—i.e. attenuated so as to mitigate adverse effects of the processing of the desired frequency channels that are passed by the transceiver. It should be noted that while a single particular uplink spectral segment **1910** and a particular downlink spectral segment **1906** are shown as being selected, two or more uplink and/or downlink spectral segments may be passed in other embodiments.

While the transceivers **1930** and **1932** can operate based on static channel filters with the uplink and downlink frequency portions **1958** and **1956** being fixed, as previously discussed, instructions sent to the transceivers **1930** and **1932** via the control channel can be used to dynamically configure the transceivers **1930** and **1932** to a particular frequency selection. In this fashion, upstream and downstream frequency channels of corresponding spectral segments can be dynamically allocated to various communication nodes by the macro base station **1802** or other network element of a communication network to optimize performance by the distributed antenna system.

Turning now to FIG. **19F**, a graphical diagram **1960** illustrating an example, non-limiting embodiment of a frequency spectrum is shown. In particular, a spectrum **1962** is shown for a distributed antenna system that conveys modulated signals occupying frequency channels of uplink or downlink spectral segments after they have been converted

in frequency (e.g. via up-conversion or down-conversion) from one or more original/native spectral segments into the spectrum **1962**.

As previously discussed two or more different communication protocols can be employed to communicate upstream and downstream data. When two or more differing protocols are employed, a first subset of the downlink frequency channels of a downlink spectral segment **1906** can be occupied by frequency converted modulated signals in accordance with a first standard protocol and a second subset of the downlink frequency channels of the same or a different downlink spectral segment **1910** can be occupied by frequency converted modulated signals in accordance with a second standard protocol that differs from the first standard protocol. Likewise a first subset of the uplink frequency channels of an uplink spectral segment **1910** can be received by the system for demodulation in accordance with the first standard protocol and a second subset of the uplink frequency channels of the same or a different uplink spectral segment **1910** can be received in accordance with a second standard protocol for demodulation in accordance with the second standard protocol that differs from the first standard protocol.

In the example shown, the downstream channel band **1944** includes a first plurality of downstream spectral segments represented by separate spectral shapes of a first type representing the use of a first communication protocol. The downstream channel band **1944'** includes a second plurality of downstream spectral segments represented by separate spectral shapes of a second type representing the use of a second communication protocol. Likewise the upstream channel band **1946** includes a first plurality of upstream spectral segments represented by separate spectral shapes of the first type representing the use of the first communication protocol. The upstream channel band **1946'** includes a second plurality of upstream spectral segments represented by separate spectral shapes of the second type representing the use of the second communication protocol. These separate spectral shapes are meant to be placeholders for the frequency allocation of each individual spectral segment along with associated reference signals, control channels and/or clock signals. While the individual channel bandwidth is shown as being roughly the same for channels of the first and second type, it should be noted that upstream and downstream channel bands **1944**, **1944'**, **1946** and **1946'** may be of differing bandwidths. Additionally, the spectral segments in these channel bands of the first and second type may be of differing bandwidths, depending on available spectrum and/or the communication standards employed.

Turning now to FIG. **19G**, a graphical diagram **1970** illustrating an example, non-limiting embodiment of a frequency spectrum is shown. In particular a portion of the spectrum **1942** or **1962** of FIGS. **19D-19F** is shown for a distributed antenna system that conveys modulated signals in the form of channel signals that have been converted in frequency (e.g. via up-conversion or down-conversion) from one or more original/native spectral segments.

The portion **1972** includes a portion of a downlink or uplink spectral segment **1906** and **1910** that is represented by a spectral shape and that represents a portion of the bandwidth set aside for a control channel, reference signal, and/or clock signal. The spectral shape **1974**, for example, represents a control channel that is separate from reference signal **1979** and a clock signal **1978**. It should be noted that the clock signal **1978** is shown with a spectral shape representing a sinusoidal signal that may require conditioning into the form of a more traditional clock signal. In other

embodiments however, a traditional clock signal could be sent as a modulated carrier wave such by modulating the reference signal **1979** via amplitude modulation or other modulation technique that preserves the phase of the carrier for use as a phase reference. In other embodiments, the clock signal could be transmitted by modulating another carrier wave or as another signal. Further, it is noted that both the clock signal **1978** and the reference signal **1979** are shown as being outside the frequency band of the control channel **1974**.

In another example, the portion **1975** includes a portion of a downlink or uplink spectral segment **1906** and **1910** that is represented by a portion of a spectral shape that represents a portion of the bandwidth set aside for a control channel, reference signal, and/or clock signal. The spectral shape **1976** represents a control channel having instructions that include digital data that modulates the reference signal, via amplitude modulation, amplitude shift keying or other modulation technique that preserves the phase of the carrier for use as a phase reference. The clock signal **1978** is shown as being outside the frequency band of the spectral shape **1976**. The reference signal, being modulated by the control channel instructions, is in effect a subcarrier of the control channel and is in-band to the control channel. Again, the clock signal **1978** is shown with a spectral shape representing a sinusoidal signal, in other embodiments however, a traditional clock signal could be sent as a modulated carrier wave or other signal. In this case, the instructions of the control channel can be used to modulate the clock signal **1978** instead of the reference signal.

Consider the following example, where the control channel **1976** is carried via modulation of a reference signal in the form of a continuous wave (CW) from which the phase distortion in the receiver is corrected during frequency conversion of the downlink or uplink spectral segment **1906** and **1910** back to its original/native spectral segment. The control channel **1976** can be modulated with a robust modulation such as pulse amplitude modulation, binary phase shift keying, amplitude shift keying or other modulation scheme to carry instructions between network elements of the distributed antenna system such as network operations, administration and management traffic and other control data. In various embodiments, the control data can include without limitation:

- Status information that indicates online status, offline status, and network performance parameters of each network element.
- Network device information such as module names and addresses, hardware and software versions, device capabilities, etc.
- Spectral information such as frequency conversion factors, channel spacing, guard bands, uplink/downlink allocations, uplink and downlink channel selections, etc.
- Environmental measurements such as weather conditions, image data, power outage information, line of sight blockages, etc.

In a further example, the control channel data can be sent via ultra-wideband (UWB) signaling. The control channel data can be transmitted by generating radio energy at specific time intervals and occupying a larger bandwidth, via pulse-position or time modulation, by encoding the polarity or amplitude of the UWB pulses and/or by using orthogonal pulses. In particular, UWB pulses can be sent sporadically at relatively low pulse rates to support time or position modulation, but can also be sent at rates up to the inverse of the UWB pulse bandwidth. In this fashion, the control channel

can be spread over an UWB spectrum with relatively low power, and without interfering with CW transmissions of the reference signal and/or clock signal that may occupy in-band portions of the UWB spectrum of the control channel.

Turning now to FIG. 19H, a block diagram 1980 illustrating an example, non-limiting embodiment of a transmitter is shown. In particular, a transmitter 1982 is shown for use with, for example, a receiver 1981 and a digital control channel processor 1995 in a transceiver, such as transceiver 1933 presented in conjunction with FIG. 19C. As shown, the transmitter 1982 includes an analog front-end 1986, clock signal generator 1989, a local oscillator 1992, a mixer 1996, and a transmitter front end 1984.

The amplified first modulated signal at the first carrier frequency together with the reference signals, control channels and/or clock signals are coupled from the amplifier 1938 to the analog front-end 1986. The analog front end 1986 includes one or more filters or other frequency selection to separate the control channel signal 1987, a clock reference signal 1978, a pilot signal 1991 and one or more selected channels signals 1994.

The digital control channel processor 1995 performs digital signal processing on the control channel to recover the instructions, such as via demodulation of digital control channel data, from the control channel signal 1987. The clock signal generator 1989 generates the clock signal 1990, from the clock reference signal 1978, to synchronize timing of the digital control channel processing by the digital control channel processor 1995. In embodiments where the clock reference signal 1978 is a sinusoid, the clock signal generator 1989 can provide amplification and limiting to create a traditional clock signal or other timing signal from the sinusoid. In embodiments where the clock reference signal 1978 is a modulated carrier signal, such as a modulation of the reference or pilot signal or other carrier wave, the clock signal generator 1989 can provide demodulation to create a traditional clock signal or other timing signal.

In various embodiments, the control channel signal 1987 can be either a digitally modulated signal in a range of frequencies separate from the pilot signal 1991 and the clock reference 1988 or as modulation of the pilot signal 1991. In operation, the digital control channel processor 1995 provides demodulation of the control channel signal 1987 to extract the instructions contained therein in order to generate a control signal 1993. In particular, the control signal 1993 generated by the digital control channel processor 1995 in response to instructions received via the control channel can be used to select the particular channel signals 1994 along with the corresponding pilot signal 1991 and/or clock reference 1988 to be used for converting the frequencies of channel signals 1994 for transmission via wireless interface 1811. It should be noted that in circumstances where the control channel signal 1987 conveys the instructions via modulation of the pilot signal 1991, the pilot signal 1991 can be extracted via the digital control channel processor 1995 rather than the analog front-end 1986 as shown.

The digital control channel processor 1995 may be implemented via a processing module such as a microprocessor, micro-controller, digital signal processor, microcomputer, central processing unit, field programmable gate array, programmable logic device, state machine, logic circuitry, digital circuitry, an analog to digital converter, a digital to analog converter and/or any device that manipulates signals (analog and/or digital) based on hard coding of the circuitry and/or operational instructions. The processing module may be, or further include, memory and/or an integrated memory element, which may be a single memory device, a plurality of

memory devices, and/or embedded circuitry of another processing module, module, processing circuit, and/or processing unit. Such a memory device may be a read-only memory, random access memory, volatile memory, non-volatile memory, static memory, dynamic memory, flash memory, cache memory, and/or any device that stores digital information. Note that if the processing module includes more than one processing device, the processing devices may be centrally located (e.g., directly coupled together via a wired and/or wireless bus structure) or may be distributedly located (e.g., cloud computing via indirect coupling via a local area network and/or a wide area network). Further note that the memory and/or memory element storing the corresponding operational instructions may be embedded within, or external to, the microprocessor, micro-controller, digital signal processor, microcomputer, central processing unit, field programmable gate array, programmable logic device, state machine, logic circuitry, digital circuitry, an analog to digital converter, a digital to analog converter or other device. Still further note that, the memory element may store, and the processing module executes, hard coded and/or operational instructions corresponding to at least some of the steps and/or functions described herein and such a memory device or memory element can be implemented as an article of manufacture.

The local oscillator 1992 generates the local oscillator signal 1997 utilizing the pilot signal 1991 to reduce distortion during the frequency conversion process. In various embodiments the pilot signal 1991 is at the correct frequency and phase of the local oscillator signal 1997 to generate the local oscillator signal 1997 at the proper frequency and phase to convert the channel signals 1994 at the carrier frequency associated with their placement in the spectrum of the distributed antenna system to their original/native spectral segments for transmission to fixed or mobile communication devices. In this case, the local oscillator 1992 can employ bandpass filtration and/or other signal conditioning to generate a sinusoidal local oscillator signal 1997 that preserves the frequency and phase of the pilot signal 1991. In other embodiments, the pilot signal 1991 has a frequency and phase that can be used to derive the local oscillator signal 1997. In this case, the local oscillator 1992 employs frequency division, frequency multiplication or other frequency synthesis, based on the pilot signal 1991, to generate the local oscillator signal 1997 at the proper frequency and phase to convert the channel signals 1994 at the carrier frequency associated with their placement in the spectrum of the distributed antenna system to their original/native spectral segments for transmission to fixed or mobile communication devices.

The mixer 1996 operates based on the local oscillator signal 1997 to shift the channel signals 1994 in frequency to generate frequency converted channel signals 1998 at their corresponding original/native spectral segments. While a single mixing stage is shown, multiple mixing stages can be employed to shift the channel signals to baseband and/or one or more intermediate frequencies as part of the total frequency conversion. The transmitter (Xmtr) front-end 1984 includes a power amplifier and impedance matching to wirelessly transmit the frequency converted channel signals 1998 as a free space wireless signals via one or more antennas, such as antennas 1824, to one or more mobile or fixed communication devices in range of the communication node 1804B-E.

Turning now to FIG. 19I, a block diagram 1985 illustrating an example, non-limiting embodiment of a receiver is shown. In particular, a receiver 1981 is shown for use with,

for example, transmitter **1982** and digital control channel processor **1995** in a transceiver, such as transceiver **1933** presented in conjunction with FIG. **19C**. As shown, the receiver **1981** includes an analog receiver (RCVR) front-end **1983**, local oscillator **1992**, and mixer **1996**. The digital control channel processor **1995** operates under control of instructions from the control channel to generate the pilot signal **1991**, control channel signal **1987** and clock reference signal **1978**.

The control signal **1993** generated by the digital control channel processor **1995** in response to instructions received via the control channel can also be used to select the particular channel signals **1994** along with the corresponding pilot signal **1991** and/or clock reference **1988** to be used for converting the frequencies of channel signals **1994** for reception via wireless interface **1811**. The analog receiver front end **1983** includes a low noise amplifier and one or more filters or other frequency selection to receive one or more selected channels signals **1994** under control of the control signal **1993**.

The local oscillator **1992** generates the local oscillator signal **1997** utilizing the pilot signal **1991** to reduce distortion during the frequency conversion process. In various embodiments the local oscillator employs bandpass filtration and/or other signal conditioning, frequency division, frequency multiplication or other frequency synthesis, based on the pilot signal **1991**, to generate the local oscillator signal **1997** at the proper frequency and phase to frequency convert the channel signals **1994**, the pilot signal **1991**, control channel signal **1987** and clock reference signal **1978** to the spectrum of the distributed antenna system for transmission to other communication nodes **1804A-E**. In particular, the mixer **1996** operates based on the local oscillator signal **1997** to shift the channel signals **1994** in frequency to generate frequency converted channel signals **1998** at the desired placement within spectrum spectral segment of the distributed antenna system for coupling to the amplifier **1938**, to transceiver **1936A** for amplification and retransmission via the transceiver **1936A** back to the communication node **1804A** or upstream communication nodes **1804B-E** for further retransmission back to a base station, such as macro base station **1802**, for processing. Again, while a single mixing stage is shown, multiple mixing stages can be employed to shift the channel signals to baseband and/or one or more intermediate frequencies as part of the total frequency conversion.

Turning now to FIGS. **20A** and **20B**, block diagrams **2000** and **2010** are shown illustrating an example, non-limiting embodiment of a communication system in accordance with various aspects described herein. In particular, a communication system is shown that includes portions of the communication system of FIG. **15** that are referred to by common reference numerals. In particular, the components shown can be implemented as part of a distributed antenna system or other broadband distribution system.

In FIG. **20A**, the transmission device **1506** launches a microwave band wave that propagates as a guided electromagnetic (E/M) wave **2002** that is bound to and travels along the outer surface of a transmission medium **2004** such as utility line or other transmission media as described in previous embodiments. Another transmission device **1508** receives the guided E/M wave and operates as a repeater or other repeating device to amplify it in accordance with a phase correction. The transmission device **1508** then launches it forward as amplified E/M wave **2006** on the next segment of the transmission medium **2004** to another downstream transmission device **1510**. In circumstances, such as

implementations of the repeater **1210** or other repeater devices having a coupler that does not entirely block forward transmission of the guided E/M wave **2002**, a residual portion of the guided E/M wave **2002** continues to propagate along the next portion of the transmission medium **2004** as a residual E/M wave **2002'**. The phase correction generated by the transmission device **1508** aligns a phase of the amplified guided E/M wave **2006** with a phase of residual E/M wave **2002'**. In this fashion, the amplified guided E/M wave **2006** and the residual E/M wave **2002'** add in-phase to mitigate partial cancellation and such that superposition of the amplified guided E/M wave **2006** and the residual E/M wave **2002'** has as large a magnitude as possible.

In addition, the transmission device **1508** can also extract a signal from the guided E/M wave **2002** and shift it up or down in frequency and/or otherwise convert it to wireless frequency band (e.g., 0.8, 0.9, 1.8, 1.9, 2.5, 5.8, 38, 60, 72 GHz) or another cellular or non-cellular wireless band frequency. The antenna **1512** wirelessly transmits the converted signal to a fixed or mobile wireless device in order to facilitate wireless network connectivity with a broadband network coupled to the guided wave communication system as previously described. The process can be repeated by one or more downstream transmission devices **1510** as necessary or desirable.

Transmissions from wireless devices can also be received by antenna **1512**. As shown in conjunction with FIG. **20B**, the transmission device **1508** can also convert the wireless signals to a microwave band, amplify and combine the signals with an amplified version of inbound E/M wave **2012** from a downstream transmission device **1510** to form an amplified E/M wave **2016** that also includes a phase correction. The transmission device **1508** launches the guided E/M wave **2016** on the transmission line **2004** in the direction of transmission device **1506**.

The phase correction generated by the transmission device **1508** aligns a phase of the amplified guided E/M wave **2016** with a phase of residual E/M wave **2012'**. In this fashion, the amplified guided E/M wave **2016** and the residual E/M wave **2012'** add in-phase to mitigate partial cancellation and such that superposition of the amplified guided E/M wave **2016** and the residual E/M wave **2012'** has as large a magnitude as possible.

Turning now to FIG. **20C**, a block diagram **2030** is shown illustrating an example, non-limiting embodiment of a transmission device in accordance with various aspects described herein. In particular, a repeater device, such as transmission device includes a launcher **2046**, such as coupler and transceiver system **1000** or other launcher that is configured to receive electromagnetic waves **2002** from the transmission medium **2004** as downstream channel signals. An amplifier **2044**, such as a bidirectional amplifier or other amplifiers, amplifies the downstream channel signals to generate amplified downstream channel signals in accordance with a phase correction. The two-way (2:1) channel duplexer **2042** transfers the amplified downstream channel signals to the launcher **2046'** and to the transceiver **2040**. The duplexer can include a duplexer that operates via analog signal processing.

The transceiver **2040** is configured to select one or more of the amplified downstream channel signals to wirelessly communicate with client devices in range via an antenna **1512**. In particular, transceiver **2040** can be configured to operate with one or more different channels in accordance with the physical location of the transmission device **1508** and a spatial channel reuse scheme among other transmission devices that communicate with client devices in different locations long the guided wave communication system.

The launcher **2046'** guides the amplified downstream channel signals to a transmission medium **2004'** to be launched as amplified electromagnetic waves **2006** on the transmission medium **2004**.

As previously discussed, the transmission device **1508** is also capable of processing upstream channel signals in a reciprocal fashion. In this mode of operation, the launcher **2046'** extracts guided electromagnetic waves **2012** containing upstream channel signals from the transmission medium **2004** of the guided wave communication system **1810** or **1810'**. Other upstream channel signals are received via antenna **1512** and the transceiver **2040**. The upstream channel signals from each of these media are combined by the two-way channel duplexer **2042** and amplified by amplifier **2044** with phase correction for transfer to launcher **2046** to be launched on the transmission medium as amplified electromagnetic waves **2016**.

It should be noted that the terms "upstream" and "downstream" are used to denote communication paths in opposite directions in the transmission medium **2004**, and in particular "upstream" generally refers to the communication path from one or more client devices to a network and "downstream" refers to the communication path from the network to one or more client devices. It should also be noted that while the transmission medium **2004** is shown in block diagram form as two separate segments, in various embodiments, the transmission medium is a contiguous cable or wire or other medium.

In operation, the amplifier **2044** receives a feedback signal **2048** from the transmission medium **2004** that indicates a signal strength of a superposition of the residual electromagnetic wave **2002'** with the amplified electromagnetic wave **2006**, on the transmission medium **2004**. In the example shown, a sensor **2045** includes a small antenna or inductor along with a low noise amplifier and optionally other processing circuitry such as a signal strength detector, envelope detector and/or peak detector. The sensor **2045** is used to generate the feedback **2048** so as to indicate a field strength at the transmission medium **2004** in the vicinity of the launcher **2046'**, for example, that can be used by the amplifier **2044** to determine the particular phase correction that minimizes the cancellation due to the presence of the residual electromagnetic wave **2002'** and/or that otherwise allows the residual electromagnetic wave **2002'** to add with the amplified electromagnetic wave **2006** as in-phase as possible so that the superposition of the two signals has the greatest field strength.

In a similar fashion, the amplifier **2044** receives a feedback signal **2048'** from the transmission medium **2004** that indicates a signal strength of a superposition of the residual electromagnetic wave **2012'** with the amplified electromagnetic wave **2016**, on the transmission medium **2004**. In the example shown, a sensor **2045'** includes a small antenna or inductor along with a low noise amplifier and optionally other processing circuitry such as a signal strength detector, envelope detector and/or peak detector. The sensor **2045'** is used to generate the feedback **2048'** so as to indicate a field strength at the transmission medium **2004** in the vicinity of the launcher **2046**, for example, that can be used by the amplifier **2044** to determine the particular phase correction that minimizes the cancellation due to the presence of the residual electromagnetic wave **2012'** and/or that otherwise allows the residual electromagnetic wave **2012'** to add with the amplified electromagnetic wave **2016** as in-phase as possible so that the superposition of the two signals has the greatest field strength.

In accordance with various embodiments, the downstream channel signals correspond to a number of downstream frequency channels and the upstream channel signals correspond to a number of upstream frequency channels that is less than or equal to the number of the downstream frequency channels. At least a portion of the upstream and downstream channel signals are formatted in accordance with a data over cable system interface specification (DOCSIS) protocol, a 802.11 protocol or a fourth generation or higher mobile wireless protocol.

Turning now to FIG. **20D**, a block diagram **2050** is shown illustrating an example, non-limiting embodiment of an amplifier in accordance with various aspects described herein. In particular, an amplifier **2044** operates to amplify downstream channel signals **2060** to generate amplified downstream channel signals **2062** in accordance with a phase correction. A controller **2058** generates a phase control signal **2064** based on the feedback signal **2048**. The receiver **2052** includes a low noise amplifier and other receiver components to receive and amplify the first channel signals for coupling to the adjustable phase **2054**. The adjustable phase **2054**, such as a tapped delay line or other programmable phase adjustments adjusts a phase of the received and amplified first channel signals in accordance with a phase correction indicated by the phase control signal **2064** for generation of the amplified first channel signals **2062** by the power amplifier **2056**. It should be noted that because the phase of the output of the receiver **2052** is adjusted, a corresponding phase correction of the amplified first channel signals **2062** occurs. The amplifier **2044** further operates in a bidirectional fashion with receiver **2052'**, adjustable phase **2054'** power amplifier **2056'** and controller **2058'** that operate similarly to their counterparts in the opposite direction to generate amplified upstream channel signals **2066** with phase correction based the upstream channel signals **2064**.

In various embodiments, the controllers **2058** and **2058'** operate via a look-up table or control algorithm to generate the phase control signal **2064** based on the value of the feedback **2048** or **2048'**. In particular, the look-up table or control algorithm can operate based on an iterative gradient descent, a proportional, integral derivative (PID) control, a linear quadratic regulator, a neural network or other machine learning approach or other control that operates to maximize the signal strength indicated by the feedback **2048** or **2048'**.

In various embodiments, the controller **2058** may be implemented via a single processing device or a plurality of processing devices. Such a processing device may be a microprocessor, micro-controller, digital signal processor, microcomputer, central processing unit, field programmable gate array, programmable logic device, state machine, logic circuitry, analog circuitry, digital circuitry, and/or any device that manipulates signals (analog and/or digital) based on hard coding of the circuitry and/or operational instructions. The controller **2058** may be, or further include, memory and/or an integrated memory element, which may be a single memory device, a plurality of memory devices, and/or embedded circuitry of another processing module, module, processing circuit, and/or processing unit. Such a memory device may be a read-only memory, random access memory, volatile memory, non-volatile memory, static memory, dynamic memory, flash memory, cache memory, and/or any device that stores digital information. Note that if the controller **2058** includes more than one processing device, the processing devices may be centrally located (e.g., directly coupled together via a wired and/or wireless bus

61

structure) or may be distributedly located (e.g., cloud computing via indirect coupling via a local area network and/or a wide area network). Further note that if the controller **2058** implements one or more of its functions via a state machine, analog circuitry, digital circuitry, and/or logic circuitry, the memory and/or memory element storing the corresponding operational instructions may be embedded within, or external to, the circuitry comprising the state machine, analog circuitry, digital circuitry, and/or logic circuitry. The controller **2058**' can be implemented via the same device or devices or with a similar device or devices.

Turning now to FIG. **20E**, a flow diagram of an example, non-limiting embodiment of a method **2075**, is shown. Method **2075** can be used with one or more functions and features presented in conjunction with FIGS. **1-19** and **20A-D**. Step **2076** includes extracting first channel signals from first guided electromagnetic waves bound to an outer surface of a transmission medium of a guided wave communication system. Step **2078** includes amplifying the first channel signals to generate amplified first channel signals in accordance with a phase correction. Step **2080** includes selecting one or more of the amplified first channel signals to wirelessly transmit to at least one client device via an antenna. Step **2082** includes guiding the amplified first channel signals to the transmission medium of the guided wave communication system to propagate as second guided electromagnetic waves, wherein the phase correction aligns a phase of the second guided electromagnetic waves to add in-phase with a residual portion of the first guided electromagnetic waves that continue propagation along the transmission medium.

In various embodiments, the transmission medium includes a wire and the first guided electromagnetic waves and the second guided electromagnetic waves are guided by an outer surface of the wire. The method can further include: receiving a feedback signal from the transmission medium that indicates a signal strength of a superposition, on the transmission medium, of the residual portion of the first guided electromagnetic waves with the second guided electromagnetic waves; generating a phase control signal based on the feedback signal; and adjusting a phase of the amplified first channel signals in accordance with the first phase correction. The method can also include: wirelessly receiving second channel signals from the at least one client device via the antenna; amplifying the second channel signals to generate amplified second channel signals; and guiding the amplified second channel signals to the transmission medium of the guided wave communication system to propagate as third guided electromagnetic waves.

In various embodiments, the first channel signals correspond to a number of first frequency channels and the second channel signals correspond to a number of second frequency channels that is less than or equal to the number of the first frequency channels. At least a portion of the second channel signals can be formatted in accordance with one of: a data over cable system interface specification protocol, a 802.11 protocol or a fourth generation or higher wireless protocol.

While for purposes of simplicity of explanation, the respective processes are shown and described as a series of blocks in FIG. **20E**, it is to be understood and appreciated that the claimed subject matter is not limited by the order of the blocks, as some blocks may occur in different orders and/or concurrently with other blocks from what is depicted and described herein. Moreover, not all illustrated blocks may be required to implement the methods described herein.

Referring now to FIG. **21**, there is illustrated a block diagram of a computing environment in accordance with

62

various aspects described herein. In order to provide additional context for various embodiments of the embodiments described herein, FIG. **21** and the following discussion are intended to provide a brief, general description of a suitable computing environment **2100** in which the various embodiments of the subject disclosure can be implemented. While the embodiments have been described above in the general context of computer-executable instructions that can run on one or more computers, those skilled in the art will recognize that the embodiments can be also implemented in combination with other program modules and/or as a combination of hardware and software.

Generally, program modules comprise routines, programs, components, data structures, etc., that perform particular tasks or implement particular abstract data types. Moreover, those skilled in the art will appreciate that the inventive methods can be practiced with other computer system configurations, comprising single-processor or multiprocessor computer systems, minicomputers, mainframe computers, as well as personal computers, hand-held computing devices, microprocessor-based or programmable consumer electronics, and the like, each of which can be operatively coupled to one or more associated devices.

As used herein, a processing circuit includes processor as well as other application specific circuits such as an application specific integrated circuit, digital logic circuit, state machine, programmable gate array or other circuit that processes input signals or data and that produces output signals or data in response thereto. It should be noted that while any functions and features described herein in association with the operation of a processor could likewise be performed by a processing circuit.

The terms "first," "second," "third," and so forth, as used in the claims, unless otherwise clear by context, is for clarity only and doesn't otherwise indicate or imply any order in time. For instance, "a first determination," "a second determination," and "a third determination," does not indicate or imply that the first determination is to be made before the second determination, or vice versa, etc.

The illustrated embodiments of the embodiments herein can be also practiced in distributed computing environments where certain tasks are performed by remote processing devices that are linked through a communications network. In a distributed computing environment, program modules can be located in both local and remote memory storage devices.

Computing devices typically comprise a variety of media, which can comprise computer-readable storage media and/or communications media, which two terms are used herein differently from one another as follows. Computer-readable storage media can be any available storage media that can be accessed by the computer and comprises both volatile and nonvolatile media, removable and non-removable media. By way of example, and not limitation, computer-readable storage media can be implemented in connection with any method or technology for storage of information such as computer-readable instructions, program modules, structured data or unstructured data.

Computer-readable storage media can comprise, but are not limited to, random access memory (RAM), read only memory (ROM), electrically erasable programmable read only memory (EEPROM), flash memory or other memory technology, compact disk read only memory (CD-ROM), digital versatile disk (DVD) or other optical disk storage, magnetic cassettes, magnetic tape, magnetic disk storage or other magnetic storage devices or other tangible and/or non-transitory media which can be used to store desired

information. In this regard, the terms “tangible” or “non-transitory” herein as applied to storage, memory or computer-readable media, are to be understood to exclude only propagating transitory signals per se as modifiers and do not relinquish rights to all standard storage, memory or computer-readable media that are not only propagating transitory signals per se.

Computer-readable storage media can be accessed by one or more local or remote computing devices, e.g., via access requests, queries or other data retrieval protocols, for a variety of operations with respect to the information stored by the medium.

Communications media typically embody computer-readable instructions, data structures, program modules or other structured or unstructured data in a data signal such as a modulated data signal, e.g., a carrier wave or other transport mechanism, and comprises any information delivery or transport media. The term “modulated data signal” or signals refers to a signal that has one or more of its characteristics set or changed in such a manner as to encode information in one or more signals. By way of example, and not limitation, communication media comprise wired media, such as a wired network or direct-wired connection, and wireless media such as acoustic, RF, infrared and other wireless media.

With reference again to FIG. 21, the example environment 2100 for transmitting and receiving signals via or forming at least part of a base station (e.g., base station devices 1504, macrocell site 1502, or base stations 1614) or central office (e.g., central office 1501 or 1611). At least a portion of the example environment 2100 can also be used for transmission devices 101 or 102. The example environment can comprise a computer 2102, the computer 2102 comprising a processing unit 2104, a system memory 2106 and a system bus 2108. The system bus 2108 couples system components including, but not limited to, the system memory 2106 to the processing unit 2104. The processing unit 2104 can be any of various commercially available processors. Dual microprocessors and other multiprocessor architectures can also be employed as the processing unit 2104.

The system bus 2108 can be any of several types of bus structure that can further interconnect to a memory bus (with or without a memory controller), a peripheral bus, and a local bus using any of a variety of commercially available bus architectures. The system memory 2106 comprises ROM 2110 and RAM 2112. A basic input/output system (BIOS) can be stored in a non-volatile memory such as ROM, erasable programmable read only memory (EPROM), EEPROM, which BIOS contains the basic routines that help to transfer information between elements within the computer 2102, such as during startup. The RAM 2112 can also comprise a high-speed RAM such as static RAM for caching data.

The computer 2102 further comprises an internal hard disk drive (HDD) 2114 (e.g., EIDE, SATA), which internal hard disk drive 2114 can also be configured for external use in a suitable chassis (not shown), a magnetic floppy disk drive (FDD) 2116, (e.g., to read from or write to a removable diskette 2118) and an optical disk drive 2120, (e.g., reading a CD-ROM disk 2122 or, to read from or write to other high capacity optical media such as the DVD). The hard disk drive 2114, magnetic disk drive 2116 and optical disk drive 2120 can be connected to the system bus 2108 by a hard disk drive interface 2124, a magnetic disk drive interface 2126 and an optical drive interface 2128, respectively. The interface 2124 for external drive implementations comprises at least one or both of Universal Serial Bus (USB) and Institute

of Electrical and Electronics Engineers (IEEE) 1394 interface technologies. Other external drive connection technologies are within contemplation of the embodiments described herein.

The drives and their associated computer-readable storage media provide nonvolatile storage of data, data structures, computer-executable instructions, and so forth. For the computer 2102, the drives and storage media accommodate the storage of any data in a suitable digital format. Although the description of computer-readable storage media above refers to a hard disk drive (HDD), a removable magnetic diskette, and a removable optical media such as a CD or DVD, it should be appreciated by those skilled in the art that other types of storage media which are readable by a computer, such as zip drives, magnetic cassettes, flash memory cards, cartridges, and the like, can also be used in the example operating environment, and further, that any such storage media can contain computer-executable instructions for performing the methods described herein.

A number of program modules can be stored in the drives and RAM 2112, comprising an operating system 2130, one or more application programs 2132, other program modules 2134 and program data 2136. All or portions of the operating system, applications, modules, and/or data can also be cached in the RAM 2112. The systems and methods described herein can be implemented utilizing various commercially available operating systems or combinations of operating systems. Examples of application programs 2132 that can be implemented and otherwise executed by processing unit 2104 include the diversity selection determining performed by transmission device 101 or 102.

A user can enter commands and information into the computer 2102 through one or more wired/wireless input devices, e.g., a keyboard 2138 and a pointing device, such as a mouse 2140. Other input devices (not shown) can comprise a microphone, an infrared (IR) remote control, a joystick, a game pad, a stylus pen, touch screen or the like. These and other input devices are often connected to the processing unit 2104 through an input device interface 2142 that can be coupled to the system bus 2108, but can be connected by other interfaces, such as a parallel port, an IEEE 1394 serial port, a game port, a universal serial bus (USB) port, an IR interface, etc.

A monitor 2144 or other type of display device can be also connected to the system bus 2108 via an interface, such as a video adapter 2146. It will also be appreciated that in alternative embodiments, a monitor 2144 can also be any display device (e.g., another computer having a display, a smart phone, a tablet computer, etc.) for receiving display information associated with computer 2102 via any communication means, including via the Internet and cloud-based networks. In addition to the monitor 2144, a computer typically comprises other peripheral output devices (not shown), such as speakers, printers, etc.

The computer 2102 can operate in a networked environment using logical connections via wired and/or wireless communications to one or more remote computers, such as a remote computer(s) 2148. The remote computer(s) 2148 can be a workstation, a server computer, a router, a personal computer, portable computer, microprocessor-based entertainment appliance, a peer device or other common network node, and typically comprises many or all of the elements described relative to the computer 2102, although, for purposes of brevity, only a memory/storage device 2150 is illustrated. The logical connections depicted comprise wired/wireless connectivity to a local area network (LAN) 2152 and/or larger networks, e.g., a wide area network

(WAN) **2154**. Such LAN and WAN networking environments are commonplace in offices and companies, and facilitate enterprise-wide computer networks, such as intranets, all of which can connect to a global communications network, e.g., the Internet.

When used in a LAN networking environment, the computer **2102** can be connected to the local network **2152** through a wired and/or wireless communication network interface or adapter **2156**. The adapter **2156** can facilitate wired or wireless communication to the LAN **2152**, which can also comprise a wireless AP disposed thereon for communicating with the wireless adapter **2156**.

When used in a WAN networking environment, the computer **2102** can comprise a modem **2158** or can be connected to a communications server on the WAN **2154** or has other means for establishing communications over the WAN **2154**, such as by way of the Internet. The modem **2158**, which can be internal or external and a wired or wireless device, can be connected to the system bus **2108** via the input device interface **2142**. In a networked environment, program modules depicted relative to the computer **2102** or portions thereof, can be stored in the remote memory/storage device **2150**. It will be appreciated that the network connections shown are example and other means of establishing a communications link between the computers can be used.

The computer **2102** can be operable to communicate with any wireless devices or entities operatively disposed in wireless communication, e.g., a printer, scanner, desktop and/or portable computer, portable data assistant, communications satellite, any piece of equipment or location associated with a wirelessly detectable tag (e.g., a kiosk, news stand, restroom), and telephone. This can comprise Wireless Fidelity (Wi-Fi) and BLUETOOTH® wireless technologies. Thus, the communication can be a predefined structure as with a conventional network or simply an ad hoc communication between at least two devices.

Wi-Fi can allow connection to the Internet from a couch at home, a bed in a hotel room or a conference room at work, without wires. Wi-Fi is a wireless technology similar to that used in a cell phone that enables such devices, e.g., computers, to send and receive data indoors and out; anywhere within the range of a base station. Wi-Fi networks use radio technologies called IEEE 802.11 (a, b, g, n, ac, ag etc.) to provide secure, reliable, fast wireless connectivity. A Wi-Fi network can be used to connect computers to each other, to the Internet, and to wired networks (which can use IEEE 802.3 or Ethernet). Wi-Fi networks operate in the unlicensed 2.4 and 5 GHz radio bands for example or with products that contain both bands (dual band), so the networks can provide real-world performance similar to the basic 10BaseT wired Ethernet networks used in many offices.

FIG. 22 presents an example embodiment **2200** of a mobile network platform **2210** that can implement and exploit one or more aspects of the disclosed subject matter described herein. In one or more embodiments, the mobile network platform **2210** can generate and receive signals transmitted and received by base stations (e.g., base station devices **1504**, macrocell site **1502**, or base stations **1614**), central office (e.g., central office **1501** or **1611**), or transmission device **101** or **102** associated with the disclosed subject matter. Generally, wireless network platform **2210** can comprise components, e.g., nodes, gateways, interfaces, servers, or disparate platforms, that facilitate both packet-switched (PS) (e.g., internet protocol (IP), frame relay, asynchronous transfer mode (ATM)) and circuit-switched (CS) traffic (e.g., voice and data), as well as control generation for networked

wireless telecommunication. As a non-limiting example, wireless network platform **2210** can be included in telecommunications carrier networks, and can be considered carrier-side components as discussed elsewhere herein. Mobile network platform **2210** comprises CS gateway node(s) **2222** which can interface CS traffic received from legacy networks like telephony network(s) **2240** (e.g., public switched telephone network (PSTN), or public land mobile network (PLMN)) or a signaling system #7 (SS7) network **2270**. Circuit switched gateway node(s) **2222** can authorize and authenticate traffic (e.g., voice) arising from such networks. Additionally, CS gateway node(s) **2222** can access mobility, or roaming, data generated through SS7 network **2270**; for instance, mobility data stored in a visited location register (VLR), which can reside in memory **2230**. Moreover, CS gateway node(s) **2222** interfaces CS-based traffic and signaling and PS gateway node(s) **2218**. As an example, in a 3GPP UMTS network, CS gateway node(s) **2222** can be realized at least in part in gateway GPRS support node(s) (GGSN). It should be appreciated that functionality and specific operation of CS gateway node(s) **2222**, PS gateway node(s) **2218**, and serving node(s) **2216**, is provided and dictated by radio technology(ies) utilized by mobile network platform **2210** for telecommunication.

In addition to receiving and processing CS-switched traffic and signaling, PS gateway node(s) **2218** can authorize and authenticate PS-based data sessions with served mobile devices. Data sessions can comprise traffic, or content(s), exchanged with networks external to the wireless network platform **2210**, like wide area network(s) (WANs) **2250**, enterprise network(s) **2270**, and service network(s) **2280**, which can be embodied in local area network(s) (LANs), can also be interfaced with mobile network platform **2210** through PS gateway node(s) **2218**. It is to be noted that WANs **2250** and enterprise network(s) **2260** can embody, at least in part, a service network(s) like IP multimedia subsystem (IMS). Based on radio technology layer(s) available in technology resource(s) **2217**, packet-switched gateway node(s) **2218** can generate packet data protocol contexts when a data session is established; other data structures that facilitate routing of packetized data also can be generated. To that end, in an aspect, PS gateway node(s) **2218** can comprise a tunnel interface (e.g., tunnel termination gateway (TTG) in 3GPP UMTS network(s) (not shown)) which can facilitate packetized communication with disparate wireless network(s), such as Wi-Fi networks.

In embodiment **2200**, wireless network platform **2210** also comprises serving node(s) **2216** that, based upon available radio technology layer(s) within technology resource(s) **2217**, convey the various packetized flows of data streams received through PS gateway node(s) **2218**. It is to be noted that for technology resource(s) **2217** that rely primarily on CS communication, server node(s) can deliver traffic without reliance on PS gateway node(s) **2218**; for example, server node(s) can embody at least in part a mobile switching center. As an example, in a 3GPP UMTS network, serving node(s) **2216** can be embodied in serving GPRS support node(s) (SGSN).

For radio technologies that exploit packetized communication, server(s) **2214** in wireless network platform **2210** can execute numerous applications that can generate multiple disparate packetized data streams or flows, and manage (e.g., schedule, queue, format . . .) such flows. Such application(s) can comprise add-on features to standard services (for example, provisioning, billing, customer support . . .) provided by wireless network platform **2210**. Data streams (e.g., content(s) that are part of a voice call or data

session) can be conveyed to PS gateway node(s) **2218** for authorization/authentication and initiation of a data session, and to serving node(s) **2216** for communication thereafter. In addition to application server, server(s) **2214** can comprise utility server(s), a utility server can comprise a provisioning server, an operations and maintenance server, a security server that can implement at least in part a certificate authority and firewalls as well as other security mechanisms, and the like. In an aspect, security server(s) secure communication served through wireless network platform **2210** to ensure network's operation and data integrity in addition to authorization and authentication procedures that CS gateway node(s) **2222** and PS gateway node(s) **2218** can enact. Moreover, provisioning server(s) can provision services from external network(s) like networks operated by a disparate service provider; for instance, WAN **2250** or Global Positioning System (GPS) network(s) (not shown). Provisioning server(s) can also provision coverage through networks associated to wireless network platform **2210** (e.g., deployed and operated by the same service provider), such as the distributed antennas networks shown in FIG. 1(s) that enhance wireless service coverage by providing more network coverage. Repeater devices such as those shown in FIGS. 7, 8, and 9 also improve network coverage in order to enhance subscriber service experience by way of UE **2275**.

It is to be noted that server(s) **2214** can comprise one or more processors configured to confer at least in part the functionality of macro network platform **2210**. To that end, the one or more processor can execute code instructions stored in memory **2230**, for example. It is should be appreciated that server(s) **2214** can comprise a content manager **2215**, which operates in substantially the same manner as described hereinbefore.

In example embodiment **2200**, memory **2230** can store information related to operation of wireless network platform **2210**. Other operational information can comprise provisioning information of mobile devices served through wireless platform network **2210**, subscriber databases; application intelligence, pricing schemes, e.g., promotional rates, flat-rate programs, couponing campaigns; technical specification(s) consistent with telecommunication protocols for operation of disparate radio, or wireless, technology layers; and so forth. Memory **2230** can also store information from at least one of telephony network(s) **2240**, WAN **2250**, enterprise network(s) **2270**, or SS7 network **2260**. In an aspect, memory **2230** can be, for example, accessed as part of a data store component or as a remotely connected memory store.

In order to provide a context for the various aspects of the disclosed subject matter, FIG. 22, and the following discussion, are intended to provide a brief, general description of a suitable environment in which the various aspects of the disclosed subject matter can be implemented. While the subject matter has been described above in the general context of computer-executable instructions of a computer program that runs on a computer and/or computers, those skilled in the art will recognize that the disclosed subject matter also can be implemented in combination with other program modules. Generally, program modules comprise routines, programs, components, data structures, etc. that perform particular tasks and/or implement particular abstract data types.

FIG. 23 depicts an illustrative embodiment of a communication device **2300**. The communication device **2300** can serve as an illustrative embodiment of devices such as mobile devices and in-building devices referred to by the subject disclosure (e.g., in FIGS. 15, 16A and 16B).

The communication device **2300** can comprise a wireline and/or wireless transceiver **2302** (herein transceiver **2302**), a user interface (UI) **2304**, a power supply **2314**, a location receiver **2316**, a motion sensor **2318**, an orientation sensor **2320**, and a controller **2306** for managing operations thereof. The transceiver **2302** can support short-range or long-range wireless access technologies such as Bluetooth®, ZigBee®, WiFi, DECT, or cellular communication technologies, just to mention a few (Bluetooth® and ZigBee® are trademarks registered by the Bluetooth® Special Interest Group and the ZigBee® Alliance, respectively). Cellular technologies can include, for example, CDMA-1x, UMTS/HSDPA, GSM/GPRS, TDMA/EDGE, EV/DO, WiMAX, SDR, LTE, as well as other next generation wireless communication technologies as they arise. The transceiver **2302** can also be adapted to support circuit-switched wireline access technologies (such as PSTN), packet-switched wireline access technologies (such as TCP/IP, VoIP, etc.), and combinations thereof.

The UI **2304** can include a depressible or touch-sensitive keypad **2308** with a navigation mechanism such as a roller ball, a joystick, a mouse, or a navigation disk for manipulating operations of the communication device **2300**. The keypad **2308** can be an integral part of a housing assembly of the communication device **2300** or an independent device operably coupled thereto by a tethered wireline interface (such as a USB cable) or a wireless interface supporting for example Bluetooth®. The keypad **2308** can represent a numeric keypad commonly used by phones, and/or a QWERTY keypad with alphanumeric keys. The UI **2304** can further include a display **2310** such as monochrome or color LCD (Liquid Crystal Display), OLED (Organic Light Emitting Diode) or other suitable display technology for conveying images to an end user of the communication device **2300**. In an embodiment where the display **2310** is touch-sensitive, a portion or all of the keypad **2308** can be presented by way of the display **2310** with navigation features.

The display **2310** can use touch screen technology to also serve as a user interface for detecting user input. As a touch screen display, the communication device **2300** can be adapted to present a user interface having graphical user interface (GUI) elements that can be selected by a user with a touch of a finger. The touch screen display **2310** can be equipped with capacitive, resistive or other forms of sensing technology to detect how much surface area of a user's finger has been placed on a portion of the touch screen display. This sensing information can be used to control the manipulation of the GUI elements or other functions of the user interface. The display **2310** can be an integral part of the housing assembly of the communication device **2300** or an independent device communicatively coupled thereto by a tethered wireline interface (such as a cable) or a wireless interface.

The UI **2304** can also include an audio system **2312** that utilizes audio technology for conveying low volume audio (such as audio heard in proximity of a human ear) and high volume audio (such as speakerphone for hands free operation). The audio system **2312** can further include a microphone for receiving audible signals of an end user. The audio system **2312** can also be used for voice recognition applications. The UI **2304** can further include an image sensor **2313** such as a charged coupled device (CCD) camera for capturing still or moving images.

The power supply **2314** can utilize common power management technologies such as replaceable and rechargeable batteries, supply regulation technologies, and/or charging

system technologies for supplying energy to the components of the communication device **2300** to facilitate long-range or short-range portable communications. Alternatively, or in combination, the charging system can utilize external power sources such as DC power supplied over a physical interface such as a USB port or other suitable tethering technologies.

The location receiver **2316** can utilize location technology such as a global positioning system (GPS) receiver capable of assisted GPS for identifying a location of the communication device **2300** based on signals generated by a constellation of GPS satellites, which can be used for facilitating location services such as navigation. The motion sensor **2318** can utilize motion sensing technology such as an accelerometer, a gyroscope, or other suitable motion sensing technology to detect motion of the communication device **2300** in three-dimensional space. The orientation sensor **2320** can utilize orientation sensing technology such as a magnetometer to detect the orientation of the communication device **2300** (north, south, west, and east, as well as combined orientations in degrees, minutes, or other suitable orientation metrics).

The communication device **2300** can use the transceiver **2302** to also determine a proximity to a cellular, WiFi, Bluetooth®, or other wireless access points by sensing techniques such as utilizing a received signal strength indicator (RSSI) and/or signal time of arrival (TOA) or time of flight (TOF) measurements. The controller **2306** can utilize computing technologies such as a microprocessor, a digital signal processor (DSP), programmable gate arrays, application specific integrated circuits, and/or a video processor with associated storage memory such as Flash, ROM, RAM, SRAM, DRAM or other storage technologies for executing computer instructions, controlling, and processing data supplied by the aforementioned components of the communication device **2300**.

Other components not shown in FIG. **23** can be used in one or more embodiments of the subject disclosure. For instance, the communication device **2300** can include a slot for adding or removing an identity module such as a Subscriber Identity Module (SIM) card or Universal Integrated Circuit Card (UICC). SIM or UICC cards can be used for identifying subscriber services, executing programs, storing subscriber data, and so on.

In the subject specification, terms such as “store,” “storage,” “data store,” “data storage,” “database,” and substantially any other information storage component relevant to operation and functionality of a component, refer to “memory components,” or entities embodied in a “memory” or components comprising the memory. It will be appreciated that the memory components described herein can be either volatile memory or nonvolatile memory, or can comprise both volatile and nonvolatile memory, by way of illustration, and not limitation, volatile memory, non-volatile memory, disk storage, and memory storage. Further, non-volatile memory can be included in read only memory (ROM), programmable ROM (PROM), electrically programmable ROM (EPROM), electrically erasable ROM (EEPROM), or flash memory. Volatile memory can comprise random access memory (RAM), which acts as external cache memory. By way of illustration and not limitation, RAM is available in many forms such as synchronous RAM (SRAM), dynamic RAM (DRAM), synchronous DRAM (SDRAM), double data rate SDRAM (DDR SDRAM), enhanced SDRAM (ESDRAM), Synchlink DRAM (SLDRAM), and direct Rambus RAM (DRRAM). Additionally, the disclosed memory components of systems or

methods herein are intended to comprise, without being limited to comprising, these and any other suitable types of memory.

Moreover, it will be noted that the disclosed subject matter can be practiced with other computer system configurations, comprising single-processor or multiprocessor computer systems, mini-computing devices, mainframe computers, as well as personal computers, hand-held computing devices (e.g., PDA, phone, smartphone, watch, tablet computers, netbook computers, etc.), microprocessor-based or programmable consumer or industrial electronics, and the like. The illustrated aspects can also be practiced in distributed computing environments where tasks are performed by remote processing devices that are linked through a communications network; however, some if not all aspects of the subject disclosure can be practiced on stand-alone computers. In a distributed computing environment, program modules can be located in both local and remote memory storage devices.

Some of the embodiments described herein can also employ artificial intelligence (AI) to facilitate automating one or more features described herein. For example, artificial intelligence can be used in optional training controller **230** evaluate and select candidate frequencies, modulation schemes, MIMO modes, and/or guided wave modes in order to maximize transfer efficiency. The embodiments (e.g., in connection with automatically identifying acquired cell sites that provide a maximum value/benefit after addition to an existing communication network) can employ various AI-based schemes for carrying out various embodiments thereof. Moreover, the classifier can be employed to determine a ranking or priority of the each cell site of the acquired network. A classifier is a function that maps an input attribute vector, $x=(x_1, x_2, x_3, x_4, \dots, x_n)$, to a confidence that the input belongs to a class, that is, $f(x)=\text{confidence (class)}$. Such classification can employ a probabilistic and/or statistical-based analysis (e.g., factoring into the analysis utilities and costs) to prognose or infer an action that a user desires to be automatically performed. A support vector machine (SVM) is an example of a classifier that can be employed. The SVM operates by finding a hypersurface in the space of possible inputs, which the hypersurface attempts to split the triggering criteria from the non-triggering events. Intuitively, this makes the classification correct for testing data that is near, but not identical to training data. Other directed and undirected model classification approaches comprise, e.g., naïve Bayes, Bayesian networks, decision trees, neural networks, fuzzy logic models, and probabilistic classification models providing different patterns of independence can be employed. Classification as used herein also is inclusive of statistical regression that is utilized to develop models of priority.

As will be readily appreciated, one or more of the embodiments can employ classifiers that are explicitly trained (e.g., via a generic training data) as well as implicitly trained (e.g., via observing UE behavior, operator preferences, historical information, receiving extrinsic information). For example, SVMs can be configured via a learning or training phase within a classifier constructor and feature selection module. Thus, the classifier(s) can be used to automatically learn and perform a number of functions, including but not limited to determining according to a predetermined criteria which of the acquired cell sites will benefit a maximum number of subscribers and/or which of the acquired cell sites will add minimum value to the existing communication network coverage, etc.

As used in some contexts in this application, in some embodiments, the terms “component,” “system” and the like are intended to refer to, or comprise, a computer-related entity or an entity related to an operational apparatus with one or more specific functionalities, wherein the entity can be either hardware, a combination of hardware and software, software, or software in execution. As an example, a component may be, but is not limited to being, a process running on a processor, a processor, an object, an executable, a thread of execution, computer-executable instructions, a program, and/or a computer. By way of illustration and not limitation, both an application running on a server and the server can be a component. One or more components may reside within a process and/or thread of execution and a component may be localized on one computer and/or distributed between two or more computers. In addition, these components can execute from various computer readable media having various data structures stored thereon. The components may communicate via local and/or remote processes such as in accordance with a signal having one or more data packets (e.g., data from one component interacting with another component in a local system, distributed system, and/or across a network such as the Internet with other systems via the signal). As another example, a component can be an apparatus with specific functionality provided by mechanical parts operated by electric or electronic circuitry, which is operated by a software or firmware application executed by a processor, wherein the processor can be internal or external to the apparatus and executes at least a part of the software or firmware application. As yet another example, a component can be an apparatus that provides specific functionality through electronic components without mechanical parts, the electronic components can comprise a processor therein to execute software or firmware that confers at least in part the functionality of the electronic components. While various components have been illustrated as separate components, it will be appreciated that multiple components can be implemented as a single component, or a single component can be implemented as multiple components, without departing from example embodiments.

Further, the various embodiments can be implemented as a method, apparatus or article of manufacture using standard programming and/or engineering techniques to produce software, firmware, hardware or any combination thereof to control a computer to implement the disclosed subject matter. The term “article of manufacture” as used herein is intended to encompass a computer program accessible from any computer-readable device or computer-readable storage/communications media. For example, computer readable storage media can include, but are not limited to, magnetic storage devices (e.g., hard disk, floppy disk, magnetic strips), optical disks (e.g., compact disk (CD), digital versatile disk (DVD)), smart cards, and flash memory devices (e.g., card, stick, key drive). Of course, those skilled in the art will recognize many modifications can be made to this configuration without departing from the scope or spirit of the various embodiments.

In addition, the words “example” and “exemplary” are used herein to mean serving as an instance or illustration. Any embodiment or design described herein as “example” or “exemplary” is not necessarily to be construed as preferred or advantageous over other embodiments or designs. Rather, use of the word example or exemplary is intended to present concepts in a concrete fashion. As used in this application, the term “or” is intended to mean an inclusive “or” rather than an exclusive “or”. That is, unless specified

otherwise or clear from context, “X employs A or B” is intended to mean any of the natural inclusive permutations. That is, if X employs A; X employs B; or X employs both A and B, then “X employs A or B” is satisfied under any of the foregoing instances. In addition, the articles “a” and “an” as used in this application and the appended claims should generally be construed to mean “one or more” unless specified otherwise or clear from context to be directed to a singular form.

Moreover, terms such as “user equipment,” “mobile station,” “mobile,” subscriber station,” “access terminal,” “terminal,” “handset,” “mobile device” (and/or terms representing similar terminology) can refer to a wireless device utilized by a subscriber or user of a wireless communication service to receive or convey data, control, voice, video, sound, gaming or substantially any data-stream or signaling-stream. The foregoing terms are utilized interchangeably herein and with reference to the related drawings.

Furthermore, the terms “user,” “subscriber,” “customer,” “consumer” and the like are employed interchangeably throughout, unless context warrants particular distinctions among the terms. It should be appreciated that such terms can refer to human entities or automated components supported through artificial intelligence (e.g., a capacity to make inference based, at least, on complex mathematical formalisms), which can provide simulated vision, sound recognition and so forth.

As employed herein, the term “processor” can refer to substantially any computing processing unit or device comprising, but not limited to comprising, single-core processors; single-processors with software multithread execution capability; multi-core processors; multi-core processors with software multithread execution capability; multi-core processors with hardware multithread technology; parallel platforms; and parallel platforms with distributed shared memory. Additionally, a processor can refer to an integrated circuit, an application specific integrated circuit (ASIC), a digital signal processor (DSP), a field programmable gate array (FPGA), a programmable logic controller (PLC), a complex programmable logic device (CPLD), a discrete gate or transistor logic, discrete hardware components or any combination thereof designed to perform the functions described herein. Processors can exploit nano-scale architectures such as, but not limited to, molecular and quantum-dot based transistors, switches and gates, in order to optimize space usage or enhance performance of user equipment. A processor can also be implemented as a combination of computing processing units.

As used herein, terms such as “data storage,” data storage,” “database,” and substantially any other information storage component relevant to operation and functionality of a component, refer to “memory components,” or entities embodied in a “memory” or components comprising the memory. It will be appreciated that the memory components or computer-readable storage media, described herein can be either volatile memory or nonvolatile memory or can include both volatile and nonvolatile memory.

What has been described above includes mere examples of various embodiments. It is, of course, not possible to describe every conceivable combination of components or methodologies for purposes of describing these examples, but one of ordinary skill in the art can recognize that many further combinations and permutations of the present embodiments are possible. Accordingly, the embodiments disclosed and/or claimed herein are intended to embrace all such alterations, modifications and variations that fall within the spirit and scope of the appended claims. Furthermore, to

the extent that the term “includes” is used in either the detailed description or the claims, such term is intended to be inclusive in a manner similar to the term “comprising” as “comprising” is interpreted when employed as a transitional word in a claim.

In addition, a flow diagram may include a “start” and/or “continue” indication. The “start” and “continue” indications reflect that the steps presented can optionally be incorporated in or otherwise used in conjunction with other routines. In this context, “start” indicates the beginning of the first step presented and may be preceded by other activities not specifically shown. Further, the “continue” indication reflects that the steps presented may be performed multiple times and/or may be succeeded by other activities not specifically shown. Further, while a flow diagram indicates a particular ordering of steps, other orderings are likewise possible provided that the principles of causality are maintained.

As may also be used herein, the term(s) “operably coupled to”, “coupled to”, and/or “coupling” includes direct coupling between items and/or indirect coupling between items via one or more intervening items. Such items and intervening items include, but are not limited to, junctions, communication paths, components, circuit elements, circuits, functional blocks, and/or devices. As an example of indirect coupling, a signal conveyed from a first item to a second item may be modified by one or more intervening items by modifying the form, nature or format of information in a signal, while one or more elements of the information in the signal are nevertheless conveyed in a manner than can be recognized by the second item. In a further example of indirect coupling, an action in a first item can cause a reaction on the second item, as a result of actions and/or reactions in one or more intervening items.

Although specific embodiments have been illustrated and described herein, it should be appreciated that any arrangement which achieves the same or similar purpose may be substituted for the embodiments described or shown by the subject disclosure. The subject disclosure is intended to cover any and all adaptations or variations of various embodiments. Combinations of the above embodiments, and other embodiments not specifically described herein, can be used in the subject disclosure. For instance, one or more features from one or more embodiments can be combined with one or more features of one or more other embodiments. In one or more embodiments, features that are positively recited can also be negatively recited and excluded from the embodiment with or without replacement by another structural and/or functional feature. The steps or functions described with respect to the embodiments of the subject disclosure can be performed in any order. The steps or functions described with respect to the embodiments of the subject disclosure can be performed alone or in combination with other steps or functions of the subject disclosure, as well as from other embodiments or from other steps that have not been described in the subject disclosure. Further, more than or less than all of the features described with respect to an embodiment can also be utilized.

What is claimed is:

1. A repeater device, comprising:

a first launcher configured to extract first channel signals from first guided electromagnetic waves bound to an outer surface of a transmission medium of a guided wave communication system;

an amplifier configured to amplify the first channel signals to generate amplified first channel signals in accordance with a phase correction;

a wireless transceiver configured to wirelessly transmit one or more of the amplified first channel signals to at least one device;

a second launcher configured to guide the amplified first channel signals to the transmission medium of the guided wave communication system to propagate as second guided electromagnetic waves, wherein the phase correction aligns a phase of the second guided electromagnetic waves with a phase of a residual portion of the first guided electromagnetic waves that continues propagation along the transmission medium; and

a channel duplexer configured to transfer the amplified first channel signals to the second launcher and to the wireless transceiver.

2. The repeater device of claim **1**, wherein the transmission medium includes a wire and the first guided electromagnetic waves and the second guided electromagnetic waves are guided by an outer surface of the wire.

3. The repeater device of claim **1**, wherein the amplifier receives a feedback signal from the transmission medium that indicates a signal strength of a superposition of the residual portion of the first guided electromagnetic waves with the second guided electromagnetic waves, on the transmission medium.

4. The repeater device of claim **3**, wherein the amplifier further includes:

a controller that generates a phase control signal based on the feedback signal; and

an adjustable phase that adjusts a phase of the amplified first channel signals in accordance with the phase correction.

5. The repeater device of claim **1**, wherein wireless transceiver is further configured to wirelessly receive second channel signals from the at least one device;

the channel duplexer transfers the second channel signals to the amplifier;

the amplifier amplifies the second channel signals to generate amplified second channel signals; and

the first launcher guides the amplified second channel signals to the transmission medium of the guided wave communication system to propagate as third guided electromagnetic waves.

6. The repeater device of claim **5**, wherein the amplifier is a bi-directional amplifier.

7. The repeater device of claim **5**, wherein the first channel signals correspond to a number of first frequency channels and the second channel signals correspond to a number of second frequency channels that is less than the number of the first frequency channels.

8. The repeater device of claim **5**, wherein the one or more of the amplified first channel signals correspond to a number of first frequency channels and the second channel signals correspond to a number of second frequency channels that is equal to the number of the first frequency channels.

9. The repeater device of claim **5**, wherein at least a portion of the second channel signals is formatted in accordance with a data over cable system interface specification (DOCSIS) protocol, a 802.11 protocol or a fourth generation or higher mobile wireless protocol.

10. The repeater device of claim **1**, wherein the channel duplexer includes a diplexer that operates via analog signal processing.

75

11. A method comprising:
 extracting first channel signals from first guided electro-
 magnetic waves bound to an outer surface of a trans-
 mission medium of a guided wave communication
 system;
 amplifying the first channel signals to generate amplified
 first channel signals in accordance with a phase cor-
 rection;
 selecting one or more of the amplified first channel signals
 to wirelessly transmit to at least one client device via an
 antenna; and
 guiding the amplified first channel signals to the trans-
 mission medium of the guided wave communication
 system to propagate as second guided electromagnetic
 waves;
 wherein the phase correction aligns a phase of the second
 guided electromagnetic waves to add in-phase with a
 residual portion of the first guided electromagnetic
 waves that continues propagation along the transmis-
 sion medium.

12. The method of claim 11, wherein the transmission
 medium includes a wire and the first guided electromagnetic
 waves and the second guided electromagnetic waves are
 guided by an outer surface of the wire.

13. The method of claim 11, further comprising:
 receiving a feedback signal from the transmission
 medium that indicates a signal strength of a super-
 position on the transmission medium, of the residual
 portion of the first guided electromagnetic waves with
 the second guided electromagnetic waves.

14. The method of claim 13, further comprising:
 generating a phase control signal based on the feedback
 signal; and
 adjusting a phase of the amplified first channel signals in
 accordance with the phase correction.

15. The method of claim 11, further comprising:
 wirelessly receiving second channel signals from the at
 least one client device via the antenna;
 amplifying the second channel signals to generate ampli-
 fied second channel signals; and
 guiding the amplified second channel signals to the trans-
 mission medium of the guided wave communication
 system to propagate as third guided electromagnetic
 waves.

76

16. The method of claim 15, wherein the first channel
 signals correspond to a number of first frequency channels
 and the second channel signals correspond to a number of
 second frequency channels that is less than the number of the
 first frequency channels.

17. The method of claim 15, wherein the one or more of
 the amplified first channel signals correspond to a number of
 first frequency channels and the second channel signals
 correspond to a number of second frequency channels that is
 equal to the number of the first frequency channels.

18. The method of claim 15, wherein at least a portion of
 the second channel signals is formatted in accordance with
 one of: a data over cable system interface specification
 protocol, a 802.11 protocol or a fourth generation or higher
 mobile wireless protocol.

19. A repeater device comprising:
 first launcher means for extracting channel signals from
 first guided electromagnetic waves bound to a trans-
 mission medium of a guided wave communication
 system;
 amplifier means for amplifying the channel signals to
 generate amplified channel signals in accordance with
 a phase correction;
 transceiver means configured to wirelessly transmit one or
 more of the amplified channel signals to at least one
 device; and
 second launcher means configured to guide the amplified
 channel signals to the transmission medium of the
 guided wave communication system to propagate as
 second guided electromagnetic waves, wherein the
 phase correction aligns a phase of the second guided
 electromagnetic waves to align with a residual portion
 of the first guided electromagnetic waves that continues
 propagation along the transmission medium.

20. The repeater device of claim 19, wherein the trans-
 mission medium includes first and second power line seg-
 ments of a public utility and wherein the first launcher means
 extracts the channel signals from the first power line seg-
 ment and the second launcher means guides the amplified
 channel signals to the second power line segment.

* * * * *