

2013 Catalog

Commercial Dishmachine & Laundry Parts Specialists



Dishmachine

HOBART

Beta
TECHNOLOGY

KNIGHT
IBEX
FLUID & METERING

CMA
DISHMACHINES

MOYER
DIEBEL

Viking
A DEMA Company

Auto-Chlor

Champion

DEMA

BRIGHTWELL

NOVA CONTROLS

T&S

FISHER

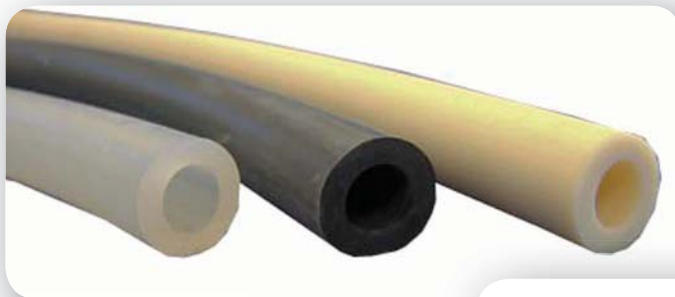
Jackson

Glastender

SEKO



As the leading supplier of dishmachine replacement parts, tubing for both warewash and laundry, and supply equipment for the kitchen and laundry. **TCD Parts Inc.** offers an extensive range of products to meet the requirements of chemical distributors. **TCD Parts Inc.** is continuing to grow with support from you our valued customers. It is our goal to provide quality products and the best service combined with the best price to support your business needs. By continually updating our product mix and maximizing our buying capabilities, **TCD Parts Inc.** is able to pass along these values to our customers. It is with this in mind that we present to you this updated 2013 catalog.



THANK YOU AGAIN FOR BEING A VALUED CUSTOMER.



ISSA
The Worldwide Cleaning Industry Association
MEMBER

Sales and Customer Service

Mail To:

TCD Parts Inc.
PO Box 396
Smithville, MO 64089

Ship To:

TCD Parts Inc.
19450 Hwy B
Edgerton, MO 64444



Phone:

Toll Free: 1-800-823-8313
Local: 816-790-3575

Fax:

1-888-823-8233

Email:

tcdparts@tcdparts.com

Web:

www.tcdparts.com

Our customer service representatives are ready to assist you Monday through Friday from 8:00am to 5:00pm Central Standard time.

Credit Cards: TCD Parts accepts all major Credit Cards.

Credit: To establish open credit a TCD Credit Application must be completed and signed to establish open credit. Applications can be found on our website.

Terms: Due on Receipt, Net 30; 1.5% per month will apply on invoices past 30 days.

Return Goods Policy: Before credits can be issued an RMA number must be assigned and approved. A restocking charge may apply.

Terms & Conditions of Sale

PRICES AND QUOTATIONS: Orders will be invoiced at the price in effect at the time of shipment. Unless otherwise specified, prices are F.O.B. point of shipment. All prices and quotations are subject to change without notice. Items not listed in the price list will be quoted upon application.

CANCELLATION: Orders accepted by TCD are subject to cancellation. When orders are cancelled by the purchaser the purchaser may be billed for reasonable charges based on expenses incurred due to commitments made by TCD for the cancelled order.

SPECIAL PRODUCT PURCHASES: Products ordered to customer's specifications are not returnable or refundable. Requests for cancellation of such orders will not be granted if the manufacture of the product is in process, or if the product has been purchased or ordered when the request of cancellation reaches TCD's office.

MINIMUM ORDER: TCD has a \$25.00 minimum order amount. All accounts with restricted credit must be shipped with credit card payment unless otherwise approved by TCD's credit department.

TAXES: Any taxes that may be imposed by law on the sale of items sold by TCD shall be added to the sale price of such items.

TERMS OF PAYMENT: Due on receipt, Net 30 days. 1.5% per month will apply on all invoices past 30 days with a \$2.00 per month minimum, added to all invoices. All orders will be held from shipment when any invoice on an account becomes 30 days past due. At 60 days from the invoice date an account is considered severely past due and in jeopardy of being placed for collection. If an account is placed for collection: All future orders will be shipped on terms of prepay. The dollar amount placed will include all collection agency fees and late charges. An account will not be considered for open account status until the account is current and the account has submitted an audited current financial statement and credit application.

ALL GOODS OR SERVICES DELIVERED TO YOU BY TCD PARTS, INC. UNDER THIS CONTRACT ARE SOLD AND DELIVERED "AS IS". ALL IMPLIED WARRANTIES ARE DISCLAIMED, INCLUDING, WITHOUT LIMITATION, (a) THE IMPLIED WARRANTIES OF TITLE, MERCHANTABILITY, NON-INFRINGEMENT AND FITNESS FOR A PARTICULAR PURPOSE, AND (b) WARRANTIES IMPLIED FROM A COURSE OF DEALING, COURSE OF PERFORMANCE OR USAGE OF TRADE. You assume all risk from your purchase and use of such goods or services. Neither you nor TCD Parts, Inc. shall be liable to the other or the other's customers, employees or agents for any consequential damages, punitive damages or special, incidental or exemplary damages suffered by the other or any third party in connection with the goods or services sold or delivered under the Order.

TCD Parts Staff:

TCD Parts Inc. is committed to earn our existence by developing a strong team of people to meet the changing requirements of you our valued customers. Customer service is our everyday goal to provide maximum performance.



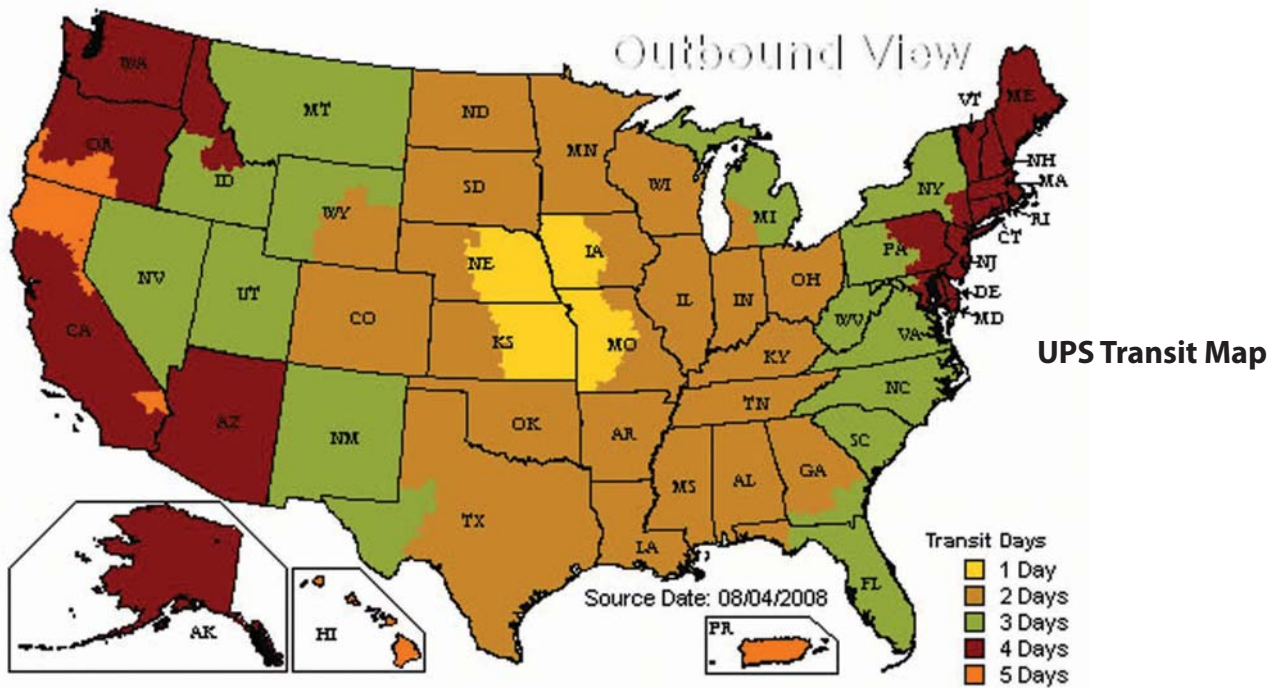
Left to Right: Vicki, Ernie, Jim, Tracy, Pete, Nancy, Ron, Susan, Johnny, Michael, Matt, Mark, Paula, Chris & Ellen.



Owner Mark B. Fisher & Family

Psalm 127:3-5

Behold, children are a gift of the Lord; the fruit of the womb is a reward. Like arrows in the hand of a warrior, So are the children of one's youth, How blessed is the man whose quiver is full of them, They shall not be ashamed, When they speak with their enemies in the gate.



TCD Parts Inc. offers a wide variety of tubing to meet many specifications. We have an extensive selection including commercial dishmachine tubing, warewash dispenser tubing, laundry dispenser tubing, and bulk supply tubing.

A variety of tubing materials are available including Santoprene, Silicone, Hi-Chem/EPDM, Fluoro-viton, Norprene, Norprene Bi-Wall, Tygoprne, Flexon, Poly-Flex - Polyethylene (LLDPE), Poly-Flex Vinyl, Poly-Flex EVA, Poly-Flex Reinforced Braided EVA, Poly-Flex Urethane, Poly-Flex Reinforced Braided PVC, Dura PEX, Kynar, Copper, Aluminum, & Nickel Plated Copper. To complete your tubing needs we also offer pick up tubes (with or without connectors), manifold distribution systems, & tube lubricant.

Tubing Dishmachine, Warewash & Laundry



Bulk Supply Tubing

Dishmachine Tubing

Warewash & Drain Dosing Tubing

Laundry Tubing

Pick-Up Tubes

Tubing Extras

Poly-Flex™ Polyethylene LLDPE provides flexibility and durability required to transport water and chemicals. This tubing has a better resistance to stress cracking than low density polyethylene. Polyethylene LLDPE tubing prevents problems in transfer lines by resisting cracks and tears by metal, plastic, compression and barbed fittings. Available in Opaque and Translucent. **This is a rigid tube, not as flexible as the Poly-Flex Vinyl.**



Poly-Flex™ Vinyl is a poly-vinyl chloride resin material. The extrusion process produces a **highly flexible material** with a smooth bore. PVC is highly resistant to oxidation and an array of chemicals, including strong acids, alkalis and bacteria. PVC accepts a variety of fittings and clamps. It conforms to all industry standards including FDA, USDA, and NSF.

Poly-Flex LLDPE Opaque (solid color)

ID x OD	Color	Length	Part #
.170" X 1/4"	WHITE	100'	81-1120
.170" X 1/4"	WHITE	500'	81-1121
.170" X 1/4"	RED	100'	81-1122
.170" X 1/4"	RED	500'	81-1123
.170" X 1/4"	BLUE	100'	81-1124
.170" X 1/4"	BLUE	500'	81-1125
.170" X 1/4"	GREEN	100'	81-1126
.170" X 1/4"	GREEN	500'	81-1127
.170" X 1/4"	YELLOW	100'	81-1128
.170" X 1/4"	YELLOW	500'	81-1129



Poly-Flex LLDPE Translucent (easy to see thru)

ID x OD	Color	Length	Part #
.080" X 1/8"	CLEAR	100'	81-1010
.170" X 1/4"	CLEAR	100'	81-1020
.170" X 1/4"	CLEAR	500'	81-1021
.170" X 1/4"	RED	100'	81-1022
.170" X 1/4"	RED	500'	81-1023
.170" X 1/4"	BLUE	100'	81-1024
.170" X 1/4"	BLUE	500'	81-1025
.170" X 1/4"	GREEN	100'	81-1026
.170" X 1/4"	GREEN	500'	81-1027
.170" X 1/4"	YELLOW	100'	81-1028
.170" X 1/4"	YELLOW	500'	81-1029
1/4" X 3/8"	CLEAR	100'	81-1030
1/4" X 3/8"	CLEAR	500'	81-1031
1/4" X 3/8"	RED	100'	81-1032
1/4" X 3/8"	BLUE	100'	81-1034
1/4" X 3/8"	GREEN	100'	81-1036
1/4" X 3/8"	YELLOW	100'	81-1038
3/8" X 1/2"	CLEAR	100'	81-1040
3/8" X 1/2"	CLEAR	500'	81-1041

ID x OD	Color	Length	Part #
1/8" X 1/4"	CLEAR	100'	81-2010
1/8" X 1/4"	CLEAR	500'	81-2011
1/8" X 1/4"	RED	100'	81-2012
1/8" X 1/4"	RED	500'	81-2013
1/8" X 1/4"	BLUE	100'	81-2014
1/8" X 1/4"	BLUE	500'	81-2015
1/8" X 1/4"	GREEN	100'	81-2016
1/8" X 1/4"	GREEN	500'	81-2017
1/8" X 1/4"	YELLOW	100'	81-2018
1/8" X 1/4"	YELLOW	500'	81-2019
3/16" X 5/16"	CLEAR	100'	81-2020
7/31" X 3/8"	CLEAR	100'	81-2027
1/4" X 3/8"	CLEAR	100'	81-2025
1/4" X 1/2"	CLEAR	100'	81-2040
5/16" X 7/16"	CLEAR	100'	81-2030
5/16" X 1/2"	CLEAR	100'	81-2041
5/16" X 1/2"	CLEAR	500'	81-2042
3/8" X 1/2"	CLEAR	100'	81-2044
3/8" X 9/16"	CLEAR	100'	81-2048
3/8" X 5/8"	CLEAR	100'	81-2050
1/2" X 11/16"	CLEAR	100'	81-2056
1/2" X 5/8"	CLEAR	100'	81-2054
1/2" X 5/8"	CLEAR	50'	81-2054-50
1/2" X 3/4"	CLEAR	100'	81-2062
9/16" X 3/4"	CLEAR	100'	81-2058
5/8" X 7/8"	CLEAR	100'	81-2060
3/4" X 1"	CLEAR	50'	81-2064
1" X 1 1/4"	CLEAR	50'	81-2066



Poly-Flex™ EVA is a blend of 85% ethyl vinyl acetate and polyethylene materials. The extrusion process produces a flexible smooth bore material that has good impact strength resistance at temperature ranges between -105°F and +160°F. EVA is resistant to oils and most acid/alkali chemical compounds. This tubing is recommended if you need high chemical resistance.

ID x OD	Color	Length	Part #
.08" x 1/8"	CLEAR	100'	81-3010
.170" X 1/4" X .04	CLEAR	100'	81-3011
1/8" X 1/4"	CLEAR	100'	81-3012
1/8" X 1/4"	RED	100'	81-3014R
1/8" X 1/4"	YELLOW	100'	81-3014Y
1/8" X 1/4"	BLUE	100'	81-3016
1/8" X 1/4"	GREEN	100'	81-3018
3/16" X 5/16"	CLEAR	100'	81-3020
1/4" X 3/8"	CLEAR	100'	81-3030
1/4" X 3/8"	CLEAR	500'	81-3030-5
1/4" X 3/8"	RED	100'	81-3032
1/4" X 3/8"	BLUE	100'	81-3034
1/4" X 3/8"	GREEN	100'	81-3036
1/4" X 3/8"	YELLOW	100'	81-3038
3/8" X 1/2"	CLEAR	100'	81-3040
1/2" X 5/8"	CLEAR	100'	81-3060
1/2" X 3/4"	CLEAR	100'	81-3062
5/8" x 3/4"	CLEAR	100'	81-3065
.170" x 1/4"	CLEAR	100'	81-3070
1" X 1 1/4"	CLEAR	100'	81-3080



Poly-Flex™ Reinforced Braided EVA is a high-quality reinforced hose designed to transport a wide variety of chemicals and other liquids. Constructed of EVA inner and outer tube with polyester textile yarn. Operating Temp. range of -50F to +125F.

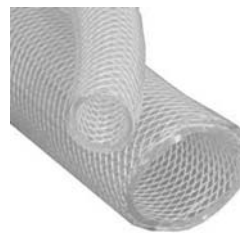
Recommended coupling of plastic or metal inserts with out sleeve, ferrule or clamps.

ID x OD	Color	Length	Part #
3/8" X .594"	CLEAR	100'	81-338
1/2" X .720"	CLEAR	100'	81-350



Poly-Flex™ Urethane is made of a tough, ester based polyurethane with high clarity, tear strength and excellent abrasion resistance. It has exceptional resistance to oils, greases, fuels and many other chemicals. Able to withstand rugged daily use, resists weathering and can be safely used in temperatures to 200°F (93°C). It meets FDA criteria for food and beverage use.

ID x OD	Color	Length	Part #
3/16" X 5/16"	CLEAR	100'	81-4020
1/4" X 3/8"	CLEAR	100'	81-4030
3/8" X 1/2"	CLEAR	100'	81-4040



Poly-Flex™ Reinforced Braided PVC is an open mesh polyester braiding permanently encapsulated in walls of clear, flexible PVC tubing. Offers far higher pressure capabilities than unreinforced PVC tubing

made from non-toxic ingredients conforming to USP Class VI and FDA standards. Mirror smooth interior allows outstanding flow characteristics with full visual flow provided by a crystal clear compound. It is corrosion and abrasion resistant with flexibility similar to rubber but with much longer life.

ID X OD	Color	Length	Part #
1/4" x .453"	CLEAR	BY THE FOOT	81-154
5/16" X .531"	CLEAR	BY THE FOOT	81-156
3/8" X .600"	CLEAR	BY THE FOOT	81-158
1/2" X .728"	CLEAR	BY THE FOOT	81-160
1/2" X .728"	CLEAR	500'	81-160-5
5/8" X .906"	CLEAR	BY THE FOOT	81-162
1" X 1.299"	CLEAR	BY THE FOOT	81-164



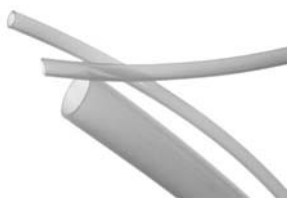
Dura PEX Tubing: This tubing is processed through an electron beam in order to enhance the mechanical properties over conventional polyethylene. Dura-Pex is pliable and can be easily straightened after removal from

the coil. Dura-Pex is chlorine resistant and has greater dimensional stability than other tubing. Dura-Pex requires fewer fittings than a traditional rigid plumbing system like copper and is easier to install.

Operating Pressure Limits:

- Water: 160 PSI @ 73° F
- 100 PSI @ 180° F
- 80 PSI @ 200° F

ID X OD	Color	Length	Part #
3/8" x .500"	WHITE	100'	81-5010-1
3/8" x .500"	BLUE	100'	81-5010-1B
3/8" x .500"	RED	100'	81-5010-1R
1/8" x 1/4"	WHITE	100'	81-5015-1
1/2" x .625"	WHITE	100'	81-5020-1
1/2" x .625"	BLUE	100'	81-5020-1B
1/2" x .625"	RED	100'	81-5020-1R
1/4" x .375"	WHITE	100'	81-5025-1
3/4" x .875"	WHITE	100'	81-7520-1
3/4" x .875"	RED	100'	81-7520-1R



Kynar PVDF tubing is a flexible, high grade Kynar PVDF tubing that is one of the purist of all commercial resins, making it ideal for applications where compliance to most

agency regulations is required. Nycoil tubing is one of the toughest tubing materials and offers extremely good chemical resistance. This tubing can be used where PTFE was once considered the only option at a fraction of the cost.

ID X OD	Color	Length	Part #
.170" X 1/4"	CLEAR	50'	81-4050
.170" X 1/4"	CLEAR	100'	81-4051
.275 X 3/8"	CLEAR	50'	81-4055
.275 X 3/8"	CLEAR	100'	81-4056
.375 X 1/2"	CLEAR	50'	81-4060
.375 X 1/2"	CLEAR	100'	81-4061



COPPER TUBING

Part #	Description
32-2025C	TUBING 1/4" COPPER 50' ROLL
32-2038C	TUBING 3/8" COPPER 50' ROLL



ALUMINUM TUBING

Part #	Description
32-2025A	TUBING 1/4" ALUMINUM 50' ROLL
32-2038A	TUBING 3/8" ALUMINUM 50' ROLL



NICKEL PLATED COPPERTUBING

Part #	Description
32-2025CNP	TUBING 1/4" COPPER/NICKEL PLATED 50' ROLL
32-2038CNP	TUBING 3/8" COPPER/NICKEL PLATED 50' ROLL



Hi-Chem™ (EPDM)

Manufactured from Ethylene Propylene Dieneterpolymer resins. EPDM exhibits high tensile strength & flexibility

with a low co-efficient of thermal expansion. It is resistant to UV radiation, weathering & microbes. It can be used with most weak to strong alkaline solutions and weak to medium acids.



Santoprene®

Offers good mechanical properties under a wide range of operating temperatures. Highly durable, it is resistant to

fatigue, ozone, ultraviolet, acids, alkalies, water, and most oils and lubricants. It has outstanding use with detergents and sanitizers. Color is natural (tan).



Flexon™(PVC)

A highly flexible PVC material that has superior elongation, high retention memory and flex qualities for extended peristaltic

pump tube application. Excellent chemical resistance to most chemical agents.



Norprene®

Fomulated to withstand extreme temperatures. Even following extended exposures to heat and ozone it will not crack or deteriorate, as commonly found when using traditional rubber tubing. Its excellent

flexural fatigue resistance makes it a good choice for use in peristaltic pumps often found in dispensing equipment. When harsh sanitizing solutions are used, it exhibits exceptional chemical resistance and is entirely unaffected by a wide variety of cleaning solutions.



Silicone

A peroxide cured silicone process is used to extrude a highly useful silicone tube. Surface properties, both inner and outer, resists sticking and encrustation. Silicone

will not support bacterial growth. The tubing is soft and pliable. Silicone can be used with most acid and alkaline solutions, but should not be used with solvents and oils. Highly recommended for "Rinse Aid" which tends to draw moisture from tubing and making it brittle. Silicone does not contain moisture.



Fluoro-viton

Is an ideal choice and top performer in a range of applications including automotive, chemical processing, aerospace and industrial markets. The rubber is ideal for these applications

because of its ability to resist high temperatures, destructive chemicals and harsh environments



Norprene® Bi-Wall

High performance co-extruded product specifically formulated to provide an ideal combination of chemical resistance and pump life. Its inert ultra-smooth plasticizer-

free bore resists the absorption/adsorption of aqueous fluids while the Norprene outer jacket provides long life in peristaltic pumps. The inner liner significantly increases the chemical resistance and allows for a broader range of usability. The tubing is virtually unaffected by acids, bases, salts, ketones and alcohols allowing its use in a wide range of chemical applications without the use of multiple tubing.



Tygoprene®

Tygoprene pump tubing is translucent in color and has excellent chemical resistance to a wide range of fluids, includig acids and bases. It also exhibits excellent resistance to ozone, oxygen

and sunlight aging. Tygoprene tubing can be considered an alternative to silcones and PVC when longer pump tubing life is required. Typical applications include soap and detergent delivery.

Note: All tubing material listed and chemical compatibility designated is meant only as a guide. Complete field testing should be performed to establish chemical compatibility and performance desired.

	Santoprene/Norprene	Hi-Chem (EPDM)	Silicone and Tygoprene	Fluoro-Viton	Poly-Flex Polyethylene	Poly-Flex PVC	Poly-Flex EVA	Flexon (PVC)	Norprene Bi-Wall
Strong Acids	G	G	G	G	G	P	G	G	F
Weak Acids	E	E	E	E	E	E	G	E	E
Strong Alkalines	G	G	E	G	E	G	E	G	E
Weak Alkalines	E	E	E	E	E	E	E	E	E
Oils	G	X	G	G	F	G	P	G	F
Solvents	F	F	X	G	F	F	F	P	E
Ketones	G	E	F	G	F	P	P	P	F
Ultraviolet (UV)	G/E	G	F	G	F	X	E	X	G
Chlorinated Water/ Hydro Carbons	G/E	F/G	F	E	G	G	G	G	E

E = Excellent
G = Good
F = Fair
P = Poor
X = Unsuitable

Possible Reasons Tube will fail.

1. Wrong size of tube.
2. Wrong tubing material used for the chemical application (change in formulation).
3. Pump rollers need to be replaced (most common reason).
4. Wrong lubrication material used or not used at all.
5. Tube has reached its useful longevity.
6. Length of supply tube is incorrect.
7. Length and size of the output tubing is incorrect.

Inches	Decimals	Inches	Decimals	Inches	Decimals
1/64	0.0156	11/32	0.3438	43/64	0.672
1/32	0.0313	23/64	0.3594	11/16	0.688
3/64	0.0469	3/8	0.3750	45/64	0.703
1/16	0.0625	25/64	0.3906	23/32	0.719
5/64	0.0781	13/32	0.4063	47/64	0.734
3/32	0.0938	27/64	0.4219	3/4	0.750
7/64	0.1094	7/16	0.4375	49/64	0.766
1/8	0.1250	29/64	0.4531	25/32	0.781
9/64	0.1406	15/32	0.4688	51/64	0.797
5/32	0.1563	31/64	0.4844	13/16	0.813
11/64	0.1719	1/2	0.5000	53/64	0.828
3/16	0.1875	33/64	0.5156	27/32	0.844
13/64	0.2031	17/32	0.5313	55/64	0.859
7/32	0.2188	35/64	0.5469	7/8	0.875
15/64	0.2344	9/16	0.5625	57/64	0.891
1/4	0.2500	37/64	0.5781	29/32	0.906
17/64	0.2656	19/32	0.5938	59/64	0.922
9/32	0.2813	39/64	0.6094	15/16	0.938
19/64	0.2969	5/8	0.6250	61/64	0.953
5/16	0.3125	41/64	0.6406	31/32	0.969
21/64	0.3281	21/32	0.6563	63/64	0.984

TCD Part # Identifications

- Santoprene (SA) Color-Tan
- Silicone (SIL) Color-Clear
- Poly-Sil (SIL) Color-Blue
- Hi-Chem EPDM (HC) Color-Black
- Fluoro-Viton (VT) Color-Black
- Flexon (FL) Color-Clear
- Norprene (NP) Color-Tan
- Norprene Bi-Wall (TP) Color-Tan
- Tygoprene (TGP) Color-Clear



Squeeze tube options for ADS/CMA Low Temp. Dishmachines, ADS Glasswasher, CMA Glasswasher (GL-X & GWX-200) & Undercounter machines.

Tubing Material	Length	ID	OD	Chemical Use	Part #
HI-CHEM™ (EPDM)	100'	.157"	.433"	DETERGENT, RINSE & SANITIZER	80-301-100HC
HI-CHEM™ (EPDM)	50'	.157"	.433"	DETERGENT, RINSE & SANITIZER	80-301-50HC
HI-CHEM™ (EPDM)	8"	.157"	.433"	DETERGENT, RINSE & SANITIZER	80-301-8HC
SANTOPRENE	100'	.157"	.433"	DETERGENT, RINSE & SANITIZER	80-301-100SA
SANTOPRENE	50'	.157"	.433"	DETERGENT, RINSE & SANITIZER	80-301-50SA
SANTOPRENE	8"	.157"	.433"	DETERGENT, RINSE & SANITIZER	80-301-8SA
SILICONE	100'	.157"	.433"	DETERGENT, RINSE & SANITIZER	80-301-100SIL
SILICONE	50'	.157"	.433"	DETERGENT, RINSE & SANITIZER	80-301-50SIL
SILICONE	8"	.157"	.433"	DETERGENT, RINSE & SANITIZER	80-301-8SIL
NORPRENE	100'	.157"	.433"	DETERGENT, RINSE & SANITIZER	80-301-100NP
NORPRENE	50'	.157"	.433"	DETERGENT, RINSE & SANITIZER	80-301-50NP
NORPRENE	8"	.157"	.433"	DETERGENT, RINSE & SANITIZER	80-301-8NP
NORPRENE® BI-WALL	50'	.157"	.433"	DETERGENT, RINSE & SANITIZER	80-301-50TP
NORPRENE® BI-WALL	8"	.157"	.433"	DETERGENT, RINSE & SANITIZER	80-301-8TP
FLUORO-VITON	BY FOOT	.157"	.433"	DETERGENT, RINSE & SANITIZER	80-301-VT
FLUORO-VITON	8"	.157"	.433"	DETERGENT, RINSE & SANITIZER	80-301-8VT
TYGOPRENE	50"	.157"	.433"	DETERGENT, RINSE & SANITIZER	80-301-50TGP
TYGOPRENE	8"	.157"	.433"	DETERGENT, RINSE & SANITIZER	80-301-8TGP
POLY-SIL	50'	.125"	.433"	RINSE-AID; COLOR LITE BLUE	80-302-50SIL
POLY-SIL	25'	.125"	.433"	RINSE-AID; COLOR LITE BLUE	80-302-25SIL
POLY-SIL	8"	.125"	.433"	RINSE-AID; COLOR LITE BLUE	80-302-8SIL



Squeeze tube for CMA Glasswashers (GL-C, GW-100, 181GW)

Tubing Material	Length	ID	OD	Chemical Use	Part #
ULTRA FLEX	5" (WITH 1/4" COMP FITTING)	1/16"	3/16"	DETERGENT, RINSE & SANITIZER	80-705BF4-5FLEX



Auto-Chlor



Squeeze tube options for Auto-Chlor Low Temp. Dishmachines.

Tube Material	Length	ID	OD	Chemical Use	Auto -Chlor #	Part #
SANTOPRENE	100'	1/8"	5/16"	DETERGENT/SANITIZER	513H	80-513-100SA
SANTOPRENE	50'	1/8"	5/16"	DETERGENT/SANITIZER	513H	80-513-50SA
SANTOPRENE	8"	1/8"	5/16"	DETERGENT/SANITIZER	513H	80-513-8SA
SILICONE	100'	1/8"	5/16"	RINSE	513J	80-513-100SIL
SILICONE	50'	1/8"	5/16"	RINSE	513J	80-513-50SIL
SILICONE	8"	1/8"	5/16"	RINSE	513J	80-513-8SIL
HI-CHEM™ (EPDM)	100'	1/4"	7/16"	DETERGENT/SANITIZER		80-018-100HC
HI-CHEM™ (EPDM)	50'	1/4"	7/16"	DETERGENT/SANITIZER		80-018-50HC
HI-CHEM™ (EPDM)	8"	1/4"	7/16"	DETERGENT/SANITIZER		80-018-8HC
SANTOPRENE	100'	1/4"	7/16"	DETERGENT/SANITIZER	513	80-018-100SA
SANTOPRENE	50'	1/4"	7/16"	DETERGENT/SANITIZER	513	80-018-50SA
SANTOPRENE	8"	1/4"	7/16"	DETERGENT/SANITIZER	513	80-018-8SA
SILICONE	100'	1/4"	7/16"	DETERGENT/SANITIZER		80-018-100SIL
SILICONE	50'	1/4"	7/16"	DETERGENT/SANITIZER		80-018-50SIL
SILICONE	8"	1/4"	7/16"	DETERGENT/SANITIZER		80-018-8SIL
NORPRENE BI-WALL	100'	3/16"	3/8"	DETERGENT	513K	80-780-100TP
NORPRENE BI-WALL	50'	3/16"	3/8"	DETERGENT	513K	80-780-50TP
NORPRENE BI-WALL	8"	3/16"	3/8"	DETERGENT	513K	80-780-8TP

"It takes a long time to grow an old friend."
 ~John Leonard

Squeeze tube options for Champion Low Temp Undercounter

Tubing Material	Length	ID	OD	Chemical Use	Part #
SANTOPRENE	9"	1/4"	3/8"	DETERGENT	80-740-9SA
SANTOPRENE	3.75"W/ CLAMPS	.2115"	.3064"	RINSE	80-630MD-4SA



Squeeze tube options for Champion High Temp Undercounter

Tubing Material	Length	ID	OD	Chemical Use	Machine	Part #
SANTOPRENE	9"	3/16"	3/8"	DETERGENT	ALL	80-780-9SA
TYGOPRENE	9"	3/16"	3/8"	DETERGENT	ALL	80-780-9TGP
SANTOPRENE	9"	1/8"	3/8"	RINSE	UH-200B, 200,170B, 170	80-710-9SA
SANTOPRENE	3.75"W/ CLAMPS	.2115"	.3064"	RINSE	UH-100B, UH-100, UL-100	80-630MD-4SA

Squeeze tube options for Champion Door Type Low Temp. Dishmachines

Tubing Material	Length	ID	OD	Chemical Use	Part #
SANTOPRENE	100'	3/16"	3/8"	DETERGENT, RINSE & SANITIZER	80-750-100SA
SANTOPRENE	50'	3/16"	3/8"	DETERGENT, RINSE & SANITIZER	80-750-50SA
SANTOPRENE	8"	3/16"	3/8"	DETERGENT, RINSE & SANITIZER	80-750-8SA
SILICONE	100'	3/16"	3/8"	DETERGENT, RINSE & SANITIZER	80-750-100SIL
SILICONE	50'	3/16"	3/8"	DETERGENT, RINSE & SANITIZER	80-750-50SIL
SILICONE	8"	3/16"	3/8"	DETERGENT, RINSE & SANITIZER	80-750-8SIL



Squeeze tube options for Champion Glasswasher (Pass Through & Rotary-type)

Tubing Material	Length	ID	OD	Chemical Use	Part #
SANTOPRENE	3.75"W/ CLAMPS	.2115"	.3064"	DETERGENT/SANITIZER	80-630MD-4SA
SANTOPRENE	3.75"	.2115"	.3064"	DETERGENT/SANITIZER	80-630-4SA
SANTOPRENE	3.75"W/ CLAMPS	.125"	.211"	RINSE	80-620MD-4SA
SANTOPRENE	3.75"	.125"	.211"	RINSE	80-620-4SA
SANTOPRENE	DETERGENT/RINSE/SANITIZER SET: ONE 80-620MD-4SA TWO 80-630MD-4SA 6 SNAP CLAMPS				80-623-SET



Squeeze tube options for Ecolab es2000/es400 Low Temp. Dishmachines.

Tubing Material	Length	ID	OD	Chemical Use	Part #
HI-CHEM™ (EPDM)	100'	3/16"	3/8"	DETERGENT, RINSE & SANITIZER	80-750-100HC
HI-CHEM™ (EPDM)	50'	3/16"	3/8"	DETERGENT, RINSE & SANITIZER	80-750-50HC
HI-CHEM™ (EPDM)	8"	3/16"	3/8"	DETERGENT, RINSE & SANITIZER	80-750-8HC
SANTOPRENE	100'	3/16"	3/8"	DETERGENT, RINSE & SANITIZER	80-750-100SA
SANTOPRENE	50'	3/16"	3/8"	DETERGENT, RINSE & SANITIZER	80-750-50SA
SANTOPRENE	8"	3/16"	3/8"	DETERGENT, RINSE & SANITIZER	80-750-8SA
SILICONE	100'	3/16"	3/8"	DETERGENT, RINSE & SANITIZER	80-750-100SIL
SILICONE	50'	3/16"	3/8"	DETERGENT, RINSE & SANITIZER	80-750-50SIL
SILICONE	8"	3/16"	3/8"	DETERGENT, RINSE & SANITIZER	80-750-8SIL
FLUORO-VITON	BY THE FOOT	3/16"	3/8"	DETERGENT, RINSE & SANITIZER	80-750-VT
FLUORO-VITON	8"	3/16"	3/8"	DETERGENT, RINSE & SANITIZER	80-750-8VT



Squeeze tube options for Jackson Conserver (XL & XL2)



Tubing Material	Length	ID	OD	Chemical Use	Part #
HI-CHEM™ (EPDM)	100'	3/16"	3/8"	DETERGENT, RINSE & SANITIZER	80-780-100HC
HI-CHEM™ (EPDM)	50'	3/16"	3/8"	DETERGENT, RINSE & SANITIZER	80-780-50HC
HI-CHEM™ (EPDM)	9"	3/16"	3/8"	DETERGENT, RINSE & SANITIZER	80-780-9HC
SANTOPRENE	100'	3/16"	3/8"	DETERGENT, RINSE & SANITIZER	80-780-100SA
SANTOPRENE	50'	3/16"	3/8"	DETERGENT, RINSE & SANITIZER	80-780-50SA
SANTOPRENE	9"	3/16"	3/8"	DETERGENT, RINSE & SANITIZER	80-780-9SA
SILICONE	100'	3/16"	3/8"	DETERGENT, RINSE & SANITIZER	80-780-100SIL
SILICONE	50'	3/16"	3/8"	DETERGENT, RINSE & SANITIZER	80-780-50SIL
SILICONE	9"	3/16"	3/8"	DETERGENT, RINSE & SANITIZER	80-780-9SIL
FLUORO-VITON	BY THE FOOT	3/16"	3/8"	DETERGENT, RINSE & SANITIZER	80-780-VT
FLUORO-VITON	9"	3/16"	3/8"	DETERGENT, RINSE & SANITIZER	80-780-9VT
TYGOPRENE	50'	3/16"	3/8"	DETERGENT, RINSE & SANITIZER	80-780-50TGP
TYGOPRENE	9"	3/16"	3/8"	DETERGENT, RINSE & SANITIZER	80-780-9TGP



Squeeze tube options for Jackson Glasswasher Delta (5 & 1200) & Undercounter Avenger HT & LT.
 (Rinse tube currently not available for Glasswashers & Avenger HT)



Tubing Material	Length	ID	OD	Chemical Use	Part #
HI-CHEM™ (EPDM)	100'	3/16"	3/8"	DETERGENT & SANITIZER	80-780-100HC
HI-CHEM™ (EPDM)	50'	3/16"	3/8"	DETERGENT & SANITIZER	80-780-50HC
HI-CHEM™ (EPDM)	9"	3/16"	3/8"	DETERGENT & SANITIZER	80-780-9HC
SANTOPRENE	100'	3/16"	3/8"	DETERGENT & SANITIZER	80-780-100SA
SANTOPRENE	50'	3/16"	3/8"	DETERGENT & SANITIZER	80-780-50SA
SANTOPRENE	9"	3/16"	3/8"	DETERGENT & SANITIZER	80-780-9SA
SILICONE	100'	3/16"	3/8"	DETERGENT & SANITIZER	80-780-100SIL
SILICONE	50'	3/16"	3/8"	DETERGENT & SANITIZER	80-780-50SIL
SILICONE	9"	3/16"	3/8"	DETERGENT & SANITIZER	80-780-9SIL
FLUORO-VITON	BY THE FOOT	3/16"	3/8"	DETERGENT & SANITIZER	80-780-VT
FLUORO-VITON	9"	3/16"	3/8"	DETERGENT & SANITIZER	80-780-9VT
TYGOPRENE	50'	3/16"	3/8"	DETERGENT & SANITIZER	80-780-50TGP
TYGOPRENE	9"	3/16"	3/8"	DETERGENT & SANITIZER	80-780-9TGP

Squeeze tube options for Hobart Low Temp. Dishmachines

Tube Material	Length	ID	OD	Chemical Use	Part #
HI-CHEM™ (EPDM)	100'	3/16"	3/8"	DETERGENT, RINSE & SANITIZER	80-780-100HC
HI-CHEM™ (EPDM)	50'	3/16"	3/8"	DETERGENT, RINSE & SANITIZER	80-780-50HC
HI-CHEM™ (EPDM)	9"	3/16"	3/8"	DETERGENT, RINSE & SANITIZER	80-780-9HC
SANTOPRENE	100'	3/16"	3/8"	DETERGENT, RINSE & SANITIZER	80-780-100SA
SANTOPRENE	50'	3/16"	3/8"	DETERGENT, RINSE & SANITIZER	80-780-50SA
SANTOPRENE	9"	3/16"	3/8"	DETERGENT, RINSE & SANITIZER	80-780-9SA
SILICONE	100'	3/16"	3/8"	DETERGENT, RINSE & SANITIZER	80-780-100SIL
SILICONE	50'	3/16"	3/8"	DETERGENT, RINSE & SANITIZER	80-780-50SIL
SILICONE	9"	3/16"	3/8"	DETERGENT, RINSE & SANITIZER	80-780-9SIL
FLUORO-VITON	BY THE FOOT	3/16"	3/8"	DETERGENT, RINSE & SANITIZER	80-780-VT
FLUORO-VITON	9"	3/16"	3/8"	DETERGENT, RINSE & SANITIZER	80-780-9VT
TYGOPRENE	50'	3/16"	3/8"	DETERGENT, RINSE & SANITIZER	80-780-50TGP
TYGOPRENE	9"	3/16"	3/8"	DETERGENT, RINSE & SANITIZER	80-780-9TGP



Squeeze tube options for Knight KLE Low-Temp. Dishmachines.

Tube Material	Length	ID	OD	Chemical Use	Material Code	Part #
HI-CHEM™ (EPDM)	100'	1/4"	1/2"	DETERGENT	T-50E	80-050-100HC
HI-CHEM™ (EPDM)	50'	1/4"	1/2"	DETERGENT	T-50E	80-050-50HC
HI-CHEM™ (EPDM)	11"	1/4"	1/2"	DETERGENT	T-50E	80-050-11HC
HI-CHEM™ (EPDM)	100'	3/16"	1/2"	RINSE/SANITIZER	T-53E	80-053-100HC
HI-CHEM™ (EPDM)	50"	3/16"	1/2"	RINSE/SANITIZER	T-53E	80-053-50HC
HI-CHEM™ (EPDM)	11"	3/16"	1/2"	RINSE/SANITIZER	T-53E	80-053-11HC
HI-CHEM™ (EPDM)	100'	1/8"	1/2"	RINSE	T-51E	80-715-100HC
HI-CHEM™ (EPDM)	50'	1/8"	1/2"	RINSE	T-51E	80-715-50HC
HI-CHEM™ (EPDM)	11"	1/8"	1/2"	RINSE	T-51E	80-715-11HC
SANTOPRENE	100'	1/4"	1/2"	DETERGENT	T-50T	80-050-100SA
SANTOPRENE	50'	1/4"	1/2"	DETERGENT	T-50T	80-050-50SA
SANTOPRENE	11"	1/4"	1/2"	DETERGENT	T-50T	80-050-11SA
SANTOPRENE	100'	3/16"	1/2"	RINSE/SANITIZER	T-53T	80-053-100SA
SANTOPRENE	50'	3/16"	1/2"	RINSE/SANITIZER	T-53T	80-053-50SA
SANTOPRENE	11"	3/16"	1/2"	RINSE/SANITIZER	T-53T	80-053-11SA
SANTOPRENE	100'	1/8"	1/2"	RINSE	T-51T	80-715-100SA
SANTOPRENE	50'	1/8"	1/2"	RINSE	T-51T	80-715-50SA
SANTOPRENE	11"	1/8"	1/2"	RINSE	T-51T	80-715-11SA
SILICONE	100'	1/4"	1/2"	DETERGENT	T-50M	80-050-100SIL
SILICONE	50'	1/4"	1/2"	DETERGENT	T-50M	80-050-50SIL
SILICONE	11"	1/4"	1/2"	DETERGENT	T-50M	80-050-11SIL
SILICONE	100'	3/16"	1/2"	RINSE/SANITIZER	T-53M	80-053-100SIL
SILICONE	50	3/16"	1/2"	RINSE/SANITIZER	T-53M	80-053-50SIL
SILICONE	11"	3/16"	1/2"	RINSE/SANITIZER	T-53M	80-053-11SIL
SILICONE	100'	1/8"	1/2"	RINSE	T-51M	80-715-100SIL
SILICONE	50'	1/8"	1/2"	RINSE	T-51M	80-715-50SIL
SILICONE	11"	1/8"	1/2"	RINSE	T-51M	80-715-11SIL





Squeeze tube options for Moyer Diebel Glasswashers - Pass Through & Rotary-Type. (SW400M5, SW600M5, DFM7, DFM7-1, DM7-2).



Tubing Material	Length	ID	OD	Chemical Use	Part #
SANTOPRENE	3.75"W/ CLAMPS	.2115"	.3064"	DETERGENT/SANITIZER	80-630MD-4SA
SANTOPRENE	3.75"	.2115"	.3064"	DETERGENT/SANITIZER	80-630-4SA
SANTOPRENE	3.75"W/ CLAMPS	.125"	.211"	RINSE	80-620MD-4SA
SANTOPRENE	3.75"	.125"	.211"	RINSE	80-620-4SA
SANTOPRENE	DETERGENT/RINSE/SANITIZER SET: ONE 80-620MD-4SA TWO 80-630MD-4SA 6 SNAP CLAMPS				80-623-SET



Squeeze tube options for Moyer Diebel Glasswasher - Automatic. (MD18-1 & MD 18-2)

Tubing Material	Length	ID	OD	Chemical Use	Part #
HI-CHEM™ (EPDM)	9"	3/16"	3/8"	DETERGENT	80-780-9HC
SANTOPRENE	3.75"	.2115"	.3064"	SANITIZER/RINSE	80-630-4SA
SANTOPRENE	3.75"W/ CLAMPS	.2115"	.3064"	SANITIZER/RINSE	80-630MD-4SA



Squeeze tube options for Moyer Diebel Undercounter (201, 401, & 501).

Tubing Material	Length	ID	OD	Chemical Use	Part #
SANTOPRENE	9"	1/4"	3/8"	DETERGENT/SANITIZER	80-740-9SA
SANTOPRENE	3.75"	.2115"	.3064"	RINSE	80-630-4SA
SANTOPRENE	3.75"W/ CLAMPS	.2115"	.3064"	RINSE	80-630MD-4SA

Squeeze tube options for Stero Low Temp. Dishmachines.

Tubing Material	Length	ID	OD	Chemical Use	Part #
HI-CHEM™ (EPDM)	100'	3/16"	3/8"	DETERGENT, RINSE & SANITIZER	80-780-100HC
HI-CHEM™ (EPDM)	50'	3/16"	3/8"	DETERGENT, RINSE & SANITIZER	80-780-50HC
HI-CHEM™ (EPDM)	9"	3/16"	3/8"	DETERGENT, RINSE & SANITIZER	80-780-9HC
SANTOPRENE	100'	3/16"	3/8"	DETERGENT, RINSE & SANITIZER	80-780-100SA
SANTOPRENE	50'	3/16"	3/8"	DETERGENT, RINSE & SANITIZER	80-780-50SA
SANTOPRENE	9"	3/16"	3/8"	DETERGENT, RINSE & SANITIZER	80-780-9SA
SILICONE	100'	3/16"	3/8"	DETERGENT, RINSE & SANITIZER	80-780-100SIL
SILICONE	50'	3/16"	3/8"	DETERGENT, RINSE & SANITIZER	80-780-50SIL
SILICONE	9"	3/16"	3/8"	DETERGENT, RINSE & SANITIZER	80-780-9SIL
FLUORO-VITON	BY THE FOOT	3/16"	3/8"	DETERGENT, RINSE & SANITIZER	80-780-VT
FLUORO-VITON	9"	3/16"	3/8"	DETERGENT, RINSE & SANITIZER	80-780-9VT
TYGOPRENE	50'	3/16"	3/8"	DETERGENT, RINSE & SANITIZER	80-780-50TGP
TYGOPRENE	9"	3/16"	3/8"	DETERGENT, RINSE & SANITIZER	80-780-9TGP





EPDM tube with Beta Fittings

Squeeze tubes for Beta D3000, Tahoe, Sierra, SingleShot, DR-2000, LS-2000 & NS-1000E dispensers.

Tubing Material	Length	ID	OD	Chemical Use	Part # w/o Fittings	Part # with Fittings
HI-CHEM™ (EPDM)	100'	1/16"	3/16"	RINSE	80-705-100HC	
HI-CHEM™ (EPDM)	50'	1/16"	3/16"	RINSE	80-705-50HC	
HI-CHEM™ (EPDM)	5 1/4"	1/16"	3/16"	RINSE	80-705-5HC	80-705BF8-5HC (1/8")
HI-CHEM™ (EPDM)	100'	1/8"	1/4"	SANITIZER	80-708-100HC	
HI-CHEM™ (EPDM)	50'	1/8"	1/4"	SANITIZER	80-708-50HC	
HI-CHEM™ (EPDM)	5 1/4"	1/8"	1/4"	SANITIZER	80-708-5HC	80-708BF4-5HC (1/4")
HI-CHEM™ (EPDM)	100'	3/16"	5/16"	DETERGENT	80-720-100HC	
HI-CHEM™ (EPDM)	50'	3/16"	5/16"	DETERGENT	80-720-50HC	
HI-CHEM™ (EPDM)	5 1/4"	3/16"	5/16"	DETERGENT	80-720-5HC	80-720BF4-5HC (1/4")
SANTOPRENE	100'	1/16"	3/16"	RINSE	80-705-100SA	
SANTOPRENE	50'	1/16"	3/16"	RINSE	80-705-50SA	
SANTOPRENE	5 1/4"	1/16"	3/16"	RINSE	80-705-5SA	80-705BF8-5SA (1/8")
SANTOPRENE	100'	1/8"	1/4"	SANITIZER	80-708-100SA	
SANTOPRENE	50'	1/8"	1/4"	SANITIZER	80-708-50SA	
SANTOPRENE	5 1/4"	1/8"	1/4"	SANITIZER	80-708-5SA	80-708BF4-5SA (1/4")
SANTOPRENE	100'	3/16"	5/16"	DETERGENT	80-720-100SA	
SANTOPRENE	50'	3/16"	5/16"	DETERGENT	80-720-50SA	
SANTOPRENE	5 1/4"	3/16"	5/16"	DETERGENT	80-720-5SA	80-720BF4-5SA (1/4")
SILICONE	100'	1/16"	3/16"	RINSE	80-705-100SIL	
SILICONE	50'	1/16"	3/16"	RINSE	80-705-50SIL	
SILICONE	5 1/4"	1/16"	3/16"	RINSE	80-705-5SIL	80-705BF8-5SIL
SILICONE	100'	1/8"	1/4"	SANITIZER	80-708-100SIL	
SILICONE	50'	1/8"	1/4"	SANITIZER	80-708-50SIL	
SILICONE	5 1/4"	1/8"	1/4"	SANITIZER	80-708-5SIL	80-708BF4-5SIL
SILICONE	100'	3/16"	5/16"	DETERGENT	80-720-100SIL	
SILICONE	50'	3/16"	5/16"	DETERGENT	80-720-50SIL	
SILICONE	5 1/4"	3/16"	5/16"	DETERGENT	80-720-5SIL	80-720BF4-5SIL
Tubing Material	Length	ID	OD	Chemical Use	Beta #	TCD Part #
ULTRA-FLEX	5"	1/16"	3/16"	RINSE	092849	80-705BF8-5FLEX
ULTRA-FLEX	5"	1/16"	3/16"	RINSE	1205464	80-705BF4-5FLEX
ULTRA-FLEX	5"	1/16"	3/16"	RINSE	1206792	80-705BF48-5FLEX
ULTRA-FLEX	5"	1/8"	1/4"	SANITIZER	1203652	80-708BF4-5FLEX
ULTRA-FLEX	5"	1/8"	1/4"	SANITIZER	NA	80-708BF8-5FLEX
ULTRA-FLEX	5 1/4"	3/16"	5/16"	DETERGENT	069872	80-720BF4-5FLEX



Squeeze tubes for Beta 8 oz. pump H-3000E. Note that no fittings are needed on this dispenser.

Tubing Material	Length	ID	OD	Chemical Use	Part #
HI-CHEM™ (EPDM)	100'	.170"	.413"	SANITIZER	80-022-100HC
HI-CHEM™ (EPDM)	50'	.170"	.413"	SANITIZER	80-022-50HC
HI-CHEM™ (EPDM)	9"	.170"	.413"	SANITIZER	80-022-9HC
HI-CHEM™ (EPDM)	100'	1/8"	3/8"	RINSE	80-710-100HC
HI-CHEM™ (EPDM)	50'	1/8"	3/8"	RINSE	80-710-50HC
HI-CHEM™ (EPDM)	9"	1/8"	3/8"	RINSE	80-710-9HC
HI-CHEM™ (EPDM)	9"	3/16"	3/8"	DETERGENT	80-780-100HC
HI-CHEM™ (EPDM)	9"	3/16"	3/8"	DETERGENT	80-780-50HC
HI-CHEM™ (EPDM)	9"	3/16"	3/8"	DETERGENT	80-780-9HC
SANTOPRENE	100'	.170"	.413"	SANITIZER	80-022-100SA
SANTOPRENE	50'	.170"	.413"	SANITIZER	80-022-50SA
SANTOPRENE	9"	.170"	.413"	SANITIZER	80-022-9SA
SANTOPRENE	100'	1/8"	3/8"	RINSE	80-710-100SA
SANTOPRENE	50'	1/8"	3/8"	RINSE	80-710-50SA
SANTOPRENE	9"	1/8"	3/8"	RINSE	80-710-9SA
SANTOPRENE	100'	3/16"	3/8"	DETERGENT	80-780-100SA
SANTOPRENE	50'	3/16"	3/8"	DETERGENT	80-780-50SA
SANTOPRENE	9"	3/16"	3/8"	DETERGENT	80-780-9SA
SILICONE	100'	.170"	.413"	SANITIZER	80-020-100SIL
SILICONE	50'	.170"	.413"	SANITIZER	80-020-50SIL
SILICONE	9"	.170"	.413"	SANITIZER	80-020-9SIL
SILICONE	100'	1/8"	3/8"	RINSE	80-710-100SIL
SILICONE	50'	1/8"	3/8"	RINSE	80-710-50SIL
SILICONE	9"	1/8"	3/8"	RINSE	80-710-9SIL
SILICONE	100'	3/16"	3/8"	DETERGENT	80-780-100SIL
SILICONE	50'	3/16"	3/8"	DETERGENT	80-780-50SIL
SILICONE	9"	3/16"	3/8"	DETERGENT	80-780-9SIL
FLUORO-VITON	BY THE FOOT	3/16"	3/8"	DETERGENT	80-780-100VT
FLUORO-VITON	9"	3/16"	3/8"	DETERGENT	80-780-9VT



Tubing Material	Chemical Use	ID	Dispensers	Fittings	TCD Part #
SILICONE	DETERGENT	6 MM	BRIGHTLOGIC D1/D2	QUICK CONNECT	BW-XSB301Q
BRIGHT CHEM	DETERGENT	6 MM	BRIGHTLOGIC D1/D2	QUICK CONNECT	BW-XSB34Q



Squeeze tube options for Dema Nitro, Nitro Express, Top Shot, Olympian , & Squirt.

Tubing Material	Length	ID	OD	Description	Part #
HI-CHEM™ (EPDM)	5"	3/16"	3/8"	WITH FITTINGS	80-780DF-5HC
HI-CHEM™ (EPDM)	5"	3/16"	3/8"	W/O FITTINGS	80-780-5HC



EPDM tube with Dema Fittings

Squeeze tube options for Dema Master NE & Titan dispensers.

Tubing Material	Length	ID	OD	Chemical Use	Part #
HI-CHEM™ (EPDM)	100'	1/4"	7/16"	DETERGENT/SANITIZER	80-018-100HC
HI-CHEM™ (EPDM)	50'	1/4"	7/16"	DETERGENT/SANITIZER	80-018-50HC
HI-CHEM™ (EPDM)	6 1/2"	1/4"	7/16"	DETERGENT/SANITIZER	80-018-6HC
HI-CHEM™ (EPDM)	6 1/2"	1/4"	7/16"	DETERGENT/SANITIZER W/ FITTINGS	80-018DF-6HC
HI-CHEM™ (EPDM)	100'	1/8"	3/8"	RINSE	80-710-100HC
HI-CHEM™ (EPDM)	50'	1/8"	3/8"	RINSE	80-710-50HC
HI-CHEM™ (EPDM)	6 1/2"	1/8"	3/8"	RINSE	80-710-6HC
HI-CHEM™ (EPDM)	6 1/2"	1/8"	3/8"	RINSE W/ FITTINGS	80-710DF-6HC
SANTOPRENE	100'	1/4"	7/16"	DETERGENT/SANITIZER	80-018-100SA
SANTOPRENE	50'	1/4"	7/16"	DETERGENT/SANITIZER	80-018-50SA
SANTOPRENE	6 1/2"	1/4"	7/16"	DETERGENT/SANITIZER	80-018-6SA
SANTOPRENE	6 1/2"	1/4"	7/16"	DETERGENT/SANITIZER W/ FITTINGS	80-018DF-6SA
SANTOPRENE	100'	1/8"	3/8"	RINSE	80-710-100SA
SANTOPRENE	50'	1/8"	3/8"	RINSE	80-710-50SA
SANTOPRENE	6 1/2"	1/8"	3/8"	RINSE	80-710-6SA
SANTOPRENE	6 1/2"	1/8"	3/8"	RINSE W/ FITTINGS	80-710DF-6SA
SILICONE	100'	1/4"	7/16"	DETERGENT/SANITIZER	80-018-100SIL
SILICONE	50'	1/4"	7/16"	DETERGENT/SANITIZER	80-018-50SIL
SILICONE	6 1/2"	1/4"	7/16"	DETERGENT/SANITIZER	80-018-6SIL
SILICONE	6 1/2"	1/4"	7/16"	DETERGENT/SANITIZER W/ FITTINGS	80-018DF-6SIL
SILICONE	100'	1/8"	3/8"	RINSE	80-710-100SIL
SILICONE	50'	1/8"	3/8"	RINSE	80-710-50SIL
SILICONE	6 1/2"	1/8"	3/8"	RINSE	80-710-6SIL
SILICONE	6 1/2"	1/8"	3/8"	RINSE W/ FITTINGS	80-710DF-6SIL
FLUORO-VITON	BY THE FOOT	1/4"	7/16"	DETERGENT/SANITIZER	80-018-VT
FLUORO-VITON	6 1/2"	1/4"	7/16"	DETERGENT/SANITIZER	80-018-6VT
FLUORO-VITON	6 1/2"	1/4"	7/16"	DETERGENT/SANITIZER W/FITTINGS	80-018DF-6VT
TYGOPRENE	50'	1/4"	7/16"	DETERGENT/SANITIZER	80-018-50TGP
TYGOPRENE	6 1/2"	1/4"	7/16"	DETERGENT/SANITIZER	80-018-6TGP
TYGOPRENE	6 1/2"	1/4"	7/16"	DETERGENT/SANITIZER W/ FITTINGS	80-018DF-6TGP





Glastender.

Squeeze tube options for Glastender glasswasher machines.

Tubing Material	Length	ID	OD	Chemical Use	Part #
HI-CHEM™ (EPDM)	100'	1/16"	3/16"	RINSE	80-705-100HC
HI-CHEM™ (EPDM)	50'	1/16"	3/16"	RINSE	80-705-50HC
HI-CHEM™ (EPDM)	5 1/4"	1/16"	3/16"	RINSE	80-705-5HC
HI-CHEM™ (EPDM)	5 1/4"	1/16"	3/16"	RINSE W/ 1/4" FITTINGS	80-705BF4-5HC
HI-CHEM™ (EPDM)	100'	1/8"	1/4"	SANITIZER	80-708-100HC
HI-CHEM™ (EPDM)	50'	1/8"	1/4"	SANITIZER	80-708-50HC
HI-CHEM™ (EPDM)	5 1/4"	1/8"	1/4"	SANITIZER	80-708-5HC
HI-CHEM™ (EPDM)	5 1/4"	1/8"	1/4"	SANITIZER W/ 1/8" FITTINGS	80-708BF8-5HC
HI-CHEM™ (EPDM)	100'	3/16"	5/16"	DETERGENT	80-720-100HC
HI-CHEM™ (EPDM)	50'	3/16"	5/16"	DETERGENT	80-720-50HC
HI-CHEM™ (EPDM)	5 1/4"	3/16"	5/16"	DETERGENT	80-720-5HC
HI-CHEM™ (EPDM)	5 1/4"	3/16"	5/16"	DETERGENT W/ 1/4" FITTING	80-720BF4-5HC

Tubing Material	Length	ID	OD	Chemical Use	Part #
SILICONE	100'	1/16"	3/16"	RINSE	80-705-100SIL
SILICONE	50'	1/16"	3/16"	RINSE	80-705-50SIL
SILICONE	5 1/4"	1/16"	3/16"	RINSE	80-705-5SIL
SILICONE	5 1/4"	1/16"	3/16"	RINSE W/ 1/4" FITTINGS	80-705BF4-5SIL
SILICONE	100'	1/8"	1/4"	SANITIZER	80-708-100SIL
SILICONE	50'	1/8"	1/4"	SANITIZER	80-708-50SIL
SILICONE	5 1/4"	1/8"	1/4"	SANITIZER	80-708-5SIL
SILICONE	5 1/4"	1/8"	1/4"	SANITIZER W/ 1/8" FITTINGS	80-708BF8-5SIL
SILICONE	100'	3/16"	5/16"	DETERGENT	80-720-100SIL
SILICONE	50'	3/16"	5/16"	DETERGENT	80-720-50SIL
SILICONE	5 1/4"	3/16"	5/16"	DETERGENT	80-720-5SIL
SILICONE	5 1/4"	3/16"	5/16"	DETERGENT W/ 1/4" FITTING	80-720BF4-5SIL

Continues on next page.....

Glastender.



Squeeze tube options for Glastender glasswasher machines.

Tubing Material	Length	ID	OD	Chemical Use	Part #
SANTOPRENE	100'	1/16"	3/16"	RINSE	80-705-100SA
SANTOPRENE	50'	1/16"	3/16"	RINSE	80-705-50SA
SANTOPRENE	5 1/4"	1/16"	3/16"	RINSE	80-705-5SA
SANTOPRENE	5 1/4"	1/16"	3/16"	RINSE W/ 1/4" FITTINGS	80-705BF4-5SA
SANTOPRENE	100'	1/8"	1/4"	SANITIZER	80-708-100SA
SANTOPRENE	50'	1/8"	1/4"	SANITIZER	80-708-50SA
SANTOPRENE	5 1/4"	1/8"	1/4"	SANITIZER	80-708-5SA
SANTOPRENE	5 1/4"	1/8"	1/4"	SANITIZER W/ 1/8" FITTINGS	80-708BF8-5SA
SANTOPRENE	100'	3/16"	5/16"	DETERGENT	80-720-100SA
SANTOPRENE	50'	3/16"	5/16"	DETERGENT	80-720-50SA
SANTOPRENE	5 1/4"	3/16"	5/16"	DETERGENT	80-720-5SA
SANTOPRENE	5 1/4"	3/16"	5/16"	DETERGENT W/ 1/4" FITTING	80-720BF4-5SA

Tubing Material	Length	ID	OD	Chemical Use	Part #
FLEXON™	100'	1/16"	3/16"	RINSE	80-705-100FL
FLEXON™	50'	1/16"	3/16"	RINSE	80-705-50FL
FLEXON™	5 1/4"	1/16"	3/16"	RINSE	80-705-5FL
FLEXON™	5 1/4"	1/16"	3/16"	RINSE W/ 1/4" FITTINGS	80-705BF4-5FL
FLEXON™	100'	1/8"	1/4"	SANITIZER	80-708-100FL
FLEXON™	50'	1/8"	1/4"	SANITIZER	80-708-50FL
FLEXON™	5 1/4"	1/8"	1/4"	SANITIZER	80-708-5FL
FLEXON™	5 1/4"	1/8"	1/4"	SANITIZER W/ 1/8" FITTINGS	80-708BF8-5FL
FLEXON™	100'	3/16"	5/16"	DETERGENT	80-720-100FL
FLEXON™	50'	3/16"	5/16"	DETERGENT	80-720-50FL
FLEXON™	5 1/4"	3/16"	5/16"	DETERGENT	80-720-5FL
FLEXON™	5 1/4"	3/16"	5/16"	DETERGENT W/ 1/4" FITTING	80-720BF4-5FL



Squeeze tube options for Knight 500 Series Pumps - Micro Pro II, Digiset, Unitech, ProWatch & UMP Series dispensers.

Tube Material	Length	ID	OD	Chemical Use	Material Code	Part #
HI-CHEM™ (EPDM)	100'	1/4"	1/2"	DETERGENT	T-50E	80-050-100HC
HI-CHEM™ (EPDM)	50'	1/4"	1/2"	DETERGENT	T-50E	80-050-50HC
HI-CHEM™ (EPDM)	11"	1/4"	1/2"	DETERGENT	T-50E	80-050-11HC
HI-CHEM™ (EPDM)	100'	3/16"	1/2"	SANITIZER	T-53E	80-053-100HC
HI-CHEM™ (EPDM)	50'	3/16"	1/2"	SANITIZER	T-53E	80-053-50HC
HI-CHEM™ (EPDM)	11"	3/16"	1/2"	SANITIZER	T-53E	80-053-11HC
HI-CHEM™ (EPDM)	100'	1/8"	1/2"	RINSE	T-51E	80-715-100HC
HI-CHEM™ (EPDM)	50'	1/8"	1/2"	RINSE	T-51E	80-715-50HC
HI-CHEM™ (EPDM)	11"	1/8"	1/2"	RINSE	T-51E	80-715-11HC

Tube Material	Length	ID	OD	Chemical Use	Material Code	Part #
SANTOPRENE	100'	1/4"	1/2"	DETERGENT	T-50T	80-050-100SA
SANTOPRENE	50'	1/4"	1/2"	DETERGENT	T-50T	80-050-50SA
SANTOPRENE	11"	1/4"	1/2"	DETERGENT	T-50T	80-050-11SA
SANTOPRENE	100'	3/16"	1/2"	SANITIZER	T-53T	80-053-100SA
SANTOPRENE	50'	3/16"	1/2"	SANITIZER	T-53T	80-053-50SA
SANTOPRENE	11"	3/16"	1/2"	SANITIZER	T-53T	80-053-11SA
SANTOPRENE	100'	1/8"	1/2"	RINSE	T-51T	80-715-100SA
SANTOPRENE	50'	1/8"	1/2"	RINSE	T-51T	80-715-50SA
SANTOPRENE	11"	1/8"	1/2"	RINSE	T-51T	80-715-11SA

Tube Material	Length	ID	OD	Chemical Use	Material Code	Part #
TYGOPRENE	50'	1/4"	1/2"	DETERGENT	T-50TP	80-050-50TGP
TYGOPRENE	11"	1/4"	1/2"	DETERGENT	T-50TP	80-050-11TGP

Continues on next page.....



Squeeze tube options for Knight 500 Series Pumps - Micro Pro II, DigiSet, Unitech, ProWatch & UMP Series dispensers.

Material Code	Length	ID	OD	Chemical Use	Material Code	Part #
SILICONE	100'	1/4"	1/2"	DETERGENT	T-50M	80-050-100SIL
SILICONE	50'	1/4"	1/2"	DETERGENT	T-50M	80-050-50SIL
SILICONE	11"	1/4"	1/2"	DETERGENT	T-50M	80-050-11SIL
SILICONE	100'	3/16"	1/2"	SANITIZER	T-53M	80-053-100SIL
SILICONE	50'	3/16"	1/2"	SANITIZER	T-53M	80-053-50SIL
SILICONE	11"	3/16"	1/2"	SANITIZER	T-53M	80-053-11SIL
SILICONE	100'	1/8"	1/2"	RINSE	T-51M	80-715-100SIL
SILICONE	50'	1/8"	1/2"	RINSE	T-51M	80-715-50SIL
SILICONE	11"	1/8"	1/2"	RINSE	T-51M	80-715-11SIL

Material Code	Length	ID	OD	Chemical Use	Material Code	Part #
FLUORO-VITON	BY THE FOOT	1/4"	1/2"	DETERGENT	T-50F	80-050-VT
FLUORO-VITON	11"	1/4"	1/2"	DETERGENT	T-50F	80-050-11VT
FLUORO-VITON	BY THE FOOT	3/16"	1/2"	SANITIZER	T-53F	80-053-VT
FLUORO-VITON	11"	3/16"	1/2"	SANITIZER	T-53F	80-053-11VT
FLUORO-VITON	BY THE FOOT	1/8"	1/2"	RINSE	T-51F	80-715-VT
FLUORO-VITON	11"	1/8"	1/2"	RINSE	T-51F	80-715-11VT

Material Code	Length	ID	OD	Chemical Use	Material Code	Part #
NORPRENE® BI-WALL	100'	1/4"	1/2"	DETERGENT	NA	80-050-100TP
NORPRENE® BI-WALL	50'	1/4"	1/2"	DETERGENT	NA	80-050-50TP
NORPRENE® BI-WALL	11"	1/4"	1/2"	DETERGENT	NA	80-050-11TP
NORPRENE® BI-WALL	100'	3/16"	1/2"	SANITIZER	NA	80-053-100TP
NORPRENE® BI-WALL	50'	3/16"	1/2"	SANITIZER	NA	80-053-50TP
NORPRENE® BI-WALL	11"	3/16"	1/2"	SANITIZER	NA	80-053-11TP
NORPRENE® BI-WALL	100'	1/8"	1/2"	RINSE	NA	80-715-100TP
NORPRENE® BI-WALL	50'	1/8"	1/2"	RINSE	NA	80-715-50TP
NORPRENE® BI-WALL	11"	1/8"	1/2"	RINSE	NA	80-715-11TP



EPDM tube with Nova Fittings

Squeeze tube options for Nova Sprite DM-400 & Sprite III DM-700 Series.

Tubing Material	Length	ID	OD	Chemical Use	Part #
HI-CHEM™ (EPDM)	100'	.080"	.240"	RINSE W/O FITTINGS	80-024-100HC
HI-CHEM™ (EPDM)	50'	.080"	.240"	RINSE W/O FITTINGS	80-024-50HC
HI-CHEM™ (EPDM)	25'	.080"	.240"	RINSE W/O FITTINGS	80-024-25HC
HI-CHEM™ (EPDM)	6 1/2"	.080"	.240"	RINSE W/O FITTINGS	80-024-6HC
HI-CHEM™ (EPDM)	6 1/2"	.080"	.240"	RINSE W/ 1/4" COMPRESSION FITTINGS	80-024NF44-6HC
HI-CHEM™ (EPDM)	6 1/2"	.080"	.240"	RINSE W/ 1/4" X 1/8" COMPRESSION FITTINGS	80-024NF48-6HC
HI-CHEM™ (EPDM)	6 1/2"	.080"	.240"	RINSE W/ 1/8" COMPRESSION FITTINGS	80-024NF88-6HC
SILICONE	100'	.080"	.240"	RINSE W/O FITTINGS	80-024-100SIL
SILICONE	50'	.080"	.240"	RINSE W/O FITTINGS	80-024-50SIL
SILICONE	6"	.080"	.240"	RINSE W/O FITTINGS	80-024-6SIL
SILICONE	6 1/2"	.080"	.240"	RINSE W/ 1/4" COMPRESSION FITTINGS	80-024NF44-6SIL

Tubing Material	Length	ID	OD	Chemical Use	Part #
HI-CHEM™ (EPDM)	100'	.160"	.320"	DETERGENT/SANITIZER W/O FITTINGS	80-030-100HC
HI-CHEM™ (EPDM)	50'	.160"	.320"	DETERGENT/SANITIZER W/O FITTINGS	80-030-50HC
HI-CHEM™ (EPDM)	25'	.160"	.320"	DETERGENT/SANITIZER W/O FITTINGS	80-030-25HC
HI-CHEM™ (EPDM)	6 1/2"	.160"	.320"	DETERGENT/SANITIZER W/O FITTINGS	80-030-6HC
HI-CHEM™ (EPDM)	6 1/2"	.160"	.320"	DETERGENT/SANITIZER W/ 1/4" COMP FITTINGS	80-030NF44-6HC
SILICONE	100'	.160"	.320"	DETERGENT/SANITIZER W/O FITTINGS	80-030-100SIL
SILICONE	50'	.160"	.320"	DETERGENT/SANITIZER W/O FITTINGS	80-030-50SIL
SILICONE	6 1/2"	.160"	.320"	DETERGENT/SANITIZER W/O FITTINGS	80-030-6SIL
SILICONE	6 1/2"	.160"	.320"	DETERGENT/SANITIZER W/ 1/4" COMP FITTINGS	80-030NF44-6SIL



Tubing Material	Dispensers	Fittings	TCD Part #
SILICONE	WAREBASIC & WAREPLUS	WITH FITTINGS	SK-90098
HI-CHEM™ (EPDM)	WAREBASIC & WAREPLUS	WITH FITTINGS	SK-90246



EPDM tube with Viking Fittings

Squeeze tube options for Viking Pro Series (I-VI), Pro Drain Chief & Pro Scentnal.

Tube Material	Length	ID	OD	Description	Part #
HI-CHEM™ (EPDM)	100'	1/4"	1/2"	DETERGENT	80-050-100HC
HI-CHEM™ (EPDM)	50'	1/4"	1/2"	DETERGENT	80-050-50HC
HI-CHEM™ (EPDM)	8"	1/4"	1/2"	DETERGENT	80-050-8HC
HI-CHEM™ (EPDM)	8"	1/4"	1/2"	DETERGENT W/ FITTINGS	80-050VF4-8HC
HI-CHEM™ (EPDM)	100'	1/8"	3/8"	RINSE/SANITIZER	80-710-100HC
HI-CHEM™ (EPDM)	50'	1/8"	3/8"	RINSE/SANITIZER	80-710-50HC
HI-CHEM™ (EPDM)	8"	1/8"	3/8"	RINSE/SANITIZER	80-710-8HC
HI-CHEM™ (EPDM)	8"	1/8"	3/8"	RINSE/SANITIZER W/ FITTINGS	80-710VF8-8HC
SANTOPRENE	100'	1/4"	1/2"	DETERGENT	80-050-100SAB
SANTOPRENE	50'	1/4"	1/2"	DETERGENT	80-050-50SAB
SANTOPRENE	8"	1/4"	1/2"	DETERGENT	80-050-8SAB
SANTOPRENE	8"	1/4"	1/2"	DETERGENT W/ FITTINGS	80-050VF4-8SAB
SANTOPRENE	100'	1/8"	3/8"	RINSE/SANITIZER	80-710-100SAB
SANTOPRENE	50'	1/8"	3/8"	RINSE/SANITIZER	80-710-50SAB
SANTOPRENE	8"	1/8"	3/8"	RINSE/SANITIZER	80-710-8SAB
SANTOPRENE	8"	1/8"	3/8"	RINSE/SANITIZER WITH FITTINGS	80-710VF8-8SAB
SILICONE	100'	1/4"	1/2"	DETERGENT	80-050-100SIL
SILICONE	50'	1/4"	1/2"	DETERGENT	80-050-50SIL
SILICONE	8"	1/4"	1/2"	DETERGENT	80-050-8SIL
SILICONE	8"	1/4"	1/2"	DETERGENT W/ FITTINGS	80-050VF4-8SIL
SILICONE	100'	1/8"	3/8"	RINSE/SANITIZER	80-710-100SIL
SILICONE	50'	1/8"	3/8"	RINSE/SANITIZER	80-710-50SIL
SILICONE	8"	1/8"	3/8"	RINSE/SANITIZER	80-710-8SIL
SILICONE	8"	1/8"	3/8"	RINSE/SANITIZER W/ FITTINGS	80-710VF8-8SIL
FLUORO-VITON	BY THE FOOT	1/4"	1/2"	DETERGENT	80-050-VT
FLUORO-VITON	8"	1/4"	1/2"	DETERGENT	80-050-8VT
FLUORO-VITON	8"	1/4"	1/2"	DETERGENT W/ FITTINGS	80-050VF4-8VT
FLUORO-VITON	BY THE FOOT	1/8"	3/8"	SANITIZER	80-710-VT
FLUORO-VITON	8"	1/8"	3/8"	SANITIZER	80-710-8VT
FLUORO-VITON	8"	1/8"	3/8"	SANITIZER W/ FITTINGS	80-710VF8-8VT
Tube Material	Length	ID	OD	Description	Part #
FLEXON	8"	1/4"	1/2"	SUPER TUBE FOR PRO DRAIN CHIEF W/ FITTINGS	80-050VF4-8FL


Squeeze tube options for Beta L4000

Tubing Material	Length	ID	OD	Description	Part #
HI-CHEM™ (EPDM)	100'	3/16"	3/8"	BULK	80-780-100HC
HI-CHEM™ (EPDM)	50'	3/16"	3/8"	BULK	80-780-50HC
HI-CHEM™ (EPDM)	9"	3/16"	3/8"	W/O FITTINGS	80-780-9HC
SANTOPRENE	100'	3/16"	3/8"	BULK	80-780-100SA
SANTOPRENE	50'	3/16"	3/8"	BULK	80-780-50SA
SANTOPRENE	9"	3/16"	3/8"	W/O FITTINGS	80-780-9SA
SILICONE	100'	3/16"	3/8"	BULK	80-780-100SIL
SILICONE	50'	3/16"	3/8"	BULK	80-780-50SIL
SILICONE	9"	3/16"	3/8"	W/O FITTINGS	80-780-9SIL
NORPRENE® BI-WALL	100'	3/16"	3/8"	BULK	80-780-100TP
NORPRENE® BI-WALL	50'	3/16"	3/8"	BULK	80-780-50TP
NORPRENE® BI-WALL	9"	3/16"	3/8"	W/O FITTINGS	80-780-9TP
FLUORO-VITON	BY THE FOOT	3/16"	3/8"	BULK	80-780-VT
FLUORO-VITON	9"	3/16"	3/8"	W/O FITTINGS	80-780-9VT


Squeeze tube options for Beta 600 Series pumps; L5000 Plus, & Summit E.

EPDM tube with Beta Fittings

Tubing Material	Length	ID	OD	Description	Part #
HI-CHEM™ (EPDM)	100'	1/4"	1/2"	BULK	80-050-100HC
HI-CHEM™ (EPDM)	50'	1/4"	1/2"	BULK	80-050-50HC
HI-CHEM™ (EPDM)	9"	1/4"	1/2"	W/O FITTINGS	80-050-9HC
HI-CHEM™ (EPDM)	8"	1/4"	1/2"	W/ 3/8" (BLACK) STEP BARB FITTING	80-050BF-8HC
SANTOPRENE	100'	1/4"	1/2"	BULK	80-050-100SA
SANTOPRENE	50'	1/4"	1/2"	BULK	80-050-50SA
SANTOPRENE	9"	1/4"	1/2"	W/O FITTINGS	80-050-9SA
SANTOPRENE	8"	1/4"	1/2"	W/ 3/8" (BLACK) STEP BARB FITTING	80-050BF-8SA
SILICONE	100'	1/4"	1/2"	BULK	80-050-100SIL
SILICONE	50'	1/4"	1/2"	BULK	80-050-50SIL
SILICONE	9"	1/4"	1/2"	W/O FITTINGS	80-050-9SIL
SILICONE	8"	1/4"	1/2"	W/ 3/8" (BLACK) STEP BARB FITTING	80-050BF-8SIL
NORPRENE® BI-WALL	100'	1/4"	1/2"	BULK	80-050-100TP
NORPRENE® BI-WALL	50'	1/4"	1/2"	BULK	80-050-50TP
NORPRENE® BI-WALL	9"	1/4"	1/2"	W/O FITTINGS	80-050-9TP
NORPRENE® BI-WALL	8"	1/4"	1/2"	W/ 3/8" (BLACK) STEP BARB FITTING	80-050BF-8TP
FLUORO-VITON	BY THE FOOT	1/4"	1/2"	BULK	80-050-VT
FLUORO-VITON	9"	1/4"	1/2"	W/O FITTINGS	80-050-9VT
FLUORO-VITON	8"	1/4"	1/2"	W/ 3/8" (BLACK) STEP BARB FITTING	80-050BF-8VT



Squeeze tube options for Beta 600 Series pump; ILS OPL

Tubing Material	Length	ID	OD	Description	Part Number
HI-CHEM™ (EPDM)	100'	3/8"	5/8"	BULK	80-066-100HC
HI-CHEM™ (EPDM)	50'	3/8"	5/8"	BULK	80-066-50HC
HI-CHEM™ (EPDM)	8"	3/8"	5/8"	W/ 3/8" -1/2" (WHITE) STEP BARB FITTINGS	80-066BF-8HC
HI-CHEM™ (EPDM)	9"	3/8"	5/8"	W/O FITTINGS	80-066-9HC
SANTOPRENE	100'	3/8"	5/8"	BULK	80-066-100SA
SANTOPRENE	50'	3/8"	5/8"	BULK	80-066-50SA
SANTOPRENE	8"	3/8"	5/8"	W/ 3/8" -1/2" (WHITE) STEP BARB FITTINGS	80-066BF-8SA
SANTOPRENE	9"	3/8"	5/8"	W/O FITTINGS	80-066-9SA
SILICONE	100'	3/8"	5/8"	BULK	80-066-100SIL
SILICONE	50'	3/8"	5/8"	BULK	80-066-50SIL
SILICONE	8"	3/8"	5/8"	W/ 3/8" -1/2" (WHITE) STEP BARB FITTINGS	80-066BF-8SIL
SILICONE	9"	3/8"	5/8"	W/O FITTINGS	80-066-9SIL
NORPRENE® BI-WALL	100'	3/8"	5/8"	BULK	80-066-100TP
NORPRENE® BI-WALL	50'	3/8"	5/8"	BULK	80-066-50TP
NORPRENE® BI-WALL	8"	3/8"	5/8"	W/ 3/8" -1/2" (WHITE) STEP BARB FITTINGS	80-066BF-8TP
NORPRENE® BI-WALL	9"	3/8"	5/8"	W/O FITTINGS	80-066-9TP
FLUORO-VITON	BY THE FOOT	3/8"	.625	BULK	80-066-VT
FLUORO-VITON	8"	3/8"	.625	W/ 3/8" -1/2" (WHITE) STEP BARB FITTINGS	80-066BF-8VT
FLUORO-VITON	9"	3/8"	.625	W/O FITTINGS	80-066-9VT

EPDM tube with Beta Fittings





Squeeze tube options for Beta 2000 Series Pumps; Summit OPL, Summit XL & ILS MAX.

Tubing Material	Length	ID	OD	Description	Part #
HI-CHEM™ (EPDM)	100'	3/8"	5/8"	BULK	80-066-100HC
HI-CHEM™ (EPDM)	50"	3/8"	5/8"	BULK	80-066-50HC
HI-CHEM™ (EPDM)	16"	3/8"	5/8"	W/ 5/8" X 1/2" BARB INPUT FITTINGS - 3/8" X 1/2" BARB OUPUT FITTINGS	80-066BF-16HC
HI-CHEM™ (EPDM)	16"	3/8"	5/8"	W/O FITTINGS	80-066-16HC
SANTOPRENE	100'	3/8"	5/8"	BULK	80-066-100SA
SANTOPRENE	50'	3/8"	5/8"	BULK	80-066-50SA
SANTOPRENE	16"	3/8"	5/8"	W/ 5/8" X 1/2" BARB INPUT FITTINGS - 3/8" X 1/2" BARB OUPUT FITTINGS	80-066BF-16SA
SANTOPRENE	16"	3/8"	5/8"	W/O FITTINGS	80-066-16SA
SILICONE	100'	3/8"	5/8"	BULK	80-066-100SIL
SILICONE	50'	3/8"	5/8"	BULK	80-066-50SIL
SILICONE	16"	3/8"	5/8"	W/ 5/8" X 1/2" BARB INPUT FITTINGS - 3/8" X 1/2" BARB OUPUT FITTINGS	80-066BF-16SIL
SILICONE	16"	3/8"	5/8"	W/O FITTINGS	80-066-16SIL
NORPRENE® BI-WALL	100'	3/8"	5/8"	BULK	80-066-100TP
NORPRENE® BI-WALL	50'	3/8"	5/8"	BULK	80-066-50TP
NORPRENE® BI-WALL	16"	3/8"	5/8"	W/ 5/8" X 1/2" BARB INPUT FITTINGS - 3/8" X 1/2" BARB OUPUT FITTINGS	80-066BF-16TP
NORPRENE® BI-WALL	16"	3/8"	5/8"	W/O FITTINGS	80-066-16TP
FLUORO-VITON	BY THE FOOT	3/8"	5/8"	BULK	80-066-VT
FLUORO-VITON	16"	3/8"	5/8"	W/ 5/8" X 1/2" BARB INPUT FITTINGS - 3/8" X 1/2" BARB OUPUT FITTINGS	80-066BF-16VT
FLUORO-VITON	16"	3/8"	5/8"	W/O FITTINGS	80-066-16VT



Tubing Material	ID	Dispensers	Fittings	TCD Part #
GREY SILICONE	6 MM	BRIGHTLOGIC LAUNDRY	QUICK CONNECT	BW-XSB301Q
BRIGHT CHEM	6 MM	BRIGHTLOGIC LAUNDRY	QUICK CONNECT	BW-XSB34Q



Squeeze tube options for Dema 844 OPL, 855/846 Master Dispensers, & 830 Series Single & Multi Product. (C2 Pump Head)

Tubing Material	Length	ID	OD	Description	Part #
HI-CHEM™ (EPDM)	100'	1/4"	1/2"	BULK	80-050-100HC
HI-CHEM™ (EPDM)	50'	1/4"	1/2"	BULK	80-050-50HC
HI-CHEM™ (EPDM)	11"	1/4"	1/2"	W/O FITTINGS	80-050-11HC
HI-CHEM™ (EPDM)	14"	1/4"	1/2"	W/O FITTINGS	80-050-14HC
SANTOPRENE	100'	1/4"	1/2"	BULK	80-050-100SA
SANTOPRENE	50'	1/4"	1/2"	BULK	80-050-50SA
SANTOPRENE	11"	1/4"	1/2"	W/O FITTINGS	80-050-11SA
SANTOPRENE	14"	1/4"	1/2"	W/O FITTINGS	80-050-14SA
SILICONE	100'	1/4"	1/2"	BULK	80-050-100SIL
SILICONE	50'	1/4"	1/2"	BULK	80-050-50SIL
SILICONE	11"	1/4"	1/2"	W/O FITTINGS	80-050-11SIL
SILICONE	14"	1/4"	1/2"	W/O FITTINGS	80-050-14SIL
NORPRENE® BI-WALL	100'	1/4"	1/2"	BULK	80-050-100TP
NORPRENE® BI-WALL	50'	1/4"	1/2"	BULK	80-050-50TP
NORPRENE® BI-WALL	11"	1/4"	1/2"	W/O FITTINGS	80-050-11TP
NORPRENE® BI-WALL	14"	1/4"	1/2"	W/O FITTINGS	80-050-14TP
FLUORO-VITON	BY THE FOOT	1/4"	1/2"	BULK	80-050-VT
FLUORO-VITON	11"	1/4"	1/2"	W/O FITTINGS	80-050-11VT
FLUORO-VITON	14"	1/4"	1/2"	W/O FITTINGS	80-050-14VT

Squeeze tube options for Dema 844 OPL, 855/846 Master Dispensers, & 830 Series Single & Multi Product. (C4 Pumps)

Tubing Material	Length	ID	OD	Description	Part #
HI-CHEM™ (EPDM)	100'	3/8"	5/8"	BULK	80-066-100HC
HI-CHEM™ (EPDM)	50'	3/8"	5/8"	BULK	80-066-50HC
HI-CHEM™ (EPDM)	11"	3/8"	5/8"	W/O FITTINGS	80-066-11HC
HI-CHEM™ (EPDM)	14"	3/8"	5/8"	W/O FITTINGS	80-066-14HC
SANTOPRENE	100'	3/8"	5/8"	BULK	80-066-100SA
SANTOPRENE	50'	3/8"	5/8"	BULK	80-066-50SA
SANTOPRENE	11"	3/8"	5/8"	W/O FITTINGS	80-066-11SA
SANTOPRENE	14"	3/8"	5/8"	W/O FITTINGS	80-066-14SA
SILICONE	100'	3/8"	5/8"	BULK	80-066-100SIL
SILICONE	50'	3/8"	5/8"	BULK	80-066-50SIL
SILICONE	11"	3/8"	5/8"	W/O FITTINGS	80-066-11SIL
SILICONE	14"	3/8"	5/8"	W/O FITTINGS	80-066-14SIL
NORPRENE® BI-WALL	100'	3/8"	5/8"	BULK	80-066-100TP
NORPRENE® BI-WALL	50'	3/8"	5/8"	BULK	80-066-50TP
NORPRENE® BI-WALL	11"	3/8"	5/8"	W/O FITTINGS	80-066-11TP
NORPRENE® BI-WALL	14"	3/8"	5/8"	W/O FITTINGS	80-066-14TP
FLUORO-VITON	BY THE FOOT	3/8"	5/8"	BULK	80-066-VT
FLUORO-VITON	11"	3/8"	5/8"	W/O FITTINGS	80-066-11VT
FLUORO-VITON	14"	3/8"	5/8"	W/O FITTINGS	80-066-14VT

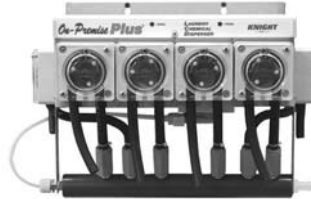
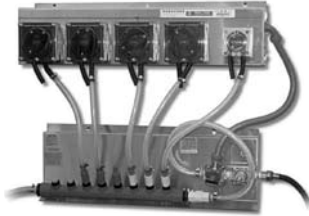


EPDM tube with Dema Fittings

Squeeze tube options for Dema 844P Atlas Laundry system. (Small Quick Change Blue Pump).

Tubing Material	Length	ID	OD	Description	Part #
HI-CHEM™ (EPDM)	100'	1/4"	7/16"	BULK	80-018-100HC
HI-CHEM™ (EPDM)	50'	1/4"	7/16"	BULK	80-018-50HC
HI-CHEM™ (EPDM)	6 1/2"	1/4"	7/16"	W/ BARBED FITTINGS	80-018DF-6HC
SILICONE	100'	1/4"	7/16"	BULK	80-018-100SIL
SILICONE	50'	1/4"	7/16"	BULK	80-018-50SIL
SILICONE	6 1/2"	1/4"	7/16"	W/ BARBED FITTINGS	80-018DF-6SIL
NORPRENE® BI-WALL	100'	1/4"	7/16"	BULK	80-018-100TP
NORPRENE® BI-WALL	50'	1/4"	7/16"	BULK	80-018-50TP
NORPRENE® BI-WALL	6 1/2"	1/4"	7/16"	W/ BARBED FITTINGS	80-018DF-6TP
FLUORO-VITON	BY THE FOOT	1/4"	7/16"	BULK	80-018-VT
FLUORO-VITON	6 1/2"	1/4"	7/16"	W/ BARBED FITTINGS	80-018DF-6VT
TYGOPRENE	50'	1/4"	7/16"	BULK	80-018-50TGP
TYGOPRENE	6 1/2"	1/4"	7/16"	W/ BARB FITTINGS	80-018DF-6TGP

“Here is my first principle of foreign policy: good government at home”
 ~William E. Gladstone



Squeeze tube options for Knight 500 Series Pumps.

Tubing Material	Length	ID	OD	Description	Material Code	Part #
HI-CHEM™ (EPDM)	100'	1/4"	1/2"	BULK	T-50	80-050-100HC
HI-CHEM™ (EPDM)	50'	1/4"	1/2"	BULK	T-50	80-050-50HC
HI-CHEM™ (EPDM)	11"	1/4"	1/2"	CUT	T-50	80-050-11HC
SANTOPRENE	100'	1/4"	1/2"	BULK	T-50	80-050-100SA
SANTOPRENE	50'	1/4"	1/2"	BULK	T-50	80-050-50SA
SANTOPRENE	11"	1/4"	1/2"	CUT	T-50	80-050-11SA
SILICONE	100'	1/4"	1/2"	BULK	T-50	80-050-100SIL
SILICONE	50'	1/4"	1/2"	BULK	T-50	80-050-50SIL
SILICONE	11"	1/4"	1/2"	CUT	T-50	80-050-11SIL
NORPRENE® BI-WALL	100'	1/4"	1/2"	BULK	T-50	80-050-100TP
NORPRENE® BI-WALL	50'	1/4"	1/2"	BULK	T-50	80-050-50TP
NORPRENE® BI-WALL	11"	1/4"	1/2"	CUT	T-50	80-050-11TP
FLUORO-VITON	BY THE FOOT	1/4"	1/2"	BULK	T-50	80-050-VT
FLUORO-VITON	11"	1/4"	1/2"	CUT	T-50	80-050-11VT
TYGOPRENE	50'	1/4"	1/2"	BULK	T-50	80-050-50TGP
TYGOPRENE	11"	1/4"	1/2"	CUT	T-50	80-050-11TGP

Tubing Material	Length	ID	OD	Description	Material Code	Part #
HI-CHEM™ (EPDM)	100'	3/8"	5/8"	BULK	T-66	80-066-100HC
HI-CHEM™ (EPDM)	50'	3/8"	5/8"	BULK	T-66	80-066-50HC
HI-CHEM™ (EPDM)	14'	3/8"	5/8"	CUT	T-66	80-066-14HC
SANTOPRENE	100'	3/8"	5/8"	BULK	T-66	80-066-100SA
SANTOPRENE	50'	3/8"	5/8"	BULK	T-66	80-066-50SA
SANTOPRENE	14"	3/8"	5/8"	CUT	T-66	80-066-14SA
SILICONE	100'	3/8"	5/8"	BULK	T-66	80-066-100SIL
SILICONE	50'	3/8"	5/8"	BULK	T-66	80-066-50SIL
SILICONE	14"	3/8"	5/8"	CUT	T-66	80-066-14SIL
NORPRENE® BI-WALL	100'	3/8"	5/8"	BULK	T-66	80-066-100TP
NORPRENE® BI-WALL	50'	3/8"	5/8"	BULK	T-66	80-066-50TP
NORPRENE® BI-WALL	14"	3/8"	5/8"	CUT	T-66	80-066-14TP
FLUORO-VITON	BY THE FOOT	3/8"	5/8"	BULK	T-66	80-066-VT
FLUORO-VITON	14"	3/8"	5/8"	CUT	T-66	80-066-14VT



Squeeze tube options for Knight 800 Series Pumps.

Tubing Material	Length	ID	OD	Description	Material Code	Part #
HI-CHEM™ (EPDM)	100'	1/4"	1/2"	BULK	T-50	80-050-100HC
HI-CHEM™ (EPDM)	50'	1/4"	1/2"	BULK	T-50	80-050-50HC
HI-CHEM™ (EPDM)	14"	1/4"	1/2"	CUT	T-50	80-050-14HC
SANTOPRENE	100'	1/4"	1/2"	BULK	T-50	80-050-100SA
SANTOPRENE	50'	1/4"	1/2"	BULK	T-50	80-050-50SA
SANTOPRENE	14"	1/4"	1/2"	CUT	T-50	80-050-14SA
SILICONE	100'	1/4"	1/2"	BULK	T-50	80-050-100SIL
SILICONE	50'	1/4"	1/2"	BULK	T-50	80-050-50SIL
SILICONE	14"	1/4"	1/2"	CUT	T-50	80-050-14SIL
NORPRENE® BI-WALL	100'	1/4"	1/2"	BULK	T-50	80-050-100TP
NORPRENE® BI-WALL	50'	1/4"	1/2"	BULK	T-50	80-050-50TP
NORPRENE® BI-WALL	14"	1/4"	1/2"	CUT	T-50	80-050-14TP
TYGOPRENE	50'	1/4"	1/2"	BULK	T-50	80-050-50TGP
TYGOPRENE	14"	1/4"	1/2"	CUT	T-50	80-050-14TGP

Tubing Material	Length	ID	OD	Description	Material Code	Part #
HI-CHEM™ (EPDM)	100'	3/8"	5/8"	BULK	T-66	80-066-100HC
HI-CHEM™ (EPDM)	50'	3/8"	5/8"	BULK	T-66	80-066-50HC
HI-CHEM™ (EPDM)	14'	3/8"	5/8"	CUT	T-66	80-066-14HC
SANTOPRENE	100'	3/8"	5/8"	BULK	T-66	80-066-100SA
SANTOPRENE	50'	3/8"	5/8"	BULK	T-66	80-066-50SA
SANTOPRENE	14"	3/8"	5/8"	CUT	T-66	80-066-14SA
SILICONE	100'	3/8"	5/8"	BULK	T-66	80-066-100SIL
SILICONE	50'	3/8"	5/8"	BULK	T-66	80-066-50SIL
SILICONE	14"	3/8"	5/8"	CUT	T-66	80-066-14SIL
NORPRENE® BI-WALL	100'	3/8"	5/8"	BULK	T-66	80-066-100TP
NORPRENE® BI-WALL	50'	3/8"	5/8"	BULK	T-66	80-066-50TP
NORPRENE® BI-WALL	14"	3/8"	5/8"	CUT	T-66	80-066-14TP

Squeeze tube options for Knight 900 Series Pumps.

Tubing Material	Length	ID	OD	Description	Material Code	Part #
HI-CHEM™ (EPDM)	100'	1/2"	7/8"	BULK	T-86	80-078-100HC
HI-CHEM™ (EPDM)	50'	1/2"	7/8"	BULK	T-86	80-078-50HC
HI-CHEM™ (EPDM)	20"	1/2"	7/8"	CUT	T-86	80-078-20HC
SILICONE	100'	1/2"	7/8"	BULK	T-86	80-078-100SIL
SILICONE	50'	1/2"	7/8"	BULK	T-86	80-078-50SIL
SILICONE	20"	1/2"	7/8"	CUT	T-86	80-078-20SIL



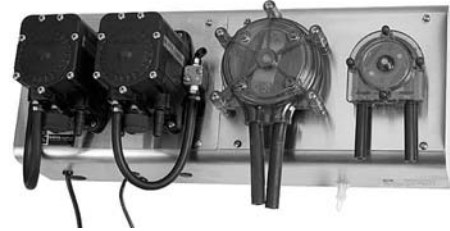
Squeeze tube options for Nova Pulsar, Taurus, Sprite TL 400 & Mercury TL LM700 .

Tubing Material	Length	ID	OD	Description	Part #
HI-CHEM™ (EPDM)	6 1/2"	.160"	.320"	W/ 3/8" X 3/8" BARB FITTINGS (For Larger Supply Lines)	80-030NFB-6HC
HI-CHEM™ (EPDM)	6 1/2"	.160"	.320"	W/ 3/8" BARB FITTING X 1/4" COMP FITTING	80-030NF34-6HC
HI-CHEM™ (EPDM)	6 1/2"	.160"	.320"	W/ 1/4" COMP FITTINGS	80-030NF44-6HC
HI-CHEM™ (EPDM)	100'	.160"	.320"	BULK	80-030-100HC
HI-CHEM™ (EPDM)	50'	.160"	.320"	BULK	80-030-50HC
HI-CHEM™ (EPDM)	10"	.160"	.320"	CUT	80-030-10HC
SILICONE	6 1/2"	.160"	.320"	W/ 3/8" X 3/8" BARB FITTINGS (For Larger Supply Lines)	80-030NFB-6SIL
SILICONE	6 1/2"	.160"	.320"	W/ 1/4" COMP FITTINGS	80-030NF44-6SIL
SILICONE	100'	.160"	.320"	BULK	80-030-100SIL
SILICONE	50'	.160"	.320"	BULK	80-030-50SIL
SILICONE	10"	.160"	.320"	CUT	80-030-10SIL



Squeeze tube options for Nova LM 100 Orion Series & LM 200 Eclipse Series.

Tubing Material	Length	ID	OD	Description	Part #
HI-CHEM™ (EPDM)	100'	1/4"	1/2"	BULK	80-050-100HC
HI-CHEM™ (EPDM)	50'	1/4"	1/2"	BULK	80-050-50HC
HI-CHEM™ (EPDM)	12"	1/4"	1/2"	CUT	80-050-12HC
SANTOPRENE	100'	1/4"	1/2"	BULK	80-050-100SA
SANTOPRENE	50'	1/4"	1/2"	BULK	80-050-50SA
SANTOPRENE	12"	1/4"	1/2"	CUT	80-050-12SA
SILICONE	100'	1/4"	1/2"	BULK	80-050-100SIL
SILICONE	50'	1/4"	1/2"	BULK	80-050-50SIL
SILICONE	12"	1/4"	1/2"	CUT	80-050-12SIL
NORPRENE® BI-WALL	100'	1/4"	1/2"	BULK	80-050-100TP
NORPRENE® BI-WALL	50'	1/4"	1/2"	BULK	80-050-50TP
NORPRENE® BI-WALL	12"	1/4"	1/2"	CUT	80-050-12TP
FLUORO-VITON	BY THE FOOT	1/4"	1/2"	BULK	80-050-VT
FLUORO-VITON	12"	1/4"	1/2"	CUT	80-050-12VT
TYGOPRENE	50'	1/4"	1/2"	BULK	80-050-50TGP
TYGOPRENE	12"	1/4"	1/2"	CUT	80-050-12TGP



Squeeze tube options for Nova LL-6000 Orion & LL-8000 Orion.

Tubing Material	Length	ID	OD	Description	Part #
HI-CHEM™ (EPDM)	100'	3/8"	5/8"	BULK	80-066-100HC
HI-CHEM™ (EPDM)	50'	3/8"	5/8"	BULK	80-066-50HC
HI-CHEM™ (EPDM)	18"	3/8"	5/8"	CUT	80-066-18HC
SANTOPRENE	100'	3/8"	5/8"	BULK	80-066-100SA
SANTOPRENE	50'	3/8"	5/8"	BULK	80-066-50SA
SANTOPRENE	18"	3/8"	5/8"	CUT	80-066-18SA
SILICONE	100'	3/8"	5/8"	BULK	80-066-100SIL
SILICONE	50'	3/8"	5/8"	BULK	80-066-50SIL
SILICONE	18"	3/8"	5/8"	CUT	80-066-18SIL
NORPRENE® BI-WALL	100'	3/8"	5/8"	BULK	80-066-100TP
NORPRENE® BI-WALL	50'	3/8"	5/8"	BULK	80-066-50TP
NORPRENE® BI-WALL	18"	3/8"	5/8"	CUT	80-066-18TP
FLUORO-VITON	BY THE FOOT	3/8"	5/8"	BULK	80-066-VT
FLUORO-VITON	18"	3/8"	5/8"	CUT	80-066-18VT



Tubing Material	Dispensers	Fittings	TCD Part #
HI-CHEM™ (EPDM)	OPL MINI - OPL BASIC - OPL ADVANTAGE	WITH FITTINGS	SK-90234



Squeeze tube options for Viking Pro Manual, Pro Laundry & Microwash II.
(050 Tubing for Standard dispensing, 066 Tubing for High Output dispensing)

Tubing Material	Length	ID	OD	Description	Part #
HI-CHEM™ (EPDM)	100'	1/4"	1/2"	BULK	80-050-100HC
HI-CHEM™ (EPDM)	50'	1/4"	1/2"	BULK	80-050-50HC
HI-CHEM™ (EPDM)	8"	1/4"	1/2"	W/ FITTINGS	80-050VF-8HC
HI-CHEM™ (EPDM)	8"	1/4"	1/2"	W/O FITTINGS	80-050-8HC
HI-CHEM™ (EPDM)	100'	3/8"	5/8"	BULK	80-066-100HC
HI-CHEM™ (EPDM)	50'	3/8"	5/8"	BULK	80-066-50HC
HI-CHEM™ (EPDM)	8"	3/8"	5/8"	W/ FITTINGS	80-066VF-8HC
HI-CHEM™ (EPDM)	8"	3/8"	5/8"	W/O FITTINGS	80-066-8HC
SANTOPRENE	100'	1/4"	1/2"	BULK	80-050-100SAB
SANTOPRENE	50'	1/4"	1/2"	BULK	80-050-50SAB
SANTOPRENE	8"	1/4"	1/2"	W/ FITTINGS	80-050VF-8SAB
SANTOPRENE	8"	1/4"	1/2"	W/O FITTINGS	80-050-8SAB
SANTOPRENE	100'	3/8"	5/8"	BULK	80-066-100SAB
SANTOPRENE	50'	3/8"	5/8"	BULK	80-066-50SAB
SANTOPRENE	8"	3/8"	5/8"	W/ FITTINGS	80-066VF-8SAB
SANTOPRENE	8"	3/8"	5/8"	W/O FITTINGS	80-066-8SAB
SILICONE	100'	1/4"	1/2"	BULK	80-050-100SIL
SILICONE	50'	1/4"	1/2"	BULK	80-050-50SIL
SILICONE	8"	1/4"	1/2"	W/ FITTINGS	80-050VF-8SIL
SILICONE	8"	1/4"	1/2"	W/O FITTINGS	80-050-8SIL
SILICONE	100'	3/8"	5/8"	BULK	80-066-100SIL
SILICONE	50'	3/8"	5/8"	BULK	80-066-50SIL
SILICONE	8"	3/8"	5/8"	W/ FITTINGS	80-066VF-8SIL
SILICONE	8"	3/8"	5/8"	W/O FITTINGS	80-066-8SIL
FLUORO-VITON	BY THE FOOT	1/4"	1/2"	BULK	80-050-VT
FLUORO-VITON	8"	1/4"	1/2"	WITH FITTINGS	80-050VF-8VT
FLUORO-VITON	8"	1/4"	1/2"	W/O FITTINGS	80-050-8VT
FLUORO-VITON	BY THE FOOT	3/8"	5/8"	BULK	80-066-VT
FLUORO-VITON	8"	3/8"	5/8"	WITH FITTINGS	80-066VF-8VT
FLUORO-VITON	8"	3/8"	5/8"	W/O FITTINGS	80-066-8VT



PICK UP TUBES W/O CONNECTOR

Length	Description	Part #
10"	FOR 1/4" - 5/16" OD SUPPLY LINES	ST-010
12"	FOR 1/4" - 5/16" OD SUPPLY LINES	ST-012
18"	FOR 1/4" - 5/16" OD SUPPLY LINES	ST-018
28"	FOR 1/4" - 5/16" OD SUPPLY LINES	ST-028
36"	FOR 1/4" - 5/16" OD SUPPLY LINES	ST-036
38"	FOR 1/4" - 5/16" OD SUPPLY LINES	ST-038
10"	FOR 3/8" OD SUPPLY LINE	ST-301
12"	FOR 3/8" OD SUPPLY LINE	ST-302
18"	FOR 3/8" OD SUPPLY LINE	ST-303



PICK UP TUBES WITH NUT CONNECTOR

Length	Description	Part #
10"	FOR 1/4" OD SUPPLY LINE	ST-210
12"	FOR 1/4" OD SUPPLY LINE	ST-212
14"	FOR 1/4" OD SUPPLY LINE	ST-214
18"	FOR 1/4" OD SUPPLY LINE	ST-218
28"	FOR 1/4" OD SUPPLY LINE	ST-228
38"	FOR 1/4" OD SUPPLY LINE	ST-238
10"	FOR 5/16"-3/8" OD SUPPLY LINE	ST-310
12"	FOR 5/16"-3/8" OD SUPPLY LINE	ST-312
18"	FOR 5/16"-3/8" OD SUPPLY LINE	ST-318
28"	FOR 5/16"-3/8" OD SUPPLY LINE	ST-328
38"	FOR 5/16"-3/8" OD SUPPLY LINE	ST-338
10"	FOR 7/16" - 1/2" OD SUPPLY LINES	ST-510
12"	FOR 7/16" - 1/2" OD SUPPLY LINES	ST-512
18"	FOR 7/16" - 1/2" OD SUPPLY LINES	ST-518
28"	FOR 7/16" - 1/2" OD SUPPLY LINES	ST-528
38"	FOR 7/16" - 1/2" OD SUPPLY LINES	ST-538



PICK UP TUBES WITH COMPRESSION CONNECTOR

Length	Description	Part #
10"	FOR 1/8" OD SUPPLY LINE	ST-110C
12"	FOR 1/8" OD SUPPLY LINE	ST-112C
16"	FOR 1/8" OD SUPPLY LINE	ST-116C
18"	FOR 1/8" OD SUPPLY LINE	ST-118C
10"	FOR 1/4" OD SUPPLY LINE	ST-210C
12"	FOR 1/4" OD SUPPLY LINE	ST-212C
18"	FOR 1/4" OD SUPPLY LINE	ST-218C
28"	FOR 1/4" OD SUPPLY LINE	ST-228C
38"	FOR 1/4" OD SUPPLY LINE	ST-238C
10"	FOR 3/8" OD SUPPLY LINE	ST-310C
12"	FOR 3/8" OD SUPPLY LINE	ST-312C
16"	FOR 3/8" OD SUPPLY LINE	ST-316C
18"	FOR 3/8" OD SUPPLY LINE	ST-318C
28"	FOR 3/8" OD SUPPLY LINE	ST-328C
38"	FOR 3/8" OD SUPPLY LINE	ST-338C

CONTAINER SIZE	PICK UP TUBE LENGTH
1 GALLON	10" or 12"
2 1/2" GALLON	16" or 18"
5 GALLON	18"
15 GALLON	28"
55 GALLON	38"



Continues on next page.....

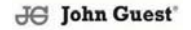


**PICK UP TUBES WITH
 HEYCO CONNECTOR**



**PICK UP TUBES WITH
 JOHN GUEST QUICK FIT
 CONNECTOR**

"Chlorine Resistant"



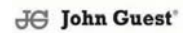
Length	Description	Part #
10"	FOR 1/8" & 1/4" OD SUPPLY LINES	ST-110
12"	FOR 1/8" & 1/4" OD SUPPLY LINES	ST-112
16"	FOR 1/8" & 1/4" OD SUPPLY LINES	ST-116
18"	FOR 1/8" & 1/4" OD SUPPLY LINES	ST-118
28"	FOR 1/8" & 1/4" OD SUPPLY LINES	ST-128
38"	FOR 1/8" & 1/4" OD SUPPLY LINES	ST-138
10"	FOR 9/16" - 5/8" OD SUPPLY LINES	ST-710
12"	FOR 9/16" - 5/8" OD SUPPLY LINES	ST-712
18"	FOR 9/16" - 5/8" OD SUPPLY LINES	ST-718
28"	FOR 9/16" - 5/8" OD SUPPLY LINES	ST-728
38"	FOR 9/16" - 5/8" OD SUPPLY LINES	ST-738

Length	Description	Part #
18"	FOR 1/4" OD SUPPLY LINE	ST-218QC
18"	FOR 3/8" OD SUPPLY LINE	ST-318QC
28"	FOR 3/8" OD SUPPLY LINE	ST-328QC
18"	FOR 1/2" OD SUPPLY LINE	ST-518QC



**PICK UP TUBES WITH
 JOHN GUEST 3-WAY
 CONNECTORS**

"Chlorine Resistant"



**PICK UP TUBES
 3-WAY CONNECTORS**

Length	Description	Part #
18"	1/4" ID W/ QUICK FIT 3-WAY	ST-318QC-3

Length	Description	Part #
18"	3/8" ID W/ QUICK FIT 3-WAY	ST-518QC-3
38"	3/8" ID W/ QUICK FIT 3-WAY	ST-538QC-3



**PICK UP TUBES WITH
 JOHN GUEST 2-WAY
 CONNECTORS**

"Chlorine Resistant"



**PICK UP TUBES
 2-WAY CONNECTORS**

Length	Description	Part #
18"	3/8" ID W/ QUICK FIT 2-WAY	ST-318QC-2
38"	3/8" ID W/ QUICK FIT 2-WAY	ST-338QC-2

Length	Description	Part #
18"	1/4" ID W/ QUICK FIT 2-WAY	ST-218QC-2
18"	1/2" ID W/ QUICK FIT 2-WAY	ST-518QC-2

Pick Up Tube Manifold Distribution System is designed with a single line pick up tube and a manifold distribution that allows for up to 4 lines to be pulled out of a single container. Each pick up tube has a built in super flow foot valve with viton seal. Pick Up Tube is customized to fit the lid of choice; Screw Cap, Flex Spout Cap with Pull Tab, or Drum Plug. No worries of spillage with this cap system.

Design your own customized system. Choose your cap, number of lines, & barb fitting size.



ST-0050-98-14



ST-0050-90



ST-0052-90



ST-0052-98-14



ST-0053-94



ST-0053-98-38



Screw Cap

Container Size	# of PU Lines	Barb Size (Tube ID)	TCD Part #
2.5 Gallon	1	1/4"	ST-0025-83-14
5 Gallon	1	1/4"	ST-0050-98-14
5 Gallon Square	1	1/4"	ST-0050-98-14-SQ
5 Gallon	1	3/16"	ST-0050-98-18
5 Gallon	1	3/8"	ST-0050-98-38
5 Gallon	1	3/8" Elbow	ST-0050-98-38E
5 Gallon	1	3/8"	ST-0050-98-38-SQ
5 Gallon	1	5/16"	ST-0050-98-56
5 Gallon	2	3/8"	ST-0050-90
5 Gallon Square	2	3/8"	ST-0050-90-SQ
5 Gallon	4	3/8"	ST-0050-91
5 Gallon	2	1/4"	ST-0050-92
5 Gallon	4	1/4"	ST-0050-93
5 Gallon	4	5/16"	ST-0050-94

Flex Spout Cap with Pull Tabs

Container Size	# of PU Lines	Barb Size (Tube ID)	TCD Part #
5 Gallon	1	1/4"	ST-0052-98-14
5 Gallon	1	1/4" Elbow	ST-0052-98-14E
5 Gallon	1	3/8"	ST-0052-98-38
5 Gallon	2	3/8"	ST-0052-90
5 Gallon	4	3/8"	ST-0052-91
5 Gallon	2	1/4"	ST-0052-92
5 Gallon	4	1/4"	ST-0052-93
5 Gallon	4	5/16"	ST-0052-94

Drum Plug

Container Size	# of PU Lines	Barb Size (Tube ID)	TCD Part #
15 Gallon	1	3/8"	ST-0053-98-38
15 Gallon	1	3/8" Elbow	ST-0053-98-38E
15 Gallon	2	3/8"	ST-0053-90
15 Gallon	4	3/8"	ST-0053-91
15 Gallon	2	1/4"	ST-0053-92
15 Gallon	4	1/4"	ST-0053-93
15 Gallon	4	5/16"	ST-0053-94
15 Gallon Short	4	5/16"	ST-0053-94-S
15 Gallon	4	1/2"	ST-0053-96
30 Gallon	1	3/8" Elbow	ST-0054-98-38E
55 Gallon	2	3/8"	ST-0055-90
55 Gallon	4	3/8"	ST-0055-91
55 Gallon	2	1/4"	ST-0055-92
55 Gallon	4	1/4"	ST-0055-93
55 Gallon	2	1/2"	ST-0055-95
55 Gallon	1	1/4"	ST-0055-95-14
55 Gallon	1	1/2"	ST-0055-95-50

TCD Super Flow Foot Valve with Viton Seal



SILICONE LUBRICANT



CERAMIC WEIGHTS

Part #	Description
80-SLUB-05	SILICONE LUBRICANT 5.0 GRAMS
80-SLUB-50	SILICONE LUBRICANT 5.3 OUNCES

Part #	Description
DM-61-107	WEIGHT FOR 3/8" ID X 1/2" OD TUBING
DM-61-107-2	WEIGHT FOR 1/4" ID X 3/8" OD TUBING
KM-0300519	KNIGHT TUBE WEIGHT



TUBE LUBE



TUBE CUTTER

Part #	Description
80-TLUB	TUBE LUBE (PETROLEUM JELLY) 4 OUNCE TUBE

Part #	Description
PC-210	POLY TUBE CUTTER



**LAUNDRY & WAREWASH
LINE TAGS**

TUBE LUBRICATION RECOMMENDATIONS:

- **SILICONE TUBING:** USE TUBE LUBE
- **SANTOPRENE TUBING:** USE TUBE LUBE OR SILICONE LUBE
- **HI-CHEM (EPDM) TUBING:** USE SILICONE LUBE
- **FLUORO-VITON TUBING:** USE TUBE LUBE
- **FLEXON:** USE SILICONE TUBE
- **NORPRENE BI-WALL:** USE TUBE LUBE OR SILICONE LUBE

Description	Part #
LAUNDRY ADHESIVE TAGS TO LABEL SUPPLY LINES. TAGS ARE BOTH ENGLISH & SPANISH. SOLD BY THE SHEET. EACH TAG OF DIFFERENT COLOR.	40-0420
WAREWASH ADHESIVE TAGS TO LABEL SUPPLY LINES. TAGS ARE BOTH ENGLISH & SPANISH. SOLD BY THE SHEET. RINSE TAG-BLUE, DETERGENT TAG-RED & SANITIZER TAG-YELLOW,	40-0410



Laundry Line Tag Sheets include 1 each of Break, Detergent, Chlorine, Sour, Softener, Sour/Soft, Starch, Peroxide, Water Conditioner & Starch/Sizing.

Warewash Line Tag Sheets include 4 Rinse tags, 3 Detergent tags & 3 Sanitizer tags.

Looking for a chemical delivery system? Look no further.

We have multiple pumps, bowls, proportioners and dispensers to suit any laundry/warewash/kitchen application.

At TCD Parts, Inc. we carry a large selection of Beta, Dema, Knight, Nova and Viking product lines. We invite you to browse our catalog and see how our unique array of products can meet your cleaning, industrial, and janitorial needs.

CHEMICAL PROPORTIONING & DISPENSING SYSTEMS LAUNDRY/WAREWASH/KITCHEN



Beta

Brightwell

Dema

Knight

Nova/Hydro

Viking

Faucet Adapters

TCD Flush Manifold Systems



SINGLESHOT
Microprocessor -Controlled
Dosing System

Includes mounting bracket & installation kit that includes 25ft. of 1/4" silicone tubing, standpipe, tie wraps & mounting hardware. Batteries are not included.

Description	Part #
CHEMICAL DISPENSER 115 VAC	BT-1203188
CHEMICAL DISPENSER, BATTERY (D-CELL)	BT-1203187



TAHOE

Tahoe's are 115/230 VAC, prewired for 230 VAC. All Tahoe's come with chemical injection fittings and mounting screws.

Model	Description	Part #
DETERGENT	PUMP W/ DETERGENT TUBE & BULKHEAD FITTING	BT-1205356
RINSE	PUMP W/ RINSE TUBE & RINSE INJECTOR FITTING	BT-1205357



SIERRA

Rinse injector and complete install kit with non-temperature compensating probe included in price. Contact Customer Service for configuration options & additional accessories.

Model	Description	Part #
3 PRODUCT	LIQUID DETERGENT, LIQUID RINSE, LIQUID SANITIZER	BT-1201193
3 PRODUCT	DETERGENT SOLENOID BRASS, LIQUID RINSE, LIQUID SANITIZER	BT-1201189
3 PRODUCT	DETERGENT SOLENOID PLASTIC, LIQUID RINSE, LIQUID SANITIZER	BT-1201191
2 PRODUCT	DETERGENT SOLENOID BRASS, LIQUID RINSE	BT-1201183
2 PRODUCT	DETERGENT SOLENOID PLASTIC, LIQUID RINSE	BT-1201185
2 PRODUCT	LIQUID DETERGENT, LIQUID RINSE	BT-1201187
2 PRODUCT	LIQUID DETERGENT 6MMT, LIQUID RINSE 4MMT	BT-1201233



D-3000

All units come with 1/4" tube fittings for detergent & 1/8" tube fittings for rinse, except where indicated otherwise. Full kits include standpipes, transport tubing, and probe wire. Uniview is to be ordered separately.

Model	Description	Part #
D3000	SANITIZER AUX BOX W/ INSTALLATION KIT	BT-1209567
D3202	2 PUMPS W/ 1/4" T NOROPRENE DETERGENT, 1/8" T FLEX RINSE TUBE FITTINGS, FULL INSTALLATION KIT & 2 INTERNAL TRANSFORMERS	BT-1209563
D3102R	1 PUMP, 1 SOLENOID W/ 1/8" T FLEX RINSE TUBE FITTINGS, FULL INSTALLATION KIT & 2 INTERNAL TRANSFORMERS	BT-1209564
D3303	3 PUMPS W/ 1/4" T NOROPRENE DETG., 1/8" T FLEX RINSE TUBE FITTINGS, FULL INSTALLATION KIT & 2 INTERNAL TRANSFORMERS	BT-1209565
D3203SR	2 PUMPS, 1 SOLENOID WITH 1/4" T NOROPRENE SANITIZER, 1/8" T FLEX RINSE TUBE FITTINGS, FULL INSTALLATION KIT & 2 INTERNAL TRANSFORMERS	BT-1209566
	UNIVIEW PROGRAMMER	BT-058017



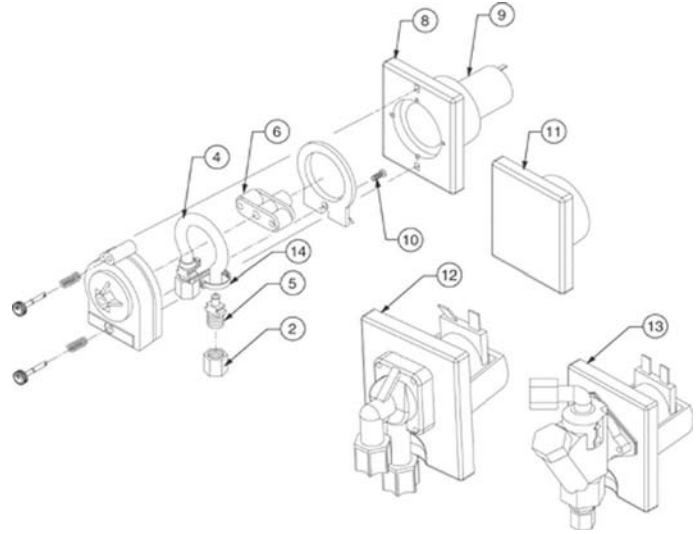
**DR - 2000
 DRAIN DOSER**

Clock-Based Chemical
 Feed System

Includes installation kit with 25 ft. of 1/4" tubing, tube guide, clamps & mounting hardware, batteries not included.

Description	Part #
CHEMICAL DISPENSER 115 VAC	BT-1202356
CHEMICAL DISPENSER 230 VAC	BT-1202359
CHEMICAL DISPENSER, BATTERY (D-CELL)	BT-1202354

**REPLACEMENT PARTS FOR THE
 100 SERIES PUMPS**



Ref #	Description	Part #
2	TUBE FITTING NUT, 1/8" T, RINSE	BT-017458
2	TUBE FITTING NUT, 1/4" T, DETERGENT/SANITIZER	BT-043823
4	SEE TCD TUBING SECTION	
5	TUBE INSERT, 1/8" T RINSE	BT-036982
5	TUBE INSERT, 1/4" T DETERGENT	BT-036969
5	TUBE INSERT, 1/4" T SANITIZER	BT-090331
6	ROLLER ASSEMBLY, HIGH FLOW FLEX TUBE .25" ID	BT-096707
8,9	MOTOR/GEARBOX 110 V	BT-051351
8,9	MOTOR/GEARBOX 6 VDC	BT-057755
11	BLANK PUMP PLATE	BT-051606
12	SOLENOID ASSEMBLY, PLASTIC	BT-091934
13	SOLENOID ASSEMBLY, METAL	BT-099312
	COMPLETE ASSEMBLED CARTRIDGE W/ ROLLER, NO TUBE	BT-1206740

Old Farmers Advice:

- "Your fences need to be horse-high, pig-tight and bull-strong."
- "Keep skunks and bankers at a distance."
- "Life is simpler when you plow around the stump."
- "A bumble bee is considerably faster than a John Deere tractor."



L5000Plus
 600 Series Pumps



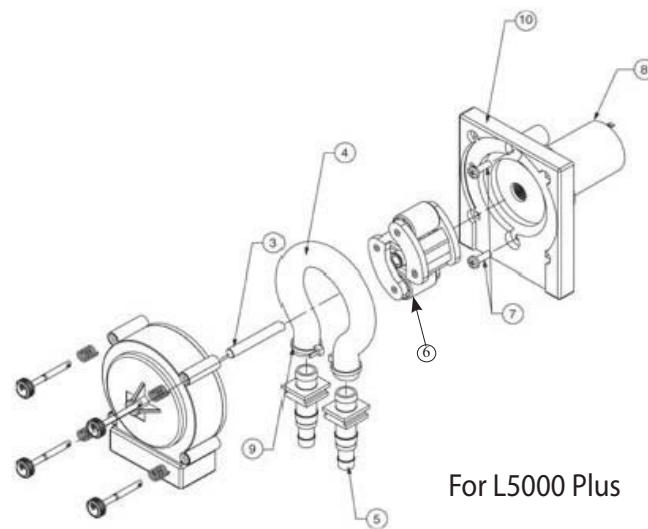
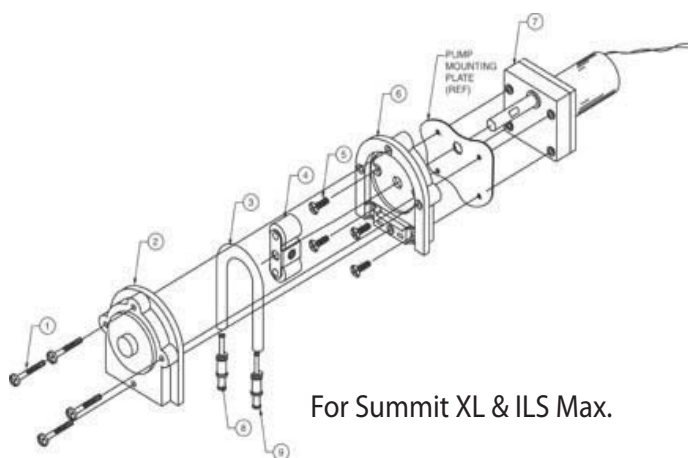
ALPINE
 100 Series Pumps
 (See Pg. 34 for Repair Parts)

Systems consist of a pump box and a trigger module. A programmer is needed to install the unit and for formula selection, but you don't need to leave one connected to the system after a Relay mode, coin-op or single-formula installation.

Alpine is a domestic-style laundry dosing system featuring 8 oz/minute (230 ml/minute) 100 Series SnapHead™ pumps.

Model	Description	Part #
L5000PLUS	3 PUMPS, 600 SERIES	BT-1209635
L5000PLUS	4 PUMPS, 600 SERIES	BT-1209636
L5000PLUS	5 PUMPS, 600 SERIES	BT-1209637
L5000PLUS	6 PUMPS, 600 SERIES	BT-1209638
L5000PLUS	AUXILLIARY PUMP BOX, 600 SERIES	BT-1209634
PROGRAMMERS	INCLUDES 25' CABLE & MOUNTING SCREWS	BT-1201354

Model	Description	Part #
ALPINE	2 PUMPS	BT-1201039
ALPINE	3 PUMPS	BT-1201038
ALPINE	REMOTE CONTROLLER	BT-1201630
ALPINE	LOW LEVEL DRUM LANCE	BT-1201180
ALPINE	PRINTED CIRCUIT BOARD	BT-1201065
ALPINE	POWER SUPPLY, 100 -240 VAC	BT-087751



SPARE PARTS - 2000 SERIES PUMPS

SPARE PARTS - 600 SERIES PUMPS

Ref #	Description	Part #
1	SCREW, PHILLIPS, PAN, 4 EACH	BT-041004
2	FACE PLATE, PUMP HEAD, FRONT	BT-017708
3	SEE TUBING SECTION OF TCD CATALOG	
4	ROLLER, CLEAR	BT-017710
5	SCREW, PHILLIPS, FLAT, 4 EACH	BT-041011
6	FACE PLATE, PUMP HEAD, REAR	BT-017709
7	MOTOR/GEAR BOX, 98 RPM	BT-1203895
7	MOTOR/GEAR BOX, 200 RPM	BT-038835
8	STRAIGHT TUBE FITTING, 5/8" X 1/2" BARB INPUT	BT-1206377

Ref #	Description	Part #
4	SEE TUBING SECTION OF TCD CATALOG	
5	TUBE INSERT FOR .250" BORE TUBE	BT-1203353
5	TUBE INSERT FOR .375" BORE TUBE	BT-1203864
6	ROLLER ASSEMBLY FOR VITON TUBE	BT-068668
7	SCREW FOR PUMP MOUNTING PLATE	BT-040999
8	MOTOR/GEARBOX ASSEMBLY	BT-093491
9	LARGE TIE WRAP	BT-041319
10	PUMP MOUNTING PLATE	BT-068567
	BLANK PUMP PLATE	BT-051606
	DOW CORNING	BT-093288
	CARTRIDGE WITHOUT TUBING	BT-1205722



W-6000

W-6000 is a polypropylene reservoir for dispensing encapsulated cleaning products. It will work with any 6-inch diameter plastic bottle. Water supply is typically controlled by a solenoid-equipped warewash dispenser

Model	Description	Part #
W-6000	84° SPRAY NOZZLE	BT-040529
W-6000	50° SPRAY NOZZLE	BT-040535
W-6000	SLOW-FEED NOZZLE	BT-040538



W-5000

W-5000 converts 7" high by 7" diameter bottle encapsulated pellet or powder warewashing detergents into concentrated solutions for dispensing.

Model	Description	Part #
W-5000	84° NOZZLE, PLASTIC VACUUM BREAKER, INTEGRATED SOLENOID VALVE	BT-087250
W-5000	84° NOZZLE, PLASTIC VACUUM BREAKER, NO SOLENOID	BT-017349



ENCAPSULATOR

Encapsulator is a manually-operated sink filling and dosing system for 6" bottle encapsulated products. Hot water is piped to Encapsulator and the entire sink is filled through the unit. Product concentration is adjustable

Vacuum Breaker	Description	Part #
PLASTIC	SOLID PRODUCT, SCREENLESS BOTTLE ONLY, 50°, 0.06 GPM, INTERNAL VALVE	BT-094417
METAL	SOLID PRODUCT, SCREENLESS BOTTLE ONLY, 50°, 0.06 GPM, INTERNAL VALVE	BT-094104
PLASTIC	POWDER OR SOLID PRODUCT, SLO-FEED, 0.87 GPM, INTERNAL VALVE	BT-094416
METAL	POWDER OR SOLID PRODUCT, SLO-FEED, 0.87 GPM, INTERNAL VALVE	BT-094415



ENCAPSULATOR PLUS

Encapsulator P is designed for powdered or solid products and works well for most applications. It has a low flow nozzle which inserts into the chemical bottle and should only be used with chemical bottles that do not have screens.

Vacuum Breaker	Description	Part #
PLASTIC	SOLID PRODUCT, SCREENLESS BOTTLE, ONLY, 0.6 GPM, EXTERNAL VALVE	BT-1202808
METAL	POWDER OR SOLID PRODUCT, SLO-FEED, 0.87 GPM, EXTERNAL VALVE	BT-1202807

BETA FOOT VALVE



Part #	Description
BT-1200932	INLINE FOOT VALVE VITON 1/4", 3/8" & 1/2"
BT-1200933	INLINE FOOT VALVE EPDM 1/4", 3/8" & 1/2"

**BETA - STRAIGHT CHECK VALVE/
 INJECTOR FITTING**



Part #	Description
BT-020976	1/8" MPT X 1/4" COMP; VITON SEAL & NYLON BODY
BT-020977	1/8" MPT X 1/8" COMP; VITON SEAL & NYLON BODY

BETA INLINE CHECK VALVE



Part #	Description
BT-1200931	VITON SEAL, BARB CONNECTION FOR 1/4", 3/8", & 1/2" ID

BETA - Y CHECK VALVE/INJECTOR



Part #	Description
BT-020974	1/8" MPT X 1/4" X 1/4" COMP; COMBINATION RINSE OR SANITIZER W/ PRESSURE SWITCH; VITON VALVE & NYLON BODY
BT-020975	1/8" MPT X 1/4" X 1/8" COMP; COMBINATION RINSE OR SANITIZER W/ PRESSURE SWITCH; VITON VALVE & NYLON BODY

BETA RINSE INJECTOR



Part #	Description
BT-1203747	BETA CLOG-RESISTANT CHECK VALVE 1/4" MPT X 3/8" BARB

Philippians 4:4-6

Rejoice in the Lord always. Again I will say rejoice! Let your gentleness be known to all men. The Lord is at hand. Be anxious for nothing, but in everything by prayer and supplication, with thanks-giving, let your requests be made known to God; and the peace of God, which surpasses all understanding, will guard your hearts and minds through Christ Jesus.



BRIGHTLOGIC
Laundry Dispensing

Ideal for small on-premise laundries & large industrial operations alike. Need one chemical dosed at a higher volume than another? The mixed pump version will do the job.

Model	Description	Part #
2 PRODUCT	BRIGHTWELL 2 PUMP LAUNDRY OPL UNIT (NO TUBE)	BW-WL2
4 PRODUCT	BRIGHTWELL 4 PUMP LAUNDRY OPL UNIT (NO TUBE)	BW-WL4
4 PRODUCT	PROBLEND 4 PUMP LAUNDRY UNIT WITH TUBE AND Q/C FITTINGS	BW-WL4-PB
4 PRODUCT	TRIPLE-S 4 PUMP LAUNDRY UNIT WITH THE TUBE AND Q/C FITTINGS	BW-WL4-TS



BRIGHTLOGIC
Laundry Add On Pump

Description	Part #
BRIGHTWELL ADD ON 2 PUMP MODULE (NO TUBE)	BW-WLM2



BRIGHTLOGIC
Remote Programmer Laundry

Description	Part #
FORMULA SELECT MODULE	BW-WL-FORM

BRIGHTLOGIC
Laundry USB

Using a wireless dongle you can now control units through a laptop. Simply find the machine you want, and connect. (Windows operating system only).

Description	Part #
WIRELESS USB DONGLE	BW-WLM2

Brightwell computer software: With the PC software, you can assume total control of your BrightLogic unit with connection to your laptop. The software is available as a free download from the Brightwell website. www.brightwell.co.uk



BD2
Chemical Dilution System

Description	Part #
PUSH OPERATED PUMP TO DELIVER DETERGENT DIRECTLY FROM A CONTAINER INTO A COMMERCIAL KITCHEN SINK. FIXED 30ML DOSE., 125MM SPOUT	BW-BD2
A LONGER 300MM SPOUT	BW-DD2-1



BRIGHTLOGIC
Warewash Dispensing

For dosing two products into single-tank and single-cycle dishwashers, including under-counter washers and small glass washers. Quick set up feature, installed in minutes.

Description	Part #
SINGLE TANK MACHINES, SIGNALLED, PROBE & CYCLIC	BW-D1



BRIGHTLOGIC
Warewash Dispensing

For tunnel, conveyor or Flight machines. Highly durable easy-to-use dispensers. Automatically dose two products with consistent flow rates.

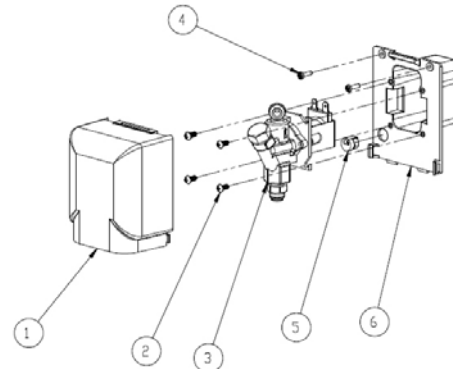
Description	Part #
2 X SPH - FLIGHT MACHINES, SIGNALLED, PROBE & CYCLIC	BW-D2
1 X SPH WITH A SOLENOID ATTACHED FOR USE WITH A PWDER HOPPER	BW-D2-S



TITAN

Warewash System

Operates both in probe and problems modes with auto-switchover. Pre-wired with separate trigger board for 24 VAC to 480 VAC.



Titan Valve Assembly Parts

# of Chemicals	Pump or Solenoid Valve	Part #
1	PUMP	DM-T811-L
1	SOLENOID VALVE	DM-T811-D
2	PUMP/PUMP	DM-T812-LL
2	SOLENOID/PUMP	DM-T812-DL
3	PUMP/PUMP/PUMP	DM-T813-LLL
3	SOLENOID/PUMP/PUMP	DM-T813-DLL

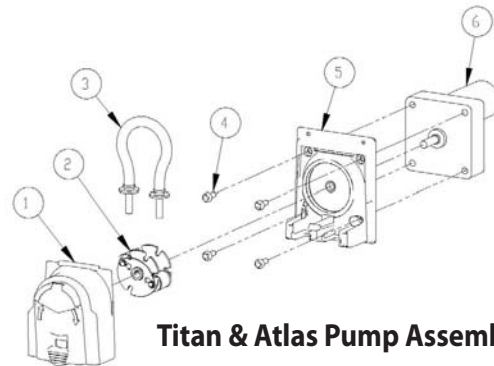
Ref. #	Description	Part #
1	VALVE COVER	DM-81-146-1
2	MACHINE SCREW (NEED 4)	DM-41-63-2
3	TITAN VALVE ASSY	DM-81-180-1
4	SS SCREW (NEED 2)	DM-41-40-2
5	CABLE STRAIN RELIEF	DM-81-183-1
6	VALVE BRACKET ASSY	DM-81-178-1



ATLAS

Laundry System

Features include easy addition up to 7 pumps, ABS enclosure w/ formula select keypad & display, multiple tube options to handle virtually any chemistry.



Titan & Atlas Pump Assembly Parts

Description	Part #
LAUNDRY MASTER QUICK CHANGE 2 PUMP EDMS REMOTE	DM-844P-2J-E
LAUNDRY MASTER QUICK CHANGE 2 PUMP NO REMOTE	DM-844P-2J
LAUNDRY MASTER QUICK CHANGE 4 PUMP NO REMOTE	DM-844P-4JJJJ
LAUNDRY MASTER QUICK CHANGE 4 PUMP EDMS REMOTE	DM-844P-4JJJJ-E
LAUNDRY MASTER QUICK CHANGE 5 PUMP 2 LARGE & 3 QC WITH USM REMOTE	DM-844P-5PPJJJ-U
ADDITIONAL PUMP, TUBE & CONNECTION CONFIGURATIONS AVAILABLE. CALL FOR ADDITIONAL MODELS	

Ref. #	Description	Part #
1	PUMP COVER ASSEMBLY	DM-81174-1
2	ROLLER ASSEMBLY DETERGENT	DM-81172-1
2	ROLLER ASSEMBLY RINSE/SANITIZER	DM-81172-2
3	SEE TCD TUBING SECTION	
4	SCREW (4)	DM-25-85-2
5	PUMP BASE	DM-81128-2
6	GEAR MOTOR DETERGENT	DM-8059-60MK1
6	GEAR MOTOR RINSE/SANITIZER	DM-80-9-15MK1



DEMA ADD ON PUMP MODULES

Part #	Description
DM-81-118-18	15 RPM; SMALLER BLUE PUMP-RINSE/SANITIZER
DM-81-118-22	60 RPM; SMALLER BLUE PUMP-RINSE/SANITIZER
DM-84-65-29	105 RPM; SMALLER BLUE PUMP 3/8" JG FITTINGS-LAUNDRY
DM-84-65-30	105 RPM; SMALLER BLUE PUMP 3/8" BARB FITTINGS-LAUNDRY
DM-84-65-36	105 RPM; LARGER BLUE PUMP 3/8" JG FITTINGS-HIGH FLOW LAUNDRY
DM-84-65-37	105 RPM; LARGER BLUE PUMP 3/8" BARB FITTINGS-HIGH FLOW LAUNDRY



SQUIRT
 Drain Doser

Features include 12 V plug-in transformer, 8 feeds per 24 hrs.

Description	Part #
115 VAC	DM-2500



NITRO
 Warewash System
This dispenser bridges the gap between compact basic dispensers and feature packed units too large for small kitchens.

# of Chemicals	Pump or Solenoid Valve	Part #
2	PUMP/PUMP	DM-NLL-TA
2	SOLENOID/PUMP	DM-NDL-TA
3	PUMP/PUMP/PUMP	DM-NLLL-TA
3	SOLENOID/PUMP/PUMP	DM-NDLL-TA
1	PUMP FOR SANITIZER	DM-OADC



TOP SHOT
 Laundry System

Top Shot is a low cost option for home style laundry machines & perfect for self serve, low volume or special one product applications.

Description	Part #
SINGLE PRODUCT W/ REMOTE START & INST. KIT	DM-8400
REMOTE PROGRAMMER NEEDED FOR TOP SHOT	DM-81-245-1



NITRO EXPRESS
 Warewash System
A compact multi-feature dispenser with traditional analog programming.

# of Chemicals	Pump or Solenoid Valve	Part #
2	PUMP/PUMP	DM-NELL-A
2	SOLENOID/PUMP	DM-NEDL-A
3	PUMP/PUMP/PUMP	DM-NELLL-A
3	SOLENOID/PUMP/PUMP	DM-NEDLL-A
1	PUMP FOR SANITIZER	DM-OADC



OLYMPIAN MINI PUMPS
 Warewash System

Ideal applications include under-counter washers, glass washers, and small commercial machines.

Description	Part #
DETERGENT APPLICATION, COLOR WHITE, 110/220 V, TIME	DM-OPDV
DETERGENT APPLICATION, COLOR WHITE, 220V, TIME	DM-OPHV
RINSE APPLICATION, COLOR BLUE, 110/220V, SPEED CONTROL	DM-ORDV
RINSE APPLICATION, COLOR BLUE, 220V, SPEED CONTROL	DM-ORHV
SANITIZER APPLICATION, COLOR BLUE, 220V, SPEED CONTROL	DM-OSDV
2 BUTTON PROGRAMMER	DM-81-245-1

DEMA 301 SERIES



Hand Pump Dispenser body is molded of a corrosion-resistant polypropylene. All working parts are silicone, stainless steel or PVC. Ready to install, with 8' of polyvinyl supply tubing and mounting screws.

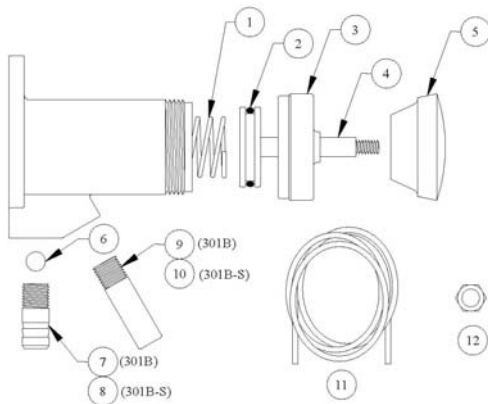
Description	Part #
WALL DISPENSER FOR NORMAL USE; 1 OZ.	DM-301B
WALL DISPENSER FOR NORMAL USE; 1 OZ. RED BUTTON	DM-301BR
WALL DISPENSER FOR CHLORINE AND CHLORINATED PRODUCTS	DM-301BC

DEMA 302 SERIES

Hand Pump Dispenser for detergent, sanitizer or other chemical into kitchen sink, bottle, or any open container where chemical is mixed with water.

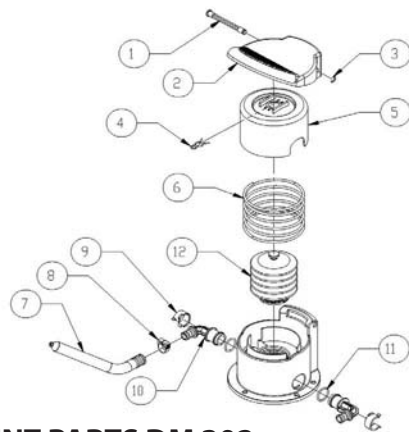


Description	Check Valve Seal	Part #
1 OZ. W/O SPOUT	EPDM	DM-302-1E
1 OZ. W/O SPOUT	SILICONE	DM-302-1S
1 OZ. W/O SPOUT	VITON	DM-302-1V
1 OZ. W/ SPOUT	VITON	DM-302-1VSP
2 OZ. W/O SPOUT	EPDM	DM-302-2E
2 OZ. W/O SPOUT	SILICONE	DM-302-2S
2 OZ. W/O SPOUT	VITON	DM-302-2V
2 OZ. W/ SPOUT	VITON	DM-302-2VSP



REPLACEMENT PARTS DM 301

Ref #	Description	Part #
1	SPRING	DM-30-7
2	O-RING	DM-30-5
3	CAP	DM-30-11
4	PISTON ASSEMBLY W/ O-RING	DM-30-12
5	PUSH KNOB	DM-30-3
6	CHECK VALVE BALL	DM-30-2
7	INLET FITTING	DM-30-8
8	INLET FITTING STAINLESS STEEL	DM-30-8S
9	OUTLET CHECK VALVE ASSEMBLY	DM-30-10
10	OUTLET CHECK VALVE ASSEMBLY SS	DM-30-10S
11	3/8" ID X 1/2" OD X 8' SUPPLY TUBING	DM-100-12L
12	WEIGHT	DM-30-23



REPLACEMENT PARTS DM 302

Ref #	Description	Part #
1	HINGE PIN	DM-30-27
2	HANDLE	DM-30-25
3	SNAP RING	DM-30-32
4	HAIRPIN CLIP	DM-30-33
5	COVER	DM-30-26
6	SPRING	DM-30-31-1
7	SPOUT (OPTIONAL)	DM-30-80-1
8	SPOUT CLAMP (OPTIONAL)	DM-16-9-4
9	ELBOW RETAINER	DM-30-28
10	ELBOW	DM-30-29
11	O-RING EPDM (BLACK)	DM-30-35S
11	O-RING SILICONE (BURNT ORANGE)	DM-30-35S
11	O-RING VITON (BROWN)	DM-30-35V
12	BELLOWS	DM-30-36



SINGLE & DUAL SINK DISPENSERS

Dispense one or two products into a kitchen sink with the turn of a ball valve. Available with or without faucet adapter kits.

Description	Part #
SINGLE SINK DISPENSER W/ 4 GPM PROPORTIONER	DM-651GAP
SINGLE SINK DISPENSER W/ 1 GPM PROPORTIONER	DM-651GAP-1
SINGLE SINK DISPENSER W/ COMP FITTING	DM-651GAP-1M
DUAL SINK DISPENSER	DM-652GAP
SINGLE SINK DISPENSER W/ FAUCET ADAPTER KIT	DM-651-PLUS
DUAL SINK DISPENSER W/ FAUCET ADAPTER KIT	DM-652-PLUS
SINGLE SINK DISPENSER W/ CHICAGO FAUCET ADAPTER KIT	DM-651-PLUS-C
SINGLE SINK DISPENSER W/ FISHER FAUCET ADAPTER KIT	DM-651-PLUS-F
SINGLE SINK DISPENSER W/ T&S FAUCET ADAPTER KIT	DM-651-PLUS-T



681 BLEND CENTERS

Units are stainless steel with plastic cover dispensers. Models listed below include 4 gpm (16 liters/minute) proportioners.

Description	Part #
1 BUTTON STAINLESS STEEL PROPORTIONER	DM-681GAP-1
2 BUTTON STAINLESS STEEL PROPORTIONER	DM-681GAP-2
2 BUTTON PLASTIC PROPORTIONER	DM-681GAP-2P
3 BUTTON STAINLESS STEEL PROPORTIONER	DM-681GAP-3
3 BUTTON PLASTIC PROPORTIONER	DM-681GAP-3P
4 BUTTON STAINLESS STEEL PROPORTIONER	DM-681GAP-4
5 BUTTON STAINLESS STEEL PROPORTIONER	DM-681GAP-5



633 BLEND CENTERS

Units are modular in design to attach multiple units creating a system that meets specific requirements. Mix and match bottle and bucket fill and choose from multiple color buttons.

Description	Part #
DEMA 1 GPM ACTION GAP BLUE	DM-633GAP-B1
DEMA 4 GPM ACTION GAP BLUE	DM-633GAP-B4
DEMA 1 GPM ACTION GAP GREEN	DM-633GAP-G1
DEMA 4 GPM ACTION GAP GREEN	DM-633GAP-G4
DEMA 1 GPM ACTION GAP RED	DM-633GAP-R1
DEMA 4 GPM ACTION GAP RED	DM-633GAP-R4
DEMA 1 GPM ACTION GAP YELLOW	DM-633GAP-Y1
DEMA 4 GPM ACTION GAP YELLOW	DM-633GAP-Y4

REPAIR KIT DM-633GAP



Description	Part #
DEMA VALVE REPAIR KIT FOR DM-633GAP	DM-63-87

DEM ACTION GAP BACKFLOW PREVENTER



Description	Part #
ACTION GAP BACKFLOW PREVENTER	DM-16-30

DEM ACTION GAP PROPORTIONER



Description	Part #
4 GPM PROPORTIONER - WHITE	DM-61-22-3
1 GPM PROPORTIONER - GREEN	DM-61-99-2



FAUCET MOUNTED PROPORTIONERS

Use color coded metering tips to determine dilution ratio.

Description	Part #
PUSH BUTTON WITH METERING TIP KIT W/O AIR GAP	DM-151
PUSH BUTTON WITH METERING TIP KIT PLUS BUILT IN AIR GAP	DM-153
PUSH BUTTON WITH METERING SCREW PLUS BUILT IN AIR GAP	DM-154



FAUCET MOUNTED PROPORTIONERS

Use a slide valve actuator to determine if a chemical solution is dispensed or water only.

Description	Part #
SLIDE VALVE ACTUATOR WITH METERING SCREW	DM-167
SLIDE VALVE ACTUATOR WITH METERING TIP KIT	DM-167T



FAUCET MOUNTED PROPORTIONER REPAIR KITS

Description	Part #
REPAIR KIT FOR DM-151	DM-100-51
REPAIR KIT FOR DM-153 & DM-154	DM-100-52



METERING SCREW FOR FAUCET MOUNTED PROPORTIONER

Description	Part #
METERING SCREW FOR DEMA PORPORTIONER 151	DM-100-24



DEMA METERING TIP KITS

Description	Part #
STANDARD TIP KIT FOR DILUTIONS FROM 4:1 TO 427:1	DM-100-15K
ULTRA LEAN TIP KIT FOR DILUTIONS FROM 150:1 TO 915:1	DM-100-15KU
TIP KIT FOR MODEL DM-167 & DM-167T	DM-61-9K

REPLACEMENT METERING TIPS - SOLD EA.	Part #
STANDARD TIP; TAN	DM-100-15-0
STANDARD TIP; ORANGE	DM-100-15-1
STANDARD TIP; YELLOW	DM-100-15-10
STANDARD TIP; BLACK	DM-100-15-11
STANDARD TIP; PURPLE	DM-100-15-12
STANDARD TIP; GRAY	DM-100-15-13
STANDARD TIP; TURQUOISE	DM-100-15-2
STANDARD TIP; PINK	DM-100-15-3
STANDARD TIP; TRANSLUCENT/LT BLUE	DM-100-15-4
STANDARD TIP; BROWN	DM-100-15-5
STANDARD TIP; RED	DM-100-15-6
STANDARD TIP; WHITE	DM-100-15-7
STANDARD TIP; GREEN	DM-100-15-8
STANDARD TIP; BLUE	DM-100-15-9
ULTRA LEAN; COPPER	DM-100-15-14
ULTRA LEAN; PUMPKIN	DM-100-15-15
ULTRA LEAN; BURGUNDY	DM-100-15-16
ULTRA LEAN; LIME GREEN	DM-100-15-17



DRUM MOUNT DISPENSERS

Description	Part #
DISPENSES 5 GPM WITH MAXIMUM INDUCTION OF 5-1, METERING SCREW ADJUSTMENT	DM-162
HIGH INDUCTION MODEL DISPENSES 1/2 GALLON PER MINUTE.	DM-12HC



**DILUTION AT HAND EXTREME
Single Dispensing System**

Description	Part #
SINGLE STATION FOR 1 PRODUCT; BOTTLE FILL	DM-801GAP
SINGLE STATION FOR 1 PRODUCT; BUCKET FILL	DM-802GAP
SINGLE STATION FOR 1 PRODUCT; BUCKET FILL WITH REMOTE ACTIVATION	DM-802GAP-RF
SINGLE STATION WITH DIAL-A-BLEND SELECTOR; BOTTLE FILL FOR 4 CHEMICALS	DM-803GAP
SINGLE STATION WITH DIAL-A-BLEND SELECTOR; BUCKET FILL FOR 4 CHEMICALS	DM-804GAP
SINGLE STATION WITH DIAL-A-BLEND SELECTOR; BUCKET FILL FOR 4 CHEMICALS WITH REMOTE ACTIVATION	DM-804GAP-RF
SINGLE STATION WITH DIAL-A-BLEND SELECTOR; BOTTLE FILL FOR 1 CHEMICAL AT 4 DILUTIONS	DM-805GAP
SINGLE STATION WITH DIAL-A-BLEND SELECTOR; BUCKET FILL FOR 1 CHEMICAL AT 4 DILUTIONS	DM-806GAP
SINGLE STATION WITH DIAL-A-BLEND SELECTOR; BUCKET FILL FOR 1 CHEMICAL AT 4 DILUTIONS WITH REMOTE FILL	DM-806GAP-RF
SINGLE STATION WITH DIAL-A-BLEND SELECTOR; BOTTLE FILL FOR 4 CHEMICAL W/ 1 HANDED FILL ONLY	DM-809GAP



**DILUTION AT HAND EXTREME
Dual Dispensing System**

Description	Part #
DUAL STATION; 2 BOTTLE FILL PORTS	DM-820GAP
DUAL STATION; 1 BOTTLE & 1 BUCKET FILL PORTS	DM-822GAP
DUAL STATION; 1 BOTTLE & 1 BUCKET FILL W/ REMOTE FILL	DM-822GAP-RF
DUAL STATION; 2 BUCKET FILL PORTS	DM-824GAP
DUAL STATION WITH DIAL-A-BLEND SELECTORS; 1 BOTTLE FILL PORT WITH SELECTOR & BUCKET FILL FOR 1 CHEMICAL	DM-830GAP
DUAL STATION WITH DIAL-A-BLEND SELECTORS; 1 BOTTLE FILL PORT WITH SELECTOR & REMOTE BUCKET FILL FOR 1 CHEMICAL	DM-830GAP-RF
DUAL STATION WITH DIAL-A-BLEND SELECTORS; 1 BOTTLE FILL PORT WITH SELECTOR 1 CHEMICAL AT 4 DILUTIONS & BUCKET FILL FOR 1 CHEM/DILUTION	DM-832GAP
DUAL STATION WITH DIAL-A-BLEND SELECTORS; DUAL SELECTOR VALVES FOR BOTTLE & BUCKET 8 TOTAL PRODUCTS	DM-831GAP
DUAL STATION WITH DIAL-A-BLEND SELECTORS; DUAL SELECTOR VALVES FOR BOTTLE & REMOTE BUCKET 8 TOTAL PRODUCTS	DM-831GAP-RF



RAPID FIRE

Rapid Fire uses a single control knob to select 1-2 products, rinse and off functions eliminating the potential for mixing chemicals and ensuring accurate sanitizing. Full power 6 gpm rinse flow.

Description	Part #
DISPENSER - 2 PRODUCT	DM-6300
DISPENSER WITH HOSE HANGER	DM-6300-H
DISPENSER WITH HOSE HANGER, 25' RED HOSE, 6' BLACK INLET HOSE, BALL VALVE SPRAY GUN WITH FOAM WAND	DM-6300-2
DISPENSER WITH HOSE HANGER, 25' RED HOSE, 6'BLACK INLET HOSE, PISTOL GRIP SPRAY GUN WITH FOAM WAND	DM-6300-3
DISPENSER - 1 PRODUCT	DM-6310



ROAM'N FOAM

Effective cleaning and sanitizing. Dimension 9 1/2" x 11" x 4". Injector flow rate 2.5, 3 & 3.5 gallons per minute. Water temperature up to 160°F. Built in hose hanger. Polypropylene components.

Description	Part #
DISPENSER ONLY	DM-625RNF
DISPENSER WITH 44-3RG RED OUTLET HOSE, 44-3-6 BLACK INLET HOSE & 40-14QD/292QD SPRAY GUN/ FOAM WAND KIT	DM-625RNF-2
DISPENSER WITH 44-3RG RED OUTLET HOSE, 44-3-6 BLACK INLET HOSE & 28-1QD SPRAY GUN & 292GQD FOAM WAND	DM-625RNF-3

Accessories for Roam'n Foam & Rapid Fire	Part #
25 FEET (8 METERS) RED HOSE	DM-44-3RG
25 FEET (8 METERS) CLEAR NYLON BRAIDED HOSE	DM-44-3N-25
6 FEET (2 METERS) BLACK HOSE	DM-44-3-6
6 FEET (2 METERS) CLEAR NYLON BRAIDED HOSE	DM-44-3N-6
BALL VALVE ACTIVATED SPRAY GUN WITH QUICK CONNECT FOAM WAND	DM-40-14QD-292QD
LEVER CONTROLLED SPRAY GUN WITH QUICK CONNECT NOZZLE	DM-28-1QD
QUICK CONNECT FOAM WAND	DM-292GQD



DEMA DIAPHRAGM WATER SOLENOID VALVES WITH COIL



DEMA WATER SOLENOID COIL

Part #	Description
DM-473P-3	3/8" NPT WSV; 24 VAC COIL; BRASS W/ BUNA SEAL
DM-473P-6	3/8" NPT WSV; 120 VAC COIL; BRASS W/ BUNA SEAL
DM-473P-9	3/8" NPT WSV; 240 VAC COIL; BRASS W/ BUNA SEAL
DM-474P-3	1/2" NPT WSV; 24 VAC COIL; BRASS W/ BUNA SEAL
DM-474P-6	1/2" NPT WSV; 120 VAC COIL; BRASS W/ BUNA SEAL
DM-474P-9	1/2" NPT WSV; 240 VAC COIL; BRASS W/ BUNA SEAL
DM-476P-3	3/4" NPT WSV; 24 VAC COIL; BRASS W/ BUNA SEAL
DM-476P-6	3/4" NPT WSV; 120 VAC COIL; BRASS W/ BUNA SEAL
DM-476P-9	3/4" NPT WSV; 240 VAC COIL; BRASS W/ BUNA SEAL

Part #	Description
DM-41-913	24 VAC J-BOX ; USE WITH 473P/474P/476P
DM-41-916	120 VAC J-BOX; USE WITH 473P/474P/476P
DM-41-918	120/240 VAC J-BOX; USE WITH 473P/474P/476P
DM-41-919	240 VAC J-BOX; USE WITH 473P/474P/476P



DEMA DIAPHRAGM WATER SOLENOID VALVES W/O COIL



DEMA SOLENOID REPAIR KIT W/ BUNA DIAPHRAGM

Part #	Description
DM-41-47	473P & 474P VALVE REPAIR KIT; 3/8" - 1/2"
DM-41-49	476P VALVE REPAIR KIT; 3/4"

Part #	Description
DM-473P	3/8" NPT WSV; BRASS W/ BUNA SEAL
DM-474P	1/2" NPT WSV; BRASS W/ BUNA SEAL
DM-476P	3/4" NPT WSV; BRASS W/ BUNA SEAL
DM-463PS	3/8" NPT WSV; SS W/ BUNA SEAL
DM-464PS	1/2" NPT WSV; SS W/ BUNA SEAL
DM-466PS	3/4" NPT WSV; SS W/ BUNA SEAL



DEMA SOLENOID REPAIR KIT W/ TEFLON DIAPHRAGM

Part #	Description
DM-474RK	REPAIR KIT 3/8" & 1/2"; TEFLON DIAPHRAGM
DM-476RK	REPAIR KIT 3/4"; TEFLON DIAPHRAGM



DEMA DIAPHRAGM WATER SOLENOID



DEMA DIRECT ACTING SOLENOID VALVES

Part #	Description
DM-443-PFB-9	DEMA WATER SOLENOID VALVE 3/8" W/FLOW DISC (2.38GPM)W/240V-60 V/C W/COIL

Part #	Description
DM-401P-6	1/4" NPT DIRECT ACTING SOLENOID BUNA SEAL BRASS 120 VOLT
DM-401PV-6	1/4" NPT DIRECT ACTING SOLENOID WITH VITON SEAL BRASS 120 VOLT



**DEMA MINI WATER SOLENOID VALVES
W/ COIL, BRACKET & COVER**

Part #	Description
DM-442PJ-24	1/4" NPT MINI 24 VAC COIL W/ BRACKET COVER
DM-442PJ-120	1/4" NPT MINI 120 VAC COIL W/ BRACKET COVER
DM-442PJ-240	1/4" NPT MINI 240 VAC COIL W/ BRACKET COVER
DM-443PJ-24	3/8" NPT MINI 24 VAC COIL W/ BRACKET COVER
DM-443PJ-24VDC	3/8" NPT MINI 24 VDC COIL W/ BRACKET COVER
DM-443PJ-120	3/8" NPT MINI 120 VAC COIL W/ BRACKET COVER
DM-443PJ-240	3/8" NPT MINI 240 VAC COIL W/ BRACKET COVER



**DEMA MINI WATER SOLENOID
VALVES WITH COIL**

Part #	Description
DM-442P-24	1/4" NPT MINI WSV; 24 VAC COIL-BRASS
DM-442P-120	1/4" NPT MINI WSV; 120 VAC COIL-BRASS
DM-442P-240	1/4" NPT MINI WSV; 240 VAC COIL-BRASS
DM-443P-24	3/8" NPT MINI WSV; 24 VAC COIL-BRASS
DM-443P-24VDC	3/8" NPT MINI WSV; 24 VDC COIL-BRASS
DM-443P-120	3/8" NPT MINI WSV; 120 VAC COIL-BRASS
DM-443P-240	3/8" NPT MINI WSV; 240 VAC COIL-BRASS



**DEMA MINI WATER SOLENOID
COIL**

Part #	Description
DM-41-953	MINI WSV COIL 24 VAC
DM-41-954	MINI WSV COIL 24 VDC
DM-41-956	MINI WSV COIL 120 VAC
DM-41-959	MINI WSV COIL 240 VAC



**DEMA MINI WATER SOLENOID
VALVES W/O COIL**

Part #	Description
DM-442P	1/4" MPT MINI WSV-BRASS
DM-443P	3/8" MPT MINI WSV-BRASS

DEMA MINI JUNCTION BOX



Part #	Description
DM-442PC	WSJ BRACKET, COVER, & SCREWS FOR 442P & 443P



DEMA MINI SOLENOID REPAIR

Part #	Description
DM-4423RKB	SOLENOID VALVE REPAIR KIT DIAPHRAGM TYPE 1/4", EPDM MATERIAL
DM-4423RKV	SOLENOID VALVE REPAIR KIT DIAPHRAGM TYPE 1/4", VITON MATERIAL



DEMA MINI DIAPHRAGM

Part #	Description
DM-442RD	DIAPHRAGM ONLY FOR DM-442P & DM-443P



DEMA PILOT PISTON

Part #	Description
DM-A414P	1/2" PILOT PISTON 150 PSI TEFLON SEAL BRASS BODY
DM-A416P	3/4" PILOT PISTON 150 PSI TEFLON SEAL BRASS BODY
DM-A418P	1" PILOT 150 PSI TEFLON SEAL BRASS BODY



DEMA PUMP HEAD REPLACEMENT RINSE

Part #	Description
DM-25-C2	TRI-ROLLER RINSE PUMP COMPLETE FOR OLDER STYLE PUMP HEAD. INCLUDES ROLLER BLOCK, FACE PLATE & SCREW ASSEMBLY.



DEMA REPAIR KIT PILOT PISTON

Part #	Description
DM-4128RK	1/2" PILOT PISTON VALVE REPAIR KIT
DM-4129RK	3/4" PILOT PISTON VALVE REPAIR KIT
DM-4130RK	1" PILOT PISTON VALVE REPAIR KIT



DEMA PUMP HEAD REPLACEMENT DETERGENT

Part #	Description
DM-25-C2D	DUAL ROLLER DETERGENT PUMP COMPLETE FOR OLDER STYLE PUMP HEAD.



DEMA FACE PLATE

Part #	Description
DM-25-83C2	FACE PLATE FOR OLDER STYLE PUMP HEAD



DEMA GEAR MOTORS

Part #	Description
DM-8059-105MK1	105 RPM 24 VDC (METAL)
DM-8059-15MK1	15 RPM 24 VDC (METAL)
DM-8059-60MK1	60 RPM 24 VDC (METAL)



DEMA PUMP HEAD REPAIR KIT OLYMPIAN/NITRO

Part #	Description
DM-81-316-8	DETERGENT PUMP KIT - 2 ROLLER COMPLETE
DM-81-316-9	RINSE PUMP KIT 3 ROLLER COMPLETE



DEMA PLASTIC VACUUM BREAKER

Part #	Description
60-DM582	1/4" FITTINGS FOR DRY CHEMICAL BOWLS



DEMA QUICK CHANGE BLUE PUMP

Part #	Description
DM-81-118-15	DETERGENT PUMP KIT-2 ROLLER SPRING LOADED
DM-81-118-16	RINSE PUMP HEAD KIT-3 ROLLER FIXED
DM-81-118-17	DETERGENT PUMP KIT-2 ROLLER FIXED

MICRO PRO II
 Warewash Dispensers



Features include tilt front & cover which makes setting and servicing the unit quick and easy. Choices of probe/probeless, high & low range concentration settings, rinse delay, rinse limit, dry detergent, liquid detergent, & sanitizer pumps makes the Micro Pro II the universal dispenser.

Description	Part #
LIQUID DETERGENT & RINSE PERISTALTIC PUMPS W/ ONE TRANSFORMER	KM-7162700-07
SOLENOID FOR DETERGENT AND KP-500 PUMP FOR RINSE	KM-7162705-07
LIQUID DETERGENT, RINSE & SANITIZER; (3) KP-500 PUMPS	KM-7162710-07
DRY DETERGENT SOLENOID, RINSE & SANITIZER (2) KP-500 PUMPS	KM-7162715-07
DRY DETERGENT W/ SOLENOID AND LIQUID RINSE PERISTALTIC PUMP, W/ TWO TRANSFORMERS	KM-7162755-07
LIQUID DETERGENT AND RINE W/ TWO PERISTALTIC PUMPS, W/ TWO TRANSFORMERS	KM-7162750-07
DRY DTERGENT W/ SOLENOID, RINSE & SANITIZER PUMPS W/ TWO TRANSFORMERS	KM-7162765-07
LIQUID DETERGENT, RINSE AND SANITIZER PERI-TALTIC PUMPS, W/ TWO TRANSFORMERS	KM-7162760-07
MP SANITIZER PUMP KIT - COMPLETE	KM-7108101-04
OPTIONAL REMOTE PRESSURE SWITCH KIT	KM-7600880
OPTIONAL DETERGENT PRIME SWITCH	KM-7501130



SOLID RINSE BOWL

This bowl effectively converts solid rinse agent to liquid form and stores it in a self-contained reservoir.

Description	Part #
BOWL W/O VACUUM BREAKER	KM-7035279
BOWL W/ PLASTIC VACUUM BREAKER	KM-7035277
BOWL W/ BRASS VACUUM BREAKER	KM-7035278
BOWL W/ CONTROL VALVE & BRASS VACUUM BREAKER	KM-7035273

UMP SERIES
 Warewash Dispensers



Offers the most comprehensive and versatile line of warewash control systems. With proven history of durability and reliability. The UMP Series now adds digital technology, 3 product capability, and a fresh new look. The new generation of UMP offers a digital menu that simplifies operation and installation. The platform also offers specialized ready to use models to facilitate installation whether you need probe, probeless, or autosense.

Description	Part #
DIGITAL PUMP FOR LIQUID DETERGENT	KM-7162900-07
DIGITAL SOLENOID FOR DRY DETERGENT	KM-7162905-07
DIGITAL PUMP FOR LIQUID DETERGENT & RINSE	KM-7162910-07
DIGITAL RINSE PUMP; SOLENOID FOR DRY DETERGENT	KM-7162915-07
PROBELESS PUMP FOR LIQUID DETERGENT	KM-7162900-PS
PROBELESS SOLENOID FOR DRY DETERGENT	KM-7162905-PS
PROBELESS FOR LIQUID DETERGENT & RINSE	KM-7162910-PS
PROBELESS RINSE PUMP; SOLENOID FOR DRY DET.	KM-7162915-PS
AUTOSENSE PUMP FOR LIQUID DETERGENT	KM-7162900-AS
AUTOSENSE SOLENOID FOR DRY DETERGENT	KM-7162905-AS
AUTOSENSE FOR LIQUID DETERGENT & RINSE	KM-7162910-AS
AUTOSENSE RINSE PUMP; SOLENOID FOR DRY DET.	KM-7162915-AS



POWER BOWL ULTRA

Designed to dissolve solid or containerizes powder detergents evenly and efficiently.

Description	Part #
BOWL W/ BRASS VACUUM BREAKER & ACCESSORY KIT	KM-7035270
BOWL W/ PLASTIC VACUUM BREAKER & ACCESSORY KIT	KM-7035275
BOWL WITH ACCESSORY KIT	KM-7035271
BOWL ONLY	KM-7035280



PRO-WATCH
 Drain Doser Dispenser



ONE SHOT
 Laundry Dispensers

Description	Part #
TIMER CONTROL SYSTEM W/ REAL TIME BATTERY BACK UP, 20 EVENTS PER DAY, PROGRAMMABLE IN MIN. OR SEC., 8 OZ/MIN	KM-8600395-07
SAME FEATURES AS KM-8600395-07 WITH EXTERNAL PLUG-IN TRANSFORMER	KM-8600391-01
SAME FEATURES AS KM-8600391-01 HOUSED IN LARGER, WATER TIGHT PLASTIC ENCLOSURE.	KM-8600385-01
FOR BATTERY OPERATION. UNIT REQUIRES TWO 6 VOLT LANTERN BATTERIES	KM-8600385-08

Description	Part #
1 PRODUCT LIQ. DISPENSER W/ INTERNAL TRANSFORMER	KM-8600201-07
1 PRODUCT LIQ. DISPENSER W/ EXTERNAL TRANSFORMER	KM-8600201-P1
1 PRODUCT SOLID DISPENSER W/ INTERNAL TRANSFORMER	KM-8600600-07
1 PRODUCT SOLID DISPENSER W/ EXTERNAL TRANSFORMER	KM-8600600-P1
REMOTE ACTIVATOR, ONE PRODUCT W/ 6 FT. CABLE	KM-7652000
2 PRODUCT LIQ. DISPENSER W/INTERNAL TRANSFORMER	KM-8600604
2 PRODUCT SOLID DISPENSER W/ INTERNAL TRANSFORMER	KM-8600602
2 PRODUCT LIQ. & SOLID DISPENSER W/ INTERNAL TRANSFORMER	KM-8600606
REMOTE ACTIVATOR, TWO PRODUCT W/ 6 FT. CABLE	KM-7652002



ON-PREMISE PLUS
 Laundry Dispensers

Description	Part #
2 PRODUCT LIQUID DISPENSER W/ REMOTE CONTROL	KM-8050502
3 PRODUCT LIQUID DISPENSER W/ REMOTE CONTROL	KM-8050503
4 PRODUCT LIQUID DISPENSER W/ REMOTE CONTROL	KM-8050504
5 PRODUCT LIQUID DISPENSER W/ REMOTE CONTROL	KM-8050505
6 PRODUCT LIQUID DISPENSER W/ REMOTE CONTROL	KM-8050506
4 PORT ON-PREMISE CASE MOUNT FLUSH MANIFOLD	KM-8053004
6 PORT ON-PREMISE CASE MOUNT FLUSH MANIFOLD	KM-8053006

“This would be a much better world if more married couples were as deeply in love as they are in debt.”
 ~ Earl Wilson



KP1H
One Product Station



KP1H DIAL 4
Four Dilutions for One or More Products

Description	Part #
1 PRODUCT BUCKET FILL STATION W/ REMOTE BUCKET FILL PISTOL GRIP FELX-GAP; 4 GPM	KM-7630163
1 PRODUCT BUCKET FILL STATION W/ REMOTE BUCKET FILL PISTOL GRIP AIRE-GAP; 3 GPM	KM-7630169
1 PRODUCT BOTTLE FILL STATION W/ BOTTLE ACTUATOR FLEX-GAP 1 GPM	KM-7630164
1 PRODUCT BOTTLE FILL STATION W/ BOTTLE ACTUATOR AIRE-GAP; 1 GPM	KM-7630170

Description	Part #
4 PRODUCT DIAL 4 BOTTLE FILL STATION W/ BUTTON ACTUATOR FLEX GAP 1 GPM	KM-7630065
4 PRODUCT DIAL 4 BOTTLE FILL STATION W/ BUTTON ACTUATOR AIRE-GAP 1 GPM	KM-7630066
4 PRODUCT DIAL 4 BOTTLE FILL STATION W/ BOTTLE ACTUATOR FLEX GAP 1 GPM	KM-7630067
4 PRODUCT DIAL 4 BOTTLE FILL STATION W/ BOTTLE ACTUATOR FLEX AIRE-GAP 1 GPM	KM-7630068
4 PRODUCT DIAL 4 BUCKET FILL STATION W/ BUTTON ACTUATOR FLEX GAP 4 GPM	KM-7630071
4 PRODUCT DIAL 4 BUCKET FILL STATION W/ BUTTON ACTUATOR AIRE-GAP 3 GPM	KM-7630072



MX-100P SERIES

Color coded lock-down valve buttons, available w/ Plastic cover or SS, 4 GPM flow rate.

SINK MATE



Features include heavy duty stainless steel case, one or two 3 GPM Aire-Gap valves, one or two 4 GPM Flex-Gap valves.

Description	Part #
1 PRODUCT MIXING STATION W/ AIRE-GAP; PLASTIC COVER	KM-7114121-PA
1 PRODUCT MIXING STATION W/ FLEX-GAP; PLASTIC COVER	KM-7114121-PF
2 PRODUCT MIXING STATION W/ AIRE-GAP; PLASTIC COVER	KM-7114122-PA
2 PRODUCT MIXING STATION W/ FLEX-GAP; PLASTIC COVER	KM-7114122-PF
3 PRODUCT MIXING STATION W/ AIRE-GAP; PLASTIC COVER	KM-7114123-PA
3 PRODUCT MIXING STATION W/ FLEX-FAP; PLASTIC COVER	KM-7114123-PF
1 PRODUCT MIXING STATION W/ AIRE-GAP; SS COVER	KM-7114121-A
1 PRODUCT MIXING STATION W/ FLEX-GAP; SSCOVER	KM-7114121-F
2 PRODUCT MIXING STATION W/ AIRE-GAP; SS COVER	KM-7114122-A
2 PRODUCT MIXING STATION W/ FLEX-GAP; SS COVER	KM-7114122-F
3 PRODUCT MIXING STATION W/ AIRE-GAP; SS COVER	KM-7114123-A
3 PRODUCT MIXING STATION W/ FLEX-FAP; SS COVER	KM-7114123-F

Description	Part #
SINGLE PRODUCT LIQUID SINK DISPENSER W/ AIRE GAP	KM-7116321
SINGLE PRODUCT LIQUID SINK DISPENSER W/ FLEX GAP	KM-7116322
DUAL PRODUCT LIQUID SINK DISPENSER W/ AIRE GAP	KM-7116310
DUAL PRODUCT LIQUID SINK DISPENSER W/ FLEX GAP	KM-7116315

KNIGHT GEAR MOTOR



Part #	Description
KM-7010101	KNIGHT GEAR MOTOR 15 RPM 24V
KM-7010116	KNIGHT GEAR MOTOR 110 RPM 24V
KM-7010129	KNIGHT GEAR MOTOR 30 RPM 115VAC KP-500
KM-7010139	KNIGHT GEAR MOTOR 100 RPM 115VAC KP-500/800
KM-7010211-LC	KNIGHT DETERGENT GEAR MOTOR 100 RPM 24V
KM-7010216-LC	KNIGHT RINSE GEAR MOTOR 15 RPM 24V
KM-7010233	KNIGHT PUMP/GEAR MOTOR KP-900 SERIES
KM-7010241	KNIGHT GEAR MOTOR 40 RPM 24VDC KLE SERIES
KM-7010374	KNIGHT GEAR MOTOR 120 RPM -115VAC 60HZ

KNIGHT ROLLER BLOCKS



Part #	Description
KM-7503450	KNIGHT ROLLER YELLOW FOR T-50 TUBING
KM-7503451	KNIGHT ROLLER BROWN FOR T-51 TUBING
KM-7503453	KNIGHT ROLLER BLUE FOR T-53 TUBING
KM-7630730-1	KNIGHT ROLLER WHITE T-75 TUBING
KM-7630731-1	KNIGHT ROLLER WHITE T-86 TUBING/900 SERIES
KM-7633330	KNIGHT ROLLER YELLOW T-50/T-66 TUBING/800 SERIES

KNIGHT CHECK VALVE



Part #	Description
KM-7901350	1/8" MPT X 1/4" COMPRESSION
KM-7901351	1/8" MPT X 1/8" COMPRESSION

KNIGHT FACE PLATE



Part #	Description
KM-7502312	KNIGHT FACE PLATE KP-500 PUMP
KM-7630330	KNIGHT FACE PLATE KP-800 PUMP
KM-7630712	KNIGHT FACE PLATE WITH BEARING KP-900 PUMP

KNIGHT METERING TIPS

Description	Part #
ASSORTED KNIGHT METERING TIPS (15)	KM-2201200

KNIGHT PUMP HEAD KIT



Part #	Description
KM-7501307	KNIGHT PUMP HEAD KIT T-53 TUBING
KM-7501309	KNIGHT PUMP HEAD KIT T-50 TUBING



SPRITE DM-400 SERIES

Features include Advanced Micro-size Digital Control, Guaranteed Reliability, Maximum Versatility, Money Saving Rinse Control, Includes Rack Counter & Unique De-Lime Mode

Description	Part #
RINSE PUMP, DETERGENT SOLENOID	NV-411DM
RINSE PUMP, DETERGENT PUMP	NV-420DM
DETERGENT SOLENOID ONLY	NV-401DM
DETERGENT PUMP ONLY	NV-410DM



NOVA SPRITE ROLLER

Part #	Description
NV-13-06396-00	SPINNER FOR NOVA SPRITE



TAURUS CP-300
Single Pump Dispenser

Description	Part #
PROGRAMMABLE SINGLE PUMP DELAY OF UP TO 30 MINUTES IN 5 MINUTE INCREMENTS, A MAX RUN TIME OF 20 MINUTES.	NV-00-08879-00
REMOTE	NV-13-08602-00
REPLACEMENT SPINNER	NV-13-06396-00
PUMP MOTOR KIT (DETG.)	NV-13-08721-01
PUMP COVER REPLACEMENT	NV-13-08602-06



HYDRO PUMP

This hand pump dispenses 1/2, 3/4, or 1 oz. per pump actuation. Field adjustable for delivery desired. Can use with Chlorine.

Description	Part #
WITH DIRECTIONAL, NO DRIP DISCHARGE SPOUT	NV-616-H
WITH PVC DISCHARGE TUBING	NV-617-H



SPRITE III DM-700 SERIES

Features include Splashproof-IP-65 Enclosure, Easy Access-Spring-Loaded Pumps, 3 Button Programming, Factory Pre-Wired, Auto Voltage Sensing. *Super Kit includes tubing & pick up tubes

Description	Part #
1 SOLENOID & 1 PUMP	NV-711DM
1 SOLENOID & 1 PUMP PLUS SUPER KIT	NV-711DM-K
2 PUMPS	NV-720DM
2 PUMPS PLUS SUPER KIT	NV-720DM-K
1 SOLENOID & 2 PUMPS	NV-721DM
1 SOLENOID & 2 PUMPS PLUS SUPER KIT	NV-721DM-K
3 PUMPS	NV-730DM
3 PUMPS PLUS SUPER KIT	NV-730DM-K



NOVA SPRITE COVER

Part #	Description
NV-13-06398-00	RED PUMP COVER FOR SPRITE



NOVA BOWL

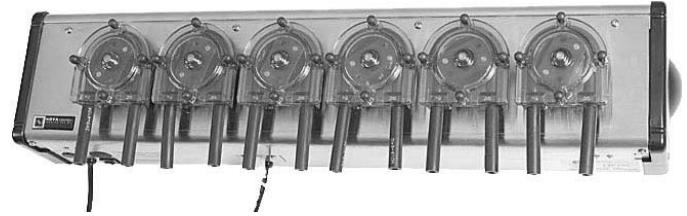
Description	Part #
METEOR CAPSULE FEEDER STANDARD	NV-15-06910-00
METEOR CAPSULE FEEDER W/ BALL VALVE & BRACKET	NV-00-07855-00
METEOR CAPSULE FEEDER W/ MECHANICAL TIME & BRACKET	NV-00-07845-00
METEOR CAPSULE FEEDER W/ SINK FILL BYPASS	NV-00-08098-00
METEOR CAPSULE FEEDER W/ SOLENOID VALVE	NV-00-08300-00
SWIRL-CLEAN SPRAY TUBE	NV-13-08209-00



AUTO-DOSE
 Wall Mount Dispensing Systems

It's widely accepted that it is easier to maintain drains than to unstop clogged ones. Choice of days, time (AM or PM) and dose amounts (1 to 30 oz increments). Up to 24 dosing periods per day.

Description	Part #
WALL MOUNT, BATTERY POWERED (D-SIZE)	HY-1180
WALL MOUNT, AC POWERED	HY-1190



LM-100 OPL
 Liquid Laundry Systems

Features include 8 pump capacity, quiet, fast dosing-up to 18 oz. per minute, timesaving plug together installation, external resettable circuit breaker & quick pump tube change.

Description	Part #
3 PUMP MODEL IN A 4 PUMP CABINET	NV-LM-134
4 PUMP MODEL	NV-LM-140
5 PUMP MODEL IN A 6 PUMP CABINET	NV-LM-156
6 PUMP MODEL	NV-LM-160
7 PUMP MODEL IN A 8 PUMP CABINET	NV-LM-178
8 PUMP MODEL	NV-LM-180



AUTO-DOSE
 Pail Mount Dispensing Systems

Description	Part #
PAIL MOUNT, BATTERY POWERED (D-SIZE)	HY-1170



ECLIPSE LM-200 OPL
 Liquid Laundry Systems

Features include high impact modded cabinet, 12 oz. per minute dosing, available in 2-6 pump configurations, safe low voltage signal interface & no tools squeeze tube change.

Description	Part #
2 PUMP MODEL	NV-LM-220
3 PUMP MODEL	NV-LM-230
3 PUMP MODEL IN A 4 PUMP CABINET	NV-LM-234
4 PUMP MODEL	NV-LM-240
4 PUMP MODEL IN A 5 PUMP CABINET	NV-LM-245
5 PUMP MODEL	NV-LM-250
5 PUMP MODEL IN A 6 PUMP CABINET	NV-LM-256
6 PUMP MODEL	NV-LM-260



MULTI DOSE SERIES

Hand pump designed to deliver accurate doses of concentrated chemicals into sinks, bottles, buckets, and other containers.

Description	Part #
BOTTLE FILL MODEL; 5-30 ML (5ML INCREMENTS)	HY-621
SINK FILL MODEL; 5-30 ML (5 ML INCREMENTS)	HY-623
BUCKET FILL MODE; 5-30 ML (5 ML INCREMENTS)	HY-624



NOVA ECLIPSE ROLLER

Part #	Description
NV-13-06094-00	NOVA ECLIPSE PUMP SPINNER



ACCU PRO SERIES

Guaranteed to deliver dilution accuracy regardless of fluctuations in water pressure.

Description	Part #
1 BUTTON; 1 GPM	HY-39301
2 BUTTON; 1 GPM	HY-39411
3 BUTTON; 3.5 GPM	HY-39531
SINGLE PRODUCT UP TO FOUR DILUTIONS; 3.5 GPM	HY-39711
SELECT FOUR PLUS; 1 GPM	HY-39761



ACCU DOSE SERIES

A key part of any chemical management program. Better chemical performance, labor saving, improved employee safety, environmentally friendly.

Description	Part #
1 BUTTON; 3.5 GPM	HY-38331
2 BUTTON; 1 GPM	HY-38411
3 BUTTON; 3.5 GPM	HY-38531



SINK MASTER

This dispenser meet the need for filling large sinks with detergent and/or sanitizer in food service applications.

Description	Part #
3.5 GPM FLOW RATE, AIR GAP, 2 PRODUCTS DISPENSED	HY-883
3.5 GPM FLOW RATE, E-GAP, 2 PRODUCTS DISPENSED	HY-8831



QDV SERIES

Low cost system for multiple products.

Description	Part #
4 LOW EDUCTORS; BUTTON ACTIVATION	HY-8440
4 LOW EDUCTORS; BOTTLE ACTIVATION	HY-8441
4 LOW EDUCTORS; BUTTON ACTIVATION; DRIP TRAY	HY-8442
4 LOW EDUCTORS; BOTTLE ACTIVATION; DRIP TRAY	HY-8443

Call for Additional Options on QDV Series.

HYDRO METERING TIPS

Description	Part #
ULTRA LEAN METERING TIPS KIT	HY-31210



**NOVA 90°
RINSE INJECTOR**

Description	Part #
1/8" MPT X 1/4" COMP ELBOW KYNAR	NV-06531-00
1/8" MPT X 1/8" COMP ELBOW KYNAR	NV-06531-01
1/8" MPT X 6 MM COMP ELBOW KYNAR	NV-06531-02



**NOVA STRAIGHT
RINSE INJECTOR**

Description	Part #
1/8" PIPE CONNECTOR X 1/4" TUBING CONNECT KYNAR VITON SEAL	NV-06529-00
1/8" PIPE CONNECTOR X 1/8" TUBING CONNECT KYNAR VITON SEAL	NV-06529-01
1/8" PIPE CONNECTOR X 6MM TUBING CONNECT KYNAR VITON SEAL	NV-06529-02

PRO SERIES
 Warewash Dispensers



LIQUID CHEM SAVER

Is perfect waterless liquid pot and pan/silver soak/sanitizer dispenser. Programmable for a 3 sec. to a 10 minute runtime.

Description	Part #
PRO III, DRY DETERGENT & RINSE CONTROL W/ SOLENOID AND RINSE PUMP AND 2 INTERNAL TRANSFORMER	VK-P33
PRO IV, LIQUID DETERGENT AND RINSE CONTROL W/ TWO PERISTALTIC PUMPS AND TWO INTERNAL TRANSFORMERS	VK-P37
PRO V, LIQUID DETERGENT, RINSE AND SANITIZER CONTROL W/ THREE PERISTALTIC PUMPS AND TWO INTERNAL TRANSFORMERS	VK-F46
PRO V, DRY DETERGENT, RINSE AND SANITIZER CONTROL W/ TWO PERISTALTIC PUMPS, SOLENOID, AND TWO INTERNAL TRANSFORMERS	VK-F47
PRO VI, ONE-PUMP LIQUID RINSE ONLY	VK-VF06
PRO VI, TWO-PUMP LIQUID RINSE & DETERGENT	VK-VF07
PRO VI, THREE PUMP LIQUID RINSE & DETERGENT	VK-VF08

Description	Part #
BATTERY OPERATED PERISTALTIC PUMP 9 OZ/MIN	VK-F77

PRO LAUNDRY SYSTEMS



DRAIN/DEODORIZING SYSTEMS



Designed to operate in all conditions that require grease digesting bacteria, enzymes solvents, and odor suppressants.

Description	Part #
PRO LAUNDRY SYSTEMS; ECONOMICAL SINGLE FORMULA; 1-6 PUMP CONFIGURATION; 18 OZ. PER MIN.	VK-F01
PRO MANUAL SYSTEMS; REMOTE PUSH BUTTON OPERATED SYSTEM, PERFECT FOR TOP LOADERS. 18 OZ. PER MIN. 1-3 PUMP CONFIGURATION	VK-L09
PRO RELAY SYSTEMS; PERFECT DISPENSER FOR MICRO-PROCESSOR LAUNDRY MACHINES WHERE TRIGGER LENGTH IS PROGRAMMABLE. 18 OZ PER MIN; 1-6 PUMP CONFIGURATION	VK-L11

Description	Part #
PRO DRAIN CHIEF LOW SPEED 4 OZ/PER MIN	VK-D03
PRO DRAIN CHIEF HIGH SPEED 18 OZ/PER MIN	VK-D02
PRO SCENTNAL- IDEAL FOR ODOR	VK-D06
PRO BATTERY DRAIN CHIEF 4 OZ/PER MIN	VK-D12



VIKING BOWL

Referred to as the best in the industry. The Viking Bowl is used to feed encapsulated powder or solid products. When used with a mechanical timer valve or ChemSaver, it is a perfect combination for pot and pan sinks, top loader laundry machines, floor care products, and many other screen-feed powder or solid dispensing applications.

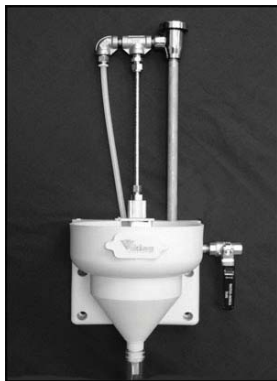
Description	Part #
BOWL DISPENSER WITH STANDARD NOZZLE FOR POWDER & SOLID CHEMICALS	VK-V01
BOWL WITH MECHANICAL TIMER VALVE AND BOWL BRACKET	VK-V89
BOWL DISPENSER WITH CHEM \$AVER	VK-VC2
BOWL DISPENSER WITH CHEM \$SAVER & PLUG IN ADAPTER	VK-VC3



VIKING SUPER BOWL

All in one bowl and microprocessor controlled solenoid valve for feeding either powder or solid chemical. - Easy, one button programming
- End user cannot change or tamper with programmed settings
- Unit can be used for automatic laundry dispensing when ordered with ChemSaver Laundry Trigger Board

Description	Part #
COMPLETE WITH BATTERY ONLY	VK-SB1
COMPLETE WITH PLUG-IN ADAPTER	VK-SB2



VIKING PRO BOWL

Ball-valve style stainless steel dispenser. Manually operated and used for filling pot & pan sinks and bus pans. Water not used for dissolving chemical is diverted and mixed with the chemical output below the bowl.

Description	Part #
COMPLETE BOWL WITH MANUAL BALL OPERATION & NEEDLE VALVE DILUTION CONTROL	VK-V10



VIKING MECHANICAL TIMER

Calibrated Dial Controls Timed Feed to Viking Bowl. No Electrical Connections or Batteries Required. Now with Internal Filter.

Description	Part #
VIKING MECHANICAL TIMER	VK-V03



VIKING BLUE ROLLER ASSEMBLY



VIKING WHITE ROLLER ASSEMBLY

Description	Part #
BLUE PRO ROLLER ASSEMBLY FOR RINSE & SANITIZER PUMPS- 1/8"	VK-V07

Description	Part #
WHITE PRO ROLLER ASSEMBLY FOR LAUNDRY-DETERGENT DRAIN PUMPS 1/4" OR 3/8" TUBE	VK-V44



VIKING FACE PLATE



VIKING SPRAY ARM

Description	Part #
PRO CLEAR FACE PLATE	VK-V94

Description	Part #
SPRAY ARM (VIKING BOWL INT) ASSEMBLY COMPLETE	VK-V49

VIKING CHECK VALVE

VIKING TIMER



Description	Part #
1/8" BALL CHECK VALVE RINSE ONLY	VK-V69

Description	Part #
MECHANICAL TIMER VALVE ADJUSTABLE 10-60 SEC.	VK-003

VIKING DRIVE BOARD



Description	Part #
SANITIZER DRIVE BOARD	VK-B05



SEKO HAND PUMP

Description	Part #
1 OZ HAND PUMP VITON SEAL W/ SPOUT SOLVENT USE	SK-HP30F
1 OZ HAND PUMP EPDM SEAL W/ SPOUT DETERGENT USE	SK-HP30E



SEKO PROSINK

The ProSink is a chemical dispensing system that automatically and consistently mixes the precise amount of detergent and sanitizer with water by turning a knob, conveniently filling large sinks with accurate product solutions.

Description	Part #
SINGLE PRODUCT PUMP F-GAP	SK-PSK1F
SINGLE PRODUCT PUMP A-GAP	SK-PSK1A
DUAL PRODUCT PUMP F-GAP	SK-PSK2F
DUAL PRODUCT PUMP A-GAP	SK-PSK2A

“Failure is not fatal, but failure to change might be.”
 ~John Wooden



TCD FAUCET ADAPTER KITS

Description	Part #
ASSEMBLY ONLY WITHOUT ADAPTERS	TC-486
6 FT. BLACK HOSE, 3/8" ID 3/4" MGH X 3/4" FGH	TC-450
CHICAGO ADAPTER PLUS ASSEMBLY	TC-486-C
FISHER ADAPER PLUS ASSEMBLY	TC-486-F
T&S ADAPTER PLUS ASSEMBLY	TC-486-T
ASSEMBLY WITH 1 CHICAGO, FISHER, & T&S ADAPTER	TC-486-CFT



FAUCET ADAPTERS

Description	Part #
CHICAGO FAUCET ADAPTER	TC-684-C
FISHER FAUCET ADAPTER	TC-684-F
T&S FAUCET ADAPTER	TC-684T

FLEXIBLE STAINLESS STEEL BRAIDED HOSE



Description	Part #
1/2" F X 1/2" F X 12" FAUCET CONNECTOR	60-1512
3/4" F X 3/4" F X 18" FAUCET CONNECTOR	60-1518
1/2" F X 1/2" M X 20" FAUCET CONNECTOR	60-1520
1/2" F X 1/2" F X 48" FAUCET CONNECTOR	60-1548
3/4" F X 3/4" F X 48" FAUCET CONNECTOR	60-1550
3/4" F X 3/4" M X 60" FAUCET CONNECTOR	60-1551
3/4" F X 3/4" F X 72" FAUCET CONNECTOR	60-1672



SHUT-OFF VALVE

Description	Part #
PROPORTIONER WATER SHUT-OFF VALVE	60-6640



PRESSURE TEE/WATER WASTING TEE

Description	Part #
PRESSURE INDICATING TEE WITH MALE & FEMALE QUICK DISCONNECT	DM-686-QD2



PRESSURE REGULATOR

Description	Part #
3/4" F X 3/4" M GARDEN HOSE CONNECTIONS	60-6643



DUAL CHECK VACUUM BREAKER

Description	Part #
3/4" M X 3/4" F DUAL CHECK VACUUM BREAKER W/ ATMOSPHERIC VENT	60-6650



PRESSURE RELIEVING CONNECTION TEE

Description	Part #
PRESSURE INDICATING TEE WITH MALE & FEMALE QUICK DISCONNECT	HY-195

WATTS BACK FLOW VALVE



Part #	Description
60-WT800	BACKFLOW PREVENTER; Model 9D-M3 1/2" FEMALE
60-WT805	BACKFLOW PREVENTER; Model 9D-M2 3/4" FEMALE

MERRILL VACUUM BREAKER



Part #	Description
60-MR812	HOSE CONNECTION F3/4" INLET-M3/4" OUTLET, BRASS

**WATTS BACK FLOW
 REPAIR KIT**



Part #	Description
60-WT802RK	BACKFLOW PREVENTER; Model 9D-M3 1/2" FEMALE

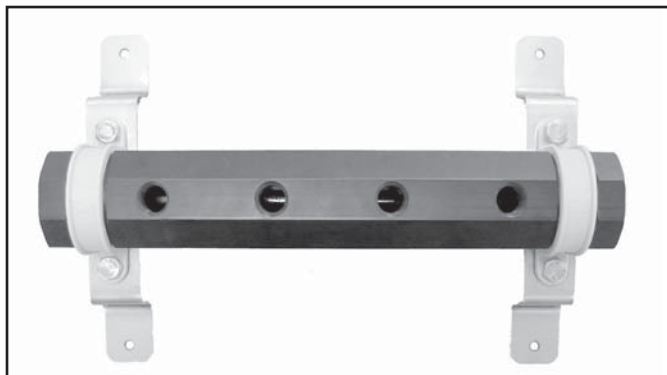
**WATTS PLASTIC VACUUM
 BREAKER**



Part #	Description
60-WT810	HOSE CONNECTION 3/4" F INLET X 3/4" M OUTLET, PLASTIC

FLUSH MANIFOLD SERIES

Flush Manifolds designed to deliver the designated chemical product and water precisely to laundry machine. Compatible with all laundry dispensers.



Part No. MF-2014

4 Port Manifold

Part No. MF-2016

6 Port Manifold

Part No. MF-2018

8 Port Manifold

Note: Complete Mounting Bracket kit included.

High density PVC material that will provide long lasting service.

- **Easy & Quick Installation**
- **Durable**
- **Multiple Set-Up Options**

*Add Part #30-6112B (1/4" MPT Hex Head Plug) to plug any check valve port.

Grey PVC Check Valve Options:

Part No. CV-14

1/4" Barb x 1/4" MPT.

Part No. CV-5

3/8" Barb x 1/4" MPT.

Part No. CV-24

1/2" Barb x 1/4" MPT

Part No. CV-26

1/4" OD JG x 1/4" MPT

Part No. CV-28

3/8" OD JG x 1/4" MPT

Part No. CV-29

5/16" Barb x 1/4" MPT

Part No. MF-2022

Water Solenoid set up kit:
 30-6086B 1/2" x 3/8" Nipple
 30-5066B 3/8" x 3/8" Nipple
 CV-15 Black Check Valve

Water Inlet Connector Options:

Part #30-1068B

3/8" MPT x 1/2" Barb

Part #30-1066B

3/8" MPT x 3/8" Barb

Part #30-1064B

3/8" MPT x 1/4" Barb

Part #33-JG706-MC

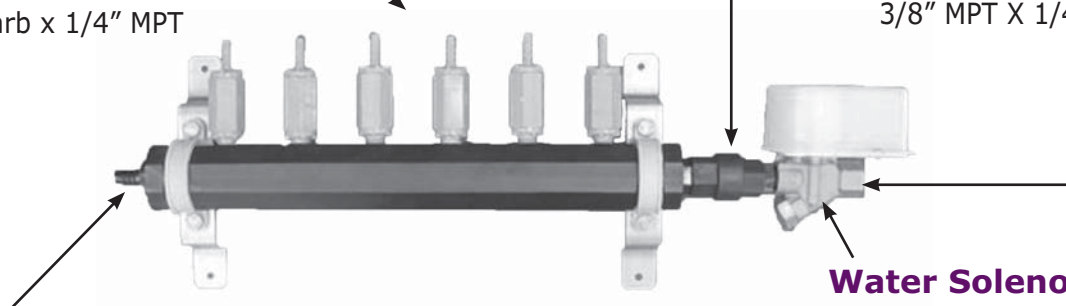
3/8" MPT x 1/2" MC

Part #33-JG606-MC

3/8" MPT x 3/8" MC

Part #33-JG406-MC

3/8" MPT X 1/4" MC



Water Solenoid Options:

Part No. DM-443PJ-24VAC

3/8" NPT Mini Dema 24 VAC Coil w/ Bracket Cover

Part No. DM-443PJ-24VDC

3/8" NPT Mini Dema 24 VDC Coil w/ Bracket Cover

Black Polyethylene Connector Options:

Part No. 30-1088B

1/2" x 1/2"

Part No. 30-1086B

1/2" x 3/8"

Call TCD Parts for flow switch options.

We are your “one stop shopping” source for commercial dishmachine repair parts.

TCD Parts, Inc. has unbeatable prices for vacuum breakers, pressure regulators, solenoid valves, drain balls, drain tubes, gaskets, o-rings, spray arms, spray arm bearings, splash curtains, detergent probes, pressure gauges and pump motors.

With our minimum order policy and quick shipping, you can think of us as your warehouse for commercial dishmachine parts.

Commerical Dishmachine Repair Parts



ADS/CMA

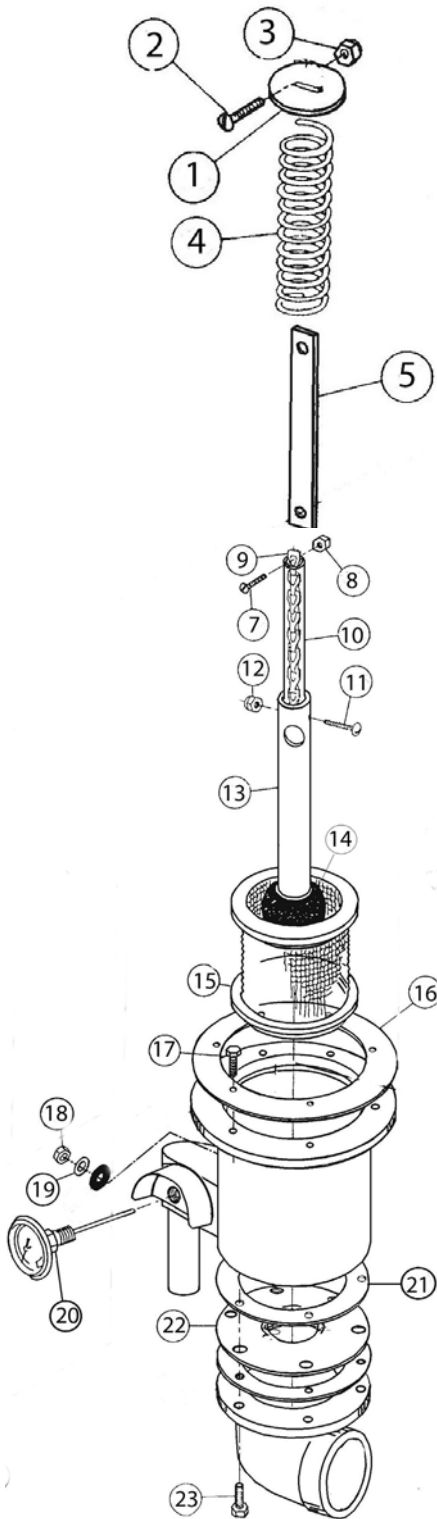
Knight

Auto-Chlor

Jackson

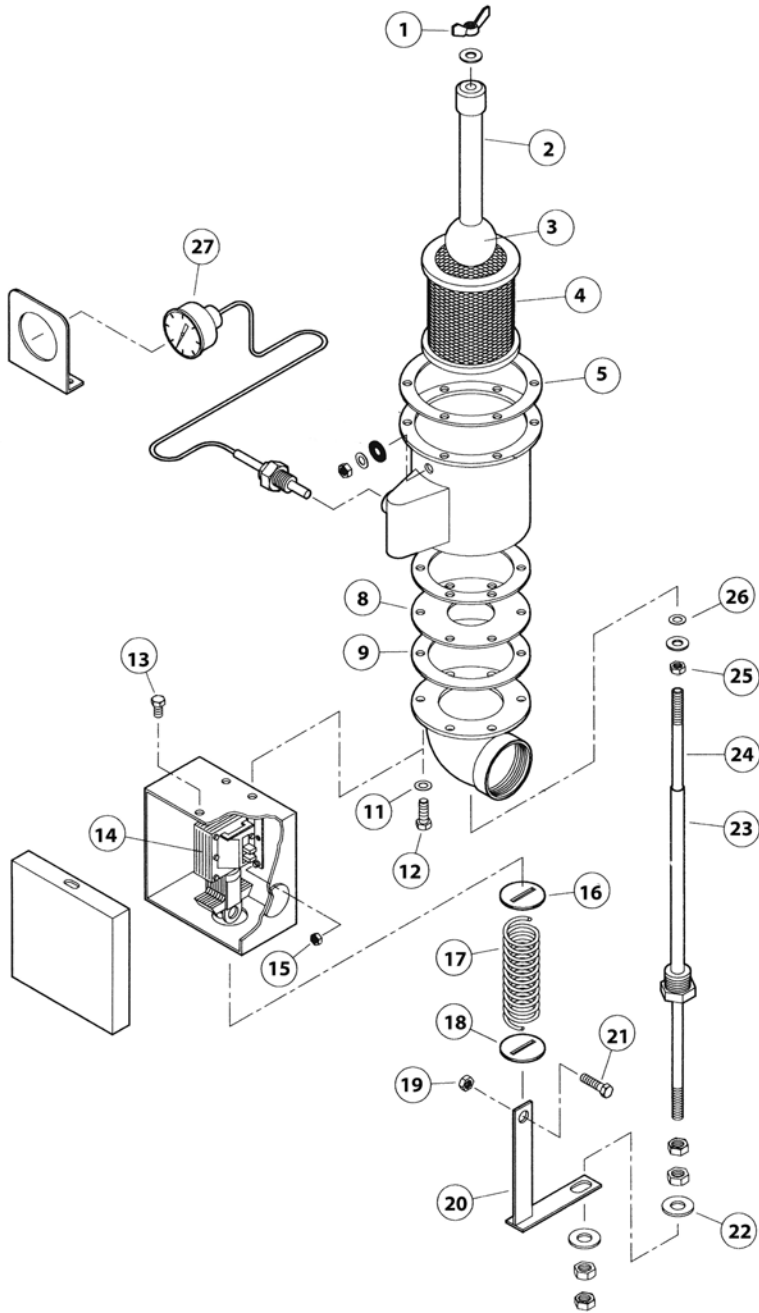
Hobart

ADS DISHMACHINE OUTSIDE DRAIN ASSEMBLY PARTS



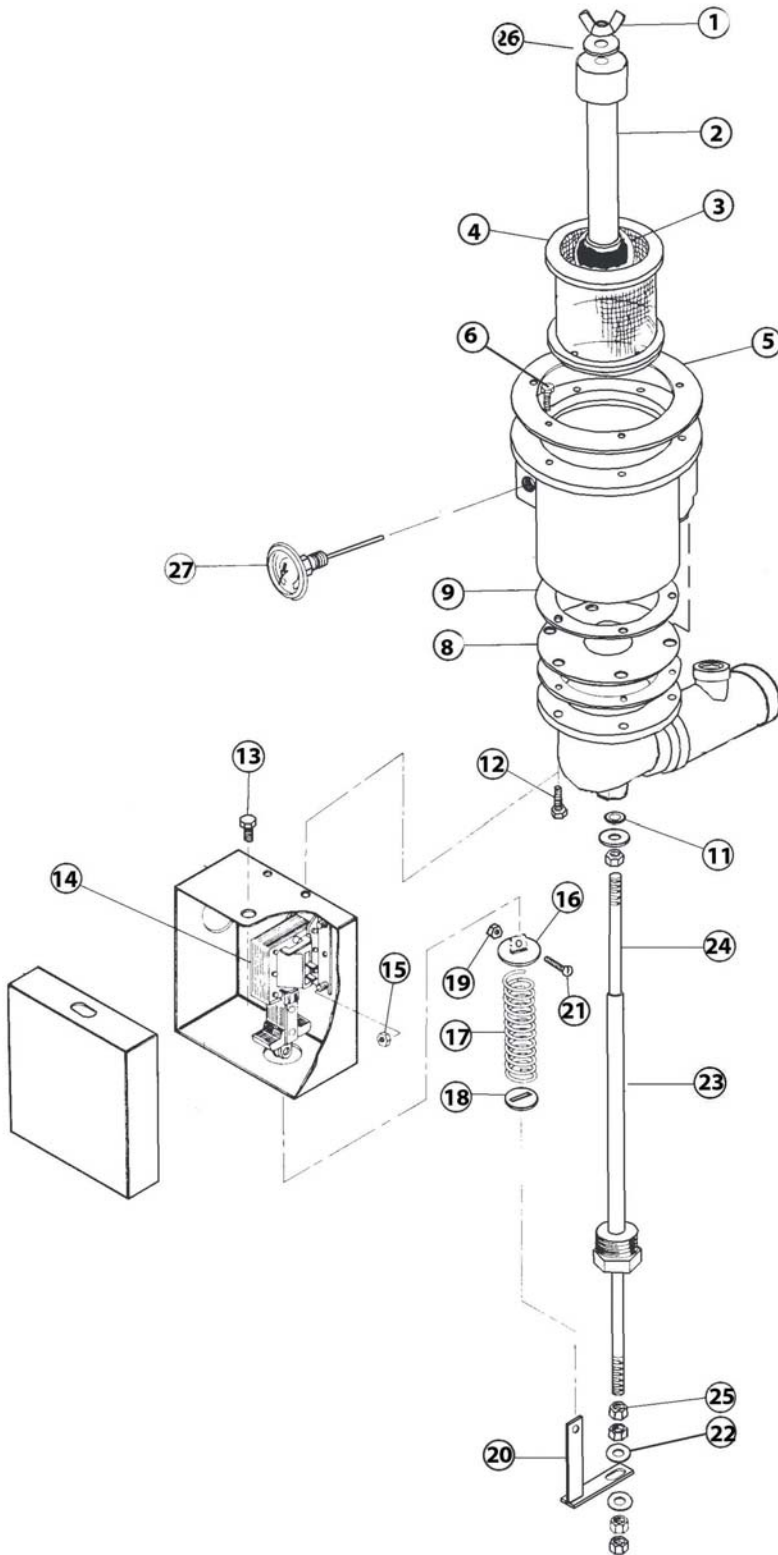
REF #	TCD PART #	ADS Ref. #
1	63-0220	086-6607
2	88-201	098-1205
3	88-204	098-2201
4	63-0215	098-3001
5	63-0225	086-6605
6	63-0220	086-6606
7	88-201	098-1205
8	88-204	098-2201
9	63-0233A CHAIN	089-6610
10	63-0237A COVER	084-6622
11	88-701	098-1311
12	88-703	098-2301
13	63-0138	084-6608
14	DB-0150 DB-0153 DB-0155 DB-0175 DB-0220 DB-0250 DB-0255	083-6601 083-6601 083-6501
15	63-0300	085-6602
16	62-305C 62-305F	089-6601
17	88-333	098-1423
18	88-306	098-2507
19	88-308	098-2404
20	64-TG220	099-1001
21	62-304C 62-304F	089-6602
22	63-0150 63-0200	086-6601
23	88-400	098-1508

ADS DISHMACHINE INSIDE DRAIN ASSEMBLY PARTS



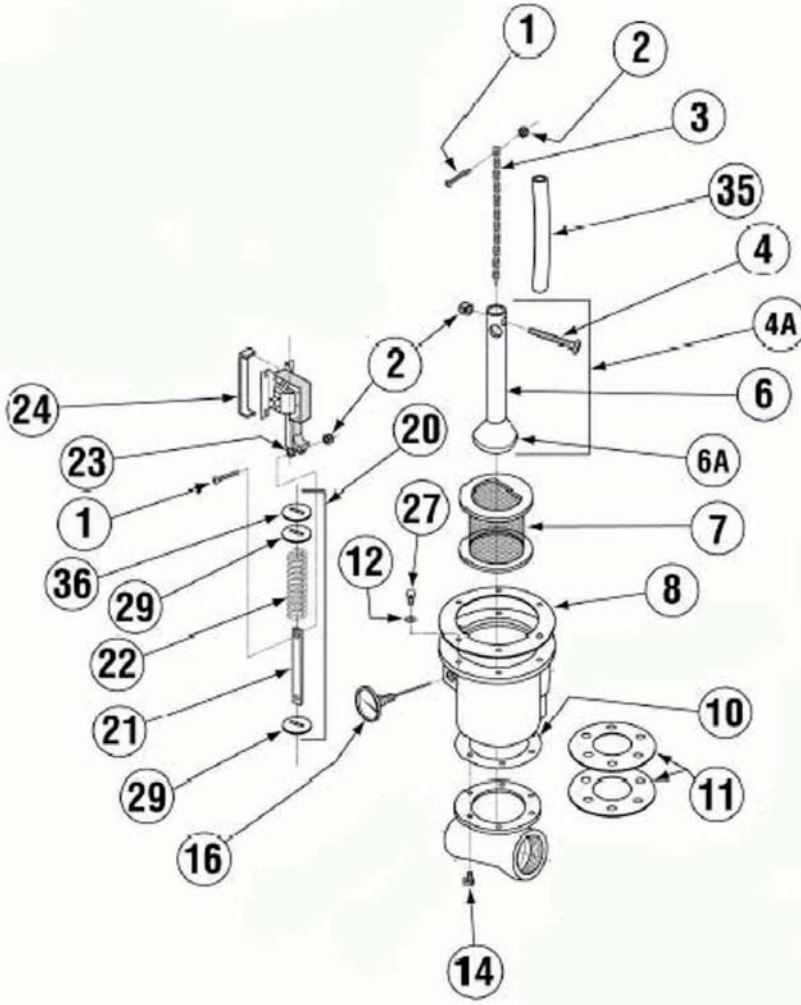
REF #	TCD PART #	ADS Ref. #
1	66-1012	098-2308
2	63-0137	084-6610
3	DB-0150 DB-0153 DB-0155 DB-0175 DB-0220 DB-0250 DB-0255	083-6601 083-6601
4	63-0300	085-6602
5	62-305C 62-305C	089-6601
8	63-0150 63-0200	086-6601
9	62-304C 62-304C	089-6602
11	88-406	098-2507
12	88-402	098-1507
13	88-333	098-1423
14	63-DS101 63-DS100	091-2001
15	88-710	098-2301
16	63-0220	086-6607
17	63-0215	098-3007
18	63-0220	086-6606
19	88-204	098-2201
20	63-0226	085-6610
21	88-201	098-1205
22	88-308	098-2404
23	63-0210	085-6611
24	63-0205	086-6307
25	88-307	098-2507
26	61-1009	098-9014
27	64-7072A	299-1005

ADS DISHMACHINE INSIDE DRAIN ASSEMBLY PARTS FOR ETAF/ETAF-3/ETAF-M

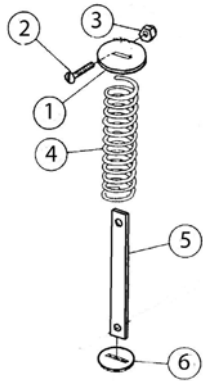


REF #	TCD PART #	ADS Ref. #
1	66-1012	098-2308
2	63-0137	084-6610
3	DB-0150 DB-0153 DB-0155 DB-0175 DB-0200 DB-0250 DB-0255	083-6601
4	63-0300	085-6602
5	62-305C 62-305C	089-6601
6	88-337	098-1423
8	63-0150 63-0220	086-6601
9	62-304C 62-304C	089-6602
11	61-1009	098-9014
12	88-402	098-1507
13	88-333	098-1423
14	63-DS101 63-DS100	091-2001
15	88-710	098-2301
16	63-0220	086-6607
17	63-0215	098-3007
18	63-0220	086-6606
19	88-204	098-2201
20	63-0226	085-6610
21	88-201	098-1205
22	88-308	098-2404
23	63-0210	085-6611
24	63-0205	086-6307
25	88-307	098-2507
26	61-1009	098-9014
27	64-TG220	099-1001

CMA DISHMACHINE DRAIN ASSEMBLY PARTS

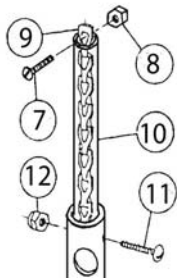


REF #	TCD PART #	CMA Ref. #
1	88-201	03812.00
2	88-204	00927.00
3	63-0233C	41019.11
4	88-201	03812.00
4A	63-0350	00121.00
6	63-0140	00121.51
6A	DB-0300	00121.52
7	63-0300	00115.06
8	62-305C 62-305F	00112.06
10	62-304C 62-304F	00114.00
11	63-0150	00124.50
12	88-308	00924.00
14	88-401	00920.00
16	64-TG220	00120.00
20	63-0340	00122.00
21	63-0225	01551.00
22	63-0215	00105.00
23	63-DS100	00100.00
24	63-0112	01550.00
27	88-333	00906.00
29	63-0220	00106.00
35	63-0237C	00110.07
36	63-0220	00106.00



ADS/CMA DRAIN SPRING ASSEMBLY

Part #	Description
63-0340	COMPLETE DRAIN SPRING ASSEMBLY



ADS/CMA CHAIN ASSEMBLY

Part #	Description
63-0360	COMPLETE DRAIN CHAIN ASSEMBLY



SOLENOID/CHAIN LINK FOR ADS

Part #	Description	ADS Ref. #
63-0226	SOLENOID/LINK STAINLESS STEEL	085-6610

SOLENOID/CHAIN LINK FOR ADS & CMA



Part #	Description	ADS Ref. #	CMA Ref. #
63-0225	SOLENOID/LINK STAINLESS STEEL	085-6602	01551.00



DRAIN CHAIN COVER FOR ADS/CMA

Part #	Description	Ref. #
63-0237A	ADS DRAIN CHAIN COVER 6.5"	084-6622
63-0237C	CMA DRAIN CHAIN COVER 7"	00110.07

DRAIN CHAIN FOR ADS/CMA



Part #	Description	Ref. #
63-0233A	ADS DRAIN CHAIN SS 7"	089-6610
63-0237C	CMA DRIAN CHAIN SS 7 1/2"	41019.11



DRAIN SLOTTED WASHER ADS/CMA

Part #	Description	ADS Ref. #	CMA Ref. #
63-0220	SLOTTED WASHER	086-6607	00106.00



DRAIN SPRING FOR ADS/CMA

Part #	Description	ADS Ref. #
63-0215	DRAIN SPRING	098-3001



DRAIN BALL 1 1/2" FOR ADS

Part #	Description	ADS Ref. #
DB-0150	1 1/2" ADS DRAIN BALL; BLACK EPDM	083-6601
DB-0153	1 1/2" ADS DRAIN BALL; BLUE EPDM	083-6601
DB-0155	1 1/2" ADS DRAIN BALL; BLUE SILICONE	083-6601
DB-0175	1 1/2" ADS DRAIN BALL; RED SILICONE	083-6601



DRAIN BALL FOR CMA

Part #	Description
DB-0300	60 DURO CMA DRAIN BALL; RED SILICONE



DRAIN BALL 2" FOR ADS

Part #	Description	ADS Ref. #
DB-0200	2" ADS DRAIN BALL; BLACK EPDM	083-6501
DB-0250	2" ADS DRAIN BALL; RED SILICONE	083-6501
DB-0255	2" ADS DRAIN BALL; BLUE EPDM	083-6501



DRAIN TUBE FOR ADS & CMA

Part #	Description	ADS Ref. #
63-0138	DRAIN TUBE 9.5 INCH 1 1/2" DRAIN BALL	084-6608
63-0139	DRAIN TUBE 9.5 INCH 2" DRAIN BALL	084-6608
63-0140	DRAIN TUBE 9.5 INCH FOR CMA	00121.51



DRAIN TUBE FOR ADS

Part #	Description	ADS Ref. #
63-0137	DRAIN TUBE FOR INSIDE DRAIN USE WITH EITHER 1 1/2" OR 2" DRAIN BALLS. 6 1/2" IN LENGTH.	084-6610



CMA DRAIN BALL & TUBE ASSEMBLY

Part #	Description
63-0350	CMA DRAIN BALL W/ TUBE ASSEMBLY



ADS DRAIN BALL & TUBE ASSEMBLY FOR OUTSIDE DRAIN

Part #	Description
63-0365A	ADS DRAIN BALL W/TUBE ASSEMBLY; 1 1/2" (EPDM)
63-0365B	ADS DRAIN BALL W/TUBE ASSEMBLY; 1 1/2" (SILICONE)
63-0375A	ADS DRAIN BALL W/TUBE ASSEMBLY; 2" (EPDM)
63-0375B	ADS DRAIN BALL W/TUBE ASSEMBLY; 2" (SILICONE)



ADS DRAIN BALL & TUBE ASSEMBLY FOR INSIDE DRAIN

Part #	Description
63-0365C	ADS DRAIN BALL W/ TUBE ASSEMBLY; 1 1/2" (SILICONE)
63-0365D	ADS DRAIN BALL W/ TUBE ASSEMBLY; 1 1/2" (EPDM)
63-0375C	ADS DRAIN BALL W/TUBE ASSEMBLY; 2" (EPDM)
63-0375D	ADS DRAIN BALL W/TUBE ASSEMBLY; 2" (SILICONE)



DRAIN SOLENOID ADS/CMA

Part #	Description	ADS #	CMA #
63-DS100	DRAIN SOLENOID INTERMITTENT DUTY	091-2001	00100.00
63-DS101	DRAIN SOLENOID CONTINUOUS DUTY	091-2001	00100.00



DRAIN SOLENOID STOP FOR ADS/CMA

Part #	Description	ADS #	CMA #
63-0112	SOLENOID STOP SS 12 GAUGE	086-6604	01550.00



DRAIN SHAFT FOR ADS

Part #	Description	ADS Ref. #
63-0210	DRAIN SHAFT FOR INSIDE DRAIN	085-6611



INSIDE DRAIN PUSH ROD FOR ADS

Part #	Description	ADS Ref. #
63-0205	PUSH ROD FOR INSIDE DRAIN	086-6307



O-RINGS FOR ADS/CMA

Part #	Description	ADS #	CMA #
61-1005	WATER PUMP, CENTRIFUGAL IMPELLER	098-9021	
61-1007	WATER PUMP, AXIAL IMPELLER	098-9012	
61-1009	INSIDE SUMP DRAIN	098-9014	
61-1012	SPRAY BASE		00302.51
61-1014	SPRAY BASE		00302.84
61-1016	STRAINER 3/4"		00703.00
61-1018	PUMP MOTOR GASKET		03226.00
61-1020	DRAIN STOPPER		00121.18



GASKETS FOR ADS/CMA

Part #	Description	ADS #	CMA #
62-301C	1/8" CORK RUBBER; PUMP MOTOR	89-6303	00205.00
62-301F	1/8" FIBER; PUMP MOTOR	89-6303	00205.00
62-303C	1/8" CORK RUBBER; SPRAY BASE	89-6201	00302.00
62-303F	1/16" FIBER; SPRAY BASE	89-6201	00302.00
62-304C	1/8" CORK RUBBER; DRAIN TEE	89-6202	00114.00
62-304F	1/16" FIBER; DRAIN TEE	89-6202	00114.00
62-305C	1/8" CORK RUBBER; DRAIN SUMP	89-6601	00112.06
62-305F	1/16" FIBER; DRAIN SUMP	89-6601	00112.06
62-306C	1/8" CORK RUBBER; DRAIN SUMP		00112.03
62-306F	1/8" FIBER; DRAIN SUMP		00112.03



INSIDE DRAIN COVER FOR ADS

Part #	Description
63-0100	REDUCES BLOCKAGE OF SUMP SCREEN. STAINLESS STEEL SCREEN AND MOUNTING HARDWARE. FOR ADS UNDERCOUNTER DISHMACHINES & MODELS ETAF/ETAF-3/ETAF-M WITHOUT HEATERS & DRAIN PUMPS.



TEMPERATURE GAUGE FOR ADS/CMA

Part #	Description	ADS Ref. #
64-TG220	TEMPERATURE GAUGE	099-1001



MIXING CHAMBERS FOR CMA

Part #	Description
60-0050	3/8" MPT X 1/2" BARB 2 PORTS OF 1/8" MPT
60-0051	3/8" MPT X 1/2" BARB 1 PORT OF 1/8" MPT



CAPILLARY THERMOMETERS FOR ADS/CMA

Part #	Description	ADS #	CMA #
64-7036A	PLATED CAPILLARY 36" THREADED LENS; 100-220 F/C	299-1004	
64-7072A	PLATED CAPILLARY 72" THREADED LENS; 100-220 F/C	299-1005	
64-9880C	PVC CAPILLARY 80" CRIMPED RING; 20-220 F/C		03202.00
64-9896C	PVC CAPILLARY 96" CRIMPED RING; 20-220 F/C		03202.00



MIXING CHAMBER FOR ADS

Part #	Description
60-0060	1/2" FPT X 1/2" FPT 2 PORTS OF 1/8" MPT



DRAIN SEAT FOR ADS/CMA

Part #	Description	ADS Ref. #
63-0150	DRAIN SEAT 1 1/2"	086-6601
63-0200	DRAIN SEAT 2"	086-6601



DRAIN SCREEN FOR ADS/CMA

Part #	Description	ADS Ref. #
63-0300	ADS PUMP SCREEN	085-6602

Psalm 103:1-5

Bless the Lord, O my soul;
 And all that is within me, bless His holy name!
 Bless the Lord, O my soul;
 And forget not all His benefits:
 Who forgives all your iniquities,
 Who heals all your diseases,
 Who redeems your life from destruction,
 Who crowns you with loving kindness and tender mercies,
 Who satisfies your mouth with good things,
 So that your youth is renewed like the eagle's.



THUMBSCREW FOR SPRAY BASE ASSEMBLY -ADS



Part #	Description	ADS Ref. #
66-1016	SS THUMBSCREW; 5/16" -18 X 5/8"	098-1583
66-1010	SS THUMBSCREW ADAPTER	

SPRAY ARMS FOR ADS/CMA



WING NUT FOR SPRAY BASE ASSEMBLIES-ADS

Part #	Description	ADS Ref. #
66-1011	1/4-20 STAINLESS STEEL WING NUT	098-2308
66-1012	1/4-20 ZINC/ALLOY WING NUT W/ NYLON INSERT	098-2308

Part #	Description	ADS Ref. #	CMA Ref. #
66-301	SINGLE RACK SPRAY ARM 23" LONG (NOT FOR "L" OR 3D-S SERIES)	081-6204	00304.06
66-302	DOUBLE RACK SPRAY ARM 20 1/2"	081-6205	00304.03
66-306	UNDERCOUNTER FOR ADS ET-AF - 20 3/8"	081-6208	
66-319	UNDERCOUNTER CROSS ARM 19 1/2"	081-6212	
66-321	UNDERCOUNTER CROSS ARM 21"	081-6212	



SPRAY ARM END CAPS

Part #	Description	ADS Ref. #	CMA Ref. #
66-101	SS END CAPS	084-6211	308.50
66-102	BRASS END CAPS	084-6203	
CM-00308.20	CMA END CAPS FOR UNDERCOUNTER		308.20



HIGH TEMP NOZZLES

Part #	Description	ADS Ref #
66-6121-070	SS - 1/16" NPT; .070 HOLE	384-6121
66-6121-093	SS - 1/16" NPT; .093 HOLE	384-6121



SPRAY ARM NOZZLES ADS/CMA

Part #	Description
66-2001-4	SPRAY ARM NOZZLE #4
66-2001-5	SPRAY ARM NOZZLE PUSHER #5

V-JET NOZZLES ADS/CMA



FINAL RINSE NOZZLE FOR CMA



Part #	Description	CMA Ref. #
66-0056	SS NOZZLE FOR CMA 44, 1/16" NPT	13304.56

Part #	Description
66-6175-2	STAINLESS STEEL 1/8" NPT 80-10; .050 x 45°
66-6185	STAINLESS STEEL 1/8" NPT 80-20; .080 X 60°



SPRAY ARM BEARING FOR ADS/CMA

Part #	Description	ADS Ref. #	CMA Ref. #
66-223	2-PIECE ASSEMBLY	81-6210	341.00



SPRAY ARM BEARING FOR CMA

Part #	Description	CMA #
66-229	USED IN CMA OPTIMIZER	341.82



SPRAY ARM BEARING FOR ADS/CMA

Part #	Description	ADS Ref. #	CMA Ref. #
66-225	3-PIECE CONSTRUCTION SEALED AT SPRAY BASE	81-6210	341.00



SPRAY ARM BEARING FOR CMA

Part #	Description	CMA #
66-244	UNDER COUNTER	4303.00



SPRAY ARM BEARING FOR ADS/CMA

Part #	Description	ADS Ref. #	CMA Ref. #
66-227	3-PIECE CONSTRUCTION BEARING WELDED, NOT REBUILDABLE	81-6206	341.00



SPRAY ARM GASKET FOR CMA

Part #	Description
66-245	POLY GASKET FOR UNDER COUNTER CMA BEARING



SPRAY ARM BEARING FOR ADS/CMA

Part #	Description	ADS Ref. #	CMA Ref. #
66-220	3-PIECE CONSTRUCTION-REBUILDABLE	81-6210	341.00



SPRAY BASE ASSEMBLY

Part #	Description	ADS #	CMA #
66-3016	SPRAY BASE ASSEMBLY, LOWER		00361.10
66-3017	SPRAY BASE ASSEMBLY, UPPER		00361.00
66-3018	SPRAY BASE ASSEMBLY, LOWER	82-6206	
66-3019	SPRAY BASE ASSEMBLY, UPPER	82-6208	



FINAL RINSE NOZZLES FOR ADS/CMA

Part #	Description	ADS Ref #	CMA Ref #
66-19004-P	Hydex material - 1/8" NPT	284-6145	13304.50
66-19004-SS	Stainless Steel - 1/8" NPT	284-6146	13304.50



SPRAY BASE LOCKING PIN

Part #	Description
66-3015	SS SNAP IN STYLE LOCKPIN TO SECURE SPRAYARM BEARING AND SPRAYARM INTO SPRAY BASE.



SPLASH CURTAINS FOR ADS/CMA

Part #	Description	ADS #	CMA #
66-SC1001-SP	ADC-44/66 LONG 21" X 17"	299-1001	
66-SC1002-SP	ADC-44/66 SHORT 23" X 11"	299-1002	
66-SC1005-SP	CMA 44/66 20 5/8" X 15"		13702.25
66-SC1006-SP	CMA 44/66 24 5/8" X 15"		13702.30
66-SC1009-SP	CMA 24 5/8" X 11 1/2"		13702.35
66-SC120-SP	CMA 23 3/4" 10 1/8"		13703.47

SPLASH CURTAIN HANGER RODS



Part #	Description
66-SC197	HANGER ROD 5/16" X 20 1/2"
66-SC192	HANGER ROD 5/16" X 21 1/2"
66-SC198	HANGER ROD 5/16" X 24"
66-SC199	HANGER ROD 5/16" X 24 1/2"
66-SC190	HANGER ROD 5/16" X 24 5/8"



DOOR SPRING

Part #	Description	Ref. #
63-0217	ADS UNDERCOUNTER MACHINE	098-3012
CM-00602-00	CMA DOOR SPRING	00602.00



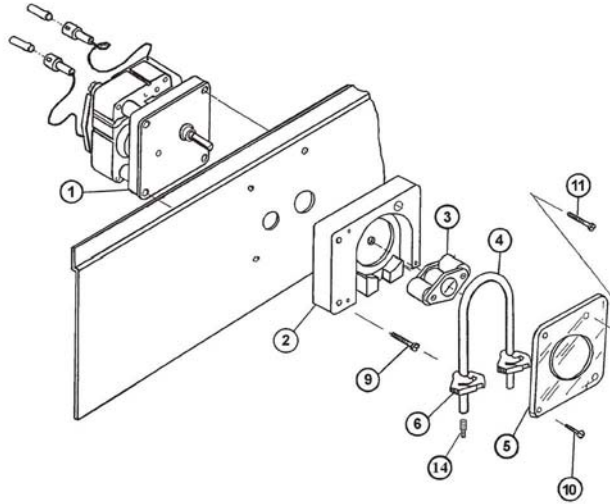
DOOR STRIPS

Part #	Description	Ref. #
63-0640	25 3/8" PLASTIC DOOR STRIP FOR ADS	083-6108
63-0635	21 7/8" PLASTIC DOOR STRIP AH/B/C/EST/44/66 CMA	00636.10
63-0636	26 1/4" PLASTIC DOOR STRIPS 180 HIGH TEMP CMA	00636.17
63-0610B	32" PLASTIC DOOR STRIP FOR MODEL AFB	083-6110

CMA DOOR GUIDE



Part #	Description
CM-01554-30	CMA DOOR GUIDE 21 1/8" STAINLESS STEEL



ROLLER FOR ADS/CMA
REF. #3



Part #	Description
PM-0127	RED ROLLER BEARING ASSEMBLY; FITS ADS & CMA PUMP

FACE PLATE FOR ADS/CMA
REF. #5



Part #	Description
PM-0220	PERISTALTIC PUMP COVER 3" X 3"; 1 3/4" CENTER HOLE



CHEMICAL PUMP MOTOR ADS/CMA
REF. #1

PUMP COVER FOR ADS/CMA
REF. #5



Part #	Description
PM-0120	PERISTALTIC PUMP MOTOR 115V/60HZ; 48 RPM; ADS & CMA

PUMP BLOCK FOR ADS/CMA
REF. #2



Part #	Description
PM-0210	PERISTALTIC PUMP COVER FOR ; ADS & CMA

PUMP KIT FOR ADS/CMA



Part #	Description
PM-0200	PERISTALTIC PUMP BLOCK TO FIT CMA AND ADS PUMP

TUBE CLAMPS FOR ADS/CMA
REF. #6



Part #	Description
PM-1000	INCLUDES GEAR MOTOR 120 VOLTS, 48 RPM, ROLLER ASSEMBLY, PUMP BLOCK, PUMP COVER, SCREWS, 8" LOW TEMP SANTOPRENE TUBE

Part #	Description
31-2310	7/16" NYLON TUBE CLAMP

BARBED CONNECTOR
#14



Part #	Description
30-8043B	3/16" X 1/4" REDUCING BARBED CONNECTOR; POLYETHYLENE



PUMP MOTOR FOR ADS/CMA

Part #	Description	ADS #	CMA #
PM-0235	1HP 115/208/230V 60HZ; BLUFFTON	091-1001	00201.00



VACUUM BREAKERS FOR ADS/CMA

Part #	Description	ADS #	CMA #
60-WT250	1/4"; BRASS WITH PLASTIC BONNET		
60-WT300	3/8"; BRASS WITH PLASTIC BONNET		
60-WT500	1/2" BRASS WITH BRASS BONNET	092-5045	02103.71
60-WT750	3/4" BRASS WITH BRASS BONNET	092-5046	00710.50



PUMP MOTOR SEALS ADS/CMA

Part #	Description	ADS #	CMA #
PS-857	PUMP MOTOR SEAL FOR ADS-ADC 44/66 3HP MOTOR	292-2001	
PS-398	PUMP MOTOR SEAL FOR C44A 3/4" SHAFT SIZE		00206.30
PS-953	PUMP MOTOR SEAL FOR LOW TEMP ADS CMA	092-2001	00206.30



VACUUM BREAKER REPAIR KIT
 Repair Kit for Watts 188A-288A-388T
 Apollo 38-200 Series

Part #	Description
60-WTK25	1/4"-3/8" KIT; INCLUDES DISC, FLOAT, & O-RING
60-WTK50	1/2" KIT; INCLUDES DISC, FLOAT, & O-RING
60-WTK75	3/4" KIT; INCLUDES DISC, FLOAT, & O-RING



PUMP SEAL LUBE

Part #	Description
PS-LUBE-8	8 OZ. BOTTLE
PS-LUBE-4	4 OZ. BOTTLE
PS-LUBE-10ML	10 ML. TUBE



VACUUM BREAKER QUICK REPAIR KIT
 WATTS 188A-288A-388T

Part #	Description
60-W25	1/4"-3/8" KIT; INCLUDES SILICONE DISC & O-RING
60-W50	1/2" KIT; INLCUDES SILICONE DISC & O-RING
60-W75	3/4" KIT; INCLUDES SILICONE DISC & O-RING



Y-STRAINER FOR ADS/CMA

Part #	Description	ADS #	CMA #
60-9523	1/2"Y-STRAINER; BRASS	092-9001	
60-9524	3/4"Y-STRIANER; BRASS	092-9006	



Y-STRAINER SCREEN REPLACEMENT FOR ADS/CMA

Part #	Description	ADS #	CMA #
60-9523S	STAINLESS STEEL 1/2"	092-9002	
60-9524S	STAINLESS STEEL 3/4"	092-9001	



BRASS BONNET

For Watts Vacuum Breaker 288A & Apollo 38-200 Series
 Includes (2) self-taping screws TCD Part# 88-999



**APOLLO VACUUM BREAKER
 FOR ADS/CMA
 38-200 Series**

Part #	Description
60-WTB25	1/4" & 3/8" BRASS
60-WTB50	1/2" BRASS
60-WTB75	3/4" BRASS

Part #	Description	ADS #	CMA #
60-38201-1	1/4"; BRASS WITH CHROME BONNET		
60-38202-1	3/8"; BRASS WITH CHROME BONNET		
60-38203-1	1/2"; BRASS WITH CHROME BONNET	092-5045	02103.71
60-38204-1	3/4"; BRASS WITH CHROME BONNET	092-5046	00710.50



PLASTIC BONNET

For Watts Vacuum Breaker 288A



REPAIR KIT

Repair Kit for Conbraco/Apollo
 38-100/AVBILF

Part #	Description
60-WTB26	1/4"-3/8" PLASTIC BONNET
60-WTB51	1/2" PLASTIC BONNET
60-WTB76	3/4" PLASTIC BONNET

Part #	Description
60-CB003	1/4"; INCLUDES DISC, FLOAT, O-RING & PLASTIC GASKET
60-WTK-75	3/4"; INCLUDES DISC, FLOAT, O-RING & PLASTIC GASKET



CHROME CAP

For Watts Vacuum Breaker,
 screws sold separately.



REPAIR KIT

Quick Repair Kit for Conbraco/Apollo
 38-100/38-200/AVBILF

Part #	Description
60-WTC25	1/4" CHROME CAP
60-WTC50	1/2" CHROME CAP
60-WTC75	3/4" CHROME CAP
88-999	SCREWS FOR CAP, PHILLIPS PAN 6-32 X 1/4"

Part #	Description
60-AC-25	1/4"; INCLUDES SILICONE DISC, O-RING & PLASTIC GASKET
60-AC-50	1/2"; INCLUDES SILICONE DISC, O-RING & PLASTIC GASKET
60-AC-75	3/4"; INCLUDES SILICONE DISC, O-RING & PLASTIC GASKET



WATTS PRESSURE REGULATOR FOR ADS/CMA

Part #	Description	ADS #	CMA #
60-WT820	1/2" BRASS; PSI RANGE 25-75 ADJUSTABLE	292-5001	13602.20
60-WT825	3/4" BRASS; PSI RANGE 25-75 ADJUSTABLE		13602.00



PARKER HANNIFIN WATER SOLENOID VALVE WITH COIL FOR ADS/CMA

Part #	Description	ADS #	CMA #
60-307C	3/8" WSV; 120 VAC COIL; BRASS		41015.49
60-312C	3/8" WSV; 240 VAC COIL; BRASS		41015.70
60-407C	1/2" WSV; 120 VAC COIL; BRASS	092-5015	03603.10
60-412C	1/2" WSV; 240 VAC COIL; BRASS	092-5015	03603.15
60-607C	3/4" WSV; 120 VAC COIL; BRASS	089-7001	00705.00
60-612C	3/4" WSV; 120/240 VAC COIL; BRASS	089-7001	00705.05



WATTS PRESSURE REGULATOR REPAIR KIT

Part #	Description
60-WT826RK	REPAIR KIT; 1/2"-1"



PARKER HANNIFIN REPAIR KIT FOR WATER SOLENOID VALVES ADS/CMA

Part #	Description
60-425	1/4" REPAIR KIT; 1-150 PSI WATER; 240° MAX TEMP; TEFLON DIAPHRAM
60-450	1/2" & 3/8" REPAIR KIT; 1-150 PSI WATER; 240° MAX TEMP; TEFLON DIAPHRAM
60-475	3/4" REPAIR KIT; 1-150 PSI WATER; 240° MAX TEMP; TEFLON DIAPHRAM



PARKER HANNIFIN VALVE W/O COIL

Part #	Description
60-307V	3/8" WSV WITHOUT COIL; BRASS
60-407V	1/2" WSV WITHOUT COIL; BRASS
60-607V	3/4" WSV WITHOUT COIL; BRASS



QUICK REPAIR KIT FOR PARKER HANNIFIN WATER SOLENOID VALVE



PARKER HANNIFIN BONNET & TUBE ASSEMBLY

Part #	Description
60-450-D	1/2" TEFLON DIAPHRAGM WITH O-RING
60-475-D	3/4" TEFLON DIAPHRAGM WITH O-RING

Part #	Description
60-425CP	BONNET & TUBE ASSEMBLY 1/4"; BRASS
60-450CP	BONNET & TUBE ASSEMBLY 3/8" & 1/2"; BRASS
60-475CP	BONNET & TUBE ASSEMBLY 3/4"; BRASS



PARKER HANNIFIN COIL

Part #	Description
60-2300	COIL FOR WSV 115/120 VOLTS
60-2312	COIL FOR WSV 115-120/240 VOLT DUAL VOLTAGE
60-2324	COIL FOR WSV 24 VOLT



BUTTON PROBE W/ FIXED SS PROBE

Part #	Description
90-09130	POLYPROPYLENE; DIAMETER OF 7/8"; CONNECTION HARDWARE INCLUDED



BUTTON PROBE W/ THREADED CARBON TIPS

Part #	Description
90-09134	POLYPROPYLENE; DIAMETER OF 7/8"; CONNECTION HARDWARE INCLUDED; TIPS ARE REPLACEABLE & EASILY MAINTAINED



BUTTON PROBE W/ THREADED SS TIPS

Part #	Description
90-09132	POLYPROPYLENE; DIAMETER OF 7/8"; CONNECTION HARDWARE INCLUDED; TIPS ARE REPLACEABLE & EASILY MAINTAINED



BAYONET PROBE W/ ADJUSTABLE TIPS

Part #	Description
90-09136	ADJUSTABLE TIPS; POLYPROPYLENE W/ SANTOPRENE INSULATORS; DIAMETER OF 7/8"; CONNECTION HARDWARE INCLUDED
VK-V000	PROPE REPLACEMENT TIPS; SS; FOR PART #90-09136



FLIP PROBE

Part #	Description
90-09137	DETERGENT FLIP PROPE

LIQUID FILLED BACK MOUNT



Part #	Description
63-L25100B	2 1/2" SS CASE ,100 PSI, 1/4" NPT BACK MOUNT



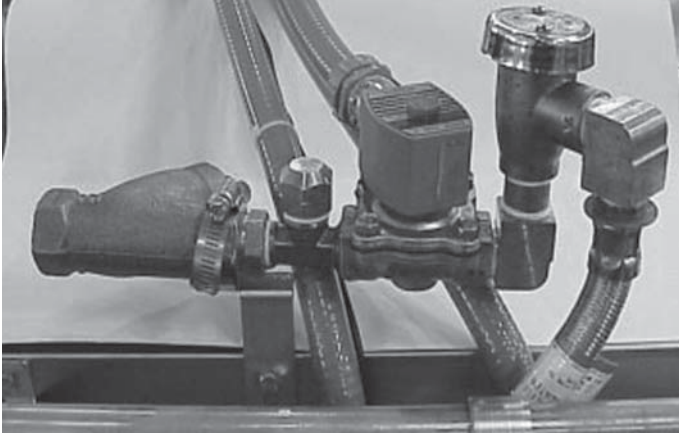
AIR FILLED LOWER MOUNT

Part #	Description
63-PG100	2 1/2"; 0-100 psi; 1/4" NPT BRASS; LOWER MALE CONNECTION; STEEL CASE INCLUDED
63-PG30	2"; 0-30 psi; 1/4" NPT BRASS; LOWER MALE CONNECTION; STEEL CASE INCLUDED

LIQUID FILLED LOWER MOUNT



Part #	Description
63-L25100	2 1/2" SS CASE 100 PSI, 1/4" NPT LOWER MALE MOUNT
63-L2530	2 1/2" SS CASE 0-30 PSI; 1/4" NPT LOWER MALE MOUNT
63-L2560	2 1/2" SS CASE 0-60 PSI; 1/4" NPT LOWER MALE MOUNT



VACUUM BREAKERS FOR KNIGHT

Part #	Description	Knight #
60-WT250	1/4"; BRASS WITH PLASTIC BONNET	7120101
60-WT300	3/8"; BRASS WITH PLASTIC BONNET	
60-WT500	1/2" BRASS WITH BRASS BONNET	7120102
60-WT750	3/4" BRASS WITH BRASS BONNET	9600765-B



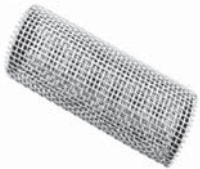
Y-STRAINER FOR KNIGHT

Part #	Description	Knight #
60-9523	1/2" Y-STRAINER; BRASS	
60-9524	3/4" Y-STRIANER; BRASS	9600410



VACUUM BREAKER EPAIR KIT
 Repair Kit for Watts 188A-288A-388T
 Apollo 38-200 Series

Part #	Description	Knight #
60-WTK25	1/4"-3/8" KIT; INCLUDES DISC, FLOAT, & O-RING	
60-WTK50	1/2" KIT; INCLUDES DISC, FLOAT, & O-RING	7120102-1
60-WTK75	3/4" KIT; INCLUDES DISC, FLOAT, & O-RING	



Y-STRAINER SCREEN REPLACEMENT KNIGHT

Part #	Description
60-9523S	STAINLESS STEEL 1/2"
60-9524S	STAINLESS STEEL 3/4"



VACUUM BREAKER QUICK REPAIR KIT
 WATTS 188A-288A-388T

Part #	Description
60-W25	1/4"-3/8" KIT; INCLUDES SILICONE DISC & O-RING
60-W50	1/2" KIT; INLCUDES SILICONE DISC & O-RING
60-W75	3/4" KIT; INCLUDES SILICONE DISC & O-RING



ASCO REPAIR KIT

Part #	Description
ASC-002	SOLENOID VALVE COMPLETE KIT 3/8" & 1/2"
ASC-003	SOLENOID VALVE COMPLETE KIT 3/4"



ASCO DIAPHRAGM

Part #	Description	Knight #
ASC-001	DIAPHRAGM 3/8" & 1/2"	9641907



BRASS BONNET
For Watts Vacuum Breaker 288A &
Apollo 38-200 Series
Includes (2) self-taping screws TCD Part# 88-999

Part #	Description
60-WTB25	1/4" & 3/8" BRASS
60-WTB50	1/2" BRASS
60-WTB75	3/4" BRASS



**APOLLO VACUUM BREAKER
FOR KNIGHT**
38-200 Series

Part #	Description	Knight #
60-38201-1	1/4"; BRASS WITH CHROME BONNET	7120101
60-38202-1	3/8"; BRASS WITH CHROME BONNET	
60-38203-1	1/2"; BRASS WITH CHROME BONNET	7120102
60-38204-1	3/4"; BRASS WITH CHROME BONNET	9600765-B



PLASTIC BONNET
For Watts Vacuum Breaker 288A

Part #	Description
60-WTB26	1/4"-3/8" PLASTIC BONNET
60-WTB51	1/2" PLASTIC BONNET
60-WTB76	3/4" PLASTIC BONNET



REPAIR KIT
Repair Kit for Conbraco/Apollo
38-100/AVBILF

Part #	Description
60-CB003	1/4"; INCLUDES DISC, FLOAT, O-RING & PLASTIC GASKET
60-WTK-75	3/4"; INCLUDES DISC, FLOAT, O-RING & PLASTIC GASKET



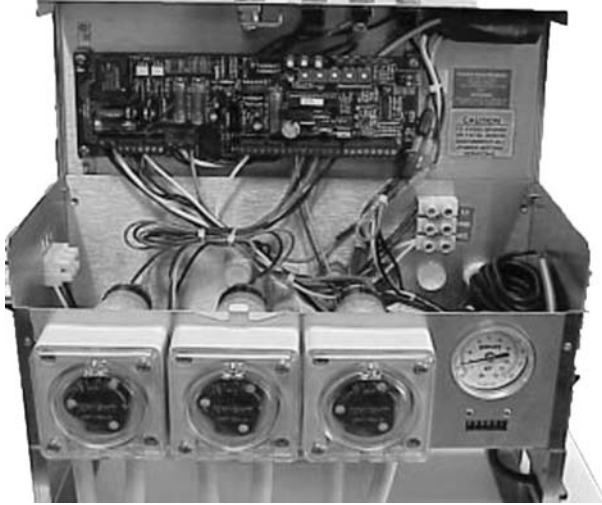
CHROME CAP
For Watts Vacuum Breaker,
screws sold separately.

Part #	Description
60-WTC25	1/4" CHROME CAP
60-WTC50	1/2" CHROME CAP
60-WTC75	3/4" CHROME CAP
88-999	SCREWS FOR CAP, PHILLIPS PAN 6-32 X 1/4"



REPAIR KIT
Quick Repair Kit for Conbraco/Apollo
38-100/38-200/AVBILF

Part #	Description
60-AC-25	1/4"; INCLUDES SILICONE DISC, O-RING & PLASTIC GASKET
60-AC-50	1/2"; INCLUDES SILICONE DISC, O-RING & PLASTIC GASKET
60-AC-75	3/4"; INCLUDES SILICONE DISC, O-RING & PLASTIC GASKET



KNIGHT GEAR MOTOR

Part #	Description
KM-7010101	KNIGHT GEAR MOTOR 15 RPM 24V
KM-7010116	KNIGHT GEAR MOTOR 110 RPM 24V
KM-7010129	KNIGHT GEAR MOTOR 30 RPM 115VAC KP-500
KM-7010139	KNIGHT GEAR MOTOR 100 RPM 115VAC KP-500/800
KM-7010211-LC	KNIGHT DETERGENT GEAR MOTOR 100 RPM 24V
KM-7010216-LC	KNIGHT RINSE GEAR MOTOR 15 RPM 24V
KM-7010233	KNIGHT PUMP/GEAR MOTOR KP-900 SERIES
KM-7010241	KNIGHT GEAR MOTOR 40 RPM 24VDC KLE SERIES
KM-7010374	KNIGHT GEAR MOTOR 120 RPM -115VAC 60HZ



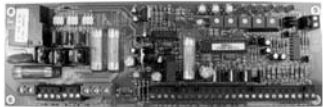
KNIGHT ROLLER BLOCKS

Part #	Description
KM-7503450	KNIGHT ROLLER YELLOW FOR T-50 TUBING
KM-7503451	KNIGHT ROLLER BROWN FOR T-51 TUBING
KM-7503453	KNIGHT ROLLER BLUE FOR T-53 TUBING
KM-7630730-1	KNIGHT ROLLER WHITE T-75 TUBING
KM-7630731-1	KNIGHT ROLLER WHITE T-86 TUBING/900 SERIES
KM-7633330	KNIGHT ROLLER YELLOW T-50/T-66 TUBING/800 SERIES



KNIGHT FACE PLATE

Part #	Description
KM-7502312	KNIGHT FACE PLATE KP-500 PUMP
KM-7630330	KNIGHT FACE PLATE KP-800 PUMP
KM-7630712	KNIGHT FACE PLATE WITH BEARING KP-900 PUMP



KNIGHT CIRCUIT BOARD

Part #	Description	Knight #
90-0370	CIRCUIT BOARD KLE SERIES	7146000



KNIGHT PUMP HEAD KIT

Part #	Description
KM-7501307	KNIGHT PUMP HEAD KIT T-53 TUBING
KM-7501309	KNIGHT PUMP HEAD KIT T-50 TUBING



CAPILLARY THERMOMETER FOR KNIGHT

Part #	Description	Knight #
64-8108K	PVC CAPILLARY 108" PRESS-IN LENS; 20-220 F/C	9601975



KNIGHT DRAIN SOLENOID



Part #	Description
KM-9600444-1	KNIGHT DRAIN SOLENOID KLE 150GT/175GT/235D



KNIGHT DRAIN BALL ASSEMBLY



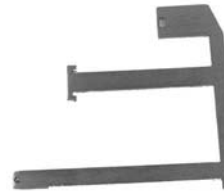
KNIGHT DRAIN SOLENOID COVER

Part #	Description
KM-9641515	DRAIN BALL ASSEMBLY FOR KNIGHT KLE-175GT
KM-9641524	DRAIN BALL ASSEMBLY FOR KNIGHT KLE-150GT

Part #	Description
KM-9641512	KNIGHT DRAIN SOLENOID COVER KLE-175GT DISHMACHINE



KNIGHT DRAIN BALL



KNIGHT DRAIN LIFT ARM

Part #	Description
KM-9641506	KNIGHT DRAIN BALL; ALL KLE MODELS

Part #	Description
KM-9641511	KNIGHT DRAIN LIFT ARM KLE-175GT DISHMACHINE
KM-9641518	KNIGHT DRAIN LIFT ARM KLE-150GT DISHMACHINE

KNIGHT SPRAY ARM



Part #	Description
KM-9600215	SPRAY ARM ASSEMBLY WITH END CAPS



KNIGHT DOOR STRIP

KNIGHT SPRAY ARM BEARING



Part #	Description	Knight #
63-0630	22" LONG PLASTIC DOOR STRIP	9600465-22

Part #	Description
66-450	SPRAY ARM BEARINGS FOR KLE-SERIES



WASH PUMP MOTOR FOR KNIGHT

Part #	Description
KM-9600008	KNIGHT PUMP MOTOR 1 HP; 120V
KM-9600007	KNIGHT PUMP MOTOR 1 HP; 240V



O-RING FOR KNIGHT

Part #	Description	Knight #
KM-9600748	PUMP SEAL KLE SERIES	9600748



PUMP SEAL KIT

Part #	Description	Knight #
PS-500	PUMP MOTOR SEAL KIT	9600745



MIXING CHAMBER FOR KNIGHT

Part #	Description
60-0070	3/4" FPT X 3/4" FPT 2 1/8" PORTS



PUMP SEAL LUBE

Part #	Description
PS-LUBE-8	8 OZ. BOTTLE
PS-LUBE-4	4 OZ. BOTTLE
PS-LUBE-10ML	10 ML. TUBE

"Freedom is never more than one generation away from extinction. We didn't pass it to our children in the bloodstream. It must be fought for, protected, and handed on for them to do the same."

~Ronald Regan



DRAIN BALL FOR AUTO-CHLOR

Part #	Description
DB-0275	AUTOCHLOR; RED SILICONE



REPLACEMENT NUT FOR AUTO-CHLOR BEARING

Part #	Description
66-258	STAINLESS STEEL REPLACEMENT NUT FOR AUTO CHLOR BEARINGS. AUTO CHLOR REF# 755



SPRAY ARM BEARING FOR AUTO-CHLOR

Part #	Description	AUTO CHLOR #
66-252	FLANGE BEARING FOR AUTO-CHLOR MACHINES	622



SPRAY ARM BEARING FOR AUTO-CHLOR

Part #	Description	AUTO CHLOR #
66-254	3-PIECE CONSTRUCTION	622



SPRAY ARM BEARING FOR AUTO-CHLOR

Part #	Description	AUTO CHLOR #
66-255	SEALED BEARING/NUT ASSEMBLY	771



SPRAY ARM NOZZLE FOR AUTO CHLOR

Part #	Description
66-3502	STAINLESS STEEL USED FOR AUTO-CHLOR D2 MACHINES. AUTO-CHLOR REF# 621N



PARKER HANNIFIN WATER SOLENOID VALVE WITH COIL FOR AUTO-CHLOR

Part #	Description
60-407C	1/2" WSV; 120 VAC COIL; BRASS
60-412C	1/2" WSV; 240 VAC COIL; BRASS



DRAIN SOLENOID FOR AUTO-CHLOR

Part #	Description
63-DS105	DRAIN SOLENOID CONTINUOUS DUTY



QUICK REPAIR KIT FOR PARKER HANNIFIN WATER SOLENOID VALVE

Part #	Description
60-450-D	1/2" TEFLON DIAPHRAGM WITH O-RING



PARKER HANNIFIN COIL

Part #	Description
60-2300	COIL FOR WSV 115/120 VOLTS
60-2312	COIL FOR WSV 115-120/240 VOLT DUAL VOLTAGE
60-2324	COIL FOR WSV 24 VOLT



VACUUM BREAKERS FOR HOBART



APOLLO VACUUM BREAKER FOR HOBART
 38-200 Series

Part #	Description
60-WT250	1/4"; BRASS WITH PLASTIC BONNET
60-WT300	3/8"; BRASS WITH PLASTIC BONNET
60-WT500	1/2" BRASS WITH BRASS BONNET
60-WT750	3/4" BRASS WITH BRASS BONNET

Part #	Description
60-38201-1	1/4"; BRASS WITH CHROME BONNET
60-38202-1	3/8"; BRASS WITH CHROME BONNET
60-38203-1	1/2"; BRASS WITH CHROME BONNET
60-38204-1	3/4"; BRASS WITH CHROME BONNET



VACUUM BREAKER REPAIR KIT
 Repair Kit for Watts 188A-288A-388T
 Apollo 38-200 Series



REPAIR KIT
 Repair Kit for Conbraco/Apollo
 38-100/AVBILF

Part #	Description
60-WTK25	1/4"-3/8" KIT; INCLUDES DISC, FLOAT, & O-RING
60-WTK50	1/2" KIT; INCLUDES DISC, FLOAT, & O-RING
60-WTK75	3/4" KIT; INCLUDES DISC, FLOAT, & O-RING

Part #	Description
60-CB003	1/4"; INCLUDES DISC, FLOAT, O-RING & PLASTIC GASKET
60-WTK-75	3/4"; INCLUDES DISC, FLOAT, O-RING & PLASTIC GASKET



VACUUM BREAKER QUICK REPAIR KIT
 WATTS 188A-288A-3887



REPAIR KIT
 Quick Repair Kit for Conbraco/Apollo
 38-100/38-200/AVBILF

Part #	Description
60-W25	1/4"-3/8" KIT; INCLUDES SILICONE DISC & O-RING
60-W50	1/2" KIT; INCLUDES SILICONE DISC & O-RING
60-W75	3/4" KIT; INCLUDES SILICONE DISC & O-RING

Part #	Description
60-AC-25	1/4"; INCLUDES SILICONE DISC, O-RING & PLASTIC GASKET
60-AC-50	1/2"; INCLUDES SILICONE DISC, O-RING & PLASTIC GASKET
60-AC-75	3/4"; INCLUDES SILICONE DISC, O-RING & PLASTIC GASKET



BRASS BONNET
 For Watts Vacuum Breaker 288A &
 Apollo 38-200 Series
 Includes (2) self-taping screws TCD Part# 88-999

Part #	Description
60-WTB25	1/4" & 3/8" BRASS
60-WTB50	1/2" BRASS
60-WTB75	3/4" BRASS



PLASTIC BONNET
 For Watts Vacuum Breaker 288A



CHROME CAP
 For Watts Vacuum Breaker,
 screws sold separately.

Part #	Description
60-WTB26	1/4"-3/8" PLASTIC BONNET
60-WTB51	1/2" PLASTIC BONNET
60-WTB76	3/4" PLASTIC BONNET

Part #	Description
60-WTC25	1/4" CHROME CAP
60-WTC50	1/2" CHROME CAP
60-WTC75	3/4" CHROME CAP
88-999	SCREWS FOR CAP, PHILLIPS PAN 6-32 X 1/4"



WATTS PRESSURE REGULATOR FOR HOBART

Part #	Description	Knight #
60-WT820	1/2" BRASS; PSI RANGE 25-75 ADJUSTABLE	7407107
60-WT825	3/4" BRASS; PSI RANGE 25-75 ADJUSTABLE	



PARKER HANNIFIN WATER SOLENOID VALVE WITH COIL FOR HOBART

Part #	Description
60-307C	3/8" WSV; 120 VAC COIL; BRASS
60-312C	3/8" WSV; 240 VAC COIL; BRASS
60-407C	1/2" WSV; 120 VAC COIL; BRASS
60-412C	1/2" WSV; 240 VAC COIL; BRASS
60-607C	3/4" WSV; 120 VAC COIL; BRASS
60-612C	3/4" WSV; 120/240 VAC COIL; BRASS



WATTS PRESSURE REGULATOR REPAIR KIT

Part #	Description
60-WT826RK	REPAIR KIT; 1/2"-1"



PARKER HANNIFIN REPAIR KIT FOR WATER SOLENOID VALVES HOBART

Part #	Description
60-425	1/4" REPAIR KIT; 1-150 PSI WATER; 240° MAX TEMP; TEFLON DIAPHRAM
60-450	1/2" & 3/8" REPAIR KIT; 1-150 PSI WATER; 240° MAX TEMP; TEFLON DIAPHRAM
60-475	3/4" REPAIR KIT; 1-150 PSI WATER; 240° MAX TEMP; TEFLON DIAPHRAM



PARKER HANNIFIN VALVE W/O COIL

Part #	Description
60-307V	3/8" WSV WITHOUT COIL; BRASS
60-407V	1/2" WSV WITHOUT COIL; BRASS
60-607V	3/4" WSV WITHOUT COIL; BRASS



QUICK REPAIR KIT FOR PARKER HANNIFIN WATER SOLENOID VALVE



PARKER HANNIFIN BONNET & TUBE ASSEMBLY

Part #	Description
60-450-D	1/2" TEFLON DIAPHRAGM WITH O-RING
60-475-D	3/4" TEFLON DIAPHRAGM WITH O-RING

Part #	Description
60-425CP	BONNET & TUBE ASSEMBLY 1/4"; BRASS
60-450CP	BONNET & TUBE ASSEMBLY 3/8" & 1/2"; BRASS
60-475CP	BONNET & TUBE ASSEMBLY 3/4"; BRASS



PARKER HANNIFIN COIL

Part #	Description
60-2300	COIL FOR WSV 115/120 VOLTS
60-2312	COIL FOR WSV 115-120/240 VOLT DUAL VOLTAGE
60-2324	COIL FOR WSV 24 VOLT



**END CAPS FOR HOBART
 SPRAY ARM**



DRAIN SOLENOID FOR HOBART

Part #	Description
66-C44	END PLUG FOR HOBART C44
66-C44A	END PLUG FOR HOBART C44A

Part #	Description
63-DS110	HOBART LOW-TEMP DRAIN SOLENOID



O-RING



CAPILLARY THERMOMETERS

Part #	Description	HOBART #
61-1030	MOTOR SHAFT	67500-31
61-1032	MOTOR SHAFT	67500-7
61-1034	MOTOR MOUNTING	67500-97
61-1036	WASH TUBE PIPE	67500-57
61-1038	FLANGE AND NIPPLE	67500-19
61-1039	FLANGE AND NIPPLE	67500-12
61-1040	DRAIN STRAINER	67500-59
61-1042	UPPER RINSE FEED PIPE	67500-9
61-1044	DRAIN TEE AM-12 & 14	67500-82
61-1046	DRAIN OVER FLOW TUBE; ALSO USED WITH 1.5 INCH DRAIN NUT	67500-89 & 120
61-1050	DRAIN LIFT SHAFT (2 REQUIRED)	67500-6
61-1052	DRAIN OVERFLOW CONE	67500-22
61-1054	DRAIN STAND PIPE	67500-118 & 16
61-1056	FIXED WASH ARM	67500-49 & 119
61-1058	BLANK FLANGE C-LINE	67500-13
61-1060	DRAIN ASSEMBLY, DOWNFLOW TUBE	67500
61-1062	WASH ARM, C44A/FLT	67500-110
61-1065	DRAIN STRAINER	53304000500
61-1069	BACKFLOW PIPE	77621-2
61-1070	RINSE PADDLE SHAFT(2 REQUIRED)	67500-44

Part #	Description
64-4048J	PVC CAPILLARY 48" PRESS-IN LENS; 100-220 F/C-JACKSON
64-4096J	PVC CAPILLARY 96" PRESS-IN LENS; 100-220 F/C-JACKSON
64-4120J	PVC CAPILLARY 120" PRESS-IN LENS; 100-220 F/C-JACKSON
64-9096H	PVC CAPILLARY 96" CRIMPED RING; 100-220 F/C-HOBART
64-9132H	PVC CAPILLARY 132" CRIMPED RING; 100-220 F/C-HOBART
64-9180H	PVC CAPILLARY 180" CRIMPED RING; 100-220 F/C-HOBART
64-9276H	PVC CAPILLARY 276" CRIMPED RING; 100-220 F/C-HOBART

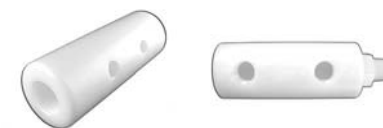


SPRAY ARM BEARING FOR JACKSON

Part #	Description	JACKSON #
66-260	SPRAY ARM BEARING JACKSON-ECOLAB	ES2000 & ES4000



**PRESSURE GAUGE FOR ALL HOBART
 MODELS**



**MIXING CHAMBERS
 FOR HOBART**

Part #	Description
63-L25160	GAUGE, PRESSURE, LIQUID FILLED; 2 1/2" (SS CASE) 0-160 PSI, 1/4" NPT LOWER MOUNT

Part #	Description
60-0060	1/2" FPT X 1/2" FPT 2 PORTS 1/8"
60-0065	1/2" FPT X 1/8" MPT 2 PORTS 1/8"



SPLASH CURTAINS FOR HOBART & JACKSON

Part #	Description
66-SC100-SP	22 5/8" X 17" C-44, C-54, C-66
66-SC211-SP	22 5/8" X 18 1/4" C-44A, C-66A ENTRANCE/EXIT
66-SC101-SP	22 5/8" X 9" C-44A, C-66A C-44AW INSIDE
66-SC216-SP	22 5/8" X 24" C-44AW ENTRANCE/EXIT
66-SC135-SP	20 1/2" X 12" AJ/AJX INSIDE
66-SC136-SP	20 1/2" X 21" AJ/AJX ENTRANCE/EXIT



DOOR STRIPS

Part #	Description	Machines
63-0633-H	23 1/2" PLASTIC STRIP	AM12/AM14/C44/C44A
63-0633-J	23 1/2" PLASTIC STRIP	JACKSON CONCERVER XL



SPLASH CURTAIN HANGER ROD FOR HOBART

Part #	Description
66-SC199	HANGER ROD 5/16" X 24 1/2"



CAPILLARY THERMOMETER FOR MOYER DIEBEL MD18-1 & MD18-2

Part #	Description
64-8108K	PVC CAPILLARY 108" PRESS-IN LENS; 20-220 F/C



PUMP SEAL KITS

Part #	Description
PS-207	PUMP MOTOR SEAL FOR JACKSON CONSERVER XL
PS-805	PUMP MOTOR SEAL KIT FOR 5/8" SHAFT SIZE; HOBART AM-14
PS-398	PUMP MOTOR SEAL FOR HOBART C44A



RINSE NOZZLES FOR HOBART C44A

Part #	Description	Hobart #
66-6121-070	STAINLESS STEEL LOWER RINSE	022731-00006
66-6185	STAINLESS STEEL UPPER RINSE	081812-00002



BEARING FOR BURNS

Part #	Description
66-235	BURNS MACHINE



BEARING FOR RYKOFF

Part #	Description
66-233	FOR MOST ALL OF SE RYKOFF DISHMACHINES; USE IN SPRAY BASES WITH LOCK PIN FOR GROOVED BAYONET CONNECTIONS. RYKOFF REF # 1150

Welcome to our fittings and connectors section.

Warewash and Laundry install projects begin with the right pipes, fittings & connectors.

Choose from our inventory of brass, stainless steel, plastic, lead-free Sharkbite & PEX connectors. Cable ties, clamps & pigtails also available.

FITTINGS, CONNECTORS & SS BOLTS/NUTS



Brass Fittings

Lead-free Sharkbite Fittings

Plastic Fittings

Bulkhead Fittings

Cable Ties & Clamps



COMPRESSION NUT CAP

Part #	Description
32-0047	1/4" BRASS
32-0048	3/8" BRASS
32-0049	1/2" BRASS
32-0050	5/8" BRASS



COMPRESSION SLEEVE INSERT

Part #	Description
32-0010	1/8" BRASS
32-0011	1/4" BRASS
32-0012	3/8" BRASS
32-0013	1/2" BRASS
32-0014	5/8" BRASS
32-0015	3/4" BRASS



COMPRESSION NUT

Part #	Description	ADS#	CMA#	KNIGHT#
32-0033	1/8" BRASS			
32-0035	1/4" BRASS			
32-0037	3/8" BRASS			
32-0039	1/2" BRASS	092-1122		
32-0040	5/8" BRASS	092-1096		
32-0042	7/8" BRASS	092-1119		



COMPRESSION FERRULE

Part #	Description	ADS#	CMA#	KNIGHT#
32-0001	1/8" BRASS			
32-0002	1/4" BRASS			
32-0003	3/8" BRASS	092-1120		
32-0004	1/2" BRASS	092-1123		
32-0005	5/8" BRASS	092-1097		
32-0007	7/8" BRASS	092-1121		



COMPRESSION FEMALE ADAPTER

Part #	Description	ADS#
32-0145	1/4" COMP X 1/8" FPT BRASS	
32-0146	1/4" COMP X 1/4" FPT BRASS	
32-0147	1/4" COMP X 3/8" FPT BRASS	
32-0148	1/4" COMP X 1/2" FPT BRASS	
32-0153	3/8" COMP X 1/4" FPT BRASS	
32-0154	3/8" COMP X 3/8" FPT BRASS	
32-0155	3/8" COMP X 1/2" FPT BRASS	
32-0158	1/2" COMP X 3/8" FPT BRASS	
32-0159	1/2" COMP X 1/2" FPT BRASS	092-1082
32-0161	5/8" COMP X 3/8" FPT BRASS	
32-0162	5/8" COMP X 1/2" FPT BRASS	092-1063



COMPRESSION FEMALE ELBOW ADAPTER

Part #	Description	ADS#
32-0260	3/8" COMP X 1/2" FPT BRASS	092-1030
32-0262	1/2" COMP X 3/8" FPT BRASS	
32-0263	1/2" COMP X 1/2" FPT BRASS	092-1082

TCD Parts Inc. Brass Compression Fittings

phone
fax
email

1-800-823-8313
1-888-823-8233
tcdparts@tcdparts.com



COMPRESSION MALE ADAPTER



COMPRESSION MALE ELBOW ADAPTER

Part #	Description	ADS#	CMA#	KNIGHT#
32-0176	1/8" COMP X 1/8" MPT BRASS			
32-0179	1/4" COMP X 1/8" MPT BRASS			
32-0180	1/4" COMP X 1/4" MPT BRASS		40116	
32-0181	1/4" COMP X 3/8" MPT BRASS		214.30	
32-0182	1/4" COMP X 1/2" MPT BRASS			
32-0187	3/8" COMP X 1/8" MPT BRASS			
32-0188	3/8" COMP X 1/4" MPT BRASS	092-1091		
32-0189	3/8" COMP X 3/8" MPT BRASS			
32-0190	3/8" COMP X 1/2" MPT BRASS			
32-0193	1/2" COMP X 1/4" MPT BRASS			
32-0194	1/2" COMP X 3/8" MPT BRASS			
32-0195	1/2" COMP X 1/2" MPT BRASS	092-1007		9600760
32-0197	5/8" COMP X 3/8" MPT BRASS			
32-0198	5/8" COMP X 1/2" MPT BRASS	092-1058	760.00	9600801
32-0199	5/8" COMP X 3/4" MPT BRASS			
32-0200	3/4" COMP X 1/2" MPT BRASS			
32-0201	3/4" COMP X 3/4" MPT BRASS			
32-0202	7/8" COMP x 1/2" MPT BRASS			
32-0203	7/8" COMP x 3/4" MPT BRASS	092-1105		
32-0205	7/8" COMP X 1" MPT BRASS	092-1009		

Part #	Description	ADS#	CMA#	KNIGHT #
32-0223	1/8" COMP X 1/8" MPT BRASS			
32-0224	1/4" COMP X 1/8" MPT BRASS		40118	
32-0225	1/4" COMP X 1/4" MPT BRASS			
32-0226	1/4" COMP X 3/8" MPT BRASS			
32-0227	1/4" COMP X 1/2" MPT BRASS			
32-0232	3/8" COMP X 1/8" MPT BRASS			
32-0233	3/8" COMP X 1/4" MPT BRASS			
32-0234	3/8" COMP X 3/8" MPT BRASS			
32-0235	3/8" COMP X 1/2" MPT BRASS			
32-0236	1/2" COMP X 1/4" MPT BRASS			
32-0237	1/2" COMP X 3/8" MPT BRASS	092-1022		
32-0238	1/2" COMP X 1/2" MPT BRASS	092-1062		9600435
32-0240	5/8" COMP X 3/8" MPT BRASS			
32-0241	5/8" COMP X 1/2" MPT BRASS			



COMPRESSION MALE BRANCH TEE



COMPRESSION SWIVEL TEE

Part #	Description
32-0249	1/4" X 1/4" COMP X 1/8" MPT BRASS
32-0250	1/4" X 1/4" COMP X 1/4" MPT BRASS
32-0251	3/8" X 3/8" COMP X 1/8" MPT BRASS
32-0252	3/8" X 3/8" COMP X 1/4" MPT BRASS
32-0253	3/8" X 3/8" COMP X 3/8" MPT BRASS
32-0254	3/8" X 3/8" COMP X 1/2" MPT BRASS
32-0255	1/2" X 1/2" COMP X 1/4" MPT BRASS
32-0256	1/2" X 1/2" COMP X 3/8" MPT BRASS
32-0257	5/8" X 5/8" COMP X 1/2" MPT BRASS

Part #	Description
32-0120	3/8" COMP SWIVEL EASY CONNECT TEE BRASS
32-0121	1/4" COMP SWIVEL EASY CONNECT TEE BRASS

LEGEND

MPT = MALE NATIONAL PIPE THREADS
FPT = FEMALE NATIONAL PIPE THREADS
COMP = COMPRESSION FITTING



COMPRESSION TEE

Part #	Description	ADS#	CMA#	KNIGHT#
32-0102	1/8" X 1/8" X 1/8" COMP BRASS			
32-0103	1/4" X 1/4" X 1/4" COMP BRASS		40116.10	
32-0105	3/8" X 3/8" X 3/8" COMP BRASS			
32-0106	1/2" X 1/2" X 1/2" COMP BRASS			
32-0107	5/8" X 5/8" X 5/8" COMP BRASS	092-1102		9600817



REDUCING UNION ELBOW

Part #	Description
32-0135	3/8" COMP X 1/4" COMP BRASS
32-0136	1/2" COMP X 3/8" COMP BRASS
32-0137	5/8" COMP X 3/8" COMP BRASS



COMPRESSION TEE REDUCING

Part #	Description	ADS#
32-0109	1/4" X 1/4" X 1/8" COMP BRASS	
32-0110	1/4" X 1/4" X 3/8" COMP BRASS	
32-0111	3/8" X 1/4" X 1/4" COMP BRASS	
32-0115	3/8" X 3/8" X 1/4" COMP BRASS	
32-0116	1/2" X 1/2" X 1/4" COMP BRASS	
32-0117	1/2" X 1/2" X 3/8" COMP BRASS	
32-0118	5/8" X 5/8" X 3/8" COMP BRASS	092-1102
32-0119	5/8" X 5/8" X 1/2" COMP BRASS	



COMPRESSION UNION ELBOW

Part #	Description	ADS#	CMA#	KNIGHT#
32-0123	1/8" X 1/8" COMP BRASS			
32-0124	1/4" X 1/4" COMP BRASS		40112.00	
32-0126	3/8" X 3/8" COMP BRASS			
32-0127	1/2" X 1/2" COMP BRASS			
32-0128	5/8" X 5/8" COMP BRASS	092-1101		9603019

COMPRESSION REDUCING UNION



COMPRESSION UNION

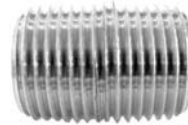


Part #	Description
32-0062	1/8" COMP X 1/8" COMP BRASS
32-0064	1/4" COMP X 1/4" COMP BRASS
32-0066	3/8" COMP X 3/8" COMP BRASS
32-0068	1/2" COMP X 1/2" COMP BRASS
32-0069	5/8" COMP X 5/8" COMP BRASS
32-0070	3/4" COMP X 3/4" COMP BRASS
32-0071	7/8" COMP X 7/8" COMP BRASS

Part #	Description
32-0076	1/4" COMP X 1/8" COMP BRASS
32-0079	3/8" COMP X 1/4" COMP BRASS
32-0081	1/2" COMP X 3/8" COMP BRASS



PIPE NIPPLE



CLOSE NIPPLE

Part #	Description	ADS #	CMA#	KNIGHT#
32-1401	1/8" MPT X 1-1/2" BRASS			
32-1401SS	1/8" MPT X 1-1/2" SS			
32-1411	1/4" MPT X 1-1/2" BRASS			
32-1411SS	1/4" MPT X 1-1/2" SS			
32-1412	1/4" MPT X 2" BRASS			
32-1413	1/4" MPT X 3" BRASS			
32-1421	3/8" MPT X 1-1/2" BRASS			
32-1422	3/8" MPT X 2" BRASS			
32-1422-5	3/8" MPT X 2 1/2" BRASS			
32-1424	3/8" MPT X 3" BRASS			
32-1431	1/2" MPT X 1-1/2" BRASS	292.3002	742.00	9600549
32-1431SS	1/2" MPT X 1-1/2" SS	291.3001		
32-1432	1/2" MPT X 2" BRASS	292.3004		960053
32-1432-5	1/2" MPT X 2-1/2" BRASS	292.3005	780.00	
32-1433	1/2" MPT X 3" BRASS	292.3010		
32-1433SS	1/2" MPT X 3" BRASS			
32-1434	1/2" MPT X 4" BRASS			
32-1435	1/2" MPT X 5" BRASS		747.10	
32-1435SS	1/2" MPT X 5" SS		747.30	
32-1436	1/2" MPT X 6" BRASS	292-3007		
32-1436SS	1/2" MPT X 6" SS			
32-1442	3/4" MPT X 2" BRASS			9603037
32-1442SS	3/4" MPT X 2" SS		13635.50	
32-1443-5	3/4" MPT X 3-1/2" BRASS		781.00	9601371
32-1444	3/4" MPT X 4" BRASS		781.50	
32-1445	3/4" MPT X 5" BRASS		13612.00	
32-1453	1" MPT X 3" BRASS		7593.56	
32-1462-5	1 1/4" MPT X 2 1/2" BRASS	092-6024		

Part #	Description	ADS#	CMA#	KNIGHT#
32-1400	1/8" MPT X 1" BRASS			
32-1400SS	1/8" MPT X 1" SS			
32-1410	1/4" MPT X 1" BRASS		41011.00	
32-1410SS	1/4" MPT X 1" SS			
32-1420	3/8" MPT X 1" BRASS			
32-1430	1/2" MPT X 1" BRASS	092-1008	3614.00	0200147
32-1430SS	1/2" MPT X 1" SS	292-3003	13629.00	9501411
32-1440	3/4" MPT X 1" BRASS	092-1073		
32-1440SS	3/4" MPT X 1-3/8" SS		13639.00	
32-1450	1" MPT X 1" BRASS		14004.00	9601605
32-1460	1 1/4" MPT X 1" BRASS	092-6011		
32-1470	1 1/2" MPT X 1" BRASS			



90° MALE REDUCING ELBOW

Part #	Description
32-1276	1/4" X 1/8" MPT BRASS
32-1277	3/8" X 1/4" MPT BRASS
32-1278	1/2" X 3/8" MPT BRASS



90° MALE ELBOW

Part #	Description	ADS#	CMA#	KNIGHT#
32-1270	1/8" MPT BRASS			
32-1271	1/4" MPT BRASS			
32-1272	3/8" MPT BRASS			
32-1273	1/2" MPT BRASS	092-1021		9600020

"Action is the foundational key to all success."
 ~Pablo Picasso



PIPE FITTING BUSHING

Part #	Description	ADS#	CMA#	KNIGHT#
32-1102	1/4" MPT X 1/8" FPT BRASS			0200100
32-1102SS	1/4" MPT X 1/8" FPT SS			
32-1103	3/8" MPT X 1/8" FPT BRASS			
32-1104	3/8" MPT X 1/4" FPT BRASS			
32-1105	1/2" MPT X 1/8" FPT BRASS	292-1007		
32-1106	1/2" MPT X 1/4" FPT BRASS	292-1005		
32-1107	1/2" MPT X 3/8" FPT BRASS	092-1029		
32-1108	3/4" MPT X 1/8" FPT BRASS			
32-1109	3/4" MPT X 1/4" FPT BRASS		769.00	
32-1110	3/4" MPT X 3/8" FPT BRASS			
32-1111	3/4" MPT X 1/2" FPT BRASS			9501554



HEX PIPE FITTING LOCKNUT

Part #	Description	ADS#	CMA#	KNIGHT#
32-1210	1/8" BRASS			
32-1211	1/4" BRASS			
32-1212	3/8" BRASS	092-1104		
32-1213	1/2" BRASS	292-1006		9600768
32-1214	3/4" BRASS		13606.00	



90° FEMALE ELBOW

Part #	Description	ADS#	CMA#	KNIGHT#
32-1260	1/8" FPT BRASS			
32-1261	1/4" FPT BRASS			
32-1262	3/8" FPT BRASS			
32-1263	1/2" FPT BRASS	292-1014		
32-1263SS	1/2" FPT SS			
32-1264	3/4" FPT BRASS	092-1059		960771
32-1266	3/8" X 1/4" FPT BRASS			



UNION TEE

Part #	Description
32-1285	1/8" X 1/8" X 1/8" FPT BRASS
32-1286	1/4" X 1/4" X 1/4" FPT BRASS
32-1287	3/8" X 3/8" X 3/8" FPT BRASS
32-1288	1/2" X 1/2" X 1/2" FPT BRASS
32-1289	3/4" X 3/4" X 3/4" FPT BRASS



TEE MALE

Part #	Description
32-1290	1/8" X 1/8" X 1/8" MPT BRASS
32-1291	1/4" X 1/4" X 1/4" MPT BRASS
32-1292	3/8" X 3/8" X 3/8" MPT BRASS
32-1293	1/2" X 1/2" X 1/2" MPT BRASS
32-1294	3/4" X 3/4" X 3/4" MPT BRASS



TEE FEMALE

Part #	Description	ADS#
32-1032	1/8" X 1/8" X 1/8" FPT BRASS	
32-1033	1/4" X 1/4" X 1/4" FPT BRASS	
32-1034	3/8" X 3/8" X 3/8" FPT BRASS	
32-1035	1/2" X 1/2" X 1/2" FPT BRASS	292-1001
32-1035SS	1/2" X 1/2" X 1/2" FPT SS	292-1002
32-1036	3/4" X 3/4" X 3/4" FPT BRASS	



90° STREET ELBOW

Part #	Description	ADS#	CMA#	KNIGHT#
32-1240	1/8" NPT BRASS			
32-1241	1/4" NPT BRASS		40137.00	0200056
32-1242	3/8" NPT BRASS			
32-1243	1/2" NPT BRASS	092-1006	745.00	9600510
32-1244	3/4" NPT BRASS	092-1061	704.00	
32-1245	1" NPT BRASS			9600530

TCD Parts Inc. Brass Pipe Fittings

phone
fax
email

1-800-823-8313
1-888-823-8233
tcdparts@tcdparts.com



SOLID HEX HEAD PIPE FITTING PLUG



ADAPTER TEE

Part #	Description	ADS#	CMA#	KNIGHT#
32-1201	1/8" BRASS		3232.00	
32-1201SS	1/8" SS			
32-1202	1/4" BRASS			9600407
32-1203	3/8" BRASS	092-1004		
32-1203SS	1/8" SS			
32-1204	1/2" BRASS	292-1034		
32-1205	3/4" BRASS			

Part #	Description
32-1281	3/8" X 1/4" BRASS



PIPE COUPLING



CRIMP RING

Part #	Description
32-1610	1/8" FPT BRASS
32-1611	1/4" FPT BRASS
32-1612	3/8" FPT BRASS
32-1613	1/2" FPT BRASS
32-1620	3/4" FPT BRASS

Part #	Description
32-2002	BRASS CRIMP RING



STREET TEE



MALE RUN TEE

Part #	Description
32-1282	3/8" FPT X 3/8" FPT X 3/8" MPT

Part #	Description
32-1280	3/8" X 3/8" TEE BRASS

"After the chaos and carnage of September 11th, it is not enough to serve our enemies with legal papers."
~George W. Bush



GARDEN HOSE CAP

Part #	Description
32-070GH	GARDEN HOSE CAP 3/4" BRASS



GARDEN HOSE RIGID - MPT X FGH

Part #	Description
32-028GH	GARDEN HOSE 3/4" FGH X 3/4" MPT RIGID-BRASS
32-046GH	GARDEN HOSE 3/4" FGH X 1/2" MPT RIGID-BRASS



GARDEN HOSE RIGID - MGH X FPT

Part #	Description
32-066GH	GARDEN HOSE 3/4" MGH X 1/4" FPT BRASS
32-067GH	GARDEN HOSE 3/4" MGH X 3/8" FPT BRASS
32-068GH	GARDEN HOSE 3/4" MGH X 1/2" FPT BRASS
32-069GH	GARDEN HOSE 3/4" MGH X 3/4" FPT BRASS



GARDEN HOSE SWIVEL - BARB X FGH

Part #	Description
32-031GH	GARDEN HOSE 3/8" BARB X 3/4" FGH SWIVEL- BARB CONNECTOR BRASS
32-032GH	GARDEN HOSE 1/2" BARB X 3/4" FGH SWIVEL- BARB CONNECTOR BRASS
32-033GH	GARDEN HOSE 5/8" BARB X 3/4" FGH SWIVEL- BARB CONNECTOR BRASS



GARDEN HOSE RIGID - MGH X MGH

Part #	Description
32-060GH	GARDEN HOSE MALE COUPLING; 3/4" MGH X 3/4" MGH BRASS



GARDEN HOSE SWIVEL - BARB X MGH

Part #	Description
32-039GH	GARDEN HOSE 3/4" MGH X 3/8" BARB CONNECTOR BRASS
32-040GH	GARDEN HOSE 3/4" MGH x 1/2" BARB CONNECTOR BRASS
32-041GH	GARDEN HOSE 3/4" MGH x 5/8" BARB CONNECTOR BRASS



GARDEN HOSE RIGID - MGH X MPT

Part #	Description
32-061GH	GARDEN HOSE MALE 3/4" MGH X 3/8" MPT-BRASS
32-062GH	GARDEN HOSE MALE 3/4" MGH X 1/2" MPT-BRASS
32-063GH	GARDEN HOSE MALE 3/4" MGH X 3/4" MPT-BRASS



GARDEN HOSE "Y" CONNECTOR

Part #	Description
32-026GH	ZINC ALLOY CONNECTOR WITH TWO LEVERS 3/4"



GARDEN HOSE SWIVEL - FGH X MPT



GARDEN HOSE SWIVEL COMPRESSION X FGH

Part #	Description
32-047GH	3/4" FGH X 1/4" MPT SWIVEL BRASS
32-048GH	3/4" FGH X 3/8" MPT SWIVEL BRASS
32-049GH	3/4" FGH X 1/2" MPT SWIVEL BRASS

Part #	Description
32-050GH	1/4" COMP X 3/4" FGH SWIVEL BRASS
32-051GH	3/8" COMP X 3/4" FGH SWIVEL BRASS



**GARDEN HOSE ELBOW SWIVEL
 FGH X COMPRESSION**



GARDEN HOSE FILTER W/ WASHER

Part #	Description
32-054GH	3/8" COMP X 3/4" FGH SWIVEL BRASS

Part #	Description
32-072GH	GARDEN HOSE FILTER WASHER 30 MESH
32-073GH	GARDEN HOSE FILTER WASHER 60 MESH



GARDEN HOSE SWIVEL FGH X MGH



GARDEN HOSE WASHER

Part #	Description
32-011GH	3/4" MGH X 3/4" FGH SWIVEL BRASS

Part #	Description
32-075GH	GARDEN HOSE WASHER-BLACK
32-076GH	GARDEN HOSE WASHER-RED



**GARDEN HOSE SWIVEL ELBOW
 MGH X COMPRESSION**



GARDEN HOSE FGH X FGH

Part #	Description
32-055GH	3/4" MGH X 3/8" COMP SWIVEL BRASS

Part #	Description
32-029GH	3/4" FGH X 3/4" FGH-BRASS



**QUICK DISCONNECT
 GARDEN HOSE COUPLER**



GARDEN HOSE FGH X FPT

Part #	Description
32-077GH	FEMALE END FOR QUICK DISCONNECT GH COUPLER
32-078GH	MALE END FOR QUICK DISCONNECT GH COUPLER

Part #	Description
32-030GH	3/4" FGH X 3/4" FPT-BRASS



RIGID - BARB X FPT

Part #	Description
32-1351	1/8" BARB X 1/8" FPT BRASS
32-1352	1/8" BARB X 1/4" FPT BRASS
32-1354	1/4" BARB X 1/8" FPT BRASS
32-1355	1/4" BARB X 1/4" FPT BRASS
32-1356	1/4" BARB X 3/8" FPT BRASS
32-1361	3/8" BARB X 1/8" FPT BRASS
32-1362	3/8" BARB X 1/4" FPT BRASS
32-1363	3/8" BARB X 3/8" FPT BRASS
32-1364	3/8" BARB X 1/2" FPT BRASS
32-1365	1/2" BARB X 1/4" FPT BRASS
32-1366	1/2" BARB X 3/8" FPT BRASS
32-1367	1/2" BARB X 1/2" FPT BRASS



RIGID - BARB X MPT

Part #	Description
32-1301	1/8" BARB X 1/8" MPT BRASS
32-1302	1/8" BARB X 1/4" MPT BRASS
32-1305	1/4" BARB X 1/4" MPT BRASS
32-1306	1/4" BARB X 3/8" MPT BRASS
32-1307	1/4" BARB X 1/2" MPT BRASS
32-1311	3/8" BARB X 1/8" MPT BRASS
32-1312	3/8" BARB X 1/4" MPT BRASS
32-1313	3/8" BARB X 3/8" MPT BRASS
32-1314	3/8" BARB X 1/2" MPT BRASS
32-1316	3/8" BARB X 3/4" MPT BRASS
32-1318	1/2" BARB X 1/8" MPT BRASS
32-1319	1/2" BARB X 1/4" MPT BRASS
32-1320	1/2" BARB X 3/8" MPT BRASS
32-1321	1/2" BARB X 1/2" MPT BRASS
32-1322	1/2" BARB X 3/4" MPT BRASS
32-1323	1/2" BARB X 1" MPT BRASS
32-1325	5/8" BARB X 3/8" MPT BRASS
32-1334	1" BARB X 3/4" MPT BRASS
32-1335	1" BARB X 1" MPT BRASS

SWIVEL MALE ADAPTER



Part #	Description
32-1533	1/2" BARB X 3/8" MPT
32-1534	1/2" BARB X 1/2" MPT

HOSE BARB 90° ELBOW



MENDER/SPLICER



Part #	Description
32-1545	1/8" X 1/8" BARB BRASS
32-1546	1/4" X 1/4" BARB BRASS
32-1547	3/8" X 3/8" BARB BRASS
32-1548	1/2" X 1/2" BARB BRASS
32-1549	5/8" X 5/8" BARB BRASS
32-1550	3/4" X 3/4" BARB BRASS

Part #	Description
32-1380	1/4" BARB X 1/8" MPT BRASS
32-1381	1/4" BARB X 1/4" MPT BRASS
32-1382	1/4" BARB X 3/8" MPT BRASS
32-1383	3/8" BARB X 1/8" MPT BRASS
32-1384	3/8" BARB X 1/4" MPT BRASS
32-1385	3/8" BARB X 3/8" MPT BRASS
32-1386	3/8" BARB X 1/2" MPT BRASS
32-1387	1/2" BARB X 1/4" MPT BRASS
32-1388	1/2" BARB X 3/8" MPT BRASS
32-1389	1/2" BARB X 1/2" MPT BRASS



PIPE UNION

Part #	Description	ADS#	CMA#	KNIGHT#
32-1601	1/4" FPT BRONZE			
32-1602	3/8" FPT BRONZE			
32-1603	1/2" FPT BRONZE	292-1004		
32-1604	3/4" FPT BRONZE			9501417



REDUCING TEE

Part #	Description
32-1041	3/4" X 1/2" X 1/2" FPT BRONZE
32-1042	1/2" X 1/2" X 3/8" FPT BRONZE
32-1044	3/4" X 3/4" X 1/2" FPT BRONZE
32-1045	1/2" X 1/2" X 3/4" FPT BRONZE



90° ELBOW FEMALE

Part #	Description	ADS#	CMA#	KNIGHT#
32-1251	1/4" FPT BRONZE			
32-1252	3/8" FPT BRONZE			
32-1253	1/2" FPT BRONZE	292-1014		
32-1255	3/4" FPT BRONZE	092-1059		960771
32-1256	1" FPT BRONZE			
32-1257	1 1/4" FPT BRONZE	092-6005		
32-1258	1 1/2" FPT BRONZE			

Psalm 90: 1-2

Lord, you have been our dwelling place throughout all generations. Before the mountains were born or you brought forth the whole world, from everlasting to everlasting you are God.



HEX HEAD BOLT

Part #	Packaging	Size
88-107	1 EACH	6-32 X 1"
88-300	1 EACH	1/4"-20 X 5/8"
88-301	1 EACH	1/4"-20 X 3/4"
88-304	1 EACH	1/4"-20 X 1 3/4"
88-305	1 EACH	1/4"-20 X 2"
88-333	1 EACH	1/4"-20 X 1/2"
88-334	1 EACH	1/4"-20 X 7/8"
88-335	1 EACH	1/4"-20 X 1"
88-336	1 EACH	1/4"-20 X 1 1/4"
88-337	1 EACH	1/4"-20 X 1 1/2"
88-400	1 EACH	5/16"-18 X 5/8"
88-401	1 EACH	5/16"-18 X 3/4"
88-402	1 EACH	5/16"-18 X 7/8"
88-403	1 EACH	5/16"-18 X 1"
88-500	1 EACH	3/8"-16 X 3/4"
88-502	1 EACH	3/8"-16 X 1/2"
88-503	1 EACH	3/8"-16 X 5/8"
88-504	1 EACH	3/8"-16 X 7/8"
88-505	1 EACH	3/8"-16 X 1"



FLAT WASHER

Part #	Packaging	Size
88-308	1 EACH	1/4" SS
88-310	1 EACH	1/4" BRASS
88-406	1 EACH	5/16" SS
88-512	1 EACH	3/8"-16 SS
88-801	1 EACH	3/4"-10 SS



SLIP NUT GASKET

Part #	Packaging	Size
88-521	1 EACH	1 1/2" OD X 1 1/4" ID



SLIP NUT

Part #	Packaging	Size
88-520	1 EACH	1 1/2"



PAN HEAD SCREW PHILLIPS

Part #	Packaging	Size
88-699	1 EACH	10-32 X 1 1/4"
88-700	1 EACH	10-32 X 1 1/2"
88-702	1 EACH	8-32 X 3/4"
88-704	1 EACH	10-32 X 3/8"
88-706	1 EACH	6-32 X 3/4"
88-720	1 EACH	10-32 X 2"
88-810	1 EACH	10 X 1"
88-901	1 EACH	#3 X 3/4"
88-910	1 EACH	6-32 X 1/4"
88-911	1 EACH	6-32 X 1/2"
88-715	1 EACH	10-32 X 7/8"



STAINLESS STEEL COTTER PINS

Part #	Packaging	Size
88-600	1 EACH	1/8" X 3/4"
88-601	1 EACH	1/8" X 1"
88-602	1 EACH	1/8" X 1 1/4"
88-603	1 EACH	1/8" X 1 1/2"



LOCK NUT



SLOTTED SCREW

Part #	Packaging	Size
88-011	1 EACH	4-40 NYLON
88-101	1 EACH	6-32 NYLON
88-204	1 EACH	8-32 NYLON
88-307	1 EACH	1/4"-20 NYLON
88-405	1 EACH	5/16"-18 NYLON
88-510	1 EACH	3/8"-16 NO NYLON
88-511	1 EACH	3/8"-16 NYLON
88-513	1 EACH	3/8"-16 NYLON-ZINC
88-703	1 EACH	10-32 NYLON
88-710	1 EACH	10-32 NO NYLON
88-905	1 EACH	#3 SS

Part #	Packaging	Size
88-010	1 EACH	4-40 X 7/8"
88-100	1 EACH	6-32 X 1/4"
88-105	1 EACH	6-32 X 1/2"
88-113	1 EACH	6-32 X 1 1/4"
88-200	1 EACH	8-32 X 1/2"
88-201	1 EACH	8-32 X 5/8"
88-202	1 EACH	8-32 X 1 1/2"
88-210	1 EACH	8-32 X 3/4"
88-212	1 EACH	8-32 X 1"
88-213	1 EACH	8-32 X 1 1/4"
88-222	1 EACH	8-32 X 7/8"
88-701	1 EACH	10-32 X 1 1/2"
88-705	1 EACH	10-32 X 7/8"



HEX HEAD NUT



TRUSS HEAD DOOR GUIDE

Part #	Packaging	Size
88-102	1 EACH	6-32
88-203	1 EACH	8-32
88-306	1 EACH	1/4"-20
88-404	1 EACH	5/16"-18

Part #	Packaging	Size
88-302	1 EACH	1/4"-20 X 1/2"
88-303	1 EACH	1/4"-20 X 5/8"



WING NUT

Part #	Packaging	Size
88-315	1 EACH	1/4"-20

"Memory is the mother of all wisdom."
 ~Aeschylus



SHARKBITE DISCONNECTING CLIP

Part #	Description
34-SB708	3/8" SHARKBITE DISCONNECTING CLIP
34-SB710	1/2" SHARKBITE DISCONNECTING CLIP
34-SB712	3/4" SHARKBITE DISCONNECTING CLIP



SHARKBITE ENDSTOP

Part #	Description
34-SB512	3/8" SHARKBITE ENDSTOP
34-SB514	1/2" SHARKBITE ENDSTOP
34-SB518	3/4" SHARKBITE ENDSTOP



SHARKBITE ELBOW

Part #	Description
34-SB246	3/8" X 3/8" SHARKBITE ELBOW
34-SB248	1/2" X 1/2" SHARKBITE ELBOW
34-SB256	3/4" X 3/4" SHARKBITE ELBOW
34-SB274	3/4" X 1/2" SHARKBITE ELBOW



SHARKBITE FEMALE ELBOW

Part #	Description
34-SB308	1/2" SHARKBITE X 1/2" FNPT ELBOW



SHARKBITE ELBOW DROP EAR

Part #	Description
34-SB332	3/8" SHARKBITE X 1/2" FNPT ELBOW DROP EAR
34-SB334	1/2" SHARKBITE X 1/2" FNPT ELBOW DROP EAR
34-SB340	3/4" SHARKBITE X 3/4" FNPT ELBOW DROP EAR



SHARKBITE FEMALE REDUCING

Part #	Description
34-SB068	1/2" SHARKBITE X 3/4" FNPT REDUCING CONNECTOR



SHARKBITE FEMALE STRAIGHT

Part #	Description
34-SB070	3/8" SHARKBITE X 1/2" FNPT STRAIGHT CONNECTOR
34-SB072	1/2" SHARKBITE X 1/2" FNPT STRAIGHT CONNECTOR
34-SB088	3/4" SHARKBITE X 3/4" FNPT STRAIGHT CONNECTOR

SHARKBITE BALL VALVE



Part #	Description
34-SB22222	1/2" X 1/2" SHARKBITE FULL PORT BALL VALVE
34-SB22185	3/4" X 3/4" SHARKBITE FULL PORT BALL VALVE



SHARKBITE SLIP COUPLING

Part #	Description
34-SB3008	1/2" SHARKBITE SLIP COUPLING



SHARKBITE MALE ELBOW

Part #	Description
34-SB280	1/2" SHARKBITE X 1/2" MNPT ELBOW



SHARKBITE REDUCING TEE

Part #	Description
34-SB359	1/2" X 1/2" X 1/4" SHARKBITE REDUCING TEE
34-SB363	1/2" X 1/2" X 3/8" SHARKBITE REDUCING TEE
34-SB412	3/4" X 3/4" X 1/2" SHARKBITE REDUCING TEE
34-SB444	3/4" X 1/2" X 3/4" SHARKBITE REDUCING TEE
34-SB454	3/4" X 1/2" X 1/2" SHARKBITE REDUCING TEE



SHARKBITE MALE REDUCING

Part #	Description
34-SB116	1/2" SHARKBITE X 3/4" MNPT REDUCING CONNECTOR



SHARKBITE TEE

Part #	Description
34-SB358	1/4" X 1/4" X 1/4" SHARKBITE TEE
34-SB360	3/8" X 3/8" X 3/8" SHARKBITE TEE
34-SB362	1/2" X 1/2" X 1/2" SHARKBITE TEE
34-SB370	3/4" X 3/4" X 3/4" SHARKBITE TEE



SHARKBITE MALE STRAIGHT

Part #	Description
34-SB118	3/8" SHARKBITE X 1/2" MNPT STRAIGHT CONNECTOR
34-SB120	1/2" SHARKBITE X 1/2" MNPT STRAIGHT CONNECTOR
34-SB134	3/4" SHARKBITE X 3/4" MNPT STRAIGHT CONNECTOR



SHARKBITE STRAIGHT COUPLING

Part #	Description
34-SB006	3/8" X 3/8" SHARKBITE STRAIGHT COUPLING
34-SB008	1/2" X 1/2" SHARKBITE STRAIGHT COUPLING
34-SB016	3/4" X 3/4" SHARKBITE STRAIGHT COUPLING



SHARKBITE REDUCING COUPLING

Part #	Description
34-SB009	3/8" X 1/2" SHARKBITE REDUCING COUPLING
34-SB058	3/4" X 1/2" SHARKBITE REDUCING COUPLING



SHARKBITE SS HOSE

Part #	Description
34-SB3088-12	3/4" SB X 12" SS HOSE X 3/4" FPT
34-SB3088-15	3/4" SB X 15" SS HOSE X 3/4" FPT
34-SB3088-18	3/4" SB X 18" SS HOSE X 3/4" FPT
34-SB3088-24	3/4" SB X 24" SS HOSE X 3/4" FPT



SHARKBITE REDUCING ELBOW

Part #	Description
34-SB272	1/2" X 3/8" SHARKBITE REDUCING ELBOW



PEX COUPLING

Part #	Description
34-PX0500	3/8" DURA PEX BRASS INSERT COUPLING
34-PX0520	1/2" DURA PEX BRASS INSERT COUPLING
34-PX0550	3/4" DURA PEX BRASS INSERT COUPLING



PEX FEMALE SWEAT ADAPTER

Part #	Description
34-PX1120	1/2" BRASS PEX X 1/2" FEMALE SWEAT ADAPTER
34-PX1130	3/4" BRASS PEX X 3/4" FEMALE SWEAT ADAPTER



PEX CRIMP RING

Part #	Description
34-PX0900	3/8" COPPER CRIMP RING BLACK
34-PX0910	1/2" COPPER CRIMP RING BLACK
34-PX0920	3/4" COPPER CRIMP RING BLACK



PEX MALE SWEAT ADAPTER

Part #	Description
34-PX1060	3/8" BRASS PEX X 3/8" MALE SWEAT ADAPTER
34-PX1070	1/2" BRASS PEX X 1/2" MALE SWEAT ADAPTER
34-PX1090	3/4" BRASS PEX X 3/4" MALE SWEAT ADAPTER



PEX ELBOW

Part #	Description
34-PX0620	3/8" DURA PEX BRASS INSERT ELBOW
34-PX0630	1/2" DURA PEX BRASS INSERT ELBOW
34-PX0650	3/4" DURA PEX BRASS INSERT ELBOW



PEX MIP ADAPTER

Part #	Description
34-PX1200	1/2" BRASS PEX X 3/4" MIP BRASS ADAPTER
34-PX1220	3/4" BRASS PEX X 3/4" MIP BRASS ADAPTER



PEX TEE

Part #	Description
34-PX0680	3/8" DURA PEX BRASS INSERT TEE
34-PX0710	1/2" DURA PEX BRASS INSERT TEE
34-PX0760	3/4" DURA PEX BRASS INSERT TEE



PEX MPT ELBOW

Part #	Description
34-PX1505	1/2" BRASS PEX X 3/4" MPT ELBOW
34-PX1510	3/4" BRASS PEX X 3/4" MPT ELBOW

Plastic Fittings available in four types of material.

N = White Nylon made from virgin grade formulated to resist physical stress and abrasion. Meets FDA requirements.

B = Black Polyethylene made from a high molecular weight linear polyethylene. Formulated for chemical compatibility and high impact resistance at lower temps. Polyethylene is NSF approved for potable water.

P = Polypropylene made from the finest polypropylene resins. Used for its resistance to a wide range of chemicals. Working pressures decrease as temperatures increase.

K = Kynar a polyvinylidene fluoride, has outstanding chemical resistance for handling highly corrosive fluids. FDA listed, NSF listed.



COMPRESSION MALE CONNECTOR

Part #	Description
30-M1022K	1/8" COMP X 1/8" MPT CONNECTOR KYNAR
30-M1022N	1/8" COMP X 1/8" MPT CONNECTOR NYLON
30-M1022P	1/8" COMP X 1/8" MPT CONNECTOR POLYPROPYLENE
30-M1042K	1/4" COMP X 1/8" MPT CONNECTOR KYNAR
30-M1042N	1/4" COMP X 1/8" MPT CONNECTOR NYLON
30-M1042P	1/4" COMP X 1/8" MPT CONNECTOR POLYPROPYLENE
30-M1044K	1/4" COMP X 1/4" MPT CONNECTOR KYNAR
30-M1044P	1/4" COMP X 1/4" MPT CONNECTOR POLYPROPYLENE
30-M1046N	1/4" COMP X 3/8" MPT CONNECTOR NYLON
30-M1062N	3/8" COMP X 1/8" MPT CONNECTOR NYLON
30-M1064P	3/8" COMP X 1/4" MPT CONNECTOR POLYPROPYLENE
30-M1066P	3/8" COMP X 3/8" MPT CONNECTOR POLYPROPYLENE
30-M1068P	3/8" COMP X 1/2" MPT CONNECTOR POLYPROPYLENE
30-M1082N	1/2" COMP X 1/4" MPT CONNECTOR NYLON
30-M1084P	1/2" COMP X 3/8" MPT CONNECTOR POLYPROPYLENE
30-M1086P	1/2" COMP X 1/2" MPT CONNECTOR POLYPROPYLENE



COMPRESSION FEMALE ELBOW

Part #	Description
30-F2042K	1/4" FPT X 1/8" COMP KYNAR
30-F2042P	1/4" FPT X 1/8" COMP POLYPROPYLENE
30-F2044K	1/4" FPT X 1/4" COMP KYNAR
30-F2044P	1/4" FPT X 1/4" COMP POLYPROPYLENE
30-F2064P	1/4" FPT X 3/8" COMP POLYPROPYLENE
30-F2084P	3/8" FPT X 1/2" COMP POLYPROPYLENE



COMPRESSION UNION TEE

Part #	Description
30-3022N	1/8" X 1/8" X 1/8" COMP NYLON
30-3044N	1/4" X 1/4" X 1/4" COMP NYLON
30-3044P	1/4" X 1/4" X 1/4" COMP POLYPROPYLENE
30-3066P	3/8" X 3/8" X 3/8" COMP POLYPROPYLENE
30-3078P	1/2" X 1/2" X 1/2" COMP POLYPROPYLENE

COMPRESSION FEMALE CONNECTOR



Part #	Description
30-F1042K	1/8" FPT X 1/4" COMPRESSION KYNAR
30-F1042P	1/8" FPT X 1/4" COMPRESSION POLYPROPYLENE
30-F1044K	1/4" FPT X 1/4" COMPRESSION KYNAR
30-F1044P	1/4" FPT X 1/4" COMPRESSION POLYPROPYLENE
30-F1144K	1/4" FPT X 1/8" COMPRESSION KYNAR
30-F1144P	1/4" FPT X 1/8" COMPRESSION POLYPROPYLENE



FEMALE TEE

Part #	Description
30-F1018P	1/8" X 1/8" X 1/8" POLYPROPYLENE



COMPRESSION UNION & UNION REDUCING

Part #	Description
30-U1142N	1/4" X 1/8" COMP TO COMP REDUCING UNION NYLON
30-U1142P	1/4" X 1/8" COMP TO COMP REDUCING UNION POLYPROPYLENE
30-U1144P	1/4" X 1/4" COMP TO COMP UNION POLYPROPYLENE
30-U1144N	1/4" X 1/4" COMP TO COMP UNION NYLON
30-U1166P	3/8" X 3/8" COMP TO COMP UNION POLYPROPYLENE
30-U1168P	1/2" X 1/2" COMP TO COMP UNION POLYPROPYLENE
30-U1169P	1/2" X 3/8" COMP TO COMP REDUCING UNION POLYPROPYLENE



COMPRESSION BULKHEAD FITTING CONNECTOR

Part #	Description
30-M1700P	1/4" COMP X 1/4" MPT CONNECTOR BULKHEAD FITTING



COMPRESSION MALE TEE

Part #	Description
30-M3042N	1/4" X 1/4" COMP X 1/8" MPT THREADED DROP "T" NYLON
30-M3044N	1/4" X 1/4" COMP X 1/4" MPT THREADED DROP "T" NYLON
30-M3054P	3/8" X 3/8" COMP X 1/4" MPT THREADED DROP "T" POLYPROPYLENE
30-M3066P	3/8" X 3/8" COMP X 3/8" MPT THREADED DROP "T" POLYPROPYLENE
30-M3084P	1/2" X 1/2" COMP X 3/8" MPT THREADED DROP "T" POLYPROPYLENE



COMPRESSION NUT

Part #	Description
30-N1020K	1/8" COMP NUT KYNAR
30-N1020P	1/8" COMP NUT POLYPROPYLENE
30-N1020NBLK	1/8" COMP NUT NYLON BLACK
30-N1040K	1/4" COMP NUT KYNAR
30-N1040P	1/4" COMP NUT POLYPROPYLENE
30-N1040SK	1/4" COMP NUT KYNAR W/ STAINLESS STEEL GRIPPER
30-N1040NBLK	1/4" COMP NUT NYLON BLACK



COMPRESSION MALE CONNECTOR WITH SS GRIPPER

Part #	Description
30-M1044SP	1/4" COMP 1/4" MPT CONNECTOR FOR COPPER OR OTHER HARD TUBING, SS GRIPPER



COMPRESSION MALE ELBOW

Part #	Description
30-M2042P	1/4" COMP X 1/8" MPT 90° ELBOW POLYPROPYLENE
30-M2044K	1/4" COMP X 1/4" MPT 90° ELBOW KYNAR
30-M2044P	1/4" COMP X 1/4" MPT 90° ELBOW POLYPROPYLENE
30-M2046N	1/4" COMP X 3/8" MPT 90° ELBOW NYLON
30-M2064P	3/8" COMP X 1/4" MPT 90° ELBOW POLYPROPYLENE
30-M2066P	3/8" COMP X 3/8" MPT 90° ELBOW POLYPROPYLENE
30-M2084P	1/2" COMP X 3/8" MPT 90° ELBOW POLYPROPYLENE
30-M2086P	1/2" COMP X 1/2" MPT 90° ELBOW POLYPROPYLENE



COMPRESSION UNION ELBOW

Part #	Description
30-U2044P	1/4" X 1/4" UNION ELBOW 90° COMP POLYPROPYLENE
30-U2066P	3/8" X 3/8" UNION ELBOW 90° COMP POLYPROPYLENE
30-U2088P	1/2" X 1/2" UNION ELBOW 90° COMP POLYPROPYLENE



BARB TEE TO MPT

Part #	Description
30-M3890N	3/8" X 3/8" X 1/4" MPT NYLON
30-M3892N	3/8" X 3/8" X 3/8" MPT NYLON
30-M3894N	1/2" X 1/2" X 1/4" MPT NYLON
30-M3896N	1/2" X 1/2" X 3/8" MPT NYLON
30-M3897N	1/2" X 1/2" X 1/2" MPT NYLON
30-M3898N	3/4" X 3/4" X 3/4" MPT NYLON



BARB CONNECTOR X MPT

Part #	Description
30-1016P	1/8" MPT X 1/16" BARB POLYPROPYLENE
30-1018P	1/8" MPT X 1/8" BARB POLYPROPYLENE
30-1023B	1/8" MPT X 3/16" BARB POLYETHYLENE
30-1024B	1/8" MPT X 1/4" BARB POLYETHYLENE
30-1025B	1/8" MPT X 5/16" BARB POLYETHYLENE
30-1026B	1/8" MPT X 3/8" BARB POLYETHYLENE
30-1043B	1/4" MPT X 3/16" BARB POLYETHYLENE
30-1044B	1/4" MPT X 1/4" BARB POLYETHYLENE
30-1044N	1/4" MPT X 1/4" BARB NYLON
30-1045B	1/4" MPT X 5/16" BARB POLYETHYLENE
30-1046B	1/4" MPT X 3/8" BARB POLYETHYLENE
30-1046N	1/4" MPT X 3/8" BARB NYLON
30-1048B	1/4" MPT X 1/2" BARB POLYETHYLENE
30-1064B	3/8" MPT X 1/4" BARB POLYETHYLENE
30-1065B	3/8" MPT X 5/16" BARB POLYETHYLENE
30-1066B	3/8" MPT X 3/8" BARB POLYETHYLENE
30-1066N	3/8" MPT X 3/8" BARB NYLON
30-1068B	3/8" MPT X 1/2" BARB POLYETHYLENE
30-1068P	3/8" MPT X 1/2" BARB POLYPROPYLENE
30-1070B	3/8" MPT X 5/8" BARB POLYETHYLENE
30-1083B	1/2" MPT X 3/16" BARB POLYETHYLENE
30-1084B	1/2" MPT X 1/4" BARB POLYETHYLENE
30-1086B	1/2" MPT X 3/8" BARB POLYETHYLENE
30-1086N	1/2" MPT X 3/8" BARB NYLON
30-1088B	1/2" MPT X 1/2" BARB POLYETHYLENE
30-1088N	1/2" MPT X 1/2" BARB NYLON
30-1090B	1/2" MPT X 5/8" BARB POLYETHYLENE
30-1092B	1/2" MPT X 3/4" BARB POLYETHYLENE
30-1096N	3/4" MPT X 3/8" BARB NYLON
30-1097B	3/4" MPT X 1/2" BARB POLYETHYLENE
30-1098P	3/4" MPT X 5/8" BARB POLYPROPYLENE
30-1099B	3/4" MPT X 3/4" BARB POLYETHYLENE



BARB ELBOW X MPT

Part #	Description
30-M4024B	1/8" MPT X 1/4" BARB POLYETHYLENE
30-M4043N	1/4" MPT X 3/16" BARB NYLON
30-M4044B	1/4" MPT X 1/4" BARB POLYETHYLENE
30-M4046B	1/4" MPT X 3/8" BARB POLYETHYLENE
30-M4048B	1/4" MPT X 1/2" BARB POLYETHYLENE
30-M4064B	3/8" MPT X 1/4" BARB POLYETHYLENE
30-M4066B	3/8" MPT X 3/8" BARB POLYETHYLENE
30-M4066N	3/8" MPT X 3/8" BARB NYLON
30-M4068B	3/8" MPT X 1/2" BARB POLYETHYLENE
30-M4084B	1/2" MPT X 1/4" BARB POLYETHYLENE
30-M4086B	1/2" MPT X 3/8" BARB POLYETHYLENE
30-M4086N	1/2" MPT X 3/8" BARB NYLON
30-M4088B	1/2" MPT X 1/2" BARB POLYETHYLENE
30-M4090B	1/2" MPT X 5/8" BARB WHITE NYLON
30-M4091B	3/4" MPT X 1/2" BARB POLYETHYLENE
30-M4093B	3/4" MPT X 3/8" BARB POLYETHYLENE
30-M4092B	1/2" MPT X 3/4" BARB POLYETHYLENE



**BARB FEMALE CONNECTOR
 FPT X BARB**

Part #	Description
30-F1023P	1/8" FPT X 3/16" BARB POLYPROPYLENE
30-F1064N	3/8" FPT X 1/4" BARB NYLON
30-F1066N	3/8" FPT X 3/8" BARB NYLON
30-F1084P	1/2" FPT X 1/4" BARB POLYPROPYLENE
30-F1086P	1/2" FPT X 3/8" BARB POLYPROPYLENE
30-F1088P	1/2" FPT X 1/2" BARB POLYPROPYLENE
30-F1089P	1/2" FPT X 5/8" BARB POLYPROPYLENE
30-F1090P	1/2" FPT X 3/4" BARB POLYPROPYLENE



BARB TEE REDUCING CONNECTOR

Part #	Description
30-9096B	5/8" X 5/8" X 3/8" REDUCING BARBED T-CONNECTOR



BARB TEE CONNECTOR

Part #	Description
30-9022B	1/8" X 1/8" X 1/8" POLYETHYLENE
30-9033B	3/16" X 3/16" X 3/16" POLYETHYLENE
30-9044B	1/4" X 1/4" X 1/4" POLYETHYLENE
30-9044N	1/4" X 1/4" X 1/4" NYLON
30-9055B	5/16" X 5/16" X 5/16" POLYETHYLENE
30-9066B	3/8" X 3/8" X 3/8" POLYETHYLENE
30-9088B	1/2" X 1/2" X 1/2" POLYETHYLENE
30-9090B	5/8" X 5/8" X 5/8" POLYETHYLENE
30-9092B	3/4" X 3/4" X 3/4" POLYETHYLENE



BARB Y CONNECTOR

Part #	Description
30-3922P	5/32" X 5/32" X 5/32" POLYPROPYLENE
30-3933P	3/16" X 3/16" X 3/16" POLYPROPYLENE
30-3944P	1/4" X 1/4" X 1/4" POLYPROPYLENE
30-3966P	3/8" X 3/8" X 3/8" POLYPROPYLENE
30-3988P	1/2" X 1/2" X 1/2" POLYPROPYLENE



BARB FEMALE ELBOW

Part #	Description
30-FE2064B	3/8" FNPT X 1/4" BARB POLYPROPYLENE
30-FE2066B	3/8" FNPT X 3/8" BARB POLYPROPYLENE
30-FE2068B	3/8" FNPT X 1/2" BARB POLYPROPYLENE
30-FE2084B	1/2" FNPT X 1/4" BARB POLYPROPYLENE
30-FE2086B	1/2" FNPT X 3/8" BARB POLYPROPYLENE
30-FE2088B	1/2" FNPT X 1/2" BARB POLYPROPYLENE



BARB STRAIGHT CONNECTOR

Part #	Description
30-7022B	1/8" X 1/8" CONNECTOR POLYETHYLENE
30-7033B	3/16" X 3/16" CONNECTOR POLYETHYLENE
30-7044B	1/4" X 1/4" CONNECTOR POLYETHYLENE
30-7044N	1/4" X 1/4" CONNECTOR NYLON
30-7055B	5/16" X 5/16" CONNECTOR POLYETHYLENE
30-7066B	3/8" X 3/8" CONNECTOR POLYETHYLENE
30-7088B	1/2" X 1/2" CONNECTOR POLYETHYLENE
30-7110N	5/8" X 5/8" CONNECTOR NYLON
30-7112N	3/4" X 3/4" CONNECTOR NYLON
30-7116N	1" X 1" CONNECTOR NYLON
30-7120N	1 1/4" X 1 1/4" CONNECTOR NYLON
30-7124N	1 1/2" X 1 1/2" CONNECTOR NYLON



BARB X BARB STRAIGHT REDUCING CONNECTOR

Part #	Description
30-8040P	3/16" X 1/8" POLYPROPYLENE
30-8042B	1/8" X 1/4" POLYETHYLENE
30-8043B	3/16" X 1/4" POLYETHYLENE
30-8052B	5/16" X 1/8" POLYETHYLENE
30-8064B	3/8" X 1/4" POLYETHYLENE
30-8065B	3/8" X 5/16" POLYETHYLENE
30-8084B	1/2" X 1/4" POLYETHYLENE
30-8084P	1/2" X 1/4" POLYPROPYLENE
30-8086B	1/2" X 3/8" POLYETHYLENE
30-8088B	5/8" X 3/8" POLYETHYLENE
30-8089B	5/8" X 1/2" POLYETHYLENE
30-8090B	3/4" X 1/2" POLYETHYLENE



BARB CONNECTOR 90° ELBOW

Part #	Description
30-2044B	1/4" X 1/4" POLYETHYLENE
30-2066B	3/8" X 3/8" POLYETHYLENE
30-2088B	1/2" X 1/2" POLYETHYLENE
30-2090B	5/8" X 5/8" POLYETHYLENE
30-2092B	3/4" X 3/4" POLYETHYLENE



**PUSH CONNECTOR
 UNION/REDUCING ELBOW**



PUSH PULL MALE ELBOW

Part #	Description
33-QC404-EU	QUICK-FIT ELBOW UNION 1/4" TUBE X 1/4" TUBE - ACETAL
33-JG404-EU	JOHN GUEST ELBOW UNION 1/4" TUBE X 1/4" TUBE - POLYPROPYLENE
33-QC604-EU	QUICK-FIT ELBOW UNION 3/8" TUBE X 1/4" TUBE - ACETAL
33-QC604-EU	JOHN GUEST ELBOW UNION 3/8" TUBE X 1/4" TUBE - POLYPROPYLENE
33-QC606-EU	QUICK-FIT ELBOW UNION 3/8" TUBE X 3/8" TUBE - ACETAL
33-QC606-EU	JOHN GUEST ELBOW UNION 3/8" TUBE X 3/8" TUBE - POLYPROPYLENE

Part #	Description
33-JG402-ME	JOHN GUEST ELBOW 1/8" MALE X 1/4" TUBE - POLYPROPYLENE
33-JG404-ME	JOHN GUEST ELBOW 1/4" MALE X 1/4" TUBE - POLYPROPYLENE
33-JG406-ME	JOHN GUEST ELBOW 3/8" MALE X 1/4" TUBE - POLYPROPYLENE
33-JG505-ME	JOHN GUEST ELBOW 1/4" MALE X 3/8" TUBE - POLYPROPYLENE
33-JG606-ME	JOHN GUEST ELBOW 3/8" MALE X 3/8" TUBE - POLYPROPYLENE
33-QC606-ME	QUICK-FIT ELBOW 3/8" MALE X 3/8" TUBE - ACETAL



PUSH PULL CONNECTOR 2-WAY



PUSH PULL CONNECTOR MALE ADAPTER

Part #	Description
33-QC404-2W	QUICK-FIT 1/4" TUBE 2 X 1/4" - ACETAL
33-QC606-2W	QUICK-FIT 3/8" TUBE 2 X 3/8" - ACETAL
33-JG606-2W	JOHN GUEST 3/8" TUBE 2 X 3/8" - POLYPROPYLENE
33-QC607-2W	QUICK-FIT 3/8" TUBE 2 X 1/2" - ACETAL
33-QC707-2W	QUICK-FIT 1/2" TUBE 2 X 1/2" - ACETAL

Part #	Description
33-JG402-MC	JOHN GUEST MALE CONNECTOR 1/4" TUBE X 1/8" MPT - POLYPROPYLENE
33-JG404-MC	JOHN GUEST MALE CONNECTOR 1/4" TUBE X 1/4" MPT - POLYPROPYLENE
33-QC404-MC	QUICK-FIT MALE CONNECTOR 1/4" TUBE X 1/4" MPT - ACETAL
33-JG406-MC	JOHN GUEST MALE CONNECTOR 1/4" TUBE X 3/8" MPT - POLYPROPYLENE
33-QC406-MC	QUICK-FIT MALE CONNECTOR 1/4" TUBE X 3/8" MPT - ACETAL
33-JG604-MC	JOHN GUEST MALE CONNECTOR 3/8" TUBE X 1/4" MPT - POLYPROPYLENE
33-QC604-MC	QUICK-FIT MALE CONNECTOR 3/8" TUBE X 1/4" MPT - ACETAL
33-JG606-MC	JOHN GUEST MALE CONNECTOR 3/8" TUBE X 3/8" MPT - POLYPROPYLENE
33-QC606-MC	QUICK-FIT MALE CONNECTOR 3/8" TUBE X 3/8" MPT - ACETAL
33-JG607-MC	JOHN GUEST MALE CONNECTOR 3/8" TUBE X 1/2" MPT - POLYPROPYLENE
33-QC607-MC	QUICK-FIT MALE CONNECTOR 3/8" TUBE X 1/2" MPT - ACETAL
33-JG706-MC	JOHN GUEST MALE CONNECTOR 1/2" TUBE X 3/8" MPT - POLYPROPYLENE
33-QC706-MC	QUICK-FIT MALE CONNECTOR 1/2" TUBE X 3/8" MPT - ACETAL
33-JG707-MC	JOHN GUEST MALE CONNECTOR 1/2" TUBE X 1/2" MPT - POLYPROPYLENE
33-QC707-MC	QUICK-FIT MALE CONNECTOR 1/2" TUBE X 1/2" MPT - ACETAL



PUSH PULL CONNECTOR 3-WAY

Part #	Description
33-QC604-3W	QUICK-FIT 3/8" TUBE 3 X 1/4" - ACETAL
33-JG604-3W	JOHN GUEST 3/8" TUBE 3 X 1/4" - POLYPROPYLENE
33-QC706-3W	QUICK-FIT 1/2" TUBE 3 X 3/8" - ACETAL



PUSH PULL CONNECTOR 4-WAY

Part #	Description
33-QC404-CR	QUICK-FIT CROSS CONNECTOR 4 X 1/4" - ACETAL
33-QC606-CR	QUICK-FIT CROSS CONNECTOR 4 X 3/8" - ACETAL
33-QC707-CR	QUICK-FIT CROSS CONNECTOR 4 X 1/2" - ACETAL



PUSH PULL CONNECTOR UNION TEE

Part #	Description
33-JG404-TU	JOHN GUEST UNION TEE 1/4" X 1/4" X 1/4" - POLYPROPYLENE
33-QC404-TU	QUICK-FIT UNION TEE 1/4" X 1/4" X 1/4" - ACETAL
33-JG606-TU	JOHN GUEST UNION TEE 3/8" X 3/8" X 3/8" - POLYPROPYLENE
33-QC606-TU	QUICK-FIT UNION TEE 3/8" X 3/8" X 3/8" - ACETAL
33-JG707-TU	JOHN GUEST UNION TEE 1/2" X 1/2" X 1/2" - POLYPROPYLENE
33-QC707-TU	QUICK-FIT UNION TEE 1/2" X 1/2" X 1/2" - ACETAL



PUSH PULL CONNECTOR REDUCING UNION TEE

Part #	Description
33-JG406-TTU	JOHN GUEST REDUCING TEE 3/8" X 1/4" X 3/8" - POLYPROPYLENE
33-JG606-TTU	JOHN GUEST REDUCING TEE 3/8" X 3/8" X 1/4" - POLYPROPYLENE
33-QC606-TTU	QUICK-FIT REDUCING TEE 3/8" X 3/8" X 1/4" - ACETAL
33-JG707-TTU	JOHN GUEST REDUCING TEE 1/2" X 1/2" X 3/8" - POLYPROPYLENE



PUSH PULL CONNECTOR-STEM

Part #	Description
33-QC402-MSA	QUICK-FIT STEM ADAPTER 1/4" STEM X 1/8" MPT - ACETAL
33-JG404-MSA	JOHN GUEST STEM ADAPTER 1/4" STEM X 1/4" MPT - POLYPROPYLENE
33-QC404-MSA	QUICK-FIT STEM ADAPTER 1/4" STEM X 1/4" MPT - ACETAL
33-JG604-MSA	JOHN GUEST STEM ADAPTER 3/8" STEM X 1/4" MPT - POLYPROPYLENE
33-JG606-MSA	JOHN GUEST STEM ADAPTER 3/8" STEM X 3/8" MPT - POLYPROPYLENE



PUSH PULL FEMALE ADAPTER

Part #	Description
33-QC404-FA	QUICK-FIT FEMALE 1/4" TUBE X 1/4" FPT - ACETAL
33-JG404-FA	JOHN GUEST FEMALE 1/4" TUBE X 1/4" FPT - POLYPROPYLENE
33-QC604-FA	QUICK-FIT FEMALE 3/8" TUBE X 1/4" FPT - ACETAL
33-JG604-FA	JOHN GUEST FEMALE 3/8" TUBE X 1/4" FPT - POLYPROPYLENE
33-JG606-FA	JOHN GUEST FEMALE 3/8" TUBE X 3/8" FPT - POLYPROPYLENE

Push Pull Connector Guide

Quick-Fit Acetal Not Chlorine Resistant
JG Polypropylene Chlorine Resistant



PUSH PULL UNION CONNECTOR

Part #	Description
33-QC404-UC	QUICK-FIT UNION CONNECTOR 1/4" TUBE X 1/4" TUBE - ACETAL
33-JG404-UC	JOHN GUEST UNION CONNECTOR 1/4" TUBE X 1/4" TUBE - POLYPROPYLENE
33-QC604-UC	QUICK-FIT UNION CONNECTOR 1/4" TUBE X 3/8" TUBE - ACETAL
33-JG606-UC	JOHN GUEST UNION CONNECTOR 3/8" TUBE X 3/8" TUBE - POLYPROPYLENE
33-QC606-UC	QUICK-FIT UNION CONNECTOR 3/8" TUBE X 3/8" TUBE - ACETAL
33-JG707-UC	JOHN GUEST UNION CONNECTOR 1/2" TUBE X 1/2" TUBE - POLYPROPYLENE



PUSH PULL REDUCING/UNION CONNECTOR

Part #	Description
33-QC604-UCC	QUICK-FIT REDUCING UNION CONNECTOR 1/4" TUBE X 3/8" TUBE - ACETAL
33-JG604-UCC	JOHN GUEST REDUCING UNION CONNECTOR 3/8" TUBE X 1/4" TUBE - POLYPROPYLENE
33-JG606-UCC	JOHN GUEST REDUCING UNION CONNECTOR 1/2" TUBE X 3/8" TUBE - POLYPROPYLENE



GARDEN HOSE CONNECTOR

Part #	Description
32-052GH	JOHN GUEST GARDEN HOSE FEMALE 1/4" TUBE; BRASS
32-053GH	JOHN GUEST GARDEN HOSE FEMALE 3/8" TUBE; BRASS



STEM TO TUBE CONNECTOR

Part #	Description
33-JG606-ST	JOHN GUEST STEM TO TUBE 3/8" X 3/8" TUBE - POLYPROPYLENE
33-JG707-ST	JOHN GUEST STEM TO TUBE 3/8" X 1/2" TUBE - POLYPROPYLENE



**BULKHEAD DETERGENT FITTING
 STRAIGHT COMPRESSION**



77° BULKHEAD DETERGENT FITTING

Part #	Description
60-0040PS-2	1/4" COMP TUBING CONNECTOR-POLYPROPYLENE
60-0040PS-3	3/8" COMP TUBING CONNECTOR-POLYPROPYLENE

Part #	Description
60-0041	77° INJECTION FITTING FOR DETERGENT BOWL CONNECTION



TEE SINGLE WALL TANK COMPRESSION



BULKHEAD WASHER PLASTIC

Part #	Description
60-0040PT-2	1/4" X 1/4" COMP TUBING CONNECTOR-POLYPROPYLENE

Part #	Description
60-0041-PW	7/8" PLASTIC WASHER FOR 77° BULK HEAD FITTING



**90° BULKHEAD DETERGENT FITTING
 COMPRESSION**



BULKHEAD WASHER RUBBER

Part #	Description
60-0040PE-1-2	1/4" COMP TUBING CONNECTOR-POLYPROPYLENE
60-0040PE-3	3/8" COMP TUBING CONNECTOR-POLYPROPYLENE

Part #	Description
60-0041-RW	7/8" RUBBER WASHER FOR 77° BULK HEAD FITTING



BULKHEAD FITTING NO CONNECTOR



70° DOUBLE WALL BULKHEAD FITTING

Part #	Description
60-0040P	BULKHEAD FITTING POLYPROPYLENE

Part #	Description
60-0044	70° DOUBLE WALL BULKHEAD FITTING



BULKHEAD FITTING PLUG

Part #	Description
60-0041-HP	7/8" BULKHEAD PLUG WITH NUT & WASHER



THREADED REDUCING NIPPLE

Part #	Description
30-6042N	1/8" MPT X 1/4" MPT REDUCING NIPPLE NYLON
30-6062B	1/8" MPT to 3/8" MPT REDUCING NIPPLE POLYETHYLENE
30-6064N	1/4" MPT to 3/8" MPT REDUCING NIPPLE NYLON
30-6082B	1/8" MPT to 1/2" MPT REDUCING NIPPLE POLYETHYLENE
30-6084B	1/4" MPT TO 1/2" MPT REDUCING NIPPLE POLYETHYLENE
30-6086B	3/8" MPT to 1/2" MPT REDUCING NIPPLE POLYETHYLENE
30-6090B	3/8" MPT to 3/4" MPT REDUCING NIPPLE POLYETHYLENE
30-6092B	1/2" MPT to 3/4" MPT REDUCING NIPPLE POLYETHYLENE



THREADED REDUCING BUSHINGS

Part #	Description
30-6018N	1/8" FPT X 1/4" MPT NYLON
30-6018P	1/8" FPT X 1/4" MPT POLYPROPYLENE
30-6020N	1/8" FPT X 3/8" MPT NYLON
30-6022P	1/8" FPT X 1/2" MPT POLYPROPYLENE
30-6024N	1/8" FPT X 3/4" MPT NYLON
30-6026N	1/4" FPT X 3/8" MPT NYLON
30-6028P	1/4" FPT X 1/2" MPT POLYPROPYLENE
30-6030N	1/4" FPT X 3/4" MPT NYLON
30-6030P	1/4" FPT X 3/4" MPT POLYPROPYLENE
30-6032P	3/8" FPT X 1/2" MPT POLYETHYLENE
30-6034N	3/8" FPT X 3/4" MPT NYLON



THREADED NIPPLE

Part #	Description
30-5022N	1/8" MPT X 1/8" MPT HEX HEAD NIPPLE NYLON
30-5044N	1/4" MPT X 1/4" MPT HEX HEAD NIPPLE NYLON
30-5066B	3/8" MPT X 3/8" MPT HEX HEAD NIPPLE POLYETHYLENE
30-5066PPN	3/8" MPT X 3/8" MPT HEX HEAD NIPPLE POLYPROPYLENE
30-5088B	1/2" MPT X 1/2" MPT HEX HEAD NIPPLE POLYETHYLENE
30-5088N	1/2" MPT X 1/2" MPT HEX HEAD NIPPLE NYLON
30-5090N	3/4" MPT X 3/4" MPT HEX HEAD NIPPLE NYLON



THREADED PLUG

Part #	Description
30-6110B	1/8" MPT HEX HEAD PLUG POLYETHYLENE
30-6112B	1/4" MPT HEX HEAD PLUG POLYETHYLENE
30-6114B	3/8" MPT HEX HEAD PLUG POLYETHYLENE
30-6116B	1/2" MPT HEX HEAD PLUG POLYETHYLENE
30-6118B	3/4" MPT HEX HEAD PLUG POLYETHYLENE



GROMMET

Part #	Description
31-2030	1/4" BLACK PLASTIC GROMMET



HEYCO DOME PLUG

Part #	Description
31-2273	HEYCO DOME PLUG

HEYCO STRAIGHT THRU BUSHING



Part #	Description
31-2240	HEYCO STRAIGHT THRU STRAIN RELIEF BUSHING



HEYCO UNIVERSAL BUSHING

Part #	Description
31-2219	HEYCO UNIVERSAL BUSHING



STRAIN RELIEF PIGTAIL

Part #	Description
31-PIG250	1/4" BLACK LIQUID TIGHT PIGTAIL
31-PIG375	3/8" BLACK LIQUID TIGHT PIGTAIL
31-PIG500	1/2" BLACK LIQUID TIGHT PIGTAIL



SCREW CABLE TIES

Part #	Description
31-SM45	SCREW MOUNT CABLE TIES; 4.33" 100/BAG
31-SM55	SCREW MOUNT CABLE TIES; 6" 100/BAG
31-SM80	SCREW MOUNT CABLE TIES; 8" 100/BAG



WIRE/CABLE TIE ACCESSORY

Part #	Description
31-200	MOUNT DESIGNED TO USE WHERE SPACE IS LIMITED FASTEN W/ SCREW



NYLON CABLE TIES

Part #	Description
31-040	4" NATURAL COLOR 100/BAG
31-044B	4.75" BLACK 100/BAG
31-045B	4" BLACK 100/BAG
31-055	5.75" NATURAL COLOR 100/BAG
31-080	8" NATURAL COLOR 100/BAG
31-080B	8" BLACK 100/BAG
31-110	11 5/32" NATURAL COLOR 100/BAG
31-240	24" NATURAL COLOR 100/BAG



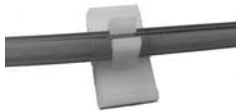
WIRE/CABLE TIE HOLDERS

Part #	Description
31-400	1" CRADLE MOUNT; ADHESIVE BACKED OR SCREW IN
31-475	3/4" CRADLE MOUNT; ADHESIVE BACKED OR SCREW IN
31-495	3/4" CRADLE MOUNT; SCREW IN



CABLE TIE TOOL

Part #	Description
31-0998	CABLE TIE APPLICATION TOOL



WIRE/TUBING CLIP

Part #	Description
31-0220	WIRE CLIP WITH TAB; ADHESIVE BACKED



SS HOSE CLAMP

Part #	Description
31-2602	HOSE CLAMP SS 1/4" MIN-5/8"MAX
31-2603	HOSE CLAMP SS 3/8" MIN-7/8"MAX
31-2606	HOSE CLAMP SS 7/16" MIN-7/8"MAX
31-2608	HOSE CLAMP SS 1/2" MIN-1"MAX
31-2612	HOSE CLAMP SS 5/8" MIN-1 1/4"MAX
31-2620	HOSE CLAMP SS 1 3/16" MIN-1 3/4"MAX



TEFLON TAPE

Part #	Description
31-T520	TEFLON TAPE 1/2" X 520"



THREAD SEALANT

Part #	Description
31-T780	RECTORSEAL TRU-BLU PTFE SEALANT



METAL TUBE CLAMP

Part #	Description
31-0304Q	METAL TUBE CLAMP 11.5 X 7MM



TUBE CLAMPS

Part #	Description
31-0010	1/4" NYLON TUBE CLAMP NATURAL
31-2302	1/4" NYLON TUBE CLAMP BLACK
31-0015	.307" NYLON TUBE CLAMP NATURAL
31-2310	7/16" NYLON TUBE CLAMP
31-2314	1/2" NYLON TUBE CLAMP
31-2318	9/16" NYLON TUBE CLAMP
31-2322	5/8" NYLON TUBE CLAMP
31-2326	3/4" NYLON TUBE CLAMP
31-2330	7/8" NYLON TUBE CLAMP

"Let us remember that, as much has been given us, much will be expected from us, and that true homage comes from the heart as well as from the lips, and shows itself in deeds."

~Theodore Roosevelt

When you need plumbing supplies turn to TCD Parts, Inc.

You will find a variety of check valves made of brass, stainless steel, plastic and PVC material. If you need needle valves or saddle valves we have several to choose from.

Call us if you need assistance finding the right size. This catalog is only part of our available inventory.

CHECK VALVES BALL, FOOT & NEEDLE VALVES



Check Valves

Foot Valves

Ball Valves

Needle Valves

HI-STRENGTH PVC CHECK VALVES:

- ALLOWS MULTIPLE CONFIGURATIONS TO FIT THE EXACT END USE APPLICATION.
- EPDM SEAL WITH STAINLESS STEEL SPRING AND STAINLESS STEEL BALL USED FOR GENERAL APPLICATIONS.
- VITON SEAL WITH HASTELLOY SPRING AND TEFLON BALL USED FOR CHEMICAL RESISTANCE APPLICATIONS.

Key:
MPT - Male Pipe Thread
FPT - Female Pipe Thread
COMP - Compression
PTC - Push to Connect

Key:
BARB - Barbed Connector
HAST - Hastelloy Material
SS - Stainless Steel
CP-PSI - Cracking Pressure

- MAXIMUM OPERATING PRESSURE - 125 PSI
- MAXIMUM OPERATING TEMPERATURE - 140° F
- SEAT AREA OPEN DIAMETER - .250"



FPT X MPT PVC CHECK VALVE

Part #	Description
CV-1	1/8" FPT X 1/8" MPT VITON SEAL; HAST SPRING; 3 CP
CV-6	1/4" FPT X 1/4" MPT VITON SEAL; HAST SPRING; 3 CP



COMP X COMP PVC CHECK VALVE

Part #	Description
CV-3-4	1/4" COMP X 1/4" COMP; VITON SEAL; HAST SPRING; 1 CP
CV-3-8	1/8" COMP X 1/8" COMP; VITON SEAL; HAST SPRING; 1 CP



BARBX BARB PVC CHECK VALVE

Part #	Description
CV-2	1/4" BARB X 1/4" BARB; VITON SEAL; HAST SPRING; 3 CP
CV-17	3/8" BARB X 1/4" BARB; EPDM SEAL; HAST SPRING; 3 CP
CV-21	3/8" BARB X 3/8" BARB; VITON SEAL; HAST SPRING; 1 CP
CV-9	1/2" BARB X 1/2" BARB; VITON SEAL; SS SPRING; 3 CP



FPT X FPT PVC CHECK VALVE

Part #	Description
CV-3	1/8" FPT X 1/8" FPT; VITON SEAL; HAST SPRING; 3 CP
CV-13	1/4" FPT X 1/4" FPT; VITON SEAL; HAST SPRING; 3 CP



BARB X MPT PVC CHECK VALVE

Part #	Description
CV-12	1/4" BARB X 1/8" MPT; VITON SEAL; HAST SPRING; 3 CP
CV-14	1/4" BARB X 1/4" MPT; VITON SEAL; HAST SPRING; 3 CP
CV-14-1	1/4" BARB X 1/4" MPT; AFLAS SEAL; HAST SPRING; 1 CP
CV-29	5/16" BARB X 1/4" MPT; VITON SEAL; HAST SPRING; 3 CP
CV-5	3/8" BARB X 1/4" MPT; VITON SEAL; HAST SPRING; 3 CP
CV-24	1/2" BARB X 1/4" MPT; VITON SEAL; HAST SPRING; 3 CP



PUSH TO CONNECT PVC CHECK VALVE

Part #	Description
CV-22	3/8" PTC X 3/8" PTC; VITON SEAL; HAST SPRING; 1 CP



PUSH TO CONNECT INLET MPT OUTLET PVC CHECK VALVE

Part #	Description
CV-26	1/4" OD PTC INLET X 1/4" MPT OUTLET VITON SEAL W/ HASTELLOY SPRING 3 PSI C/P
CV-28	3/8" OD PTC INLET X 1/4" MPT OUTLET VITON SEAL W/ HASTELLOY SPRING 3 PSI C/P



INLINE CHECK VALVES

Part #	Description
CV-6052	POLYPROPYLENE MATERIAL 1/8" X 1/8" BARB, YELLOW EXIT COLOR, VITON SEAL
CV-6053	POLYPROPYLENE MATERIAL 3/16" X 3/16" BARB, GREEN EXIT COLOR, VITON SEAL
CV-6054	POLYPROPYLENE MATERIAL 1/4" X 1/4" BARB, BLUE EXIT COLOR, VITON SEAL
CV-6055	POLYPROPYLENE MATERIAL 1/4" X 3/8" BARB, NATURAL EXIT COLOR, VITON SEAL



BETA INLINE CHECK VALVE

Part #	Description
BT-1200931	VITON SEAL, BARB CONNECTION FOR 1/4", 3/8", & 1/2" ID



POPPET CHECK VALVE

Part #	Description
CV-15	BLACK POLYPROPYLENE W/ 3/8" FPT INLET X 3/8" FPT OUTLET, VITON SEAL, HASTELLOY SPRING-1 PSI CRACKING PRESSURE
CV-16	BLACK POLYPROPYLENE W/ 1/4" FPT INLET X 1/4" FPT OUTLET, VITON SEAL, HASTELLOY SPRING-1 PSI CRACKING PRESSURE
CV-7	BLACK POLYPROPYLENE W/ 1/2" FPT INLET X 1/2" FPT OUTLET, VITON SEAL, HASTELLOY SPRING-1/3 PSI CRACKING PRESSURE



STAINLESS STEEL PISTON CHECK VALVE

The Piston Check Valve incorporates a guided piston with an embedded o-ring that seals on the seat, providing a positive seal at low back pressure or a slight vacuum.

Part #	Description
CV-8	SS 1/8" MALE INLET X 1/8" MALE OUTLET, VITON SEAL- 1 PSI CP



BRASS PISTON CHECK VALVE

The Piston Check Valve incorporates a guided piston with an embedded o-ring that seals on the seat, providing a positive seal at low back pressure or a slight vacuum.

Part #	Description
CV-10	NICKEL PLATED BRASS 1/16" X 1/16" BARB INLET & OUTLET, VITON SEAL W/ HASTELLOY SPRING - 1 PSI CRACKING PRESSURE
CV-11	NICKEL PLATED BRASS 1/8" BARB INLET X 1/8" BARB OUTLET, VITON SEAL W/ HASTELLOY SPRING - 1 PSI CRACKING PRESSURE



HOT TEMP. BRASS CHECK VALVE

Part #	Description
CV-63	1/8" NPT X 1/4" OD TUBE COMPRESSION VITON SEAL
CV-63-8	1/8" NPT X 1/8" OD TUBE COMPRESSION VITON SEAL



STAINLESS STEEL CHECK VALVE

Part #	Description
CV-904-125S	SS FOR 1/8" OD TUBE X 1/8" NPT - SS BALL
CV-904-125T	SS FOR 1/8" OD TUBE X 1/8" NPT-TEFLON BALL
CV-904-25S	SS FOR 1/4" OD TUBE X 1/8" NPT - SS BALL
CV-904-25T	SS FOR 1/4" OD TUBE X 1/8" NPT-TEFLON BALL



STRATAFLO BRASS CHECK VALVE



STRATAFLO CHECK VALVE REPAIR KIT

Part #	Description
CV-438	CHECK VALVE 3/8"
CV-450	CHECK VALVE 1/2"
CV-475	CHECK VALVE 3/4"

Part #	Description
CV-R450	POPPET REPLACEMENT FOR STRATAFLO 1/2" CV
CV-R475	POPPET REPLACEMENT FOR STRATAFLO 3/4" CV



BRASS CHECK VALVE



STAINLESS STEEL CHECK VALVE

Part #	Description
CV-50	1/2" POLISHED FINISH - SS SPRING & LOCK NUT
CV-75	3/4" POLISHED FINISH - SS SPRING & LOCK NUT

Part #	Description
CVS-50	CHECK VALVE 1/2"
CVS-75	CHECK VALVE 3/4"



ROUGH BRASS FINISH CHECK VALVE



BETA - STRAIGHT CHECK VALVE/INJECTOR FITTING

Part #	Description
CVR-50	CHECK VALVE 1/2"
CVR-75	CHECK VALVE 3/4"

Part #	Description
BT-020976	1/8" MPT X 1/4" COMP; VITON SEAL & NYLON BODY
BT-020977	1/8" MPT X 1/8" COMP; VITON SEAL & NYLON BODY



BETA - Y CHECK VALVE/INJECTOR FITTING

Part #	Description
BT-020974	1/8" MPT X 1/4" X 1/4" COMP; COMBINATION RINSE OR SANITIZER W/ PRESSURE SWITCH; VITON VALVE & NYLON BODY
BT-020975	1/8" MPT X 1/4" X 1/8" COMP; COMBINATION RINSE OR SANITIZER W/ PRESSURE SWITCH; VITON VALVE & NYLON BODY

"If everyone is thinking alike, then somebody isn't thinking."

~George S. Patton



MPT X COMP PLASTIC CHECK VALVE-INJECTOR FITTING

Part #	Description
CV-914-25P	1/8" MPT x 1/4" COMP; VITON SEAL; 0.5psi; HASTELLOY SPRING; POLYPROPYLENE
CV-914-125P	1/8" MPT X 1/8" COMP; VITON SEAL; 0.5psi; HASTELLOY SPRING; POLYPROPYLENE
CV-914-25K	1/8" MPT X 1/4" COMP; VITON SEAL; 0.5psi; HASTELLOY SPRING; KYNAR
CV-914-125K	1/8" MPT X 1/8" COMP; VITON SEAL; 0.5psi; HASTELLOY SPRING; KYNAR



90° ELBOW PLASTIC CHECK VALVE

Part #	Description
CV-915-125K	90° ELBOW 1/8" MPT X 1/8" COMPRESSION; KYNAR
CV-915-125P	90° ELBOW 1/8" MPT X 1/8" COMPRESSION; POLYPROPYLENE
CV-915-25K	90° ELBOW 1/8" MPT X 1/4" COMPRESSION; KYNAR
CV-915-25P	90° ELBOW 1/8" MPT X 1/4" COMPRESSION; POLYPROPYLENE



QUICK CONNECT CHECK VALVE

Part #	Description
CV-QC404	QUICK-FIT CHECK VALVE 1/4" X 1/4"; ACETYL
CV-QC606	QUICK-FIT CHECK VALVE 3/8" X 3/8"; ACETYL



VKING CHECK VALVE

Part #	Description
VK-V69	1/8" BALL CHECK VALVE RINSE ONLY



COMP X COMP PLASTIC CHECK VALVE-INJECTOR FITTING

Part #	Description
CV-925-25K	1/4" COMP x 1/4" COMP; VITON SEAL; 0.5psi; HASTELLOY SPRING; KYNAR
CV-925-25P	1/4" COMP X 1/4" COMP; VITON SEAL; 0.5psi; HASTELLOY SPRING; POLYPROPYLENE

KYNAR CHECK VALVE



Part #	Description
CV-4	1/8" MPT X 1/8" MPT, VITON SEAL, 1-2.5 CRACKING PRESSURE

CARTRIDGE CHECK VALVE



Part #	Description
CV-30612-K	1/4" MPT X 3/8" BARB, VITON SEAL; HASTELLOY SPRING; 8 PSI CRACKING PRESSURE; KYNAR

BETA RINSE INJECTOR



Part #	Description
BT-1203747	BETA CLOG-RESISTANT CHECK VALVE 1/4" MPT X 3/8" BARB



SUPER FLOW FOOT VALVE



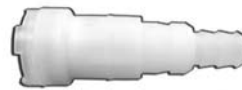
DIAPHRAGM FOOT VALVE

Part #	Description
FV-200	VITON DIAPHRAGM; 1/2" FPT; W/O SCREEN; W/O BARB CONN
FV-200-V	VITON DIAPHRAGM; 1/2" FPT; W/O BARB CONN; W/ SCREEN
FV-201-V	VITON DIAPHRAGM; 1/4" BARB CONN; W/SCREEN
FV-202-V	VITON DIAPHRAGM; 3/8" BARB CONN; W/ SCREEN
FV-203-V	VITON DIAPHRAGM; 1/2" BARB CONN; W/ SCREEN

Part #	Description
FV-100-16E	1/4"-3/8" FOOT VALVE DIAPHRAGM EPDM SEAL; NON CHLORINE USE
FV-100-16S	1/4"-3/8" FOOT VALVE DIAPHRAGM SILICONE SEAL; NON CHLORINE USE
FV-100-16V	1/4"-3/8" FOOT VALVE DIAPHRAGM VITON SEAL; CHLORINE USE



BETA FOOT VALVE



BALL & SPRING FOOT VALVE

Part #	Description
BT-1200932	INLINE FOOT VALVE VITON 1/4", 3/8" & 1/2"
BT-1200933	INLINE FOOT VALVE EPDM 1/4", 3/8" & 1/2"

Part #	Description
FV-1P	1/4", 3/8" & 1/2" TUBING; STAINLESS BALL & SPRING; NON CHLORINE USE; POLYPROPYLENE
FV-1PC	1/4", 3/8" & 1/2" FOR CHLORINE USE; TEFLON BALL & HASTELLOY SPRING; CHLORINE USE POLYPROPYLENE
FV-1PCV	1/4", 3/8" & 1/2" FOR CHLORINE & SOLVENT USE; TEFLON BALL VITON O-RING; POLYPROPYLENE



HYDRO FOOT VALVE



CHROME PLATED BALL VALVE

Part #	Description
FV-101	PVC FOOT VALVE EPDM SEAL; NON CHLORINE USE
FV-102	PVC FOOT VALVE VITON SEAL; CHLORINE USE

Part #	Description
60-1331	BALL VALVE 1/4" FPT X FPT CHROME PLATED BRASS
60-1332	BALL VALVE 3/8" FPT X FPT CHROME PLATED BRASS
60-1335	BALL VALVE 1/4" MPT X FPT CHROME PLATED BRASS
60-1336	BALL VALVE 3/8" MPT X FPT CHROME PLATED BRASS



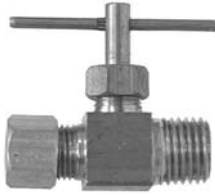
BRASS BALL VALVE



PVC BALL VALVE

Part #	Description
60-1310	1 1/4" X 1/4" FPT 600 W.O.G. FULL PORT BALL VALVE- BRASS; TEFLON SEALS - CHROME PLATED BALL
60-1312	3/8" X 3/8" FPT 600 W.O.G. FULL PORT BALL VALVE- BRASS; TEFLON SEALS - CHROME PLATED BALL
60-1314	1/2" X 1/2" FPT 600 W.O.G. FULL PORT BALL VALVE- BRASS; TEFLON SEALS - CHROME PLATED BALL
60-1316	3/4" X 3/4" FPT 600 W.O.G. FULL PORT BALL VALVE- BRASS; TEFLON SEALS - CHROME PLATED BALL

Part #	Description
60-1322	1/2" FPT BALL VALVE; WHITE PVC
60-1326	3/4" FPT BALL VALVE; WHITE PVC
60-1328	1" FPT BALL VALVE; WHITE PVC



NEEDLE VALVE - STRAIGHT

Part #	Description
60-0108	1/4" COMP X 1/8" MPT
60-0109	1/4" COMP X 1/4" MPT



NEEDLE VALVE - COMP X COMP

Part #	Description
60-0132	1/4" COMP X 1/4" COMP
60-0133	3/8" COMP X 3/8" COMP



NEEDLE VALVE - ANGLE

Part #	Description
60-0102	1/4" COMP X 1/8" MPT
60-0104	1/4" COMP X 1/4" MPT



NON-PIERCING SADDLE/NEEDLE VALVE KIT

Part #	Description
60-0144	1/4" COMP X 1/8" OPENING FITS 3/8" - 3/4" OD PIPE
60-0145	3/8" COMP X 1/8" OPENING FITS 3/8" - 3/4" OD PIPE



NEEDLE VALVE FPT X FPT

Part #	Description
60-0130	1/8" FPT X 1/8" FPT
60-0131	1/4" FPT X 1/4" FPT



SELF-PIERCING SADDLE/NEEDLE VALVE KIT

Part #	Description
60-0140	1/4" COMP SOLID PIN FITS 3/8" - 3/4" OD PIPE
60-0142	1/4" COMP HOLLOW PIN FITS 3/8" - 3/4" OD PIPE



NEEDLE VALVE MPT X MPT

Part #	Description
60-0127	1/8" MPT X 1/8" MPT COMP
60-0129	1/4" MPT X 1/4" MPT COMP



BRASS SADDLE TEE

Part #	Description
60-0143B	1/8" FPT FITS 3/8"-3/4" OD PIPE



WATER LINE TAKE OFF VALVE & TEE

Part #	Description
60-0120	1/4" X 1/4" X 1/4" COMP
60-0122	3/8" X 3/8" X 3/8" COMP
60-0124	3/8" X 3/8" X 1/4" COMP
60-0126	1/2" X 1/2" X 1/4" COMP



DRAIN PETCOCKS

Part #	Description
60-0320P	1/8" DRAIN PETCOCK; BRASS
60-0321P	1/4" DRAIN PETCOCK; BRASS
60-0322P	3/8" DRAIN PETCOCK; BRASS

Broken or worn out electrical parts can render your equipment completely useless and cause major profit losses.

Keep your business going by stocking extra switches, relays, timers, counters, door reed switches, conduit and electrical wire.

For ease in purchasing the correct switch, catalog specifies machine reference numbers. We currently supply electrical parts from ADS, CMA, Jackson & Knight dish machines.

ELECTRICAL SWITCHES



ADS Electrical

CMA Electrical

Jackson Electrical

Knight Electrical

Wire & Conduit

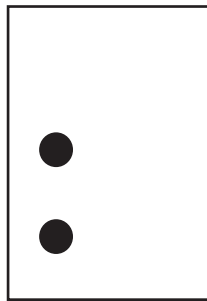
Toggle & Rocker Switch Guide

SPST = Single pole, single throw switches control a single wire circuit.

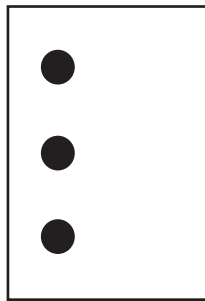
SPDT = Single pole, double throw switches control two single wire circuits permitting only one circuit to be energized at a time..

DPST = Double pole, single throw switches control two circuits simultaneously. Circuits are ON at the same time, OFF at the same time and may be different voltages from separate sources.

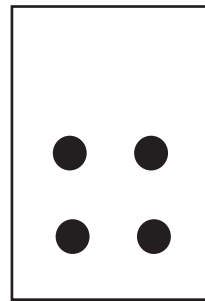
DPDT = Double pole, double throw switches control four circuits, permitting only two circuits to be energized at a time..



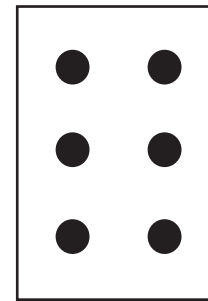
SPST



SPDT



DPST



DPDT

(ON) Parentheses will identify toggle switch as being Momentary.



PRESSURE SWITCH

Part #	Description
90-0215	90-0215 BRASS PRESSURE SWITCH -BETA



90-0101/90-0102



90-0103



90-0106



90-0108



90-0112/90-0113



90-0114/90-0118



90-0114L/90-0118L



90-0117



90-0120



90-0121



90-0124



90-0125



90-0127



90-0186



90-0550



90-0388



90-0389



90-0390 & 90-0391



90-0393



90-0394

Part #	Description	Action	Type	Terminals	ADS #
90-0101	SWITCH - RED - START	ON-OFF		.250 FLAT-3	091-3002
90-0102	SWITCH - BLACK - FILL	ON-OFF		.250 FLAT-3	091-3001
90-0103	TOGGLE MASTER SWITCH		DPST		091-3008
90-0106	SWITCH TIMER (MICRO)				091-3022
90-0108	SWITCH-TOGGLE POWER	(ON)-NONE-OFF	SPST	.250 FLAT-2	091-3018
90-0112	SWITCH ASSEMBLY START SWITCH GREEN				091-3031
90-0113	SWITCH ASSEMBLY START SWITCH RED				091-3041
90-0114	SWITCH START RED				091-3042
90-0114L	LENS START RED				091-3043
90-0118	SWITCH START GREEN				091-3063
90-0118L	LENS START GREEN				091-3064
90-0117	TOGGLE SWITCH WAS EXTENDER	ON-ON	DPDT	SCREW-6	091-3060
90-0120	SWITCH BASE				091-3065
90-0121	PUSH BUTTON BLACK				091-3067
90-0124	START SWITCH ASSEMBLY				091-3077
90-0125	TOGGLE SWITCH DRAIN GLASS WASHER	ON(ON)	DPDT	SCREW-6	091-3024
90-0127	TOGGLE SWITCH MOMENTARY		SPST	SCREW-2	091-3009
90-0186	CONTACT BLOCK, SWITCH				091-3036
90-0550	SWITCH POWER START SCREW ON			.250 FLAT-6	091-3019
90-0388	TOGGLE SWITCH ON-OFF FACEPLATE				
90-0389	TOGGLE SWITCH LOCATING RING				
90-0390	TOGGLE SWITCH SAFETY COVER-RED				
90-0391	TOGGLE SWITCH SAFETY COVER-BLACK				
90-0393	TOGGLE BOOT FULL COVER-BLACK SILICONE				
90-0394	TOGGLE BOOT FULL COVER-CLEAR SILICONE				



TERMINAL BLOCKS FOR ADS

Part #	Description	ADS #
90-0180	2-POLE	291-5104
90-0181	4-POLE	291-5101
90-0182	5-POLE	391-5101
90-0184	6-POLE	091-5010



DOOR CUT OFF SWITCH FOR ADS

Part #	Description	ADS #
90-1140	DOOR CUT OFF SWITCH	099-4502



DOOR CUT OFF FOR ADS

Part #	Description	ADS #
90-1142	DOOR CUT OFF PLUNGER HEAD WITH ROLLER ONLY	099-4501



TABLE LIMIT SWITCH FOR ADS

Part #	Description	ADS #
90-0854	TABLE LIMIT SWITCH-ADC-44 & 66	291-3015



FUSES FOR ADS

Part #	Description	ADS #
90-0172	FUSE 10 AMP	391-9102
90-0174	FUSE, PRIMARY 3AMP/3PHASE	291-9101
90-0175	FUSE, SECONDARY 1 6/103 PHASE	291-9102



FUSE BLOCK HOLDER FOR ADS

Part #	Description	ADS #
90-0170	FUSE BLOCK HOLDER 10 AMP	391-9101



TRANSFORMER SWITCH FOR ADS

Part #	Description	ADS #
90-0742	TRANSFORMER SWITCH	091-3035



AUTOMATIC DOOR REED SWITCH FOR ADS

Part #	Description	ADS #
90-1119	SENTROL DOOR REED SWITCH-NYLON	291-3011



TIMERS FOR ADS



COUNTER FOR ADS

Part #	Description	ADS #
90-1302	TIMER 6 CAM 72 SEC	091-3046
90-1304	TIMER 6 CAM 90 SEC	091-3004
90-1305	TIMER 6 CAM 120 SEC	
90-1306	TIMER 6 CAM 150 SEC	091-3006
90-1312	TIMER 7 CAM 72 SEC	091-3044
90-1314	TIMER 7 CAM 90 SEC	091-3051
90-1315	TIMER 7 CAM 120 SEC	091-3005
90-0316	TIMER 7 CAM 90 WITH ADJUSTABLE DRAIN CAM	
90-1320	TIMER 8 CAM 150 SEC	091-3078

Part #	Description	ADS #
90-1507	RACK COUNTER 120V; BASE MOUNT	091-3049



COUNTER FOR ADS

Part #	Description	ADS #
90-1506	RACK TIMER 120V; FLUSH MOUNT	291-3016



TIMER MOTORS FOR ADS

Part #	Description	ADS #
90-1331	TIMER MOTOR 72 SEC	091-1006
90-1332	TIMER MOTOR 90 SEC	091-1003
90-1333	TIMER MOTOR 120 SEC	091-1004
90-1335	TIMER MOTOR 150 SEC	091-1016



CAM WRENCH FOR ADS

Part #	Description
90-1300	TIMER CAM ADJUSTMENT WRENCH

"A successful man is one who can lay a firm foundation with the bricks others have thrown at him."

~David Brinkley



90-0143



90-0148



90-0149



90-0150



90-0151



90-0735



90-0737



90-0809



90-0812



90-0813



90-0818

Part #	Description	ADS #
90-0143	RELAY SOCKET-INSTANT START	091-3011
90-0148	RELAY DOUBLE POLE 110V CUBE	291-3005
90-0149	SOCKET RELAY	291-3009
90-0150	RELAY, MERCURY 50 AM	291-3006
90-0151	RELAY, MERCURY 30 AM	291-3007
90-0735	ICE CUBE INSTANT START RELAY (5X835)	091-3003
90-0737	ICE CUBE INSTANT START RELAY DPDT	091-3030
90-0809	RELAY/SWITCH TIME DELAY DOOR START 5 SEC	091-3059
90-0812	RELAY, TIME DELAY 6 SEC	291-3008
90-0813	RELAY CONTACT 5 SEC. ON/5 SEC. OFF	
90-0818	RELAY MOTOR START	091-3056



90-0190



90-0191

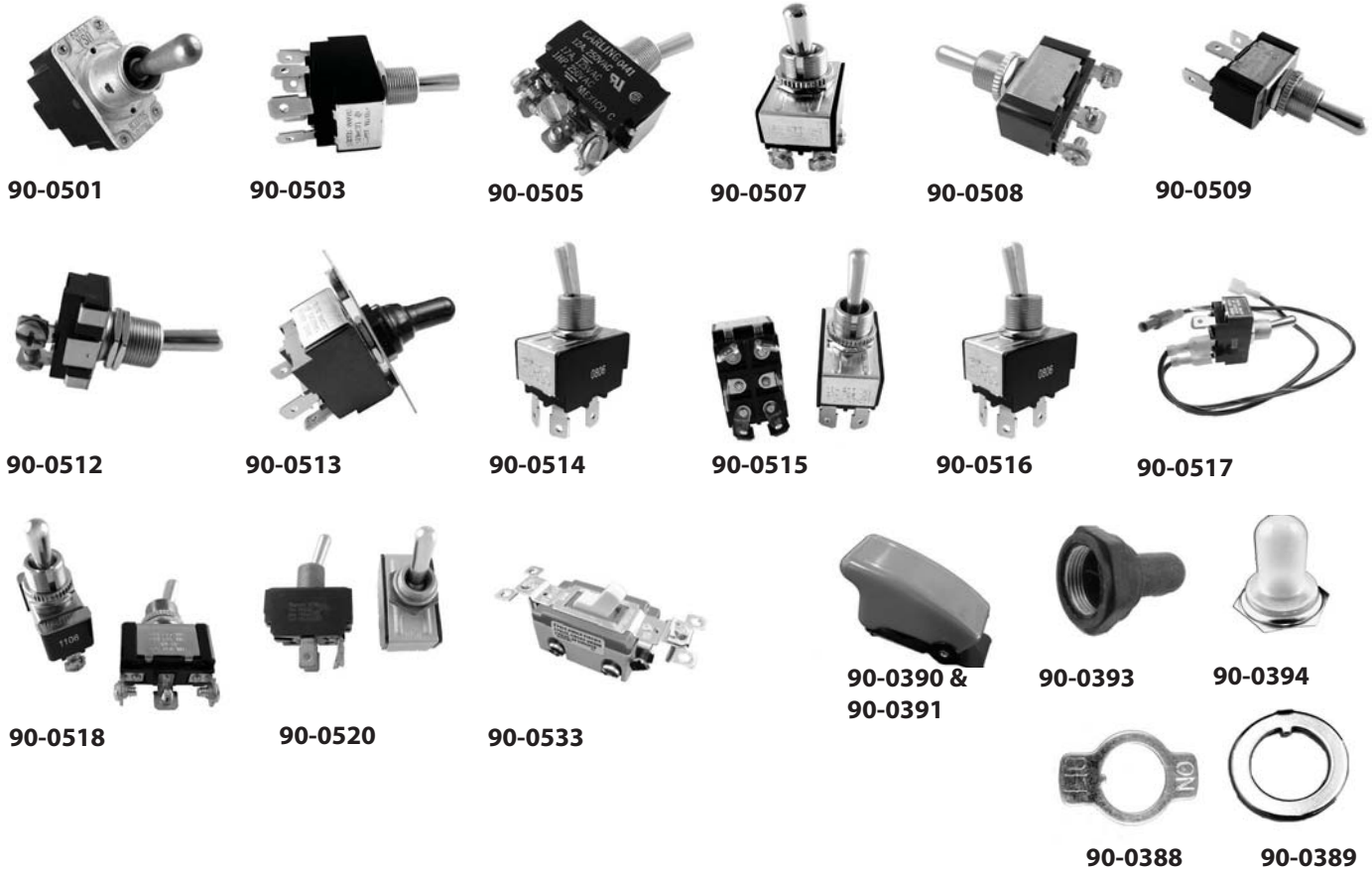


90-0712



90-0720

Part #	Description	ADS #
90-0190	INDICATOR BULB	391-7101
90-0191	RUN LIGHT INDICATOR	291-7101
90-0712	LAMP BULB FOR POWER & START SWITCH	091-3037
90-0720	LIGHT HEATER	091-7006



Part #	Description	Action	Type	Terminals	CMA #
90-0501	TOGGLE START/FILL	(ON)OFF(OFF) MOMENTARY	SPDT	SCREW - 3	405.00
90-0503	TOGGLE SWITCH	(ON)OFF(OFF) MOMENTARY	DPDT	.250 FLAT - 6	470.00
90-0505	TOGGLE DELIMER	ON-OFF-ON	DPDT	SCREW - 6	475.00
90-0507	TOGGLE DELIMER	ON-ON	DPDT	SCREW - 6	475.30
90-0508	TOGGLE SWITCH	(ON)OFF(OFF) MOMENTARY	SPDT	SCREW - 3	3470.00
90-0509	TOGGLE SWITCH	(ON)OFF(OFF) MOMENTARY	SPDT	.250 FLAT - 3	3470.01
90-0512	TOGGLE SWITCH	ON-OFF	SPST	SCREW - 2	3410.00
90-0513	TOGGLE SWITCH CONV. KIT	ON-OFF	SPDT		3406.00
90-0514	TOGGLE DRAIN	ON(OFF) MOMENTARY	DPDT	.250 FLAT - 6	3406.64
90-0515	TOGGLE POWER/FLUSH	ON-OFF(OFF) MOMENTARY	DPDT	.250 FLAT - 6	3470.47
90-0516	TOGGLE DRAIN	(ON)OFF MOMENTARY	DPST	.250 FLAT - 4	3406.62
90-0517	TOGGLE DRAIN CONVERSION	(ON)ON MOMENTARY	DPDT	.250 FLAT - 6	3407.00
90-0518	TOGGLE TIMER RELAY OVERRIDE	ON-ON	SPDT	SCREW - 3	13003.70
90-0520	TOGGLE SWITCH	ON-OFF	DPST	.250 FLAT - 4	471.10
90-0533	MASTER SWITCH 2-POLE 20 AMP				433.10
90-0388	TOGGLE SWITCH ON-OFF FACEPLATE				
90-0389	TOGGLE SWITCH LOCATING RING				
90-0390	TOGGLE SWITCH SAFETY COVER-RED				
90-0391	TOGGLE SWITCH SAFETY COVER-BLACK				
90-0393	TOGGLE BOOT FULL COVER-BLACK SILICONE				470.10
90-0394	TOGGLE BOOT FULL COVER-CLEAR SILICONE				



90-0549



90-0550



90-0551



90-0552



90-0554



90-0556



90-0558



90-0560



90-0562



90-0564



90-0566



90-0570



90-0572



90-0574



90-0576

Part #	Description	Action	Type	Terminals	CMA #
90-0549	PUSH BUTTON	ON-OFF	SPST	SCREW - 2	3475.00
90-0550	ROCKER SWITCH-SCREW ON	START-FILL	DPDT	.250 FLAT - 6	421.50
90-0551	ROCKER SWITCH-SCREW ON	START-FILL	SPDT	.250 FLAT - 3	421.55
90-0552	ROCKER SWITCH-SNAP ON	START-FILL	SPDT	.250 FLAT - 3	
90-0554	ROCKER SWITCH-RED	POWER/250V	SPDT	.250 FLAT - 3	421.83
90-0556	ROCKER SWITCH	AUTO-FILL		.250 FLAT - 4	421.89
90-0558	ROCKER SWITCH	POWER/250V	DPST	.250 FLAT - 4	421.90
90-0560	ROCKER SWITCH	START-FILL/125V		.250 FLAT - 5	421.40
90-0562	ROCKER SWITCH	ON-OFF	SPST	.250 FLAT - 2	421.47
90-0564	ROCKER SWITCH AMBER	START-FILL			421.35
90-0566	ROCKER SWITCH SNAP ON	START-FILL	DPDT	.250 FLAT - 6	421.00
90-0570	ROCKER SWITCH AMBER	START	SPDT	.250 FLAT - 3	15523.00
90-0572	ROCKER SWITCH	DRAIN-FILL	DPDT	.250 FLAT - 6	15523.50
90-0574	ROCKER SWITCH RED	POWER	SPDT	.250 FLAT - 3	15524.00
90-0576	ROCKER SWITCH	DRAIN	DPDT	.250 FLAT - 6	3481.00



TIMERS FOR CMA

Part #	Description	CMA #
90-1342	TIMER - 8 CAM, 115V, 72 SEC.	00410.80
90-1344	TIMER - 8 CAM, 115V, 90 SEC.	00407.80
90-1346	TIMER - 8 CAM, 115V, 120 SEC.	00408.80
90-1348	TIMER - 8 CAM, 115V, 180 SEC.	00510.80



AUTOMATIC DOOR REED SWITCHES FOR CMA

Part #	Description	CMA #
90-1101	KYNAR W/O MAGNET; 1 AMP 220V 12'	557.30
90-1103	KYNAR W/O MAGNET; 3 AMP 220V 12'	
90-1107	KYNAR W/ MAGNET; 220 V 12'	556.50
90-1109	KYNAR W/ MAGNET; 220V 6'	
90-1125	MAGNET-KYNAR	557.60



COUNTER FOR CMA

Part #	Description	CMA #
90-1508	RACK COUNTER 120 V FLUSH MOUNT	3408.55



DOOR ROLLER SWITCH FOR CMA

Part #	Description	CMA #
90-0582	DOOR ROLLER SWITCH 180; AH-B-C-E	562.00



TERMINAL BLOCK FOR CMA

Part #	Description	CMA #
90-0584	6-POLE BLOCK SOCKET	454.06
90-0585	3-POLE BLOCK SOCKET	454.10



FUSES FOR CMA

Part #	Description	CMA #
90-0601	1.50 AMP 600V	13402.10
90-0602	1.25 AMP 230V	13403.40
90-0603	5 AMP	13403.10



TIMER BLOCK FOR CMA

Part #	Description	CMA #
90-0586	TIMER BLOCK SOCKET	13419.85



FUSE FOR CMA



POWER BLOCK FOR CMA

Part #	Description	CMA #
90-0604	3 AMP 250 V	13403.26

Part #	Description	CMA #
90-0596	3-POSITION POWER BLOCK	15520.50
90-0585	12-POSITION POWER BLOCK	15520.00



Part #	Description	Action	CMA #
90-0820	ICE CUBE RELAY/120V	8-PIN	631.00
90-0822	ICE CUBE RELAY/240V	8-PIN	631.05
90-0824	ICE CUBE RELAY/120V	8-PIN	631.49
90-0826	ICE CUBE RELAY/220V	8-PIN	631.47
90-0830	ICE CUBE RELAY/120V	KIT	632.00
90-0832	ICE CUBE RELAY	KIT	1213.10
90-0834	ICE CUBE RELAY	KIT	1213.20



Part #	Description	Action	CMA #
90-0624	HI LIMIT SWITCH	180-UC	17523.60
90-0860	LIQUID LEVEL SWITCH		13463.00
90-0861	LIQUID LEVEL FLOAT	S.S.	13463.10
90-0863	LIQUID LEVEL FLOAT	GL-X	13463.60
90-0864	LIQUID LEVEL FLOAT KIT	L-1X	13464.00



Part #	Description	Action	CMA #
90-0803	RELAY TIMER 6-240 SEC	DELAY	13418.20
90-0804	AUTO FILL TIMER 3-10 SEC	AUTO FILL	13418.47
90-0805	RELAY TIMER	AUTO FILL - 230V	13418.25
90-0807	AUTO FILL TIMER	AUTO FILL - 115V	13418.49
90-0808	RELAY TIMER - 60 SEC RELAY	AUTO TIMER	13418.85
90-0810	RELAY TIMER 7 SEC	DOOR ACTIVATOR	630.00
90-0814	RELAY TIMER 1-102.3 SEC	DOOR/SOLID BOWL	630.60
90-0815	RELAY TIMER 1-102.3 SEC	DOOR/SOLID BOWL KIT	630.50
90-0151	RELAY MERCURY 80 AMP	AUTO START	404.00



90-0701 & 90-0703



90-0705



90-0710



90-0848



90-0854



90-0855



90-0857



90-0858



90-0950/90-0951



90-0952/90-0953



90-0954



90-0955



90-0956



90-0957



90-0958



90-0960



90-0962/90-0963

Part #	Description	CMA #
90-0701	CONTROL BOX LIGHT RED	406.60
90-0703	CONTROL BOX LIGHT GREEN	406.00
90-0705	RUNNING LIGHT GREEN	476.00
90-0710	RUNNING LIGHT GREEN W/ WIRED	476.05
90-0848	TRANSFORMER GLC/GW-100	821.00
90-0854	TABLE LIMIT SWITCH PUSH BUTTON	13427.10
90-0855	TABLE LIMIT SWITCH	13427.20
90-0857	CUT OFF LIMIT SWITCH; CMA-44	471.85
90-0858	CUT OFF SWITCH GL-C	472.47
90-0950	CONTACTOR RELAY 220V	404.80
90-0951	CONTACTOR RELAY 220V	404.81
90-0952	MOTOR CONTACTOR RELAY 115V	404.82
90-0953	MOTOR CONTACTOR RELAY 208/240V	404.85
90-0954	HEATER CONTACTOR RELAY 30AMP	13003.50
90-0955	MOTOR CONTACTOR RELAY	15504.00
90-0956	HEATER CONTACTOR 2 POLE 35 AMP	15504.50
90-0957	CONTACTOR GL-X	13012.15
90-0958	MOTOR CONTACTOR 220V	13012.26
90-0960	CONTACTOR RELAY 60AMP 3-POLE	13003.17
90-0962	POWER RELAY DPDT 30AMP	15416.00
90-0963	POWER RELAY DPST 30AMP	15416.10



90-0109



90-0415



90-0418



90-0420



90-0424



90-0510



90-0519



90-0521



90-0524



90-0526



90-0528



90-0529



90-0532



90-0536



90-0546



90-0547



90-1150



90-0817

Part #	Description	Type	Terminals	JACKSON #
90-0109	INTERLOCK SWITCH ON-OFF		.250 FLAT-3	5930-303-26-17
90-0415	ROCKER SWITCH (ON)-OFF	SPDT	.250 FLAT-3	5930-301-44-00/154300
90-0418	ROCKER SWITCH ON-OFF-ON	DPDT	.250 FLAT-5	5930-301-43-00
90-0420	ROCKER SWITCH ON-OFF	SPST	.250 FLAT-2	5930-301-46-00/155700
90-0424	ROCKER MOM-ON		.250 FLAT-4	5930-301-50-00
90-0510	TOGGLE SWITCH (ON)-OFF	SPDT	.250 FLAT-3	5930-301-20-18
90-0519	TOGGLE SWITCH ON-OFF	DPST	.250 FLAT-4	
90-0521	TOGGLE SWITCH ON-OFF	DPST	.250 FLAT-4	5930-301-09 -18/158000
90-0524	TOGGLE SWITCH ON-OFF	DPDT	.250 FLAT-6	5930-30-12-18
90-0526	TOGGLE SWITCH ON-OFF-ON	SPDT	.250 FLAT-3	5930-301-23-18-162500
90-0528	TOGGLE SWITCH ON-OFF	DPDT	SCREW-6	5930-301-39-00-158500
90-0529	TOGGLE SWITCH (ON)-OFF	SPDT	SCREW-3	5930-301-06-18/154500
90-0532	TOGGLE SWITCH ON-OFF-ON	DPDT	.250 FLAT-6	5930-301-21-18
90-0536	TOGGLE SWITCH ON-OFF	SPDT	SCREW-3	5930-301-01-18/156000
90-0546	PUSH-PUSH DELIME SWITCH			5930-002-43-44
90-0547	PUSH-MOM START CYCLE SWITCH			5930-002-68-27
90-1150	DOOR SWITCH	SPDT		5930-303-38-00
90-0817	RELAY 25 A 120V COIL			5945-301-40-00/121300



90-0301



90-0303



90-0305



90-0307



90-0308



90-0103



90-0311



90-0320



90-0322



90-0323



90-0324



90-0325



90-0326



90-0390 &
 90-0391



90-0393



90-0394



90-0388



90-0389

Part #	Description	Action	Type	Terminals	KNIGHT #
90-0301	TOGGLE SWITCH	MAIN	DPST	.250 FLAT - 4	1900679
90-0303	SWITCH	PCB		PCB	1900773
90-0305	TOGGLE SWITCH	MOMENTARY	SPST	SCREW - 2	1900909
90-0307	TOGGLE SWITCH	ON/OFF			7507400
90-0308	TOGGLE SWITCH	DRAIN/FILL	SPDT	.250 FLAT - 3	9600861
90-0103	TOGGLE SWITCH	MAIN	DPST	SCREW - 4	9600787
90-0311	MASTER SWITCH	CANADA			9600483
90-0320	PUSH BUTTON SWITCH	POWER		.250 FLAT - 2	9640357-A
90-0322	TOGGLE	FILL/DRAIN		.250 FLAT - 3/WIRE	9640327-C
90-0323	SWITCH ASSEMBLY	POWER ON-OFF		SEALED/WIRES	9640327-D
90-0324	POWER SWITCH	ON-OFF		SCREW-4-WIRES	9640327-E
90-0325	PUSH BUTTON CAP	PUSH CAP			9640357-K
90-0326	PUSH BUTTON	PUSH BUTTON			9600837
90-0388	TOGGLE SWITCH ON-OFF FACEPLATE				
90-0389	TOGGLE SWITCH LOCATING RING				
90-0390	TOGGLE SWITCH SAFETY COVER-RED				
90-0391	TOGGLE SWITCH SAFETY COVER-BLACK				
90-0393	TOGGLE BOOT FULL COVER-BLACK SILICONE				
90-0394	TOGGLE BOOT FULL COVER-CLEAR SILICONE				



CIRCUIT BOARD FOR KNIGHT

Part #	Description	Knight#
90-0370	CIRCUIT BOARD KLE 175GT & 150GT	7146000



COUNTER FOR KNIGHT

Part #	Description	Knight #
90-1509	FLUSH MOUNT COUNTER 120V	7032432-FB



DOOR REED SWITCHES FOR KNIGHT

Part #	Description	Knight#
90-1112	KYNAR W/ MAGNET; 220V 6'	9601321-1
90-1114	NYLON W/ MAGNET; 220V 6'	
90-1115	W/ MAGNET ASSY.; .7A 6'	9601317
90-1117	NYLON W/O MAGNET; 6'	9640327-A



RELAY FOR KNIGHT

Part #	Description	Knight #
90-0340	RELAY/TIME DELAY 240V DOOR-START	9600110
90-0342	RELAY/TIME DELAY 120V DOOR-START	9600755



MERCURY RELAY FOR KNIGHT

Part #	Description	Knight #
90-0350	MERCURY RELAY 120V	9600103

“Do you know the difference between education and experience? Education is when you read the fine print; experience is what you get when you don’t.”

~Pete Seeger

TCD Parts Inc.
Wire Products & Conduit

phone 1-800-823-8313
 fax 1-888-823-8233
 email tcdparts@tcdparts.com

Part #	Description	Length
90-1415-BR	WIRE 18 AWG C-STRAND 600V - BROWN	100'
90-1415YL	WIRE 18 AWG C-STRAND 600V - YELLOW	100'
90-1415-RD	WIRE 18 AWG C-STRAND 600V - RED	100'
90-1415-OR	WIRE 18 AWG C-STRAND 600V - ORANGE	100'
90-1415-WH	WIRE 18 AWG C-STRAND 600V - WHITE	100'
90-1415-BK	WIRE 18 AWG C-STRAND 600V - BLACK	100'
90-1415-GR	WIRE 18 AWG C-STRAND 600V - GREEN	100'
90-1415-BL	WIRE 18 AWG C-STRAND 600V - BLUE	100'
90-1415-PR	WIRE 18 AWG C-STRAND 600V - PURPLE	100'
90-1420-WH	WIRE 16 AWG C-STRAND 600V - WHITE	100'
90-1420-RD	WIRE 16 AWG C-STRAND 600V - RED	100'
90-1420-BL	WIRE 16 AWG C-STRAND 600V - BLUE	100'
90-1420-BR	WIRE 16 AWG C-STRAND 600V - BROWN	100'
90-1425-BK	WIRE 14 AWG C-STRAND 600V - BLACK	100'
90-1425-WH	WIRE 14 AWG C-STRAND 600V - WHITE	100'
90-1425-RD	WIRE 14 AWG C-STRAND 600V - RED	100'
90-1425-GR	WIRE 14 AWG C-STRAND 600V - GREEN	100'
90-1425-BL	WIRE 14 AWG C-STRAND 600V - BLUE	100'
90-1425-PR	WIRE 14 AWG C-STRAND 600V - PURPLE	100'
90-1425-BR	WIRE 14 AWG C-STRAND 600V - BROWN	100'
90-1430-BK	WIRE 12 AWG C-STRAND 600V - BLACK	50'
90-1430-WH	WIRE 12 AWG C-STRAND 600V - WHITE	50'
90-1430-RD	WIRE 12 AWG C-STRAND 600V - RED	50'
90-1435-BK	WIRE 10 AWG C-STRAND 600V - BLACK	PER FOOT
90-1435-BL	WIRE 10 AWG C-STRAND 600V - BLUE	PER FOOT
90-1435-PR	WIRE 10 AWG C-STRAND 600 V - PURPLE	PER FOOT
90-1435-GY	WIRE 10 AWG C-STRAND 600 V - GRAY	PER FOOT
90-1435-WH	WIRE 10 AWG C-STRAND 600 V - WHITE	PER FOOT



CONDUIT CLAMP

Part #	Description
87-3002	1/2" HOOK



FLEXIBLE CONDUIT STRAIGHT CONNECTOR

Part #	Description
87-3010	STRAIGHT CONNECTOR 1/2"



FLEXIBLE CONDUIT 90° CONNECTOR

Part #	Description
87-3012	90° CONNECTOR 1/2"

Part #	Description
90-1447	7 CONDUCTOR WIRE 18 GAUGE PER FOOT
90-1449	9 CONDUCTOR WIRE 18 GAUGE PER FOOT

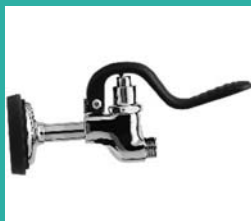
"I believe that banking institutions are more dangerous to our liberties than standing armies. If the American people ever allow private banks to control the issue of their currency, first by inflation, then by deflation, the banks and corporations that will grow up around the banks will deprive the people of all property - until their children wake-up homeless on the continent their fathers conquered."
 ~Thomas Jefferson 1802

Commercial kitchen equipment must be made out of high quality, heavy duty materials to withstand everyday use.

TCD Parts, Inc. can provide you with superior quality dishtables, pre-rinse units, spray valves & Stainless Steel hoses.

We offer Bar Maid products, Dish racks, as well as Kitchen informational posters or labels.

KITCHEN EQUIPMENT



Clean & Soiled Tables

Posters/Labels

T&S and Fisher Pre-Rinse Units

Bar Maid



Features Include

- **T-304 16 GA. Stainless Steel Top**
- **1 5/8" Rolled Edge**
- **Galvanized Legs & Bracing**

Clean Tables

Right #	Left #	Size (LxW)
72-0024R-KS	72-0024L-KS	24" x 30"
72-0026R-KS	72-0026L-KS	26" x 30"
72-0036R-KS	72-0036L-KS	36" x 30"
72-0048R-KS	72-0048L-KS	48" x 30"
72-0060R-KS	72-0060L-KS	60" x 30"
72-0072R	72-0072L	72" x 30"



Features Include

- **T-304 16 GA Stainless Steel Top**
- **1 5/8" Rolled Edge**
- **Galvanized Legs & Bracing**
- **20" x 20" x 8" Welded Bowl**
- **Unless Specified Drilled 8" on Center Back Splash**

Soiled Tables

Right #	Left #	Size (LxW)
72-1026R	72-1026L	26 x 30"
72-1036R -KS	72-1036L-KS	36" x 30" *
72-1048R -KS	72-1048L-KS	48" x 30" *
72-1060R -KS	72-1060L-KS	60" x 30" *
72-1072R	72-1072L	72" x 30"

* Tables can be drilled for deck mounts.

Undercounter Dish Table

Part #	Description
72-UCDT-50R	SS UNDERCOUNTER DISH TABLE 50" X 30" BOWL LOCATION RIGHT
72-UCDT-50L	SS UNDERCOUNTER DISH TABLE 50" X 30" BOWL LOCATION LEFT

Features Include

- **T-304 18 GA Stainless Steel Top**
- **Compatible with 8" Faucets**
- **Galvanized Legs & Bracing**
- **20" x 20" x 8" Deep Sink**





SCRAP BASKET

Part #	Description
72-2020-KS	SS W/ SLIDE RAIL 20" X 20" X 5"
72-2021	SLIDE RAIL ONLY



HANGING DRAIN BOARD

Part #	Description
72-DB246U	HANGING SS SIDE TABLE 24"



DUNNAGE RACKS

Part #	Description
72-5030	ALUMINUM 36" X 20" X 12"
72-5032	ALUMINUM 48" X 20" X 12"
72-5034	ALUMINUM 60" X 20" X 12"



OVERFLOW TUBE

Part #	Description
72-5070	7" PVC PLASTIC
72-5075	7" NICKEL PLATED BRASS
72-5078	10" NICKEL PLATED BRASS



SLANTED WALL RACKS

Part #	Description
72-5040	SS 21" LENGTH X 22" HEIGHT
72-5042	SS 42" LENGTH X 22" HEIGHT
72-5044	SS 63" LENGTH X 22" HEIGHT



CHEMICAL RACK ASSEMBLY TO DISH TABLE LEG

Part #	Description
70-1150	ATTACH TO DISH TABLE LEG; 120° SWING EITHER DIRECTION. STAINLESS STEEL. ROUND 1 GALLON RACK SOLD SEPARATELY.



6-QT UTILITY PAIL

Part #	Description
70-1250	UTILITY PAIL 6-QT RED "SANITIZER"
70-1255	UTILITY PAIL 6-QT GREEN "CLEANING"



5 GALLON BUCKET ASSEMBLY TO DISH TABLE LEG

Part #	Description
70-1155	ATTACH TO ANY DISH TABLE LEG. 120° SWING EITHER DIRECTION. HOLDS 5 GALLON CHEMICAL BUCKET.



BUS BOX DIVIDED

Part #	Description
TR-1721	BUS BOX DIVIDED 6 1/8" HIGH; GRAY



BUS BOXES

Part #	Description
TR-1520	BUS BOX 5" HIGH; GRAY
TR-1527	BUS BOX 7" HIGH; GRAY



BASE RACK

Part #	Description
TR-1	FULL SIZE OPEN BASE RACK



PLATE RACK

Part #	Description
TR-3	FULL SIZE PEGGED PLATE & TRAY RACK



FLATWARE BASE RACK

Part #	Description
TR-2	FULL SIZE OPEN FLATWARE BASE RACK



GLASS RACKS

Part #	Description
TR-6	25 COMPARTMENT GLASS RACK
TR-7	36 COMPARTMENT GLASS RACK
TR-8	16 COMPARTMENT GLASS RACK



FLATWARE CYLINDER

Part #	Description
TR-1370	FLATWARE CYLINDERS



CUP RACKS

Part #	Description
TR-4	16 COMPARTMENT CUP RACK WITH TILT
TR-5	20 COMPARTMENT CUP RACK WITH TILT
TR-16	25 COMPARTMENT CUP RACK WITH TILT



FLATWARE BASKET

Part #	Description
TR-1371	FLATWARE BASKET WITHOUT HANDLES
TR-1372	FLATWARE BASKET W/ BLUE WIRE HANDLES



EXTENDERS

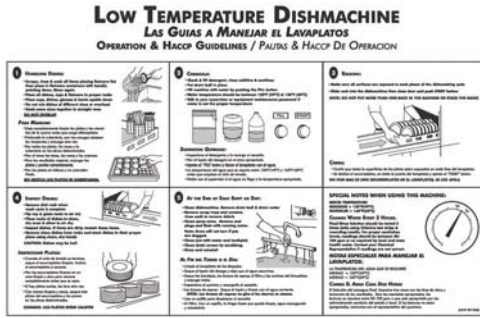
Part #	Description
TR-A	OPEN EXTENDER FITS ALL BASE RACKS FOR CUP OR GLASS
TR-B	FITS 25 COMPARTMENT GLASS RACK (TR-6)
TR-C	FITS 36 COMPARTMENT GLASS RACK (TR-7)
TR-D	FITS 16 COMPARTMENT GLASS RACK (TR-8)



RACK DOLLY

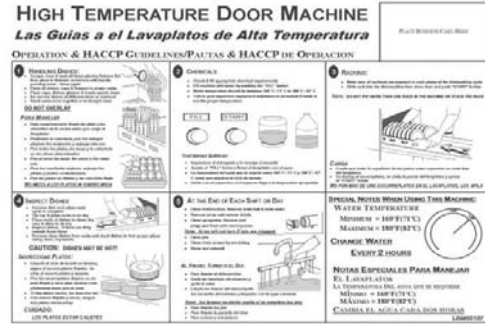
Part #	Description
TR-1697	RACK DOLLY BASE WITH CASTERS
TR-1698	RACK DOLLY HANDLE

LOW TEMP DISHMACHINE POSTER



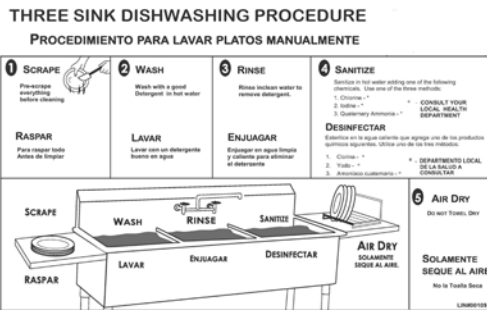
Part #	Description
40-00106B	18" X 12" LAMINATED POSTER; ENGLISH & SPANISH

HIGH TEMP DISHMACHINE POSTER



Part #	Description
40-00107	18" X 12" LAMINATED POSTER; ENGLISH & SPANISH

THREE SINK DISHWASHING POSTER



Part #	Description
40-00109	18" X 12" LAMINATED POSTER; ENGLISH & SPANISH

SINK WATER FILL LINE LABELS



Part #	Description
40-00101	8 1/2" X 3" 1 EACH WASH-RINSE-SANITIZER; ENGLISH
40-00101B	8 1/2" X 3" 1 EACH WASH-RINSE-SANITIZER; ENGLISH & SPANISH

HYGIENE POSTER-WASH HANDS



Part #	Description
40-00201	8 1/2" X 11" LAMINATED POSTER; ENGLISH
40-00201B	8 1/2" X 11" LAMINATED POSTER; SPANISH

SINK LABELS

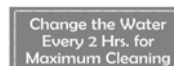


Part #	Description
40-00111	4" X 1 1/2" 1 EACH WASH-RINSE-SANITIZE; ENGLISH & SPANISH

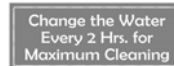
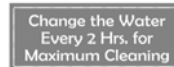


RINSE LABEL

Part #	Description
40-00104	8 1/2" X 4 1/2" ENGLISH; 2 PER SHEET
40-00104B	8 1/2" X 4 1/2" SPANISH; 2 PER SHEET



CHANGE WATER LABEL



Part #	Description
40-00105	8 1/2" X 4 1/2" ENGLISH; 3 PER SHEET
40-00105B	8 1/2" X 4 1/2" SPANISH; 3 PER SHEET



**PRE-RINSE SINGLE HOLE
 DECK MOUNT**



**PRE-RINSE TWO HOLE
 DECK MOUNT**

Part #	Description
65-BK-0223-10	SINGLE HOLE DECK MOUNT, INCLUDES 6" WALL BRACKET, SPRAY HEAD ASSEMBLY OF 1.42 GPM

Part #	Description
65-BK-0223-24	TWO HOLE DECK MOUNT, 4" CENTERS, INCLUDES 6" WALL BRACKET, SPRAY HEAD ASSEMBLY OF 1.42 GPM
65-BK-0223-20	TWO HOLE DECK MOUNT, 8" CENTERS, INCLUDES 6" WALL BRACKET, SPRAY HEAD ASSEMBLY OF 1.42 GPM.



WALL MOUNT PRE-RINSE



**WALL MOUNT PRE-RINSE
 W/ 12" ADD ON FAUCET**

Part #	Description
65-BK-0224-28	8" WALL MOUNT, WITH 8" CENTERS, INCLUDES 6" WALL BRACKET. SPRAY HEAD ASSEMBLY OF 1.42 GPM

Part #	Description
65-BK-0224-28AF	8" WALL MOUNT, WITH 8" CENTERS, INCLUDES 6" WALL BRACKET. SPRAY HEAD ASSEMBLY OF 1.42 GPM. 12" ADD ON FAUCET
65-BK-0224-28AF14	8" WALL MOUNT, WITH 8" CENTERS, INCLUDES 6" WALL BRACKET. SPRAY HEAD ASSEMBLY OF 1.42 GPM. 14" ADD ON FAUCET



PRE-RINSE SPRAY HEAD

Part #	Description
65-BK-0222-1	SPRAY HEAD STRAIGHT FLOW 1.42 GPM AT 60 PSI



SPRAY HEAD REPAIR KIT

Part #	Description
65-BK-0222-1RK	PRE-RINSE SPRAY VALVE REPAIR KIT FOR STRAIGHT FLOW SPRAY HEAD, PART #65-BK-0222-1



**LOW FLOW RE-RINSE
SPRAY HEAD**

Part #	Description
65-BK-0222-2	SPRAY HEAD WATER SAVER LOW FLOW 1.2 GPM



PRE-RINSE SPRAY HOSE

Part #	Description
65-BK-0221-44	44" SS PRE-RINSE HOSE
65-BK-0221-72	72" SS PRE-RINSE HOSE



WALL BRACKET

Part #	Description
65-BK-0109-03	12" WALL BRACKET FOR 3/8" RISER



PRE-RINSE HANDLE

Part #	Description
65-BK-0221-HD	PRE-RINSE HANDLE FOR SS HOSE



8" FAUCET

Part #	Description
65-BK-1212	12" SPOUT WALL SPLASH MOUNT FAUCET 8" OC



FINGER HOOK

Part #	Description
65-BK-021-40	RETAINER/FINGER HOOK



ADD ON FAUCET

Part #	Description
65-BK-0212	ADD-ON FAUCET FOR PRE-RINSE 12" SPOUT
65-BK-0214	ADD-ON FAUCET FOR PRE-RINSE 14" SPOUT
65-BK-0218	ADD-ON FAUCET FOR PRE-RINSE 18" SPOUT



**PRE-RINSE SPRING FOR
SPRAY HOSE**

Part #	Description
65-BK-888-45	PRE-RINSE HOSE SPRING



PRE-RINSE MOUNTING KITS

Part #	Description
65-BK-DMMK-90	WALL MOUNT MOUNTING KIT W/ 90° ELBOW
65-BK-DMMK	DECK MOUNT MOUNTING KIT



SPRING BODY STOP

Part #	Description
65-BK-890-STP	PRE-RINSE SPRING BODY STOP



**FISHER PRE-RINSE
 SINGLE HOLE DECK**



**FISHER PRE-RINSE
 TWO HOLE DECK**

Part #	Description
65-FS-2110-WB	SINGLE DECK DUAL CONTROL VALVE W/ ULTRA SPRAY VALVE & WALL BRACKET

Part #	Description
65-FS-13390	8" C/C BACKSPLASH CONTROL VALVE W/ ULTRA SPRAY VALVE & WALL BRACKET



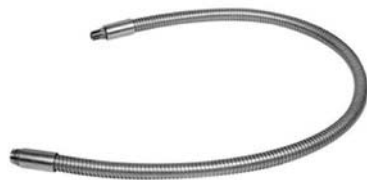
**FISHER SPRING STYLE
 W/ SPRAY VALVE**



FISHER SPRAY VALVES

Part #	Description
65-FS-2928	SPRING STYLE PRE-RINSE SUB ASSEMBLY W/ ULTRA SPRAY VALVE

Part #	Description
65-FS-2949	ULTRA SPRAY VALVE 1.15 GPM @ 60 PSI
65-FS-2990	PRO SPRAY VALVE 2.65 GPM @ 80 PSI



**FISHER PRE-RINSE
 HOSE**



**FISHER PRE-RINSE
 HOSE & SPRAY VALVE**

Part #	Description
65-FS-2914	36" SS PRE-RINSE HOSE W/O HANDLE

Part #	Description
65-FS-2911	36" PRE-RINSE HOSE AND ULTRA SPRAY VALVE



**FISHER PRE RINSE
 HOSE W/ HANDLE**

Part #	Description
65-FS-2918	44" SS REPLACEMENT HOSE W/ HANDLE COMPATIBLE FOR FISHER & T&S PRE RINSE.



FISHER SPRAY VALVE REPAIR KIT

Part #	Description
65-FS-11355	SPRAY VALVE REPAIR KIT



FISHER PRE RINSE HANDLE

Part #	Description
65-FS-2913	INSULATED HANDLE FOR PRE RINSE



FISHER SPRING

Part #	Description
65-FS-2924-6000	GOOSENECK SPRING FOR PRE-RINSE



FISHER SPRAY HEAD

Part #	Description
65-FS-2923	PRE-RINSE SPRAY HEAD 3/8" INLET



FISHER SPRING STOP

Part #	Description
65-FS-2926-3300	PIPE TO HOSE ADAPTER FOR PRE-RINSE 1/4" FPT OUTLET



FISHER SPRAY VALVE BUMPER

Part #	Description
65-FS-2949-9002	BUMPER SPRAY VALVE BLUE



FISHER PRE-RINSE RISER

Part #	Description
65-FS-2927-4300	21" PRE-RINSE RISER



FISHER VACUUM BREAKER REPAIR KIT

Part #	Description
60-WTK25	REPAIR KIT FOR 1/4" VACUUM BREAKER
60-WTK75	REPAIR KIT FOR 1/2" VACUUM BREAKER
60-WTK50	REPAIR KIT FOR 3/4" VACUUM BREAKER



T&S 8" CENTER WALL MOUNT PRE-RINSE UNIT



T&S SINGLE DECK MOUNT PRE RINSE UNIT

Part #	Description
65-TS-B0133-B	8" CENTER WALL MOUNT, 18" RISER, B-0107 SPRAY VALVE, 44" SS HOSE

Part #	Description
65-TS-B0113-B	SINGLE HOLE DECK MOUNT, 24" RISER, B-0107 SPRAY VALVE, 44" SS HOSE



T&S 8" CENTER DECK MOUNT PRE-RINSE UNIT



T&S PRE-RINSE HOSE

Part #	Description
65-TS-B0123-B	8" CENTER DECK MOUNTED; B-0107 SPRAY VALVE; 44" SS HOSE

Part #	Description
65-TS-B0020H	20" FLEXIBLE SS HOSE
65-TS-B0036H	36" FLEXIBLE SS HOSE
65-TS-B0044H	44" FLEXIBLE SS HOSE
65-TS-B0054H	54" FLEXIBLE SS HOSE
65-TS-B0060H	60" FLEXIBLE SS HOSE
65-TS-B0068H	68" FLEXIBLE SS HOSE
65-TS-B0072H	72" FLEXIBLE SS HOSE
65-TS-B0096H	96" FLEXIBLE SS HOSE
65-TS-B0044R	REINFORCED PVC 44" HOSE



T&S RISER



T&S WALL BRACKET

Part #	Description
65-TS-377-18	PRE-RINSE 18" RISER 3/8" NPT
65-TS-377-24	PRE-RINSE 24" RISER 3/8" NPT

Part #	Description
65-TS-B0109-01	6" WALL BRACKET FOR 3/8" RISER
65-TS-B0109-02	9" WALL BRACKET FOR 3/8" RISER



T&S SPRAY VALVE

Part #	Description
65-TS-B0107	SPRAY VALVE; 1.42 GPM



T&S LOW FLOW SPRAY VALVE

Part #	Description
65-TS-B0107C	SPRAY VALVE LOW FLOW; .65 GPM



T&S REPAIR KIT FOR SPRAY VALVE

Part #	Description
65-TS-B10K	SPRAY VALVE 65-TS-B0107 REPAIR KIT COMPLETE



T&S REPAIR KIT FOR LOW FLOW SPRAY VALVE

Part #	Description
65-TS-B10K-C	REPAIR KIT FOR LOW FLOW SPRAY VALVE 65-TS-B0107C



T&S MAX FLOW 35° ANGLE SPRAY VALVE

Part #	Description
65-TS-B0107-035	SPRAY VALVE; 1.42 GPM - 35° ANGLE



T&S LOW FLOW 35° ANGLE SPRAY VALVE

Part #	Description
65-TS-B0107-C35	SPRAY VALVE LOW FLOW; .65 GPM - 35° ANGLE SPRAY



T&S SPRAY HEAD RING

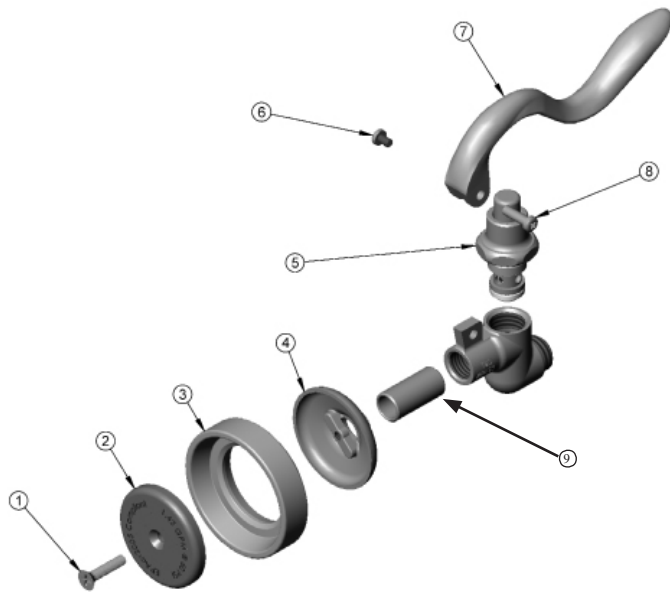
Part #	Description
65-TS-7861-45	RUBBER SPRAY HEAD RING; FOR 65-TS-B0107 & 65-TS-B0107-35



T&S JETSPRAY SPRAY VALVES

Part #	Description
65-TS-B0108	JETSPRAY SPRAY VALVE; 1.48 GPM
65-TS-B0108-C	JETSPRAY LOW FLOW SPRAY VALVE: .65 GPM

**REPLACEMENT PARTS FOR T&S
 SPRAY VALVE ASSEMBLY 65-TS-B0107**

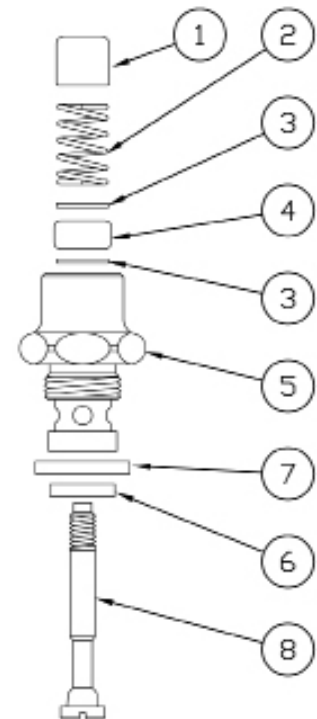


**T&S BONNET
 ASSEMBLY**

Part #	Description
65-TS-2856-40	T & S BONNET ASSEMBLY

NUMBER	DESCRIPTION	PART #
1	SPRAY FACE SCREW	65-TS-0913-45
2	SPRAY FACE	65-TS-1121-45
3	RUBBER SPRAYHEAD RING	65-TS-7861-45
4	SPRAY CUP	65-TS-0019-40
5	BONNET ASSEMBLY	65-TS-2856-40
6	HANDLE SCREW	65-TS-3199-45
7	SPRAY VALVE HANDLE	65-TS-1120-45
8	HANDLE NUT	65-TS-0973-45
9	SPRAY VALVE BODY	65-TS-0065-40
NOT SHOWN	HOLD DOWN RING	65-TS-0907-45
NOT SHOWN	#27 HOSE WASHER	65-TS-0065-45

T&S BONNET REPLACEMENT PARTS



NUMBER	DESCRIPTION	PART NUMBER
1	PUSH BUTTON	65-TS-0753-25
2	BONNET SPRING	65-TS-0885-45
3	BONNET WASHER	65-TS-0974-45
4	STEM PACKING	65-TS-1100-45
5	BONNET ONLY	65-TS-0608-25
6	WASHER SEAT	65-TS-2915-45
7	BONNET BINDING WASHER	65-TS-1040-45
8	STEM	65-TS-9306-45

F.O.G. BUSTER-BIO-ENZYMES

Digests and Liquefies Waste Plus Immediate Malodor Neutralization

- Upgrades Effluent Quality
- Reduces Suspended Solids
- Reduces Odors (Hydrogen Sulfide)
- Liquid Form (Easy to use)



- Non-toxic (when used as directed)
- Non-corrosive
- Reduces B.O.D. & C.O.D.
- 100% Alive Bacteria
- Non-pathenogenic

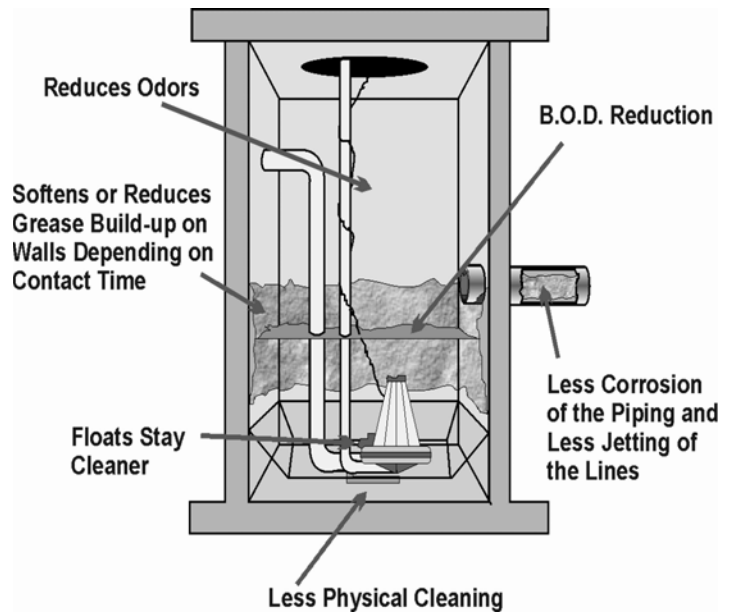
PART NUMBER.....FOG-500

SIZE: 5 GALLON

FORM: FREE-FLOWING LIQUID

COLOR: GREEN

FRAGRANCE: LEMON





**BAR MAID ELECTRIC
SUBMERSIBLE WASHER**



**BAR MAID ELECTRIC
UPRIGHT GLASS WASHER**

Part #	Description
BM-SS100	USES OPTIONAL ACCESSORY BRUSHES TO CLEAN ALMOST ANY SIZE OR SHAPE GLASSWARE. THE PARTIALLY SUBMERGED SEALED MOTOR HELPS TO MAINTAIN WARE WATER TEMP.

Part #	Description
BM-A200	THE POWERFUL ENCLOSED MOTOR SITS ABOVE THE WATER AND FEATURES OUR EXCLUSIVE SEALED LOWER BEARING AND SPLASHGARD FOR LONG RELIABLE LIFE.



**BAR MAID ELECTRIC
GLASS WASHING
BRUSHES**



**BAR MAID MANUAL
WASHING**

Part #	Description
BRS-917	6" STANDARD
BRS-917S	6" SOFT BRUSH FOR DELICATE GLASSWARE
BRS-920	6 3/4" FOR SLIGHTLY TALLER GLASSWARE
BRS-922	7 1/2" TALLER GLASSWARE
BRS-975	8 1/2" EXTRA TALL GLASSWARE
BRS-930	COFFEE POT & PITCHERS
BRS-935	COFFEE POT-NARROW
BRS-950	MARGARITA & MARTINI
BRS-980	MUFFIN PAN-4" SCRUB
BRS-917SL	6" SLOTTED BRUSH
BRS-920SL	6 3/4" SLOTTED BRUSH
BRS-922SL	7 1/2" SLOTTED BRUSH

Part #	Description
BM-200	2 BRUSH MANUAL GLASS WASHER
BM-300	3 BRUSH MANUAL GLASS WASHER
BM-100	REPLACEMENT BRUSHES

"Don't go around saying the world owes you a living. The world owes you nothing. It was here first."
~Mark Twain

TCD Parts Inc. offers the largest variety of racks to meet your chemical storage needs.

We have chemical storage racks that are locking, non-locking and mountable as well as racks for all shapes and sizes of containers.

If you need organization and ease with your 5 gallon buckets. We can supply you with caddy's, lid openers, and bucket dollies.

CHEMICAL STORAGE RACKS BUCKET DOLLIES



Storage One Gallon

Storage 2 1/2 Gallon

Storage 1/2 Gallon

Containers

Bucket Dollies



FOR A ROUND ONE GALLON

Part #	Description
70-0800	FOR ROUND 1 GALLON CONTAINERS; BLUE
70-0801	FOR ROUND 1 GALLON CONTAINERS; SILVER
70-0802	FOR ROUND 1 GALLON CONTAINERS; RED
70-0803	FOR ROUND 1 GALLON CONTAINERS; BLACK
70-0809	FOR ROUND 1 GALLON CONTAINERS; STAINLESS STEEL



ASSEMBLY TO DISH TABLE LEG

Part #	Description
70-1150	ATTACH TO DISH TABLE LEG; 120° SWING EITHER DIRECTION. STAINLESS STEEL MATERIAL, MOUNTING HARDWARE INCLUDED. RACK NOT INCLUDED, SOLD SEPARATELY.



FOR A SQUARE ONE GALLON CONTAINER

Part #	Description
70-0811	FOR SQUARE 1 GALLON CONTAINERS; SILVER
70-0811-B	FOR SQUARE 1 GALLON CONTAINERS; BLUE



FOR A F-STYLE ONE GALLON CONTAINER

Part #	Description
70-0820	FOR F-STYLE 1 GALLON CONTAINERS; BLUE 7 1/2"W X 5"H X 4 3/8" D
70-0821	FOR F-STYLE 1 GALLON CONTAINERS; STAINLESS STEEL 7 1/2"W X 5"H X 4 3/8" D



LOCKING RACK FOR SQUARE ONE GALLON CONTAINER

Part #	Description
70-0814	FOR 1 LITER/GALLON SQUARE CONTAINERS - LOCKING; BLACK



NESTING RACKS NON LOCKING FOR ONE GALLON



UNIVERSAL ONE GALLON RACK

Part #	Description
70-0813	FITS ROUND OR SQUARE 1 GALLON CONTAINER; BLACK

Part #	Description
70-0832-W	HOLDS TWO 1 GALLON CONTAINERS OF ANY SHAPE; WHITE
70-0832-B	HOLDS TWO 1 GALLON CONTAINERS OF ANY SHAPE; BLUE
70-0833-W	HOLDS THREE 1 GALLON CONTAINERS OF ANY SHAPE; WHITE
70-0833-B	HOLDS THREE 1 GALLON CONTAINERS OF ANY SHAPE; BLUE
70-0833-SS	HOLDS THREE 1 GALLON CONTAINERS OF ANY SHAPE; STAINLESS STEEL
70-0834	HOLDS FOUR 1 GALLON CONTAINERS OF ANY SHAPE; WHITE



**TOWER RACKS NON LOCKING
 ONE GALLON**



**ECONOMY LOCKING RACKS
 FOR ONE GALLON**

Part #	Description
70-0872	FOR FOUR 1 GALLON CONTAINERS ANY SHAPE; COLOR WHITE
70-0873	FOR SIX 1 GALLON CONTAINERS ANY SHAPE; COLOR WHITE
70-0874	FOR EIGHT 1 GALLON CONTAINERS ANY SHAPE; COLOR WHITE

Part #	Description
70-0931	HOLDS ANY ONE 1 GALLON CONTAINER; WHITE
70-0932	HOLDS ANY TWO 1 GALLON CONTAINER; WHITE
70-0933	HOLDS ANY THREE 1 GALLON CONTAINERS; WHITE
70-0934	HOLDS ANY FOUR 1 GALLON CONTAINERS; WHITE



PREMIUM LOCKING RACKS

Racks made with heavier gauge wire, includes a mounting clip and padlock with keys.



PADLOCK WITH KEYS

Part #	Description
70-0841	HOLDS ANY ONE 1 GALLON CONTAINER; BLUE
70-0842	HOLDS ANY TWO 1 GALLON CONTAINER; BLUE
70-0843	HOLDS ANY THREE 1 GALLON CONTAINER; BLUE
70-0844	HOLDS ANY FOUR 1 GALLON CONTAINER; BLUE

Part #	Description
70-0848	BRASS PADLOCK WITH 3 KEYS; LOCKS ARE KEYED ALIKE



**BAR LOCKING RACK
 FOR ROUND 1 GALLON**

RACK MOUNTING CLIP



Part #	Description
70-0845	HOLDS ANY 4 ROUND ONE GALLON CONTAINERS; BLACK

Part #	Description
70-0850	CHEMICAL RACK MOUNTING CLIP

"Success is a lousy teacher. It seduces smart people into thinking they can't lose."
 ~Bill Gates

FOR 2 1/2 GALLON F-STYLE



Part #	Description
70-0825	FOR F-STYLE 2 1/2 GALLON CONTAINERS; SILVER 9" L X 6 5/8" W X 8 1/2" H

NESTING RACKS NON LOCKING



Part #	Description
70-0831-W	HOLDS ONE 2 1/2 GALLON CONTAINER OF ANY SHAPE; WHITE
70-0831-B	HOLDS ONE 2 1/2 GALLON CONTAINER OF ANY SHAPE; BLUE
70-0833-W	HOLDS TWO 2 1/2 GALLON CONTAINERS OF ANY SHAPE; WHITE
70-0833-B	HOLDS TWO 2 1/2 GALLON CONTAINERS OF ANY SHAPE; BLUE
70-0833-SS	HOLDS THREE 2 1/2 GALLON CONTAINERS OF ANY SHAPE; STAINLESS STEEL

DOOR LOCKING RACKS



Part #	Description
70-0879	HOLDS ONE 2 1/2 GALLON CONTAINER
70-0880	HOLDS TWO 2 1/2 GALLON CONTAINERS
70-0881	HOLDS THREE 2 1/2 GALLON CONTAINERS
70-0882	HOLDS FOUR 2 1/2 GALLON CONTAINERS

F-STYLE RACK WITH SPRAY BOTTLE HANGER



Part #	Description
70-0826	FOR 2 1/2 GALLON F-STYLE CONTAINER W/ SPRAY BOTTLE HANGER; BLUE
70-0827	FOR 2 1/2 GALLON F-STYLE CONTAINER W/ SPRAY BOTTLE HANGER; SILVER

TOWER RACKS NON LOCKING



Part #	Description
70-0871	HOLDS TWO 2 1/2 GALLON CONTAINERS; COLOR BLUE
70-0872	HOLDS TWO 2 1/2 GALLON CONTAINERS; COLOR WHITE
70-0873	HOLDS THREE 2 1/2 GALLON CONTAINERS; COLOR WHITE
70-0874	HOLDS FOUR 2 1/2 GALLON CONTAINERS; COLOR WHITE

BAR LOCKING RACKS



Part #	Description
70-0875	HOLDS ONE 2 1/2 GALLON CONTAINER
70-0876	HOLDS TWO 2 1/2 GALLON CONTAINERS
70-0877	HOLDS THREE 2 1/2 GALLON CONTAINERS
70-0878	HOLDS FOUR 2 1/2 GALLON CONTAINERS



**US CHEMICAL SINGLE
 CONTAINER RACK**



1/2 GALLON F-STYLE RACK

Part #	Description
70-0901	FITS 1 GALLON US CHEMICAL CONTAINER; NON-LOCKING
70-0903	FITS 1 GALLON US CHEMICAL CONTAINER; LOCKING

Part #	Description
70-0700	FOR 1/2 GALLON F-STYLE CONTAINER; BLUE



**US CHEMICAL DOUBLE
 CONTAINER RACK**



**FOR 1/2 GAL. CONTAINERS W/
 SPRAY BOTTLE HANGER**

Part #	Description
70-0902	FITS 2 ONE GALLON US CHEMICAL CONTAINERS; NON-LOCKING
70-0904	FITS 2 ONE GALLON US CHEMICAL CONTAINERS; LOCKING

Part #	Description
70-0852	HOLDS 2 1/2 GALLON CONTAINERS; BLUE
70-0853	HOLDS 3 1/2 GALLON CONTAINERS; BLUE
70-0854	HOLDS 4 1/2 GALLON CONTAINERS; BLUE



**US CHEMICAL NEXUS DOUBLE
 CONTAINER RACK**



**1/2 GALLON
 BAR LOCKING RACKS**

Part #	Description
70-0912	FITS 2 NEXUS US CHEMICAL CONTAINERS; NON-LOCKING
70-0913	FITS 3 NEXUS US CHEMICAL CONTAINERS; NON-LOCKING

Part #	Description
70-0846	HOLDS ANY 6 1/2 GALLON CONTAINERS; BLACK
70-0847	HOLDS ANY 3 1/2 GALLON CONTAINERS; BLACK

'I have wondered at time about what the Ten
 Commandments would have looked like if Moses
 had run them through the U.S. Congress
 ~Ronald Regan

SPRAY BOTTLE RACKS



Part #	Description
70-0300	HOLDS 3 SPRAY BOTTLES; BLACK
70-0500	HOLDS 5 SPRAY BOTTLES; BLACK

SOAP DISPENSER



Part #	Description
70-9330	CLEAR-VU ENCORE SOAP DISPENSER WHITE/SEE-THRU
70-9331	CLEAR-VU ENCORE SOAP DISPENSER GRAY/SEE-THRU

FOAM SOAP DISPENSER



Part #	Description
70-9335	FOAM-EEZE ENCORE BULK FOAM DISPENSER WHITE
70-9336	FOAM-EEZE ENCORE BULK FOAM DISPENSER GRAY

SANITARY MAINTENANCE PUMP



Part #	Description
70-1234	FOR DETERGENTS, WAXES, ALKALIS & WATER; 18" BARREL; STANDARD 2" IPS ADAPTER - 8 oz. STROKE
70-1236	FOR DETERGENTS, WAXES, ALKALIS & WATER; 36" BARREL; STANDARD 2" IPS ADAPTER - 11 oz. STROKE
70-1244	HARSH CHEMICAL PUMP FOR 18" BARREL; STANDARD 2" IPS ADAPTER - 8 oz. STROKE
70-1246	HARSH CHEMICAL PUMP 36" BARREL; STANDARD 2" IPS ADAPTER - 11 oz. STROKE

SPRAY BOTTLES



Part #	Description
70-1135W	16 OZ ROUND BOTTLE
70-1131	32 OZ ROUND BOTTLE
70-1132	32 OZ ROUND BOTTLE W/ SPRAY TOP 9 1/4" DIP TUBE
70-1140	2 1/2 GALLON CONTAINER/JUG

SPRAY TOPS



Part #	Description
70-1130	SPRAY TOP WHITE; 9 1/4" DIP TUBE
70-1132	32 OZ ROUND BOTTLE W/ SPRAY TOP 9 1/4" DIP TUBE
70-1136	SPRAY TOP WHITE 7 1/4" DIP TUBE

HAND PUMPS FOR 1 & 5 GAL. CONTAINERS



Part #	Description
70-1210	PLASTIC DISPENSING PUMP NOT CALIBRATED FOR 1 GAL CONTAINERS
70-1212	PLASTIC DISPENSING PUMP NOT CALIBRATED FOR 5 GAL CONTAINERS
70-1214	PLASTIC DISPENSING PUMP CALIBRATED FOR 1 GAL CONTAINERS
70-1216	PLASTIC DISPENSING PUMP CALIBRATED FOR 5 GAL CONTAINERS

6-QT UTILITY PAIL



Part #	Description
70-1250	UTILITY PAIL 6-QT RED "SANITIZER"
70-1255	UTILITY PAIL 6-QT GREEN "CLEANING"

5 GALLON BUCKET DOLLY



Part #	Description
70-1101	5-6 GAL CAPACITY POLYPROPYLENE; BEIGE
70-1102	5-6 GAL CAPACITY POLYPROPYLENE; WHITE
70-1103	5-6 GAL CAPACITY ABS; BLACK

**5 GALLON BUCKET
 SAFE-LOCKING**



Part #	Description
70-0890	LOCKABLE RACK FOR 5 GALLON BUCKET; MOUNTABLE

**WALL MOUNT FOR BUCKET
 SAFE-LOCKING**



Part #	Description
70-0891	WALL MOUNT FOR PART # 70-0890; 5 GALLON BUCKET SAFE-LOCKING

**5 GALLON METAL ROUND
 BUCKET CADDY**



Part #	Description
70-1110	METAL ROUND CADDY FOR 5 GALLON CAPACITY

CAP WRENCH

**METAL SQUARE
 BUCKET CADDY**



Part #	Description
70-2063	FOR 2.5 GALLON JUG 63MM
70-2070	FOR 5 GALLON BUCKET 70MM

Part #	Description
70-1115	METAL SQUARE CADDY FOR 5 GALLON CAPACITY

DRUM WRENCH

**BUCKET ASSEMBLY TO DISH
 TABLE LEG**



Part #	Description
70-2075	DRUM CROSS T WRENCH FOR INSIDE PLUGS

LID OPENER

Part #	Description
70-1155	ATTACH TO ANY DISH TABLE LEG. 120° SWING EITHER DIRECTION. HOLDS 5 GALLON CHEMICAL BUCKET.



Part #	Description
70-2073	PLASTIC LID PAIL OPENER

TCD Parts Inc. can help you with your testing procedures with the daily assurance of proper mixing and strength of multiple solutions.

We offer a complete selection of test strips, test rolls and liquid testing. Our product line consists of testing materials for testing chlorine, iodine, quaternary ammonium, water hardness and more.

To organize your sanitizing products we can provide you with testing centers that are made to comply with health department regulations.

TESTING & SAFETY SANITIZING AND TEMPERATURE



Test Strips & Rolls

Test Centers

Liquid Testing

Temperature Labels

Thermometers

MSDS

Sanitizer Solution Testing:

- We offer a complete selection of test strips, test rolls, & liquid testing.
- Available in Normal, Mid or High Range.
- We can help with simple tests in the daily assurance of proper mixing and strength of multiple solutions.
- Laminated Color Comparison charts available for multiple products.
- To organize all your sanitizing products we can provide you with Sanitizer Testing Centers, in multiple languages. Made to comply with Health Department regulations.



CHLORINE TEST ROLLS

Part #	PPM Range-Test	Time	Pkg.	Size
TP-240	10,50,100,200	1 SEC.	2 ROLLS	15 FT. ROLL
TP-240R	10,50,100,200	1 SEC.	5 ROLLS/ REFILL	15 FT. ROLL



IODINE TEST ROLLS

Part #	PPM Range-Test	Time	Pkg.	Material
TP-220	50,75,150,225	10 SEC.	2 ROLLS	PAPER TAPE
TP-220R	50,75,150,225	10 SEC.	5 ROLLS/ REFILL	PAPER TAPE



CHLORINE TEST STRIPS

Part #	PPM Range-Test	Time	Pkg.	Material
TP-101	10,50,100,200	1 SEC.	100/VIAL	PAPER STRIP
TP-200	25,50,100,150,200	10 SEC.	50/VIAL	PLASTIC STRIP
TP-201	0,50,100,250,500,1000	1 SEC.	100/PKG.	PLASTIC STRIP
TP-202	0-10,000	1 SEC.	50/VIAL	PLASTIC STRIP



IODINE TEST STRIPS

Part #	PPM Range-Test	Time	Pkg.	Material
TP-102	0,12.5,25,50	60 SEC.	100/VIAL	PAPER STRIP



IODINE TEST KIT

TP-250IL INCLUDES SINGLE DISPENSER ROLL, TEST TUBE & ONE REFILL ROLL.

Part #	PPM Range-Test	Time	Pkg.	Material
TP-250IL	0,12.5,25,50	20 SEC.	2 ROLLS	PAPER TAPE
TP-250ILR	0,12.5,25,50	20 SEC.	5 ROLLS ONLY	PAPER TAPE

CHLORINE tests are used to determine the strength of "Free Chlorine Sanitizer" in the wash, rinse, and all other chlorine sanitizing solutions. Free chlorine is measured in PPM as indicated on the Color Comparison Charts.

IODINE testing monitors the titratable iodine in sanitizing mode with commercially available iodophors. Results are measured in PPM as indicated on the Color Comparison Charts.



**QUATERNARY AMMONIUM
 TEST ROLLS**

Part #	PPM Range-Test	Time	Pkg.	Material
TP-QT10	0,100,200,300,400 HYAMINE 3500 ROCCAL TYPES	10 SEC.	1 ROLL	PAPER TAPE
TP-QT10R	0,100,200,300,400 HYAMINE 3500 ROCCAL TYPES	10 SEC	5 ROLLS/ REFILL	PAPER TAPE
TP-QT40	0,150,250,400, 500 HYAMINE 3500 ROCCAL TYPES	10 SEC	1 ROLL	PAPER TAPE
TP-QT40R	0,150,250,400, 500 HYAMINE 3500 ROCCAL TYPES	10 SEC	5 ROLLS/ REFILL	PAPER TAPE
TP-QT1001	0,200,400,600,800,1000 DIMETHYL BENZYL AMMONIUM CHLORIDE HYAMINE 3500 ROCCAL II	10 SEC.	1 ROLL	PAPER TAPE
TP- QT1001R	0,200,400,600,800,1000 DIMETHYL BENZYL AMMONIUM CHLORIDE HYAMINE 3500 ROCCAL II	10 SEC.	REFILL/5 ROLLS	PAPER TAPE



QUATERNARY AMMONIUM TEST STRIPS

Part #	PPM Range-Test	Time	Pkg.	Material
TP-103	0,100,200,400 ALL AMINES	90 SEC.	100/VIAL	PAPER STRIP
TP-104	0,100,200,400 HYMINE/ STERAMINES	1 SEC.	50/VIAL	PLASTIC STRIP
TP-204	0,100,200,400 HYMINE/ STERAMINES	1 SEC.	100/VIAL	PLASTIC STRIP

QUAT testing monitors the strength of solutions containing QUAT in various forms that are commercially available, such as Hyamine 3500, Bardac 22 and Roccal II. Testing can detect exhausted solutions that do not meet Health Department's specifications for solution performance. Ideal test solution should be 65°F - 75°F with a pH of 7.5 or lower. Quaternary Ammonium is measured in PPM as indicated in the Color Comparison Chart.



**QUATERNARY AMMONIUM
 TEST ENVELOPES**

SOLD BY THE CARTON/100 ENV. PER CARTON

Part #	PPM Range-Test	Time	Pkg.	Material
TP-QT10E	0,100,200,400 HYAMINE 3500 ROCCAL TYPES	10 SEC.	16 STRIPS/ ENV.	PAPER STRIP

'If we ever forget that we're one nation under GOD,
 then we will be a nation gone under.'

~Ronald Regan



PH TEST STRIPS

Part #	PPM Range-Test	Time	Pkg.	Material
PH-103	10.0-13.0 IN 0.5 INCREMENTS	1-2 SEC.	50/VIAL	PLASTIC STRIP
PH-105	11.5-14.0 IN 0.5 INCREMENTS	1-2 SEC.	50/VIAL	PLASTIC STRIP
PH-114	1-14 IN SINGLE DIGIT INCREMENTS	1-2 SEC.	50/PKG	PAPER STRIP
PH-147	4.4-7.0 IN 0.5 INCREMENTS	1-2 SEC.	50/PKG	PLASTIC STRIP
PH-210	2,4,6,8,10	1-2 SEC.	100/VIAL	PAPER STRIP
PH-212	2,4,6,8,10,12	1-2 SEC.	100/VIAL	PAPER STRIP
PH-293	9-13 IN 0.5 INCREMENTS	1-2 SEC.	50/PKG	PLASTIC STRIP
PH-360	3-6 IN 0.5 INCREMENTS	1-2 SEC.	50/VIAL	PLASTIC STRIP
PH-710	7-10 IN 0.5 INCREMENTS	1-2 SEC.	50/PKG	PLASTIC STRIP



PH TEST ROLLS

Part #	PPM Range-Test	Time	Pkg.	Material
PH-013	0-13 IN SINGLE DIGIT INCREMENTS	1-2 SEC.	1 ROLL	PAPER TAPE
PH-013R	0-13 IN SINGLE DIGIT INCREMENTS	1-2 SEC.	5 ROLLS/ REFILL	PAPER TAPE
PH-913	9-13 IN .05 INCREMENTS	1-2 SEC.	1 ROLL	PAPER TAPE
PH-913R	9-13 IN .05 INCREMENTS	1-2 SEC.	5 ROLLS/ REFILL	PAPER TAPE

Water Hardness testing will quickly give an indication of the presence of hardness and the amount of chemical treatment required to give the best results. Testing for water hardness will also indicate the effectiveness of treatment measured as PPM and grains per gallon as indicated on the Color Comparison Chart.



PH TEST PENCILS

Part #	PPM Range-Test	Time	Pkg.	Material
PH-116	0-13 SINGLE DIGIT INCREMENTS	1-2 SEC.	3 PENCILS	INSTA-CHEK PENCIL

WATER HARDNESS TEST ROLLS



Part #	PPM Range-Test	Time	Pkg.	Material
TP-207	.5,10,20 GR/GAL LOW 10,20,30,50 GR/GAL HIGH	5 SEC.	1 ROLL EACH; 1 CASE	PAPER TAPE
TP-207R	10,20,20,50 GR/GAL HIGH	5 SEC.	5 ROLLS	PAPER TAPE



PH MICROFINE TEST

Part #	PPM Range-Test	Time	Pkg.	Material
PH-250	2.9,3.2,3.5,3.8,4.1, 4.4,4.8,5.2	1-2 SEC.	2 ROLLS PLUS CASE	PAPER TAPE

WATER HARDNESS TEST STRIPS



Part #	PPM Range-Test	Time	Pkg.	Material
TP-107	0,50,125,250,500 GR/GAL	5 SEC.	50/PKG.	PLASTIC STRIP

pH (Hydrogen Ion) of solutions must be monitored & managed because pH plays an essential role in all chemical reactions and processes. pH is determined by using Color Comparison Chart.



NITRATE TEST STRIPS

Part #	PPM Range-Test	Time	Pkg.	Material
TP-362	0,10,25,50,100,250,500	2-3 SEC.	50/VIAL	PLASTIC STRIP



NITRITE TEST STRIPS

Part #	PPM Range-Test	Time	Pkg.	Material
TP-360	0,1,5,10,25,50	2-3 SEC.	50/VIAL	PLASTIC STRIP



NITRITE/NITRATE TEST STRIPS

Part #	PPM Range-Test	Time	Pkg.	Material
TP-365	2 PAD TEST	2-3 SEC.	50/VIAL	PLASTIC STRIP



PERACETIC ACID TEST STRIPS

Peracetic Acid testing is used only when it is used as the sole sanitizer agent.

Part #	PPM Range-Test	Time	Pkg.	Material
TP-300	0,100,250,500 - HIGH	2 SEC.	50/VIAL	PLASTIC STRIP
TP-305	0,5,10,20,30,50 - LOW	2 SEC.	50/PKG.	PLASTIC STRIP



PEROXIDE TEST STRIPS

Peroxide testing is used only when Peroxide is used as the sole sanitizing agent. Peroxide is measured in PPM as indicated on the Color Comparison Chart.

Part #	PPM Range-Test	Time	Pkg.	Material
TP-320	0,100,200,400	1 SEC.	50/VIAL	PLASTIC STRIP
TP-118	0,3,10,50,100	10 SEC.	50/VIAL	PLASTIC STRIP
TP-322	HIGH LEVEL 3-10%	0-20 SEC	50/VIAL	PLASTIC STRIP



PHOSPHATE TEST STRIPS

Part #	PPM Range-Test	Time	Pkg.	Material
TP-215	0,10,25,50,100	1 SEC.	50/VIAL	PLASTIC STRIP



FLUORIDE TEST STRIPS

Fluoride testing is used only when it is used as the sole sanitizer agent.

Part #	PPM Range-Test	Time	Pkg.	Material
TP-327	0,10,25,50,100+	1 SEC.	50/VIAL	PLASTIC STRIP



SULFITE TEST STRIPS

Part #	PPM Range-Test	Time	Pkg.	Material
TP-375	10,25,50,100,250,500	3 SEC.	50/VIAL	PLASTIC STRIP



LITMUS TEST STRIPS



VIAL HOLDER

Part #	PPM Range-Test	Pkg.	Material
PH-0401	NEUTRAL ACID DETECTION- RED TO BLUE	100/VIAL	PAPER STRIP
PH-0402	BLUE ACID DETECTION BLUE TO RED	100/VIAL	PAPER STRIP
PH-0403	RED BASE ALKALI DETECTION RED TO BLUE	100/VIAL	PAPER STRIP
PH-0411	NEUTRAL ACID DETECTION- RED TO BLUE	200/VIAL	PAPER STRIP
PH-0412	BLUE ACID DETECTION BLUE TO RED	200/VIAL	PAPER STRIP
PH-0413	RED BASE ALKALI DETECTION RED TO BLUE	200/VIAL	PAPER STRIP

Part #	Description
TH-222	SMALL TEST PAPER VIAL HOLDER
TH-223	LARGE TEST PAPER VIAL HOLDER



ADJUSTABLE VIAL HOLDER

Part #	Description
TH-222B	BLACK SMALL VIAL HOLDER-ADJUSTABLE W/ ADHESIVE



POTATO SUGAR TEST STRIPS

Part #	Percent Glucose (Sugar)	Pkg.	Material
TP-380	0.1, 0.25, 0.5, 2.0%	50/PKG	PAPER STRIP

My reading of history convinces me that most bad government results from too much government.

~Thomas Jefferson

TEST FOR IODINE SANITIZER

These colors indicate **APPROXIMATE** strength of the solution in parts per million (ppm) available iodine.

TIME OF TEST - 60 SECONDS

Use Dry Fingers to Remove Test Strip From Vial

- Dishwashing:** After sanitizing cycle, (130° - 140° F) hold test strip against the wet ware for 60 sec. Immediately compare the test strip to the color chart (25 ppm is the correct level).
- Glass Washer:** After completion of sanitizing cycle, hold the test strip against the wet glass for 60 sec. Immediately compare the test strip to the color chart (25 ppm is the correct level).
- Sink or Container:** Dip test strip into solution to be tested for 60 sec. Immediately compare the test strip to the color chart (25 ppm is the correct level).

To Be Used with Part # TP-102

CONTROLTESTING Part # 40-0502

TEST FOR QUATERNARY QR⁺ SANITIZER

These colors indicate **APPROXIMATE** strength of the solution in parts per million (p.p.m.) available quaternary.

TIME OF TEST - 1-2 SECONDS (QR⁺-Quick Response)

Use Dry Fingers to Remove Test Strip From Container

- Fill sink and add sanitizer.
- TESTING SOLUTION SHOULD BE 72°F WITH A PH OF 7.5 OR LOWER.
- Dip into water for 1-2 seconds. **DO NOT SHAKE (AVOID THE FOAM)**
- Compare test strip to the color chart within 10 seconds. **(IT SHOULD BE 200 PPM)** (To Be Used with TP-104 or TP-204)

CONTROLTESTING ITEM # 40-0505

TEST FOR CHLORINE SANITIZER

These colors indicate **APPROXIMATE** strength of the solution in parts per million (p.p.m.) available chlorine.

TIME OF TEST - 1 SECOND

Use Dry Fingers to Remove Test Strip From Container

- DISHWASHING:** After sanitizing cycle, (130° - 140° F) hold test strip against the wet ware. Immediately compare the test strip to the color chart (50 ppm is the correct level).
- GLASS WASHING:** After completion of sanitizing cycle, hold the test strip against the wet glass. Immediately compare the test strip to the color chart (50 ppm is the correct level).
- SINK OR CONTAINER:** Dip test strip into solution to be tested. Immediately compare the test strip to the color chart (50 ppm is the correct level).

CONTROLTESTING 866-206-1502 Item # 40-0501

TP-101 Precision Chlorine Test Paper

Use dry fingers to remove strip of paper from vial, dip strip into solution to be tested, without agitation and compare immediately with color chart. This color indicator gives precise strength of the solution in parts per million (p.p.m.) available chlorine.

TIME OF TEST - 1 SECOND

CONTROLTESTING Part # 40-0510

COLOR COMPARISON LAMINATED WALL CHARTS

Part #	Description
40-0501	CHLORINE WALL CHART FOR TP-101; 5 1/2" X 8 1/2"
40-0502	IODINE WALL CHART FOR TP-102; 5 1/2" X 8 1/2"
40-0505	QUAT WALL CHART FOR TP-104,TP-204; 5 1/2" X 8 1/2"
40-0507	QUAT WALL CHART FOR TP-103; 5 1/2" X 8 1/2"
40-0510	QUAT WALL CHART FOR TP-QT10; 5 1/2" X 8 1/2"
40-CH101	CHLORINE ADHESIVE LABEL for TP-101; 3" x 5"

SANITIZER TEST CENTERS

These **Sanitizer Test Centers** will organize all your sanitizing products. The centers are approx. 8 1/2" x 11". Made of plastic, are the color green, & wall mount. They also include step-by-step testing instructions in English, Spanish, & French.

SANITIZER TEST CENTER QUAT
(QUATERNARY AMMONIUM)

CENTRO DE LA PRUEBA DE LA QUAT DEL SANITIZER
CENTRE À L'ESSAI POUR L'ASEPTISANT QUATERNARY

CONTROLTESTING 866-206-1502

SANITIZER TEST CENTER CHLORINE

CENTRO DE LA PRUEBA DE LA CLORINA DEL SANITIZER
CENTRE D'ESSAI DE CHLORE D'ASEPTISANT

CONTROLTESTING 866-206-1502

SANITIZER TEST CENTER IODINE

CENTRO A LA PRUEBA PARA EL SANITIZER DEL YODO
CENTRE À L'ESSAI POUR L'ASEPTISANT D'YODE

CONTROLTESTING 866-206-1502

SANITIZER TEST CENTER QUAT QR
(QUATERNARY AMMONIUM QUICK RESPONSE)

CENTRO DE LA PRUEBA DE LA QUAT QR DEL SANITIZER
CENTRE À L'ESSAI POUR L'ASEPTISANT QUATERNARY QR

CONTROLTESTING 866-206-1502

Part #	Description
45-QT10L	QUAT SANITIZER TEST CENTER FOR TP-QT10. HOLDS 2 TP-QT10 ROLLS. 2 TP-QT10 ROLLS INCLUDED
45-QT10N	QUAT SANITIZER TEST CENTER FOR TP-QT10. HOLDS 2 TP-QT10 ROLLS. TEST ROLLS NOT INCLUDED
45-TP104L	QUAT SANITIZER TEST CENTER FOR TP-104. HOLDS 2 VIALS OF TP-104 ROLLS. 2 TP-104 VIALS INCLUDED
45-TP104N	QUAT SANITIZER TEST CENTER FOR TP-104 OR TP-204. HOLDS 2 VIALS OF TP-104 OR TP-204. TEST VIALS NOT INCLUDED
45-TP204L	QUAT SANITIZER TEST CENTER FOR TP-204. HOLDS 2 VIALS OF TP-204. 2 TP-204 VIALS INCLUDED.
45-TP101L	CHLORINE SANITIZER TEST CENTER FOR TP-101. HOLDS 3 TP-101 VIALS. 3 TP-101 VIALS INCLUDED
45-TP101N	CHLORINE SANITIZER TEST CENTER FOR TP-101. HOLDS 3 TP-101 VIALS. VIALS NOT INCLUDED
45-TP240L	CHLORINE SANITIZER TEST CENTER FOR TP-240. HOLDS 2 TP-240 TEST ROLLS. 2 TP-240 TEST ROLLS INCLUDED
45-TP240N	CHLORINE SANITIZER TEST CENTER FOR TP-240. HOLDS 2 TP-240 ROLL TESTERS. TEST ROLLS NOT INCLUDED
45-TP102L	IODINE SANITIZER TEST CENTER FOR TP-102. HOLDS 3 TP-102 VIALS. 3 TP-102 VIALS INCLUDED.
45-TP102N	IODINE SANITIZER TEST CENTER FOR TP-102. HOLDS 3 TP-102 VIALS. VIALS NOT INCLUDED
45-TP220L	IODINE SANITIZER TEST CENTER FOR TP-220. HOLDS 2 TP-220 ROLLS. 2 TP-220 ROLLS INCLUDED.
45-TP220N	IODINE SANITIZER TEST CENTER FOR TP-220. HOLDS 2 TP-220 ROLLS. TEST ROLLS NOT INCLUDED

Liquid Testing: allows the user to titrate the solution to a precise end point. It is imperative for good testing to keep your reagents fresh and stored in a cool dry place.



WAREWASH WATER QUALITY TEST KIT

Tests Alkalinity, Hardness, Chlorine & Quaternary Ammonium Chloride. Complete kit to set the desired chemical sanitizing schedule for all dish machines.



LAUNDRY WATER QUALITY TEST KIT

Tests pH (alkaline), pH (sour), Alkalinity (suds), Alkalinity (rinse), Chlorine Bleach, Hardness, & Turbidity.

Part #	Description
LM-1169	COMPLETE KIT
Refill Part #	Description
LM-2258-E	PHENOLPHTHALEIN INDICATOR .5% 15ML
LM-2786-E	TOTAL ALKALINITY INDICATOR 15 ML
LM-4483-E	HARDNESS REAGENT #5 15ML
LM-4485-E	HARDNESS REAGENT #6 15ML
LM-4487WT-H	HARDNESS REAGENT #7 60ML
LM-7748WT-G	SULFURIC ACID .12N 30ML
TP-101	CHLORINE TEST STRIPS; 1 VIAL
TP-103	QAC TEST STRIPS; 1 VIAL

Part #	Description
LM-3095-LID	COMPLETE KIT
Refill Part #	Description
LM-0230	TEST TUBE WITH CAP 5ML
LM-0240	TEST TUBE ROUND BOTTOM
LM-2197	NITOR GREEN COMPOUNDER
LM-0342	PIPETTE GLASS DROP 20ML
LM-0369	PIPETTE ASSEMBLY W/ CAP
LM-0392	PIPETTE PLAIN PLASTIC WITH CAP
LM-0608	TEST TUBE WITH CAP GLASS
LM-2230-E	METHYL ORANGE INDICATOR 15ML
LM-2246-E	PHENOLPHTHALEIN INDICATOR 1% 15ML
LM-2301-G	NITRO GREEN INDICATOR 30ML
LM-4483-E	HARDNESS REAGENT #5 15ML
LM-4485-E	HARDNESS REAGENT #6 15 ML
LM-4487PS-H	HARDNESS #7 60ML
LM-4488	WATER HARDNESS TEST TUBE
LM-6130PS-H	HYDOCHLORIC ACID 1.0N, 60ML
LM-6323-H	HYDROCHLORIC ACID 0.1N 60ML
LM-6432-H	SOUR INDICATOR 60ML
LM-6434-H	HYPOCHLORITE INDICATOR 60ML

LI = All Liquid
LID = Dropper Test, each drop indicates concentration.
LIT = Liquid buffer and tablet indicator. Direct reading reading Titrator method uses a 1.0 ml Microburet calibrated to allow direct reading of the test result.



GRADUATED CYLINDER

Part #	Description
10-70046	GRADUATED MEASURING CYLINDER 10 ML; PLASTIC
10-70048	GRADUATED MEASURING CYLINDER 50ML; PLASTIC

Test	Range	Applications
pH (alkaline)	pH 10.0 - 11.4	Break-suds-bleach solutions
pH (sour)	pH 1.5 - 8.5	Sour rinse solutions
Alkalinity (suds)	100 ppm/drop	Free/total alkalinity in break-suds-bleach solutions
Alkalinity (rinse)	100 ppm/drop	Total alkalinity in rinses
Chlorine Bleach	0.5%/drop	Available chlorine in bleach
Hardness	100 ppm/drop	Water supply
Turbidity	Yes/No (soil)	Presence of soil in solutions



ALKALINITY TEST KIT
1 drop = 10, 25, or 50 ppm
Tests Alkalinity & Phenolphthalein

Part #	Description
LM-7240-LID	COMPLETE KIT
LM-7240-LIDR	REFILL KIT OF 2 SULFURIC ACID, 1 TOTAL ALKALINITY, & 1 PHENOLPHTHALEIN INDICATOR
Refill Part #	Description
LM-0715	TEST TUBE WITH CAP PLASTIC 5-25 ML
LM-2258-E	PHENOLPHTHALEIN INDICATOR .5% 15ML
LM-2786-E	TOTAL ALKALINITY INDICATOR 15 ML
LM-7748WT-G	SULFURIC ACID 0.12N 30 ML



WATER HARDNESS TEST KIT

Part #	Description
LM-4482-LI	COMPLETE KIT
Refill Part #	Description
LM-0608	TEST TUBE WITH CAP GLASS
LM-4483-E	HARDNESS REAGENT #5 15ML
LM-4485-E	HARDNESS REAGENT #6 15ML
LM-4487PS-H	HARDNESS REAGENT #7 60ML



WATER HARDNESS DIRECT READING TITRATOR TEST KIT

Part #	Description
LM-4482-LI-DR	COMPLETE KIT 0-200PPM
Refill Part #	Description
LM-4483-E	HARDNESS REAGENT #5 15ML
LM-4485-E	HARDNESS REAGENT #6 15ML
LM-4487PS-H	HARDNESS REAGENT #7 60ML
LM-0353	PIPETTE PLASTIC 0.5 ML
LM-0382	DIRECT READING TITRATOR WITH SYRINGE
LM-0608	TEST TUBE WITH CAP GLASS



TITRATION ALKALINITY TEST KIT
Partial alkalinity test kit.

Part #	Description
LM-0035-PK	COMPLETE KIT
Refill Part #	Description
LM-6323WT-H	HYDROCHLORIC ACID 0.1 N 60 M
LM-2246-H	PHENOLPHTHALEIN INDICATOR 1.0%
LM-0715	TEST TUBE WITH CAP PLASTIC 5-25ML



CHLORINE BLEACH DIRECT READING TITRATOR TEST KIT

Part #	Description
LM-7105-LIT	COMPLETE KIT
LM-7105-LITR	REFILL KIT INCLUDES 1 HYPOCHLORITE D, 1 POTASSIUM IODIDE, & 2 HYPOCHLORITE 2 INDICATORS
Refill Part #	Description
LM-0353	PIPETTE PLASTIC 0.5ML
LM-0354	PIPETTE PLASTIC 0.1 ML
LM-0377	DIRECT READING TITRATOR 0-10 RANGE
LM-0699	SPOON 0.1 GRAM PLASTIC
LM-0778	TEST TUBE WITH CAP GLASS 5-10-15 ML
LM-2790-H	HYPOCHLORITE REAGENT D 60 ML
LM-6809-D	POTASSIUM IODIDE CRYSTALS
LM-7939PS-G	HYPOCHLORITE REAGENT A 30ML



CHLORINE BLEACH TEST KIT



CHLORINE/OXYGENATED BLEACH TEST KIT

Part #	Description
LM-7894-LID	COMPLETE KIT
Refill Part #	Description
LM-0342	PIPETTE GLASS DROP 20ML
LM-0353	PIPETTE PLASTIC 0.5ML
LM-0369	PIPETTE PLASTIC WITH CAP
LM-0778	TEST TUBE WITH CAP GLASS 5-10-15 ML
LM-7941PS-H	HYPOCHLORITE REAGENT C 60ML
LM-7940-G	HYPOCHLORITE REAGENT B 30ML
LM-7939PS-G	HYPOCHLORITE REAGENT A 30ML

Part #	Description
LM-7196-LID	COMPLETE KIT
Refill Part #	Description
LM-0710-2	TEST TUBE PLASTIC WITH CAP
LM-4500WT-H	CHLORINE REAGENT #3 60ML
LM-6434WT-G	HYPOCHLORITE INDICATOR 30ML
LM-6452-G	HYDROGEN PEROXIDE #1 30ML



CHLORINE TEST KIT



FABRIC SPOT TEST KIT

Tests Chlorine Reagents = Color Change
Iron = Color Change
Sour Indicator = Color Change/as pH

Part #	Description
LM-4497-LID	COMPLETE KIT
LM-4497-LIDR	REFILL KIT 1 EACH OF CHLORINE REAGENT 1, 2, & 3
Refill Part #	Description
LM-0715	TEST TUBE WITH CAP PLASTIC 5-25 ML
LM-4498WT-H	CHLORINE REAGENT #1 60ML
LM-4499WT-H	CHLORINE REAGENT #2 60ML
LM-4500PA-H	CHLORINE REAGENT #3 60ML

Part #	Description
LM-3541-LID	COMPLETE KIT
Refill Part #	Description
LM-4100-G	CHLORINE REAGENT, O-TOLIDINE 30ML
LM-5116WT-G	FERRIC IRON TEST SOLUTION 30ML
LM-6381-G	HYDROCHLORIC ACID 30ML
LM-9078WT-G	SOUR INDICATOR SOLUTION GREEN 30ML



QAC QUATERNARY AMMONIUM TEST KIT



IRON IN WATER TEST

Tests Octet-Slide = Color Change
Total Iron (FE) = PPM

Part #	Description
LM-7057-LID	COMPLETE KIT; 2, 5, 10/PPM DROPPER
Refill Part #	Description
LM-3996-H	QUAT TITRATING SOLUTION 60 ML
LM-2258-E	PHENOLPHTHALEIN INDICATOR .5% 15ML
LM-7117-H	EDTA SOLUTION 60 ML
LM-3995-G	TOLUIDINE BLUE O INDICATOR
LM-6090-G	SULFURIC ACID 0.5N, 30ML

Part #	Description
LM-3318	COMPLETE KIT
Refill Part #	Description
LM-0106	TEST TUBE PLASTIC SQUARE WITH CAP
LM-0696	SPOON MEASURING 0.05GRAM
LM-1100	OCTA-SLIDE VIEWER
LM-3411	IRON OCTA-SLIDE BAR
LM-4450-G	IRON REAGENT #1 30ML
LM-4451-S	IRON REAGENT POWDER #2 4.5GRAM



POCKET DIAL THERMOMETERS

Part #	Description
10-460	1" DIAL, 5" STEM LENGTH, 2 DEGREE DIVISION 0° TO 220°F
10-463	1 3/4" DIAL, 8" STEM LENGTH, 2 DEGREE DIVISION 50° TO 550°F



DIGITAL PROBE THERMOMETER

Part #	Description
10-KM14	WATERPROOF DIGITAL THERMOMETER; -4°F TO 400°F



COMARK POCKET DIAL THERMOMETER

Part #	Description
10-0220	1" POCKET DIAL 0°-220° F



WATERPROOF DIGITAL PROBE THERMOMETER

Part #	Description
10-450	COMMERCIAL DISHWASHER SAFE W/ THIN TIP FOR LESS THAN 6 SEC TEMP HOLD, -4°F TO 400°F

SHAKE DOWN MAXIMUM REGISTERING REFILLABLE THERMOMETER



Part #	Description
10-484	REFILLABLE THERM. IN METAL CASE, 0°/220°F, MERCURY FILLED



TCD ADHESIVE TEMP. STRIPS

Attach to dry metal surface, then place in dish machine. Appropriate temp. will display once surface reaches desired temp.

Part #	Description
10-160	TEST TEMP 160°F; 50 STRIPS PER PKG.
10-180	TEST TEMP 180°F; 50 STRIPS PER PKG



TEMPRITE ADHESIVE DISHWASHER TEST LABELS

Part #	Description
10-160T	160°F; 24 LABELS PER PKG
10-180T	180°F; 24 LABELS PER PKG
10-186T	160°F-170°F-180°F; 24 LABELS PER PKG



TEMPRITE DISHWASHER TEST STRIPS

Part #	Description
10-140TS	140°F; 24 STRIPS PER PKG
10-160TS	160°F; 24 STRIPS PER PKG
10-180TS	180°F; 24 STRIPS PER PKG



LOW TEMP. INDICATOR

Part #	Description
10-2CHILL	LOW TEMPERATURE INDICATOR CHILLCHECKER #2 +18 F / -8 C



TDS METER

Part #	Description
LM-5-0080	DUAL RANGE WATERPROOF TDS POCKET TESTER. 0-1990 PPM.



MATERIAL SAFETY DATA SHEETS

Keep your Material Safety Data Sheets organized and readily accessible with our top quality MSDS Binders. We also offer a number of accessories to help you file your information.



10-MSDS-RK

Part #	Description
10-MSDS	MATERIAL SAFETY DATA SHEET BINDER
10-MSDS-CH	CHAIN FOR ATTACHMENT OF 36" WITH "S" HOOKS ON BOTH ENDS
10-MSDS-KIT	MSDS KIT; INCLUDES BINDER, 100 SHEET PROTECTORS, 5 WRITE ON TAB DIVIDERS, & 2 CURVED SHEET LIFTERS
10-MSDS-LFT	CURVED SHEET LIFTER
10-MSDS-PRO	POLY PRO SHEET PROTECTORS
10-MSDS-RK	YELLOW WALL RACK TO STORE MSDS BINDER, WALL MOUNT
10-MSDS-TAB	5 TAB DIVIDERS

HYGIENE POSTER-WASH HANDS



Part #	Description
40-00201	8 1/2" X 11" LAMINATED POSTER; ENGLISH
40-00201B	8 1/2" X 11" LAMINATED POSTER; SPANISH

Genesis 1:1

In the beginning God created the heavens and the earth.