

### Features

- LED lighting
- Integrates with 24H Bianca and 24H Vertical
- Three Heights: Three Heights: 33.79" (H20), 45.66" (H40) and 53.53" (H60)
- Available in Linear and Square 90 Degrees Designs
- 9 Degrees Tilted Display Deck on Gelato/Ice Cream Showcases
- Hydraulic Lift Up to p Glass
- Tempered Double Pane Front and Side Glass Heated on Gelato/Ice Cream Showcases
- Stainless Steel Work Surface
- List Price without Panels
- Steel Chassis Construction
- Insulated with Dense Non-CFCEcologic Polyurethane Foam
- Inside Structure Made of High Gloss 304 Stainless Steel
- Removable Stainless Steel Deck
- Digital Diagnostic Control System with Programmable Defrosting
- Rear Plexiglass Sliding Doors
- Self-Contained, Air-Cooled Condensing Unit
- Temperature Range: -10° to +10°
- Optimal Product Viewing with Inclined Display
- Multiplexing Capability
- Reserve Pan Storage
- Display Case(s) Have Intergrated Electronic Time and Temperature Controller(s) with Hot Gas Defrost Standard on Gelato Models

### Options

- Casters
- Granite Work Surface (Operator Side)
- Optional Front and Side Panels and RAL Custom Color Options
- Optional Full Refrigeration on Deli Application



LAR-GELH40-16-46-59-5P

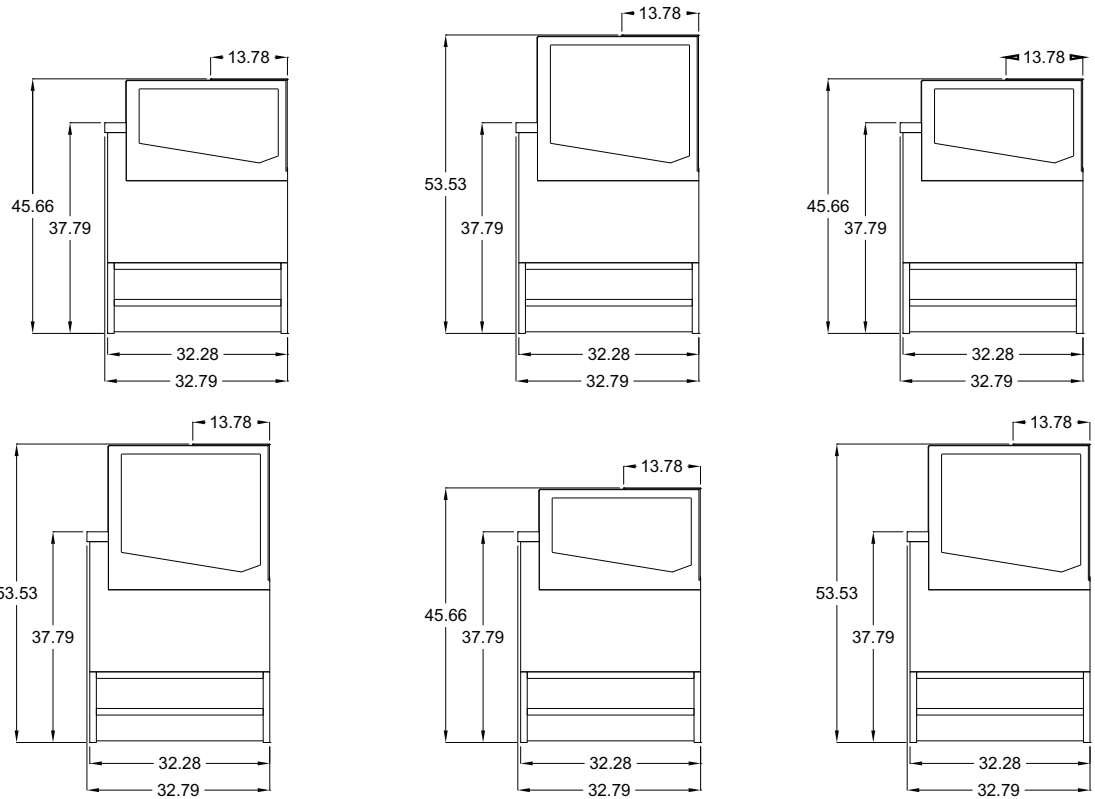
- Remote Condensing Unit
- Custom Stainless Steel Template to Accomodate 2.5 or 3 Gallon Round Ice Cream Tubs.

LA ROSSA Gelato/Ice Cream Display Case/Showcase features (3) lengths: 39.36" length without panels [holds (10) 4 liter pans], 59.05" length without panels [holds (16) 4 liter pans], 78.73" length without panels [holds (22) 4 liter pans] all with reserve pan storage, insulated, self-contained, air cooled refrigeration, tempered single pane heated glass front & double pane glass sides, hydraulic lift up top glass, LED lighting, rear plexiglass sliding doors, digital diagnostic control with programmable defrosting & removable stainless steel deck. They have 304 high gloss stainless steel interior, anodized aluminum construction, stainless steel work surface. Gelato pans are sold separately. The service merchandiser, cooler, dipping cabinet, and showcase without front & side panels are options.

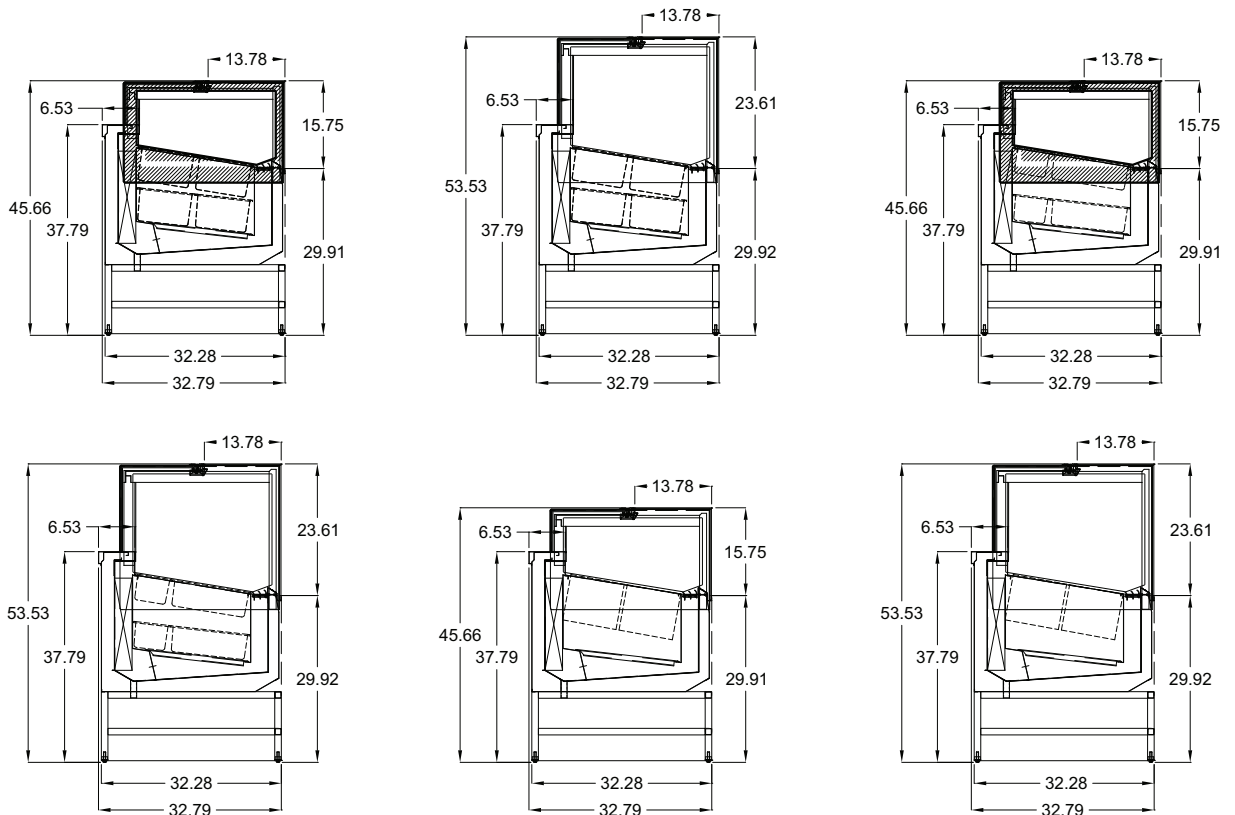
Model No.	Application	Description	Height	Length	Depth	Crated Weight	Voltage	Amps
LAR-GELH40-10-46-39-4P	Gelato	Pan 4 liter x 10	45.66"	39.36"	32.79"	780#	220/60/1	12
LAR-GELH40-10-46-39-5P	Gelato	Pan 5 liter x 7	45.66"	39.36"	32.79"	780#	220/60/1	12
LAR-GELH40-16-46-59-4P	Gelato	Pan 4 liter x 16	45.66"	59.05"	32.79"	952#	220/60/1	14
LAR-GELH40-16-46-59-5P	Gelato	Pan 5 liter x 11	45.66"	59.05"	32.79"	952#	220/60/1	14
LAR-GELH40-22-46-79-4P	Gelato	Pan 4 liter x 22	45.66"	78.73"	32.79"	1079#	220/60/1	15
LAR-GELH40-22-46-79-5P	Gelato	Pan 5 liter x 16	45.66"	78.73"	32.79"	1079#	220/60/1	15
LAR-GELH60-10T-54-39-4P	Gelato	Pan 4 liter x 10	53.53"	39.36"	32.79"	806#	220/60/1	12
LAR-GELH60-10T-54-39-5P	Gelato	Pan 5 liter x 7	53.53"	39.36"	32.79"	806#	220/60/1	12
LAR-GELH60-16T-54-59-4P	Gelato	Pan 4 liter x 16	53.53"	59.05"	32.79"	978#	220/60/1	14
LAR-GELH60-16T-54-59-5P	Gelato	Pan 5 liter x 11	53.53"	59.05"	32.79"	978#	220/60/1	14
LAR-GELH60-22T-54-79-4P	Gelato	Pan 4 liter x 22	53.53"	78.73"	32.79"	1105#	220/60/1	15
LAR-GELH60-22T-54-79-5P	Gelato	Pan 5 liter x 16	53.53"	78.73"	32.79"	1105#	220/60/1	15

### ORION by CLABO

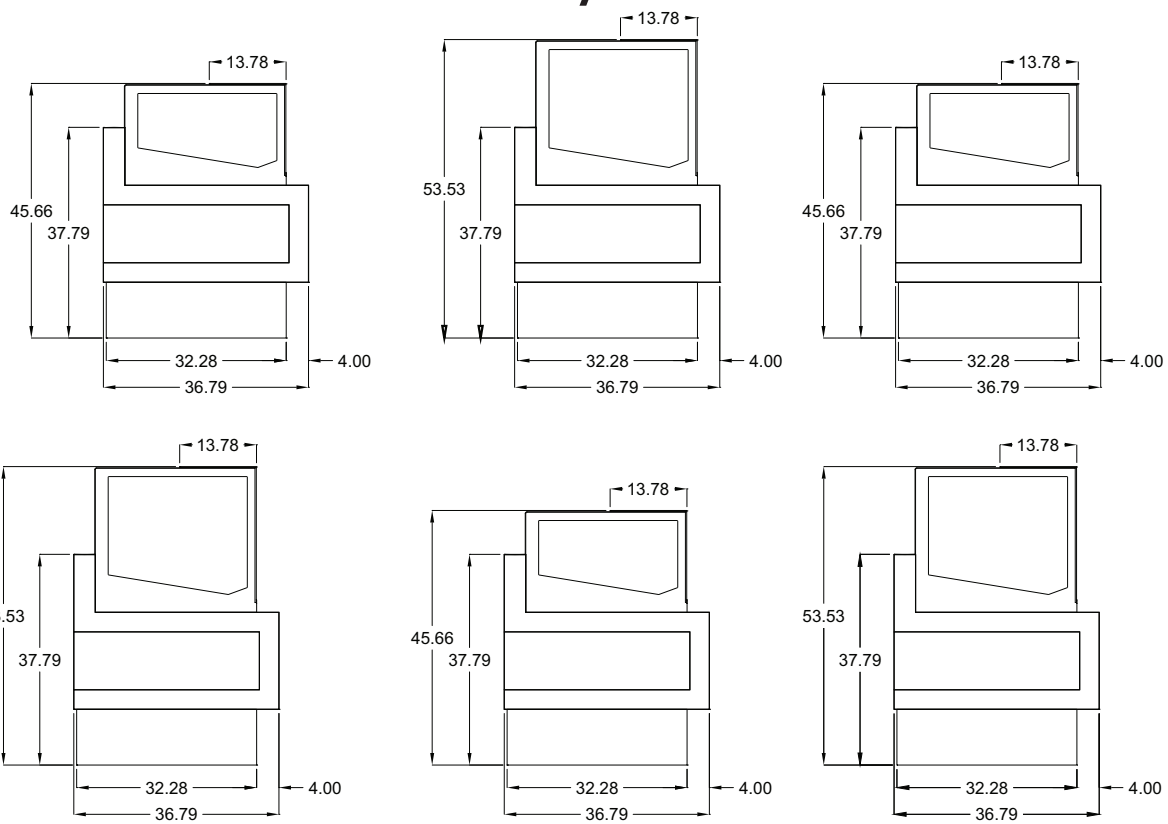
**SIDE VIEW**  
Option 1



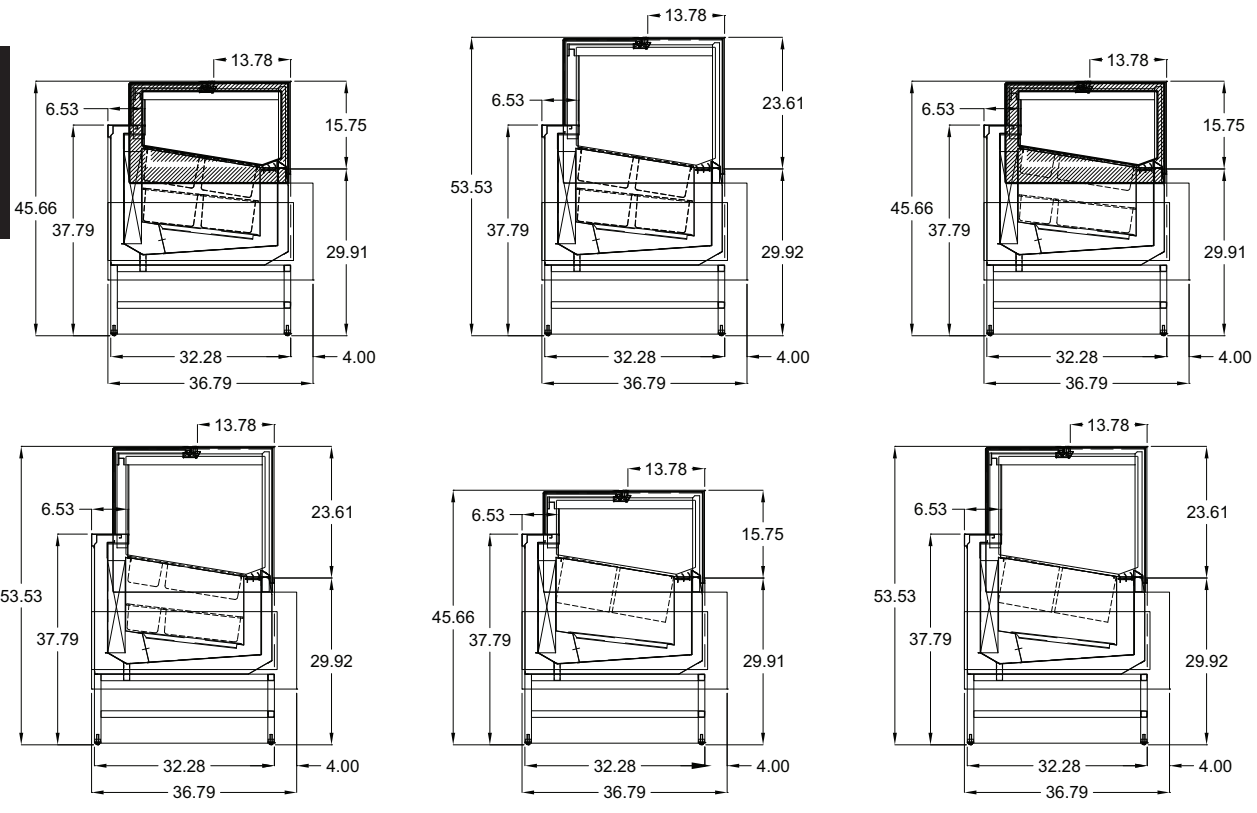
**SIDE VIEW**  
Option 1  
Detailed



**SIDE VIEW**  
**Option 2**



**SIDE VIEW**  
**Option 2**  
**Detailed**

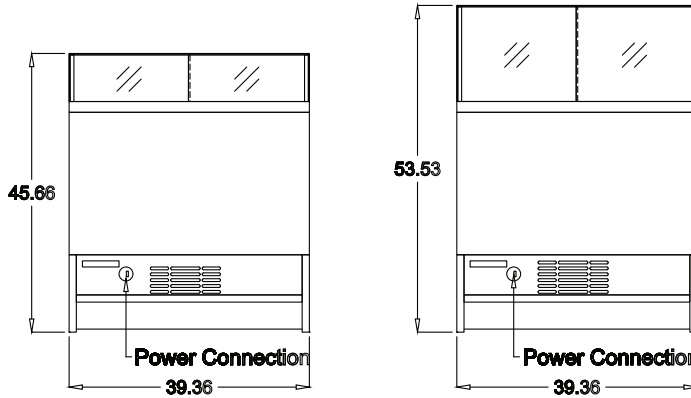


# Product Specification Sheet

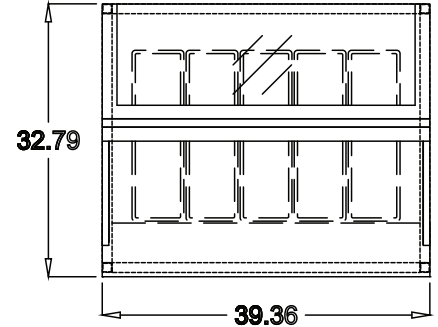
## Model Style: LaROSSA - Gelato

LAR-GELH40-10-46-39-4P  
 LAR-GELH40-10-46-39-5P  
 LAR-GELH40-10T-54-39-4P  
 LAR-GELH40-10T-54-39-5P

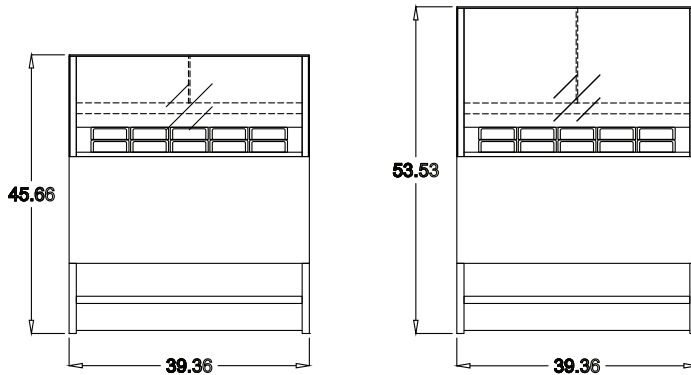
**REAR VIEW**



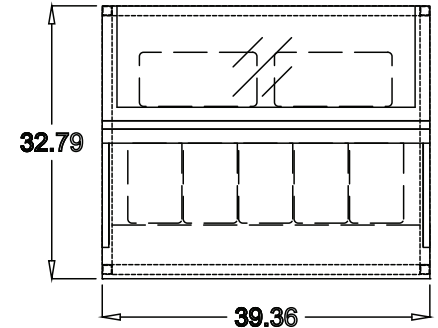
**PLAN VIEW  
(4 liter pans)**



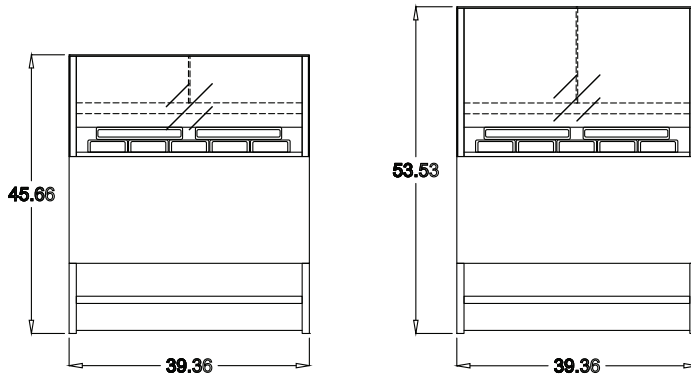
**FRONT VIEW  
(4 liter pans)**



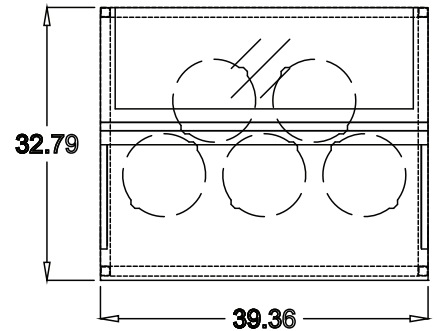
**PLAN VIEW  
(5 liter pans)**



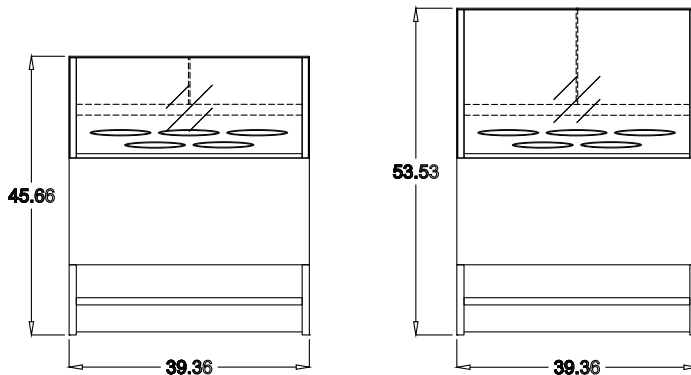
**FRONT VIEW  
(5 liter pans)**



**PLAN VIEW  
(round tubs)**



**FRONT VIEW  
(round tubs)**

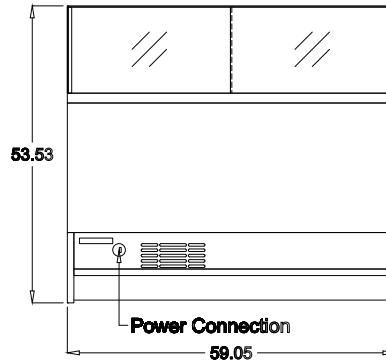
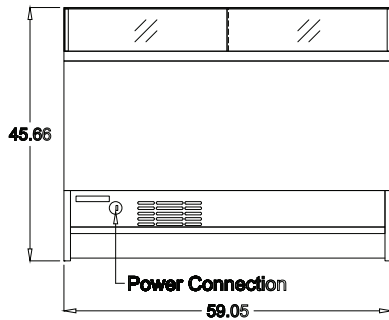


# Product Specification Sheet

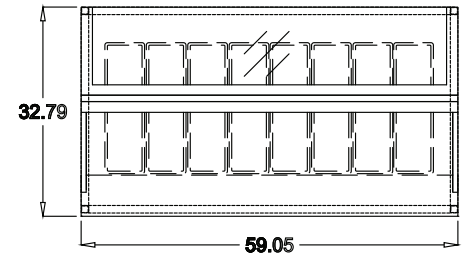
## Model Style: LaROSSA - Gelato

LAR-GELH40-16-46-59-4P  
 LAR-GELH40-16-46-59-5P  
 LAR-GELH40-16T-54-59-4P  
 LAR-GELH40-16T-54-59-5P

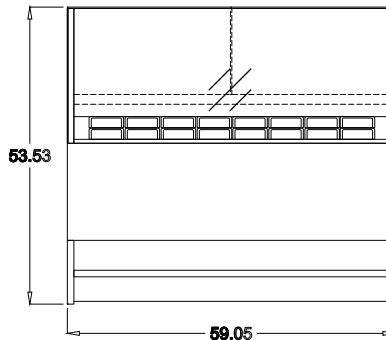
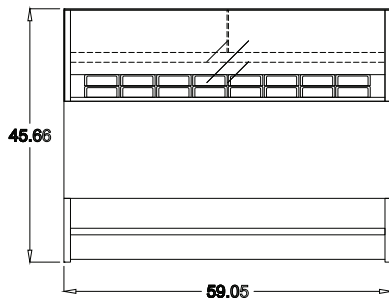
### REAR VIEW



### PLAN VIEW (4 liter pans)



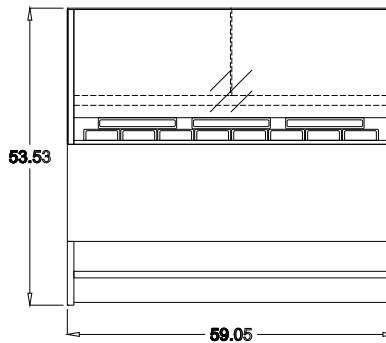
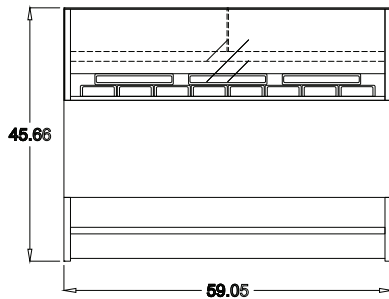
### FRONT VIEW (4 liter pans)



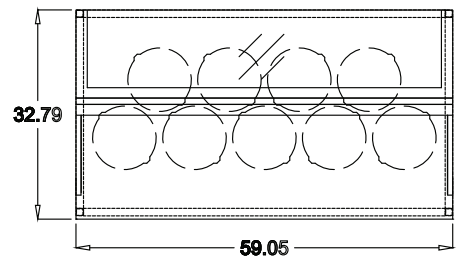
### PLAN VIEW (5 liter pans)



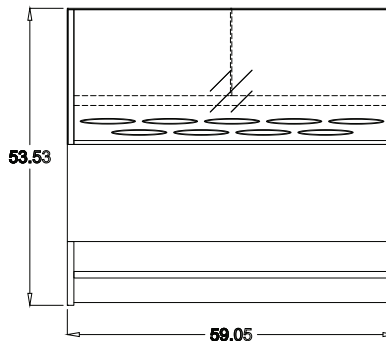
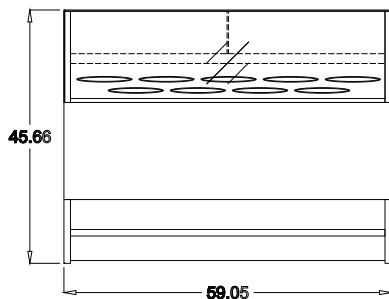
### FRONT VIEW (5 liter pans)



### PLAN VIEW (round tubs)



### FRONT VIEW (round tubs)



Required ambient conditions:  
 75°F; 55% Relative Humidity  
 Drawings and Specification are subject to  
 change without notice.

**ELECTRICAL CONNECTION:**  
 Display cases are shipped with applicable  
 junction box for hardwired installation  
 Options exist for several NEMA  
 configurations  
 Plug and/or receptacle configurations are at  
 the discretion of the electrical installer

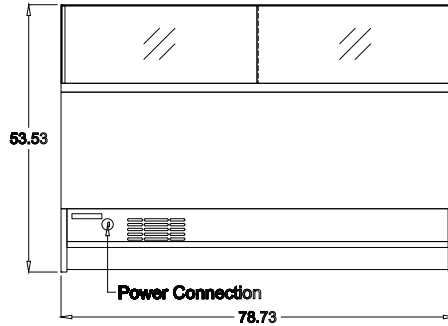
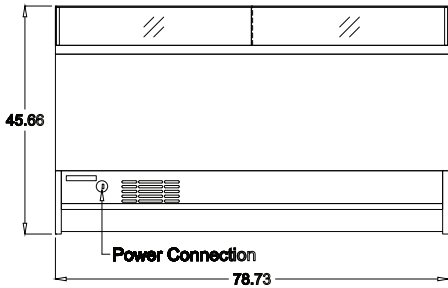


# Product Specification Sheet

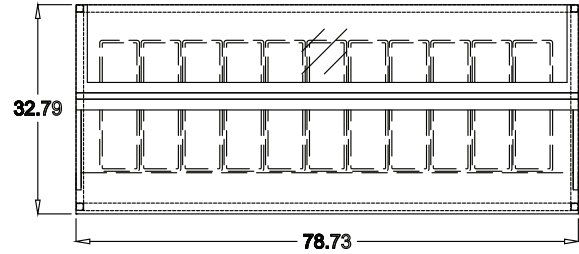
## Model Style: LaROSSA - Gelato

LAR-GELH60-22-46-79-4P  
 LAR-GELH60-22-46-79-5P  
 LAR-GELH60-22T-54-79-4P  
 LAR-GELH60-22T-54-79-5P

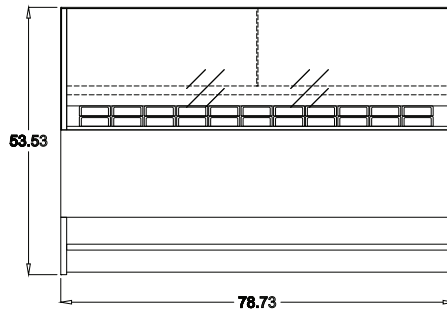
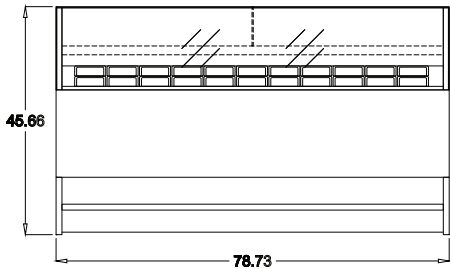
### REAR VIEW



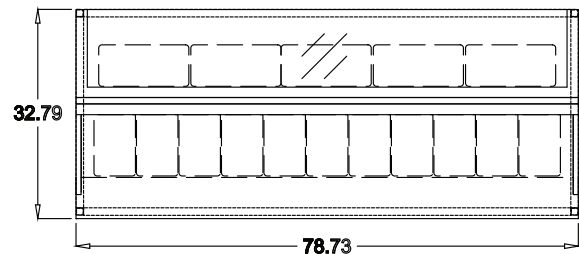
### PLAN VIEW (4 liter pans)



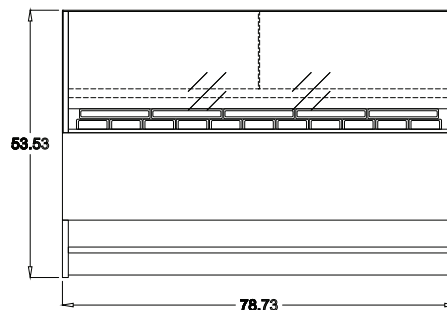
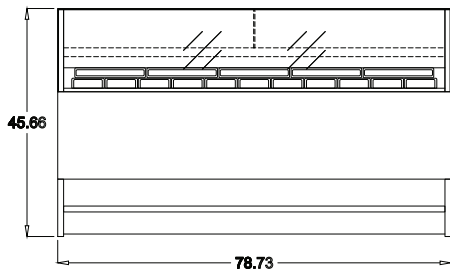
### FRONT VIEW (4 liter pans)



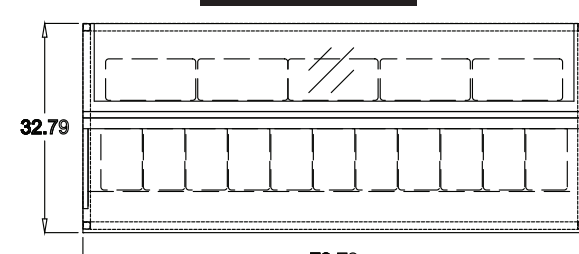
### PLAN VIEW (5 liter pans)



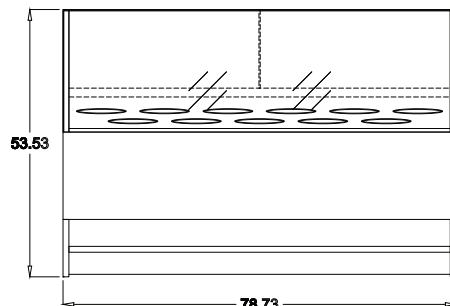
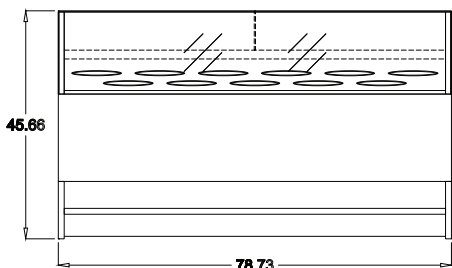
### FRONT VIEW (5 liter pans)



### PLAN VIEW (round tubs)



### FRONT VIEW (round tubs)



Required ambient conditions: 75°F; 55% Relative Humidity  
 Drawings and Specification are subject to change without notice.

**ELECTRICAL CONNECTION:**  
 Display cases are shipped with applicable junction box for hardwired installation  
 Options exist for several NEMA configurations  
 Plug and/or receptacle configurations are at the discretion of the electrical installer



**ORION by CLABO**

HMC Enterprises LLC, 831 East Cayuga Street, Philadelphia, PA. 19124 Ph: 1-800-344-8222 • 215-464-6800 • www.ORIONbyClabo.com

Revised 9/2018