

POWERSMART[®]

INSTRUCTION MANUAL

1300 PSI Electric Pressure Washer

Model # PS22



Have product questions or need technical support? Please feel free to contact us!

Website: www.Amerisuninc.com

Toll free: 1-800-791-9458 M-F 8-4 CST

Email: support@amerisuninc.com

CONTENTS

Technical data.....	3
General safety rules.....	4
Specific safety rules for pressure washer.....	5
Electrical information.....	6
Knowing your pressure washer.....	7
Assembly and adjustments.....	8
Operation.....	9
Storage.....	12
Maintenance.....	13
Exploded view & parts list.....	14
Warranty.....	17

TECHNICAL DATA

Pressure Washer	Model # PS22
Motor:	120V, 60 Hz, 11A
Power cable length:	35 feet with GFCI
Motor speed:	1,7000 RPM
Max. pressure:	1300 PSI
Rated pressure:	1000 PSI
Max. water flow:	1.2 GPM
Detergent bottle capacity:	0.13 Gallon
High pressure hose length:	20 Feet
Inlet water pressure:	40-60 PSI
Weight:	18.6 lb.

Thank you for purchasing Power Smart products. Please register online at **www.Amerisuninc.com**.

The information will allow us to track your warranty and update on your unit.

Important: Our company does not provide email or personal information to any third party for any reason. For any questions check our website or call customer service at (800)791 9458.

Warning! We strongly recommend that this item not be modified and/or used for any application other than that for which it was designed. If you have any questions relative to its application, do not use the equipment until you have consulted us and we have advised you.

Contact Power Smart at (800)791-9458 M-F 8am-4pm CST

GENERAL SAFETY RULES

Safety is a combination of common sense, staying alert, and knowing how your pressure washer works. **SAVE THESE SAFETY INSTRUCTIONS.**



WARNING: To avoid mistakes that could cause serious injury, do not plug in pressure washer until the following steps have been read and understood.



WARNING: This appliance is not intended for use by children or by unassisted, unsupervised persons whose physical, sensory or mental capabilities prevent them from using it safely. Children should be supervised to ensure that they do not play with the appliance.

Before starting up your machine, please check it carefully for any defects. If you find any, do not start up your machine. Please call Power Smart customer service at 1-800-791-9458 M-F 8-4 CST.



WARNING: When using the pressure washer, basic safety precautions should always be followed to reduce the risk of fire, electric shock, and personal injury. These include:

- **Know your product** – Know how to stop the machine and bleed pressure quickly. Thoroughly familiarize yourself with the controls.
- **Keep bystanders away** – All visitors and pets should be kept a safe distance away from the work area.
- **Use the right product** – Do not use this machine for any job except that for which it is intended.
- **Dress properly** – Do not wear loose clothing or jewelry. They can get caught in moving parts. Protective rubber gloves and non-slip footwear are recommended when working outdoors.

CAUTION! – Exercise caution to avoid slipping or falling. Wear protective footwear that will protect your feet and improve your footing on slippery surfaces.

- **Stay alert** – Watch what you are doing. Use common sense. Do not operate the pressure washer when you are tired, or under the influence of alcohol or drugs.
- **Do not overreach** – Keep proper footing and balance at all times.
- **Avoid unintentional starting** – Do not carry a plugged in machine with your finger on the trigger. Make sure the switch is off before plugging in the machine.
- **Do not abuse the cord** – Never carry the machine by the cord or yank the cord to disconnect it from the receptacle. Keep the cord away from heat, oil, and sharp edges.
- **Use safety glasses** – Also use safety footwear, snug-fitting clothing, protective gloves, hearing and head protection.
- **Check the water temperature** – This pressure washer is not meant to pump hot water. NEVER connect it to a hot water supply as it will significantly reduce the life of the pump.
- **Store indoors** – NEVER store the pressure washer outdoors or where it could freeze. The pump could be seriously damaged.

WARNING: High-pressure jets can be dangerous if subject to misuse. The jet must not be directed at persons, pets, live electrical equipment, or the appliance itself.

- Do not direct the jet at yourself or others in order to clean clothes or footwear.
- **Risk of explosion** – Do not spray flammable liquids.

SPECIFIC SAFETY RULES FOR PRSSURE WASHER



WARNING: Do not operate your pressure washer until it is completely assembled and installed according to the instructions.

It is very important to bleed the gun before using the pressure washer. Squeeze the trigger to allow any air that is trapped inside of the unit and hose to escape. Continue to squeeze trigger until a steady stream of water comes from the nozzle.

Keep operating area clear off all persons.

Before each use pressure must be released! Trigger on wand then start the washer.

Do not overreach or stand on unstable support. Keep good footing and balance at all times.

Follow the maintenance instructions specified in the manual.

To reduce the risk of electrocution, don't start and run the machine in the rain or storm. Keep all connections dry and off the ground. Do not touch plug with wet hands. It is strictly prohibited to let water leak into the machine.

When the machine is turned on, the interior pumps start and continue to run even if the pressure wand trigger has not been depressed. Running the machine for more than 3 minutes without depressing the pressure wand trigger could cause heat damage to the motor and pumps, please do not leave the machine running unattended or unused for more than 3 minutes.

When the machine is running, please maintain a constant water supply. Without water circulation will damage the sealing rings of the machine.

It is necessary to turn on the spray lance within one or two minutes after the machine has been started. Otherwise, the temperature of the circulating water within the machine will soon rise to a critical point, which will cause damage to the sealing rings inside the machine.

Don't start and run the machine in a place excessively cold so as to prevent the machine from freezing.

This appliance has been designed for only using cleaning water, do not use corrosive chemicals.

Do not use the appliance within the range of people

Do not direct the jet against yourself or others in order to clean clothes or footwear.

Disconnect from the electrical power supply before carrying out user maintenance.

To ensure the appliance safety to please use only original spare parts from the manufacturer or approved by the manufacturer. Do not use the machine before you change them if they are damaged.



WARNING: Do not expose to rain or use in damp locations.

ELECTRICAL INFORMATION (CONTINUED)

Guidelines for using extension cords

Make sure your extension cord is in good condition. When using an extension cord, be sure to use one heavy enough to carry the current your product will draw. An undersized cord will cause a drop in line voltage resulting in loss of power and overheating. The table below shows the correct size to be used according to cord length and nameplate ampere rating. If in doubt, use the next heavier gauge. The smaller the gauge number, the heavier the cord.

Minimum Gauge for Extension Cords (AWG)
(When using 120 V only)

Ampere Rating		Total Length of Cord in feet			
More Than	Not More Than	25	50	100	150
0	6	18	16	16	14
6	10	18	16	14	12
10	12	16	16	14	12
12	16	14	12	Not Recommended	

Make sure your extension cord is properly wired and in good condition. Always replace a damaged extension cord or have it repaired by a qualified person before using it.

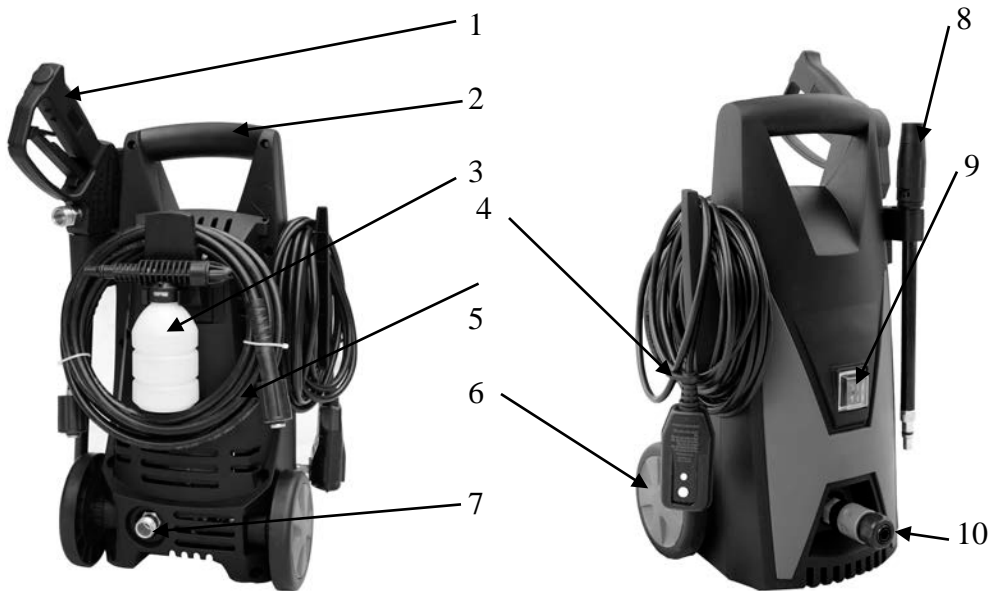
Protect your extension cords from sharp objects, excessive heat and damp or wet areas.

Use a separate electrical circuit for your tools. This circuit must not be less than a #12 wire and should be protected with a 15 A time-delayed fuse. Before connecting the motor to the power line, make sure the switch is in the OFF position and the electric current is rated the same as the current stamped on the motor nameplate. Running at a lower voltage will damage the motor.



WARNING: This tool must be grounded while in use to protect the operator from electric shock.

KNOWING YOUR PRESSURE WASHER



- 1 Gun
- 2 Carrying handle
- 3 Detergent kit
- 4 Power cord
- 5 Water hose

- 6 Wheel
- 7 Water outlet
- 8 Adjustable spray wand
- 9 ON/OFF switch
- 10 Water inlet

ASSEMBLY AND ADJUSTMENTS

Unpacking

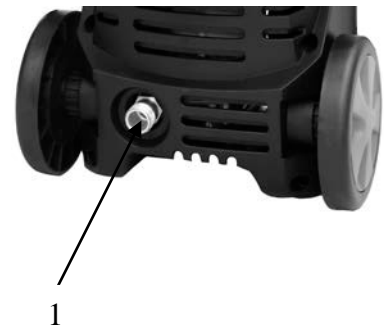
Unpack the pressure washer and all its parts, and compare against the list below. Do not discard the carton or any packaging until the pressure washer is completely assembled.



- 1 Gun
- 2 Adjustable wand
- 3 Inlet quick connector
- 4 Detergent kit (not shown)

Connect high pressure hose

1. Connect the 35 feet high pressure hose to the water outlet (1) on the pressure washer.
2. Connect another end of high pressure hose to the gun.



ASSEMBLY AND ADJUSTMENTS (CONTINUED)

Connect the garden hose to pressure washer

Connect the garden hose adaptor (female coupler) to the water inlet of the pressure washer, then thread your garden hose (male end) into the garden hose adaptor. You may need take the male connector of from the quick connector. The garden hose must have an internal diameter of at least 13 mm (1/2 in.) and must be reinforced. The water supply must be at least equal to the washer delivery capacity.



Setup water gun

The pressure washer is equipped with an adjustable Spray wand. Fit the wand into the gun and rotate it until the two parts are completely locked.

OPERATION

Automatic ON/OFF

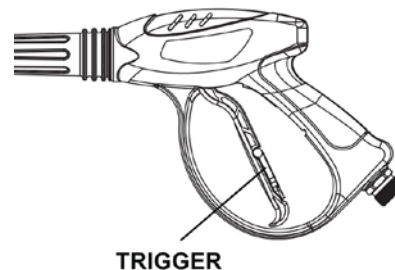
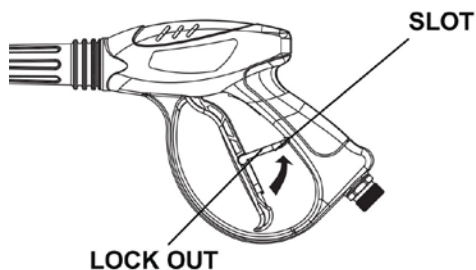
The motor on this pressure washer does not run continuously. It only runs when the trigger of the spray gun is squeezed.

Bleeding the gun

It is very important to bleed the gun before using the pressure washer. Squeeze the trigger to allow any air that is trapped inside of the unit and hose to escape. Continue to squeeze trigger until a steady stream of water comes from the nozzle. (This process may take up to 2 minutes).

Using the spray gun

Flip the lock tab behind the trigger up or down until it clicks to apply or remove the safety. Pull back on the trigger to begin operating pressure washer. To stop water flow, release trigger.



NOTE: The motor only runs when the trigger is operated and shuts off when the trigger is released.

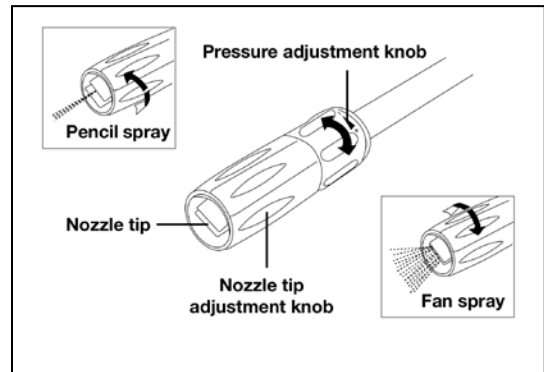
OPERATION (CONTINUED)

Using the adjustable wand



WARNING! High-pressure jets can be dangerous if subject to misuse. The jet must not be directed at persons, pets, live electrical equipment, or the appliance itself.

1. The washer is equipped with an adjustable nozzle.
2. The water pressure can be adjusted from low pressure (-) to high pressure (+) by turning the pressure adjustment knob. The nozzle tip can be adjusted from pencil spray (wide open tip) to fan spray (narrow tip) by turning the nozzle tip adjustment knob.



WARNING! Do not adjust the nozzle while the trigger is squeezed. Failure to do so could result in damage.

Working with detergent kit

When cleaning with the pressure washer, some cleaning tasks can be solved with water alone, but for most tasks cleaning with detergent allows for more effective dirt removal.



WARNING! Use only detergents specifically designed for use with pressure washers. **DO NOT USE** household detergents, acids, alkaline solutions, bleaches, solvents, flammable material, or industrial grade solutions. These could damage the pressure washer.



CAUTION! Always test the detergent in an inconspicuous area before use.

1. Unscrew the top of detergent kit and fill the bottle with detergent.
2. Replace top on detergent kit.
3. Remove the wand from gun.
4. Attach detergent kit to gun.
5. Apply detergent so it thoroughly covers cleaning surface. Apply from bottom to top to prevent detergent from sliding down and streaking.
6. Allow detergent to remain on the surface for a few minutes. This is a good time to use a brush to lightly scrub heavily soiled areas. Never allow detergent to dry on the cleaning surface.
7. Remove detergent kit from gun and replace with the wand.
8. Rinse detergent from surface.

NOTE: Flush detergent kit with clear water following each use.



CAUTION! Damage may occur to painted surfaces if the detergent is allowed to dry on the surface. Wash and rinse a small section at a time. Avoid working on hot surfaces or in direct sunlight.

OPERATION (CONTINUED)

1. Rinse with clean water under high pressure. When working on a vertical surface, rinse from the bottom up, then rinse from the top down to avoid streaking. Hold the nozzle 6-8 inches away from the work surface at a 45° angle.
2. When you have finished using the detergent injection system, refill it into fresh water. Siphon water at low pressure for one minute so that all the detergent is flushed through the system.



CAUTION! Failure to follow these cleaning instructions will cause the injection system to become clogged and inoperable.

Shutting down

1. Turn the switch to the OFF position and unplug the power cord from the outlet.
2. Turn off the water source.
3. Hold the trigger to release water pressure.
4. Disconnect the garden hose from the water inlet on the unit.
5. Disconnect the high-pressure hose connection on the trigger gun handle.
6. Release the trigger and engage the gun safety lock.



WARNING! Turn off the water supply and squeeze the trigger to depressurize the unit. Failure to do so could result in personal injury due to discharge of high-pressure water.

Storage



CAUTION! Always store your pressure washer in a location where the temperature will not fall below 32°F (0°C). The pump in this machine is susceptible to permanent damage if it freezes. **FREEZE DAMAGE IS NOT COVERED BY THE WARRANTY.**

Store the pressure washer indoors in a dry, covered area where it is not subject to adverse weather conditions.

It is important to store this product in a frost-free area.

Always empty water from all hoses, the pump, and the detergent tank before storing.



CAUTION! The use of a pump protector is recommended to prevent cold weather damage during storage over the winter months.

Winterizing and long-term storage

If you must store your pressure washer in a location where the temperature falls below 32°F, you can minimize the chance of damage to your machine by utilizing the following procedure:

1. Disconnect all water connections.
2. Turn on the machine for a few seconds until the remaining water in the pump exits. Turn off immediately.
3. Do not allow the high-pressure hose to become kinked.
4. Store the machine and accessories in a room that does not reach freezing temperatures.
5. Do not store near a furnace or other sources of heat that may dry out the pump seals.
6. Operate the pressure washer with non-corrosive/non-toxic anti-freeze, a pump saver, or a pump protector before storing for the winter.



WARNING! Before reusing, completely flush the unit with clear water. Anti-freeze products can damage paintwork, so you must ensure there is no anti-freeze left in the system before using it again.

MAINTENANCE

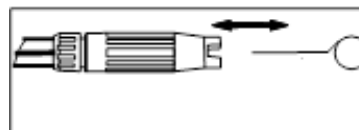
WARNING

Prior to inspection or maintenance, turn off power switch and disconnect plug from power source.

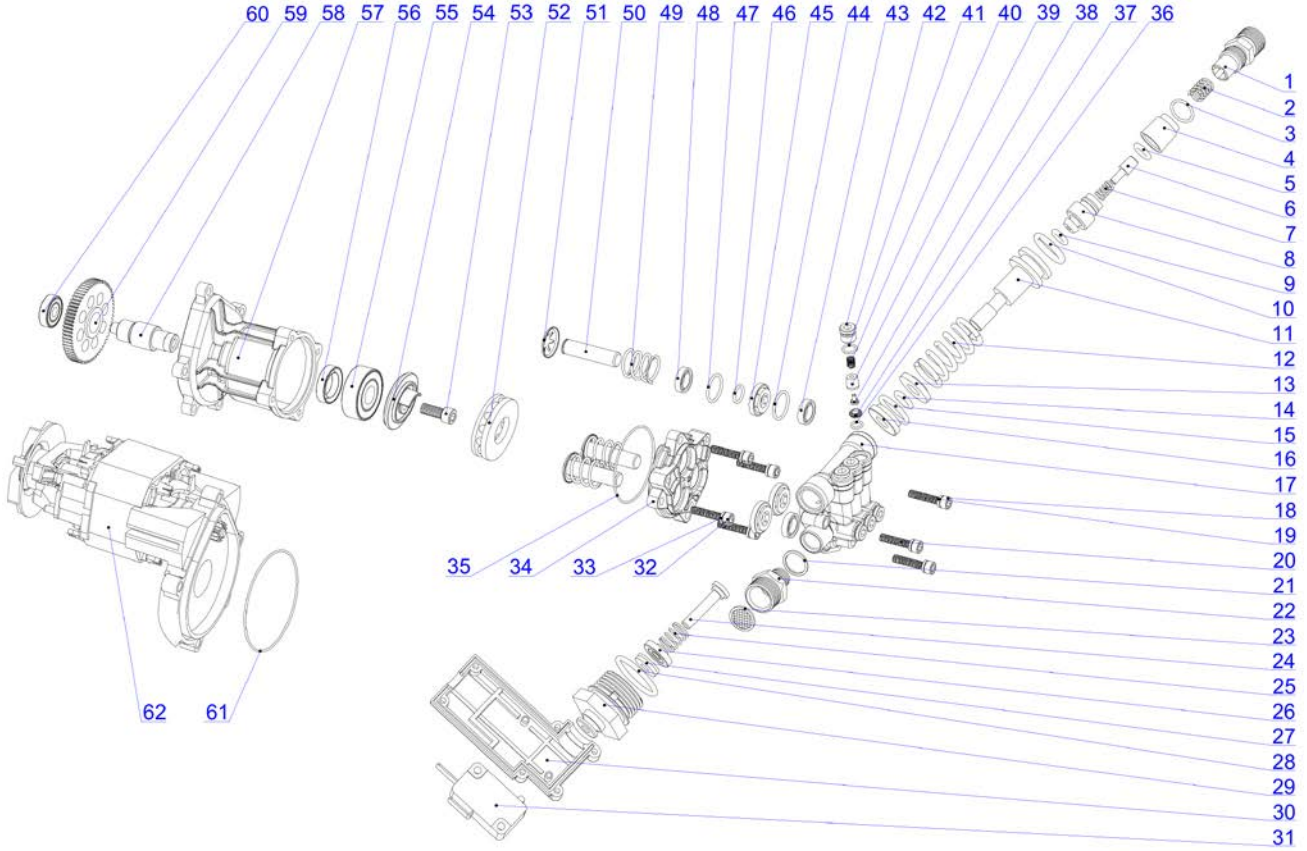


WARNING! Before working on the pressure washer, disconnect the plug from the power supply socket.

1. To ensure good performance, check and clean the water inlet filter. Remove the filter and rinse with warm water to prevent any foreign matter from clogging the pump.
2. Clean the nozzle with the tip cleaner provided. Remove the spray wand from the gun; remove any dirt from the nozzle hole and rinse.



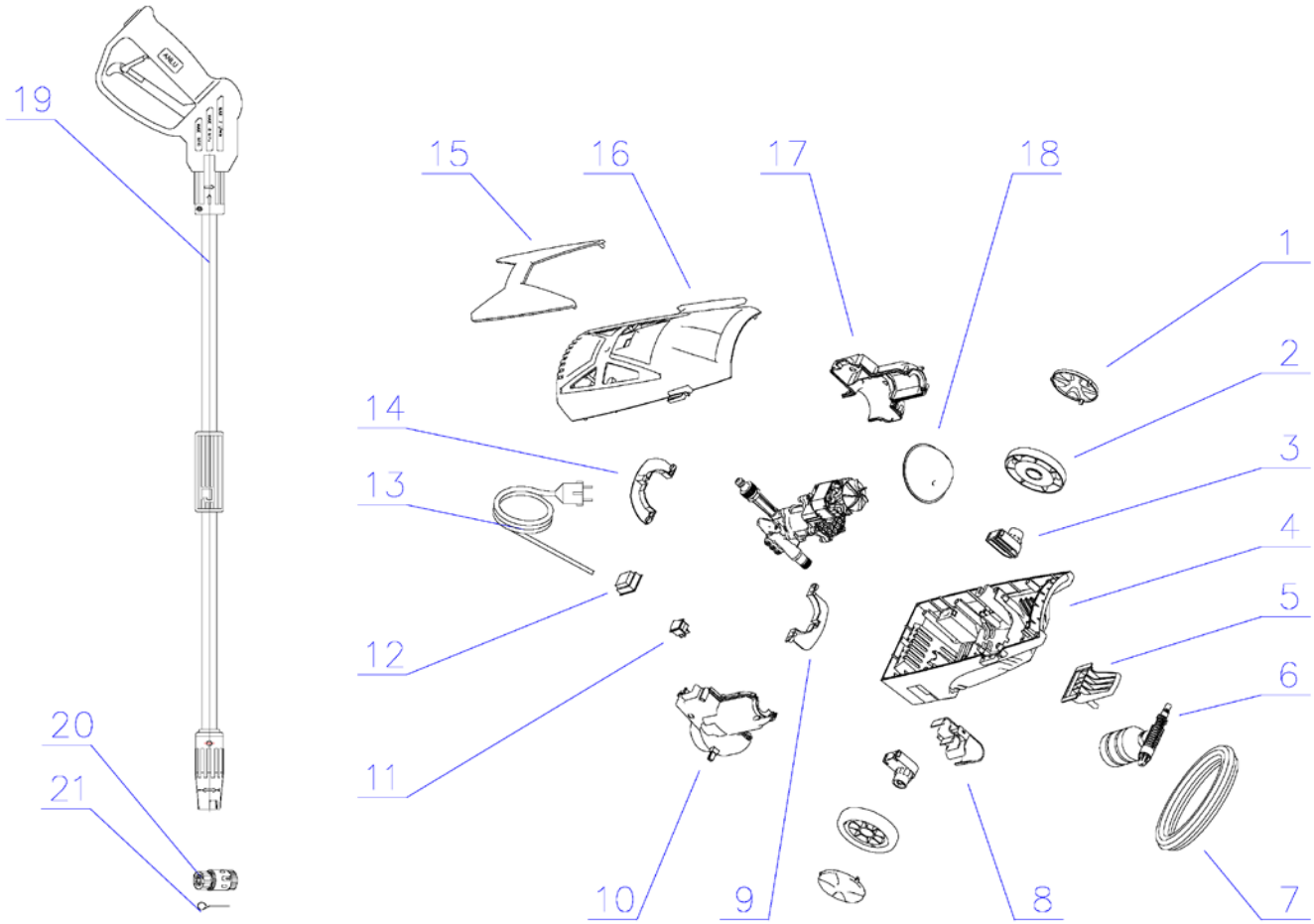
EXPLODED VIEW & PARTS LIST



Item	Stock #	Description	Qty
1	PS22-101	Water Outlet Joint	1
2	PS22-102	Spring	1
3	PS22-103	O-Ring 22x2.4	1
4	PS22-104	Blocking	1
5	PS22-105	O-Ring 5x1.8	1
6	PS22-106	Valve Core	1
7	PS22-107	Valve Core Spring	1
8	PS22-108	Jacket	1
9	PS22-109	O-Ring 4.5x1.8	1
10	PS22-110	O-Ring 16x2.4	1
11	PS22-111	Piston	1
12	PS22-112	Piston Spring	1
13	PS22-113	Piston Seat	1
14	PS22-114	O-Ring 5.6x1.8	1
15	PS22-115	O-Ring 12x1.8	1
16	PS22-116	Valve Seat	1
17	PS22-117	Pump Head	1
18	PS22-118	Screw M6x25	2
19	PS22-119	Spring Washer 6	3
20	PS22-120	Screw M6x35	1
21	PS22-121	O-Ring 18x2.4	1
22	PS22-122	Water Inlet Joint	1
23	PS22-123	Filter	1
24	PS22-124	Push Rod	1
25	PS22-125	Spring	1
26	PS22-126	Washer	1
27	PS22-127	Y-Ring 4x11x2.5	1
28	PS22-128	O-RING 22x1.9	1
29	PS22-129	Connecting Nut	1
30	PS22-130	Switch Cover	1
31	PS22-131	Micro Switch	1

Item	Stock #	Description	Qty
32	PS22-132	Screw M6x25	4
33	PS22-133	Spring Washer 6	4
34	PS22-134	Pump Body	1
35	PS22-135	O-Ring 58x2.65	1
36	PS22-136	O-Ring 10x1.5	6
37	PS22-137	Inlet & Outlet Valve Seat	6
38	PS22-138	Inlet & Outlet Valve Core	6
39	PS22-139	Inlet & Outlet Valve	6
40	PS22-140	Inlet & Outlet Valve Spring	6
41	PS22-141	O-Ring 12x1.9	6
42	PS22-142	Inlet & Outlet Valve Cap	6
43	PS22-143	Y-Ring 12x20x5	3
44	PS22-144	O-Ring 24x1.9	3
45	PS22-145	Middle Set	3
46	PS22-146	O-Ring 16x1.9	3
47	PS22-147	In The Interval Set	3
48	PS22-148	Skeleton Seal 12x20x4	3
49	PS22-149	Plunger Spring	3
50	PS22-150	Plunger	3
51	PS22-151	Plunger Clip	3
52	PS22-152	Bearing 51107B	1
53	PS22-153	Screw M8x20	1
54	PS22-154	Bearings Seat	1
55	PS22-155	Bearing 6302	1
56	PS22-156	Reinforced Seal	1
57	PS22-157	Connecting Seat	1
58	PS22-158	Gear Shaft	1
59	PS22-159	Gear	1
60	PS22-160	Bearing 629	1
61	PS22-161	O-Ring	1
62	PS22-162	Motor	1

EXPLODED VIEW & PARTS LIST (CONTINUED)



Item	Stock #	Description	QTY
1	PS22-201	Wheel cover	2
2	PS22-202	Wheel	2
3	PS22-203	Wheel supporter	2
4	PS22-204	Bottom cover	1
5	PS22-205	Hose supporter	1
6	PS22-206	Soap bottle	1
7	PS22-207	Hose	1
8	PS22-208	Gun supporter	1
9	PS22-209	Bottom heat insulation plate	1
10	PS22-210	Left motor cover	1
11	PS22-211	Switch	1
12	PS22-212	Switch jacket	1
13	PS22-213	Cable & GFCI Plug	1
14	PS22-214	Top heat insulation plate	1
15	PS22-215	Decoration plate	1
16	PS22-216	Top cover	1
17	PS22-217	Right motor cover	1
18	PS22-218	Waterproof cap	1
19	PS22-219	Spray gun	1
20	PS22-220	Quick connector	1
21	PS22-221	Cleaning pin	1

ONE (1) YEARS LIMITED WARRANTY

PowerSmart® is committed to building tools that are dependable for years. Our warranties are consistent with our commitment and dedication to quality.

ONE (1) YEAR LIMITED WARRANTY OF POWER SMART PRODUCTS FOR HOME USE.

Power Smart ("Seller") warrants to the original purchaser only, that all Power Smart consumer power tools will be free from defects in material or workmanship for a period of one (1) year from date of purchase. Ninety (90) days for all Power Smart Products, if the tool is used for professional or commercial use.

SELLER'S SOLE OBLIGATION AND YOUR EXCLUSIVE REMEDY under this One (1) Year Limited Warranty and, to the extent permitted by law, any warranty or condition implied by law, shall be the repair or replacement of parts, without charge, which are defective in material or workmanship and which have not been misused, carelessly handled, or misrepaired by persons other than Seller or Authorized Service Center. To make a claim under this Limited Warranty, you must return the entire power tool product; transportation prepaid, to Power Smart Include a legible copy of the original receipt, which lists the date of purchase (month and year) and the name of the company purchased from.

THIS LIMITED WARRANTY DOES NOT APPLY TO ANY ACCESSORY ITEMS INCLUDED WITH THE TOOL SUCH AS CIRCULAR SAW BLADES OTHER RELATED ITEMS OR TO ANY REPLACEMENT PARTS LISTED UNDER MAINTENANCE.

ANY IMPLIED WARRANTIES SHALL BE LIMITED IN DURATION TO ONE (1) YEAR FROM DATE OF PURCHASE. SOME STATES IN THE U.S. AND SOME CANADIAN PROVINCES DO NOT ALLOW LIMITATIONS ON HOW LONG AN IMPLIED WARRANTY LASTS, SO THE ABOVE LIMITATION MAY NOT APPLY TO YOU.

IN NO EVENT SHALL SELLER BE LIABLE FOR ANY INCIDENTAL OR CONSEQUENTIAL DAMAGES (INCLUDING BUT NOT LIMITED TO LIABILITY FOR LOSS OF PROFITS) ARISING FROM THE SALE OR USE OF THIS PRODUCT. SOME STATES IN THE U.S. AND SOME CANADIAN PROVINCES DO NOT ALLOW THE EXCLUSION OR LIMITATION OF INCIDENTAL OR CONSEQUENTIAL DAMAGES, SO THE ABOVE LIMITATION OR EXCLUSION MAY NOT APPLY TO YOU.

THIS LIMITED WARRANTY GIVES YOU SPECIFIC LEGAL RIGHTS, AND YOU MAY ALSO HAVE OTHER RIGHTS WHICH VARY FROM STATE TO STATE IN THE U.S., PROVINCE TO PROVINCE IN CANADA AND FROM COUNTRY TO COUNTRY.

For questions / comments, technical assistance or repair parts –
Please call toll free at: 1-800-791-9458 (M-F 8am – 4pm CST)
Email: support@amerisuninc.com

SAVE YOUR RECEIPTS. THIS WARRANTY IS VOID WITHOUT THEM.