



A TEREX BRAND

Parts Manual

Serial Number Range

Z-45/25
Z-45/25J DC

from SN Z4525D-1358

Part No. 1296548GT
Rev: A1
March 2021

Technical Publications

Genie has endeavored to deliver the highest degree of accuracy possible. However, continuous improvement of our products is a Genie policy. Therefore, product specifications are subject to change without notice.

Readers are encouraged to notify Genie of errors and send in suggestions for improvement. All communications will be carefully considered for future printings of this and all other manuals.

Contact Us:

Internet: www.genielift.com
e-mail: awp.techpub@terex.com

Find a Manual for this Model


Go to <http://www.genielift.com>

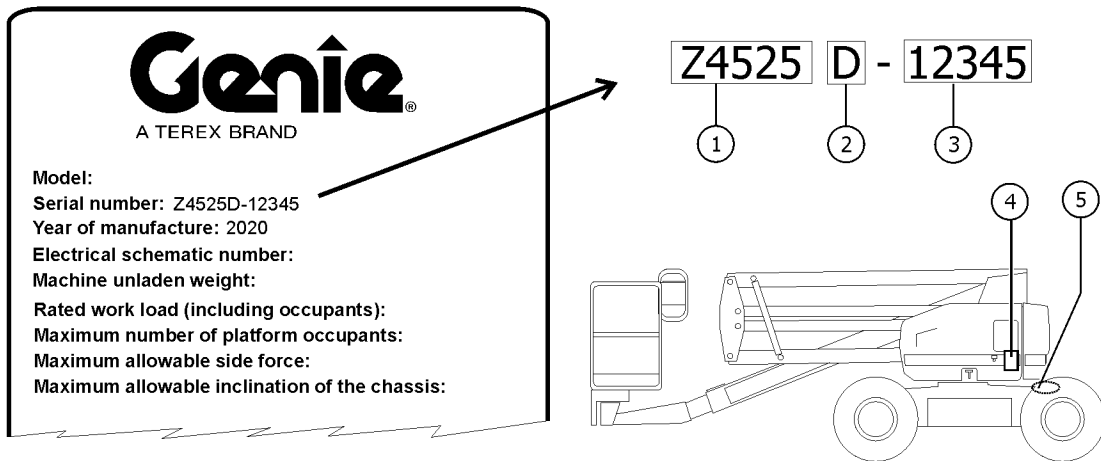
Use the links to locate Operator's, Parts, Maintenance, and Service and Repair Manuals.

Copyright © 2020 Terex Corporation

1296548GT Rev A1 March 2021
First Edition, Second Printing

"Genie" is a registered trademark of Terex South Dakota in the USA and many other countries. "Z" is a trademark of Terex South Dakota, Inc.

 Printed on recycled paper



Genie
A TEREX BRAND

Model:
Serial number: Z4525D-12345
Year of manufacture: 2020
Electrical schematic number:
Machine unladen weight:
Rated work load (including occupants):
Maximum number of platform occupants:
Maximum allowable side force:
Maximum allowable inclination of the chassis:

Z4525 D - 12345

1 2 3 4 5

- 1 Model
- 2 Facility code
- 3 Sequence number
- 4 Serial label (located under cover)
- 5 Serial number (stamped on chassis)

How to Order Parts

Please be prepared with the following information when ordering replacement parts for your Terex or Genie product.

- Machine model number
- Machine serial number
- Part number
- Part description and quantity
- Purchase order number
- "Ship to" address
- Desired method of shipment
- Name and telephone number of the authorized distributor in your area

Use the Service Parts Fax Order Form on the next page and fax your order to our Parts Department.

If you don't know the name of your authorized distributor, or if your area is not currently serviced by an authorized distributor, please call Terex or Genie Industries.

Machine Information

Model

Serial Number

Date of Purchase

Authorized Genie Distributor

Phone Number

North America

Telephone (425)881-1800
 Toll Free (800)536-1800 in US and Canada
 Fax (425)556-8659
 Toll Free fax (888)274-6192
 Email AWP.PartsSalesPO@terex.com
<http://genielift.com/en>

EMEAR (Europe, Middle East, Africa and Russia)

Telephone (31)(165)519 313
 Fax (31)(165)511 148
<http://genielift.co.uk>

Asia Pacific (Genie Singapore)

Telephone +65 6692 7777
 Fax +65 6261 8893
<http://genielift.com.sg/>

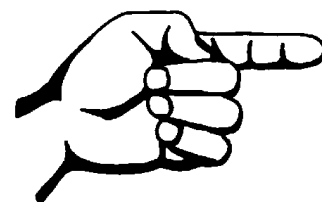
Australia

Telephone (61)(7)3456 4444
 Fax (61)(7)3456 4466
<http://genielift.com.au>

South America

Telephone (55)(11)4082 5600
 Fax (55)(11)4082 5630

Please refer to section 001 for the Recommended Spare Parts List.



This page intentionally left blank.

Service Parts Fax Order Form



Fax to: (425) 556-8659 or Toll Free: 888-274-6192
International: +1-425-556-8659

Please fill out completely

Date _____	Account Number _____
Your Name _____	Your Fax Number _____
_____	Your Phone Number _____
Bill To _____	Ship To _____
_____	_____
_____	_____
Purchase Order Number _____	Ship Via _____

Model(s) _____ Serial No.(s) _____

Optional Equipment _____

Part Number	Description	Quantity	Price

- All back-ordered parts will be shipped when available via the same ship method as the original order unless Noted below:
- Ship complete order only - No back orders
 - Ship all available parts and contact customer on disposition of back-ordered parts
 - Other (please specify)

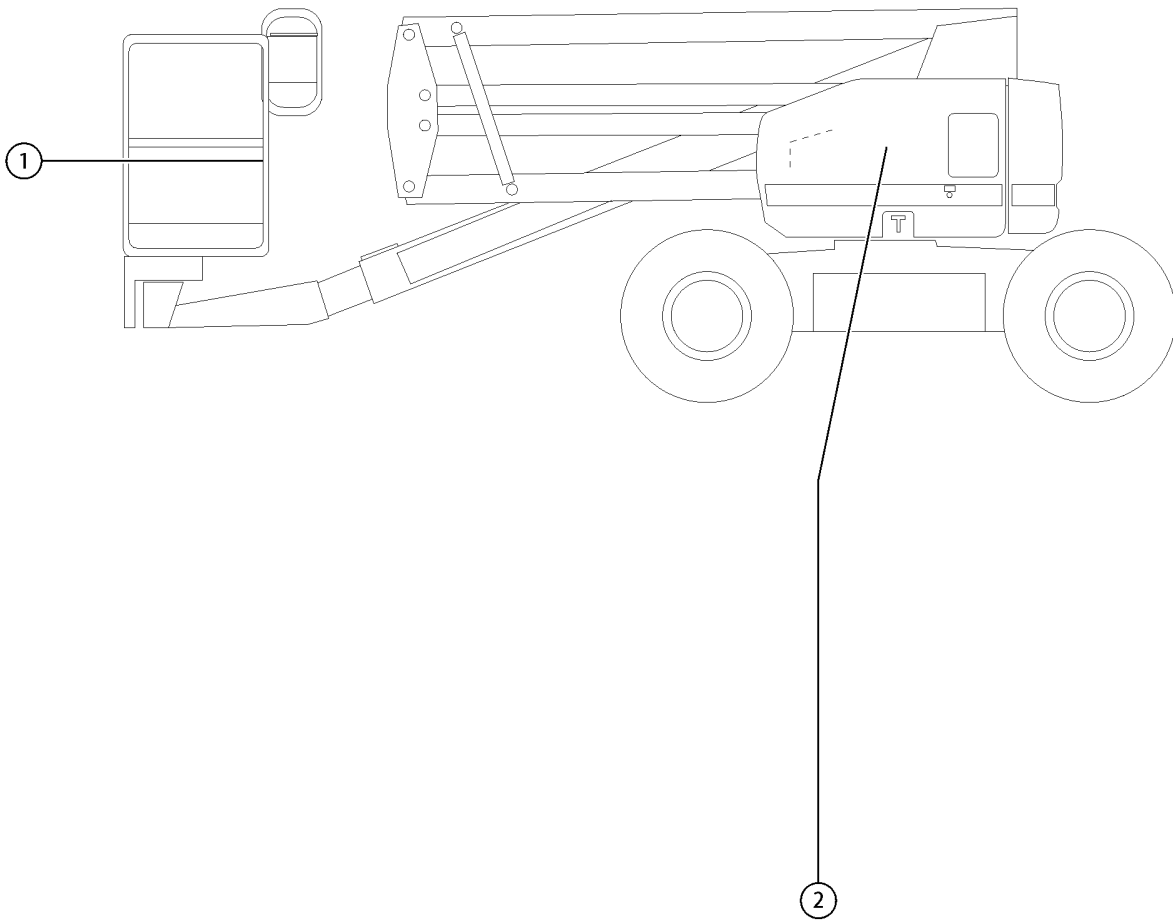


Description	Page
001 Parts Stocking List	10
001.1 Parts Stocking List	10
100 Decals	12
101.1 Word Decals (To May 30, 2020)	12
101.2 Word Decals (From Jun 1, 2020)	18
102.1 Symbol Decals (To May 30, 2020)	22
102.2 Symbol Decals (From Jun 1, 2020)	26
200 Drive Chassis Components.....	30
201.1 Steer End	30
202.1 Non-steer End	34
203.1 Battery Packs	42
204.1 Battery Charger	46
205.1 Power Cables	48
300 Turntable Components.....	52
301.1 Turntable Rotator	52
302.1 Turntable Components - View 1.....	56
303.1 Turntable Components - View 2.....	58
304.1 Turntable Components - View 3.....	62
305.1 Ground Control Box - View 1	66
306.1 Ground Control Box - View 2	74
307.1 Turntable Covers - View 1	78
308.1 Turntable Covers - View 2	80
309.1 Wire Harness Diagram	82
400 Boom Components	86
401.1 Boom Pins and Bearings	86
402.1 Secondary Linkage	88
403.1 Upper Pivot.....	92
404.1 Primary and Extension Booms.....	94
405.1 Cable Track	98
406.1 Non-Jib Platform Leveling and Rotation (Z-45/25)	100
407.1 Jib Platform Leveling (Z-45/25J)	104
408.1 Jib Platform Rotation (Z-45/25J)	108
409.1 Jib Detail (Z-45/25J)	110
500 Platform Components	112
501.1 Platform Configuration	112
502.1 Platform Components	114

Table of Contents

Description	Page
503.1 Platform Controls	118
504.1 Joystick Controller, Drive/Steer Functions	128
505.1 Rotational Controller	130
600 Pumps and Manifolds	132
601.1 Hydraulic Power Unit	132
602.1 Function Manifold	134
603.1 Jib Boom and Platform Rotate Manifolds	138
700 Hydraulic Hoses and Fittings	140
701.1 Drive and Steer Hoses	140
702.1 Turntable Components	142
703.1 Boom Components - Z-45/25	144
704.1 Boom Components - Z-45/25J (To Z45/25D-2610)	146
704.2 Boom Components - Z-45/25J (From Z45/25D-2611)	148
800 Accessories	152
801.1 Flashing Beacon	152
802.1 Platform Options	154
803.1 Half-height Mesh and Swing Gate Options - Side Swing Gate	158
804.1 Air Line to Platform	160
805.1 Platform Overload Option	162
806.1 Hostile Environment Package - View 1	166
807.1 Hostile Environment Package - View 2	168
808.1 Drive Lights	170
809.1 Aircraft Protection Package	172
810.1 Fall Arrest Bar	176
811.1 Operators Protection Alarm (to January 2017)	178
811.2 Lift Guard Contact Alarm (from January 2017)	182
812.1 Operator Protective Structure	186
813.1 Auxiliary Rail Option	188
814.1 Charger Protector Option (To Z4525D-3228)	190
815.1 China Telematics Option, TZ200, STD	192
Part Number Index	194

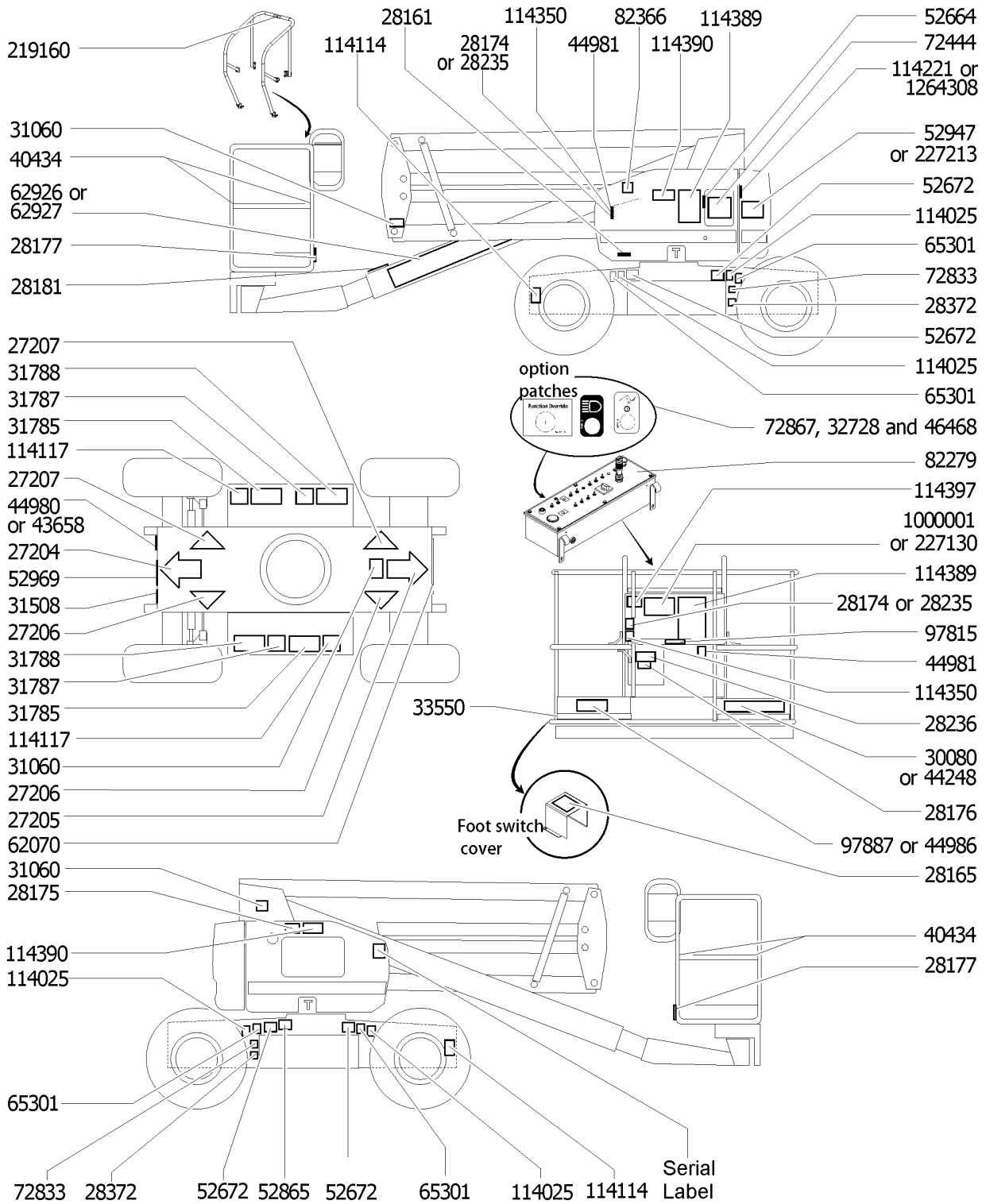
001.1 Parts Stocking List



Item	Part No.	Description	Qty.
A		—GENERAL SERVICE PARTS—	
--	1257733GT	TRAFFIC BLACK, GL 1-gallon	
--	1258567GT	PAINT, AEROSOL, TRAFFIC BLACK 12-ounce spray paint	
--	1268GT	PAINT, AEROSOL, GENIE GRAY*** 12-ounce spray paint	
--	1283776GT	SEAL MARKER, CROSS CHECK, BLUE, TUBE	
--	1484GT	PAINT, AEROSOL, BRIGHT BLUE*** 12-ounce spray paint	
--	28750GT	O-RING KIT, FIELD SVC, ALL PROD* O-ring kit, SAE	
--	32150GT	PAINT, WET, GENIE BLUE (1 GL)** 1-gallon	
--	32151GT	PAINT, WET, GENIE GRAY (1 GL)** 1-gallon	
--	33994GT	PLUG AND CAP KIT-SERVICE, 37 ** Plug and cap kit, SAE	
--	36555GT	CHOCK, CYLINDER (SERVICE TOOL) 1-gallon	
--	49612GT	O-RING KIT (ORFS FITTINGS) O-ring kit, ORFS	
--	49613GT	PLUG AND CAP KIT-SERVICE, ORFS* Plug and cap kit, ORFS	
--	66399GT	GREASE, DIELECTRIC 4 OZ**	
--	93500GT	PARKER DIGITAL PRESSURE GAUGE	
--			
1		—MANUALS—	
1-	27581GT	MANUAL, AEM SAFETY	
1-	31779GT	MANUAL, RESPON, A92.5 BOOM	
2		—HYD FILTERS—	
2-	44788GT	FILTER ELEMENT, 10MICRON, PAPER*	
2-	78622GT	FILTER ASSY, SAE8, 10 MIC, PAPER**	



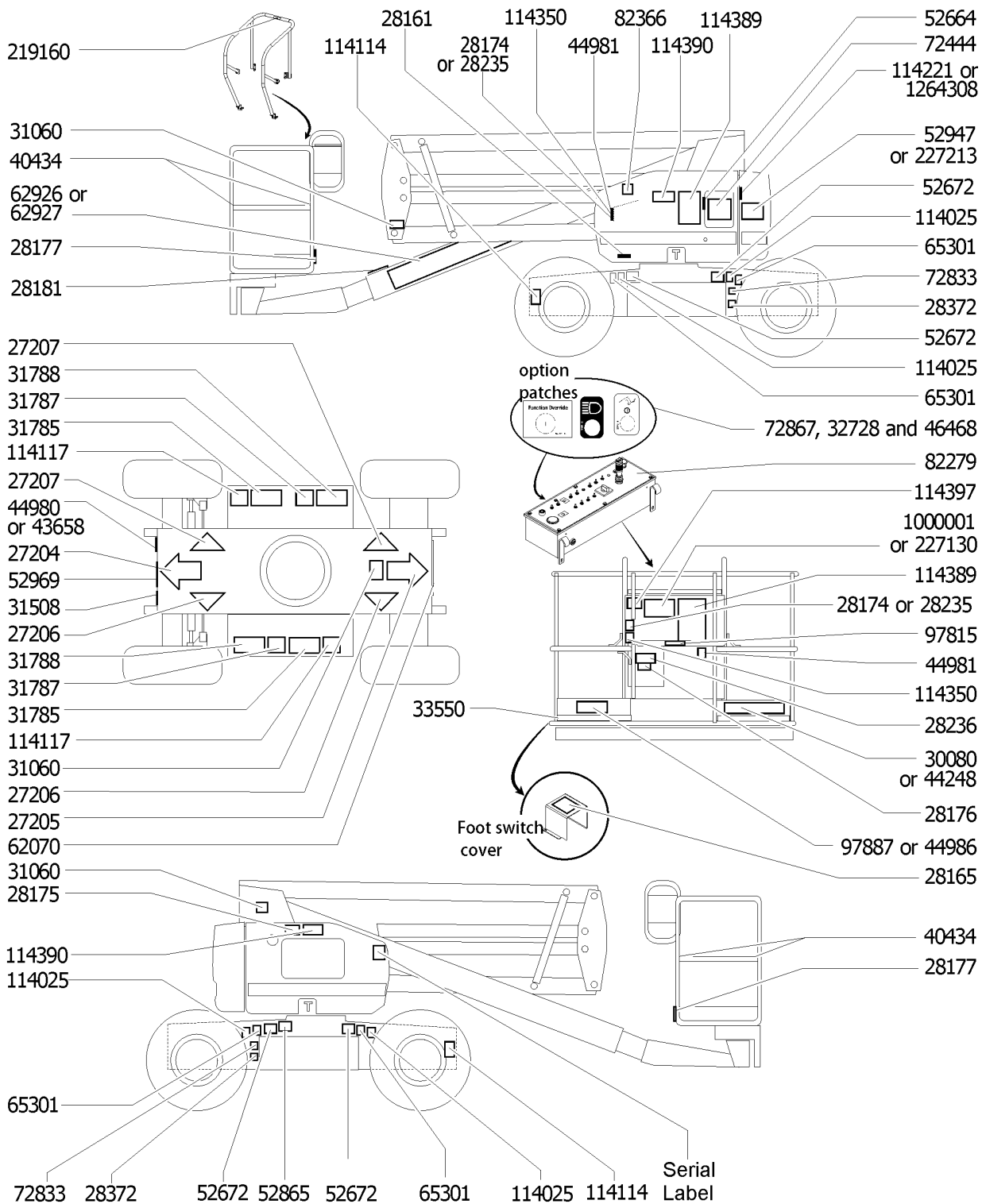
101.1 Word Decals (To May 30, 2020)



Item	Part No.	Description	Qty.
--	822005GT	DECAL KIT,Z45 PLAT,WORD,ANSI	
--	822006GT	DECAL KIT,Z45 COMP,WORD,ANSI	
--	822013GT	DECAL KIT,Z45 PLAT,WORD,AUS	
--	822014GT	DECAL KIT,Z45 COMP,WORD,AUS	
1	27204GT	DECAL,ARROW BLUE	1
2	27205GT	DECAL,ARROW YELLOW LRG 9"	1
3	27206GT	DECAL,TRIANGLE,BLUE	2
4	27207GT	DECAL,TRIANGLE,YELLOW	2
5	114390GT	DECAL,DANGER,ELECT HAZARD***	2
6	28161GT	DECAL,WARN,CRUSH HAZARD HAND	3
7	28165GT	DECAL,INSTRUCT,FOOTSWITCH OPER	1
8	28174GT	DECAL,POWER TO PLATFORM 230V	2
9	28175GT	DECAL,WARNING-COMPART ACCESS	1
10	28176GT	DECAL,LABEL,MANUAL NOT HERE	1
11	28177GT	DECAL,WARN,CRUSH HAZARD PLAT	2
12	28181GT	DECAL,WARN,FALL HAZARD	1
13	28235GT	DECAL,POWER TO PLATFORM 115V	2
14	28236GT	DECAL,WARN,IMPROPER OPERATION	1
15	28372GT	DECAL,NOTICE,BATTERY CABLES	2
16	30080GT	DECAL,NOTICE,MAX LOAD 500 LBS	1
17	31060GT	DECAL,DANGER DO NOT ALTER SWTC	3
18	31508GT	DECAL,DANGER,ELECT HAZARD,PLUG	1
19	31785GT	DECAL,NOTICE,CHARGER INSTRUC	2
20	31787GT	DECAL,DANGER,TIP-OVER BATTERY	2
21	31788GT	DECAL,DANGER,BATTERY SAFETY***	2
22	32728GT	DECAL,OPTION GENERATOR***	1
23	33550GT	TAPE,WARNING,BLK/YEL, 50'*** (sold by the roll. 648" per roll) (Required to be ilnstall at base of platform toeboard for Australian market)	
24	114397GT	DECAL,DANGER,TILT ALARM	1



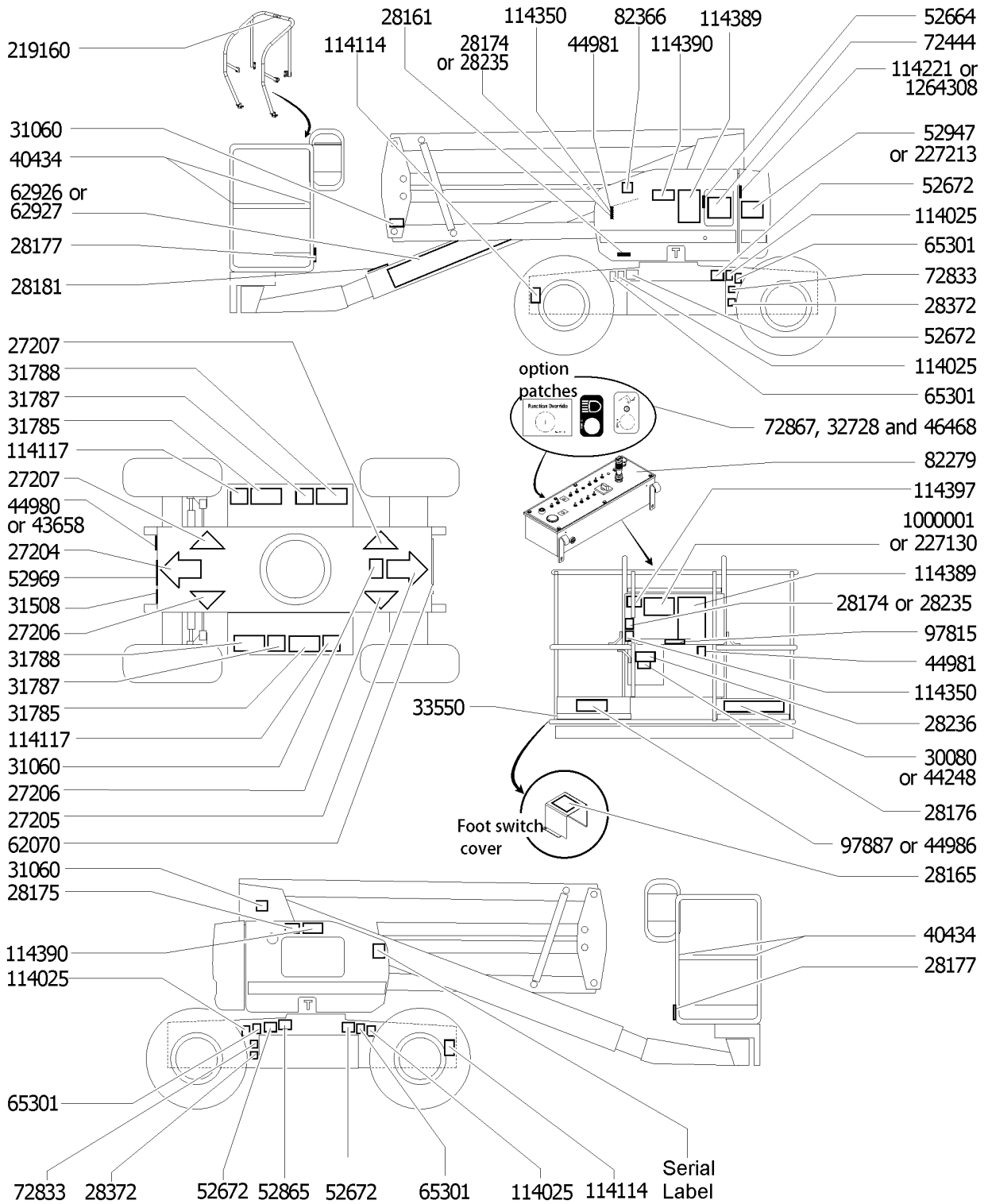
101.1 Word Decals (To May 30, 2020)



Item	Part No.	Description	Qty.
25	40434GT	DECAL,LANYARD ANCHORAGE POINT	8
26	43658GT	DECAL,LABEL,PWR TO CHARGR 230V	1
27	44248GT	DECAL,NOTICE,MAX CAP 440 LBS (for aircraft protection package)	
28	44980GT	DECAL,LABEL,PWR TO CHARGR 115V	1
29	44981GT	DECAL,LABEL,AIRLINE 110 PSI	2
30	44986GT	DECAL,INSTR,SIDE FRC/WIND,AUS Australia models	1
31	46468GT	DECAL,FUNCTION OVERRIDE	1
		(for aircraft protection package)	
32	52664GT	DECAL,LABEL,CONTRLR STATUS LT	1
33	52672GT	DECAL,DANGER,TIPOVER HAZARD***	4
34	52865GT	DECAL,ANNUAL INSP***	1
35	52947GT	DECAL,OPERATING INSTR,GROUND	1
		ANSI models	
36	52969GT	DECAL,COSMETIC,GENIE BOOM,HORZ	1
37	62070GT	DECAL,COSMETIC,DC POWER	1
38	62926GT	DECAL,COSMETIC,GENIE Z-45/25J	1
		Jib models	
39	62927GT	DECAL,COSMETIC,GENIE Z-45/25	1
		Non-Jib models	
40	65301GT	DECAL,NOTICE,FOAM-FILLED TIRES	4
41	72444GT	DECAL,GROUND CONTROL PANEL	1
42	72833GT	DECAL,LABEL,OPEN,LATCH	2
43	72867GT	DECAL,LABEL,LIGHTS***	1
44	82279GT	DECAL,PLATFORM CONTROL PANEL	1
45	82366GT	DECAL,CHEVRON RANDO HD	1
46	97815GT	DECAL,LABEL,LOWER MIDRAIL	1
47	97887GT	DECAL,INSTR,MAX SIDE FRC,ANSI	1
		ANSI models	
48	114025GT	DECAL,LABEL,WHEEL LOAD Z4525DC	4
49	114114GT	DECAL,LABEL,TRANSPORT	2
50	114117GT	DECAL,BATT CONN DIAGRAM	2
51	114221GT	DECAL,LABEL,RELAYS,Z45DC,BE	1
52	114350GT	DECAL,AC INVERTER POWER,115V	2



101.1 Word Decals (To May 30, 2020)

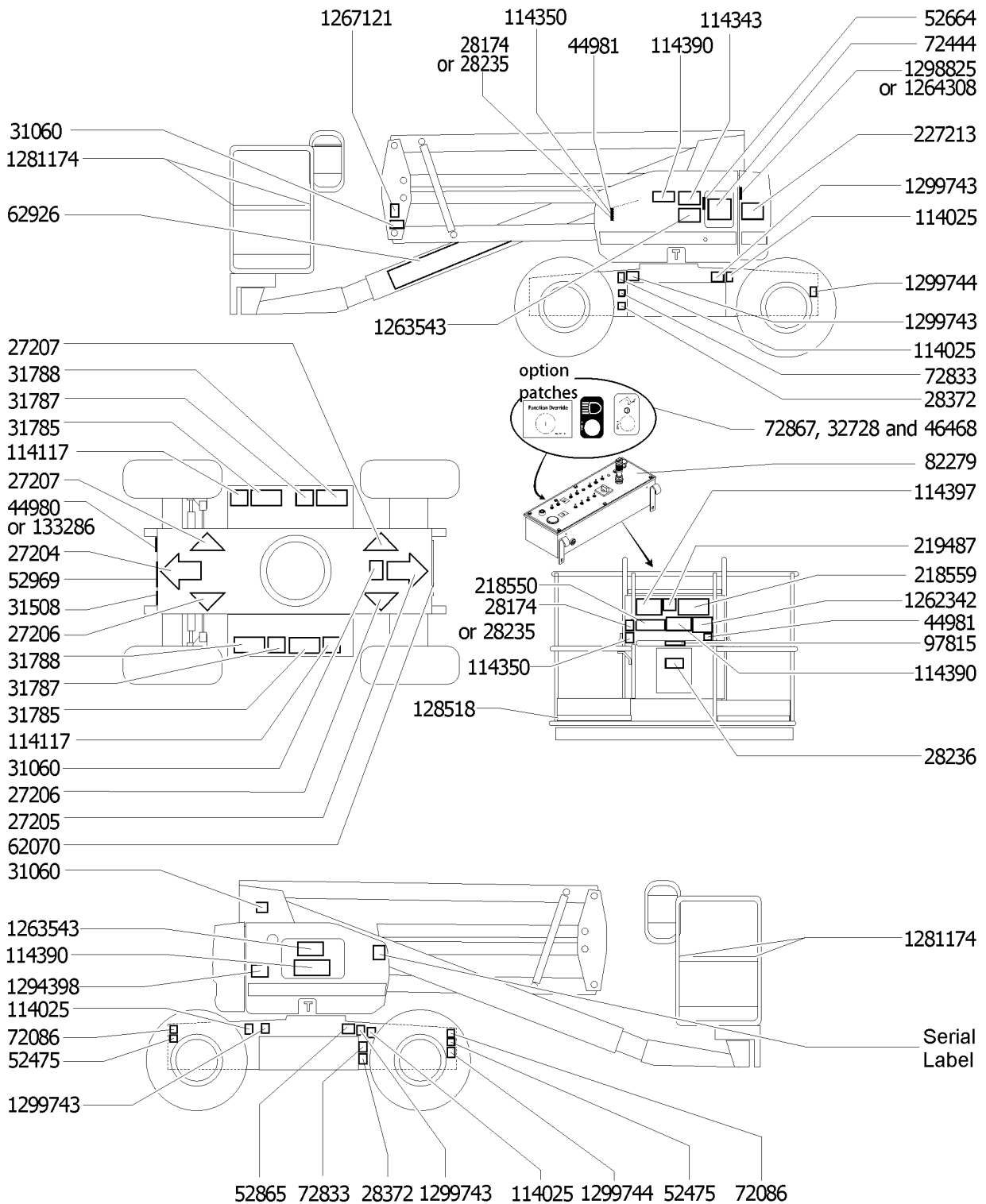


101.1 Word Decals (To May 30, 2020)

<i>Item</i>	<i>Part No.</i>	<i>Description</i>	<i>Qty.</i>
53	114389GT	DECAL,DANGER,GENERAL SAFETY	2
54	219160GT	DECAL, INSTRUCTION, OPS	1
		option	
55	227130GT	DECAL,OPER INST,Z45DC PLAT AUS	1
		Australia models	
56	227213GT	DECAL, OPER INST,DC	1
		Australia models	
57	100001GT	DECAL, INSTR, OP INST,DC	2
		ANSI models	
58	1264308GT	DECAL,LABEL,RELAYS,Z45DC,BE	



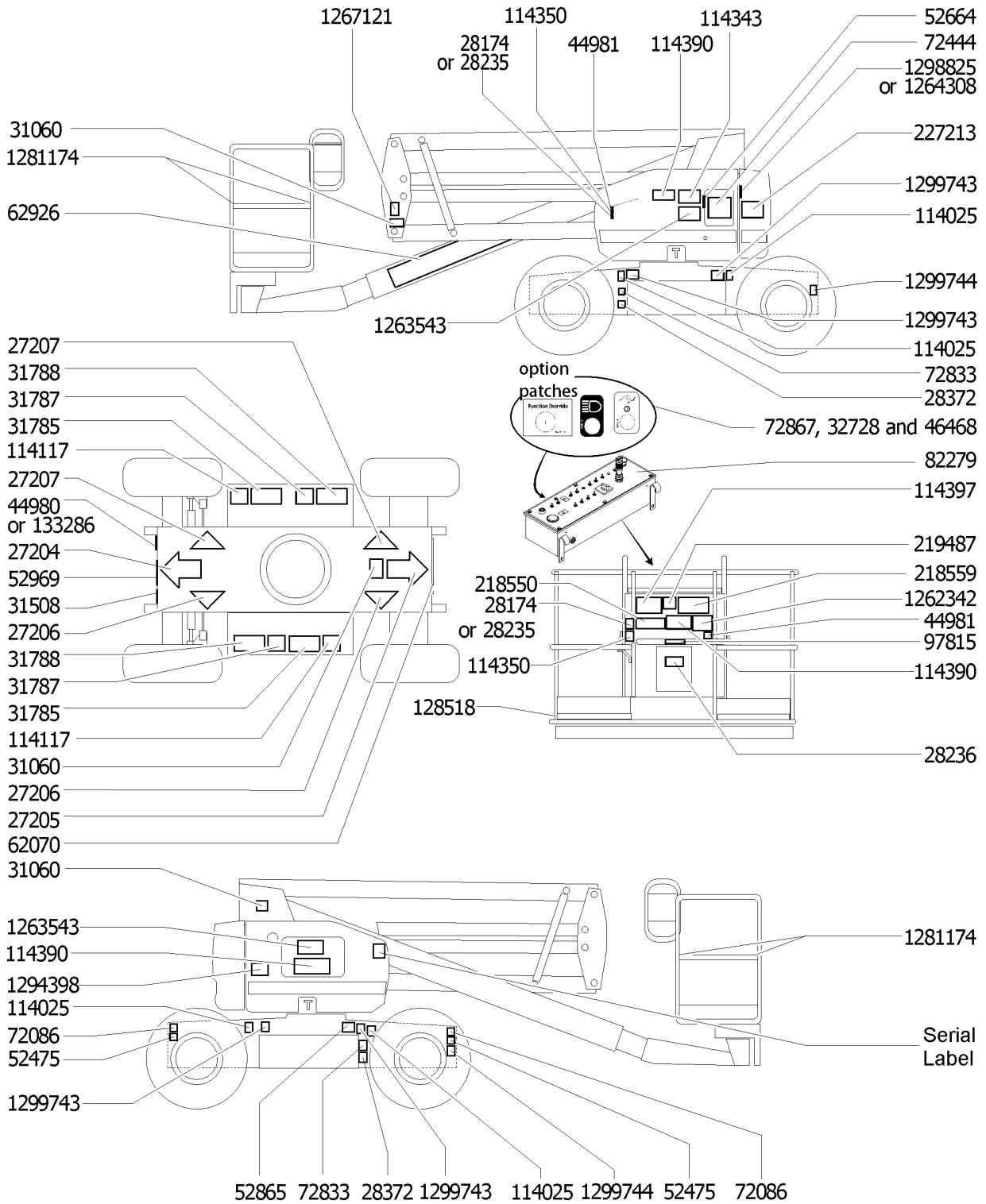
101.2 Word Decals (From Jun 1, 2020)



Item	Part No.	Description	Qty.
1	27204GT	DECAL,ARROW BLUE	1
2	27205GT	DECAL,ARROW YELLOW LRG 9"	1
3	27206GT	DECAL,TRIANGLE,BLUE	2
4	27207GT	DECAL,TRIANGLE,YELLOW	2
5	28174GT	DECAL,POWER TO PLATFORM 230V	2
6	28235GT	DECAL,POWER TO PLATFORM 115V	2
7	28236GT	DECAL,WARN,IMPROPER OPERATION	1
8	28372GT	DECAL,NOTICE,BATTERY CABLES	2
9	31060GT	DECAL,DANGER DO NOT ALTER SWTC	3
10	31508GT	DECAL,DANGER,ELECT HAZARD,PLUG	1
11	31785GT	DECAL,NOTICE,CHARGER INSTRUC	2
12	31787GT	DECAL,DANGER,TIP-OVER BATTERY	2
13	31788GT	DECAL,DANGER,BATTERY SAFETY***	2
14	32728GT	DECAL,OPTION GENERATOR***	1
15	44980GT	DECAL,LABEL,PWR TO CHARGR 115V	1
16	44981GT	DECAL,LABEL,AIRLINE 110 PSI	2
17	46468GT	DECAL,FUNCTION OVERRIDE	1
		(for aircraft protection package)	
18	52475GT	DECAL,LABEL,TRANSPORT TIEDOWN*	2
19	52664GT	DECAL,LABEL,CONTRLR STATUS LT	1
20	52865GT	DECAL,ANNUAL INSP***	1
21	52969GT	DECAL,COSMETIC,GENIE BOOM,HORZ	1
22	62070GT	DECAL,COSMETIC,DC POWER	1
23	62926GT	DECAL,COSMETIC,GENIE Z-45/25J	1
		Jib models	
24	72086GT	DECAL,LABEL,LIFTING EYE	2
25	72444GT	DECAL,GROUND CONTROL PANEL	1
26	72833GT	DECAL,LABEL,OPEN,LATCH	2
27	72867GT	DECAL,LABEL,LIGHTS***	1
28	82279GT	DECAL,PLATFORM CONTROL PANEL	1



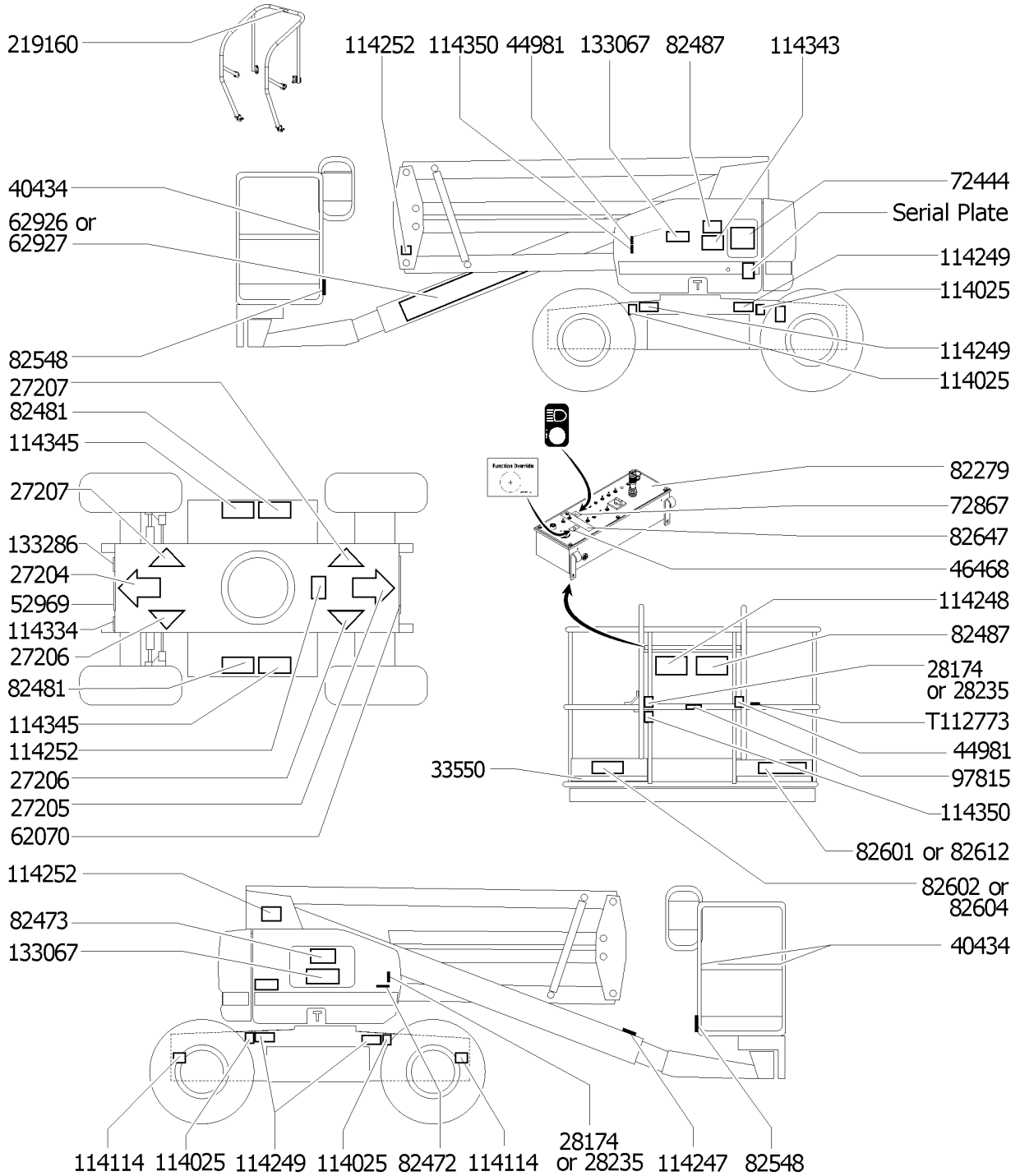
101.2 Word Decals (From Jun 1, 2020)



Item	Part No.	Description	Qty.
29	97815GT	DECAL,LABEL,LOWER MIDRAIL	1
30	114025GT	DECAL,LABEL,WHEEL LOAD Z4525DC	4
31	114117GT	DECAL,BATT CONN DIAGRAM	2
32	114343GT	DECAL,LABEL,EMERGENCY DOWN	1
33	114350GT	DECAL,AC INVERTER POWER,115V	2
34	114390GT	DECAL,DANGER,ELECT HAZARD***	3
35	114397GT	DECAL,DANGER,TILT ALARM	1
36	128518GT	WARNING RIBBON	1
37	133286GT	DECAL, POWER TO CHARGER, UNIV	1
38	218550GT	DECAL,DANGER,CAP,AUS WORD	1
39	218559GT	DECAL,DANGER/WARNING COMBO	1
40	219487GT	DECAL,PLATFORM OVERLOAD	1
41	227213GT	DECAL, OPER INST,DC	1
		Australia models	
42	1262342GT	DECAL,WORD,SLOPE RATING,S60	1
43	1263543GT	DECAL, IMPROPER OPERATION	2
44	1264308GT	DECAL,LABEL,RELAYS,Z45DC,BE	1
45	1267121GT	DECAL,WARNING,CRUSH HAZARD	1
46	1281174GT	DECAL,LANYARD,FALL ARREST/FALL RESTRAINED	2
47	1294398GT	DECAL, ANSI/CSA COMPLIANT	1
48	1298825GT	DECAL, LABEL, RELAYS, Z45DC, BE	1
49	1299743GT	DECAL,DANGER,TIP,INDUSTRIAL TIRES	4
50	1299744GT	DECAL,TRANSPORT/LIFT DIAGRAM, Z-45	2



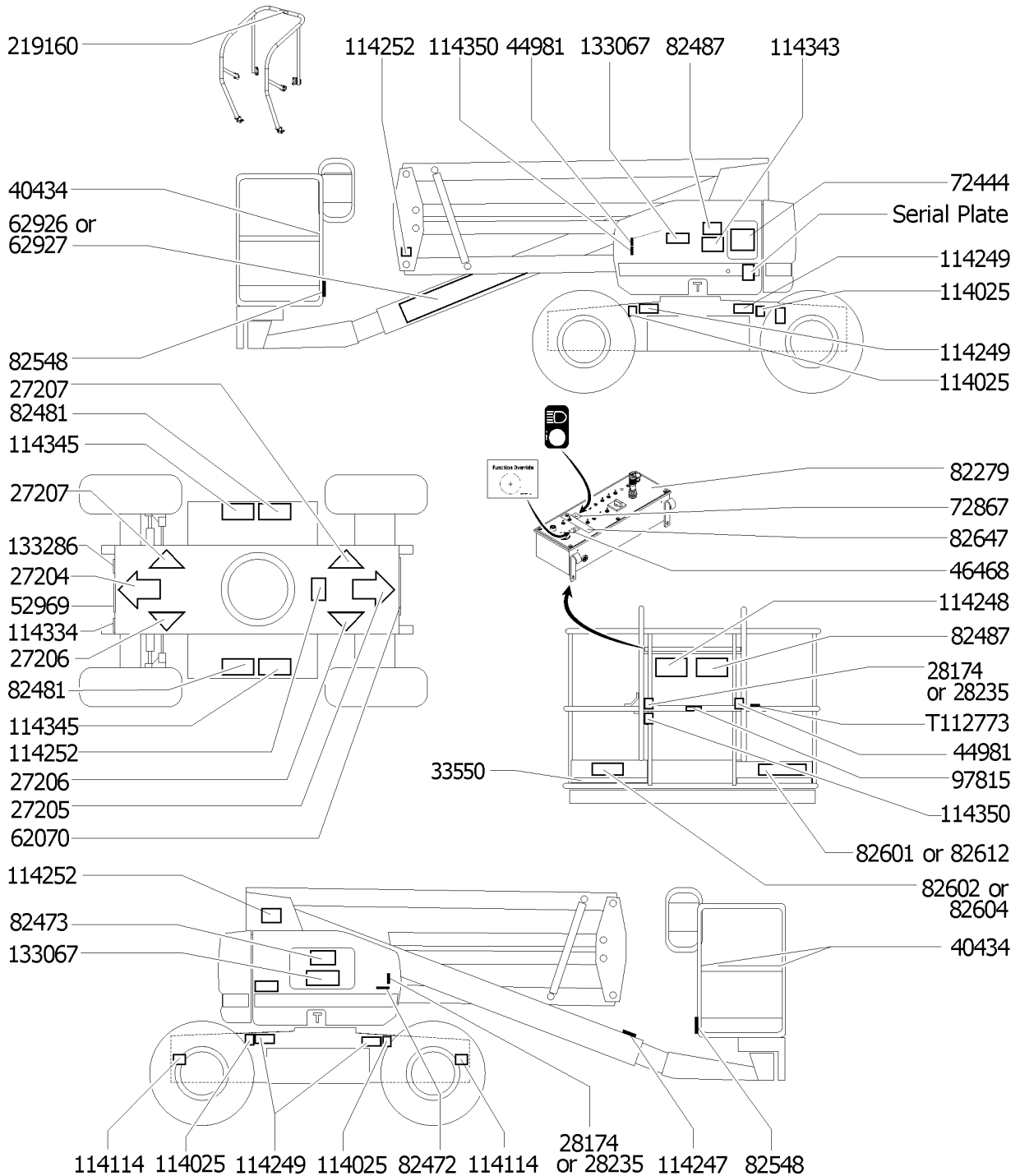
102.1 Symbol Decals (To May 30, 2020)



Item	Part No.	Description	Qty.
A	823153GT	DECAL KIT,Z45 PLAT,SYM,ANSI	
B	823154GT	DECAL KIT,Z45DC COMP,SYM,ANSI	
C	823161GT	DECAL KIT,Z45 PLAT,SYM,CE	
D	823162GT	DECAL KIT,Z45DC COMP,SYM,CE	
1	27204GT	DECAL,ARROW BLUE	1
2	27205GT	DECAL,ARROW YELLOW LRG 9"	1
3	27206GT	DECAL,TRIANGLE,BLUE	2
4	27207GT	DECAL,TRIANGLE,YELLOW	2
5	28174GT	DECAL,POWER TO PLATFORM 230V	2
6	28235GT	DECAL,POWER TO PLATFORM 115V	2
7	33550GT	TAPE,WARNING,BLK/YEL, 50*** (sold by the roll. 648" per roll) (Required to be iinstall at base of platform toeboard for CE market)	
8	40434GT	DECAL,LANYARD ANCHORAGE POINT	8
9	44981GT	DECAL,LABEL,AIRLINE 110 PSI	2
10	46468GT	DECAL,FUNCTION OVERRIDE	1
11	52969GT	DECAL,COSMETIC,GENIE BOOM,HORZ	1
12	62070GT	DECAL,COSMETIC,DC POWER	1
13	62926GT	DECAL,COSMETIC,GENIE Z-45/25J jib	
14	62927GT	DECAL,COSMETIC,GENIE Z-45/25 non-jib	1
15	72444GT	DECAL,GROUND CONTROL PANEL	1
16	72867GT	DECAL,LABEL,LIGHTS***	1
17	82279GT	DECAL,PLATFORM CONTROL PANEL	1
18	82472GT	DECAL,WARNING,CRUSHING HAZARD	1
19	82473GT	DECAL,SYMBOL-COMP ACCESS	1
20	82481GT	DECAL,SYMBOL-BATTERY SAFETY	2
21	82487GT	DECAL,SYMBOL-READ THE MANUAL	1
22	82548GT	DECAL,WARN,CRUSH HAZARD PLAT	2
23	82601GT	DECAL,LABEL,MAX CAPACITY***	1



102.1 Symbol Decals (To May 30, 2020)

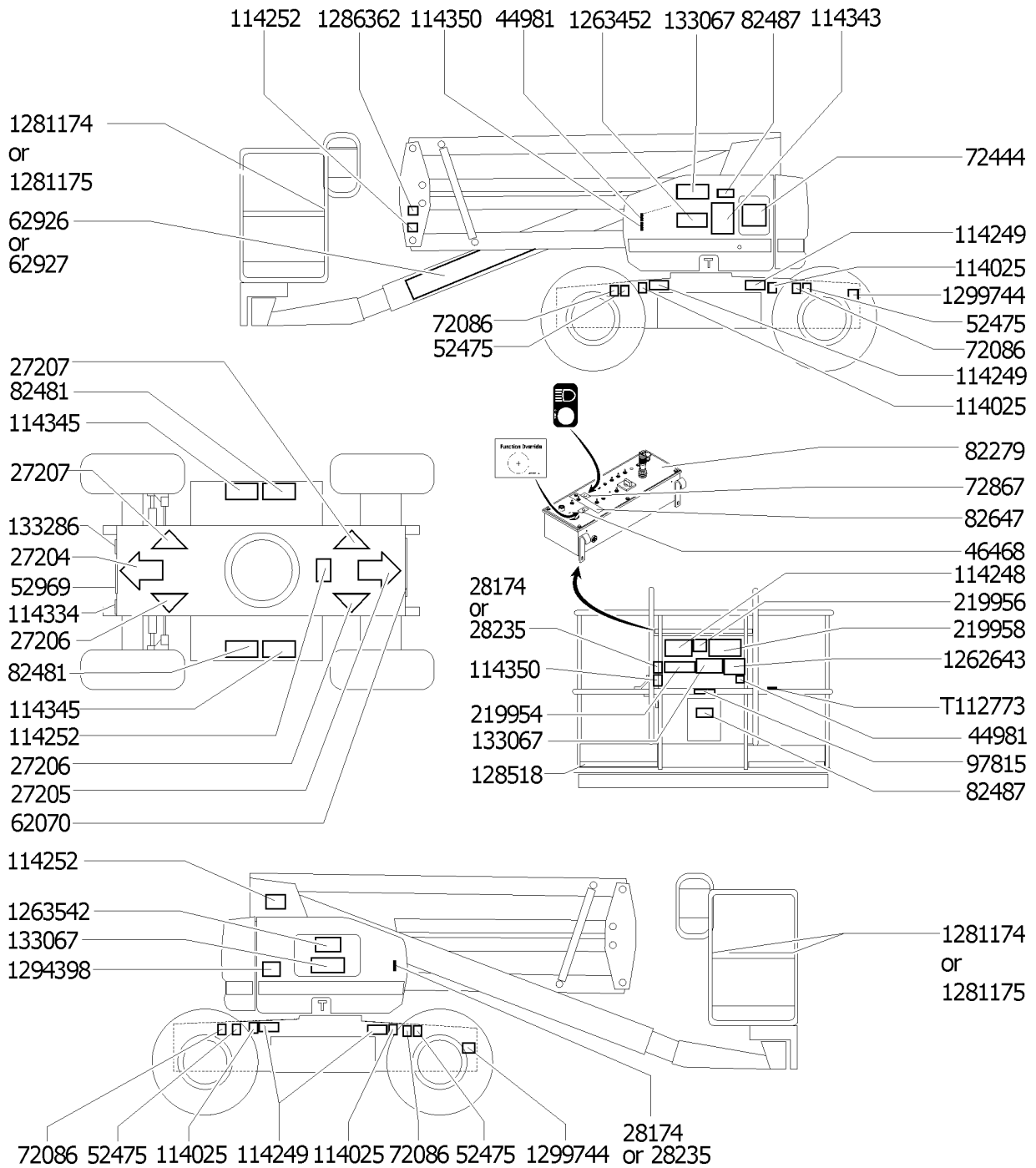


102.1 Symbol Decals (To May 30, 2020)

Item	Part No.	Description	Qty.
24	82602GT	DECAL,DANGER,MAX SIDE FRC,667N	1
25	82604GT	DECAL,DANGER,SIDE FRC 400N	1
26	82612GT	DECAL,DANGER,MAX CAP,200KG	1
27	82647GT	DECAL,DRIVE ENABLE PATCH	1
28	97815GT	DECAL,LABEL,LOWER MIDRAIL	1
		CE models	
30	114025GT	DECAL,LABEL,WHEEL LOAD Z4525DC	4
31	114114GT	DECAL,LABEL,TRANSPORT	2
32	114247GT	DECAL,LABEL,FALL HAZARD***	1
33	114248GT	DECAL,LABEL,TIPOVER,TILT AL SY	1
34	114249GT	DECAL,LABEL,TIPOVER,TIRES,SYMB	4
35	114252GT	DECAL,LABEL,TIP OVER LMT SWTCH	3
36	114334GT	DECAL,SYM-ELEC HAZARD,PLUG	1
37	114343GT	DECAL,LABEL,EMERGENCY DOWN	1
38	114345GT	DECAL,LABEL,TIPOVER,BATTERIES	2
39	114350GT	DECAL,AC INVERTER POWER,115V	2
40	133067GT	DECAL,DANGER,ELEC.HAZ.STAY CLR	2
41	133286GT	DECAL, POWER TO CHARGER, UNIV	1
42	219160GT	DECAL, INSTRUCTION, OPS	1
		option	
43	T112773GT	TAPE, PROTECTIVE MASK	2



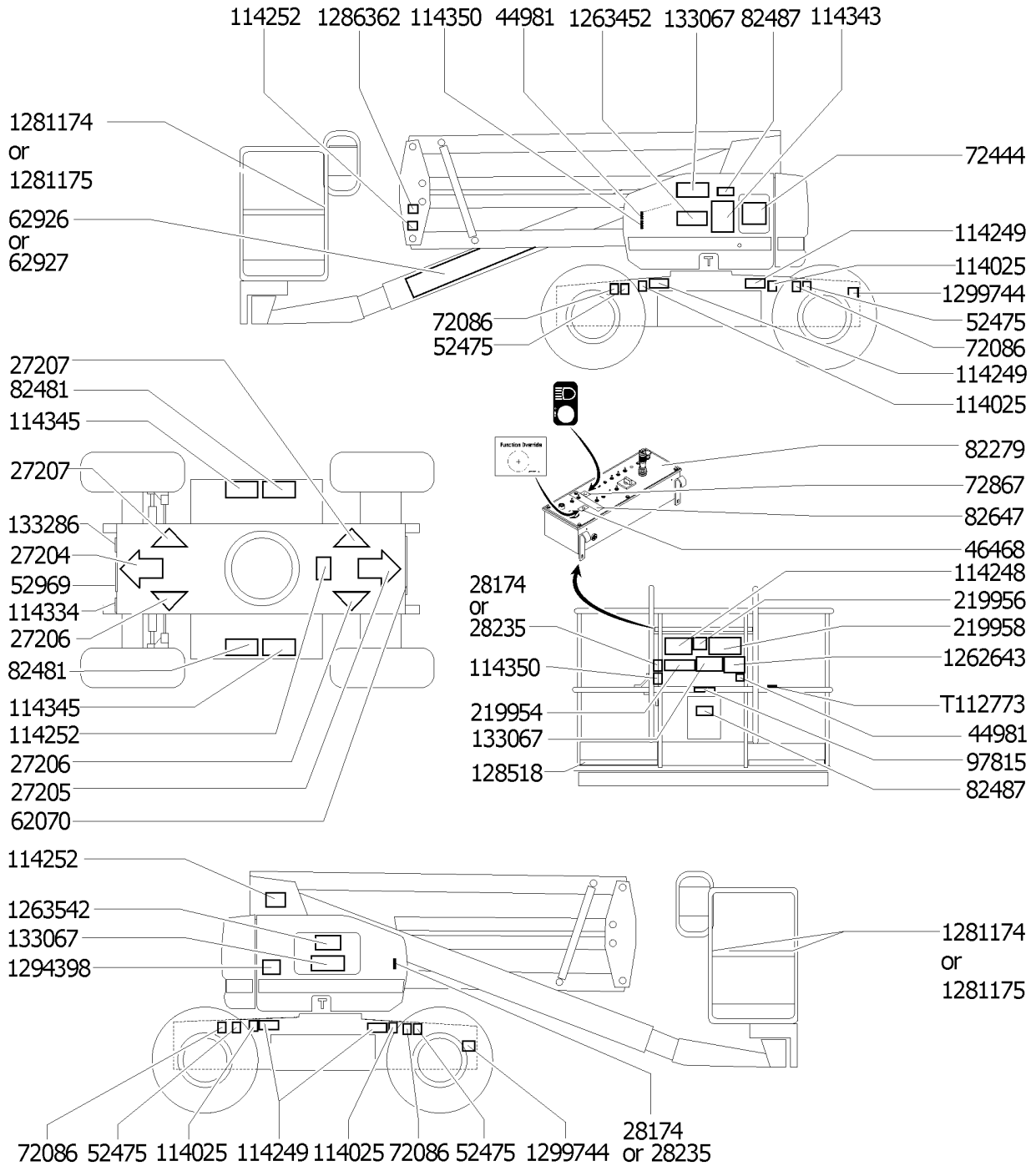
102.2 Symbol Decals (From Jun 1, 2020)



Item	Part No.	Description	Qty.
1	27204GT	DECAL,ARROW BLUE	1
2	27205GT	DECAL,ARROW YELLOW LRG 9"	1
3	27206GT	DECAL,TRIANGLE,BLUE	2
4	27207GT	DECAL,TRIANGLE,YELLOW	2
5	28174GT	DECAL,POWER TO PLATFORM 230V	2
6	28235GT	DECAL,POWER TO PLATFORM 115V	2
7	44981GT	DECAL,LABEL,AIRLINE 110 PSI	2
8	46468GT	DECAL,FUNCTION OVERRIDE	1
9	52475GT	DECAL,LABEL,TRANSPORT TIEDOWN*	4
10	52969GT	DECAL,COSMETIC,GENIE BOOM,HORZ	1
11	62070GT	DECAL,COSMETIC,DC POWER	1
12	62926GT	DECAL,COSMETIC,GENIE Z-45/25J	1
		Jib	
13	62927GT	DECAL,COSMETIC,GENIE Z-45/25	1
		Non-Jib	
14	72086GT	DECAL,LABEL,LIFTING EYE	4
15	72444GT	DECAL,GROUND CONTROL PANEL	1
16	72867GT	DECAL,LABEL,LIGHTS***	1
17	82279GT	DECAL,PLATFORM CONTROL PANEL	1
18	82481GT	DECAL,SYMBOL-BATTERY SAFETY	2
19	82487GT	DECAL,SYMBOL-READ THE MANUAL	2
20	82647GT	DECAL,DRIVE ENABLE PATCH	1
21	97815GT	DECAL,LABEL,LOWER MIDRAIL	1
22	114025GT	DECAL,LABEL,WHEEL LOAD Z4525DC	4
23	114248GT	DECAL,LABEL,TIPOVER,TILT AL SY	1
24	114249GT	DECAL,LABEL,TIPOVER,TIRES,SYMB	4
25	114252GT	DECAL,LABEL,TIP OVER LMT SWTCH	3
26	114334GT	DECAL,SYM-ELEC HAZARD,PLUG	1
27	114343GT	DECAL,LABEL,EMERGENCY DOWN	1
28	114345GT	DECAL,LABEL,TIPOVER,BATTERIES	2



102.2 Symbol Decals (From Jun 1, 2020)

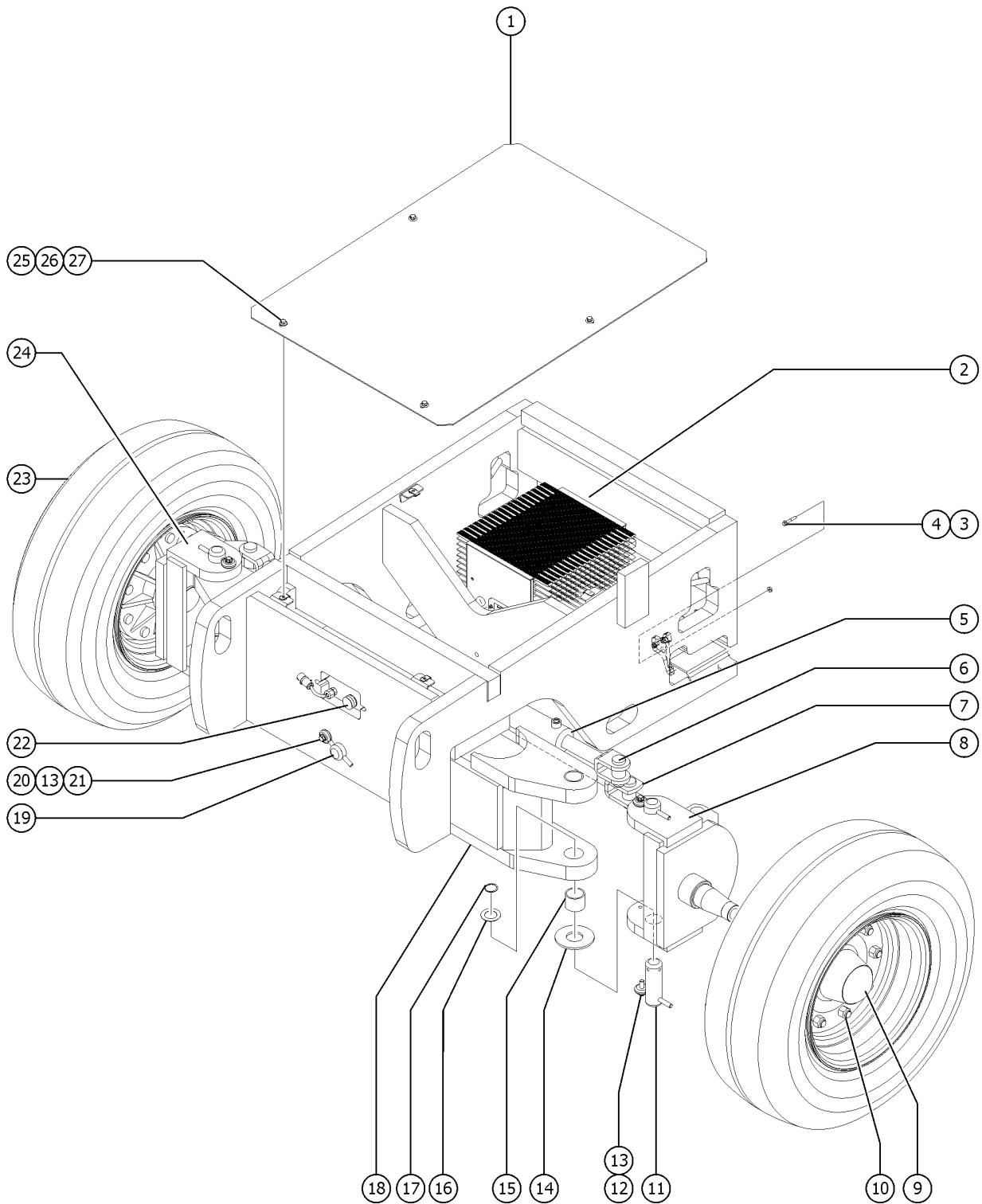


102.2 Symbol Decals (From Jun 1, 2020)

<i>Item</i>	<i>Part No.</i>	<i>Description</i>	<i>Qty.</i>
29	114350GT	DECAL,AC INVERTER POWER,115V	2
30	128518GT	WARNING RIBBON	1
31	133067GT	DECAL,DANGER,ELEC.HAZ.STAY CLR	3
32	133286GT	DECAL, POWER TO CHARGER, UNIV	1
33	219954GT	DECAL,TIP-OVER HAZARD,CE	1
34	219956GT	DECAL,PLATFORM OVERLOAD	1
35	219958GT	DECAL,TIP-OVER,CRUSH	1
36	1262643GT	HARNESS, JIB OPTION	1
37	1263452GT	MAP, ELECTRICAL WIRE, X-14	1
38	1263542GT	DECAL, COMPARTMENT ACCESS	1
39	1281174GT	DECAL,LANYARD,FALL ARREST/FALL RESTRAINED	2
40	1281175GT	DECAL,LANYARD,FALL RESTRAINED	2
41	1286362GT	DECAL, BOOM SUPPORT, SYMBOL	1
42	1294398GT	DECAL, ANSI/CSA COMPLIANT	1
43	1299744GT	DECAL,TRANSPORT/LIFT DIAGRAM, Z-45	2
44	T112773GT	TAPE, PROTECTIVE MASK	1



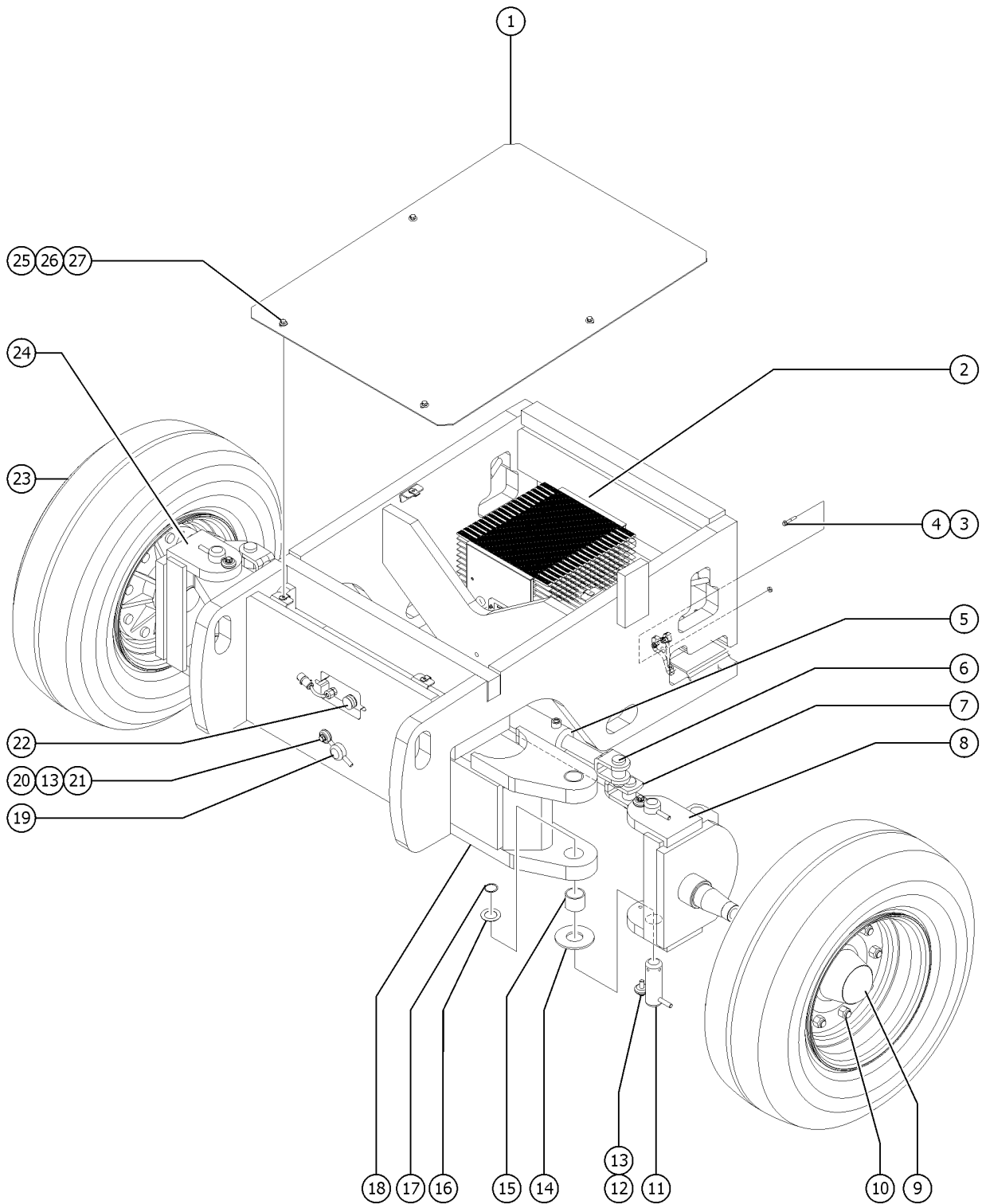
201.1 Steer End



Item	Part No.	Description	Qty.
A	233475GT	ASSEMBLY,STEER AXLE,Z45	1
B	54436GT	GROUND STRAP,18"LG (models with non-marking tires and/or models with EE rating)	
1	230498GT	COVER, DRIVE CHASSIS FRONT	1
2		Ref. Battery Charger	
		refer to 204.1	
3	824081GT	SCREW, HHF, 1/4-20 X 1.5, 8, ZAG	4
4	824037GT	NUT,HH JAM,1/4-20,A,ZAG	4
5	88337GT	CYLINDER,STEER	2
5-	88338GT	SEAL KIT, 88337	
6	824127GT	PIN, CLEVIS, SAE 1.0 X 2.41, ZAG	6
6-	824129GT	RUE RING, 1.0, ZAG	
7	229798GT	TIE ROD WELDMENT, NARROW	1
8	229712GT	YOKE MACHINING - L.H.	1
8-	25817GT	BEARING,1.00IDX1.25ODX1.00L	2
8-	229714GT	YOKE, WELDMENT, LH	
9	54840GT	HUB ASSEMBLY,9 BOLT***	2
9-	45112GT	WASHER,SPINDLE	
9-	45113GT	NUT,SPINDLE,1-14	
9-	45114GT	PIN,COTTER,.219 X 1.75	
9-	54959GT	CAP,DUST (54840 HUB ASSY)	
9-	54960GT	SEAL-GREASE,9-BOLT HUB 54840	
9-	54961GT	BEARING,INNER,9 BOLT HUB***	
9-	54962GT	BEARING,OUTER,9 BOLT HUB***	
10	54627GT	NUT,LUG,5/8-18 X 90 DEGREE,Z45	18
11	88752GT	PIN,1.50DIAX4.25LG,GR/H	4
12	824091GT	SCREW,HHF,3/8-16X1.25,8,ZAG	4
13	825019GT	ROD END, .375X3.69, ZAG	5
14	45074GT	WASHER,THRUST,1.5 X 3.5 X .187	2
15	119619GT	BEARING,1.5IDX1.75ODX1.5L,PTFE	6



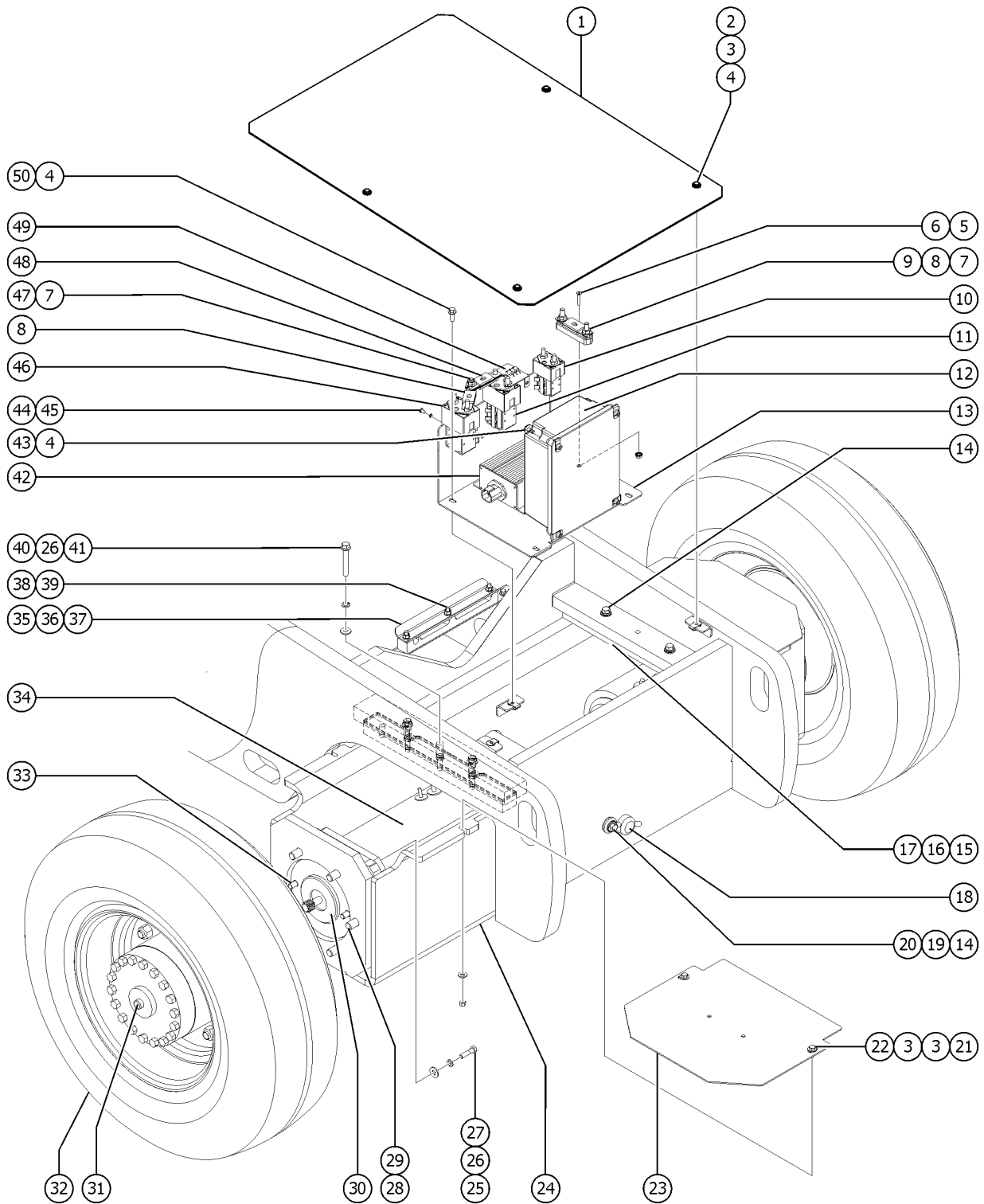
201.1 Steer End



Item	Part No.	Description	Qty.
16	1251565GT	WASHER,SHIM,1.56X2.5X.061,ZAG	6
17	825796GT	SNAP RING,EXTERNAL,1.50,ZAG	4
18	217194GT	TIRE/WHL ASSY,RT AIR NON-MRK W/SEAL LH	1
18-	25817GT	BEARING,1.00IDX1.25ODX1.00L	2
19	54542GT	PIN,1.50DIAX20.00LG,CHAMFER	1
20	1256693GT	SCREW,HHF,3/8-16X2.25,8,ZAG	1
21	824029GT	NUT, TL FLG, 3/8-16, G, ZAG	1
22	228973GT	KIT,ASSY,LED,IES CHARGER	1
		refer to 204.1	
23	1267779GT	TIRE/WH ASSY,9 LG,FOAM,S FRONT	2
		(steer end)	
23B	1267781GT	TIRE/WH ASSY,9 LG,NM,FOAM,S FR	2
		(steer end)	
23C	1267784GT	TIRE/WH ASSY,9 LG,REPNEU,S	2
		(steer end)	
23D	1267786GT	TIRE/WH ASSY,9 LG,NM,REPNEU,S	2
24	229720GT	YOKE MACHINING - R.H.	1
24-	25817GT	BEARING,1.00IDX1.25ODX1.00L	2
24-	229721GT	YOKE, WELDMENT, RH	
25	824060GT	SCREW, HHC, 1/4-20 X 1, 8, ZAG	4
26	824113GT	WASHER,FLAT,USS,1/4,ZAG	4
27	56912GT	SPRING CLIP,1/4-20,.025-.15X.54,ZAG	4



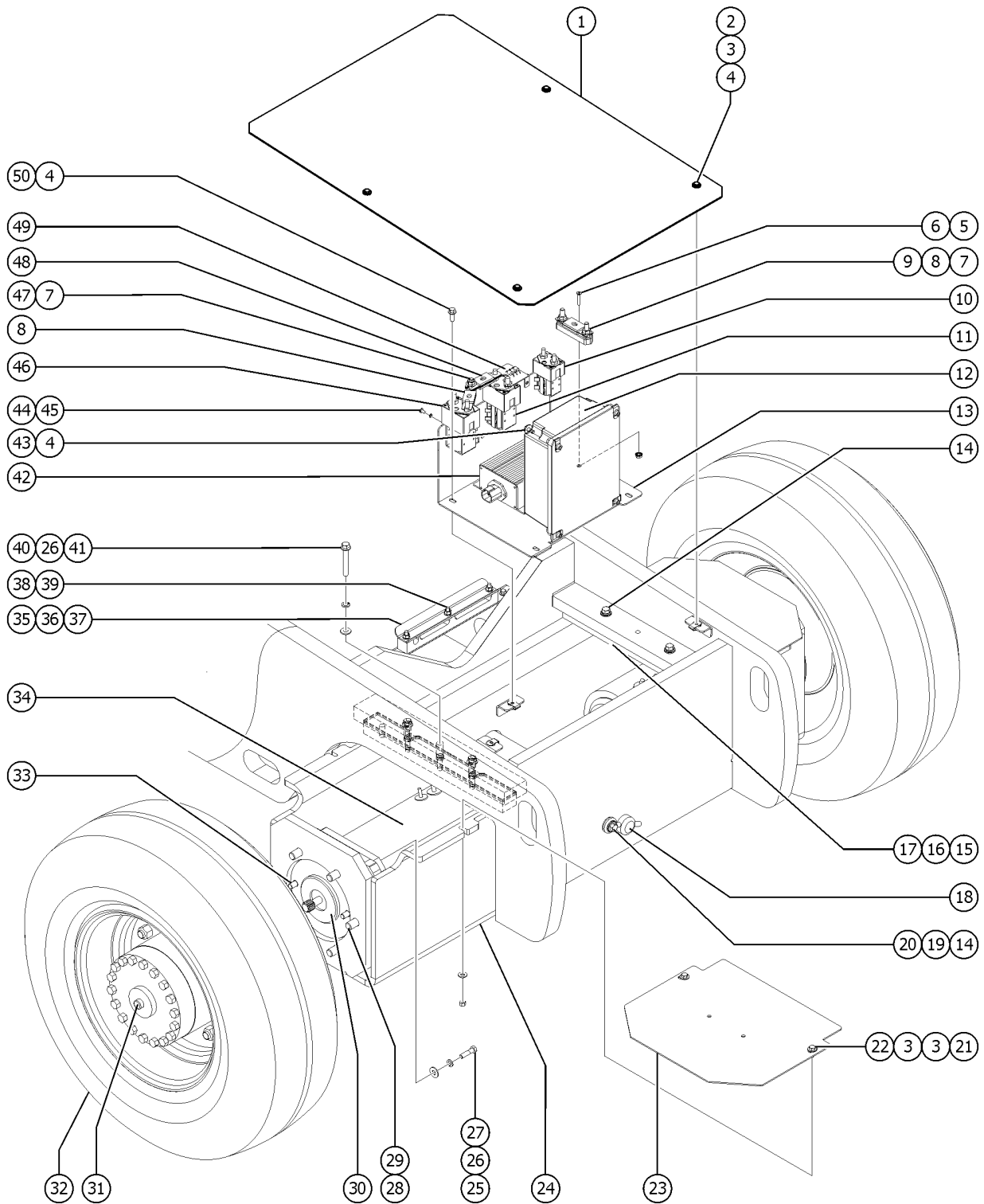
202.1 Non-steer End



Item	Part No.	Description	Qty.
A	23083GT	FUSE HOLDER,WATERPROOF	
-	13097GT	FUSE,10 AMP	
1	120267GT	COVER, DRIVE CHASSIS, REAR	1
2	824060GT	SCREW, HHC, 1/4-20 X 1, 8, ZAG	4
3	824113GT	WASHER,FLAT,USS,1/4,ZAG	12
4	56912GT	SPRING CLIP,1/4-20,.025-.15X.54,ZAG	13
5	826783GT	SCREW,FHPM,10-32X.1,00,ZAG	2
6	1264261GT	NUT,SERRATED,10-32,ZAG	2
7	1255805GT	NUT,SERRATED,5/16-18,8,ZAG	3
8	18576GT	FUSE,200 AMP	2
9	66717GT	FUSE BLOCK, ANN & ANL FUSE	1
10	1304130GT	CONTACTOR,24V,80A,SPST,SEAL,UNBRANDED	1
10-	22262GT	CONTACT,MOVING,19549RELAY*	
10-	22263GT	CONTACT,STATIONARY,19549RELAY*	
10-	74495GT	SPRING, RETURN (FOR 74268)	
11	74267GT	CONTACTOR,DRIVE,24V,180A***	1
11-	74468GT	SPRING, RETURN (FOR 74267)	
11-	74469GT	FIXED CONTACT (FOR 74267)	
11-	74470GT	MOVING CONTACT (FOR PN 74267)	
12	128337GT	CONTROLLR,SEPEX MOTOR,Z45DC/BE	1
12-	1263554GT	PROGRAMMER, PMC 1313K-4401	
12-	128598GT	HARNESS RETRO 24V RELAY	
12-	56561GT	TOOL,TERMINAL CRIMPER,MOLEX***	
12-	56562GT	TOOL,TERMINAL EXTRACTOR,MOLEX	
13	229803GT	PLATE, CONTACTOR MOUNT	1
13-	13268GT	CLAMP,0.75,#12 X 1/4,RUB CUSH (not shown)	
14	1256693GT	SCREW,HHF,3/8-16X2.25,8,ZAG	6
15	229810GT	BAR, AXLE ROTATION STOP,NON-OSC	2



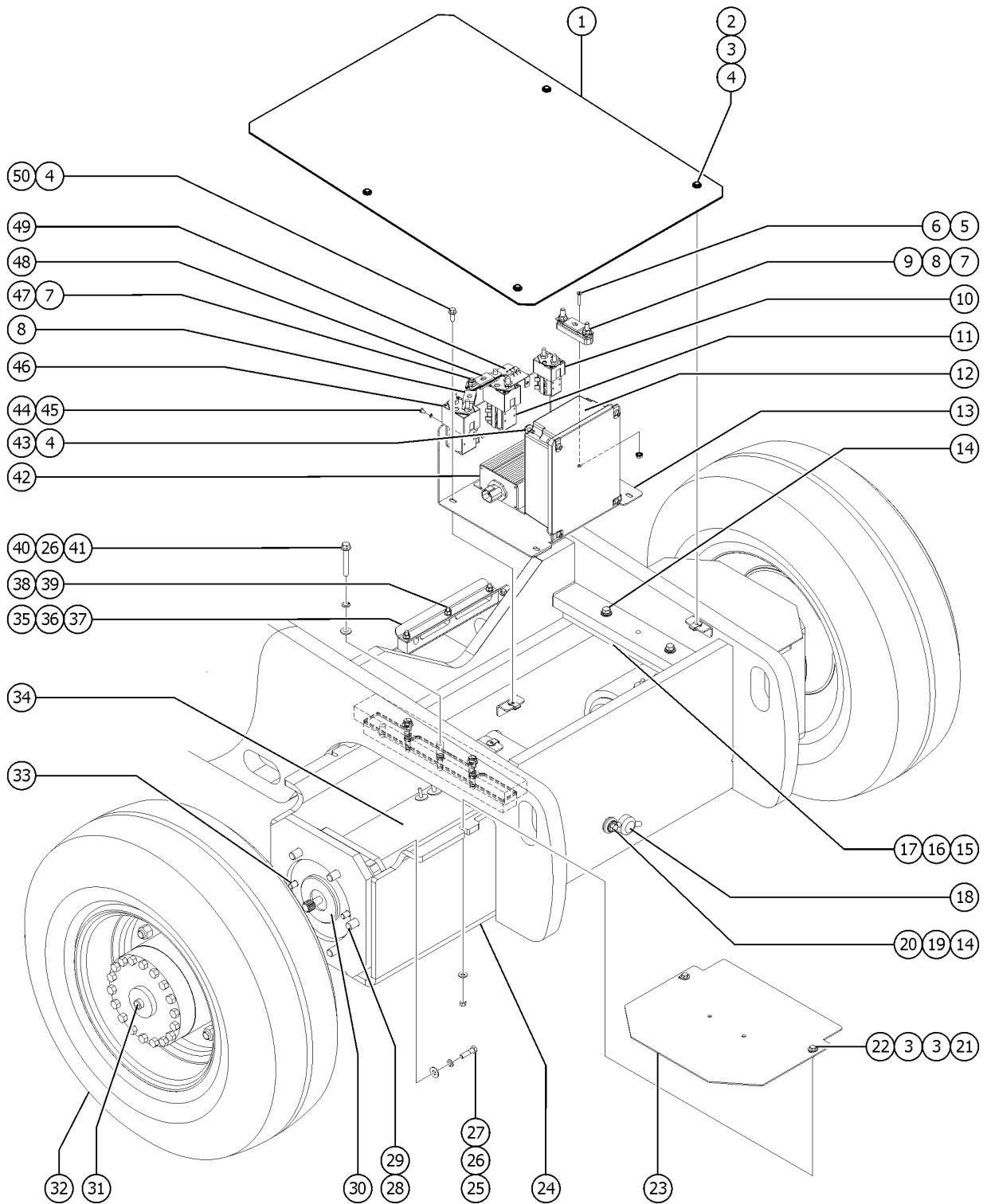
202.1 Non-steer End



Item	Part No.	Description	Qty.
16	120426GT	SHIM, AXLE ROTATION STOP, 2.5MM as-needed	
17	120425GT	SHIM, AXLE ROTATION STOP, 1MM as-needed	
18	54542GT	PIN,1.50DIAX20.00LG,CHAMFER	1
19	825019GT	ROD END, .375X3.69, ZAG	1
20	824029GT	NUT, TL FLG, 3/8-16, G, ZAG	1
21	824061GT	SCREW,HHC,1/4-20X1.25,8,ZAG	4
22	824024GT	NUT,TL,1/4-20,C,ZAG	4
23	1283806GT	AXLE COVER, NARROW	2
24	229320GT	WELDMENT, NARROW REAR AXLE	1
24-	45071GT	BEARING,1.5IDX1.75ODX1.5L	2
25	1256118GT	SCREW,HHC,3/8-16X1.5,8,ZAG	8
26	824110GT	WASHER, LOCK, 3/8, ZAG	9
27	1255758GT	WASHER,FLAT,3/8,USS,ZAG	8
28	824104GT	SCREW,SHC,5/8-11X1.75,A574,ZAG	12
29	1256182GT	WASHER,FLAT,5/8,F436,HRD,ZAG	12
30	139351GT	BRAKE, NEMA, 1200 IN/LB	2
30-	139353GT	STACK KIT, AUSCO 1200 IN/LB for 139351	
30-	139354GT	O-RING KIT, AUSCO 1200 IN/LB for 139351	
30-	139355GT	GASKET KIT, AUSCO 1200 IN/LB for 139351	
30-	233807GT	BRAKE REPLACEMENT KIT for 101966 brake	1
30-	65608GT	BEARING KIT, AUSCO*** for 139351	
30-	65618GT	SEAL KIT,BRAKE*** for 101966 brake	
30-	94879GT	LINING KIT*** for 101966 brake	
30-	94880GT	BEARING KIT for 101966 brake	
31	218571GT	WH DRV,NON-BRAKE,GENERIC, 48:1	2
31-	54627GT	NUT,LUG,5/8-18 X 90 DEGREE,Z45	18
32	1267780GT	TIRE/WH ASSY,9 LG,FOAM,NS REAR (non-steer end)	2
32B	1267782GT	TIRE/WH ASSY,9LG,NM,FOAM,NS RE (non-steer end)	2



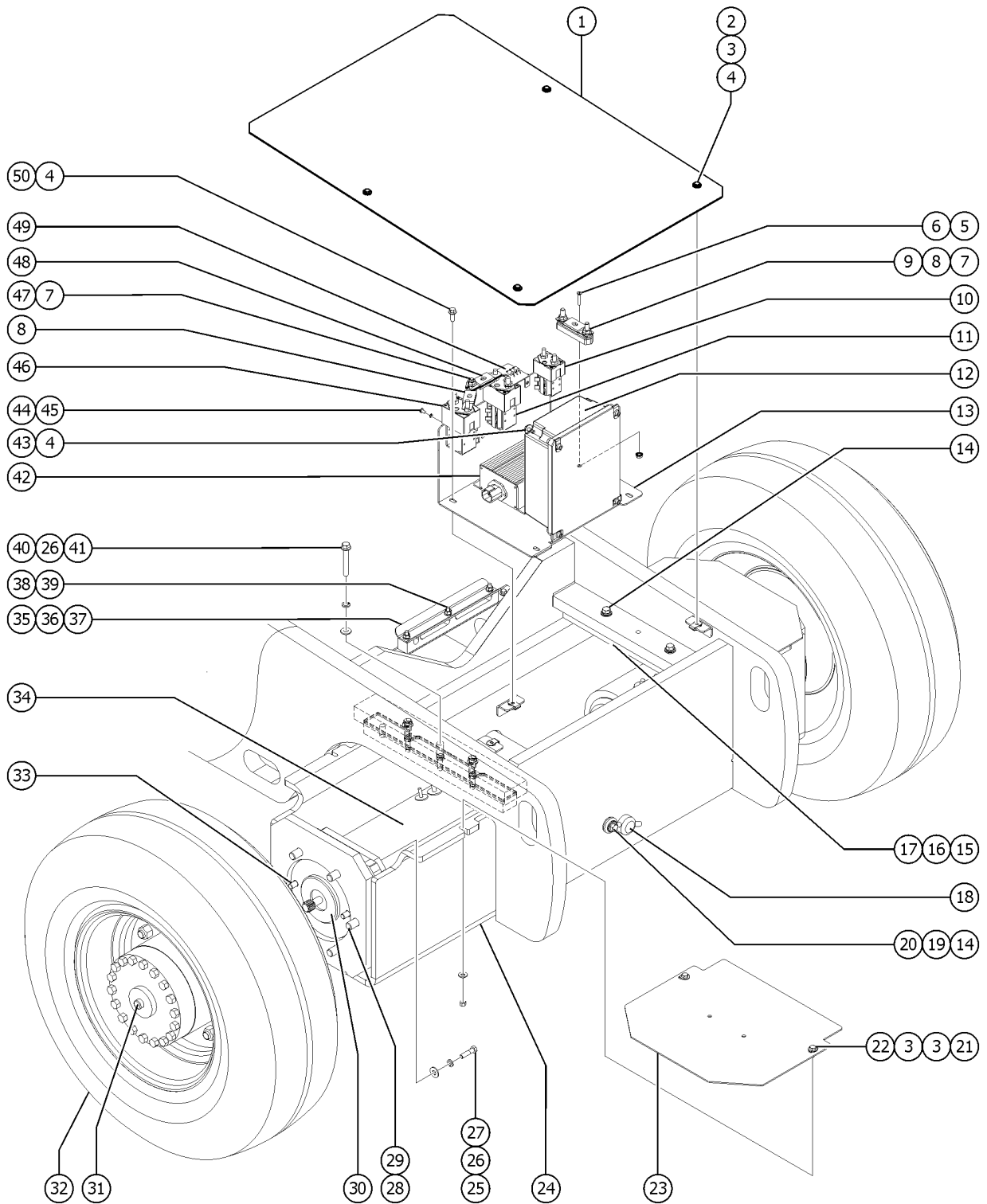
202.1 Non-steer End



Item	Part No.	Description	Qty.
32C	1267785GT	TIRE/WH ASSY,9 LG,REPNEU,NS (non-steer end)	2
32D	1267787GT	TIRE/WH ASSY,9 LG,NM,REPNEU,NS (non-steer end)	2
33	824103GT	SCREW,SHC,1/2-13X3,A574,ZAG	4
34	T108673GT	KIT, 24V SEP-EX DRIVE MOTORS Replacement kit for GE motor 94197; check stamp on part prior to ordering (kit contains qty 2 x 56282 motor)	
34-	147187GT	BRUSH KIT, DRIVE MOTOR for AMD motor 56282	
34-	37189GT	SPRING, BRUSH RETAINER, 36182* for AMD motor 56282	
34-	44778GT	BEARING,MOTOR,36843,BRUSH END* for AMD motor 56282	
34-	56282GT	MOTOR,SEP-EX,24V*** AMD motor; check stamp on part prior to ordering	
34-	62105GT	BRUSH HOLDER(56282) for AMD motor 56282	
34B	56282GT	MOTOR,SEP-EX,24V*** check stamp on part prior to ordering	
34B-	147187GT	BRUSH KIT, DRIVE MOTOR for AMD motor 56282	
34B-	22811GT	O-RING,MOTOR TO BRAKE*** (not shown)	2
34B-	37189GT	SPRING, BRUSH RETAINER, 36182* for AMD motor 56282	
34B-	44778GT	BEARING,MOTOR,36843,BRUSH END* for AMD motor 56282	
34B-	62105GT	BRUSH HOLDER(56282) for AMD motor 56282	
34C	1263609GT	MOTOR,FUNCTION,48V DC,XINYU	1
35	229133GT	PLATE,CLAMP, TOP	1
36	229132GT	CLAMP, CABLE	1
37	229131GT	BRACKET, CABLE CLAMP	1
37-	56912GT	SPRING CLIP,1/4-20,.025-.15X.54,ZAG	2
37-	824079GT	SCREW,HHF,1/4-20X1,8,ZAG	2
38	824027GT	NUT,TL FLG,1/4-20,G,ZAG	3
39	1268954GT	BOLT,CARRIAGE,1/4-20X1.75,5,ZAG	3
40	824094GT	SCREW, HHF, 3/8-16 X 2.75, 8, ZAG	1
41	825358GT	WASHER,FLAT,5/16,USS,ZAG	1
42	79452GT	CONVERTER, DC-DC, 48-26 VOLT** (mounting hardware not included)	1
42-	1262031GT	SCREW,HHF,10-24X.75,ZAG (not shown)	4
42-	73575GT	SPRING CLIP,10-24,.025-.125X.468,ZAG (not shown)	4



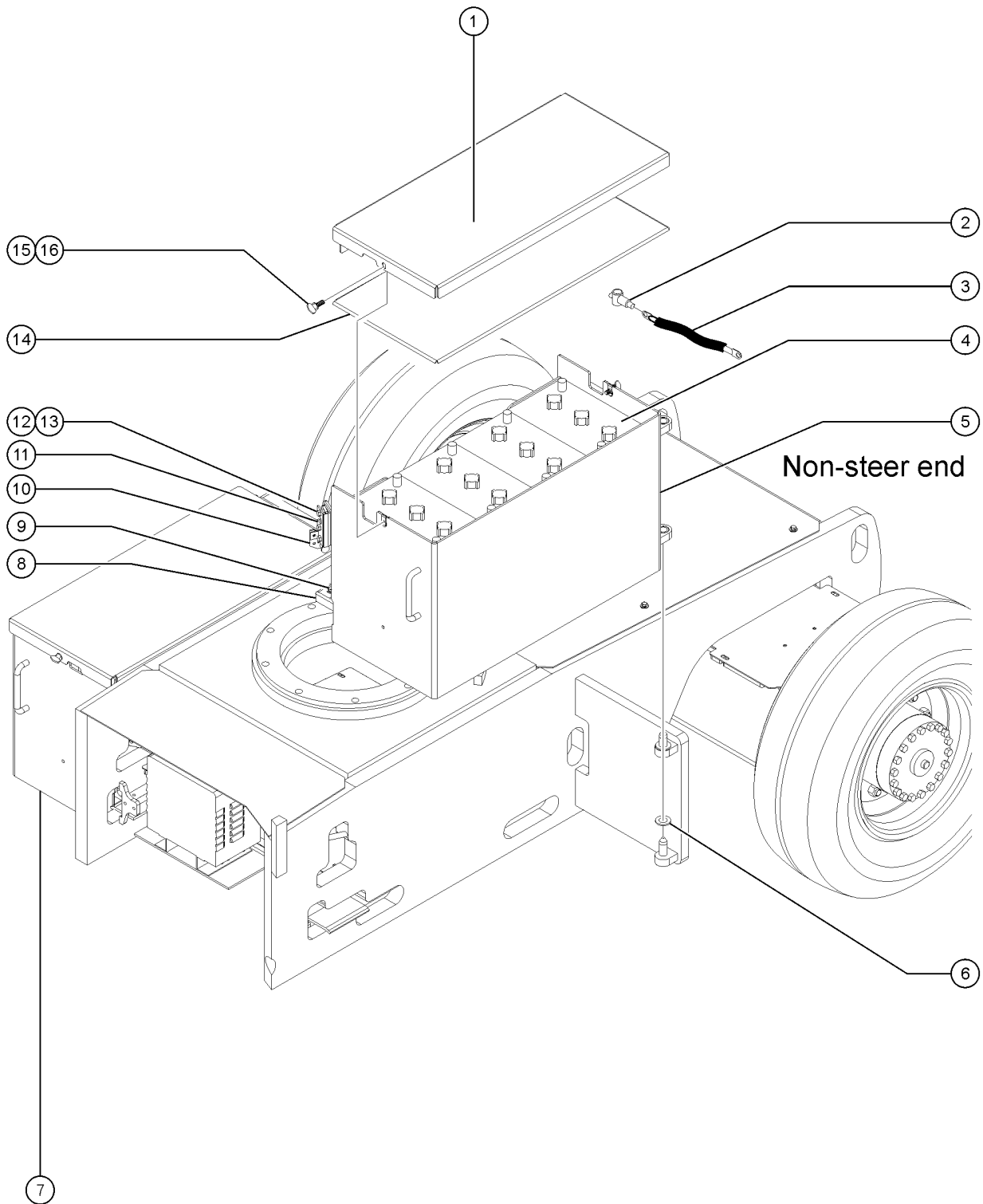
202.1 Non-steer End



<i>Item</i>	<i>Part No.</i>	<i>Description</i>	<i>Qty.</i>
43	824080GT	SCREW,HHF,1/4-20X1.25,8,ZAG	4
44	825349GT	SCREW,PHPM,10-32X.38,ZAG	6
45	1256312GT	WASHER,LOCK,#10,ZAG	6
46	74266GT	CONTACTOR,LIFT PUMP 24V 180A**	1
46-	62695GT	CONTACT,STATIONARY (56434)**	
46-	62696GT	CONTACT-MOVEABLE (56434)**	
46-	74471GT	SPRING,RETURN (74266)	
47	824086GT	SCREW, HHF, 5/16-18 X 1, 8, ZAG	1
48	43179GT	FUSE,500 AMP,VERY FAST ACTING	1
49	56930GT	DIODE,PCB DRIVE CONTACTOR**	1
50	824078GT	SCREW,HHF,1/4-20X.75,8,ZAG	5



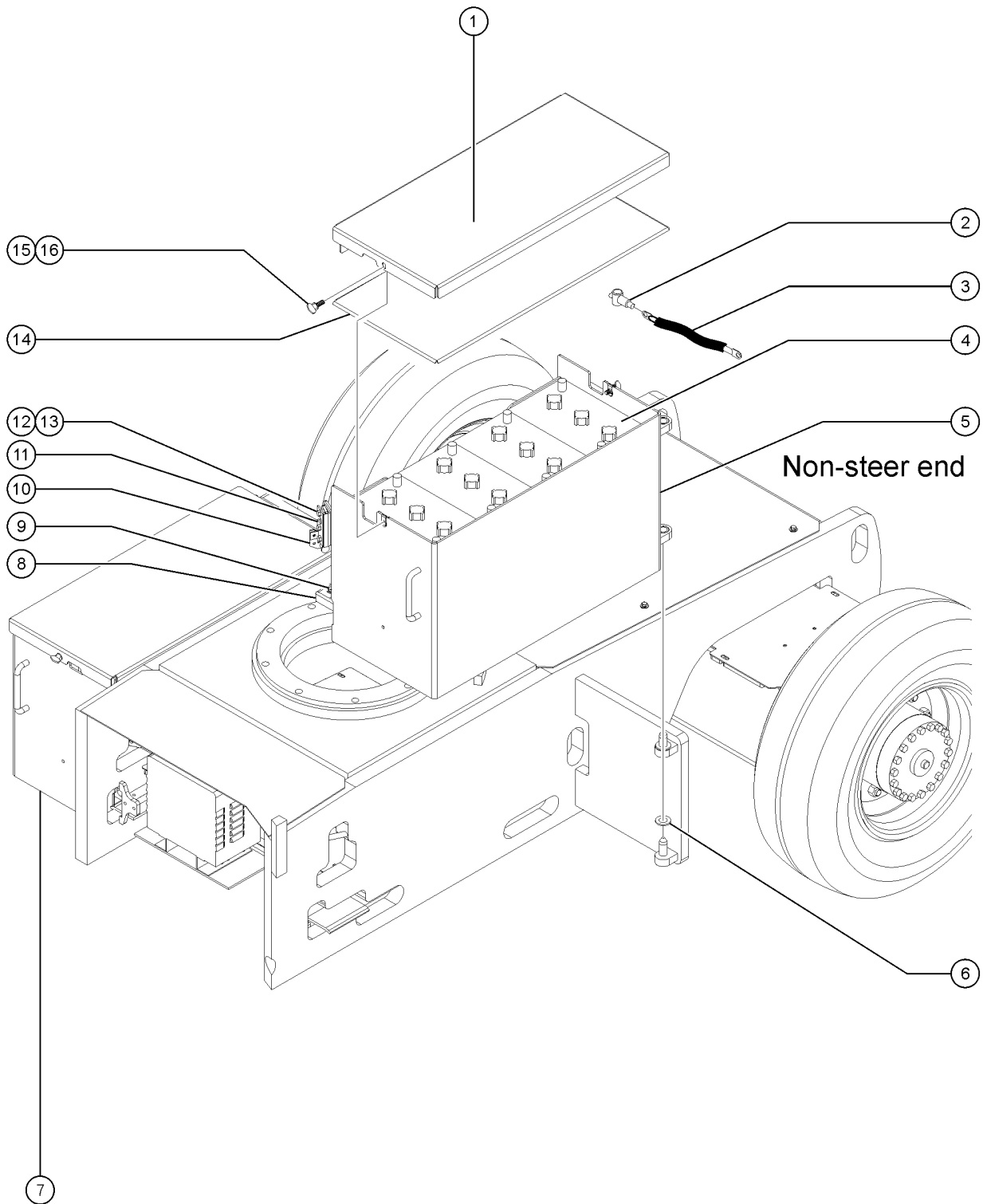
203.1 Battery Packs



Item	Part No.	Description	Qty.
A	233472GT	ASSEMBLY,BATTERY BOX,LH	1
B	233473GT	ASSEMBLY,BATTERY BOX,RH	1
1	229729GT	COVER,BATTERY BOX	2
2	51147GT	BOOT,CABLE TERMINAL,LG,RED,2/0	12
3	19520GT	BATTERY CABLE ASSY,9.5"JUMPER includes item 2	6
4	823684GT	BATTERY,AGM,6V/390A,L16	8
		models with AGM option	
4B	56461GT	BATTERY, 390AH L16,WET	8
4C	236819GT	BATTERY, AGM, 6V/390A, L16	8
4C-	1255805GT	NUT,SERRATED,5/16-18,8,ZAG	
4C-	57162GT	BATTERY TERMINAL PROTECTORS	16
4C-	824086GT	SCREW, HHF, 5/16-18 X 1, 8, ZAG	
5	161551GT	WELDMENT, BATTERY BOX, LH	1
5-	36369GT	BEARING,0.75IDX1.00ODX0.75L	2
5-	824027GT	NUT,TL FLG,1/4-20,G,ZAG	
5-	824059GT	SCREW, HHC, 1/4-20 X .75, 8, ZAG	
6	36212GT	WASHER,THRUST,.75 X 1.38X.13	4
7	161550GT	WELDMENT, BATTERY BOX, RH	1
7-	36369GT	BEARING,0.75IDX1.00ODX0.75L	2
7-	824027GT	NUT,TL FLG,1/4-20,G,ZAG	
7-	824059GT	SCREW, HHC, 1/4-20 X .75, 8, ZAG	
8	45209GT	WEAR PAD,4X2X.5 W/INSERT***	2
9	1256855	WASHER FLAT BONDED RUB	4
10	66900GT	LATCH,ROTARY, W/KNOB, LEFT	1
		(shown)	
10B	66901GT	LATCH,ROTARY, W/KNOB,RIGHT	1
11	229805GT	FORMING,BATTERY BOX LATCH LH	1
11-	824029GT	NUT, TL FLG, 3/8-16, G, ZAG	3
11-	824125GT	BOLT,CARRIAGE,3/8-16X1,5,ZAG	3
11B	229806GT	FORMING,BATTERY BOX LATCH RH	1



203.1 Battery Packs

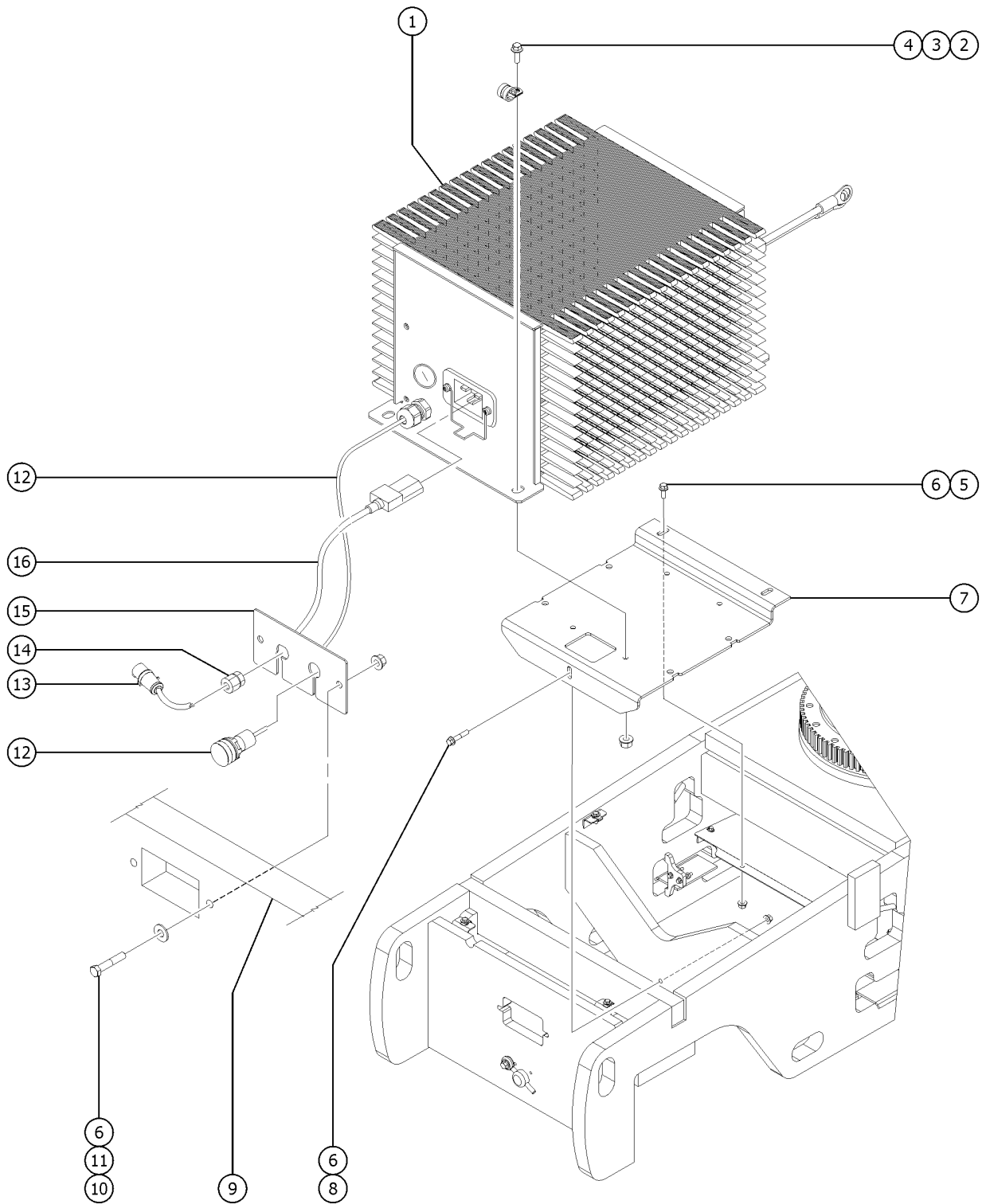


203.1 Battery Packs

<i>Item</i>	<i>Part No.</i>	<i>Description</i>	<i>Qty.</i>
11B-	824029GT	NUT, TL FLG, 3/8-16, G, ZAG	3
11B-	824125GT	BOLT, CARRIAGE, 3/8-16X1.5, ZAG	3
12	1255763GT	SCREW, HHF, 5/16-18X1.5, 8, ZAG	6
13	824028GT	NUT, TL FLG, 5/16-18, G, ZAG	6
14	106241GT	INSULATION, 48V BATT. BOX LID	2
		models with AGM option	
15	824228GT	SCREW, THUMB, A-REG, 3/8-16X1, ZAG	4
16	29868GT	SPRING CLIP, 3/8-16, .05-.20X.73, ZAG	4



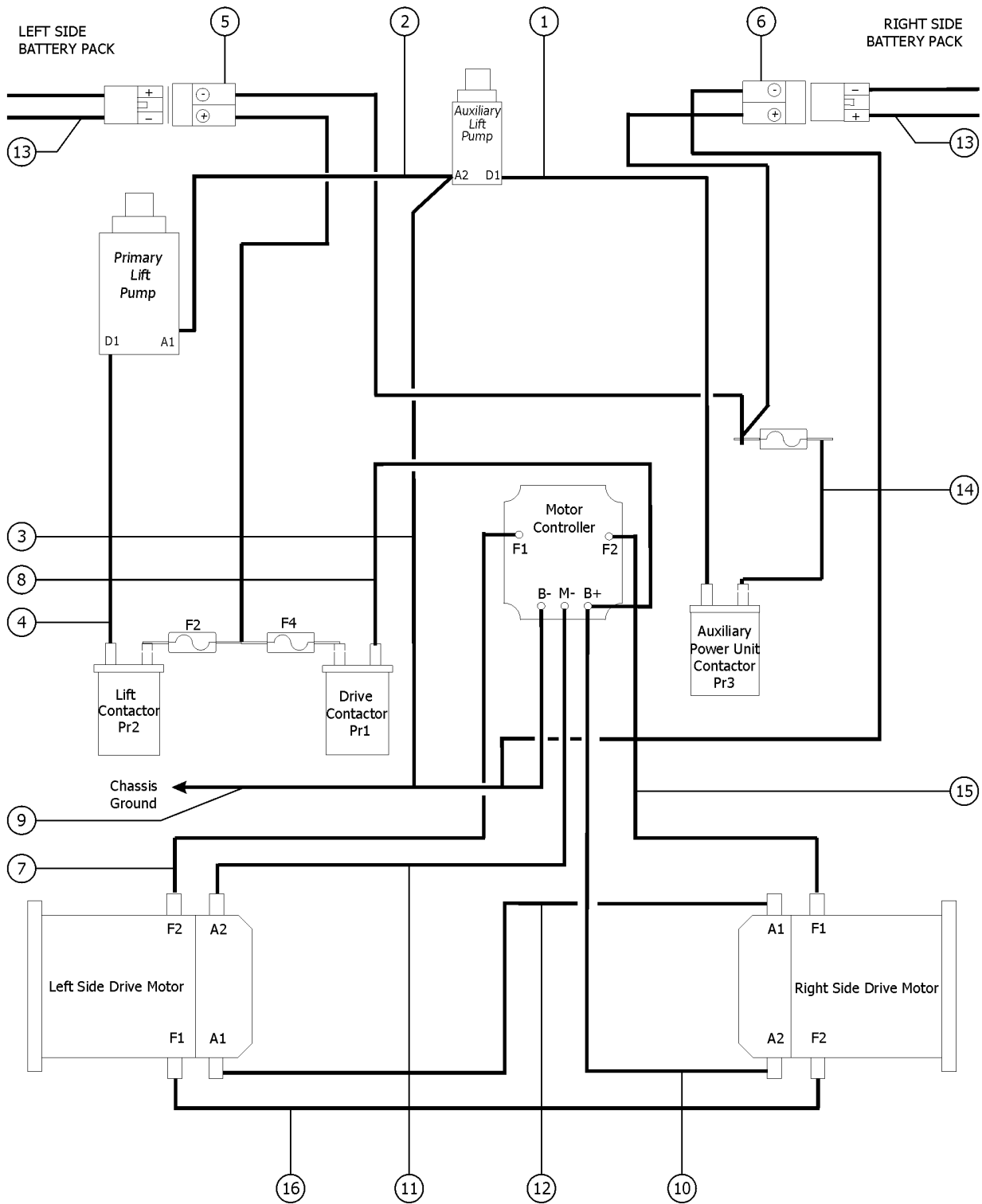
204.1 Battery Charger



Item	Part No.	Description	Qty.
A	228946GT	ASSY,LED,IES CHARGER	
B	228947GT	CLIP,RETAINING,IES CHARGER	
1	128375GT	CHARGER 48V/30A AUTO AC X-LED (includes item 12) (order power cord separately), (to SN Z4525D-4192)	1
1-	133286GT	DECAL, POWER TO CHARGER, UNIV	
1-	139857GT	HARN.CHARGER INTERLOCK Z45 (not shown)(option)	
1B	1297231GT	CHARGER 48V,35A,USB (from SN Z4525D-4193)	1
2	824078GT	SCREW,HHF,1/4-20X.75,8,ZAG	4
3	6833GT	CLAMP,0.50,#8 X 1/4,RUB CUSH	1
4	824027GT	NUT,TL FLG,1/4-20,G,ZAG	4
5	824090GT	SCREW,HHF,3/8-16X1,8,ZAG	2
6	824029GT	NUT, TL FLG, 3/8-16, G, ZAG	5
7	229804GT	FORMING,CHARGER PLATE	1
8	1253478GT	SCREW,HHF,3/8-16X2,8,ZAG	1
9		Ref. Chassis	
10	1256108GT	SCREW,HHC,3/8-16X2,8,ZAG	2
11	1255758GT	WASHER,FLAT,3/8,USS,ZAG	2
12	228973GT	KIT,ASSY,LED,IES CHARGER	1
13	1280665GT	PLUG, TYPE F, 230A, 50HZ, 16A, IP44 Euro 220V	1
13B	144161GT	PLUG,PWR,UK,16AMP,3PIN,BLK UK 110V	1
13C	25388GT	PLUG,FUSED,250V,13AMP,U.K.** UK 220V	1
14	128118GT	BUSHING,STRAIN RELIEF,.875/.40 (domestic)	1
14B	139318GT	BUSHING,STRAIN RELIEF,.875/.30 (UK)	1
15	230505GT	BRACKET, CHARGER CORD AND LED	1
16	128645GT	CORD AC IEC320-C19 TO 220EU EU 220V	1
16B	128377GT	CORD AC IEC320-C19 TO 110US US 110V	1
16C	128376GT	CORD EURO AC IEC320-C19PIGTAIL EU 110V	1



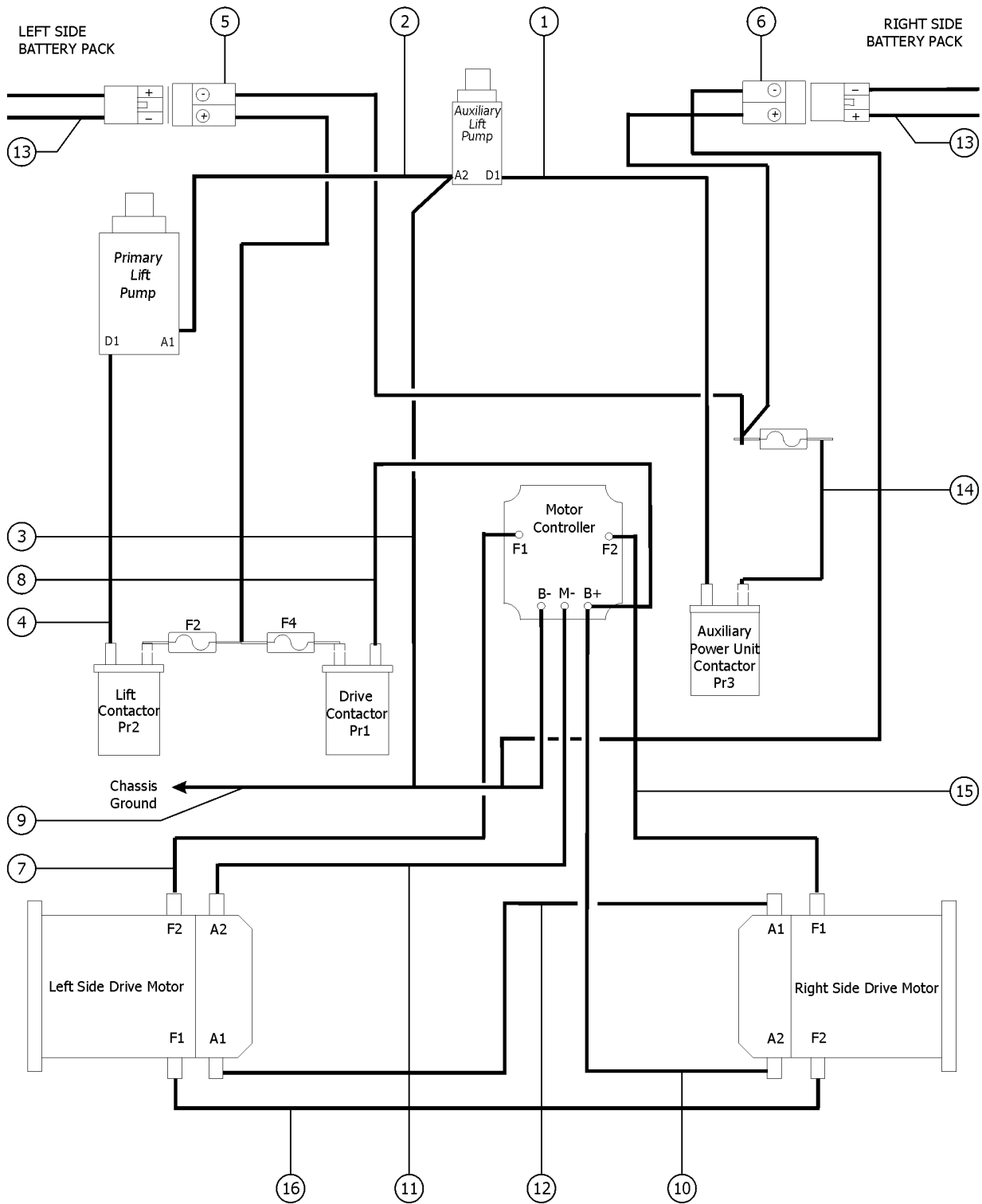
205.1 Power Cables



Item	Part No.	Description	Qty.
--	51147GT	BOOT,CABLE TERMINAL,LG,RED,2/0	
1	139058GT	CABLE ASSY #2 RED PR3/AP-DI	1
2	139049GT	CABLE ASSY #2 BLK AP-A2/LP-A1	1
3	139052GT	CABLE ASSY #2 BLK AP-A2/GND	1
4	139057GT	CABLE ASSY #2 RED PR2/LP-D1	1
5	139048GT	HARN ASSY,POWER PACK AP2	1
		DC only	
5-	128488GT	CABLE ASSY #2 RED AP1/FU1 DRIV	
5-	128489GT	CABLE ASSY #2 BLK AP1/AP2 DRIV	
6	139047GT	HARN ASSY,POWER PACK AP1	1
6-	119787PGT	FORMING,BATTERY CONN HANDLE,PT	2
6-	128490GT	CABLE ASSY #2 RED AP2/FU1	1
6-	128929-300GT	SHRINK TUBE, BLACK 3/4,3:1	1
6-	51147GT	BOOT,CABLE TERMINAL,LG,RED,2/0	2
6-	66397GT	QUICK DISCONNECT CASING,BATT**	1
6-	824037GT	NUT,HH JAM,1/4-20,A,ZAG	
6-	824049GT	CABLE ASSY #2 BLK AP1/AP2 DRIV	1
6-	824080GT	SCREW,HHF,1/4-20X1.25,8,ZAG	
7	139020GT	WIRE ASSY #10 RED F1/F2	1
8	139054GT	CABLE ASSY #2 RED B(+)/PR1	1
9	139050GT	CABLE ASSY #2 BLK B(-)/GND	1
10	139051GT	CABLE ASSY #2 BLK B(+)/A2	1
11	139055GT	CABLE ASSY #2 RED M(-)/A2	1
12	139056GT	CABLE ASSY #2 RED A1/A1	
13	139011-SGT	SERV KIT,HARN ASSY,PWR BATT PK	2
		DC only	
13-	128465GT	CABLE ASSY #2 RED BATT	
13-	128466GT	CABLE ASSY #2 BLK AP1/AP2 BATT	
14	139053GT	CABLE ASSY #2 RED PR2/F2	1
15	139059GT	WIRE ASSY #10 RED F2/F1	1



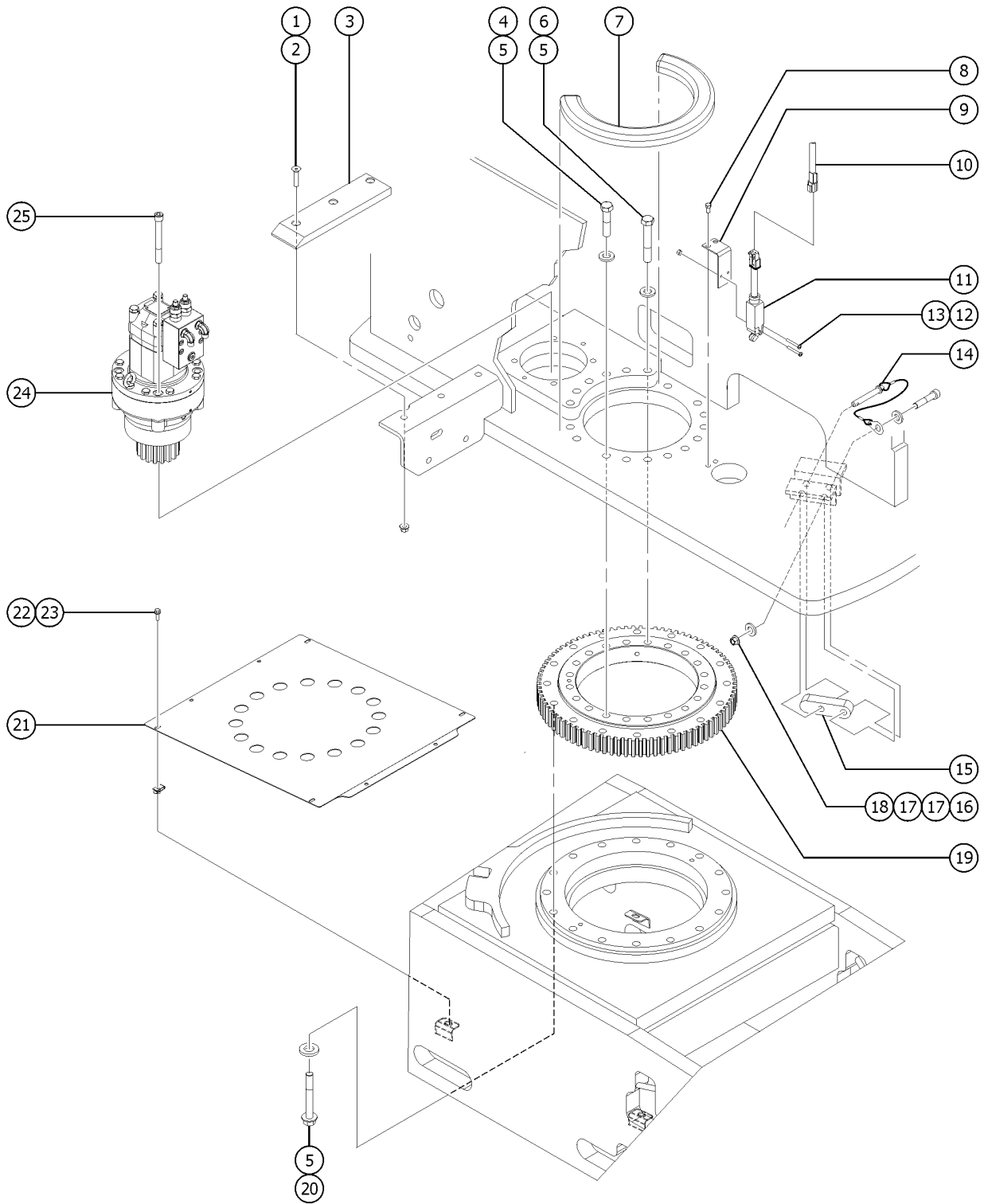
205.1 Power Cables



<i>Item</i>	<i>Part No.</i>	<i>Description</i>	<i>Qty.</i>
16	139060GT	WIRE ASSY #10 RED F1/F2	1



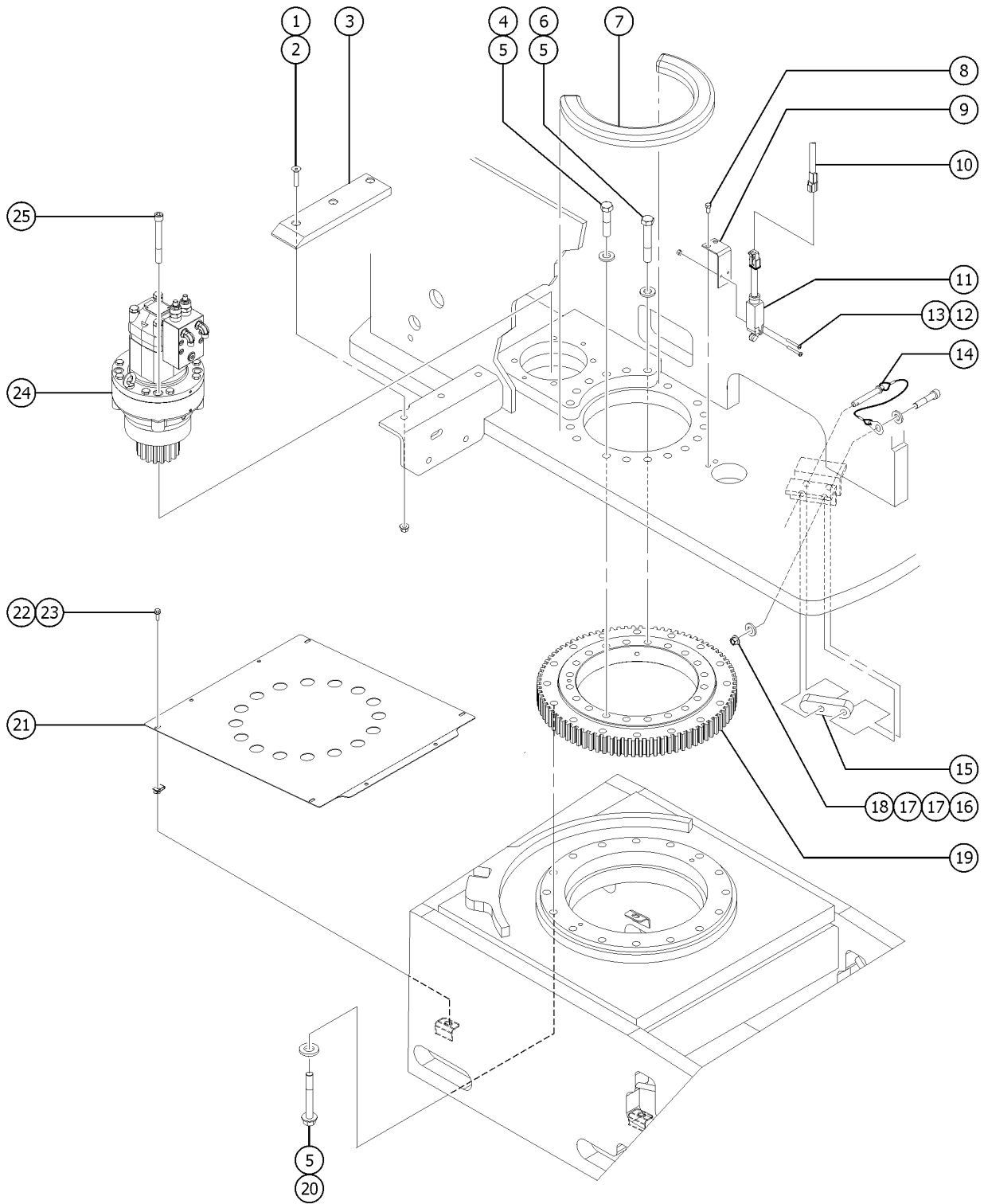
301.1 Turntable Rotator



Item	Part No.	Description	Qty.
1	1259857GT	SCREW,FHS,3/8-16X1.75,F835,ZAG	3
2	824029GT	NUT, TL FLG, 3/8-16, G, ZAG	3
3	50519GT	LOAD PAD,ENGINE TRAY SUPPORT	1
4	1263234GT	SCREW,HHC,5/8-11X2.75,8,ZAG	12
5	1256182GT	WASHER,FLAT,5/8,F436,HRD,ZAG	34
6	1256170GT	SCREW,HHC,5/8-11X4,8,ZAG	6
7	107651GT	PROTECTOR,SLEW BOLT	1
8	1256109GT	SCREW,HHC,3/8-16X.75,8,ZAG	2
9	120250GT	BRACKET,DRIVE SENSOR,ENABLE	1
10	1294877GT	HARN FUNCTION MAN Z45DC/BE	
11	128816GT	HARN LIMIT SW DE Z45DC/BE	1
12	824216GT	SCREW,PHPM,10-32X1.5,ZAG	2
13	824036GT	NUT,TL,10-32,A,ZAG	2
14	54145-400GT	RETAINING PIN, ASSY	1
15	120251GT	PLATE,SWING LOCK	1
16	1251997GT	NUT,TL FLG,1/2-13,G,ZAG	1
17	1255760GT	WASHER,FLAT,1/2,USS,ZAG	2
18	824103GT	SCREW,SHC,1/2-13X3,A574,ZAG	1
19	101815GT	BEARING,SWING CHASSIS	1
19-	88635-4024GT	HOSE ASSY 1/4,STR FEM,PIPETHRE	
20	1263142GT	SCREW,HHC,5/8-11,4.5,8,ZAG	16
21	120269GT	FORMING,BELLY PAN	1
22	824078GT	SCREW,HHF,1/4-20X.75,8,ZAG	4
23	56912GT	SPRING CLIP,1/4-20,.025-.15X.54,ZAG	4
24	824050GT	SWING DRIVE ASSEMBLY	1
24-	48904GT	ELBOW,90D,520220-4-4 not included, must order separately	
24-	824051GT	SEAL KIT, SWING DRIVE	
24-	824052GT	VALVE BLOCK, SWING DRIVE	



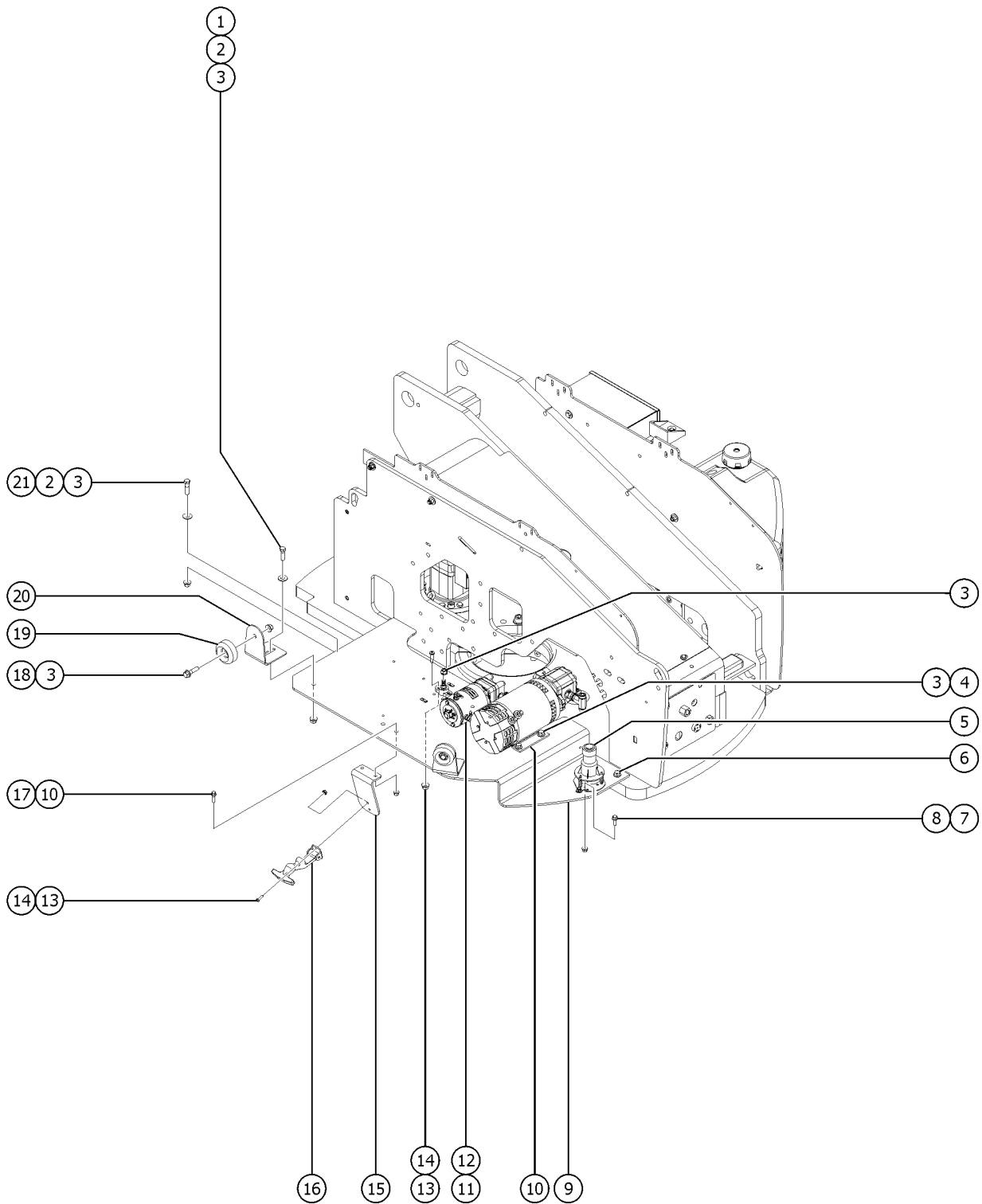
301.1 Turntable Rotator



<i>Item</i>	<i>Part No.</i>	<i>Description</i>	<i>Qty.</i>
25	1263232GT	SCREW,SHC,1/2-13X4.5,A574,ZAG	4



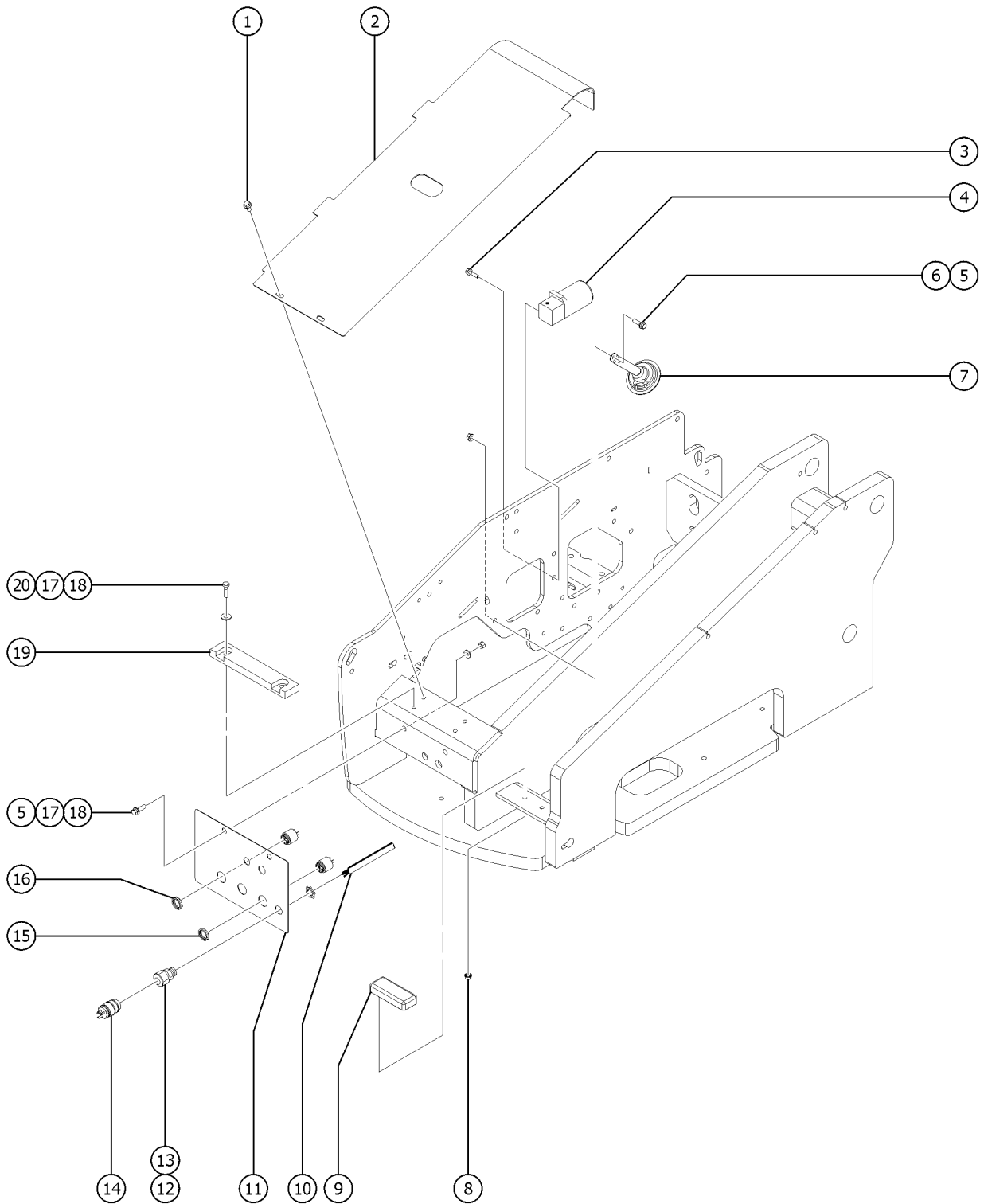
302.1 Turntable Components - View 1



Item	Part No.	Description	Qty.
1	824068GT	SCREW,HHC,3/8-16X1.25,8,ZAG	2
2	1255758GT	WASHER,FLAT,3/8,USS,ZAG	4
3	824029GT	NUT, TL FLG, 3/8-16, G, ZAG	9
4	824091GT	SCREW,HHF,3/8-16X1.25,8,ZAG	4
5	1263178GT	RL4 KICKSTAND	1
		CE	
5B	1261984GT	SENSOR, LEVEL, 4.5 X 4.5 DEG	1
		ANSI/CSA/Australia	
6	824090GT	SCREW,HHF,3/8-16X1,8,ZAG	2
7	824078GT	SCREW,HHF,1/4-20X.75,8,ZAG	3
8	824027GT	NUT,TL FLG,1/4-20,G,ZAG	5
9	229726GT	FORMING,SWING CHASSIS TRAY	1
10		REF. HYDRAULIC POWER UNIT	
		Refer to 601.1	
11	36179GT	POWER UNIT,AUX PUMP 24VDC	1
12	824085GT	SCREW,HHF,5/16-18X.75,8,ZAG	2
13	1264261GT	NUT,SERRATED,10-32,ZAG	2
14	824215GT	SCREW,PHPM,10-32X.75,ZAG	2
15	230502GT	FORMING,DRAW LATCH MOUNT	1
16	45363GT	LATCH,FLEXIBLE	1
17	824079GT	SCREW,HHF,1/4-20X1,8,ZAG	2
18	824092GT	SCREW, HHF, 3/8-16 X 1.5, 8, ZAG	2
19	50974GT	BUMPER,RUBBER,COVERS	2
20	120246GT	BRACKET,RUBBER BUMPER,ENGCOVER	2
21	1256118GT	SCREW,HHC,3/8-16X1.5,8,ZAG	2



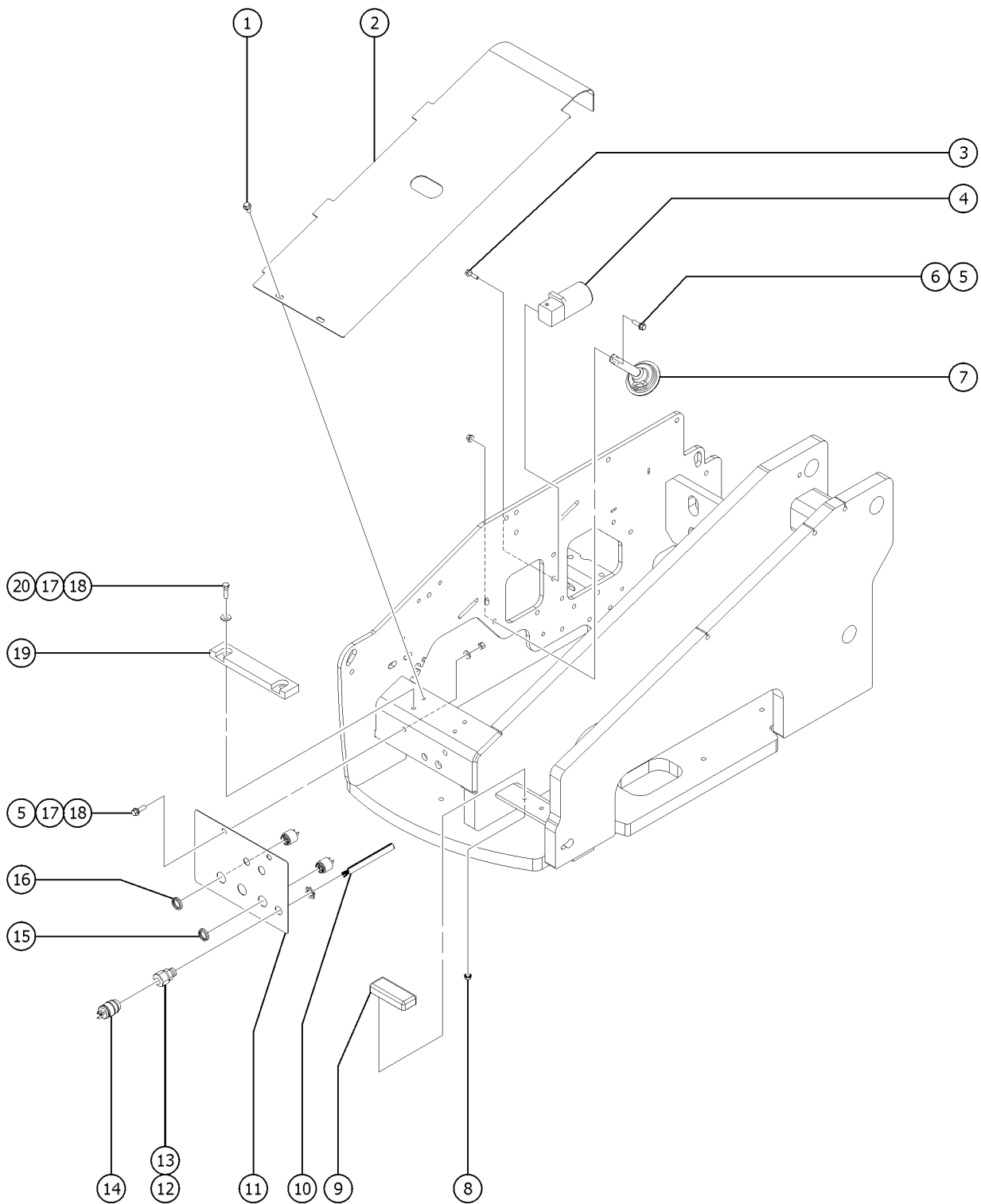
303.1 Turntable Components - View 2



Item	Part No.	Description	Qty.
1	824089GT	SCREW, HHF, 3/8-16 X .75, 8, ZAG	2
2	120243GT	COVER,CENTER SWING CHASSIS	1
3	824087GT	SCREW, HHF, 5/16-18 X 1.25, 8, ZAG	2
4	36179GT	POWER UNIT,AUX PUMP 24VDC	1
4-	37184GT	MOTOR, 24V (36179)	
4-	37185GT	PUMP ASSEMBLY (36179)	
4-	37186GT	VALVE,CHECK (36179)	
4-	37187GT	SEAL KIT, 37185 PUMP	
4-	37191GT	GASKET, PUMP / MOTOR (36179)	
4-	37192GT	COUPLER, PUMP / MOTOR (36179)	
4-	49878GT	NYLON WASHER,(36179)	
5	824091GT	SCREW,HHF,3/8-16X1.25,8,ZAG	2
6	824029GT	NUT, TL FLG, 3/8-16, G, ZAG	1
7	81579GT	HORN,24VDC,SPADE TERMINALS***	1
8	1257628GT	NUT,SERRATED,3/8-16,8,ZAG	2
9	56849GT	PAD,REST,1"THICK,W/STUDS*	1
10	30794GT	WIRE,12/3 SJEOW,BK-WH-GR/YL	756
11	229807GT	PLATE,FRONT COVER	1
12	7056GT	CONN,SQUEEZE,1/2NPT .38-.50,SM	1
13	6935GT	LOCKNUT,ELEC,1/2"	1
14	119403GT	CONN,PLUG 120 AC/15A DOMESTIC	1
14-		FUSE,13 AMP,220V PLUG (component no longer available) refer to BS1362 BUSS TDC180-13A	
14-	119404GT	CONN,RECEP 120AC/15A DOMESTIC	
14-	1280665GT	PLUG, TYPE F, 230A, 50HZ, 16A, IP44	
14-	144161GT	PLUG,PWR,UK,16AMP,3PIN,BLK	
14-	25388GT	PLUG,FUSED,250V,13AMP,U.K.**	
14B	128646GT	CORD AC IEC320-C19 TO 110UK UK	1
14B-	139318GT	BUSHING,STRAIN RELIEF,.875/.30	



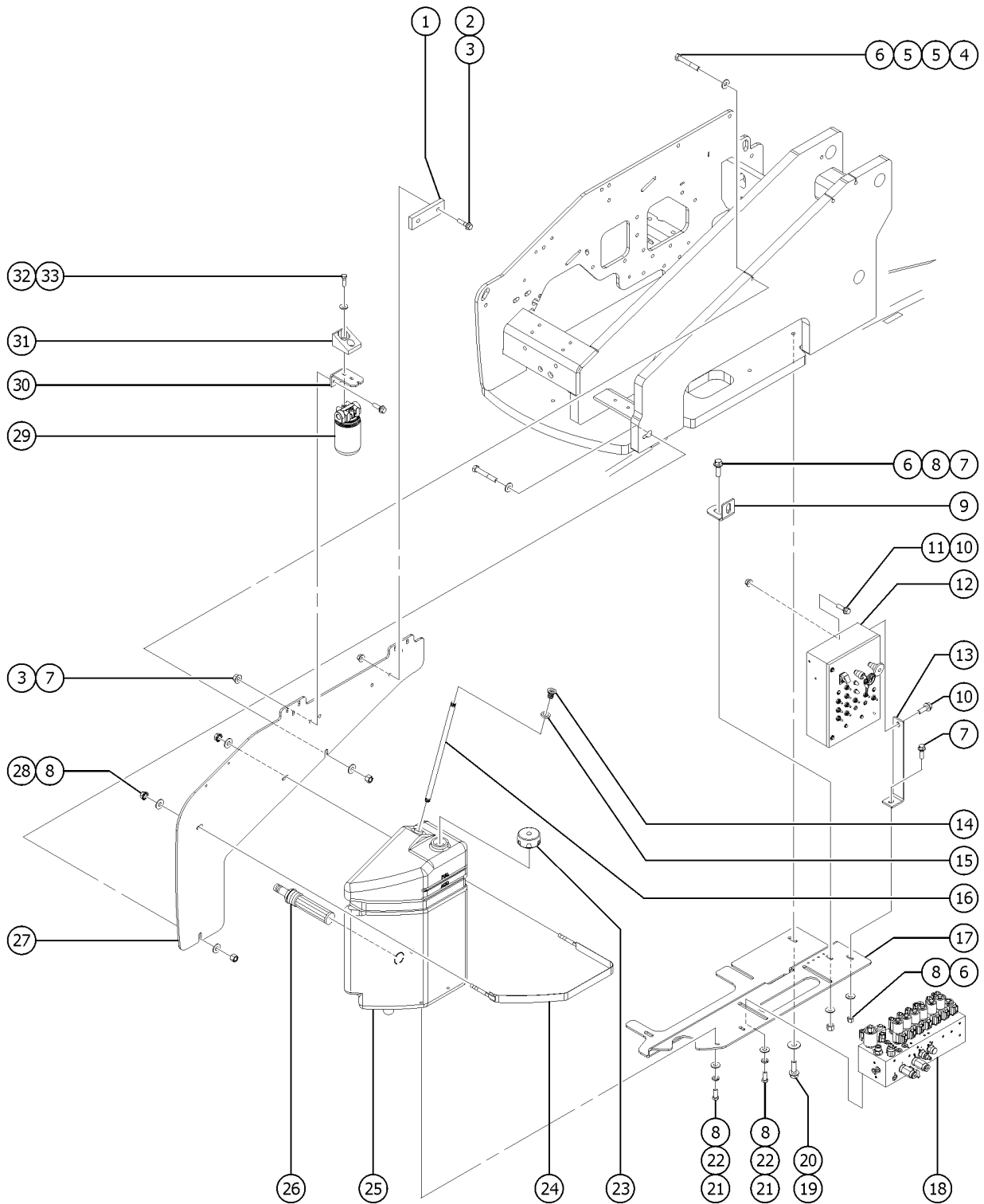
303.1 Turntable Components - View 2



<i>Item</i>	<i>Part No.</i>	<i>Description</i>	<i>Qty.</i>
14C	128645GT	CORD AC IEC320-C19 TO 220EU Europe	1
14C-	139318GT	BUSHING,STRAIN RELIEF, .875/.30	
15	18963GT	ALARM,INTERMITTENT TONE 6-30V* Does not include 72326 nut	1
15-	72326GT	NUT,PLASTIC,RING FOR ALARMS	
16	45462GT	ALARM,CHIME TONE 5-25VDC*** Does not include 72326 nut	1
16-	72326GT	NUT,PLASTIC,RING FOR ALARMS	
17	825358GT	WASHER,FLAT,5/16,USS,ZAG	4
18	824025GT	NUT,TL,3/8-16,C,ZAG	4
19	50570GT	WEAR PAD,PRIMARY BOOM,NON JIB	1
20	1256118GT	SCREW,HHC,3/8-16X1.5,8,ZAG	2



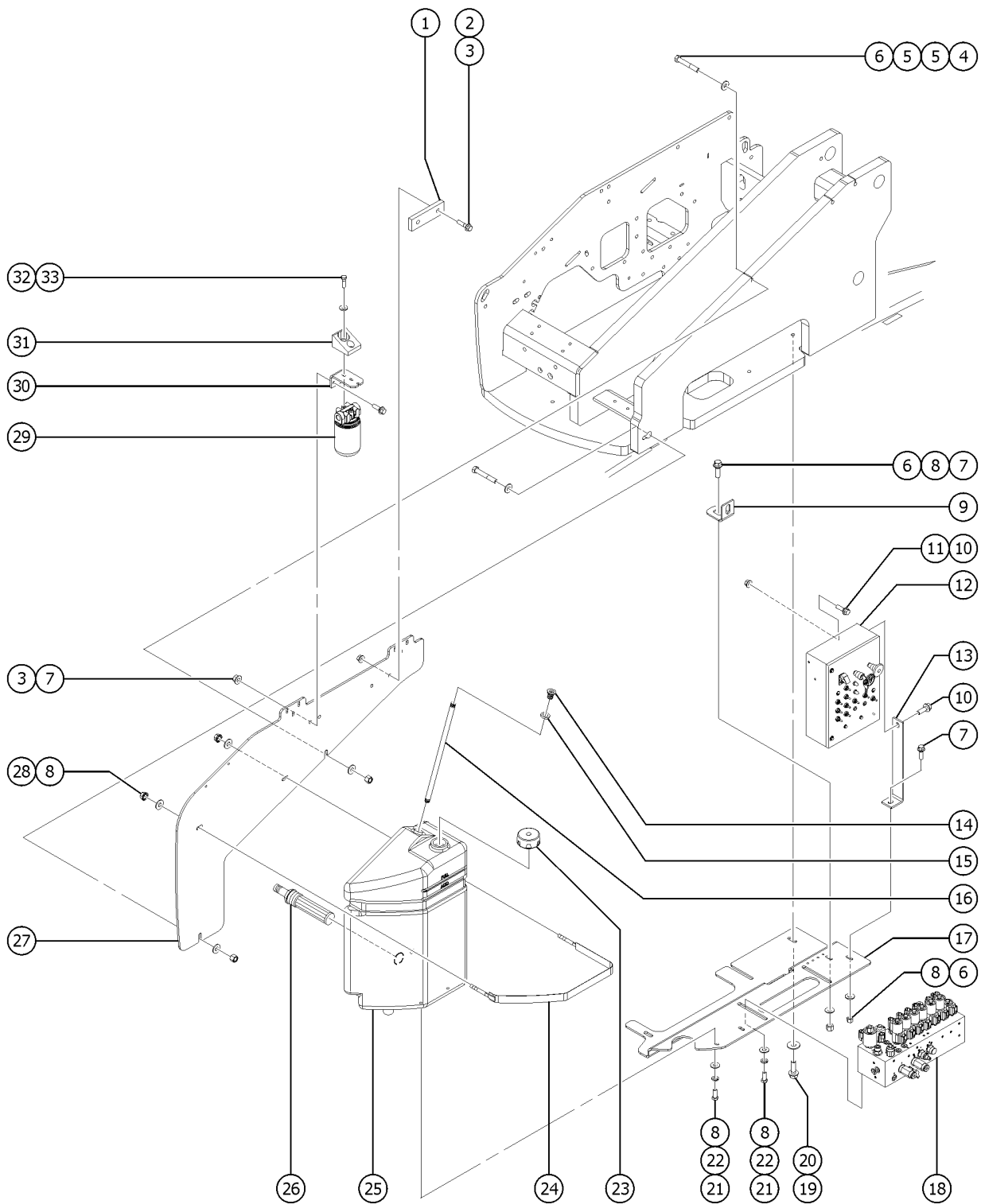
304.1 Turntable Components - View 3



Item	Part No.	Description	Qty.
1	54231GT	WEAR PAD,4.88 X 1.5 X .5	1
2	824092GT	SCREW, HHF, 3/8-16 X 1.5, 8, ZAG	2
3	824029GT	NUT, TL FLG, 3/8-16, G, ZAG	4
4	824069GT	SCREW,HHC,3/8-16X2.5,8,ZAG	2
5	825358GT	WASHER,FLAT,5/16,USS,ZAG	4
6	824025GT	NUT,TL,3/8-16,C,ZAG	4
7	824091GT	SCREW,HHF,3/8-16X1.25,8,ZAG	4
8	1255758GT	WASHER,FLAT,3/8,USS,ZAG	8
9	120255GT	BRACKET,FUEL TANK TOP MOUNT	1
10	824078GT	SCREW,HHF,1/4-20X.75,8,ZAG	2
11	824027GT	NUT,TL FLG,1/4-20,G,ZAG	2
12		Ref. Ground Controls (refer to 305.1 or 306.1)	
13	229723GT	BRACKET,GROUND CONTROL BOX	1
14	39223GT	BULKHEAD FITTING,PLASTIC X 8** Includes item 15	1
15	62088GT	WASHER/BULKHEAD***	1
16	60065GT	TUBE,PLASTIC .5 NPT X 18"	1
17	229725GT	FORMING,SWING CHASSIS,RH	1
18		Ref. Function Manifold (refer to 602.1)	
19	1253498GT	SCREW,HHF,1/2-13X1.5,8,ZAG	3
20	1255760GT	WASHER,FLAT,1/2,USS,ZAG	3
21	824067GT	SCREW, HHC, 3/8-16 X 1, 8, ZAG	4
22	824110GT	WASHER, LOCK, 3/8, ZAG	4
23	42019GT	TANK BREATHER,NYLON **	1
24	54479GT	STRAP ASSEMBLY,29.25LG,5/16-18	1
24B	31658GT	EXTRUSION,RUBBER BUMPER STRIP	1
25	50966GT	TANK,HYDRAULIC,8 GALLON,DC/BI	1
25-	56022GT	PLUG,3/4 MAGNETIC PIPE SQ.DRV	
26	45162GT	STRAINER ASSEMBLY,1.25" NPT***	1



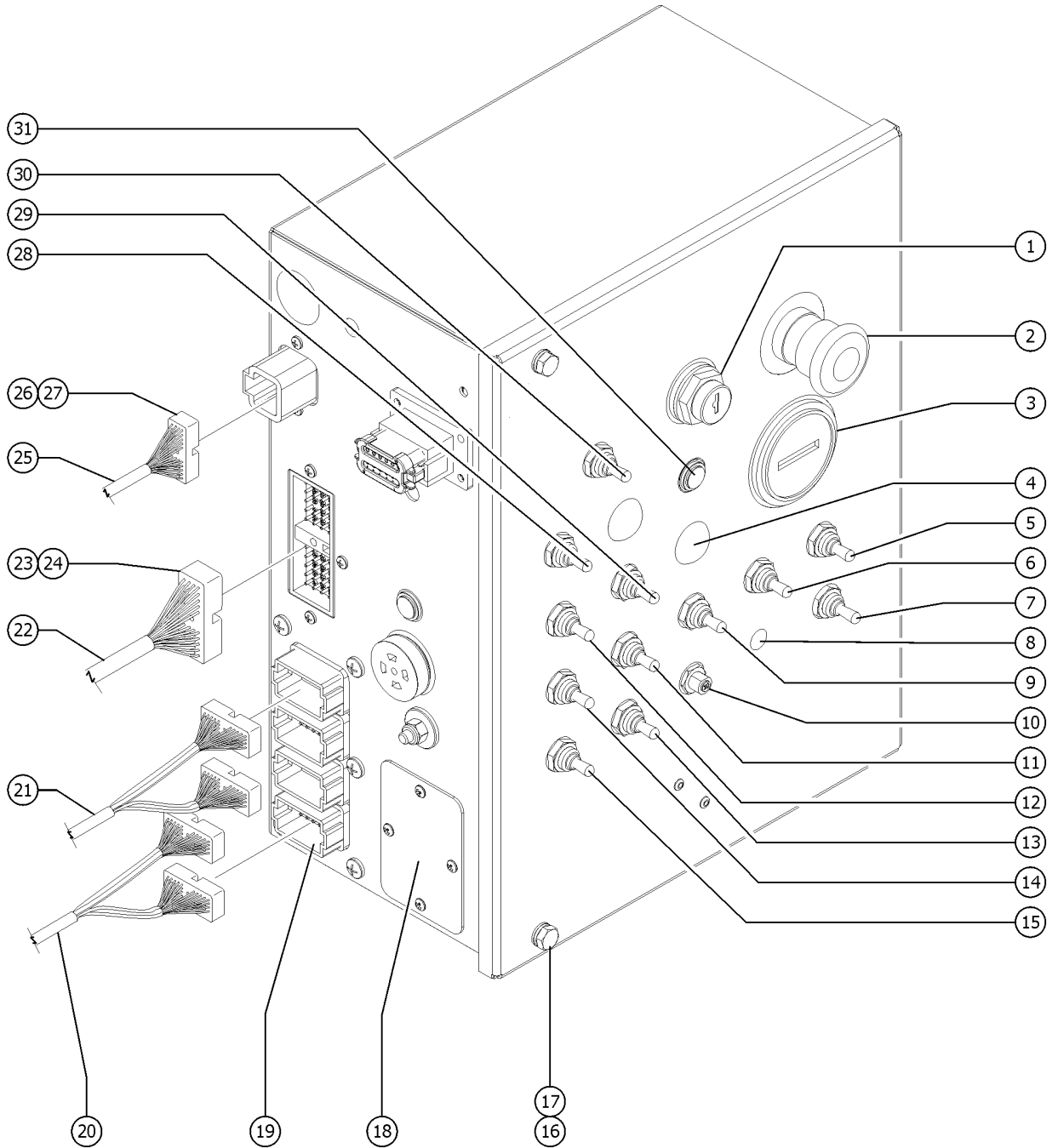
304.1 Turntable Components - View 3



<i>Item</i>	<i>Part No.</i>	<i>Description</i>	<i>Qty.</i>
27	229722GT	BULKHEAD,SWING CHASSIS,DC/BI P	1
28	1257628GT	NUT,SERRATED,3/8-16,8,ZAG	2
29	78622GT	FILTER ASSY,SAE8,10 MIC,PAPR**	1
29-	44788GT	FILTER ELEMENT,10MICRON,PAPER*	
30	229808GT	BRACKET,RETURN FILTER	1
31	54360GT	CUP,PROP ROD,DC/BI	1
32	824060GT	SCREW, HHC, 1/4-20 X 1, 8, ZAG	2
33	824113GT	WASHER,FLAT,USS,1/4,ZAG	2



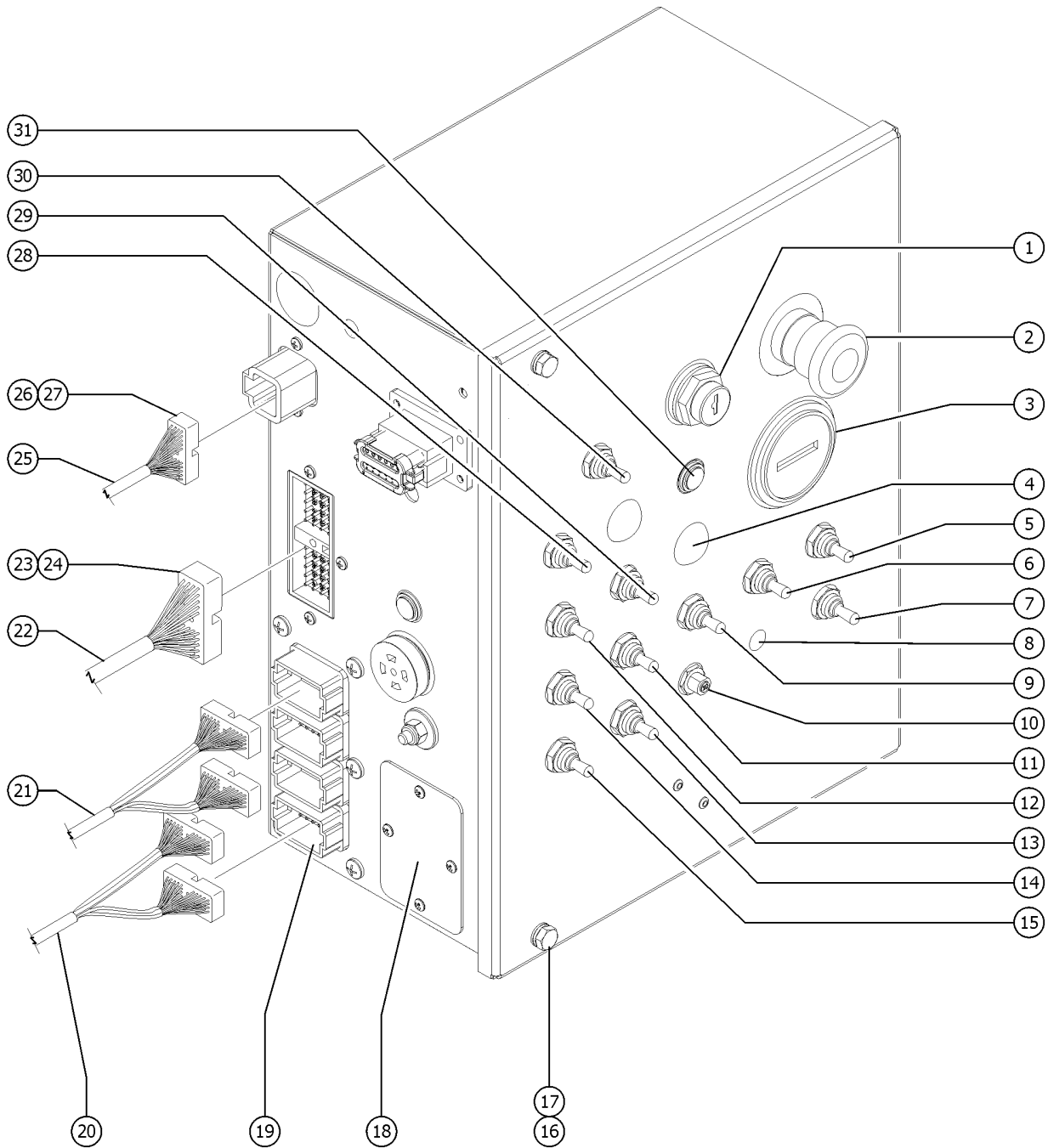
305.1 Ground Control Box - View 1



Item	Part No.	Description	Qty.
1	96008-SGT	KEYSWITCH,3 POS. W/KEYS***	1
1-	21982GT	KEY,SINGLE***	
1-	37947GT	KEYS,10 PACK***	
1-	83093GT	KEY SINGLE*** with rubber boot	
1-	88827GT	GASKET,KEYSWITCH,PLASTIC***	
1-	94506GT	BASE,W/3 NC CONTACTS	
1-	96010GT	SCREW,PHILLIPS,PHM,8-32 X.25**	
1B	93131GT	KEYSWITCH,3 POS W/KEYS,LOCKING	1
1B-	83093GT	KEY SINGLE***	
1B-	85239GT	NUT,RETAINER (96008)	
2	66812GT	BUTTON,PUSH,RED MUSHROOM HEAD	1
2-	66818GT	CONTACT,NC	
2-	66821GT	BASE,WITHOUT CONTACTS	
3	19506GT	HOUR METER, 10-80 VOLTS*** includes mounting bracket	1
4	229567GT	PLUG,SANTOPRENE .5 BLACK DOME	2
5	128200GT	SWITCH TOGGLE ASSY SPDT 3P MOM Glow Plug (Bi-Energy); includes boot and hardware	1
5-	128578GT	SCREW T-SWITCH PH/PH 6-32X1/4	
5-	128580-SGT	SWITCH TOGGLE SPDT 3P MOM SHDR	
5-	27246GT	BOOT,TOGGLE SWITCH,SHORT*	
5B	229567GT	PLUG,SANTOPRENE .5 BLACK DOME	1
6	128200GT	SWITCH TOGGLE ASSY SPDT 3P MOM	1
6-	128578GT	SCREW T-SWITCH PH/PH 6-32X1/4	
6-	128580-SGT	SWITCH TOGGLE SPDT 3P MOM SHDR	
6-	27246GT	BOOT,TOGGLE SWITCH,SHORT*	
6B	229567GT	PLUG,SANTOPRENE .5 BLACK DOME	1
7	128200GT	SWITCH TOGGLE ASSY SPDT 3P MOM	1
7-	128578GT	SCREW T-SWITCH PH/PH 6-32X1/4	
7-	128580-SGT	SWITCH TOGGLE SPDT 3P MOM SHDR	



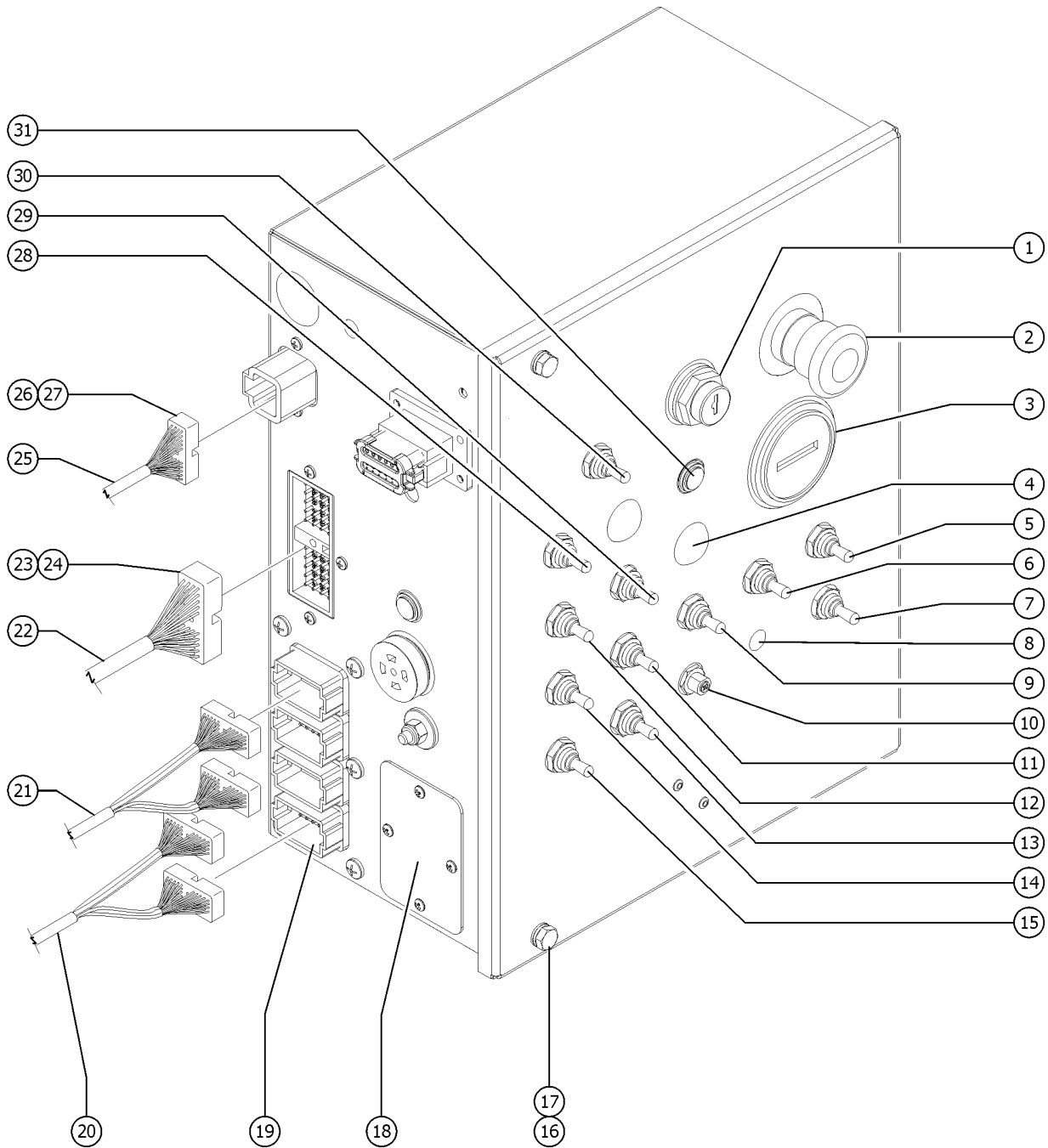
305.1 Ground Control Box - View 1



Item	Part No.	Description	Qty.
7-	27246GT	BOOT,TOGGLE SWITCH,SHORT*	
8	21858GT	PLUG,NYLON .38 BLACK DOMED	1
9	128202GT	SWITCH TOGGLE ASSY DPDT 3P MOM Secondary Boom Up/Down; includes boot and hardware	1
9-	128578GT	SCREW T-SWITCH PH/PH 6-32X1/4	
9-	128582-SGT	SWITCH TOGGLE DPDT 3P MOM SHDR	
9-	27246GT	BOOT,TOGGLE SWITCH,SHORT*	
10	147093GT	ASSY, CIRCUIT BREAKER 10A includes mounting fasteners	1
10-	122994GT	NICKEL PLATED JAM NUT	
10-	147089GT	CIRCUIT BREAKER, 10A	
10-	6700GT	WASHER,STAR,EXTERNAL,,.375	
11	229567GT	PLUG,SANTOPRENE .5 BLACK DOME (Z-45/25)	1
11B	128202GT	SWITCH TOGGLE ASSY DPDT 3P MOM	1
11B-	128578GT	SCREW T-SWITCH PH/PH 6-32X1/4	
11B-	128582-SGT	SWITCH TOGGLE DPDT 3P MOM SHDR	
11B-	27246GT	BOOT,TOGGLE SWITCH,SHORT*	
12	128202GT	SWITCH TOGGLE ASSY DPDT 3P MOM	1
12-	128578GT	SCREW T-SWITCH PH/PH 6-32X1/4	
12-	128582-SGT	SWITCH TOGGLE DPDT 3P MOM SHDR	
12-	27246GT	BOOT,TOGGLE SWITCH,SHORT*	
13	128202GT	SWITCH TOGGLE ASSY DPDT 3P MOM	1
13-	128578GT	SCREW T-SWITCH PH/PH 6-32X1/4	
13-	128582-SGT	SWITCH TOGGLE DPDT 3P MOM SHDR	
13-	27246GT	BOOT,TOGGLE SWITCH,SHORT*	
14	128202GT	SWITCH TOGGLE ASSY DPDT 3P MOM	1
14-	128578GT	SCREW T-SWITCH PH/PH 6-32X1/4	
14-	128582-SGT	SWITCH TOGGLE DPDT 3P MOM SHDR	
14-	27246GT	BOOT,TOGGLE SWITCH,SHORT*	
15	128202GT	SWITCH TOGGLE ASSY DPDT 3P MOM	1



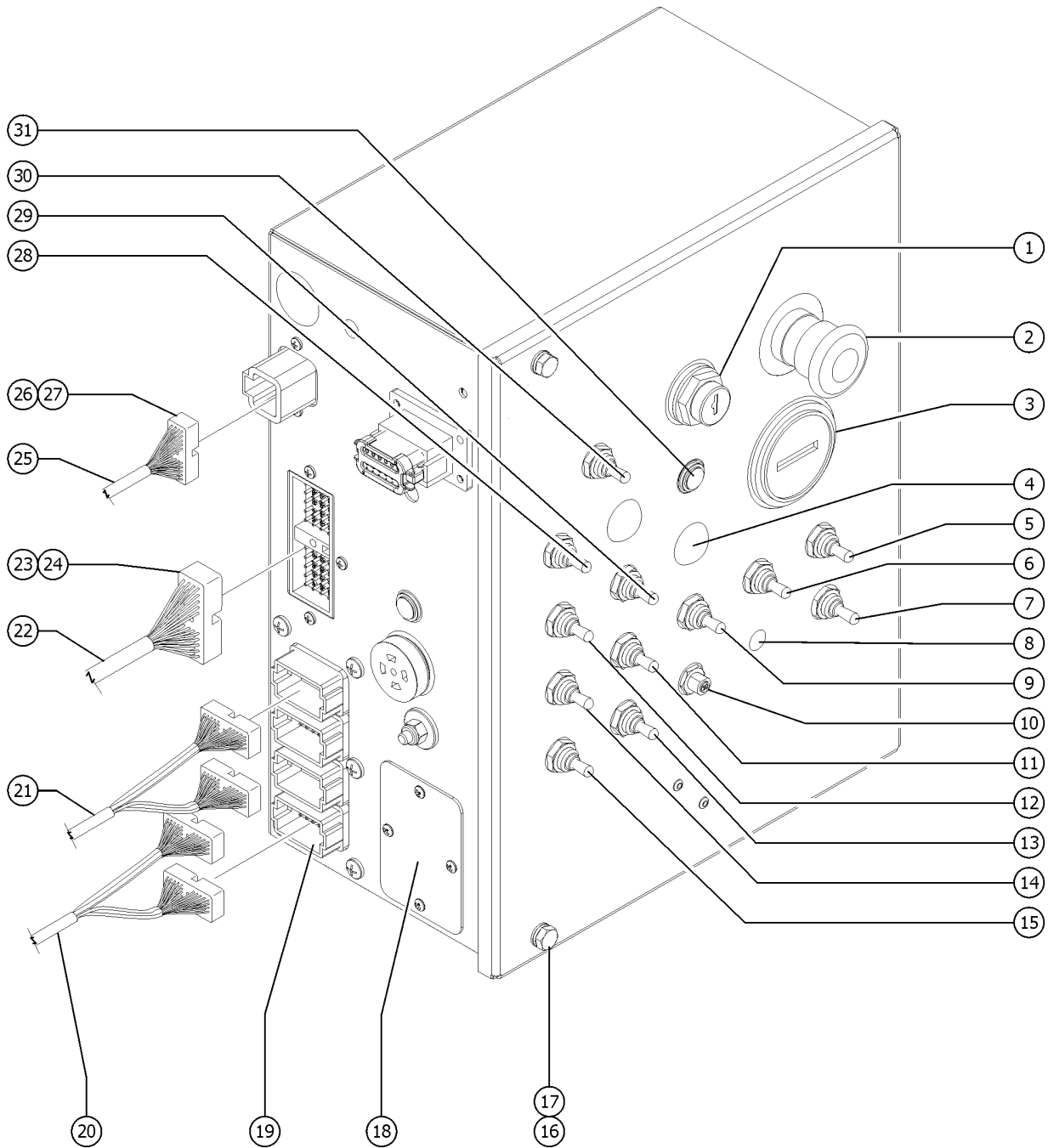
305.1 Ground Control Box - View 1



Item	Part No.	Description	Qty.
15-	128578GT	SCREW T-SWITCH PH/PH 6-32X1/4	
15-	128582-SGT	SWITCH TOGGLE DPDT 3P MOM SHDR	
15-	27246GT	BOOT,TOGGLE SWITCH,SHORT*	
16	824059GT	SCREW, HHC, 1/4-20 X .75, 8, ZAG	2
17	1253185GT	WASHER,FLAT,#10,USS,ZAG	2
18	230501GT	COVER PLATE, CONNECTOR	1
		DC models	
19	73736GT	CONN,RECEP 48 WAY,4 X 12	1
19-	119061GT	CONN PLUG 12 WAY ENDCAP DT GY	
19-	119062GT	CONN PLUG 12 WAY ENDCAP DT BK	
19-	54255GT	LOCK, RECEP 12WAY, 14-18GA	
19-	60435GT	LOCK,PLUG 12 WAY,14-18GA,GRN	
19-	61801GT	SEAL DT SERIES-12W	
19-	73713GT	TERM,NI PIN,S&F,16-18GA,REEL	
20	88722-72000GT	HARNESS,18/19,BOOM CABLE #2	1
		(Z-45/25); gray and black connectors	
20B	88722-70700GT	HARNESS,18/19,BOOM CABLE #2	1
		(Z-45/25J); gray and black connectors	
20B-	119063GT	CONN PLUG 12 WAY ENDCAP DT GR	
20B-	119064GT	CONN PLUG 12 WAY ENDCAP DT BR	
20B-	60435GT	LOCK,PLUG 12 WAY,14-18GA,GRN	
20B-	61801GT	SEAL DT SERIES-12W	
21	88721-72000GT	HARNESS,18/19 BOOM CABLE #1	1
		(Z-45/25); brown and green connectors	
21B	88721-70700GT	HARNESS,18/19 BOOM CABLE #1	1
		(Z-45/25J); brown and green connectors	
22	1294877GT	HARN FUNCTION MAN Z45DC/BE	1
23	73751GT	CONN,PLUG 40 WAY,DRC SERIES	1
24	73754GT	CONN,RECEP 40 WAY,W/FLANGE	1
25	88723-71000GT	HARNESS,12/3,12V TO PLAT	1
		(Z-45/25)	
25B	88723-69700GT	HARNESS,12/3,12V TO PLAT	1
		(Z-45/25J)	
26	60527GT	CONN,PLUG 4 WAY,12-14GA	1
26-	60528GT	LOCK,PLUG 4 WAY,12-14GA	



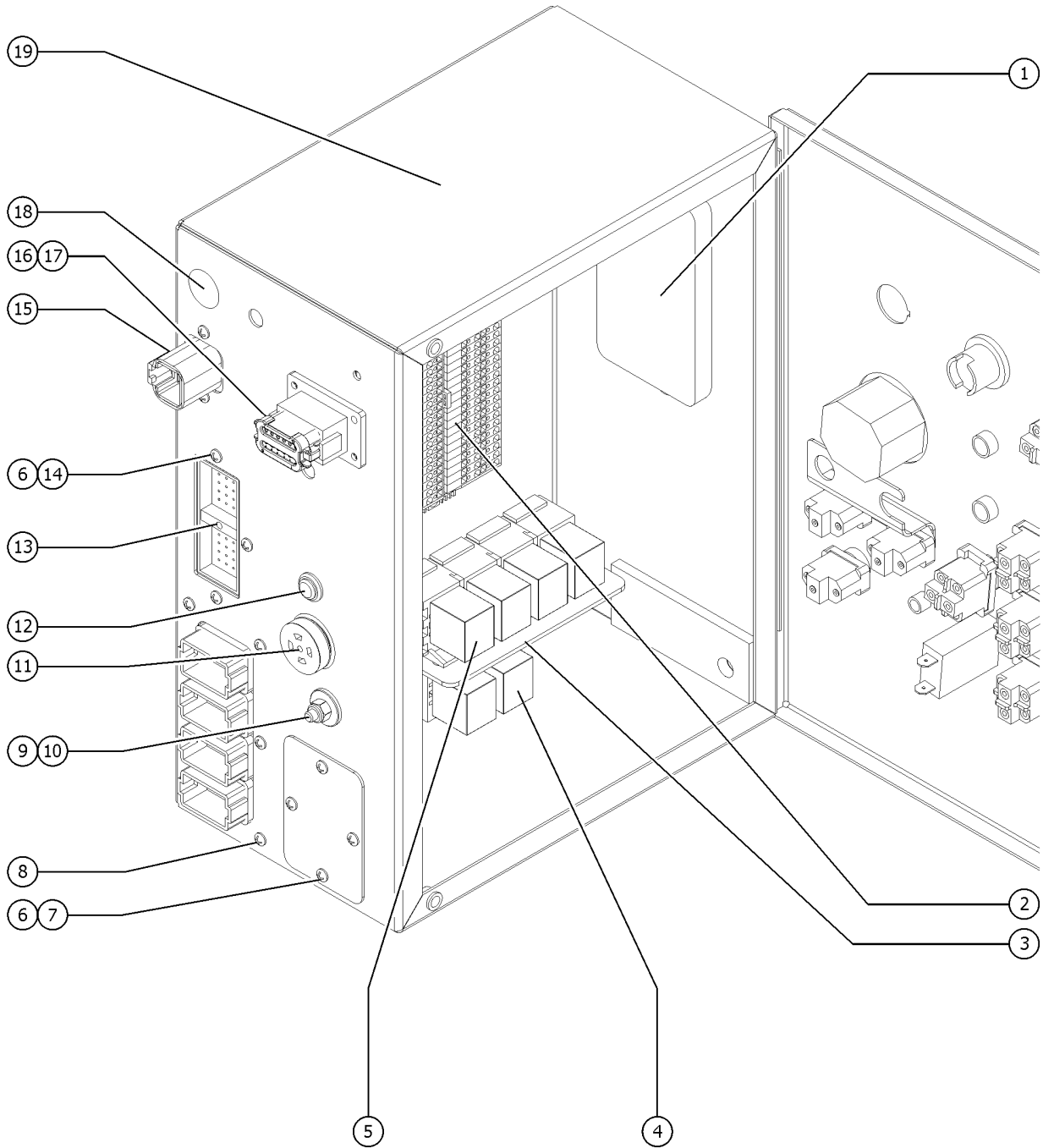
305.1 Ground Control Box - View 1



Item	Part No.	Description	Qty.
27	73754GT	CONN,RECEP 40 WAY,W/FLANGE	1
27-	60526GT	LOCK,RECEP 4 WAY,12-14GA	
28	128204GT	SWITCH TOGGLE ASSY SPDT 2P MNT Engine Idle; includes boot and hardware	1
28-	128578GT	SCREW T-SWITCH PH/PH 6-32X1/4	
28-	128584-SGT	SWITCH TOGGLE SPDT 2P MNT SHDR	
28-	27246GT	BOOT,TOGGLE SWITCH,SHORT*	
28B	229567GT	PLUG,SANTOPRENE .5 BLACK DOME	1
29	128202GT	SWITCH TOGGLE ASSY DPDT 3P MOM Primary Boom Up/Down; includes boot and hardware	1
29-	128578GT	SCREW T-SWITCH PH/PH 6-32X1/4	
29-	128582-SGT	SWITCH TOGGLE DPDT 3P MOM SHDR	
29-	27246GT	BOOT,TOGGLE SWITCH,SHORT*	
30	128201GT	SWITCH TOGGLE ASSY DPDT 2P MOM Auxiliary Power; includes boot and hardware	1
30-	128578GT	SCREW T-SWITCH PH/PH 6-32X1/4	
30-	128581-SGT	SWITCH TOGGLE DPDT 2P MOM SHDR	
30-	25553GT	BOOT,TOGGLE SWITCH	
30-	27246GT	BOOT,TOGGLE SWITCH,SHORT*	
31	229567GT	PLUG,SANTOPRENE .5 BLACK DOME ANSI models	1
31B	824878GT	LIGHT,LED IND. RED 24V NH AUS and CE models	1



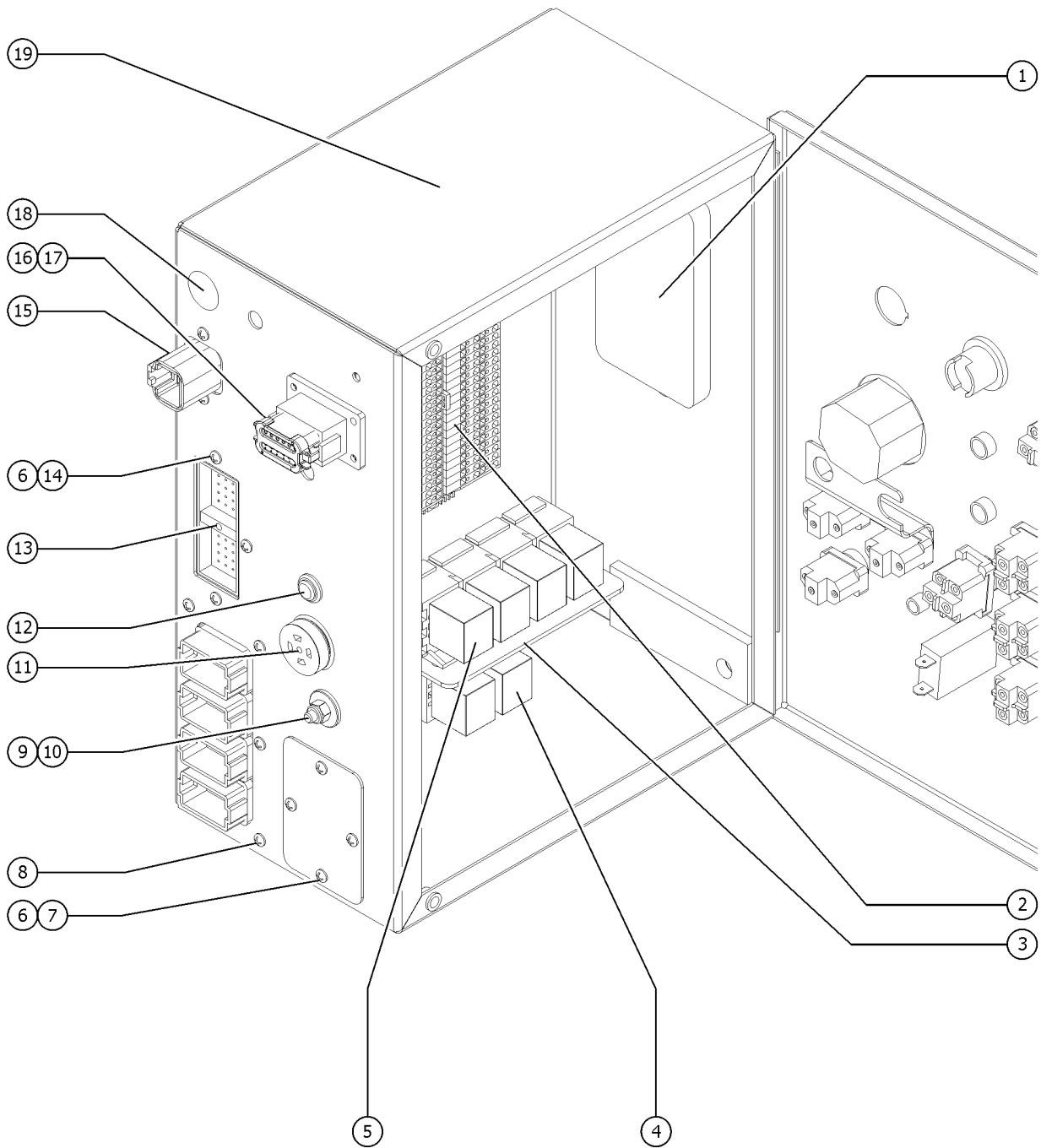
306.1 Ground Control Box - View 2



Item	Part No.	Description	Qty.
1	128045GT	MODULE,LOAD SENSE 2007 Australia and CE models	1
1-	1262031GT	SCREW,HHF,10-24X.75,ZAG CE models	2
1-	1264261GT	NUT,SERRATED,10-32,ZAG CE models	2
1-	824027GT	NUT,TL FLG,1/4-20,G,ZAG Australia models	2
1-	824078GT	SCREW,HHF,1/4-20X.75,8,ZAG Australia models	2
2	218083GT	ASSY,TERMINAL RAIL,Z45DC/BE	
2-	216791GT	TERMINAL BLOCK,WIELAND	28
2-	216793GT	TERMINAL BLOCK END PLATE	
2-	56994GT	DIN RAIL,11.25"	
2-	74913GT	END STOP, DIN RAIL,SCREW CLAMP	2
2-	74917GT	JUMPER COMB, 2-WAY,WIELAND	
2B	94639GT	ASSY,TERMINAL RAIL,Z45DC/BE	1
2B-	1251757GT	SCREW,PHPM,10-32X.50,ZAG	2
2B-	1264261GT	NUT,SERRATED,10-32,ZAG	2
2B-	56994GT	DIN RAIL,11.25"	
2B-	74911GT	TERMINAL BLOCK, WIELAND***	28
2B-	74912GT	TERMINAL BLOCK END PLATE **	
2B-	74913GT	END STOP, DIN RAIL,SCREW CLAMP	1
2B-	74917GT	JUMPER COMB, 2-WAY,WIELAND	
3	T106699GT	BRACKET,RELAY MOUNT W/INSERTS includes nutserts	1
3-	23404GT	NUTSERT,1/4-20,STEEL CAD PLTD	2
3-	824059GT	SCREW, HHC, 1/4-20 X .75, 8, ZAG	2
4	56302GT	RELAY,24VDC,40/30A,SEALED***	6
4-	1251757GT	SCREW,PHPM,10-32X.50,ZAG	5
4-	34053GT	ASSY,RELAY SOCKET, AUTO components no longer available	
4-	824036GT	NUT,TL,10-32,A,ZAG	5
5	34052GT	RELAY,SPDT,12V(AUTO) PLUG IN**	1
6	824214GT	SCREW,PHPM,6-32X.5,ZAG	13



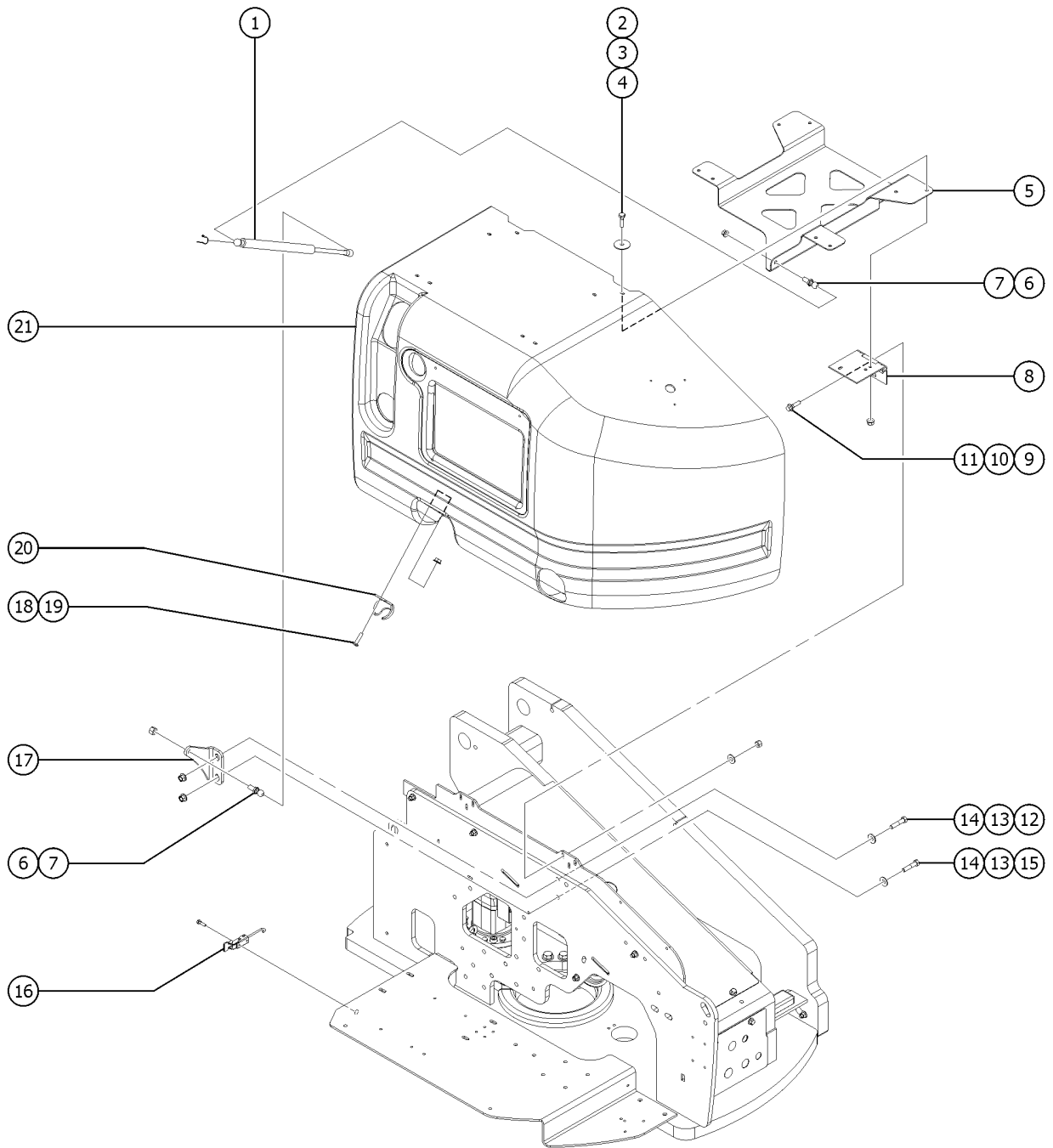
306.1 Ground Control Box - View 2



Item	Part No.	Description	Qty.
7	12344GT	NUT,NYLOCK,6-32	4
8	824226GT	SCREW,PHPSH,#12-11X.75,ZAG	6
9	824079GT	SCREW,HHF,1/4-20X1,8,ZAG	1
10	824027GT	NUT,TL FLG,1/4-20,G,ZAG	1
11	45462GT	ALARM,CHIME TONE 5-25VDC*** Does not include 72326 nut	1
11-	72326GT	NUT,PLASTIC,RING FOR ALARMS	
11B	45385GT	PLUG,NYLON 1.12 BLACK DOMED	
12	824878GT	LIGHT,LED IND. RED 24V NH	
13	73754GT	CONN,RECEP 40 WAY,W/FLANGE	1
13-	73713GT	TERM,NI PIN,S&F,16-18GA,REEL	
14	824019GT	NUT,TL,6-32,A,ZAG	9
15	73717GT	CONN,RECEP 4 WAY,12-14GA FL***	1
15-	60526GT	LOCK,RECEP 4 WAY,12-14GA	
15-	73711GT	TERM,DEUTSCH, PIN #12-14	
16	1258768GT	CONN,PLUG 8WAY,BLOCKED GROMMET To Z4525D-2547 (AUS), Z4525D-2810 (CE), Z4525D-2627(ANSI)	1
16B	1291360GT	CONN,PLUG,12 WAY,BLOCKED GROMMET From Z4525D-2548 (AUS), Z4525D-2811 (CE), Z4525D-2628(ANSI)	1
17	87755GT	CONN,RECEP 8 WAY 14-18GA,FL To Z4525D-2547 (AUS), Z4525D-2810 (CE), Z4525D-2627(ANSI)	
17B	73730GT	CONN,RECEP 12 WAY,GRY FLANGE From Z4525D-2548 (AUS), Z4525D-2811 (CE), Z4525D-2628(ANSI)	
18	15243GT	PLUG,NYLON .875 BLACK DOMED	1
19	120236GT	WELDMENT,GROUND CONTROL BOX*** To Z4525D-2547 (AUS), Z4525D-2810 (CE), Z4525D-2627(ANSI)	1
19-	42781GT	PLUG, NYLON .250 BLACK DOMED	
19-	6272GT	RIVET,STL,STL,P.,125 X .25	
19-	88637GT	GASKET,GROUND CONTROL BOX***	
19B	1292677GT	WELDMENT, GROUND CONTROL BOX From Z4525D-2548 (AUS), Z4525D-2811 (CE), Z4525D-2628(ANSI)	1



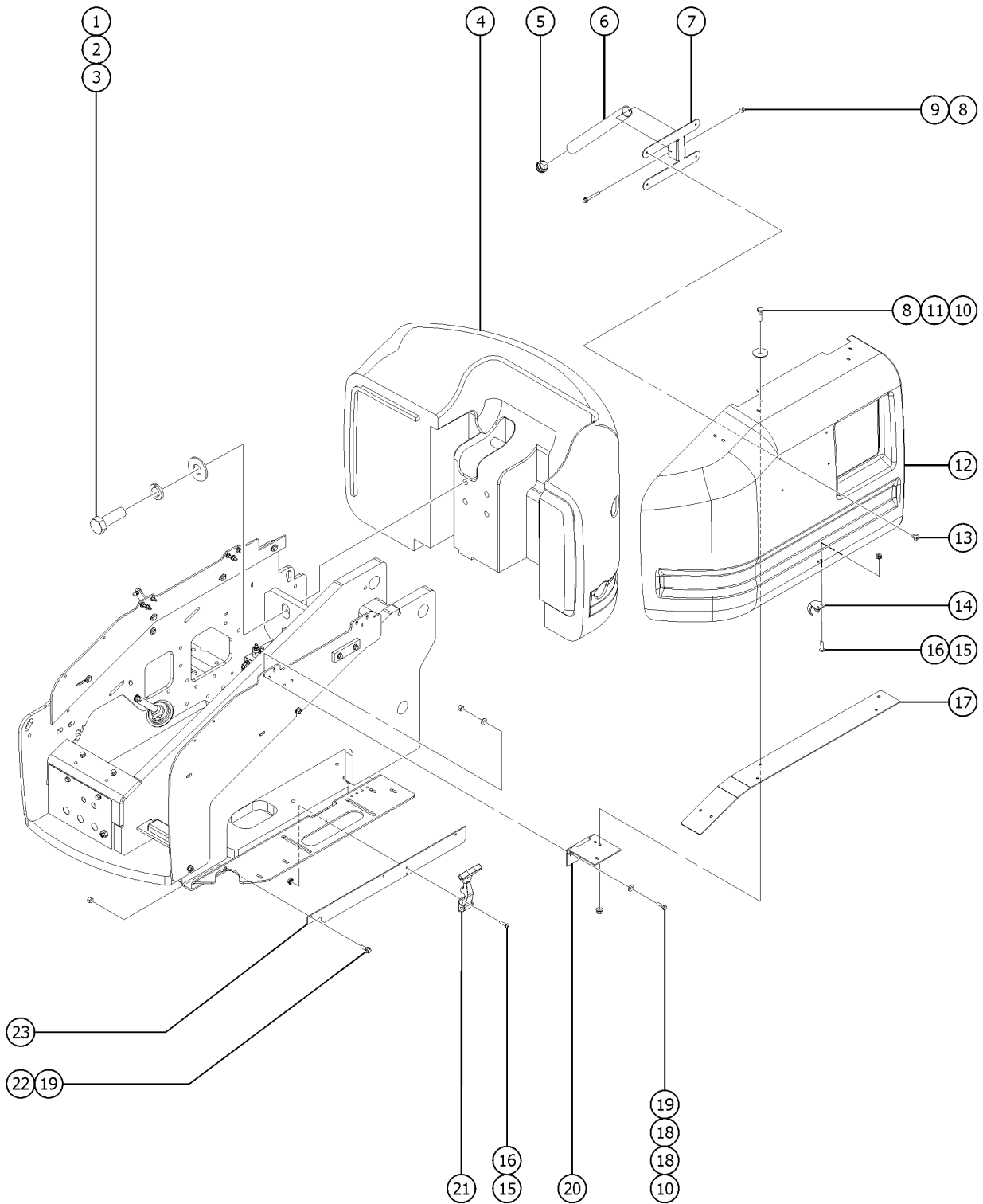
307.1 Turntable Covers - View 1



Item	Part No.	Description	Qty.
1	106069GT	STRUT,GAS,200 LB***	1
2	824060GT	SCREW, HHC, 1/4-20 X 1, 8, ZAG	8
3	824119GT	WASHER, FLAT, .25 X 1.25 X .062, ZAG	8
4	824027GT	NUT,TL FLG,1/4-20,G,ZAG	8
5	229801GT	FORMING, ENGINE COVER SUPPORT	1
6	33555GT	BALL STUD**	2
7	824028GT	NUT,TL FLG,5/16-18,G,ZAG	2
8	75073GT	HINGE,.375X.120THK.,SLOTTED	2
9	824079GT	SCREW,HHF,1/4-20X1,8,ZAG	6
10	824113GT	WASHER,FLAT,USS,1/4,ZAG	6
11	824024GT	NUT,TL,1/4-20,C,ZAG	6
12	1256847GT	SCREW,HHC,3/8-16X1.75,8,ZAG	1
13	1255758GT	WASHER,FLAT,3/8,USS,ZAG	4
14	824029GT	NUT, TL FLG, 3/8-16, G, ZAG	6
15	1256118GT	SCREW,HHC,3/8-16X1.5,8,ZAG	1
16		Ref: LATCH,DRAW,ADJUSTABLE	
		refer to 301.1	
17	229809GT	FORMING, GAS STRUT MOUNT	1
18	824215GT	SCREW,PHPM,10-32X.75,ZAG	2
19	1264261GT	NUT,SERRATED,10-32,ZAG	2
20	75076GT	KEEPER,LATCH (45363)	1
21	101861GT	COVER ASSY W/WRD DECALS,LH DC	1
		DC	
21B	T115412GT	COVER ASSY W/SYM DECALS,LH	1
		DC	
21C	50784GT	COVER,TURNTABLE,LH,DC/BE	1
		decals not included, refer to section one for decals	



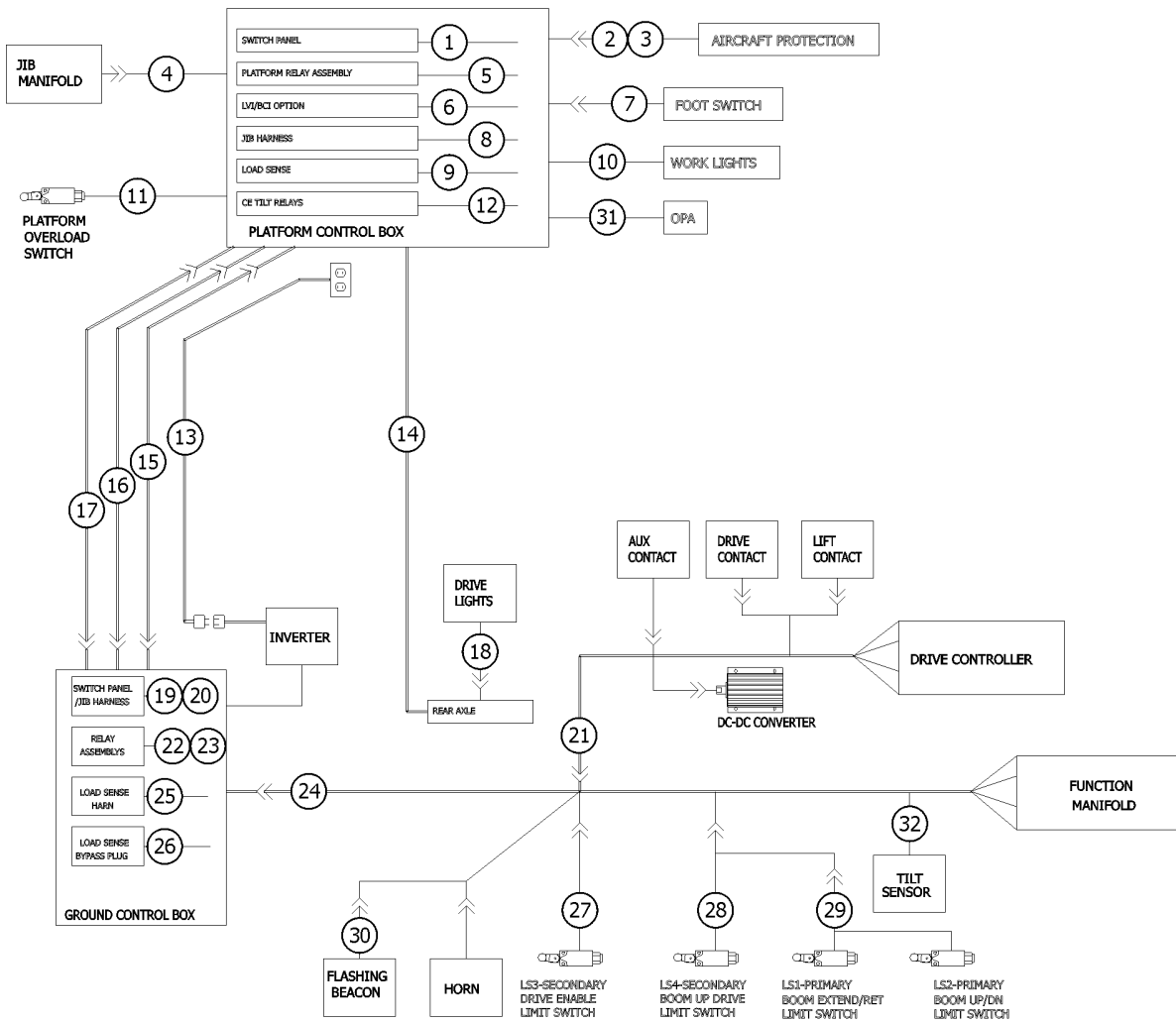
308.1 Turntable Covers - View 2



Item	Part No.	Description	Qty.
1	824074GT	SCREW,HHC,1-8X3,8,ZAG	4
2	1264259GT	WASHER,LOCK,1.0,ZAG	4
3	1256469GT	WASHER,FLAT,1.0,USS,ZAG	4
4	50924GT	COUNTERWEIGHT,CAST,Z45 DC	1
		(Z-45/25)	
4B	60145GT	COUNTERWEIGHT,CAST,DC/BI,W/JIB	1
		(Z-45/25J)	
5	44753GT	BUMPER, PLASTIC, 1.25 O.D	1
6	229802GT	ROD,PROP,COVER,SUPPORT	1
7	229800GT	CLEVIS, PROP ROD	1
8	824027GT	NUT,TL FLG,1/4-20,G,ZAG	7
9	1253485GT	SCREW,HHF,1/4-20X2,8,ZAG	1
10	824060GT	SCREW, HHC, 1/4-20 X 1, 8, ZAG	12
11	824119GT	WASHER, FLAT, .25 X 1.25 X .062, ZAG	6
12	101859GT	COVER ASSY W/WRD DECALS,RH DC	1
		DC	
12B	101862GT	COVER ASSY W/SYM DECLS,RH BIDC	1
		Bi-Energy and DC	
12C	77032GT	COVER,TANK SIDE,DC/BI	1
		decals not included, refer to section 1 for decals	
13	824207GT	RIVET,STL,DOME,1/4X.375,ZAG	4
14	75076GT	KEEPER,LATCH (45363)	1
15	824215GT	SCREW,PHPM,10-32X.75,ZAG	4
16	1264261GT	NUT,SERRATED,10-32,ZAG	4
17	229728GT	DOUBLER, BENT, COVER,DC/BI, RH	1
18	824113GT	WASHER,FLAT,USS,1/4,ZAG	12
19	824024GT	NUT,TL,1/4-20,C,ZAG	9
20	75073GT	HINGE,.375X.120THK.,SLOTTED	2
21	45363GT	LATCH,FLEXIBLE	1
22	824078GT	SCREW,HHF,1/4-20X.75,8,ZAG	3
23	229811GT	PLATE, DRAW LATCH MOUNT	1



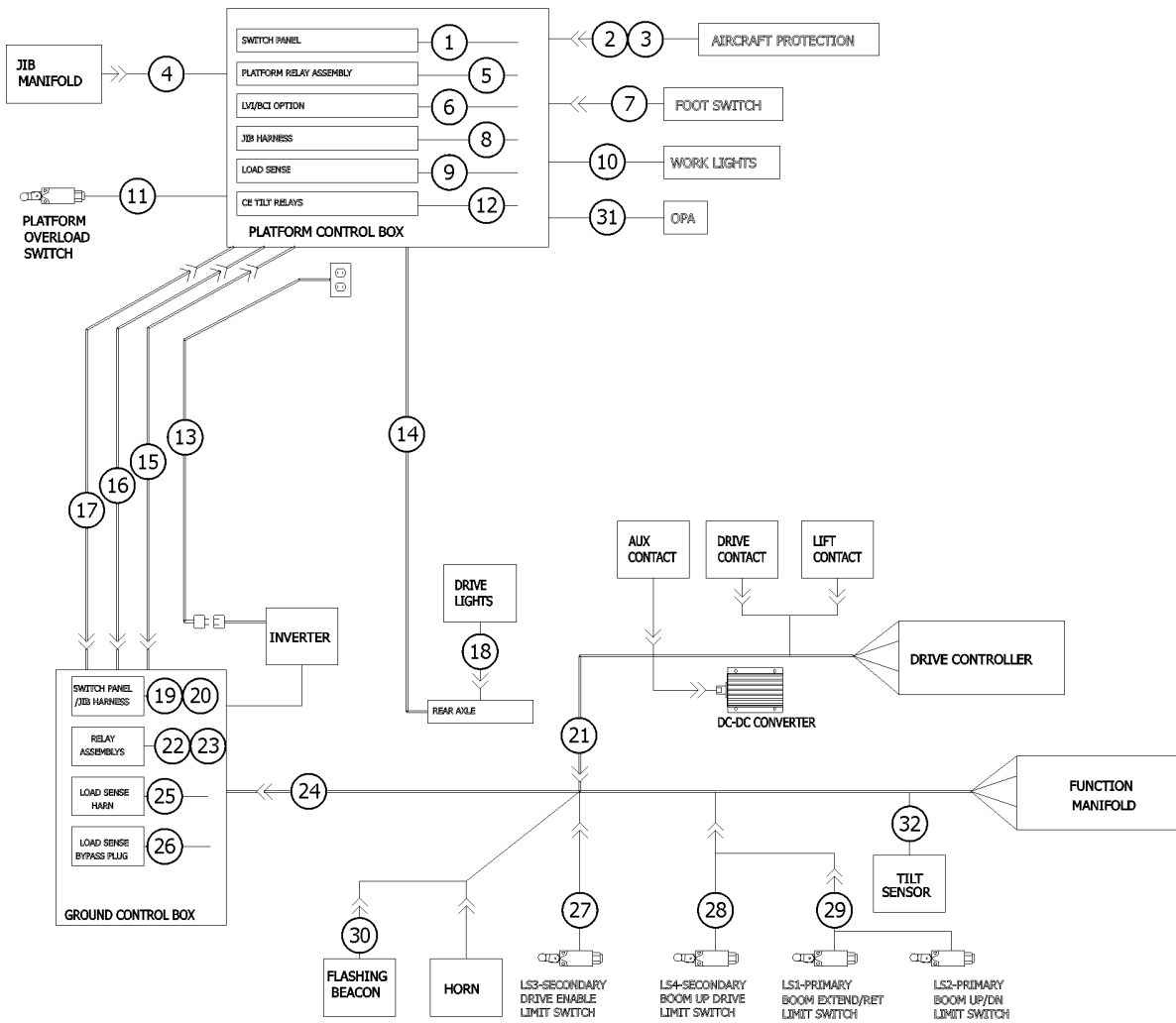
309.1 Wire Harness Diagram



Item	Part No.	Description	Qty.
A	1264822GT	KIT, TRC RETROFIT, STNDRD Telematics (includes 1264834)	
A-	1264834GT	INSTRN, TRC RETROFIT, STNDRD	
1	1262220GT	HARNESS, PBOX, Z45DC/BE	1
2	139882GT	HARN, AC PROTECTION BYPASS option, aircraft protection	1
3	81532GT	HARNESS, PROX. KILL option, aircraft protection	1
3-	27391GT	PROXIMITY SENSOR***	
3-	78098GT	RELAY,24VDC,40/30A,SLD W/BRKT*	
4	101080GT	HARNESS,JIB SELECT MANIFOLD	1
5	1261221GT	HARN,RELAY Z45DC/BE,PBOX	1
6	128941GT	HARNESS LVI/BCI ENGAGE II	1
6B	1296496GT	HARNESS, BCI ENGAGE, CN option, BCI/LVI option	1
7		REF: Foot Switch refer to 501.1	1
8	1284282GT	HARNESS,PLAT,Z45DC/BI,JIB	1
8-	56445GT	DIODE,6 AMP 200 PIV,REEL	
9	216769GT	HARNESS,JUMPER,LOAD SENSE	1
10	823774GT	HARNESS, 48V DRIVE LIGHTS option	1
11	121848GT	ASSY,LS,LOAD SENSE,38.5 IN	1
12	1262223GT	HARNESS,RELAY,PBOX,Z45DC,CE CE models	1
13	30794GT	WIRE,12/3 SJEOW,BK-WH-GR/YL non-jib models	756
13B	30794GT	WIRE,12/3 SJEOW,BK-WH-GR/YL jib models	732
14	823774GT	HARNESS, 48V DRIVE LIGHTS option	1
15	88723-71000GT	HARNESS,12/3,12V TO PLAT non-jib models	1
15B	88723-69700GT	HARNESS,12/3,12V TO PLAT jib models	1
16	88722-72000GT	HARNESS,18/19,BOOM CABLE #2 non-jib models; gray and black connectors	1
16B	88722-70700GT	HARNESS,18/19,BOOM CABLE #2 jib models; gray and black connectors	1
17	88721-72000GT	HARNESS,18/19 BOOM CABLE #1 non-jib models; brown and green connectors	1
17B	88721-70700GT	HARNESS,18/19 BOOM CABLE #1 jib models	1
18	823774GT	HARNESS, 48V DRIVE LIGHTS option	1



309.1 Wire Harness Diagram

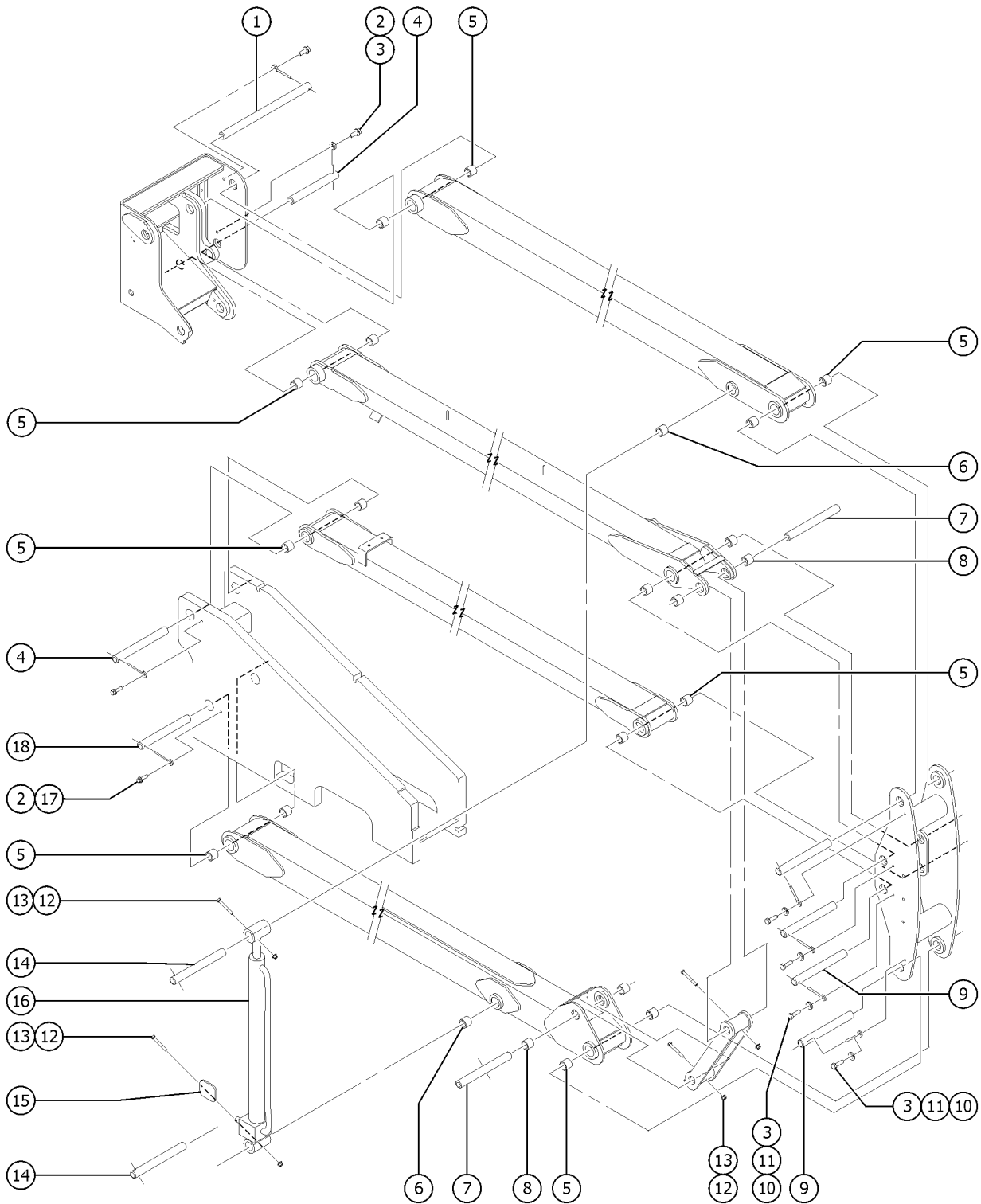


309.1 Wire Harness Diagram

Item	Part No.	Description	Qty.
19	1259322GT	HARNESS,BASE BOX Z45DC DC models	1
20	1262512GT	HARNESS, JIB, BASE BOX jib models	1
21	822777GT	HARNESS, DRIVE CHASSIS, Z45DC DC models	1
22	1259639GT	HARN,GBOX Z45DC/BE RELAY ASSY	1
23	1261899GT	HARNESS,Z45DC,TELEMATICS READY DC models; To Z4525D-2547 (AUS), Z4525D-2810 (CE), Z4525D-2627(ANSI)	1
23B	1292362GT	HARNESS,Z45DC,TELEMATICS READY From Z4525D-2548 (AUS), Z4525D-2811 (CE), Z4525D-2628(ANSI)	1
24	1294877GT	HARN FUNCTION MAN Z45DC/BE	1
25	1260173GT	HARNESS ASSY, RELAY, CE CE models	1
26	88832GT	HARNESS,PLUG,NON-LOAD WEIGHING	1
27	128816GT	HARN LIMIT SW DE Z45DC/BE	1
28	88724GT	HARNESS,LS,PRIM/EXT/SEC	1
29	88725GT	HARNESS,LS,PRIM/EXT	1
30		REF: Flashing Beacon refer to 801.1	1
31	1255858GT	HARN,PBOX,OPA,HW,24V option, to Z4525D-1136	1
31B	1255030GT	PLUG,BLANKING To Z4525D-1136	1
32	1261845GT	HARNESS,TILT 24V,CSA PROD for CSA models	
32B	1285812GT	KIT,TILT ALARM,DC AND BI-ENERGY MODELS	
32B-	1285689GT	INSTRUCTIONS,INSTALL (LEVEL SENSOR ALARM) for kit 1285812	



401.1 Boom Pins and Bearings

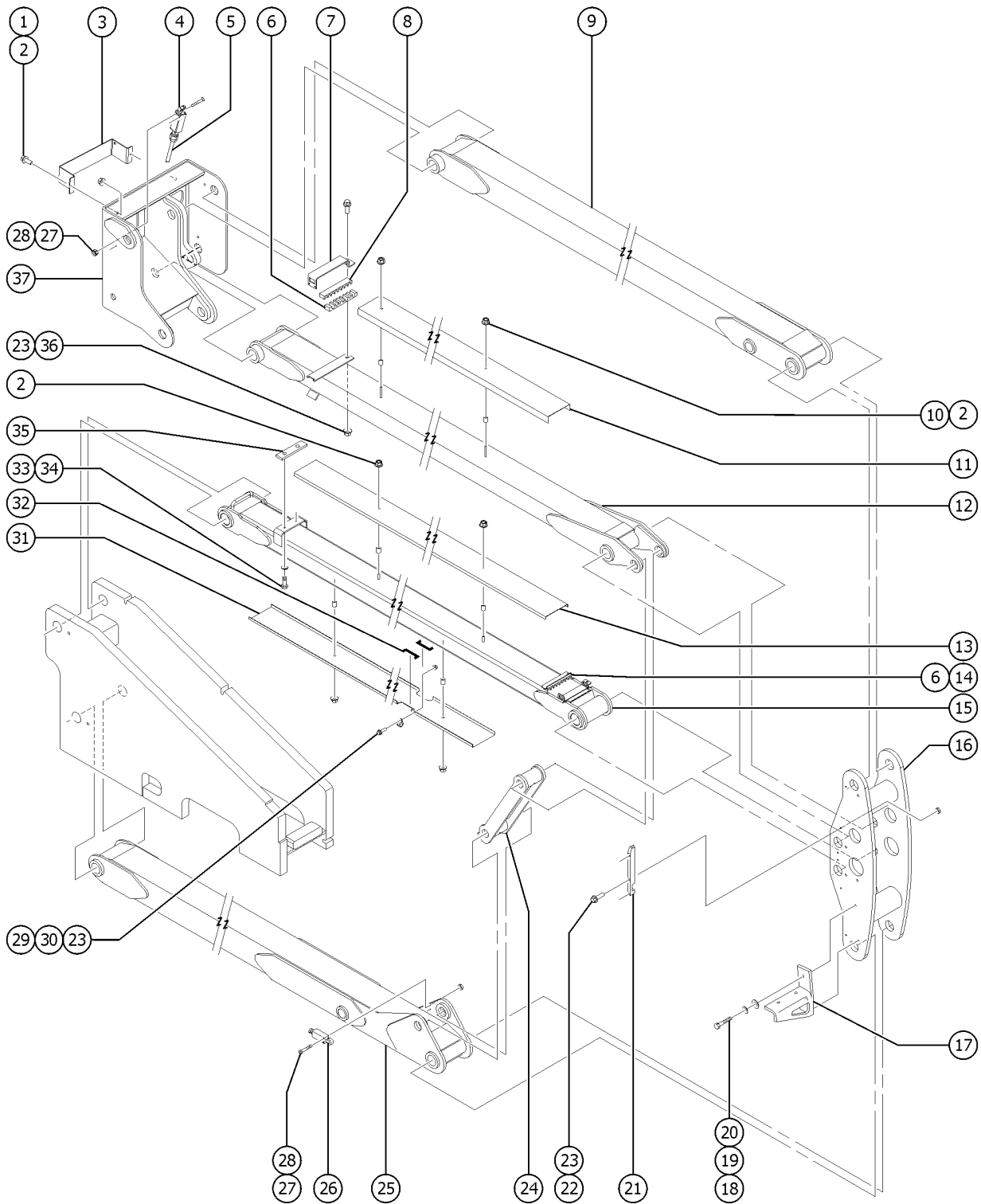


401.1 Boom Pins and Bearings

Item	Part No.	Description	Qty.
1	88676GT	PIN,2.00DIAX24.00LG,CHAMFER***	1
2	1253498GT	SCREW,HHF,1/2-13X1.5,8,ZAG	4
3	1256267GT	ROD END,.5 X 3.75,ZAG	6
4	107859GT	PIN,2.00DIAX12.88LG,CHAMFER***	2
5	18720GT	BEARING,2.0IDX2.25ODX1.50L	16
6	45071GT	BEARING,1.5IDX1.75ODX1.5L	4
7	107727GT	PIN,1.50DIAX7.50LG,1HOLE***	2
8	54156GT	BEARING,FL,1.5IDX1.75ODX1.10LG	4
9	107588GT	PIN,2.00DIAX10.88LG,CHAMFER	4
10	1256844GT	SCREW,HHC,1/2-13X1.5,8,ZAG	4
11	824111GT	WASHER, LOCK, 1/2, ZAG	4
12	1274322GT	NUT,NYLOCK FLG,3/8-16,F,ZAG	6
13	1260940GT	SCREW,HHC,3/8-16X3,8,ZAG	6
14	50455GT	PIN,1.50DIAX13.88LG,2HOLE	2
15	54726GT	WEAR PAD,SECONDARY CYL,NON/JIB	1
16	88203GT	CYLINDER,ELEVATE,Z45/25***	2
16-	77303GT	VALVE,CNTRBAL 3500PSI,ATM VEN	
16-	77521GT	SEAL KIT,ELEVATE (88203)	
17	1256267GT	ROD END,.5 X 3.75,ZAG	2
18	107590GT	PIN,2.00DIAX12.88LG,CHAMFER***	1



402.1 Secondary Linkage

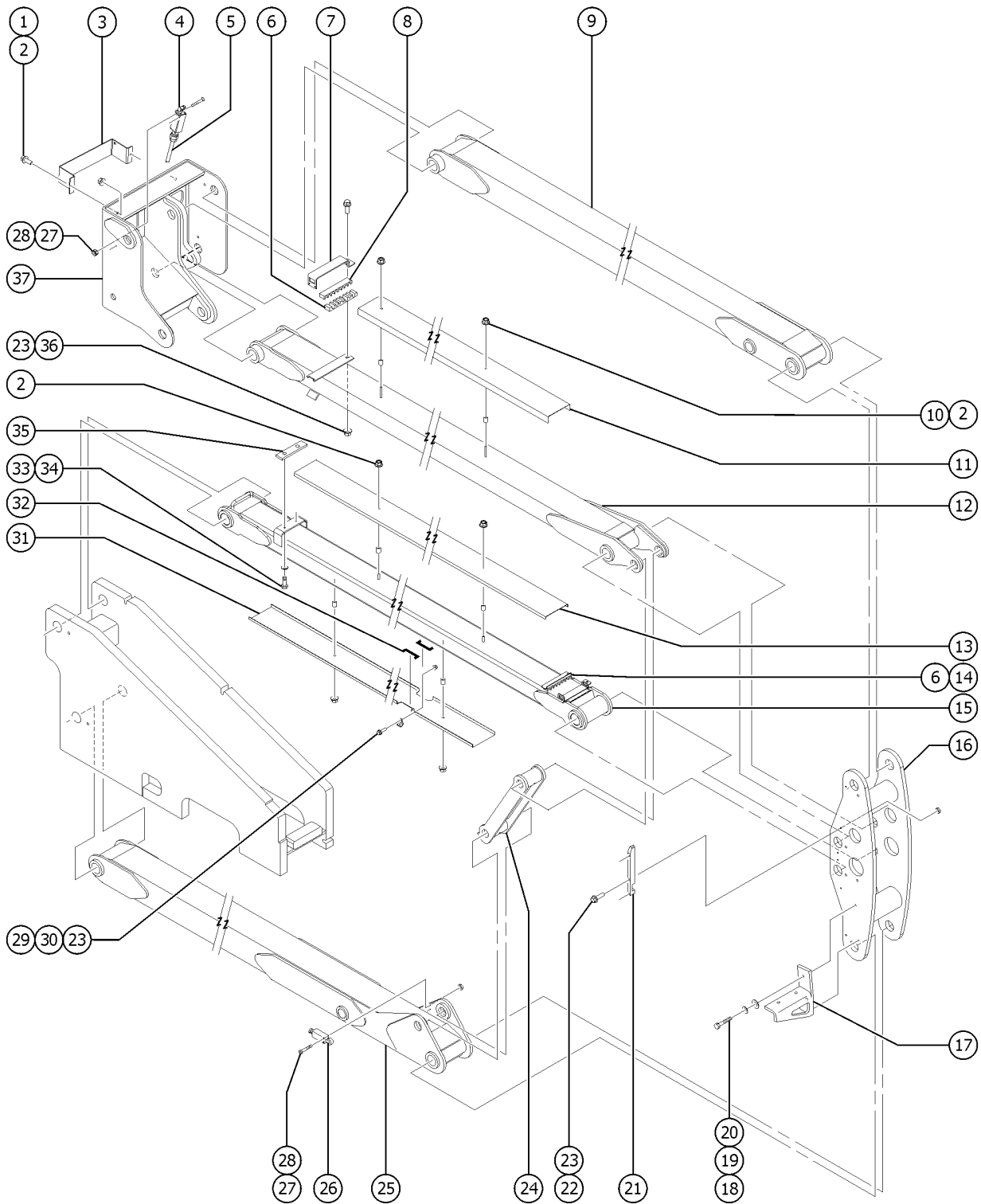


402.1 Secondary Linkage

Item	Part No.	Description	Qty.
1	824092GT	SCREW, HHF, 3/8-16 X 1.5, 8, ZAG	2
2	1274322GT	NUT, NYLOCK FLG, 3/8-16, F, ZAG	12
3	237688GT	COVER, UPPER PIVOT	1
4	88356-11163GT	SWITCH, LIMIT, W/RLLR ARM, NO/NC*	1
4-	106427GT	LS ROT. HEAD W/O LEVER (ZCE01)	
4-	97128GT	ROLLER ARM, LIMIT SWITCH***	
5	43960GT	WIRE CABLE, 16/4 CON. TPE JKT	360
6	94529GT	CLAMPING BLOCK, HOSE***	2
7	94531PGT	BRACKET, HOSE CLAMP PAINTED***	1
8	128998GT	CLAMPING BLOCK, CABLE, Z45/51	1
9	106983GT	WELDMENT, UPPER SECONDARY***	1
10	42941GT	HOSE, 3/8", FUEL, 30R7	10
11	88370PGT	HOSE COVER, UPPER ARM, PAINTED	1
12	106986GT	WELDMENT, UPPER LEVELING ARM***	1
13	50517-SGT	HOSE COVER, LOWER LEVEL, TOP, PAI	1
14	70685GT	FORMING, HOSE CLAMP	1
15	106974GT	WELDMENT, LOWER LEVELING ARM	1
16	110310GT	MIDPIVOT ASSY Z45IC*** USA/Canada/Australian	1
16B	106972GT	WELDMENT, MID PIVOT, MACHINED*** Europe/Asia/ South America	
17		Ref., WEAR PAD refer to 404.1	
17B	50952GT	WELDMENT, BOOM REST**** Z-45/25J	1
18	1257454GT	SCREW, HHF, 1/2-13X.75, 8, ZAG Z-45/25	2
18B	1256844GT	SCREW, HHC, 1/2-13X1.5, 8, ZAG Z-45/25J	2
19	824111GT	WASHER, LOCK, 1/2, ZAG Z-45/25J	2
20	1255760GT	WASHER, FLAT, 1/2, USS, ZAG Z-45/25J	2
21	107881GT	WEAR PAD, MID PIVOT*** Z-45/25	2
21B	107881GT	WEAR PAD, MID PIVOT*** Z-45/25J	1
22	824082GT	SCREW, HHF, 1/4-20 X 1.75, 8, ZAG	



402.1 Secondary Linkage

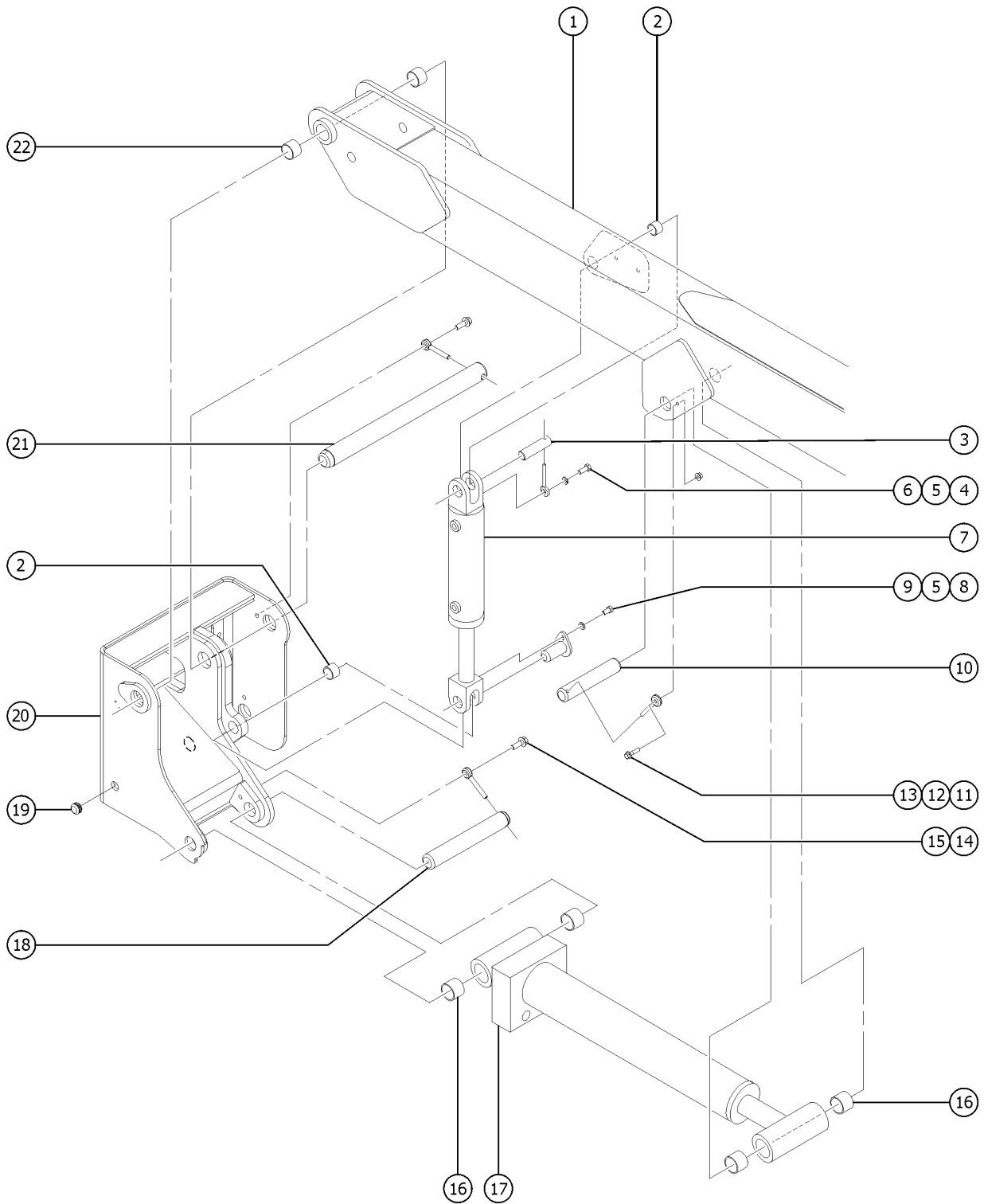


402.1 Secondary Linkage

Item	Part No.	Description	Qty.
23	1277924GT	NUT,NYLOCK FLG,1/4-20,F,ZAG	
24	50479GT	CONNECTING LINK,MACHINED ***	1
24-	50635GT	CONNECTING LINK (WELDMENT)	
25	106976GT	WELDMENT,LOWER,SECONDARY***	1
26	88356-11205GT	SWITCH,LIMIT,W/RLLR ARM NO/NC	1
26-	89756GT	NECK/HEAD-LIMIT SWITCH (88356)	
26-	97128GT	ROLLER ARM,LIMIT SWITCH***	
27	1256177GT	SCREW,PHPM,10-32X1.75,ZAG	4
28	6178GT	NUT,NYLOCK,10-32	4
29	1256855	WASHER FLAT BONDED RUB	2
30	1295211GT	CLAMPING BLOCK, HOSE	4
31	50548PGT	HOSE COVER,LOWER LEVEL,BOT,PAI	1
32	1697-400GT	TRIMLOCK,BLACK,3/16 X 4 INCHES	2
33	1256109GT	SCREW,HHC,3/8-16X.75,8,ZAG	2
34	824110GT	WASHER, LOCK, 3/8, ZAG	2
35	49772GT	WEAR PAD,6 X 1.5 X.50,W/INSERT	1
36	824078GT	SCREW,HHF,1/4-20X.75,8,ZAG	2
37		Ref. Upper Pivot Assembly	
		refer to 403.1	



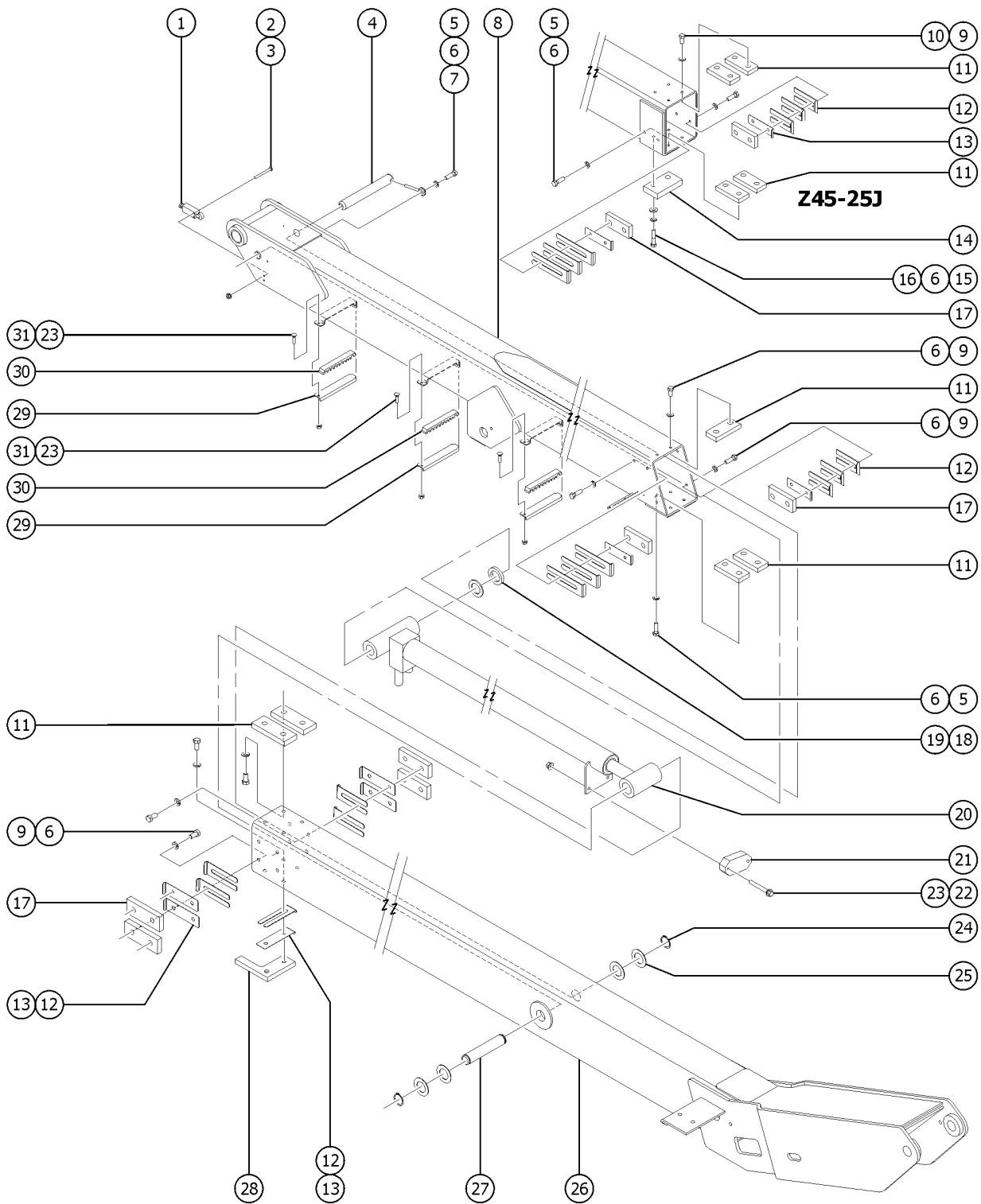
403.1 Upper Pivot



Item	Part No.	Description	Qty.
1		Ref. Primary Boom Tube Assembly (refer to 404.1)	
2	30370GT	BEARING,1.25IDX1.5ODX1.00L	2
3	34276GT	PIN,1.25DIAX3.37LG,1HOLE	1
4	824067GT	SCREW, HHC, 3/8-16 X 1, 8, ZAG	1
5	824110GT	WASHER, LOCK, 3/8, ZAG	2
6	1255452GT	ROD END,.375 X 2.25,ZAG	1
7	77362GT	CYLINDER,MASTER,Z45***	1
--	77364GT	SEAL KIT,MASTER & SLAVE CYL	
8	1256109GT	SCREW,HHC,3/8-16X.75,8,ZAG	1
9	70671GT	PIN,1.25 DIA X 3.19 LG, PLATE	1
10	50542GT	PIN,1.75DIAX9.25LG,1HOLE	1
11	824092GT	SCREW, HHF, 3/8-16 X 1.5, 8, ZAG	1
12	825019GT	ROD END, .375X3.69, ZAG	1
13	1274322GT	NUT,NYLOCK FLG,3/8-16,F,ZAG	1
14	1253498GT	SCREW,HHF,1/2-13X1.5,8,ZAG	1
15	1256267GT	ROD END,.5 X 3.75,ZAG	1
16	1262633GT	BUSHING,POLYGON,BM5120	4
17	1263056GT	CYLINDER,PRIM LIFT NON JIB,Z45 Z-45/25	1
17B	1263057GT	CYLINDER,PRIM LIFT JIB,Z45 Z-45/25J	1
17B-	77014GT	VALVE,COUNTERBALANCE,3800 PSI for 77188, 1263057, 1263056	2
17B-	77189GT	SEAL KIT,CYL,Z45 (77187&77188) for 77188, 1263057, 1263056	1
18	70534GT	PIN,1.75DIAX11.88LG,CHAMFER	1
19	55753GT	BUMPER, PLASTIC, 1.25 O.D.	
20	70589GT	UPPER PIVOT,MACHINING***	1
20-	70588GT	WELDMENT,UPPER PIVOT***	
21		REF. PIN Refer to 401.1	1
22	18270GT	BEARING,2.0IDX2.25ODX1.50L	2



404.1 Primary and Extension Booms

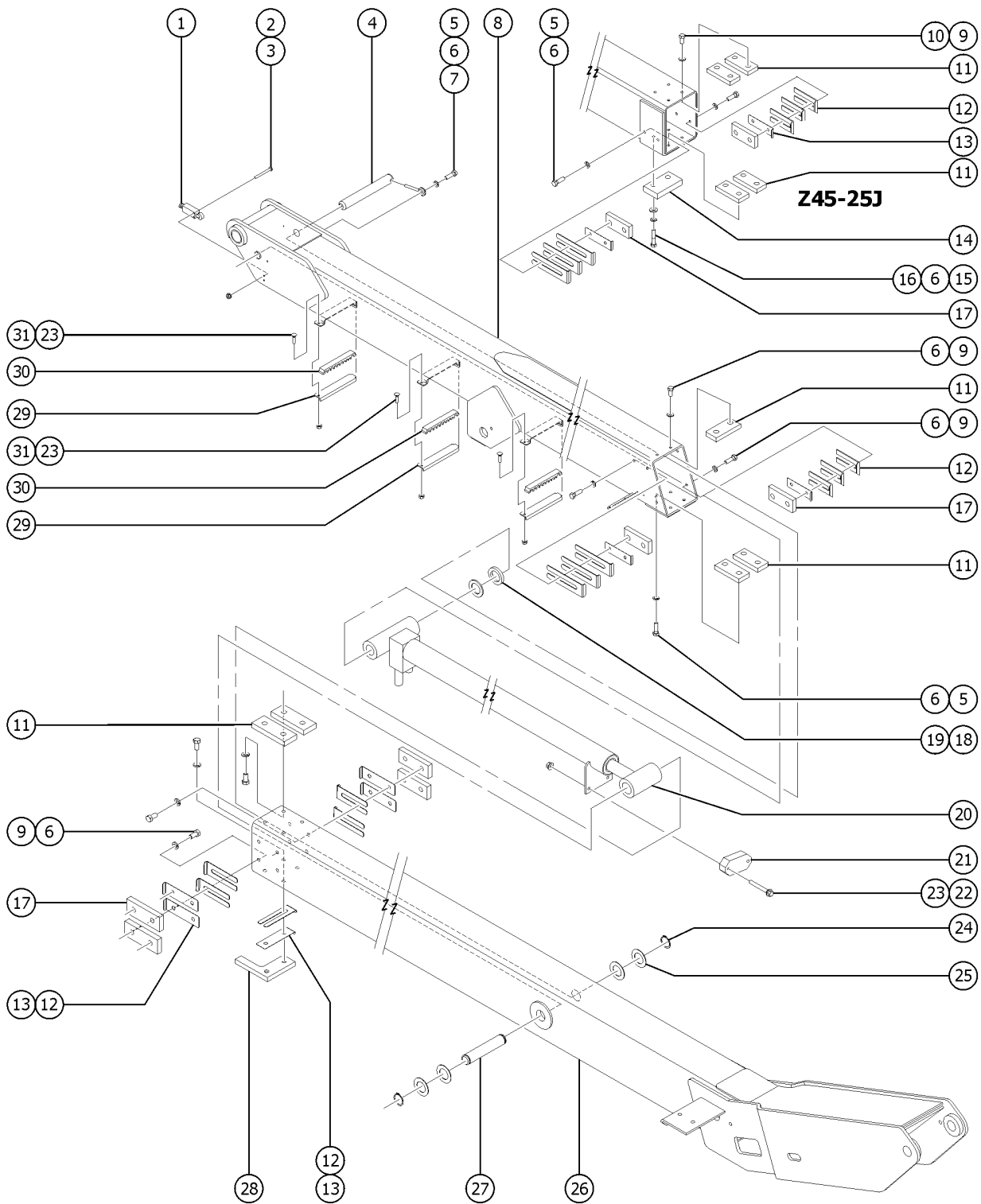


404.1 Primary and Extension Booms

Item	Part No.	Description	Qty.
--	150103GT	WIRE LOOM,1.25"NYLON,HIGH TEMP	129
1	88356-11205GT	SWITCH,LIMIT,W/RLLR ARM NO/NC	1
1-	97128GT	ROLLER ARM,LIMIT SWITCH***	
2	1256922GT	SCREW,PHPM,10-32X2.25,ZAG	2
		Z-45/25	
2B	1265481GT	SCREW,PHPM,10-32X2,ZAG	2
		Z-45/25J	
3	1264261GT	NUT,SERRATED,10-32,ZAG	2
4	50584GT	PIN,1.25DIA X 9.38LG,THREADED	1
5	824068GT	SCREW,HHC,3/8-16X1.25,8,ZAG	5
		Z-45/25	
5B	824068GT	SCREW,HHC,3/8-16X1.25,8,ZAG	11
		Z-45/25J	
6	824110GT	WASHER, LOCK, 3/8, ZAG	29
		Z-45/25	
6B	824110GT	WASHER, LOCK, 3/8, ZAG	27
		Z-45/25J	
7	825019GT	ROD END, .375X3.69, ZAG	1
8	128603GT	WELDMENT,PRIMARY BOOM,Z45NJ	1
		Z-45/25	
8B	128301GT	WELDMENT,PRIMARY BOOM,Z45 JIB	1
		Z-45/25J	
9	1256109GT	SCREW,HHC,3/8-16X.75,8,ZAG	24
		Z-45/25	
9B	1256109GT	SCREW,HHC,3/8-16X.75,8,ZAG	18
		Z-45/25J	
10	824113GT	WASHER,FLAT,USS,1/4,ZAG	4
		Z-45/25J only	
11	34125GT	WEAR PAD,5 X 1.5 X .75 W/NUTS	5
		Z-45/25	
11B	34125GT	WEAR PAD,5 X 1.5 X .75 W/NUTS	6
		Z-45/25J	
12	1283888GT	SHIM,WEAR PAD,5X 1.5 16GA	
13	1283887GT	SHIM,WEAR PAD,5 X 1.5,14GA, HOLE	9
		First use	
13B	1287821GT	SHIM,WEAR PAD,5X 1.5,14GA,HOLE	9
		First use	
14	1295098GT	WEAR PAD W/BUSHING,PRIMARY BOOM,JIB	1
		Z-45/25J only	
15	1256847GT	SCREW,HHC,3/8-16X1.75,8,ZAG	2
		Z-45/25J only	
16	825358GT	WASHER,FLAT,5/16,USS,ZAG	2
		Z-45/25J only	
17	30138GT	WEAR PAD,5 X 1.5 X .625 W/NUTS	8
18	77375GT	SPACER,NYLON,2.01 X 1.28 X.135	1
19	77376GT	SPACER,NYLON,2.00 X 1.33 X.310	1



404.1 Primary and Extension Booms

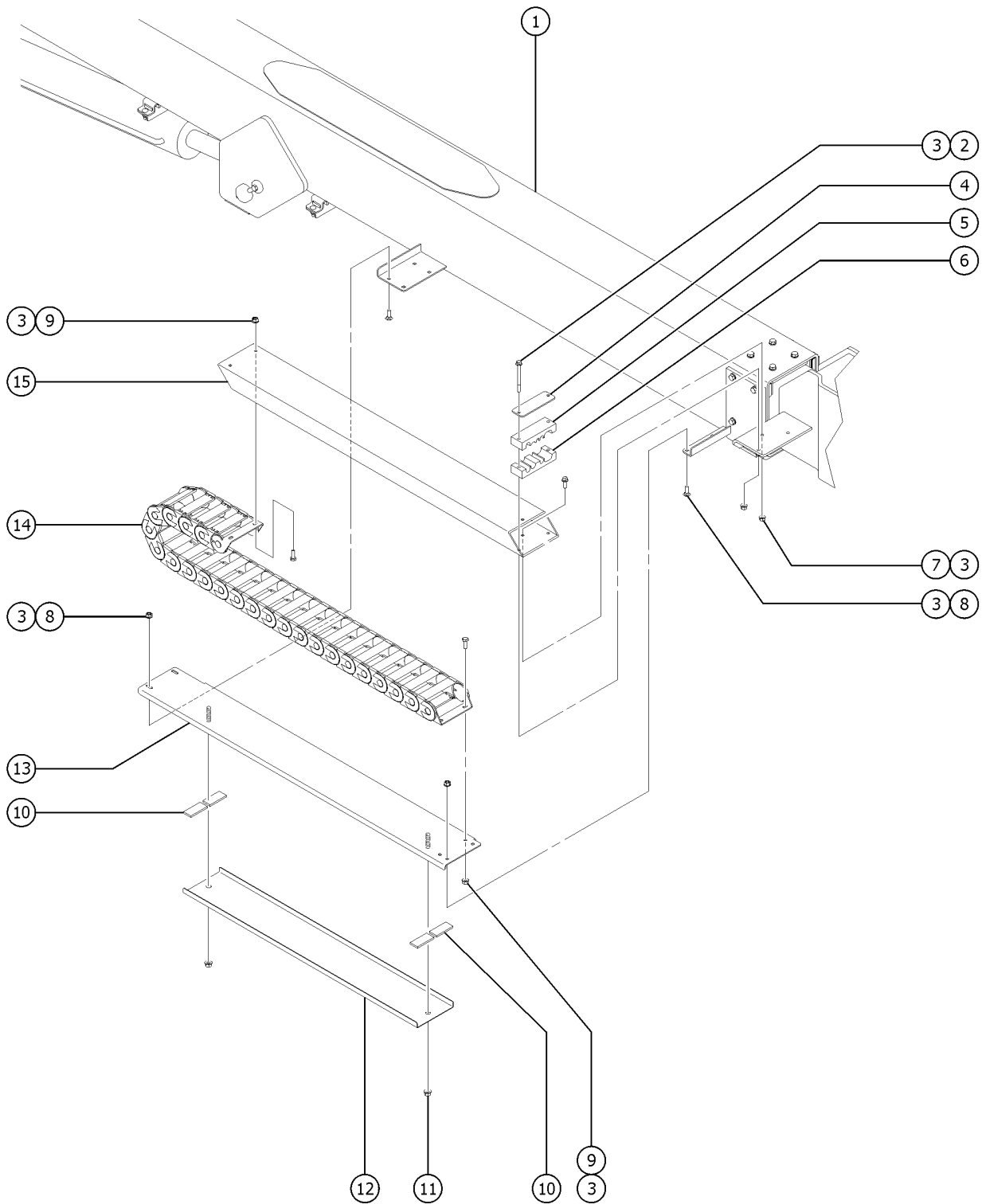


404.1 Primary and Extension Booms

Item	Part No.	Description	Qty.
20	54570GT	CYLINDER,EXTEND,Z45 NON JIB Z-45/25	1
20-	54063GT	VALVE,CB.CBBC-LHN@1000***	
20-	65788GT	SEAL KIT CYL Z45 (54570)	
20-	77410GT	VALVE,COUNTERBALNCE,1500 PSI**	
20B	54569GT	CYLINDER,EXTEND,Z45J*** Z-45/25J	1
20B-	54063GT	VALVE,CB.CBBC-LHN@1000***	
20B-	65790GT	SEAL KIT CYL.Z45(54569)	
20B-	77410GT	VALVE,COUNTERBALNCE,1500 PSI**	
21	50698GT	WEAR PAD,EXTENSION CYLINDER	1
22	824082GT	SCREW, HHF, 1/4-20 X 1.75, 8, ZAG Z-45/25	2
22B	824063GT	SCREW, HHC, 1/4-20 X 1.75, 8, ZAG Z-45/25J	2
23	1277924GT	NUT,NYLOCK FLG,1/4-20,F,ZAG	5
24	824164GT	SNAP RING,EXTERNAL,1.25,ZAG	2
25	824151GT	WASHER,SHIM,1.270X2.130X.062,Z	
26	128605GT	WELDMENT, EXT. BOOM,Z45 NJ Z-45/25	1
26B	128304GT	WELDMENT,EXT. BOOM,Z45 JIB Z-45/25J	1
27	50546GT	PIN,1.25DIAX6.36LG,2RING	1
28	50552GT	WEAR PAD,EXTENSION BOOM	1
29	128995GT	FORMING, HOSE CLAMP RETAINER	3
30	128601GT	CLAMP, PRI, HOSE/CABLE, Z45/51	3
31	824124GT	BOLT, CARRIAGE, 1/4-20 X .75, 5, ZAG Z-45/25	3
31B	1256127GT	BOLT,CARRIAGE,1/4-20X1",GR5,ZAG Z-45/25J	3



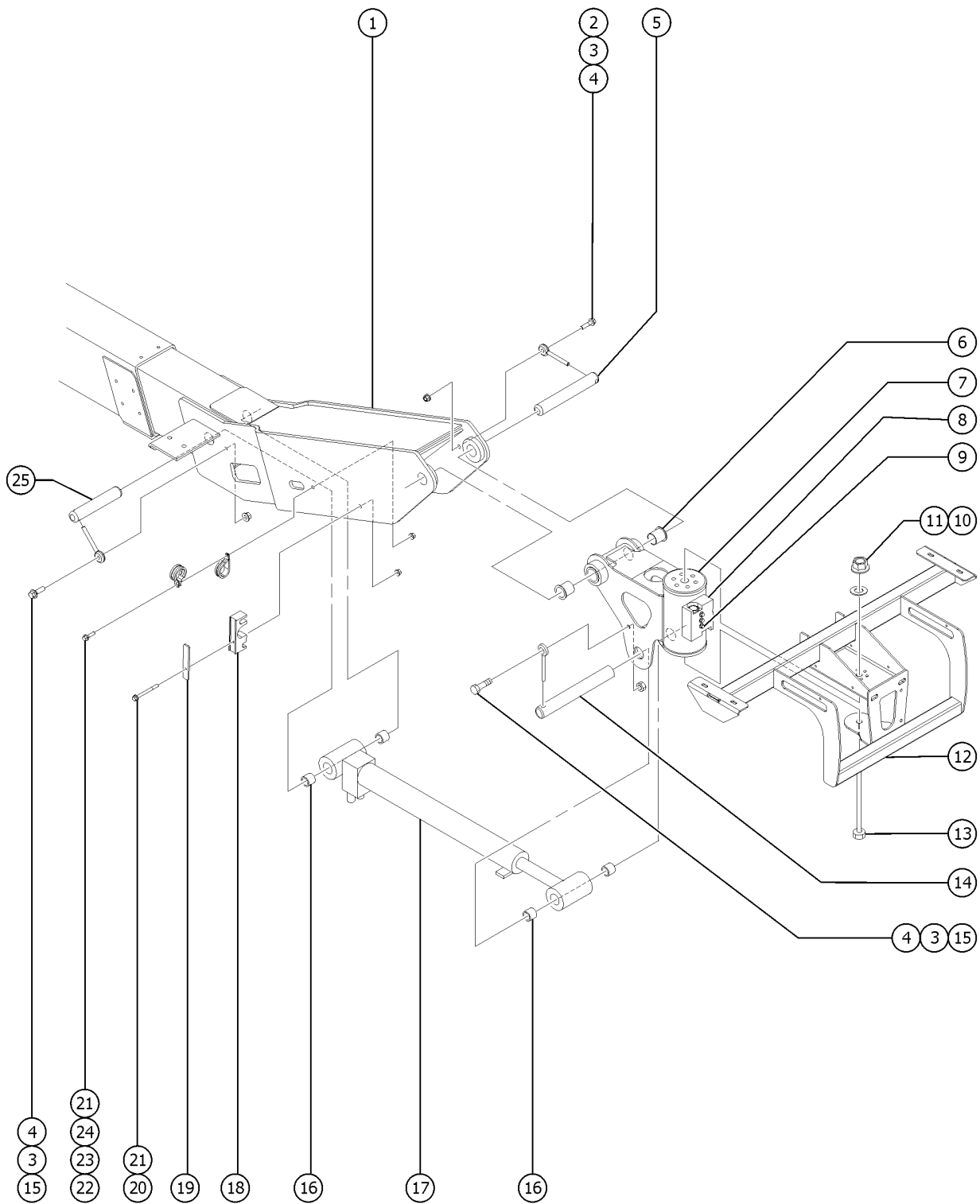
405.1 Cable Track



Item	Part No.	Description	Qty.
1		Ref. PRIMARY BOOM ASSY refer to section 404.1	
2	1256231GT	SCREW,HHF,1/4-20X2.75,8,ZAG Z-45/25	2
2B	1256803GT	SCREW,HHC,1/4-20X2.75,8,ZAG Z-45/25J	2
3	1277924GT	NUT,NYLOCK FLG,1/4-20,F,ZAG Z-45/25	11
4	128862GT	BACKING PLATE, PULLTUBE	1
5	128310GT	CLAMP, JIB HOSE/CABLE, Z45/51	1
6	128311GT	CLAMP, JIB HOSE/CABLE, Z45/51	1
7	824079GT	SCREW,HHF,1/4-20X1,8,ZAG Z-45/25	1
7B	824078GT	SCREW,HHF,1/4-20X.75,8,ZAG Z-45/25J	1
8	824124GT	BOLT, CARRIAGE, 1/4-20 X .75, 5, ZAG	4
9	824059GT	SCREW, HHC, 1/4-20 X .75, 8, ZAG	4
10	54271GT	SPACER,HOSE CLAMP,RUBBER	4
11	1274322GT	NUT,NYLOCK FLG,3/8-16,F,ZAG	2
12	128596GT	COVER, CABLETRACK TRAY, Z51 Z-45/25	1
12B	128308GT	COVER,CABLETRACK TRAY,Z40/45 Z-45/25J	1
13	139779GT	WELDMENT, CABLETRACK TRAY Z-45/25	1
13B	139781GT	WELDMENT, CABLETRACK TRAY Z-45/25J	1
14	139701GT	CABLE TRACK, NP400, 31 LINK	1
14-	111051GT	REPAIR LINK,7 LINKS NP400-7*** for 139701	
14-	111052GT	REPAIR LINK,NP400-7*** for 139701	
14-	111053GT	REPAIR END BRKT SET,NP400-7*** for 139701	
14B	139702GT	CABLE TRACK, NP400, 23 LINK Z-45/25J	1
14B-	111051GT	REPAIR LINK,7 LINKS NP400-7*** for 139702	
14B-	111052GT	REPAIR LINK,NP400-7***	
14B-	111053GT	REPAIR END BRKT SET,NP400-7***	
15	128597GT	TUBE, CABLETRACK ARM, Z51 Z-45/25	1
15B	128309GT	TUBE, CABLETRACK ARM, Z40/45 Z-45/25J	1



406.1 Non-Jib Platform Leveling and Rotation (Z-45/25)

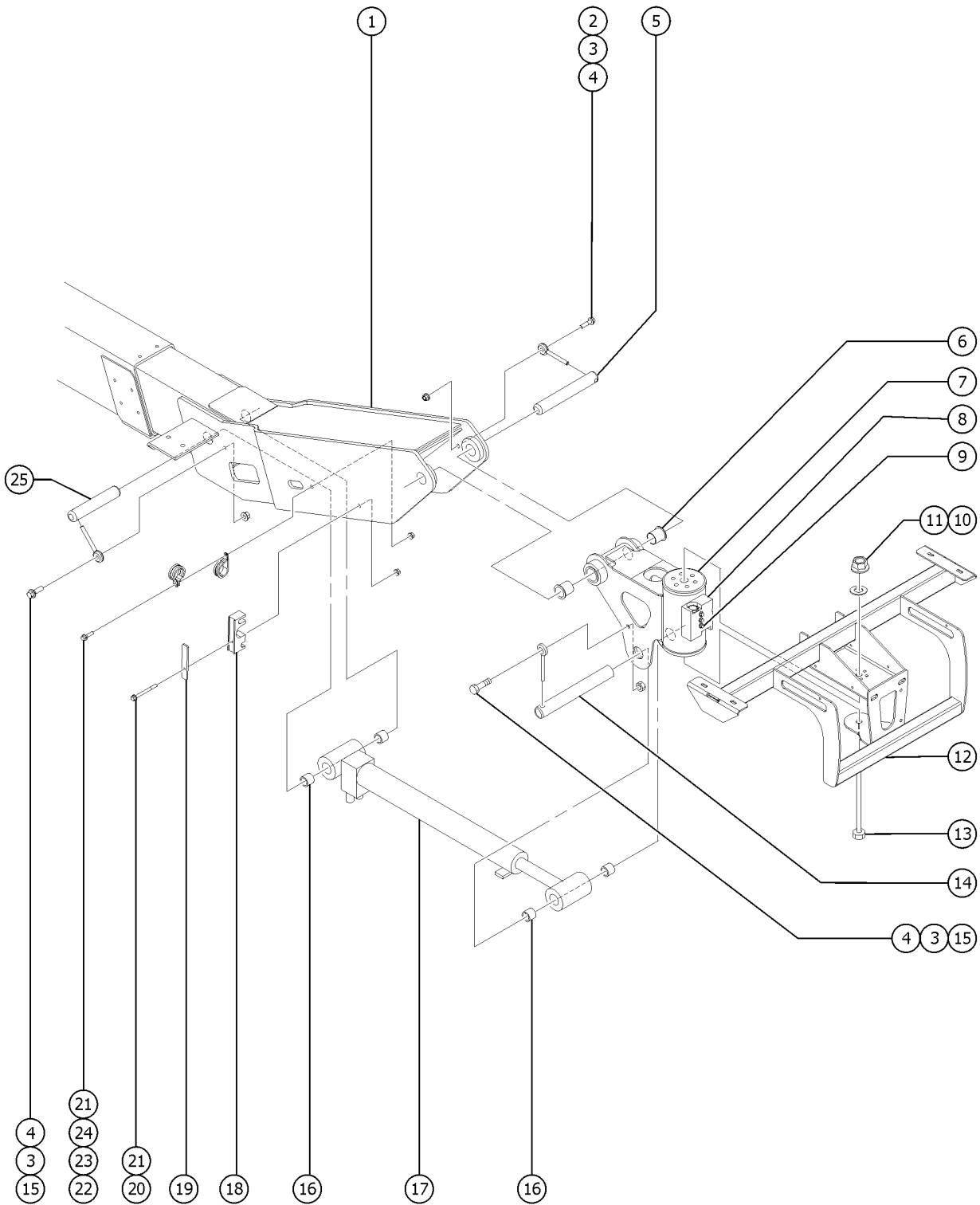


406.1 Non-Jib Platform Leveling and Rotation (Z-45/25)

Item	Part No.	Description	Qty.
--	150103GT	WIRE LOOM,1.25"NYLON,HIGH TEMP	129
1		Ref. Primary Boom Tube Assembly	
		(refer to 404.1)	
2	824092GT	SCREW, HHF, 3/8-16 X 1.5, 8, ZAG	1
3	825019GT	ROD END, .375X3.69, ZAG	3
4	1274322GT	NUT,NYLOCK FLG,3/8-16,F,ZAG	3
5	50543GT	PIN,1.25DIA X 8.88LG,1HOLE	1
6	30222GT	BEARING,FL,1.25ID X 1.41OD X 1.50L	2
7	233716GT	ROTATOR,PLAT,Z45	1
		includes item 6; non-jib units	
7-	233745GT	SEAL AND BRG KIT,4.5K ROTATOR	
		for 233716	
8	73807GT	MANIFOLD,ROTATOR,CB***	1
9	824081GT	SCREW, HHF, 1/4-20 X 1.5, 8, ZAG	3
10	1274173GT	NUT,NYLOCK,3/4-10,C,ZAG	1
11	1256863GT	WASHER,FLAT,.75,SAE,HRD,ZAG	1
12	54520-SGT	WELDMNT,PLATFRM SUPPORT,NJIB**	1
		non-jib models	
13	824073GT	SCREW,HHC,3/4-10X9,8,ZAG	1
14	T108075GT	PIN,1.25DIA X 5.25LG,1HOLE	1
15	824091GT	SCREW,HHF,3/8-16X1.25,8,ZAG	1
16	47377GT	BEARING,1.25 ID X 1.5 OD X .75	4
17	77363GT	CYLINDER,SLAVE,Z45***	1
		includes item 16	
17-	54065GT	VALVE,COUNTERBALANCE,3500***	
17-	77364GT	SEAL KIT,MASTER & SLAVE CYL	
18	139687GT	CLAMP, #4 HOSE, AIR AND LOOM	1
19	139688GT	BRACKET, HOSE CLAMP SUPPORT	1
20	1256231GT	SCREW,HHF,1/4-20X2.75,8,ZAG	1
21	1277924GT	NUT,NYLOCK FLG,1/4-20,F,ZAG	2
22	824079GT	SCREW,HHF,1/4-20X1,8,ZAG	1
23	21618GT	CLAMP,1.13,#18 X 1/4,RUB CUSH	1
24	21619GT	CLAMP,1.50,#24 X 1/4,RUB CUSH	1



406.1 Non-Jib Platform Leveling and Rotation (Z-45/25)

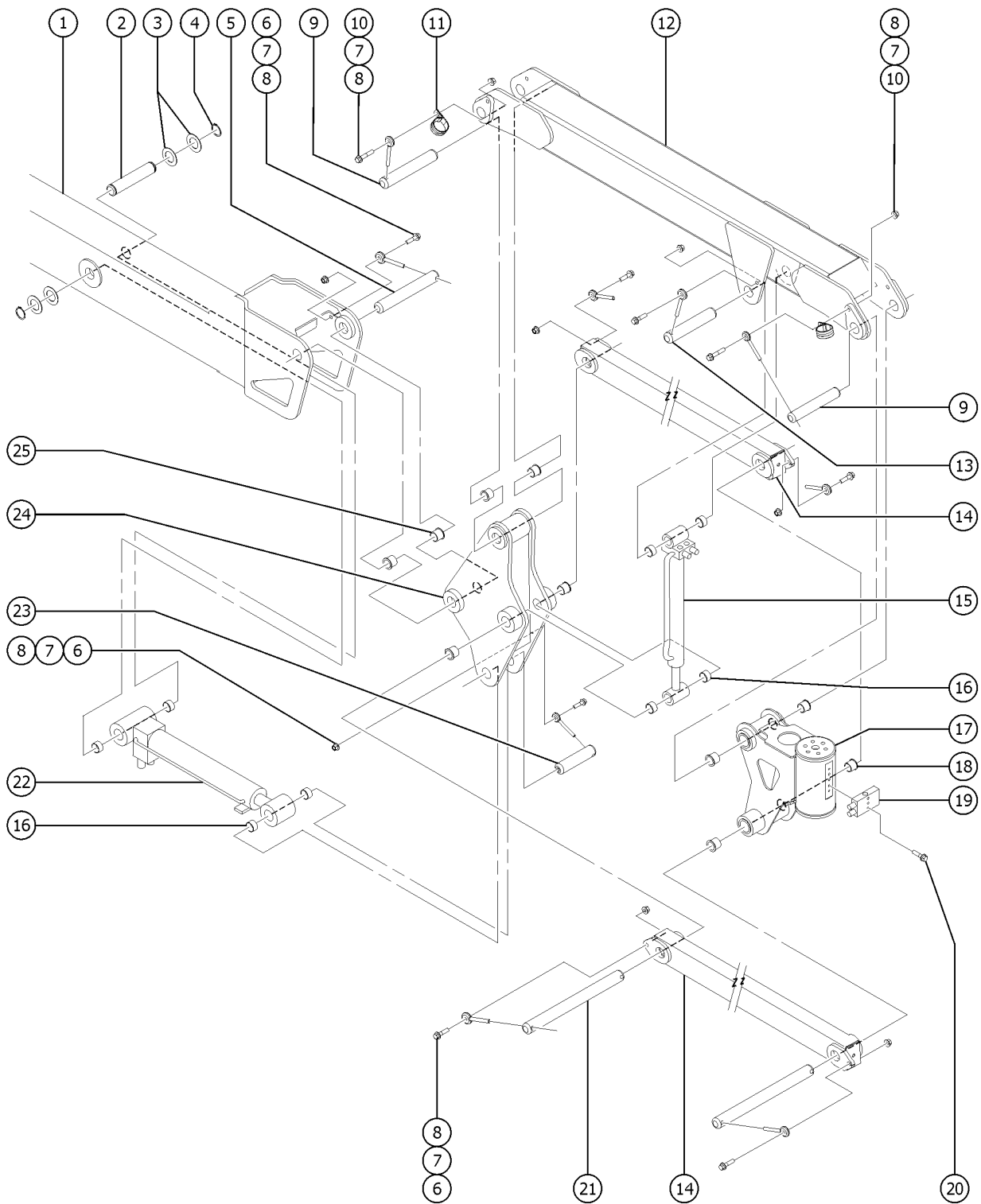


406.1 Non-Jib Platform Leveling and Rotation (Z-45/25)

<i>Item</i>	<i>Part No.</i>	<i>Description</i>	<i>Qty.</i>
25	T107884GT	PIN,1.25DIAx7.00LG,1HOLE	1



407.1 Jib Platform Leveling (Z-45/25J)

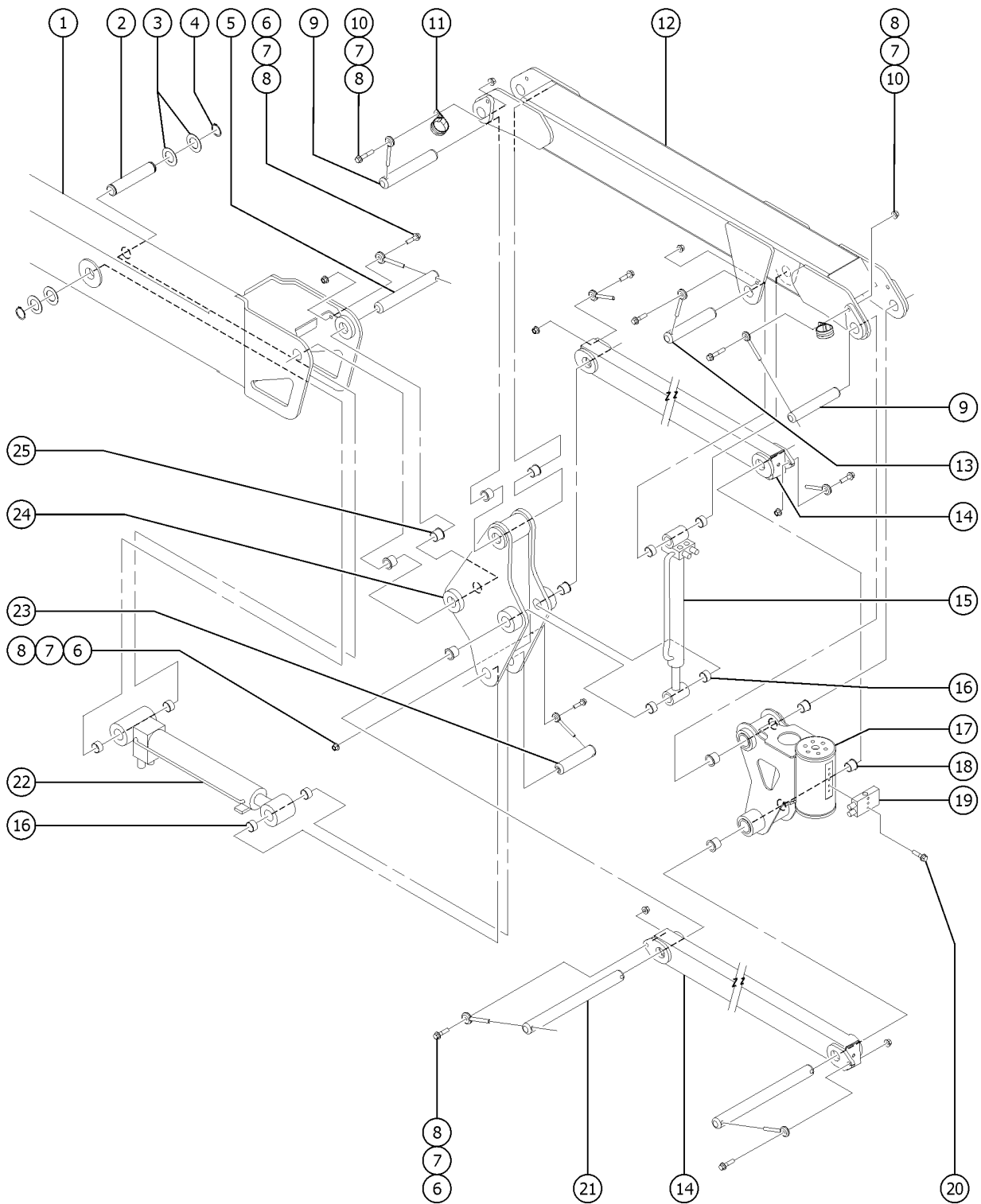


407.1 Jib Platform Leveling (Z-45/25J)

Item	Part No.	Description	Qty.
--	150103GT	WIRE LOOM,1.25"NYLON,HIGH TEMP	129
1		Ref. Primary and Extension Booms	
		(refer to 404.1)	
2	50546GT	PIN,1.25DIAX6.36LG,2RING	1
3	824151GT	WASHER,SHIM,1.270X2.130X.062,Z	4
4	824164GT	SNAP RING,EXTERNAL,1.25,ZAG	2
5	50543GT	PIN,1.25DIAX8.88LG,1HOLE	1
6	824092GT	SCREW, HHF, 3/8-16 X 1.5, 8, ZAG	7
7	825019GT	ROD END, .375X3.69, ZAG	9
8	1274322GT	NUT,NYLOCK FLG,3/8-16,F,ZAG	9
9	T107883GT	PIN,1.25DIAX7.88LG,1HOLE	2
10	1253478GT	SCREW,HHF,3/8-16X2,8,ZAG	2
11	77181GT	CLAMP,1.63,#26 X 3/8,RUB CUSH	2
12		SERVICE KIT, 5FT JIB	1
		Refer to section 409.1 for jib detail	
13	T107884GT	PIN,1.25DIAX7.00LG,1HOLE	1
14	61306-SGT	COMPR.LINK,MACHINED,GND CONTR*	2
14-	61306-SGT	COMPR.LINK,MACHINED,GND CONTR*	
15	54994GT	CYLINDER,JIB,Z45,#4 PORTS***	1
		includes item 16	
15-	50480GT	VALVE,COUNTERBALANCE,3800 PSI*	
15-	65789GT	SEAL KIT (54994)	
		for 54994	
16	47377GT	BEARING,1.25 ID X 1.5 OD X .75	8
17		REF: Jib Platform rotator	1
		Refer to section 408.1 for jib rotator; includes item 18	
18	30222GT	BEARING,FL,1.25IDX1.41ODX1.50L	4
19		Ref. Counterbalance Manifold	
		(refer to 603.1)	
20	824081GT	SCREW, HHF, 1/4-20 X 1.5, 8, ZAG	3
21	81175GT	PIN,1.25DIAX14.45LG,2HOLE	2
22	77363GT	CYLINDER,SLAVE,Z45***	1
		includes item 16	
22-	54065GT	VALVE,COUNTERBALANCE,3500***	
22-	77364GT	SEAL KIT,MASTER & SLAVE CYL	



407.1 Jib Platform Leveling (Z-45/25J)

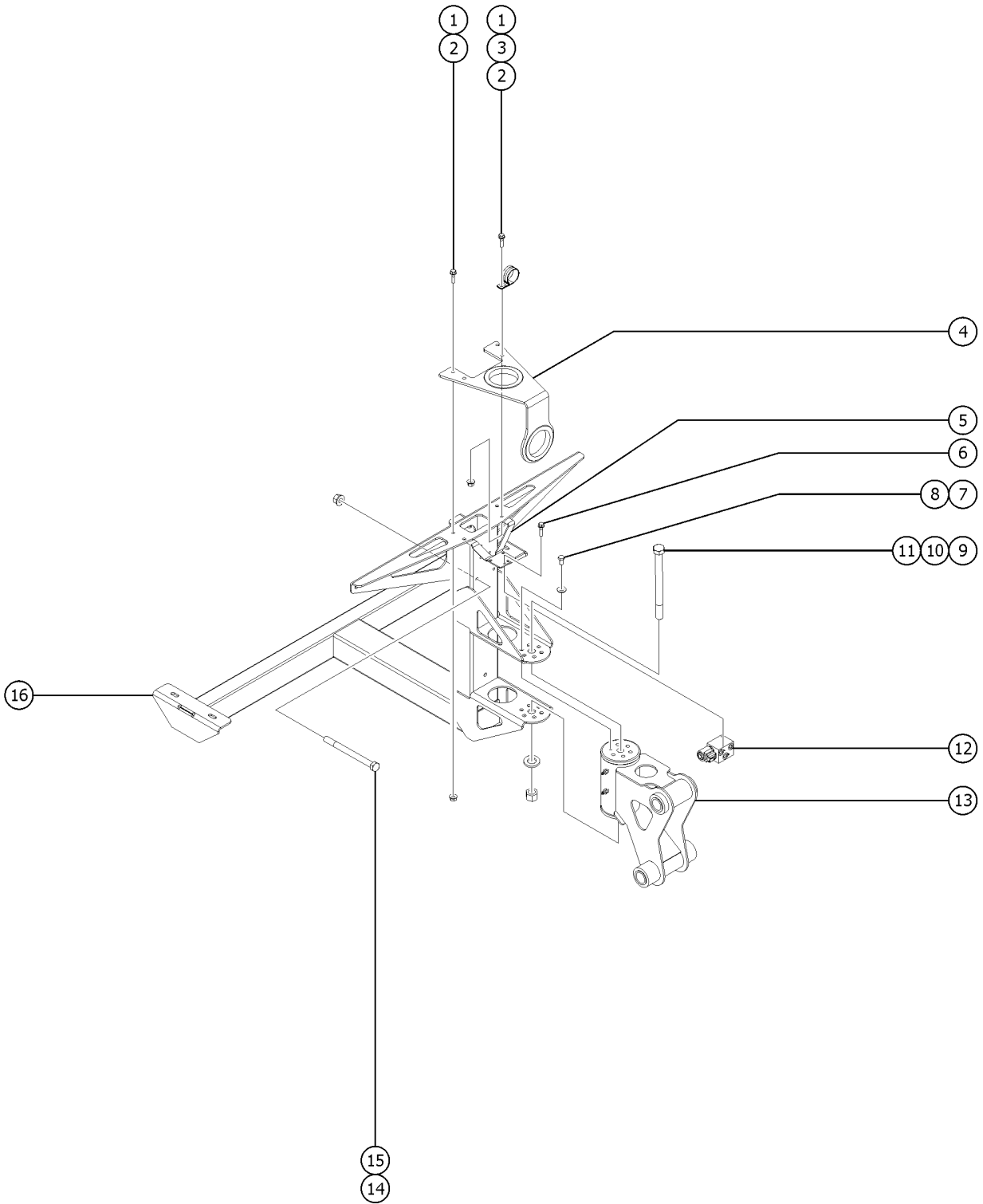


407.1 Jib Platform Leveling (Z-45/25J)

<i>Item</i>	<i>Part No.</i>	<i>Description</i>	<i>Qty.</i>
23	T108075GT	PIN,1.25DIAX5.25LG,1HOLE	1
24	50466-SGT	BELLCRANK,JIB,WELD/Z45/25***	1
25	35675GT	BEARING,FL,1.25IDX1.5ODX1.25L	6



408.1 Jib Platform Rotation (Z-45/25J)

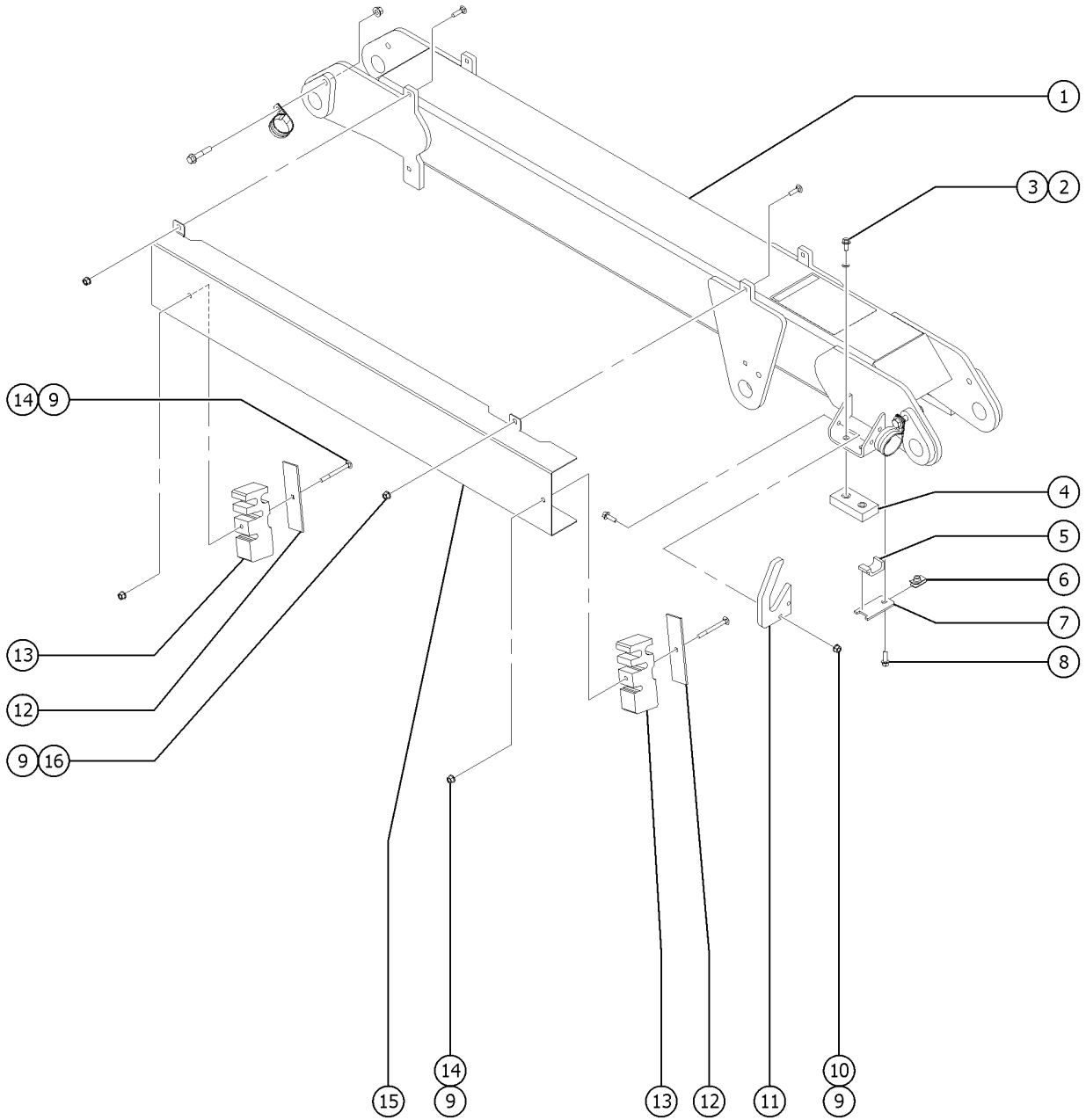


408.1 Jib Platform Rotation (Z-45/25J)

Item	Part No.	Description	Qty.
1	824087GT	SCREW, HHF, 5/16-18 X 1.25, 8, ZAG	4
2	1274167GT	NUT, NYLOCK FLG, 5/16-18, F, ZAG	4
3	77181GT	CLAMP, 1.63, #26 X 3/8, RUB CUSH	1
4	106163GT	FORMING, CABLE GUIDE order 55067 grommet separately	1
4-	55067GT	GROMMET, RUBBER 3 X .19 X 3.5	2
5	120373GT	PLATE, JIB/ROTATE MANIFOLD	1
6	824078GT	SCREW, HHF, 1/4-20X.75, 8, ZAG	2
7	94195GT	SCREW, HHC, 3/8-16 X .75, GR 8	6
8	5397GT	WASHER, FLAT, USS, 5/16", Y	6
9	1273205GT	SCREW, HHC, 3/4-10X9.5, 8, ZAG	1
10	1256863GT	WASHER, FLAT, .75, SAE, HRD, ZAG	
11	1274173GT	NUT, NYLOCK, 3/4-10, C, ZAG	1
12		Ref. Jib Manifold (refer to 603.1)	
13	233715GT	ROTATOR, PLAT, Z45J/Z51J replacement for 94401	1
13-	233745GT	SEAL AND BRG KIT, 4.5K ROTATOR for 233715	
13-	30222GT	BEARING, FL, 1.25IDX1.41ODX1.50L for 233715	4
13-	88516GT	SCREW, BLEEDER, M5X0.8 for 233715	2
14	1256803GT	SCREW, HHC, 1/4-20X2.75, 8, ZAG	1
15	1277924GT	NUT, NYLOCK FLG, 1/4-20, F, ZAG	1
16	54510-SGT	WELDMENT, PLATFORM SUPPORT for models with the Platform Overload option, refer to 805.1	1



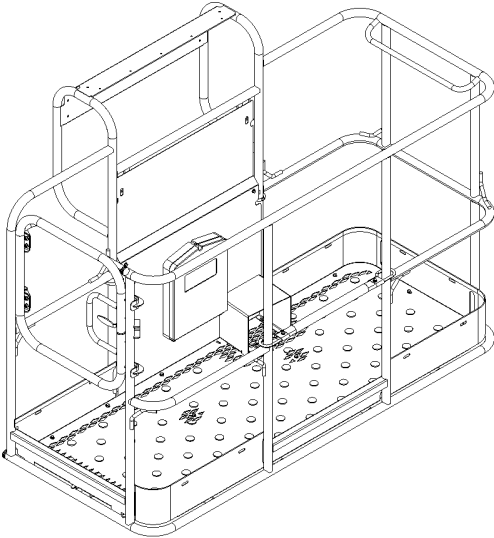
409.1 Jib Detail (Z-45/25J)



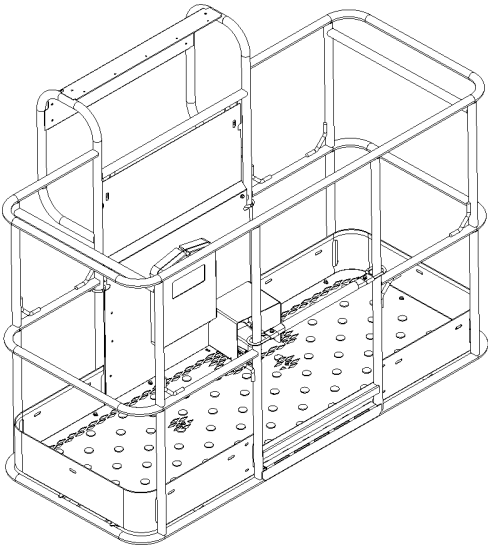
Item	Part No.	Description	Qty.
1	128534GT	JIB BOOM ASSY W/WORD DECAL	1
2	824089GT	SCREW, HHF, 3/8-16 X .75, 8, ZAG	4
3	824110GT	WASHER, LOCK, 3/8, ZAG	42
4	81640GT	WEAR PAD, 3 X 1.5 X .625 W/NUTS	7
5	119542GT	CLAMP, TWO HOSE	1
6	56912GT	SPRING CLIP, 1/4-20, .025-.15X.54, ZAG	1
7	119536PGT	BRACKET, HOSE CLAMP, PAINTED	1
8	824078GT	SCREW, HHF, 1/4-20X.75, 8, ZAG	1
9	1277924GT	NUT, NYLOCK FLG, 1/4-20, F, ZAG	8
10	824080GT	SCREW, HHF, 1/4-20X1.25, 8, ZAG	2
11	128482GT	HOSE GUIDE, JIB	1
12	128483GT	BACKING PLATE, HOSE BLOCK, JIB	2
13	128997GT	CLAMPING BLOCK, CABLE, Z45/51	2
14	1256180GT	BOLT, CARRIAGE, 1/4-20X2.75, 5, ZA	2
15	128454GT	COVER, JIB HOSES/CABLES**	1
16	1256127GT	BOLT, CARRIAGE, 1/4-20X1", GR5, ZAG	4



501.1 Platform Configuration



(1) Side Swing Gate Platform

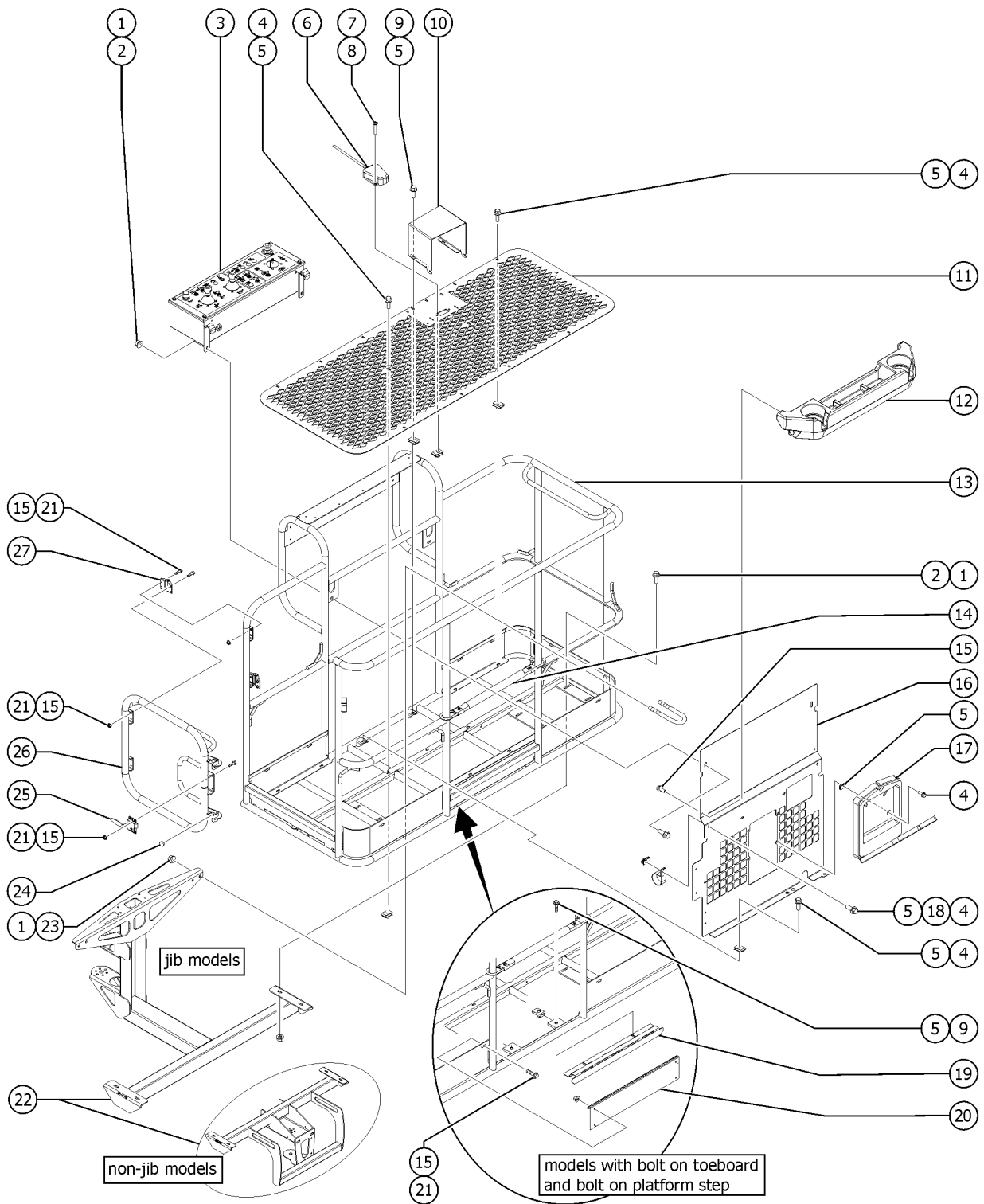


(2) Front Single Entry Platform

Item	Part No.	Description	Qty.
A		Complete Platform Assemblies with Decals	
A-		
A-	1275393GT	PLAT ASSY,6' W/SIDE GATE,Z45DC/BI ANSI WORD USA and Canadian models	
A-	1275395GT	PLAT ASSY,6' W/SIDE GATE,Z45/51 CE European models	
A-	1275396GT	PLAT ASSY,6' W/SIDE GATE,Z45/51 ANSI SYM Asia/South America models	
A-	1275397GT	PLAT ASSY,6' W/SIDE GATE,Z45DC/BI AUS Australian models	
B		Complete Platform Assemblies and Platform Weldments without Decals (Warning tape & .. decals not included, refer to section 100 for decals)	
B-		
1	1267750GT	ASSEMBLY, SIDE ENTRY PLATFORM, 6' flooring and decal plate not included	
2	120188GT	WELDMNT,RAILING,6' PLATFORM flooring and decal plate not included	



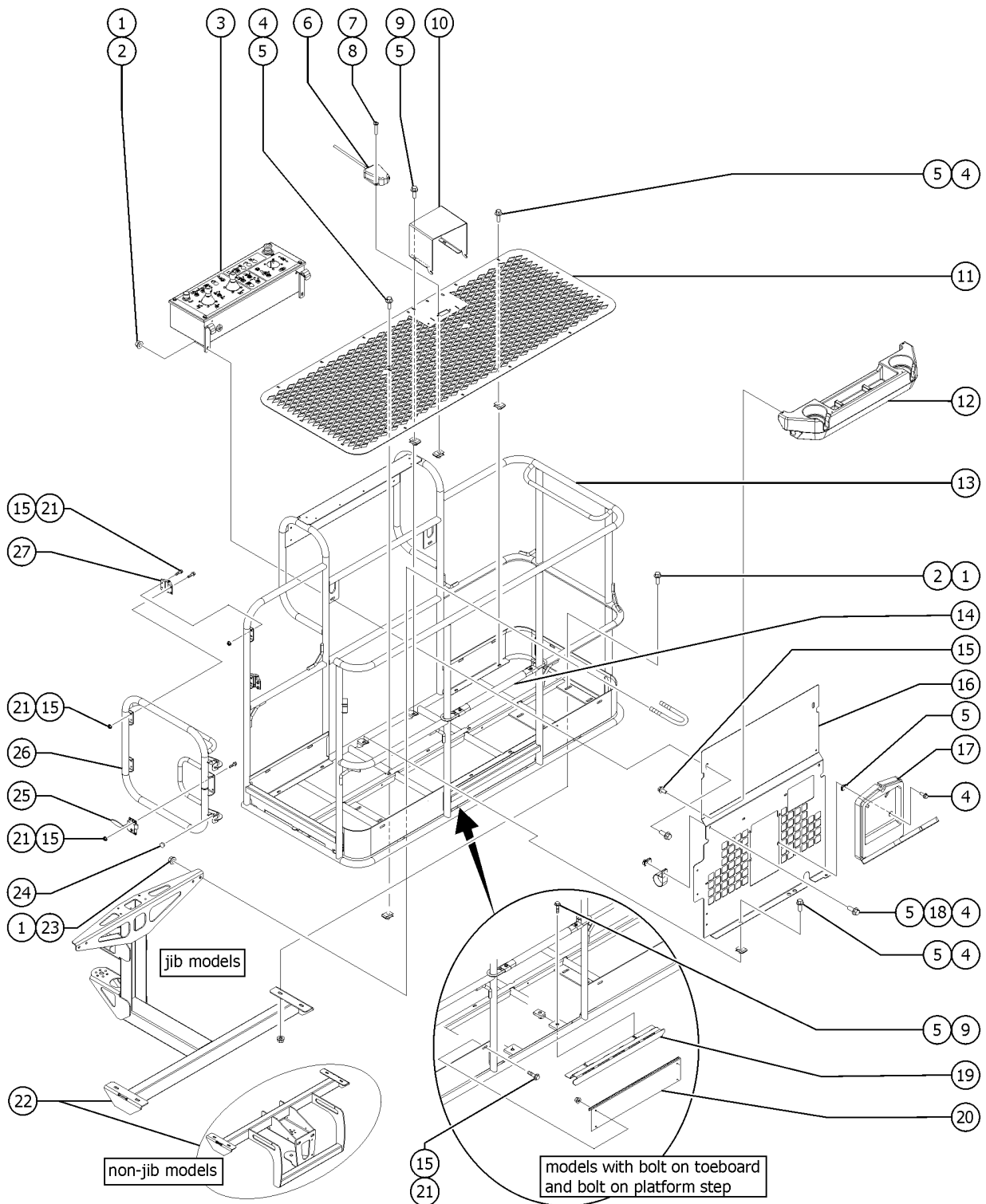
502.1 Platform Components



Item	Part No.	Description	Qty.
1	1274322GT	NUT,NYLOCK FLG,3/8-16,F,ZAG	
2	824090GT	SCREW,HHF,3/8-16X1,8,ZAG	
3		Ref. Platform Control Box	
		(refer to 502.1 and 503.1)	
4	824078GT	SCREW,HHF,1/4-20X.75,8,ZAG	
5	56912GT	SPRING CLIP,1/4-20,.025-.15X.54,ZAG	
6	1254874GT	ASSEMBLY, FOOT SWITCH, S60	1
6-	119058GT	CONN PLUG 4 WAY ENDCAP DT	
6-	1257248GT	SCREW, SHC, M4-0.7X8, DIN912,	
6-	1257249GT	WASHER, LOCK, M4, SS	
6-	227564GT	FOOT SWITCH,20A IP65	
6-	43960-6950GT	WIRE CABLE,16GA/4 CON.TPE JKT*	
6-	73739GT	BOOT,PLUG 4 WAY	
7	1256460GT	SCREW,PHPM,10-24X1,ZAG	2
8	73575GT	SPRING CLIP,10-24,.025-.125X.468,ZAG	2
9	824079GT	SCREW,HHF,1/4-20X1,8,ZAG	
10	147121GT	COVER, FOOT SWITCH, LARGE	1
11	1267746GT	FLOORING, 6 FT PLAT,SIDE	1
		(sold seperately)	
11B	73477PGT	FLOORING, 6'FT PLATFORM	1
		For front single entry platform	
12	1275089GT	PLATFORM WORK TRAY	1
		For side swing gate platform, from Z4525D-2106	
13		Ref. Platform Weldment	1
		(refer to 501.1)	
14	102992GT	SLIDING MIDRAIL KIT,PTD	1
		(includes fasteners)	
15	1256855	WASHER FLAT BONDED RUB	
16	73574-SGT	DECAL PLATE ASSEMBLY	1
		(decals not included, refer to section 100), To Z4525D-2105	
16B	1275088GT	FORMING, ALUM. DECAL PLATE	1
		From Z4525D-2106	
17	24514GT	BOX,INSTRUCTION STORAGE	1
		(decals not included, refer to section 100)	
18	56424GT	CLAMP, 1.25 x .5 RUBBER-CUSHION	2
19	73610PGT	STEP PLATFORM ENTRY PAINTED***	1
		only for front single entry platform	
20	94745GT	TOEBOARD,ENTRY EUROPEAN PNTD**	1
		only for front single entry platform	



502.1 Platform Components

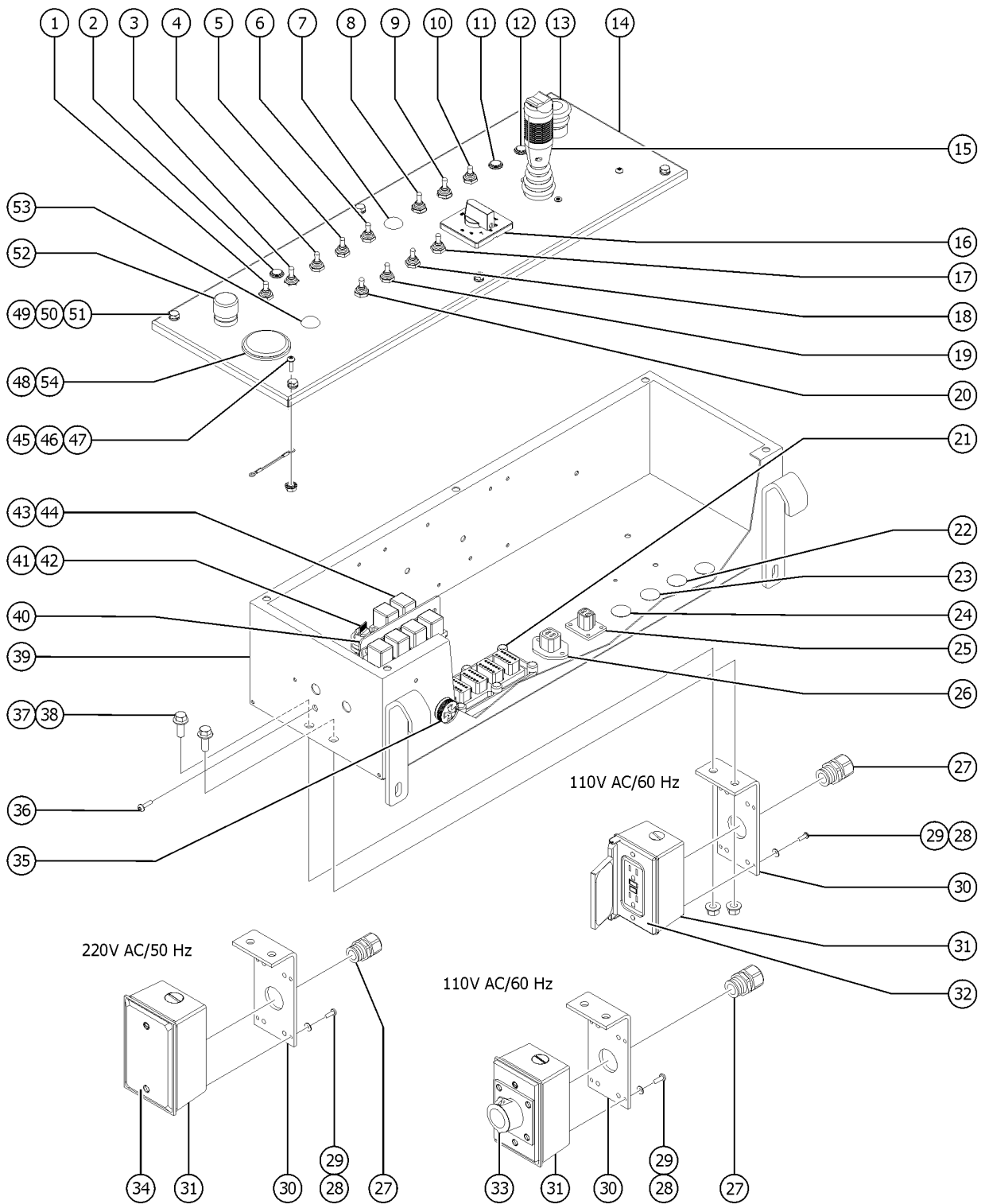


502.1 Platform Components

<i>Item</i>	<i>Part No.</i>	<i>Description</i>	<i>Qty.</i>
21	1277924GT	NUT,NYLOCK FLG,1/4-20,F,ZAG	
22		WELDMENT,PLATFORM SUPPORT	1
		(refer to 408.1) (jib models)	
22B		Ref. Platform Support	1
		(refer to 805.1) (models with platform overload option)	
23	1251600GT	U-BOLT, FLATTENED, Ø1.5 X 3/8 UNC,ZAG	
24	43392GT	BUMPER,BATTERY BOX & RAILS***	2
25	1267747GT	LATCH, SWING GATE	1
26	1272307GT	ASSY,SIDE SWING GATE	1
27	14804GT	HINGE, SPRING, LONG LEG	2



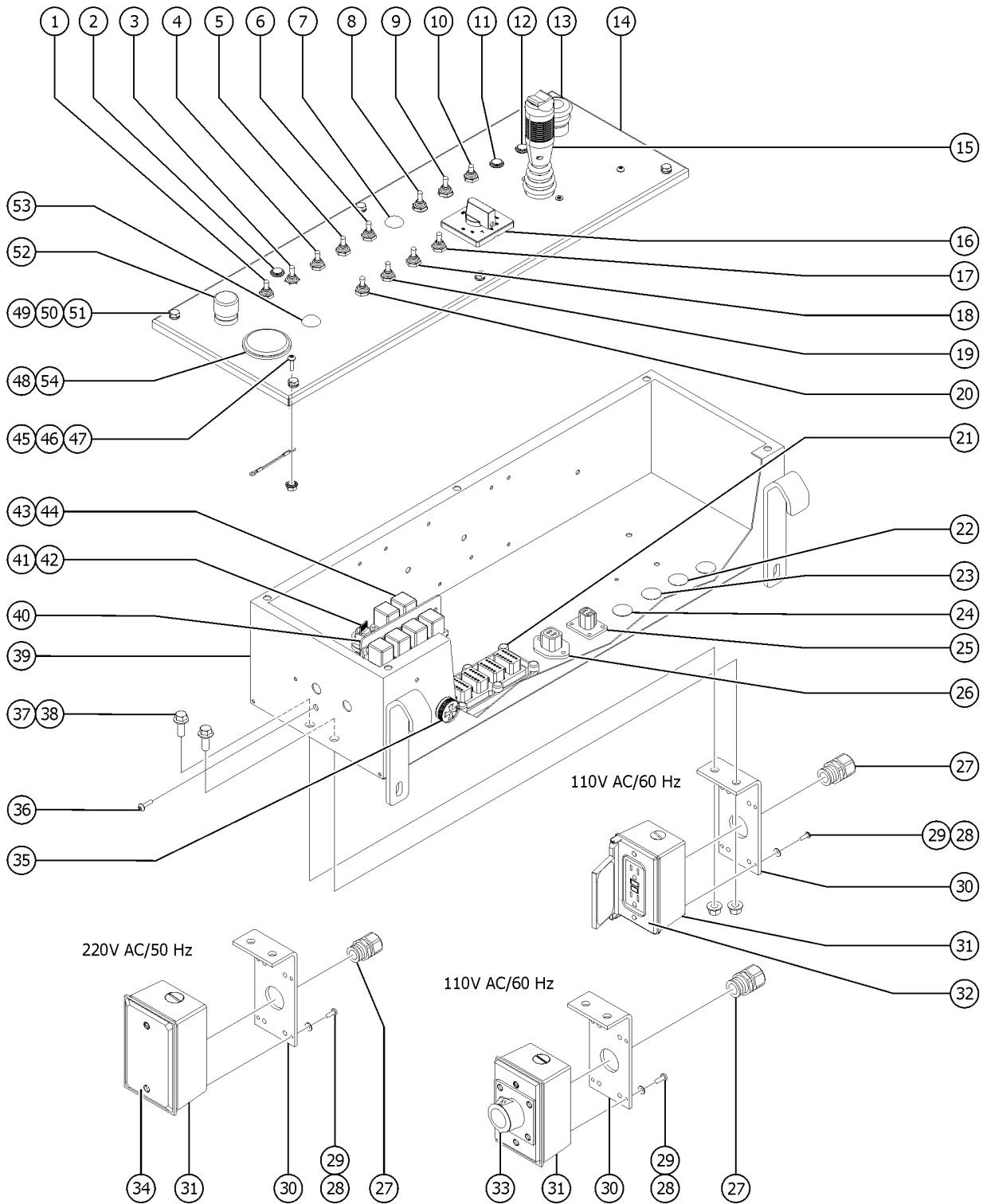
503.1 Platform Controls



Item	Part No.	Description	Qty.
A	147253GT	TIME DELAY RELAY,2 SEC,24VDC	1
1	128201GT	SWITCH TOGGLE ASSY DPDT 2P MOM Auxiliary Power; includes boot and hardware	1
1-	128578GT	SCREW T-SWITCH PH/PH 6-32X1/4	
1-	128581-SGT	SWITCH TOGGLE DPDT 2P MOM SHDR	
1-	27246GT	BOOT,TOGGLE SWITCH,SHORT*	
2	824878GT	LIGHT,LED IND. RED 24V NH	1
3	128200GT	SWITCH TOGGLE ASSY SPDT 3P MOM Drive Enable; includes boot and hardware	1
3-	128578GT	SCREW T-SWITCH PH/PH 6-32X1/4	
3-	128580-SGT	SWITCH TOGGLE SPDT 3P MOM SHDR	
3-	27246GT	BOOT,TOGGLE SWITCH,SHORT*	
4	229567GT	PLUG,SANTOPRENE .5 BLACK DOME (Z-45/25)	1
5	128202GT	SWITCH TOGGLE ASSY DPDT 3P MOM "Platform Rotate; includes boot and hardware"	1
5-	128578GT	SCREW T-SWITCH PH/PH 6-32X1/4	
5-	128582-SGT	SWITCH TOGGLE DPDT 3P MOM SHDR	
5-	27246GT	BOOT,TOGGLE SWITCH,SHORT*	
6	128202GT	SWITCH TOGGLE ASSY DPDT 3P MOM Platform Level; includes boot and hardware	1
6-	128578GT	SCREW T-SWITCH PH/PH 6-32X1/4	
6-	128582-SGT	SWITCH TOGGLE DPDT 3P MOM SHDR	
6-	27246GT	BOOT,TOGGLE SWITCH,SHORT*	
7	229567GT	PLUG,SANTOPRENE .5 BLACK DOME	1
8	128200GT	SWITCH TOGGLE ASSY SPDT 3P MOM (BE) Glow Plug; includes boot and hardware	1
8-	128578GT	SCREW T-SWITCH PH/PH 6-32X1/4	
8-	128580-SGT	SWITCH TOGGLE SPDT 3P MOM SHDR	
8-	27246GT	BOOT,TOGGLE SWITCH,SHORT*	
8B	229567GT	PLUG,SANTOPRENE .5 BLACK DOME (DC)	1
9	128200GT	SWITCH TOGGLE ASSY SPDT 3P MOM "(BE) Engine Start; includes boot and hardware"	1
9-	128578GT	SCREW T-SWITCH PH/PH 6-32X1/4	
9-	128580-SGT	SWITCH TOGGLE SPDT 3P MOM SHDR	



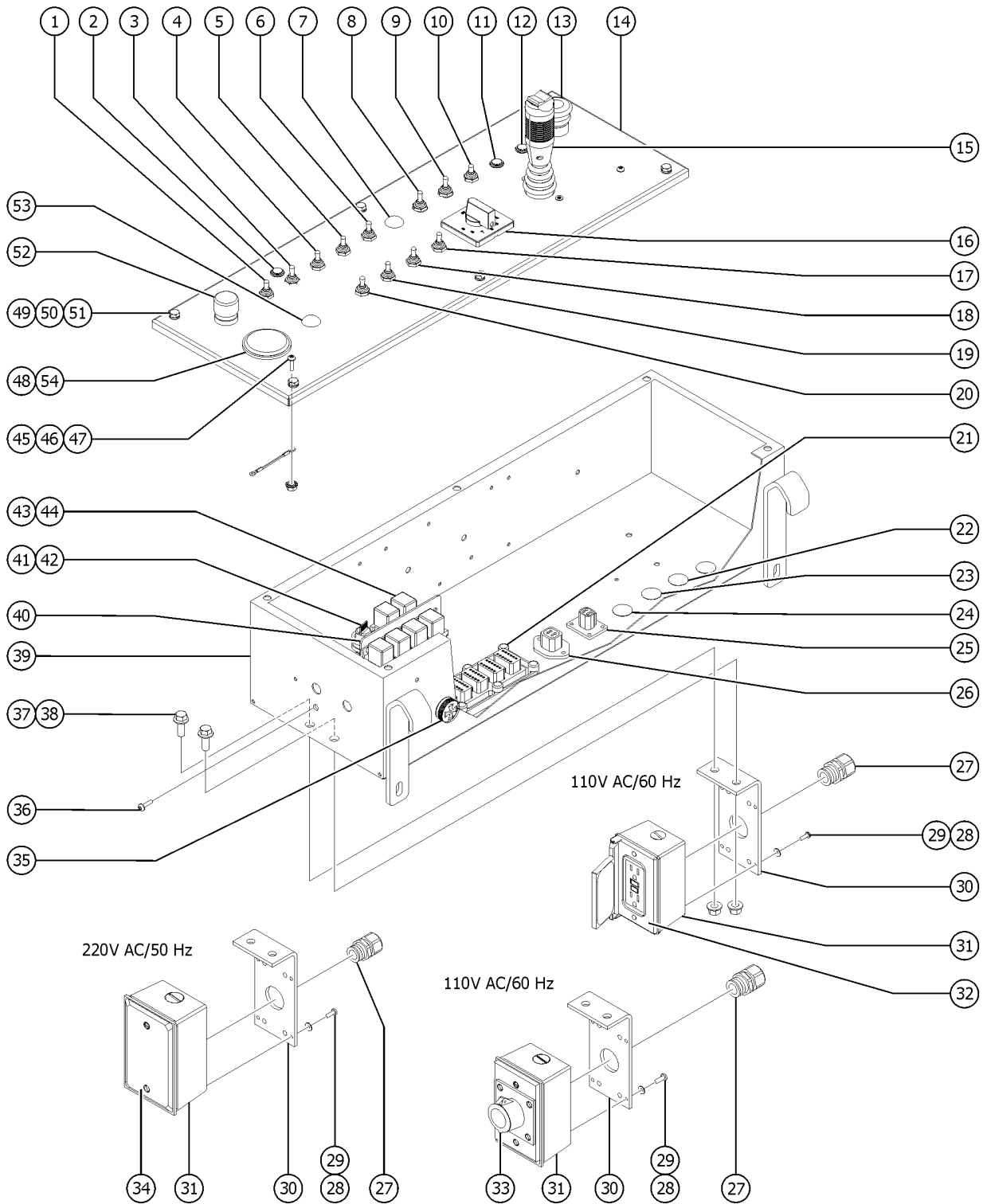
503.1 Platform Controls



Item	Part No.	Description	Qty.
9-	27246GT	BOOT,TOGGLE SWITCH,SHORT*	
9B	229567GT	PLUG,SANTOPRENE .5 BLACK DOME (DC)	1
10	128206GT	SWITCH TOGGLE ASSY DPDT 3P MNT (BE)	1
10B	229567GT	PLUG,SANTOPRENE .5 BLACK DOME (DC)	1
11	824878GT	LIGHT,LED IND. RED 24V NH Australia and CE	1
11B	229567GT	PLUG,SANTOPRENE .5 BLACK DOME ANSI	1
12	824878GT	LIGHT,LED IND. RED 24V NH	1
13	122514GT	KIT,ESTOP SVC BB&SM BOOM	1
13-	146478GT	BOOT(BELLOWS),E-STOP,BLACK	
13-	66812GT	BUTTON,PUSH,RED MUSHROOM HEAD	
13-	66818GT	CONTACT,NC	
13-	66821GT	BASE,WITHOUT CONTACTS	
14	229812GT	PLAT. CONTROL BOX LID, DC/BE	1
14-	81488GT	GASKET,PLATFORM CONTROL BOX	1
15		Ref. Joystick, Drive/Steer refer to 504.1	
16	36557GT	ROTATIONAL CONTROLLER,24V***	1
17	128202GT	SWITCH TOGGLE ASSY DPDT 3P MOM Primary Boom Ext/Ret; includes boot and hardware	1
17-	128578GT	SCREW T-SWITCH PH/PH 6-32X1/4	
17-	128582-SGT	SWITCH TOGGLE DPDT 3P MOM SHDR	
17-	27246GT	BOOT,TOGGLE SWITCH,SHORT*	
18	128202GT	SWITCH TOGGLE ASSY DPDT 3P MOM Primary Boom Up/Down; includes boot and hardware	1
18-	128578GT	SCREW T-SWITCH PH/PH 6-32X1/4	
18-	128582-SGT	SWITCH TOGGLE DPDT 3P MOM SHDR	
18-	27246GT	BOOT,TOGGLE SWITCH,SHORT*	
19	128202GT	SWITCH TOGGLE ASSY DPDT 3P MOM Secondary Boom Up/Down; includes boot and hardware	1
19-	128578GT	SCREW T-SWITCH PH/PH 6-32X1/4	
19-	128582-SGT	SWITCH TOGGLE DPDT 3P MOM SHDR	
19-	27246GT	BOOT,TOGGLE SWITCH,SHORT*	



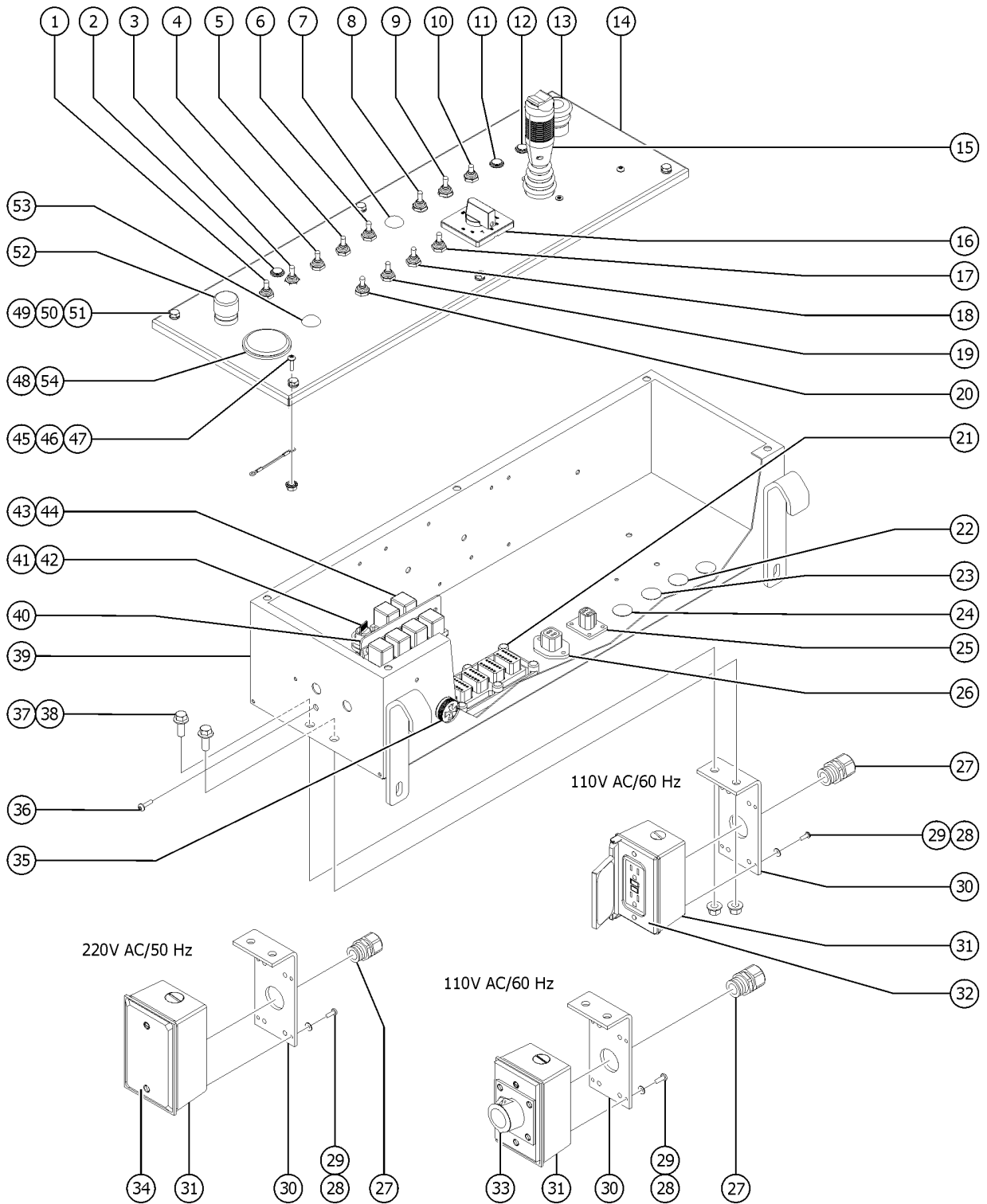
503.1 Platform Controls



Item	Part No.	Description	Qty.
20	128202GT	SWITCH TOGGLE ASSY DPDT 3P MOM Turntable Rotate; includes boot and hardware	1
20-	128578GT	SCREW T-SWITCH PH/PH 6-32X1/4	
20-	128582-SGT	SWITCH TOGGLE DPDT 3P MOM SHDR	
20-	27246GT	BOOT,TOGGLE SWITCH,SHORT*	
21	73736GT	CONN,RECEP 48 WAY,4 X 12	1
21-	54255GT	LOCK, RECEP 12WAY, 14-18GA	
21-	73713GT	TERM,NI PIN,S&F,16-18GA,REEL	
21-	824226GT	SCREW,PHPSH,#12-11X.75,ZAG	
22	15243GT	PLUG,NYLON .875 BLACK DOMED	1
23	15243GT	PLUG,NYLON .875 BLACK DOMED	1
24	15243GT	PLUG,NYLON .875 BLACK DOMED (Z-45/25)	1
25	73723GT	CONN RECEP,FLANGED	1
25-	60443GT	LOCK,RECEP 4 WAY,14-18GA	
25-	73713GT	TERM,NI PIN,S&F,16-18GA,REEL	
25-	824019GT	NUT,TL,6-32,A,ZAG	
25-	824214GT	SCREW,PHPM,6-32X.5,ZAG	
26	73717GT	CONN,RECEP 4 WAY,12-14GA FL***	1
26-	60526GT	LOCK,RECEP 4 WAY,12-14GA	
26-	73711GT	TERM,DEUTSCH, PIN #12-14	
26-	824019GT	NUT,TL,6-32,A,ZAG	
26-	824214GT	SCREW,PHPM,6-32X.5,ZAG	
27	7056GT	CONN,SQUEEZE,1/2NPT .38-.50,SM	
27-	6935GT	LOCKNUT,ELEC,1/2"	
28	1257296GT	SCREW,PHPM-ST,8.32X.50,TYPE F,	4
29	1257390GT	WASHER,FLAT,#8,SAE,ZAG	4
30	120300GT	BRACKET,POWER TO PLAT,DOM.	1
31	10775GT	T-BOX,2.75 X 4.5 X 2.0	
32	13585GT	OUTLET,110V GFCI*** USA/Canada	



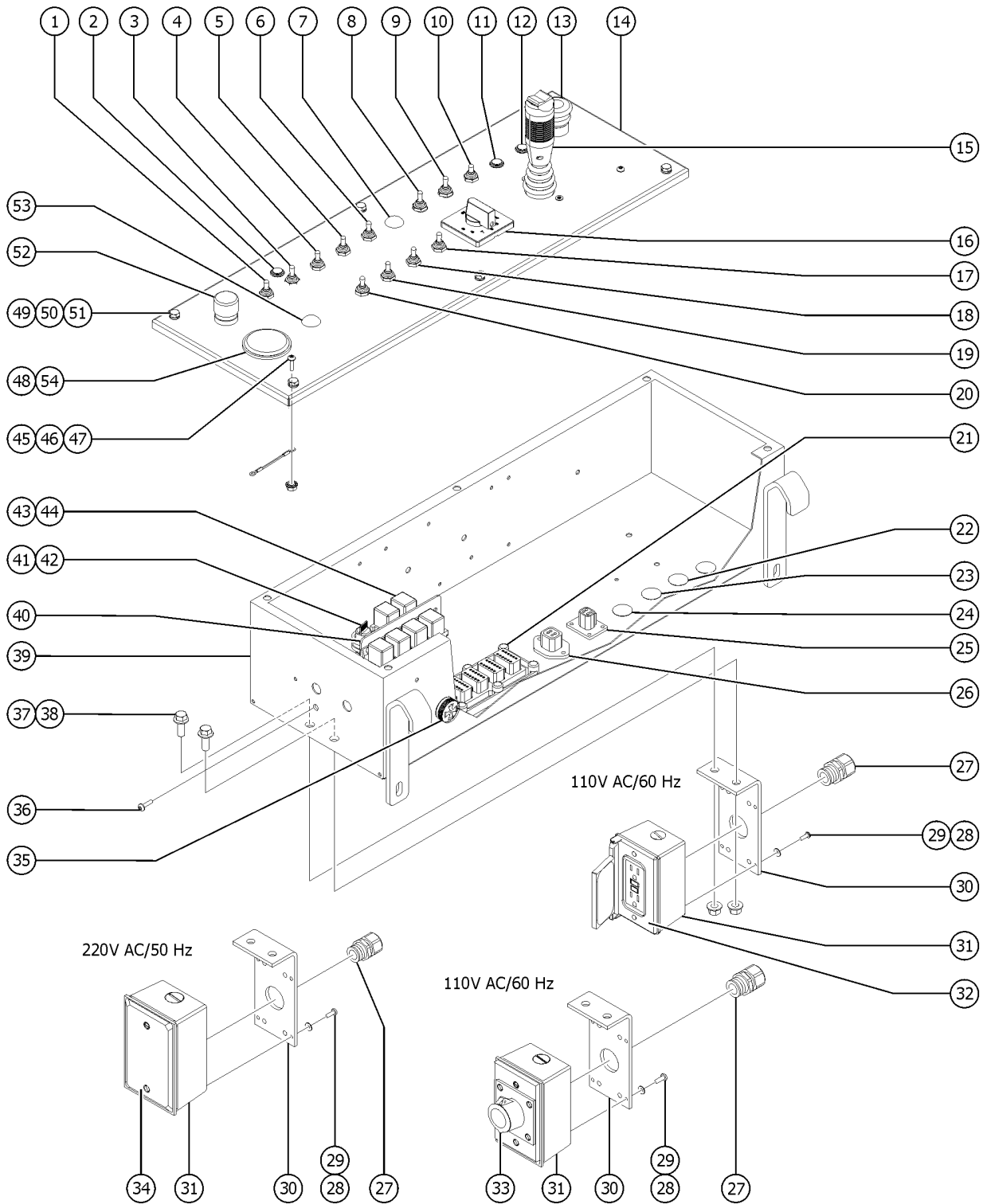
503.1 Platform Controls



Item	Part No.	Description	Qty.
32-	74006GT	COVER,GFCI,HORIZONTAL,WEATHER USA/Canada	
33	T112560GT	RECEPTACLE,UK,110V	1
34	10777GT	COVER,BLANK	1
34-	33724GT	KIT,GASKET,UK POWER TO PLAT.	
34-	49820GT	SCREW,PHILLIPS,PHM,6-32 X .5	
34-	81458GT	GASKET, UK POWER TO PLAT	
35	45383GT	ALARM,WARBLE TONE 5-30 VDC*** does not include 72326 nut	1
35-	72326GT	NUT,PLASTIC,RING FOR ALARMS must order separately	
36	824090GT	SCREW,HHF,3/8-16X1,8,ZAG	1
37	824029GT	NUT, TL FLG, 3/8-16, G, ZAG	2
38	824029GT	NUT, TL FLG, 3/8-16, G, ZAG	2
39	120297GT	WELDMENT,PLATFORM CONTROL BOX	1
39-	1257227GT	SCREW,PHPM,10-32X.625,ZAG	
39-	30996GT	PLUG,NYLON .313 BLACK DOMED	
39-	42781GT	PLUG, NYLON .250 BLACK DOMED	
39-	42288GT	PLUG,NYLON .188 BLACK DOMED	
40	T106699GT	BRACKET,RELAY MOUNT W/INSERTS	1
40-	1251757GT	SCREW,PHPM,10-32X.50,ZAG	
40-	824036GT	NUT,TL,10-32,A,ZAG	
40-	824078GT	SCREW,HHF,1/4-20X.75,8,ZAG	
41	43181GT	CAPACITOR,TIME DELAY	
42	13268GT	CLAMP,0.75,#12 X 1/4,RUB CUSH	
43	56302GT	RELAY,24VDC,40/30A,SEALED***	6
44	34053GT	ASSY,RELAY SOCKET, AUTO	6
45	54365GT	SCREW,PHIL,PHM,10-32 X .5,SSTL	4
46	77351GT	LANYARD,PLATFORM CONTROL BOX	2
47	1264261GT	NUT,SERRATED,10-32,ZAG	4
48	237145GT	IND,BAT CHARGE,48V LEAD-ACID (models with battery charge indicator)	1



503.1 Platform Controls

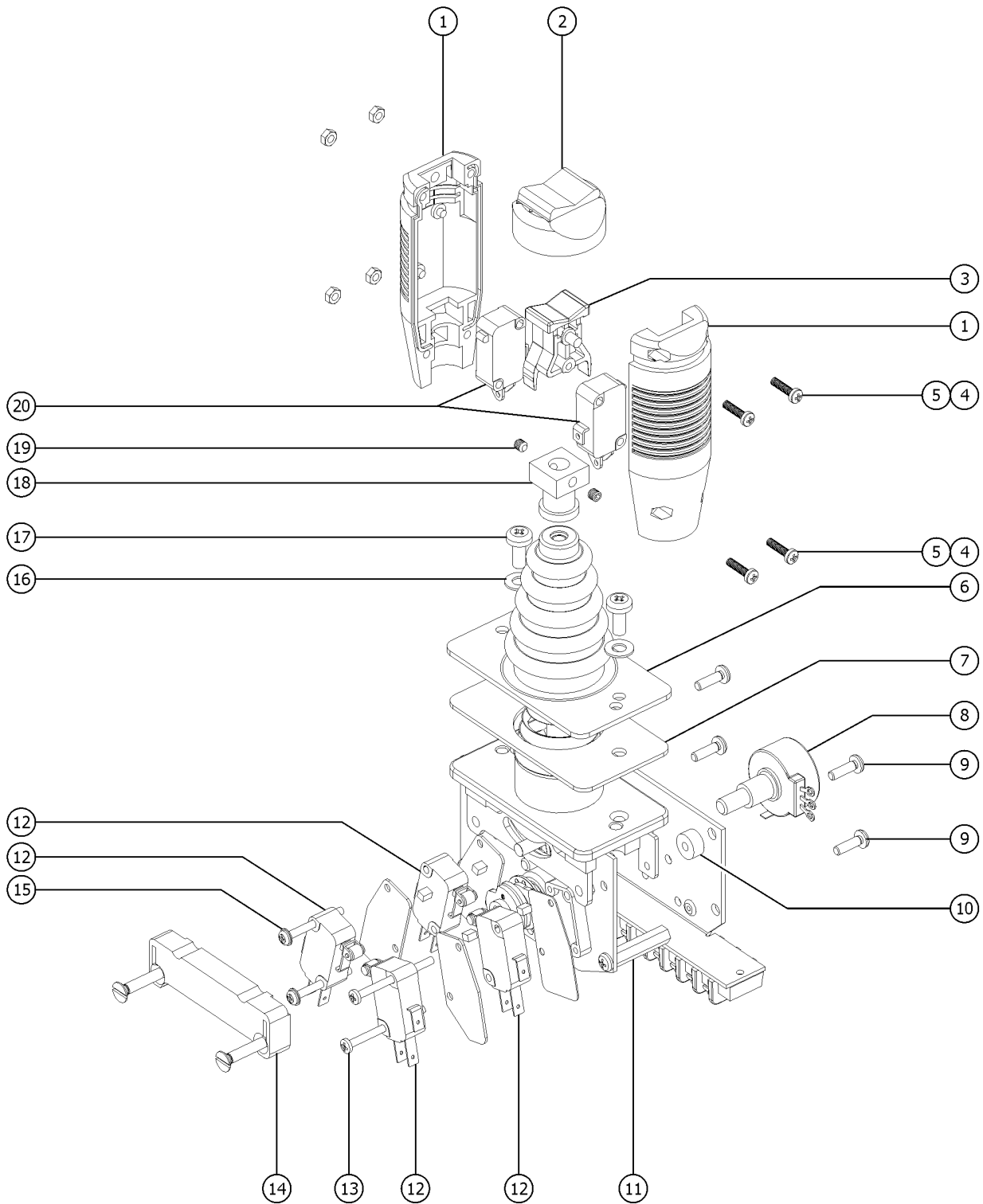


503.1 Platform Controls

<i>Item</i>	<i>Part No.</i>	<i>Description</i>	<i>Qty.</i>
48B	110651GT	LVI/BCI 36/48 VOLT ENGAGE II "(models with low voltage indicator/battery charge indicator) "	1
48C	45840GT	PLUG,NYLON 2.00 BLACK DOMED	1
49	824059GT	SCREW, HHC, 1/4-20 X .75, 8, ZAG	6
50	824109GT	WASHER,LOCK,1/4,ZAG	6
51	1253185GT	WASHER,FLAT,#10,USS,ZAG	6
52	122513GT	KIT,HORN SVC BB&SM BOOM	
52-	66813GT	BUTTON,PUSH,BLACK W/SEAL ***	
52-	66815GT	BASE, W/1 N.O. CONTACTS***	
53	229567GT	PLUG,SANTOPRENE .5 BLACK DOME	1
54	1307121GT	O-RING,51X1.8 (used with 237145 only)	1



504.1 Joystick Controller, Drive/Steer Functions

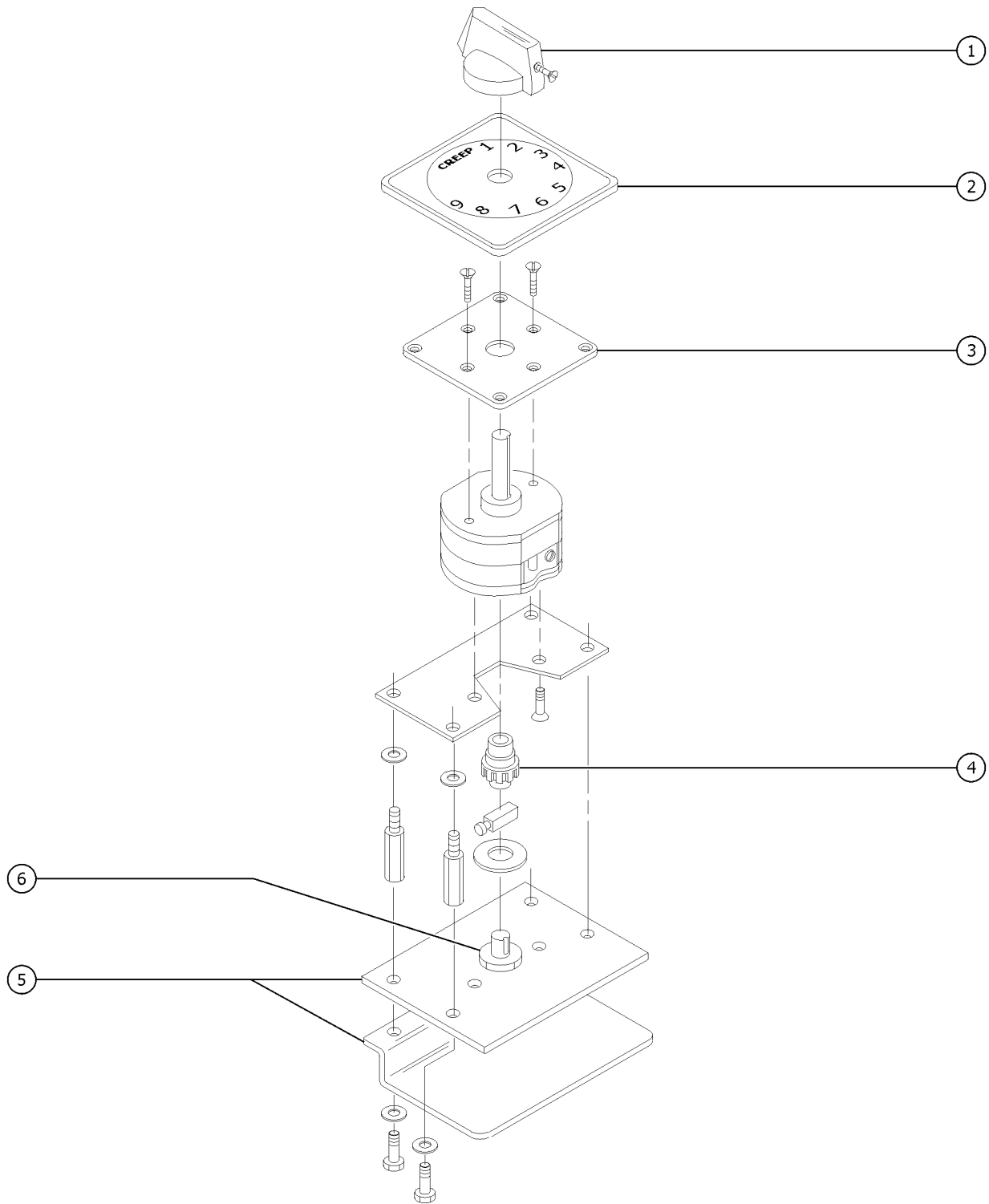


504.1 Joystick Controller, Drive/Steer Functions

Item	Part No.	Description	Qty.
A	234923GT	JOYSTICK,5K-0 OHM,W/RELAY	1
1	52887GT	HANDLE HALF (56274)	2
2	46038GT	BOOT-THUMB ROCKER** BLACK	1
3	65178GT	ROCKER ASSY W/ROLLPIN***	1
4	52895GT	SCREW,PHM,M3 X .5 X 12MM	4
5	52928GT	NUT-HEX,3M X 0.5MM	4
6	21427GT	BOOT,CONTROLLER**	1
7	43042GT	GASKET,JOYSTK.SHAFT36867/42032	1
8	72298GT	POTENTIOMETER (56773)	1
9	65546GT	SCREW,PHM,M3.5 X 12MM (57890)	6
10	74368GT	SPACER-POT.PLATE,JOYSTICK56773	2
11	19721GT	MICROSWITCH SPACER,45049	1
12	19712GT	MICROSWITCH,V3L-139-D8	4
13	52892GT	SCREW,PHS,4-40 X 1.5	2
14	19713GT	SPRING RETURN,HEAVY DUTY,45049	1
15		Ref. SCREW, 4-40 x 1/18" illustration purpose only	2
16	74362GT	WASHER,NYLON, JOYSTICK	2
17	226383GT	SCREW	2
18	43040GT	NUT,JS,36867/42032/44988/40612	1
		coupling	
19	58985GT	SCREW,HANDLE42032,40612,36867	2
20	19722GT	MICROSWITCH-V319M***	2



505.1 Rotational Controller

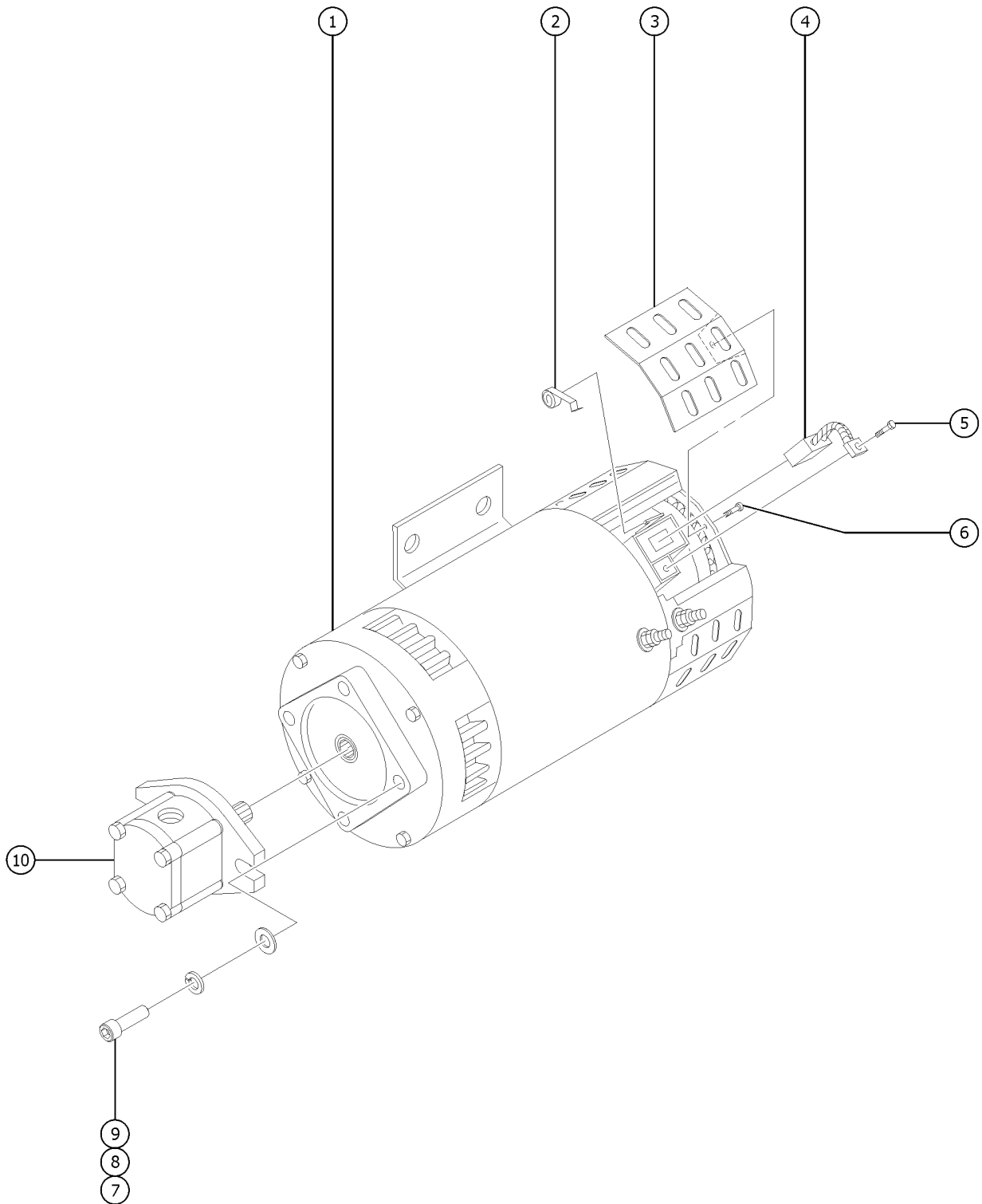


505.1 Rotational Controller

<i>Item</i>	<i>Part No.</i>	<i>Description</i>	<i>Qty.</i>
--	36557GT	ROTATIONAL CONTROLLER,24V***	
1	35679GT	KNOB, 45048 CONTROLLER	1
2	35680GT	LEGEND,PLSTC,"CREEP TO 9"***	1
3	35678GT	MOUNTING PLATE, 45048	1
4	19731GT	GEAR, SLAVE, MS4,45048	1
5	40433GT	PCB,ROTATOR CONTROLLER 36557* includes item 6	1
6	19729GT	POTENTIOMETER,56886	1



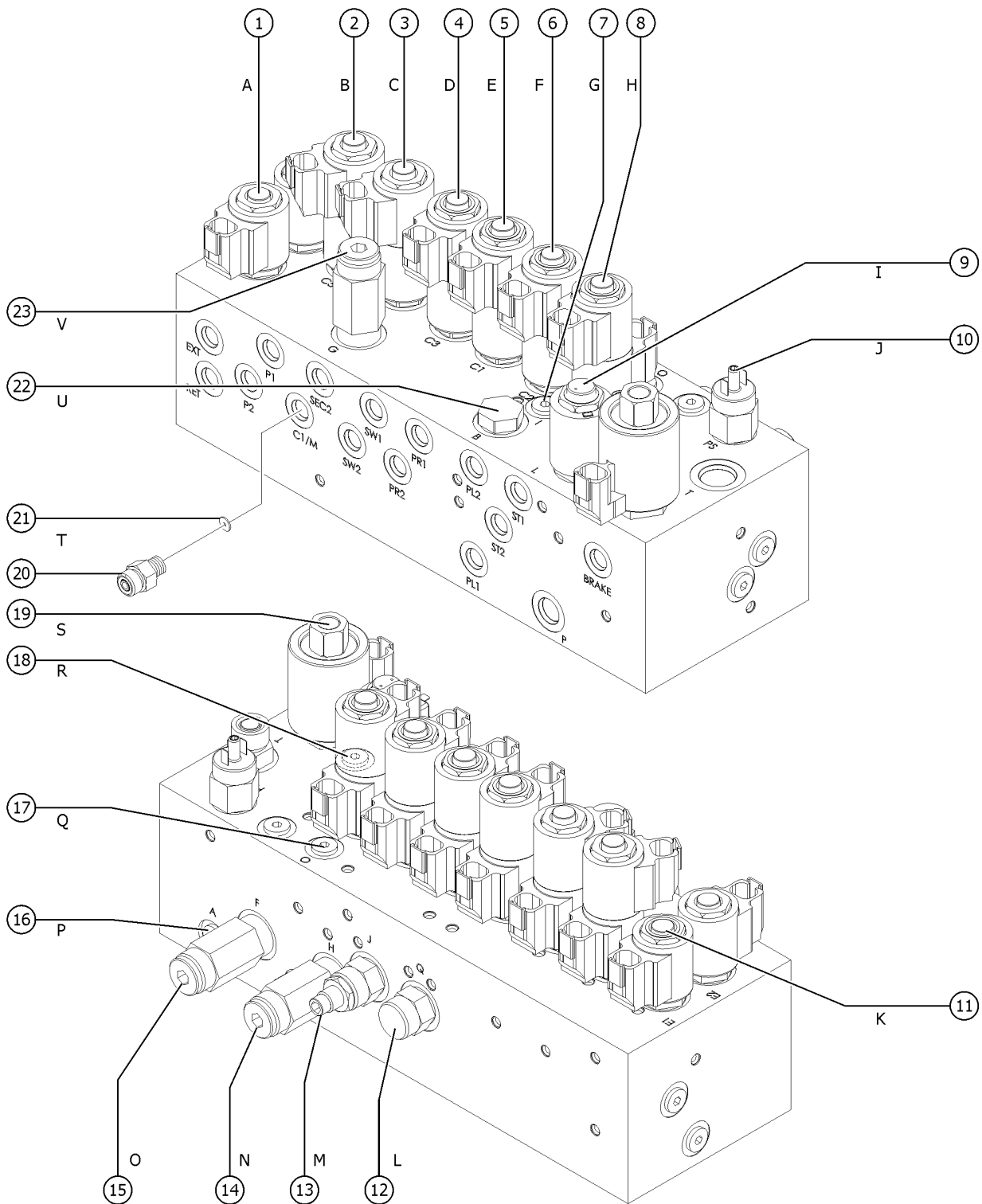
601.1 Hydraulic Power Unit



<i>Item</i>	<i>Part No.</i>	<i>Description</i>	<i>Qty.</i>
1	48504GT	MOTOR,FUNCTION,48V DC	1
1B	1263609GT	MOTOR,FUNCTION,48V DC,XINYU	1
2	44750GT	SPRING-BRUSH,40844, SCISSORS	
		For 48504	
3	58936GT	BRUSH COVER -PLATE-(48504)*	1
		For 48504	
4	58932GT	BRUSH SET 4 EA	1
		For 48504	
5	52913GT	SCREW,HH TAPETITE THRD8-32X.50	
		For 48504	
6	82914GT	SCREW,HHTAPTITE THREAD8-32X.38	
		For 48504	
7	824100GT	SCREW,SHC,3/8-24X1.25,A574,ZAG	2
8	824110GT	WASHER, LOCK, 3/8, ZAG	2
9	826793GT	WASHER,FLAT,3/8,SAE,HRD,ZAG	2
10	77981GT	PUMP,LIFT,3CC,CCW***	1
10-	77990GT	KIT,SEAL,3CC PUMP***	



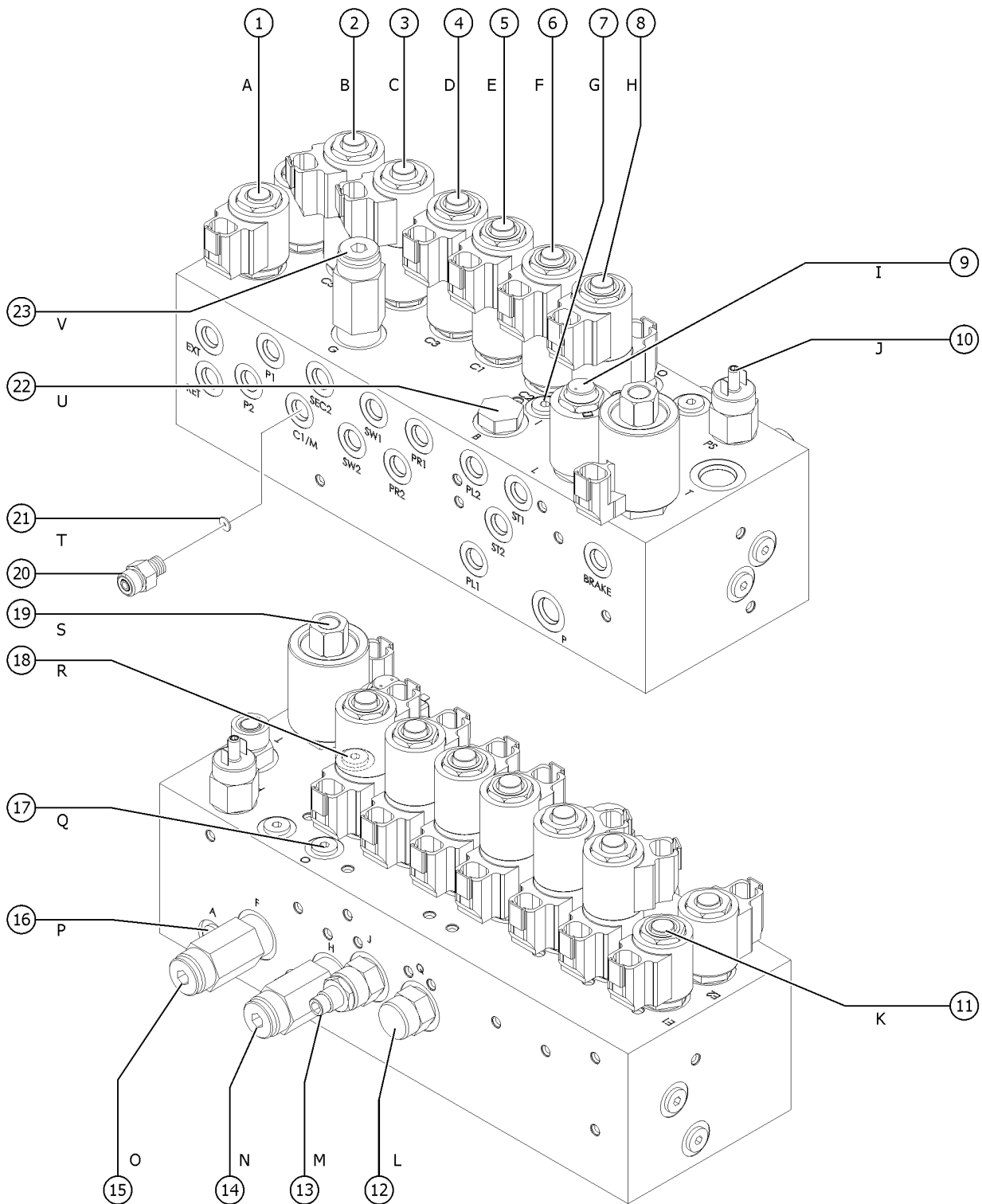
602.1 Function Manifold



Item	Part No.	Description	Qty.
A	94860GT	MANIFOLD,FUNCTION DC/BI***	
1	52897GT	VALVE,SOLENOID, 2POS/3WAY*** A, Primary boom retract	
1-	52371GT	SEAL KIT, VALVE	
1-	77709GT	COIL,#8 20VDC,DEUTSCH W/DIOD	
2	39346GT	VALVE,SOLENOID 3 POS.4 WAY*** B, Primary boom up/down	
2-	44229GT	SEAL KIT, VALVE	
2-	44236GT	SPACER-DUAL COIL,#8***	
2-	77709GT	COIL,#8 20VDC,DEUTSCH W/DIOD	
3	39346GT	VALVE,SOLENOID 3 POS.4 WAY*** C, Secondary boom up/down	
3-	44229GT	SEAL KIT, VALVE	
3-	44236GT	SPACER-DUAL COIL,#8***	
3-	77709GT	COIL,#8 20VDC,DEUTSCH W/DIOD	
4	39346GT	VALVE,SOLENOID 3 POS.4 WAY*** D, Turntable rotate left/right	
4-	44229GT	SEAL KIT, VALVE	
4-	44236GT	SPACER-DUAL COIL,#8***	
4-	77709GT	COIL,#8 20VDC,DEUTSCH W/DIOD	
5	39346GT	VALVE,SOLENOID 3 POS.4 WAY*** E, Platform rotate left/right and jib	
5-	44229GT	SEAL KIT, VALVE	
5-	44236GT	SPACER-DUAL COIL,#8***	
5-	77709GT	COIL,#8 20VDC,DEUTSCH W/DIOD boom up and down	
6	39346GT	VALVE,SOLENOID 3 POS.4 WAY*** F, Platform level up/down	
6-	44229GT	SEAL KIT, VALVE	
6-	44236GT	SPACER-DUAL COIL,#8***	
6-	77709GT	COIL,#8 20VDC,DEUTSCH W/DIOD	
7	826779GT	VALVE,SHUTTLE G, Platform level circuit	
8	52912GT	VALVE,3POSITION,4WAY* H, Steer left/right	
8-	44229GT	SEAL KIT, VALVE	
8-	44236GT	SPACER-DUAL COIL,#8***	



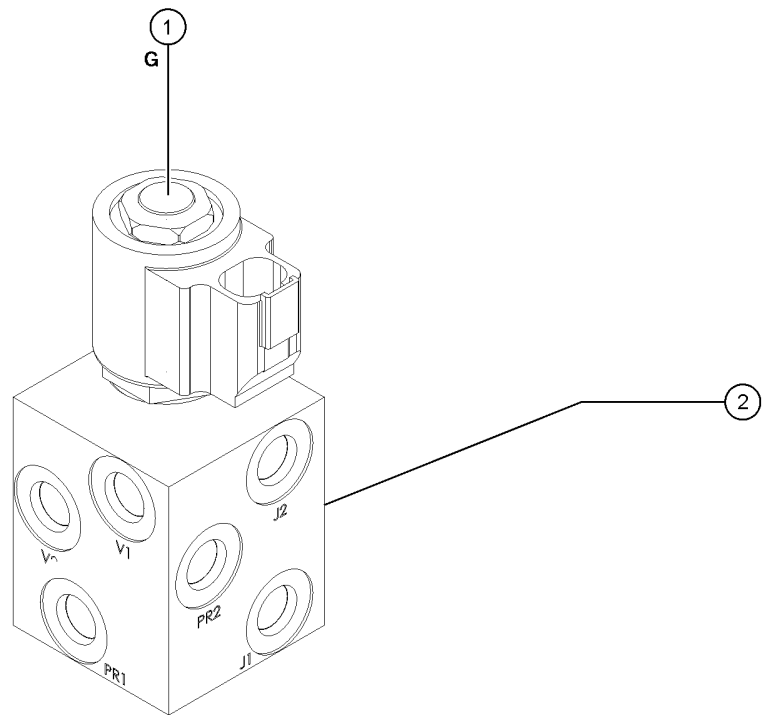
602.1 Function Manifold



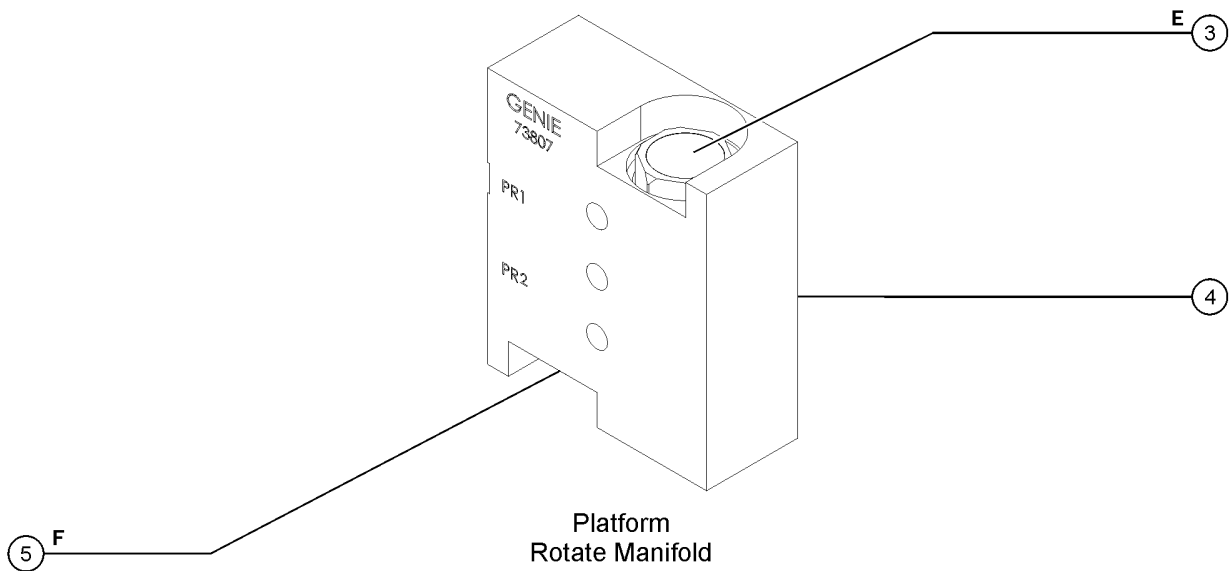
Item	Part No.	Description	Qty.
8-	77709GT	COIL,#8 20VDC,DEUTSCH W/DIOD	
9	101057GT	VALVE,PRESS COMP,PROP DIRECT	
		I, Controls flow to functions	
9-	119825GT	COIL, 24V, DEUTSCH NO DIODE	
10	1287986GT	SWITCH,PRESS,#6SAE,600 PSI	
		J, Brake circuit	
11	52897GT	VALVE,SOLENOID, 2POS/3WAY***	
		K, Primary boom extend	
11-	77709GT	COIL,#8 20VDC,DEUTSCH W/DIOD	
12	94618GT	VALVE,FLOW CONTROL,.4 GPM	
		L, Platform rotate and turntable rotate circuits	
13	101055GT	VALVE,NEEDLE,FINE ADJUSTMENT**	
		M, Platform level circuit	
14	101114GT	VALVE RELIEF,2500PSI(88513)**	
		N, Platform level circuit (to SN 58175)	
14-	44227GT	SEAL KIT, VALVE	
14B	52374GT	VALVE,RELIEF,3000PSI,GS68PUMP1	
		N, Platform level circuit (from SN 58176)	
14B-	44227GT	SEAL KIT, VALVE	
15	52906GT	VALVE-RELIEF,3200 PSI	
		O, System relief	
16	52907GT	VALVE-CHECK, #4 SAE, 5 PSI*	
		P, Brake circuit	
17	52910GT	ORIFICE PLUG, 0.060	
		Q, Steer circuit	
18	101067GT	ORIFICE PLUG,030,1/16-27 NPT	
		R, Proportional valve circuit	
18B	1297587GT	ORIFICE DISK, .025#6101025	
		From Z4525D-3229, used in Chinese market	
19	101056GT	VALVE,DIRECTIONAL,2-WAY,3 POS	
		S, Brake circuit (coil not included, order separately)	
19-	101069GT	ORIFICE DISK,.030	
		S, Brake circuit	
19-	46258GT	NUT, CARTRIDGE VALVE	
19-	84385GT	COIL,20VDC DEUTCSH W/DIODE	
		S, Brake circuit	
20	129021GT	ORIFICE PLATE,0.037"	
		U	
20B	48912GT	CONN,520120-4***	
		T	
21	47010GT	ORIFICE DISC,.037",BLACK *	
		T	
21B	75453GT	VALVE,CHECK,DUAL PILOT***	
		V, Platform level circuit	
22	101277GT	VALVE,RELIEF,2100 PSI***	
		W, Secondary boom down circuit	
22B	75453GT	VALVE,CHECK,DUAL PILOT***	
		U, Platform level circuit	
23	101277GT	VALVE,RELIEF,2100 PSI***	
		V, Secondary boom down circuit	



603.1 Jib Boom and Platform Rotate Manifolds



Jib Manifold



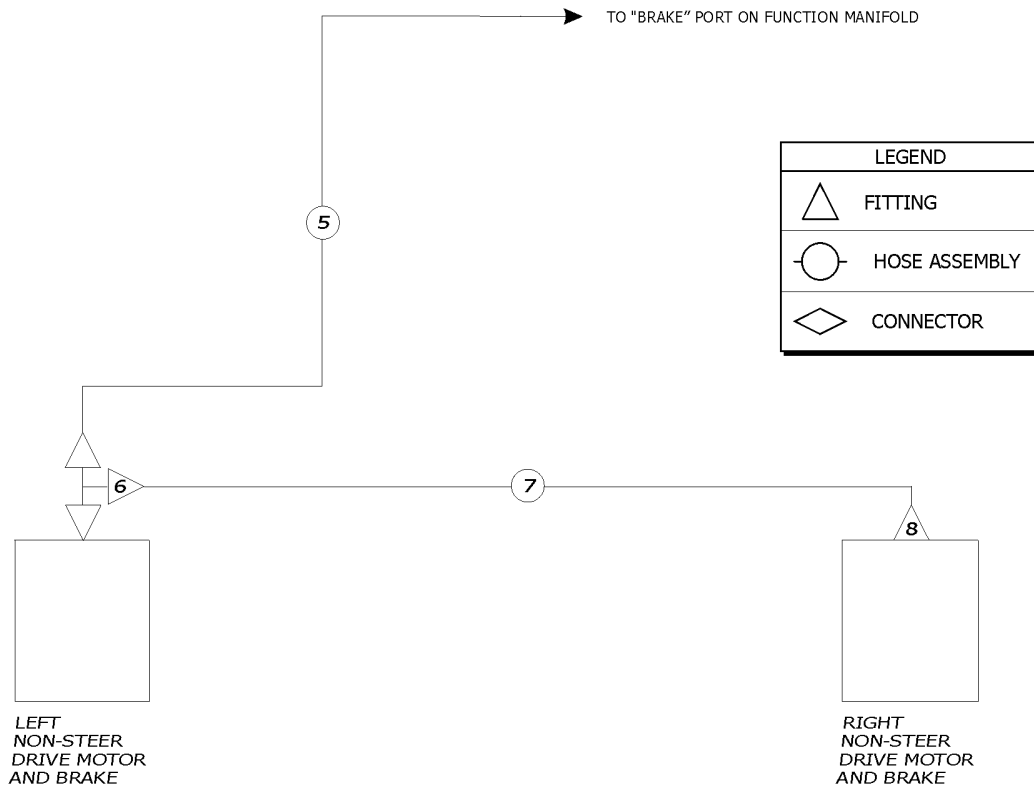
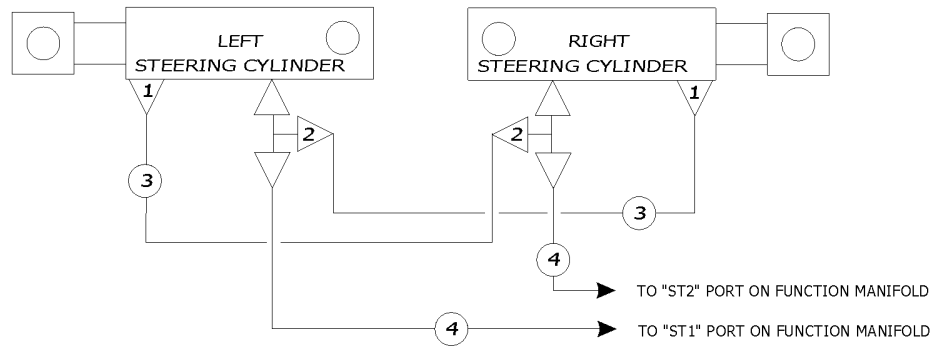
Platform Rotate Manifold

603.1 Jib Boom and Platform Rotate Manifolds

Item	Part No.	Description	Qty.
1	52897GT	VALVE,SOLENOID, 2POS/3WAY*** G, Jib boom / platform rotate select	
1-	44174GT	NUT-COIL SHORT	
1-	52371GT	SEAL KIT, VALVE	
1-	77709GT	COIL,#8 20VDC,DEUTSCH W/DIOD	
2	1267570GT	MANIFOLD,JIB SELECT,20V***	
2-	44174GT	NUT-COIL SHORT	
2-	52371GT	SEAL KIT, VALVE	
2-	52897GT	VALVE,SOLENOID, 2POS/3WAY***	
2-	77709GT	COIL,#8 20VDC,DEUTSCH W/DIOD	
3	62506GT	VALVE - COUNTERBALANCE** E, Platform Rotate Right Circuit	
3-	43018GT	SEAL KIT (39345)	
4	73807GT	MANIFOLD,ROTATOR,CB***	
4-	62507GT	O-RING, ROTATOR MANIFOLD Manifold to Platform Rotator	
5	62506GT	VALVE - COUNTERBALANCE** F, Platform Rotate Left Circuit	
5-	43018GT	SEAL KIT (39345)	



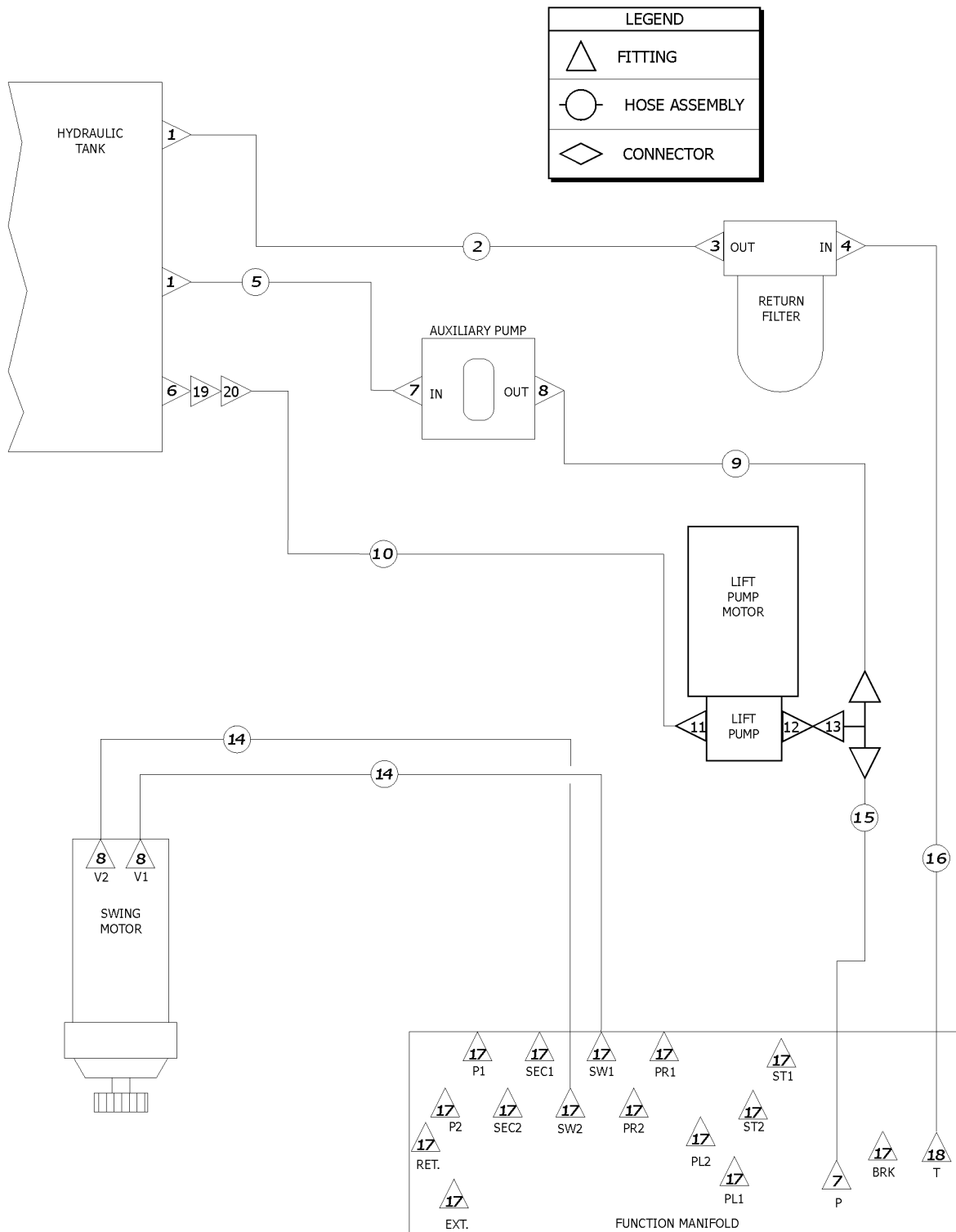
701.1 Drive and Steer Hoses



<i>Item</i>	<i>Part No.</i>	<i>Description</i>	<i>Qty.</i>
--	28750GT	O-RING KIT,FIELD SVC,ALL PROD*	
--	33994GT	PLUG AND CAP KIT-SERVICE,37 **	
--	49612GT	O-RING KIT (ORFS FITTINGS)	
--	49613GT	PLUG AND CAP KIT-SERVICE,ORFS*	
1	48904GT	ELBOW,90D,520220-4-4	2
2	48906GT	TEE,RUN,520428-4	2
3	49119-2078GT	HOSE ASSY,1/4,STR FEM,STR FEM*	2
4	49117-11091GT	HOSE ASSY,1/4,90 FEM,STR FEM	2
5	49117-9991GT	HOSE ASSY,1/4,90 FEM,STR FEM	1
6	48890GT	FITTING,TEE,BRANCH,520429-4***	1
7	49117-4691GT	HOSE ASSY,1/4,90 FEM,STR FEM	1
8	48904GT	ELBOW,90D,520220-4-4	1



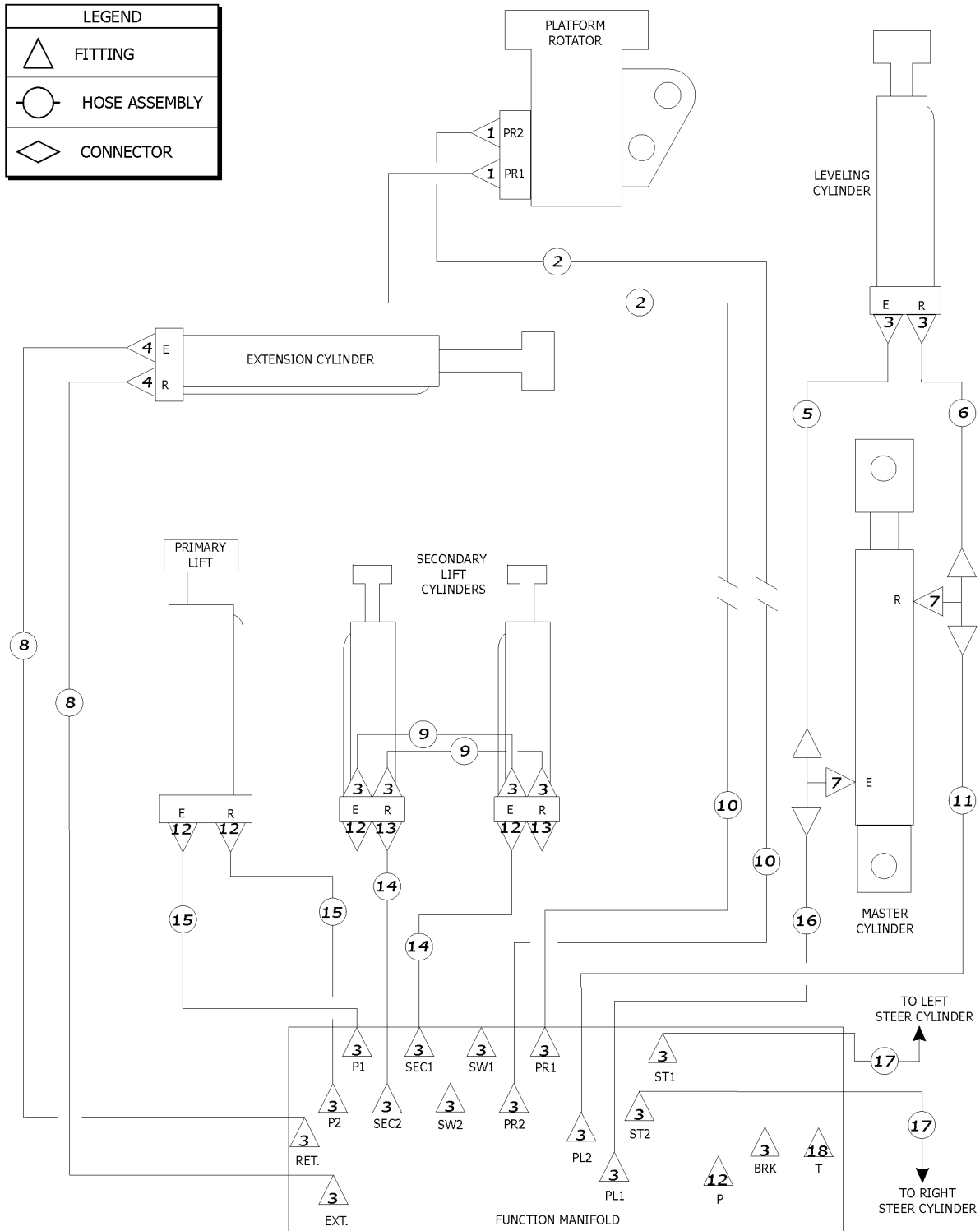
702.1 Turntable Components



Item	Part No.	Description	Qty.
A	28750GT	O-RING KIT,FIELD SVC,ALL PROD*	
B	33994GT	PLUG AND CAP KIT-SERVICE,37 **	
C	49612GT	O-RING KIT (ORFS FITTINGS)	
D	49613GT	PLUG AND CAP KIT-SERVICE,ORFS*	
1	48944GT	CONN,520102-8-8	2
2	49143-2535GT	HOSE ASSY,1/2,90 FEM,STR FEM	1
3	48947GT	ELBOW,90D,520220-8-12	1
4	48948GT	CONN,520120-8-12	1
5	77059-2986GT	HOSE ASSY,MULTI USE***	1
6	45162GT	STRAINER ASSEMBLY,1.25" NPT***	
7	48916GT	CONN, 520120-6	2
8	48911GT	ELBOW,90D,520220-4-6***	3
9	T115351GT	HOSE ASSY,1/4,STR FEM,STR FEM	1
10	1264688GT	HOSE ASSY, 3/4, 45D, STR FEM	1
11	1264690GT	CONN,520220-12-10,90D	1
12	48999GT	VALVE,CHK,#8PORT-#8MALEORFS	1
13	48939GT	TEE,BRANCH,520433-8	1
14	49119-3378GT	HOSE ASSY,1/4,STR FEM,STR FEM	2
15	214814GT	HOSE ASSY, 1/2, 39.25	1
		DC only	
16	48143-2029GT	HOSE ASSY,1/2,90 FEM,STR FEMM*	1
17	48912GT	CONN,520120-4***	15
18	48942GT	ELBOW,90D,520220-8-6	1
19	48966GT	CONN,520102-12	1
20	1264689GT	CONN,520221-12,45D	1



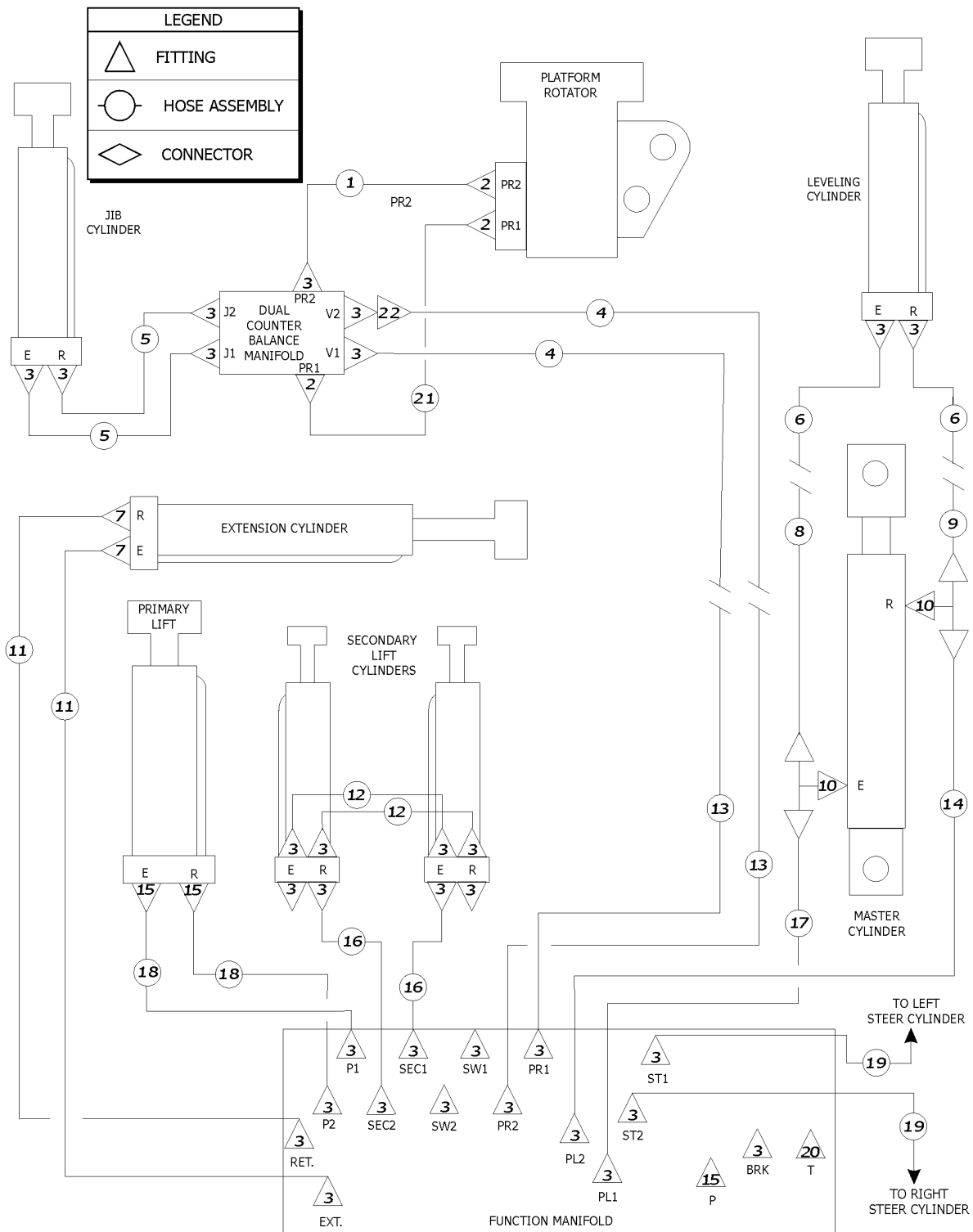
703.1 Boom Components - Z-45/25



Item	Part No.	Description	Qty.
A	28678GT	SLEEVE,NYLON,2" I.D.,BULK(100') protective hose sleeve, 2.00" diameter	18
B	28750GT	O-RING KIT,FIELD SVC,ALL PROD*	
C	33994GT	PLUG AND CAP KIT-SERVICE,37 **	
D	48767GT	SLEEVE,NYLON,1.42 ID protective hose sleeve, 1.42" diameter	33
E	49612GT	O-RING KIT (ORFS FITTINGS)	
F	49613GT	PLUG AND CAP KIT-SERVICE,ORFS*	
G	77103GT	SLEEVE,NYLON,3.13 ID protective hose sleeve, 3.13" diameter	48
1	48904GT	ELBOW,90D,520220-4-4	2
2	49121-25688GT	HOSE ASSY 1/4,STR FEM,STR MALE	2
3	48912GT	CONN,520120-4***	21
4	48917GT	CONN,LONG,520122-6	2
5	49119-26078GT	HOSE ASSY,1/4,STR FEM,STR FEM	1
6	49119-27478GT	HOSE ASSY,1/4,STR FEM,STR FEM	1
7	48919GT	TEE,BRANCH,520429-6	2
8	49120-33381GT	HOSE ASSY 1/4, STR FEM,STR FEM	2
9	49119-2178GT	HOSE ASSY,1/4,STR FEM,STR FEM	2
10	49119-39378GT	HOSE ASSY,1/4,STR FEM,STR FEM	2
11	49119-34378GT	HOSE ASSY,1/4,STR FEM,STR FEM	1
12	48916GT	CONN, 520120-6	5
13	48923GT	PLUG,090109A-6	2
14	49119-13978GT	HOSE ASSY,1/4,STR FEM,STR FEM	2
15	49119-36378GT	HOSE ASSY,1/4,STR FEM,STR FEM	2
16	49119-35678GT	HOSE ASSY,1/4,STR FEM,STR FEM	1
17		Ref. Hose Assembly refer to 701.1	1
18	48942GT	ELBOW,90D,520220-8-6	1



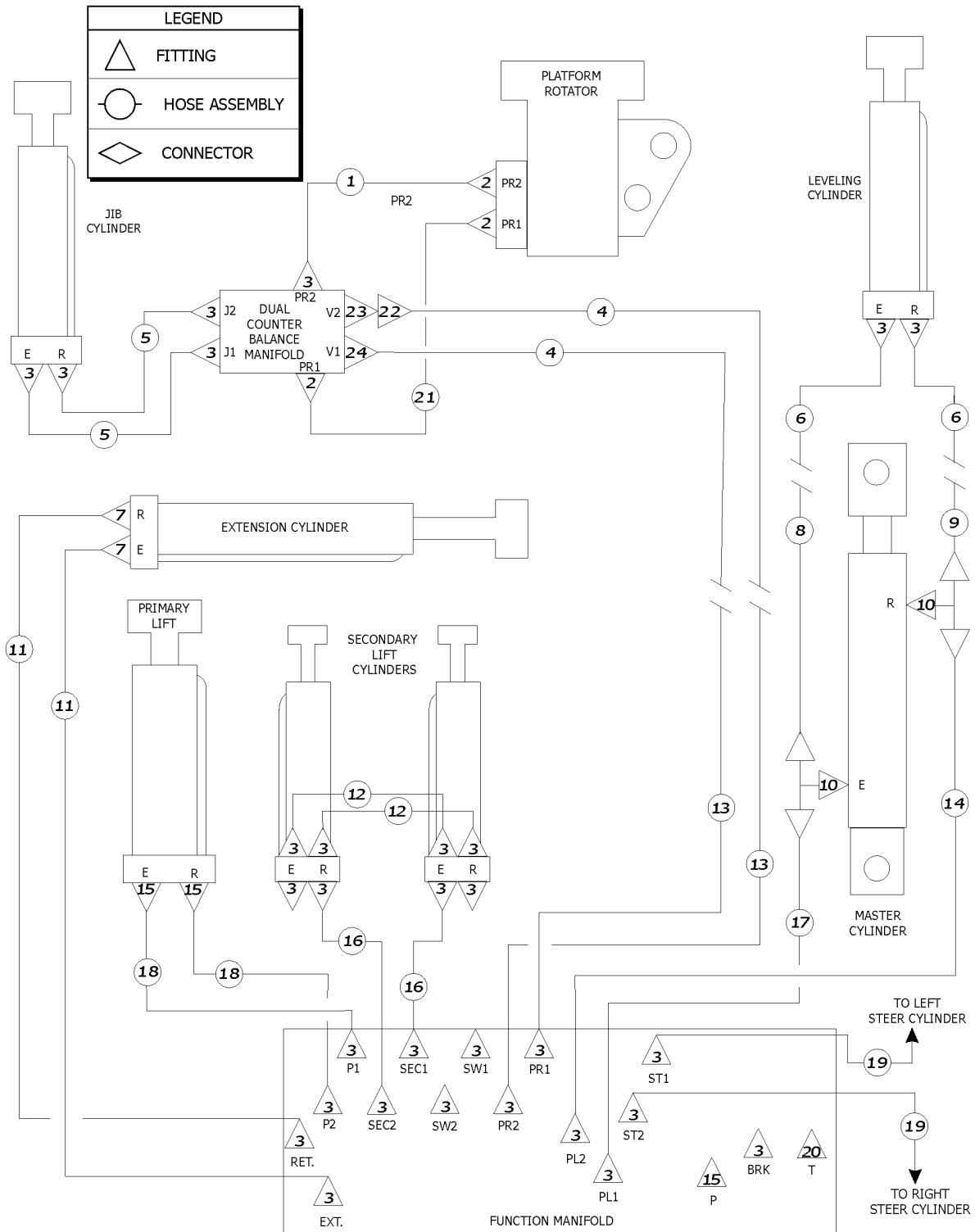
704.1 Boom Components - Z-45/25J (To Z45/25D-2610)



Item	Part No.	Description	Qty.
A	228678-2250GT	SLEEVE,NYLON, 2" ID	
B	28750GT	O-RING KIT,FIELD SVC,ALL PROD*	
C	33994GT	PLUG AND CAP KIT-SERVICE,37 **	
D	48767-700GT	SLEEVE,NYLON,1.42 ID	
E	49612GT	O-RING KIT (ORFS FITTINGS)	
F	49613GT	PLUG AND CAP KIT-SERVICE,ORFS*	
1	139099GT	HOSE ASSY, 1/4", 22.00	1
2	48907GT	48907GT	3
3	48905GT	CONN,520120-4***	32
4	49121-27788GT	HOSE ASSY 1/4,STR FEM,STR MALE	2
5	49119-4178GT	HOSE ASSY,1/4,STR FEM,STR FEM	2
6	49121-2088GT	HOSE ASSY 1/4,STR FEM,STR MALE	2
7	48917GT	CONN,LONG,520122-6	2
8	49119-20578GT	HOSE ASSY,1/4,STR FEM,STR FEM	1
9	49119-21878GT	HOSE ASSY,1/4,STR FEM,STR FEM	1
10	48890GT	FITTING,TEE,BRANCH,520429-4***	2
11	49120-33381GT	HOSE ASSY 1/4, STR FEM,STR FEM	2
12	49119-2178GT	HOSE ASSY,1/4,STR FEM,STR FEM	2
13	49119-37978GT	HOSE ASSY,1/4,STR FEM,STR FEM	2
14	49119-34378GT	HOSE ASSY,1/4,STR FEM,STR FEM	1
15	48916GT	CONN, 520120-6	2
16	49119-13978GT	HOSE ASSY,1/4,STR FEM,STR FEM	2
17	49119-35678GT	HOSE ASSY,1/4,STR FEM,STR FEM	1
18	49119-36378GT	HOSE ASSY,1/4,STR FEM,STR FEM	2
19	49117-11091GT	HOSE ASSY,1/4,90 FEM,STR FEM	1
20	48942GT	ELBOW,90D,520220-8-6	1
21	232575GT	HOSE ASSY, 1/4", 21.24"	1
22	54132GT	ELBOW,SWIVEL 90D, 520221-4	1



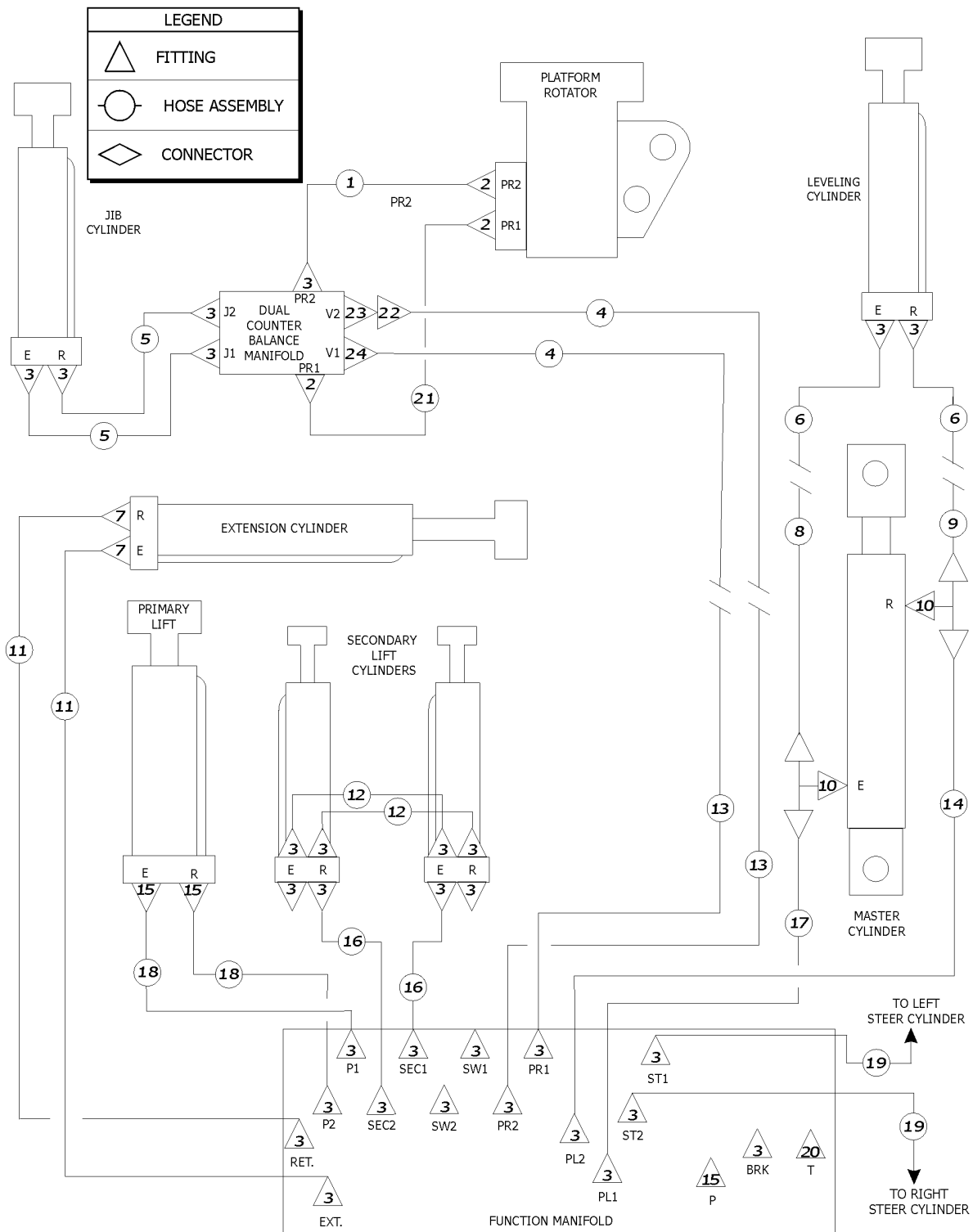
704.2 Boom Components - Z-45/25J (From Z45/25D-2611)



Item	Part No.	Description	Qty.
A	228678-2250GT	SLEEVE,NYLON, 2" ID	
B	28750GT	O-RING KIT,FIELD SVC,ALL PROD*	
C	33994GT	PLUG AND CAP KIT-SERVICE,37 **	
D	48767-700GT	SLEEVE,NYLON,1.42 ID	
E	49612GT	O-RING KIT (ORFS FITTINGS)	
F	49613GT	PLUG AND CAP KIT-SERVICE,ORFS*	
1	139099GT	HOSE ASSY, 1/4", 22.00	1
2	48907GT	48907GT	3
3	48905GT	CONN,520120-4***	31
4	49121-27788GT	HOSE ASSY 1/4,STR FEM,STR MALE	2
5	49119-4178GT	HOSE ASSY,1/4,STR FEM,STR FEM	2
6	49121-2088GT	HOSE ASSY 1/4,STR FEM,STR MALE	2
7	48917GT	CONN,LONG,520122-6	2
8	49119-20578GT	HOSE ASSY,1/4,STR FEM,STR FEM	1
9	49119-21878GT	HOSE ASSY,1/4,STR FEM,STR FEM	1
10	48890GT	FITTING,TEE,BRANCH,520429-4***	2
11	49120-33381GT	HOSE ASSY 1/4, STR FEM,STR FEM	2
12	49119-2178GT	HOSE ASSY,1/4,STR FEM,STR FEM	2
13	49119-37978GT	HOSE ASSY,1/4,STR FEM,STR FEM	2
14	49119-34378GT	HOSE ASSY,1/4,STR FEM,STR FEM	1
15	48916GT	CONN, 520120-6	2
16	49119-13978GT	HOSE ASSY,1/4,STR FEM,STR FEM	2
17	49119-35678GT	HOSE ASSY,1/4,STR FEM,STR FEM	1
18	49119-36378GT	HOSE ASSY,1/4,STR FEM,STR FEM	2
19	49117-11091GT	HOSE ASSY,1/4,90 FEM,STR FEM	1
20	48942GT	ELBOW,90D,520220-8-6	1
21	232575GT	HOSE ASSY, 1/4", 21.24"	1
22	54132GT	ELBOW,SWIVEL 90D, 520221-4	1



704.2 Boom Components - Z-45/25J (From Z45/25D-2611)

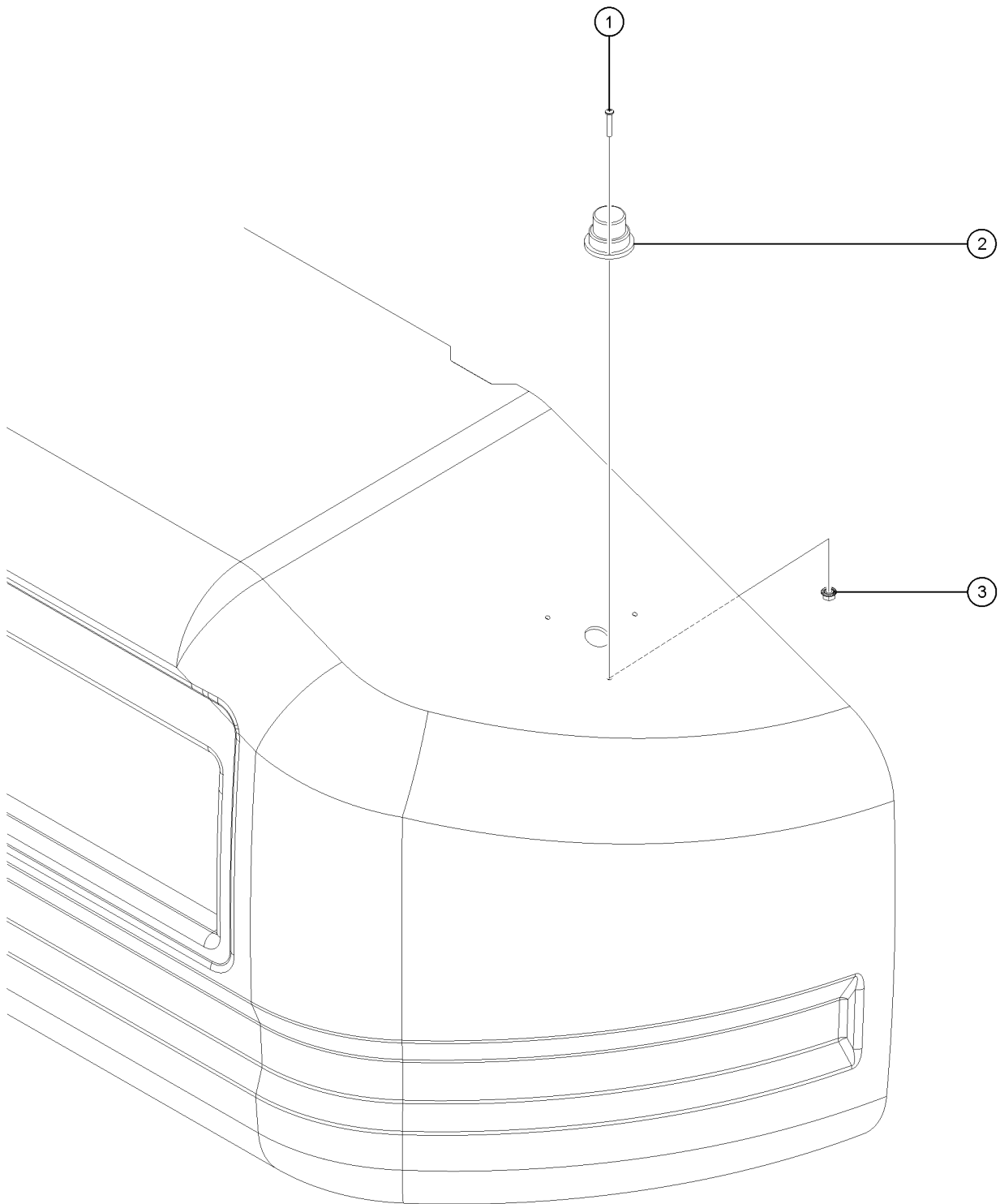


704.2 Boom Components - Z-45/25J (From Z45/25D-2611)

<i>Item</i>	<i>Part No.</i>	<i>Description</i>	<i>Qty.</i>
23	1293788GT	No.4 STR ORFS W/125 MICRON SCREEN From Z4525D-2611	1
24	1293787GT	No.4 90DEG ORFS W/125 MICRON SCREEN From Z4525D-2611	1



801.1 Flashing Beacon

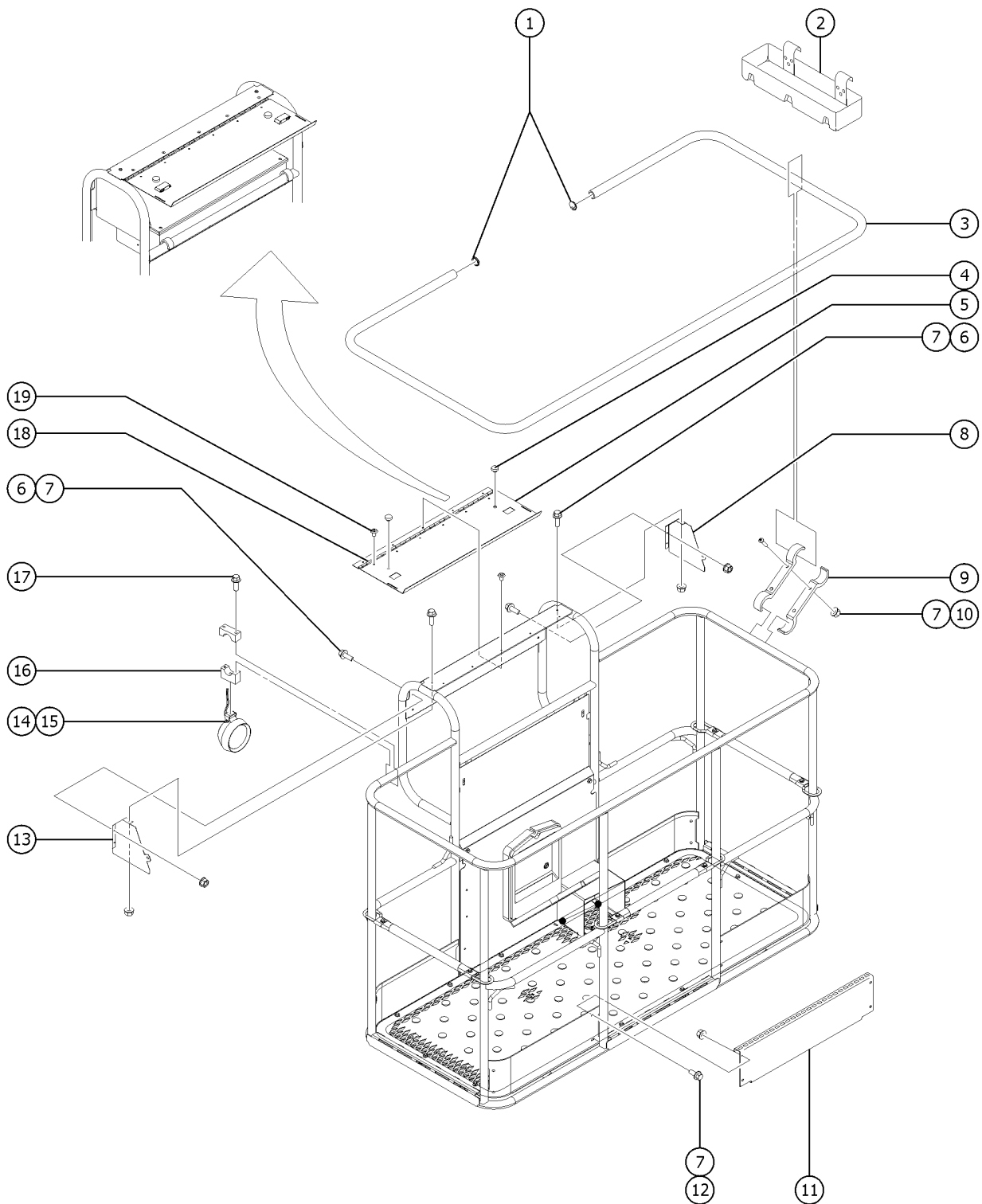


801.1 Flashing Beacon

<i>Item</i>	<i>Part No.</i>	<i>Description</i>	<i>Qty.</i>
1	825352GT	SCREW,PHPM,10-32X1.25,ZAG	3
2	1307061GT	STROBE,FIREBOLT,10-100VDC,AMB**	1
3	1264261GT	NUT,SERRATED,10-32,ZAG	3



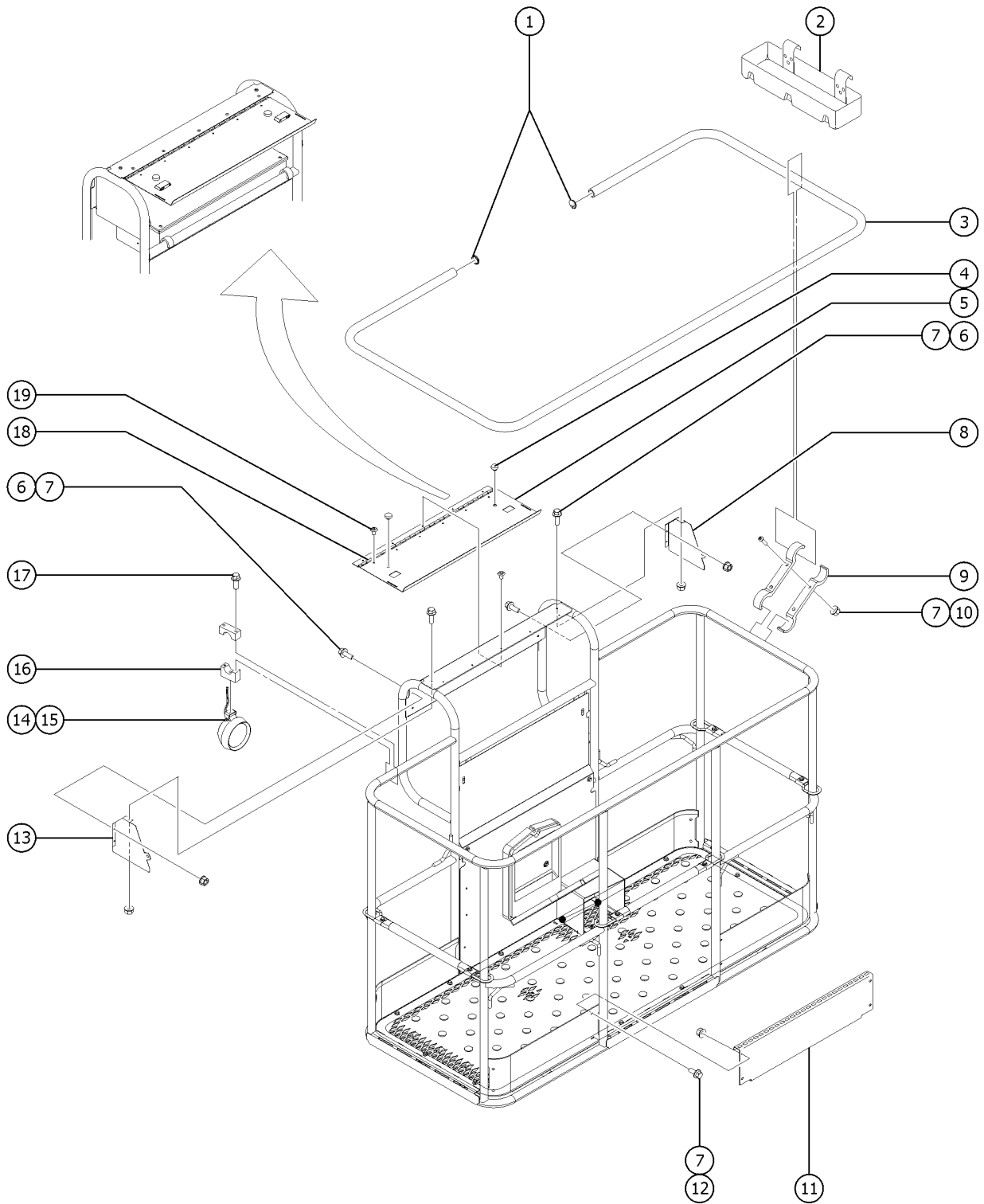
802.1 Platform Options



Item	Part No.	Description	Qty.
A	122278GT	AUX TOP RAIL,6',SWG GT, SRV	
B	122279GT	AUX TOP RAIL,8',SWG GT, SRV	
C	28322GT	OPTION,PLAT.PINCH GUARD,5 FT.	
D	28323GT	OPTION,PLAT.PINCH GUARD,4 FT.	
E	53157-SGT	PINCH GUARD,6'(1.31")SERVICE**	
F	53807-SGT	AUX TOP RAIL,8'(1.25")SERVICE	
G	53808-SGT	AUX TOP RAIL,6'(1.25")SERVICE	
H	60922GT	OPTION,EURO TOEBOARD	
		includes item 11	
1	55753GT	BUMPER, PLASTIC, 1.25 O.D.	2
2	9599-SGT	TOOL TRAY ACCESSORY***	1
2-	7746GT	BRACKET-TOOL TRAY MOUNTING	2
3		Ref. RAILING,PINCH GAURD,4 FT	1
		(tri-entry platform) (refer to 813.1)	
3B		Ref. RAILING,PINCH GAURD,5 FT	1
		(tri-entry platform) (refer to 813.1)	
4	43392GT	BUMPER,BATTERY BOX & RAILS***	2
5	102785PGT	CONTROL BOX COVER,LID,PTD	1
5-	102786PGT	FORMING,LATCH,CTRL BOX LID PTD	
		(not included - sold seperately)	
5-	30468GT	LATCH,SLIDE, FLUSH MOUNT STYLE	
		(not included - sold seperately)	
6	824078GT	SCREW,HHF,1/4-20X.75,8,ZAG	8
7	1277924GT	NUT,NYLOCK FLG,1/4-20,F,ZAG	32
8	88606GT	COVER,CONTROL BOX RIGHT SIDE**	1
9	122073GT	SUPPORT, RAILING	20
10	824227GT	SCREW,BHC,1/4-20X1,F835,ZAG	20
11	94745PGT	TOEBOARD,ENTRY EUROPEAN PNTD**	1
12	1256855	WASHER FLAT BONDED RUB	4
13	88607PGT	COVER,CONTROL BOX LEFT SIDE***	1
14	107857GT	LIGHT, 12 VOLT	
14-		REF: Harness, Z45 Drive Lights	
		refer to 309.1	
14-	35960GT	BULB,WORKLIGHT,12V 35W	



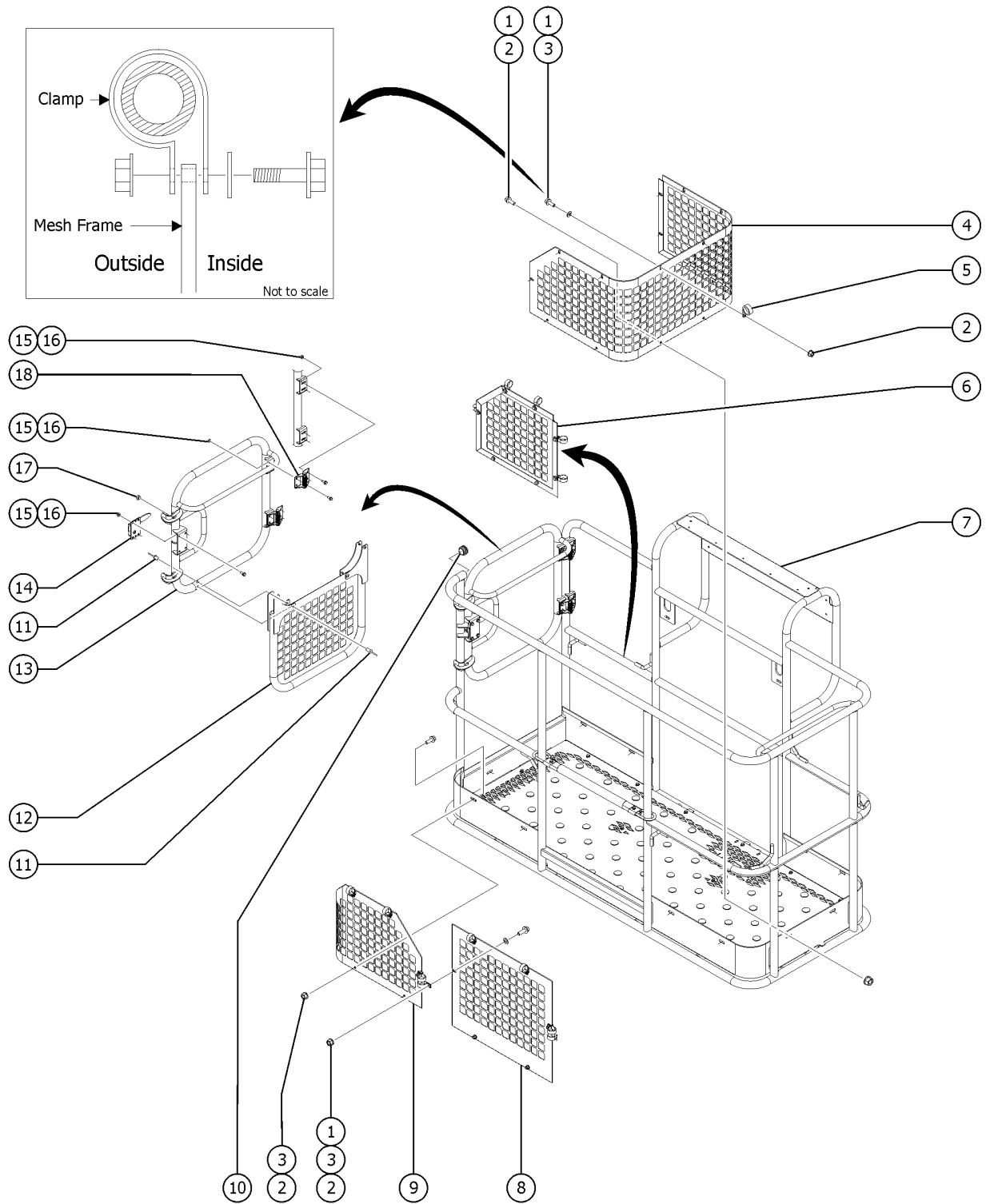
802.1 Platform Options



<i>Item</i>	<i>Part No.</i>	<i>Description</i>	<i>Qty.</i>
14B	107858GT	WORKLIGHT,48 VOLT	
14B-		REF: Harness, Z45 Drive Lights	
		refer to 309.1	
15	824085GT	SCREW,HHF,5/16-18X.75,8,ZAG	2
16	35956GT	BRACKET,WORK LIGHT MOUNT 5/16"	2
17	824081GT	SCREW, HHF, 1/4-20 X 1.5, 8, ZAG	4
18	111526GT	HINGE,PLAT CONTROL BOX COVER	1
19	54486GT	RIVET,ALUM,ALUM,3/16BUTTONHEAD	1



803.1 Half-height Mesh and Swing Gate Options - Side Swing Gate

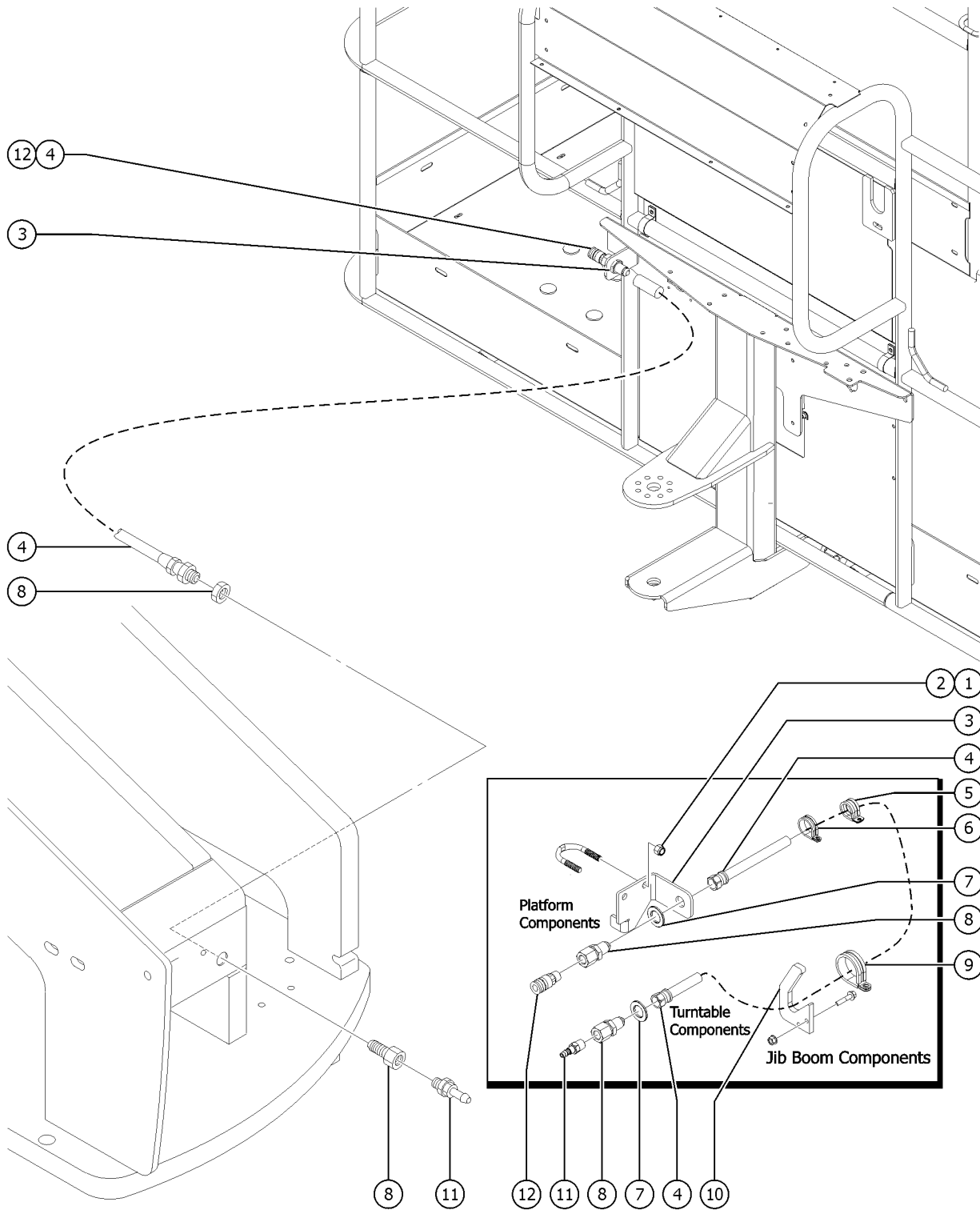


803.1 Half-height Mesh and Swing Gate Options - Side Swing Gate

<i>Item</i>	<i>Part No.</i>	<i>Description</i>	<i>Qty.</i>
1	1264101GT	SCREW,HHC,5/16-18X1,8,ZAG	
2	1274167GT	NUT,NYLOCK FLG,5/16-18,F,ZAG	
3	825358GT	WASHER,FLAT,5/16,USS,ZAG	
4	1240313GT	PANEL, HALF MESH	1
5	56424GT	CLAMP, 1.25 x .5 RUBBER-CUSHION	22
6	1270314GT	PANEL, HALF MESH	1
7		Ref. Platform Assembly (refer to 501.1)	
8	1271061GT	PANEL, HALF MESH, 8' TRI-ENTRY	1
9	1270316GT	PANEL, HALF MESH	1
10	55753GT	BUMPER, PLASTIC, 1.25 O.D.	1
11	824207GT	RIVET,STL,DOME,1/4X.375,ZAG	
12	1285700GT	WELDMENT. GATE, HALF MESH	1
13	1265397GT	WELDMENT, SWING GATE	1
14	1267747GT	LATCH, SWING GATE	1
15	1277924GT	NUT,NYLOCK FLG,1/4-20,F,ZAG	
16	1256855	WASHER FLAT BONDED RUB	
17	43392GT	BUMPER,BATTERY BOX & RAILS***	2
18	104804GT	HINGE, SPRING, LONG LEG	2



804.1 Air Line to Platform

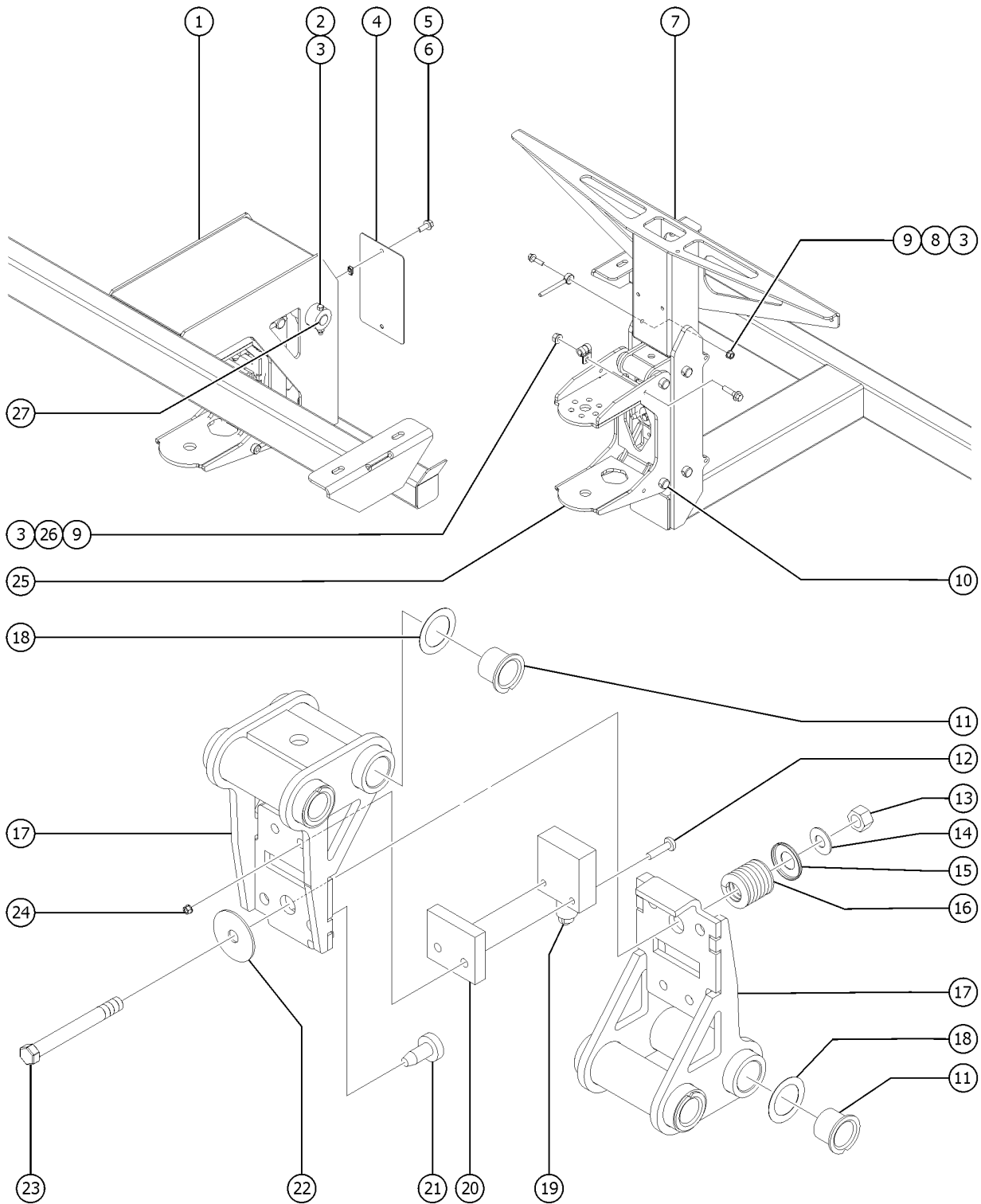


804.1 Air Line to Platform

Item	Part No.	Description	Qty.
1	1274322GT	NUT,NYLOCK FLG,3/8-16,F,ZAG	2
2	1251600GT	U-BOLT, FLATTENED, Ø1.5 X 3/8 UNC,ZAG	1
3	70642GT	BRACKET,AIR HOSE TO PLAT***	1
4	70644-75792GT	HOSE ASSY,3/8 STR FEM STR FEM*	1
4-	16073GT	CLAMP,0.63,#10 X 1/4,RUB CUSH	
5	45454GT	CLAMP,RUB CUSH,0.75,#12 X 3/8*	6
6	13268GT	CLAMP,0.75,#12 X 1/4,RUB CUSH	6
7	1256863GT	WASHER,FLAT,.75,SAE,HRD,ZAG	2
8	49212GT	FEMALE BULKHEAD CONNECTOR-8	2
9	66031GT	CLAMP,1.88,#30 X 3/8,RUB CUSH	2
		Jib models only	
10		REF. HOSE GUIDE, JIB	1
		Refer to 409.1	
11	49214GT	MALE PIPE THD,1/4" SER,3/8"X18	1
12	49215GT	MPT,CPLR,1/4"SER,3/8"X18	1



805.1 Platform Overload Option

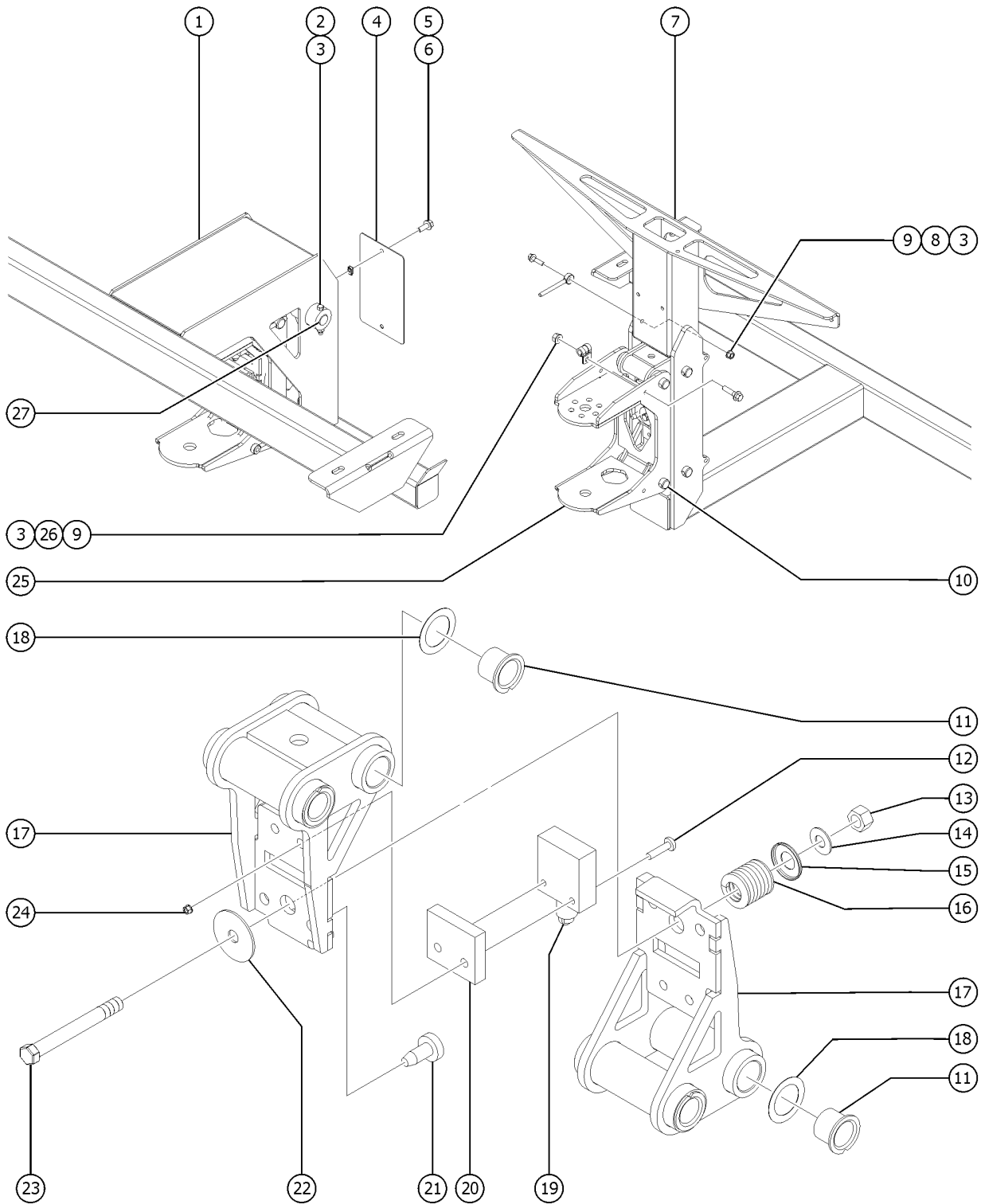


805.1 Platform Overload Option

Item	Part No.	Description	Qty.
A	147509GT	KIT,LOAD SENSE MECH,Z45 JIB	
B	128045GT	MODULE,LOAD SENSE 2007	
1	98154GT	WELDMENT,PLAT SUPPORT,LS non-jib models with platform overload option	1
2	1253485GT	SCREW,HHF,1/4-20X2,8,ZAG	2
3	1277924GT	NUT,NYLOCK FLG,1/4-20,F,ZAG	
4	94492PGT	PANEL,ACCESS PAINTED	1
5	824078GT	SCREW,HHF,1/4-20X.75,8,ZAG	2
6	56912GT	SPRING CLIP,1/4-20,.025-.15X.54,ZAG	2
7	61998GT	WELDMENT,PLATFORM SUPPORT jib models with platform overload option	1
8	825020GT	ROD END,.250X2.75,ZAG	4
9	824079GT	SCREW,HHF,1/4-20X1,8,ZAG	5
10	61726GT	PIN,0.75DIAX5.75LG,CHAMFER	4
10-	94643GT	ZERK,GREASE,5/16-24,STRAIT	
11	25685GT	BEARING,GARLOCK,12FDU12	8
12	824216GT	SCREW,PHPM,10-32X1.5,ZAG	2
13	1274166GT	NUT,NYLOCK,3/8-16,C,ZAG	1
14	1255758GT	WASHER,FLAT,3/8,USS,ZAG	1
15	61975GT	RETAINER,SPRING,1.21 X .375	1
16	61974GT	SPRING,COMP,1" OD,232 LB/IN	1
17	101512GT	LOAD SUPPORT WITH BEARINGS includes items 11 and 18	2
17-	94191GT	WELDMENT,LOAD SUPPORT	
18	110789GT	WASHER,SHIM .0151 THK.	as -n ee ded
19	121848GT	ASSY,LS,LOAD SENSE,38.5 IN	1
20	61972GT	MOUNT,SWITCH	1
21	34619GT	BUMPER,RUBBER***	2
22	824122GT	WASHER,FLAT,.375X1.25X.062,ZAG	1
23	824070GT	SCREW,HHC,3/8-16X3.25,8,ZAG	1



805.1 Platform Overload Option

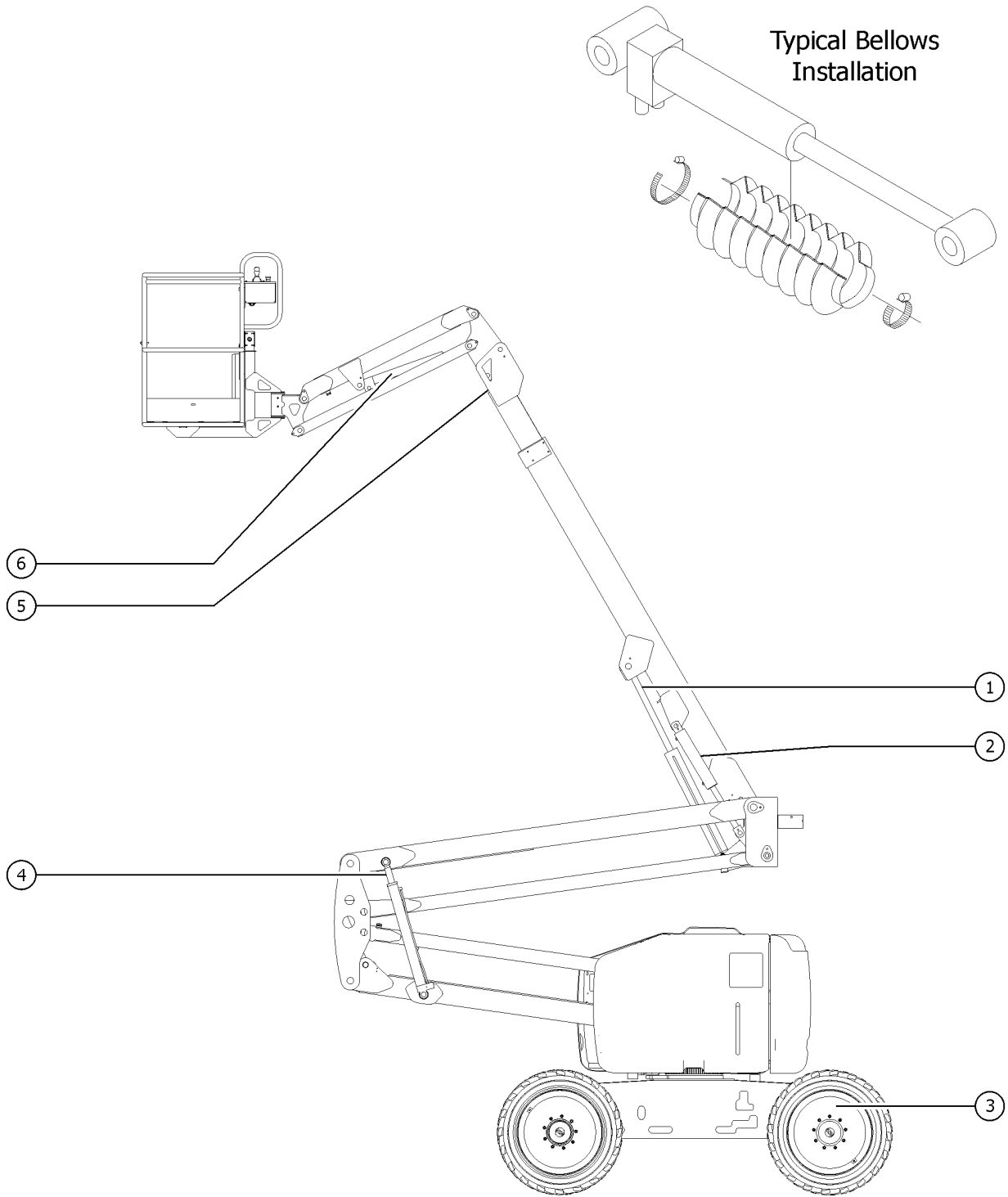


805.1 Platform Overload Option

<i>Item</i>	<i>Part No.</i>	<i>Description</i>	<i>Qty.</i>
24	1264261GT	NUT,SERRATED,10-32,ZAG	2
25	61987GT	WELDMENT,ROTATOR MOUNT	1
26	45470GT	CLAMP,0.31,#5 X 1/4,RUB CUSH	1
27	99174GT	PIN,0.75DIAX8.75LG,CHAMFER	2
		(Z45/25)	
27-	94643GT	ZERK,GREASE,5/16-24,STRAIT	



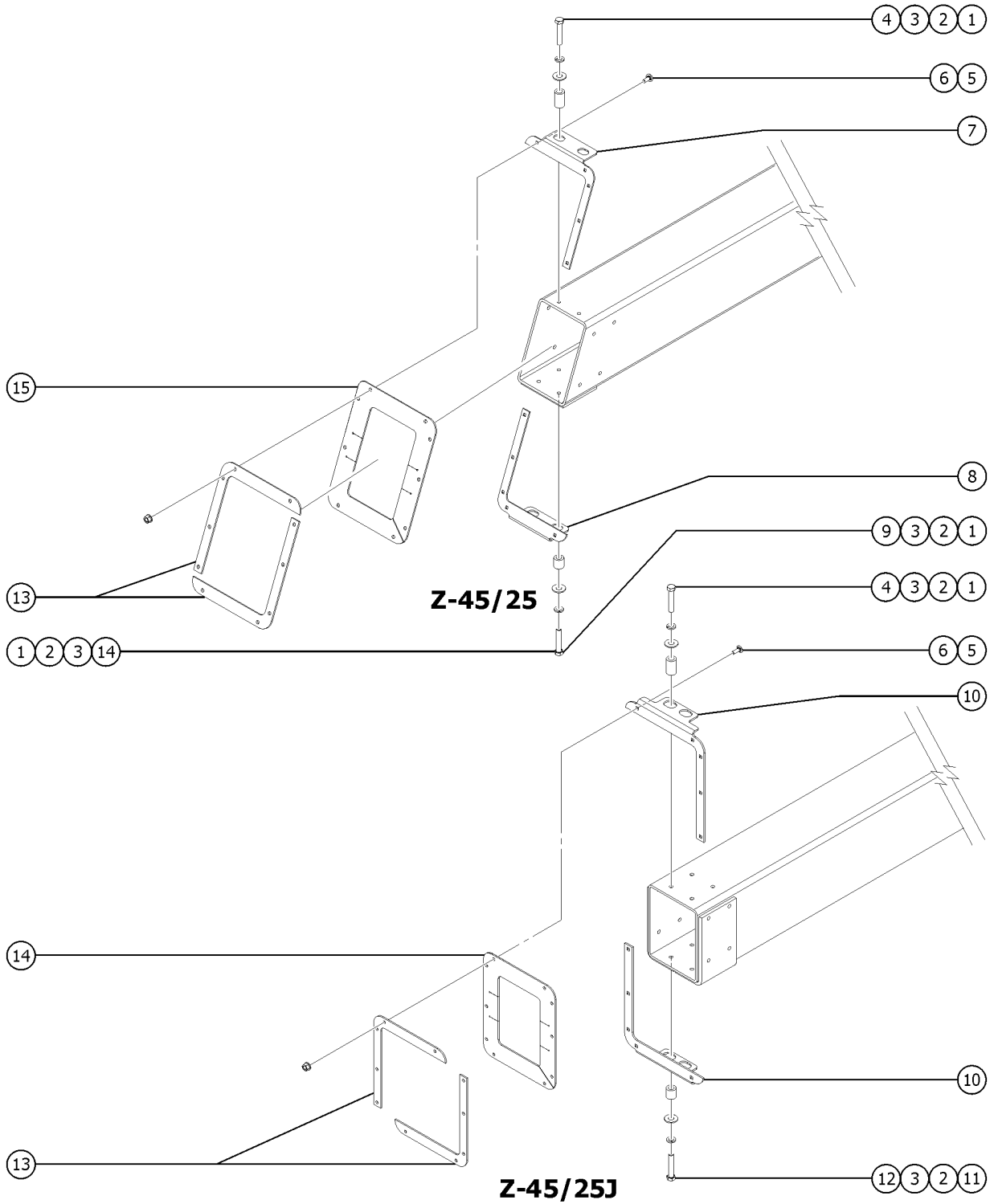
806.1 Hostile Environment Package - View 1



<i>Item</i>	<i>Part No.</i>	<i>Description</i>	<i>Qty.</i>
A	54884GT	BELLOWS,CYLINDER KIT,Z45 N/JIB	
B	54883GT	BELLOWS,CYL.KIT,Z45&Z51 JIB	
		Z-45/25J	
1	54637GT	BELLOWS,PRIMARY CYLINDER,N/JIB	1
1B	54638GT	BELLOWS,PRIMARY CYLINDER,JIB	1
		Z-45/25J	
2	54640GT	BELLOWS,MASTER CYLINDER	1
3	54989GT	BELLOWS,STEERING CYLINDER	2
4	1298967GT	BELLOWS,SECONDARY,ELEVATE CYL	2
5	54639GT	BELLOWS,SLAVE CYLINDER	1
6	54883GT	BELLOWS,CYL.KIT,Z45&Z51 JIB	1
		Z-45/25J	



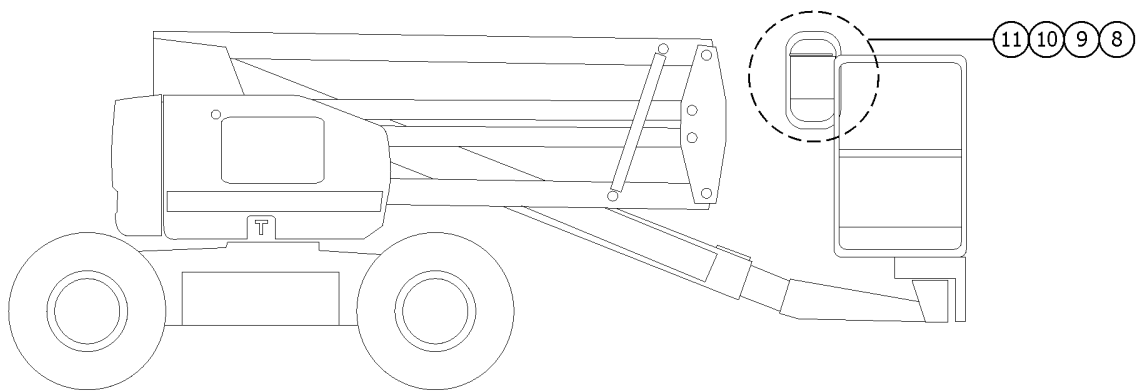
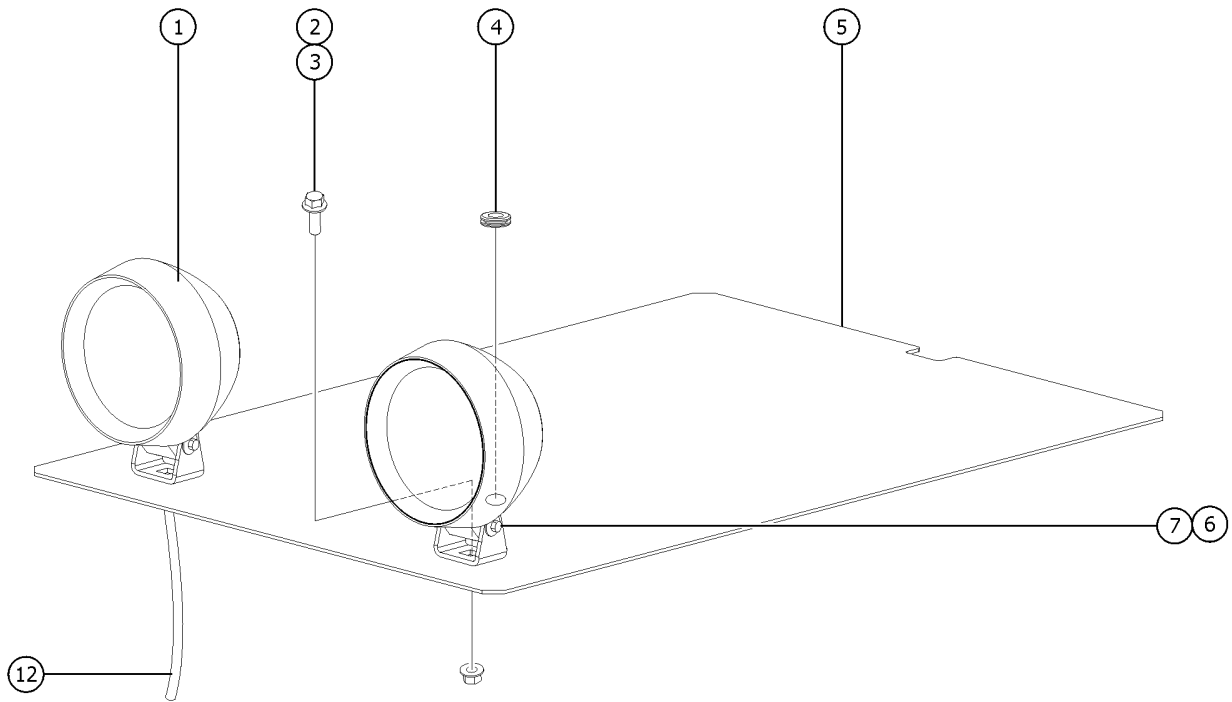
807.1 Hostile Environment Package - View 2



Item	Part No.	Description	Qty.
A	147183GT	KIT, WIPER, Z-45/25	1
B	147184GT	KIT, WIPER, Z-45/25J	1
1	1256108GT	SCREW,HHC,3/8-16X2,8,ZAG	
2	824110GT	WASHER, LOCK, 3/8, ZAG	4
3	1255758GT	WASHER,FLAT,3/8,USS,ZAG	4
4	128852GT	TUBE,RD,STL,DOM,.75X.438X1.25	2
5	824124GT	BOLT, CARRIAGE, 1/4-20 X .75, 5, ZAG	10
6	1277924GT	NUT,NYLOCK FLG,1/4-20,F,ZAG	10
7	147042GT	FORMING WIPER MOUNT	1
8	147043GT	FORMING WIPER MOUNT	1
9	101932GT	TUBE,RD,STL,DOM,.75X.38X.78	2
10	147041GT	FORMING WIPER MOUNT	2
11	1256847GT	SCREW,HHC,3/8-16X1.75,8,ZAG	2
12	1301754GT	SPACER TUBE,.50 LG	2
13	128973GT	PLATE,WIPER BACKING	2
14	147181GT	WIPER,PRIMARY BOOM (to SN Z4525D-3997)	1
14B	1300035GT	WIPER,PRIMARY BOOM,Z45 (from SN Z4525D-3998)	1
15	147044GT	WIPER,PRIMARY BOOM	1



808.1 Drive Lights

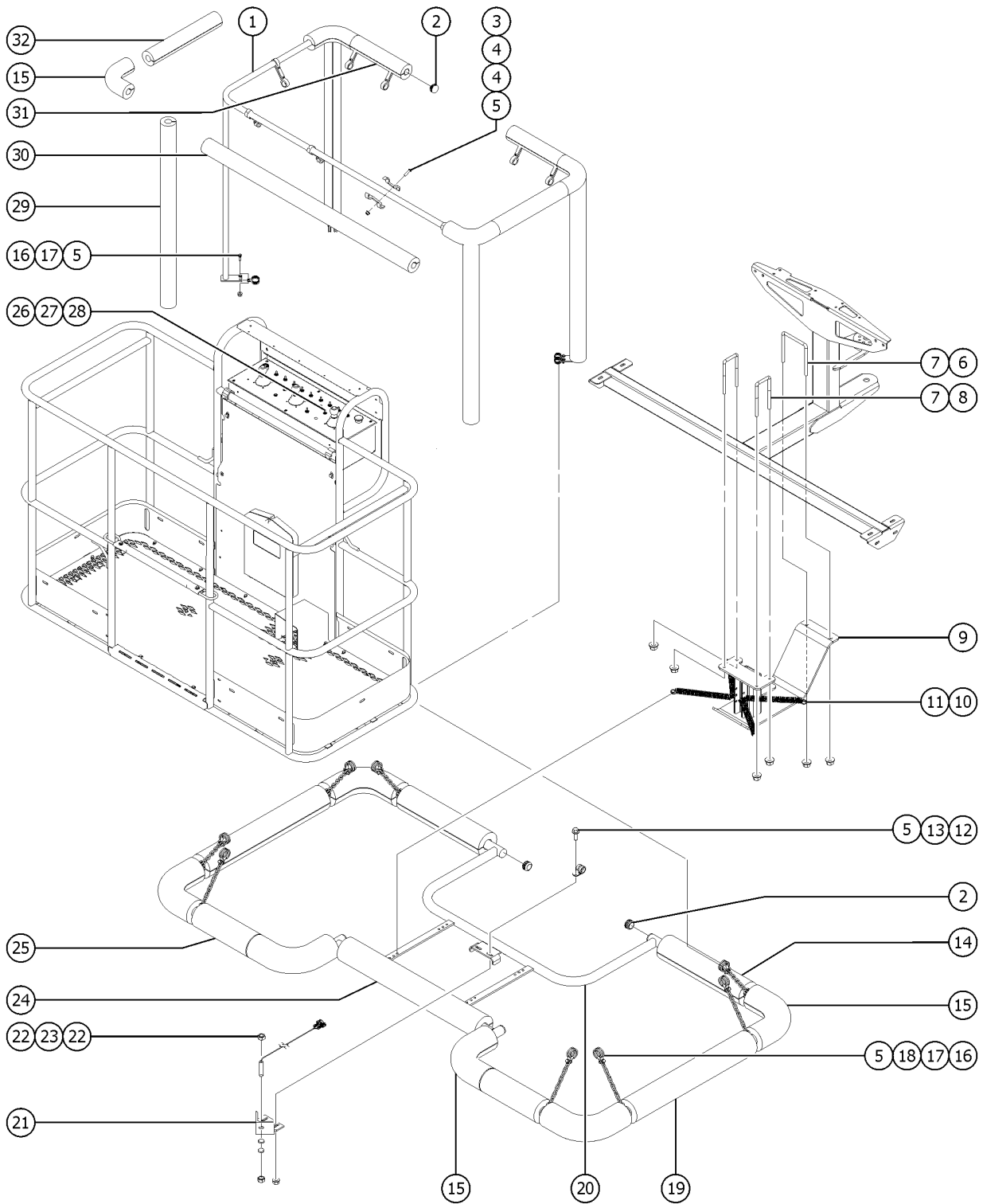


808.1 Drive Lights

Item	Part No.	Description	Qty.
1	107858GT	WORKLIGHT,48 VOLT includes items 2-3 and 6-7	2
2	824090GT	SCREW,HHF,3/8-16X1,8,ZAG	2
3	1274322GT	NUT,NYLOCK FLG,3/8-16,F,ZAG	2
4	53517GT	GROMMET,RUBBER .5 X .014 X .75	2
5	1289956GT	COVER, DRIVE, DRIVE LIGHT OPT	1
6	824085GT	SCREW,HHF,5/16-18X.75,8,ZAG	2
7	1274167GT	NUT,NYLOCK FLG,5/16-18,F,ZAG	2
8	823223GT	POWER RELAY, 24V COIL	1
8-	54365GT	SCREW,PHIL,PHM,10-32 X .5,SSTL	
8-	6178GT	NUT,NYLOCK,10-32	
9	72867GT	DECAL,LABEL,LIGHTS***	1
10	128204GT	SWITCH TOGGLE ASSY SPDT 2P MNT	1
10-	27246GT	BOOT,TOGGLE SWITCH,SHORT*	
11	6578GT	CABLE TIE,7 3/8"	5
12		REF: Harness, Z45 Drive Lights refer to 310.1	1



809.1 Aircraft Protection Package

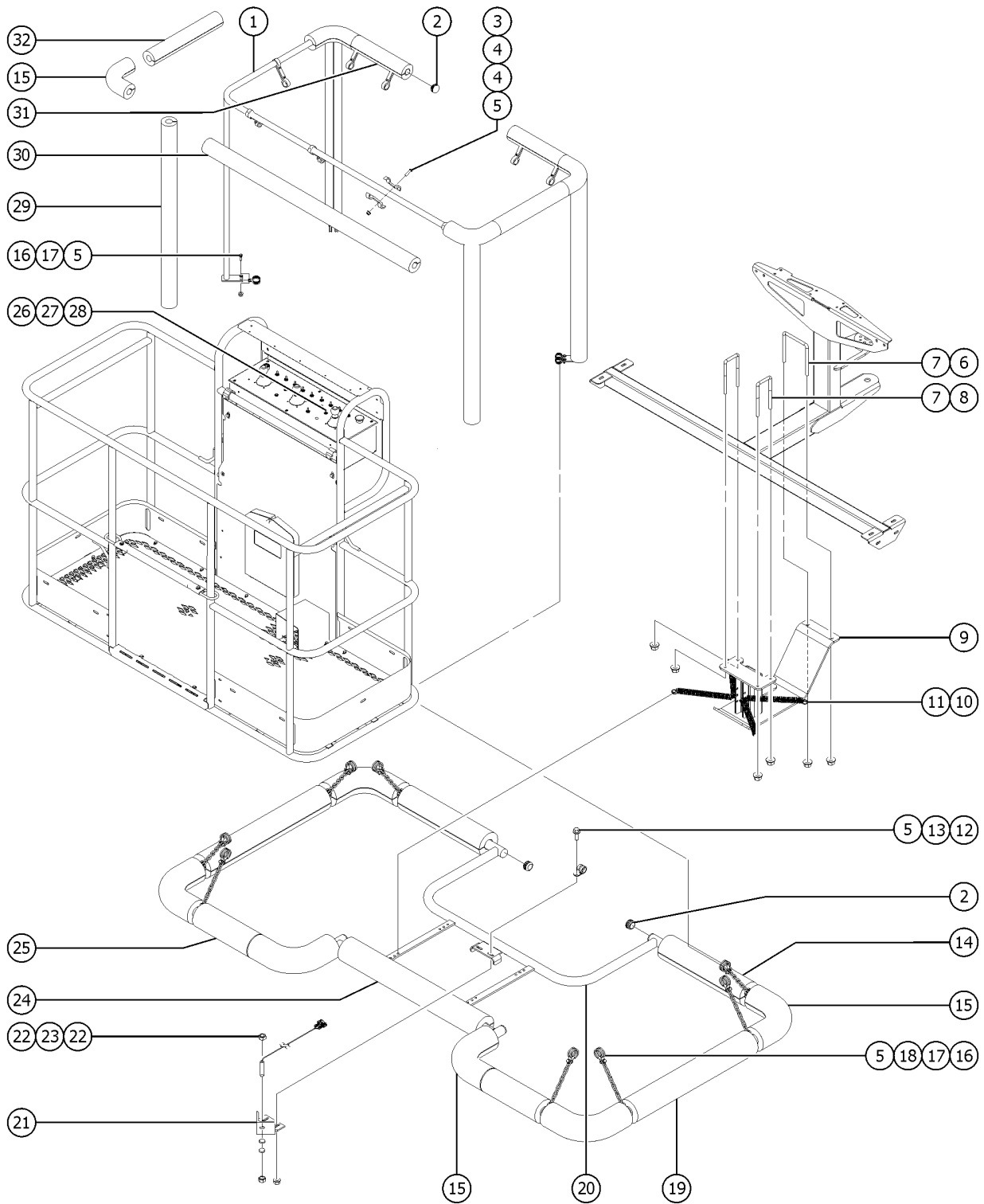


809.1 Aircraft Protection Package

Item	Part No.	Description	Qty.
1	46188GT	WELDMENT, AIRCRAFT TOP BUMPER	1
2	55753GT	BUMPER, PLASTIC, 1.25 O.D.	6
3	82422GT	SCREW, BHC, 1/4-20 X 1, ZAG	20
4	122073GT	SUPPORT, RAILING	20
5	1277924GT	NUT, NYLOCK FLG, 1/4-20, F, ZAG	46
6	106044GT	U-BOLT, 3/8-16X4X4.63X3.00	1
7	1274322GT	NUT, NYLOCK FLG, 3/8-16, F, ZAG	6
8	66472GT	U-BOLT, SQR, 3/8-16X2X5, PLTD	2
9	822764GT	WDMT, SKID PLATE	1
10	822769GT	SPRING, EXTENSION, 1.92LB/IN	4
11	88385GT	SPRING, SS, 1/2-EO500-49-4500	
12	824079GT	SCREW, HHF, 1/4-20X1.8, ZAG	2
13	6833GT	CLAMP, 0.50, #8 X 1/4, RUB CUSH	1
14	75617-1550GT	PADDING, FOAM 3.5"OD X 1.50"ID	2
15	75636GT	PADDING, FOAM, 3.0"X1.50ID 90DEG	10
16	824078GT	SCREW, HHF, 1/4-20X.75, 8, ZAG	24
17	21618GT	CLAMP, 1.13, #18 X 1/4, RUB CUSH	24
18	56426-700GT	CHAIN, NO.2 (11 LINKS)	8
19	75617-2275GT	PADDING, FOAM 3.5"OD X 1.50"ID	2
20	822759GT	WDMT, AIRCRAFT SENSOR BUMPER	1
21	77797GT	WELDMENT, SENSOR MOUNT	1
22	88390GT	NUT, HEX, M8, PLASTIC	2
23	1261292GT	HARNESS ASSY, PCON, PROX KILL	1
		includes 27391 proximity sensor	
23-	27391GT	PROXIMITY SENSOR***	
24	822768GT	FOAM, AIRCRAFT PROTECTION	1
25	75617-1025GT	PADDING, FOAM 3.5"OD X 1.50"ID	2
26	128203GT	SWITCH TOGGLE ASSY SPDT 2P MOM	
		includes item 27	
26-	139882GT	HARN, AC PROTECTION BYPASS	



809.1 Aircraft Protection Package

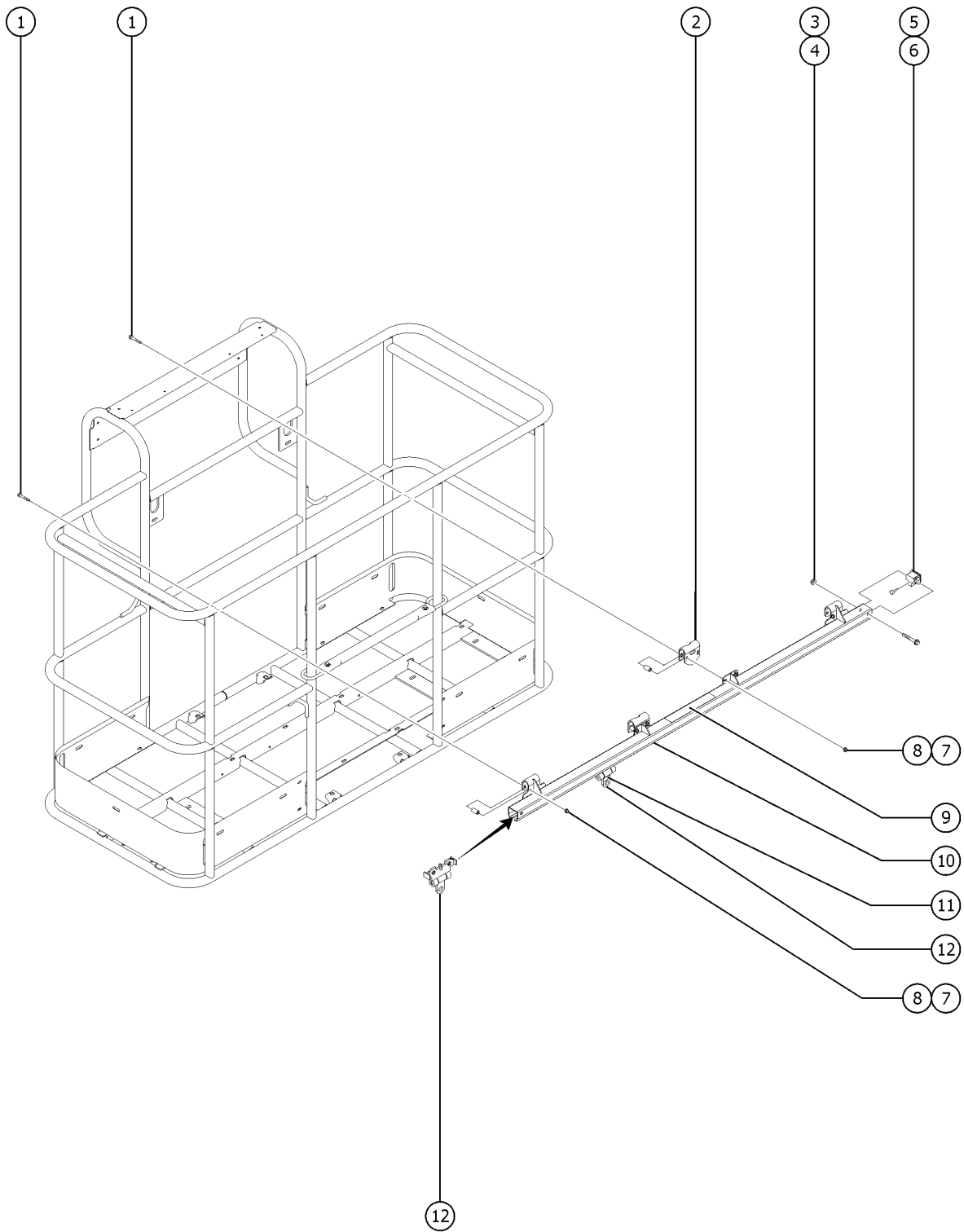


809.1 Aircraft Protection Package

<i>Item</i>	<i>Part No.</i>	<i>Description</i>	<i>Qty.</i>
27	27246GT	BOOT,TOGGLE SWITCH,SHORT*	
28		Ref. DECAL,FUNCTION OVERRIDE	
		(refer to 101.1 or 103.1)	
29	1259329GT	PADDING, FOAM, 46.5"	4
30	75617-6275GT	PADDING,FOAM 3.5"OD X 1.50"ID	1
31	1278629GT	PADDING,FOAM, 10.0"	2
32	75617-2075GT	PADDING,FOAM 3.5"OD X 1.50"ID	2



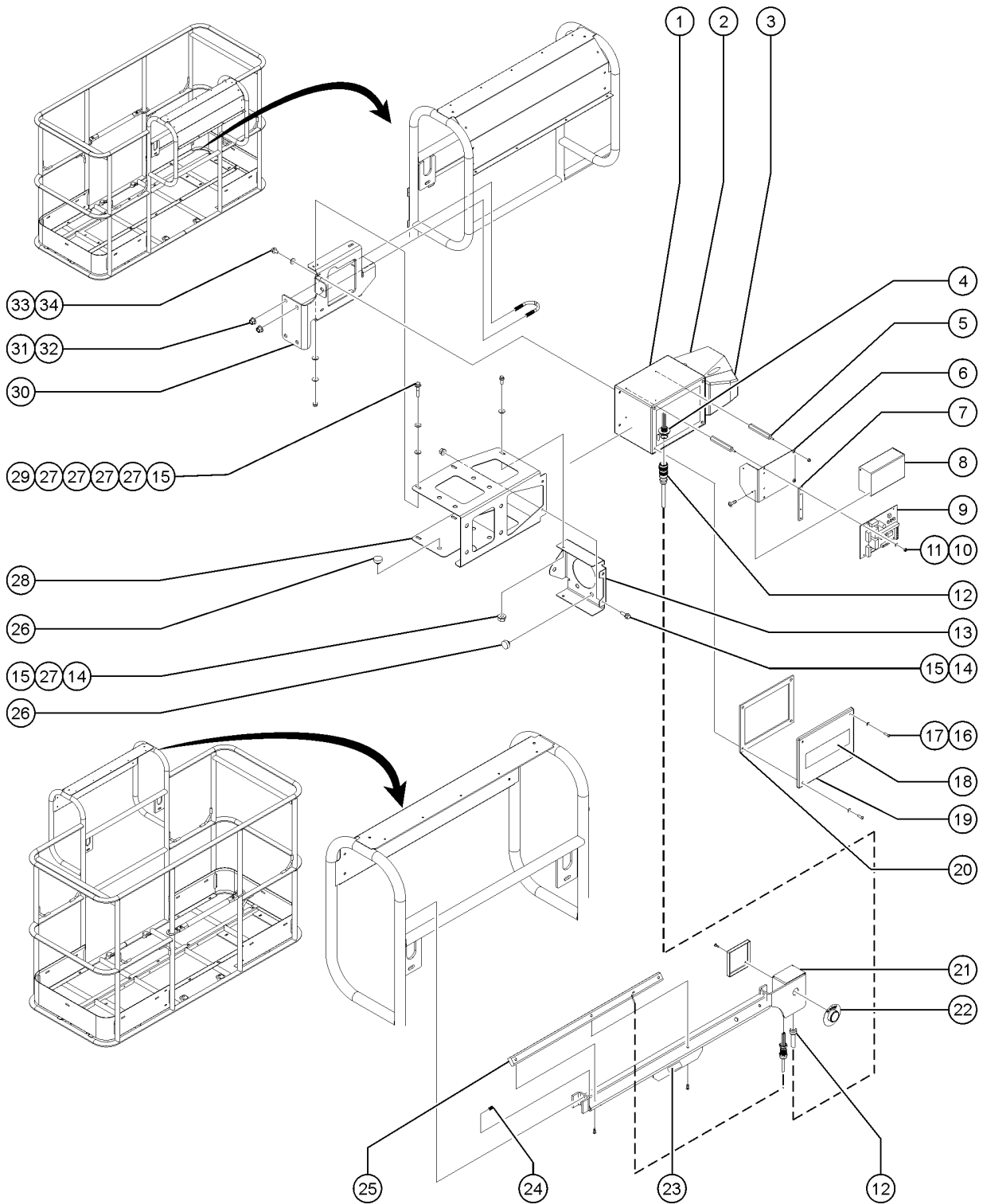
810.1 Fall Arrest Bar



Item	Part No.	Description	Qty.
1	1256856GT	SCREW,HHF,3/8-16X2.5,8,ZAG	4
2	1256389GT	FORMING,INNER HANGER	2
3	1251997GT	NUT,TL FLG,1/2-13,G,ZAG	2
4	1256851GT	SCREW,HHF,1/2-13X3.5,8,ZAG	2
5	1260892GT	END STOP. TFAAS TRACK	2
6	36388GT	BUMPER,RUBBER,.75 X .50H,STUD	2
7	1274322GT	NUT,NYLOCK FLG,3/8-16,F,ZAG	8
8	1256481GT	SPACER, HANGER BRACKET	8
9	1256400GT	DECAL,TFAAS TRACK,WORD	1
9B	1260910GT	DECAL,TFAAS TRACK,SYMBOL	1
9C	1256400FRGT	DECAL,TFAAS TRACK,WORD FR	1
10	1256378GT	ACC,TFAAS FALL ARREST,6FT WORD includes instructions and decals	1
10-	1256380GT	ASSY,TFAAS TRACK,6FT WORD includes decals	
10B	1261023GT	ACC,TFAAS FALL ARREST,6FT SYM includes instructions and decals	1
10B-	1261025GT	ASSY,TFAAS TRACK,6FT SYM includes decals	
10C	1261019GT	ACC,TFAAS FALL ARREST,6FT FR includes instructions and decals	1
10C-	1261021GT	ASSY,TFAAS TRACK,6FT FR includes decals	
11	40434GT	DECAL,LANYARD ANCHORAGE POINT	1
12	1256439GT	TROLLEY, TFAAS TRACK	1



811.1 Operators Protection Alarm (to January 2017)

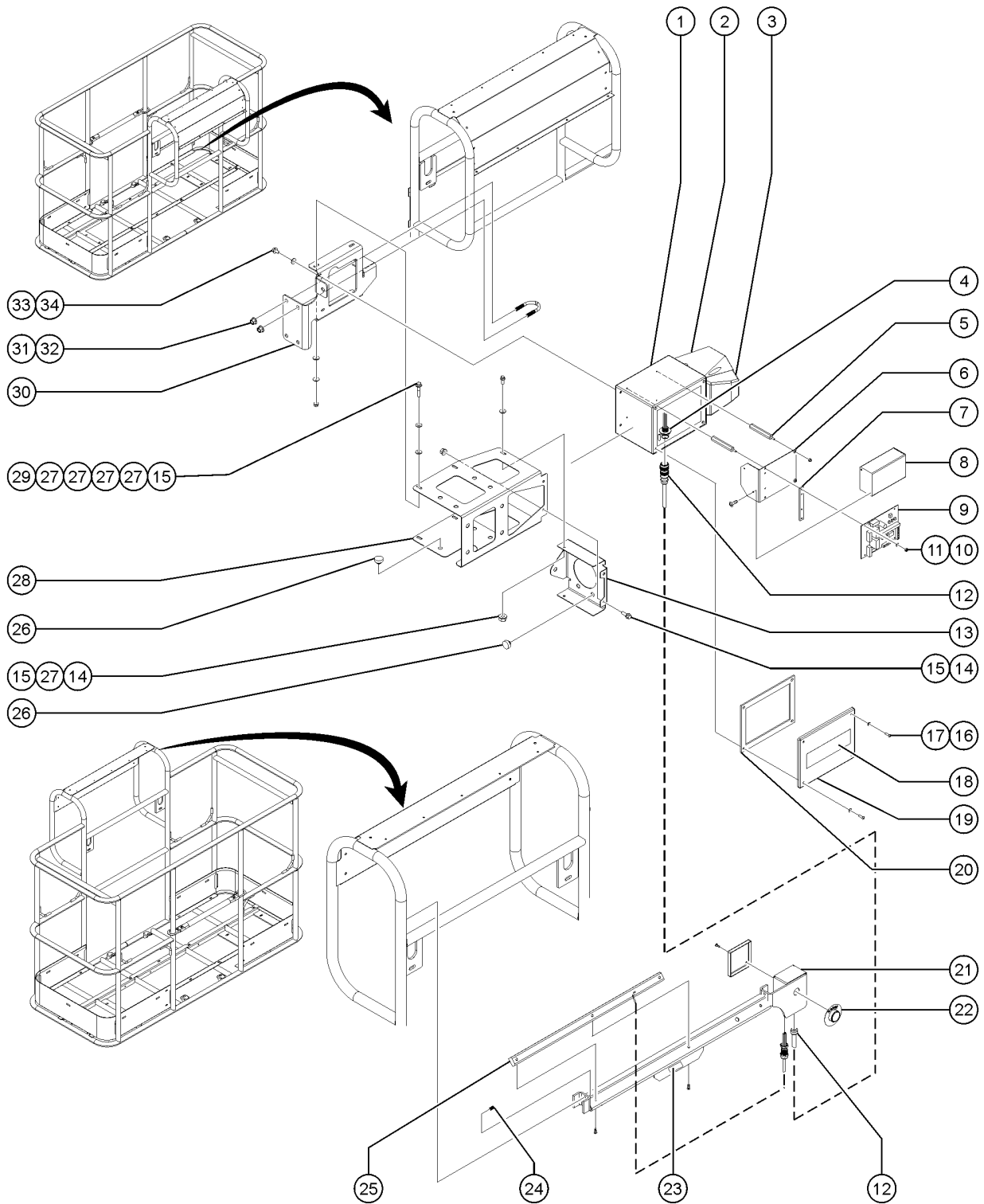


811.1 Operators Protection Alarm (to January 2017)

Item	Part No.	Description	Qty.
B	1275537GT	ASSEMBLY, OPA PROTECTION CAGE	1
1	1255018GT	BASE ENCLOSURE,RED,OPA	1
2	1255021GT	SOUNDER,MIDI,OPA	1
3	1255037GT	SOUNDER LENS, OPA, BLUE	1
		(standard lens fitted to OPA)	
3B	1270116GT	SOUNDER LENS, OPA, RED	1
3C	1270117GT	SOUNDER LENS, OPA, AMBER	1
3D	1270118GT	SOUNDER LENS, OPA, CLEAR	1
4	1255033GT	HARN,PIGTAIL,TAPESWITCH,OPA	1
5	1255028GT	STAND OFF,CONTROL UNIT	4
6	1255024GT	BRACKET,CONTROL UNIT	1
7	1255025GT	SPACER,HEAT SINK	1
8	1255023GT	ASSY,MODULE,CONTROL UNIT,OPA	1
9	1255022GT	MODULE,CONTROL UNIT,PCB,OPA	1
10	1255067GT	NUT,M4 NYLOCK	4
11	1255066GT	WASHER,M4 NYLON	4
12	1255035GT	ASSEMBLY,CABLE,TAPESWITCH	1
13	1275539GT	FORMING, OPA CAP	1
14	824078GT	SCREW,HHF,1/4-20X.75,8,ZAG	5
15	1277924GT	NUT,NYLOCK FLG,1/4-20,F,ZAG	9
16	1255038GT	SCREW,M5X16 BHD	4
17	1255027GT	WASHER,M5 NYLON	4
18	1255890GT	DECAL,COSMETIC,GENIE	1
19	1255020GT	LID ENCLOSURE,RED,OPA	1
20	1255019GT	GASKET,ENCLOSURE	1
21	1255029GT	ASSEMBLY,TAPESWITCH	1
		(6/8" platforms) (includes j-box and fasteners)	
22	1255036GT	ASSEMBLY RESET SWITCH	1
23	1255889GT	DECAL,SYMBOL-READ THE MANUAL	1
24	1255068GT	SCREW,M6X8	2



811.1 Operators Protection Alarm (to January 2017)

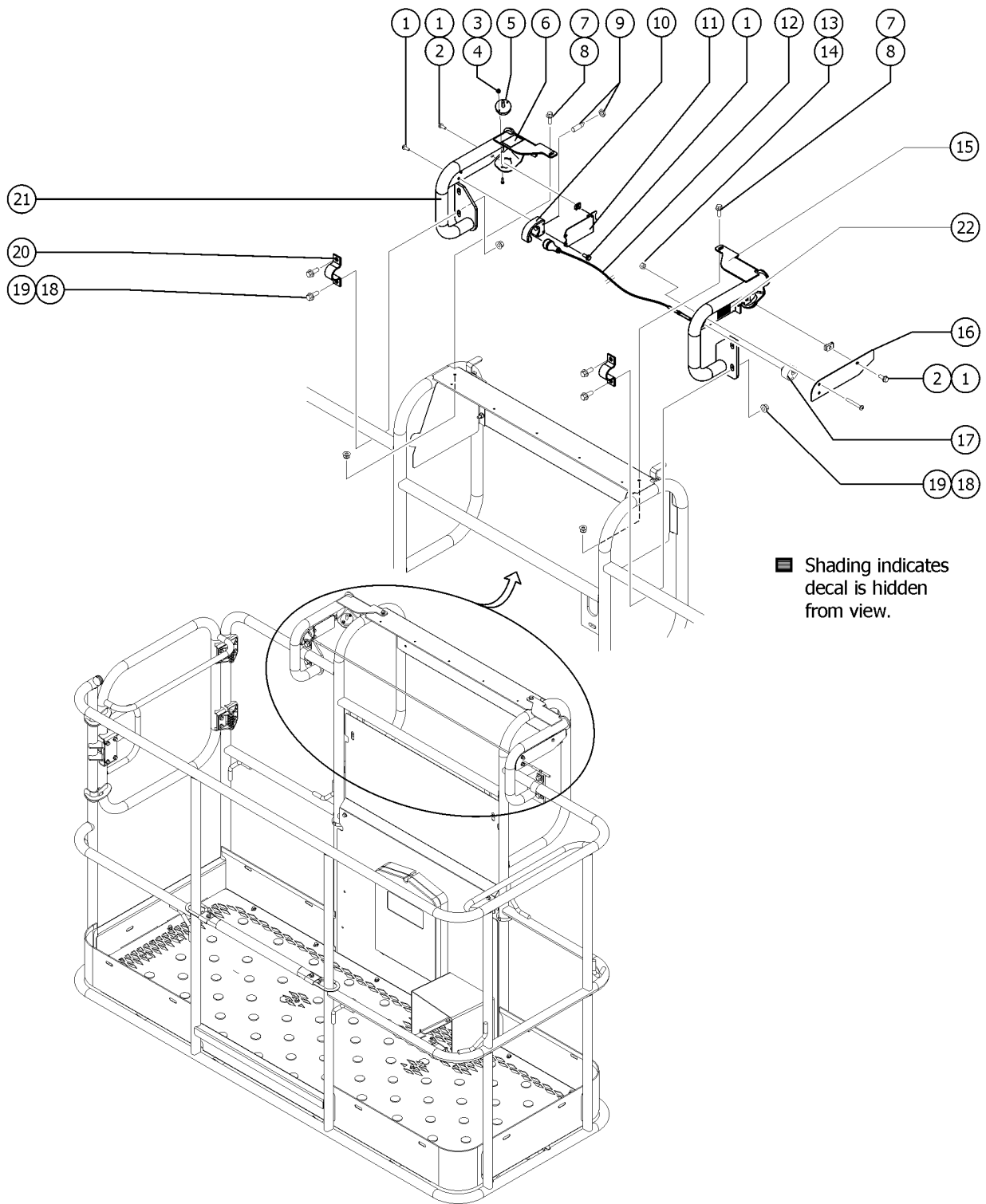


811.1 Operators Protection Alarm (to January 2017)

<i>Item</i>	<i>Part No.</i>	<i>Description</i>	<i>Qty.</i>
25	1255047GT	SENSOR,RUBBER EDGE (6'8' platforms)	1
26	43392GT	BUMPER,BATTERY BOX & RAILS***	17
27	824113GT	WASHER,FLAT,USS,1/4,ZAG	19
28	1275538GT	FORMING, OPA CAGE	1
29	824080GT	SCREW,HHF,1/4-20X1.25,8,ZAG	4
30	1275540GT	FORMING, OPA, BRACKET	1
31	1274322GT	NUT,NYLOCK FLG,3/8-16,F,ZAG	4
32	1251600GT	U-BOLT, FLATTENED, Ø1.5 X 3/8 UNC,ZAG	2
33	237238GT	SCREW,HHF,M6-1.0X12,DIN6921,10	2
34	1257389GT	WASHER,FLAT,M6X18X1.6,DIN9021,	2



811.2 Lift Guard Contact Alarm (from January 2017)

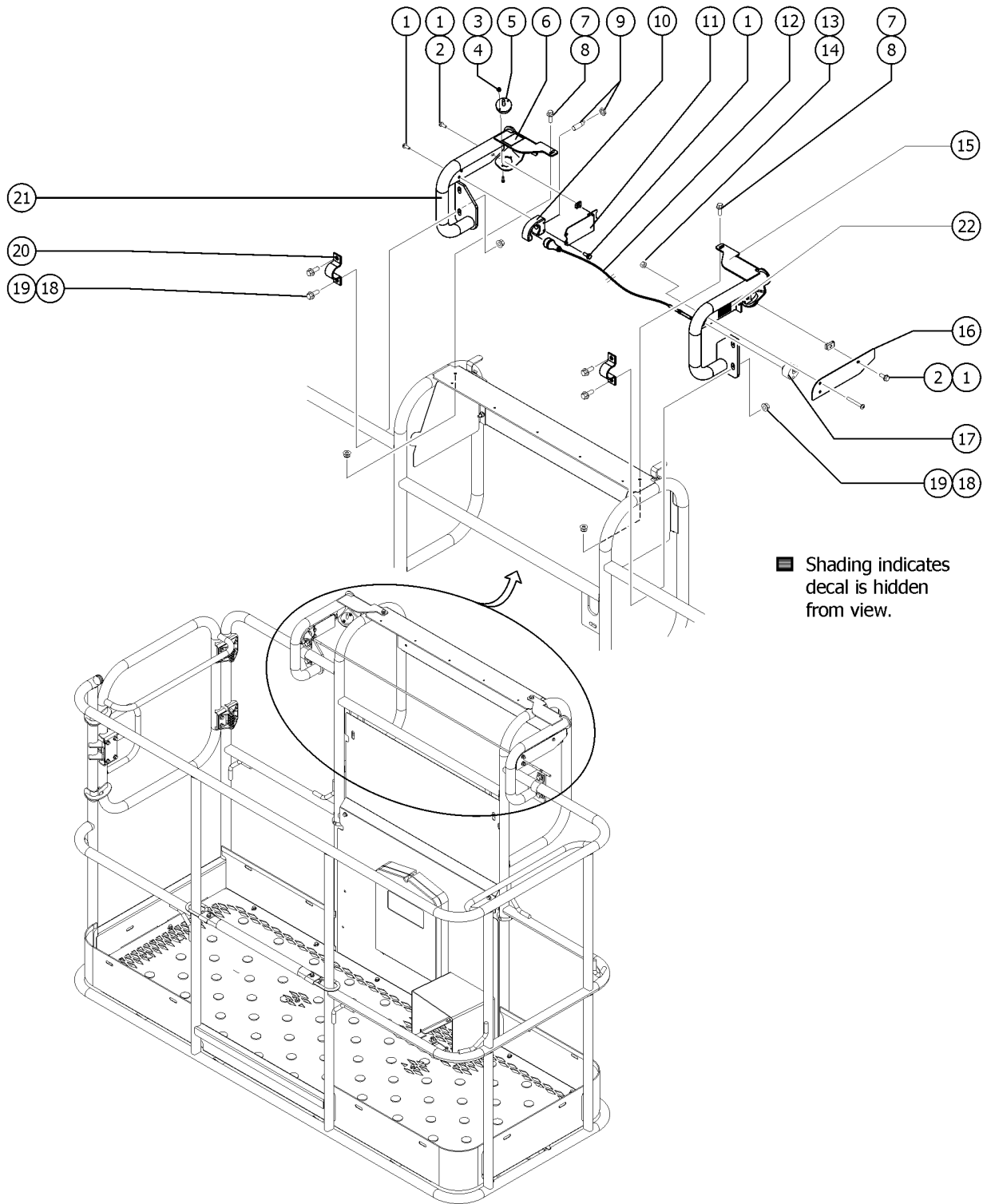


811.2 Lift Guard Contact Alarm (from January 2017)

Item	Part No.	Description	Qty.
--		From January 2017, this option became a standard installation on all models unless the customer specifically request not to have it installed	
--	1279135GT	KIT, LIFT GUARD CONTACT ALARM,6'-8' PLATFORM,NON-ALC1000 measure platform before ordering - for 5', 6', and 8' platforms only	
--	1278452GT	HARNESS, OPA2, Z45DC/BE	
--	78098GT	RELAY,24VDC,40/30A,SLD W/BRKT*	
--	1278121GT	MODULE, PLUS+1, OPA2 located inside the Platform Control Box	
1	1264934GT	SCREW,HHF,10-24X.5	
2	73575GT	SPRING CLIP,10-24,.025-.125X.468,ZAG	
3	12344GT	NUT,NYLOCK,6-32	
4	1256859GT	SCREW,PHPM,6-32X7/8,ZAG	
5	1278111GT	ASSEMBLY, LIGHT, CONTACT ALARM	2
6	1278542GT	DECAL, INSTRUCTION, CONTACT ALARM	
7	824078GT	SCREW,HHF,1/4-20X.75,8,ZAG	
8	1277924GT	NUT,NYLOCK FLG,1/4-20,F,ZAG	
9	1278119GT	ASSEMBLY, SENSOR, PROX, CONTACT ALARM	1
10	1278433GT	ASSY SENSOR W/HOUSING (Includes holder item 1277877 and sensor part 1278119)	
10-	1277877GT	HOLDER, SENSOR	1
11	1277873GT	FORMING, SENSOR HOLDER	1
12	1278416GT	ASSEMBLY,CONTACT ALARM CABLE, LARGE	1
12-	1261184GT	NUT,1/4-20,8,ZAG Part of assembly 1278416	
12-	1278124GT	MAGNET, 1/4-20, 15 LB. Part of assembly 1278416	
12-	1278368GT	GRIP, CABLE Part of assembly 1278416	
12-	1278458GT	CONTACT ALARM WIRE ASSY, LARGE Part of assembly 1278416	
13	825352GT	SCREW,PHPM,10-32X1.25,ZAG	
14	1264261GT	NUT,SERRATED,10-32,ZAG	
15	1278138GT	WELDMENT, RIGHT CONTACT ALARM, LARGE	1
16	1277875GT	PLATE, CABLE AND WIRE COVER	1
17	1277876GT	GUIDE, CABLE	1



811.2 Lift Guard Contact Alarm (from January 2017)

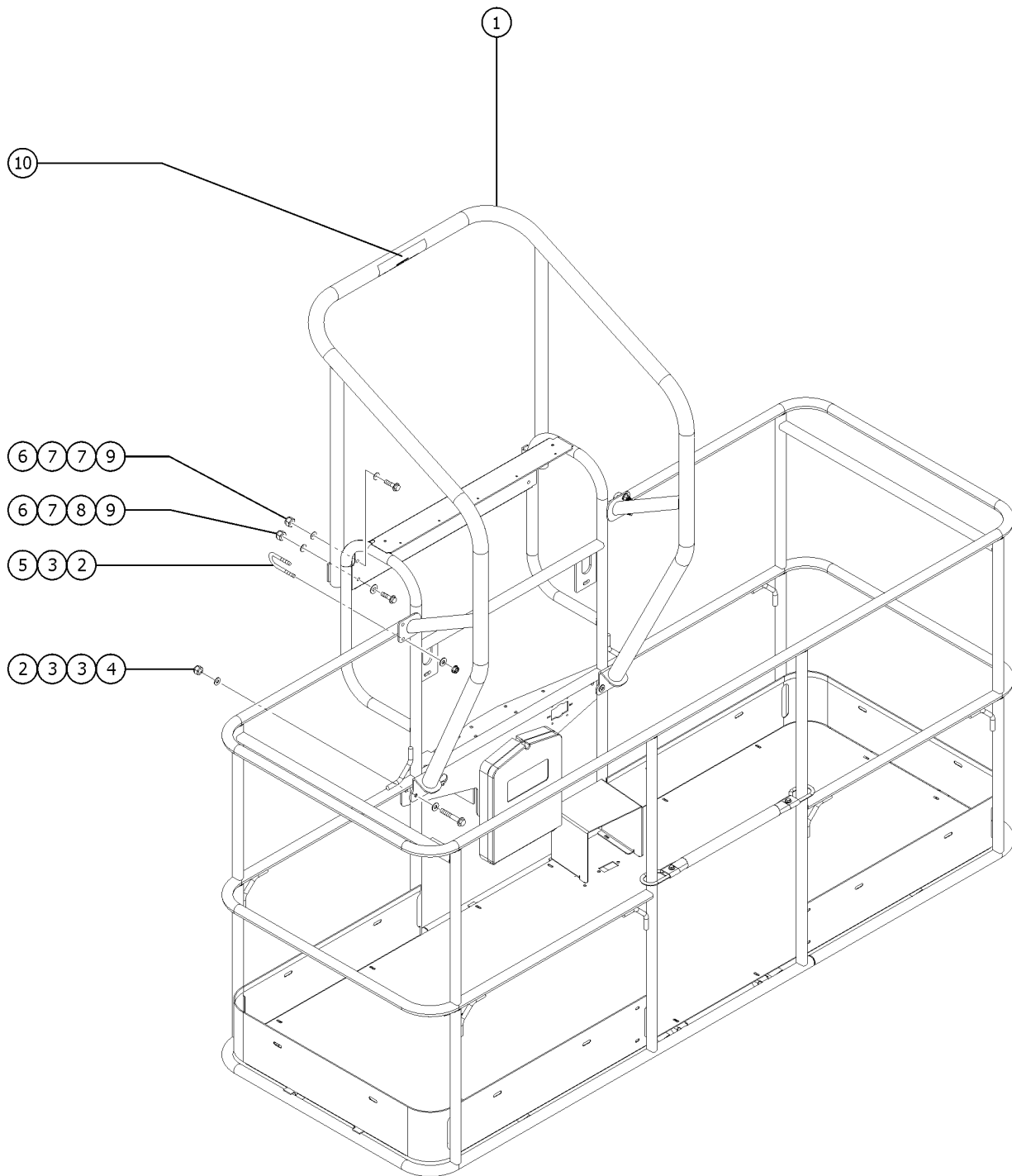


811.2 Lift Guard Contact Alarm (from January 2017)

<i>Item</i>	<i>Part No.</i>	<i>Description</i>	<i>Qty.</i>
18	1274322GT	NUT,NYLOCK FLG,3/8-16,F,ZAG	
19	824090GT	SCREW,HHF,3/8-16X1,8,ZAG	
20	1278363GT	CLAMP, 1.25 INCH TUBE	2
21	1278144GT	WELDMENT, LEFT CONTACT ALARM, LARGE	1
22	1278982GT	DECAL, INSTRUCTION, ACTUATOR SWITCH SOCKET	1



812.1 Operator Protective Structure

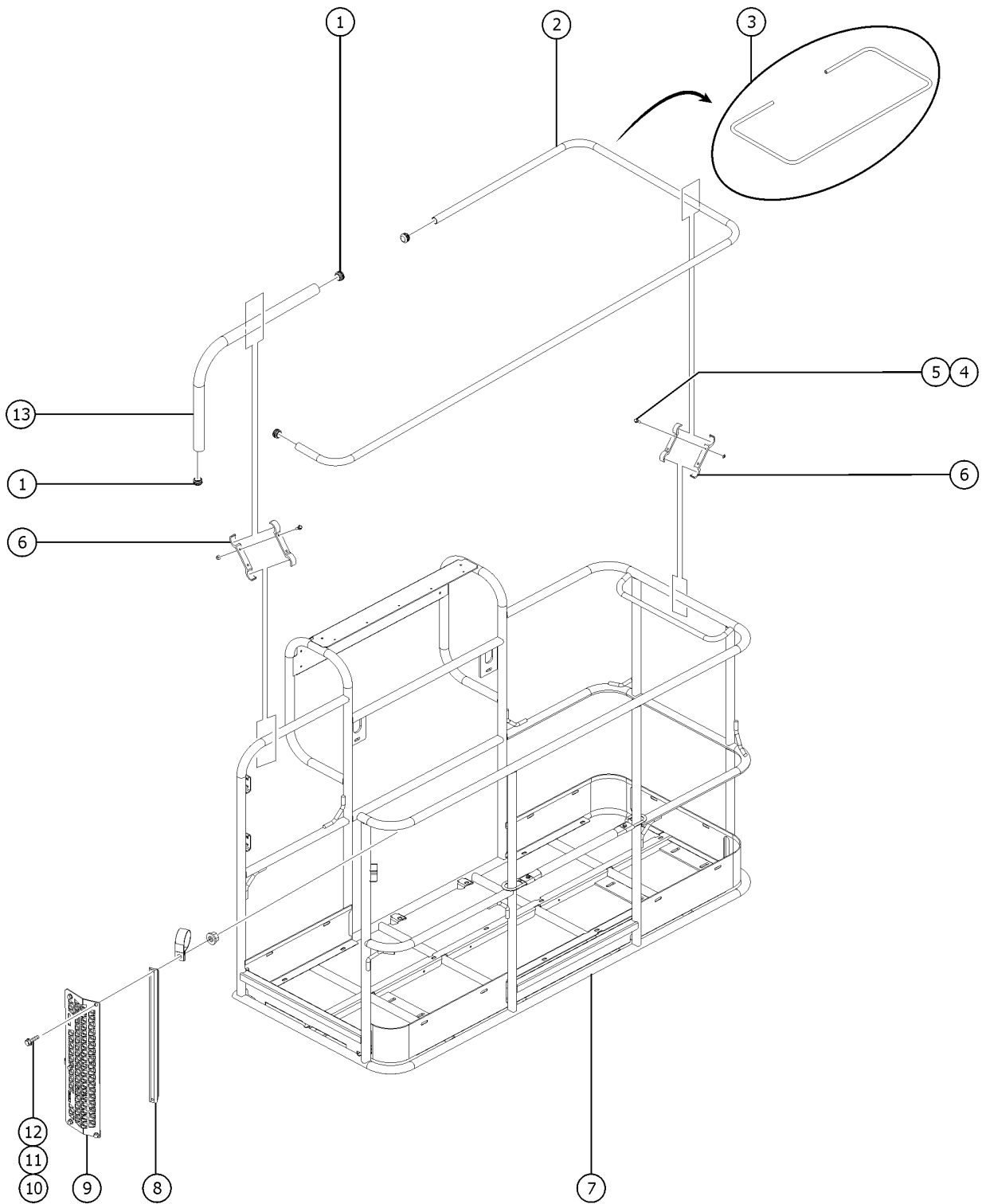


812.1 Operator Protective Structure

Item	Part No.	Description	Qty.
A		Fits all 6' and 8' Booms	
1	219158GT	ACCESSORY, OPERATOR PROT STRUCT (Complete) includes all fasteners	1
2	1256468GT	NUT, 3/8-16, 8, ZAG	8
3	1255758GT	WASHER, FLAT, 3/8, USS, ZAG	12
4	824069GT	SCREW, HHC, 3/8-16X2.5, 8, ZAG	4
5	1251600GT	U-BOLT, FLATTENED, Ø1.5 X 3/8 UNC, ZAG	4
6	1261184GT	NUT, 1/4-20, 8, ZAG	4
7	824113GT	WASHER, FLAT, USS, 1/4, ZAG	6
8	824120GT	WASHER, FLAT, .375X1.50X.125, ZAG	2
		Use only with the platform control box cover option	
9	824060GT	SCREW, HHC, 1/4-20 X 1, 8, ZAG	4
10		Ref. DECAL, INSTRUCTION, OPS	1
		Refer to Section 100	



813.1 Auxiliary Rail Option

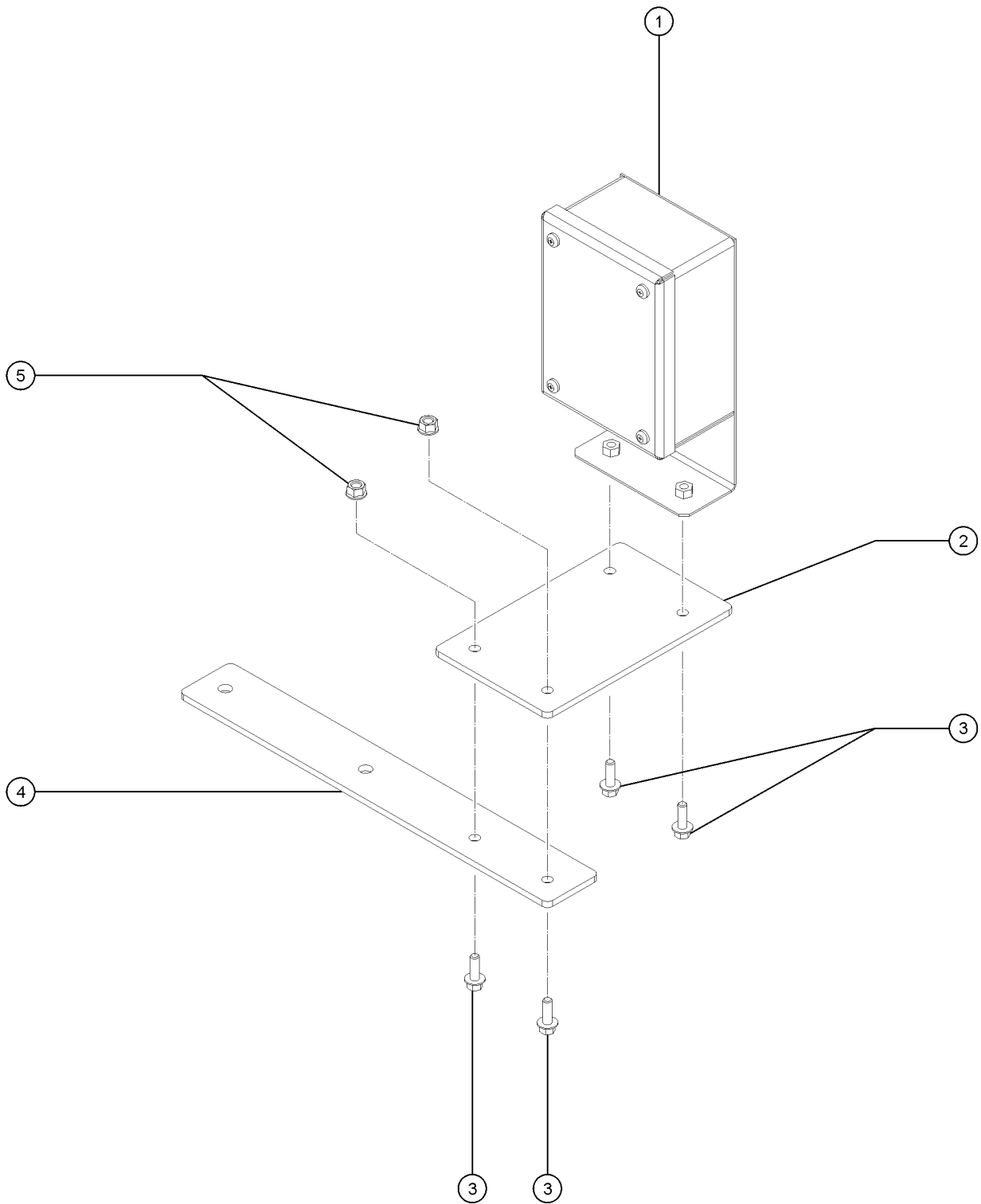


813.1 Auxiliary Rail Option

Item	Part No.	Description	Qty.
A	1279765GT	KIT,LATCH GUARD	1
1	55753GT	BUMPER, PLASTIC, 1.25 O.D.	4
2	1270570GT	AUX RAIL, 6' PLAT, SIDE ENTRY	1
3	28329GT	RAILING,PINCH GAURD,4 FT (tri-entry with sliding mid-rails platform)	1
3B	28328GT	RAILING,PINCH GAURD,5 FT. (tri-entry with sliding mid-rails platform)	1
4	824079GT	SCREW,HHF,1/4-20X1,8,ZAG	22
5	1277924GT	NUT,NYLOCK FLG,1/4-20,F,ZAG	22
6	122073GT	SUPPORT, RAILING	22
7		Ref.WELDMENT, PLATFORM	1
		(refer to 502.1)	
8	1277966GT	TUBE, SWING GATE GUARD	1
9	1277952GT	GUARD, SWING GATE	1
10	824086GT	SCREW, HHF, 5/16-18 X 1, 8, ZAG	5
11	56424GT	CLAMP, 1.25 x .5 RUBBER-CUSHION	5
12	1274167GT	NUT,NYLOCK FLG,5/16-18,F,ZAG	5
13	1270571GT	AUX RAIL, 6' PLAT, SIDE ENTRY	1



814.1 Charger Protector Option (To Z4525D-3228)

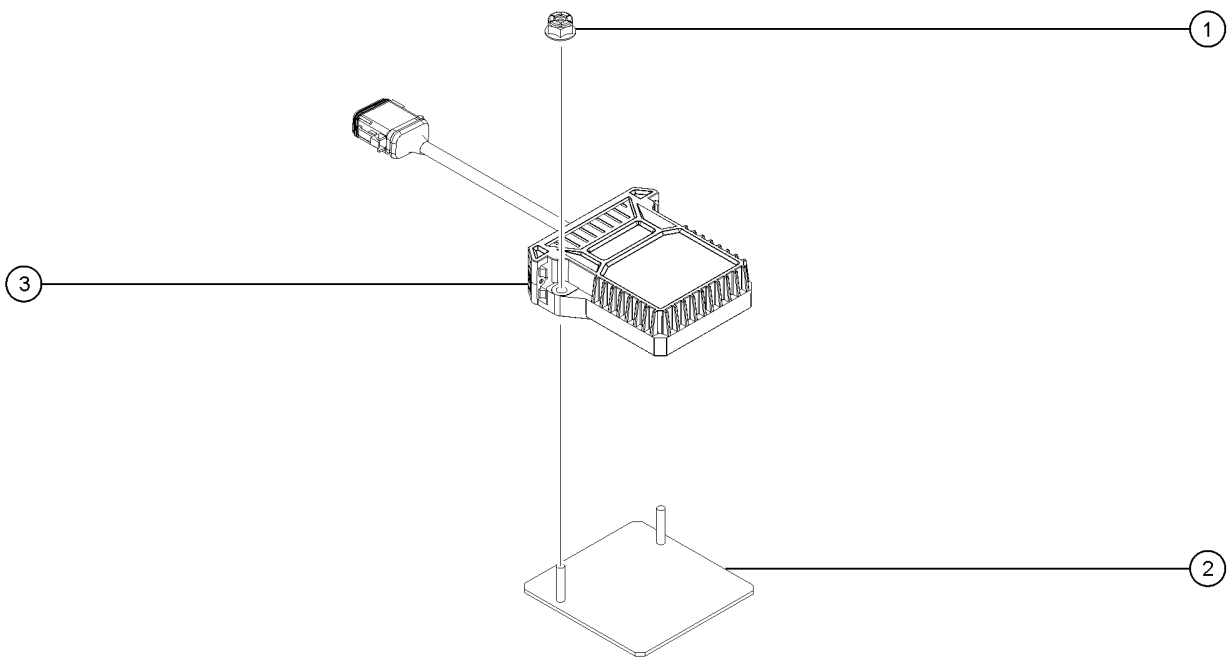


814.1 Charger Protector Option (To Z4525D-3228)

<i>Item</i>	<i>Part No.</i>	<i>Description</i>	<i>Qty.</i>
1	1272235GT	ASSY, VOLTAGE PROTECTOR BOX, Z30/34	1
2	1296946GT	PLATE,CHARGER PROTECTOR MT	1
3	824078GT	SCREW,HHF,1/4-20X.75,8,ZAG	4
4	1272250GT	PLATE, CHARGER PROTECTOR MT, Z45DC	1
5	824027GT	NUT,TL FLG,1/4-20,G,ZAG	2



815.1 China Telematics Option, TZ200, STD



815.1 China Telematics Option, TZ200, STD

<i>Item</i>	<i>Part No.</i>	<i>Description</i>	<i>Qty.</i>
1	1277924GT	NUT,NYLOCK FLG,1/4-20,F,ZAG	2
2	1305593GT	BRACKET,CHINA TELEMATICS,COMMON	1
3	1304820GT	MODULE,TELEMATICS,TIZA,TZ200,CHINA	1



<u>Part no.</u>	<u>Page Number</u>	<u>Part no.</u>	<u>Page Number</u>	<u>Part no.</u>	<u>Page Number</u>
1268GT	11	23083GT	35	31785GT	13, 19
1484GT	11	23404GT	75	31787GT	13, 19
1697-400GT	91	24514GT	115	31788GT	13, 19
5397GT	109	25388GT	47, 59	32150GT	11
6178GT	91, 171	25553GT	73	32151GT	11
6272GT	77	25685GT	163	32728GT	13, 19
6578GT	171	25817GT	31, 33	33550GT	13, 23
6700GT	69	27204GT	13, 19, 23, 27	33555GT	79
6833GT	47, 173	27205GT	13, 19, 23, 27	33724GT	125
6935GT	59, 123	27206GT	13, 19, 23, 27	33994GT	11, 141, 143, 145, 147, 149
7056GT	59, 123	27207GT	13, 19, 23, 27	34052GT	75
7746GT	155	27246GT	67, 69, 71, 73, 119, 121	34053GT	75, 125
9599-SGT	155	27391GT	83, 173	34125GT	95
10775GT	123	27581GT	11	34276GT	93
10777GT	125	28161GT	13	34619GT	163
12344GT	77, 183	28165GT	13	35675GT	107
13097GT	35	28174GT	13, 19, 23, 27	35678GT	131
13268GT	35, 125, 161	28175GT	13	35679GT	131
13585GT	123	28176GT	13	35680GT	131
14804GT	117	28177GT	13	35956GT	157
15243GT	77, 123	28181GT	13	35960GT	155
16073GT	161	28235GT	13, 19, 23, 27	36179GT	57, 59
18270GT	93	28236GT	13, 19	36212GT	43
18576GT	35	28322GT	155	36369GT	43
18720GT	87	28323GT	155	36388GT	177
18963GT	61	28328GT	189	36555GT	11
19506GT	67	28329GT	189	36557GT	121, 131
19520GT	43	28372GT	13, 19	37184GT	59
19712GT	129	28678GT	145	37185GT	59
19713GT	129	28750GT	11, 141, 143, 145, 147, 149	37186GT	59
19721GT	129	29868GT	45	37187GT	59
19722GT	129	30080GT	13	37189GT	39
19729GT	131	30138GT	95	37191GT	59
19731GT	131	30222GT	101, 105, 109	37192GT	59
21427GT	129	30370GT	93	37947GT	67
21618GT	101, 173	30468GT	155	39223GT	63
21619GT	101	30794GT	59, 83	39346GT	135
21858GT	69	30996GT	125	40433GT	131
21982GT	67	31060GT	13, 19	40434GT	15, 23, 177
22262GT	35	31508GT	13, 19	42019GT	63
22263GT	35	31658GT	63	42288GT	125
22811GT	39	31779GT	11	42781GT	77, 125



<u>Part no.</u>	<u>Page Number</u>	<u>Part no.</u>	<u>Page Number</u>	<u>Part no.</u>	<u>Page Number</u>
42941GT	89	48143-2029GT	143	49121-27788GT	147, 149
43018GT	139	48504GT	133	49143-2535GT	143
43040GT	129	48767-700GT	147, 149	49212GT	161
43042GT	129	48767GT	145	49214GT	161
43179GT	41	48890GT	141, 147, 149	49215GT	161
43181GT	125	48904GT	53, 141, 145	49612GT	11, 141, 143, 145, 147, 149
43392GT	117, 155, 159, 181	48905GT	147, 149	49613GT	11, 141, 143, 145, 147, 149
43658GT	15	48906GT	141	49772GT	91
43960-6950GT	115	48907GT	147, 149	49820GT	125
43960GT	89	48911GT	143	49878GT	59
44174GT	139	48912GT	137, 143, 145	50455GT	87
44227GT	137	48916GT	143, 145, 147, 149	50466-SGT	107
44229GT	135	48917GT	145, 147, 149	50479GT	91
44236GT	135	48919GT	145	50480GT	105
44248GT	15	48923GT	145	50517-SGT	89
44750GT	133	48939GT	143	50519GT	53
44753GT	81	48942GT	143, 145, 147, 149	50542GT	93
44778GT	39	48944GT	143	50543GT	101, 105
44788GT	11, 65	48947GT	143	50546GT	97, 105
44980GT	15, 19	48948GT	143	50548PGT	91
44981GT	15, 19, 23, 27	48966GT	143	50552GT	97
44986GT	15	48999GT	143	50570GT	61
45071GT	37, 87	49117-4691GT	141	50584GT	95
45074GT	31	49117-9991GT	141	50635GT	91
45112GT	31	49117-11091GT	141, 147, 149	50698GT	97
45113GT	31	49119-2078GT	141	50784GT	79
45114GT	31	49119-2178GT	145, 147, 149	50924GT	81
45162GT	63, 143	49119-3378GT	143	50952GT	89
45209GT	43	49119-4178GT	147, 149	50966GT	63
45363GT	57, 81	49119-13978GT	145, 147, 149	50974GT	57
45383GT	125	49119-20578GT	147, 149	51147GT	43, 49
45385GT	77	49119-21878GT	147, 149	52371GT	135, 139
45454GT	161	49119-26078GT	145	52374GT	137
45462GT	61, 77	49119-27478GT	145	52475GT	19, 27
45470GT	165	49119-34378GT	145, 147, 149	52664GT	15, 19
45840GT	127	49119-35678GT	145, 147, 149	52672GT	15
46038GT	129	49119-36378GT	145, 147, 149	52865GT	15, 19
46188GT	173	49119-37978GT	147, 149	52887GT	129
46258GT	137	49119-39378GT	145	52892GT	129
46468GT	15, 19, 23, 27	49120-33381GT	145, 147, 149	52895GT	129
47010GT	137	49121-2088GT	147, 149	52897GT	135, 137, 139
47377GT	101, 105	49121-25688GT	145	52906GT	137



<u>Part no.</u>	<u>Page Number</u>	<u>Part no.</u>	<u>Page Number</u>	<u>Part no.</u>	<u>Page Number</u>
52907GT	137	54989GT	167	62695GT	41
52910GT	137	54994GT	105	62696GT	41
52912GT	135	55067GT	109	62926GT	15, 19, 23, 27
52913GT	133	55753GT	93, 155, 159, 173, 189	62927GT	15, 23, 27
52928GT	129	56022GT	63	65178GT	129
52947GT	15	56282GT	39	65301GT	15
52969GT	15, 19, 23, 27	56302GT	75, 125	65546GT	129
53157-SGT	155	56424GT	115, 159, 189	65608GT	37
53517GT	171	56426-700GT	173	65618GT	37
53807-SGT	155	56445GT	83	65788GT	97
53808-SGT	155	56461GT	43	65789GT	105
54063GT	97	56561GT	35	65790GT	97
54065GT	101, 105	56562GT	35	66031GT	161
54132GT	147, 149	56849GT	59	66397GT	49
54145-400GT	53	56912GT	33, 35, 39, 53, 111, 115	66399GT	11
54156GT	87	56930GT	41	66472GT	173
54231GT	63	56994GT	75	66717GT	35
54255GT	71, 123	57162GT	43	66812GT	67, 121
54271GT	99	58932GT	133	66813GT	127
54360GT	65	58936GT	133	66815GT	127
54365GT	125, 171	58985GT	129	66818GT	67, 121
54436GT	31	60065GT	63	66821GT	67, 121
54479GT	63	60145GT	81	66900GT	43
54486GT	157	60435GT	71	66901GT	43
54510-SGT	109	60443GT	123	70534GT	93
54520-SGT	101	60526GT	73, 77, 123	70588GT	93
54542GT	33, 37	60527GT	71	70589GT	93
54569GT	97	60528GT	71	70642GT	161
54570GT	97	60922GT	155	70644-75792GT	161
54627GT	31, 37	61306-SGT	105	70671GT	93
54637GT	167	61726GT	163	70685GT	89
54638GT	167	61801GT	71	72086GT	19, 27
54639GT	167	61972GT	163	72298GT	129
54640GT	167	61974GT	163	72326GT	61, 77, 125
54726GT	87	61975GT	163	72444GT	15, 19, 23, 27
54840GT	31	61987GT	165	72833GT	15, 19
54883GT	167	61998GT	163	72867GT	15, 19, 23, 27, 171
54884GT	167	62070GT	15, 19, 23, 27	73477PGT	115
54959GT	31	62088GT	63	73574-SGT	115
54960GT	31	62105GT	39	73575GT	39, 115, 183
54961GT	31	62506GT	139	73610PGT	115
54962GT	31	62507GT	139	73711GT	77, 123



<u>Part no.</u>	<u>Page Number</u>	<u>Part no.</u>	<u>Page Number</u>	<u>Part no.</u>	<u>Page Number</u>
73713GT	71, 77, 123	77364GT	93, 101, 105	88385GT	173
73717GT	77, 123	77375GT	95	88390GT	173
73723GT	123	77376GT	95	88516GT	109
73730GT	77	77410GT	97	88606GT	155
73736GT	71, 123	77521GT	87	88607PGT	155
73739GT	115	77709GT	135, 137, 139	88635-4024GT	53
73751GT	71	77797GT	173	88637GT	77
73754GT	71, 73, 77	77981GT	133	88676GT	87
73807GT	101, 139	77990GT	133	88721-70700GT	71, 83
74006GT	125	78098GT	83, 183	88721-72000GT	71, 83
74266GT	41	78622GT	11, 65	88722-70700GT	71, 83
74267GT	35	79452GT	39	88722-72000GT	71, 83
74362GT	129	81175GT	105	88723-69700GT	71, 83
74368GT	129	81458GT	125	88723-71000GT	71, 83
74468GT	35	81488GT	121	88724GT	85
74469GT	35	81532GT	83	88725GT	85
74470GT	35	81579GT	59	88752GT	31
74471GT	41	81640GT	111	88827GT	67
74495GT	35	82279GT	15, 19, 23, 27	88832GT	85
74911GT	75	82366GT	15	89756GT	91
74912GT	75	82422GT	173	93131GT	67
74913GT	75	82472GT	23	93500GT	11
74917GT	75	82473GT	23	94191GT	163
75073GT	79, 81	82481GT	23, 27	94195GT	109
75076GT	79, 81	82487GT	23, 27	94492PGT	163
75453GT	137	82548GT	23	94506GT	67
75617-1025GT	173	82601GT	23	94529GT	89
75617-1550GT	173	82602GT	25	94531PGT	89
75617-2075GT	175	82604GT	25	94618GT	137
75617-2275GT	173	82612GT	25	94639GT	75
75617-6275GT	175	82647GT	25, 27	94643GT	163, 165
75636GT	173	82914GT	133	94745GT	115
77014GT	93	83093GT	67	94745PGT	155
77032GT	81	84385GT	137	94860GT	135
77059-2986GT	143	85239GT	67	94879GT	37
77103GT	145	87755GT	77	94880GT	37
77181GT	105, 109	88203GT	87	96008-SGT	67
77189GT	93	88337GT	31	96010GT	67
77303GT	87	88338GT	31	97128GT	89, 91, 95
77351GT	125	88356-11163GT	89	97815GT	15, 21, 25, 27
77362GT	93	88356-11205GT	91, 95	97887GT	15
77363GT	101, 105	88370PGT	89	98154GT	163

<u>Part no.</u>	<u>Page Number</u>	<u>Part no.</u>	<u>Page Number</u>	<u>Part no.</u>	<u>Page Number</u>
99174GT	165	111053GT	99	120426GT	37
101055GT	137	111526GT	157	121848GT	83, 163
101056GT	137	114025GT	15, 21, 25, 27	122073GT	155, 173, 189
101057GT	137	114114GT	15, 25	122278GT	155
101067GT	137	114117GT	15, 21	122279GT	155
101069GT	137	114221GT	15	122513GT	127
101080GT	83	114247GT	25	122514GT	121
101114GT	137	114248GT	25, 27	122994GT	69
101277GT	137	114249GT	25, 27	128045GT	75, 163
101512GT	163	114252GT	25, 27	128118GT	47
101815GT	53	114334GT	25, 27	128200GT	67, 119
101859GT	81	114343GT	21, 25, 27	128201GT	73, 119
101861GT	79	114345GT	25, 27	128202GT	69, 73, 119, 121, 123
101862GT	81	114350GT	15, 21, 25, 29	128203GT	173
101932GT	169	114389GT	17	128204GT	73, 171
102785PGT	155	114390GT	13, 21	128206GT	121
102786PGT	155	114397GT	13, 21	128301GT	95
102992GT	115	119058GT	115	128304GT	97
104804GT	159	119061GT	71	128308GT	99
106044GT	173	119062GT	71	128309GT	99
106069GT	79	119063GT	71	128310GT	99
106163GT	109	119064GT	71	128311GT	99
106241GT	45	119403GT	59	128337GT	35
106427GT	89	119404GT	59	128375GT	47
106972GT	89	119536PGT	111	128376GT	47
106974GT	89	119542GT	111	128377GT	47
106976GT	91	119619GT	31	128454GT	111
106983GT	89	119787PGT	49	128465GT	49
106986GT	89	119825GT	137	128466GT	49
107588GT	87	120188GT	113	128482GT	111
107590GT	87	120236GT	77	128483GT	111
107651GT	53	120243GT	59	128488GT	49
107727GT	87	120246GT	57	128489GT	49
107857GT	155	120250GT	53	128490GT	49
107858GT	157, 171	120251GT	53	128518GT	21, 29
107859GT	87	120255GT	63	128534GT	111
107881GT	89	120267GT	35	128578GT	67, 69, 71, 73, 119, 121
110310GT	89	120269GT	53	128580-SGT	67, 119
110651GT	127	120297GT	125	128581-SGT	73, 119
110789GT	163	120300GT	123	128582-SGT	69, 71, 73, 119, 121, 123
111051GT	99	120373GT	109	128584-SGT	73
111052GT	99	120425GT	37	128596GT	99



<u>Part no.</u>	<u>Page Number</u>	<u>Part no.</u>	<u>Page Number</u>	<u>Part no.</u>	<u>Page Number</u>
128597GT	99	139688GT	101	227564GT	115
128598GT	35	139701GT	99	228678-2250GT	147, 149
128601GT	97	139702GT	99	228946GT	47
128603GT	95	139779GT	99	228947GT	47
128605GT	97	139781GT	99	228973GT	33, 47
128645GT	47, 61	139857GT	47	229131GT	39
128646GT	59	139882GT	83, 173	229132GT	39
128816GT	53, 85	144161GT	47, 59	229133GT	39
128852GT	169	146478GT	121	217194GT	33
128862GT	99	147041GT	169	229320GT	37
128929-300GT	49	147042GT	169	229567GT	67, 69, 73, 119, 121, 127
128941GT	83	147043GT	169	229712GT	31
128973GT	169	147044GT	169	229714GT	31
128995GT	97	147089GT	69	229720GT	33
128997GT	111	147093GT	69	229721GT	33
128998GT	89	147121GT	115	229722GT	65
129021GT	137	147181GT	169	229723GT	63
133067GT	25, 29	147183GT	169	229725GT	63
133286GT	21, 25, 29, 47	147184GT	169	229726GT	57
139011-SGT	49	147187GT	39	229728GT	81
139020GT	49	147253GT	119	229729GT	43
139047GT	49	147509GT	163	229798GT	31
139048GT	49	150103GT	95, 101, 105	229800GT	81
139049GT	49	161550GT	43	229801GT	79
139050GT	49	161551GT	43	229802GT	81
139051GT	49	214814GT	143	229803GT	35
139052GT	49	216769GT	83	229804GT	47
139053GT	49	216791GT	75	229805GT	43
139054GT	49	216793GT	75	229806GT	43
139055GT	49	218083GT	75	229807GT	59
139056GT	49	218550GT	21	229808GT	65
139057GT	49	218559GT	21	229809GT	79
139058GT	49	218571GT	37	229810GT	35
139059GT	49	219158GT	187	229811GT	81
139060GT	51	219160GT	17, 25	229812GT	121
139099GT	147, 149	219487GT	21	230498GT	31
139318GT	47, 59, 61	219954GT	29	230501GT	71
139351GT	37	219956GT	29	230502GT	57
139353GT	37	219958GT	29	230505GT	47
139354GT	37	226383GT	129	232575GT	147, 149
139355GT	37	227130GT	17	233472GT	43
139687GT	101	227213GT	17, 21	233473GT	43



<u>Part no.</u>	<u>Page Number</u>	<u>Part no.</u>	<u>Page Number</u>	<u>Part no.</u>	<u>Page Number</u>
233475GT	31	824067GT	63, 93	824878GT	73, 77, 119, 121
233715GT	109	824068GT	57, 95	825019GT	31, 37, 93, 95, 101, 105
233716GT	101	824069GT	63, 187	825020GT	163
233745GT	101, 109	824070GT	163	825349GT	41
233807GT	37	824073GT	101	825352GT	153, 183
234923GT	129	824074GT	81	825358GT	39, 61, 63, 95, 159
236819GT	43	824078GT	41, 47, 53, 57, 63, 75...	825796GT	33
237145GT	125	824079GT	39, 57, 77, 79, 99, 101	826779GT	135
237238GT	181	824080GT	41, 49, 111, 181	826783GT	35
237688GT	89	824081GT	31, 101, 105, 157	826793GT	133
822005GT	13	824082GT	89, 97	1000001GT	17
822006GT	13	824085GT	57, 157, 171	1240313GT	159
822013GT	13	824086GT	41, 43, 189	1251565GT	33
822014GT	13	824087GT	59, 109	1251600GT	117, 161, 181, 187
822759GT	173	824089GT	59, 111	1251757GT	75, 125
822764GT	173	824090GT	47, 57, 115, 125, 171, 185	1251997GT	53, 177
822768GT	173	824091GT	31, 57, 59, 63, 101	1253185GT	71, 127
822769GT	173	824092GT	57, 63, 89, 93, 101, 105	1253478GT	47, 105
822777GT	85	824094GT	39	1253485GT	81, 163
823153GT	23	824100GT	133	1253498GT	63, 87, 93
823154GT	23	824103GT	39, 53	1254874GT	115
823161GT	23	824104GT	37	1255018GT	179
823162GT	23	824109GT	127	1255019GT	179
823223GT	171	824110GT	37, 63, 91, 93, 95, 111	1255020GT	179
823684GT	43	824111GT	87, 89	1255021GT	179
823774GT	83	824113GT	33, 35, 65, 79, 81, 95...	1255022GT	179
824019GT	77, 123	824119GT	79, 81	1255023GT	179
824024GT	37, 79, 81	824120GT	187	1255024GT	179
824025GT	61, 63	824122GT	163	1255025GT	179
824027GT	39, 43, 47, 57, 63, 75...	824124GT	97, 99, 169	1255027GT	179
824028GT	45, 79	824125GT	43, 45	1255028GT	179
824029GT	33, 37, 43, 45, 47, 53...	824127GT	31	1255029GT	179
824036GT	53, 75, 125	824129GT	31	1255030GT	85
824037GT	31, 49	824151GT	97, 105	1255033GT	179
824049GT	49	824164GT	97, 105	1255035GT	179
824050GT	53	824207GT	81, 159	1255036GT	179
824051GT	53	824214GT	75, 123	1255037GT	179
824052GT	53	824215GT	57, 79, 81	1255038GT	179
824059GT	43, 71, 75, 99, 127	824216GT	53, 163	1255047GT	181
824060GT	33, 35, 65, 79, 81, 187	824226GT	77, 123	1255066GT	179
824061GT	37	824227GT	155	1255067GT	179
824063GT	97	824228GT	45	1255068GT	179



<u>Part no.</u>	<u>Page Number</u>	<u>Part no.</u>	<u>Page Number</u>	<u>Part no.</u>	<u>Page Number</u>
1255452GT	93	1257296GT	123	1263554GT	35
1255758GT	37, 47, 57, 63, 79, 163	1257389GT	181	1263609GT	39, 133
1255760GT	53, 63, 89	1257390GT	123	1264101GT	159
1255763GT	45	1257454GT	89	1264259GT	81
1255805GT	35, 43	1257628GT	59, 65	1264261GT	35, 57, 75, 79, 81, 95...
1255858GT	85	1257733GT	11	1264308GT	17, 21
1255889GT	179	1258567GT	11	1264688GT	143
1255890GT	179	1258768GT	77	1264689GT	143
1256108GT	47, 169	1259322GT	85	1264690GT	143
1256109GT	53, 91, 93, 95	1259329GT	175	1264822GT	83
1256118GT	37, 57, 61, 79	1259639GT	85	1264834GT	83
1256127GT	97, 111	1259857GT	53	1264934GT	183
1256170GT	53	1260173GT	85	1265397GT	159
1256177GT	91	1260892GT	177	1265481GT	95
1256180GT	111	1260910GT	177	1267121GT	21
1256182GT	37, 53	1260940GT	87	1267570GT	139
1256231GT	99, 101	1261019GT	177	1267746GT	115
1256267GT	87, 93	1261021GT	177	1267747GT	117, 159
1256312GT	41	1261023GT	177	1267750GT	113
1256378GT	177	1261025GT	177	1267779GT	33
1256380GT	177	1261184GT	183, 187	1267780GT	37
1256389GT	177	1261221GT	83	1267781GT	33
1256400FRGT	177	1261292GT	173	1267782GT	37
1256400GT	177	1261845GT	85	1267784GT	33
1256439GT	177	1261899GT	85	1267785GT	39
1256460GT	115	1261984GT	57	1267786GT	33
1256468GT	187	1262031GT	39, 75	1267787GT	39
1256469GT	81	1262220GT	83	1268954GT	39
1256481GT	177	1262223GT	83	1270116GT	179
1256693GT	33, 35	1262342GT	21	1270117GT	179
1256803GT	99, 109	1262512GT	85	1270118GT	179
1256844GT	87, 89	1262633GT	93	1270314GT	159
1256847GT	79, 95, 169	1262643GT	29	1270316GT	159
1256851GT	177	1263056GT	93	1270570GT	189
1256855	43, 91, 115, 155, 159	1263057GT	93	1270571GT	189
1256856GT	177	1263142GT	53	1271061GT	159
1256859GT	183	1263178GT	57	1272235GT	191
1256863GT	101, 109, 161	1263232GT	55	1272250GT	191
1256922GT	95	1263234GT	53	1272307GT	117
1257227GT	125	1263452GT	29	1273205GT	109
1257248GT	115	1263542GT	29	1274166GT	163
1257249GT	115	1263543GT	21	1274167GT	109, 159, 171, 189



<u>Part no.</u>	<u>Page Number</u>	<u>Part no.</u>	<u>Page Number</u>	<u>Part no.</u>	<u>Page Number</u>
1274173GT	101, 109	1283888GT	95		
1274322GT	87, 89, 93, 99, 101, 105	1284282GT	83		
1275088GT	115	1285689GT	85		
1275089GT	115	1285700GT	159		
1275393GT	113	1285812GT	85		
1275395GT	113	1286362GT	29		
1275396GT	113	1287821GT	95		
1275397GT	113	1287986GT	137		
1275537GT	179	1289956GT	171		
1275538GT	181	1291360GT	77		
1275539GT	179	1292362GT	85		
1275540GT	181	1292677GT	77		
1277873GT	183	1293787GT	151		
1277875GT	183	1293788GT	151		
1277876GT	183	1294398GT	21, 29		
1277877GT	183	1294877GT	53, 71, 85		
1277924GT	91, 97, 99, 101, 109, 111	1295098GT	95		
1277952GT	189	1295211GT	91		
1277966GT	189	1296496GT	83		
1278111GT	183	1296946GT	191		
1278119GT	183	1297231GT	47		
1278121GT	183	1297587GT	137		
1278124GT	183	1298825GT	21		
1278138GT	183	1298967GT	167		
1278144GT	185	1299743GT	21		
1278363GT	185	1299744GT	21, 29		
1278368GT	183	1300035GT	169		
1278416GT	183	1301754GT	169		
1278433GT	183	1304130GT	35		
1278452GT	183	1304820GT	193		
1278458GT	183	1305593GT	193		
1278542GT	183	1307061GT	153		
1278629GT	175	1307121GT	127		
1278982GT	185	T106699GT	75, 125		
1279135GT	183	T107883GT	105		
1279765GT	189	T107884GT	103, 105		
1280665GT	47, 59	T108075GT	101, 107		
1281174GT	21, 29	T108673GT	39		
1281175GT	29	T112560GT	125		
1283776GT	11	T112773GT	25, 29		
1283806GT	37	T115351GT	143		
1283887GT	95	T115412GT	79		



California Proposition 65



Operating, servicing and maintaining this equipment, passenger vehicle or off-highway motor vehicle can expose you to chemicals including engine exhaust, carbon monoxide, phthalates, and lead, which are known to the State of California to cause cancer and birth defects or other reproductive harm. These chemicals can be emitted from or contained in other various parts and systems, fluids and some component wear by-products. To minimize exposure, avoid breathing exhaust, do not idle the engine except as necessary, service your equipment and vehicle in a well-ventilated area and wear gloves or wash your hands frequently when servicing your equipment or vehicle and after operation. For more information go to www.P65Warnings.ca.gov/passenger-vehicle.

Breathing diesel engine exhaust exposes you to chemicals known to the State of California to cause cancer and birth defects or other reproductive harm.

- Always start and operate the engine in a well-ventilated area.
- If in an enclosed area, vent the exhaust to the outside.
- Do not modify or tamper with the exhaust system.
- Do not idle the engine except as necessary.

For more information go to www.P65warnings.ca.gov/diesel.

www.genielift.com

Distributed By:

Parts Manual
Z-45/25, Z-45/25J DC *from SN Z4525D-1358*

Part No.
1296548GT

Rev A1

Genie
A TEREX BRAND