



[www.swisherinc.com](http://www.swisherinc.com)

## OWNER'S MANUAL

STARTING SERIAL #  
L106-017001  
ENDING SERIAL #  
L110-365999

**MODEL NO.**

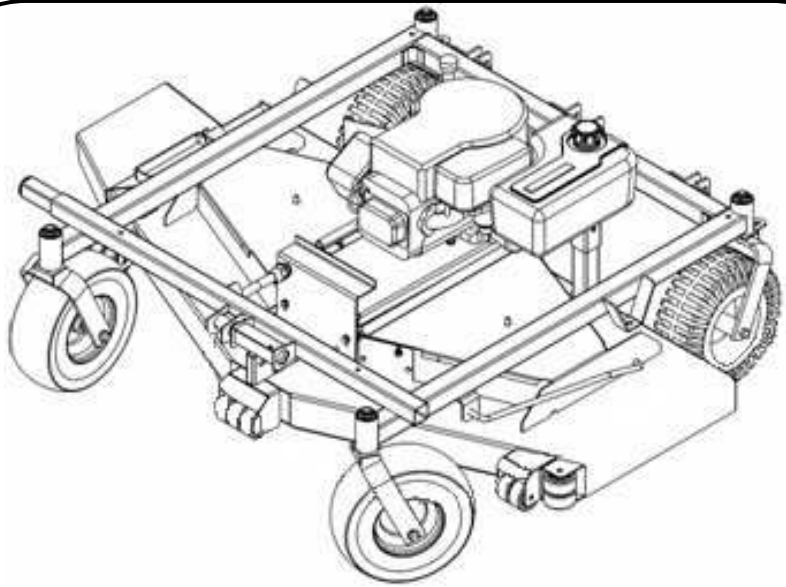
**POL14560X  
POL14560X-CA  
POL14560XEX**



**IMPORTANT**

Read and follow all  
Safety Precautions  
and Instructions  
before operating this  
equipment.

Rev: 07-234



# 60'' FINISH CUT

FRONT & REAR MOUNT

# TRAILMOWER<sup>®</sup>



**Assembly  
Operation  
Service and Adjustment  
Repair Parts**

1602 CORPORATE DRIVE, WARRENSBURG, MISSOURI 64093  
PHONE 660-747-8183 FAX 660-747-8650

**Manufacturing quality lawn care equipment since 1945**

*Made In The*

**USA**

## LIMITED WARRANTY

The manufacturer's warranty to the original consumer purchaser is: This product is free from defects in materials and workmanship for a period of one (1) year from the date of purchase by the original consumer purchaser. We will repair or replace, at our discretion, parts found to be defective due to materials or workmanship. This warranty is subject to the following limitations and exclusions:

- 1) Engine Warranty                      All engines utilized on our products have a separate warranty extended to them by the individual engine manufacturer. Any engine service difficulty is the responsibility of the engine manufacturer and in no way is Swisher or its agents responsible for the engine warranty. The Briggs & Stratton Engine Service Hot-Line is 1-800-233-3723. The Tecumseh Engine Service Hot-Line is 1-800-558-5402.
  
- 2) Commercial Use                      The warranty period for any product used for commercial or rental is limited to ninety (90) days from the date of original purchase.
  
- 3) Limitations                              This warranty applies only to products which have been properly assembled, adjusted, and operated in accordance with the instructions contained within this manual. This warranty does not apply to any product of Swisher that has been subject to alteration, misuse, abuse, improper assembly or installation, shipping damage, or to normal wear of the product.
  
- 4) Exclusions                                Excluded from this warranty are normal wear, normal adjustments, and normal maintenance.

In the event you have a claim under this warranty, you must return the product to an authorized service dealer. All transportation charges, damage, or loss incurred during transportation of parts submitted for replacement or repair under this warranty shall be borne by the purchaser. Should you have any questions concerning this warranty, please contact us toll-free at 1-800-222-8183. The model number, serial number, date of purchase, and the name of the authorized Swisher dealer from whom you purchased the mower will be needed before any warranty claim can be processed.

THIS WARRANTY DOES NOT APPLY TO ANY INCIDENTAL OR CONSEQUENTIAL DAMAGES AND ANY IMPLIED WARRANTIES ARE LIMITED TO THE SAME TIME PERIODS STATED HEREIN FOR ALL EXPRESSED WARRANTIES. Some states do not allow the limitation of consequential damages or limitations on how long an implied warranty may last, so the above limitations or exclusions may not apply to you. This warranty gives you specific legal rights and you may have other rights, which vary from state-to-state. This is a limited warranty as defined by the Magnuson-Moss Act of 1975.

## SAFETY PRECAUTIONS



**This Safety Alert Symbol indicates important messages in this manual. When you see this symbol, carefully read the message that follows and be alert to the possibility of personal injury.**

**Read this manual completely. This machine can amputate hands, feet, and throw objects. Failure to observe the following safety instructions could result in serious injury or death.**

- Read the manual. Learn to operate this machine safely.
- Always disconnect the spark plug wire and place the wire where it cannot contact the spark plug, to prevent accidental starting of the engine when setting up, transporting, adjusting or making repairs.
- Keep all shields and guards in place.
- Understand the speed, steering and stability of this machine. Know the positions and operations of all controls before you operate this machine. Check all of the controls in a safe area before starting to work with this machine.
- Allow only responsible adults who are familiar with these instructions to operate this machine. Never allow children to operate this machine.
- Clear the area of objects such as rocks, toys, wire, etc. that can be picked up and thrown by the blades.
- Be sure the area is clear of other people before mowing. Be aware of the mower discharge direction and do not point at anyone. Stop the machine if anyone enters the mowing area. Children are often attracted to the machine and the mowing activity. ***Never assume that children will remain where you last saw them.*** Keep children under the watchful care of another responsible adult.
- **No riders!**
- Do not put hands or feet near or under rotating parts. Keep clear of the discharge opening at all times.
- Do not mow in reverse. Always look down and behind before and while backing.
- Turn off the blades when not mowing. Before leaving the machine, turn off the blades and stop the engine.
- Watch for traffic when operating near or crossing roadways.
- Do not operate the mower if it has been dropped or damaged in any manner or if the mower vibrates excessively. Excessive vibration is an indication of damage. Repair mower as necessary.
- Dress properly. Do not operate the mower when barefoot or wearing open sandals. Wear only solid shoes with good traction when mowing.
- Do not operate the machine while under the influence of alcohol or drugs.
- Operate self-propelled machines up and down slopes. There is significant risk of overturns when operating across slopes. Operate walk-behind machines across slopes. There is a significant risk of slipping under a walk-behind machine when operating up and down slopes. Do not operate on slopes greater than 15 degrees.
- Never tamper with safety devices. Check their proper operation regularly.
- Stop and inspect the equipment if you strike an object. Repair, if necessary, before restarting.
- Never make adjustments or repairs with the engine running.
- Mower blades are sharp and can cut. Wrap the blades or wear gloves, and use extra caution when servicing them.

## WARRANTY RIGHTS AND OBLIGATIONS

**YOUR WARRANTY RIGHTS AND OBLIGATIONS:** The California Air Resources Board and Swisher, is pleased to explain the evaporative emission control system (EECS) on your model year 2006 and later Swisher Product. In California, new Outdoor Power Equipment, must be designed, built and equipped to meet the State's stringent anti-smog standards. Swisher must warrant the EECS on your Power Equipment, for the period of time listed below provided there has been no abuse, neglect, or improper maintenance. For model year 2006 the EECS on your mower includes the liquid fuel lines, fuel line connectors, and fuel line clamps. Where a warrantable condition exists, Swisher will repair at no cost to you. Expenses covered under warranty include diagnosis, parts, and labor.

**MANUFACTURER'S WARRANTY COVERAGE:** For a period of two years, any evaporative emission-related part included in the list of EECS parts for your mower is defective, the part will be repaired or replaced by Swisher.

**OWNER'S WARRANTY RESPONSIBILITIES:** As the owner of this Power Equipment, you are responsible for performance of the required maintenance listed in your owner's manual. Swisher recommends that you retain all receipts covering maintenance on your Power Equipment, but Swisher cannot deny warranty solely for the lack of receipts. As the Power Equipment owner, you should be aware that Swisher, may deny you warranty coverage if your Power Equipment, or a covered part has failed due to abuse, neglect, or improper maintenance, unapproved modifications, or the use of parts not made or approved by the equipment manufacturer. You are responsible for presenting your Power Equipment to an authorized Swisher Service center as soon as the problem exists. Warranty repairs should be completed in a reasonable amount of time, not to exceed 30 days. If you have a question regarding your warranty rights and responsibilities, you should contact the Swisher Service representative at 1-800-222-8183.

**WARRANTY COMMENCEMENT DATE:** The warranty period begins on the date the Power Equipment is purchased.

**LENGTH OF COVERAGE:** This warranty shall be for a period of two (2) years from the initial date of purchase.

**WHAT IS COVERED:** Warranted parts include the Liquid fuel line, fuel line connectors, and fuel line clamps.

**REPAIR OR REPLACEMENT OF PARTS:** Repair or replacement of any evaporative warranted part will be performed at no charge to the owner at an authorized Swisher Service Center. If you have a question regarding your warranty rights and responsibilities, you should contact your nearest authorized service center or call the Swisher Service representative at 1-800-222-8183.

**WARRANTY PERIOD:** Any warranted part is not scheduled for replacement as required maintenance, or which is scheduled only for regular inspection to the effect of "repair or replace as necessary" shall be warranted for two (2) years. Any warranted part that is scheduled for replacement as required maintenance shall be warranted for the period of time up to the first scheduled replacement point for that part.

**DIAGNOSIS:** The owner shall not be charged for diagnostic labor that leads to the determination that a warranted part is defective if the diagnostic work is performed at an authorized Swisher Service Center.

**CONSEQUENTIAL DAMAGE:** Swisher, may be liable for damages to other engine or equipment components caused by the failure of a warranted part still under warranty.

**WHAT IS NOT COVERED:** All failures caused by abuse, neglect, or improper maintenance is not covered.

**ADD-ON OR MODIFIED PARTS:** The use of add-on or modified parts may be grounds for disallowing a warranty claim. Swisher is not liable to cover failures of warranted parts caused by the use of an add-on or modified part.

**HOW TO FILE A CLAIM:** If you have a question regarding your warranty rights and responsibilities, you should contact your nearest authorized service center or call Swisher Service representative at 1-800-222-8183.



# SAFETY DECALS

Replace decals immediately if damaged. Order by part number from Swisher

OD45- Warning Decal



OD11- No step Decal



OD55- Triangle Danger Decal



OD43- Flying Debris Decal



OD15 – Grass Only Decal



OD33- Speed Decal



OD29- Danger Decal

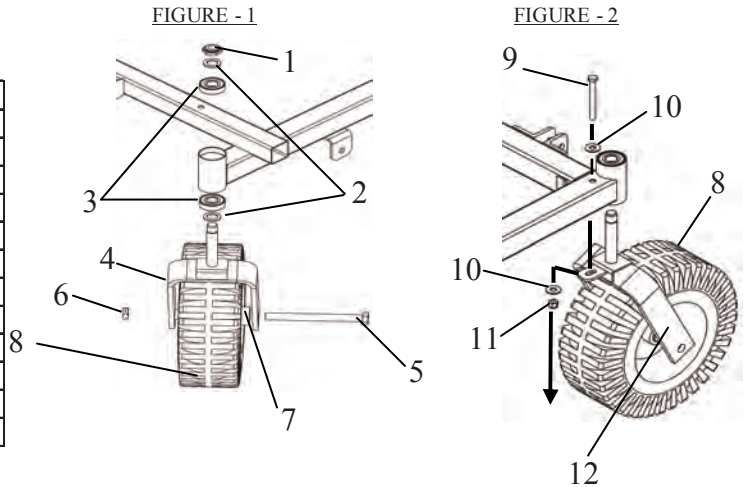


# REQUIRED ASSEMBLY

## FRONT WHEEL CASTER ASSEMBLY FIGURE - 1

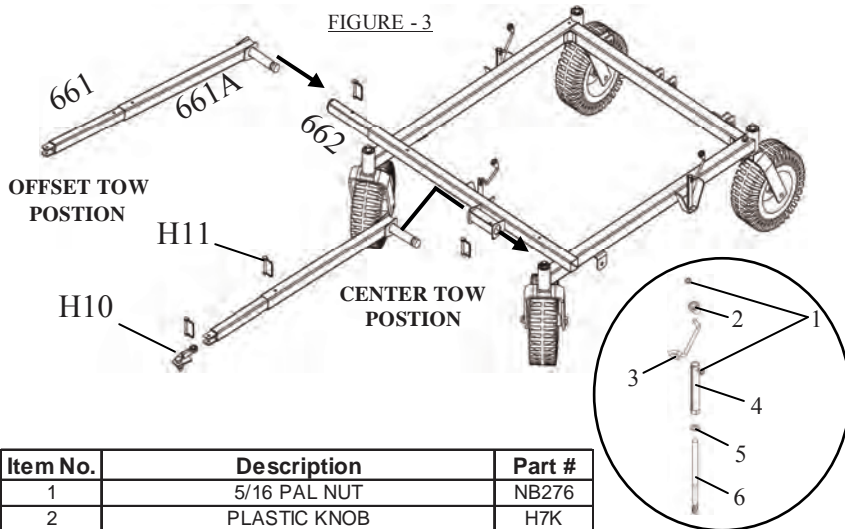
1. Remove single nut (1) and washers (2) from caster shaft.
2. Place one washer (2) on the shaft of the caster/wheel sub-assembly. (4)
3. Slide same shaft through the bearing (3) in the frame with wheel towards the ground.
4. Place the other washer (2) on the shaft; it should be resting on the top bearing.
5. Thread nyloc jam nut onto shaft.
6. Tighten nut snugly, making sure shaft threads enter the nyloc of the nut. **Over-tightening of this nut will bind caster.**
7. Repeat process for all four casters

Item No.	Description	Part #
1	3/4-16 JAM NYLOK NUT	NB122
2	WASHER	NB195
3	BEARING	B98
4	CASTER FORK	665TK
5	5/8-11X 7 BOLT	NB624
6	5/8-11 2-WAY LOCK NUT	NB595
7	WHEEL SPACER	663L
8	WHEEL/TIRE/BEARING	F4157W
9	3/8-16 x 3.5 BOLT	NB649
10	WASHER	NB271
11	3/8-16 NYLOK NUT	NB182
12	REAR CASTER	6710TK

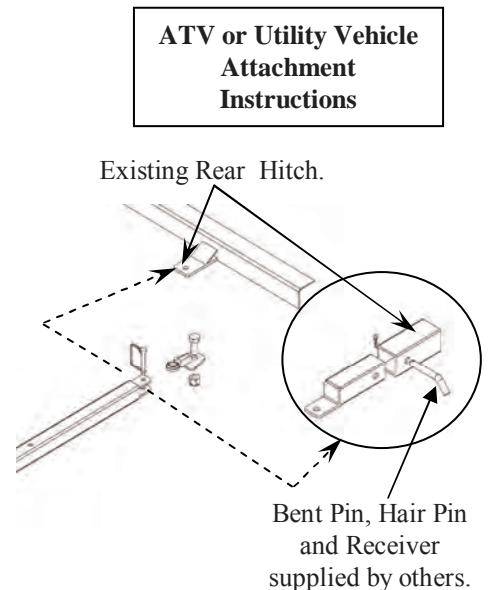


## OFFSET & CENTER TOW HITCH BAR ASSEMBLY FIGURE - 3

1. Lay out parts according to the diagram.
2. Insert part 661A into part 662 and pin with the hitch pin (H11).
3. Insert part 661 into part 661A. Choose from the 3 holes to set the desired hitch length. Pin with a hitch pin.
4. Part 662 slides into the front tube of the frame. Again, choose from the 3 holes to arrange desired offset. Pin with a hitch pin (H11).
5. Eliminate step 2 for hitching from the center bracket. Only one method can be used at a time.



Item No.	Description	Part #
1	5/16 PAL NUT	NB276
2	PLASTIC KNOB	H7K
3	CRANK ARM	ES214
4	ADJUSTER TUBE	H7N1TK
5	BUSHING	10579
6	1/2-13 X 7-3/4" EYE BOLT	10038



## OPERATING YOUR TRAILMOWER



The operation of any mower can produce foreign objects to be thrown into the eyes, resulting in severe eye damage. Always wear certified safety glasses or wide-vision safety goggles over spectacles before starting any cutting machine and while operating such a machine.



The operation of any cutter produces sound waves that are damaging to the human ear. Ear protection is recommended.



### **CAUTION!**

Tragic accidents can occur if the operator is not alert to the presence of children. Children are often attracted to the machine and the mowing activity. *Never assume that children will remain where you last saw them.*

### **INTENDED USE**

This Trailmower® is designed to produce a quality finish cut on lawns, golf courses, etc. It is **not** designed to clear brush or cut saplings. Your Trailmower® should be used in accompaniment with an ATV, a golf cart, lawn tractor, or similar approved vehicle. It is not meant for speeds exceeding 5 MPH.

### **ATTACHING TRAILMOWER® TO THE TOW VEHICLE**

#### **FRONT MOUNT MOWING**

- Securely attach Front Mount Kit (sold separately) to vehicle.
- Park vehicle at rear of mower.
- Make sure rear caster lock bolts are removed and casters may rotate 360 degree freely.
- Using L-pins and clips supplied with Front Mount Kit attach mower to vehicle.
- Fix wire harness and console assemble securely to tow vehicle with Velcro straps.
- *See Front Mount Kit Owner's Manual for service parts.*

#### **TRAIL MOUNT MOWING**

- Back vehicle up to front of mower.
- Attach Swivel Hitch (H10TK) to tow vehicle.
- Attach tongue hitch to vehicle as shown on (page 6 Figure – 3).
- Rotate and lock rear casters into position as shown on (page 6 Figure – 2).

### **STARTING THE ENGINE**

See engine manufacturer's instructions for the type and amount of oil and fuel used. For Trailmowers® that require a battery (sold separately), Swisher recommends using a standard "U 1 R" lawn & garden battery.

- Engine must be on level ground to accurately check and fill oil **DO NOT OVER FILL**.
- Make sure the tow vehicle parking brake is set, mower is level, and **blades are disengaged**.
- Check spark plug wire, oil, and fuel.
- Check all electrical connections (See Schematics).
- Make sure toggle switch is turned “ON” and the red tether is properly attached.
- Set engine idle to “CHOKE” position.
- With feet clear of mower deck, turn key switch to the “START” position; [ if unit is equipped with 12 volt system ] release when engine begins to run.
- For units NOT equipped with electric start turn key to “ON” position and pull starter Rope until engine starts.
- Set engine idle at desired RPM.

### **BREAKING IN YOUR MOWER**

- Set vehicle parking brake or chock wheels to prevent accidental rolling.
- Start engine properly.
- Then pull the PTO switch located on the console to the out or engage position.
- In a safe environment, i.e. no children, allow blades to rotate and engine to idle for 5 minutes. This breaks in the belts and the engine.
- Stop mower properly.



#### **CAUTION!**

SHUT OFF MOWER ENGINE AND REMOVE SPARK PLUG WIRE FROM SPARK PLUG BEFORE MAKING ANY ADJUSTMENTS TO THE MOWER.

### **MOWER HEIGHT ADJUSTMENT**

- Adjust deck height while mower is **not** running.
- The cutting range is approximately 1.5” to 4.5”. The height has been measured from the ground to the blade tip without the engine running.
- Rotate height adjust crank handles (H7N) in a clockwise direction to lift the mower deck. A counter-clockwise direction is used to lower the mower deck.
- Make sure the height adjustment is the same at side crank handles. For best results, see “SUGGESTED PRACTICE” section. Graduated scales are for reference only, not the actual cutter height.
- Place crank handle in a retracted position to maintain height adjustment.

### **STARTING TO MOW**

- Adjust the cutting height.
- Double check tow vehicle to mower attachment.
- Start mower engine properly.
- Let engine run at full throttle for a few seconds then pull the PTO switch located on the console to the out or engage position.
- Mount tow vehicle and start mowing slowly.

## ALTERNATIVE STOPPING METHOD

- Bring vehicle to complete stop, shut off engine, and set parking brake.
- Disengage blades.
- Manually turn key switch to the “OFF” position.
- Always remember to remove keys to avoid accidental starting.

## TRANSPORTING MOWER

- Stop mower properly.
- Place mower deck in its highest position.
- If transporting unattached from tow vehicle, then remove spark plug wire and place where it cannot contact the spark plug.

## SUGGESTED MOWING PRACTICES

- Operate mower engine at full throttle to assure the best cutting performance and maximum material discharge.
- Allow wet grass to dry. Clumps of wet grass will collect under the mowing deck.
- Mowing should be started with tow vehicle in low gear and increased only as safe mowing conditions permit. This speed should not exceed 5 MPH.
- The average lawn should be cut to approximately 2.5” during the cool season and to over 3” during the hot months.
- For a healthier lawn and better aesthetics, your lawn should be mowed often and after moderate growth.
- When cutting high or dense grass areas go slowly. Some areas may need to be mowed twice. The second cut should be at 90 degrees to the first, if possible.
- **Mowing thick or high grass.** Raise rear height crank handles to .5”-.75” above the other two handles.
- **Creating a manicured lawn.** Lower rear height crank handle to .25”-.5” below front of deck. This allows grass blades to be cut twice. It also continually cuts clippings to produce a mulching effect.

## GENERAL TROUBLE SHOOTING

- The mower is not cutting level.
  - Level deck, making sure the side crank-handles are equal.
  - Check air pressure of all tires; make sure they are equal (about 15-18 psi).
  - Examine blades for damage, while mower engine is not running.
- The engine will not start.
  - Disengage blades, turn toggle switch to “ON” position, check battery and all other electrical connections, and inspect spark plug and wire.
  - Check fuel level.
- Engine runs poorly.
  - See engine manual.
  - Check throttle adjuster.
  - Replace fuel filter, fuel line, and drain old fuel from tank and refill with Clean fuel.



IF PROBLEMS PERSIST HAVE A QUALIFIED MECHANIC SERVICE THE MOWER. NEVER ATTEMPT TO MAKE AN ADJUSTMENT THAT YOU ARE NOT SURE IS CORRECT. DOING SO MAY CAUSE OTHER PROBLEMS.

## MOWER MAINTENANCE

### GENERAL RECOMMENDATIONS

The warranty on this Trailmower® does not cover items that have been subjected to operator abuse or negligence. To receive full value from the warranty, operator must maintain unit as instructed in this manual.

Some adjustments will need to be made periodically to maintain your unit properly. All adjustments in this manual should be checked at least once each season.

### BEFORE EACH USE

- Check engine oil level on a level surface. (Check twice to insure an accurate reading.)
- Check condition of air filter; clean and replace as necessary.
- Check blade operation; keep blades in good condition.
- Check for loose fasteners and tighten them as needed.

### AFTER EACH USE

- Keep blades sharp.
- Remove fresh grass clippings with garden hose.
- Grass clippings can harden to the underside and should be scraped out with a putty knife.
- Keep fluids at proper levels.
- Cover unit to prevent rain or other debris build-up. Definitely cover the engine.

### BEFORE AND/OR AFTER EACH SEASON

- Replace the spark plug.
- Clean or replace the air filter.
- A new spark plug and clean air filter assure proper air-fuel mixture and help your engine run better and last longer.
- Check blades and belts for wear. Replace as necessary.

### STORAGE RECOMMENDATIONS

**⚠ CAUTION!** Do not store engine indoors or in poorly ventilated area. Keep engine away from gas appliances where fumes could contact open flame, pilot lights, or sparks.

**⚠ If engine is to be stored for 30 or more days, prepare unit as follows:**

- Drain fuel outside into an approved container.
- Start engine properly and run until unit is out of fuel.
- Let engine cool.
- Remove remaining gasoline from carburetor and fuel tank to prevent gum deposits from forming within the engine. Gum deposits can cause malfunction in the engine.
- Store mower with blades disengaged to prevent belts from being permanently stretched.

### BLADE CARE AND SERVICE

For best results cutter blades must be kept sharp. The blades can be sharpened with a few strokes of a file or grinding wheel. Do not attempt to sharpen blades while they are on the cutter.

*Disconnect spark plug wire before servicing unit.*

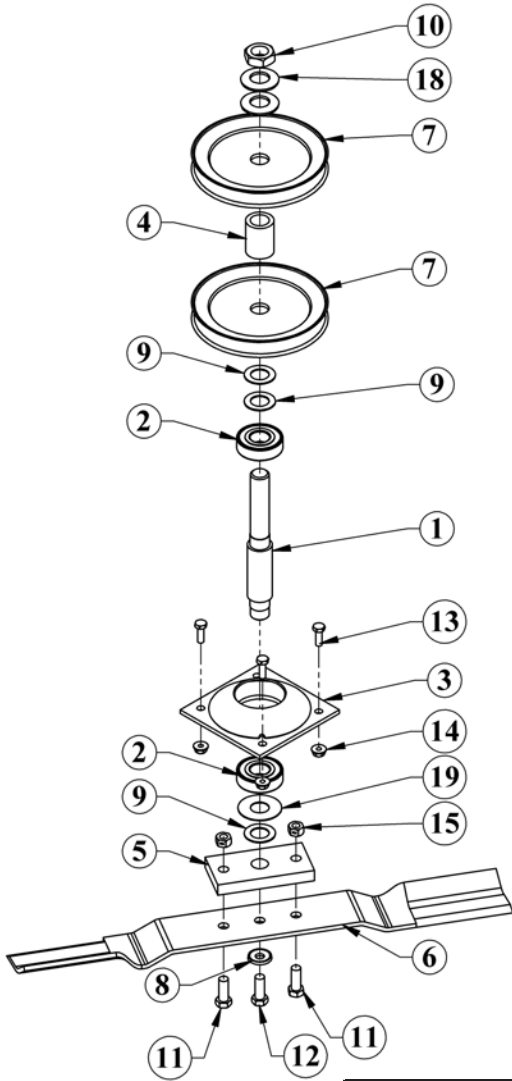
**Important: Replace blades that have been damaged or deeply nicked.**

**Important: Check blade and spindle hardware on a regular basis to make sure nuts are tight.**



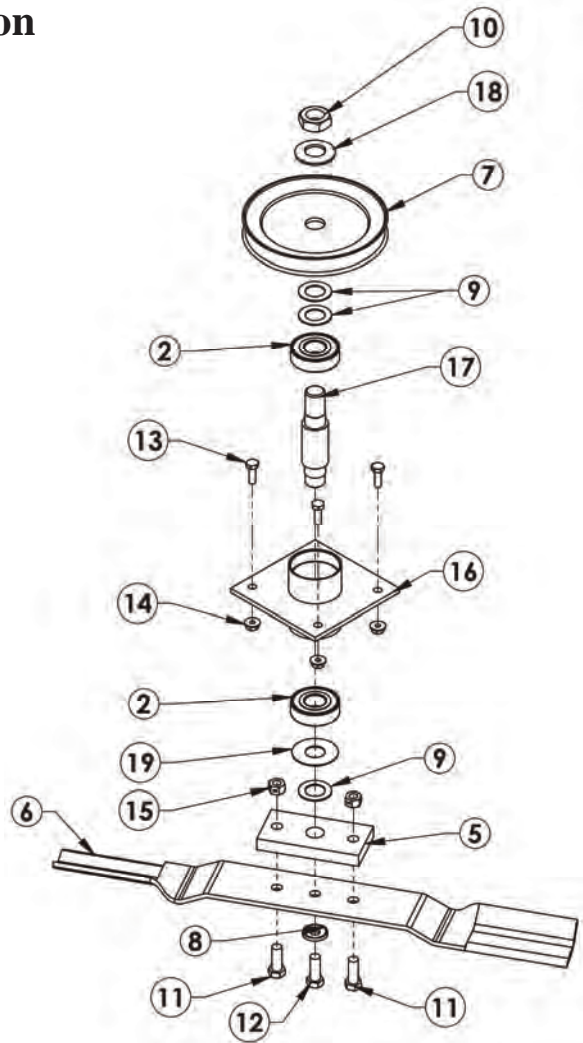
Only a qualified mechanic should be used for any adjustments, disassembly or other kind of repairs.

Center Blade



**Blade Driver Configuration**

Outer Blades



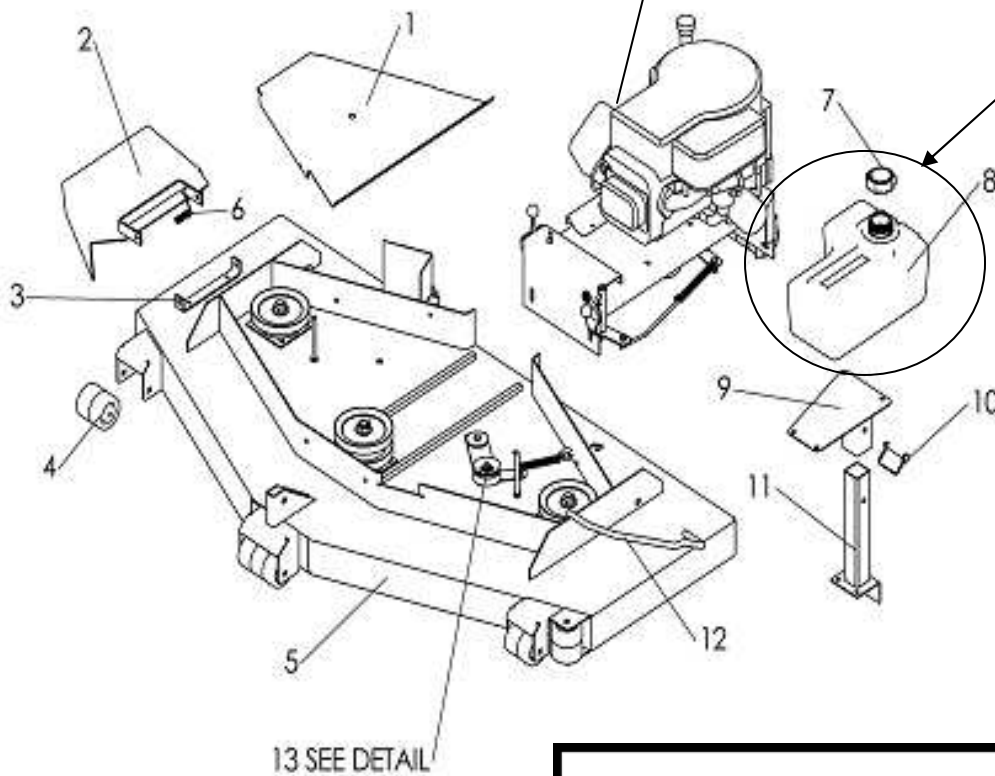
Item No.	Description	Part #
1	Center Shaft, 5.75"	9054
2	Blade Bearing	B98
3	Bearing Housing	9057TK
4	Pulley Spacer	6065PM
5	Blade Mount Plate	9008
6	20 1/2" Blade	9004
7	Blade Pulley- 5.5"	6114
8	SP Washer BelM. PLN .413 X .945 X .118	NB-607
9	3/4 ID X 1 1/4 OD 18 GA Washer	NB-179
10	3/4-16 Jam Nut	NB-175
11	3/8-24 X 1 1/4 HCC GR5 ZP	NB-238
12	3/8-24 X 1 Engine Bolt Locktite	NB-238N
13	1/4-20 X 1"- Bolt	NB-690
14	1/4-20 Serr.Flange Nut	NB-524
15	3/8-24 2-Way Lock Nut	NB-216
16	Housing Blade Bearing Short	B99ECLK
17	L&R Shaft, 4.25"	9076
18	Belleville Washer	AS155
19	Flat Washer	B98W

Recommended Torque Specifications	
Item No.	Torque (ft-lbs)
10	90
12	35
14	20
15	35

SEE DETAIL

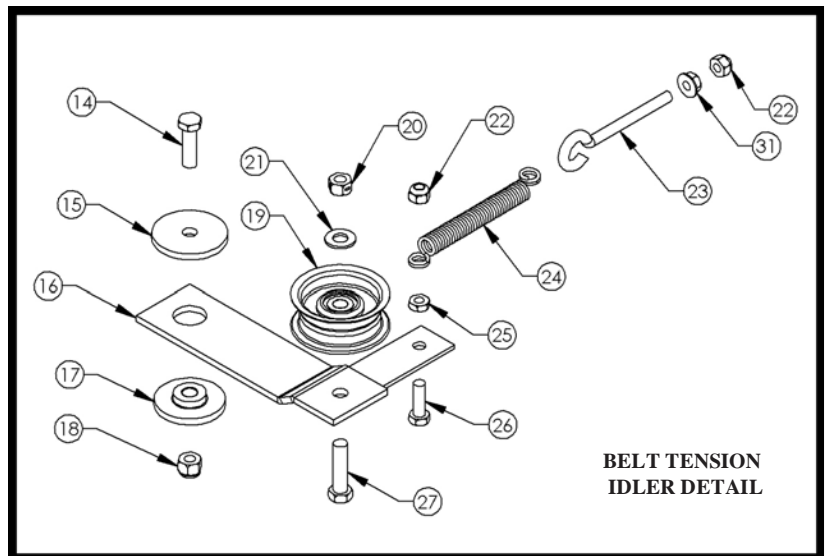
Page-13

#6059  
GAS TANK  
ASSEMBLY



### MOWER DECK DETAIL

Item #	Description	Part #
1	BELT COVER	6025TK
2	GRASS CHUTE	6039TK
3	CHUTE BRACKET	6030TK
4	ANTI-SCALP ROLLER	AS001
Not Shown	Bolt - 3/8-16 X 5 1/2	NB575
Not Shown	Nut - Nyloc 3/8-16 ZY	NB182
5	DECK WELDMENT (POL14560C)	6027TK
6	SPRING - TORSION	166X34
7	GAS CAP	6102NC
8	GAS TANK	6102T
9	TANK BRACKET	6078TK
10	HITCH PIN	H11
11	GAS TANK STAND	6044TK
12	SWAY BAR	3664/3665
13	BELT TENSION IDLER	6055
14	3/8-16 X 1 1/4 BOLT	NB618
15	SPACER	6040
16	IDLER ARM	6054TK
17	BUSHING	6037
18	3/8-16 NYLOK NUT	NB182
19	IDLER PULLEY	B527
20	3/8-16 2 WAY LOCK NUT	NB280
21	3/8 WASHER	NB272
22	5/16-18 NYLOK NUT	NB181
23	5/16-18 EYE BOLT	NB315
24	TENSION SPRING	TZ2S
25	5/16-18 NUT	NB173
26	5/16-18 X 1 BOLT	NB501
27	3/8-16 X 1 1/2 BOLT	NB107
28	BATTERY BOX	6112TK
29	1/4-20 X 3/4 BOLT	NB154
30	1/4-20 NYLOK NUT	NB180
31	5/16-18 Serrated Flng Nut	NB170



BELT TENSION  
IDLER DETAIL

**CHECK US OUT**

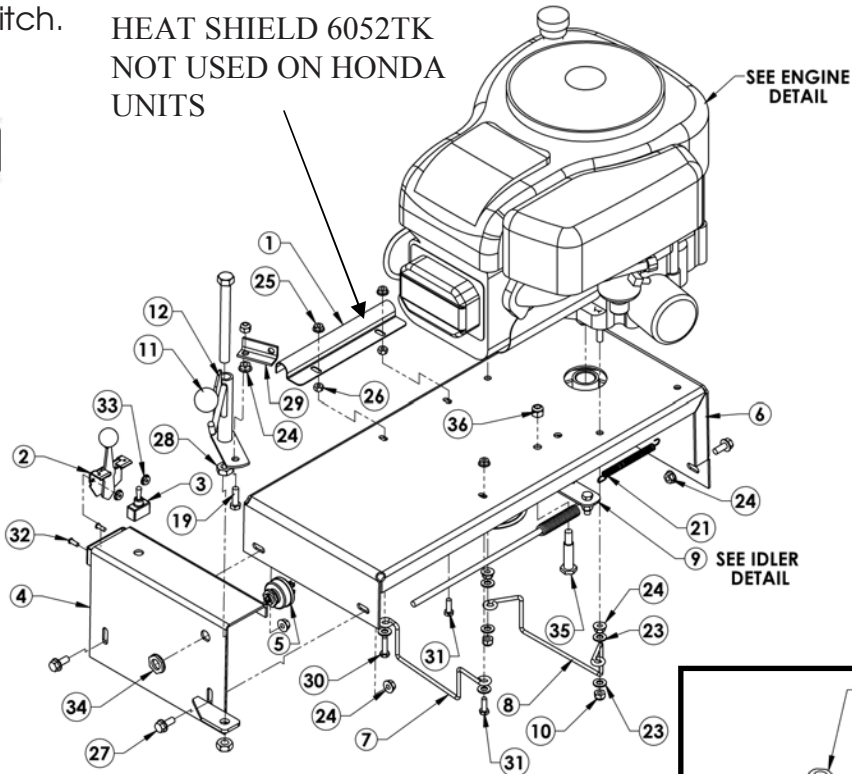
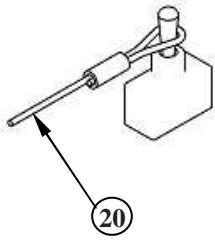
Go to [www.swisherinc.com](http://www.swisherinc.com)

For information about the full line  
of swisher products.

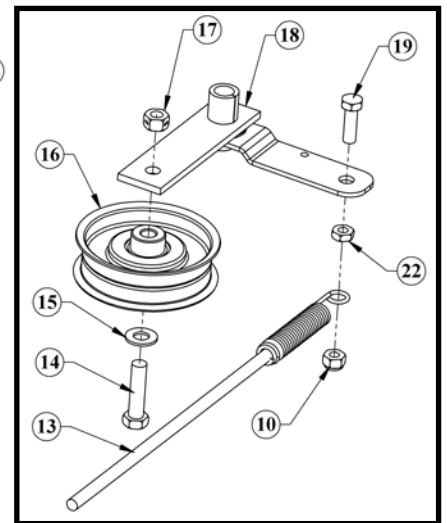
## MOTOR BASE DETAIL

Slide plastic tube snug against toggle switch.

HEAT SHIELD 6052TK  
NOT USED ON HONDA  
UNITS



## MOTOR BASE DETAIL

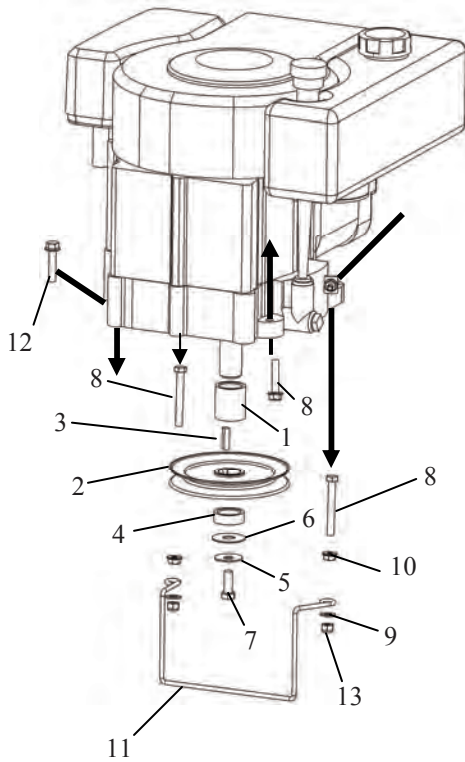


Item No.	Description	Part #
1	Heat Shield	6052TK
2	Throttle	686N
Not Shown	Knob - Throttle	686K
3	Toggle Switch	685SP
4	Control Console	10737TK
5	Ignition Switch	3623
6	Base - Motor, Painted	6003TK
7	Belt Guide	14869
8	Belt Guide	6000
9	Top Idler Assembly	10735
10	5/16 - 18 Nyloc Nut	NB181
11	Plastic Knob	B19BLACK
12	Engage Lever	10727TK
13	Engage Rod Assembly	4422/10636YZ
14	3/8 - 16 X 1 1/2 Bolt	NB107
15	Washer	NB272
16	Idler Pulley	B527
17	3/8 - 16 2 Way Lock Nut	NB280
18	Top Idler Weldment	6009TK
19	5/16 - 18 X 1 Bolt	NB501
20	Safety Tether	H9C
21	Return Spring	T2SM
22	Nut - Jam 5/16-18 ZY	NB173
23	Washer - SAE 5/16 ZY	NB275
24	Nut - Serrated Flange 5/16-18 ZY	NB170
25	Nut - Flange, 1/4-20	NB524
26	Nut - HX 1/4-20 ZY	NB139
27	Bolt - Serr Flng, 5/16-18 X 3/4	NB596
28	Nut - Jam Lock, 1/2-13 2-Way	NB121

29	Pivot - Engage	4578TK
30	Bolt - HCC 1/4-20 X 1 GR5 ZY	NB102
31	Bolt - 1/4-20 X 3/4 GR5 ZY	NB250
32	Screw - Phil Truss 8-32 X 1/2 ZY	NB197
33	Nut - Kep 8-32 ZY	NB201
34	Nut - Key Switch	9087
35	Bolt - Shoulder, 1/2 X 1-9/16	NB220
36	Nut - Nyloc 3/8-16 ZY	NB182
<b>PARTS NOT SHOWN</b>		
	WIRING HARNESS [BRIGGS]	WHN60B2
	BATTERY [ U 1 R ]	NA
	BATTERY CABLE- RED	BCSR
	BATTERY CABLE- BLACK	BCLB
	SOLENOID	16915
	BATTERY STRAP	BHOLD
	KEYS	KSK
	BATTERY CABLE BOOTS	BCBT
	WASHER - LOCK, KEY SWITCH	9088

# ENGINE DETAIL

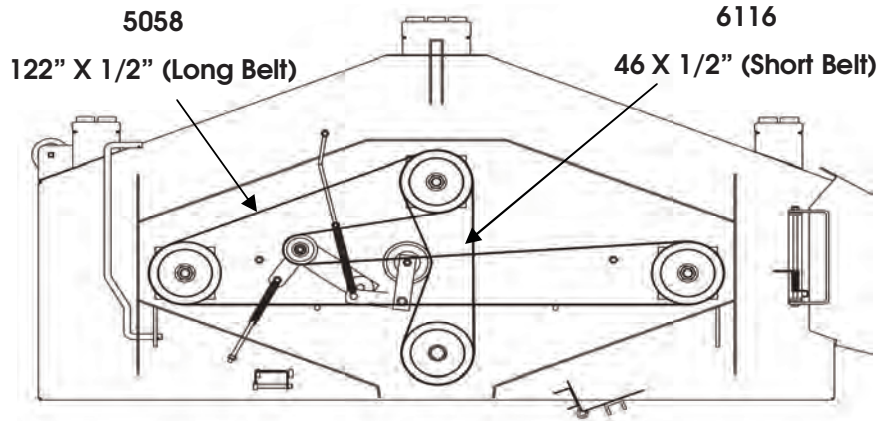
BRIGGS / TECUMSEH > DETAIL - 1



## DETAIL - 1

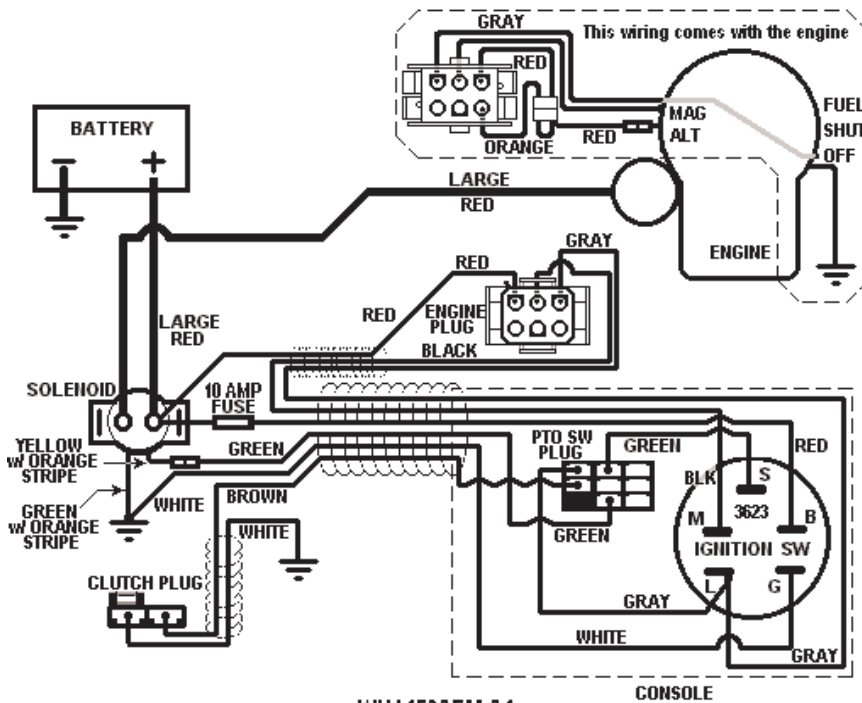
Item No.	Description	Part #
1	UPPER SPACER	689L
2	5-1/2" ENGINE PULLY	688
3	1/4" X 1" KEY STOCK	9031
4	LOWER SPACER	689S
5	3/8 BELLEVILLE WASHER	699
6	FLAT WASHER	TR150W
7	3/8-24 X 1 BOLT [BRIGGS ]	NB452N
Not Shown	7/16-20 X 1 BLOT [TECUMSEH ]	NB238N
8	5/16-18 X 1-3/4 BOLT	NB515
9	5/16 USS WASHER	NB275
10	5/16-18 Flge NUT	NB170
11	BELT GUIDE	6000
12	5/16-18 X 1 1/4 FLG.BOLT	NB253
13	5/16-18 NYLOCK NUT	NB181

## BELT CONFIGURATION



## PARTS NOT SHOWN

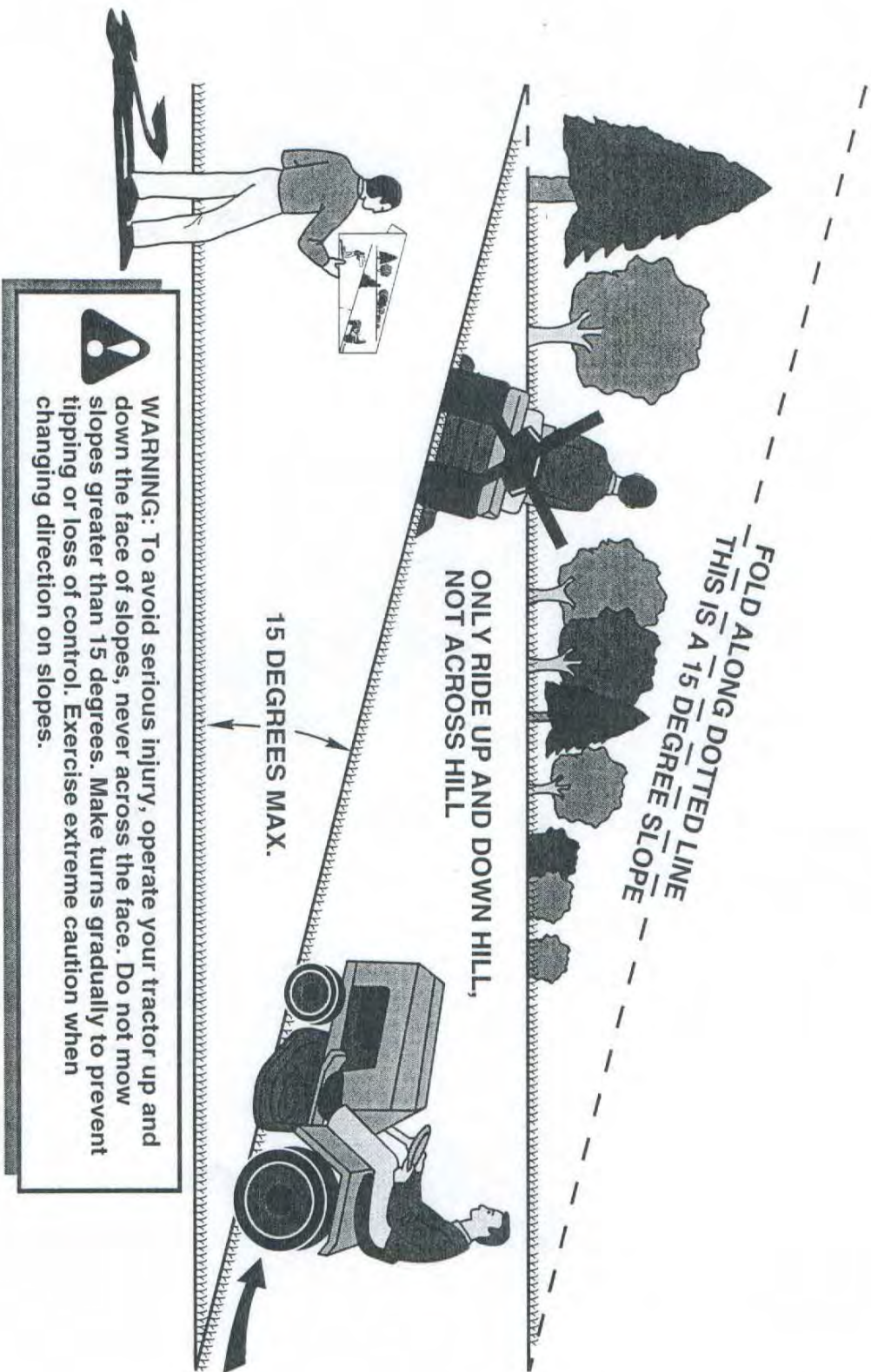
Description	Part #
BATTERY [ U 1 R ]	SOLD SEPARATELY
BATTERY CABLE- RED	BCSR
BATTERY CABLE- BLACK	BCLB
SOLENOID	16915
BATTERY STRAP	BHOLD
KEYS	KSK
BATTERY CABLE BOOTS	BCBT
HARNESS - WIRING	WHN60B2
CAP - FOR OIL DRAIN VALVE	AS123
VALVE - OIL DRAIN	16000
BUSHING	AS119



WH14560FM-04

CONSOLE

# SUGGESTED GUIDE FOR SIGHTING SLOPES FOR SAFE OPERATION



1. Fold this page along dotted line indicated above.
2. Hold page before you so that its left edge is vertically parallel to a tree trunk or other upright structure.
3. Sight across the fold in the direction of hill slope you want to measure.
4. Compare the angle of the fold with the slope of the hill.



[www.swisherinc.com](http://www.swisherinc.com)

## OWNER'S MANUAL

**MODEL NO.**  
**POL14560X**  
**POL14560X-CA**  
**POL14560XEX**

# 60" FINISH CUT TRAILMOWER®

### HOW TO ORDER REPAIR PARTS:

Each mower has its own model number. Each engine has its own model number. The model number for the mower will be found on the right hand side of the drive belt housing. The model number for the engine will be found on the top of the valve cover.

All mower parts listed herein may be ordered directly from Swisher or your nearest Swisher dealer.

All engine parts may be ordered from the nearest dealer of the engine supplied with your mower.

Color cannot be guaranteed on service parts.

WHEN ORDERING PARTS, PLEASE HAVE THE FOLLOWING INFORMATION AVAILABLE:

- \* PRODUCT - T-60 TRAILMOWER®
- \* SERIAL NUMBER - \_\_\_\_\_
- \* MODEL NUMBER - \_\_\_\_\_
- \* ENGINE MODEL NUMBER - \_\_\_\_\_  
TYPE - \_\_\_\_\_
- \* PART NUMBER
- \* PART DESCRIPTION

TELEPHONE - 1-800-222-8183

FAX - 1-660-747-8650

**SWISHER**  
1602 CORPORATE DRIVE  
WARRENSBURG, MO 64093