



READ AND SAVE THESE IMPORTANT INSTRUCTIONS

Whole Room Air Circulator Owner's Guide

LEA Y TENGA EN CUENTA ESTAS INSTRUCCIONES IMPORTANTES

Guía del propietario del Circulador de Aire para toda la habitación

LIRE ET CONSERVER CES INSTRUCTIONS IMPORTANTES

Guide de l'utilisateur du ventilateur intégral de pièce

www.vornado.com

models 1303, 5303, 6303, 7503, 7803

Designed, engineered and supported in Andover, Kansas.

Pensado, diseñado y respaldado en Andover, Kansas.

Conception, mise au point et soutien technique effectués à Andover, au Kansas.

Questions or comments?
¿Preguntas o comentarios?
Questions ou commentaires?



www.vornado.com



consumerservice@vornado.com



800.234.0604

Important Instructions	4
Whole Room Circulation	6
Features and Benefits	7
Getting Started	7
How To Use	10
Grill and Blade Removal.....	11
Cleaning and Maintenance	11
Troubleshooting	12
Warranty.....	13

IMPORTANT INSTRUCTIONS

READ ALL INSTRUCTIONS BEFORE USE.

This appliance has a polarized plug. (One blade is wider than the other.) To reduce the risk of electrical shock, this plug is intended to fit in a polarized outlet only one way. If the plug does not fit fully in the outlet, reverse the plug. If it still does not fit, contact a qualified electrician. Do not attempt to defeat this safety feature.

WARNING – To reduce the risk of fire or electrical shock, do not use this product with any solid state speed control device. To reduce the risk of fire or electric shock and injury to persons, do not use in a window.

This product employs overload protection (fuse). A blown fuse indicates an overload or short-circuit situation. If the fuse blows, unplug the product from the outlet. Replace the fuse as per the user servicing instructions (follow product marking for proper fuse rating) and check the product. If the replacement fuse blows, a short-circuit may be present and the product should be discarded or returned to an authorized service facility for examination and/or repair.

- **Do** unplug your circulator before cleaning.
- **Do** clean your Vornado Air Circulator regularly. Refer to the CLEANING instructions provided. Never clean the air circulator in any manner other than as instructed in this manual.
- **Do Not** use gasoline, thinners, solvents, ammonias or other chemicals for cleaning.
- **Do Not** immerse this product in water or allow water to drip into the motor housing.
- **Do Not** use near furnaces, fireplaces, stoves or other high-temper-

ature heat sources.

- **Do Not** position this product too close to draperies because they may be drawn into the rear grill, cutting off airflow.
- **Do Not** use this product outdoors.
- **Do Not** use this product on wet surfaces.
- **Do Not** use this product in a bathtub or shower.
- **Do Not** operate any fan with a damaged cord or plug. Discard fan or return to an authorized service facility for examination and/or repair.
- **Do Not** carry this product by the cord, or use the cord as a handle.
- **Do Not** attempt to repair or replace parts.
- **Do Not** run cord under carpeting. Do not cover cord with throw rugs, runners, or similar coverings. Do not route cord under furniture or appliances. Arrange cord away from traffic area and where it will not be tripped over.
- **Do** use common sense when using this product and/or any electrical appliance.

User Servicing Instructions

Grasp plug and remove from the receptacle or other outlet device. Do not unplug by pulling on cord. Open fuse cover (A.) by sliding access cover on top of attachment plug towards blades. Remove fuse carefully (B.) by gently prying out the ends of the fuse from the receptacle.

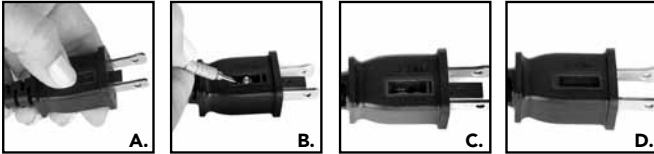
Risk of fire. Replace fuse only with 2.5 Amp, 125 Volt fuse.

IMPORTANT INSTRUCTIONS

READ ALL INSTRUCTIONS BEFORE USE.

Contact Vornado customer service for replacement fuse.
Phone: 1-800-234-0604, email: consumerservice@vornado.com

Install replacement fuse (C.) by first placing the end of the fuse into the fuse receptacle which is opposite of the blades of the plug, then carefully push in the other end. Only push against the metal end of the fuse, not the glass center portion. Close the fuse access cover (D.) by sliding the cover back into the plug until it is completely closed, latches and is flush with the face of the plug. Risk of fire. Do not replace attachment plug. Contains a safety device (fuse, AFCI, LCDI) that should not be removed. Discard product if the attachment plug is damaged.



SAVE THESE INSTRUCTIONS

Trust.

It is said that trust isn't given, but earned. For decades Vornado has been earning the trust of our customers by offering them only the best. Vornado provides the highest level of performance, coupled with the highest level of support available. Complete satisfaction with no exceptions – this is Vornado's promise to you. If you are not satisfied for any reason, please contact us. Knowledgeable representatives are available at 1-800-234-0604 from 7:00 AM to 6:00 PM CST. A wealth of additional support is also available online at www.vornado.com. On behalf of myself and the entire staff at our Andover, Kansas headquarters – thank you for selecting Vornado.

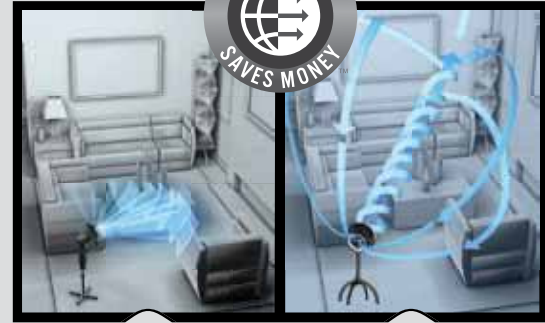
Sincerely,
Bill Phillips
CEO, Vornado Air



Find our complete product line at www.vornado.com

Whole Room Circulation

Maximize your cooling efficiency.



Typical Fan

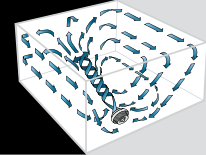
Vornado Air Circulator

A Vornado circulates all the air in the room so everyone is comfortable. Air in motion feels cooler than air that is stagnant. By providing whole room circulation, a Vornado allows you to turn the thermostat up 5° F - saving energy and money - without sacrificing comfort.

see it in action



VORTEX CIRCULATOR



Feature



Multiple Speeds



Directable Airflow



Cord Management



Energy Savings



Adjustable Height
(7803 only)

Benefit

With multiple speeds, any circulation need will be met. To turn on unit - rotate knob one position clockwise. Turn the knob clockwise to decrease airflow. Turn counterclockwise to increase airflow.

Provides movement of air at any angle—up stairs, down a hallway, room to room and everywhere in between.

(Models 5303, 6303, 7503, 7803)

Integrated cord storage neatly secures the cord when not in use.

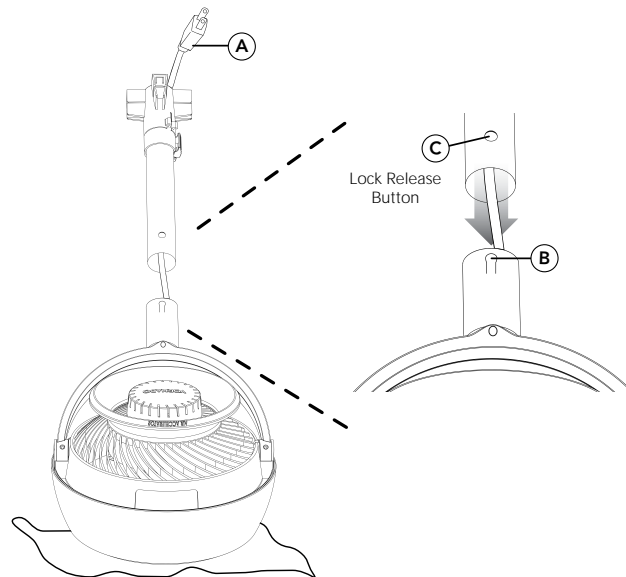
Saves energy by maximizing the performance of heating and cooling systems. When you use a Vornado Air Circulator, you will not have to set your summertime thermostat as low or your wintertime thermostat as high.

(Model 7803 only)

32" - 41" height adjustment makes this model perfect for out-of- the-way placement behind furniture. To shorten the height of the circulator, undo latch and adjust to desired height. Fasten latch to secure.

Installing Circulator Head (7803 Only)

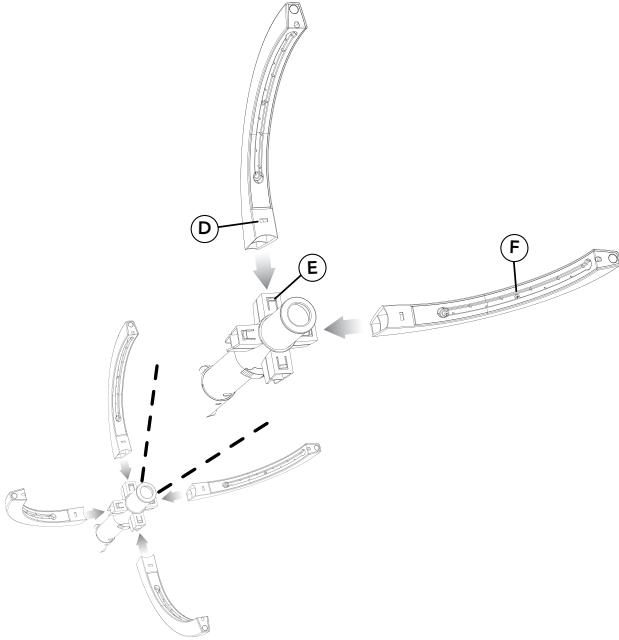
1. Gently place the circulator head face down on the ground, with a soft cloth to avoid scratches or damages to the unit. Insert power cord into the top of Pole and pull through the bottom (A). Align the Lock Release Button (B) on circulator head with the hole (C) located on the Pole. Push the Pole onto the Circulator Head until the Lock Release Button snaps into place.



Getting Started

Installing Legs (7803 Only)

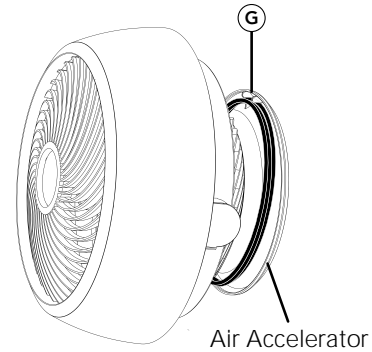
2. To install align hole (D), located on bottom of leg, to rectangular button on base of pole (E). Snap each leg onto pole.



Tip: For added cord management, tuck cord into channel on the underside of any of the four legs. (F).

Cord Management (Models 5303, 6303, 7503 and 7803)

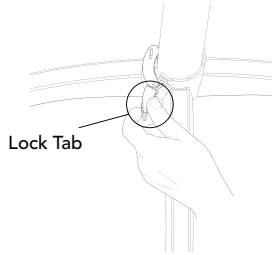
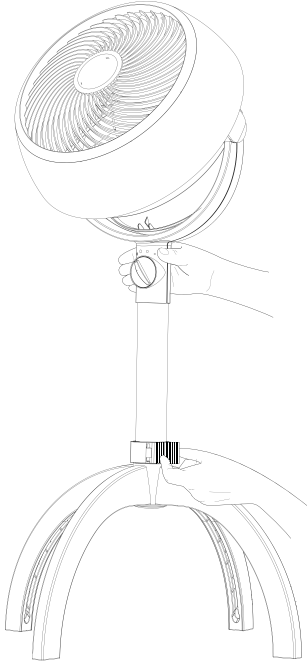
1. Wrap cord around Air Accelerator, located on back of unit. Secure cord with three clips (G) located at 2, 6 and 10 o'clock positions.



Getting Started

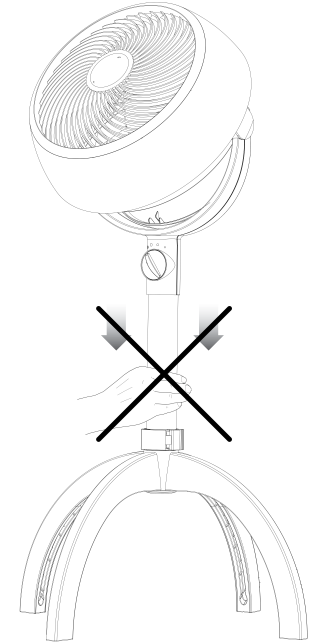
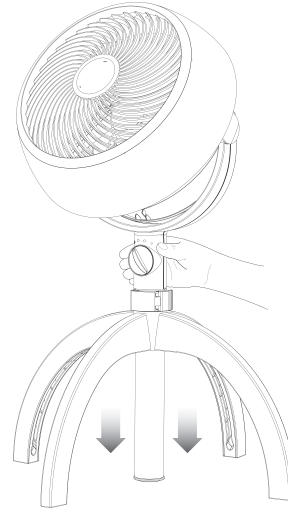
Adjusting Height (7803 Only)

1. The circulator head needs to be supported by one hand before opening the Lock with other hand.



WARNING: The Lock is spring loaded. To avoid injury, hold the Lock Tab securely while opening and closing.

2. Slowly lower the Pole to desired height and secure into position by closing the Lock.



WARNING: To avoid injury, DO NOT place hands on Pole when lowering.

How To Use

When To Use – Saves Energy Year-Round

Summer: Use your Air Circulator with your home's air conditioning system to create brisk, comforting air movement. This breeze will eliminate stagnant air and remove body heat to make you feel cooler.

With Vornado Air Circulators, you can save money on energy bills by raising your thermostat several degrees and still maintaining the same comfort level.

Use with central
or window air
conditioning



Push cool air
up stairs

Spring & Fall: Your Air Circulator can make the indoors as fresh and pleasant as the outdoors. Place the Air Circulator near an open window, sliding door or French door to take full advantage of mild temperatures and seasonal breezes.

Circulate fresh
outdoor air



Even room
temperature

Winter: Position your Air Circulator in a place with unobstructed upward air movement. Run it only as fast as necessary to lower the heated air from the ceiling – but not fast enough to create a draft. Or, use your Air Circulator with other available heat sources (furnace vents, wood stoves or baseboard heaters) to circulate their warmth, taking full advantage of all available heat in the room. Do not point the Air Circulator at open flames.

Increase the
efficiency of
heating sources



Replace cold
floor air with
warm ceiling air

Operating Tips

1. Position your Air Circulator so the beam of air has an unobstructed path from one side of the room to the other.
2. Set speed to medium and allow a few minutes for an airflow pattern to be established. (Different airflow patterns can be established by changing the location, angle and speed of the Air Circulator.)
3. Adjust the speed accordingly until a desired comfort level is achieved. You will quickly determine the precise amount of circulation required to maintain your personal comfort in a given room for the prevailing temperature and humidity conditions. Once you discover the added comfort of air circulation, you will use your Vornado Air Circulator season after season.

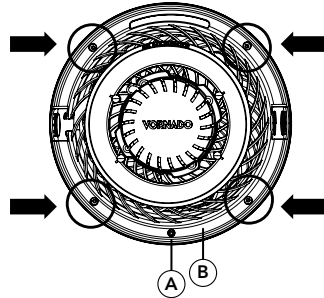
Where to Use

Air Circulator	Ideal Rooms
1303 and 5303	Kitchen, Smaller Bedroom, Dorm Room, Office Cubicle
6303	Den, Home Office, Hearth Room, Dining Room, Average Bedroom
7503 and 7803	Living Room, Master Bedroom, Family Room, Recreation Room Workshop/Hobby Room, Sunroom Floor use only.

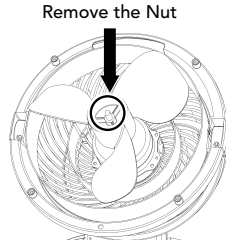
Grill and Blade Removal

WARNING: To avoid risk of fire, electrical shock, or injury to persons, unplug the Air Circulator before removing the grill.

Grill: Using a phillips head screwdriver, remove grill by unscrewing the 4 screws located along the perimeter of the inlet grill at roughly 2, 5, 7, and 11 o'clock positions. This will release the grill. To reattach, position grill so the logo in the center of the grill is straight. Models 5303, 6303, 7503, 7803, align the Locator Pin (A) to reconnect grill. Once aligned replace screws. Model 1303, align the Alignment Rib (B) to reconnect grill. Once aligned replace screws.



Blade: It is possible to remove the blade should something accidentally get wrapped around the motor shaft. First, remove the nut from the shaft. Turn the nut **clockwise** to loosen. Pull the blade straight out from the shaft. When replacing, the blade can only go on the shaft one way. Be certain the flat side of the shaft aligns directly with the corresponding flat side on the blade's socket. Push the blade all the way on the shaft until it bottoms out. Do not use a hammer as this could result in bearing damage. Reinstall nut.

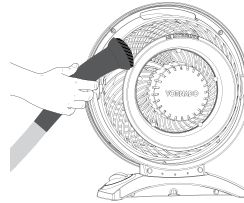


Cleaning and Maintenance

Because your Air Circulator moves a substantial amount of air, it will need regular cleaning. To avoid risk of fire, electrical shock, or injury to persons, unplug the unit before any cleaning activity.

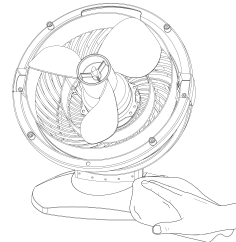


The motor is permanently lubricated and requires no oiling.



To clean motor cap and inlet ribs: Use a common household vacuum. Do not use water to clean these parts of the Air Circulator.

To clean grill: Remove grill (See GRILL REMOVAL instructions) and dust or wash with a mild dishwashing soap. Do not place grill in the dishwasher. The excessive heat can distort the plastic.



To clean blade: Wipe with a damp cloth. If your Air Circulator is used in a greasy environment, such as a kitchen, mild soap or a common household cleaner may be necessary. Do not use solvents.

To clean base: Wipe with a damp cloth.

Troubleshooting

Problem	Possible Cause and Solution
Unit fails to power on.	Unit is not plugged in. Plug Power Cord into electrical outlet.
	Ensure unit fan speed setting is selected.
	Plug fuse has blown. Replace fuse (See USER SERVICING INSTRUCTIONS on page 4).
	Unit is damaged or in need of repair. Cease usage and unplug. Contact Consumer Service for assistance.
	The outlet is worn or damaged. Try another outlet or contact a qualified electrician.
Airflow is weak or slow.	Unit set to a low speed setting. Adjust to a higher speed setting.
	Airflow is blocked. Remove obstruction.
	Adjust direction of airflow towards the user.



Whole Room Circulator • 5 Year Limited Warranty

Vornado Air LLC ("Vornado") warrants to the original consumer or purchaser this Vornado® Air Circulator ("Product") is free from defects in material or workmanship for a period of five (5) years from the date of purchase, depending on model. If any such defect is discovered within the warranty period, Vornado, at its discretion, will repair or replace the Product at no cost. Repairs not covered by the warranty or outside the warranty period will require a fee to cover the cost of materials, labor, handling and shipping.

This warranty does not apply to defects resulting from abuse of the Product, modification, alteration, repair or service of the Product by anyone other than Vornado, mishandling, improper maintenance, commercial use of the Product, damages which occur in shipment or are attributed to acts of God.

REPAIR OR REPLACEMENT AS PROVIDED UNDER THIS WARRANTY IS THE EXCLUSIVE REMEDY OF THE CONSUMER. VORNADO SHALL NOT BE LIABLE FOR ANY INCIDENTAL OR CONSEQUENTIAL DAMAGES FOR BREACH OF ANY EXPRESS OR IMPLIED WARRANTY ON THIS PRODUCT. EXCEPT TO THE EXTENT PROHIBITED BY APPLICABLE LAW, ANY IMPLIED WARRANTY OF MERCHANTABILITY OR FITNESS FOR A PARTICULAR PURPOSE ON THIS PRODUCT IS LIMITED IN DURATION TO THE DURATION OF THIS WARRANTY.

Some states do not allow the exclusion or limitation of incidental or consequential damages, or allow limitations on how long an implied warranty lasts, so the above limitations or exclusions may not apply to you. This warranty gives you specific legal rights, and you may have other rights that vary from state to state.

For warranty or repair service, call 1-800-234-0604 or email consumerservice@vornado.com to obtain a Return Authorization ("RA") form. Please have or include your Product's model

number and serial number, as well as your name, address, city, state, zip code and phone number when contacting Vornado for warranty service. After receiving the RA form, ship your Product to:

Vornado Air LLC
Attn: Warranty & Repair
415 East 13th Street
Andover, KS 67002

For your convenience, please have your model number and serial number when contacting Vornado with service inquiries. To assure proper handling, packages must be clearly marked with the RA number. Packages not clearly marked with the RA number may be refused at the receiving dock.

Please allow 1-2 weeks for repair and return of your Product after the Product is received. For your records: Staple or attach your original sales receipt to this Owner's Guide. Please also write your product's serial number below (located on product specs decal).

Serial No. _____

Product registration available online at www.vornado.com

© 2012 Vornado Air LLC Andover, KS 67002

Patent Pending. Specifications subject to change without notice.

Vornado® is a trademark owned by Vornado Air LLC.

www.vornado.com consumerservice@vornado.com 800.234.0604



Vornado Air, LLC
415 East 13th Street, Andover, Kansas 67002
800.234.0604 | www.vornado.com

Speak your mind www.vornado.com/reviews
Hable con franqueza www.vornado.com/reviews
Évaluer ce produit en ligne www.vornado.com/reviews