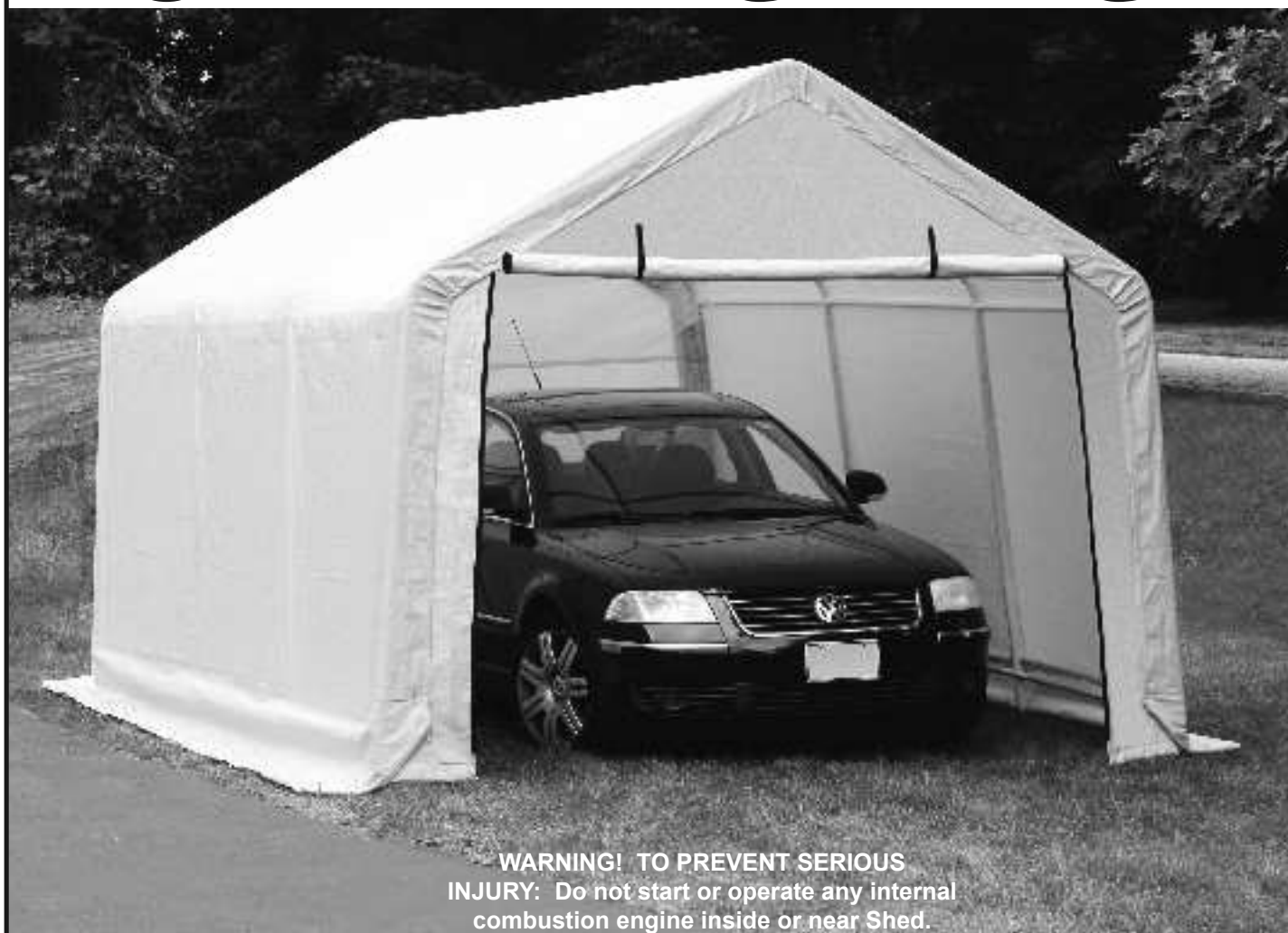


Owner's Manual & Safety Instructions

Save This Manual Keep this manual for the safety warnings and precautions, assembly, operating, inspection, maintenance and cleaning procedures. Write the product's serial number in the back of the manual near the assembly diagram (or month and year of purchase if product has no number). Keep this manual and the receipt in a safe and dry place for future reference.

20j

COVERPRO® 10 FT. x 17 FT. **PORTABLE GARAGE**



WARNING! TO PREVENT SERIOUS INJURY: Do not start or operate any internal combustion engine inside or near Shed.

Vehicle not included.

Visit our website at: <http://www.harborfreight.com>
Email our technical support at: predator@harborfreight.com

62859

When unpacking, make sure that the product is intact and undamaged. If any parts are missing or broken, please call 1-888-866-5797 as soon as possible.

Copyright© 2020 by Harbor Freight Tools®. All rights reserved.
No portion of this manual or any artwork contained herein may be reproduced in any shape or form without the express written consent of Harbor Freight Tools. Diagrams within this manual may not be drawn proportionally. Due to continuing improvements, actual product may differ slightly from the product described herein.
Tools required for assembly and service may not be included.

⚠ WARNING

Read this material before using this product. Failure to do so can result in serious injury.
SAVE THIS MANUAL.

Table of Contents

Safety	3	Maintenance	13
Specifications	4	Parts List and Diagram	14
Assembly	5	Warranty	16



SAFETY

SETUP

OPERATION

MAINTENANCE

IMPORTANT SAFETY INFORMATION

⚠️ WARNING

Read all safety warnings and instructions.

Failure to follow the warnings and instructions may result in serious injury.


Save all warnings and instructions for future reference.

The warnings, precautions, and instructions discussed in this instruction manual cannot cover all possible conditions and situations that may occur. It must be understood by the operator that common sense and caution are factors which cannot be built into this product, but must be supplied by the operator.

Assembly Precautions

1. Do not assemble in windy conditions.
2. Assemble and install only on flat, level, hard surface.
3. Assemble and anchor only according to these instructions. Improper assembly or inadequate anchoring can create hazards.
4. Check for utility lines, tree branches and other structures before assembling.
5. Verify that installation surface has no hidden utility lines before anchoring.
6. Wear ANSI-approved safety goggles, heavy-duty work gloves and hard hat during assembly and service.
7. Keep assembly area clean and well lit.
8. Keep bystanders out of the area during assembly.
9. Do not assemble when tired or when under the influence of drugs or medication.
10. Product capabilities apply to properly and completely assembled product only.

Use Precautions

1.  **CARBON MONOXIDE HAZARD**
Using an engine inside Shed **CAN KILL YOU IN MINUTES.**
Engine exhaust contains carbon monoxide. This is a poison you cannot see or smell.
NEVER use an engine inside Shed, EVEN IF cover is open.
Only use an engine OUTSIDE and far away from Shed.
2. **DO NOT USE IN HIGH WIND. Remove cover if harsh weather or heavy rain threatens.**
3. **For temporary use only. Do not use for long-term shelter.**
4. **Do not use as tent. Does not meet tent flammability standards. Do not use grill, heater, or ignition sources inside or near cover.**
5. **Do not allow snow, rainwater or debris to accumulate or pool on cover.**
6. **Do not hang objects from any part of the Garage.**
7. This product is not a toy. Do not allow children to play with or near this item.
8. Use as intended only.
9. Inspect regularly, tighten all loose hardware and loose straps, and secure all loosened anchors. If any parts are damaged, bent, or stretched, they must be replaced. Hardware may loosen during normal operation stresses. Loose hardware or damaged/altered parts will compromise the structural integrity of this product.
10. Maintain product labels and nameplates. These carry important safety information. If unreadable or missing, contact Harbor Freight Tools for a replacement.



SAVE THESE INSTRUCTIONS.

Specifications

Overall Dimensions	10' W x 17' L x 9' 2" H
Center Height	9' 2"
Side Height	6' 5"
Pole Tubing Diameter	1.27"

Assembly



Read the **ENTIRE IMPORTANT SAFETY INFORMATION** section at the beginning of this manual including all text under subheadings therein before set up or use of this product.

Note: For additional information regarding the parts listed in the following pages, refer to *Parts List and Diagram* on page 14.

WARNING

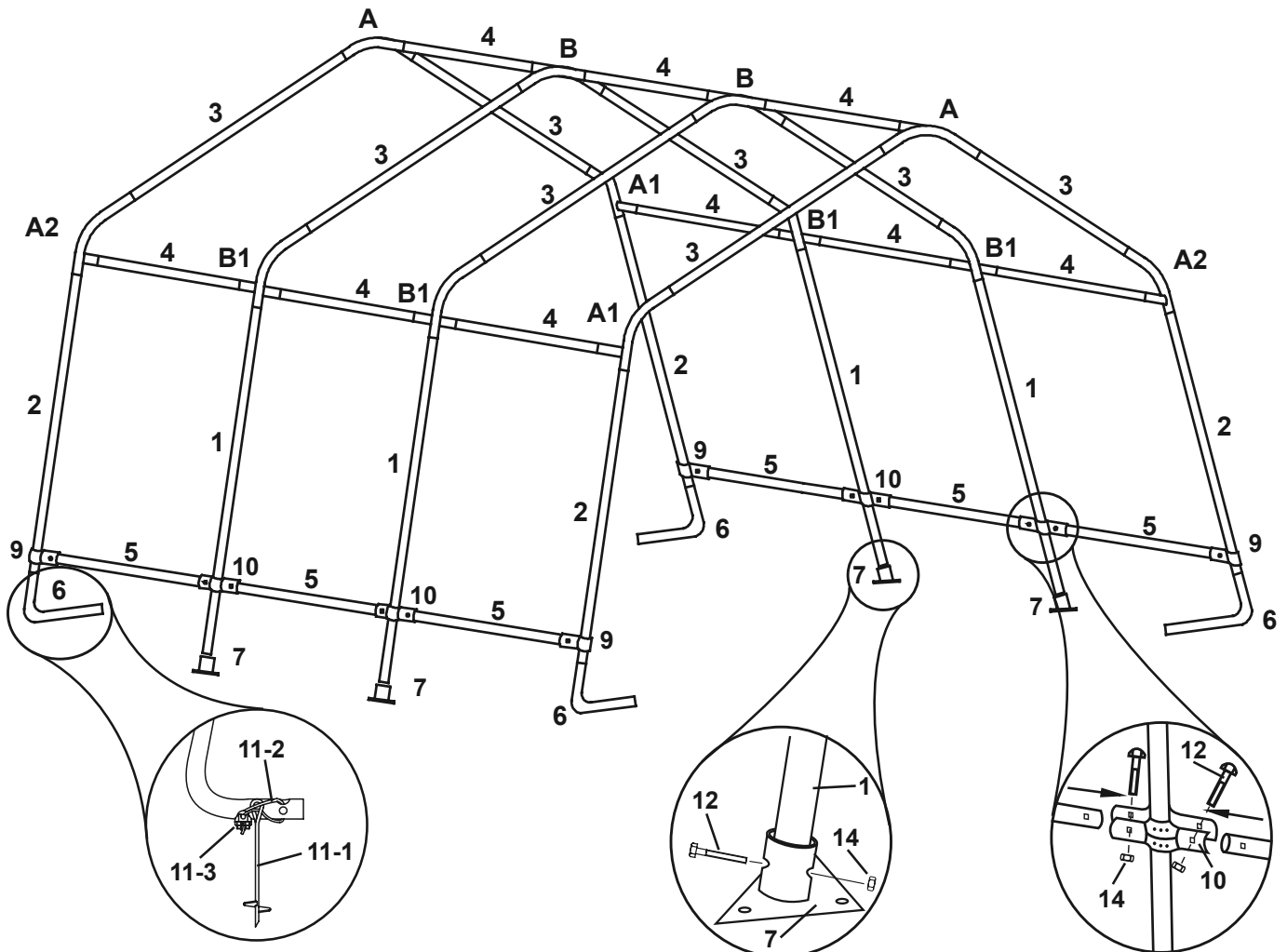
TO PREVENT SERIOUS INJURY:

Do not leave this product partially assembled. Assemble this product completely at one time.

Note: At least 3 workers are required for assembly. Before starting assembly, review the instructions and make sure there is enough time and the proper tools available to properly assemble.

Finger tighten all connections until assembly is done. Assemble on a flat, level surface.

Frame Assembly Overview



Roof Frame Assembly

Note: Much of this product's assembly is done using slip fit construction. Make sure all parts seat completely and securely. A rubber mallet (sold separately) can be used to gently tap parts in place to ensure a tight fit.

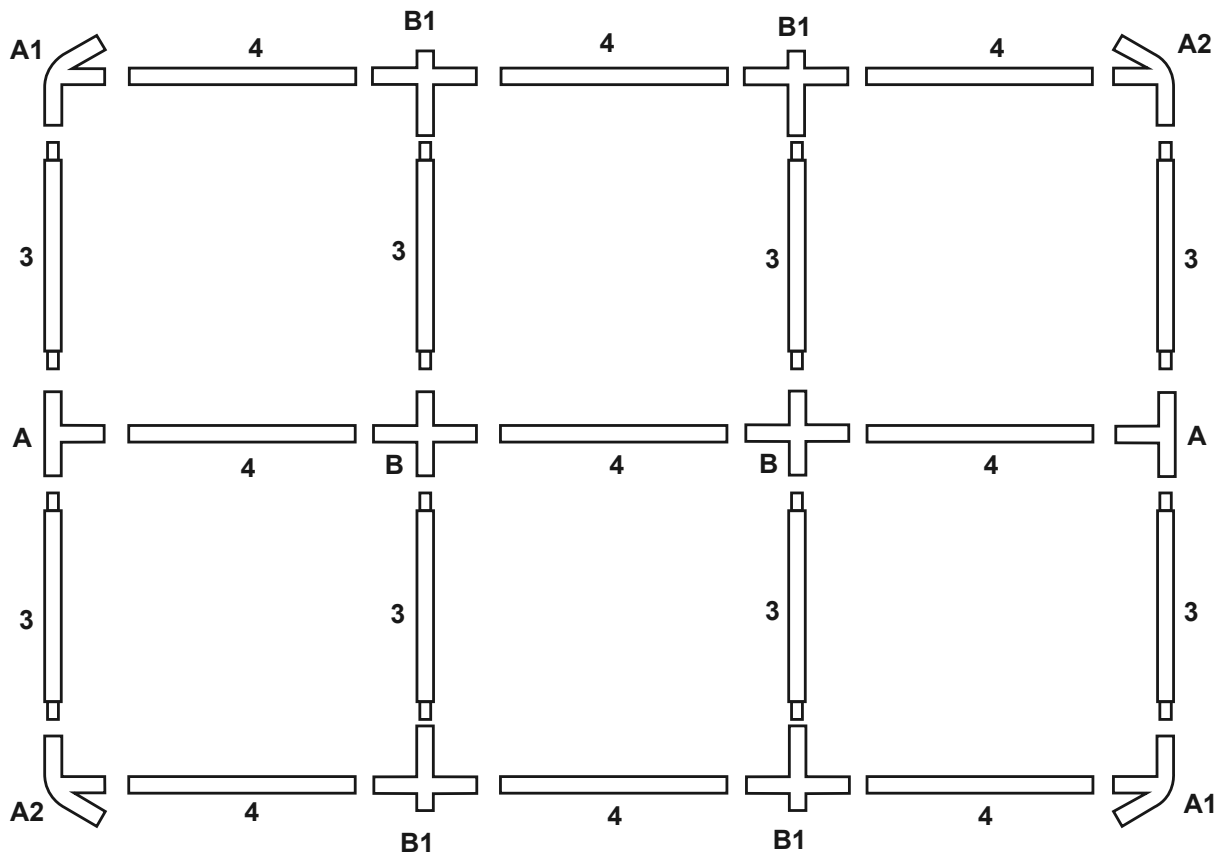
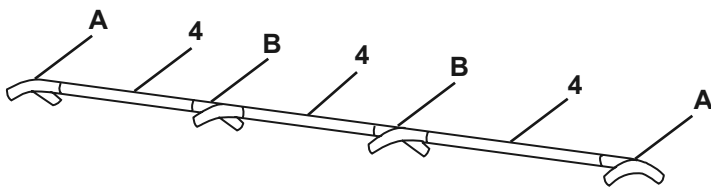


Figure A: Roof Assembly Overview

1. Assemble ridge using three Rails (4) with 4-Way Ridge Connectors (B) between them, and a 3-Way Ridge Connector (A) on each end. The Rails connect to the straight ends of the Connectors and the curved, free ends of the Connectors angle down, as shown in Figure B.

Figure B: Ridge Assembly



2. Connect a Rafter (3) to each free end of every Connector (A, B), as shown in Figure C.

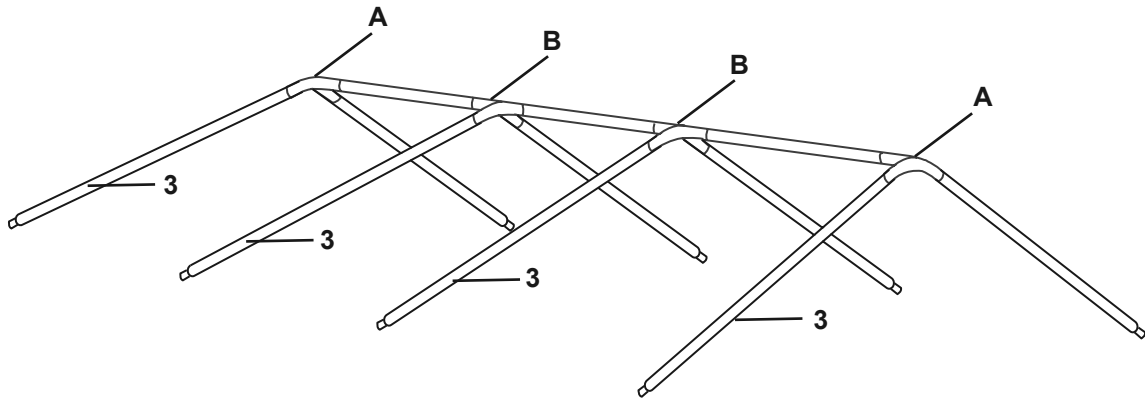


Figure C: Rafter Assembly

3. Assemble a roof side rail using a 3-Way Side Connector B (A2), three Rails (4) with 4-Way Side Connectors (B1) between them, and then a 3-Way Side Connector A (A1) on the other end (see Figure D). The Rails connect to the straight ends of the Connectors, and the curved ends of all Connectors must face up angled the same direction, as shown. If that is not the case, incorrect connectors were used, or they were assembled backwards.

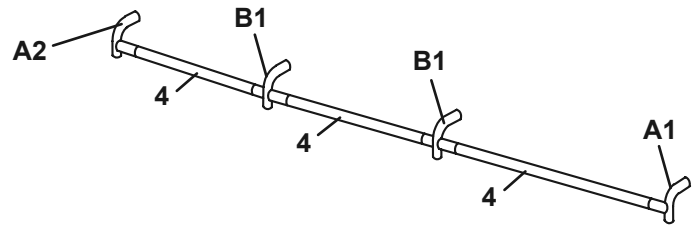


Figure D: Roof Side Rail Assembly

4. Assemble a second identical roof side rail by repeating the instructions in step #3.
5. Connect the roof side rail assemblies to the ends of the Rafters (3), as shown in Figure E.

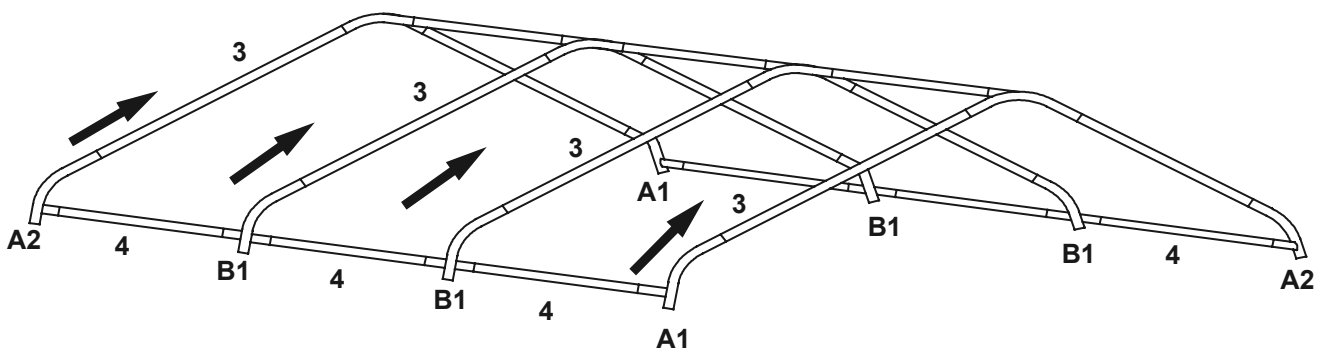
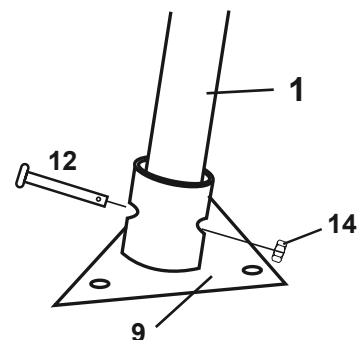
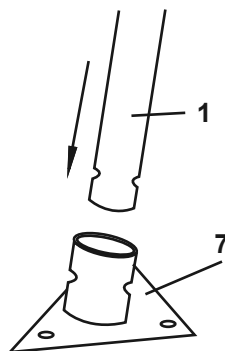


Figure E: Roof Side Rail Installation

6. Make sure all parts assembled up to this point are firmly joined together. Tap parts together gently with a rubber mallet (sold separately) if needed.

Stud, Foot, and Leg Assembly

1. Assemble a Foot (7) to the bottom of each Center Stud (1):
 - a. Place a Foot onto the bottom of the Center Stud.
 - b. Align the holes and insert a Hex Head Bolt (12) through them.



c. Secure with a Nut (14).

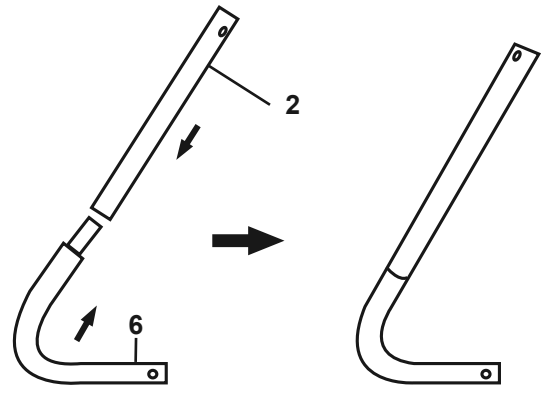
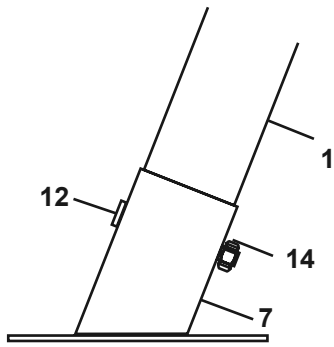


Figure F: Corner Leg Assembly

2. Assemble a Corner Leg (6) to the bottom of each Corner Stud (2) as shown in Figure F.

Stud Installation

SAFETY

SETUP

1. With assistance, raise one side of the roof assembly.
2. Install the Center Studs (1) into the 4-Way Side Connectors (B1), and the Corner Studs (2) into the 3-Way Side Connectors A/B (A1, A2) with the Corner Legs (6) facing inward.

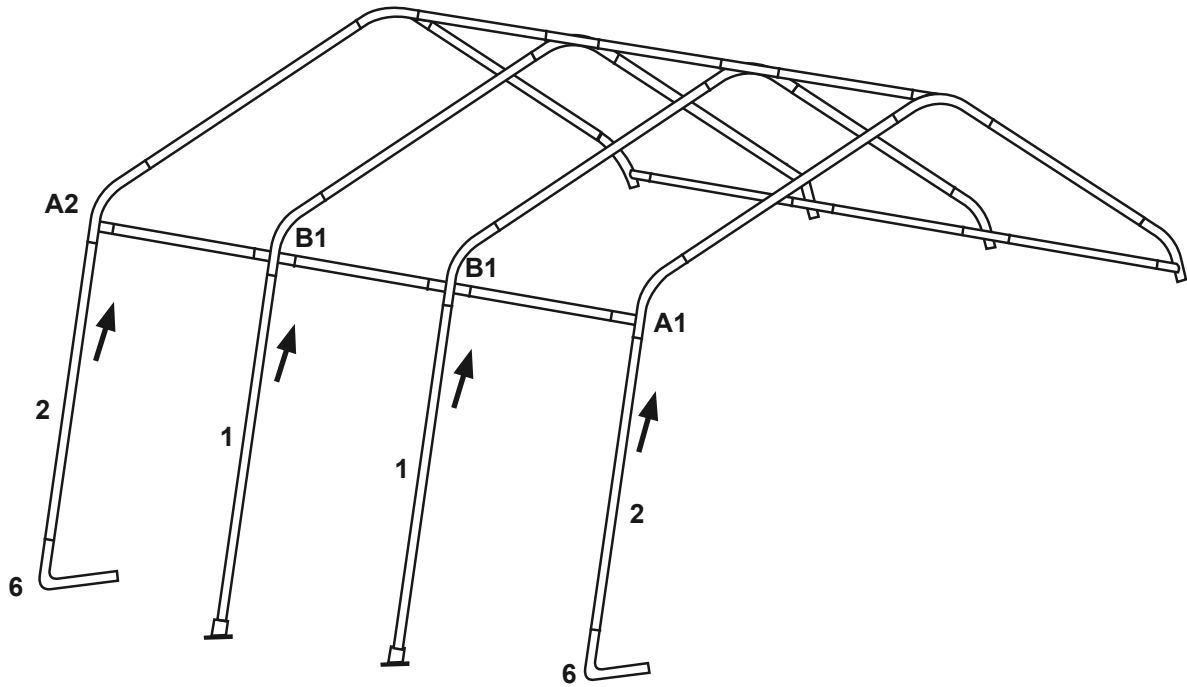


Figure G: Stud Installation

3. After all four Studs (1, 2) are in place, rest that side of the assembly on the ground, and raise the other side.
4. Install four Studs on the other side of the roof, as explained in step #2, above.

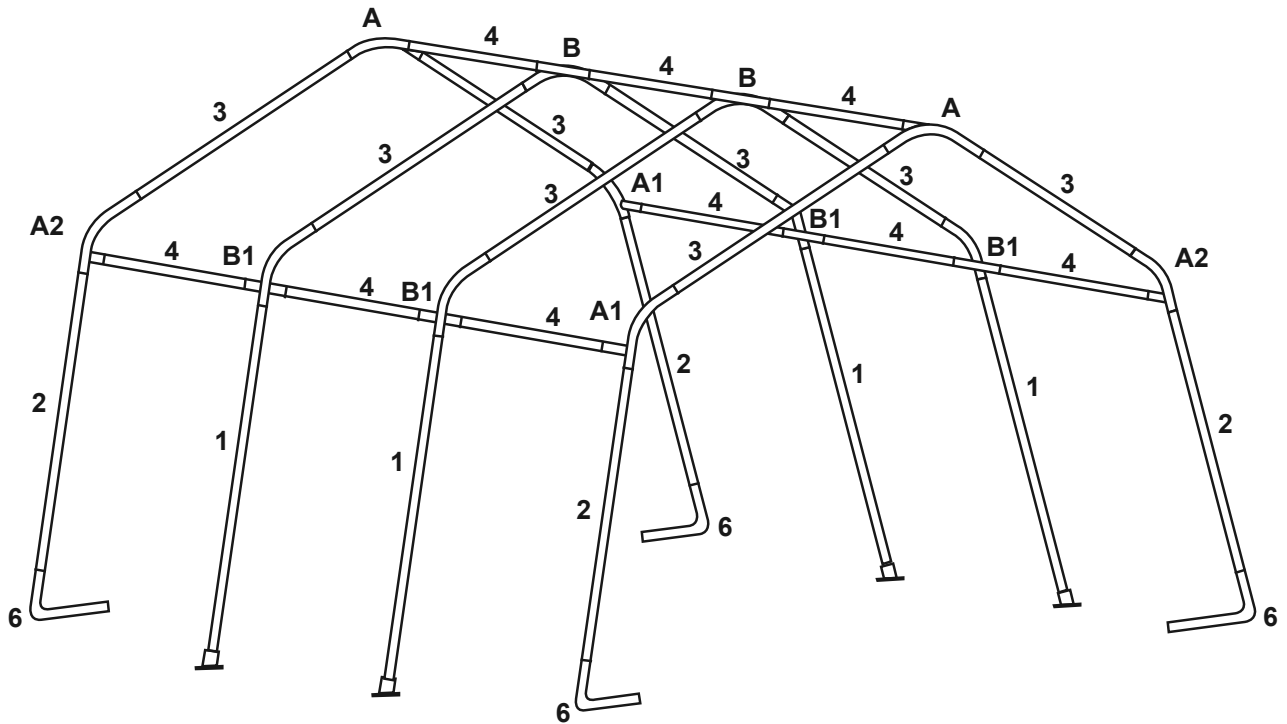


Figure H: Studs Installed on Both Sides.

5. Make sure all parts assembled up to this point are firmly joined together. Tap parts together gently with a rubber mallet (sold separately) if needed.

OPERATION

MAINTENANCE

Anchoring Frame

⚠️ WARNING

TO PREVENT SERIOUS INJURY: Contact local utility companies to ensure that the installation area is free of pipes, cables, and other hazards BEFORE installing anchors or choosing installation area.

1. Position the frame in the desired installation location. The location must be flat, level, and stable with good locations for the Anchors (11-1).
2. Level the frame end-to-end and side-to-side.
3. Measure the width of the frame at front and back; it should be 10' 2" wide. The distance diagonally in one direction should be equal to the distance diagonally in the other direction. If any measurements do not match, adjust the frame and retake measurements until they are equal within a reasonable tolerance.

Note: If measurements cannot be made correct, then parts may not be seated together properly.

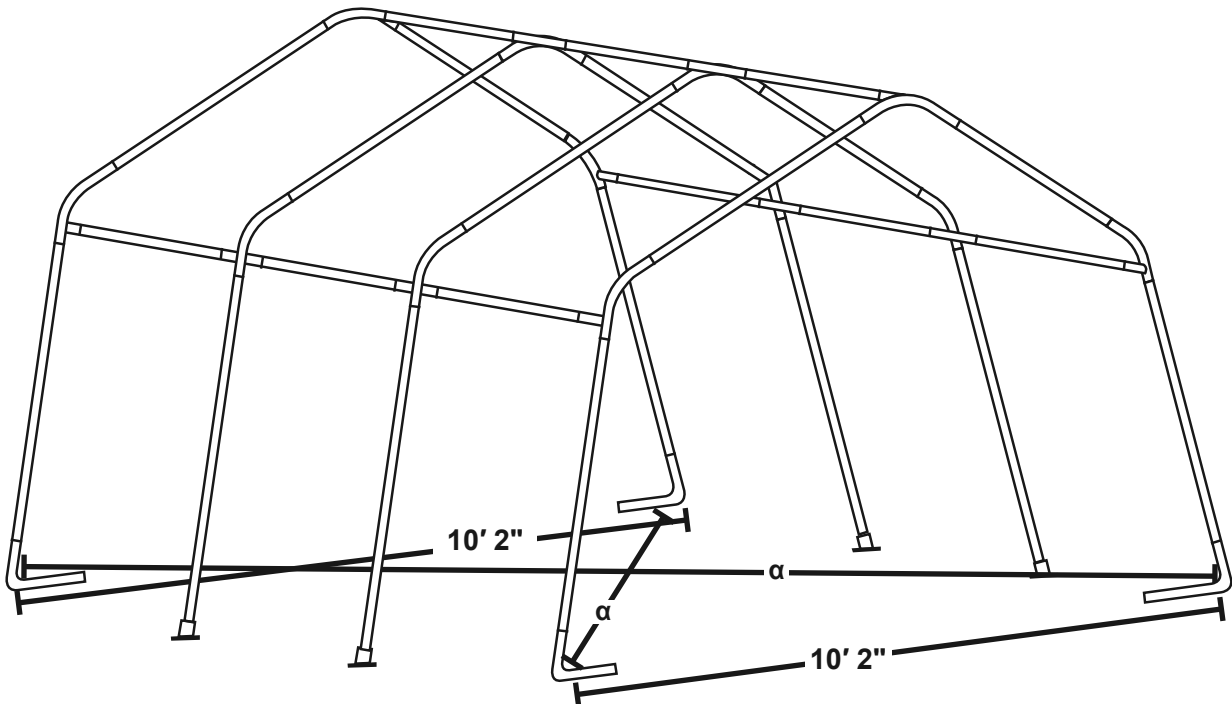


Figure I: Verify and Adjust Frame Measurements

4. Once the frame is positioned, leveled, and squared, anchor the four Corner Legs (6) as follows:
 - a. Thread the Anchor (11-1) into the ground near the Corner Leg until the top of the Anchor only extends about 3" above the ground.

Note: Verify that there are no utility lines nearby before driving anchors. If there are rocks or other obstacles, holes may need to be drilled first to allow proper anchoring.

Note: When anchoring frame on concrete, use Concrete Anchor (19) in place of Anchor.

- b. Insert a Cable (11-2) through the anchor and through the Corner Leg, as shown.
- c. Pull the Cable tight and secure it using a Cable Clamp (11-3). Tighten the two nuts on the Cable Clamp evenly to secure the Cable.
- d. Repeat for all remaining Anchors and Corner Legs.

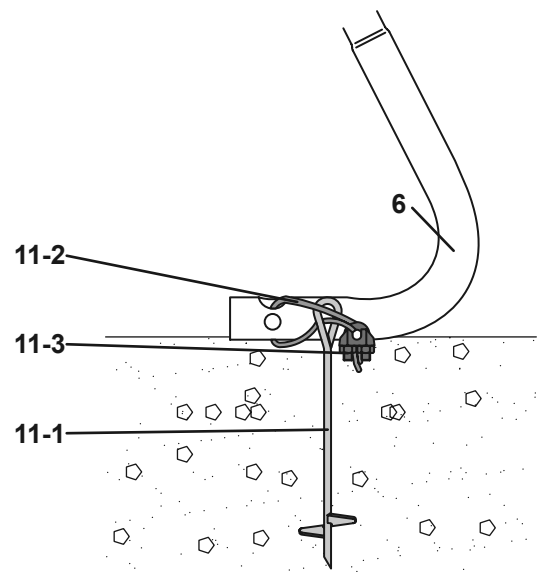


Figure J: Anchoring

Securing Ratchet Tie-Downs

Note: Use these instructions for installing Door, Back, and Roof Cover.

1. Thread the strap through the Ratchet's (8) spindle as far as it will go.

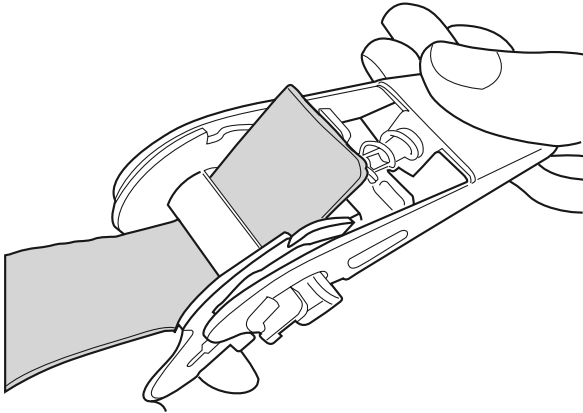


Figure K: Threading Strap through Spindle

2. Insert the S-hook of the Ratchet into the hole in the Corner Leg (6).

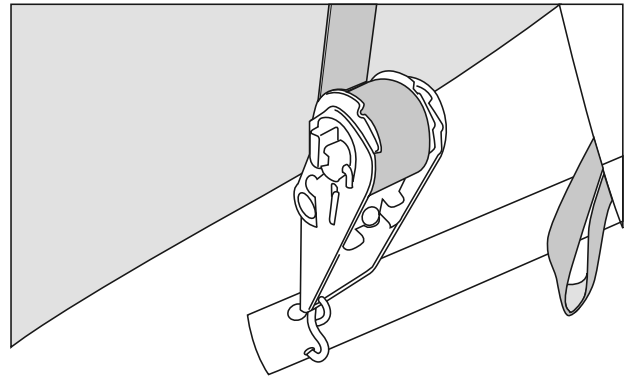


Figure L: Inserting Hook into Corner Leg

3. Lift and lower the Ratchet's handle to wind and tighten the strap onto the spindle.

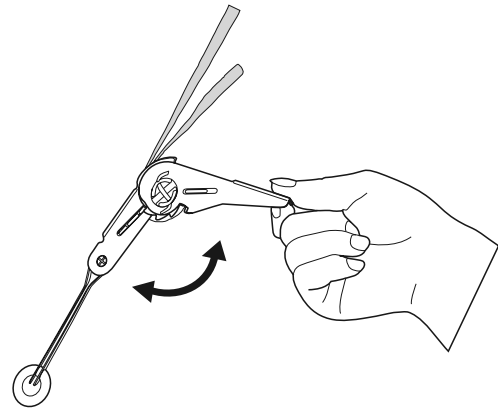


Figure M: Tightening Ratchet

NOTICE: Excessive tightening will damage straps, Covers, and Corner Legs.

Releasing Ratchet Tie-Downs

1. Depress the spring-loaded bar on the handle.
2. Open Ratchet handle completely.
3. Unwind the strap.

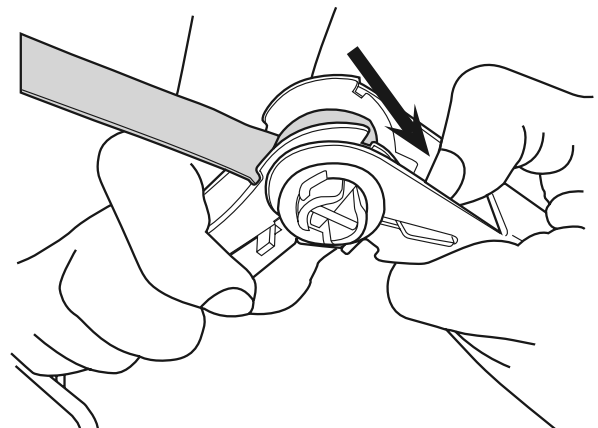


Figure N: Releasing Ratchet

Door and Back Cover Installation

Note: When installing Door and Back Cover, ensure that pre-installed straps are not pulled out of Hem.

1. Position the Door Cover (16) near where you want the front of the Portable Garage, and turn it so that the zipper faces the outside of the Portable Garage, and the warning tag faces inside.

2. Disconnect the Rail (4) from the 3-Way Ridge Connector (A), and place the gap at the top center of the Door Cover around the Ridge Connector, as shown. Note that the Door Cover's flaps wrap around the Rafters (3), and the strap is positioned inside the frame. **DO NOT ATTEMPT TO INSERT ANY FRAMEWORK TUBING INTO THE HEM ON THE COVER FLAPS.**

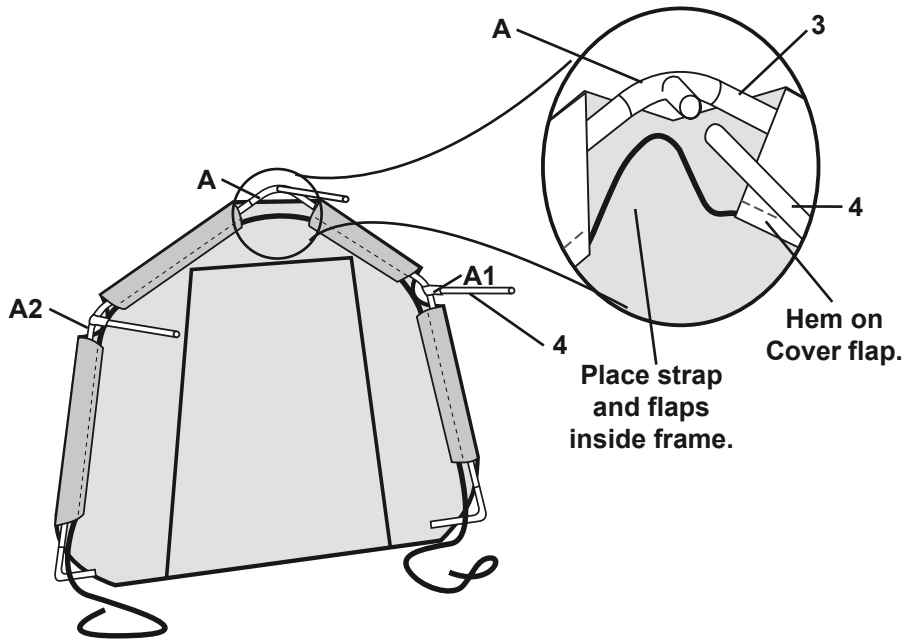


Figure O: Door Cover Installation

3. Reconnect the Rail securely to the 3-Way Ridge Connector.
4. Repeat step #2 for the 3-Way Side Connectors A/B (A1, A2) so that the Door Cover looks as shown in Figure O and Figure P.

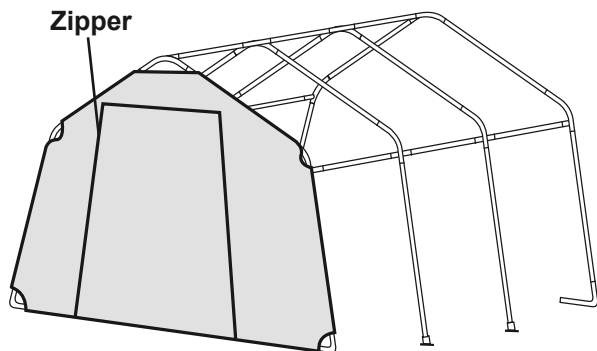


Figure P: Wrap Around Side Connectors

5. Use Ratchet Tie-Downs (8) to attach the Cover to the Corner Legs (6); see Securing Ratchet Tie-Downs on page 10 and Figure Q.

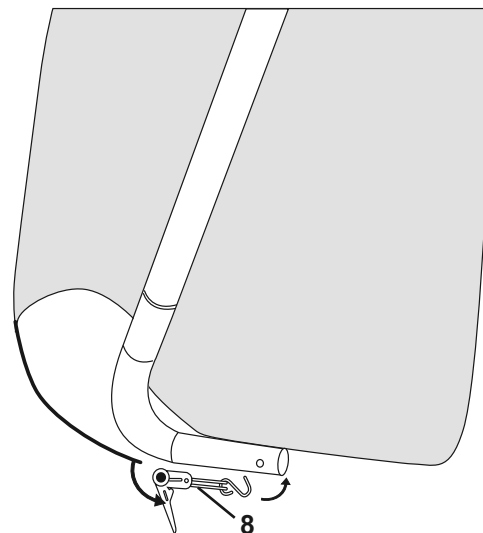


Figure Q: Securing Door Cover

6. Repeat steps #1 – 4 above to install the Back Cover (17) to the other end of the Portable Garage.

Attach Roof Cover

SAFETY

SETUP

OPERATION

MAINTENANCE

1. Lay the Top Cover (15) on the ground, next to the frame, so that the inside pocket for the opposite side is facing up.
2. Slide two Bottom Rails (5) into the middle openings of the pocket.
3. Tie a rope (sold separately) to each Bottom Rail.

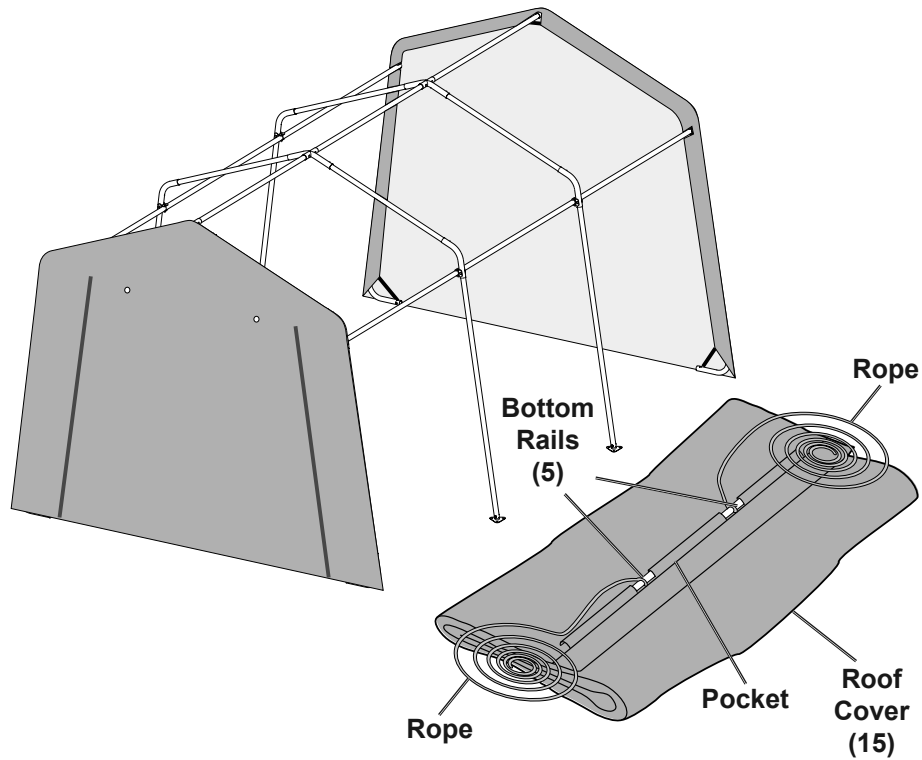


Figure P

4. Throw the ropes over the top of the frame to the other side.
5. From the other side, pull the ropes to properly position the Top Cover.
6. Remove the ropes and Bottom Rails.
7. Secure all four Top Cover corners to the outside of the Corner Legs with Ratchets. (Please refer to **Securing Ratchet Tie Downs Pg.11** to complete installation for Roof Cover.)

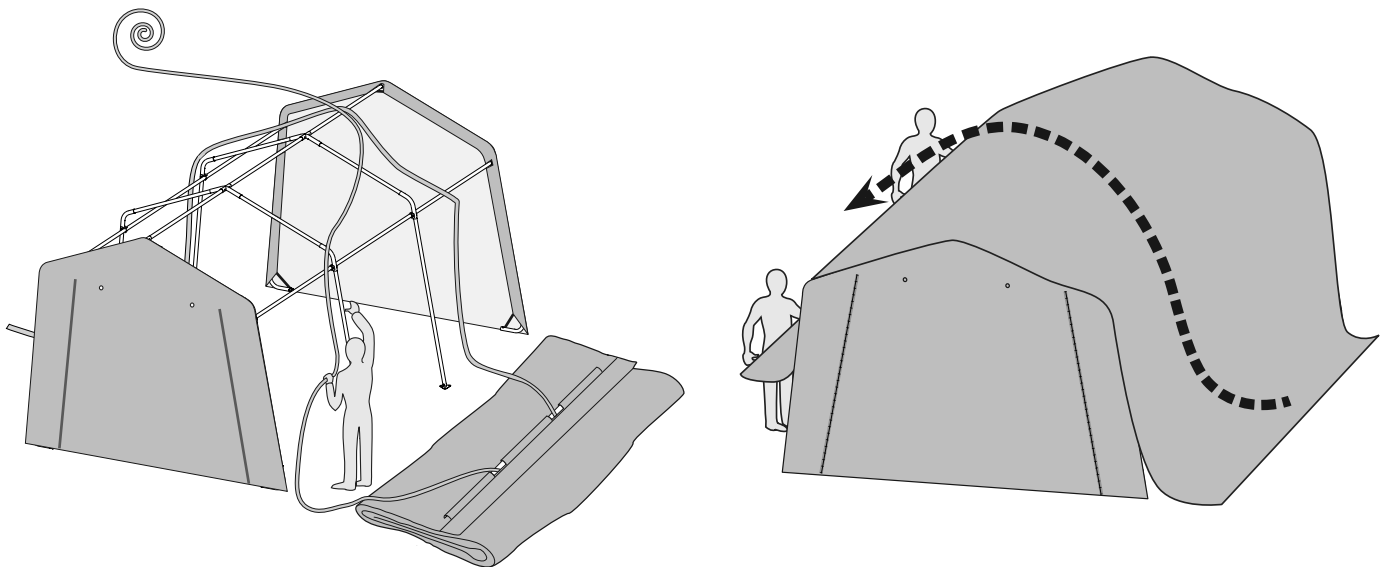


Figure Q

Maintenance



Procedures not specifically explained in this manual must be performed only by a qualified technician.

WARNING

TO PREVENT SERIOUS INJURY FROM PRODUCT FAILURE:

Do not use damaged products. If damage is noted, have the problem corrected before further use.

MONTHLY, inspect the general condition of the Portable Garage. Check for:

- loose ratchet tie downs, anchors, tube connections, and rail clamps (tighten as needed),
- torn or frayed covers, straps, or cables,
- cracked, bent, or broken parts, and
- any other condition that may affect its safe operation.

Cleaning

1. Immediately remove any accumulated debris from the cover with a broom, mop, or other soft-sided instrument from the outside. **DO NOT** use sharp instruments.
2. **PERIODICALLY**, clean cover with mild soap and water. **DO NOT** use bleach or harsh abrasive products.

PLEASE READ THE FOLLOWING CAREFULLY

THE MANUFACTURER AND/OR DISTRIBUTOR HAS PROVIDED THE PARTS LIST AND ASSEMBLY DIAGRAM IN THIS MANUAL AS A REFERENCE TOOL ONLY. NEITHER THE MANUFACTURER OR DISTRIBUTOR MAKES ANY REPRESENTATION OR WARRANTY OF ANY KIND TO THE BUYER THAT HE OR SHE IS QUALIFIED TO MAKE ANY REPAIRS TO THE PRODUCT, OR THAT HE OR SHE IS QUALIFIED TO REPLACE ANY PARTS OF THE PRODUCT. IN FACT, THE MANUFACTURER AND/OR DISTRIBUTOR EXPRESSLY STATES THAT ALL REPAIRS AND PARTS REPLACEMENTS SHOULD BE UNDERTAKEN BY CERTIFIED AND LICENSED TECHNICIANS, AND NOT BY THE BUYER. THE BUYER ASSUMES ALL RISK AND LIABILITY ARISING OUT OF HIS OR HER REPAIRS TO THE ORIGINAL PRODUCT OR REPLACEMENT PARTS THERETO, OR ARISING OUT OF HIS OR HER INSTALLATION OF REPLACEMENT PARTS THERETO.

Record Product's Serial Number Here: _____

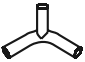




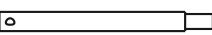
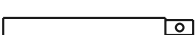
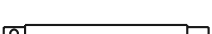





Note: If product has no serial number, record month and year of purchase instead.




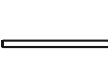


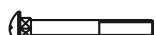



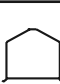
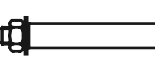
Note: Some parts are listed and shown for illustration purposes only, and are not available individually as replacement parts.

Parts List and Diagram

Parts List

Note: Individual part illustrations not to scale.

Part	Description	Illustration	Qty
A	3-Way Ridge Connector		2
A1	3-Way Side Connector A		2
A2	3-Way Side Connector B		2
B	4-Way Ridge Connector		2
B1	4-Way Side Connector		4
1	Center Stud		4
2	Corner Stud		4
3	Rafter		8
4	Rail		9
5	Bottom Rail		6
6	Corner Leg		4
7	Foot		4
8	Ratchet Tie-Down		8

Part	Description	Illustration	Qty
9	3-Way End Rail Clamp		8
10	4-Way Center Rail Clamp		8
11-1	Anchor		4
11-2	Cable - 1' (31cm)		4
11-3	Cable Clamp		4
12	M8x50 Hex Head Bolt		4
13	M8x50 Round Head Bolt		12
14	M8 Nut		16
15	Roof Cover		1
16	Door Cover		1
17	Back Cover		1
19*	Concrete Anchor		12

* Item not shown.

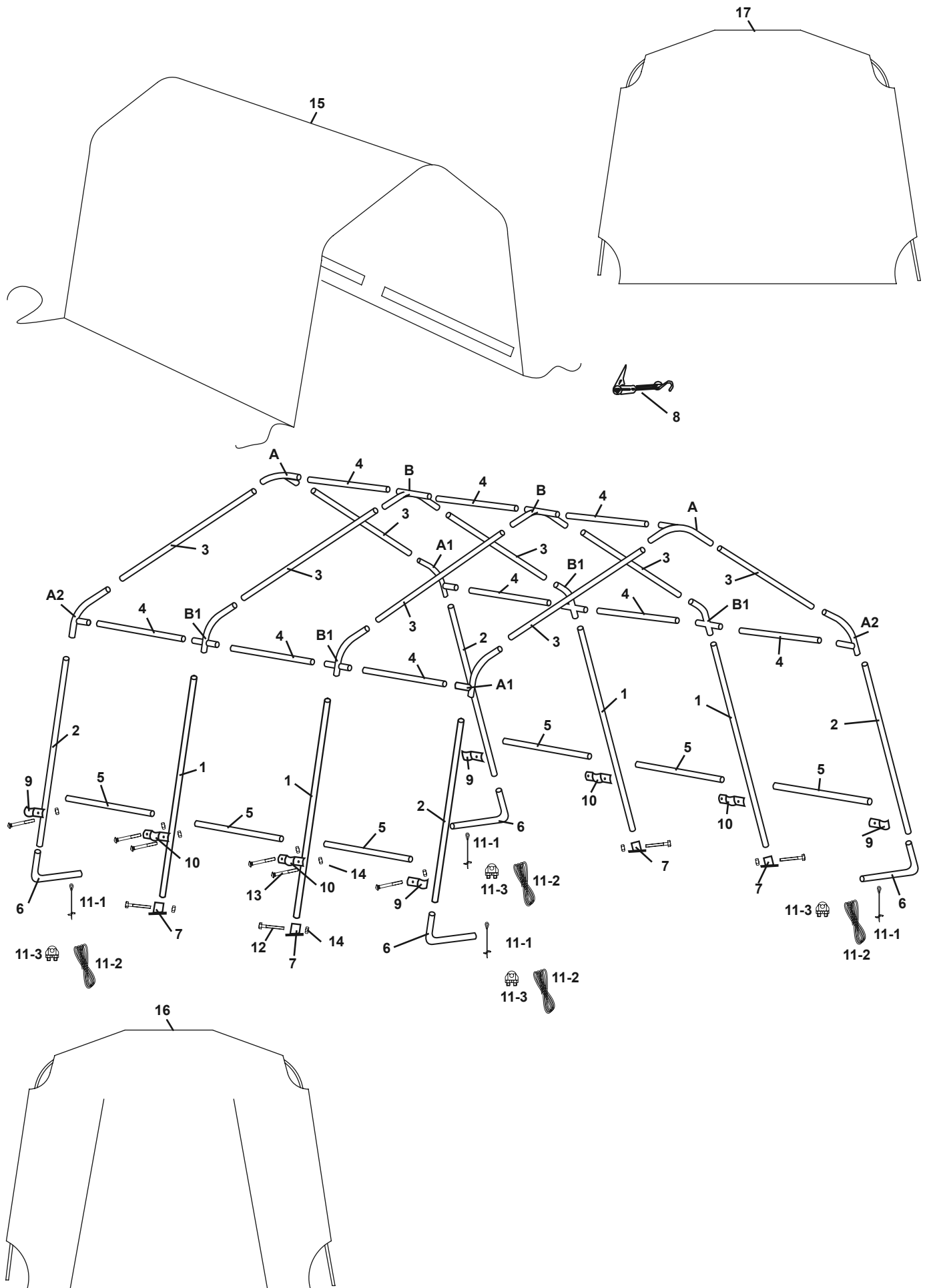
SAFETY

SETUP

OPERATION

MAINTENANCE

Assembly Diagram



SAFETY

SETUP

OPERATION

MAINTENANCE

Limited 90 Day Warranty

Harbor Freight Tools Co. makes every effort to assure that its products meet high quality and durability standards, and warrants to the original purchaser that this product is free from defects in materials and workmanship for the period of 90 days from the date of purchase. This warranty does not apply to damage due directly or indirectly, to misuse, abuse, negligence or accidents, repairs or alterations outside our facilities, criminal activity, improper installation, normal wear and tear, or to lack of maintenance. We shall in no event be liable for death, injuries to persons or property, or for incidental, contingent, special or consequential damages arising from the use of our product. Some states do not allow the exclusion or limitation of incidental or consequential damages, so the above limitation of exclusion may not apply to you. THIS WARRANTY IS EXPRESSLY IN LIEU OF ALL OTHER WARRANTIES, EXPRESS OR IMPLIED, INCLUDING THE WARRANTIES OF MERCHANTABILITY AND FITNESS.

To take advantage of this warranty, the product or part must be returned to us with transportation charges prepaid. Proof of purchase date and an explanation of the complaint must accompany the merchandise. If our inspection verifies the defect, we will either repair or replace the product at our election or we may elect to refund the purchase price if we cannot readily and quickly provide you with a replacement. We will return repaired products at our expense, but if we determine there is no defect, or that the defect resulted from causes not within the scope of our warranty, then you must bear the cost of returning the product.

This warranty gives you specific legal rights and you may also have other rights which vary from state to state.

