

FURUNO®

10.4" COLOR LCD DISPLAY SEARCHLIGHT SONAR Model CH-250

- High definition active matrix color LCD
- Choice of frequency: 60, 88 or 150 kHz
- BlackBox system configuration allows use of optional CRT or LCD monitors
- Target lock on a fish school or L/L position for a designated fishing area
- Pulse length automatically switched with range to optimize performance on all ranges
- A specific color can be shown in white to enhance the echo level display
- Instant selection of eight different operational modes
- Audible target detection freeing the operator from a continuous display watch
- Customized fishing menu



Power search in eight modes for fishing and other sonar applications

The CH-250 is a revolutionary, high-performance searchlight sonar designed for a wide range of commercial fishing vessels. Fish and underwater objects are displayed on a compact color LCD screen. Target echoes are presented in 8 or 16 colors depending on the received echo strengths. The highest echo level is painted in red and next strongest echo in orange, and other colors follow with reducing echo levels. One of the echo strengths can be displayed in white to enhance the specific echo level. The background color may be customized for optimum viewing at day or night. An operating frequency can be selected from 60, 88 or 150 kHz.

The CH-250 is provided with eight operational modes including half or full circle scan, zoom, vertical scan, vertical sounder, the combination of full or half circle with vertical scan, full circle with history, full circle with strata and full circle with VideoPlotter. The combination of full circle and vertical scan mode helps evaluate the distribution of fish schools in horizontal and vertical planes simultaneously.

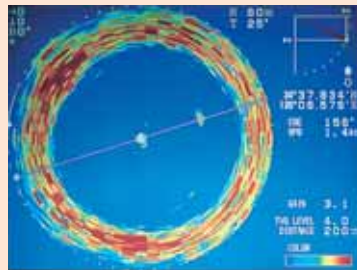
The CH-250 has another unique mode to view the vertical plane called "Cross Section Scan". When you find a specific echo, press the "CUSTOM MODE BUTTON" and then the cross section scan window appears.

The CH-250 provides three modes to track a targeted echo: manual mode, target lock mode and L/L mode. The target lock mode permits automatic tracking of a target fish school within a predetermined search zone after it has been acquired in manual operation. In the L/L mode, the beam is locked to the position (such as a fish shelter or reef) specified by the target marker. This mode can be enhanced with DGPS position input.

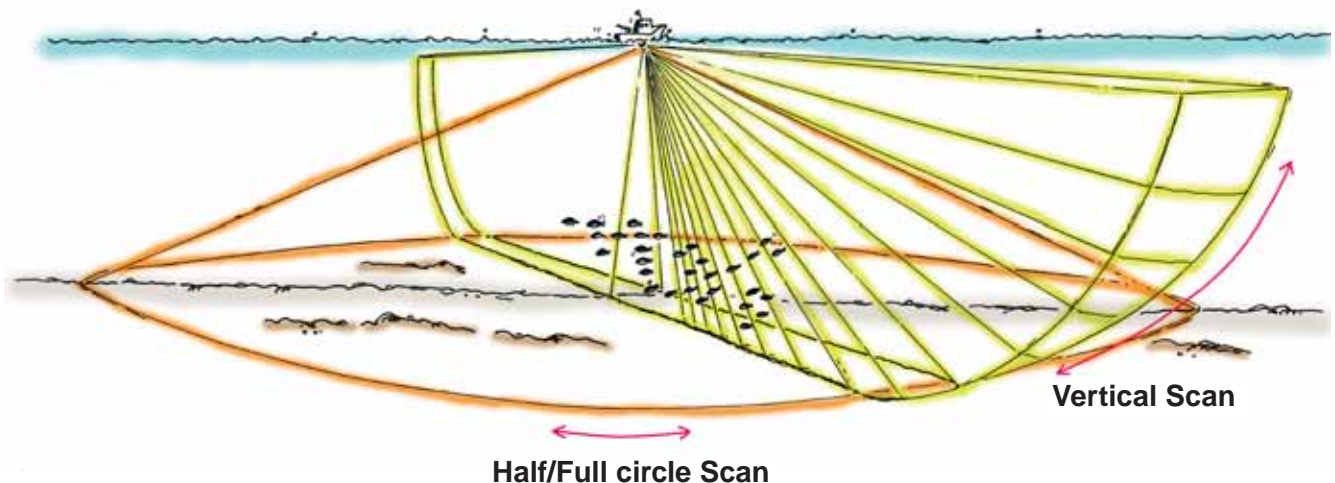
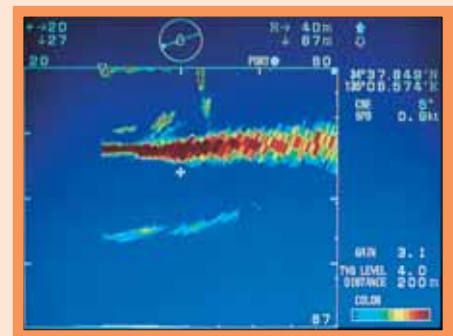
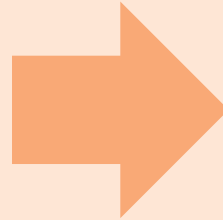
The compact display design allows a flexible and space-saving installation at your navigation station. With an optional interface unit, a conventional CRT or LCD monitor can be connected as a substitute, backup or remote display of the standard display unit. The low-profile hull unit requires only a limited space for installation. There is a choice of hull units, either 250 mm or 400 mm travel.

CROSS SECTION SCAN

The CH-250 has a unique "Cross Section Scan" mode. You can instantly view the vertical plane in a specified direction by pressing the "CUSTOM MODE BUTTON". It is useful for evaluating the concentration and location of the targeted fish school or navigation purposes.

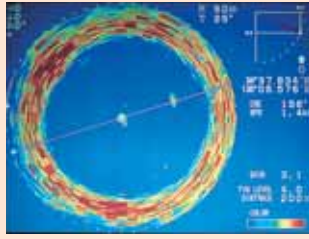


Press the
"CUSTOM MODE BUTTON"



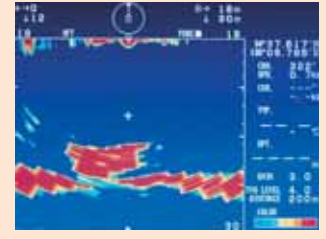
FULL CIRCLE SCAN

The full circle scan helps to detect fish schools at any bearing, all around the vessel.



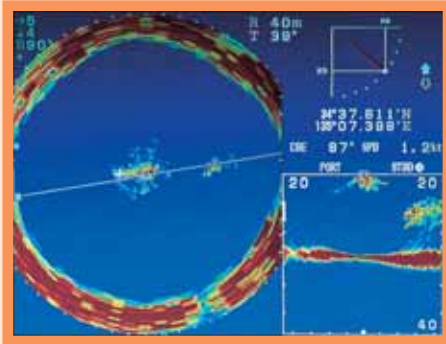
VERTICAL SCAN

The vertical scan paints the bottom profile within a user-specified vertical plane. The cursor indicator reads slant range and soundome tilt.



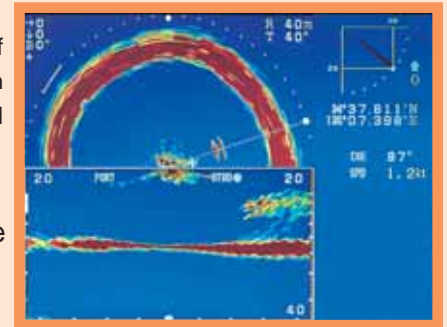
Combination of FULL/HALF CIRCLE with VERTICAL SCAN

Combination of FULL CIRCLE with VERTICAL SCAN



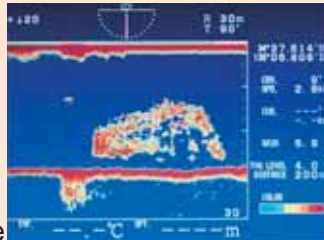
Combination of HALF CIRCLE with VERTICAL SCAN

A unique feature of this sonar is the mode integrating the two images shown to the left. This sonar image also can be switched to a Half Circle with Vertical scan.



VERTICAL SOUNDER

The vertical sounder displays how the depth and bottom hardness are changing ahead of own ship. When the soundome tilt is set to 90 degrees, the picture is the same as a vertical sounder. It displays fish schools and seabed conditions directly under the vessel.

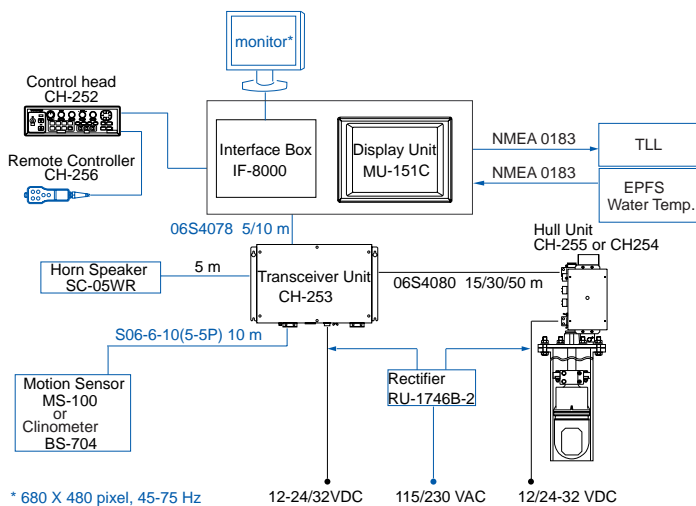


FULL CIRCLE with VideoPlotter

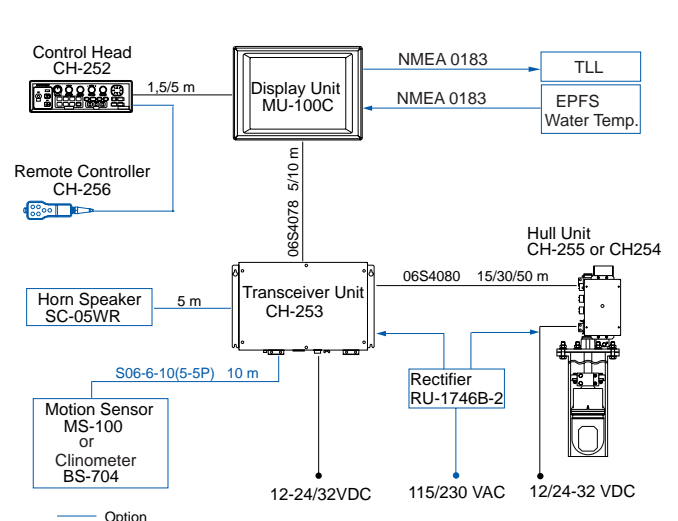
Own ship track is monitored with respect to the sonar sounding area. Unrivaled feature for purse seining.



Interconnection Diagram



BlackBox configuration (with custom monitor)



Standard configuration (with standard LCD monitor)

