

PARTS MANUAL



Mikasa **SERIES**
MODEL MRH601DS
VIBRATORY ROLLER
(Kubota EA330-E3-NB3-HGMS-1 DIESEL ENGINE)

Revision #1 (06/10/20)

To find the latest revision of this publication or associated operation manual, visit our website at: www.multiquip.com



THIS MANUAL MUST ACCOMPANY THE EQUIPMENT AT ALL TIMES.

TABLE OF CONTENTS

MRH601DS Vibratory Roller

Explanation Of Code In Remarks Column.....	4
Suggested Spare Parts	5

Compactor Component Drawings

Nameplates And Decals	6-7
Axle And Vibrator Assembly	8-11
Body Assembly.....	12-15
Hydraulic System Assembly	16-17
Electric Device Assembly	18-21
Deadman System Control Assembly.....	22-25

Kubota EA330-E3-NB3-HGMS-1 Engine

Cylinder Head Assembly	26-27
Crankcase Assembly	28-29
Piston And Main Bearing Case Assembly	30-31
Gear Case Assembly.....	32-33
Governor Assembly	34-35
Injection Pump Assembly	36-37
Nozzle Holder Assembly	38-41
Fuel Tank Assembly.....	42-43
Air Cleaner Assembly	44-45
Muffler Assembly	46-47
Radiator And Fan Assembly	48-49
Flywheel And Starter Assembly	50-51
Nameplate And Decals Assembly	52-53

NOTICE

Specifications and part numbers are subject to change without notice.

EXPLANATION OF CODE IN REMARKS COLUMN

The following section explains the different symbols and remarks used in the Parts section of this manual. Use the help numbers found on the back page of the manual if there are any questions.

NOTICE

The contents and part numbers listed in the parts section are subject to change **without notice**. Multiquip does not guarantee the availability of the parts listed.

SAMPLE PARTS LIST

NO.	PART NO.	PART NAME	QTY.	REMARKS
1	12345	BOLT	1	INCLUDES ITEMS W/%
2%		WASHER, 1/4 IN.		NOT SOLD SEPARATELY
2%	12347	WASHER, 3/8 IN. ...	1	MQ-45T ONLY
3	12348	HOSE	A/R	MAKE LOCALLY
4	12349	BEARING	1	S/N 2345B AND ABOVE

NO. Column

Unique Symbols — All items with same unique symbol (@, #, +, %, or >) in the number column belong to the same assembly or kit, which is indicated by a note in the “Remarks” column.

Duplicate Item Numbers — Duplicate numbers indicate multiple part numbers, which are in effect for the same general item, such as different size saw blade guards in use or a part that has been updated on newer versions of the same machine.

NOTICE

When ordering a part that has more than one item number listed, check the remarks column for help in determining the proper part to order.

PART NO. Column

Numbers Used — Part numbers can be indicated by a number, a blank entry, or TBD.

TBD (To Be Determined) is generally used to show a part that has not been assigned a formal part number at the time of publication.

A blank entry generally indicates that the item is not sold separately or is not sold by Multiquip. Other entries will be clarified in the “Remarks” Column.

QTY. Column

Numbers Used — Item quantity can be indicated by a number, a blank entry, or A/R.

A/R (As Required) is generally used for hoses or other parts that are sold in bulk and cut to length.

A blank entry generally indicates that the item is not sold separately. Other entries will be clarified in the “Remarks” Column.

REMARKS Column

Some of the most common notes found in the “Remarks” Column are listed below. Other additional notes needed to describe the item can also be shown.

Assembly/Kit — All items on the parts list with the same unique symbol will be included when this item is purchased.

Indicated by:

“INCLUDES ITEMS W/(unique symbol)”

Serial Number Break — Used to list an effective serial number range where a particular part is used.

Indicated by:

“S/N XXXXX AND BELOW”

“S/N XXXX AND ABOVE”

“S/N XXXX TO S/N XXX”

Specific Model Number Use — Indicates that the part is used only with the specific model number or model number variant listed. It can also be used to show a part is NOT used on a specific model or model number variant.

Indicated by:

“XXXXX ONLY”

“NOT USED ON XXXX”

“Make/Obtain Locally” — Indicates that the part can be purchased at any hardware shop or made out of available items. Examples include battery cables, shims, and certain washers and nuts.

“Not Sold Separately” — Indicates that an item cannot be purchased as a separate item and is either part of an assembly/kit that can be purchased, or is not available for sale through Multiquip.

SUGGESTED SPARE PARTS

MIKASA MRH601DS VIBRATORY ROLLER 1 TO 3 UNITS

Qty.	P/N	Description
2	954001380	ELEMENT, HYDRAULIC OIL
1	070100361	V-BELT, A-36 (VIBRATOR)
1	954408580	STRAINER, WATER TANK
2	518910020	SPRINKLING PIPE ASSY.
1	956100034	THROTTLE WIRE
1	517342410	CABLE, PUSH-PULL
4	939010350	SHOCK ABSORBER

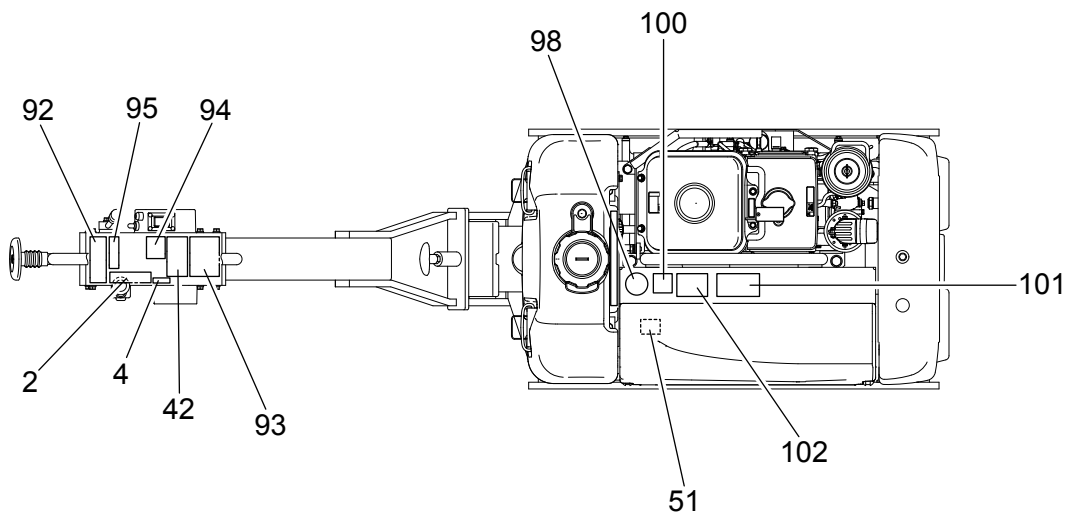
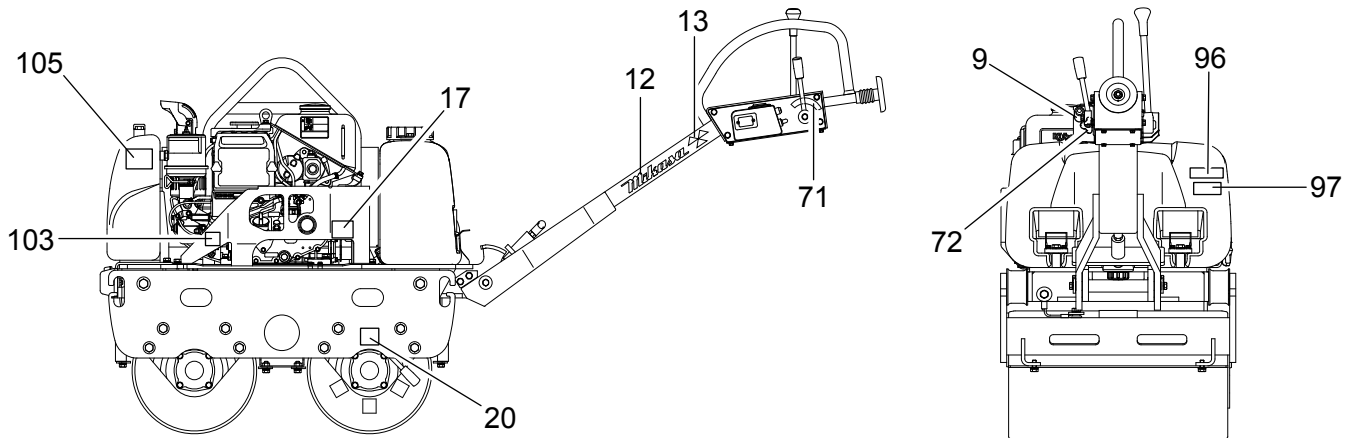
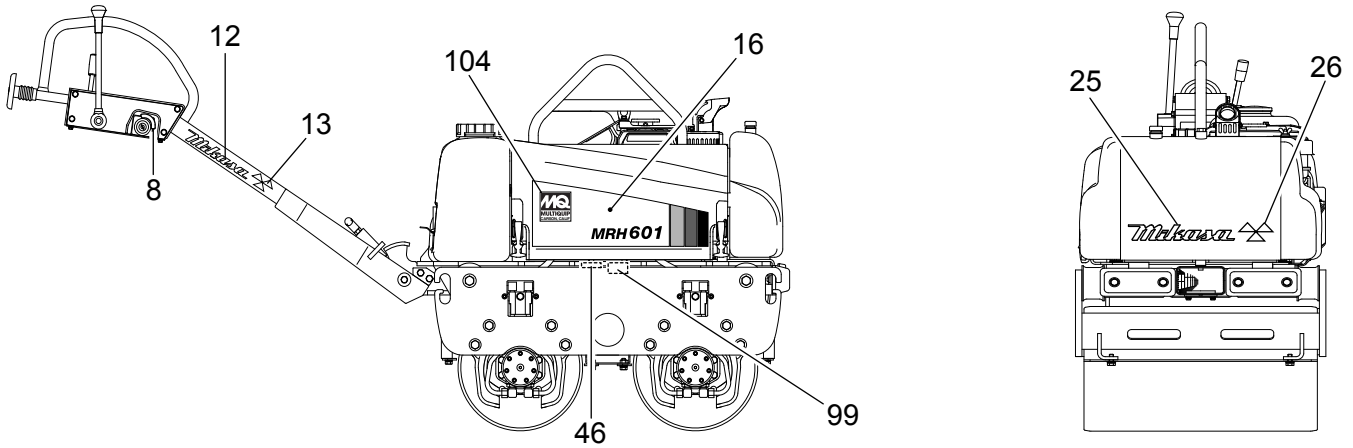
KUBOTA EA330-E3-NB3-HGMS DIESEL ENGINE 1 TO 3 UNITS

Qty.	P/N	Description
3	1497111180	ELEMENT, AIR CLEANER
3	1T02143560	ELEMENT, FUEL FILTER
3	1491132110	FILTER, OIL
3	0481140140	O-RING, OIL FILTER
1	1685165512	GLOW PLUG
1	1G82097010	V-BELT
1	1252141030	CAP, FUEL TANK
1	1254541350	FILTER, FUEL TANK
1	6C04055412	SWITCH, STARTER
2	1524863700	KEY, STARTER SWITCH
1	1152139013	SWITCH, OIL

NOTICE

Part numbers on this Suggested Spare Parts list may supersede/replace the part numbers shown in the following parts lists.

NAMEPLATES AND DECALS



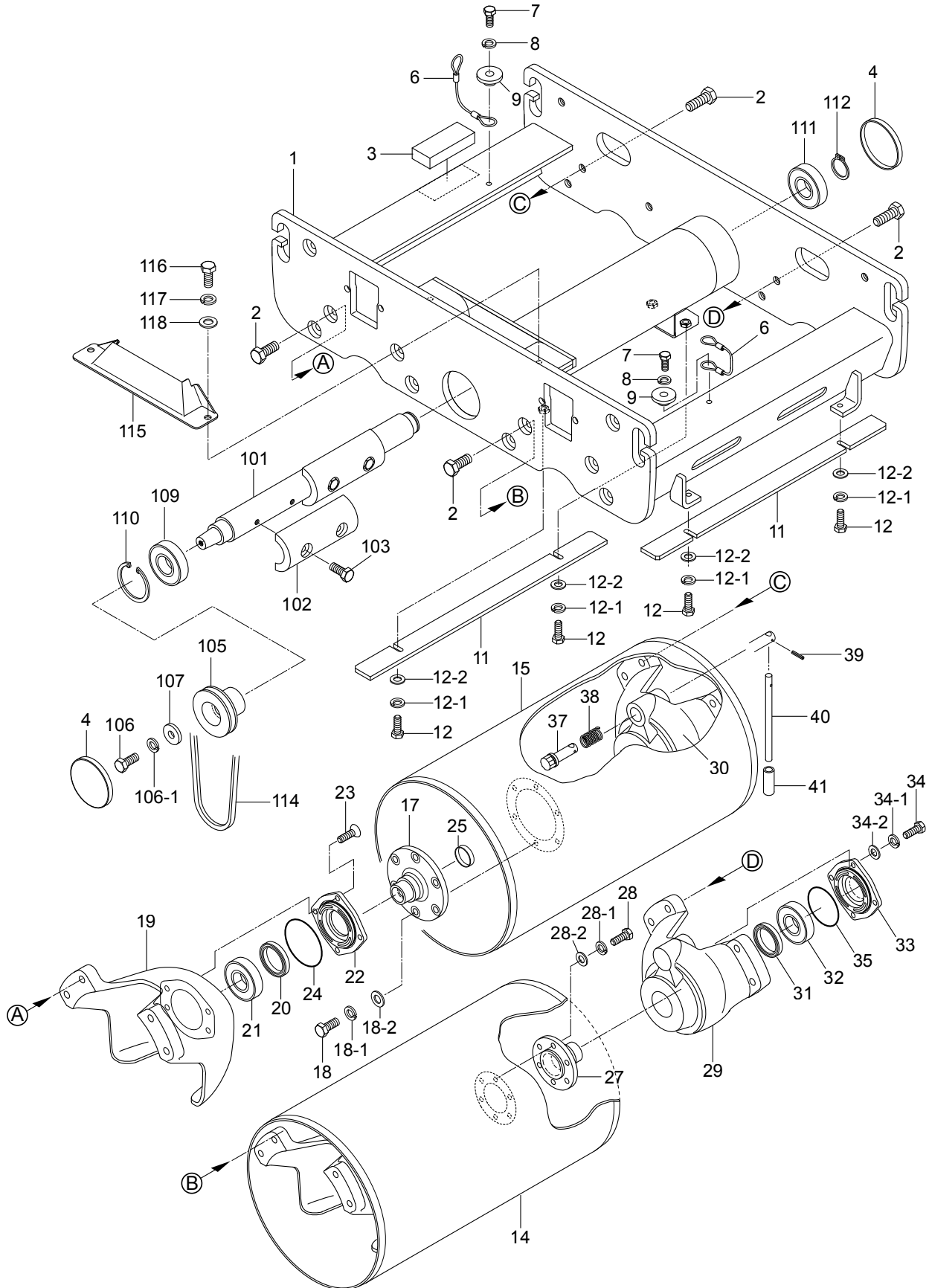
NAMEPLATES AND DECALS

<u>NO.</u>	<u>PART NO.</u>	<u>PART NAME</u>	<u>QTY.</u>	<u>REMARKS</u>
2	920108070	DECAL: FORWARD AND REVERSE	1	
4	920217900	DECAL: GLOW LAMP	1	
8	920215140	LABEL: MAIN SWITCH	1	
9	920217140	DECAL: HORN (ICON)	1	
12	920217130	DECAL: MIKASA MARK (W) 200L	2	
13	920217110	DECAL: MIKASA MARK 35X70	2	
16	920217340	DECAL: MODEL (OR)	1	
17	920217860	DECAL: SPRINKLER	1	
20	920217660	DECAL: CAUTION (BRAKE)	1	
25	920217120	DECAL: MIKASA MARK (W) 250L	1	
26	920217100	DECAL: MIKASA MARK 40X80	1	
42	920202910	DECAL: BUZZER (HYDRAULIC)	1	
46	920112570	DECAL: V-BELT, A-36	1	
51	920217490	DECAL: MODEL	1	
71	920206080	DECAL: E/G THROTTLE DIAL/E	1	
72	920217150	DECAL: HEAD LAMP ICON	1	
92	920202920	DECAL: CAUTION (BRAKE)	1	
93	920205640	DECAL: WARNING (PARKING)	1	
94	920212600	DECAL: CAUTION (VIB. ON-OFF)	1	
95	920214100	DECAL: E/G FIRE WARNING	1	
96	920200320	DECAL: WATER TANK/EXP	1	
97	920104280	DECAL: CAUTION/DRAINAGE	1	
98	920203330	EAR PROTECTION LABEL	1	
99	920206280	DECAL: DANGER	1	
100	920206290	DECAL: CAUTION (MANUAL/EXP)	1	
101	920217830	DECAL: OPERATION	1	
102	920217840	DECAL: WARNING (SLOPE)	1	
103	920217850	DECAL: E/G SET R.P.M.	1	
104	920201910	DECAL: MQ MARK 110X100	1	
105	920213000	DECAL, OIL TANK/EXP	1	

AXLE AND VIBRATOR ASSY.

<u>NO.</u>	<u>PART NO.</u>	<u>PART NAME</u>	<u>QTY.</u>	<u>REMARKS</u>
1	518120790	FRAME	1	
2	001221435	BOLT 14X35	16	
3	518466220	RUBBER PLATE	1	
4	953408650	SEAL CAP 100X10	2	
6	518466210	WIRE ROPE	2	
7	012212035	BOLT 12X35	4	REPLACES P/N 001221235
8	030212300	WASHER, LOCK M12	4	
9	518466180	SPACER 13X19X40XL15	4	
11	518351420	SCRAPER	4	
12	0105091025	BOLT 10X25	8	REPLACES P/N 001221025
12-1	030210250	WASHER, LOCK M10	8	
12-2	031110160	WASHER, FLAT M10	8	
14	518120730	DRUM (F)	1	
15	518120740	DRUM (R)	1	
17	518351430	FLANGE	2	
18	012010030	BOLT 10X30	12	REPLACES P/N 001221030
18-1	030210250	WASHER, LOCK M10	12	
18-2	031110160	WASHER, FLAT M10	12	
19	518120620	BRACKET, REAR DRUM/R	2	
20	060405010	OIL SEAL	2	
21	046006308	BEARING	2	
22	518351190	BEARING COVER (R)	2	
23	009120412	SUNK HEAD BOLT 8X25	8	
24	050300950	O-RING	2	
25	953408640	SEAL CAP 32X7	2	
27	518351440	DRUM SHAFT (L)	2	
28	012010030	BOLT 10X30	12	REPLACES P/N 001221030
28-1	030210250	WASHER, LOCK M10	12	
28-2	031110160	WASHER, FLAT M10	12	
29	518120630	BRACKET, REAR DRUM/LF	1	
30	518120640	BRACKET, REAR DRUM/LR	1	
31	060405010	OIL SEAL	2	
32	046006308	BEARING	2	
33	518351200	BEARING COVER (L)	2	
34	011208025	BOLT 8X25	8	REPLACES P/N 001220825
34-1	030208200	WASHER, LOCK M8	8	
34-2	0401450080	WASHER, FLAT M8	8	REPLACES P/N 031108160
35	050300950	O-RING	2	
37	518466110	LOCK PIN, BRAKE	1	
38	518466160	SPRING, BRAKE	1	
39	025405025	SPRING PIN 5X25	1	
40	518466120	LOCK HANDLE	1	
41	953408890	CAP, BRAKE	1	
101	518351380	ROTARY SHAFT	1	
102	518465960	ECCENTRIC ROTATOR	2	
103	012210035	BOLT 10X35	4	REPLACES P/N 001221035
105	518465910	PULLEY	1	

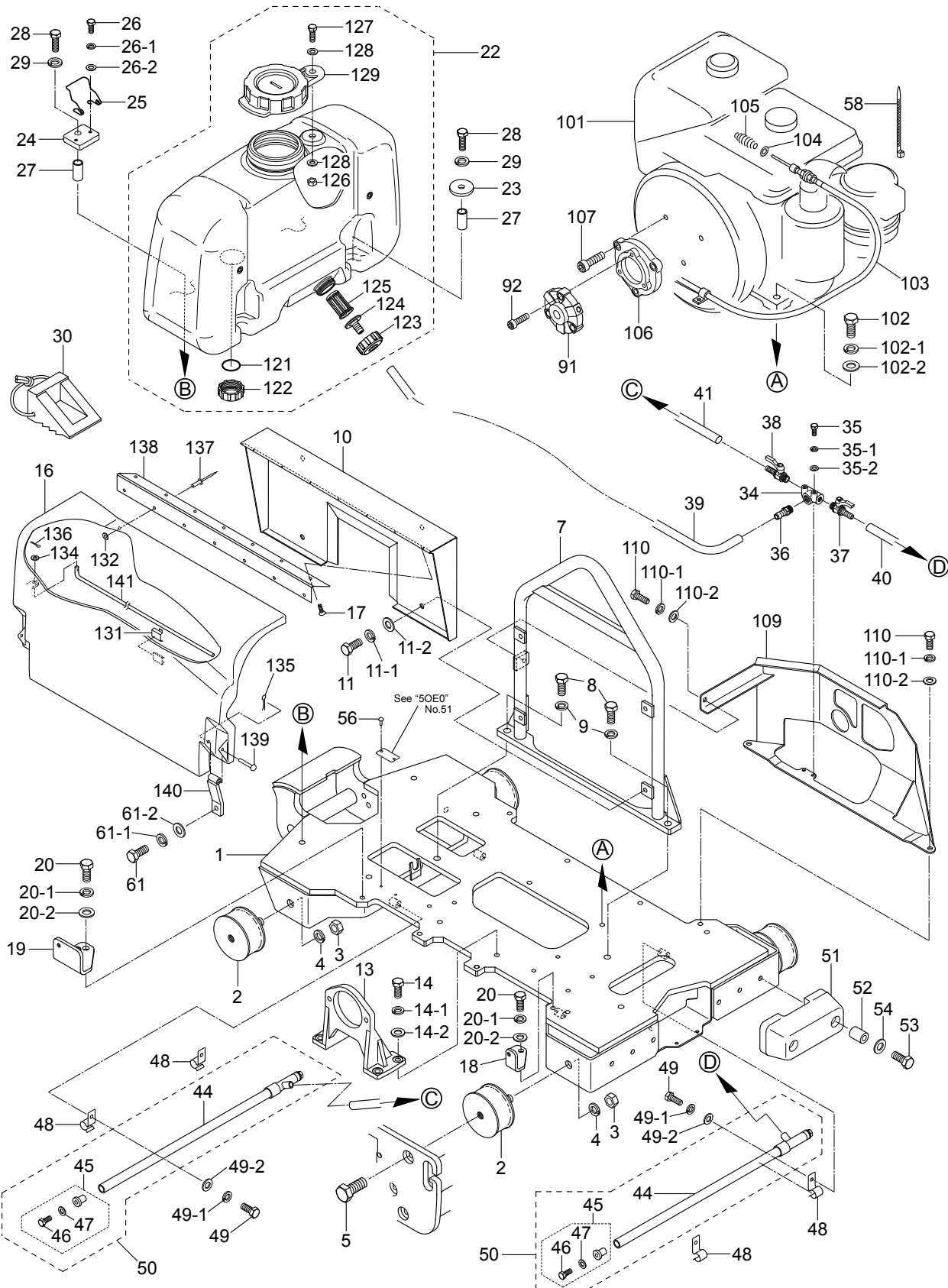
AXLE AND VIBRATOR ASSY. (CONTINUED)



AXLE AND VIBRATOR ASSY. (CONTINUED)

<u>NO.</u>	<u>PART NO.</u>	<u>PART NAME</u>	<u>QTY.</u>	<u>REMARKS</u>
106	012210035	BOLT 10X35	1	REPLACES P/N 001221035
106-1	030210250	WASHER, LOCK M10	1	
107	952402330	WASHER	1	
109	046006308	BEARING	1	
110	080100900	STOP RING	1	
111	046006208	BEARING	1	
112	080200400	STOP RING	1	
114	070100361	V-BELT A-36	1	
115	518351390	GUARD, V-BELT	1	
116	012210020	BOLT 10X20	2	REPLACES P/N 001221020
117	030210250	WASHER, LOCK M10	2	
118	031110160	WASHER, FLAT M10	2	

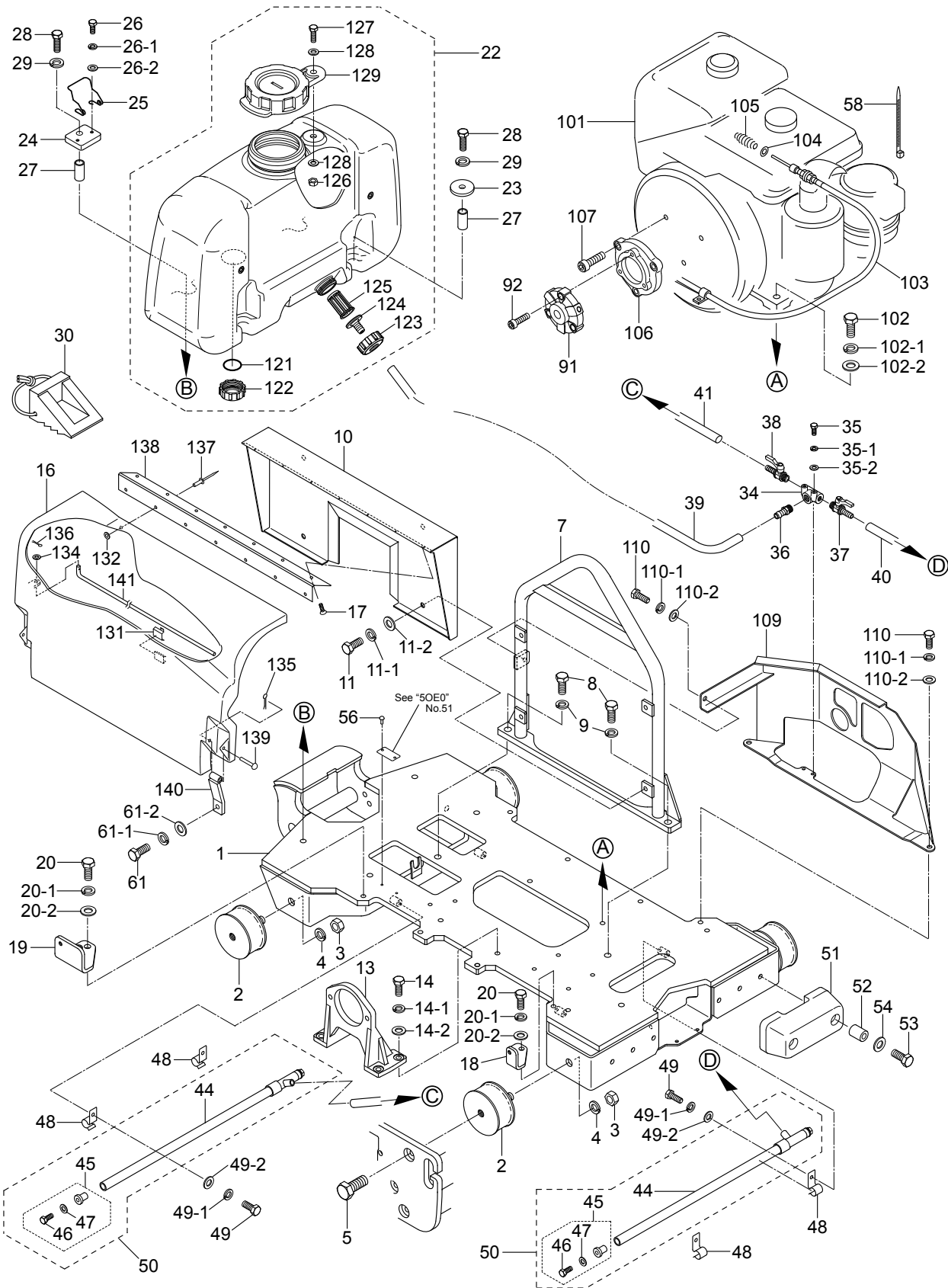
BODY ASSY.



BODY ASSY.

<u>NO.</u>	<u>PART NO.</u>	<u>PART NAME</u>	<u>QTY.</u>	<u>REMARKS</u>
1	518120820	BASE	1	
2	939010350	SHOCK ABSORBER	4	
3	020316130	NUT M16	4	
4	030216400	WASHER, LOCK M16	4	
5	001221625	BOLT 16X25	4	
7	518218650	HOOK	1	
8	001221435	BOLT 14X35	2	
9	030214350	WASHER, LOCK M14	2	
10	518218660	COVER, ENGINE	1	
11	012210020	BOLT 10X20	4	REPLACES P/N 001221020
11-1	030210250	WASHER, LOCK M10	4	
11-2	031110160	WASHER, FLAT M10	4	
13	518218620	PUMP BRACKET	1	
14	012010030	BOLT 10X30	4	REPLACES P/N 001221030
14-1	030210250	WASHER, LOCK M10	4	
14-2	031110160	WASHER, FLAT M10	4	
16	518920020	BONNET COVER	1	
17	092004008	SCREW 4X8	7	
18	518467210	STAY, COVER (R)	1	
19	518467220	STAY, COVER (L)	1	
20	0105091025	BOLT 10X25	2	REPLACES P/N 001221025
20-1	030210250	WASHER, LOCK M10	2	
20-2	031110160	WASHER, FLAT M10	2	
22	518930020	WATER TANK, ORANGE	1	
23	952405950	WASHER	2	
24	518466050	PLATE, WATER TANK	2	
25	515449870	HOLDER, STOPPER	2	
26	011006010	BOLT 6X10	4	REPLACES P/N 001220610
26-1	030206150	WASHER, LOCK M6	4	
26-2	952404470	WASHER, FLAT M6	4	REPLACES P/N 031106100
27	506434690	SPACER, WATER TANK	4	
28	001221253	BOLT 12X65	4	
29	030212300	WASHER, LOCK M12	4	
30	517338540	STOPPER	2	
34	518466200	SEPARATE PIPE	1	
35	011206020	BOLT 6X20	2	REPLACES P/N 001220620
35-1	030206150	WASHER, LOCK M6	2	
35-2	952404470	WASHER, FLAT M6	2	REPLACES P/N 031106100
36	954406210	CONNECTOR 3/8X12	1	
37	954404221	COCK PT1/4, (AL)/L	1	
38	954403241	COCK PT1/4, (AL)/R	1	
39	959028721	HOSE	1	
40	515450440	WATER HOSE (R)	1	
41	518466320	WATER HOSE (R)	1	
44#	518351530	SPRINKLING PIPE	2	
45#	515910050	CAP ASSY, W/BOLT, WASHER.....	4	INCLUDES ITEMS W/ @
46@	011206020	BOLT 6X20	4	REPLACES P/N 001220620
47@	952404470	WASHER, FLAT M6	4	REPLACES P/N 031106100
48	515449900	CLAMP	4	

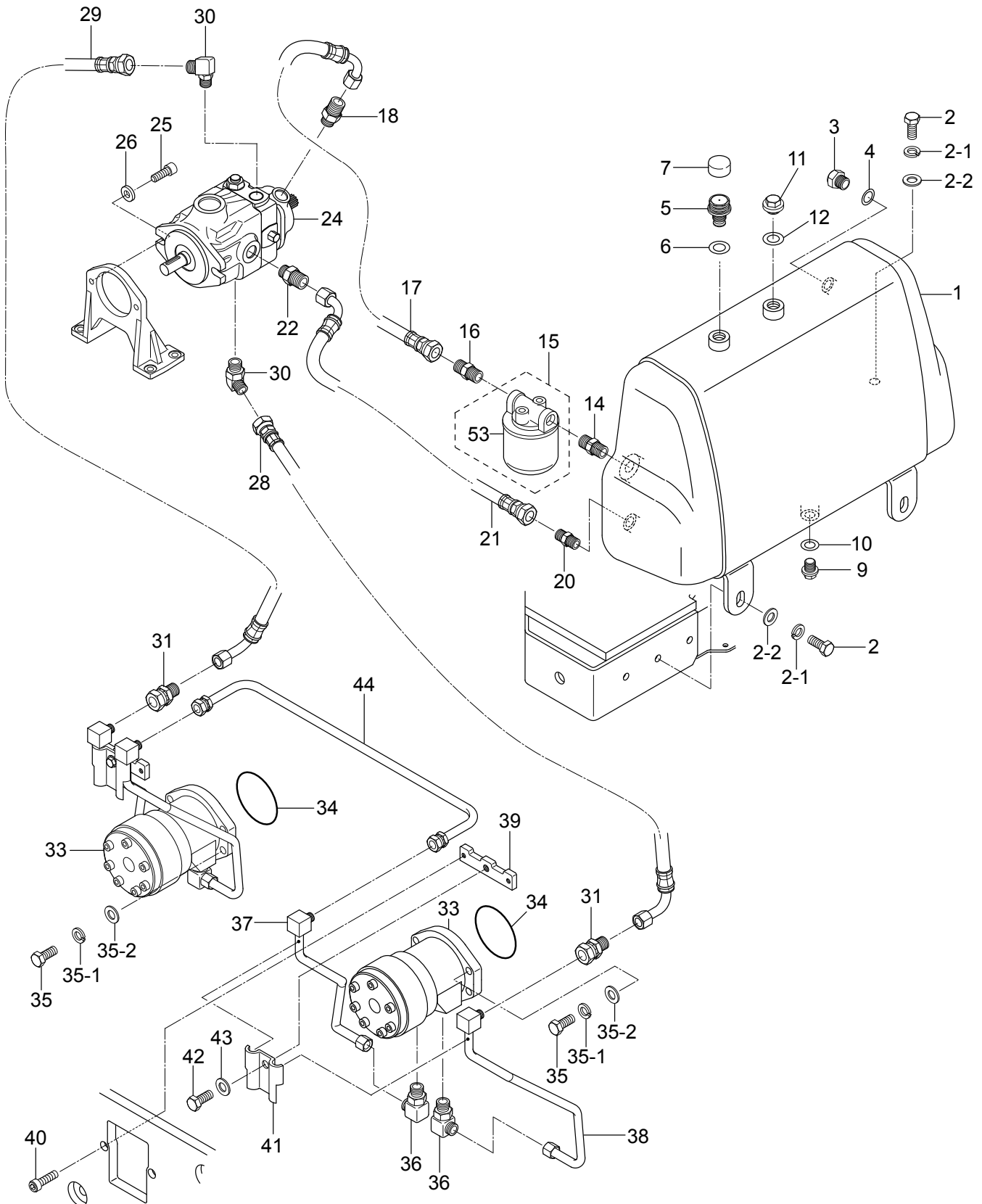
BODY ASSY. (CONTINUED)



BODY ASSY. (CONTINUED)

<u>NO.</u>	<u>PART NO.</u>	<u>PART NAME</u>	<u>QTY.</u>	<u>REMARKS</u>
49	001220610	BOLT 6X10 T	4	
49-1	030206150	WASHER, LOCK M6	4	
49-2	031106100	WASHER, FLAT M6	4	
50	518910020	SPRINKLING PIPE ASSY	2	INCLUDES ITEMS W/ #
51	515336210	BUMPER	2	
52	515449720	SPACER, BUMPER	4	
53	012210040	BOLT 10X40	4	REPLACES P/N 001221040
54	031110160	WASHER, FLAT M10	4	
56	233010020	RIVET	2	
58	507010110	CLAMP	1	
61	014208020	BOLT 8X20	2	REPLACES P/N 001220820
61-1	030208200	WASHER, LOCK M8	2	
61-2	0401450080	WASHER, FLAT M8	2	REPLACES P/N 031108160
91	518351500	CENTER FLEX	1	
92	009110038	SOCKET HEAD BOLT 8X30 ZN	3	
101	915533002	ENGINE, KUBOTA EA330-E3-NB3-HGMS	1	
102	012210035	BOLT 10X35	4	REPLACES P/N 001221035
102-1	030210250	WASHER, LOCK M10	4	
102-2	031110160	WASHER, FLAT M10	4	
103	956100034	THROTTLE WIRE	1	
104	58042	WASHER, FLAT M4	1	REPLACES P/N 031104080
105	402010110	COIL SPRING	1	REPLACES P/N 0830000010
106	518351240	COUPLING FLANGE	1	
107	009110070	SOCKET HEAD BOLT 10X25	3	
109	518218680	ENGINE GUARD	1	
110	012210020	BOLT 10X20	3	REPLACES P/N 001221020
110-1	030210250	WASHER, LOCK M10	4	
110-2	031110160	WASHER, FLAT M10	4	
121	050710120	O-RING	1	
122	953408610	CAP, DRAIN	1	
123	954408620	ADAPTER, HOSE NIPPLE	1	
124	954408730	HOSE, NIPPLE	1	
125	954408580	STRAINER	1	
126	022910280	NYLON NUT M10	1	
127	001241030	BOLT 10X30	1	
128	033910160	WASHER, FLAT M10	2	
129	954300342	CAP, WATER TANK	1	
131	518351590	HOLDER, ROD	1	
132	952408750	WASHER	7	
133	033910260	WASHER, FLAT M5	2	
134	033910270	WASHER, FLAT M6	1	
135	025911030	SNAP PIN	2	
136	025911020	SNAP PIN	1	
137	518010040	BLIND RIVET	7	
138	518218710	RUBBER HINGE	1	
139	518466260	BUTTON HEAD PIN, COVER	2	
140	518466290	BONNET STRAP	2	
141	518466250	ROD, COVER	1	

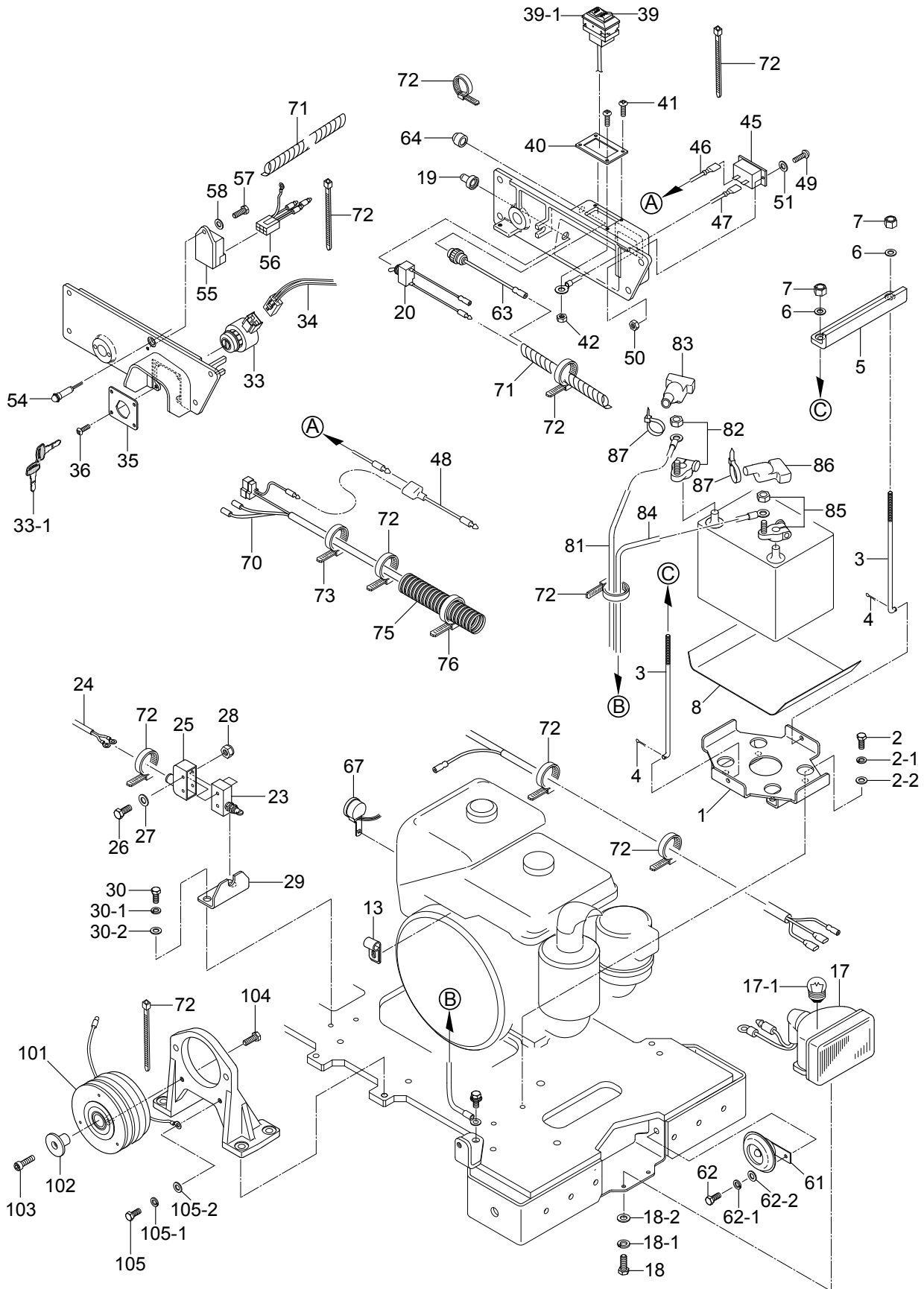
HYDRAULIC SYSTEM ASSY.



HYDRAULIC SYSTEM ASSY.

<u>NO.</u>	<u>PART NO.</u>	<u>PART NAME</u>	<u>QTY.</u>	<u>REMARKS</u>
1	518120830	OIL TANK	1	
2	0105091025	BOLT 10X25	4	REPLACES P/N 001221025
2-1	030210250	WASHER, LOCK M10	4	
2-2	031110160	WASHER, FLAT M10	4	
3	366460300	OIL GAUGE ASSY.	1	
4	953404670	COPPER PACKING	1	
5	518466240	BREATHER, OIL TANK	1	
6	953402930	COPPER PACKING	1	
7	458451630	BREATHER CAP	1	
9	953405270	PLUG	1	
10	953405260	PACKING	1	
11	953405840	DRAIN PLUG	1	
12	953402930	COPPER PACKING	1	
14	954003000	NIPPLE	1	
15	954003080	OIL FILTER ASSY.	1	
16	954003030	MALE CONNECTOR	1	
17	954002970	OIL HOSE	1	
18	954003020	MALE CONNECTOR, O-RING 1/2	1	
20	954003070	MALE CONNECTOR	1	
21	954003050	OIL HOSE 3/8"	1	
22	954003060	MALE CONNECTOR, O-RING 3/8	1	
24	518120880	VARIABLE PUMP	1	
25	009110019	SOCKET HEAD BOLT 10X30	2	
26	952404110	COLLAR 10.5X22X5	2	
28	954002960	OIL HOSE 3/8 90-1005 320L	1	
29	954002950	OIL HOSE 3/8 90-1005 470L	1	
30	954002990	ELBOW 90°, PF3/8"	2	
31	954002980	CONNECTOR, SWIVEL PF3/8"	2	
33	518351480	OIL MOTOR	2	
34	050710060	O-RING	2	
35	012210035	BOLT 10X35	8	REPLACES P/N 001221035
35-1	030210250	WASHER, LOCK M10	8	
35-2	031110160	WASHER, FLAT M10	8	
36	954003040	CONNECTOR, ELBOW PF1/2"	4	
37	518466330	OIL PIPE (L)	2	
38	518466340	OIL PIPE (R)	2	
39	518466080	HOLDER, PIPE	2	
40	014208020	SOCKET HEAD BOLT 8X20	4	REPLACES P/N 001520820
41	518465970	GUARD, PIPE	2	
42	012210020	BOLT 10X20	2	REPLACES P/N 001221020
43	031110160	WASHER, FLAT M10	2	
44	518466360	OIL PIPE (A-B)	1	
53	954001380	OIL ELEMENT	1	

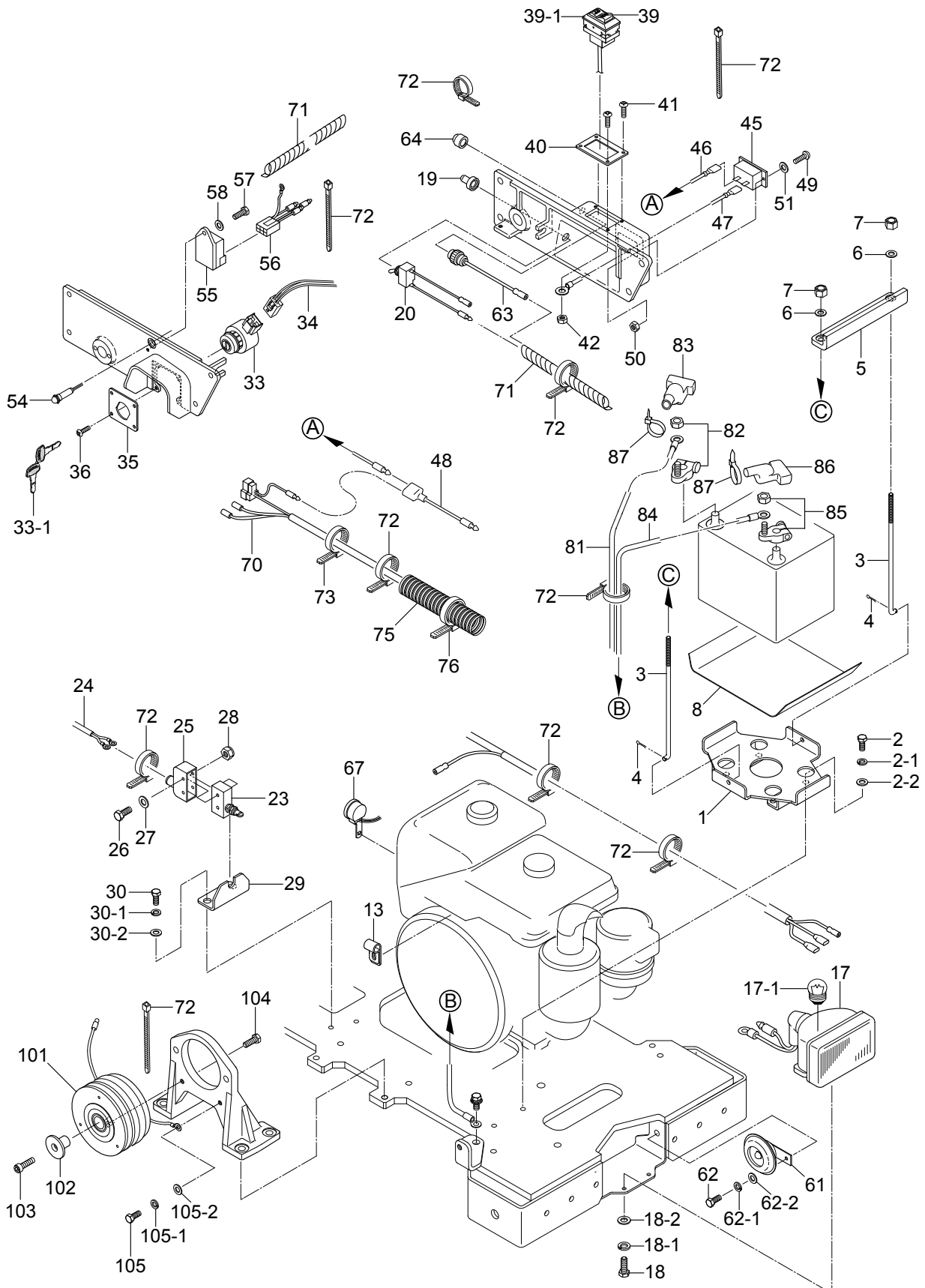
ELECTRIC DEVICE ASSY.



ELECTRIC DEVICE ASSY.

<u>NO.</u>	<u>PART NO.</u>	<u>PART NAME</u>	<u>QTY.</u>	<u>REMARKS</u>
1	518218670	BASE, BATTERY	1	
2	014208020	BOLT 8X20	4	REPLACES P/N 001220820
2-1	030208200	WASHER, LOCK	4	
2-2	0401450080	WASHER, FLAT	4	REPLACES P/N 031108160
3	515448210	ROD, BATTERY	2	
4	025910060	SNAP PIN	2	
5	518465980	BATTERY HOLDER	1	
6	952404470	WASHER, FLAT M6	2	REPLACES P/N 031106100
7	022710607	NYLON NUT M6	2	
8	601303150	RUBBER PLATE	1	
13	954406400	CLAMP	1	
17	955200030	HEAD LAMP ASSY 12V-25W	1	INCLUDES ITEMS W/@
17-1@	955200060	PILOT LAMP, 12V	1	
18	011206020	BOLT 6X20	2	REPLACES P/N 001220620
18-1	030206150	WASHER, LOCK M6	2	
18-2	952404470	WASHER, FLAT M6	2	REPLACES P/N 031106100
19	304402600	CAP	1	
20	515449910	SWITCH, W/CORD	1	
23	955405910	MICRO-SWITCH	1	
24	515453230	READ CORD, MICRO-SWITCH	1	
25	955405450	COVER, MICRO-SWITCH	1	
26	001200430	BOLT 4X30	2	
27	58042	WASHER, FLAT M4	2	REPLACES P/N 031104080
28	022710405	NYLON NUT M4	2	
29	518466060	STAY, SWITCH	1	
30	014208020	BOLT 8X20	2	REPLACES P/N 001220820
30-1	030208200	WASHER, LOCK M8	2	
30-2	0401450080	WASHER, FLAT M8	2	REPLACES P/N 031108160
33	1G34763590	STARTER SWITCH ASSY.....	1	INCLUDES ITEMS W/ \$
33-1\$	1524863700	KEY, IGNITION SWITCH	1	
34	518351570	WIRE HARNESS ASSY.	1	
35	518466070	BRACKET, KEY SWITCH	1	
36	091005012	SCREW 5X12	4	
39	516217920	SEESAW SWITCH/MAG, CLUTCH	1	INCLUDES ITEMS W/ %
39-1%	516010140	SWITCH COVER	1	
40	516458960	SWITCH PLATE	1	
41	091505015	SCREW 5X15 SW	4	
42	020305040	NUT M5	1	
45	955010312	HOUR METER/SENDEC	1	
46	518466490	LEAD CORD, H-METER (+) SW	1	
47	518466500	LEAD CORD, H-METER (-) GROUND	1	
48	515450380	WIRE HARNESS	1	
49	091003015	SCREW 3X15	2	
50	020303020	NUT M3	2	

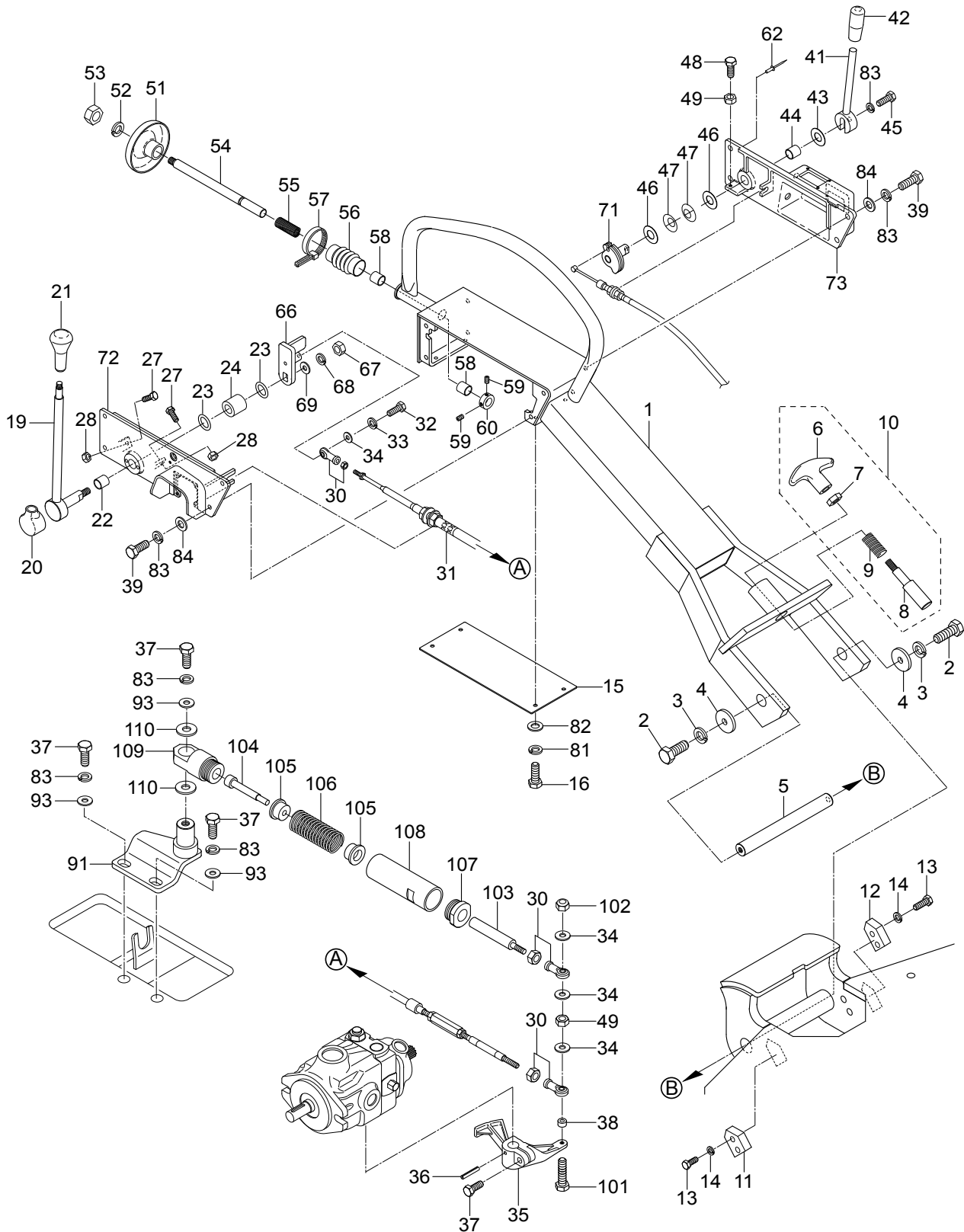
ELECTRIC DEVICE ASSY. (CONTINUED)



ELECTRIC DEVICE ASSY. (CONTINUED)

<u>NO.</u>	<u>PART NO.</u>	<u>PART NAME</u>	<u>QTY.</u>	<u>REMARKS</u>
51	031103050	WASHER, FLAT M3	2	
54	955408260	GLOW LAMP	1	
55	1569465990	LAMP TIMER	1	
56	516349450	WIRE HARNESS	1	
57	0105050616	BOLT 6X15	1	REPLACES P/N 001220615
58	952404470	WASHER, FLAT M6	1	REPLACES P/N 031106100
61	955300420	HORN ASSY., DC12V	1	
62	011006010	BOLT 6X10	1	REPLACES P/N 001220610
62-1	030206150	WASHER, LOCK M6	1	
62-2	952404470	WASHER, FLAT M6	1	REPLACES P/N 031106100
63	955400800	HORN BUTTON ASSY.	1	
64	955405980	COVER, HORN BUTTON	1	
67	955300400	BUZZER	1	
70	518351580	WIRE HARNESS ASSY (L-H-C)	1	
71	959021826	SPIRAL TUBE	2	
72	507010110	CLAMP	12	
73	511010040	CLAMP	1	
75	959021911	TUBE	1	
76	507010110	CLAMP	7	
81	515448530	BATTERY CORD (+)	1	
82	955300480	BATTERY TERMINAL (+)	1	
83	955300460	TERMINAL COVER (+)	1	REPLACES P/N 955300500
84	515447360	BATTERY CORD (-)	1	
85	955300490	BATTERY TERMINAL (-)	1	
86	955300470	TERMINAL COVER (-)	1	REPLACES P/N 955300510
87	506010070	CLAMP	2	
101	518351510	MAGNETIC CLUTCH	1	
102	518466170	WASHER, STEPPED	1	
103	009110080	SOCKET HEAD BOLT 6X30 ZN	1	
104	011206020	BOLT 6X20	1	REPLACES P/N 001220620
105	011006010	BOLT 6X10	1	REPLACES P/N 001220610
105-1	030206150	WASHER, LOCK M6	1	
105-2	952404470	WASHER, FLAT M6	1	REPLACES P/N 031106100

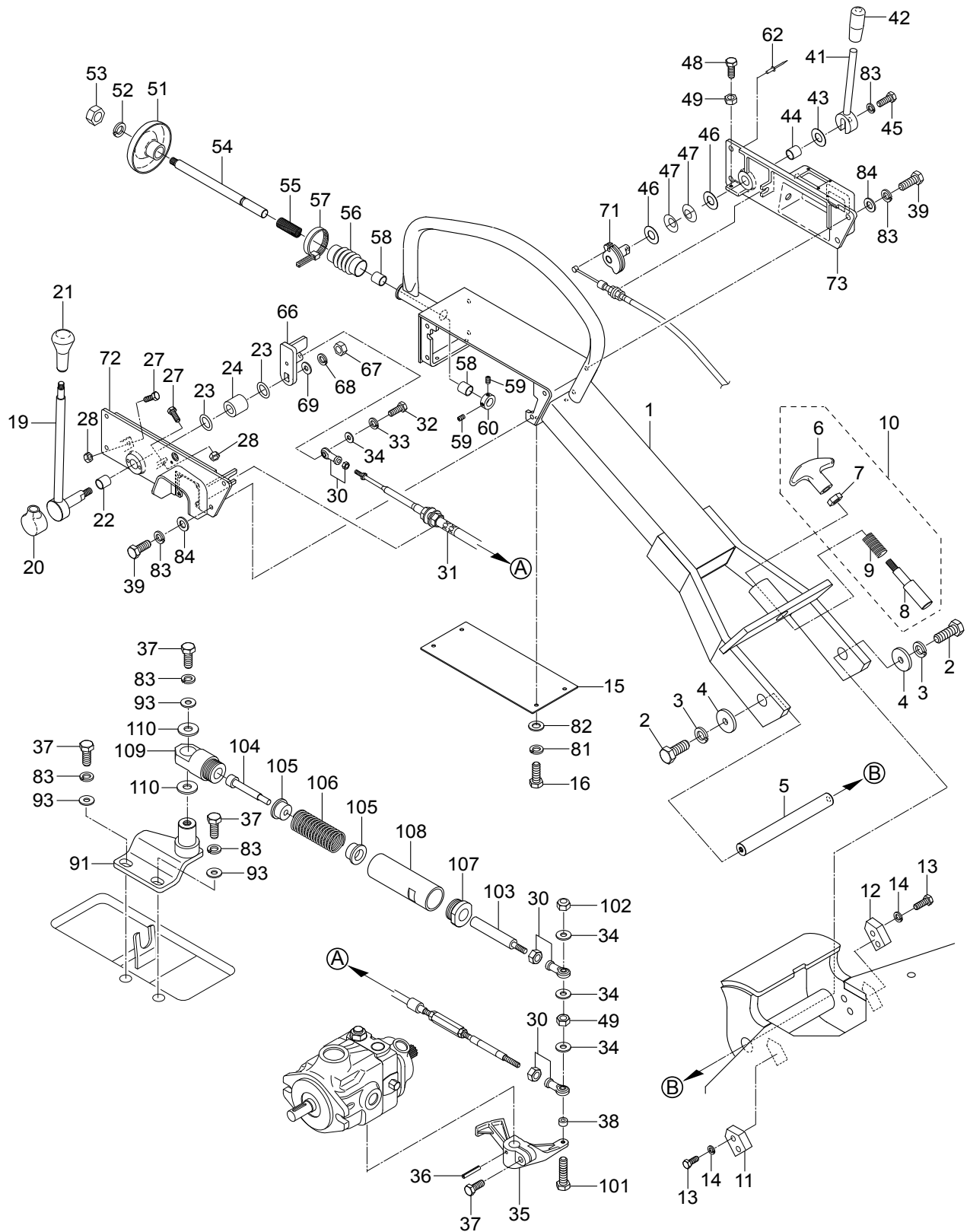
DEADMAN SYSTEM CONTROL ASSY.



DEADMAN SYSTEM CONTROL ASSY.

<u>NO.</u>	<u>PART NO.</u>	<u>PART NAME</u>	<u>QTY.</u>	<u>REMARKS</u>
1	518120800	HANDLE	1	
2	012210035	BOLT 10X35	2	REPLACES P/N 001221035
3	030210250	WASHER, LOCK M10	2	
4	952408680	WASHER	2	
5	518466130	SHAFT, HANDLE	1	
6#	959007140	T-KNOB, M12	1	
7#	0039312000	NUT M12	1	REPLACES P/N 020312100
8#	517459710	STOPPER, HANDLE	1	
9#	517459700	SPRING, HANDLE	1	
10	515910090	HANDLE/STOPPER ASSY	1	INCLUDES ITEMS W/ #
11	518466090	STOPPER, HANDLE/IN-OP	1	
12	518466100	STOPPER, HANDLE/IN-HO	1	
13	012210035	BOLT 10X35	4	REPLACES P/N 001221035
14	030210250	WASHER, LOCK M10	4	
15	518351400	HANDLE COVER	1	
16	011206020	BOLT 6X20	4	REPLACES P/N 001220620
19	518352810	TRAVELLING, LEVER	1	
20	518467530	LEVER COVER	1	
21	959300870	KNOB	1	
22	464010010	DRY BUSHING	1	
23	458450660	WASHER	2	
24	952408970	COLLAR	1	
27	011208025	BOLT 8X25	2	REPLACES P/N 001220825
28	020108060	NUT M8	2	REPLACES P/N 020308060
30	501011162	ROD END	3	
31	517342410	PUSH-PULL CABLE	1	
32	011606025	BOLT 6X25	1	REPLACES P/N 001220625
33	030206150	WASHER, LOCK M6	1	
34	952404470	WASHER	4	
35	518351470	PV LEVER	1	
36	025405032	SPRING PIN 5X32	1	
37	014208020	BOLT 8X20	4	REPLACES P/N 001220820
38	952408770	COLLAR	1	
39	014208020	BOLT 8X20	8	REPLACES P/N 001220820
41	518466140	THROTTLE LEVER	1	
42	959403840	BAR GRIP	1	
43	952408560	WASHER, BRASS	1	
44	464010010	DRY BUSHING	1	
45	011208025	BOLT 8X25	1	REPLACES P/N 001220825
46	458450660	WASHER	2	
47	033910080	CONICAL WASHER, LOCK	2	
48	0105050616	BOLT 6X15	1	REPLACES P/N 001220615
49	020106050	NUT M6	2	REPLACES P/N 020306050

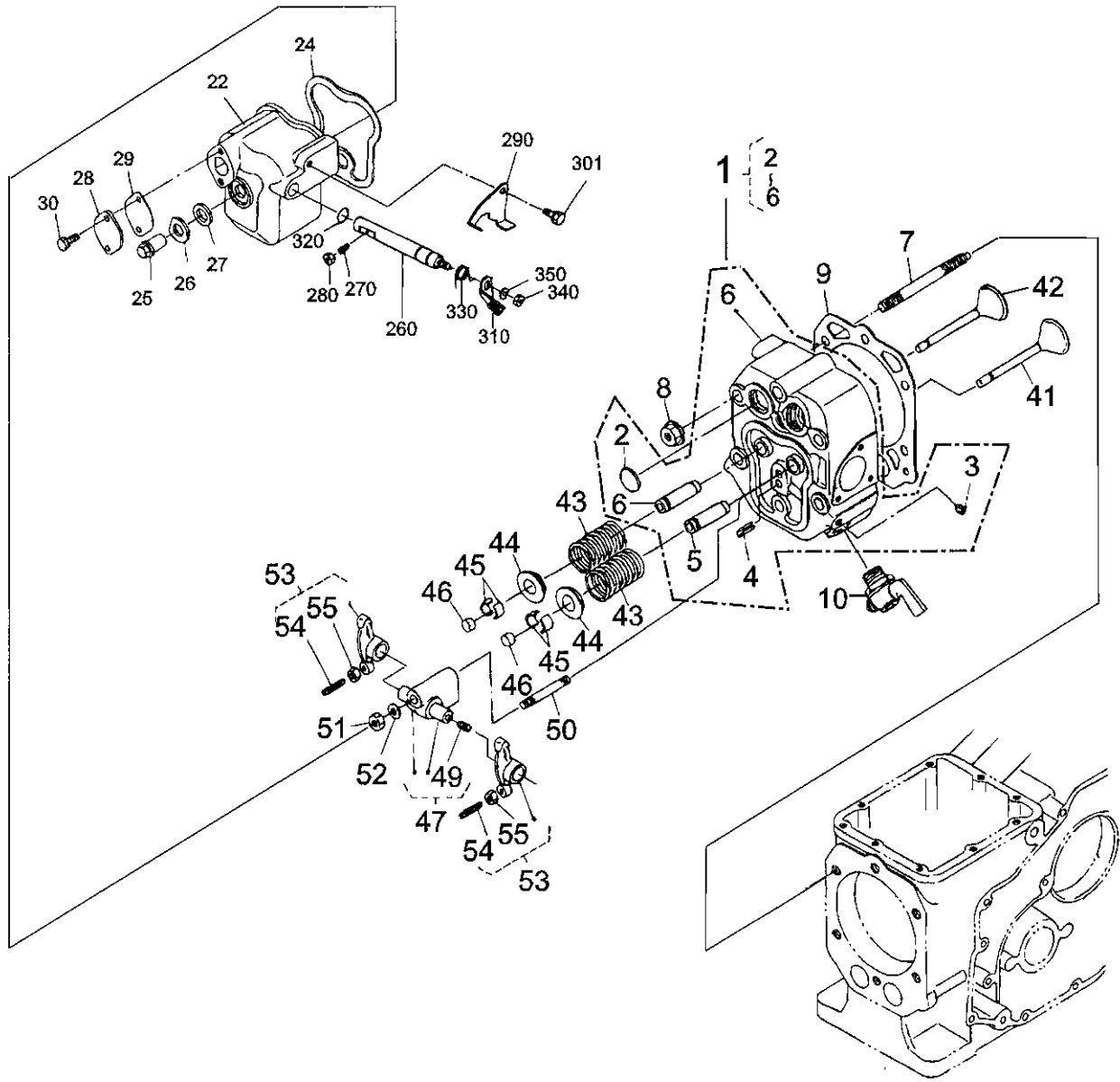
DEADMAN SYSTEM CONTROL ASSY. (CONTINUED)



DEADMAN SYSTEM CONTROL ASSY. (CONTINUED)

<u>NO.</u>	<u>PART NO.</u>	<u>PART NAME</u>	<u>QTY.</u>	<u>REMARKS</u>
51	515447720	DISC PLATE, DEADMAN	1	
52	030212300	WASHER, LOCK M12	1	
53	0039312000	NUT M12.....	1	REPLACES P/N 020312100
54	518351460	ROD, DEADMAN	1	
55	509436980	SPRING, DEADMAN	1	
56	509436990	PROTECTOR, DEADMAN	1	
57	507010110	CLAMP	1	
58	464010010	DRY BUSHING	2	
59	01420601	SOCKET HEAD SCREW 6X6.....	2	REPLACES P/N 099206006
60	509436960	ROD STOPPER, DEADMAN	1	
62	515010080	DECAL, WINDOW SHADE RIVET	2	
66	518352800	LEVER, JOINT, TRAVELLING	1	
67	020310080	NUT M10	1	
68	030210250	WASHER, LOCK M10	1	
69	031110160	WASHER, FLAT M10	1	
71	518351450	SHAFT, THROTTLE	1	
72	518120680	TRAVELLING LEVER BRACKET	1	
73	518120690	THROTTLE LEVER BRACKET	1	
81	030206150	WASHER, LOCK M6	4	
82	952404470	WASHER, FLAT M6	4	REPLACES P/N 031106100
83	030208200	WASHER, LOCK M8	12	
84	0401450080	WASHER, FLAT M8	8	REPLACES P/N 031108160
91	518352580	CYLINDER, STAY	1	
93	952401560	WASHER	3	
101	001820650	BOLT 6X50	1	
102	022710607	NYLON NUT M6	1	
103	515461610	OUTER SHAFT	1	
104	515461600	INNER SHAFT	1	
105	518467400	CYLINDER, PISTON	2	
106	518467390	SPRING, CYLINDER	1	
107	506442930	CAP	1	
108	515461590	CYLINDER	1	
109	515461580	LINK CAP	1	
110	506442940	COLLAR	2	

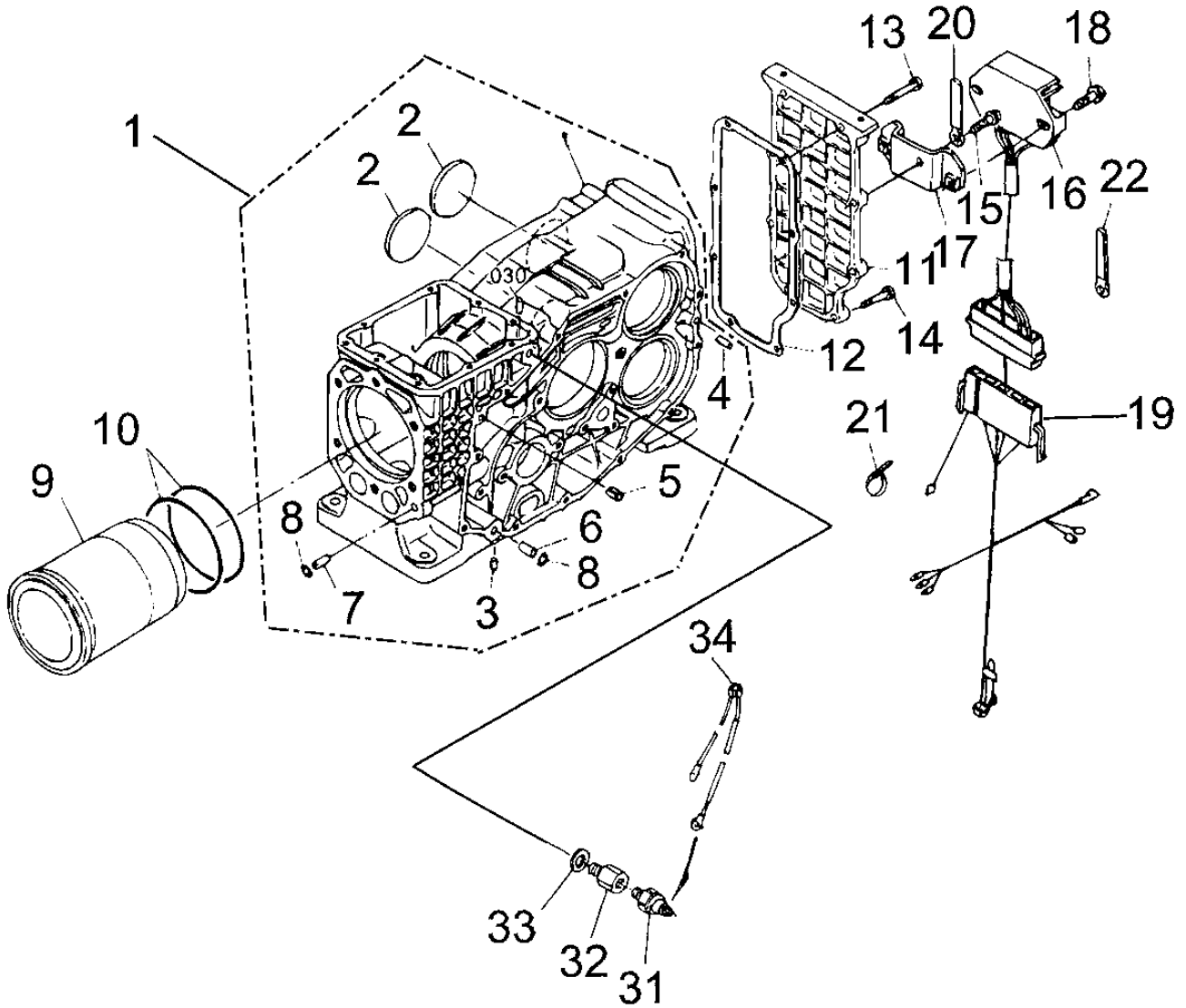
KUBOTA EA330 — CYLINDER HEAD ASSY.



KUBOTA EA330 — CYLINDER HEAD ASSY.

<u>NO.</u>	<u>PART NO.</u>	<u>PART NAME</u>	<u>QTY.</u>	<u>REMARKS</u>
1	1619403042	COMP., CYLINDER HEAD	1	INCLUDES ITEMS W/ @
2@	0631175022	PLUG, EXPANSION	1	
3@	1526196010	PLUG	1	
4@	0541100612	SPRING PIN	1	
5@	1626113540	GUIDE, INLET VALVE	1	
6@	1626113560	EXHAUST VALVE GUIDE	1	
7	1497103412	STUD, CYLINDER HEAD	6	
8	1921503512	HEAD NUT	6	
9	1459503310	GASKET, CYL. HEAD	1	
10	1T25173110	DRAIN COCK	1	
22	1497114512	HEAD COVER	1	
24	1497114520	PACKING, HEAD COVER	1	
25	1526114620	NUT, HEAD COVER	1	
26	1526114640	WASHER, HEAD COVER	1	
27	1526114630	PACKING, HEAD COVER NUT	1	
28	1526166630	COVER, DECOMP HOLE	1	
29	1526366640	PACKING	1	
30	0102350614	BOLT	2	
41	1497213110	VALVE, INLET	1	
42	1497213120	VALVE, EXHAUST	1	
43	1526113240	SPRING, VALVE	2	
44	162613330	RETAINER, SPRING	2	
45	1526113980	COLLET, VALVE SPRING	2	
46	1624113280	CAP, VALVE	2	
47	1497114050	BRACKET CP, ROCKER ARM.....	1	INCLUDES ITEMS W/ #
49#	0341050606	SCREW	1	
50	1526114410	STUD	1	
51	1526192010	NUT	1	
52	1526194010	WASHER, FLAT	1	
53	1527114030	ROCKER ARM ASSY.....	2	INCLUDES ITEMS W/ \$
54\$	1526114232	SCREW, ADJUSTING	2	
55\$	1526114240	NUT	2	
260	1497166322	SHAFT, DECOMPRESS	1	
270	1526166350	BOLT, DECOMPRESS	1	
280	0205650050	NUT	1	
290	1497166552	STOPPER, DECOMPRESS	1	
301	0102350612	BOLT	1	
310	1430166310	LEVER CP, DECOMPRESS	1	
320	1970196850	O-RING	1	
330	1497166210	SPRING, DECOMPRESS	1	
340	0201450060	NUT	1	
350	0451260060	WASHER, LOCK	1	

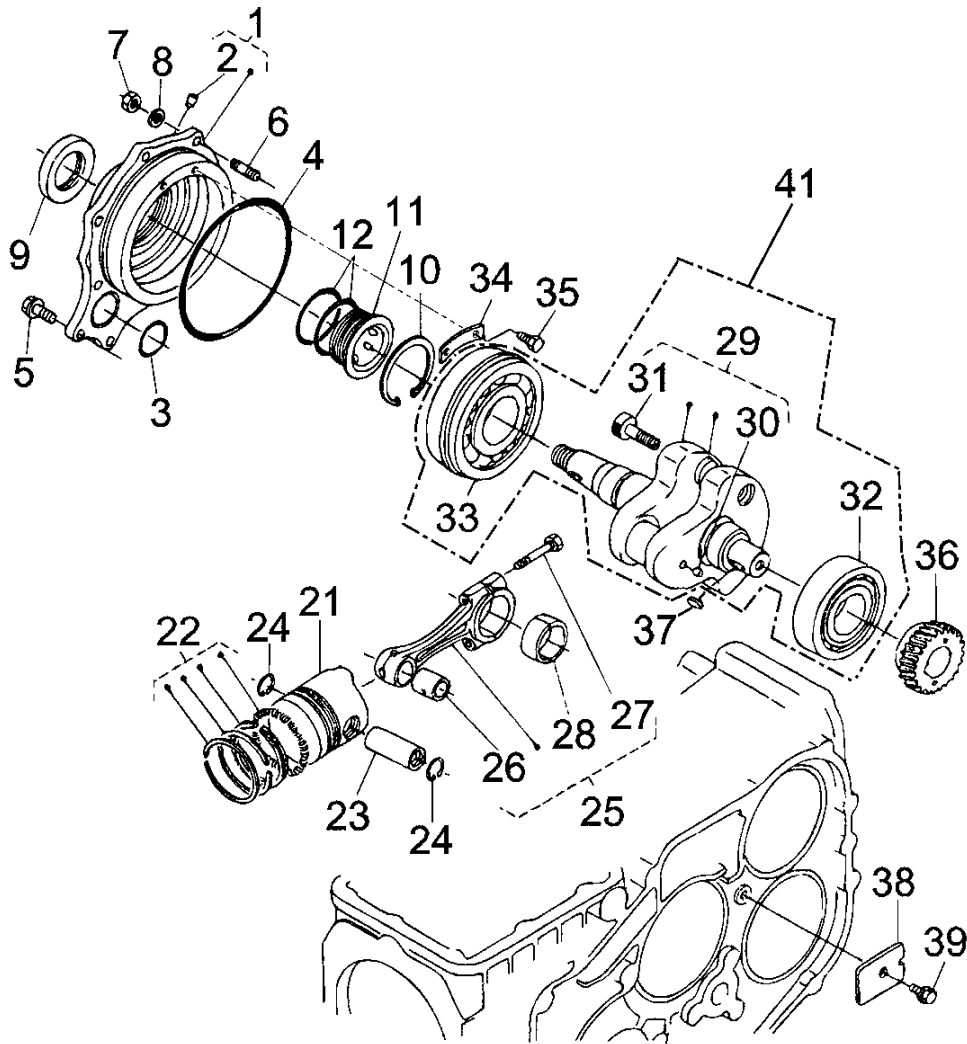
KUBOTA EA330 — CRANKCASE ASSY.



KUBOTA EA330 — CRANKCASE ASSY.

<u>NO.</u>	<u>PART NO.</u>	<u>PART NAME</u>	<u>QTY.</u>	<u>REMARKS</u>
1	1441801010	CRANKCASE, CP	1	INCLUDES ITEMS W/ #
2#	1497126710	PLUG, SEAL	2	
3#	1430133630	PLUG, PIN	2	
4#	0501200612	PIN, STRAIGHT	1	
5#	0541100412	SPRING PIN	1	
6#	1491194930	PIPE PIN	1	
7#	1430133950	PIPE PIN	1	
8#	0481600080	O-RING	2	
9	1428602310	CYLINDER LINER	1	
10	1497102350	O-RING	2	
11	1497104710	COVER, CRANKCASE	1	
12	1G10304720	GASKET, CASE COVER	1	
13	0102350635	BOLT	2	
14	0102350625	BOLT	5	
15	0175450625	FLANGE BOLT	1	
16	1442864602	REGULATOR ASSY.	1	
17	1142064610	STAY, REGULATOR	1	
18	0175450620	FLANGE BOLT	2	
19	1441665050	HARNESS WIRE	1	
20	1524167580	CORD CLAMP	1	
21	3435029380	CORD BAND	1	
22	1527267570	CLAMP, CORD	1	
31	1152139013	OIL SWITCH	1	
32	1497136112	HOLDER, OIL SIGNAL	1	
33	0472400100	PACKING	1	
34	1441665060	HARNESS WIRE	1	

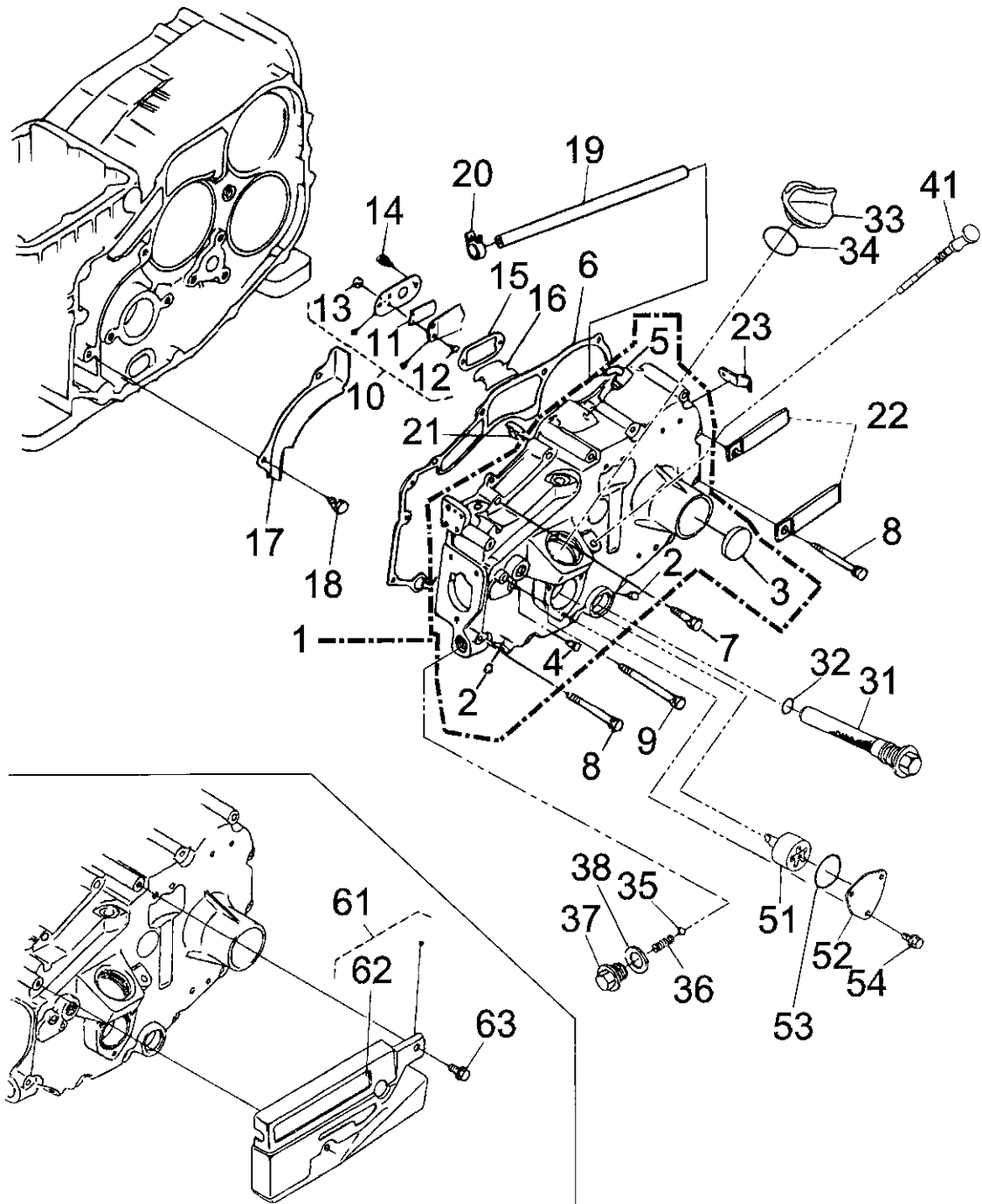
KUBOTA EA330 — PISTON AND MAIN BEARING CASE ASSY.



KUBOTA EA330 — PISTON AND MAIN BEARING CASE ASSY.

<u>NO.</u>	<u>PART NO.</u>	<u>PART NAME</u>	<u>QTY.</u>	<u>REMARKS</u>
1	1498104042	CASE COMP., MAIN BEARING	1	INCLUDES ITEMS W/ #
2#	1454196850	PLUG	1	
3	1491135450	O-RING	1	
4	0481111050	O-RING	1	
5	0175450620	FLANGE BOLT	7	
6	0151850620	STUD	2	
7	0205650060	NUT	2	
8	0451260060	WASHER, LOCK	2	
9	1487123550	OIL SEAL	1	
10	0461100500	CIR-CLIP, INTERNAL	1	
11	1497135750	RING, OIL FILLER	1	
12	1497135770	O-RING	2	
21	1428621112	PISTON	1	
22	1428621050	PISTON RING ASSY.	1	
23	1526121310	PISTON PIN	1	
24	1526121330	CIR-CLIP, INTERNAL	2	
25	1569422010	CONNECTING ROD ASSY.	1	INCLUDES ITEMS W/ @
26@	1526121980	BUSH, PISTON PIN 03	1	
27@	1538122140	BOLT, CONNECTING ROD	2	
28@	1569422310	METAL, CRANK PIN, STD/SET	1	
28	1569422970	METAL, CRANK PIN 0.2	1	
28	1569422980	METAL, CRANK PIN 0.4	1	
29	1498123014	COMP. CRANK SHAFT	1	INCLUDES ITEMS W/ %
30%	1494123240	PLUG	1	
31%	1498191430	BOLT, COUNTER WEIGHT	4	
32	1497123450	BEARING, MAIN 1	1	
33	1498123460	BEARING, MAIN 2	1	
34	1497123590	STOPPER, BEARING	1	
35	0105350512	BOLT	2	
36	1497124110	GEAR, CRANKSHAFT	1	
37	0571200515	FEATHER KEY	1	
38	1497126810	RETAINER, BEARING	1	
39	0175450614	FLANGE BOLT	1	
41	1498123905	CRANKSHAFT ASSY.	1	

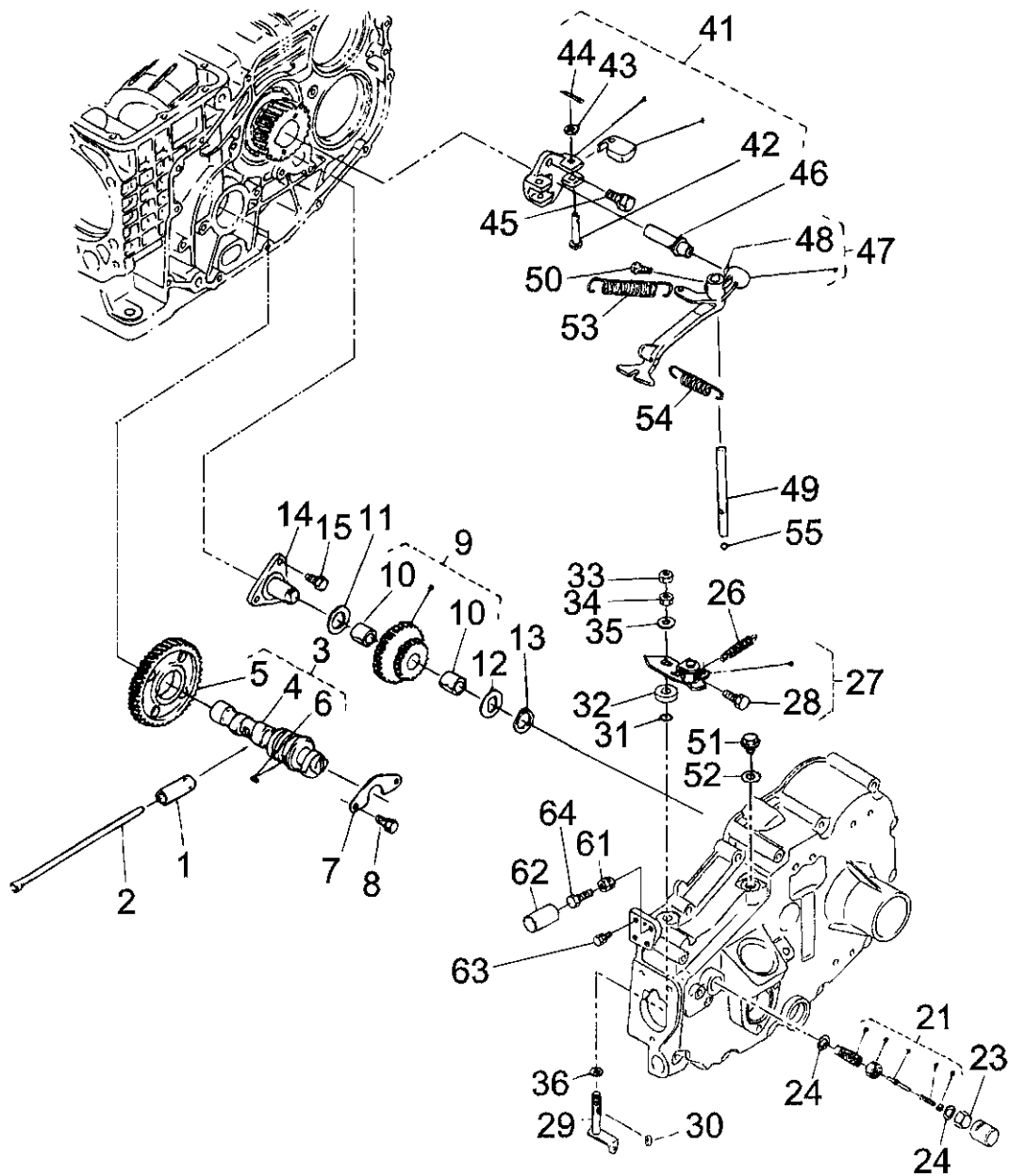
KUBOTA EA330 — GEAR CASE ASSY.



KUBOTA EA330 — GEAR CASE ASSY.

<u>NO.</u>	<u>PART NO.</u>	<u>PART NAME</u>	<u>QTY.</u>	<u>REMARKS</u>
1	1610204020	COMP. CASE GEAR	1	INCLUDES ITEMS W/ @
2@	1430133630	PLUG, PIN	2	
3@	3673024630	PLUG	1	
4@	1497166290	PIN	1	
5@	1G10105550	JOINT, BREATHER	1	
6	1459504130	PACKING GEAR CASE	1	
7	0102350635	BOLT	2	
8	0102350665	BOLT	9	
9	0102350680	BOLT	1	
10	1142005012	BREATHER ASSY.	1	INCLUDES ITEMS W/ \$
11\$	1497105210	VALVE, BREATHER	1	
12\$	0302450408	SCREW, W/WASHER	2	
13\$	0205450040	NUT	2	
14	0302450510	SCREW, W/WASHER	2	
15	1459505430	PACKING, BREATHER	1	
16	1497105470	INNER PLATE, BREATHER	1	
17	1497105370	OIL GUARD, BREATHER	1	
18	0102350612	BOLT	2	
19	0966450300	TUBE, FUEL	1	
20	0931888085	BAND, HOSE	1	
21	1497105380	OIL GUARD, BREATHER 2	1	
22	1527267570	CLAMP, CORD	2	
23	1527267570	CLAMP, CORD	1	
31	1491132110	OIL FILTER	1	
32	0481140140	O-RING	1	
33	E915133140	PLUG, OIL FILLER	1	
34	0481750300	O-RING	1	
35	0771501607	BALL	1	
36	1491136950	SPRING	1	
37	1142036910	PLUG	1	
38	0472400160	PACKING	1	
41	1497136410	GAUGE, OIL	1	
51	1491135400	ROTOR ASSY., OIL PUMP	1	
52	1142035432	COVER, OIL PUMP	1	
53	1491135450	O-RING	1	
54	0175450612	BOLT, FLANGE	3	
61	1G39404800	COMP., APRON SIDE	1	INCLUDES ITEMS W/ #
62#	1G39488550	COVER, COMP.	1	
63	0175450612	BOLT, FLANGE	2	

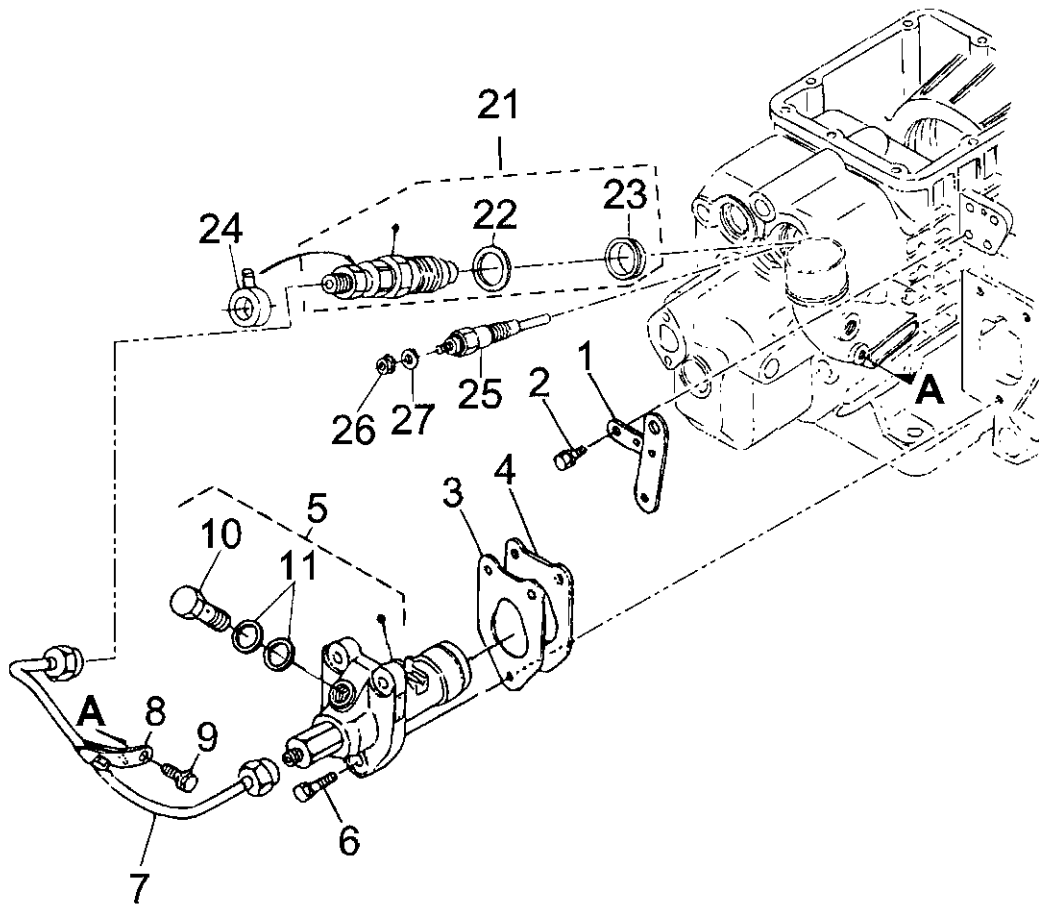
KUBOTA EA330 — GOVERNOR ASSY.



KUBOTA EA330 — GOVERNOR ASSY.

<u>NO.</u>	<u>PART NO.</u>	<u>PART NAME</u>	<u>QTY.</u>	<u>REMARKS</u>
1	1G67315550	TAPPET	2	
2	1497115110	ROD, PUSH	2	
3	1497116010	CAMSHAFT ASSY.	1	INCLUDES ITEMS W/ @
4@	1497116150	CAMSHAFT	1	
5@	1497116510	GEAR, CAMSHAFT	1	
6@	1527116240	KEY, FEATHER	1	
7	1497116270	STOPPER, CAMSHAFT	1	
8	0102350616	BOLT	2	
9	1497124010	GEAR CP, IDLE	1	INCLUDES ITEMS W/ #
10#	1526124980	BUSH, IDLE GEAR	2	
11	1526124360	COLLAR, IDLE GEAR 1	1	
12	1526124370	COLLAR, IDLE GEAR 2	1	
13	1526124320	CIR-CLIP, IDLE GEAR	1	
14	1497124250	SHAFT, IDLE GEAR	1	
15	0102350616	BOLT	3	
21	1G19654020	APPARATUS, FUEL LIMIT	1	
23	1526154220	CAP NUT	1	
24	1533196650	PACKING	2	REPLACES P/N 1510933660
26	1465856543	SPRING	1	
27	1199257040	LEVER ASSY, SPEED CONTROL	1	INCLUDES ITEMS W/ \$
28\$	0122250608	BOLT	1	
29	1497157230	SHAFT CP, SPEED CONTROL	1	
30	1526195010	KEY, FEATHER	1	
31	0481600070	O-RING	1	
32	1526357380	FRICTION PLATE	1	
33	0201260060	NUT	1	
34	0205650060	NUT	1	
35	0401360060	WASHER, FLAT	1	
36	0401250080	WASHER, FLAT	1	
41	1497155052	GOVERNOR WEIGHT ASSY.	1	INCLUDES ITEMS W/ %
42%	1491155280	PIN, GOVERNOR WEIGHT	2	
43%	0401250060	WASHER, FLAT	2	
44%	1909015390	SPLIT COTTER PIN	2	
45	0102350614	BOLT	2	
46	1491155310	SHAFT, GOVERNOR	1	
47	1497156040	LEVER CP, GOVERNOR	1	INCLUDES ITEMS W/ &
48&	0771500201	BALL	1	
49	1497156040	SHAFT, GOVERNOR LEVER	1	
50	0302450514	SCREW, W/WASHER	1	
51	0633135010	PLUG	1	
52	0472400100	PACKING	1	
53	1498156410	SPRING, GOVERNOR	1	
54	1491156480	SPRING, IDLING	1	
55	0771503205	BALL	1	
61	1115157890	NUT, LOCK	1	
62	1622154420	CAP	1	
63	0102350618	BOLT	1	
64	0105550630	BOLT	1	

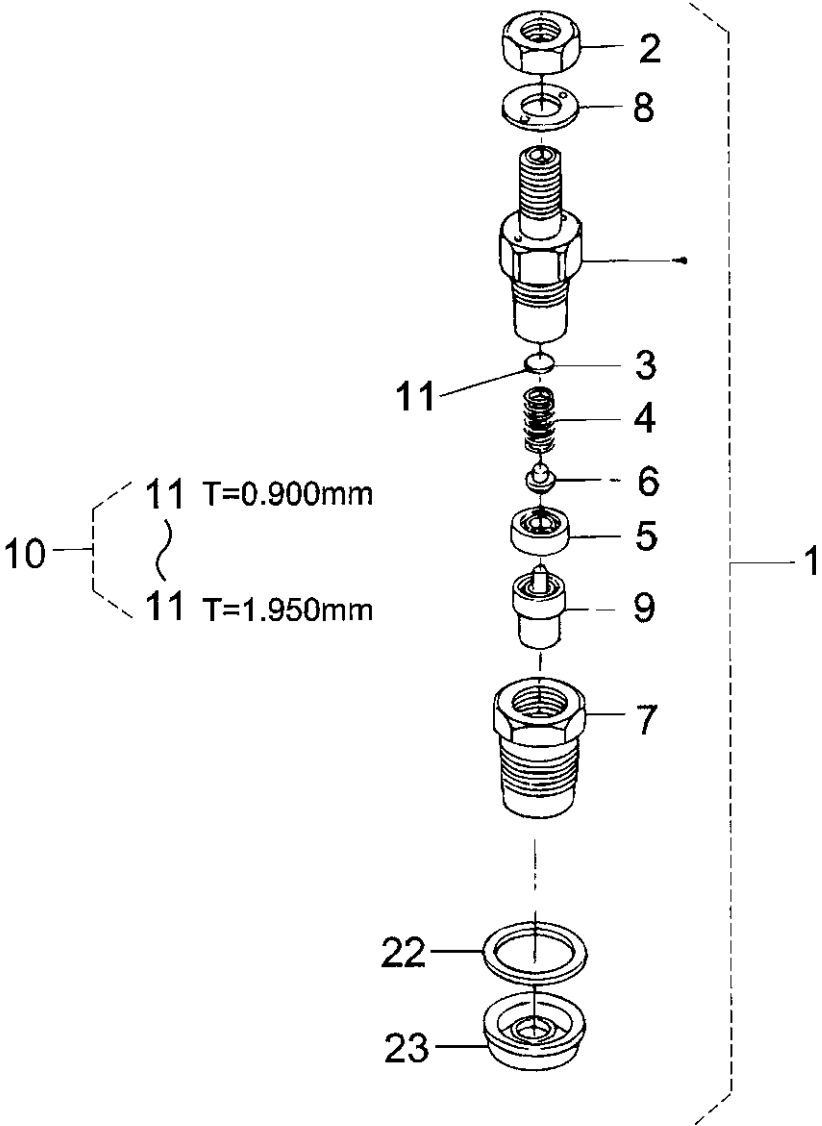
KUBOTA EA330 — INJECTION PUMP ASSY.



KUBOTA EA330 — INJECTION PUMP ASSY.

<u>NO.</u>	<u>PART NO.</u>	<u>PART NAME</u>	<u>QTY.</u>	<u>REMARKS</u>
1	1497142922	HOLDER, JET START	1	
2	0102350616	BOLT	2	
3	1G11152110	SHIM, 0.10MM	2	
3	1497152110	SHIM, 0.15MM, PUMP ADJUSTING	4	
4	1G19452110	SHIM, 0.225MM	1	
4	1497152120	SHIM, 0.50MM, PUMP ADJUSTING	1	
5	1G11151012	ASSY. PUMP, INJECTION.....	1	INCLUDES ITEMS W/ @
6	0102350622	BOLT	3	
7	1G10153710	PIPE, INJECTION	1	
8	1497153852	PIPE CLAMP	1	
9	0175450614	FLANGE BOLT	1	
10@	1491151320	SCREW	1	
11@	1410751340	PACKING	2	
21	1G10153900	KIT HOLDER, NOZZLE.....	1	INCLUDES ITEMS W/ #
22#	1584153622	GASKET	1	
23#	1907753650	SEAL, HEAT	1	
24	1J13095680	JOINT, NOZZLE HOLDER	1	
25	1685165512	GLOW PLUG	1	
26	0276150040	FLANGE NUT	1	
27	0401360040	WASHER, FLAT	1	

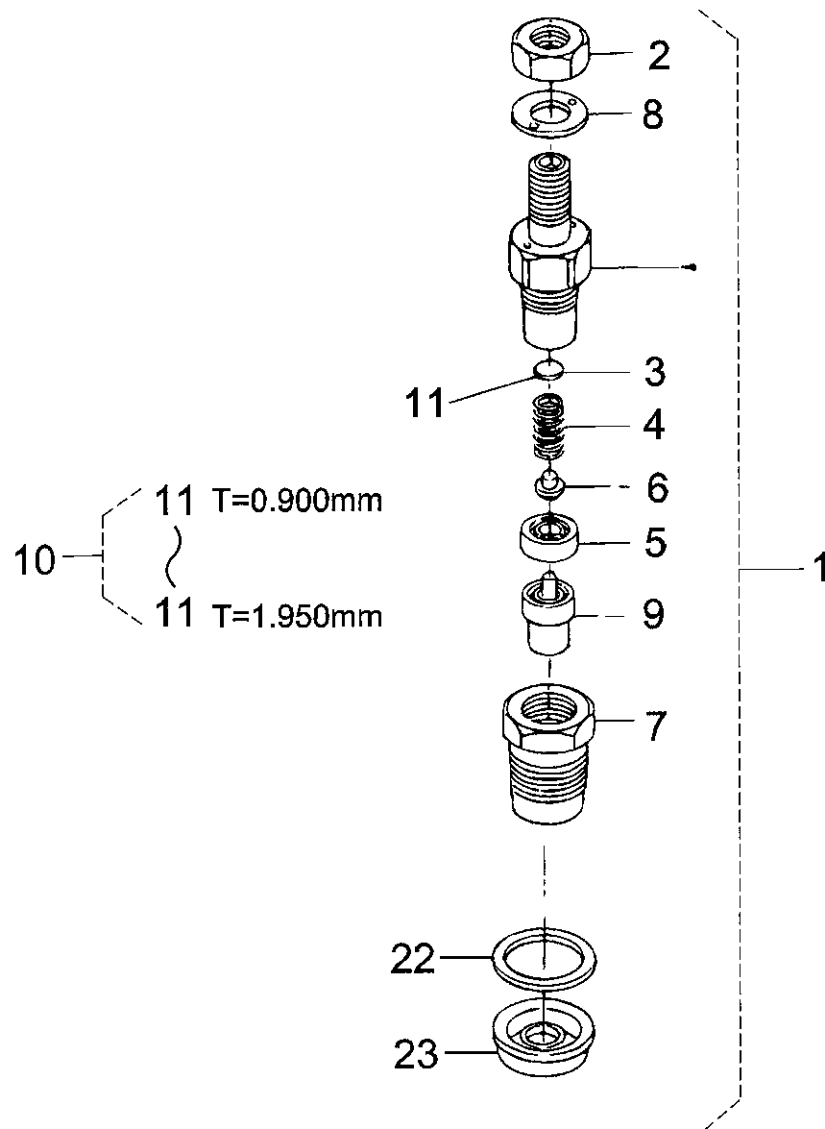
KUBOTA EA330 — NOZZLE HOLDER ASSY.



KUBOTA EA330 — NOZZLE HOLDER ASSY.

<u>NO.</u>	<u>PART NO.</u>	<u>PART NAME</u>	<u>QTY.</u>	<u>REMARKS</u>
1	1610153900	KIT HOLDER, NOZZLE.....	1	INCLUDES ITEMS W/ #
2#	1584192030	NUT	1	
3#	1584153230	WASHER, ADJUSTING, 0.900MM	1	
4#	1584153170	SPRING, NOZZLE	1	
5#	1584153350	PIECE, DISTANCE	1	
6#	1584153160	ROD, BUSH	1	
7#	1647553280	NUT, NOZZLE	1	
8#	1584194040	WASHER	1	
9#	1610153610	PIECE, NOZZLE	1	
10	1584198100	WASHER ASSY., ADJUSTING	1	INCLUDES ITEMS W/ \$
11#\$	1584153230	WASHER, ADJUSTING, 0.900MM	1	
11\$	1584198510	WASHER, ADJUSTING, 0.925MM	1	
11\$	1584198520	WASHER, ADJUSTING, 0.950MM	1	
11\$	1584198530	WASHER, ADJUSTING, 0.975MM	1	
11\$	1584198540	WASHER, ADJUSTING, 1.000MM	1	
11\$	1584198550	WASHER, ADJUSTING, 1.025MM	1	
11\$	1584198560	WASHER, ADJUSTING, 1.050MM	1	
11\$	1584198570	WASHER, ADJUSTING, 1.075MM	1	
11\$	1584198580	WASHER, ADJUSTING, 1.100MM	1	
11\$	1584198590	WASHER, ADJUSTING, 1.125MM	1	
11\$	1584198600	WASHER, ADJUSTING, 1.150MM	1	
11\$	1584198610	WASHER, ADJUSTING, 1.175MM	1	
11\$	1584198620	WASHER, ADJUSTING, 1.200MM	1	
11\$	1584198630	WASHER, ADJUSTING, 1.225MM	1	
11\$	1584198640	WASHER, ADJUSTING, 1.250MM	1	
11\$	1684198650	WASHER, ADJUSTING, 1.275MM	1	
11\$	1584198660	WASHER, ADJUSTING, 1.300MM	1	
11\$	1584198670	WASHER, ADJUSTING, 1.325MM	1	
11\$	1584198680	WASHER, ADJUSTING, 1.350MM	1	
11\$	1584198690	WASHER, ADJUSTING, 1.375MM	1	
11\$	1584198700	WASHER, ADJUSTING, 1.400MM	1	

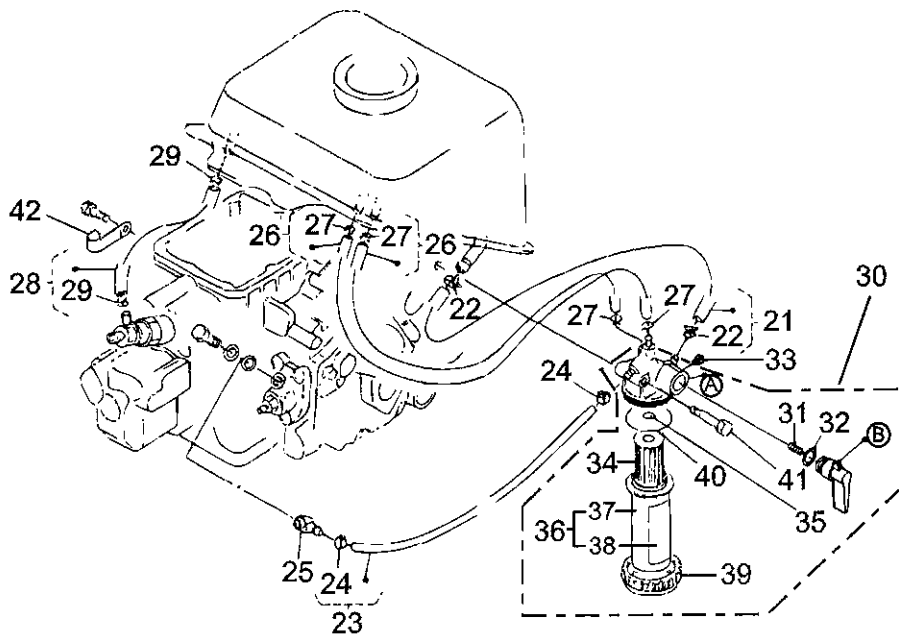
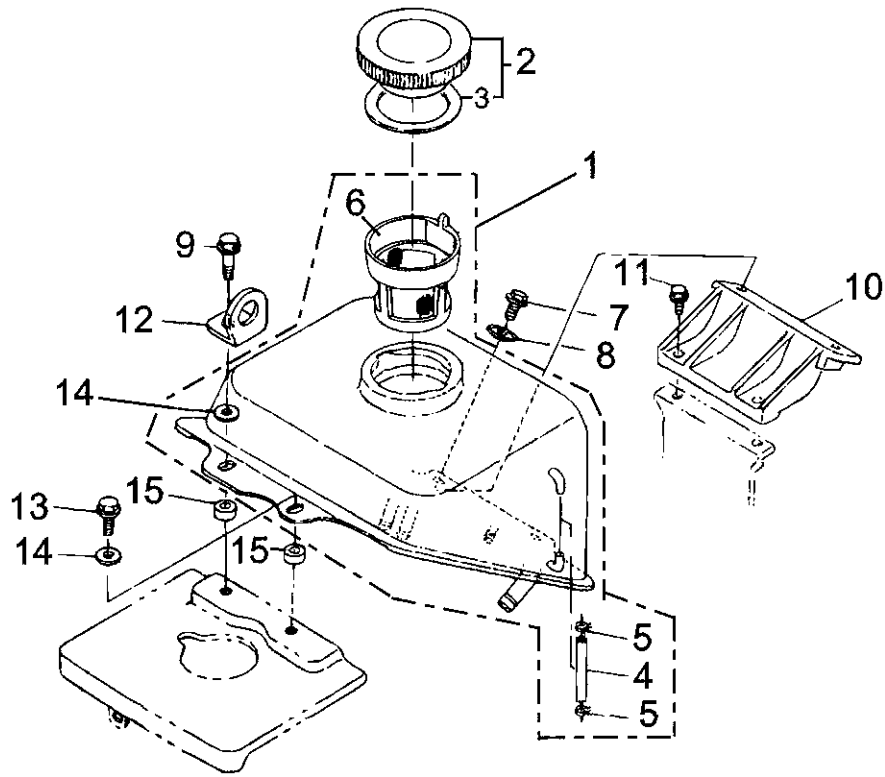
KUBOTA EA330 — NOZZLE HOLDER ASSY. (CONTINUED)



KUBOTA EA330 — NOZZLE HOLDER ASSY. (CONTINUED)

<u>NO.</u>	<u>PART NO.</u>	<u>PART NAME</u>	<u>QTY.</u>	<u>REMARKS</u>
11\$	1584198710	WASHER, ADJUSTING, 1.425MM	1	
11\$	1584198720	WASHER, ADJUSTING, 1.450MM	1	
11\$	1584198730	WASHER, ADJUSTING, 1.475MM	1	
11\$	1584198740	WASHER, ADJUSTING, 1.500MM	1	
11\$	1584198750	WASHER, ADJUSTING, 1.525MM	1	
11\$	1584198760	WASHER, ADJUSTING, 1.550MM	1	
11\$	1584198770	WASHER, ADJUSTING, 1.575MM	1	
11\$	1584198780	WASHER, ADJUSTING, 1.600MM	1	
11\$	1584198790	WASHER, ADJUSTING, 1.625MM	1	
11\$	1584198800	WASHER, ADJUSTING, 1.650MM	1	
11\$	1584198810	WASHER, ADJUSTING, 1.675MM	1	
11\$	1584198820	WASHER, ADJUSTING, 1.700MM	1	
11\$	1584198830	WASHER, ADJUSTING, 1.725MM	1	
11\$	1584198840	WASHER, ADJUSTING, 1.750MM	1	
11\$	1584198850	WASHER, ADJUSTING, 1.775MM	1	
11\$	1584198860	WASHER, ADJUSTING, 1.800MM	1	
11\$	1584198870	WASHER, ADJUSTING, 1.825MM	1	
11\$	1584198880	WASHER, ADJUSTING, 1.850MM	1	
11\$	1584198890	WASHER, ADJUSTING, 1.875MM	1	
11\$	1584198900	WASHER, ADJUSTING, 1.900MM	1	
11\$	1584198910	WASHER, ADJUSTING, 1.925MM	1	
11\$	1584198920	WASHER, ADJUSTING, 1.950MM	1	
22#	1584153622	GASKET	1	
23#	1907753650	SEAL, HEAT	1	

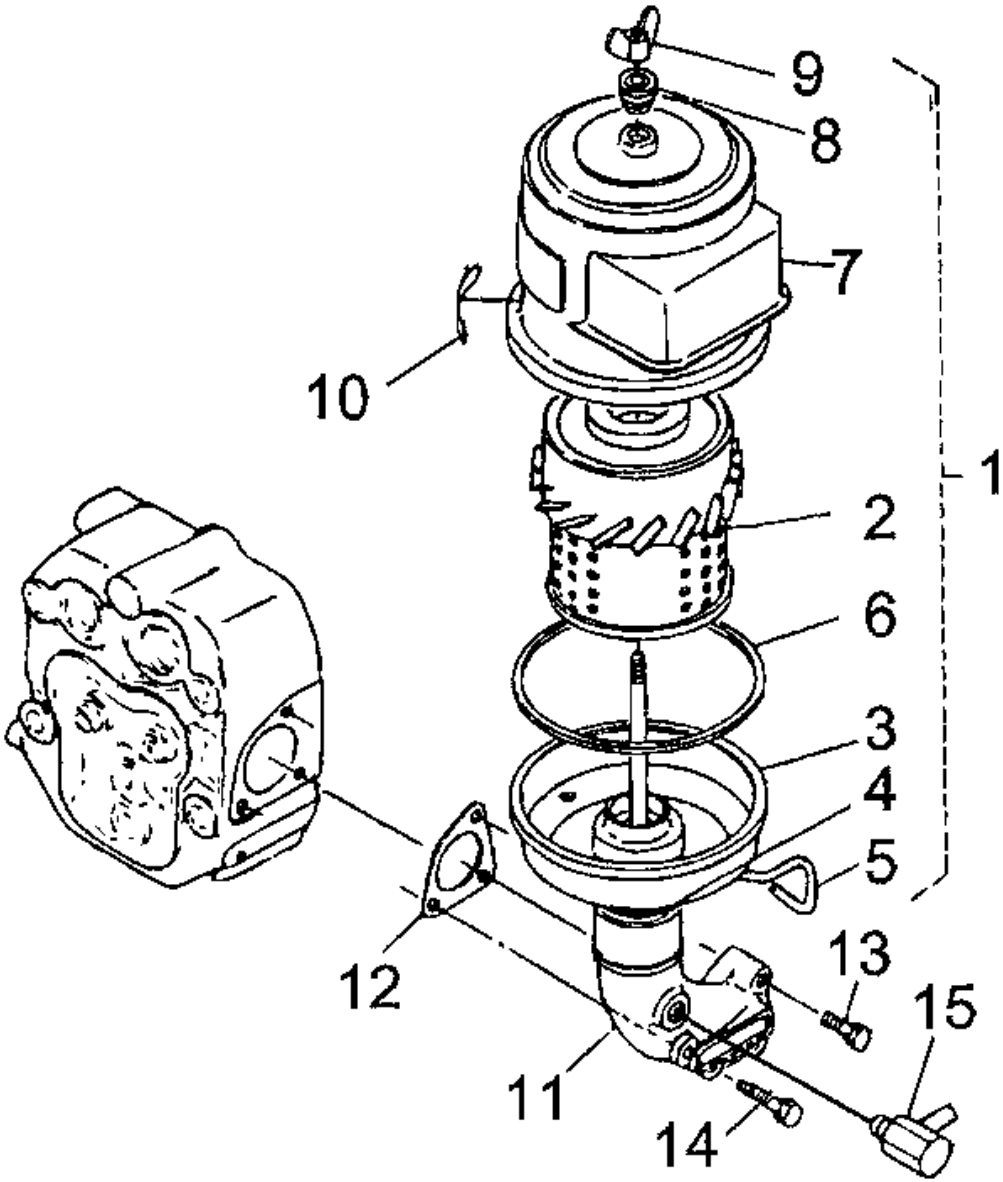
KUBOTA EA330 — FUEL TANK ASSY.



KUBOTA EA330 — FUEL TANK ASSY.

<u>NO.</u>	<u>PART NO.</u>	<u>PART NAME</u>	<u>QTY.</u>	<u>REMARKS</u>
1	1G19641020	ASSY TANK, FUEL SUB	1	INCLUDES ITEMS W/ @
2	1252141030	CAP ASSY, FUEL TANK	1	INCLUDES ITEMS W/ #
3 #	1252141340	PACKING, TANK CAP	1	
4@	1387141710	GAUGE, FUEL	1	
5@	1387141770	CLIP	2	
6@	1254541350	FILTER (FUEL TANK)	1	
7	0175450820	FLANGE BOLT	2	
8	1428941370	WASHER (FUEL TANK)	2	
9	0175450855	FLANGE BOLT	1	
10	1428941130	SUPPORT, FUEL TANK	1	
11	0175450630	FLANGE BOLT	2	
12	1G12201750	HOOK, ENGINE	1	
13	0175450830	FLANGE BOLT	1	
14	1115177380	WASHER, FLAT	2	
15	6819193722	COLLAR	2	
21	1427942010	PIPE ASSY, FUEL 1	1	INCLUDES ITEM W/ &
22&	1491142750	PIPE CLIP	2	
23	1497142020	PIPE ASSY, FUEL 2	1	INCLUDES ITEM W/ +
24+	1491142750	PIPE CLIP	2	
25	1411142410	JOINT EYE	1	
26	1427942200	PIPE ASSY, AIR VENT 2	2	INCLUDES ITEM W/ *
27*	1024442320	PIPE CLIP	4	REPLACES P/N 1497142750
28	1427942500	PIPE ASSY, OVER FLOW	1	INCLUDES ITEM W/ ^
29^	1024442320	PIPE CLIP	2	REPLACES P/N 1497142750
30	1497143010	FUEL FILTER ASSY	1	INCLUDES ITEMS W/ \$
31\$	1T02143820	SPRING, VALVE	1	
32\$	0481606100	O-RING	1	
33	1T02143830	SCREW, LEVER	1	
34\$	1T02143560	ELEMENT ASSY/FO	1	
35\$	0481600100	O-RING FILTER	1	
36\$	1T25143100	CUP ASSY, FILTER	1	INCLUDES ITEMS W/ %
37\$%	1T02143580	FILTER CUP	1	
38\$%	1A00188430	LABEL, FUEL	1	
39\$	1T02143590	RING RETANING	1	
40\$	0481600390	O-RING, FILTER CUP	1	
41	0112350845	BOLT	1	
42	1527267570	CLAMP, CORD	1	

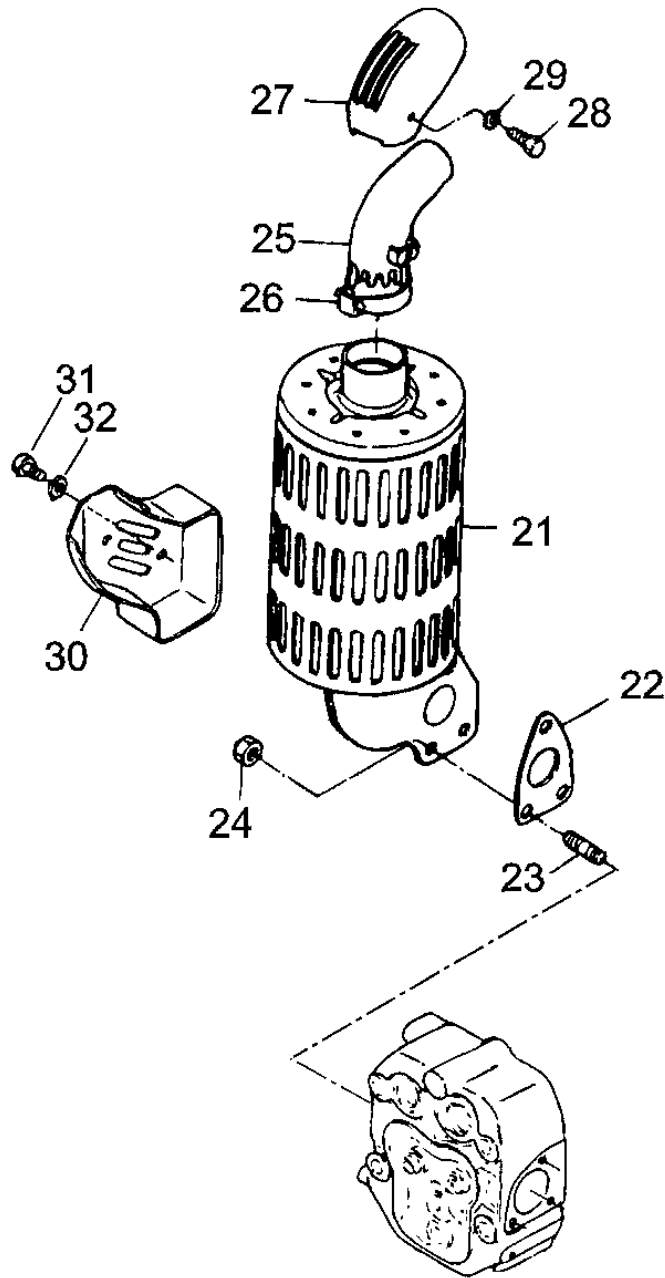
KUBOTA EA330 — AIR CLEANER ASSY.



KUBOTA EA330 — AIR CLEANER ASSY.

<u>NO.</u>	<u>PART NO.</u>	<u>PART NAME</u>	<u>QTY.</u>	<u>REMARKS</u>
1	1497111012	CLEANER ASSY., AIR	1	INCLUDES ITEMS W/ @
2@	1497111180	ELEMENT, AIR CLEANER	1	
3@	1497111050	BODY CP	1	
4@	1497111520	O-RING	1	
5@	1491111460	BOLT, SETTING	1	
6@	1497111170	GASKET	1	
7@	1497111100	CASE CP	1	
8@	1491111920	GROMMET	1	
9@	1491111530	WING NUT	1	
10	1497188450	LABEL	1	
11	1497111614	FLANGE, AIR CLEANER	1	
12	1497111650	PACKING, FLANGE	1	
13	0102350622	BOLT	1	
14	0102350632	BOLT	2	
15	1G10105560	JOINT, BREATHER	1	

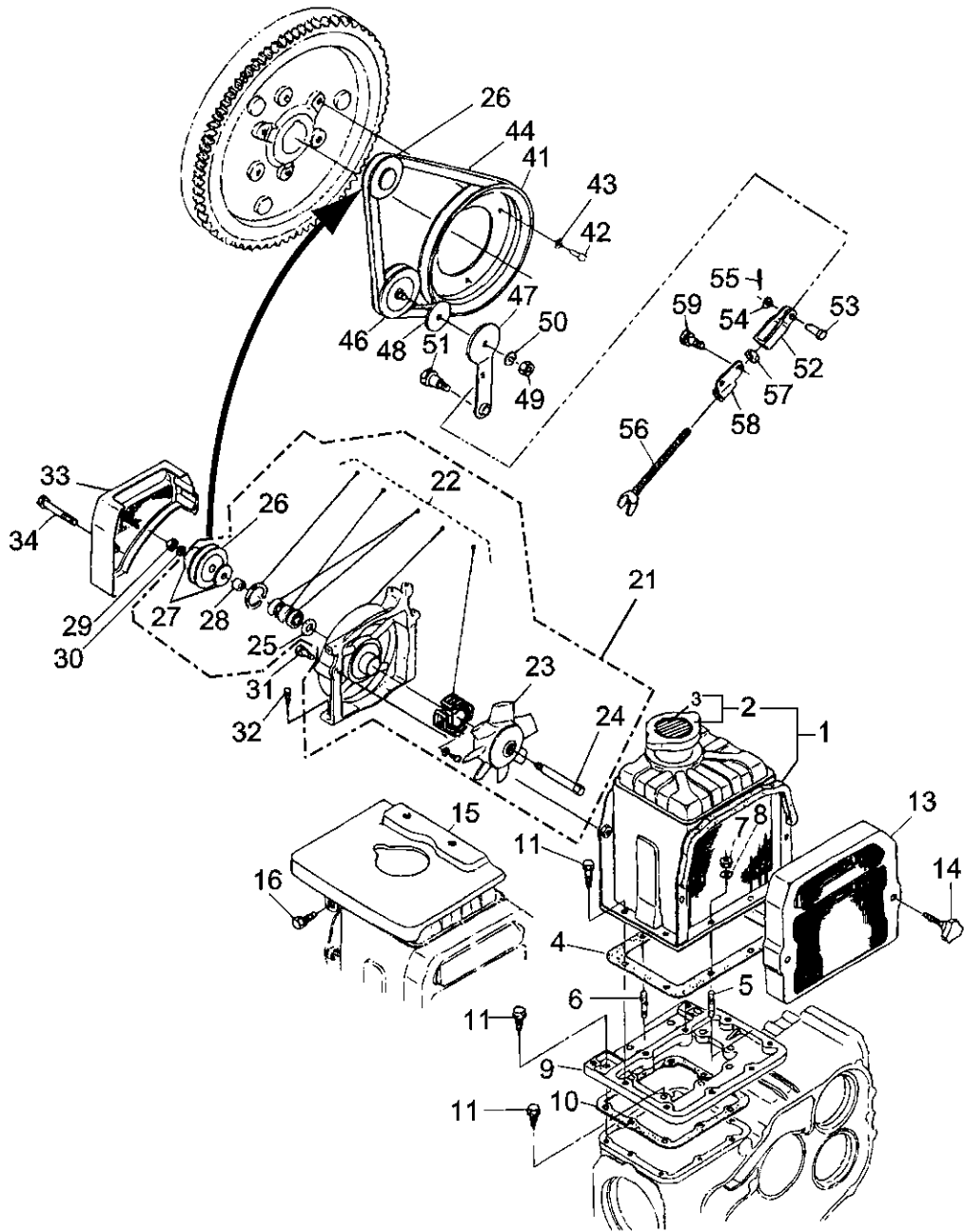
KUBOTA EA330 — MUFFLER ASSY.



KUBOTA EA330 — MUFFLER ASSY.

<u>NO.</u>	<u>PART NO.</u>	<u>PART NAME</u>	<u>QTY.</u>	<u>REMARKS</u>
21	1497112112	MUFFLER	1	
22	1459512230	GASKET, MUFFLER	1	
23	0151350816	STUD BOLT	3	
24	0211450080	NUT	3	
25	1491112412	PIPE, MUFFLER	1	
26	1443112430	BAND, PIPE	1	
27	1192412470	COVER, MUFFLER PIPE	1	
28	0105350608	BOLT	2	
29	0451260060	WASHER, LOCK	2	
30	1497112720	COVER MUFFLER FLANGE 1	1	
31	0105350608	BOLT	2	
32	0451260060	WASHER, LOCK	2	

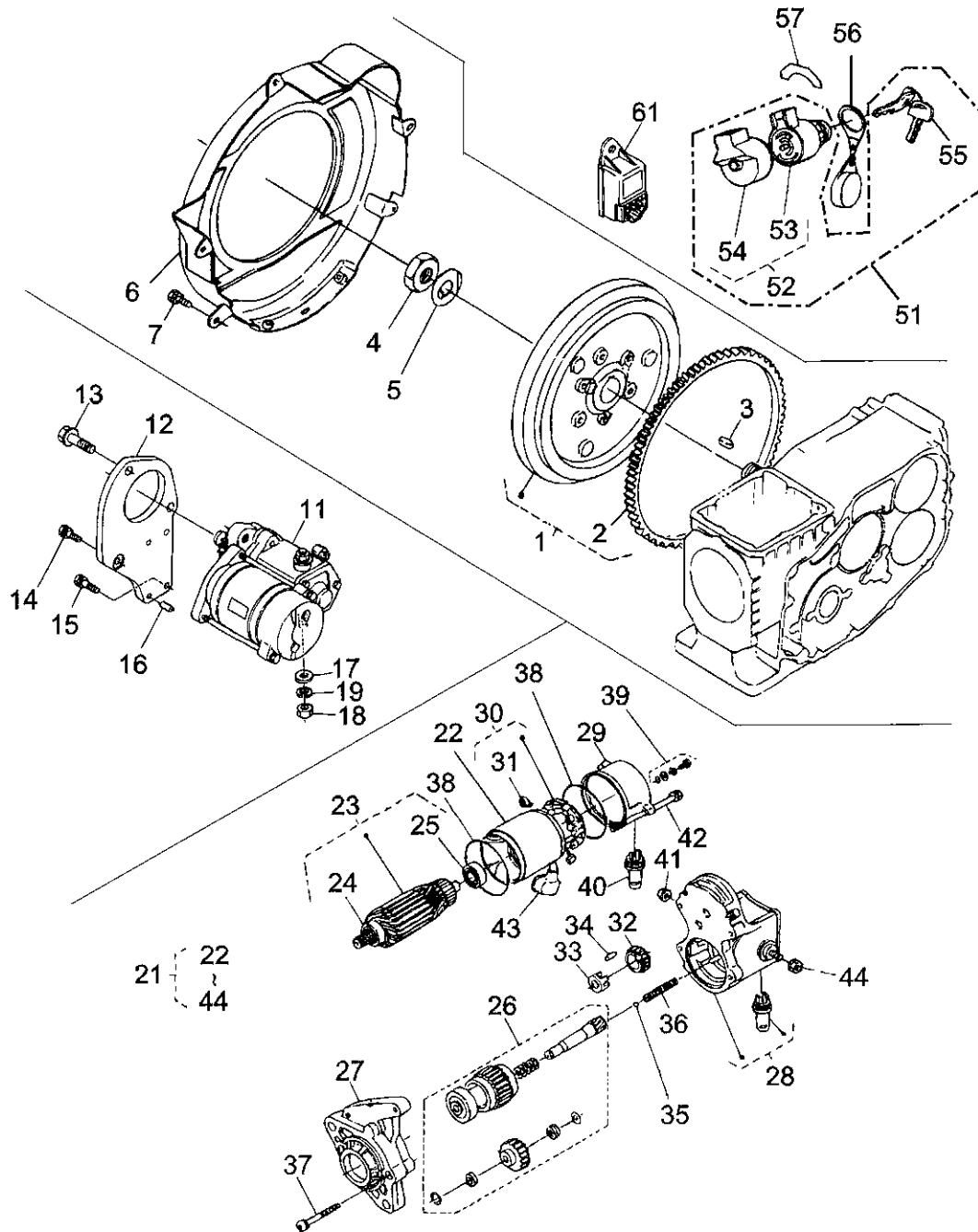
KUBOTA EA330 — RADIATOR AND FAN ASSY.



KUBOTA EA330 — RADIATOR AND FAN ASSY.

<u>NO.</u>	<u>PART NO.</u>	<u>PART NAME</u>	<u>QTY.</u>	<u>REMARKS</u>
1	1497172062	RADIATOR ASSY	1	INCLUDES ITEMS W/ @
2@	1113172030	CAP, RADIATOR	1	INCLUDES ITEMS W/ \$
3@\$	1113187240	LABEL, CAUTION	1	
4	1497172120	PACKING, RADIATOR	1	
5	0151850616	STUD BOLT	2	
6	1522188210	STUD	2	
7	0201450060	NUT	4	
8	0451260060	WASHER, LOCK	4	
9	1497172140	BASE, RADIATOR	1	
10	1459572450	GASKET	1	
11	0175450618	FLANGE BOLT	9	
13	1497172250	NET, RADIATOR	1	
14	0182050635	BOLT, KNOB	2	
15	1441672210	RADIATOR COVER	1	
16	0102350616	BOLT	1	
21	1G19674010	ASSY FAN, COOLING	1	INCLUDES ITEMS W/ %
22%	1G19674100	COMP. BRACKET, FAN	1	
23%	1G19674110	FAN	1	
24%	1497274140	SHAFT, FAN	1	
25%	1497274170	WASHER, FAN 1	1	
26%	1498274250	PULLEY, FAN	1	
27%	1497274240	WASHER, FAN 2	2	
28%	1497274250	PULLEY, FAN	1	
29	0211250120	NUT	1	
30	0451260120	WASHER, LOCK	1	
31	0102350616	BOLT	2	
32	0102350620	BOLT	2	
33	1497174120	COVER, FAN	1	
34	0102350660	BOLT	2	
41	1497174280	PULLEY, FAN DRIVE	1	
42	0105350614	BOLT	3	
43	0451260060	WASHER, LOCK	3	
44	1G82097010	V-BELT	1	
45	1497174302	ASSY PULLEY TENSION	1	
46	1454174322	PULLEY, TENSION	1	
47	1497174410	SUPPORT, TENSION PULLEY	1	
48	1491174770	CAP	1	
49	0205250080	NUT	1	
50	0451250080	WASHER, LOCK	1	REPLACES P/N 0451260080
51	1497191310	BOLT, REAMER	1	
52	1497174362	ARM, TENSION PULLEY	1	
53	0512250816	JOINT PIN	1	
54	0401250080	WASHER, FLAT	1	
55	0551150215	SPLIT COTTER PIN	1	
56	1970174940	TENSION BOLT	1	
57	0201450060	NUT	1	
58	1497174952	GUIDE, TENSION BOLT	1	
59	0102350612	BOLT	2	

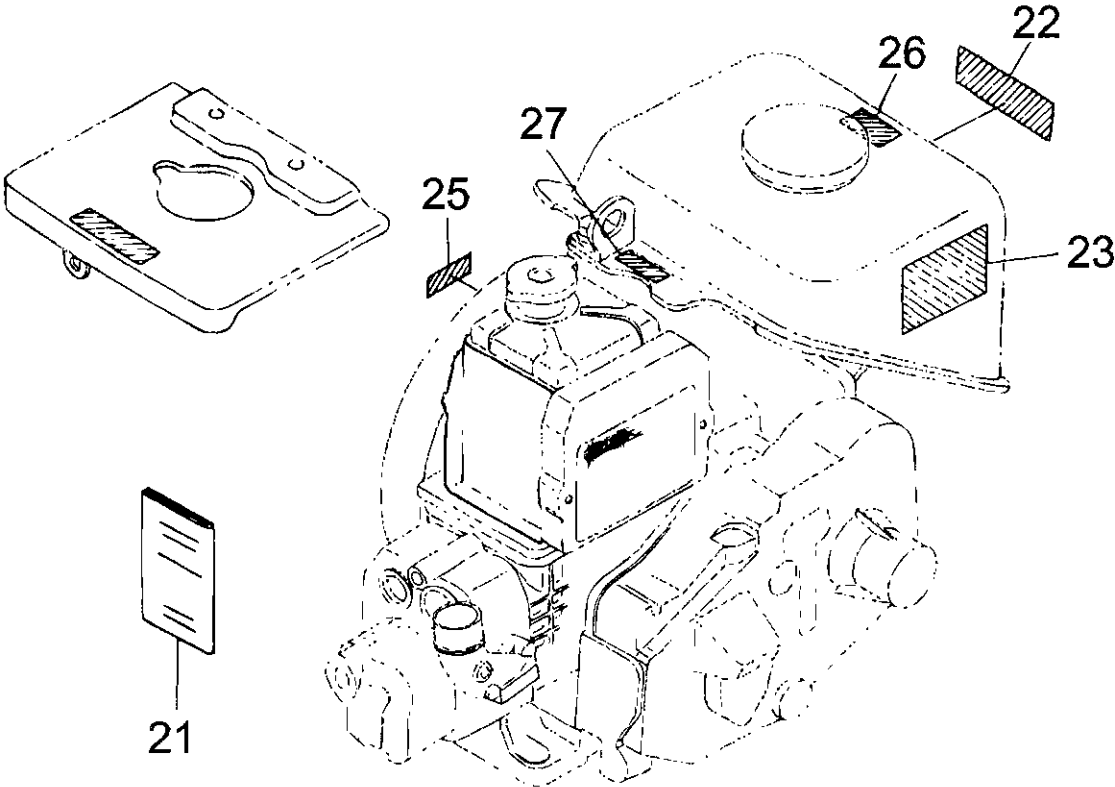
KUBOTA EA330 — FLYWHEEL AND STARTER ASSY.



KUBOTA EA330 — FLYWHEEL AND STARTER ASSY.

<u>NO.</u>	<u>PART NO.</u>	<u>PART NAME</u>	<u>QTY.</u>	<u>REMARKS</u>
1	1173725010	FLYWHEEL COMP.	1	INCLUDES ITEMS W/ @
2@	1948463820	RING GEAR	1	
3	1498195010	KEY, FEATHER	1	
4	1454123350	NUT, FLYWHEEL	1	
5	1428923370	WASHER FLYWHEEL	1	
6	1173725330	COVER, FLYWHEEL	1	
7	0102350614	BOLT	4	
11	1428963010	STARTING MOTOR ASSY.	1	
12	1428963890	SUPPORT, STARTER	1	
13	0177451030	FLANGE BOLT	2	
14	0102350620	BOLT	1	
15	0102350622	BOLT	2	
16	0501200614	PIN, STRAIGHT	2	
17	0401250080	WASHER, FLAT	1	
18	0211450080	NUT	1	
19	0451250080	WASHER, LOCK	1	REPLACES P/N 0451260080
21	1428963010	STARTING MOTOR ASSY.	1	INCLUDES ITEMS W/ %
22%	1119763080	YOKE ASSY	1	
23%	1119763070	ARMATURE ASSY.	1	INCLUDES ITEMS W/#
24%#	1146063500	BEARING	1	
25%#	1146063530	BEARING	1	
26%	1623563040	STARTER KIT	1	
27%	1428963030	HOUSING ASSY.	1	
28%	1428963020	SWITCH ASSY, MAGNETIC	1	
29%	1666163200	FRAME (END)	1	
30%	1738163380	HOLDER ASSY, BRUSH	1	INCLUDES ITEMS W/ \$
31%\$	1540163390	BRUSH SPRING	4	
32%	1146063270	GEAR (2)	1	
33%	1146063110	RETAINER	1	
34%	1921263100	ROLLER	5	
35%	1921297130	BALL	1	
36%	1146063120	SPRING	1	
37%	1146093310	BOLT	2	
38%	1551196660	O-RING	2	
39%	1551163760	BOLT ASSY.	2	
40%	1628563570	PIPE, DRAIN	1	
41%	1396392010	NUT	1	
42%	1119763320	BOLT	2	
43%	1117363130	COVER, TERMINAL	1	
44%	1628592010	NUT	1	
51	1G34763590	SWITCH ASSY., STARTER W/KEYS	1	INCLUDES ITEMS W/ @
52@	3272155400	SWITCH ASSY., STARTER.....	1	INCLUDES ITEMS W/ +
53@+	6C04055412	SWITCH, STARTER	1	
54@+	3272155430	COVER, STARTER SWITCH	1	
55@	1524863700	KEY, STARTER SWITCH	1	
56	5461141120	CAP, STARTER SWITCH	1	
57	1142087520	LABEL, STARTER SWITCH	1	
61	1569465990	LAMP TIMER	1	

KUBOTA EA330 — NAMEPLATE AND DECALS ASSY.



KUBOTA EA330 — NAMEPLATE AND DECALS ASSY.

<u>NO.</u>	<u>PART NO.</u>	<u>PART NAME</u>	<u>QTY.</u>	<u>REMARKS</u>
21	1G19489153	OPERATOR'S MANUAL/EXP	1	
22	1G19488110	LABEL: EMBLEM-E3	1	
23	1G19488210	LABEL: ENGINE, CAUTION	1	
25	1479988220	LABEL: CAUTION	1	
26	1G19488410	LABEL: CAUTION, FUEL	1	
27	1918788360	LABEL: ENGINE HOOK	1	

PARTS MANUAL

HERE'S HOW TO GET HELP

PLEASE HAVE THE MODEL AND SERIAL
NUMBER ON-HAND WHEN CALLING

UNITED STATES

Multiquip Inc.

(310) 537- 3700
6141 Katella Avenue Suite 200
Cypress, CA 90630
E-MAIL: mq@multiquip.com
WEBSITE: www.multiquip.com

CANADA

Multiquip

(450) 625-2244
4110 Industriel Boul.
Laval, Quebec, Canada H7L 6V3
E-MAIL: infocanada@multiquip.com

UNITED KINGDOM

Multiquip (UK) Limited Head Office

0161 339 2223
Unit 2, Northpoint Industrial Estate,
Globe Lane,
Dukinfield, Cheshire SK16 4UJ
E-MAIL: sales@multiquip.co.uk

© COPYRIGHT 2020, MULTIQUIP INC.

Multiquip Inc, the MQ logo are registered trademarks of Multiquip Inc. and may not be used, reproduced, or altered without written permission. All other trademarks are the property of their respective owners and used with permission.

This manual MUST accompany the equipment at all times. This manual is considered a permanent part of the equipment and should remain with the unit if resold.

The information and specifications included in this publication were in effect at the time of approval for printing. Illustrations, descriptions, references and technical data contained in this manual are for guidance only and may not be considered as binding. Multiquip Inc. reserves the right to discontinue or change specifications, design or the information published in this publication at any time without notice and without incurring any obligations.

Your Local Dealer is:

