

For Models:
LS-101B-WLVCTL (Controller)
LS-201-WMSR-SPL (Motion Sensor + Spotlight)

Controller Motion Sensor & Spotlight

Installation and Use

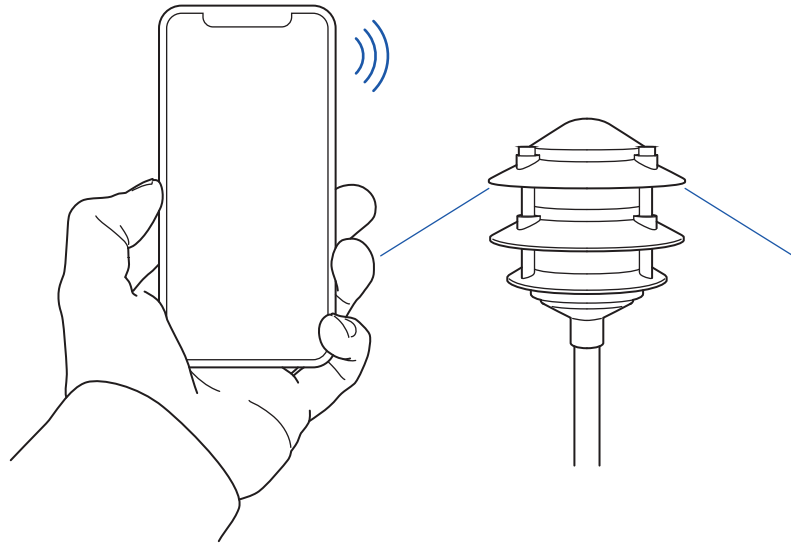
• • • novolink
• • • Lightscape™



Contents

The Novolink Lightscape System	2
What's Included	4
Download the App	6
Tools You'll Need	9
Controller Installation	11
Motion Sensor Installation	25
Spotlight Installation	31
Online Resources & Help	41

The Lightscape System

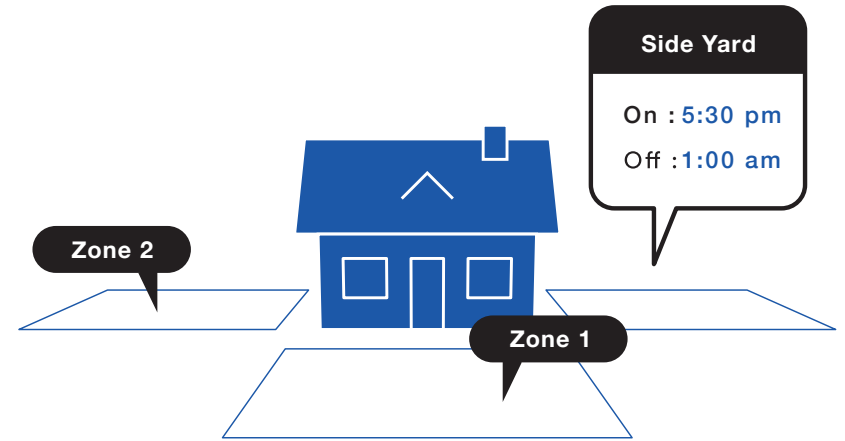


Novolink Lightscape Landscape Lighting System gives you simple, convenient, and wireless control of your hard-wired, low-voltage landscape lighting environment.

Our Controller's unique connector is the key. Attach it directly to your existing low-voltage system, and gain command over the electrical current powering your lights. It grants you Bluetooth® wireless access to operate your landscape lighting.



It is important that your low-voltage transformer be set to 'MANUAL ON', or powered ON continuously, with any Timers or Photocells set to OFF. This will allow for uninterrupted, optimal operation of the Novolink Lightscape system.



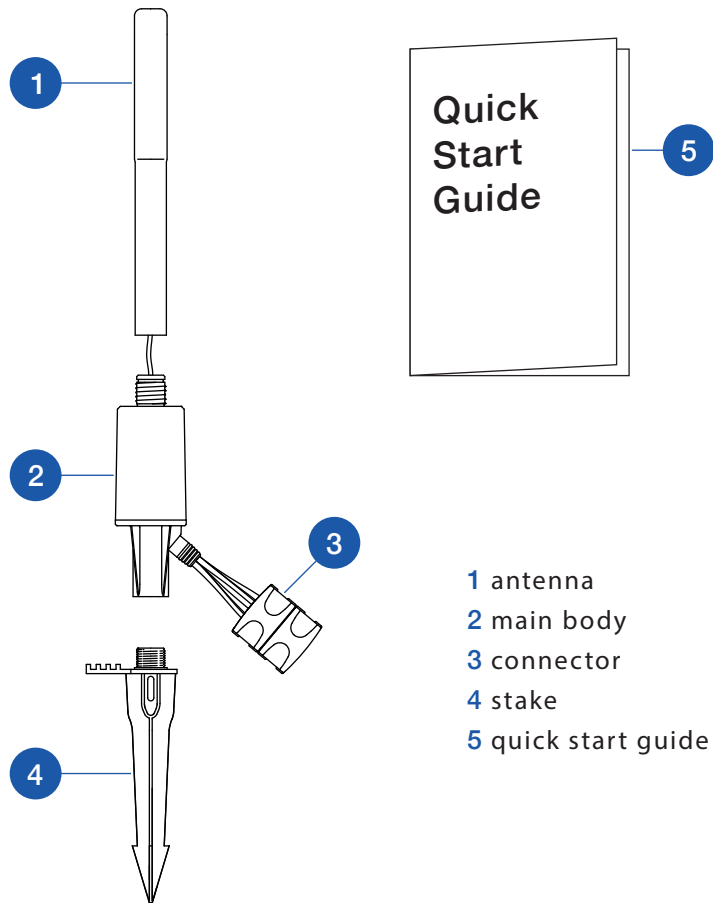
With the Controller in place, use our handy Novolink Lightscape App to schedule when lights will turn on and when they'll turn off, whether at a specific time, or at dusk and dawn.

Add the Motion Sensor and Spotlight, and you can set your lights to turn on whenever the sensor detects motion. Our spotlights are battery-powered and wireless, and can be placed almost anywhere.

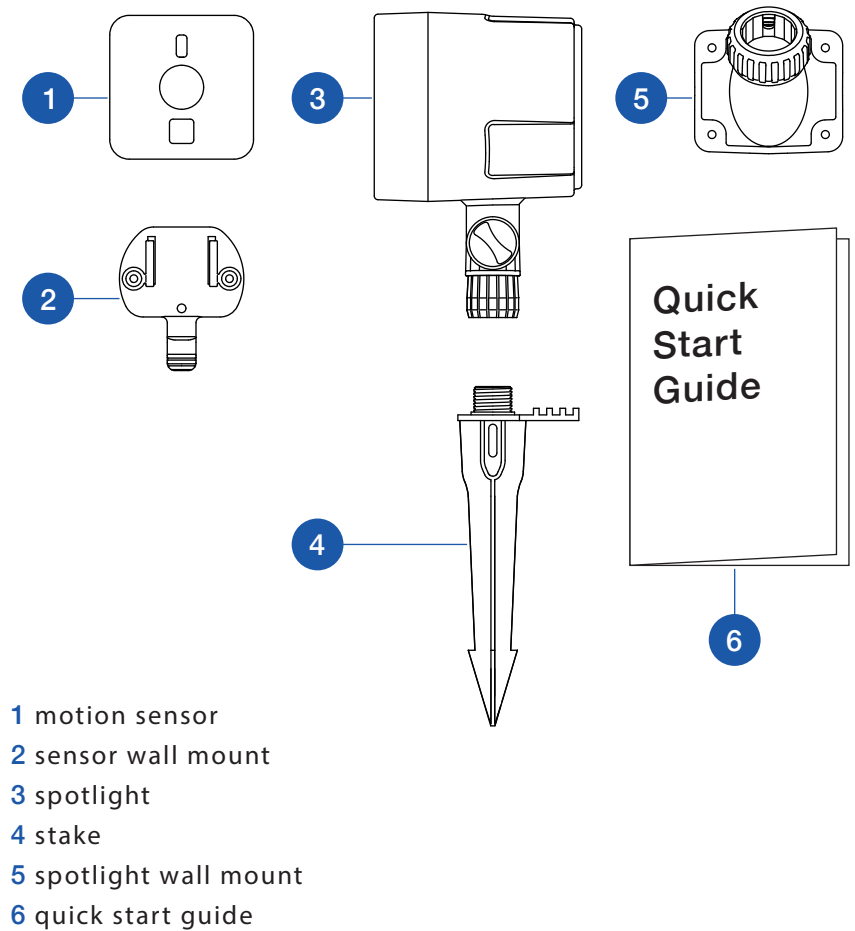
Install multiple Controllers, Motion Sensors and Spotlights to create and control Zones around your home.

What's Included

Novolink Lightscape Controller



Motion Sensor & Spotlight



Download the Novolink Lightscape App



SCAN THIS CODE TO
DOWNLOAD THE APP


1. Before you install any Novolink Lightscape components, download the app from Google Play (Android) or from the App Store (iOS).

The app requires a device with Bluetooth® wireless capability.

Use the app to:

- schedule when lights turn on or off
- set motion sensor preferences
- create separate zones for each Controller (like Front Yard, Backyard, Pool, etc.)
- connect more equipment to your system
- test your lights

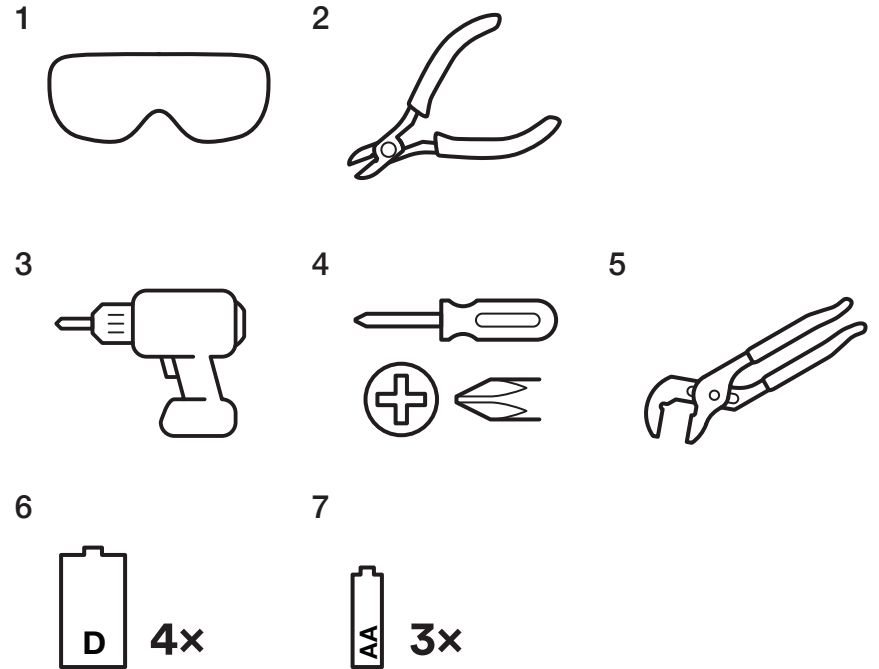


2. Make sure your device's Bluetooth is ON. You may find this in your device settings. 
3. Open the app, and follow the prompts to activate a component (like the Controller).

Note: you can activate more than one component at one time.

Visit novolinkinc.com/Lightscape for up-to-date instructions on how to use the app, and our FAQ, based on real customer input.

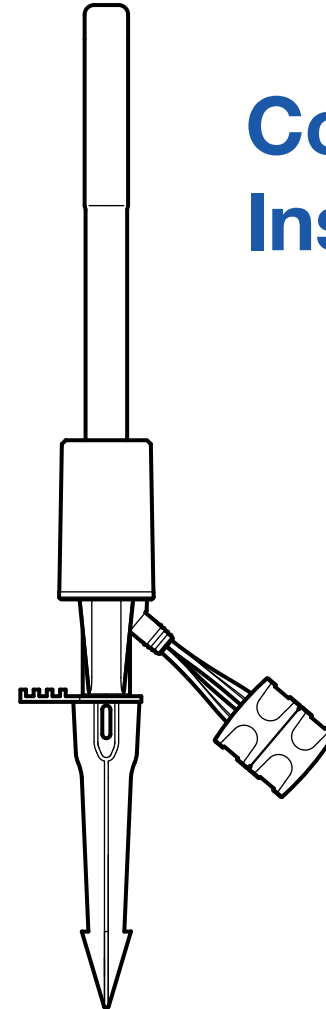
Tools You'll Need

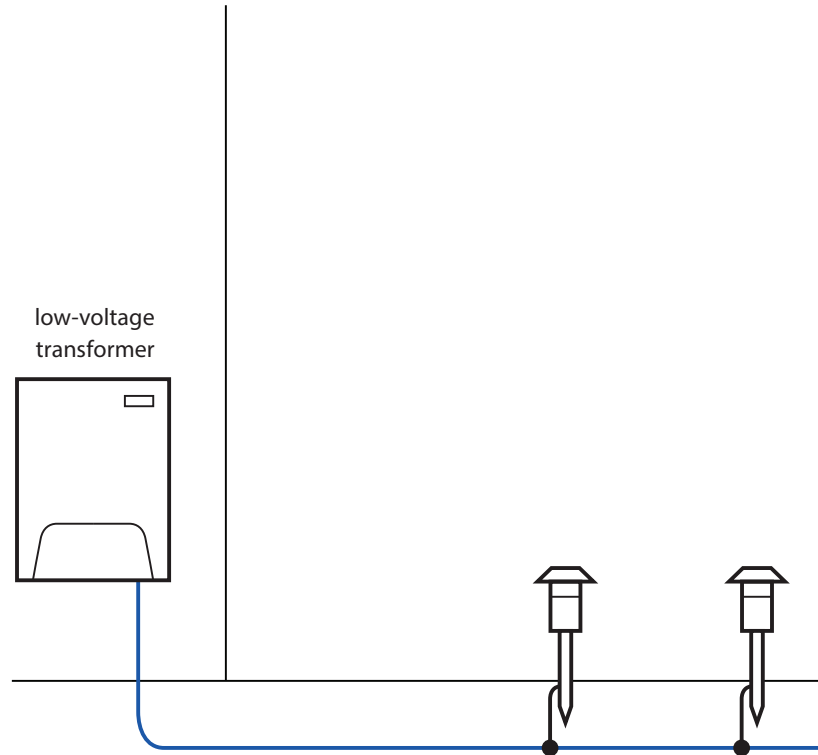


1 protective eyewear 2 wire stripper / cutter (18 to 12 gauge wire)
3 drill 4 philips screwdriver 5 pump pliers (optional)

6 for spotlight: (4) D alkaline batteries
7 for motion sensor: (3) AA alkaline batteries

Controller Installation





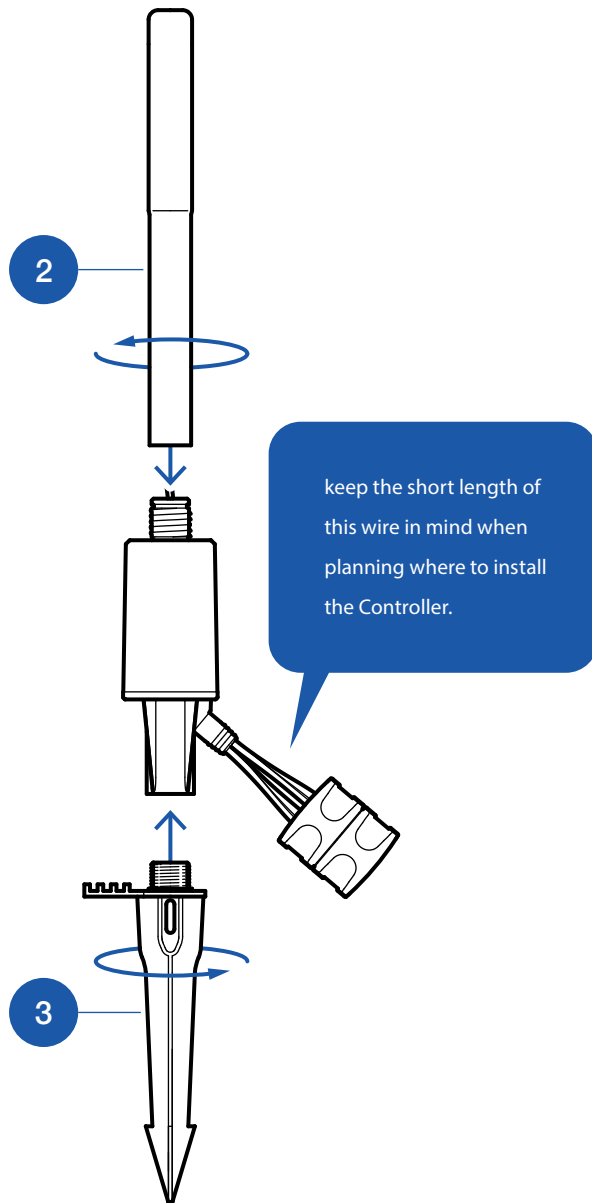
⚡ Electrical Warning:

When working with electrical wires of any voltage, exercise caution in moving, cutting, splicing, or connecting the wires. It's best to disconnect any transformer or source of electricity before commencing installation.

Before You Start

To install the Controller, you'll need access to the low-voltage wire that runs between the Low-Voltage Transformer and the first of your landscape lights. This may require exposing the wire(s) if they're buried.

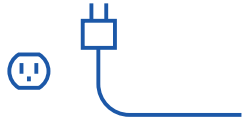
Make sure your Transformer will work optimally with the Novolink Lightscape system on our website:
<https://www.novolinkinc.com/compatibility>



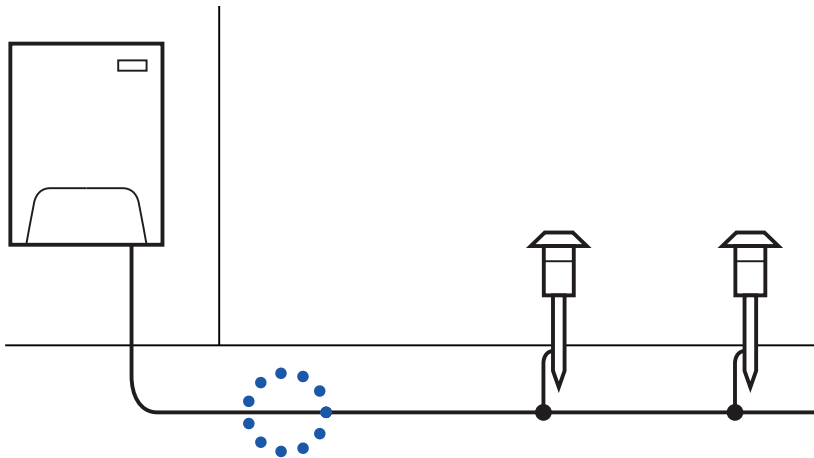
Assembly

1. Make sure you have all parts of the Controller. Check the mechanisms and wiring for damage. Set the parts on a clean, sturdy work-surface.
2. Attach the antenna top to the main Controller body.
3. Then attach the stake to the main Controller body. Twist until it's firmly in place.

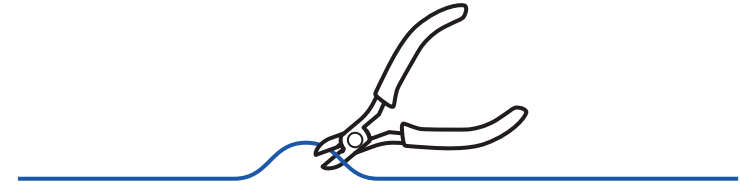
Install the Connector



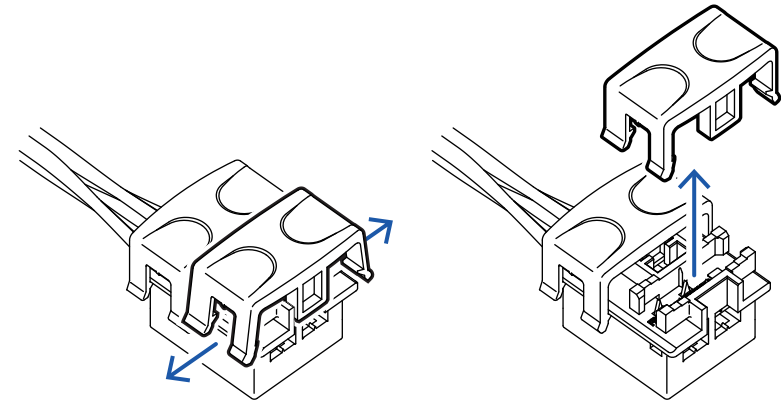
1. Unplug / disconnect your Low-Voltage Transformer
We recommend that you turn OFF power at the circuit breaker or fuse, and test that the power is OFF before proceeding.



2. Locate the low-voltage wire that runs between your transformer and the first of the landscape lights. Choose a place along the wire in the lawn or landscaping, where the Controller's stake can be inserted into the ground. Here, the Connector will attach to the low-voltage wire.

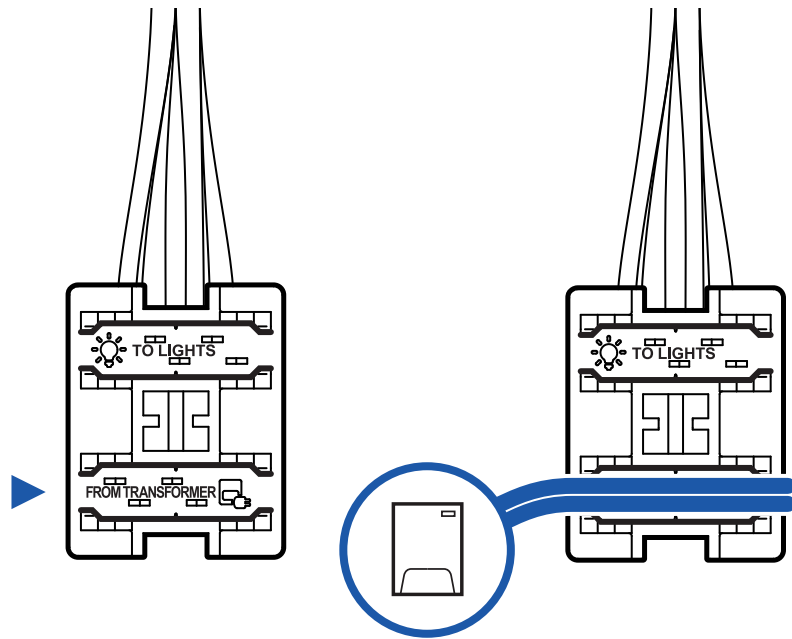


3. Unearth this portion of the low-voltage wire. Make sure there's enough slack to easily cut and manipulate the wire. Then use wire-cutters to cut the wire here.

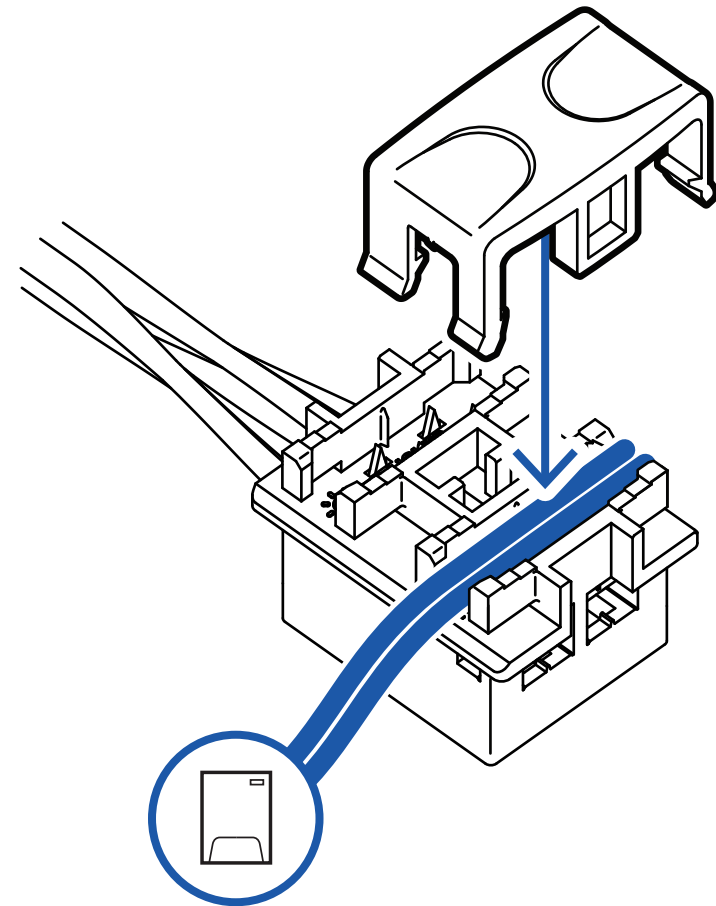


4. Remove the 2 caps from the top of the Controller's connector. Pull up on the tabs to release the caps.

Note: the caps are designed to fit one-way on the connector, and won't fit if their direction are reversed.

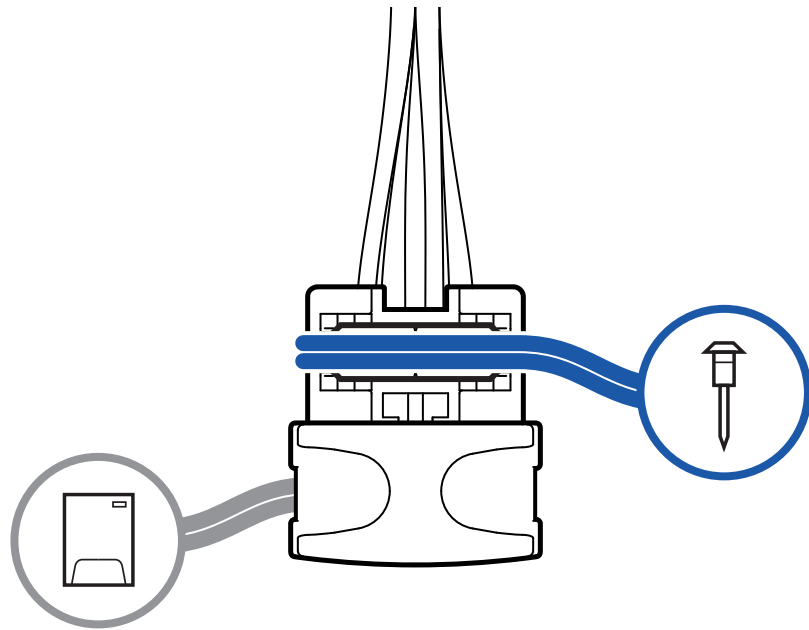


5. Locate the end of the wire leading from the Transformer. Place it into the lower portion of the Connector, in the channel marked "From Transformer". Lead the wire completely through the Connector. Leave the wire's cut end bare or apply an endcap. Ensure the wire is straight and aligned with the channel, and rests on the brass teeth.

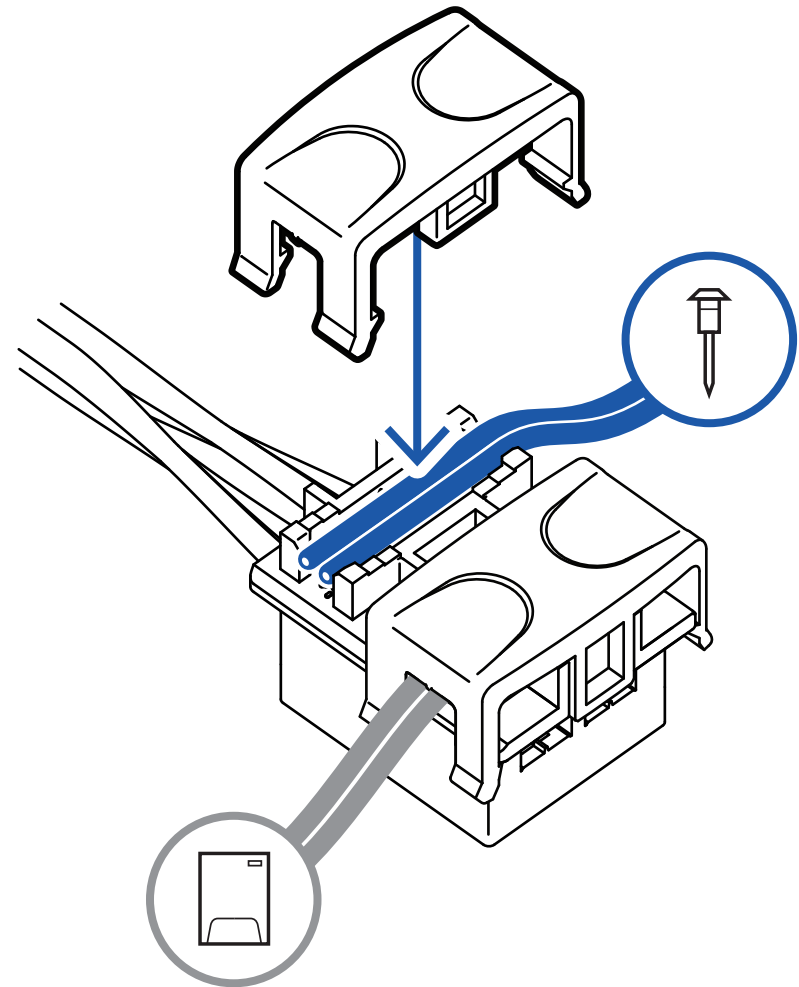


6. Replace the cap over this end of the wire, and press until the cap clips into position.

Ensure the cap is turned the right direction. The caps are not reversible. Thicker wires may be difficult to secure, and a clamp or wrench may help squeeze or press it into place. Do not use a hammer, as it may damage the cap.

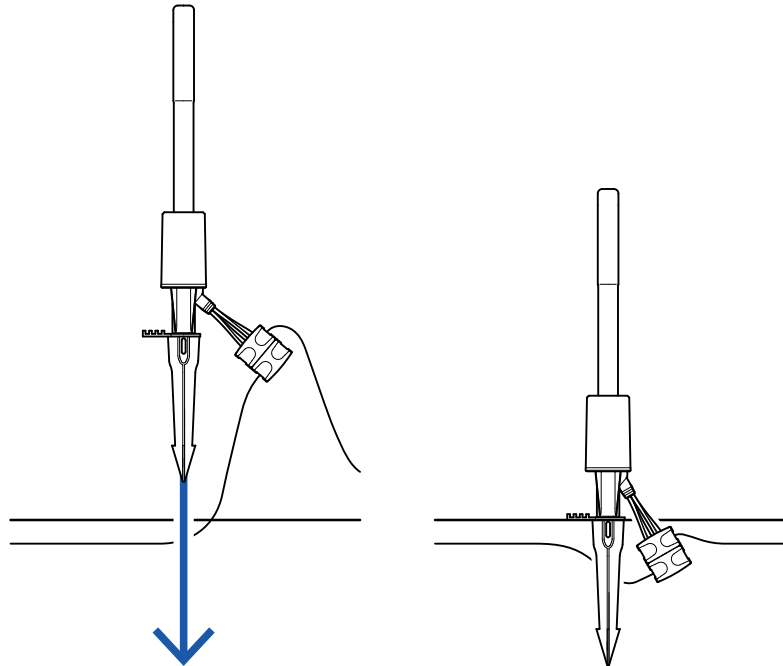


7. Locate the end of the wire leading to the first landscape light fixture in the series. Place it into the channel in the top half of the Connector, marked "To Lights".



8. Align the second cap and press it into position until it snaps in place and is secured to the Connector.

Complete the Installation



1. With the Connector attached to the low-voltage wires, position the Controller's stake where it will be installed. Loosely guide the top of the Controller with the palm of your hand. Use your foot to push down the spike and drive it into the ground.

Note: Do NOT pull on the Controller while pushing the spike down, as this may damage the unit.

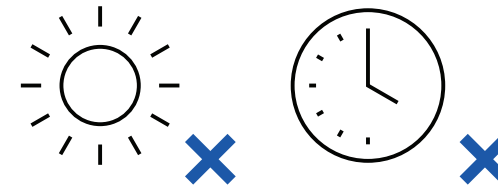
2. Once the Controller is in place, the Connector can be settled above or below ground.

Reconnect the Transformer



1. Turn the power ON at the circuit breaker or fuse, and/or plug-in your transformer, and turn it ON.

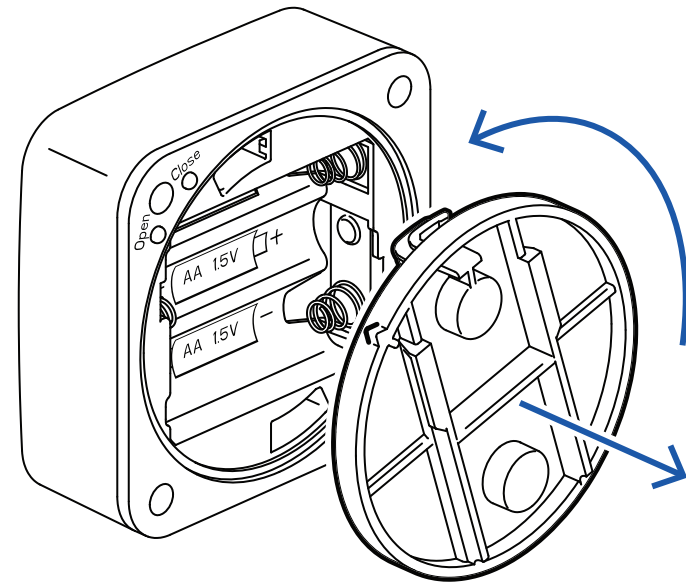
Note: It is important the transformer remains ON continuously, and does NOT automatically shut off. Insure that your transformer is set to Manual ON, or Continuous ON.



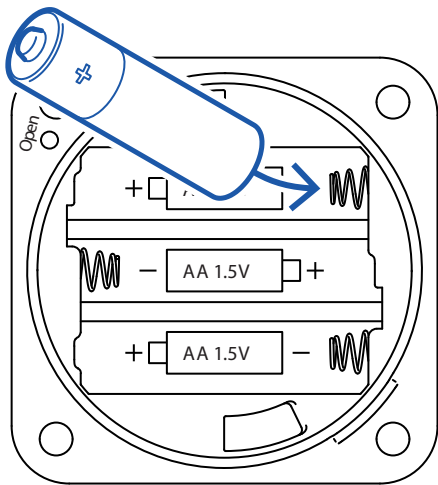
2. If necessary, turn/select OFF any photo-sensors or timers that would interfere with the wireless controller.

Motion-Sensor Installation

Insert Batteries



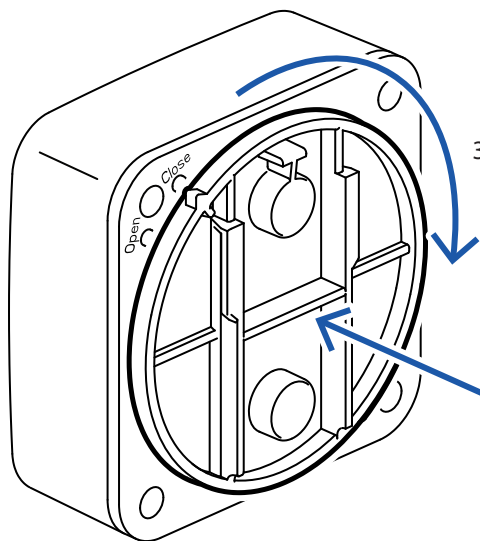
1. Press your palm against the rear plate and twist counter-clockwise (about 5°) to open and access the battery compartment.



2. Insert (3) AA batteries. Match the direction of the polarity markings (+) (-).

CAUTION: Do not open, short circuit, or mutilate batteries as injury may occur.

IMPORTANT: Dispose of the batteries in accordance with local, state, and federal regulations.

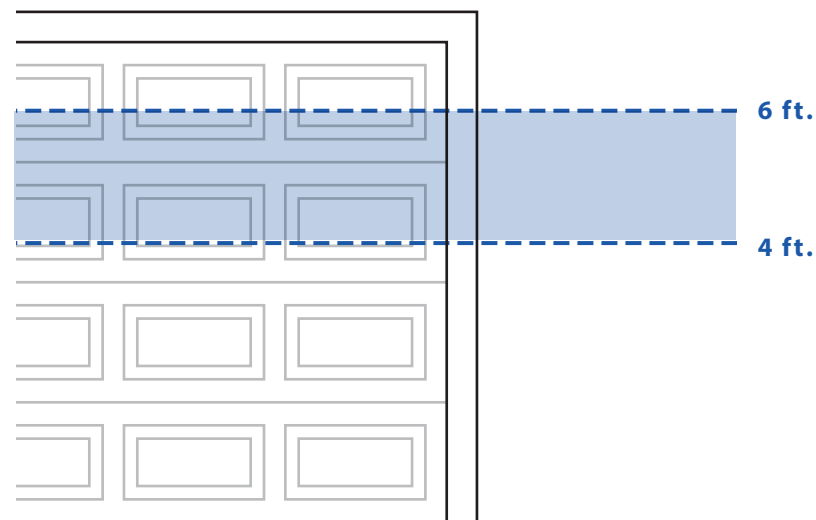
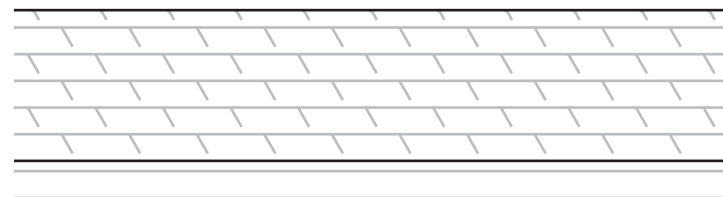


3. Replace the rear plate. Twist until it locks back into place.

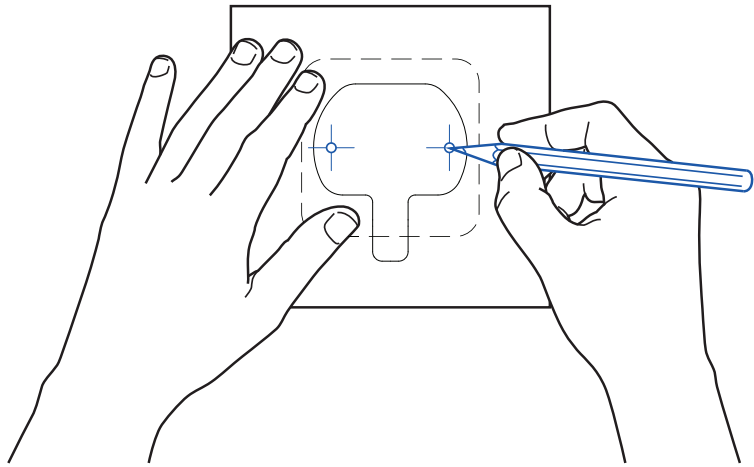
Mount the Sensor

The Motion Sensor can be mounted onto a wall, or staked to the ground. (Cradle, stake, and pole sold separately.)

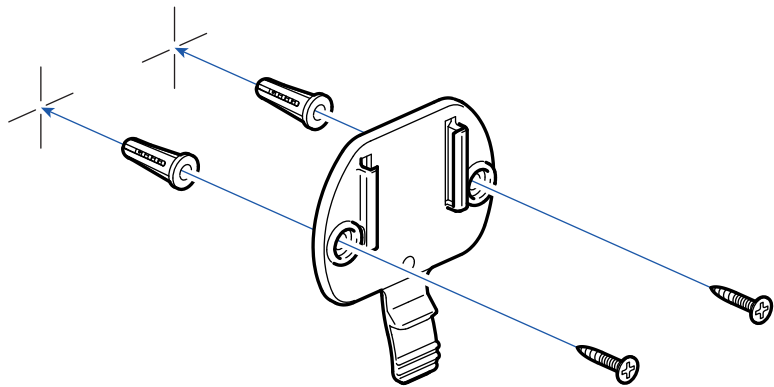
Mounting to the Wall



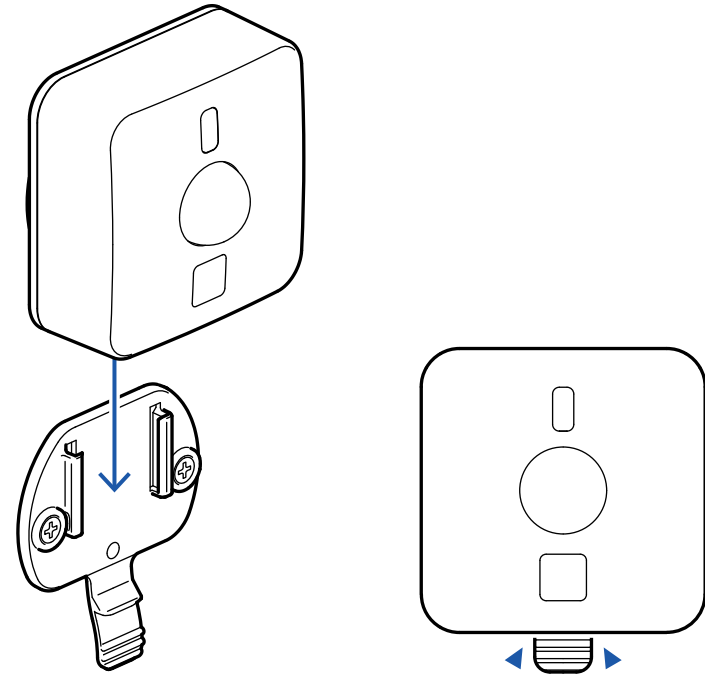
1. Choose a suitable location 4 to 6 ft. above the ground, where you'd like the sensor to detect motion and activate the light.



2. Use the enclosed template to mark the location where the sensor will be installed.

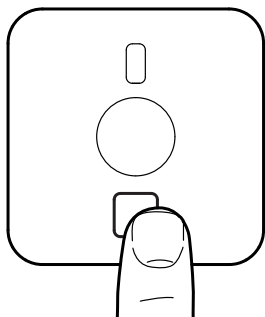


3. Fix the mount to the wall with screws. Use anchors if needed.

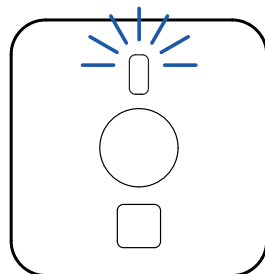


4. Slide the Motion Sensor onto the wall mount until it clicks in place.

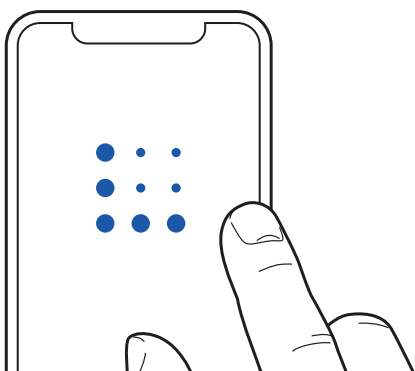
Pair with App



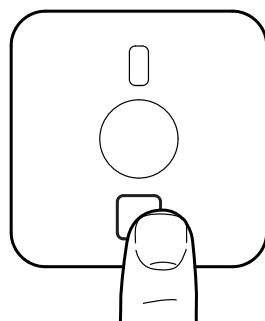
1. Press the button on the front of the sensor unit.



2. The LED light will flash continuously, indicating that it is ready for pairing.



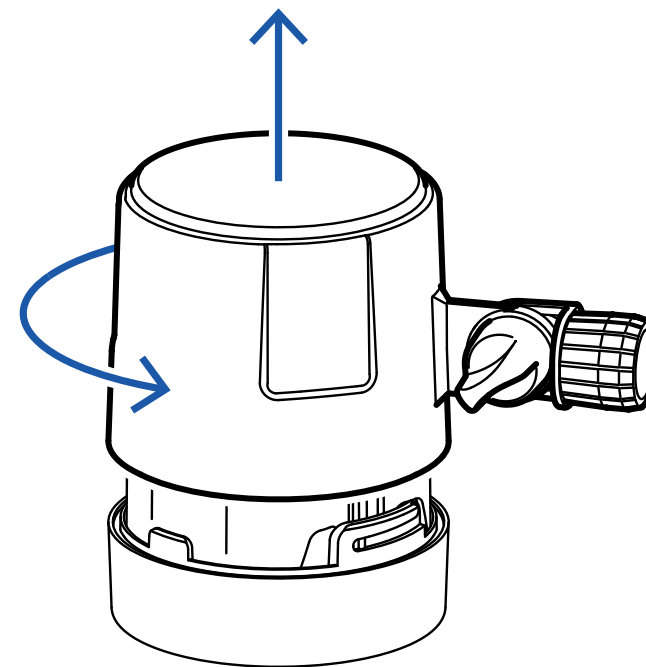
3. Open the Lightscape App and Search Devices. Follow the prompts to add the sensor and set it in a Zone.



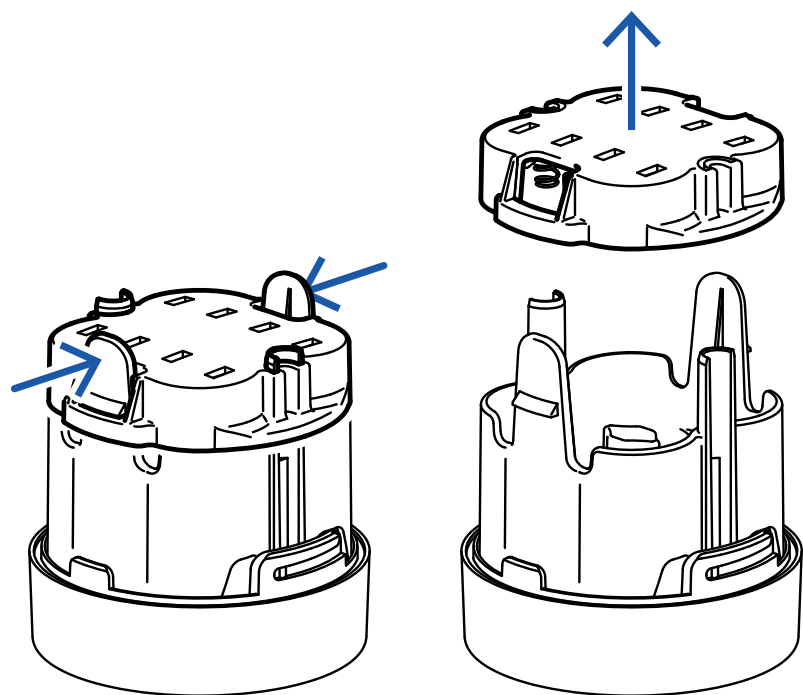
4. Press the button on the sensor again to end pairing. When the sensor detects motion, it will turn on.

Spotlight Installation

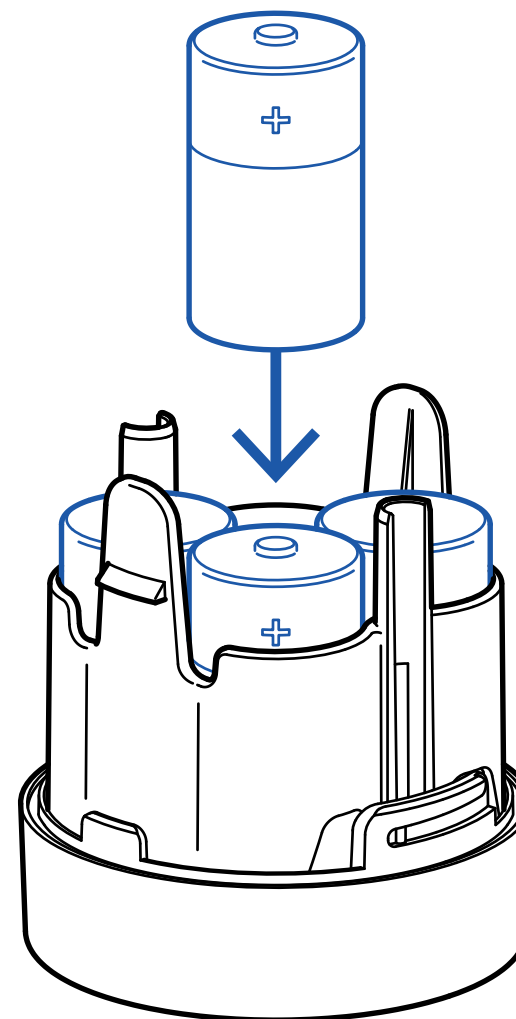
Insert Batteries



1. Turn the back of the spotlight counter-clockwise (about a 1/4 turn) and open, to reveal the battery compartment.



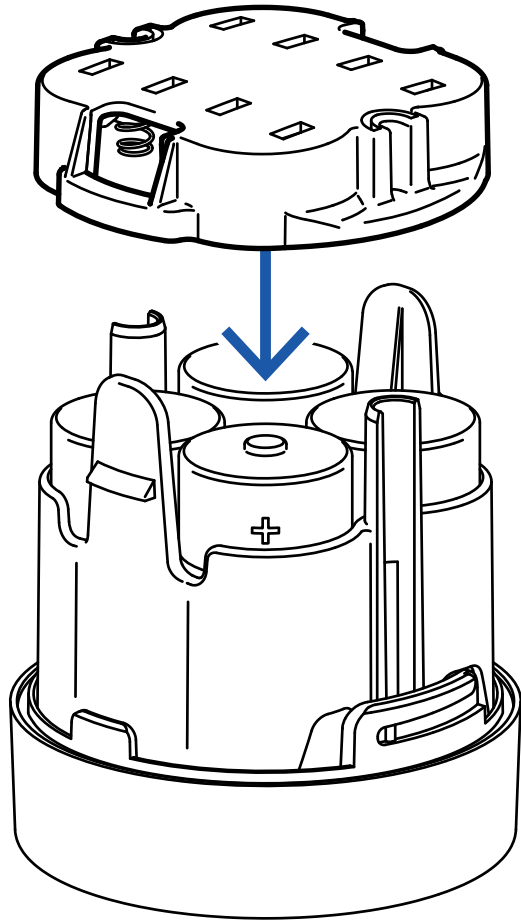
2. Press and squeeze the top and bottom tabs of the compartment cover to open it.



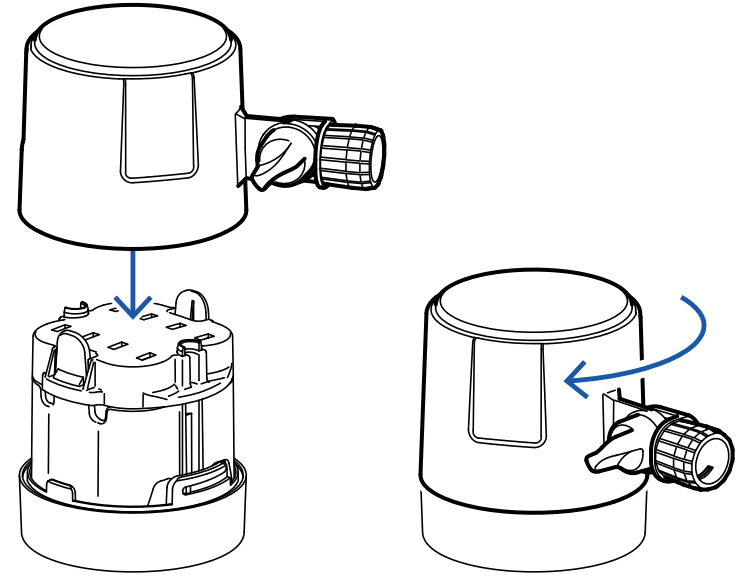
3. Place (4) D batteries into the compartment. Match the polarity markings (+) (-).

CAUTION: Do not open, short circuit, or mutilate batteries as injury may occur.

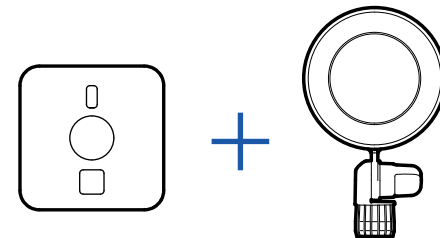
IMPORTANT: Dispose of the batteries in accordance with local, state, and federal regulations.



4. Replace the battery compartment cover. Press until it snaps into place.



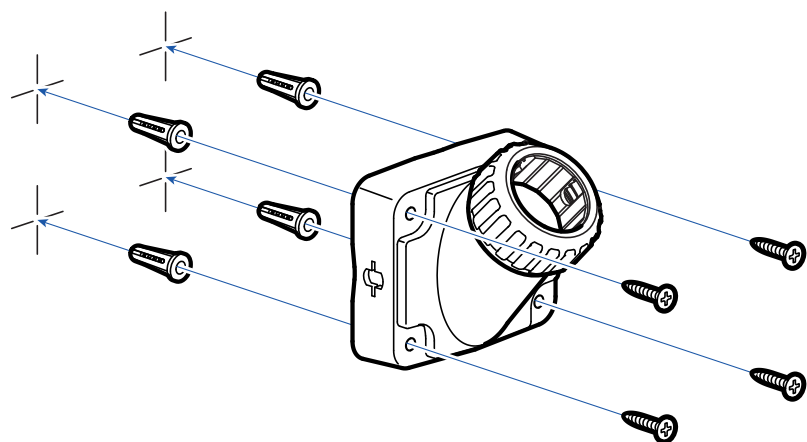
5. Replace the back of the spotlight and turn clockwise until it locks shut.



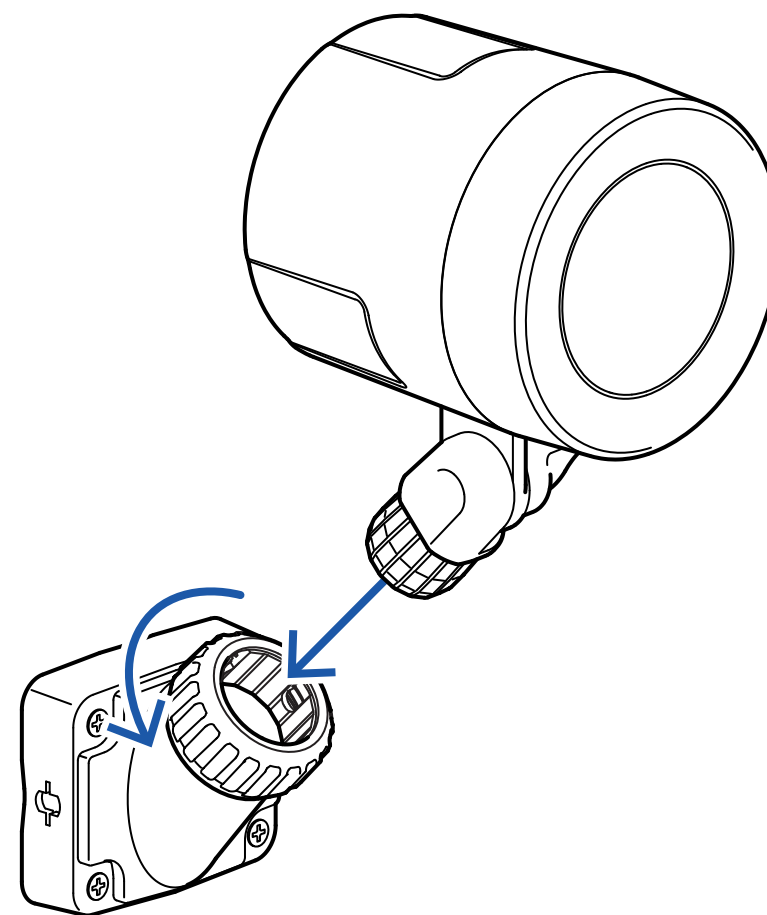
6. When the spotlight has power, it can be added to your system on the app. Assign it the same zone as a sensor to connect them.

Mount the Spotlight

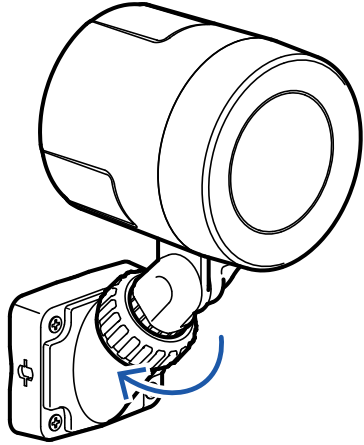
Mounting to the Wall



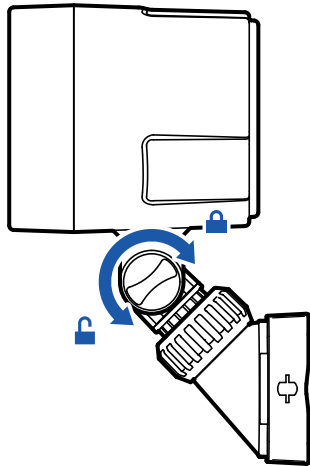
1. Choose a location on the wall 4 to 6 ft. above the ground to mount the Spotlight. Fasten the mount to the wall. Use anchors if needed.



2. Twist the locking-ring on the wall mount to loosen it, and insert the base of the Spotlight.

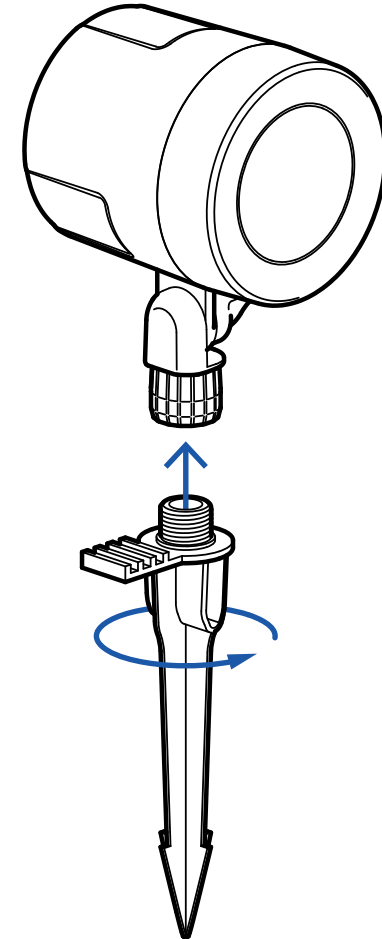


3. Set to the desired angle, and twist the locking-ring to hold the Spotlight in place.



4. Turn the knob to loosen the head and adjust the up / down angle. Tighten the knob to lock in place.

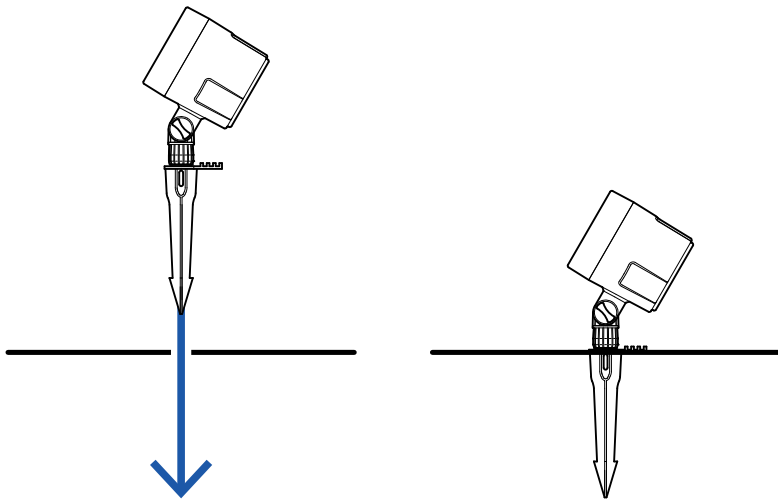
Stake Mounting



1. Screw the stake onto the bottom of the Spotlight.



2. Turn the knob to loosen it and adjust the angle of the spotlight. Tighten to lock the desired angle.



3. Use your foot to drive the stake into the ground.

Online Resources & Help

Visit novolinkinc.com for more information about the Lightscape system including tips, installation videos, and news on the latest ways to expand your system.

Visit homedepot.com or shopnovolink.com to purchase more Lightscape components or replacement parts.

The Bluetooth® word mark and logos are registered trademarks owned by Bluetooth SIG, Inc. and any use of such marks by Novolink, Inc. is under license. Other trademarks and trade names are those of their respective owners.

FCC Compliance

This equipment has been tested and found to comply with the limits for a Class B digital device, pursuant to part 15 of the FCC Rules. These limits are designed to provide reasonable protection against harmful interference in a residential installation. This equipment generates, uses, and can radiate radio frequency energy, and if not installed and used in accordance with instructions, may cause harmful interference to radio communications. However, there is no guarantee that interference will not occur in a particular installation. If this equipment does cause harmful interference to radio or television reception, which can be determined by turning the equipment off and on, the user is encouraged to try to correct the interference by one or more of the following measures:

- Reorient or relocate the receiving antenna
- Increase the separation between the equipment and receiver
- Connect the equipment into an outlet on a circuit different from that to which the receiver is connected
- Consult the dealer or an experienced radio / TV technician for help

Changes or modifications not expressly approved by the party responsible for compliance could void the user's authority to operate the equipment.

This device complies with part 15 of the FCC Rules. Operation is subject to the following two conditions: (1) This device may not cause harmful interference, and (2) this device must accept any interference received, including interference that may cause undesired operation.

