

SMC8028L2

**TigerSwitch™ 10/100/1000
28-Port Gigabit Ethernet Switch**



TigerSwitch 10/100/1000 Installation Guide

From SMC's Tiger line of feature-rich workgroup LAN solutions

SMC[®]

Networks

20 Mason

Irvine, CA 92618

Phone: (949) 679-8000

January 2010
Pub. # 150200000155A
E012010-MW-R01



SMC[®]

Networks

20 Mason

Irvine, CA 92618

Phone: (949) 679-8000

Information furnished by SMC Networks, Inc. (SMC) is believed to be accurate and reliable. However, no responsibility is assumed by SMC for its use, nor for any infringements of patents or other rights of third parties which may result from its use. No license is granted by implication or otherwise under any patent or patent rights of SMC. SMC reserves the right to change specifications at any time without notice.

Copyright © 2010 by

SMC Networks, Inc.

20 Mason

Irvine, CA 92618

All rights reserved. Printed in China

Trademarks:

SMC is a registered trademark; and EZ Switch, TigerStack and TigerSwitch are trademarks of SMC Networks, Inc. Other product and company names are trademarks or registered trademarks of their respective holders.

WARRANTY AND PRODUCT REGISTRATION

To register SMC products and to review the detailed warranty statement, please refer to the Support Section of the SMC Website at <http://www.smc.com>.

COMPLIANCES AND SAFETY STATEMENTS

FCC - CLASS A

This equipment has been tested and found to comply with the limits for a Class A digital device, pursuant to part 15 of the FCC Rules. These limits are designed to provide reasonable protection against harmful interference when the equipment is operated in a commercial environment. This equipment generates, uses, and can radiate radio frequency energy and, if not installed and used in accordance with the instruction manual, may cause harmful interference to radio communications. Operation of this equipment in a residential area is likely to cause harmful interference in which case the user will be required to correct the interference at his own expense.

You are cautioned that changes or modifications not expressly approved by the party responsible for compliance could void your authority to operate the equipment.

You may use unshielded twisted-pair (UTP) for RJ-45 connections - Category 3 or better for 10 Mbps connections, Category 5 or better for 100 Mbps connections, Category 5, 5e, or 6 for 1000 Mbps connections. For fiber optic connections, you may use 50/125 or 62.5/125 micron multimode fiber or 9/125 micron single-mode fiber.

CE MARK DECLARATION OF CONFORMANCE FOR EMI AND SAFETY (EEC)

This information technology equipment complies with the requirements of the Council Directive 89/336/EEC on the Approximation of the laws of the Member States relating to Electromagnetic Compatibility and 73/23/EEC for electrical equipment used within certain voltage limits and the Amendment Directive 93/68/EEC. For the evaluation of the compliance with these Directives, the following standards were applied:

- RFI Emission:
- ◆ Limit class A according to EN 55022
 - ◆ Limit class A for harmonic current emission according to EN 61000-3-2
 - ◆ Limitation of voltage fluctuation and flicker in low-voltage supply system according to EN 61000-3-3
- Immunity:
- ◆ Product family standard according to EN 55024
 - ◆ Electrostatic Discharge according to EN 61000-4-2
 - ◆ Radio-frequency electromagnetic field according to EN 61000-4-3
 - ◆ Electrical fast transient/burst according to EN 61000-4-4
 - ◆ Surge immunity test according to EN 61000-4-5
 - ◆ Immunity to conducted disturbances, Induced by radio-frequency fields: EN 61000-4-6
 - ◆ Power frequency magnetic field immunity test according to EN 61000-4-8
 - ◆ Voltage dips, short interruptions and voltage variations immunity test according to EN 61000-4-11
- LVD:
- ◆ EN 60950-1:2001

SAFETY COMPLIANCE

Warning: Fiber Optic Port Safety

CLASS I
LASER DEVICE

When using a fiber optic port, never look at the transmit laser while it is powered on. Also, never look directly at the fiber TX port and fiber cable ends when they are powered on.

Avertissement: Ports pour fibres optiques - sécurité sur le plan optique

DISPOSITIF LASER
DE CLASSE I

Ne regardez jamais le laser tant qu'il est sous tension. Ne regardez jamais directement le port TX (Transmission) à fibres optiques et les embouts de câbles à fibres optiques tant qu'ils sont sous tension.

Warnhinweis: Faseroptikanschlüsse - Optische Sicherheit

LASERGERÄT
DER KLASSE I

Niemals ein Übertragungslaser betrachten, während dieses eingeschaltet ist. Niemals direkt auf den Faser-TX-Anschluß und auf die Faserkabelenden schauen, während diese eingeschaltet sind.

PSE ALARM

本製品に同梱いたしております電源コードセットは、本製品専用です。本電源コードセットは、本製品以外の製品並びに他の用途でご使用いただくことは出来ません。製品本体に同梱された電源コードセットを利用し、他製品の電源コードセットを使用しないで下さい。

POWER CORD SAFETY

Please read the following safety information carefully before installing the switch:

WARNING: Installation and removal of the unit must be carried out by qualified personnel only.

- ◆ The unit must be connected to an earthed (grounded) outlet to comply with international safety standards.
- ◆ Do not connect the unit to an A.C. outlet (power supply) without an earth (ground) connection.
- ◆ The appliance coupler (the connector to the unit and not the wall plug) must have a configuration for mating with an EN 60320/IEC 320 appliance inlet.
- ◆ The socket outlet must be near to the unit and easily accessible. You can only remove power from the unit by disconnecting the power cord from the outlet.
- ◆ This unit operates under SELV (Safety Extra Low Voltage) conditions according to IEC 60950. The conditions are only maintained if the equipment to which it is connected also operates under SELV conditions.

France and Peru only

This unit cannot be powered from IT[†] supplies. If your supplies are of IT type, this unit must be powered by 230 V (2P+T) via an isolation transformer ratio 1:1, with the secondary connection point labelled Neutral, connected directly to earth (ground).

† Impédance à la terre

IMPORTANT! Before making connections, make sure you have the correct cord set. Check it (read the label on the cable) against the following:

Power Cord Set

U.S.A. and Canada	<p>The cord set must be UL-approved and CSA certified.</p> <p>The minimum specifications for the flexible cord are: - No. 18 AWG - not longer than 2 meters, or 16 AWG. - Type SV or SJ - 3-conductor</p> <p>The cord set must have a rated current capacity of at least 10 A</p> <p>The attachment plug must be an earth-grounding type with NEMA 5-15P (15 A, 125 V) or NEMA 6-15P (15 A, 250 V) configuration.</p>
Denmark	The supply plug must comply with Section 107-2-D1, Standard DK2-1a or DK2-5a.
Switzerland	The supply plug must comply with SEV/ASE 1011.
U.K.	<p>The supply plug must comply with BS1363 (3-pin 13 A) and be fitted with a 5 A fuse which complies with BS1362.</p> <p>The mains cord must be <HAR> or <BASEC> marked and be of type HO3VVF3GO.75 (minimum).</p>
Europe	<p>The supply plug must comply with CEE7/7 ("SCHUKO").</p> <p>The mains cord must be <HAR> or <BASEC> marked and be of type HO3VVF3GO.75 (minimum).</p> <p>IEC-320 receptacle.</p>

Veillez lire à fond l'information de la sécurité suivante avant d'installer le Switch:

AVERTISSEMENT: L'installation et la dépose de ce groupe doivent être confiés à un personnel qualifié.

- ◆ Ne branchez pas votre appareil sur une prise secteur (alimentation électrique) lorsqu'il n'y a pas de connexion de mise à la terre (mise à la masse).
- ◆ Vous devez raccorder ce groupe à une sortie mise à la terre (mise à la masse) afin de respecter les normes internationales de sécurité.
- ◆ Le coupleur d'appareil (le connecteur du groupe et non pas la prise murale) doit respecter une configuration qui permet un branchement sur une entrée d'appareil EN 60320/IEC 320.

COMPLIANCES AND SAFETY STATEMENTS

- ◆ La prise secteur doit se trouver à proximité de l'appareil et son accès doit être facile. Vous ne pouvez mettre l'appareil hors circuit qu'en débranchant son cordon électrique au niveau de cette prise.
- ◆ L'appareil fonctionne à une tension extrêmement basse de sécurité qui est conforme à la norme IEC 60950. Ces conditions ne sont maintenues que si l'équipement auquel il est raccordé fonctionne dans les mêmes conditions.

France et Pérou uniquement:

Ce groupe ne peut pas être alimenté par un dispositif à impédance à la terre. Si vos alimentations sont du type impédance à la terre, ce groupe doit être alimenté par une tension de 230 V (2 P+T) par le biais d'un transformateur d'isolement à rapport 1:1, avec un point secondaire de connexion portant l'appellation Neutre et avec raccordement direct à la terre (masse).

Cordon électrique - Il doit être agréé dans le pays d'utilisation

Etats-Unis et Canada: Le cordon doit avoir reçu l'homologation des UL et un certificat de la CSA.

Les spécifications minimales pour un câble flexible sont AWG No. 18, ou AWG No. 16 pour un câble de longueur inférieure à 2 mètres.
- type SV ou SJ
- 3 conducteurs

Le cordon doit être en mesure d'acheminer un courant nominal d'au moins 10 A.

La prise femelle de branchement doit être du type à mise à la terre (mise à la masse) et respecter la configuration NEMA 5-15P (15 A, 125 V) ou NEMA 6-15P (15 A, 250 V).

Danemark: La prise mâle d'alimentation doit respecter la section 107-2 D1 de la norme DK2 1a ou DK2 5a.

Suisse: La prise mâle d'alimentation doit respecter la norme SEV/ASE 1011.

Europe La prise secteur doit être conforme aux normes CEE 7/7 ("SCHUKO")
Le cordon secteur doit porter la mention <HAR> ou <BASEC> et doit être de type HO3VVF3GO.75 (minimum).

Bitte unbedingt vor dem Einbauen des Switches die folgenden Sicherheitsanweisungen durchlesen:

WARNUNG: Die Installation und der Ausbau des Geräts darf nur durch Fachpersonal erfolgen.

- ◆ Das Gerät sollte nicht an eine ungeerdete Wechselstromsteckdose angeschlossen werden.
- ◆ Das Gerät muß an eine geerdete Steckdose angeschlossen werden, welche die internationalen Sicherheitsnormen erfüllt.
- ◆ Der Gerätestecker (der Anschluß an das Gerät, nicht der Wandsteckdosenstecker) muß einen gemäß EN 60320/IEC 320 konfigurierten Geräteeingang haben.
- ◆ Die Netzsteckdose muß in der Nähe des Geräts und leicht zugänglich sein. Die Stromversorgung des Geräts kann nur durch Herausziehen des Gerätenetzkabels aus der Netzsteckdose unterbrochen werden.
- ◆ Der Betrieb dieses Geräts erfolgt unter den SELV-Bedingungen (Sicherheitskleinstspannung) gemäß IEC 60950. Diese Bedingungen sind nur gegeben, wenn auch die an das Gerät angeschlossenen Geräte unter SELV-Bedingungen betrieben werden.

Stromkabel. Dies muss von dem Land, in dem es benutzt wird geprüft werden:

Schweiz	Dieser Stromstecker muß die SEV/ASE 1011 Bestimmungen einhalten.
Europe	Das Netzkabel muß vom Typ HO3VVF3G0.75 (Mindestanforderung) sein und die Aufschrift <HAR> oder <BASEC> tragen. Der Netzstecker muß die Norm CEE 7/7 erfüllen ("SCHUKO").

WARNINGS AND CAUTIONARY MESSAGES



WARNING: This product does not contain any serviceable user parts.

WARNING: Installation and removal of the unit must be carried out by qualified personnel only.

WARNING: When connecting this device to a power outlet, connect the field ground lead on the tri-pole power plug to a valid earth ground line to prevent electrical hazards.

WARNING: This switch uses lasers to transmit signals over fiber optic cable. The lasers are compliant with the requirements of a Class 1 Laser Product and are inherently eye safe in normal operation. However, you should never look directly at a transmit port when it is powered on.



CAUTION: Wear an anti-static wrist strap or take other suitable measures to prevent electrostatic discharge when handling this equipment.

CAUTION: Do not plug a phone jack connector in the RJ-45 port. This may damage this device.

CAUTION: Use only twisted-pair cables with RJ-45 connectors that conform to FCC standards.

ENVIRONMENTAL STATEMENTS

The manufacturer of this product endeavours to sustain an environmentally-friendly policy throughout the entire production process. This is achieved through the following means:

- ◆ Adherence to national legislation and regulations on environmental production standards.
- ◆ Conservation of operational resources.
- ◆ Waste reduction and safe disposal of all harmful un-recyclable by-products.
- ◆ Recycling of all reusable waste content.
- ◆ Design of products to maximize recyclables at the end of the product's life span.

- ◆ Continual monitoring of safety standards.

END OF PRODUCT LIFE SPAN

This product is manufactured in such a way as to allow for the recovery and disposal of all included electrical components once the product has reached the end of its life.

MANUFACTURING MATERIALS

There are no hazardous nor ozone-depleting materials in this product.

DOCUMENTATION

All printed documentation for this product uses biodegradable paper that originates from sustained and managed forests. The inks used in the printing process are non-toxic.

ABOUT THIS GUIDE

PURPOSE

This guide details the hardware features of the switch, including the physical and performance-related characteristics, and how to install the switch.

AUDIENCE

The guide is intended for use by network administrators who are responsible for installing and setting up network equipment; consequently, it assumes a basic working knowledge of LANs (Local Area Networks).

CONVENTIONS

The following conventions are used throughout this guide to show information:



NOTE: Emphasizes important information or calls your attention to related features or instructions.



CAUTION: Alerts you to a potential hazard that could cause loss of data, or damage the system or equipment.



WARNING: Alerts you to a potential hazard that could cause personal injury.

RELATED PUBLICATIONS

The following publication gives specific information on how to operate and use the management functions of the switch:

The *Management Guide*

Also, as part of the switch's software, there is an online web-based help that describes all management related features.

REVISION HISTORY

This section summarizes the changes in each revision of this guide.

DECEMBER 2009 REVISION

This is the first revision of this guide.

CONTENTS

	COMPLIANCES AND SAFETY STATEMENTS	5
	ABOUT THIS GUIDE	15
	CONTENTS	17
	TABLES	19
	FIGURES	21
1	INTRODUCTION	23
	Overview	23
	Description of Hardware	24
2	NETWORK PLANNING	29
	Introduction to Switching	29
	Application Examples	30
	Application Notes	34
3	INSTALLING THE SWITCH	35
	Selecting a Site	35
	Ethernet Cabling	36
	Equipment Checklist	37
	Mounting	38
	Installing an Optional SFP Transceiver	41
	Connecting to a Power Source	42
	Connecting to the Console Port	43
4	MAKING NETWORK CONNECTIONS	45
	Connecting Network Devices	45
	Twisted-Pair Devices	45

	Fiber Optic SFP Devices	48
	Connectivity Rules	50
	Cable Labeling and Connection Records	52
A	TROUBLESHOOTING	53
	Diagnosing Switch Indicators	53
	Power and Cooling Problems	54
	Installation	54
	In-Band Access	54
B	CABLES	55
	Twisted-Pair Cable and Pin Assignments	55
	Fiber Standards	59
C	SPECIFICATIONS	61
	Physical Characteristics	61
	Switch Features	63
	Management Features	63
	Standards	64
	Compliances	64
	GLOSSARY	65
	INDEX	71

TABLES

Table 1:	Supported SFP Transceivers	25
Table 2:	Port Status LEDs	26
Table 3:	System Status LEDs	26
Table 4:	Serial Cable Wiring	43
Table 5:	Maximum 1000BASE-T Gigabit Ethernet Cable Length	50
Table 6:	Maximum 1000BASE-SX Gigabit Ethernet Cable Lengths	50
Table 7:	Maximum 1000BASE-LX Gigabit Ethernet Cable Length	51
Table 8:	Maximum 1000BASE-LH Gigabit Ethernet Cable Length	51
Table 9:	Maximum Fast Ethernet Cable Lengths	51
Table 10:	Maximum Ethernet Cable Length	51
Table 11:	Troubleshooting Chart	53
Table 12:	10/100BASE-TX MDI and MDI-X Port Pinouts	56
Table 13:	1000BASE-T MDI and MDI-X Port Pinouts	58
Table 14:	Fiber Standards	59

FIGURES

Figure 1:	Front and Rear Panels	23
Figure 2:	Port LEDs	26
Figure 3:	Power Supply Socket	27
Figure 4:	Collapsed Backbone	30
Figure 5:	Network Aggregation Plan	31
Figure 6:	Remote Connections with Fiber Cable	32
Figure 7:	Making VLAN Connections	33
Figure 8:	RJ-45 Connections	36
Figure 9:	Attaching the Brackets	39
Figure 10:	Installing the Switch in a Rack	39
Figure 11:	Attaching the Adhesive Feet	40
Figure 12:	Inserting an SFP Transceiver into a Slot	41
Figure 13:	Power Socket	42
Figure 14:	Serial Port (DB-9 DTE) Pin-Out	43
Figure 15:	Making Twisted-Pair Connections	46
Figure 16:	Network Wiring Connections	47
Figure 17:	Making Fiber Port Connections	49
Figure 18:	RJ-45 Connector Pin Numbers	55
Figure 19:	Straight-through Wiring	57
Figure 20:	Crossover Wiring	57

1

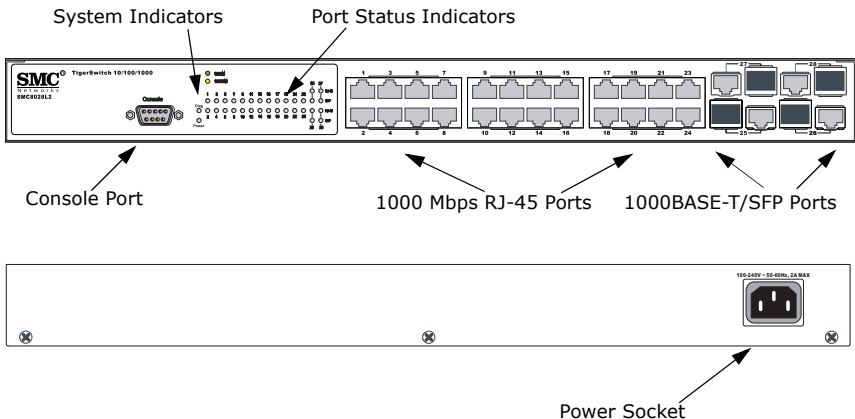
INTRODUCTION

OVERVIEW

The SMC8028L2 is a Gigabit Ethernet Layer 2 switch with 28 1000BASE-T ports, four of which operate in combination with four Small Form Factor Pluggable (SFP) transceiver slots¹ (see Figure 1-1, Ports 25-28). The switch also includes an SNMP-based management agent, which provides both in-band and out-of-band access for managing the switch.

The SMC8028L2 provides a broad range of powerful features for Layer 2 switching, delivering reliability and consistent performance for your network traffic. It brings order to poorly performing networks by segregating them into separate broadcast domains with IEEE 802.1Q compliant VLANs, and empowers multimedia applications with multicast switching and CoS services.

Figure 1: Front and Rear Panels



1. If an SFP transceiver is plugged in, the corresponding RJ-45 port is disabled for ports 25-28.

SWITCH ARCHITECTURE

The switch employs a wire-speed, non-blocking switching fabric. This permits simultaneous wire-speed transport of multiple packets at low latency on all ports. The switch also features full-duplex capability on all ports, which effectively doubles the bandwidth of each connection.

This switch uses store-and-forward switching to ensure maximum data integrity. With store-and-forward switching, the entire packet must be received into a buffer and checked for validity before being forwarded. This prevents errors from being propagated throughout the network.

NETWORK MANAGEMENT OPTIONS

With a comprehensive array of LEDs, the switch provides "at a glance" monitoring of network and port status. The switch can be managed over the network with a web browser or Telnet application, or via a direct connection to the console port. The switch includes a built-in network management agent that allows it to be managed in-band using SNMP or RMON (Groups 1, 2, 3, 9) protocols. It also has an RS-232 serial port (DB-9 connector) on the front panel for out-of-band management. A PC may be connected to this port for configuration and monitoring out-of-band via a null-modem serial cable.

For a detailed description of the management features, refer to the *Management Guide*.

DESCRIPTION OF HARDWARE

1000BASE-T PORTS

The switch contains 28 1000BASE-T RJ-45 ports. All RJ-45 ports support automatic MDI/MDI-X operation, so you can use straight-through cables for all network connections to PCs or servers, or to other switches or hubs. (See "1000BASE-T Pin Assignments" on page 70.)

Each of these ports support auto-negotiation, so the optimum transmission mode (half or full duplex), and data rate (10, 100, or 1000 Mbps) can be selected automatically².

2. The 1000BASE-T standard does not support forced mode. Auto-negotiation must always be used to establish a connection over any 1000BASE-T port or trunk.

Each port also supports IEEE 802.3x auto-negotiation of flow control, so the switch can automatically prevent port buffers from becoming saturated.

SFP TRANSCEIVER SLOTS

The Small Form Factor Pluggable (SFP) transceiver slots are shared with four of the RJ-45 ports (ports 25-28). In the default configuration, if an SFP transceiver (purchased separately) is installed in a slot and has a valid link on the port, the associated RJ-45 port is disabled. The switch can also be configured to force the use of an RJ-45 port or SFP slot, as required.

The following table shows a list of transceiver types which have been tested with the switch. For an updated list of vendors supplying these transceivers, contact your local SMC dealer. For information on the recommended standards for fiber optic cabling, see "1000 Mbps Gigabit Ethernet Collision Domain" on page 60.

Table 1: Supported SFP Transceivers

Media Standard	Cable Diameter (microns)	Wavelength (nm)	Maximum Distance*
1000BASE-SX	50/125	850	700 m
	62.5/125	850	400 m
1000BASE-LX	50/125	1300	550 m
	62.5/125	1300	550 m
	9/125	1300	10 km
1000BASE-LH	9/125	1310	35 km
		1550	80 km
1000BASE-T			100 m

* Maximum distance may vary for different SFP vendors.

PORT AND SYSTEM STATUS LEDs

The switch includes a display panel for key system and port indications that simplify installation and network troubleshooting. The LEDs, which are located on the front panel for easy viewing, are shown below and described in the following tables.

Figure 2: Port LEDs

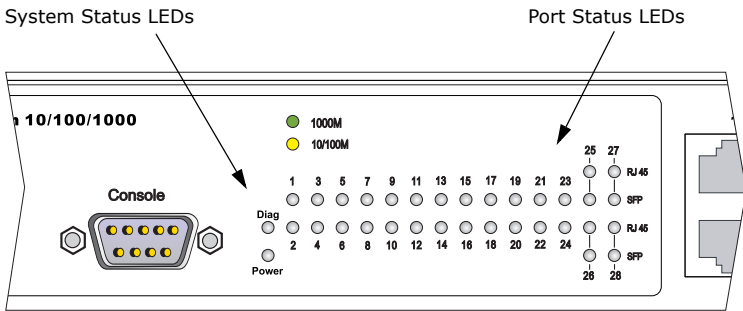


Table 2: Port Status LEDs

LED	Condition	Status
(Link/Activity)	On/Flashing Yellow	Port has established a valid 10/100 Mbps network connection. Flashing indicates activity.
	On/Flashing Green	Port has established a valid 1000 Mbps network connection. Flashing indicates activity.
	Off	There is no valid link on the port.

Table 3: System Status LEDs

LED	Condition	Status
Power	On Green	The unit's internal power supply is operating normally.
	Off	The unit has no power connected.

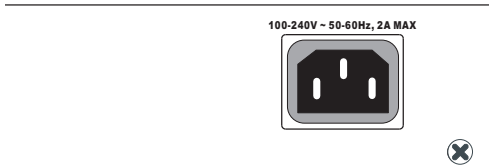
Table 3: System Status LEDs (Continued)

LED	Condition	Status
Diang	On Green	The system diagnostic test has completed successfully.
	On Yellow	The system diagnostic test is in progress.
	Flashing Yellow	The system diagnostic test has detected a fault.
	Flashing Green and Yellow	The system is booting up.

POWER SUPPLY SOCKET

There is one power socket on the rear panel of the switch. The standard power socket is for the AC power cord.

Figure 3: Power Supply Socket



2

NETWORK PLANNING

INTRODUCTION TO SWITCHING

A network switch allows simultaneous transmission of multiple packets via non-crossbar switching. This means that it can partition a network more efficiently than bridges or routers. The switch has, therefore, been recognized as one of the most important building blocks for today's networking technology.

When performance bottlenecks are caused by congestion at the network access point (such as the network card for a high-volume file server), the device experiencing congestion (server, power user, or hub) can be attached directly to a switched port. And, by using full-duplex mode, the bandwidth of the dedicated segment can be doubled to maximize throughput.

When networks are based on repeater (hub) technology, the distance between end stations is limited by a maximum hop count. However, a switch turns the hop count back to zero. So subdividing the network into smaller and more manageable segments, and linking them to the larger network by means of a switch, removes this limitation.

A switch can be easily configured in any Ethernet, Fast Ethernet, or Gigabit Ethernet network to significantly boost bandwidth while using conventional cabling and network cards.

APPLICATION EXAMPLES

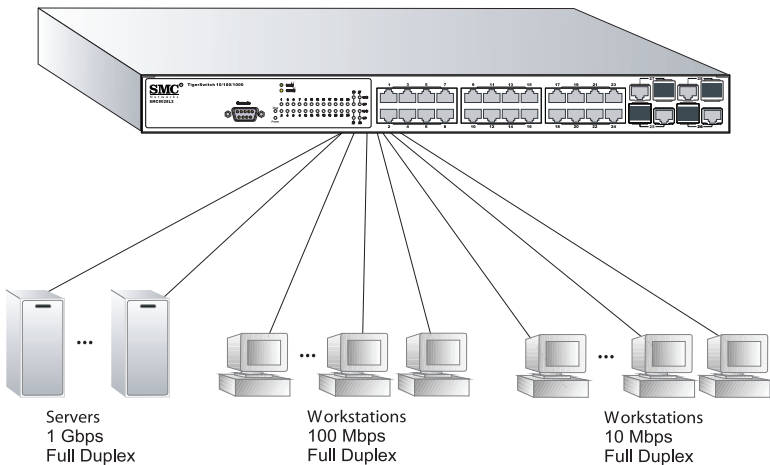
The switch is not only designed to segment your network, but also to provide a wide range of options in setting up network connections. Some typical applications are described below.

COLLAPSED BACKBONE

The switch is an excellent choice for mixed Ethernet, Fast Ethernet, and Gigabit Ethernet installations where significant growth is expected in the near future. You can easily build on this basic configuration, adding direct full-duplex connections to workstations or servers. When the time comes for further expansion, just connect to another hub or switch using one of the Fast Ethernet ports built into the front panel or a Gigabit Ethernet port on a plug-in SFP transceiver.

In the figure below, the switch is operating as a collapsed backbone for a small LAN. It is providing dedicated 10 Mbps full-duplex connections to workstations, 100 Mbps full-duplex connections to power users, and 1 Gbps full-duplex connections to servers.

Figure 4: Collapsed Backbone

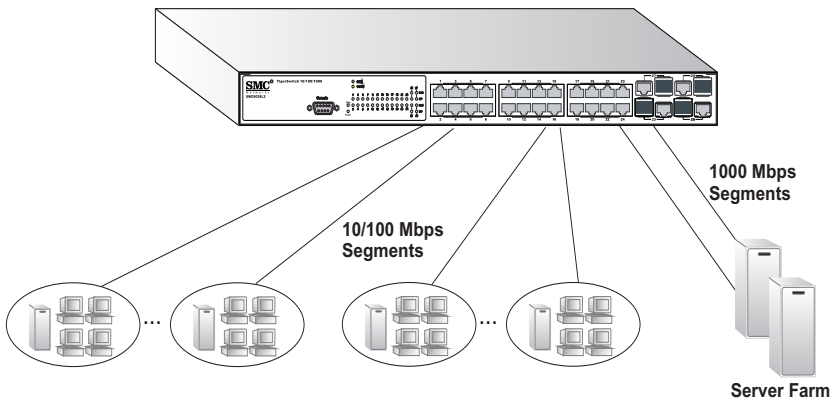


NETWORK AGGREGATION PLAN

With 28 parallel bridging ports (i.e., 28 distinct collision domains), the switch can collapse a complex network down into a single efficient bridged node, increasing overall bandwidth and throughput.

In the figure below, the 1000BASE-T ports on the switch are providing 100 Mbps connectivity for up to 28 segments. In addition, the switch is also connecting several servers at 1000 Mbps.

Figure 5: Network Aggregation Plan

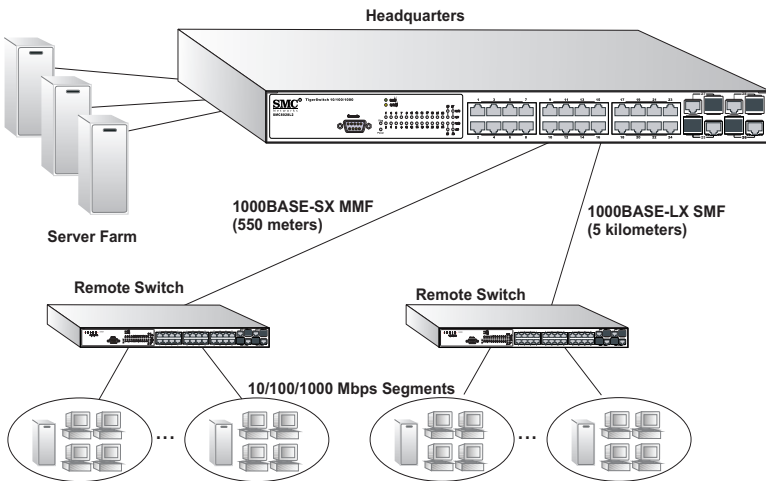


REMOTE CONNECTIONS WITH FIBER CABLE

Fiber optic technology allows for longer cabling than any other media type. A 1000BASE-SX (MMF) link can connect to a site up to 550 meters away, a 1000BASE-LX (SMF) link up to 5 km, and a 1000BASE-LH link up to 70 km. This allows the switch to serve as a collapsed backbone, providing direct connectivity for a widespread LAN.

The figure below illustrates the switch connecting multiple segments with fiber cable.

Figure 6: Remote Connections with Fiber Cable

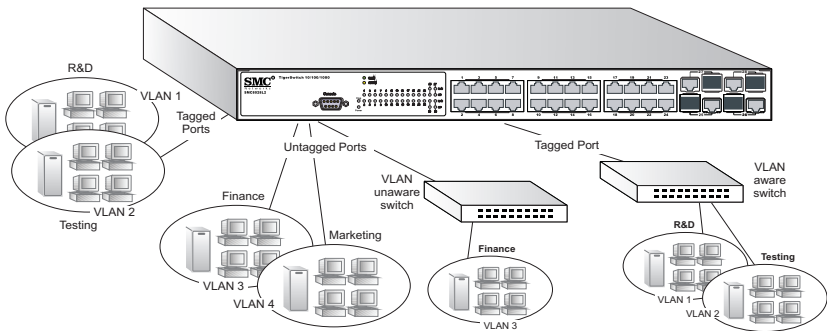


MAKING VLAN CONNECTIONS

This switch supports VLANs which can be used to organize any group of network nodes into separate broadcast domains. VLANs confine broadcast traffic to the originating group, and can eliminate broadcast storms in large networks. This provides a more secure and cleaner network environment.

VLANs can be based on untagged port groups, or traffic can be explicitly tagged to identify the VLAN group to which it belongs. Untagged VLANs can be used for small networks attached to a single switch. However, tagged VLANs should be used for larger networks, and all the VLANs assigned to the inter-switch links.

Figure 7: Making VLAN Connections



NOTE: When connecting to a switch that does not support IEEE 802.1Q VLAN tags, use untagged ports.

APPLICATION NOTES

1. Full-duplex operation only applies to point-to-point access (such as when a switch is attached to a workstation, server or another switch). When the switch is connected to a hub, both devices must operate in half-duplex mode.
2. Avoid using flow control on a port connected to a hub unless it is actually required to solve a problem. Otherwise back pressure jamming signals may degrade overall performance for the segment attached to the hub.
3. Based on recommended standards, the length of fiber optic cable for a single switched link should not exceed:
 - 1000BASE-SX: 550 m (1805 ft) for multimode fiber.
 - 1000BASE-LX: 5 km (3.1 miles) for single-mode fiber.
 - 1000BASE-LH: 70 km (43.5 miles) for single-mode fiber.

However, power budget constraints must also be considered when calculating the maximum cable length for your specific environment.

3

INSTALLING THE SWITCH

SELECTING A SITE

Switch units can be mounted in a standard 19-inch equipment rack or on a flat surface. Be sure to follow the guidelines below when choosing a location.

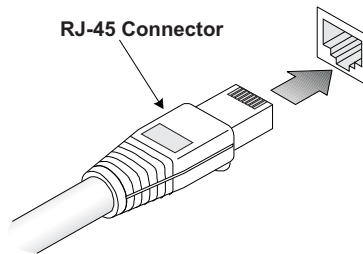
- ◆ The site should:
 - be at the center of all the devices you want to link and near a power outlet.
 - be able to maintain its temperature within 0 to 45 °C (32 to 113 °F) and its humidity within 10% to 90%, non-condensing
 - provide adequate space (approximately two inches) on all sides for proper air flow
 - be accessible for installing, cabling and maintaining the devices
 - allow the status LEDs to be clearly visible
- ◆ Make sure twisted-pair cable is always routed away from power lines, fluorescent lighting fixtures and other sources of electrical interference, such as radios and transmitters.
- ◆ Make sure that the unit is connected to a separate grounded power outlet that provides 100 to 240 VAC, 50 to 60 Hz, is within 2 m (6.6 feet) of each device and is powered from an independent circuit breaker. As with any equipment, using a filter or surge suppressor is recommended.

ETHERNET CABLING

To ensure proper operation when installing the switch into a network, make sure that the current cables are suitable for 10BASE-T, 100BASE-TX or 1000BASE-T operation. Check the following criteria against the current installation of your network:

- ◆ Cable type: Unshielded twisted pair (UTP) or shielded twisted pair (STP) cables with RJ-45 connectors; Category 3 or better for 10BASE-T, Category 5 or better for 100BASE-TX, and Category 5, 5e or 6 for 1000BASE-T.
- ◆ Protection from radio frequency interference emissions
- ◆ Electrical surge suppression
- ◆ Separation of electrical wires (switch related or other) and electromagnetic fields from data based network wiring
- ◆ Safe connections with no damaged cables, connectors or shields

Figure 8: RJ-45 Connections



EQUIPMENT CHECKLIST

After unpacking this switch, check the contents to be sure you have received all the components. Then, before beginning the installation, be sure you have all other necessary installation equipment.

PACKAGE CONTENTS

- ◆ Gigabit Ethernet Switch (SMC8028L2)
- ◆ Four adhesive foot pads
- ◆ Bracket Mounting Kit containing two brackets and eight screws for attaching the brackets to the switch
- ◆ Power Cord—either US, Continental Europe or UK
- ◆ RS-232 console cable
- ◆ This Installation Guide
- ◆ Management Guide CD

OPTIONAL RACK-MOUNTING EQUIPMENT

If you plan to rack-mount the switch, be sure to have the following equipment available:

- ◆ Four mounting screws for each device you plan to install in a rack—these are not included
- ◆ A screwdriver (Phillips or flathead, depending on the type of screws used)

MOUNTING

The switch can be mounted in a standard 19-inch equipment rack or on a desktop or shelf. Mounting instructions for each type of site follow.

RACK MOUNTING

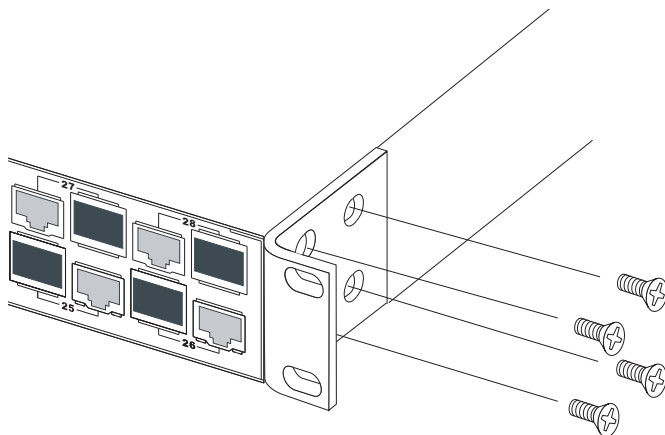
Before rack mounting the switch, pay particular attention to the following factors:

- ◆ **Temperature:** Since the temperature within a rack assembly may be higher than the ambient room temperature, check that the rack-environment temperature is within the specified operating temperature range. (See [page 74.](#))
- ◆ **Mechanical Loading:** Do not place any equipment on top of a rack-mounted unit.
- ◆ **Circuit Overloading:** Be sure that the supply circuit to the rack assembly is not overloaded.
- ◆ **Grounding:** Rack-mounted equipment should be properly grounded. Particular attention should be given to supply connections other than direct connections to the mains.

To rack-mount devices:

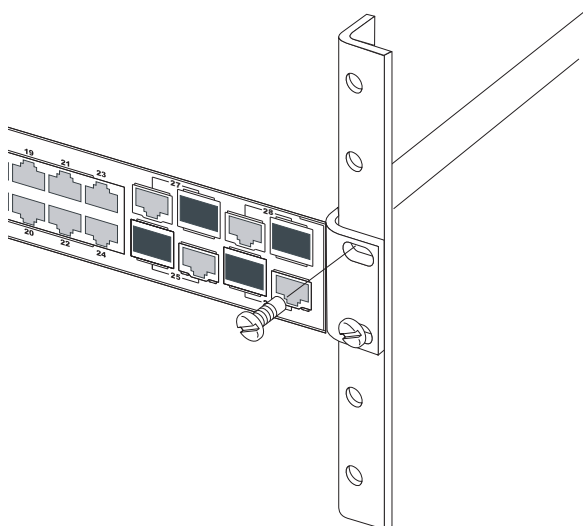
1. Attach the brackets to the device using the screws provided in the Bracket Mounting Kit.

Figure 9: Attaching the Brackets



2. Mount the device in the rack, using four rack-mounting screws (not provided). Be sure to secure the lower rack-mounting screws first to prevent the brackets being bent by the weight of the switch.

Figure 10: Installing the Switch in a Rack

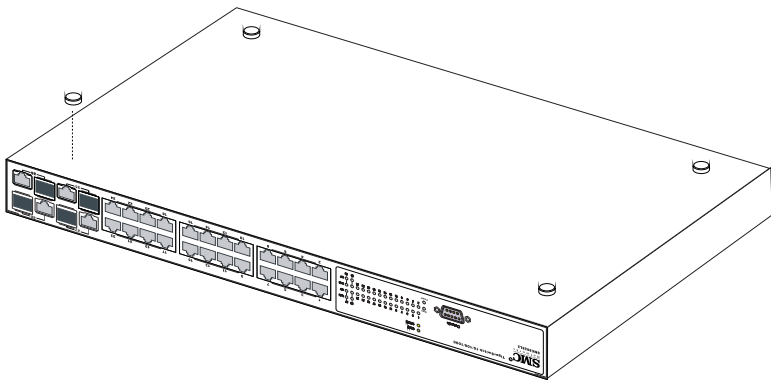


3. If installing a single switch only, turn to "Connecting to a Power Source" at the end of this chapter.
4. If installing multiple switches, mount them in the rack, one below the other, in any order.

DESKTOP OR SHELF MOUNTING

1. Attach the four adhesive feet to the bottom of the first switch.

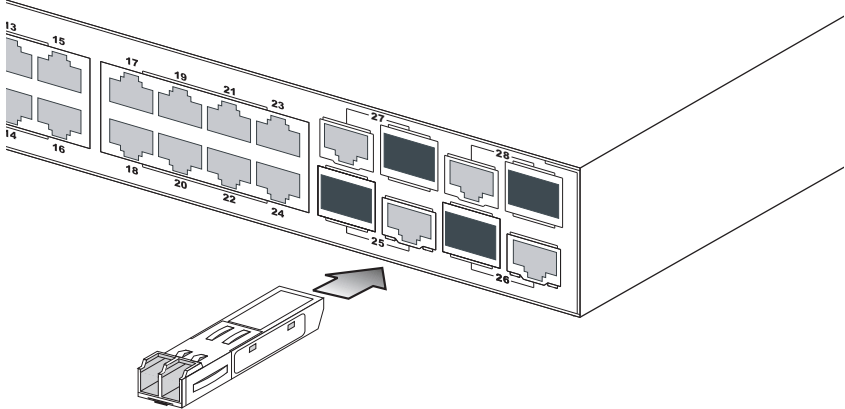
Figure 11: Attaching the Adhesive Feet



2. Set the device on a flat surface near an AC power source, making sure there are at least two inches of space on all sides for proper air flow.
3. If installing a single switch only, go to "Connecting to a Power Source" at the end of this chapter.
4. If installing multiple switches, attach four adhesive feet to each one. Place each device squarely on top of the one below, in any order.

INSTALLING AN OPTIONAL SFP TRANSCEIVER

Figure 12: Inserting an SFP Transceiver into a Slot



The SFP slots support the following optional SFP transceivers:

- ◆ 1000BASE-SX
- ◆ 1000BASE-LX
- ◆ 1000BASE-LH

To install an SFP transceiver, do the following:

1. Consider network and cabling requirements to select an appropriate SFP transceiver type.
2. Insert the transceiver with the optical connector facing outward and the slot connector facing down. Note that SFP transceivers are keyed so they can only be installed in one orientation.
3. Slide the SFP transceiver into the slot until it clicks into place.



NOTE: SFP transceivers are hot-swappable. The switch does not need to be powered off before installing or removing a transceiver. However, always first disconnect the network cable before removing a transceiver.

NOTE: SFP transceivers are not provided in the switch package.

CONNECTING TO A POWER SOURCE

To connect a switch to a power source:

1. Insert the power cable plug directly into the AC socket located at the back of the switch.

Figure 13: Power Socket



2. Plug the other end of the cable into a grounded, 3-pin, AC power source.



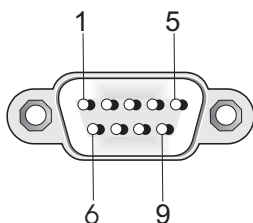
NOTE: For International use, you may need to change the AC line cord. You must use a line cord set that has been approved for the socket type in your country.

3. Check the front-panel LEDs as the device is powered on to be sure the PWR LED is lit. If not, check that the power cable is correctly plugged in.

CONNECTING TO THE CONSOLE PORT

The DB-9 serial port on the switch's back panel is used to connect to the switch for out-of-band console configuration. The command-line-driven configuration program can be accessed from a terminal or a PC running a terminal emulation program. The pin assignments used to connect to the serial port are provided in the following table.

Figure 14: Serial Port (DB-9 DTE) Pin-Out



WIRING MAP FOR SERIAL CABLE

Table 4: Serial Cable Wiring

Switch's 9-Pin Serial Port	Null Modem	PC's 9-Pin DTE Port
2 RXD (receive data)	<-----	3 TXD (transmit data)
3 TXD (transmit data)	----->	2 RXD (receive data)
5 SGND (signal ground)	-----	5 SGND (signal ground)

No other pins are used.

The serial port's configuration requirements are as follows:

- ◆ Default Baud rate—115,200 bps
- ◆ Character Size—8 Characters
- ◆ Parity—None
- ◆ Stop bit—One

- ◆ Data bits—8
- ◆ Flow control—none

4

MAKING NETWORK CONNECTIONS

CONNECTING NETWORK DEVICES

The switch is designed to be connected to 10 or 100 Mbps network cards in PCs and servers, as well as to other switches and hubs. It may also be connected to remote devices using optional 1000BASE-SX, 1000BASE-LX, or 1000BASE-LH SFP transceivers.

TWISTED-PAIR DEVICES

Each device requires an unshielded twisted-pair (UTP) cable with RJ-45 connectors at both ends. Use Category 5, 5e or 6 cable for 1000BASE-T connections, Category 5 or better for 100BASE-TX connections, and Category 3 or better for 10BASE-T connections.

CABLING GUIDELINES

The RJ-45 ports on the switch support automatic MDI/MDI-X pinout configuration, so you can use standard straight-through twisted-pair cables to connect to any other network device (PCs, servers, switches, routers, or hubs).

See Appendix B for further information on cabling.

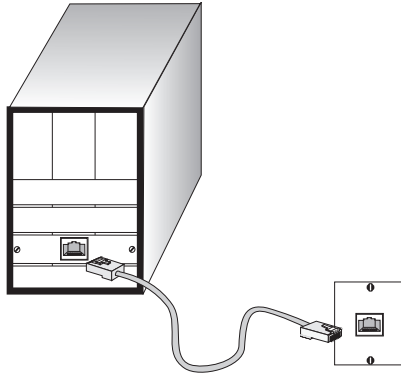


CAUTION: Do not plug a phone jack connector into an RJ-45 port. This will damage the switch. Use only twisted-pair cables with RJ-45 connectors that conform to FCC standards.

CONNECTING TO PCs, SERVERS, HUBS AND SWITCHES

1. Attach one end of a twisted-pair cable segment to the device's RJ-45 connector.

Figure 15: Making Twisted-Pair Connections



2. If the device is a network card and the switch is in the wiring closet, attach the other end of the cable segment to a modular wall outlet that is connected to the wiring closet. (See the section "[Network Wiring Connections.](#)") Otherwise, attach the other end to an available port on the switch.

Make sure each twisted pair cable does not exceed 100 meters (328 ft) in length.



NOTE: Avoid using flow control on a port connected to a hub unless it is actually required to solve a problem. Otherwise back pressure jamming signals may degrade overall performance for the segment attached to the hub.

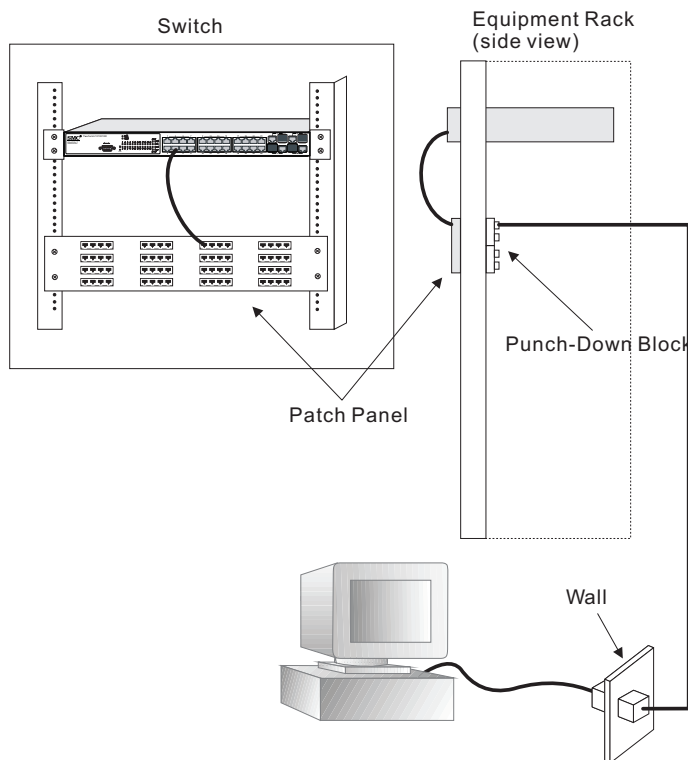
3. As each connection is made, the Link LED (on the switch) corresponding to each port will light green (1000 Mbps) or yellow (10/100 Mbps) to indicate that the connection is valid.

NETWORK WIRING CONNECTIONS

Today, the punch-down block is an integral part of many of the newer equipment racks. It is actually part of the patch panel. Instructions for making connections in the wiring closet with this type of equipment follows.

1. Attach one end of a patch cable to an available port on the switch, and the other end to the patch panel.
2. If not already in place, attach one end of a cable segment to the back of the patch panel where the punch-down block is located, and the other end to a modular wall outlet.
3. Label the cables to simplify future troubleshooting. See "[Cable Labeling and Connection Records](#)" on page 62.

Figure 16: Network Wiring Connections



FIBER OPTIC SFP DEVICES

An optional Gigabit SFP transceiver (1000BASE-SX, 1000BASE-LX or 1000BASE-LH) can be used for a backbone connection between switches, or for connecting to a high-speed server.

Each single-mode fiber port requires 9/125 micron single-mode fiber optic cable with an LC connector at both ends. Each multimode fiber optic port requires 50/125 or 62.5/125 micron multimode fiber optic cabling with an LC connector at both ends.

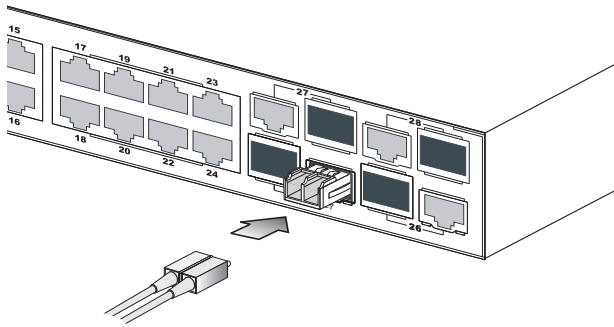


WARNING: This switch uses lasers to transmit signals over fiber optic cable. The lasers are compliant with the requirements of a Class 1 Laser Product and are inherently eye safe in normal operation. However, you should never look directly at a transmit port when it is powered on.

WARNING: When selecting a fiber SFP device, considering safety, please make sure that it can function at a temperature that is not less than the recommended maximum operational temperature of the product. You must also use an approved Laser Class 1 SFP transceiver.

1. Remove and keep the LC port's rubber plug. When not connected to a fiber cable, the rubber plug should be replaced to protect the optics.
2. Check that the fiber terminators are clean. You can clean the cable plugs by wiping them gently with a clean tissue or cotton ball moistened with a little ethanol. Dirty fiber terminators on fiber optic cables will impair the quality of the light transmitted through the cable and lead to degraded performance on the port.
3. Connect one end of the cable to the LC port on the switch and the other end to the LC port on the other device. Since LC connectors are keyed, the cable can be attached in only one orientation.

Figure 17: Making Fiber Port Connections



4. As a connection is made, check the Link LED on the switch corresponding to the port to be sure that the connection is valid.

The 1000BASE-SX, 1000BASE-LX, 1000BASE-LH fiber optic ports operate at 1 Gbps, full duplex, with auto-negotiation of flow control. The maximum length for fiber optic cable operating at Gigabit speed will depend on the fiber type as listed under ["1000 Mbps Gigabit Ethernet Collision Domain"](#) on page 60.

CONNECTIVITY RULES

When adding hubs (repeaters) to your network, please follow the connectivity rules listed in the manuals for these products. However, note that because switches break up the path for connected devices into separate collision domains, you should not include the switch or connected cabling in your calculations for cascade length involving other devices.

1000BASE-T CABLE REQUIREMENTS

All Category 5 UTP cables that are used for 100BASE-TX connections should also work for 1000BASE-T, providing that all four wire pairs are connected. However, it is recommended that for all critical connections, or any new cable installations, Category 5e (enhanced Category 5) or Category 6 cable should be used. The Category 5e and 6 specifications include test parameters that are only recommendations for Category 5. Therefore, the first step in preparing existing Category 5 cabling for running 1000BASE-T is a simple test of the cable installation to be sure that it complies with the IEEE 802.3-2005 standards.

1000 MBPS GIGABIT ETHERNET COLLISION DOMAIN

Table 5: Maximum 1000BASE-T Gigabit Ethernet Cable Length

Cable Type	Maximum Cable Length	Connector
Category 5, 5e, or 6 100-ohm UTP or STP	100 m (328 ft)	RJ-45

Table 6: Maximum 1000BASE-SX Gigabit Ethernet Cable Lengths

Fiber Size	Fiber Bandwidth	Maximum Cable Length	Connector
62.5/125 micron multimode fiber	160 MHz/km	2-220 m (7-722 ft)	LC
	200 MHz/km	2-275 m (7-902 ft)	LC
50/125 micron multimode fiber	400 MHz/km	2-500 m (7-1641 ft)	LC
	500 MHz/km	2-550 m (7-1805 ft)	LC

Table 7: Maximum 100BASE-LX Gigabit Ethernet Cable Length

Fiber Size	Fiber Bandwidth	Maximum Cable Length	Connector
9/125 micron single-mode fiber	N/A	2 m - 5 km (7 ft - 3.2 miles)	LC

Table 8: Maximum 100BASE-LH Gigabit Ethernet Cable Length

Fiber Size	Fiber Bandwidth	Maximum Cable Length	Connector
9/125 micron single-mode fiber	N/A	2 m - 70 km (7 ft - 43.5 miles)	LC

100 MBPS FAST ETHERNET COLLISION DOMAIN

Table 9: Maximum Fast Ethernet Cable Lengths

Type	Cable Type	Max. Cable Length	Connector
100BASE-TX	Category 5 or better 100-ohm UTP or STP	100 m (328 ft)	RJ-45

10 MBPS ETHERNET COLLISION DOMAIN

Table 10: Maximum Ethernet Cable Length

Type	Cable Type	Max. Cable Length	Connector
10BASE-T	Category 3 or better 100-ohm UTP	100 m (328 ft)	RJ-45

CABLE LABELING AND CONNECTION RECORDS

When planning a network installation, it is essential to label the opposing ends of cables and to record where each cable is connected. Doing so will enable you to easily locate inter-connected devices, isolate faults and change your topology without need for unnecessary time consumption.

To best manage the physical implementations of your network, follow these guidelines:

- ◆ Clearly label the opposing ends of each cable.
- ◆ Using your building's floor plans, draw a map of the location of all network-connected equipment. For each piece of equipment, identify the devices to which it is connected.
- ◆ Note the length of each cable and the maximum cable length supported by the switch ports.
- ◆ For ease of understanding, use a location-based key when assigning prefixes to your cable labeling.
- ◆ Use sequential numbers for cables that originate from the same equipment.
- ◆ Differentiate between racks by naming accordingly.
- ◆ Label each separate piece of equipment.
- ◆ Display a copy of your equipment map, including keys to all abbreviations at each equipment rack.

DIAGNOSING SWITCH INDICATORS

Table 11: Troubleshooting Chart

Symptom	Action
PWR LED is Off	<ul style="list-style-type: none">◆ Check connections between the switch, the power cord and the wall outlet.◆ Contact your dealer for assistance.
DIAG LED Flashing Yellow	<ul style="list-style-type: none">◆ Power cycle the switch to try and clear the condition.◆ If the condition does not clear, contact your dealer for assistance.
Link LED is Off	<ul style="list-style-type: none">◆ Verify that the switch and attached device are powered on.◆ Be sure the cable is plugged into both the switch and corresponding device.◆ If the switch is installed in a rack, check the connections to the punch-down block and patch panel.◆ Verify that the proper cable type is used and its length does not exceed specified limits.◆ Check the adapter on the attached device and cable connections for possible defects. Replace the defective adapter or cable if necessary.

POWER AND COOLING PROBLEMS

If the power indicator does not turn on when the power cord is plugged in, you may have a problem with the power outlet, power cord, or internal power supply. However, if the unit powers off after running for a while, check for loose power connections, power losses or surges at the power outlet. If you still cannot isolate the problem, the internal power supply may be defective.

INSTALLATION

Verify that all system components have been properly installed. If one or more components appear to be malfunctioning (such as the power cord or network cabling), test them in an alternate environment where you are sure that all the other components are functioning properly.

IN-BAND ACCESS

You can access the management agent in the switch from anywhere within the attached network using Telnet, a web browser, or other network management software tools. However, you must first configure the switch with a valid IP address, subnet mask, and default gateway. If you have trouble establishing a link to the management agent, check to see if you have a valid network connection. Then verify that you entered the correct IP address. Also, be sure the port through which you are connecting to the switch has not been disabled. If it has not been disabled, then check the network cabling that runs between your remote location and the switch.



NOTE: The management agent accepts up to four simultaneous Telnet sessions. If the maximum number of sessions already exists, an additional Telnet connection will not be able to log into the system.

B

CABLES

TWISTED-PAIR CABLE AND PIN ASSIGNMENTS

For 10/100BASE-TX connections, the twisted-pair cable must have two pairs of wires. For 1000BASE-T connections the twisted-pair cable must have four pairs of wires. Each wire pair is identified by two different colors. For example, one wire might be green and the other, green with white stripes. Also, an RJ-45 connector must be attached to both ends of the cable.

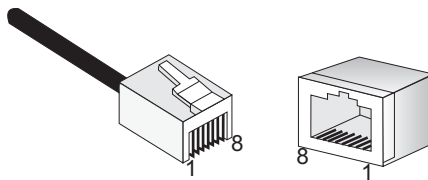


CAUTION: DO NOT plug a phone jack connector into any RJ-45 port. Use only twisted-pair cables with RJ-45 connectors that conform with FCC standards.

CAUTION: Each wire pair must be attached to the RJ-45 connectors in a specific orientation.

The figure below illustrates how the pins on the RJ-45 connector are numbered. Be sure to hold the connectors in the same orientation when attaching the wires to the pins.

Figure 18: RJ-45 Connector Pin Numbers



10BASE-T/100BASE-TX PIN ASSIGNMENTS

Use unshielded twisted-pair (UTP) or shielded twisted-pair (STP) cable for RJ-45 connections: 100-ohm Category 3 or better cable for 10 Mbps connections, or 100-ohm Category 5 or better cable for 100 Mbps connections. Also be sure that the length of any twisted-pair connection does not exceed 100 meters (328 feet).

The RJ-45 ports on the switch base unit support automatic MDI/MDI-X operation, so you can use straight-through cables for all network connections to PCs or servers, or to other switches or hubs. In straight-through cable, pins 1, 2, 3, and 6, at one end of the cable, are connected straight through to pins 1, 2, 3, and 6 at the other end of the cable. When using any RJ-45 port on this switch, you can use either straight-through or crossover cable.

Table 12: 10/100BASE-TX MDI and MDI-X Port Pinouts

Pin	MDI Signal Name	MDI-X Signal Name
1	Transmit Data plus (TD+)	Receive Data plus (RD+)
2	Transmit Data minus (TD-)	Receive Data minus (RD-)
3	Receive Data plus (RD+)	Transmit Data plus (TD+)
6	Receive Data minus (RD-)	Transmit Data minus (TD-)
4,5,7,8	Not used	Not used

Note:The "+" and "-" signs represent the polarity of the wires that make up each wire pair.

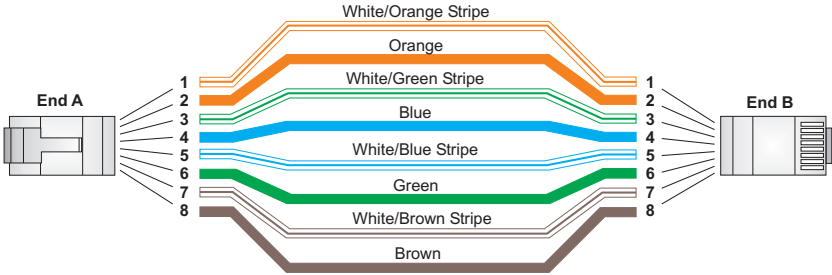
STRAIGHT-THROUGH WIRING

If the twisted-pair cable is to join two ports and only one of the ports has an internal crossover (MDI-X), the two pairs of wires must be straight-through. (When auto-negotiation is enabled for any RJ-45 port on this switch, you can use either straight-through or crossover cable to connect to any device type.)

You must connect all four wire pairs as shown in the following diagram to support Gigabit Ethernet.

Figure 19: Straight-through Wiring

EIA/TIA 568B RJ-45 Wiring Standard
10/100BASE-TX Straight-through Cable



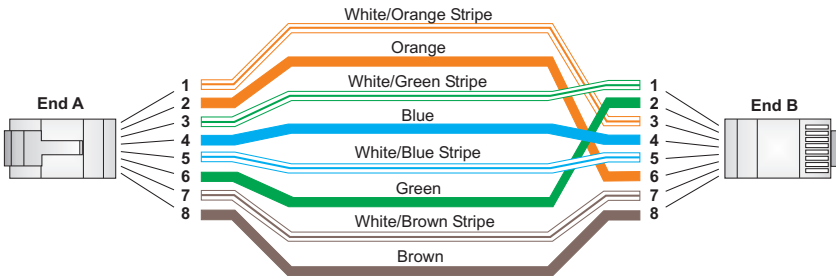
CROSSOVER WIRING

If the twisted-pair cable is to join two ports and either both ports are labeled with an "X" (MDI-X) or neither port is labeled with an "X" (MDI), a crossover must be implemented in the wiring. (When auto-negotiation is enabled for any RJ-45 port on this switch, you can use either straight-through or crossover cable to connect to any device type.)

You must connect all four wire pairs as shown in the following diagram to support Gigabit Ethernet.

Figure 20: Crossover Wiring

EIA/TIA 568B RJ-45 Wiring Standard
10/100BASE-TX Crossover Cable



1000BASE-T PIN ASSIGNMENTS

All 1000BASE-T ports support automatic MDI/MDI-X operation, so you can use straight-through cables for all network connections to PCs or servers, or to other switches or hubs.

The table below shows the 1000BASE-T MDI and MDI-X port pinouts. These ports require that all four pairs of wires be connected. Note that for 1000BASE-T operation, all four pairs of wires are used for both transmit and receive.

Use 100-ohm Category 5, 5e or 6 unshielded twisted-pair (UTP) or shielded twisted-pair (STP) cable for 1000BASE-T connections. Also be sure that the length of any twisted-pair connection does not exceed 100 meters (328 feet).

Table 13: 1000BASE-T MDI and MDI-X Port Pinouts

Pin	MDI Signal Name	MDI-X Signal Name
1	Bi-directional Pair A Plus (BI_DA+)	Bi-directional Pair B Plus (BI_DB+)
2	Bi-directional Pair A Minus (BI_DA-)	Bi-directional Pair B Minus (BI_DB-)
3	Bi-directional Pair B Plus (BI_DB+)	Bi-directional Pair A Plus (BI_DA+)
4	Bi-directional Pair C Plus (BI_DC+)	Bi-directional Pair D Plus (BI_DD+)
5	Bi-directional Pair C Minus (BI_DC-)	Bi-directional Pair D Minus (BI_DD-)
6	Bi-directional Pair B Minus (BI_DB-)	Bi-directional Pair A Minus (BI_DA-)
7	Bi-directional Pair D Plus (BI_DD+)	Bi-directional Pair C Plus (BI_DC+)
8	Bi-directional Pair D Minus (BI_DD-)	Bi-directional Pair C Minus (BI_DC-)

CABLE TESTING FOR EXISTING CATEGORY 5 CABLE

Installed Category 5 cabling must pass tests for Attenuation, Near-End Crosstalk (NEXT), and Far-End Crosstalk (FEXT). This cable testing information is specified in the ANSI/TIA/EIA-TSB-67 standard. Additionally, cables must also pass test parameters for Return Loss and Equal-Level Far-End Crosstalk (ELFEXT). These tests are specified in the ANSI/TIA/EIA-TSB-95 Bulletin, "The Additional Transmission Performance Guidelines for 100 Ohm 4-Pair Category 5 Cabling."

Note that when testing your cable installation, be sure to include all patch cables between switches and end devices.

ADJUSTING EXISTING CATEGORY 5 CABLING TO RUN 1000BASE-T

If your existing Category 5 installation does not meet one of the test parameters for 1000BASE-T, there are basically three measures that can be applied to try and correct the problem:

1. Replace any Category 5 patch cables with high-performance Category 5e or Category 6 cables.
2. Reduce the number of connectors used in the link.
3. Reconnect some of the connectors in the link.

FIBER STANDARDS

The International Telecommunication Union (ITU-T) has standardized various fiber types for data networks. These are summarized in the following table.

Table 14: Fiber Standards

ITU-T Standard	Description	Application
G.651	Multimode Fiber 50/125-micron core	Short-reach connections in the 1300-nm or 850-nm band
G.652	Non-Dispersion-Shifted Fiber Single-mode, 9/125-micron core	Longer spans and extended reach. Optimized for operation in the 1310-nm band. but can also be used in the 1550-nm band
G.652.C	Low Water Peak Non-Dispersion-Shifted Fiber Single-mode, 9/125-micron core	Longer spans and extended reach. Optimized for wavelength-division multiplexing (WDM) transmission across wavelengths from 1285 to 1625 nm. The zero dispersion wavelength is in the 1310-nm region.
G.653	Dispersion-Shifted Fiber Single-mode, 9/125-micron core	Longer spans and extended reach. Optimized for operation in the region from 1500 to 1600-nm.

Table 14: Fiber Standards (Continued)

ITU-T Standard	Description	Application
G.654	1550-nm Loss-Minimized Fiber Single-mode, 9/125-micron core	Extended long-haul applications. Optimized for high-power transmission in the 1500 to 1600-nm region, with low loss in the 1550-nm band.
G.655	Non-Zero Dispersion-Shifted Fiber Single-mode, 9/125-micron core	Extended long-haul applications. Optimized for high-power dense wavelength-division multiplexing (DWDM) operation in the region from 1500 to 1600-nm.

PHYSICAL CHARACTERISTICS

PORTS

24 10/100/1000BASE-T, with auto-negotiation

4 10/100/1000BASE-T shared with two SFP transceiver slots

NETWORK INTERFACE

Ports 1-28: RJ-45 connector, auto MDI/X

10BASE-T: RJ-45 (100-ohm, UTP cable; Category 3 or better)

100BASE-TX: RJ-45 (100-ohm, UTP cable; Category 5 or better)

1000BASE-T: RJ-45 (100-ohm, UTP or STP cable; Category 5, 5e or 6)

**Maximum Cable Length - 100 m (328 ft)*

BUFFER ARCHITECTURE

64KB packet buffer per port

AGGREGATE BANDWIDTH

56 Gbps

SWITCHING DATABASE

8K MAC address entries

LEDs

System: PWR DIAG (Diagnostic),

Port: status (link, speed, and activity), 10/100M, 1000M

WEIGHT

1.80 kg (3.96 lbs)

SIZE

44.0 x 17.2 x 4.4 cm (17.32 x 6.77 x 1.73 in.)

TEMPERATURE

Operating: 0°C to 45°C (32°F to 113°F)

Storage: -40°C to 70°C (-40°F to 158°F)

HUMIDITY

Operating: 10% to 90% (non-condensing)

AC INPUT

100 to 240 V, 50-60 Hz, 2A

POWER SUPPLY

Internal, auto-ranging transformer: 100 to 240 VAC, 50 to 60 Hz

POWER CONSUMPTION

32 Watts maximum

MAXIMUM CURRENT

0.25 A @ 100 VAC

0.12 A @ 240 VAC

SWITCH FEATURES

FORWARDING MODE

Store-and-forward

THROUGHPUT

Wire speed

FLOW CONTROL

Full Duplex: IEEE 802.3x

Half Duplex: Back pressure

MANAGEMENT FEATURES

IN-BAND MANAGEMENT

SSH, Telnet, SNMP, or HTTP

OUT-OF-BAND MANAGEMENT

RS-232 DB-9 console port

SOFTWARE LOADING

TFTP in-band, or XModem out-of-band

STANDARDS

IEEE 802.3-2005
Ethernet, Fast Ethernet, Gigabit Ethernet
Full-duplex flow control
Link Aggregation Control Protocol
IEEE 802.1D -2004
Spanning Tree Protocol
Rapid Spanning Tree Protocol
Multiple Spanning Tree Protocol
ISO/IEC 8802-3

COMPLIANCES

EMISSIONS

EN55022 (CISPR 22) Class A
EN 61000-3-2/3
FCC Class A
CE Mark

IMMUNITY

EN 61000-4-2/3/4/5/6/8/11

SAFETY

CSA (CSA 22.2 NO 60950-1 & UL 60950-1)
CB (IEC/EN60950-1)

GLOSSARY

10BASE-T

IEEE 802.3 specification for 10 Mbps Ethernet over two pairs of Category 3, 4, or 5 UTP cable.

100BASE-TX

IEEE 802.3u specification for 100 Mbps Ethernet over two pairs of Category 5 UTP cable.

1000BASE-LH

Specification for long-haul Gigabit Ethernet over two strands of 9/125 micron core fiber cable.

1000BASE-LX

IEEE 802.3z specification for Gigabit Ethernet over two strands of 50/125, 62.5/125 or 9/125 micron core fiber cable.

1000BASE-SX

IEEE 802.3z specification for Gigabit Ethernet over two strands of 50/125 or 62.5/125 micron core fiber cable.

1000BASE-T

IEEE 802.3ab specification for Gigabit Ethernet over 100-ohm Category 5, 5e or 6 twisted-pair cable (using all four wire pairs).

AUTO-NEGOTIATION

Signalling method allowing each node to select its optimum operational mode (e.g., speed and duplex mode) based on the capabilities of the node to which it is connected.

BANDWIDTH

The difference between the highest and lowest frequencies available for network signals. Also synonymous with wire speed, the actual speed of the data transmission along the cable.

COLLISION DOMAIN

Single CSMA/CD LAN segment.

CSMA/CD

CSMA/CD (Carrier Sense Multiple Access/Collision Detect) is the communication method employed by Ethernet, Fast Ethernet, and Gigabit Ethernet.

END STATION

A workstation, server, or other device that does not forward traffic.

ETHERNET

A network communication system developed and standardized by DEC, Intel, and Xerox, using baseband transmission, CSMA/CD access, logical bus topology, and coaxial cable. The successor IEEE 802.3 standard provides for integration into the OSI model and extends the physical layer and media with repeaters and implementations that operate on fiber, thin coax and twisted-pair cable.

FAST ETHERNET

A 100 Mbps network communication system based on Ethernet and the CSMA/CD access method.

FULL DUPLEX

Transmission method that allows two network devices to transmit and receive concurrently, effectively doubling the bandwidth of that link.

GIGABIT ETHERNET

A 1000 Mbps network communication system based on Ethernet and the CSMA/CD access method.

IEEE

Institute of Electrical and Electronic Engineers.

IEEE 802.3

Defines carrier sense multiple access with collision detection (CSMA/CD) access method and physical layer specifications.

IEEE 802.3AB

Defines CSMA/CD access method and physical layer specifications for 1000BASE-T Gigabit Ethernet. (Now incorporated in IEEE 802.3-2002.)

IEEE 802.3u

Defines CSMA/CD access method and physical layer specifications for 100BASE-TX Fast Ethernet. (Now incorporated in IEEE 802.3-2002.)

IEEE 802.3x

Defines Ethernet frame start/stop requests and timers used for flow control on full-duplex links. (Now incorporated in IEEE 802.3-2002.)

IEEE 802.3z

Defines CSMA/CD access method and physical layer specifications for 1000BASE Gigabit Ethernet. (Now incorporated in IEEE 802.3-2002.)

LAN SEGMENT

Separate LAN or collision domain.

LED

Light emitting diode used for monitoring a device or network condition.

LOCAL AREA NETWORK (LAN)

A group of interconnected computer and support devices.

MEDIA ACCESS CONTROL (MAC)

A portion of the networking protocol that governs access to the transmission medium, facilitating the exchange of data between network nodes.

MIB

An acronym for Management Information Base. It is a set of database objects that contains information about the device.

MODAL BANDWIDTH

Bandwidth for multimode fiber is referred to as modal bandwidth because it varies with the modal field (or core diameter) of the fiber. Modal bandwidth is specified in units of MHz per km, which indicates the amount of bandwidth supported by the fiber for a one km distance.

NETWORK DIAMETER

Wire distance between two end stations in the same collision domain.

RJ-45 CONNECTOR

A connector for twisted-pair wiring.

SWITCHED PORTS

Ports that are on separate collision domains or LAN segments.

TIA

Telecommunications Industry Association

TRANSMISSION CONTROL PROTOCOL/INTERNET PROTOCOL (TCP/IP)

Protocol suite that includes TCP as the primary transport protocol, and IP as the network layer protocol.

USER DATAGRAM PROTOCOL (UDP)

UDP provides a datagram mode for packet-switched communications. It uses IP as the underlying transport mechanism to provide access to IP-like services.

UDP packets are delivered just like IP packets – connection-less datagrams that may be discarded before reaching their targets. UDP is useful when TCP would be too complex, too slow, or just unnecessary.

UTP

Unshielded twisted-pair cable.

VIRTUAL LAN (VLAN)

A Virtual LAN is a collection of network nodes that share the same collision domain regardless of their physical location or connection point in the network. A VLAN serves as a logical workgroup with no physical barriers, allowing users to share information and resources as though located on the same LAN.

INDEX

NUMERICS

- 10 Mbps connectivity rules 51
 - 100 Mbps connectivity rules 51
 - 1000 Mbps connectivity rules 50
 - 1000BASE-LH fiber cable Lengths 51
 - 1000BASE-LX fiber cable Lengths 51
 - 1000BASE-SX fiber cable Lengths 50
 - 1000BASE-T
 - pin assignments 58
 - ports 24
 - 100BASE-TX, cable lengths 51
 - 10BASE-T, cable lengths 51
- ## A
- adhesive feet, attaching 40
 - air flow requirements 35
 - applications
 - central wiring closet 31
 - collapsed backbone 30
 - remote connections with fiber 32
 - VLAN connections 33
- ## B
- brackets, attaching 39
 - buffer size 61
- ## C
- cable
 - Ethernet cable compatibility 36
 - fiber standards 59
 - labeling and connection records 52
 - lengths 51
 - cleaning fiber terminators 48
 - compliances
 - EMC 64
 - safety 64
 - connectivity rules
 - 10 Mbps 51
 - 100 Mbps 51
 - 1000 Mbps 50
 - console port, pin assignments 43
 - contents of package 37
 - cooling problems 54
 - cord sets, international 42

D

- desktop mounting 40
- device connections 45

E

- electrical interference, avoiding 35
- equipment checklist 37
- Ethernet connectivity rules 51

F

- Fast Ethernet connectivity rules 51
- features 63
- fiber cables 48
- flow control, IEEE 802.3x 25
- front panel of switch 23
- full duplex connectivity 29

G

- Gigabit Ethernet cable lengths 50
- grounding for racks 38

I

- IEEE 802.3x flow control 25
- indicators, LED 26
- installation
 - connecting devices to the switch 46
 - desktop or shelf mounting 40
 - network wiring connections 47
 - port connections 45, 48
 - power requirements 35
 - problems 54
 - rack mounting 38
 - site requirements 35

L

- laser safety 48
- LC port connections 48
- LED indicators
 - DIAG 27
 - PWR 26
- location requirements 35

M

- management
 - agent 24
 - features 63
 - out-of-band 24
 - SNMP 24
 - web-based 24
- mounting the switch
 - in a rack 38
 - on a desktop or shelf 40
- multimode fiber optic cables 48

N

- network
 - connections 45, 48
 - examples 30

O

- out-of-band management 24

P

- package contents 37
- pin assignments 55
 - 1000BASE-T 58
 - 10BASE-T/100BASE-TX 56
 - console port 43
 - DB-9 43
- port saturation 25
- ports, connecting to 45, 48
- power, connecting to 42

R

- rack mounting 38
- rear panel of switch 23
- rear panel socket 27
- RJ-45 port 24
 - connections 45
 - pinouts 58
- RMON 24
- RS-232 port 24
- rubber foot pads, attaching 40

S

- screws for rack mounting 37
- serial
 - cable 24
 - port 24
- SFP transceiver slots 25
- single-mode fiber optic cables 48

- site selection 35
- SNMP agent 24
- specifications
 - compliances 64
 - environmental 62
 - power 62
- standards
 - compliance 64
 - IEEE 64
- status LEDs 26
- surge suppressor, using 35
- switch architecture 24
- switching method 24

T

- Telnet 54
- temperature within a rack 38
- troubleshooting
 - in-band access 54
 - power and cooling problems 54
- twisted-pair connections 45

V

- VLANS, tagging 33

W

- web-based management 24



Networks

TECHNICAL SUPPORT

From U.S.A. and Canada (24 hours a day, 7 days a week)
Phn: (800) SMC-4-YOU / (949) 679-8000
Fax: (949) 679-1481

English: Technical Support information available at www.smc.com

English (For Asia Pacific): Technical Support information available at www.smc-asia.com

Deutsch: Technischer Support und weitere Information unter www.smc.com

Español: En www.smc.com Ud. podrá encontrar la información relativa a servicios de soporte técnico

Français: Informations Support Technique sur www.smc.com

Português: Informações sobre Suporte Técnico em www.smc.com

Italiano: Le informazioni di supporto tecnico sono disponibili su www.smc.com

Svenska: Information om Teknisk Support finns tillgängligt på www.smc.com

Nederlands: Technische ondersteuningsinformatie beschikbaar op www.smc.com

Polski: Informacje o wsparciu technicznym są dostępne na www.smc.com

Čeština: Technická podpora je dostupná na www.smc.com

Magyar: Műszaki támogatás információ elérhető -on www.smc.com

简体中文: 技术支持讯息可通过www.smc-prc.com查询

繁體中文: 產品技術支援與服務請上 www.smcnetworks.com.tw

ไทย: สามารถหาข้อมูลทางด้านเทคนิคได้ที่ www.smc-asia.com

한국어: 기술지원관련 정보는 www.smc-asia.com을 참고하시기 바랍니다

INTERNET

E-mail address: www.smc.com → Support → By email

Driver updates: www.smc.com → Support → Downloads

World Wide Web: <http://www.smc.com/>

SMC8028L2