



KENAI PRO

Dave Genz™

SPECIFICATIONS

- Part Number: 109710
- Set Up Size: (L 90" x W 38" x H 64")
- Packed Size: (L 48" x W 38" x H 22")
- Weight: 45lbs.
- Instructions Document No: 104157-D

MODEL 9710

WARRANTY INFORMATION



Please contact customer service directly at the E-mail or phone number listed below for any quality issues. **ONCE USED THIS PRODUCT CANNOT BE RETURNED TO STORE.**

**** Warranty cannot be honored without an original, dated receipt ****

**** REGISTER YOUR PURCHASE ONLINE AT CLAMOUTDOORS.COM ****

IMPORTANT-PLEASE READ:

This product is warranted to the original retail purchaser (from an authorized dealer) and is non-transferable. Clam Outdoors has a one year **manufacturer's defect warranty** from the date of original purchase. Warranty does not cover cracked or worn bases (if runner kits have not been installed as recommended), cracked windows, tent tears or cuts, or broken or bent hoops due to high wind weather conditions or unattended use. Defective parts will be replaced or repaired (at the manufacturer's option) if found to be defective within one year from the date of original purchase. Warranty will be void if product has been subject to neglect, misuse, improper installation, misapplication, alteration, accident including but not limited to improper maintenance, or use of unauthorized parts or attachments. Please read the entire owner's manual to ensure proper installation, use, storage and care of your Clam Shelter.

To submit a warranty claim request, please use one of the following methods:

- Customer Service Hrs: 9am to 4pm, Monday – Friday Central Standard Time
- Clam Outdoors, Inc.
Attn: Customer Service – Warranty Department
12135 Brockton Lane
Rogers, MN 55369
- Phone: 763-231-4120
- Fax: 763-231-4121
- Email: customerservice@clamcorp.com
- Website: Clamoutdoors.com

In your request, please include your full name, address, phone number, a copy of your receipt, a brief description of the problem, and pictures to clearly show the area(s) of concern. Our Warranty Department will review your request, and a Clam representative will contact you regarding your claim status. All returns must be shipped to us postage pre-prepaid.

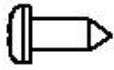
LIMITATION OF LIABILITY

It is expressly understood that Clam Outdoors Inc., liability for its products, whether due to breach of warranty, negligence, strict liability, or otherwise, is limited to the repair of the product as stated above. Clam is not liable for any injury, loss, damage, or expense, whether direct or consequential, including but not limited to loss of use, income, profit, or damage to material arising in connection with the sale, installation, use of, inability to use, or the repair or replacement of Clam products. Clam reserves the right to make alterations or modifications in its products at any time, which in its opinion, may improve the performance and efficiency of the product. Clam shall not be obligated to make such alterations or modifications to products already in service

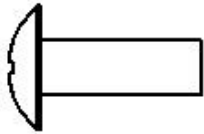
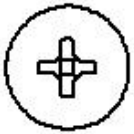
PARTS LIST

QTY.	PART NO.	DESCRIPTION
1	104108	BASE, KENAI IS-15
4	104145	HOOP, CANOPY IS-15
1	104130	CONSOLE, CORNER IS-15
1	104147	TENT, KENAI PRO THERMAL
2	104146	TUBE, SEAT RAIL IS-15
1	102814	EXTRUSION, V-CHANNEL
1	104157	INSTRUCTIONS, KENAI PRO THERMAL
1	101095	ROPE, 3/8 DIA X 9 FT TOW
1	104159	HAMMOCK, ACCESSORY <i>(PACKAGED WITH TENT)</i>
1	101074	ASSY, ADJUSTABLE SPRDR
1	104165	ASSY, DELUXE SEAT IS-15
2	104162	SLIDER, SEAT IS-15
1	104148	INNERPAK, KENAI <i>(INCLUDES THE FOLLOWING)</i>
8	101083	CAP, TUBE SPACER
2	103833	BRACKET, L BRACKET
2	103835	WASHER, PLASTIC LARGE
2	103834	BRACKET, FLAT SWIVEL
4	103839	WASHER, PLASTIC SMALL
4	101429	PLUG, 1.16 DIA TUBE
1	104149	KIT, HARDWARE, KENAI <i>(INCLUDES THE FOLLOWING)</i>
27	101082	NUT, 1/4-20 THIN NYLOCK YZ
19	101081	WASHER, 1/4 FLAT REG YZ
7	101088	SCREW, 1/4-20 X 0.75 PTH GR5 YZ
9	101080	SCREW, 1/4-20 X 1.25 PTH GR5 YZ
18	101148	SCREW, #6 X 0.38 PPH BZ
7	101486	SCREW, 1/4-20 X 1.75 PTH GR5 YZ
5	104163	SCREW, 1/4-20 X 2 1/8" PF HMS YZ

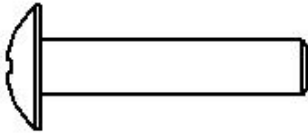
HARDWARE FASTENERS REFERENCE



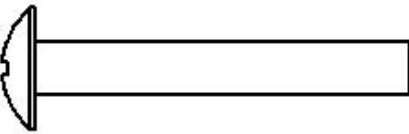
18X 101148



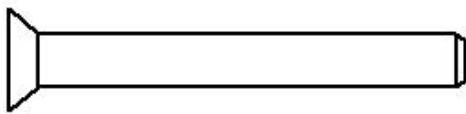
7X 101088



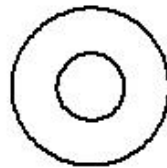
9X 101080



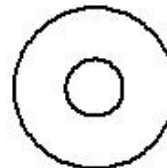
7X 101486



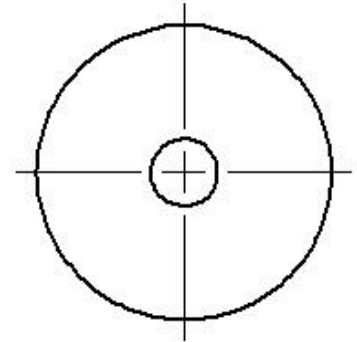
5X 104163



19X 101081



4X 103839



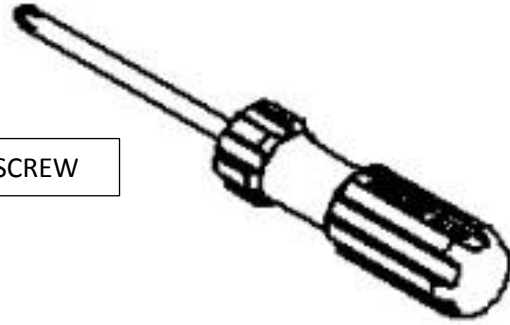
2X 103835



27X 101082

REQUIRED TOOLS

#2 AND #3 PHILLIPS HAND SCREW



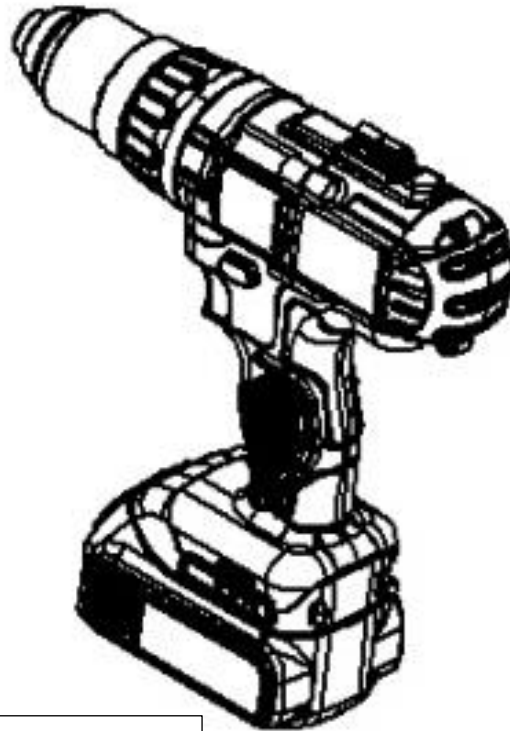
3/8 AND 7/16 COMBINATION WRENCH OR SOCKETS



#2 PHILLIPS SCREW BIT



POWER DRILL



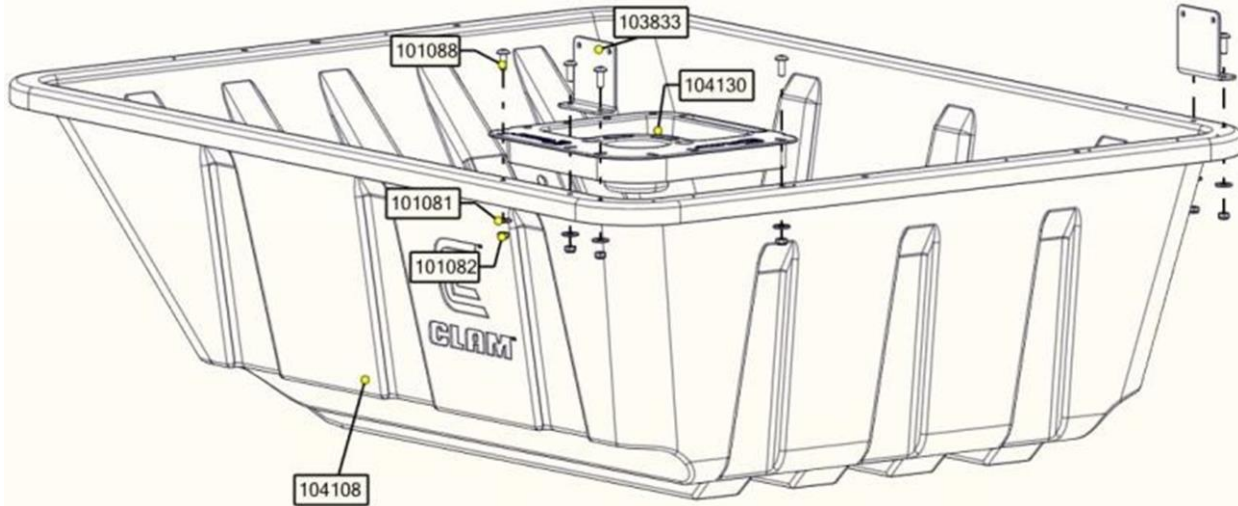
Please Notice This



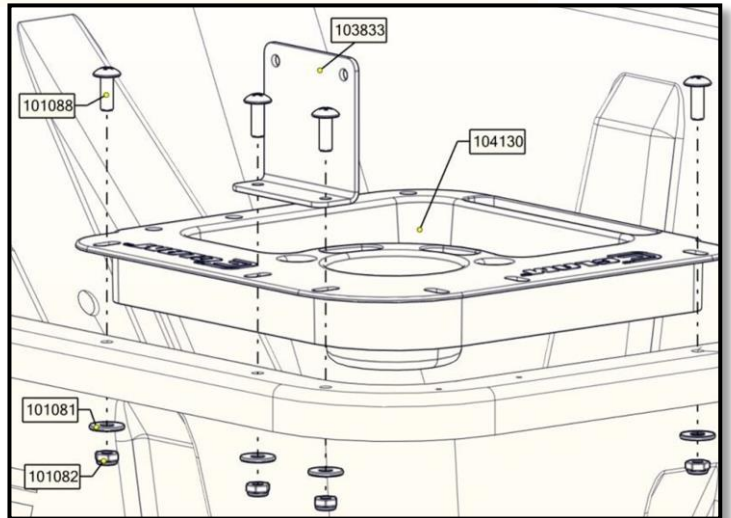
***USING A DROP OF OIL ON ALL NUTS WILL EASE THE ASSEMBLY PROCESS.
*IT IS BEST TO USE THE AID OF ANOTHER PERSON DURING ASSEMBLY.**

STEP 1

INSTALL ANY RUNNER KIT OPTIONS BEFORE ASSEMBLING SHELTER. REFER TO RUNNER KIT INSTRUCTIONS

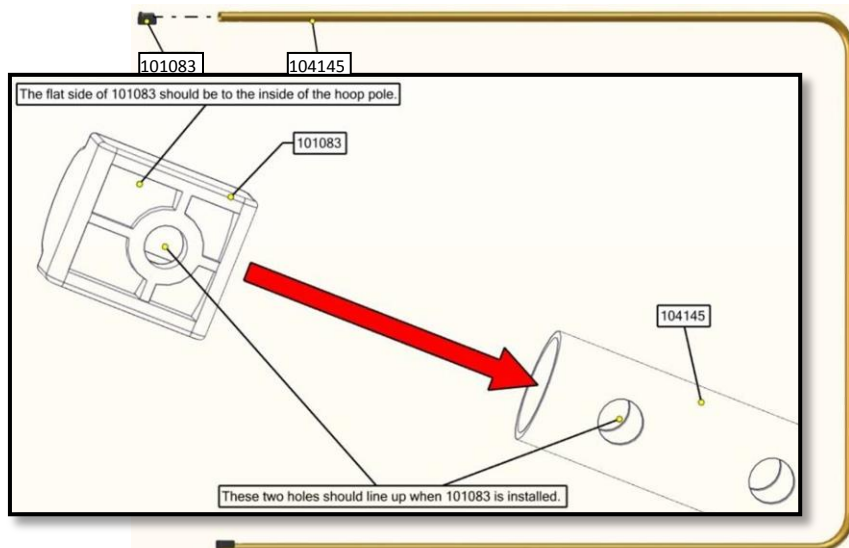


Install the corner console, PN 104130 and the brackets PN 103833 to the base. The corner console can be mounted on either side of the base.

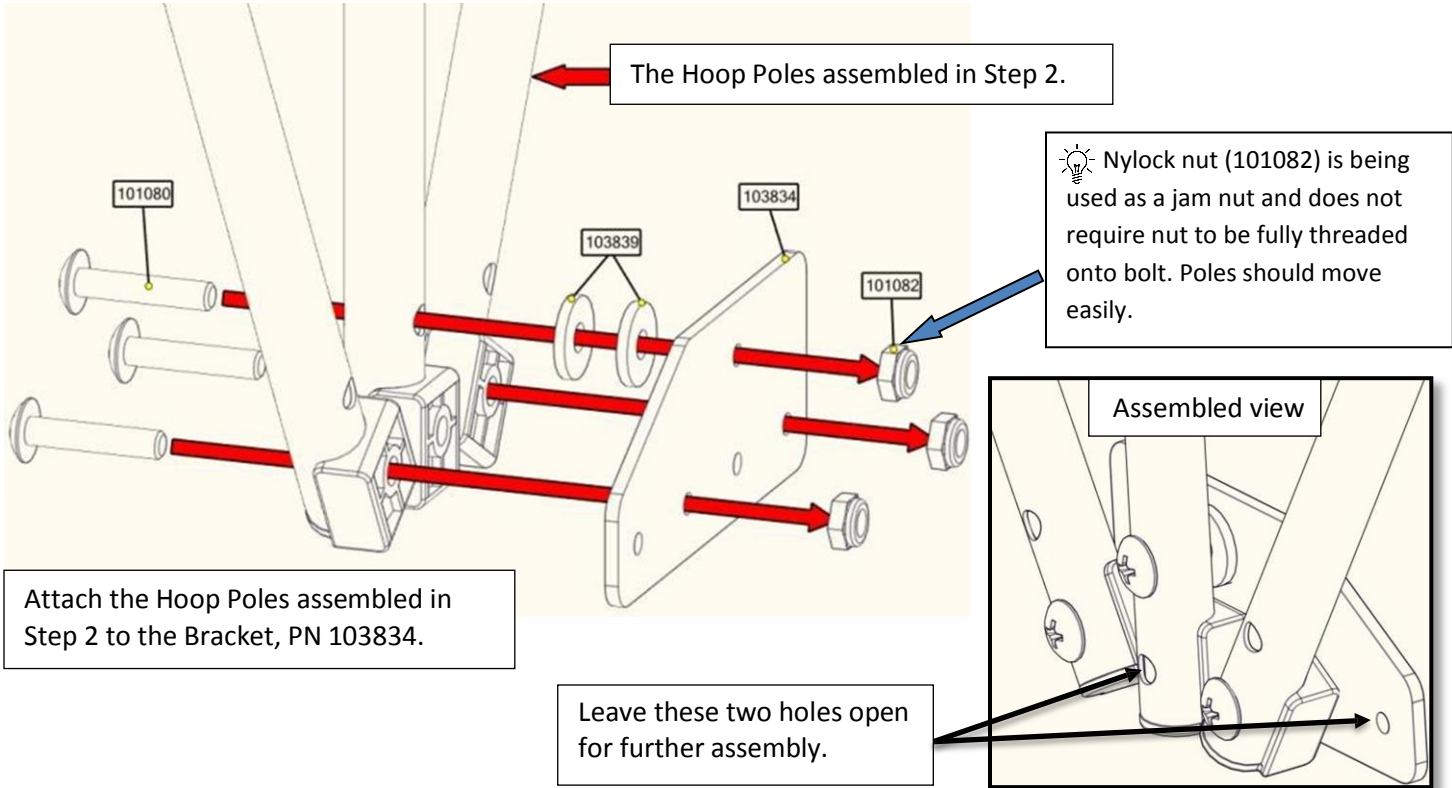


STEP 2

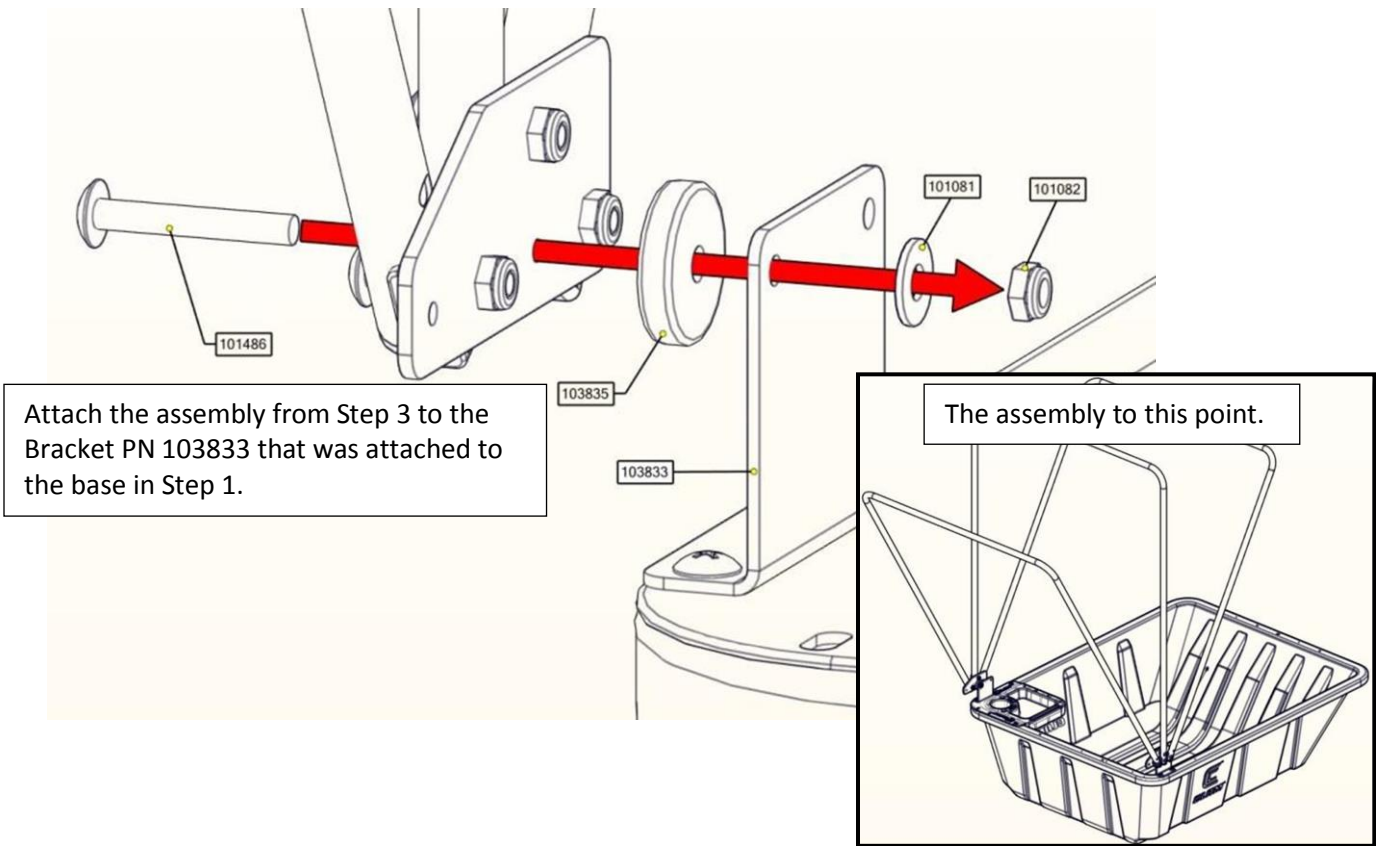
Install the Tube Spacer Caps, PN 101083 to the Hoop Poles, PN 104145.



STEP 3



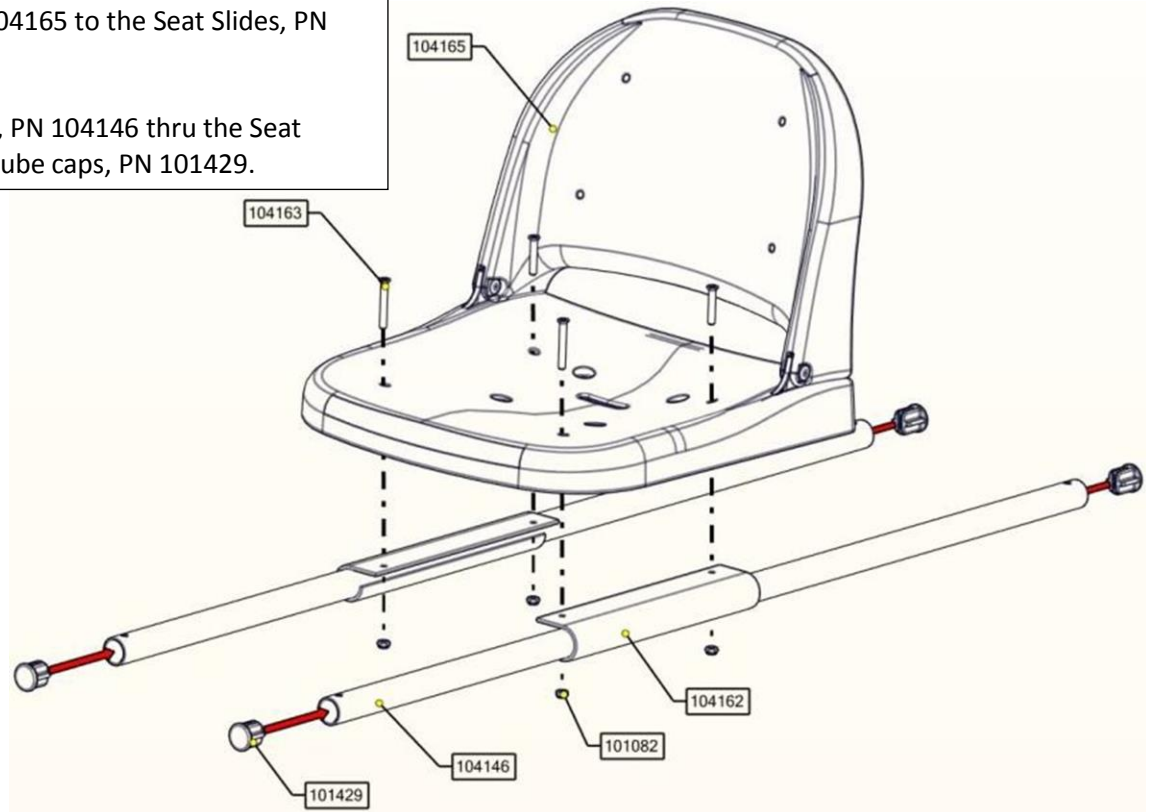
STEP 4



STEP 5

Attach the Seat, PN 104165 to the Seat Slides, PN 104162.

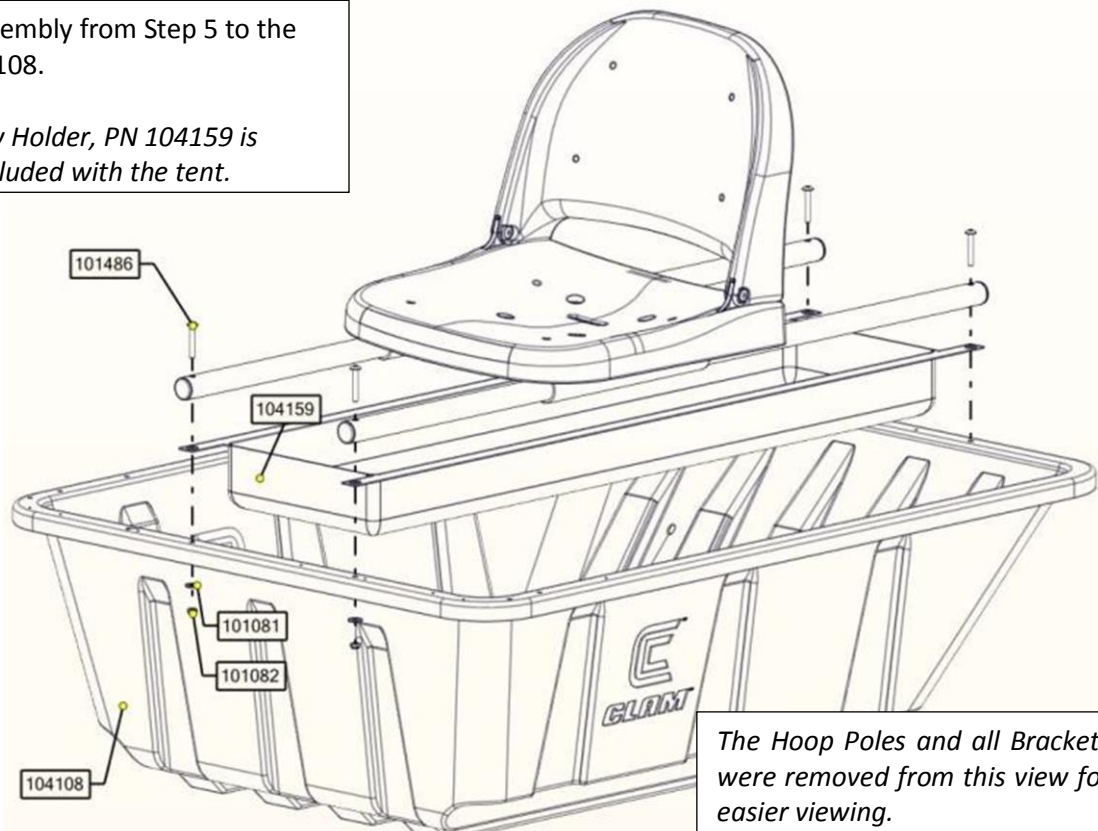
Slide the Slider Tubes, PN 104146 thru the Seat slides and install the tube caps, PN 101429.



STEP 6

Install the assembly from Step 5 to the base, PN 104108.

The Accessory Holder, PN 104159 is fabric and included with the tent.

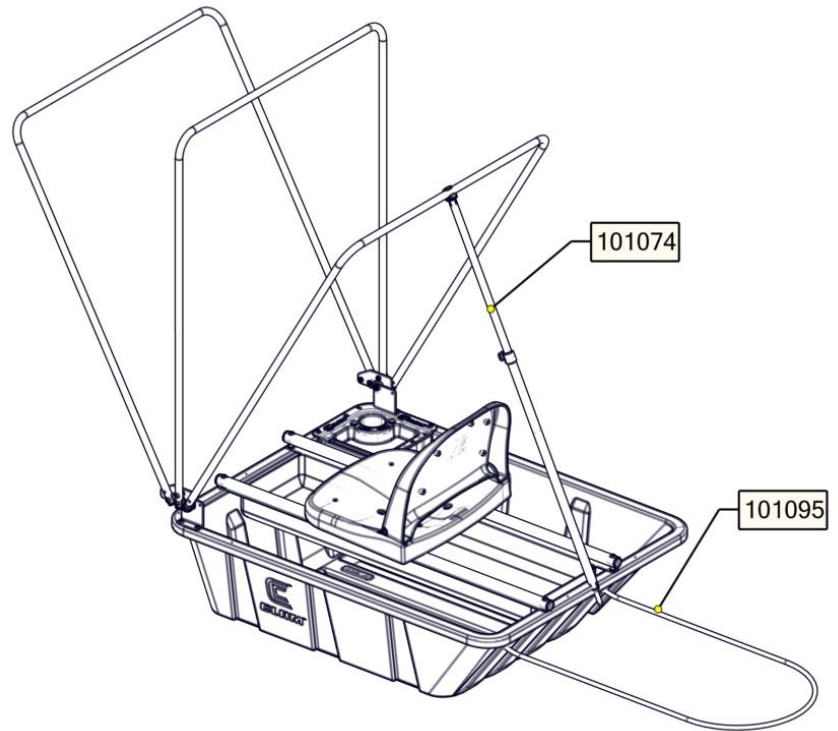


The Hoop Poles and all Brackets were removed from this view for easier viewing.

STEP 7

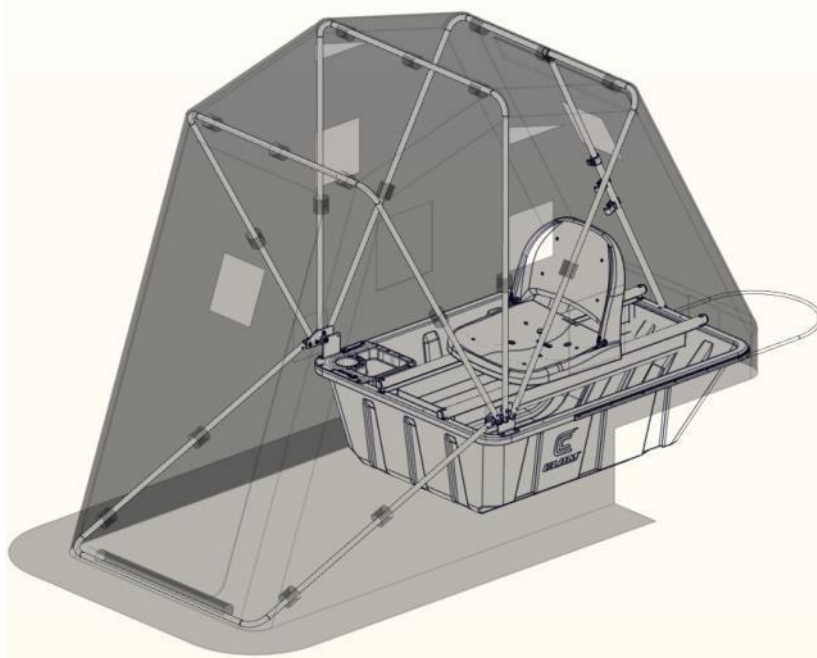
Install the Rope, PN 101095 to the base by routing it thru the holes and knotting each end.

Install the Spreader Pole, PN 101074



STEP 8

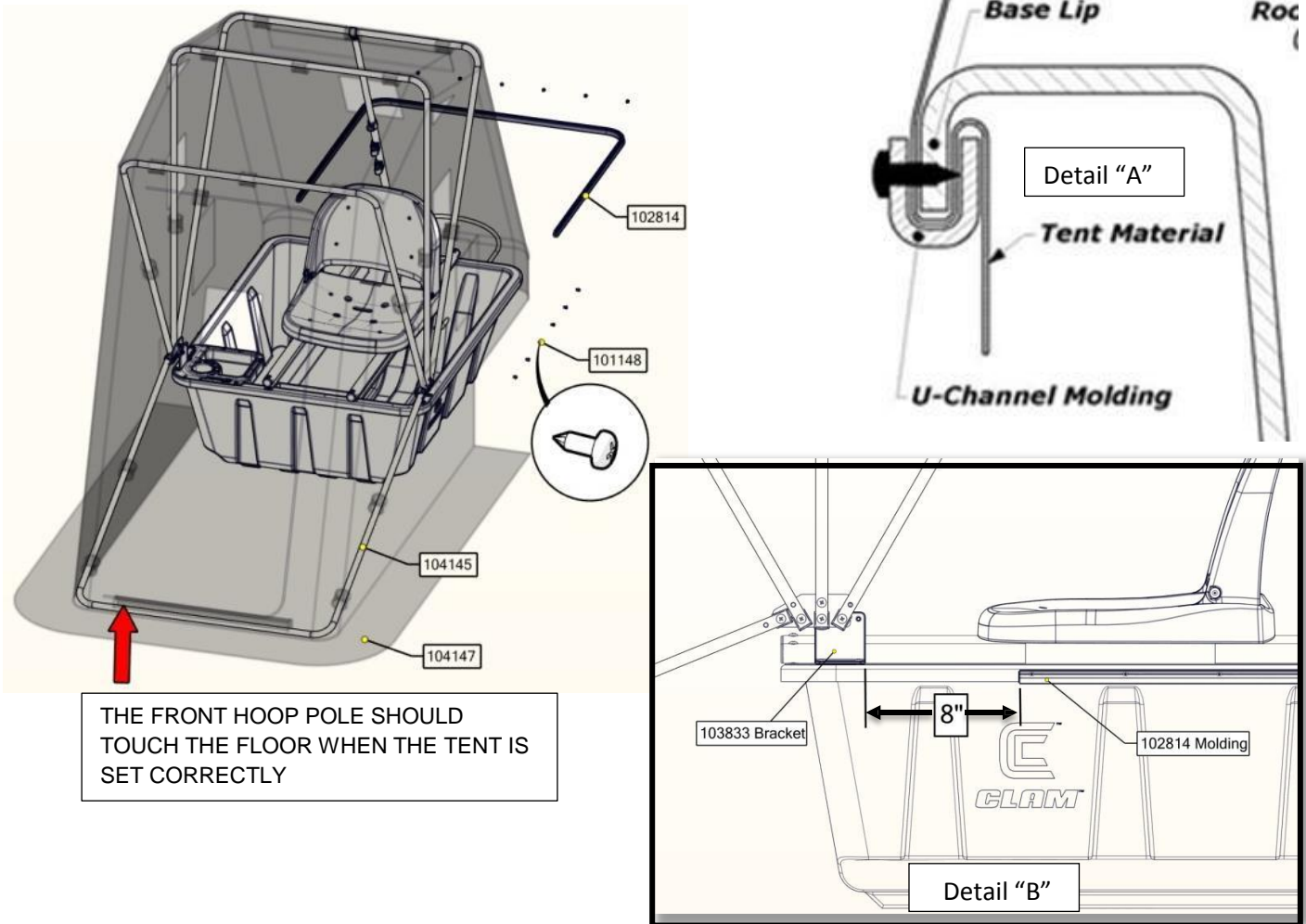
- 1) Drape the tent over the hoop poles and attach it to the hoop poles with the Velcro straps.
- 2) Slide the front hoop pole thru the sleeves in the front of the house.
- 3) Attach the front hoop pole to the brackets as done in Step 3.



STEP 9



HEAT THE MOLDING (102814) WITH A BLOW DRYER, HEAT GUN OR SOAK IN HOT WATER MAKING IT PLIABLE.



THE FRONT HOOP POLE SHOULD TOUCH THE FLOOR WHEN THE TENT IS SET CORRECTLY

To “set” the tent, grasp the tent material at the rear of the shelter and pull it downward. Observe the front fishing area of the tent lifting accordingly as you pull. When the U-Channel molding, PN 102814 is correctly installed, the front floor hoop pole will lightly touch the floor.

Start by finding the middle of the U-Channel molding and set it in place on the floor. From behind the unit, pull the midpoint of the tent downward and fold the tent material under the base lip. Press the middle of the U-channel molding over the tent material and base lip. (See Detail “A”) Continue pressing outward in both directions until you have secured about 2 or 3 feet of the U-Channel molding onto the base.

Having temporarily secured the tent to the base, walk around the shelter and Re-adjust the molding until you have verified the proper front floor hoop pole position (barely touching the floor in front) and also that the tent sides and corners are properly proportioned. It is also advised to sit in the seats prior to permanently attaching the tent to ensure that the front porch pole stays in the correct position when weight is added to the shelter seats & base.

Continue applying the molding around the shelter, one direction from center and then the other, pulling the material as you go so that surface is relatively wrinkle-free and snug. Use a side-cutters to trim the ends of the molding approximately eight (8) inches behind the centerline seam of the shelter on both sides. (See Detail “B”)

Reinstall the rear adjustable spreader pole to tighten the fit of the tent. If everything still looks good, secure the molding with the #6 phillips screws, PN 101938. Evenly space them about every six to eight inches, and also put a screw in the center of both corners. There are no predrilled holes. We advise using a powered driver for this operation.

- Tips for Use -

Folding and transporting your Clam Ice Fishing shelter is easy:

- **Unsnap the rear adjustable spreader pole and lay it in the bottom of the base.**
- **Push the Rapid Pole Slide push buttons and retract each hoop, starting with the floor hoop and working towards the middle. Rotate all retracted hoops to the resting position. Tuck the tent into the base and between the hoops so that no material is left hanging on the ground for transport.**
- **Cover with the Travel Cover* (Model # 9973-an optional but recommended accessory to help prolong the life of the unit).**
- **We recommend the optional Runner Kit* (Model 8997) be mounted to the base of your shelter (NOTE: Pulling behind an ATV or snowmobile may result in premature wear of the base).**
- **In windy conditions it is advised to secure your shelter to the ice using Clam's Ice Anchor Kit (PN 108064) and Ice Anchor Installation Tool (PN 108348).**

Make sure your Ice Shelter is completely dried out after each use. Store your Ice Shelter in a cool, dry place. Keep away from rodents.

***For replacement parts, frequently asked questions, shelter information, and all of your ice fishing needs visit our web site at www.clamoutdoors.com.**

- Safety Instructions -

Please fully understand and follow all safety instructions as outlined. Failure to do so could result in severe injury or death.

- **Do not use open flame heaters in your ice shelter. Injury or death may result from fire if tent fabric is exposed to open flame. The tent is not fireproof, but the fabric is treated with a fire retardant that meets CPAI-84 specifications. Application of any foreign substance may render the flame retardant properties ineffective. Ice Armor fabric will melt when contact is made with hot surfaces (i.e., heaters).**
- **Death from asphyxiation may result from use of oxygen depleting heaters. Open all vents for fresh air ventilation.**
- **Never leave shelter unattended when set up.**
- **Due to the increase in traffic (snowmobiles, autos, etc.) on area lakes, ice fishing can be hazardous at night. If you choose to fish at night or in poor visibility conditions, be sure to take precautions with lights or reflectors to show drivers your location. Night time: exterior reflectors must be visible to reduce risk of collisions.**

WARNING

Death from asphyxiation may result from use of oxygen depleting heaters. Open all vents for fresh air ventilation.

Injury or death may result from fire if tent fabric is exposed to open flame.

Tent fabric is not fireproof. Fabric will burn with extended exposure to open flame. Do not use open flame products inside tent. Tent fabric is treated with fire retardant. Application of any foreign substance may render the flame retardant properties ineffective.

Night time: exterior reflectors must be visible to reduce risk of collisions.

This tent is made with flame resistant fabric which meets CPAI-84 specifications.

FREQUENTLY ASKED QUESTIONS

Fish Trap FAQ's

Find parts and accessories at www.clamoutdoors.com

Q: The zipper on my shelter freezes up and/or sticks. Is there anything I can use to help prevent this from happening?

A: Yes, there are a couple of zipper lubricants available that our customers and pro staff have used with good results.

- Zipper Lube is one brand, often found in the camping section of sporting goods stores. This is a gel applied to the zipper.

- There are also a few silicone sprays that may be used to lubricate the zipper.

Q: Are there replacement bases available for my Clam/Fish Trap?

A: We have bases available for current shelters. If your shelter is an older model, we may not have the exact replacement for that shelter, but may have one that will work. Go to www.clamoutdoors.com or email Customer Service at customerservice@clamcorp.com

Q: What will help keep mice or rodents from eating the tent of my Clam or Fish Trap?

A: We recommend that you keep your tent in a sealed plastic tote with laundry dryer sheets or moth balls. If the shelter is stored in a barn or shed take the tent off the house and store it in a rodent-free environment such as in your home.

Q: I have lost the owner's manual for my shelter. Where can I get another one?

A: There are owner's manuals available online at www.clamoutdoors.com

Q: Do you have replacement tents for Clam and/or Fish Trap shelters that are a few years old?

A: We have replacement tents available, but are limited on tents that are 5 seasons old. Go to our **On-line** store at www.clamoutdoors.com

Q: The sliding seat poles, frame poles, or spreader poles of my shelter are sticking. Is there anything to put on these poles to help them slide better?

A: Our pro staff and customers have used the following with good results.

- Zipper Lube, a gel, can be found in the camping section of your local sporting goods store. Apply the gel to the poles and use a rag to wipe off the excess.
- Car wax can be effective in helping to lubricate poles. Apply wax and rub well. Wipe off excess wax.
- When poles slide up and down against each other sometimes burrs are created. If this happens separate the affected poles and use a fine file or sand paper to deburr the pole(s) and then apply a thin coat of lubricant before rejoining the poles.

Q: Must I put screws through the V-channel molding and tent of my shelter?

A: Yes, putting screws through the V-channel helps to securely fasten the tent of your shelter to the base. This is a necessary step for proper installation and failure to do so will void the warranty.

Q: I am trying to attach the V-channel molding to my shelter, but am having difficulty getting it started, as it seems too stiff and will not stay attached to the edge of the sled. What can be done to help?

A: It may be difficult to attach the V-channel in cold conditions. Assembly of the shelter should be done indoors with the V-channel warmed with a hair dryer, heat gun, or soak it in a bucket of hot water for several minutes so it will be more pliable.

Q: I can see pinholes of light through the fabric of my tent. What can be done?

A: tent fabric is a woven material and these pin holes are part of the thread that the coating did not attach to. Also, sometimes more pinholes appear along seams, and are simply holes where the stitching is pulling the fabric. In either case, this has no effect on the function of the fabric and is simply an appearance issue.

Q: There are cracks on the inside finish of the fabric of my shelter. Is this normal? Can anything be done to fix this?

A: It is normal for some of the dark colored coating to come off the inside of the tent. Over time, as you set up and take down the shelter, the dark coating can begin to flake off, especially along the folds in the fabric when the shelter is collapsed. This does not affect the function of the fabric. If you feel that too much light is now entering your shelter in the places where some of the coating has come off, you may wish to apply a new layer of rubberized coating. A product you may use for this is Loctite Color Guard (black), available in liquid (paint-on) or aerosol form. The product number is LOC 34894. This is available at many hardware or home improvement stores.

Q: Would it be best to completely dry out my shelter after every time it gets used?

A: It is recommended that your tent be dried out completely after each use. If it is not dried out, moisture may cause some damage to the shelter. This is especially important if the shelter is to be stored for a long period of time.

Q: I bought the correct travel cover for my Fish Trap or flip over style shelter, but it does not seem to fit properly. Is there a certain way the travel cover should be put on?

A: The travel covers are custom made and most of them do need to be put on a certain way. If you are have trouble getting the cover on over the last corner, or if it seems too short, try rotating the cover 180 degrees and pull it over the collapsed shelter.

Q: How do I wash the tent of my ice fishing shelter?

A: We recommend that you use a mild bleach and water solution (1 part bleach to 10 parts water), or a mild soap

detergent and water solution. This will help to get rid of mildew and odor in your tent. Be sure to dry the tent thoroughly.

Note: We do not recommend using a washing machine to wash your tent, as this may damage the tent.

Q: Will my fish house leak because I see pinholes in the fabric?

A: While the fabric of the tents on the shelters is water resistant it is not waterproof, so some water from rain or melting snow may come through your tent. It is good to have small holes in the fabric to allow vapors inside the shelter to escape.

Q: Will using a heater help to eliminate or reduce water vapor and condensation in my shelter?

A: No. A byproduct of burning propane is water. A bigger heater will produce more water vapor. Also, the colder the temperature the more condensation there will be inside the shelter.

Q: Are tent patch kits available for my flip over style Fish Trap or Clam ice fishing shelter?

A: Yes, patch kits are available for a wide range of shelters, and may be purchased at clamoutdoors.com

Q: How do I apply the patch material?

A: When applying a patch it works best to spray some adhesive (we recommend using 3M #77 or 3M #90 spray adhesive) on to both surfaces—the part of the tent where the patch is going to be applied and the patch itself. Wait until the adhesive begins to dry and becomes tacky, then place the patch on the tent, and they will stick together. (Note: Care should be taken to apply the patch evenly and smoothly, since wrinkles or uneven areas will be very difficult to correct once the two surfaces with the adhesive have come into contact with each other.)

Q: Is there anything that can be applied to the outside of the tent to prevent water from coming through?

A: There are products that can be applied to the outside of a tent that will make it more water repellent, such as Kiwi Camp Dry.

Q: I have seen some flip over style shelters with a removable console. Where can I get one?

A: This console now comes with a retractable leg, and can be purchased from our **On-line Store** at clamoutdoors.com.

Q: I have a plastic C-clip connector on the poles of my Clam/Fish Trap that have broken. Are these clips available for purchase?

A: These clips, called Quick Connects, may be purchased through our **On-line Store** at clamoutdoors.com.

Q: What is the proper way to set up and take down my Fish Trap?

Set-Up:

- Face the seats. Grab the hoop that is on top and pull on it until you feel and hear the push buttons engaging in the full open position. Grab the next hoop and do the same until all the hoops are fully open. When finished, you should be inside the shelter.
- Install the roof spreaders, then the front spreader(s), and finally the rear spreader(s). (Spreader count varies with shelter style/configuration – smaller shelters use only a rear spreader).

Take-Down:

- Remove all spreaders.
- For adjustable spreaders, snug the tension knobs after compacting so that they don't vibrate out during transit.
- From inside the shelter, start with the rear wall hoop. Compress both buttons and retract the hoop, then the same with next inward hoop, etc. Continue until all upright hoops are collapsed.
- Step out of the shelter, disengage the porch hoop buttons and swing the porch hoop onto the previously retracted hoops. Make sure the tent does not catch on the mount brackets while collapsing the porch hoop.
- Go around the shelter and tuck the tent material in between the rested hoops the best you can to keep the tent material from dragging during transit – a travel cover works great here to hold everything together.

***Please Note: Make sure that the tent material is clear of the canopy brackets to minimize rubbing or possible tearing.

Q : Do you ship outside of the United States?

A: We are only set up to ship warranty or replacement parts required to **MAINTAIN** a Clam shelter (tents, poles, parts, patch kits, etc.). No accessories – see a local dealer or an online dealer of Clam products. If the replacement parts are not under warranty you will be charged for the product plus actual shipping charges. It will be the customer's responsibility to pay all importing costs (duties, taxes, etc) at the time the goods are delivered.

Q: The poles to my Clam/Fish Trap have gotten bent out of place. Should I try to bend them back?

A: It might be possible to bend the poles back into their proper place. If your bent pole is not creased lay it on a flat surface and bend it back into shape. If you need to order replacement poles you can do that on our **On-line Store** at clamoutdoors.com.