

# Technics®



## ST-G30L

Music Server	Owner's Manual
Serveur de musique	Manuel d'utilisation



Music is borderless and timeless, touching people's hearts across cultures and generations.  
Each day the discovery of a truly emotive experience from an unencountered sound awaits.  
Let us take you on your journey to rediscover music.

Sans frontières, la musique est aussi intemporelle, touchant le coeur des gens en traversant les cultures et les générations.

Tous les jours, nous attendons la révélation d'une expérience émotionnelle authentique à partir d'un son venu de nulle part.

Permettez-nous de vous emmener en voyage pour redécouvrir la musique.

Rediscover Music™

**Technics**



## Delivering the Ultimate Emotive Musical Experience to All

At Technics we understand that the listening experience is not purely about technology but the magical and emotional relationship between people and music.

We want people to experience music as it was originally intended and enable them to feel the emotional impact that enthuses and delights them.

Through delivering this experience we want to support the development and enjoyment of the world's many musical cultures. This is our philosophy.

With a combination of our love of music and the vast high-end audio experience of the Technics team, we stand committed to building a brand that provides the ultimate emotive musical experience by music lovers, for music lovers.

## Apportez à tous l'expérience musicale empreinte d'émotions

Chez Technics, nous savons que l'expérience de l'écoute n'est pas purement et simplement une question de technologie, mais de relation magique entre les personnes et la musique.

Nous voulons que tout un chacun puisse ressentir la musique telle qu'elle a été conçue à l'origine et lui permettre de ressentir le choc émotionnel qu'il brûle de connaître.

En apportant ce vécu, nous cherchons à accompagner le développement et le plaisir des nombreuses cultures musicales du monde. Telle est notre philosophie.

Ici et maintenant, alliant l'amour de la musique et la grande expérience musicale de l'équipe Technics, nous sommes pleinement déterminés à construire une marque qui apporte le vécu musical émotionnel aux fervents de la musique.

Director  
Directeur  
Michiko Ogawa

A handwritten signature in black ink that reads "Michiko Ogawa". The signature is fluid and cursive, with a long horizontal stroke extending to the right at the end.

# LEGAL NOTICE

Recording and playback of content on this (or any other) device may require permission from the copyright owner. Panasonic has no authority to and does not grant you that permission and explicitly disclaims any right, ability or intention to obtain such permission on your behalf. It is your responsibility to ensure that your use of this or any other device complies with applicable copyright law in your country.

Thank you for purchasing this product.

Please read these instructions carefully before using this product, and save this manual for future use.

- About descriptions in this Owner's Manual
  - Pages to be referred to are indicated as "⇒ ○○"
  - The illustrations shown may differ from your unit.

If you have any questions, visit:

U.S.A.: <http://shop.panasonic.com/support>

Canada: [www.panasonic.ca/english/support](http://www.panasonic.ca/english/support)

Register online at <http://shop.panasonic.com/support> (U.S. customers only)

## Features

### Hi-Fi-Grade Data Transmission

The Digital Noise Isolation Architecture reduces noise and jitter to the lowest possible levels. The Optimally Activated Circuit System sends high-quality music data to the player. For a USB-DAC, the Low Noise USB Transfer reduces the processing load on the player side and ensures stable USB output power to achieve extremely accurate data transfers.

### Bit-Perfect CD Ripping

Bit-Perfect Ripping not only readjusts read error characteristics and performs read retries, but also carries out comparative verification using correct hash values. The internal CD drive is manufactured entirely in-house. It is enclosed in a silent shelter and mounted at the centre of the casing. This Rigidly-Mounted Sheltered Drive minimises the generation of vibrations and noise and enables accurate reading of CD data.

### Usability Optimised for Network Audio

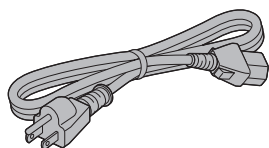
The ST-G30L features a user interface that allows a variety of operations, such as managing a music library from a smartphone app, editing the tags and settings of various parameters, thus providing comfortable operation without using a PC. It lets you immerse yourself fully in the music. The internal storage is removable to allow for future upgrades.

# Table of contents

IMPORTANT SAFETY INSTRUCTIONS	08	Please carefully read the "IMPORTANT SAFETY INSTRUCTIONS" of this manual before use.
Installation	11	Installation
Getting your SSD ready for use	12	Install and format your SSD.
Control reference guide	14	Main unit (Front/Rear)
Connections	16	Connection with the music server, Devices/AC power supply cord, etc.
Preparation	20	Before operating this unit, Importing music from CDs or USB devices
Playback	22	Play back music stored on the SSD of this unit.
Advanced operations	24	Importing music from a PC, Back up / Restore
Troubleshooting	25	Before requesting service, read the troubleshooting.
Others	27	Specifications, Playable media, etc.

## Accessories

AC power supply cord (1)



K2CG3YY00191

Screws (4)



XSS3+6FN


(ONLY FOR CANADA)

The enclosed Canadian French label sheet corresponds to the English display on the unit.

- Product numbers provided in this Owner's Manual are correct as of March 2016.
- These may be subject to change.
- Do not use AC power supply cord with other equipment.

# IMPORTANT SAFETY INSTRUCTIONS

Read these operating instructions carefully before using the unit. Follow the safety instructions on the unit and the applicable safety instructions listed below. Keep these operating instructions handy for future reference.

- 1 Read these instructions.
- 2 Keep these instructions.
- 3 Heed all warnings.
- 4 Follow all instructions.
- 5 Do not use this apparatus near water.
- 6 Clean only with dry cloth.
- 7 Do not block any ventilation openings. Install in accordance with the manufacturer's instructions.
- 8 Do not install near any heat sources such as radiators, heat registers, stoves, or other apparatus (including amplifiers) that produce heat.
- 9 Do not defeat the safety purpose of the polarized or grounding-type plug. A polarized plug has two blades with one wider than the other. A grounding-type plug has two blades and a third grounding prong. The wide blade or the third prong are provided for your safety. If the provided plug does not fit into your outlet, consult an electrician for replacement of the obsolete outlet.
- 10 Protect the power cord from being walked on or pinched particularly at plugs, convenience receptacles, and the point where they exit from the apparatus.
- 11 Only use attachments/accessories specified by the manufacturer.
- 12 Use only with the cart, stand, tripod, bracket, or table specified by the manufacturer, or sold with the apparatus.   
When a cart is used, use caution when moving the cart/apparatus combination to avoid injury from tip-over.
- 13 Unplug this apparatus during lightning storms or when unused for long periods of time.
- 14 Refer all servicing to qualified service personnel.  
Servicing is required when the apparatus has been damaged in any way, such as power-supply cord or plug is damaged, liquid has been spilled or objects have fallen into the apparatus, the apparatus has been exposed to rain or moisture, does not operate normally, or has been dropped.

## WARNING

### Unit

- To reduce the risk of fire, electric shock or product damage,
  - Do not expose this unit to rain, moisture, dripping or splashing.
  - Do not place objects filled with liquids, such as vases, on this unit.
  - Use only the recommended accessories.
  - Do not remove covers.
  - Do not repair this unit by yourself. Refer servicing to qualified service personnel.
  - Do not let metal objects fall inside this unit.
  - Do not place heavy items on this unit.

### AC power supply cord

- The power plug is the disconnecting device. Install this unit so that the power plug can be unplugged from the socket outlet immediately.
- Ensure the earth pin on the power plug is securely connected to prevent electrical shock.
  - An apparatus with CLASS I construction shall be connected to a power socket outlet with a protective earthing connection.

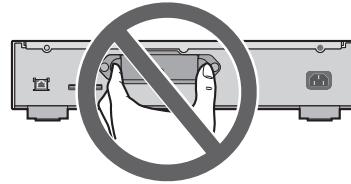


**CAUTION****Unit**



- This unit utilizes a laser. Use of controls or adjustments or performance of procedures other than those specified herein may result in hazardous radiation exposure.
- Do not place sources of naked flames, such as lighted candles, on this unit.
- This unit may receive radio interference caused by mobile telephones during use. If such interference occurs, please increase separation between this unit and the mobile telephone.

**Placement**

- Place this unit on an even surface.
- To reduce the risk of fire, electric shock or product damage,
  - Do not install or place this unit in a bookcase, built-in cabinet or in another confined space. Ensure this unit is well ventilated.
  - Do not obstruct this unit's ventilation openings with newspapers, tablecloths, curtains, and similar items.
  - Do not expose this unit to direct sunlight, high temperatures, high humidity, and excessive vibration.
- Keep your speakers at least 10 mm ( $13/32$ " ) away from the system for proper ventilation.
- Do not lift or carry this unit by holding any of its levers. Doing so may cause this unit to fall, resulting in personal injury or malfunction of this unit.
- Do not lift or carry this unit by holding the recessed portions on its SSD mount.



# IMPORTANT SAFETY INSTRUCTIONS

	<b>CAUTION</b> RISK OF ELECTRIC SHOCK DO NOT OPEN	
<p>CAUTION: TO REDUCE THE RISK OF ELECTRIC SHOCK, DO NOT REMOVE SCREWS. NO USER-SERVICEABLE PARTS INSIDE. REFER SERVICING TO QUALIFIED SERVICE PERSONNEL.</p>		



The lightning flash with arrowhead symbol, within an equilateral triangle, is intended to alert the user to the presence of uninsulated "dangerous voltage" within the product's enclosure that may be of sufficient magnitude to constitute a risk of electric shock to persons.



The exclamation point within an equilateral triangle is intended to alert the user to the presence of important operating and maintenance (servicing) instructions in the literature accompanying the appliance.

<p>Conforms to UL STD 60065. Certified to CAN/CSA STD C22.2 No.60065.</p>
<p><b>THE FOLLOWING APPLIES ONLY IN CANADA</b></p> <p>CAN ICES-3(B)/NMB-3(B)</p>
<p>&lt;For USA-California Only&gt;</p> <p>This product contains a CR Coin Cell Lithium Battery which contains Perchlorate Material - special handling may apply.</p> <p>See <a href="http://www.dtsc.ca.gov/hazardouswaste/perchlorate">www.dtsc.ca.gov/hazardouswaste/perchlorate</a></p>

## THE FOLLOWING APPLIES ONLY IN THE U.S.A.

### FCC Note:

This equipment has been tested and found to comply with the limits for a Class B digital device, pursuant to Part 15 of the FCC Rules.

These limits are designed to provide reasonable protection against harmful interference in a residential installation. This equipment generates, uses, and can radiate radio frequency energy and, if not installed and used in accordance with the instructions, may cause harmful interference to radio communications. However, there is no guarantee that interference will not occur in a particular installation. If this equipment does cause harmful interference to radio or television reception, which can be determined by turning the equipment off and on, the user is encouraged to try to correct the interference by one or more of the following measures:

- Reorient or relocate the receiving antenna.
- Increase the separation between the equipment and receiver.
- Connect the equipment into an outlet on a circuit different from that to which the receiver is connected.
- Consult the dealer or an experienced radio/TV technician for help.

FCC Caution: To assure continued compliance, follow the attached installation instructions and use only shielded interface cables when connecting to peripheral devices.

Any unauthorized changes or modifications to this equipment would void the user's authority to operate this device.

This device complies with Part 15 of the FCC Rules. Operation is subject to the following two conditions:

- (1) This device may not cause harmful interference, and
- (2) this device must accept any interference received, including interference that may cause undesired operation.

### Declaration of Conformity

Trade Name: Technics

Model No.: ST-G30L

### Responsible Party:

Panasonic Corporation of North America

Two Riverfront Plaza, Newark, NJ 07102-5490

Support Contact: <http://shop.panasonic.com/support>



<b>DANGER</b> - VISIBLE AND INVISIBLE LASER RADIATION WHEN OPEN, AVOID DIRECT EXPOSURE TO BEAM.	FDA21 CFR/CLASS IIIb
<b>CAUTION</b> - CLASS 3B VISIBLE AND INVISIBLE LASER RADIATION WHEN OPEN, AVOID EXPOSURE TO THE BEAM.	IEC60825-1/CLASS 3B
<b>ATTENTION</b> - RAYONNEMENT LASER VISIBLE ET INVISIBLE, CLASSE 3B, EN CAS D'OUVERTURE, EVITER UNE EXPOSITION AU FAISCEAU.	
<b>FORSIGTIG</b> - SYNLIG OG USYNLIG LASERSTRÅLING KLASSE 3B, NÅR LÅGET ER ÅBENT. UNDGÅ AT BLIVE UDSAT FOR STRÅLEN.	
<b>VARO</b> - AVATTAESSA OLET ALTTIINA LUOKAN 3B NÄKYVÄÄ JA NÄKYMÄTÖNTÄ LASERSÄTELYÄ, VARO ALTTIUNSTA SÄTELE.	
<b>VARNING</b> - KLASSE 3B SYNLIG OCH OSYNLIG LASERSTRÅLNING NÄR DENNA DEL ÄR ÖPPNAD, UNDVIK EXPONERING FÖR STRÅLEN.	
<b>VORSICHT</b> - SICHTBARE UND UNSICHTBARE LASERSTRAHLUNG KLASSE 3B, WENN ABDECKUNG GEÖFFNET, NICHT DEM STRAHL AUSSETZEN.	
<b>注意</b> - 打开时有可见及不可见激光辐射。避免光束照射。	
<b>注意</b> - ここを開くとクラス3Bの可視及び不可視レーザー放射が出る。ビームの目又は皮膚への照ぼくは危険! 見たり触れたりしないこと。	VQL2Q40

(Inside of product)

## Installation

- Turn off all equipment before connection and read the appropriate operating instructions.

## Unit care

- Pull out the AC power supply cord from the outlet before maintenance. Clean this unit with a soft cloth.
- When dirt is heavy, wring a wet cloth tightly to wipe the dirt, and then wipe it with a soft cloth.
- Do not use solvents including benzene, thinner, alcohol, kitchen detergent, a chemical wiper, etc. This might cause the exterior case to be deformed or the coating to come off.

## To dispose or transfer this unit

This unit may contain private information. Before disposing of or transferring this unit, perform the following to delete the data, including personal or secret information.

(⇒ 25, “To return all settings to the factory defaults”, “To delete music and settings stored on the SSD”)

- Dispose of this unit in accordance with local laws and regulations.
- The customer is responsible for the management of personal information imported on the SSD of this unit.

## Storage of the SSD

Do not store the SSD in the following locations, as this may cause malfunctions:

- Extremely hot locations
- Locations with drastic temperature changes
- Locations exposed to direct sunlight
- Locations where static electricity or electromagnetic waves are generated
- Humid or dusty locations

The storage tray (⇒ 14, 15) on the back of this unit is removable. Before using this unit, open the storage tray and install an SSD.

- An SSD is not supplied in the package you have purchased. Purchase an SSD that are commercially available.
- For information on the handling of the SSD, refer to “SSD” (⇒ 29).

## ■ Supported SSDs

This unit supports 2.5-inch SATA SSDs with a thickness of up to 9.5 mm. (Limited to those with a driving voltage of 5 V.) It is not possible to connect PATA SSDs, 1.8-inch SSDs, SSDs with ZIF connectors, SSDs with a driving voltage of 3.3 V, or specially-shaped SSDs (built-in SSD of an ASUS Eee PC, etc.).

For details, check the website below.

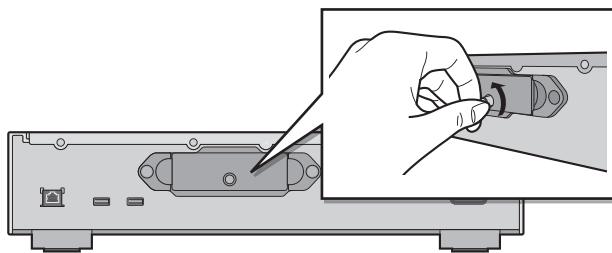
[www.technics.com/support/](http://www.technics.com/support/)

Have the following supplied items ready:

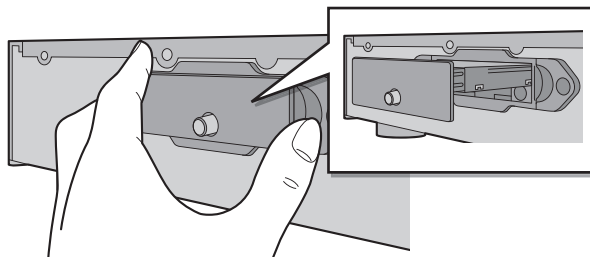
- Screws (M3, silver) ..... 4

Follow the steps below to install the SSD.

### 1 Rotate the fixing screw on the back of this unit to loosen it.

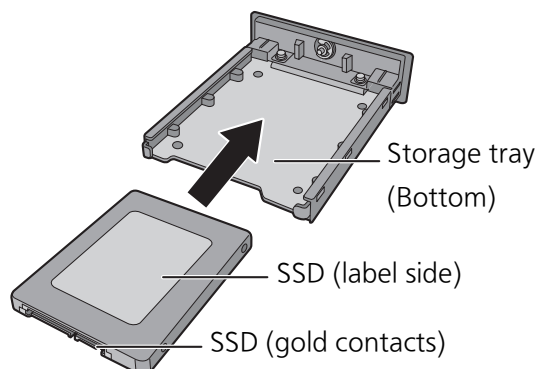


### 2 Hold both ends of the storage tray to pull it out straight.



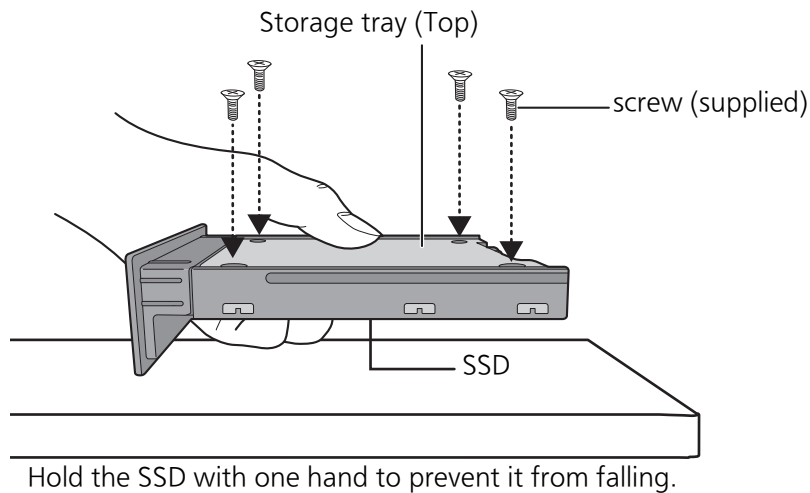
### 3 Turn the storage tray over with the bottom side facing up, and attach the new SSD.

- Be careful about the orientation of the SSD and storage tray.



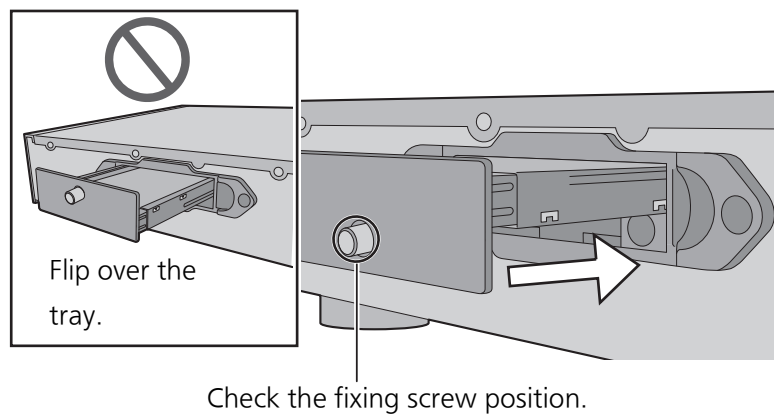
#### 4 Turn the storage tray over with the top side facing up, and tighten the screws (supplied).

- Use a cross-slot screwdriver to tighten the screws. Choose a cross-slot screwdriver that matches the size of the screws.
- Do not tighten the screws with excessive force. Doing so will strip their threads, making it impossible to use the screws again.



#### 5 Insert the storage tray into this unit, and tighten the fixing screw.

- After inserting the storage tray, tighten the fixing screw firmly until the tray is secure.



#### 6 Connect the devices/AC power supply cord, etc. (⇒ 18, 19)

#### 7 Format the SSD using the "Technics Music App". (⇒ 20)

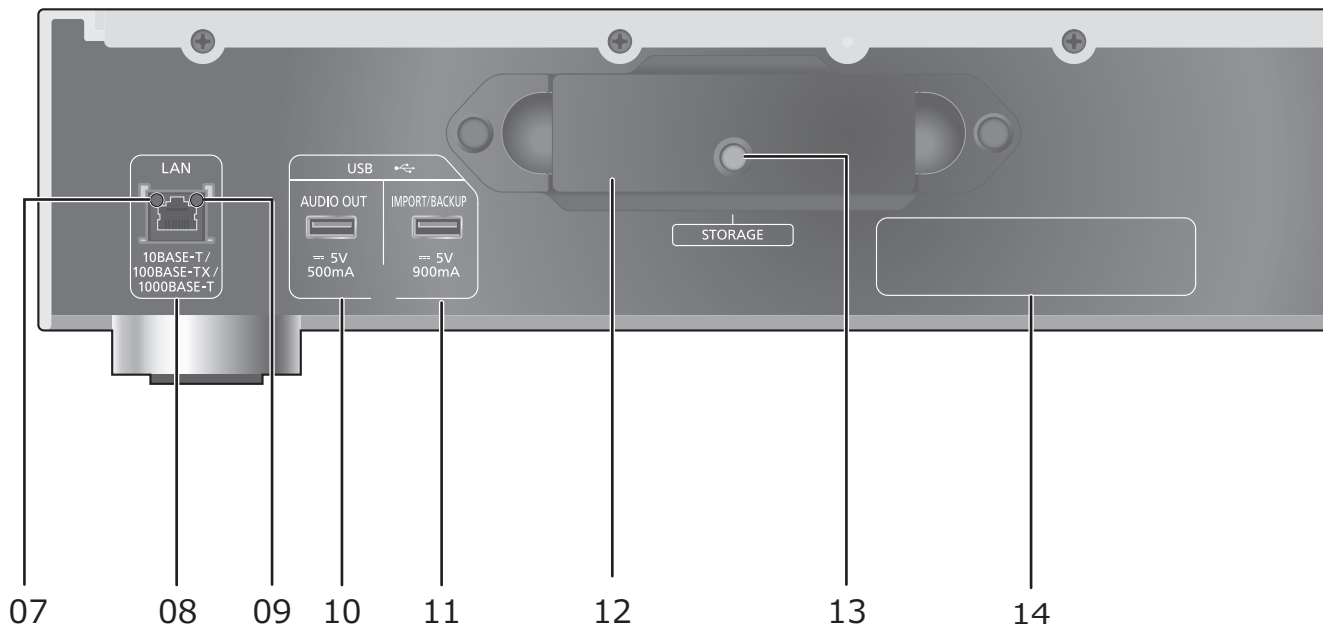
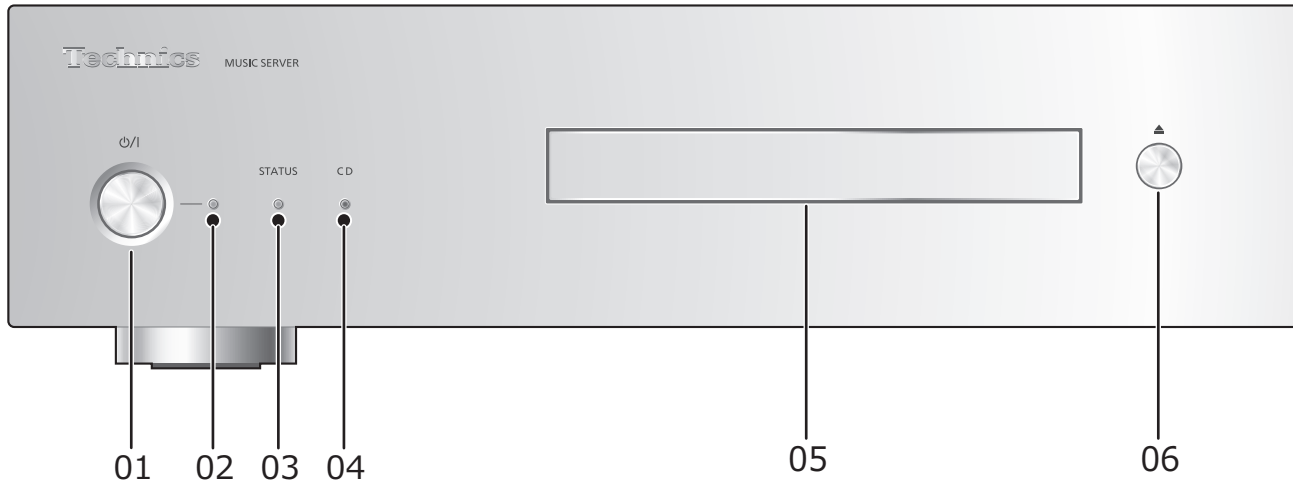
- For details, refer to the user guide for "Technics Music App".

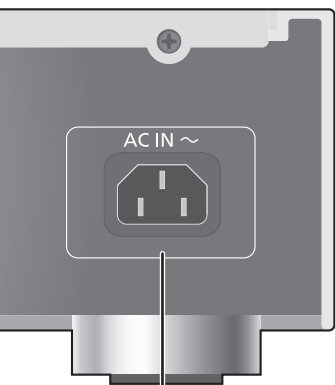
#### ■ When replacing the SSD, be sure to follow the steps above.

- Before installing or removing the SSD, be sure to turn off this unit and pull out the mains plug from the outlet. Not doing so may cause malfunctions.

#### Note

- Be careful not to touch the gold contacts on the SSD.
- We recommend creating a backup of your important data to prevent its loss before replacing the SSD. (⇒ 24)





15

### 01 Standby/on switch (⏻/⏻)

- Press to switch the unit from on to standby mode or vice versa. In standby mode, the unit is still consuming a small amount of power.

### 02 Power indicator

- Blue: The unit is on.

### 03 STATUS indicator

This is a two-color LED indicator that shows the SSD status.

- It flashes blue when this unit is on.

OFF	No SSD (⇒ 12, 13)
Lights up (blue)	Possible to access SSD
Lights up (red)	Importing from USB / Downloading from Technics Tracks / Backing up / Restoring
Flashing (red)	The SSD is not formatted

### 04 CD indicator

This is a two-color LED indicator that shows the CD status.

- It flashes blue when you insert a CD into this unit.

OFF	No CD
Lights up (blue)	Possible to access the CD
Lights up (red)	Recording CD music
Flashing (red)	Incompatible CD

### 05 CD tray

### 06 Opens/closes the CD tray

- The tray opens or closes after the CD indicator flashes.

### 07 Network connection indicator

OFF	Disconnected
Lights up (yellow)	Connected
Flashing (yellow)	Making a connection

### 08 LAN terminal (⇒ 18, 19)

### 09 Network communication speed indicator

OFF	Disconnected/10 Mbps connection
Lights up (Orange)	100 Mbps connection
Lights up (green)	1 Gbps connection

### 10 USB terminal (≡ DC 5 V 500 mA AUDIO OUT) (⇒ 22)

- Connects to a device with a built-in USB-DAC.

### 11 USB terminal (≡ DC 5 V 900 mA IMPORT/BACKUP) (⇒ 21)

- Connects to a USB memory device or USB HDD (Hard Disk Drive).

### 12 Storage tray (STORAGE)

- You can remove the tray to attach and remove the SSD. (⇒ 12, 13)

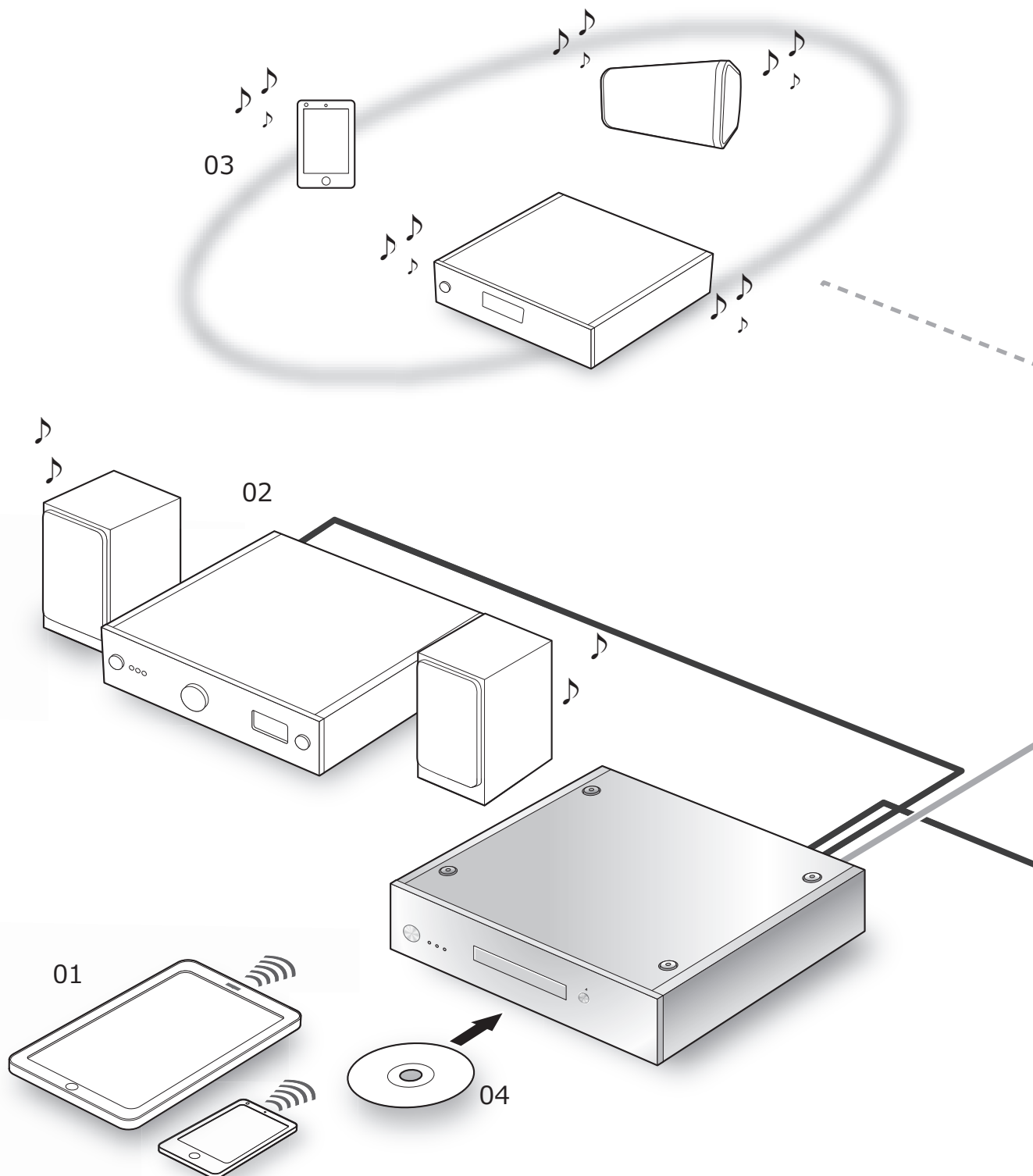
### 13 Fixing screw

### 14 Product identification marking

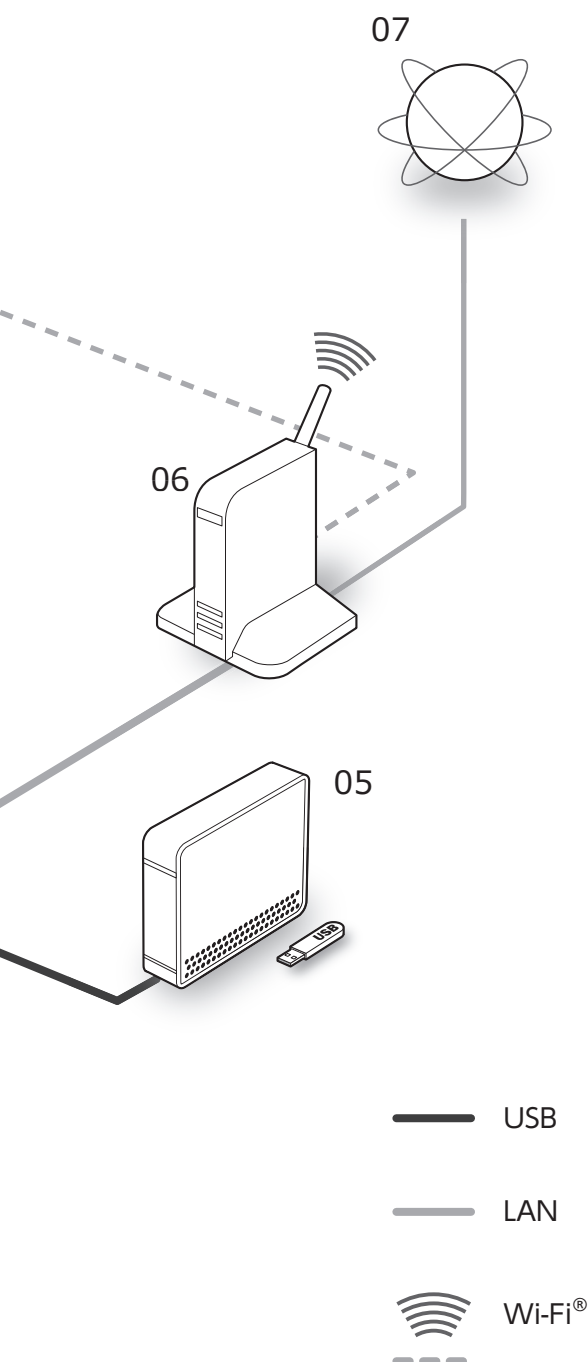
### 15 AC IN terminal ( ~ ) (⇒ 18, 19)

## Connection with the music server

This unit is a Hi-Fi music server. It stores and automatically organizes music data, and transmits the data to wide-ranging audio devices. After saving music data to the SSD of this unit, you can enjoy the music by connecting this unit to a player or amplifier with a built-in USB DAC (digital-to-analog converter). In addition, using the DLNA function, you can play back the music on the SSD of this unit with a device such as a network player or tablet.







### 01 Smartphone/Tablet

Download the “Technics Music App” to operate this unit.

- Before operating this unit (⇒ 20)

### 02 Device with a built-in USB-DAC

Connect an amplifier/DA converter with a USB cable to output music data stored on this unit.

- Enjoying music with USB audio connections (⇒ 22)

### 03 Network player/smartphone/wireless speaker

Connect with DLNA to output music data stored on this unit.

- Enjoying music with DLNA (⇒ 23)

### 04 CD

- Recording music from CDs (⇒ 21)

### 05 USB devices

Music on USB devices can be saved to the SSD of this unit. You can also back up music stored on the SSD to USB devices.

- Importing music from USB devices (⇒ 21)

### 06 Broadband router

Connect to this unit with a LAN cable.

- Connections (⇒ 18, 19)

### 07 Internet

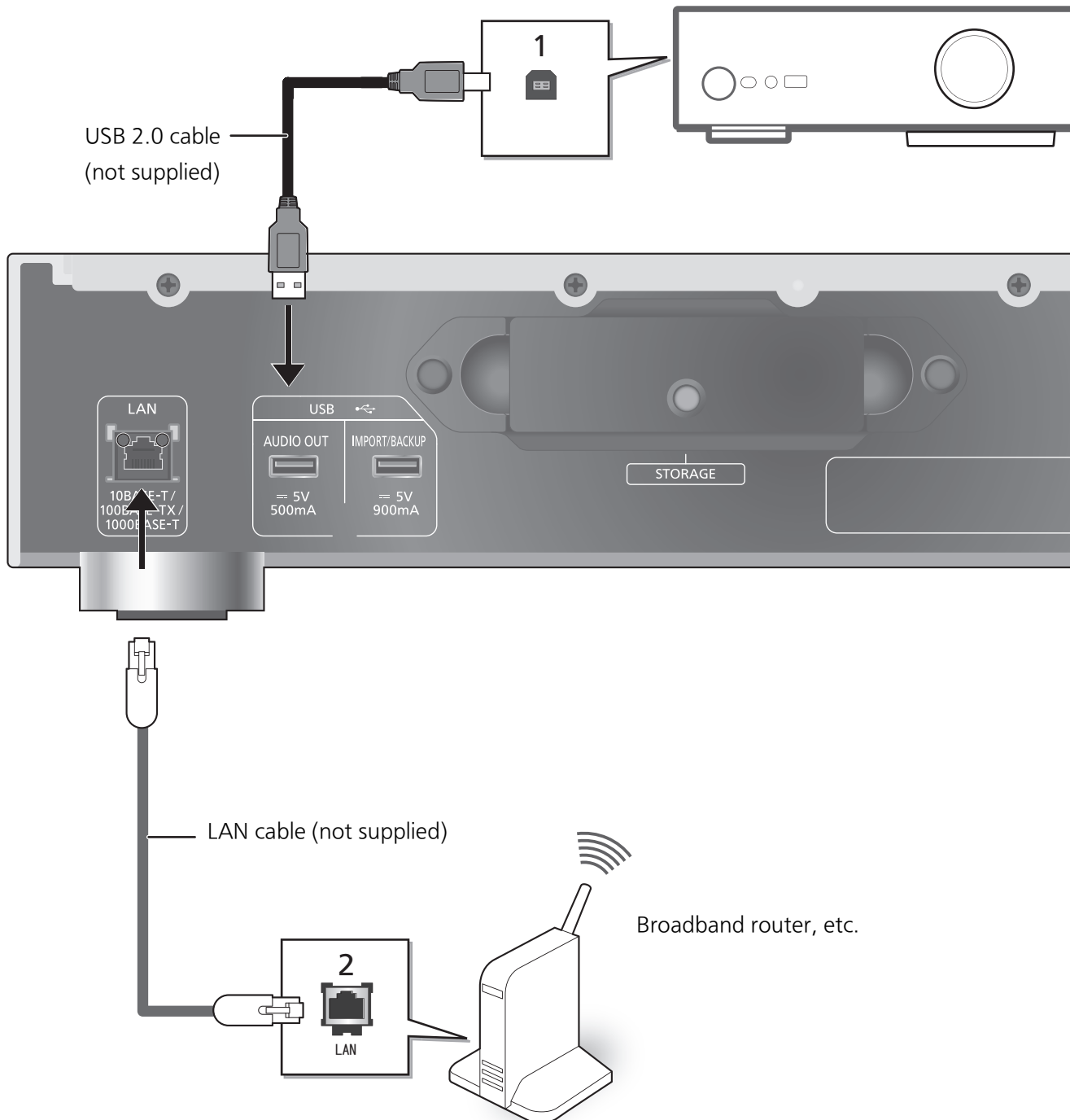
You can download music tracks from an online high-res music store, or automatically retrieve title information from the Gracenote database.

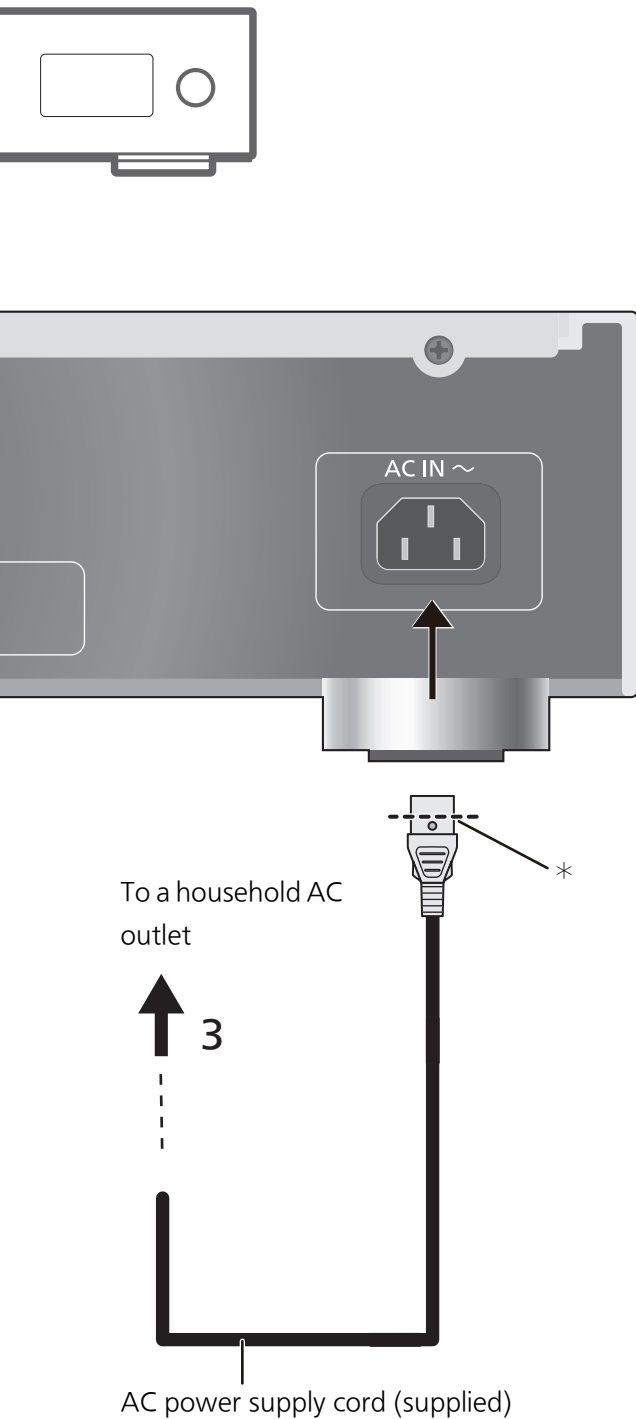
- Before operating this unit (⇒ 20)

## Connections

### Devices/AC power supply cord, etc.

- Use only the supplied AC power supply cord.
- Do not connect the AC power supply cord until all other connections are complete.
- Insert the plugs of the cables to be connected all the way in.
- Do not bend cables at sharp angles.





\* Insert the AC power supply cord up to a point just before the round hole.

### 1 Connect the device with a built-in USB-DAC.

This unit will output audio signals, allowing you to play back music files.

- See the operating instructions for connected equipment for operational details.
- The USB connection is not required for the playback of music using the DLNA function.

### 2 Wired LAN connection

Normally, just connecting a LAN cable will complete the setup.

- Use category 7 or above straight LAN cables (STP) when connecting to peripheral devices.

### 3 AC power supply cord connection

Connect only after all other connections are completed.

#### Note

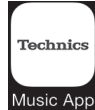
- This unit consumes a small amount of AC power (⇒ 27) even when the unit is in standby mode. Remove the plug from the main electrical outlet if you will not be using the unit for an extended period of time. Place the unit so the plug can be easily removed.
- While the AC power supply cord is disconnected, the LAN cable must be connected or disconnected.
- Inserting any cable other than a LAN cable in the LAN port can damage the unit.

#### ■ Getting the app ready for use

Before using this unit, you need to install “Technics Music App”(free of charge), an app specifically designed for Technics products, on your smartphone or tablet.

##### Technics Music App

- iOS: App Store
- Android: Google Play™



For information on the operations and on-screen displays of “Technics Music App”, refer to its user guide, which can be downloaded from the website below.

[www.technics.com/support/](http://www.technics.com/support/)

#### ■ Connecting your smartphone or tablet to a wireless LAN network

Use a smartphone or tablet on which “Technics Music App” is installed to control and configure this unit via a network. Enable the Wi-Fi setting of the smartphone or tablet, and connect it to the same network as this unit.

#### ■ Formatting your SSD

Before using this unit, you need to format the SSD. Please note that this unit cannot be used unless you format the SSD.

- 1 Start the app “Technics Music App”.
- 2 Tap “ST-G30 Menu”, and then tap “Technics ST-G30\*\*\*\*\*”.
  - “\*\*\*\*\*” stands for a digit that is unique to each set.
- 3 Tap “Settings”, and then tap “Initialize”.
- 4 Tap “Format SSD”.
  - To format SSD, select “OK”.

#### ■ When using online high-res music store

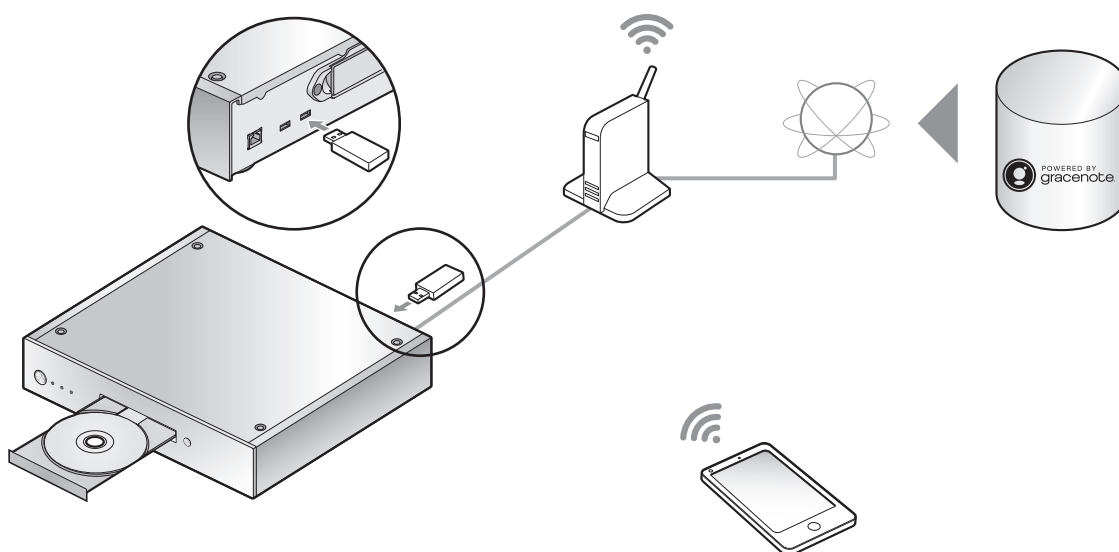
Technics Tracks\* is a music download service specializing in high quality lossless audio. You can purchase music files with your computer, smartphone or tablet.

- User registration is required to use Technics Tracks. Refer to the website below for details.

<https://tracks.technics.com/>

\* For the United Kingdom, Germany, Canada (as of January 2016)

- You can automatically download the music files purchased at an online high-res music store to the SSD of this unit. For details, refer to the user guide for “Technics Music App”.
- High-res music services are subject to change or termination.



You can insert a CD or USB device and Import music.

- This unit cannot play back CDs.
- For information on compatible CDs and USB devices (⇒ 28)

### Preparation

- Connect the device on which the app "Technics Music App" is installed to the same network as this unit.

### ■ To make a recording of a CD

1 Press [⏻/I] on this unit to turn it on.

2 Press [▲] to open the CD tray, and insert the CD.

To close the CD tray, press [▲] again.

- The CD can be accessed once the CD indicator lights up blue.

3 Start "Technics Music App" to record music from the CD.

- Go to the "ST-G30 Menu" first to perform this step. For details, refer to the user guide for "Technics Music App".
- If this unit is connected to a network, the CD's title information will be automatically retrieved from the Gracenote database.

### ■ To import from a USB device

1 Press [⏻/I] on this unit to turn it on.

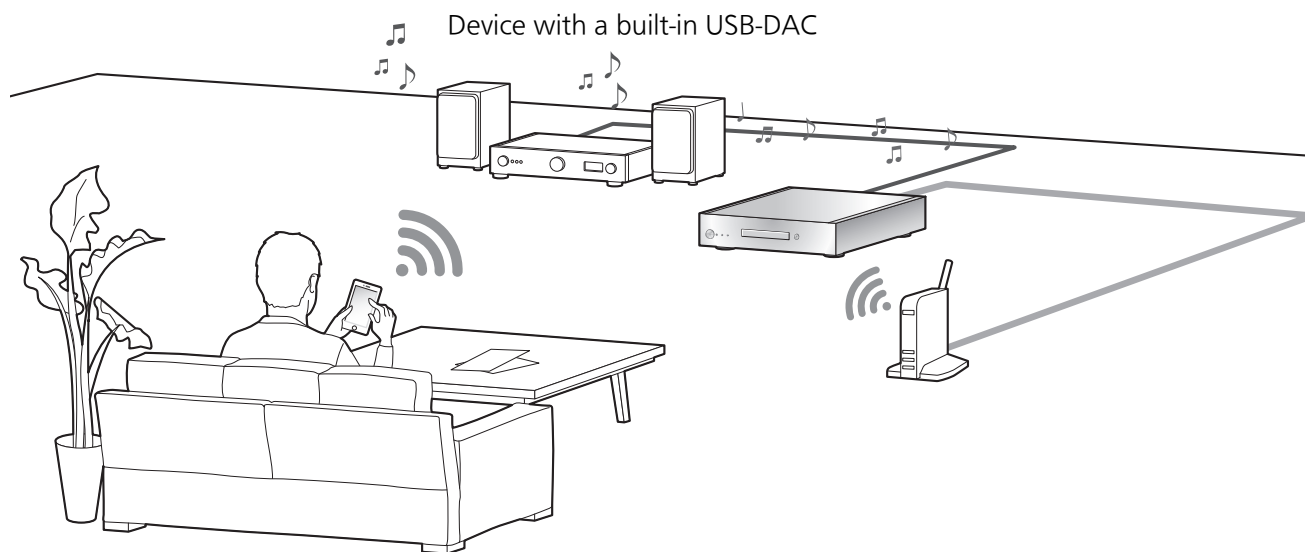
2 Connect the USB device to the USB terminal [IMPORT/BACKUP] on the back of this unit.

3 Start "Technics Music App" to import music from the USB device.

- Go to the "ST-G30 Menu" first to perform this step. For details, refer to the user guide for "Technics Music App".

#### Note

- If you turn off this unit or disconnect the USB device during importing, the music being imported will not be saved.
- Depending on the conditions of use, importing may not be performed correctly.
- Please note that even if content is not imported correctly due to any defects, Panasonic will not be responsible for compensation for such content, losses arising out of the imported content, or any direct or indirect damage caused by such importing. The same also applies to repairing this unit.



You can connect this unit to a player or amplifier to play back music stored on the SSD of this unit, without using a computer.

- You cannot play back music that are stored on devices other than the SSD of this unit.
- About supported format, refer to “Support Format” (⇒ 27)

### Preparation

- Connect this unit to a player or amplifier. (⇒ 18, 19)
- Connect the device on which the app “Technics Music App” is installed and the player or amplifier to the same network as this unit.

#### 1 Start the app “Technics Music App”.

- If a screen prompting you to display the menu screen for ST-G30 appears, tap “Display On”.
- Tap “🏠” to return to the “Music Source” screen.

#### 2 Tap “Music Server”, and then tap “Technics ST-G30\*\*\*\*\*”.

- “\*\*\*\*\*” stands for a digit that is unique to each set.
- Tap “🏠” to return to the “Music Source” screen.

#### 3 Tap “🔊”, and then tap the speaker set that you want to use.

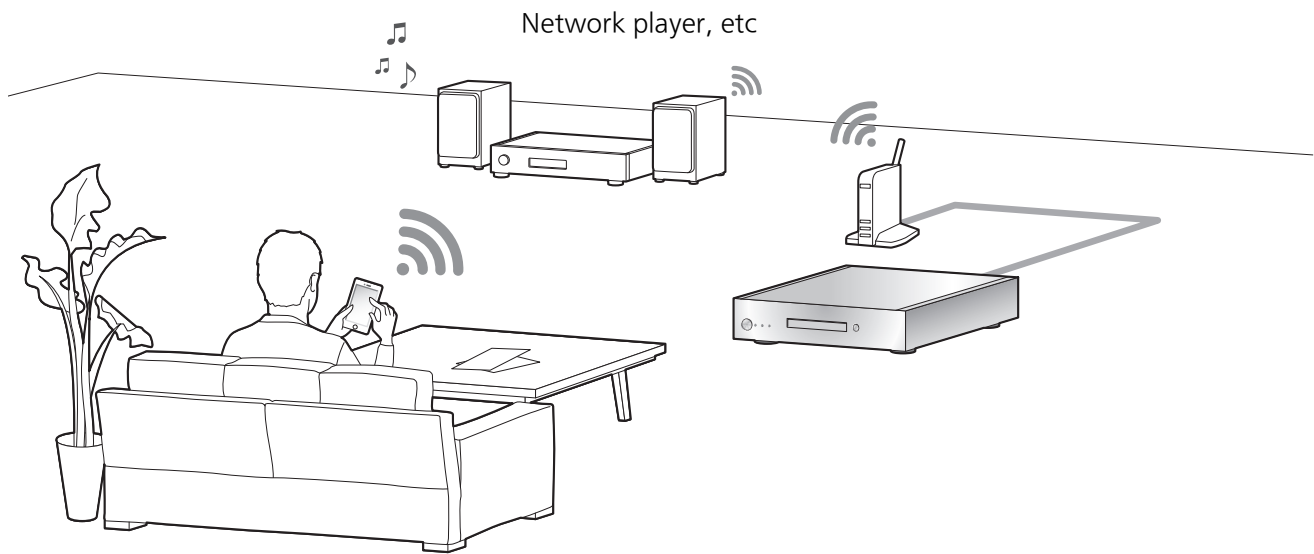
- A Technics model number or “USB-DAC” will appear under “USB-AUDIO”.

#### 4 Select a song.

- For details, refer to the user guide for “Technics Music App”.

#### Note

- Depending on the connected device, this function may not work correctly.




You can play back music stored on the SSD of this unit with the DLNA function.

- About supported format, refer to “Support Format” (⇒ 27)


## Preparation

- Connect the device on which the app “Technics Music App” is installed and the network player or tablet to the same network as this unit.

### 1 Start the app “Technics Music App”.

- If a screen prompting you to display the menu screen for ST-G30 appears, tap “Display On”.
- Tap “

### 2 Tap “Music Server”, and then tap “Technics ST-G30\*\*\*\*\*”.

- “\*\*\*\*\*” stands for a digit that is unique to each set.
- Tap “

### 3 Tap “ - A model number will appear under “DLNA”.

### 4 Select a song.

- For details, refer to the user guide for “Technics Music App”.

#### Note

- Depending on the contents and the connected equipment, operations or playback may not be possible.

#### Importing music from a PC

You can operate a computer to access the ST-G30L over a network to save and edit folders and tracks.

#### Preparation

- Connect a computer containing the music that you want to import to this unit to the same network as this unit.

Example with Windows 7

- 1 Open any folder, and click "Network".
- 2 Double-click the "ST-G30-\*\*\*\*\*" icon displayed in the "Computer" list in the folder.

- It may take time until the icon for this unit's name appears in the "Computer" list. If the icon is not displayed, click "Refresh "Network"" on the address bar of the folder. (Depending on the type or version of your OS, this refresh button may not be available. In that case, wait for a few minutes until the icon appears.)
- You may be required to enter a user name and password. In that case, enter the following:

User name: User

Password:

- The one you set for "Technics Music App"
- "User name" cannot be changed.
- There is no default setting for "Password".
- "Password" can be changed.

- For details, refer to the user guide for "Technics Music App".

- 3 Save the desired music on the computer to the "share" folder.

#### Note

- The screen differs depending on the OS.
- For more details, check the support site below as well as this Owner's Manual.  
[www.technics.com/support/](http://www.technics.com/support/)

#### Back up / Restore

You can back up the SSD's data to a USB device or restore backup data to the SSD.

- 1 Press [⏻/I] on this unit to turn it on.
- 2 Connect the USB device to the USB terminal [IMPORT/BACKUP] on the back of this unit.
- 3 Start "Technics Music App" to back up/restore music.
  - For details, refer to the user guide for "Technics Music App".

#### Note

- If you turn off this unit or disconnect the USB device during back up, the music being imported will not be saved.
- Depending on the data size, it may take time until the backup or restoration is complete.



Before requesting service, make the following checks. If you are uncertain about some of the check points, or if the solutions indicated in the following guide does not resolve the issue, then consult your dealer for instructions.

### Heat buildup of this unit

This unit becomes warm when used for a long time. This is not a malfunction.

### Do you have the latest firmware installed?

Panasonic is constantly improving the unit's firmware to ensure that our customers are enjoying the latest technology.

Check the support site below  
[www.technics.com/support/](http://www.technics.com/support/)

### To return all settings to the factory defaults

When the following situations occur, reset the memory:

- There is no response when buttons are pressed.
- 1 **Disconnect the mains plug.**
    - Before proceeding to Step 2, wait for at least 3 minutes.
  - 2 **Connect the mains plug while pressing and holding [⏻/⏪].**

The main unit will turn off after all the indicators on its front side flash.

    - All settings will return to the factory defaults. It is necessary to set the memory items again.

### To delete music and settings stored on the SSD

Follow the steps below to delete music or settings stored on the SSD of this unit.

- You want to clear and reset the memory contents.
- 1 **Start the app "Technics Music App".**
  - 2 **Tap "ST-G30 Menu", and then tap "Technics ST-G30\*\*\*\*\*".**
    - "\*\*\*\*\*" stands for a digit that is unique to each set.

- 3 **Tap "Settings", and then tap "Initialize".**
- 4 **Tap "Delete account information" to delete your account information.**
  - To clear account information, select "OK".
- 5 **Select "Format SSD" in Step 4, and repeat the same operation.**

### General

**The unit does not work.**

**Operations are not done properly.**

- One of the unit's safety devices may have been activated.
- 1 **Press [⏻/⏪] on the unit to switch the unit to standby.**
    - If the unit does not switch to standby, press [⏻/⏪] on the unit for at least 5 seconds. The unit is forcibly switched to standby. Alternatively, disconnect the AC power supply cord, wait for at least 3 minutes, then reconnect it.
  - 2 **Press [⏻/⏪] on the unit to switch on. If the unit still cannot be operated, consult the dealer.**

**A "humming" sound can be heard during playback.**

- An AC power supply cord or fluorescent light is near the cables. Keep other appliances and cords away from the cables of this unit.
- A strong magnetic field near a TV or other device may adversely affect the audio quality. Keep this unit away from such devices.
- The speakers may output noise when a device nearby is emitting powerful radio waves, such as when a mobile phone is on a call.

**No sound.**

- Adjust the volume of the connected device (amplifier, etc.).
- Check to see if the cable connections to the input and output terminals are incorrect. If this is the case, turn off this unit and reconnect the cables correctly.
- Insert the plugs of the cables to be connected all the way in.

## Playback does not start.

- Depending on your environment or connected devices, it may take some time.

## The settings are reset to the factory defaults.

- Updating the firmware may reset the settings.

## This unit turns off suddenly.

- If the SSD is removed or malfunctions while this unit is in operation, this unit will turn off automatically. Check to see if the SSD is attached correctly to the main unit. (⇒ 12, 13)
- If this unit still turns off even after you have attached the SSD correctly, there may be a malfunction with the SSD.

## The sound is interrupted.

- Depending on your environment, the audio may be interrupted during playback. Check the operating instructions of the connected device and the connection to the device.

## Disc

### Recording does not start.

- Make sure that the disc is compatible with this unit. (⇒ 28)
- There is moisture on the lens. Wait for about an hour and then try again.
- Recording to unfinalized CD-R and CD-RW discs is not possible.
- WMA/MP3 is not supported. Refer to “CDs” (⇒ 28) for information about the discs this unit can play back.

## Network

### Cannot connect to the network.

- Confirm the network connection and settings. (⇒ 18, 19)
- Make sure that the multicast function on the wireless router is enabled.
- Make sure that the devices, smartphone and tablet are connected to the same network as this system.

- Turn off and on the network connection of the smartphone, tablet or connected device, and reconnect it to this unit.

## Playback does not start.

### The sound is interrupted.

- If the signal is interrupted, changing the location and angle of the broadband router may improve the signal reception of the connected device.
- If several wireless devices are simultaneously using the same wireless network as this unit, try turning off the other devices or reducing their wireless network usage.
- If playback has stopped, check the playback status on the smartphone, tablet or connected device.

## USB

### This unit does not recognize the USB connection correctly.

- Check to see if another device can detect your USB device.
- If you connect USB HDD to this unit, use the USB cable that is supplied with the HDD.

### The USB device responds slowly.

- Large-capacity USB devices may respond slowly.

## SSD

### The SSD is not detected.

- Check to see if the SSD is attached correctly. (⇒ 12, 13)

### The STATUS indicator is flashing red.

- You might have forgotten to format the new one. Before using a new SSD, be sure to format it on this unit. (⇒ 20)

## ■ GENERAL

Power supply	AC 120 V, 60 Hz
Power consumption	28 W
Power consumption in standby mode	Approx. 0.3 W
Dimensions (W×H×D)	430 × 98 × 391 mm (16 15/16 × 3 7/8 × 15 13/32")
Mass (Weight)	Approx. 10.9 kg (24.0 lbs)
Operating temperature range	0 °C to +40 °C (+32 °F to +104 °F)
Operating humidity range	35 % to 80 % RH (no condensation)

- Mass and dimensions are approximate.

## ■ DISC SECTION

Support Disc	8 cm/12 cm CD, CD-R, CD-RW
Support Format	CD-DA
Wave Length	783 nm (CD)
Laser Power	CLASS 1

No hazardous radiation is emitted with the safety protection

## ■ SUPPORTED SSD SECTION

Capacity	Recommended SSD*1, 2, 3
Form factor	2.5 inch Thickness Max 9.5 mm
Interface	Serial ATA 6 Gbps
Power Voltage	5 V

- \*1 Storage (SSD) not included.
- \*2 You can check our latest catalogues or website for information on our recommended SSDs. [www.technics.com](http://www.technics.com)
- \*3 Some portions of the capacity are used for data management. Therefore, the capacity a user can use is less than built-in SSD.
- The usable built-in memory/SSD space is generally calculated as 1 GB=1,000,000,000 bytes. Computers and certain software that perform calculations using the equation 1 GB=1,024x1,024x1,024=1,073,741,824 bytes display a smaller value for the usable space.

## ■ TERMINALS SECTION

Ethernet interface	LAN (1000 BASE-T / 100 BASE-TX / 10 BASE-T)
	DLNA
	Support Format
	WAV:
	32/44.1/48/88.2/96/176.4/192 kHz, 16/24 bit
	FLAC:
	32/44.1/48/88.2/96/176.4/192 kHz, 16/24 bit
	DSD:
	2.8/5.6/11.2 MHz
	AIFF:
32/44.1/48/88.2/96/176.4/192 kHz, 16/24 bit	
ALAC:	
32/44.1/48/88.2/96/176.4/192 kHz, 16/24 bit	
AAC:	
32/44.1/48/88.2/96 kHz, 16 to 320 kbps	
WMA:	
32/44.1/48 kHz, 16 to 320 kbps	
MP3:	
32/44.1/48 kHz, 16 to 320 kbps	
USB AUDIO OUT	USB 2.0 High-speed
	DC 5 V MAX, 500 mA
	USB Audio Class 2.0, Asynchronous mode
USB IMPORT/BACKUP	Support Format
	DSD:
	2.8/5.6/11.2 MHz
	PCM:
32/44.1/48/88.2/96/176.4/192/352.8/384 kHz, 16/24/32 bit	
USB	USB 3.0 Super-speed
	DC 5 V MAX, 900 mA
	USB Mass Storage class
	File system
FAT12, FAT16, FAT32, NTFS	

- Specifications are subject to change without notice.

CDs

- A disc with the CD Logo.



- This unit can record discs that conform to the CD-DA format.
- This unit may not be able to record some discs due to the condition of the recording.
- Before recording, finalize the disc on the device it was recorded on.

■ CDs that cannot be used

- CDs with irregular shapes, such as heart shapes (Use of such CDs may cause malfunction.)

■ CDs that are not guaranteed to operate with this unit

- Discs with illegally copied data and those that do not conform to industry standards
- DualDiscs (Discs that record data such as music and images on both sides)

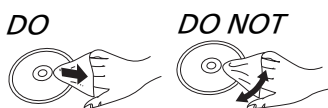
■ Disc formats supported by this unit

Commercially available CDs (CD-DA)	DO
CD-R/CD-RW(CD-DA)	DO
CD-R/CD-RW(MP3)	DO NOT
CD-R/CD-RW(WMA)	DO NOT

■ This unit's lens

Use the lens cleaner (not supplied) to clean the unit's lens.

■ Clean discs



Wipe with a damp cloth and then wipe dry with a dry cloth.

■ Disc handling precautions

- Handle discs by the edges to avoid inadvertent scratches or fingerprints on the disc.
- Do not attach labels or stickers to discs.
- Do not use disc cleaning sprays, benzene, thinner, static electricity prevention liquids or any other solvent.
- Do not use the following discs:
  - Discs with exposed adhesive from removed stickers or labels (rented discs, etc.).
  - Discs that are badly warped or cracked.
  - Irregularly shaped discs, such as heart shapes.

USB device

- This unit does not guarantee connection with all USB devices.
- This unit does not support USB device charging.
- This unit supports USB memory devices formatted in FAT12, FAT16, FAT32 or NTFS.
- This unit supports an HDD formatted in FAT32 and NTFS. If the HDD is not recognized, the power to the HDD may not be supplied. Supply power from an external source.
- This unit supports USB 3.0 Super Speed.
- USB memory may not be recognized by this unit when connected using the following:
  - a USB hub
  - a USB extension cable
- It is not possible to use USB card reader/writers.
- Not all files on the USB device may be read if there are some files not supported.
- About supported format, refer to "Support Format" (⇒ 27)
- If you turn off this unit, disconnect the USB cable, or expose the USB device to vibrations or impacts (by moving or rotating it, for example) or to static electricity while the USB device is in operation (during importing, for example), the imported music may be lost or malfunctions may result. Please also read the operating instructions for the USB device.

## SSD

### ■ SSD (Solid State Drive)

SSD is a precision device sensitive to vibrations, shocks, and dust.

Depending on the installation environment or handling of the SSD, it may sustain partial damage, or in the worst case, lose its importing and transmission capabilities.

In particular, do not expose the SSD to vibrations and shocks or remove the storage tray while this unit is in operation. Please also keep in mind that an accidental event such as a power failure may cause damage to the content being imported or transmitted.

#### SSD is for temporary storage.

Use the SSD of this unit for temporary storage of music files. We recommend that you regularly back up the music files that are important to you.\*  
Panasonic is not liable for any losses of or damage to music files arising out of any defects.

#### Make a backup if anything seems wrong with the SSD.

Defects in the SSD may cause abnormal noise continuously while importing, transmission or a backup is in progress, or noise in the audio. Continued use of the SSD in such conditions may deteriorate its performance and eventually make it impossible to use it again.  
If you encounter such problems, back up your data to a USB device as soon as possible, and request a repair.

- It is not possible to recover content (data) imported on a malfunctioning SSD.

\* For details, refer to the user guide for "Technics Music App".

### ■ Recommended SSD

- Use a recommended SSD. You can check our latest catalogues or website for information on our recommended SSDs.  
[www.technics.com](http://www.technics.com)

- Panasonic cannot provide information about the compatibility of SSDs and recommended SSDs except for those recommended by Panasonic.

### ■ Notes on the installation and removal of the SSD

- Panasonic cannot be held liable for malfunction or damage resulting from the use of a non-recommended SSD or improper installation or removal. Check the type of the SSD and the instructions for installing and removing it in advance, and attach it correctly.
- Please note that sound quality may change even if you replace the SSD with one that is recommended by Panasonic according to the instructions provided by Panasonic.
- Panasonic cannot be held liable for the loss of data resulting from malfunctions or for compensation for data, losses or any direct or indirect damage resulting from improper installation. Please also note that this provision also applies when the SSD is sent in for repair.
- We recommend creating a backup before replacing the SSD.

### ■ Notes on handling

#### Condensation

If, for example, condensation forms on the SSD after it is suddenly brought into a warm room, leave it without installing it to the main unit until it adjusts to the ambient temperature of the room (about 2 to 3 hours).

#### Storage location

Do not place or store in the following locations:

- Dusty locations
- Hot locations
- Locations with drastic temperature changes
- Humid locations
- Locations exposed to direct sunlight
- Locations where static electricity or electromagnetic waves are generated (these may damage the imported content that is important to you)

App Store is a service mark of Apple Inc.
Google Play and Android are trademarks of Google Inc.
DLNA, the DLNA Logo and DLNA CERTIFIED are trademarks, service marks, or certification marks of the Digital Living Network Alliance.
DSD is a trademark of Sony Corporation.
MPEG Layer-3 audio coding technology licensed from Fraunhofer IIS and Thomson.
"Wi-Fi®" is a registered trademark of Wi-Fi Alliance®.
Windows is a trademark or a registered trademark of Microsoft Corporation in the United States and other countries.
<p>FLAC Decoder                      Copyright (C) 2000, 2001, 2002, 2003, 2004, 2005, 2006, 2007, 2008, 2009 Josh Coalson                      Redistribution and use in source and binary forms, with or without modification, are permitted provided that the following conditions are met:</p> <ul style="list-style-type: none"> <li>- Redistributions of source code must retain the above copyright notice, this list of conditions and the following disclaimer.</li> <li>- Redistributions in binary form must reproduce the above copyright notice, this list of conditions and the following disclaimer in the documentation and/or other materials provided with the distribution.</li> <li>- Neither the name of the Xiph.org Foundation nor the names of its contributors may be used to endorse or promote products derived from this software without specific prior written permission.</li> </ul> <p>THIS SOFTWARE IS PROVIDED BY THE COPYRIGHT HOLDERS AND CONTRIBUTORS "AS IS" AND ANY EXPRESS OR IMPLIED WARRANTIES, INCLUDING, BUT NOT LIMITED TO, THE IMPLIED WARRANTIES OF MERCHANTABILITY AND FITNESS FOR A PARTICULAR PURPOSE ARE DISCLAIMED. IN NO EVENT SHALL THE FOUNDATION OR CONTRIBUTORS BE LIABLE FOR ANY DIRECT, INDIRECT, INCIDENTAL, SPECIAL, EXEMPLARY, OR CONSEQUENTIAL DAMAGES (INCLUDING, BUT NOT LIMITED TO, PROCUREMENT OF SUBSTITUTE GOODS OR SERVICES; LOSS OF USE, DATA, OR PROFITS; OR BUSINESS INTERRUPTION) HOWEVER CAUSED AND ON ANY THEORY OF LIABILITY, WHETHER IN CONTRACT, STRICT LIABILITY, OR TORT (INCLUDING NEGLIGENCE OR OTHERWISE) ARISING IN ANY WAY OUT OF THE USE OF THIS SOFTWARE, EVEN IF ADVISED OF THE POSSIBILITY OF SUCH DAMAGE.</p>

This product incorporates the following software:

- (1) the software developed independently by or for Panasonic Corporation,
- (2) the software owned by third party and licensed to Panasonic Corporation,
- (3) the software licensed under the GNU General Public License, Version 2.0 (GPL V2.0),
- (4) the software licensed under the GNU LESSER General Public License, Version 2.1 (LGPL V2.1), and/or
- (5) open source software other than the software licensed under the GPL V2.0 and/or LGPL V2.1.

The software categorized as (3) - (5) are distributed in the hope that it will be useful, but WITHOUT ANY WARRANTY, without even the implied warranty of MERCHANTABILITY or FITNESS FOR A PARTICULAR PURPOSE. For details, read the Licence file in the shared folder on this product by accessing it from another device, such as a computer.

At least three (3) years from delivery of this product, Panasonic will give to any third party who contacts us at the contact information provided below, for a charge no more than our cost of physically performing source code distribution, a complete machine-readable copy of the corresponding source code covered under GPL V2.0, LGPL V2.1 or the other licenses with the obligation to do so, as well as the respective copyright notice thereof.

Contact Information:  
 oss-cd-request@gg.jp.panasonic.com

The source code and the copyright notice are also available for free in our website below.  
<http://panasonic.net/avc/oss/>

## Gracenote® End User License Agreement

This application or device contains software from Gracenote, Inc. of Emeryville, California ("Gracenote"). The software from Gracenote (the "Gracenote Software") enables this application to perform disc and/or file identification and obtain music-related information, including name, artist, track, and title information ("Gracenote Data") from online servers or embedded databases (collectively, "Gracenote Servers") and to perform other functions. You may use Gracenote Data only by means of the intended End-User functions of this application or device.

This application or device may contain content belonging to Gracenote's providers. If so, all of the restrictions set forth herein with respect to Gracenote Data shall also apply to such content and such content providers shall be entitled to all of the benefits and protections set forth herein that are available to Gracenote.

You agree that you will use Gracenote Data, the Gracenote Software, and Gracenote Servers for your own personal non-commercial use only. You agree not to assign, copy, transfer or transmit the Gracenote Software or any Gracenote Data to any third party. **YOU AGREE NOT TO USE OR EXPLOIT GRACENOTE DATA, THE GRACENOTE SOFTWARE, OR GRACENOTE SERVERS, EXCEPT AS EXPRESSLY PERMITTED HEREIN.**

You agree that your non-exclusive license to use the Gracenote Data, the Gracenote Software, and Gracenote Servers will terminate if you violate these restrictions. If your license terminates, you agree to cease any and all use of the Gracenote Data, the Gracenote Software, and Gracenote Servers. Gracenote reserves all rights in Gracenote Data, the Gracenote Software, and the Gracenote Servers, including all ownership rights. Under no circumstances will Gracenote become liable for any payment to you for any information that you provide. You agree that Gracenote, Inc. may enforce its rights under this Agreement against you directly in its own name.

The Gracenote service uses a unique identifier to track queries for statistical purposes. The purpose of a randomly assigned numeric identifier is to allow the Gracenote service to count queries without knowing anything about who you are. For more information, see the web page for the Gracenote Privacy Policy for the Gracenote service.

The Gracenote Software and each item of Gracenote Data are licensed to you "AS IS." Gracenote makes no representations or warranties, express or implied, regarding the accuracy of any Gracenote Data from in the Gracenote Servers. Gracenote reserves the right to delete data from the Gracenote Servers or to change data categories for any cause that Gracenote deems sufficient. No warranty is made that the Gracenote Software or Gracenote Servers are error-free or that functioning of Gracenote Software or Gracenote Servers will be uninterrupted. Gracenote is not obligated to provide you with new enhanced or additional data types or categories that Gracenote may provide in the future and is free to discontinue its services at any time.

**GRACENOTE DISCLAIMS ALL WARRANTIES EXPRESS OR IMPLIED, INCLUDING, BUT NOT LIMITED TO, IMPLIED WARRANTIES OF MERCHANTABILITY, FITNESS FOR A PARTICULAR PURPOSE, TITLE, AND NON-INFRINGEMENT. GRACENOTE DOES NOT WARRANT THE RESULTS THAT WILL BE OBTAINED BY YOUR USE OF THE GRACENOTE SOFTWARE OR ANY GRACENOTE SERVER. IN NO CASE WILL GRACENOTE BE LIABLE FOR ANY CONSEQUENTIAL OR INCIDENTAL DAMAGES OR FOR ANY LOST PROFITS OR LOST REVENUES.**



Gracenote, the Gracenote logo and logotype, and the "Powered by Gracenote" logo are either a registered trademark or a trademark of Gracenote, Inc. in the United States and/or other countries.

# Limited Warranty (ONLY FOR U.S.A.)

## Technics Products – Limited Warranty

### Limited Warranty Coverage (For USA Only)

If your product does not work properly because of a defect in materials or workmanship, Panasonic Corporation of North America (referred to as "the warrantor") will, for the length of the period indicated on the chart below, which starts with the date of original purchase ("warranty period"), at its option either (a) repair your product with new or refurbished parts, (b) replace it with a new or a refurbished equivalent value product, or (c) refund your purchase price. The decision to repair, replace or refund will be made by the warrantor.

Product or Part Name	Parts	Labor
Technics Network Audio Amplifier	3 (three) years	3 (three) years
Technics Music Server		
Technics CD Stereo System		
Technics Turntable System		

During the "Labor" warranty period there will be no charge for labor. During the "Parts" warranty period, there will be no charge for parts. This Limited Warranty excludes both parts and labor for non-rechargeable batteries, antennas, and cosmetic parts (cabinet). This warranty only applies to products purchased and serviced in the United States. This warranty is extended only to the original purchaser of a new product which was not sold "as is".

**Mail-In Service**—Online Repair Request

#### Online Repair Request

To submit a new repair request and for quick repair status visit our Web Site at <http://shop.panasonic.com/support>

When shipping the unit, carefully pack, include all supplied accessories listed in the Owner's Manual, and send it prepaid, adequately insured and packed well in a carton box. When shipping Lithium Ion batteries please visit our Web Site at <http://shop.panasonic.com/support> as Panasonic is committed to providing the most up to date information. Include a letter detailing the complaint, a return address and provide a daytime phone number where you can be reached. A valid registered receipt is required under the Limited Warranty.

**IF REPAIR IS NEEDED DURING THE WARRANTY PERIOD, THE PURCHASER WILL BE REQUIRED TO FURNISH A SALES RECEIPT/PROOF OF PURCHASE INDICATING DATE OF PURCHASE, AMOUNT PAID AND PLACE OF PURCHASE. CUSTOMER WILL BE CHARGED FOR THE REPAIR OF ANY UNIT RECEIVED WITHOUT SUCH PROOF OF PURCHASE.**

#### Limited Warranty Limits and Exclusions

This warranty ONLY COVERS failures due to defects in materials or workmanship, and DOES NOT COVER normal wear and tear or cosmetic damage. The warranty ALSO DOES NOT COVER damages which occurred in shipment, or failures which are caused by products not supplied by the warrantor, or failures which result from accidents, misuse, abuse, neglect, mishandling, misapplication, alteration, faulty installation, set-up adjustments, misadjustment of consumer controls, improper maintenance, power line surge, lightning damage, modification, introduction of sand, humidity or liquids, commercial use such as hotel, office, restaurant, or other business or rental use of the product, or service by anyone other than a Factory Service Center or other Authorized Servicer, or damage that is attributable to acts of God.

The model number and serial number of this product can be found on either the back or the bottom of the unit. Please note them in the space provided below and keep for future reference.	
MODEL NUMBER	ST-G30L
SERIAL NUMBER	_____

THERE ARE NO EXPRESS WARRANTIES EXCEPT AS LISTED UNDER "LIMITED WARRANTY COVERAGE". THE WARRANTOR IS NOT LIABLE FOR INCIDENTAL OR CONSEQUENTIAL DAMAGES RESULTING FROM THE USE OF THIS PRODUCT, OR ARISING OUT OF ANY BREACH OF THIS WARRANTY.

(As examples, this excludes damages for lost time, travel to and from the servicer, loss of or damage to media or images, data or other memory or recorded content. The items listed are not exclusive, but for illustration only.)

**ALL EXPRESS AND IMPLIED WARRANTIES, INCLUDING THE WARRANTY OF MERCHANTABILITY, ARE LIMITED TO THE PERIOD OF THE LIMITED WARRANTY.**

Some states do not allow the exclusion or limitation of incidental or consequential damages, or limitations on how long an implied warranty lasts, so the exclusions may not apply to you.

This warranty gives you specific legal rights and you may also have other rights which vary from state to state. If a problem with this product develops during or after the warranty period, you may contact your dealer or Service Center. If the problem is not handled to your satisfaction, then write to:

Consumer Affairs Department  
Panasonic Corporation of North America  
661 Independence Pkwy  
Chesapeake, VA 23320

**PARTS AND SERVICE, WHICH ARE NOT COVERED BY THIS LIMITED WARRANTY, ARE YOUR RESPONSIBILITY.**

## **Shop Accessories!**

for all your Technics gear

Go to  
<http://shop.panasonic.com/support>

Get everything you need to get the most out of your Technics products  
Accessories & Parts for your Camera, Phone, A/V products, TV, Computers & Networking, Personal Care, Home Appliances, Headphones, Batteries, Backup Chargers & more...

**Customer Services Directory**  
For Product Information, Operating Assistance, Parts, Owner's Manuals, Dealer and Service info go to <http://shop.panasonic.com/support>

For the hearing or speech impaired TTY: 1-877-833-8855

As of December 2015

User memo:

DATE OF PURCHASE	_____
DEALER NAME	_____
DEALER ADDRESS	_____
TELEPHONE NUMBER	_____



# Limited Warranty (ONLY FOR CANADA)

## Panasonic Canada Inc.

5770 Ambler Drive, Mississauga, Ontario L4W 2T3

### TECHNICS PRODUCT - LIMITED WARRANTY

Panasonic Canada Inc. warrants this product to be free from defects in material and workmanship under normal use and for a period as stated below from the date of original purchase agrees to, at its option either (a) repair your product with new or refurbished parts, (b) replace it with a new or a refurbished equivalent value product, or (c) refund your purchase price. The decision to repair, replace or refund will be made by Panasonic Canada Inc.

Technics Network Audio Amplifier	3 (three) years parts and labour
Technics Music Server	3 (three) years parts and labour
Technics CD Stereo System	3 (three) years parts and labour
Technics Turntable System	3 (three) years parts and labour

This warranty is given only to the original purchaser, or the person for whom it was purchased as a gift, of a Technics brand product mentioned above sold by an authorized Panasonic dealer in Canada and purchased and used in Canada, which product was not sold "as is", and which product was delivered to you in new condition in the original packaging.

**IN ORDER TO BE ELIGIBLE TO RECEIVE WARRANTY SERVICE HEREUNDER, A PURCHASE RECEIPT OR OTHER PROOF OF DATE OF ORIGINAL PURCHASE, SHOWING AMOUNT PAID AND PLACE OF PURCHASE IS REQUIRED**

#### **LIMITATIONS AND EXCLUSIONS**

This warranty ONLY COVERS failures due to defects in materials or workmanship, and DOES NOT COVER normal wear and tear or cosmetic damage. The warranty ALSO DOES NOT COVER damages which occurred in shipment, or failures which are caused by products not supplied by Panasonic Canada Inc., or failures which result from accidents, misuse, abuse, neglect, mishandling, misapplication, alteration, faulty installation, set-up adjustments, misadjustment of consumer controls, improper maintenance, power line surge, lightning damage, modification, introduction of sand, humidity or liquids, commercial use such as hotel, office, restaurant, or other business or rental use of the product, or service by anyone other than an Authorized Servicer, or damage that is attributable to acts of God.

Dry cell batteries are also excluded from coverage under this warranty.

THIS EXPRESS, LIMITED WARRANTY IS IN LIEU OF ALL OTHER WARRANTIES, EXPRESS OR IMPLIED, INCLUDING ANY IMPLIED WARRANTIES OF MERCHANTABILITY AND FITNESS FOR A PARTICULAR PURPOSE. IN NO EVENT WILL PANASONIC CANADA INC. BE LIABLE FOR ANY SPECIAL, INDIRECT OR CONSEQUENTIAL DAMAGES RESULTING FROM THE USE OF THIS PRODUCT OR ARISING OUT OF ANY BREACH OF ANY EXPRESS OR IMPLIED WARRANTY. (As examples, this warranty excludes damages for lost time, travel to and from the Authorized Servicer, loss of or damage to media or images, data or other memory or recorded content. This list of items is not exhaustive, but for illustration only.)

In certain instances, some jurisdictions do not allow the exclusion or limitation of incidental or consequential damages, or the exclusion of implied warranties, so the above limitations and exclusions may not be applicable. This warranty gives you specific legal rights and you may have other rights which vary depending on your province or territory.

#### **WARRANTY SERVICE**

For product operation, repairs and information assistance, please visit our Support page on:

[www.panasonic.ca/english/support](http://www.panasonic.ca/english/support)

#### **IF YOU SHIP THE PRODUCT TO A SERVICENTRE**

Carefully pack and send prepaid, adequately insured and preferably in the original carton.  
Include details of the defect claimed, and proof of date of original purchase.

## MENTION LÉGALE :

L'enregistrement et la lecture du contenu sur cet appareil (ou sur tout autre dispositif) pourrait requérir la permission du détenteur des droits d'auteur. Panasonic n'a aucune autorité pour vous octroyer, ni ne vous octroie, cette permission et dénie explicitement tout droit, aptitude ou intention d'obtenir une telle permission en votre nom. Il vous incombe d'assurer que votre utilisation de cet appareil ou de tout autre dispositif est conforme aux lois et règlements sur les droits d'auteur en vigueur dans votre pays.

Nous vous remercions d'avoir arrêté votre choix sur cet appareil.

Il est recommandé de lire attentivement ce manuel avant d'utiliser l'appareil et de le conserver pour consultation ultérieure.

- À propos des illustrations dans le présent manuel
  - Les pages à consulter sont indiquées par "⇒ ○○".
  - Les illustrations peuvent être différentes de l'apparence réelle de l'appareil.

Pour toute assistance supplémentaire, visiter :

États-Unis : <http://shop.panasonic.com/support>

Canada : [www.panasonic.ca/french/support](http://www.panasonic.ca/french/support)

Inscrivez-vous en ligne sur le site :

<http://shop.panasonic.com/support> (clients situés aux États-Unis uniquement)

## Caractéristiques

### Transmission des données Hi-Fi-Grade

L'architecture d'isolation des bruits numériques maintient le bruit et la gigue aux niveaux les plus bas possible. Le système de circuit activé de façon optimale envoie des données musicales de haute qualité au lecteur. Pour un USB-DAC, le transfert USB à faible bruit réduit la charge de traitement du côté du lecteur et garantit une puissance de sortie USB stable pour des transferts de données extrêmement précis.

### Extraction du CD en mode Bit-Perfect

L'extraction en mode Bit-Perfect permet non seulement de rajuster les caractéristiques d'erreur de lecture et d'effectuer des tentatives de relecture, mais aussi de réaliser des vérifications comparatives à l'aide de valeurs de hachage appropriées. Le lecteur CD interne est entièrement fabriqué en interne. Il se trouve dans un logement silencieux et est placé au centre du boîtier. Ce lecteur protégé et solidement fixé limite la production de vibrations et de bruit, et permet une lecture précise des données du CD.

### Convivialité optimisée pour l'audio en réseau

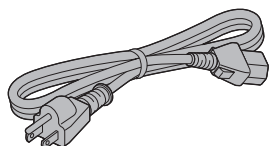
Le ST-G30L comprend une interface utilisateur permettant d'effectuer de nombreuses opérations, telles que la création d'une bibliothèque musicale depuis une application de téléphone intelligent et la modification des balises et réglages de divers paramètres. Il assure ainsi un fonctionnement confortable sans utiliser d'ordinateur. Il permet de s'immerger complètement dans la musique. Le stockage interne est amovible pour permettre de futures mises à niveau.

# Table des matières

IMPORTANTES MISES EN GARDE	08	Lire attentivement les "IMPORTANTES MISES EN GARDE" de ce manuel avant toute utilisation.
Installation	11	Installation
Préparation à l'emploi du disque SSD	12	Installer et formater le disque SSD.
Guide de référence des commandes	14	Appareil principal (Avant/Arrière)
Raccordements	16	Connexion au serveur de musique, Dispositifs/Cordon d'alimentation secteur, etc.
Préparatifs	20	Avant d'utiliser cet appareil, Importation de la musique depuis des CD ou des dispositifs USB
Lecture	22	Écouter la musique stockée sur le disque SSD de cet appareil.
Fonctions évoluées	24	Importation de la musique depuis un ordinateur, Sauvegarde / Restauration
Guide de dépannage	25	Avant de demander une assistance, lire les conseils de dépannage.
Autres	27	Spécifications, Support lisible, etc.

## Accessoires

Cordon d'alimentation (1)



K2CG3YY00191

(SEULEMENT POUR LE CANADA)

Vis (4)



XSS3+6FN

La feuille d'autocollants en français ci-incluse correspond aux noms des touches, prises ou voyants indiqués en anglais sur l'appareil.

- Les numéros de produit fournis dans ce manuel d'utilisation sont corrects à compter de mars 2016.
- Ceux-ci peuvent être sujets à changements.
- Ne pas utiliser le cordon d'alimentation avec un autre appareil.

# IMPORTANTES MISES EN GARDE

Avant d'utiliser l'appareil, lire attentivement les instructions qui suivent. Se conformer tout particulièrement aux avertissements inscrits sur l'appareil et aux consignes de sécurité indiquées ci-dessous. Conserver le présent manuel pour consultation ultérieure.

- 1 Lire attentivement ces instructions.
- 2 Conserver ces instructions.
- 3 Lire toutes les mises en garde.
- 4 Suivre toutes les instructions.
- 5 Ne pas utiliser cet appareil près d'une source d'eau.
- 6 Ne nettoyer qu'avec un chiffon sec.
- 7 Ne pas bloquer les événements d'aération. Installer l'appareil selon les instructions du fabricant.
- 8 Ne pas installer l'appareil près d'un appareil de chauffage tel qu'un radiateur, une cuisinière, un registre de chaleur ou tout dispositif émettant de la chaleur (y compris un amplificateur).
- 9 Pour des raisons de sécurité, ne pas modifier la fiche polarisée ou celle de mise à la terre. Une fiche polarisée est une fiche à deux lames, dont une plus large. Une fiche de mise à la terre est une fiche à deux lames avec une broche de masse. La lame plus large ou la broche de masse procure une protection accrue. Si ce genre de fiche ne peut être inséré dans une prise de courant, communiquer avec un électricien pour remplacer la prise.
- 10 S'assurer que le cordon est placé dans un endroit où il ne risque pas d'être écrasé, piétiné ou coincé. Faire particulièrement attention à ses extrémités de branchement, y compris sa fiche.
- 11 N'utiliser que les accessoires ou périphériques recommandés par le fabricant.
- 12 N'utiliser l'appareil qu'avec un chariot, meuble, trépied, support ou table recommandé par le fabricant ou vendu avec l'appareil. Lors de l'utilisation d'un chariot, le déplacer avec le plus grand soin afin d'éviter tout dommage.
- 13 Débrancher cet appareil lors d'un orage ou en cas de non-utilisation prolongée.
- 14 Confier l'appareil à un technicien qualifié pour toute réparation : cordon d'alimentation ou fiche endommagé, liquide renversé ou objet tombé dans l'appareil, exposition à la pluie ou à une humidité excessive, mauvais fonctionnement ou échappement de l'appareil.



## AVERTISSEMENT

### Appareil

- Pour réduire les risques d'incendie, de choc électrique ou de dommages à l'appareil,
  - N'exposez pas cet appareil à la pluie, à l'humidité, à l'égouttement ou aux éclaboussures.
  - Ne placez sur l'appareil aucun objet rempli de liquide, comme par exemple des vases.
  - Utilisez exclusivement les accessoires recommandés.
  - Ne retirez pas les couvercles.
  - Toute réparation doit être faite par un personnel qualifié et non par l'utilisateur.
  - Ne laissez aucun objet en métal tomber à l'intérieur de cet appareil.
  - Ne posez pas d'objets lourds sur cet appareil.

### Cordon d'alimentation c.a.

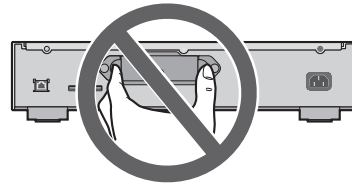
- La fiche d'alimentation permet de déconnecter l'appareil. L'appareil doit être installé à proximité d'une prise secteur facile d'accès.
- Assurez-vous que la lame pour la mise à la terre est insérée bien à fond afin de prévenir tout choc électrique.
  - Un appareil de classe 1 peut être branché dans une prise secteur avec une protection pour mise à la terre.

**ATTENTION****Appareil**

- Cet appareil est doté d'un lecteur au laser. L'utilisation de commandes ou le recours à des réglages autres que ceux indiqués dans ce manuel peuvent présenter des risques d'exposition à des radiations.
- Ne placer aucune source de flamme nue, telles des bougies allumées, sur l'appareil.
- Il est possible que cette unité reçoive des interférences provenant de téléphones cellulaires pendant son utilisation. Si de telles interférences se produisent, veuillez éloigner l'unité du téléphone cellulaire.


**Emplacement**


- Positionner cet appareil sur une surface plane.
- Pour réduire les risques d'incendie, de choc électrique ou de dommages à l'appareil,
  - Ne pas installer cet appareil dans une bibliothèque, une armoire ou tout autre espace confiné. S'assurer que la ventilation de l'appareil est adéquate.
  - Ne pas obstruer les événements d'aération de l'appareil avec des journaux, des nappes, des rideaux ou d'autres objets similaires.
  - Ne pas exposer cet appareil aux rayons directs du soleil, aux températures élevées, à une humidité élevée et à des vibrations excessives.
- Installer les enceintes à au moins 10 mm ( $13/32$  po) de la chaîne pour assurer une ventilation adéquate.
- Ne pas soulever et ne pas transporter cet appareil en le prenant par ses boutons. Cela pourrait faire tomber l'appareil, mener à des blessures ou à des anomalies de fonctionnement de cet appareil.
- Ne soulevez pas et ne transportez pas cet appareil en le tenant par les parties creuses du support du disque SSD.



# IMPORTANTES MISES EN GARDE

	<b>AVIS</b> RISQUE DE CHOC ÉLECTRIQUE NE PAS OUVRIR	
<p>AVIS : AFIN DE PRÉVENIR LE RISQUE DE CHOCS ÉLECTRIQUES, NE PAS RETIRER LES VIS. CONFIER TOUTE RÉPARATION À UN TECHNICIEN QUALIFIÉ.</p>		

 Le symbole de l'éclair dans un triangle équilatéral indique la présence d'une tension suffisamment élevée pour engendrer un risque de chocs électriques.

 Le point d'exclamation dans un triangle équilatéral indique que le manuel d'utilisation inclus avec l'appareil contient d'importantes recommandations quant au fonctionnement et à l'entretien de ce dernier.

Conforme à la norme CAN/CSA C22.2 No.60065.  
**CE QUI SUIT NE S'APPLIQUE QU'AU CANADA.**  
 CAN ICES-3(B)/NMB-3(B)

<b>DANGER</b> - VISIBLE AND INVISIBLE LASER RADIATION WHEN OPEN. AVOID DIRECT EXPOSURE TO BEAM. <small>FD421 CFR/CLASS IIIb</small>
<b>CAUTION</b> - CLASS 3B VISIBLE AND INVISIBLE LASER RADIATION WHEN OPEN. AVOID EXPOSURE TO THE BEAM. <small>IEC60825-1/CLASS 3B</small>
<b>ATTENTION</b> - RAYONNEMENT LASER VISIBLE ET INVISIBLE CLASSE 3B. EN CAS D'OUVERTURE, ÉVITER UNE EXPOSITION AU FAISCEAU.
<b>FORSIGTIG</b> - SYNLIG OG USYNLIG LASERSTRÅLING KLASSE 3B. NÅR LÅGET ER ÅBENT, UNDGÅ AT BLIVE UDSAT FOR STRÅLEN.
<b>VARO</b> - AVATTAESSA OLET ALTTIINA LUOKAN 3B NÄKYVÄÄ JA NÄKYMÄTÖNTÄ LASERSÄTEILYÄ. VÄRÖ ALTIISTUMISTA SÄTEELLE.
<b>VARNING</b> - KLASS 3B SYNLIG OCH OSYNLIG LASERSTRÅLNING NÄR DENNA DEL ÄR ÖPPNAD. UNDVIK EXPONERING FÖR STRÅLEN.
<b>VORSICHT</b> - SICHTBARE UND UNSICHTBARE LASERSTRAHLUNG KLASSE 3B. WENN ABDECKUNG GEÖFFNET, NICHT DEM STRAHL AUSSETZEN.
<b>注意</b> - 打开时有可见及不可见激光辐射。避免光束照射。
<b>注意</b> - ここを開くとクラス3Bの可視及び不可視レーザー放射が出る。ビームの目又は皮膚への接触は危険！ <small>見たり触れたりしないこと VQL2Q40</small>

(Intérieur de l'appareil)

## Installation

- Mettre tous les appareils hors marche avant d'effectuer les raccordements et lire les manuels d'utilisation concernés.

## Entretien de l'appareil

- Débrancher le cordon d'alimentation avant de procéder à l'entretien de l'appareil. Nettoyer cet appareil avec un chiffon doux.
- Si l'appareil est particulièrement sale, utiliser un chiffon humide bien essoré pour essuyer la saleté, puis essuyer l'appareil avec un chiffon doux.
- Ne pas utiliser de solvants tels que la benzine, du diluant, de l'alcool, des détergents de cuisine, etc. Cela pourrait modifier l'apparence du boîtier externe ou décoller son revêtement.

## Pour mettre au rebut ou donner cet appareil

Cet appareil peut contenir des informations privées. Avant de mettre au rebut ou de donner cet appareil, procéder comme suit pour supprimer les données, incluant les informations personnelles ou secrètes.

(⇒ 25, "Rétablissement des paramètres par défaut", "Suppression de la musique et des réglages stockés sur le disque SSD")

- Mettre cet appareil au rebut en suivant les consignes et réglementations locales.
- Le client est responsable de la gestion des informations personnelles importées sur le disque SSD de cet appareil.

## Rangement du disque SSD

Ne pas ranger le disque SSD dans les endroits suivants, cela pourrait causer des dysfonctionnements :

- Endroits extrêmement chauds
- Endroits subissant des changements extrêmes de température
- Endroits exposés aux rayons directs du soleil
- Endroits générant de l'électricité statique ou des ondes électromagnétiques
- Endroits humides ou poussiéreux

Le plateau du stockage (⇒ 14, 15) à l'arrière de cet appareil est amovible. Avant d'utiliser cet appareil, ouvrir le plateau du stockage et installer un disque SSD.

- Le disque SSD n'est pas fourni avec cet appareil. Acheter un disque SSD disponible dans le commerce.
- Pour des informations sur la manipulation du disque SSD, lire "SSD" (⇒ 29).

## ■ Disques SSD pris en charge

Cet appareil prend en charge les disques SSD SATA de 2,5 po ayant une épaisseur maximale de 9,5 mm. (Seuls ceux ayant une tension d'alimentation de 5 V.) Il n'est pas possible de raccorder les disques SSD PATA, les disques SSD de 1,8 po, les disques SSD avec connecteurs ZIF, les disques SSD ayant une tension de 3,3 V, ou les disques SSD ayant une forme spéciale (disque SSD interne d'un Eee PC ASUS (netbook), etc.).

Pour plus de détails, visiter le site Web suivant.

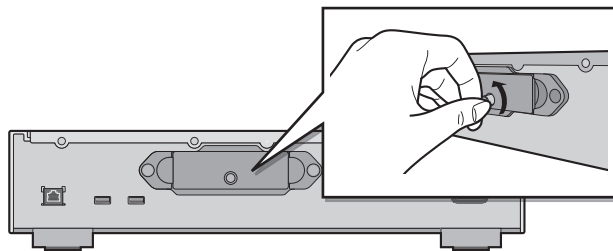
[www.technics.com/support/](http://www.technics.com/support/)

Garder les éléments suivants à portée de main :

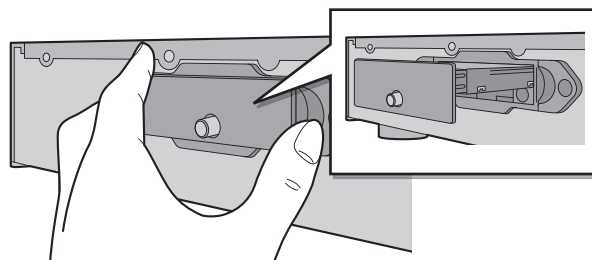
- Vis (M3, argent) ..... 4

Procéder comme suit pour installer le disque SSD.

### 1 Tourner la vis de fixation à l'arrière de cet appareil pour la desserrer.

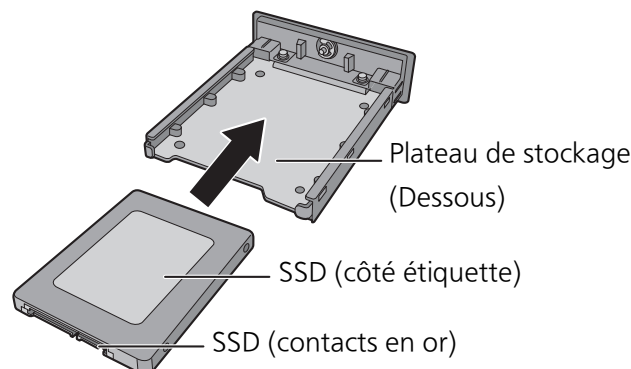


### 2 Tenir les deux extrémités du plateau de stockage pour le retirer.



### 3 Mettre le plateau de stockage à l'envers (le dessous vers le haut), et fixer le nouveau disque SSD.

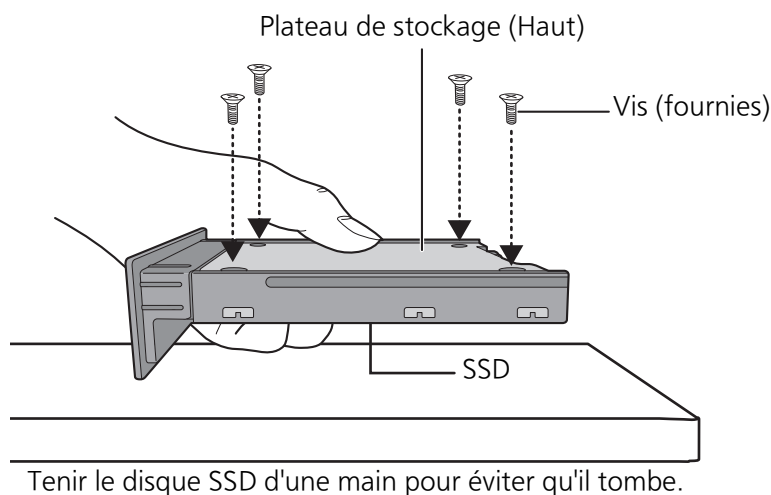
- Faire attention à l'orientation du disque SSD et du plateau de stockage.





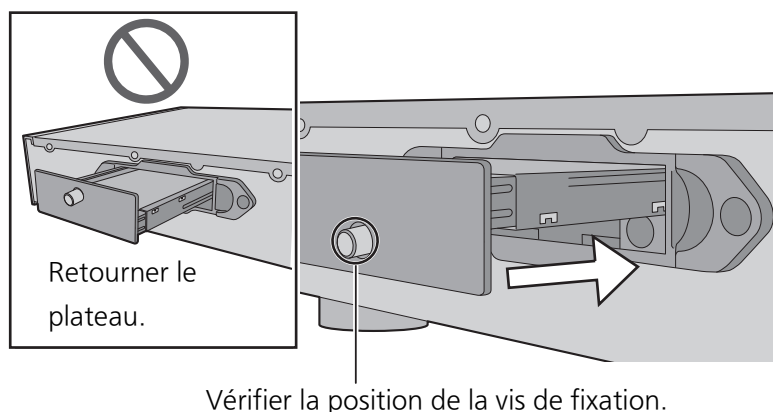
#### 4 Mettre le plateau de stockage à l'endroit, et serrer les vis (fournies).

- Utiliser un tournevis cruciforme pour serrer les vis. Choisir un tournevis cruciforme adapté à la taille des vis.
- Ne pas serrer excessivement les vis. Cela pourrait abîmer leur filetage, rendant impossible toute utilisation ultérieure.



#### 5 Insérer le plateau de stockage dans cet appareil et serrer la vis de fixation.

- Après avoir inséré le plateau de stockage, visser soigneusement la vis de fixation jusqu'à ce que le plateau soit bien stable.



#### 6 Raccorder les périphériques/câble d'alimentation secteur, etc. (⇒ 18, 19)

#### 7 Formater le disque SSD en utilisant l'application "Technics Music App". (⇒ 20)

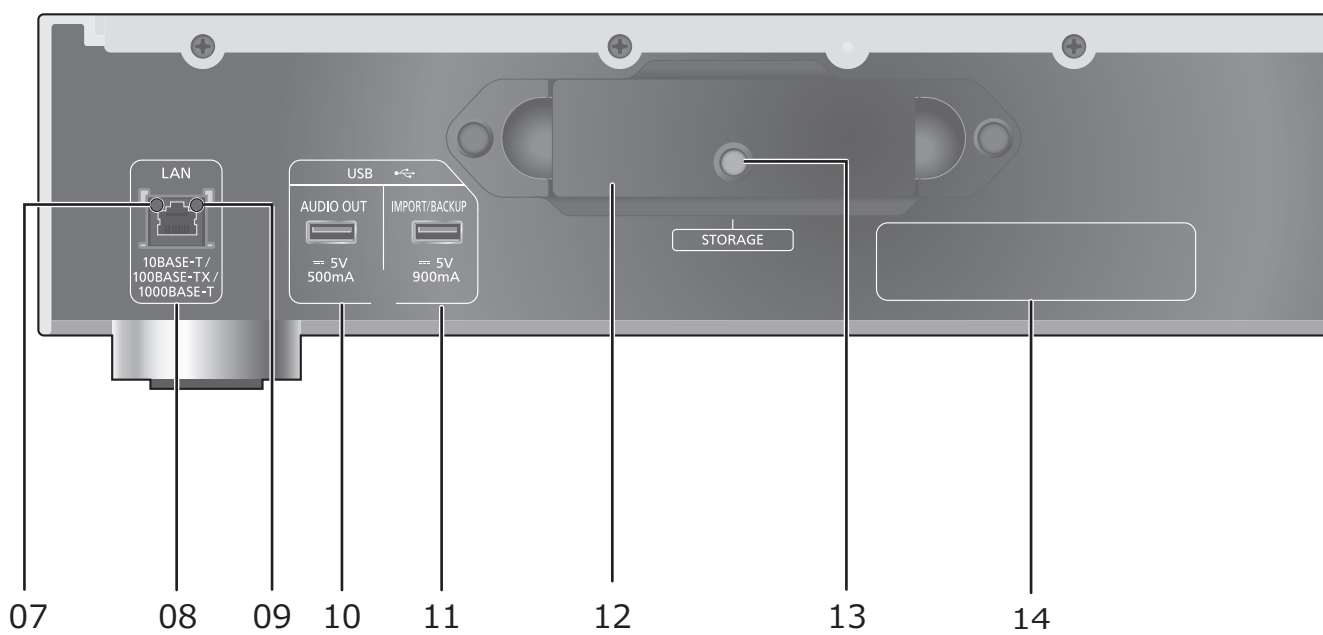
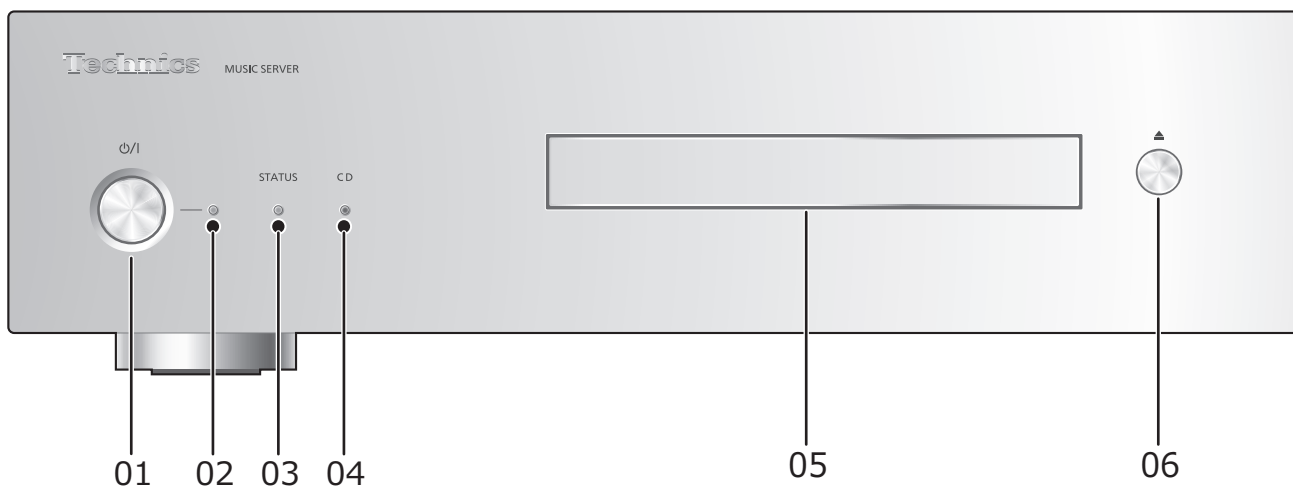
- Pour plus de détails, lire le guide de l'utilisateur de "Technics Music App".

#### ■ Lors du remplacement du disque SSD, s'assurer de procéder comme suit.

- Avant d'installer ou de retirer le disque SSD, s'assurer d'avoir mis cet appareil hors marche et d'avoir débranché la prise électrique. Ne pas le faire peut provoquer des dysfonctionnements.

#### Nota

- Prendre garde de ne pas toucher les contacts en or sur le disque SSD.
- Il est conseillé d'effectuer une sauvegarde des données importantes pour éviter leur perte avant de remplacer le disque SSD. (⇒ 24)



**01 Interrupteur d'attente/marche (⏻/⏻)**

- Appuyer sur cet interrupteur pour commuter l'appareil du mode d'attente au mode de marche et vice versa. En mode d'attente, l'appareil continue de consommer une petite quantité de courant.

**02 Voyant d'alimentation**

- Bleu : L'appareil est en marche.

**03 Indicateur d'état (STATUS)**

Il s'agit d'un indicateur à DEL bicolore qui affiche l'état du disque SSD.

- Il clignote en bleu lorsque cet appareil est mis en marche.

ÉTEINT	Pas de disque SSD (⇒ 12, 13)
Fixe (bleu)	Accès au disque SSD possible
Fixe (rouge)	Importation depuis USB / Téléchargement depuis Technics Tracks / Sauvegarde / Restauration
Clignote (rouge)	Le disque SSD n'est pas formaté

**04 Indicateur CD**

Il s'agit d'un indicateur à DEL bicolore qui affiche l'état du CD.

- Il clignote en bleu lorsqu'un CD est introduit dans cet appareil.

ÉTEINT	Pas de CD
Fixe (bleu)	Accès au CD possible
Fixe (rouge)	Enregistrement de la musique du CD
Clignote (rouge)	CD incompatible

**05 Plateau du CD****06 Ouvre/ferme le plateau du CD**

- Le plateau s'ouvre ou se referme une fois que l'indicateur CD a cligné.

**07 Indicateur de connexion réseau**

ÉTEINT	Déconnecté
Fixe (jaune)	Connecté
Clignote (jaune)	En cours de connexion

**08 Prise LAN (⇒ 18, 19)****09 Indicateur de vitesse de communication réseau**

ÉTEINT	Déconnecté/Connexion à 10 Mbps
Fixe (orange)	Connexion à 100 Mbps
Fixe (vert)	Connexion à 1 Gbps

**10 Prise USB (≡ 5 V c.c., 500 mA AUDIO OUT) (⇒ 22)**

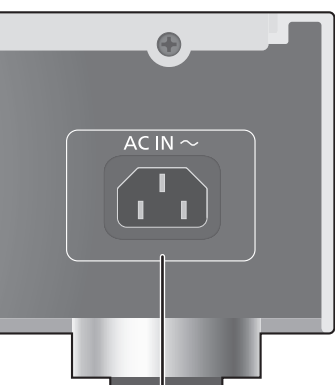
- Sert à raccorder un dispositif ayant un USB-DAC intégré.

**11 Prise USB (≡ 5 V c.c., 900 mA IMPORT/BACKUP) (⇒ 21)**

- Sert à raccorder une clé USB ou un USB HDD (Disque dur externe).

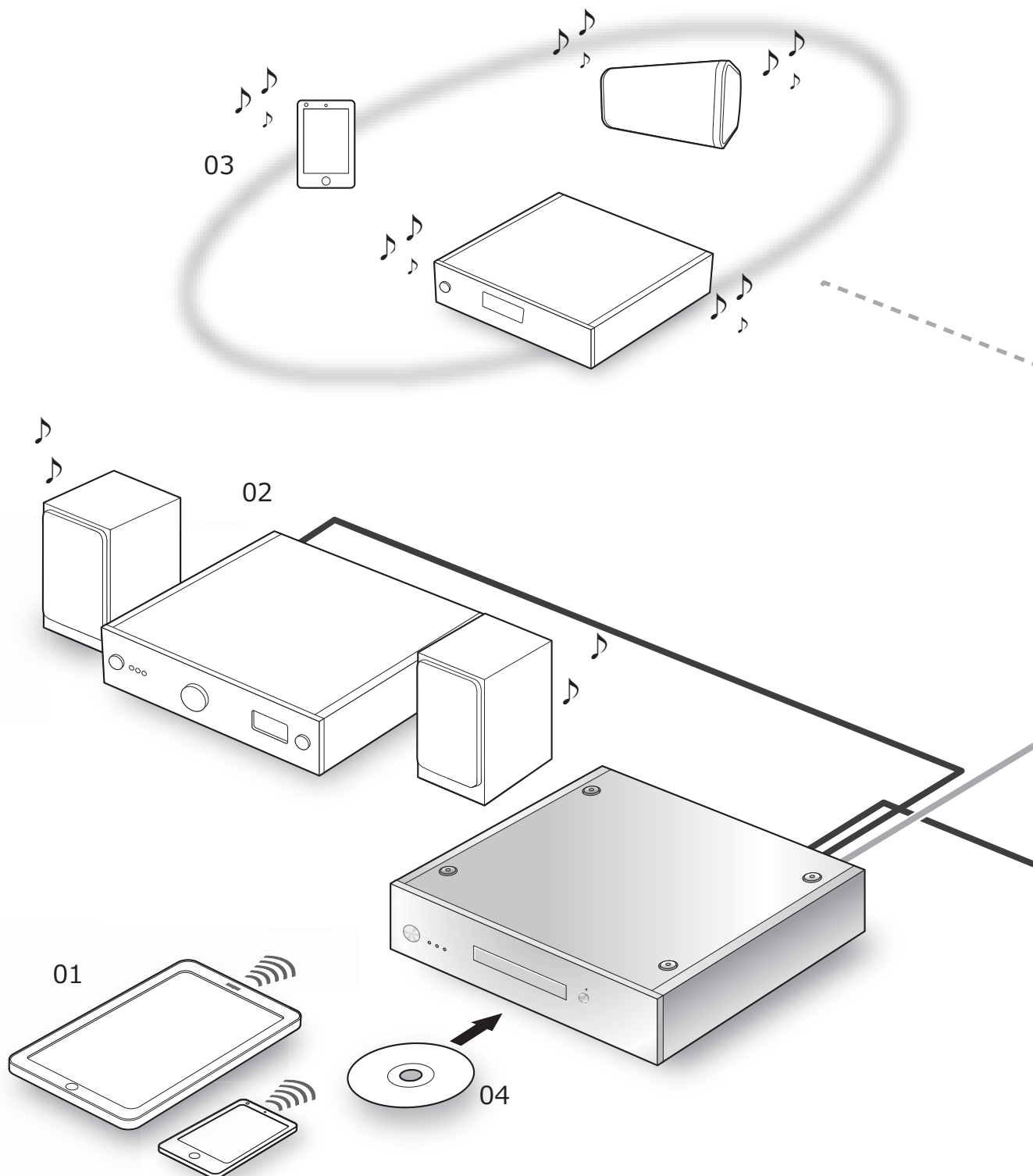
**12 Plateau de stockage (STORAGE)**

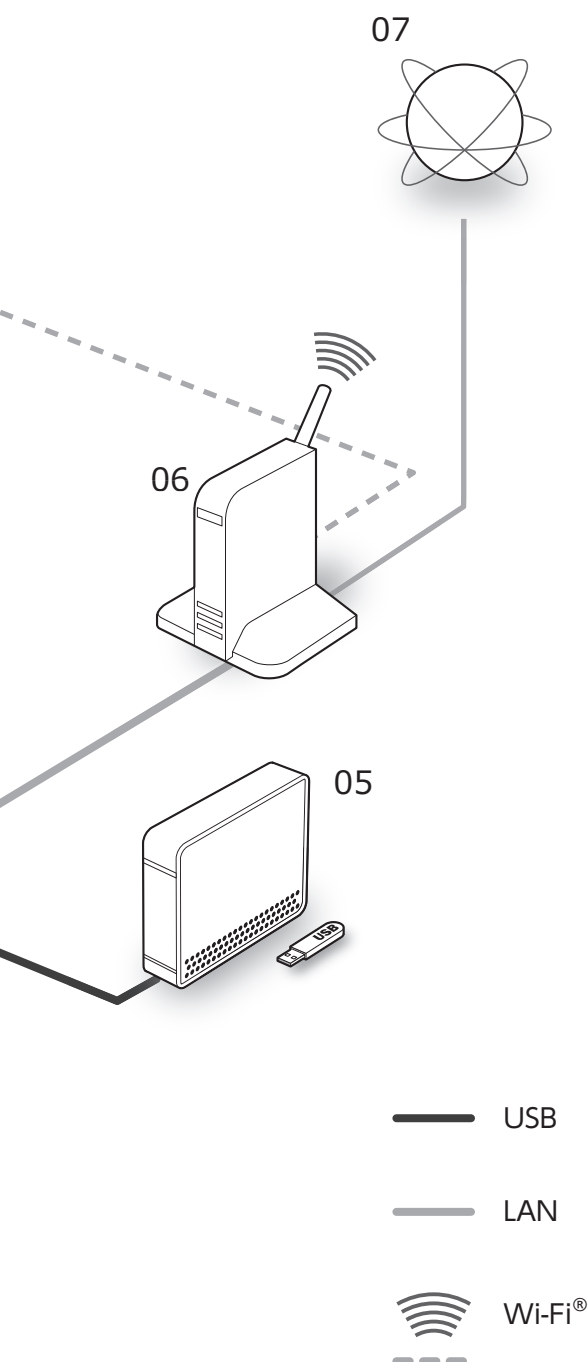
- Il est possible de retirer le plateau pour installer ou retirer le disque SSD. (⇒ 12, 13)

**13 Vis de fixation****14 Plaque signalétique****15 Prise d'entrée c.a. (AC IN) ( ~ ) (⇒ 18, 19)**

15

Cet appareil est un serveur de musique Hi-Fi. Il stocke et organise automatiquement les données musicales, puis transmet les données à des dispositifs audio longue portée. Après avoir sauvegardé les données musicales sur le disque SSD de cet appareil, il est possible d'écouter la musique en raccordant cet appareil à un lecteur ou un amplificateur ayant un USB DAC intégré (convertisseur numérique-analogique). De plus, en utilisant la fonction DLNA, il est possible de lire la musique sur le disque SSD de cet appareil avec un dispositif comme un lecteur réseau ou une tablette.





### 01 Téléphone intelligent/Tablette

Télécharger "Technics Music App" pour utiliser cet appareil.

- Avant d'utiliser cet appareil (⇒ 20)

### 02 Dispositif ayant un USB-DAC intégré

Raccorder un amplificateur/convertisseur N-A à l'aide d'un câble USB pour reproduire les données musicales stockées dans cet appareil.

- Écouter la musique avec des raccordements audio USB (⇒ 22)

### 03 Lecteur réseau/téléphone intelligent/enceinte sans fil

Se connecter avec la fonction DLNA pour reproduire les données musicales stockées dans cet appareil.

- Écoute de la musique avec la fonction DLNA (⇒ 23)

### 04 CD

- Enregistrement de la musique depuis des CD (⇒ 21)

### 05 Dispositifs USB

La musique présente sur des dispositifs USB peut être sauvegardée sur le disque SSD de cet appareil. Il est possible également de sauvegarder sur des dispositifs USB la musique stockée sur le disque SSD.

- Importation de la musique depuis des dispositifs USB (⇒ 21)

### 06 Routeur à large bande

Le raccorder à cet appareil à l'aide d'un câble réseau.

- Raccordements (⇒ 18, 19)

### 07 Internet

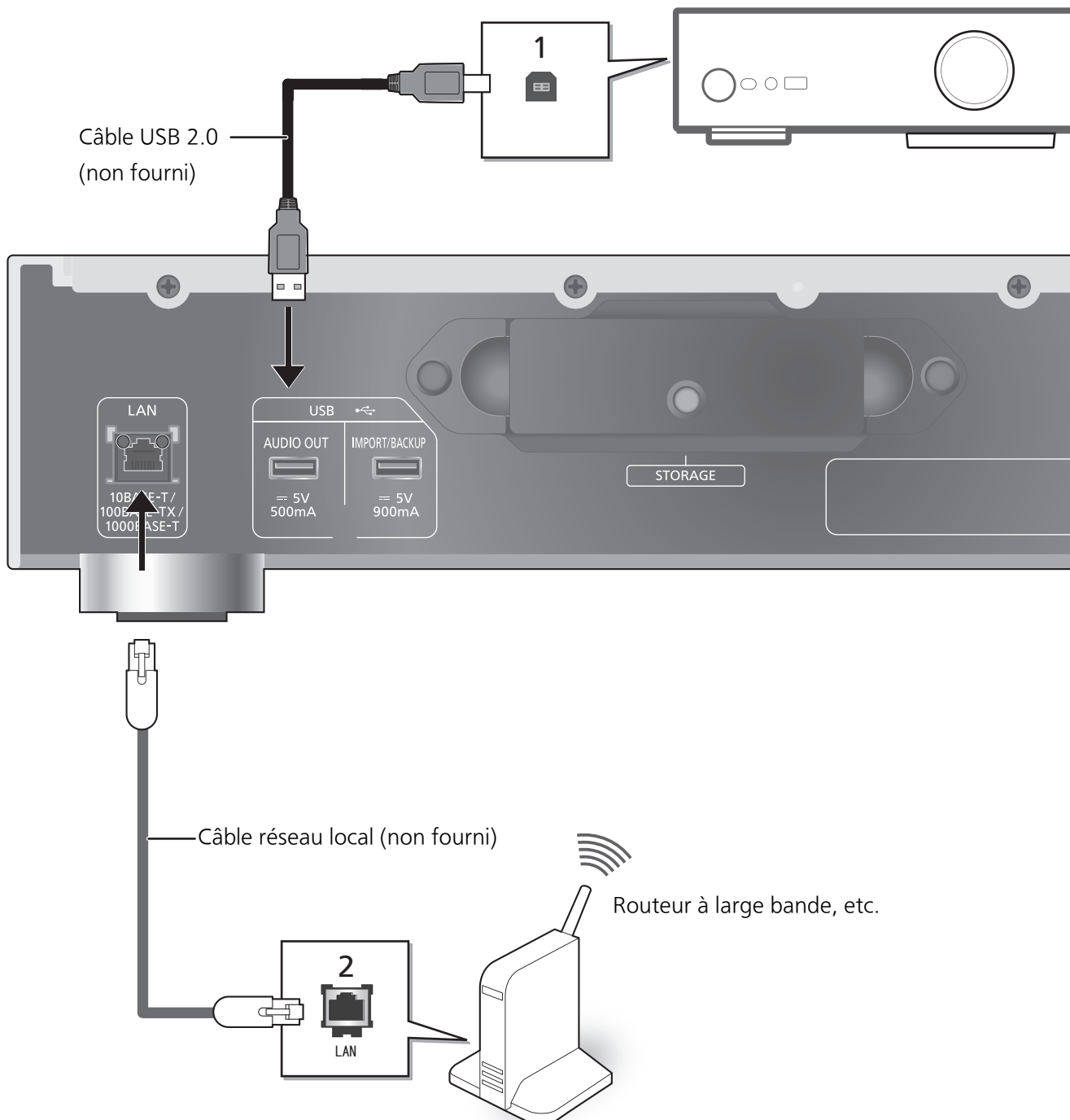
Il est possible de télécharger des pistes musicales depuis un magasin de musique en ligne, ou de récupérer automatiquement des informations sur les titres depuis la base de données Gracenote.

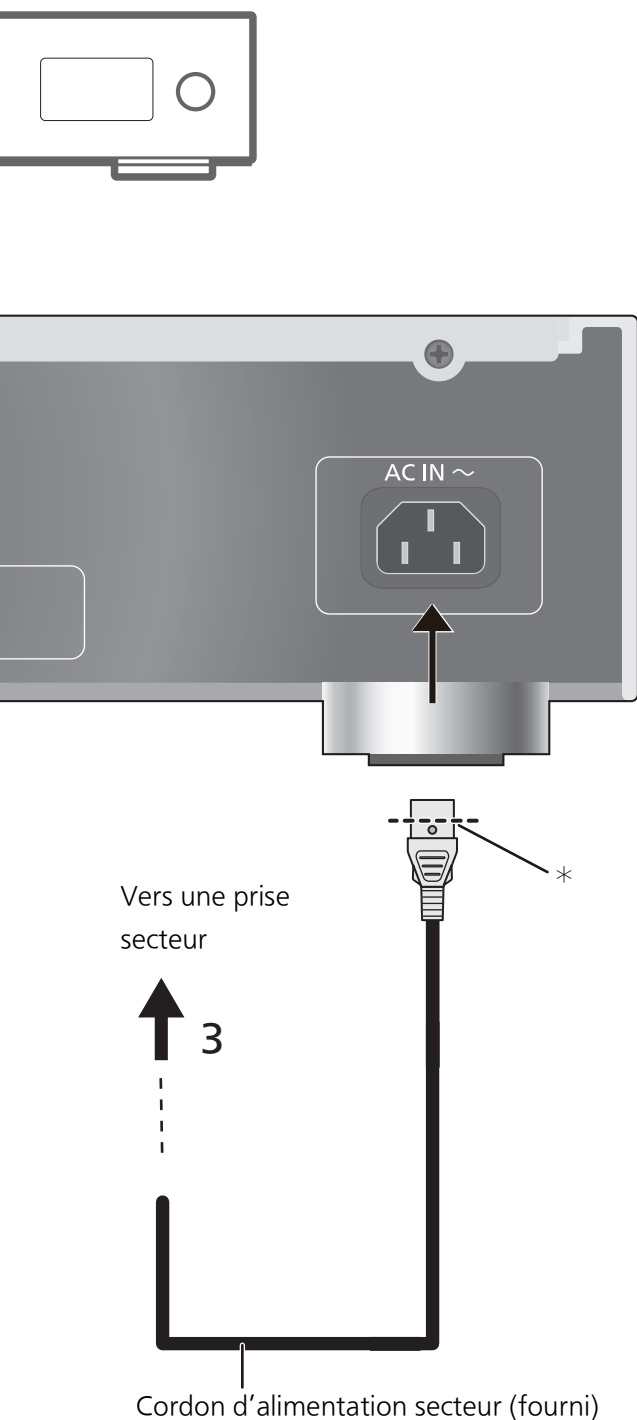
- Avant d'utiliser cet appareil (⇒ 20)

## Raccordements

### Dispositifs/Cordon d'alimentation secteur, etc.

- Utiliser uniquement le cordon d'alimentation secteur fourni.
- Ne pas brancher le cordon d'alimentation secteur avant que tous les autres raccordements ne soient effectués.
- Insérer à fond les fiches des câbles à brancher.
- Ne pas plier les câbles.





\* Insérer le cordon d'alimentation secteur jusqu'à un point situé juste avant le trou circulaire.

### 1 Connexion d'un dispositif ayant un USB-DAC intégré.

Cet appareil reproduira les signaux audio permettant la lecture des fichiers musicaux.

- Lire le manuel d'utilisation de l'équipement raccordé pour obtenir des détails sur le fonctionnement.
- Le raccordement USB n'est pas nécessaire pour lire la musique à l'aide de la fonction DLNA.

### 2 Connexion au réseau local filaire

Normalement, un simple raccordement du câble réseau devrait suffire à effectuer la configuration.

- Utilisez des câbles réseau local droits de catégorie 7 ou supérieure (STP) lors de leur connexion à des appareils périphériques.

### 3 Connexion du cordon d'alimentation

Brancher le cordon d'alimentation après que tous les autres raccordements ont été complétés.

#### Nota

- Cet appareil consomme une faible quantité de courant secteur (⇒ 27) même lorsqu'il est en mode veille. Retirer la fiche de la prise secteur si cet appareil ne doit plus être utilisé pendant un assez long moment. Placer cet appareil de manière à ce que la fiche puisse être facilement retirée.
- Avec le cordon d'alimentation secteur débranché, le câble réseau peut être branché ou débranché.
- Le branchement d'un tout autre câble que le câble réseau dans le port LAN peut endommager l'appareil.

## ■ Préparation de l'application à l'emploi

Avant d'utiliser cet appareil, vous devez installer "Technics Music App" (gratuit), une application spécialement conçue pour les produits Technics, sur votre téléphone intelligent ou votre tablette.

### Technics Music App

- iOS : App Store
- Android : Google Play™



Pour des informations sur les fonctions et les affichages à l'écran de "Technics Music App", lire son guide de l'utilisateur, qui peut être téléchargé sur le site Web suivant.

[www.technics.com/support/](http://www.technics.com/support/)

## ■ Connexion du téléphone intelligent ou la tablette au réseau LAN sans fil

Utiliser un téléphone intelligent ou une tablette où "Technics Music App" est installé pour piloter et configurer cet appareil via un réseau. Activer les paramètres Wi-Fi du téléphone intelligent ou de la tablette, avant de les connecter au même réseau que cet appareil.

## ■ Formatage du disque SSD

Avant d'utiliser cet appareil, le disque SSD doit être formaté. Cet appareil ne peut pas être utilisé si le disque SSD n'a pas été formaté au préalable.

- 1 Lancer l'appli "Technics Music App".
- 2 Toucher "Menu du ST-G30", puis toucher "Technics ST-G30\*\*\*\*\*".
  - "\*\*\*\*\*" représente un chiffre unique pour chaque ensemble.
- 3 Toucher "Réglages", puis toucher "Initialiser".
- 4 Toucher "Formater le disque SSD".
  - Pour formater le disque SSD, toucher "OK".

## ■ Utilisation d'un magasin de musique en ligne haute résolution

Technics Tracks\* est un service de téléchargement musical spécialisé dans les fichiers audio en haute résolution. Il est possible d'acheter des fichiers musicaux à l'aide d'un ordinateur, d'un téléphone intelligent ou d'une tablette.

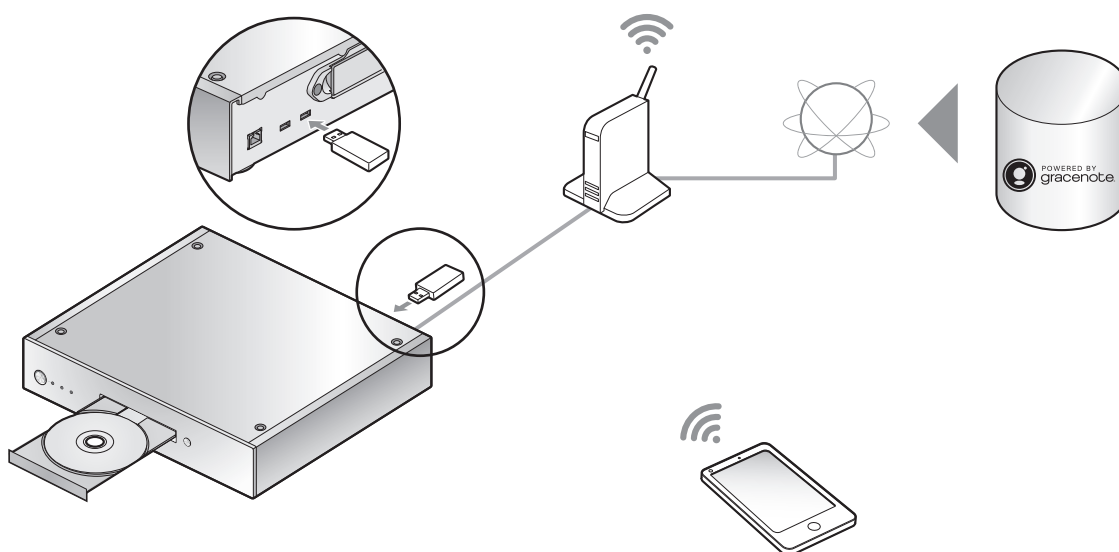
- L'enregistrement de l'utilisateur est nécessaire pour utiliser Technics Tracks. Visiter le site Web suivant pour avoir plus de détails.

<https://tracks.technics.com/>

\* Pour le Royaume-Uni, l'Allemagne et le Canada (à compter de janvier 2016)

- Il est possible de télécharger automatiquement les fichiers musicaux achetés dans un magasin de musique en ligne haute résolution sur le disque SSD de cet appareil.  
Pour plus de détails, lire le guide de l'utilisateur de "Technics Music App".
- Les services de musique en haute-résolution peuvent être soumis à une modification ou à une résiliation.





Il est possible d'introduire un CD ou de brancher un dispositif USB et d'importer de la musique.

- Cet appareil ne peut pas lire les CD.
- Pour des informations sur les CD et les dispositifs USB compatibles (⇒ 28)

## Préparatifs

- Connecter le dispositif sur lequel "Technics Music App" est installé sur le même réseau que cet appareil.

### ■ Enregistrement d'un CD

1 Appuyer sur la touche [⏻/I] de cet appareil pour le mettre en marche.

2 Appuyer sur [▲] pour ouvrir le plateau du CD et insérer le CD.

Pour fermer le plateau du CD, appuyer de nouveau sur [▲].

- Le CD est accessible une fois que l'indicateur CD est devenu bleu.

3 Lancer "Technics Music App" pour enregistrer la musique du CD.

- Aller au "Menu du ST-G30" pour effectuer cette étape. Pour plus de détails, lire le guide de l'utilisateur de "Technics Music App".
- Si cet appareil est connecté au réseau, les informations du titre du CD seront automatiquement récupérées depuis la base de données Gracenote.

### ■ Importation depuis un dispositif USB

1 Appuyer sur la touche [⏻/I] de cet appareil pour le mettre en marche.

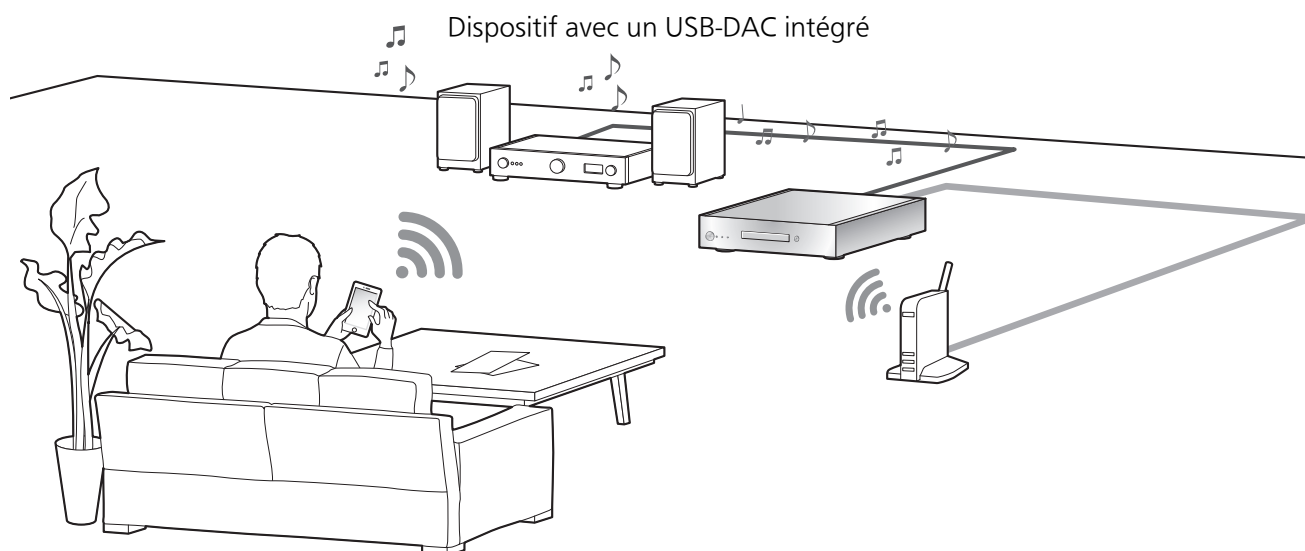
2 Brancher le dispositif USB au port USB [IMPORT/BACKUP] situé à l'arrière de cet appareil.

3 Lancer "Technics Music App" pour importer la musique du dispositif USB.

- Aller au "Menu du ST-G30" pour effectuer cette étape. Pour plus de détails, lire le guide de l'utilisateur de "Technics Music App".

#### Nota

- Si cet appareil est mis hors marche ou si le dispositif USB est débranché durant l'importation, la musique en cours d'importation ne sera pas sauvegardée.
- En fonction des conditions d'utilisation, l'importation pourrait ne pas s'effectuer correctement.
- Noter que même si le contenu n'est pas importé correctement à cause d'un quelconque défaut, Panasonic ne sera pas responsable du remboursement d'un tel contenu, des pertes découlant du contenu importé, ni de tout dommage direct ou indirect causé par une telle importation. La même chose s'applique à la réparation de cet appareil.



Il est possible de raccorder cet appareil à un lecteur ou un amplificateur pour lire la musique stockée sur le disque SSD de cet appareil, sans utiliser d'ordinateur.

- Il n'est pas possible de lire de la musique stockée sur des dispositifs autres que le disque SSD de cet appareil.
- Pour en savoir plus sur le format pris en charge, lire "Format de fichier" (⇒ 27)

## Préparatifs

- Raccorder cet appareil à un lecteur ou un amplificateur. (⇒ 18, 19)
- Connecter le dispositif sur lequel "Technics Music App" est installé et le lecteur ou l'amplificateur sur le même réseau que cet appareil.

### 1 Lancer l'appli "Technics Music App".

- Si un écran demandant d'afficher l'écran de menu du ST-G30 apparaît, toucher "Afficher".
- Toucher "🏠" pour revenir à l'écran "Source de musique".

### 2 Toucher "Serveur de musique", puis toucher "Technics ST-G30\*\*\*\*\*".

- "\*\*\*\*\*" représente un chiffre unique pour chaque ensemble.
- Toucher "🏠" pour revenir à l'écran "Source de musique".

### 3 Toucher "🔊", puis toucher le jeu d'enceintes qui doit être utilisé.

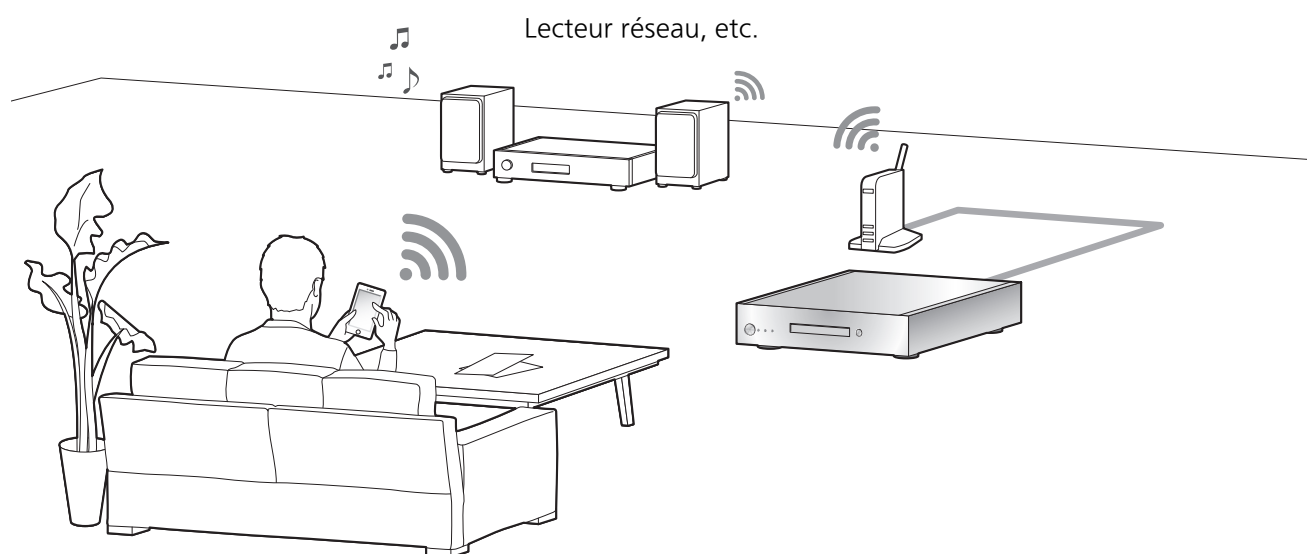
- Un numéro de modèle Technics ou "USB-DAC" apparaît sous "USB-AUDIO".

### 4 Sélectionner une chanson.

- Pour plus de détails, lire le guide de l'utilisateur de "Technics Music App".

#### Nota

- Selon le dispositif connecté, cette fonction pourrait ne pas fonctionner correctement.



Il est possible de lire la musique stockée sur le disque SSD de cet appareil avec la fonction DLNA.

- Pour en savoir plus sur le format pris en charge, lire "Format de fichier" (⇒ 27)

## Préparatifs

- Connecter le dispositif sur lequel "Technics Music App" est installé et le lecteur réseau ou la tablette sur le même réseau que cet appareil.

### 1 Lancer l'appli "Technics Music App".

- Si un écran demandant d'afficher l'écran de menu du ST-G30 apparaît, toucher "Afficher".
- Toucher "🏠" pour revenir à l'écran "Source de musique".

### 2 Toucher "Serveur de musique", puis toucher "Technics ST-G30\*\*\*\*\*".

- "\*\*\*\*\*" représente un chiffre unique pour chaque ensemble.
- Toucher "🏠" pour revenir à l'écran "Source de musique".

### 3 Toucher "🔊", puis toucher le jeu d'enceintes qui doit être utilisé.

- Un numéro de modèle apparaît sous "DLNA".

### 4 Sélectionner une chanson.

- Pour plus de détails, lire le guide de l'utilisateur de "Technics Music App".

#### Nota

- Selon le contenu et l'équipement connecté, il peut arriver que les fonctions ou la lecture soient impossibles à effectuer.

## Importation de la musique depuis un ordinateur

Il est possible d'utiliser un ordinateur pour accéder au ST-G30L au moyen du réseau pour sauvegarder et éditer les dossiers et les pistes.

### Préparatifs

- Connecter l'ordinateur contenant la musique qui doit être importée dans cet appareil sur le même réseau que ce dernier.

Exemple avec Windows 7

- 1 Ouvrir un dossier, et cliquer sur "Network".
- 2 Double-cliquer sur l'icône "ST-G30-\*\*\*\*\*" affichée sur la liste "Computer" du dossier.
  - Cela peut prendre un certain temps avant que l'icône du nom de cet appareil apparaisse sur la liste "Computer". Si l'icône ne s'affiche pas, cliquer sur "Refresh "Network"" dans la barre d'adresse du dossier. (En fonction du type ou de la version du SE, cette touche de rafraîchissement pourrait ne pas être disponible. Dans ce cas, attendre quelques minutes, le temps que l'icône apparaisse.)
  - Vous pourriez devoir entrer un nom et un mot de passe. Dans ce cas, saisir ce qui suit :  
Nom d'utilisateur : User  
Mot de passe :  
Celui défini pour "Technics Music App"  
–Le nom d'utilisateur "User name" ne peut pas être modifié.  
–Il n'y a pas de réglage par défaut pour le mot de passe "Password".  
–Le mot de passe "Password" peut être modifié.
    - Pour plus de détails, lire le guide de l'utilisateur de "Technics Music App".
- 3 Sauvegarder la musique désirée sur l'ordinateur dans le dossier local de partage "share".

#### Nota

- L'écran peut être différent en fonction du SE.
- Pour plus de détails, consulter le site d'assistance suivant ainsi que ce manuel de l'utilisateur.  
[www.technics.com/support/](http://www.technics.com/support/)

## Sauvegarde / Restauration

Il est possible de sauvegarder les données du disque SSD sur un dispositif USB ou bien de restaurer une sauvegarde sur le disque SSD.

- 1 Appuyer sur la touche [ϕ/I] de cet appareil pour le mettre en marche.
- 2 Brancher le dispositif USB au port USB [IMPORT/BACKUP] situé à l'arrière de cet appareil.
- 3 Lancer "Technics Music App" pour sauvegarder/restaurer la musique.
  - Pour plus de détails, lire le guide de l'utilisateur de "Technics Music App".

#### Nota

- Si cet appareil est mis hors marche ou si le dispositif USB est débranché durant la sauvegarde, la musique en cours d'importation ne sera pas sauvegardée.
- En fonction de la taille des données, la sauvegarde ou la restauration peut prendre un certain temps.

Avant de demander de l'aide, procédez aux vérifications suivantes. Si vous n'êtes pas sûr de certains points de vérification, ou si les solutions indiquées dans ce guide ne résolvent pas le problème, consulter votre revendeur.

## Accumulation de chaleur dans cet appareil.

Cet appareil chauffe lorsque le volume est élevé. Il ne s'agit pas d'un défaut de fonctionnement.

## La plus récente version du micrologiciel est-elle installée?

Panasonic améliore sans cesse le micrologiciel de cet appareil afin que ses clients puissent profiter des technologies les plus récentes.

Visiter le site d'assistance suivant [www.technics.com/support/](http://www.technics.com/support/)

## Rétablissement des paramètres par défaut

Dans les situations suivantes, réinitialiser la mémoire :

- Absence de réponse aux pressions sur les touches.

### 1 Débrancher la fiche d'alimentation.

- Avant de procéder à l'étape 2, attendre au moins 3 minutes.

### 2 Brancher la fiche d'alimentation tout en appuyant longuement sur [⏻/I].

L'appareil principal se mettra hors marche une fois que tous les indicateurs du panneau avant auront dignotés.

- Tous les paramètres reprendront leur réglage par défaut. Il est nécessaire de paramétrer les réglages de la mémoire à nouveau.

## Suppression de la musique et des réglages stockés sur le disque SSD

Procéder comme suit pour supprimer la musique ou les réglages stockés sur le disque SSD de cet appareil.

- Vous voulez effacer et réinitialiser le contenu de la mémoire.

### 1 Lancer l'appli "Technics Music App".

### 2 Toucher "Menu du ST-G30", puis toucher "Technics ST-G30\*\*\*\*\*".

- "\*\*\*\*\*" représente un chiffre unique pour chaque ensemble.

### 3 Toucher "Réglages", puis toucher "Initialiser".

### 4 Toucher "Supprimer les informations du compte" pour supprimer les informations du compte.

- Pour effacer les informations du compte, sélectionner "OK".

### 5 Sélectionner "Formater le disque SSD" à l'étape 4 et répéter la même action.

## Généralités

### L'appareil ne fonctionne pas.

#### Les commandes ne répondent pas correctement.

- Un des dispositifs de sécurité de l'appareil peut avoir été activé.

### 1 Appuyer sur la touche [⏻/I] de l'appareil pour le mettre en veille.

- Si l'appareil ne se met pas en veille, appuyer sur la touche [⏻/I] de l'appareil pendant au moins 5 secondes. L'appareil passe de manière forcée en mode veille. Ou bien, débrancher le cordon d'alimentation secteur, attendre au moins 3 minutes puis le rebrancher.

### 2 Appuyer sur la touche [⏻/I] de l'appareil pour le mettre en marche. Si l'appareil ne peut toujours pas être utilisé, consulter le revendeur.

#### Un "bourdonnement" se fait entendre à la lecture.

- Un cordon d'alimentation secteur ou une lampe fluorescente se trouve près des câbles. Éloignez les autres appareils et les autres cordons des câbles de ce système.
- Un fort champ magnétique situé près d'un téléviseur ou d'un autre dispositif pourrait réduire la qualité du son. Éloigner cet appareil de tels dispositifs.
- Il est possible que les enceintes émettent un son lorsqu'un dispositif proche émet de fortes ondes radio, comme lorsqu'un téléphone cellulaire reçoit un appel.

#### Aucun son.

- Régler le volume du dispositif branché (amplificateur, etc.).
- Vérifier que les branchements des câbles sont corrects sur les prises d'entrée et de sortie. Sinon, mettre cet appareil hors marche et rebrancher les câbles correctement.
- Insérer à fond les fiches des câbles à brancher.

## La lecture ne se lance pas.

- Selon votre environnement ou vos dispositifs branchés, il est possible que cela prenne un certain temps.

## Les paramètres sont réinitialisés à leur réglage par défaut.

- La mise à jour du micrologiciel peut réinitialiser les réglages.

## L'appareil s'est soudainement mis hors marche.

- Si le disque SSD est retiré ou fonctionne mal lorsque cet appareil est en cours d'utilisation, celui-ci se met automatiquement hors marche. Voir si le disque SSD est correctement fixé à l'appareil principal. (⇒ 12, 13)
- Si cet appareil persiste à se mettre hors marche alors le disque SSD est correctement fixé, il pourrait y avoir un dysfonctionnement avec le disque SSD.

## Le son est interrompu.

- Selon votre environnement, il est possible que l'audio soit interrompu au cours de la lecture. Consulter les instructions de fonctionnement du dispositif branché et vérifier le branchement au dispositif.

## Disque

### L'enregistrement ne démarre pas.

- S'assurer que le disque est compatible avec cet appareil. (⇒ 28)
- Il y a de l'humidité sur la lentille. Attendre environ une heure et réessayer.
- L'enregistrement sur un CD-R et un CD-RW non finalisés est impossible.
- Les formats WMA/MP3 ne sont pas pris en charge. Consulter "CD" (⇒ 28) pour des informations sur les disques que cet appareil peut lire.

## Réseau

### La connexion au réseau ne peut être établie.

- Vérifier la connexion réseau et ses paramètres. (⇒ 18, 19)
- S'assurer que la fonction de multidiffusion du routeur sans fil est activée.

- Vérifier que les dispositifs, téléphones intelligents, tablettes, sont bien connectés au même réseau que ce système.
- Désactiver et rétablir la connexion réseau du téléphone intelligent, de la tablette ou du dispositif raccordé et le reconnecter à cet appareil.

## La lecture ne se lance pas.

### Le son est interrompu.

- Si le signal est interrompu, le fait de changer la position et l'angle du routeur à haut débit peut améliorer la réception du signal du dispositif connecté.
- Si plusieurs dispositifs sans fil utilisent simultanément le même réseau sans fil que l'appareil, essayer de mettre ces autres dispositifs hors marche ou de restreindre leur utilisation du réseau sans fil.
- Si la lecture s'arrête, vérifier l'état de la lecture sur le téléphone intelligent, la tablette ou le dispositif raccordé.

## USB

### Cet appareil ne reconnaît pas correctement la connexion USB.

- Vérifier si un autre dispositif peut détecter votre dispositif USB.
- Pour brancher l'USB HDD à cet appareil, utiliser le câble USB fourni avec le HDD.

### Le dispositif USB a un temps de réponse lent.

- Un dispositif USB de grande capacité peut avoir un temps de réponse lent.

## SSD

### Le disque SSD n'est pas détecté.

- Vérifier si le disque SSD est fixé correctement. (⇒ 12, 13)

### L'indicateur d'état (STATUS) clignote en rouge.

- Le formatage a pu être oublié. Avant d'utiliser un nouveau disque SSD, s'assurer de le formater avec cet appareil. (⇒ 20)

## ■ DONNÉES GÉNÉRALES

Alimentation	120 V c.a., 60 Hz
Consommation	28 W
Consommation en mode veille	Environ 0,3 W
Dimensions (L×H×P)	430 × 98 × 391 mm (16 15/16 × 3 7/8 × 15 13/32 po)
Poids	Environ 10,9 kg (24,0 lb)
Température de fonctionnement	0 °C à +40 °C (+32 °F à +104 °F)
Humidité relative	35 % à 80 % (sans condensation)

- Le poids et les dimensions sont approximatifs.

## ■ SECTION DISQUE

Disque pris en charge	8 cm/12 cm CD, CD-R, CD-RW
Format pris en charge	CD-DA
Longueur d'onde	783 nm
Puissance du laser	CLASSE 1

Aucune radiation dangereuse n'est émise grâce à la protection de sécurité

## ■ SECTION DISQUE SSD

Capacité disque	Disque SSD*1, 2, 3 recommandé
Format pris en charge	2,5 po Épaisseur max. 9,5 mm
Interface	Serial ATA 6 Gbps
Tension d'alimentation	5 V

- \*1 Stockage (SSD) non compris.
- \*2 Il est possible de savoir quels sont les plus récents disques SSD recommandés dans nos catalogues ou notre site Web.  
[www.technics.com](http://www.technics.com)
- \*3 Une partie de l'espace disque est utilisée pour la gestion des données. C'est pourquoi, l'espace accessible à l'utilisateur est plus petit que l'espace global du disque SSD.
- L'espace utilisable de la mémoire interne/du disque est généralement calculé ainsi 1 Go=1.000.000.000 octets. Les ordinateurs et certains logiciels qui effectuent des calculs à l'aide de l'équation 1 Go=1.024x1.024x1.024=1.073.741.824 octets affichent une valeur plus petite que l'espace utilisable.

## ■ SECTION PRISES

Interface Ethernet	LAN (1000 BASE-T / 100 BASE-TX / 10 BASE-T)
	DLNA
	Format de fichier WAV:
	32/44,1/48/88,2/96/176,4/192 kHz, 16/24 bit
	FLAC:
	32/44,1/48/88,2/96/176,4/192 kHz, 16/24 bit
	DSD:
	2,8/5,6/11,2 MHz
	AIFF:
	32/44,1/48/88,2/96/176,4/192 kHz, 16/24 bit
USB AUDIO OUT	ALAC:
	32/44,1/48/88,2/96/176,4/192 kHz, 16/24 bit
	AAC:
	32/44,1/48/88,2/96 kHz, 16 à 320 kbps
	WMA:
	32/44,1/48 kHz, 16 à 320 kbps
	MP3:
	32/44,1/48 kHz, 16 à 320 kbps
	USB 2.0 grande vitesse
	5 V c.c. MAX, 500 mA
USB IMPORT/BACKUP	USB classe audio 2.0, mode asynchrone
	Format de fichier DSD:
	2,8/5,6/11,2 MHz
	PCM:
	32/44,1/48/88,2/96/176,4/192/352,8/384 kHz, 16/24/32 bit
	USB 3.0 vitesse supérieure
	5 V c.c. MAX, 900 mA
	USB à forte capacité de stockage
	Système de fichiers FAT12, FAT16, FAT32, NTFS

- Sujet à changement sans préavis.

## CD

- Les disques identifiés par le logo illustré ci-dessous :



- Cet appareil peut enregistrer des disques conformes au format CD-DA.
- Cet appareil pourrait ne pas être en mesure d'enregistrer certains disques selon l'état de leur enregistrement.
- Avant d'enregistrer, finaliser le disque avec le dispositif qui a servi à l'enregistrer.

### ■ CD ne pouvant pas être utilisés

- CD ayant une forme non conventionnelle comme, par exemple, ceux en forme de cœur (Utiliser ce genre de CD peut causer un dysfonctionnement.)

### ■ CD dont le fonctionnement avec cet appareil n'est pas garanti

- Disques contenant des données copiées illégalement et ceux qui ne répondent pas aux normes industrielles
- DualDiscs (Disques qui enregistrent des données comme la musique et les images sur les deux côtés)

### ■ Formats de disque pris en charge par cet appareil

CD disponibles dans le commerce (CD-DA)	À FAIRE
CD-R/CD-RW(CD-DA)	À FAIRE
CD-R/CD-RW(MP3)	À NE PAS FAIRE
CD-R/CD-RW(WMA)	À NE PAS FAIRE

### ■ Lentille de l'appareil

Utiliser un nettoyeur de lentille (vendu séparément) pour nettoyer la lentille de cet appareil.

### ■ Entretien des disques

À FAIRE

À NE PAS FAIRE



Nettoyer le disque avec un linge humide, puis essuyer.

### ■ Précautions à prendre

- Tenir les disques par leur pourtour afin de prévenir les rayures et les traces de doigts.
- Ne pas apposer d'étiquettes ni d'autocollants sur les disques.
- Ne pas utiliser de nettoyeur en vaporisateur, de benzène, de diluant pour peinture, de liquide de prévention d'électricité statique ni aucun autre solvant.
- Ne pas utiliser les disques suivants :
  - Disques avec des parties exposées d'autocollants ou d'étiquettes enlevés (disques en location, etc.).
  - Disques gondolés ou fissurés.
  - Disques de forme irrégulière (en forme de cœur par exemple).

### Dispositif USB

- Cet appareil ne garantit pas la connexion avec tous les dispositifs USB.
- Cet appareil ne peut pas effectuer la charge d'un dispositif USB branché.
- Cet appareil prend en charge les clés USB formatées en FAT12, FAT16, FAT32 ou NTFS.
- Cet appareil prend en charge les HDD formatés en FAT32 et en NTFS. Si le HDD n'est pas reconnu, l'alimentation vers le HDD pourrait ne pas être fournie. Fournir l'alimentation à partir d'une source externe.
- Cet appareil prend en charge la fonction USB 3.0 à vitesse supérieure.
- Les clés USB peuvent ne pas être reconnues par cet appareil si elles sont branchées en utilisant :
  - un concentrateur USB
  - un câble d'extension USB
- Il n'est pas possible d'utiliser de lecteur/graveur de carte USB.
- Tous les fichiers présents sur un dispositif USB ne pourront pas être lus si certains fichiers ne sont pas pris en charge.
- Pour en savoir plus sur le format pris en charge, consulter "Format de fichier" (⇒ 27).
- Si cet appareil est mis hors marche, si le câble USB est débranché, ou si le dispositif USB est soumis à des chocs ou à des vibrations (en le déplaçant ou en le retournant, par exemple) ou bien à l'électricité statique alors qu'il est en cours d'utilisation (durant l'importation, par exemple), la musique importée peut être perdue ou des dysfonctionnements peuvent survenir. Lire également le manuel d'utilisation du dispositif USB.



## SSD

### ■ Disque SSD (Solid State Drive)

Le disque SSD est un dispositif de précision sensible aux vibrations, aux chocs et à la poussière.

En fonction de l'environnement d'installation ou de la manipulation du disque SSD, celui-ci peut subir des dommages partiels ou, dans le pire des cas, perdre ses capacités d'importation et de transmission. Surtout, ne pas exposer le disque SSD à des vibrations et à des chocs et ne pas retirer le plateau du stockage alors que cet appareil est en cours d'utilisation. Ne pas oublier qu'un incident tel qu'une simple coupure de courant peut endommager le contenu en cours d'importation ou de transmission.

#### Le disque SSD sert de stockage temporaire.

Utiliser le disque SSD de cet appareil pour stocker temporairement des fichiers musicaux. Il est conseillé de faire des sauvegardes régulières des fichiers musicaux importants. \*  
Panasonic ne pourra en aucun cas être tenu pour responsable de la perte ou de l'endommagement des fichiers musicaux découlant d'un quelconque défaut.

#### Effectuer une sauvegarde si quelque chose semble ne pas aller avec le disque SSD.

Un disque SSD défectueux peut émettre un bruit continu anormal pendant l'importation, la transmission ou lorsqu'une sauvegarde est en cours, ou bien causer des parasites sonores. Le fait d'utiliser le disque SSD dans de telles conditions peut détériorer ses performances et éventuellement rendre impossible toute utilisation ultérieure. Si ce genre de problème survient, sauvegarder les données sur un dispositif USB aussi vite que possible et faire une demande de réparation.

- Il n'est pas possible de récupérer le contenu (données) importé sur un disque SSD défectueux.

\* Pour plus de détails, lire le guide de l'utilisateur de "Technics Music App".

### ■ Disque SSD recommandé

- Utiliser un disque SSD recommandé. Il est possible de savoir quels sont les plus récents disques SSD recommandés dans nos catalogues ou sur notre site Web.

[www.technics.com](http://www.technics.com)

- Panasonic ne peut fournir d'informations sur la compatibilité des disques SSD et sur les disques SSD recommandés autres que ceux recommandés par Panasonic.

### ■ Remarques sur l'installation et le retrait du disque SSD

- Panasonic ne peut pas être tenu pour responsable du mauvais fonctionnement ou des dommages qui résultent de l'utilisation d'un disque SSD non recommandé ou bien d'une installation ou d'un retrait incorrect. Vérifier le type du disque SSD et les instructions de son installation et de son retrait au préalable, puis le fixer correctement.
- Noter que la qualité du son peut changer même si le disque SSD est remplacé par un autre recommandé par Panasonic et si les instructions fournies par Panasonic sont suivies.
- Panasonic ne peut pas être tenu pour responsable de la perte des données résultant de dysfonctionnements, de l'indemnisation pour des données, des pertes ou de tout autre dommage direct ou indirect qui résultent d'une installation incorrecte. Noter que ceci s'applique également lorsque le disque SSD est envoyé en réparation.
- Il est conseillé de créer une sauvegarde avant de remplacer le disque SSD.

### ■ Remarques sur la manipulation

#### Condensation

Par exemple, s'il y a formation de condensation sur le disque SSD lorsqu'il est transporté soudainement dans une pièce chaude, attendre qu'il atteigne la température ambiante de la pièce (environ 2 à 3 heures) avant de l'installer dans l'appareil principal.

#### Lieu de rangement

Ne pas le placer et ne pas le ranger dans les endroits suivants :

- Endroits poussiéreux
- Endroits chauds
- Endroits subissant des changements extrêmes de température
- Endroits humides
- Endroits exposés directement aux rayons du soleil
- Endroits générant de l'électricité statique ou des ondes électromagnétiques (cela pourrait endommager du contenu importé important)

App Store est une marque de service de Apple Inc.
Google Play et Android sont des marques de commerce de Google Inc.
DLNA, le logo DLNA et DLNA CERTIFIED sont des marques de commerce, des marques de service ou des marques de certification de la Digital Living Network Alliance.
DSD est une marque commerciale de Sony Corporation.
La technologie de codage audio MPEG Layer-3 est sous licence de Fraunhofer IIS et Thomson.
"Wi-Fi®" est une marque déposée de Wi-Fi Alliance®.
Windows est une marque de commerce ou une marque déposée de Microsoft Corporation aux États-Unis et dans d'autres pays.
<p>Décodeur FLAC Copyright (C) 2000, 2001, 2002, 2003, 2004, 2005, 2006, 2007, 2008, 2009 Josh Coalson La redistribution et l'emploi sous formes source et binaire, avec ou sans modification, sont autorisés à condition que :</p> <ul style="list-style-type: none"> <li>- La redistribution du code source retienne l'avis de copyright ci-dessus, la liste des conditions et l'avis de non-responsabilité suivant.</li> <li>- Les redistributions sous forme binaire reproduisent l'avis de copyright ci-dessus, la liste des conditions et l'avis de non-responsabilité suivant dans la documentation et/ou les matériaux qui accompagnent la distribution.</li> <li>- Ni le nom de Xiph.org Foundation ni les noms de ses collaborateurs ne doivent en aucun cas être utilisés pour endosser ou promouvoir des produits dérivés de ce logiciel sans permission préalable écrite.</li> </ul> <p>CE LOGICIEL EST FOURNI "TEL QUEL" PAR LES DÉTENTEURS DE DROITS D'AUTEUR ET LEURS COLLABORATEURS ET TOUTE GARANTIE EXPRESSE OU IMPLICITE, Y COMPRIS MAIS NON LIMITÉE AUX GARANTIES IMPLICITES DE QUALITÉ MARCHANDE ET D'APTITUDE POUR UN OBJECTIF DONNÉ, EST REJETÉE. EN AUCUN CAS, LA FONDATION OU SES COLLABORATEURS NE SERONT RESPONSABLES DES DÉGÂTS DIRECTS, INDIRECTS, INCIDENTS, SPÉCIAUX, EXEMPLAIRES OU CONSÉCUTIFS (Y COMPRIS MAIS NON LIMITÉ À LA FOURNITURE DE BIENS OU DE SERVICES DE REMPLACEMENT, DE PERTE D'UTILISATION, DE DONNÉES OU DE PROFITS, OU D'INTERRUPTION D'AFFAIRES) QUELLE QU'EN SOIT LA CAUSE ET QUELLE QUE SOIT LA THÉORIE DE RESPONSABILITÉ, QU'ELLE DÉCOULE D'UN CONTRAT, DE RESPONSABILITÉ STRICTE OU D'ACTE DÉLICTEUX (Y COMPRIS NÉGLIGENCE OU AUTRE) DÉCOULANT DE L'EMPLOI DE CE LOGICIEL, MÊME EN CAS D'ANNONCE LA POSSIBILITÉ DE TELS DÉGÂTS.</p>

Ce produit comprend le logiciel suivant :

- (1) le logiciel développé de façon indépendante par ou pour Panasonic Corporation,
- (2) le logiciel appartenant à un tiers et accordé sous licence à Panasonic Corporation,
- (3) le logiciel autorisé en vertu de la Licence publique générale GNU, version 2,0 (GPL v2,0),
- (4) le logiciel autorisé en vertu de la Licence publique générale limitée GNU LESSER, version 2.1 (LGPL v2.1) et/ou,
- (5) un logiciel libre autre que le logiciel autorisé en vertu de la GPL V2.0 et(ou) de la LGPL V2.1,

Les logiciels indiqués sous (3) à (5) sont distribués dans l'espoir qu'ils puissent être utiles, mais SANS AUCUNE GARANTIE, sans même la garantie implicite de COMMERCIALISATION ou D'ADÉQUATION À UN USAGE PARTICULIER. Pour plus de détails, lire le fichier Licence se trouvant dans le dossier partagé de ce produit en y accédant à partir d'un autre dispositif, comme un ordinateur.

Au moins trois (3) ans après la livraison de ce produit, Panasonic fournira à tout tiers qui communiquera avec nous à l'adresse fournie ci-dessous, contre des frais ne dépassant pas notre coût de distribution du code source, une copie complète lisible par machine du code source correspondant couvert par les licences GPL V2.0, LGPL V2.1 ou les autres licences, avec obligation d'en faire de même, ainsi que les avis de droits d'auteur respectifs s'y rapportant.

Adresse courriel : [oss-cd-request@gg.jp.panasonic.com](mailto:oss-cd-request@gg.jp.panasonic.com)

Le code source et l'avis de droits d'auteur sont également disponibles sans frais sur notre site Internet ci-dessous.

<http://panasonic.net/avc/oss/>

### Contrat de licence de l'utilisateur final Gracenote®

Cette application ou ce dispositif contient un logiciel de Gracenote, Inc. de Emeryville, California ("Gracenote"). Le logiciel provenant de Gracenote (le "Logiciel Gracenote") permet à cette application d'effectuer l'identification d'un disque et/ou d'un fichier et d'obtenir des informations relatives à la musique, incluant le nom, l'artiste, la piste, et les informations du titre ("Données Gracenote") depuis des serveurs en ligne ou des bases de données embarquées (collectivement, "Serveurs Gracenote") et d'effectuer d'autres fonctions. Vous ne pouvez utiliser les Données Gracenote qu'au moyen des fonctions prévues pour l'utilisateur final de cette application ou ce dispositif.

Cette application ou ce dispositif peut renfermer du contenu appartenant à des fournisseurs de Gracenote. Si c'est le cas, toutes les restrictions énoncées dans la présente concernant les Données Gracenote sont également appliquées à ce contenu et ces fournisseurs de contenu auront droit à tous les avantages et protections énoncés ci-inclus qui sont disponibles pour Gracenote.

Vous acceptez d'utiliser les Données Gracenote, le Logiciel Gracenote, et les Serveurs Gracenote uniquement pour votre propre usage privé et non commercial. Vous acceptez de ne pas céder, copier, transférer ou transmettre le Logiciel Gracenote ou des Données Gracenote à une tierce partie. VOUS ACCEPTEZ DE NE PAS UTILISER NI EXPLOITER LES DONNÉES GRACENOTE, LE LOGICIEL GRACENOTE OU LES SERVEURS GRACENOTE, AUTREMENT QUE DE LA MANIÈRE EXPRESSÉMENT PERMISE DANS CE DOCUMENT.

Vous acceptez que votre licence non exclusive d'utilisation des Données Gracenote, du Logiciel Gracenote et des Serveurs Gracenote soit résiliée si vous ne respectez pas ces restrictions. Si votre licence est résiliée, vous acceptez de cesser toute utilisation des Données Gracenote, du Logiciel Gracenote et des Serveurs Gracenote. Gracenote se réserve tous les droits sur les Données Gracenote, le Logiciel Gracenote et les Serveurs Gracenote, y compris tous les droits de propriété. En aucun cas, Gracenote ne sera tenu de vous fournir un paiement pour toute information que vous fournissez. Vous acceptez que Gracenote, Inc. puisse faire valoir ses droits contre vous en vertu du présent Accord, directement en son propre nom.

Le service Gracenote utilise un identifiant unique pour suivre les requêtes à des fins statistiques. Le but d'un identifiant numérique attribué aléatoirement permet au service Gracenote de compter les requêtes sans savoir qui vous êtes. Pour plus d'informations, voir la page Web de la Politique de Confidentialité Gracenote concernant le service Gracenote.

Le logiciel Gracenote et tous les éléments des Données Gracenote vous sont octroyés sous licence "TELS QUELS". Gracenote ne fait aucune représentation ni garantie, explicite ou implicite, à propos de l'exactitude des Données Gracenote provenant des Serveurs Gracenote. Gracenote se réserve le droit de supprimer des données provenant des Serveurs Gracenote ou de changer les catégories des données pour toute raison que Gracenote jugera suffisante. Il n'y a aucune garantie que le Logiciel Gracenote ou les Serveurs Gracenote sont exempts d'erreurs ou que le fonctionnement du Logiciel Gracenote ou des Serveurs Gracenote ne seront pas interrompus. Gracenote n'est pas dans l'obligation de vous fournir les nouveaux types de données ou de catégories améliorées ou supplémentaires que Gracenote pourrait fournir dans l'avenir et est libre de mettre fin à ses services à tout moment.

GRACENOTE REJETTE TOUTE GARANTIE EXPLICITE OU IMPLICITE, Y COMPRIS, MAIS SANS S'Y LIMITER, TOUTE GARANTIE IMPLICITE DE QUALITÉ MARCHANDE, D'ADÉQUATION À UN USAGE PARTICULIER, DE TITRE ET D'ABSENCE DE CONTREFAÇON. GRACENOTE NE GARANTIT PAS LE RÉSULTAT OBTENU SUITE À VOTRE UTILISATION DU LOGICIEL GRACENOTE OU DES SERVEURS GRACENOTE. EN AUCUN CAS GRACENOTE NE SERA TENU RESPONSABLE DE TOUT DOMMAGE DIRECT OU INDIRECT OU DE PERTE DE PROFITS OU DE REVENUS.



Gracenote, le logo Gracenote et le logotype, ainsi que le logo "Powered by Gracenote" sont une marque déposée ou une marque commerciale de Gracenote, Inc. aux États-Unis et/ou dans d'autres pays.

## Certificat de garantie limitée (SEULEMENT POUR LE CANADA)

## Panasonic Canada Inc.

5770, Ambler Drive, Mississauga (Ontario) L4W 2T3

## PRODUIT TECHNICS – GARANTIE LIMITÉE

Panasonic Canada Inc. garantit que ce produit est exempt de défauts de matériaux et de main-d'œuvre dans un contexte d'utilisation normale pendant la période indiquée ci-après à compter de la date d'achat original et, dans l'éventualité d'une défectuosité, accepte, à sa discrétion, de (a) réparer le produit avec des pièces neuves ou remises à neuf, (b) remplacer le produit par un produit neuf ou remis à neuf d'une valeur équivalente ou (c) rembourser le prix d'achat. La décision de réparer, remplacer ou rembourser appartient à Panasonic Canada Inc.

Amplificateur réseau audio Technics	Trois (3) ans, pièces et main-d'œuvre
Serveur de musique Technics	Trois (3) ans, pièces et main-d'œuvre
Chaîne stéréo avec lecteur CD Technics	Trois (3) ans, pièces et main-d'œuvre
Platine tourne-disque Technics	Trois (3) ans, pièces et main-d'œuvre

La présente garantie n'est fournie qu'à l'acheteur original d'un des produits de marque Technics indiqués plus haut, ou à la personne l'ayant reçu en cadeau, vendu par un détaillant Panasonic agréé au Canada et utilisé au Canada. Le produit ne doit pas avoir été « vendu tel quel » et doit avoir été livré à l'état neuf dans son emballage d'origine.

**POUR ÊTRE ADMISSIBLE AUX SERVICES AU TITRE DE LA PRÉSENTE GARANTIE, LA PRÉSENTATION D'UN REÇU D'ACHAT OU DE TOUTE AUTRE PIÈCE JUSTIFICATIVE DE LA DATE D'ACHAT ORIGINAL, INDIQUANT LE MONTANT PAYÉ ET LE LIEU DE L'ACHAT, EST REQUISE.**

**RESTRICTIONS ET EXCLUSIONS**

La présente garantie COUVRE SEULEMENT les défaillances attribuables à un défaut des matériaux ou à un vice de fabrication et NE COUVRE PAS l'usure normale ni les dommages esthétiques. La présente garantie NE COUVRE PAS NON PLUS les dommages subis pendant le transport, les défaillances causées par des produits non fournis par Panasonic Canada Inc. ni celles résultant d'un accident, d'un usage abusif ou impropre, de négligence, d'une manutention inadéquate, d'une mauvaise application, d'une altération, d'une installation ou de réglages impropres, d'un mauvais réglage des contrôles de l'utilisateur, d'un mauvais entretien, d'une surtension temporaire, de la foudre, d'une modification, de la pénétration de sable, de liquides ou d'humidité, d'une utilisation commerciale (dans un hôtel, un bureau, un restaurant ou tout autre usage par affaires ou en location), d'une réparation effectuée par une entité autre qu'un centre de service Panasonic agréé ou encore d'une catastrophe naturelle.

Les piles sèches sont également exclues de la présente garantie.

CETTE GARANTIE LIMITÉE ET EXPRESSE REMPLACE TOUTE AUTRE GARANTIE, EXPRESSE OU IMPLICITE, INCLUANT LES GARANTIES IMPLICITES DU CARACTÈRE ADÉQUAT POUR LA COMMERCIALISATION ET UN USAGE PARTICULIER. PANASONIC CANADA INC. N'AURA D'OBLIGATION EN AUCUNE CIRCONSTANCE POUR TOUT DOMMAGE DIRECT, INDIRECT OU CONSÉCUTIF RÉSULTANT DE L'UTILISATION DE CE PRODUIT OU DÉCOULANT DE TOUTE DÉROGATION À UNE GARANTIE EXPRESSE OU IMPLICITE. (À titre d'exemples, cette garantie exclut les dommages relatifs à une perte de temps, le transport jusqu'à et depuis un centre de service agréé, la perte ou la détérioration de supports ou d'images, de données ou de tout autre contenu en mémoire ou enregistré. Cette liste n'est pas exhaustive et n'est fournie qu'à des fins explicatives.)

Certaines juridictions ne reconnaissent pas les exclusions ou limitations de dommages indirects ou consécutifs, ou les exclusions de garanties implicites. Dans de tels cas, les limitations stipulées ci-dessus peuvent ne pas être applicables. La présente garantie vous confère des droits précis; vous pourriez aussi avoir d'autres droits pouvant varier selon votre province ou territoire de résidence.

**SERVICE SOUS GARANTIE**

Pour tout renseignement sur les produits, réparation ou assistance technique, veuillez visiter notre page Soutien :

[www.panasonic.ca/french/support](http://www.panasonic.ca/french/support)

**EXPÉDITION D'UN PRODUIT À UN CENTRE DE SERVICE**

Emballer soigneusement, de préférence dans son carton d'origine, et expédiez, franco de port, suffisamment assuré.

Accompagnez le tout d'une description de la défectuosité présumée et d'une pièce justificative de la date d'achat original.

Homologation :

Il est recommandé de noter, dans l'espace prévu ci-dessous, le numéro de modèle et le numéro de série inscrits à l'arrière, ou sous le fond de l'appareil, et de conserver ce manuel pour référence ultérieure.	
NUMÉRO DE MODÈLE	ST-G30L
NUMÉRO DE SÉRIE	_____

DATE D'ACHAT	_____
DÉTAILLANT	_____
ADRESSE DU DÉTAILLANT	_____
N° DE TÉLÉPHONE	_____





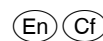


---

Panasonic Corporation of North America  
Two Riverfront Plaza, Newark, NJ 07102-5490  
<http://shop.panasonic.com>

Panasonic Canada Inc.  
5770 Ambler Drive,  
Mississauga, Ontario,  
L4W 2T3  
[www.panasonic.com](http://www.panasonic.com)

© Panasonic Corporation 2016  
Printed in Malaysia  
Imprimé en Malaisie



SQT1345  
F0316SB0