



The Ultimate in Fall Protection

Adjustable Rope Positioning Lanyard

Model Number: 1234083

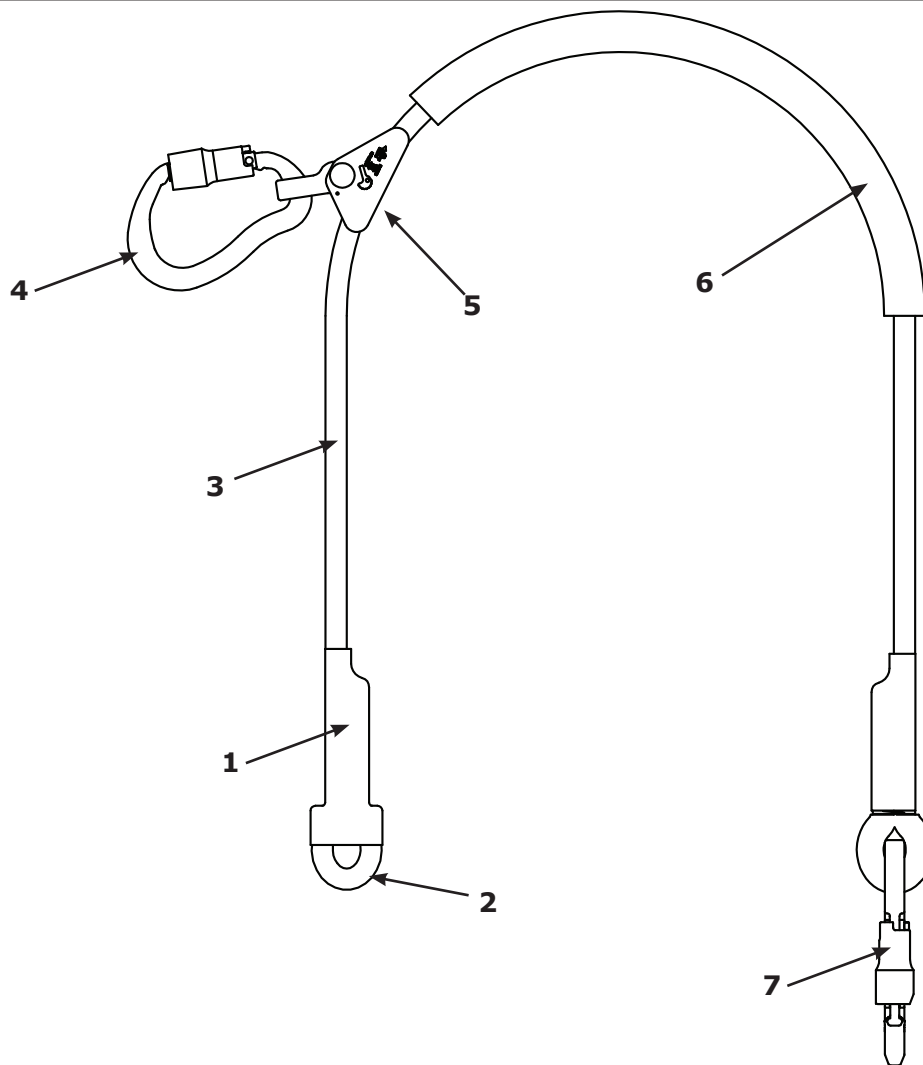
Please read this User Manual Supplement carefully before installing and using this product.

INSTRUCTION SUPPLEMENT:

This manual is intended to meet the Manufacturer's Instructions as recommended by OSHA, and should be used as part of an employee training program.

This supplemental instruction should be used with user instruction manual 5903153: Adjustable Rope Positioning Lanyard.

Figure 1 - Model 1234083



- 1 - Label Location
- 2 - Stitched Rope End
- 3 - Wear-Indicating Rope
- 4 - Carabiner
- 5 - Rope Adjuster
- 6 - Abrasion Resistant Sleeve
- 7 - Locking snap Hook

DESCRIPTION:

Figure 1 above identifies Adjustable Rope Positioning Lanyards covered by this instruction supplement.

IMPORTANT: If you have questions on the use, care, or suitability of this equipment for your application, contact Capital Safety.

IMPORTANT: Before using this equipment, record the product identification information from the ID label in the "Inspection and Maintenance Log" in the 5903153 instruction.

1.0 APPLICATIONS:

1.1a PURPOSE: This supplemental instruction contains information specific to Adjustable Rope Positioning Lanyards that meet OSHA standards 1910.269, 1926.502 and 1926.954.

7.0 CLEANING/MAINTENANCE/STORAGE/SPECIFICATIONS:

7.4a MATERIALS:

Rope: • Model 1234083: Technora/Nylon

7.5a STRENGTH AND CAPACITY:


Rope: • Model 1234083: 12,000 lbs. tensile strength, 310 lbs. capacity.

7.6a Lanyard model 1234083 meets OSHA 1910.269, 1926.502, and 1926.954 requirements.

8.0 LABELS

The following labels must be attached to the lanyard and fully legible:

Model 1234083

 www.capitalsafety.com Capital Safety Red Wing, MN, USA +1-800-328-6146	⚠ WARNING THIS PRODUCT SHALL BE USED AS AN ADJUSTABLE LANYARD FOR WORK POSITIONING ONLY. NOT INTENDED FOR FALL ARREST. MANUFACTURER'S INSTRUCTIONS MUST BE READ AND UNDERSTOOD PRIOR TO USE. INSPECT BEFORE EACH USE. AVOID CONTACT WITH SHARP EDGES AND ABRASIVE SURFACES. MAKE ONLY COMPATIBLE CONNECTIONS.
	USER WEIGHT SHALL NOT EXCEED 310 LBS WHEN FULLY EQUIPPED. MATERIAL: 1/2 INCH TECHNORA/NYLON ROPE
MODEL NO: MFRD (YR/MO): LOT NO: LENGTH (FT):	THIS PRODUCT MEETS: OSHA 1910.269 1926.502 1926.954



The Ultimate in Fall Protection

CSG USA & Latin America

3833 SALA Way
Red Wing, MN 55066-5005
Toll Free: 800.328.6146
Phone: 651.388.8282
Fax: 651.388.5065
solutions@capitalsafety.com

CSG Canada

260 Export Boulevard
Mississauga, ON L5S 1Y9
Phone: 905.795.9333
Toll-Free: 800.387.7484
Fax: 888.387.7484
info.ca@capitalsafety.com

CSG Northern Europe

5a Merse Road
North Moons, Moat
Reditch, Worcestershire, UK
B98 9HL
Phone: + 44 (0)1527 548 000
Fax: + 44 (0)1527 591 000
csgne@capitalsafety.com

CSG EMEA (Europe, Middle East, Africa)

Le Broc Center
Z.I. 1ère Avenue
5600 M B.P. 15 06511
Carros
Le Broc Cedex
France
Phone: + 33 4 97 10 00 10
Fax: + 33 4 93 08 79 70
information@capitalsafety.com

CSG Australia & New Zealand

95 Derby Street
Silverwater
Sydney NSW 2128
AUSTRALIA
Phone: +(61) 2 8753 7600
Toll-Free : 1 800 245 002 (AUS)
Toll-Free : 0800 212 505 (NZ)
Fax: +(61) 2 8753 7603
sales@capitalsafety.com.au

CSG Asia

Singapore:
16S, Enterprise Road
Singapore 627666
Phone: +65 - 65587758
Fax: +65 - 65587058
inquiry@capitalsafety.com

Shanghai:

Rm 1406, China Venturetech Plaza
819 Nan Jing Xi Rd,
Shanghai 200041, P R China
Phone: +86 21 62539050
Fax: +86 21 62539060

www.capitalsafety.com

