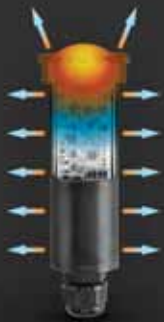




ZODIAC[®]

a **FLUIDRA** company



2019 PRODUCT CATALOG



2019 PRODUCT CATALOG



ZODIAC[®]

a **FLUIDRA** company

WE'RE QUITTING THE INTERNET

WHEN YOU'RE STRONG,
WE'RE ALL STRONG.


We're all in this together. That's why we're making the bold move to prohibit the sale of ALL Jandy® equipment online.

ARE YOU JANDY STRONG?

For Trade Series Exclusive Policy details and product list, visit:

JANDY.COM/STRONG





See page 420 for
policy details and
full product list.

**ALL JANDY EQUIPMENT
PROHIBITED FROM
SALE ONLINE**

**NO MANUFACTURER'S
WARRANTY IF
PURCHASED ONLINE**

**PRO INSTALLATION AND/
OR SERVICE REQUIRED**

SELF PRIMING MAX LIFT 10 FT.
Jandy
Pro Series
by PARABIC
EPUMP

Jandy
Pro Series

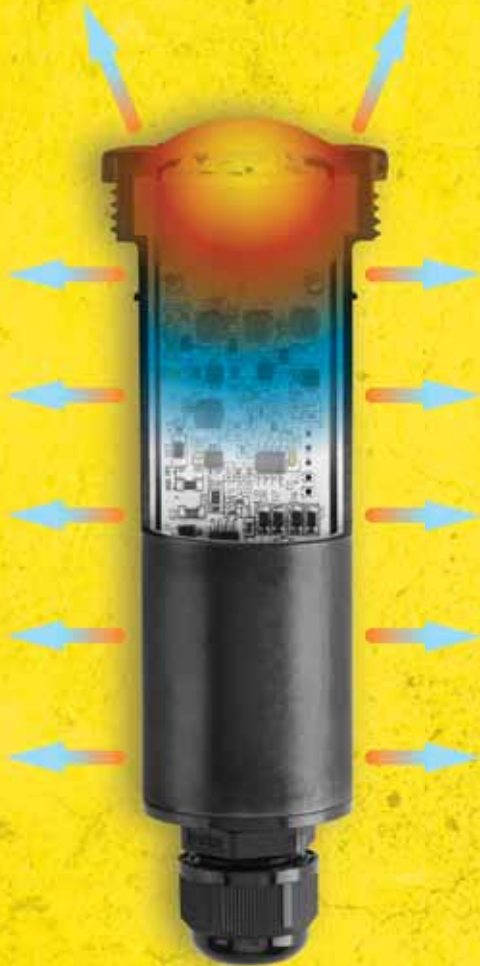
COOL BY DESIGN

NEW! Jandy® Pro Series WaterColors Nicheless LED Lights with

HYDROCOOL™

Technology

Engineered with
NEW HydroCool
technology to
provide long-lasting
performance



Jandy HydroCool lights use an innovative, energy-efficient design that harnesses the cooling power of water to create a cooler running, longer lasting* light. Designed to fit in a standard 1 1/2" return fitting, these lights are shorter to accommodate complex pool designs, and operate at lower wattages (6w, 12w, and 24w), while providing the same brilliant illumination as previous models.

*Based on internal testing.



NEW! NICHED WHITE LIGHTS

CHOOSE THE WHITE LIGHT THAT'S JUST RIGHT

Available in Daylight or Warm White Color Temperatures



Daylight White



Warm White

COMPATIBILITY

Color options for use with all major automation systems

NEW HYDROCOOL LIGHT

Up to 8" shorter than our previous models for more creative design flexibility

PREVIOUS MODEL



Jandy Pro Series® provides two energy-efficient color temperature options with either Daylight White (5000K) or Warm White (2700K) LED lights. Designed to last, these brilliant lights come in 120V and 12V versions, and are ETL certified for installation in Jandy as well as in most leading competitors' niches – making them a versatile, safe, and compliant lighting solution for virtually any power supply or niche – existing or new.



Daylight and Warm White options available for HydroCool Nicheless Lights as well.

TRADE SERIES EXCLUSIVES

LOOK WHAT WE'VE
ADDED TO
THE ROSTER



NEW! POLARIS® TR28P



NEW! ZODIAC® MX6™ ELITE

Our Best Innovations Are Reserved For You

Our most popular and innovative cleaners are exclusive to brick-and-mortar and not available for online resale. These select cleaners include exclusive features, extended warranties, and/or bonus accessories that allow you to compete and win.

AN IMPRESSIVE
TRADE SERIES EXCLUSIVE
LINEUP FOR THE SEASON



POLARIS® 9650iQ SPORT



POLARIS 8050 SPORT



POLARIS 7240 SPORT



POLARIS TR36P



POLARIS TR35P



POLARIS TR28P



**POLARIS PB4SQ™
BOOSTER PUMP**



ZODIAC® MX8™ ELITE



ZODIAC MX6™ ELITE



ZODIAC TR2D



ZODIAC G3™ PRO

TRADE SERIES
EXCLUSIVE



NEXT LEVEL TRAINING

Learn What You Want, How You Want.



IN-PERSON
**TAILOR YOUR
TRAINING**

Customize your training experience to fit your business needs with our all new Module Workshop offerings, or enhance your skills in our robust, full-day regional Comprehensive Workshops.



ONLINE
**SHARPEN YOUR
SKILLS 24/7**

Learn anytime, anywhere with our 100% mobile-ready platform of monthly webinars, on-demand courses and award-winning technical training videos that cover everything from basic skills to advanced troubleshooting.

Check Us Out at
ZodiacAcademy.com/GetTrained



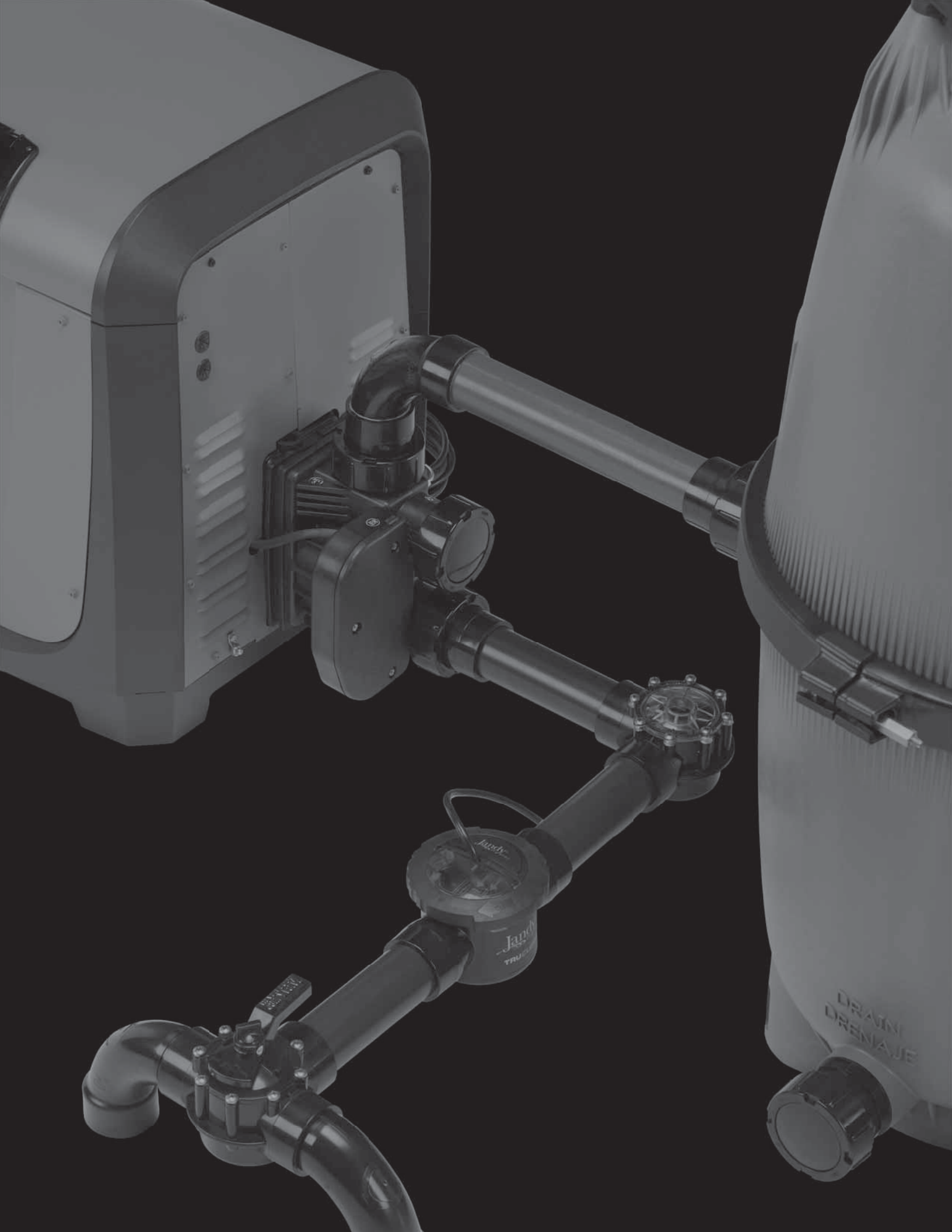
DESIGNED TO INSPIRE

Add excitement and allure to your pool designs with the highest-quality fire and water elements – each beautifully hand-crafted, and featuring full automation or easy to operate manual controls.

For information on Grand Effects products visit us on the web at GrandEffects.com.



Courtesy of Ryan Hughes Design, FL



COMPANY INFORMATION

Contact Information	2
Ordering Guide	4

PUMPS

Filtration Pumps	11
Polaris® Booster Pumps	18
Technical Information	19
Ordering Information – Variable-Speed Pumps	30
Hydraulics Information	31
Filtration Pump Parts	36
Booster Pump Parts	54

FILTERS

Filters	63
Versa Plumb® Kits	66
Backwash Valves	67
Technical Information	70
Filter Parts	77
Backwash Valve Parts	84

GAS HEATERS

Gas Heaters	93
Technical Information	96
Gas Heater Selection Guide	98
Gas Heater Accessories & Parts	100

HEAT PUMPS

Heat Pumps	145
Heat Pump Accessories & Parts	147

AUTOMATION

System Bundles	163
Selection Guide	164
User Interfaces	168
Automation Accessories & Parts	170

COVERS

Cover-Pools® Information	195
--------------------------	-----

WATER LEVELING

Water Level Management Systems	199
Water Leveling Parts	202

WATER SANITIZERS

Saltwater Chlorination	207
Ozone Generation	209
Mineral Sanitizers for Pools	210
Mineral Sanitizers for Spas	212
Water Sanitizer Parts	215

VALVES

Valves	235
Valve Parts	238

WATER FEATURES

Waterfalls	249
Technical Information – Waterfalls	256
Laminar Jets	259
Deck Jets	260
MiniJet®	261
Jet Parts	262

LIGHTING

Lighting	267
Lighting Accessories & Parts	273

CLEANERS

Polaris Robotic Cleaners	287
Polaris Pressure-Side Cleaners	289
Polaris Booster Pumps	293
Polaris Cleaner Accessories & Parts	294
Polaris Cleaner Discontinued Accessories & Parts	336
Zodiac® Pool Cleaners	348
Zodiac Cleaner Accessories & Parts	352
Zodiac Cleaner Discontinued Accessories & Parts	369
Ray-Vac™ Cleaner Parts	374

IN-FLOOR CLEANER PRODUCTS

In-Floor Cleaners Ordering Guide	386
In-Floor Cleaners Products	388
In-Floor Cleaners Accessories & Parts	389
In-Floor Cleaners Order Forms	403
In-Floor Cleaners Legal Documents	406

BLOWERS

Blower Products	411
Blower Parts	412

ACCESSORIES

Accessory Products	416
Accessory Parts	418

CORPORATE POLICIES

Trade Series Exclusive Policy & Product List	420
Limited Warranties	423
Terms and Conditions	429

**For information on Caretaker see page 385.
Visit us on the web at CaretakerSystem.com**

**For information on Cover-Pools see page 195.
Visit us on the web at CoverPools.com**

**For information on Grand Effects products visit
us on the web at GrandEffects.com.**

All trademarks and trade names used in this catalog are the property of their respective owners. Apple® is not a participant in or sponsor of this promotion. Computer and mobile devices not included. The copying, redistribution, use or publication of any of the trademarks or tradenames owned by Zodiac Pool Systems LLC or our affiliated companies, except as expressly agreed to in writing by Zodiac Pool Systems LLC, is strictly prohibited. ZODIAC® is a registered trademark of Zodiac International, S.A.S.U., used under license.

CONTACT INFORMATION / CUSTOMER OPERATIONS

CORPORATE HEADQUARTERS

Zodiac Pool Systems LLC
2620 Commerce Way, Vista, CA 92081-8438
1.800.822.7933
Zodiac.com

TECHNICAL SUPPORT AND WARRANTY

M - F 5AM - 5PM (PST)
Email (see next page for region number):
[4-digit region number]@zodiac.com
Email for pool owners: productsupport@zodiac.com
Online warranty RMA request form for distributors:
Zodiac.com/WarrantyRMA
Warranty RMA Fax: 1.760.477.6218
Warranty RMA email: warrantyRMAvista@zodiac.com
General Fax: 1.800.479.8324

LITERATURE

Fax: 1.877.327.1403
Email: pop@zodiac.com
Online: Login and visit the Resource Center at
ZodiacRewards.com

CUSTOMER FOR LIFE ADVOCATES

M - F 6AM - 5PM (PST)
Email: [4-digit region number]@zodiac.com
Online non-warranty RMA request form for
distributors: Zodiac.com/NonWarrantyRMA
Non-warranty RMA email: salesRMAvista@zodiac.com
Fax: 1.877.327.1403 (including non-warranty RMAs)
Email for orders: distributor.vista@zodiac.com

ZODIAC® REWARDS

Review your Zodiac Rewards account and redeem
your points online at: ZodiacRewards.com
Email: rewards@zodiac.com

CARETAKER™ CUSTOMER SUPPORT

Phone: 1.855.280.6465 toll-free
Email: caretaker.custsupport@zodiac.com

Caretaker Design Request

Email: design@zodiac.com
Fax: 1.801.906.6701

CREDIT ADMINISTRATION

Fax: 1.760.597.1240

ZODIAC ACADEMY®—TECHNICAL TRAINING

Phone: 1.760.597.8079
Email: zodiac.academy@zodiac.com
Fax: 1.760.477.6017

REGIONALIZED POOL PROFESSIONAL SUPPORT

Whenever you need support on any ZODIAC® product, program or service, you will work with your own dedicated team of professionals. They will get to know you, your area and your business. Service has never been so personal, and so simple!

1. Call 1.800.822.7933
2. Select option for Customer and Technical Support
3. Select your language
4. Select Pool Professional
5. Enter your extension which is only for pool professionals
It is critically important that you do NOT supply your extension to pool owners

Region	Ext.	Email Address	Customer Support Hours	Technical Support Hours
SOUTHEAST: FL, GA, SC, NC	3500	3500@zodiac.com	6AM - 3PM (PST)	5AM - 3PM (PST)
NORTH: CT, DE, OH, IA, IL, IN, KS, MA, MD, ME, MI, MO, MN, ND, NE, NH, NJ, NY, PA, RI, SD, VA, VT, WI, WV	3600	3600@zodiac.com	6AM - 3PM (PST)	5AM - 3PM (PST)
SOUTH: AL, AR, KY, LA, MS, OK, TN, TX	3700	3700@zodiac.com	7:30AM - 4:30PM (PST)	6AM - 4PM (PST)
WEST: AK, AZ, CA, CO, ID, MT, NV, NM, OR, UT, WA, WY, and HI	3800	3800@zodiac.com	8AM - 5PM (PST)	7AM - 5PM (PST)
INTERNATIONAL	4000	4000@zodiac.com	7AM - 4PM (PST)	5AM - 2PM (PST)

At least two representatives in each region will provide support via live chat. To start a chat, simply visit zodiac.com/en/united-states and click "Contact Us."

ORDERING GUIDE /

All sales made by Zodiac Pool Systems LLC ("Zodiac") are subject to our Terms and Conditions of Sale, which are published at the end of this product catalog and on the reverse of Zodiac® invoices, or can be requested by contacting your Customer For Life (CFL) Advocate. The following is only a summary of Zodiac's Terms and Conditions of Sale and should in no way be considered a waiver of any portion of Zodiac's Terms and Conditions of Sale.

Please submit your purchase orders to our Customer Operations Team using any of the following delivery methods:

- Electronic data interchange (EDI): Please call Customer Operations at 1.800.822.7933 for setup information.
- Email: distributor.vista@zodiac.com.
Fax: 1.877.327.1403.

Always include complete part numbers, descriptions and prices. Same day shipping not available after 11AM Pacific. Please contact Zodiac prior to Purchase Order submission to ensure product availability.

- Urgent orders must be clearly marked as such.
- Change requests must be submitted in writing via email or fax, and must reference the original purchase order number. Changes cannot be accepted once any part of an order has shipped.
- Prices, discounts, quotations and specifications are subject to change without notice and will be applied as in effect at time of shipment. All prices are in U.S. dollars. COD orders will not be accepted.
- Any federal, sales, excise or similar tax for which Zodiac may be liable on any sale will be charged to and paid by the Purchaser. Resellers are responsible for furnishing resale certificates prior to purchase.
- A \$10 surcharge will be added to any order under \$50. Free freight is offered for orders of \$25,000 or more, all products combined. Replacement parts orders of \$5,000 or more, and qualifying Bulk Parts Value Program orders, will also ship prepaid. Orders qualifying for free freight will be shipped to a single location only. Liftgate charges will be assessed when a liftgate is required to deliver an order that does not qualify for free freight.
- All sales are F.O.B. Zodiac's shipping point. We will make reasonable attempts to fulfill your routing and carrier requests, but both are subject to our discretion. We will not drop ship to residential addresses.
- Minimum order quantities per product are published in our Price List (for example, cleaners must be ordered in half pallet quantities).
- **Our order entry system will automatically send your order and shipping acknowledgements via email.** To start receiving these acknowledgements, please send an email with a subject line of "acknowledgements" to distributor.vista@zodiac.com. Please provide complete account information in the body of your message, including all of the email addresses to which the acknowledgements should be sent.
- **You may check on the status of your orders on our Portal.** To request access to the Portal, please send an email to distributor.vista@zodiac.com with a subject line of "Portal". Please provide complete account information in the body of your message, including the name and email address of one (1) purchasing contact and one (1) accounts payable contact per bill-to location. You will then be contacted with login and usage instructions.

- Upon receipt, all shipments must be inspected for shortages and damages of any kind. If your carrier executed the shipment, you must file shortage and/or damage claims directly with that carrier, and place a new order with Zodiac. If Zodiac selected the carrier, shortages or damages **must be noted on the freight bill** and reported to Customer Operations **within five (5) days of receipt** by faxing 1.877.327.1403, or by e-mailing distributor.vista@zodiac.com with a subject line of "credit request". If these issues are not reported to Zodiac within five (5) days, the products/shipment shall be deemed accepted by you, and any reports of shortages or damages reasonably determinable by inspection will not be accepted at a later date. Claims will not be accepted if products have been transferred by the original recipient to another branch or location.
- All new customers are required to complete a Zodiac credit application and receive credit approval prior to shipment. Standard payment terms are net 30.
- All product returns must be approved in advance by Zodiac. RMAs requested in excess of one year from original PO date will not be accepted. For additional information, and to submit a return material authorization (RMA) request, visit <http://www.zodiac.com/NonWarrantyRMA> (the request forms are for use by distributors only). You must receive a Zodiac RMA number prior to shipping returned goods. Returned goods must be packaged securely in original packaging or a reasonable substitute. The RMA number must be clearly written on the outside of the packaging. Collect shipments, and shipments without a clearly identifiable RMA number, will be refused. Freight must be prepaid. Returned goods damaged due to inadequate return packaging may not receive full credit. If accepted, returned goods are subject to a 20% restocking charge. (Please ensure that the returned goods are shipped to the location indicated on the RMA form).
- To order parts for warranty repairs, the servicer must provide our Technical Support department with the following information to the designated Regional Support team via email or fax. (with a subject line of "warranty parts order"), or call 1.800.822.7933:
 - Servicer's name, company, phone number, email address and ship-to address.
 - Pool owner's name, address, phone number and email address.
 - Date of retail purchase (the pool owner may be required to provide proof of retail purchase).
 - The name and address of the original dealer/installer.
 - Model number and serial number of the original product.
 - A detailed description of product failure and service attempted.
 - Part number and description of the item needed to make the repair.
- Zodiac Contract Service Companies (CSCs) are required to submit warranty claims, including parts replenishment requests, using our online warranty claims system.




ETW NSF
Jandy Pro Series
by FORBAC
EPUMP



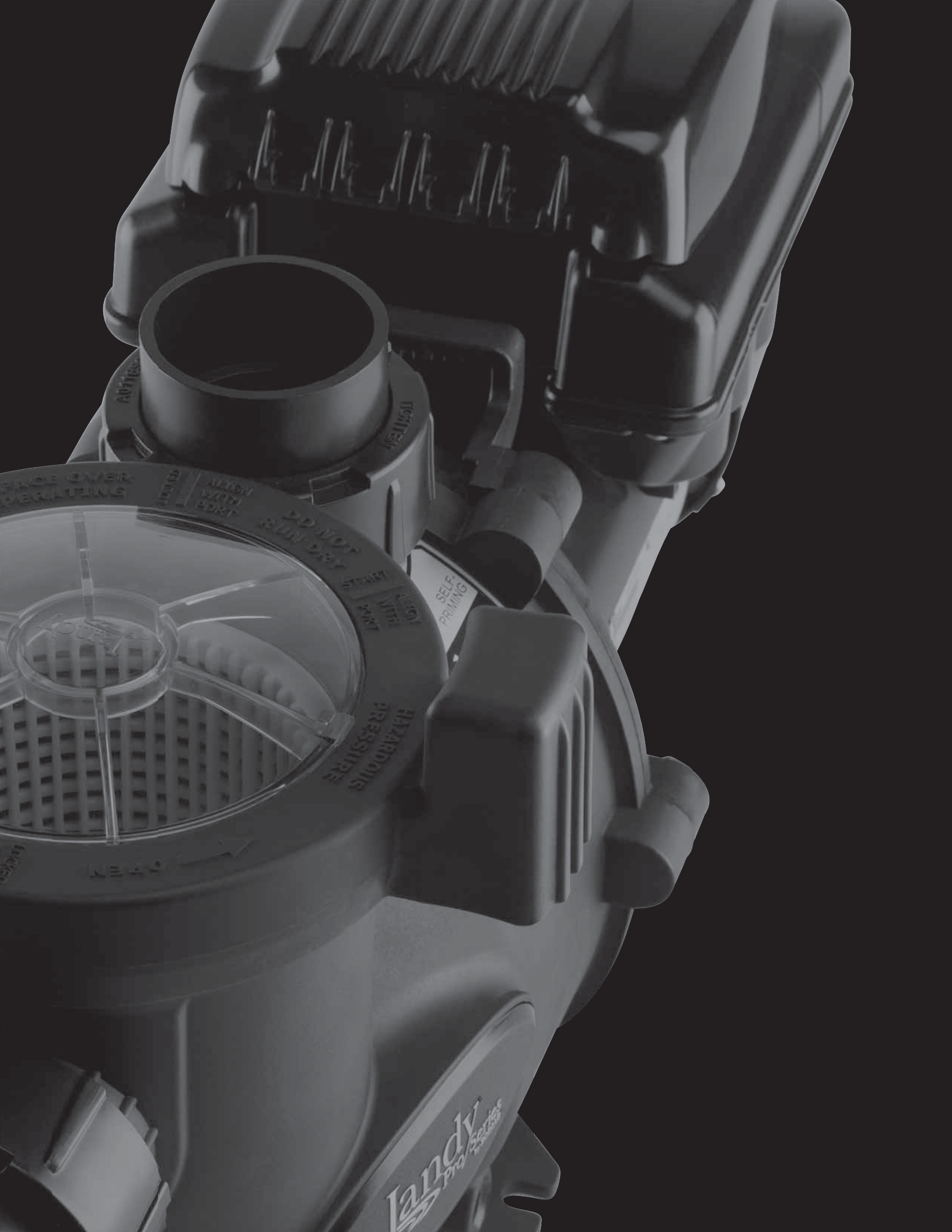
Jandy
Pro Series
by FORBAC



PUMPS



Filtration Pumps	11
Polaris® Booster Pumps	18
Technical Information	19
Ordering Information – Variable-Speed Pumps	30
Hydraulics Information	31
Filtration Pump Parts	36
Booster Pump Parts	54



ADVERT

WARNING

DO NOT EXCEED

100 PSI

ALIGN WITH PORT

DO NOT RUN DRY

DO NOT USE WITH

ALCOHOL

SELF PRIMING

HIGH PRESSURE

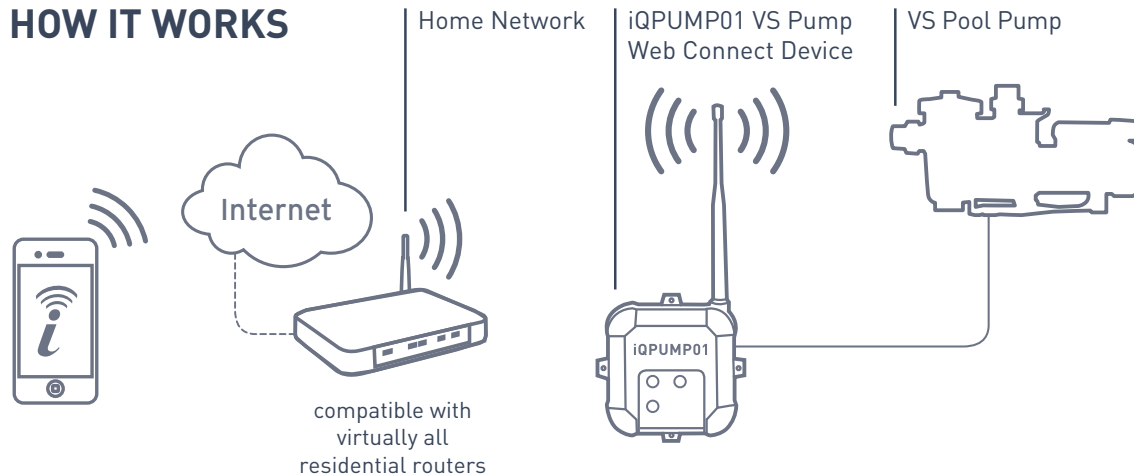
landy pro

iAquaLink™

Smart Pump Control In the Palm of Your Hand

The iQPUMP01 interface allows pool professionals to easily install, set up, and control Jandy® Variable-Speed pumps using a smartphone and the iAquaLink app.

HOW IT WORKS



Simplified Pump Management

All critical pump functions are just a tap away — whether you're poolside or across town.



Pump management 24/7



Schedules can be enabled and disabled



Schedule editing is as easy as a calendar entry



Easy Onsite Setup

Wirelessly connect directly to the iQPUMP01 using a smartphone and iAquaLink app. Built-in hotspot technology makes pump setup and programming simple — even without internet access.



Anytime, Anywhere Control

Control the pump anytime, anywhere with the iAquaLink app when connected to the web. Access and edit schedules 24/7.



Conveniently Manage Key Service Functions

Simplified remote-mounted user interface allows access to common service features. Service functions can also be accessed via a smartphone and the iAquaLink app.



Customize for Maximum Energy Efficiency

Pumps can be programmed to run at non-peak energy periods and to run at the minimum speed needed for cleaning and heating. Energy consumption can be adjusted to your pool's needs.

CONNECT AND AUTOMATE ADDITIONAL EQUIPMENT



AUXILIARY RELAY*

Use Jandy® variable-speed pumps to control additional equipment.



WHY IT'S IMPORTANT

Enable basic pool automation by combining iQPUMPO1 with a Jandy® variable-speed pump's auxiliary relay, eliminating the need for additional time clock devices. Available on all 2.2 and 2.7 HP Jandy Pro Series variable-speed pumps, the auxiliary relay will allow control of additional equipment like a Polaris® booster pump or Jandy TruClear® salt chlorinator.



*The Auxiliary Relay is rated at 230V/11A RMS. The relay is closed when the motor speed reaches and maintains a speed of 1725 RPM or higher, automatically powering on the additional equipment.



VS PlusHP



VS PlusHP Variable-Speed Pumps*

The VS PlusHP is a mid-sized pump designed for higher head applications, such as solar, in-floor, and pool/spa combos. Whether you're replacing existing pumps, such as Pentair® WhisperFlo® and Hayward® Super II™ models, or installing in new construction, the VS PlusHP has the performance and features for the application. Available with or without a user interface.

- Features an Auxiliary Relay that allows for automatic control of additional equipment like a Polaris® booster pump or a Jandy TruClear® salt chlorinator
- Large strainer basket for less maintenance
- High efficiency, permanent magnet, TEFC, variable-speed motor
- 2" x 2 1/2" unions for easier installation
- Tool-free lid for easy access
- 3-year warranty

Part No.	Description	THP
VSPHP270JEP	VS PlusHP Variable-Speed Pump w/ JEP-R Controller, 230 VAC	2.7 HP
VSPHP270AUT	VS PlusHP Variable-Speed Pump w/o JEP-R Controller, 230 VAC	2.7 HP



ePump



ePump™ Variable-Speed Pumps*

- Interfaces with AquaLink® RS, AquaLink PDA, AquaLink Z4, and the JEP-R Pump Controller (Not included)
- Largest capacity basket in the industry fully optimizes hydraulic flow
- Energy-saving ECM permanent magnet TEFC motor
- Extra long motor life and quiet operation
- 600–3450 RPM range
- SVRS model utilizes an ANSI®/ASME® A112.19.17 certified Suction Vacuum Release System
- 3-year warranty
- Features an Auxiliary Relay that allows for automatic control of additional equipment like a Polaris booster pump or a Jandy TruClear salt chlorinator

Part No.	Description	THP
VSSHP220AUT	ePump Variable Speed Pump	2.2 HP
VSSHP270AUT	ePump Variable Speed Pump	2.7 HP
JEP2.0SVRS	ePump + SVRS Variable-Speed Pump	2.7 HP

Siemens® QPF or QF series GFCI breakers offer 6 milliamp personal protection while meeting 2008 to current NEC standards for pool pumps.

*Jandy Pro Series variable-speed pumps comply with Appliance Efficiency Standards (e.g., CA-Title 20 and ANSI®/APSP-15) and qualify for energy company rebates where available.



VS FloPro



*Jandy Pro Series variable-speed pumps comply with Appliance Efficiency Standards (e.g., CA-Title 20 and ANSI/APSP-15) and qualify for energy company rebates where available.

VS FloPro™ Variable-Speed Pumps*

The VS FloPro is an energy-efficient variable-speed pump that is easy to install and service. This high-performance pump features a compact body and multiple adjustable bases, making it ideal for new construction or retrofit applications.

The included Pump Base Kit allows for seamless direct replacement of Hayward® Super Pump®, Hayward Super II™, Pentair® SuperFlo®, Pentair WhisperFlo®, Sta-Rite® SuperMax®, Sta-Rite Dyna-Glas™, Jandy® Pro Series PlusHP and MaxHP pumps.

Optional pump base allows for direct replacement of Sta-Rite Max-E-Pro®, Sta-Rite Dura-Glas®, Sta-Rite Dura-Glas II, Sta-Rite Max-E-Glas®.

Additional Features

- High efficiency, permanent magnet, TEFC, variable-speed motor
- 2" unions included or utilize 2" internal threads
- Ergonomic easy-transport handle
- High profile easy-grip handles with large capacity basket
- Interfaces with AquaLink® RS, AquaLink PDA, AquaLink Z4, and the JEP-R Pump Controller
- Features ergonomic Drain Plugs and Cam-Lock Lid with easy alignment indicators
- 2.7HP model features an Auxiliary Relay that allows for automatic control of additional equipment like a Polaris® booster pump or a Jandy TruClear® salt chlorinator
- Adjustable base included
- For additional direct replacement options, pair the included adjustable base with optional large base part number R0546400 (See page 21 for details)

Part No.	Description	
VSFHP165JEP	VS FloPro Variable-Speed Pump w/ JEP-R Controller, Includes Adjustable Base	1.65 HP
VSFHP165AUT	VS FloPro Variable-Speed Pump w/o JEP-R, Includes Adjustable Base	1.65 HP
VSFHP270JEP	VS FloPro Variable-Speed Pump w/ JEP-R Controller, Includes Adjustable Base	2.7 HP
VSFHP270AUT	VS FloPro Variable-Speed Pump w/o JEP-R, Includes Adjustable Base	2.7 HP



iQPUMP01 Variable-Speed Pump Controller

iQPUMP01 App Controllable Variable-Speed Pump User Interface

- Fast setup and control using our free iAquaLink™ app
- Connects directly to smartphone via Wi-Fi for setup and programming
- Internet access not required for setup
- Anytime, anywhere remote control and remote programming*
- Up to ten (10) schedules, each with unique days, times, and RPMs
- Custom Speed allows fast and easy RPM adjustments in real time
- Quick Clean feature for pool cleaning with suction vacuums
- Timed Stop for temporary equipment servicing
- Timed Run override to ensure proper mixing of chemicals
- Automatic internet back-up of all schedules and settings*
- Invite Codes allow easy granting of permissions to family and service pros*
- Works with all current Android® and iOS devices
- Combine iQPUMP01 with the Auxiliary Relay on a Jandy® Pro Series variable-speed pump for automated control of additional equipment like a Polaris® booster pump or Jandy TruClear® salt chlorinator

*These features require internet connectivity

Part No. Description

iQPUMP01	App Controllable Variable-Speed Pump User Interface
----------	---



JEP-R Variable-Speed Pump Controller

JEP-R Variable-Speed Pump Controller

- Includes two (2) timers and eight (8) speeds that can be custom labeled
- LCD display and LED indicators
- Battery Backup ensures time and settings are stored during power outages
- Pump priming and freeze protection
- Dual password protect options
- Global RPM limiter
- Can be installed up to 200 ft. away from pump

Part No. Description

JEP-R	Variable-Speed Pump Remote Controller
-------	---------------------------------------



Stealth Pump



Stealth™ Series Pumps

- “Quiet Technology” design controls flow dynamics within pump, resulting in less noise
- Largest capacity basket in the industry fully maximizes hydraulic flow
- 2" x 2 1/2" (2 1/2" x 3" on 3HP and 5HP model) quick-connect unions

Part No.	Description	HP
Full Rated Pumps		
SHPF.50	Stealth High Head Pump, 230/115VAC	.50 HP
SHPF.75	Stealth High Head Pump, 230/115VAC	.75 HP
SHPF1.0	Stealth High Head Pump, 230/115VAC	1.0 HP
SHPF1.5	Stealth High Head Pump, 230VAC	1.5 HP
SHPF2.0	Stealth High Head Pump, 230VAC	2.0 HP
SHPF3.0	Stealth High Head Pump, 230VAC	3.0 HP
SHPF5.0	Stealth High Head Pump, 230VAC	5.0 HP

Full Rated, 2 Speed Pumps		
SHPF1.0-2	Stealth High Head Pump, 230VAC	1.0 HP
SHPF1.5-2	Stealth High Head Pump, 230VAC	1.5 HP
SHPF2.0-2	Stealth High Head Pump, 230VAC	2.0 HP



ENERGY STAR
certified models in bold

Max (Up) Rated Pumps		
SHPM.75	Stealth High Head Pump, 230/115VAC	.75 HP
SHPM1.0	Stealth High Head Pump, 230/115VAC	1.0 HP
SHPM1.5	Stealth High Head Pump, 230/115VAC	1.5 HP
SHPM2.0	Stealth High Head Pump, 230VAC	2.0 HP
SHPM2.5	Stealth High Head Pump, 230VAC	2.5 HP



ENERGY STAR
certified models in bold

Max (Up) Rated, 2 Speed Pumps		
SHPM1.5-2	Stealth High Head Pump, 230VAC	1.5 HP
SHPM2.0-2	Stealth High Head Pump, 230VAC	2.0 HP
SHPM2.5-2	Stealth High Head Pump, 230VAC	2.5 HP

3 Phase Pumps		
SHPF1.0-3PH	Stealth High Head Pump, 208/230/460VAC, 3Phase 60Hz	1.0 HP
SHPF1.5-3PH	Stealth High Head Pump, 208/230/460VAC, 3Phase 60Hz	1.5 HP
SHPF2.0-3PH	Stealth High Head Pump, 208/230/460VAC, 3Phase 60Hz	2.0 HP
SHPF3.0-3PH	Stealth High Head Pump, 208/230/460VAC, 3Phase 60Hz	3.0 HP



PlusHP Pump



PlusHP Series Pumps

- Powerful, efficient, compact high-head pump
- Large trap basket for increased debris holding capacity
- Ergonomic cam-lock lid with easy-to-read aligning indicators
- Comes complete with 2" x 2 1/2" quick-connect unions
- Ideal for in-floor cleaning, spa-jet boosters, and solar systems

Part No.	Description	HP
Full Rated Pumps		
PHPF.50	PlusHP High Head Pump, 230/115VAC	.50 HP
PHPF.75	PlusHP High Head Pump, 230/115VAC	.75 HP
PHPF1.0	PlusHP High Head Pump, 230/115VAC	1.0 HP
PHPF1.5	PlusHP High Head Pump, 230/115VAC	1.5 HP
PHPF2.0	PlusHP High Head Pump, 230VAC	2.0 HP

Full Rated, 2 Speed Pumps		
PHPF1.0-2	PlusHP High Head Pump, 230VAC	1.0 HP
PHPF1.5-2	PlusHP High Head Pump, 230VAC	1.5 HP
PHPF2.0-2	PlusHP High Head Pump, 230VAC	2.0 HP

Max (Up) Rated Pumps		
PHPM.75	PlusHP High Head Pump, 230/115VAC	.75 HP
PHPM1.0	PlusHP High Head Pump, 230/115VAC	1.0 HP
PHPM1.5	PlusHP High Head Pump, 230/115VAC	1.5 HP
PHPM2.0	PlusHP High Head Pump, 230/115VAC	2.0 HP
PHPM2.5	PlusHP High Head Pump, 230VAC	2.5 HP

Max (Up) Rated, 2 Speed Pumps		
PHPM1.5-2	PlusHP High Head Pump, 230VAC, 2 Spd	1.5 HP
PHPM2.0-2	PlusHP High Head Pump, 230VAC, 2 Spd	2.0 HP
PHPM2.5-2	PlusHP High Head Pump, 230VAC, 2 Spd	2.5 HP



ENERGY STAR certified models in bold



ENERGY STAR certified models in bold



FloPro Pump



FloPro™ Series Pumps

- Medium-head, high-flow pump in an ultra compact body
- Adjustable base with spacers included allows for direct replacement of Hayward® Super Pump®, Hayward Super II™, Pentair® SuperFlo®, Pentair WhisperFlo®, Sta-Rite® SuperMax®, Sta-Rite Dyna-Glas™, and Jandy Pro Series PlusHP and MaxHP pumps. Optional pump base allows for direct replacement of Sta-Rite Max-E-Pro®, Sta-Rite Dura-Glas®, Sta-Rite Dura-Glas II, Sta-Rite Max-E-Glas®
- For additional direct replacement options, pair the included adjustable base with optional large base part number R0546400 (See page 21 for details)
- Ergonomic cam-lock lid with easy aligning indicators
- Comes complete with 2" unions

Part No.	Description	HP
Max (Up) Rated Pumps		
FHPM.75	FloPro Medium Head Pump, 230/115VAC	.75 HP
FHPM1.0	FloPro Medium Head Pump, 230/115VAC	1.0 HP
FHPM1.5	FloPro Medium Head Pump, 230/115VAC	1.5 HP
FHPM2.0	FloPro Medium Head Pump, 230/115VAC	2.0 HP
FHPM2.5	FloPro Medium Head Pump, 230VAC	2.5 HP



ENERGY STAR
certified models in bold

Max (Up) Rated, 2 Speed Pumps		
FHPM1.0-2	FloPro Medium Head Pump, 230VAC	1.0 HP
FHPM1.5-2	FloPro Medium Head Pump, 230VAC	1.5 HP
FHPM2.0-2	FloPro Medium Head Pump, 230VAC	2.0 HP



WaterFeature Pump



WaterFeature Series Pump

- High-flow, medium-head pump
- Perfect for water features like Sheer Descent®, Laminar Jets, etc.
- Ergonomic cam-lock lid with easy aligning indicators
- Comes complete with 2" x 2 1/2" quick-connect unions

Part No.	Description	GPM
Max (Up) Rated Pumps		
WFTR80	WaterFeature Medium Head Pump, 230/115VAC	80 GPM
WFTR120	WaterFeature Medium Head Pump, 230/115VAC	120 GPM
WFTR160	WaterFeature Medium Head Pump, 230VAC	160 GPM



WaterFall Pump



WaterFall Series Pumps

- High-flow, low head pump
- Up to 60% quieter and uses less energy
- Perfect for custom waterfalls and other special water features
- Ergonomic cam-lock lid with easy aligning indicators
- Comes complete with 2 1/2" x 3" quick-connect unions

Part No. Description GPM

Waterfall Series Pumps

SWF125	Stealth™ WaterFall Low Head Pump, 230/115VAC	Up to 125 GPM
SWF185	Stealth WaterFall Low Head Pump, 230/115VAC	Up to 185 GPM



Pump with Sweep Elbow



Pump Accessories

Part No. Description

SEAQL1001	AquaLink® Sweep Elbow — For use w/ RS Temp Sensor
SEFL1002	Sweep Elbow with 1/2" plug
R0546400	Base Spacer, VS-FHP, FHP, Large — For use w/ Sta-Rite® Max-E-Pro®, Sta-Rite DuraGlas®, Sta-Rite DuraGlas II, Sta-Rite Max-E-Glas® pumps.



Base Spacer

TRADE SERIES
EXCLUSIVE

PB4SQ Booster Pump



Polaris PB4SQ™ Booster Pump

The PB4SQ is an energy-efficient, multi-stage booster pump that is easy to install and service. It has been designed to operate quietly and provide optimum power to Polaris pressure cleaners.

- Multi-stage pump progressively pressurizes water flow, maximizing outlet pressure while minimizing energy consumption
- TEFC motor and innovative fan are designed for quiet operation
- Easy to install with multiple conduit locations and accessible service points
- Includes Polaris Softube® and Quick Connect fittings

Part No. Description

PB4SQ	Polaris PB4SQ Booster Pump
-------	----------------------------



PB4-60 Booster Pump



Polaris PB4-60 Booster Pump

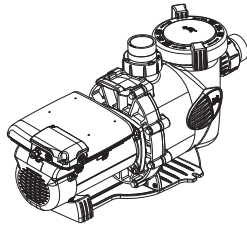
- Appropriate for all Polaris pressure cleaners that require a booster pump
- 3/4 HP motor operates with low flow and variable-speed filter pumps
- Includes Polaris Softube and Quick Connect fittings

Part No. Description

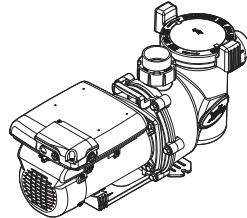
PB4-60	Polaris Booster Pump with 60 Hz Motor
--------	---------------------------------------

Jandy® Pro Series Pumps

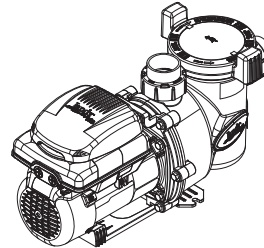
Jandy Pro Series pumps are the heart of the Versa Plumb® system, providing the hydraulic power for all pool and spa equipment. Quiet and efficient, they easily operate the filtration system, spa jets, and any special enhancements to the pool, such as waterfalls, fountains and vanishing edge designs.



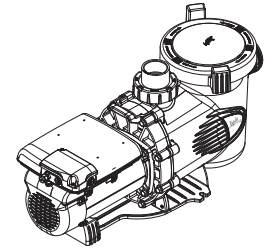
VSPHP270



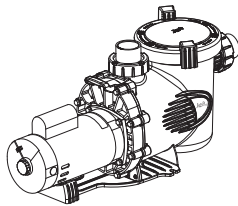
VSFHP270



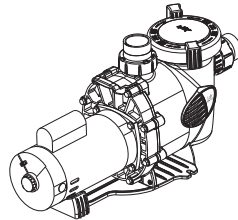
VSFHP165



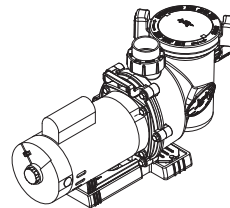
VSSHP



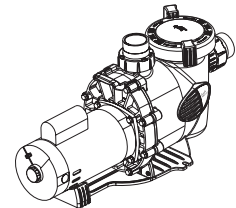
SHPF/SHPM



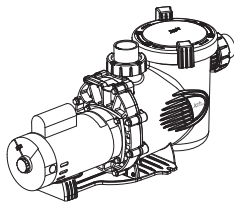
PHPF/PHPM



FHPM



WFTR



SWF

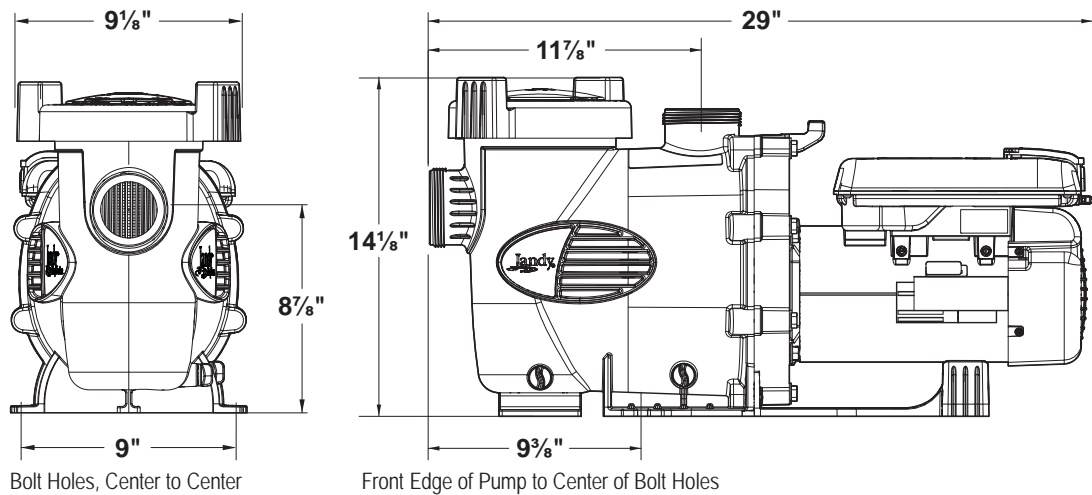
Pump Model Number Legend

Model	Description	Head Characteristics	Speed	Rating
VSFHP	VS FloPro™ Model Series	Medium Head Pump	Variable-Speed	Full
VSPHP	VS PlusHP Series	High Head Pump	Variable-Speed	Full
VSSHP	ePump™ Model Series	High Head Pump	Variable-Speed	Full
SHPF	Stealth™ Model Series	High Head Pump	Single	Full
SHPF-2	Stealth Model Series	High Head Pump	Two	Full
SHPM	Stealth Model Series	High Head Pump	Single	Up-rated
SHPM-2	Stealth Model Series	High Head Pump	Two	Up-rated
PHPF	PlusHP Model Series	High Head Pump	Single	Full
PHPF-2	PlusHP Model Series	High Head Pump	Two	Full
PHPM	PlusHP Model Series	High Head Pump	Single	Up-rated
PHPM-2	PlusHP Model Series	High Head Pump	Two	Up-rated
FHPM	FloPro Model Series	Medium Head Pump	Single	Up-rated
FHPM-2	FloPro Model Series	Medium Head Pump	Two	Up-rated
WFTR	WaterFeature Model Series	High Flow/Medium Head Pump	Single	Full
SWF	Stealth WaterFall Model Series	High Flow/Low Head Pump	Single	Full

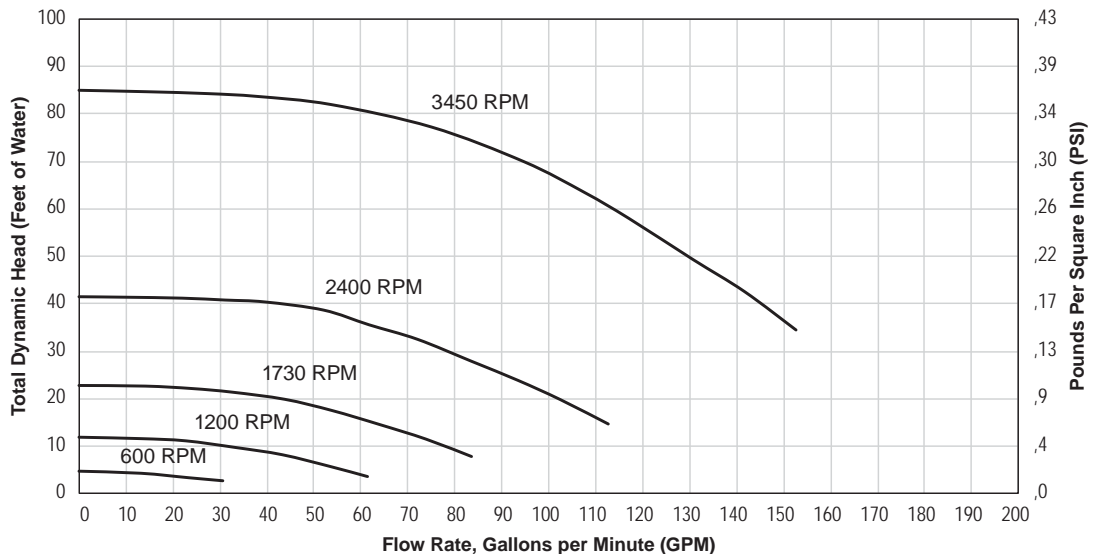
Specifications and Dimensions for VS PlusHP Pumps

Full Rated Pumps								
Model No.	HP	Voltage	Watts	No. Aux. Relays	Auxiliary Relay Rating	Recommended Pipe Size	Carton Weight	Overall Length
VSPHP270AUT VSPHP270JEP	2.7	230 VAC	2,250 W	1	230V/11 AMP	2 – 3"	50 lbs.	29"

When installing pump provide the following: 1) a minimum of 2 ft. of clearance above the pump for removal of strainer basket and 2) a minimum of 8" of clearance behind the motor for removal of motor.



VS PlusHP Pump Curves

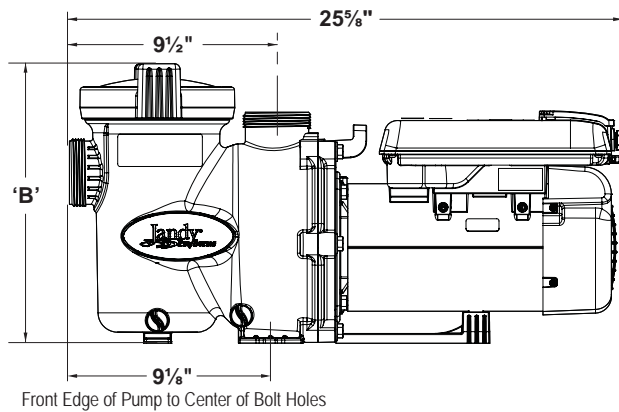


Specifications and Dimensions for VS FloPro™ Pumps

Full Rated Pumps								
Model No.	HP	Voltage	Watts	No. Aux. Relays	Auxiliary Relay Rating	Recommended Pipe Size	Carton Weight	Overall Length
VSFHP270AUT VSFHP270JEP	2.7	230 VAC	2,400 W	1	230V/11 AMP	2 – 3"	56 lbs.	25 5/8"

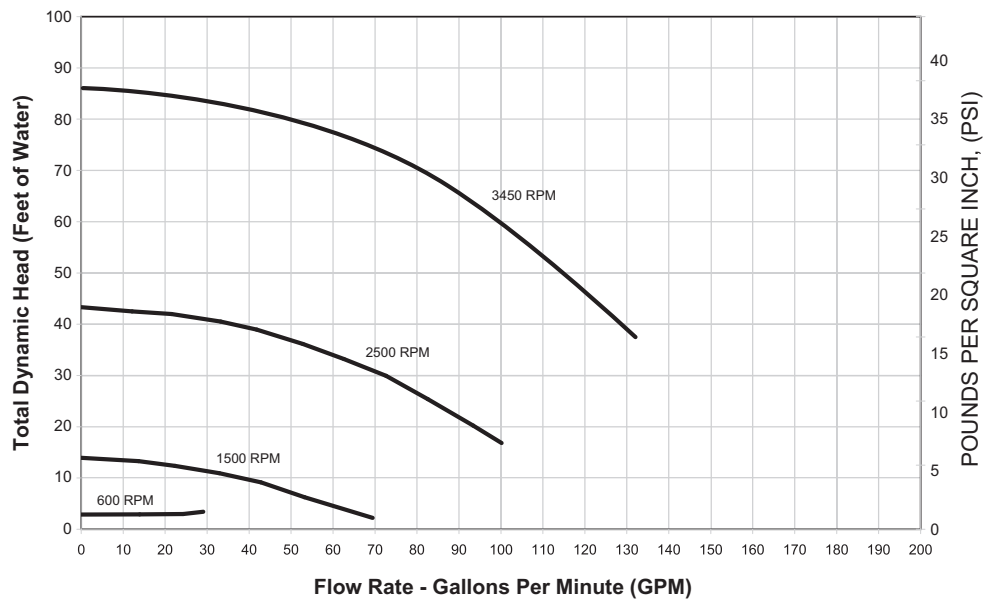
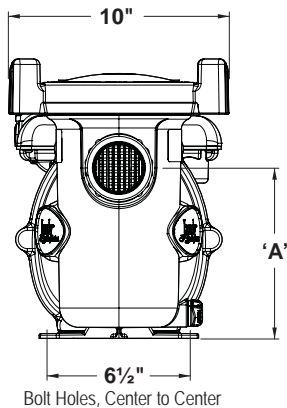
When installing the pump, leave a minimum of 2 ft. of clearance above the pump for removal of strainer basket.

Base Options



Base	Fits	'A' Dimension	'B' Dimension
No Base	Hayward® Super Pump®, Pentair® SuperFlo®, Sta-Rite® SuperMax®	7 3/4"	12 3/4"
Small Base	Hayward Super II™, Jandy® Pro Series PlusHP and MaxHP pumps	8 7/8"	13 7/8"
Small Base w/ Spacers	Pentair WhisperFlo®, Sta-Rite Dyna-Glas™	9 1/8"	14 1/8"
Small Base + Large Base	Sta-Rite Max-E-Pro®, Sta-Rite Dura-Glas®, Sta-Rite Dura-Glas II, Sta-Rite Max-E-Glas®	10 3/4"	15 3/4"

VS FloPro Pump Curves

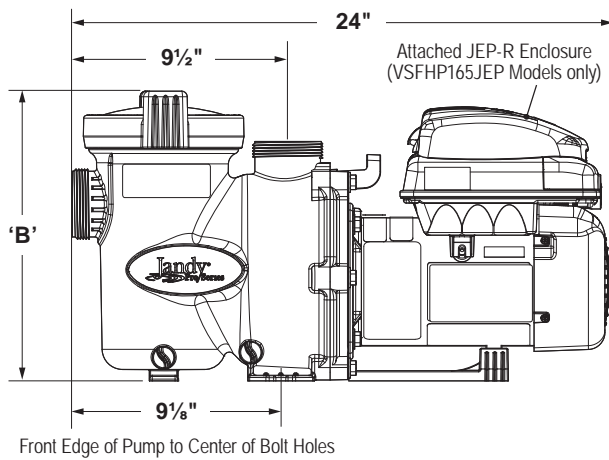


Specifications and Dimensions for VS FloPro™ Pumps

Full Rated Pumps								
Model No.	HP	Voltage	Watts	No. Aux. Relays	Auxiliary Relay Rating	Recommended Pipe Size	Carton Weight	Overall Length
VSFHP165AUT VSFHP165JEP	1.65	230 VAC	1,600 W	0	N/A	1 1/2 – 2 1/2"	46 lbs.	24"

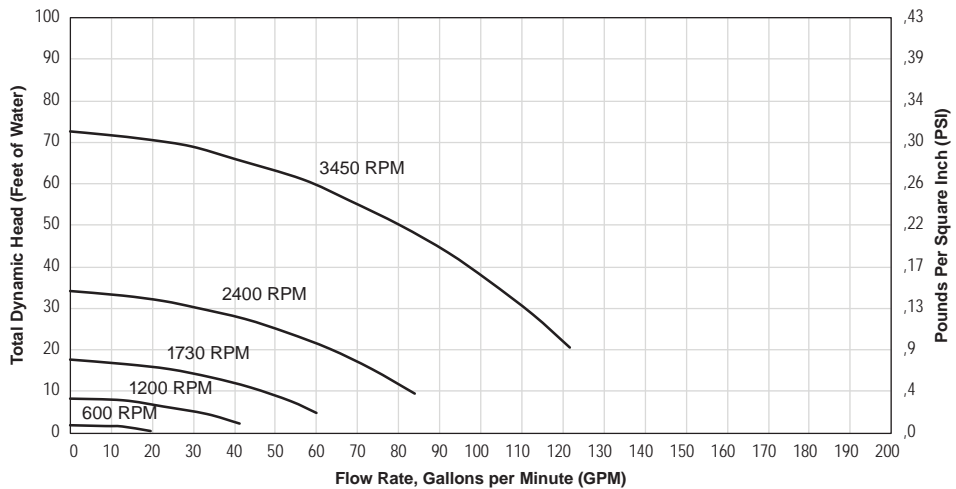
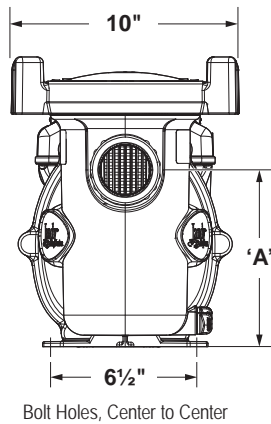
When installing the pump, leave a minimum of 2 ft. of clearance above the pump for removal of strainer basket.

Base Options



Base	Fits	'A' Dimension	'B' Dimension
No Base	Hayward® Super Pump,® Pentair® SuperFlo,® Sta-Rite® SuperMax®	7 3/4"	12 3/4"
Small Base	Hayward Super II™, Jandy® Pro Series PlusHP and MaxHP pumps	8 7/8"	13 7/8"
Small Base w/ Spacers	Pentair WhisperFlo®, Sta-Rite Dyna-Glas™	9 1/8"	14 1/8"
Small Base + Large Base	Sta-Rite Max-E-Pro®, Sta-Rite Dura-Glas®, Sta-Rite Dura-Glas II, Sta-Rite Max-E-Glas®	10 3/4"	15 3/4"

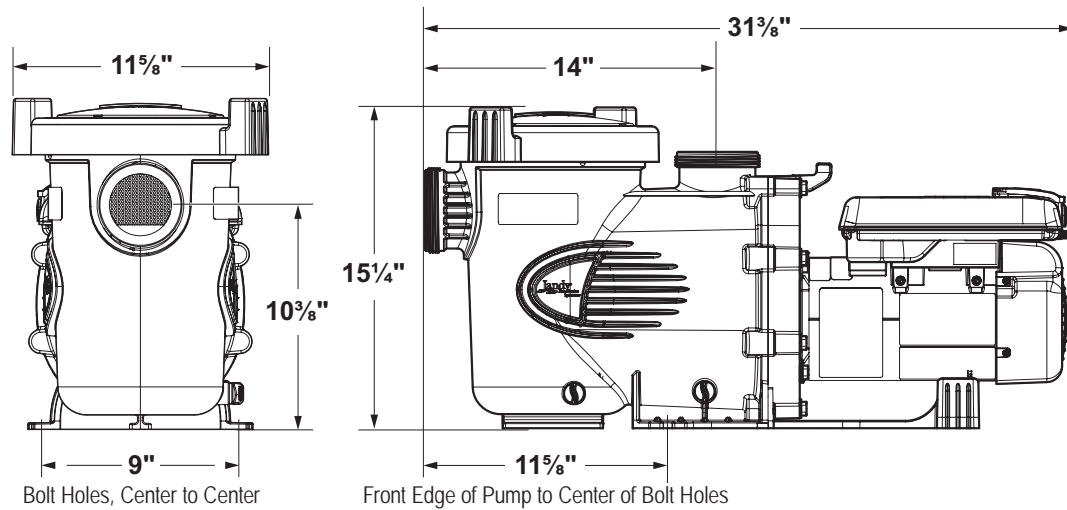
VS FloPro Pump Curves



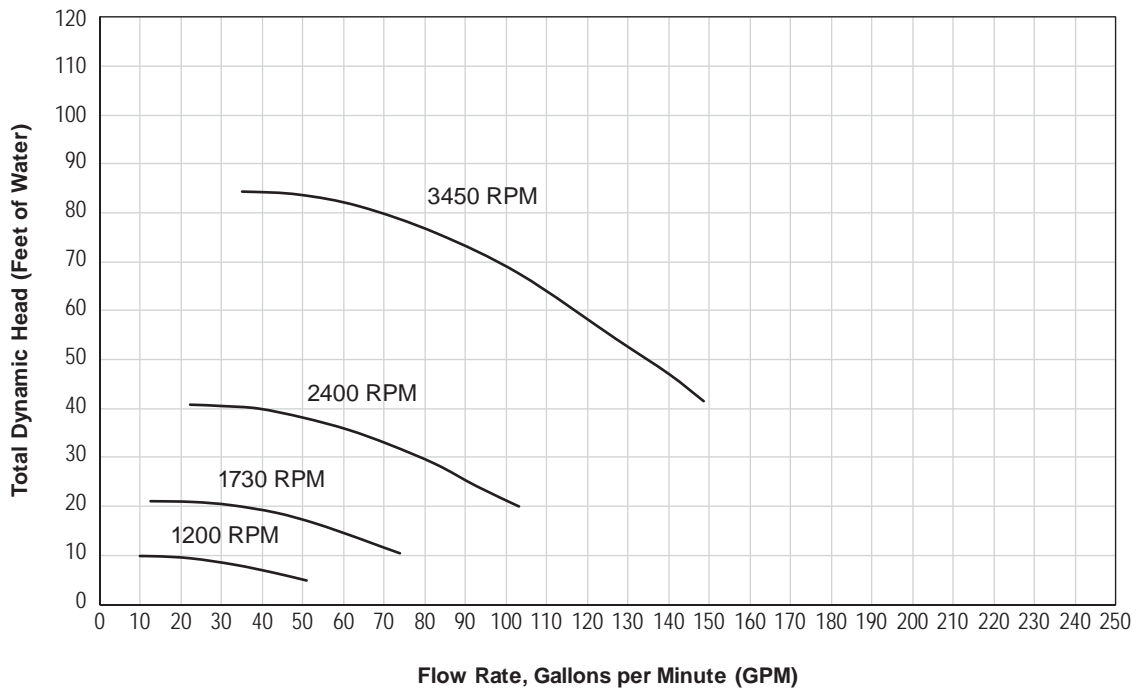
Specifications and Dimensions for ePump™ + SVRS Variable-Speed Pump

Full Rated Pumps								
Model No.	HP	Voltage	Watts	No. Aux. Relays	Auxiliary Relay Rating	Recommended Pipe Size	Carton Weight	Overall Length
JEP2.0SVRS	2.7	230VAC	2,400 W	1	230V/11 AMP	2 – 3"	71.5 lbs.	31 3/8"

When installing the pump, leave a minimum of 2 ft. of clearance above the pump for removal of strainer basket.



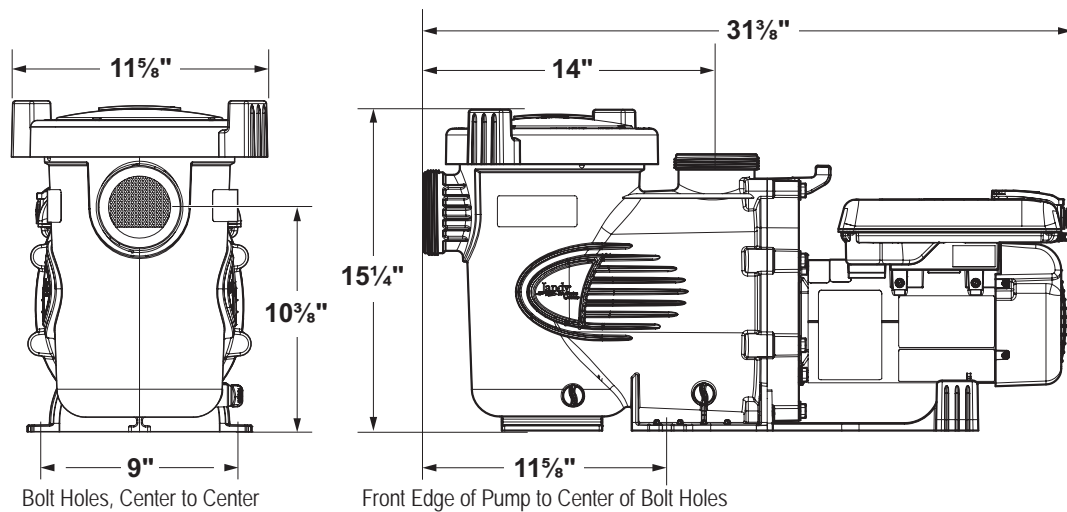
ePump + SVRS Pump Curves



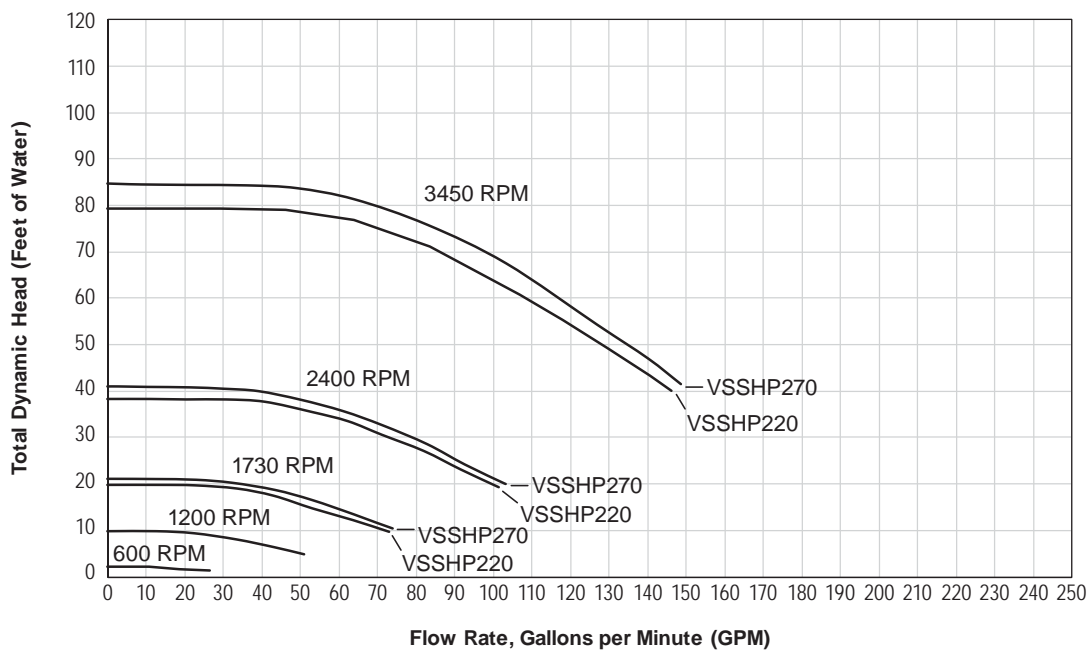
Specifications and Dimensions for ePump™ Pumps

Full Rated Pumps								
Model No.	HP	Voltage	Watts	No. Aux. Relays	Auxiliary Relay Rating	Recommended Pipe Size	Carton Weight	Overall Length
VSSHP220AUT	2.7	230VAC	2,100 W	1	230V/11 AMP	2 1/2–3"	71.5 lbs.	31 3/8"
VSSHP270AUT	2.7	230VAC	2,300 W	1	230V/11 AMP	2 1/2–3"	71.5 lbs.	31 3/8"

When installing the pump, leave a minimum of 2 ft. of clearance above the pump for removal of strainer basket.



ePump (VSSHP) Pump Curves

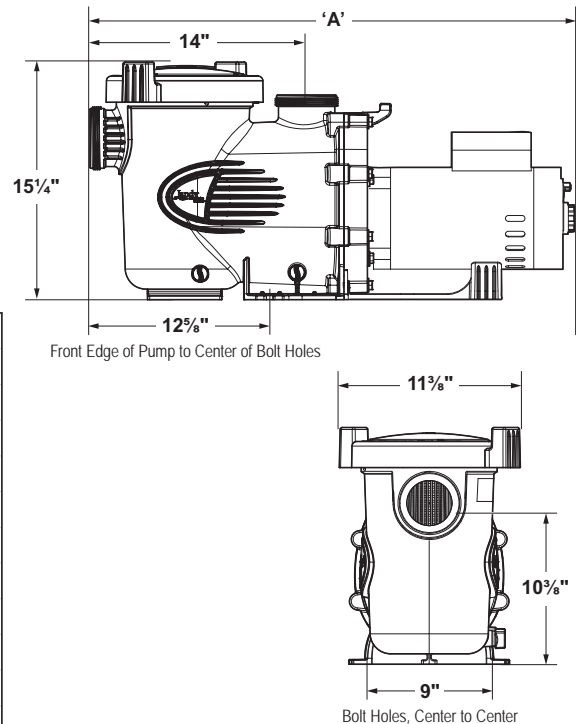


Specifications and Dimensions for Stealth™ (SHPF/SHPM) Pumps

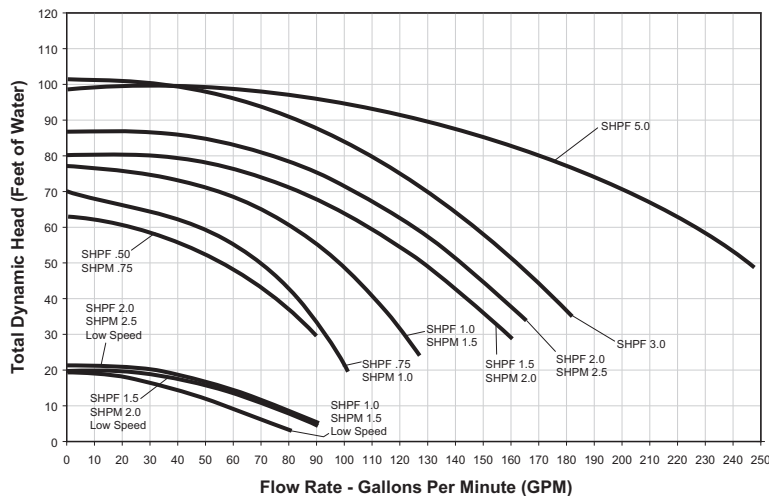
Full Rated Pumps						
Model No.	HP	Voltage	Amps	Recommended Pipe Size	Carton Weight	Overall Length 'A'
SHPF.50	.50	208-230/115	4.4-4.5/8.8	2-2 1/2"	30 lbs.	29"
SHPF.75	.75	208-230/115	6.0-5.6/11.2	2-2 1/2"	43 lbs.	29 3/4"
SHPF1.0	1.0	208-230/115	7.8-7.4/14.8	2-2 1/2"	45 lbs.	30"
SHPF1.5	1.5	208-230	9.6-8.8	2-2 1/2"	50 lbs.	30 1/2"
SHPF2.0	2.0	208-230	11.0-10.0	2-2 1/2"	57 lbs.	31"
SHPF3.0	3.0	208-230	15.0-13.6	2 1/2-3"	62 lbs.	31"
SHPF5.0	5.0	208-230	17.0-19.0	4"	68 lbs.	31 1/2"
SHPF1.0-2	1.0	230	7.2/3.0	2-2 1/2"	50.4 lbs.	30"
SHPF1.5-2	1.5	230	10.0/3.5	2-2 1/2"	57 lbs.	30 1/2"
SHPF2.0-2	2.0	230	11.0/4.0	2-2 1/2"	64 lbs.	31"
3 Phase Pumps						
SHPF1.0-3PH	1.0	208-230/460	5.0-4.6/2.3	2-2 1/2"	55 lbs.	29 3/4"
SHPF1.5-3PH	1.5	208-230/460	6.4-5.8/2.9	2-2 1/2"	57 lbs.	30"
SHPF2.0-3PH	2.0	208-230/460	7.1-6.8/3.4	2-2 1/2"	64 lbs.	30 1/2"
SHPF3.0-3PH	3.0	208-230/460	9.0-8.6/4.3	2 1/2-3"	62 lbs.	31 1/2"

Maximum (Up) Rated Pumps						
Model No.	HP	Voltage	Amps	Recommended Pipe Size	Carton Weight	Overall Length 'A'
SHPM.75	.75	208-230/115	4.4-4.5/8.8	2-2 1/2"	30 lbs.	29"
SHPM1.0	1.0	208-230/115	6.0-5.6/11.2	2-2 1/2"	43 lbs.	29 3/4"
SHPM1.5	1.5	208-230/115	7.8-7.4/14.8	2-2 1/2"	45 lbs.	30"
SHPM2.0	2.0	208-230	9.6-8.8	2-2 1/2"	50 lbs.	30 1/2"
SHPM2.5	2.5	208-230	11.0-10.0	2-2 1/2"	57 lbs.	31"
SHPM1.5-2	1.5	230	7.2/3.0	2-2 1/2"	52 lbs.	30"
SHPM2.0-2	2.0	230	10.0/3.5	2-2 1/2"	57 lbs.	30 1/2"
SHPM2.5-2	2.5	230	11.0/4.0	2-2 1/2"	64 lbs.	31"

When installing pump provide the following: 1) a minimum of 2 ft. of clearance above the pump for removal of strainer basket and 2) a minimum of 8" of clearance behind the motor for removal of motor.



Stealth (SHPF/SHPM) Pump Curves



Specifications and Dimensions for PlusHP (PHPF/PHPM) Pumps

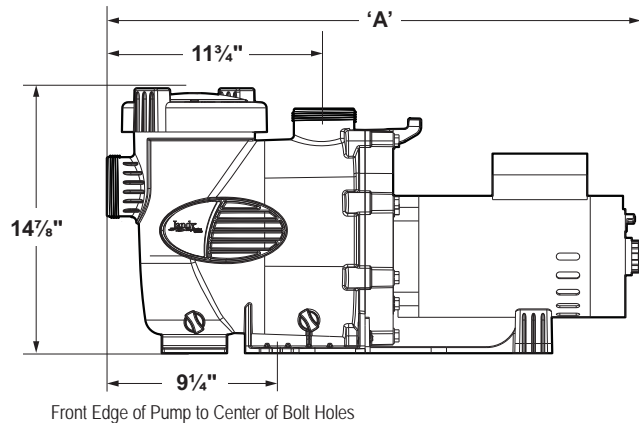
Full Rated Pumps

Model No.	HP	Voltage	Amps	Recommended Pipe Size	Carton Weight	Overall Length 'A'
PHPF.50	.50	230/115	5.4/10.8	1 1/2-2"	40.4 lbs.	26 1/2"
PHPF.75	.75	230/115	7.1/14.2	2-2 1/2"	41.8 lbs.	26 1/2"
PHPF1.0	1.0	230/115	8.0/16.0	2-2 1/2"	43.3 lbs.	26 7/8"
PHPF1.5	1.5	230/115	11.2/22.4	2-2 1/2"	54.6 lbs.	28 1/2"
PHPF2.0	2.0	230	11.5	2-2 1/2"	49.3 lbs.	27 1/2"
PHPF1.0-2	1.0	230	7.2/3.0	2-2 1/2"	48.7 lbs.	27 1/2"
PHPF1.5-2	1.5	230	10.0/3.5	2-2 1/2"	52.9 lbs.	28"
PHPF2.0-2	2.0	230	11.0/4.0	2-2 1/2"	62.3 lbs.	28 1/2"

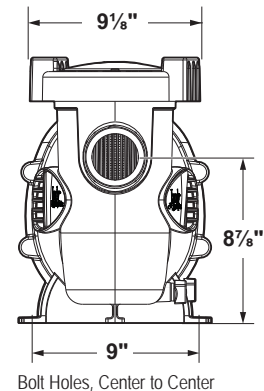
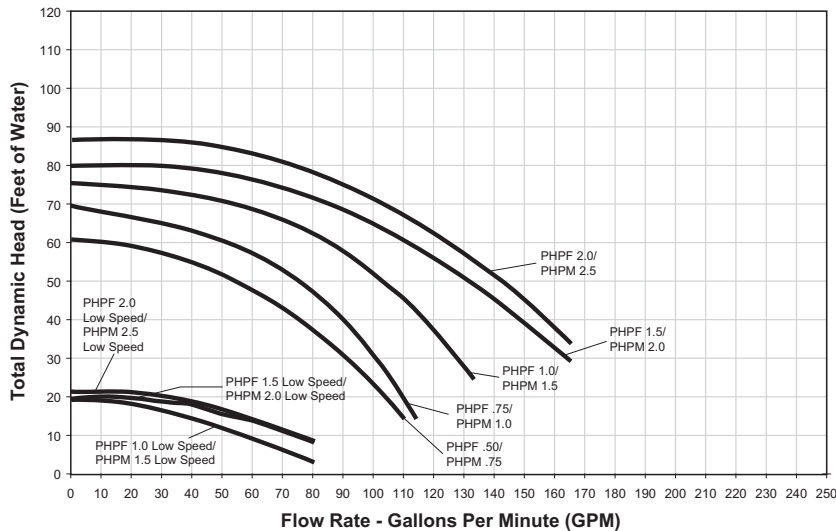
Maximum (Up) Rated Pumps

PHPM.75	.75	230/115	5.4/10.8	1 1/2-2"	40.4 lbs.	26 1/2"
PHPM1.0	1.0	230/115	7.1/14.2	2-2 1/2"	41.8 lbs.	26 1/2"
PHPM1.5	1.5	230/115	8.0/16.0	2-2 1/2"	43.3 lbs.	26 7/8"
PHPM2.0	2.0	230/115	11.2/22.4	2-2 1/2"	54.6 lbs.	28 1/2"
PHPM2.5	2.5	230	11.5	2-2 1/2"	49.3 lbs.	27 1/2"
PHPM1.5-2	1.5	230	7.2/3.0	2-2 1/2"	48.7 lbs.	27 1/2"
PHPM2.0-2	2.0	230	10.0/3.5	2-2 1/2"	52.9 lbs.	28"
PHPM2.5-2	2.5	230	11.0/4.0	2-2 1/2"	62.3 lbs.	28 1/2"

When installing pump provide the following: 1) a minimum of 2 ft. of clearance above the pump for removal of strainer basket and 2) a minimum of 8" of clearance behind the motor for removal of motor.



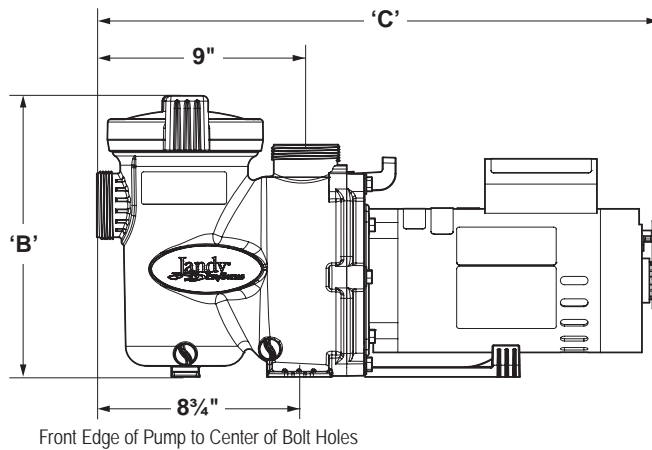
PlusHP (PHPF/PHPM) Pump Curves



Specifications and Dimensions for FloPro™ (FHPM) Pumps

FHPM Pump Specifications						
Model No.	HP	Voltage	Amps	Recommended Pipe Size	Carton Weight	Overall Length 'C'
FHPM .75	0.75	230/115	5.4/10.8	1 1/2–2"	40.6 lbs.	23 3/8"
FHPM 1.0	1.00	230/115	7.1/14.2	2–2 1/2"	41.2 lbs.	23 3/8"
FHPM 1.5	1.50	230/115	8.0/16	2–2 1/2"	42.6 lbs.	23 3/4"
FHPM 2.0	2.00	230/115	11.2/22.4	2–2 1/2"	54.6 lbs.	25 3/8"
FHPM 2.5	2.50	230	11.5	2 1/2–3"	48.6 lbs.	24 3/8"
FHPM 1.0-2	1.00	230	7.1/2.3	2 1/2–3"	46.5 lbs.	24 1/4"
FHPM 1.5-2	1.50	230	8.0/3.0	2 1/2–3"	48.0 lbs.	24 3/8"
FHPM 2.0-2	2.00	230	11.2/3.5	2 1/2–3"	52.9 lbs.	24 7/8"

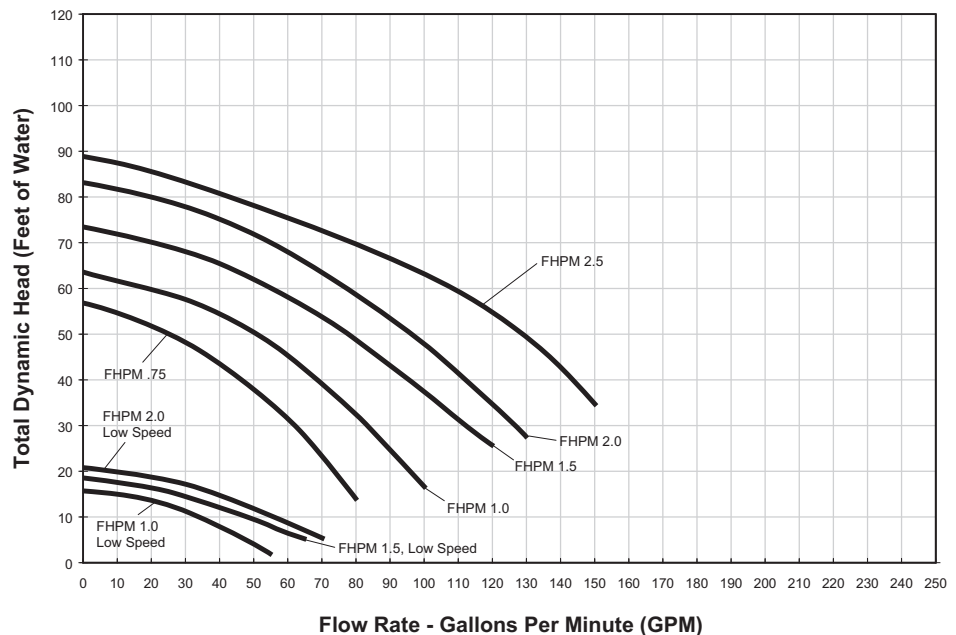
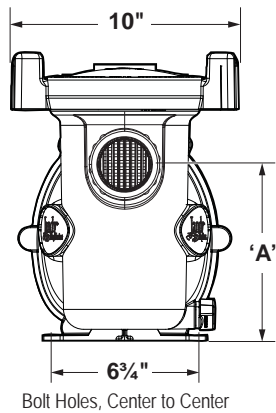
When installing pump provide the following: 1) a minimum of 2 ft. of clearance above the pump for removal of strainer basket and 2) a minimum of 8" of clearance behind the motor for removal of motor.



Base Options

Base	Fits	'A' Dimension	'B' Dimension
No Base	Hayward® Super Pump®, Pentair® SuperFlo®, Sta-Rite® SuperMax®	7 3/4"	12 3/4"
Small Base	Hayward Super II™, Jandy® Pro Series PlusHP and MaxHP pumps.	8 7/8"	13 7/8"
Small Base w/ Spacers	Pentair WhisperFlo™, Sta-Rite Dyna-Glas™	9 1/8"	14 1/8"
Small Base + Large Base	Sta-Rite Max-E-Pro®, Sta-Rite Dura-Glas®, Sta-Rite Dura-Glas II, Sta-Rite Max-E-Glas®	10 3/4"	15 3/4"

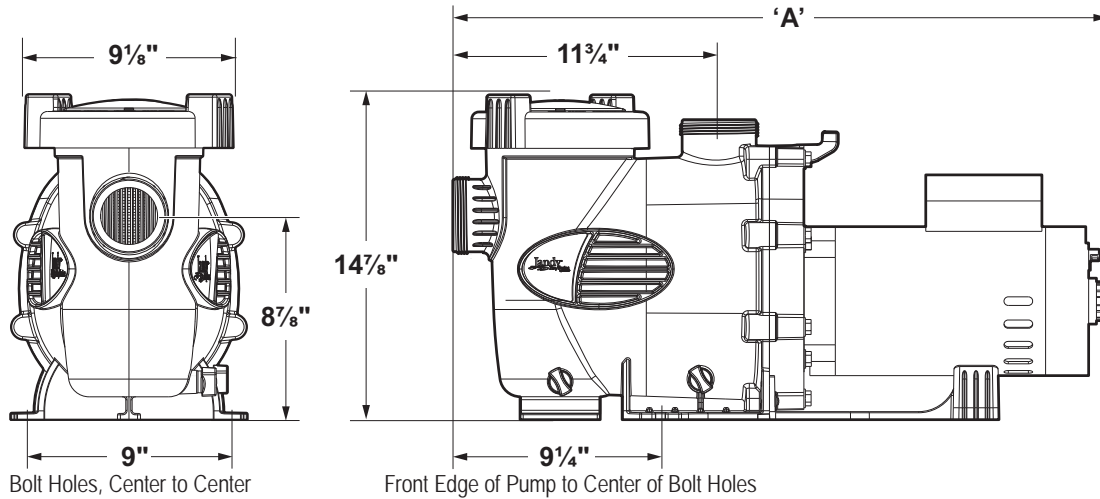
FloPro (FHPM) Pump Curves



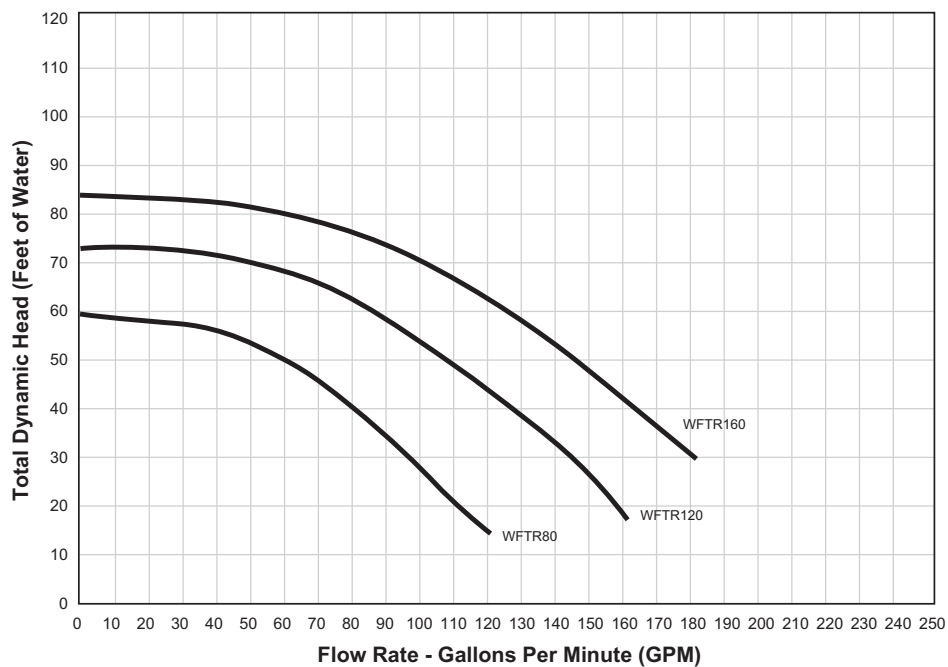
Specifications and Dimensions for WaterFeature (WFTR) Pumps

WFTR Pump Specifications						
Model No.	GPM	Voltage	Amps	Recommended Pipe Size	Carton Weight	Overall Length 'A'
WFTR80	80 GPM	230/115	5.4/10.8	1 1/2-2"	40.6 lbs.	26 1/2"
WFTR120	120 GPM	230/115	8.0/16	2-2 1/2"	42.6 lbs.	26 7/8"
WFTR160	160 GPM	230	11.5	2 1/2-3"	48.6 lbs.	27 1/2"

When installing the pump, leave a minimum of 2 ft. of clearance above the pump for removal of strainer basket.



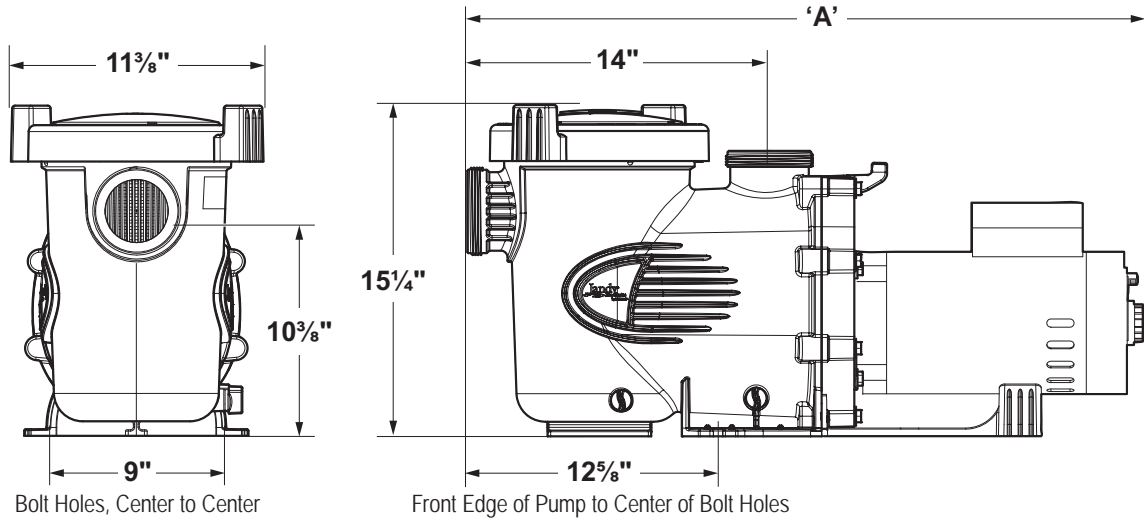
WaterFeature (WFTR) Pump Curves



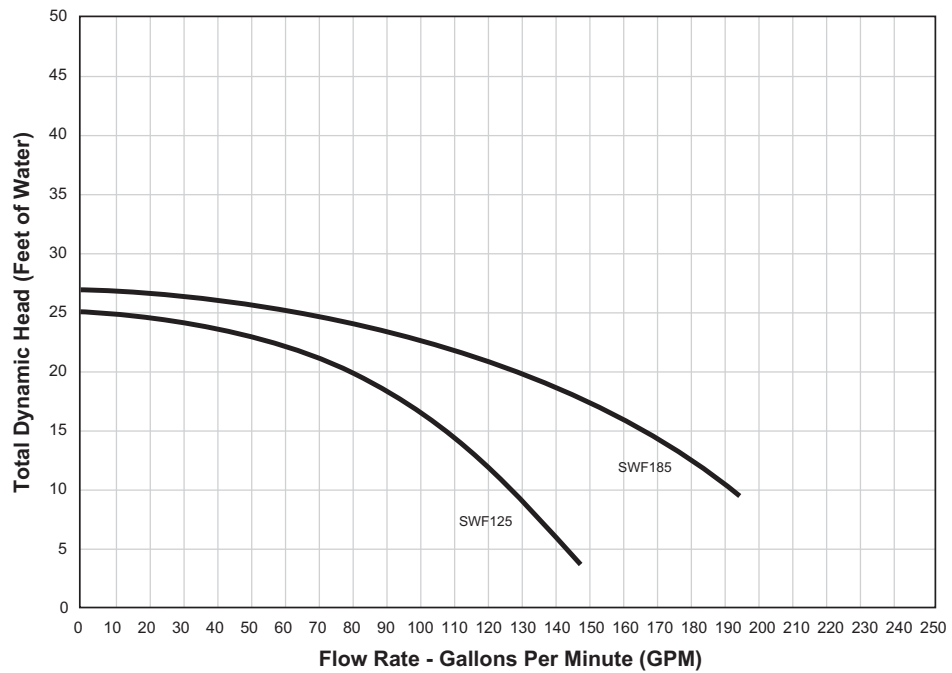
Specifications and Dimensions for WaterFall (SWF) Pumps

SWF Pump Specifications						
Model No.	HP	Voltage	Amps	Recommended Pipe Size	Carton Weight	Overall Length 'A'
SWF125	.75	230/115	4.8/9.6	2 1/2-3"	48 lbs.	30"
SWF185	1.0	230/115	6.0/12.0	2 1/2-3"	56 lbs.	31 1/4"










When installing the pump, leave a minimum of 2 ft. of clearance above the pump for removal of strainer basket.



WaterFall (SWF) Pump Curves



Jandy® Variable-Speed Pump - Ordering Instructions

Motor Type	Pump Type	Horsepower	User Interface
VS = Variable-Speed 	FHP = FloPro™  <i>Medium Head</i> <i>Overall Length: 25"-27"</i>	165 = 1.65 THP 270 = 2.70 THP	JEP = JEP-R Digital Controller Included  AUT = Automation Required AquaLink® or iQPUMP01 
	PHP = PlusHP  <i>High Head</i> <i>Overall Length: 31"</i>	270 = 2.70 THP	JEP = Includes JEP-R Digital Controller  AUT = Automation Required AquaLink or iQPUMP01 
	SHP = ePump™/Stealth™  <i>High Head</i> <i>Overall Length: 33.5"</i>	220 = 2.20 THP 270 = 2.70 THP	AUT = Automation Required AquaLink or iQPUMP01 

Jandy Variable-Speed Pump - Part Number Examples

Example 1: VSPHP270JEP =	VS <u>Variable-Speed</u> 	PHP <u>PlusHP</u> 	270 2.70 Total Horsepower 2.70 THP	JEP JEP-R Digital Controller Included 
Example 1: VSFHP165AUT =	VS <u>Variable-Speed</u> 	FHP <u>FloPro</u> 	165 1.65 Total Horsepower 1.65 THP	AUT (Auto. Req.) AquaLink® or iQPUMP01 

Hydraulics for Pools and Spas

Hydraulics is the study of liquids at rest and in motion. The liquid that we need to understand is water.

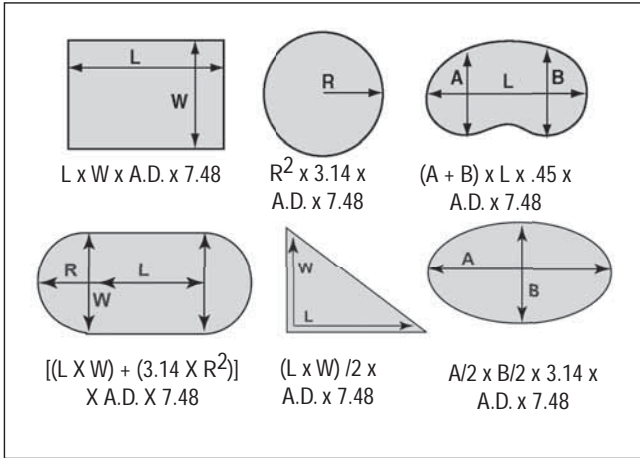
We need to understand:

- How much water a pool or spa holds (pool volume in gallons).
- How much time it takes for all the swimming pool water to be filtered one time (turnover rate).
- How much resistance or friction loss (feet of head) results from the water moving through the pipe at specific speeds (feet per second).
- How this resistance will be overcome (choosing the appropriate pump size).
- How to filter this water efficiently and effectively (filter sizing).

Step 1. Calculate Pool Capacity

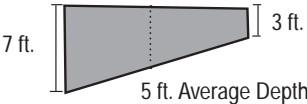
How many gallons does the pool or spa hold? Only four (4) simple steps are needed to calculate this for a pool or spa.

- Calculate the pool or spa surface area in square feet (ft²).
- Calculate the average depth (A.D.) of the pool or spa.
- Calculate cubic feet (ft³).
- Convert to gallons by multiplying by 7.48 (7.48 gallons in 1 cubic foot of water).



Each calculation below is based on the following example: 20' x 40' rectangular pool, 3 ft. to 7 ft. deep.

1. Calculate surface area
20 ft. x 40 ft. = 800 ft²
2. Calculate average depth
(3 ft. + 7 ft.) ÷ 2 = 5 ft.
3. Calculate cubic feet
800 ft² x 5 ft. = 4,000 ft³
4. Convert to gallons
4,000 ft³ x 7.48 gallons/ft³ = 29,920 gallons



Continued on next page.

Step 2. Calculate Turnover Rates

Once you have the pool or spa volume in gallons, you can figure out the turnover rate. The turnover rate is how much time it takes for all of the swimming pool/spa volume (gallons of water) to go through the pump and filtration equipment. To calculate the turnover rate we need to know at least two (2) of the following items:

- Pool/Spa volume in gallons
- Turnover Time
- Pump Flow in gallons per minute (GPM).

Examples A, B and C below give the relationship between these three (3) items.

$$\text{A. } \frac{\text{Gallons}}{\text{Turnover Time}} = \text{Pump Flow}$$

$$\text{Example: } \frac{30,000 \text{ Gallons}}{480 \text{ Minutes}} = \text{Pump Sized to } 62.5 \text{ GPM}$$

$$\text{B. } \frac{\text{Gallons}}{\text{Pump Flow}} = \text{Turnover Rate}$$

$$\text{Example: } \frac{30,000 \text{ Gallons}}{\text{Pump Sized to } 62.5 \text{ GPM}} = 480 \text{ Minutes}$$

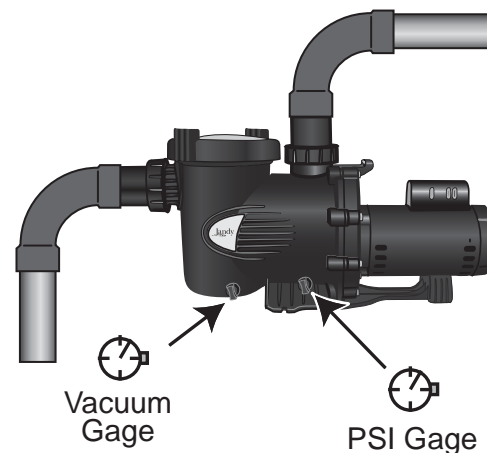
$$\text{C. Pump Flow} \times \text{Turnover Time} = \text{Pool Volume in Gallons}$$

$$\text{Example: } \text{Pump Flow of } 62.5 \text{ GPM} \times 480 \text{ Minutes} = 30,000 \text{ Gallons}$$

Step 3. Determine Friction Loss

Everything that water travels through in the recirculation system (e.g. pipes, fittings, filters, valves, etc.) creates resistance, or “head loss.” The sum total of this resistance is called “Total Dynamic Head” (TDH). It is measured in “feet of head.” The easiest and quickest way to determine the TDH is by using two different gauges—PSI or “pounds per square inch” gauge and a vacuum gauge measured in inHg “inches of mercury.” PSI gauges are commonly found on the top of the filter. A pressure gauge with a 1/4" national pipe thread can be threaded into the right or rear drain plug port. A vacuum gauge with 1/4" national pipe thread can be threaded into the left or front drain plug port (basket side of the pump).

Follow the simple process below to determine TDH of your system.



A. Pressure side Friction Loss

PSI gauge reading x 2.31 = feet of head for discharge side of system

$$10 \text{ PSI} \times 2.31 = 23.1 \text{ feet of head}$$

B. Suction side Friction Loss

Vacuum gauge reading x 1.13 = feet of head for suction side of system

$$10 \text{ in Hg} \times 1.13 = 11.3 \text{ feet of head}$$

C. Total Dynamic Head

Pressure side + suction side = TDH feet of head

$$23.1 \text{ ft.} + 11.3 \text{ ft.} = 34.4 \text{ feet of head}$$

Step 3. Continued

The table below provides maximum flow rates (GPM) at line velocity (ft./sec.) for Schedule 40 PVC pipe. Maximum line velocity for suction lines is (6 ft./sec.). Maximum line velocity for discharge lines is (8 ft./sec.).

Pipe Size (PVC)	Suction Line 6 ft./sec	Return Line 8 ft./sec
1 1/2	38 GPM	51 GPM
2	63 GPM	84 GPM
2 1/2	90 GPM	119 GPM
3	138 GPM	184 GPM
4	238 GPM	317 GPM

Basic Measurement Terminology

- GPM = gallons per minute
- Feet per second = water velocity, how fast the water travels.
- PSI = pounds per square inch, pressure
- in Hg = inches of mercury, vacuum
- TDH = Total Dynamic Head, total pressure in feet of water in the operating pump system.

Step 4. Pump Sizing

Model No.	H.P.	Pump Output (GPM) vs. Total Resistance to Flow (Feet of Head)			
		40 ft.	50 ft.	60 ft.	70 ft.

Stealth™ PERFORMANCE DATA

SHPF.50/SHPM.75	.50/.75	73	53	25	N/A
SHPF.75/SHPM1.0	.75/1.0	83	70	50	N/A
SHPF1.0/SHPM1.5	1.0/1.5	110	100	80	55
SHPF1.5/SHPM2.0	1.5/2.0	145	128	110	85
SHPF2.0/SHPM2.5	2.0/2.5	147	142	125	105
SHPF3.0	3.0	175	162	148	130
SHPF5.0	5.0	N/A	247	225	200

PlusHP PERFORMANCE DATA

PHPF.50/PHPM.75	.50/.75	75	55	10	N/A
PHPF.75/PHPM1.0	.75/1.0	90	75	50	N/A
PHPF1.0/PHPM1.5	1.0/1.5	116	104	85	55
PHPF1.5/PHPM2.0	1.5/2.0	150	130	110	85
PHPF2.0/PHPM2.5	2.0/2.5	158	143	125	103

Model No.	H.P.	Pump Output (GPM) vs. Total Resistance to Flow (Feet of Head)			
		30 ft.	40 ft.	50 ft.	60 ft.

FloPro™ PERFORMANCE DATA

FHPM.75	.50	62	45	25	N/A
FHPM1.0	.75	83	68	50	20
FHPM1.5	1.0	112	95	78	55
FHPM2.0	1.5	127	112	96	76
FHPM2.5	2.0	N/A	144	128	110

Model No.	GPM	Pump Output (GPM) vs. Total Resistance to Flow (Feet of Head)			
		20 ft.	40 ft.	60 ft.	80 ft.

WaterFeature PERFORMANCE DATA

WFTR80	80	112	80	N/A	N/A
WFTR120	120	158	127	85	N/A
WFTR160	160	N/A	164	125	60

Model No.	GPM	Pump Output (GPM) vs. Total Resistance to Flow (Feet of Head)				
		8 ft.	12 ft.	16 ft.	20 ft.	24 ft.

WaterFall PERFORMANCE DATA

SWF125	125	128	115	98	74	18
SWF185	185	162	147	132	110	80

N/A-Not Applicable

Choose the proper pump based on the flow (GPM) and resistance (feet of head). For specific pump performance data, see pages 20–29.

Continued on next page.

Step 5. Filter Sizing

Choose the proper filter based on the design flow rate and turnover rate. See flow rate chart.

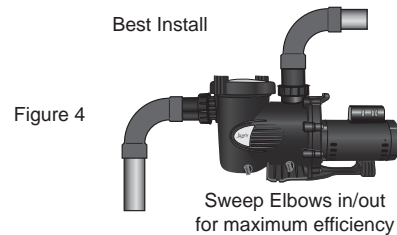
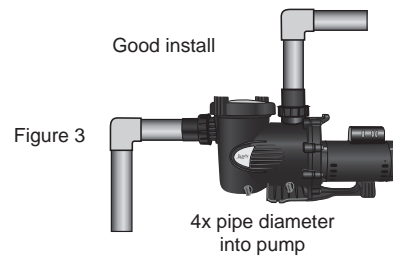
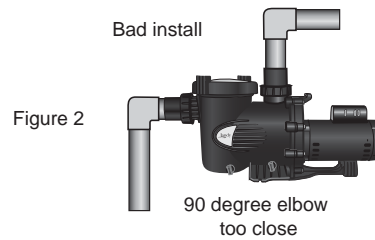
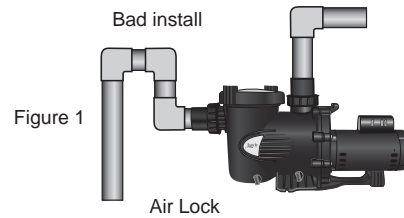
FLOW RATE

Filter Type	Commercial	Residential
DE	1.5 gpm	2 gpm
Cartridge	.375 gpm	1 gpm
Sand	15 gpm	20 gpm




Gallons per minute to sq. ft. of filter media surface area.

Proper Pump Installation

- Pump with air lock is bad installation (see Figure 1).
- Pump with 90° elbow is bad installation (see Figure 2).
- Good installation should not have an air lock and should have 4x the pipe diameter going into the suction side port (see Figure 3).
- Best installation uses Sweep Elbows for maximum efficiency (see Figure 4).



Pump Unions - Quick Reference Guide

	R0327301	R0446101	R0446102	R0449000	R0522900
Union Nut 	Qty: 2	Qty: 2	Qty: 2	Qty: 2	Qty: 1
Tail Piece 	2" x 2" Qty: 2	2" x 2.5" Qty: 2	2.5" x 3" Qty: 2	2" x 2.5" Qty: 2	2" x 2.5" Qty: 1
O-Ring 	Qty: 2	Qty: 2	Qty: 2	Qty: 2	Qty: 1
Pump Series Compatibility	R0327301	R0446101	R0446102	R0449000	R0522900
FloPro™ (FHP) Series	✓				
PlusHP (PHP) Series				✓	✓
Stealth™/ePump™ SHP Series (Up to 2.7HP)		✓	✓		
Stealth/ePump SHP Series (3.0HP and 5.0HP)			✓		
WaterFeature WFTR Series				✓	✓
WaterFall SWF Series			✓		

PUMPS / FILTRATION PUMP PARTS

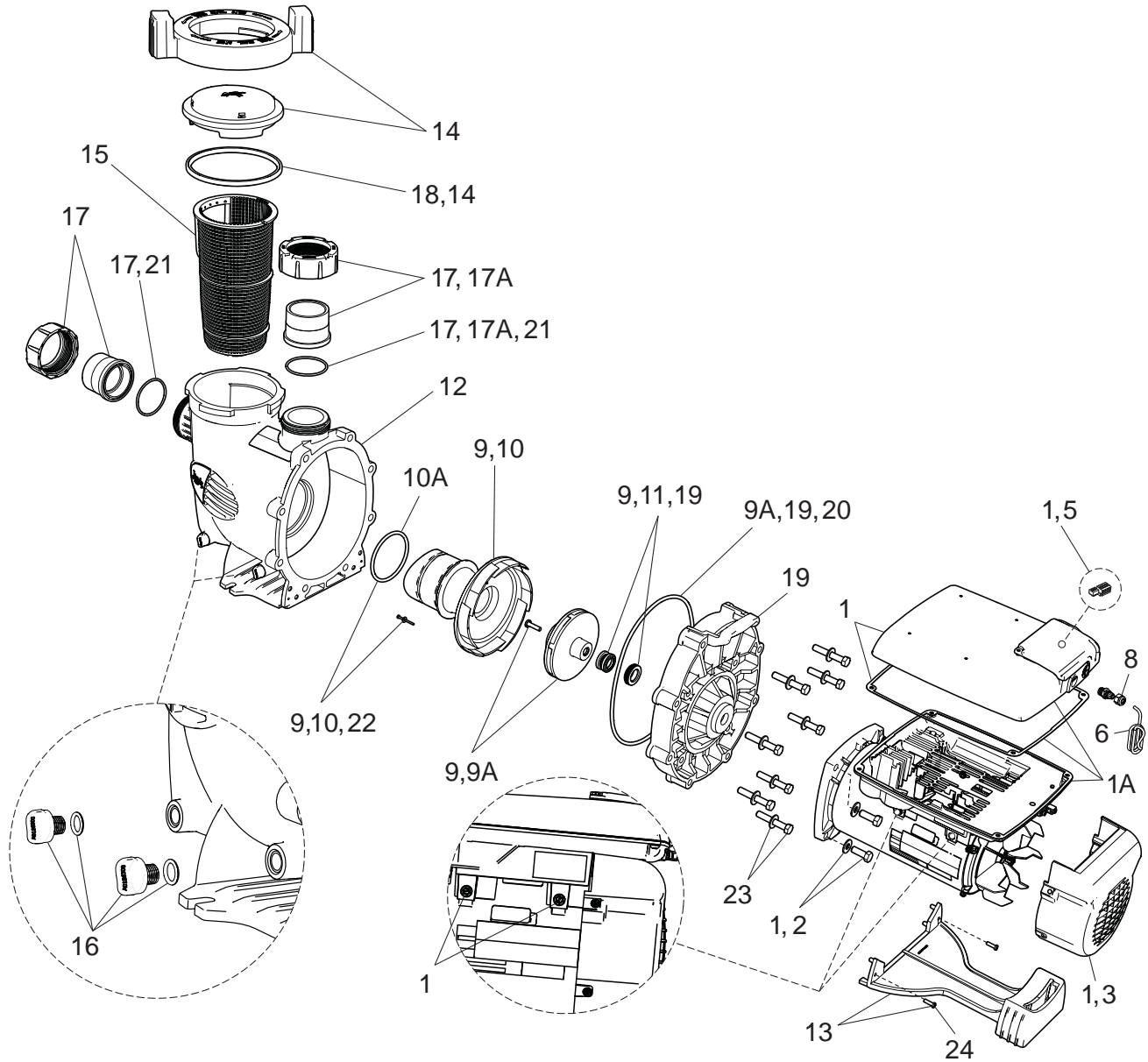
VS PlusHP Series Pump (Mfg. 2014–Present)

VSPHP270AUT, VSPHP270JEP

Key No.	Part No.	Description	Qty.
1	R0562201	Motor and Drive 2.7HP	1
1A	R0688600	Variable Frequency Drive Kit	1
2	R0446700	Motor Hardware Kit	1
3	R0562400	Cover Fan, GEN II Replacement Kit (Hardware, Cover)	1
5	R0660900	Connector, Speed Drive, (4-Pin Connector)	KIT
6	R0535100	Cable, RS-485, Replacement Kit	1
8	R0501100	Cord Grip	KIT
9	R0445305	Impeller and Diffuser w/ Screw w/ O-Ring, PHPM	1
9A	R0807200	Impeller w/Screw, Backplate O-Ring	1
10	R0445400	Diffuser w/ O-Ring and Hardware	1
10A	R0622000	Diffuser O-Ring	1
11	R0479400	Mechanical Seal (Carbon and Ceramic)	1
12	R0448700	Pump Body	1

Key No.	Part No.	Description	Qty.
13	R0445700	Motor Mounting Foot Assembly w/ Screws	1
14	R0448800	Locking Ring w/ Lid & Seal	1
15	R0448900	Pump Debris Filter Basket	1
16	R0446000	Drain Plug w/ O-Ring	1
17	R0449000	Tail Piece (2" x 2 1/2") Union Nut O-Ring	2 2 2
17A	R0522900	Tail Piece (2" x 2 1/2") Union Nut O-Ring	1 1 1
18	R0449100	Lid Seal and Lid O-Ring (Lid O-Ring Not Shown)	1
19	R0445200	Backplate Kit w/ Hardware and Mechanical seal	1
20	R0446300	O-Ring, Backplate	1
21	R0449200	O-Ring, Tail Piece	2
22	R0446500	Diffuser/Impeller w/ O-Rings and Mounting Hardware	1
23	R0446600	Backplate Bolts and Washers	1
24	R0446800	Screws, Motor Mounting Foot	1

VS PlusHP Series Pump (Mfg. 2014–Present)
 VSPHP270AUT, VSPHP270JEP



PUMPS / FILTRATION PUMP PARTS

VS FloPro™ Series Pump

VS-FHP2.0, VSFHP270AUT, VSFHP270JEP

Key No.	Part No.	Description	Qty.
1	R0562201	Motor and Drive 2.7HP	1
1A	R0688600	Variable Frequency Drive Kit	1
2	R0479500	Backplate, (Backplate w/ Hardware, O-Ring and Mechanical Seal)	1
3	R0479605	Impeller, (Impeller, Screw w/ O-Ring and Backplate O-Ring)	1
4	R0479701	Diffuser, (Diffuser w/ O-Ring, Hardware and Backplate O-Ring)	1
4A	R0622000	Diffuser O-Ring	1
5	R0479400	Mechanical Seal, Carbon and Ceramic (1 Set)	1
6	R0479800	Pump Body, (Body and Backplate O-Ring)	1
7	R0479900	Motor Mounting Foot	1
8	R0480000	Lid w/ Locking Ring, (Lid w/ Locking Ring and Lid O-Ring)	1
9	R0480100	Pump Debris Filter Basket	1
10	R0446000	Drain Plug w/ O-Ring (Set of 2)	2
11	R0327301	Tail Piece, O-Ring and Union Nut (Set of 2)	2
12	R0480200	Lid O-Ring	1
13	R0480300	Backplate O-Ring	1

Key No.	Part No.	Description	Qty.
14	R0337600	Tailpiece O-Ring (Set of 2)	2
15	R0480400	Diffuser/Impeller Hardware Kit (Diffuser O-Ring, Screws (2), Impeller Self Sealing Screw, Backplate O-Ring)	1
16	R0480500	Backplate Hardware (Backplate Hardware and Backplate O-Ring)	8
17	R0446700	Motor Hardware Kit	4
18	R0486700	Base Spacer, FHP, VS-FHP, Small	1
19	R0562400	Cover Fan, Gen II Replacement Kit (Hardware, Cover)	Kit
20	R0660900	Connector, Speed Drive, VS-FHP Pump (4-Pin Connector)	1
21	R0535100	Cable, RS485, Replacement Kit	1
22	R0515400	Screw w/ O-Ring	1
23	R0546400	Base Spacer, FHP, VS-FHP, Large	1
24	R0501100	Cord Grip	1
25	R0562600	Screw, Electric Box	2
JEP-R Pump Controller			
26	JEP-R	Variable-Speed Pump Remote Controller	Kit

PUMPS / FILTRATION PUMP PARTS

VS FloPro™ Series Pump

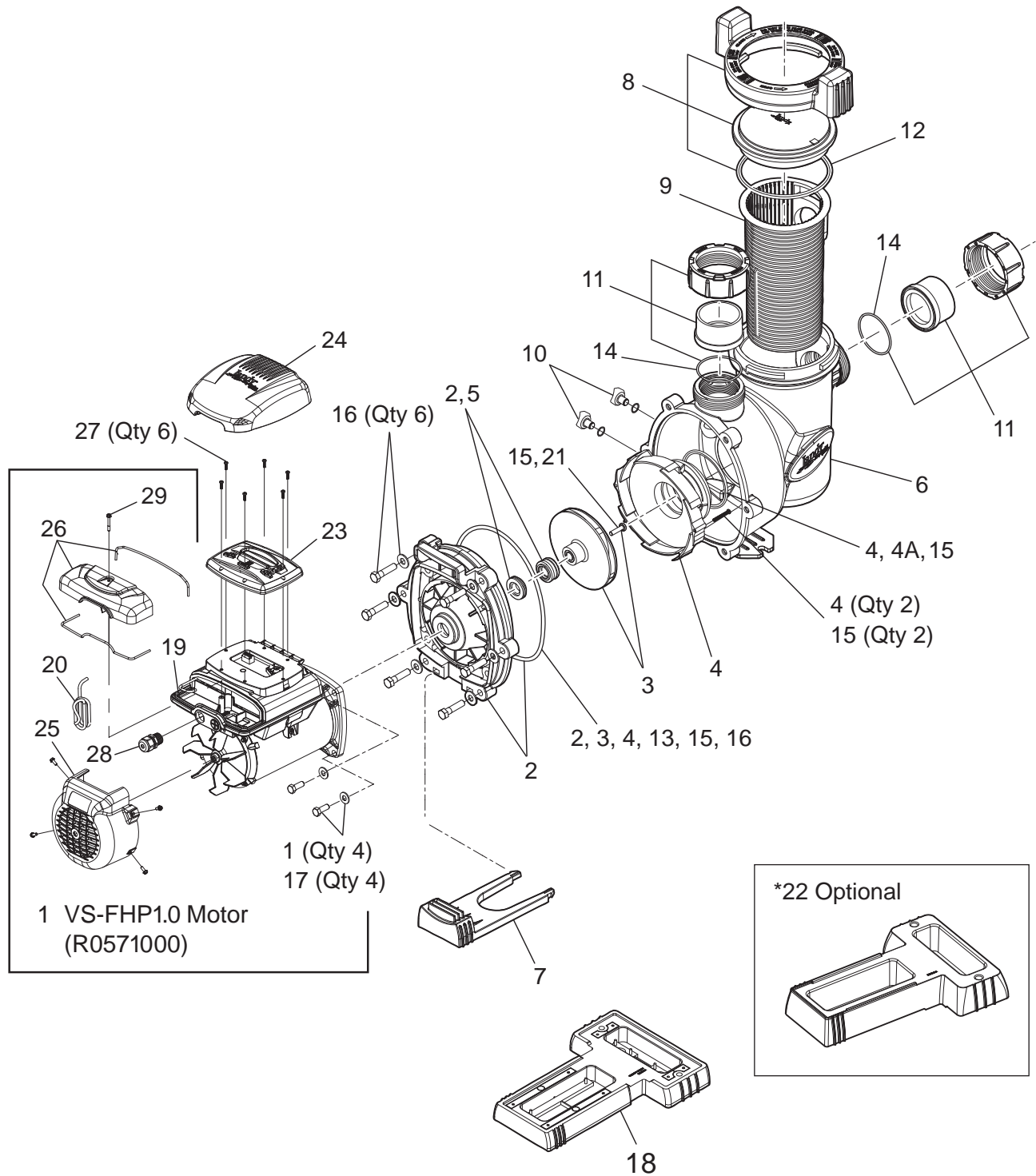
VS-FHP1.0, VSFHP165AUT, VSFHP165JEP

Key No.	Part No.	Description	Qty
1	R0571000	Motor and Drive with on-board JEP-R Controller, 1.65HP (JEP Model)	1
1	R0670400	Motor and Drive without on-board JEP-R controller, 1.65HP (AUT Model)	1
2	R0479500	Backplate (Backplate w/ Hardware, Backplate O-Ring and Mechanical Seal)	1
3	R0479603	Impeller, (Impeller, Screw w/ O-Ring)	1
4	R0479701	Diffuser (Diffuser w/ O-Ring, Hardware and Backplate O-Ring)	1
4A	R0622000	Diffuser O-Ring	1
5	R0479400	Mechanical Seal, Carbon and Ceramic (1 Set)	1
6	R0479800	Pump Body (Body and Backplate O-Ring)	1
7	R0479900	Motor Mounting Foot	1
8	R0480000	Lid w/ Locking Ring (Lid w/ Locking Ring and Lid O-Ring)	1
9	R0480100	Pump Debris Filter Basket	1
10	R0446000	Drain Plug w/ O-Ring (Set of 2)	2
11	R0327301	Tail Piece, O-Ring and Union Nut (Set of 2)	2
12	R0480200	Lid O-Ring	1
13	R0480300	Backplate O-Ring	1
14	R0337600	Tailpiece O-Ring (Set of 2)	2
15	R0480400	Diffuser/Impeller Hardware Kit (Diffuser O-Ring, Screws (2), Impeller Self Sealing Screw, Backplate O-Ring)	1

Key No.	Part No.	Description	Qty
16	R0480500	Backplate Hardware (Backplate Hardware and Backplate O-Ring)	8
17	R0446700	Motor Hardware Kit	4
18	R0486700	Pump Base Kit	1
19	R0660900	Connector, Speed Drive, VS-FHP Pump (4-Pin Connector)	1
20	R0535100	Cable, RS485, Replacement Kit	1
21	R0515400	Screw w/ O-Ring	1
22	R0546400	Base Spacer, FHP, VS-FHP, Replacement Kit	1
23	JEP-R	User Interface, Variable-Speed Pumps Replacement Kit	1
24	R0571500	Cover, Controller, VS-FHP 1.0	1
25	R0571300	Fan Cover, VS-FHP1.0	1
26	R0571400	Access Cover, VS-FHP1.0	1
27	R0571600	User Interface Screws, VS-FHP1.0	1
28	R0501101	Conduit Fitting, 1/2 NPT, VS-FHP1.0	1
29	R0587600	Rear Access Cover Screw, VS-FHP1.0	1
N/S	R0501100	Cord Grip	1

N/S-Not Shown

VS FloPro™ Series Pump (Mfg. 2013–Present)
 VS-FHP1.0, VSFHP165AUT, VSFHP165JEP



PUMPS / FILTRATION PUMP PARTS

ePump™ + SVRS Variable-Speed Pump

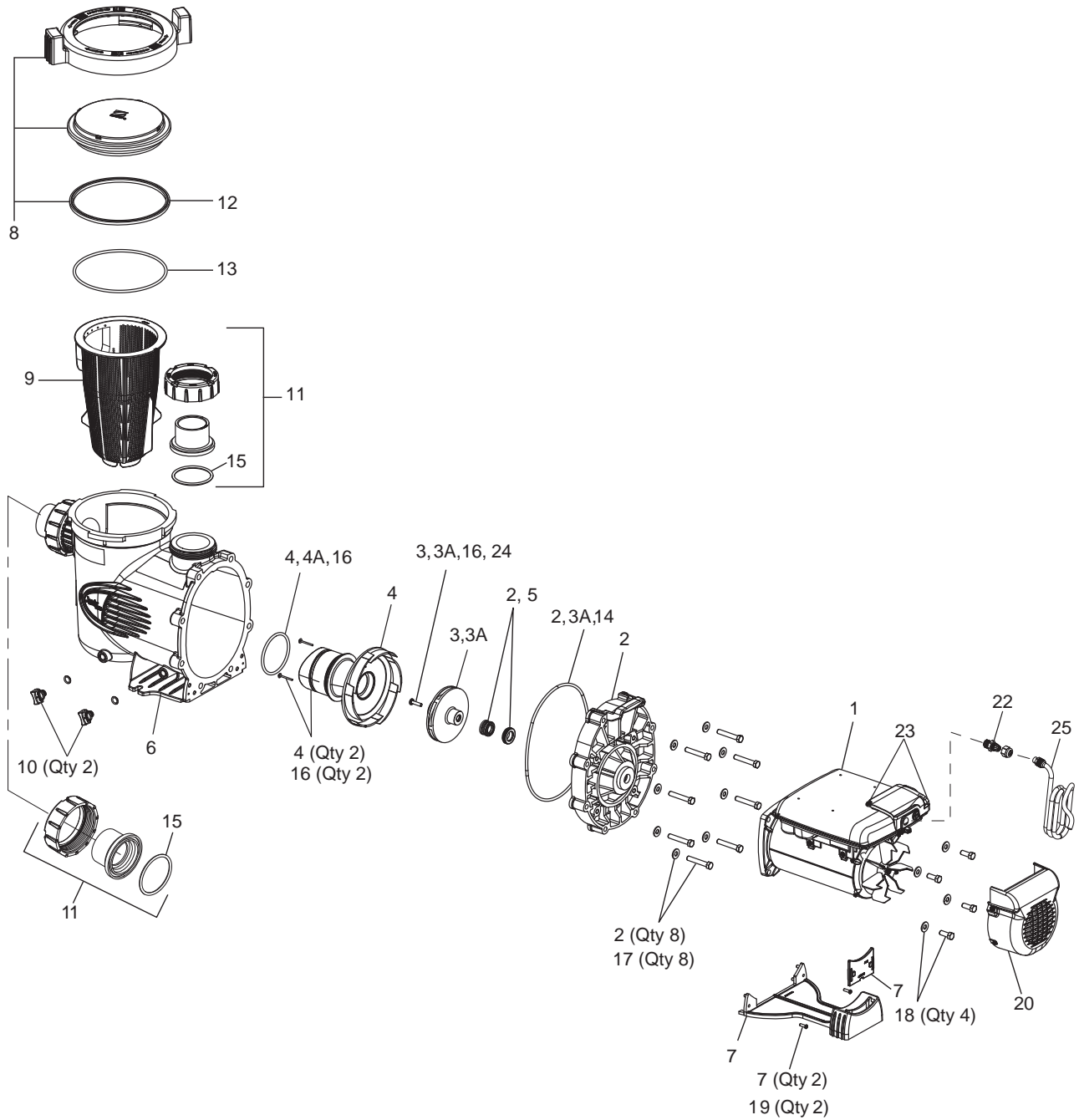
JEP2.0SVRS

Key No.	Part No.	Description	Size (HP)	Qty.
1	R0562205	Motor and Drive (SVRS) 2.7HP	2.7	1
2	R0445200	Backplate, JEP	All	1
		Mechanical Seal, Carbon		1
		Mechanical Seal, Ceramic		1
		O-Ring		8
		Bolts	8	
		Washers	8	
3	R0445305	Impeller and Diffuser Assembly w/ mounting hardware, Diffuser and Backplate O-Ring	2.7	1
3A	R0807200	Impeller w/Screw, Backplate O-Ring	2.7	1
4	R0445400	Diffuser w/ O-Ring and Hardware	All	1
4A	R0622000	Diffuser O-Ring	All	1
5	R0479400	Mechanical Seal, Carbon Mechanical Seal, Ceramic	All	1
6	R0445601	Body, Pump, JEP	All	1
7	R0445700	Motor Mounting Foot Assembly SHP/JEP Screws	All	1
8	R0445800	Locking Ring	All	1
		Lid		1
		O-Ring		1
9	R0445900	Filter Basket	All	1
10	R0446000	Plug, Drain O-Ring	All	2
11	R0446101	Tail Piece (2" x 2 1/2")	2.7	2
		Union Nut		2
		O-Ring		2
12	R0446200	Seal, Lid	All	1
13	R0479000	Blue Pressure Test O-Ring	All	1

Key No.	Part No.	Description	Size (HP)	Qty.
14	R0446300	O-Ring, Backplate	All	1
15	R0446400	O-Ring, Tail Piece (Set of 2)	All	2
16	R0446500	Diffuser/Impeller	All	1
		Hardware Screw w/ O-Ring, Self-sealing, Impeller Mounting		
		Screw, Diffuser Mounting		
		Washer, Diffuser Mounting		
		O-Ring, Diffuser		2
				2
				2
17	R0446600	Backplate Hardware Bolts Washers	All	8
				8
18	R0446700	Motor Hardware Bolts Washers	All	4
				4
19	R0446800	Screws, Motor Mounting Foot	All	2
20	R0562400	Fan Cover w/ Hardware, JEP Series	All	Kit
21	R0660900	Connector, Speed Drive, ePump (4-Pin Connector) (Not Shown)	All	1
22	R0501100	Cord Grip	All	1
23	R0562600	Screw, Electrical Box (Set of 2)	All	1
24	R0515400	Screw w/ O-Ring, Self-Sealing	All	1
25	R0535100	Cable, RS485, Replacement Kit	All	1

ePump™ + SVRS Variable-Speed Pump (Mfg. 2013–Present)

JEP2.0SVRS



PUMPS / FILTRATION PUMP PARTS

ePump™ Variable Speed Pump

JEP1.5, JEP2.0, VSSHP220AUT, VSSHP270AUT

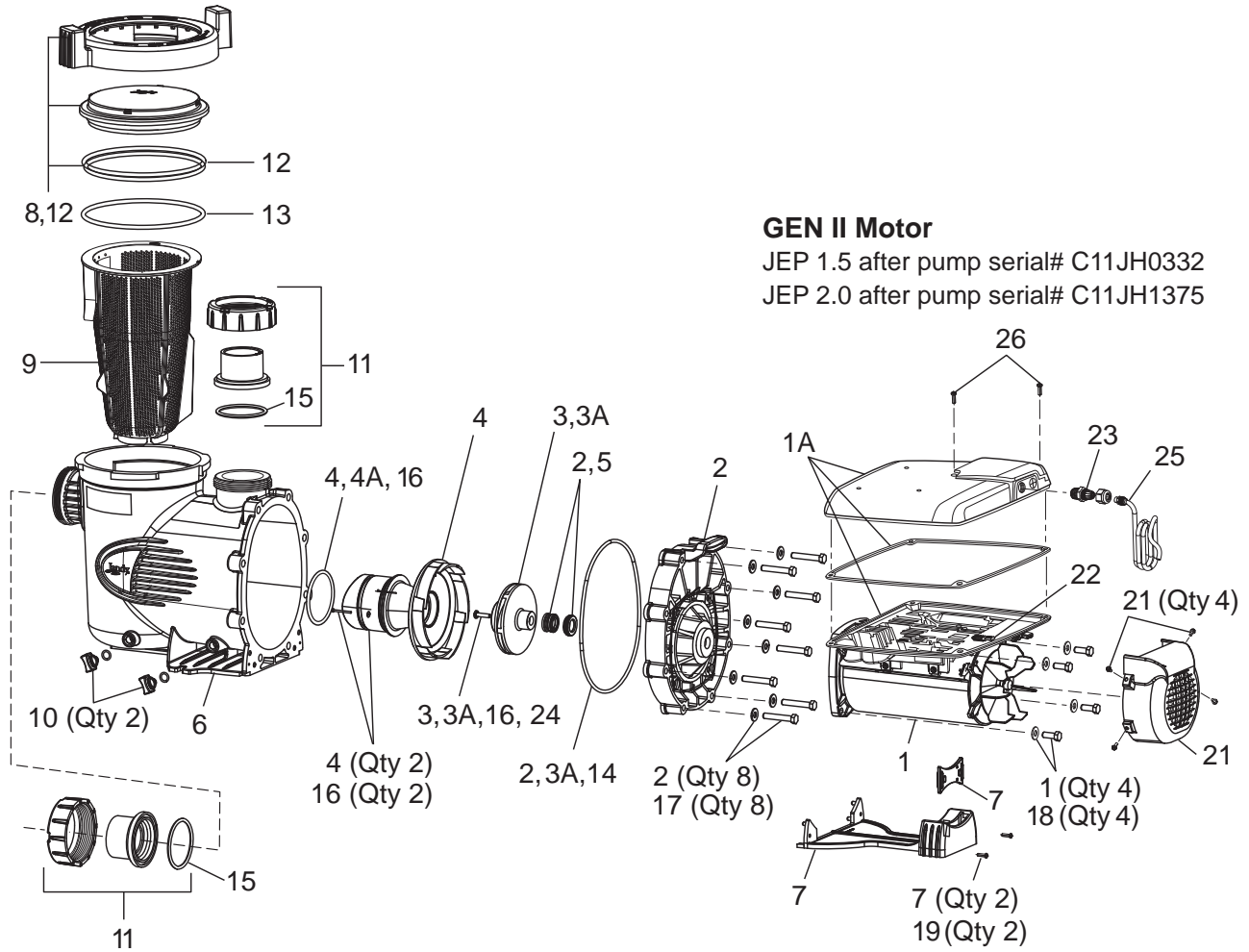
Key No.	Part No.	Description	Size (HP)	Qty.
1	R0562201	Motor and Drive, 2.7HP	2.7	1
1A	R0688600	Variable Frequency Drive Kit 2.7HP	2.7	1
1	R0562202	Motor and Drive, ePump 2.7HP	2.2	1
2	R0445200	Backplate, JEP Mechanical Seal, Carbon Mechanical Seal, Ceramic O-Ring Bolts Washers	All	1 1 1 8 8
3	R0445305	Impeller and Diffuser Assembly w/mounting hardware, Diffuser and Backplate O-Ring	2.7	1
3	R0445304	Impeller and Diffuser Assembly w/mounting hardware, Diffuser and Backplate O-Ring	2.2	1
3A	R0807200	Impeller w/Screw, Backplate O-Ring	2.7	1
3A	R0807201	Impeller w/Screw, Backplate O-Ring	2.2	1
4	R0445400	Diffuser w/ O-Ring and Hardware	All	1
4A	R0622000	Diffuser O-Ring	All	1
5	R0479400	Mechanical Seal, Carbon Mechanical Seal, Ceramic	All	1 1
6	R0445601	Body, Pump JEP	All	1
7	R0445700	Motor Mounting Foot Assembly, SHP/JEP Screws	All	1 2
8	R0445800	Locking Ring Lid O-Ring	All	1 1 1
9	R0445900	Filter Basket	All	1
10	R0446000	Plug, Drain O-Ring	All	2 2

Key No.	Part No.	Description	Size (HP)	Qty.
11	R0446101	Tail Piece (2" x 2 1/2") Union Nut O-Ring	2.2 2.7	2 2 2
12	R0446200	Seal, Lid	All	1
13	R0479000	Blue Pressure O-Ring	All	1
14	R0446300	O-Ring, Backplate	All	1
15	R0446400	O-Ring, Tail Piece (Set of 2)	All	2
16	R0446500	Diffuser/Impeller Hardware Screw w/ O-Ring, Self- sealing, Impeller Mounting Screw, Diffuser Mounting Washer, Diffuser Mounting O-Ring, Diffuser	All	1 2 2 2
17	R0446600	Backplate Hardware Bolts Washers	All	8 8
18	R0446700	Motor Hardware Bolts Washers	All	4 4
19	R0446800	Screws, Motor Mounting Foot	All	2
21	R0562400	Fan Cover w/ Hardware, JEP Series (Gen II)	All	Kit
22	6609+	Connector (4-pin), Speed Drive, (Gen II)	All	1
23	R0501100	Cord Grip	All	1
24	R0515400	Screw w/ O-Ring, Self-sealing	All	1
25	R0535100	Cable, RS485	All	1
26	R0562600	Screw, Electric Box	All	1
Gen I Motor				
27	R0475000	Cover Speed Drive (w/ Cover and Hardware), JEP (Gen I)	All	Kit
28	R0474800	Fan, JEP Series (Gen I)	All	Kit
29	R0475100	Hardware Speed Drive, JEP Series (Gen I)	All	Kit
30	R0660900	Connector (4-pin), Speed Drive, (Gen I)	All	1
ePump Remote Controller				
N/S	R3009601	User Interface, Remote Mounting, Replacement Kit	All	1
N/S	R0472300	Gasket, User Interface	All	1

N/S-Not Shown

ePump™ Variable Speed Pump (Mfg. 2008–Present)

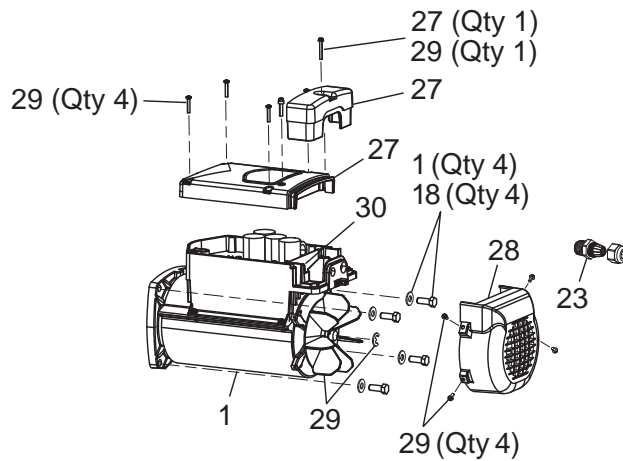
JEP1.5, JEP2.0, VSSH220AUT, VSSH270AUT



GEN II Motor

JEP 1.5 after pump serial# C11JH0332

JEP 2.0 after pump serial# C11JH1375



GEN II Motor

JEP 1.5 up to pump serial# C11JH0332

JEP 2.0 up to pump serial# C11JH1375

PUMPS / FILTRATION PUMP PARTS

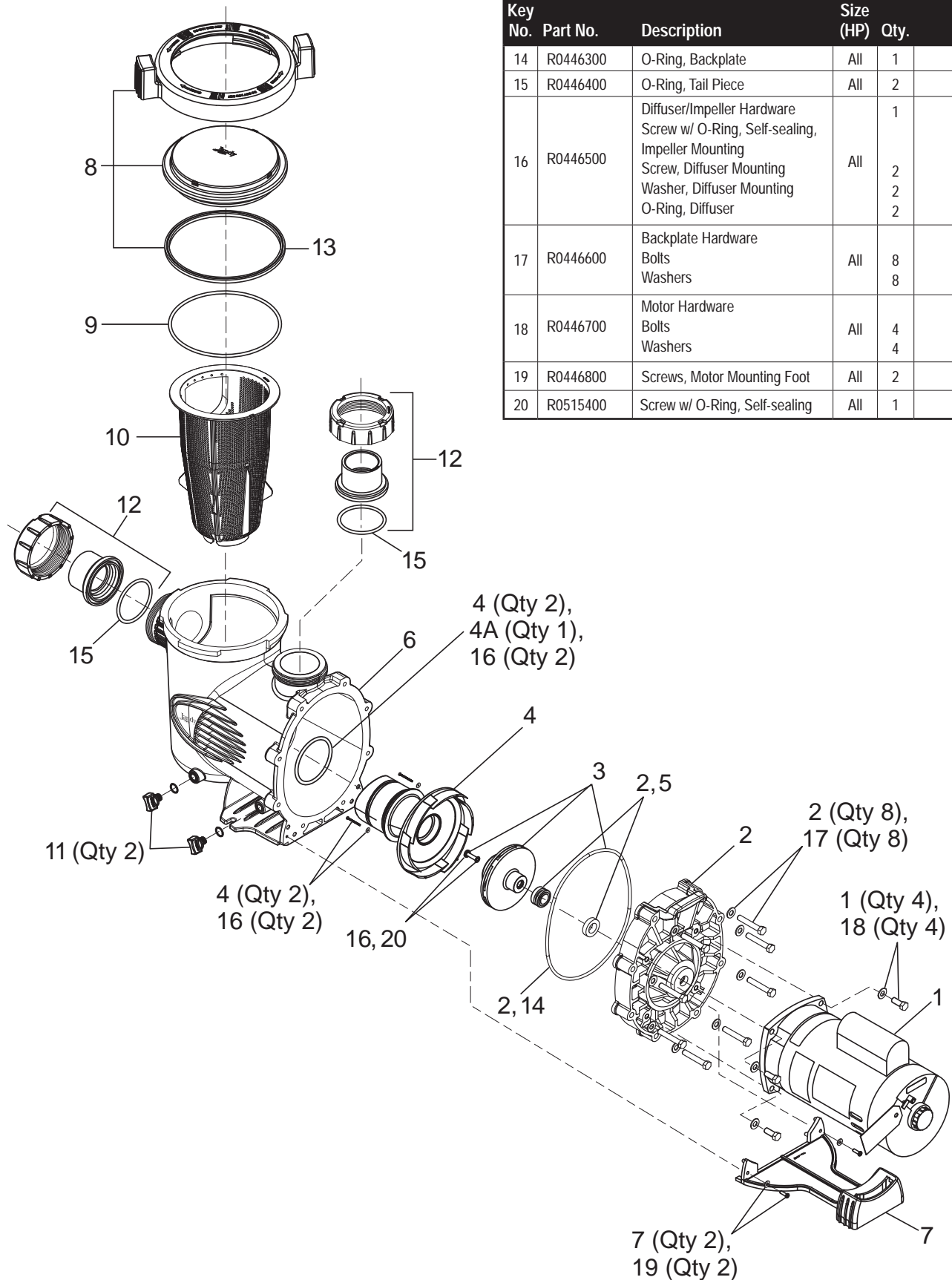
Stealth™ (SHPF/SHPM) Series Pump

SHPF/SHPM

Key No.	Part No.	Description	Size (HP)	Qty.
1	R0445114	Motor, single-speed SHPF	.5	1
1	R0445101	Motor, single-speed SHPF	.75	1
1	R0445102	Motor, single-speed SHPF	1.0	1
1	R0445103	Motor, single-speed SHPF	1.5	1
1	R0445104	Motor, single-speed SHPF	2.0	1
1	R0445105	Motor, single-speed SHPF	3.0	1
1	R0490200	Motor, single-speed SHPF	5.0	1
1	R0479301	Motor, single speed SHPM	.75	1
1	R0479302	Motor, single-speed SHPM	1.0	1
1	R0479303	Motor, single-speed SHPM	1.5	1
1	R0479304	Motor, single-speed SHPM	2.0	1
1	R0479305	Motor, single-speed SHPM	2.5	1
1	R0479307	Motor, 2-speed SHPM	1.5	1
1	R0479308	Motor, 2-speed SHPM	2.0	1
1	R0479309	Motor, 2-speed SHPM	2.5	1
1	R0479101	Motor, single-speed, SHPF, 3 Phase	1.0	1
1	R0479102	Motor, single-speed, SHPF, 3 Phase	1.5	1
1	R0479103	Motor, single-speed, SHPF, 3 Phase	2.0	1
1	R0479104	Motor, single-speed, SHPF, 3 Phase	3.0	1
1	R0445113	Motor, 2-speed, SHPF	1.0	1
1	R0445106	Motor, 2-speed, SHPF	1.5	1
1	R0445107	Motor, 2-speed, SHPF	2.0	1
2	R0445200	Backplate, SHPF/SHPM Mechanical Seal, Carbon Mechanical Seal, Ceramic O-Ring Bolts Washers	5 - 3.0	1 1 1 8 8
2	R0445201	Backplate, SHPF/SHPM Mechanical Seal, Carbon Mechanical Seal, Ceramic O-Ring Bolts Washers	5.0	1 1 1 8 8
3	R0807204	Impeller w/Screw, Backplate O-Ring, SHPF	.50	1
3	R0807203	Impeller w/Screw, Backplate O-Ring, SHPF	.75	1
3	R0807202	Impeller w/Screw, Backplate O-Ring, SHPF	1.0	1
3	R0807201	Impeller w/Screw, Backplate O-Ring, SHPF	1.5	1
3	R0807200	Impeller w/Screw, Backplate O-Ring, SHPF	2.0	1
3	R0807205	Impeller w/Screw, Backplate O-Ring, SHPF	3.0	1
3	R0807207	Impeller w/Screw, Backplate O-Ring, SHPF	5.0	1

Key No.	Part No.	Description	Size (HP)	Qty.
3	R0807204	Impeller w/Screw, Backplate O-Ring, SHPM	.75	1
3	R0807203	Impeller w/Screw, Backplate O-Ring, SHPM	1.0	1
3	R0807202	Impeller w/Screw, Backplate O-Ring, SHPM	1.5	1
3	R0807201	Impeller w/Screw, Backplate O-Ring, SHPM	2.0	1
3	R0807200	Impeller w/Screw, Backplate O-Ring, SHPM	2.5	1
3	R0807202	Impeller w/Screw, Backplate O-Ring, 2-speed, SHPF	1.0	1
3	R0807201	Impeller w/Screw, Backplate O-Ring, 2-speed, SHPF	1.5	1
3	R0807200	Impeller w/Screw, Backplate O-Ring, 2-speed, SHPF	2.0	1
3	R0807202	Impeller w/Screw, Backplate O-Ring, 2-speed, SHPM	1.5	1
3	R0807201	Impeller w/Screw, Backplate O-Ring, 2-speed, SHPM	2.0	1
3	R0807200	Impeller w/Screw, Backplate O-Ring, 2-speed, SHPM	2.5	1
4	R0445400	Diffuser Screw Washer O-Ring	.5 - 3.0	1 2 2 2
4	R0445401	Diffuser Screw Washer O-Ring	5.0	1 2 2 2
4A	R0622000	Diffuser O-Ring	All	1
5	R0479400	Mechanical Shaft Seal, New Style, Carbon and Ceramic (Serial # P08FF0001 and later)	All	1 1
5	R0445500	Mechanical Shaft Seal, Old Style, Carbon and Ceramic	All	1 1
6	R0445601	Body, Pump, SHPF/SHPM	All	1
7	R0445700	Motor Mounting Foot Assembly, SHPF/SHPM Screws	All	1 2
8	R0445800	Locking Ring Lid Seal	All	1 1 1
9	R0479000	Blue Pressure Test O-Ring	All	1
10	R0445900	Filter Basket	All	1
11	R0446000	Plug, Drain O-Ring	All	2 2
12	R0446101	Tail Piece (2" x 2 1/2") Union Nut O-Ring	.50 .75 2.5	2 2 2
12	R0446102	Tail Piece (2 1/2" x 3") Union Nut O-Ring	3.0 5.0	2 2 2
13	R0446200	Seal, Lid, and O-Ring, (Lid O-Ring not Shown)	All	1

Stealth™ Series Pump (Mfg. 2008–Present)
SHPF/SHPM



Key No.	Part No.	Description	Size (HP)	Qty.
14	R0446300	O-Ring, Backplate	All	1
15	R0446400	O-Ring, Tail Piece	All	2
16	R0446500	Diffuser/Impeller Hardware Screw w/ O-Ring, Self-sealing, Impeller Mounting Screw, Diffuser Mounting Washer, Diffuser Mounting O-Ring, Diffuser	All	1 2 2 2
17	R0446600	Backplate Hardware Bolts Washers	All	8 8
18	R0446700	Motor Hardware Bolts Washers	All	4 4
19	R0446800	Screws, Motor Mounting Foot	All	2
20	R0515400	Screw w/ O-Ring, Self-sealing	All	1

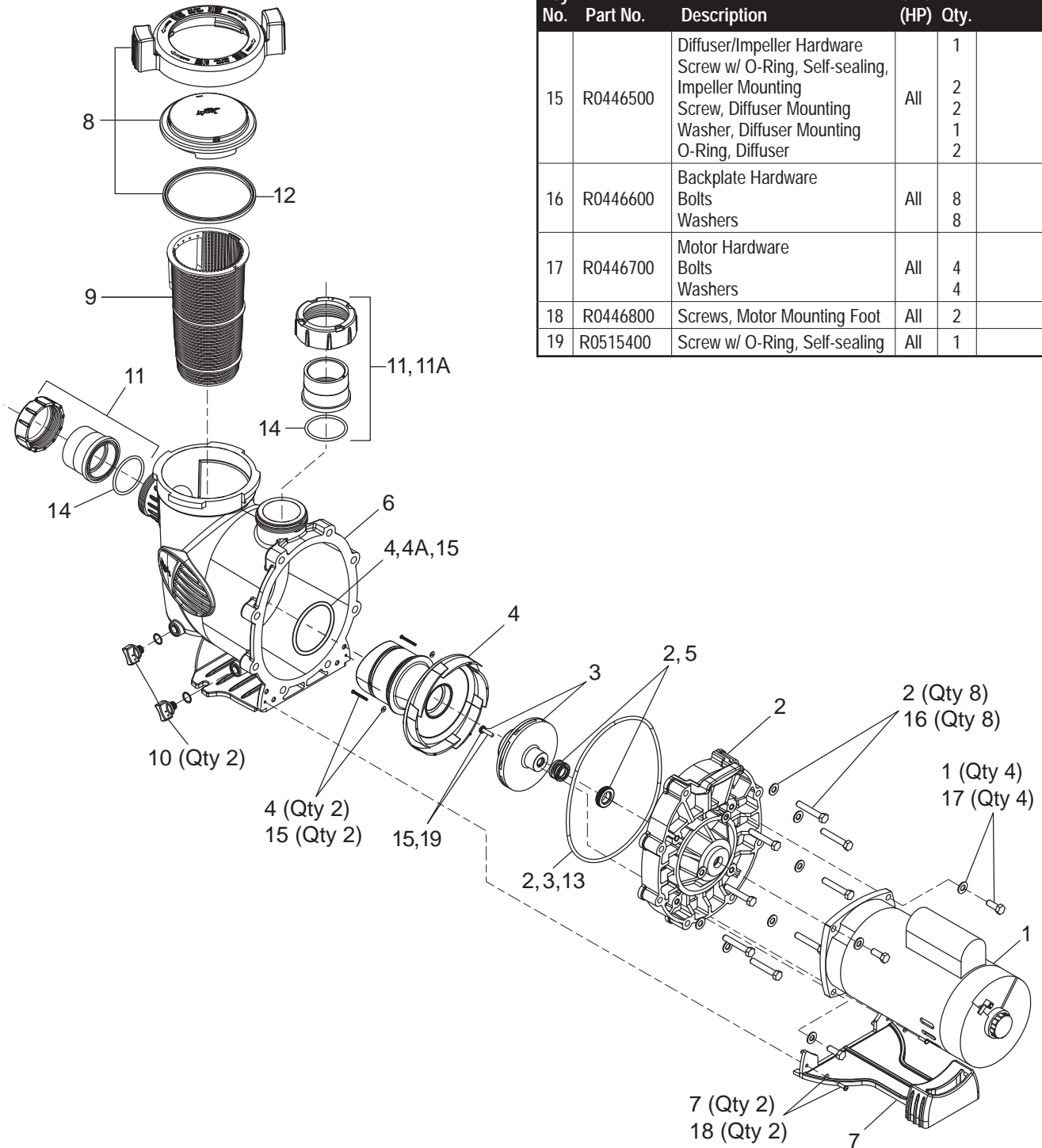
PUMPS / FILTRATION PUMP PARTS

PlusHP (PHPF/PHPM) Series Pump PHPF/PHPM

Key No.	Part No.	Description	Size (HP) Qty.	
			HP	Qty.
1	R0445108	Motor, single-speed and Hardware, PHPF	.50	1
1	R0445109	Motor, single-speed and Hardware, PHPF	.75	1
1	R0445110	Motor, single-speed and Hardware, PHPF	1.0	1
1	R0445111	Motor, single-speed and Hardware, PHPF	1.5	1
1	R0445112	Motor, single-speed and Hardware, PHPF	2.0	1
1	R0479310	Motor, single-speed and Hardware, PHPM	.75	1
1	R0479311	Motor, single-speed and Hardware, PHPM	1.0	1
1	R0479312	Motor, single-speed and Hardware, PHPM	1.5	1
1	R0479313	Motor, single-speed and Hardware, PHPM	2.0	1
1	R0479314	Motor, single-speed and Hardware, PHPM	2.5	1
1	R0479307	Motor, 2-speed and Hardware, PHPM	1.5	1
1	R0479308	Motor, 2-speed and Hardware, PHPM	2.0	1
1	R0479309	Motor, 2-speed and Hardware, PHPM	2.5	1
1	R0479307	Motor, 2-speed and Hardware, PHPF	1.0	1
1	R0479308	Motor, 2-speed and Hardware, PHPF	1.5	1
1	R0479309	Motor, 2-speed and Hardware, PHPF	2.0	1
2	R0445200	Backplate, PHPF/PHPM Mechanical Seal, Carbon Mechanical Seal, Ceramic O-Ring Bolts Washers	All	1 1 1 1 8 8
3	R0807204	Impeller w/Screw, Backplate O-Ring, PHPF	.50	1
3	R0807203	Impeller w/Screw, Backplate O-Ring, PHPF	.75	1
3	R0807202	Impeller w/Screw, Backplate O-Ring, PHPF	1.0	1
3	R0807201	Impeller w/Screw, Backplate O-Ring, PHPM	1.5	1
3	R0807200	Impeller w/Screw, Backplate O-Ring, PHPM	2.0	1
3	R0807204	Impeller w/Screw, Backplate O-Ring, PHPM	.75	1
3	R0807203	Impeller w/Screw, Backplate O-Ring, PHPM	1.0	1

Key No.	Part No.	Description	Size (HP) Qty.	
			HP	Qty.
3	R0807202	Impeller w/Screw, Backplate O-Ring, PHPM	1.5	1
3	R0807201	Impeller w/Screw, Backplate O-Ring, PHPM	2.0	1
3	R0807200	Impeller w/Screw, Backplate O-Ring, PHPM	2.5	1
3	R0807202	Impeller w/Screw, Backplate O-Ring, 2-speed, PHPF	1.0	1
3	R0807201	Impeller w/Screw, Backplate O-Ring, 2-speed, PHPF	1.5	1
3	R0807200	Impeller w/Screw, Backplate O-Ring, 2-speed, PHPF	2.0	1
3	R0807202	Impeller w/Screw, Backplate O-Ring, 2-speed, PHPM	1.5	1
3	R0807201	Impeller w/Screw, Backplate O-Ring, 2-speed, PHPM	2.0	1
3	R0807200	Impeller w/Screw, Backplate O-Ring, 2-speed, PHPM	2.5	1
4	R0445400	Diffuser Screw Washer O-Ring	All	1 2 2 2
4	R0622000	Diffuser O-Ring	All	1
5	R0479400	Mechanical Shaft Seal, New Style, Carbon and Ceramic (Serial # P08FF0001 and later)	All	1 1
5	R0445500	Mechanical Shaft Seal, Old Style, Carbon and Ceramic	All	1 1
6	R0448700	Body, Pump, PHPF/PHPM	All	1
7	R0445700	Motor Mounting Foot Assembly, PHPF/PHPM Screws	All	1 2
8	R0448800	Locking Ring Lid Lid Seal	All	1 1 1
9	R0448900	Filter Basket	All	1
10	R0446000	Plug, Drain O-Ring	All	2 2
11	R0449000	Tail Piece (2" x 2 1/2") Union Nut O-Ring	All	2 2 2
11A	R0522900	Tail Piece (2" x 2 1/2") Union Nut O-Ring	All	1 1 1
12	R0449100	Lid Seal w/ O-Ring	All	1
13	R0446300	O-Ring, Backplate	All	1
14	R0449200	O-Ring, Tail Piece	All	2

PlusHP Series Pump (Mfg. 2006–Present)
PHPF/PHPM



Key No.	Part No.	Description	Size (HP)	Qty.
15	R0446500	Diffuser/Impeller Hardware		1
		Screw w/ O-Ring, Self-sealing, Impeller Mounting	All	2
		Screw, Diffuser Mounting		2
		Washer, Diffuser Mounting		1
		O-Ring, Diffuser		2
16	R0446600	Backplate Hardware		
		Bolts	All	8
		Washers		8
17	R0446700	Motor Hardware		
		Bolts	All	4
		Washers		4
18	R0446800	Screws, Motor Mounting Foot	All	2
19	R0515400	Screw w/ O-Ring, Self-sealing	All	1

PUMPS / FILTRATION PUMP PARTS

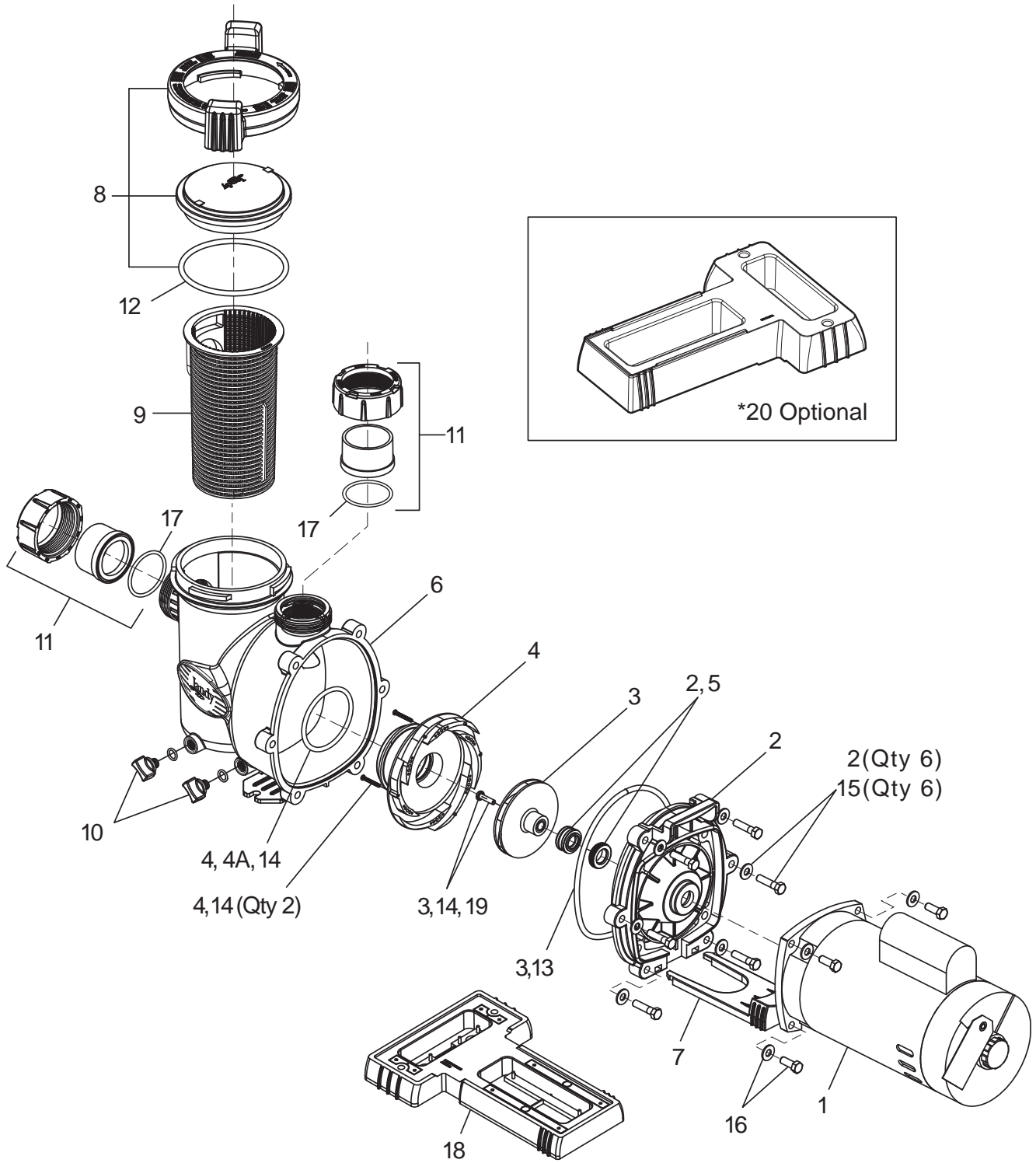
FloPro™ (FHPM) Series Pump

FHPM

Key No.	Part No.	Description	Size (HP)	Qty.
1	R0479310	Single-speed Motor and Hardware, FHP	0.75	1
1	R0479311	Single-speed Motor and Hardware, FHP	1.0	1
1	R0479312	Single-speed Motor and Hardware, FHP	1.5	1
1	R0479313	Single-speed Motor and Hardware, FHP	2.0	1
1	R0479314	Single-speed Motor and Hardware, FHP	2.5	1
1	R0479306	2-Speed Motor and Hardware, FHP	1.0	1
1	R0479307	2-Speed Motor and Hardware, FHP	1.5	1
1	R0479308	2-Speed Motor and Hardware, FHP	2.0	1
2	R0479500	Backplate Mechanical Seal, Carbon Mechanical Seal, Ceramic Backplate O-Ring, 2-375 Bolt Washer	All	1 1 1 1 6 6
3	R0479601	Impeller, FHP Screw w/ O-Ring Backplate O-Ring	0.75	1 1 1
3	R0479602	Impeller, FHP Screw w/ O-Ring Backplate O-Ring	1.0 1.0-2	1 1 1
3	R0479603	Impeller, FHP Screw w/ O-Ring Backplate O-Ring	1.5 1.5-2	1 1 1
3	R0479604	Impeller, FHP Screw w/ O-Ring Backplate O-Ring	2.0 2.0-2	1 1 1
3	R0479605	Impeller, FHP Screw w/ O-Ring Backplate O-Ring	2.5	1 1 1
4	R0479702	Diffuser, FHP Diffuser O-Ring Backplate O-Ring Screw	.75 1.0 1.0-2	1 1 1 2

Key No.	Part No.	Description	Size (HP)	Qty.
4	R0479701	Diffuser, FHP Diffuser O-Ring Backplate O-Ring Screw	1.5 1.5-2 2.0 2.0-2 2.5	1 1 1 2
4A	R0622000	Diffuser O-Ring	All	1
5	R0479400	Mechanical Seal, Carbon Mechanical Seal, Ceramic	All	1 1
6	R0479800	Pump Body, FHP	All	1
7	R0479900	Motor Mounting Foot, FHP	All	1
8	R0480000	Lid w/ Locking Ring Assembly, FHP Lid O-Ring	All	1 1
9	R0480100	Pump Debris Trap Basket, FHP	All	1
10	R0446000	Drain Plug Drain Plug O-Ring	All	2 2
11	R0327301	2" x 2" Tailpiece Tailpiece O-Ring Union Nut	All	2 2 2
12	R0480200	Lid O-Ring, FHP	All	1
13	R0480300	Backplate O-Ring, FHP	All	1
14	R0480400	Diffuser/Impeller Hardware Kit (Diffuser O-Ring, Screws (2), Impeller Self Sealing Screw, Backplate O-Ring)	All	1 1 1
15	R0480500	Backplate O-Ring Bolt, 3/8 x 16 x 2.25" Washer	All	1 6 6
16	R0446700	Bolt, 3/8 x 16 x 1" Washer	All	4 4
17	R0337600	Tailpiece O-Ring	All	2
18	R0486700	Base Spacer, FHP, VSFHP, Small	All	1
19	R0515400	Screw w/ O-Ring, Self-sealing	All	1
20	R0546400	Base Spacer, FHP, VSFHP, Large		

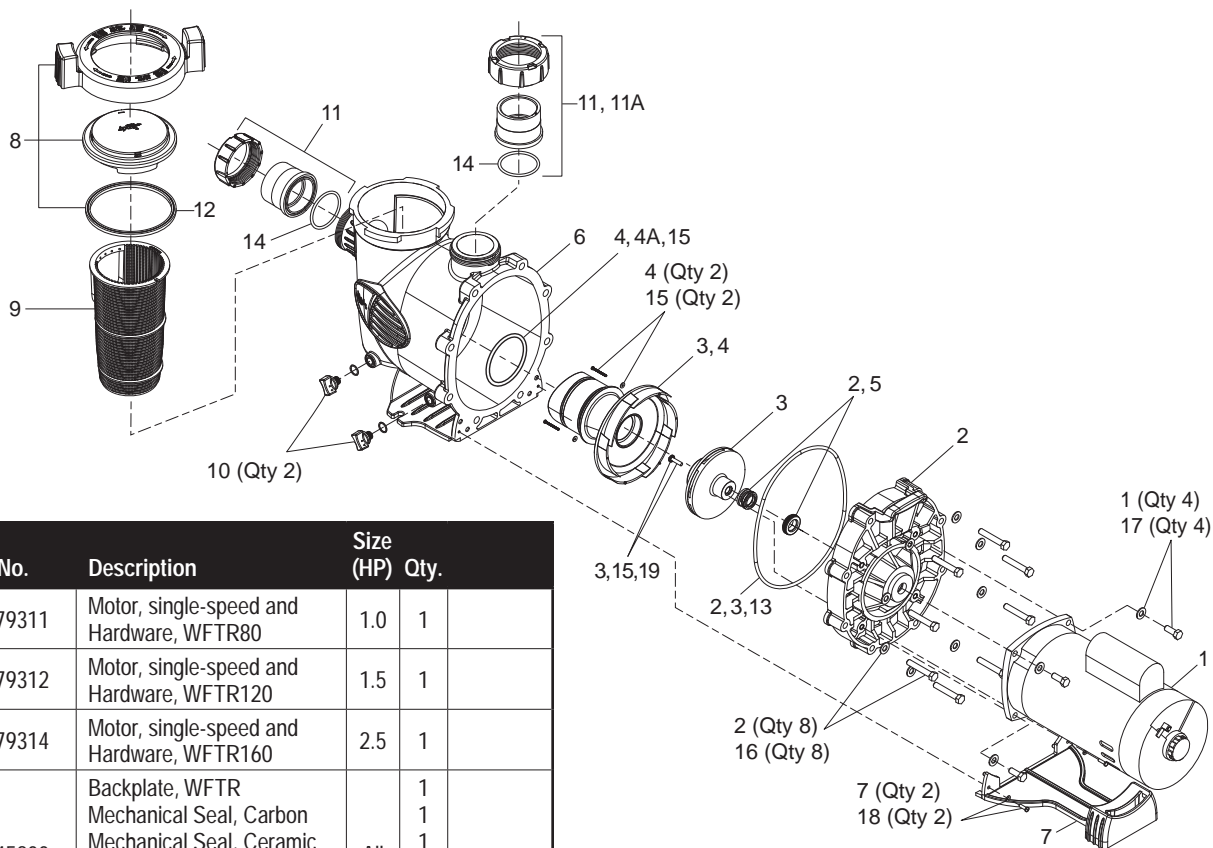
FloPro™ Series Pump (Mfg. 2008–Present)
FHPM



PUMPS / FILTRATION PUMP PARTS

WaterFeature Series Pump (Mfg. 2008–Present)

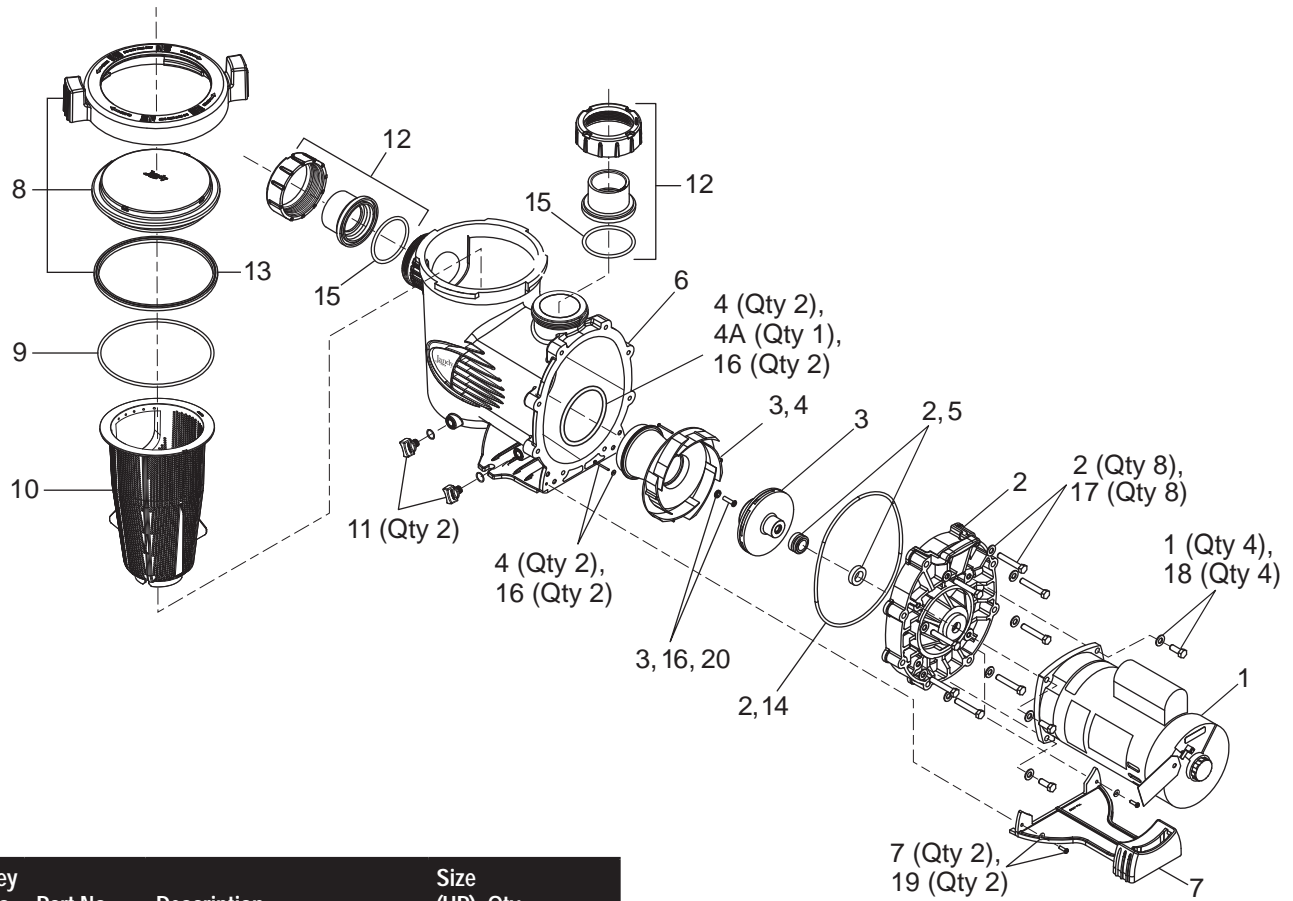
WFTR



Key No.	Part No.	Description	Size (HP)	Qty.
1	R0479311	Motor, single-speed and Hardware, WFTR80	1.0	1
1	R0479312	Motor, single-speed and Hardware, WFTR120	1.5	1
1	R0479314	Motor, single-speed and Hardware, WFTR160	2.5	1
2	R0445200	Backplate, WFTR Mechanical Seal, Carbon Mechanical Seal, Ceramic O-Ring Bolts Washers	All	1 1 1 8 8
3	R0807208	Impeller w/ screw and Backplate O-Ring, WFTR80	1.0	1
3	R0807209	Impeller w/ screw and Backplate O-Ring, WFTR120	1.5	1
3	R0807210	Impeller w/ screw and Backplate O-Ring, WFTR160	2.5	1
4	R0445400	Diffuser Screw Washer O-Ring	All	1 2 2 2
4A	R0622000	Diffuser O-Ring	All	1
5	R0479400	Mechanical Seal, Carbon Mechanical Seal, Ceramic	All	1 1
6	R0448701	Body, Pump, WFTR	All	1
7	R0445700	Motor Mounting Foot Assembly, WFTR Screws	All	1 2
8	R0448800	Locking Ring Lid O-Ring	All	1 1 1
9	R0448900	Filter Basket	All	1
10	R0446000	Plug, Drain O-Ring	All	2 2
11	R0449000	Tailpiece (2" x 2 1/2") Union Nut O-Ring	All	2 2 2

Key No.	Part No.	Description	Size (HP)	Qty.
11A	R0522900	Tailpiece (2" x 2 1/2") Union Nut O-Ring	All	1 1 1
12	R0449100	Lid Seal w/ O-Ring (Lid O-Ring Not Shown)	All	1
13	R0446300	O-Ring, Backplate	All	1
14	R0449200	O-Ring, Tailpiece	All	2
15	R0446500	Diffuser/Impeller Hardware Screw w/ O-Ring, Self-sealing, Impeller Mounting Screw, Diffuser Mounting Washer, Diffuser Mounting O-Ring, Diffuser	All	1 2 2 2
16	R0446600	Backplate Hardware Bolts Washers	All	8 8
17	R0446700	Motor Hardware Bolts Washers	All	4 4
18	R0446800	Screws, Motor Mounting Foot		2
19	R0515400	Screw w/ O-Ring, Self-sealing	All	1

WaterFall Series Pump (Mfg. 2009–Present)
SWF



Key No.	Part No.	Description	Size (HP)	Qty.
1	R0445115	Single-speed Motor and Hardware, SWF125	.75	1
1	R0445116	Single-speed Motor and Hardware, SWF185	1.0	1
2	R0445200	Backplate Kit w/ Hardware, O-Ring and Mech Seals, SHPF/SHPM/SWF	All	1
3	R0807207	Impeller w/ screw and Backplate O-Ring, SWF125	.75	1
3	R0807206	Impeller w/ screw and Backplate O-Ring, SWF185	1.0	1
4	R0445401	Diffuser w/ O-Ring and Hardware, SWF125, SWF185, SHPF	All	1
4A	R0622000	Diffuser O-Ring	All	1
5	R0479400	Mechanical Shaft Seal (1 Set) (Carbon and Ceramic)	All	1
6	R0445601	Body, Pump, SHPF/SHPM/SWF	All	1
7	R0445700	Motor Mounting Foot Assembly w/ Screws, SHPF/SHPM/SWF	All	1
8	R0445800	Lid w/ Locking Ring & Seal	All	1
9	R0479000	Blue Pressure Test O-Ring	All	1

Key No.	Part No.	Description	Size (HP)	Qty.
10	R0445900	Pump Debris Filter Basket	All	1
11	R0446000	Drain Plug w/ O-Ring, 2/PK	All	2
12	R0446102	Tail Piece (2 1/2" x 3") w/O-Ring and Union Nut, 2/PK	All	2
13	R0446200	Lid Seal and Lid O-Ring (Lid O-Ring Not Shown)	All	1
14	R0446300	O-Ring, Backplate	All	1
15	R0446400	O-Ring, Tail Piece, 2/PK	All	2
16	R0446500	Hardware, Diffuser/Impeller	All	1
17	R0446600	Backplate Bolts and Washers, 8/PK	All	8
18	R0446700	Motor Bolts and Washers, 4/PK	All	4
19	R0446800	Screws, Motor Mounting Foot	All	1
20	R0515400	Screw w/ O-Ring, Self-sealing	All	1

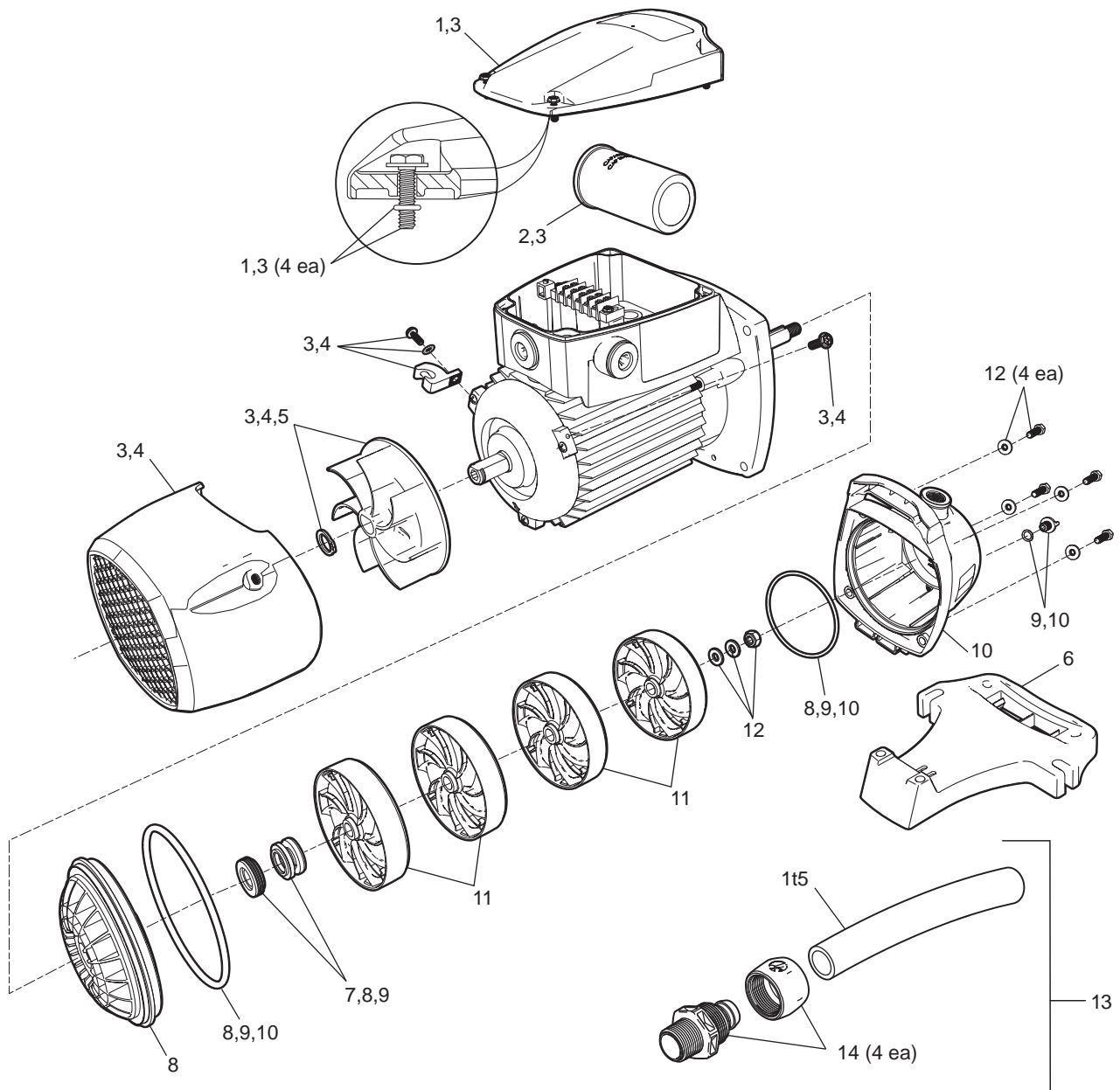
PUMPS / BOOSTER PUMP PARTS

Polaris® PB4SQ™ Booster Pump (Mfg. 2017–Present)

Part# PB4SQ

Key No.	Part No.	Description	Qty.
1	R0722900	Capacitor Housing Cover	1
2	R0734500	Capacitor 30MFD 400V	1
3	R0734200	Motor Kit	1
4	R0722600	Fan Cover	1
5	R0723000	Motor Fan	1
6	R0722700	Base	1
7	R0747800	Mechanical Seal	1
8	R0723200	Backplate Kit	1

Key No.	Part No.	Description	Qty.
9	R0734300	Seal Replacement Kit	1
10	R0723100	Pump Body	1
11	R0722800	Impeller and Diffuser Kit	1
12	R0734400	Pump Hardware Kit	1
13	R0617100	Quick Connect Install Kit	4
14	R0621000	Quick Connect Set	1
15	P19	Reinforced Hose 6 ft.	1

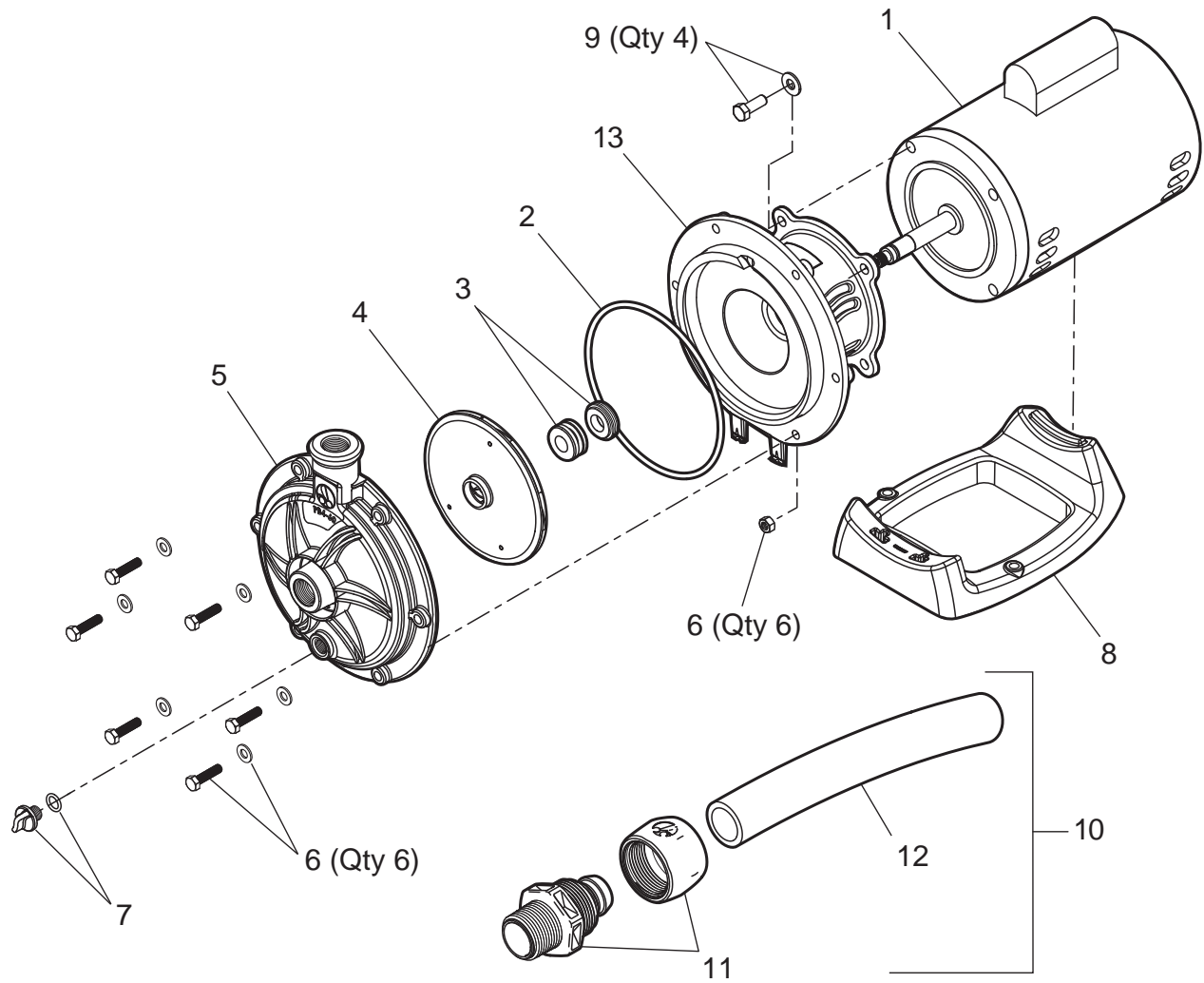


Polaris® Booster Pump with 60 Hz Motor (Mfg. 2011–Present)

Part# PB4-60 For PB4-60's with serial numbers after PB120111001 or beginning with AVEH050100

Key No.	Part No.	Description	Qty.
1	P61	Motor, 3/4 HP, Threaded Shaft, 60 Hz	1
2	R0536600	O-Ring, Backplate, PB4-60	1
3	R0445500	Seal, Ceramic and Spring	1
4	R0536400	Impeller, PB4-60	1
5	R0536300	Volute, PB4-60 (Includes Drain Plug with O-Ring)	1
6	R0536900	Bolts w/ Washers and Nuts	6
7	R0537000	Drain Plug w/ O-Ring, Common	1
8	R0537100	Base, Booster, PB4-60	1

Key No.	Part No.	Description	Qty.
9	R0536800	Bolts and Washers, Stainless, Motor, PB4-60	4
10	R0617100	Quick Connect Install Kit	1
11	R0621000	Quick Connect Fittings	4
12	P19	Pump Hose 6 ft. Reinforced	1
13	R0536700	Backplate, PB4-60	1



PUMPS / BOOSTER PUMP PARTS

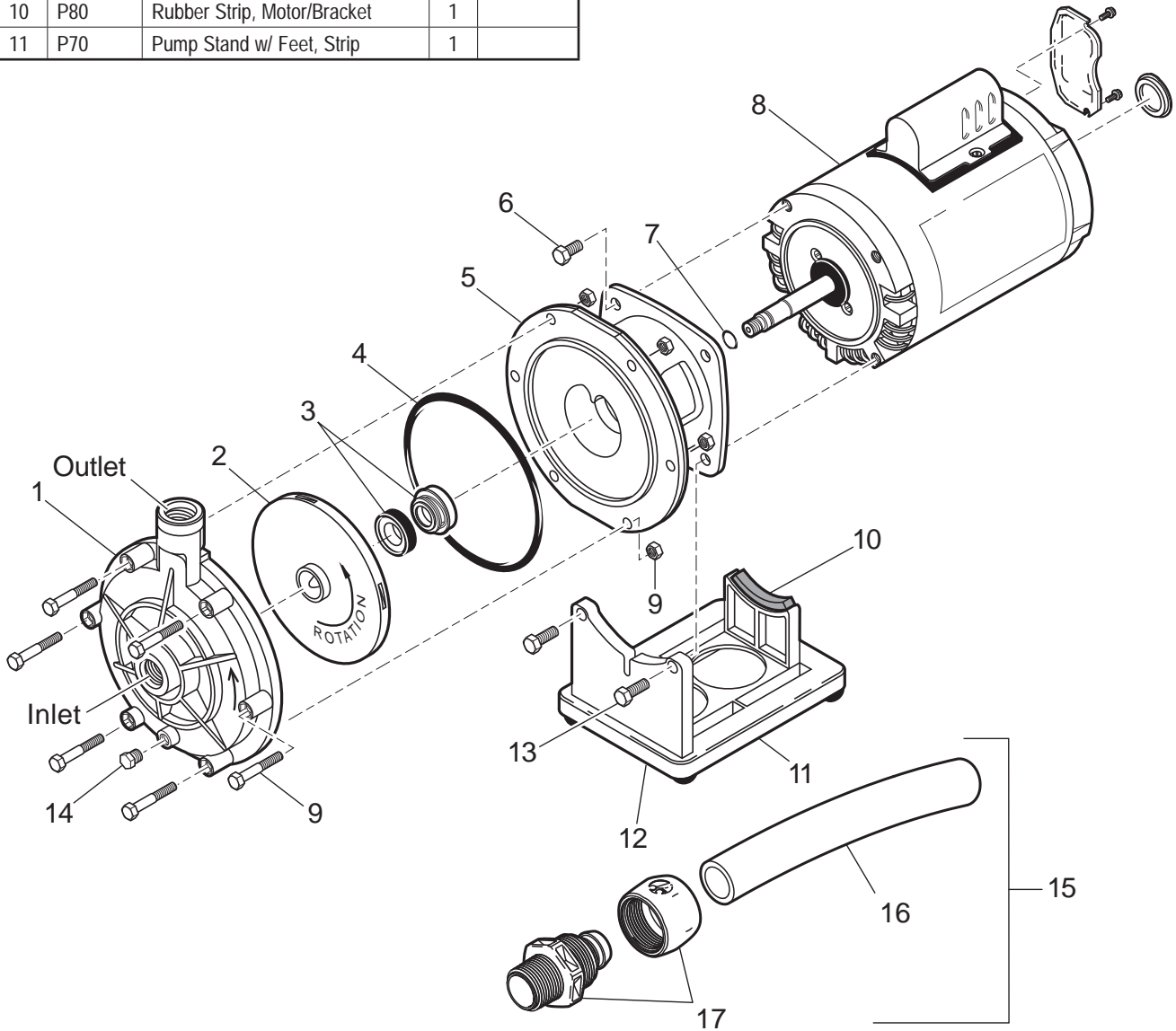
Polaris® Booster Pump with 60 Hz Motor

Part# PB4-60 For PB4-60's prior to serial number M120111001

Key No.	Part No.	Description	Qty.
1	P5	Volute (Includes Drain Plug)	1
2	P15	Impeller	1
3	P55	Seal, Stainless Steel Cup/Spring	1
4	P95	O-Ring, Bracket	1
5	P10	Bracket	1
6	P35	Bolt, Stainless, Bracket to Motor	2
7	P40	O-Ring for Shaft	1
8	P61	Motor, 3/4 HP, Threaded Shaft, 60 Hz	1
9	P25	Bolt/Nut, Stainless for Volute to Bracket	6
10	P80	Rubber Strip, Motor/Bracket	1
11	P70	Pump Stand w/ Feet, Strip	1

Key No.	Part No.	Description	Qty.
12	P75	Rubber Feet	4
13	P65	Bolt, SS, Stand to Bracket and Motor	1
14	P20	1/8" NPTM Plug, Plastic	2
15	R0617100	Quick Connect Install Kit	1
16	P19	Pump Hose 6 ft. Reinforced	1
17	R0621000	Quick Connect Fittings	4
N/S	R0617025	Polaris Softube® Quick Connects, 25 Packs of 4	100

N/S-Not Shown



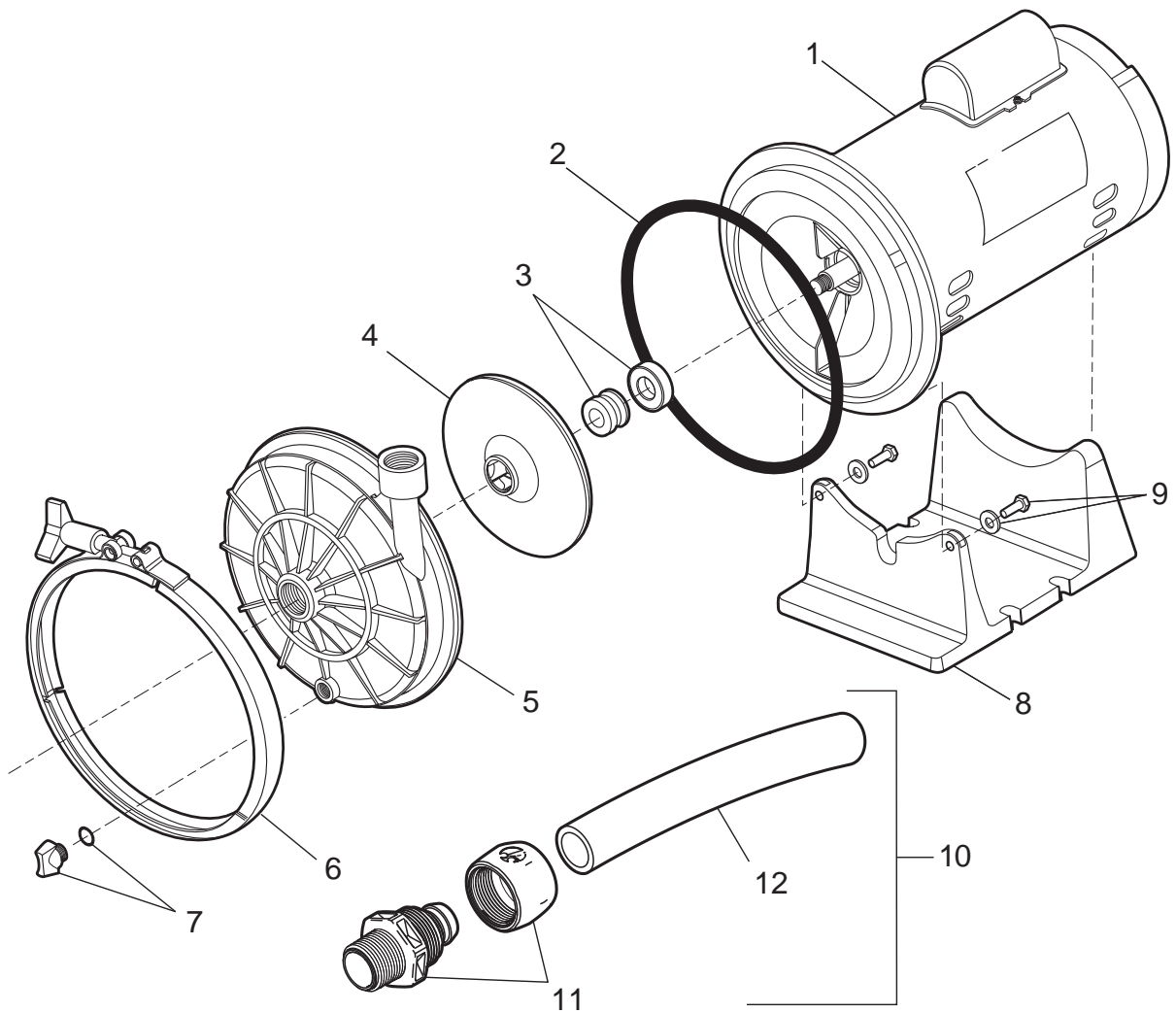
Polaris® Halcyon® Booster Pump with Quiet 60 Hz Motor (Discontinued)

Part# PB4-60Q

Key No.	Part No.	Description	Qty.
1	P64	3/4 HP Motor-Seal Plate Assembly	1
2	P85	O-Ring, Seal Plate	1
3	P84	Seal, Ceramic/Spring	1
4	P16	Impeller, 60 Hz	1
5	P82	Volute (Includes Drain Plug w/ O-Ring)	1
6	P87	Band Clamp	1
7	P88	1/2"-20 UNF Drain Plug w/ O-Ring	1
8	P86	Pump Stand	1

Key No.	Part No.	Description	Qty.
9	P91	1/4-20 x .75" Bolt w/ Washer	2
10	R0617100	Quick Connect Install Kit	1
11	R0621000	Quick Connect Fittings	4
12	P19	Pump Hose 6 ft. Reinforced	1
N/S	R0617025	Polaris Softube® Quick Connects, 25 Packs of 4	100

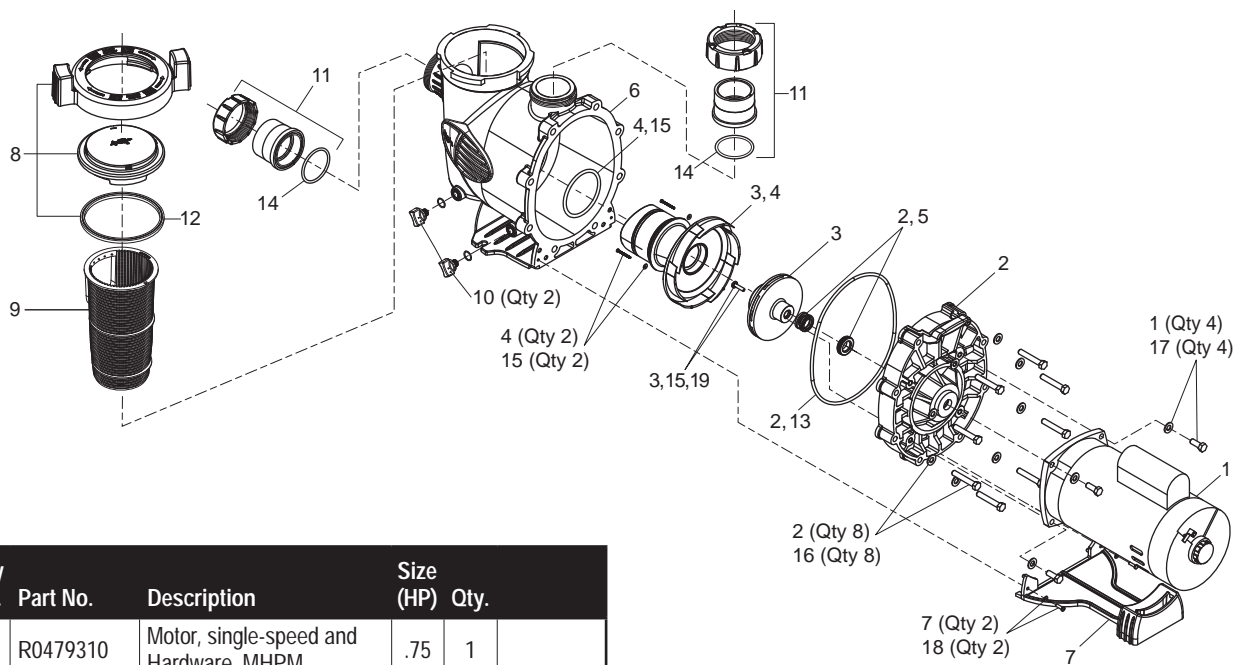
N/S-Not Shown



PUMPS / FILTRATION PUMP PARTS

Jandy® MaxHP Series Pump (Mfg. 2006–2010, Discontinued)

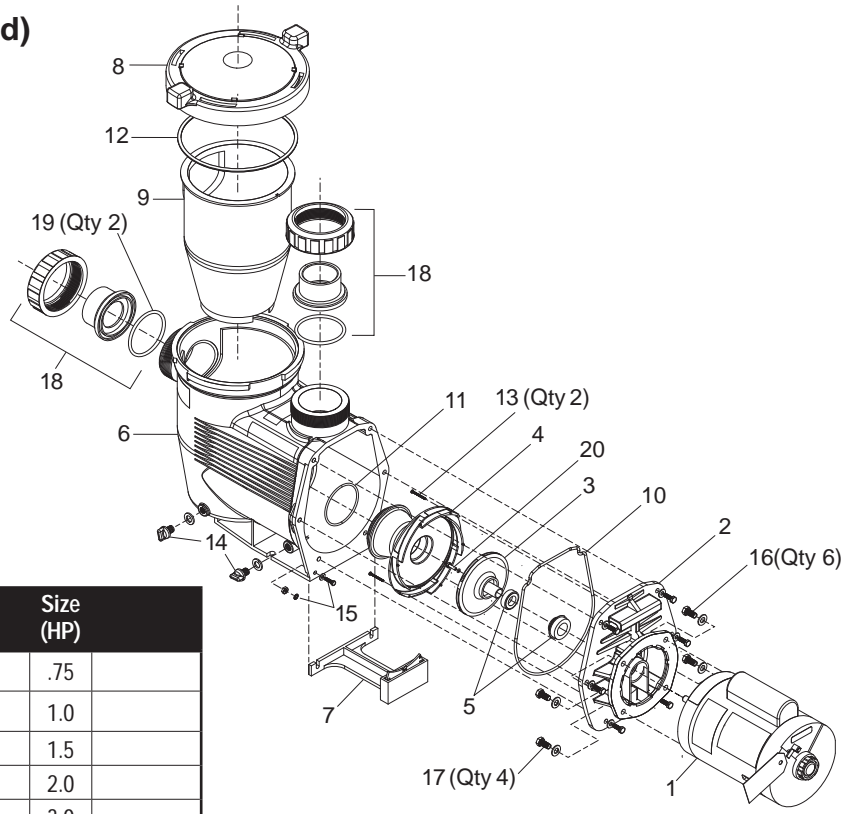
MHPM



Key No.	Part No.	Description	Size (HP)	Qty.
1	R0479310	Motor, single-speed and Hardware, MHPM	.75	1
1	R0479311	Motor, single-speed and Hardware, MHPM	1.0	1
1	R0479312	Motor, single-speed and Hardware, MHPM	1.5	1
1	R0479313	Motor, single-speed and Hardware, MHPM	2.0	1
1	R0479314	Motor, single-speed and Hardware, MHPM	2.5	1
2	R0445200	Backplate, MHPM Mechanical Seal, Carbon Mechanical Seal, Ceramic O-Ring Bolts Washers	All	1 1 1 8 8
3	R0449501	Impeller/Diffuser, Screw w/ O-Ring, MHPM	.75	1
3	R0449502	Impeller/Diffuser, Screw w/ O-Ring, MHPM	1.0	1
3	R0449503	Impeller/Diffuser, Screw w/ O-Ring, MHPM	1.5	1
3	R0449504	Impeller/Diffuser, Screw w/ O-Ring, MHPM	2.0	1
3	R0449505	Impeller/Diffuser, Screw w/ O-Ring, MHPM	2.5	1
4	R0445400	Diffuser Screw Washer O-Ring	All	1 2 2 2
5	R0479400	Mechanical Seal, Carbon Mechanical Seal, Ceramic	All	1 1
6	R0448701	Body, Pump, MHPM	All	1
7	R0445700	Motor Mounting Foot Assembly, MHPM Screws	All	1 2

Key No.	Part No.	Description	Size (HP)	Qty.
8	R0448800	Locking Ring Lid Lid Seal	All	1 1 1
9	R0448900	Filter Basket	All	1
10	R0446000	Plug, Drain O-Ring	All	2 2
11	R0449000	Tail Piece (2" x 2 1/2") Coupling Nut O-Ring	All	2 2 2
12	R0449100	Lid Seal w/ O-Ring (Lid O-Ring not shown)	All	1
13	R0446300	O-Ring, Backplate	All	1
14	R0449200	O-Ring, Tail Piece	All	2
15	R0446500	Diffuser/Impeller Hardware Screw w/ O-Ring, Self-sealing, Impeller Mounting Screw, Diffuser Mounting Washer, Diffuser Mounting O-Ring, Diffuser	All	1 2 2 2
16	R0446600	Backplate Hardware Bolts Washers	All	8 8
17	R0446700	Motor Hardware Bolts Washers	All	4 4
18	R0446800	Screws, Motor Mounting Foot	All	2

**Jandy® JHP and JHPU Pump
(Mfg. 2002–2008, Discontinued)**



Key No.	Part No.	Description	Size (HP)
1	R0556101	Motor, single-speed JHP/PHP	.75
1	R0556102	Motor, single-speed JHP/PHP	1.0
1	R0556103	Motor, single-speed JHP/PHP	1.5
1	R0556104	Motor, single-speed JHP/PHP	2.0
1	R0556105	Motor, single-speed JHP	3.0
1	R0556101	Motor, single-speed JHPU/PHPU	1.0
1	R0556102	Motor, single-speed JHPU/PHPU	1.5
1	R0556103	Motor, single-speed JHPU/PHPU	2.0
1	R0556104	Motor, single-speed JHPU/PHPU	2.5
1	R0556201	Motor, 2-speed JHPU/PHPU Series	2.0
1	R0556202	Motor, 2-speed JHPU/PHPU Series	2.5
2	R0556000	Mounting Bracket JHP/PHP Series	All
3	R0555801	Impeller, JHP/PHP	.75
3	R0555802	Impeller, JHP/PHP	1.0
3	R0555803	Impeller, JHP/PHP	1.5
3	R0555804	Impeller, JHP/PHP	2.0
3	R0555805	Impeller, JHP/PHP	3.0
3	R0555801	Impeller, JHPU/PHPU	1.0
3	R0555802	Impeller, JHPU/PHPU	1.5
3	R0555803	Impeller, JHPU/PHPU	2.0
3	R0555804	Impeller, JHPU/PHPU	2.5
3	R0555803	Impeller, 2-speed JHPU	2.0
3	R0555804	Impeller, 2-speed JHPU	2.5
4	R0555701	Diffuser w/ Cone and Cone O-Ring Kit	.75-2.5
4	R0555705	Diffuser w/ Cone and Cone O-Ring Kit JHP Series	3.0
5	R0338200	Mechanical Seal	All
6	R0555600	Body, Pump JHP Series	All
7	R0559200	Mounting Foot Assembly JHP/PHP Series	All

Key No.	Part No.	Description	Size (HP)
8	R0555300	Pot Lid w/ Clamp Ring JHP Series	All
9	R0555500	Pot Basket JHP Series	All
10	R0555900	Gasket, Body JHP Series	All
11	R0558701	O-Ring, Diffuser JHP/PHP Series	All
12	R0555400	O-Ring, Pot Lid JHP Series	All
13	R0555201	Hardware Set, Diffuser Mntg. JHP/PHP Series	.75 3.0
14	R0559500	Drain Plugs (2) JHP/PHP Series	All
15	R0339200	Hardware Set (2), Foot Mntg.	All
16	R0339300	Hardware Set (6), Bracket Mntg.	All
17	R0339400	Hardware Set (4) Motor Mntg.	All
18	R0556300	Coupling Nut Set (2-2 1/2") JHP Series	.75 2.5
18	R0559900	Coupling Nut Set (2 1/2-3") JHP Series	3.0
19	R0339600	O-Ring, (2), Coupling Nut JHP Series	All
20	R0398800	Screw w/ O-Ring, self-sealing, JHP Series	All
N/S	R0443700	Gauge Adapter Kit (1 brass pump adapter and 1 thermoplastic filter adapter)	
N/S	R0556500	O-Ring Set, Complete (7) JHP/PHP Series	All
N/S	R0556600	Hardware Set, Complete JHP/PHP Series	All

NOTE: All hardware sets contain all pieces necessary for assembly. N/S-Not Shown

Jandy
Pool/Spa Filter

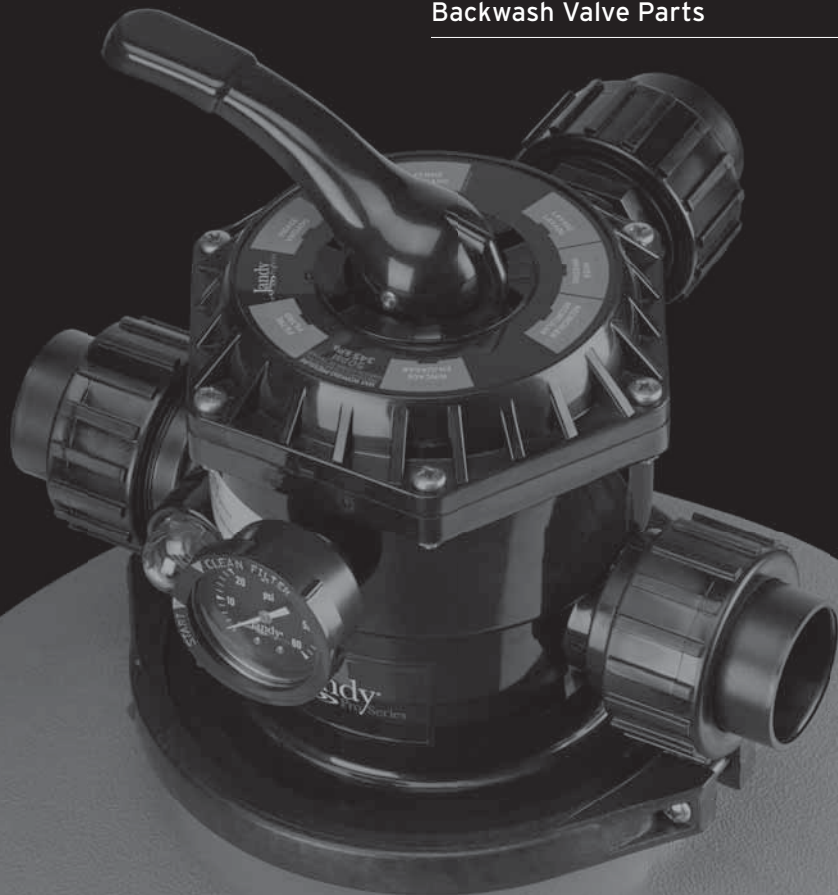
Model	2506
Serial	25060000
Flow Rate (GPM)	150
Pressure Drop (PSI)	1.5
Filter Area (sq. ft.)	150
Design Flow Rate (Residential)	150
Design Flow Rate (Commercial)	150
Required Amount of D.E. (lbs.)	150
Required Number of Cartridges (each)	150
Maximum Working Pressure (psi)	150
Replacement Cartridge (part #)	150
Required Clearance for Service (inches)	150

OUTLET
SALINA

INLET
ENTRADA

FILTERS

Filters	63
Versa Plumb® Kits	66
Backwash Valves	67
Technical Information	70
Filter Parts	77
Backwash Valve Parts	84





Landy
Pool/Spa Filter (NSF)

Effective Filtration Area (sq. ft.)	
Design Flow Rate Residential (gpm)	
Commercial (gpm)	
Required Amount of D.E. (lbs.)	
Required Number of Cartridges/Grids (qty)	
Maximum Working Pressure (psid)	
Replacement Cartridge/Grids (part #)	
Required Clearance for Service, Vert/Horz (in.)	

DRAIN
DRENAJIE





CV Series Cartridge Filter



CV Series Cartridge Filters

- Designed with our exclusive Versa Plumb® system to easily connect with other Zodiac® products
- Extra-large 2" drain port allows for easy cleaning of debris
- Clean/dirty indicator on pressure gauge
- Heavy duty, anti-corrosion tank clamp and easy-grip handles
- Corrosion- and UV-resistant, high impact extra large tank
- Includes 2" x 2 1/2" universal unions
- Includes a Sweep Elbow (SEFL1002) to easily connect with the pump

Part No.	Description	Size
CV340	CV Cartridge Filter	340 Sq. Ft.
CV460	CV Cartridge Filter	460 Sq. Ft.
CV580	CV Cartridge Filter	580 Sq. Ft.



Versa Plumb System



CL Series Cartridge Filter

CL Series Cartridge Filters

- Textured, easy-grip handles
- Clean/dirty indicator on pressure gauge
- Extra-large 2" drain port allows for easy cleaning of debris
- Heavy duty, anti-corrosion tank clamp
- Corrosion- and UV-resistant, high impact tank
- Includes 2" x 2 1/2" universal unions

Part No.	Description	Size
CL340	CL Cartridge Filter	340 Sq. Ft.
CL460	CL Cartridge Filter	460 Sq. Ft.
CL580	CL Cartridge Filter	580 Sq. Ft.





DEV Series Diatomaceous Earth Filter



DEV Series Diatomaceous Earth Filters

- Extra-large 2" drain port allows for easy cleaning of debris
- Textured, easy-grip handles
- Clean/dirty indicator on pressure gauge
- Heavy duty, anti-corrosion band clamp
- Corrosion- and UV-resistant, high impact extra large tank
- Three Backwash Valve kit options:
 - 2-in-1 Never Lube® Valve (BWVL-NVL)
 - Slide Valve (BWVL-SLD)
 - Multi-Port Valve (BWVL-MPV)

Part No.	Description	Size
DEV48*	DEV Diatomaceous Earth Filter	48 Sq. Ft.
DEV60*	DEV Diatomaceous Earth Filter	60 Sq. Ft.

*DEV48 & DEV60 Supersedes DEL48 & DEL60



CS Series Cartridge Filter



CS Series Cartridge Filters

- Designed with our exclusive Versa Plumb® system to easily connect with other Zodiac® products
- Ergonomic, easy-grip handles for ease of service
- Compact body designed to easily fit in small areas
- Extra-large drain port allows for easy cleaning of debris
- High impact, corrosion- and UV-resistant, thermoplastic tank body
- Includes 2" x 2 1/2" universal unions

Part No.	Description	Size
CS100	CS Cartridge Filter	100 Sq. Ft.
CS150	CS Cartridge Filter	150 Sq. Ft.
CS200	CS Cartridge Filter	200 Sq. Ft.
CS250	CS Cartridge Filter	250 Sq. Ft.





Side Mount Series Sand Filters

JS Sand Filters

- Versa Plumb® exclusive design
- Extra-large 2" drain port for ease of service
- Ergonomic lid handles
- Clean/dirty indicator on pressure gauge
- Three Backwash Valve kit options:
 - 2-in-1 Never Lube® Valve (BWVL-NVL)
 - Slide Valve (BWVL-SLD)
 - Multi-Port Valve (BWVL-MPV)

Part No.	Description	Size
JS60-SM	JS Filter Side Mount	24"
JS100-SM	JS Filter Side Mount	30"



SFTM Series Top Mount Sand Filters

SFTM Series Top Mount Sand Filters

- Large 2" valve for increased flow and enhanced filtration (SFTM24-2.0)
- 7-position multi-port valve can be rotated to quickly adjust filter mode
- 360° clamp-style valve rotates for easy installation
- Laterals fold up/down for quick installation and to service (SFTM24-2.0)
- Blow-molded tank is corrosion- and UV-resistant

Part No.	Description	Size
SFTM22-1.5	SFTM Sand Filter Top Mount / 1 1/2" Valve	22"
SFTM24-2.0	SFTM Sand Filter Top Mount / 2" Valve	24"

Filter Accessories

Part No.	Description
SEAQL1001	AquaLink® Sweep Elbow — For use w/ RS Temp Sensor Qty. (1) — Available in case quantities of 24
SEFL1002	Sweep Elbow with 1/2" plug





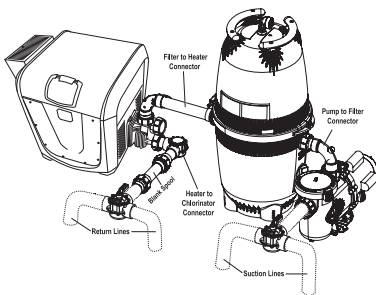
Versa Plumb Preassembled Accessory Kits

- Easy to install kits to ensure hydraulic efficiency and compact, consistent equipment set layout
- Saves time and labor costs. Each kit includes 3-Port Jandy® Valves
- VPK-CVSTD for the combination of a Jandy Pump, CV Filter and JXi™ or LXi™ Heater (includes two (2) 3-Port Valves, Part# 4717)
- VPK-CVSLR for the combination of a Jandy Pump, CV Filter and JXi or LXi Heater—with solar ready plumbing. (Includes three (3) 3-Port Valves, Part# 4717)

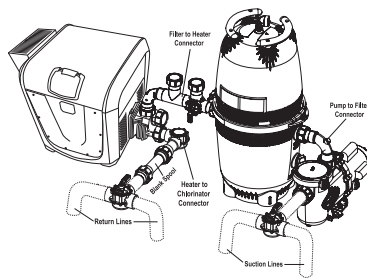
*This solar kit ensures compliance with the California Energy Commission's 2008 Building Energy Efficiency Standards (Title 24)

- VPK-CSSTD for the combination of a Jandy Pump, CS Filter and Heat Pump (includes two (2) 3-Port Valves, Part# 4717)

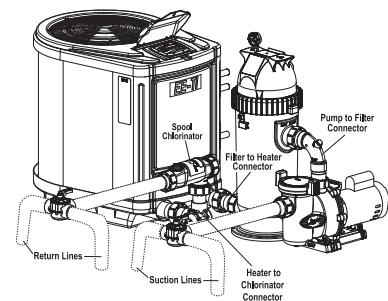
Part No.	Description
VPK-CVSTD	Kit for Jandy Pump, CV Filter & JXi or LXi Heater (For SHP, PHP and JEP Pump only)
VPK-CVSLR	Kit for Jandy Pump, CV Filter & JXi or LXi Heater—with Solar-Ready plumbing (For SHP, PHP and JEP Pump only)
VPK-CSSTD	Kit for Jandy Pump, CS Filter & Heat Pump (For FHP Pump only)



VPK-CVSTD



VPK-CVSLR



VPK-CSSTD



2-in-1 Backwash Valve

- Never Lube® technology
- No “dead-head” position
- CPVC high-temperature polymer
- One valve works for both sand and DE applications
- Optimal hydraulic flow
- 2" ports (2 1/2" on outside)
- Standard 8" center to center
- Versa-Coupling allows for easy installation on any brand of filter from 7" up to 9" inlet/outlet port distance

2-in-1 Backwash Valve

BWVL-NVL comes complete with pre-plumbed universal union kit for DEV48, DEV60, and JS60,100-SM filters

8034J comes complete with pre-plumbed union kit for DEL48 and DEL60 filters

8034 comes with valve only, no unions

Part No.	Description
BWVL-NVL	2-in-1 Backwash Valve pre-plumbed with universal unions for DEV48, DEV60, JS60 and JS100 filters
8034J	2-in-1 Backwash Valve pre-plumbed with unions for DEL48 and DEL60 filters
8034	2-in-1 Backwash Valve

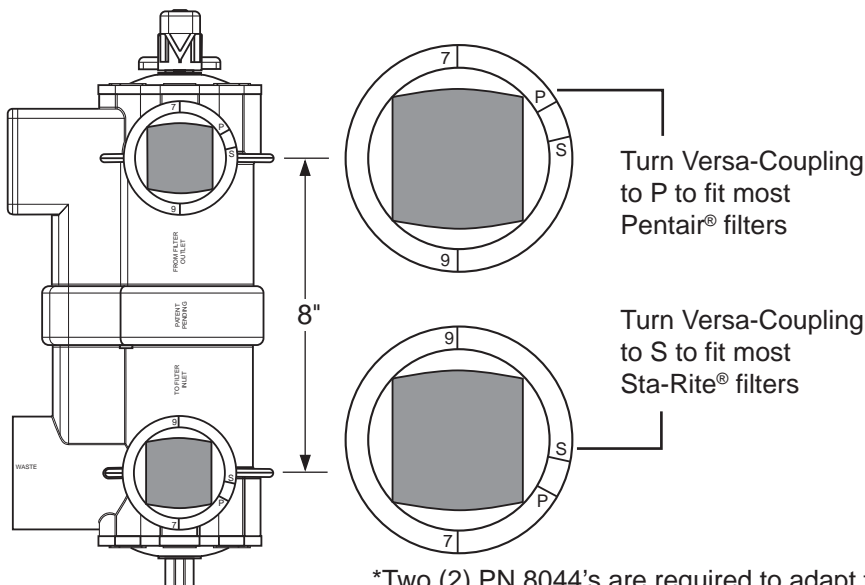
Valve Accessory

8044	2" Versa-Coupling (1/ea.)
------	---------------------------

NOTE: Case quantities: (1) Backwash Valve (PN 8034) per case
 (1) Backwash Valve with pre-plumbed kit (PN 8034J) per case
 (48) Versa-Couplings per case



Versa-Coupling



Turn Versa-Coupling to P to fit most Pentair® filters

Turn Versa-Coupling to S to fit most Sta-Rite® filters

*Two (2) PN 8044's are required to adapt to most Pentair and Sta-Rite filters

Backwash Valves continue on next page.



Slide Valve Kits

- 2-position backwash valve DE or Sand Filter
- 2" ports
- Made of durable CPVC thermoplastic
- Has ergonomic handle
- The Versa-Coupler allows easy installation on most brands of DE and Sand Filters

Slide Valve Kit

BWVL-SLD connects directly to side ports for DEV60, DEV48, JS60-SM or JS100-SM filters
 SVLV8 connects directly to side ports for DEL60 or DEL48 filters

Part No.	Description
BWVL-SLD	2" Slide Valve, 8" center to center, comes complete with pre-plumbed universal union kit for DEV48, DEV60, JS60-SM and JS100-SM filters
SVLV8	2" Slide Valve, 8" center to center, comes complete with pre-plumbed union kit for DEL48 and DEL60 Filters
SVLV2	2" Slide Valve—(Blank) without unions, 8" center to center



Side Mount Multi-Port Valve

BWVL-MPV comes pre-plumbed for DEV60, DEV48, JS60-SM or JS100-SM filters

A0553645 comes pre-plumbed for DEL60 or DEL48 filters

Multi-Port Valve Kits

- 6-position valves
- Durable lever action handle
- High impact ABS material
- Three (3) unions included
- Available in 1 1/2" top mount and 2" side mount models

Side Mount MPV

Part No. Description

BWVL-MPV	Side Mount Multi-Port Valve comes complete with pre-plumbed universal union kit for DEV48, DEV60, JS60-SM and JS100-SM filters
A0553645	Side Mount Multi-Port Valve comes complete with pre-plumbed union kit for DEL48 and DEL60 filters
R0443800	2" Multi-Port Valve Unions (3-pack)
R0443900	Top Valve Assembly MPV (BWVL-MPV)
R0444000	Rebuild Kit for MPV (BWVL-MPV)



Top Mount Multi-Port Valve

Top Mount MPV

Part No. Description

SFTM-MPV	Complete Multi-Port Valve SFTM22 and SFTM25
R0744600	SFTM22-1.5 Complete MPV with Clamp Assembly
R0745700	SFTM24-2.0 Complete MPV with Clamp Assembly

Replacement Kits

R0492000	Rebuild Kit for SFTM22, SFTM25 and SFTM-MPV
R0492100	Drain Nozzle Assembly

Jandy® Pro Series Filters Technical Information

Jandy Pro Series filters keep pool and spa water sparkling clear and refreshingly clean. Zodiac offers a wide variety of filters loaded with features that make installation easy and cleaning a snap. Next time you jump into your Zodiac filtered pool, you can rest assured it's sparkling clean.

Filter Model Number Legend

Format: Media and Tank Type, Size, Backwash Valve Position

Media and Tank Type

CV = Cartridge Filter, "CV" Series, Four Element, Large Cartridge Filter — Versa Plumb® Ready

CL = Cartridge Filter, "CL" Series, Four Element, Large Cartridge Filter

DEV = Diatomaceous Earth Filter, "DEV" Series

CS = Cartridge Filter, "CS" Single Element, Small Cartridge Filter — Versa Plumb Ready

JS = Sand Filter, Side Mount, Composite — Versa Plumb Ready

SFTM = Sand Filter, Top Mount, Thermoplastic

Size:

Cartridge and DE Filters are expressed in square feet of filtration area.

Sand filters are measured in tank diameter (size) in inches.

Backwash Valve:

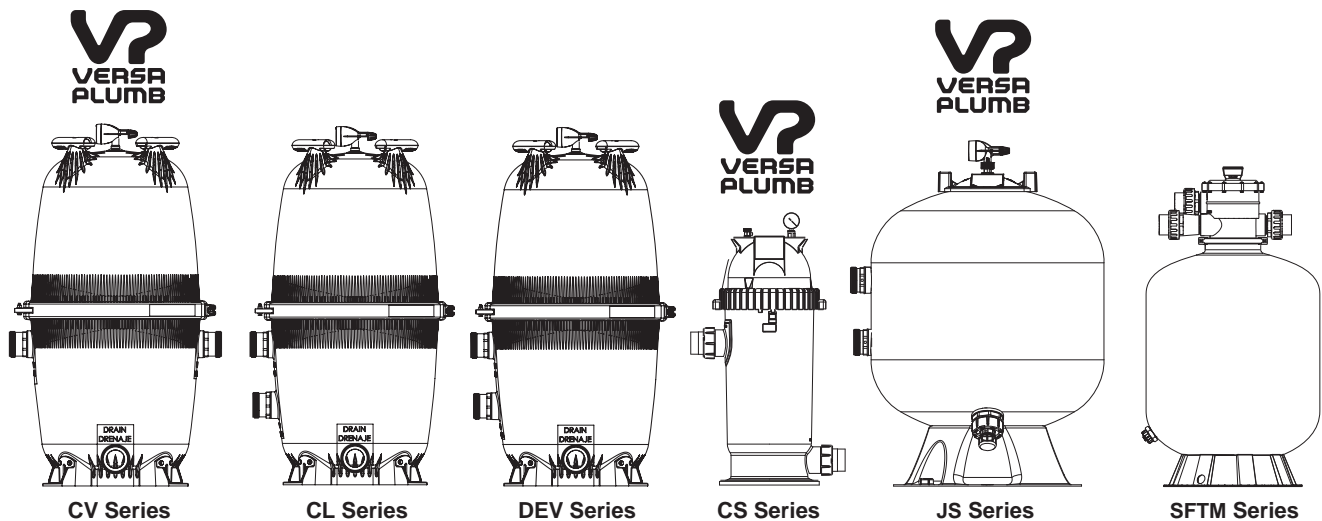
S = Side Mount

T = Top Mount (MPV only)

Example: CV460 is a Cartridge Filter, Large Versa Plumb Series, 460 square feet.

Example: DEV48 is a Diatomaceous Earth Filter, Versa Plumb Series, 48 square feet.

Example: SFTM25 is a Sand Filter, Thermoplastic Tank, 25" Diameter, Top Mount.

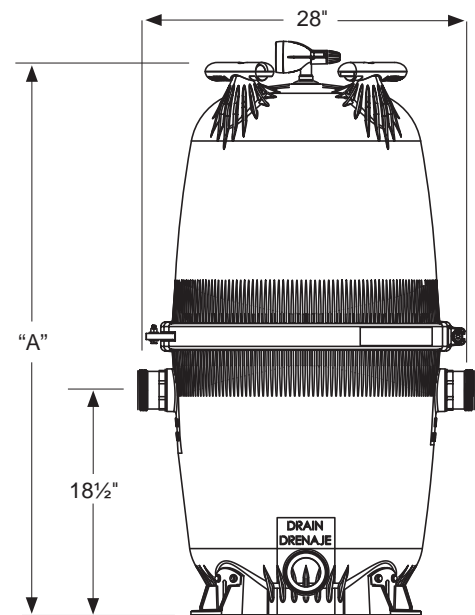


CV Series Cartridge Filters

CV Series cartridge filters are designed with the same great filtration as the CL Series large cartridge filters with additional features, making it our best filter yet. They are designed to work with our exclusive Versa Plumb® system to easily connect with the rest of your Jandy® Pro Series equipment, while using minimal space on the equipment pad and maximizing hydraulic flow. The CV Series filters feature an extra large drain port allowing for easy cleaning of debris. Optional anchor brackets make it easy to secure the filter to the pad, while the easy-grip handles on the tank lid make installation and cleaning simple. The extra large capacity extends cleaning cycles. Our signature clean/dirty indicator on the pressure gauge allows you to conveniently assess filter condition. The CV tank is constructed of high impact, UV- and corrosion-resistant thermoplastic which provides optimum durability. The rigid, heavy duty tank clamp ensures safe operation. We offer a choice of 580-, 460- and 340-square-foot models.

Specifications and Dimensions for CV340, CV460 & CV580 Filters

Specifications and Dimensions, CV Series Filters			
Model No.	CV340	CV460	CV580
Filter Area	340 ft ²	460 ft ²	580 ft ²
Design Flow Rate	.37 gpm/ft ²	.33 gpm/ft ²	.26 gpm/ft ²
Maximum Flow	127 gpm	150 gpm	150 gpm
Six (6) Hour Capacity	45,720 gallons	54,000 gallons	54,000 gallons
Eight (8) Hour Capacity	60,960 gallons	72,000 gallons	72,000 gallons
Maximum Working Pressure	50 psi	50 psi	50 psi
Cartridges Required	4 (85ft ² each)	4 (115ft ² each)	4 (145ft ² each)
Shipping Weight	106 lbs.	106 lbs.	112 lbs.
Height ("A")	41 inches	41 inches	47 inches
Footprint	25" diameter circle	25" diameter circle	25" diameter circle

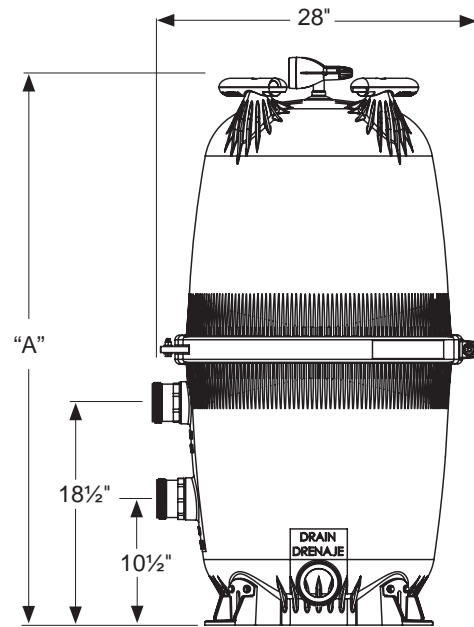


CL Series Cartridge Filters

CL Series cartridge filters set the benchmark for large cartridge filtration. They are particularly easy to use and maintain. Easy-grip handles on the tank lid make installation and cleaning simple. The extra large capacity extends cleaning cycles. Our signature clean/dirty indicator on the pressure gauge allows you to conveniently assess filter condition. High impact, UV- and corrosion-resistant thermoplastic tank construction provides optimum durability. The rigid, heavy duty tank clamp ensures safe operation. We offer a choice of 580-, 460- and 340-square-foot models.

Specifications and Dimensions for CL340, CL460 & CL580 Filters

Specifications and Dimensions, CL Series Filters			
Model No.	CL340	CL460	CL580
Filter Area	340 ft ²	460 ft ²	580 ft ²
Design Flow Rate	.37 gpm/ft ²	.33 gpm/ft ²	.26 gpm/ft ²
Maximum Flow	127 gpm	150 gpm	150 gpm
Six (6) Hour Capacity	45,720 gallons	54,000 gallons	54,000 gallons
Eight (8) Hour Capacity	60,960 gallons	72,000 gallons	72,000 gallons
Maximum Working Pressure	50 psi	50 psi	50 psi
Cartridges Required	4 (85ft ² each)	4 (115ft ² each)	4 (145ft ² each)
Shipping Weight	93 lbs.	95 lbs.	101 lbs.
Height ("A")	41 inches	41 inches	47 inches
Footprint	25" diameter circle	25" diameter circle	25" diameter circle
Distance Between Inlet and Outlet	8"	8"	8"

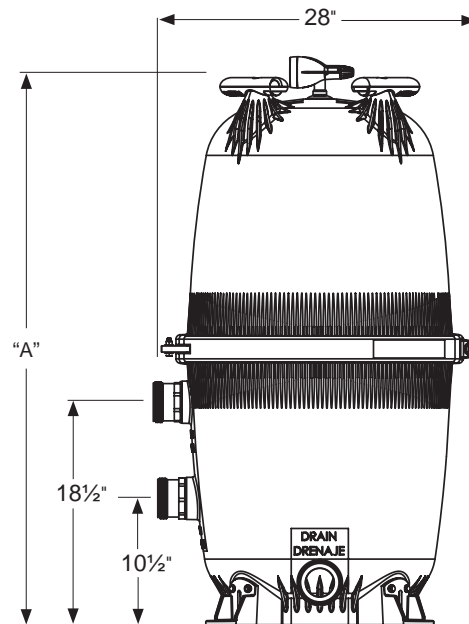


DEV Series Diatomaceous Earth Filters (Supersedes Jandy® DEL Series Filters)

For unsurpassed water clarity, choose Jandy Pro Series Model DEV Diatomaceous Earth Filters. Easy-grip handles on the tank lid make installation and cleaning a snap. The extra large capacity extends cleaning cycles. Our signature clean/dirty indicator on the pressure gauge allows you to conveniently assess filter condition. High impact, UV- and corrosion-resistant thermoplastic tank construction provides long lasting durability. The rigid, heavy duty tank clamp ensures safe operation. They accommodate three (3) types of valves: multi-port valves, slide valves and the Jandy Never Lube® Backwash Valve. We offer a choice of 48- and 60-square-foot models. The new DEV Series filters supersede the previous DEL Series.

Specifications and Dimensions, DEV48 and DEV60 Filters

Specifications and Dimensions, DEV Filters		
Model No.	DEV48	DEV60
Filter Area	48 ft ²	60 ft ²
Design Flow Rate	2.00 gpm/ft ²	2.00 gpm/ft ²
Maximum Flow	96 gpm	120 gpm
Six (6) Hour Capacity	34,560 gallons	43,200 gallons
Eight (8) Hour Capacity	46,080 gallons	57,600 gallons
Maximum Working Pressure	50 psi	50 psi
D.E. Required	5.0 lbs.	6.0 lbs.
Shipping Weight	95 lbs.	101 lbs.
Height ("A")	41 inches	47 inches
Footprint	25" diameter circle	25" diameter circle
Distance Between Inlet and Outlet	8"	8"

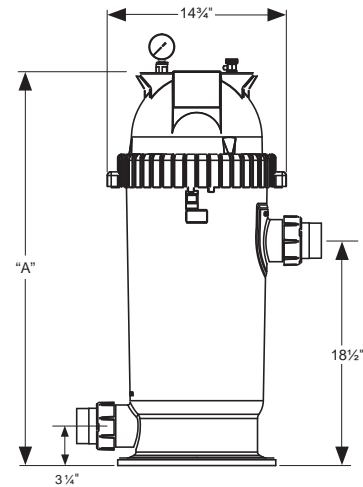


CS Series Single Element Cartridge Filters

Our CS Filter line utilizes single element cartridges designed to provide the same great filtration as our Large Tank Filter series in a compact body. The cartridge element on the CS is easily removed making it simple to clean and care for. The CS filter is just over a foot wide, making it the perfect choice for small equipment areas. It is designed for our Versa Plumb® System to easily connect with the rest of your Zodiac® equipment while using minimal space on the equipment pad. The CS filter features easy-grip ergonomic handles and extra large drain ports in a small, compact thermoplastic body.

Specifications and Dimensions, CS100, CS150, CS200 and CS250 Filters

Specifications and Dimensions, CS Series Filters				
Model No.	CS100	CS150	CS200	CS250
Filter Area	100 ft ²	150 ft ²	200 ft ²	250 ft ²
Design Flow Rate	1 gpm/ft ²	.85 gpm/ft ²	.625 gpm/ft ²	.5 gpm/ft ²
Maximum Flow	100 gpm	125 gpm	125 gpm	125 gpm
Six (6) Hour Capacity	36,000 gallons	45,000 gallons	45,000 gallons	45,000 gallons
Eight (8) Hour Capacity	48,000 gallons	60,000 gallons	60,000 gallons	60,000 gallons
Normal Start Up Pressure	6–15 psi	6–15 psi	6–15 psi	6–15 psi
Max. Working Pressure	50 psi	50 psi	50 psi	50 psi
Cartridges Required	1	1	1	1
Shipping Weight	28 lbs.	28 lbs.	34 lbs.	36 lbs.
Height ("A")	32.4"	32.4"	42.5"	42.5"

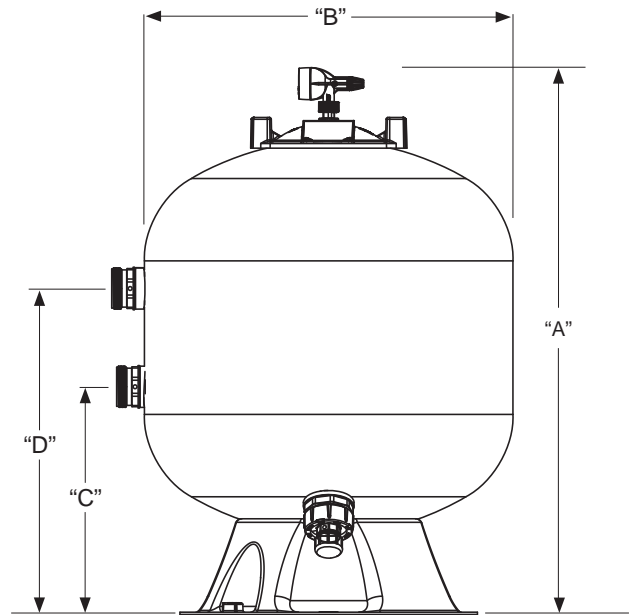


JS Series Sand Filters

The JS Series Sand Filter delivers the crystal clear water pool owners desire, along with unique features for simple and effortless maintenance. With clean/dirty indicators on the pressure gauge, extra large 2" sand and water drain, and ergonomic filter lid, service and winterization are a breeze. As an integral component of any Versa Plumb® System, the JS Series Sand Filter is both versatile and efficient. Designed with an extra deep sand bed and dual diffusers (JS100 only) for improved filtration, the performance is unrivaled. Even the installation is made easy with the three (3) backwash valve kit options: 2-in-1 Never Lube® Valve, Slide Valve and the Multi-Port Valve.

Specifications and Dimensions, JS60 and JS100 Filters

Specifications and Dimensions, JS Series Filters		
Model No.	JS60	JS100
Filtration Area sq ft ² (sqM)	3.14 (0,29)	4.9 (0,45)
Filtration gpm/ft ²	20	20
Filter Flow Rate gpm (lpm)	63 (238)	98 (371)
Backwash Minimum Flow Rate gpm (lpm)	47 (178)	74 (280)
Maximum Working Pressure psi (bar)	50 (3,4)	50 (3,4)
Six (6) Hour Capacity (gallons)	22,680	35,280
Normal Start Up Pressure (psi)	4-15 psi (28-103kPa)	6-15 psi (41-103kPa)
Shipping Weight	60 lbs.	62 lbs.
Dimension "A"	38.25" (972mm)	44.5" (1130,3mm)
Dimension "B"	24" (610mm)	30" (762mm)
Dimension "C"	13.8" (351mm)	18.5" (469,9mm)
Dimension "D"	21.8" (554mm)	26.5" (673.1mm)



SFTM Series Sand Filter

The SFTM Series Sand Filters have a unique internal design that produces superior flow and efficient operation. Features include corrosion- and UV-resistant thermoplastic tank construction, 7-position dial valve, combination sand and water drain, automatic internal air relief and quick-connect unions.

SFTM24-2.0 features a large 2" valve for increased flow and enhanced filtration as well as fold up/down laterals for quick installation and service."

Filter Location

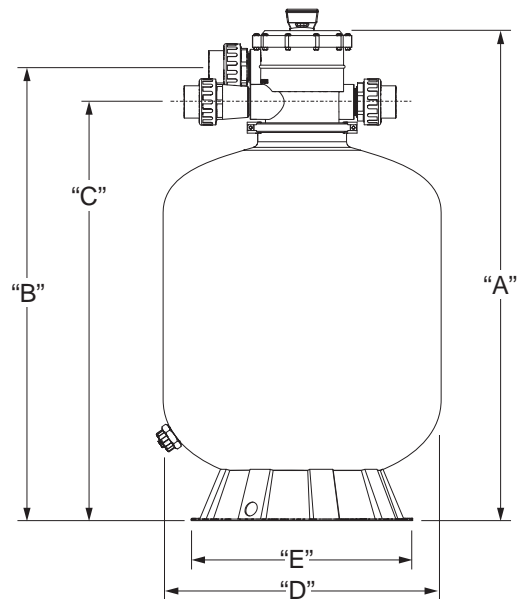
Select a solid, level, well-drained area for the filter. Install filter on concrete slab or solid blocks to avoid risk of settlement.

Allow a minimum of 6" clearance around the filter.

Position filter to easily access pressure gauge and multi-port valve handle.

Specifications and Dimensions, SFTM Series Sand Filter

Specifications and Dimensions, SFTM Series Sand Filter		
Model No.	SFTM22-1.5	SFTM24-2.0
Valve Plumbing Size	1.5"	2"
Filter Area	2.60 ft ²	3.04 ft ²
Filtration Flow Rate	50 gpm	60 gpm
Backwash Flow Rate	38 gpm	40 gpm
Eight (8) Hour Capacity	24,960 gallons	29,760 gallons
Ten (10) Hour Capacity	31,200 gallons	37,200 gallons
Max Working Pressure	35 psi	35 psi
Sand Required	250 lbs.	300 lbs.
Sand Requirements	#20 Silica Sand Size Range: 40–55mm	#20 Silica Sand Size Range: 40–55mm
Dimension "A"	36 inches	41.85 inches
Dimension "B"	33 inches	38.75 inches
Dimension "C"	31 inches	35.75 inches
Dimension "D"	22 inches	23.75 inches
Dimension "E"	19 inches	19 inches



Enroll in one of our Zodiac incentive programs (ProEdge, ZPPN, Retail Select) and enjoy benefits such as extended warranties and access to bulk part discounts. Trust in the quality of genuine parts and Zodiac will provide you with the tools to help grow your business.

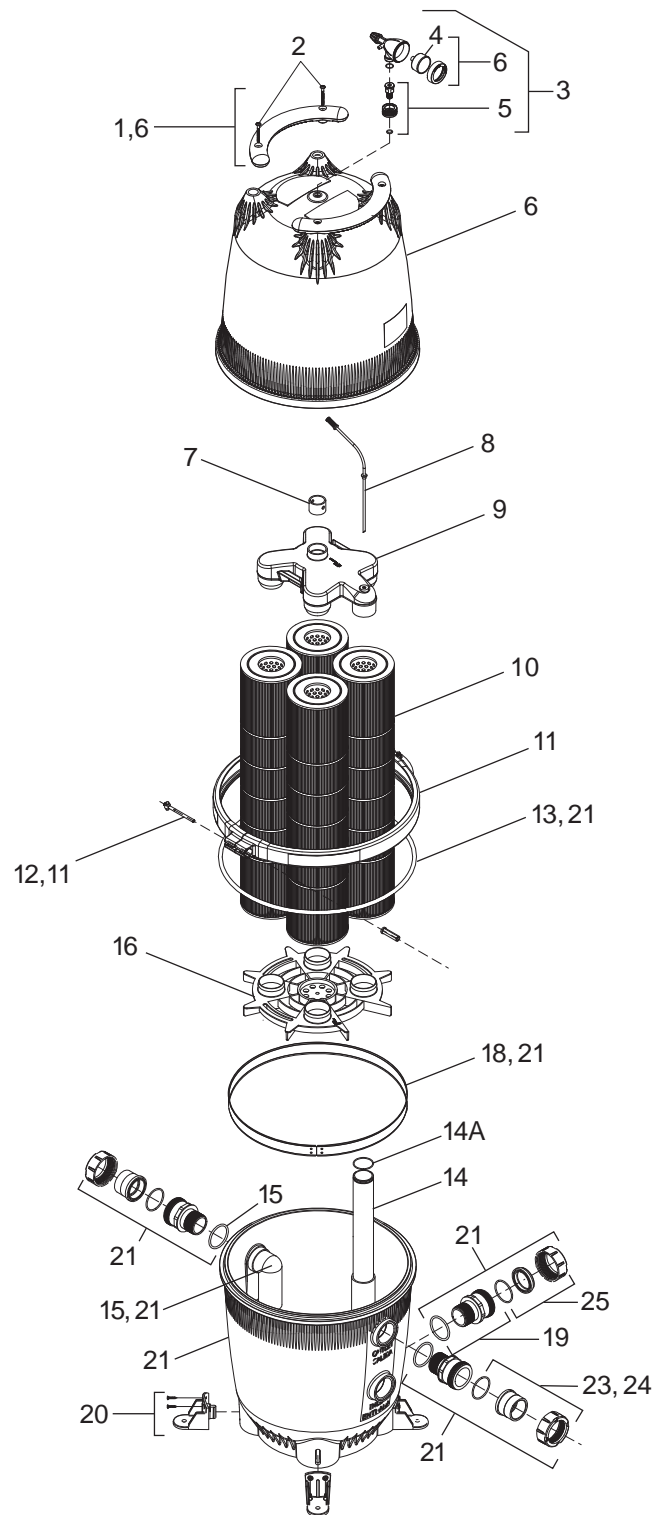
Contact your local Zodiac representative today for details.

CV Series Cartridge Filter

Part# CV340, CV460, CV580

Key No.	Part No.	Description
1	R0357100	Handle Assembly w/ hardware, 2/PK
2	R0359900	Handle Hardware, 4/PK
3	R0357200	Gauge/Air Release Assembly
4	R0359600	Jandy® Logo Gauge
5	R0552000	Tank Adapter w/ O-Ring - Union
6	R0357300	Tank Top, 580 sq. ft.
6	R0554700	Tank Top 340 & 460 sq. ft.
7	R0357700	Top Spacer
8	R0358700	Breather Tube Assembly
9	R0357600	Manifold Assembly
10	R0357900	Filter Cartridge, 145 sq. ft., (4 required) 580 sq. ft.
10	R0554600	Filter Cartridge, 115 sq. ft., (4 required) 460 sq. ft.
10	R0554500	Filter Cartridge, 85 sq. ft., (4 required) 340 sq. ft.
11	R0357400	Tank Clamp Ring w/ Rod Assembly
12	R0357500	Threaded Rod and Retainer
13	R0357800	Tank O-Ring
14	R0555100	Outlet Tube/Elbow Assembly w/ O-Rings 340, 460, and 580 sq. ft.
14A	R0792000	Outlet Tube O-Ring, Filter
15	R0358400	Inlet Elbow w/ O-Ring
16	R0358500	Filter Cartridge Support
N/S	R0358000	Complete O-Ring Kit (Excludes tank O-Ring R0357800)
18	R0405200	Ring, Retaining
19	R0465600	Bulkhead Assembly w/ O-Ring, CV Filter
20	R0465500	Anchor Bracket, 4/PK
21	R0465400	Tank Bottom Assembly, CV Filter
23	R0461800	Universal Half Unions, 3/PK and Drain Plug Assembly
24	R0522900	Universal Half Union, 1/PK
25	R0523000	Drain Cap Assembly
N/S	SEFL1002	Sweep Elbow
N/S	R0395500	Filter Tank Drain Adapter, CL/DEL Series

N/S-Not Shown



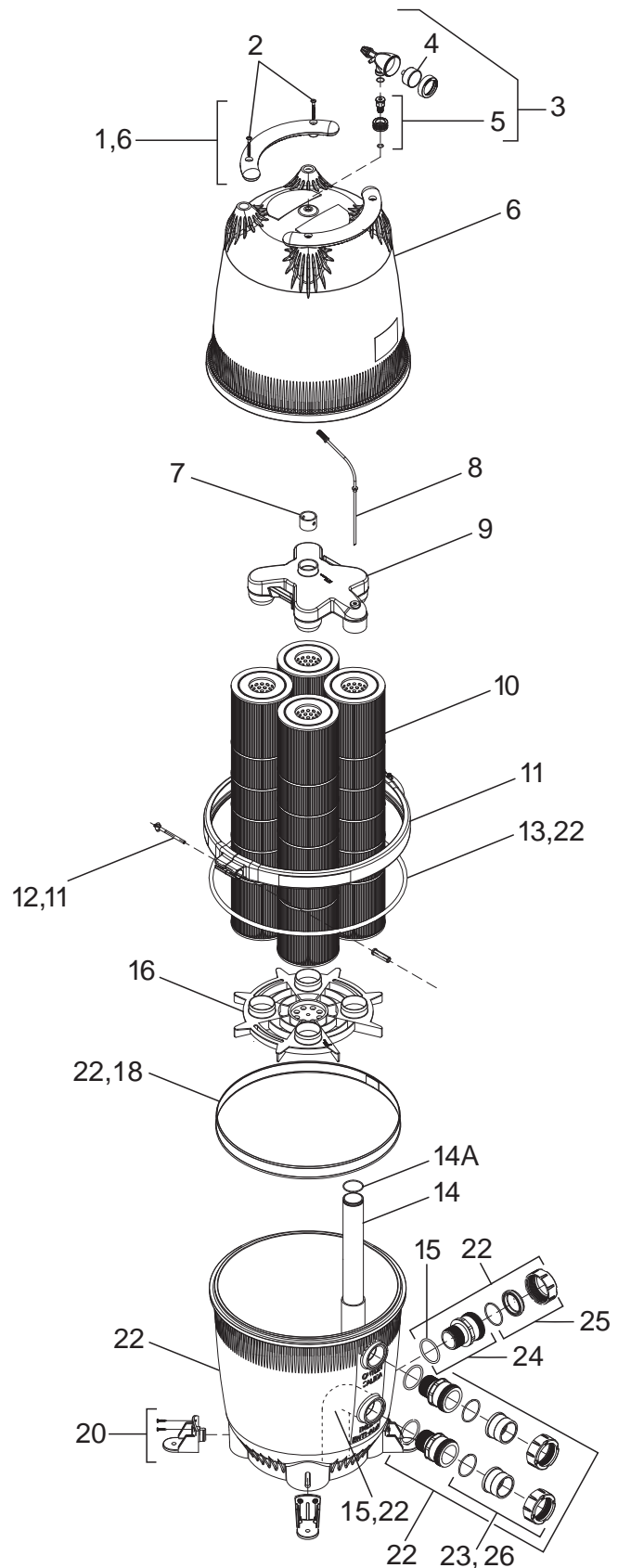
FILTERS / PARTS

CL Series Cartridge Filter

Part# CL340, CL460, CL580

Key No.	Part No.	Description
1	R0357100	Handle Assembly w/ Hardware, 2/PK
2	R0359900	Handle Hardware, 4/PK
3	R0357200	Gauge/Air Release Assembly
4	R0359600	Pressure Gauge
5	R0552000	Tank Adapter w/ O-Ring - Union
6	R0357300	Tank Top, 580 sq. ft.
6	R0554700	Tank Top 340 & 460 sq. ft.
7	R0357700	Top Spacer
8	R0358700	Breather Tube Assembly
9	R0357600	Manifold Assembly
10	R0357900	Filter Cartridge, 145 sq. ft., (4 required) 580 sq. ft.
10	R0554600	Filter Cartridge, 115 sq. ft., (4 required) 460 sq. ft.
10	R0554500	Filter Cartridge, 85 sq. ft., (4 required) 340 sq. ft.
11	R0357400	Tank Clamp Ring w/ Rod Assembly
12	R0357500	Threaded Rod and Retainer
13	R0357800	Tank O-Ring
14	R0555100	Outlet Tube/Elbow Assembly w/ O-Rings 340, 460, & 580 sq. ft.
14A	R0792000	Outlet Tube O-Ring, Filter
15	R0358400	Inlet Elbow w/ O-Ring
16	R0358500	Filter Cartridge Support
N/S	R0358000	Complete O-Ring Kit (Excludes tank O-Ring R0357800)
18	R0405200	Ring, Retaining
20	R0465500	Anchor Bracket, 4/PK
22	R0466500	Tank Bottom Assembly, CL Filter
23	R0461800	Universal Half Unions, 2/PK and Drain Plug Assembly
23	R0358200	Bulkhead Fitting Replacement Kit
24	R0465600	Bulkhead Assembly w/ O-Ring (Prior to 2007 Part# R0358200)
25	R0523000	Drain Cap Assembly
26	R0522900	Universal Half Union Replacement Kit, 1/PK
N/S	SEFL1002	Sweep Elbow
N/S	R0395500	Filter Tank Drain Adapter, CL/DEL Series
N/S	R0358800	Small Threaded Drain Cap (Prior to 2008)

N/S-Not Shown

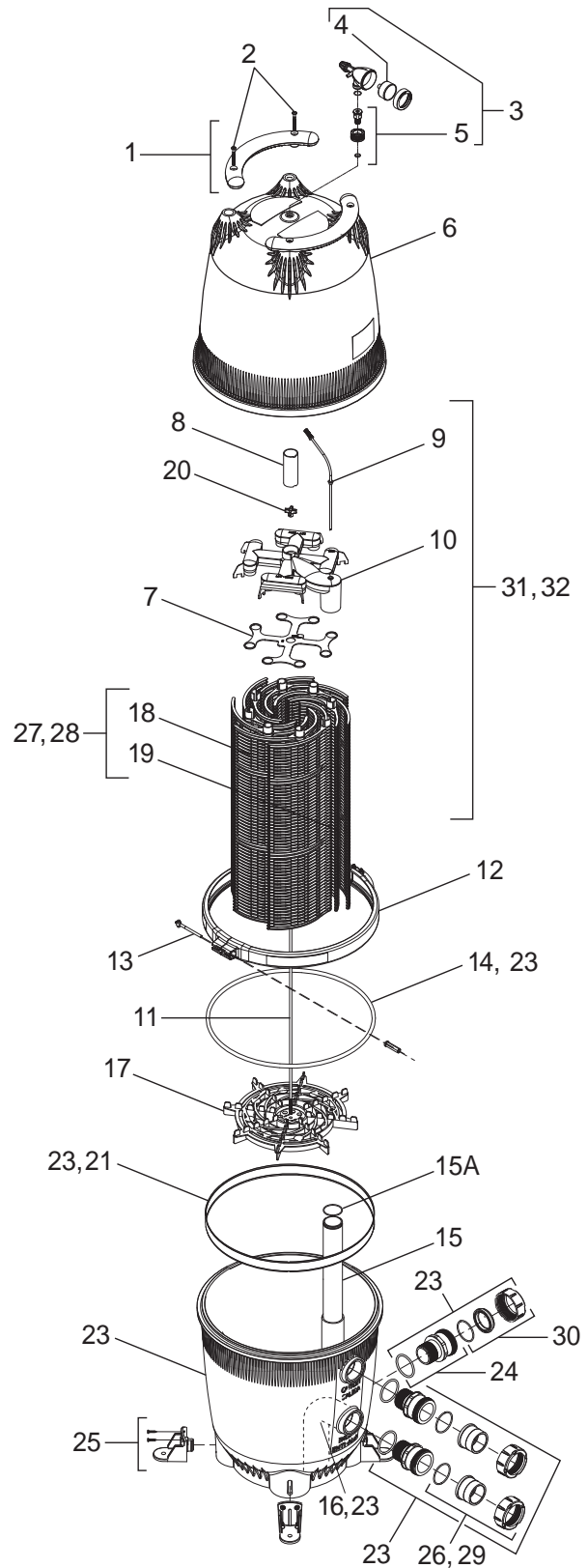


DEV Series D.E. Filter (Supersedes Jandy® DEL Series)

Part# DEV48, DEV60

Key No.	Part No.	Description
1	R0357100	Handle Assembly w/ Hardware, 2/PK
2	R0359900	Handle Hardware, 4/PK
3	R0357200	Gauge/Air Release Assembly
4	R0359600	Pressure Gauge
5	R0552000	Tank Adapter w/ O-Ring
6	R0357300	Tank Lid DEV60
6	R0554700	Tank Lid DEV48
7	R0359700	Top Spacer for DE Grids
8	R0405100	Spacer, DEV48/60, Large Filter
9	R0358700	Breather Tube Assembly
10	R0359000	Manifold Assembly
11	R0359300	Tie Rod w/ Knob and Lock Nuts, DEV 60
11	R0554800	Tie Rod w/ Knob and Lock Nuts, DEV 48
12	R0357400	Tank Clamp Ring w/ Knob Assembly
13	R0357500	Clamp Ring Assembly w/ Threaded Rod and Retainer
14	R0357800	Tank O-Ring
15	R0555100	Outlet Tube/Elbow Assembly w/ O-Rings
15A	R0792000	Outlet Tube O-Ring, Filter
16	R0358400	Inlet Elbow w/ O-Ring
17	R0359500	DE Grid Support
18	R0359100	DE Grid, Full Size, DEV60 (7 required)
18	R0555000	DE Grid, Full Size, DEV48 (7 required)
19	R0359200	DE Grid, Short Span, DEV60, 1/PK
19	R0554900	DE Grid, Short Span, DEV48, 1/PK
20	R0359400	Tie Rod Knob
21	R0405200	Ring, Retaining
N/S	R0358000	Complete O-Ring Kit (Excludes Tank O-Ring R0357800)
23	R0466500	Bottom Assembly, Universal Unions
24	R0465600	Bulkhead Assembly w/ O-Ring (Prior to 2007 Part# R0358200)
25	R0465500	Anchor Bracket Kit, 4/PK
26	R0461800	Universal Half Unions, 2/PK and Drain Plug Assembly
27	R0442600	Complete set of DEV60 Filter Grids (7 full-size, 1 short span)
28	R0442700	Complete set of DEV48 Filter Grids (7 full-size, 1 short span)
29	R0522900	Universal Half Union, 1/PK
30	R0523000	Drain Cap Assembly
31	R0501300	Complete Grid Assembly DEV/DEL 48 (Includes parts 7, 8, 9, 10, 11, 17, 18, 19, and 20)
32	R0501400	Complete Grid Assembly DEV/DEL 60 (Includes parts 7, 8, 9, 10, 11, 17, 18, 19, and 20)

N/S-Not Shown

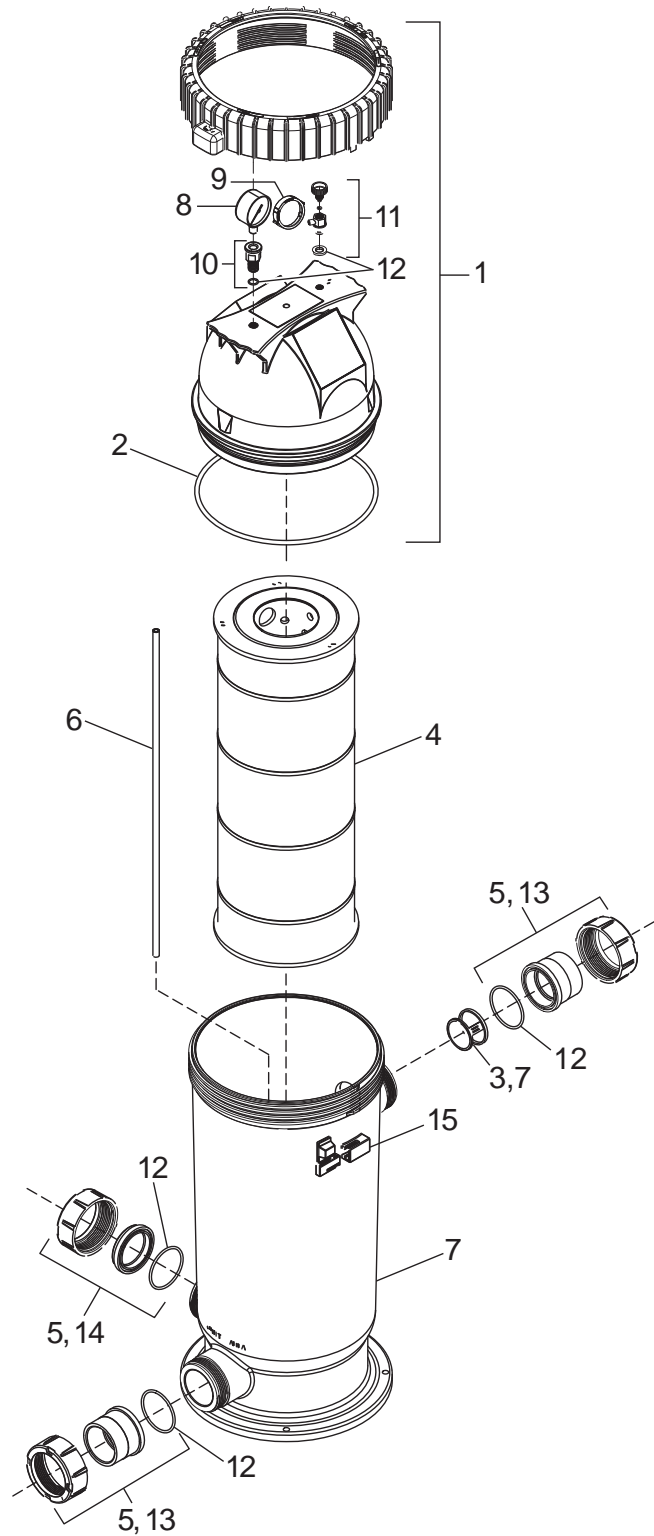


FILTERS / PARTS

CS Series Cartridge Filter

Part# CS100, CS150, CS200, CS250

Key No.	Part No.	Description
1	R0461900	Top Housing Assembly CS100, CS150
1	R0462000	Top Housing Assembly CS200, CS250
2	R0462700	O-Ring, Tank Top
3	R0462100	Inlet Diffuser
4	R0462200	Cartridge Element, 100 Sq. Ft., CS100
4	R0462300	Cartridge Element, 150 Sq. Ft., CS150
4	R0462400	Cartridge Element, 200 Sq. Ft., CS200
4	R0462500	Cartridge Element, 250 Sq. Ft., CS250
5	R0461800	Tailpiece, Cap and Union Nut Set (Set of 3), 2" x 2 1/2"
5	R0462600	Tailpiece, Cap and Union Nut Set (Set of 3), 50mm
6	R0462801	Breather Tube, CS100, CS150
6	R0462802	Breather Tube, CS200, CS250
7	R0462900	Bottom Housing Assembly
8	R0556900	Pressure Gauge, 0-60 psi
9	R0468200	Clean/Dirty Snap Ring
10	R0557100	Pressure Gauge Adapter
11	R0557200	Air Release Valve
12	R0466300	O-Ring Set
13	R0522900	Universal Half Union, 1/PK
14	R0523000	Drain Cap Assembly
15	R0484100	CS Filter Locking Tab

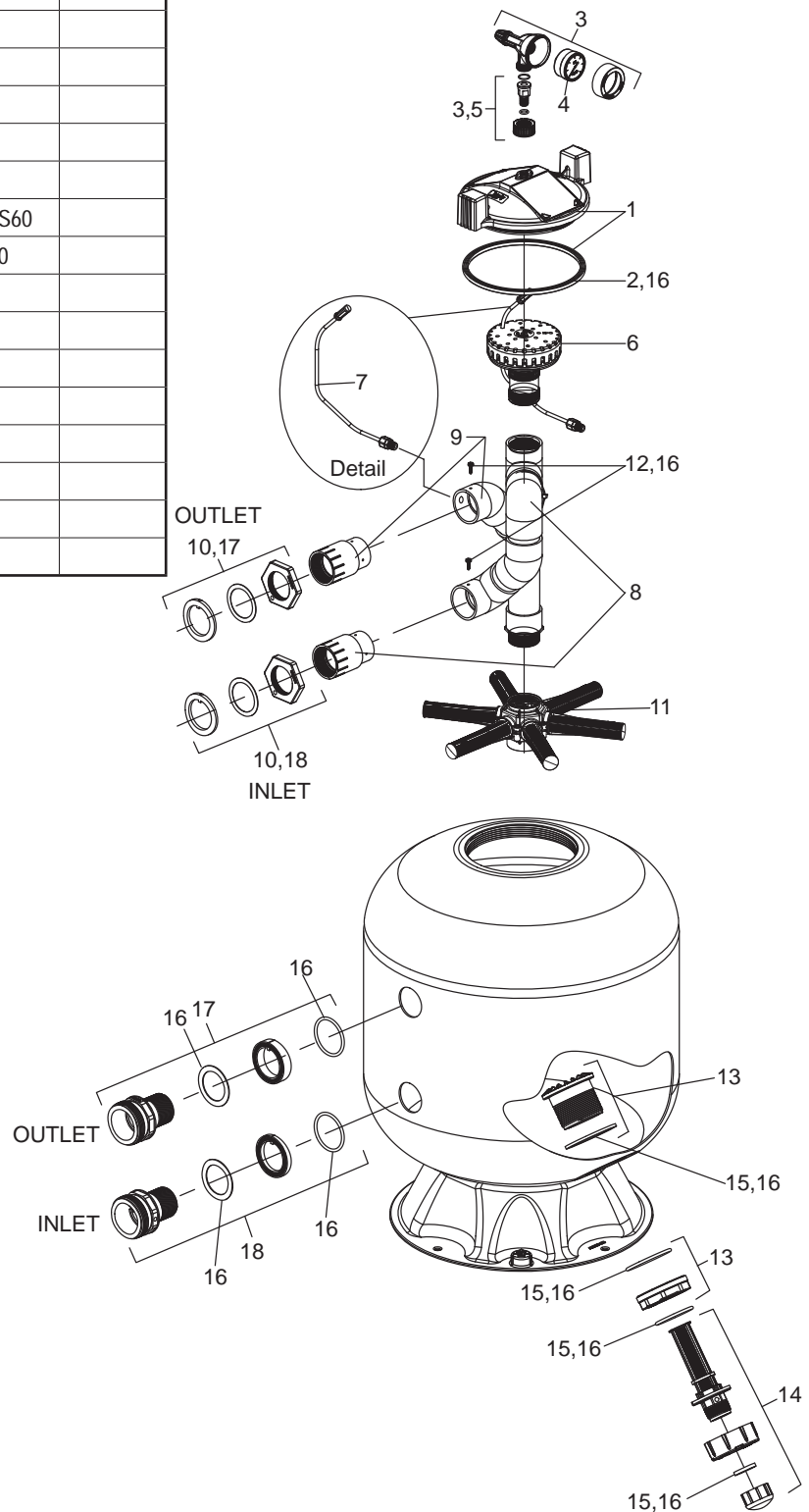


JS Series Sand Filters

Part# JS60-SM

Key No.	Part No.	Description
1	R0487300	Lid, Sand Filter
2	R0487400	Lid Seal, Sand Filter
3	R0357200	Gauge/Air Relief Assembly
4	R0359600	Pressure Gauge
5	R0552000	Tank Adapter w/ O-Ring and Union
6	R0487501	Diffuser, JS60-SM
7	R0487600	Air Relief Assembly
8	R0519901	Inlet Piping Kit, JS60-SM
9	R0520001	Outlet Piping Kit, JS60-SM
10	R0520100	Nuts, Slip Ring and Inner Spacer, JS60
11	R0520200	Hub Assembly w/ 24" Laterals, JS60
12	R0488100	Screw, #10 x 3/4" SS, 6/PK
13	R0488200	Sand Filter Drain Fitting Assembly
14	R0488300	Drain Screen Assembly
15	R0488400	Drain Fitting Seals Kit
16	R0488500	O-Ring and Hardware Kit
17	R0520300	Outlet Fitting, Complete, JS60
18	R0520400	Inlet Fitting, Complete, JS60
N/S	SEFL1002	Sweep Elbow

N/S - Not Shown



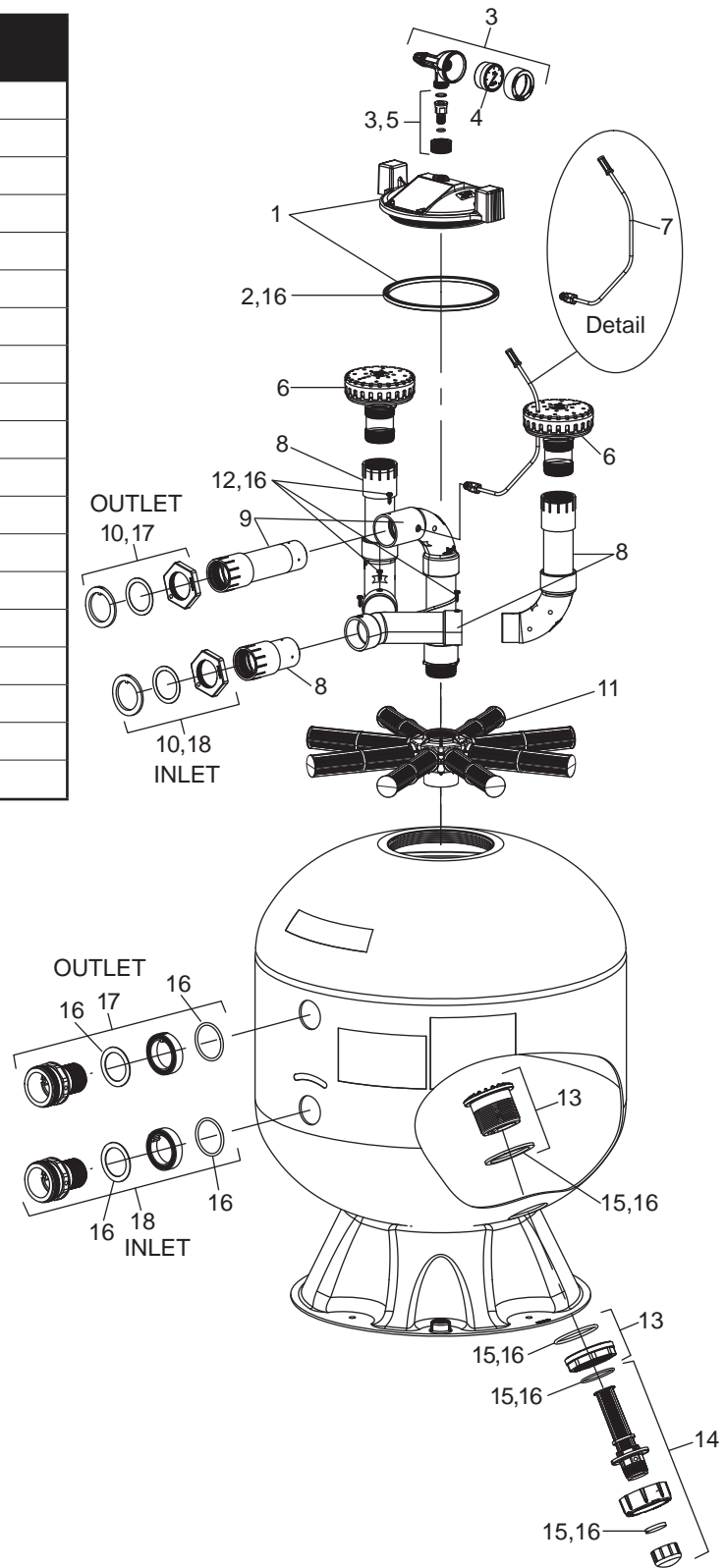
FILTERS / PARTS

JS Series Sand Filters

Part# JS100-SM

Key No.	Part No.	Description
1	R0487300	Lid, Sand Filter
2	R0487400	Lid Seal, Sand Filter
3	R0357200	Gauge/Air Relief Assembly
4	R0359600	Pressure Gauge
5	R0552000	Tank Adapter w/ O-Ring and Union
6	R0487500	Diffuser
7	R0487600	Air Relief Assembly
8	R0487700	30" Inlet Piping Kit
9	R0487800	Outlet Piping Kit
10	R0487900	Nuts, Slip Ring and Inner Spacer
11	R0488000	Hub Assembly w/ 30" Laterals
12	R0488100	Screw, #10 x 3/4" SS, 6/PK
13	R0488200	Sand Filter Drain Fitting Assembly
14	R0488300	Drain Screen Assembly
15	R0488400	Drain Fitting Seals Kit
16	R0488500	O-Ring and Hardware Kit
17	R0488600	Outlet Fitting 30", Complete
18	R0488700	Inlet Fitting 30", Complete
N/S	SEFL1002	Sweep Elbow

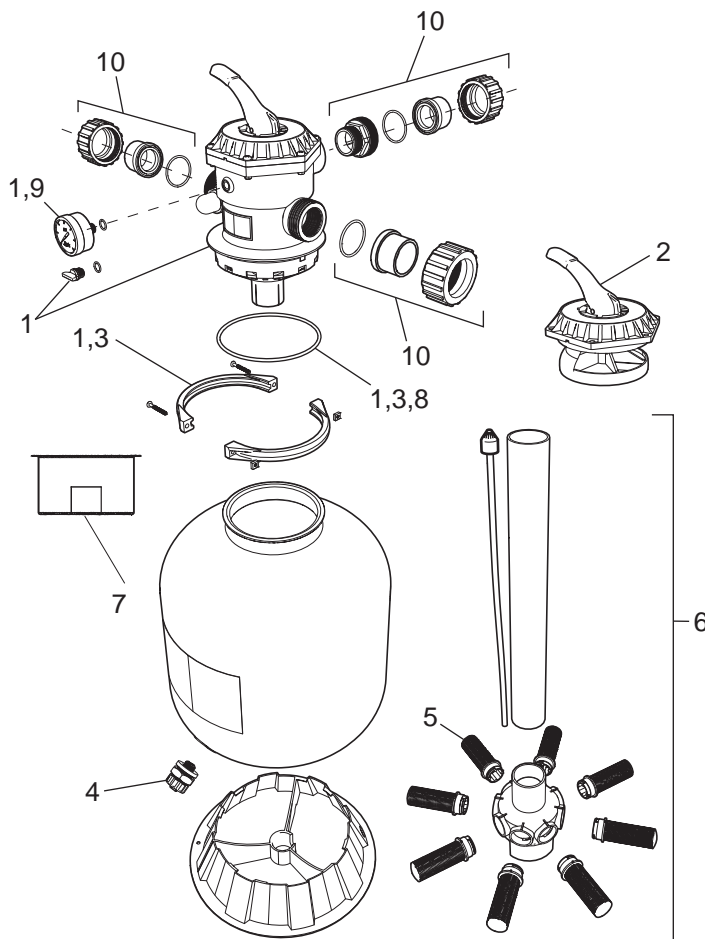
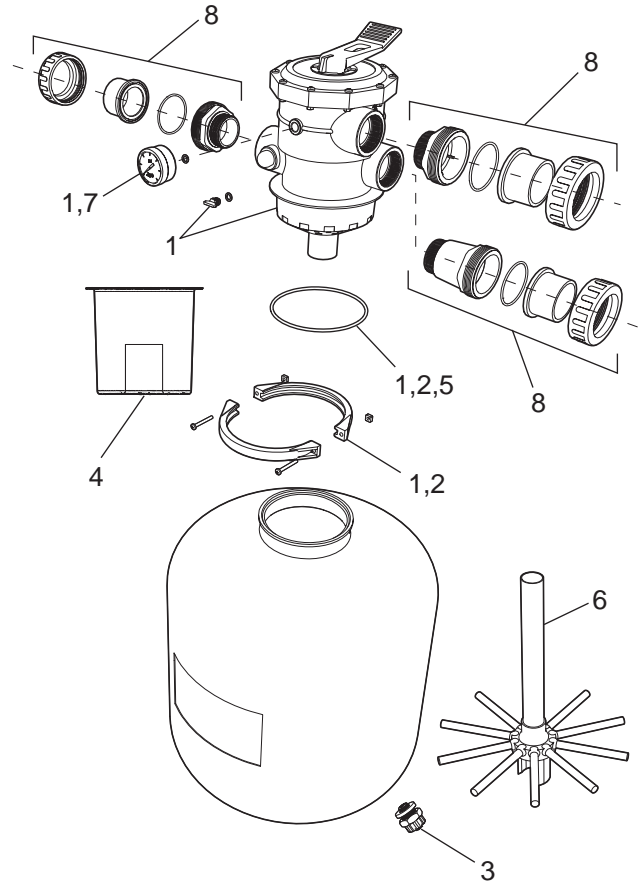
N/S-Not Shown



SFTM Series Sand Filters

Part# SFTM24-2.0

Key No.	Part No.	Description	Qty.
1	R0745700	Complete Multi-Port Valve w/ Clamp Assembly (2" MPV)	1
2	R0745100	Flange Clamp Assembly	1
3	R0745200	Drain Cap and O-Ring	1
4	R0746100	Sand Deflector	1
5	R0745800	O-Ring, Valve/Tank	1
6	R0746000	Lateral and Standpipe Assembly	1
7	R0745000	Pressure Gauge Assembly	1
8	R0746200	Complete 2" Unions w/ Adapter Kit	1



SFTM Series Sand Filters

Part# SFTM22-1.5

Key No.	Part No.	Description	Qty.
1	R0744600	Complete Multi-Port Valve w/Clamp Assembly (1.5" MPV)	1
2	R0744700	Top Rotor Assembly	1
3	R0745100	Flange Clamp Assembly	1
4	R0745200	Drain Cap and O-Ring	1
5	R0745300	Lateral (Full Set)	8
6	R0745400	Lateral and Standpipe Assembly	1
7	R0745500	Sand Deflector	1
8	R0745800	O-Ring Valve Tank	1
9	R0745000	Pressure Gauge Assembly	1
10	R0745600	Complete 1.5" Unions Kit	3

FILTERS / BACKWASH VALVE PARTS

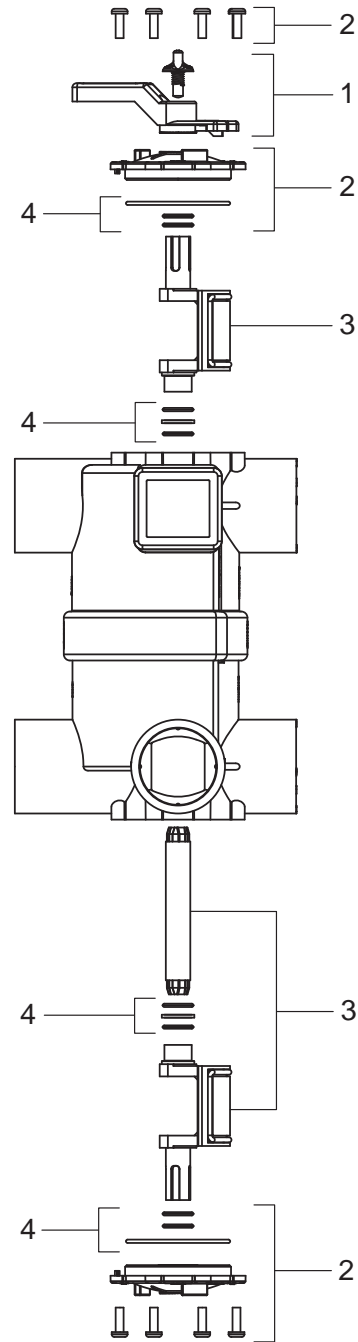
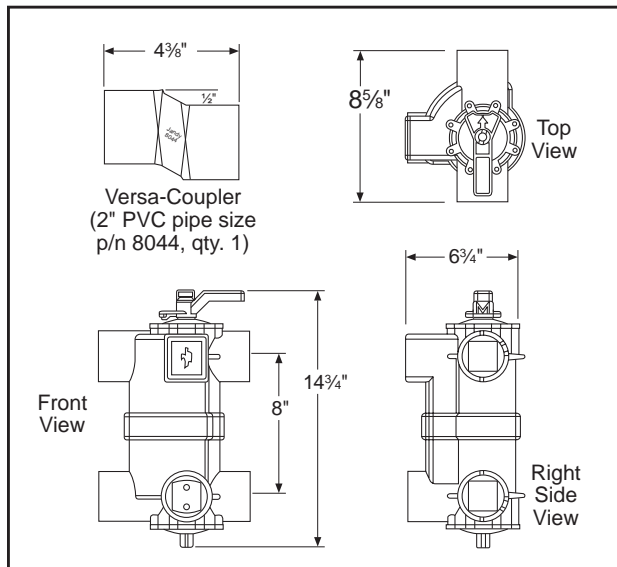
Never Lube® Backwash Valve Replacement Kits

Part# BWVL-NVL, 8034J and 8034

Key No.	Part No.	Description	Qty.
1	R0552100	Handle Kit	
		Locking Knob	1
		Handle, Never Lube, Black	1
2	R0552200	Cover Kit	
		Valve Cover, top (keyed)	1
		Valve Cover, bottom (keyed)	1
		O-Ring, 151	2
		O-Ring, 116	4
		Screws, Machine #14	16
Instructions, Replacement Kit	1		
3	R0552300	Diverter Kit	
		Diverter Shaft	1
		Diverter Assembly, Top (Blue Seal)	1
		Diverter Assembly, Bottom (Black Seal)	1
		Installation Manual	1
4	R0552400	O-Ring Kit	
		Par Ring	2
		Lid O-Ring, 151	2
		Diverter O-Ring, 116	8
		Installation Manual	1
N/S	R0413900	Plumbing Kit	
		Nut, Universal Union	2
		O-Ring, Coupling	2
		Flange, 2" x 3.34" Tailpiece	1
		Flange, 2" x 2.97" Tailpiece	1

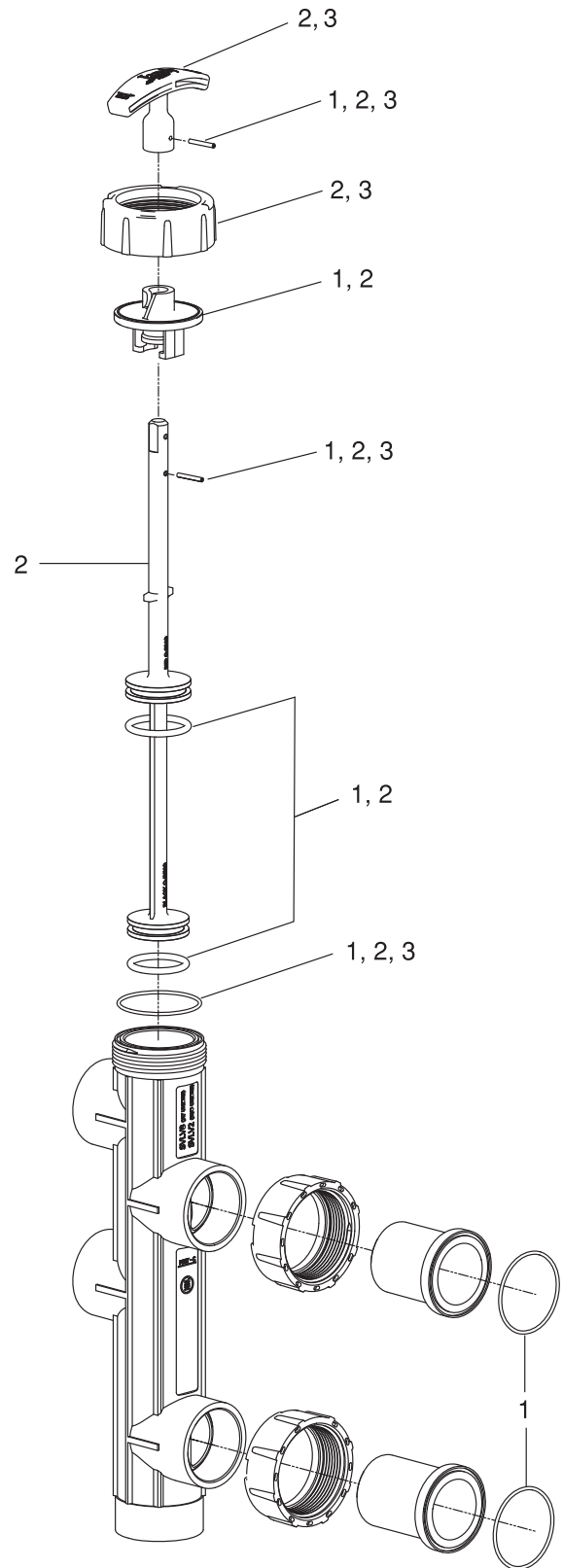
N/S - Not Shown

Valve Dimensions



Slide Valve Replacement Kits

Key No.	Part No.	Description	Qty.
1	R0442100	Rebuild Kit	
		(O-Rings, Roll Pins and Index Plate/Lid)	1
		O-Ring, Lid	1
		O-Ring, Shaft, Top, Black	1
		O-Ring, Shaft, Bottom, Purple	2
		O-Ring, Union Tail Piece	1
		Roll Pin, Handle (1")	1
		Roll Pin, Shaft (13/16")	1
		Index Plate/Lid	1
		Installation Manual	1
2	R0442200	Shaft Replacement Kit	
		Shaft	1
		Handle	1
		Roll Pin, Handle (1")	1
		Roll Pin, Shaft (13/16")	1
		Index Plate/Lid	1
		Lid Union Nut	1
		O-Ring, Lid	1
		O-Ring, Shaft, Top, Black	1
		O-Ring, Shaft, Bottom, Purple	1
Installation Manual	1		
3	R0442300	Handle Replacement Kit	
		Handle	1
		Roll Pin, Handle (1")	1
		Roll Pin, Shaft (13/16")	1
		Lid Union Nut	1
		Lid O-Ring	1
Installation Manual	1		



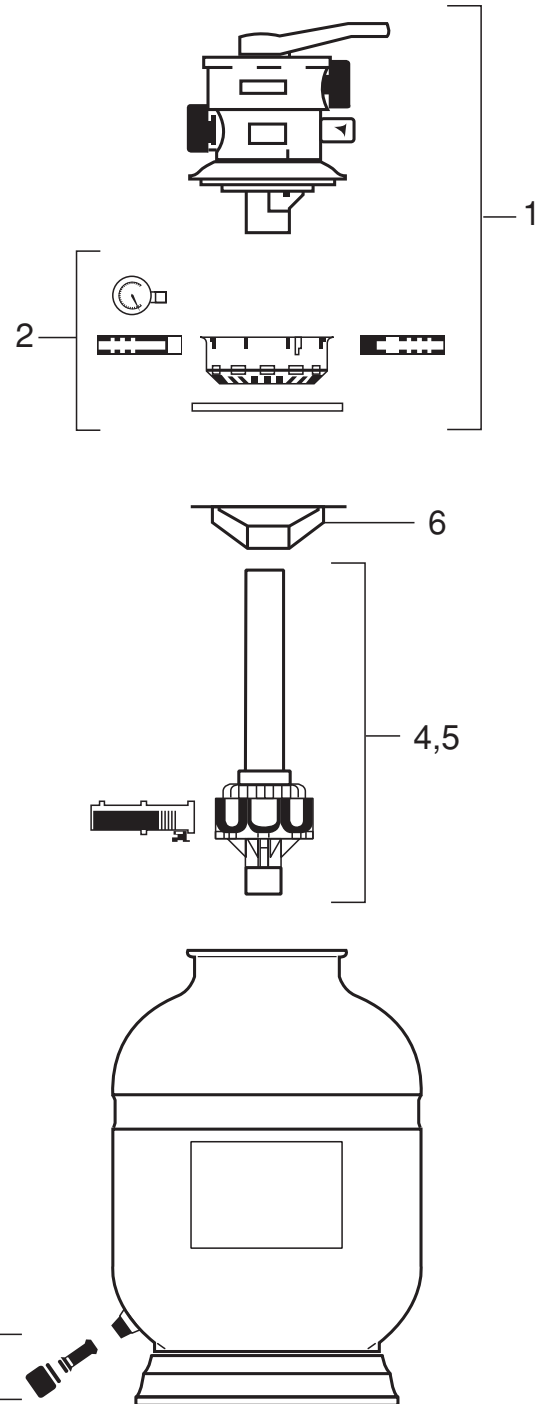
FILTERS / PARTS

SFTM Series Sand Filters

Part# SFTM22, SFTM25 (Discontinued)

Key No.	Part No.	Description	Extended Description
1	SFTM-MPV	Complete Multi-Port Valve w/ Clamp Assembly	
2	R0492000	Rebuild Kit for SFTM22, SFTM25 and SFTM-MPV	Rotor w/ Spider Gasket Valve Handle w/ Retainer Pin Rotor Shaft O-Ring, Spring & Washers MPV Top O-Ring MPV Top Hardware (6 bolts w/ nuts) Tank O-Ring Deflector Basket w/ Screws V-Band Plastic Clamp w/ Bolts Pressure Gauge 0-60 PSI
3	R0492100	Drain Nozzle Assembly	Drain Nozzle Drain Nozzle Retainer Drain Cap w/ Gasket
4	R0492200	SFTM22 Lateral and Standpipe Assembly	22" Lateral Kit Snap Fit 8/PK 22" Standpipe Assembly
5	R0492300	SFTM25 Lateral and Standpipe Assembly	25" Lateral Kit Snap Fit 8/PK 25" Standpipe Assembly
6	R0492700	Sand deflector (cover)	
N/S	R0492600	Complete 1.5" Unions w/ Adapter Kit	2-Complete Threaded Unions 3-Barbed Adapters 2-Hose Clamps
N/S	R0503100	SFTM Accessory Bag Kit	Complete Threaded Unions Barbed Adapters Hose Clamps Reducer Bushing Pressure Gauge Flex Pipe

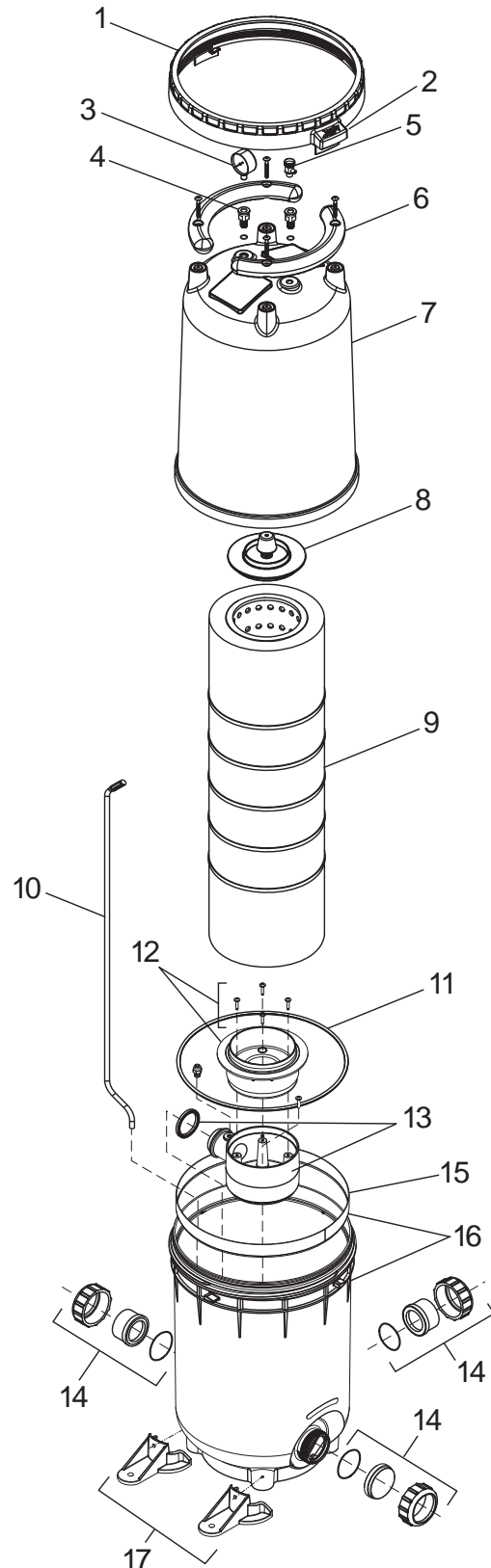
N/S-Not Shown



Jandy® CJ Series Cartridge Filter (Discontinued)

Part# CJ200, CJ250

Key No.	Part No.	Description
1	R0557500	Locking Ring (includes Locking Ring Safety Latch R0557400)
2	R0557400	Locking Ring Safety Latch
3	R0556900	Pressure Gauge
4	R0552000	Pressure Gauge/Air Release Adapter w/ O-Ring
4	R0557100	Pressure Gauge, Adapter
5	R0557200	Air Release Valve
6	R0557300	Handle w/ Screws, 2/PK
7	R0559701	TankBody Assembly, Upper, CJ200
7	R0559702	TankBody Assembly, Upper, CJ250
8	R0557600	Upper Bearing Assembly
9	R0556700	Filter Cartridge, CJ250
9	R0556800	Filter Cartridge, CJ200
10	R0557700	Breather Tube, CJ250
10	R0557701	Breather Tube, CJ200
11	R0557900	Tank O-Ring
12	R0558000	Cartridge to Plenum Adapter, w/ Screws
13	R0558100	Plenum w/ Gasket
14	R0461800	Half Unions w/ O-Rings, 3/PK and Drain Plug Cap (Universal Unions)
15	R0409900	Retaining Ring, CJ Series
16	R0410000	Tank Bottom w/ Retaining Ring, CJ200/250
17	R0395100	Anchor Brackets, 4/PK
N/S	R0558200	Half Unions w/ O-Rings, 3/PK and Drain Plug Cap for old style CJ Filter Serial Numbers Lower than I06SD0001
N/S	R0558300	O-Ring Replacement Kit
N/S	R0558500	Hardware Kit
N/S	R0558400	Accessory Bag, w/ Half Unions, 2/PK, Pressure Gauge, Pressure Relief Valve, Instructions
N/S	R0560600	Safety Label Kit (Inlet, Outlet, Drain)



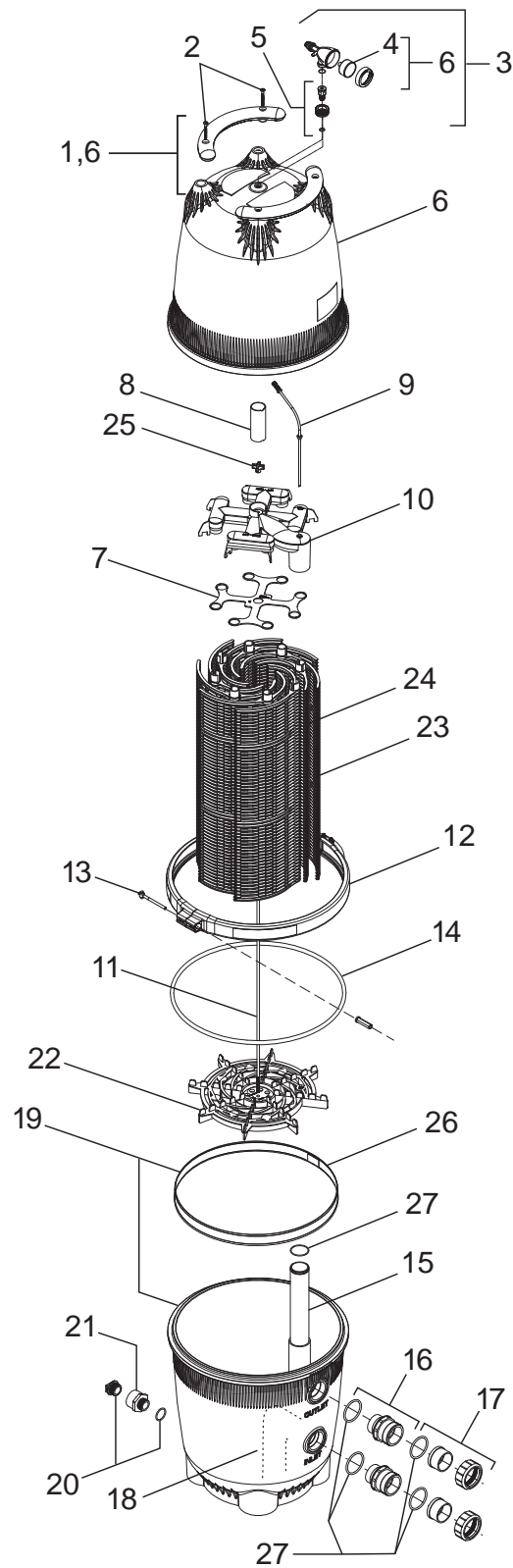
FILTERS / PARTS

Jandy® DEL Series D.E. Filter (Discontinued)

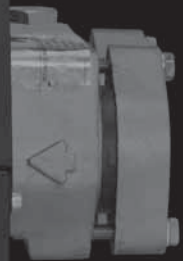
Part# DEL48, DEL60

Key No.	Part No.	Description
1	R0357100	Handle Assembly w/ Hardware, 2/PK
2	R0359900	Handle Hardware, 4/PK
3	R0357200	Gauge/Air Release Assembly
4	R0359600	Pressure Gauge
5	R0552000	Tank Adapter w/ O-Ring
6	R0357300	Tank Top, DEL60
6	R0554700	Tank Top, DEL48
7	R0359700	Top Spacer for DE Grids
8	R0405100	Top Spacer Collar
9	R0358700	Breather Tube Assembly
10	R0359000	DE Manifold Assembly
11	R0359300	Tie Rod w/ Knob and Lock Nuts, DEL60
11	R0554800	Tie Rod w/ Knob and Lock Nuts, DEL48
12	R0357400	Tank Clamp Ring w/ Knob Assembly
13	R0357500	Clamp Ring Knob Assembly w/ Threaded Rod and Retainer
14	R0357800	Tank O-Ring
15	R0555100	Outlet Tube/Elbow Assembly w/ O-Rings 340, 460, and 580 sq. ft.
16	R0358200	Bulkhead Fitting Replacement Kit
17	R0327300	Coupling Nuts w/ Flange and O-Ring, 2/PK
18	R0358400	Inlet Elbow w/ O-Ring
19	R0466500	Tank Bottom w/ Retaining Ring and Drain Plug
20	R0358800	Drain Plug w/ O-Ring
21	R0395500	Large Tank Drain Adapter w/ O-Ring
22	R0359500	DE Grid Support
23	R0359100	DE Single Grid, Full Size, DEL60 (7 req'd)
23	R0555000	DE Single Grid, Full Size, DEL48 (7 req'd)
24	R0359200	DE Single Grid, Short Span, DEL60 (1 req'd)
24	R0554900	DE Single Grid, Short Span, DEL48 (1 req'd)
25	R0359400	Tie Rod Knob
26	R0405200	Large Tank Retaining Ring
27	R0792000	Outlet Tube O-Ring
N/S	R0358000	Complete O-Ring Kit (Does not include tank O-Ring R0357800)
N/S	H0238800	Installation/Operation Manual
N/S	R0442600	Complete set of Jandy DEL60 filter grids (7 full-size, 1 short span)
N/S	R0442700	Complete set of Jandy DEL48 filter grids (7 full-size, 1 short span)
N/S	R0443700	Gauge Adapter Kit (not shown) (1 brass pump adapter and 1 thermoplastic filter adapter)
N/S	R0501300	Complete Grid Assembly DEV/DEL48 (Includes parts 7, 8, 9, 10, 11, 22, 23, 24, and 25)
N/S	R0501400	Complete Grid Assembly DEV/DEL60 (Includes parts 7, 8, 9, 10, 11, 22, 23, 24, and 25)

N/S-Not Shown



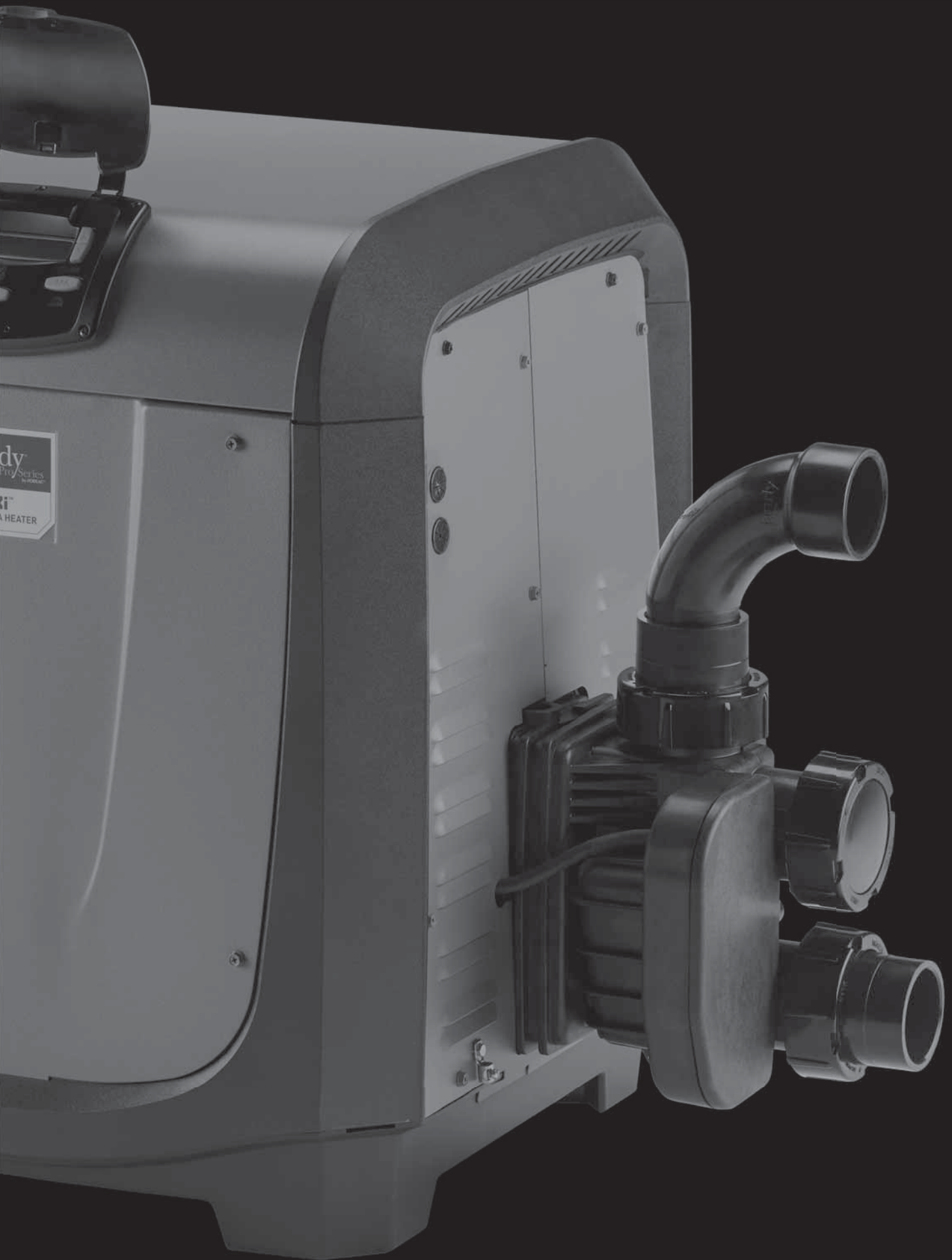
Hi-E2





GAS HEATERS

Gas Heaters	93
Technical Information	96
Gas Heater Selection Guide	98
Gas Heater Accessories & Parts	100





JXi Heater



Digital Controller



Jandy Pro Series JXi™ Heater

The JXi heater sets the standard in pool and spa heating technology with its ultra-compact size, lightweight design, and installation flexibility, making it a top choice for pool professionals and pool owners everywhere. The high-efficiency, low-NOx JXi is available in three BTU sizes, 200K, 260K, 399K, and offered in both natural and propane gas models.

- Ultra-compact, 2' x 2' footprint for small space requirements and maximum installation flexibility*
- Lightweight design, weighs less than 126 pounds unpackaged, for easy maneuverability and transport
- Best retrofit option, no plumbing adjustments required for quick and easy replacement of Pentair® MasterTemp® and Sta-Rite® Max-E-Therm® heaters
- 84% thermal efficiency rating and low-NOx design surpasses DOE energy-efficiency requirements** †
- JXi heaters are all Trade Series Exclusive

Part No. Description

JXI200N	Jandy Pro Series JXi Pool Heater 200 Natural
JXI200P	Jandy Pro Series JXi Pool Heater 200 Propane
JXI260N	Jandy Pro Series JXi Pool Heater 260 Natural
JXI260P	Jandy Pro Series JXi Pool Heater 260 Propane
JXI400N	Jandy Pro Series JXi Pool Heater 400 Natural
JXI400P	Jandy Pro Series JXi Pool Heater 400 Propane
JXI400NN	Jandy Pro Series JXi Pool Heater 400 Natural CuNi
JXI400PN	Jandy Pro Series JXi Pool Heater 400 Propane CuNi

VersaFlo™ Integrated Bypass technology for JXi available installed from the factory (select model) or as an easy retrofit to any JXi on site.

- Offers up to 20% additional energy savings**
- Automation actuation of flow bypass valve is based on call for heat
- Header integration means no external plumbing modifications are needed

Part No. Description

JXI400NK	Jandy Pro Series JXi Pool Heater 400 Natural with VersaFlo
JXIVFKIT	VersaFlo Bypass Accessory Kit

VersaFlo Ordering Information: Part Number JXi400NK is a 400K BTU heater with VersaFlo factory-installed. To add VersaFlo to other JXi models in the field please order JXIVFKIT. Please note, JXi serial numbers beginning with G and earlier will also need part number R0719500 (power interface board) and R0719400 (electronic flue sensor).

*Refer to JXi Manual for proper heater clearances that may apply.

**Versus a similar system without VersaFlo.

Please see page "ENERGY GUIDE LABELS" on page 97 for energy guide label.

† 84% Thermal Efficiency applies to 260K and 400K BTU Models with Copper Heat Exchangers, 200K BTU and all models with Cupronickel heat exchangers are 83%.

PROFESSIONAL INSTALLATION REQUIRED

Jandy heaters must be installed and serviced by a professional and qualified pool/spa technician. Improper installation and/or operation will void the warranty. See owner's/user's manual.

PUMPS
 FILTERS
GAS HEATERS
 HEAT PUMPS
 AUTOMATION
 WATER LEVELING
 WATER SANITIZERS
 VALVES
 WATER FEATURES
 LIGHTING
 CLEANERS
 IN-FLOOR
 BLOWERS
 ACCESSORIES



Hi-E2 Heater



Hi-E2® Heater

The Hi-E2 sets the standard with a proven in-use record of over 20 years providing ultra-efficient heating with a 95% efficiency rating—cutting operating costs by 30% or more*. Small, lightweight and easy to install indoors, it features a low-maintenance design using our hot surface ignition system—requiring no pilot light.

- 33% smaller footprint, 42% smaller in volume and 34% lighter than the leading competitor
- Direct connection of PVC venting and intake air provides flexible indoor installation with no additional parts
- Up to 95%* heating efficiency rating which can reduce operating costs by 15% or more**
- Over 20 years of proven in-use performance

Part No. Description

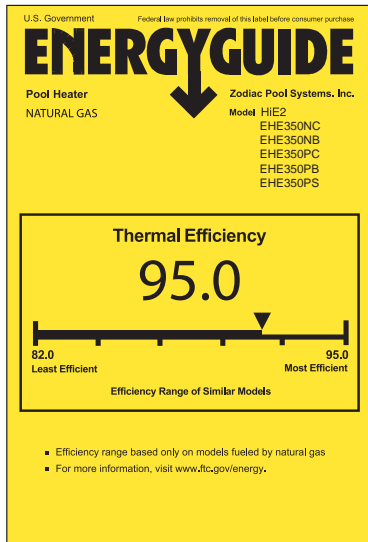
EHE350NC	Hi-E2, 350K BTU, NAT, ASME Certified
EHE350PC	Hi-E2, 350K BTU, LP, ASME Certified
EHE350NS	Hi-E2, 350K BTU, NAT, ASME/Salt Water
EHE350PS	Hi-E2, 350K BTU, LP, ASME/Salt Water
EHE350NB	Hi-E2, 350K BTU, NAT
EHE350PB	Hi-E2, 350K BTU, LP

*95% efficiency applies to certain models only. Other models have a 93% efficiency rating.
 **Versus 399K BTU heater with minimum DOE efficiency of 82%

ENERGY GUIDE LABELS

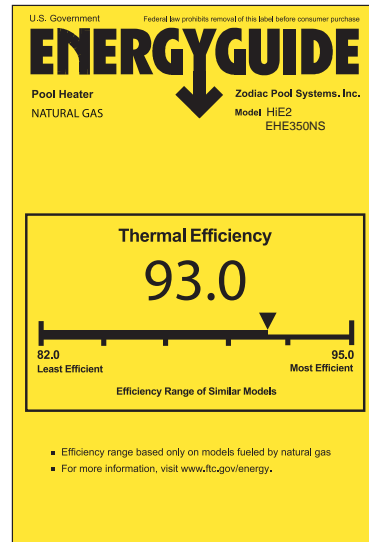
Hi-E2 95%

EHE350NC, EHE350NB, EHE350PC, EHE350PB and EHE350PS



Hi-E2 93%

EHE350NS





LXi Heater



LXi™ Heaters

- Communicates with the AquaLink® family of controls
- Available in propane and natural gas models
- Lightweight, compact, corrosion-resistant headers
- NC and PC models include copper tubes, bronze headers and ASME® Certified rating
- NS and PS models include cupronickel tubes, bronze headers and ASME Certified

Note: 82% thermal efficiency rating and low-NOx design meets DOE energy-efficiency requirements

Part No.	Description
LXi250NC	LXi 250K BTU, N, Bronze Headers with ASME Rating
LXi400NC	LXi 400K BTU, N, Bronze Headers with ASME Rating
LXi250PC	LXi 250K BTU, P, Bronze Headers with ASME Rating
LXi400PC	LXi 400K BTU, P, Bronze Headers with ASME Rating
LXi250NS	LXi 250K BTU, N, Bronze Headers with ASME and Cupronickel Exchanger
LXi400NS	LXi 400K BTU, N, Bronze Headers with ASME and Cupronickel Exchanger
LXi250PS	LXi 250K BTU, P, Bronze Headers with ASME and Cupronickel Exchanger
LXi400PS	LXi 400K BTU, P, Bronze Headers with ASME and Cupronickel Exchanger
LXi250N	LXi 250K BTU, NAT, Poly
LXi250P	LXi 250K BTU, LP, Poly
LXi400N	LXi 400K BTU, NAT, Poly
LXi400P	LXi 400K BTU, LP, Poly
LXi250NN	LXi 250K BTU, N, Cupronickel Exchanger, Polymer Headers
LXi400NN	LXi 400K BTU, N, Cupronickel Exchanger, Polymer Headers
LXi250PN	LXi 250K BTU, P, Cupronickel Exchanger, Polymer Headers
LXi400PN	LXi 400K BTU, P, Cupronickel Exchanger, Polymer Headers

See ordering instructions page for complete details.

HEATER MODEL NUMBERS

JXi™

Model	Size	Fuel Type	Heat Exchanger and Headers	Altitude Ratings
JXi	200 260 400	N = Natural Gas P = Propane Gas	Blank = Copper Heat Exchanger; Polymer Header N = Cupronickel Heat Exchanger, Polymer Header K = Copper Heat Exchanger, Polymer Header with VersaFlo™ Factory Installed	JXi heaters are CSA certified for elevations of up to 4,500 ft. (1,372 m.) above sea level. BTU output is reduced about 4% per 1000 ft. (305 m) over 4,500 ft. (1,372 m.). In general, efficiency at high elevations is equal to or better than at sea level.

Hi-E2®

Model	Size	Fuel Type	Heat Exchanger and Headers	Altitude Ratings
EHE	350	N = Natural Gas P = Propane Gas	B = Copper Heat Exchanger; Bronze Header C = Copper Heat Exchanger; Bronze Header (ASME)® S = Cupronickel Heat Exchanger; Bronze Header (ASME)	Hi-E2 heaters do not require modification to operate at high elevations. BTU output is reduced about 3% per 1,000 ft. (305 m.) above sea level. In general, efficiency at high elevation is equal to or better than at sea level.

LXi™

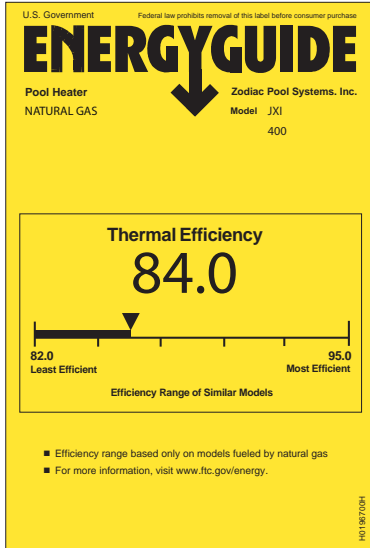
Model	Size	Fuel Type	Heat Exchanger and Headers	Altitude Ratings
LXi	250 400	N = Natural Gas P = Propane Gas	Blank = Copper Heat Exchanger; Polymer Header N = Cupronickel Heat Exchanger; Polymer Header C = Copper Heat Exchanger; Bronze Header (ASME) S = Cupronickel Heat Exchanger; Bronze Header (ASME)	LXi Models can be installed at all elevations, but may require minor adjustments to operate correctly at high elevations. See heater installation manual for instructions.

PUMPS
FILTERS
GAS HEATERS
HEAT PUMPS
AUTOMATION
WATER LEVELING
WATER SANITIZERS
VALVES
WATER FEATURES
LIGHTING
CLEANERS
IN-FLOOR
BLOWERS
ACCESSORIES

ENERGY GUIDE LABELS

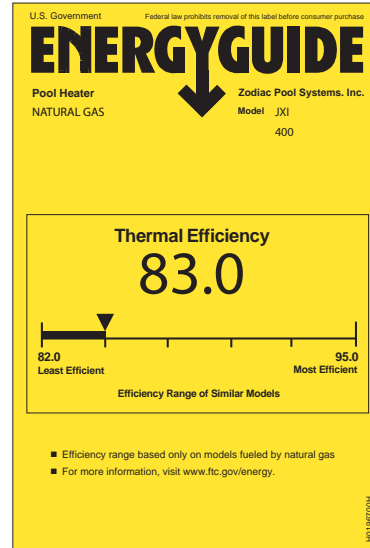
JXi™ 84%

JXi400NK, JXi400N, JXi400P, JXi260N and JXi260P

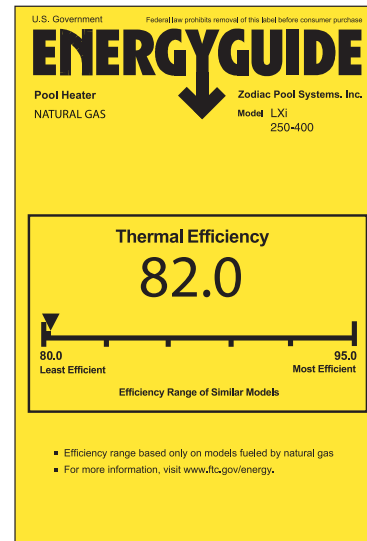


JXi 83%

JXi400NN, JXi400PN, JXi200N and JXi200P



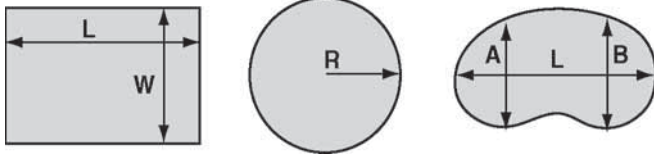
LXi™



HEATER SELECTION GUIDE

POOL SIZING

1. Calculate the pool's surface area in square feet.



Area = L x W Area = R x R x 3.14 Area = (A + B) x L x .45

2. Calculate the design temperature difference.
(Round up to 5 degree increment)

(Typical Water Temp) — (Average Outdoor Temp while using heater)

3. Locate the temperature difference in Pool Heater chart below.
4. Move right to find the surface area that is equal to or slightly greater than the area calculated in step 1.
5. Move up to find the recommended heater size based on pool size and temperature difference.

SPA SIZING

1. Calculate the spa capacity in U.S. Gallons (surface area) x (average depth) x 7.5.
2. Locate the spa size in the spa heater chart below that is equal to or slightly greater than the capacity calculated in step 1.
3. Move right to find the desired time required to raise the spa water 30°F.
4. Move up to find the required heater size for the chosen time.

Notes: This chart can be adjusted for other temperature rises. For example if you desire a 15°F increase in temperature, simply divide the times in the chart below by 2.

Heat losses to air and/or heat absorbed by spa walls or other objects will affect and add to the heat-up times listed in this chart.

Spa sizing times in chart below are based on insulated and covered spa. Always cover your spa when not in use to minimize heat loss and evaporation.

Heater Sizing Charts

POOL SIZING

Model	JXi™						Hi-E2®	
	200		260		400		350	
	0 Wind	3.5 MPH	0 Wind	3.5 MPH	0 Wind	3.5 MPH	0 Wind	3.5 MPH
Temp Difference	Maximum Surface Area per Heater (Assumes 4.5' Avg Depth and 1°F per hour temp rise)							
15°F	580	480	760	630	1160	970	1160	970
20°F	560	440	730	580	1120	880	1120	880
25°F	530	400	690	530	1060	800	1060	800
30°F	490	360	640	480	990	730	990	730
35°F	450	330	600	430	910	660	910	660

Temp Difference is the difference between the water and air temperature (Water Temp - Air Temp)

SPA SIZING

Model	JXi			Hi-E2
	200	260	400	350
Spa Size	Time to Raise Temp 30°F (minutes)			
200 Gallons	18	14	9	9
400 Gallons	35	28	18	18
600 Gallons	53	41	27	27
800 Gallons	71	55	35	35
1000 Gallons	89	70	44	44

Natural gas pipe size requirements on next page ▶

PUMPS
FILTERS
GAS HEATERS
HEAT PUMPS
AUTOMATION
WATER LEVELING
WATER SANITIZERS
VALVES
WATER FEATURES
LIGHTING
CLEANERS
IN-FLOOR
BLOWERS
ACCESSORIES

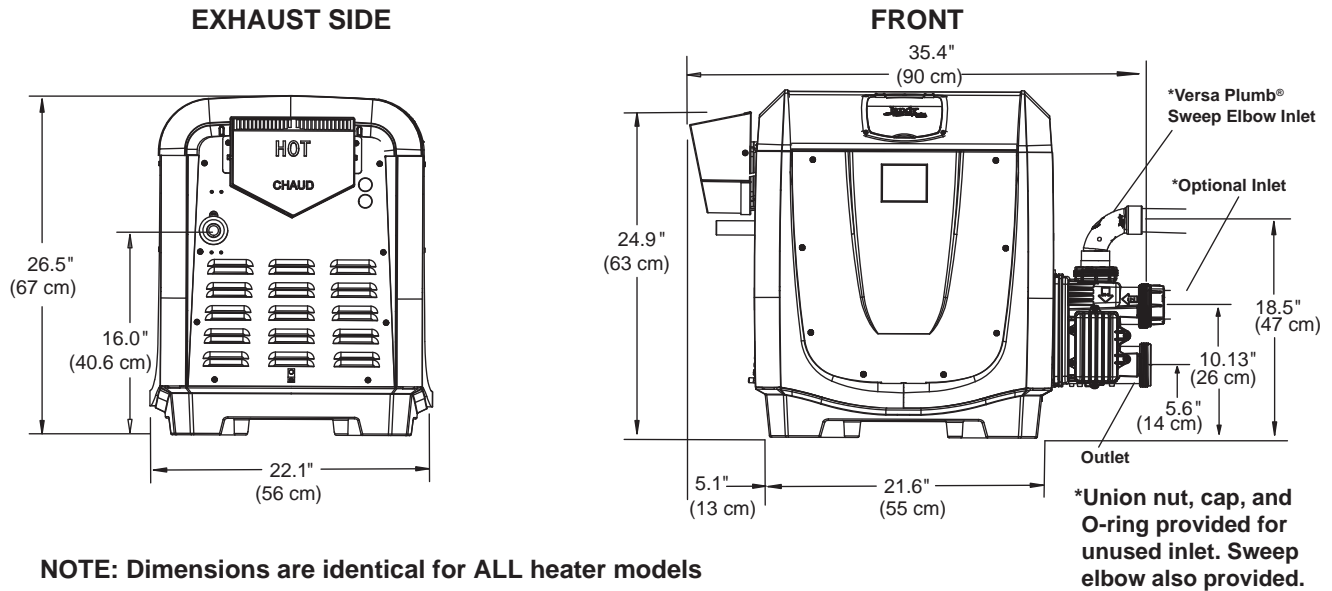
Natural Gas Pipe Size Requirements

Maximum Equivalent Pipe Length (Sch 40 Metallic Pipe)										
Natural Gas at 1035 btu per cubic foot										
Propane Gas at 2516 btu per cubic foot										
	3/4"		1"		1-1/4"		1-1/2"		2"	
Model	NG	LP	NG	LP	NG	LP	NG	LP	NG	LP
JXi400	5 ft	20 ft	30 ft	60 ft	110 ft	260 ft	230 ft	560 ft	600 ft	600 ft
JXi260	15 ft	40 ft	60 ft	150 ft	230 ft	590 ft	490 ft	600 ft	600 ft	
JXi200	30 ft	70 ft	100 ft	240 ft	380 ft	600 ft	600 ft			

Notes:

- Numbers are for natural gas (0.60 Sp. Gr.) based on 1/2 inch (3.45 kPa) water column pressure drop. Check supply pressure with a manometer, and local code requirements for variations.
- Check supply pressure and local code requirements before proceeding with installation.
- Consider pipe fittings when determining gas pipe sizing. For every elbow used add three (3) feet to straight pipe length.
- Table shows the minimum supply gas pipe size required. Larger pipe size can be used if required by local code or if desired.
- It is critical that the incoming gas supply pressure at the heater is within the maximum and minimum pressure requirements. If the range of acceptable supply pressure is not provided, the gas supply system to the heater must be modified to meet pressure requirements.

Specifications and Dimensions for JXi™ Series Heaters



NOTE: Dimensions are identical for ALL heater models

Specifications and Dimensions, JXi Series Heaters						
Model	Vent Diameter (Category I)		Vent Diameter (Category III)		Firing Rate	
	in.	cm	in.	cm	BTU/HR	kcal
200	6	15	4	10	200,000	50
260	7	18	4	10	260,000	66
400	8	20	4	10	399,000	101



JXi Vent Adapter

JXi™ Venting Accessories

Part No.	Description
R0731100	JXi 4" Vent Adapter
R0724600	JXi Air Intake Adapter 3"



JXi Air Intake Kit

Drafthood and Ventcap Kits

Drafthood and vent cap kits contain all of the items necessary for proper installation on the Legacy™ LRZE/LRZM heater models.



Drafthood Kits

Part No.	Description
R0491601	Outdoor Vent Cap, 125
R0491602	Outdoor Vent Cap, 175
R0491603	Outdoor Vent Cap, 250
R0491604	Outdoor Vent Cap, 325
R0491605	Outdoor Vent Cap, 400
R0499601	Indoor Drafthood, 125
R0499602	Indoor Drafthood, 175
R0499603	Indoor Drafthood, 250
R0499604	Indoor Drafthood, 325
R0499605	Indoor Drafthood, 400



Vent Cap Kits

Drafthood and vent cap kits contain all of the items necessary for proper installation on the Lite™ Series One and Series Two heater models.

Part No.	Description
10561401	Indoor Drafthood Assembly, 125
10561402	Indoor Drafthood Assembly, 175
10561403	Indoor Drafthood Assembly, 250
10561404	Indoor Drafthood Assembly, 325
10561405	Indoor Drafthood Assembly, 400
10561501	Outdoor Vent Cap Assembly, 125
10561502	Outdoor Vent Cap Assembly, 175
10561503	Outdoor Vent Cap Assembly, 250
10561504	Outdoor Vent Cap Assembly, 325
10561505	Outdoor Vent Cap Assembly, 400

Exchangers

Exchangers (Complete)–Legacy™ LRZE (Polymer Headers)

Part No.	Description
R0470601	Heat Exchanger Assembly (complete), 125
R0470602	Heat Exchanger Assembly (complete), 175
R0470603	Heat Exchanger Assembly (complete), 250
R0470604	Heat Exchanger Assembly (complete), 325
R0470605	Heat Exchanger Assembly (complete), 400
R0500701	Heat Exchanger Assembly (complete), CuNi, 125
R0500702	Heat Exchanger Assembly (complete), CuNi, 175
R0500703	Heat Exchanger Assembly (complete), CuNi, 250
R0500704	Heat Exchanger Assembly (complete), CuNi, 325
R0500705	Heat Exchanger Assembly (complete), CuNi, 400

ASME® Certified Exchangers (Complete)–Legacy LRZE (Bronze Headers)

Part No.	Description
R0470701	Heat Exchanger Assembly (complete), Bronze, 125
R0470702	Heat Exchanger Assembly (complete), Bronze, 175
R0470703	Heat Exchanger Assembly (complete), Bronze, 250
R0470704	Heat Exchanger Assembly (complete), Bronze, 325
R0470705	Heat Exchanger Assembly (complete), Bronze, 400
R0500801	Heat Exchanger Assembly (complete), Bronze, CuNi (Salt), 125
R0500802	Heat Exchanger Assembly (complete), Bronze, CuNi (Salt), 175
R0500803	Heat Exchanger Assembly (complete), Bronze, CuNi (Salt), 250
R0500804	Heat Exchanger Assembly (complete), Bronze, CuNi (Salt), 325
R0500805	Heat Exchanger Assembly (complete), Bronze, CuNi (Salt), 400

Exchangers (Complete) - Legacy™ LRZM (Polymer Headers)

Part No.	Description
R0470606	Heat Exchanger Assembly (complete), Legacy 125
R0470607	Heat Exchanger Assembly (complete), Legacy 175
R0470608	Heat Exchanger Assembly (complete), Legacy 250
R0470609	Heat Exchanger Assembly (complete), Legacy 325
R0470610	Heat Exchanger Assembly (complete), Legacy 400
R0500706	Heat Exchanger Assembly (complete), CuNi, Legacy 125
R0500707	Heat Exchanger Assembly (complete), CuNi, Legacy 175
R0500708	Heat Exchanger Assembly (complete), CuNi, Legacy 250
R0500709	Heat Exchanger Assembly (complete), CuNi, Legacy 325
R0500710	Heat Exchanger Assembly (complete), CuNi, Legacy 400

Exchangers (Continued)

Part No. Description

ASME® Certified Exchangers (Complete) - Legacy™ LRZM (Bronze Headers)

R0470706	Heat Exchanger Assembly (complete), Bronze, Legacy 125
R0470707	Heat Exchanger Assembly (complete), Bronze, Legacy 175
R0470708	Heat Exchanger Assembly (complete), Bronze, Legacy 250
R0470709	Heat Exchanger Assembly (complete), Bronze, Legacy 325
R0470710	Heat Exchanger Assembly (complete), Bronze, Legacy 400
R0500806	Heat Exchanger Assembly (complete), Bronze, CuNi (Salt), Legacy 125
R0500807	Heat Exchanger Assembly (complete), Bronze, CuNi (Salt), Legacy 175
R0500808	Heat Exchanger Assembly (complete), Bronze, CuNi (Salt), Legacy 250
R0500809	Heat Exchanger Assembly (complete), Bronze, CuNi (Salt), Legacy 325
R0500810	Heat Exchanger Assembly (complete), Bronze, CuNi (Salt), Legacy 400

Exchangers (Complete) - LXi™ (Polymer, Bronze)

R0453303	Heat Exchanger Assembly (complete), Polymer, Cu, LXi 250
R0453304	Heat Exchanger Assembly (complete), Polymer, Cu, LXi 300
R0453305	Heat Exchanger Assembly (complete), Polymer, Cu, LXi 400
R0501003	Heat Exchanger Assembly (complete), Polymer, CuNi, LXi 250
R0501004	Heat Exchanger Assembly (complete), Polymer, CuNi, LXi 300
R0501005	Heat Exchanger Assembly (complete), Polymer, CuNi, LXi 400
R0500503	Heat Exchanger Assembly (complete), Bronze, Copper, LXi 250
R0500504	Heat Exchanger Assembly (complete), Bronze, Copper, LXi 300
R0500505	Heat Exchanger Assembly (complete), Bronze, Copper, LXi 400
R0500603	Heat Exchanger Assembly (complete), Bronze, CuNi (Salt), LXi 250
R0500604	Heat Exchanger Assembly (complete), Bronze, CuNi (Salt), LXi 300
R0500605	Heat Exchanger Assembly (complete), Bronze, CuNi (Salt), LXi 400

Manifolds — Legacy™, Lite2™, Lite™, Series Two, Series One

Part No.	Description
R0469901	Gas Manifold, 125
R0469902	Gas Manifold, 175
R0469903	Gas Manifold, 250
R0469904	Gas Manifold, 325
R0469905	Gas Manifold, 400

Number of orifices required by heater size for different altitudes—Series One, Series Two, Lite, Lite2 ONLY

Heater Size	Quantity of Orifices Required
125	5 pcs.
175	7 pcs.
250	10 pcs.
325	13 pcs.
400	16 pcs.

Natural Gas		Propane Gas	
Elevation	Part#	Elevation	Part#
0 – 3,000 ft.	L0032200+	0 – 5,000 ft.	L0032900+
3,000 – 6,000 ft.	L0032600+	5,000 – 10,000 ft.	L0032800+
6,000 – 10,000 ft.	L0050300+		

Number of orifices required by heater size for different altitudes—Legacy

Natural Gas		Propane Gas	
Elevation	Part#	Elevation	Part#
0 – 3,000 ft.	R0469200	0 – 5,000 ft.	R0469500
3,000 – 6,000 ft.	R0469300	5,000 – 10,000 ft.	R0469600
6,000 – 10,000 ft.	R0469400		

Power Venter Kit, LX™/LT™

R0386000	LX/LT Lo-NOx Power Venter Kit
----------	-------------------------------

GAS HEATERS / ACCESSORIES & PARTS

LXi™ Heater Sidewall Venting

Part No.	Description	Model No.
Horizontal Venting from Rear of Heater (1 Vent Adapter and 1 Vent Accessory Kit required)		
R0467301	Vent Adapter Kit 5"	LXi250
R0467302	Vent Adapter Kit 5"	LXi300
R0467303	Vent Adapter Kit 6"	LXi400
R0484405	Vent Accessory Kit 5"	LXi250
R0484405	Vent Accessory Kit 5"	LXi300
R0484406	Vent Accessory Kit 6"	LXi400
Vertical to Horizontal Venting from Top of Heater		
R0484301	Vent Adapter Kit 6"	LXi250
R0484302	Vent Adapter Kit 7"	LXi300
R0484303	Vent Adapter Kit 8"	LXi400
R0484406	Vent Accessory Kit 6"	LXi250
R0484407	Vent Accessory Kit 7"	LXi300
R0484408	Vent Accessory Kit 8"	LXi400

Optional Testing Equipment

Part No.	Description
R0010400	Gas Pressure Test Kit (manometer)
R0336000	Temp Rise Measurement, Replacement Kit (Can be used on all heaters — JXi™, LXi, Legacy™, LX™/LT™, Lite2™, etc.)
R0501500	Orifice Cleaning Kit, LXi

Temperature Controls

The mechanical temperature control originally supplied with some millivolt heaters can be replaced by an electronic millivolt control. Use the original part number, R0058200, for the electronic control. This part contains all the necessary parts to convert the old temperature control to the electronic control. The new electronic control, R0058200, will work on the following models: EG, EPG, ESG, LLG. The mechanical temperature control can be purchased with part number R0318800, and must be used on the following models: EC, EPC, DP.

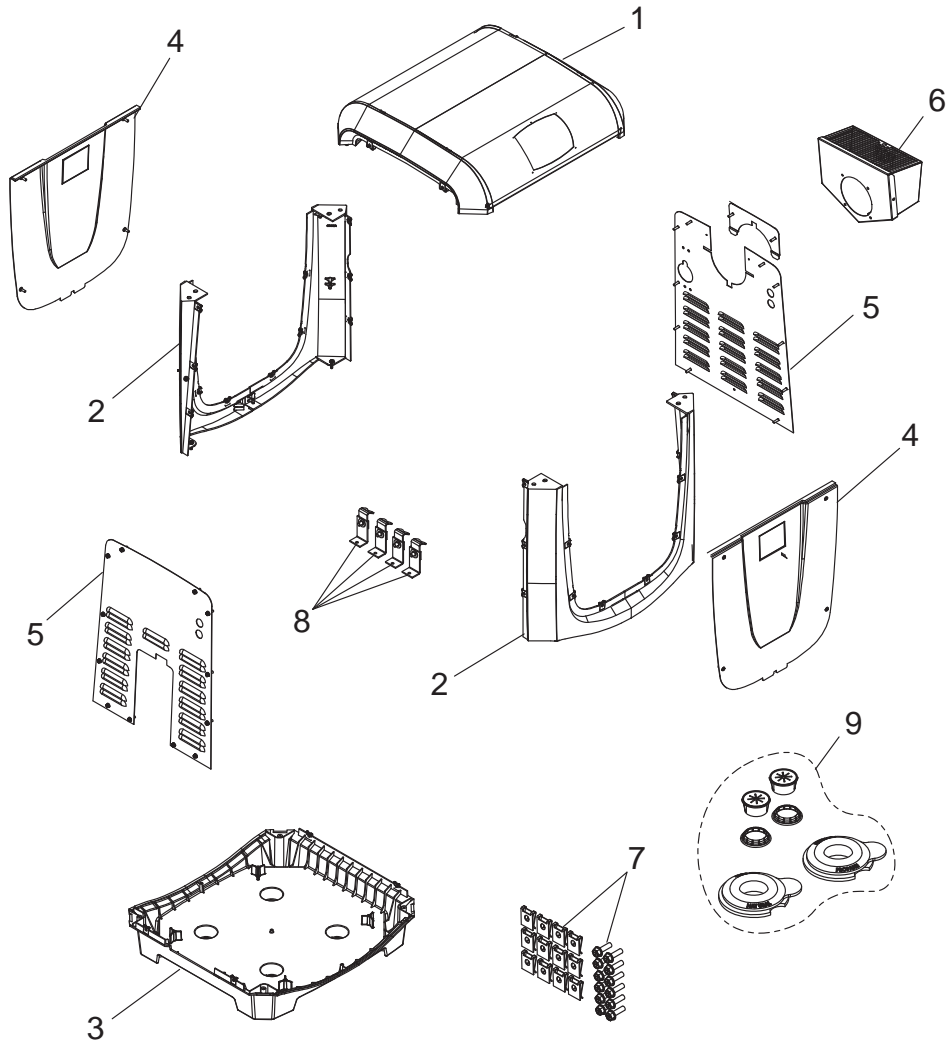
Pressure Relief Valves

Part No.	Description	Model No.
R0040400	Pressure Relief Valve Kit, 75 PSI, Cast Iron/Bronze Headers	All
R0336100	Pressure Relief Valve Kit, 75 PSI, Polymer Headers, LX/LT, LXi, and Legacy (Also works with cast iron/bronze headers)	All
R0336101	Pressure Relief Valve Kit JXi	All

Gas Heaters Accessories & Parts
continued on next page.

GAS HEATERS / ACCESSORIES & PARTS

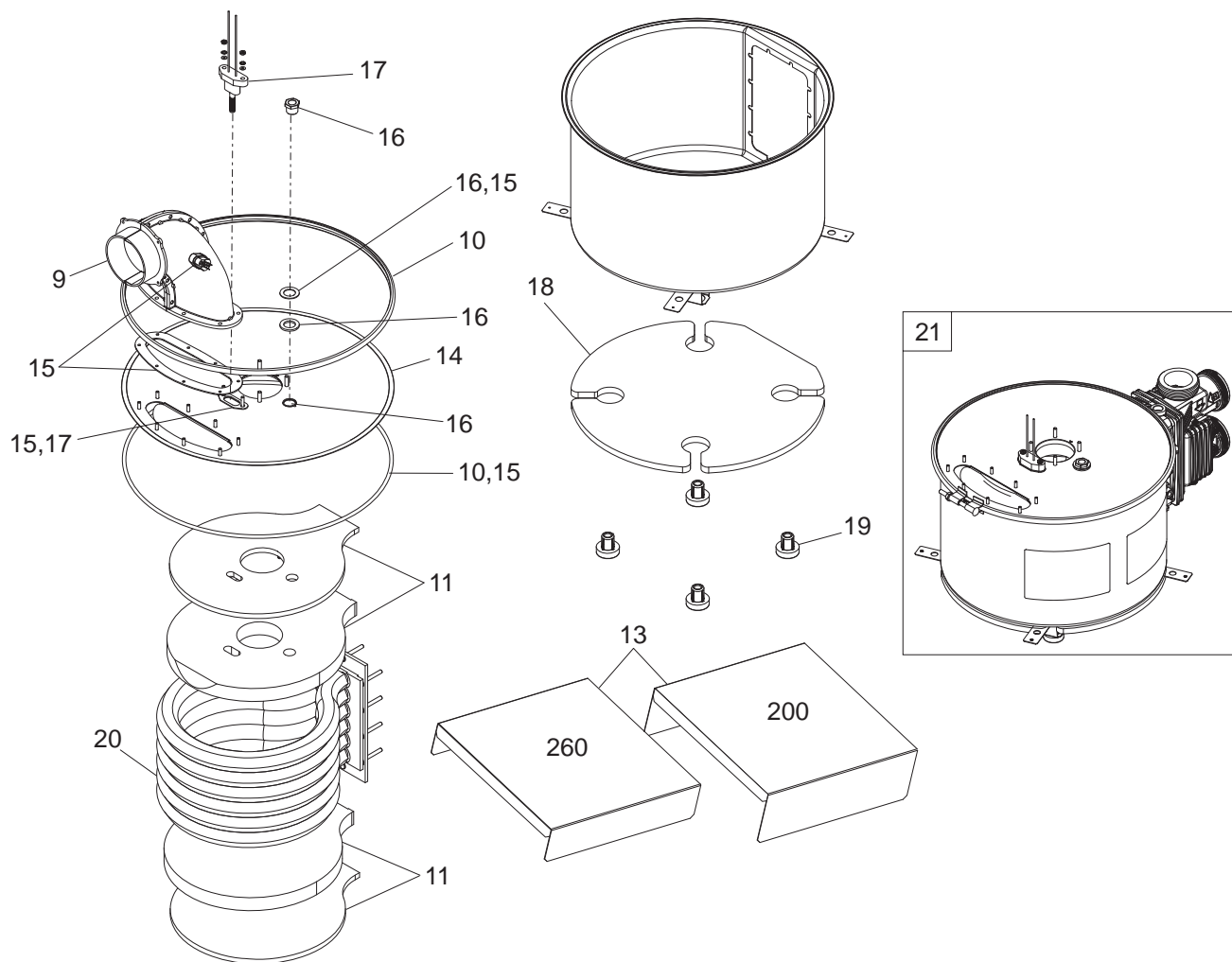
JXi™ Heater (Mfg. 2014–Present)



Key No.	Part No.	Description	Model No.
1	R0592400	Heater Jacket Top (No User Interface)	200, 260, 400
2	R0592500	Corner Posts, Heater Jacket, 4/PK	200, 260, 400
3	R0592600	Heater Base Replacement Kit	200, 260, 400
4	R0592700	Front/Back Panel, Heater Jacket	200, 260, 400
5	R0592900	Side Panel Kit, 2/PK	200, 260, 400
6	R0593100	Vent Terminal Housing Kit	200, 260, 400
N/S	R0593200	Brackets and Isolator kit	200, 260, 400
7	R0593300	Jacket Hardware Kit (Nuts, Screws & Clips)	200, 260, 400
8	R0593400	Anchor Brackets	200, 260, 400
9	R0591800	Gas Inlet and Electric Hole Plug Kit	200, 260, 400

N/S-Not shown

JXi™ Heater (Mfg. 2014–Present)

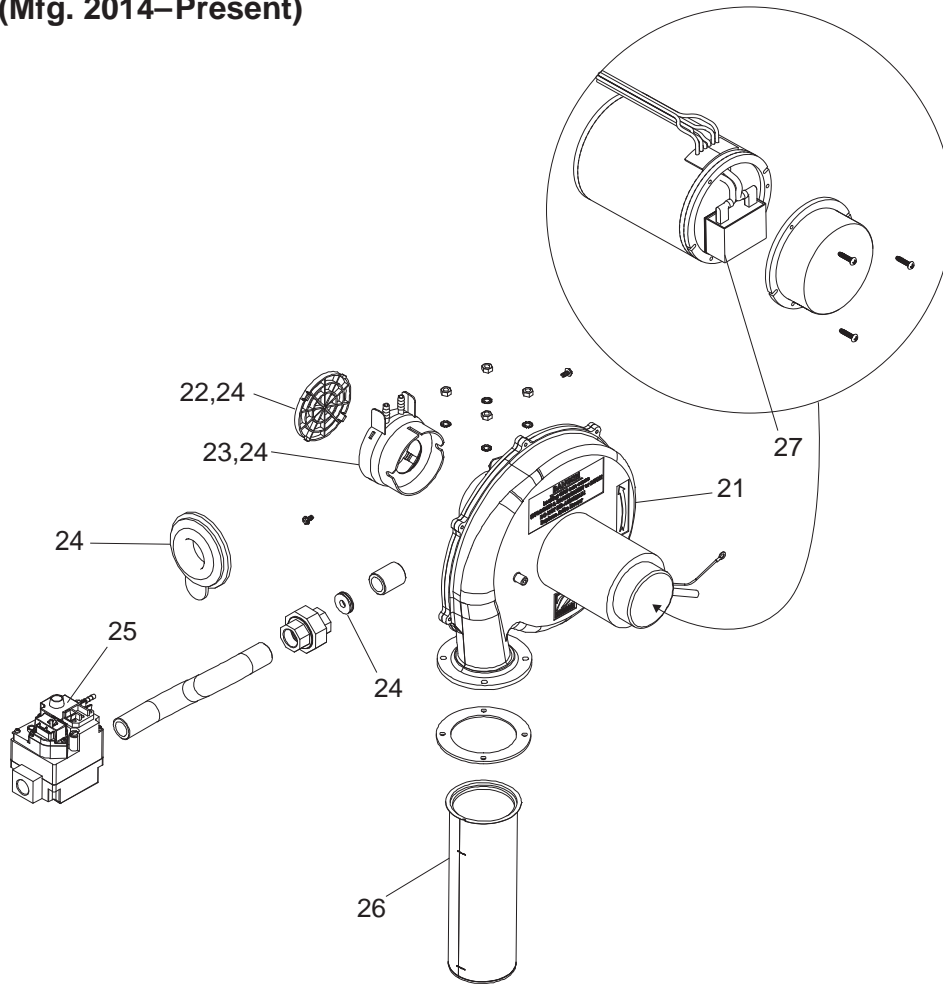


Key No.	Part No.	Description	Model No.
9	R0590200	Exhaust Elbow Assembly	200, 260, 400
10	R0590400	Band Clamp Replacement Kit	200, 260, 400
11	R0590500	Refractory Replacement Kit, Internal	200, 260, 400
13	R0590700	Combustion Chamber Shelf Kit	200, 260
14	R0590800	Combustion Chamber Lid (Gaskets and O-Rings)	200, 260, 400
15	R0590900	Gasket Kit	200, 260, 400
16	R0305400	Sight Glass Kit	200, 260, 400
17	R0457502	Igniter Kit	200, 260, 400
18	R0591000	Refractory Replacement Kit, External	200, 260, 400
19	R0593200	Isolator Kit	200, 260, 400
20	R0589405	Heat Exchanger Tube Replacement (400k)	400
20	R0589403	Heat Exchanger Tube Replacement (260k)	260
20	R0589402	Heat Exchanger Tube Replacement (200k)	200
20	R0746905	Heat Exchanger CuNi Tube Replacement (400k)	400NN, 400PN
21	R0805805	Heat Exchanger and Header Assembly* (Excludes Burner)	400
21	R0805803	Heat Exchanger and Header Assembly* (Excludes Burner)	260

*Complete Heat Exchanger and Header Assembly labeled for use on Natural Gas Heaters, kit includes labeling for use on LP Gas Heaters

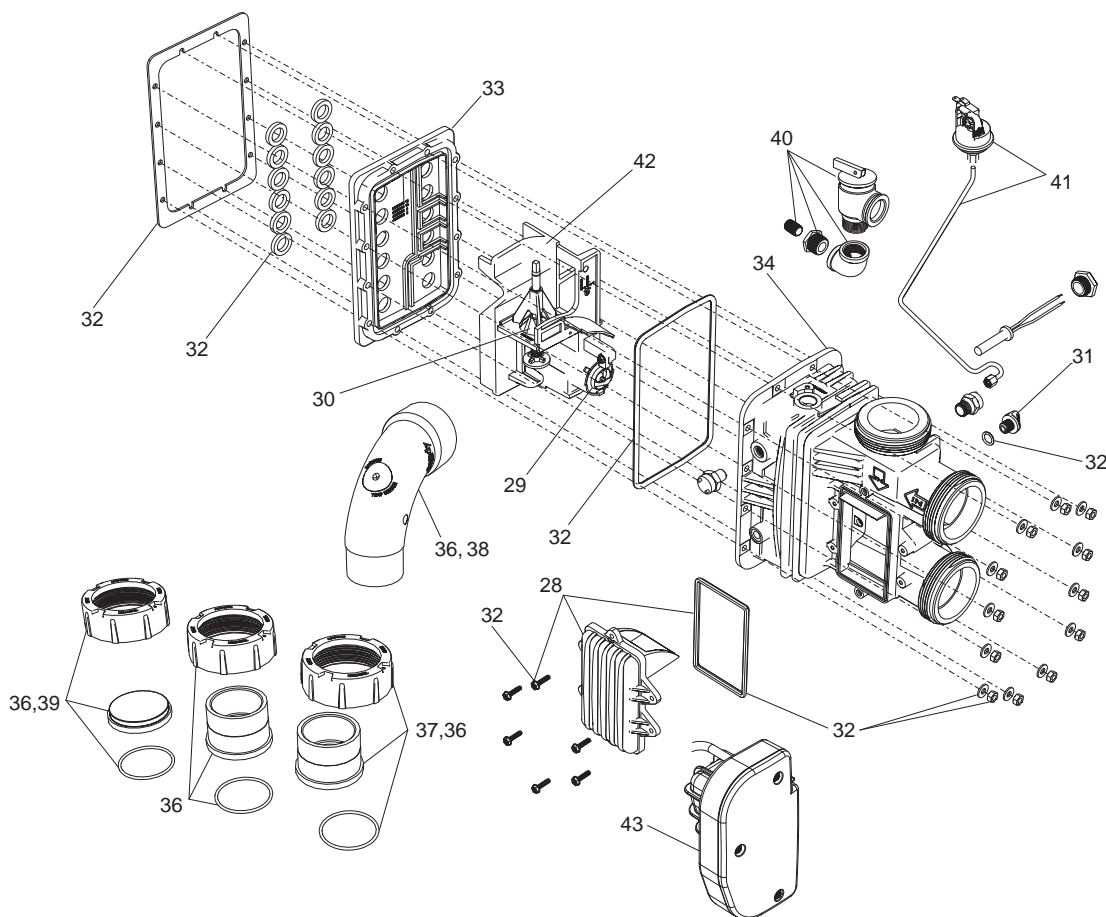
GAS HEATERS / ACCESSORIES & PARTS

JXi™ Heater (Mfg. 2014–Present)



Key No.	Part No.	Description	Model No.	
21	R0591100	Blower Assembly	200, 260, 400	
22	R0591200	Air Intake Grate	200, 260, 400	
23	R0591302	Orifice, Blower Air Intake Lit, 200N	200	
23	R0591303	Orifice, Blower Air Intake Lit, 260N	260	
23	R0591305	Orifice, Blower Air Intake Lit, 400N	400	
23	R0591312	Orifice, Blower Air Intake Lit, 200P	200	
23	R0591313	Orifice, Blower Air Intake Lit, 260P	260	
23	R0591315	Orifice, Blower Air Intake Lit, 400P	400	
24	R0591601	Gas Orifice Kit, 200, NAT	200	
24	R0591602	Gas Orifice Kit, 260, NAT	260	
24	R0591604	Gas Orifice Kit, 400, NAT	400	
24	R0591605	Gas Orifice Kit, 200, LP	200	
24	R0591606	Gas Orifice Kit, 260, LP	260	
24	R0591608	Gas Orifice Kit, 400, LP	400	
25	R0591400	Gas Valve	200, 260, 400	
26	R0591702	Burner Gas Supply System Kit, 200	200	
26	R0591703	Burner Gas Supply System Kit, 260	260	
26	R0591705	Burner Gas Supply System Kit, 400	400	
27	R0614500	Capacitor Blower, JXi Kit	200, 260, 400	

JXi™ Heater (Mfg. 2014–Present)

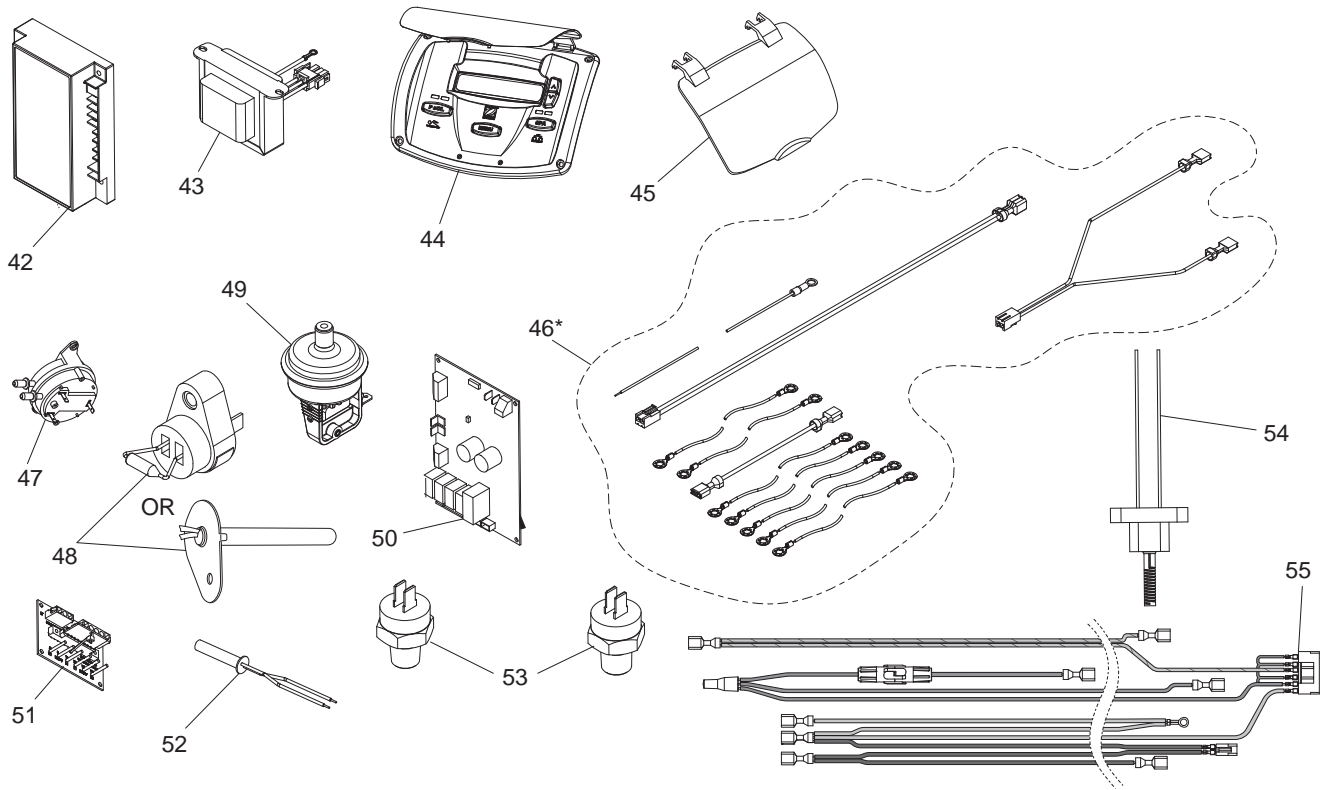


Key No.	Part No.	Description	Model No.
28	R0589600	Access Door Kit (Door, O-Ring Seal, Screws)	200, 260, 400
29	R0589700	Thermal Regulator Valve	200, 260, 400
30	R0589800	Bypass Kit (Shaft, Spring, C-clip, Poppet)	200, 260, 400
31	R0446000	Drain Plug	200, 260, 400
32	R0589500	Gasket & Seals Kit (Heater Manifold)	200, 260, 400
33	R0590005	Manifold Backplate, JXi 400	400
33	R0590003	Manifold Backplate, JXi 260	260
33	R0590002	Manifold Backplate, JXi 200	200
34	R0590100	Manifold, Heater 3 Port (No Backplate)	200, 260, 400
36	R0593500	Goody Bag Kit*	200, 260, 400
37	R0522900	Universal Half Unions, 1/PK	200, 260, 400
38	SEAQL1001	Sweep Elbow Aqualink® Temp	200, 260, 400
39	R0523000	Drain Cap Assembly	200, 260, 400
40	R0336101	Pressure Relief Valve JXi Replacement Kit	200, 260, 400
41	R0457001	Pressure Switch w/Siphon Loop Kit	200, 260, 400
42	R0725203	Flow Plate Assembly, JXi 400	400
42	R0725202	Flow Plate Assembly, JXi 260	260
42	R0725201	Flow Plate Assembly, JXi 200	200
43	JXIVFKIT	JXi VersaFlo Integrated Bypass Assembly Kit	200, 260, 400

*Goody Bag Kit also includes the Installation and Operation Manual and the Universal Controller Quick Guide

GAS HEATERS / ACCESSORIES & PARTS

JXi™ Heater (Mfg. 2014–Present)



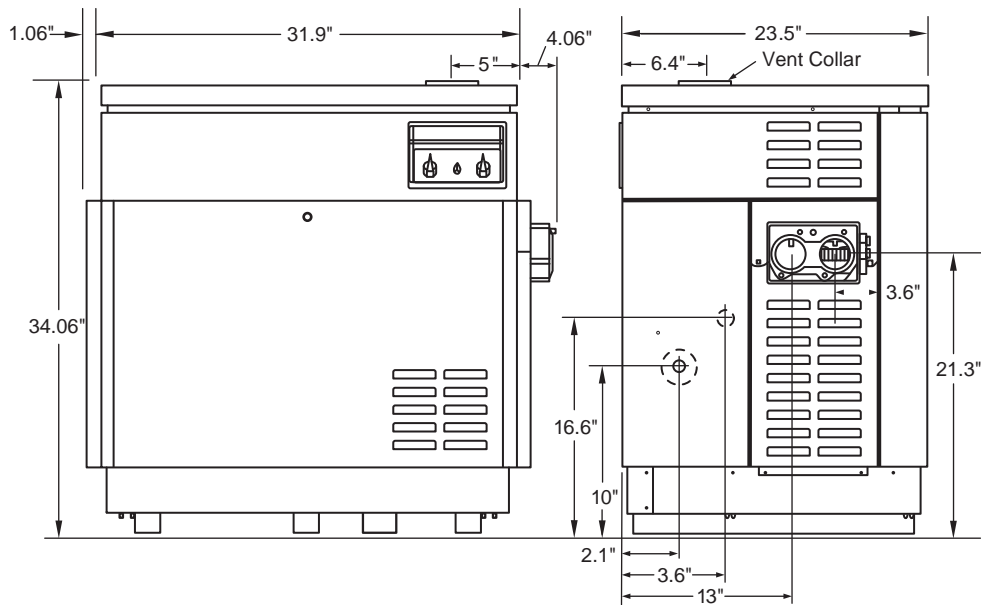
Key No.	Part No.	Description	Model No.
42	R0456900	Ignition Control	200, 260, 400
43	R0456301	Transformer	200, 260, 400
44	R0591900	User Interface Kit	200, 260, 400
45	R0592000	User Interface Lid Kit	200, 260, 400
46	R0592100	Wiring Harness Kit	200, 260, 400
47	R0456400	Air Pressure Switch	200, 260, 400
48	R0524300	Vent Limit Switch - JXi Rev G* and Earlier	200, 260, 400
48	R0719400	Electronic Flue Sensor - JXi Rev H* and Later**	200, 260, 400
49	R0013200	Water Pressure Switch Only Kit	200, 260, 400
50	R0458200	Power Interface Board (PIB) - JXi Rev G* and Earlier	200, 260, 400
50	R0719500	Power Interface Board (PIB) - JXi Rev H* and Later**	200, 260, 400
51	R0458100	Power Distribution Board (PDB)	200, 260, 400
52	R0456500	Temperature Sensor Kit	200, 260, 400
53	R0592300	High Limit Temp Sensors	200, 260, 400
54	R0457502	Igniter Kit, JXi	200, 260, 400
55	R0457701	JXi Power Interface Harness	200, 260, 400

* The JXi Revision can be identified by the first letter of the serial number found on the heater rating plate.

** To install on Rev G and Earlier JXi heaters, R0719400 and R0719500 Must Be Replaced together.

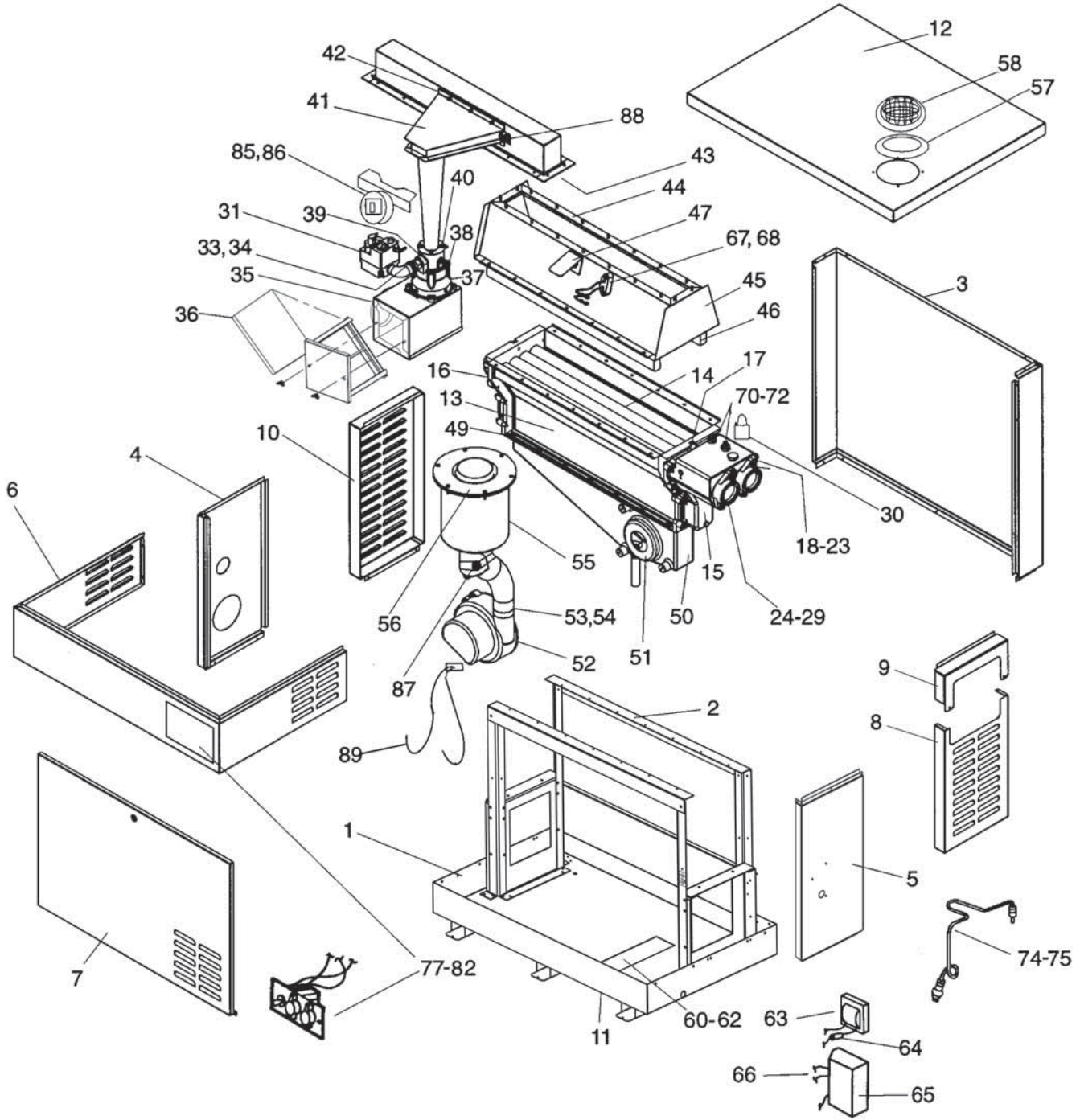
Specifications and Dimensions for Hi-E2® Series Heaters

Specifications and Dimensions, Hi-E2 Series Heaters	
Model	350
Input BTUs	350,000
Shipping Weight (lbs.)	252



GAS HEATERS / ACCESSORIES & PARTS

Hi-E2® Heater



Key No.	Part No.	Description	Model No.
	R0306200	Limestone Gravel (Condensate Neutralizer)	All
JACKET ASSEMBLY			
1	R0347103	Base Panel	220
1	R0347105	Base Panel	350
2	R0301503	Frame Support Assembly	220
2	R0301505	Frame Support Assembly	350
3	R0347203	Back Panel	220

Key No.	Part No.	Description	Model No.
3	R0347205	Back Panel	350
4	R0347300	Left Side Panel	All
5	R0347400	Right Side Panel	All
6	R0347503	Temperature Control Panel Assembly	220
6	R0347505	Temperature Control Panel Assembly	350
7	R0347603	Door	220
7	R0347605	Door	350
8	R0347700	Inlet/Outlet Header Panel	All

Continued on next page.

Hi-E2® Heater Parts list for Hi-E2 Heater diagram starts on page 112.

Key No.	Part No.	Description	Model No.
JACKET ASSEMBLY (CONTINUED)			
9	R0347800	Right Top Side Panel	All
10	R0347900	Return Header Panel	All
11	R0348003	Front Kick Panel	220
11	R0348005	Front Kick Panel	350
12	R0348105	Top Panel, Pewter Only	350
N/S	R0302100	Jacket Hardware Kit (Note 1)	All
N/S	R0302500	Internal Hardware Kit (Note 1)	All
WATER SYSTEM			
13	R0303805	Heat Exchanger Assembly, Complete	350
N/S	R0523705	Heat Exch. Assembly Complete, ASME®	350
15	R0303900	Inlet/Outlet Header	All
16	R0304000	Return Header	All
17	R0304300	Gasket, Header	All
18	R0304400	Bypass Valve Assembly	All
19	R0054901	Flow Control Cap	All
20	R0011400	Bypass Valve Gasket	All
21	R0304500	Bypass Valve Spring	All
22	R0304900	Bypass Valve Rod	All
23	R0011500	Bypass Valve Disk	All
24	R0055000	Flange & Gasket Assembly, 2", 2/PK	All
25	10573500+	Flange, 2"	All
26	S0078000+	Flange Gasket, 2"	All
27	S0078200+	Flange Sleeve, 2"	All
28	R0477600	Flange Bolt Superseded by R0461500	All
29	S0078100+	Flange Gasket 1 1/2-2"	All
30	R0040400	Pressure Relief Valve, 75 PSI (Requires field supplied 3/4" NPT x 3" brass nipple)	All
N/S	R0319105	Heat Exchanger Hardware Kit (Note 1)	350
N/S	R0319300	Inlet/Outlet Header Hardware Kit (Note 1)	All
N/S	R0319200	Return Header Hardware Kit (Note 1)	All
COMBUSTION SYSTEM ASSEMBLY			
31	R0200100	Gas Valve	All
N/S	R0348500	Anti-Rotation Bracket	All
33	R0320000	Orifice Holder	All
34	R0309303	Gas Orifice, NAT	220
34	R0309305	Gas Orifice, NAT	350
34	R0309403	Gas Orifice, LPG	220
34	R0309405	Gas Orifice, LPG	350
35	R0348200	Combustion Air Filter Assembly	All
36	R0308000	Combustion Air Filter	All
37	R0320303	Venturi Inlet	220
37	R0320305	Venturi Inlet	350
38	R0320400	Venturi O-Ring	All
39	R0320500	Venturi Plenum	All
40	R0320600	Venturi/Tailpipe Gasket	All
41	R0348300	Mixing Chamber/Tailpipe Assembly	All
42	R0320800	Mixing Chamber/Burner Gasket	All
43	R0305903	Burner Assembly	220
43	R0305905	Burner Assembly	350
44	R0305803	Burner/Combustion Chamber Gasket	220
44	R0305805	Burner/Combustion Chamber Gasket	350
45	R0305103	Combustion Chamber Assembly	220
45	R0305105	Combustion Chamber Assembly	350
46	R0305303	Refractory Tile Set	220
46	R0305305	Refractory Tile Set	350
47	R0305400	Sight Glass Assembly	All
48	R0213103	Combustion Chamber Strip Set	220
48	R0213105	Combustion Chamber Strip Set	350
49	R0305703	Combustion Chamber/Collector Gasket	220

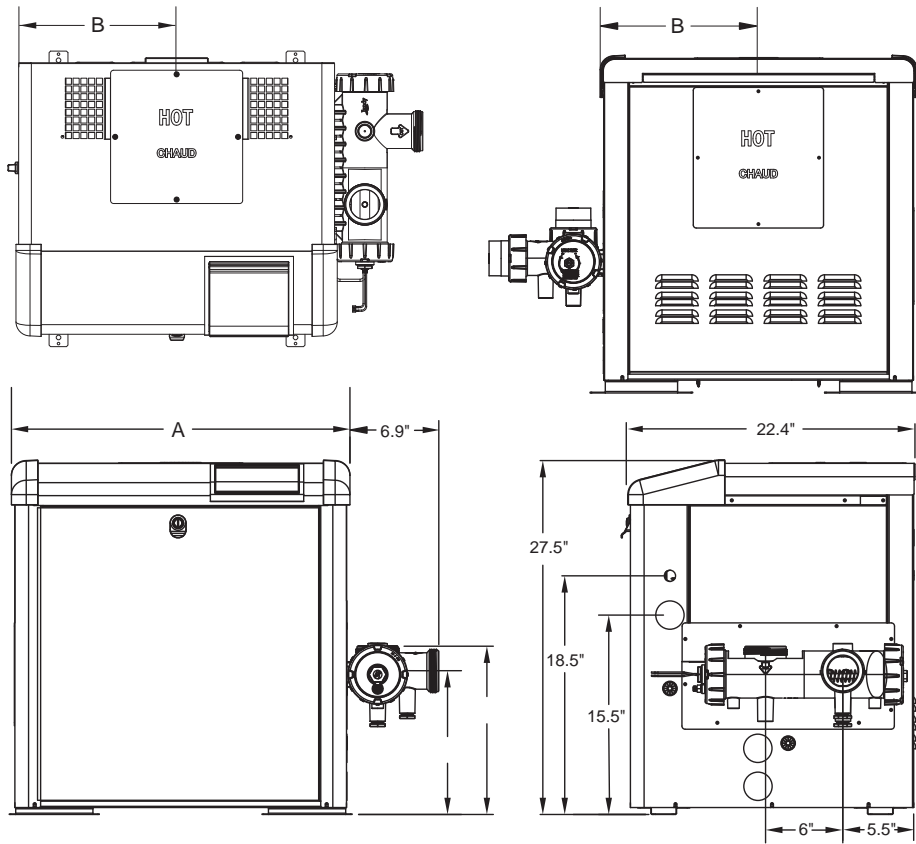
Key No.	Part No.	Description	Model No.
COMBUSTION SYSTEM ASSEMBLY (CONTINUED)			
49	R0305705	Combustion Chamber/Collector Gasket	350
N/S	R0322200	Venturi Hardware Kit (Note 1)	All
N/S	R0322100	Mixing Chamber Hardware Kit (Note 1)	All
N/S	R0319403	Burner Hardware Kit (Note 1)	220
N/S	R0319405	Burner Hardware Kit (Note 1)	350
EXHAUST ASSEMBLY			
50	R0303203	Collector	220
50	R0303205	Collector	350
51	R0308700	Blower/Collector Gasket	All
52	R0308200	Combustion Blower	All
53	R0308600	Blower/Vent Duct Sleeve	All
54	R0308800	Blower/Vent Duct Clamp	All
55	R0303100	Vent Duct Assembly	All
56	R0309100	Vent Duct/Heater Top Gasket or Heater Top/Indoor Vent Collar Gasket	All
57	R0309500	Heater Top/Outdoor Exhaust Grill Gasket	All
58	R0348400	Outdoor Exhaust Grille	All
N/S	R0307900	Indoor Vent Collar	All
60	R0303300	Condensate Trap Assembly and Tube Drain	All
61	R0306200	Limestone Gravel	All
ELECTRICAL COMPONENTS AND CONTROLS			
63	R0061100	Transformer	All
64	R0325600	In-Line Fuse Holder Assembly	All
65	R0202900	Ignition Control	All
66	R0302700	Wire Harness, Ignition Control	All
67	R0016400	Igniter Assembly	All
68	R0205300	Igniter Gasket	All
70	R0322700	High-Limit Switch/Harness Set	All
74	R0322900	Pressure Switch and Siphon Loop Assembly	All
75	R0013200	Pressure Switch, 2 PSI	All
77	R0011700	Temperature Control Assembly, Electronic	All
N/S	R0011800	Temperature Sensor	All
80	10444900+	Temperature Sensor Plastic Sleeve	All
81	R0010700	Temperature Control Knob	All
82	R0099900	Pool/Spa Selector Knob	All
85	R0302000	Differential Pressure Switch	All
86	R0302200	Differential Pressure Switch Bracket	All
87	R0309000	Exhaust Vent Limit Switch	All
87	R0461600	Exhaust Vent Limit Switch, Salt Water (180F)	All
88	R0319700	Burner High Limit Switch	All
89	R0308100	Combustion Blower Wire Harness	All
OPTIONAL COMPONENTS			
N/S	E0120000	3-Wire Harness, Remote Control	All
N/S	X0021100	Touch Up Spray Paint, Black and Pewter	All
N/S	R0322800	High Temperature Silicone Sealant	All
N/S	R0337300	Regulator Stepdown	All
N/S	R0444900	4" Venting Connector	350

Notes:

1. All hardware sets contain all pieces necessary for assembly, including gaskets.
 2. Use Kit #R0322700
 3. Use Kit #R0303300
- N/S-Not Shown

GAS HEATERS / ACCESSORIES & PARTS

Specifications and Dimensions for LXi™ Series Heaters

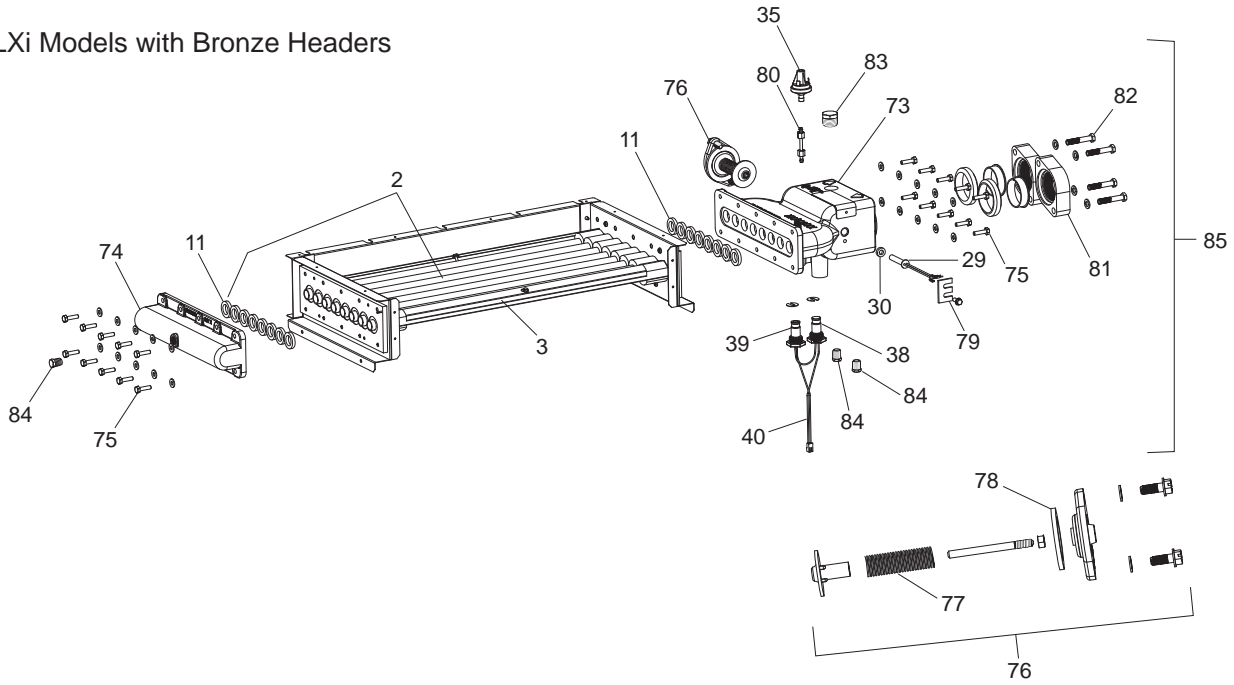


Specifications and Dimensions, LXi Series Heaters										
Model	Heater Width Dim "A"		Heater Side to Mid-Vent		Vent Diameter (Category I)		Firing Rate		Heater Vent Location Dim "B"	
	in.	cm	in.	cm	in.	cm	BTU/HR	kcal	in.	cm
250	23.5	59.7	10.5	26.7	6	15.2	250,000	63	10.5	26.7
400	32.0	81.3	15.6	39.7	8	20.3	399,000	101	15.6	39.6

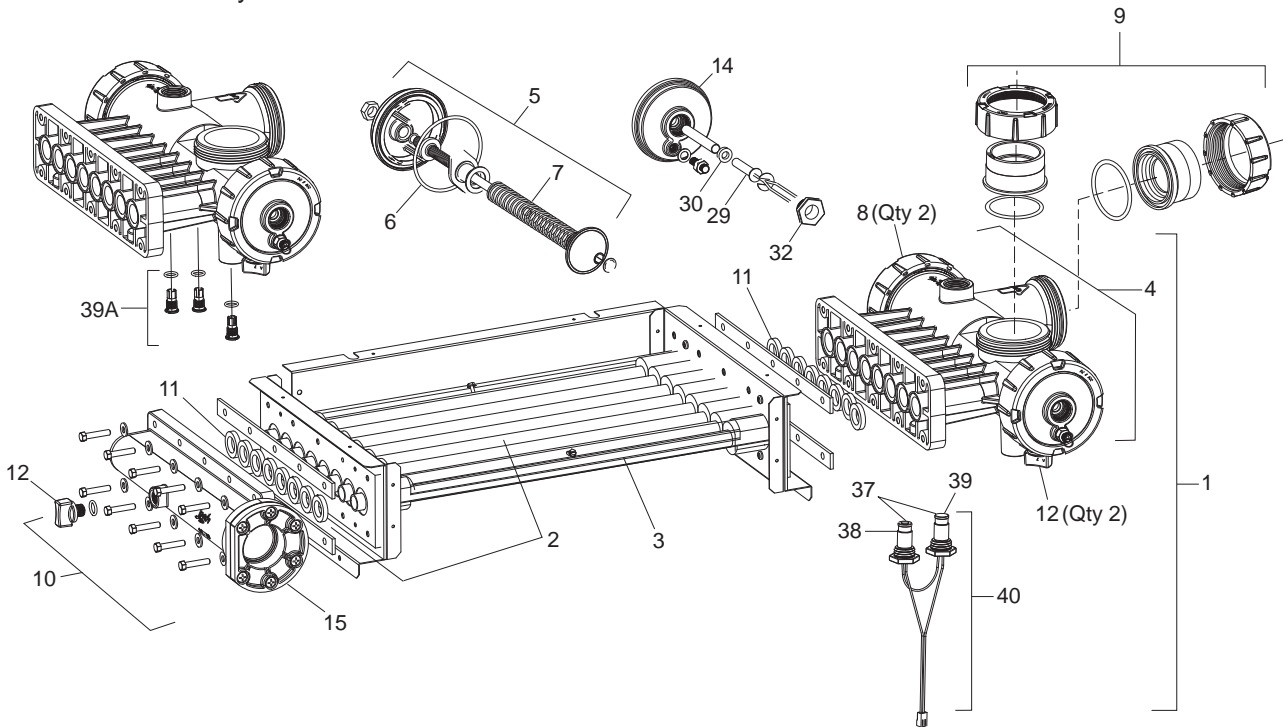
GAS HEATERS / ACCESSORIES & PARTS

LXi™ Low NOx

LXi Models with Bronze Headers



LXi Models with Polymer Headers



Parts list starts on page 117.

LXi™ Low NOx Parts diagram for LXi Low NOx Heater on pages 115 –116.

Key No.	Part No.	Description	Model No.
HEAT EXCHANGER COMPONENTS			
1	R0453303	Complete Heat Exch. (Polymer/Copper)	250
1	R0453304	Complete Heat Exch. (Polymer/Copper)	300
1	R0453305	Complete Heat Exch. (Polymer/Copper)	400
2	R0453403	Tube Assembly (Cu), w/ Hardware and Gaskets	250
2	R0453406	Tube Assembly (Cu), w/ Hardware and Gaskets	300
2	R0453405	Tube Assembly (Cu), w/ Hardware and Gaskets	400
2	R0477003	LXi ASME® Certified Heat Exch. Tube Assembly, CuNi	250
2	R0477006	LXi ASME Certified Heat Exch. Tube Assembly, CuNi	300
2	R0477005	LXi ASME Certified Heat Exch. Tube Assembly, CuNi	400
3	R0453503	Heat Exchanger End Baffles	250
3	R0453504	Heat Exchanger End Baffles	300
3	R0453505	Heat Exchanger End Baffles	400
4	R0453600	Front Header, w/ Hardware and Gaskets	All
5	R0453700	Complete Hardware and O-Ring, Bypass	All
6	R0453800	Bypass Assembly w/ O-Ring	All
7	R0453900	Spring, Bypass	All
8	R0454000	3" Coupling Nut Kit, w/ O-Ring, 2/PK	All
9	R0449000	Tailpiece w/ Union Nut, 2/PK Polymer	All
N/S	R0454100	O-Ring, Coupling, 2/PK	All
10	R0454200	Rear Header, w/ Hardware and Gaskets	All
11	R0454300	Gasket, Header (front or rear), 16/PK	All
12	R0446000	Header Drain Plug w/ O-Ring, 2/PK	All
N/S	R0454500	Heat Exchanger Hardware Kit and Gaskets	All
14	R0455400	Cap Sensor/Press Switch O-Ring	All
15	R0454600	Return Header Cap and O-Ring	All
N/S	R0501003	Complete HX Assembly, Polymer, CuNi	250
N/S	R0501004	Complete HX Assembly, Polymer, CuNi	300
N/S	R0501005	Complete HX Assembly, Polymer, CuNi	400
GAS COMPONENTS			
16	R0454700	Burner w/ Gasket	All
16	R0454701	Burner w/ Tap and Gasket	All
17	R0454803	Manifold, Gas, Nat. (Low Altitude)	250
17	R0454804	Manifold, Gas, Nat. (Low Altitude)	300
17	R0454805	Manifold, Gas, Nat. (Low Altitude)	400
**17	R0455003	Manifold, Gas, LP (Low Altitude)	250
**17	R0455004	Manifold, Gas, LP (Low Altitude)	300
**17	R0455005	Manifold, Gas, LP (Low Altitude)	400

N/S-Not Shown

Key No.	Part No.	Description	Model No.
GAS COMPONENTS (CONTINUED)			
18	R0455200	Gas Valve Nat w/ Street Elbow	All
18	R0455300	Gas Valve LP w/ Street Elbow	All
EXHAUST SYSTEM			
19	R0455503	Flue Collector w/ Gaskets	250
19	R0455504	Flue Collector w/ Gaskets	300
19	R0455505	Flue Collector w/ Gaskets	400
20	R0455600	Blower Assembly w/ Gasket	All
21	R0455700	Air Orifice Adjust Bracket	All
22	R0455803	Flue Vent Assembly w/ Gasket (Before 7-2009)	250
22	R0455804	Flue Vent Assembly w/ Gasket (Before 7-2009)	300
22	R0455805	Flue Vent Assembly w/ Gasket (Before 7-2009)	400
22	R0495503	Flue Vent Assembly w/ Gasket (After 7-2009)	250
22	R0495504	Flue Vent Assembly w/ Gasket (After 7-2009)	300
22	R0495505	Flue Vent Assembly w/ Gasket (After 7-2009)	400
23	R0456001	Outdoor Grill (Before 7-2009)	250, 300
23	R0456002	Outdoor Grill (Before 7-2009)	400
23	R0495401	Hot Plate, Split Plate (After 7-2009)	250, 300
23	R0495402	Hot Plate, Split Plate (After 7-2009)	400
N/S	R0456100	Vent Hardware Kit	All
25	R0456200	Flue Box Assembly w/ Gasket	All
26	R0524300	Vent Box Fusible Link	All
ELECTRICAL COMPONENTS			
27	R0456300	Transformer	All
28	R0456400	Air Pressure Switch	All
29	R0456500	Temperature Sensor Regular	All
29	R0477300	Temperature Sensor (Salt)	All
30	R0456600	Gasket, Temperature Sensor	All
32	R0523900	Nut, Sensor Retainer	All
33	R0456900	Ignition Control	All
34	R0457000	Water Pressure Switch Assembly	All
35	R0013200	Water Pressure Switch, 2 psi	All
36	R0457100	Water Pressure Switch Tubing	All
37	R0457200	High Limits Set	All
38	R0457300	High Limit 130°F	All
39	R0023000	High Limits 150°F	All
39A	R0456800	High Limit Plug (Set of 3)	All
40	R0457400	Harness, High Limit Switch	All
41	R0457500	Hot Surface Igniter	All

GAS HEATERS / ACCESSORIES & PARTS

LXi™ Low NOx Parts diagram for LXi Low NOx Heater on pages 115 –116.

Key No.	Part No.	Description	Model No.
ELECTRICAL COMPONENTS (CONTINUED)			
N/S	R0457600	Wire Harness Set Complete	All
N/S	R0457700	Harn Pwr Interface Controller (fuse included)	All
N/S	R0457800	Harn Wtr Press Switch, Univ. Cntrl	All
N/S	R0457900	Harn Man. Reset, RL-Out	All
N/S	R0460400	Harn Air Flow Switch	All
47	R0458100	Power Distribution Board	All
48	R0458200	Power Interface Board (PIB)	All
49	R0458300	Univ. Control User Interface	All
50	R0458400	Cover, Display/Bezel	All
N/S	R0458500	Gasket, Display/Bezels	All
JACKET COMPONENTS			
52	R0458600	Flame Sense Rod	All
53	R0012200	Fusible Link	All
54	R0337200	Bracket, Fusible Link	All
55	R0458703	Door w/ Latch	250
55	R0458704	Door w/ Latch	300
55	R0458705	Door w/ Latch	400
56	R0334900	Door Latch Assembly w/ Handle	All
57	R0458800	Panel, Side, Left	All
58	R0458900	Panel, Right Side	All
59	R0459000	Panel, Bottom Header, In/Out	All
60	R0459100	Panel Top, Header In/Out	All
61	R0459200	Panel, Return Header Side	All
62	R0459300	Panel, Side Support	All
63	R0459803	Rear Panel	250
63	R0459804	Rear Panel	300
63	R0459805	Rear Panel	400
64	R0459401	Vent Back Cover	250, 300
64	R0459402	Vent Back Cover	400
65	R0459503	Top Assembly (Before 7-2009)	250
65	R0459504	Top Assembly (Before 7-2009)	300
65	R0459505	Top Assembly (Before 7-2009)	400
65	R0495303	Top Assembly, Split Flue (After 7-2009)	250
65	R0495304	Top Assembly, Split Flue (After 7-2009)	300
65	R0495305	Top Assembly, Split Flue (After 7-2009)	400
67	R0459903	Front, Support Door	250
67	R0459904	Front, Support Door	300
67	R0459905	Front, Support Door	400
68	R0460003	Housing Air Chamber	250

N/S-Not Shown

Key No.	Part No.	Description	Model No.
JACKET COMPONENTS (CONTINUED)			
68	R0460004	Housing Air Chamber	300
68	R0460005	Housing Air Chamber	400
69	R0460103	Cover, Air Chamber	250
69	R0460104	Cover, Air Chamber	300
69	R0460105	Cover, Air Chamber	400
70	R0460200	Cover, Manifold	All
71	R0460300	Grommet Seal 2"	All
72	R0460500	Air Duct	All
HEAT EXCHANGER COMPONENTS, BRONZE			
73	R0476603	LXi Inlet/Outlet Bronze Header	250
73	R0476606	LXi Inlet/Outlet Bronze Header	300
73	R0476605	LXi Inlet/Outlet Bronze Header	400
74	R0476700	LXi Return Header, Bronze	All
75	R0477200	LXi Heat Exch. Hardware Kit, Bronze	All
76	R0476803	LXi I/O Header Bypass Assembly w/ Hardware (Bronze Headers)	250
76	R0476805	LXi I/O Header Bypass Assembly w/ Hardware (Bronze Headers)	300
76	R0476806	LXi I/O Header Bypass Assembly w/ Hardware (Bronze Headers)	400
77	R0476903	LXi Bypass Spring (Bronze Headers)	250
77	R0476905	LXi Bypass Spring (Bronze Headers)	400
77	R0476906	LXi Bypass Spring (Bronze Headers)	300
78	R0011400	LXi Bypass Gasket (Bronze Headers)	All
79	R0477400	LXi Temp Sensor Mounting Bracket (Bronze Headers)	All
80	R0477500	LXi Tube Assembly, Pressure Switch, Bronze Headers	All
81	R0477600	LXi Heat Exchanger Flange & Gasket (Set of 2) (Bronze Headers) Superseded by R0461500	All
82	R0477800	LXi Heat Exchanger Flange Bolts (Bronze Headers)	All
83	R0477900	LXi In/Out Header Plug, 3/4" NPT (Bronze Headers)	All
84	R0478000	LXi Bronze Header Drain Plug	All
85	R0500503	Heat Exchanger Complete, Bronze, Cu	250
85	R0500504	Heat Exchanger Complete, Bronze, Cu	300
85	R0500505	Heat Exchanger Complete, Bronze, Cu	400
85	R0500603	Heat Exchanger Complete, Bronze, CuNi	250
85	R0500604	Heat Exchanger Complete, Bronze, CuNi	300
85	R0500605	Heat Exchanger Complete, Bronze, CuNi	400
N/S	R0483601	Siphon Loop	All
N/S	R0449000	Parts Bag	All

LXi™ Low NOx Parts diagram for LXi Low NOx Heater on pages 115 –116.

Key No.	Part No.	Description	Model No.
REAR HORIZONTAL VENTING			
N/S	R0467301	Vent Adapter Kit, 5"	250
N/S	R0467302	Vent Adapter Kit, 5"	300
N/S	R0467303	Vent Adapter Kit, 6"	400
N/S	R0484405	Vent Accessory Kit, 5" [†]	250
N/S	R0484405	Vent Accessory Kit, 5" [†]	300
N/S	R0484406	Vent Accessory Kit, 6" ^{††}	400
TOP VERTICAL TO HORIZONTAL VENTING			
N/S	R0484301	Vent Adapter Kit, 6"	250
N/S	R0484302	Vent Adapter Kit, 7"	300
N/S	R0484303	Vent Adapter Kit, 8"	400
N/S	R0484406	Vent Accessory Kit, 6" ^{††}	250
N/S	R0484407	Vent Accessory Kit, 7" ^{††}	300
N/S	R0484408	Vent Accessory Kit, 8" ^{††}	400
[†] 5" Vent Accessory Kits contain: 1-appliance adapter 1-12" length of pipe 1-wall thimble 1-horizontal termination ^{††} 6", 7", 8" Vent Accessory Kits contain: 1-appliance adapter 3-12" lengths of pipe 1-90 degree elbow 1-wall thimble 1-horizontal termination			
OPTIONAL			
N/S	R0468803	Noncombustible Base	250
N/S	R0468804	Noncombustible Base	300
N/S	R0468805	Noncombustible Base	400
N/S	R0335800	Touch-up Paint, Black and Pewter	All
N/S	R0336000	Temperature Rise Measurement Kit	All
N/S	R0336100	Pressure Relief Valve	All
N/S	R0322800	High Temp Silicone Sealant	All
N/S	R0467200	Pump Relay Kit	All
N/S	R0467500	Remote Control Panel and Mounting Kit	All

N/S-Not Shown

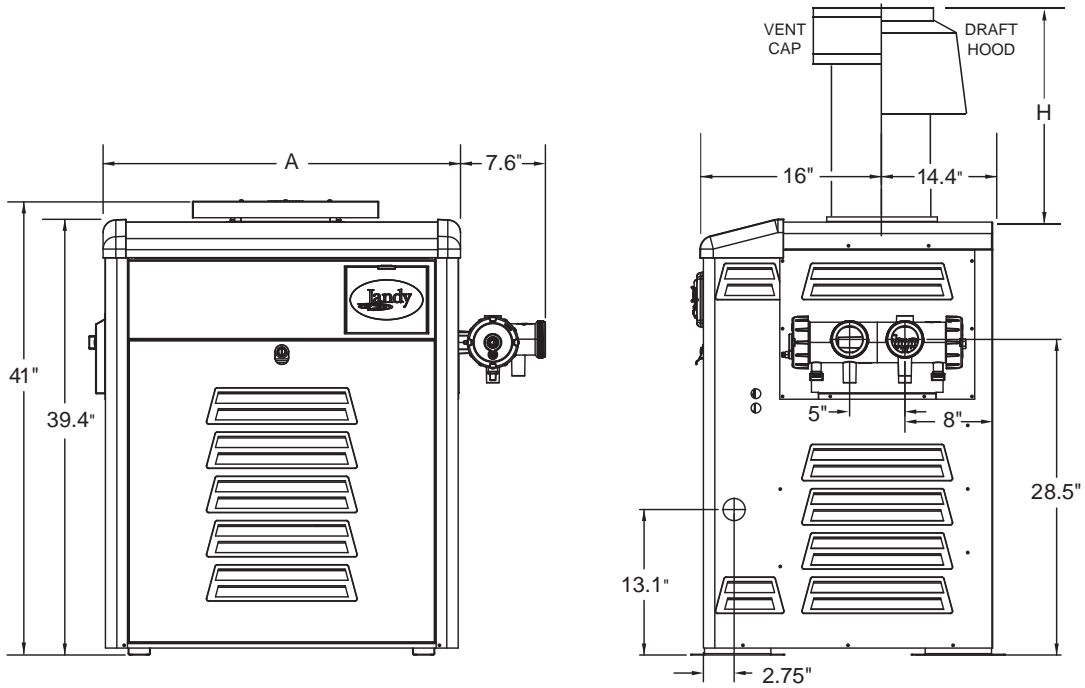
Notes:

1. All hardware sets contain all pieces necessary for assembly, including gaskets.
2. Gaskets and hardware are included in all kits that involve the removal of a gasket as part of the procedure to replace a part.

** Manifold kit includes installed orifices but does not include gas valve.

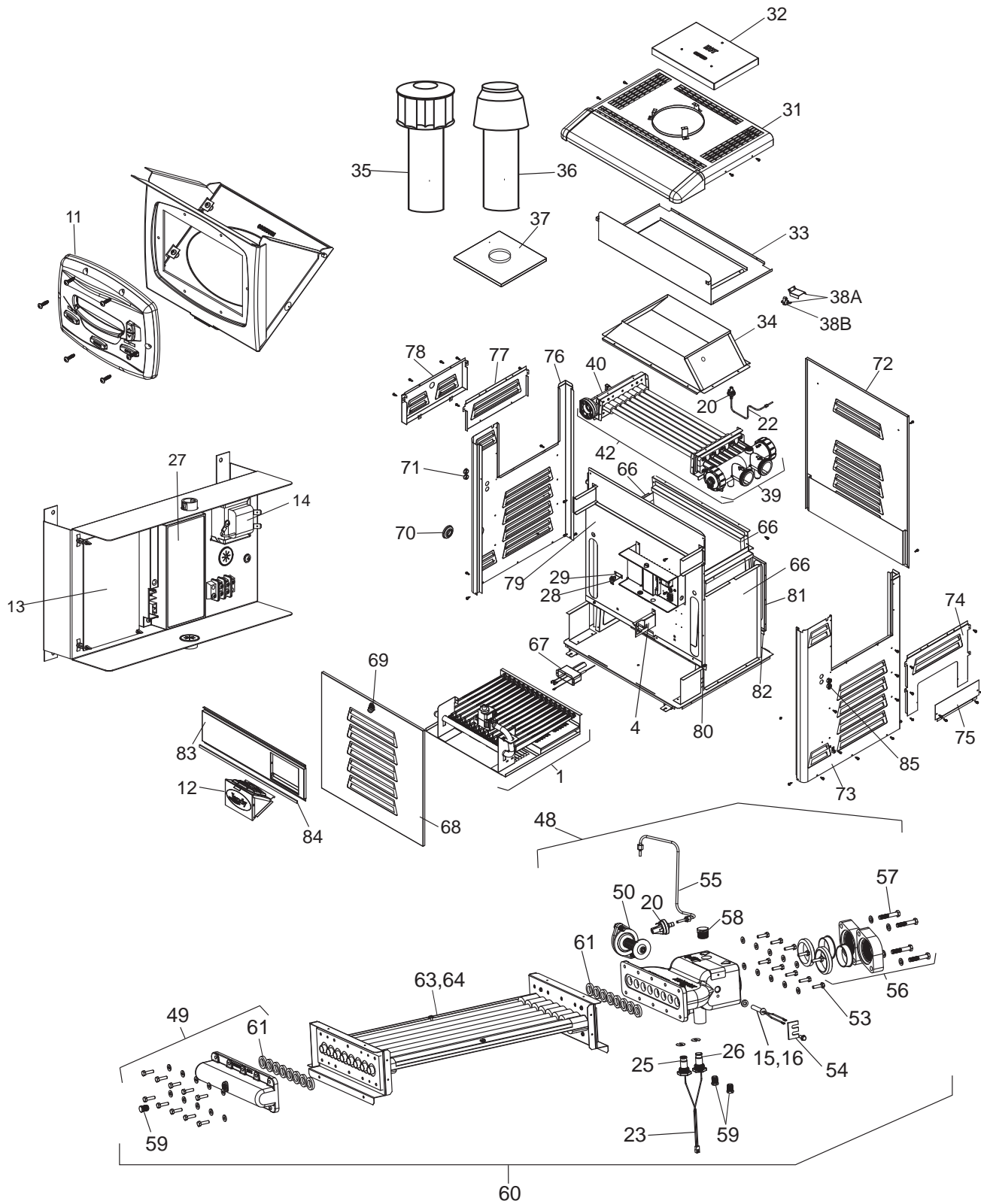
GAS HEATERS / ACCESSORIES & PARTS

Specifications and Dimensions for LRZ Series Heaters



Specifications and Dimensions, Legacy™ Series Heaters										
Model	Heater Width Dim "A"		Venting Dimensions						Firing Rate	
			Vent Diameter		U.S. Outdoor Dimension "H"		U.S. Indoor or CAN Outdoor Shelter Dimension "H"			
	in.	cm	in.	cm	in.	cm	in.	cm	BTU/HR	kcal/HR
125	15.1	38	6	15	18	46	24.1	61	125,000	32
175	18.1	40	6	15	18	46	24.1	61	175,000	44
250	22.7	58	7	18	18.2	47	25.2	64	250,000	63
325	26.9	68	8	20	18.9	48	26.5	67	325,000	82
400	32.4	82	9	23	21.5	55	27.5	70	399,000	101

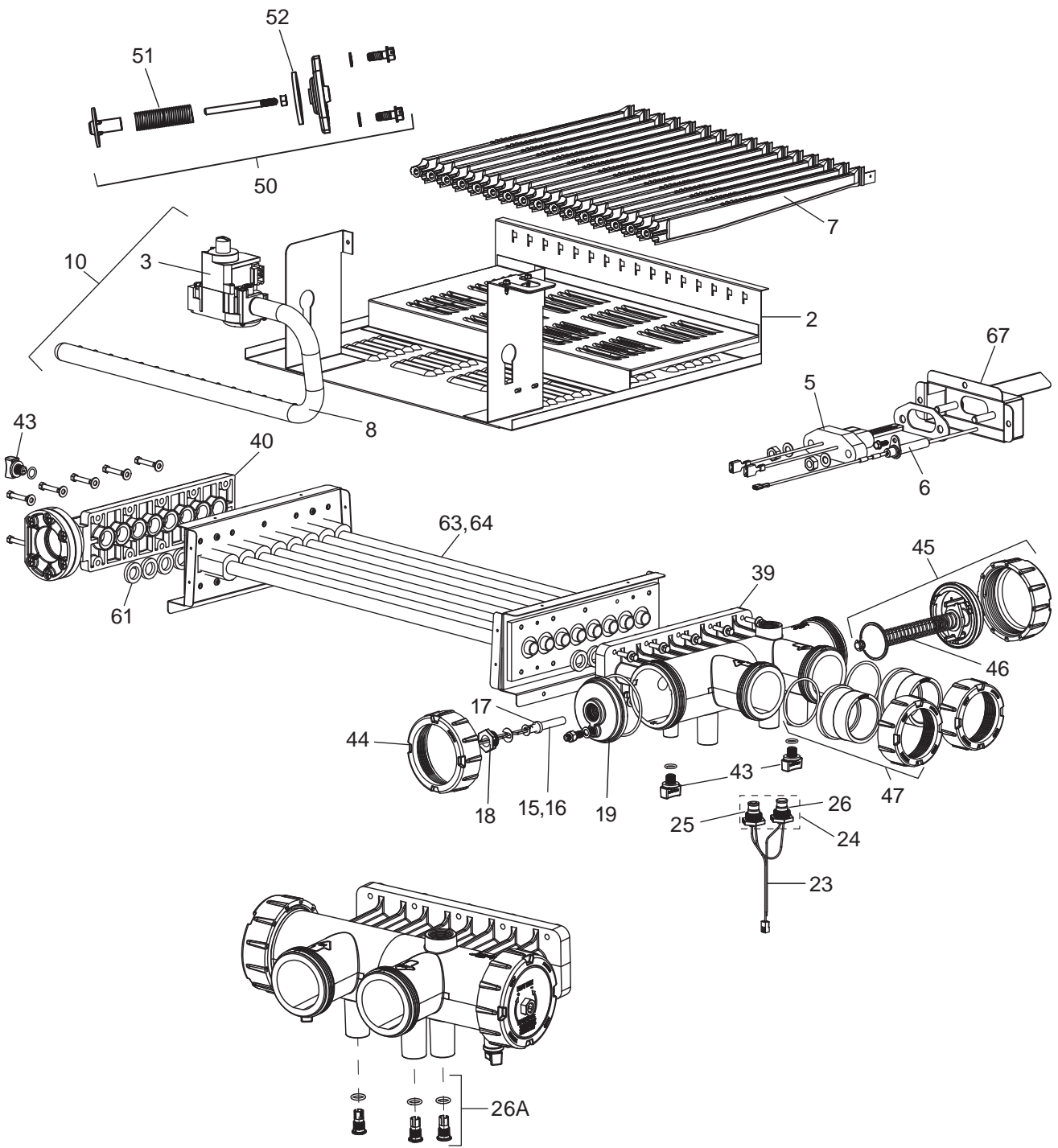
Legacy™ Model LRZE Pool/Spa Heater



Parts list starts on page 123.

GAS HEATERS / ACCESSORIES & PARTS

Legacy™ Model LRZE Pool/Spa Heater



Parts list starts on page 123.

PUMPS
FILTERS
GAS HEATERS
HEAT PUMPS
AUTOMATION
WATER LEVELING
WATER SANITIZERS
VALVES
WATER FEATURES
LIGHTING
CLEANERS
IN-FLOOR
BLOWERS
ACCESSORIES

Legacy™ Model LRZE Pool/Spa Heater Parts diagram on pages 121–122.

Key No.	Part No.	Description	Model No.
MAIN GAS ASSEMBLY			
1	R0468901	Burner Tray Assembly, Nat	125
1	R0468902	Burner Tray Assembly, Nat	175
1	R0468903	Burner Tray Assembly, Nat	250
1	R0468904	Burner Tray Assembly, Nat	325
1	R0468905	Burner Tray Assembly, Nat	400
1	R0469001	Burner Tray Assembly, LP	125
1	R0469002	Burner Tray Assembly, LP	175
1	R0469003	Burner Tray Assembly, LP	250
1	R0469004	Burner Tray Assembly, LP	325
1	R0469005	Burner Tray Assembly, LP	400
2	R0469101	Burner Tray, Shelf Only	125
2	R0469102	Burner Tray, Shelf Only	175
2	R0469103	Burner Tray, Shelf Only	250
2	R0469104	Burner Tray, Shelf Only	325
2	R0469105	Burner Tray, Shelf Only	400
3	R0494500	Gas Valve, Nat	All
3	R0494600	Gas Valve, LPG	All
4	R0469700	Anti-Rotation Bracket	All
5	R0457501	Hot Surface Igniter	All
6	R0458601	Flame Sensor Rod	All
7	R0469800	Burner, Main	All
8	R0469901	Burner Manifold	125
8	R0469902	Burner Manifold	175
8	R0469903	Burner Manifold	250
8	R0469904	Burner Manifold	325
8	R0469905	Burner Manifold	400
9*	R0469200	Orifice Set, Nat Gas, 0–3K ft.	All
9*	R0469300	Orifice Set, Nat Gas, 3–6K ft.	All
9*	R0469400	Orifice Set, Nat Gas, 6–10K ft. (US Only)	All
9*	R0469500	Orifice Set, L.P. Gas, 0–5K ft.	All
9*	R0469600	Orifice Set, L.P. Gas, 5–10K ft. (US Only)	All
10	R0495601	Manifold Assembly, Nat Gas 0–3K ft.	125
10	R0495602	Manifold Assembly, Nat Gas 0–3K ft.	175
10	R0495603	Manifold Assembly, Nat Gas 0–3K ft.	250
10	R0495604	Manifold Assembly, Nat Gas 0–3K ft.	325
10	R0495605	Manifold Assembly, Nat Gas 0–3K ft.	400
10	R0495701	Manifold Assembly, Nat Gas, 3–6K ft.	125
10	R0495702	Manifold Assembly, Nat Gas, 3–6K ft.	175
10	R0495703	Manifold Assembly, Nat Gas, 3–6K ft.	250
10	R0495704	Manifold Assembly, Nat Gas, 3–6K ft.	325
10	R0495705	Manifold Assembly, Nat Gas, 3–6K ft.	400
10	R0495801	Manifold Assembly, Nat Gas, 6–10K ft. (US Only)	125
10	R0495802	Manifold Assembly, Nat Gas, 6–10K ft. (US Only)	175
10	R0495803	Manifold Assembly, Nat Gas, 6–10K ft. (US Only)	250
10	R0495804	Manifold Assembly, Nat Gas, 6–10K ft. (US Only)	325
10	R0495805	Manifold Assembly, Nat Gas, 6–10K ft. (US Only)	400
10	R0495901	Manifold Assembly, L.P. Gas, 0–5K ft.	125
10	R0495902	Manifold Assembly, L.P. Gas, 0–5K ft.	175
10	R0495903	Manifold Assembly, L.P. Gas, 0–5K ft.	250
10	R0495904	Manifold Assembly, L.P. Gas, 0–5K ft.	325
10	R0495905	Manifold Assembly, L.P. Gas, 0–5K ft.	400
10	R0496001	Manifold Assembly, L.P. Gas, 5–10K ft. (US only)	125
10	R0496002	Manifold Assembly, L.P. Gas, 5–10K ft. (US only)	175
10	R0496003	Manifold Assembly, L.P. Gas, 5–10K ft. (US only)	250

Key No.	Part No.	Description	Model No.
MAIN GAS ASSEMBLY (CONTINUED)			
10	R0496004	Manifold Assembly, L.P. Gas, 5–10K ft. (US only)	325
10	R0496005	Manifold Assembly, L.P. Gas, 5–10K ft. (US only)	400
ELECTRICAL SYSTEM			
11	R3008800	Universal Control User Interface	All
12	R0496700	Universal Control w/ Bezel	All
13	R0470200	Universal Control Power Interface	All
14	R0061100	Transformer	All
15	R0456500	Temperature Sensor (Regular)	All
16	R0477300	Temperature Sensor (Salt)	All
17	R0456600	Gasket, Temperature Sensor	All
18	R0523900	Nut, Sensor Retainer	All
19	R0455400	Cap Sensor/Press Switch w/ O-Ring	All
20	R0013200	Pressure Switch, 2 PSI	All
21*	R0015500	Pressure Switch, 1–10 PSI	All
22	R0483600	Water Pressure Switch Tubing	All
22	R0483601	Water Pressure Switch Tubing, reversed, Replacement Kit	All
23	R0457400	High-Limit Switch Assembly	All
24	R0457200	High-Limit Set (130°F and 150°F)	All
25	R0457300	High-Limit Switch, 130°F	All
26	R0023000	High-Limit Switch, 150°F	All
26A	R0456800	High-Limit Plug, 3/PK	All
27	R0491300	Ignition Control	All
28	R0012200	Fusible Link Assembly	All
29	R0337200	Fusible Link Bracket	All
30*	R0470000	Wire Harness, Set	All
VENT SYSTEM			
31	R0470301	Top Enclosure	125
31	R0470302	Top Enclosure	175
31	R0470303	Top Enclosure	250
31	R0470304	Top Enclosure	325
31	R0470305	Top Enclosure	400
32	R0470401	Vent Cover	125
32	R0470402	Vent Cover	175
32	R0470403	Vent Cover	250
32	R0470404	Vent Cover	325
32	R0470405	Vent Cover	400
33	R0478201	Rainshield (Partition)	125
33	R0478202	Rainshield (Partition)	175
33	R0478203	Rainshield (Partition)	250
33	R0478204	Rainshield (Partition)	325
33	R0478205	Rainshield (Partition)	400
34	R0470501	Flue Collector Assembly	125
34	R0470502	Flue Collector Assembly	175
34	R0470503	Flue Collector Assembly	250
34	R0470504	Flue Collector Assembly	325
34	R0470505	Flue Collector Assembly	400
35	R0491601	Outdoor Vent Cap	125
35	R0491602	Outdoor Vent Cap	175
35	R0491603	Outdoor Vent Cap	250
35	R0491604	Outdoor Vent Cap	325
35	R0491605	Outdoor Vent Cap	400
36	R0499601	Indoor Drafthood	125

GAS HEATERS / ACCESSORIES & PARTS

Legacy™ Model LRZE Pool/Spa Heater Parts diagram on pages 121–122.

Key No.	Part No.	Description	Model No.
VENT SYSTEM (CONTINUED)			
36	R0499602	Indoor Drafthood	175
36	R0499603	Indoor Drafthood	250
36	R0499604	Indoor Drafthood	325
36	R0499605	Indoor Drafthood	400
37	R0478301	Adapter Plate	125
37	R0478302	Adapter Plate	175
37	R0478303	Adapter Plate	250
37	R0478304	Adapter Plate	325
37	R0478305	Adapter Plate	400
38*	R0500200	Clip	All
38A	R0534800	Fusible Link Assembly, Vent	All
38B	R0524300	Fusible Link, Vent, 240°C	All
WATER SYSTEM-POLYMER			
39	R0470800	Inlet/Outlet Header Assembly, Polymer	All
40	R0454201	Return Header Assembly, Polymer	All
41*	R0454500	Header Hardware Set, Polymer	All
42	R0470601	Heat Exchanger Assembly, Complete	125
42	R0470602	Heat Exchanger Assembly, Complete	175
42	R0470603	Heat Exchanger Assembly, Complete	250
42	R0470604	Heat Exchanger Assembly, Complete	325
42	R0470605	Heat Exchanger Assembly, Complete	400
42	R0500701	Heat Exchanger Assembly, Complete, CuNi	125
42	R0500702	Heat Exchanger Assembly, Complete, CuNi	175
42	R0500703	Heat Exchanger Assembly, Complete, CuNi	250
42	R0500704	Heat Exchanger Assembly, Complete, CuNi	325
42	R0500705	Heat Exchanger Assembly, Complete, CuNi	400
43	R0446000	Heat Exchanger Drain Plugs, 2/PK Polymer	All
44	R0454000	3" Coupling Nut Kit w/ O-Ring	All
N/S	R0454100	O-Ring, Coupling, 2/PK	All
45	R0453701	Bypass Assembly, Polymer	All
46	R0453900	Bypass Spring, Adjustable, Polymer	All
47	R0449000	Tailpiece w/ Union Nut, 2/PK Polymer	All
WATER SYSTEM-BRONZE			
48	R0476601	Inlet/Outlet Header Assembly, Bronze, 2"	125
48	R0476602	Inlet/Outlet Header Assembly, Bronze, 2"	175
48	R0476603	Inlet/Outlet Header Assembly, Bronze, 2"	250
48	R0476604	Inlet/Outlet Header Assembly, Bronze, 2"	325
48	R0476605	Inlet/Outlet Header Assembly, Bronze, 2"	400
49	R0476700	Return Header Assembly, Bronze (includes set of 9 gaskets)	All
50	R0476801	Bypass Assembly, Bronze	125
50	R0476802	Bypass Assembly, Bronze	175
50	R0476803	Bypass Assembly, Bronze	250
50	R0476804	Bypass Assembly, Bronze	325
50	R0476805	Bypass Assembly, Bronze	400
51	R0476901	Bypass Spring, Bronze	125
51	R0476902	Bypass Spring, Bronze	175
51	R0476903	Bypass Spring, Bronze	250
51	R0476904	Bypass Spring, Bronze	325
51	R0476905	Bypass Spring, Bronze	400
52	R0011400	Bypass Gasket, Bronze	All
53	R0477200	Heat Exchange Hardware Kit, Bronze	All
54	R0477400	Temp Sensor Mounting Bracket, Bronze	All
55	R0477501	Water Pressure Switch Tubing, Bronze	All

Key No.	Part No.	Description	Model No.
WATER SYSTEM-BRONZE (CONTINUED)			
55	R0483601	Water Pressure Switch Tubing, Reversed	All
56	R0461500	Flange & Gasket Kit, Bronze	All
57	R0477800	Flange Bolts, Bronze	All
58	R0477900	3/4" NPT Plug, Bronze	All
59	R0478000	Header, Drain Plug, Bronze	All
60	R0470701	Heat Exchanger Assembly, Bronze, Complete	125
60	R0470702	Heat Exch. Assembly, Bronze, Complete	175
60	R0470703	Heat Exch. Assembly, Bronze, Complete	250
60	R0470704	Heat Exch. Assembly, Bronze, Complete	325
60	R0470705	Heat Exch. Assembly, Bronze, Complete	400
60	R0500801	Heat Exch. Assembly, Bronze, Complete, CuNi	125
60	R0500802	Heat Exch. Assembly, Bronze, Complete, CuNi	175
60	R0500803	Heat Exch. Assembly, Bronze, Complete, CuNi	250
60	R0500804	Heat Exch. Assembly, Bronze, Complete, CuNi	325
60	R0500805	Heat Exch. Assembly, Bronze, Complete, CuNi	400
WATER SYSTEM-ALL			
61	R0454300	Header Gasket Assembly (Set of 16)	All
62*	R0453800	Bypass Hardware, Gaskets	All
63	R0490101	Heat Exchanger Tube Assembly, Copper	125
63	R0490102	Heat Exchanger Tube Assembly, Copper	175
63	R0490103	Heat Exchanger Tube Assembly, Copper	250
63	R0490104	Heat Exchanger Tube Assembly, Copper	325
63	R0490105	Heat Exchanger Tube Assembly, Copper	400
64	R0490301	Heat Exchanger Tube Assembly, CuNi	125
64	R0490302	Heat Exchanger Tube Assembly, CuNi	175
64	R0490303	Heat Exchanger Tube Assembly, CuNi	250
64	R0490304	Heat Exchanger Tube Assembly, CuNi	325
64	R0490305	Heat Exchanger Tube Assembly, CuNi	400
65*	R0500001	Baffles, Heat Exchanger	125
65*	R0500002	Baffles, Heat Exchanger	175
65*	R0500003	Baffles, Heat Exchanger	250
FIREBOX COMPONENTS			
66	R0494901	Combustion Chamber Panels	125
66	R0494902	Combustion Chamber Panels	175
66	R0494903	Combustion Chamber Panels	250
66	R0494904	Combustion Chamber Panels	325
66	R0494905	Combustion Chamber Panels	400
67	R0484000	Igniter Bracket w/ Shield	All
JACKET COMPONENTS			
68	R0470901	Door w/ Latch	125
68	R0470902	Door w/ Latch	175
68	R0470903	Door w/ Latch	250
68	R0470904	Door w/ Latch	325
68	R0470905	Door w/ Latch	400
69	R0334900	Latch Assembly	All
70	R0460300	Grommet, Sealing, 2"	All
71	R0491100	Button Plug, 7/8"	All
72	R0482301	Rear Panel Assembly	125
72	R0482302	Rear Panel Assembly	175

N/S-Not Shown

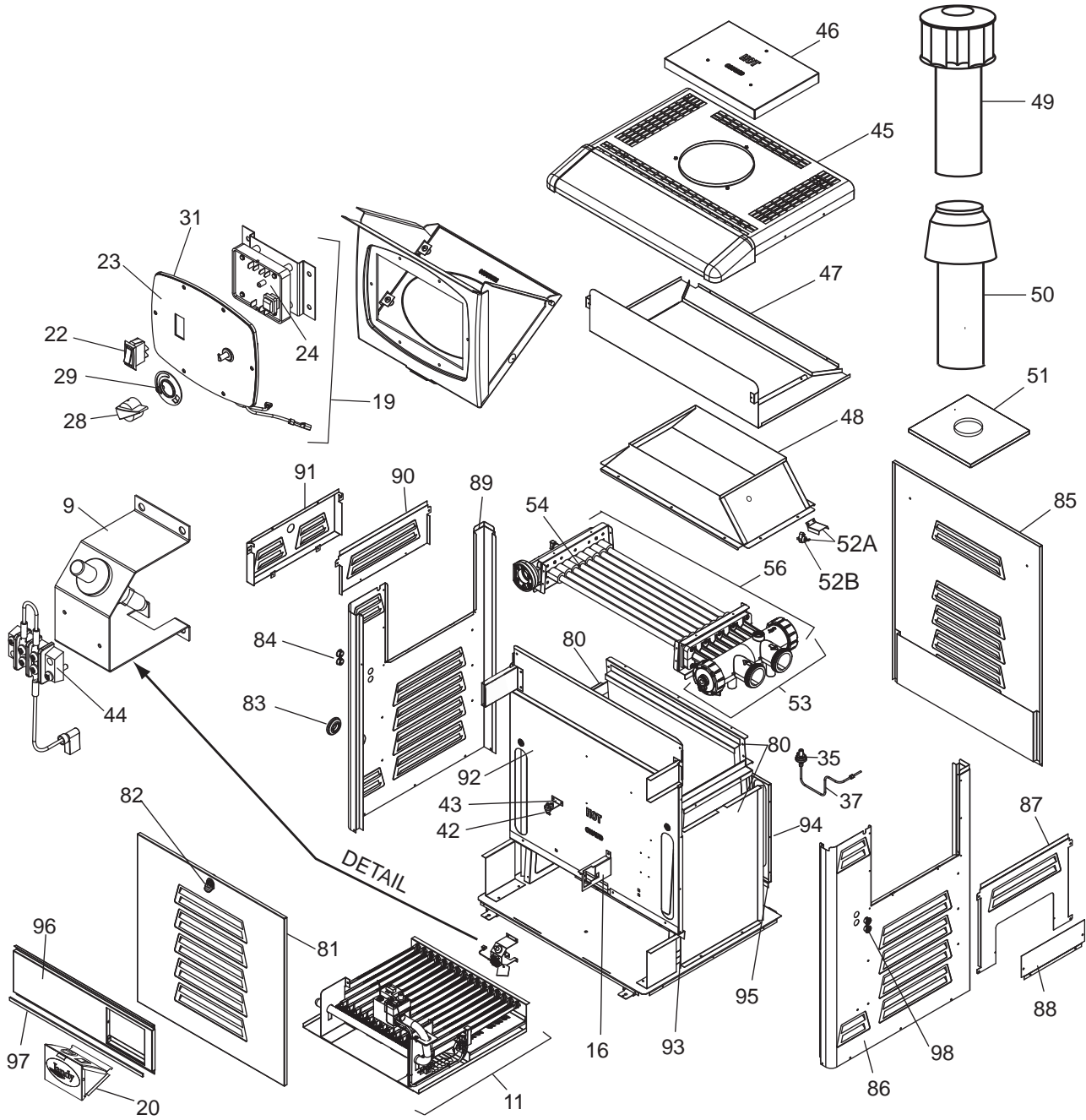
Legacy™ Model LRZE Pool/Spa Heater Parts diagram on pages 121–122.

Key No.	Part No.	Description	Model No.
JACKET COMPONENTS (CONTINUED)			
72	R0482303	Rear Panel Assembly	250
72	R0482304	Rear Panel Assembly	325
72	R0482305	Rear Panel Assembly	400
73	R0482400	Side Panel, Right	All
74	R0482500	In/Out Cover Panel, Top	All
75	R0482600	In/Out Cover Panel, Bottom	All
76	R0482700	Side Panel, Left	All
77	R0482800	Return Side Cover, Top	All
78	R0482900	Return Side Cover, Bottom	All
79	R0483101	Heat Shield	125
79	R0483102	Heat Shield	175
79	R0483103	Heat Shield	250
79	R0483104	Heat Shield	325
79	R0483105	Heat Shield	400
80	R0483201	Heat Deflector Guard, Front	125
80	R0483202	Heat Deflector Guard, Front	175
80	R0483203	Heat Deflector Guard, Front	250
80	R0483204	Heat Deflector Guard, Front	325
80	R0483205	Heat Deflector Guard, Front	400
81	R0483401	Rear Partition	125
81	R0483402	Rear Partition	175
81	R0483403	Rear Partition	250
81	R0483404	Rear Partition	325
81	R0483405	Rear Partition	400
82	R0483501	Heat Deflector Guard, Rear	125
82	R0483502	Heat Deflector Guard, Rear	175
82	R0483503	Heat Deflector Guard, Rear	250
82	R0483504	Heat Deflector Guard, Rear	325
82	R0483505	Heat Deflector Guard, Rear	400
83	R0483901	Controller Mounting Panel	125
83	R0483902	Controller Mounting Panel	175
83	R0483903	Controller Mounting Panel	250
83	R0483904	Controller Mounting Panel	325
83	R0483905	Controller Mounting Panel	400
84	R0491000	Weather Stripping	All
85	R0492800	Grommet, 7/8"	All
OPTIONAL COMPONENTS			
86*	R0471001	Noncombustible Base	125
86*	R0471002	Noncombustible Base	175
86*	R0471003	Noncombustible Base	250
86*	R0471004	Noncombustible Base	325
86*	R0471005	Noncombustible Base	400
87*	R0040400	Press Relief Valve Kit, 75 PSI, Bronze	All
88*	R0336100	Press Relief Valve Kit, 75 PSI, Polymer	All
89*	R0335800	Touch-up Spray Paint, Black and Pewter	All
90*	R0336000	Temp Rise Measurement Kit	All

NOTES:

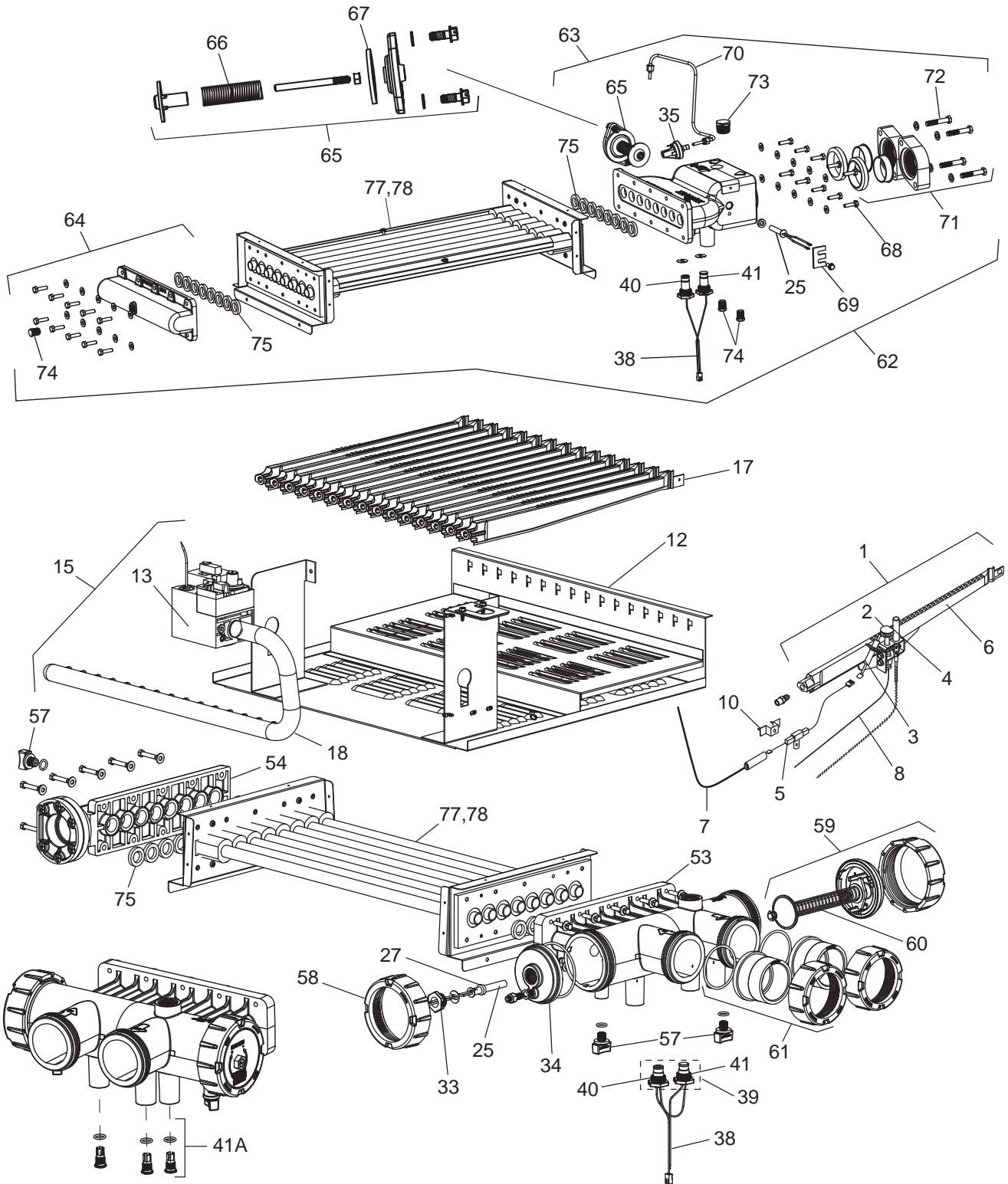
1. All hardware sets contain all pieces necessary for assembly, including gaskets.
 2. Gaskets and hardware are included in all kits that involve the removal of a gasket as part of the procedure to replace a part.
- * Parts not shown on key view.
 ** Manifold kit includes installed orifices but does not include gas valve.

Legacy™ Model LRZM Pool/Spa Heater



Parts list for LRZM Heater starts on page 128.

Legacy™ LRZM Pool/Spa Heater



Parts list for LRZM Heater starts on page 128.

GAS HEATERS / ACCESSORIES & PARTS

Legacy™ Model LRZM Pool/Spa Heater Parts diagram on pages 126–127.

Key No.	Part No.	Description	Model No.
PILOT/IGNITER SYSTEM			
1	R0494700	Pilot, Main Burner Assembly, Nat	All
1	R0494800	Pilot, Main Burner Assembly, Propane	All
2	R0492900	Pilot Burner, Nat	All
2	R0493000	Pilot Burner, Propane	All
3	R0471400	Pilot Electrode	All
4	R0471500	Pilot Generator	All
5	R0471600	Ceramic Insulator	All
6	R0471700	Burner, Main w/ Pilot Bracket	All
7	R0493400	High Voltage Lead Assembly	All
8	R0037000	Pilot Tubing	All
9	R0355900	Piezo Lighter Assembly	All
10	R0471800	Mounting Bracket Assembly	All
MAIN GAS ASSEMBLY			
11	R0471101	Burner Tray Assembly, Nat	125
11	R0471102	Burner Tray Assembly, Nat	175
11	R0471103	Burner Tray Assembly, Nat	250
11	R0471104	Burner Tray Assembly, Nat	325
11	R0471105	Burner Tray Assembly, Nat	400
11	R0471201	Burner Tray Assembly, Propane	125
11	R0471202	Burner Tray Assembly, Propane	175
11	R0471203	Burner Tray Assembly, Propane	250
11	R0471204	Burner Tray Assembly, Propane	325
11	R0471205	Burner Tray Assembly, Propane	400
12	R0469101	Burner Tray, Shelf Only	125
12	R0469102	Burner Tray, Shelf Only	175
12	R0469103	Burner Tray, Shelf Only	250
12	R0469104	Burner Tray, Shelf Only	325
12	R0469105	Burner Tray, Shelf Only	400
13	R0493100	Gas Valve, Nat	All
13	R0493200	Gas Valve, Propane	All
14*	R0469200	Orifice Set, Nat Gas, 0–3K ft.	All
14*	R0469300	Orifice Set, Nat Gas, 3–6K ft.	All
14*	R0469400	Orifice Set, Nat Gas, 6–10K ft.	All
14*	R0469500	Orifice Set, L.P. Gas, 0–5K ft.	All
14*	R0469600	Orifice Set, L.P. Gas, 5–10K ft.	All
15	R0496101	Manifold Assembly, Nat Gas, 0–3K ft.	125
15	R0496102	Manifold Assembly, Nat Gas, 0–3K ft.	175
15	R0496103	Manifold Assembly, Nat Gas, 0–3K ft.	250
15	R0496104	Manifold Assembly, Nat Gas, 0–3K ft.	325
15	R0496105	Manifold Assembly, Nat Gas, 0–3K ft.	400
15	R0496201	Manifold Assembly, Nat Gas, 3–6K ft.	125
15	R0496202	Manifold Assembly, Nat Gas, 3–6K ft.	175
15	R0496203	Manifold Assembly, Nat Gas, 3–6K ft.	250
15	R0496204	Manifold Assembly, Nat Gas, 3–6K ft.	325
15	R0496205	Manifold Assembly, Nat Gas, 3–6K ft.	400
15	R0496301	Manifold Assembly, Nat Gas, 6–10K ft.	125
15	R0496302	Manifold Assembly, Nat Gas, 6–10K ft.	175
15	R0496303	Manifold Assembly, Nat Gas, 6–10K ft.	250
15	R0496304	Manifold Assembly, Nat Gas, 6–10K ft.	325
15	R0496305	Manifold Assembly, Nat Gas, 6–10K ft.	400
15	R0496401	Manifold Assembly, L.P. Gas, 0–5K ft.	125
15	R0496402	Manifold Assembly, L.P. Gas, 0–5K ft.	175
15	R0496403	Manifold Assembly, L.P. Gas, 0–5K ft.	250

Key No.	Part No.	Description	Model No.
MAIN GAS ASSEMBLY (CONTINUED)			
15	R0496404	Manifold Assembly, L.P. Gas, 0–5K ft.	325
15	R0496405	Manifold Assembly, L.P. Gas, 0–5K ft.	400
15	R0496501	Manifold Assembly, L.P. Gas, 5–10K ft.	125
15	R0496502	Manifold Assembly, L.P. Gas, 5–10K ft.	175
15	R0496503	Manifold Assembly, L.P. Gas, 5–10K ft.	250
15	R0496504	Manifold Assembly, L.P. Gas, 5–10K ft.	325
15	R0496505	Manifold Assembly, L.P. Gas, 5–10K ft.	400
16	R0469700	Anti-Rotation Bracket	All
17	R0469800	Burner, Main	All
18	R0469901	Burner Manifold	125
18	R0469902	Burner Manifold	175
18	R0469903	Burner Manifold	250
18	R0469904	Burner Manifold	325
18	R0469905	Burner Manifold	400
ELECTRICAL SYSTEM			
19	R0471901	Temp Control/User Interface	All
20	R0491700	Temp Control/User Interface w/ Bezel	All
21*	R0472400	Wire Harness Set	All
22	R0099800	On-Off Switch	All
23	R0472100	Temperature Control Label	All
24	R0472500	Pool/Spa Control	All
25	R0456500	Temperature Sensor (Regular)	All
26*	R0477300	Temperature Sensor (Salt)	All
27	R0456600	Gasket, Temperature Control Bulb	All
28	R0010700	Thermostat Knob, Black	All
29	R0472200	Stop Plate, "Temp-Lok"	All
30*	R0472300	Temperature Control Gasket	All
31	R0472001	Temperature Control Plate Assembly	All
32*	R0474600	Stop Plate Screw	All
33	R0523900	Nut, Sensor Retainer	All
34	R0455400	Cap, Sensor and Pressure Switch w/ O-Ring	All
35	R0013200	Pressure Switch, 2 PSI	All
36*	R0015500	Pressure Switch, 1–10 PSI	All
37	R0483600	Water Pressure Switch Tubing	All
37	R0483601	Water Pressure Switch Tubing, Reversed, R-kit	All
38	R0457401	High-Limit Switch Assembly	All
39	R0457200	High Limit Set (130°F and 150°F)	All
40	R0457300	High-Limit Switch, 130°F	All
41	R0023000	High-Limit Switch, 150°F	All
41A	R0456800	High-Limit Plug, 3/PK	All
42	R0012200	Fusible Link Assembly	All
43	R0337200	Fusible Link Bracket	All
44	R0097800	Terminal Block	All
VENT SYSTEM			
45	R0470301	Top Enclosure	125
45	R0470302	Top Enclosure	175
45	R0470303	Top Enclosure	250
45	R0470304	Top Enclosure	325
45	R0470305	Top Enclosure	400

Legacy™ Model LRZM Pool/Spa Heater Parts diagram on pages 126–127.

Key No.	Part No.	Description	Model No.
VENT SYSTEM (CONTINUED)			
46	R0470401	Vent Cover	125
46	R0470402	Vent Cover	175
46	R0470403	Vent Cover	250
46	R0470404	Vent Cover	325
46	R0470405	Vent Cover	400
47	R0478201	Rainshield (Partition)	125
47	R0478202	Rainshield (Partition)	175
47	R0478203	Rainshield (Partition)	250
47	R0478204	Rainshield (Partition)	325
47	R0478205	Rainshield (Partition)	400
48	R0470501	Flue Collector Assembly	125
48	R0470502	Flue Collector Assembly	175
48	R0470503	Flue Collector Assembly	250
48	R0470504	Flue Collector Assembly	325
48	R0470505	Flue Collector Assembly	400
49	R0491601	Outdoor Vent Cap	125
49	R0491602	Outdoor Vent Cap	175
49	R0491603	Outdoor Vent Cap	250
49	R0491604	Outdoor Vent Cap	325
49	R0491605	Outdoor Vent Cap	400
50	R0499601	Indoor Draft Hood	125
50	R0499602	Indoor Draft Hood	175
50	R0499603	Indoor Draft Hood	250
50	R0499604	Indoor Draft Hood	325
50	R0499605	Indoor Draft Hood	400
51	R0478301	Adapter Plate	125
51	R0478302	Adapter Plate	175
51	R0478303	Adapter Plate	250
51	R0478304	Adapter Plate	325
51	R0478305	Adapter Plate	400
52*	R0500200	Clip	All
52A	R0534800	Fusible Link Assembly, Vent	All
52B	R0524300	Fusible Link, Vent, 240°C	All
WATER SYSTEM-POLYMER			
53	R0470800	Inlet/Outlet Header Assembly, Polymer	All
54	R0454201	Return Header Assembly, Polymer	All
55*	R0454500	Header Hardware Set, Polymer	All
56	R0470606	Heat Exch. Assembly, Complete	125
56	R0470607	Heat Exch. Assembly, Complete	175
56	R0470608	Heat Exch. Assembly, Complete	250
56	R0470609	Heat Exch. Assembly, Complete	325
56	R0470610	Heat Exch. Assembly, Complete	400
56	R0500706	Heat Exch. Assembly, Complete, CuNi	125
56	R0500707	Heat Exch. Assembly, Complete, CuNi	175
56	R0500708	Heat Exch. Assembly, Complete, CuNi	250
56	R0500709	Heat Exch. Assembly, Complete, CuNi	325
56	R0500710	Heat Exch. Assembly, Complete, CuNi	400
57	R0446000	Heat Exch. Drain Plugs, 2/PK Polymer	All
58	R0454000	3" Coupling Nut Kit w/ O-Ring	All
N/S	R0454100	O-Ring, Coupling, 2/PK	All
59	R0453701	Bypass Assembly, Polymer	All
60	R0453900	Bypass Spring, Adjustable, Polymer	All
61	R0449000	Tailpiece w/ Union Nut, 2/PK Polymer	All

N/S-Not Shown

Key No.	Part No.	Description	Model No.
WATER SYSTEM-BRONZE			
62	R0470706	Heat Exch. Assembly, Bronze, Complete	125
62	R0470707	Heat Exch. Assembly, Bronze, Complete	175
62	R0470708	Heat Exch. Assembly, Bronze, Complete	250
62	R0470709	Heat Exch. Assembly, Bronze, Complete	325
62	R0470710	Heat Exch. Assembly, Bronze, Complete	400
62	R0500806	Heat Exch. Assembly, Bronze, Complete, CuNi	125
62	R0500807	Heat Exch. Assembly, Bronze, Complete, CuNi	175
62	R0500808	Heat Exch. Assembly, Bronze, Complete, CuNi	250
62	R0500809	Heat Exch. Assembly, Bronze, Complete, CuNi	325
62	R0500810	Heat Exch. Assembly, Bronze, Complete, CuNi	400
63	R0476601	Inlet/Outlet Header Assembly, Bronze, 2"	125
63	R0476602	Inlet/Outlet Header Assembly, Bronze, 2"	175
63	R0476603	Inlet/Outlet Header Assembly, Bronze, 2"	250
63	R0476604	Inlet/Outlet Header Assembly, Bronze, 2"	325
63	R0476605	Inlet/Outlet Header Assembly, Bronze, 2"	400
64	R0476700	Return Header Assembly, Bronze (includes set of 8 gaskets)	All
65	R0476801	Bypass Assembly, Bronze	125
65	R0476802	Bypass Assembly, Bronze	175
65	R0476803	Bypass Assembly, Bronze	250
65	R0476804	Bypass Assembly, Bronze	325
65	R0476805	Bypass Assembly, Bronze	400
66	R0476901	Bypass Spring, Bronze	125
66	R0476902	Bypass Spring, Bronze	175
66	R0476903	Bypass Spring, Bronze	250
66	R0476904	Bypass Spring, Bronze	325
66	R0476905	Bypass Spring, Bronze	400
67	R0011400	Bypass Gasket, Bronze	All
68	R0477200	Heat Exchange Hardware Kit, Bronze	All
69	R0477400	Temp Sensor Mounting Bracket, Bronze	All
70	R0477501	Water Pressure Switch Tubing, Bronze	All
71	R0461500	Flange & Gasket Kit, Bronze	All
72	R0477800	Flange Bolts, Bronze	All
73	R0477900	3/4" NPT Plug, Bronze	All
74	R0478000	Header, Drain Plug, Bronze	All
WATER SYSTEM-ALL			
75	R0454300	Header Gasket Assembly (Set of 16)	All
76*	R0453800	Bypass Hardware, Gaskets	All
77	R0490101	Heat Exchanger Tube Assembly, Copper	125
77	R0490102	Heat Exchanger Tube Assembly, Copper	175
77	R0490103	Heat Exchanger Tube Assembly, Copper	250
77	R0490104	Heat Exchanger Tube Assembly, Copper	325
77	R0490105	Heat Exchanger Tube Assembly, Copper	400
78	R0490301	Heat Exchanger Tube Assembly, CuNi	125
78	R0490302	Heat Exchanger Tube Assembly, CuNi	175
78	R0490303	Heat Exchanger Tube Assembly, CuNi	250
78	R0490304	Heat Exchanger Tube Assembly, CuNi	325
78	R0490305	Heat Exchanger Tube Assembly, CuNi	400
79*	R0500001	Baffles, Heat Exchanger	125
79*	R0500002	Baffles, Heat Exchanger	175
79*	R0500003	Baffles, Heat Exchanger	250

GAS HEATERS / ACCESSORIES & PARTS

Legacy™ Model LRZM Pool/Spa Heater Parts diagram on pages 126–127.

Key No.	Part No.	Description	Model No.
FIREBOX COMPONENTS			
80	R0494906	Combustion Chamber Panels	125
80	R0494907	Combustion Chamber Panels	175
80	R0494908	Combustion Chamber Panels	250
80	R0494909	Combustion Chamber Panels	325
80	R0494910	Combustion Chamber Panels	400
JACKET COMPONENTS			
81	R0470901	Door w/ Latch	125
81	R0470902	Door w/ Latch	175
81	R0470903	Door w/ Latch	250
81	R0470904	Door w/ Latch	325
81	R0470905	Door w/ Latch	400
82	R0334900	Latch Assembly	All
83	R0460300	Grommet, Sealing, 2"	All
84	R0491100	Button Plug, 7/8"	All
85	R0482301	Rear Panel Assembly	125
85	R0482302	Rear Panel Assembly	175
85	R0482303	Rear Panel Assembly	250
85	R0482304	Rear Panel Assembly	325
85	R0482305	Rear Panel Assembly	400
86	R0482400	Side Panel, Right	All
87	R0482500	In/Out Cover Panel, Top	All
88	R0482600	In/Out Cover Panel, Bottom	All
89	R0482700	Side Panel, Left	All
90	R0482800	Return Side Cover, Top	All
91	R0482900	Return Side Cover, Bottom	All
92	R0483101	Heat Shield	125
92	R0483102	Heat Shield	175
92	R0483103	Heat Shield	250
92	R0483104	Heat Shield	325
92	R0483105	Heat Shield	400
93	R0483201	Heat Deflector Guard, Front	125
93	R0483202	Heat Deflector Guard, Front	175
93	R0483203	Heat Deflector Guard, Front	250
93	R0483204	Heat Deflector Guard, Front	325
93	R0483205	Heat Deflector Guard, Front	400
94	R0483401	Rear Partition	125

Key No.	Part No.	Description	Model No.
JACKET COMPONENTS (CONTINUED)			
94	R0483402	Rear Partition	175
94	R0483403	Rear Partition	250
94	R0483404	Rear Partition	325
94	R0483405	Rear Partition	400
95	R0483501	Heat Deflector Guard, Rear	125
95	R0483502	Heat Deflector Guard, Rear	175
95	R0483503	Heat Deflector Guard, Rear	250
95	R0483504	Heat Deflector Guard, Rear	325
95	R0483505	Heat Deflector Guard, Rear	400
96	R0483901	Controller Mounting Panel	125
96	R0483902	Controller Mounting Panel	175
96	R0483903	Controller Mounting Panel	250
96	R0483904	Controller Mounting Panel	325
96	R0483905	Controller Mounting Panel	400
97	R0491000	Weather Stripping	All
98	R0492800	Grommet, 7/8"	All
OPTIONAL COMPONENTS			
99*	R0471001	Noncombustible Base	125
99*	R0471002	Noncombustible Base	175
99*	R0471003	Noncombustible Base	250
99*	R0471004	Noncombustible Base	325
99*	R0471005	Noncombustible Base	400
100*	R0040400	Press Relief Valve Kit, 75 PSI, Bronze	All
101*	R0336100	Press Relief Valve Kit, 75 PSI, Polymer	All
102*	R0335800	Touch-up Spray Paint, Black and Pewter	All
103*	R0336000	Temp Rise Measurement Kit	All

NOTES:

- All hardware sets contain all pieces necessary for assembly, including gaskets.
 - Gaskets and hardware are included in all kits that involve the removal of a gasket as part of the procedure to replace a part.
- * Parts not shown on key view.
 ** Manifold kit includes installed orifices but does not include gas valve.

Lite2™ LD, LG (Discontinued, Mfg. 2000–2009) Parts diagram for Lite2 LD, LG Heater on page 132.

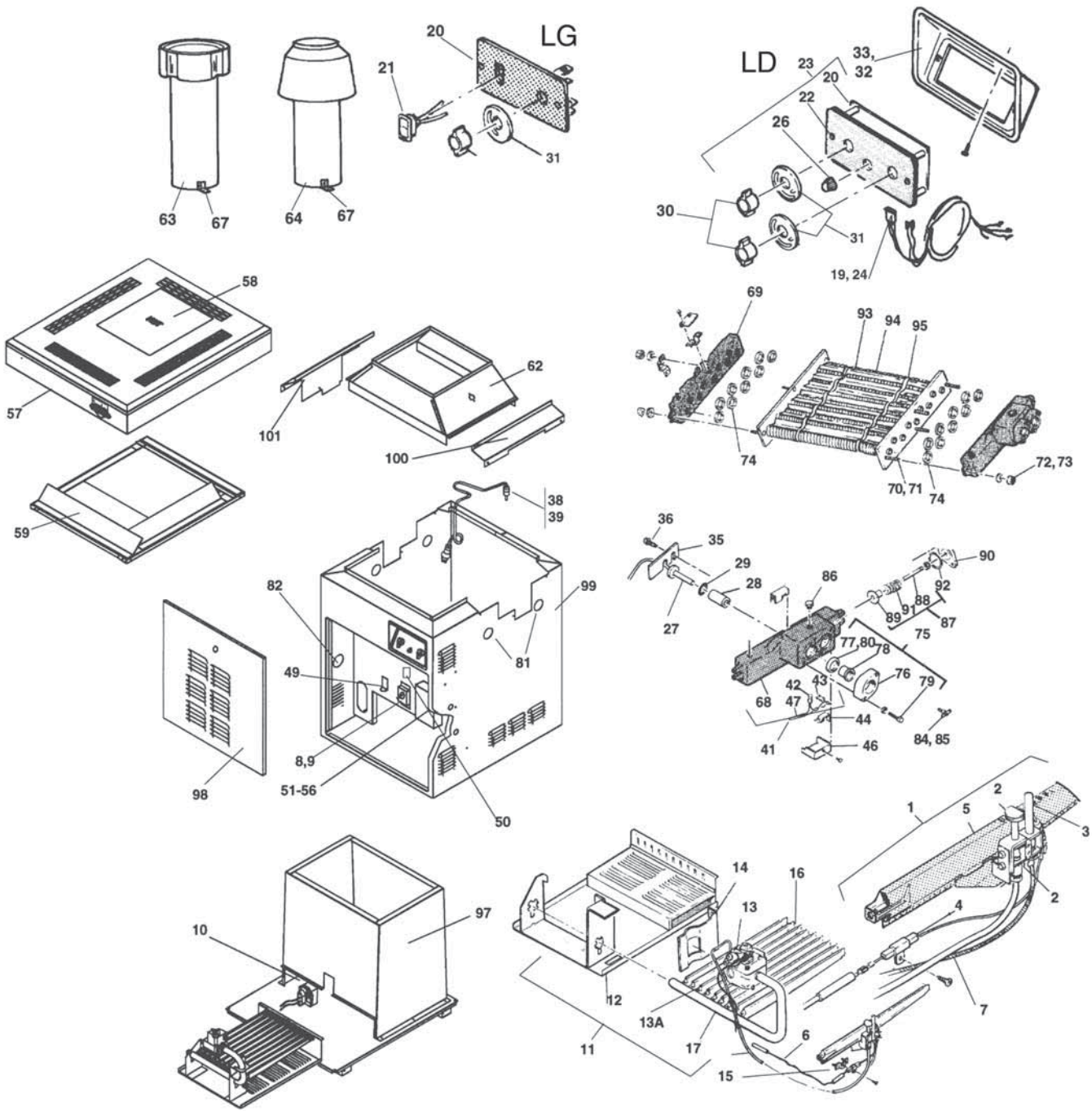
Key No.	Part No.	Description	Model No.
PILOT GAS SYSTEM - LG			
1	R0099200	Pilot, Main Burner Asy, LPG	All
1	R0099100	Pilot, Main Burner Assembly, NAT	All
2	R0096700	Pilot Burner, NAT	All
2	R0096600	Pilot Burner, LPG	All
2A	R0323300	Pilot Shield	All
3	W0036901+	Pilot Generator	All
4	R0011600	Ceramic Insulator Assembly	All
5	10457500+	Burner, Main w/ Pilot Bracket	All
6	R0099000	High Voltage Lead Assembly	All
7	R0037000	Pilot Tubing	All
8,9	R0355900	Piezo Lighter Assembly (use R0096800)	All
9	R0446900	Igniter Box - LD	All
10	R0317200	Igniter - LD	All
N/S	R0334200	HSI Shield - LD	All
N/S	R0334300	Flame Sensor, LD	All
MAIN GAS ASSEMBLY			
11	R0098601	Burner Tray Assembly, NAT (Note 1) - LG	125
11	R0098602	Burner Tray Assembly, NAT (Note 1) - LG	175
11	R0098603	Burner Tray Assembly, NAT (Note 1) - LG	250
11	R0098604	Burner Tray Assembly, NAT (Note 1) - LG	325
11	R0098605	Burner Tray Assembly, NAT (Note 1) - LG	400
11	R0098701	Burner Tray Assembly, LPG (Note 1) - LG	125
11	R0098702	Burner Tray Assembly, LPG (Note 1) - LG	175
11	R0098703	Burner Tray Assembly, LPG (Note 1) - LG	250
11	R0098704	Burner Tray Assembly, LPG (Note 1) - LG	325
11	R0098705	Burner Tray Assembly, LPG (Note 1) - LG	400
11	R0316901	Burner Tray Assembly, NAT (Note 1) - LD	125
11	R0316902	Burner Tray Assembly, NAT (Note 1) - LD	175
11	R0316903	Burner Tray Assembly, NAT (Note 1) - LD	250
11	R0316904	Burner Tray Assembly, NAT (Note 1) - LD	325
11	R0316905	Burner Tray Assembly, NAT (Note 1) - LD	400
11	R0319501	Burner Tray Assembly, LPG (Note 1) - LD	125
11	R0319502	Burner Tray Assembly, LPG (Note 1) - LD	175
11	R0319503	Burner Tray Assembly, LPG (Note 1) - LD	250
11	R0319504	Burner Tray Assembly, LPG (Note 1) - LD	325
11	R0319505	Burner Tray Assembly, LPG (Note 1) - LD	400
12	R0317001	Burner Tray, Shelf Only	125
12	R0317002	Burner Tray, Shelf Only	175
12	R0317003	Burner Tray, Shelf Only	250
12	R0317004	Burner Tray, Shelf Only	325
12	R0317005	Burner Tray, Shelf Only	400
13	R0096400	Gas Valve, NAT - LG	All
13	R0096900	Gas Valve, LPG - LG	All
13	R0317100	Gas Valve, NAT - LD	All
13	R0319600	Gas Valve, LPG - LD	All
13A	L0032200+	Gas Orifice, NAT (Note 1)	All
13A	L0032900+	Gas Orifice, LPG (Note 1)	All
14	10577200+	Anti-Rotation Bracket	All
15	10419200+	Mounting Bracket Assembly	All
16	R0469800	Burner, Main	All
17	L0052200+	Burner Manifold	125
17	L0006300+	Burner Manifold	175
17	L0006400+	Burner Manifold	250
17	L0006500+	Burner Manifold	325
17	L0006600+	Burner Manifold	400

Key No.	Part No.	Description	Model No.
ELECTRICAL SYSTEM			
18	R0058200	Temperature Control Assembly - LG	All
19	R0058000	Wire Harness	All
21	R0099800	On-Off Switch	All
22	H0201100	Temperature Control Label	All
23	R0011700	Temperature Control Assembly - LD	All
24	R0058100	Wire Harness Assembly	All
N/S	R0325900	Wire Harness Set, Complete, R-Kit	All
26	R0099900	Knob, Single Bar	All
Key Nos. 27– 36 are for both R582 and R117			
27	R0011800	Temperature Sensor	All
28	10444900+	Protector Sleeve, Bulb	All
	10462200+	Retainer Clip	All
29	R0456600	O-Ring, Temperature Control Bulb	All
30	R0010700	Thermostat Knob, Black	All
31	10583100+	Temp-Lok Stop Plate (Not Shown)	All
32	R0318800	Temperature Control Gasket	All
33	S0069800+	Bezel	All
N/S	R0474600	Stop Plate Screw	All
35	10447300+	Retainer Bracket	All
36	F0009100+	Retainer Bracket Screw	All
38	R0013200	Pressure Switch, 2 PSI	All
38	R0015500	Pressure Switch, 1–10 PSI	All
39	R0057800	Siphon Loop Assembly	All
N/S	10654300	Salt Siphon Loop Tube	All
41	R0023200	High-Limit Switch Assembly	All
42	R0022700	High-Limit Switch, 135°F	All
43	R0023000	High-Limit Switch, 150°F	All
44	R0532100	High-Limit Switch Retainer Clip	All
45	10419300+	High-Limit Switch Retainer Boot	All
46	10418300+	High-Limit Switch Retainer Cover	All
47	10419300+	High-Limit Switch Retainer Wire Harness	All
48	R0012200	Fusible Link Assembly	All
49	10479900+	Fusible Link Bracket	All
50	R0097800	Terminal Block	All
51	R0317500	Ignition Control Assembly - LD	All
52	R0408100	Ignition Control - LD	All
53	R0059800	Harness Assembly	All
54	R0061100	Transformer (115V–220V/24V)	All
55	10451200+	Ignition Control Panel	All
56	10480000+	In-Line Fuse Assembly	All
VENT SYSTEM			
57	R0343401	Top Enclosure	125
57	R0343402	Top Enclosure	175
57	R0343403	Top Enclosure	250
57	R0343404	Top Enclosure	325
57	R0343405	Top Enclosure	400
58	R0343701	Top Filler	125
58	R0343702	Top Filler	175
58	R0343703	Top Filler	250
58	R0343704	Top Filler	325
58	R0343705	Top Filler	400

Continued on next page.

GAS HEATERS / ACCESSORIES & PARTS

Lite2™ LD, LG (Discontinued, Mfg. 2000–2009) Parts list for Lite2 LD, LG Heater starts on page 131.



Key No.	Part No.	Description	Model No.
VENT SYSTEM (CONTINUED)			
59	R0318301	Rainshield Kit	125
59	R0318302	Rainshield Kit	175
59	R0318303	Rainshield Kit	250
59	R0318304	Rainshield Kit	325
59	R0318305	Rainshield Kit	400

Key No.	Part No.	Description	Model No.
62	R0316401	Flue Collector Assembly	125
62	R0316402	Flue Collector Assembly	175
62	R0316403	Flue Collector Assembly	250
62	R0316404	Flue Collector Assembly	325
62	R0316405	Flue Collector Assembly	400
63	10561501	Outdoor Vent Cap	125

N/S-Not Shown

Continued on next page.

Lite2™ LD, LG (Discontinued, Mfg. 2000–2009) Parts diagram for Lite2 LD, LG Heater on page 132.

Key No.	Part No.	Description	Model No.
VENT SYSTEM (CONTINUED)			
63	10561502	Outdoor Vent Cap	175
63	10561503	Outdoor Vent Cap	250
63	10561504	Outdoor Vent Cap	325
63	10561505	Outdoor Vent Cap	400
64	10561401	Indoor Drafthood	125
64	10561402	Indoor Drafthood	175
64	10561403	Indoor Drafthood	250
64	10561404	Indoor Drafthood	325
64	10561405	Indoor Drafthood	400
N/S	10861901	Flue Transition Plate	125
N/S	R0473102	Flue Transition Plate	175
N/S	10861903	Flue Transition Plate	250
N/S	10861904	Flue Transition Plate	325
N/S	10861905	Flue Transition Plate	400
N/S	R0449701	Adapter Plate	125
N/S	R0449702	Adapter Plate	175
N/S	R0449703	Adapter Plate	250
N/S	R0449704	Adapter Plate	325
N/S	R0449705	Adapter Plate	400
67	R0532300	Clip	All
WATER SYSTEM			
68	R0056400	Inlet/Outlet Header, 2"	All
68	R0016800	Inlet/Outlet Header, Bronze, 2"	All
69	R0058300	Return Header	All
69	R0054600	Return Header, Bronze	All
70	R0057000	Header Bolt Assembly	All
72	F0011100+	Washer for Headers	All
73	F0003100+	Nut for Headers	All
74	R0050800	Header Gasket Assembly (Set of 18)	All
75	R0055000	Flange & Gasket Assembly (Note 3)	All
76	10573500+	Flange, 2"	All
77	S0078000+	Flange Gasket, 2"	All
78	S0078200+	Flange Sleeve, 2"	All
79	R0477600	Flange Bolt, Superseded by R0461500	All
80	S0078100+	Flange Gasket, 1 1/2 – 2"	All
N/S	R0205200	Adapter, 2" CPVC Nipple	
81	R0316300	Grommet for Drain Plug	All
82	R0460300	Grommet, Slitted	All
83	S0098700	Hole Plug	All
84	P0026800+	Drain Plug	All
85	P0018500	Drain Plug Bushing	All
86	P0027000+	Brass Plug, 3/4"	All
87	R0054900	Bypass Assembly (Does not include spring)	All
88	R0391800	Bypass Valve Rod	All
89	R0011500	Bypass Valve Disc	All
90	R0054900	Bypass Valve Control Cap	All
91	S0079900+	Bypass Valve Spring, Purple	125
91	S0061400+	Bypass Valve Spring, White	175
91	S0061300+	Bypass Valve Spring, Red	250
91	S0061200+	Bypass Valve Spring, Blue	325
91	S0070100+	Bypass Valve Spring, Black	400
92	R0011400	Bypass Valve Gasket	All

Key No.	Part No.	Description	Model No.
WATER SYSTEM (CONTINUED)			
93	R0018101	Heat Exch. Tube Assembly	125
93	R0018102	Heat Exch. Tube Assembly	175
93	R0018103	Heat Exch. Tube Assembly	250
93	R0018104	Heat Exch. Tube Assembly	325
93	R0018105	Heat Exch. Tube Assembly	400
94	10697401+	Heat Exch. Baffle (8 Required)	125
94	10697402+	Heat Exch. Baffle (8 Required)	175
94	10697403+	Heat Exch. Baffle (8 Required)	250
94	10697404+	Heat Exch. Baffle (8 Required)	325
94	10697405+	Heat Exch. Baffle (8 Required)	400
95	S0083900+	Baffle Retainer	All
FIREBOX COMPONENTS			
97	R0316701	Complete Chamber Assembly	125
97	R0316702	Complete Chamber Assembly	175
97	R0316703	Complete Chamber Assembly	250
97	R0316704	Complete Chamber Assembly	325
97	R0316705	Complete Chamber Assembly	400
JACKET COMPONENTS			
98	R0343601	Door w/ Latch	125
98	R0343602	Door w/ Latch	175
98	R0343603	Door w/ Latch	250
98	R0343604	Door w/ Latch	325
98	R0343605	Door w/ Latch	400
99	R0343501	Jacket Assembly, Less Top Assembly	125
99	R0343502	Jacket Assembly, Less Top Assembly	175
99	R0343503	Jacket Assembly, Less Top Assembly	250
99	R0343504	Jacket Assembly, Less Top Assembly	325
99	R0343505	Jacket Assembly, Less Top Assembly	400
100	R0344300	Gap Closure, Inlet/Outlet	All
101	R0344400	Gap Closure, Return	All
102	10462200+	Retainer Clip	All
OPTIONAL COMPONENTS			
N/S	10521701+	Noncombustible Base	125
N/S	10521702+	Noncombustible Base	175
N/S	10521703+	Noncombustible Base	250
N/S	10521704+	Noncombustible Base	325
N/S	10521705+	Noncombustible Base	400
N/S	R0040400	Pressure Relief Valve 3/4" NPT, 75 PSI	All
N/S	R0341400	Lock Box Assembly, LLG	All
N/S	R0335800	Touch Up Spray Paint, Black and Pewter	All
N/S	R0398400	3-Wire Harness, Remote Control	All

N/S-Not Shown

Notes:

1. For altitudes 2,000 feet above sea level, see page 103 or appendix.
2. See appendix.
3. Two included in assembly.

GAS HEATERS / ACCESSORIES & PARTS

Lite2™ LJ (Discontinued, Mfg. 2003–2009) Parts diagram for Lite2 LJ Heater on page 135.

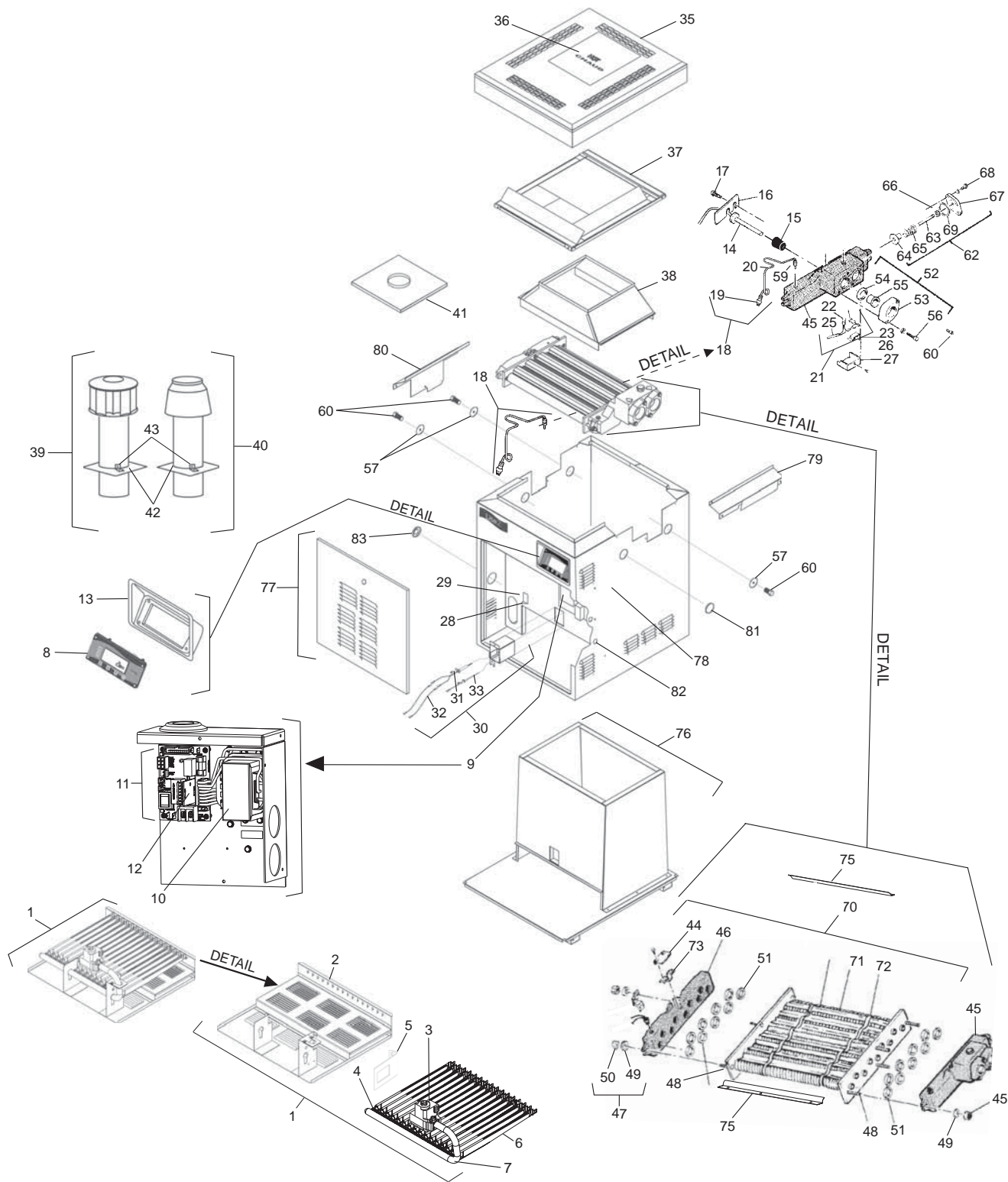
Key No.	Part No.	Description	Model No.
MAIN GAS ASSEMBLY			
1	R0383601	Burner Tray Assembly, NAT	125
1	R0383602	Burner Tray Assembly, NAT	175
1	R0383603	Burner Tray Assembly, NAT	250
1	R0383604	Burner Tray Assembly, NAT	325
1	R0383605	Burner Tray Assembly, NAT	400
1	R0383701	Burner Tray Assembly, LPG	125
1	R0383702	Burner Tray Assembly, LPG	175
1	R0383703	Burner Tray Assembly, LPG	250
1	R0383704	Burner Tray Assembly, LPG	325
1	R0383705	Burner Tray Assembly, LPG	400
2	R0317001	Burner Tray, Shelf Only	125
2	R0317002	Burner Tray, Shelf Only	175
2	R0317003	Burner Tray, Shelf Only	250
2	R0317004	Burner Tray, Shelf Only	325
2	R0317005	Burner Tray, Shelf Only	400
3	R0317100	Gas Valve, NAT	All
3	R0319600	Gas Valve, LPG	All
4	L0032200+	Gas Orifice, NAT LPG 0–3,000 ft alt. (EA.) ¹	All
4	L0032900+	Gas Orifice, LPG 0–5,000 ft alt. (EA.) ²	All
5	10835900	Anti-Rotation Bracket	All
6	R0469800	Burner, Main	All
7	L0052200+	Burner Manifold	125
7	L0006300+	Burner Manifold	175
7	L0006400+	Burner Manifold	250
7	L0006500+	Burner Manifold	325
7	L0006600+	Burner Manifold	400
ELECTRICAL SYSTEM			
8	R0366200	Heater Control Assembly	All
9	R0366500	High Voltage Assembly	All
N/S	R0384900	High Voltage Assembly Fuse	400
10	R0366700	Transformer w/ Wiring Harness	All
11	R0366800	Power Control Board	All
12	R0366900	115/230 VAC Conversion Plug	All
13	S0069800+	Bezel	All
14	R0367000	Temperature Sensor	All
N/S	10462200+	Retainer Clip	All
16	10447300+	Temperature Sensor Retainer Bracket	All
17	F0009100+	Retainer Bracket Screw	All
18	R0097600	Pressure Switch and Siphon Loop Assembly (2 PSI) Use R0013200 and R0057800	All
19	R0013200	Pressure Switch, 2 PSI	All
19	R0015500	Pressure Switch, 1–10 PSI	All
20	R0057800	Siphon Loop Assembly	All
N/S	10654300	Salt Siphon Loop Tube	All
21	R0023200	High-Limit Switch Assembly	All
22	R0022700	High-Limit Switch, 135° F	All
23	R0023000	High-Limit Switch, 150° F	All
N/S	S0098900	High-Limit Switch Retainer Boot (Use #10419300+)	All
25	10419301+	High-Limit Switch Wire Harness w/ High Limits	All
26	R0532100	High-Limit Switch Retainer Clip	All

Key No.	Part No.	Description	Model No.
ELECTRICAL SYSTEM (CONTINUED)			
28	R0012200	Fusible Link Assembly	All
29	10479900+	Fusible Link Bracket	All
30	R0449800	Igniter Box Assembly R-Kit	All
30	R0383900	Igniter Box Assembly Kit (Use R0449800)	All
31	R0367100	Igniter (Pre 2006 units)	All
31	R0449800	Igniter (2006 and later units)	All
32	R0383300	Igniter Fuse Assembly, 2/PK	All
33	R0334300	Flame Sense Rod	All
N/S	R0366600	Wire Harnesses, Temp/Ignition Control	All
N/S	R0325900	Wire Harness Set, Complete, R-Kit	All
VENT SYSTEM			
35	R0343401	Top Enclosure	125
35	R0343402	Top Enclosure	175
35	R0343403	Top Enclosure	250
35	R0343404	Top Enclosure	325
35	R0343405	Top Enclosure	400
36	R0343701	Top Filler Plate	125
36	R0343701	Top Filler Plate	175
36	R0343701	Top Filler Plate	250
36	R0343701	Top Filler Plate	325
36	R0343701	Top Filler Plate	400
37	R0318301	Rainshield Kit	125
37	R0318302	Rainshield Kit	175
37	R0318303	Rainshield Kit	250
37	R0318304	Rainshield Kit	325
37	R0318305	Rainshield Kit	400
38	R0316401	Flue Collector Assembly	125
38	R0316402	Flue Collector Assembly	175
38	R0316403	Flue Collector Assembly	250
38	R0316404	Flue Collector Assembly	325
38	R0316405	Flue Collector Assembly	400
39	10561501	Outdoor Vent Cap	125
39	10561502	Outdoor Vent Cap	175
39	10561503	Outdoor Vent Cap	250
39	10561504	Outdoor Vent Cap	325
39	10561505	Outdoor Vent Cap	400
40	10561401	Indoor Drafthood	125
40	10561402	Indoor Drafthood	175
40	10561403	Indoor Drafthood	250
40	10561404	Indoor Drafthood	325
40	10561405	Indoor Drafthood	400
41	R0473101	Flue Transition Plate (Old #10861901)	125
41	R0473102	Flue Transition Plate (Old #10861902)	175
41	R0473103	Flue Transition Plate (Old #10861903)	250
41	R0473104	Flue Transition Plate (Old #10861904)	325
41	R0473105	Flue Transition Plate (Old #10861905)	400
42	R0449701	Adapter Plate	125
42	R0449702	Adapter Plate	175
42	R0449703	Adapter Plate	250

N/S-Not Shown

Parts list for Lite2 LJ Heater continued on page 136.

Lite2™ LJ (Discontinued, Mfg. 2003–2009)



Parts list for Lite2 LJ Heater starts on page 134.

GAS HEATERS / ACCESSORIES & PARTS

Lite2™ LJ (Discontinued, Mfg. 2003–2009) Parts diagram for Lite2 LJ Heater on page 135.

Key No.	Part No.	Description	Model No.
VENT SYSTEM (CONTINUED)			
42	R0449704	Adapler Plate	325
42	R0449705	Adapler Plate	400
43	10211000	Clip (Use #R0532300)	All
44	10726300	Flue Collector Hold Down Clamp	All
WATER SYSTEM			
45	R0056400	Inlet/Outlet Header, 2"	All
45	R0016800	Inlet/Outlet Header, Bronze, 2"	All
46	R0054600	Return Header, Bronze (Includes set of 9 gaskets)	All
46	R0058300	Return Header, Cast Iron (Includes set of 9 gaskets)	All
47	R0057000	Header Bolt Assembly, 8/PK	All
49	F0011100+	Washer for Headers	All
50	F0003100+	Nut for Headers	All
51	R0050800	Header Gasket Assembly, 18/PK	All
52	R0055000	Flange & Gasket Assembly, 2/PK	All
53	10573500+	Flange, 2"	All
54	S0078000+	Flange Gasket, 2"	All
54	S0078100+	Flange Gasket, 1 1/2-2"	All
55	S0078200+	Flange Sleeve, 2"	All
56	R0477600	Flange Bolt, Superseded by R0461500	All
N/S	R0205200	Adapter, 2" CPVC Nipple	All
57	R0316300	Rubber Grommet for Drain Plug	All
59	P0019700+	Brass Connector Body	All
60	P0026800+	Brass Drain Plug 1/4"	All
61	P0027000+	Brass Plug, 3/4"	All
62	R0013100	Bypass Assy w/o Spring (Iron Cap)	All
62	R0452801	Bypass Assy w/ Spring (Bronze Cap)	125
62	R0452802	Bypass Assy w/ Spring (Bronze Cap)	175
62	R0452803	Bypass Assy w/ Spring (Bronze Cap)	250
62	R0452804	Bypass Assy w/ Spring (Bronze Cap)	325
62	R0452805	Bypass Assy w/ Spring (Bronze Cap)	400
63	S0079800+	Bypass Valve Rod	All
64	R0011500	Bypass Valve Disc	All
65	S0079900+	Bypass Valve Spring, Purple	125
65	S0061400+	Bypass Valve Spring, White	175
65	S0061300+	Bypass Valve Spring, Red	250
65	S0061200+	Bypass Valve Spring, Blue	325
65	S0070100+	Bypass Valve Spring, Black	400
66	F0048400+	Brass Nut (For Rod)	All
67	R0054900	Bypass Valve Control Cap (Iron)	All
67	R0054901	Bypass Valve Control Cap (Bronze)	All
68	F0041600+	Control Cap Bolts (2 Required)	All
69	R0011400	Bypass Valve Gasket	All
70	R0018101	Heat Exch. Tube Assembly (Incl. set of 18 gaskets)	125
70	R0018102	Heat Exch. Tube Assembly (Incl. set of 18 gaskets)	175
70	R0018103	Heat Exch. Tube Assembly (Incl. set of 18 gaskets)	250
70	R0018104	Heat Exch. Tube Assembly (Incl. set of 18 gaskets)	325

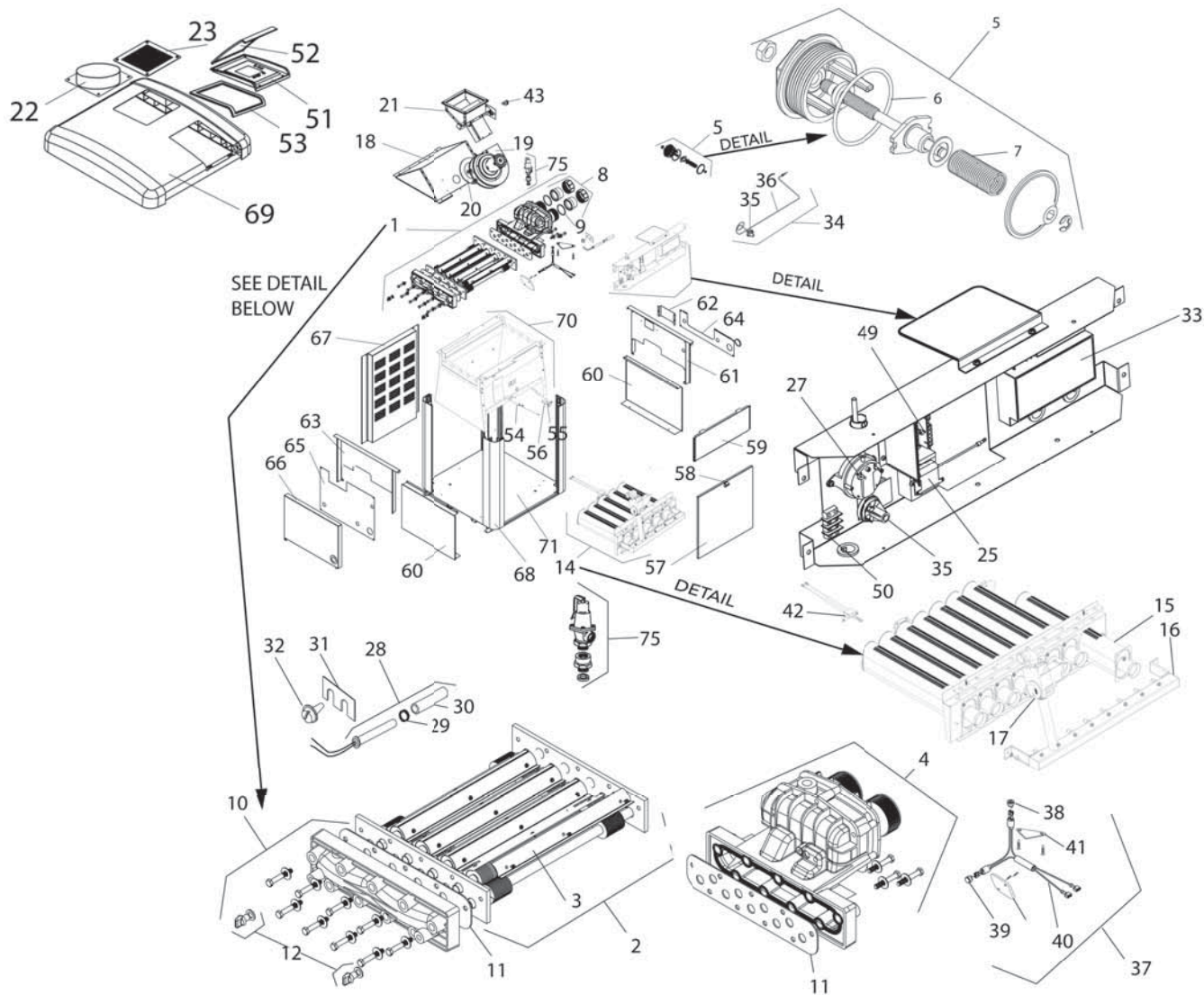
Key No.	Part No.	Description	Model No.
WATER SYSTEM (CONTINUED)			
70	R0018105	Heat Exch. Tube Assembly (Incl. set of 18 gaskets)	400
71	10697401+	Heat Exch. Baffle (8 Required)	125
71	10697402+	Heat Exch. Baffle (8 Required)	175
71	10697403+	Heat Exch. Baffle (8 Required)	250
71	10697404+	Heat Exch. Baffle (8 Required)	325
71	10697405+	Heat Exch. Baffle (8 Required)	400
72	S0083900+	Baffle Retainer	All
73	10457000	Heat Exchanger Support Clip (2 Req'd)	All
N/S	S0000300+	Flow Restrictors (2 Required)	125
75	R0332301	Heat Exchanger End Baffles (2 Req'd)	125
75	R0332302	Heat Exchanger End Baffles (2 Req'd)	175
75	R0332303	Heat Exchanger End Baffles (2 Req'd)	250
FIREBOX COMPONENTS			
76	R0383101	Complt. Combustion Chamber Assy	125
76	R0383102	Complt. Combustion Chamber Assy	175
76	R0383103	Complt. Combustion Chamber Assy	250
76	R0383104	Complt. Combustion Chamber Assy	325
76	R0383105	Complt. Combustion Chamber Assy	400
JACKET COMPONENTS			
77	R0343601	Door w/ Latch	125
77	R0343602	Door w/ Latch	175
77	R0343603	Door w/ Latch	250
77	R0343604	Door w/ Latch	325
77	R0343605	Door w/ Latch	400
78	R0343501	Jacket Assembly, Less Top Assy	125
78	R0343502	Jacket Assembly, Less Top Assy	175
78	R0343503	Jacket Assembly, Less Top Assy	250
78	R0343504	Jacket Assembly, Less Top Assy	325
78	R0343505	Jacket Assembly, Less Top Assy	400
79	R0344300	Gap Closure, Inlet/Outlet	All
80	R0344400	Gap Closure, Return	All
81	F0035300+	Button Plug, 1 3/4"	All
82	R0210100	Button Plug, 7/8"	All
83	R0460300	Grommet, Sealing, 2"	All
OPTIONAL COMPONENTS			
N/S	10521701+	Noncombustible Base	125
N/S	10521702+	Noncombustible Base	175
N/S	10521703+	Noncombustible Base	250
N/S	10521704+	Noncombustible Base	325
N/S	10521705+	Noncombustible Base	400
N/S	R0040400	Pressure Relief Valve 3/4" NPT, 75 PSI	All
N/S	R0335800	Touch Up Spray Paint, Black and Pewter	All
N/S	R0398400	Remote Control Wire Harness	All
N/S	R0444800	Fuse Set, Complete	All

N/S-Not Shown

Notes:

1. For altitudes 2,000 ft. above sea level, call factory for orifice size.
2. For altitudes 5,000 ft. above sea level, call factory for orifice size.
3. Gaskets and hardware are included in all kits that require the removal of a gasket as part of the procedure to replace a part.

LX™/LT™ Low NOx (Discontinued, Mfg. 2003–2007)



Key No.	Part No.	Description	Model No.
WATER COMPONENTS			
1	R0326303	Complete Heat Exchanger (Copper)	250
1	R0326305	Complete Heat Exchanger (Copper)	400
1	R0395703	Bronze Heat Exchanger, Cu, Complete	250
1	R0395705	Bronze Heat Exchanger, Cu, Complete	400
1	R0395803	ASME® Heat Exchanger Tube Assembly	250
1	R0395805	ASME Heat Exchanger Tube Assembly	400
2	R0395708	Bronze Heat Exchanger, CuNi, Complt.	250
2	R0395710	Bronze Heat Exchanger, CuNi, Complt.	400
3	R0334403	Heat Exchanger Baffles (Set of 10 including end baffles)	250
3	R0334405	Heat Exchanger Baffles (Set of 10 including end baffles)	400
4	R0326900	Front Header, w/ Hdw and Gskts	All
5	R0327100	Bypass Assembly, w/ Hdw and Gskts	All

Key No.	Part No.	Description	Model No.
6	R0336700	Gasket, Bypass Assembly	All
7	R0327200	Spring, Bypass	All
8	R0327300	Coupling Nut Kit, w/ Gasket, 2/PK	All
9	R0327400	Gasket, Coupling, 2/PK	All
10	R0327000	Rear Header, w/ Hardware and Gaskets	All
11	R0327500	Gasket, Header (front or rear)	All
12	R0335900	Header Drain Plug w/ Gasket, 3/PK	All
N/S	R0327600	Heat Exch. Hardware Kit and Gaskets	All
GAS COMPONENTS			
14	R0386203	Burner Tray Assembly (Nat. Low Altitude)	250
14	R0386205	Burner Tray Assembly (Nat. Low Altitude)	400

N/S-Not Shown

Continued on next page.

GAS HEATERS / ACCESSORIES & PARTS

LX™/LT™ Low NOx (Discontinued, Mfg. 2003–2007) Parts diagram on page 137.

Key No.	Part No.	Description	Model No.
GAS COMPONENTS (CONTINUED)			
14	R0394703	Burner Tray Assembly (Nat. Mid Altitude)	250
14	R0394705	Burner Tray Assembly (Nat. Mid Altitude)	400
14	R0394803	Burner Tray Assembly (Nat. Hi Altitude)	250
14	R0394805	Burner Tray Assembly (Nat. Hi Altitude)	400
14	R0394503	Burner Tray Assembly (LP Low Altitude)	250
14	R0394505	Burner Tray Assembly (LP Low Altitude)	400
14	R0394603	Burner Tray Assembly (LP Hi Altitude)	250
14	R0394605	Burner Tray Assembly (LP Hi Altitude)	400
15	R0386400	Burners (Ea.)	All
**16	R0395003	Manifold, Gas, Nat. (Low Altitude)	250
**16	R0395005	Manifold, Gas, Natural (Low Altitude)	400
**16	R0394303	Manifold, Gas, Natural (Mid Altitude)	250
**16	R0394305	Manifold, Gas, Natural (Mid Altitude)	400
**16	R0394403	Manifold, Gas, Natural (High Altitude)	250
**16	R0394405	Manifold, Gas, Natural (High Altitude)	400
**16	R0394103	Manifold, Gas, LP (Low Altitude)	250
**16	R0394105	Manifold, Gas, LP (Low Altitude)	400
**16	R0394203	Manifold, Gas, LP (High Altitude)	250
**16	R0394205	Manifold, Gas, LP (High Altitude)	400
17	R0386600	Gas Valve Nat w/ Street Elbow	All
17	R0336900	Gas Valve LP w/ Street Elbow	All
EXHAUST SYSTEM			
18	R0386703	Flue Collector	250
18	R0386705	Flue Collector	400
19	R0329800	Blower Assembly	All
20	R0329900	Blower Mounting Hardware	All
21	R0331500	Flue Vent Assembly	All
22	R0331403	Indoor Vent Collar	250
22	R0331405	Indoor Vent Collar	400
23	R0328500	Outdoor Grill	All
N/S	R0331600	Vent Hardware Kit	All
ELECTRICAL			
25	R0061100	Transformer	All
N/S	R0337100	Fuse Assembly, In-line	All
27	R0302000	Blower Pressure Switch	All
28	R0011800	Temperature Sensor w/ Sleeve and Gskt	All
29	R0456600	Gasket, Temperature Sensor	All
30	10444900+	Plastic Sleeve, Temperature Sensor	All
31	10447300+	Retainer Bracket, Temp. Sensor	All
32	F0009100+	Screw, Retainer Bracket	All
33	R0386800	Ignition Control	All
35	R0013200	Pressure Switch, 2 psi	All
36	R0334600	Siphon Loop	All
37	R0023200	High Limits Set	All
38	R0022700	High Limit 135°F	All
39	R0023000	High Limits 150°F	All
40	R0334700	Harness, High Limit Switch	All
41	R0336500	Retainer Plates, High Limit, 2/PK	All
42	R0386900	Hot Surface Igniter	All
43	R0329400	Exhaust Temp. Limit Switch	All
N/S	R0397600	Wire Harness Set Complete	All
N/S	R0330900	Wire Harness, Power Transformer	All
N/S	R0369500	Wire Harness with PCB	All
N/S	R0331000	Wire Harness, Ignition Control	All
N/S	R0331100	Wire Harness, Gas Valve	All
N/S	R0331200	Wire Harness, Safety Loop	All
49	R0397500	Power Distribution Circuit Board	All

Key No.	Part No.	Description	Model No.
50	R0097800	Terminal Block for Fireman's Switch	All
51	R0329600	Temperature Control w/ Bezel, Gasket & Cover - LX Only	All
N/S	R0350500	Temperature Control w/ Bezel, Gasket and Cover - LT Only	All
52	R0330600	Cover, Temperature Control	All
53	R0387600	Gasket, Temp Control/Top	All
54	R0387000	Flame Sense Rod	All
55	R0012200	Fusible Link	All
56	R0337200	Bracket, Fusible Link	All
JACKET COMPONENTS			
57	R0387103	Door w/ Latch	250
57	R0387105	Door w/ Latch	400
58	R0334900	Door Latch Assembly w/ Handle	All
59	R0335103	Cover Panel, Raceway	250
59	R0335105	Cover Panel, Raceway	400
60	R0330100	Panel, Side, Lower (fits left or right)	All
61	R0330200	Panel, Right Side, Upper	All
62	R0336600	Cover Panel, Exhaust Switch	All
63	R0335200	Panel, Left Side, Upper	All
64	R0335300	Cover Plate, I/O Header Side	All
65	R0335400	Cover Plate, Return Header Side	All
66	R0335500	Cover Panel, Left Side	All
67	R0330303	Rear Panel	250
67	R0330305	Rear Panel	400
68	R0330400	Corner Posts	All
69	R0330503	Top Assembly	250
69	R0330505	Top Assembly	400
70	R0387203	Combustion Chamber Assembly	250
70	R0387205	Combustion Chamber Assembly	400
71	R0335608	Base Panel	250
71	R0335610	Base Panel	400
OPTIONAL			
N/S	R0330803	Noncombustible Base	250
N/S	R0330805	Noncombustible Base	400
N/S	R0335800	Touch-up Paint	All
N/S	R0336000	Temperature Rise Measurement Kit	All
75	R0336100	Pressure Relief Valve	All
N/S	R0382800	High Temp Silicone Sealant	All
N/S	R0383200	Sensor Stud Assy Brass Dry Well Fitting	All

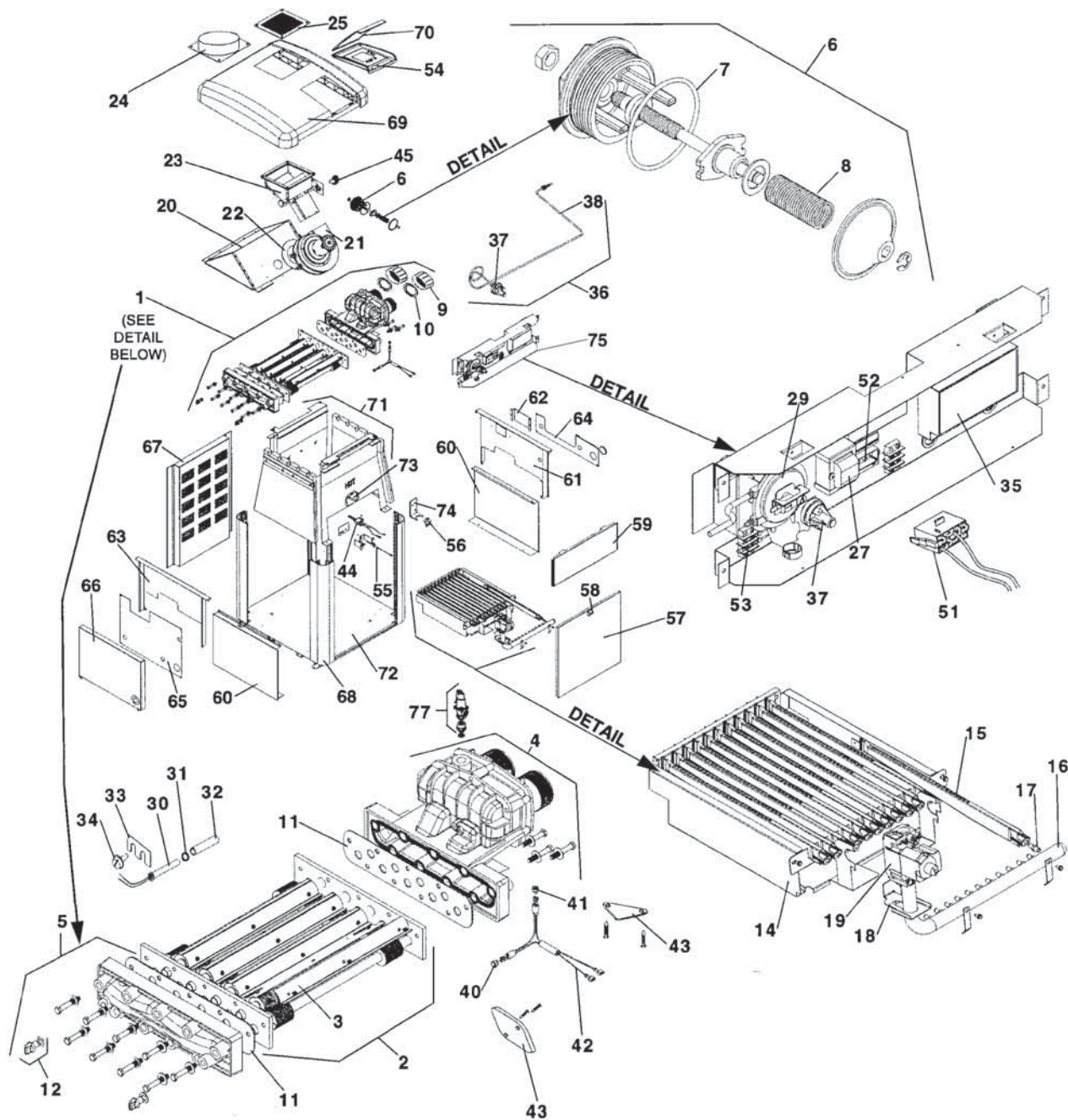
N/S-Not Shown

NOTES:

- When ordering a kit for a model 250 specify as R####-03, When ordering a kit for a model 400 specify as R####-05.
- All hardware sets contain all pieces necessary for assembly, including gaskets. Not shown.
- Gaskets and hardware are included in all kits that involve the removal of a gasket as part of the procedure to replace a part.
 ** Manifold kit includes installed orifices but does not include gas valve.

Part No.	Description	Model No.
R0329500	Wire Harnesses Complete	All
R0330900	Wire Harness, Power Transformer	All
R0331000	Wire Harness, Ignition Control	All
R0331100	Wire Harness, Gas Valve	All
R0331200	Wire Harness, Safety Loop	All
R0336200	Wire Harness, 120 VAC Power Plug	All
R0336300	Wire Harness, 240 VAC Power Plug	All
R0336400	Wire Harness, 15 Pin Connector	All

LX™/LT™ (Discontinued, Mfg. 1999–2003)



Key No.	Part No.	Description	Model No.
WATER COMPONENTS			
1	R0326303	Complete Heat Exchanger (Copper)	250
1	R0326305	Complete Heat Exchanger (Copper)	400
1	R0395703	Bronze Heat Exchanger, Cu, Complete	250
1	R0395705	Bronze Heat Exchanger, Cu, Complete	400
1	R0395803	ASME® Heat Exchanger Tube Assembly	250

Key No.	Part No.	Description	Model No.
1	R0395805	ASME Heat Exchanger Tube Assembly	400
3	R0334403	Heat Exchanger Baffles (Set of 10 including end baffles)	250
3	R0334405	Heat Exchanger Baffles (Set of 10 including end baffles)	400
4	R0326900	Front Header, w/ Hardware and Gaskets	All
5	R0327000	Rear Header, w/ Hardware and Gaskets	All

Continued on next page.

GAS HEATERS / ACCESSORIES & PARTS

LX™/LT™ (Discontinued, Mfg. 1999–2003) Parts diagram on page 139.

Key No.	Part No.	Description	Model No.
WATER COMPONENTS (CONTINUED)			
6	R0327100	Bypass Assembly, w/ Hardware and Gaskets	All
7	R0336700	Gasket, Bypass Assembly	All
8	R0327200	Spring, Bypass	All
9	R0327300	Coupling Nut Kit, w/ Compression Ring and Gasket, 2/PK Unions	All
10	R0337600	O-Rings, Header Coupling for LX	All
11	R0327500	Gasket, Header (front or rear)	All
12	R0335900	Header Drain Plug w/ Gasket, 3/PK	All
N/S	R0327600	Heat Exchanger Hardware Kit and Gaskets	All
GAS COMPONENTS			
14	R0327703	Burner, Tray Weldment	250
14	R0327705	Burner, Tray Weldment	400
15	R0469800	Burners	All
16	R0327803	Manifold, Gas	250
16	R0327805	Manifold, Gas	400
17	R0327900	Nat. Orifice (0–3K ft.), 20/PK	All
17	R0328000	Nat. Orifice (3K–6K ft.), 20/PK	All
17	R0328100	Nat. Orifice (6K–9K ft.), 20/PK	All
17	R0328200	LP Orifice (0–5K ft.), 20/PK	All
17	R0328300	LP Orifice (5K–10K ft.), 20/PK	All
18	R0331800	Anti-Rotation Bracket	All
19	R0336800	Gas Valve Nat w/ Street Ell	All
19	R0336900	Gas Valve LP w/ Street Ell	All
EXHAUST SYSTEM			
20	R0331703	Flue Collector	250
20	R0331705	Flue Collector	400
21	R0329800	Blower Assembly	All
N/S	Q0078800	Blower Tube (by ft.)	All
22	R0329900	Gasket w/Blower Mounting Hardware	All
23	R0331500	Flue Vent	All
24	R0331403	Indoor Vent Collar, 7"	250
24	R0331405	Indoor Vent Collar, 9"	400
25	R0328500	Outdoor Grill	All
N/S	R0331600	Vent Hardware Kit	All
N/S	R0369700	Exhaust Vent Extension R-Kit	
ELECTRICAL			
27	R0061100	Transformer	All
N/S	R0330900	In-line Fuse Assembly, 3 Amp	All
29	R0302000	Blower Pressure Switch	All
30	R0011800	Temperature Sensor	All
31	R0456600	Gasket, Temperature Sensor	All
32	10444900+	Plastic Sleeve, Temperature Sensor	All
33	10447300+	Retainer Bracket, Temp. Sensor	All
34	F0009100+	Screw, Retainer Bracket	All
35	R0408100	Ignition Control	All
37	R0013200	Pressure Switch, 2 PSI	All
38	R0334600	Siphon Loop	All
N/S	R0327600	Fitting for Siphon Loop Tube, Heater Connect.	All
39	R0023200	High Limits Set	All
40	R0022700	High Limit 135°F	All
41	R0023000	High Limits 150°F	All
N/S	R0383200	High Limit Insert, 3/PK Brass, Snsr Std Assembly	All
42	R0334700	Harness, High Limit Switch	All
43	R0336500	Retainer Plates, High Limit, 2/PK	All

Key No.	Part No.	Description	Model No.
ELECTRICAL (CONTINUED)			
44	R0337000	Hot Surface Igniter	All
45	R0329400	Exhaust Temp. Limit Switch	All
N/S	R0329500	Wire Harnesses Complete	All
N/S	R0330900	Wire Harness, Power Transformer	All
N/S	R0331000	Wire Harness, Ignition Control	All
N/S	R0331100	Wire Harness, Gas Valve	All
N/S	R0331200	Wire Harness, Safety Loop	All
51	R0336200	Wire Harness, 120V Power Plug	All
51	R0336300	Wire Harness, 240V Power Plug	All
52	R0336400	Wire Harness, 15 Pin Connector	All
53	R0097800	Terminal Block for Fireman's Switch	All
54	R0329600	Temperature Control w/ Bezel	LX
N/S	R0350500	Temperature Control w/ Bezel - Dual	LT
N/S	R0387600	Gasket, Temp Control R-Kit	
55	R0334800	Flame Sense Rod	All
56	R0012200	Fusible Link	All
JACKET COMPONENTS			
57	R0330003	Door w/ Latch	250
57	R0330005	Door w/ Latch	400
58	R0334900	Door Latch Assembly w/ Handle	All
59	R0335103	Cover Panel, Raceway	250
59	R0335105	Cover Panel, Raceway	400
60	R0330100	Panel, Side, Lower (fits left or right)	All
61	R0330200	Panel, Right Side, Upper	All
62	R0336600	Cover Panel, Exhaust Switch	All
63	R0335200	Panel, Left Side, Upper	All
64	R0335300	Cover Plate, I/O Header Side	All
65	R0335400	Cover Plate, Return Header Side	All
66	R0335500	Cover Panel, Left Side	All
67	R0330303	Rear Panel	250
67	R0330305	Rear Panel	400
68	R0330400	Corner Posts	All
69	R0330503	Top Panel	250
69	R0330505	Top Panel	400
70	R0330600	Cover, Temperature Control	All
71	R0330703	Combustion Chamber Assembly	250
71	R0330705	Combustion Chamber Assembly	400
72	R0335603	Base Panel	250
72	R0335605	Base Panel	400
73	R0335700	Igniter Box Assembly	All
74	R0337200	Bracket, Fusible Link	All
75	R0369500	Raceway Circuit Board	All
OPTIONAL			
N/S	R0330803	Noncombustible Base	250
N/S	R0330805	Noncombustible Base	400
77	R0336100	Pressure Relief Valve	All
N/S	R0335800	Touch-up Paint	All
N/S	R0336000	Temperature Rise Measurement Kit All	All
N/S	R0355800	Lock Box	All

N/S-Not Shown

PUMPS

FILTERS

GAS HEATERS

HEAT PUMPS

AUTOMATION

WATER LEVELING

WATER SANITIZERS

VALVES

WATER FEATURES

LIGHTING

CLEANERS

IN-FLOOR

BLOWERS

ACCESSORIES





HEAT PUMPS

Heat Pumps 145

Heat Pump Accessories & Parts 147



Jandy
Pro Series
HERT PUMP

Jandy® Pro Series JE Series Heat Pump



JE Heat Pump



Digital Controller



Jandy Pro Series JE line of premium Heat Pumps delivers maximum energy efficiency and reliability. Working efficiently, JE Heat Pumps absorb free heat from the air and transfer it to the water, making the heating process ecological and cost effective.

- **Ultra-Efficient**—Featuring a premium titanium heat exchanger, JE Series heat pumps provide superior hydraulic flow for maximum energy savings.
- **Superior Control**—Features advanced digital control to enable self diagnostics, multilingual capability. When used with AquaLink® RS control systems, an auto-heat feature maintains your pool's temperature automatically and efficiently 24 hours a day. Also features easy-to-operate dual thermostats (pool/spa).
- **Heat or Cool**—Optional chiller mode to cool your pool during the hot summer months (select models).
- **Versa Plumb®-Ready**—All JE heat pumps are Versa Plumb-ready for best-in-class efficiency. See Versa Plumb section for more information about the benefits of Versa Plumb.
- **Versatile**—Four standard models available: JE1500 (70,000 BTU*), JE2000 (96,000 BTU*), JE2500 (110,000 BTU*), and JE3000 (132,000 BTU*). Three-phase models available: JE2500 (110,000 BTU*), and JE3000 (132,000 BTU*). Also available, an ultra-premium model featuring optional chiller mode: JE3000TR (130,000 BTU*).
- **Includes 2 – 2.5" unions**
- **Environmentally-friendly R-410A Refrigerant**

Part No.	Description
JE1500T	70,000 BTUs*, 5.4 COP Heater, 230V/60HZ 1-Phase
JE2000T	96,000 BTUs*, 5.8 COP Heater, 230V/60HZ 1-Phase
JE2500T	110,000 BTUs*, 5.8 COP Heater, 230V/60HZ 1-Phase
JE2500T3	110,000 BTUs*, 5.8 COP Heater, 208/230V/60HZ 3-Phase
JE3000T	132,000 BTUs*, 6.1 COP Heater, 230V/60HZ 1-Phase
JE3000T3	132,000 BTUs*, 6.1 COP Heater, 208/230V/60HZ 3-Phase
JE3000TR	130,000 BTUs*, 6.0 COP Heater/Chiller, 230V/60HZ 1-Phase
JE3000TR3	130,000 BTUs*, 6.0 COP Heater/Chiller, 208/230V/60HZ 3-Phase

*Test Conditions: 80°F Air, 80% RH, 80°F Water, Rated in accordance with AHRI Standard 1160

Technical specifications chart on next page.

HEAT PUMPS / JE SERIES

JE Heat Pump Technical Specifications

MODEL	JE1500T	JE2000T	JE2500T	JE2500T3	JE3000T	JE3000T3	JE3000TR	JE3000TR3
Voltage	230V/60HZ	230V/60HZ	230V/60HZ	208/230V /60HZ/3	230V/60HZ	208/230V /60HZ/3	230V/60HZ	208/230V /60HZ/3
Output (80/80/80)*	70,000 Btu	96,000 Btu	110,000 Btu		132,000 Btu		130,000 Btu	
Input (80/80/80)*	3.83 kW	5.03 kW	5.34 kW		6.34 kW		6.34 kW	
COP (80/80/80)*	5.4	5.8	5.8		6.1		6.0	
Output (80/63/80)**	67,000 Btu	92,000 Btu	106,000 Btu		127,000 Btu		127,000 Btu	
COP (80/63/80)**	5.2	5.7	5.6		6	6	5.9	5.9
Output (50/63/80)***	46,000 Btu	64,000 Btu	74,000 Btu		86,000 Btu		86,000 Btu	
COP (50/63/80)***	4	4	4		4.2	4.2	4	4
RLA (Running load amps)	19.87A	30.77A	32.05A	23.21A	32.05A	25.00A	32.05	25.00A
LRA (Locked rotor amps)	105A	178A	148A	164A	185A	164A	185A	164A
Minimum circuit ampacity	26.14A	40.21A	41.81A	30.76A	41.81A	33.00A	41.81A	33.00A
Max over current protection#	45A	60A	60A	45A	60A	50A	60A	50A
Heat exchanger	Titanium							
Compressor	Reciprocating	Scroll	Scroll		Scroll			
Cabinet	ABS							
Refrigerant	48 oz, R410A	78 oz, R410A	78 oz, R410A	78 oz, R410A	118 oz, R410A	118 oz, R410A	126 oz, R410A	126 oz, R410A
Refrigerant high pressure alarm	600 PSI (reset to 445 PSI)							
Refrigerant low pressure alarm—heating units	35 PSI (reset to 60 PSI)							
Refrigerant low pressure alarm—reverse units	35 PSI (reset to 60 PSI)							
Low water flow alarm	20 GPM							
Maximum height below water level	10 feet below pool level							
Minimum height above water level	5 feet above pool level							
Optimal water flow	30 GPM	42 GPM	48 GPM	48 GPM	57 GPM			
Minimum water flow	20 GPM							
Maximum water flow	70 GPM							
Air flow	2100 CFM	3600 CFM						
Water temperature differential (delta t)	Adjustable between 1°F and 5°F							
Union size	2 by 2.5"							
Weight	175 lb	220 lb	223 lb	223 lb	228 lb	228 lb	230 lb	230 lb
Sound pressure per ISO 3741	58.9 dB							

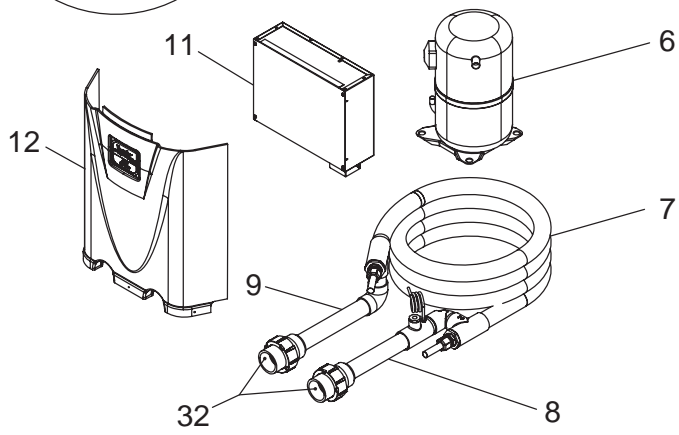
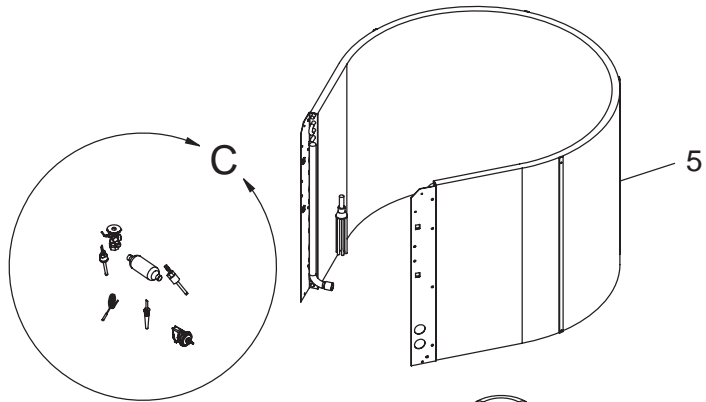
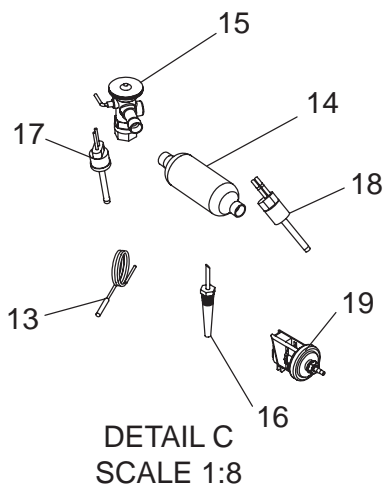
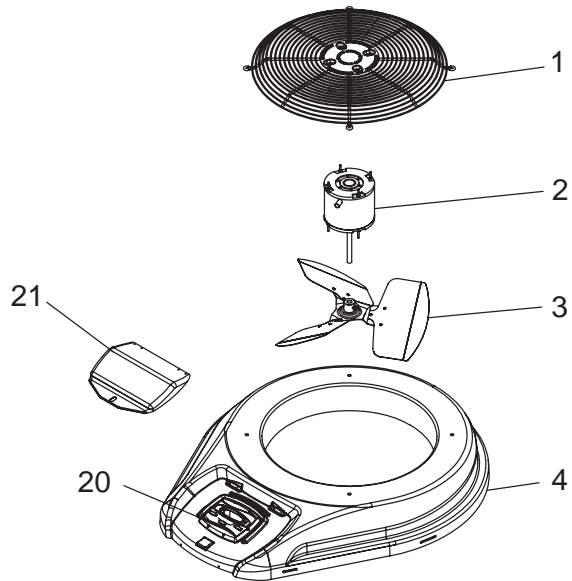
* Rated in accordance with AHRI Standard 1160: Test Conditions: 80° F Air, 80% RH, 80° F Water

** Rated in accordance with AHRI Standard 1160: Test Conditions: 80° F Air, 63% RH, 80° F Water

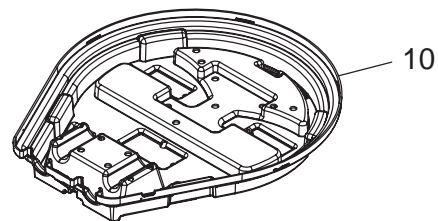
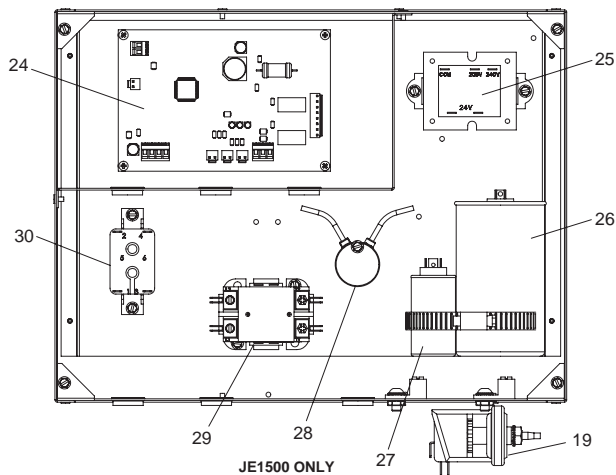
*** Rated in Accordance with AHRI Standard 1160: Test Conditions: 50° F Air, 63% RH, 80° F Water

Max Over Current Protection refers to the maximum breaker size allowed. If this value is not a standard breaker size, use the next smallest standard size breaker. The breaker size must not be smaller than the Minimum Circuit Ampacity value.

JE Heat Pump (Mfg. 2013–Present)
JE1500



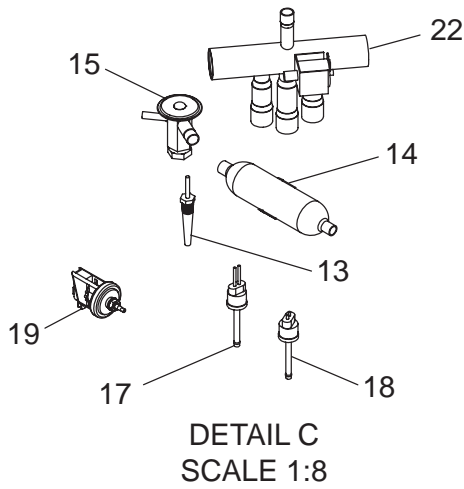
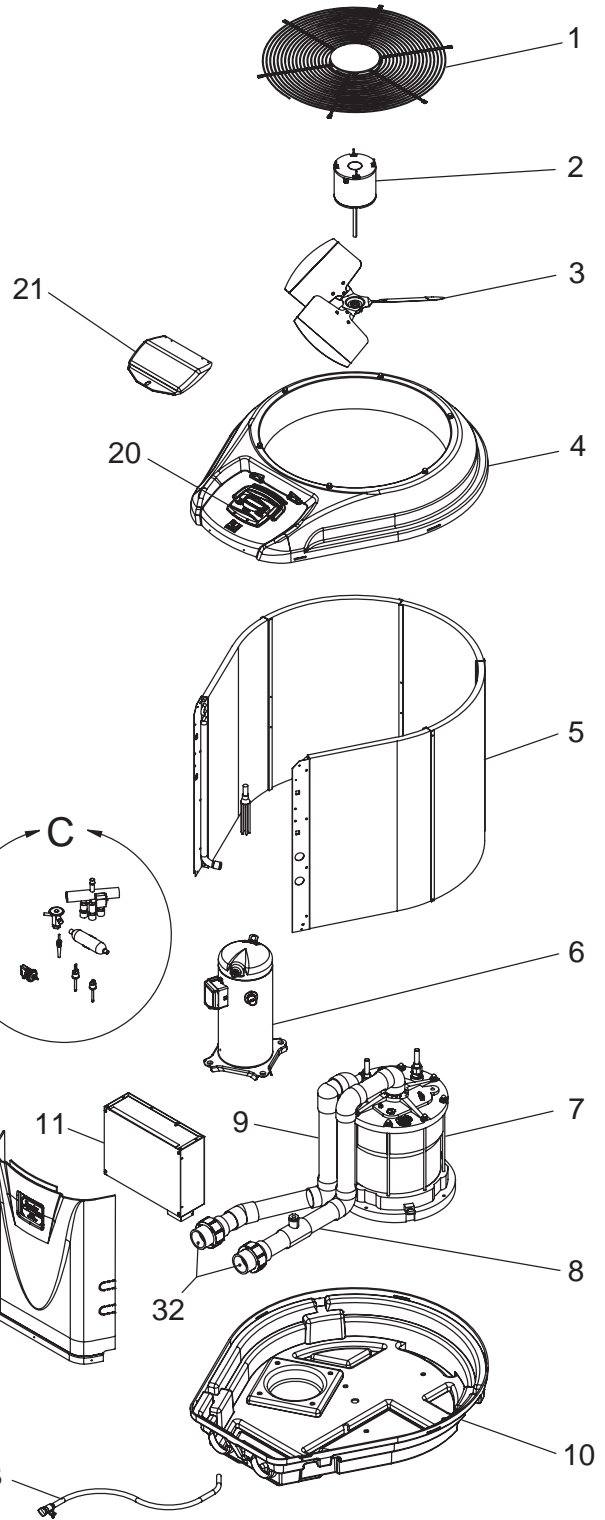
JE Single Phase Electric Box R-Kits



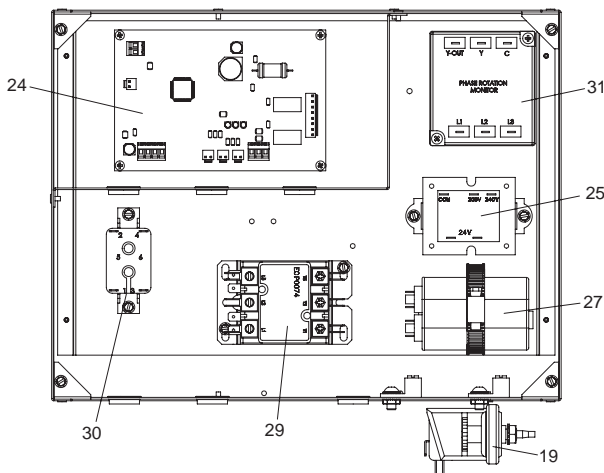
Parts list on page 149.

HEAT PUMPS / ACCESSORIES & PARTS

JE Heat Pump (Mfg. 2013–Present) JE2000, JE2500 & JE3000 Models



JE Three Phase Electric Box R-Kits



Parts list on page 149.

JE Heat Pump (Mfg. 2013–Present) Parts diagram on pages 147–148.

JE1500T, JE2000T, JE2500T, JE2500T3, JE3000T, JE3000T3, JE3000TR, JE3000TR3 R-Kits

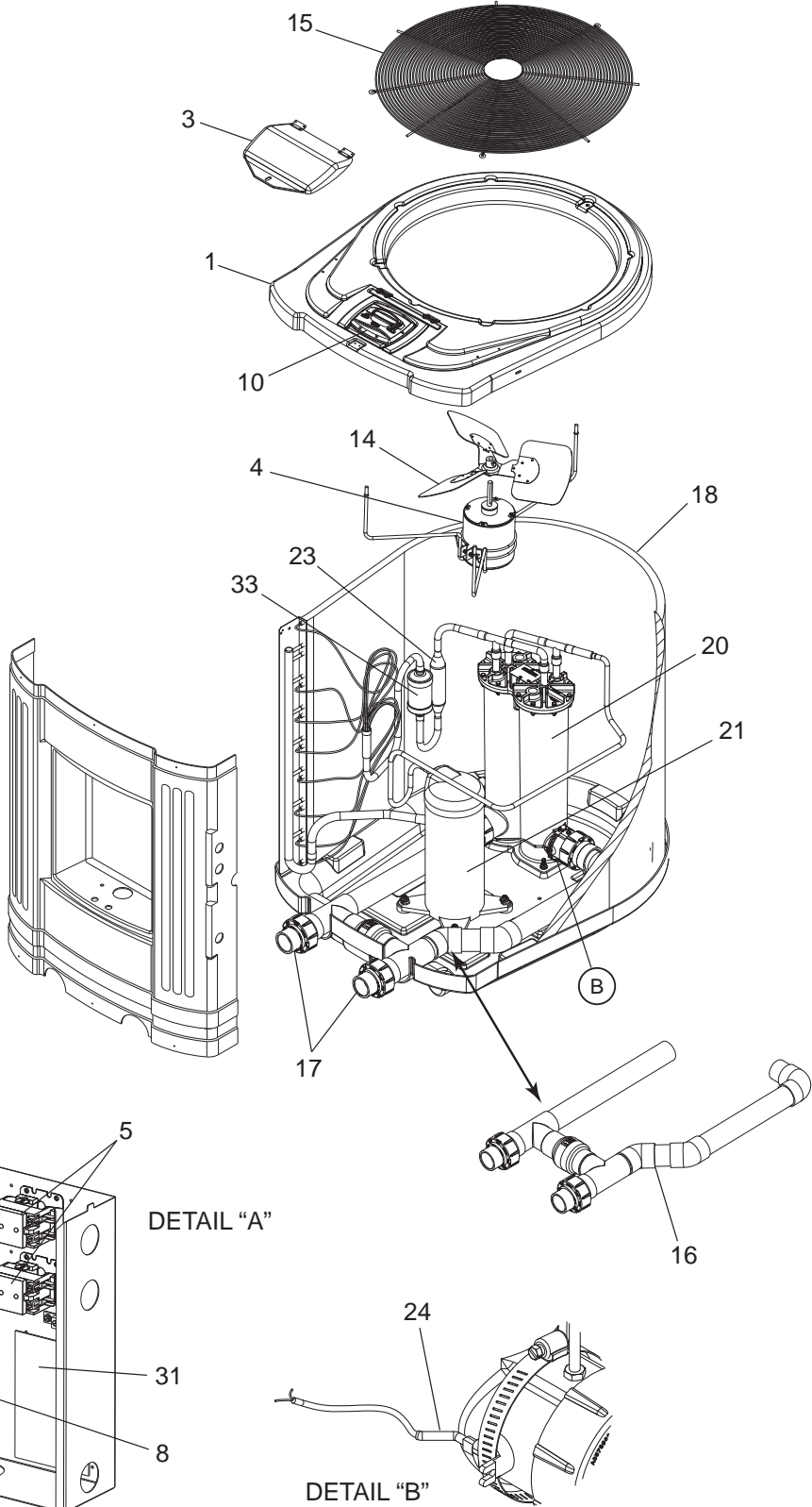
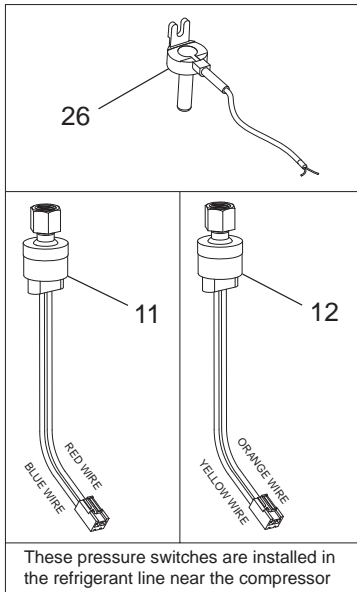
Key No.	Part No.	Description	Model No.
1	R0571700	Fan Grille	1500
1	R0571800	Fan Grille	2000, 2500, 3000
2	R0571900	Fan Motor	1500
2	R0572000	Fan Motor	2000, 2500, 3000
3	R0572100	Fan Blade	1500
3	R0572200	Fan Blade	2000, 2500, 3000
4	R0572300	Fan Top	1500
4	R0572400	Fan Top	2000, 2500, 3000
5	R0572500	Evaporator Coil/Guard	1500
5	R0572600	Evaporator Coil/Guard	2000, 2500
5	R0572700	Evaporator Coil/Guard	3000
6	R0572800	Compressor	1500
6	R0572900	Compressor	2000
6	R0573000	Compressor	2500
6	R0573100	Compressor	3000
6	R0577500	Compressor (3 Phase)	2500
6	R0577600	Compressor (3 Phase)	3000
7	R0577700	Condenser	1500
7	R0577800	Condenser	2000
7	R0577900	Condenser	2500
7	R0578000	Condenser	3000
8	R0573200	Water Manifold Inlet	1500
8	R0573300	Water Manifold Inlet	2000, 2500
8	R0573400	Water Manifold Inlet	3000
9	R0573500	Water Manifold Outlet	1500
9	R0573600	Water Manifold Outlet	2000, 2500
9	R0573700	Water Manifold Outlet	3000
10	R0573800	Base	1500
10	R0573900	Base	2000, 2500, 3000
11	R0574000	Electrical Box Cover w/ Hardware	All
12	R0574300	Front Panel	1500
12	R0574400	Front Panel	2000, 2500
12	R0574500	Front Panel	3000
13	7790	Water Temperature Sensor	All

Key No.	Part No.	Description	Model No.
14	R0574700	Filter Drier	1500
14	R0574800	Filter Drier	2000, 2500, 3000
14	R0574900	Filter Drier (Bi-flow)	3000TR
15	R0575000	Thermal Expansion Valve	1500
15	R0575100	Thermal Expansion Valve	2000, 2500
15	R0575200	Thermal Expansion Valve	3000
16	R0575300	Air Temperature Sensor	All
17	R0575400	High Pressure Switch	All
18	R0575500	Low Pressure Switch	All
19	R0575600	Water Pressure Switch	All
20	R3008800	User Interface	All
21	R3000601	Interface Cover	All
22	R0575900	Reversing Valve (Optional)	3000TR
23	R0576000	Winterizing Drain Kit	2000, 2500, 3000
24	R3009200	Power Interface PCB	All
25	R0576200	Transformer	All
26	R0576300	Run Capacitor (1 Phase)	1500
26	R0576400	Run Capacitor (1 Phase)	2000, 2500, 3000
27	R0576500	Fan Capacitor	1500
27	R0576600	Fan Capacitor	2000, 2500, 3000
28	R0576700	Hard Start Capacitor	1500
29	R0576800	Contactors (1 Phase)	All (1 Phase)
29	R0576900	Contactors (3 Phase)	2500, 3000 (3 Phase)
30	R0577000	Fan Relay	All
31	R0577100	Phase Rotation Monitor (3 Phase)	2500, 3000 (3 Phase)
32	R0472700	Universal Union, Butress Set	All
OPTIONAL COMPONENTS			
N/S	R0577200	Anchor Bracket Set	1500
N/S	R0577300	Anchor Bracket Set	2000, 2500, 3000
N/S	R0578900	Bypass, External, JE Heat Pump	All

N/S-Not Shown

HEAT PUMPS / ACCESSORIES & PARTS

EE-Ti Heat Pump (Mfg. 2010–2013, Discontinued) EE1500, EE2000, EE2500, EE3000



Parts list on page 151.

EE-Ti Heat Pump (Mfg. 2010–2013, Discontinued) Parts diagram on page 150.
EE1500, EE2000, EE2500, EE3000

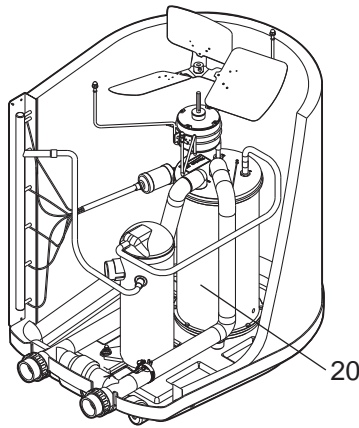
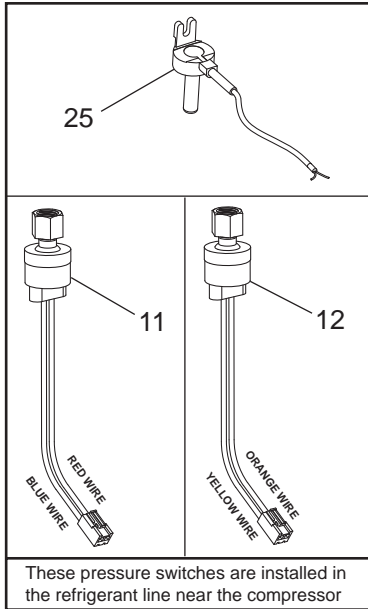
Key No.	Part No.	Description	Model No.
1	R3009700	Top Enclosure, Jacket	1500
1	R3009100	Top Enclosure, Jacket	2000, 2500, 3000
2	R3000500	Service Access Panel	All
3	R3000601	Control Cover - Smoked	All
4	R3000703	Fan Motor, 1/6 HP, 230 VAC	1500
4	R3000701	Fan Motor, 1/2 HP, 230 VAC	2000, 2500, 3000
5	R3000801	Contact, 1-Phase	All
5	R3000802	Contact, 3-Phase	2000, 2500, 3000
6	R3000901	Transformer, 240V 24VA	All
7	R3001000	Adjustable Water Pressure Switch	All
8	R3001101	Capacitor, Fan Motor, 3/370 MFD	1500
8	R3001100	Capacitor, Fan Motor, 7.5/370 MFD	2000, 2500, 3000
9	R3001204	Capacitor, Compressor, 60/370 (1 PH Only)	1500
9	R3001203	Capacitor, Compressor, 80/370 (1PH Only)	2000, 2500, 3000
10	R3008800	Controller Assembly, Universal	All
11	R0509900	Refrigerant HP Switch, 650–460 psig	All
12	R0510001	Refrigerant LP Switch, 58–127 psig	All Non-Reversing
12	R0510002	Refrigerant LP Switch, 35–74 psig	2500R, 3000R
13	R3009000	Wire Harness Kit (Not Shown)	All
14	R3001701	Fan Blade Set	1500
14	R3001700	Fan Blade Set	2000, 2500, 3000
15	R3001801	Fan Guard	1500
15	R3001800	Fan Guard	2000, 2500, 3000
16	R0561601	Plumbing Tree Assembly	1500
16	R0561602	Plumbing Tree Assembly	2000, 2500, 3000
17	R0472700	Universal Union, Buttress Set	All
18	R0510201	Evaporator Coil/Guard	1500
18	R0510202	Evaporator Coil/Guard	2000
18	R0510203	Evaporator Coil/Guard	2500
19	R0510204	Evaporator Coil/Guard	3000
20	R0561405	Heat Exchanger Replacement Kit, 1X8	1500
20	R0561406	Heat Exchanger Replacement Kit, 2X6	2000
20	R0561407	Heat Exchanger Replacement Kit, 2X7	2500

Key No.	Part No.	Description	Model No.
20	R0561408	Heat Exchanger Replacement Kit, 2X8	3000
21	R0510300	Compressor (40K), 1-Phase	1500
21	R0510400	Compressor (61K), 1-Phase	2000
21	R0510500	Compressor (68K), 1-Phase	2500
21	R0510600	Compressor (83K), 1-Phase	3000
21	R0510900	Compressor (61K), 3-Phase	2000
21	R0510700	Compressor (68K), 3-Phase	2500
21	R0510800	Compressor (83K), 3-Phase	3000
N/S	R0509501	Thermal Expansion Valve, 4 Ton	1500
N/S	R0509502	Thermal Expansion Valve, 7 Ton	2000
N/S	R0509503	Thermal Expansion Valve, 8 Ton	2500
N/S	R0509504	Thermal Expansion Valve, 8 Ton	3000
23	R0522500	9 Inch Receiver	All
24	R3002900	Water Temperature Sensor	All
N/S	R3003000	3-Phase Monitor (3-Phase Models Only)	2000, 2500, 3000
26	R3003100	Air Temperature Sensor	All
N/S	R3003801	Reversing Valve (Optional)	2500R, 3000R
N/S	R3003203	Anchor Bracket Set	All
N/S	R3004100	Heat Pump Drain Kit	All
30	R3004600	Junction Box Cover	All
31	R3009200	Power Interface PCB	All
32	R3009300	Fan Relay	All
33	R0490904	Filter Drier, 164s	1500
33	R0490905	Filter Drier, 165s	2000, 2500, 3000
33	R0490906	Filter Drier, 165s Bi-Flow	2500R, 3000R
N/S	R3001900	Bypass Valve Assembly	All
OPTIONAL COMPONENTS			
N/S	R0490800	Plast-aid Repair Kit	All

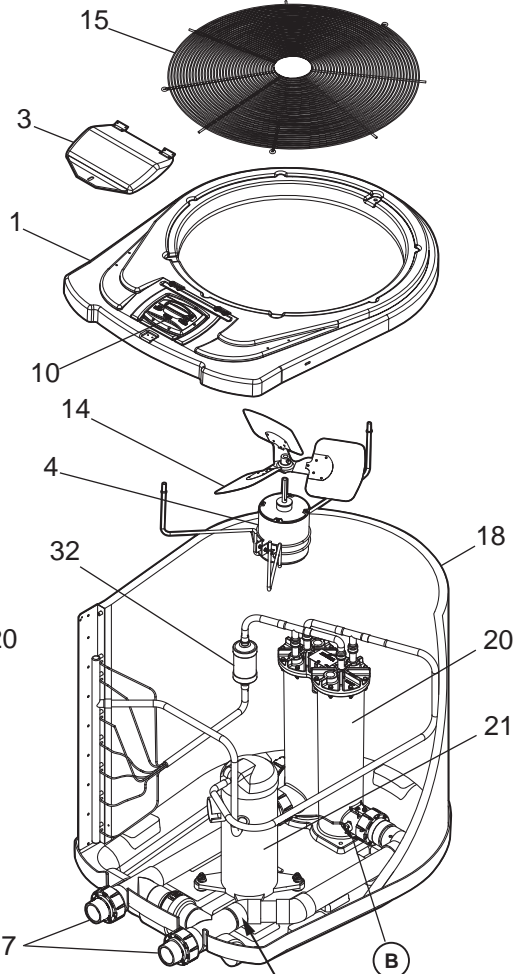
N/S - Not Shown

HEAT PUMPS / ACCESSORIES & PARTS

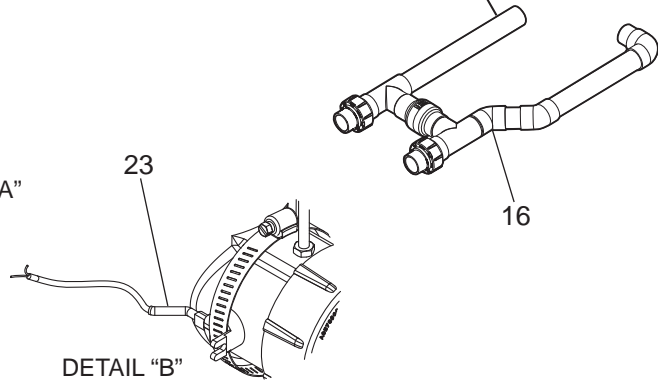
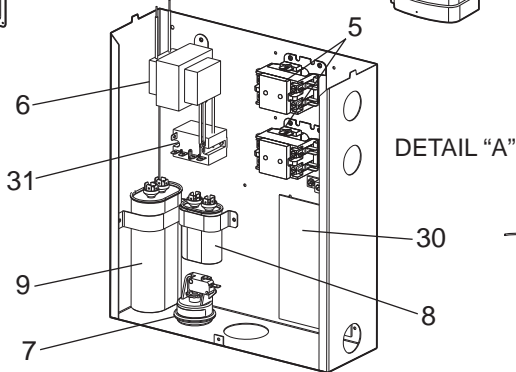
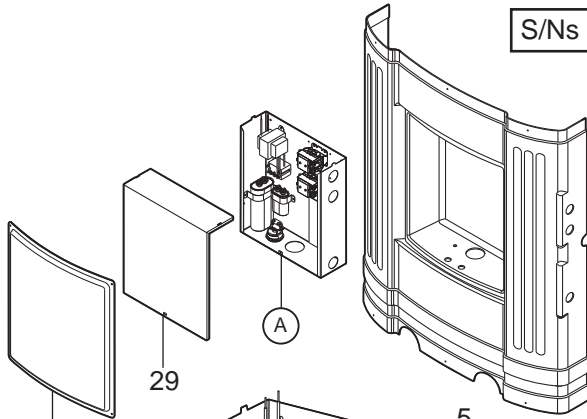
AE-Ti Heat Pump (Mfg. 2006–2009, Discontinued) AE1500, AE2000, AE2500, AE3000



S/Ns up to P



S/Ns Q and later



Parts list on next page.

AE-Ti Heat Pump (Mfg. 2006–2009, Discontinued)

AE1500, AE2000, AE2500, AE3000

Key No.	Part No.	Description	Model No.
1	R3009700	Top Enclosure, Jacket	1500
1	R3009100	Top Enclosure, Jacket	2000, 2500, 3000
2	R3000500	Service Access Panel	All
3	R3000601	Control Cover - Smoked	All
4	R3000703	Fan Motor, 1/6 HP 208 VAC–230 VAC	1500
4	R3000701	Fan Motor, 1/2 HP 208 VAC & 230 VAC	2000, 2500, 3000
5	R3000801	Contactora, 1-Phase	All
5	R3000802	Contactora, 3-Phase	2000, 2500, 3000
6	R3000901	Transformer, 240V 24 VAC	All
7	R3001000	Water Pressure Switch	All
8	R3001101	Capacitor, Fan Motor, 3/370 MFD	1500
8	R3001100	Capacitor, Fan Motor, 7.5/370 MFD	2000, 2500, 3000
9	R3001204	Capacitor, Compressor (60/370)	1500
9	R3001203	Capacitor, Compressor (80/370)	2000, 2500, 3000
10	R3008800	Controller Assembly, Universal	All
11	R3001400	Refrigerant HP Switch	All
12	R3001500	Refrigerant LP Switch	All Non-Reversing
12	R3001501	Refrigerant LP Switch (Heat/Cool)	2500R, 3000R
N/S	R3009000	Wire Harness Kit	All
14	R3001701	Fan Blade Set	1500
14	R3001700	Fan Blade Set	2000, 2500, 3000
15	R3001801	Fan Guard	1500
15	R3001800	Fan Guard	2000, 2500, 3000
16	R0561601	AE1500 Plumbing Tree (S/N Q or Later)	1500
16	R0561602	AE2000-3000 Plumbing Tree (S/N Q or Later)	2000, 2500, 3000
16	R3001900	Plumbing Bypass Assembly	All
17	R0472700	Universal Union and Buttress Set	All
18	R3002104	Evaporator Coil/Guard	1500
18	R3002101	Evaporator Coil/Guard	2000
18	R3002102	Evaporator Coil/Guard	2500
18	R3002103	Evaporator Coil/Guard	3000
N/S	R3002200	Heat Exch Drain Kit	All

N/S - Not Shown

Key No.	Part No.	Description	Model No.
20	See below.		
21	R3009800	Compressor (40K), 1-Phase	1500
21	R3002500	Compressor (60K), 1-Phase	2000
21	R3002600	Compressor (68K), 1-Phase	2500
21	R3002700	Compressor (81K), 1-Phase	3000
21	R3003400	Compressor (60K), 3-Phase	2000
21	R3003500	Compressor (68K), 3-Phase	2500
21	R3003600	Compressor (81K), 3-Phase	3000
23	R3002900	Water Temperature Sensor	All
25	R3003100	Air Temperature Sensor	All
29	R3004600	Junction Box Cover	All
30	R3009200	Power Interface PCB	All
31	R3009300	Fan Relay	All
32	R0490902	Filter Dryer	1500
32	R0490901	Filter Dryer Heat only	2000, 2500, 3000
32	R0490903	Filter Dryer Heat/Cool	2500, 3000
N/S	R3002803	Thermal Expansion Valve, 2 1/2 Ton	1500
N/S	R3002804	Thermal Expansion Valve, 5 Ton	2000, 2500, 3000
N/S	R3003000	3-Phase Monitor (3-Phase Models)	2000, 2500, 3000
N/S	R3003800	Reversing Valve (Optional)	2500, 3000
N/S	R3003203	Anchor Bracket Set	All
N/S	R3004100	Heat Pump Drain Kit	All

S/Ns up to P			
20	R3009900	Heat Exchanger Retrofit Kit	1500
20	R3002301	Heat Exchanger Retrofit Kit	2000
20	R3002302	Heat Exchanger Retrofit Kit	2500
20	R3002303	Heat Exchanger Retrofit Kit	3000
S/Ns Q and later			
20	R0561401	Heat Exchanger Replacement Kit	1500
20	R0561402	Heat Exchanger Replacement Kit	2000
20	R0561403	Heat Exchanger Replacement Kit	2500
20	R0561404	Heat Exchanger Replacement Kit	3000

HEAT PUMPS / ACCESSORIES & PARTS

AE 1000 Heat Pump (Mfg. 2003–2006, Discontinued)

Part No.	Description
C-0167	1000 Beige Base
C-0168	1000 Beige Top
C-0169	1000 Beige Front
R3009500	Smoked Digital Cover
R3008700	Control Panel - 4 Buttons
C-0699	Frame
C-0704	1000 Beige I Door
R3000701	AE 500 Fan Motor 1/2 HP
R3000801	40 Amp 2 Pole Contacter
R0490600	3-Wire High Pressure Switch
R3000901	50 Amp Transformer 240/24
R3001000	Water Pressure Switch
E-0172	6/14 Ground Lugs
E-0211+	60/7.5/370 Capacitor
E-0869	Bristol Scroll Com p. Plug
E-0903+	17 Pin Digital Fm Block
R3001600	17 Pin Digital Harness Lng
R3007400	Hardware Kit
H-0295	HASP #1261000CHR
M-0353	Evapscreen 33" x 92"
M-0356	AE Fan Bracket Gold

Part No.	Description
R3001800	AE Fan Guard 350/500
M-0363	Lg Ht Sentry Gasket
M-0384	Scroll Comp Foot Insert
M-0385	Scroll Comp Foot
M-0393	Remote Air Hose
M-0409	5/8" Split Loom
R3001700	AE 24" Fan Blade
R3002900	Water Temp Sensor
R3002200	3/8" Drain Fit, TiHX
R0500100	1/8" Plastic Barb Fitting
P-0493	3/8" Drain Cock, Brass, Base-Pan
P-0494	3/8" Drain Fit, Base Pan
P3001200	#55 Water Plug Cap
R0490901	Filter Dryer 5/8"
R-0510	AE 350/400 Evaporator
R3002302	Heat Exchanger Replacement Kit
R3002600	Scroll Compressor, 68k
R3002801	Thermal Expansion Valve
R0490903	Heat/Cool Filter Drier
R3003800	Reversing Valve Heat/Cool

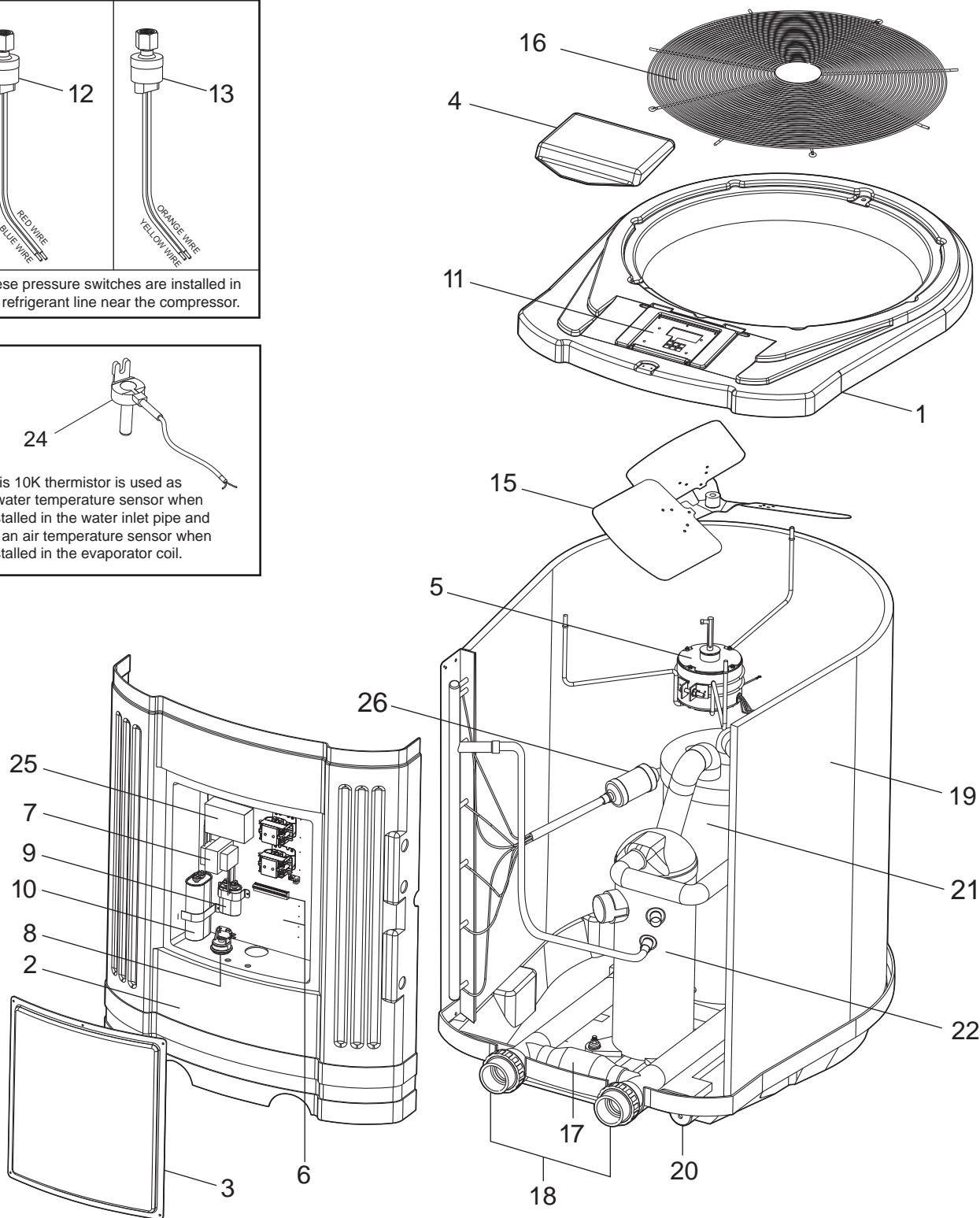
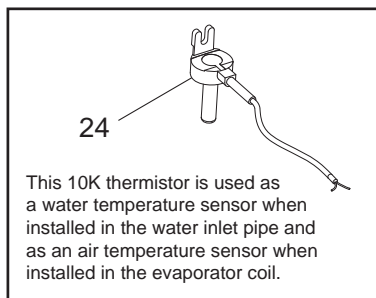
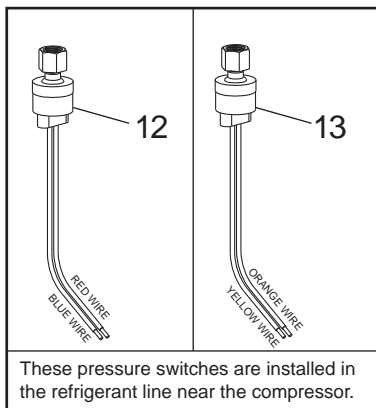


R3008700



AE-Ti Heat Pump (Mfg. 2004–2006, Discontinued)

AE2000, AE2500, AE3000



Parts list on next page.

HEAT PUMPS / ACCESSORIES & PARTS

AE-Ti Heat Pump (Mfg. 2004–2006, Discontinued) Parts diagram on page 155.
 AE2000, AE2500, AE3000

Key No.	Part No.	Description	Model No.
1	R3000200	Top Enclosure, Jacket	All
3	R3000500	Service Access Panel	All
4	R3000600	Control Cover - Smoked	All
5	R3000701	Fan Motor, 208 VAC and 230 VAC	All
6	R3000801	Contactors, Single Phase	All
6	R3000802	Contactors, 3-Phase	All
7	R3000901	Transformer, Single Phase	All
8	R3001000	Water Pressure Switch	All
9	R3001100	Capacitor, Motor Fan	All
10	R3001201	Capacitor, Compressor (55/440)	2000
10	R3001202	Capacitor, Compressor (60/370)	2500
10	R3001203	Capacitor, Compressor (80/370)	3000
11	R3001300	Control Panel - 7 Buttons	All
12	R3001400	Refrigerant HP Switch	All
13	R3001500	Refrigerant LP Switch	All
14	R3001600	Wire Harness Kit	All
15	R3001700	Fan Blade Set	All
16	R3001800	Fan Guard	All
17	R3001900	Plumbing Bypass Assembly	All
18	R3002000	2" PVC Union Set, Superseded by R0472700	All
19	R3002101	Evaporator Coil/Guard	2000

Key No.	Part No.	Description	Model No.
19	R3002102	Evaporator Coil/Guard	2500
19	R3002103	Evaporator Coil/Guard	3000
20	R3002200	Heat Exchanger Drain Kit	All
21	R3009900	Heat Exchanger Retrofit Kit	1500
21	R3002301	Heat Exchanger Retrofit Kit	2000
21	R3002302	Heat Exchanger Retrofit Kit	2500
21	R3002303	Heat Exchanger Retrofit Kit	3000
22	R3002500	Compressor (55/440)	2000
22	R3002600	Compressor (60/370)	2500
22	R3002700	Compressor (80/370)	3000
N/S	R3002803	Thermal Expansion Valve	1500
N/S	R3002804	Thermal Expansion Valve (Adjustable) for All AE2000, AE2500, AE3000	All
24	R3002900	Water Temp Sensor	All
25	R3003000	3-Phase Monitor	All
N/S	R3003100	Air Temp Sensor	All
N/S	R3004600	Junction Box Cover	All
N/S	R3003800	Reversing Valve (Chill Units)	All
N/S	R3003203	Anchor Bracket Kit	All
26	R0490902	Filter Dryer Heat only	2500R, 3000R
26	R0490903	Filter Dryer Heat/Cool	2500R, 3000R

N/S-Not Shown



Replaced with
 Part No. R3001300



R3001300

Air Energy™ 2 Heat Pump (Discontinued)
XE2550

Part No.	Description
C-0117	AE2 Beige Base
C-0118	AE2 Beige Front
C-0678	AE3 Beige Top
R3009500	Smoked Digital Cover
C-0699	Beige Control Frame
C-0705	AE2 Beige Door
R3000701	AE 500 Fan Motor 1/2 HP
R3000801	40 Amp 2 Pole Contactor
R3000901	50 Amp Transformer 240/24
R3001000	Water Pressure Switch
E-0172	6/14 Ground Lugs
R3001100	7.5/370 Capacitor
R3008700	Control Panel - 4 Buttons
E-0869	Scroll Compressor Plug
R3001400	2 Wire High Pressure Switch
E-0903+	17 Pin Block
R3001600	17 Pin Harness
R3001500	2 Wire Low Pressure Switch
R3007400	Hardware Kit
H-0295	Hasp
M-0351	AE 500 Fan Blade
M-0363	Controller Gasket
M-0376	AE2 Fan Motor Bracket
M-0384	Compressor Foot Insert
M-0385	Compressor Foot Grommet
M-0392	1/4" x 1/2" Insulation Tape

Part No.	Description
M-0393	Remote Air Hose
M-0404	Evaporator
M-0409	5/8" Split Loom
P3001200	Water Plug Cap
R3002900	Water Temp Sensor
R0490901	Filter Dryer 5/8"
R0534000	AE2 Evaporator
R3002500	Scroll Compressor, 60k
R3002801	Thermal Expansion Valve
Titanium Parts	
Model No.	
XE25GHTDEES1E261	
XE2550,H,Ti,DTA,220/60/1	
Part No. Description	
R3002200	Titanium Drain Fitting
P-0493	Brass Draincock
P-0494	3/8" Drain Fit Adapter
R0561402	Heat Exchanger
Cupronickel Parts	
Model No.	
XE25GHCDEES1E261	
XE2550,H,Cu,DTA,220/60/1	
Part No. Description	
R0500100	1/8" Plastic Barb Fitting
R0561402	Heat Exchanger



R3008700

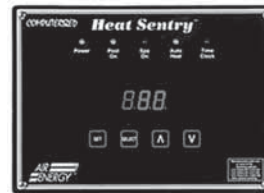


HEAT PUMPS / ACCESSORIES & PARTS

Air Energy™ Magnum Heat Pump (Discontinued)

Part No.	Description
R3000701	AE 500 Fan Motor 1/2 HP
R3000801	40 Amp 2 Pole Contactor
R3000901	50 Amp Transformer 240/24
R3001000	Water Pressure Switch
E-0172	6/14 Ground Lugs
R3001100	7.5/370 Capacitor
E-0301	3/4" Plastic Bushings
R3008700	Control Panel - 4 Buttons
E-0869	Scroll Compressor Plug
R3001400	2 Wire High Pressure Switch
E-0903+	17 Pin Block
E-0906	17 Pin Harness
R3001500	2 Wire Low Pressure Switch
R3007400	Hardware Kit
M-0353	Evaporator Screen 33" x 92"
M-0356	AE Fan Bracket Gold
R3001800	AE Fan Guard 350/500
M-0363	Controller Gasket
M-0369	Aluminum Mounting Plate
M-0384	Compressor Foot Insert
M-0385	Compressor Foot Grommet
M-0393	Remote Air Hose
M-0409	5/8" Split Loom

Part No.	Description
R3001700	AE 24" Fan Blade
P-0492	1/8" Plastic Barb Fitting
P3001200	Water Plug Cap
R3002900	Water Temp Sensor
R0490901	Filter Dryer 3/8"
R-0510	AE 350/400 Evaporator
R3002600	Scroll Compressor, 68k
R3002801	TXV BNEB5HCA - 5/8 x 5/8
Titanium Parts	
Model No.	
AEMGGHTDFES1F261	
AE2Mag, H, Ti, DTAJ, 220/60/1	
Part No.	Description
P-0448	1 & 1/4" Flex Pipe Rolls
R3002200	Titanium Drain Fitting
P-0493	Brass Draincock
P-0494	3/8" Drain Fit Adapter
R0561403	Heat Exchanger
Cupronickel	
Model No.	
AEMGGCTDFES1F261	
AE2Mag, H, Cu, DTAJ, 220/60/1	
Part No.	Description
R0561403	Heat Exchanger



R3008700

Air Energy™ Super Heater Heat Pump (Discontinued)

550 SETI

Part No.	Description
C-0684	Beige Door
C-0685	Beige Top
C-0686	Beige Front
C-0687	Beige Base
C-0699	Beige Control Frame
C-0898	L Shape Acrylic Lock Cover
R3000701	SETI Fan Motor 1/2 HP
R3000801	40 Amp 2 Pole Contacter
R3000901	50 Amp Transformer 240/24
R3001000	Water Pressure Switch
E-0172	6/14" Ground Lugs
R3001100	7.5/370 Capacitor
E-0301	3/4" Plastic Bushings
R3001300	Control Panel - 7 Button
R3008700	Control Panel - 4 Button
R3001203	80/370 Capacitor
E-0869	Scroll Compressor Plug
R3001400	2 Wire High Pressure Switch
E-0903+	17 Pin Block
R3001600	17 Pin Harness
R3001500	2 Wire Low Pressure Switch
R3007400	Hardware Kit

Part No.	Description
M-0356	AE Fan Bracket Gold
R3001800	AE Fan Guard 350/500
M-0363	Controller Gasket
M-0384	Compressor Foot Insert
M-0385	Compressor Foot Grommet
M-0393	Remote Air Hose
M-0409	5/8" Split Loom
M-0410	35" x 92" Evaporator Screen
R3001700	AE 24" Fan Blade
R3002900	Water Temp Sensor
R3002200	3/8" Drain Fit, TiHX
R0500100	1/8" Plastic Barb Fitting
P-0493	3/8" Drain Cock, Brass, Base-Pan
P-0494	3/8" Drain Fit, Base-Pan
R0490901	Filter Dryer 5/8"
R0561403	Heat Exchanger
R-0610	Scroll Compressor, 75k
R3002102	36" x 82 1/2" Evaporator
R3002801	Thermal Expansion Valve
Reversing Option	
R0490903	Heat/Cool Filter Drier
R3003800	Reversing Valve V-10



R3008700

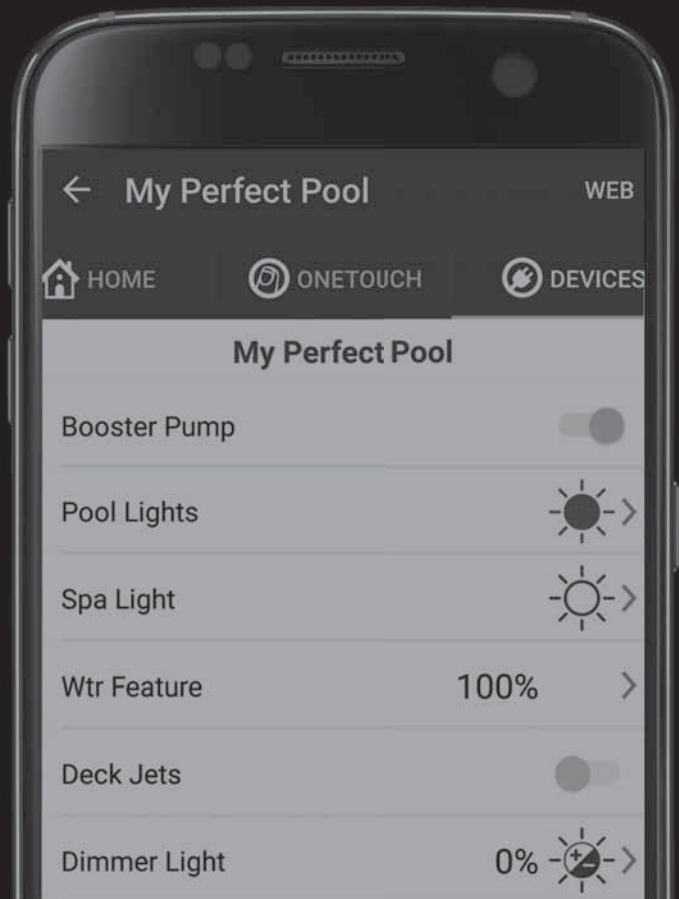


Replaced with Part No. R3001300

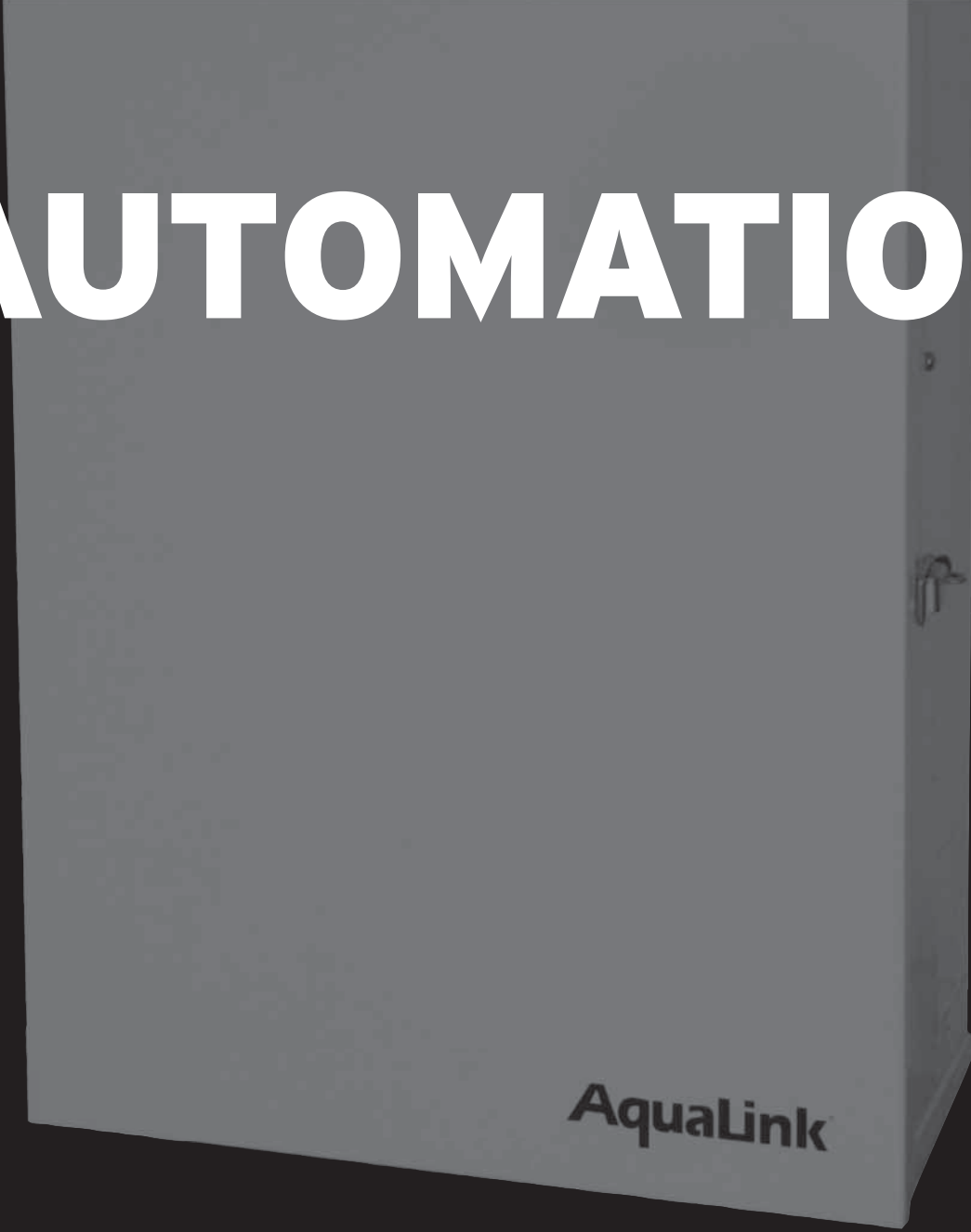


R3001300





AUTOMATION



System Bundles	163
Selection Guide	164
User Interfaces	168
Automation Accessories & Parts	170



Zodiac
Water 72F

Pool Mode	Off
Pool Heater	Off
Spa Mode	On
Spa Heater	102°
Settings	>
Manual Control	>

Navigation controls including a left arrow, a vertical double-headed arrow, a right arrow, a power button, and an alert indicator.



Aqualink Z4



AquaLink® RS Bundle Packs

AquaLink RS Bundles offer the ultimate in value and ease-of-ordering. Separate system levels and power centers not required. Bundles include iQ20 Web-Connect Device for total system control and programming via the iAquaLink™ app (web-connected smartphone, tablet, or computer required). Additional AquaLink Interfaces may be added, but are not required.

Part No.	Description	JVAs Included/Max
Bundle Packs		
iQ904-PS	RS-PS4 System Level, 6612F Power center, with 4 Relays, iQ20-A Web-Connect Device, & 2 valve actuators	2/4
iQ904-P	RS-P4 System Level, 6612F Power center, with 4 Relays, iQ20-A Web-Connect Device	2/4



AquaLink Z4

AquaLink Z4 automation systems control up to four circuits and three valve actuators. With the optional iQ20 Web-Connect Device, this affordable and easy-to-use system seamlessly integrates with the iAquaLink app, allowing pool professionals and homeowners to control and automate their pool using any smartphone, tablet, or web-connected device.

The AquaLink Z4 is available in four configurations. See the Automation Selection Guide for more details.

Part No.	Description	JVAs Included/Max
Pool & Spa Combo — Dual Body - Shared Equipment		
ZQ-4PS	Pump, Heater, & 3 Aux Includes: 4 Relays, iQ20 Web-Connect Device not included	2/3
ZQ-4PSi	Pump, Heater, & 3 Aux Includes: 4 Relays, iQ20 Web-Connect Device included	2/3
Pool Only / Spa Only — Single Body Only		
ZQ-4P	Pump, Heater, & 3 Aux Includes: 4 Relays, iQ20 Web-Connect Device not included	0/3
ZQ-4Pi	Pump, Heater, & 3 Aux Includes: 4 Relays, iQ20 Web-Connect Device included	0/3

PUMPS
FILTERS
GAS HEATERS
HEAT PUMPS
AUTOMATION
WATER LEVELING
WATER SANITIZERS
VALVES
WATER FEATURES
LIGHTING
CLEANERS
IN-FLOOR
BLOWERS
ACCESSORIES

AUTOMATION / À LA CARTE – SELECTION GUIDE

Automation Selection Guide

Customize automation solutions for any application. The AquaLink® family of modular components work together to provide reliable, easy-to-use, and easy to set up pool and spa automation.

How to use the product icons **R P Z**

- | | | |
|---|--|--|
| Step 1
Select a system board. Its icon will be used to select other components. | Step 2
Select interface(s) compatible with the system board. | Step 3
Choose the power center. If a PureLink™ power center is selected, which integrates salt chlorinator control, proceed to Step 4. |
|---|--|--|

Features	Total Pool & Spa Automation	Variable-Speed Pump Control	Freeze Protection	Color Light Control	Solar Priority	iAquaLink Control	iAquaLink - Setup & Programming	Wireless Interface Included	One-Touch™ Macros / Hotkeys	8-Function SpaLink® Remote	4-Function Spa - Slide Remote	Seasonal Auto-Adjust (Energy Savings Plan)	Temperature Priority Logic	Automatic Dusk Control	Integrates with Home Automation
R AquaLink RS	✓	✓	✓	✓	✓	○	○	○	6	○	○	✓	✓	✓	○
P AquaLink PDA	✓	✓	✓	✓	✓	○	—	✓	2	—	○	—	—	—	—
Z AquaLink Z4	✓	✓	✓	✓	✓	○	—	○	—	—	—	—	—	—	—

KEY ✓ included | ○ optional | — not available

1 SELECT THE SYSTEM BOARD



R AquaLink RS

	Part Number	Power Centers Required*	Power Centers	System Board	Total 3HP Relays	JVAs Included /Max
Pool & Spa Combo Dual Body - Shared Equipment	Pump, Heater, & 3 Aux	RS-PS4	1*	4 + 0 = 4	4	2 / 4
	Pump, Heater, & 5 Aux	RS-PS6	1*	4 + 2 = 6	6	2 / 4
	Pump, Heater, & 7 Aux	RS-PS8	1*	4 + 4 = 8	8	2 / 4
	Pump, Heater, & 11 Aux	RS-PS12	2*	8 + 4 = 12	12	2 / 8
	Pump, Heater, & 15 Aux	RS-PS16	2*	8 + 8 = 16	16	2 / 8
	Pump, Heater, & 15 Aux	RS-P16	2*	8 + 8 = 16	16	0 / 8
	Pump, Heater, & 23 Aux	RS-PS24	3*	12 + 12 = 24	24	2 / 12
	Pump, Heater, & 31 Aux	RS-PS32	4*	16 + 16 = 32	32	2 / 16
Pool Only / Spa Only Single Body Only	Pump, Heater, & 3 Aux	RS-P4	1*	4 + 0 = 4	4	0 / 4
	Pump, Heater, & 5 Aux	RS-P6	1*	4 + 2 = 6	6	0 / 4
	Pump, Heater, & 7 Aux	RS-P8	1*	4 + 4 = 8	8	0 / 4
Pool & Spa Dual Dual Body - Dual Equipment	2 Pumps, 2 Heaters, & 6 Aux	RS2-6	1*	4 + 4 = 8	8	0 / 4
	2 Pumps, 2 Heaters, & 10 Aux	RS2-10	2*	8 + 4 = 12	12	0 / 8
	2 Pumps, 2 Heaters, & 14 Aux	RS2-14	2*	8 + 8 = 16	16	0 / 8
	2 Pumps, 2 Heaters, & 22 Aux	RS2-22	3*	12 + 12 = 24	24	0 / 12
	2 Pumps, 2 Heaters, & 30 Aux	RS2-30	4*	16 + 16 = 32	32	0 / 16

Relays Included With:

P AquaLink PDA



	Part Number	Power Centers Required*	Power Centers	System Board	Total 3HP Relays	JVAs Included /Max
Pool & Spa Combo Dual Body - Shared Equipment	Pump, Heater, & 3 Aux	PDA-PS4	1*	4 + 0 = 4	4	2 / 4
	Pump, Heater, & 5 Aux	PDA-PS6	1*	4 + 2 = 6	6	2 / 4
	Pump, Heater, & 7 Aux	PDA-PS8	1*	4 + 4 = 8	8	2 / 4
Pool Only / Spa Only Single Body Only	Pump, Heater, & 3 Aux	PDA-P4	1*	4 + 0 = 4	4	0 / 4
	Pump, Heater, & 7 Aux	PDA-P8	1*	4 + 4 = 8	8	0 / 4

Relays Included With:

Z Zodiac® AquaLink Z4



	Part Number	Power Centers Required	Relays Included	Web-Connect Device Included**	Total 3HP Relays	JVAs Included /Max
Pool & Spa Combo Dual Body - Shared Equipment	Pump, Heater, & 3 Aux	ZQ-4PS	0 - included	4	4	2 / 3
	Pump, Heater, & 3 Aux	ZQ-4PSi	0 - included	4	4	2 / 3
Pool Only / Spa Only Single Body Only	Pump, Heater, & 3 Aux	ZQ-4P	0 - included	4	4	0 / 3
	Pump, Heater, & 3 Aux	ZQ-4Pi	0 - included	4	4	0 / 3

*Assumes up to eight 3HP relays per power center. The 6612F power center cannot hold more than four 3HP relays.


**Required for iAquaLink App Integration




2 SELECT THE INTERFACES

Lettered dots indicate system compatibility.



AquaLink® Interfaces

Device	Description	Part Number
iQ20 Web-Connect Device R P Z	Web-Connect Device 	iQ20-A <small>May be included in some bundled kits (i.e., iQ904-PS, iQ904-P, ZQ-4PSi, & ZQ-4Pi). Smartphone not included with iAquaLink. Apple® is not a participant in or sponsor of this promotion.</small>
AquaLink RS** OneTouch™ R	OneTouch, White OneTouch, Black	7953 7954
AquaLink RS** All-Button R	4-Function (P&S) 6-Function (P&S) 8-Function (P&S)	6890 6888 6886

Device	Description	Part Number
AquaLink Wireless Handheld Remote R P Z	Wireless Handheld Remote & Transceiver (18 Channel)  Use to control RS & Z4 systems. Use to program PDA systems. Included with PDA systems.	AQWHR18
SpaLink** 8-Function Spa Side Remote R	White 150' w/ Frame Gray 150' w/ Frame Black 150' w/ Frame Flush-Mount Mud Box 	7227 7887 7888 7940
Spa Side** 4-Function Spa Side Remote R P	White 150'  Gray 150' Black 150'	7443 8050 7444

**See Automation Accessories section of catalog for other available configurations.

3 SELECT THE POWER CENTER



AquaLink & PureLink™ Power Centers

Power Center	3HP Relays (Included/Max)	Sub-Panel	Number of Breakers (Max)	Salt Water Chlorinator Control	Part Number
R P PureLink Sub-Panel Power Center for Automation and Saltwater Chlorination	4/8	✓	12	✓***	6614AP-L
R P PureLink Power Center for Automation and Saltwater Chlorination	4/8	No	0	✓***	6613AP
R P AquaLink Sub-Panel Power Center for Automation Control Systems	4/8	✓	12	No	6614-LD
R P AquaLink Power Center for Automation Control Systems	4/8	No	0	No	6613
R P Compact Power Center for Basic Automation Control Systems	4/4	No	0	No	6612F
R P Z AquaPure® Power Pack. Used to power & control AquaPure & Fusion Soft salt chlorinators. Not an enclosure for Automation systems.	0/0	No	0	✓***	APUREM FUSIONM
Z Aqualink Z4 systems come pre-installed in a power center - no additional power center required.	4/4	No	0	See Note	N/A bundled with system

Note: FS0FT700 & FS0FT1400 are NSF® approved only when used with FUSIONM.

Note: To control an AquaPure or Fusion Soft salt chlorinator, order APUREM or FUSIONM (above).

***Requires purchase of a salt chlorinator. Proceed to Step 4 (below)

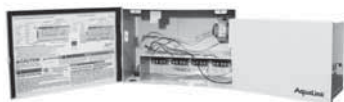
4 CHOOSE A SALT CHLORINATOR



Saltwater Chlorination

Device	Versa-Plumb®	For Pools Up to	Part Number
R P Z AquaPure® 3-Port Salt Chlorinator Cell	✓	12K Gallons	PLC700
	✓	40K Gallons	PLC1400
R P Z Fusion Soft — Salt Chlorinator system with integrated Nature2® Mineral Sanitizer technology	✓	12K Gallons	FSOFT700
	✓	40K Gallons	FSOFT1400

For live help selecting the right automation system, please call Zodiac® technical support M - F 6AM - 5PM (PST), 9AM - 8PM (EST) at 1.800.822.7933, or email us any time at: productsupport@zodiac.com



Foundation Power Center
Up to 4 relays
(For use with PS4 and P4)

AquaLink® Power Centers ⓇⓅ

Available with or without PureLink™ salt chlorinator, in foundation, standard and sub-panel with twelve (12) breaker mount plate slots and knockout for GFCI. AquaLink or PureLink Power Centers are required for all AquaLink RS or AquaLink PDA control systems.

Features:

- Used with AquaLink RS and AquaLink PDA system levels
- Simple, top-down installation
- 120 VAC Power Transformer (supply input)
- Powder-coated, galvanized steel construction
- Multiple knockouts for 1/2" to 1 1/2" conduit
- Service and time-out for all circuits (AquaLink RS & PDA)
- Twelve 1" breaker mounts & slots. Rated for 125 Amps total (sub-panel models only)
- GFCI side knockout (sub-panel only)
- Add up to three (3) auxiliary power centers within 500 feet of the primary power center
- Add surge protection for all components

Suggested Circuit Breakers (Available Locally)*

Manufacturer	Single	Double	Twin	Quad	GFCB	Filler Plate
Cutler-Hammer®	BR	BR	BRD	BRD	GFCB	BRFP
Murray®	MP-T	MP-T	MH-T	MH-T	MP-GT	LX100FP
Siemens®	QP	QP	QT	QT	QF**	QF3
Square D®	HOM	HOM	HOMT	HOMT	HOM	HOMFP
Thomas & Betts®	TB	TB	TBBD	TBBQ	GFB	FP-1C-TB

*This list is a partial list. "Equivalent" UL or ETL listed circuit breakers from other brands are also suitable for this enclosure.

**Recommended for use with variable-speed pumps.



PureLink Power Centers
Sub-Panel (open) &
Standard (closed)

PureLink™ Power Centers ⓇⓅ

PureLink Power Centers combine all the features of the AquaLink Power Centers and AquaPure® saltwater chlorination electronics. Ideal for pools where AquaLink Automation and AquaPure Salt Chlorinator will be used together. Includes all electronics needed to power and control AquaPure 3-Port cells and Fusion Soft chlorinators. Available with or without sub-panel for circuit breakers.

Features:

- Works with all AquaLink RS and PDA system levels
- Separate pool and spa chlorine settings
- Super Chlorinate feature
- Salt level display and diagnostic information
- Simple, top-down installation, 3 HP Relays
- Control of Jandy® Pro Series AquaPure® cell



iQ20 Web-Connect Device

iQ20 Web-Connect Device *AquaLink® RS Rev R or later, AquaLink PDA Rev 6 or later*

- Operate the AquaLink system from any web-connected computer or smart device
- Free Apple®, Android®, and HTML5 apps for virtually all devices
- Fully functional; operate all equipment, change water temperature set points, turn water features on/off, and adjust color lights anytime, anywhere
- Full control and programming with AquaLink RS systems. Control Only with other automation systems.

Part No. Description

iQ20-A	iQ20 Web-Connect Device	R P Z
--------	-------------------------	--------------



AquaLink Wireless Handheld Remote

AquaLink Wireless Handheld Remote (18 Channel)

- Complete wireless control of temperature, equipment, and lighting
- Full control and programming with AquaLink PDA systems. Control only with other automation systems. (Included with and required for programming AquaLink PDA systems)
- Water-resistant, slip-proof housing

AQWHR18	AquaLink Wireless Handheld Wireless Remote with J-box Transceiver (18 Channel)	R P Z
---------	--	--------------



OneTouch Control Panel

OneTouch™ Control Panel *AquaLink RS Rev I or later*

- Simple indoor interface for full control and programming of AquaLink RS systems
- Easy access to OneTouch Macros and all system features
- See water temp, air temp, and system status at a glance from inside your home

7953	OneTouch Control Panel, White	R
7954	OneTouch Control Panel, Black	R



AquaLink RS All-Button Control Panel

All Button Control Panel *AquaLink RS Rev QQQ or older*

- Simple indoor interface for control and programming of older AquaLink RS systems
- See water temp, air temp, and system status at a glance from inside your home

6886	Indoor Control Panel Aqualink RS8 Pool/Spa Combo	R
6887	Indoor Control Panel Aqualink RS8 PoolOnly/SpaOnly	R
6888	Indoor Control Panel Aqualink RS6 Pool/Spa Combo	R
6889	Indoor Control Panel Aqualink RS Pool Only/Spa Only	R
6890	Indoor Control Panel Aqualink RS4 Pool/Spa Combo	R

L-Limited Quantity. Available While Supplies Last. **DISC**-Discontinued

PUMPS
FILTERS
GAS HEATERS
HEAT PUMPS
AUTOMATION
WATER LEVELING
WATER SANITIZERS
VALVES
WATER FEATURES
LIGHTING
CLEANERS
IN-FLOOR
BLOWERS
ACCESSORIES



4-Function Spa Side Remote

4-Function Spa Side Remote **RP**

Weather-resistant. Install above water in the tile line, decking or anywhere outdoors.

- Spa side control of desired water temperatures and other pool/spa features
- 2 3/4" in diameter

Part No.	Description
7441	1"- 1 1/2" Spa Side Remote (4 Function) 100' White
7442	1"- 1 1/2" Spa Side Remote (4 Function) 100' Black
8049	1"- 1 1/2" Spa Side Remote (4 Function) 100' Gray
7443	1"- 1 1/2" Spa Side Remote (4 Function) 150' White
7444	1"- 1 1/2" Spa Side Remote (4 Function) 150' Black
8050	1"- 1 1/2" Spa Side Remote (4 Function) 150' Gray
7445	1"- 1 1/2" Spa Side Remote (4 Function) 200' White
7446	1"- 1 1/2" Spa Side Remote (4 Function) 200' Black
8051	1"- 1 1/2" Spa Side Remote (4 Function) 200' Gray
5400+	Decal Set, Spa Side Remote

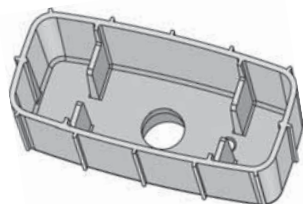


SpaLink RS

SpaLink[®] RS 8-Function Spa Side Remote **R**

Control 8 of the following items: filter pump, spa, heater, solar and up to 7 auxiliary circuits. Installed above water in the tile line, decking, or outdoors. Weather-resistant housing with matching flush mount frame

- Large, easy-to-read display of water and air temperatures
- Install up to three (3) SpaLinks on one (1) AquaLink RS system
- Dimensions: L: 6 1/2" x W: 2 9/16" x H: 1" with frame: L: 7 1/2" x W: 3 1/2" x H: 1 1/4"



SpaLink RS Flush Mount Mud Box

Part No.	Description
7227	SpaLink RS 150' White
7489	SpaLink RS 200' White
7887	SpaLink RS 150' Gray
7890	SpaLink RS 200' Gray
7888	SpaLink RS 150' Black
7940	SpaLink Flush Mount Mud Box L: 7 1/4" x W: 3 5/16" x H: 2 3/4"
6781+	Decal Set, SpaLink
R0552500	Spa Link Frame R-Kit White
R0552600	Spa Link Frame R-Kit Gray

Common Accessories

Part No.	Description	
AQPLM	AquaLink Handheld Wireless Remote -10 Channel	RPZ
SPK8	Sprinkler Module, up to 8 Sprinkler Valves	R
7620	RS Serial Adapter, Home Automation Interface	R
6587	Incandescent Light Dimming Module	R
6796	2-Speed Motor Relay Kit	RPZ
4424	JVA 24V, 180° Rotation	RPZ
6584	Multiplex PCB	RPZ
6908	AquaLink RS Surge Protection Kit	RP

AquaLink® Conversion Kits

Upgrade your automation system to AquaLink RS power with Conversion Kits. Simply convert your old AquaLink, Ji Series, Polaris® EOS™/SOL, and Compool® controls to the latest and greatest AquaLink Technology.



Features:

- Simpler programming and control of filter pump, spa, heater, solar and up to 7 auxiliary circuits
- For kits that include an iQ20 web-connect device, use any Apple® or Android® smartphone or tablet as an interface to control remotely anytime, anywhere
- AquaLink PDA based system (PDACONVJ) includes an AquaLink wireless handheld remote for programming and control
- Includes all necessary sheet metal goods and labeling to convert existing systems
- Built-in memory retains programming—even during extended power outages—no batteries required
- Automatic equipment safety circuits and freeze protection



Power Center PCB w/ Bezel

AquaLink Conversion Kits Include:

- One user interface (See chart below)
- One power center bezel with printed circuit board
- Required adapter plate(s)
- Required temperature sensors

Conversion Kits

Old System		New System			
Brand	Model	Part No.	System/Type	User Interface	
Jandy®	AquaLink RS Rev S and prior, AquaLink Rev 6 and prior	iQ20-RS	AquaLink RS Pool/Spa 8	iAquaLink	
Jandy	Ji2000, Ji4000, Ji8000, AquaLink 2, 4, 8	PDACONVJ	AquaLink PDA Pool/Spa 8	AquaLink Wireless Remote	
Jandy	Ji2000, Ji4000, Ji8000, AquaLink 2, 4, 8	7092	AquaLink RS Pool/Spa 8	OneTouch™	
Jandy	Ji600, Ji650, Ji1000, Ji1500, Ji2000, Ji4000, Ji8000, AquaLink 2, 4, 8	iQ-JNDY-RSPS8	AquaLink RS Pool/Spa 8	iAquaLink	
Jandy	AquaLink 10	iQ-JNDY-RS26	AquaLink RS Dual Equip 2-6	iAquaLink	
Compool	Compool 100, 1000P, 2000, 3000/T, 3400/T, 3600/T, 3800/T, Swim Master, Time Master	iQ-COMP-RSPS8	AquaLink RS Pool/Spa 8	iAquaLink	
Polaris	EOS/SOL Pool 8, Pool/Spa 8	iQ-POL-RSPS8	AquaLink RS Pool/Spa 8	iAquaLink	
Polaris	EOS/SOL Pool and Spa 8	PDACONVPPS8	AquaLink PDA Pool/Spa 8	AquaLink Wireless Remote	
Polaris	Sheetmetal-only kits for converting Polaris load centers to accept Jandy RS style system level boards.	EOSMETAL	N/A N/A	N/A	



Jandy Valve® Actuator

Jandy® Pro Series Valve Actuators **RPZ**

- Automates all 2-way and 3-way diverter valves for pool/spa combinations and water features
- New design with easier cam adjustment, PCB and hidden toggle switch
- Hidden toggle switch
- 24-Volt valve actuator
- Compatible with all pool/spa valves

Part No.	Description
4424	JVA 24 V, 180° Rotation

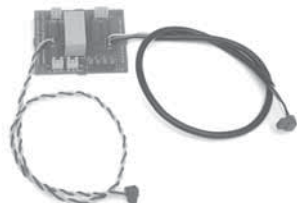


Auxiliary/JVA Relay Board

Auxiliary/JVA Relay Board **RPZ**

Used to operate a JVA and a relay from one relay socket.

Part No.	Description
5254	Auxiliary/JVA Relay Board

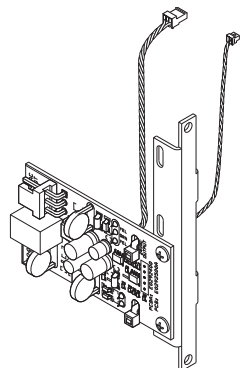


JVA Relay Interlock Board

JVA Relay Interlock Board **RPZ**

Used to turn off or on a piece of equipment when the system switches from pool to spa.

Part No.	Description
4922	JVA Relay Interlock Board

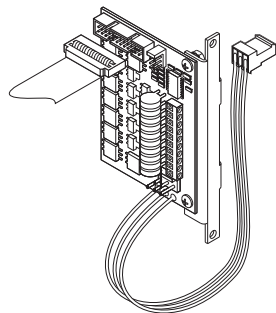


Smart JVA Board

Smart JVA Board **R**

- Provides variable rotation control of one standard JVA
- For use with AquaLink® RS System Levels — Rev T or newer
- Setup using OneTouch™ or iAquaLink™ Interfaces
- Requires one JVA and one auxiliary circuit (relay not required)

Part No.	Description
SMARTJVA	Smart JVA Board

**Sprinkler Module**

RS Sprinkler Module **®**

Provides integration of eight (8) sprinkler valves with an AquaLink® RS system for control from the OneTouch™ indoor control panel.

- Up to eight (8) sprinkler valve connections
- PCB fits into RS power center daughter card area
- ESP-Link (Energy Saving Program) automatically adjusts program times when the seasons change
- Works with iAquaLink™, AquaLink Touch and OneTouch™ user interfaces

Part No.	Description
SPK8	RS Sprinkler Module PCB

NOTE: REVISION N or later software.

**Multiplex Board**

Multiplex Board **®PZ**

Provides additional RS485 connectors for systems at or near the maximum of two (2) RS485 cables per red 4-pin connector.

Part No.	Description
6584	Multiplex Board

**2-Speed Relay Kit**

2-Speed Motor Relay Kit **®PZ**

Provides control of a high voltage, 2-speed pump motor. Compatible with Jandy®, Zodiac® and Polaris® brand control systems.

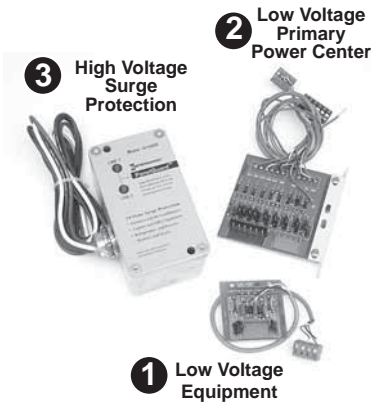
- Type: SPDT
- AMPS: 20 Max
- PUMP: 2 HP Max at 220 VAC

Part No.	Description
6796	2-Speed Relay Kit

PUMPS
 FILTERS
 GAS HEATERS
 HEAT PUMPS
 AUTOMATION
 WATER LEVELING
 WATER SANITIZERS
 VALVES
 WATER FEATURES
 LIGHTING
 CLEANERS
 IN-FLOOR
 BLOWERS
 ACCESSORIES

AquaLink® RS Surge Suppression Kits **RPZ**

Protect your investment from severe power surges by adding a Surge Suppression Kit to Jandy®, Zodiac® or Polaris® Control Systems.



AquaLink RS Surge Suppression Kits

Part No.	Description
Surge Suppression Kits	
6908	Surge Protection Kit (for RS 4, 6, 8, 2/6 & PDA) Includes 1x 1 , 1x 2 , 1x 3
7627	Surge Suppression Kit (for RS12, 16, 2/10, 2/14) Includes 2x 1 , 1x 2 , 1x 3

Note: For each additional power center, order part # 6585.

Part No.	Description
Surge Suppression Add-ons	
6585	Surge Protection PCB for Low Voltage Control Panel, Auxiliary Power Centers, and Accessory Devices including AquaPure® and PureLink™ Salt Chlorinators, AquaPalm™, J-box, and PDA J-box. Includes 1x 1

Part No.	Description
Surge Suppression Repair Kits	
5815	Repair Kit, Surge Protection for High Voltage. Includes 1x 3
7028	Repair Kit, Surge Protection for Low Voltage Control Panel & Power Center PCBs. Includes 1x 1 , 1x 2
7029	Repair Kit, Surge Protection for Low Voltage Power Center PCB. Includes 1x 2



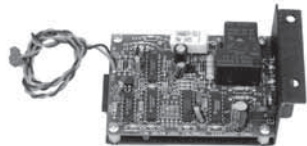
Temperature Sensor

Temperature Sensor Kit

- 10K Ohm Thermistor
- Jandy, Zodiac, or Polaris Controls

Part No.	Description	RPZ
7790	Temp Sensor Kit, Gray (Air/Water/Solar) 15'	RPZ
7786	Temp Sensor Kit, Gray (Air/Water/Solar) 50'	RPZ
7791	Temp Sensor Kit, Gray (Air/Water/Solar) 125'	RPZ
4019+*	Temp Sensor 4 Wire Kit (For older Jandy Ji and AquaLink systems requiring a 4-wire temp sensor.)	
5089*	Temp Sensor 2 Wire Kit (For older Jandy Ji2000 only)	

*Note: 1K Ohm Thermistor.

**Light Dimming Kit****RS Light Dimming Relay ®**

Provides dimming for pool, spa and landscape incandescent lights. For use with 120V lighting systems or dimming-capable transformer-based low-voltage lighting. Add light dimming to any AquaLink® RS auxiliary circuit.

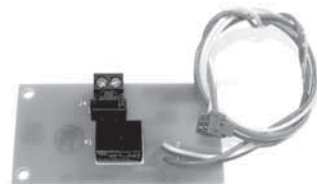
- 1000 watts maximum
- 120 VAC/12 VAC
- Not compatible with AquaLink PDA systems

Part No.	Description
6587	Light Dimming Relay Kit

**Relay Splitter****Relay Splitter ®PZ**

Allows one (1) auxiliary circuit to activate two (2) relays.

Part No.	Description
5098	Relay Splitter

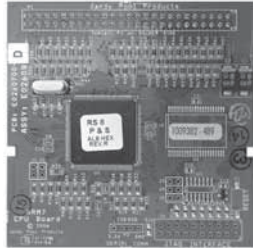
**Dual Heater Interface Kit****Heater Interface Kit ®**

For use with AquaLink RS Dual Equipment Systems when it is necessary to activate both heaters separately. (Included with all RS Dual Equipment Systems.)

Part No.	Description
6586	Heater Interface Kit for Dual Equipment



50-Pin Main Power Center Board



50-Pin CPU Board



Upgrade Kits
Includes 50-Pin Main PCB with Bezel, key pad, and 50-Pin CPU Board



AquaLink® RS & PDA Power Center Boards & Firmware

50-Pin Main Power Center Board Only 50-Pin CPU board required (not included)

System Type	AquaLink RS R	AquaLink PDA P
(RS Rev N & newer, PDA Rev 6 & newer)	R0466700	R0466700

Latest Rev 50-Pin CPU Boards Only For 50-Pin Main Power Center Boards

System Type	AquaLink RS R	AquaLink PDA P	
(2 bodies of water: shared pump & heater)	4 Pool/Spa Combo	R0466803	R0586102
	6 Pool/Spa Combo	R0466802	R0586103
	8 Pool/Spa Combo	R0466801	R0586104
	12 Pool/Spa Combo	R0466810	Not Available
	16 Pool/Spa Combo	R0466811	Not Available
	24 Pool/Spa Combo	R0466812	Not Available
	32 Pool/Spa Combo	R0466813	Not Available

(1 body of water)	4 Pool Only/Spa Only	R0466806	R0586100
	6 Pool Only/Spa Only	R0466805	Not Available
	8 Pool Only/Spa Only	R0466804	R0586101
	16 Pool Only/Spa Only	R0466815	Not Available
	24 Pool Only/Spa Only	R0466816	Not Available

(2 bodies of water, separate pump & heater)	2/6 Dual Equipment	R0466807	Not Available
	2/10 Dual Equipment	R0466818	Not Available
	2/14 Dual Equipment	R0466819	Not Available
	2/22 Dual Equipment	R0466820	Not Available
	2/30 Dual Equipment	R0466821	Not Available

Latest Rev Upgrade Kits Includes 50-Pin Main Power Center Board, Bezel, Key Pad & CPU Board

System Type	AquaLink RS R	AquaLink PDA P	
(2 bodies of water: shared pump & heater)	4 Pool/Spa Combo	R0468503	R0586503
	6 Pool/Spa Combo	R0468502	R0586504
	8 Pool/Spa Combo	R0468501	R0586505

(1 body of water)	4 Pool Only/Spa Only	R0468506	R0586501
	6 Pool Only/Spa Only	R0468505	Not Available
	8 Pool Only/Spa Only	R0468504	R0586502

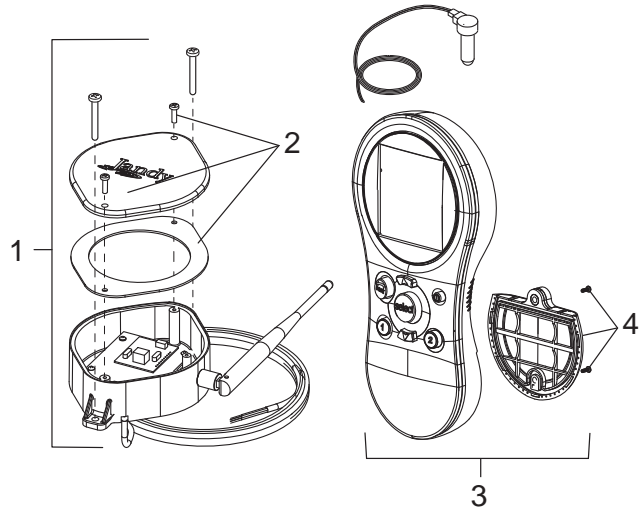
(2 bodies of water: separate pump & heater)	2/6 Dual Equipment	R0468507	Not Available
---	--------------------	----------	---------------

PPD 52-Pin PPDs No Longer Available due to component supplier discontinuation.

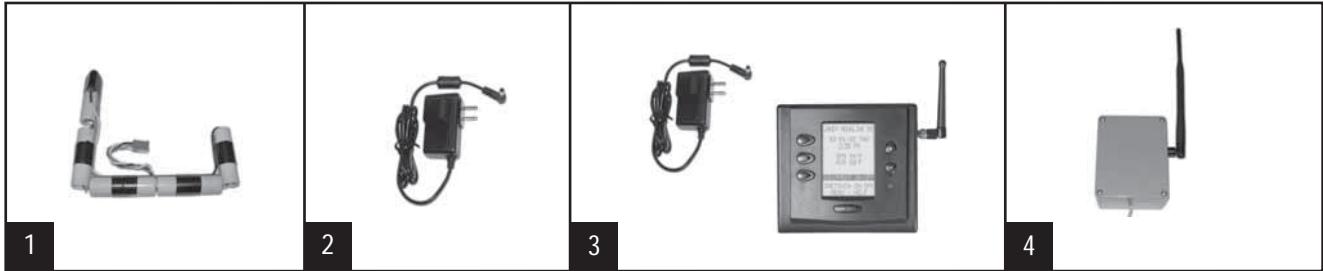
AquaLink® Wireless Handheld Remote Replacement Parts

Replaces both "PDA Handheld" and "AquaPalm™ Handheld"

Key No.	Part No.	Description
1	R0686300	PDA/Aqua Palm J-Box Assembly (18-Channel RF), R Kit
1	R0441900	PDA/Aqua Palm J Box Assembly (10 Channel), R Kit
2	R0443300	Gasket/Screws (2), J-Box
3	R0687300	AquaLink Wireless Handheld Remote (18 Channel), R Kit
3	R0444300	AquaLink Wireless Handheld Remote (10 Channel), R Kit
4	R0443400	Black Battery Door/Seal/Screws (2), Handheld
4	R0578200	Blue Battery Door/Seal/Screws (2), Handheld



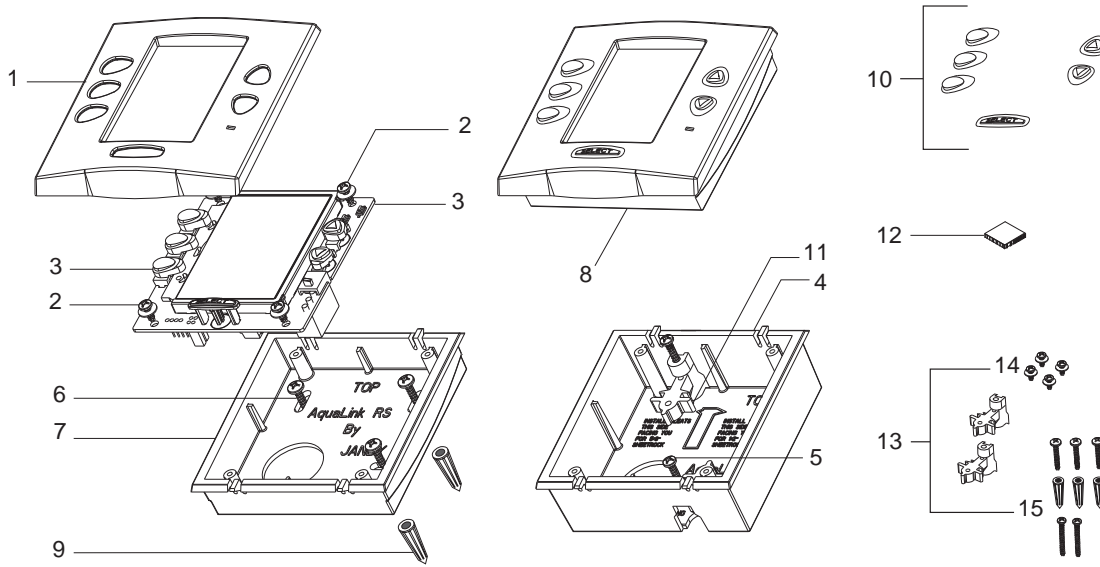
Rechargeable Wireless OneTouch™



Key No.	Part No.	Description
1	R0560000	Battery Pack
2	R0560200	Wireless Power Supply Charger Kit
3	8227	Additional Portable Wireless Control Panel (with recharging circuitry and OneTouch PCB)
4	8241	Wireless Outdoor J-box Kit

AUTOMATION / ACCESSORIES & PARTS

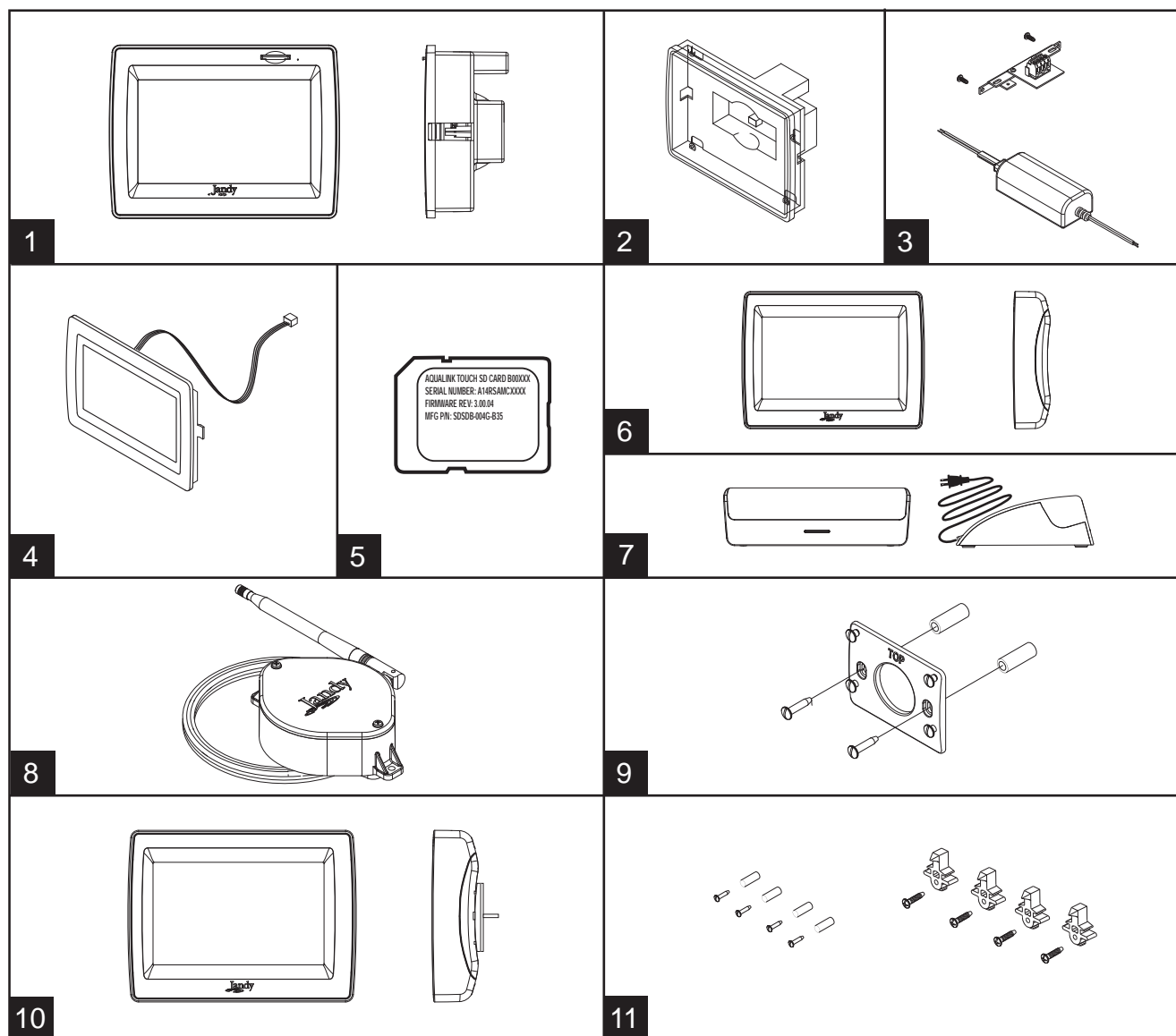
OneTouch™ Control Panel



Key No.	Part No.	Description
1	R0550100	OneTouch, Faceplate Only, White
1	R0550200	OneTouch, Faceplate Only, Black
1	R0550300	OneTouch, Faceplate Only, Satin Chrome
1	R0550400	OneTouch, Faceplate Only, Polished Chrome
1	R0550500	OneTouch, Faceplate Only, Satin Brass
1	R0550600	OneTouch, Faceplate Only, Polished Brass
2	R0551200	Screw, #6 x 3/8" Phillips Pan Head, Type BT (Purchase Kit #R0551200)
2	4862	Washer, Buna N, 3/8" OD (Purchase Kit #R0551200)
3	R0550700	PCB Subassembly w/ White Buttons and LCD
3	R0550800	PCB Subassembly w/ Black Buttons and LCD
4	R0550900	Housing, Flush Mount, White
5	3278	Screw, #6 x 1" Phillips Pan Head, Type A (Purchase Kit #R0551300)
6	1325	Screw, #8 x 5/8" Phillips PN T-A (Purchase Kit #R0551300)
7	R0551000	Housing, Surface Mount, White
7	R0551100	Housing, Surface Mount, Black
8	7953	OneTouch Control Panel, Complete, Surface and Flush Mount, White
8	7954	OneTouch Control Panel, Complete, Surface and Flush Mount, Black
9	R0551300	Screw Anchor, Sheet Rock (Purchase Kit #R0551300)
10	R0551400	Replacement Buttons, OneTouch, White
10	R0551500	Replacement Buttons, OneTouch, Black
11	7684	Cleat, Flush Mount Sheet Rock Fastener (Purchase Kit #R0551300)
12	R0410200	OneTouch Controller Chip
13	7952	Mount Kit, RS Controller (Includes 1x Part #R0551200, 1x Part #R0551300, 2x Part #7694)
14	R0551200	PCB Screw Kit, OneTouch (Includes 4x Part #R0551200, and 4x Part #4862)
15	R0551300	Housing Screw Kit, OneTouch (Includes 2x Part #3278, 3x Part #1325, and 3x Part #R0551300)
N/S	R0551800	Service Controller, One Touch w/ 3 ft. Cable and Connector
N/S	R0467100	Wire Harness w/ RJ10 Connector, Service Controller

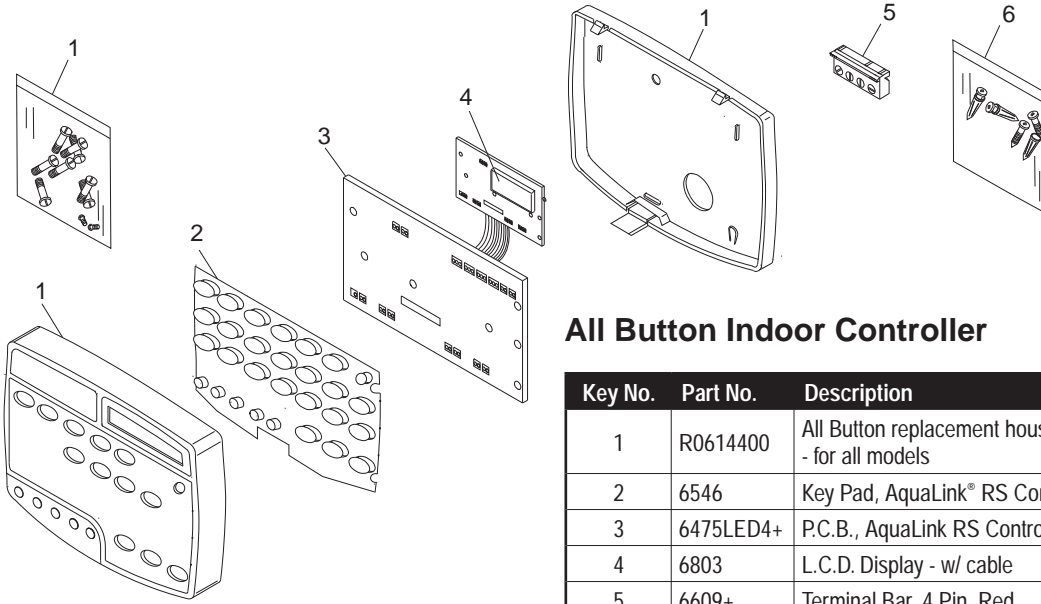
N/S - Not Shown

AquaLink® Touch Replacement Parts



Key No.	Part No.	Description
1	R0497400	Control Panel Complete, Wired Flush Mount, AquaLink Touch, R-Kit
2	R0497500	Back Housing W/ RS485 PCB, Wired, Flush Mount, AquaLink Touch, R-Kit
3	R0497600	Power Booster, Wired, Flush Mount, AquaLink Touch, R-Kit
4	R0497700	Front PCB w/Face Frame, Wired, Flush Mount, AquaLink Touch R-Kit
5	R0593800	AquaLink RS Touch – Firmware Upgrade
6	R0497900	Control Panel Complete, Wireless, AquaLink Touch R-Kit
7	R0498000	Charging Base Complete, Wireless, AquaLink Touch R-Kit
8	R0498100	J-Box Transceiver, Wireless, AquaLink Touch R-Kit
9	R0522600	Bracket w/Screws, Wired Surface Mount, AquaLink Touch R-Kit
10	R0522700	Control Panel Complete, Wired Surface Mount, AquaLink Touch R-Kit
11	R0522800	Screw Kit, AquaLink Touch R-Kit (Wired Units)

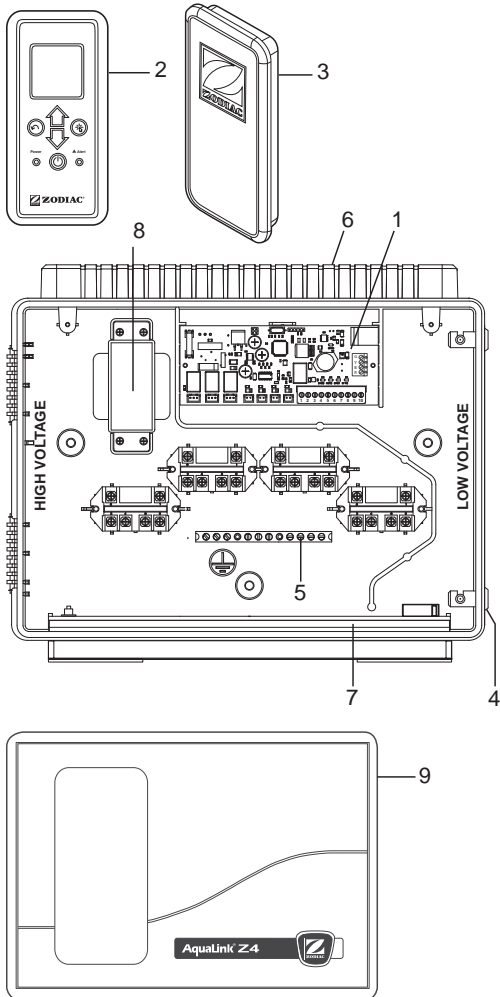
AUTOMATION / ACCESSORIES & PARTS



All Button Indoor Controller

Key No.	Part No.	Description
1	R0614400	All Button replacement housing kit w/ decals - for all models
2	6546	Key Pad, AquaLink® RS Controller
3	6475LED4+	P.C.B., AquaLink RS Controller
4	6803	L.C.D. Display - w/ cable
5	6609+	Terminal Bar, 4 Pin, Red
N/S	6578	Controller Mounting Kit (including Aux. Decals, Battery, Mounting Screws)
N/S	6781+	Decals, Auxiliary Equipment Labels
N/S	7057	Service Controller, All Button w/ 10 ft. cable and connector

N/S-Not Shown



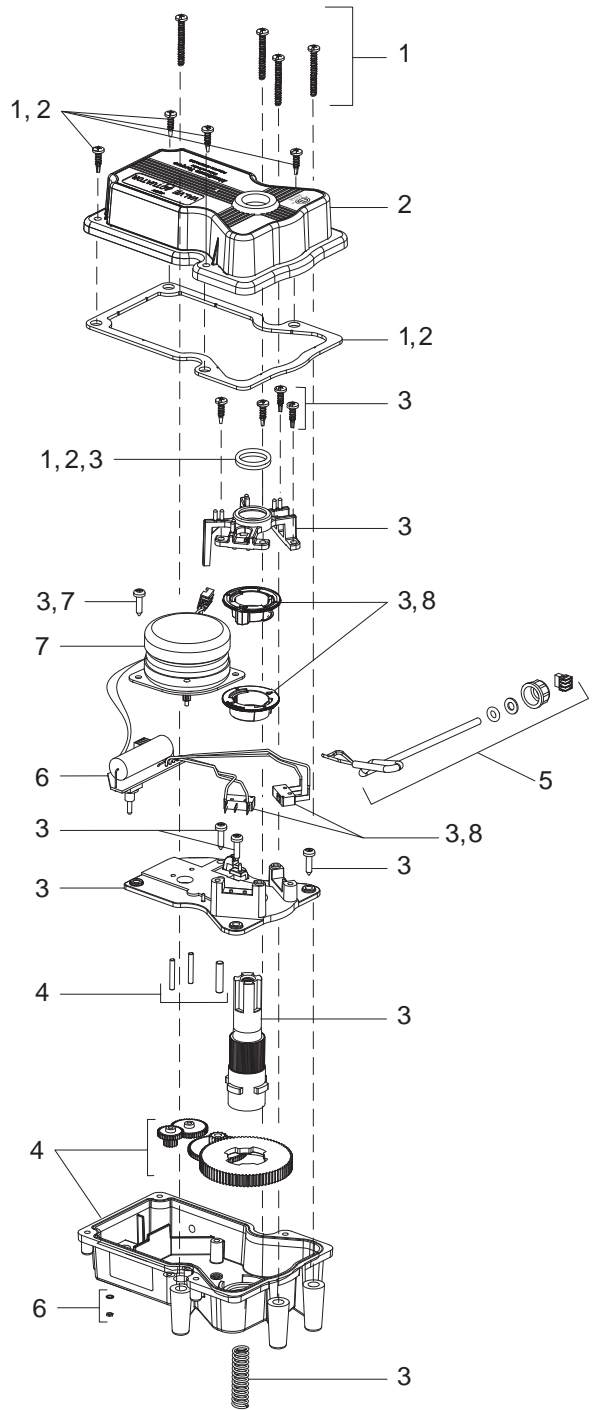
Z4 Replacement Parts

Key No.	Part No.	Description
1	R0568200	PCBA Replacement Kit
2	R0568302	Interface Assembly Kit, Pool/Spa
2	R0568303	Interface Assembly Kit, Pool Only
3	R0568601	Blank Face Plate Kit
4	R0568400	Door Tumbler Kit
N/S	R0568500	Air Temperature Sensor Kit
N/S	7790	Solar Temperature Sensor Kit
5	R0568700	Grounding Bar Kit
6	R0568900	Top Vent Cover Kit
7	R0569000	Conduit Plate Assembly Kit
8	R0569200	110-120VAC Transformer Kit
9	R0569400	Door Assembly Kit

N/S-Not Shown

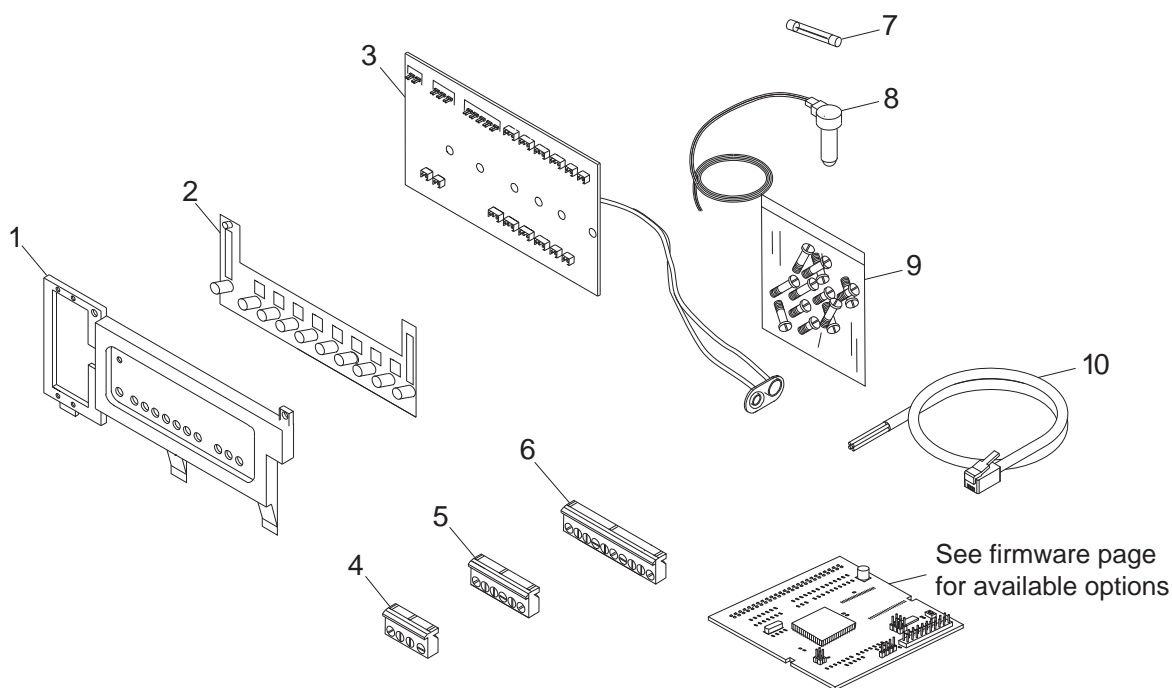
JVA Exploded View and Replacement Kits (4424 Style)

Key No.	Part No.	Description	Qty.
1	R0409600	JVA Gasket and Screw Kit	
		Gasket	1
		O-Ring	2
		Screw, #14 x 2"	4
		Screw, #8 x 5/8"	4
2	R0411500	Top Housing Kit	
		Gasket	1
		O-Ring	2
		Screw, #8 x 5/8"	4
		Housing, Top	1
3	R0408700	Center Plate Kit	
		O-Ring	2
		Screw, #8 x 5/8"	8
		Bridge	1
		Top Cam (Clear)	1
		Bottom Cam (Textured)	1
		Microswitch	2
		Center Plate	1
		Output Shaft, Threaded	1
		Spring, JVA	1
4	R0411600	Gear Kit	
		Primary Gear	1
		Secondary Gear	1
		Large Pinion Gear	1
		Output Gear	1
		Housing, Bottom w/ 3 Pins	1
5	R0411800	Cable Kit, 20'	
		O-Ring, Strain Relief	1
		Washer, Strain Relief	1
		Cap, Strain Relief	1
5	R0411900	Cable Kit, 75'	
		O-Ring, Strain Relief	1
		Washer, Strain Relief	1
		Cap, Strain Relief	1
6	R0441700	PCB w/ Toggle Switch Kit	
		PCB Sub-Assembly, 24V w/ PCB, w/ Toggle Switch, LockWasher and Nut	1
7	R0408500	Motor Kit Screw, #8 x 5/8" Motor 24V, w/ Wire and Connector	1
8	R0408600	Cam and Microswitch Kit	
		Top Cam (Clear)	1
		Bottom Cam (Textured) Microswitch	1



AUTOMATION / ACCESSORIES & PARTS

Power Center Printed Circuit Board and Bezel Parts - Low Voltage

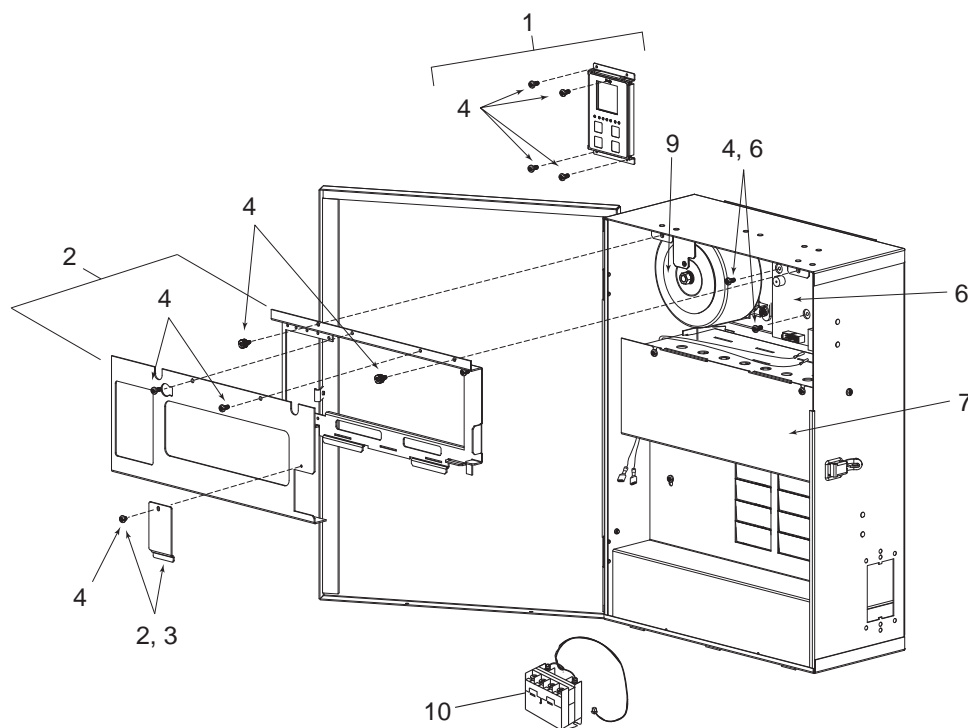


Key No.	Part No.	Description
1	R0468300	Bezel, Primary Power Center, RS 4, 6, 8, 12, 16, 24, 32 w/ decal (New style)
1	R0468400	Bezel, Primary Power Center, RS 2/30, 2/22, 2/14, 2/10, 2/6 Dual w/ decal (New style)
1	7440+	Bezel, Auxiliary Power Center, RS 12, 16, 24, 32, 2/10, 2/14, 2/22, 2/30 w/ decal
3	R0466700	50 Pin Main Power Center Board
3	7074+	44 Pin Main Power Center Board
3	8194	52 Pin Main Power Center Board
2	6576	Key Pad, RS Power Center
3	7306+	PCB R-Kit, RS Auxiliary Power Center w/ Micro Controller (for secondary Power Center)
4	6609+	Terminal Bar, 4-Pin, Red
5	6547+	Terminal Bar, 6-Pin, Black
6	6610+	Terminal Bar, 10-Pin, Green
7	6658	Fuse, 3.15 Amp (Purchased locally)
8	7790	Temperature Sensor Kit, Gray (Air/Water/Solar) 15'
9	6847	Screw Kit, PCB Mounting
10	R0467100	Wire Harness w/ RJ10 Connector, RS Service Controller
N/S	6781+	Decal Set, Auxiliary Equipment Labels
N/S	6586	Dual Heater Interface Board
N/S	6996	Freeze Protection Kit (for RS 2/6 w/ Solar option)
N/S	6918	Screw Kit, Bezel to Sheet Metal Power Center

N/S-Not Shown

PureLink™ Power Centers (Small Front Style after 9/09)

Part# 6614AP-L



Sub Panel Enclosure
Part# 6614AP-L

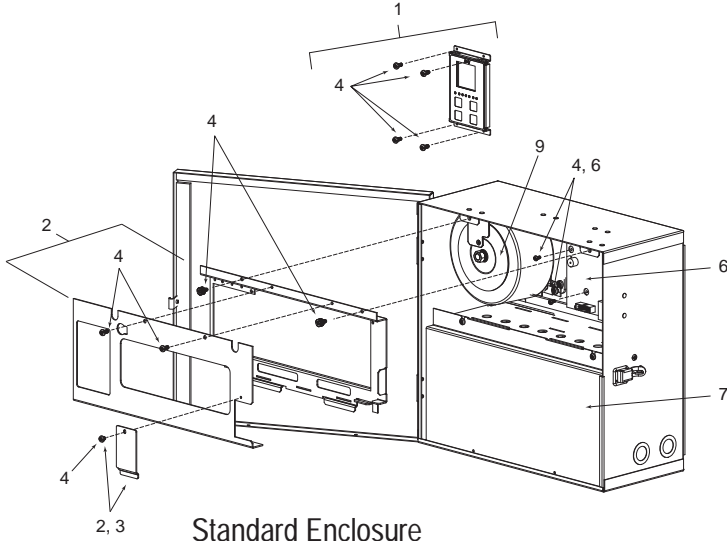
Key No.	Part No.	Description
1	R0467400	PCB User Interface w/ (4) Screws
2	R0562100	Bezel Cover Kit, Small PCB, 6614AP-L Sub Panel
3	R0447300	Battery Door Kit w/ Screw
4	R0467800	Screw Kit, PureLink
5	R0447500	Wiring Harness, PureLink Back PCB to DC Cord
6	R0467600	PCB, Power Interface, Large Back Board, w/ Screws
7	R0562000	Panel, Breaker Dead Front 6614AP-L
9	R0466400	Transformer, AquaLink® RS, 120V
9	R0481400	Transformer, AquaPure®, 240V
9	6967+	Transformer, AquaLink RS 240V, 50/60 Hz Export

Suggested Circuit Breakers (Available Locally)						
Manufacturer	Single	Double	Twin	Quad	GFCB	Filler Plate
Cutler-Hammer®	BR	BR	BRD	BRD	GFCB	BRFP
Murray®	MP-T	MP-T	MH-T	MH-T	MP-GT	LX100FP
Siemens®	QP	QP	QT	QT	QPF	QF3
Square D®	HOM	HOM	HOMT	HOMT	HOM	HOMFP
Thomas & Betts®	TB	TB	TBBD	TBBQ	GFB	FP-1C-TB

AUTOMATION / ACCESSORIES & PARTS

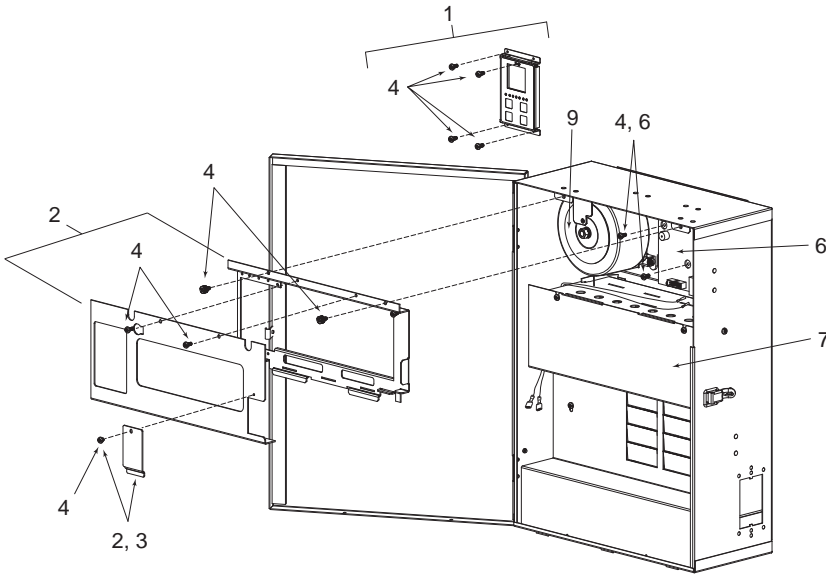
PureLink™ Power Centers (Small Front Style PCB after 2/08)

Part# 6613AP and 6614AP



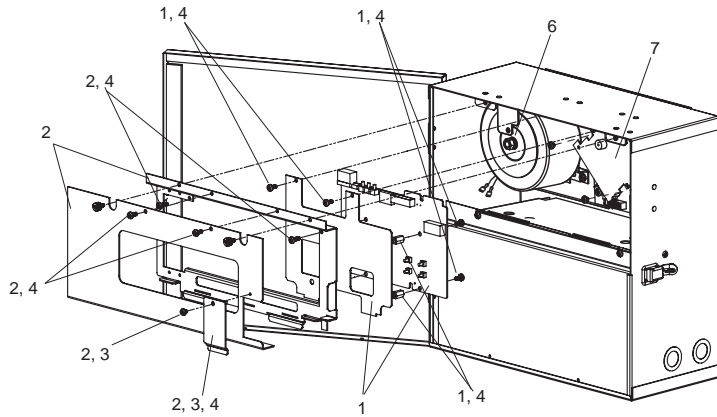
Standard Enclosure
 Part# 6613AP, 6613AP
 PCB New Style

Key No.	Part No.	Description
1	R0467400	PCB User Interface and (4) Screws–Small Front Style
2	R0467700	Bezel Cover Kit–Small Front Style. Includes: Bezel Cover Plate, Support Plate, Battery Cover
3	R0447300	Battery Door Kit, PureLink (for both 700 and 1400). Includes: Battery Door and Screw
4	R0467800	Screw Kit, PureLink, (for both 700 and 1400). Includes: (11) Screws
5	R0447500	Wiring Harness, PureLink Back PCB to DC Cord
6	R0467600	PCB Power Interface, Large Back Board, (2) Screws
9	R0481400	Transformer, AquaPure®
9	R0466400	Transformer, AquaLink® RS, 120/24 VAC

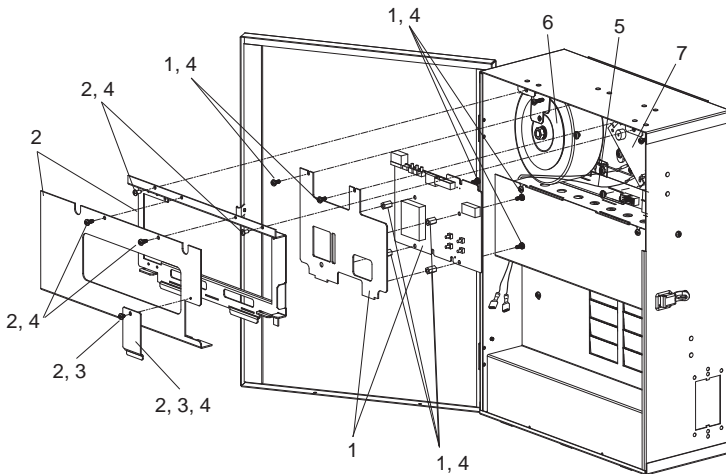


Sub Panel Enclosure
 Part# 6614AP
 PCB New Style

PureLink™ Power Centers (Large Front Style PCB prior to 1/08)



Standard Enclosure
Part# 6613AP, 6613AP
PCB Old Style



Sub Panel Enclosure
Part# 6614AP, 6614AP
PCB Old Style

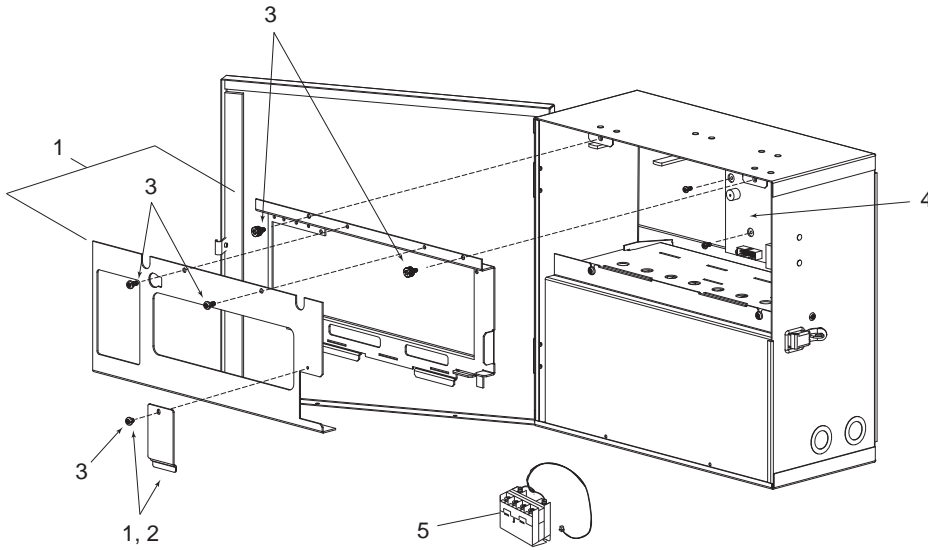
Key No.	Part No.	Description
1	R0447100	Front PCB Kit, PureLink (use for both 700 and 1400) (Old Style, prior to 1/08) Includes: Support Plate for Front PCB, (4) Nylon Standoffs and (6) Screws
1	R0403900	Front PCB, PureLink (use for both 700 and 1400) (Old Style, prior to 1/08)
2	R0447200	Bezel Cover Plate Kit, PureLink (for both 700 and 1400) Includes: Bezel Support Plate, Battery Cover and (5) Screws
3	R0447300	Battery Door Kit, PureLink (for both 700 and 1400) (Old Style, prior to 1/08) Screw, Battery Cover
4	R0447400	Screw Kit, PureLink (for both 700 and 1400) (Old Style, prior to 1/08) Includes: (11) Screws and (4) Nylon Stand-offs
5	R0447500	Wiring Harness, PureLink Back PCB to DC Cord
6	R0481400	Transformer, AquaPure®
N/S	R0466400	Transformer, AquaLink® RS, 120/24 VAC
7	R0404000	Back PCB Kit, AquaPure 700 (Old Style, prior to 1/08)
9	R0404100	Back PCB Kit, AquaPure 1400 (Old Style, prior to 1/08)

N/S-Not Shown

AUTOMATION / ACCESSORIES & PARTS

Foundation Power Center

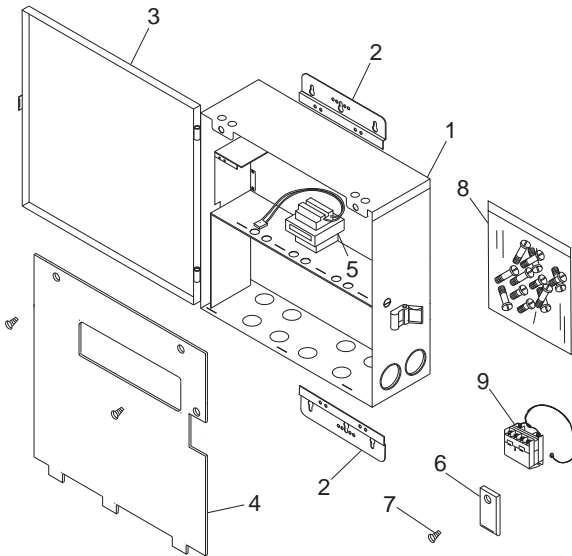
Part# 6612F



Key No.	Part No.	Description
1	R0467700	Bezel Cover Kit
2	R0447300	Battery Door Kit
3	R0467800	Screw Kit
4	R0466400	Transformer, 120V
5	R0658100	3 HP Relay

Power Center - Standard Enclosure

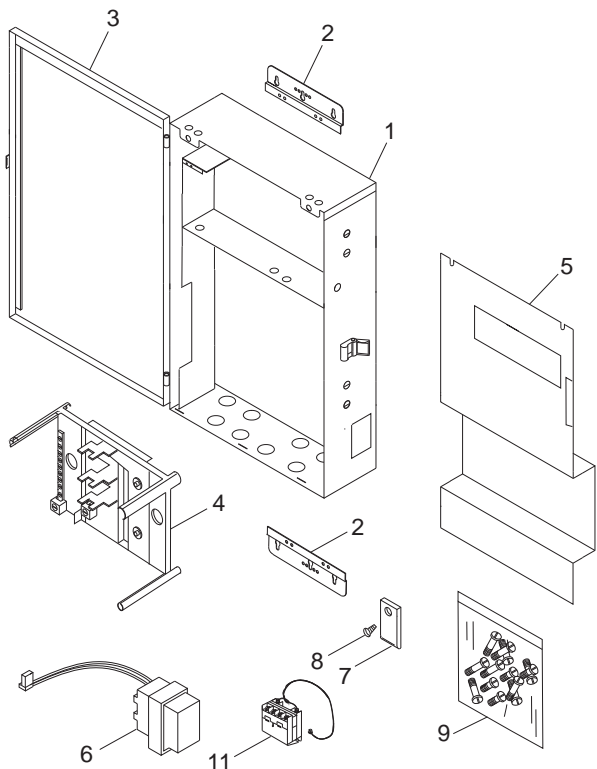
Part# 6613



Key No.	Part No.	Description
1	6613	Standard Enclosure, RS Power Center
2	6567	Mounting Brackets, RS Power Center
3	6563+	Door, Standard Enclosure
4	R0466900	Faceplate, Standard Enclosure, Before 1/08 Use #R0466900
4	R0466900	Faceplate, Standard Enclosure, w/ Service Controller Knockout, 10/07 Models or Later
5	R0466400	Transformer, 120V
6	6721	Battery Door
7	6559	Screw, RS Battery Door
8	6918	Screw Set, Bezel/Relay Mount
9	R0658100	3 HP Relay w/ Harness
N/S	6967+	Transformer, 240V, 50/60 Hz Export

N/S-Not Shown

**Power Center - Sub Panel Enclosure
Breaker Mount Plate** (Prior to October 1, 2009)
Part# 6614 (Discontinued)



Key No.	Part No.	Description
1	6614	Sub Panel Power Center, RS
2	6567	Mounting Brackets, Power Center
3	14-LD	Door, Sub Panel Power Center, RS
4	6929+	Breaker Mount Plate, base (Intermatic #124T2087A)
5	6932+	Faceplate, Sub Panel, Before 1/08
5	R0467000	Faceplate Bezel, Sub Panel, w/ Service Controller Knockout, 10/07 Models or Later
6	R0466400	Transformer, 120V
7	6721	Battery Door
8	6559	Screw, Battery Door
9	6918	Screw Set, Bezel/Relay Mount
11	R0658100	3 HP Relay w/ Harness
N/S	6967+	Transformer, 240V, 50/60 Hz Export

N/S-Not Shown

Suggested Circuit Breakers (Available Locally)*

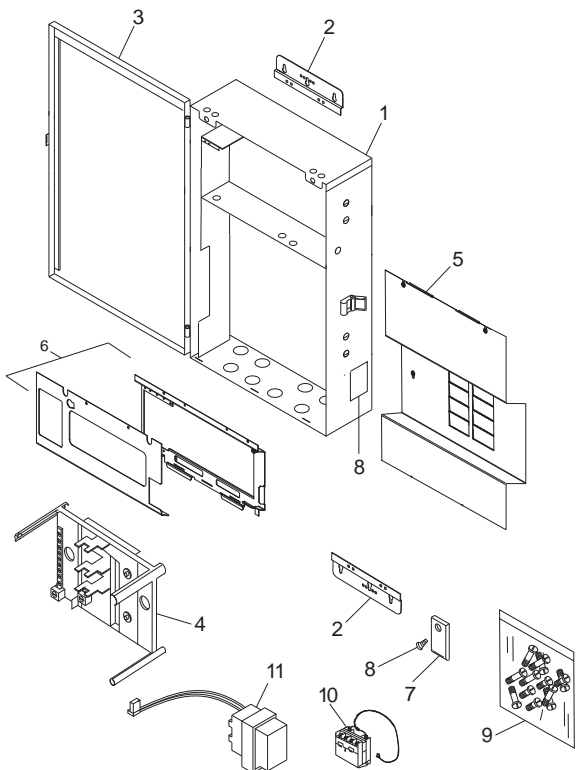
Manufacturer	Single	Double	Twin	Quad	GFCB	Filler Plate
Cutler-Hammer®	BR	BR	BRD	BRD	GFCB	BRFP
Murray®	MP-T	MP-T	MH-T	MH-T	MP-GT	LX100FP
Siemens®	QP	QP	QT	QT	QPF**	QF3
Square D®	HOM	HOM	HOMT	HOMT	HOM	HOMFP
Thomas & Betts®	TB	TB	TBBD	TBBQ	GFB	FP-1C-TB

*This list is a partial list. "Equivalent" UL or ETL listed circuit breakers from other brands are also suitable for this enclosure.

**Recommended for use with variable speed pumps.

**Power Center - Sub Panel Enclosure
w/ Base Breaker Mount Plate**

(After October 1, 2009)
Part# 6614-LD

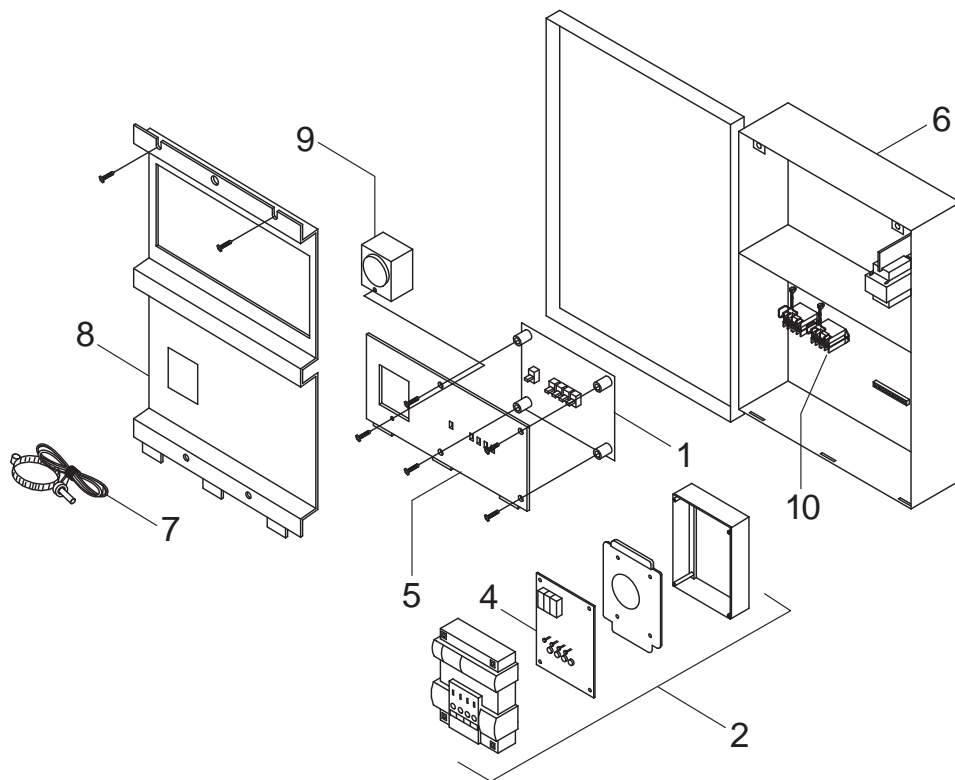


Key No.	Part No.	Description
1	6614-LD	Sub Panel Power Center, RS
2	6567	Mounting Brackets, Power Center
3	R0561800	Door, Sub Panel Power Center, RS
4	R0561900	Breaker Mount Plate, base
5	R0562000	Faceplate Dead Panel, Sub Panel, 12 Breakers
6	R0562100	Faceplate Bezel Panel, Sub Panel w/ Service Knockout
7	R0447300	Battery Door Kit
8	6559	Screw, Battery Door
9	6918	Screw Set, Bezel/Relay Mount
10	R0658100	3 HP Relay w/ Harness
N/S	6967+	Transformer, 240V, 50/60 Hz, Export
11	R0466400	Transformer, 120V

N/S-Not Shown

AUTOMATION / ACCESSORIES & PARTS

Ji 2000 Pool/Spa Control System



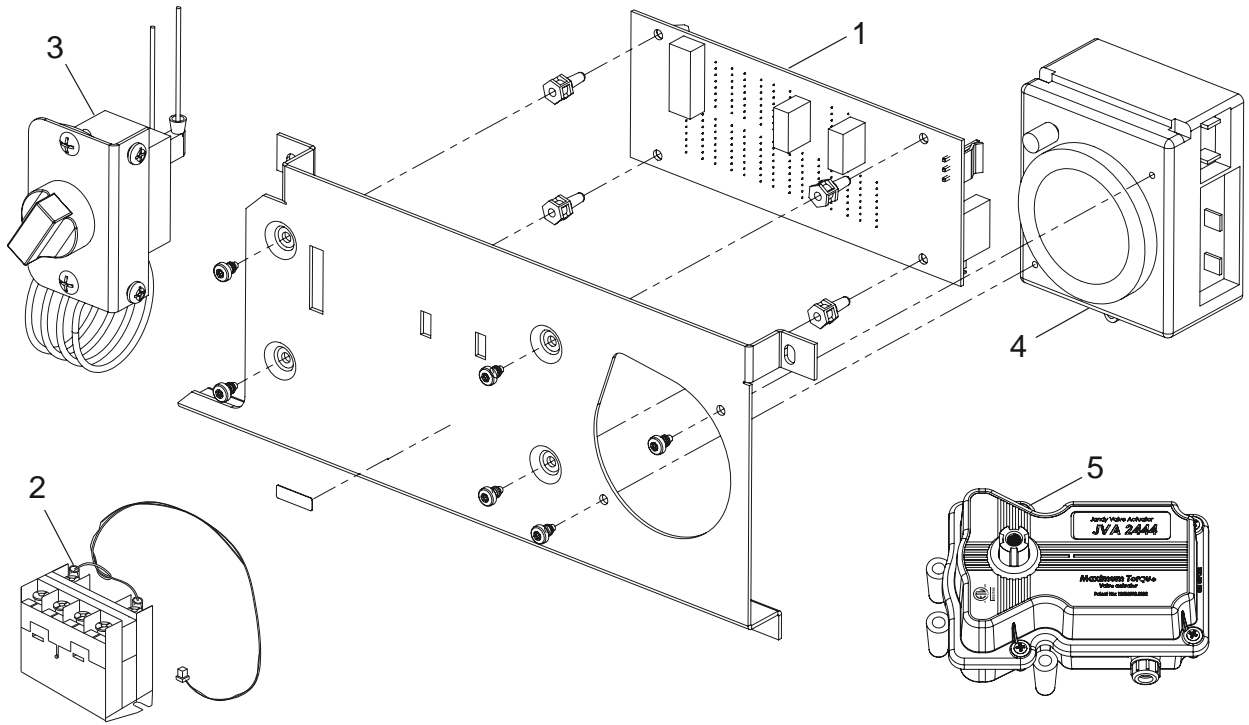
Key No.	Part No.	Description
1	4395+	Power Center PCB
2	4586	Controller, Complete (Not Available)
4	4595	Controller PCB, Complete (Call for Rebuild)
5	5125	Power Center Low Voltage Panel (Not Available)
6	R0466400	Transformer, Complete (For units mfg. 1995 and earlier* use Part# 4347)
7	4019+	Water Sensor (1k), 4 wire
8	4582	Time Clock Hole Plug (Not Available)
9	7152	Time Clock Kit 24 hr (For units mfg. 1995 and earlier* use Part# 4634)
10	R0658100	3 HP Relay (Relay modules for units mfg. 1995 and earlier* use Part# 3652)
10	4757	Two 3 HP Relay on brackets
N/S	5098	Relay Splitter
N/S	3652	2 HP Relay Module (Ji/AquaLink®)
N/S	4347	Transformer Kit, Ji Series
N/S	4634	Time Clock Kit, Ji Series
N/S	1899	9 Pair Cable

N/S-Not Shown

*Units that are 1995 and EARLIER have high and low voltage panels and switches arranged in a VERTICAL configuration. Units that are 1995 and LATER have high and low voltage panels and switches arranged in a HORIZONTAL configuration.

Pool Link Dual Timer Module

Part# PLINK

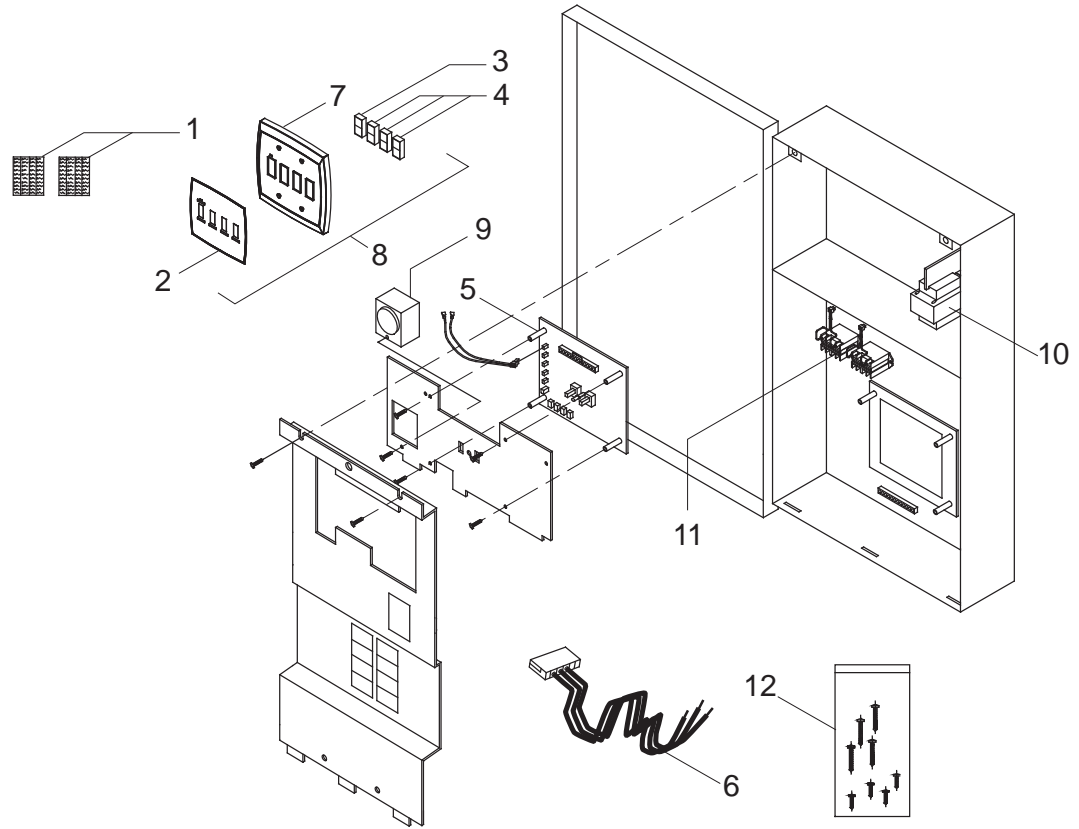


Key No.	Part No.	Description
1	R0450000	PCB, Pool Link
2	R0658100	3 HP Relay Kit
3	R0449900	Freeze Sensor Kit
4	7152	24 Hour Time Clock Kit
5	4424	JVA, 24 VAC (optional)

AUTOMATION / ACCESSORIES & PARTS

AquaSwitch™ - Sub Panel Power Center with Breaker Mount Plate (Discontinued)

Part# 7488

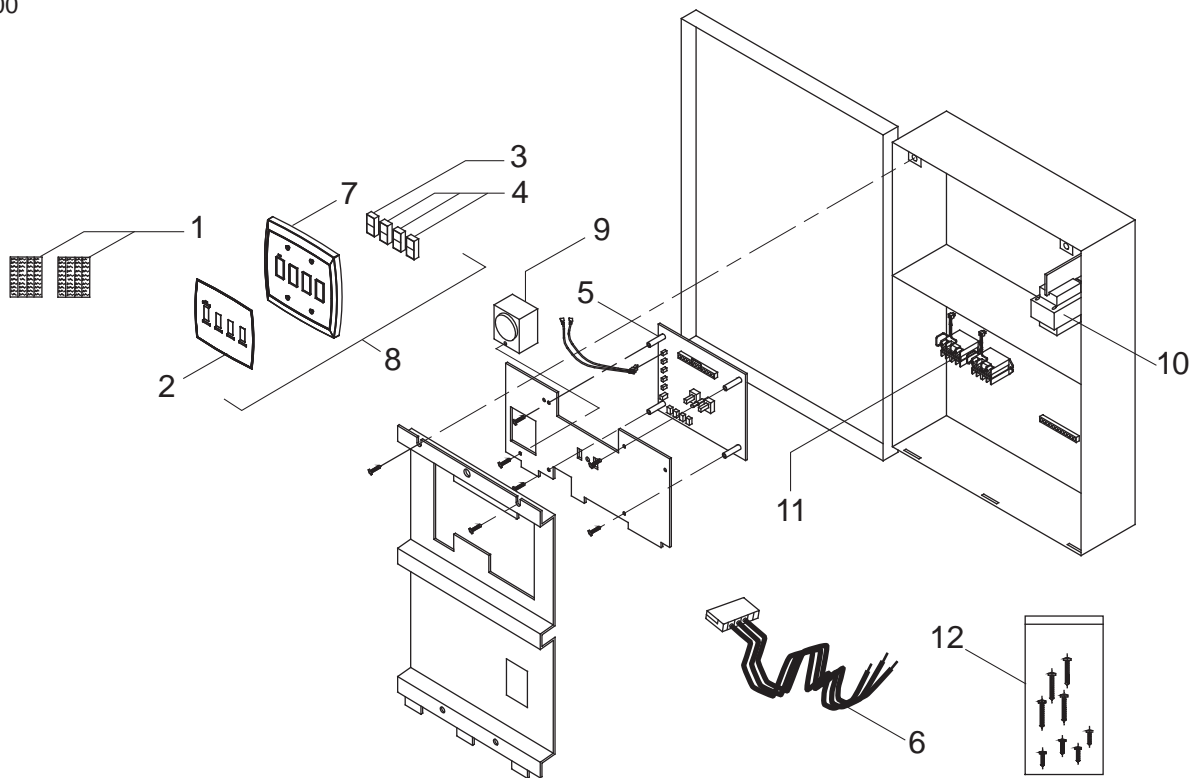


Key No.	Part No.	Description
1	6781+	Custom Decal Set (Includes Lights and General)
2	7312+	Decal AquaSwitch Faceplate
3	7502+	Switch, SPDT Rocker (Double)* Use Part# 7299+
4	7313	Switch, SPST Rocker (Single)* Use Part# 7299+
5	7200	PCB, AquaSwitch Power Center
6	7522	Remote Wiring Harness for Jandy® Lite™ Heater
7	7294	Faceplate, Plastic Housing* Use Part# 7299+
8	7299+	Controller, Complete
9	7152	Time Clock Kit, 24 hr.
10	R0466400	Transformer Kit, 120/24 VAC
11	R0658100	3 HP Relay w/ Harness
12	6918	Screw Kit
N/S	7343+	Cable, 4 pair, 22 gauge, per foot
N/S	7727	AquaSwitch to Jandy LX™/LT™ Heater Wiring Harness

*Not Sold Separately N/S-Not Shown

AquaSwitch™ - Standard Power Center
(Discontinued)

Part# 7300

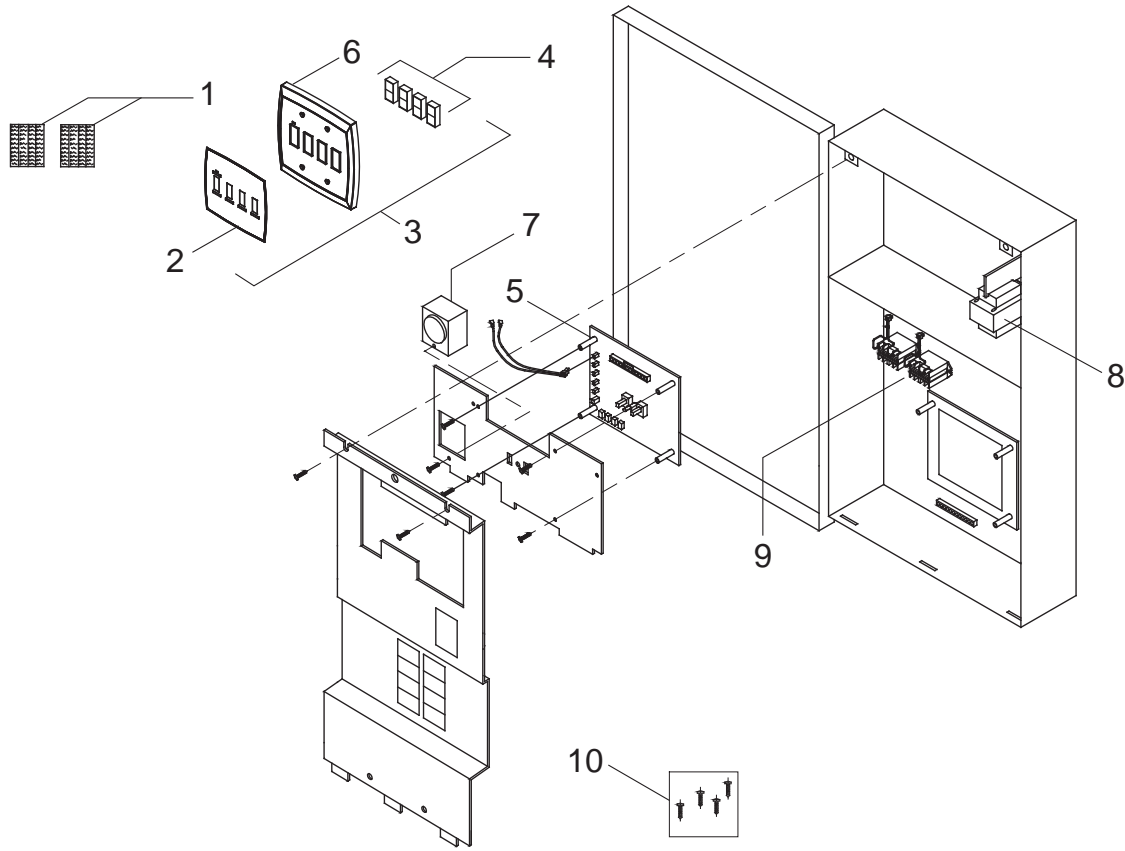


Key No.	Part No.	Description
1	6781+	Custom Decal Set (Includes Lights and General)
2	7312+	Decal AquaSwitch Faceplate
3	7502+	Switch, SPDT Rocker (Double)* Use Part# 7299+
4	7313	Switch, SPST Rocker (Single)* Use Part# 7299+
5	7200	PCB, AquaSwitch Power Center
6	7522	Remote Wiring Harness for Jandy® Pro Series Lite™ Heater
7	7294	Faceplate, Plastic Housing* Use Part# 7299+
8	7299+	Controller, Complete
9	7152	Time Clock Kit
10	R0466400	Transformer Kit, 120/24 VAC
11	R0658100	3 HP Relay w/ Harness
12	6918	Screw Kit
N/S	7343+	Cable, 4 pair, 22 gauge, per foot
N/S	7727	AquaSwitch to Jandy Pro Series LX™/LT™ Heater Wiring Harness

*Not Sold Separately N/S-Not Shown

AUTOMATION / ACCESSORIES & PARTS

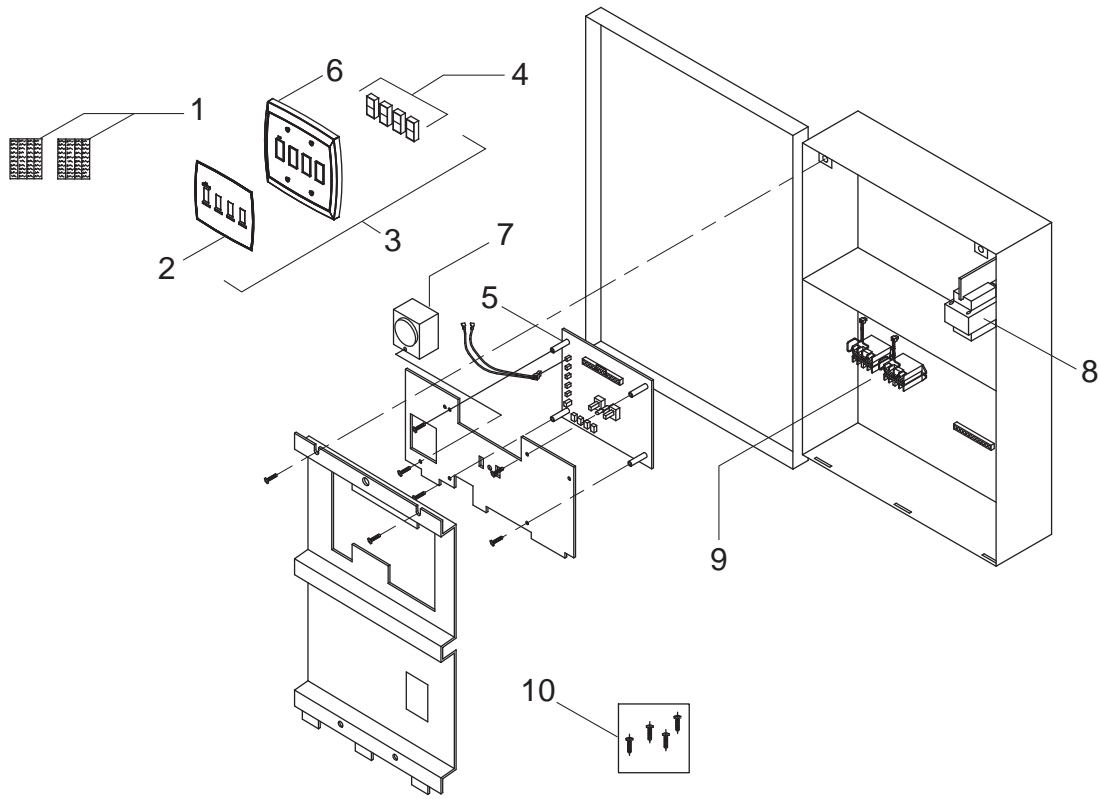
Pool Control - Sub Panel Power Center with Breaker Mount Plate



Key No.	Part No.	Description
1	6781+	Custom Decal Set (Includes Lights and General)
2	7501	Decal, Pool Control Faceplate
3	7502+	Controller, Complete Pool Control
4	7502+	Switch, SPST Rocker (4) (Double)* Use Part# 7502+
5	7200	PCB, Pool Control Power Center
6	7294	Faceplate, Plastic Housing* Use Part# 7502+
7	7152	Time Clock Kit, 24 hr.
8	R0466400	Transformer Kit, 120/24 VAC
9	R0658100	3 HP Relay w/ Harness
10	6918	Screw Kit
N/S	7343+	Cable, 4 pair, 22 gauge, per foot

*Not Sold Separately N/S-Not Shown

Pool Control - Standard Power Center



Key No.	Part No.	Description
1	6781+	Custom Decal Set (Includes Lights and General)
2	7501	Decal, Pool Control Faceplate
3	7502+	Controller, Complete Pool Control
4	7502+	Switch, SPST Rocker (4) (Double)* Use Part# 7502+
5	7200	PCB, Pool Control Power Center
6	7294	Faceplate, Plastic Housing* Use Part# 7502+
7	7152	Time Clock Kit, 24 hr.
8	R0466400	Transformer Kit, 120/24 VAC
9	R0658100	3 HP Relay w/ Harness
10	6918	Screw Kit
N/S	7343+	Cable, 4 pair, 22 gauge, per foot

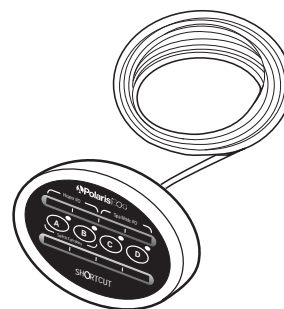
*Not Sold Separately N/S-Not Shown

EOS™ Parts and Accessories

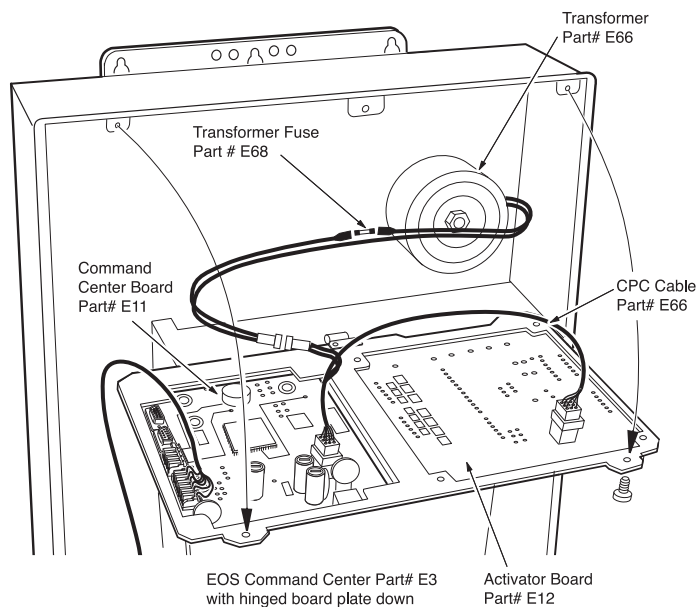
Part No.	Description
E11	Command Center Board
E12	Activator Board
E20	Wireless Kit (Antenna, Remote and Charging Base)
E21	In-House Panel
E22	Shortcut Remote w/ 125' Cable
E23	Shortcut Remote w/ 250' Cable
E30	Wireless Remote Only
E31	Wireless Charging Base Only
E32	Wireless Antenna Only
E33	Battery, Wireless Remote
E34	Cable, RBC, 250', Superseded by E39
E36	RBC Hub Card
E39	Cable, RBC Cable, 125'
E40	PLC Transmitter Kit
E41	PLC Dimmer Module (lighting only)
E43	PLC Appliance Module
E44	PLC Dimmer Screw-In Lamp Module
E45	PLC Phase Coupler, Plug-In, 3 Wire
E66	Transformer
E68	Fuse, Transformer (4 Amp, 125V)
E69	CPC Extension Kit for E3-E9, per foot
E75	Dimmer Relay
E82	Datalogger PC Access
R0658100	High Power Relay (old part # S30)
6908	Surge Protection Module (old part # S50)
6796	2-Speed Relay (old part # S80)
7790	Temp Sensor, 15' (old part # S20)
7786	Solar Sensor, 50' (old part # S22)
7791	Solar Sensor, 125' (old part # S25)
E37	6-pin Connector
E85	CPC Cable (E11-E12)
E86	12' Cable (E3-E9)
E90	EOS Cable Kit



Wireless Remote

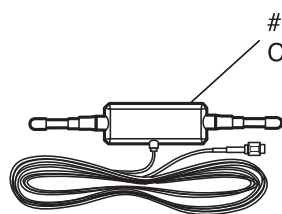


Shortcut Remote #E22

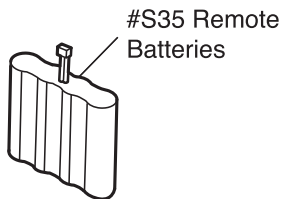


Sol 1000 Replacement Parts

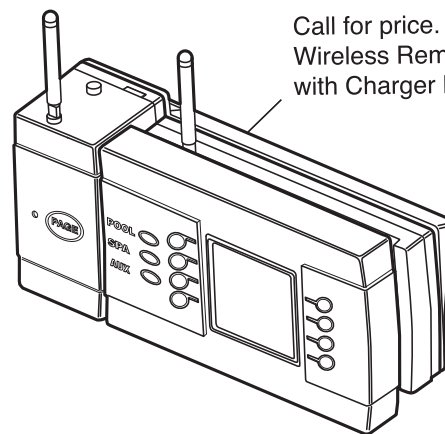
Part No.	Description
S10	Automatic Valve Actuator (Use #4424)
S15	Antenna Extension Cable
7790	Temperature Sensor, 15' Cable (old part # S20)
7786	Solar Temperature Sensor, 50' Cable (old part # S22)
7791	Solar Temperature Sensor, 100' Cable (old part # S25)
R0658100	High Power Relay (old part # S30)
S35	Battery w/ O-Ring and Gaskets, Remote
S40	Battery Cover w/ O-Ring, Screws and Gaskets, Remote
S42	Repeater Antenna w/ 100' of cable
S45	Command Center Antenna, 15' Cable
6908	Surge Protection Module (old part # S50)
S55	Transformer
S60	Command Center Circuit Board
S65	Charger Base
S66	Wireless Remote
S75	Command Center Battery, CR2025
6796	2-Speed Pump Relay (old part # S80)
S90	Fuse 2.5 AMP+C1139
S95	Screw, S60 Install



#S45 Antenna,
Command Center



#S35 Remote
Batteries



Call for price.
Wireless Remote
with Charger Base



AquaLink RS OneTouch Outdoor Enclosure

Outdoor Enclosure/AquaLink® RS OneTouch™ Control Panel

- Weatherproof enclosure with a see-through cover and easy access for installation of the AquaLink RS control panel outdoors
- 6 1/4" L x 6 1/4" W x 3 1/2" H

Part No. Description

8026	Outdoor Enclosure - AquaLink RS OneTouch Panel
------	--



AquaLink RS All Button Outdoor Enclosure

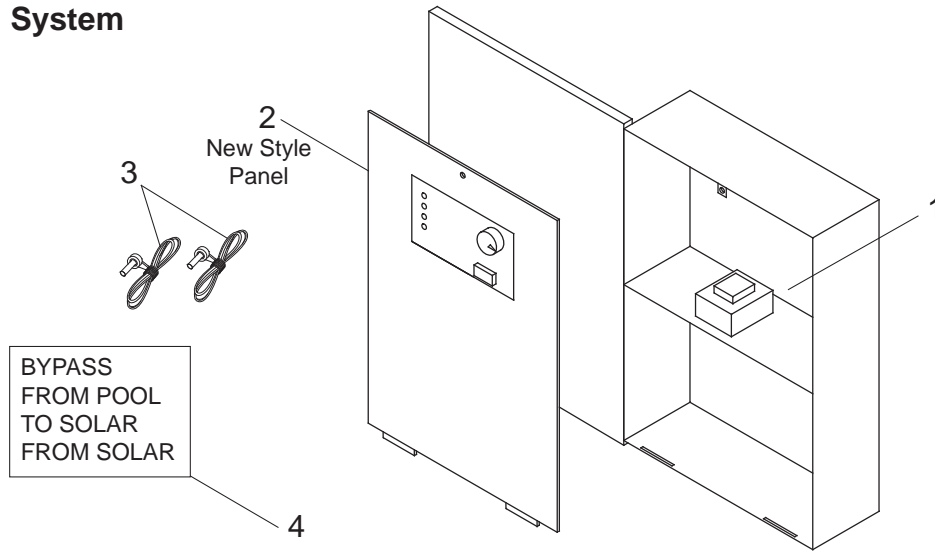
Outdoor Enclosure/AquaLink RS All Button Control Panel

- Weatherproof enclosure with a see-through cover and easy access for installation of the AquaLink RS Control Panel outdoors
- 10 1/3" L x 7 1/3" W x 3 1/2" H

Part No. Description

7341	AquaLink RS All Button Outdoor Enclosure
------	--

Solar Control System



Key No.	Part No.	Description
1	7517	Transformer Kit, 20VAC
2	7724	PCB, Solar Repair Kit w/ Panel, Knob and Decal (New Style, Top Screw)
3	7790	Water and Solar Temperature Sensors, Gray, 15 ft.
4	7547	Decal, Solar Bypass

PUMPS
 FILTERS
 GAS HEATERS
 HEAT PUMPS
AUTOMATION
 WATER LEVELING
 WATER SANITIZERS
 VALVES
 WATER FEATURES
 LIGHTING
 CLEANERS
 IN-FLOOR
 BLOWERS
 ACCESSORIES

COVER POOLS®

Why Cover-Pools?

- Partner with the world's first automatic pool cover company
- Work with the most experienced customer service team
- Use the most reliable and innovative products



***From traditional rope to
stainless steel cable!***

*Your Complete Automatic
Pool Cover Solution*

Learn more at coverpools.com/pool-pros



ZODIAC®

a FLUIDRA company

Power

Sensor

Filling

High Water
Sensor

High Water
Pump

Electronic
Water Fill
System

Model No. K2000

Jandy

The next generation
in automated controls.

H03067000

High Voltage Compartment

H03067000A

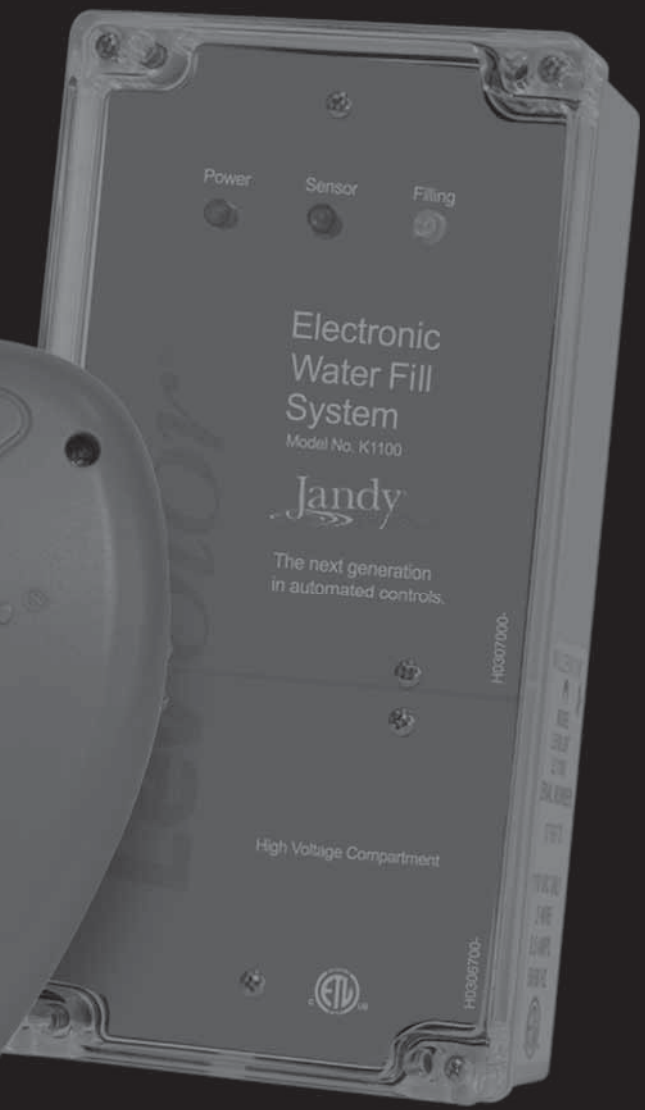


WATER LEVELING

Water Level Management Systems 199

Water Leveling Parts 202





Levolor® Electronic Water Level Management Systems

Electronically controlled device that detects low water conditions and automatically replaces the water to a pre-determined level.

Features:

- No moving parts
- No extra in-deck canisters or under-deck pressurized fill lines
- Waterproof enclosure and suitable for mechanical room environment
- Ideal for pool and spa systems with water features where evaporation and splash out is common
- Easily installed on new or existing pool and spa equipment systems with no modifications needed to the pool surface or structure
- Time-out sequence guarantees against overfilling and hiding leaks
- ETL® listed

Levolor Selection Chart

Model	Description	Features				Installation							Application	
		# bodies of water	Max # of solenoid valves	Sensors included	Pump switch & operation	Sensor in static pipe	Sensor behind weir door	Sensor in skimmer throat	Controller mounts on static pipe	Mounts on wall	220 volt (factory set)	110 volt (field selectable)		110 volt (factory set)
K1100 Series	Fill Only - Wall Mount	1	1	1	-	◆	◆	◆		◆	◆	◆		Fill Only. For most pool, spa, & pool/spa applications.
K2000 Series	Fill with High - Level Switch - On	1	1	1	◆ On	◆	◆	◆		◆	◆	◆		For VANISHING EDGE applications. Can turn on pump to fill catch basin & test the water level.
K2100 Series	Fill with Low - Level Cut - Off	1	1	1	◆ Off	◆	◆	◆		◆	◆	◆		For FOUNTAIN applications. Can cut off pump or light operation to protect equipment.
K2300 Series	Fill Only - Dual (separate) Water Bodies	2	2	2	-	◆	◆	◆		◆	◆	◆		For DUAL WATER BODY applications, monitors & fills each body independently.



K1100 Fill Only

K1100 Series: Fill Only

Electronic fill device that detects low water conditions and automatically replaces water to a pre-set level. Can be used in any situation where a consistent water level is desired. Ideal for new or existing pool and spa systems.

Systems Include:

Controller (wall mount), sensors (dual style), and solenoid valve (where noted). Controls are pre-wired for 220V, but field adjustable to 110V.

K1100: Fill Only - 110/220v

Part No.	Sensor Lead	Sensor Style*	Valve
K1100A	50 ft.	Dual style	Not Included
K1100C	100 ft.	Dual style	Not Included
K1100G	200 ft.	Dual style	Not Included
K1100CKA	50 ft.	Dual style	1" valve
K1100CKC	100 ft.	Dual style	1" valve
K1100CKG	200 ft.	Dual style	1" valve
K1100CKK	300 ft.	Dual style	1" valve



K2000 Fill with High Level Switch

K2000 Series: Fill with High Level Switch

Electronic fill device used where a consistent water level is desired and a high level setting is detected. Ideal for vanishing edge and perimeter overflow pools or fountains. This model will automatically turn on the vanishing edge pump and fill the catch basin to test water level.

Systems Include:

Controller (wall mount), sensor (slip-18 style), and solenoid valve (where noted). Requires a relay (24VDC) suitable for operating a pump (ordered separately). Controls are pre-wired for 220V, but field selectable to 110V.

K2000: Fill w/ High Water Level Switch-On (24v relay required) - 110/220v

Part No.	Sensor Lead	Sensor Style*	Valve
K2000CKA	50 ft.	Slip - 18"	1" valve
K2000CKC	100 ft.	Slip - 18"	1" valve
K2000CKG	200 ft.	Slip - 18"	1" valve

***Sensor Styles**

Slip style sensors are for use in a static pipe/standpipe application. Glue into a 1" PVC pipe with water height set by how much sensor tip is allowed to penetrate the depth of the pipe.

Dual style sensors come equipped with two sensor styles, a slip sensor on one end, and a half-moon sensor on the other end. The half-moon sensor is designed to fit the inside curvature of a skimmer.

K2100 Series: Fill with Low Level Cut-off

Electronic fill device that detects low water conditions and turns off a pump or light to protect equipment until optimum water levels are met. Can be used in any situation where a consistent water level is desired and a low level situation can be detected and acted upon. Ideal for fountains and ponds.



K2100 Fill with Low Level Cut-off

Systems Include:

Controller (wall mount), sensor (slip-3 style), and solenoid valve. Controls are pre-wired for 220V, but field selectable to 110V.

Requires a relay (24VDC) suitable for operating the pump and/or underwater lights (ordered separately).

K2100: Fill w/ Low-Level Cut-off (24v relay required) - 110/220v

Part No.	Sensor Lead	Sensor Style*	Valve
K2100CKA	50 ft.	Slip - 3"	1" valve
K2100CKC	100 ft.	Slip - 3"	1" valve

K2300 Series: Dual Fill

Electronic fill device that maintains water levels in two bodies of water, such as a pool/spa with two separate sets of equipment. Can be used in any situation where a consistent water level is desired and acted upon. Ideal for pool and spa dual equipment systems.



K2300 Dual Fill

Systems Include:

Controller (wall mount), two sensors (dual style), and two solenoid valves (where noted). Controls are pre-wired for 220V, but field selectable to 110V.

K2300: Fill Dual Body - 110/220v

Part No.	Sensor Lead	Sensor Style*	Valves
K2300CKA	50 ft.	(2) Dual style	(2) 1" valves
K2300CKC	100 ft.	(2) Dual style	(2) 1" valves
K2300CKG	200 ft.	(2) Dual style	(2) 1" valves

Levolor® Replacement Parts

Part No.	Description		
PCB R-KITS			
K2000220BDT	PCB w/ Transformer, K-2000 220V		
K2000PCBw/oTRANS	PCB w/o Transformer, K-2000		
K2000110Control	Controller Only, K-2000 110V	Use K2000220Control	
K2000220Control	Controller Only, K-2000 220V		
K2000110BDT	PCB w/ Transformer, K-2000 110V	Use K2000220BDT	
K2100110Control	Controller Only, K-2100 110V		
K2100220Control	Controller Only, K-2100 220V		
K2100110BDT	PCB w/ Transformer, K-2100 110V	Use K2100220BDT	
K2100220BDT	PCB w/ Transformer, K-2100 220V		
K2300110Control	Controller Only, K-2300 110V	Use K2300220Control	
K2300220Control	Controller Only, K-2300 220V		
K2300110BDT	PCB w/ Transformer, K-2300 110V	Use K2300220BDT	
K2300220BDT	PCB w/ Transformer, K-2300 220V		
LEVBRD (timeout)	Levolor PCB w/ time-out system		
LEV110Control	Controller Only, Lev-120V	Use LEV220Control	
LEV110BDw/Trans	PCB w/ Transformer, Lev-110V	Use LEV220BDw/Trans	
LEV220Control	Controller Only, Lev-220V		
LEV220BDw/TRANS	PCB w/ Transformer, Lev-220V		
LX2Board	PCB Only, LX2		

SENSOR R-KITS			
S2040A	Slip Style 2 Contact Sensor w/ 50 ft. (static pipe install)		
S2040C	Slip Style 2 Contact Sensor w/ 100 ft. (static pipe install)		
S2040G	Slip Style 2 Contact Sensor w/ 200 ft. (static pipe install)		
S2040K	Slip Style 2 Contact Sensor w/ 300 ft. (static pipe install)		
S2042A	Threaded Style 2 Contact w/ 50 ft. (static pipe install)		
S2042C	Threaded Style 2 Contact w/ 100 ft. (static pipe install)		
S2042G	Threaded Style 2 Contact w/ 200 ft. (static pipe install)		
S2042A30	Threaded Style 2 Contact w/ 50 ft. - Sensor 30" (static pipe install)		
S2044	Half Moon Style 2 Contact w/ no wire (skimmer install)		
S2044A	Half Moon Style 2 Contact w/ 50 ft. (skimmer install)		
S2044C	Half Moon Style 2 Contact w/ 100 ft. (skimmer install)		
S2044C4	Half Moon Style 2 Contact w/ 100 ft. - Sensor 4" (skimmer install)		
S2044G	Half Moon Style 2 Contact w/ 200 ft. (skimmer install)		
S2044K	Half Moon Style 2 Contact w/ 300 ft. (skimmer install)		
S2046A	Dual Style Sensor w/ 50 ft. (skimmer or static pipe install)		
S2046C	Dual Style Sensor w/ 100 ft. (skimmer or static pipe install)		
S2046G	Dual Style Sensor w/ 200 ft. (skimmer or static pipe install)		
S2046K	Dual Style Sensor w/ 300 ft. (skimmer or static pipe install)		
S3040A18	Slip Style 3 Contact - 18" Sensor 50 ft. (static pipe install)		
S3040C18	Slip Style 3 Contact - 18" Sensor 100 ft. (static pipe install)		

PUMPS
 FILTERS
 GAS HEATERS
 HEAT PUMPS
 AUTOMATION
WATER LEVELING
 WATER SANITIZERS
 VALVES
 WATER FEATURES
 LIGHTING
 CLEANERS
 IN-FLOOR
 BLOWERS
 ACCESSORIES

Levolor® Replacement Parts

Part No.	Description
SENSOR R-KITS (CONTINUED)	
S3040G18	Slip Style 3 Contact - 18" Sensor 200 ft. (static pipe install)
S3040K18	Slip Style 3 Contact - 18" Sensor 300 ft. (static pipe install)
S3040A30	Slip Style 3 Contact - 30" Sensor 50 ft. (static pipe install)
S3040C30	Slip Style 3 Contact - 30" Sensor 100 ft. (static pipe install)
S3040G30	Slip Style 3 Contact - 30" Sensor 200 ft. (static pipe install)
S3040K30	Slip Style 3 Contact - 30" Sensor 300 ft. (static pipe install)
S3040A3	Slip Style 3 Contact - 3" Sensor 50 ft. (static pipe install)
S3040C3	Slip Style 3 Contact - 3" Sensor 100 ft. (static pipe install)
S3040K3	Slip Style 3 Contact - 3" Sensor 300 ft. (stand pipe install)
S3042C	Threaded Style 3 Contact w/ 100 ft. (static pipe install)
S3044C18	Half Moon Style 3 Contact - 18" Sensor w/ 100 ft. (skimmer install)
S3044G18	Half Moon Style 3 Contact - 18" Sensor w/ 200 ft. (skimmer install)
S3044C30	Half Moon Style 3 Contact - 30" Sensor w/ 100 ft. (skimmer install)
S3044G30	Half Moon Style 3 Contact - 30" Sensor w/ 200 ft. (skimmer install)
S3044C3	Half Moon Style 3 Contact - 3" Sensor w/ 100 ft. (skimmer install)
S3044G3	Half Moon Style 3 Contact - 3" Sensor w/ 200 ft. (skimmer install)
11110601	Remote Sensor Cover & Lower Housing Assembly

MISC. R-KITS	
SOL100	1" Plastic Valve, 24V Solenoid w/ Flow Control
SOL100B	1" Brass Coil Valve, 24V Solenoid w/ Flow Control
SOL150	1.5" Plastic Valve, 24V Solenoid w/ Flow Control
SOL150B	1.5" Brass Coil Valve, 24V Solenoid w/ Flow Control
SOL200	2" Plastic Valve, 24V Solenoid w/ Flow Control
SOL200B	2" Brass (Globe) A/E NPT, 24V
SOL300B	3" Brass Coil Valve, 24V Solenoid w/ Flow Control (Commercial)
SOL110VOLT	110V Solenoid
A41T110	A41-25-24-110 A41 Transformer-110V
A41T220	A41-25-24-220 A41 Transformer-220V
SOLASSEM	Solenoid Assembly (12024 gray valve)
DIAPH	Diaphragm for gray valve
110SOL	Solenoid Assembly, 110V (for commercial use)
BRY	1" Y Strainer
BRY2	2" Y Strainer
Trans110A412524	Class 2 - 24V Transformer 110V (Part # A41T110)
Trans220A412524	Class 2 - 24V Transformer 220V (Part # A41T220)
Trans110CL2	Transformer 110V CL2-25 (Part # A41T110)
Trans220CL2	Lev220V Transformer CL2-25-24 (Part # A41T220)

Jandy®
Pro Series



TRUCLEAR™

TRU
CLEAR™

FLOW

FLOW

FLOW

Jandy®
Pro Series

TRUCLEAR™

WATER SANITIZERS



Saltwater Chlorination	207
Ozone Generation	209
Mineral Sanitizers for Pools	210
Mineral Sanitizers for Spas	212
Water Sanitizer Parts	215



Fusion
soft



TRADE SERIES
EXCLUSIVE

TruClear Salt Chlorinator



TruClear® Salt Chlorinator

The TruClear Salt Chlorinator delivers simple, reliable saltwater chlorination and is designed for easy installation, use and service. TruClear features a transparent window for easy viewing of blade calcification, a compact design for easy integration in most equipment pad configurations, and removable cell with attached cord for quicker cleaning.

Features:

- Designed for professionals
- Constructed of durable Jandy® Valve CPVC material
- Union version available for retrofit applications
- Auto-reversing polarity to help reduce calcium buildup
- 120/240 VAC, 50/60 Hz
- iAquaLink™ control when used with AquaLink® Automation Systems

Part No.	Description
----------	-------------

TruClear11K	For pools up to 35,000 gal., 2-Port Cell
TruClear11KU	For pools up to 35,000 gal., 2-2 1/2 Universal Unions, 2-Port Cell

Salt Chlorinator
+ Nature2 Mineral
Sanitizer



Nature2 Fusion Soft

Nature2® Fusion Soft

Get the total mineral solution with Nature2 Fusion Soft, a robust salt chlorinator that combines the proven benefits of Nature2 for the ultimate swimming experience. Nature2 is the perfect supplement for salt chlorinators. It helps maintain pH levels for the best water quality, while reducing wear and tear on the salt cell.

- Dependable, proven AquaPure® cell technology
- Easy access to cell and mineral cartridge
- Engineered to commercial standards
- For in-ground pools up to 40,000 gallons
- Power pack and cell kit sold separately

Part No.	Description
----------	-------------

Nature2 Fusion Soft Power Pack

FUSIONM	Power pack for Fusion Soft kits 120V/240V
---------	---

Nature2 Fusion Soft Cell Kits

FSOFT700	Cell and Nature2 vessel kit for up to 12,000 gallons
FSOFT1400	Cell and Nature2 vessel kit for up to 40,000 gallons

Requires DuoClear® cartridges, sold separately

PUMPS
 FILTERS
 GAS HEATERS
 HEAT PUMPS
 AUTOMATION
 WATER LEVELING
WATER SANITIZERS
 VALVES
 WATER FEATURES
 LIGHTING
 CLEANERS
 IN-FLOOR
 BLOWERS
 ACCESSORIES



AquaPure Salt Chlorinator



AquaPure® Salt Chlorinator

Our heavy-duty, electronic sanitizing system that uses ordinary salt to produce chlorine for pools. AquaPure power packs and cells are sold separately.

AquaPure Power Pack

Features:

- Field adaptable to power all PureLink and ClorMatic® cell kits
- 120V or 240V electrical connections
- LCD monitoring of chlorine production, cell modes, salinity, water temperature, water flow and diagnostics
- Precision output adjustments



AquaPure Power Pack

Part No. Description

AquaPure Power Pack	
APUREM	AquaPure power pack for PureLink™ cell kits

Note: Use with cell kits listed on the next page to make a complete system.

PureLink™ Cell Kit

Features:

- 3-Port cell has 90° plumbing flexibility, durable housing, sensor integrated into third port and larger unions for easy installation
- Solid titanium plates manufactured with multiple coatings of precious metals to provide efficient chlorine production and enhanced cell life
- Automatic reversing cycle helps keep the cell free from calcium buildup

Works with AquaPure® Power Pack or PureLink Power Centers!



PureLink Cell Kit



Part No. Description

PureLink Cell Kits	
PLC700	For pools up to 12,000 gal., 16' Cables, 2–2 1/2" Universal Unions, 3-Port Cell
PLC1400	For pools up to 40,000 gal., 16' Cables, 2–2 1/2" Universal Unions, 3-Port Cell

Note: PureLink Cell Kit must be used with AquaPure power pack (above) or PureLink power centers, sold separately. Tri-Sensor included.



CD100 CD70 CD40

**Jandy Pro Series
Ozone Generators**

Jandy® Pro Series Ozone Generators

Jandy Pro Series Ozone systems deliver the high-output and energy efficiency of a true corona discharge ozone generator in a simple-to-install, extremely reliable system. Supplements existing chlorine feeders, mineral sanitizers, and salt water systems for the cleanest, clearest water possible. Available in three sizes with two installation kit options. One generator and one installation kit (either CDIM or CDMDV) is required. CDMDV features a clear tube where water and ozone are mixed before delivery into the water.

Features:

- Easy to install and simple to operate
- Corona discharge module is designed to be impervious to moisture and acids
- Engineered for high output and long life with low energy costs
- Quickly oxidizes organic contaminants
- Fully compatible with the Nature²® line of EPA-registered mineral sanitizers



CDIM



CDMDV

Part No.	Description
CD40	Jandy Pro Series Ozone, For pools up to 40,000 gallons
CD70	Jandy Pro Series Ozone, For pools up to 70,000 gallons
CD100	Jandy Pro Series Ozone, For pools up to 100,000 gallons
CDIM	Jandy Pro Series Ozone, Injector Manifold Kit
CDMDV	Jandy Pro Series Ozone, Mixing Degas Vessel Kit

Chlorine Tabs
 + Nature² Mineral
 Sanitizer



Nature² Fusion

Nature²® Fusion In-Ground

Nature² Fusion In-Ground is a robust and convenient chlorine and mineral sanitizing system. This easy-to-use solution integrates a trichlor tablet feeder and Nature² minerals into one convenient delivery system.

- Easy to install and use
- Holds up to eight 3" trichlor tabs
- Utilizes standard 2" x 2 1/2" universal unions
- Engineered to commercial standards
- For in-ground pools up to 45,000 gallons

Part No.	Description
----------	-------------

FUSION	In-ground chlorine tablet feeder + Nature ²
--------	--

Requires DuoClear® cartridges, sold separately



Nature² Express

Nature² Express

Nature² Express is a simple mineral dispensing system for in-ground or above-ground pools that automatically releases the right amount of Nature² minerals for a cleaner, clearer swimming experience. The system includes the vessel and mineral cartridge.

- Installs easily on existing pools with no extra parts or system upgrades
- Effective mineral sanitation at reduced chlorine levels
- Controlled Release Technology (CRT) ensures optimal mineral levels with no staining
- Eco-friendly system reduces the potential for common discomforts, and unpleasant odors

Part No.	Description
----------	-------------

W20086	Nature ² Express IG for in-ground pools up to 25,000 gallons (6 pack)
--------	--

W20176	Nature ² Express AG for above-ground pools up to 25,000 gallons (6 pack)
--------	---



Professional G Mineral Sanitizer Vessel

Nature² sanitizer vessel for in-ground pools.

- Superior water quality with lower chlorine requirements
- Controlled Release Technology (CRT) ensures optimal mineral levels with no staining
- Eco-friendly system reduces potential for red eyes, skin irritations, and unpleasant odors

Part No.	Description
----------	-------------

W25904	Nature ² G Vessel 2.0" Requires "G" mineral cartridge replacement, sold separately
--------	---

Mineral Cartridges



“Fusion/DuoClear®” Cartridges

For use in DuoClear salt chlorinators and Nature2® Fusion systems

Part No.	Description
W28000	DuoClear 25 Cartridge for up to 25,000 gallons (single unit). Order in multiples of 4. <i>Previous part # W6000 (4-pack).</i>
W28001	DuoClear 35 Cartridge for up to 35,000 gallons (single unit). Order in multiples of 4. <i>Previous part # W26001 (4-pack).</i>
W28002	DuoClear 45 Cartridge for up to 45,000 gallons (single unit). Order in multiples of 4. <i>Previous part # W26002 (4-pack).</i>



“G” Cartridges

For Professional G, Pro G Plus

W28125	G25 Cartridge for pools up to 25,000 gallons (single unit). Order in multiples of 4. <i>Previous part # W26725 (4-pack).</i>
W28135	G35 Cartridge for pools up to 35,000 gallons (single unit). Order in multiples of 4. <i>Previous part # W26735 (4-pack).</i>
W28145	G45 Cartridge for pools up to 45,000 gallons (single unit). Order in multiples of 4. <i>Previous part # W26745 (4-pack).</i>



“A” Cartridges

For Above-Ground A, Pro A plus

W28165	A30 Cartridge for above-ground pools up to 30,000 gallons (single unit). Order in multiples of 4. <i>Previous part # W26765 (4-pack).</i>
--------	---



“Express” Cartridges

For in-ground and above-ground Express vessels

W28175	Express IG and AG Cartridge for up to 25,000 gallons (single unit). Order in multiples of 12. <i>Previous part # W26775 (12-pack).</i>
--------	--



CF Cartridges

Nature2® CF is a simple drop-in option which does not require a separate vessel. Simply place CF in the pool's cartridge filter core and let our exclusive mineral process do the rest. Get all the benefits of Nature2 with practically effortless installation.

Nature2 CF Cartridge Filter

Part No.	Description
W29500	CF Cartridge for pools up to 25,000 gallons (single unit). Order in multiples of 6. <i>Previous part # W21500 (6-pack).</i>



"M" Cartridges

For M vessels

W28155	M25 Cartridge for pools up to 25,000 gallons (single unit). Order in multiples of 4. <i>Previous part # W26755 (4-pack).</i>
--------	--



"Swim Pure" Cartridges

Specially designed to fit inside Hayward® brand cartridge filters.

Part No.	Description
W22460	SP Cartridge 3" N2CN25 for up to 25,000 gallons (single unit). Order in multiples of 6. <i>Previous part # W22461 (6-pack).</i>
W22465	SP Cartridge 3" N2CN35 for up to 35,000 gallons (single unit). Order in multiples of 6. <i>Previous part # W22466 (6-pack).</i>
W22470	SP Cartridge 4" N2CW25 for up to 25,000 gallons (single unit). Order in multiples of 6. <i>Previous part # W22471 (6-pack).</i>
W22475	SP Cartridge 4" N2CW35 for up to 35,000 gallons (single unit). Order in multiples of 6. <i>Previous part # W22476 (6-pack).</i>



Nature2 Spa Stick

Nature2® SPA Stick

Nature2 Spa Stick uses a proprietary mineral system to destroy bacteria. This process is bromine compatible and allows you to use less chlorine, thereby reducing the potential for odors.

Features:

- When combined with MPS, such as Nature2 Cense, it offers an EPA-registered non-chlorine or bromine spa sanitizing system
- Minerals handle the bulk of your water sanitation needs
- Drops inside the filter cartridge for easy installation
- Works with bromine, chlorine, or Cense

Part No.	Description
W20750	Nature2 Spa (single unit). Order in multiples of 12 <i>Previous part # W20660 (12-pack) and W20675 (36-pack).</i>

Note: Nature2 Spa for sales/use in US only.



Nature2 Cense

Nature2 Cense is not a mineral sanitizer.

Nature2 Cense®

The only non-chlorine oxidant that offers the stress relieving benefits of aromatherapy with a crystal clear spa experience. Cense combines fragrance with MPS, an effective oxidizer for spas, to create an inviting and relaxing environment in and around the spa. By eliminating the chemical smell of chlorine and replacing it with four exquisite aromas, Cense leaves spa water cleaner, clearer, and fragrant.

Features:

- When combined with Nature2 SPA Stick, Cense offers an EPA-registered non-chlorine or bromine spa sanitizer
- Relieves tension and stimulates the senses with four inviting fragrances
- Powder product will not clog filters like aroma oils

Part No.	Description
W25000	Island Pleasures (4 pack)
W25001	Simple Rituals (4 pack)
W25002	Quiet Escape (4 pack)
W25003	Divine Secrets (4 pack)
W25004	Variety Pack (4 pack)



Nature2® SPA Test Strips

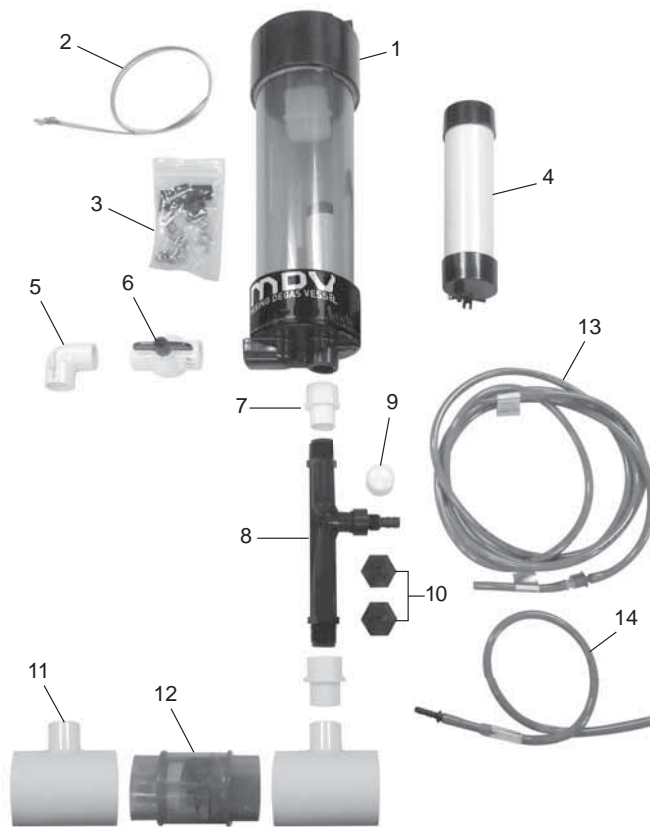
Keep spa water at optimum levels easily with these handy Test Strips. Test the monopersulfate, alkalinity and pH levels just by swirling the Nature2 Spa Test Strips.

Features:

- 50 strips per package
- Color-coded quick guide on package
- Instant readings for MPS, alkalinity, and pH

Part No.	Description
W29300	Nature2 Spa Test Strips (single unit). Order in multiples of 24. <i>Previous part # W22300 (24-pack)</i>

Jandy® Pro Series Ozone Generator Parts (Discontinued)



Corona Discharge MDV Replacement Parts

Key No.	Description	Pieces Per Part No.	R-Kit No.
1	MDV	1	
2	Cable Tie	2	
3	Cable Tie Mount	4	R0693700
	Tube Clamp	4	
	Cable Tie Screw	4	
	#6 Screw	2	
4	Ozone Destruct Cartridge	1	R0693400
5	PVC Elbow 90°	1	
6	Water Level Adjustment Valve	1	

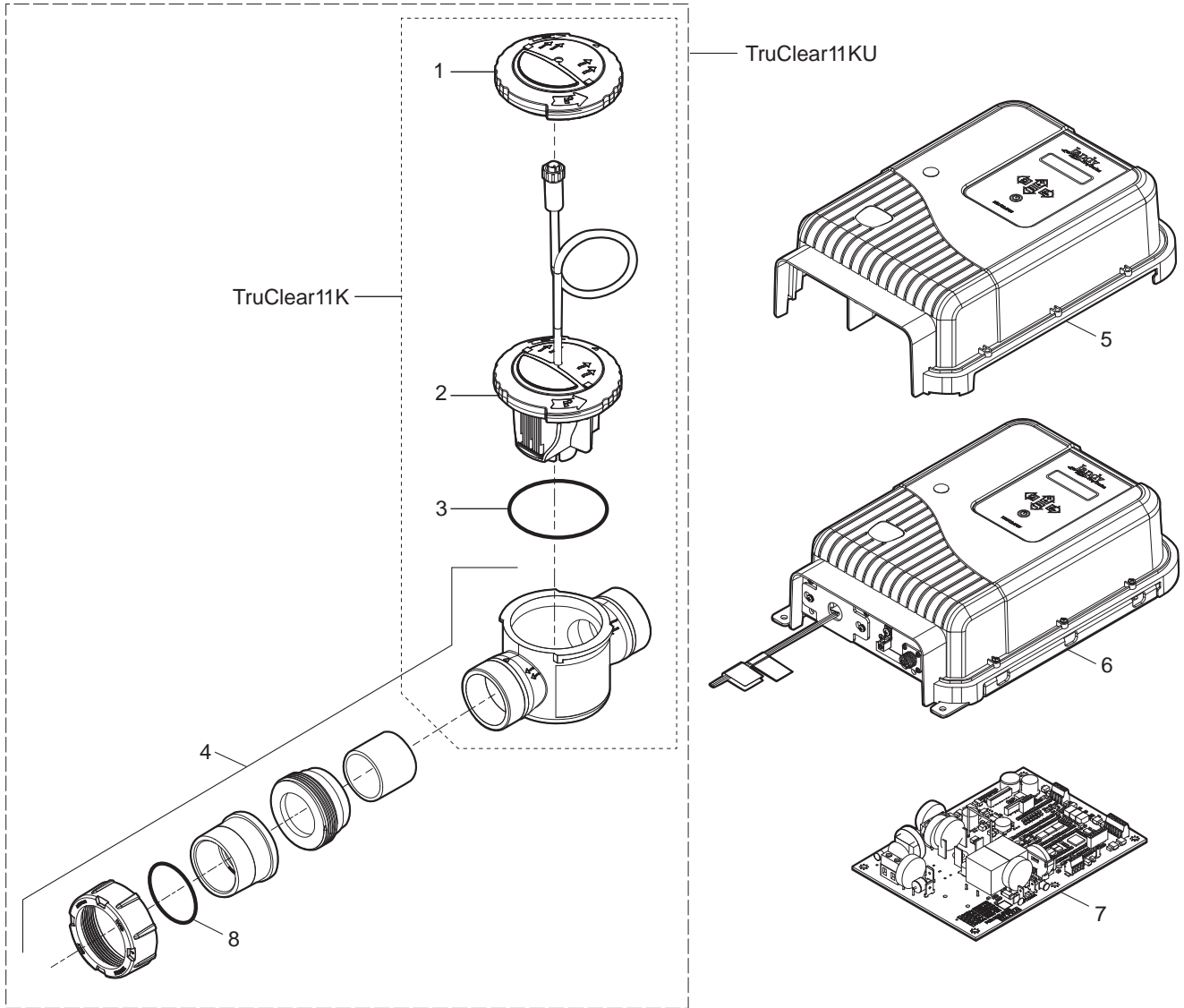
Key No.	Description	Pieces Per Part No.	R-Kit No.
7	3/4"-1" Threaded Adapter	2	
8	Ozone Injector	1	R0693600
9	Injector Cap	1	
10	Threaded Tube Adapter	2	
11	PVC 2-1/2" - 1/4" T Joint	2	
12	Variable Rate Check Valve	1	R0692500
13	Ozone Tubing/Check Valve	1	R0693800
14	Flow Meter	1	

Module Replacement Parts

Description	Part No.
Ozone Module Replacement Kit	R0693200
Tubing Replacement Kit	R0693800
Replacement Fuse, 1A Slo-Blo	R0693300
Variable Rate Check Valve	R0692500

WATER SANITIZERS / PARTS

TruClear® Salt Chlorinator Part# TruClear11K, TruClear11KU



Key No.	Part No.	Description	Qty.
1	R0621900	IPW (Installation, Pressurizing and Winterizing) Cap	1
2	R0693900	TruClear Cell, Replacement	1
3	R0694100	TruClear O-Ring, Replacement	1
4	R0694000	TruClear Housing, Replacement	1
5	R0663800	TruClear Power Pack Cover, Replacement	1

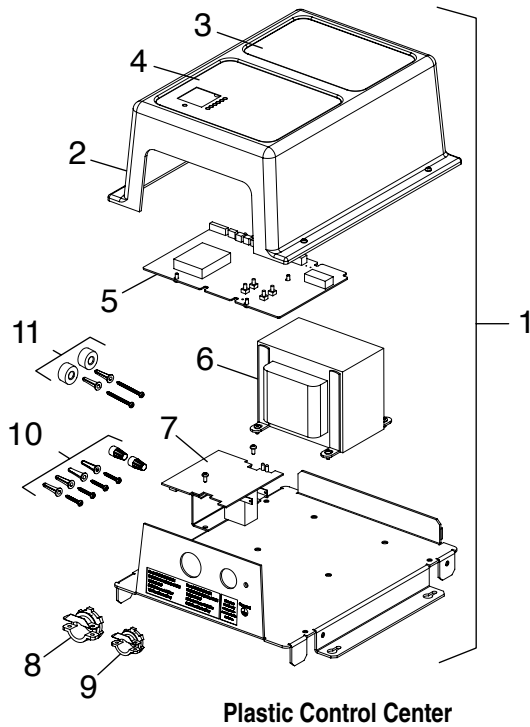
N/S-Not Shown

*New replacement parts for TruClear are backwards compatible.
 R0802200 replaces R0663700; R0802300 replaces R0663900;
 R0802400 replaces R0609700.

NOTE: When replacing transformer R0609700 with the new Dual Voltage/RS485 transformer R0802400, we also recommend changing to the new Dual Voltage/RS485 PCB R0802300.

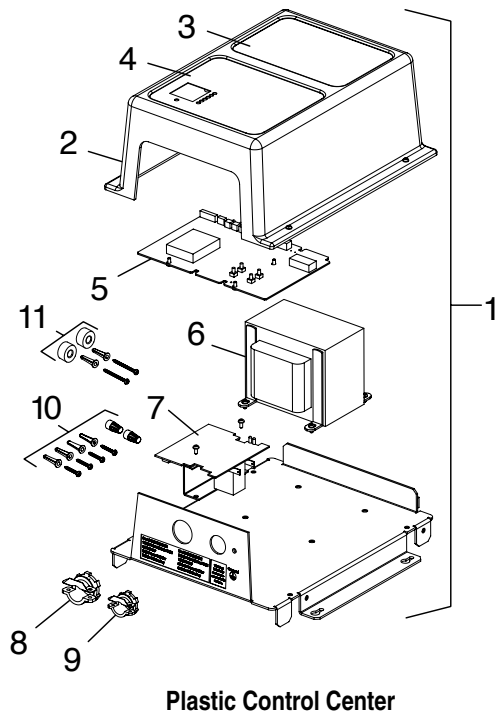
Key No.	Part No.	Description	Qty.
6*	R0663700	TruClear Power Pack, Replacement	1
6*	R0802200	TruClear (DUAL VOLTAGE/RS485) Power Pack, Replacement	1
7*	R0663900	TruClear PCB, Replacement	1
7*	R0802300	TruClear (DUAL VOLTAGE/RS485) PCB, Replacement	1
8	R0449200	O-Ring, Tail Piece	1
N/S*	R0609700	TruClear Transformer Assembly	1
N/S*	R0802400	TruClear (DUAL VOLTAGE/RS485) Transformer Assembly	1
N/S	R0609400	TruClear Cover Screw Set	1

AquaPure® Replacement Parts – Plastic Control Center Part# APURE700, APURE1400



Key No.	Part No.	Description
N/S	R5000100	Power Supply Cover Support Bracket, APURE
1	R0402900	Control Box Complt, APURE700, (Use APUREM)
1	R0403000	Control Box Complt, APURE1400, (Use APUREM)
2	R0403100	Control Box Cover, APURE700
2	R0403200	Control Box Cover, APURE1400
3	R0404300	Control Box Decal, APURE, Top
4	R0404400	Control Box Decal APURE, Bottom
5	R0403900	PCB, Front LED, All Models, Rev. B10038-01 (Use APUREM)
6	R0481400	Transformer, 50/60Hz
7	R0404000	PCB, Back, APURE700, (Use APUREM)
7	R0404100	PCB, Back, APURE1400, (Use APUREM)
8	M1033	Strain Relief, Power
9	M1034	Strain Relief, Data
10	R0412900	Mounting Hardware Kit (side mount)
11	AZ008	Mounting Hardware Kit (old style, spacers) Use #R0412900
N/S	R0474300	ORP Connector, 2 pin AquaPure replacement kit (when used with ChemLink™)

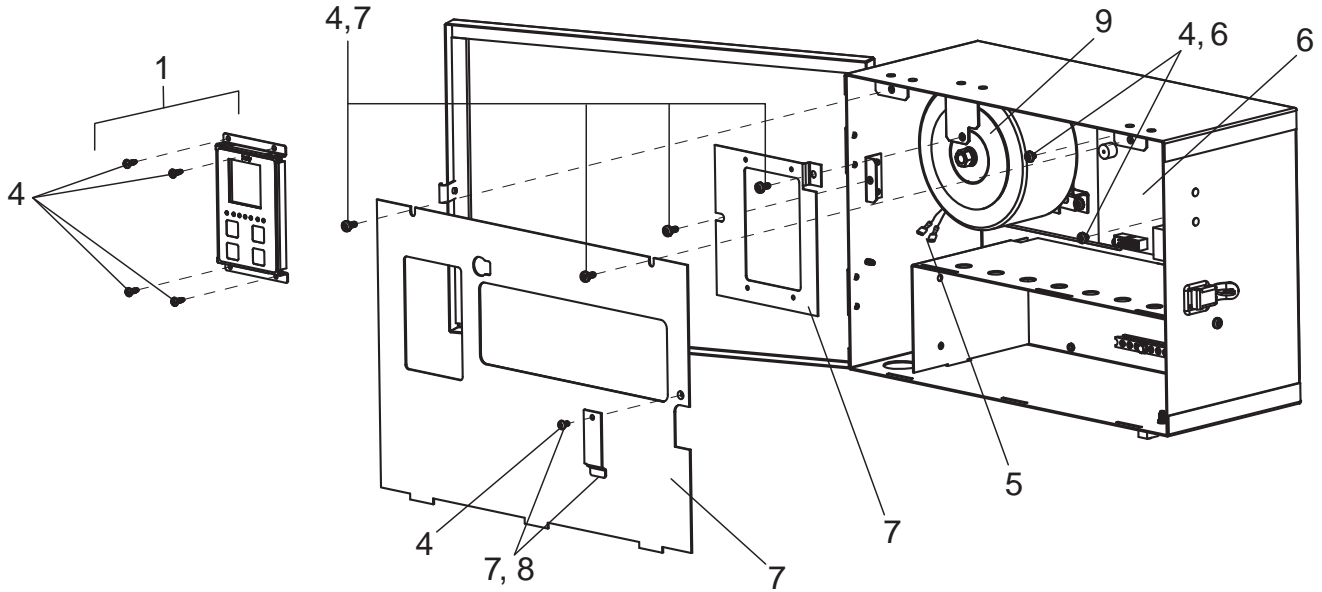
ClorMatic® Replacement Parts–Plastic Control Center Part# CMATIC700, CMATIC1400



Key No.	Part No.	Description
N/S	R5000100	Power Supply Cover Support Bracket
1	PSD133	Control Box, CM301 w/ Pwr Supply, Superseded by APUREM
1	PSD163	Control Box, CM601 w/ Pwr Supply, Superseded by APUREM
2	AZ004	Control Box Cover, CM301
2	AZ005	Control Box Cover, CM601
3	LA1046	Control Box Decal, Top, CM601
4	LA1045	Control Box Decal, Bottom (all models)
5	R0403900	PCB, Front LED, CM3 (all models)
6	R0481400	Transformer, CM3 301/601, 50/60Hz
7	R0404000	PCB, Back, CM3, CM301, (Use APUREM)
7	R0404100	PCB, Back, CM3, CM601, (Use APUREM)
7	PSD001	PCB, Back, CM2, CM601, (Use APUREM)
	PSD005	CM2, CM301, Back Board, (Use APUREM)
8	M1033	Strain Relief, Power
9	M1034	Strain Relief, Data
10	R0412900	Mounting Hardware Kit (side mount)
11	AZ008	Mounting Hardware Kit (old style, spacers) Use #R0412900
N/S	SP3PCM	Spool, 3-Port w/ 2.5" unions, ClorMatic labeling

N/S-Not Shown

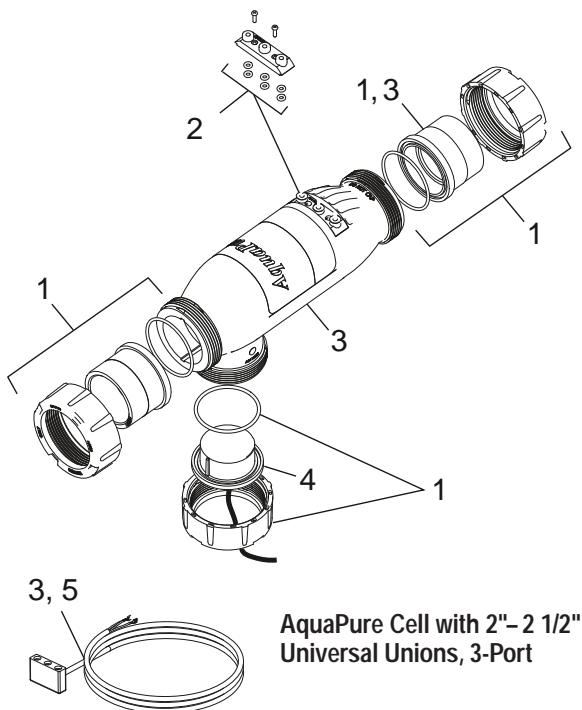
PUMPS
FILTERS
GAS HEATERS
HEAT PUMPS
AUTOMATION
WATER LEVELING
WATER SANITIZERS
VALVES
WATER FEATURES
LIGHTING
CLEANERS
IN-FLOOR
BLOWERS
ACCESSORIES



AquaPure®, ClorMatic® Control/Power Center Replacement Parts

Key No.	Part No.	Description	Qty.
1	R0467400	User Interface Board Screws	1 4
2	R0467700	Bezel Cover Plate, PureLink™ Power Center Bezel Support Plate, PureLink Power Center Battery Cover, PureLink Power Center Screws, Bezel Cover Plate Screws, Bezel Support Plate Screw, Battery Cover	1 1 1 2 2 1
3	R0447300	Battery Door, PureLink Power Center Screw, Battery Cover	1 1
4	R0467800	Screws, User Interface, PureLink Screws, Power Interface Assembly Screws, Bezel Cover Plate Screws, Bezel Support Plate Screw, Battery Cover	4 2 2 2 1
5	R0447500	Wiring Harness, PureLink Back PCB to DC Cord	1
6	R0467600	Power Interface Board Assembly Screws, Power Interface	1 2
7	R0503400	Face Plate, Control Center, APUREM Mounting Bracket, User Interface, APUREM Screws, User Interface Mounting Bracket and Face Plate Battery Door, Control Center, APUREM Screw, Battery Cove	1 1 4 1 1
8	R0503300	Battery Door, Control Center, APUREM Screw, Battery Cover	1 1
9	R0481400	Transformer, 115/230V, 6A	1

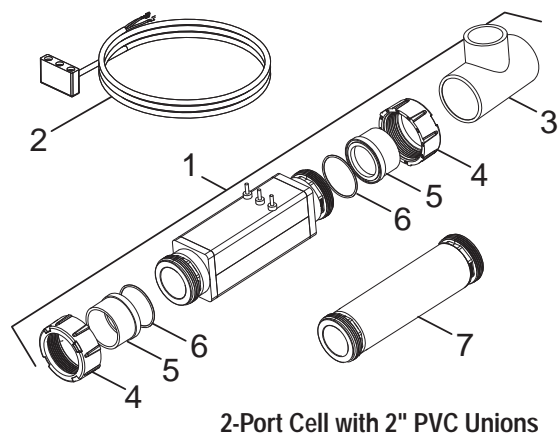
**PureLink™ Replacement Parts —
3-Port Cell with 2" – 2 1/2" Universal Unions**



Key No.	Part No.	Description
1	R0452100	Universal Union Kit, 3-Port Cell (Includes: Universal Union Nuts, O-Rings, Tailpieces, 2" x 2 1/2" Plug)
2	R0452200	O-Rings and Terminal Adapter Kit, 3-Port Cell (Includes: O-Rings, Terminal Adapter, screws)
3	R0452300	Cell Kit, APURE700, 3-Port (Includes: Cell, O-Rings, 16' DC Cord)
3	R0452400	Cell Kit, APURE1400, 3-Port (Includes: Cell, O-Rings, 16' DC Cord)
4	R0452500	Sensor Kit, Slotted 3-Port Cell, 16' (Includes: Sensor, O-Ring)
4	R0476400	Sensor Kit, Slotted 3-Port Cell, 25' (Includes: Sensor, O-Ring)
N/S	SP3P	Spool Piece and Cleaning Kit, 3-Port (Includes: Spool Piece, O-Ring, Universal Union Nuts, Tailpiece, 2" x 2 1/2" Plug, plus caps for cleaning)
5	R0402800	16' DC Cord
5	R0476300	25' DC Cord
N/S	M1003	Myron Meter

N/S-Not Shown

**AquaPure® Replacement Parts —
2-Port Cell with 2" LX PVC Unions (Black)
(Discontinued)**



Key No.	Part No.	Description
1	R0475300	Cell Kit, APURE700, 2-Port (Includes: 16' DC Cord, 2" PVC Unions) (old P/N R0412400)
1	R0475400	Cell Kit, APURE1400, 2-Port (Includes: 16' DC Cord, 2" PVC Unions) (old P/N R04123 00)
2	R0402700	8' DC Cord
2	R0402800	16' DC Cord
3	R0413000	Tee, 2" PVC (for Sensor) w/ LX Threads
4	R0412500	Nut, 2" PVC (for APURE) w/ LX Threads
5	R0412600	Union Half, Unthreaded, 2" PVC (for APURE)
6	R0412700	O-Ring, 2"
7	SP3PLX	Spool Kit, 2-Port w/ 2" Unions

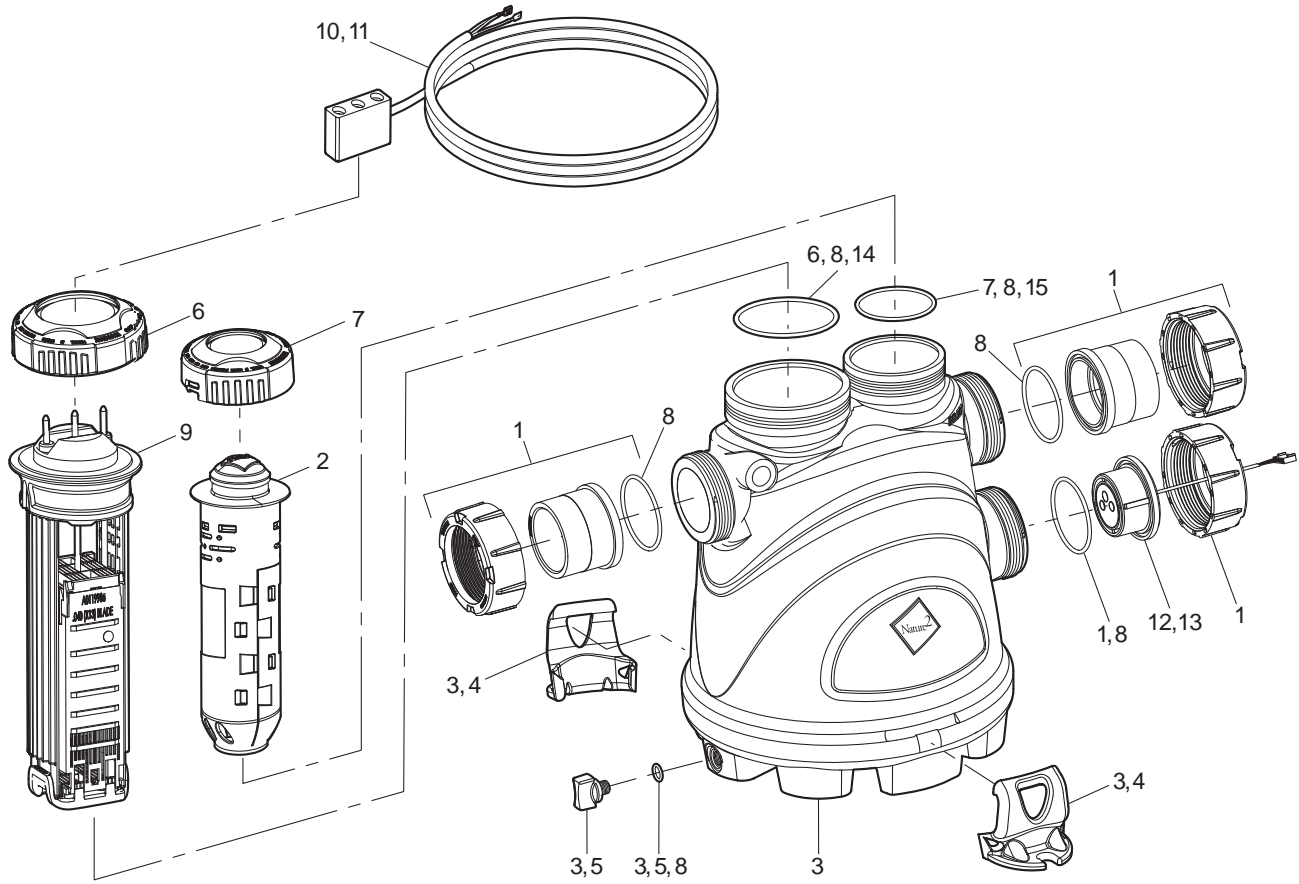
N/S-Not Shown

WATER SANITIZERS / PARTS

Nature2® Fusion Soft

Part# FSOF700, FSOF1400

Use FusionM power pack

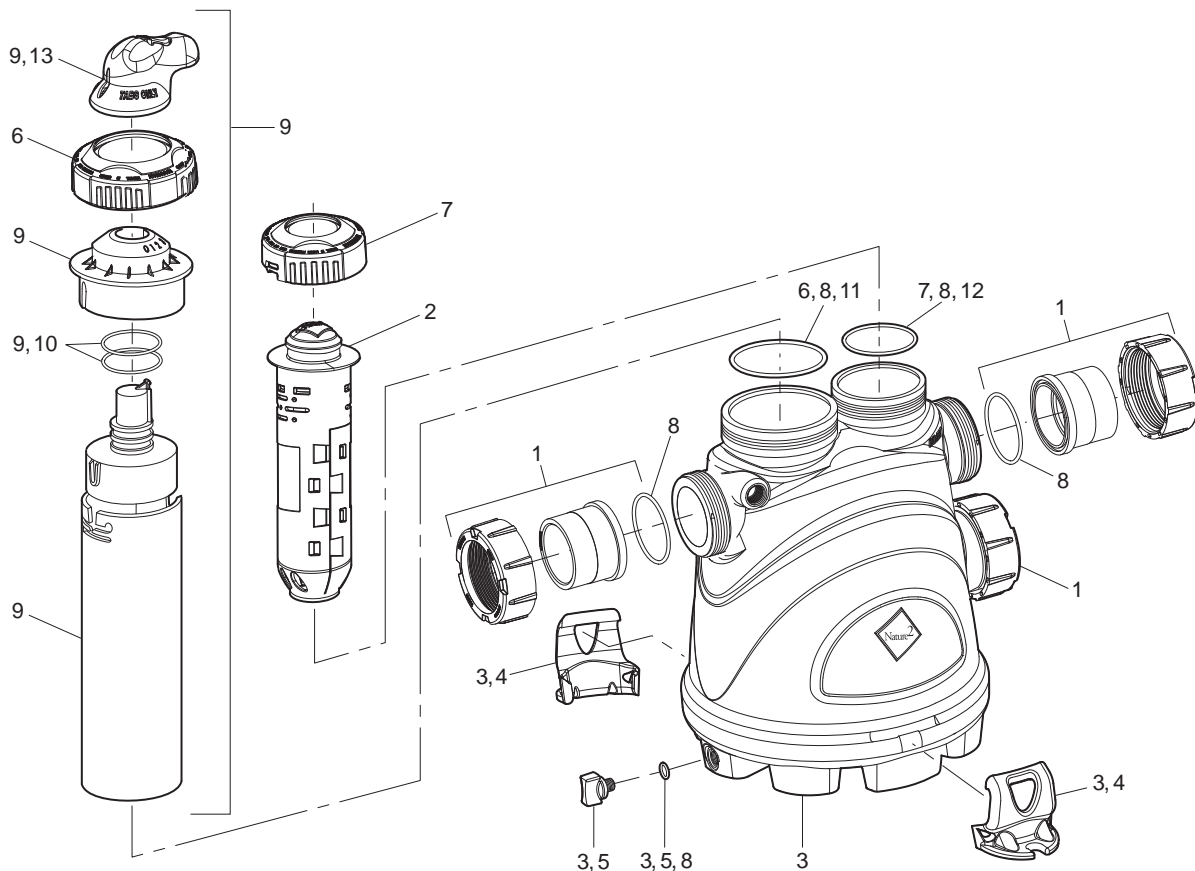


Key No.	Part No.	Description	Qty.
1	R0452100	Universal Union/Tailpiece/Plug Includes: Nut, Union Universal O-Ring, #2-231 Tailpiece, 2" x 2 1/2 " Plug, Port (not shown)	3 3 2 1
2	W28000	Fusion/DuoClear® 25,000 gal. Cartridge	1
2	W28001	Fusion/DuoClear 35,000 gal. Cartridge	1
2	W28002	Fusion/DuoClear 45,000 gal. Cartridge	1
3	R0502000	Vessel w/ Flow Management System, Nature2 Fusion Soft Includes: Vessel Plug, Drain O-Ring, drain plug Anchor Bracket	1 1 1 2
4	R0502200	Anchor Bracket Kit	2
5	R0446000	Drain Plug w/ O-Ring	2
6	R0502300	Large Collar w/ O-Ring	1

Key No.	Part No.	Description	Qty.
7	R0502400	Small Collar w/ O-Ring	1
8	R0502500	Nature2 Fusion O-Ring Kit Includes: O-Ring, Large Collar O-Ring, Small Collar O-Ring, Unions and Port Plug O-Ring, Feeder Shaft O-Ring, Drain Plug	1 1 3 2 1
9	R0502800	Nature2 Fusion Soft 700 Cell Kit Includes: Electrolytic Cell O-Ring	1 1
9	R0503000	Nature2 Fusion Soft 1400 Cell Kit Includes: Electrolytic Cell O-Ring	1 1
10	R0402800	16' Cable, DC	1
11	R0476300	25' Cable, DC	1
12	R0452500	Port Sensor 16' w/ O-Ring	1
13	R0476400	Port Sensor 25' w/ O-Ring	1
14	R0586300	Tri-Lobe O-Ring	1
15	R0586400	Collar O-Ring	1

Nature2® Fusion In Ground

Part# FUSION



Key No.	Part No.	Description	Qty.
1	R0452100	Universal Union/Tailpiece/Plug	
		Includes:	
		Nut, Union Universal	3
		O-Ring, #2-231	3
		Tailpiece, 2" x 2 1/2" Plug, Port	2 1
2	W28000	DuoClear® 25, Old Part# W28000	1
2	W28001	DuoClear 35, Old Part# W28001	1
2	W28002	DuoClear 45, Old Part# W28002	1
3	R0501600	Vessel w/ Flow Management System, Nature2 Fusion, In-Ground	
		Includes:	
		Vessel	1
		Plug, Drain	1
		O-Ring, Drain Plug Anchor Bracket	1 2
4	R0502200	Anchor Bracket kit	2
5	R0446000	Drain Plug w/ O-Ring	2

Key No.	Part No.	Description	Qty.
6	R0502300	Large Collar w/ O-Ring	1
7	R0502400	Small Collar w/ O-Ring	1
8	R0502500	Nature2 Fusion, O-Ring Kit	
		Includes:	
		O-Ring, Large Collar	1
		O-Ring, Small Collar	1
		O-Ring, Unions and Port Plug O-Ring, Feeder Shaft O-Ring, Drain Plug	3 2 1
9	R0502600	Tab Feeder Assembly	
		Includes:	
		Body	1
		Cap Top	1 1
		O-Ring Tab Feeder Handle	2 1
10	R0586200	Tab Feeder O-Ring	2
11	R0586300	Tri-Lobe O-Ring	1
12	R0586400	Collar O-Ring	1
13	R0502700	Tab Feeder Handle	1

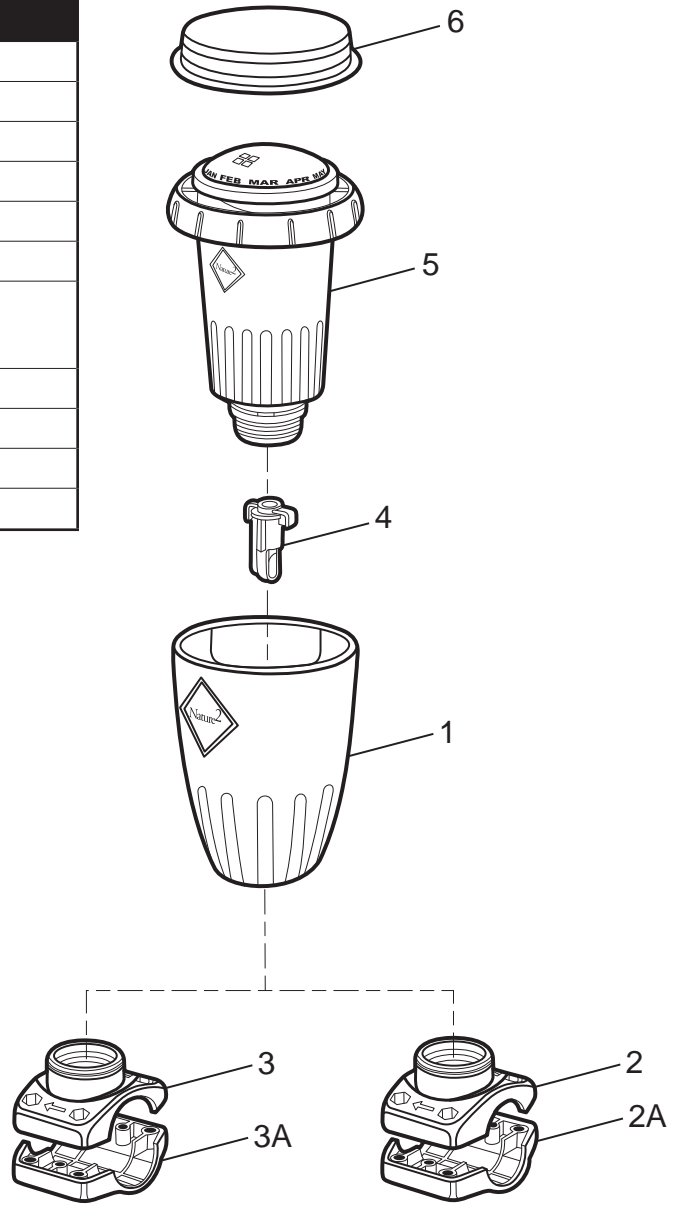
WATER SANITIZERS / PARTS

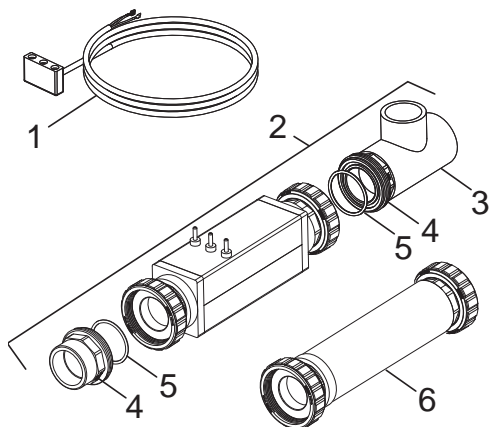
Nature2® Express

Part# W20086/W20176

Key No.	Part No.	Description	Qty.
1	W15529	Nature2 Express Sleeve w/ Logo	1
2	W15527	1 1/2" Saddle Clamp Top/Gasket	1
2A	W15524	1 1/2" Saddle Clamp Bottom	1
3	W15528	2" Saddle Clamp Top/Gasket	1
3A	W15525	2" Saddle Clamp Bottom	1
4	W15523	Flow Diverter	1
5	W28175	Express IG/AG Cartridge (up to 25,000 gal, single unit) Previous Part# W26775	1
N/S	W13329	Gasket, Saddle Clamp	1
6	W15526	Winterizing Cap	1
N/S	W13331	Hole Saw	1
N/S	W13332	Lube Pack	1

N/S-Not Shown



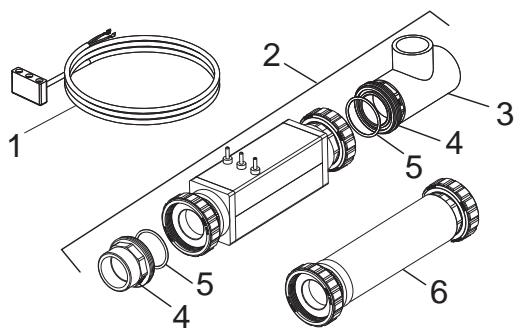


Cell with 1 1/2" Unions

**AquaPure® Replacement Parts —
2-Port Cell with 1 1/2" ABS Unions (White)
(Discontinued)**

Key No.	Part No.	Description
1	R0402800	16' DC Cord
2	PLC700	Cell Kit, PURE700, 2-Port (Includes: 16' DC Cord, 1 1/2" ABS Unions)
2	PLC1400	Cell Kit, PURE1400, 2-Port (Includes: 16' DC Cord, 1 1/2" ABS Unions)
3	R0413000	Tee, 1 1/2" ABS for Sensor
4	PI1019	Union Half, 1 1/2" Threaded Socket (White)
N/S	PI1023	Union Half, 1 1/2" Unthreaded Socket (White)
5	PI1024	Union, O-Ring, 1 1/2"
6	R5000200	2" PVC Coupler Kit w/ 1 1/2" ABS Threaded Half Unions

N/S-Not Shown



2-Port Cell with 1.5" PVC Unions

**ClorMatic® Replacement Parts—Cell with 50mm
(1 1/2") Unions (White) (Discontinued)**

Key No.	Part No.	Description
1	R0402700	8' Cord, DC
1	R0402800	16' Cord, DC
2	CMC700	Cell, CM301 w/ 16' DC Cord (Old P/N ECR050-N/A) (Use #PLC700)
2	CMC1400	Cell, CM601 w/ 16' DC Cord (Old P/N ECR100-N/A) (Use #PLC1400)
2	R0478400	Cell, CM301, 3-Port (Use #PLC1400)
2	R0452400	Cell, CM601, 3-Port
3	AZ009	Tee Replacement Kit, 1 1/2" Standard
3	AZ010+	Tee Replacement Kit, Metric
4	PI1019	Union Half, 1 1/2" Threaded Socket (white)
N/S	PI1023	Union Half, 1 1/2" Unthreaded Socket (white)
N/S	PI1025	Union Half, Threaded Jacket, Metric
5	PI1024	Union, O-Ring, 1 1/2"
N/S	PI1021	Union Half, Unthreaded Socket, Metric
6	AZ003	Spool Piece, In-line Cell Dummy w/ 1 1/2" Unions
N/S	LA1010	Cell Overlay Label, 601

N/S-Not Shown

WATER SANITIZERS / PARTS

Sensors (AquaPure®, PureLink™, Fusion Soft and Chlormatic®)

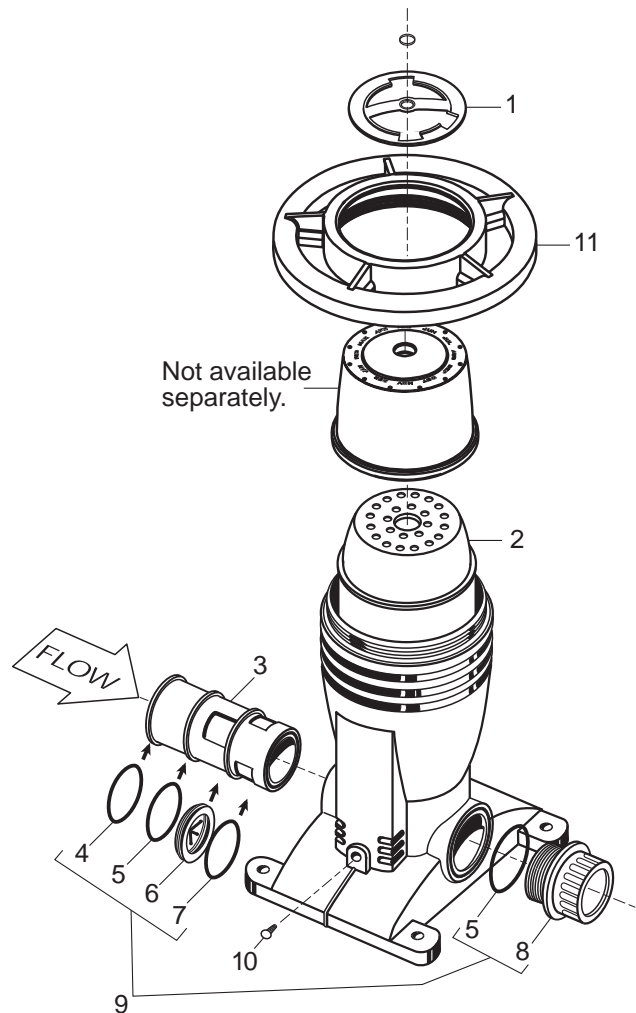


Part No.	Description
R0403700	Flow Sensor, Threaded, CM3 w/ 8' Cord (flat, multi-pin connector)
R0403800	Flow Sensor, Threaded, CM3 w/ 16' Cord (flat, multi-pin connector)
R0452500	Flow Sensor, Slotted, 3-Port Cell, 16' (flat, multi-pin connector)
R0476400	Sensor Kit, Slotted 3-Port Cell, 25' (Includes: Sensor, O-Ring)
R0539800	Flow Sensor, Threaded, CM2 w/ 8' Cord (RJ45 "phone-jack" style connector), Old Part# FSS102
R0539801	Flow Sensor, Threaded, CM2 w/ 16' Cord (RJ45 "phone-jack" style connector), Old Part# FSS103
R0403700	Flow Sensor, CM3, 8' Old Part# FSS302
R0403800	Flow Sensor, CM3, 16' Old Part# FSS303

Nature2® Professional G Vessel Part# W25904

Key No.	Part No.	Description	Qty.
1	W15212	Professional G Life Indicator	1
N/S	W13073	O-Ring for 2-Piece Locking Ring Cap (Not shown, inside cap)	1
N/S	W13061	O-Ring for 1-Piece Cap	1
2	W28125	G25 Cartridge, 4/PK Old Part # W26725	1
2	W28135	G35 Cartridge, 4/PK Old Part # W26735	1
2	W28145	G45 Cartridge, 4/PK Old Part # W26745	1
3	W15003	Professional G Inlet Port	1
4	W13087	Professional G Gasket	1
5	W13035	Professional G Inlet/Outlet O-Ring (2 required)	1
6	W13050	Professional G Flow Controller	1
7	W13075	Professional G Big Boy O-Ring	1
8	W15013	Professional G Outlet Port	1
9	W29130	Professional G Inlet/Outlet Port Assembly Complete	1
10	W13041	Winter Drain Plug	1
11	W15725	Locking Ring	1

N/S-Not Shown

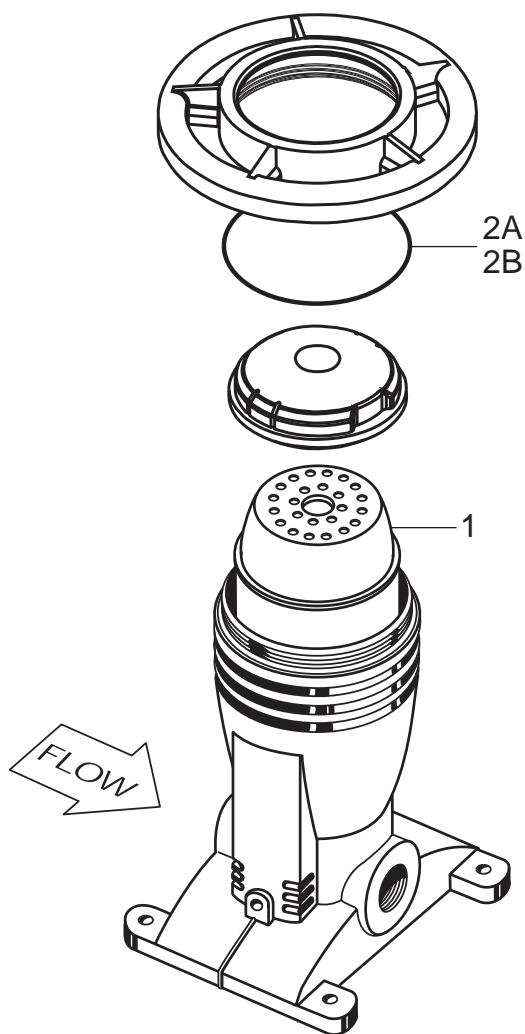
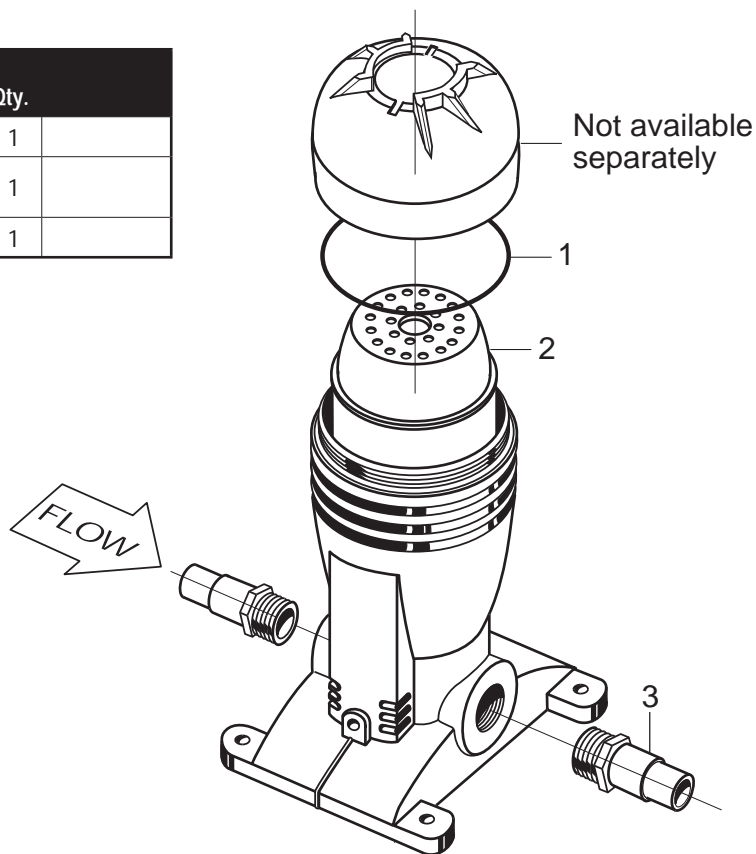


Nature2® Model A Vessel

Part# W20040

Key No.	Part No.	Description	Qty.
1	W13061	O-Ring for 1-Piece Cap	1
2	W28165	A30 Above-Ground Cartridge, 4/PK Old Part# W26765	1
3	W13002	Hose Adapter	1

Note: Top cap is not available separately.



Nature2 Premium M (Discontinued)

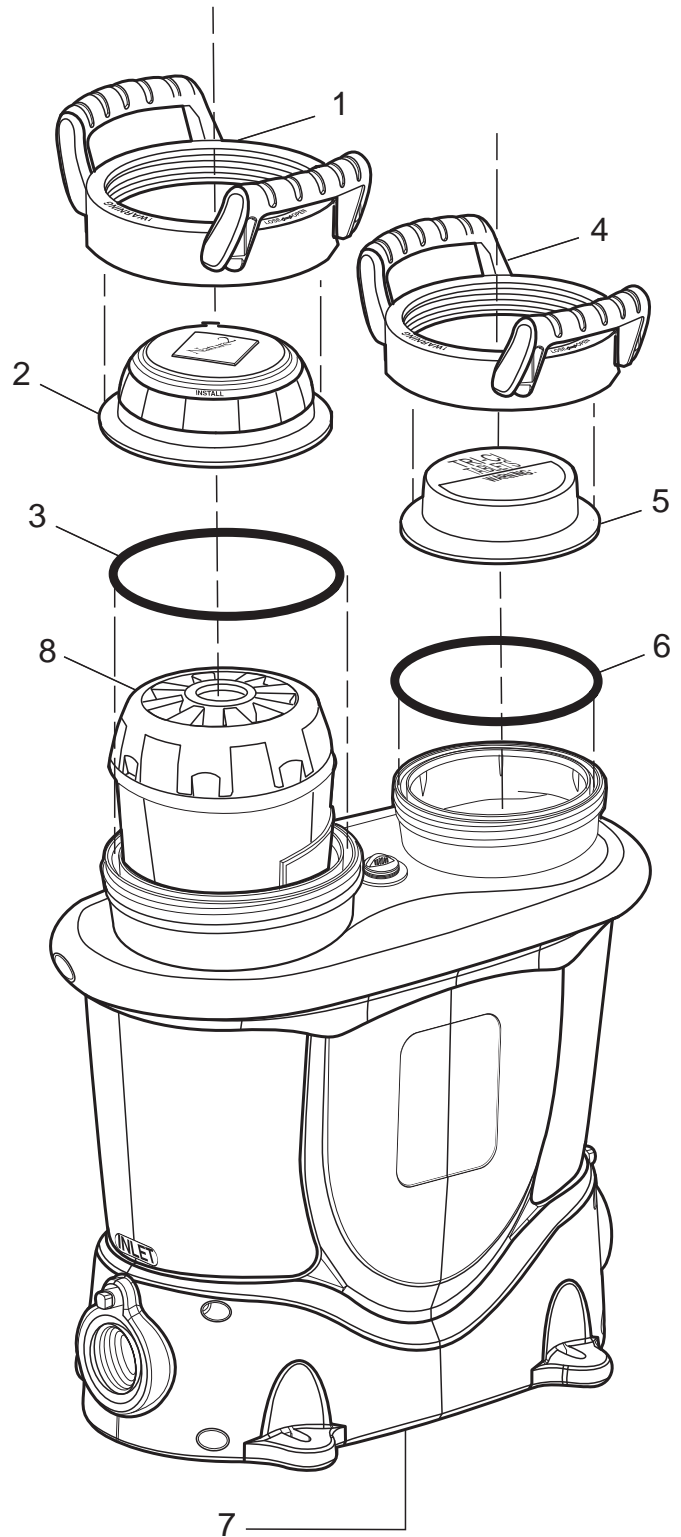
Key No.	Part No.	Description	Qty.
1	W28155	Premium M Cartridge (4 pack), Old Part# W26755	1
2A	W13073	O-Ring for 2-Piece Locking Ring Cap	1
2B	W13061	O-Ring for 1-Piece Cap	1

WATER SANITIZERS / PARTS

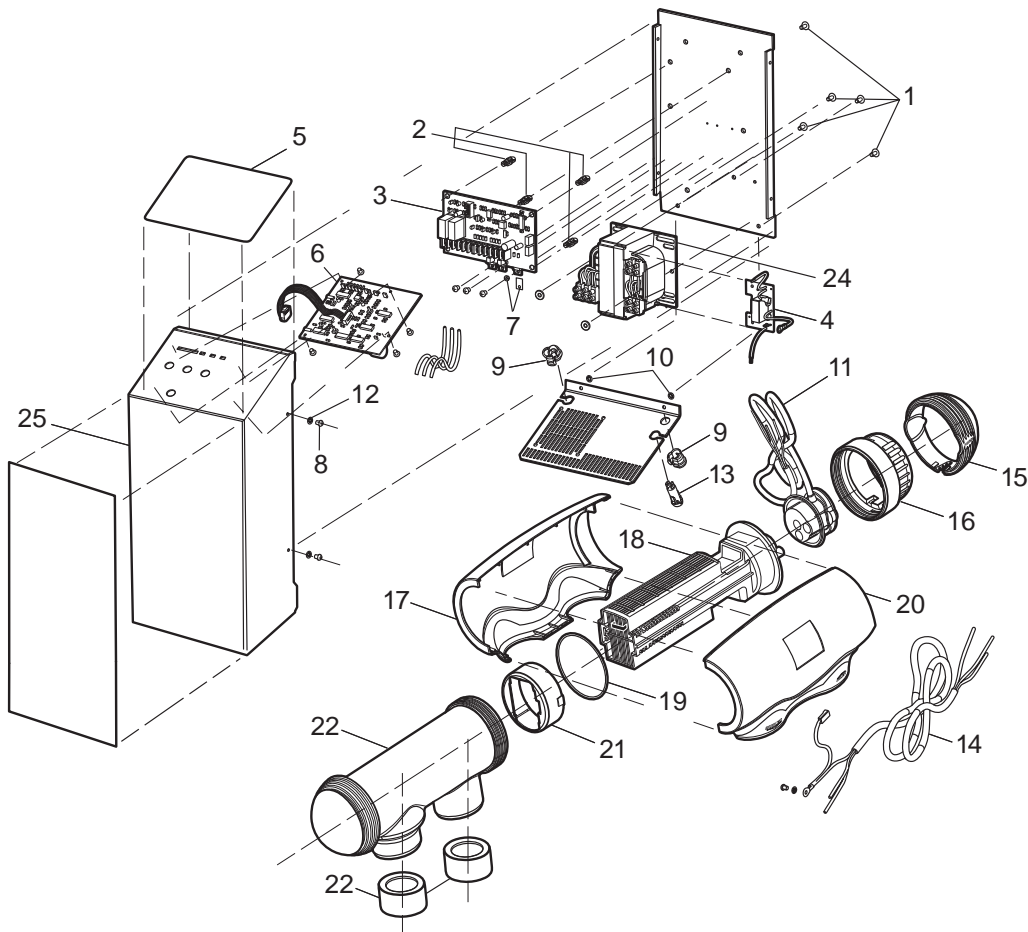
Nature2® Pro G Plus (Discontinued)

Part# W20011

Key No.	Part No.	Description	Qty.
1	W15258	Nature2 Locking Ring	1
2	W15951	Nature2 Cap (Use W15527)	1
3	W13064	Nature2 O-Ring	1
4	W15259	Chlorine Locking Ring	1
5	W15954	Chlorine Cap	1
6	W13068	Chlorine O-Ring	1
7	W13042	Bottom Plug (Large)	1
8	W28125	G25 Cartridge, 4/PK (All) Old Part# W26725	1
8	W28145	G45 Cartridge, 4/PK (All) Old Part# W26745	1



LM3 Series (Discontinued)



LM3 Series

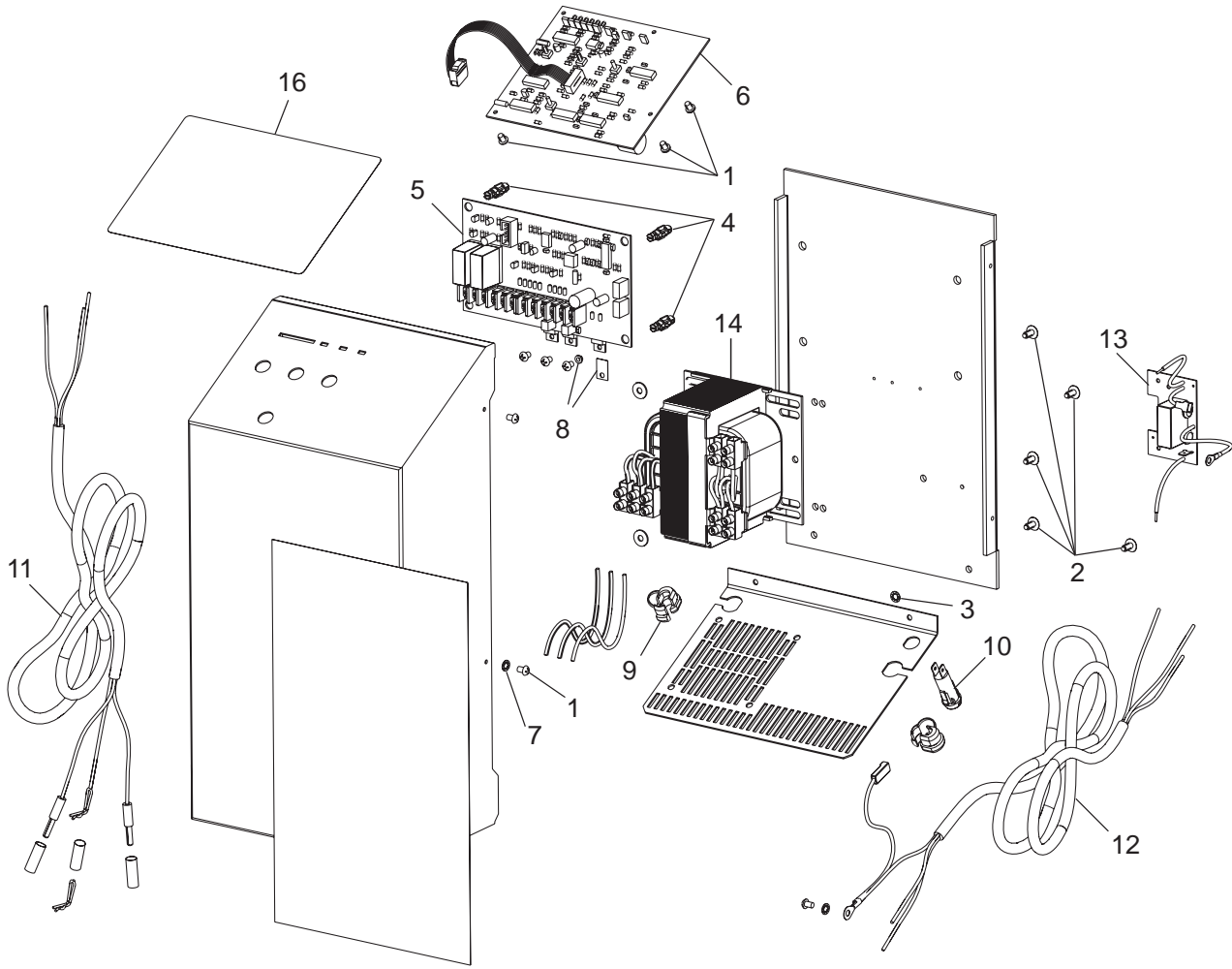
Key No.	Part No.	Description	Qty.
1	W000131	Pop Rivet	5
2	W001091	Black PCB Standoff	4
3	W222091	LM2 and LM3 PCB Assembly	1
4	W222241	Filter PCB For Transformer	1
5	W175981	LM3S Control Label	1
6	W082641	LM3S Control PCB	1
7	W000651	Insulation Kit	1
8	W000351	M3 x 8mm Screw	4
9	W000661	Cord Grip Grommet HE1200 15 amp	1
10	W000281	Washer S/Proof	2
11	W052341	LM3 Output Cable Standard 6'	1
11	W052342	LM3 Output Cable Standard 12'	1
12	W000261	Washer S/Proof	4
13	W111071	Circuit Breaker	1
14	W221411	LM3 Input Cable	1
N/S	W258342	Complete Power Pack, LM3-15	1
N/S	W258242	Complete Power Pack, LM3-40	1
N/S	W202421	Conversion Kit, LM3-15	1
N/S	W202441	Conversion Kit, LM3-24	1

Key No.	Part No.	Description	Qty.
N/S	W202461	Conversion Kit, LM3-40	1
18	W202281	Cell Assembly, LM3-15	1
18	W202301	Cell Assembly, LM3-24	1
18	W202321	Cell Assembly, LM3-40	1
15	W042342	LM3 Terminal Cover	1
16	W042463	LM3 Locking Ring	1
17	W042312	LM3 Shroud Left	1
18	W196566	LM3-15 Replacement Electrode	1
18	W196586	LM3-24 Replacement Electrode	1
18	W196606	LM3-40 Replacement Electrode	1
19	W150181	LM3 Cell O-Ring	1
20	W042322	LM3 Shroud Right	1
21	W042333	LM3 Adaptor	1
22	W042303	LM3 Cell Housing	1
23	W041101	Reducing Bush (White)	2
24	W130421	Transformer, LM3-40	1
24	W130591	Transformer, LM3-15, 24	1
25	W012491	Cover (W012101 not available use P/N W012491)	1

N/S-Not Shown

WATER SANITIZERS / PARTS

LM2 Series Power Pack (Discontinued)



LM2 Series Power Pack

Key No.	Part No.	Description	Qty.
1	W000351	Screw, Pan head M3 x 8	1
2	W000131	Pop Rivet	1
3	W000281	Washer S/Proof	1
4	W001091	Black PCB Standoff	1
5	W222091	LM2 and LM3 PCB Assembly	1
6	W222111	LM2 S Control PCB	1
7	W000261	Washer S/Proof	1
8	W000651	Insulation Kit	1
9	W000661	Cord Grip Grommet HE1200 15 amp	1
10	W111071	Circuit Breaker -3 amp	1
11	W193201	Output Cable	1

Key No.	Part No.	Description	Qty.
12	W221411	Input Cable	1
13	W222241	Filter PCB For Transformer	1
14	W130591	Transformer, LM2-15, 24	1
14	W130421	Transformer, LM2-40	1
15	W012491	Cover W012101 not available use P/N W012491	1
16	W171911	Touch Pad Label	1
N/S	W194361	Output Extension Kit	1
N/S	W202421	Upgrade Cell Kit LM3-15	1
N/S	W202441	Upgrade Cell Kit LM3-24	1
N/S	W202461	Upgrade Cell Kit LM3-40	1

N/S-Not Shown

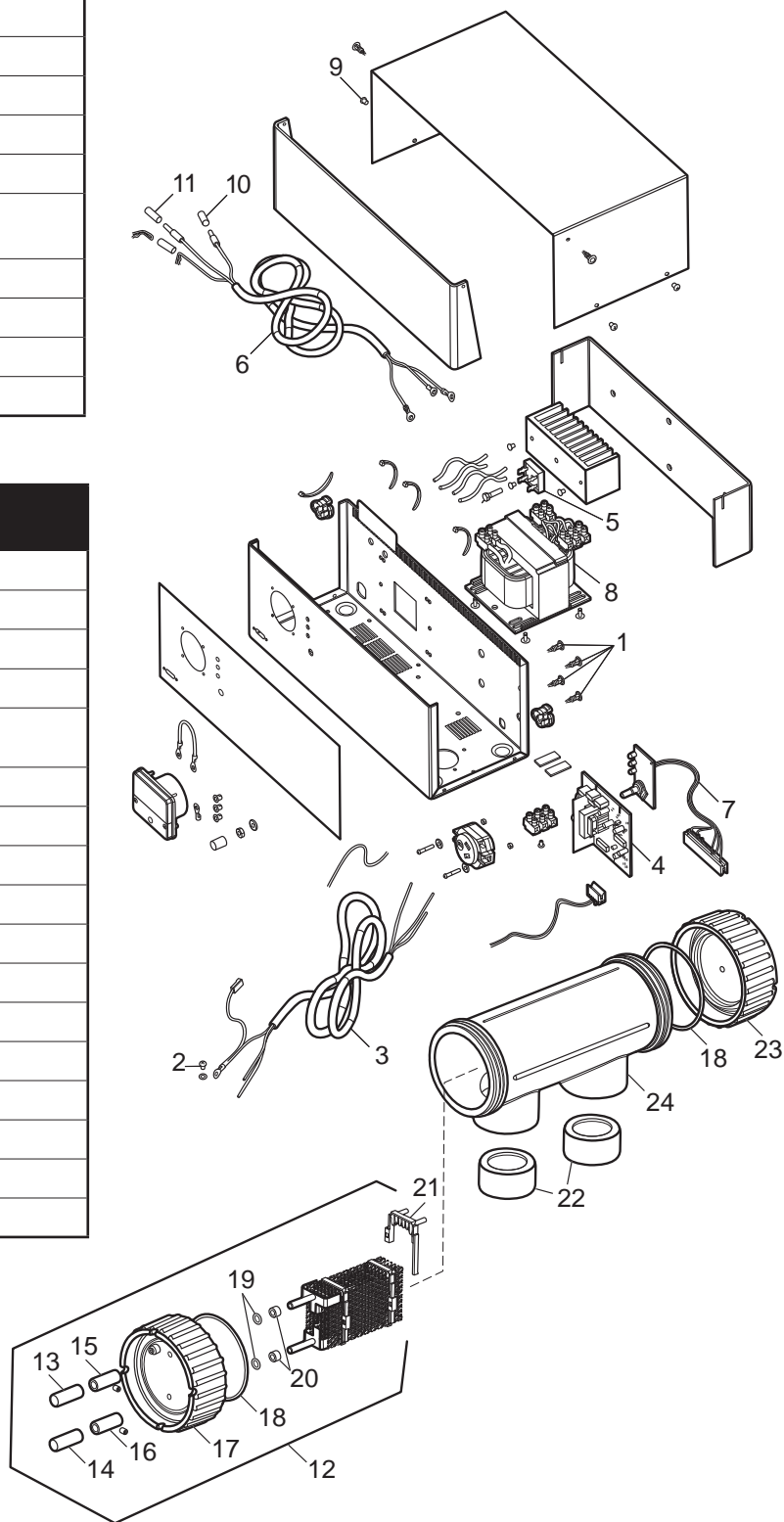
C Series (Discontinued)

C Series Power Pack

Key No.	Part No.	Description	Qty.
1	W000071	PCB Standoffs	4
2	W000201	Earth Screw	1
3	W051431	Input Cable -C	1
4	W080341	Main PCB	1
5	W060401	Rectifier	1
6	W190891	Output Cable w/ Terminals	1
7	W191181	Manual Control for PCB Assembly	1
8	W130031	Transformer (All Models)	1
9	W000581	Cover Screws	4
10	W050041	Cell Terminal Insulation Black	1
11	W050051	Cell Terminal Insulation Red	1

C Series Cell

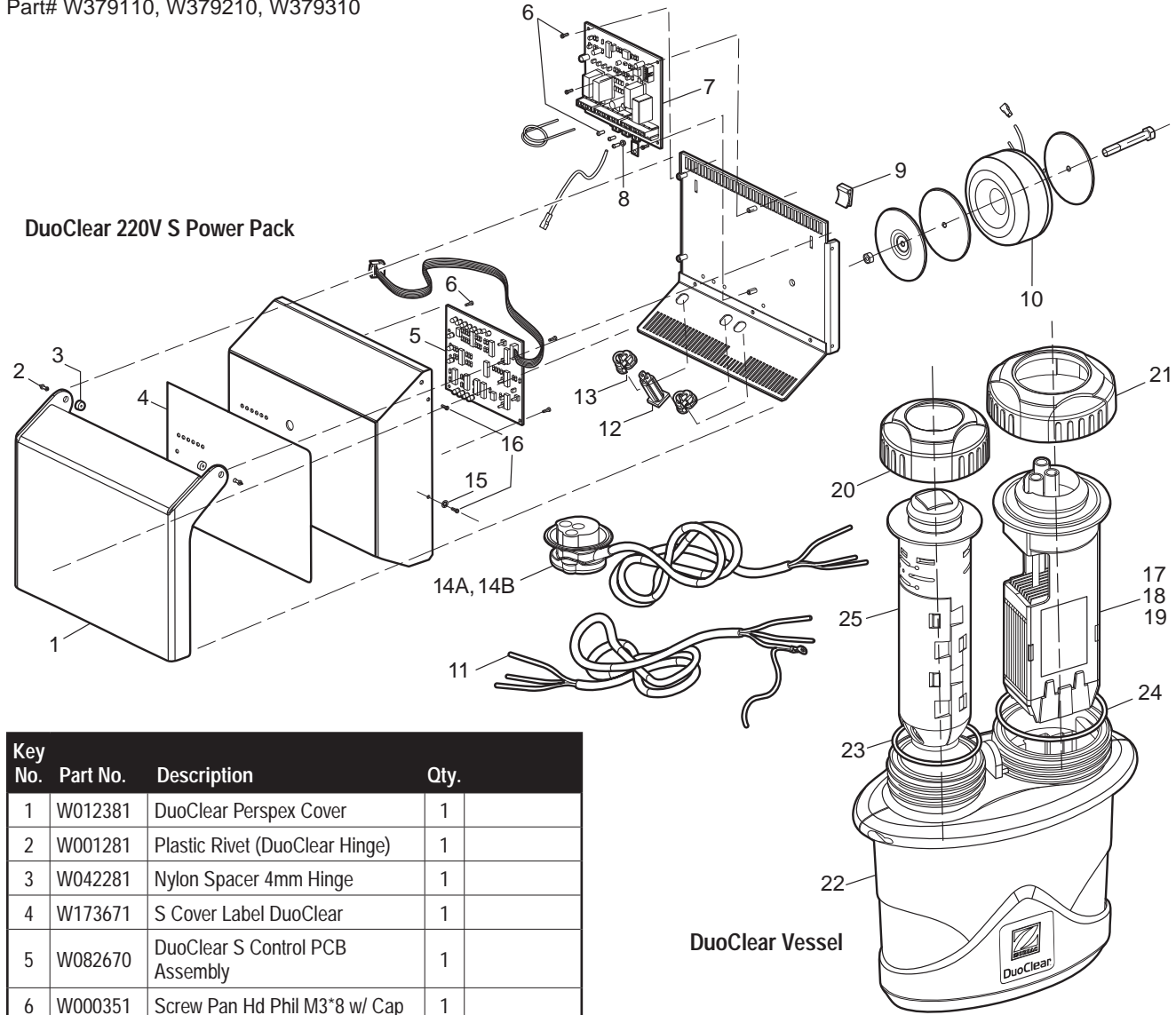
Key No.	Part No.	Description	Qty.
12	W193841	C140 Electrode Kit	1
12	W193851	C170 Electrode Kit	1
12	W193861	C200 Electrode Kit	1
12	W193871	C250 Electrode Kit	1
12	W193991	C400 Electrode Kit (Two Cells Included)	1
13	W050061	Heatshrink Black	1
14	W050071	Heatshrink Red	1
15	W190801	Brass Socket Negative	1
16	W190811	Brass Socket Positive	1
17	W192021	Cell Cap (Electrode Side)	1
18	W150041	O-Ring, Cell Cap	2
19	W150021	O-Ring, Electrode Post	2
20	W040351	Post Spacer	1
21	W040011	Electrode Clips	1
22	W041101	Reducing Bush (White)	2
23	W193821	Blank Cap	1
24	W192001	Cell Housing	1



WATER SANITIZERS / PARTS

DuoClear® (Discontinued)

Part# W379110, W379210, W379310



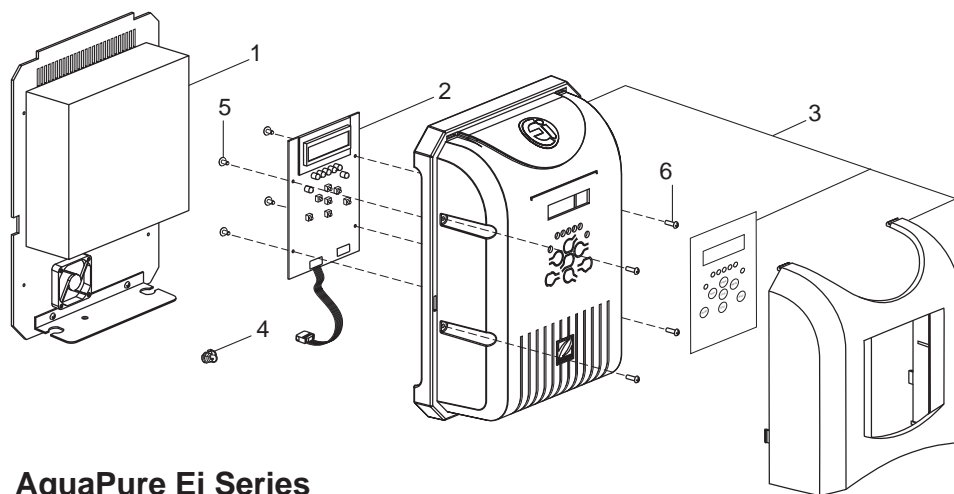
Key No.	Part No.	Description	Qty.
1	W012381	DuoClear Perspex Cover	1
2	W001281	Plastic Rivet (DuoClear Hinge)	1
3	W042281	Nylon Spacer 4mm Hinge	1
4	W173671	S Cover Label DuoClear	1
5	W082670	DuoClear S Control PCB Assembly	1
6	W000351	Screw Pan Hd Phil M3*8 w/ Cap	1
6	W000651	Insulation Mounting Kit	1
7	W082441	DuoClear Power PCB Assembly	1
8	W000651	Insulation Mounting Kit To 220	1
9	W001321	Ribbon Cable Clamp (Multicomp)	1
10	W130671	Transformer (220 290va 54v Ct)	1
11	W052301	DuoClear UL Mains Cable USA	1
12	W111071	Circ. Break.W28-Xq1a03 Potter	1
13	W000661	Cord Grip Grommet HE1200 15 amp	1
14A	W052311	6' Output Cable w/ Plug	1
14B	W052313	12' Output Cable w/ Plug	1
15	W000261	Washer Shkproof Int 1/8 Z/P	1
16	W000581	M3 x 6mm Taplite Screw	1
N/S	W258061	Complete Power Pack, DuoClear 25	1
N/S	W258071	Complete Power Pack, DuoClear 35	1
N/S	W258081	Complete Power Pack, DuoClear 45	1

Key No.	Part No.	Description	Qty.
17	W202241	DuoClear 25 Electrode	1
18	W202251	DuoClear 35 Electrode	1
19	W202261	DuoClear 45 Electrode	1
20	W042071	Nature ² Locking Ring	1
21	W042081	Electrode Locking Ring	1
22	W042232	Vessel Assembly	1
23	W151201	Nature ² O-Ring	1
24	W151211	Electrode O-Ring	1
25	W26002	DuoClear 45K, 4/PK (All)	1
N/S	W041101	2" - 1 1/2" Reducing Bushings	
N/S	W043012	DuoClear Union (Single)	

N/S-Not Shown

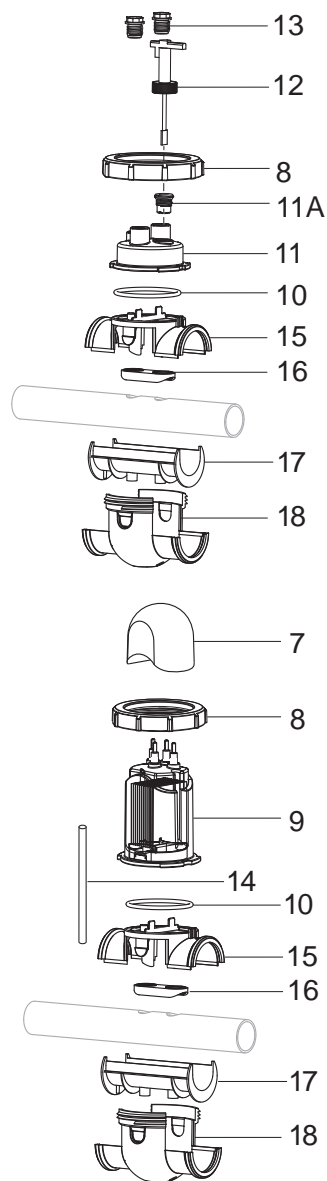
AquaPure® Ei™ Series Electronic Salt Chlorinator (Discontinued)

Part# APURE35, APURE35PLG



**AquaPure Ei Series
Power Pack Replacement Parts**

Key No.	Part No.	Description	Qty.
1	R0512100	AquaPure Ei – Power PCB Assembly	1
2	R0512300	TS Control PCB Assembly	1
3	R0512400	Cover Assembly	1
4	R0768100	Cable Cord Grip	1
5	R0512800	PCB Mtg Screws #4 x 1/4"	4
6	R0512900	Set Screw M3 x 12mm	4



Cell Replacement Parts

Key No.	Part No.	Description	Qty.
7	R0768001	Terminal Cap	1
8	R0768200	Locking Ring	1
9	R0511400	35 Electrode	1
10	R0738500	Main O-Ring	1
11	R0785400	Sensor Pod Housing	1
11A	R0797400	Flow Switch Adapter	1
12	R0737500	Flow Switch	1
13	R0740500	Plugs (X2)	3
14	R0524100	Breather Tube	1
15	R0767900	Top Clamp	1
16	R0767800	Pod Gasket	1
17	R0770200	Pipe Adapter	1
18	R0768400	Bottom Clamp	1
N/S	R0769800	Ei Pod Cap Screw O-Ring (X4)	1
N/S	R0769900	Locking Ring Tool	1
N/S	R0770100	Winterizing Cap	1
N/S	R0519800	Goldline® Cell Adapter Kit	1

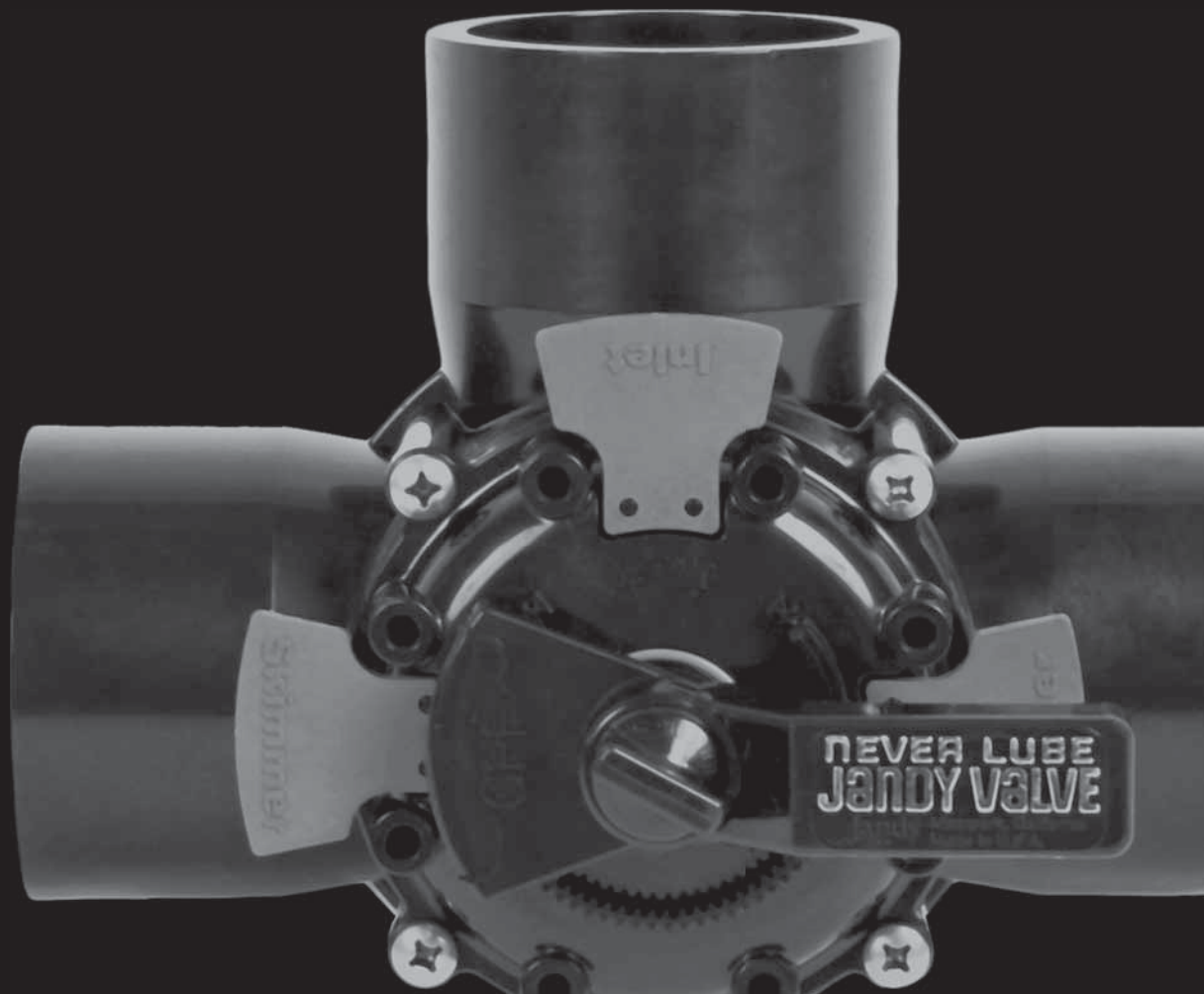
N/S-Not Shown



VALVES

Valves 235

Valve Parts 238







Never Lube Valve, Large

Never Lube® Valve, Large Diverter

- Adjustable stop feature that allows for flow adjustment
- Lifetime Guarantee
- Placards that label valve position
- Made from durable CPVC
- Proprietary Never Lube technology
- Designed for easy automation

Part No.	Description
NSF 4718	2 1/2"–3" Positive Seal, 2-Port Valve
NSF 4719	2 1/2"–3" Positive Seal, 3-Port Valve (Case quantity available; 4/case)



Placard



Index Tab

Never Lube Large Valve Accessory

R0465900	Placard (Set of 8) & Index Tab
----------	--------------------------------

Never Lube Valve, Standard Diverter

- Made from durable CPVC
- Lifetime Guarantee
- Proprietary Never Lube technology
- Designed for easy automation



Never Lube Valve, Standard

Part No.	Description
NSF 4715	1 1/2"–2" Positive Seal, 3-Port Valve
NSF 4716	2"–2 1/2" Positive Seal, 2-Port Valve
NSF 4717	2"–2 1/2" Positive Seal, 3-Port Valve
NSF 4724	1 1/2"–2" Positive Seal, 2-Port Valve
4944	2"–2 1/2" Positive Seal, 3-Port (internal & external stops) B23
4945	1 1/2"–2" Positive Seal, 3-Port (internal & external stops) B23

(Case quantity available; 12/case)

Gray Valve

- Grease cap eliminates need to disassemble valve for lubrication
- Made from durable CPVC



Part No.	Description
1154	1 1/2"–2" Positive Seal, 3-Port Valve
1157	1 1/2"–2" Positive Seal, 2-Port Valve
2875	2"–2 1/2" Positive Seal, 3-Port Valve
2876	2"–2 1/2" Positive Seal, 2-Port Valve
2877	2"–2 1/2" Non-Positive Seal, 3-Port Valve
3344	1 1/2"–2" Non-Positive Seal, 3-Port Valve
4269	Lube Kit

(Case quantity available; 12/case)

PUMPS
FILTERS
GAS HEATERS
HEAT PUMPS
AUTOMATION
WATER LEVELING
WATER SANITIZERS
VALVES
WATER FEATURES
LIGHTING
CLEANERS
IN-FLOOR
BLOWERS
ACCESSORIES



Space Saver Valve, Diverter

- Shortened ports, ideal for tight plumbing situations
- Same flow capacity as Jandy Gray Valves
- Constructed of durable CPVC

Part No.	Description
3406	1 1/2"–2" Positive Seal, 3-Port Valve
3407	1 1/2"–2" Positive Seal, 2-Port Valve
3409	1 1/2"–2" Non-Positive Seal, 2-Port Valve

(Case quantity available; 24/case)



Large Check Valve

Large Check Valve

- Large 2 1/2"–3" size designed for high flow rates
- Clear lid with red seal for easy inspection
- Unique swing/spring design
- Disassembles for clearing debris
- Constructed of durable CPVC

Part No.	Description
NSF 7307	2 1/2"–3" 180° Check Valve

(Case quantity available; 4/case)



Standard Check Valve

Standard Check Valve

- Chemical-resistant superalloy spring for use with salt chlorinators and chemical dosing systems
- Clear lid with red seal for easy inspection
- Unique swing/spring design for both return and intake water
- Disassembles for clearing debris
- Constructed of durable CPVC

Part No.	Description
7235	1 1/2"–2" 180° Check Valve
7305	2"–2 1/2" 180° Check Valve
7511	1 1/2"–2" 90° Check Valve
7512	2"–2 1/2" 90° Check Valve

(Case quantity available; 12/case)



Gold Standard Ball Valve

Gold Standard™ Ball Valve

- Constructed of durable PVC
- Highly resistant to chlorine

Part No.	Description
6952	3/4" Standard Non-Union
6953	1" Standard Non-Union
6954	1 1/2" Standard Non-Union
6955	1 1/2" Standard Union
6956	2" Standard Non-Union
6957	2" Standard Union
7515	3" Non-Union
7516+	4" Non-Union

Ball Valve Replacement Handles

R0444500	Handle Replacement for Part Nos. 6954, 6955, 6956, 6957
----------	---



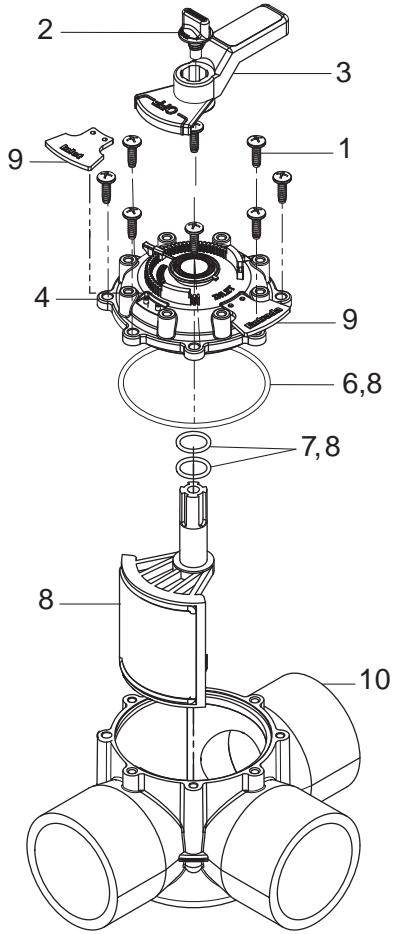
Valve Actuator

Valve Actuators

- New design with easier cam adjustment, PCB and hidden toggle switch
- 24 Volt valve actuator
- Automates any full size 2-way and 3-way diverter valves for pool/spa combinations and water features
- Can rotate diverters to any position
- Designed to work with all Zodiac® controls

Part No.	Description
4424	JVA 24 V, 180° Rotation
R0411800	JVA Power Cord, 20', new style
R0411900	JVA Power Cord, 75', new style
SMARTJVA	Smart JVA Board

PUMPS
FILTERS
GAS HEATERS
HEAT PUMPS
AUTOMATION
WATER LEVELING
WATER SANITIZERS
VALVES
WATER FEATURES
LIGHTING
CLEANERS
IN-FLOOR
BLOWERS
ACCESSORIES



**Never Lube® Jandy® Valve, Large Diverter
 (2 1/2" x 3" 3-Port)**

Part# 4719

Key No.	Part No.	Description
1	R0547600	Screw Kit, #14 x 3/4" Valve Housing, 8/PK
2	R0486900	Knob, Valve Handle
3	R0487200	Handle, Never Lube Valve
4	R0466100	Lid, 3-Port, 2 1/2" x 3" Never Lube
6	R0465700	O-Ring #2-154, Cover
7	R0487100	O-Ring #2-116, Shaft
8	R0465800	Never Lube Diverter 2 1/2" x 3"
9	R0465900	Placard and Index Tab, 8/PK
10	N/A	*Housing, 2 1/2" x 3", 3-Port, Black

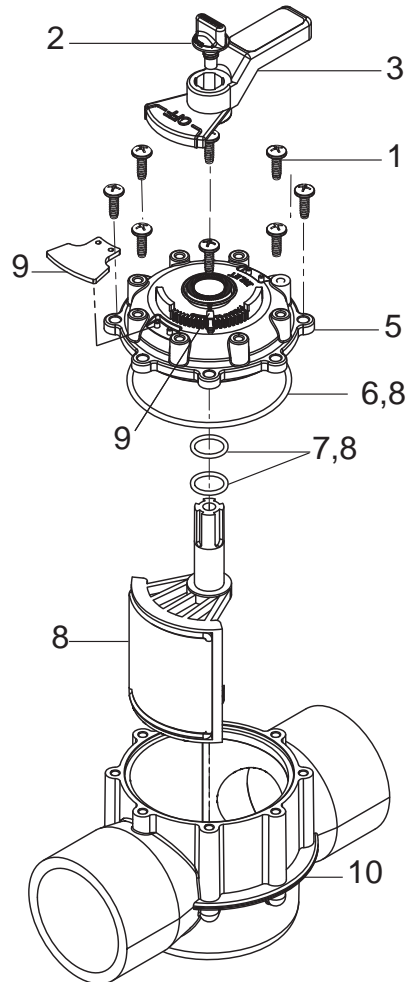
*Order complete valve

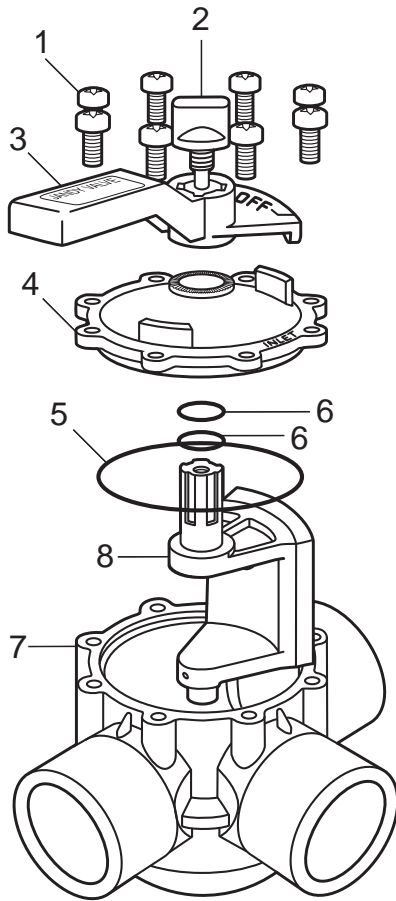
**Never Lube Jandy Valve®, Large Diverter
 (2 1/2" x 3" 2-Port)**

Part# 4718

Key No.	Part No.	Description
1	R0547600	Screw Kit, #14 x 3/4" Valve Housing, 8/PK
2	R0486900	Knob, Valve Handle
3	R0487200	Handle, Never Lube Valve
5	R0468600	Lid, 2-Port, 2 1/2" x 3", Never Lube
6	R0465700	O-Ring #2-154, Cover
7	R0487100	O-Ring #2-116, Shaft
8	R0465800	Never Lube Diverter 2 1/2" x 3"
9	R0465900	Placard and Index Tab, 8/PK
10	N/A	*Housing, 2 1/2" x 3", 2-Port, Black

*Order complete valve





Never Lube® Jandy® Valve, Standard Diverter (1 1/2"-2"/ 2"-2 1/2" 3-Port)

Part# 4715, 4717

Key No.	Part No.	Description
1	R0547600	Screw Kit, #14 x 3/4" Valve Housing, 8/PK
2	R0486900	Knob, ABS, Black
3	R0487200	Handle Never Lube, Black
4	4606+	Cover, 3 Port, Black
5	1132+	O-Ring, -151, Valve Cover
6	R0487100	O-Ring, -116, Valve Shaft
7	N/A	*Housing, 1 1/2" - 2", 3-Port, Black
7	N/A	*Housing, 2" - 2 1/2", 3-Port, Black
8	4720	Never Lube Diverter Kit

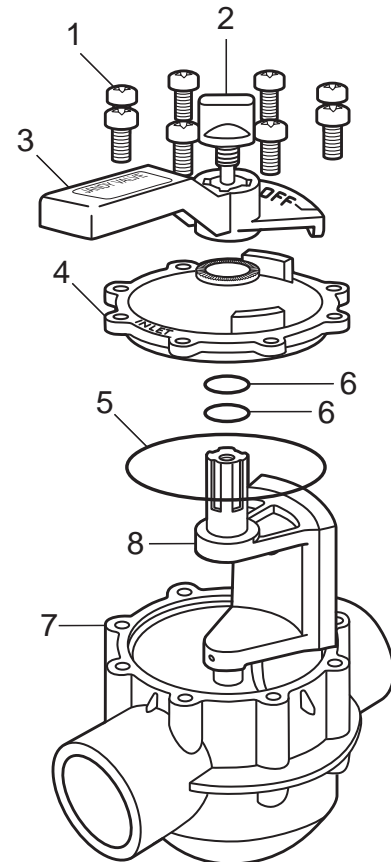
*Order complete valve

Never Lube Jandy Valve®, Standard Diverter (1 1/2"-2"/ 2"-2 1/2" 2-Port)

Part# 4724, 4716

Key No.	Part No.	Description
1	R0547600	Screw Kit, #14 x 3/4" Valve Housing, 8/PK
2	R0486900	Knob, ABS, Black
3	R0487200	Handle Never Lube, Black
4	4734+	Cover, 2 Port, Black
5	1132+	O-Ring, -151, Valve Cover
6	R0487100	O-Ring, -116, Valve Shaft
7	N/A	*Housing, 1 1/2" - 2", 2-Port, Black
7	N/A	*Housing, 2" - 2 1/2", 2-Port, Black
8	4720	Never Lube Diverter Kit

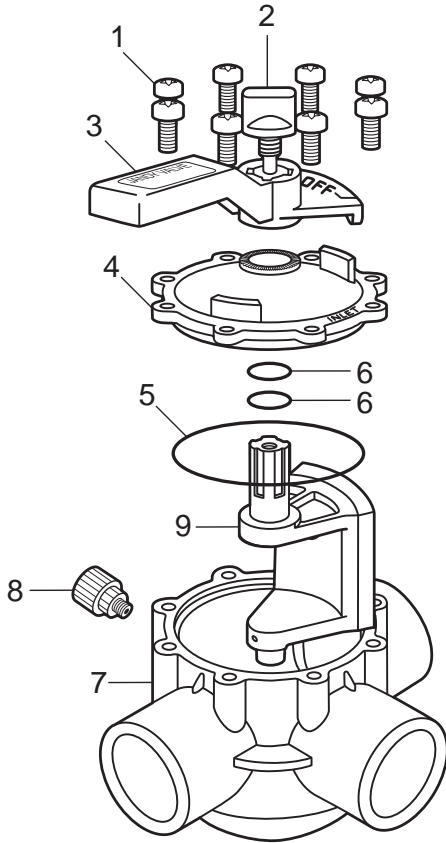
*Order complete valve



VALVES / PARTS

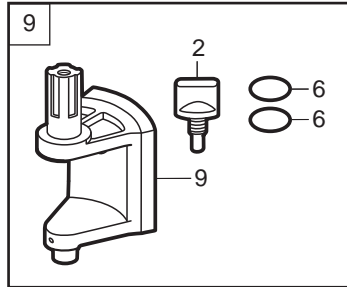
Gray Jandy Valve® (3-Port)

Part# 1154, 2875

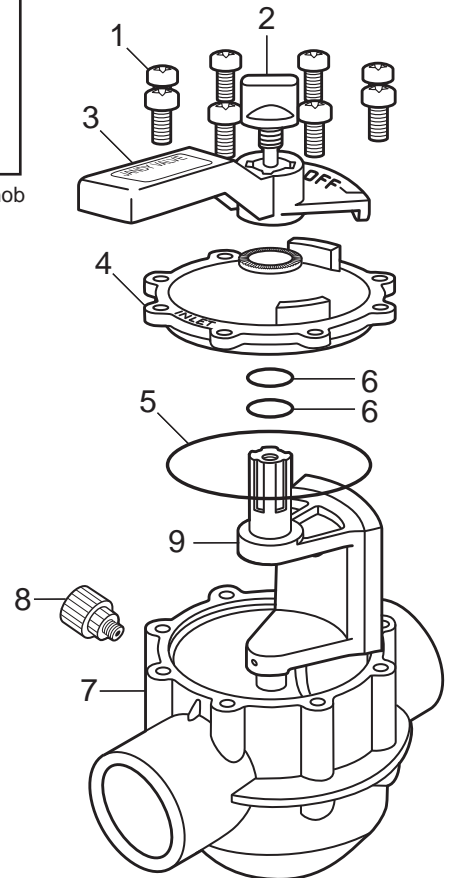


Key No.	Part No.	Description
1	R0547600	Screw Kit, #14 x 3/4" Valve Housing, 8/PK
2	R0487000	Knob, ABS
3	1301+	Handle, Gray
4	1303+	Cover, 3-Port
5	1132+	O-Ring, -151, Valve Cover
6	R0487100	O-Ring, -116, Valve Shaft
7	N/A	*Housing, 1 1/2" - 2", 3-Port
7	N/A	*Housing, 2" - 2 1/2", 3-Port
8	2133	Grease Cup Kit
9	4720	Never Lube Diverter Kit (Positive Seal)
9	3045	Diverter Assembly Includes Knob, Non-positive Seal (Gray Valve, Grease Type)
10	5009+	Pipe Plug P-18
N/S	4269	Lube Kit

*Order complete valve N/S-Not Shown



Diverter Assembly Complete w/ Knob (Positive Seal Part # 4720 and Non-Positive Part # 3045)

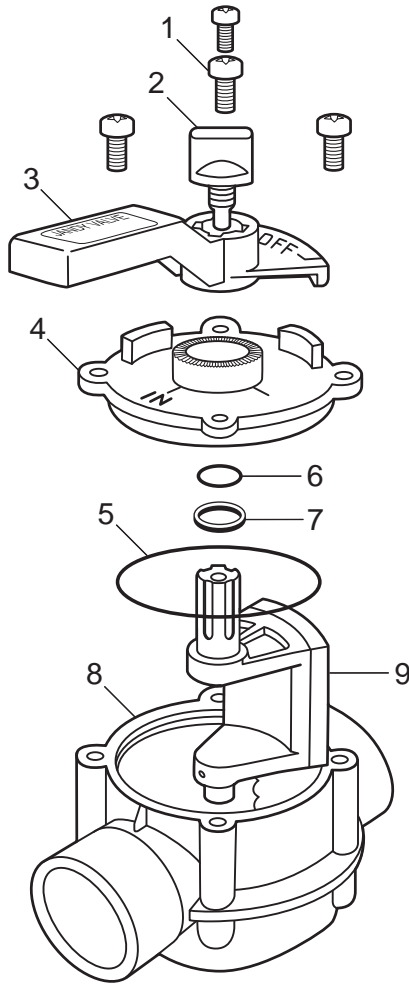


Jandy® Never Lube® 2-Port and Gray Valve

Part# 1157, 2876

Key No.	Part No.	Description
1	R0547600	Screw Kit, #14 x 3/4" Valve Housing, 8/PK
2	R0487000	Knob, ABS
3	1301+	Handle, Gray
4	1304+	Cover, 2-Port
5	1132+	O-Ring, -151, Valve Cover
6	R0487100	O-Ring, -116, Valve Shaft
7	N/A	*Housing, 1 1/2" - 2", 2-Port
7	N/A	*Housing, 2" - 2 1/2", 2-Port
8	2133	Grease Cup Kit
9	4720	Never Lube Diverter Kit (Positive Seal)
9	3045	Gray Valve Diverter Kit Includes Knob, Non-positive Seal (Gray Valve, Grease Type)
10	5009+	Pipe Plug P-18
N/S	4269	Lube Kit

*Order complete valve N/S-Not Shown



**Space Saver Jandy® Valve, Diverter
(1 1/2"–2" 3-Port)**

Part# 3406

Key No.	Part No.	Description
1	R0547600	Screw Kit, #14 x 3/4" Valve Housing, 8/PK
2	R0487000	Knob, ABS
3	3500+	Space Saver Handle
4	3490+	Cover, 3-Port
5	6749+	O-Ring, SSV -143
6	R0487100	O-Ring, -116, Valve Shaft
7	3457	Diverter Seal Ring
8	N/A	*Space Saver Valve Housing, 3-Port (not shown)
9	3483	Diverter Assembly Complete Includes Knob, Positive Seal
9	3484	Diverter Assembly Complete Includes Knob, Non-positive Seal

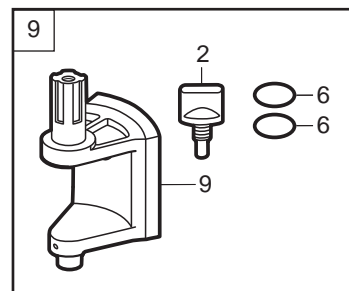
*Order complete valve

**Space Saver Jandy Valve®, Diverter
(1 1/2"–2" 2-Port)**

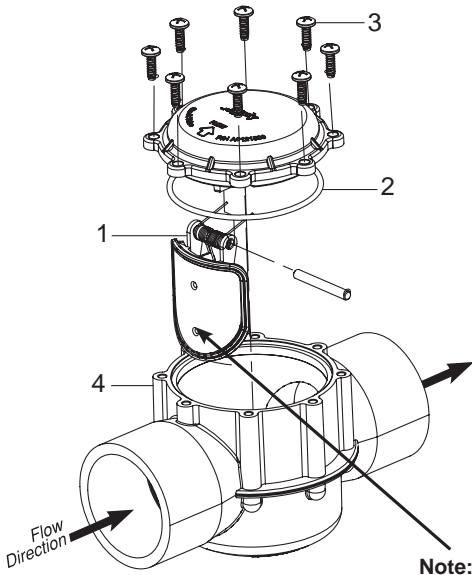
Part# 3407

Key No.	Part No.	Description
1	R0547600	Screw Kit, #14 x 3/4" Valve Housing, 8/PK
2	R0487000	Knob, ABS
3	3500+	Space Saver Handle
4	3426	Cover, 2-Port
5	6749+	O-Ring, SSV -143
6	R0487100	O-Ring, -116, Valve Shaft
7	3457	Diverter Seal Ring
8	N/A	*Space Saver Valve Housing, 2-Port
9	3483	Diverter Assembly Complete Includes Knob, Positive Seal
9	3484	Diverter Assembly Complete Includes Knob, Non-positive Seal

*Order complete valve

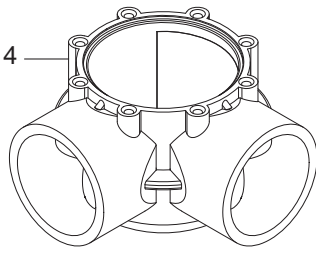


Diverter Assembly Complete w/ Knob
(Positive Seal Part # 3483 and
Non-Positive seal Part # 3484)



180° Valve Housing

OR



90° Valve Housing

Note: For Replacement—Before installing, make certain that the seal is not displaced from the flapper.

**Standard Check Valve
 (1 1/2"–2"/2–2 1/2")**

Part# 7235, 7305, 7511, 7512

Key No.	Part No.	Description
1	7056	Cover w/ Flapper Assembly Includes Flapper Assembly, Pin, Cover Spring and O-Ring
2	1132+	O-Ring, -151, Valve Cover
3	R0547600	Screw Kit, #14 x 3/4" Valve Housing (Qty. 8)
4	N/A	*Housing, 1 1/2" – 2", 2-Port (Black)
4	N/A	*Housing, 2" – 2 1/2", 3-Port
4	N/A	*Housing, 90°, 1 1/2" – 2"
4	N/A	*Housing, 90°, 2" – 2 1/2"

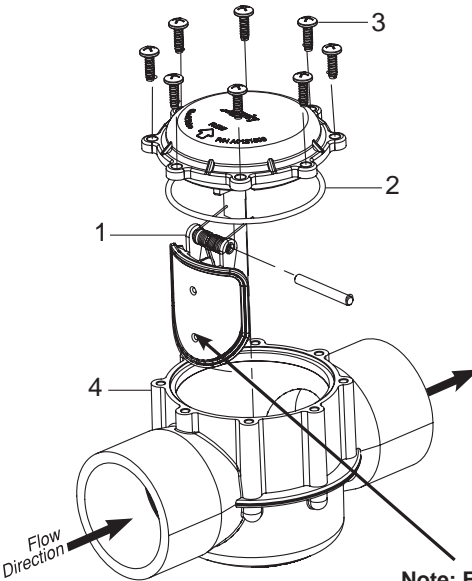
*Order complete valve

**Large Check Valve
 (2 1/2"–3")**

Part# 7307

Key No.	Part No.	Description
1	R0466000	Cover w/ Flapper Assembly Includes Flapper Assembly, Pin, Cover Spring and O-Ring
2	R0465700	O-Ring, -241, Valve Cover
3	R0547600	Screw Kit, #14 x 3/4" Valve Housing, 8/PK
4	N/A	*Housing, 2 1/2" - 3", 2-Port (Black)

*Order complete valve



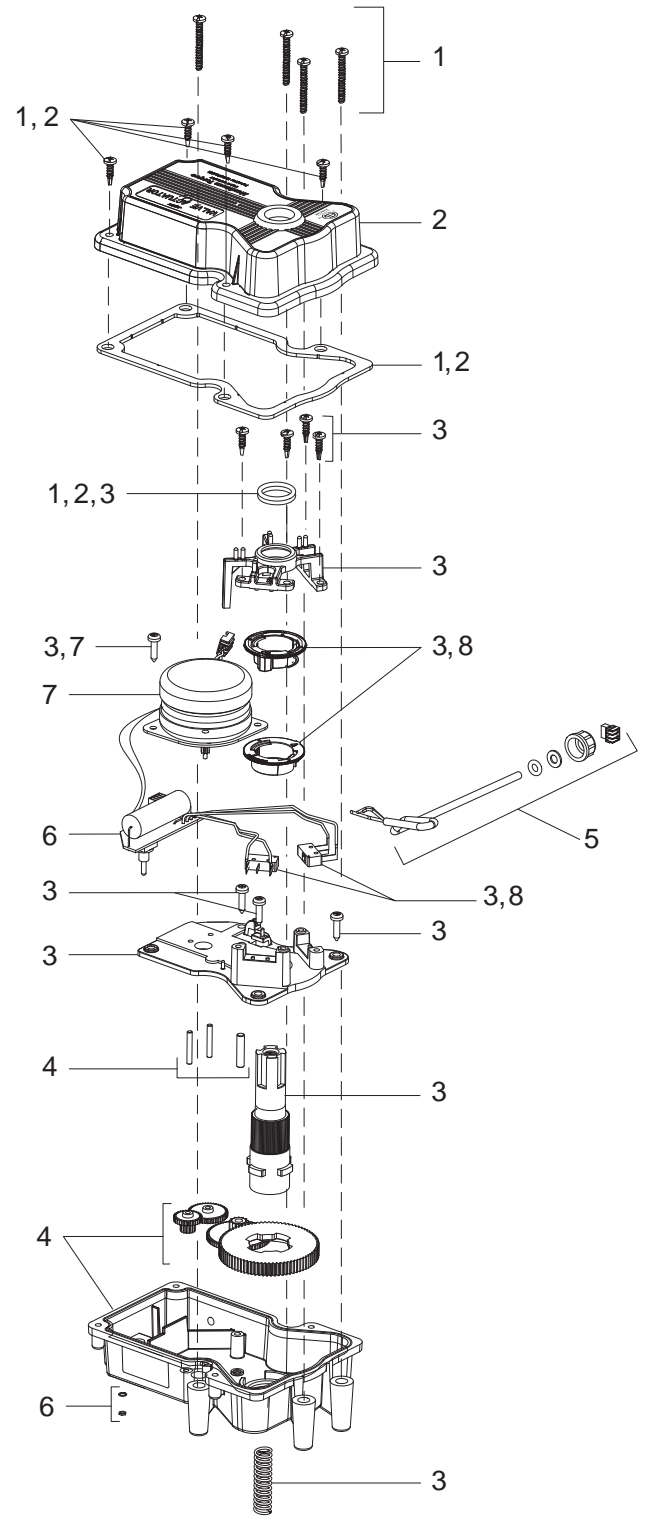
Note: For Replacement—Before installing, make certain that the seal is not displaced from the flapper.

Jandy Valve® Actuators

Part# 4424

Key No.	Part No.	Description	Qty.
1	R0409600	JVA Gasket and Screw Kit	
		Gasket	1
		O-Ring	2
		Screw, #14 x 2"	4
		Screw, #8 x 5/8"	4
2	R0411500	Top Housing Kit	
		Gasket	1
		O-Ring	2
		Screw, #8 x 5/8"	4
		Housing, Top	1
3	R0408700	Center Plate Kit	
		O-Ring	2
		Screw, #8 x 5/8"	8
		Bridge	1
		Top Cam (Clear)	1
		Bottom Cam (Textured)	1
		Microswitch	2
		Center Plate	1
		Output Shaft, Threaded	1
		Spring, JVA	1
4	R0411600	Gear Kit	
		Primary Gear	1
		Secondary Gear	1
		Large Pinion Gear	1
		Output Gear	1
		Housing, Bottom w/ 3 Pins	1
5	R0411800	Cable Kit, 20'	
		O-Ring, Strain Relief	1
		Washer, Strain Relief	1
		Cap, Strain Relief	1
5	R0411900	Cable Kit, 75'	
		O-Ring, Strain Relief	1
		Washer, Strain Relief	1
		Cap, Strain Relief	1
6	R0441700	PCB w/ Toggle Switch Kit	
		PCB Sub-Assembly, 24V w/ PCB, w/ Toggle Switch, Lock-washer and Nut	1
7	R0408500	Motor Kit	
		Screw, #8 x 5/8" Motor 24V, w/ Wire and Connector	1
8	R0408600	Cam and Microswitch Kit	
		Top Cam (Clear)	1
		Bottom Cam (Textured)	1
N/S	R0553300	Microswitch	1
		Shaft and Gear Kit	1

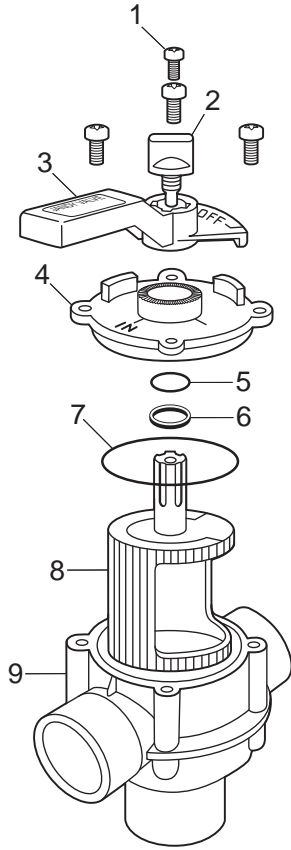
N/S-Not shown



VALVES / PARTS

Jandy® 3-Port “T” Space Saver Valve (Discontinued)

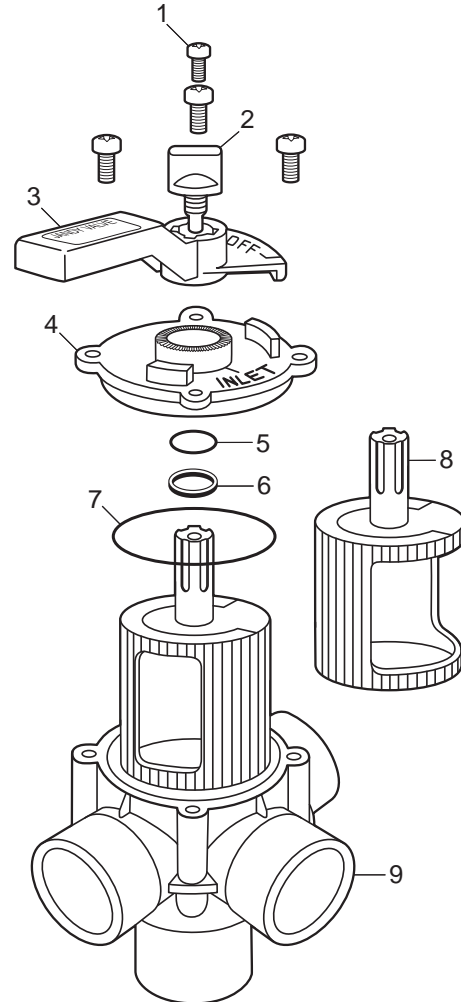
Part# 3656



Key No.	Part No.	Description
1	R0547600	Screw Kit, #14 x 3/4" Valve Housing, 8/PK
2	R0487000	Knob, ABS
3	3500+	Space Saver Handle
4	3546	Cover, 4-Port "T"
5	R0487100	O-Ring, -116 Valve Shaft
6	3457	Diverter Seal Ring
7	6749	O-Ring, -143, Space Saver Valve
8	N/A	Diverter, 3-Port and 4-Port Double
9	N/A	Housing, 3-Port "T"

Jandy 4-Port Space Saver Spa Valve (Discontinued)

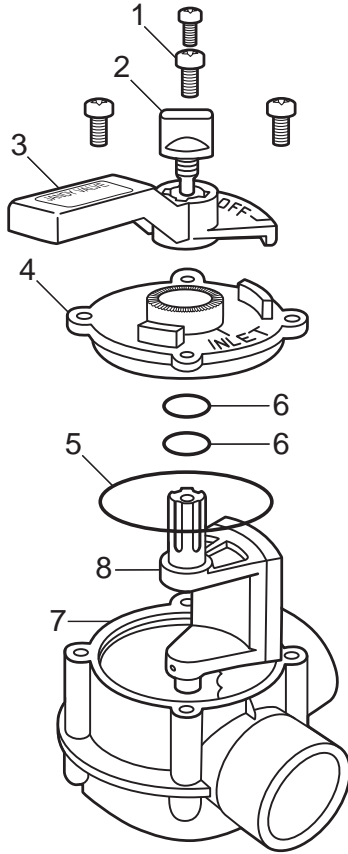
Part# 3550, 3551



Key No.	Part No.	Description
1	R0547600	Screw Kit, #14 x 3/4" Valve Housing, 8/PK
2	N/A	Spa Knob Extension Shaft, 30"
3	N/A	Decorator Handle
4	3546	Cover, 4-Port "T"
5	R0487100	O-Ring, -116 Valve Shaft
6	3457	Diverter Seal Ring
7	6749	O-Ring, -143, Space Saver Valve
8	N/A	Diverter, 4-Port Single
or	N/A	Diverter, 3-Port and 4-Port Double
9	N/A	Housing, 4-Port

Space Saver Jandy Valve® (1 1/2"-2")
(Discontinued)

Part# 4371



Key No.	Part No.	Description
1	R0547600	Screw Kit, #14 x 3/4" Valve Housing, 8/PK
2	R0487000	Knob, ABS
3	3500+	Space Saver Handle
4	3426	Cover, 2-Port
5	6749+	O-Ring, SSV -143
6	R0487100	O-Ring, -116, Valve Shaft
7	3457	Diverter Seal Ring
8	N/A	*Space Saver Valve Housing, 2-Port
9	3483	Diverter Assembly Complete Includes Knob, Positive Seal
9	3484	Diverter Assembly Complete Includes Knob, Non-positive Seal

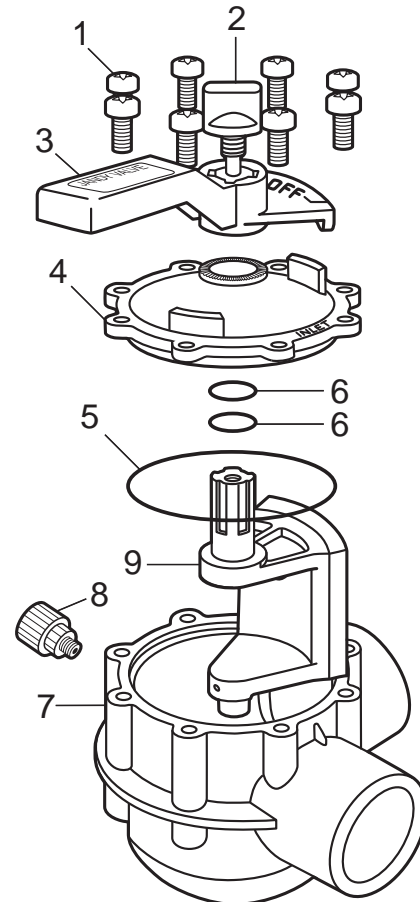
*Note: Order complete valve

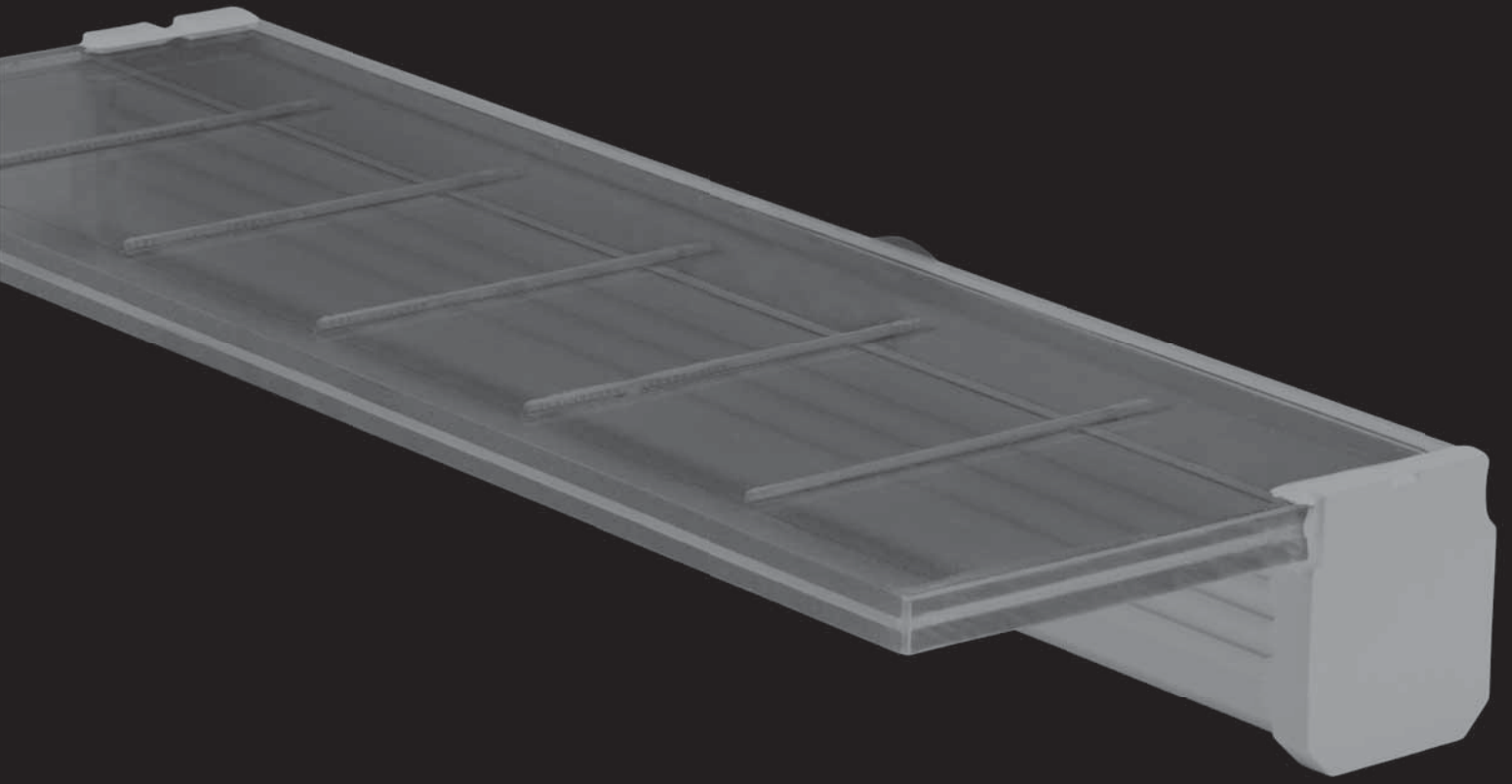
Jandy® 90° Valve (Discontinued)

Part# 4367, 4369

Key No.	Part No.	Description
1	R0547600	Screw Kit, #14 x 3/4" Valve Housing, 8/PK
2	R0487000	Knob, ABS
3	1301+	Space Saver Handle
4	1303+	Cover, 3-Port
5	1132+	O-Ring, -151, Valve Cover
6	R0487100	O-Ring, -116, Valve Shaft
7	N/A	*Housing, 90°, 1 1/2" - 2"
7	N/A	*Housing, 90°, 2" - 2 1/2"
8	2133	Grease Cup
9	4720	Never Lube® Diverter Kit

*Note: Order complete valve

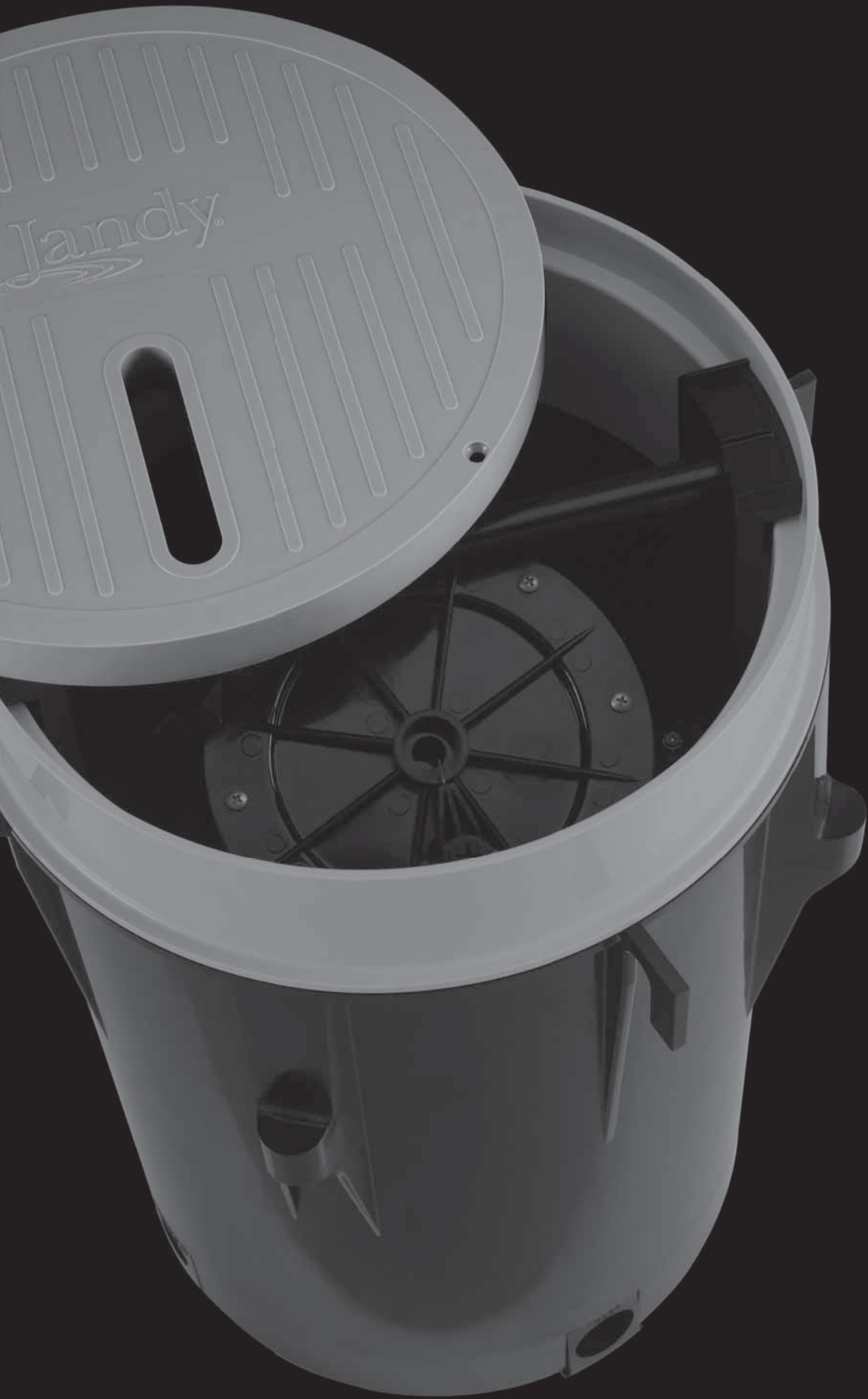




WATER FEATURES

Waterfalls	249
Technical Information – Waterfalls	256
Laminar Jets	259
Deck Jets	260
MiniJet®	261
Jet Parts	262







Sheer Descent Cascade



Sheer Descent® Cascade

Sheer Descent Cascades produce a clear arc of water, projecting away from the pool wall. The flow can be adjusted to create a range of effects from an almost silent, glass-like sheet of water to a rushing mountain spring waterfall.

- Creates a clear sheet of water that descends gracefully to the pool surface
- PVC construction
- X-Baffle™ construction distributes water evenly along the length of the falls
- Clear lips to seamlessly blend into a variety of backgrounds

Part No.	Size	Description
----------	------	-------------

1" Standard Lip Waterfall - Back Feed

Clear Finish

1101C	1'	Sheer Descent, Clear Lip
1118C	18"	Sheer Descent, Clear Lip
1102C	2'	Sheer Descent, Clear Lip
1103C	3'	Sheer Descent, Clear Lip
1104C	4'	Sheer Descent, Clear Lip
1105C	5'	Sheer Descent, Clear Lip
1106C	6'	Sheer Descent, Clear Lip
1107C	7'	Sheer Descent, Clear Lip
1108C	8'	Sheer Descent, Clear Lip

1" Standard Lip Waterfall - Bottom Feed

Clear Finish

1001CBF	1'	Sheer Descent, Clear Lip
1018CBF	18"	Sheer Descent, Clear Lip
1002CBF	2'	Sheer Descent, Clear Lip
1003CBF	3'	Sheer Descent, Clear Lip
1004CBF	4'	Sheer Descent, Clear Lip



Sheer Descent Cascade w/ Extended Lip



Sheer Descent Cascade w/ Extended Lip

Sheer Descent® Cascade with 6" Extended Lip

6" Extended lip waterfalls produce the same effect as the standard 1" lip Sheer Descent Cascade, but allow for installation of brick or stone on the face of the raised beam. Waterfalls with extended lips can be factory cut or are easily cut in the field to create custom radius curves. See the radius cut guidelines for complete details.

- Creates a clear sheet of water that descends gracefully to the pool surface
- PVC construction
- X-Baffle™ construction distributes water evenly along the length of the falls
- Clear lips to seamlessly blend into a variety of backgrounds

6" Extended Lip Waterfall - Back Feed

Clear Finish		
1201C	1'	Sheer Descent, Clear Lip
1218C	18"	Sheer Descent, Clear Lip
1202C	2'	Sheer Descent, Clear Lip
1203C	3'	Sheer Descent, Clear Lip
1204C	4'	Sheer Descent, Clear Lip
1205C	5'	Sheer Descent, Clear Lip
1206C	6'	Sheer Descent, Clear Lip
1207C	7'	Sheer Descent, Clear Lip
1208C	8'	Sheer Descent, Clear Lip
90001		Factory Radius Cut Please specify concave or convex and the radius size on the order form.

6" Extended Lip Waterfall - Bottom Feed

Clear Finish		
1601CBF	1'	Sheer Descent, Clear Lip
1618CBF	18"	Sheer Descent, Clear Lip
1602CBF	2'	Sheer Descent, Clear Lip
1603CBF	3'	Sheer Descent, Clear Lip
1604CBF	4'	Sheer Descent, Clear Lip
90001		Factory Radius Cut Please specify concave or convex and the radius size on the order form.



Sheer Descent Cascade w/ Extended Lip



Sheer Descent® Cascade with 12" Extended Lip

12" Extended Lip Waterfall - Back Feed

Clear Finish

1401C	1'	Sheer Descent, Clear Lip
1418C	18"	Sheer Descent, Clear Lip
1402C	2'	Sheer Descent, Clear Lip
1403C	3'	Sheer Descent, Clear Lip
1404C	4'	Sheer Descent, Clear Lip
1405C	5'	Sheer Descent, Clear Lip
1406C	6'	Sheer Descent, Clear Lip

90001 Factory Radius Cut
Please specify concave or convex and the radius size on the order form.

12" Extended Lip Waterfall - Bottom Feed

Clear Finish

1301CBF	1'	Sheer Descent, Clear Lip
1318CBF	18"	Sheer Descent, Clear Lip
1302CBF	2'	Sheer Descent, Clear Lip
1303CBF	3'	Sheer Descent, Clear Lip
1304CBF	4'	Sheer Descent, Clear Lip

90001 Factory Radius Cut
Please specify concave or convex and the radius size on the order form.



Sheer Descent Cascade w/ Extended Lip



Sheer Curtain



Sheer Curtain™

Sheer Curtain waterfalls produce a clear curtain of water that descends straight down from the unit. It is ideal for cantilever and swim-out installations. Note: If this product is installed on a wall, the wall will be saturated by water.

Part No. Size Description

6" Extended Lip Sheer Curtain Waterfall - Back Feed

Clear Finish

1201CSC	1'	Sheer Curtain, Clear Lip
1218CSC	18"	Sheer Curtain, Clear Lip
1202CSC	2'	Sheer Curtain, Clear Lip
1203CSC	3'	Sheer Curtain, Clear Lip
1204CSC	4'	Sheer Curtain, Clear Lip

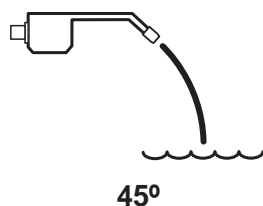
12" Extended Lip Sheer Curtain Waterfall - Back Feed

Clear Finish

1401CSC	1'	Sheer Curtain, Clear Lip
1418CSC	18"	Sheer Curtain, Clear Lip
1402CSC	2'	Sheer Curtain, Clear Lip
1403CSC	3'	Sheer Curtain, Clear Lip
1404CSC	4'	Sheer Curtain, Clear Lip



Sheer Descent Rain



Sheer Descent® Rain

Sheer Descent Rain waterfalls provide streams of water and project them away from the lip of the waterfall at a 45° angle. The “rain” effect creates a unique waterfall sight and sound. Water requirement for this product is eight (8) U.S. gallons per minute per foot (gpm/ft). The more water provided to the waterfall, the farther out from the wall the “rain” projects.

Part No.	Size	Description
----------	------	-------------

6" Extended Lip Sheer Descent Rain Waterfalls - Back Feed

Clear Finish

1201CSR	1'	Sheer Rain, Clear Nozzle
1218CSR	18"	Sheer Rain, Clear Nozzle
1202CSR	2'	Sheer Rain, Clear Nozzle
1203CSR	3'	Sheer Rain, Clear Nozzle
1204CSR	4'	Sheer Rain, Clear Nozzle
1205CSR	5'	Sheer Rain, Clear Nozzle
1206CSR	6'	Sheer Rain, Clear Nozzle

12" Extended Lip Sheer Descent Rain Waterfalls - Back Feed

Clear Finish

1401CSR	1'	Sheer Rain, Clear Nozzle
1418CSR	18"	Sheer Rain, Clear Nozzle
1402CSR	2'	Sheer Rain, Clear Nozzle
1403CSR	3'	Sheer Rain, Clear Nozzle
1404CSR	4'	Sheer Rain, Clear Nozzle
1405CSR	5'	Sheer Rain, Clear Nozzle
1406CSR	6'	Sheer Rain, Clear Nozzle

PUMPS
 FILTERS
 GAS HEATERS
 HEAT PUMPS
 AUTOMATION
 WATER LEVELING
 WATER SANITIZERS
 VALVES
 WATER FEATURES
 LIGHTING
 CLEANERS
 IN-FLOOR
 BLOWERS
 ACCESSORIES



Sheer Arc Cascade



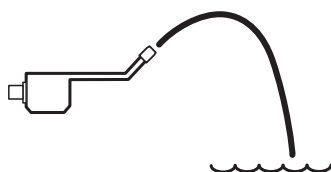
Sheer Arc™ Cascade

Sheer Arc Cascades can be positioned just above the waterline—no raised bond beam is required—making it perfect for vinyl liner pools. The fall projects up from the unit at a 45° angle and then naturally arcs and descends to the pool surface. Sheer Arc Cascades require double the water flow of a standard Sheer Descent® Waterfall. They require 20–30 gallons per minute per linear foot.

Part No.	Size	Description
6" Extended Lip Sheer Arc Cascade - Back Feed		
1201CSA	1'	Sheer Arc, Clear Lip
1218CSA	18"	Sheer Arc, Clear Lip
1202CSA	2'	Sheer Arc, Clear Lip



Sheer Arc Rain



Sheer Arc Rain

Sheer Arc Rain waterfalls can be positioned just above the waterline—no raised bond beam is required—making it perfect for vinyl liner pools. The fall projects up from the unit at a 45° angle and then naturally arcs and descends to the pool surface. Sheer Arc Rain Waterfalls come with clear nozzles only.

Part No.	Size	Description
6" Extended Lip Sheer Arc Rain Waterfall - Back Feed		
1201CRA	1'	Rain Arc, Clear Nozzle
1218CRA	18"	Rain Arc, Clear Nozzle
1202CRA	2'	Rain Arc, Clear Nozzle
1203CRA	3'	Rain Arc, Clear Nozzle
1204CRA	4'	Rain Arc, Clear Nozzle

Sheer Arc Rain Water Flow Requirements

			Waterfall Size				
Height	Projection	Pressure	1'	18"	2'	3'	4'
6"	30"	3 PSI	9 gpm	15 gpm	18 gpm	27 gpm	36 gpm
12"	60"	5 PSI	16 gpm	23 gpm	30 gpm	45 gpm	60 gpm



**Savi X-Stream
Lighted Waterfalls**



**Savi X-Stream
LED Drivers**

Savi® X-Stream Lighted Waterfalls

Create a smooth sheet of flowing water with a full color X-Stream LED light driver. The effects of this unique combination of water, light and sound creates a delightful pool and spa experience.

Part Number	Size	Description
-------------	------	-------------

X-Stream Falls with 10' Fiber, Light Driver Sold Separately*

OAWF-24-9-XS-10F	2'	10' Run of 100 Strand Fiber
OAWF-36-9-XS-10F	3'	(2) 10' Runs of 75 Strand Fiber
OAWF-48-9-XS-10F	4'	(2) 10' Runs of 100 Strand Fiber

Part Number	Cord Length	Description
-------------	-------------	-------------

X-Stream LED Drivers

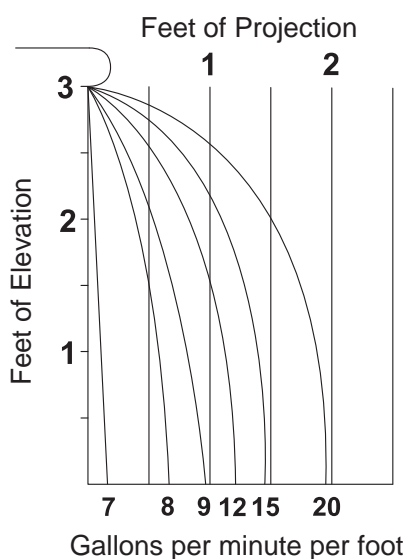
SAVI-XMS-DRIV100-J	100'	JPS Series Driver
SAVI-XMS-DRIV150-J	150'	JPS Series Driver
SAVI-XMS-DRIV100	100'	SAVI SOL Series Driver
SAVI-XMS-DRIV150	150'	SAVI SOL Series Driver
SAVI-XBP-DRIV100	100'	SAVI White Only Driver
SAVI-XBP-DRIV150	150'	SAVI White Only Driver
SAVI-XMS-DRIV100-P	100'	SOL LED Driver - P Series Driver
SAVI-XMS-DRIV150-P	150'	SOL LED Driver - P Series Driver
SAVI-XMS-DRIV100-H	100'	SOL LED Driver - H Series Driver
SAVI-XMS-DRIV150-H	150'	SOL LED Driver - H Series Driver

WATER FEATURES / TECHNICAL INFORMATION – WATERFALLS

Waterfall Height Specification

Waterfalls naturally narrow as they fall. **Waterfalls should not be installed more than 3 1/2 feet above the water surface or the sheet will start to break up.**

Sheer Descent® Water Flow Requirement Chart



Guideline is for 1 ft. to 4 ft. models

Hydraulic Guideline Chart

Suction (SUC) and Discharge (DIS) Water Flow Chart for PVC		
Pipe Size	Max SUC Flow*	Max DIS Flow**
1 1/2"	37 GPM	50 GPM
2"	62 GPM	82 GPM
2 1/2"	88 GPM	117 GPM
3"	136 GPM	180 GPM
4"	234 GPM	313 GPM

*Based on 6' per second velocity. **Based on 8' per second velocity.

Pump Sizing and Installation Options

One of the advantages of Zodiac® Waterfalls is the ability to provide a continuous sheet of water with minimum water flow. A standard 4 ft. model, for example, requires only 48 gallons per minute to operate. In order to size your pump properly, refer to the Water Flow Requirement Chart. In most cases, a properly sized, standard swimming pool pump will operate the waterfall and filter the pool with little loss of total water turnover. As a general rule, Zodiac waterfalls requires approximately 12 gallons per minute per foot with little head loss. To project the waterfall further away from the wall, apply more gallons per minute.



Use Jandy® Pro Series Water Feature Pump

Part No.	Description	GPM
Max (Up) Rated Pumps		
WFTR80	Water Feature Medium Head Pump, 230/115 VAC	80 GPM
WFTR120	Water Feature Medium Head Pump, 230/115 VAC	120 GPM
WFTR160	Water Feature Medium Head Pump, 230/115 VAC	160 GPM

NOTE: When plumbing multiple falls, add the total length of waterfalls together to determine GPM required. Example: two (2) 6' units equals 12 feet of waterfall, which requires 144 gallons per minute.

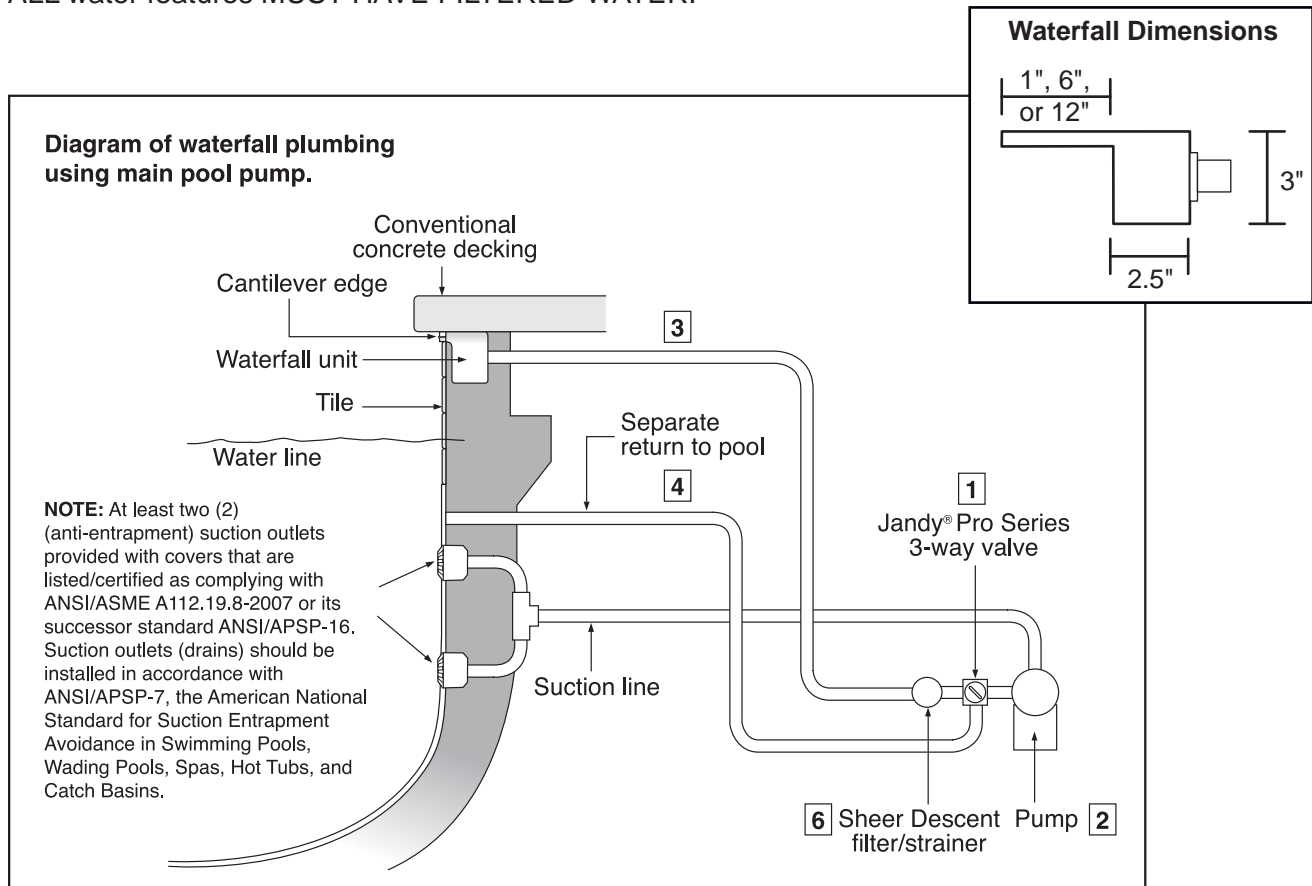
Installing the waterfall using the main pool filter pump is the most common plumbing system due to the unique low flow aspect of the waterfall system. Plumb a 3-way valve (1) on the return line, after the filter (2), and plumb the waterfall feed line (3) in a minimum of 1 1/2" PVC schedule 40 pipe. Units greater than 5' in length need a minimum of 2" plumbing.

We recommend installing a separate pump when installing multiple waterfalls or a waterfall 6' or longer. When plumbing a pump dedicated for use by the waterfall, a separate suction line (4) to the pool must be plumbed. This should be plumbed in a minimum of 2" schedule 40 pipe.

Install at least two (2) (anti-entrapment) suction outlets (5) provided with covers which are listed/certified as complying with ANSI®/ASME® A112.19.8–2007 or its successor standard ANSI/APSP-16. Suction outlets (drains) should be installed in accordance with ANSI/APSP–7, the American National Standard for Suction Entrapment Avoidance in Swimming Pools, Wading Pools, Spas, Hot Tubs, and Catch Basins. The anti-entrapment suction cover is recommended to be positioned 18" above the floor of the pool.

Next, a Sheer Descent® filter/strainer (part# 3456) (6), or equivalent, must be installed on the return side of the pump, between the pump and the waterfall. A FILTER IS REQUIRED for separate pump installation, as debris (hair and lint) must not be allowed to enter the waterfall unit. For installations requiring up to 60 gallons per minute, use one Sheer Descent filter. For higher water requirements, use two (2) or more filters plumbed in parallel and a separate return line with a 3-way valve plumbed so that water can be balanced between the waterfall and return back to the pool. See plumbing diagram below.

ALL water features MUST HAVE FILTERED WATER.



Waterfall Radius Cut Guidelines

Extended lip waterfalls can be custom cut in the field to meet specific needs such as curves, irregular shapes, etc. In order to custom fit the waterfall, carefully measure the amount of extended lip to be removed. Remember to leave enough room for tile and thinset, so the deepest edge of the radius cut will not be recessed from the tile line.

NOTE: Never remove more than 4 1/2" of the extended lip, leaving a minimum of 1 1/2" of lip. See figure 1. Remove the Lip Protector prior to cutting the waterfall. Remember to replace the Lip Protector after cutting the radius to protect the fall from construction debris. When designing custom cuts, please refer to the Minimum Radius Guidelines Table below to select the correct waterfall model.

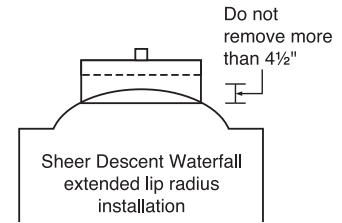
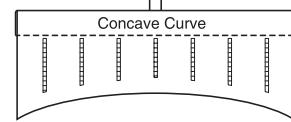
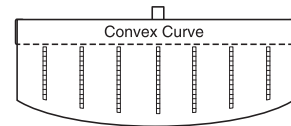


Figure 1

		Waterfall Length								
		1'	18"	2'	3'	4'	5'	6'	7'	8'
Radius Size	1'	6" Lip	6" Lip	N/A	N/A	N/A	N/A	N/A	N/A	N/A
	1.5'	6" Lip	6" Lip	6" Lip	N/A	N/A	N/A	N/A	N/A	N/A
	2'	6" Lip	6" Lip	6" Lip	12" Lip	N/A	N/A	N/A	N/A	N/A
	2.5'	6" Lip	6" Lip	6" Lip	12" Lip	N/A	N/A	N/A	N/A	N/A
	3'	6" Lip	6" Lip	6" Lip	6" Lip	12" Lip	N/A	N/A	N/A	N/A
	3.5'	6" Lip	6" Lip	6" Lip	6" Lip	12" Lip	N/A	N/A	N/A	N/A
	4'	6" Lip	6" Lip	6" Lip	6" Lip	12" Lip	12" Lip	N/A	N/A	N/A
	4.5'	6" Lip	6" Lip	6" Lip	6" Lip	12" Lip	12" Lip	N/A	N/A	N/A
	5'	6" Lip	6" Lip	6" Lip	6" Lip	12" Lip	12" Lip	N/A	N/A	N/A
	5.5'	6" Lip	6" Lip	6" Lip	6" Lip	6" Lip	12" Lip	N/A	N/A	N/A
	6'	6" Lip	6" Lip	6" Lip	6" Lip	6" Lip	12" Lip	12" Lip	N/A	N/A
	6.5'	6" Lip	6" Lip	6" Lip	6" Lip	6" Lip	12" Lip	12" Lip	N/A	N/A
	7'	6" Lip	6" Lip	6" Lip	6" Lip	6" Lip	12" Lip	12" Lip	N/A	N/A
	7.5'	6" Lip	6" Lip	6" Lip	6" Lip	6" Lip	12" Lip	12" Lip	N/A	N/A
	8'	6" Lip	6" Lip	6" Lip	6" Lip	6" Lip	6" Lip	12" Lip	12" Lip	N/A
	8.5'	6" Lip	6" Lip	6" Lip	6" Lip	6" Lip	6" Lip	12" Lip	12" Lip	N/A
	9'	6" Lip	6" Lip	6" Lip	6" Lip	6" Lip	6" Lip	12" Lip	12" Lip	N/A
	9.5'	6" Lip	6" Lip	6" Lip	6" Lip	6" Lip	6" Lip	12" Lip	12" Lip	12" Lip
	10'	6" Lip	6" Lip	6" Lip	6" Lip	6" Lip	6" Lip	12" Lip	12" Lip	12" Lip
	10.5'	6" Lip	6" Lip	6" Lip	6" Lip	6" Lip	6" Lip	12" Lip	12" Lip	12" Lip
11'	6" Lip	6" Lip	6" Lip	6" Lip	6" Lip	6" Lip	6" Lip	12" Lip	12" Lip	
11.5'	6" Lip	6" Lip	6" Lip	6" Lip	6" Lip	6" Lip	6" Lip	12" Lip	12" Lip	
12'	6" Lip	6" Lip	6" Lip	6" Lip	6" Lip	6" Lip	6" Lip	12" Lip	12" Lip	
12.5'	6" Lip	6" Lip	6" Lip	6" Lip	6" Lip	6" Lip	6" Lip	12" Lip	12" Lip	
13'	6" Lip	6" Lip	6" Lip	6" Lip	6" Lip	6" Lip	6" Lip	12" Lip	12" Lip	



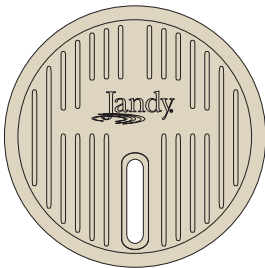
Note: email waterfall.design@zodiac.com for more information on custom cut waterfalls and to submit your custom cut order form.



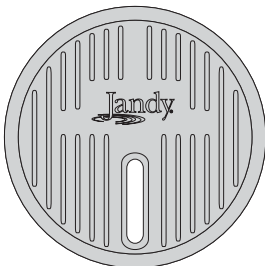
Laminar Jets with LED

Laminar Jets with LED create spectacular backyard water entertainment with dazzling nighttime lighting effects. They produce clear or lighted arcs of water as they silently enter your pool or spa.

- Laminar Jets with LED come standard with a built-in 12V LED light module
- Laminar Jets interface easily with AquaLink® controllers to synchronize with WaterColors LED Pool and Spa Lights
- Laminar Jets are easily adjusted at the deck to create arcs of water up to 7 ft. high and can project 8 ft. into the pool. Flow can be adjusted with an innovative internal flow adjustment valve conveniently located inside the canister for easy adjustment and tuning



Tan
Included



Gray

Part No.	Description
JLLED	Laminar Jet with Tan Lid, Deck Ring, Canister and LED Light Module with 100' of Electrical Cable
JLFBR	Laminar Jet with Lid, Deck Ring, Canister and Fiber Optic Ready Module
JLPBBL	Lid and Collar, Tan
JLPWTR	Lid and Collar, Gray

WATER FEATURES / DECK JETS



Deck Jets

Deck Jets create shimmering arcs of water from the deck into the pool or spa. Polished bronze composite coverplates provide a rich finish to the installed jets. The Deck Jets can be installed in almost any combination, and since they can be adjusted 360°, the dazzling effects they create can be changed again and again to meet your customer's mood.

The Deck Jets are packed in a set of four and include a pressure plug along with the polished bronze composite deck coverplates. They are 2 1/2 inches in diameter.

- Polished bronze composite coverplates provide an elegant finish
- Fully adjustable (up to 360°) swivel nozzles
- Packaged in a set of four. Includes pressure testing plug



Deck Jets

Part No.	Description
JDJ2004	Deck Jets, 4/PK
R0560400	Nozzle Replacements, 4/PK
R0561200	Coverplates, 4/PK, Bronze

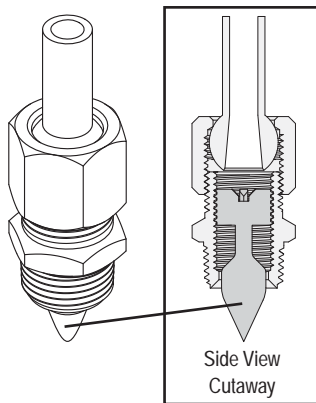


Typical Deck Jet Installation

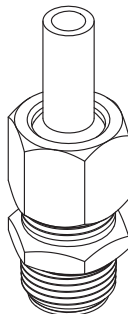
Deck Jet Water Volume & Pressure Chart			
Gallons (US GPM)	3.0	4.0	5.0
Feet of Head	3.9	7.9	11.0
Height of Jet	3.0	6.6	10.0



MiniJet



FlowControl Nozzle



Comet Nozzle

MiniJet

The MiniJet is designed to project a stream of water from 30° to 60° angle of trajectory for a distance of up to 13 feet from the deck or under the coping. FlowControl Nozzle provides flow adjustability at the nozzle.

- Can be mounted in the deck or pool wall
- Adjustable angle between 30–60°
- Projects up to 13 feet
- Eight cover plates to match the most popular pool finishes

Part No.	Description
FCMJ1000	FlowControl, Adjustable Nozzle MiniJet, Complete (pack of 4 with FlowControl Nozzles, includes 4 brass and 4 white cover plates)
FFMJ	Standard Minijet Niche with Comet Nozzle for Gunite Pools, (single unit – includes white cover plate)
FFMJ-VL	MiniJet Niche with Comet Nozzle for Vinyl Pools (single unit – includes white cover plate)
FFMJ-FN1	MiniJet Fan Nozzle, 3/8" (single unit – includes white cover plate) – projects a fan shape
FFMJ-FN2	MiniJet Fan Nozzle, 1/2" (single unit – includes white cover plate) – projects a fan shape

MiniJet Nozzles

Part No.	Description
OA89012A	FlowControl Nozzle <ul style="list-style-type: none"> • Provides flow adjustability • Opening of 0.24" • Projects 13' 1"
OA89009	Nozzle, Comet 3–3T (3/8") <ul style="list-style-type: none"> • Projects a round shape • Opening of 0.12" • Projects 6' 6"
OA89012	Nozzle, Comet 3–6T (3/8") <ul style="list-style-type: none"> • Projects a round shape • Opening of 0.24" • Projects 13' 1"

PUMPS
FILTERS
GAS HEATERS
HEAT PUMPS
AUTOMATION
WATER LEVELING
WATER SANITIZERS
VALVES
WATER FEATURES
LIGHTING
CLEANERS
IN-FLOOR
BLOWERS
ACCESSORIES

WATER FEATURES / JET PARTS

MiniJet® Parts

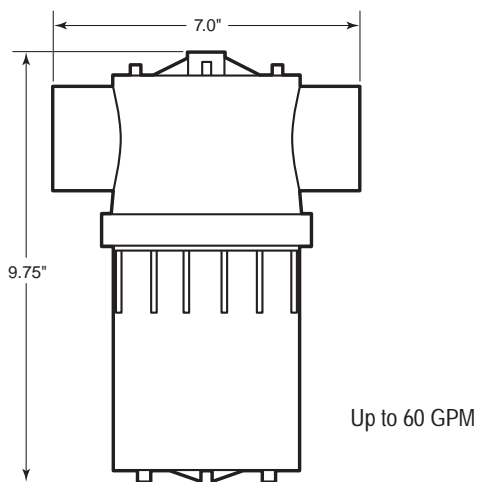
Part No.	Description
MJ10	MiniJet Conversion w/ White Cover Plate, Screws, Comet Nozzle (3-6T)
FJ10	FanJet Conversion w/ White Cover Plate, Screws, FanJet Nozzle (3/8")
MJ6300	MiniJet Cover Plate, Screws, White
MJ6320	MiniJet Cover Plate, Screws, Dove Gray
MJ6330	MiniJet Cover Plate, Screws, Beige
MJ6350	MiniJet Cover Plate, Screws, Black
MJ6370	MiniJet Cover Plate, Screws, Brass
MJ6170	MiniJet Cover Plate, Blue, Light Gray, Rust Marble Finish
MJ6180	MiniJet Cover Plate, Green, Rust, Blue Marble
MJ6190	MiniJet Cover Plate, Beige, Brown Marble
V100	Vinyl Pool MiniJet Cap, Front Cover, Gasket, Screws, White

Deck Jets Parts

Part No.	Description
R0561200	Replacement Coverplate, 4/PK
R0560400	Nozzle Replacements, 4/PK

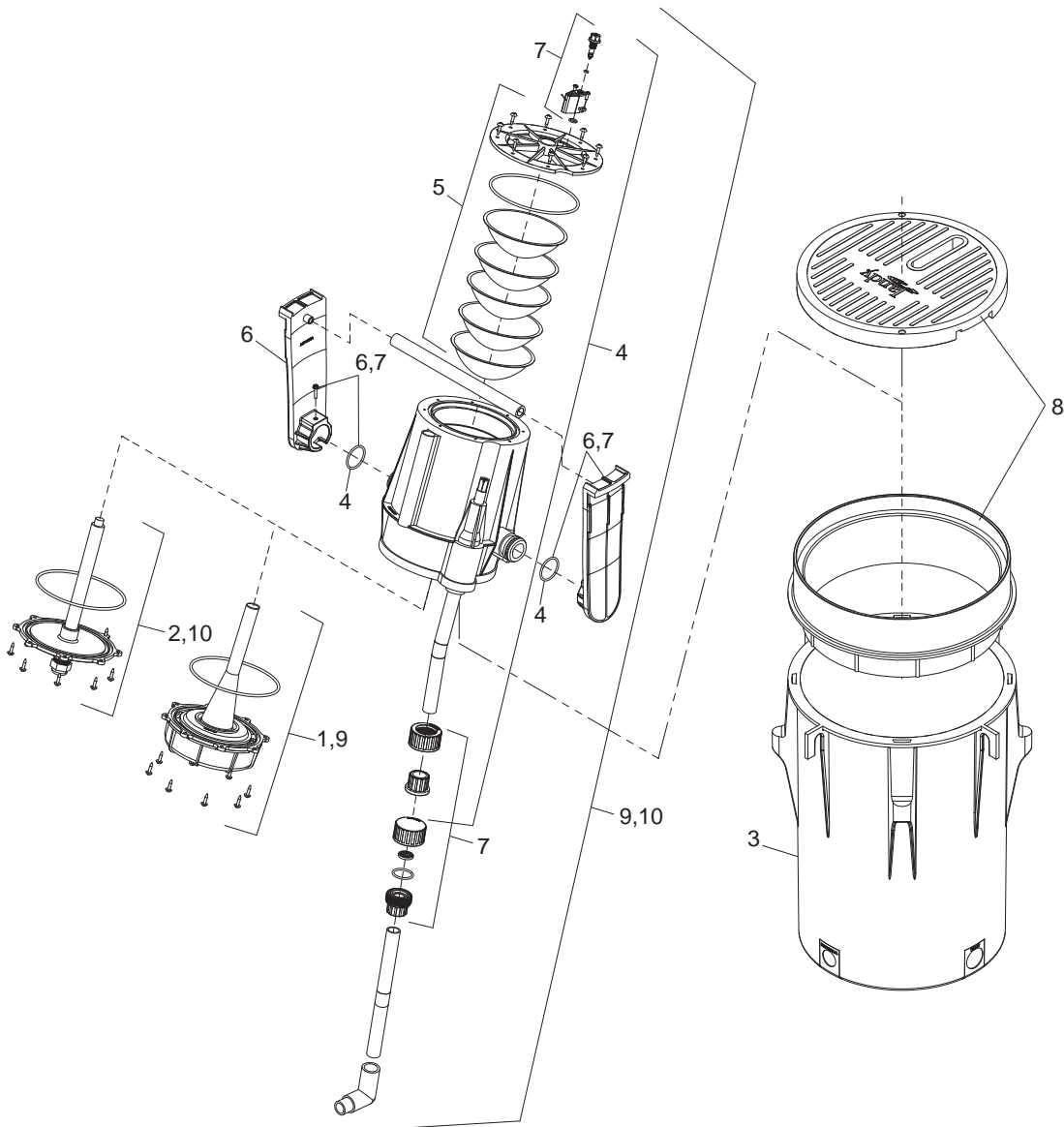
Water Feature Accessories

Part No.	Description
3456	Sheer Descent® Filter/Strainer
5000J	Sheer Descent Repair Kit

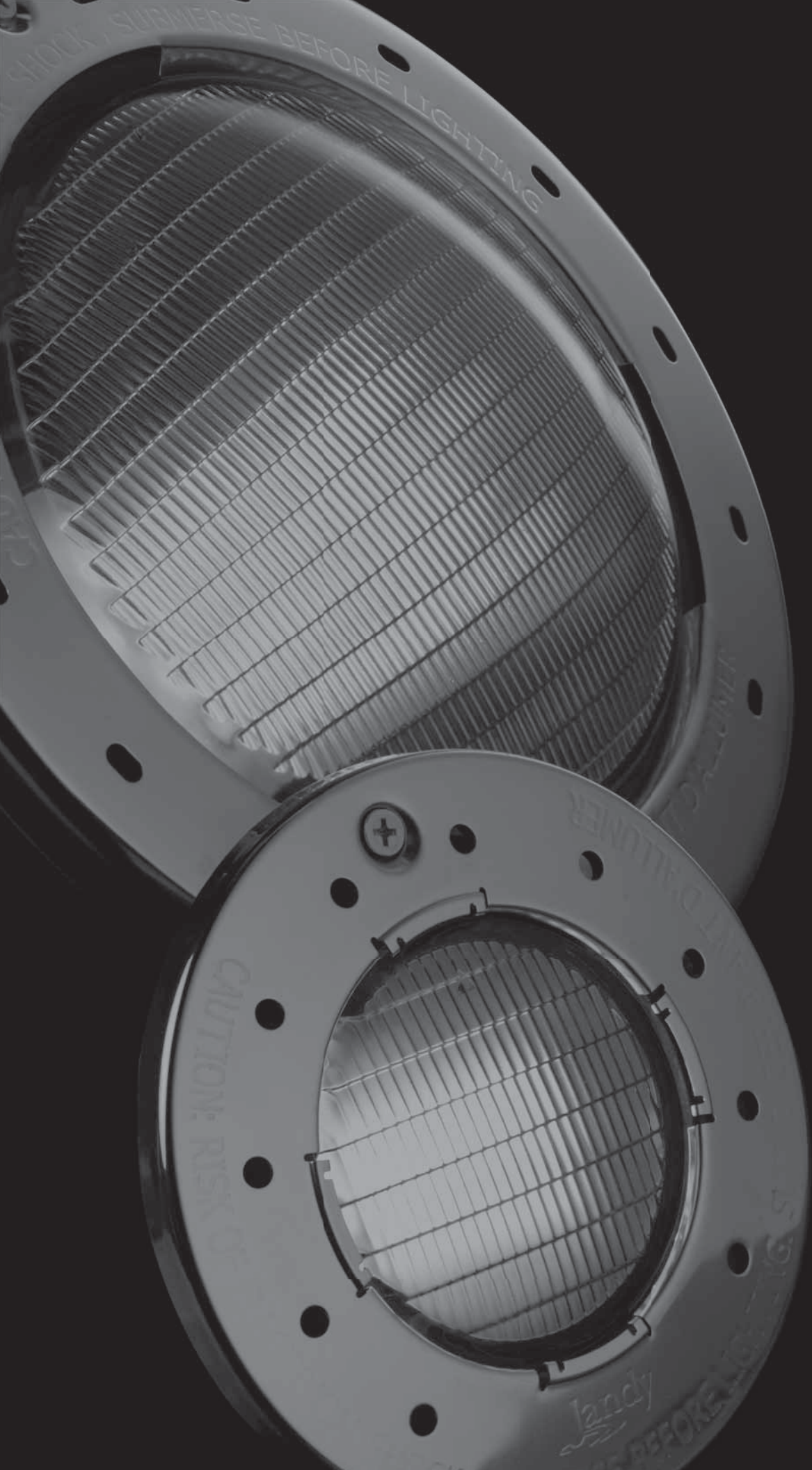


Sheer Descent Filter/Strainer
 Part # 3456

Laminar Jet Parts Diagram



Key No.	Part No.	Description
1	R0488800	LED Light Engine Assembly, Laminar Jet
2	R0488900	Fiber Optic Assembly, Laminar Jet
3	R0489100	Deck Canister, Laminar Jet
4	R0489200	Jet Assembly, Laminar Jet (No Light Module)
5	R0489300	Cover and Screens (5), Laminar Jet Assembly
6	R0489500	Mounting Brackets and Hardware, Laminar Jet
7	R0490000	Rebuild Kit, All Hardware, Scratcher, Finger Screen
8	JLPBBL	Lid and Collar, Pebble, Laminar Jet,
8A	JLPWTR	Lid and Collar, Pewter, Laminar Jet
9	R0499900	Laminar Jet w/ LED light Retrofit Kit
10	R0500300	Laminar Jet w/ Fiber Optic Retrofit Kit

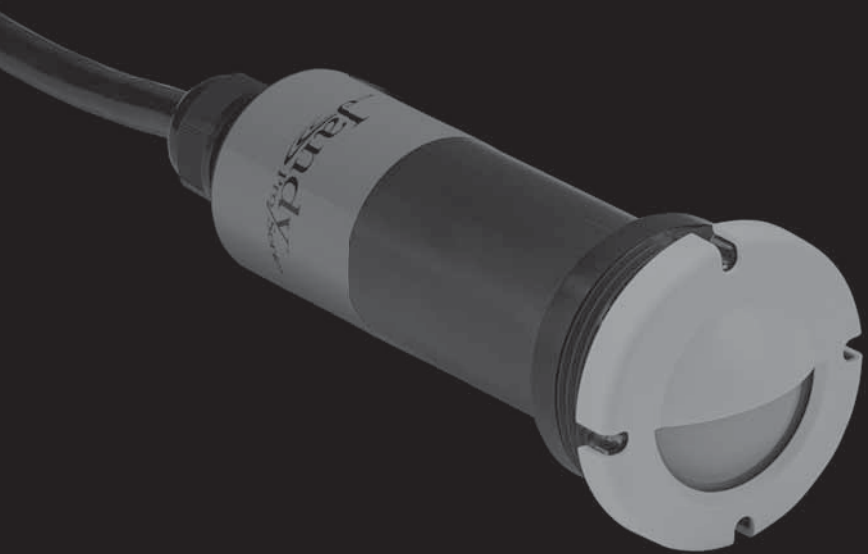
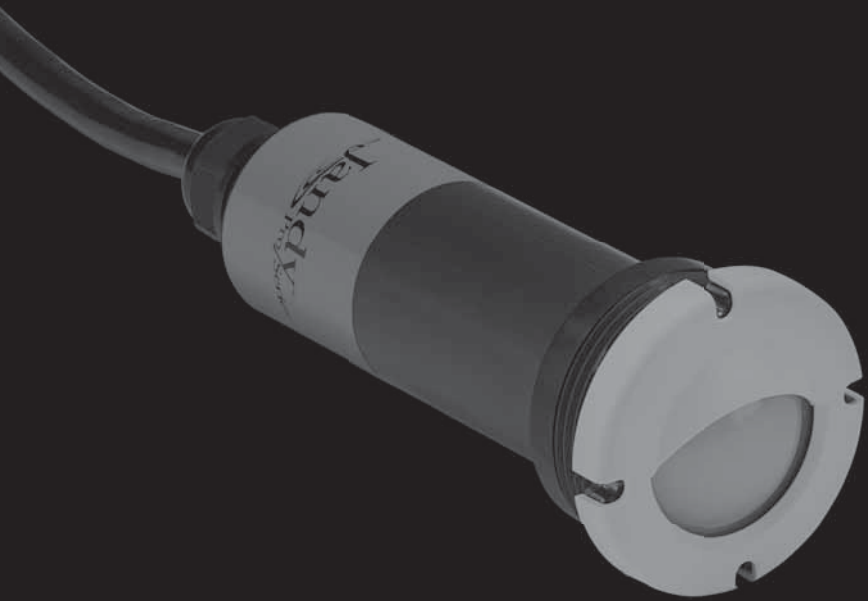
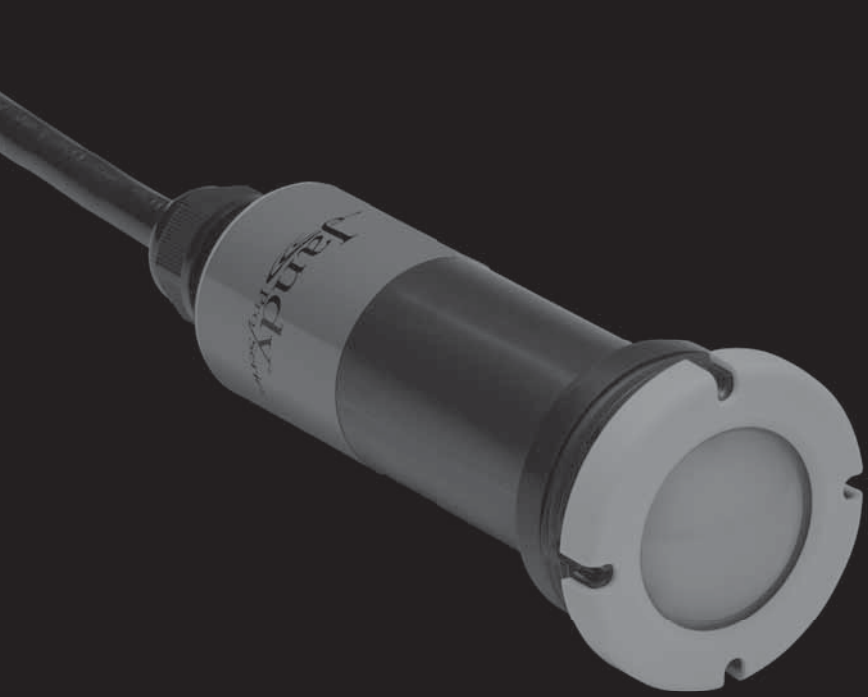


LIGHTING

Lighting 267

Lighting Accessories & Parts 273







**WaterColors Nicheless
LED Lights**



Jandy® Pro Series WaterColors Nicheless LED Lights with HydroCool™ Technology

The Jandy Pro Series WaterColors Nicheless LED Lights with NEW HydroCool™ technology feature an innovative, energy-efficient design that runs cooler and lasts longer* while providing unmatched illumination.

Features:

- Thermally Conductive Plastic (TCP) exterior allows heat to escape
- Unibody construction eliminates common leak-paths
- Diffuser lens for a more even glow
- Only 4 1/2" (6W) and 5 1/2" (12W/24W) long to fit into the narrowest walls
- 9 vibrant colors and 5 light shows (RGBW WaterColors Lights)
- Three power levels for ultimate flexibility
- Low voltage (12VAC) and 100% non-metallic, no bonding required
- Mounts directly to 1 1/2" return fitting

*Based on internal testing.

Part No.	Max. Watts	Cord Length
RGBW Watercolors		
JLU4C6W50	6W	50'
JLU4C6W100	6W	100'
JLU4C6W150	6W	150'
JLU4C12W50	12W	50'
JLU4C12W100	12W	100'
JLU4C12W150	12W	150'
JLU4C24W50	24W	50'
JLU4C24W100	24W	100'
JLU4C24W150	24W	150'

Nicheless LED Lights with HydroCool™ Technology

S Series Part No.	P Series Part No.	H Series Part No.	Max. Watts	Cord Length
RGBW Color				
JLU4C6W50S	JLU4C6W50P	JLU4C6W50H	6W	50'
JLU4C6W100S	JLU4C6W100P	JLU4C6W100H	6W	100'
JLU4C6W150S	JLU4C6W150P	JLU4C6W150H	6W	150'
JLU4C12W50S	JLU4C12W50P	JLU4C12W50H	12W	50'
JLU4C12W100S	JLU4C12W100P	JLU4C12W100H	12W	100'
JLU4C12W150S	JLU4C12W150P	JLU4C12W150H	12W	150'
JLU4C24W50S	JLU4C24W50P	JLU4C24W50H	24W	50'
JLU4C24W100S	JLU4C24W100P	JLU4C24W100H	24W	100'
JLU4C24W150S	JLU4C24W150P	JLU4C24W150H	24W	150'

*Requires M4 Controller, see LED Lighting Accessories



White Only Nicheless LED Lights

Jandy® Pro Series White Only Nicheless LED Lights with HydroCool™ Technology

- Thermally Conductive Plastic (TCP) exterior allows heat to escape
- Unibody construction eliminates common leak-paths
- Diffuser lens for a more even glow
- Only 4 1/2" (6W) and 5 1/2" (12W/24W) long to fit into the narrowest walls
- Available in Daylight White (5000K) or Warm White (2700K) which complies with Dark Sky Community Requirements
- Three power levels for ultimate flexibility
- Low voltage (12VAC) and 100% non-metallic, no bonding required
- Mounts directly to 1 1/2" return fitting

Part No.	Color Temp.	Max. Watts	Cord Length
White Only			
JLUW6W50	Daylight White	6W	50'
JLUW6W100	Daylight White	6W	100'
JLUW6W150	Daylight White	6W	150'
JLUW12W50	Daylight White	12W	50'
JLUW12W100	Daylight White	12W	100'
JLUW12W150	Daylight White	12W	150'
JLUW24W50	Daylight White	24W	50'
JLUW24W100	Daylight White	24W	100'
JLUW24W150	Daylight White	24W	150'
JLUWW6W150	Warm White	6W	150'
JLUWW12W150	Warm White	12W	150'
JLUWW24W150	Warm White	24W	150'

Nicheless LED Lights Wattage Size Guide

Use the chart below as a guide for the wattage size recommended to best illuminate the distance across the pool.

Pool Finish	Illumination Distance		Recommended Power
	Color Lights	White Lights	Watts
Light Finish	up to 12 ft	up to 16 ft	6
	12-20 ft	16-24 ft	12
	20+ ft	24+ ft	24
Medium Finish	up to 10 ft	up to 12 ft	6
	10-16 ft	14-22 ft	12
	16+ ft	22+ ft	24
Dark Finish	up to 8 ft	up to 12 ft	6
	8-12 ft	12-20 ft	12
	12+ ft	20+ ft	24



**X-Stream
LED Driver**

SAVI® X-Stream LED Driver

Part Number	Cord Length	Description
X-Stream LED Drivers		
SAVI-XMS-DRIV100-J	100'	JPS Series Driver
SAVI-XMS-DRIV150-J	150'	JPS Series Driver
SAVI-XMS-DRIV100	100'	SAVI SOL Series Driver
SAVI-XMS-DRIV150	150'	SAVI SOL Series Driver
SAVI-XBP-DRIV100	100'	SAVI White Only Driver
SAVI-XBP-DRIV150	150'	SAVI White Only Driver
SAVI-XMS-DRIV100-P	100'	SOL LED Driver - P Series Driver
SAVI-XMS-DRIV150-P	150'	SOL LED Driver - P Series Driver
SAVI-XMS-DRIV100-H	100'	SOL LED Driver - H Series Driver
SAVI-XMS-DRIV150-H	150'	SOL LED Driver - H Series Driver



Lighted Bubbler

Lighted Bubbler

Part No.	Max. Watts	Cord Length
Lighted Bubbler		
JLB4C20W100	20W	100'
JLB4C20W150	20W	150'
JLBW20W100	20W	100'
JLBW20W150	20W	150'

Item	Max. Watts	Cord Length	S Series Part No.	P Series Part No.	H Series Part No.
RGBW Lighted Bubblers					
RGBW Melody	20W	100'	SAVBUB100S	SAVBUB100P	SAVBUB100H
RGBW Melody	20W	150'	SAVBUB150S	SAVBUB150P	SAVBUB150H



WaterColors Pool and Spa LED Lights



WaterColors Pool and Spa LED Lights

Underwater LED lights for pools and spas. WaterColors offer energy efficiency in an ultra-slim profile and simple installation. WaterColors are ETL® classified to fit into some existing pool and spa niches as well as ProNiches.

Features:

- Choose from nine vibrant colors or five dramatic light shows
- Microprocessor blended colors for smooth transitions and no moving parts
- Stainless steel housing for corrosion-free performance
- Long life, less than 50 watts of power, available in 120V & 12V versions
- Controlled by a single light switch or seamlessly interfaces with our Smart Color Control
- ETL Listed to be installed in ProNiche or other manufacturers' niches

Part No.	Description	Face Ring	Voltage	Wattage	Cable Length
Large LED Lights: Dimensions, 3.24" Depth x 10.04" Diameter					
CPHVRGBWS30	Large LED Light, 120V, 30'	SS	120V	50W	30 ft.
CPHVRGBWS50	Large LED Light, 120V, 50'	SS	120V	50W	50 ft.
CPHVRGBWS100	Large LED Light, 120V, 100'	SS	120V	50W	100 ft.
CPHVRGBWP100	Large LED Light, 120V, 100'	Plastic	120V	50W	100 ft.
CPHVRGBWS150	Large LED Light, 120V, 150'	SS	120V	50W	150 ft.
CPLVRGBWS30	Large LED Light, 12V, 30'	SS	12V	50W	30 ft.
CPLVRGBWS50	Large LED Light, 12V, 50'	SS	12V	50W	50 ft.
CPLVRGBWS100	Large LED Light, 12V, 100'	SS	12V	50W	100 ft.
CPLVRGBWP100	Large LED Light, 12V, 100'	Plastic	12V	50W	100 ft.
CPLVRGBWS150	Large LED Light, 12V, 150'	SS	12V	50W	150 ft.
Small LED Lights: Dimensions, 120V 3.23" Depth x 5.81" Diameter; 12V 1.54" Depth x 5.81" Diameter					
CSHVRGBWS30	Small LED Light, 120V, 30'	SS	120V	25W	30 ft.
CSHVRGBWS50	Small LED Light, 120V, 50'	SS	120V	25W	50 ft.
CSHVRGBWS100	Small LED Light, 120V, 100'	SS	120V	25W	100 ft.
CSHVRGBWP100	Small LED Light, 120V, 100'	Plastic	120V	25W	100 ft.
CSHVRGBWS150	Small LED Light, 120V, 150'	SS	120V	25W	150 ft.
CSLVRGBWS30	Small LED Light, 12V, 30'	SS	12V	25W	30 ft.
CSLVRGBWS50	Small LED Light, 12V, 50'	SS	12V	25W	50 ft.
CSLVRGBWS100	Small LED Light, 12V, 100'	SS	12V	25W	100 ft.
CSLVRGBWS150	Small LED Light, 12V, 150'	SS	12V	25W	150 ft.

See chart on next page for ETL listed wet niche fixtures.

Notes:

1. All 120V pool and spa lights must be connected to a branch circuit protected by a ground circuit (GFCI).
2. A separate 12VAC transformer is required on all 12V models. Transformer must be listed or certified by a Nationally Recognized Testing Lab (NRTL) (e.g., UL®, ETL®, CSA®) for the application.
3. If installing 12V lights it is not recommended to use cord lengths greater than 50'. **A significant voltage drop will occur that dramatically reduces the light output.** Refer to the installation manual for wire voltage losses and potential effect.
4. When ordering, allow 4' of extra cable to coil inside light niche for serviceability.
5. Requires REV 0.2 or later for AquaLink® RS to operate light shows. REV 4.0 or later for PDA.

PUMPS
FILTERS
GAS HEATERS
HEAT PUMPS
AUTOMATION
WATER LEVELING
WATER SANITIZERS
VALVES
WATER FEATURES
LIGHTING
CLEANERS
IN-FLOOR
BLOWERS
ACCESSORIES



**White Pool and
Spa LED Lights with
Stainless Steel
Face Ring**

White Pool and Spa LED Lights

Jandy® Pro Series White LED lights are available in two distinct color temperatures—Daylight or Warm White. Designed to last, these energy-efficient lights come in 120V or 12V versions and are compatible with most leading niches, making them easy to install or to replace incandescent lights without sacrificing brightness.

Features:

- Available in Daylight White (5000K) or Warm White (2700K) which complies with Dark Sky Community Requirements
- Multiple sizes use only 18 to 65 watts of power
- Provides equivalent brightness to 100W, 300W and 500W incandescent lights
- ETL listed for installation and compatible for use in all Jandy and most competitive niches
- Controlled by a single light switch or seamlessly interfaces with our iAquaLink® RS controls

Part No.	Description	Color Temp.	Voltage	Wattage Class*	Cable Length
Large White LED Lights: Dimensions, 3.24" Depth x 10.04" Diameter					
WPHV5LS50	Large White LED Light, 120V, 5K, 50'	Daylight	120V	65W	50 ft.
WPHV5LS100	Large White LED Light, 120V, 5K, 100'	Daylight	120V	65W	100 ft.
WPHV5LS150	Large White LED Light, 120V, 5K, 150'	Daylight	120V	65W	150 ft.
WPHV5LS250	Large White LED Light, 120V, 5K, 250'	Daylight	120V	65W	250 ft.
WWPHV5LS150	Large White LED Light, 120V, 2.7K, 150'	Warm White	120V	65W	150 ft.
WPHV3LS50	Large White LED Light, 120V, 5K, 50'	Daylight	120V	42W	50 ft.
WPHV3LS100	Large White LED Light, 120V, 5K, 100'	Daylight	120V	42W	100 ft.
WPHV3LS150	Large White LED Light, 120V, 5K, 150'	Daylight	120V	42W	150 ft.
WWPHV3LS150	Large White LED Light, 120V, 2.7K, 150'	Warm White	120V	42W	150 ft.
WPLV5LS50	Large White LED Light, 12V, 5K, 50'	Daylight	12V	65W	50 ft.
WPLV5LS100	Large White LED Light, 12V, 5K, 100'	Daylight	12V	65W	100 ft.
WPLV5LS150	Large White LED Light, 12V, 5K, 150'	Daylight	12V	65W	150 ft.
WWPLV5LS150	Large White LED Light, 12V, 2.7K, 150'	Warm White	12V	65W	150 ft.
WPLV3LS50	Large White LED Light, 12V, 5K, 50'	Daylight	12V	42W	50 ft.
WPLV3LS100	Large White LED Light, 12V, 5K, 100'	Daylight	12V	42W	100 ft.
WPLV3LS150	Large White LED Light, 12V, 5K, 150'	Daylight	12V	42W	150 ft.
WWPLV3LS150	Large White LED Light, 12V, 2.7K, 150'	Warm White	12V	42W	150 ft.
Small White LED Lights: Dimensions, 120V 3.23" Depth x 5.81" Diameter; 12V 1.54" Depth x 5.81" Diameter					
WSHV1LS50	Small White LED Light, 120V, 5K, 50'	Daylight	120V	18W	50 ft.
WSHV1LS100	Small White LED Light, 120V, 5K, 100'	Daylight	120V	18W	100 ft.
WSHV1LS150	Small White LED Light, 120V, 5K, 150'	Daylight	120V	18W	150 ft.
WSHV1LS250	Small White LED Light, 120V, 5K, 250'	Daylight	120V	18W	250 ft.
WWSHV1LS150	Small White LED Light, 120V, 2.7K, 150'	Warm White	120V	18W	150 ft.
WSLV1LS50	Small White LED Light, 12V, 5K, 50'	Daylight	12V	18W	50 ft.
WSLV1LS100	Small White LED Light, 12V, 5K, 100'	Daylight	12V	18W	100 ft.
WSLV1LS150	Small White LED Light, 12V, 5K, 150'	Daylight	12V	18W	150 ft.
WWSLV1LS150	Small White LED Light, 12V, 2.7K, 150'	Warm White	12V	18W	150 ft.

*Due to new energy efficiency standards, Zodiac Pool Systems LLC may substitute a lower wattage bulb with similar light output.

LIGHTING / INCANDESCENT



Incandescent White Pool and Spa Lights



Incandescent White Pool and Spa Lights

Underwater incandescent lights for pools and spas. White lights are ETL® classified to fit into some existing pool or spa niches, as well as ProNiches.

- Incandescent bulbs available in 100W, 300W or 500W models, high and low voltage
- Stainless steel housing for corrosion-free performance
- Face rings available in stainless steel or colored plastic to complement any pool finish
- ETL listed to be installed in ProNiche or other manufacturers' niches
- Designed to accept standard Pentair® snap-on colored lenses

Part No.	Description	Face Ring	Voltage	Wattage Class*	Cable Length
Large White Lights: Dimensions, 8.07" Depth x 10.04" Diameter					
WPHV500WS30	Large White Light, 120V, 500W, 30'	SS	120V	500W	30 ft.
WPHV500WS50	Large White Light, 120V, 500W, 50'	SS	120V	500W	50 ft.
WPHV500WS100	Large White Light, 120V, 500W, 100'	SS	120V	500W	100 ft.
WPHV500WP100	Large White Light, 120V, 500W, 100'	Plastic	120V	500W	100 ft.
WPHV500WS150	Large White Light, 120V, 500W, 150'	SS	120V	500W	150 ft.
WPHV300WS30	Large White Light, 120V, 300W, 30'	SS	120V	300W	30 ft.
WPHV300WS50	Large White Light, 120V, 300W, 50'	SS	120V	300W	50 ft.
WPHV300WS100	Large White Light, 120V, 300W, 100'	SS	120V	300W	100 ft.
WPHV300WS150	Large White Light, 120V, 300W, 150'	SS	120V	300W	150 ft.
WPLV300WS30	Large White Light, 12V, 300W, 30'	SS	12V	300W	30 ft.
WPLV300WS50	Large White Light, 12V, 300W, 50'	SS	12V	300W	50 ft.
WPLV300WS100	Large White Light, 12V, 300W, 100'	SS	12V	300W	100 ft.
WPLV100WS50	Large White Light, 12V, 100W, 50'	SS	12V	100W	50 ft.
WPLV100WS100	Large White Light, 12V, 100W, 100'	SS	12V	100W	100 ft.
Small White Lights: Dimensions, 5.01" Depth x 5.81" Diameter					
WSHV100WS30	Small White Light, 120V, 100W, 30'	SS	120V	100W	30 ft.
WSHV100WS50	Small White Light, 120V, 100W, 50'	SS	120V	100W	50 ft.
WSHV100WS100	Small White Light, 120V, 100W, 100'	SS	120V	100W	100 ft.
WSHV100WP100	Small White Light, 120V, 100W, 100'	Plastic	120V	100W	100 ft.
WSHV100WS150	Small White Light, 120V, 100W, 150'	SS	120V	100W	150 ft.
WSLV100WS30	Small White Light, 12V, 100W, 30'	SS	12V	100W	30 ft.
WSLV100WS50	Small White Light, 12V, 100W, 50'	SS	12V	100W	50 ft.
WSLV100WS100	Small White Light, 12V, 100W, 100'	SS	12V	100W	100 ft.

*Due to new energy efficiency standards, Zodiac Pool Systems LLC may substitute a lower wattage bulb with similar light output.



Lens Covers

HydroCool™ Nicheless Light Lens Covers

Enhance your lighting with quarter- and half-moon lens covers. These optional accessories eliminate reflective shadows and glare on the pool floor and help keep bright light out of swimmers' eyes in shallow areas.

- Kits come with both quarter-moon and half-moon options — use trial and error to find the right type that works best in your situation

Part Number	Description
LED Lens Covers	
LENSCVRW	White Lens Cover Kit (4 Quarter-Moon Covers, 4 Half-Moon Covers, 1 Installation Tool)
LENSCVRG	Gray Lens Cover Kit (4 Quarter-Moon Covers, 4 Half-Moon Covers, 1 Installation Tool)
LENSCVRB	Black Lens Cover Kit (4 Quarter-Moon Covers, 4 Half-Moon Covers, 1 Installation Tool)



Pool Light Face Rings
(Black, White, Gray)



Spa Light Face Rings
(Black, White, Gray)

Pool and Spa LED Light Face Rings and Accessories (for use with Jandy® WaterColors and Jandy White LED and Incandescent Lights)

Part No.	Description
Pool Light Face Rings	
R0790805	Face Ring, Plastic (White, Black, Gray), Pool RGBW LED
R0790804	Face Ring, Gray Plastic, Pool RGBW LED
R0790803	Face Ring, Black Plastic, Pool RGBW LED
R0790802	Face Ring, White Plastic, Pool RGBW LED
Spa Light Face Rings	
R0791405	Face Ring, Plastic (White, Black, Gray), Spa RGBW LED
R0791404	Face Ring, Gray Plastic, Spa RGBW LED
R0791403	Face Ring, Black Plastic, Spa RGBW LED
R0791402	Face Ring, White Plastic, Spa RGBW LED
Color Lens Covers	Zodiac Incandescent Lights are all designed to accept standard, off-the-shelf Pentair® color KWIK lens covers



Plastic ProNiche

Plastic ProNiche

Plastic, large and small niches for gunite pools and spas.

Features:

- Injection molded of high strength PVC for corrosion-free performance
- 1" rear outlet with 45° sweep elbow fitting and 3/4" reducer
- 1" NPT internal plug for pressure testing conduit line
- Rebar tie-backs for simple installation
- Plastic plaster shield for protection during construction
- Internal and external bonding lugs

Part No.	Description	Dimensions
PLNICLRG	Large Plastic Gunite Niche	8.75" Depth, 9.85" Dia.
PLNICSM	Small Plastic Gunite Niche	7.23" Depth, 5.33" Dia.

Stainless Steel ProNiche

Stainless steel, large and small niches for all gunite pools and spas.

Features:

- Rear or side outlets in 1" with 1/2" and 3/4" reducers
- Internal and external bonding/grounding lugs for use with either metal or plastic conduit
- Room for 4' of coiled cable
- Plastic plaster shield for protection during construction



Stainless Steel ProNiches

Part No.	Description	Dimensions
SSNICLRG1R	Large Stainless Steel Gunite Niche 1" Rear Outlet	7.75" Depth, 9.76" Dia.
SSNICLRG1S	Large Stainless Steel Gunite Niche 1" Side Outlet	7.75" Depth, 9.76" Dia.
SSNICSM1R	Small Stainless Steel Gunite Niche 1" Rear Outlet	6.97" Depth, 5.33" Dia.
SSNICSM1S	Small Stainless Steel Gunite Niche 1" Side Outlet	6.97" Depth, 5.33" Dia.

Plastic ProNiche for Vinyl/Fiberglass

Plastic, large niche for vinyl or fiberglass pools.

Features:

- Fits industry standard hole diameter of 10.625" to 10.75"
- 1" rear outlet with 45° sweep elbow fitting and 3/4" reducer
- Mounts and seals like vinyl inlet fittings with zero wall panel exposure
- Injection molded of high strength PVC for corrosion-free performance
- 1" NPT plug for pressure testing conduit line
- Internal and external bonding lugs



Plastic ProNiche for Vinyl/Fiberglass

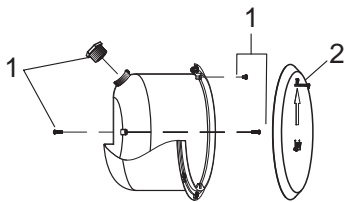
Replaces part number PLNICVFLRG

Part No.	Description	Dimensions
WT000002	Large Plastic Niche for Vinyl/ Fiberglass pools	8.75" Depth, 10.75" Dia.

ETL® listed niches for use with Jandy® Pro Series Watercolor LED and incandescent white lights.

Brand	Size	Part No.	Description	Notes
Zodiac® (Jandy)	Large	PLNICLRG	Gunite ProNiche, Large, Plastic, 1" Rear Hub	All Jandy Lights
		SSNICLRG1R	Gunite ProNiche, Large, Stainless Steel, 1" Rear Hub	All Jandy Lights
		SSNICLRG1S	Gunite ProNiche, Large, Stainless Steel, 1" Top Hub	All Jandy Lights
		WT000002	Vinyl/Fib ProNiche, Large, Plastic, 1" Rear Hub Available in LIMITED Quantities	All Jandy Lights
	Small	PLNICSM	Gunite ProNiche, Small, Plastic, 1" Rear Hub	All Jandy Lights
		SSNICSM1R	Gunite ProNiche, Small, Stainless Steel, 1" Rear Hub	All Jandy Lights
SSNICSM1S		Gunite ProNiche, Small, Stainless Steel, 1" Top Hub	All Jandy Lights	
Pentair®	Large	620004	Vinyl QuickNiche, Large, Plastic, 1" Rear Hub	All Jandy Lights
		78210200	Gunite Niche, Large, Stainless Steel, 1/2" Top Hub	All Jandy Lights
		78210300	Gunite Niche, Large, Stainless Steel, 1/2" Rear Hub	All Jandy Lights
		78210400	Gunite Niche, Large, Stainless Steel, 3/4" Top Hub	All Jandy Lights
		78210401	Gunite Niche, Large, Stainless Steel, 3/4" Top Hub CSA	All Jandy Lights
		78210500	Gunite Niche, Large, Stainless Steel, 1" Top Hub	All Jandy Lights
		78210600	Gunite Niche, Large, Stainless Steel, 1/2" Rear Hub	All Jandy Lights
	78210700	Gunite Niche, Large, Stainless Steel, 3/4" Rear Hub	All Jandy Lights	
Small	79206600	Gunite Niche, Small, Plastic, 1" Rear Hub	All Jandy Lights	
Hayward®	Large	SP0600U	Gunite DuraNiche, Large, Plastic, 1" Rear Hub	All Jandy Lights
	Small	SP0601U	Gunite DuraNiche, Small, Plastic, 1" Rear Hub	Jandy LED Only

ProNiche

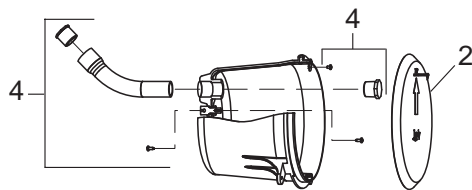


Stainless Steel ProNiche

Part Nos. SSNICLRG1R, SSNICLRG1S, SSNICSM1R, SSNICSM1S

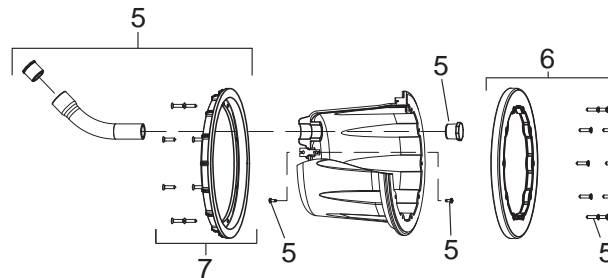
Key No.	Part No.	Description
1	R0460900	Niche Screw Kit, Stainless Steel, Pool and Spa
2	R0461000	Niche Cover, Pool (large)
N/S	R0461100	Niche Cover, Spa (small)
4	R0460800	Niche Screw Kit, Plastic, Pool and Spa
5	R0461200	Niche Screw Kit, Vinyl/Fiberglass, Pool
6	R0461300	Niche Top Clamp Kit, Vinyl, Pool
7	R0461400	Niche Bottom Clamp Kit, Vinyl, Pool

N/S-Not Shown



Plastic ProNiche

Part Nos. PLNICLRG, PLNICSM



Vinyl/Fiberglass Plastic ProNiche

Part No. WT000002



Trim Rings

HydroCool™ LED Lighting Accessories & Parts

Part No.	Description
R0807901	Gray Trim Ring Kit (4 Trim Rings, 1 Installation Tool)
R0807900	White Trim Ring Kit (4 Trim Rings, 1 Installation Tool)
R0829400	Installation Tool



Installation Tool



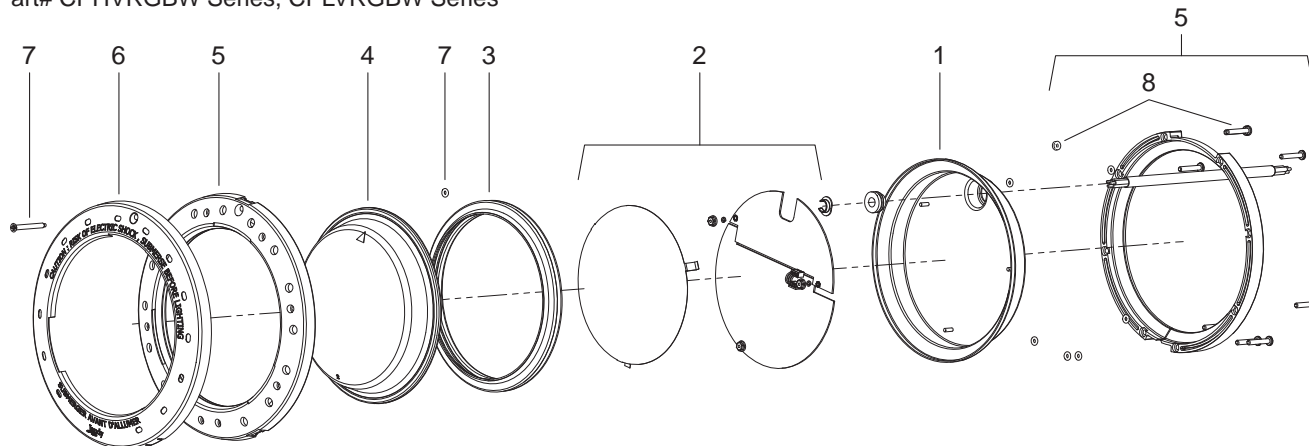
LED Lenses

SAVI® LED Lights Accessories & Parts

Part Number	Description
LED Lenses	
SAVI-LENS-HALO-PK	HALO LENS—Creates soft lighting without center beam, 5/PK
SAVI-LENS-SPOT-PK	SPOT LENS—Soft general light with majority of light focused forward, 5/PK
SAVI-LENS-CATSEYE-PK	CATS EYE—Creates a “slice” of light. Not high, not low, just a wide center beam, 5/PK
SAVI-LENS-DIAMOND-PK	DIAMOND LENS—Creates points of light throughout pool, 5/PK
SAVI-LENS-HALFDOME	HALF DOME—Allows for directional light. Point it down, point it up
SAVI-LENS-SAMPLER	SAMPLER PAK—1 of each of the above
13.6151	Key for captured thread style lights, metal
82.5004	Clear Lens, Bubbler
EXTRACTION TOOL	Extraction Tool for Bubbler Lights

WaterColors Large (Pool) RGBW LED Light

Part# CPHVRGBW Series, CPLVRGBW Series

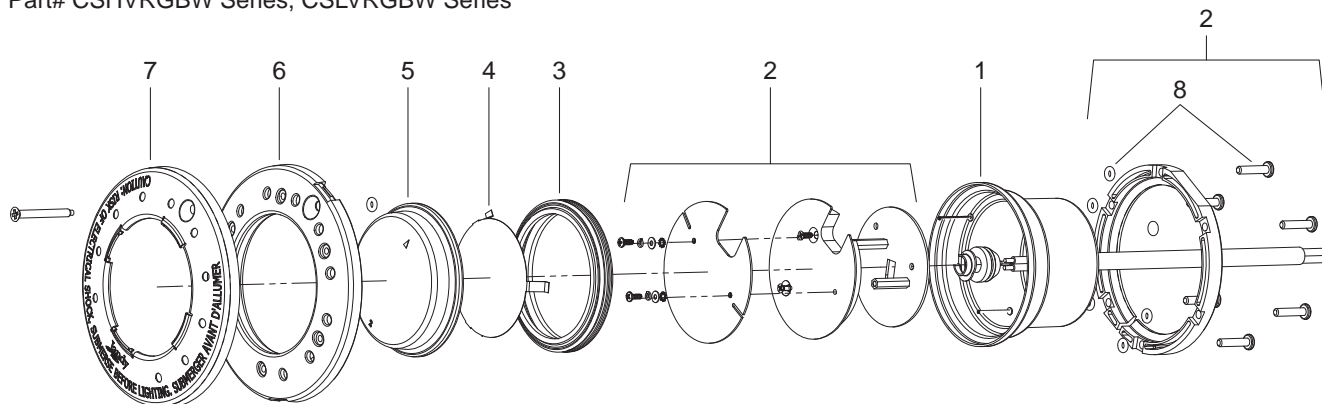


Key No.	Part No.	Description	Field Replaceable
1	N/A	Light Housing - Pool	Not Sold Separately
2	R0739400	PCB, RGBW LED Large Light Engine w/ Light Shaping Diverger, 120V	Yes
2	R0739500	PCB, RGBW LED Large Light Engine w/ Light Shaping Diverger, 12V	Yes
3	R0790500	Silicone Gasket - Pool RGBW LED	Yes
4	R0790600	Glass Lens - Pool RGBW LED	Yes
5	R0790700	Clamp Assembly - Pool RGBW LED	Yes
6	R0790801	Face Ring, Stainless Steel - Pool RGBW LED	Yes
7	R0790900	Pilot Screw, w/ Retainer - Pool RGBW LED	Yes
8	R0791000	Clamp Screw Set (8 Screws and Retainers) Pool RGBW LED	Yes

*When replacing LED PCB, we recommend replacement of the silicone gasket at the same time.

WaterColors Small (Spa) RGBW LED Light

Part# CSHVRGBW Series, CSLVRGBW Series



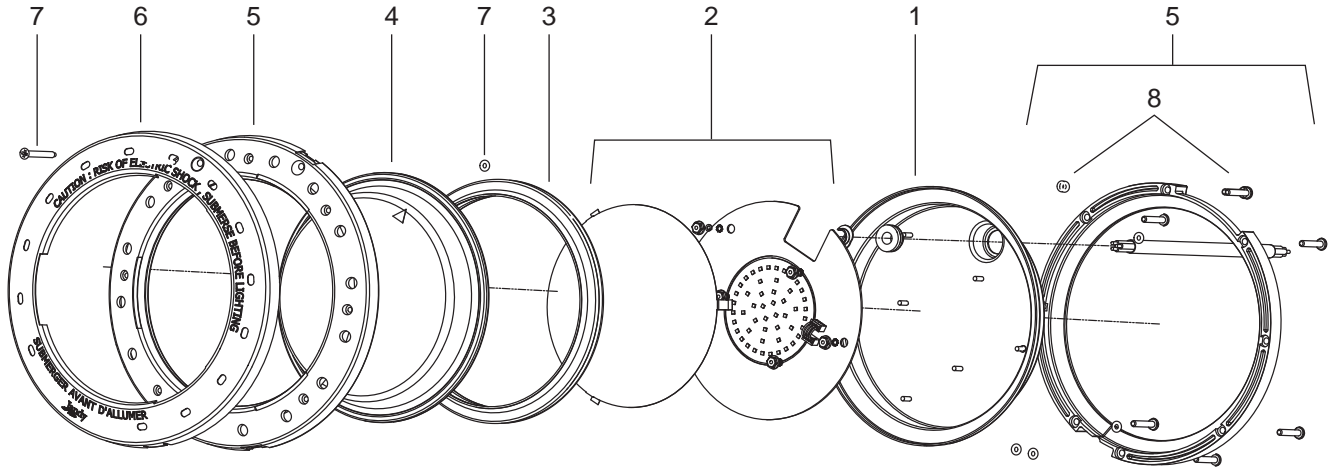
Key No.	Part No.	Description	Field Replaceable
1	N/A	Spa Light Housing	Not Sold Separately
2	R0739600	PCB, RGBW LED Small Light Engine, 120V	Yes
2	R0785700	PCB, RGBW LED Small Light Engine, 12V	Yes
3	R0791100	Silicone Gasket - Spa RGBW LED Light	Yes
4	R0739700	Shaping Diverger, Spa RGBW LED Only	Yes
5	R0791200	Glass Lens - Spa RGBW LED	Yes
6	R0791300	Clamp Assembly - Spa RGBW LED	Yes
7	R0791401	Face Ring, Stainless Steel Spa RGBW LED	Yes
8	R0791600	Clamp Screw Set (6 Screws and Retainers) Spa RGBW LED	Yes

*When replacing LED PCB, we recommend replacement of the silicone gasket at the same time.

LIGHTING / ACCESSORIES & PARTS

Large (Pool) White LED Light

Part# WPHV Series, WPLV Series, WWPHV Series, WWPLV Series

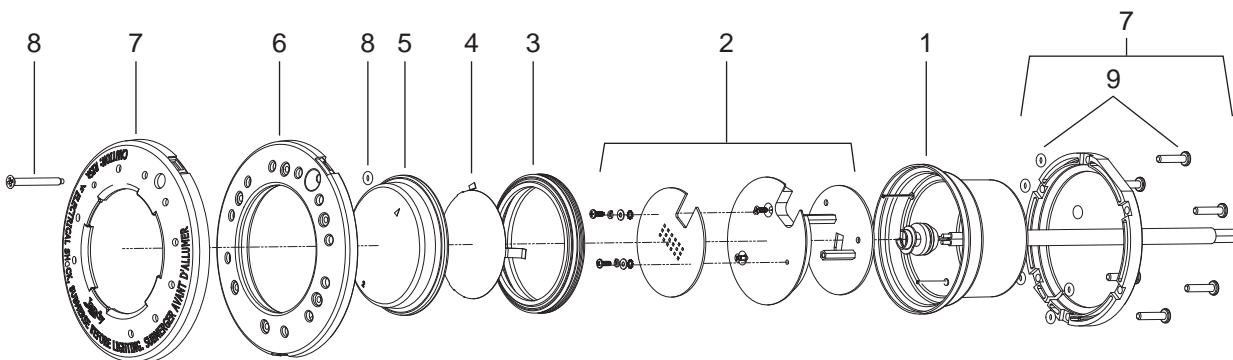


Key No.	Part No.	Description	Field Replaceable	
1	N/A	Light Housing - Pool	Not Sold Separately	
2	R0802600	PCBA, 12V, 5K, Large White LED Light	Yes	
2	R0802601	PCBA, 12V, 2.7K, Large White LED Light	Yes	
2	R0802700	PCBA, 120V, 5K, Large Warm White LED Light	Yes	
2	R0802701	PCBA, 120V, 2.7K, Large Warm White LED Light	Yes	
2	R0802800	PCBA, 12V, 5K, Large White LED Light	Yes	
2	R0802801	PCBA, 12V, 2.7K, Large Warm White LED Light	Yes	
2	R0802900	PCBA, 120V, 5K, Large White LED Light	Yes	
2	R0802901	PCBA, 120V, 2.7K, Large Warm White LED Light	Yes	
3	R0790500	Silicone Gasket - Pool	Yes	
4	R0790600	Glass Lens - Pool	Yes	
5	R0790700	Clamp Assembly - Pool	Yes	
6	R0790801	Face Ring, Stainless Steel - Pool	Yes	
7	R0790900	Pilot Screw, w/ Retainer - Pool	Yes	
8	R0791000	Clamp Screw Set (8 Screws and Retainers) - Pool	Yes	

*When replacing LED PCB, we recommend replacement of the silicone gasket at the same time.

Small (Spa) White 120V LED Light

Part# WSHV Series, WSLV Series, WWSHV Series, WWSLV Series

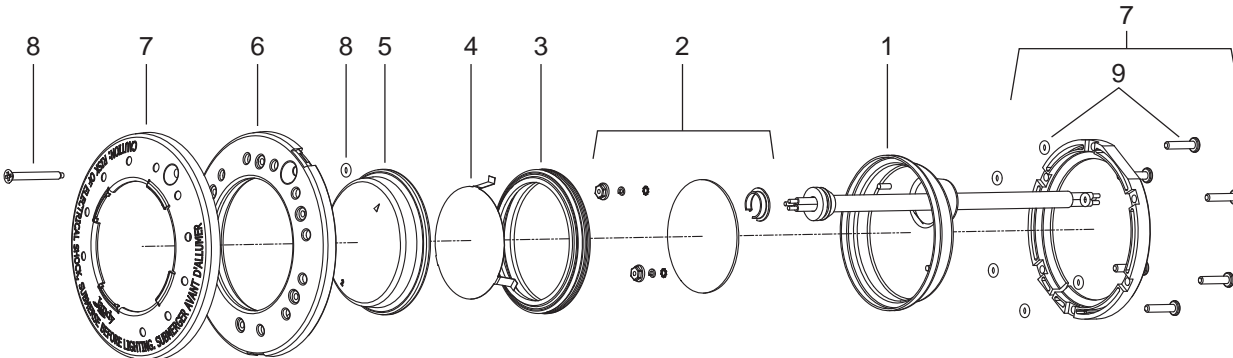


Key No.	Part No.	Description	Field Replaceable
1	N/A	Spa Light Housing	Not Sold Separately
2	R0803200	PCBA, 120V, 5K, Small White LED Light	Yes
2	R0803201	PCBA, 120V, 2.7K, Small Warm White LED Light	Yes
3	R0791100	Silicone Gasket - Spa	Yes
4	R0739700	Light Shaping Diverger, Spa Only	Yes
5	R0791200	Glass Lens - Spa	Yes
6	R0791300	Clamp Assembly - Spa	Yes
7	R0791401	Face Ring, Stainless Steel - Spa	Yes
8	R0790900	Pilot Screw, w/ O-Ring - Spa	Yes
9	R0791600	Clamp Screw Set (6 Screws and Retainers) - Spa	Yes

*When replacing LED PCB, we recommend replacement of the silicone gasket at the same time.

Small (Spa) White 12V LED Light

Part# WSHV Series, WSLV Series, WWSHV Series, WWSLV Series



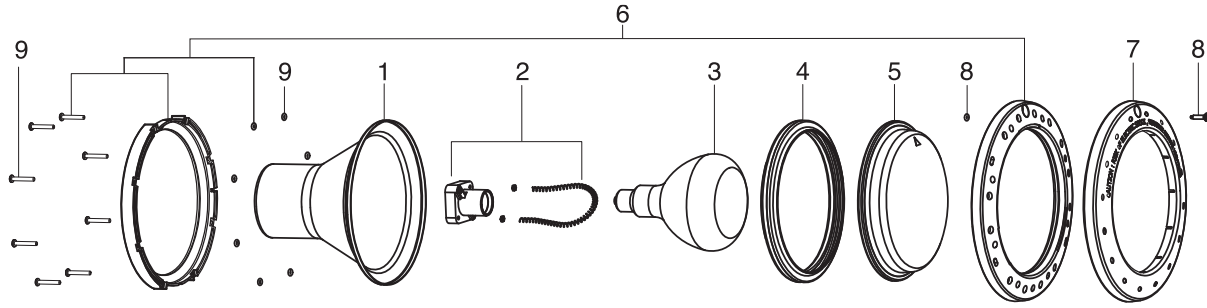
Key No.	Part No.	Description	Field Replaceable
1	N/A	Spa Light Housing	Not Sold Separately
2	R0803300	PCBA, 12V, 5K, Small White LED Light	Yes
2	R0803301	PCBA, 12V, 2.7K, Small Warm White LED Light	Yes
3	R0791100	Silicone Gasket - Spa	Yes
4	R0739700	Light Shaping Diverger, Spa Only	Yes
5	R0791200	Glass Lens - Spa	Yes
6	R0791300	Clamp Assembly - Spa	Yes
7	R0791401	Face Ring, Stainless Steel - Spa	Yes
8	R0790900	Pilot Screw, w/ O-Ring - Spa	Yes
9	R0791600	Clamp Screw Set (6 Screws and Retainers) - Spa	Yes

*When replacing LED PCB, we recommend replacement of the silicone gasket at the same time.

LIGHTING / ACCESSORIES & PARTS

White Large (Pool) Incandescent Light

Part# WPHV Series, WPLV Series

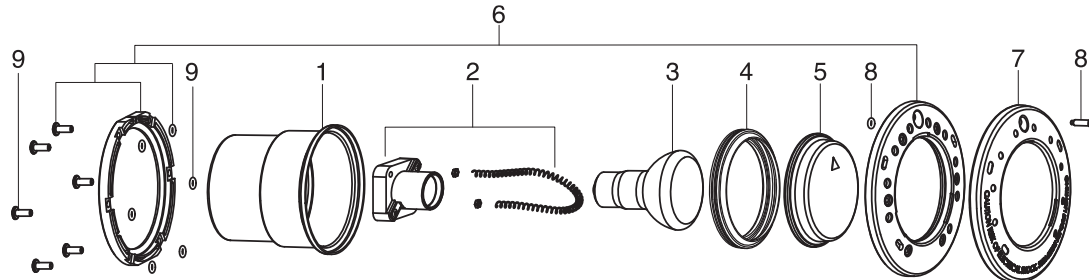


Key No.	Part No.	Description	Field Replaceable
1	N/A	Light Housing - Pool	Not Sold Separately
2	N/A	Bulb Base	Not Sold Separately
3	R0450501	Lamp, 100W*, 12V, Pool and Spa	Yes
3	R0450502	Lamp, 300W*, 120V, Pool	Yes
3	R0450503	Lamp, 300W*, 12V, Pool	Yes
3	R0450504	Lamp, 500W*, 120V, Pool	Yes
4	R0451101	Silicone Gasket - Pool	Yes
5	R0450601	Glass Lens - Pool	Yes
6	R0450701	Clamp Assembly - Pool	Yes

Key No.	Part No.	Description	Field Replaceable
7	R0450801	Stainless Steel Face Ring - Pool	Yes
7	R0450802	White Plastic Face Ring - Pool	Yes
7	R0450803	Black Plastic Face Ring - Pool	Yes
7	R0450804	Gray Plastic Face Ring - Pool	Yes
7	R0450805	Face Ring Set (1 ea.) White Plastic, Black Plastic, Gray Plastic - Pool	Yes
8	R0450901	Pilot Screw	Yes
9	R0451001	Clamp Screws (6), O-Rings (6) - Pool	Yes

White Small (Spa) Incandescent Light

Part# WSHV Series, WSLV Series



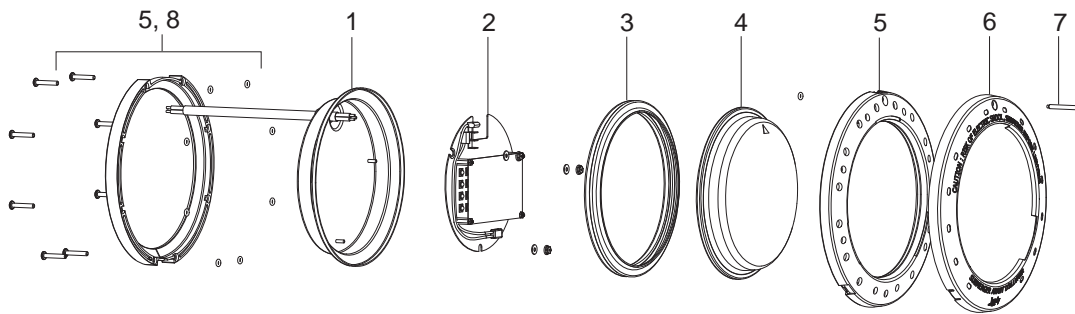
Key No.	Part No.	Description	Field Replaceable
1	N/A	Light Housing, Small	Not Sold Separately
2	N/A	Bulb Base	Not Sold Separately
3	R0450501	Lamp, 100W*, 12V - Pool and Spa	Yes
3	R0450505	Lamp, 100W*, 120V - Spa	Yes
4	R0400501	Silicone Gasket - Spa	Yes
5	R0400601	Glass Lens - Spa	Yes
6	R0451201	Clamp Assembly - Spa	Yes

Key No.	Part No.	Description	Field Replaceable
7	R0451301	Stainless Steel Face Ring - Spa	Yes
7	R0451302	White Plastic Face Ring - Spa	Yes
7	R0451303	Black Plastic Face Ring - Spa	Yes
7	R0451304	Gray Plastic Face Ring - Spa	Yes
7	R0451305	Face Ring Set (1 ea.) White Plastic, Black Plastic, Gray Plastic - Spa	Yes
8	R0450901	Pilot Screw	Yes
9	R0451401	Clamp Screws (6), O-Rings (6) - Spa	Yes

*Wattage Class. Zodiac may ship a lower wattage replacement bulb with similar light output without notice.

WaterColors Large (Pool) RGB LED Light (Discontinued)

Part# CPHVLED Series, CPLVLED Series

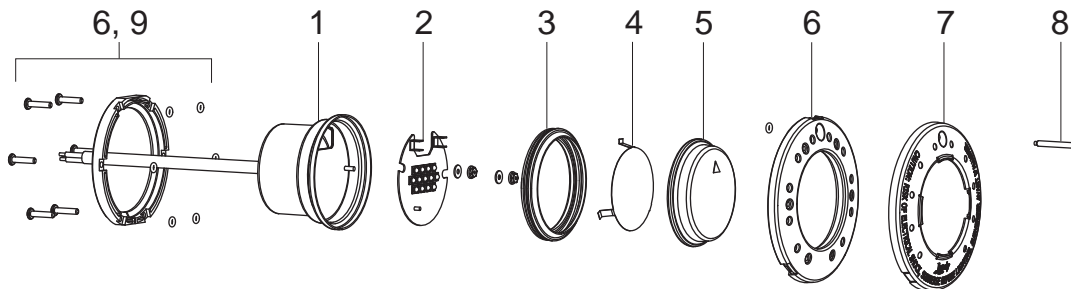


Key No.	Part No.	Description	Field Replaceable
1	N/A	Light Housing - Pool	Not Sold Separately
2	R0474100	PCB, LED Large Light Engine w/ Light Shaping Diverger, 120V	Yes
2	R0474000	PCB, LED Large Light Engine w/ Light Shaping Diverger, 12V	Yes
3	R0451101	Silicone Gasket - Pool	Yes
4	R0450601	Glass Lens - Pool	Yes
5	R0450701	Clamp Assembly - Pool	Yes
6	R0450801	Face Ring, Stainless Steel - Pool	Yes
7	R0450901	Pilot Screw, w/ Retainer - Pool	Yes
8	R0451001	Clamp Screw Set (8 Screws and Retainers) - Pool	Yes

*When replacing LED PCB, we recommend replacement of the silicone gasket at the same time.

WaterColors Small (Spa) RGB LED Light (Discontinued)

Part# CSHVLED Series, CSLVLED Series



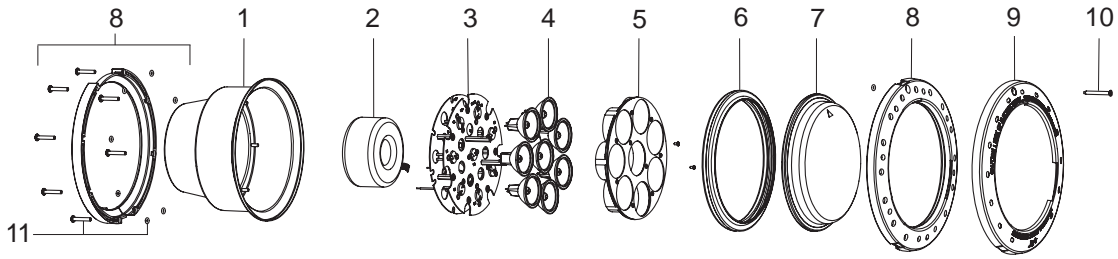
Key No.	Part No.	Description	Field Replaceable
1	N/A	Spa Light Housing	Not Sold Separately
2	R0473900	PCB, LED Small Light Engine, 120V and 12V	Yes
3	R0400501	Silicone Gasket - Spa	Yes
4	R0474200	Light Shaping Diverger, Spa Only	Yes
5	R0400601	Glass Lens - Spa	Yes
6	R0451201	Clamp Assembly - Spa	Yes
7	R0451301	Face Ring, Stainless Steel - Spa	Yes
8	R0450901	Pilot Screw, w/ O-Ring - Spa	Yes
9	R0451401	Clamp Screw Set (6 Screws and Retainers) - Spa	Yes

*When replacing LED PCB, we recommend replacement of the silicone gasket at the same time.

LIGHTING / ACCESSORIES & PARTS

JandyColors™ Large (Pool) Quartz Halogen Colored Light (Discontinued)

Part# CPHV Series, CPLV Series

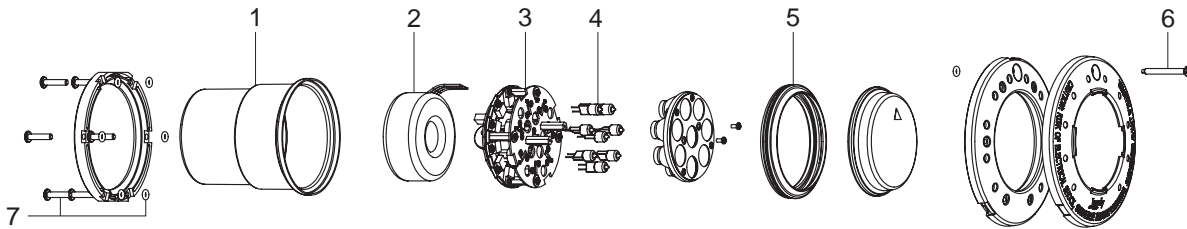


Key No.	New Part No. (10/07 or later - For use with "CP" p/n's)	Old Part No. (9/07 or earlier - For use with "JPL" p/n's)	Description	Field Replaceable
1	N/A	N/A	Light Housing - Pool	Not Sold Separately
2	N/A	N/A	Transformer (120V lights only)	Not Sold Separately
3	N/A	N/A	Bulb Holder and Electronics Assembly*	Not Sold Separately
4	R0451600	N/A	Bulb Kit: 75 Watt Halogen MR-16 EYC/60* (2 bulbs in kit, 8 bulbs required per light)	Yes
5	N/A	R0399700	Dichroic Assembly - Pool	Yes
6	R0790500	R0399800	Silicone Gasket - Pool	Yes
7	R0790600	R0399900	Glass Lens - Pool	Yes
8	R0790700	N/A	Clamp Assembly - Pool	Yes
9	R0790801	R0449300	Face Ring, Stainless Steel - Pool	Yes
10	R0790900	R0400200	Pilot Screw, w/ Retainer - Pool	Yes
11	R0791000	R0449300	Clamp Screw Set (8 Screws and Retainers) - Pool	Yes

*When replacing bulbs, we recommend replacement of all eight bulbs plus the silicone gasket while the light is out of the water.

JandyColors Small (Spa) Quartz Halogen Colored Light (Discontinued)

Part# JSL12 Series, JSL120 Series



Key No.	Part No.	Description	Field Replaceable
1	N/A	Spa Light Housing	Not Sold Separately
2	N/A	Transformer (120V lights only) - Spa	Not Sold Separately
3	N/A	Bulb Holder & Electronics Assembly - Spa**	Not Sold Separately
4	R0400300	Bulb Kit: 25W, G4 Capsule - 12V** (2 bulbs in kit, 8 bulbs required per light)	Yes
5	R0791100	Silicone Gasket - Spa	Yes
6	R0790900	Pilot Screw, w/ O-Ring - Spa	Yes
7	R0791600	Clamp Screw Set (6 Screws and Retainers) - Spa	Yes

**When replacing bulbs, we recommend replacement of all eight bulbs plus the silicone gasket while the light is out of the water.

PUMPS

FILTERS

GAS HEATERS

HEAT PUMPS

AUTOMATION

WATER LEVELING

WATER SANITIZERS

VALVES

WATER FEATURES

LIGHTING

CLEANERS

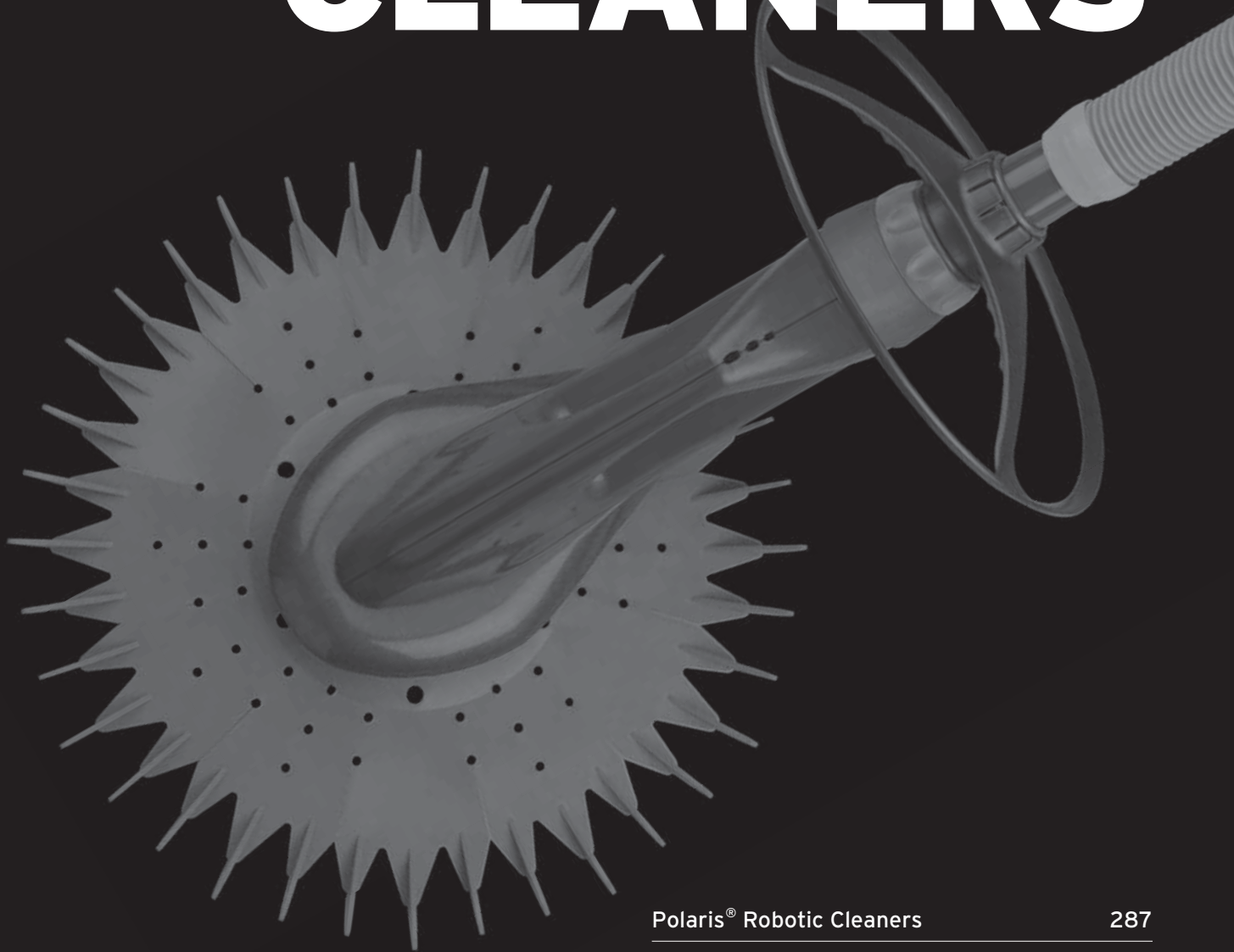
IN-FLOOR

BLOWERS

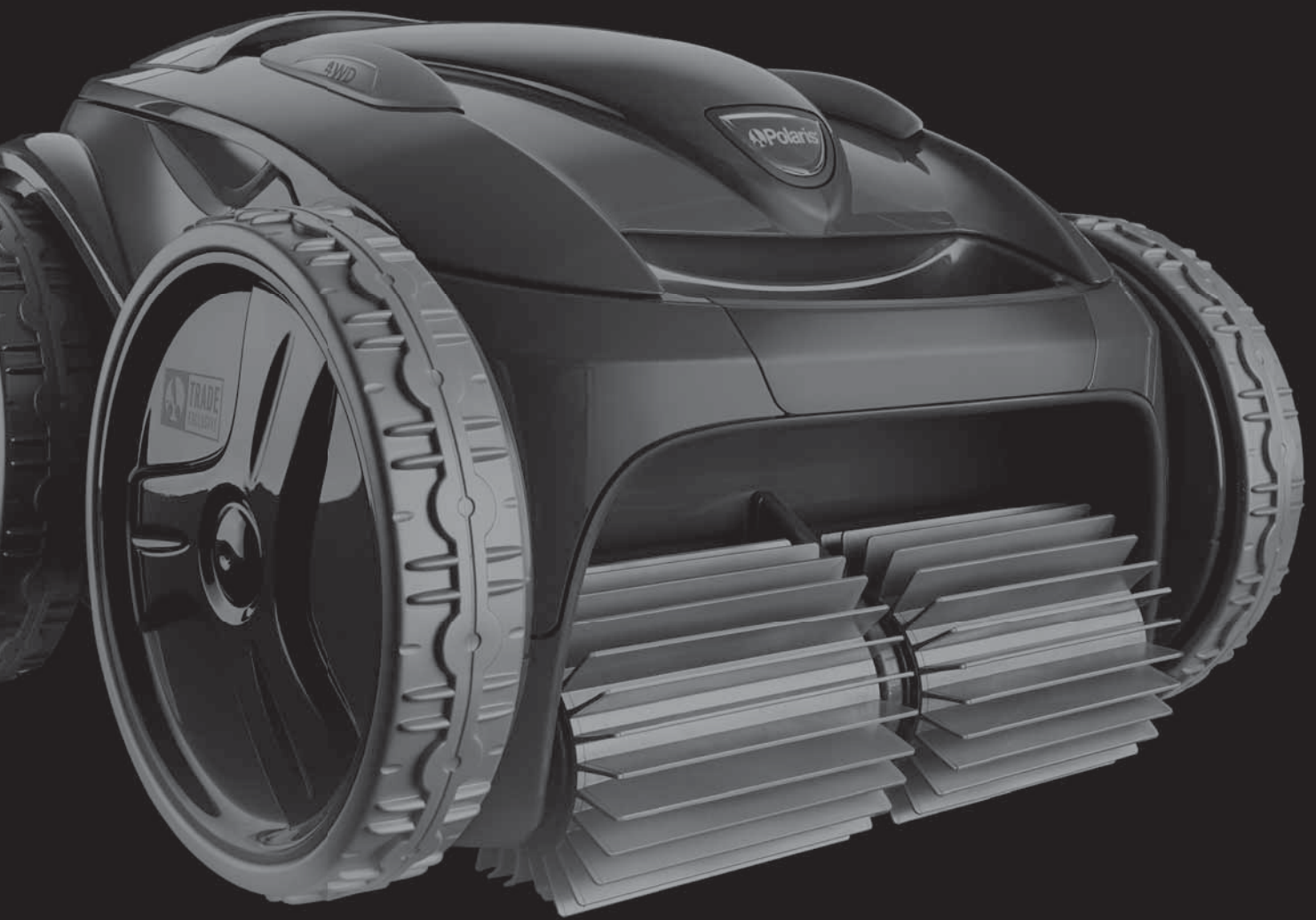
ACCESSORIES



CLEANERS



Polaris® Robotic Cleaners	287
Polaris Pressure-Side Cleaners	289
Polaris Booster Pumps	293
Polaris Cleaner Accessories & Parts	294
Polaris Cleaner Discontinued Accessories & Parts	336
Zodiac® Pool Cleaners	348
Zodiac Cleaner Accessories & Parts	352
Zodiac Cleaner Discontinued Accessories & Parts	369
Ray-Vac™ Cleaner Parts	374



LEADERS IN ROBOTIC INNOVATION

SUPERIOR CLEANING PERFORMANCE



VORTEX VACUUM TECHNOLOGY

CYCLONIC VACUUM TECHNOLOGY

SIMPLE DEBRIS MANAGEMENT



TOP ACCESS

PUSH'N'GO®

INTUITIVE AND EASY TO USE



EASY LIFT

TRANSPARENT LID



Polaris 9650iQ Sport Robotic Cleaner

TRADE SERIES EXCLUSIVE

Polaris 9650iQ Sport Robotic Cleaner

- Connects via Wi-Fi for anytime, anywhere control on Android™ and iOS devices
- Convenient app features including remote control, recurring cleaning cycles and Easy Lift system
- Monitor cleaner status with dirty canister indicator and troubleshooting tips
- Includes 70-foot Tangle-Reducing Swivel cable for pools up to 60 feet long

Part No. Description

F9650iQ Polaris 9650iQ Sport Robotic Cleaner



Polaris 9550 Sport Robotic Cleaner

TANGLE-REDUCING SWIVEL

Polaris 9550 Sport Robotic Cleaner

- Motion-sensing handheld remote
- Dirty canister indicator
- Pre-programmed cleaning patterns
- 7-day programmable timer
- 4-wheel drive
- Includes 70-foot Tangle-Reducing Swivel cable for pools up to 60 feet long

Part No. Description

F9550 Polaris 9550 Sport Robotic Cleaner



All Polaris Robotic cleaners are ETL listed. Type EC27--, EM27-- and EP27--

PUMPS
FILTERS
GAS HEATERS
HEAT PUMPS
AUTOMATION
WATER LEVELING
WATER SANITIZERS
VALVES
WATER FEATURES
LIGHTING
CLEANERS
IN-FLOOR
BLOWERS
ACCESSORIES



Polaris 9450 Sport Robotic Cleaner

Polaris 9450 Sport Robotic Cleaner

- 7-day programmable timer
- Floor, wall and tile-line cleaning
- 4-wheel drive
- Includes 60-foot Tangle-Reducing Swivel Cable for pools up to 50 feet long

Part No. Description

F9450 Polaris 9450 Sport Robotic Cleaner



TRADE SERIES EXCLUSIVE

Polaris 8050 Sport Robotic Cleaner

Polaris 8050 Sport Robotic Cleaner

- Cyclonic Vacuum Technology for superior vacuum efficiency
- Push'N'Go® canister access with a transparent lid—never touch debris again!
- Surface Control System™ provides optimal wall climbing
- Floor, or floor and wall cleaning cycles
- 50-foot floating cable for pools up to 40 feet long

Part No. Description

F8050 Polaris 8050 Sport Robotic Cleaner



Polaris 9350 Sport Robotic Cleaner

Polaris 9350 Sport Robotic Cleaner

- Dual cleaning cycles
- Floor, or floor and wall cleaning cycles
- 2-wheel drive
- 60-foot floating cable for pools up to 50 feet long

Part No. Description

F9350 Polaris 9350 Sport Robotic Cleaner

NEW!



TRADE SERIES EXCLUSIVE

Polaris 7240 Sport Robotic Cleaner

Polaris 7240 Sport Robotic Cleaner

- Compact, lightweight design with easy canister access and transparent lid
- Cyclonic Vacuum Technology for superior vacuum efficiency
- Single cleaning cycle: floor and wall cleaning
- 50-foot floating cable for pools up to 36 feet long

Part No. Description

F7240 Polaris 7240 Sport Robotic Cleaner



All Polaris Robotic cleaners are ETL listed. Type EC27--, EM27-- and EP27--



Polaris 3900 Sport
With Black Hoses

Polaris Vac-Sweep® 3900 Sport

- Most powerful cleaner in its class
- All-wheel PosiDrive system with durable stainless steel drive chain
- 50% more torque for maximum speed, climbing and maneuverability
- Dual-chamber zippered SuperBag
- Extra large 2-1/2" debris inlet
- Works in all in-ground pools
- Ready to connect to 1.5" dedicated pressure cleaner line
- Includes 31 ft. of feed hose
- Requires Polaris Booster Pump
- BONUS! Includes TailSweep PRO®

Part No.	Description
F6	Polaris Vac-Sweep 3900 Sport
R0543200	Polaris 3900 Sport Factory Tune-Up Kit



Polaris TR35P

TRADE SERIES
EXCLUSIVE

Polaris TR35P

- Three venturi jets provide exceptional vacuum power and faster cleaning
- Large 2-1/4" vacuum inlet
- All-wheel belt drive for exceptional power and efficiency
- Works in all in-ground pools
- Includes 31 ft. of feed hose
- Requires Polaris Booster Pump
- BONUS! Includes extra leaf bag and TailSweep PRO

Part No.	Description
WE000003	Polaris TR35P



Polaris 380

Polaris Vac-Sweep 380

- Three venturi jets provide exceptional vacuum power and faster cleaning
- Large 2-1/4" vacuum inlet
- All-wheel belt drive for exceptional power and efficiency
- Works in all in-ground pools
- Includes 31 ft. of feed hose
- Requires Polaris Booster Pump

Part No.	Description
F3	Polaris Vac-Sweep 380
9-100-9030	380 Factory Rebuild Kit
9-100-9010	380/360 Factory Tune-Up Kit

PUMPS
 FILTERS
 GAS HEATERS
 HEAT PUMPS
 AUTOMATION
 WATER LEVELING
 WATER SANITIZERS
 VALVES
 WATER FEATURES
 LIGHTING
CLEANERS
 IN-FLOOR
 BLOWERS
 ACCESSORIES



TRADE SERIES
EXCLUSIVE

Polaris TR36P

Polaris TR36P

- Works in all in-ground pools
- Operates on pool circulation pump. No booster pump required
- Ready to connect to 1.5" dedicated pressure cleaner line
- Includes 31 ft. of feed hose
- BONUS! Includes extra all-purpose zipper bag and TailSweep PRO®

Part No. Description

F1TR	Polaris TR36P
------	---------------



Polaris 360

Polaris Vac-Sweep® 360

- Works in all in-ground pools
- Operates on pool circulation pump. No booster pump required
- Ready to connect to 1.5" dedicated pressure cleaner line
- Includes 31 ft. of feed hose

Part No. Description

F1	Polaris Vac-Sweep 360
F1B	Polaris Vac-Sweep 360, Black Max™
9-100-9060	360 Factory Rebuild Kit
9-100-9010	380/360 Factory Tune-Up Kit



Polaris TR28P

Polaris TR28P

- Works in all in-ground pools
- Requires Polaris Booster Pump
- Ready to connect to 1.5" dedicated pressure cleaner line
- Includes 31 ft. of feed hose
- BONUS! Includes extra debris bag and TailSweep PRO®

Part No.	Description
----------	-------------

F5TR	Polaris TR28P
------	---------------



Polaris 280

Polaris Vac-Sweep 280

- Works in all in-ground pools
- Requires Polaris Booster Pump
- Ready to connect to 1.5" dedicated pressure cleaner line
- Includes 31 ft. of feed hose

Part No.	Description
----------	-------------

F5	Polaris Vac-Sweep 280
----	-----------------------

F5T	Polaris Vac-Sweep 280, TankTrax®
-----	----------------------------------

F5B	Polaris Vac-Sweep 280, Black Max
-----	----------------------------------

A48	280 Factory Rebuild Kit
-----	-------------------------

A49	280/180 Factory Tune-Up Kit
-----	-----------------------------



Polaris 180

Polaris 180

- Works in all in-ground pools
- Requires Polaris Booster Pump
- Ready to connect to 1.5" dedicated pressure cleaner line
- Includes 31 ft. of feed hose

Part No.	Description
----------	-------------

F20	Polaris Vac-Sweep 180
-----	-----------------------

A47	180 Factory Rebuild Kit
-----	-------------------------

A49	280/180 Factory Tune-Up Kit
-----	-----------------------------

PUMPS
FILTERS
GAS HEATERS
HEAT PUMPS
AUTOMATION
WATER LEVELING
WATER SANITIZERS
VALVES
WATER FEATURES
LIGHTING
CLEANERS
IN-FLOOR
BLOWERS
ACCESSORIES



Polaris 165

Polaris 165

- Pressure-side cleaner
- Works in all in-ground vinyl or fiberglass pools
- Operates on pool circulation pump
- Ready to connect to 1.5" threaded return line
- Includes 32 ft. of float hose

Part No. Description

6-120-00	Polaris Vac-Sweep 165
----------	-----------------------



Polaris Turbo Turtle

Polaris Turbo Turtle®

- Pressure-side cleaner
- Works in above-ground vinyl or fiberglass pools
- Operates on pool circulation pump
- Ready to connect to 1.5" threaded return line
- Includes 24 ft. of float hose

Part No. Description

6-130-00T	Polaris Turbo Turtle
-----------	----------------------



Polaris 65

Polaris Vac-Sweep® 65

- Pressure-side cleaner
- Works in above-ground vinyl or fiberglass pools
- Operates on pool circulation pump
- Ready to connect to 1.5" threaded return line
- Includes 24 ft. of float hose

Part No. Description

6-130-00	Polaris Vac-Sweep 65
----------	----------------------



TRADE SERIES
EXCLUSIVE

PB4SQ Booster Pump



Polaris PB4SQ™ Booster Pump

The PB4SQ is an energy-efficient, multi-stage booster pump that is easy to install and service. It has been designed to operate quietly and provide optimum power to Polaris pressure cleaners.

- Multi-stage pump progressively pressurizes water flow, maximizing outlet pressure while minimizing energy consumption
- TEFC motor and innovative fan are designed for quiet operation
- Easy to install with multiple conduit locations and accessible service points
- Includes Polaris Softube® and Quick Connect fittings

Part No. Description

PB4SQ	Polaris PB4SQ Booster Pump
-------	----------------------------



PB4-60 Booster Pump



Polaris PB4-60 Booster Pump

- Appropriate for all Polaris pressure cleaners that require a booster pump
- 3/4 HP motor operates with low flow and variable-speed filter pumps
- Includes Polaris Softube and Quick Connect fittings

Part No. Description

PB4-60	Polaris Booster Pump with 60 Hz Motor
--------	---------------------------------------

Polaris Accessories

Polaris Tune-Up and Rebuild Kits

Key No.	Part No.	Description
1	48-210	480 Factory Tune-Up Kit
2	9-100-9010	380/360 Factory Tune-Up Kit
3	9-100-9015	380/360 Black Max Factory Tune-Up Kit
4	9-100-9030	380 Factory Rebuild Kit
5	9-100-9035	380 Black Max™ Rebuild Kit
6	9-100-9060	360 Factory Rebuild Kit
7	5-9450	ATV® Factory Tune-Up Kit
8	5-9420	ATV Factory Rebuild Kit
9	A48	280 Factory Rebuild Kit
10	A49	280/180 Factory Tune-Up Kit
11	K48	280, Black Max Factory Rebuild Kit
12	K49	280, Black Max Factory Tune-Up Kit
13	A47	180 Factory Rebuild Kit
14	R0543200	Polaris 3900 Sport Tune-Up Kit

Miscellaneous Cleaner Parts

Key No.	Part No.	Description
15	6-511-00	UWF® Eyeball Fitting
16	9-100-8001	Eyeball Fitting Connection Kit
17	8-841-00	1.25" Sleeve Kit
18	6-510-00	UWF Adapter Kit, 1-1/4" or 2"
18	6-512-00	UWF Adapter Kit, 2"
19	9-100-8002	1" Stub Pipe Connection Kit
20	9-100-8003	1.5" Stub Pipe Connection Kit
21	9-100-8005	Eyeball Adapter Connection Kit
22	9-100-8008	1" Expansion Connector
23	9-100-8010	1.5" Return Line Plug
24	9-100-8011	1.5" Expansion Connector
25	9-100-8012	1.5" Expansion Connector with Pressure Relief
26	9-100-8013	1.5" Adapter with Cap
27	9-100-8016	Eyeball Adapter Connector
28	6-309-00	Replacement Turtle Top
29	TSP10P	TailSweep PRO® (18/PK Bulk Pack)
30	TSP10S	TailSweep PRO (12/PK Strip Clip)
31	G9	Coupling 1.5" NPTF x .75" NPTF
32	G21	Ladder Guard, Two (2) Panels
33	9-100-9003	1½" Street Elbow

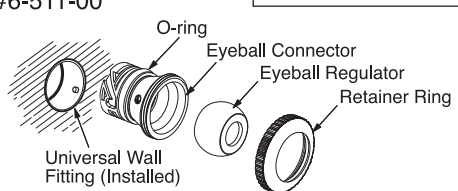
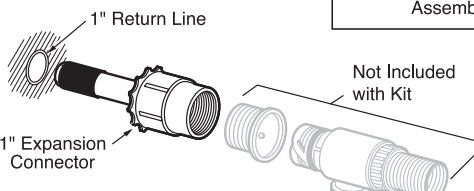
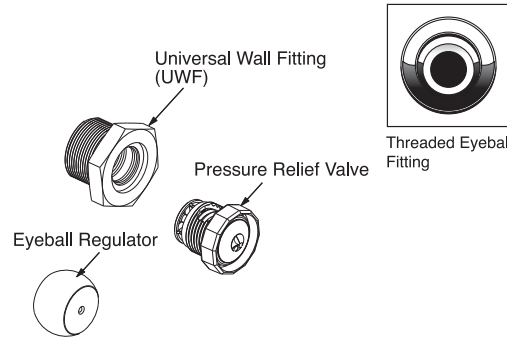
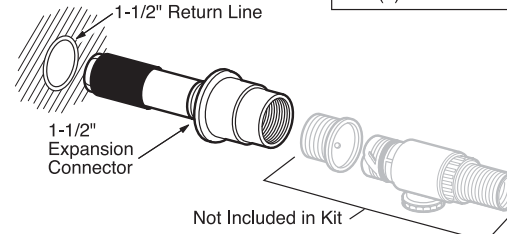
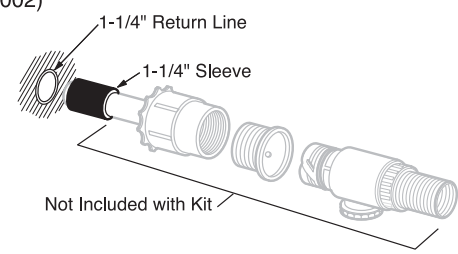
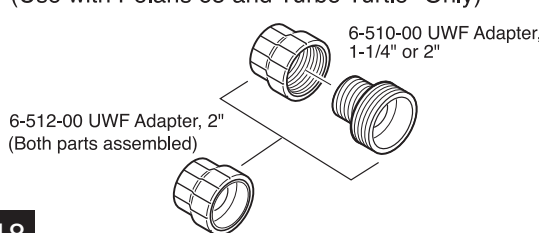
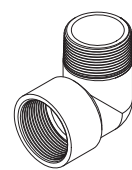


2 9-100-9010
9 A48



29 TSP10P 18/PK Bulk Pack
30 TSP10S 12/PK Strip Clip

Polaris Connectors and Fittings

<p>UWF® Eyeball Fitting Part #6-511-00</p> 	<p>KIT CONTAINS: One (1) UWF Eyeball Fitting</p>	<p>1" Stub Pipe Connection Kit Part #9-100-8002</p> 	<p>KIT CONTAINS: One (1) 1" Expansion Connector One (1) Expansion Connector with Pressure Relief Valve Assembly</p>
<p>15</p>	<p>16</p>	<p>19</p>	<p>20</p>
<p>Eyeball Fitting Connection Kit Part #9-100-8001</p> 	<p>KIT CONTAINS: One (1) 1-1/2" Pressure Relief Valve Assembly One (1) Eyeball Regulator</p>	<p>1-1/2" Stub Pipe Connection Kit Part #9-100-8003</p> 	<p>KIT CONTAINS: One (1) 1-1/2" Expansion Connector One (1) Expansion Connector with Pressure Relief Valve Assembly Two (2) Return Line Plugs</p>
<p>17</p>	<p>18</p>	<p>21</p>	<p>21</p>
<p>1-1/4" Sleeve Kit Part #8-841-00 (Use with 1" Stub Pipe Kit 8002)</p> 	<p>KIT CONTAINS: Two (2) 1-1/4" x 2" Sleeves Two (2) 1-1/4" x 3/4" Sleeves</p>	<p>21</p>	<p>21</p>
<p>UWF Adapter Kit Part #6-510-00 and #6-512-00 (Use with Polaris 65 and Turbo Turtle® Only)</p> 	<p>18</p>	<p>1 1/2" Street Elbow Part #9-100-9003</p> 	<p>33</p>
<p>17</p>	<p>18</p>	<p>21</p>	<p>21</p>
<p>17</p>	<p>18</p>	<p>21</p>	<p>21</p>

PUMPS
FILTERS
GAS HEATERS
HEAT PUMPS
AUTOMATION
WATER LEVELING
WATER SANITIZERS
VALVES
WATER FEATURES
LIGHTING
CLEANERS
IN-FLOOR
BLOWERS
ACCESSORIES

PUMPS
 FILTERS
 GAS HEATERS
 HEAT PUMPS
 AUTOMATION
 WATER LEVELING
 WATER SANITIZERS
 VALVES
 WATER FEATURES
 LIGHTING
CLEANERS
 IN-FLOOR
 BLOWERS
 ACCESSORIES

All-Purpose Bags



Key No.	Model(s)	Part No.	Description
1	3900 Sport	39-310	SuperBag (Double), Gray
2	3900 Sport , 480	48-057	SuperBag (Double), White
2	3900 Sport , 480	48-135	Velcro
3	380, 360	9-100-1014	All-Purpose
3	380, 360	9-100-1021	Zippered
4	380, 360, TR35P, TR36P	9-100-1016	All-Purpose, Black
4	380, 360, TR35P, TR36P	9-100-1022	Zippered, Black
5	280	K16	All-Purpose
5	280	K13	Zippered
6	3900 Sport , 480	K17	All-Purpose, Black
6	3900 Sport , 480	K23	All-Purpose Zippered, Black
6	280	K17	All-Purpose, Black
6	280	K23	Zippered, Black
7	180	A16	All-Purpose
8	165, 65, Turbo Turtle®	6-206-00	All-Purpose



Sand/Silt Bag

Traps very fine silt and dust

Key No.	Model(s)	Part No.	Description
9	380, 360, TR35P	9-100-1015	Sand/Silt Bag
9	280	K14	Sand/Silt Bag
10	3900 Sport, 280	K18	Sand/Silt Bag, Black

EZ Bag Disposable Filter Bags

Micron rating equal to cartridge filter

Key No.	Model(s)	Part No.	Description
11	480 PRO, 280	48-133	Without Collar (3)
11	380, 360	9-100-1024	With Collar (3)
11	180 (Not EZ Bag)	G45	Disposable Sand/Silt Bags (4)

Velcro Leaf Bags

Collects larger, heavier debris

12

13

14

15

16

17

18

19

20

Key No.	Model(s)	Part No.	Description
12	380, 360, TR35P, TR36P	9-100-1012	Velcro Leaf Bag
13	280, 3900 Sport, 480 PRO	K15	Velcro Leaf Bag
14	180	A15	Velcro Leaf Bag
15	165, 65, Turbo Turtle®	6-207-00	Velcro Leaf Bag

Robotic Filter Canisters

Key No.	Sport Model(s)	Part No.	Description
16	9300, 9300xi, 9400, 9350, 9450, 9550, 9650iQ	R0535900	General Purpose Canister
17	9300, 9300xi, 9400, 9350, 9450, 9550, 9650iQ	R0517800	Fine Sand/Silt Canister
18	9300, 9300xi, 9400, 9350, 9450, 9550, 9650iQ	R0535800	Ultra Fine Sand/Silt Canister
19	9100	R0531206	All-Purpose Canister
20	9100	R0531205	Leaf Canister
21	8050	R0632701	General Purpose Canister
22	8050	R0632700	Fine Filter Canister
23	8050	R0632702	Ultra Fine Sand/Silt Canister
24	7240	R0763200	Fine Filter Canister
25	7240	R0763300	General Purpose Filter Canister
26	7240	R0763400	Ultra Fine Filter Canister

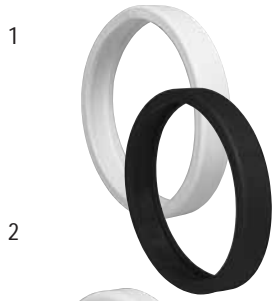


PUMPS
 FILTERS
 GAS HEATERS
 HEAT PUMPS
 AUTOMATION
 WATER LEVELING
 WATER SANITIZERS
 VALVES
 WATER FEATURES
 LIGHTING
CLEANERS
 IN-FLOOR
 BLOWERS
 ACCESSORIES

Specialty Tires

Max Trax®

All-purpose tire that provides maximum traction without damage to pool finishes.



Key No.	Model(s)	Part No.	Description
1	380, 360, 280, 180	C10	Max Trax Tire
2	Black Max™ models: 380, 360, 280, TR35P, TR36P	C11	Max Trax Tire
3	ATV®	5-4025	Max Trax Tire

PosiTrax®

A tire that gives pool cleaners more traction on smooth-finish pools like fiberglass or tile.

Key No.	Sport Model(s)	Part No.	Description
4	380, 360	C13	PosiTrax Tire
4	380, 360 Black Max, TR35P, TR36P	C14	PosiTrax Tire, Black
4	ATV	5-4016	PosiTrax Tire

Wide Trax®

This high performance, low profile tire maximizes climbing and maneuverability.

Key No.	Sport Model(s)	Part No.	Description
5	480 PRO	48-032	Wide Trax Tire
5	480 Black Max, 3900	48-232	Wide Trax Tire, Black

TankTrax® (Track Tire only)

A special tank-like tire that easily rolls over strong floor angles and stairs.

Key No.	Sport Model(s)	Part No.	Description
6	480 PRO	48-037	TankTrax
6	280	C18	TankTrax

Aqua Trac Tires

Robotic Cleaner Tires

Key No.	Sport Model(s)	Part No.	Description
7	9300xi, 9300, 9350	R0529300	Large (Front) Aqua Trac Tire
8	9300xi, 9300, 9350	R0529400	Small (Rear) Aqua Trac Tire
9	9400, 9550, 9450, 9650iQ	R0539600	Aqua Trac Tire

Accessories

Sweep Hose Scrubber

For All Three Wheel Pressure Cleaner models



Key No.	Model(s)	Part No.	Description
10	For All Three Wheel Pressure Cleaner models	R0522400	Sweep Hose Scrubber (3/PK)
10		9-100-3105	Sweep Hose Scrubber (Single)

TailSweep PRO®

For All Three Wheel Pressure Cleaner models



The Polaris TailSweep PRO is a simple retrofit accessory that prevents your Polaris pressure-side pool cleaner's sweep hose from spraying water out of the pool and splashing windows, walkways, and precious landscaping.

This innovative accessory also delivers 50% more flow through its jet pump propulsion to improve sweeping.

TailSweep PRO®



Key No.	Model(s)	Part No.	Description
11	For All Three Wheel Pressure Cleaner models	TSP10P	TailSweep PRO (18/PK)
12		TSP10S	TailSweep PRO (12/PK)

Polaris Robotic Cleaner Cover

Protect your robotic cleaner and caddy from the elements with the Polaris Robotic Cleaner Cover.



Key No.	Model(s)	Part No.	Description
13	For Most Robotic Cleaner models	R0785800	Robotic Cleaner Cover



Enroll in one of our Zodiac incentive programs (ProEdge, ZPPN, Retail Select) and enjoy benefits such as extended warranties and access to bulk part discounts. Trust in the quality of genuine parts and Zodiac will provide you with the tools to help grow your business. Contact your local Zodiac representative today for details.

CLEANERS / POLARIS® CLEANER ACCESSORIES & PARTS

Polaris 9650iQ Sport Robotic

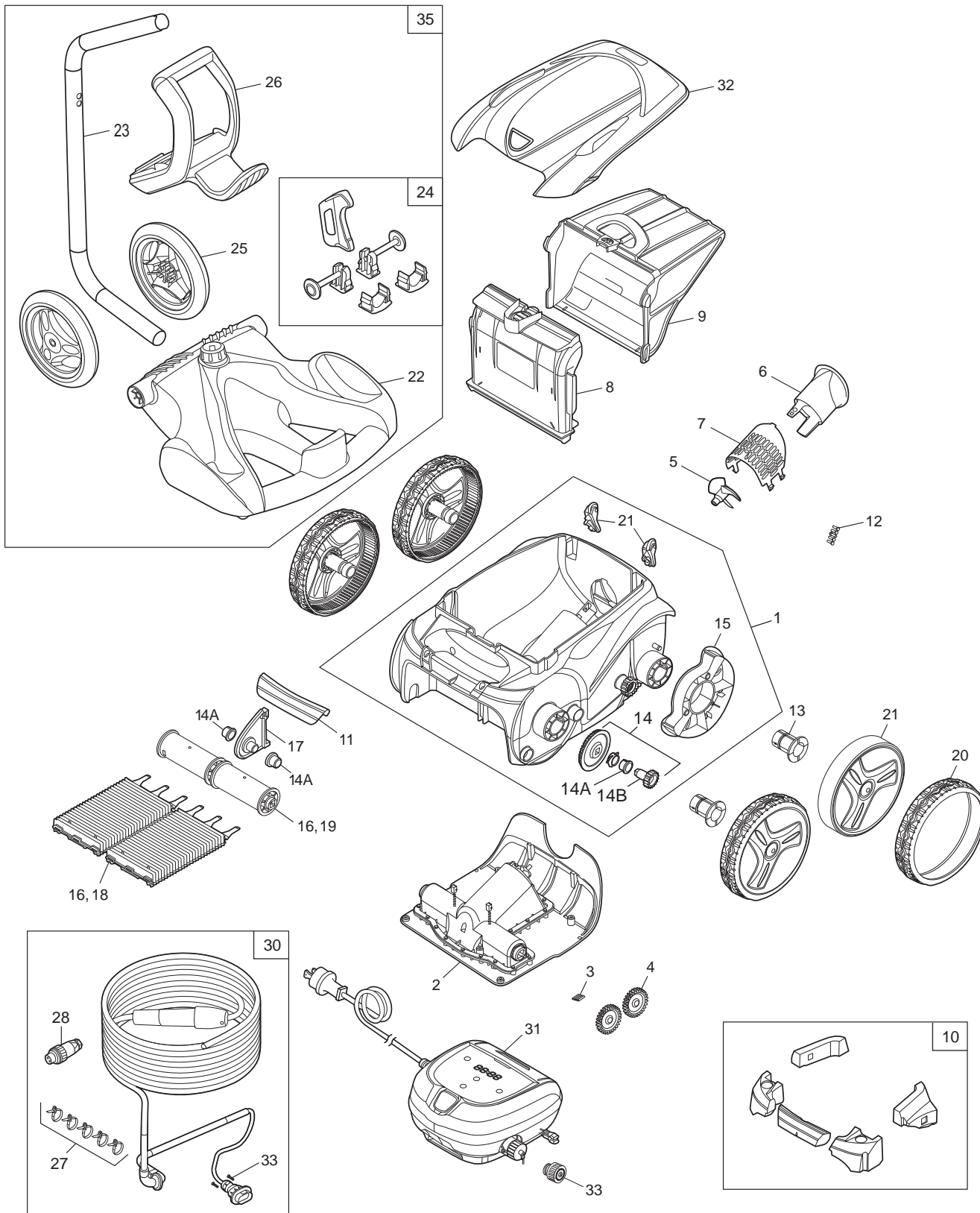
Part# F9650iQ

Key No.	Part No.	Description	Pieces	
			in Model	per Part No.
1	R0539200	Main Housing	1	1
2	R0638100	Motor Block Type D	1	1
3	R0567800	Motor Block Shaft Pin, 5/PK	1	1
4	R0518800	Drive Gear, 2/PK	2	2
5	R0517000	Propeller	1	1
6	R0517500	Flow Outlet	1	1
7	R0517600	Motor Screen	1	1
8	R0517700	Filter Canister Inlet Housing	1	1
9	R0535900	General Purpose Canister *comes standard	1	1
9	R0517800	Fine Filter Canister	0	1
9	R0535800	Ultra Fine Sand/Silt Canister	0	1
10	R0539700	Float	1	1
11	R0540400	Handle Grip	1	1
12	R0516700	Screw 12 mm, 5/PK	24	5
13	R0518500	Wheel Bushing (1 set for 1 wheel)	4	1
14	R0517200	Transmission Kit	4	1
14A	R0639100	Outer Bearing, 2/PK	6	2
14B	R0639000	17 Point Gear, 2/PK	4	2

Key No.	Part No.	Description	Pieces	
			in Model	per Part No.
15	R0540300	Wheel Covers	2	1
16	R0517400	Brush/Roller Kit, 2/PK	2	2
17	R0518700	Roller Support	1	1
18	R0528900	Brush, 2/PK	2	2
19	R0518100	Roller, 2/PK	2	2
20	R0539600	Tire, Gray	4	1
21	R0539500	Wheel, Black	4	1
22	R0564800	Caddy Base	1	1
23	R0565200	Caddy Tube	1	1
24	R0564900	Caddy Accessories	1	1
25	R0565100	Caddy Wheel Kit, 2/PK	2	2
26	R0565000	Caddy Handle	1	1
27	R0567900	Floating Cable Clamp, 5/PK	1	5
28	R0565600	Floating Cable Plug	1	1
30	R0726700	Swivel Floating Cable Kit 21M	1	1
31	R0761800	Control Box Wi-Fi Type 1 US	1	1
32	R0761900	Hood 9650iQ Sport	1	1
33	R0800500	Control Box Connector Cap	1	1
34	R0608500	Screw M4*16mm, 5/PK	2	5
35	R0609100	Complete Caddy Kit V	1	1

Polaris 9650iQ Sport Robotic

Part# F9650iQ



CLEANERS / POLARIS® CLEANER ACCESSORIES & PARTS

Polaris 9550 Sport Robotic

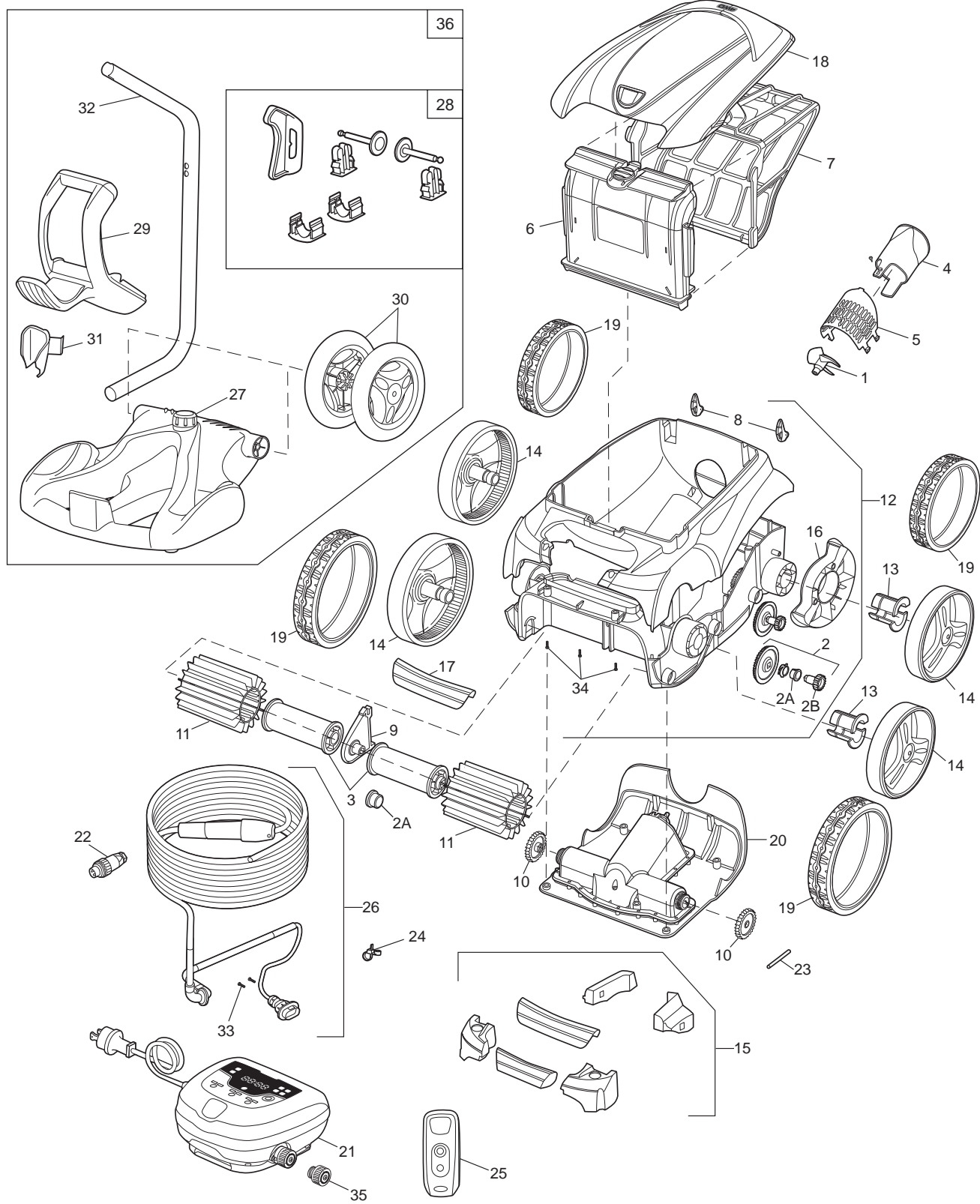
Part# F9550

Key No.	Part No.	Description	Pieces in Model	Pieces per Part No.
1	R0517000	Propeller	1	1
2	R0517200	Transmission Kit	4	1
2A	R0639100	Outer Bearing, 2/PK	6	2
2B	R0639000	17 Point Gear, 2/PK	4	2
3	R0517400	Brush Roller Kit, 2/PK	2	2
4	R0517500	Flow Outlet	1	1
5	R0517600	Motor Screen	1	1
6	R0517700	Filter Canister Inlet Housing	1	1
7	R0535900	General Purpose Canister *comes standard	1	1
7	R0517800	Fine Filter Canister	0	1
7	R0535800	Ultra Fine Sand/Silt Canister	0	1
8	R0518100	Roller, 2/PK	2	2
9	R0518700	Roller Support	1	1
10	R0518800	Drive Gear, 2/PK	2	2
11	R0528900	Brush, 2/PK	2	2
12	R0539200	Main Body Housing Kit	1	1
13	R0518500	Wheel Bushing Kit (1 Set for 1 Wheel)	4	1
14	R0539500	Wheel, Black	4	1
15	R0539700	Float Kit	1	1

Key No.	Part No.	Description	Pieces in Model	Pieces per Part No.
16	R0540300	Wheel Cover	2	1
17	R0540400	Handle Grip	1	1
18	R0588500	Hood Kit	1	1
19	R0539600	Tire, Gray	4	1
20	R0638100	Motor Block Type D	1	1
21	R0588300	Control Unit	1	1
22	R0565600	Floating Cable Plug	1	1
23	R0567800	Motor Block Shaft Pin, 5/PK	1	5
24	R0567900	Floating Cable Clamp Kit, 5/PK	1	5
25	R0589000	Remote Control	1	1
26	R0726700	Swivel Floating Cable Kit 21M	1	1
27	R0564800	Caddy Base	1	1
28	R0564900	Caddy Accessories Kit	1	1
29	R0565000	Caddy Handle	1	1
30	R0565100	Caddy Wheel Kit, 2/PK	2	2
31	R0548500	Remote Control Holster	1	1
32	R0565200	Caddy Tube	1	1
33	R0608500	Screw M4*16mm, 5/PK	2	5
34	R0516700	Screw M4*12mm, 5/PK	24	5
35	R0800500	Control Box Connector Cap	1	1
36	R0609100	Complete Caddy Kit V	1	1

Polaris 9550 Sport Robotic

Part# F9550



CLEANERS / POLARIS® CLEANER ACCESSORIES & PARTS

Polaris 9450 Sport Robotic

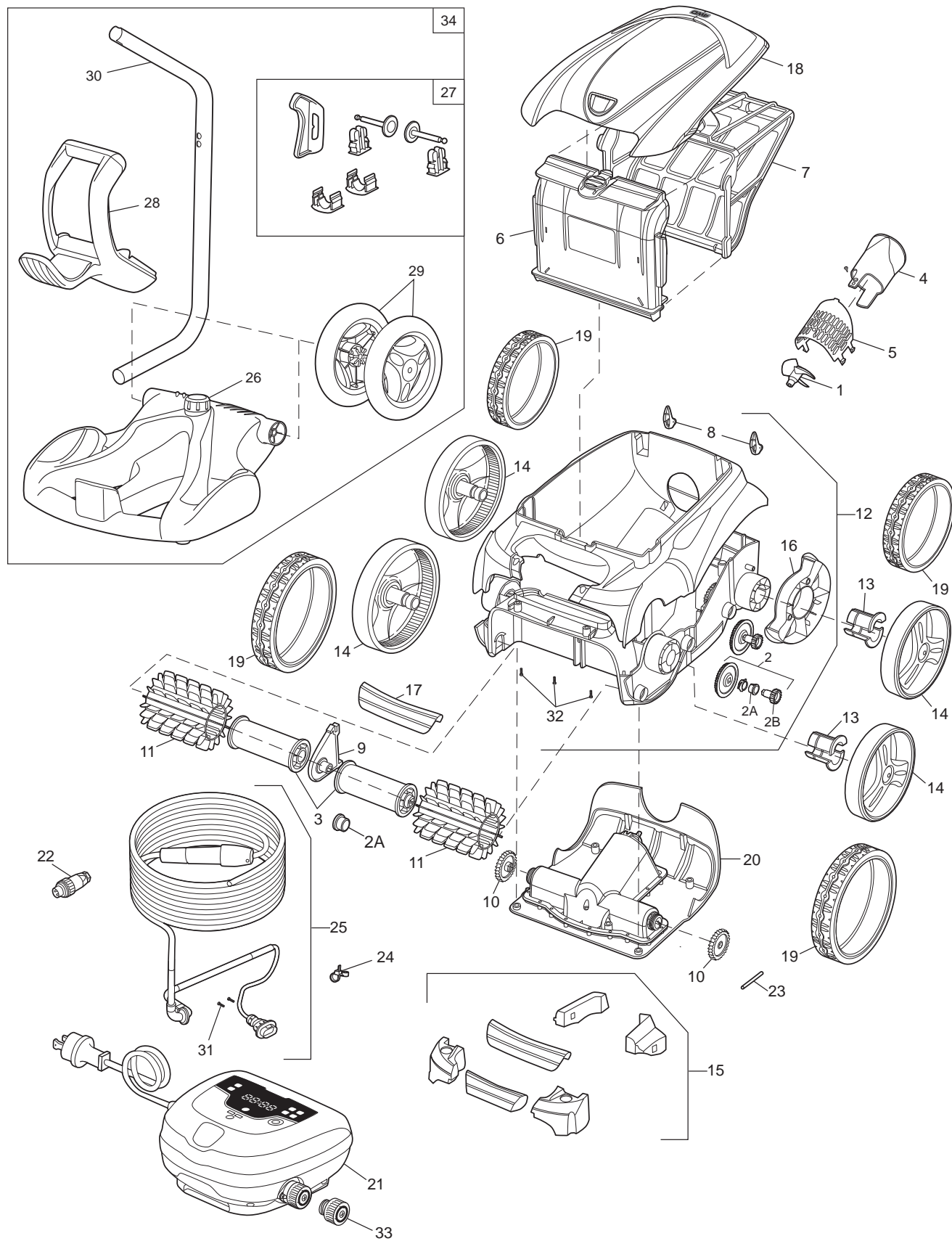
Part# F9450

Key No.	Part No.	Description	Pieces in Model	Pieces per Part No.
1	R0517000	Propeller	1	1
2	R0517200	Transmission Kit	4	1
2A	R0639100	Outer Bearing, 2/PK	6	2
2B	R0639000	17 Point Gear, 2/PK	4	2
3	R0517400	Brush Roller Kit, 2/PK	2	2
4	R0517500	Flow Outlet Kit	1	1
5	R0517600	Motor Screen	1	1
6	R0517700	Filter Canister Inlet Housing	1	1
7	R0535900	General Purpose Canister *comes standard	1	1
7	R0517800	Fine Filter Canister	0	1
7	R0535800	Ultra Fine Sand/Silt Canister	0	1
8	R0518100	Roller, 2/PK	2	2
9	R0518700	Roller Support Kit	1	1
10	R0518800	Drive Gear, 2/PK	2	2
11	R0517300	Brush, 2/PK	2	2
12	R0539200	Main Body Housing Kit	1	1
13	R0518500	Wheel Bushing Kit (1 Set for 1 Wheel)	4	1
14	R0539500	Wheel, Black	4	1

Key No.	Part No.	Description	Pieces in Model	Pieces per Part No.
15	R0539700	Float Kit	1	1
16	R0540300	Wheel Cover	2	1
17	R0540400	Handle Grip	1	1
18	R0539400	Hood Kit	1	1
19	R0539600	Tire, Gray	4	1
20	R0638000	Motor Block Type C	1	1
21	R0564700	Control Unit Kit	1	1
22	R0565600	Floating Cable Plug Kit	1	1
23	R0567800	Motor Block Shaft Pin, 5/PK	1	5
24	R0567900	Floating Cable Clamp Kit, 5/PK	1	5
25	R0726600	Swivel Floating Cable Kit 18M	1	1
26	R0564800	Caddy Base	1	1
27	R0564900	Caddy Accessories Kit	1	1
28	R0565000	Caddy Handle	1	1
29	R0565100	Caddy Wheel Kit, 2/PK	2	2
30	R0565200	Caddy Tube	1	1
31	R0608500	Screw M4*16mm, 5/PK	2	5
32	R0516700	Screw M4*12mm, 5/PK	24	5
33	R0800500	Control Box Connector Cap	1	1
34	R0609100	Complete Caddy Kit V	1	1

Polaris 9450 Sport Robotic

Part# F9450



CLEANERS / POLARIS® CLEANER ACCESSORIES & PARTS

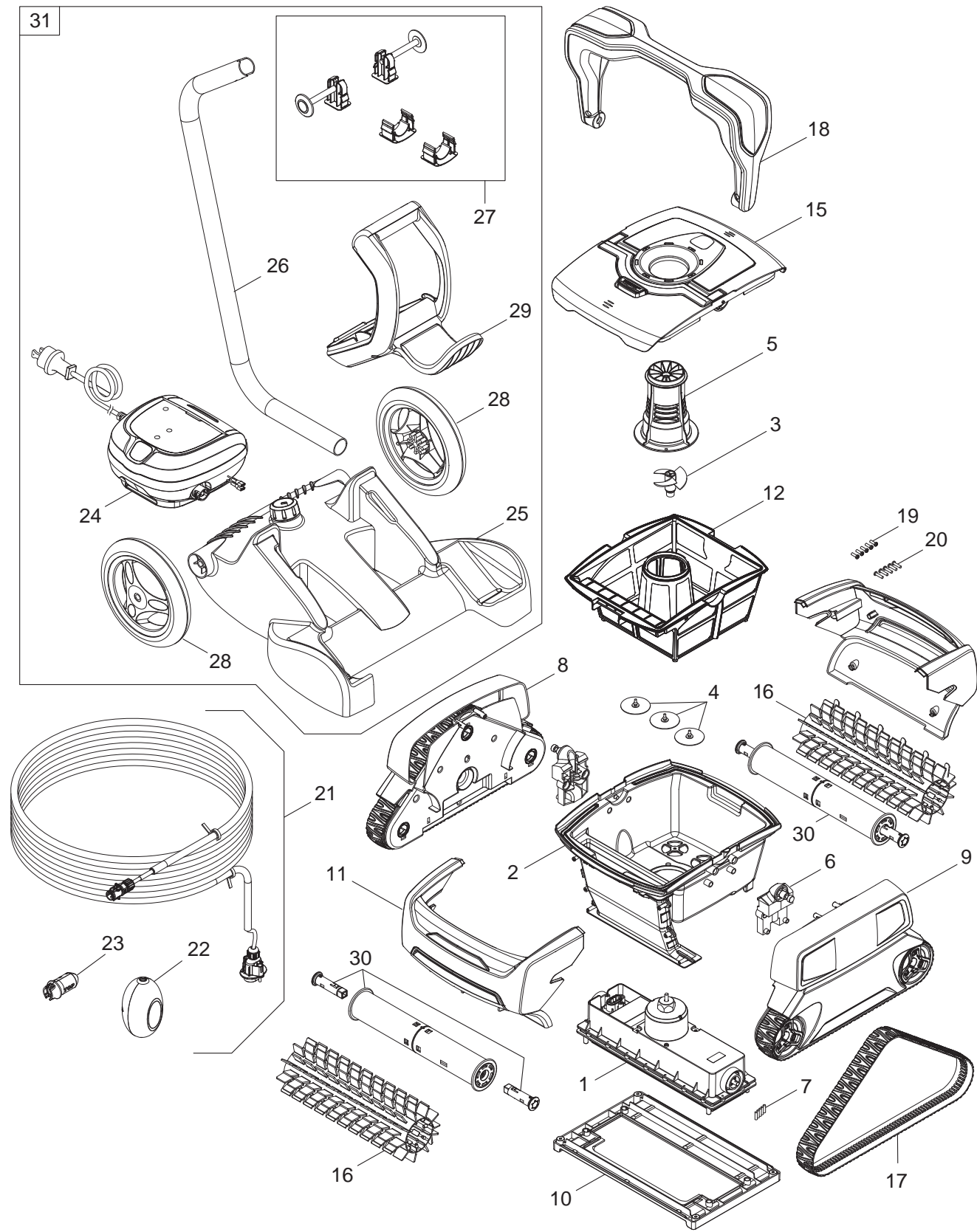
Polaris 8050 Sport Robotic

Part# F8050

Key No.	Part No.	Description	Pieces in Model	Pieces per Part No.
1	R0632000	Complete Motor Block	1	1
2	R0633400	Bowl	1	1
3	R0633200	Impeller	1	1
4	R0633300	Exhaust Valve, 3/PK	3	3
5	R0633500	Flow Outlet	1	1
6	R0633600	Handle Shaft	2	1
7	R0657900	Motor Block Shaft Pin 04, 5/PK	1	5
8	R0715300	Complete Free Gear Box	1	1
9	R0715400	Complete Gear Box	1	1
10	R0633800	Bottom Plate	1	1
11	R0715600	Body B Blue	2	1
12	R0632701	Complete Filter 200 (General Purpose Canister) *comes standard	1	1
12	R0632700	Complete Filter 100 (Fine Filter Canister)	0	1
12	R0632702	Complete Filter 60 (Ultra Fine Sand/Silt Canister)	0	1

Key No.	Part No.	Description	Pieces in Model	Pieces per Part No.
15	R0747600	Complete Cover B-2	1	1
16	R0657600	Brush Scrubber RAL9022, 2/PK	2	2
17	R0657700	Track, 2/PK	2	2
18	R0747500	Complete Handle B	1	1
19	R0516700	Screw 4*12, 5/PK	2	5
20	R0608500	Screw 4*16mm, 5/PK	26	5
21	R0632100	Complete Floating Cable 15M	1	1
22	R0657800	Cable Float	1	1
23	R0634100	Connector 3Pts Body	1	1
24	R0754300	Control Box Type 2 US	1	1
25	R0632800	Complete Lower Part Trolley	1	1
26	R0634400	Trolley Tube	1	1
27	R0632900	Trolley Accessories	1	1
28	R0565100	Caddy Wheel, 2/PK	2	2
29	R0565000	Caddy Handle	1	1
30	R0722400	Brush Roller + Keys	2	1
31	R0639500	Complete Caddy Kit C	1	1

Polaris 8050 Sport Robotic
Part# F8050



CLEANERS / POLARIS® CLEANER ACCESSORIES & PARTS

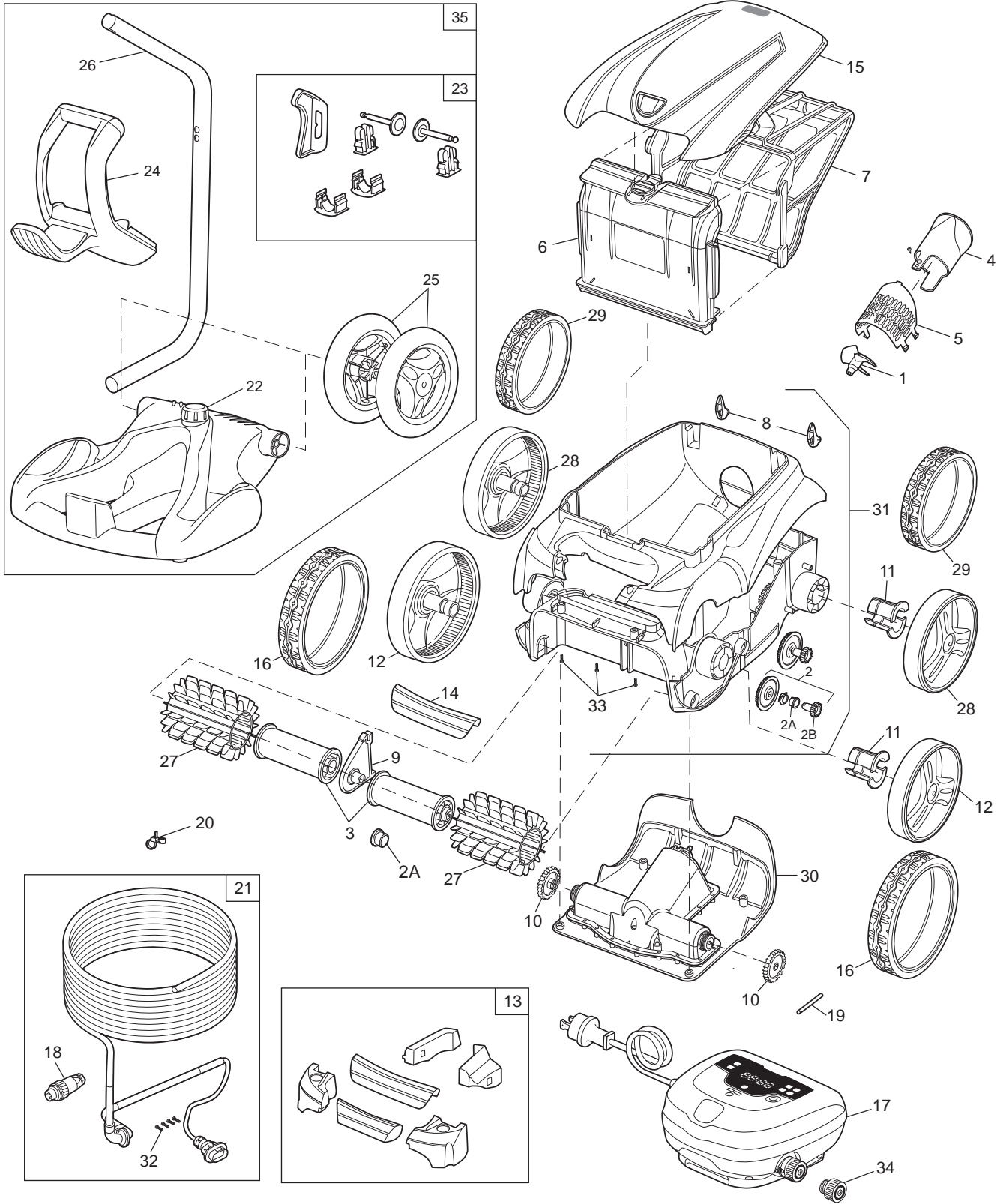
Polaris 9350 Sport Robotic

Part# F9350

Key No.	Part No.	Description	Pieces in Model	Pieces per Part No.
1	R0517000	Propeller	1	1
2	R0517200	Transmission Kit	2	1
2A	R0639100	Outer Bearing, 2/PK	6	2
2B	R0639000	17 Point Gear, 2/PK	4	2
3	R0517400	Brush Roller Kit, 2/PK	2	2
4	R0517500	Flow Outlet Kit	1	1
5	R0517600	Motor Screen	1	1
6	R0517700	Filter Canister Inlet Housing	1	1
7	R0535900	General Purpose Canister *comes standard	1	1
7	R0517800	Fine Filter Canister	0	1
7	R0535800	Ultra Fine Sand/Silt Canister	0	1
8	R0518100	Roller Kit	1	1
9	R0518700	Roller Support Kit	1	1
10	R0518800	Drive Gear, 2/PK	2	2
11	R0518500	Wheel Bushing Kit (1 Set for 1 Wheel)	4	1
12	R0529000	Wheel, Silver	2	1
13	R0539700	Float Kit	1	1
14	R0540400	Handle Grip	1	1

Key No.	Part No.	Description	Pieces in Model	Pieces per Part No.
15	R0543300	Hood Kit, w/o Spoiler	1	1
16	R0529300	Front Tire, Black	2	1
17	R0588100	Control Unit Kit	1	1
18	R0565600	Floating Cable Plug Kit	1	1
19	R0567800	Motor Block Shaft Pin, 5/PK	1	5
20	R0567900	Floating Cable Clamp Kit, 5/PK	1	5
21	R0516800	Floating Cable	1	1
22	R0564800	Caddy Base	1	1
23	R0564900	Caddy Accessories Kit	1	1
24	R0565000	Caddy Handle	1	1
25	R0565100	Caddy Wheel Kit, 2/PK	2	2
26	R0565200	Caddy Tube Kit	1	1
27	R0517300	Brush, 2/PK	2	2
28	R0529100	Rear Wheel, Small, Silver	2	1
29	R0529400	Rear Tire, Black	2	1
30	R0637800	Motor Block Type A	1	1
31	R0589100	Main Housing (Top and Bottom)	1	1
32	R0608500	Screw M4*16mm, 5/PK	2	5
33	R0516700	Screw M4*12mm, 5/PK	16	5
34	R0800500	Control Box Connector Cap	1	1
35	R0609100	Complete Caddy Kit V	1	1

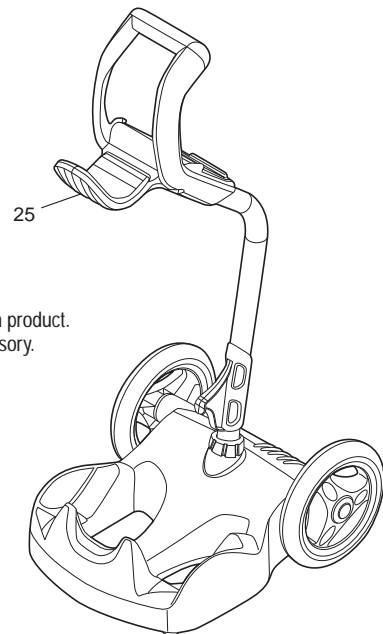
Polaris 9350 Sport Robotic
 Part# F9350



Polaris 7240 Sport Compact Robotic

Part# F7240

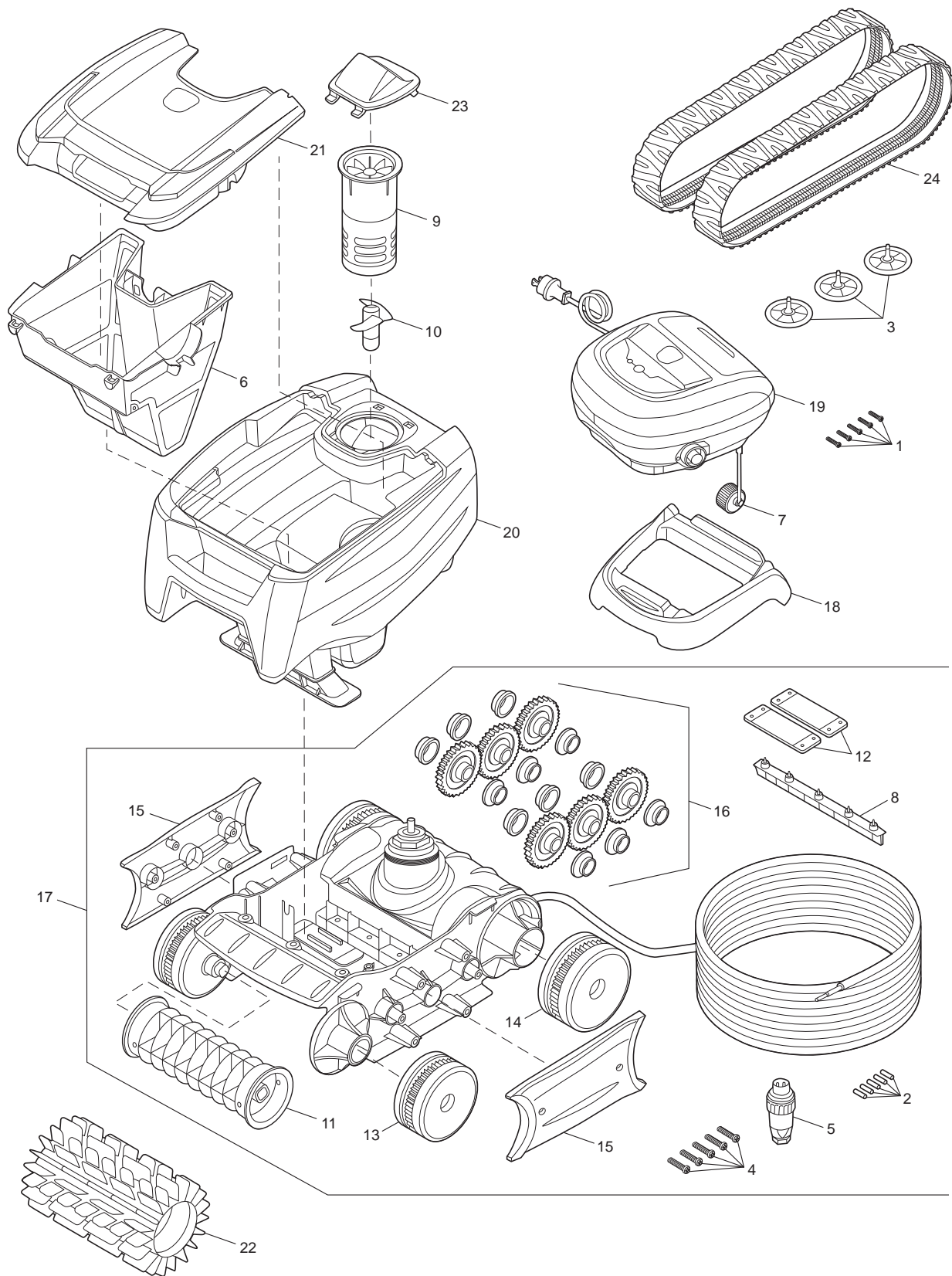
Key No.	Part No.	Description	Pieces in Model	Pieces per Part No.
1	R0516700	Screw 4*12, 5/PK	9	5
2	R0657900	Motor Block Shaft Pin 04, 5/PK	1	5
3	R0633300	Exhaust Valve C, 3/PK	3	3
4	R0638900	Screw 4*25mm, 5/PK	2	5
5	R0565600	Floating Cable Plug	1	1
6	R0763200	Fine Filter Canister Polaris	0	1
6	R0763300	General Purpose Filter Canister Polaris *comes standard	1	1
6	R0763400	Ultra Fine Filter Canister Polaris	0	1
7	R0800500	Control Box Connector Cap	1	1
8	R0765800	Blade Kit, 5/PK	1	5
9	R0766100	Flow Outlet	1	1
10	R0766200	Impeller	1	1
11	R0767000	Brush Holder	1	1
12	R0767100	Ballast Smaller, 2/PK	3	2
13	R0771800	Complete Front Wheels	2	2
14	R0771900	Complete Back Wheels	2	2
15	R0772000	Right And Left Flanges	2	2
16	R0772100	Complete Gears System	1	1
17	R0767400	Complete Chassis *includes motor block and cable	1	1
18	R0662600	Control Unit Base	1	1
19	R0762500	Control Box Floor and Wall US	1	1
20	R0766300	Complete Body Type 1	1	1
21	R0764700	Complete Cover Type 2 Polaris	1	1
22	R0765400	Brush R9022 Polaris	1	1
23	R0765900	Nozzle R9022	1	1
24	R0765700	Track Polaris, 2/PK	2	2
25	R0767600	Complete Caddy	0	1



Caddy does not ship with product.
 This is an optional accessory.

Polaris 7240 Sport Compact Robotic

Part# F7240



PUMPS
 FILTERS
 GAS HEATERS
 HEAT PUMPS
 AUTOMATION
 WATER LEVELING
 WATER SANITIZERS
 VALVES
 WATER FEATURES
 LIGHTING
CLEANERS
 IN-FLOOR
 BLOWERS
 ACCESSORIES

CLEANERS / POLARIS® CLEANER ACCESSORIES & PARTS

Polaris 3900 Sport

Part# F6

Key No.	Part No.	Description	Pieces in Model	Pieces per Part No.
1	39-310*	3900 Sport SuperBag	1	1
2	39-003	Top Housing Assembly	1	1
3	R0538000	Float, Head Kit	1	KIT
4	R0537900	Canopy	1	1
5	R0538100	Housing Top	1	1
6	C40	Screw, 10-32 x 3/8" SS Pan Head	17	10
7	39-006	Vacuum Tube/Feedpipe Assembly w/ O-Ring	1	KIT
7A	48-141	O-Ring, Feed Hose Connector	1	1
8	39-008	Hubcap	3	1
9	48-232*	Wide Trax® Tire, Black	3	1
10	48-036	Wheel Lock Screw	3	1
11	39-410	Double-Side Wheel	2	1
11A	9-100-1108	Ball Bearing	8	1
12	39-126*	Chain	1	1
13	39-420	Wheel Sprocket Assembly w/ Bearing	2	1
14	39-602	Wheel Spacer	2	1
15	39-100	Frame (Warranty Only)	1	1
16	39-111	Bumper	1	1
17	39-120	Chain Tensioner Kit	1	KIT
18	39-430	Rear Axle Block Assembly	1	KIT
19	39-440	Front Axle Block Assembly	1	1
20	48-045	Screw, 10-32 x 7/8" SS Pan Head w/ Star Washer	4	1
21	39-200	Gearbox Assembly	1	1
22	39-300	WMS Assembly w/ O-Ring	1	1
22A	R0544000	O-Ring WMS Upper to Vactube Interface	1	1
23	39-005	Rear Housing	1	1
24	39-004	Bottom Housing	1	1
25	39-401	Single-Side Wheel	1	1
26	B16	Sweep Hose Attach Clamp, Black	1	1
27	39-021*	Sweep Hose Wear Ring, Blue, 8/PK	8	8
28	B25	Orifice Tip w/ Orifice Tip Guard	1	1
29	9-100-3105*	Sweep Hose Scrubber	1	1
29	R0522400	Sweep Hose Scrubber, 3/PK	1	3
30	TSP10P	TailSweep PRO®, Bulk Box	1	18
30	TSP10S	TailSweep PRO, Strip Clip	1	12
31	39-500*	Sweep Hose Complete	1	1
32	10-112-00	UWF® Restrictor Disks, Red & Blue	2	KIT

Key No.	Part No.	Description	Pieces in Model	Pieces per Part No.
33	6-550-00	Universal Wall Fitting (UWF), Black	1	1
34	10-108-00	UWF Restrictor Kit	1	KIT
35	6-505-00	O-Ring, UWF	1	1
36	9-100-9006	Pressure Relief Valve, Blk	1	1
37	D30	Quick Disconnect, UWF, Blk	1	KIT
38	D16	Nut, Feed Hose, Black	10	1
39	9-100-9005	UWF Connector Assy, Blk	1	KIT
40	R0616100	Adapter Hose, 8 1/2", Black	1	1
41	48-085	In-line Filter Assy, Black	1	1
42	48-222	Screen, In-line Filter	1	1
43	D11	Float, Feed Hose, Black	7	1
44	D21	Swivel Ball Bearing, Black	3	1
45	D47	Feed Hose, 10', Black	2	1
46	D52	Leader Hose, 10', Black	1	1
47	G62	Back-up Valve Kit, Black	1	KIT
48	G53	Mechanism for Backup Valve	1	1
49	48-240	Feed Hose Connector Assembly, Black	1	1
49	48-140	Feed Hose Connector Assembly, White	1	1
50	G6	Feed Hose Assy Complete w/ UWF, No Backup Valve, No In-line Filter, Black	1	KIT
51	R0538200	Screw, Self-Tapping, Canopy	3	3
52	R0537800	Chain Guard	1	1
53	R0547400	Turbine Gear Assembly	3	1
54	R0547500	Drive Sprocket Assembly	2	1
55	G67	Collar, Back-up Valve, Black	1	1
56	G64	Case Kit for G62, Black	1	KIT

*Suggested stocking item.

Polaris 3900 Sport Tune-Up Kit:

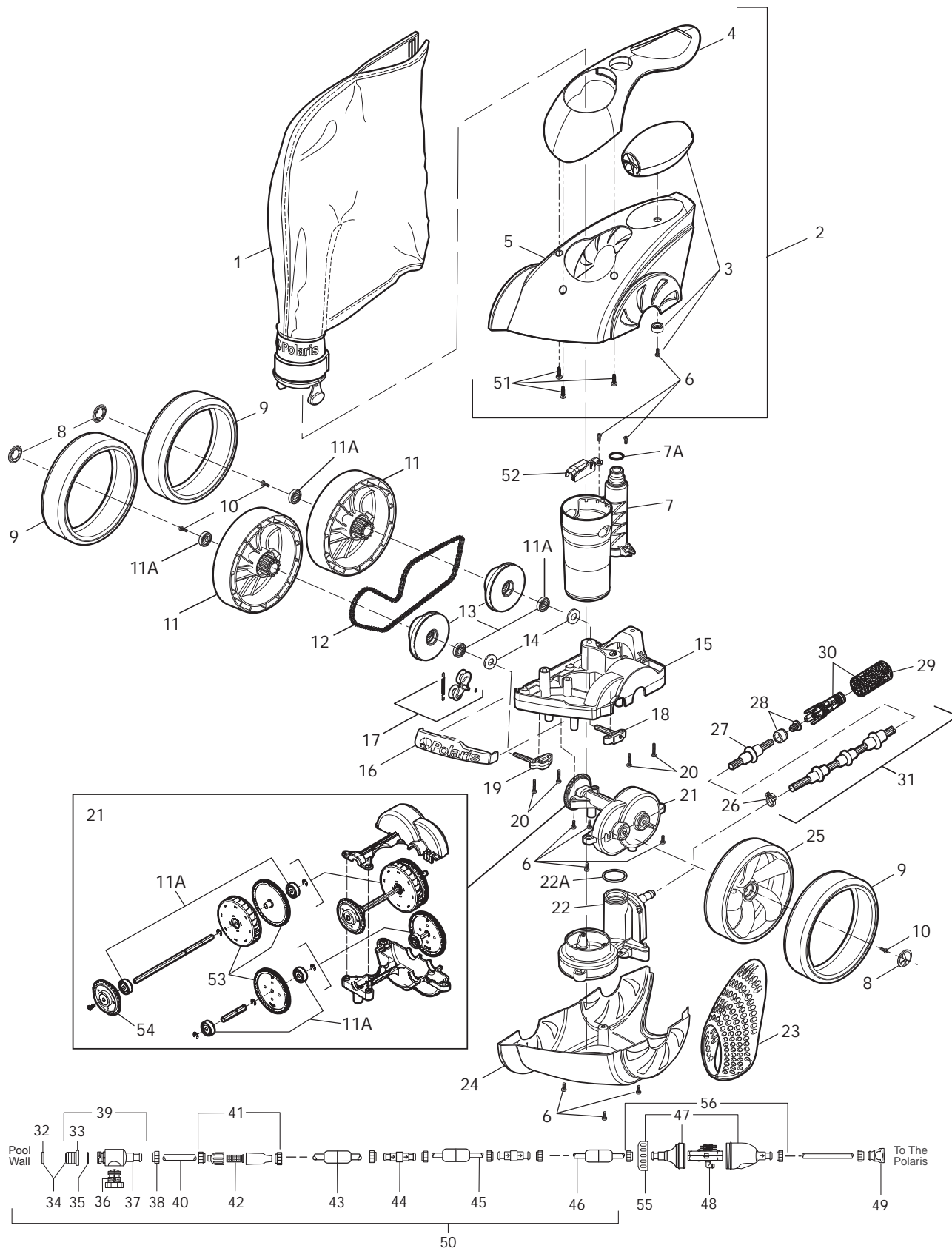
Part# R0543200

No.	Part No.	Qty
7	39-006	1
7A	48-141	1
6	C40	1
12	39-126	1
13	39-420	1
17	39-120	1
18	39-430	1
19	39-440	1

No.	Part No.	Qty
21	39-200	1
24	39-004	1
25	39-401	1
20	48-045	1
52	R0537800	1
14	39-602	1
16	39-111	1
10	48-036	1

Polaris 3900 Sport

Part# F6



CLEANERS / POLARIS® CLEANER ACCESSORIES & PARTS

Polaris TR35P

Part# WE000003

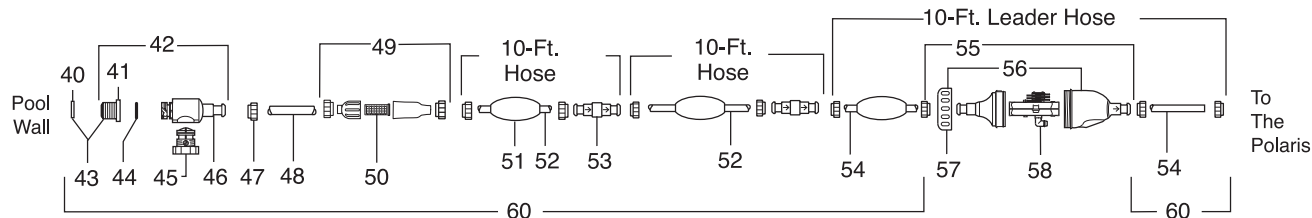
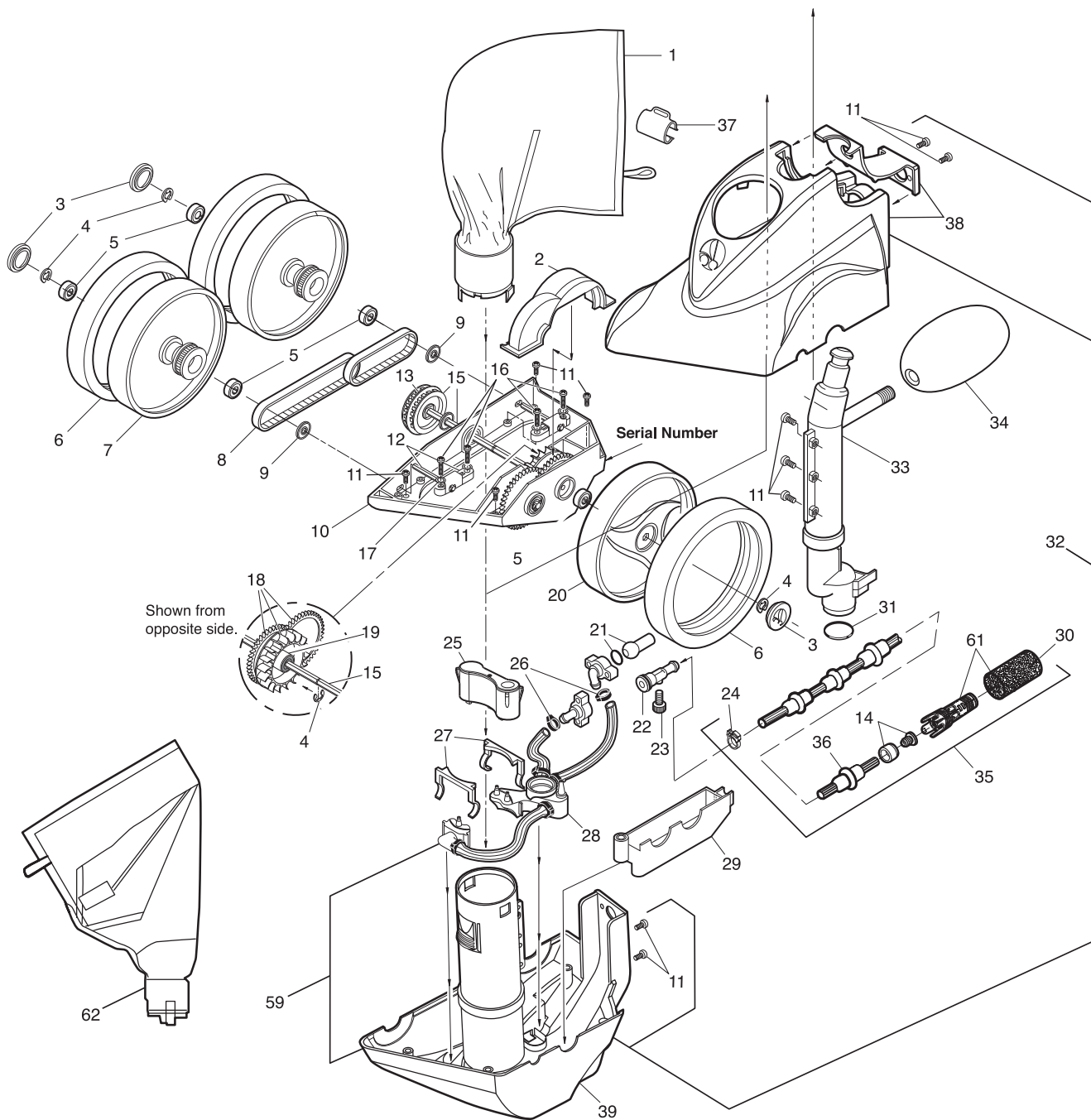
Key No.	Part No.	Description	Pieces in Model	Pieces per Part No.
1	9-100-1022	Zippered All-Purpose Bag, Black	1	1
2	9-100-1152	Housing, Turbine Upper	1	1
3	R0615600	Hub Cap, Silver	3	1
4	9-100-5107	E-Clip, Stainless Steel	10	1
5	9-100-1108	Ball Bearing	8	1
6	C11	Tire, Max Trax®, Black	3	1
7	R0615700	Wheel, Double-Side, Silver	2	1
8	9-100-1017*	Belt Kit, Small and Large	1	KIT
9	9-100-7011	Shield, Bearing	3	1
10	9-100-1005	Frame (Warranty Only)	1	1
11	9-100-5125	Screw, 8-32 x 1/2" SS Pan Head	11	1
12	9-100-1139	Axle Block Kit (front and rear)	1	1
13	9-100-1010	Belt Divider, Transfer Pulley	1	1
14	B25	Orifice Tip w/ Tip Guard	1	1
15	9-100-1007*	Trans Pulley/Drive Shaft Assembly	1	1
16	9-100-5115	Screw, 8-32 x 3/4" SS	4	5
17	9-100-5130	Lock Washer, Axle Block	4	4
18	9-100-1132	Drive Train Gear Kit w/ Turbine Bearing	1	KIT
19	9-100-1103	Turbine Wheel w/ Bearing	1	1
20	R0615800	Wheel, Single-Sided, Silver	1	1
21	C131	Thrust Jet Kit	1	KIT
22	9-100-7008	Sweep Hose Barb Complete	1	1
23	B20	Adjustment Screw, Sweep Hose	1	1
24	B16*	Sweep Hose Attachment Clamp, Black	1	1
25	9-100-9004	Base Weight	1	1
26	9-100-7170	Hose Clamp for WMS	6	6
27	9-100-7009	Jet Retainer	2	2
28	9-100-7010	Water Management System (WMS)	1	KIT
29	9-100-1155	Housing, Turbine Lower	1	1
30	9-100-3105*	Sweep Hose Scrubber	1	1
30	R0522400	Sweep Hose Scrubber, 3/PK	1	3
31	9-100-5132*	O-Ring, Feed Pipe Assembly	1	1
32	R0615900	Top and Base Assembly	1	KIT

Key No.	Part No.	Description	Pieces in Model	Pieces per Part No.
33	9-100-7007	Feed Pipe/Timer Blank Assembly, Black	1	1
34	A21*	Float, Head, Black	1	1
35	39-500	Sweep Hose Complete	1	1
36	39-021	Sweep Hose Wear Ring, Blue, 8/PK	8	8
37	9-100-1019	Bag Clip, Black	1	1
38	9-100-1240	Top Housing	1	KIT
39	R0616000	Base Assembly, Silver	1	KIT
40	10-112-00	UWF® Restrictor Discs, Red and Blue	2	KIT
41	6-550-00	Universal Wall Fitting (UWF), Black	1	1
42	9-100-9005	UWF Connector Assembly, Black	1	1
43	10-108-00	UWF Restrictor Kit	1	1
44	6-505-00	O-Ring, UWF/QD, Black	1	1
45	9-100-9006	Pressure Relief Valve, Black	1	1
46	D30	Quick Disconnect, UWF, Black	1	1
47	D16	Nut, Feed Hose, Black	10	1
48	R0616100	Adapter Hose, 8 1/2", Blk	1	1
49	48-085	In-Line Filter Assembly, Black	1	1
50	48-222	Screen, In-Line Filter	1	1
51	D11	Float, Feed Hose, Black	9	1
52	D47	Feed Hose, 10', Black	2	1
53	D21	Swivel, Ball Bearing, Black	2	1
54	D52	Leader Hose, 10', Black	1	1
55	G62	Back-up Valve Kit, Black	1	1
56	G64	Case Kit for G62, Black	1	1
57	G67	Collar, Back-up Valve, Black	1	1
58	G53	Mechanism for Back-up Valve	1	1
59	R0619900	Water Management Base Assembly Complete, Silver	1	1
60	G6	Feed Hose Complete w/ UWF, No Back-up Valve, No In-line Filter, Black	1	1
61	TSP10P	TailSweep PRO®, Bulk Box	1	18
61	TSP10S	TailSweep PRO, Strip Clip	1	12
62	9-100-1012	Velcro Leaf Bag	1	1

*Suggested stocking part.

Polaris TR35P

Part# WE000003



CLEANERS / POLARIS® CLEANER ACCESSORIES & PARTS

Polaris Vac-Sweep® 380

Part# F3

Key No.	Part No.	Description	Pieces in Model	Pieces per Part No.
1	9-100-1021*	Zippered All-Purpose Bag	1	1
2	9-100-1152	Housing, Turbine Upper	1	1
3	9-100-1114*	Hub Cap	3	1
4	9-100-5107	E-Clip, Stainless Steel	10	1
5	9-100-1108	Ball Bearing	8	1
6	C10*	Tire, Max Trax®	3	1
7	9-100-1008*	Wheel, Double-Side	2	1
8	9-100-1017*	Belt Kit, Small and Large	1	1
9	9-100-7011	Shield, Bearing	3	1
10	9-100-1005	Frame (Warranty Only)	1	1
11	9-100-5125	Screw, 8-32 x 1/2" SS Pan Head	11	1
12	9-100-1139	Axle Block Kit (front and rear)	1	1
13	9-100-1010	Belt Divider, Transfer Pulley	1	1
14	B25	Orifice Tip w/ Tip Guard	1	1
15	9-100-1007*	Trans Pulley/Drive Shaft Assembly	1	1
16	9-100-5115	Screw, 8-32 x 3/4" SS	4	1
17	9-100-5130	Lock Washer, Axle Block	4	1
18	9-100-1132	Drive Train Gear Kit w/ Turbine Bearing	1	1
19	9-100-1103	Turbine Wheel w/ Bearing	1	1
20	9-100-1116*	Wheel, Single-Side	1	1
21	C131	Thrust Jet Kit	1	1
22	9-100-7008	Sweep Hose Barb Complete	1	1
23	B20	Adjustment Screw, Sweep Hose	1	1
24	B15*	Sweep Hose Attachment Clamp	1	1
25	9-100-9004	Base Weight	1	1
26	9-100-7170	Hose Clamp for WMS	6	6
27	9-100-7009	Jet Retainer	2	1
28	9-100-7010	Water Management System (WMS)	1	1
29	9-100-1155	Housing, Turbine Lower	1	1
30	9-100-3105	Sweep Hose Scrubber	1	1
30	R0522400	Sweep Hose Scrubber, 3/PK	1	3
31	9-100-5132*	O-Ring, Feed Pipe Assy	1	1
32	9-100-7030	Top and Base Assembly	1	1
33	9-100-7003	Feed Pipe/Timer Blank Assembly	1	1
34	A20*	Float, Head	1	1
35	B5*	Sweep Hose Complete	1	1
36	B10	Wear Rings	8	1
37	9-100-1018	Bag Clip	1	1
38	9-100-1240	Top Housing	1	1

Key No.	Part No.	Description	Pieces in Model	Pieces per Part No.
39	9-100-7026	Base Assembly	1	1
40	10-112-00	UWF® Restrictor Discs, Red and Blue	2	1
41	6-500-00	Universal Wall Fitting (UWF)	1	1
42	9-100-9001	UWF Connector Assy	1	1
43	10-108-00	UWF Restrictor Kit	1	1
44	6-505-00	O-Ring, UWF/QD	1	1
45	9-100-9002	Pressure Relief Valve	1	1
46	D29	Quick Disconnect, UWF	1	1
47	D15	Nut, Feed Hose	10	1
48	D44	Adapter Hose, 8 1/2"	1	1
49	48-080	In-Line Filter Assembly	1	1
50	48-222	Screen, In-Line Filter	1	1
51	D10	Float, Feed Hose	9	1

*Suggested stocking part.

380 Rebuild Kit

Part# 9-100-9030

No.	Part No.	Qty.
1	9-100-1014*	1
2	9-100-1152	1
3	9-100-1114*	3
4	9-100-5107*	10
5	9-100-1108*	8
6	C10*	3
7	9-100-1008*	2
8	9-100-1017*	1
9	9-100-7011	3
12	9-100-1139	2
15	9-100-1007*	1
18	9-100-1132	1
20	9-100-1116*	1
21	C131	1
22	9-100-7008	1
23	B20	1
24	B15*	1
25	9-100-9004	1
27	9-100-7009	2
28	9-100-7010	1
29	9-100-1155	1
32	9-100-7030	1
33	9-100-7003	1
34	A20*	1
35	B5*	1
55	G52	1

380/360 Tune-Up Kit

Part# 9-100-9010

No.	Part No.	Qty.
1	9-100-1014*	1
2	9-100-1152	1
3	9-100-1114*	3
4	9-100-5107*	10
5	9-100-1108*	8
6	C10*	3
7	9-100-1008*	2
8	9-100-1017*	1
9	9-100-7011	3
12	9-100-1139	2
15	9-100-1007*	1
18	9-100-1132	1
20	9-100-1116*	1
26	9-100-7170	6
30	9-100-3105*	1
31	9-100-5132*	2

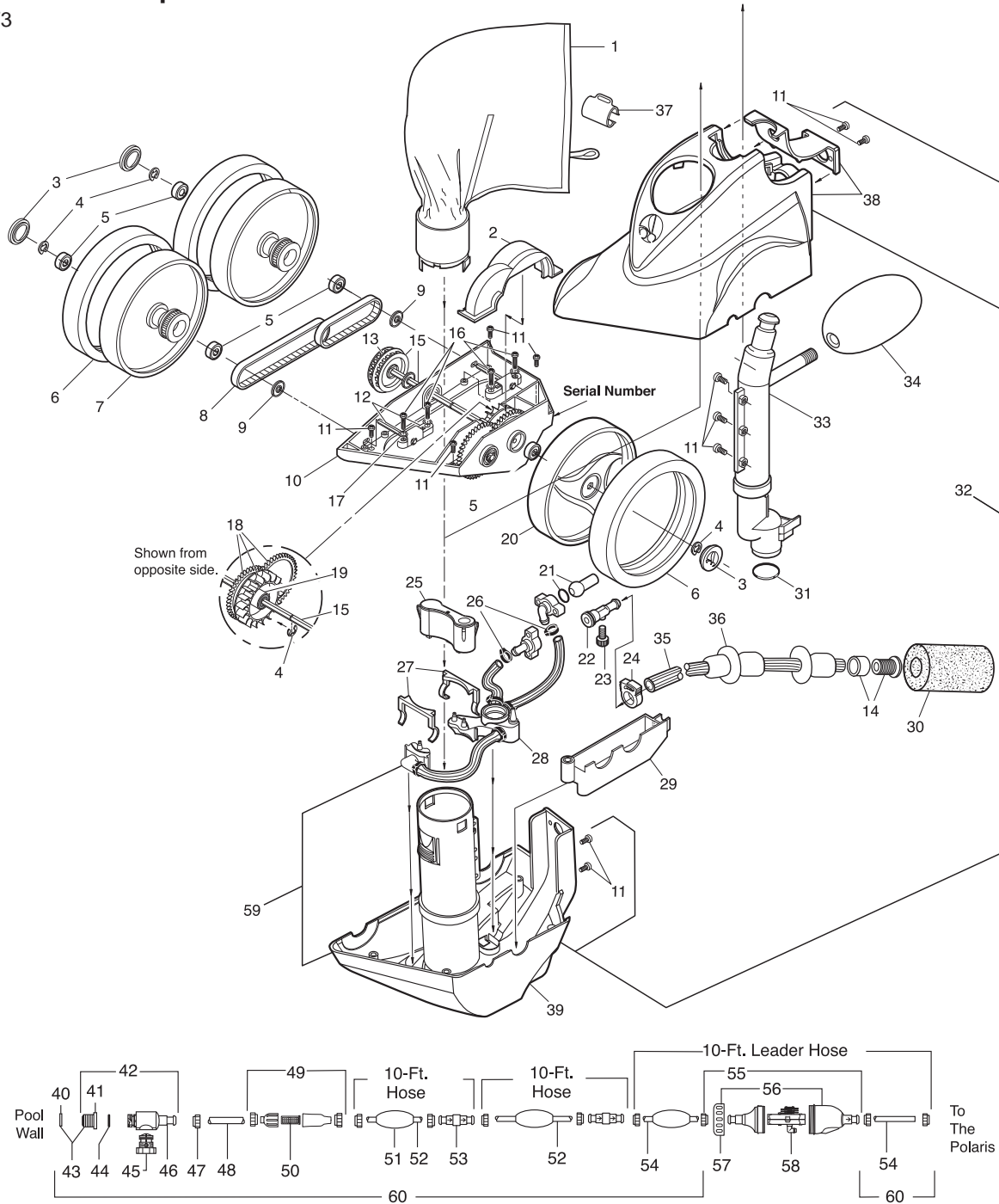
NOTE: Black Max™ parts are not indicated on exploded parts diagrams. See Black Max Parts List on pages 333-344.



PosiTrax® Tire (part# C13) available as an accessory for fiberglass and tile pools.

Polaris Vac-Sweep® 380

Part# F3



Key No.	Part No.	Description	Pieces in Model	Pieces per Part No.
52	D45	Feed Hose, 10'	2	1
53	D20	Swivel, Ball Bearing	2	1
54	D50	Feed Hose, Leader, 10'	1	1
55	G52	Back-up Valve Kit	1	1
56	G54	Case Kit for G52	1	1
57	G57	Collar, Back-up Valve	1	1
58	G53	Mechanism for G52	1	1

Key No.	Part No.	Description	Pieces in Model	Pieces per Part No.
59	9-100-7045	Water Management Base Assembly Complete	1	1
60	G5	Polaris Feed Hose Complete w/ UWF®, No Back-up Valve, No In-line Filter	1	1

*Suggested stocking part.

CLEANERS / POLARIS® CLEANER ACCESSORIES & PARTS

Polaris TR36P

Part# F1TR

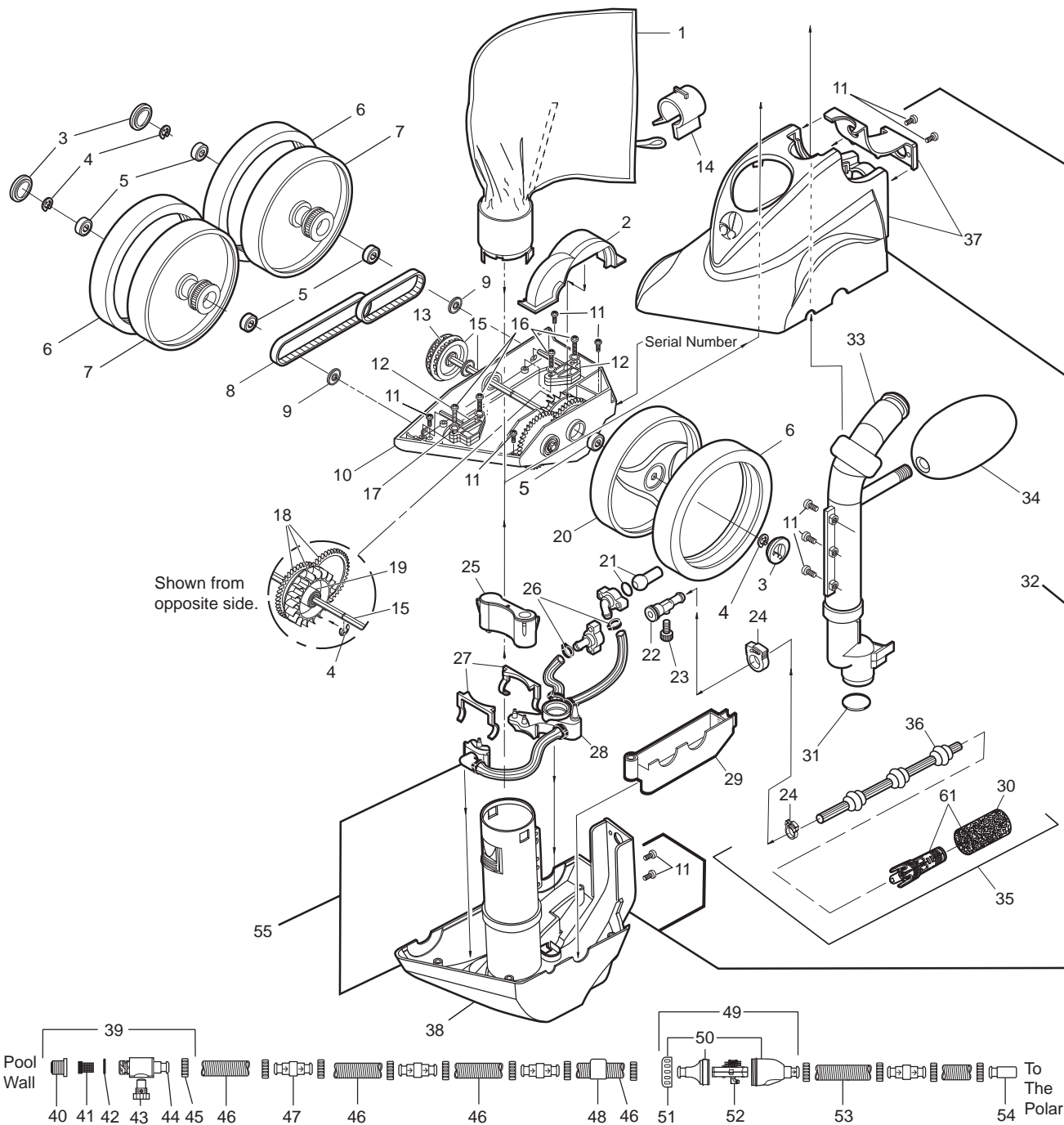
Key No.	Part No.	Description	Pieces in Model	Pieces per Part No.
1	9-100-1022*	Zippered All-Purpose Bag	2	1
2	9-100-1152	Housing, Turbine Upper	1	1
3	R0615600*	Hub Cap, Silver	3	1
4	9-100-5107*	E-Clip, Stainless Steel	10	1
5	9-100-1108*	Ball Bearing	8	1
6	C11*	Tire, Max Trax®, Black	3	1
7	R0615700*	Wheel, Double-Side, Silver	2	1
8	9-100-1017*	Belt Kit, Small and Large	1	1
9	9-100-7011	Shield, Bearing	3	1
10	9-100-1005	Frame (Warranty Only)	1	1
11	9-100-5125	Screw, 8-32 x 1/2" SS	11	1
12	9-100-1139	Axle Block Kit (Front and Rear)	1	1
13	9-100-1010	Belt Divider, Transfer Pulley	1	1
14	9-100-3136	Bag Clip, Black	1	1
15	9-100-1007*	Trans Pulley/Drive Shaft Assembly	1	1
16	9-100-5115	Screw, 8-32 x 3/4" SS	4	1
17	9-100-5130	Lock Washer, Axle Block	4	1
18	9-100-1132	Drive Train Gear Kit w/ Turbine Bearing	1	1
19	9-100-1103	Turbine Wheel w/ Bearing	1	1
20	R0615800*	Wheel, Single-Sided, Silver	1	1
21	C131	Thrust Jet Kit	1	1
22	9-100-7008	Sweep Hose Barb Complete	1	1
23	B20	Adjustment Screw, Sweep Hose	1	1
24	B16*	Sweep Hose Attachment Clamp, Black	1	1
25	9-100-3005	Base Weight	1	1
26	9-100-7170	Hose Clamp for WMS	6	6
27	9-100-7009	Jet Retainer	2	1
28	9-100-7014	Water Management System (WMS)	1	1
29	9-100-1155	Housing, Turbine Lower	1	1
30	9-100-3105*	Sweep Hose Scrubber	1	1
30	R0522400*	Sweep Hose Scrubber, 3/PK	1	3
31	9-100-5132	O-Ring, Feed Pipe Assy	1	1
32	R0615900	Top and Base Assembly	1	1
33	9-100-1001	Feed Pipe/Timer Blank Assembly, Black	1	1
34	A21*	Float, Head, Black	1	1
35	9-100-1020*	Sweep Hose Complete (No TailSweep PRO), Black	1	1

Key No.	Part No.	Description	Pieces in Model	Pieces per Part No.
36	39-021*	Sweep Hose Wear Ring, Blue, 8/PK	7	8
37	9-100-1240	Top Housing	1	1
38	R0616000	Base Assembly, Silver	1	1
39	9-100-3010*	UWF® Connector Assembly, Black	1	1
40	6-550-00*	Universal Wall Fitting (UWF), Black	1	1
41	6-504-00*	Filter Screen, UWF/QD	1	1
42	6-505-00	O-Ring, UWF/QD	1	1
43	9-100-3011	Pressure Relief Valve, Black	1	1
44	9-100-3007	Quick Disconnect, UWF, Black	1	1
45	9-100-3112*	Hose Nut, Black	12	1
46	9-100-3110*	Feed Hose, 6', Black	4	1
47	9-100-3003*	Swivel, Hose, Black	4	1
48	9-100-1207*	Float, Feed Hose, Black	3	1
49	9-100-1201*	In-Line Back-up Valve, Black	1	1
50	9-100-1203	Case Kit, Back-up Valve, Black	1	1
51	G67	Collar, Back-up Valve, Black	1	1
52	9-100-1204	Mechanism, Back-up Valve	1	1
53	9-100-3111	Feed Hose, 1', Black	1	1
54	9-100-6000	Pressure Tester	1	1
55	R0732900	Water Management Base Assembly Complete, Silver	1	1
61	TSP10P	Tailsweep PRO®, Bulk Box	1	18
61	TSP10S	Tailsweep PRO, Strip Clip	1	12
N/S	9-100-3101	Feed Hose Complete w/ UWF, No Back-up Valve, Black	1	1

*Suggested stocking parts. N/S-Not Shown

Polaris TR36P

Part# F1TR



CLEANERS / POLARIS® CLEANER ACCESSORIES & PARTS

Polaris Vac-Sweep® 360

Part# F1

Key No.	Part No.	Description	Pieces	
			in Model	per Part No.
1	9-100-1014*	All-Purpose Bag	1	1
2	9-100-1152	Housing, Turbine Upper	1	1
3	9-100-1114*	Hub Cap	3	1
4	9-100-5107*	E-Clip, Stainless Steel	10	1
5	9-100-1108*	Ball Bearing	8	1
6	C10*	Tire, Max Trax®	3	1
7	9-100-1008*	Wheel, Double-Side	2	1
8	9-100-1017*	Belt Kit, Small and Large	1	1
9	9-100-7011	Shield, Bearing	3	1
10	9-100-1005	Frame (Warranty Only)	1	1
11	9-100-5125	Screw, 8-32 x 1/2" SS	11	1
12	9-100-1139	Axle Block Kit (Front and Rear)	1	1
13	9-100-1010	Belt Divider, Transfer Pulley	1	1
14	9-100-3135	Bag Clip	1	1
15	9-100-1007*	Transfer/Drive Shaft	1	1
16	9-100-5115	Screw, 8-32 x 3/4" SS	4	1
17	9-100-5130	Lock Washer, Axle Block	4	1
18	9-100-1132	Drive Train Gear Kit	1	1
19	9-100-1103	Turbine Wheel w/ Bearing	1	1
20	9-100-1116*	Wheel, Single-Side	1	1
21	C131	Thrust Jet Kit	1	1
22	9-100-7008	Sweep Hose Barb Complete	1	1
23	B20	Adjustment Screw, Sweep Hose	1	1
24	B15*	Sweep Hose Attachment Clamp	1	1
25	9-100-3005	Base Weight	1	1
26	9-100-7170	Hose Clamp for WMS	6	6
27	9-100-7009	Jet Retainer	2	1
28	9-100-7014	Water Management System (WMS)	1	1
29	9-100-1155	Housing, Turbine Lower	1	1
30	9-100-3105*	Sweep Hose Scrubber	1	1
30	R0522400	Sweep Hose Scrubber, 3/PK	1	3
31	9-100-5132	O-Ring, Feed Pipe Assy	1	1
32	9-100-7030	Top and Base Assembly	1	1
33	9-100-1002	Feed Pipe/Timer Blank Assembly	1	1
34	A20*	Float, Head	1	1
35	9-100-1011*	Sweep Hose Complete	1	1
36	B10*	Wear Rings	7	1
37	9-100-7026	Base Assembly	1	1
38	9-100-1240	Top Housing	1	1

Key No.	Part No.	Description	Pieces	
			in Model	per Part No.
39	9-100-3008	UWF® Connector Assembly	1	1
40	6-500-00	Universal Wall Fitting (UWF)	1	1
41	6-504-00	Filter Screen, UWF/QD	1	1
42	6-505-00	O-Ring, UWF/QD	1	1
43	9-100-3009	Pressure Relief Valve, White	1	1
44	9-100-3006	Quick Disconnect, UWF	1	1
45	9-100-3109*	Hose Nut	12	1
46	9-100-3102	Feed Hose, 6'	4	1
47	9-100-3002*	Swivel, Hose	4	1
48	9-100-1206	Float, Feed Hose	3	1
49	9-100-1200*	In-Line Back-up Valve	1	1

*Suggested stocking part.

360 Rebuild Kit

Part# 9-100-9060

No.	Part No.	Qty.
1	9-100-1014*	1
2	9-100-1152	1
3	9-100-1114*	3
4	9-100-5107*	10
5	9-100-1108*	8
6	C10*	3
7	9-100-1008*	2
8	9-100-1017*	1
9	9-100-7011	3
12	9-100-1139	2
14	9-100-3135	1
15	9-100-1007*	1
18	9-100-1132	1
20	9-100-1116*	1
21	C131	1
22	9-100-7008	1
23	B20	1
24	B15*	1
25	9-100-3005	1
27	9-100-7009	2
28	9-100-7 4	1
29	9-100-1155	1
32	9-100-7030	1
33	9-100-1002	1
34	A20*	1
35	9-100-1011*	1
45	9-100-3109*	4
47	9-100-3002*	1
48	9-100-1206	3
49	9-100-1200*	1

360/380 Tune-Up Kit

Part# 9-100-9010

No.	Part No.	Qty.
1	9-100-1014*	1
2	9-100-1152	1
3	9-100-1114*	3
4	9-100-5107*	10
5	9-100-1108*	8
6	C10*	3
7	9-100-1008*	2
8	9-100-1017*	1
9	9-100-7011	3
12	9-100-1139	2
15	9-100-1007*	1
18	9-100-1132	1
20	9-100-1116*	1
26	9-100-7170	6
30	9-100-3105*	1
31	9-100-5132*	2

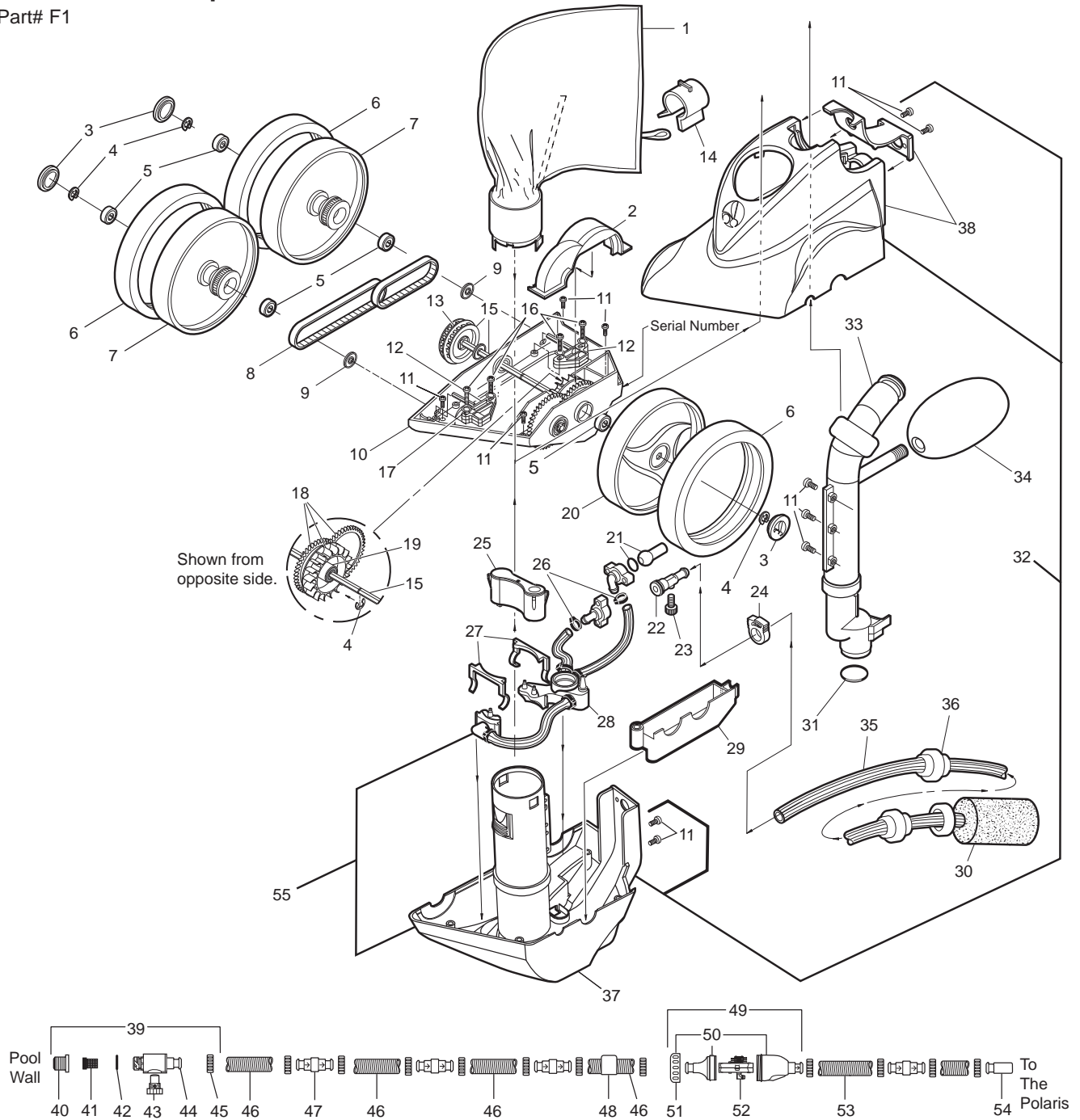


PosiTrax® Tire (part #C13) available as an accessory for fiberglass and tile pools.

NOTE: Black Max™ parts are not indicated on exploded parts diagrams. See Black Max Parts List on pages 333-344.

Polaris Vac-Sweep® 360

Part# F1



Key No.	Part No.	Description	Pieces in Model	Pieces per Part No.
50	9-100-1202	Case Kit, Back-up Valve	1	1
51	9-100-1213	Collar, Back-up Valve	1	1
52	9-100-1204	Mechanism, Back-up Valve	1	1
N/S	9-100-1210	Mechanism, Double Acting Back-up Valve	1	1
53	9-100-3103	Feed Hose, 1'	1	1

Key No.	Part No.	Description	Pieces in Model	Pieces per Part No.
54	9-100-6000	Pressure Tester	1	1
55	9-100-7046	Water Management Base Assembly Complete	1	1
N/S	9-100-3100	Complete Hose Assembly (Back-up Valve Not Incl.)	1	1

*Suggested stocking parts. N/S-Not Shown

CLEANERS / POLARIS® CLEANER ACCESSORIES & PARTS

Polaris TR28P

Part# F5TR

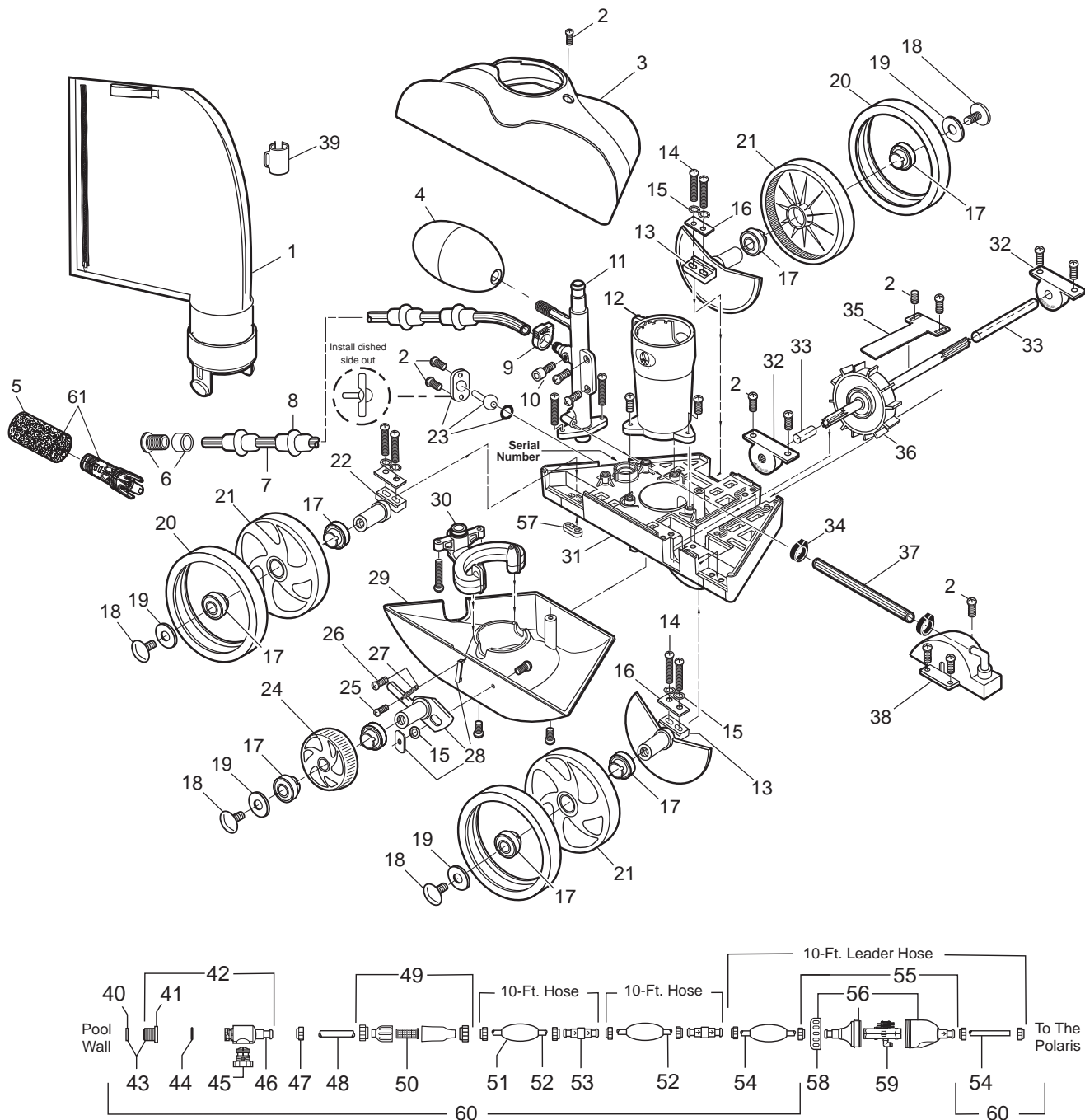
Key No.	Part No.	Description	Pieces	
			in Model	Pieces per Part No.
1	K13*	All-Purpose Zippered Bag	1	1
2	C40	Screw, 10-32 x 3/8" SS Pan	20	10
3	K5	Top	1	1
4	A20	Float, Head	1	1
5	9-100-3105*	Sweep Hose Scrubber	1	1
5	R0522400	Sweep Hose Scrubber, 3/PK	1	3
6	B25	Orifice Tip w/ Tip Guard	1	1
7	B5	Sweep Hose Complete	1	1
8	B10*	Wear Rings	8	1
9	B15	Sweep Hose Attach Clamp	1	1
10	B20	Adjust. Screw, Sweep Hose	1	1
11	K30	Feed Pipe w/ Elbow	1	1
12	K20	Vacuum Tube	1	1
13	C66	Axle, Large (w/ Sand/Gravel Guard)	2	1
14	C76	Screw, 10-32 x 1/8" SS Pan (2/PK)	10	2
15	C45	Lock Washer for C36	7	1
16	C70	Axle Plate for C65/C66	3	1
17	C60*	Ball Bearings, Wheels	8	1
18	C55	Wheel Screw, Plastic	4	1
19	C64	Wheel Washer, Plastic	4	1
20	C10*	Tire, Max Trax®	3	1
21	C6	Wheel, Large (No Bearings Incl.)	3	1
22	C65	Axle, Large (Rear Wheel Only)	1	1
23	C131	Thrust Jet Kit	1	1
24	C16	Idler Wheel, Small	1	1
25	C30	Screw, 4-40 x 3/16" SS Pan	1	1
26	C32	Screw, 6-32 x 1/2" SS Pan Head, 5/PK	1	5
27	C25	Spring for C36	1	1
28	C36	Swing Axle Kit	1	1
29	K10	Base w/ Bracket	1	1
30	K25	Water Management System	1	1
31	K145	Frame (Warranty Only)	1	1
32	C80*	Ball Bearings, Turbine	2	1
33	C83	Turbine Shaft Tubes	1	1
34	9-100-7170	Hose Clamp for WMS	2	6
35	A40	Turbine Shaft Shield	1	KIT
36	C86	Drive Shaft Assembly	1	1
37	C120	Hose for C110, 7 1/2"	1	1
38	C110	Turbine Cover w/ Elbow	1	1
39	9-100-1018	Bag Clip	1	1
40	10-112-00	Restrictor Disks, Red and Blue	2	1

Key No.	Part No.	Description	Pieces	
			in Model	Pieces per Part No.
41	6-500-00	Universal Wall Fitting (UWF®)	1	1
42	9-100-9001	UWF Connector Assembly	1	1
43	10-108-00	UWF Restrictor Kit	1	1
44	6-505-00	O-Ring, UWF/QD	1	1
45	9-100-9002	Pressure Relief Valve	1	1
46	D29	Quick Disconnect, UWF	1	1
47	D15	Nut, Feed Hose	10	1
48	D44	Adapter Hose, 8 1/2"	1	1
49	48-080	In-Line Filter Assembly	1	1
50	48-222	Screen, In-Line Filter	1	1
51	D10	Float, Feed Hose	9	1
52	D45	Feed Hose, 10'	2	1
53	D20*	Swivel, Ball Bearing	2	1
54	D50	Feed Hose, Leader, 10'	1	1
55	G52	Back-Up Valve Kit	1	1
56	G54	Case Kit for G52	1	1
57	R0706000	Wheel Block w/ Inserts	1	1
58	G57	Collar, Back-Up Valve	1	1
59	G53	Mechanism for Back-up Valve	1	1
60	G5	Polaris Feed Hose Complete w/ UWF®, No Back-up Valve, No In-line Filter	1	1
61	TSP10P	Tailsweep PRO®, Bulk Box	1	18
61	TSP10S	Tailsweep Pro, STrip Clip	1	12

*Suggested stocking parts.

Polaris TR28P

Part# F5TR



CLEANERS / POLARIS® CLEANER ACCESSORIES & PARTS

Polaris Vac-Sweep® 280

Part# F5

Key No.	Part No.	Description	Pieces	
			in Model	Pieces per Part No.
1	K13*	All-Purpose Zippered Bag	1	1
2	C40	Screw, 10-32 x 3/8" SS Pan	20	10
3	K5	Top	1	1
4	A20	Float, Head	1	1
5	9-100-3105*	Sweep Hose Scrubber	1	1
5	R0522400	Sweep Hose Scrubber, 3/PK	1	3
6	B25	Orifice Tip w/ Orifice Tip Guard	1	1
7	B5	Sweep Hose Complete	1	1
8	B10*	Wear Rings	8	1
9	B15	Sweep Hose Attach Clamp	1	1
10	B20	Adjust. Screw, Sweep Hose	1	1
11	K30	Feed Pipe w/ Elbow	1	1
12	K20	Vacuum Tube	1	1
13	C66	Axle, Large (w/ Sand/Gravel Guard)	2	1
14	C76	Screw, 10-32 x 7/8" SS Pan (2/PK)	10	2
15	C45	Lock Washer for C36	7	1
16	C70	Axle Plate for C65/C66	3	1
17	C60*	Ball Bearings, Wheels	8	1
18	C55	Wheel Screw, Plastic	4	1
19	C64	Wheel Washer, Plastic	4	1
20	C10*	Tire, Max Trax®	3	1
21	C6	Wheel, Large (No Bearings Incl.)	3	1
22	C65	Axle, Large (Rear Wheel Only)	1	1
23	C131	Thrust Jet Kit	1	1
24	C16	Idler Wheel, Small	1	1
25	C30	Screw, 4-40 x 3/16" SS Pan	1	1
26	C32	Screw, 6-32 x 1/2" SS Pan Head, 5/PK	1	5
27	C25	Spring for C36	1	1
28	C36	Swing Axle Kit	1	1
29	K10	Base w/ Bracket	1	1
30	K25	Water Management System	1	1
31	K145	Frame (Warranty Only)	1	1
32	C80*	Ball Bearings, Turbine	2	1
33	C83	Turbine Shaft Tubes	1	1
34	9-100-7170	Hose Clamp for WMS	2	6
35	A40	Turbine Shaft Shield	1	KIT
36	C86	Drive Shaft Assembly	1	1
37	C120	Hose for C110, 7 1/2"	1	1
38	C110	Turbine Cover w/ Elbow	1	1
39	9-100-1018	Bag Clip	1	1
40	10-112-00	Restrictor Disks, Red and Blue	2	1

Key No.	Part No.	Description	Pieces	
			in Model	Pieces per Part No.
41	6-500-00	Universal Wall Fitting (UWF®)	1	1
42	9-100-9001	UWF Connector Assembly	1	1
43	10-108-00	UWF Restrictor Kit	1	1
44	6-505-00	O-Ring, UWF/QD	1	1
45	9-100-9002	Pressure Relief Valve	1	1
46	D29	Quick Disconnect, UWF	1	1
47	D15	Nut, Feed Hose	10	1
48	D44	Adapter Hose, 8 1/2"	1	1
49	48-080	In-Line Filter Assembly	1	1
50	48-222	Screen, In-Line Filter	1	1
51	D10	Float, Feed Hose	9	1
52	D45	Feed Hose, 10'	2	1
53	D20*	Swivel, Ball Bearing	2	1
54	D50	Feed Hose, Leader, 10'	1	1
55	G52	Back-Up Valve Kit	1	1
56	G54	Case Kit for G52	1	1
57	R0706000	Wheel Block w/ Inserts	1	1
58	G57	Collar, Back-Up Valve	1	1
59	G53	Mechanism for Back-up Valve	1	1
60	G5	Polaris Feed Hose Complete w/ UWF®, No Back-up Valve, No In-line Filter	1	1

*Suggested stocking parts.

280 Rebuild Kit

Part# A48

No.	Part No.	Qty.
1	K16*	1
3	K5	1
4	A20*	1
7	B5*	1
9	B15*	1
13	C66	2
17	C60*	8
18	C55*	4
19	C64*	4
20	C10*	3
21	C6*	3
22	C65	1
23	C131	1
24	C16*	1
28	C36	1
29	K10	1
30	K25	1
32	C80*	2
33	C83	1
36	C86*	1

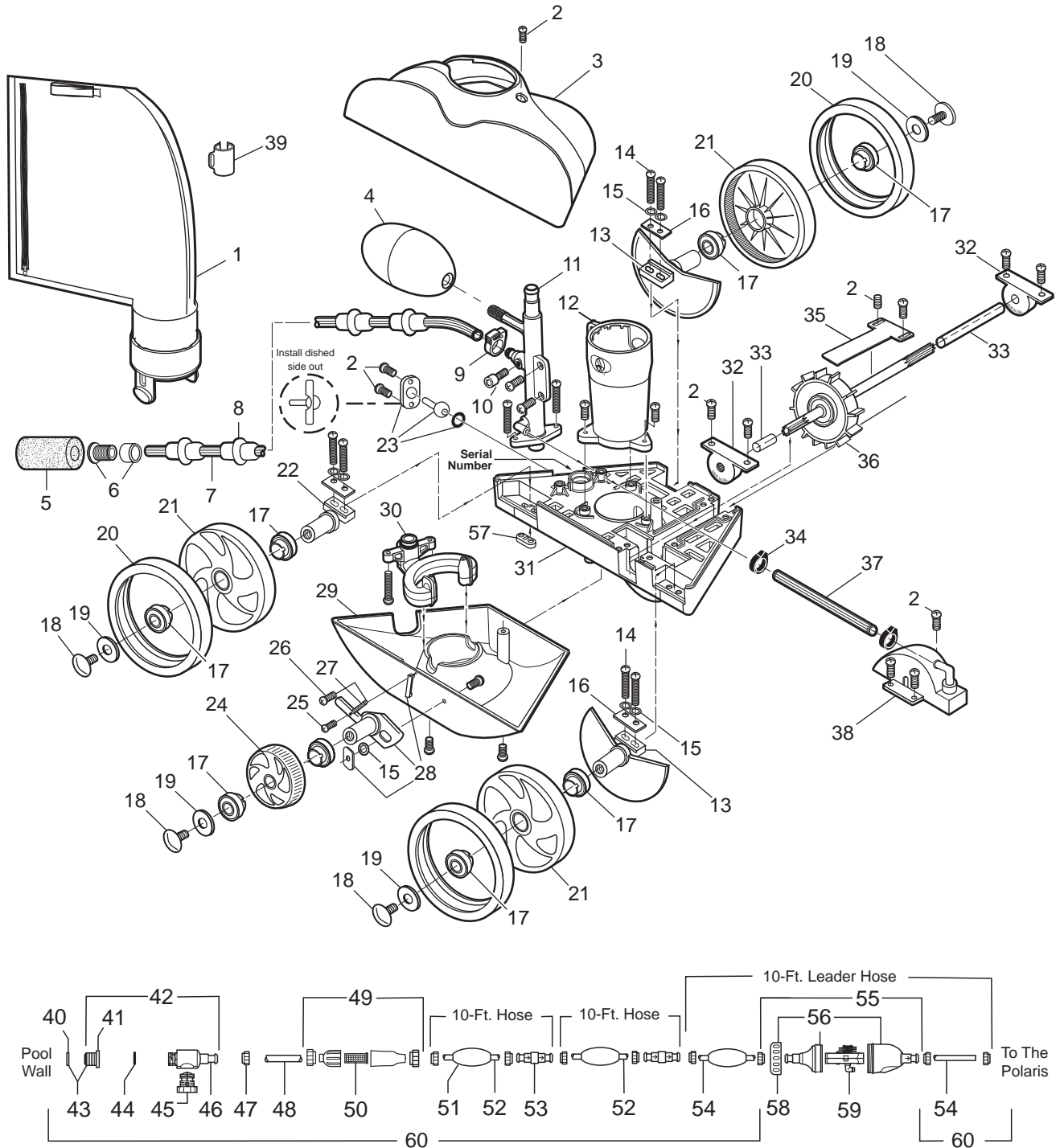
280/180 Tune-Up Kit

Part# A49

No.	Part No.	Qty.
13	C66	2
17	C60*	8
18	C55*	4
19	C64*	4
20	C10*	3
21	C6*	3
22	C65	1
24	C16*	1
28	C36	1
32	C80*	2
33	C83	1
36	C86*	1

NOTE: Black Max™ parts are not indicated on exploded parts diagrams or parts list. See Black Max Parts List on pages 333-344.

Polaris Vac-Sweep® 280
Part# F5



CLEANERS / POLARIS® CLEANER ACCESSORIES & PARTS

Polaris 280 TankTrax®

Part# F5T

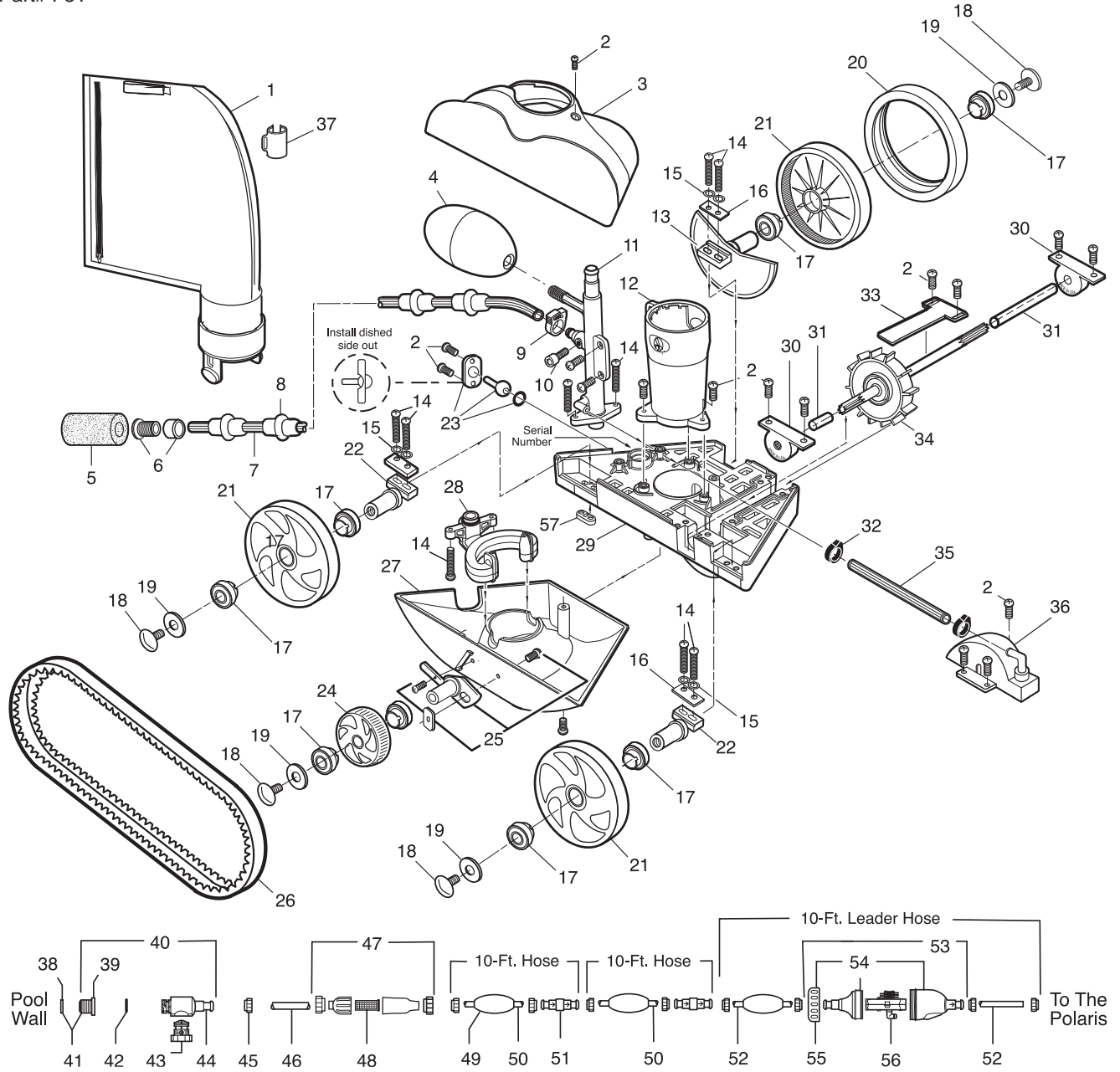
Key No.	Part No.	Description	Pieces in Model	Pieces per Part No.
1	K13*	All-Purpose Zippered Bag	1	1
2	C40	Screw, 10-32 x 3/8" SS Pan	20	10
3	K5	Top	1	1
4	A20	Float, Head	1	1
5	9-100-3105*	Sweep Hose Scrubber	1	1
5	R0522400	Sweep Hose Scrubber, 3/PK	1	3
6	B25	Orifice Tip w/ Orifice Tip Guard	1	1
7	B5	Sweep Hose Complete	1	1
8	B10*	Wear Rings	8	1
9	B15	Sweep Hose Attach Clamp	1	1
10	B20	Adjustment Screw, Sweep Hose	1	1
11	K30	Feed Pipe w/ Elbow	1	1
12	K20	Vacuum Tube	1	1
13	C66	Axle, Large (w/ Sand/Gravel Guard)	1	1
14	C76	Screw, 10-32 x 7/8" SS Pan, 2/Pk	10	2
15	C45	Lock Washer for C36	7	1
16	C70	Axle Plate for C65/C66	3	1
17	C60*	Ball Bearings, Wheels	8	1
18	C55	Wheel Screw, Plastic	4	1
19	C64	Wheel Washer, Plastic	4	1
20	C10*	Tire, Max Trax®	1	1
21	C6	Wheel, Large (No Bearings Incl.)	3	1
22	K26	Axle Block - TankTrax	2	1
23	C131	Thrust Jet Kit	1	1
24	K27	Idler Wheel - TankTrax	1	1
25	K28	Swing Axle Kit - TankTrax	1	1
26	C18	Tire, TankTrax	1	1
27	K29	Base - TankTrax	1	1
28	K25	Water Management System	1	1
29	K145	Frame	1	1

Key No.	Part No.	Description	Pieces in Model	Pieces per Part No.
30	C80*	Ball Bearings, Turbine	2	1
31	C83	Turbine Shaft Tubes	1	1
32	9-100-7170	Hose Clamp for WMS	2	6
33	A40	Turbine Shaft Shield	1	KIT
34	C86	Drive Shaft Assembly	1	1
35	C120	Hose for C110, 7 1/2"	1	1
36	C110	Turbine Cover w/ Elbow	1	1
37	9-100-1018	Bag Clip	1	1
38	10-112-00	Restrictor Disks, Red and Blue	2	1
39	6-500-00	Universal Wall Fitting (UWF®)	1	1
40	9-100-9001	UWF Connector Assembly	1	1
41	10-108-00	UWF Restrictor Kit	1	1
42	6-505-00	O-Ring, UWF/QD	1	1
43	9-100-9002	Pressure Relief Valve, Black	1	1
44	D29	Quick Disconnect, UWF	1	1
45	D15	Nut, Feed Hose	10	1
46	D44	Adapter Hose, 8 1/2"	1	1
47	48-080	In-Line Filter Assembly	1	1
48	48-222	Screen, In-Line Filter	1	1
49	D10	Float, Feed Hose	9	1
50	D45	Feed Hose, 10'	2	1
51	D20*	Swivel, Ball Bearing	2	1
52	D50	Feed Hose, Leader, 10'	1	1
53	G52	Back-Up Valve Kit	1	1
54	G54	Case Kit for G52	1	1
55	G57	Collar, Back-Up Valve	1	1
56	G53	Mechanism for Back-up Valve	1	1
57	R0706000	Wheel Block with Inserts	1	1

*Suggested stocking parts.

Polaris 280 TankTrax®

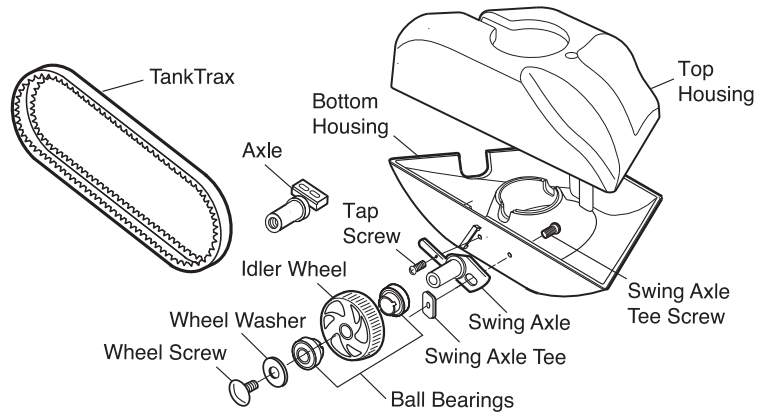
Part# F5T



280 TankTrax Conversion Kit

Part# C15

Part No.	Description	Qty.
K5	Top Housing	1
K29	Bottom Housing	1
C18	TankTrax Tire	1
K26	Axle Block	2
K27	Idler Wheel	1
C60	Ball Bearings, Idler Wheel	2
C64	Wheel Washer, Idler Wheel	1
C55	Wheel Screw, Idler Wheel	1
K28	Swing Axle Kit	1



CLEANERS / POLARIS® CLEANER ACCESSORIES & PARTS

Polaris 180

Part# F20

Key No.	Part No.	Description	Pieces in Model	Pieces per Part No.
1	A16*	All-Purpose Bag (180)	1	1
2	C40*	Screw, 10-32 x 3/8" SS Pan Head	10	1
3	A5	Top	1	1
4	A20*	Float, Head	1	1
5	9-100-3105*	Sweep Hose Scrubber	1	1
5	R0522400	Sweep Hose Scrubber, 3/PK	1	3
6	B25	Orifice Tip w/ Orifice Tip Guard	1	1
7	B5*	Sweep Hose Complete	1	1
8	B10*	Wear Rings	8	1
9	B15*	Sweep Hose Attachment Clamp	1	1
10	B20	Adjustment Screw, Sweep Hose	1	1
11	C66	Axle, Large, w/ Sand/Gravel Guard	2	1
12	C75	Screw/Nut, 10-32 x 7/8" SS Pan Head	6	KIT
13	C45	Lock Washer for C36	7	1
14	C70	Axle Plate for C65/C66	3	1
15	C60*	Ball Bearings, Wheels	8	1
16	C6*	Wheel, Large, No Bearings Included	3	1
17	C10*	Tire, Max Trax®	3	1
18	C64*	Wheel Washer, Plastic	4	1
19	C55*	Wheel Screw, Plastic	4	1
20	C65	Axle, Large (Rear Wheel Only)	1	1
21	C131	Thrust Jet Kit	1	1
22	C16*	Idler Wheel, Small	1	1
23	C30	Screw, 4-40 x 3/16" SS Pan Head	1	1
24	C32	Screw, 6-32 x 1/2" SS Pan Head	1	5
25	C25	Spring for C36	1	1
26	C36	Swing Axle Kit	1	1
27	A10	Base w/ Bracket	1	KIT
28	C145	Frame (Warranty Only)	1	1
29	C80*	Ball Bearings, Turbine	2	1
30	C83	Turbine Shaft Tubes	1	1
31	C86*	Drive Shaft Assembly	1	1
32	A40	Turbine Shaft Shield	1	KIT
33	A30	Screw, #10 x 1/2" SS Pan Head, Self-tap	5	5
34	9-100-7170	Hose Clamp for WMS	2	6
35	C120	Hose for C110, 7 1/2"	1	1

Key No.	Part No.	Description	Pieces in Model	Pieces per Part No.
36	C115	Elbow for C110 or Feed Mast Tube	2	1
37	C110	Turbine Cover w/ Elbow	1	1
38	10-112-00	Restrictor Disks, Red and Blue	2	1
39	6-500-00	Universal Wall Fitting (UWF®)	1	1
40	9-100-9001*	UWF Connector Assembly	1	1
41	10-108-00	UWF Restrictor Kit	1	1
42	6-504-00*	Filter Screen, UWF/QD	1	1
43	6-505-00*	O-Ring, UWF/QD	1	1
44	9-100-9002	Pressure Relief Valve, Blk	1	1
45	D29	Quick Disconnect (QD), UWF	1	1
46	D15	Nut, Feed Hose	10	1
47	D44	Adapter Hose, 8 1/2"	1	1
48	D20	Swivel, Ball Bearing	3	1
49	D10*	Float, Feed Hose	9	1
50	D45	Feed Hose, 10 ft.	2	1
51	D50	Feed Hose, Leader, 10 ft.	1	1
52	G52*	Back-Up Valve Kit	1	1
53	G54	Case Kit for G52	1	1
54	G57	Collar, Back-Up Valve	1	1
55	G53	Mechanism for G52	1	1
56	G5	Polaris Feed Hose Complete w/ UWF, No Back-up Valve, No In-Line Filter	1	1

180 Rebuild Kit

Part# A47

No.	Part #	Qty.
1	A16*	1
3	A5	1
4	A20*	1
7	B5*	1
9	B15*	1
11	C66	2
15	C60*	8
16	C6*	3
17	C10*	3
18	C64*	4
19	C55*	1
20	C65	1
21	C131	1
22	C16*	1
26	C36	1
27	A10	1
29	C80*	1
30	C83	1
31	C86*	1

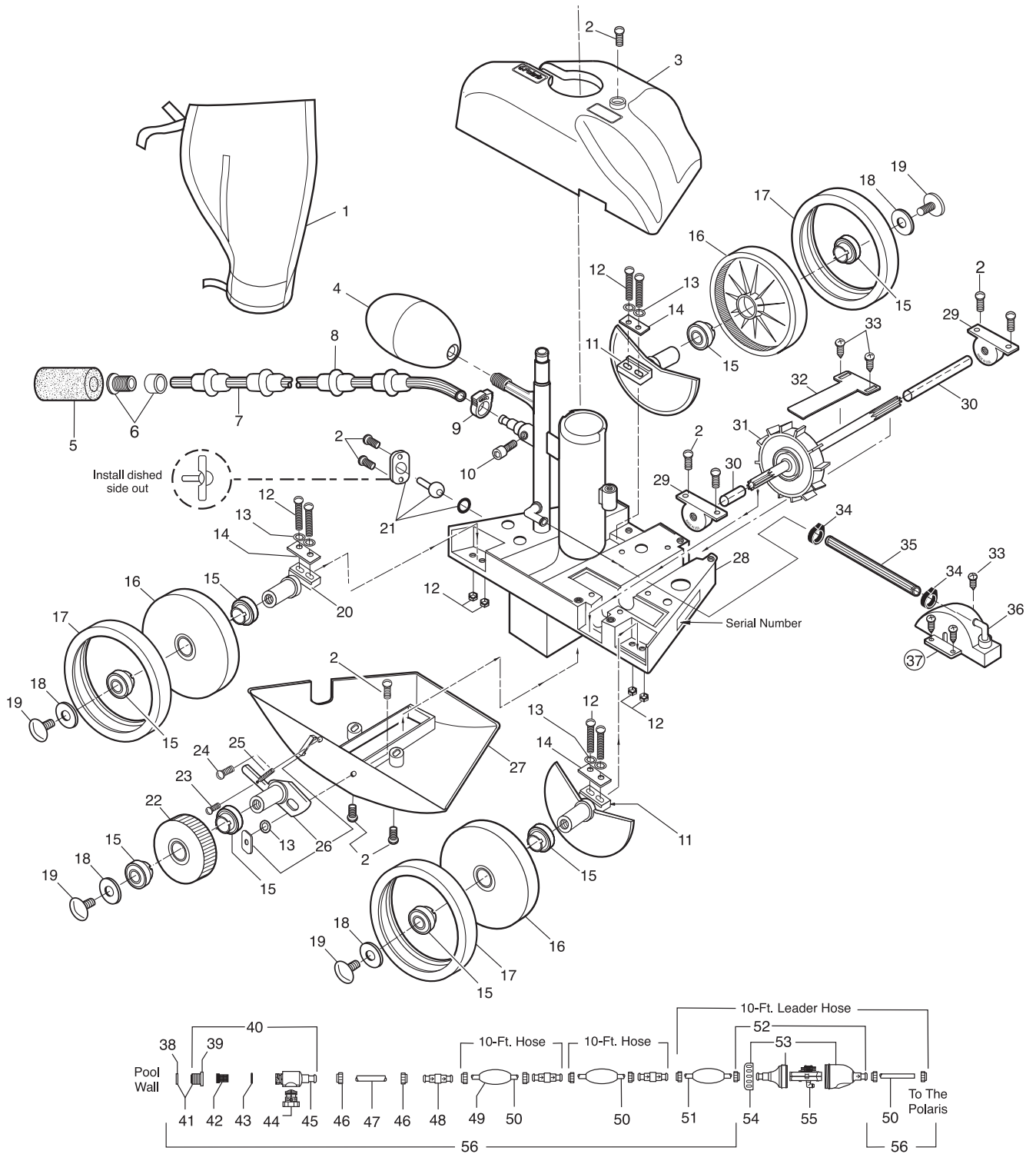
180/280 Tune-Up Kit

Part# A49

No.	Part #	Qty.
11	C66	2
15	C60*	8
16	C6*	3
17	C10*	3
18	C64*	4
19	C55*	4
20	C65	1
22	C16*	1
26	C36	1
29	C80*	2
30	C83	1
31	C86*	1

*Suggested stocking parts.

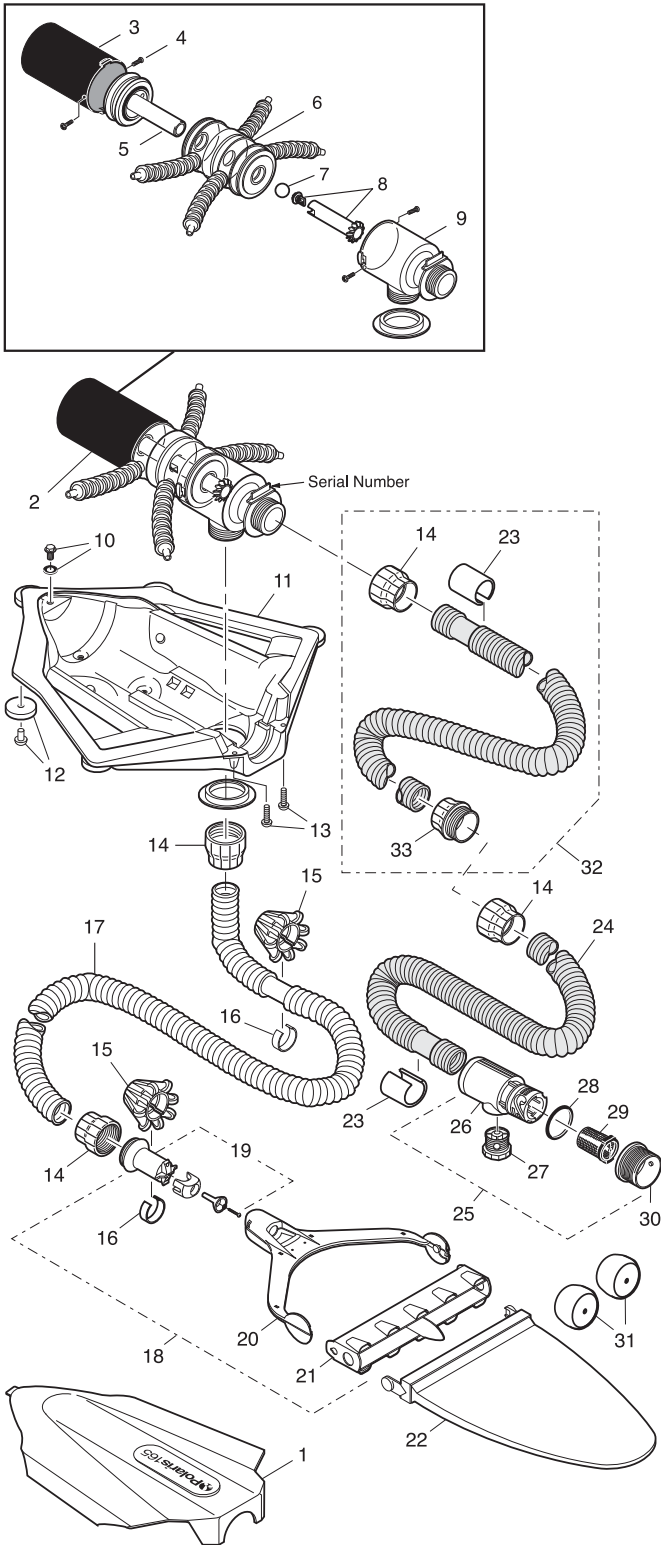
Polaris 180
 Part# F20



CLEANERS / POLARIS® CLEANER ACCESSORIES & PARTS

Polaris Vac-Sweep® 165

Part# 6-120-00

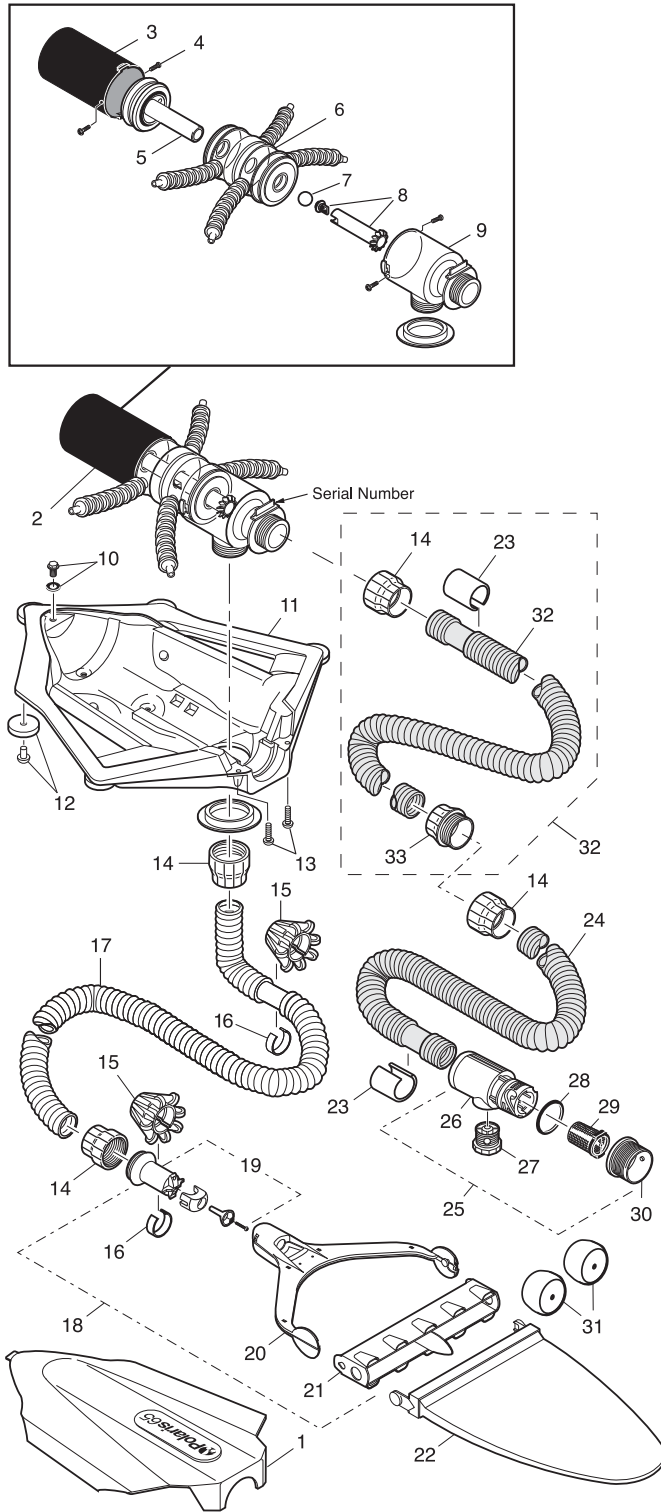


Key No.	Part No.	Description	Pieces per Part	
			in Model	No.
1	6-306-00	Surface Module Top, Granite	1	1
2	6-400-00*	Mechanism	1	1
3	6-407-00	Cylinder	1	1
4	6-413-00	Screw, Mechanism, #6 x 5/16" SS Sheet Metal, Blunt-End	4	1
5	6-411-00	Piston Assembly	1	1
6	6-409-00	Center Chamber Assembly	1	1
7	6-403-00	Randomizer Ball	1	1
8	6-406-00*	Filter Connector/ Randomizer Tube Kit	1	1
9	6-408-00	Connector Chamber	1	1
10	6-507-00	Drain Plug Assembly	1	1
11	6-305-00	Body Bottom Assembly	1	1
12	6-301-00	Body Bottom Wheel Kit	5	1
13	6-302-00	Screw, Top, #10 x 3/4" SS Sheet Metal, Pan Head	2	1
14	6-104-00	Hose Connector, Female	4	1
15	6-107-00*	Wheel Cage Assembly	9	1
16	6-110-00	Hose Weight	9	1
17	6-114-00*	Sweep Hose Complete, 10 ft.	1	1
18	6-212-00	Jet Sweep Assembly	1	KIT
19	6-116-00	Jet Body Assembly	1	KIT
20	6-211-00	Jet Sweep Harness	1	1
21	6-210-00	Jet Sweep Head	1	1
22	6-206-00*	All-Purpose Bag	1	1
23	6-222-00	Float	24	1
24	6-225-00	Float Hose, 24 ft. (Hose Only)	1	1
25	6-508-00*	UWF® Connector Assembly	1	1
26	6-502-00	Quick Disconnect, UWF	1	1
27	6-503-00	Pressure Relief Valve	1	1
28	6-505-00*	O-Ring, UWF/QD	1	1
29	6-504-00*	Filter Screen, UWF/QD	1	1
30	6-500-00*	Universal Wall Fitting (UWF)	1	1
31	10-107-00	Eyeball Regulator	2	1
32	6-221-00*	Float Hose Extension Kit, 8 ft.	1	1
33	6-103-00	Hose Connector, Male	1	1

*Suggested stocking parts.

Polaris Vac-Sweep® 65

Part# 6-130-00



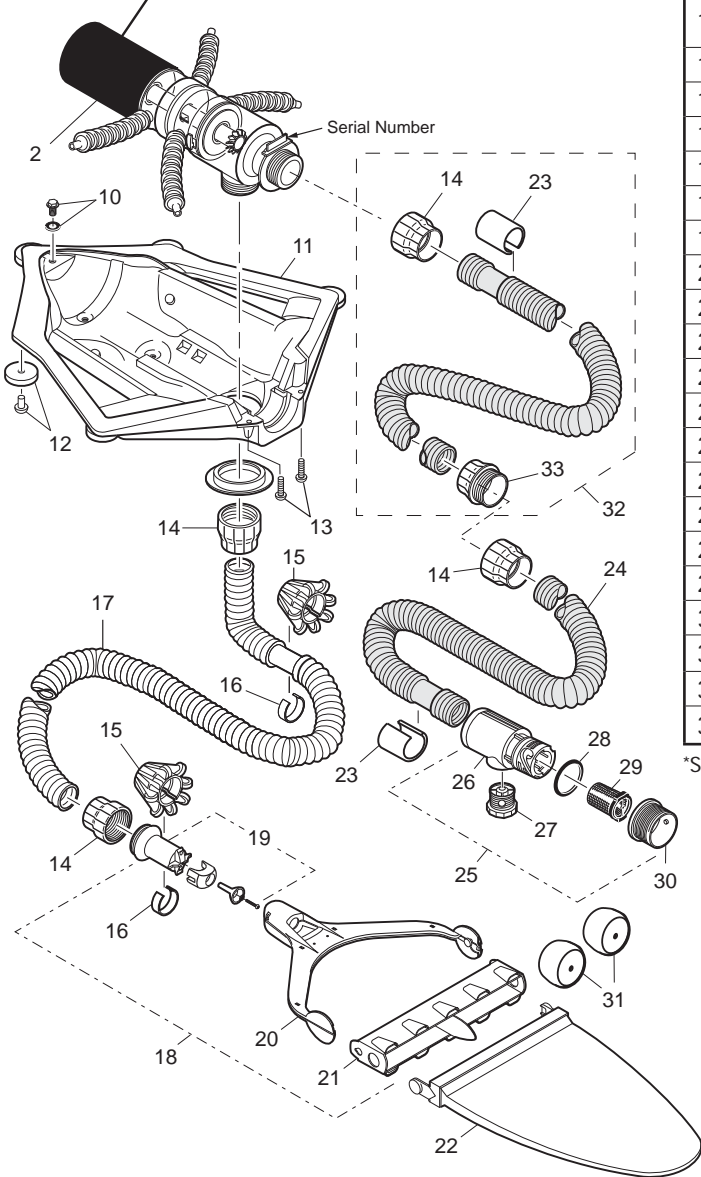
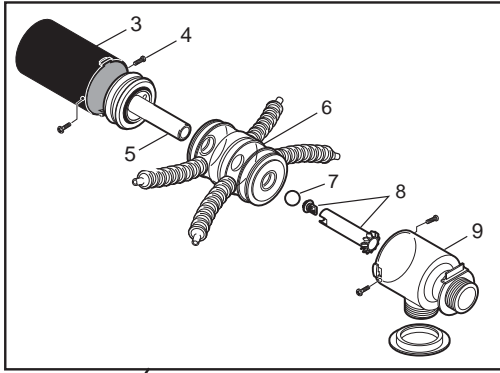
Key No.	Part No.	Description	Pieces in Model	Pieces per Part No.
1	6-308-00	Surface Module Top, Blue	1	1
2	6-400-00*	Mechanism	1	1
3	6-407-00	Cylinder	1	1
4	6-413-00	Screw, Mechanism, #6 x 5/16" SS Sheet Metal, Blunt-End	4	1
5	6-411-00	Piston Assembly	1	1
6	6-409-00	Center Chamber Assembly	1	1
7	6-403-00	Randomizer Ball	1	1
8	6-406-00*	Filter Connector/ Randomizer Tube Kit	1	1
9	6-408-00	Connector Chamber	1	1
10	6-507-00	Drain Plug Assembly	1	1
11	6-305-00	Body Bottom Assembly	1	1
12	6-301-00	Body Bottom Wheel Kit	5	1
13	6-302-00	Screw, Top, #10 x 3/4" SS Sheet Metal, Pan Head	2	1
14	6-104-00	Hose Connector, Female	3	1
15	6-107-00*	Wheel Cage Assembly	6	1
16	6-110-00	Hose Weight	6	1
17	6-106-00*	Sweep Hose Complete, 7 ft.	1	1
18	6-212-00	Jet Sweep Assembly	1	KIT
19	6-116-00	Jet Body Assembly	1	KIT
20	6-211-00	Jet Sweep Harness	1	1
21	6-210-00	Jet Sweep Head	1	1
22	6-206-00*	All-Purpose Bag	1	1
23	6-222-00	Float	24	1
24	6-225-00	Float Hose, 24 ft.	1	1
25	6-508-00*	UWF® Connector Assembly	1	1
26	6-502-00	Quick Disconnect, UWF	1	1
27	6-503-00	Pressure Relief Valve	1	1
28	6-505-00*	O-Ring, UWF/QD	1	1
29	6-504-00*	Filter Screen, UWF/QD	1	1
30	6-500-00*	Universal Wall Fitting (UWF)	1	1
31	10-107-00	Eyeball Regulator	2	1
32	6-221-00*	Float Hose Extension Kit, 8 ft.	1	1
33	6-103-00	Hose Connector, Male	1	1

*Suggested stocking parts.

CLEANERS / POLARIS® CLEANER ACCESSORIES & PARTS

Polaris Turbo Turtle®

Part# 6-130-00T



Key No.	Part No.	Description	Pieces per Part No.	
			in Model	
1	6-309-00	Turtle Top	1	1
2	6-400-00*	Mechanism	1	1
3	6-407-00	Cylinder	1	1
4	6-413-00	Screw, Mechanism, #6 x 5/16" SS Sheet Metal, Blunt-End	4	1
5	6-411-00	Piston Assembly	1	1
6	6-409-00	Center Chamber Assembly	1	1
7	6-403-00	Randomizer Ball	1	1
8	6-406-00*	Filter Connector/Randomizer Tube Kit	1	1
9	6-408-00	Connector Chamber	1	1
10	6-507-00	Drain Plug Assembly	1	1
11	6-305-00	Body Bottom Assembly	1	1
12	6-301-00	Body Bottom Wheel Kit	5	1
13	6-302-00	Screw, Top, #10 x 3/4" SS Sheet Metal, Pan Head	2	1
14	6-104-00	Hose Connector, Female	3	1
15	6-107-00*	Wheel Cage Assembly	6	1
16	6-110-00	Hose Weight	6	1
17	6-106-00*	Sweep Hose Complete, 7 ft.	1	1
18	6-212-00	Jet Sweep Assembly	1	KIT
19	6-116-00	Jet Body Assembly	1	KIT
20	6-211-00	Jet Sweep Harness	1	1
21	6-210-00	Jet Sweep Head	1	1
22	6-206-00*	All-Purpose Bag	1	1
23	6-222-00	Float	24	1
24	6-225-00	Float Hose, 24 ft.	1	1
25	6-508-00*	UWF® Connector Assembly	1	1
26	6-502-00	Quick Disconnect, UWF	1	1
27	6-503-00	Pressure Relief Valve	1	1
28	6-505-00*	O-Ring, UWF/QD	1	1
29	6-504-00*	Filter Screen, UWF/QD	1	1
30	6-500-00*	Universal Wall Fitting (UWF)	1	1
31	10-107-00	Eyeball Regulator	2	1
32	6-221-00*	Float Hose Extension Kit, 8 ft.	1	1
33	6-103-00	Hose Connector, Male	1	1

*Suggested stocking parts.

Polaris Vac-Sweep® 380 Black Max™ Parts

Part No.	Description	Pieces per Part No.	
BAG PARTS			
9-100-1016	All-Purpose Bag, Black (380/360)	1	
9-100-1019	Bag Collar, Black (380/280)	1	
9-100-1022	Zippered All-Purpose Bag, Black (380/360)	1	
9-100-1025	EZ Bag, Disposable Filter Bag, Black, w/o Collar, 3/PK (380/360)		
9-100-1026	EZ Bag, Disposable Filter Bag, Black, w/ Collar, 3/PK (380/360)		
HEAD PARTS			
A21	Float, Head, Black (380/360/280)	1	
B3	Sweep Hose Weight, Black (380/360/280)		
B6	Sweep Hose Complete, Black (380/280)	1	
B16	Sweep Hose Attach Clamp, Black (380/360/280)	1	
C11	Tire, Max Trax®, Black (380/360/280)	1	
C14	Tire, PosiTrax® for Fiberglass and Tile Pools Only, Black (380/360/280)	1	
9-100-1004	Wheel, Double-Side, Black (380/360)	1	
9-100-1115	Hub Cap, Black (380/360)	1	
9-100-1117	Wheel, Single-Side, Black (380/360)	1	
9-100-1242	Top Assembly, Black (380/360)	1	
9-100-7007	Feed Pipe/Timer Blank Assembly, Black (380)	1	
9-100-7027	Base Assembly, Black (380/360)	1	
9-100-7031	Top and Base Assembly Kit, Black (380/360)		

Part No.	Description	Pieces per Part No.	
HOSE PARTS			
B11	Wear Ring, Black	1	
D11	Float, Feed Hose, Black (380/280)	1	
D16	Nut, Feed Hose, Black (380/280)	1	
D21	Swivel, Ball Bearing, Black (380/280)	1	
D30	Quick Disconnect, UWF, Black (380/280)	1	
D47	Feed Hose, 10', Black (380/280)	1	
D52	Leader Hose, 10', Black (380/280)	1	
G6	Feed Hose Complete w/ UWF, No Back-up Valve, Black (380/280)	1	
G60	Double Acting Back-up Valve, Black		
G62	Back-up Valve, Black (380/280)	1	
G64	Case Kit for G62, Black (380/280)	1	
G67	Collar, Back-up Valve, Black (380/360/280)	1	
48-085	In-Line Filter Assembly, Black (380/360/280)	1	
48-222	Screen, In-Line Filter Only (480/380/280)	1	
6-550-00	Universal Wall Fitting, Black (380/360/280)	1	
9-100-3105	Sweep Hose Scrubber	1	
R0522400	Sweep Hose Scrubber, 3/PK	3	
9-100-3107	Leader Hose w/ Floats, Black (380/280)	1	
9-100-9005	UWF® Connector Assembly, Black (380/280)	1	
9-100-9006	Pressure Relief Assembly, Black (380/280)	1	

Polaris Vac-Sweep® 360 Black Max™ Parts

Part No.	Description	Pieces per Part No.
BAG PARTS		
9-100-1016	All-Purpose Bag, Black (380/360)	1
9-100-1022	Zippered All-Purpose Bag, Black (380/360)	1
9-100-1025	EZ Bag, Disposable Filter Bag, Black, w/o Collar, 3/PK (380/360)	
9-100-1026	EZ Bag, Disposable Filter Bag, Black, w/ Collar, 3/PK (380/360)	
9-100-3136	Bag Clip, Black (360)	1
HEAD PARTS		
A21	Float, Head, Black (380/360/280)	1
B3	Weight, Sweep Hose, Black (380/360/280)	
B16	Sweep Hose Attach Clamp, Black (380/360/280)	1
C11	Tire, Max Trax®, Black (380/360/280)	1
C14	Tire, PosiTrax® for Fiberglass and Tile Pools Only, Black (380/360/280)	1
9-100-1001	Feed Pipe/Timer Blank Assembly, Black (360)	1
9-100-1004	Wheel, Double-Side, Black (380/360)	1
9-100-1020	Sweep Hose Complete, Black (360)	1
9-100-1115	Hub Cap, Black (380/360)	1
9-100-1117	Wheel, Single-Side, Black (380/360)	1
9-100-1242	Top Assembly, Black (380/360)	1
9-100-7027	Base Assembly, Black (380/360)	1
9-100-7031	Top and Base Assembly, Black, Complete (Kit replaces pre-Y03 360 Housing)	

Part No.	Description	Pieces per Part No.
HOSE PARTS		
B11	Wear Rings, Black	1
G67	Collar, Back-up Valve, Black (380/360/280)	1
6-550-00	Universal Wall Fitting (UWF), Black (380/360/280)	1
9-100-1201	In-Line Back-up Valve, Black (360)	1
9-100-1203	Case Kit, In-Line Back-up Valve, Black (360)	1
9-100-1207	Float, Feed Hose, Black (360)	1
9-100-1209	Double Acting Back-up Valve	KIT
9-100-3003	Swivel, Hose, Black (360)	1
9-100-3007	Quick Disconnect, UWF, Black (360)	1
9-100-3010	UWF Connector Assembly, Black (360)	1
9-100-3011	Pressure Relief Valve, Black (360)	1
9-100-3101	Feed Hose Complete w/ UWF, No Back-up Valve, Black (360)	1
9-100-3105	Sweep Hose Scrubber	1
R0522400	Sweep Hose Scrubber	3
9-100-3110	Feed Hose, 6 ft., Black (360)	1
9-100-3111	Feed Hose, 1 ft., Black (360)	1
9-100-3112	Hose Nut, Black (360)	1
BAG PARTS		
K17	All-Purpose Bag, Black	1
K18	Sand/Silt Bag, Black	1
K22	EZ Bag, Disposable Filter Bag w/ Collar, Black, 3/PK (280)	3
K23	Zippered All-Purpose Bag, Black (280)	1
K24	EZ Bag, Disposable Filter Bag w/o Collar, Black, 3/PK (280)	
48-058	SuperBag, All-Purpose, double zipper w/ Collar, Black (480/280)	

Polaris Vac-Sweep® 280 Black Max™ Parts

Part No.	Description	Pieces per Part No.	
BAG PARTS			
9-100-1019	Bag Collar, Black (380/280)	1	
HEAD PARTS			
A21	Float, Head, Black (380/360/280)	1	
B3	Weight, Sweep Hose, Black (380/360/280)		
B6	Sweep Hose Complete, Black (380/280)	1	
HEAD PARTS (Continued)			
B16	Sweep Hose Attach Clamp, Black (380/360/280)	1	
C7	Wheel, Large, No Bearings Included, Black (280)	1	
C11	Tire, Max Trax®, Black (380/360/280)	1	
C14	Tire, PosiTrax®, for Fiberglass and Tile Pools Only, Black (380/360/280)	1	
C17	Idler Wheel, Small, Black	1	
C19	Tire, TankTrax®, Black	1	
C23	Upgrade Kit, TankTrax, Black (280)		
C24	Conversion Kit, TankTrax, Black (280)	1	
C56	Wheel Screw, Plastic, Black (280)	1	
C67	Wheel Washer, Plastic, Black (280)	1	
C68	Axle, Large w/ Sand/Gravel Guard, Black (280)	1	
K6	Top, Black	1	
K11	Bottom w/ Bracket, Black	1	
K21	Vacuum Tube, Black	1	
K31	Feed Pipe w/ Elbow, Black	1	
K146	Frame, Black (Warranty Only)	1	
HOSE PARTS			
B11	Wear Rings, Black	1	
D11	Float, Feed Hose, Black (380/280)	1	
D16	Nut, Feed Hose, Black (380/280)	1	
D21	Swivel, Ball Bearing, Black (380/280)	1	
D30	Quick Disconnect, UWF®, Black (380/280)	1	
D47	Feed Hose, 10 ft., Black (380/280)	1	
D52	Leader Hose, 10 ft., Black (380/280)	1	
G6	Feed Hose Complete w/ UWF, No Back-up Valve, Black (380/280)	1	
G60	Double Acting Back-up Valve, Black		
G62	Back-up Valve, Black (380/280)	1	
G64	Case Kit for G62, Black (380/280)	1	

Part No.	Description	Pieces per Part No.	
HOSE PARTS (Continued)			
G67	Collar, Back-up Valve, Black (380/360/280)	1	
48-085	In-Line Filter Assembly, Black	1	
48-222	Screen, In-Line Filter (480/380/280)	1	
6-550-00	Universal Wall Fitting, Black (380/360/280)	1	
9-100-3105	Sweep Hose Scrubber	1	
R0522400	Sweep Hose Scrubber, 3/PK	3	
9-100-3107	Leader Hose w/ Floats, Black (380/280)	1	
9-100-9005	UWF Connector Assembly, Black (380/280)	1	
9-100-9006	Pressure Relief Assembly, Black (380/280)	1	

CLEANERS / POLARIS® CLEANER DISCONTINUED ACCESSORIES & PARTS

Polaris 9400 Sport Robotic (Discontinued)

Part# F9400

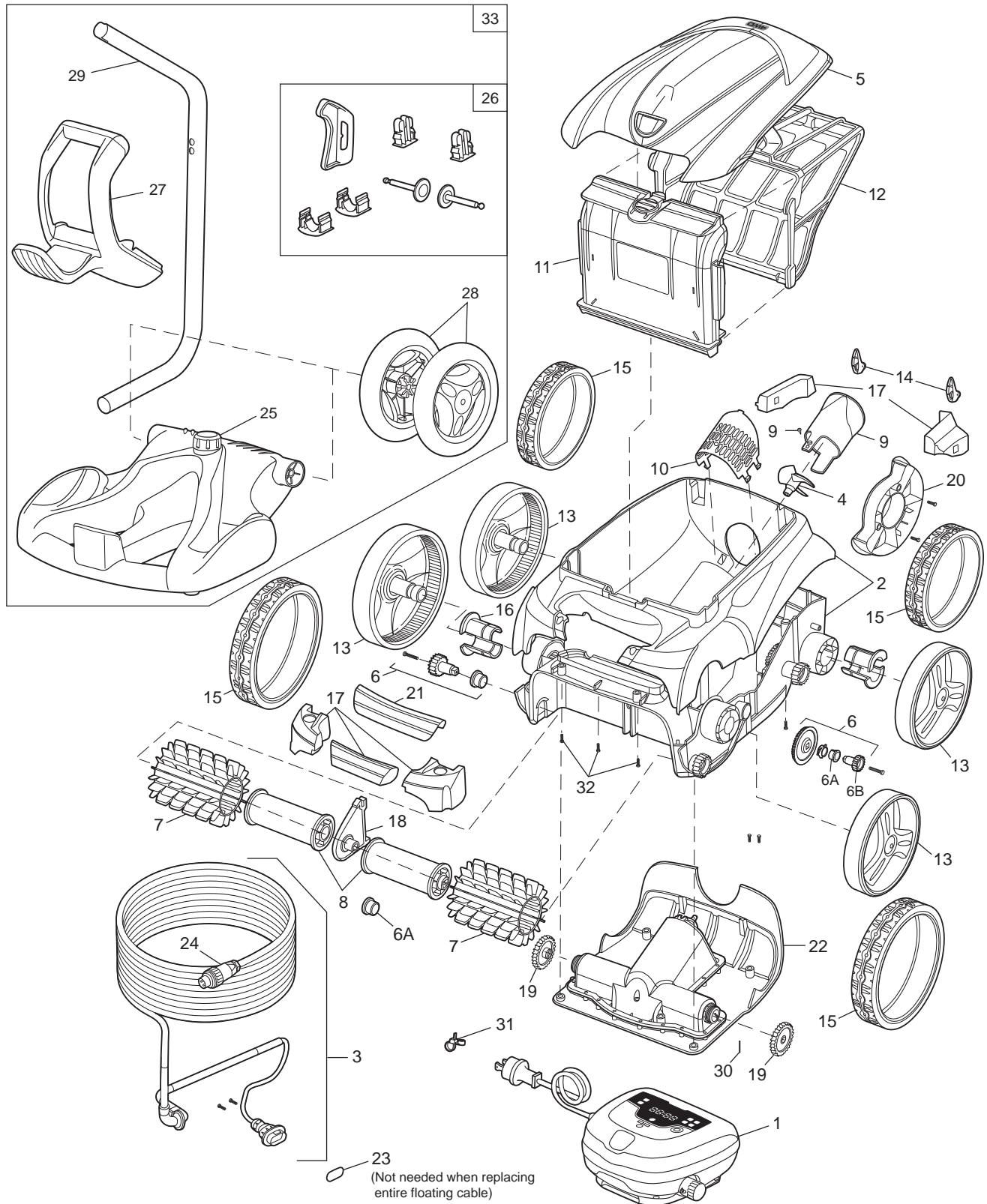
Key No.	Part No.	Description	Pieces in Model	Pieces per Part No.
CONTROL UNIT				
1	R0564700	Control Unit Complete, P9400 (new) ¹	1	1
CLEANER				
2	R0539200	Main Housing (Top/Bottom)	1	1
3	R0516800	Floating Cable	1	1
4	R0517000	Propeller Kit	1	1
5	R0539400	Hood Kit	1	1
6	R0517200	Transmission Kit	4	1
6A	R0639100	Outer Bearing, 2/PK	6	2
6B	R0639000	17 Point Gear, 2/PK	4	2
7	R0517300	Brush Set, 2/PK	2	2
8	R0517400	Brush Holder Kit, 2/PK	2	2
9	R0517500	Flow Outlet Kit	1	1
10	R0517600	Motor Screen Kit	1	1
11	R0517700	Filter Canister Inlet Housing	1	1
12	R0535900	General Purpose Canister	0	1
12	R0517800	Fine Filter Canister	1	1
12	R0535800	Ultra Fine Sand/Silt Canister	0	1
13	R0539500	Wheel	4	1

Key No.	Part No.	Description	Pieces in Model	Pieces per Part No.
14	R0518100	Roller Kit, 2/PK	2	2
15	R0539600	Tire, Gray	4	1
16	R0518500	Wheel Bushing (1 Set for 1 Wheel)	4	1
17	R0539700	Float Kit	1	1
18	R0518700	Roller Support Kit	1	1
19	R0518800	Drive Gear Kit	2	2
20	R0540300	Cover Wheels Kit	2	1
21	R0540400	Handle Kit	1	1
22	R0638000	Motor Block Type C	1	1
23	R0544100	O-Ring 21 x 2mm Kit	1	1
24	R0565600	Floating Cable Plug Kit	1	1
25	R0564800	Caddy Base	1	1
26	R0564900	Caddy Accessories Kit	1	1
27	R0565000	Control Unit Mounting Bracket Kit	1	1
28	R0565100	Caddy Wheels Kit	1	1
29	R0565200	Caddy Tube Kit	1	1
30	R0567800	Motor Block Pin Shaft, 5/PK	1	5
31	R0567900	Cable Clamp Kit, 5/PK	2	5
32	R0516700	Screw M4* 12mm, 5/PK	15	5
33	R0609100	Complete Caddy Kit V	1	1

¹ The replacement control box will include a "lift system" button but this feature will not work with the 9400 product.

Polaris 9400 Sport Robotic (Discontinued)

Part# F9400



CLEANERS / POLARIS® CLEANER DISCONTINUED ACCESSORIES & PARTS

Polaris 9300xi Sport Robotic (Discontinued)

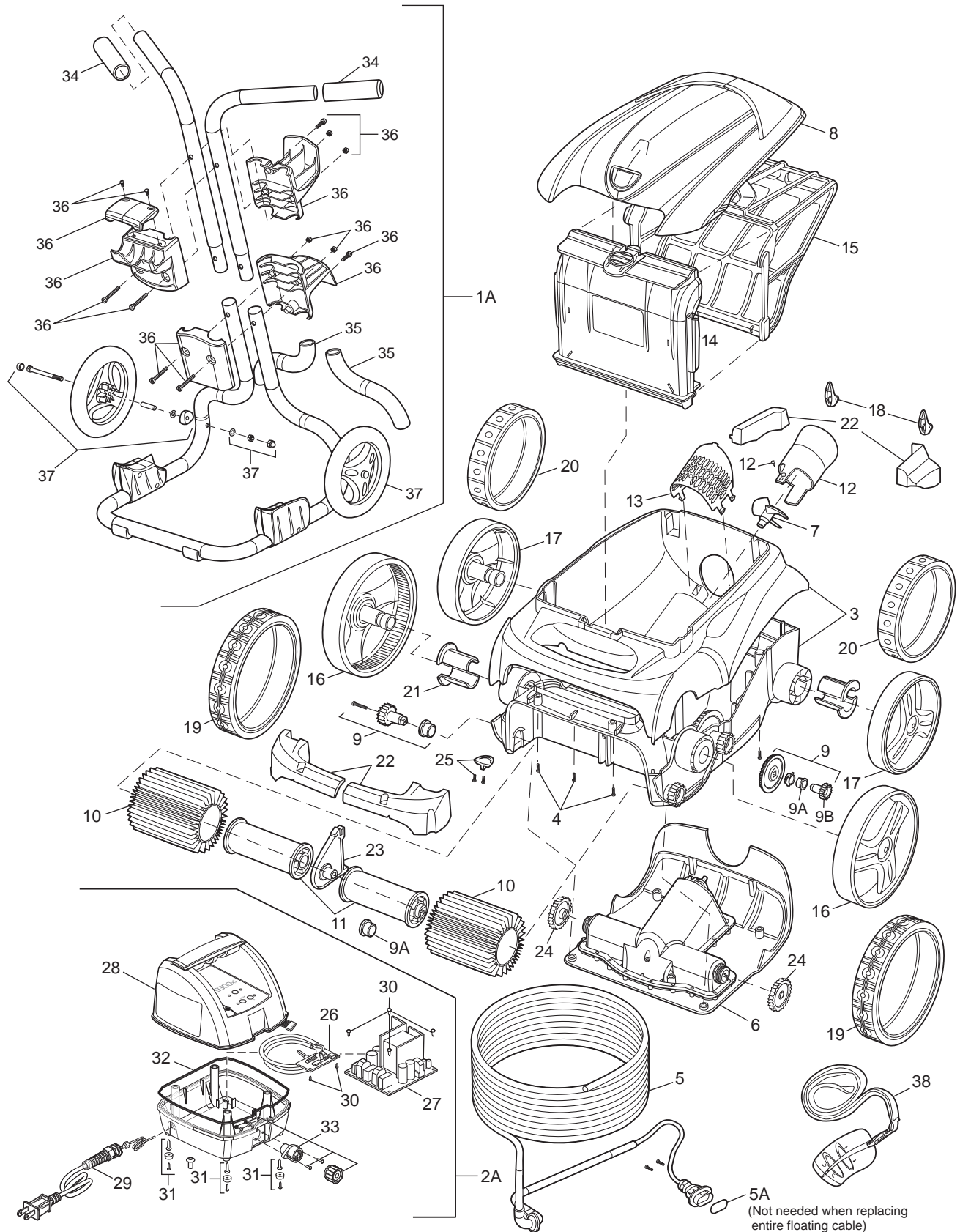
Part# F9300xi

Key No.	Part No.	Description	Pieces in Model	Pieces per Part No.	
CLEANER					
1A	R0516200	Caddy	1	1	
2A	R0528600	Control Unit Complete	1	1	
3	R0589100	Main Housing (Top and Bottom)	1	1	
4	R0516700	Screw Kit, 5/PK	15	5	
5	R0528700	Cable (Floating)	1	1	
5A	R0544100	O-Ring 21 x 2mm Kit	1	1	
6	R0637900	Motor Block Type B	1	1	
7	R0517000	Propeller	1	1	
8	R0517100	Complete Cover	1	1	
9	R0517200	Transmission Gear/ Bushing (2 sets)	2	1	
9A	R0639100	Outer Bearing, 2/PK	6	2	
9B	R0639000	17 Point Gear, 2/PK	4	2	
10	R0528900	Brush Kit, 2/PK	2	2	
11	R0517400	Brush Roller Kit, 2/PK	2	2	
12	R0517500	Flow Outlet	1	1	
13	R0517600	Flow Outlet Screen	1	1	
14	R0517700	Filter Canister Support	1	1	
15	R0535900	General Purpose Canister	0	1	
15	R0517800	Fine Filter Canister	1	1	
15	R0535800	Ultra Fine Sand/Silt Canister	0	1	
16	R0529000	Front Wheel	2	1	
17	R0529100	Rear Wheel	2	1	

Key No.	Part No.	Description	Pieces in Model	Pieces per Part No.	
18	R0518100	Roller Kit, 2/PK	2	2	
19	R0529300	Front Tire	2	1	
20	R0529400	Rear Tire	2	1	
21	R0518500	Wheel Bushing (1 Set for 1 Wheel)	4	1	
22	R0539700	Float Kit	1	1	
23	R0518700	Brush Separator	1	1	
24	R0518800	Drive Gear Kit	2	2	
25	R0519000	Ramp Kit	1		
CONTROL UNIT					
26	R0528400	Keyboard PCB Kit	1	1	
27	R0506600	Control Unit PCB Kit	1	1	
28	R0528500	Top Housing	1		
29	R0506800	Control Unit Cord Kit	1	1	
30	R0507000	PCB Screw Kit	6	1	
31	R0507100	Control Unit Housing Screw	8	1	
32	R0507200	Control Unit Gasket	1	1	
33	R0529500	Power Cord Kit	1		
CADDY					
34	R0507300	Caddy Handle Grip Kit	2	1	
35	R0516100	Caddy Shoulder Grip Kit	2	1	
36	R0518900	Control Unit Mounting Bracket Kit	1		
37	R0507500	Wheel Kit Caddy	2	1	
REMOTE CONTROL					
38	R0529600	Remote Control Kit	1	1	

Polaris 9300xi Sport Robotic (Discontinued)

Part# F9300xi



CLEANERS / POLARIS® CLEANER DISCONTINUED ACCESSORIES & PARTS

Polaris 9300 Sport Robotic (Discontinued)

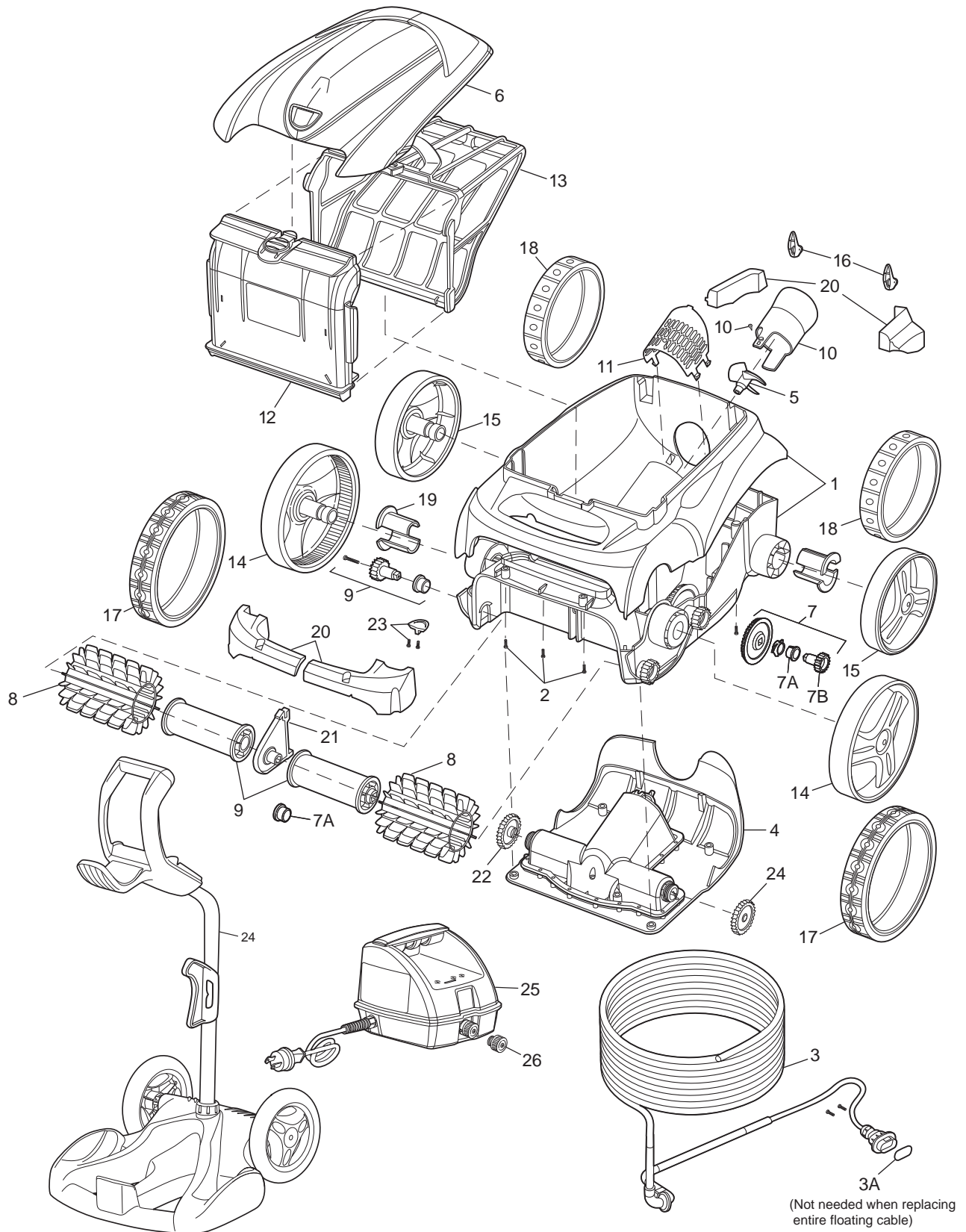
Part# F9300

Key No.	Part No.	Description	Pieces in Model	Pieces per Part No.	
CLEANER					
1	R0589100	Main Housing (Top and Bottom)	1	1	
2	R0516700	Screw Kit, 5/PK	15	5	
3	R0516800	Cable (Floating)	1	1	
3A	R0544100	O-Ring 21 x 2mm Kit	1	1	
4	R0637800	Motor Block Type A	1	1	
5	R0517000	Propeller	1	1	
6	R0517100	Complete Cover	1	1	
7	R0517200	Transmission Gear/ Bushing, 2/PK	2	2	
7A	R0639100	Outer Bearing, 2/PK	6	2	
7B	R0639000	17 Point Gear, 2/PK	4	2	
8	R0517300	Brush Set, 2/PK	2	2	
9	R0517400	Brush Roller Kit, 2/PK	2	2	
10	R0517500	Flow Outlet	1	1	
11	R0517600	Flow Outlet Screen	1	1	
12	R0517700	Filter Canister Support	1	1	
13	R0517800	Fine Filter Canister	1	1	
13	R0535900	General Purpose Canister	0	1	
13	R0535800	Ultra Fine Sand/Silt Canister	0	1	

Key No.	Part No.	Description	Pieces in Model	Pieces per Part No.	
14	R0529000	Front Wheel	2	1	
15	R0529100	Rear Wheel	2	1	
16	R0518100	Roller Kit, 2/PK	2	2	
17	R0529300	Front Tire	2	1	
18	R0529400	Rear Tire	2	1	
19	R0518500	Wheel Bushing (1 Set for 1 Wheel)	4	1	
20	R0539700	Float Kit	1	1	
21	R0518700	Brush Separator	1	1	
22	R0518800	Drive Gear Kit	2	2	
23	R0519000	Ramp Kit	1		
24	R0609100	Complete Caddy Kit V	1	1	
25	R0516500	Control Unit Complete	1	1	
26	R0800500	Control Box Connector Cap	1	1	

Polaris 9300 Sport Robotic (Discontinued)

Part# F9300



Polaris 9100 Sport Robotic (Discontinued)

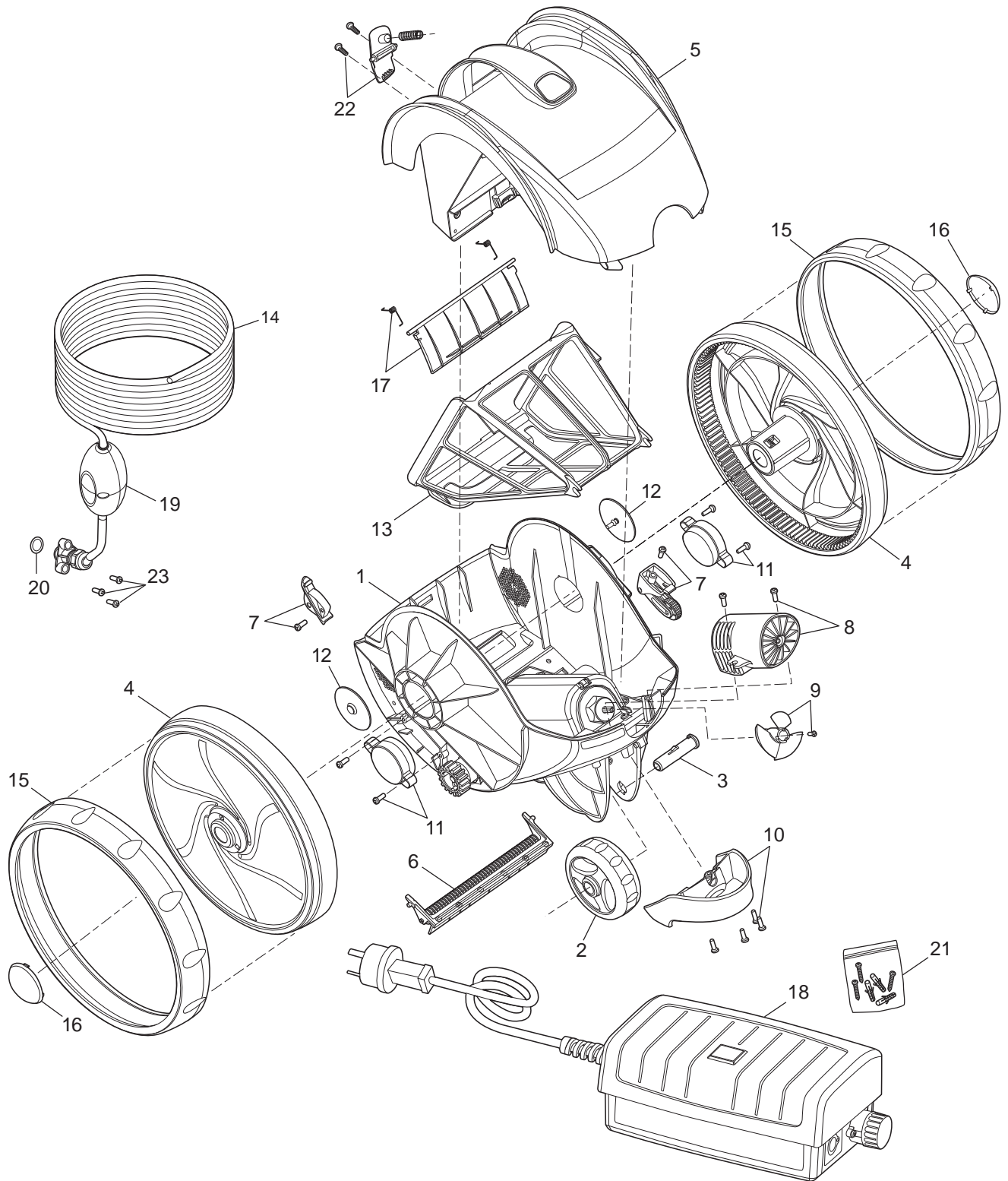
Part# F9100

Key No.	Part No.	Description	Pieces in Model	Pieces per Part No.	
1	R0531802	Lower Housing Assembly, Blue	1	1	
2	R0530305	Rear Wheel	1	1	
3	R0530405	Rear Wheel Shaft Kit	1	1	
4	R0530205	Wheel, w/o Tire	2	1	
5	R0530505	Top Cover Assembly, Blue	1	1	
6	R0530905	Brush Kit	1	1	
7	R0545005	Rotation Kit (Right/Left)	2	KIT	
8	R0531005	Outlet Kit	1	KIT	
9	R0531105	Impeller	1	KIT	
10	R0531505	Rear Handle Kit	1	KIT	
11	R0531405	Weight Kit	2	KIT	
12	R0531305	Drain Valve	2	1	
13	R0531206	All Purpose Canister	1	1	
14	R0530705	Floating Cable, 50 ft.	1	KIT	
15	R0531905	Tire	2	1	
16	R0532005	Wheel Dome	2	1	
17	R0530605	Inlet Check Valve	1	1	
18	R0529905	Control Unit	1	1	
19	R0530805	Float Kit, Cable	1	1	
20	R0545105	O-Ring, Cable Connector	1	2	
21	R0530005	Wall Anchor Kit, Control Unit	1		
22	R0545205	Release Tab	1	KIT	
23	R0544905	Screw Kit, PH 4 x 12A4	25	5	

PUMPS
 FILTERS
 GAS HEATERS
 HEAT PUMPS
 AUTOMATION
 WATER LEVELING
 WATER SANITIZERS
 VALVES
 WATER FEATURES
 LIGHTING
CLEANERS
 IN-FLOOR
 BLOWERS
 ACCESSORIES

Polaris 9100 Sport Robotic (Discontinued)

Part# F9100



CLEANERS / POLARIS® CLEANER DISCONTINUED ACCESSORIES & PARTS

Polaris 480 PRO (Discontinued)

Part# F4

Key No.	Part No.	Description	Pieces in Model	Pieces per Part No.
1	48-057	SuperBag (Double)*	1	1
2	48-133	Disposable Bag, 3PK*	1	
3	48-130	Bag Clip Assembly	2	1
4	48-047	License Plate w/ Logo	1	
5	C40	Screw, 10-32 x 3/8" SS Pan Head	23	1
6	48-003	Upper Housing/Handle Assembly	1	KIT
7	48-141	O-Ring, Feed Hose Connector	1	1
8	9-100-5107	E-clip, Stainless Steel	3	1
9	48-020	Gearbox Assembly	1	
10	48-004	Vacuum Tube/Feedpipe w/ two (2) O-Rings	1	KIT
11	48-016	O-Ring, WMS Upper to Feedpipe	1	
12	48-033	Hubcap	3	1
13	48-232	Wide Trax® Tire*	3	1
13	48-048	PosiTrax Tire	3	
14	48-036	Wheel Lock Screw	3	1
15	48-034	Bushing	7	2
16	48-031	Wheel	3	1
17	48-006	Chain Kit	1	KIT
18	48-035	Wheel Sprocket Kit	3	KIT
19	48-060	Axle Block, Wheel	3	1
20	48-050	Idler Tensioner Assembly	1	1
21	48-045	Screw, 10-32 x 7/8" SS Pan Head w/ Star Washer	8	1
22	9-100-3105	Sweep Hose Scrubber*	1	1
23	B25	Orifice Tip w/ Orifice Tip Guard	1	1
24	B10	Sweep Hose Wear Ring*	8	1
25	B5	Sweep Hose Complete*	1	1
26	48-019	Nut, Sweep Hose	1	
27	48-002	Lower Housing	1	KIT
28	48-010	WMS Assembly w/ one (1) O-Ring	1	1
29	48-008	Vacuum Plate Assembly	1	KIT
30	10-112-00	UWF® Restrictor Disk, Red and Blue	2	1
31	10-108-00	UWF Restrictor Kit	1	1
32	6-500-00	UWF	1	1
33	6-505-00	O-Ring, UWF	1	1
34	9-100-9002	Pressure Relief Valve	1	1
35	D29	Quick Disconnect, UWF	1	1
36	9-100-9001	UWF Connector Assembly	1	1
37	D15	Nut, Feed Hose	10	1
38	D44	Adapter Hose, 8 1/2"	1	1
39	48-080	In-line Filter Assembly	1	1
40	48-222	Screen, In-line Filter	2	1
41	D10	Float, Feed Hose	11	1
42	D20	Swivel Ball Bearing	2	1
43	D45	Feed Hose, 10'	2	1

Key No.	Part No.	Description	Pieces in Model	Pieces per Part No.
44	D50	Leader Hose, 10'	1	1
45	G52	Back-up Valve Kit	1	1
46	G53	Mechanism for G52	1	1
47	48-136	Bag Clasp	1	1
48	48-140	Feed Hose Connector Assembly	1	1
49	48-070	Feed Hose Assembly	1	KIT
N/S	48-001	Frame (Exchange only)	1	1

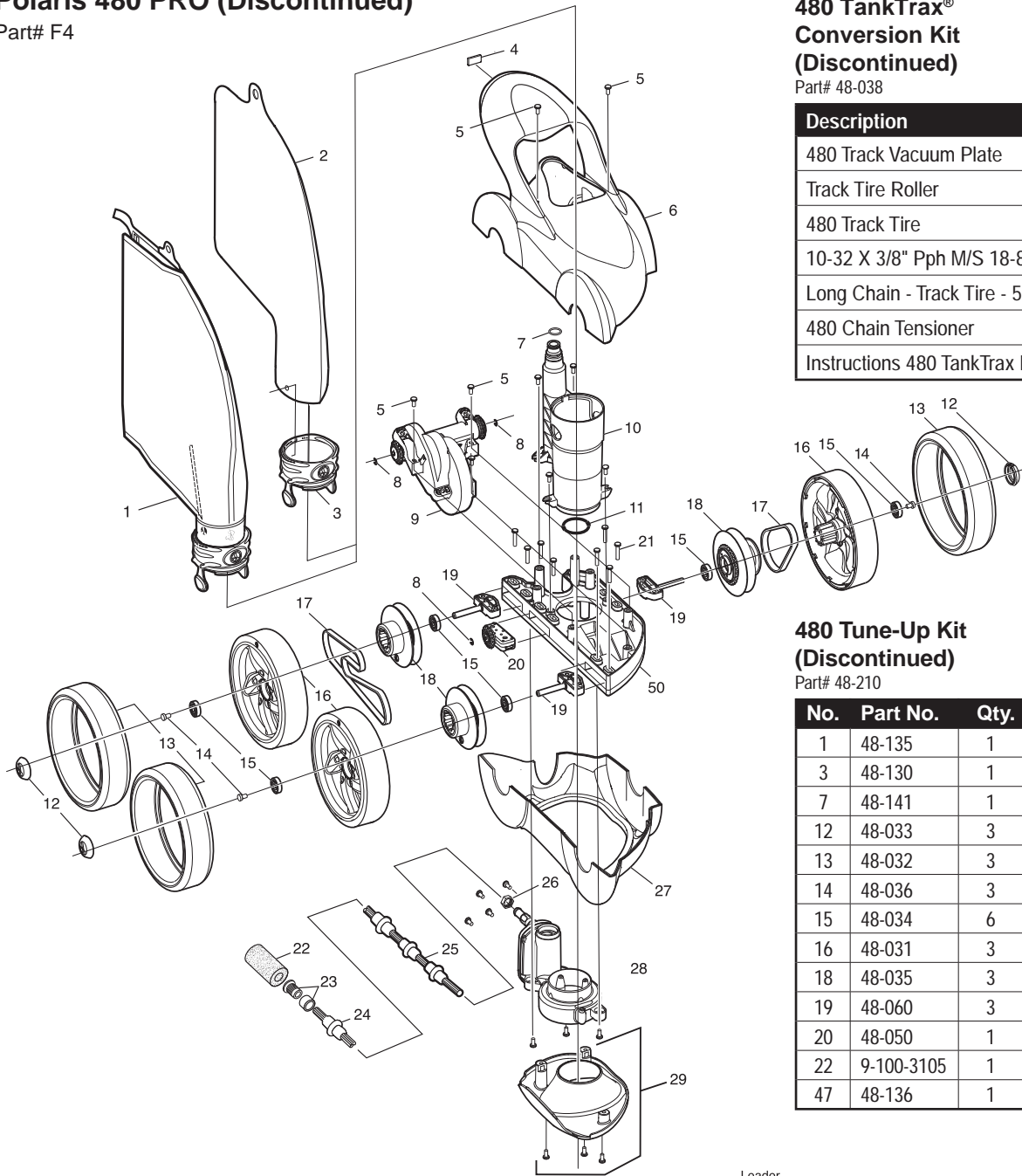
*Suggested stocking item
 N/S-Not Shown

Polaris 480 PRO Black Max™ Parts

Part No.	Description	Pieces per Part No.
BAG PARTS		
48-234	Disposable Bag, Black w/o Collar, 3/PK	3
48-237	Disposable Bag, Black w/ Collar, 3/PK	
B3	Sweep Hose Weight, Black	
B6	Sweep Hose Complete, Black	1
B16	Sweep Hose Attachment Clamp, Black	1
HEAD PARTS		
48-049	Tire, PosiTrax® Black for Fiberglass and Tile Pools Only	1
48-202	480 Lower Housing, Black	
48-203	480 Upper Housing/Handle Assembly, Black	
48-204	480 Vacuum Tube and Feedpipe, Black	
48-208	480 Vacuum Plate Assembly, Black	
48-230	Bag Clip Assembly, Black	
48-231	480 Wide Wheel, Black	
48-232	480 WideTrax® Tire, Black	1
48-233	480 Wheel Hubcap, Black	
48-247	License Plate w/ Logo, Black	
B11	Wear Ring, Black	1
HOSE PARTS		
D11	Float, Feed Hose, Black	1
D21	Swivel, Ball Bearing, Black	1
D47	Feed Hose, Black	1
D52	Leader Hose, Black	1
G62	Back-Up Valve, Black (480/380/280)	1
G64	Case Kit for G62, Black (480/380/280)	1
48-085	In-Line Filter Assembly, Black	1
48-236	480 Bag Clasp, Black	
48-240	Feed Hose Connector Assembly, Black	1

Polaris 480 PRO (Discontinued)

Part# F4



480 TankTrax® Conversion Kit (Discontinued)

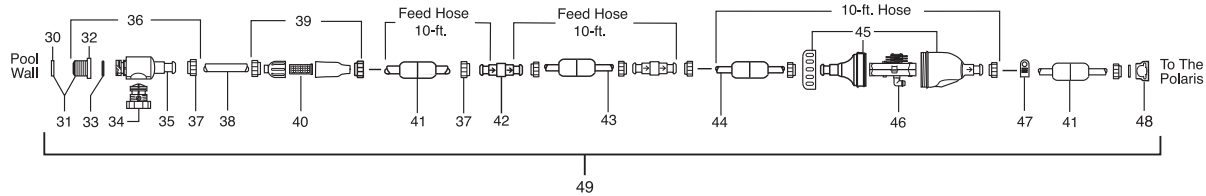
Part# 48-038

Description	Qty.
480 Track Vacuum Plate	1
Track Tire Roller	2
480 Track Tire	1
10-32 X 3/8" Pph M/S 18-8	3
Long Chain - Track Tire - 57 Link	1
480 Chain Tensioner	1
Instructions 480 TankTrax Kit	1

480 Tune-Up Kit (Discontinued)

Part# 48-210

No.	Part No.	Qty.
1	48-135	1
3	48-130	1
7	48-141	1
12	48-033	3
13	48-032	3
14	48-036	3
15	48-034	6
16	48-031	3
18	48-035	3
19	48-060	3
20	48-050	1
22	9-100-3105	1
47	48-136	1



Part No.	Description	Pieces per Part No.
48-270	Feed Hose Assembly, Black	KIT
6-550-00	Universal Wall Fitting, Black (480/380/360/280)	1

Part No.	Description	Pieces per Part No.
9-100-9005	UWF® Connector Assembly, Black (480/380/280)	1
48-212	480 PRO Tune-Up Kit, Black	

CLEANERS / POLARIS® CLEANER DISCONTINUED ACCESSORIES & PARTS

Polaris ATV® Parts List (Discontinued)

Part# F7

Key No.	Part No.	Description	Pieces in Model	Pieces per Part No.
1	5-2025	Propeller Grid, ATV	1	1
2	9-100-5117	Screw, 8-32 x 3/8" SS Pan Head	12	5
3	5-2020	Top Housing, ATV	1	
4	5-6000	Propeller	1	
5	5-4030	Hub Cap ATV	3	
6	9-100-5107	E-Clip, Stainless Steel	7	1
7	9-100-1108	Ball Bearing	6	1
8	5-4025	Tire, Max Trax®, ATV	3	1
9	5-4020	Wheel Assembly, ATV	3	
10	5-5200	Belt Kit, Small and Large	1	KIT
11	9-100-7011	Shield, Bearing	3	1
12	5-1020	Pulley/Retainer Clip	1	
13	5-4500	Axle Block Assembly	3	
14	5-1010	Belt Tensioner Block	1	
15	9-100-5130	Lock Washer, Axle Block	8	1
16	9-100-5115	Screw, 8-32 x 3/4" SS Pan Head	8	1
17	5-1000	Frame (Warranty Only)	1	1
18	5-2010	Flotation, Top, Front and Rear	1	
19	5-5000	Power Module Assembly	1	1
20	5-5060	Swivel Assembly	1	
21	5-2050	Bottom Housing	1	
22	5-3000	Bottom Plate	1	
23	5-7100	Universal Adapter	1	1
24	5-7000	Flow Regulator	1	
25	5-7250	Elbow, 45-Degree	1	1

Key No.	Part No.	Description	Pieces in Model	Pieces per Part No.
26	5-7200	Elbow, 90-Degree	1	
27	5-5570	Single, Standard Hose	12	
28	5-7300	Hose Weight	2	1
29	5-5580	Leader Hose	1	
30	5-7050	Flow Indicator	1	
N/S	5-5040	Reverse Drive Mechanism Kit, ATV, 340	2	KIT
N/S	5-5050	Power Module Gear Kit	1	KIT

N/S-Not Shown

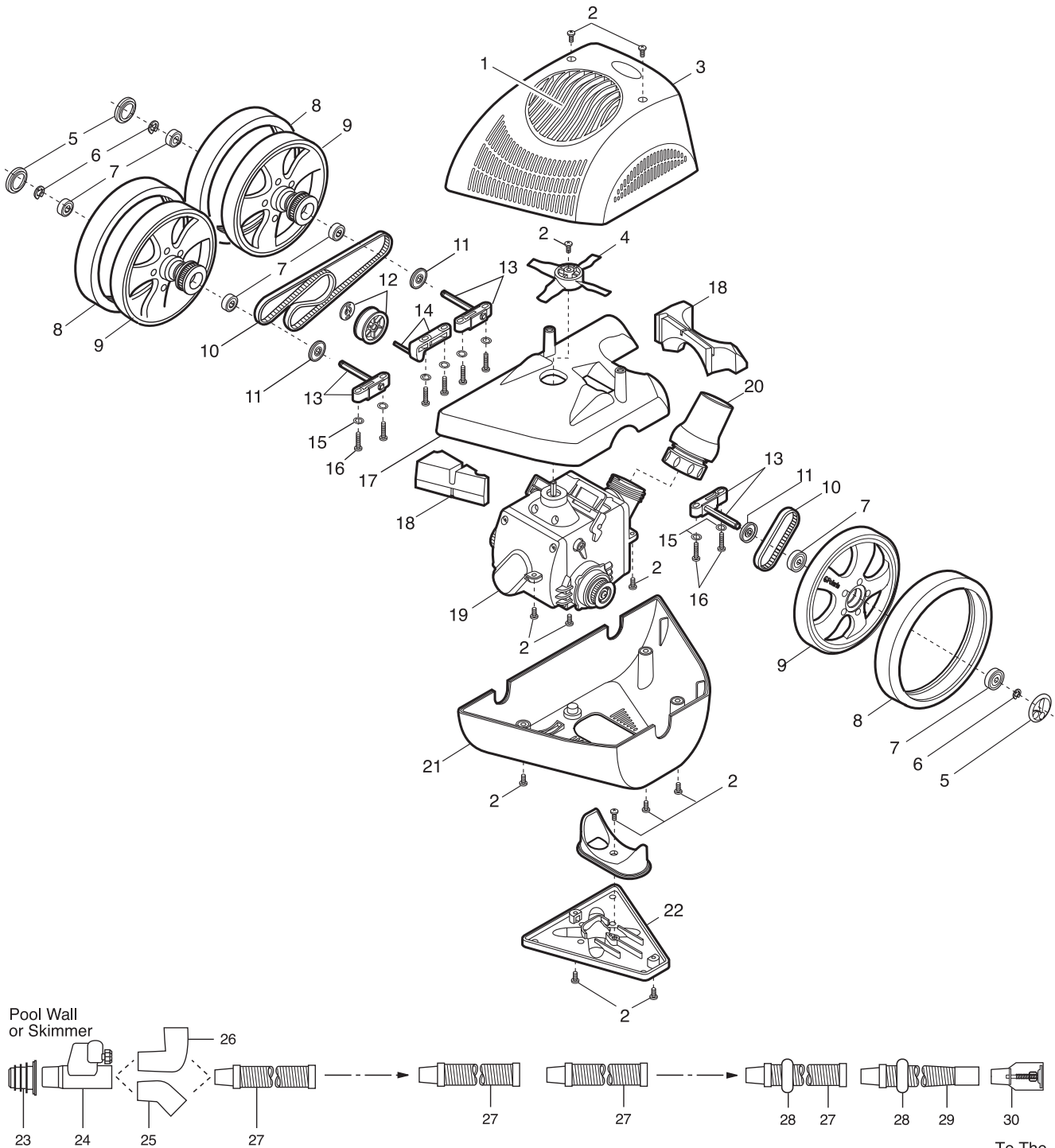
ATV Rebuild Kit (Discontinued)

Part# 5-9420

No.	Part No.	Qty.
3	5-2020	1
4	5-6000	1
5	5-4030	3
6	9-100-5107	7
7	9-100-1108	6
8	5-4025	3
9	5-4020	3
10	5-5200	1
11	9-100-7011	3
12	5-1020	1
13	5-4500	3
18	5-2010	1
19	5-5000	1
20	5-5060	1
21	5-2050	1
22	5-3000	1
28	5-7300	2

Polaris ATV® Parts Diagram (Discontinued)

Part# F7



To The Polaris

MX8™ ELITE

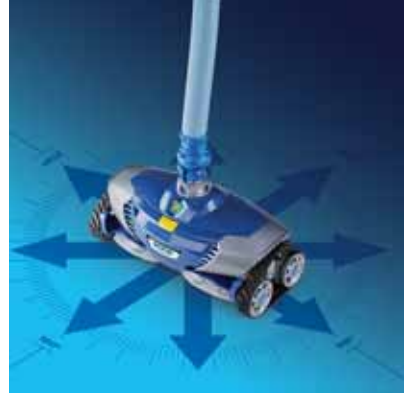
Featuring Cyclonic Scrubbing Action



Scrubbing Brushes
 Tackle fine and stuck-on debris from floor to waterline



Aggressive Wall Climbing
 Dual-cyclonic action ensures the MX8 Elite scrubs to the tile line



maX-DRIVE Navigation
 Delivers advanced 360° programming patterns



Zodiac MX8 Elite

Zodiac MX8™ Elite

- Cyclonic Scrubbing Brushes tackle fine and stuck-on debris
- Ultra-efficient premium suction-side cleaner
- Operates in all in-ground pools
- Compatible with variable-speed pumps. Works on low-flow
- Connects directly to skimmer or dedicated 1.5" vacuum line
- Includes 39 ft. of feed hose and flow regulator valve

Part No.	Description
----------	-------------

MX8EL	Zodiac MX8 Elite
-------	------------------



Zodiac MX8

Zodiac MX8™

- Ultra-efficient premium suction-side cleaner
- Operates in all in-ground pools
- Compatible with variable-speed pumps. Works on low-flow
- Connects directly to skimmer or dedicated 1.5" vacuum line
- Includes 39 ft. of feed hose and flow regulator valve

Part No.	Description
----------	-------------

MX8	Zodiac MX8
-----	------------



NEW!

TRADE SERIES
EXCLUSIVE

Zodiac MX6 Elite

Zodiac MX6™ Elite

- Cyclonic Scrubbing Brushes tackle fine and stuck-on debris
- Ultra-efficient suction-side cleaner
- Operates in all in-ground pools
- Compatible with variable-speed pumps. Works on low-flow
- Connects directly to skimmer or dedicated 1.5" vacuum line
- Includes 32 ft. of feed hose and flow regulator valve

Part No. Description

MX6EL	Zodiac MX6 Elite
-------	------------------



Zodiac MX6

Zodiac MX6™

- Ultra-efficient suction-side cleaner
- Operates in all in-ground pools
- Compatible with variable-speed pumps. Works on low-flow
- Connects directly to skimmer or dedicated 1.5" vacuum line
- Includes 32 ft. of feed hose and flow regulator valve

Part No. Description

MX6	Zodiac MX6
-----	------------

AVAILABLE ACCESSORIES TO OPTIMIZE YOUR CLEANER



MX Tune-Up Kit
R0796200



Cyclonic Scrubbing Kit
R0714300



Scrubbing Brushes
R0714400



Cyclonic Leaf Catcher
CLC500

PUMPS
 FILTERS
 GAS HEATERS
 HEAT PUMPS
 AUTOMATION
 WATER LEVELING
 WATER SANITIZERS
 VALVES
 WATER FEATURES
 LIGHTING
CLEANERS
 IN-FLOOR
 BLOWERS
 ACCESSORIES



Zodiac T5 Duo

Zodiac T5 Duo®

- Premium suction-side cleaner with silent Dura Life™ Diaphragm Technology
- Operates in all in-ground pools
- BONUS! Cyclonic Leaf Catcher
- Connects directly to skimmer or dedicated 1.5" vacuum line
- Includes 39 ft. of feed hose



BONUS
 Cyclonic
 Leaf Catcher
 Included

Part No. Description

T5 Zodiac T5 Duo



TRADE SERIES
EXCLUSIVE

Zodiac TR2D

Zodiac TR2D

- In-ground suction-side cleaner with silent Dura Life Diaphragm Technology
- Connects directly to skimmer or dedicated 1.5" vacuum line
- Includes 32 ft. of feed hose

Part No. Description

WS000016 Zodiac TR2D

NEW!



TRADE SERIES
EXCLUSIVE

Zodiac G3 PRO

Zodiac G3™ PRO

- Versatile in-ground suction-side cleaner with 39 ft. of feed hose
- One moving part technology for simple operation and low-cost maintenance
- BONUS! Additional diaphragm

Part No. Description

W03000TR Zodiac G3 PRO



Zodiac Ranger

Zodiac Ranger®

- Above-ground suction-side cleaner
- Connects directly to skimmer
- Includes 32 ft. of feed hose

Part No.	Description
W01698	Zodiac Ranger



Zodiac Wahoo

Zodiac Wahoo

- Above-ground suction-side cleaner
- Connects directly to skimmer
- Includes 32 ft. of feed hose

Part No.	Description
W70482	Zodiac Wahoo

PUMPS
 FILTERS
 GAS HEATERS
 HEAT PUMPS
 AUTOMATION
 WATER LEVELING
 WATER SANITIZERS
 VALVES
 WATER FEATURES
 LIGHTING
CLEANERS
 IN-FLOOR
 BLOWERS
 ACCESSORIES

Zodiac Cleaner Accessories

NEW!



MX8/MX8 Elite Factory Tune-Up Kit

MX8™/MX8 Elite Factory Tune-Up Kit

- Maintain performance and maximize maneuverability
- Easy to install

Part No. Description

R0796200	MX8/MX8 Elite Factory Tune-Up Kit Includes: Flex Power Turbine (1), Directional Control Devices (side A & B), Tracks (2), Drive Shafts & bearings (2)
----------	--



Cyclonic Leaf Catcher

Zodiac Cyclonic Leaf Catcher

- Compatible with most suction pool cleaners
- Vertical orientation goes virtually unseen in pool
- Hose adaptors included

Part No. Description

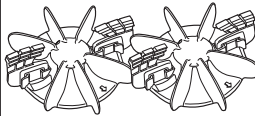
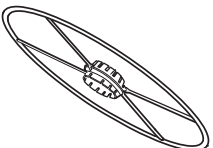
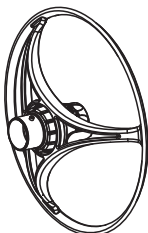
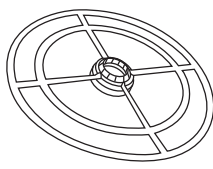
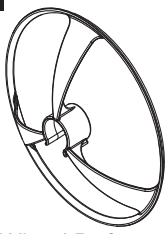


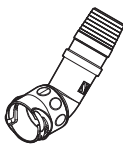

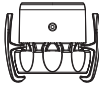


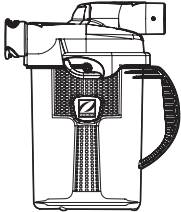
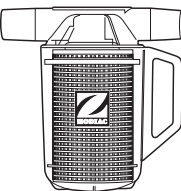
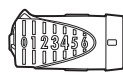
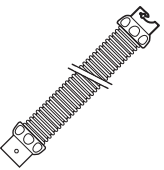
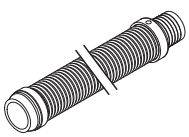
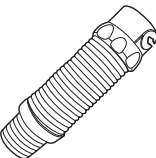
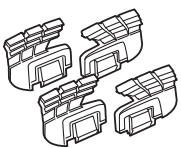
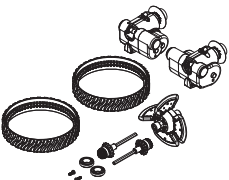
CLC500	Zodiac Cyclonic Leaf Catcher
--------	------------------------------

Key No.	Part No.	Description
1	R0714300	Cyclonic Scrubbing Turbine Assembly
2	W46055	Wheel Deflector
3	R0538800	Quick Release Wheel Deflector, Blue
4	W46155	Wheel Deflector 16" Turquoise
5	R0541900	Wheel Deflector Hose Mount, Blue
6	FRV100	Flow Regulator Valve
7	R0533300**	Leaf Catcher Hose Adapter
8	R0595300	Adjustable Elbow
9	R0532400	Twist-Lock 45° Elbow, Ext.
10	R0526900	Quick Connect Hose Clip
11	R0697100	Manual Vac Head Hose Adaptor
12	W69742	Wheel Adapter
13	CLC500	Cyclonic Leaf Catcher
14	W26705	Leaf Catcher

Key No.	Part No.	Description
15	R0527500	Flow Gauge
16	R0527800	Twist Lock Hose, 1 Meter, Blue/Gray, 12/PK
16	R0527700	Twist Lock Hose, 1 Meter, Blue/Gray, 1 piece
17	W83140	Long Life Hose Kit, 1 Meter, 12/PK
18	X77094	Suction Fitting Adapter
19	R0714400	Cyclonic Scrubbing Brushes, 4/PK
20	R0796200	MX8/MX8 Elite Tune-Up Kit
N/S	W43905**	Leaf Catcher Basket
N/S	W44000**	Leaf Catcher O-Ring (seal)
N/S	W44700**	Leaf Catcher Lid (top)
N/S	W24100	Universal Return Line Diverter, 2/PK

**For W26705 Leaf Catcher N/S-Not Shown

Zodiac Cleaner Accessories

<p>1</p>  <p>Cyclonic Scrubbing Turbine Assembly R0714300</p>	<p>2</p>  <p>Wheel Deflector W46055</p>	<p>3</p>  <p>Quick Release Wheel Deflector R0538800</p>	<p>4</p>  <p>16" Wheel Deflector W46155</p>	<p>5</p>  <p>Wheel Deflector Hose Mount, Blue R0541900</p>
<p>6</p>  <p>Flow Regulator Valve FRV100</p>	<p>7</p>  <p>Leaf Catcher Twist Lock Hose Adapter R0533300</p>	<p>8</p>  <p>Adjustable Elbow R0595300</p>	<p>9</p>  <p>Twist-Lock 45° Elbow, Extended R0532400</p>	<p>10</p>  <p>Quick Connect Hose Clip R0526900</p>
<p>11</p>  <p>Manual Vac Head Hose Adapter R0697100</p>	<p>12</p>  <p>Wheel Adapter W69742</p>	<p>13</p>  <p>Cyclonic Leaf Catcher CLC500</p>	<p>14</p>  <p>Leaf Catcher W26705</p>	<p>15</p>  <p>Flow Gauge R0527500</p>
<p>16</p>  <p>Twist Lock Hose, 1 Meter, Blue/Gray 12/PK: R0527800 1 pc: R0527700</p>	<p>17</p>  <p>Long Life Hose Kit 1 Meter, 12/PK W83140</p>	<p>18</p>  <p>Suction Fitting Adapter X77094</p>	<p>19</p>  <p>Cyclonic Scrubbing Brushes R0714400</p>	<p>20</p>  <p>MX8™/MX8 Elite Tune-Up Kit R0796200</p>

PUMPS
FILTERS
GAS HEATERS
HEAT PUMPS
AUTOMATION
WATER LEVELING
WATER SANITIZERS
VALVES
WATER FEATURES
LIGHTING
CLEANERS
IN-FLOOR
BLOWERS
ACCESSORIES

CLEANERS / ZODIAC® CLEANER ACCESSORIES & PARTS

Zodiac MX8™ Elite

Part# MX8EL

Key No.	Part No.	Description	Pieces in Model	Pieces per Part No.
1	R0526800	Hose Float	1	1
2	FRV100	Flow Regulator Valve	1	1
3	R0525400	Top Cover w/ Swivel Assembly	1	1
4	R0527100	Screw, M4 x 12mm, Phillips #2 Pan Head, 5/PK	18	5
5	R0545700	Middle Engine Housing w/ Ramp and 2 Seals R2	1	1
6	R0526300	Cover Latch	1	1
7	R0526600	Body Panel, Right (B)	1	1
8	R0525100	Drive Shaft Assembly	2	1
9	R0527000	Bearing (Wheel and Engine)	10	1
10	R0524900	Engine Assembly	1	1
11	R0525800	Lower Engine Housing	1	KIT
12	R0527200	Screw, Thread Forming, #6-18 7/8" Type A, Phillips #2 Pan Head, 5/PK	2	5
13	R0525600	Body Panel, Rear (D)	1	1
14	R0524800	Direction Control Device, Side B	1	1
15	R0526100	Track	2	1

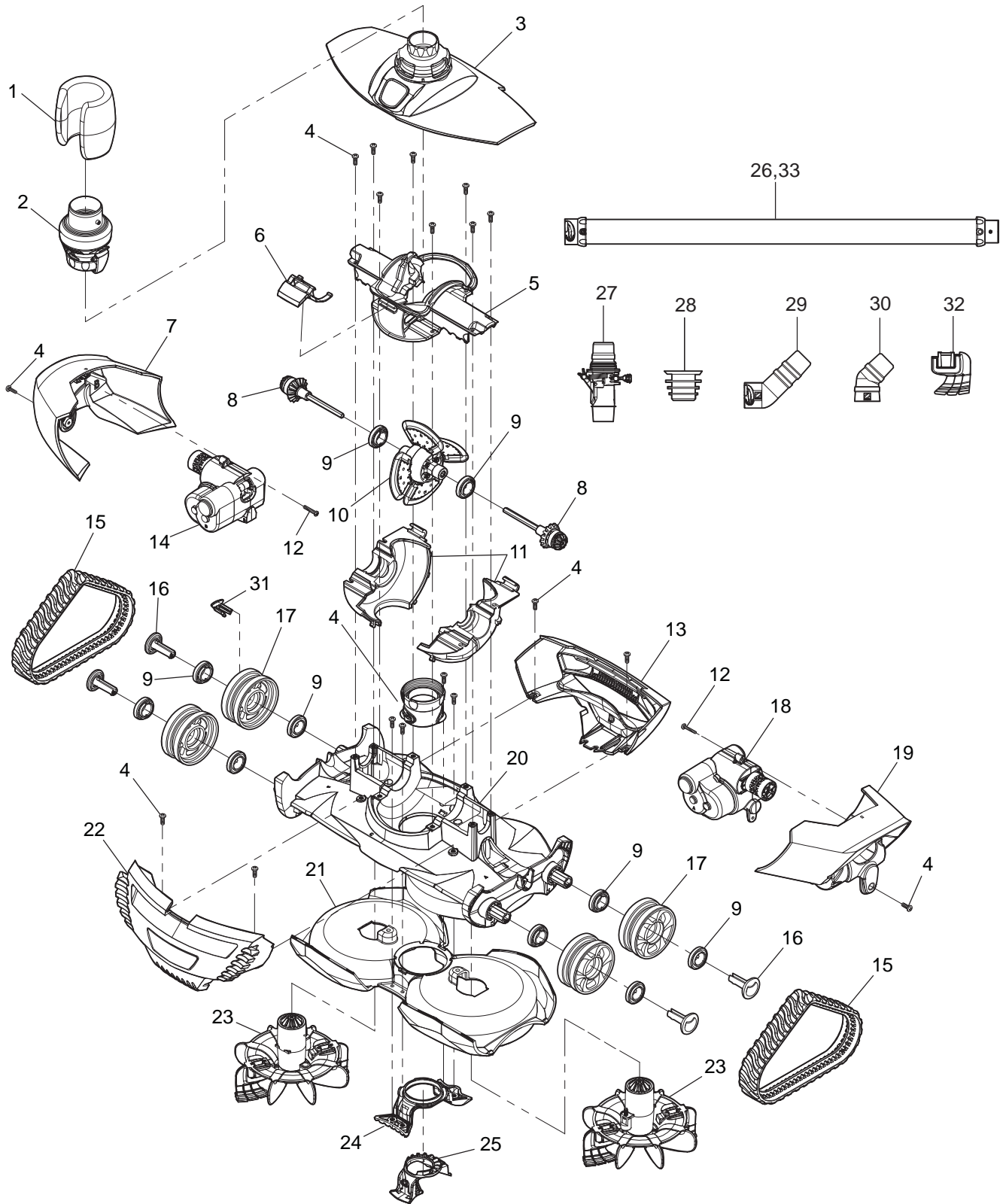
Key No.	Part No.	Description	Pieces in Model	Pieces per Part No.
16	R0545800	Wheel Pin R2	4	1
17	R0526000	Wheel	4	1
18	R0524700	Direction Control Device - Side A	1	1
19	R0526700	Body Panel, Left (A)	1	1
20	R0727400	Chassis Assembly	1	1
21	R0715900	Lower Body Housing	1	1
22	R0715800	Body Panel, Front MX8 Elite	1	1
23	R0714300	Cyclonic Scrubbing Turbine Assembly, 2/PK	2	2
24	R0535500	Inlet Assembly	1	1
25	R0535600	Regular Opening	1	1
26	R0527800	Twist Lock Hose - 1 Meter, Blue/Gray, 12/PK	12	12
27	R0527400	FlowKeeper® Valve	1	1
28	R0527600	In-Ground Valve Cuff	1	1
29	R0532400	Twist-Lock 45 Deg Elbow, Extended	1	1
30	R0532500	45 Deg Elbow	1	1
31	R0596100	Wheel Speed Indicator	1	1
32	R0714400	Cyclonic Scrubbing Brush, 4/PK	4	4
33	R0527700	Twist Lock Hose - 1 Meter, Blue/Gray, 1 PC	1	1

MX8/MX8 Elite Factory Tune-Up Kit

Part# R0796200

Key No.	Part No.	Qty.
8	R0525100	2
9	R0527000	2
10	R0524900	1
14	R0524800	1
15	R0526100	2
18	R0524700	1

Zodiac MX8™ Elite
 Part# MX8EL



CLEANERS / ZODIAC® CLEANER ACCESSORIES & PARTS

Zodiac MX8™

Part# MX8

Key No.	Part No.	Description	Pieces in Model	Pieces per Part No.
1	R0526800	Hose Float	1	1
2	FRV100	Flow Regulator Valve	1	1
3	R0525400	Top Cover w/ Swivel Assembly	1	1
4	R0527100	Screw, M4 x 12mm, Phillips #2 Pan Head, 5/PK	18	5
5	R0545700	Middle Engine Housing w/ Ramp and 2 Seals R2	1	1
6	R0526300	Cover Latch	1	1
7	R0526600	Body Panel, Right (B)	1	1
8	R0525100	Drive Shaft Assembly	2	1
9	R0527000	Bearing (Wheel and Engine)	10	1
10	R0524900	Engine Assembly	1	1
11	R0525800	Lower Engine Housing	1	KIT
12	R0527200	Screw, Thread Forming, #6-18 7/8" Type A, Phillips #2 Pan Head, 5/PK	2	5
13	R0525600	Body Panel, Rear (D)	1	1
14	R0524800	Direction Control Device, Side B	1	1
15	R0526100	Track	2	1

Key No.	Part No.	Description	Pieces in Model	Pieces per Part No.
16	R0545800	Wheel Pin R2	4	1
17	R0526000	Wheel	4	1
18	R0524700	Direction Control Device - Side A	1	1
19	R0526700	Body Panel, Left (A)	1	1
20	R0727400	Chassis Assembly	1	1
21	R0525700	Lower Body Housing	1	1
22	R0525500	Body Panel, Front (C)	1	1
23	R0525000	Cyclonic Turbine	2	1
24	R0535500	Inlet Assembly	1	1
25	R0535600	Regular Opening	1	1
26	R0527800	Twist Lock Hose - 1 Meter, Blue/Gray, 12/PK	12	12
27	R0527400	FlowKeeper® Valve	1	1
28	R0527600	In-Ground Valve Cuff	1	1
29	R0532400	Twist-Lock 45 Deg Elbow, Extended	1	1
30	R0532500	45 Deg Elbow	1	1
31	R0596100	Wheel Speed Indicator	1	1
32	R0527700	Twist Lock Hose - 1 Meter, Blue/Gray, 1 PC	1	1

MX8/MX8 Elite Factory Tune-Up Kit

Part# R0796200

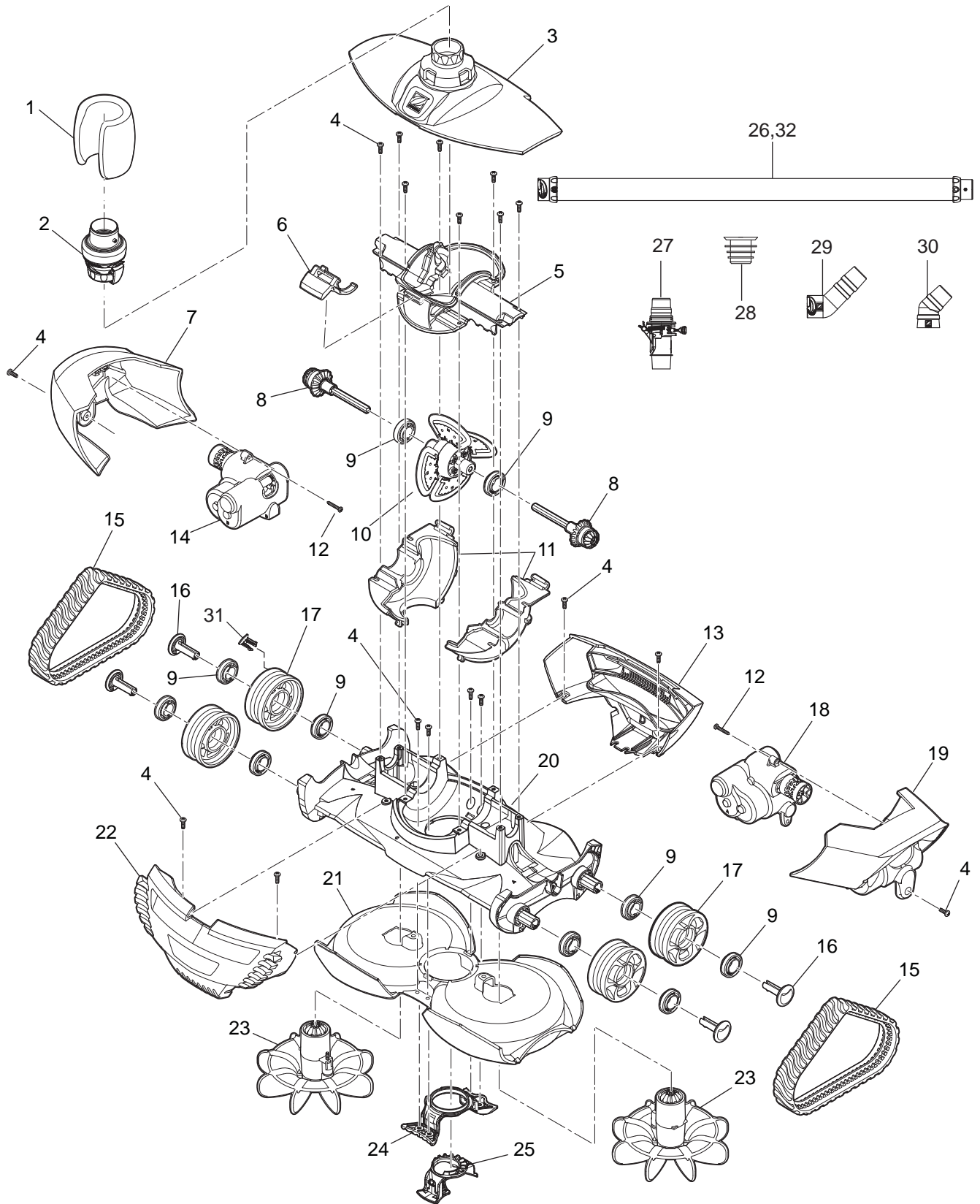
Key No.	Part No.	Qty.
8	R0525100	2
9	R0527000	2
10	R0524900	1
14	R0524800	1
15	R0526100	2
18	R0524700	1



Enroll in one of our Zodiac incentive programs (ProEdge, ZPPN, Retail Select) and enjoy benefits such as extended warranties and access to bulk part discounts. Trust in the quality of genuine parts and Zodiac will provide you with the tools to help grow your business.

Contact your local Zodiac representative today for details.

Zodiac MX8™
 Part# MX8



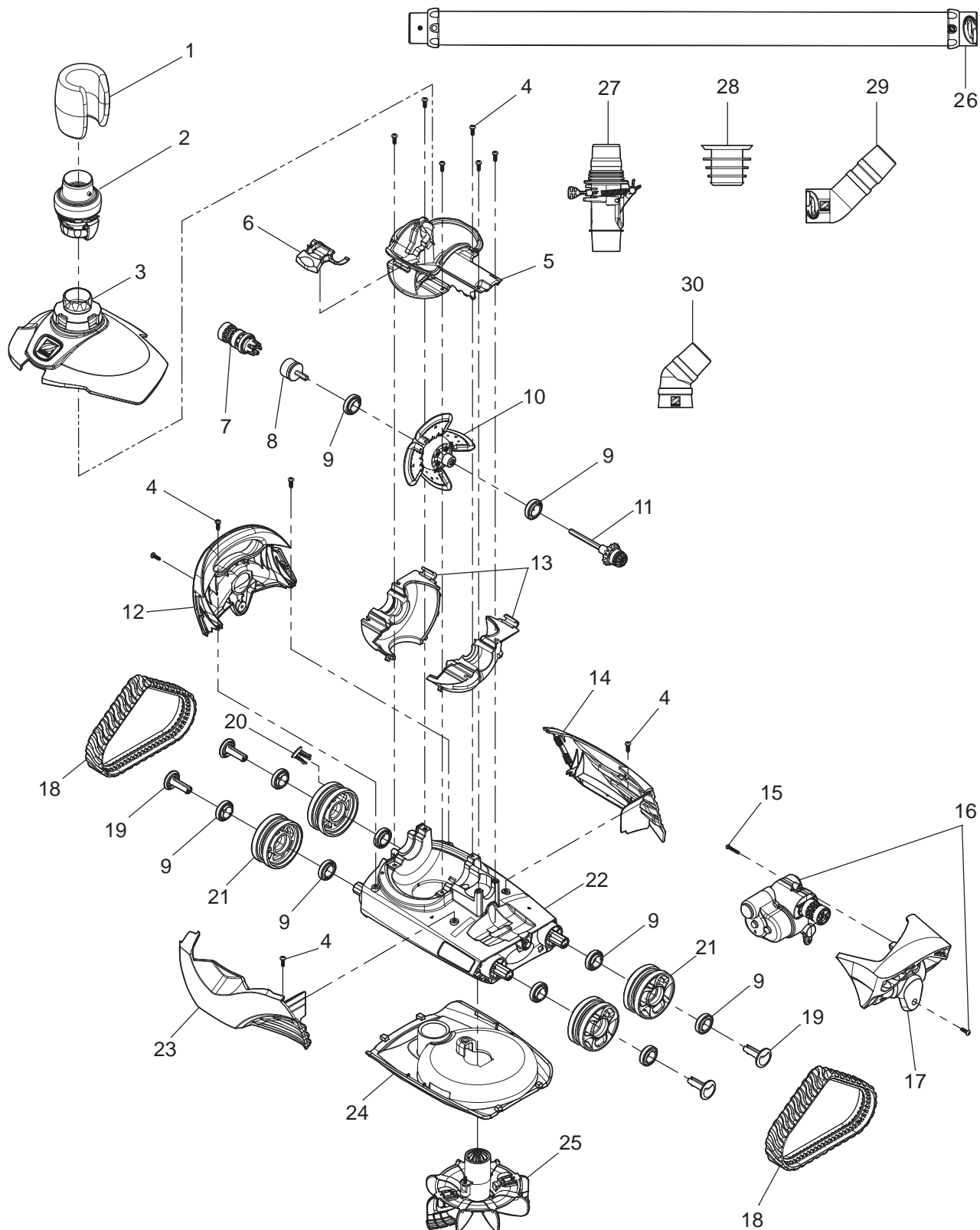
Zodiac MX6™ Elite

Part# MX6EL

Key No.	Part No.	Description	Pieces in Model	Pieces per Part No.	
1	R0526800	Hose Float	1	1	
2	FRV100	Flow Regulator Valve	1	1	
3	R0566800	Top Cover w/ Swivel Assembly	1	1	
4	R0527100	Screw, Phillips #2 Pan Head, 5/PK	10	5	
5	R0566900	Middle Engine Housing w/ Ramp and 2 Seals	1	1	
6	R0567000	Cover Latch	1	1	
7	R0595100	Drive Pulley Coupler	1	1	
8	R0567100	Engine Coupler w/ Shaft	1	1	
9	R0527000	Bearing (Wheel and Engine)	10	1	
10	R0524900	Engine Assembly	1	1	
11	R0525100	Drive Shaft Assembly	1	1	
12	R0567200	Body Panel, Right (D)	1	1	
13	R0525800	Lower Engine Housing	1	KIT	
14	R0567300	Body Panel, Rear (B)	1	1	
15	R0527200	Screw, Thread Forming, Phillips #2, 5/PK	1	5	
16	R0524700	Direction Control Device, Side A	1	1	
17	R0567400	Body Panel, Left (C)	1	1	
18	R0526100	Track	2	1	
19	R0545800	Wheel Pin R2	4	1	
20	R0596100	Wheel Speed Indicator	1	1	
21	R0526000	Wheel	4	1	
22	R0567500	Chassis Assembly	1	1	
23	R0567600	Body Panel, Front (A)	1	1	
24	R0567700	Lower Body Housing	1	1	
25	R0714300	Cyclonic Scrubbing Turbine Assembly, 2/PK	2	2	
26	R0527800	Twist Lock Hose - 1 Meter, Blue/Gray, 12/PK	10	12	
26	R0527700	Twist Lock Hose - 1 Meter, Blue/Gray, 1 pc	1	1	
27	R0527400	FlowKeeper® Valve	1	1	
28	R0527600	In-Ground Valve Cuff	1	1	
29	R0532400	Twist-Lock 45° Elbow, Extended	1	1	
30	R0532500	45° Elbow	1	1	

Zodiac MX6™ Elite

Part# MX6EL

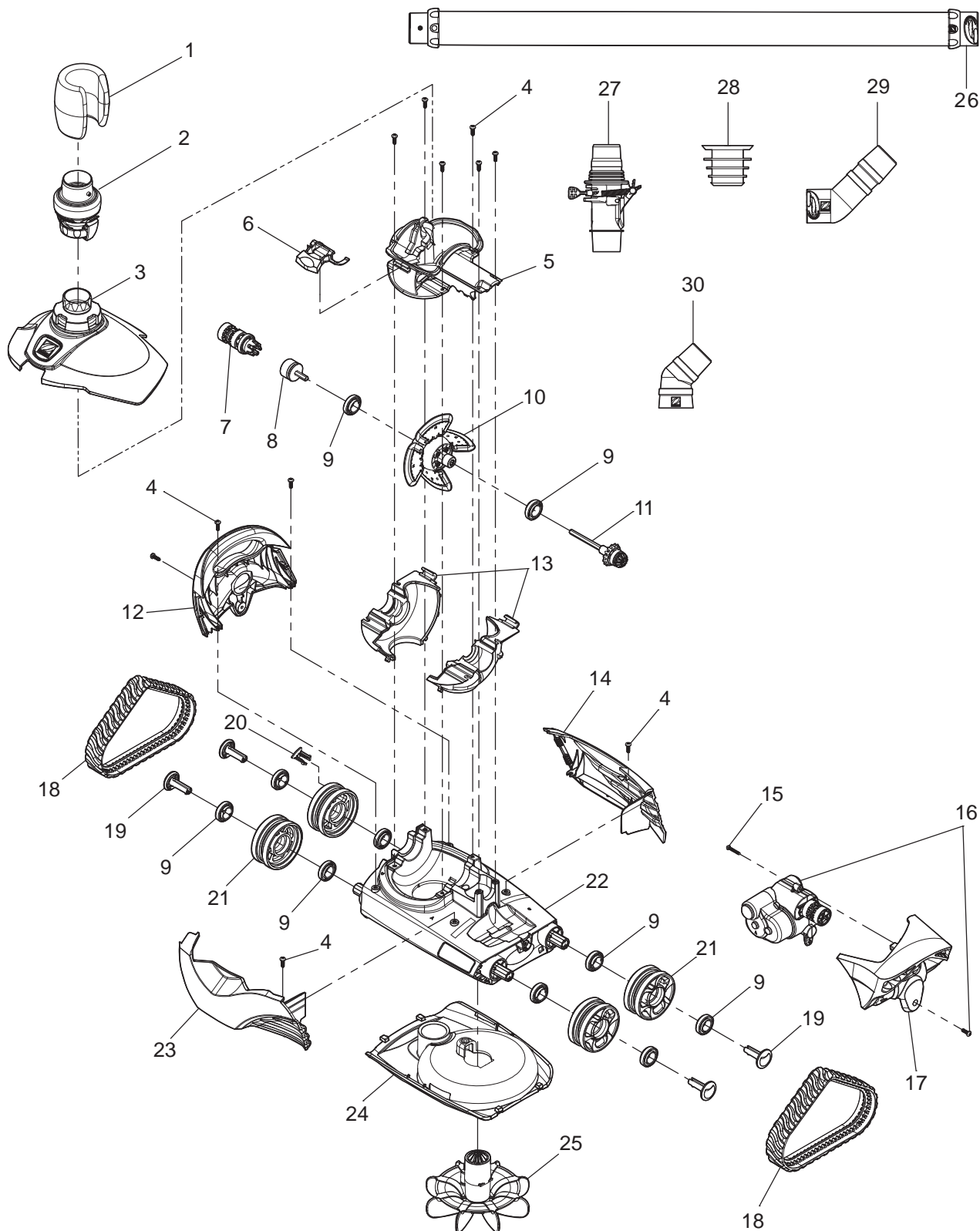


Zodiac MX6™

Part# MX6

Key No.	Part No.	Description	Pieces in Model	Pieces per Part No.
1	R0526800	Hose Float	1	1
2	FRV100	Flow Regulator Valve	1	1
3	R0566800	Top Cover w/ Swivel Assembly	1	1
4	R0527100	Screw, Phillips #2 Pan Head, 5/PK	10	5
5	R0566900	Middle Engine Housing w/ Ramp and 2 Seals	1	1
6	R0567000	Cover Latch	1	1
7	R0595100	Drive Pulley Coupler	1	1
8	R0567100	Engine Coupler w/ Shaft	1	1
9	R0527000	Bearing (Wheel and Engine)	10	1
10	R0524900	Engine Assembly	1	1
11	R0525100	Drive Shaft Assembly	1	1
12	R0567200	Body Panel, Right (D)	1	1
13	R0525800	Lower Engine Housing	1	KIT
14	R0567300	Body Panel, Rear (B)	1	1
15	R0527200	Screw, Thread Forming, Phillips #2, 5/PK	1	5
16	R0524700	Direction Control Device, Side A	1	1
17	R0567400	Body Panel, Left (C)	1	1
18	R0526100	Track	2	1
19	R0545800	Wheel Pin R2	4	1
20	R0596100	Wheel Speed Indicator	1	1
21	R0526000	Wheel	4	1
22	R0567500	Chassis Assembly	1	1
23	R0567600	Body Panel, Front (A)	1	1
24	R0567700	Lower Body Housing	1	1
25	R0525000	Cyclonic Turbine	2	2
26	R0527800	Twist Lock Hose - 1 Meter, Blue/Gray, 12/PK	10	12
26	R0527700	Twist Lock Hose - 1 Meter, Blue/Gray, 1 pc	1	1
27	R0527400	FlowKeeper® Valve	1	1
28	R0527600	In-Ground Valve Cuff	1	1
29	R0532400	Twist-Lock 45° Elbow, Extended	1	1
30	R0532500	45° Elbow	1	1

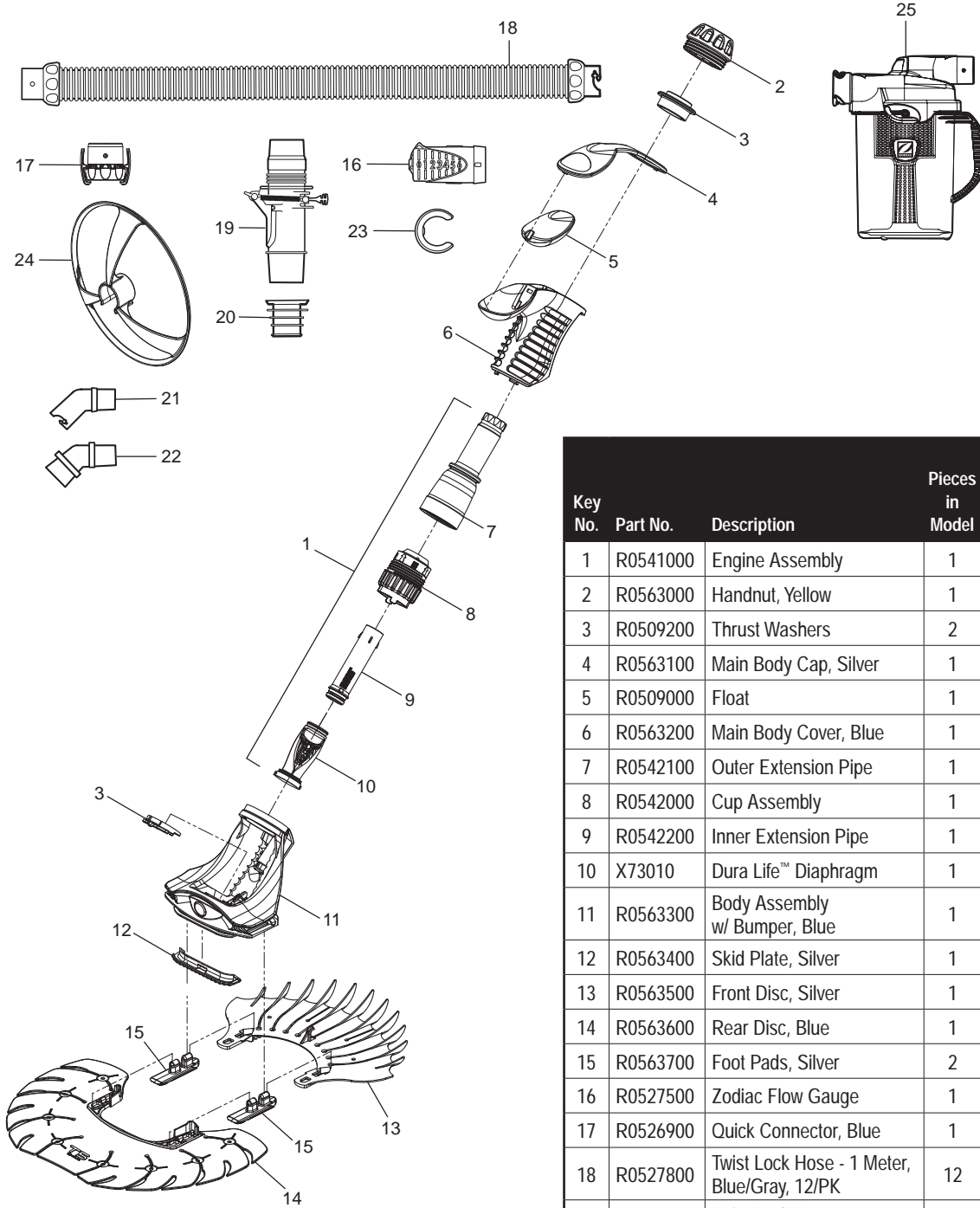
Zodiac MX6™
 Part# MX6



CLEANERS / ZODIAC® CLEANER ACCESSORIES & PARTS

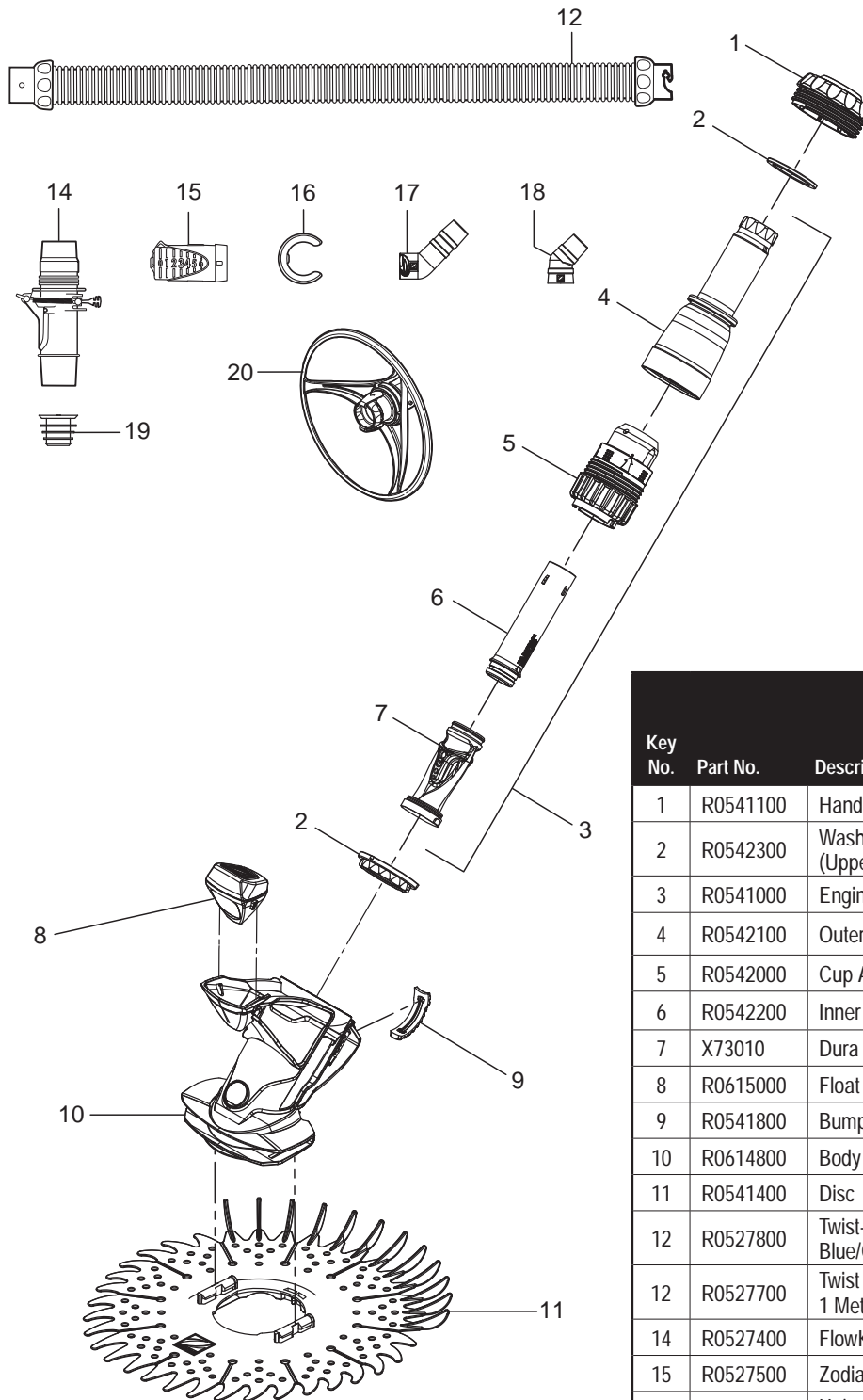
Zodiac T5 Duo®

Part# T5



Key No.	Part No.	Description	Pieces	
			in Model	per Part No.
1	R0541000	Engine Assembly	1	1
2	R0563000	Handnut, Yellow	1	1
3	R0509200	Thrust Washers	2	KIT
4	R0563100	Main Body Cap, Silver	1	1
5	R0509000	Float	1	1
6	R0563200	Main Body Cover, Blue	1	1
7	R0542100	Outer Extension Pipe	1	1
8	R0542000	Cup Assembly	1	1
9	R0542200	Inner Extension Pipe	1	1
10	X73010	Dura Life™ Diaphragm	1	1
11	R0563300	Body Assembly w/ Bumper, Blue	1	1
12	R0563400	Skid Plate, Silver	1	1
13	R0563500	Front Disc, Silver	1	1
14	R0563600	Rear Disc, Blue	1	1
15	R0563700	Foot Pads, Silver	2	2
16	R0527500	Zodiac Flow Gauge	1	1
17	R0526900	Quick Connector, Blue	1	1
18	R0527800	Twist Lock Hose - 1 Meter, Blue/Gray, 12/PK	12	12
18	R0527700	Twist Lock Hose - 1 Meter, Blue/Gray, 1 pc	1	1
19	R0527400	FlowKeeper® Valve	1	1
20	R0527600	In-Ground Valve Cuff	1	1
21	R0532400	Twist-Lock 45° Elbow, Ext.	1	1
22	R0532500	45° Weir Elbow (EVA)	1	1
23	R0542600	Univ. Hose Weight, Blue	1	1
24	R0541900	Wheel Deflector, Hose Mount, Blue	1	1
25	CLC500	Cyclonic Leaf Catcher	1	1

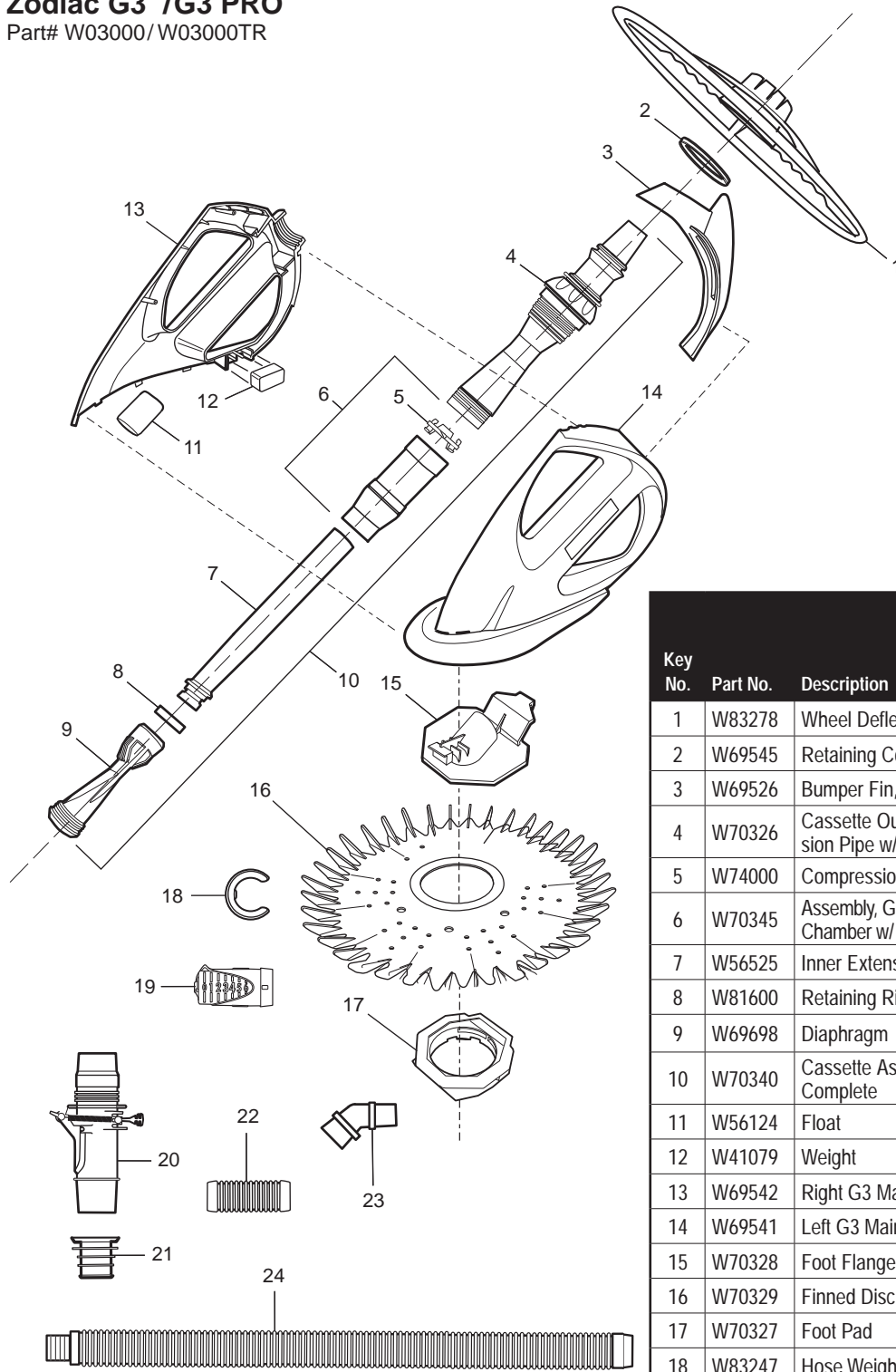
Zodiac TR2D
Part# WS000016



Key No.	Part No.	Description	Pieces	
			in Model	per Part No.
1	R0541100	Handnut	1	1
2	R0542300	Washers (Upper and Lower)	2	KIT
3	R0541000	Engine	1	1
4	R0542100	Outer Extension Tube	1	1
5	R0542000	Cup Assembly	1	1
6	R0542200	Inner Extension Tube	1	1
7	X73010	Dura Life™ Diaphragm	1	1
8	R0615000	Float	1	1
9	R0541800	Bumper	1	1
10	R0614800	Body	1	1
11	R0541400	Disc	1	1
12	R0527800	Twist-Lock Hose-1 Meter Blue/Gray, 12/PK	10	12
12	R0527700	Twist Lock Hose - 1 Meter, Blue/Gray, 1 pc	1	1
14	R0527400	FlowKeeper® Valve	1	1
15	R0527500	Zodiac Flow Gauge	1	1
16	R0542600	Universal Hose Weight, Blue	1	1
17	R0532400	Twist-Lock 45° Elbow, Extended	1	1
18	R0532500	45° Weir Elbow (EVA)	1	1
19	R0527600	In-Ground Valve Cuff	1	1
20	R0538800	Quick Release Wheel Deflector	1	1

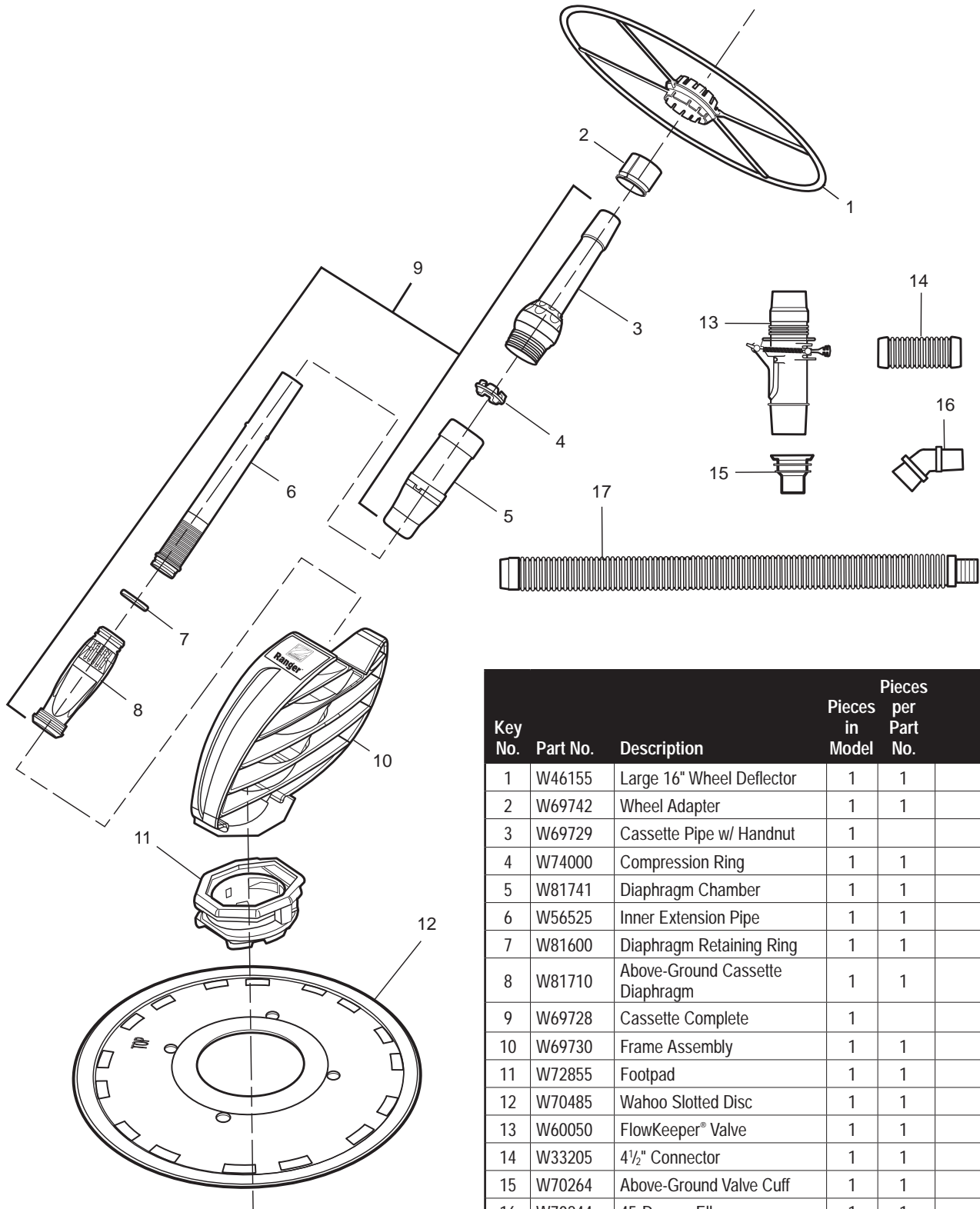
CLEANERS / ZODIAC® CLEANER ACCESSORIES & PARTS

Zodiac G3™/G3 PRO Part# W03000/W03000TR



Key No.	Part No.	Description	Pieces in Model	Pieces per Part No.
1	W83278	Wheel Deflector	1	1
2	W69545	Retaining Collar	1	1
3	W69526	Bumper Fin, G3	1	1
4	W70326	Cassette Outer Extension Pipe w/ Handnut	1	1
5	W74000	Compression Ring	1	1
6	W70345	Assembly, G3 Cass. Chamber w/ Comp Ring	1	KIT
7	W56525	Inner Extension Pipe	1	1
8	W81600	Retaining Ring	1	1
9	W69698	Diaphragm	1	1
10	W70340	Cassette Assembly Complete	1	1
11	W56124	Float	1	1
12	W41079	Weight	1	
13	W69542	Right G3 Main Body	1	1
14	W69541	Left G3 Main Body	1	1
15	W70328	Foot Flange	1	1
16	W70329	Finned Disc, G3	1	1
17	W70327	Foot Pad	1	1
18	W83247	Hose Weight	1	1
19	W70335	Flow Gauge	1	1
20	W60050	FlowKeeper® Valve	1	1
21	W70263	Valve Cuff	1	1
22	W33160	4 1/2" Connector	1	1
23	W70244	45-Degree Elbow	2	1
24	W83140	Long-Life Hose Kit, 12 x 1 Meter	12	12

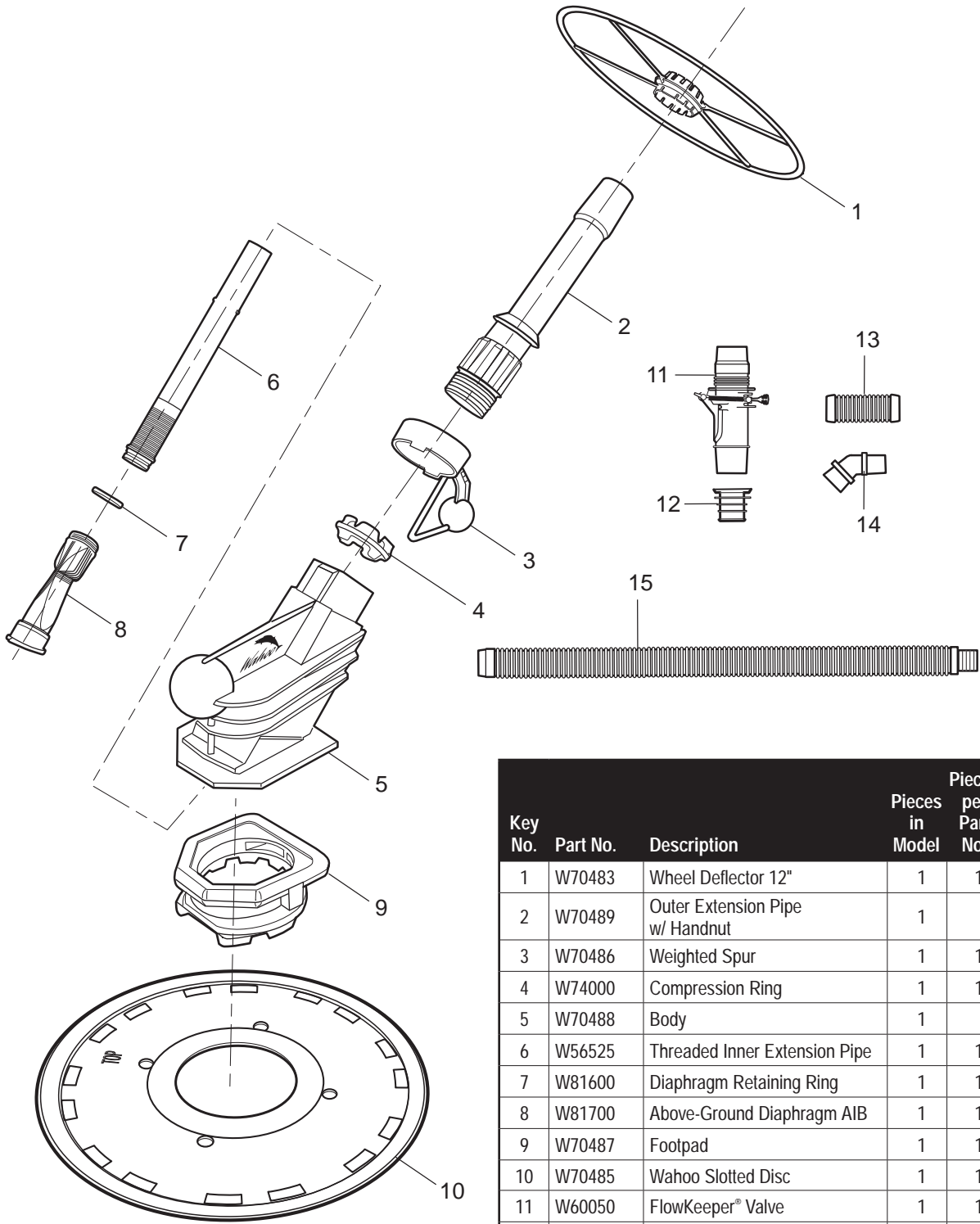
Zodiac Ranger®
Part# W01698



Key No.	Part No.	Description	Pieces	
			in Model	per Part No.
1	W46155	Large 16" Wheel Deflector	1	1
2	W69742	Wheel Adapter	1	1
3	W69729	Cassette Pipe w/ Handnut	1	
4	W74000	Compression Ring	1	1
5	W81741	Diaphragm Chamber	1	1
6	W56525	Inner Extension Pipe	1	1
7	W81600	Diaphragm Retaining Ring	1	1
8	W81710	Above-Ground Cassette Diaphragm	1	1
9	W69728	Cassette Complete	1	
10	W69730	Frame Assembly	1	1
11	W72855	Footpad	1	1
12	W70485	Wahoo Slotted Disc	1	1
13	W60050	FlowKeeper® Valve	1	1
14	W33205	4½" Connector	1	1
15	W70264	Above-Ground Valve Cuff	1	1
16	W70244	45-Degree Elbow	1	1
17	W38205	Hose, 1 Meter, White	10	1

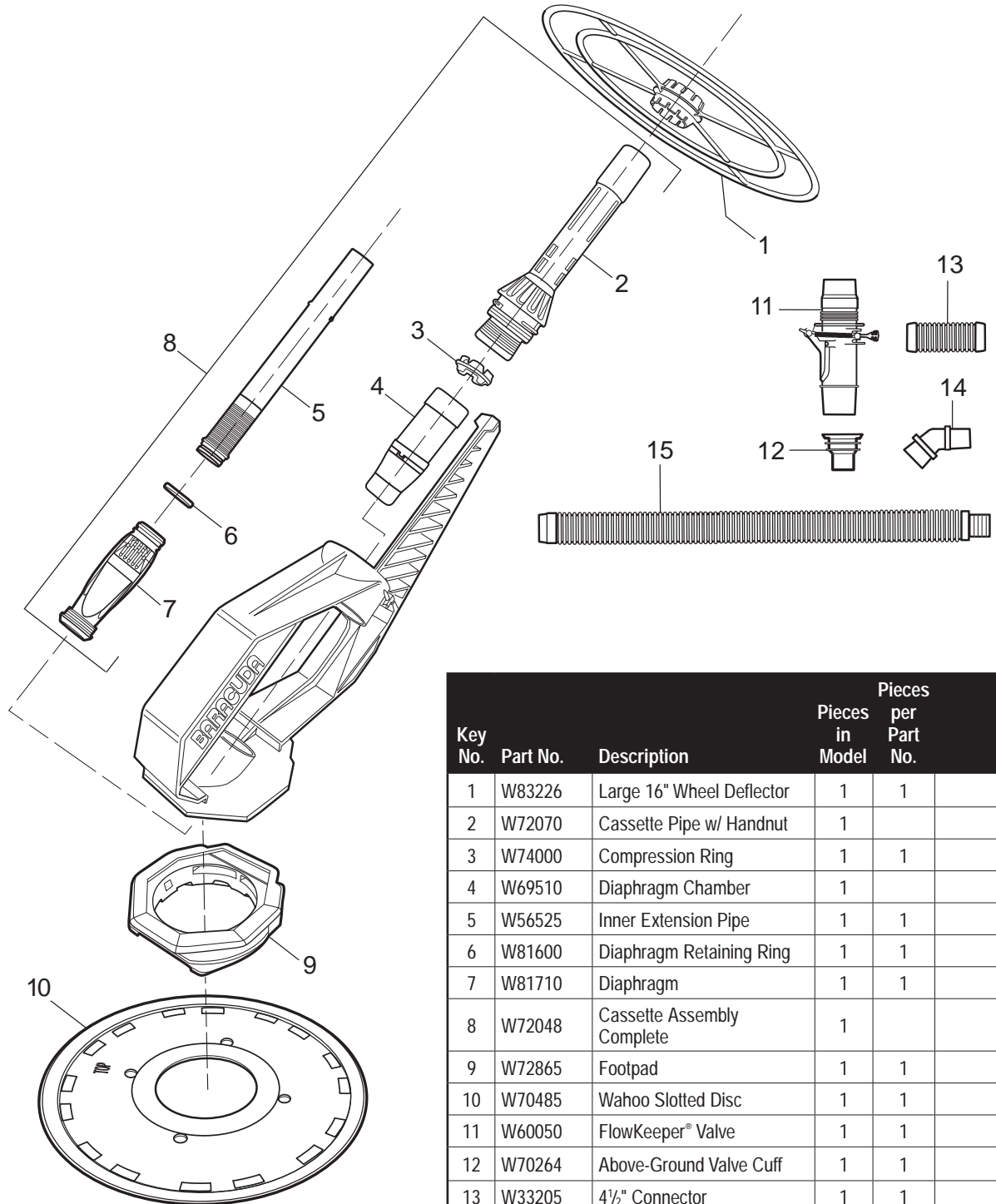
CLEANERS / ZODIAC® CLEANER ACCESSORIES & PARTS

Zodiac Wahoo Part# W70482



Key No.	Part No.	Description	Pieces in Model	Pieces per Part No.
1	W70483	Wheel Deflector 12"	1	1
2	W70489	Outer Extension Pipe w/ Handnut	1	
3	W70486	Weighted Spur	1	1
4	W74000	Compression Ring	1	1
5	W70488	Body	1	
6	W56525	Threaded Inner Extension Pipe	1	1
7	W81600	Diaphragm Retaining Ring	1	1
8	W81700	Above-Ground Diaphragm AIB	1	1
9	W70487	Footpad	1	1
10	W70485	Wahoo Slotted Disc	1	1
11	W60050	FlowKeeper® Valve	1	1
12	W70264	Valve Cuff	1	1
13	W33205	4½" Connector	1	1
14	W70244	45° Elbow	1	1
15	W38205	Hose, 1 Meter, White	10	1

Baracuda® 1500
Part# W01099

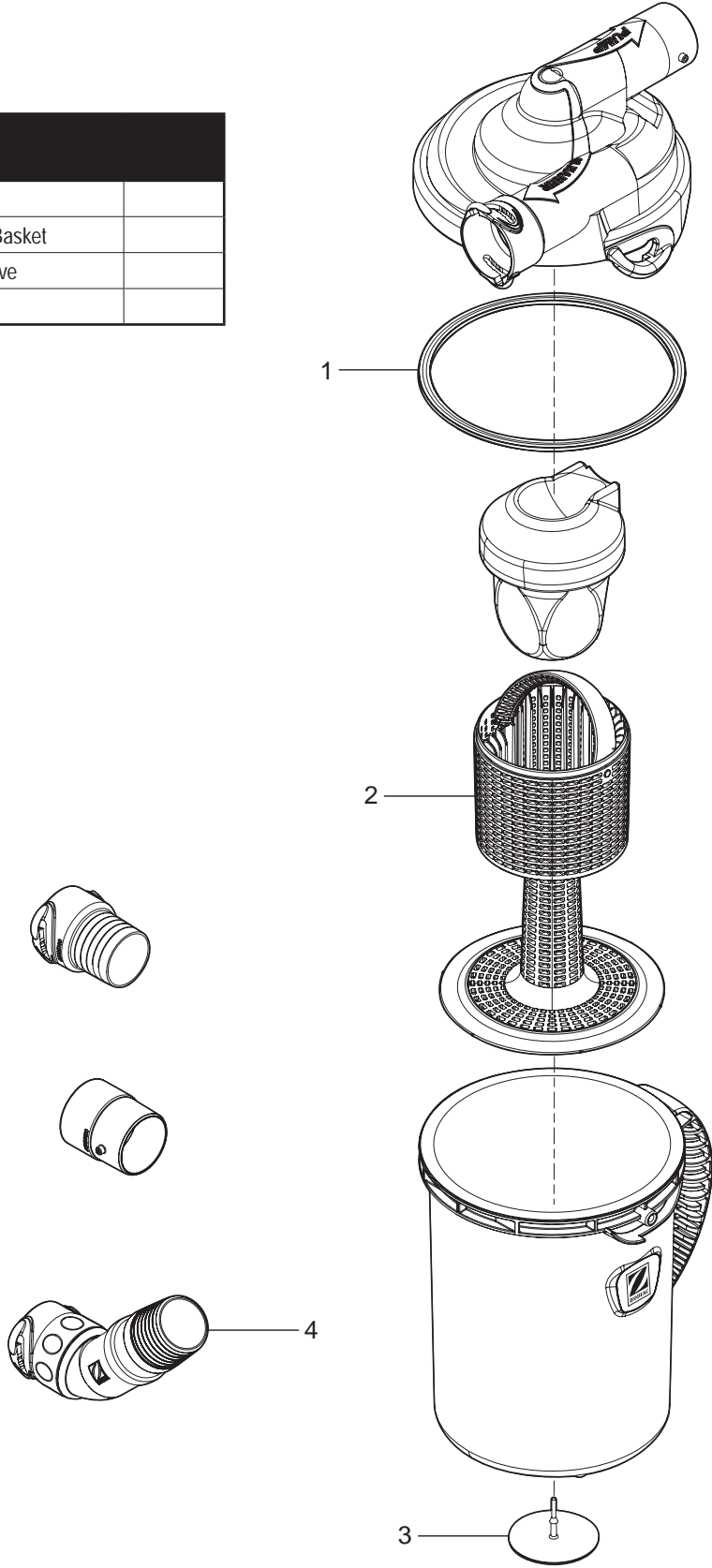


Key No.	Part No.	Description	Pieces in Model	Pieces per Part No.
1	W83226	Large 16" Wheel Deflector	1	1
2	W72070	Cassette Pipe w/ Handnut	1	
3	W74000	Compression Ring	1	1
4	W69510	Diaphragm Chamber	1	
5	W56525	Inner Extension Pipe	1	1
6	W81600	Diaphragm Retaining Ring	1	1
7	W81710	Diaphragm	1	1
8	W72048	Cassette Assembly Complete	1	
9	W72865	Footpad	1	1
10	W70485	Wahoo Slotted Disc	1	1
11	W60050	FlowKeeper® Valve	1	1
12	W70264	Above-Ground Valve Cuff	1	1
13	W33205	4½" Connector	1	1
14	W70244	45° Elbow (US/Mexico)	1	1
	W70244	45° Elbow (Canada)	2	1
15	W38205	Hose, 1 Meter, White	10	1

Zodiac Cyclonic Leaf Catcher

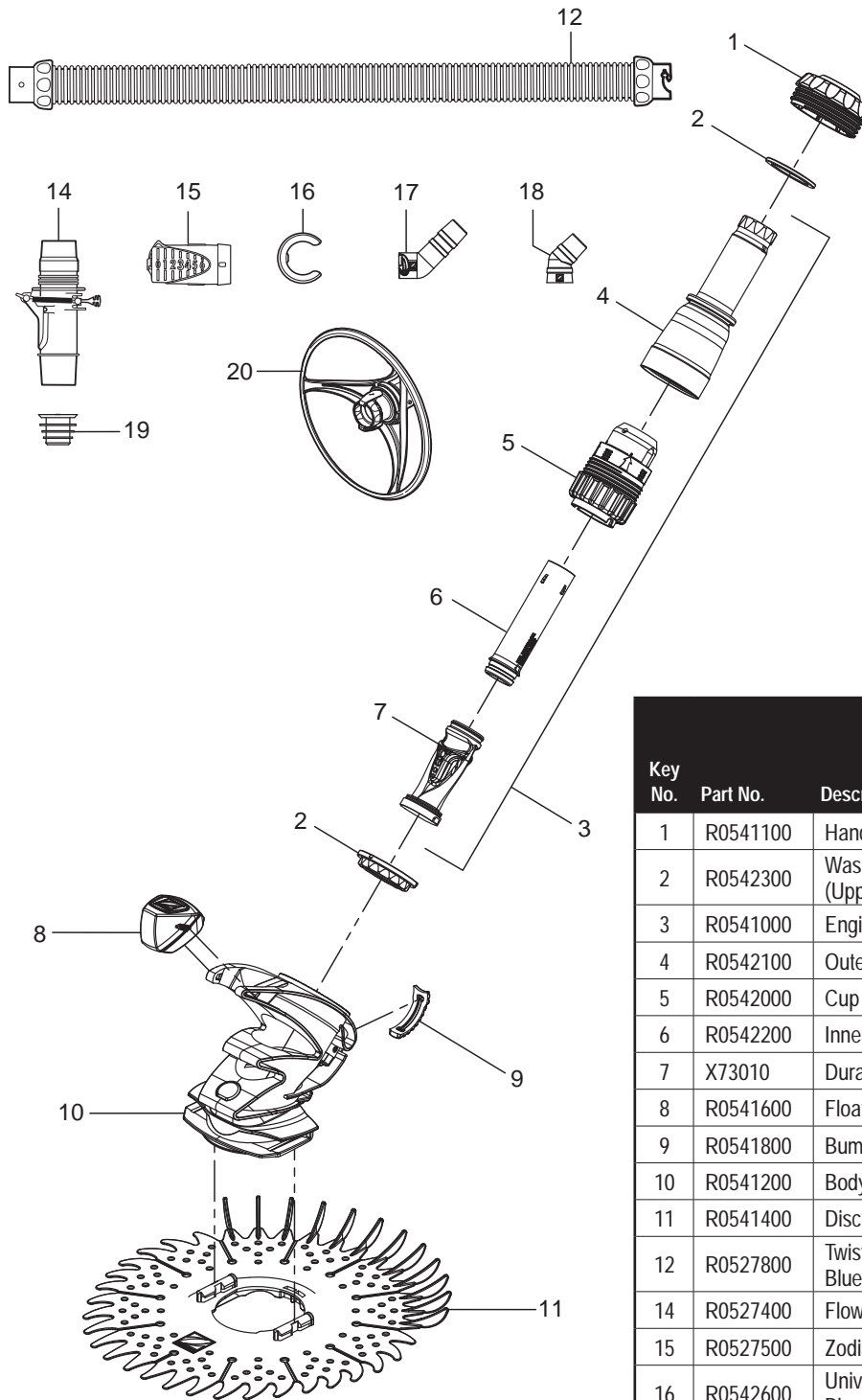
Part# CLC500

Key			
No.	Part No.	Description	
1	R0623300	Leaf Catcher Seal	
2	R0691700	Leaf Catcher Strainer Basket	
3	R0623400	Leaf Catcher Relief Valve	
4	R0595300	Adjustable Elbow	



Zodiac T3® (Discontinued)

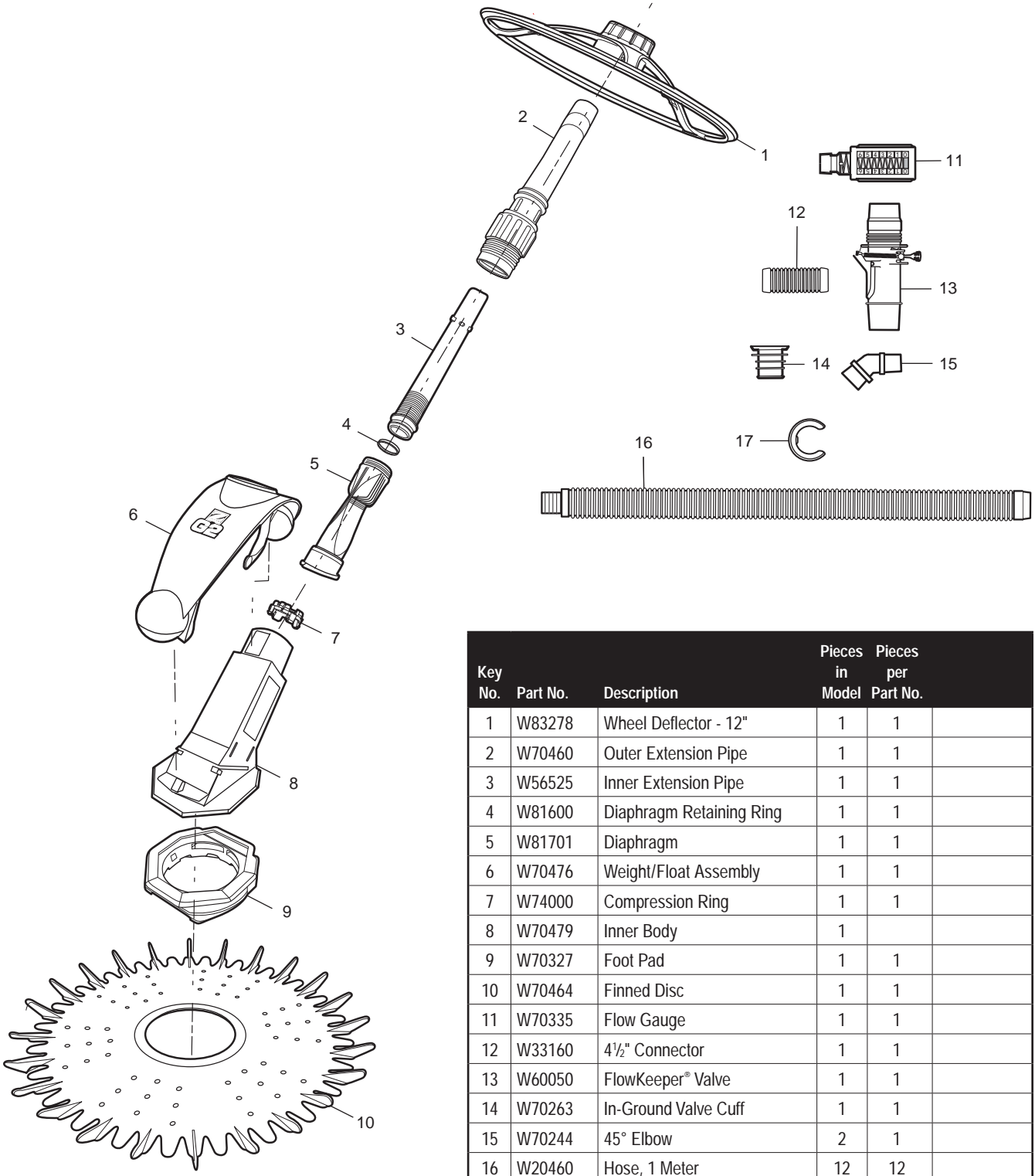
Part# T3



Key No.	Part No.	Description	Pieces	
			in Model	per Part No.
1	R0541100	Handnut	1	1
2	R0542300	Washers (Upper and Lower)	2	KIT
3	R0541000	Engine	1	1
4	R0542100	Outer Extension Tube	1	1
5	R0542000	Cup Assembly	1	1
6	R0542200	Inner Extension Tube	1	1
7	X73010	Dura Life™ Diaphragm	1	1
8	R0541600	Float	1	1
9	R0541800	Bumper	1	1
10	R0541200	Body	1	1
11	R0541400	Disc	1	1
12	R0527800	Twist-Lock Hose-1 Meter Blue/Gray, 12/PK	10	12
14	R0527400	FlowKeeper® Valve	1	1
15	R0527500	Zodiac Flow Gauge	1	1
16	R0542600	Universal Hose Weight, Blue	1	1
17	R0532400	Twist-Lock 45° Elbow, Extended	1	1
18	R0532500	45° Weir Elbow (EVA)	1	1
19	R0527600	In-Ground Valve Cuff	1	1
20	R0538800	Quick Release Wheel Deflector	1	1

CLEANERS / ZODIAC® CLEANER DISCONTINUED ACCESSORIES & PARTS

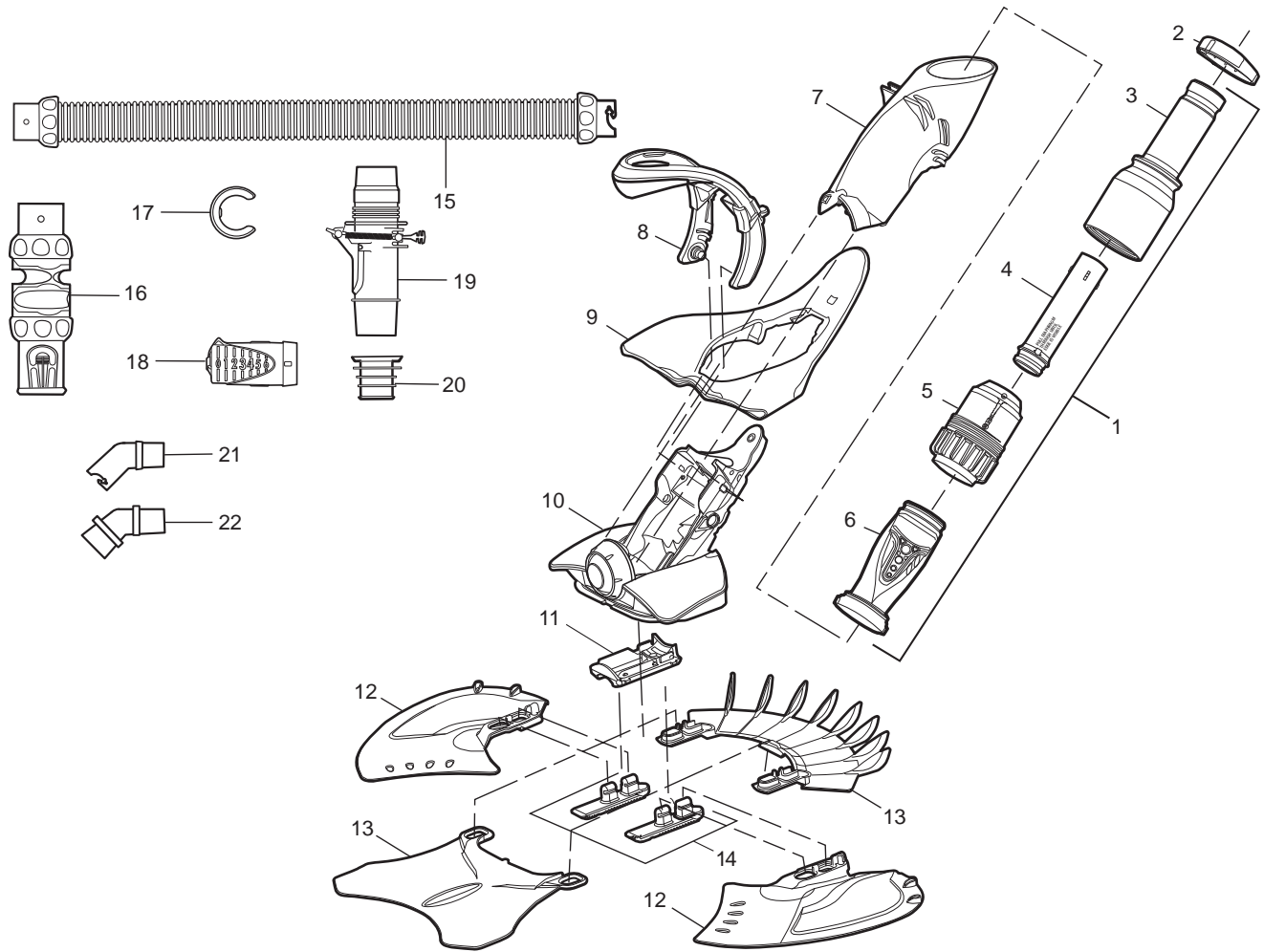
Zodiac G2™ (Discontinued) Part# W70472



Key No.	Part No.	Description	Pieces in Model	Pieces per Part No.	
1	W83278	Wheel Deflector - 12"	1	1	
2	W70460	Outer Extension Pipe	1	1	
3	W56525	Inner Extension Pipe	1	1	
4	W81600	Diaphragm Retaining Ring	1	1	
5	W81701	Diaphragm	1	1	
6	W70476	Weight/Float Assembly	1	1	
7	W74000	Compression Ring	1	1	
8	W70479	Inner Body	1		
9	W70327	Foot Pad	1	1	
10	W70464	Finned Disc	1	1	
11	W70335	Flow Gauge	1	1	
12	W33160	4 1/2" Connector	1	1	
13	W60050	FlowKeeper® Valve	1	1	
14	W70263	In-Ground Valve Cuff	1	1	
15	W70244	45° Elbow	2	1	
16	W20460	Hose, 1 Meter	12	12	
17	W83247	Hose Weight (US/Mexico)	2	1	
17	W83247	Hose Weight (Canada)	1	1	

Zodiac X7 Quattro™ (Discontinued)

Part# X7



Key No.	Part No.	Description	Pieces in Model	Pieces per Part No.
1	X77000	Engine Assembly Complete	1	1
2	X77044	Thrust Washer	1	
3	X77027	Outer Extension Pipe	1	
4	X77028	Inner Extension Pipe	1	
5	X77054	Cup Assembly	1	
6	X73010	Dura Life™ Diaphragm (US/Mex)	1	1
7	X77010	Main Body Cover	1	
8	X77011	Float Arm/Handle w/ Locks	1	KIT
9	X77014	X7 Wing	1	
10	X77053	Lower Body Assembly	1	
11	X77042	Flow Separator	1	
12	X77022	Disc Assembly Lt/Rt	1	
13	X77024	Disc Assembly Ft/Rr	1	

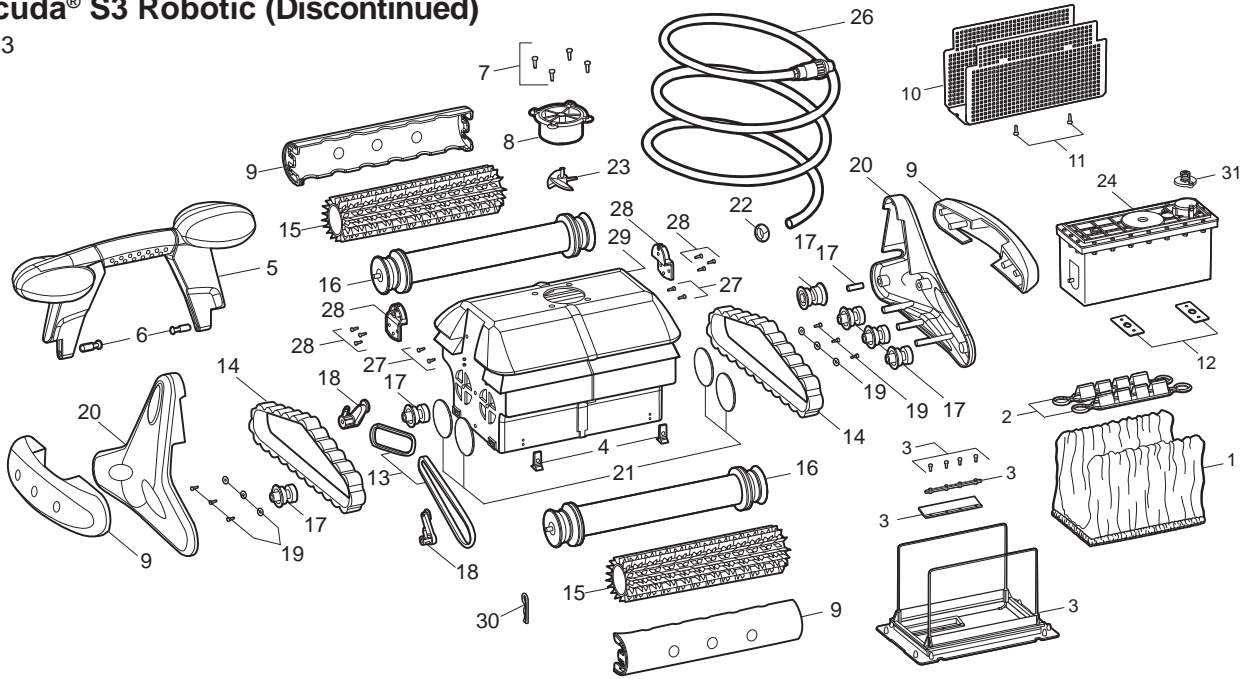
Key No.	Part No.	Description	Pieces in Model	Pieces per Part No.
14	X77021	Foot Pad	2	
15	X38210	Twist-Lock Hose - 12 x 1 Meter, Superseded by R0527800	12	
16	X77039	Flex-Connector	1	
17	R0542600	Hose Float	1	1
18	W70335	Flow Gauge	1	1
19	W60050	FlowKeeper® Valve	1	1
20	W70263	In-Ground Valve Cuff	1	1
21	R0532400	Twist-Lock Elbow	1	1
22	W70244	45° Elbow	1	1
ACCESSORIES				
N/S	8-6051	Deflector Ring 12"	1	
N/S	R0533300	Leaf Catcher Hose Adapter	1	1

N/S-Not Shown

CLEANERS / ZODIAC® CLEANER DISCONTINUED ACCESSORIES & PARTS

Baracuda® S3 Robotic (Discontinued)

Part# S3

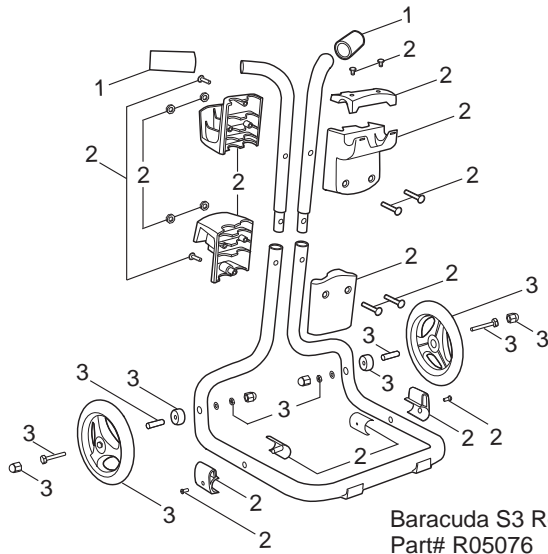


Key No.	Part No.	Description	Pieces in Model	Pieces per Part No.
S3 ROBOTIC CLEANER				
1	R05035	Filter Bag	1	1
2	R05036	Clip, Filter Retainer	2	1
3	R05037	Filter Support	1	
4	R05038	Filter Bag Latch Kit Filter Plate Hook Screw, Vt Tfc Pozi 2.9mm x 9.5mm A2	4 4	
5	R05039	Handle	1	
6	R05041	Handle Screws Kit Screw, Vm Tcl Pozi 5mm x 30mm A4 Washer, M5 A2 Spacer, Handle	2 2 2	
7	R05042	Flow Outlet Screw Kit Screw, Vt Tfc Pozi 2.9mm x 9.5mm A2	4	
8	R05043	Flow Outlet	1	
9	R05044	Bumper Set Kit Bumper, Front Bumper, Side	2 2	
10	R05045	Grill, Motor Protection	1	
11	R05046	Motor Screen Screw Kit Screw, Vt Tcl Pozi 3.5mm x 13mm A2	2	
12	R05047	Weight, Stainless	1	
13	R05048	Belt, Transmission	2	
14	R05049	Track, Blue	2	
15	R05050	Brush, PVC	2	2

Key No.	Part No.	Description	Pieces in Model	Pieces per Part No.
16	R05051	Roller, Brush, Gray	2	1
17	R05052	Pulley Kit Pulley, Track Guide, Long Pulley, Track Guide, Short Pulley, Motor Shaft Track Tensioner Axle (brass)	3 2 1 1	1
18	R05053	Belt Tensioner Kit Belt Tensioner Form C Belt Tensioner Form S	1 1	
19	R05054	Flange Housing Screws Kit Screw, Vt Tcl Pozi 3.9mm x 25mm A2 Washer, M4 A2 Screw, Vt Tcl Pozi 3.5mm x 19mm A2	6 6 2	1
20	R05055	Flange, Track	2	1
21	R05056	Shell Valve, Round	4	1
22	R05057	Clip, Cable Strain Relief	1	1
23	R05058	Propeller, White 64mm	1	1
24	R05059	Motor Block	1	
26	R05061	Cable (60 ft.) w/ Connector	1	1
27	R05062	Motor Block Screw Kit Screw, Vp 50mm x 12mm	4	1
28	R05063	Handle Bracket Kit Plate, Handle Fastening Screw, Vt Tcl Pozi 2.9mm x 16mm	2 6	1

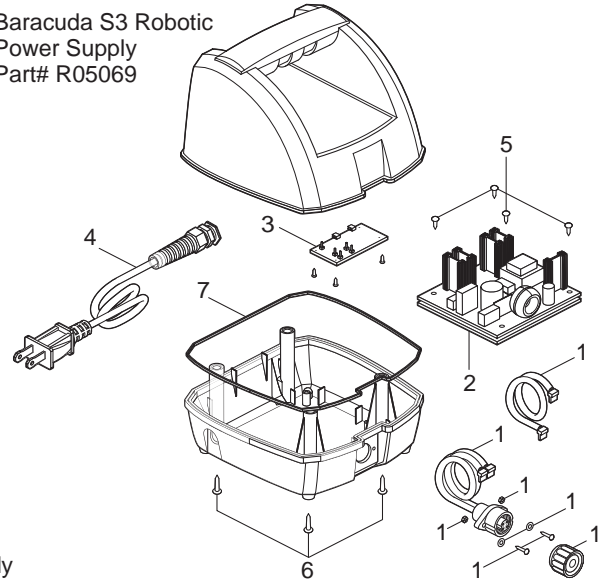
Baracuda® S3 Robotic (Discontinued)

Part# S3



Baracuda S3 Robotic Caddy
Part# R05076

Baracuda S3 Robotic
Power Supply
Part# R05069



Key No.	Part No.	Description	Pieces in Model	Pieces per Part No.
S3 ROBOTIC CLEANER				
29	R05064	Main Housing	1	1
30	R05130	Motor Shaft Pin	1	
31	R0519300	Cable Connector Assembly	1	
S3 ROBOTIC POWER SUPPLY				
N/S	R05069	S3 Power Supply Complete	1	1
1	R05065	Power Flex Kit Wire Set Keyb/Power Wire Set Keyb/Socket	1	1
2	R05066	Power Supply Card Superseded by R0506600	1	
3	R05067	Keyboard Card 2m	1	1
4	R05068	Power Cord Assembly Polarized Superseded by R0506800	1	
5	R0507000	PCB Screw Set Screw, Vt Tcl Pozi 3.5mm x 9.5mm A2 Superseded by R0507000	4	1
6	R0507100	Power Supply Housing Screws Screw, Vp Tcl Pozi 4mm x 16mm A2	4	1
7	R05072	Power Supply Gasket Superseded by R0507200	1	
S3 ROBOTIC CADDY				
N/S	R05076	S3 Caddy Complete Superseded by R0516200	1	

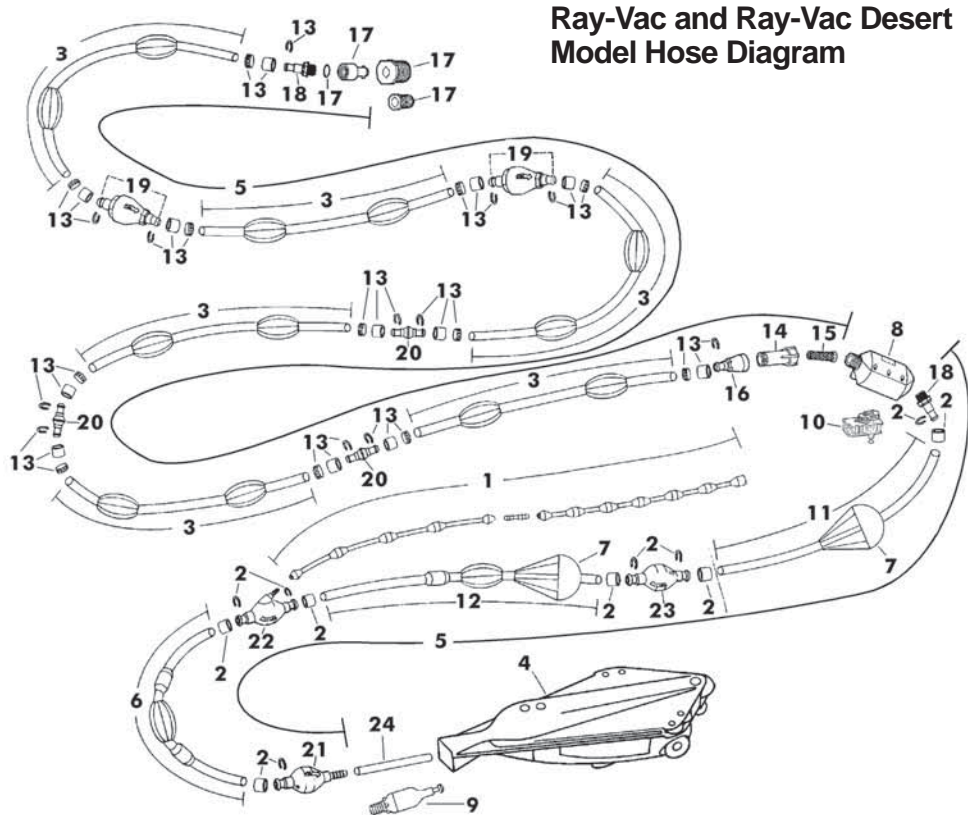
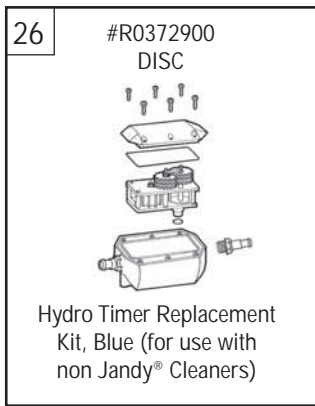
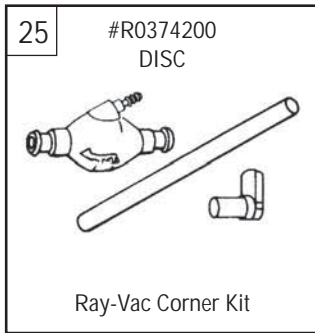
Key No.	Part No.	Description	Pieces in Model	Pieces per Part No.
1	R0507300	Trolley Handle Tip Grips	1	1
2	R05074	Power Supply Mount Bracket Control Box Support Green Control Unit Bolt Screw, Vm Tfc Pozi 5mm x 10mm A2 Support Green Cable Screw, Torx 6.0mm x 25.0mm A2 Screw, Torx 6.0mm x 45.0mm A2 Nut, Locking, M6 A2 Support Side Flange Guide, Caddy, Wedge Screw, Vp Tcl Pozi 5mm x 16mm A2 Superseded by R0518900	1 1 2 2 4 4 1 2 2	
3	R05075	Caddy Wheel Kit Cap, Nut Screw, Vm Thpf Din 931 M8 x 90mm Wheel For Trolley Washer, Wheel, S3 Caddy Spacer, Wheel, S3 Caddy Washer Nut, Locking Superseded by R0507500	4 2 2 2 2 4 2	
S3 ROBOTIC ACCESSORIES				
N/S	R05131	Foam Brush Kit R-Kit, Foam Brushes w/ 14 Clips, S3 For Tile Pools	2	
N/S	R05132	Fine Filter Bag	1	1
N/S	R05060	Grease, Watertight Cable to Motor Block	1	1

N/S-Not Shown

Ray-Vac and Ray-Vac Desert Model Hose Parts List (Discontinued)

Key No.	Part No.	Description	Pieces per Part No.
1	R0373400	Whip Kit	
2	R0374100	Mender Sleeve 1/2" Kit	KIT
3	R0374300	Hose Kit 5/8" Vinyl w/ Floats	KIT
4	R0374900	Head Replacement, White	
4	R0375000	Head Replacement, Black	
4	R0376800	Head Replacement, Desert Model	
4	R0376000	Head Replacement, Vinyl	
5	R0375400	Hose Replacement Kit	
6	R0375700	Hose 1/2" Silicone w/ Wear Sleeve and Floats	KIT
7	R0376400	Sea Anchor Kit	
8	R0376500	Hydro Timer Replacement Kit	KIT
9	R0376900	Transporter Jet Kit	KIT
10	R0377000	Hydro Timer Gear Assembly Kit	KIT
11	R0377100	Hose 1/2" Vinyl w/ Sea Anchor	

Key No.	Part No.	Description	Pieces per Part No.
13	R0377300	Mender Sleeve 5/8" Kit	KIT
14	R0377400	Filter Screen Case	KIT
15	R0377500	Filter Screen	KIT
16	R0377600	Filter Screen Fitting	KIT
17	R0378000	Quick Disconnect Replacement Kit	KIT
18	R0378100	Swivel Ball Bearing	KIT
19	R0378300	Hose Line Swivel Kit	KIT
20	R0378400	Hose Coupler Kit	KIT
21	R0378500	Hose Pusher Jet Kit	KIT
22	R0378600	Hose Line Whip "Y" Jet Kit	KIT
23	R0378700	Hose Line Jet Kit	KIT
24	R0380200	Pusher Hose	KIT
25	R0374200	Corner Kit	
26	R0372900	Hydro-Timer Replacement Kit (for use w/ non-Jandy® cleaners)	

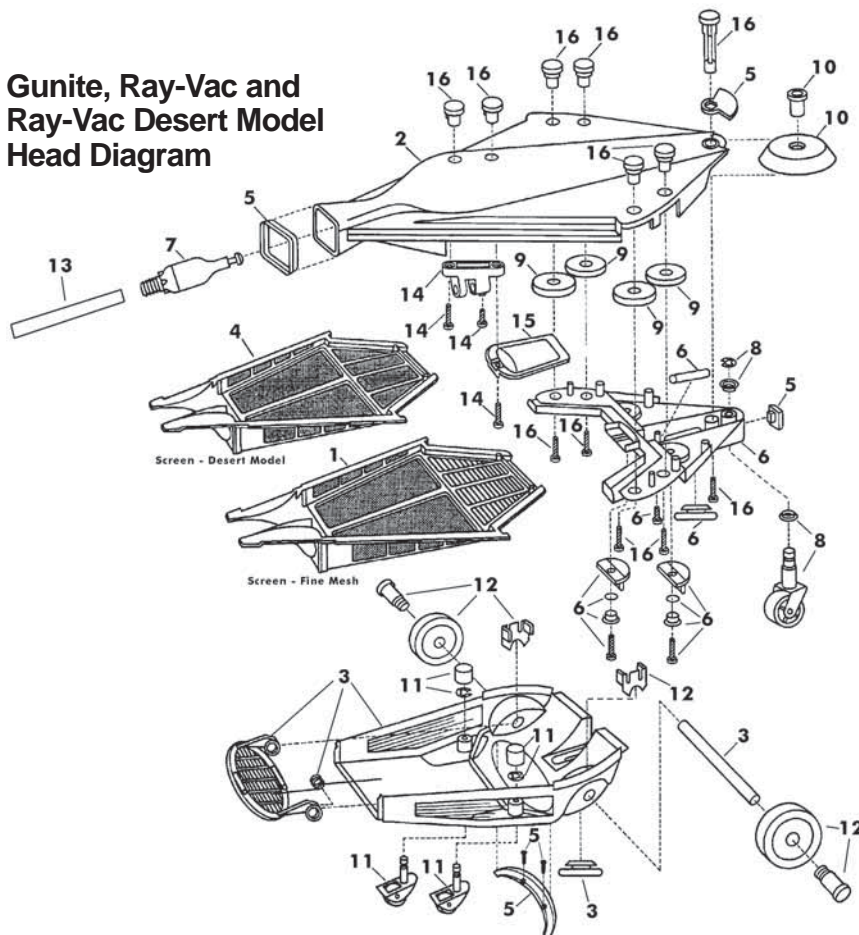


Gunite, Ray-Vac and Ray-Vac Desert Model Head Parts List (Discontinued)

Key No.	Part No.	Description	Pieces per Part No.
1	R0374700	Screen, Fine Mesh, White	
1	R0375300	Screen, Fine Mesh, Black	KIT
2	R0374900	Head Replacement Complete, White	
2	R0375000	Head Replacement Complete, Black	
3	R0375100	Bottom Complete, White	
4	R0376600	Bottom Complete, Clear	
4	R0375200	Screen, Desert Model	
5	R0375500	Bumper Flatmouth Kit, White	KIT
5	R0375600	Bumper Flatmouth Kit, Black	
6	R0375800	Nose Plate Kit, Gunite, White	KIT
6	R0376700	Nose Plate Kit, Gunite, Black	
7	R0376900	Transporter Jet Kit	KIT
8	R0378800	Castor Wheel Kit, Gunite, White	KIT
8	R0379700	Castor Wheel Kit, Gunite, Black	

Key No.	Part No.	Description	Pieces per Part No.
9	R0378900	Side Wheel Kit, White	
9	R0379800	Side Wheel Kit, Black	
10	R0379000	Nose Wheel Kit, Gunite, White	KIT
10	R0379900	Nose Wheel Kit, Gunite, Black	
11	R0379100	Swivel Wheel Kit, Gunite, White	KIT
11	R0380000	Swivel Wheel Kit, Gunite, Black	
12	R0379200	Drive Wheel Kit, Gunite, White	KIT
12	R0380100	Drive Wheel Kit, Gunite, Black	
13	R0380200	Pusher Hose Kit	KIT
14	R0380300	Transporter Jet Sleeve Kit	
15	R0380400	Head Float	
16	R0380500	Wear Button Kit	
17	R0377900	Skimmer Guard Kit, Standard	
17	R0377800	Skimmer Guard Kit, Tall	
18	R0380600	E-Ring Kit, 2/PK	

Gunite, Ray-Vac and Ray-Vac Desert Model Head Diagram



17

#R0377900
Skimmer Guard Kit, Standard
(5" min - 7 3/4" max)

#R0377800
Skimmer Guard Kit, Tall
(7 3/4" min - 10" max)

18 #R0380600

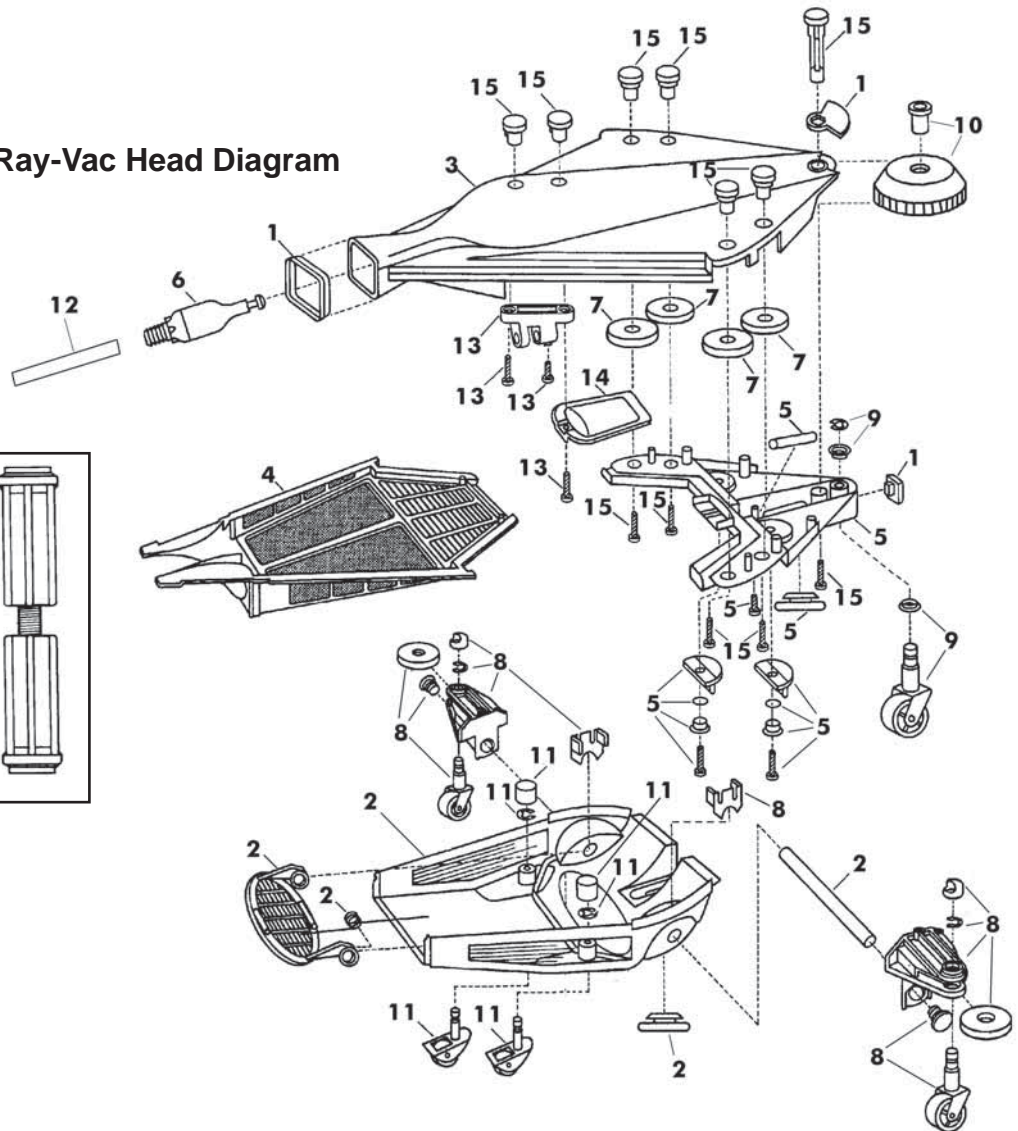
E-Ring Kit

Vinyl/Fiberglass, Ray-Vac Head Parts List (Discontinued)

Key No.	Part No.	Description	Pieces per Part No.
1	R0375500	Bumper Flatmouth Kit, White	KIT
2	R0375900	Bottom, Vinyl/Fiberglass	
3	R0376000	Head Replacement Complete, Vinyl/Fiberglass	
4	R0376100	Screen Coarse, White	
5	R0376200	Nose Plate Kit, Vinyl/Fiberglass	
6	R0376900	Transporter Jet Kit	KIT
7	R0378900	Side Wheel Kit, White	
8	R0379300	Drive Wheel Kit, Vinyl/Fiberglass	
9	R0379400	Castor Wheel Kit, Vinyl/Fiberglass	

Key No.	Part No.	Description	Pieces per Part No.
10	R0379500	Nose Wheel Kit, Vinyl/Fiberglass	
11	R0379600	Swivel Wheel Kit, Vinyl/Fiberglass	
12	R0380200	Pusher Hose Kit	KIT
13	R0380300	Transporter Jet Sleeve Kit	
14	R0380400	Head Float	
15	R0380500	Wear Button Kit	
16	R0377900	Skimmer Guard Kit, Standard	
16	R0377800	Skimmer Guard Kit, Tall	
17	R0380600	E-Ring Kit, 2/PK	

Vinyl/Fiberglass, Ray-Vac Head Diagram

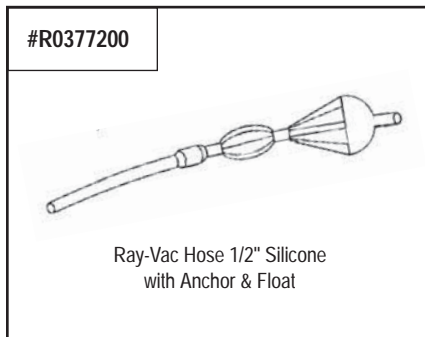
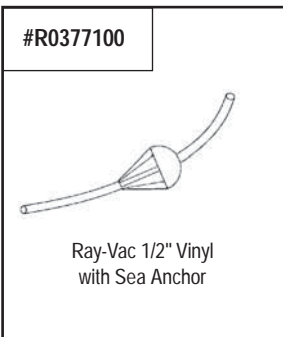
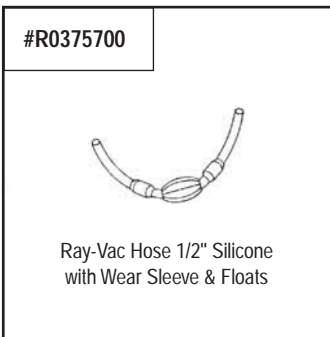
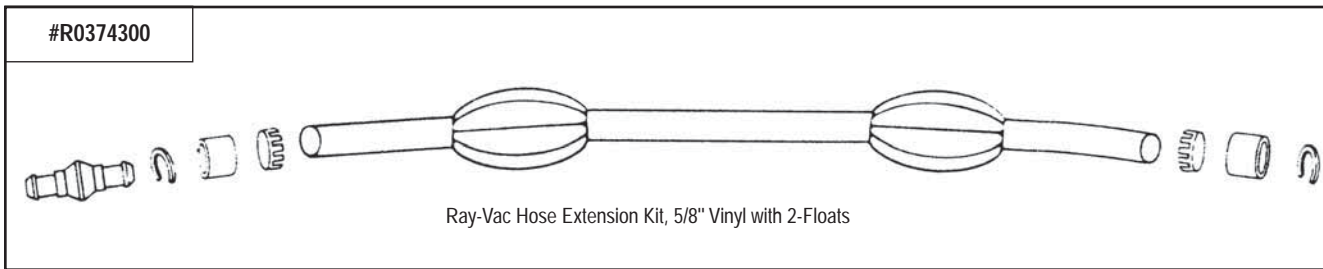
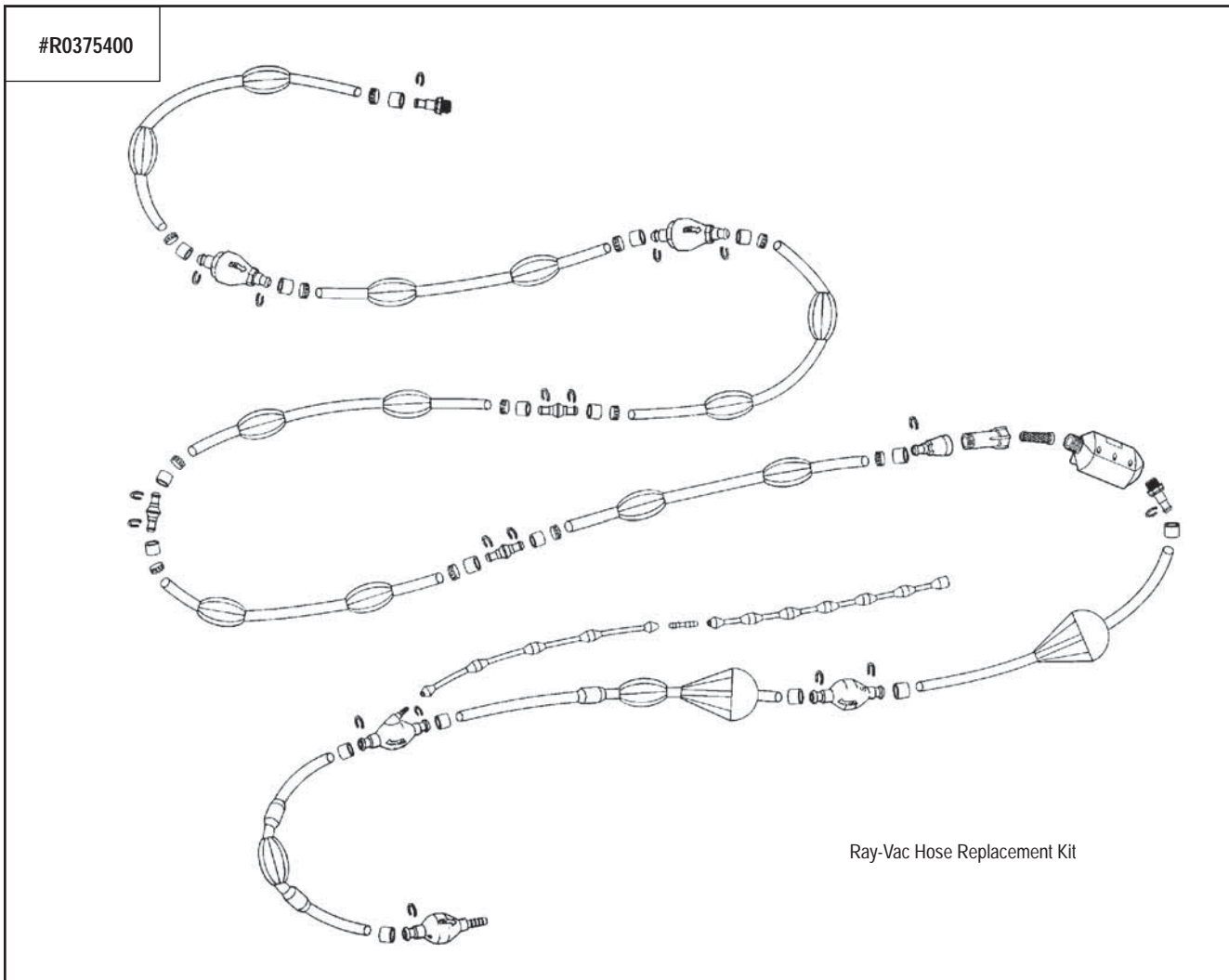


16
 #R0377900
 Skimmer Guard Kit, Standard
 (5" min - 7 3/4" max)







#R0377800
 Skimmer Guard Kit, Tall
 (7 3/4" min - 10" max)


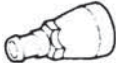


17 #R0380600


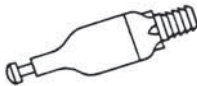



E-Ring Kit

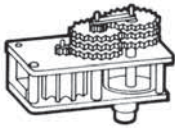
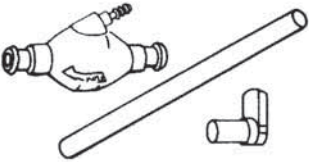
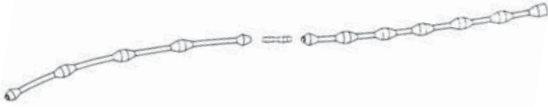


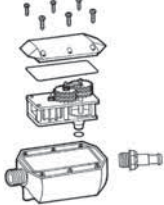
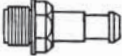
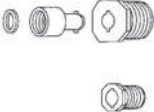


CLEANERS / RAY-VAC™ CLEANER PARTS

#R0378200	#R0378300	#R0378400	#R0378500	#R0378600	#R0378700
					
Swivel Rebuild Kit	Hose Line Swivel Kit	Hose Coupler Kit	Hose Pusher Jet Kit	Hose Line Whip Y Jet Kit	Hose Line Jet Kit
Ray-Vac Hose Connection Kits					

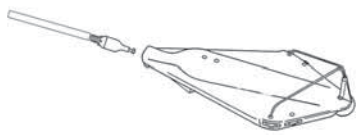
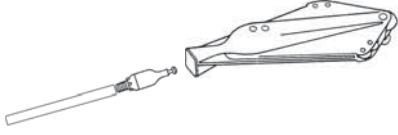
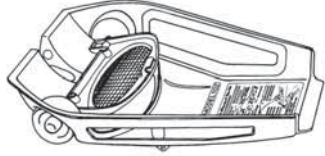
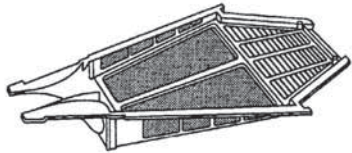
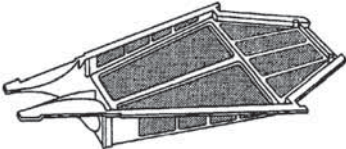
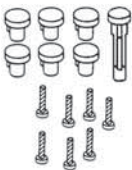
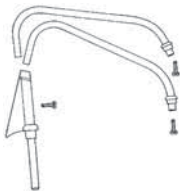
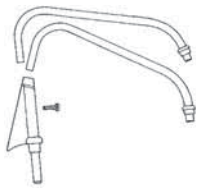
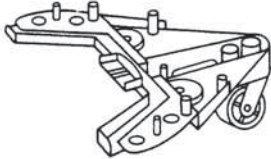











#R0377300	#R0377600	#R0377400	#R0377500
			
Mender Sleeve 5/8" Vinyl Kit	Filter Screen Fitting	Filter Screen Case	Filter Screen
Ray-Vac Filter Screen Case Kits			

#R0374100	#R0376900	#R0380200	#R0380400	#R0380300
				
Vinyl/Fiberglass (White) Silicone (Beige) Mender Sleeve 1/2" Kit	Transporter Jet	Pusher Hose	Head Float	Sleeve Kit
Ray-Vac Transporter Jet Assembly Kits				

#R0377000	#R0374200	#R0373400
		
Hydro Timer Gear Assembly Kit	Ray-Vac Corner Kit	Ray-Vac Whip Kit

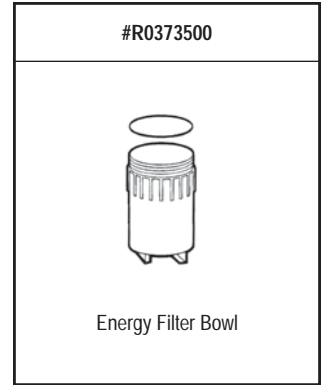
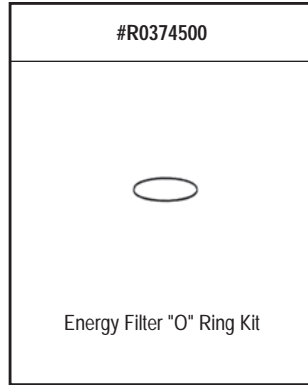
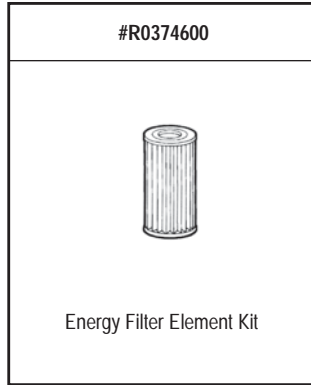
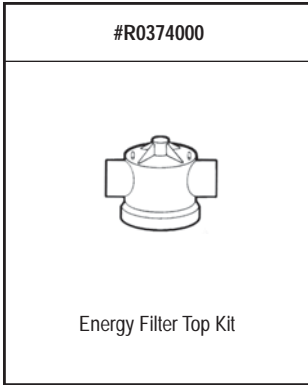
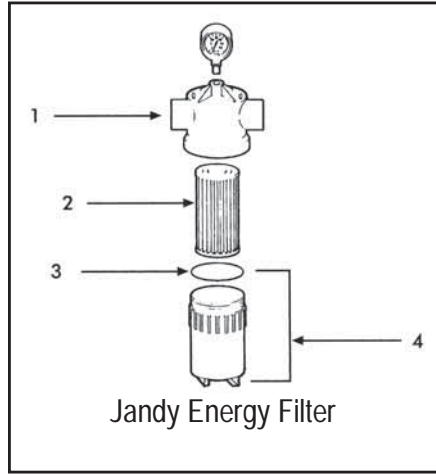
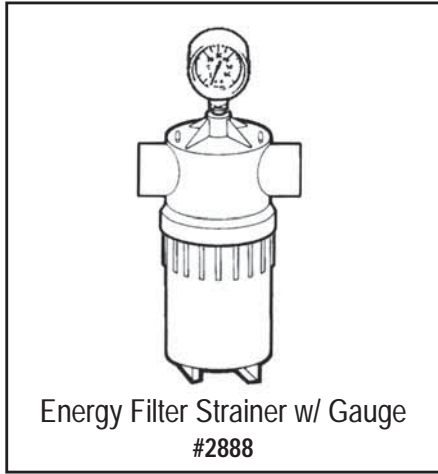
#R0376500	#R0378100	#R0378000	#R0377700	#R0373200
				
Hydro Timer Replacement Kit (Ray-Vac Model)	Swivel Ball Bearing	Quick Disconnect Replacement Kit	Ray-Vac Gauge	Speed Adjustment Kit
Ray-Vac Quick Disconnect Coupler Kits				

Ray-Vac Kits

 <p>#R0376000 Ray-Vac Head, V/F</p>	 <p>#R0374900 Ray-Vac Head, Gunite, White #R0375000 Ray-Vac Head, Gunite, Black #R0376800 Ray-Vac Head, Desert Model</p>	 <p>#R0375100 Ray-Vac Bottom, White #R0375900 Ray-Vac Bottom, V/F #R0376600 Ray-Vac Bottom, Clear</p>		
 <p>#R0374700 Ray-Vac Screen, Fine Mesh, White #R0375300 Ray-Vac Screen, Fine Mesh, Black #R0376100 Ray-Vac Screen, Coarse Mesh, White</p>	<p>#R0375200</p>  <p>Ray-Vac Screen, Desert Model, White</p>	<p>#R0380500</p>  <p>Wear Button Kit, White</p>		
<p>#R0374400</p>  <p>Ray-Vac Ladder Guard Kit, Tall</p>	<p>#R0373100</p>  <p>Ray-Vac Ladder Guard Kit, Standard</p>	 <p>#R0375800 Nose Plate, Gunite, White #R0376200 Nose Plate, Vinyl/Fiberglass #R0376700 Nose Plate, Clear</p>	<p>#R0380600</p>  <p>E-ring Kit</p>	
 <p>Side Wheel Kit #R0378900 (White) #R0379800 (Black)</p>	 <p>Swivel Wheel Kit, Gunite #R0379100 (White) #R0380000 (Black)</p>	 <p>Drive Wheel Kit, Gunite #R0379200 (White) #R0380100 (Black)</p>	 <p>Nose Wheel Kit, Gunite #R0379000 (White) #R0379900 (Black)</p>	 <p>Castor Wheel Kit, Gunite #R0378800 (White) #R0379700 (Black)</p>
<p>Ray-Vac Wheel Kits, Gunite, White & Black</p>				
<p>#R0378900</p>  <p>Side Wheel Kit</p>	<p>#R0379600</p>  <p>Swivel Wheel Kit V/F</p>	<p>#R0379300</p>  <p>Drive Wheel Kit V/F</p>	<p>#R0379500</p>  <p>Nose Wheel Kit V/F</p>	<p>#R0379400</p>  <p>Castor Wheel Kit V/F</p>
<p>Ray-Vac Wheel Kits, Vinyl/Fiberglass</p>				

PUMPS
 FILTERS
 GAS HEATERS
 HEAT PUMPS
 AUTOMATION
 WATER LEVELING
 WATER SANITIZERS
 VALVES
 WATER FEATURES
 LIGHTING
 CLEANERS
 IN-FLOOR
 BLOWERS
 ACCESSORIES

Jandy® Energy Filter



PUMPS

FILTERS

GAS HEATERS

HEAT PUMPS

AUTOMATION

WATER LEVELING

WATER SANITIZERS

VALVES

WATER FEATURES

LIGHTING

CLEANERS

IN-FLOOR

BLOWERS

ACCESSORIES





IN-FLOOR CLEANER PRODUCTS

In-Floor Cleaners Ordering Guide	386
In-Floor Cleaners Products	388
In-Floor Cleaners Accessories & Parts	389
In-Floor Cleaners Order Forms	403
In-Floor Cleaners Legal Documents	406

For questions on Caretaker orders or for technical support,
please contact toll-free 1.855.280.6465



Before service, BEFORE calling for service check the following:

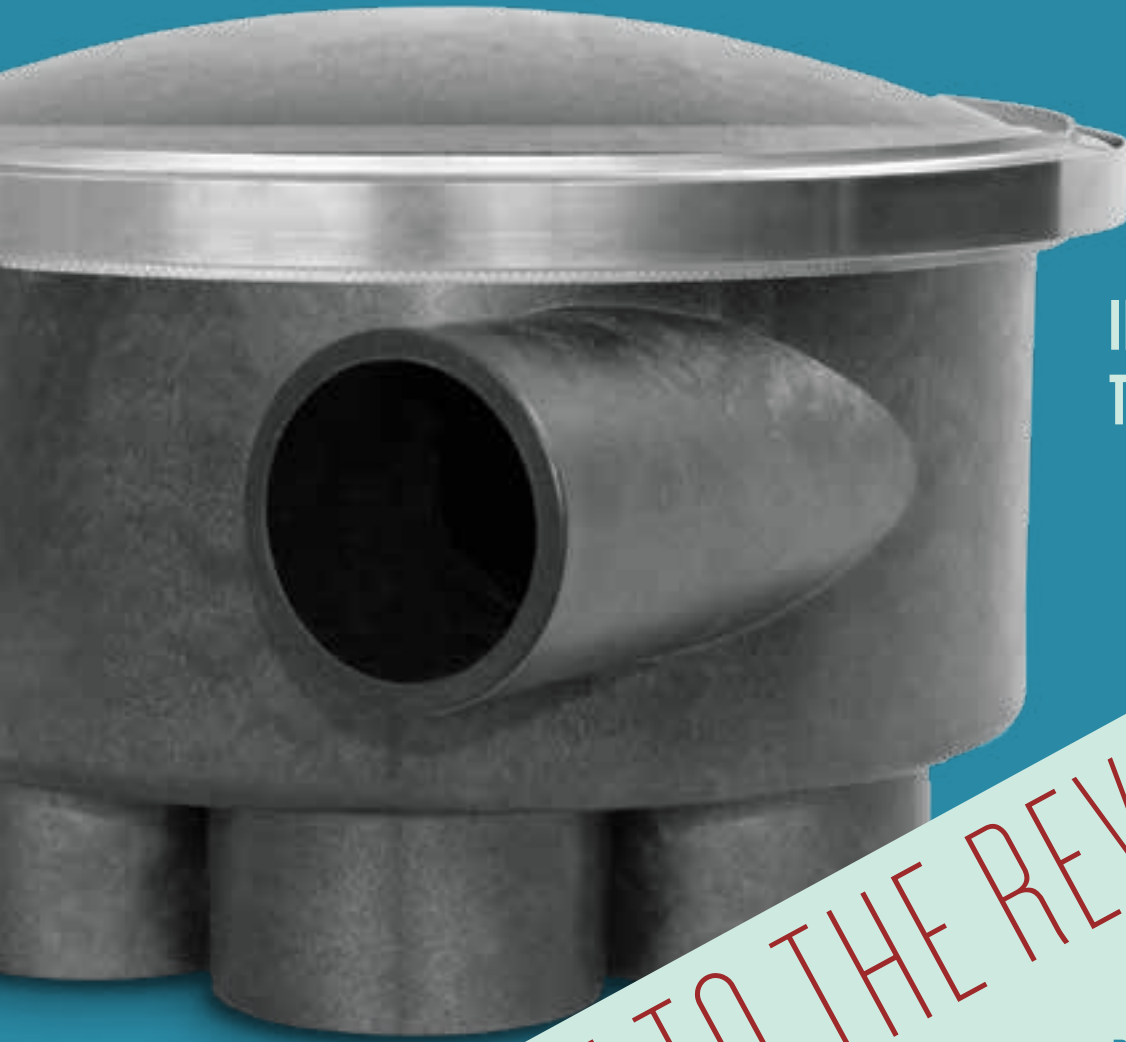
- 1. Check pump pressure
- 2. Clean all screens
- 3. Pump - Airlock
- 4. Check pump motor
- 5. Check pump motor

For full technical information see manual or visit www.polarispool.com

CARETAKER®
5-port valve
the workhorse



CARETAKER™



INTRODUCING THE NEW 6-PORT VALVE

WELCOME TO THE REVOLUTION™

BETTER IN NEARLY EVERY WAY!

The most durable
in-floor cleaning valve we
have ever made!

The most efficient
hydraulic valve we have ever built.

The easiest to service
valve we have ever designed.

Join the Revolution at
caretakersystem.com/revolution



the **REVOLUTION**
6-port valve

CARETAKER™

Each Caretaker In-Floor Cleaning System is custom designed for the unique size and shape of each pool (certified design plans created free of charge). Color-matching cleaning heads installed to fit flush with the pool floor makes the system virtually invisible to the eye while continuously working to keep a pool clean

and provide complete circulation of water, heat, and chemicals. In-floor cleaning systems replace vacuum hoses and other stand-alone pool cleaners.

Please follow the Ordering Guide below and use order forms on pages 403-405.

Caretaker Ordering Guide

1 SEND IN YOUR POOL PLAN ALONG WITH A COMPLETED DESIGN FACT SHEET (page 403)





A trained technician will provide a free custom Caretaker Certified Pool Design and a copy of a Caretaker Order Form (see pages 403–405). Typically 1-2 business days.

Caretaker Design Center

Phone Toll Free: 1.855.280.6465 Email: design@zodiac.com Fax: 1.801.906.6701

2 ORDER VALVE(S) (page 388)

The **Certified Pool Design** you receive from Caretaker will itemize the valve(s) you need for each cleaning system.

	Part No.	Description
	WK000030	Caretaker Revolution™ Hydraulic 6-Port Valve, Complete, 2" Ports
	5-9-2000	Caretaker Hydraulic 5-Port Water Valve, Complete, 1.5" Outlet Ports Includes 4-9-2007 and 5-9-2006
	5-9-2200	Caretaker Hydraulic 5-Port Water Valve Complete, 2" Outlet Ports Includes 4-9-2027 and 5-9-2026
	5-7-300	Caretaker Electronic, Programmable 8-Port Water Valve, Complete, Molded, 2" Outlet

3 ORDER COMPLETE CLEANING HEADS, COLLARS, CAPS (pages 389-391)

The **Certified Pool Design** you receive from Caretaker will show the type and number of cleaning heads and nozzles required for each cleaning system.

Choose from 10 different colors



Option 1: Cleaning Head with 2" Collar & Cap - Requires reamer 4-17-2 to fit into 2" Schedule 40 PVC pipe or use WK000001 Prefab Risers 2".

Option 2: Cleaning Head with 2.5" Collar & Cap - Glues into 2.5" PVC pipe, no reaming necessary

*Tan, Light Blue, and Carolina Blue are only available for 2.5" Collars.

4 ORDER NOZZLES** (page 392)

The **Certified Pool Design** you receive from Caretaker™ will show the type and number of cleaning heads and nozzles required for each cleaning system.



Part No.	Description
1-9-458	M - Mini
1-9-459	B - Step & Bench
1-9-455	F - Flow Adjust
1-9-461	S - Standard
1-9-456	P - Flow Plus

**Available in bags of 25

**If High Flow Heads (H) are on the plan, nozzles are factory-installed in heads.

5 ORDER LEAF-B-GONE™ IF REQUESTED (page 394)

The **Certified Pool Design** you receive from Caretaker will show where the Leaf-B-Gone is located.



Leaf-B-Gone consists of two parts: Plumbing Kit & Finishing Kit

Plumbing Kit:
5-2-200 Tan Deck Lid
5-2-300 White Deck Lid

Finishing Kit:
4-2-400 Bright White
4-2-401 Light Gray
4-2-402 Charcoal Gray
4-2-404 Pebble Gold
4-2-406 Jet Black

6 ORDER OPTIONAL ACCESSORIES (pages 389-391)

Part No.	Description
1-9-101	2.5" x 2" Reducer—Used to stub up from 2" PVC pipe to 2.5" PVC pipe for 2.5" collars, glues directly into 2" Tee's and 90's (also available in 18 Pack)
WK000001	Prefab Riser for 2" Collar, includes Cap (also available in 16 pack)
5-9-150	Prefab Riser for 2.5" Collar, includes Cap and Collar, includes Cap and Reducer Bushing, glues directly into 2" Tee's and 90's (also available in 16 pack)
3-17-7 or 3-17-8	Cleaning Head Removal Tool—For installation and maintenance



Order TC3 flush mount pool/spa return jets—Choose from 5 different colors. See page 393.

7 PLEASE EMAIL OR FAX COMPLETED ORDER FORMS TO CARETAKER CUSTOMER SERVICE

Phone: 1.855.280.6465 Email: caretaker.orders@zodiac.com Fax: 1.801.906.6701

PUMPS
 FILTERS
 GAS HEATERS
 HEAT PUMPS
 AUTOMATION
 WATER LEVELING
 WATER SANITIZERS
 VALVES
 WATER FEATURES
 LIGHTING
 CLEANERS
IN-FLOOR
 BLOWERS
 ACCESSORIES



6-Port Hydraulic Valve

Caretaker™ Revolution™ Hydraulic 6-Port Valve

- Hydraulic 6-Port Valve for all pools

Part No.	Description
WK000030	Caretaker Revolution Hydraulic 6-Port Valve, Complete, 2" Ports



5-Port Hydraulic Valve

5-Port Hydraulic Valve

- Hydraulic 5-Port Water Valve for all pools

Part No.	Description
5-9-2000	Caretaker 5-Port Complete, 1.5" Outlet Ports (includes 4-9-2007 and 5-9-2006)
5-9-2200	Caretaker 5-Port Complete, 2" Outlet Ports (includes 4-9-2027 and 5-9-2026)
4-9-2002	Reusable Test Housing 1.5" (used for pressure testing with 4-9-2007, after test use 5-9-2006)
4-9-2003	Reusable Test Housing 2" (used for pressure testing with 4-9-2027, after test use 5-9-2026)
4-9-2007	Caretaker 5-Port Plumbing Kit Only 1.5" (kit includes; union complete, pressure relief valve, bottom plate 1.5" outlet, O-Ring kit, v-clamp with nut)
4-9-2027	Caretaker 5-Port Plumbing Kit Only, 2" (kit includes; union complete, pressure relief valve, bottom plate 2" outlet, O-Ring kit, v-clamp with nut)
5-9-2006	Caretaker Water Valve without Plumbing Kit 1.5" (includes valve, cup strainer, 5 small & 1 large O-Ring) Note: Use as new or replacement valve. 5-9-2006 replaces 4-9-2000 & 5-9-2004
5-9-2026	Caretaker Water Valve without Plumbing Kit 2" (includes valve, cup strainer, 5 small & 1 large O-Ring) Note: Use as new or replacement valve. 5-9-2026 replaces 4-9-2001 & 5-9-2021



8-Port Electronic Valve

8-Port Electronic Valve

- Electronic, 8-Port Water Valve for larger pools
- Programmable with 15-, 30-, 45-, or 60-second cleaning times on each zone

Part No.	Description
5-7-300	Caretaker 8-Port Valve, Electronic, Complete (includes 4-7-300, 4-7-310 and 4-7-320)
4-7-300	Plumbing Kit (includes: valve body, pressure switch, clean out tee, and lid for pre-plumbing)
4-7-310	Motor Mount Assembly, Start-Up Kit (includes: motor, sensor, and sensor PCB board)
4-7-320	Controller Kit (includes: controller and 100' of cable)



Cleaning Heads

Cleaning Heads, Collars, Caps, Nozzles for Concrete Pools

Part No. Description

Concrete Cleaning Heads with Collar and Caps (nozzle sold separately)

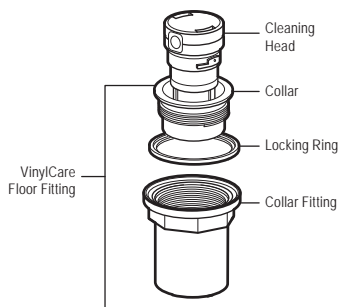
5-9-501	Cleaning Head with 2" Collar and Cap - Light Cream
5-9-501A	Cleaning Head with 2.5" Collar and Cap - Light Cream
5-9-511	Cleaning Head with 2" Collar and Cap - Jet Black
5-9-511A	Cleaning Head with 2.5" Collar and Cap - Jet Black
5-9-521	Cleaning Head with 2" Collar and Cap - Pebble Gold
5-9-521A	Cleaning Head with 2.5" Collar and Cap - Pebble Gold
5-9-531	Cleaning Head with 2" Collar and Cap - Charcoal Gray
5-9-531A	Cleaning Head with 2.5" Collar and Cap - Charcoal Gray
5-9-541	Cleaning Head with 2" Collar and Cap - Tile Blue
5-9-541A	Cleaning Head with 2.5" Collar and Cap - Tile Blue
5-9-551	Cleaning Head with 2" Collar and Cap - Light Gray
5-9-551A	Cleaning Head with 2.5" Collar and Cap - Light Gray
5-9-561	Cleaning Head with 2" Collar and Cap - Bright White
5-9-561A	Cleaning Head with 2.5" Collar and Cap - Bright White
5-9-571A	Cleaning Head with 2.5" Collar and Cap - Carolina Blue (pre 2017 light blue)
5-9-581A	Cleaning Head with 2.5" Collar and Cap - Tan
WK000019	Cleaning Head with 2.5" Collar and Cap - Light Blue (New 2017)

High Flow Concrete Cleaning Heads with Collars and Caps (factory installed nozzle)

5-9-506	High Flow Cleaning Head with 2" Collar and Cap - Light Cream
5-9-506A	High Flow Cleaning Head with 2.5" Collar and Cap - Light Cream
5-9-516	High Flow Cleaning Head with 2" Collar and Cap - Jet Black
5-9-516A	High Flow Cleaning Head with 2.5" Collar and Cap - Jet Black
5-9-526	High Flow Cleaning Head with 2" Collar and Cap - Pebble Gold (pebble gold available in 2" only)
5-9-536	High Flow Cleaning Head with 2" Collar and Cap - Charcoal Gray
5-9-536A	High Flow Cleaning Head with 2.5" Collar and Cap - Charcoal Gray
5-9-546	High Flow Cleaning Head with 2" Collar and Cap - Tile Blue
5-9-546A	High Flow Cleaning Head with 2.5" Collar and Cap - Tile Blue
5-9-556	High Flow Cleaning Head with 2" Collar and Cap - Light Gray
5-9-556A	High Flow Cleaning Head with 2.5" Collar and Cap - Light Gray
5-9-566	High Flow Cleaning Head with 2" Collar and Cap - Bright White
5-9-566A	High Flow Cleaning Head with 2.5" Collar and Cap - Bright White
5-9-576A	High Flow Cleaning Head with 2.5" Collar and Cap - Carolina Blue (pre 2017 light blue)
5-9-586A	High Flow Cleaning Head with 2.5" Collar and Cap - Tan
WK000020	High Flow Cleaning Head with 2.5" Collar and Cap - Light Blue (New 2017)

IN-FLOOR CLEANERS / ACCESSORIES & PARTS

Cleaning Heads, Collars, Caps, Nozzles (Continued)



**VinylCare
 Cleaning Heads**



Cleaning Heads



**Threaded
 Cleaning Heads**

Part No. Description

VinylCare™ Cleaning Heads with Floor Fitting (nozzle sold separately)

5-9-7061	VinylCare Cleaning Head with Floor Fitting - Bright White
5-9-7071	VinylCare Cleaning Head with Floor Fitting - Carolina Blue (pre 2017 light blue)
5-9-7081	VinylCare Cleaning Head with Floor Fitting - Dark Blue

High Flow VinylCare Cleaning Heads with Floor Fitting (factory installed nozzle)

5-9-7066	VinylCare High Flow Cleaning Head with Floor Fitting - Bright White
5-9-7076	VinylCare High Flow Cleaning Head with Floor Fitting - Carolina Blue (pre 2017 light blue)
5-9-7086	VinylCare High Flow Cleaning Head with Floor Fitting - Dark Blue

Cleaning Heads (nozzle sold separately)

3-9-500	Cleaning Head Only - Light Cream
3-9-501	Cleaning Head Only - Jet Black
3-9-502	Cleaning Head Only - Pebble Gold
3-9-503	Cleaning Head Only - Charcoal Gray
3-9-504	Cleaning Head Only - Tile Blue
3-9-507	Cleaning Head Only - Light Gray
3-9-508	Cleaning Head Only - Bright White (concrete and vinyl)
3-9-570	Cleaning Head Only - Carolina Blue (concrete and vinyl) (pre 2017 light blue)
3-9-580	Cleaning Head Only - Dark Blue (vinyl only)
3-9-590	Cleaning Head Only - Tan
WK000018	Cleaning Head Only - Light Blue (New 2017)

Threaded Cleaning Heads Prior to 1992 (nozzle sold separately)

3-9-510	Threaded Cleaning Head Only - Light Cream
3-9-511	Threaded Cleaning Head Only - Jet Black
3-9-512	Threaded Cleaning Head Only - Pebble Gold
3-9-513	Threaded Cleaning Head Only - Charcoal Gray
3-9-514	Threaded Cleaning Head Only - Tile Blue
3-9-515	Threaded Cleaning Head Only - Bright White

High Flow Cleaning Heads (factory installed nozzle)

4-9-506	High Flow Cleaning Head Only - Light Cream
4-9-516	High Flow Cleaning Head Only - Jet Black
4-9-526	High Flow Cleaning Head Only - Pebble Gold
4-9-536	High Flow Cleaning Head Only - Charcoal Gray

Cleaning Heads, Collars, Caps, Nozzles (Continued)



High Flow Cleaning Head

Part No. Description

High Flow Cleaning Heads (factory installed nozzle) (Continued)

4-9-546	High Flow Cleaning Head Only - Tile Blue
4-9-556	High Flow Cleaning Head Only - Light Gray
4-9-566	High Flow Cleaning Head Only - Bright White (concrete and vinyl)
4-9-576	High Flow Cleaning Head Only - Carolina Blue (concrete and vinyl) (pre 2017 light blue)
4-9-586	High Flow Cleaning Head Only - Dark Blue (vinyl only)
4-9-596	High Flow Cleaning Head Only - Tan
WK000022	High Flow Cleaning Head Only - Light Blue (New 2017)

High Flow Threaded Cleaning Heads Prior to 1992 (factory installed nozzle)

4-9-405	High Flow Threaded Cleaning Head Only - Light Cream
4-9-414	High Flow Threaded Cleaning Head Only - Jet Black
4-9-434	High Flow Threaded Cleaning Head Only - Charcoal Gray



2.5" Collar

Collars (2" and 2.5")

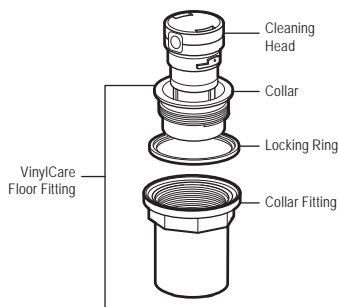
1-9-94	Collar 2" - Light Cream
1-9-66	Collar 2.5" - Light Cream
1-9-95	Collar 2" - Jet Black
1-9-71	Collar 2.5" - Jet Black
1-9-97	Collar 2" - Pebble Gold
1-9-68	Collar 2.5" - Pebble Gold
1-9-96	Collar 2" - Charcoal Gray
1-9-70	Collar 2.5" - Charcoal Gray
1-9-142	Collar 2" - Tile Blue
1-9-72	Collar 2.5" - Tile Blue
1-9-79	Collar 2" - Light Gray
1-9-69	Collar 2.5" - Light Gray
1-9-78	Collar 2" - Bright White
1-9-67	Collar 2.5" - Bright White
1-9-73	Collar 2.5" - Tan
WK000021	Collar 2.5" - Light Blue (New 2017)
WK000024	Collar 2.5" - Carolina Blue (Pre-2017 Light Blue)



2" Collar

IN-FLOOR CLEANERS / ACCESSORIES & PARTS

Cleaning Heads, Collars, Caps, Nozzles (Continued)



**VinylCare
 Cleaning Heads**



Designer Caps



2" Unions



Nozzles

Part No. Description

VinylCare™ Cleaning Head Floor Fitting

3-9-800	VinylCare Floor Fitting without Cleaning Head - Bright White
3-9-810	VinylCare Floor Fitting without Cleaning Head - Carolina Blue (pre 2017 light blue)
3-9-820	VinylCare Floor Fitting without Cleaning Head - Dark Blue

Prefab Risers

WK000001	Prefab Riser for 2" Collar (includes cap)
WK000002	Prefab Riser for 2" Collar (16/PK)
5-9-150	Prefab Riser for 2.5" Collar (includes cap and reducer)
5-9-160	Prefab Riser for 2.5" Collar (16/PK)

Designer Caps for Pebble Finish Pools

3-9-230	Designer Cap - Tahoe Blue
3-9-231	Designer Cap - Caribbean Blue
3-9-232	Designer Cap - Sandy Beach
3-9-233	Designer Cap - White Pearl
3-9-234	Designer Cap - Soft White
3-9-235	Designer Cap - Tropical Breeze

Reducers, Protective Caps and Unions

1-9-101	2.5" x 2" Reducer
4-9-101	2.5" x 2" Reducer (18/PK)
1-9-80	Protective Cap- Blue
3-8-89	Protective Cap- Blue (25/PK)
4-1-2002	2" Union Non-buttress for 1.5" Bottom Plate (no cup strainer) White
4-1-2003	2" Union Complete (no cup strainer) Black
2-9-290	Troubleshooting Gasket Kit (3/PK)
2-9-291	Troubleshooting Gasket Kit (25/PK)

Nozzles

1-9-455	Clear Flow Adjust Nozzle
1-9-456	Clear Flow Plus Nozzle
1-9-458	Clear Mini Nozzle
1-9-459	Clear Step and Bench Nozzle
1-9-461	Clear Standard Nozzle
3-9-455	Clear Flow Adjust Nozzle (25/PK)
3-9-456	Clear Flow Plus Nozzle (25/PK)
3-9-458	Clear Mini Nozzle (25/PK)
3-9-459	Clear Step and Bench Nozzle (25/PK)
3-9-461	Clear Standard Nozzle (25 pack)



**Retro Clean
Pool Valet Heads**



**Retro Clean
Replacement Heads**



**Retro Clean
QuickClean Heads**



**TC3 Flush Mount
Pool/Spa Return Jet**

RetroClean Replacement Heads

Part No. Description

RetroClean Replacement Heads for Pool Valet®

5-9-1022	RetroClean: Pool Valet Standard Floor Nozzle - Bright White
5-9-1023	RetroClean: Pool Valet Step and Bench Nozzle - Bright White
5-9-1032	RetroClean: Pool Valet Standard Floor Nozzle - Jet Black
5-9-1033	RetroClean: Pool Valet Step and Bench Nozzle - Jet Black

RetroClean Replacement Heads for Master Pools® Turbo-Clean®

4-9-2004	RetroClean: Turbo-Clean Flow Plus - Bright White
4-9-2005	RetroClean: Turbo-Clean High Flow (one head on bank) - Bright White
4-9-2008	RetroClean: Turbo-Clean Flow Plus - Jet Black
4-9-2009	RetroClean: Turbo-Clean High Flow (one head on bank) - Jet Black
WM000023	Replacement O-Ring (for Face Plate)
1-17-4	RetroClean Installation Tool

RetroClean Replacement Heads for QuikClean™

4-9-1040	RetroClean: QuikClean Flow Adjust Nozzle for Units with Outside Collar Fitting - White
4-9-1041	RetroClean: QuikClean Flow Plus Nozzle for Units with Outside Collar Fitting - White
4-9-1042	RetroClean: QuikClean Standard Nozzle for Units with Outside Collar Fitting - White
4-9-1043	RetroClean: QuikClean High Flow Nozzle for Units with Outside Collar Fitting - White
4-9-1044	RetroClean: QuikClean Step and Bench Nozzle for Units with Outside Collar Fitting - White
4-9-1045	RetroClean: QuikClean Mini Nozzle for Units with Outside Collar Fitting - White

TC3 Flush Mount Pool/Spa Return Jet

Part No. Description

TC3 Flush Mount Pool/Spa Return Jet

3-3-110	TC3 Flush Mount Wall Return Jet: 1.5" and 1" Return Inlet - Bright White
3-3-112	TC3 Flush Mount Wall Return Jet: 1.5" and 1" Return Inlet - Jet Black
3-3-113	TC3 Flush Mount Wall Return Jet: 1.5" and 1" Return Inlet - Charcoal Gray
3-3-114	TC3 Flush Mount Wall Return Jet: 1.5" and 1" Return Inlet - Pebble Gold
3-3-115	TC3 Flush Mount Wall Return Jet: 1.5" and 1" Return Inlet - Light Gray

IN-FLOOR CLEANERS / ACCESSORIES & PARTS



Leaf-B-Gone

Leaf-B-Gone™

(To receive a complete Leaf-B-Gone System, order both the plumbing kit and the concrete finishing kit)

- Leaf and debris removal to a deck canister
- VGB safe venturi suction

Part No. Description

Leaf-B-Gone Concrete Plumbing Kit- Molded Unit

5-2-200	Leaf-B-Gone, Deck Canister, Floor Canister, Filter Bag, Venturi Nozzle, Tan Deck Lid
5-2-300	Leaf-B-Gone, Deck Canister, Floor Canister, Filter Bag, Venturi Nozzle, White Deck Lid

Leaf-B-Gone Concrete Finishing Kit- Molded Unit

4-2-400	Floor Canister Cover with Screws, Center Post, Wall Grate - Bright White
4-2-401	Floor Canister Cover with Screws, Center Post, Wall Grate - Light Gray
4-2-402	Floor Canister Cover with Screws, Center Post, Wall Grate - Charcoal Gray
4-2-404	Floor Canister Cover with Screws, Center Post, Wall Grate - Gold (while supplies last)
4-2-406	Floor Canister Cover with Screws, Center Post, Wall Grate - Jet Black



Floor Canister Cover, Center Post and Wall Grate

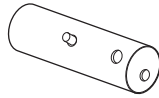
Leaf-B-Gone Complete for Vinyl Liner Pools

5-2-700	Leaf-B-Gone, Deck and Floor Canister, Center Post and Cover, Venturi Nozzle, Filter Bag, White Lid
---------	--

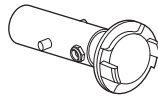
Installation Tools



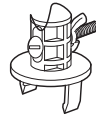
Multi-Use Tool
3-17-15



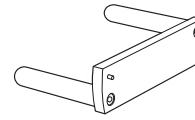
Pole Adapter
4-17-1



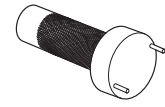
Metal Head
Removal Tool
3-17-7



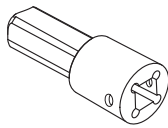
Plastic Head
Removal Tool
3-17-8



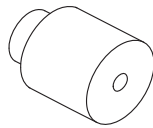
RetroClean Tool
1-17-4



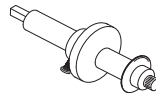
ThreadCare Tool
4-17-4



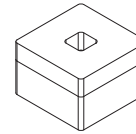
Drive Shaft Key
R0566000



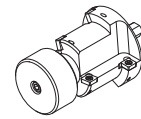
Retrofit Bayonet Collar
Pilot Tool 4-17-16



Inside Pipe Cutter Tool
5-17-4



Floor Canister Plug Tool
1-6-14



Pipe Reamer
4-17-2

Part No. Description

In-Floor Installation Tools

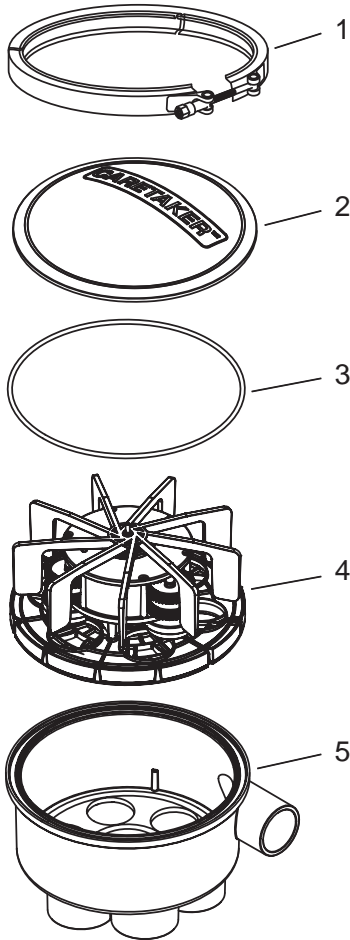
1-6-14	Leaf-B-Gone Floor Canister Plug Removal Tool
1-17-2	Inside Pipe Cutter Replacement Blade 1.5"
1-17-3	Inside Pipe Cutter Replacement Blade 2"
1-17-4	RetroClean Installation Tool (for TurboClean)
1-17-7	2.5" Collar Template - Metal
1-17-22	Replacement Pilot for Reamer/Cutter Tool
3-17-6	Vinyl Spanned Wrench Tool
3-17-7	Metal Cleaning Head Removal Tool Vinyl Installation Tool with Pole Adapter
3-17-8	Plastic Cleaning Head Removal Tool
3-17-15	Multi-Use Tool/Union Wrench
3-17-20	Pipe Deep Cut Reamer/Cutter Combo Complete
4-17-1	Pole Adapter
4-17-2	Pip Reamer/Cutter Combo Complete
4-17-4	ThreadCare Tool
4-17-6	Square Upper Pipe Reamer Blade, 3/PK
4-17-10	RotoJet® Eyeball Removal Tool
4-17-16	Retrofit Bayonet Collar Pilot for Reamer/Cutter Tool
4-17-50	Diamond Lower Pipe Reamer Blade, 3/PK
5-17-4	Inside Pipe Cutter Complete w/ 1.5" Blade
R0566000	Drive Shaft Key for 8-Port Valve - Molded

PUMPS
FILTERS
GAS HEATERS
HEAT PUMPS
AUTOMATION
WATER LEVELING
WATER SANITIZERS
VALVES
WATER FEATURES
LIGHTING
CLEANERS
IN-FLOOR
BLOWERS
ACCESSORIES

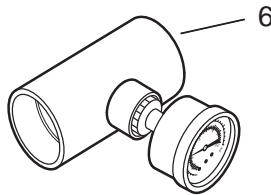
IN-FLOOR CLEANERS / ACCESSORIES & PARTS

6-Port Valve Parts (Revolution™)

Part# WK000030



Key No.	Part No.	Description
1	WK000029	Band Clamp
2	WK000031	Lid
3	WK000032	O-Ring
4	WK000033	Cassette Assembly
5	WK000034	Body Housing, 2" Ports
6	WK000035	Gauge Assembly 2"



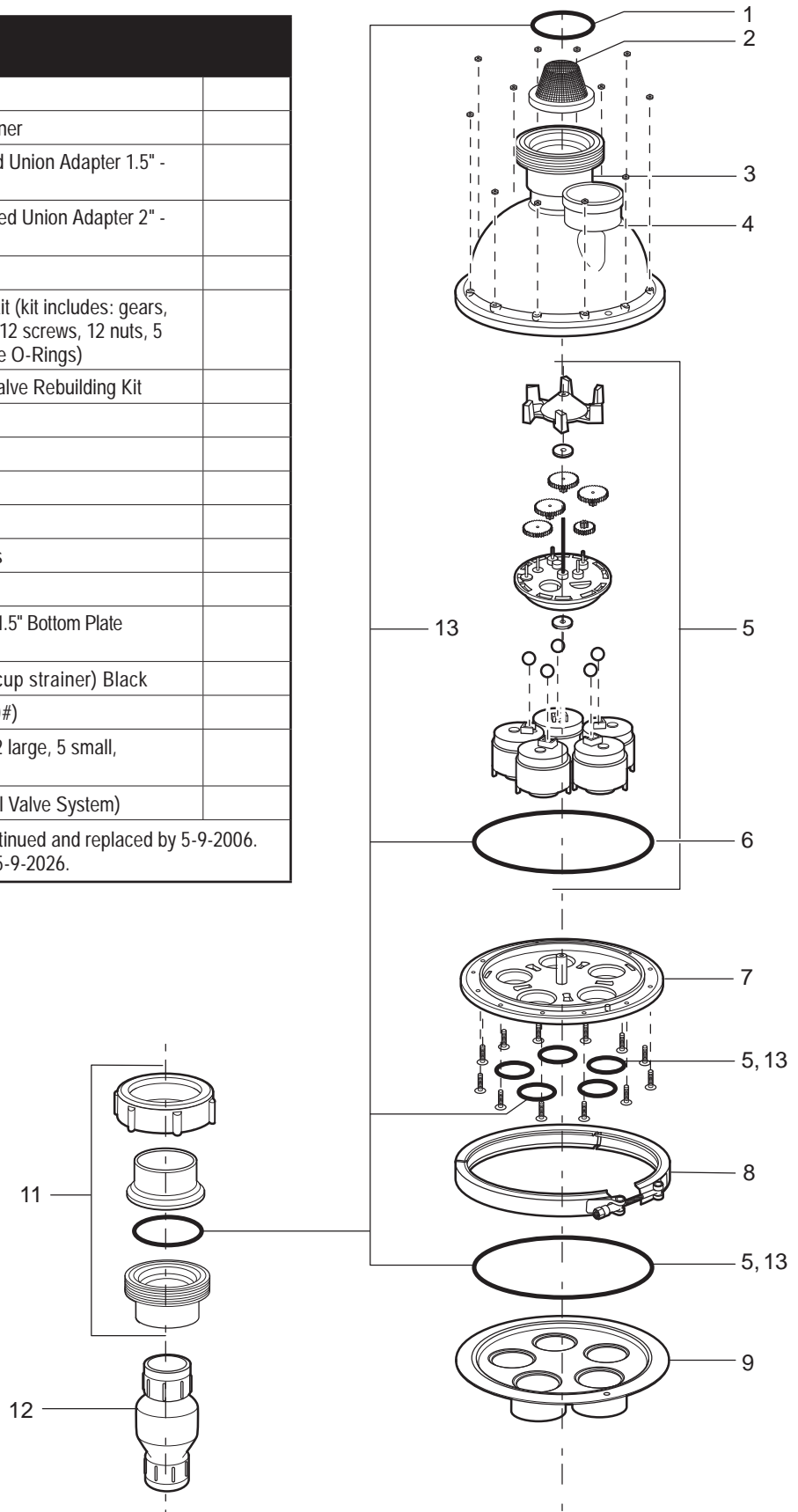
5-Port Hydraulic Valve Parts 1.5" and 2"

Part# 5-9-2000, 5-9-2200

Key No.	Part No.	Description
1	WK000025	O-Ring, 5-Port Union
2	1-1-216	Stainless Steel Cup Strainer
3	3-9-201	Top Housing w/ Threaded Union Adapter 1.5" - No Gauge
3	3-9-211	Top Housing with Threaded Union Adapter 2" - No Gauge
4	R0532700	Pressure Gauge
5	5-9-2001	Water Valve Rebuilding Kit (kit includes: gears, plungers, 5 ball bearings 12 screws, 12 nuts, 5 small O-Rings and 2 large O-Rings)
5	5-9-2002	Complete Gould Water Valve Rebuilding Kit
6	3-13-1	O-Ring Kit (2 large)
6	1-13-1	O-Ring Kit (1 large)
7	1-9-214	Valve Center Plate
8	3-9-216	V-Clamp w/ Nut
9	1-9-215	Bottom Plate, 1.5" Outlets
9	1-9-239	Bottom Plate, 2" Outlets
11	4-1-2002	2" Union Non-buttruss for 1.5" Bottom Plate (no cup strainer) White
11	4-1-2003	2" Union Complete (no cup strainer) Black
12	1-1-220	Pressure Relief Valve (30#)
13	5-13-1	O-Ring Kit (kit includes: 2 large, 5 small, and 2 union)
N/S	4-6-1	Replacement Timer (Dual Valve System)

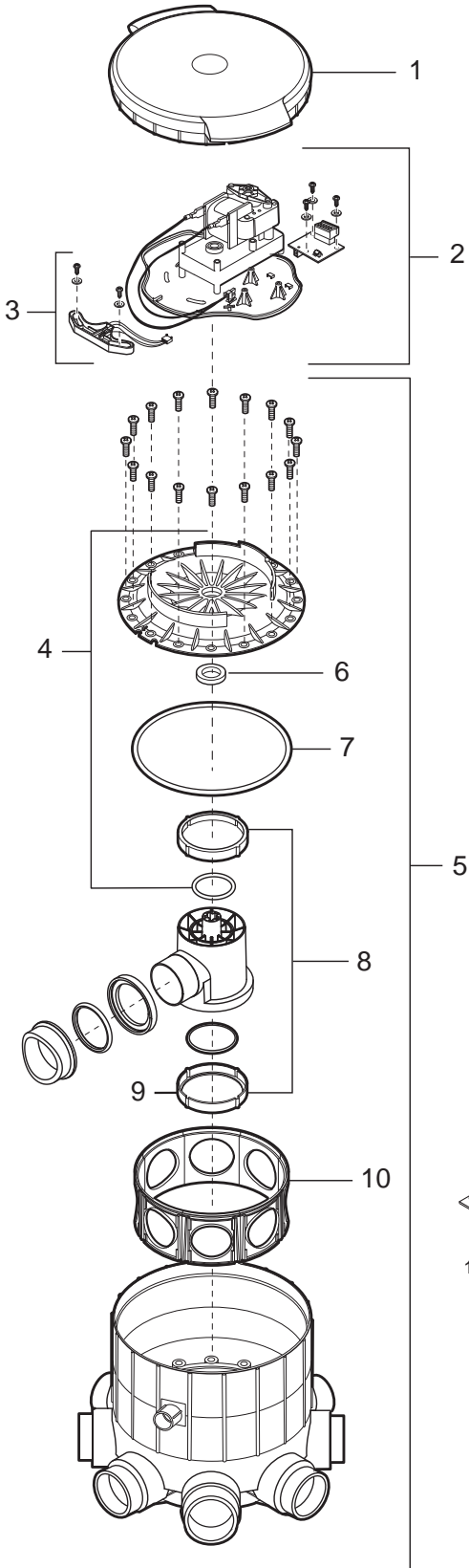
Note: 4-9-2000 & 5-9-2004 have been discontinued and replaced by 5-9-2006.
4-9-2001 & 5-9-2021 have been replaced by 5-9-2026.

N/S-Not Shown



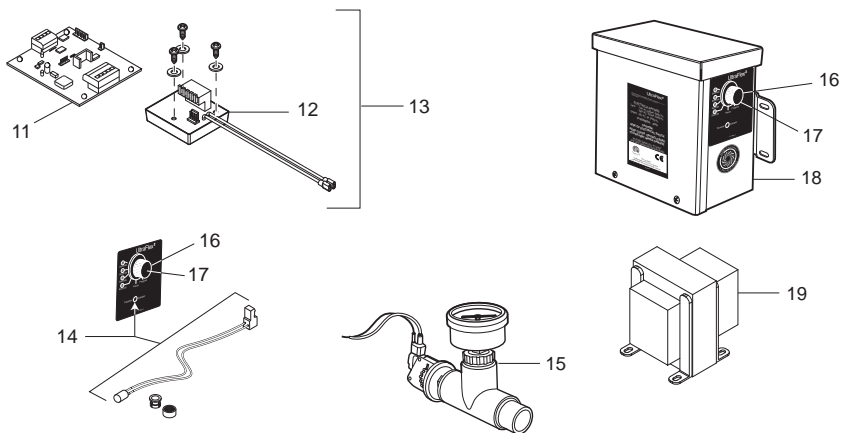
IN-FLOOR CLEANERS / ACCESSORIES & PARTS

8-Port Electronic Valve Parts (UltraFlex® 2)

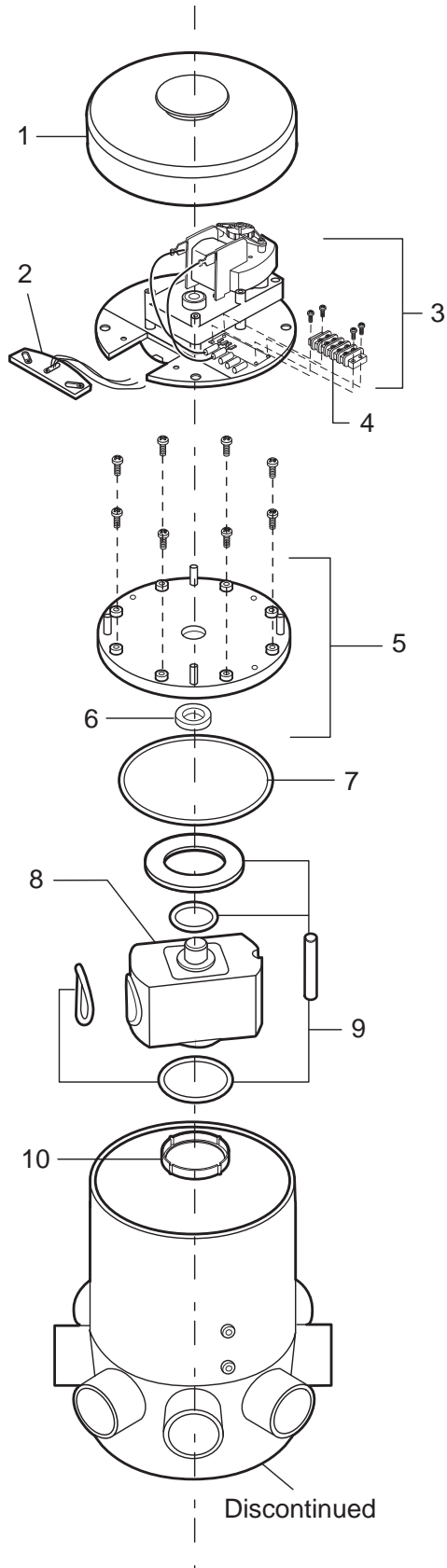


Key No.	Part No.	Description
1	3-7-302	Lid Assembly
2	4-7-310	Motor Mount Assembly, Start-Up Kit (includes: motor, sensor, and sensor PCB board)
3	2-7-304	Sensor Assembly - Black (use with sensor plate that has bent tabs)
3	2-7-306	Sensor Assembly, Read Down Type - Gray (use with sensor plate that has square holes)
4	2-7-300	Top Plate Valve Assembly
5	4-7-300	Plumbing Kit (includes: valve body, pressure switch, clean out tee, and lid for pre-plumbing)
6	R0710000	Shaft Seal Replacement
7	1-13-21	Face Seal O-Ring
8	3-7-625	O-Ring Kit w/ Molded Tee
9	3-7-153	Inlet Wear Insert Kit, 2/PK
10	3-7-109	Molded Wall Insert Kit, 8/PK
11	3-7-720	Controller PCB (only)
12	1-7-660	Sensor PCB Board (only)
13	3-7-650	PCB Replacement Kit (kit includes: sensor PCB, controller PCB, and hardware)
14	R0524200	LED Light, Mounting Clip, Ring
15	4-7-2	Pressure Switch/Gauge Assembly
16	1-9-144	Rotary Switch, 6 Position
17	1-9-163	Knob for Controller Box
18	4-7-320	Controller Kit (includes: controller and 100' of cable)
19	1-7-73	Transformer
19	4-7-730	Transformer (UltraFlex 2 w/ 3.5 Amp circuit breaker)
N/S	1-7-106	Sensor PCB Cover - Black
N/S	1-7-115	Sensor PCB Cover, Side Outlet - Gray
N/S	4-7-315	Counter-Clockwise Motor Assembly
N/S	1-9-182	Direct Burial Cable, 250' Spool

N/S-Not Shown

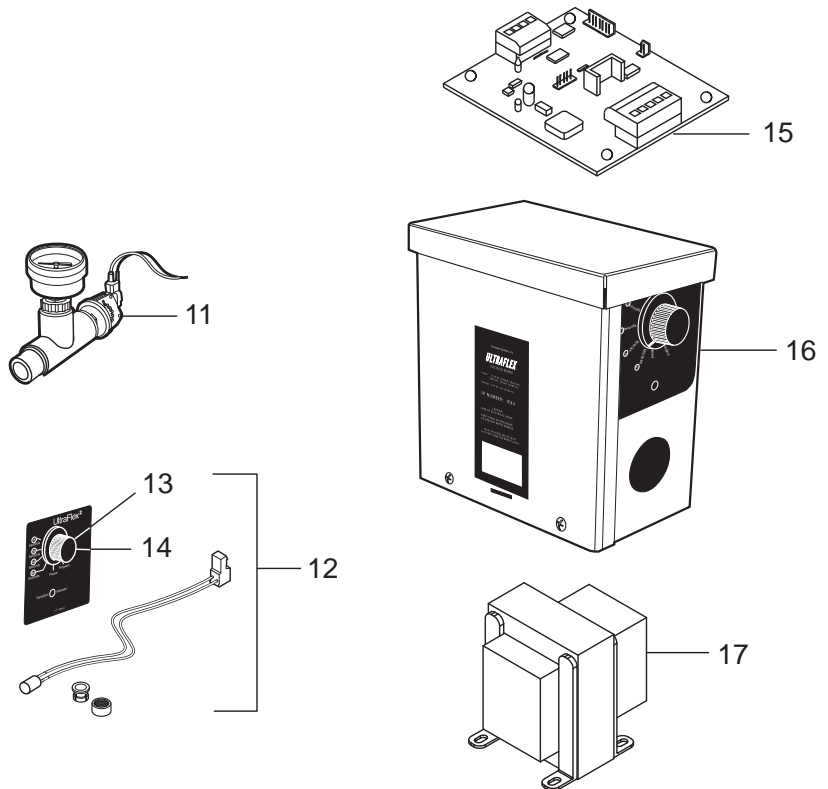


8-Port Electronic Valve Parts (UltraFlex®)



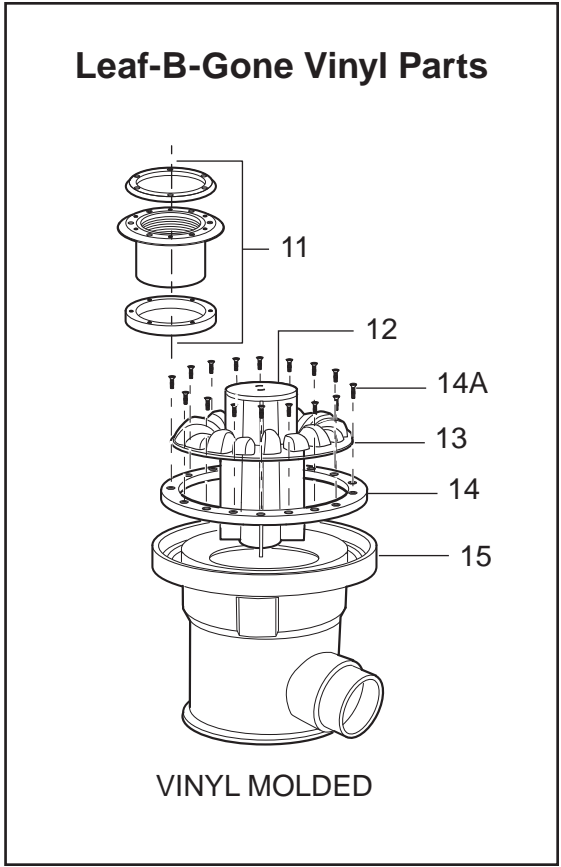
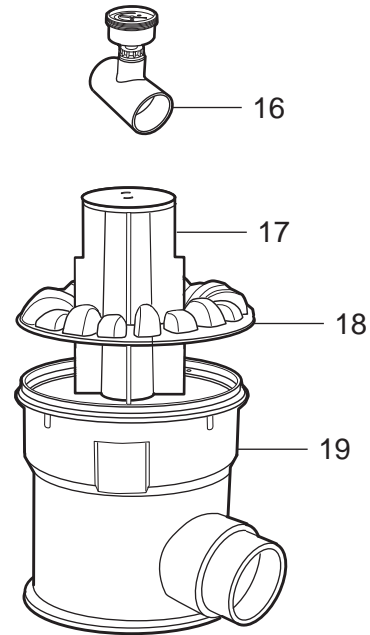
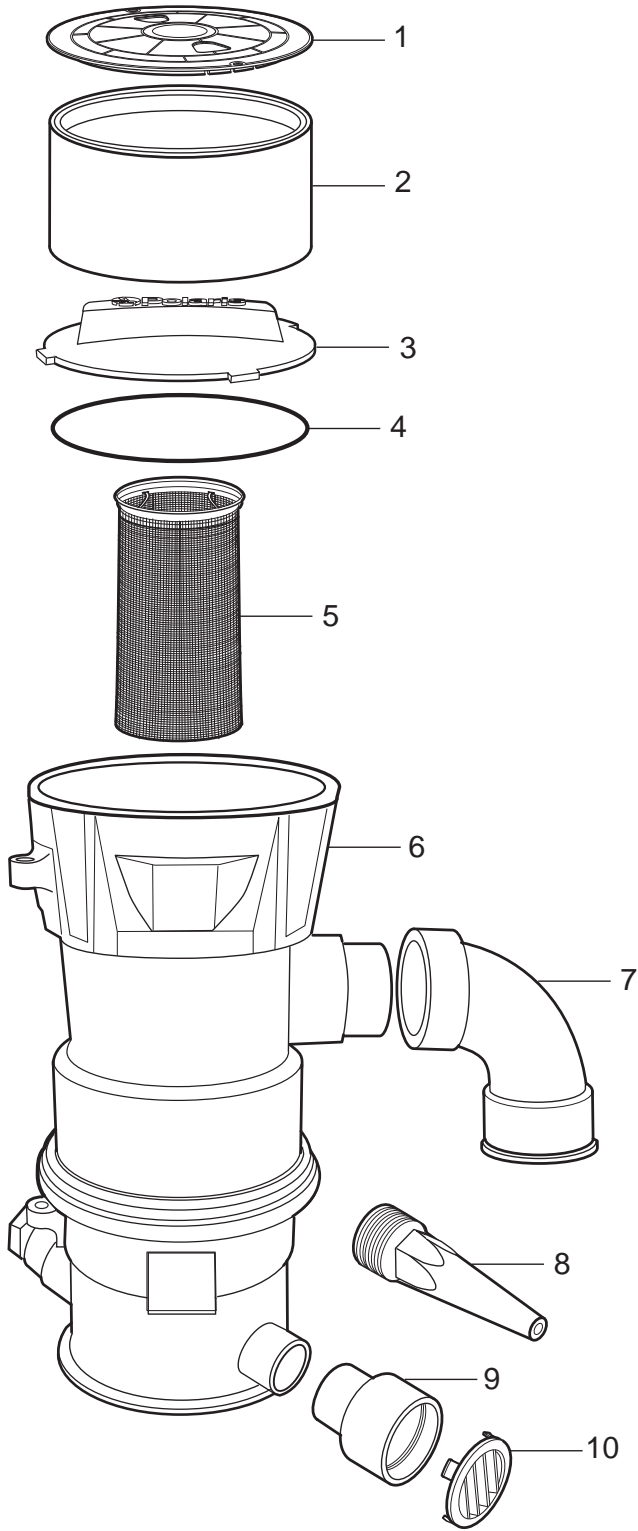
Key No.	Part No.	Description
1	3-7-8	Valve Lid Replacement
2	3-7-6	Sensor Plate Assembly
3	3-7-5	Motor Assembly
4	4-9-189	Motor/Sensor Terminal Strip
5	3-7-12	Top Plate Assembly
6	R0710000	Shaft Seal Replacement
7	1-13-15	O-Ring, Face Seal
8	3-7-3	Tee Assembly
9	4-7-4	O-Ring Kit (includes Wear Bar)
10	2-7-53	Inlet Wear Insert
11	4-7-2	Pressure Switch/Gauge Assembly
12	R0524200	LED Light, Mounting Clip, Ring
13	1-9-144	Rotary Switch, 6 Position
14	1-9-163	Knob for Controller Box
15	4-7-5	PCB Replacement Kit (kit includes: controller PCB, sensor terminal and hardware)
16	4-7-202	Controller Kit
17	1-9-168	Transformer
N/S	4-7-305	Blower Plate Assembly
N/S	1-9-182	Direct Burial Cable, 250' Spool

N/S-Not Shown



IN-FLOOR CLEANERS / ACCESSORIES & PARTS

Leaf-B-Gone™ Concrete Parts



Leaf-B-Gone™ Concrete Parts

Key No.	Part No.	Description
1	3-3-100	Deck Lid - Tan
1	3-3-101	Deck Lid - White
2		Height Adjustment Sleeve (Not sold separately)
3	3-4-300	Molded Clear Inner Lid
4	1-13-39	Large O-Ring, Leaf-B-Gone for use w/ Clear Inner Lid
5	3-9-123	Filter Bag Complete w/ Poly Ring
6		Deck Canister Assembly (Not sold separately)
7		Sweep Elbow Assembly (Not sold separately)
8	3-4-400	Molded Venturi Nozzle
9	3-1-135	Grate Adapter Fitting
10	1-1-170	Concrete Wall Fitting Grate - Bright White
10	1-1-172	Concrete Wall Fitting Grate - Jet Black
10	1-1-173	Concrete Wall Fitting Grate - Charcoal Gray
10	1-1-174	Concrete Wall Fitting Grate - Pebble Gold
10	1-1-175	Concrete Wall Fitting Grate - Light Gray
10	1-1-176	Concrete Wall Fitting Grate - Tile Blue
11	3-1-1146	Wall Fitting Assembly (vinyl)
12	3-4-210	Molded Floor Canister Post - Bright White
13	3-4-110	Molded Floor Canister Cover with Screws - Bright White
14	3-1-157	Vinyl Locking Ring (for molded LBG - 16 holes)
14A	1-12-45	Vinyl Floor Canister Locking Ring Screw

Key No.	Part No.	Description
15	4-1-104	Floor Canister (vinyl)
16	4-1-500	Leaf-B-Gone Venturi Pressure Gauge Assembly
17	3-4-210	Molded Floor Canister Post - Bright White
17	3-4-220	Molded Floor Canister Post - Charcoal Gray
17	3-4-230	Molded Floor Canister Post - Light Gray
17	3-4-250	Molded Floor Canister Post - Jet Black
17	3-4-260	Molded Floor Canister Post - Pebble Gold
18	3-4-110	Molded Floor Canister Cover with Screws - Bright White
18	3-4-120	Molded Floor Canister Cover with Screws - Charcoal Gray
18	3-4-130	Molded Floor Canister Cover with Screws - Light Gray
18	3-4-150	Molded Floor Canister Cover with Screws - Jet Black
18	3-4-160	Molded Floor Canister Cover with Screws - Pebble Gold
19	3-4-100	Molded Floor Canister, Concrete, No Cover, No Post
N/S	3-1-410	Hydrostatic Replacement Valve
N/S	4-1-410	Hydrostatic Valve Assembly

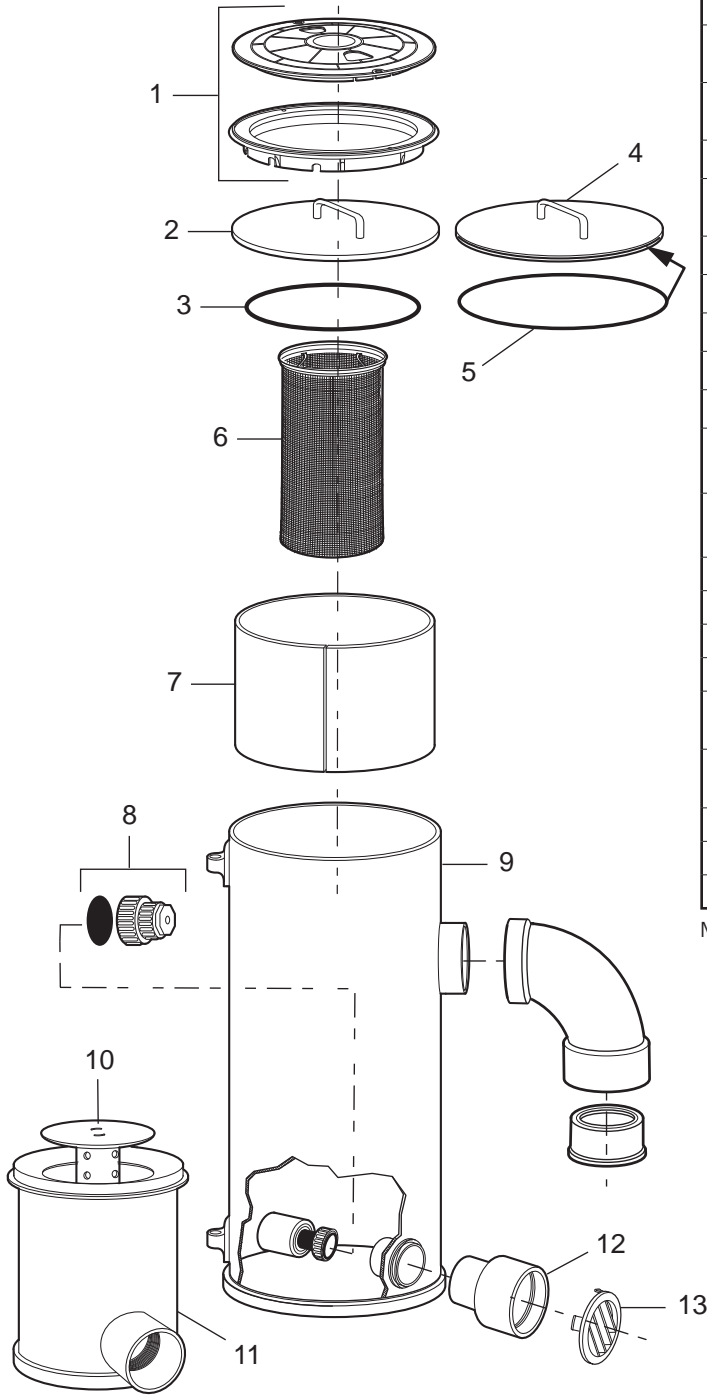
Accessory Kits

N/S	4-17-100	Pressure Test Kit (water)
N/S	4-17-101	Winterizing Kit

N/S-Not Shown

IN-FLOOR CLEANERS / ACCESSORIES & PARTS

Leaf-B-Gone™ Parts-Manufactured (Discontinued)



Key No.	Part No.	Description
1	3-3-100	Deck Lid - Tan
1	3-3-101	Deck Lid - White
2	4-1-115	Acrylic Inner Lid w/ Handle (manufactured) (post 1999)
3	1-13-39	Large O-Ring, Leaf-B-Gone for use w/ Clear Inner Lid
4	4-1-116	Acrylic Inner Lid w/ Handle and O-Ring (manufactured) (pre 1999)
5	R0774800	O-Ring Leaf-B-Gone Lid (pre 1999)
6	4-4-400	Filter Bag Complete w/ PVC Ring (pre 1999)
6	3-9-123	Filter Bag Complete w/ Poly Ring
7		Height Adjustment Sleeve
8	4-1-119	Venturi Nozzle Union
8	4-1-219	Venturi Nozzle Union
9		Deck Canister Assembly
10	4-1-102	Floor Canister Grate and Stem (manufactured) - White
10	4-1-103	Floor Canister Grate and Stem (manufactured) - Gray
11	4-1-100	Floor Canister
12	3-1-135	Grate Adapter Fitting
13	1-1-170	Concrete Wall Fitting Grate - Bright White
14	3-1-1146	Wall Fitting Assembly (vinyl)
15	4-1-102	Floor Canister Grate and Stem (manufactured) - White
16	3-1-152	Vinyl Floor Locking Ring (for manufactured LBG - 12 holes)
17	4-1-101	Floor Canister
N/S	4-1-410	Hydrostatic Valve Assembly
N/S	3-1-410	Hydrostatic Replacement Valve

N/S-Not Shown



CARETAKER™ DESIGN FACT SHEET

2580 S Decker Lake Blvd Suite 300 • West Valley City, UT 84119
 Phone: 1-855-280-6465 • Fax: 801-906-6701 • email: design@zodiac.com

<input type="checkbox"/> Pool Sold	<input type="checkbox"/> Bid Only
<input type="checkbox"/> Revision to Caretaker Drawing # _____	
<input type="checkbox"/> Prior Bid Drawing # _____	

NOTICE: The following information is required for the Design Department to complete the Caretaker design.
PLEASE COMPLETE FORM ENTIRELY AND INCLUDE A SCALED DRAWING OF THE POOL.

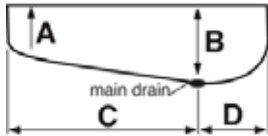
Pool Company: _____ Zodiac Account #: _____ Phone: _____ Fax: _____
 Street: _____ City: _____ State: _____ Zip: _____
 Sales Person: _____ Contact Name: _____ Email: _____

WARRANTY INFORMATION

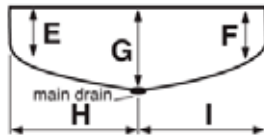
Homeowner: _____ Phone: _____
 Address: _____ Your Job #: (optional) _____
 City: _____ State: _____ Zip: _____

Scaled Drawing? Yes (required)

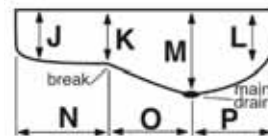
Enter dimensions for proper profile below:



Shallow Pool



Play Pool



Deep Pool

A: ___ ft ___ in B: ___ ft ___ in
 C: ___ ft ___ in D: ___ ft ___ in

E: ___ ft ___ in F: ___ ft ___ in
 G: ___ ft ___ in H: ___ ft ___ in
 I: ___ ft ___ in

J: ___ ft ___ in K: ___ ft ___ in L: ___ ft ___ in
 M: ___ ft ___ in N: ___ ft ___ in O: ___ ft ___ in
 P: ___ ft ___ in

Perimeter: _____ Surface Area: _____ Are length and width dimensions on plan? Yes (required)
 If pool has break, is it drawn on plan? Yes Does not apply Is the drain shown on plan? Yes (required)
 Distance between pump and nearest point of suction (skimmer/main drain): _____ feet
 Distance between pump and water valve: _____ feet Distance between water valve and pool: _____ feet

PUMP AND FILTER:

Pump manufacturer: _____
 Pump model: _____ HP Sold: _____
 Decrease pump size, if possible? Yes No
 OK to use larger pump, if necessary? Yes No
 Filter manufacturer: _____
 Type: Sand DE Cartridge Flow Rate: _____

CHLORINATOR:

Erosion (tablets, etc.)
 Generated Gas (ozone, etc.)
 Electronically generated salt. Manufacturer _____

INSTALL SYSTEM IN:

Pool only Spa only
 Pool and spa with common pump/common Caretaker system.
 Pool and spa with separate pump/separate Caretaker system.
 Additional body of water*, Explain: _____
 * (e.g. catch basin, trough, play pool) Any change in water level will require a separate Caretaker system.

VALVE PORTS:

Design one port on the 8-port valve (if possible) as a return line to the pool for surface cleaning. This MAY increase pump size.

PREFERRED WATER VALVE:

5-Port 8-Port Prefer 5-Port; 8-Port OK if necessary
 6-Port (Revolution™) - Available Spring 2019

JANDY® LEAF-B-GONE™:

To remove larger debris that will not pass through a standard drain cover, **the Caretaker Design will include a Jandy Leaf-B-Gone** on the same circulation pump (if possible) as the Caretaker valve.

OPTIONS:

NO JANDY LEAF-B-GONE ON THIS POOL.
 Jandy Leaf-B-Gone on separate pump - not w/ Caretaker valve
 Additional Jandy Leaf-B-Gone - for any additional body of water, e.g. catch basin.

Skimmers should be shown on builder plan. If not, builder should locate the Jandy Leaf-B-Gone opposite a skimmer.

SUCTION LINES:

Common (one) line from skimmer and main drain
 Separate lines from skimmer to main drain
 Drain pipe size 2" 2.5" 3" 4"
 Skimmer pipe size 2" 2.5" 3" 4"

OTHER CONSIDERATIONS:

Design spa for continuous spillover? Yes No
 GPMs desired _____ (normal is 16 GPM) for spa overflow or any other water feature(s) that run at the same time on the same pump as the Caretaker valve.
 OK to use larger pump if necessary? Yes No
 Spa raised? No Yes How many inches? _____
 Interior surface: Plaster Pebble Vinyl

HEATING:

Heater (requires external bypass)
 Solar (requires separate pump)
 Both heater and solar

REVISION. Indicate nature of revision: _____

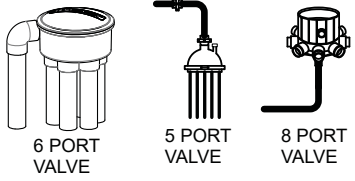
PUMPS
 FILTERS
 GAS HEATERS
 HEAT PUMPS
 AUTOMATION
 WATER LEVELING
 WATER SANITIZERS
 VALVES
 WATER FEATURES
 LIGHTING
 CLEANERS
 IN-FLOOR
 BLOWERS
 ACCESSORIES

IN-FLOOR CLEANERS / FORMS

CARETAKER™ DISTRIBUTOR ORDER FORM

Pool Company: _____ Zodiac Account #: _____ Phone: _____ Fax: _____
 City: _____ State: _____ Zip: _____ Email: _____
 Job Name / Drawing #: _____ P.O. Number: _____ Date: _____
 Ship to Address: _____ City: _____ State: _____ Zip: _____

SAMPLE Certified Caretaker System Design



ITEMS TO ORDER

Type of Nozzle (M) (B) (F) (S) (P) (H)

TOTALS: 0 0 0 0 0 0

Tot. Heads (no nozzles): 0
 High Flow Heads (qty): 0
 5-Port Valve (qty): 0
 6-Port Valve (Available Spring 2019): 0
 8-Port Valve (qty): 0
 Leaf-B-Gone™ (optional): 0
 TC3 Flush Mount Return (optional): 0

Please use your Certified Caretaker Design to fill in 1 through 7 with the corresponding items below to complete your order.

Email this completed form to caretaker.orders@zodiac.com or fax to (801) 906-6701

For questions on orders or for technical support please contact Customer Service Phone (855) 280-6465

- 1 Nozzles** (Bags of 25 also available)
- M (Mini) #1-9-458 _____
 - B (Bench) #1-9-459 _____
 - F (Flow Adjust) #1-9-455 _____
 - S (Standard) #1-9-461 _____
 - P (Flow Plus) #1-9-456 _____
 - H (High Flow) - see step **3**

- 2 Cleaning Heads** (Does not include nozzles)
- *2" Collars require a Prefab Riser (#WK000001) or a Reamer Tool (#4-17-2) - see step **6**

- 3 High Flow Cleaning Heads** (Nozzles factory-installed)
- *2" Collars require a Prefab Riser (#WK000001) or a Reamer Tool (#4-17-2) - see step **6**
- | | 2" Collars* | 2.5" UF Collars |
|---------------|--------------------|------------------------|
| Cream | #5-9-506 _____ | #5-9-506A _____ |
| Black | #5-9-516 _____ | #5-9-516A _____ |
| Gold | #5-9-526 _____ | |
| Char. Gray | #5-9-536 _____ | #5-9-536A _____ |
| Tile Blue | #5-9-546 _____ | #5-9-546A _____ |
| Light Gray | #5-9-556 _____ | #5-9-556A _____ |
| White | #5-9-566 _____ | #5-9-566A _____ |
| Carolina Blue | | #5-9-576A _____ |
| Tan | | #5-9-586A _____ |
| Light Blue | | #WK000020 _____ |

- | | 2" Collars* | 2.5" UF Collars |
|---------------|--------------------|------------------------|
| Cream | #5-9-501 _____ | #5-9-501A _____ |
| Black | #5-9-511 _____ | #5-9-511A _____ |
| Gold | #5-9-521 _____ | #5-9-521A _____ |
| Char. Gray | #5-9-531 _____ | #5-9-531A _____ |
| Tile Blue | #5-9-541 _____ | #5-9-541A _____ |
| Light Gray | #5-9-551 _____ | #5-9-551A _____ |
| White | #5-9-561 _____ | #5-9-561A _____ |
| Carolina Blue | | #5-9-571A _____ |
| Tan | | #5-9-581A _____ |
| Light Blue | | #WK000019 _____ |

- 4 Type of Water Valve**
- 6-Port Hydraulic (Available Spring 2019) #WK000030 _____
 - 5-Port Hydraulic 1.5" Bottom Plate #5-9-2000 _____
 - 5-Port Hydraulic 2" Bottom Plate #5-9-2200 _____
 - 8-Port Electric #5-7-300 _____

- 5 Leaf-B-Gone Debris Removal System** (Optional)
- Concrete Plumbing Kit (Molded):
- Standard: White Deck Lid #5-2-300 _____
 - Standard: Tan Deck Lid #5-2-200 _____
- Concrete Finishing Kit - Includes Floor Canister Cover, Center Post and Wall Grate:
- White #4-2-400 _____
 - Black #4-2-406 _____
 - Char. Gray #4-2-402 _____
 - Gold #4-2-404 _____
 - Light Gray #4-2-401 _____

- 6 Prefab Risers, Reducers and Tools** (Optional)
- Prefab Riser for 2.5" Collars #5-9-150 _____
 - Box of 16 Prefab Risers for 2.5" Collars #5-9-160 _____
 - Prefab Riser for 2" Collars #WK000001 _____
 - Box of 16 Prefab Risers for 2" Collars #WK000002 _____
 - Reducer 2.5" x 2" #1-9-101 _____
 - Pack of 18 Reducer 2.5" x 2" #4-9-101 _____
 - Combo Metal Head Removal/Vinyl Collar Install Tool #3-17-7 _____
 - Plastic Head Removal Tool #3-17-8 _____
 - 2" Collar Reamer/Cutter Complete Tool #4-17-2 _____

- 7 TC3 Flush Mount Pool Return** (Optional)
- White #3-3-110 _____
 - Black #3-3-112 _____
 - Char. Gray #3-3-113 _____
 - Gold #3-3-114 _____
 - Light Gray #3-3-115 _____

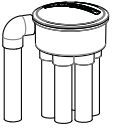
© 2018 Caretaker All rights reserved. TL-1321 09/18

CARETAKER™


VINYL ORDER FORM

Pool Company: _____ Zodiac Account #: _____ Phone: _____ Fax: _____
 City: _____ State: _____ Zip: _____ Email: _____
 Job Name / Drawing #: _____ P.O. Number: _____ Date: _____
 Ship to Address: _____ City: _____ State: _____ Zip: _____


SAMPLE Certified Caretaker System Design



6 PORT VALVE



5 PORT VALVE



8 PORT VALVE

ITEMS TO ORDER

Type of Nozzle (M) (B) (F) (S) (P) (H) ①

TOTALS: 0 0 0 0 0 0

Tot. Heads (no nozzles): 0 ②

High Flow Heads (qty): 0 ③

5-Port Valve (qty): 0 ④

6-Port Valve (Available Spring 2019): 0 ⑤

8-Port Valve (qty): 0

Leaf-B-Gone™ (optional): 0

Please use your Certified Caretaker Design to fill in 1 through 6 with the corresponding items below to complete your order.

Email this completed form to caretaker.orders@zodiac.com or fax to (801) 906-6701

For questions on orders or for technical support please contact Customer Service Phone (855) 280-6465

- ① Nozzles** (Bags of 25 also available)
- M (Mini) #1-9-458 _____
 - B (Bench) #1-9-459 _____
 - F (Flow Adjust) #1-9-455 _____
 - S (Standard) #1-9-461 _____
 - P (Flow Plus) #1-9-456 _____
 - H (High Flow) - see step **③**

- ② Cleaning Heads Vinyl with Floor Fitting**
(Does not include nozzles)
- White #5-9-7061 _____
 - Carolina Blue #5-9-7071 _____
 - Dark Blue #5-9-7081 _____

- ③ High Flow Cleaning Heads Vinyl with Floor Fitting**
(Nozzles factory-installed)
- White #5-9-7066 _____
 - Carolina Blue #5-9-7076 _____
 - Dark Blue #5-9-7086 _____

- ④ Type of Water Valve**
- 6-Port Hydraulic (Available Spring 2019) #WK000030 _____
 - 5-Port Hydraulic 1.5" Bottom Plate #5-9-2000 _____
 - 5-Port Hydraulic 2" Bottom Plate #5-9-2200 _____
 - 8-Port Electric #5-7-300 _____

- ⑤ Leaf-B-Gone Debris Removal System** (Optional)
- Vinyl System - Complete:
 White Deck Lid, White Floor Canister #5-2-700 _____

- ⑥ Tools** (Optional)
- Combo Metal Head Removal/Vinyl Collar Install Tool #3-17-7 _____
 - Plastic Head Removal Tool #3-17-8 _____
 - Inside Pipe Cutter #4-17-4 _____

CARETAKER™

Caretaker Limited Warranty

Cover-Pools Incorporated (“Cover-Pools”) warrants all Caretaker products to be free from manufacturing defects in materials and workmanship for a period of one (1) year from the date of retail purchase, with the following exceptions:

- 1- In-floor cleaning heads are warranted for the life of the pool on which they were originally installed, if originally installed with Caretaker in-floor cleaning valves.
- 2- Replacement products, or parts, provided at no charge are warranted only until the original finished good’s warranty has expired. Purchased replacement parts are warranted for ninety (90) days from the date of retail purchase.

Unless otherwise indicated in the relevant product manual or quick start guide, this warranty applies only to products installed and serviced by a contractor who is licensed and qualified in pool equipment by the jurisdiction in which the product will be installed, where such state or local requirements exist. In the event no such state or local requirement exists, the installer and maintainer must be a professional with sufficient experience in pool equipment installation and maintenance. This warranty applies only to products purchased and utilized in the 50 United States and Canada, is limited to the first retail purchaser, is not transferable, and does not apply to products that have been moved from their original installation sites. The liability of Cover-Pools shall not exceed the replacement of the defective product or its parts, and does not include transportation costs, costs for labor to service or repair the defective product, or any items or materials required to make the repair including, but not limited to other expendables. Cover-Pools is not responsible for charges or delays incurred when a servicer is unable to perform service due to lock outs, animals, intolerable pool or spa water temperature when entry into pool or spa is required to perform service, service refusals, etc. No reimbursements will be made for loss and/or usage of water, fuel or other resources resulting from product defect. A third party service provider may charge the end-user customer for parts and/or labor required to resolve any issue not covered under warranty, such as improper installation. Cover-Pools is not responsible for these charges. Product discoloration, or any other cosmetic or superficial damage or deterioration, regardless of its cause, is not covered by this warranty. This warranty does not cover failures, defects, malfunctions or complaints resulting from any of the following:

- 1- Failure to properly install, operate or maintain the product in accordance with Caretaker’s published installation, operation and/or maintenance manuals.
- 2- The workmanship of any installer of the product.
- 3- Use of non-factory authorized parts or accessories in conjunction with the product(s).
- 4- Product modifications or adjustments that are not in accordance with Caretaker’s published installation, operation and/or maintenance manuals.
- 5- Not maintaining proper pool and/or spa chemical balance [pH levels between 7.2 and 7.8, with ideal range being between 7.4 and 7.6; total alkalinity (TA) between 80 to 120 PPM; Total Dissolved Solids (TDS) less than 2000, not including salt PPM].
- 6- Corrosion, erosion, scaling, calcification or other conditions caused by water hardness, chemical imbalance, or lack of product or pool maintenance.
- 7- Abuse, damage during transit or installation, mis-handling, tampering, vandalism, alterations, accidents, fires, floods, storms, earthquakes, power surges, lightning, pets or other animals, insects and/or their hives or nests, negligence, or acts of God.
- 8- Not grounding and/or bonding as specified, mis-wiring, loose wiring, cut or kinked wires, loose cable connections, incorrect wire runs, incorrect breaker size, breaker(s) in “off” position, improper wire gauge, moisture in electrical conduit, improper electrical supply, incorrect plumbing, inadequate size of pipe and/or fittings, cross-threading, over-tightening, under-tightening, glue drips or residue, improperly secured covers, improper valve placement or usage, unsynchronized valve actuators, valve actuators in “off” position, programming errors, or removal of in-line filter screens from pool cleaners.
- 9- Freezing, corrosion, cracking, overheating, warping, flooding, moisture intrusion or any other condition caused by or related to weather, climate, improper winterization, improper equipment placement, inadequate ventilation, inadequate water circulation, roof run-off, sprinklers, irrigation systems, or lights or other products on or near the pool/spa or pool/spa equipment pad.
- 10- Operating the product at water flow rates below minimum, or above maximum, specifications. Operating any product or piece of equipment including, but not limited to, pumps, with insufficient quantities of water.
- 11- Improper equipment sizing, or product mis-applications including, but not limited to, unsuitable application, or use of residential products on commercial applications.
- 12- Dirty, clogged, blocked, covered or obstructed plumbing, cleaner parts, chlorine generator cells or sensors, pump strainer baskets, pump impellers, filter elements, or filter breather tubes.
- 13- Collateral damage caused by failure of any component including O-rings.

This is the only warranty given by Cover-Pools. No one is authorized to make any other warranties on behalf of Cover-Pools. IMPLIED WARRANTIES, INCLUDING THE IMPLIED WARRANTY OF MERCHANTABILITY AND THE IMPLIED WARRANTY OF FITNESS FOR A PARTICULAR PURPOSE, ARE LIMITED TO THE EXPRESS WARRANTIES LISTED ABOVE. Some states and/or provinces do not allow limitations on how long an implied warranty lasts, so the above limitation may not apply to you. Cover-Pools expressly disclaims and excludes any liability for consequential, incidental, indirect, or punitive damages for breach of any expressed or implied warranty. In no event shall Cover-Pools be liable for incidental or consequential damages of any nature, including damage to vinyl liners, plaster, aggregate-based pool surfaces, tile, stone, coping, fixtures, skimmers or skimmer covers, plumbing, drains, equipment covers or shelters, landscaping, animals, plants, or dwellings. Some states and/or provinces do not allow the exclusion or limitation of incidental or consequential damages, so the above limitation may not apply to you. Certain vinyl liner patterns are particularly susceptible to rapid surface wear or pattern removal caused by objects coming into contact with the vinyl surface, including pool brushes, pool toys, floats, fountains, chlorine dispensers, and automatic pool cleaners. Some vinyl liner patterns can be seriously scratched or abraded by rubbing the surface with a pool brush. Ink from the pattern can also rub off during the installation process or when it comes into contact with objects in the pool. Cover-Pools is not responsible for, and this warranty does not cover, pattern removal, cuts, abrasions or markings on vinyl liners.

This warranty gives you specific legal rights. You may also have other rights that vary by state and/or province. For warranty consideration, contact the original dealer and provide the following information: proof of purchase, model number, serial number, date of retail purchase, and date of installation. The dealer will contact the factory to obtain instructions regarding the claim and to determine the location of the nearest independent service company. If the dealer is not available, you can locate an independent service company in your area by visiting www.caretakersystem.com, or by emailing our Customer Support Department at caretaker.custsupport@zodiac.com, or by calling our Customer Support Department at 1-855-280-6465. All returned parts must have a Returned Material Authorization number to be evaluated under the terms of this warranty.

800190 Rel-0001
©2014 Zodiac Pool Systems LLC

CARETAKER – TERMS AND CONDITIONS OF SALE

WE RESERVE THE RIGHT TO CHANGE OUR TERMS AND CONDITIONS OF SALE AT ANY TIME WITHOUT PRIOR NOTICE. THE TERMS AND CONDITIONS OF SALE IN EFFECT AT THE TIME WE ACCEPT ANY ORDER SHALL CONTROL. THE TERMS AND CONDITIONS OF SALE BELOW WERE CURRENT AS OF THE DATE OF PRINTING, BUT MAY CHANGE AT ANY TIME.

The following terms and conditions shall apply to all products sold by Caretaker a product of Cover-Pools Incorporated ("Seller"). By submitting an order for products, the ordering party (the "Purchaser") shall be deemed to have agreed to these terms and conditions. Seller does not accept any deviations from these terms. Any additional or different terms in any purchase orders or other document submitted by a Purchaser shall be of no force or effect and are hereby expressly rejected. If any additional or different terms or conditions are included in a Purchaser's order, Seller may choose to fulfill the order, but the additional or different terms and conditions will not apply or be deemed accepted by Seller. In all cases of conflict between these terms and conditions and the requirements of any Purchaser's order, these terms and conditions shall prevail. No order shall be binding on Seller unless and until accepted by Seller.

- Ordering.** Fax orders to Inside Sales at 1-801-906-6701, or email to caretaker.orders@zodiac.com. Orders may also be transmitted via EDI – please contact Inside Sales via phone at 1-855-208-6465, or via email to caretaker.sales@zodiac.com, for additional information. Orders must include complete part numbers and descriptions. Change requests must be submitted in writing by Purchaser via email or fax, and must reference the original purchase order number. Changes cannot be accepted once any part of an order has shipped. This sale is subject to the CARETAKER "Limited Warranty".
- Credit Limits.** Based on the account type and information provided to Seller during the account set up process, a credit limit will be established in an amount determined by Seller in its sole discretion. Orders that place the Purchaser's account balance over its established credit limit will not be released for shipping until arrangements are made for payment of outstanding invoices. Any request for an increase or adjustment in Purchaser's credit limit must be made in writing to Seller. Credit limits may be adjusted in Seller's sole discretion based on a Purchaser's payment history and Seller's credit policies as in effect from time to time. Seller reserves the right to change its credit policies at any time for any reason without prior notice.
- Prices.** Prices, discounts, quotations and specifications are subject to change without notice and will be applied as in effect at time of shipment. All prices are in U.S. dollars. All requests for price quotations shall be addressed to Seller via email, fax, or phone.
- Taxes.** Any federal, sales, excise or similar tax for which Seller may be liable on any sale will be charged to and paid by the Purchaser. If Purchaser is a reseller, Purchaser is responsible for furnishing a resale certificate prior to purchase.
- Payment Terms.** Unless otherwise expressly agreed by Seller in writing, and subject to Seller's right to establish and change Purchaser's credit limit, all invoices shall be payable in full and without deduction or offset of any kind Net 30 from date of invoice. Purchaser acknowledges that payment is an independent obligation of Purchaser and is not contingent or dependent upon the services and performance of any third party. Seller may apply any payment received from Purchaser to any obligation of Purchaser then outstanding to Seller, regardless of any statement accompanying such payment. The acceptance by Seller of a partial payment shall not constitute a waiver of Seller's right to pursue any remaining balance.
- Default In Payment/Late Charges.** Purchaser shall pay late charges on any amount not paid when done at the rate of 18% per annum (or if lower, the maximum rate allowed by law) from the due date until paid. Seller may, without notice, declare all obligations of Purchaser to Seller immediately due and payable in the event of a default in the payment of any invoice. Seller reserves the right to convert Purchaser's account to a Cash in Advance account or to close Purchaser's account, without further notice, if Purchaser fails to pay any amount when due. Purchaser agrees to pay all costs of collection incurred by Seller (including reasonable attorney's fees or amounts paid to or deducted by a collection agency) in connection with collecting any amount not paid when due.
- Shipping; Inspection.** Must be C.O.D. to either the dealer or owner unless payment is made in full with order before shipment. ICC regulations do not permit collection of C.O.D. except from consignee. Dealer shall pay C.O.D. for Seller's products and shall be entitled to such dealer's discount as Seller has agreed upon with respect to this sale. Free freight is offered for orders of \$1,000 or more, all products combined. Qualifying orders will be shipped to a single location only. For orders that do not qualify for free freight, Purchaser agrees to pay any and all liftgate charges when a liftgate is required to deliver an order that does not qualify for free freight. Seller will not drop ship to residential addresses. Purchaser may be assessed shipping and handling charges for orders requiring special and/or expedited delivery. Purchaser shall inspect all products immediately upon receipt. If Purchaser determines that the quantity or quality of the products are not in conformity with the order or the applicable Product Warranties (as defined in Section 12), Purchaser will notify Seller of the shortage or non-conformity within five (5) working days of receipt by faxing to 1-801-906-6701 or e-mailing caretaker.sales@zodiac.com with the subject line "Credit Request." If Purchaser fails to notify Seller within the foregoing five (5) day period, the products and the shipment thereof shall be deemed accepted by Purchaser and shall bar Purchaser from asserting at a later date any discrepancy reasonably determinable by inspection.
- Return Policy.** All approved returns are subject to a restocking fee, subject to the Seller's discretion. All product returns must have prior authorization from Seller. Purchaser must receive an RMA number from Seller prior to shipping returned goods. Returned goods must be packaged securely in original packaging (or a reasonable substitute) and marked with the RMA number on the outside of the box. Collect shipments or shipments without a clearly identifiable RMA number will be refused. Freight must be prepaid. Returned goods damaged due to inadequate return packaging may not receive full credit. Items returned for warranty consideration must include date of purchase, installation date, serial number and description of defect.
- Title to Products.** Title and risk of loss to each product shall pass to Purchaser upon delivery by Seller to the carrier (regardless of whether payment has been made). To the extent any product contains or includes any software, such software is to be deemed as licensed (and not sold) to Purchaser on a non-exclusive basis. Purchaser shall not use or transfer any software except in connection with the use or re-sale of the product with which it is supplied, nor shall Purchaser or any transferee copy, modify, reverse engineer, disassemble, decompile or translate any such software or attempt to derive the source code thereof.
- Use of Products.** Purchaser shall sell, display, market and use the products in accordance with the documentation supplied with the products and all applicable laws, licenses and other restrictions. Purchaser shall not remove or modify any trademark, patent or other notices of Seller or any of its third party vendors from products, or any documentation supplied therewith. In addition, Purchaser may not, without Seller's prior written authorization, add any trademark, patent or other notices to the products.
- Receipt of Goods While Insolvent; Material Adverse Change in Purchaser's Financial Condition.** In the event that Purchaser receives any goods from Seller while Purchaser is insolvent (as such term is defined in Section 2-702 of the Uniform Commercial Code), this writing shall constitute Seller's demand for reclamation of such goods. All obligations of Purchaser to Seller shall become immediately due and payable, on ten (10) days written notice, if Seller determines, in its sole discretion, that there has been a material adverse change in the financial condition or business affairs of the Purchaser so that Purchaser's ability to pay its obligations to Seller has become impaired.
- Limited Warranty.** Under no circumstances shall Seller's liability in respect of any products [whether arising in contract, tort (including negligence or strict liability), or under any other legal theory] exceed the purchase price actually paid to Seller therefor. No warranty is made as to installation or operation of the Seller's products on pools not built according to Seller specifications and requirements unless Seller has herein expressly agreed to the deviation. The products, under this contract, will be manufactured in accordance with information supplied by the Purchaser, or Purchaser's contractor, pool builder or dealer. The Caretaker system must be installed in accordance with UL, VGB and ASTM guidelines. Seller reserves the right to refuse to sell or install Seller products if the facilities are not constructed in accordance with such information and requirements as outlined by Seller. Seller shall be entitled to its standard restocking fee. All products are warranted to the end user thereof in accordance with the applicable limited warranties published in the product manual accompanying each product (the "Product Warranties"). Copies of the current Product Warranties and Warranty Procedures are available upon request. Seller reserves the right to modify the terms of the Product Warranties at any time without notice, provided that such changes shall only apply to products delivered after the effective date of the change. The Product Warranties provide specific legal rights; other rights may apply that vary from state to state.
- Exclusion of Certain Damages.** IN NO EVENT SHALL SELLER OR ITS AFFILIATES BE LIABLE TO PURCHASER OR ANY THIRD PARTY FOR ANY INCIDENTAL, INDIRECT, SPECIAL, PUNITIVE, EXEMPLARY, OR CONSEQUENTIAL DAMAGES (INCLUDING, WITHOUT LIMITATION, DAMAGES FOR LOSS OF BUSINESS, LOSS OF PROFITS, LOSS OF GOODWILL OR BUSINESS REPUTATION, DAMAGE TO OTHER PROPERTY, BUSINESS INTERRUPTION, LOSS OF DATA, OR LOSS OF BUSINESS INFORMATION) ARISING OUT OF OR CONNECTED IN ANY WAY WITH THE PURCHASE, SALE, DISTRIBUTION OR USE OF ANY PRODUCTS EVEN IF SELLER HAS BEEN ADVISED OF THE POSSIBILITY OF SUCH DAMAGES. Some states do not allow the exclusion or limitation of incidental or consequential damages, so the foregoing limitation may not apply.
- Limitation of Liability.** Under no circumstance shall Seller's liability in respect of any products [whether arising in contract, tort (including negligence or strict liability), or under any other legal theory] exceed the purchase price actually paid to Seller therefor.
- Force Majeure.** Seller will have no liability in respect of any failure to perform or delay in performance when such failure or delay results from causes beyond its reasonable control, including without limitation, acts of God, acts of terrorism or public enemy, fires, floods, earthquakes or other catastrophes, riots, war, civil disorder, strikes, lockouts, interruptions of utilities, supplies, transportation or communication, work stoppages or other labor difficulties, court order or other legal prohibition. In the event of any force majeure event, Seller reserves the right to allocate available products among Seller's customers in any manner Seller reasonably determines.
- WAIVER OF JURY TRIAL.** THE PARTIES HEREBY IRREVOCABLY WAIVE ALL RIGHT TO TRIAL BY JURY IN ANY ACTION, PROCEEDING OR COUNTERCLAIM ARISING OUT OF OR RELATING TO THE PRODUCTS OR THE PURCHASE AND SALE THEREOF.
- Governing Law; Miscellaneous.** All disputes arising out of or related to the sale of any products to Purchaser or the interpretation of these terms and conditions shall be governed by the laws of the State of Utah (other than its principles of conflicts of law). The United Nations Convention on the International Sale of Goods shall not apply to any sale of products. Except for actions seeking injunctive relief (which may be brought in any appropriate jurisdiction) suit in respect of any such dispute shall only be brought in a court of competent jurisdiction in the County of Salt Lake, State of Utah. This choice of venue is intended by the parties to be mandatory and not permissive in nature, and to preclude the possibility of litigation between the parties with respect to, or arising out of, the sale of any products in any jurisdiction other than that specified in this Section. Dealer shall sell Caretaker products to the retail customer under the terms of the "Caretaker Limited Warranty" prescribed by Seller. Each party waives any right it may have to assert the doctrine of forum non conveniens or similar doctrine or to object to venue with respect to any proceeding brought in accordance with this Section.

Jandy®
Pro Series

Pool and Spa Air Blower

FOR INDOOR/OUTDOOR USE

IMPORTANT - Use Copper Conductors
Only. This blower is equipped with a thermally protected motor which automatically shuts off under excessive operating heat. Please allow 30 minutes for blower cooling and restart.

Zodiac Pool Systems, Inc.
2620 Commerce Way
Vista, CA 92081
1. 800.822.7933
www.jandy.com
H0507500_REV0

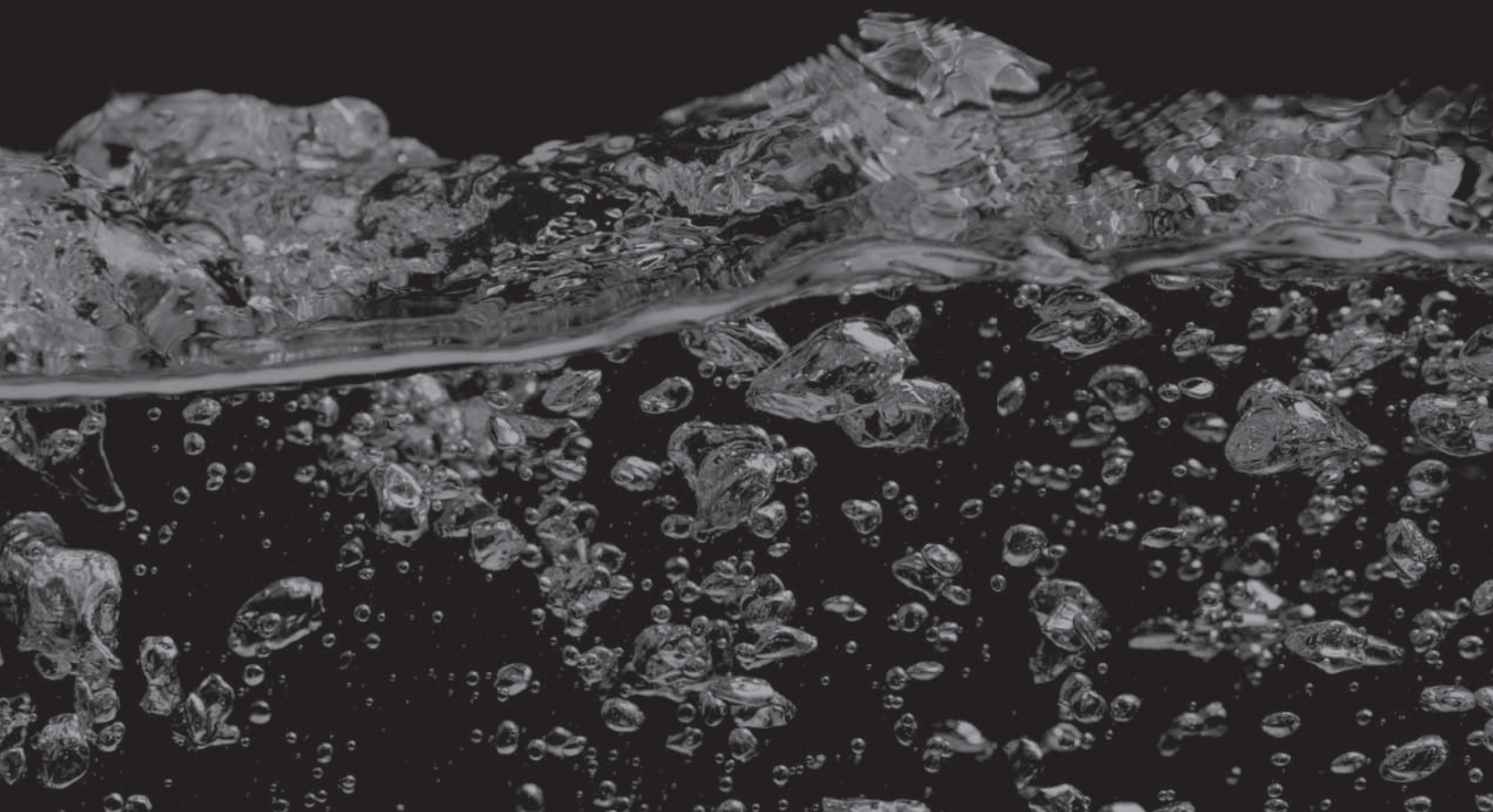
FASTEN HERE



BLOWERS

Blower Products 411

Blower Parts 412







Jandy Air Blower



Jandy® Air Blower

- **Quieter Operation**—Less equipment noise* for a more peaceful back yard experience
- **High Performance**—Industry leading air pressure creation for powerful invigorating bubbles
- **Built-in Check Valve**—Integrated valve prevents water damage to blower motor
- **Easy Installation**—Convenient bottom mount with included wall bracket

Parts No.	Description
PSB110	Blower, 1.0 HP, 120V
PSB210	Blower, 1.0 HP, 240V
PSB115	Blower, 1.5 HP, 120V
PSB215	Blower, 1.5 HP, 240V
PSB120	Blower, 2.0 HP, 120V
PSB220	Blower, 2.0 HP, 240V

*10% decibel reduction compared to QT Blower



PolarisQTBlower

PolarisQTBlower®

- Residential
- All UL listed

Parts No.	Description
1-460-01	PolarisQTBlower, 1.0 HP, 120V
1-460-02	PolarisQTBlower, 1.0 HP, 240V
1-470-01	PolarisQTBlower, 1.5 HP, 120V
1-470-02	PolarisQTBlower, 1.5 HP, 240V
1-480-01	PolarisQTBlower, 2.0 HP, 120V
1-480-02	PolarisQTBlower, 2.0 HP, 240V



Metal Blowers

Metal Blowers

- Residential
- Bottom mount
- All UL listed

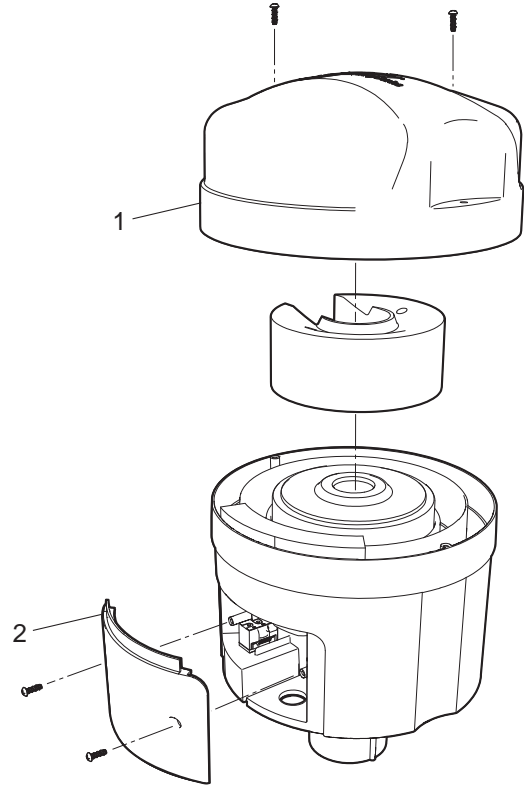
Parts No.	Description
1-521-01	Blower, 1.0 HP, 120V
1-521-03	Blower, 1.0 HP, 240V
1-516-01	Blower, 1.5 HP, 120V
1-516-03	Blower, 1.5 HP, 240V
1-566-01	Blower, 2.0 HP, 120V
1-566-03	Blower, 2.0 HP, 240V

PUMPS
FILTERS
GAS HEATERS
HEAT PUMPS
AUTOMATION
WATER LEVELING
WATER SANITIZERS
VALVES
WATER FEATURES
LIGHTING
CLEANERS
IN-FLOOR
BLOWERS
ACCESSORIES

BLOWERS / PARTS

Air Blower

Key No.	Part No.	Description	Qty.
1	R0727500	Blower Top	1
2	R0727600	Cover Plate and Wall Bracket	1



Blower Specifications

Model	Horsepower	Voltage	Amps
PSB110	1 HP	120	6.0
PSB115	1.5 HP	120	7.9
PSB120	2 HP	120	9.7
PSB210	1 HP	240	3.0
PSB215	1.5 HP	240	3.9
PSB220	2 HP	240	4.9

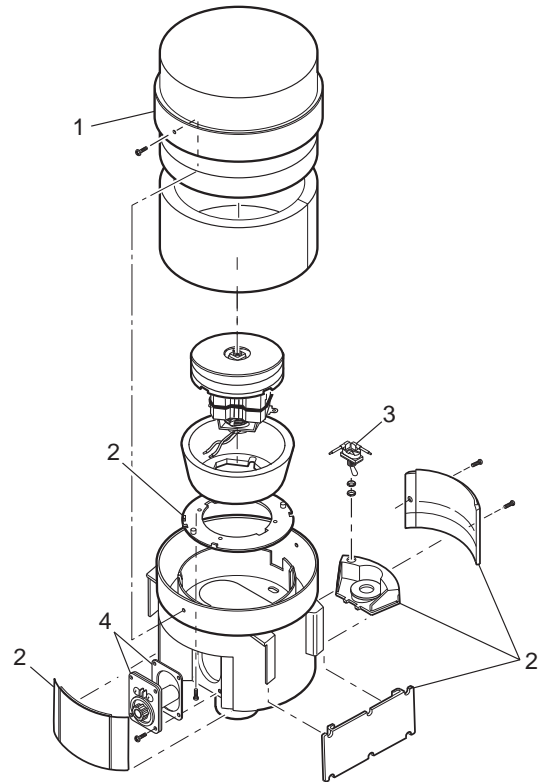
Polaris-QTBlower®

Key No.	Part No.	Description	Qty.
1	1-400-10	Blower Top	1
2	1-400-20	Cover Plate Set	1
3	1-400-30	Switch 120V*	1
4	1-400-50	Thermo Valve and Gasket*	1
N/S	1-700-29	Motor Brush Kit	2

*Not Sold Separately. N/S-Not Shown

Blower Specifications

No.	HP	Amps	Volts
460	1.0	6.8	120
	1.0	3.8	240
470	1.5	7.5	120
	1.5	4.0	240
480	2.0	9.0	120
	1.5	5.6	240

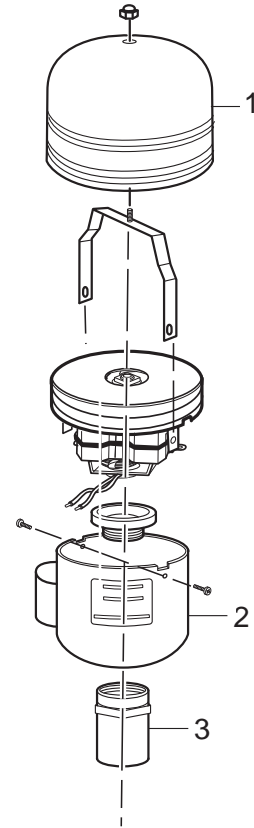


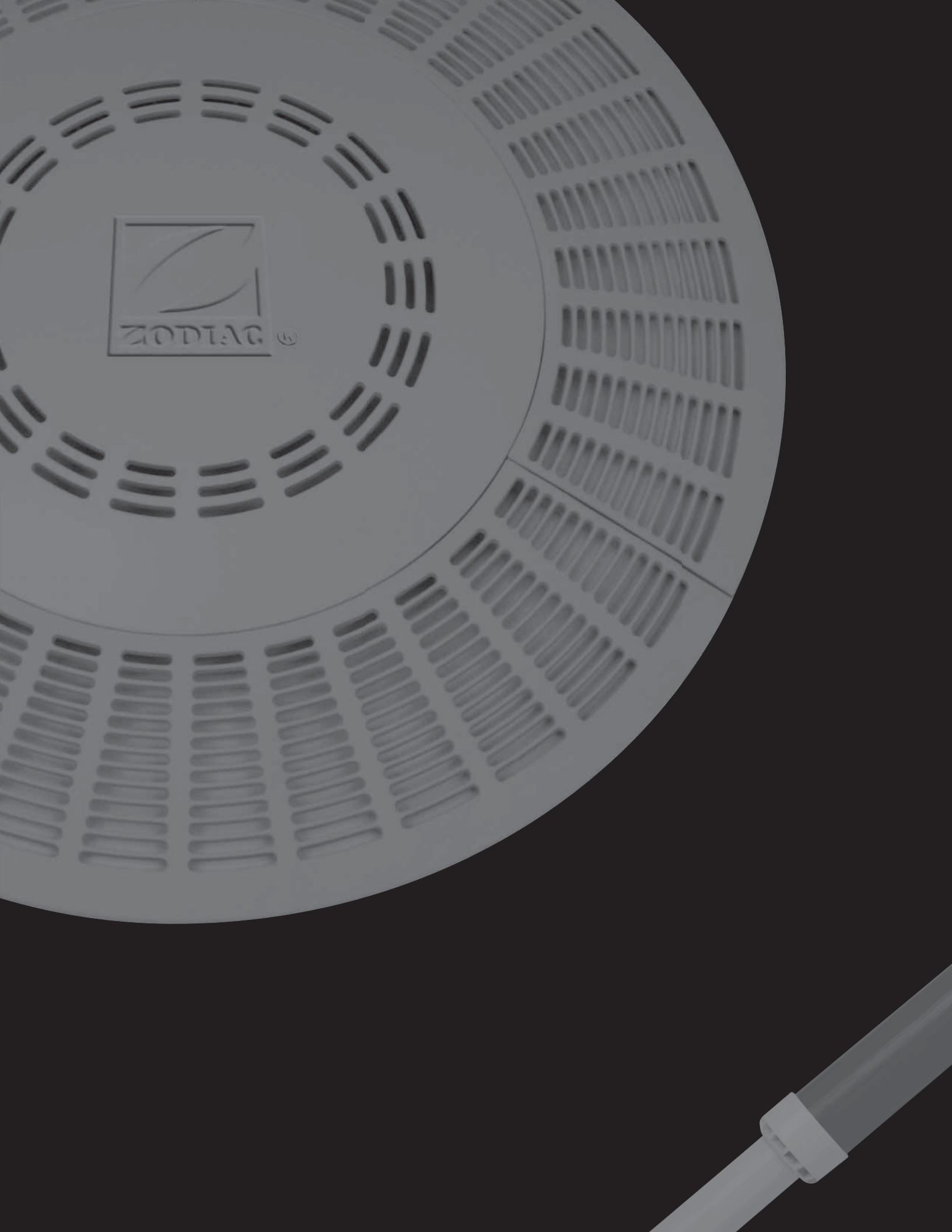
Metal Blower

Key No.	Part No.	Description	Qty.
1	1-700-32	Round Dome Blower Top	1
2	1-700-40	Base Plate, Beige (Side Mount)	1
3	1-700-06	Check Valve, Bottom	1

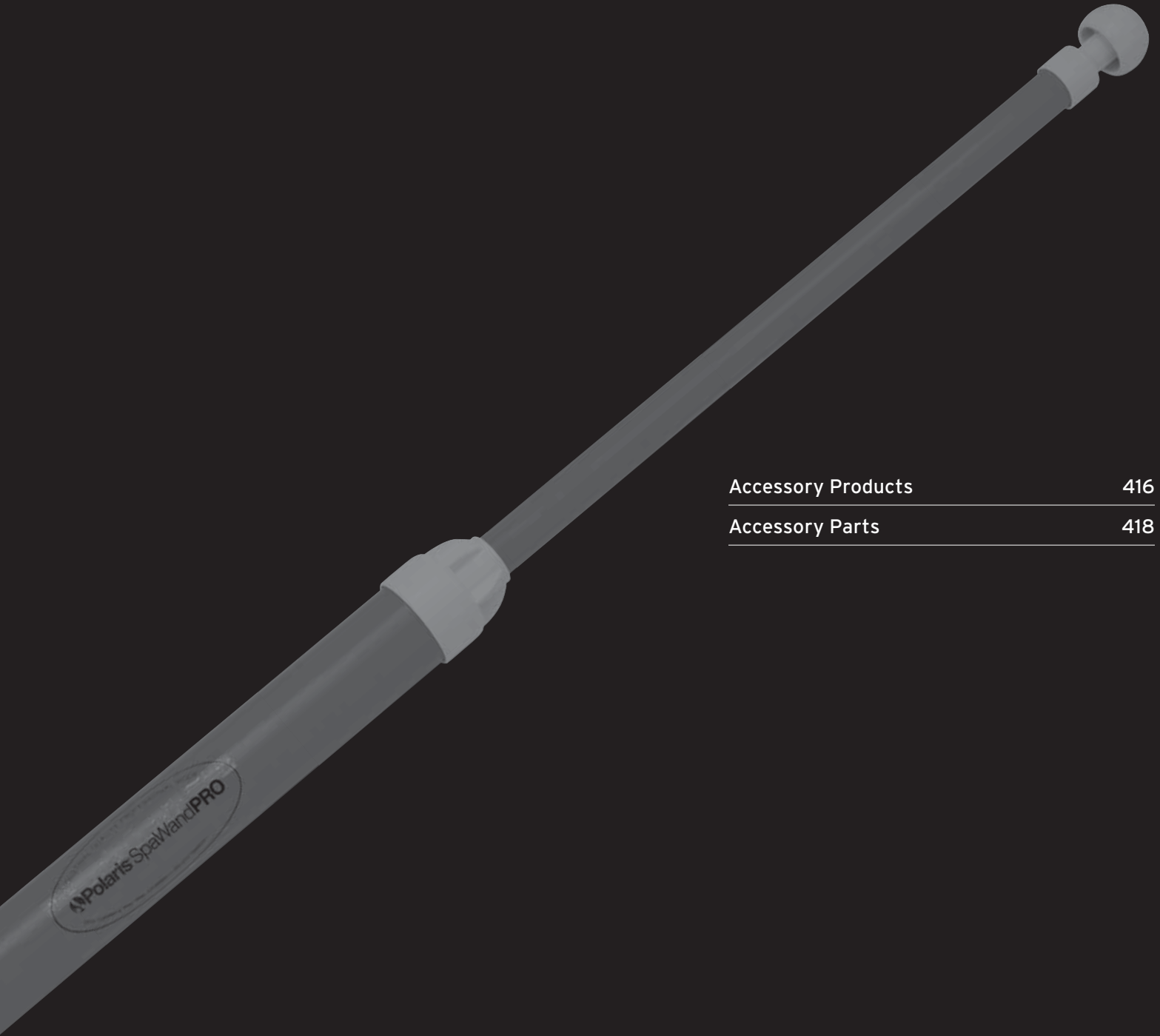
Blower Specifications

No.	HP	Amps	Volts
521	1.0	6.8	120
	1.0	3.8	240
516	1.5	7.5	120
	1.5	4.0	240
566	2.0	9.0	120
	2.0	5.6	240





ACCESSORIES



Accessory Products 416

Accessory Parts 418



SpaWand

SpaWand®

Simple, effective hand-held cleaning device for pool and spa.

Part#	Description
5-100-00	SpaWand Six-Pack POP Display Included, Blue Consumer Model Shipments made in multiples of 6 units
5-200-00	SpaWand PRO Six-Pack POP Display Included, Yellow Professional Model Shipments made in multiples of 6 units
5-300-00	SpaWand PRO XL Extended Professional Length Shipments made in multiples of 12 units
5-400-00	SpaWand Blue Consumer Model, individually packed. Minimum shipment of 12 units
5-500-00	SpaWand PRO Yellow Professional Model, individually packed. Minimum shipment of 12 units



Unibridge

Unibridge™

Creates a surface for pool cleaners to travel over.

Part No.	Description
5820	Unibridge, White
5825	Unibridge, Gray
5830	Unibridge, Blue

⚠ WARNING: Unibridge is NOT a suction outlet (drain) cover, nor is it permanently installed. Unibridge is NOT intended to be a suction outlet cover. Furthermore, it is NOT intended to take the place of (or replace) a properly and permanently installed suction outlet cover which is compliant with the Virginia Graeme Baker (VGB) Pool & Spa Safety Act and with ASME®/ANSI® A112.19.8 (2007 or later) or its successor standard, APSP-16. Unibridge MUST ONLY be used with a properly installed, VGB-compliant suction outlet cover.

PUMPS
FILTERS
GAS HEATERS
HEAT PUMPS
AUTOMATION
WATER LEVELING
WATER SANITIZERS
VALVES
WATER FEATURES
LIGHTING
CLEANERS
IN-FLOOR
BLOWERS
ACCESSORIES



Leaf-Master

Leaf-Master® Pool Cleaner

- Uses water pressure from a garden hose to clean out leaves
- Quality molded ABS body

Part No. Description

1142	Leaf-Master, Wheel Model, Regular Bag
1145	Leaf-Master, Brush Model, Regular Bag
2232	Leaf-Master, Brush Model, Fine Mesh Bag
2233	Leaf-Master, Wheel Model, Fine Mesh Bag



Stain Remover

Stain Remover

- Applies acid only where you want it
- Removes stains without removing water from the pool

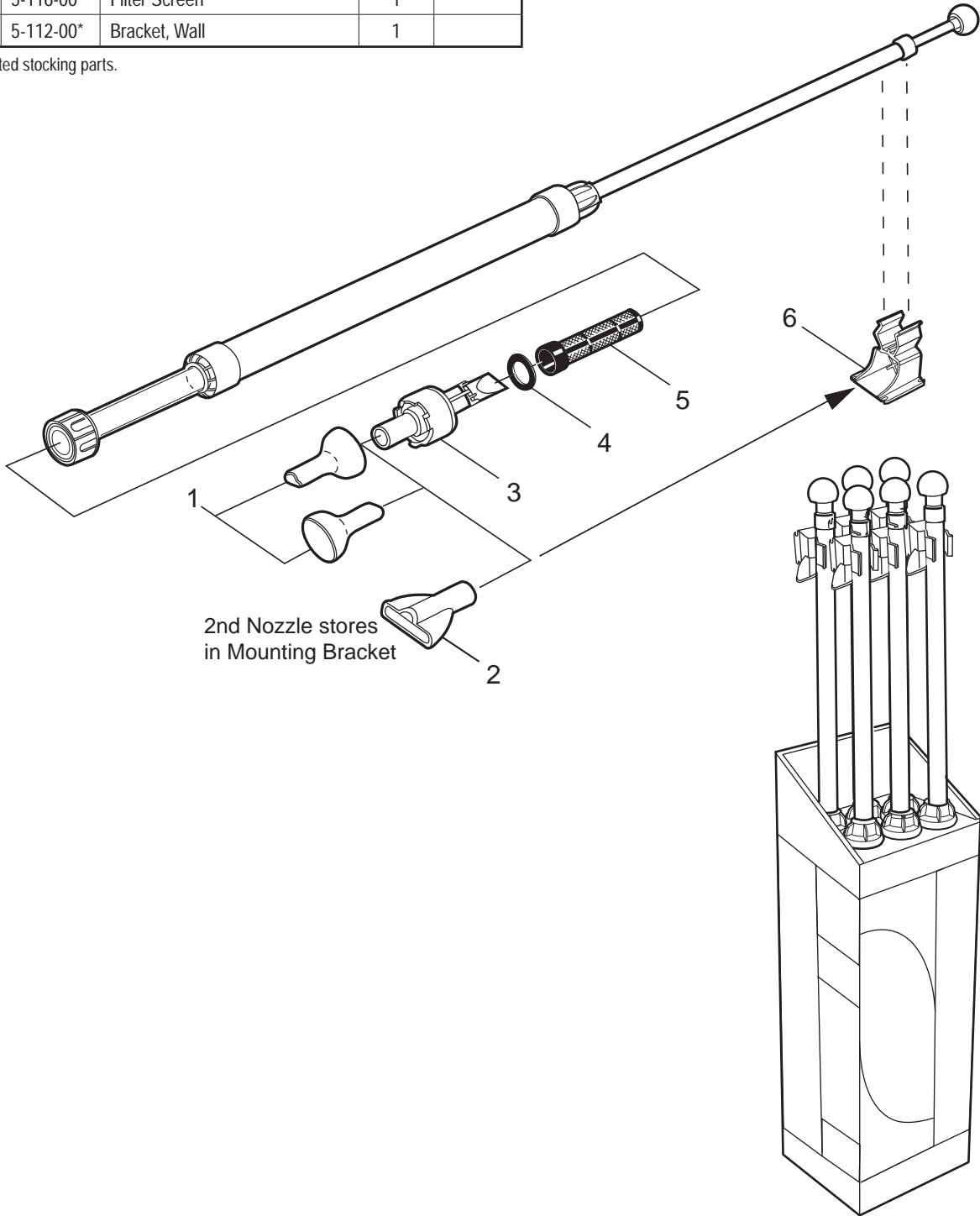
Part No. Description

1148	Stain Remover (Handle not included)
------	-------------------------------------

SpaWand® Parts List and Diagram

Key No.	Part No.	Description	Qty.
1	5-113-00	Nozzle, Dual Purpose	1
2	5-111-00	Nozzle, Wide Sweep	1
3	5-114-00	End Cap and Valve Assembly	1
4	5-115-00	Seal, End Cap	1
5	5-116-00*	Filter Screen	1
6	5-112-00*	Bracket, Wall	1

*Suggested stocking parts.

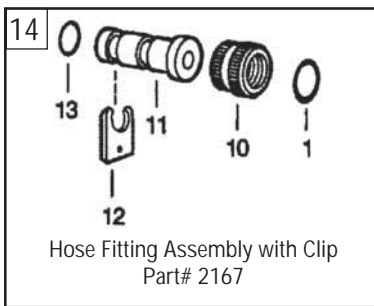
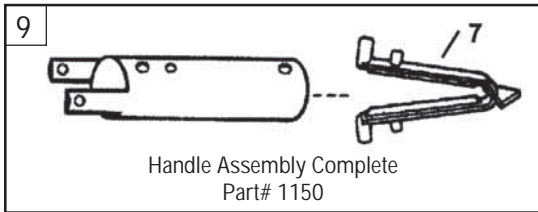
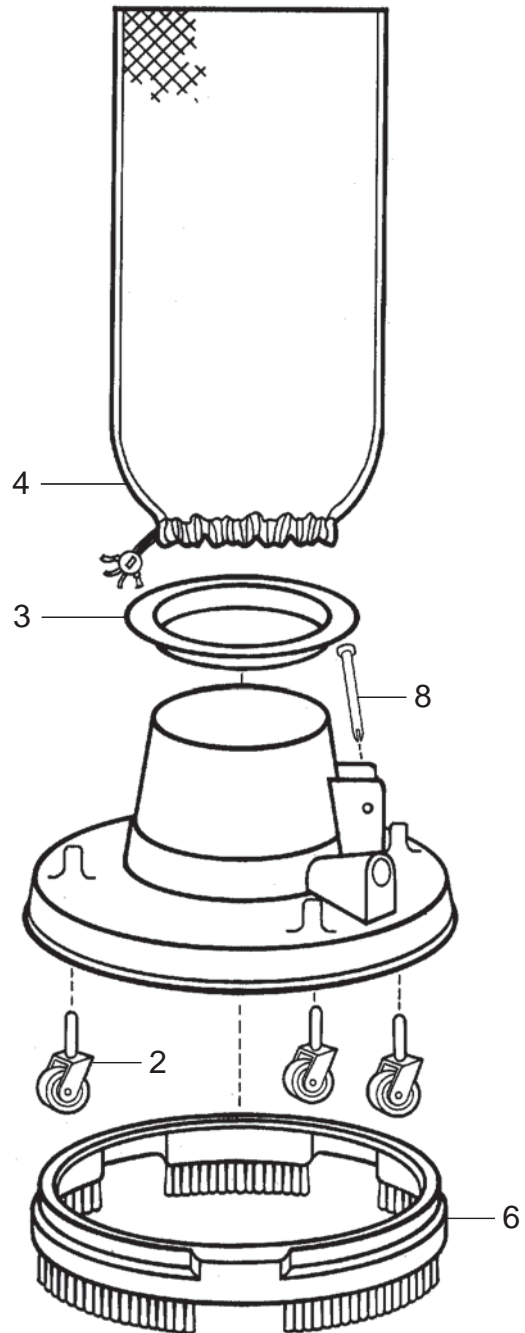


Leaf-Master® Parts List and Diagram

Part# 1142, 1145, 2232, 2233

Key No.	Part No.	Description
1	1138*	Washer Garden Hose, Use Kit #R0378000*
2	1218	Wheel Assembly Complete
3	1219	Bag Ring
4	1222	Standard Replacement Bag
5	1221	Fine Mesh Bag
6	1223	Brush Ring (not sold separately)*
7	1225*	Handle Spring, Use #1150*
8	1226	Handle Pin
9	1150	Handle Assembly Complete
10	1462*	Nut, Use #2167*
11	1463*	Bushing, Use #2167*
12	1464*	Clip, Use #2167*
13	1465*	O-Ring, Use #2167*
14	2167	Hose Fitting Assembly w/ Clip

*Not Sold Separately. Included in the part # indicated.



CORPORATE POLICIES / TRADE SERIES EXCLUSIVE POLICY

ZODIAC POOL SYSTEMS LLC — TRADE SERIES EXCLUSIVE POLICY

General Terms & Conditions

1. This Trade Series Exclusive Policy (the "TSE Policy") is a statement of the requirements of Zodiac Pool Systems LLC and its affiliates and subsidiaries (collectively, the "Company") for selling to a "Customer" (in this case, independent trade dealers and distributors and their respective affiliates, subsidiaries, and related companies) Trade Series Exclusive products modified and designated specifically for resale via traditional channels ("TSE products").
2. **The Company reserves the right, at its sole discretion, to penalize Customers who violate the Policy by refusing to sell the Customer any TSE products and/or withhold earned loyalty and rebate incentives.**
3. The Company has adopted this TSE Policy in order to protect and strengthen its reputation and brand image, and to encourage traditional retailers, builders, and service providers to invest both in promoting the Company's products and in educating consumers about those products.
4. The TSE Policy has no predetermined termination date and may continue until such time as the Company, in its sole discretion, elects to designate a TSE Policy termination date.
5. This TSE Policy describes the terms under which the Company may, in its sole discretion, choose to have business dealings with a Customer. The Company is not requesting any agreement about a Customer's compliance with this TSE Policy. This TSE Policy is being unilaterally implemented by the Company and is not a contract or an offer to form a contract.

Violations

6. **It shall constitute a violation of this TSE Policy for any Customer to sell TSE products anywhere on the Internet** (including eBay or other auction sites). It shall likewise constitute a violation of this TSE Policy for any Customer to sell TSE products to any reseller that sells pool products primarily via the Internet.
7. For Jandy Pro Series branded products, it shall constitute a violation of the TSE Policy if advertising does not strictly follow the new Jandy Pro Series Advertising Policy available at www.zodiacrewards.com.
8. For Polaris and Zodiac branded Products, it shall constitute a violation of the TSE Policy if advertising does not strictly follow Zodiac's LAAP Policy available at www.zodiacrewards.com. It is acceptable for a Customer to advertise the in-store availability of a Polaris or Zodiac branded TSE product on a website in accordance with the Company's LAAP policy, so long as the product **is not sold online**. **"Available in-store only" must accompany any advertising of a Polaris or Zodiac branded TSE product.**
9. This section should be used for reference only and should not be considered an all-inclusive list of violating activities or remedies.

Other

10. This TSE Policy covers the TSE products outlined below and will further support any additions and expansions to the range unilaterally made by the Company in the future.
11. The Company reserves the right to add, modify, or delete any of the rules, conditions, benefits, or awards pertaining to any sales, promotional, rebate, or discount program at its sole discretion without notice.
12. The Company reserves the right to terminate business dealings with a Customer with or without cause, at any time, without providing prior notice to the Customer.
13. The Company reserves the right to terminate any Customer for violations of the TSE Policy by any affiliated company; affiliated companies include, but are not limited to, Customer's affiliates, subsidiaries, partnerships, joint ventures, parent companies, and controlling shareholders.

Trade Series Exclusive (TSE) Products			
	Category	Model Number	Description
Jandy	Equipment	See Full TSE Product List on Next Page	All Jandy Pro Series branded Equipment See Full TSE Product List: www.zodiacrewards.com
	Polaris	APC	F9650IQ
APC		F8050	Polaris 8050 Sport Robotic Cleaner
APC		F7240	Polaris 7240 Sport Compact Robotic Cleaner
APC		F5TR	Polaris TR28P Pressure Cleaner
APC		F1TR	Polaris TR36P Pressure Cleaner
APC		WE000003	Polaris TR35P Pressure Cleaner
APC		PB4SQ	Polaris PB4SQ Booster Pump
Zodiac	APC	MX8EL	Zodiac MX8 Elite Suction Cleaner
	APC	MX6EL	Zodiac MX6 Elite Suction Cleaner
	APC	WS000016	Zodiac TR2D Suction Disc Cleaner
	APC	W03000TR	Zodiac G3 PRO Suction Disc Cleaner
	Automation	ZQ-4P	Zodiac AquaLink Z4 Controller, Pool Only
	Automation	ZQ-4PI	Zodiac AquaLink Z4 Controller, Pool Only with iAquaLink
	Automation	ZQ-4PS	Zodiac AquaLink Z4 Controller, Pool and Spa
	Automation	ZQ-4PSI	Zodiac AquaLink Z4 Controller, Pool and Spa with iAquaLink

TRADE SERIES EXCLUSIVE PRODUCT LIST / CORPORATE POLICIES

TRADE SERIES EXCLUSIVE PRODUCT LIST

The Trade Series Exclusive (TSE) Policy covers the TSE products listed below. The TSE offering is subject to change and the TSE policy will further support any additions and expansions to the range. You can always find the most updated and complete list of products included under the TSE Policy at www.zodiacrewards.com.

6613	1202CSC	1618CBF	DEV48	JLB4C20W150
6886	1202CSR	6612F	DEV60	JLBW20W100
6888	1202G	6613AP	EHE350NB	JLBW20W150
6889	1203C	6614AP-L	EHE350NC	JLFBR
6890	1203CRA	6614-LD	EHE350NS	JLLED
7092	1203CSC	APUREM	EHE350PB	JLU4C12W100
7227	1203CSR	AQWHR18	EHE350PC	JLU4C12W100H
7441	1203G	BWVL-MPV	EHE350PS	JLU4C12W100P
7442	1204C	BWVL-NVL	EOSMETAL	JLU4C12W100S
7443	1204CRA	BWVL-SLD	F1TR	JLU4C12W150
7444	1204CSC	C1500	F5TR	JLU4C12W150H
7445	1204CSR	C660	F7240	JLU4C12W150P
7446	1205C	CD100	F8050	JLU4C12W150S
7489	1205CSR	CD40	F9650IQ	JLU4C12W50
7626	1206C	CD70	FCMJ1000	JLU4C12W50H
7627	1206CSR	CDIM	FFMJ	JLU4C12W50P
7887	1207C	CDMDV	FFWS24L	JLU4C12W50S
7888	1208C	CL340	FFWS24L-6	JLU4C20W100
7890	1218C	CL460	FFWS36L	JLU4C20W150
7891	1218CRA	CL580	FFWS36L-6	JLU4C20W50
7894	1218CSA	CPHVLEDP100	FFWS48L	JLU4C24W100
7953	1218CSC	CPHVRGBWP100	FFWS48L-6	JLU4C24W100H
7954	1218CSR	CPHVRGBWS100	FHPM.75	JLU4C24W100P
8049	1218G	CPHVRGBWS150	FHPM1.0	JLU4C24W100S
8050	1301CBF	CPHVRGBWS30	FHPM1.0-2	JLU4C24W150
8051	1302CBF	CPHVRGBWS50	FHPM1.5	JLU4C24W150H
24007	1303CBF	CPLVLEDS30	FHPM1.5-2	JLU4C24W150P
1204003	1304CBF	CPLVRGBWP100	FHPM2.0	JLU4C24W150S
1001CBF	1318CBF	CPLVRGBWS100	FHPM2.0-2	JLU4C24W50
1002CBF	1401C	CPLVRGBWS150	FHPM2.5	JLU4C24W50H
1003CBF	1401CSC	CPLVRGBWS30	FSOFT1400	JLU4C24W50P
1004CBF	1401CSR	CPLVRGBWS50	FSOFT700	JLU4C24W50S
1018CBF	1402C	CS100	FUSION	JLU4C30W100
1101C	1402CSC	CS150	FUSIONM	JLU4C30W150
1101G	1402CSR	CS200	G1000T	JLU4C30W50
1102C	1402J	CS250	IQ20-A	JLU4C6W100
1102G	1403C	CSHVLEDP100	IQ20-RS	JLU4C6W100H
1103C	1403CSC	CSHVLEDS100	IQ904-P	JLU4C6W100P
1103G	1403CSR	CSHVLEDS150	IQ904-PS	JLU4C6W100S
1104C	1404C	CSHVLEDS250	IQ-COMP-RSPS8	JLU4C6W150
1104G	1404CSC	CSHVLEDS30	IQ-JNDY-RS26	JLU4C6W150H
1105C	1404CSR	CSHVLEDS50	IQ-JNDY-RSPS8	JLU4C6W150P
1105G	1405C	CSHVRGBWP100	IQ-POL-RSPS8	JLU4C6W150S
1106C	1405CSR	CSHVRGBWS100	IQPUMP01	JLU4C6W50
1107C	1406C	CSHVRGBWS150	JDJ2004	JLU4C6W50H
1108C	1406CSR	CSHVRGBWS30	JE1500T	JLU4C6W50P
1108G	1418C	CSHVRGBWS50	JE2000T	JLU4C6W50S
1118C	1418CSC	CSLVLEDS100	JE2500T	JLU4C9W100
1118G	1418CSR	CSLVLEDS30	JE2500T3	JLU4C9W150
1201C	1-480-02	CSLVLEDS50	JE3000T	JLU4C9W50
1201CRA	1-516-03	CSLVRGBWS100	JE3000T3	JLUW12W100
1201CSA	1-521-03	CSLVRGBWS150	JE3000TR	JLUW12W150
1201CSC	1-566-03	CSLVRGBWS30	JE3000TR3	JLUW12W50
1201CSR	1601CBF	CSLVRGBWS50	JEP-R	JLUW20W100
1202C	1602CBF	CV340	JEP1.5	JLUW20W150
1202CRA	1603CBF	CV460	JEP2.0SVRS	JLUW20W50
1202CSA	1604CBF	CV580	JLB4C20W100	JLUW24W100

Continued on next page.

CORPORATE POLICIES / TRADE SERIES EXCLUSIVE PRODUCT LIST

TRADE SERIES EXCLUSIVE PRODUCT LIST

JLUW24W150	LRZ250EN-H	PLNICLRG	SHPF5.0	WPHV5LS250
JLUW24W50	LRZ250MN	PLNICSM	SHPM.75	WPHV5LS50
JLUW30W100	LRZ250MP	PLNICVFLRG	SHPM1.0	WPLV100WS100
JLUW30W150	LRZ325EP	PSB110	SHPM1.5	WPLV100WS30
JLUW30W50	LRZ325MN	PSB115	SHPM1.5-2	WPLV100WS50
JLUW6W100	LRZ325MP	PSB120	SHPM2.0	WPLV300WP100
JLUW6W150	LRZ400EN	PSB210	SHPM2.0-2	WPLV300WS100
JLUW6W50	LRZ400MN	PSB215	SHPM2.5	WPLV300WS30
JLUW9W100	LRZ400MP	PSB220	SHPM2.5-2	WPLV300WS50
JLUW9W150	LXI250NC	R0686300	SSNICLRG1R	WPLV3LS100
JLUW9W50	LXI250NN	R0687300	SSNICLRG1S	WPLV3LS150
JLUWW12W150	LXI250NS	RF24-12-2G	SSNICSM1R	WPLV3LS50
JLUWW24W150	LXI250P	RF24-12-2G	SSNICSM1S	WPLV5LS100
JLUWW6W150	LXI250PC	RF24-6-2C	SWF125	WPLV5LS150
JLUWW9W100CUS	LXI250PS	RF36-6-2C	SWF185	WPLV5LS50
JLUWW9W150CUS	LXI400N	RF48-6-2C	TCHLNK-WS	WS000016
JS100-SM	LXI400NC	RS2-10	TCONVP8J	WSHV100WP100
JS60-SM	LXI400NN	RS2-14	TRUCLEAR11K	WSHV100WS100
JXI200N	LXI400NS	RS2-22	TRUCLEAR11KU	WSHV100WS150
JXI200P	LXI400PC	RS2-30	VSFHP165AUT	WSHV100WS250
JXI260N	LXI400PS	RS2-6	VSFHP165JEP	WSHV100WS30
JXI260P	MX6EL	RS-P16	VSFHP270AUT	WSHV100WS50
JXI400N	MX8EL	RS-P4	VSFHP270JEP	WSHV1LS100
JXI400NK	PB4SQ	RS-P6	VSPHP270AUT	WSHV1LS150
JXI400NN	PDACONVJ	RS-P8	VSPHP270JEP	WSHV1LS250
JXI400P	PDACONVPPS8	RS-PS12	VSSHP220AUT	WSHV1LS50
JXI400PN	PDA-P4	RS-PS16	VSSHP270AUT	WSLV100WP100
JXIVFKIT	PDA-P8	RS-PS24	W03000TR	WSLV100WS100
K1100A	PDA-PS4	RS-PS32	WE000003	WSLV100WS30
K1100C	PDA-PS6	RS-PS4	WFTR120	WSLV100WS50
K1100CKA	PDA-PS8	RS-PS6	WFTR160	WSLV1LS100
K1100CKC	PHPF.50	RS-PS8	WFTR80	WSLV1LS150
K1100CKG	PHPF.75	SFTM22-1.5	WPHV300WS100	WSLV1LS50
K1100CKK	PHPF1.0	SFTM24-2.0	WPHV300WS150	WT000002
K1100G	PHPF1.0-2	SHPF.50	WPHV300WS30	WWPHV3LS150
K2000	PHPF1.5	SHPF.75	WPHV300WS50	WWPHV5LS150
K2000CKA	PHPF1.5-2	SHPF1.0	WPHV3LS100	WWPLV3LS150
K2000CKC	PHPF2.0	SHPF1.0-2	WPHV3LS150	WWPLV5LS150
K2000CKG	PHPF2.0-2	SHPF1.0-3PH	WPHV3LS50	WWSHV1LS150
K2100CKA	PHPM.75	SHPF1.5	WPHV500WP100	WWSLV1LS150
K2100CKC	PHPM1.0	SHPF1.5-2	WPHV500WS100	ZQ-4P
K2100CKG	PHPM1.5	SHPF1.5-3PH	WPHV500WS150	ZQ-4PI
K2300CKA	PHPM1.5-2	SHPF2.0	WPHV500WS250	ZQ-4PS
K2300CKC	PHPM2.0	SHPF2.0-2	WPHV500WS30	ZQ-4PSI
K2300CKE	PHPM2.0-2	SHPF2.0-3PH	WPHV500WS50	
K2300CKG	PHPM2.5	SHPF3.0	WPHV5LS100	
LEV110CK/2G	PHPM2.5-2	SHPF3.0-3PH	WPHV5LS150	

JANDY LIMITED WARRANTY

Zodiac Pool Systems LLC ("Zodiac") warrants all Jandy® branded products to be free from manufacturing defects in materials and workmanship for a period of one (1) year from the date of retail purchase, with the exceptions listed below.

1. Variable speed pumps are warranted for three (3) years.
2. JXi™ heaters are warranted for one (1) year. Heat Exchangers on JXi Gas Heaters with factory-installed VersaFlo™ Integrated Bypass are warranted for five (5) years.
3. Heat pumps are warranted for two (2) years. Heat pump compressors and heat exchangers are warranted for five (5) years.
4. Nicheless underwater lights are warranted for three (3) years.
5. Complete electronic salt water chlorine systems (controller and cell purchased and installed together) are warranted for three (3) years.
6. Those certain Never Lube® valves made from CPVC are warranted for the life of the pool on which they were originally installed. For the avoidance of any doubt, any Never Lube valve made from PVC is only warranted to be free from manufacturing defects in materials and workmanship for a period of one (1) year from the date of retail purchase.
7. Refrigerant and other expendables are not warranted.
8. Replacement products, or parts, provided at no charge are warranted only until the original finished good's warranty has expired. Purchased replacement parts are warranted for ninety (90) days from the date of retail purchase, with the exception of electronic salt water chlorine generator cells and electrodes, which are warranted for one (1) year.

This Jandy Limited Warranty does not apply to Jandy branded products purchased through the Internet or other e-commerce platforms, with the exception of Jandy branded valves, parts, and accessories.

This warranty applies only to products installed and serviced by a contractor who is licensed and qualified in pool equipment by the jurisdiction in which the product will be installed, where such state or local requirements exist. In the event no such state or local requirement exists, the installer and maintainer must be a professional with sufficient experience in pool equipment installation and maintenance. This warranty applies only to products purchased and utilized in the 50 United States and Canada, is limited to the first retail purchaser, is not transferable, and does not apply to products that have been moved from their original installation sites. The liability of Zodiac shall not exceed the replacement of the defective product or its parts, and does not include transportation costs, costs for labor to service or repair the defective product, or any items or materials required to make the repair including, but not limited to, refrigerant and other expendables. Zodiac is not responsible for charges or delays incurred when a servicer is unable to perform service due to lock outs, animals, intolerable pool or spa water temperature when entry into pool or spa is required to perform service, service refusals, etc. No reimbursements will be made for loss and/or usage of water, fuel or other resources resulting from product defect. A third party service provider may charge the end-user customer for parts and/or labor required to resolve any issue not covered under warranty, such as improper installation. Zodiac is not responsible for these charges. Product discoloration, or any other cosmetic or superficial damage or deterioration, regardless of its cause, is not covered by this warranty. This warranty does not cover failures, defects, malfunctions or complaints resulting from any of the following:

1. Failure to properly install, operate or maintain the product in accordance with Zodiac's published installation, operation and/or maintenance manuals.
2. Improper equipment sizing or product mis-applications or use of residential products on commercial applications.
3. The workmanship of any installer of the product.
4. Use of non-factory authorized parts or accessories in conjunction with the product(s).
5. Product modifications or adjustments that are not in accordance with Zodiac's published installation, operation and/or maintenance manuals.
6. Not maintaining proper pool and/or spa chemical balance [pH levels between 7.2 and 7.8, with ideal range being between 7.4 and 7.6; Cyanuric Acid (CYA) between 30 to 100 ppm; Total Alkalinity (TA) between 80 to 120 ppm (100 to 150 ppm for vinyl pools); Total Dissolved Solids (TDS) less than 1500 ppm, not including salt ppm; and Total (or Calcium) Hardness less than 800 ppm, with an ideal range being between 200 ppm and 400 ppm].
7. Corrosion, erosion, scaling, calcification or other conditions caused by water hardness, chemical imbalance, or lack of product maintenance.
8. Chemical contamination of combustion air; or improper use of pool/spa chemicals, such as introducing chemicals upstream of the heater or cleaner hose, or through the skimmer; or use of copper-based algaecides in conjunction with Nature2 products.
9. Abuse, damage during transit or installation, mis-handling, tampering, vandalism, alterations, accidents, fires, floods, storms, earthquakes, power surges, lightning, pets or other animals, insects and/or their hives or nests, negligence, or acts of God.
10. Not grounding and/or bonding as specified, mis-wiring, loose wiring, cut or kinked wires, loose cable connections, incorrect wire runs, incorrect breaker size, breaker(s) in "off" position, improper wire gauge, moisture in electrical conduit, improper electrical supply, dead batteries, incorrect plumbing, inadequate size of pipe and/or fittings, cross-threading, over-tightening, under-tightening, glue drips or residue, improperly secured covers, improper valve placement or usage, unsynchronized valve actuators, valve actuators in "off" position, improper gas pipe sizing, lack of fuel, or inadequate heater vent pipe sizing, programming errors.
11. Freezing, corrosion, cracking, overheating, warping, flooding, moisture intrusion or any other condition caused by or related to weather, climate, improper winterization, improper equipment placement, inadequate ventilation, inadequate water circulation, roof run-off, sprinklers, irrigation systems, or lights or other products on or near the pool/spa or pool/spa equipment pad.
12. Operating the product at water flow rates below minimum, or above maximum, specifications. Operating any product or piece of equipment including, but not limited to, pumps, with insufficient quantities of water.
13. Dirty, clogged, blocked, covered or obstructed plumbing, chlorine generator cells or sensors, pump strainer baskets, pump impellers, heater orifices (including blockage by spider webs), heater grills, doors, flue boxes, flue vents or flue collectors, filter elements, or filter breather tubes.
14. Collateral damage caused by failure of any component including O-rings, pump strainer baskets, DE grids, sand filter laterals, or cartridge elements.

Continued on next page.

CORPORATE POLICIES / LIMITED WARRANTIES

This is the only warranty given by Zodiac. No one is authorized to make any other warranties on behalf of Zodiac. THE DURATION OF IMPLIED WARRANTIES, INCLUDING THE IMPLIED WARRANTY OF MERCHANTABILITY AND THE IMPLIED WARRANTY OF FITNESS FOR A PARTICULAR PURPOSE, ARE LIMITED TO THE DURATION OF THE EXPRESS WARRANTIES LISTED ABOVE. Some states and/or provinces do not allow limitations on how long an implied warranty lasts, so the above limitation may not apply to you. Zodiac expressly disclaims and excludes any liability for consequential, incidental, indirect, or punitive damages for breach of any expressed or implied warranty. In no event shall Zodiac be liable for incidental or consequential damages of any nature, including damage to vinyl liners, plaster, aggregate-based pool surfaces, tile, stone, coping, fixtures, skimmers or skimmer covers, plumbing, drains, equipment covers or shelters, landscaping, animals, plants, or dwellings. Some states and/or provinces do not allow the exclusion or limitation of incidental or consequential damages, so the above limitation may not apply to you. Certain vinyl liner patterns are particularly susceptible to rapid surface wear or pattern removal caused by objects coming into contact with the vinyl surface, including pool brushes, pool toys, floats, fountains, chlorine dispensers, and automatic pool cleaners. Some vinyl liner patterns can be seriously scratched or abraded by rubbing the surface with a pool brush. Ink from the pattern can also rub off during the installation process or when it comes into contact with objects in the pool. Zodiac is not responsible for, and this warranty does not cover, pattern removal, cuts, abrasions or markings on vinyl liners.

This warranty gives you specific legal rights. You may also have other rights that vary by state and/or province. For warranty consideration, contact the original dealer and provide the following information: proof of purchase, model number, serial number, date of retail purchase, and date of installation. The dealer will contact the factory to obtain instructions regarding the claim and to determine the location of the nearest independent service company. If the dealer is not available, you can locate an independent service company in your area by visiting www.zodiac.com or by emailing our Technical Support Department at productsupport@zodiac.com, or by calling our Technical Support Department at 800-822-7933. All returned parts must have a Returned Material Authorization number to be evaluated under the terms of this warranty.

Zodiac Pool Systems LLC | 2620 Commerce Way, Vista, CA 92081 | 1.800.822.7933 | Jandy.com
Zodiac Pool Systems Canada, Inc. | 2-3365 Mainway, Burlington, ON L7M 1A6 | 1.888.647.4004 | Jandy.ca

©2018 Zodiac Pool Systems LLC. H0333803 Rev V

PROFESSIONAL INSTALLATION NOTICE ON ALL JANDY PACKAGING



IMPORTANT NOTICE

NO WARRANTY if purchased online. This is not a DIY product. Installation by a qualified pool professional required. Register product at Jandy.com/registration.

AVIS IMPORTANT

AUCUNE GARANTIE si acheté en ligne. Ce produit n'est pas conçu pour être installé par le propriétaire. L'installation doit être effectuée par un professionnel qualifié en installation de piscines. Enregistrez votre produit au Jandy.com/registration.

AVISO IMPORTANTE

SIN GARANTÍA si se compra en línea. Este producto no es apto para ser instalado por el consumidor. Su instalación debe estar a cargo de un profesional acreditado para trabajos de piscina. Registre el producto en Jandy.com/registration.

H0533500 REVE

ZODIAC LIMITED WARRANTY

Zodiac Pool Systems LLC ("Zodiac") warrants all Zodiac® brand products (including those branded as Baracuda®, SAVI®, or Nature2®) to be free from manufacturing defects in materials and workmanship for a period of one (1) year from the date of retail purchase, with the following exceptions:

1. Complete electronic salt water chlorine systems (controller and cell purchased and installed together), including Nature2 Fusion Soft, are warranted for three (3) years, with the exception of the AquaPure® EiT™ Series, which is warranted for one (1) year (See below for warranty on replacement parts).
2. The G3™ model and Kontiki cleaners are warranted for ninety (90) days.
3. Pool cleaner wear-and-tear items including, but not limited to, tires (including track tires), surface disks, shoes, and footpads, are not warranted.
4. Replacement products, or parts, provided at no charge are warranted only until the original finished good's warranty has expired. Purchased replacement parts are warranted for ninety (90) days from the date of retail purchase, with the exception of electronic salt water chlorine generator cells and electrodes, which are warranted for one (1) year.

For warranty information specific to Nature2 products, other than Nature2 Fusion Soft, please see the owner's and installation manuals for those products.

Unless otherwise indicated in the relevant product manual or quick start guide, this warranty applies only to products installed and serviced by a contractor who is licensed and qualified in pool equipment by the jurisdiction in which the product will be installed, where such state or local requirements exist. In the event no such state or local requirement exists, the installer and maintainer must be a professional with sufficient experience in pool equipment installation and maintenance. This warranty applies only to products purchased and utilized in the 50 United States and Canada, is limited to the first retail purchaser, is not transferable, and does not apply to products that have been moved from their original installation sites. The liability of Zodiac shall not exceed the replacement of the defective product or its parts, and does not include transportation costs, costs for labor to service or repair the defective product, or any items or materials required to make the repair including, but not limited to, refrigerant and other expendables. Zodiac is not responsible for charges or delays incurred when a servicer is unable to perform service due to lock outs, animals, intolerable pool or spa water temperature when entry into pool or spa is required to perform service, service refusals, etc. No reimbursements will be made for loss and/or usage of water, fuel or other resources resulting from product defect. A third party service provider may charge the end-user customer for parts and/or labor required to resolve any issue not covered under warranty, such as improper installation. Zodiac is not responsible for these charges. Product discoloration, or any other cosmetic or superficial damage or deterioration, regardless of its cause, is not covered by this warranty. This warranty does not cover failures, defects, malfunctions or complaints resulting from any of the following:

1. Failure to properly install, operate or maintain the product in accordance with Zodiac's published installation, operation and/or maintenance manuals.
2. The workmanship of any installer of the product.
3. Use of non-factory authorized parts or accessories in conjunction with the product(s).
4. Product modifications or adjustments that are not in accordance with Zodiac's published installation, operation and/or maintenance manuals.
5. Not maintaining proper pool and/or spa chemical balance [pH levels between 7.2 and 7.8, with ideal range being between 7.4 and 7.6; Cyanuric Acid (CYA) between 30 to 100 ppm; Total Alkalinity (TA) between 80 to 120 ppm (100 to 150 ppm for vinyl pools); Total Dissolved Solids (TDS) less than 1500 ppm, not including salt ppm; and Total (or Calcium) Hardness less than 800 ppm, with an ideal range being between 200 ppm and 400 ppm].
6. Corrosion, erosion, scaling, calcification or other conditions caused by water hardness, chemical imbalance, or lack of product maintenance.
7. Chemical contamination of combustion air; or improper use of pool/spa chemicals, such as introducing chemicals upstream of the heater or cleaner hose, or through the skimmer; or use of copper-based algacides in conjunction with Nature2 products.
8. Abuse, damage during transit or installation, mis-handling, tampering, vandalism, alterations, accidents, fires, floods, storms, earthquakes, power surges, lightning, pets or other animals, insects and/or their hives or nests, negligence, or acts of God.
9. Not grounding and/or bonding as specified, mis-wiring, loose wiring, cut or kinked wires, loose cable connections, incorrect wire runs, incorrect breaker size, breaker(s) in "off" position, improper wire gauge, moisture in electrical conduit, improper electrical supply, dead batteries, incorrect plumbing, inadequate size of pipe and/or fittings, cross-threading, over-tightening, under-tightening, glue drips or residue, improperly secured covers, improper valve placement or usage, unsynchronized valve actuators, valve actuators in "off" position, improper gas pipe sizing, lack of fuel, inadequate heater vent pipe sizing, programming errors, or removal of in-line filter screens from pool cleaners.
10. Freezing, corrosion, cracking, overheating, warping, flooding, moisture intrusion or any other condition caused by or related to weather, climate, improper winterization, improper equipment placement, inadequate ventilation, inadequate water circulation, roof run-off, sprinklers, irrigation systems, or lights or other products on or near the pool/spa or pool/spa equipment pad.
11. Operating the product at water flow rates below minimum, or above maximum, specifications. Operating any product or piece of equipment including, but not limited to, pumps, with insufficient quantities of water.
12. Improper equipment sizing, or product mis-applications including, but not limited to, unsuitable application of a pool cleaner, or use of residential products on commercial applications.
13. Dirty, clogged, blocked, covered or obstructed plumbing, cleaner parts, chlorine generator cells or sensors, pump strainer baskets, pump impellers, heater orifices (including blockage by spider webs), heater grills, doors, flue boxes, flue vents or flue collectors, filter elements, or filter breather tubes.
14. Collateral damage caused by failure of any component including O-rings, pump strainer baskets, DE grids, sand filter laterals, or cartridge elements.

Continued on next page.

CORPORATE POLICIES / LIMITED WARRANTIES

This is the only warranty given by Zodiac. No one is authorized to make any other warranties on behalf of Zodiac. THE DURATION OF IMPLIED WARRANTIES, INCLUDING THE IMPLIED WARRANTY OF MERCHANTABILITY AND THE IMPLIED WARRANTY OF FITNESS FOR A PARTICULAR PURPOSE, ARE LIMITED TO THE DURATION OF THE EXPRESS WARRANTIES LISTED ABOVE. Some states and/or provinces do not allow limitations on how long an implied warranty lasts, so the above limitation may not apply to you. Zodiac expressly disclaims and excludes any liability for consequential, incidental, indirect, or punitive damages for breach of any expressed or implied warranty. In no event shall Zodiac be liable for incidental or consequential damages of any nature, including damage to vinyl liners, plaster, aggregate-based pool surfaces, tile, stone, coping, fixtures, skimmers or skimmer covers, plumbing, drains, equipment covers or shelters, landscaping, animals, plants, or dwellings. Some states and/or provinces do not allow the exclusion or limitation of incidental or consequential damages, so the above limitation may not apply to you. Certain vinyl liner patterns are particularly susceptible to rapid surface wear or pattern removal caused by objects coming into contact with the vinyl surface, including pool brushes, pool toys, floats, fountains, chlorine dispensers, and automatic pool cleaners. Some vinyl liner patterns can be seriously scratched or abraded by rubbing the surface with a pool brush. Ink from the pattern can also rub off during the installation process or when it comes into contact with objects in the pool. Zodiac is not responsible for, and this warranty does not cover, pattern removal, cuts, abrasions or markings on vinyl liners.

This warranty gives you specific legal rights. You may also have other rights that vary by state and/or province. For warranty consideration, contact the original dealer and provide the following information: proof of purchase, model number, serial number, date of retail purchase, and date of installation. The dealer will contact the factory to obtain instructions regarding the claim and to determine the location of the nearest independent service company. If the dealer is not available, you can locate an independent service company in your area by visiting www.zodiac.com or by emailing our Technical Support Department at productsupport@zodiac.com, or by calling our Technical Support Department at 800-822-7933. All returned parts must have a Returned Material Authorization number to be evaluated under the terms of this warranty.

POLARIS LIMITED WARRANTY

Zodiac Pool Systems LLC ("Zodiac") warrants Polaris® branded products to be free from manufacturing defects in materials and workmanship for a period of one (1) year from the date of retail purchase, with the following exceptions:

1. Polaris robotic cleaners are warranted for two (2) years.
2. Frames for Polaris in-ground pressure-side cleaners are warranted for five (5) years.
3. Pool cleaner wear-and-tear items including, but not limited to, bags, filter canisters, tires (including track tires), sweep hoses, sweep hose scrubbers, surface disks, shoes, belts, rollers, brushes, and footpads, are not warranted.
4. Replacement products, or parts, provided at no charge are warranted only until the original finished good's warranty has expired. Purchased replacement parts are warranted for ninety (90) days from the date of retail purchase, with the exception of electronic salt water chlorine generator cells and electrodes, and "Factory Rebuild Kits" for Polaris pressure cleaners, which are warranted for one (1) year.

Unless otherwise indicated in the relevant product manual or quick start guide, this warranty applies only to products installed and serviced by a contractor who is licensed and qualified in pool equipment by the jurisdiction in which the product will be installed, where such state or local requirements exist. In the event no such state or local requirement exists, the installer and maintainer must be a professional with sufficient experience in pool equipment installation and maintenance. This warranty applies only to products purchased and utilized in the 50 United States and Canada, is limited to the first retail purchaser, is not transferable, and does not apply to products that have been moved from their original installation sites. The liability of Zodiac shall not exceed the replacement of the defective product or its parts, and does not include transportation costs, costs for labor to service or repair the defective product, or any items or materials required to make the repair including, but not limited to, refrigerant and other expendables. Zodiac is not responsible for charges or delays incurred when a servicer is unable to perform service due to lock outs, animals, intolerable pool or spa water temperature when entry into pool or spa is required to perform service, service refusals, etc. No reimbursements will be made for loss and/or usage of water, fuel or other resources resulting from product defect. A third party service provider may charge the end-user customer for parts and/or labor required to resolve any issue not covered under warranty, such as improper installation. Zodiac is not responsible for these charges. Product discoloration, or any other cosmetic or superficial damage or deterioration, regardless of its cause, is not covered by this warranty. This warranty does not cover failures, defects, malfunctions or complaints resulting from any of the following:

1. Failure to properly install, operate or maintain the product in accordance with Zodiac's published installation, operation and/or maintenance manuals.
2. The workmanship of any installer of the product.
3. Use of non-factory authorized parts or accessories in conjunction with the product(s).
4. Product modifications or adjustments that are not in accordance with Zodiac's published installation, operation and/or maintenance manuals.
5. Not maintaining proper pool and/or spa chemical balance [pH levels between 7.2 and 7.8, with ideal range being between 7.4 and 7.6; Cyanuric Acid (CYA) between 30 to 100 ppm; Total Alkalinity (TA) between 80 to 120 ppm (100 to 150 ppm for vinyl pools); Total Dissolved Solids (TDS) less than 1500 ppm, not including salt ppm; and Total (or Calcium) Hardness less than 800 ppm, with an ideal range being between 200 ppm and 400 ppm].
6. Corrosion, erosion, scaling, calcification or other conditions caused by water hardness, chemical imbalance, or lack of product maintenance.
7. Chemical contamination of combustion air; or improper use of pool/spa chemicals, such as introducing chemicals upstream of the heater or cleaner hose, or through the skimmer; or use of copper-based algaecides in conjunction with Nature2® products.
8. Abuse, damage during transit or installation, mis-handling, tampering, vandalism, alterations, accidents, fires, floods, storms, earthquakes, power surges, lightning, pets or other animals, insects and/or their hives or nests, negligence, or acts of God.
9. Not grounding and/or bonding as specified, mis-wiring, loose wiring, cut or kinked wires, loose cable connections, incorrect wire runs, incorrect breaker size, breaker(s) in "off" position, improper wire gauge, moisture in electrical conduit, improper electrical supply, dead batteries, incorrect plumbing, inadequate size of pipe and/or fittings, cross-threading, over-tightening, under-tightening, glue drips or residue, improperly secured covers, improper valve placement or usage, unsynchronized valve actuators, valve actuators in "off" position, improper gas pipe sizing, lack of fuel, inadequate heater vent pipe sizing, programming errors, or removal of in-line filter screens from pool cleaners.
10. Freezing, corrosion, cracking, overheating, warping, flooding, moisture intrusion or any other condition caused by or related to weather, climate, improper winterization, improper equipment placement, inadequate ventilation, inadequate water circulation, roof run-off, sprinklers, irrigation systems, or lights or other products on or near the pool/spa or pool/spa equipment pad.
11. Operating the product at water flow rates below minimum, or above maximum, specifications. Operating any product or piece of equipment including, but not limited to, pumps, with insufficient quantities of water.
12. Improper equipment sizing, or product mis-applications including, but not limited to, unsuitable application of a pool cleaner, or use of residential products on commercial applications.
13. Dirty, clogged, blocked, covered or obstructed plumbing, cleaner parts, chlorine generator cells or sensors, pump strainer baskets, pump impellers, heater orifices (including blockage by spider webs), heater grills, doors, flue boxes, flue vents or flue collectors, filter elements, or filter breather tubes.
14. Collateral damage caused by failure of any component including O-rings, pump strainer baskets, DE grids, sand filter laterals, or cartridge elements.

Continued on next page.

CORPORATE POLICIES / LIMITED WARRANTIES

This is the only warranty given by Zodiac. No one is authorized to make any other warranties on behalf of Zodiac. THE DURATION OF IMPLIED WARRANTIES, INCLUDING THE IMPLIED WARRANTY OF MERCHANTABILITY AND THE IMPLIED WARRANTY OF FITNESS FOR A PARTICULAR PURPOSE, ARE LIMITED TO THE DURATION OF THE EXPRESS WARRANTIES LISTED ABOVE. Some states and/or provinces do not allow limitations on how long an implied warranty lasts, so the above limitation may not apply to you. Zodiac expressly disclaims and excludes any liability for consequential, incidental, indirect, or punitive damages for breach of any expressed or implied warranty. In no event shall Zodiac be liable for incidental or consequential damages of any nature, including damage to vinyl liners, plaster, aggregate-based pool surfaces, tile, stone, coping, fixtures, skimmers or skimmer covers, plumbing, drains, equipment covers or shelters, landscaping, animals, plants, or dwellings. Some states and/or provinces do not allow the exclusion or limitation of incidental or consequential damages, so the above limitation may not apply to you. Certain vinyl liner patterns are particularly susceptible to rapid surface wear or pattern removal caused by objects coming into contact with the vinyl surface, including pool brushes, pool toys, floats, fountains, chlorine dispensers, and automatic pool cleaners. Some vinyl liner patterns can be seriously scratched or abraded by rubbing the surface with a pool brush. Ink from the pattern can also rub off during the installation process or when it comes into contact with objects in the pool. Zodiac is not responsible for, and this warranty does not cover, pattern removal, cuts, abrasions or markings on vinyl liners.

This warranty gives you specific legal rights. You may also have other rights that vary by state and/or province. For warranty consideration, contact the original dealer and provide the following information: proof of purchase, model number, serial number, date of retail purchase, and date of installation. The dealer will contact the factory to obtain instructions regarding the claim and to determine the location of the nearest independent service company. If the dealer is not available, you can locate an independent service company in your area by visiting www.polarispool.com, or by emailing our Technical Support Department at productsupport@zodiac.com, or by calling our Technical Support Department at 800-822-7933. In Canada, visit www.zodiacpoolsystems.ca or www.polarispool.ca. All returned parts must have a Returned Material Authorization number to be evaluated under the terms of this warranty.

ZODIAC POOL SYSTEMS LLC – TERMS AND CONDITIONS OF SALE

WE RESERVE THE RIGHT TO CHANGE OUR TERMS AND CONDITIONS OF SALE AT ANY TIME WITHOUT PRIOR NOTICE. THE TERMS AND CONDITIONS OF SALE IN EFFECT AT THE TIME WE ACCEPT ANY ORDER SHALL CONTROL. THE TERMS AND CONDITIONS OF SALE BELOW WERE CURRENT AS OF THE DATE OF PRINTING, BUT MAY CHANGE AT ANY TIME.

The following terms and conditions shall apply to all products sold by Zodiac Pool Systems LLC ("Seller"). By submitting an order for products, the ordering party (the "Purchaser") shall be deemed to have agreed to these terms and conditions. Seller does not accept any deviations from these terms. Any additional or different terms in any purchase orders or other document submitted by a Purchaser shall be of no force or effect and are hereby expressly rejected. If any additional or different terms or conditions are included in a Purchaser's order, Seller may choose to fulfill the order, but the additional or different terms and conditions will not apply or be deemed accepted by Seller. In all cases of conflict between these terms and conditions and the requirements of any Purchaser's order, these terms and conditions shall prevail. No order shall be binding on Seller unless and until accepted by Seller.

- 1. Ordering.** Fax orders to Inside Sales at 1.877.327.1403, or email to distributor.vista@zodiac.com. Orders may also be transmitted via EDI – please contact Customer Operations via phone at 1.800.822.7933, or via email to distributor.vista@zodiac.com, for additional information. Orders must include complete part numbers and descriptions. Change requests must be submitted in writing by Purchaser via email or fax, and must reference the original purchase order number. Changes cannot be accepted once any part of an order has shipped. A \$10 surcharge will be added to any order under \$50. COD orders will not be accepted.
- 2. Credit Limits.** Based on the account type and information provided to Seller during the account set up process, a credit limit will be established in an amount determined by Seller in its sole discretion. Orders that place the Purchaser's account balance over its established credit limit will not be released for shipping until arrangements are made for payment of outstanding invoices. Any request for an increase or adjustment in Purchaser's credit limit must be made in writing to Seller. Credit limits may be adjusted in Seller's sole discretion based on a Purchaser's payment history and Seller's credit policies as in effect from time to time. Seller reserves the right to change its credit policies at any time for any reason without prior notice.
- 3. Prices.** Prices, discounts, quotations and specifications are subject to change without notice and will be applied as in effect at time of shipment. All prices are in U.S. dollars. All requests for price quotations shall be addressed to Seller via facsimile at 877-327-1403 or via e-mail at distributor.vista@zodiac.com.
- 4. Taxes.** Any federal, sales, excise or similar tax for which Seller may be liable on any sale will be charged to and paid by the Purchaser. If Purchaser is a reseller, Purchaser is responsible for furnishing a resale certificate prior to purchase.
- 5. Payment Terms.** Unless otherwise expressly agreed by Seller in writing, and subject to Seller's right to establish and change Purchaser's credit limit, all invoices shall be payable in full and without deduction or offset of any kind Net 30 from date of invoice. Purchaser acknowledges that payment is an independent obligation of Purchaser and is not contingent or dependent upon the services and performance of any third party. Seller may apply any payment received from Purchaser to any obligation of Purchaser then outstanding to Seller, regardless of any statement accompanying such payment. The acceptance by Seller of a partial payment shall not constitute a waiver of Seller's right to pursue any remaining balance.
- 6. Default In Payment/Late Charges.** Purchaser shall pay late charges on any amount not paid when due at the rate of 18% per annum (or if lower, the maximum rate allowed by law) from the due date until paid. Seller may, without notice, declare all obligations of Purchaser to Seller immediately due and payable in the event of a default in the payment of any invoice. Seller reserves the right to convert Purchaser's account to a Cash in Advance account or to close Purchaser's account, without further notice, if Purchaser fails to pay any amount when due. Purchaser agrees to pay all costs of collection incurred by Seller (including reasonable attorney's fees or amounts paid to or deducted by a collection agency) in connection with collecting any amount not paid when due.
- 7. Shipping; Inspection.** All sales are F.O.B. Seller's shipping point. Free freight is offered for orders of \$25,000 or more, all products combined. Parts orders of \$5,000 or more will also be prepaid. Qualifying orders will be shipped to a single location only. For orders that do not qualify for free freight, Purchaser agrees to pay any and all liftgate charges when a liftgate is required to deliver an order that does not qualify for free freight. Seller will not drop ship to residential addresses. Tender of delivery within thirty (30) days after the date ordered by Purchaser shall constitute timely delivery. Delivery of a quantity which does not vary by more than 10% from the quantity ordered by Purchaser shall constitute timely delivery of an order (and Purchaser shall pay for the actual quantity so delivered). Delay in delivery of any installment by more than thirty (30) days shall entitle Purchaser to cancel an order for such delayed items only; provided, however that such cancellation is made by written notice to Seller and shall constitute Purchaser's sole and exclusive remedy therefor. Claims of late delivery are barred unless made prior to delivery by Seller to Purchaser's designated shipper, and such delivery shall constitute a waiver of any claim that the order was delivered late. Purchaser may be assessed shipping and handling charges for orders requiring special and/or expedited delivery. Purchaser shall inspect all products immediately upon receipt. If Purchaser determines that the quantity or quality of the products are not in conformity with the order or the applicable Product Warranties (as defined in Section 12), Purchaser will notify Seller of the shortage or non-conformity within five (5) working days of receipt by faxing to 1-877-327-1403 or e-mailing distributor.vista@zodiac.com with the subject line "Credit Request." Seller will ship missing or conforming items within thirty (30) days of receipt of notice. If Purchaser fails to notify Seller within the foregoing five (5) day period, the products and the shipment thereof shall be deemed accepted by Purchaser and shall bar Purchaser from asserting at a later date any discrepancy reasonably determinable by inspection. Claims will not be accepted if products have been transferred by the original recipient to another branch or location.
- 8. Return Policy.** All product returns must have prior authorization from Seller. Submit an RMA request by completing the appropriate form at <http://www.zodiac.com/NonWarrantyRMA> Purchaser must receive an RMA number from Seller prior to shipping returned goods. Returned goods must be packaged securely in original packaging (or a reasonable substitute) and marked with the RMA number on the outside of the box. Collect shipments or shipments without a clearly identifiable RMA number will be refused. Freight must be prepaid. Returned goods damaged due to inadequate return packaging may not receive full credit. Items returned for warranty consideration must include date of purchase, installation date, serial number and description of defect. A request to return goods for reasons other than warranty may not be honored. If accepted, those returned goods are subject to a 20% restocking charge. Visit <http://www.zodiac.com/NonWarrantyRMA> for additional information.
- 9. Title to Products.** Title to each product shall pass to Purchaser only upon full payment, but risk of loss shall pass upon delivery by Seller to the carrier (regardless of whether payment has been made). To the extent any product contains or includes any software, such software is to be deemed as licensed (and not sold) to Purchaser on a non-exclusive basis. Purchaser shall not use or transfer any software except in connection with the use or re-sale of the product with which it is supplied, nor shall Purchaser or any transferee copy, modify, reverse engineer, disassemble, decompile or translate any such software or attempt to derive the source code thereof.
- 10. Use of Products.** Purchaser shall sell, display, market and use the products in accordance with the documentation supplied with the products and all applicable laws, licenses and other restrictions. Purchaser shall not remove or modify any trademark, patent or other notices of Seller or any of its third party vendors from products, or any documentation supplied therewith. In addition, Purchaser may not, without Seller's prior written authorization, add any trademark, patent or other notices to the products.
- 11. Receipt of Goods While Insolvent; Material Adverse Change in Purchaser's Financial Condition.** In the event that Purchaser receives any goods from Seller while Purchaser is insolvent (as such term is defined in Section 2-702 of the Uniform Commercial Code), this writing shall constitute Seller's demand for reclamation of such goods. All obligations of Purchaser to Seller shall become immediately due and payable, on ten (10) days written notice, if Seller determines, in its sole discretion, that there has been a material adverse change in the financial condition or business affairs of the Purchaser so that Purchaser's ability to pay its obligations to Seller has become impaired.

Continued on next page.

CORPORATE POLICIES / TERMS AND CONDITIONS

- 12. Limited Warranty.** All products are warranted to the end user thereof in accordance with the applicable limited warranties provided with each product (the "Product Warranties"). Copies of the current Product Warranties and Warranty Procedures are available upon request. Seller reserves the right to modify the terms of the Product Warranties at any time without notice, provided that such changes shall only apply to products delivered after the effective date of the change. The Product Warranties provide specific legal rights; other rights may apply that vary from state to state.
- 13. Exclusion of Certain Damages.** IN NO EVENT SHALL SELLER OR ITS AFFILIATES BE LIABLE TO PURCHASER OR ANY THIRD PARTY FOR ANY INCIDENTAL, INDIRECT, SPECIAL, PUNITIVE, EXEMPLARY, OR CONSEQUENTIAL DAMAGES (INCLUDING, WITHOUT LIMITATION, DAMAGES FOR LOSS OF BUSINESS, LOSS OF PROFITS, LOSS OF GOODWILL OR BUSINESS REPUTATION, DAMAGE TO OTHER PROPERTY, BUSINESS INTERRUPTION, LOSS OF DATA, OR LOSS OF BUSINESS INFORMATION) ARISING OUT OF OR CONNECTED IN ANY WAY WITH THE PURCHASE, SALE, DISTRIBUTION OR USE OF ANY PRODUCTS EVEN IF SELLER HAS BEEN ADVISED OF THE POSSIBILITY OF SUCH DAMAGES. Some states do not allow the exclusion or limitation of incidental or consequential damages, so the foregoing limitation may not apply.
- 14. Limitation of Liability.** Under no circumstance shall Seller's liability in respect of any products [whether arising in contract, tort (including negligence or strict liability), or under any other legal theory] exceed the purchase price actually paid to Seller therefor.
- 15. Force Majeure.** Seller will have no liability in respect of any failure to perform or delay in performance when such failure or delay results from causes beyond its reasonable control, including without limitation, acts of God, acts of terrorism or public enemy, fires, floods, earthquakes or other catastrophes, riots, war, civil disorder, strikes, lockouts, interruptions of utilities, supplies, transportation or communication, work stoppages or other labor difficulties, court order or other legal prohibition. In the event of any force majeure event, Seller reserves the right to allocate available products among Seller's customers in any manner Seller reasonably determines.
- 16. WAIVER OF JURY TRIAL.** THE PARTIES HEREBY IRREVOCABLY WAIVE ALL RIGHT TO TRIAL BY JURY IN ANY ACTION, PROCEEDING OR COUNTERCLAIM ARISING OUT OF OR RELATING TO THE PRODUCTS OR THE PURCHASE AND SALE THEREOF.
- 17. Governing Law; Miscellaneous.** All disputes arising out of or related to the sale of any products to Purchaser or the interpretation of these terms and conditions shall be governed by the laws of the State of California (other than its principles of conflicts of law). The United Nations Convention on the International Sale of Goods shall not apply to any sale of products. Except for actions seeking injunctive relief (which may be brought in any appropriate jurisdiction) suit in respect of any such dispute shall only be brought in a court of competent jurisdiction in the County of San Diego, State of California. This choice of venue is intended by the parties to be mandatory and not permissive in nature, and to preclude the possibility of litigation between the parties with respect to, or arising out of, the sale of any products in any jurisdiction other than that specified in this Section. Each party waives any right it may have to assert the doctrine of forum non conveniens or similar doctrine or to object to venue with respect to any proceeding brought in accordance with this Section.



ARE YOU JANDY STRONG?

For Trade Series Exclusive Policy details and product list, visit:
JANDY.COM/STRONG

ZodiacRewards.com | 1.800.822.7933

©2018 Zodiac Pool Systems LLC. All rights reserved. ZODIAC® is a registered trademark of Zodiac International, S.A.S.U., used under license. All other trademarks are the property of their respective owners. Apple® is not a participant in or sponsor of this promotion. Apple and the Apple logo are trademarks of Apple Inc., registered in the U.S. and other countries. 3862_SA