

Three overlapping circles in shades of blue are located on the left side of the page, partially overlapping the title. The circles are arranged from left to right, with the leftmost being the darkest blue and the rightmost being the lightest blue.

# Product Safety Guide

(HL-L2300D / HL-L2305W / HL-L2320D / HL-L2321D / HL-L2340DW /  
HL-L2360DN / HL-L2361DN / HL-L2365DW / HL-L2366DW / HL-L2380DW /  
DCP-L2500D / DCP-L2520D / DCP-L2520DW / DCP-L2540DN / DCP-L2540DW  
/ DCP-L2541DW / DCP-L2560DW / MFC-L2700D / MFC-L2700DW /  
MFC-L2701D / MFC-L2701DW / MFC-L2703DW / MFC-L2720DW /  
MFC-L2740DW)

Brother Industries, Ltd.

15-1, Naeshiro-cho, Mizuho-ku, Nagoya 467-8561, Japan

Please read this guide before attempting to operate the product, or before attempting any maintenance. Failure to follow these instructions may result in an increased risk of fire, electrical shock, burns or suffocation. Brother shall not be liable for damage caused where the product owner has failed to follow the instructions set out in this guide.

## How to use this guide:

- 1 Read the whole guide before using your product and keep it for later reference.
- 2 Carefully follow the instructions set out in this guide and always ensure that you follow all warnings and instructions marked on the product.
- 3 If you have concerns about how to use your product having read this guide, please refer to Brother customer service or your local Brother dealer.
- 4 To ensure you understand all of the instructions, study the symbols and conventions used in the documentation.

# Symbols and conventions used in the documentation

The following symbols and conventions are used throughout the documentation.

Follow all warnings and instructions marked on the product.

## **WARNING**

WARNING indicates a potentially hazardous situation which, if not avoided, could result in death or serious injuries.

## **CAUTION**

CAUTION indicates a potentially hazardous situation which, if not avoided, may result in minor or moderate injuries.

## **IMPORTANT**

IMPORTANT indicates a potentially hazardous situation which, if not avoided, may result in damage to property or loss of product functionality.

## **NOTE**

NOTE specifies the operating environment, conditions for installation, or special conditions of use.



Electrical Hazard icons alert you to possible electrical shocks.



Fire Hazard icons alert you to the possibility of a fire.



Hot Surface icons warn you not to touch product parts that are hot.



Prohibition icons indicate actions that must not be performed.

**Bold** Bold typeface identifies specific buttons on the product's control panel or on the computer screen.

*Italics* Italicized typeface emphasizes an important point or refers you to a related topic.

`Courier New` Text in the Courier New font identifies messages on the LCD of the product.

---

## **NOTE**

- Not all models are available in all countries.
  - The illustrations in this guide show the HL-L2340DW and MFC-L2700DW.
-

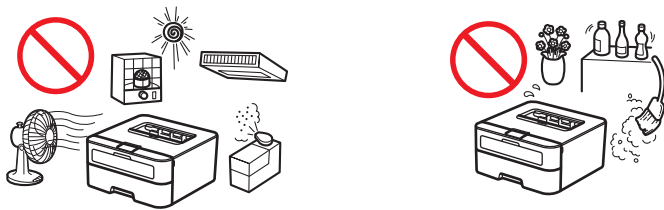
# Compilation and Publication Notice

This manual has been compiled and published to provide the latest product safety information at the time of publication. The information contained in this manual may be subject to change.

For the latest manual, please visit us at <http://support.brother.com>.

## Choose a safe location for your product

### WARNING



Choose a location where the temperature remains between 10°C and 32°C, the humidity is between 20% to 80%, and where there is no condensation.

---



DO NOT expose the product to direct sunlight, excessive heat, open flames, corrosive gasses, moisture or dust. Doing so may create a risk of an electrical shock, short circuit or fire. It may also damage the product and/or render it inoperable.

---



DO NOT place the product near heaters, air conditioners, electrical fans, refrigerators, or water. Doing so may create the risk of an electrical shock, short circuit or fire, as water may come into contact with the product (including condensation caused by heating/air conditioning/ventilation equipment).

---



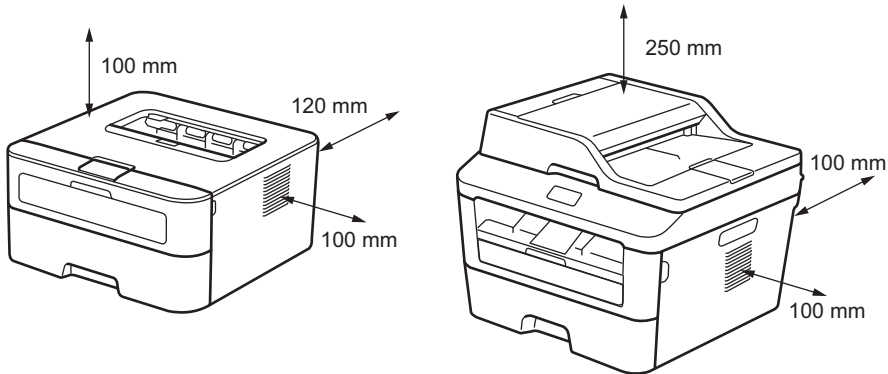
DO NOT place the product near chemicals or in a place where chemical spillage could occur. In particular, organic solvents or liquids may cause the casing and/or cables to melt or dissolve, risking fire or electric shock. They may also cause the product to malfunction or become discoloured.



DO NOT put the product in a location that blocks or obstructs any slot or opening in the product. These slots and openings are provided for ventilation. Blocking the product's ventilation could create a risk of overheating and/or fire.

Instead:

- Keep a minimum gap around the product as shown in the illustration.



- Place the product on a solid level surface.
- DO NOT place this product near or over a radiator or heater.
- DO NOT place this product in a “built-in” installation unless adequate ventilation is provided.

## **⚠ CAUTION**

Place your product in an adequately ventilated environment.

---

This product emits some chemical substances during printing, and additionally if used for prolonged periods or in poorly ventilated areas may cause the emission of odorous gases such as ozone. Place the product in a well ventilated area for optimum performance and comfort.

---

Avoid placing your product in a busy area. If you must place it in a busy area, ensure that the product is in a safe location where it cannot be accidentally knocked over, which could cause injury to you or others and serious damage to the product. Also ensure that cords are secured so as not to pose a tripping hazard.

---

DO NOT place heavy objects on the product.

---

DO NOT place this product on an unstable cart, stand, or table. The product is heavy and may fall, causing injury to you and serious damage to the product. For the products with scanning function, there is an added risk of injury if the scanner glass should break. Particularly, if you have children, please make sure the product is located in a safe position.

---

Put your product on a flat, level, stable surface free from vibration and shocks, such as a desk. Put the product near a telephone socket (MFC only) and a standard earthed electrical socket.

---

When multiple devices, including this product, are connected to a computer using USB cables, you may feel an electric charge when you touch metal parts of the product.

## **IMPORTANT**

---

- DO NOT connect your product to electrical sockets controlled by wall switches or automatic timers, or to the same circuit as large appliances, such as an air conditioner, copier, shredder, etc. that might disrupt the power supply.
  - DO NOT put objects on top of the product. Doing so could increase the risk of overheating should the product malfunction.
  - DO NOT place anything in front of the product that will block printed documents or faxes (MFC only).
  - DO NOT place your product next to sources of interference, such as speakers or the base units of non-Brother cordless telephones. Doing so may interfere with the operation of the product's electronic components.
  - Disruption of power can delete information from the product's memory.
-

# General precautions

## WARNING

Plastic bags are used in the packing of your product. To avoid danger of suffocation, keep these plastic bags away from babies and children. Plastic bags are not toys.

---

(Models with Wireless LAN function only)

DO NOT use the product near any medical electrical equipment. The radio wave emitted from the product may affect medical electrical equipment and cause a malfunction, which may result in a medical accident.

---

For users with pacemakers

This product generates a weak magnetic field. If you experience any unusual symptoms with your pacemaker while near the product, move away from the product and consult a doctor immediately.

---



DO NOT use this product during an electrical storm. There may be a remote risk of an electric shock from lightning.

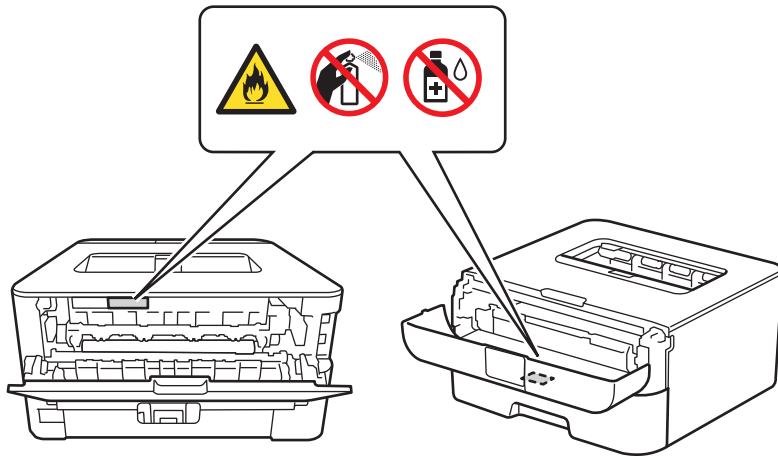
---



DO NOT put a toner cartridge or a toner cartridge and drum unit assembly into a fire. It could explode, resulting in injuries.



DO NOT use flammable substances, any type of spray, or an organic solvent/liquid containing alcohol or ammonia to clean the inside or outside of the product. Doing so could cause a fire or electrical shock. Instead, use only a dry, lint-free cloth.



DO NOT attempt to operate this product when a paper jam or stray pieces of paper are inside the product. Prolonged contact of paper with the fuser unit could cause a fire.



DO NOT use a vacuum cleaner to clean up scattered toner. Doing this might cause the toner dust to ignite inside the vacuum cleaner, potentially starting a fire. Please carefully clean the toner dust with a dry, lint-free soft cloth and dispose of it according to local regulations.

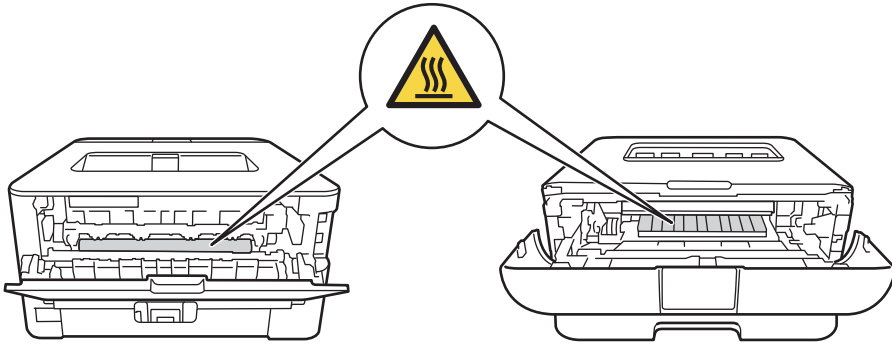


Unplug this product from the wall socket before cleaning the product and the scanner glass (Products with scanning function only). DO NOT use liquid or aerosol cleaners. Use a dry, lint-free soft cloth for cleaning.

---

 **HOT SURFACE**

After you have just used the product, some internal parts of the product will be extremely hot. Wait at least 10 minutes for the product to cool down before you touch the internal parts of the product.

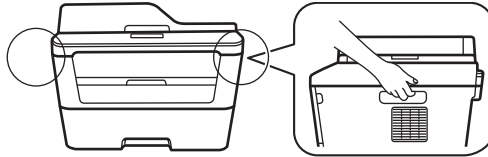




## **⚠ CAUTION**

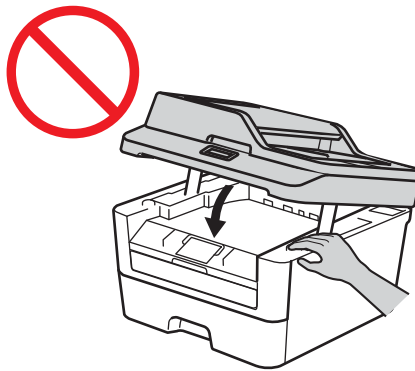
(Products with scanning function only)

When you move the product, grasp the side handholds that are under the scanner. **DO NOT** carry the product by holding it at the bottom.



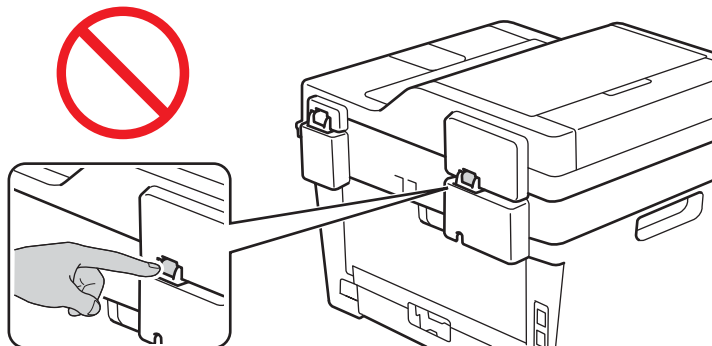
(Products with scanning function only)

Some areas of the product can cause injury if covers (shaded) are closed with force. Take care when placing your hand in the areas shown in the illustrations, and **DO NOT** close the covers with force.



(Products with scanning function only)

To prevent injuries, be careful not to put your fingers in the areas shown in the illustrations.



If the product is not being used to receive faxes, unplug it from the power outlet if it is not going to be used for a long time.

---

DO NOT attempt to dismantle a toner cartridge. If toner powder should leak out, avoid inhaling it or letting it come in contact with your skin. If either should happen refer to the Safety Data Sheets (SDS) at <http://sds.brother.co.jp/sdsapp/index.html>.

---

Keep the toner cartridge out of the reach of children. If toner powder is swallowed, consult a doctor immediately and refer to the Safety Data Sheets (SDS) at <http://sds.brother.co.jp/sdsapp/index.html>.

---

We recommend placing the toner cartridge and drum unit assembly on a clean, flat surface with disposable paper underneath it in case you accidentally spill or scatter toner. If toner scatters on your hands or clothes, immediately wipe or wash it off with cold water.

---

Should you come into contact with toner, follow these instructions:

- Inhalation

Obtain immediate medical attention. In case of accident by inhalation remove casualty to fresh air and keep at rest.

- Skin contact

Remove contaminated clothing immediately and wash affected skin with plenty of water or soap and water.

- Eye contact

Obtain medical attention. If substance has got into the eyes, immediately wash out with plenty of water for at least 15 minutes.

- Ingestion

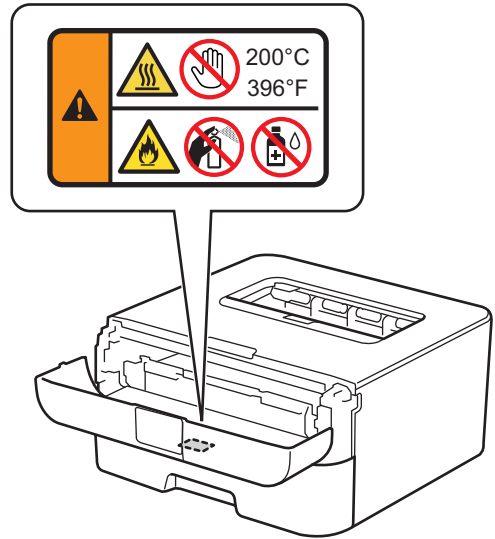
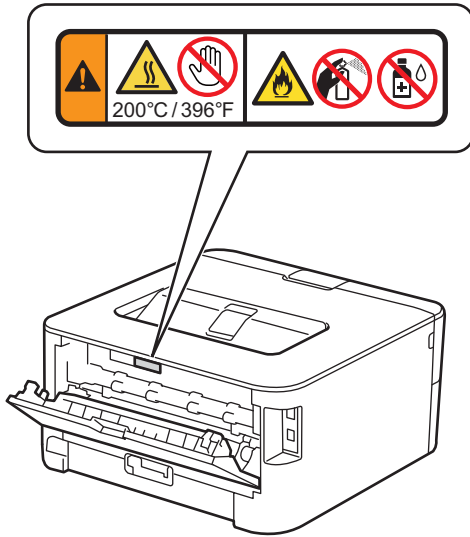
Obtain immediate medical attention. Wash out mouth with water and give 200 - 300 ml (half a pint) of water to drink.

For more safety information regarding the toners used in your product, please visit the following web address to read the Safety Data Sheets (SDS) <http://sds.brother.co.jp/sdsapp/index.html>.

---

## IMPORTANT

DO NOT remove or damage any of the caution or warning labels inside the product.

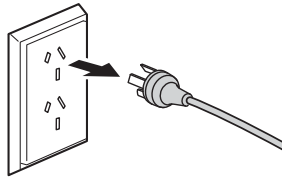


# Connecting the product safely

## WARNING



There are high voltage electrodes inside the product. Before you clean the inside of the product, make sure you have unplugged the telephone line cord first (MFC only) and then the power cord from the electrical socket. Doing this will prevent an electrical shock.



(Example for Australia and New Zealand)

DO NOT use the AC power cord to pull or push the plug into the wall socket, use the finger grips on the plug.

---



DO NOT handle the plug with wet hands. Doing this might cause an electrical shock.



(Example for Australia and New Zealand)



Always make sure the plug is fully inserted.

---



This product should be connected to an AC power source within the range indicated on the rating label. DO NOT connect it to a DC power source or inverter. If you are not sure, contact a qualified electrician.

---



This product is equipped with a 3-wire earthed plug. This plug will only fit into an earthed power outlet. This is a safety feature. If you are unable to insert the plug into the outlet, call your electrician to replace your obsolete outlet. DO NOT defeat the purpose of the earthed plug.

---



(MFC only)

Never touch exposed telephone wiring or terminals unless the telephone line has been unplugged from the wall socket. Never connect the telephone line cord during a lightning storm or use it if it becomes frayed or damaged. Do not use a telephone wall socket in a location that is wet or may become wet, for example, near a refrigerator or other appliance that produces condensation. Doing this might cause an electrical shock.

---



DO NOT place this product in a position where the cord is stretched or where strain is otherwise put on the cord. Doing so may cause the cord to become worn or frayed.

---



DO NOT use the product if the power cord is frayed or damaged. Doing so may cause an electrical shock or a fire.



- DO NOT allow anything to rest on the power cord.
  - DO NOT place this product where people may step on the cord.
  - DO NOT place this product in a position where the cord is stretched or strained, as it may become worn or frayed.
- 



DO NOT use any undesignated cables (or optional devices). It may cause a fire or injuries. Installation must be performed properly according to the user's guide.

---



Brother strongly recommends that you DO NOT use any type of extension cord.

---



DO NOT allow any type of liquid to come into contact with the plug or power outlet.

---



DO NOT allow the plug, power outlet or the product to become dusty.

---



# Important Information for Australia

## IMPORTANT-For Your Safety

---

To ensure safe operation the three-pin plug supplied must be inserted only into a standard three-pin power point which is effectively grounded through the normal household wiring.

The fact that the equipment operates satisfactorily does not imply that the power is grounded and that the installation is completely safe. For your safety, if in any doubt about the effective grounding of the power, consult a qualified electrician.

## Important Safety Instructions

---

- 1 This product is equipped with a 3-wire grounded plug, a plug having a third (grounded) pin. This plug will only fit into a grounded power outlet. This is a safety feature. If you are unable to insert the plug into the outlet, call your electrician to replace your obsolete outlet. **DO NOT** defeat the purpose of the grounded plug.
- 2 **DO NOT** place anything on top of the power cord including this product. **DO NOT** allow the power cord to be stepped on.
- 3 **DO NOT** touch a document during printing.
- 4 Never push objects of any kind into this product through cabinet slots, since they may touch dangerous voltage points or short out parts resulting in a risk of fire or electric shock. Never spill liquid of any kind on the product.
- 5 Unplug this product from the wall outlet and refer servicing to Authorised Service Personnel under the following conditions:
  - When the power cord is damaged or frayed.
  - If liquid has been spilled into the product.
  - If the product has been exposed to rain or water.
  - If the product does not operate normally when the operating instructions are followed. Adjust only those controls that are covered by the operating instructions. Incorrect adjustment of other controls may result in damage and will often require extensive work by a qualified technician to restore the product to normal operation.
  - If the product has been dropped or the casing has been damaged.
  - If the product exhibits a distinct change in performance, indicating a need for service.

# Important Information for New Zealand

## IMPORTANT-For Your Safety

---

To ensure safe operation the three-pin plug supplied must be inserted only into a standard three-pin power point which is effectively grounded through the normal household wiring.

The fact that the equipment operates satisfactorily does not imply that the power is grounded and that the installation is completely safe. For your safety, if in any doubt about the effective grounding of the power, consult a qualified electrician.

## Important Safety instructions

---

- 1 This product is equipped with a 3-wire earthed plug. This plug will fit into only an earthed socket. This is a safety feature. If you are unable to insert the plug into the outlet, contact your electrician to replace your obsolete socket. DO NOT defeat the purpose of an earthed plug.
- 2 DO NOT place anything on top of the power cord including this product. DO NOT allow the power cord to be stepped on.
- 3 DO NOT touch a document during printing.
- 4 Never push objects of any kind into this product through cabinet slots, since they may touch dangerous voltage points or short out parts resulting in a risk of fire or electric shock. Never spill liquid of any kind on the product.
- 5 Unplug this product from the mains power and telephone line sockets (MFC only), and refer servicing to qualified Service Personnel under the following conditions:
  - If the power cord is damaged or frayed.
  - If liquid has been spilled into the product.
  - If the product has been exposed to rain or water.
  - If the product does not operate normally when the operating instructions are followed. Adjust only those controls that are covered by the operating instructions. Incorrect adjustment of other controls may result in damage and will often require extensive work by a qualified technician to restore the product to normal operation.
  - If the product has been dropped or the casing has been damaged.
  - If the product exhibits a distinct change in performance, indicating a need for service.



## **MFC only**

- 1 The grant of a Telepermit for any item of terminal equipment indicates only that Telecom has accepted that the item complies with minimum conditions for connection to its network. It indicates no endorsement of the product by Telecom, nor does it provide any sort of warranty. Above all, it provides no assurance that any item will work correctly in all respects with another item of Telepermitted equipment of a different make or model, nor does it imply that any product is compatible with all of Telecom's network services.
- 2 This equipment does not fully meet Telecom's impedance requirements. Performance limitations may occur when used in conjunction with some parts of the network. Telecom will accept no responsibility should difficulties arise in such circumstances.
- 3 If a charge for local calls is acceptable, the "Dial Button" should not be used for local calls. Only the 7-digits of the local number should be dialled from your telephone. DO NOT dial the area code digit or the "0" prefix.
- 4 This equipment shall not be set to make automatic calls to the Telecom '111' Emergency Service.
- 5 This equipment should not be used under any circumstances which may constitute a nuisance to other Telecom customers.
- 6 Not all telephones will respond to incoming ringing when connected to the extension socket.
- 7 The answer delay setting of this equipment shall not be set to less than the default setting as this will destroy Caller ID information.
- 8 All persons using this device for recording telephone conversations shall comply with New Zealand law. This requires that at least one party to the conversation is to be aware that it is being recorded. In addition, the Principles enumerated in the Privacy Act 1993 shall be complied with in respect to the nature of the personal information collected, the purpose for its collection, how it is to be used and what it disclosed to any other party.
- 9 This unit will only work in conjunction with a tone signalling (DTMF) telephone, but some telephones are not compatible. Since noise or speech from the telephone can upset dialling from this unit, errors may result if the devices are used together in other than quiet conditions.
- 10 Where it is necessary to dial prefix digits, such as a Caller Display override code ("0196" or "0197"), this unit will have to be used in conjunction with an associated tone signalling (DTMF) telephone.
- 11 Note that some telephones are not compatible with this unit and dialling errors may result if the two devices are used together in other than quiet conditions. The Telecom Faults Service is not to be called should such problems arise. In such cases, it is recommended that the prefix and wanted number are dialled manually.
- 12 This equipment may not provide for the effective hand-over of a call to another device connected to the same line.
- 13 This equipment is not capable, under all operating conditions, of correct operation at the higher speeds for which it is designed. Telecom will accept no responsibility should difficulties arise in such circumstances. This condition typically applies to 56 kbit/s modems and facsimile products operating at >14.4 kbit/s.
- 14 When using the Caller Line Identification incorporated in this device, verify the integrity of the recorded digits prior to dialling.

- 15 Some parameters required for compliance with Telecom's Telepermit requirements are dependent on the equipment (PC) associated with this device. The associated equipment shall be set to operate within the following limits for compliance with Telecom's Specifications:
- There shall be no more than 10 call attempts to the same number within any 30 minute period for any single manual call initiation, and
  - The equipment shall go on-hook for a period of not less than 30 seconds between the end of one attempt and the beginning of the next call attempt.
  - Automatic calls to different numbers are spaced such that there is not less than 5 seconds between the end of one call attempt and the beginning of another.
  - Equipment shall be set to ensure that calls are answered within 3 and 30 seconds of the receipt of ringing.
- 16 In the event of any problem with this device, it is to be disconnected, and a CPE item connected to one of its terminal ports may be connected directly in its place. The user should then arrange for the product to be repaired. Should the matter be reported to Telecom as a wiring fault and the fault is proven to be due to this product, a call out charge will be incurred by the customer.
- 17 The caller ID telephone numbers that are displayed and stored in this equipment include the caller's area code but not the toll access "0" prefix. When calling back it is necessary to add a "0" to the telephone number, or if the telephone number is a local number, omit the area code digit. If the toll services of a service provider other than Telecom are being used then a toll charge may be incurred if the "0" prefix toll access code and area code are used.

## **IMPORTANT NOTICE (MFC only)**

---

Under power failure conditions, this telephone may not operate. Please ensure that a separate telephone, not dependent on local power, is available for emergency use in emergencies.

# Important Information for Some Countries

## Important Safety Instructions

---

- 1 This product is equipped with a 3-wire grounding type plug, a plug having two or three pins. This plug will fit into only a grounding-type power outlet. This is a safety feature. If you are unable to insert the plug into the outlet, contact your electrician to replace your obsolete outlet. DO NOT defeat the purpose of the grounding-type plug.
- 2 DO NOT place anything on top of the power cord including this product. DO NOT allow the power cord to be stepped on.
- 3 DO NOT touch a document during printing.
- 4 Never push objects of any kind into this product through cabinet slots, since they may touch dangerous voltage points or short out parts resulting in the risk of fire or electric shock. Never spill liquid of any kind on the product.
- 5 Unplug this product from the wall outlet and refer servicing to Authorized Service Personnel under the following conditions:
  - If the power cord is damaged or frayed.
  - If the product has been spilled by liquid.
  - If the product has been exposed to rain or water.
  - If the product does not operate normally when the operating instructions are followed. Adjust only those controls that are covered by the operating instructions. Incorrect adjustment of other controls may result in damage and will often require extensive work by a qualified technician to restore the product to normal operation.
  - If the product has been dropped or the casing has been damaged.
  - If the product exhibits a distinct change in performance, indicating a need for service.
- 6 For Singapore only  
We DO NOT recommend using ethylated spirits to clean or contact with the product.

### **WARNING**



For protection against the risk of electrical shock, always disconnect all cables from the wall outlet before servicing, modifying or installing the equipment.

---

### **IMPORTANT**

---

- This equipment may not be used on coin service lines provided by the telephone company or connected to party lines. (MFC only)
  - Brother cannot accept any financial or other responsibilities that may be the result of your use of this information, including direct, special or consequential damages. There are no warranties extended or granted by this document.
-

# Servicing the product

## WARNING

DO NOT attempt to service this product yourself because opening or removing covers may expose you to dangerous voltage points and other risks and may void your warranty. If you experience any problems with your product, contact Brother customer service or your local Brother dealer.

---



If the product has been dropped or the casing has been damaged, there may be the possibility of an electric shock. Unplug the product from the electrical socket and contact Brother customer service or your local Brother dealer.

---



If water, other liquids, or metal objects get inside the product, immediately unplug the product from the AC power outlet, and contact Brother customer service or your local Brother dealer.

---

If the product becomes unusually hot, releases smoke, generates any strong smells, or if you accidentally spill any liquid on it, immediately unplug the product from the electrical socket. Contact Brother customer service or your local Brother dealer.

## IMPORTANT

---

If the product does not operate normally when the operating instructions are followed, adjust only those controls that are covered by the operating instructions. Incorrect adjustment of other controls may result in damage and will often require extensive work by a qualified technician to restore the product to normal operation.

---

# Product Warranty & Liability

Nothing in this guide shall affect any existing product warranty or be construed as granting any additional product warranty. Failure to follow the safety instructions in this guide may invalidate your product's warranty.

## WARNING



DO NOT use this product near water, for example, near a bath tub, wash bowl, kitchen sink or washing machine, in a wet basement or near a swimming pool.



Only use the power cord supplied with this product.

## Disconnect device

### CAUTION

This product must be installed near an electrical socket that is easily accessible. In case of emergencies, you must disconnect the power cord from the electrical socket to shut off power completely.

## Approval Information (MFC only)

THIS EQUIPMENT IS DESIGNED TO WORK WITH A TWO WIRE ANALOGUE PSTN LINE FITTED WITH THE APPROPRIATE CONNECTOR.

Brother advises that this product may not function correctly in a country other than where it was originally purchased, and does not offer any warranty in the event that this product is used on public telecommunication lines in another country.

## Declaration of Conformity (Europe only)

---

We, Brother Industries, Ltd.

15-1, Naeshiro-cho, Mizuho-ku, Nagoya 467-8561 Japan

declare that this product is in conformity with the essential requirements of all relevant directives and regulations applied within the European Community.

The Declaration of Conformity (DoC) can be downloaded from our website. Visit <http://support.brother.com> and:

- select Europe
- select country
- select "Manuals"
- select your model.

Your Declaration will be downloaded as a PDF file.

## Declaration of Conformity for R&TTE (Radio and Telecommunications) Directive 1999/5/EC (Europe only) (Applicable to models with telecommunications and/or radio interfaces)

---

We, Brother Industries, Ltd.

15-1, Naeshiro-cho, Mizuho-ku, Nagoya 467-8561 Japan

declare that these products are in conformity with the provisions of the R&TTE Directive 1999/5/EC. A copy of the Declaration of Conformity can be downloaded by following the instructions in the Declaration of Conformity (Europe only) section.

## IEC60825-1:2007 Specification (For 220-240V Models Only)

---

This product is a Class 1 laser product as defined in IEC60825-1:2007 specifications. The label shown below is attached in countries where required.

This product has a Class 3B Laser Diode which emits invisible laser radiation in the Laser Unit. The Laser Unit should not be opened under any circumstances.



### Internal Laser radiation

Wave length: 770 - 800 nm

Output: 25 mW max.

Laser Class: Class 3B

## **WARNING**

Use of controls, adjustments or performance of procedures other than those specified in this manual may result in hazardous radiation exposure.

## **Wireless LAN (Models with Wireless LAN function only)**

This Printer/Multifunction Printer supports Wireless LAN.

## **LAN connection (Network models only)**

## **CAUTION**

DO NOT connect this product to a LAN connection that is subject to over-voltages.

## **Radio interference**

This product complies with EN55022 (CISPR Publication 22)/Class B.

## **For WLAN models (Taiwan only)**

### Administrative Regulations on Low Power Radio Waves Radiated Devices

Unless granted permission by Taiwan DGT, any company, enterprise or user is not allowed to change the frequency, enhance the transmitting power or alter the original design characteristics or operating functions of an approved low-power radio frequency device.

Low-power radio frequency devices shall not influence aircraft security or interfere with legal communications. If such interference occurs, the low-power radio frequency device must immediately cease operations and may not be resumed until the interference problem has been resolved. The above-mentioned "legal communications" is defined as radio communication operations that conform to the Telecommunications Act. Low-power radio-frequency devices must accept any interference received from legal communications, and Industrial, Scientific and Medical (ISM) radio wave devices.

## **Compliance Statement of Wireless equipment (Thailand only)**

This telecommunication equipment conforms to NTC technical requirement.

## Recycling information in accordance with the India E-Waste (Management) Rules

---



India Only

This product is RoHS compliant and meets the requirements of the India E-Waste (Management) Rules. The above recycling symbol means that at the end of the life of the equipment, you must dispose of it separately at an appropriate collection point, and not place it in the normal domestic unsorted waste stream. This will benefit the environment for all. For detailed information, please refer to the following Brother India website:

<<<https://www.brother.in/>>>

For inquiries on the collection program, please call Toll Free: 1800 222422 or 1800 2098904 (Between 9AM-5PM Mon-Sat).



# Trademarks

BROTHER is either a trademark or a registered trademark of Brother Industries, Ltd.

Microsoft, Windows, Windows Vista, Windows Server, Outlook, Internet Explorer, SharePoint and Windows Phone are either registered trademarks or trademarks of Microsoft Corporation in the United States and/or other countries.

Apple, Macintosh, Safari, Mac OS, iPad, iPhone, iPod touch and OS X are trademarks of Apple Inc., registered in the United States and other countries.

AirPrint is a trademark of Apple Inc.

Linux is the registered trademark of Linus Torvalds in the U.S. and other countries.

UNIX is a registered trademark of The Open Group in the United States and other countries.

Intel is a trademark of Intel Corporation in the U.S. and/or other countries.

Adobe, Illustrator, PostScript and PostScript 3 are either registered trademarks or trademarks of Adobe Systems Incorporated in the United States and/or other countries.

Wi-Fi, Wi-Fi Alliance and Wi-Fi Protected Access are registered trademarks of Wi-Fi Alliance.

WPA, WPA2, Wi-Fi Protected Setup, Wi-Fi Protected Setup logo and Wi-Fi Direct are trademarks of Wi-Fi Alliance.

Flickr is a registered trademark of Yahoo! Inc.

AOSS is a trademark of Buffalo Inc.

Android, Google Cloud Print, Google Drive, Picasa Web Albums and Google Play are trademarks of Google Inc. Use of these trademarks are subject to Google Permissions.

Nuance and PaperPort are trademarks or registered trademarks of Nuance Communications, Inc. or its affiliates in the United States and/or other countries.

Mozilla and Firefox are registered trademarks of the Mozilla Foundation.

EVERNOTE is a trademark of Evernote Corporation and used under a license.

Each company whose software title is mentioned in this manual has a Software License Agreement specific to its proprietary programs.

**Any trade names and product names of companies appearing on Brother products, related documents and any other materials are all trademarks or registered trademarks of those respective companies.**

# Open Source Licensing Remarks

This product includes open-source software.

Please visit the Brother Solutions Center at <http://support.brother.com> to view the Open Source Licensing Remarks and Copyright information.

## Copyright and License

©2017 Brother Industries, Ltd. All rights reserved.

This product includes software developed by the following vendors:

©1983-1998 PACIFIC SOFTWARES, INC. ALL RIGHTS RESERVED.

©2008 Devicescape Software, Inc. All rights reserved.

This product includes the “KASAGO TCP/IP” software developed by ZUKEN ELMIC, Inc.

## Other Information

FlashFX<sup>®</sup> is a registered trademark of Datalight, Inc.

FlashFX<sup>®</sup> Copyright 1998-2010 Datalight, Inc.

U.S.Patent Office 5,860,082/6,260,156

FlashFX<sup>®</sup> Pro<sup>™</sup> is a trademark of Datalight, Inc.

Reliance<sup>™</sup> is a trademark of Datalight, Inc.

Datalight<sup>®</sup> is a registered trademark of Datalight, Inc.

Copyright 1989-2010 Datalight, Inc., All Rights Reserved

## Brother Customer Service

### Customer Service

---

Visit <http://www.brother.com> for contact information for your local Brother office.

### Service centre locations

---

For service centres in your country, contact your local Brother Office. Address and telephone contact information for local offices can be found at <http://www.brother.com> by selecting your country.

# Unlawful use of copying equipment (Products with scanning function only)

It is an offence to make reproductions of certain items or documents with the intent to commit fraud. The following is a non-exhaustive list of documents which it may be unlawful to produce copies of. We suggest you check with your legal adviser and/or the relevant legal authorities if in doubt about a particular item or document:

- Currency
- Bonds or other certificates of debt
- Certificates of Deposit
- Armed forces service or draft papers
- Passports
- Postage stamps (cancelled or uncanceled)
- Immigration papers
- Welfare documents
- Cheques or drafts drawn by governmental agencies
- Identifying badges or insignias

In addition, driving licenses and/or Certificates of Title to motor vehicles may not be copied under certain national laws.

Copyrighted works cannot be copied lawfully, subject to the “fair dealing” exception relating to sections of a copyrighted work. Multiple copies would indicate improper use. Works of art should be considered the equivalent of copyrighted works.

# brother



[www.brotherearth.com](http://www.brotherearth.com)

Month of publication: 02/2019