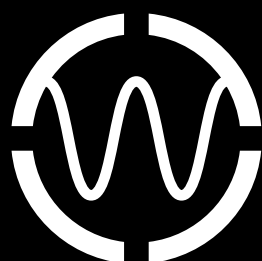


WPS

Optimised Line Array

User Guide



WAVEFRONT
PRECISION



Contents

Introduction

About this Manual.....	4
Important Safety Instructions.....	5
Caution.....	5
Unpacking the Units.....	5

System Overview

WPS.....	6
Mechanical Design.....	6
Acoustic Design.....	6

Accessories

Amplification and DSP.....	7
----------------------------	---

Low Frequency Extension

SXC118 and SXCF118.....	8
-------------------------	---

Rigging and Transportation

WPSGRIDt – Touring Flying Frame.....	9
WPSGRIDi – Install Flying Frame.....	9
WPSOUTRIG.....	9
WPSCART.....	9

DISPLAY

Overview.....	10
---------------	----

VU-NET 2.2

Overview.....	14
---------------	----

WPS Rigging

Overview.....	18
WPS Connections.....	19
WPSGRIDt – Touring Flying Frame.....	20
WPSCART – Transport Cart.....	22
WPSOUTRIG – Ground-stack Bar and Outrigger.....	23
Inclinometer Assembly.....	24
Flown Systems.....	27
Rigging WPS with WPSGRIDt.....	29
Cart Removal.....	29
Flying the Array.....	31

Landing the Array.....	38
WPS Flown with SXCF118.....	40
Ground-stack Deployment.....	43
Ground-stack with SXCF118.....	47
Specifications	
WPS Specifications.....	51

Introduction

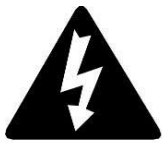
About this Manual

This manual explains in detail the individual components that comprise a complete WPS system. System wiring and rigging is explained, and the two key software packages are covered. It is not, however, the intention for this manual to be the sole tutorial medium for those wishing to use the system. Training is available via the Martin Audio website including video, webinars and formal training in order to help you gain a full understanding of the systems and their operation.

Important Safety Instructions

Please read these instructions and retain for future reference. Heed all warnings and follow all instructions.

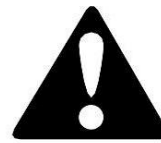
- No naked flame sources such as lighted candles should be placed on the apparatus.
- Do not block any ventilation openings.
- Install in accordance with the Martin Audio instructions.
- Do not install near any heat sources such as radiators, heat registers, stoves or other such apparatus that produce heat.
- Do not defeat the safety purpose of the grounding-type plug. A grounding plug has two blades and a third grounding prong. The third prong is provided for your safety. If the provided plug does not fit your outlet consult an electrician for replacement of the obsolete outlet.
- Protect the power cable from being walked on or pinched particularly at plugs, convenience receptacles, and the point where they exit from the apparatus.
- This equipment must be earthed.
- Only use attachments / accessories specified by Martin Audio.
- Use only with wheelboard and rigging hardware specified by Martin Audio. When moving using supplied wheelboards, caution should be used to avoid injury from the cabinet tipping over.
- Unplug this apparatus during lightning storms or when unused for long periods of time.
- No user serviceable parts inside. Refer servicing to qualified service personnel. Servicing is required when the apparatus has been damaged in any way such as power supply cord or plug is damaged, liquid has been spilled or objects have fallen into the apparatus, the apparatus has been exposed to rain or moisture, does not operate normally, or has been dropped.
- Do not remove covers.



DO NOT EXPOSE TO
RAIN OR MOISTURE



NE PAS EXPOSER A LA
PLUIE NI A L'HUMIDITE



Caution

To reduce the risk of electric shock do not remove any covers. There are no user serviceable parts inside the units. Refer servicing to qualified service personnel only. Call Martin Audio Ltd on +44 (0) 1494 535312 or e-mail info@martin-audio.com for service.

Unpacking the Units

After unpacking the unit, please check it carefully for any damage. If any is found, immediately notify the carrier concerned – you, the consignee, must instigate any claim. Please retain all packaging in case you need to return the unit.

Please consider the environment. When the product has reached the end of its useful life, please dispose of it responsibly through a recycling centre.

System Overview

WPS

WPS is a three-way, passive, small format line array element consisting of two bass reflex loaded 8" neodymium magnet low frequency drivers, four 4" neodymium magnet mid frequency drivers, and four 1" neodymium magnet high frequency compression drivers loaded on a coplanar waveguide. In conjunction with automated DISPLAY system design and VU-NET network control software applications, WPS features scalable resolution for advanced array control, resulting in outstanding levels of consistent, high quality audio that can be distributed to every point throughout the audience in a venue.



WPS is a new breed of small-format optimised line array which brings innovative acoustic design, ultra-high performance and coverage consistency to a wider range of users, applications and budgets than previously possible. The three-way, passive system features reflex loaded low-frequency, and horn-loaded mid and HF sections to raise efficiency and increase output. Its high efficiency acoustic design can equal or outperform larger, direct radiating designs

Mechanical Design

WPS is designed to be easy to handle, safe and easy to rig. The cabinet is constructed from high grade multi-laminate birch plywood, with an integral 3-point rigging system. Two side pocket handles and two rear grip handles make handling safe and easy, and the cabinet is finished in black textured paint with a fabric-backed protective steel grille

Acoustic Design

The WPS low frequency section consists of 2 x 8" (203mm) long excursion bass reflex loaded neodymium drivers. Both drivers are set back behind the walls of the HF horn, with a small volume of air in front of each driver increasing the output at the upper end of its operating range. The LF exit apertures are spaced apart horizontally to provide useful LF horizontal pattern control.

The mid-range section consists of four close-proximity compression loaded 4" (101mm) paper drivers that raises efficiency and enter the horn walls via annular slots close to the HF throat to sum effectively with the HF wavefront.

The high frequency section consists of 4 x 1" (25mm) horn loaded compression drivers – the use of multiple small HF drivers instead of traditional large diaphragm CD drivers results in less distortion and extended HF response.

Accessories

Amplification and DSP

iK42



The iKON iK42 is an advanced 4-channel controller amplifier which combines very high-power density with superb audio performance, state-of-the-art DSP and network control for WPS systems.

The iK42 can deliver a full 5000 watts per channel into 2 ohms with all channels driven while remaining highly efficient. Its high efficiency reduces the energy drawn from the mains supply and ensures the power reserves needed to deliver superb sound under arduous live conditions.

Ethernet is used for system remote control and monitoring via Martin Audio's VU-NET software application, while a user-friendly front panel interface allows full local control of all features. Dante digital audio network inputs are also provided for digital audio distribution and control.

Powerful DSP is fully integrated into the iK42 to provide a multitude of features that ensure maximum performance and worldwide compatibility. It also provides up to 1000 FIR filter taps @ 48kHz on each output channel, which is essential to implement DISPLAY's wide bandwidth optimisation process in WPS line array systems. The iK42 employs comprehensive protection functions to maintain safe operating conditions of both the amplifier and the loudspeakers driven — including a sophisticated loudspeaker limiter suite which incorporates peak, RMS and excursion limiting, as well as multiband limiting for passive 2-way systems.

iK42AMPRACK32+

The iK42AMPRACKUK(US)+ is a tour grade amplifier rack with a shock mount chassis. The rack consists of:

3 x iK42's

1 x INDIST1U+

1 x IK42DISTUK(US)+

2x ASF14020

Low Frequency Extension

SXC118 and SXCF118



Designed for touring sound and installations, the SXC118 and its flown variant, the SXCF118, is a compact, high performance cardioid subwoofer. It features an 18" (460mm) forward facing driver and a 14" (356mm) rear facing driver, each driven independently by separate amplifier channels and DSP. Each driver has its own chamber with optimised bass reflex porting.

This arrangement produces a cardioid dispersion pattern which maximises the front radiation and reduces unwanted radiation behind the subwoofer.

The recommended iK42 amplifier optimises the DSP parameters for front and rear drivers to maximise the rear rejection — from 21dB at 43Hz to 28dB at 75Hz. This keeps low frequencies away from stages, turntables and walls as well as reducing reverberant energy in the room, greatly improving the system's low frequency response accuracy and impact.

In front of the enclosure, the output from the two drivers is additive, giving an extra 2dB of output when compared with a conventional 1 x 18" subwoofer.

Rigging and Transportation

WPSGRIDt – Touring Flying Frame

WPSGRIDt is a tour grade flying frame designed to fly up to 24 WPS, or a combination of SXCF118 and WPS.

WPSGRIDt versatility allows ground-stacking WPS with positive and negative array angles in conjunction with the WPSOUTRIG ground-stack kit, or the ability to securely rig onto the SXCF118.



WPSGRIDi – Install Flying Frame

WPSGRIDi is an install flying frame designed to fly up to 16 WPS for permanent installation. Ground-stack not available with this accessory.



WPSOUTRIG

Stabilising accessory and angle bar used in conjunction with the WPSGRIDt for ground-stack options.



WPSCART

The WPSCART is a tour ready cart used to transport 4 x WPS safely and efficiently. Inter-cabinet angles can be pre-selected to reduce deployment time and cabinets can easily be positioned and integrated into the array using the captive cart locking system.



DISPLAY

Overview

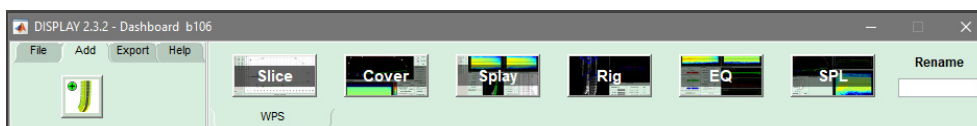
DISPLAY is a unique software application for Wavefront Precision systems which calculates both inter-cabinet splay angles and the DSP parameters for optimum system performance in any given space. Unlike competitors' systems which generally use a basic geometric calculation to aim their arrays, DISPLAY uses an extremely accurate computer model of the array to analyse the system performance in a drawing of the venue. This allows DISPLAY to precisely calculate the parameters for the system to get exactly the coverage you have specified. As a system designer you determine exactly how you would like the system to perform in the space; the SPL contour from the front to the back of your audience region, how much spill into non-audience areas is acceptable and even specify designated Hard Avoid® areas that the system will actively process to reduce spill to a minimum - great for producing a quiet stage or for reducing off-site noise pollution at outdoor events.

The application is very straightforward to use taking you through a series of steps in a logical order. In fact, it won't allow you to attempt to design a system in the wrong order; steps need to be completed one after the other in the correct order making it very straightforward to design an array that will perform to its maximum potential.

DISPLAY opens with a dashboard at the top of the screen prompting you to specify your array, which is the first step of the design process. WPS is available along with the all the other WP Series and Multicellular family of products. You next specify how your array will be deployed – flown, or ground-stacked – specify the number of cabinets and give the array a name.

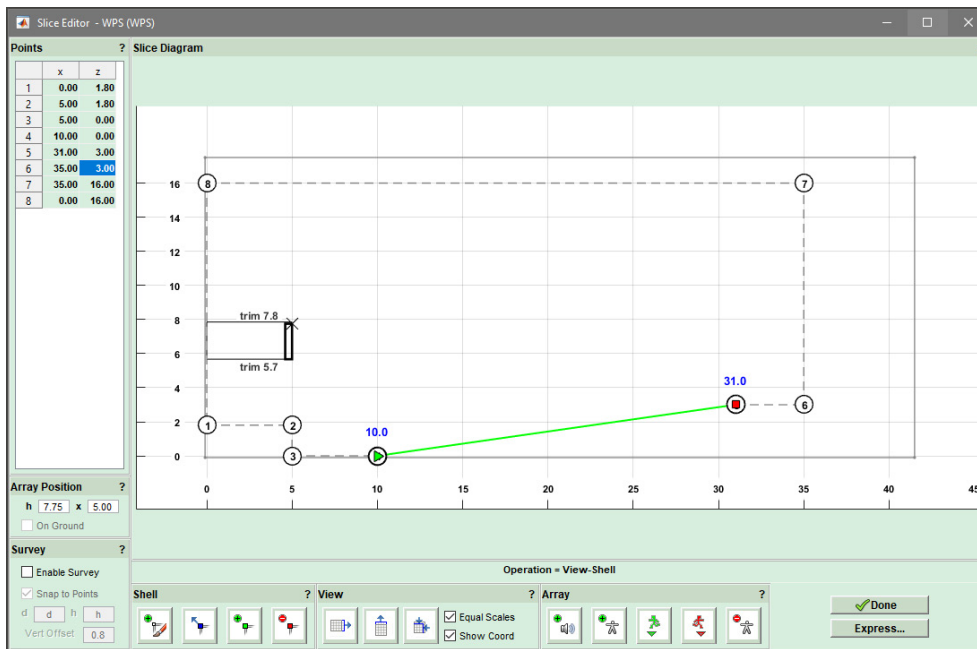


The dashboard changes to show the tabs from left and right in the order in which the design will be completed.

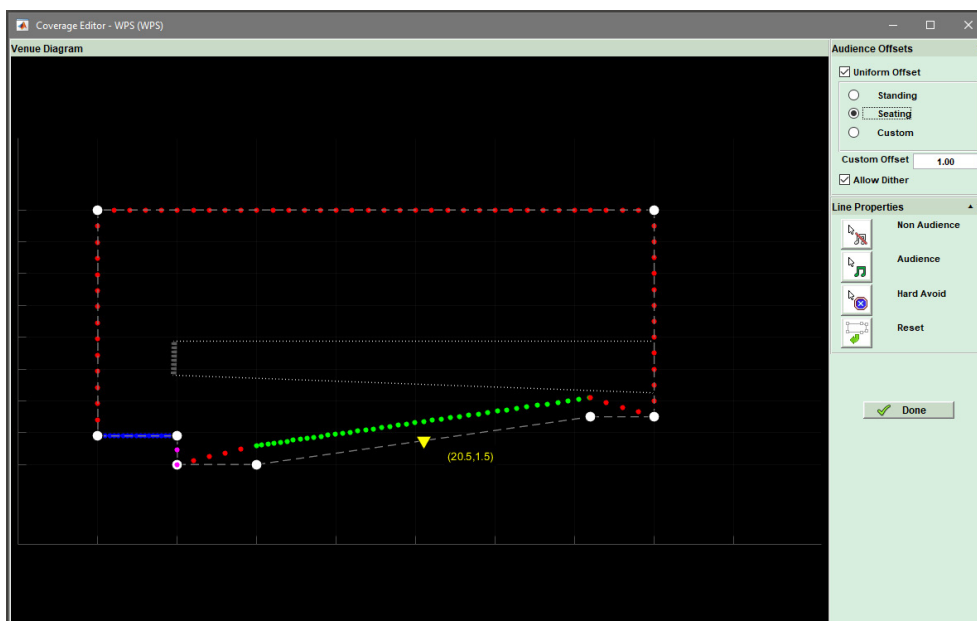


First a 2D slice of the venue is created, the coverage within the venue is specified and the splay angles calculated. A rigging report allows you to deploy the array and whilst that is being done the EQ coefficients are calculated. Finally, an SPL report gives detailed information showing exactly how the system will perform. The computer model is accurate to within +/- 1dB of actual measured results, meaning the SPL tab is a reliable overview of how well your system design will cover the space.

The 2D slice is either drawn from scratch or you can also import a shell drawing from a previous project if you are working in a venue you have visited previously. The slice is a side view of the venue. It is drawn anticlockwise starting at the back of the stage and clicking to define the position of vertices that define all the planes within the venue. This doesn't have to be done accurately as you can refine the precise position of the points working from architects' drawings or measurements you have taken yourself. The array is positioned, and the audience region specified from start to finish.

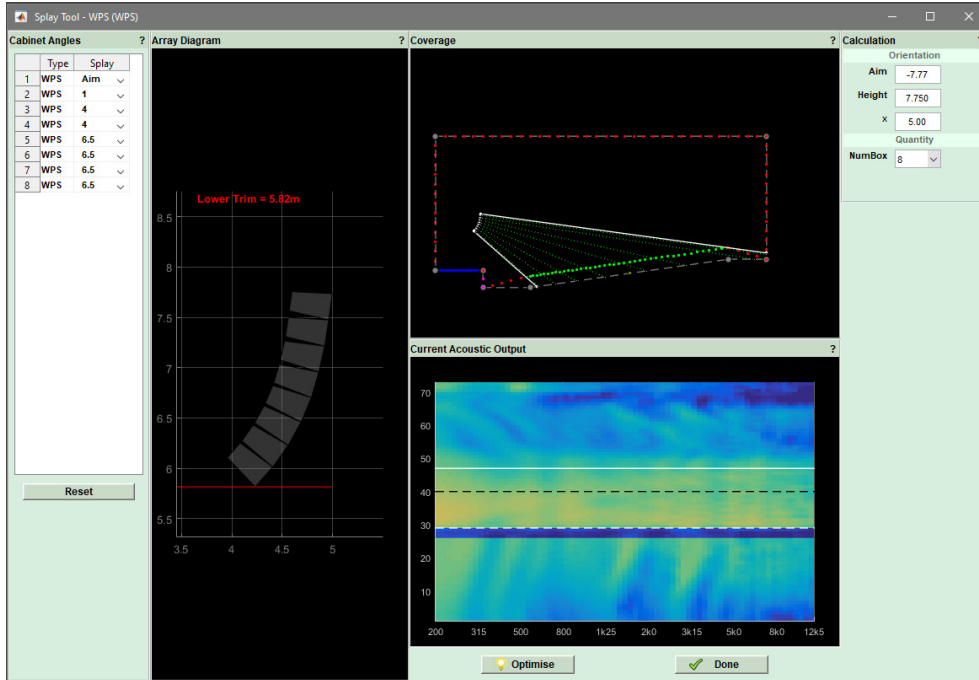


The coverage tab shows your 2D model with the planes refined into three types; audience in green, non-audience in red and hard avoid in blue. Each dot represents a virtual microphone position at which the software will take response measurements using the integral computer model. The dots in the critical audience region are closer together for greater accuracy and are spaced closer together at the start of the audience region to mirror how each region is covered by sections of the array. The audience offset can be edited – standing, sitting or a custom offset – and each region can be edited, perhaps changing a section under a balcony from audience to non-audience for example. The SPL profile can be modified and the environmental conditions entered to allow optimisation to compensate for air absorption, particularly critical for outdoor events.

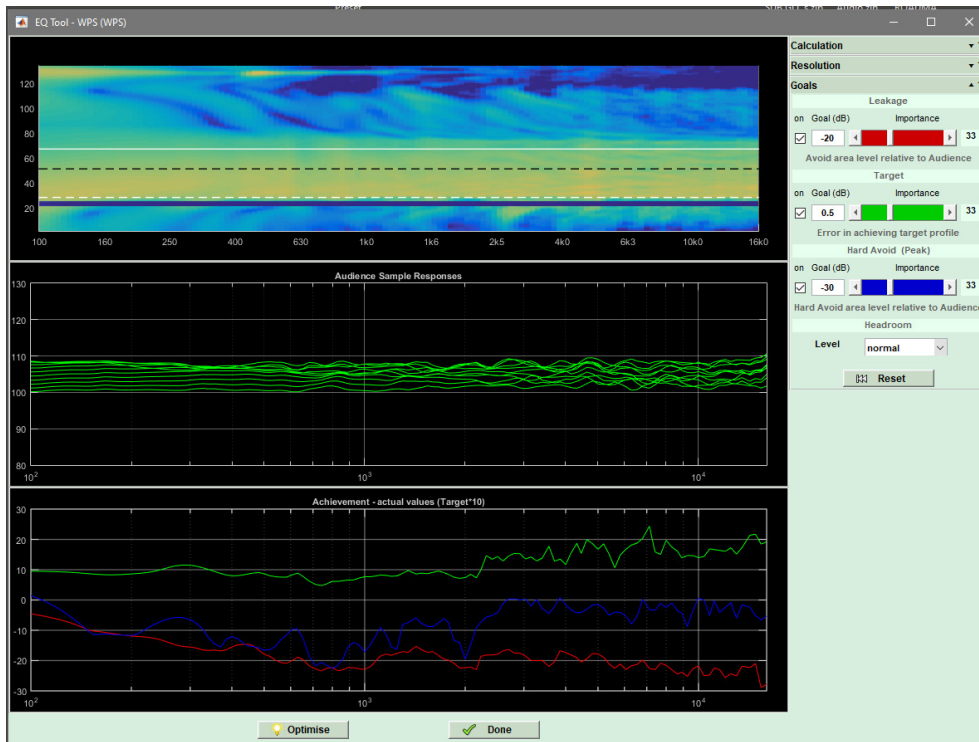


Once this is complete you can further refine how the array is to be deployed in the 'Rig' tab; choosing for example between a 2-point hang and a single point for which the application will display the best position on the flying frame to give the nearest angle to the optimised aim. The actual physical angle that the specified hole in the frame will give will be displayed, with the option to use this angle in the optimisation so that the array EQ is optimised for the actual physical position in which the array is installed.

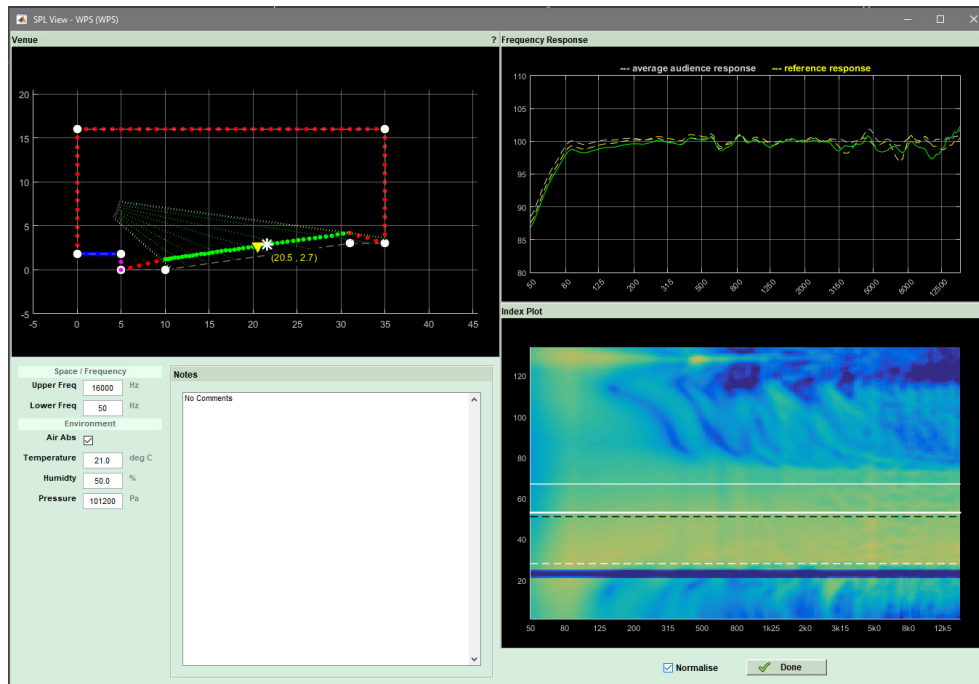
Finally, the load on each flying point is shown and critically the 'Rig' tab shows if the array is safe and meets both BGVC1 and DIN18800 standards.



With the physical deployment underway you can progress to optimise the EQ. Again, you can enter the environmental conditions and can balance the three goals of response in your audience region, leakage to non-audience and the Hard Avoid performance. By default, each are given equal importance but if your application demands particular emphasis on any one of these parameters, they can be given greater importance. Resolution is entered as 1, 2 or 3 box for WPS.



The SPL tab shows the system performance. The entire venue SPL is displayed on an index plot with frequency along the horizontal axis and position within the venue along the vertical. SPL is indicated with colour, blue being quietest moving through the colour spectrum to red which is the loudest. You can move the cursor around the index plot and the position is shown on the 2D slice of the venue top left whilst showing the frequency response at that position on the graph on the right.



The final stage is to export your design. You can produce a printable rigging report, a wire-frame 3D model of the array, export 3D data for use with EASE and most importantly export the project as a D2P file which can be uploaded directly to an iKON amplifier for powering Wavefront Precision systems

DISPLAY can be downloaded from the Martin Audio website: www.martin-audio.com/support/software. There is also a comprehensive user guide to take you through the design process in detail. We strongly recommend downloading the user guide to fully understand the application.

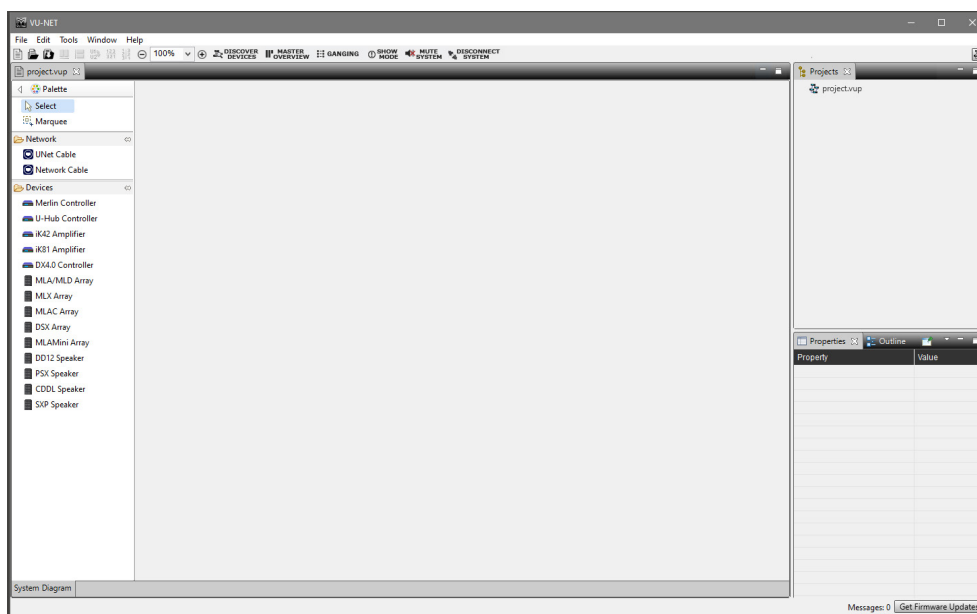
VU-NET 2.2

Overview

VU-NET is Martin Audio's application which is used to connect to iKON amplifiers and a growing number of products including the MLA family, CDD-LIVE!, PSX and DD12. This makes it possible to create a system with products from several different ranges and control and monitor them from a single software platform.

Connection to iKON amplifiers is made over a standard Ethernet network using off the shelf networking products so remote access to control Wavefront Precision systems is extremely straightforward. Complex systems with large numbers of amplifiers can easily be created using standard network switches, the system by default is configured with dynamic IP addressing so DHCP or APIPA support will be required however a static IP configuration is also easily enabled.

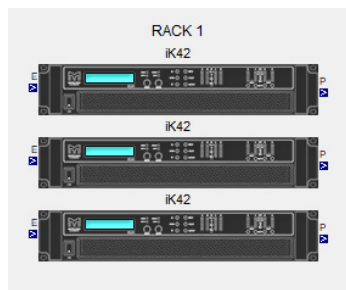
VU-NET is used to upload the presets created using DISPLAY into the amplifiers which will automatically create a thumbnail of the Wavefront Precision array that has been designed. Once the array has been created, all of the amplifier functions are available for control to make any changes you may need to make to routing, polarity, delay or system EQ. Once the system is configured the amplifiers can be kept online to give comprehensive monitoring of the system performance.



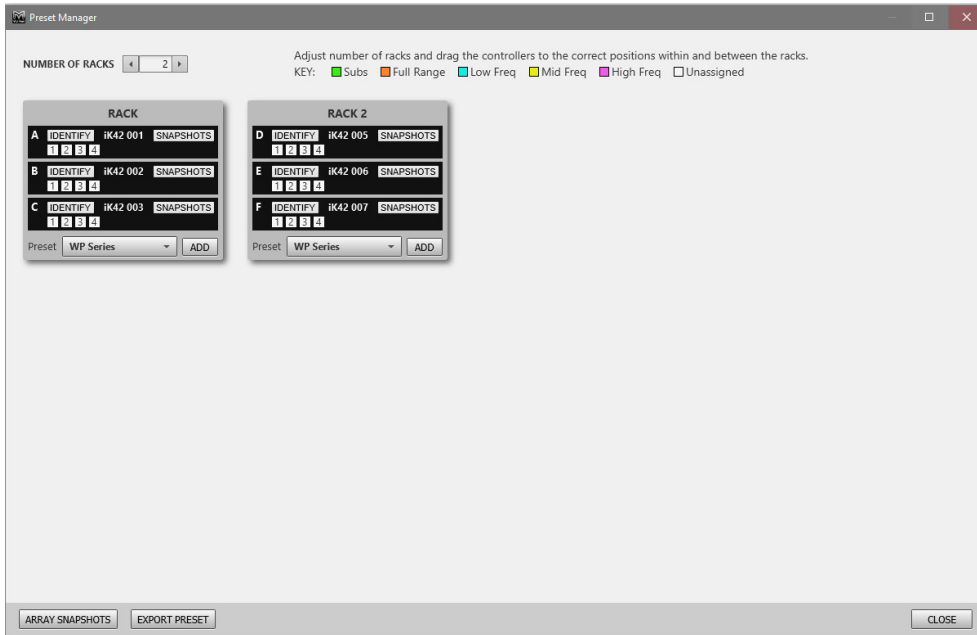
The application opens with a blank system diagram. It is possible to add products manually using the 'Palette' on the left, but this has limited use. However, in practical applications the 'Discover Devices' button is used.



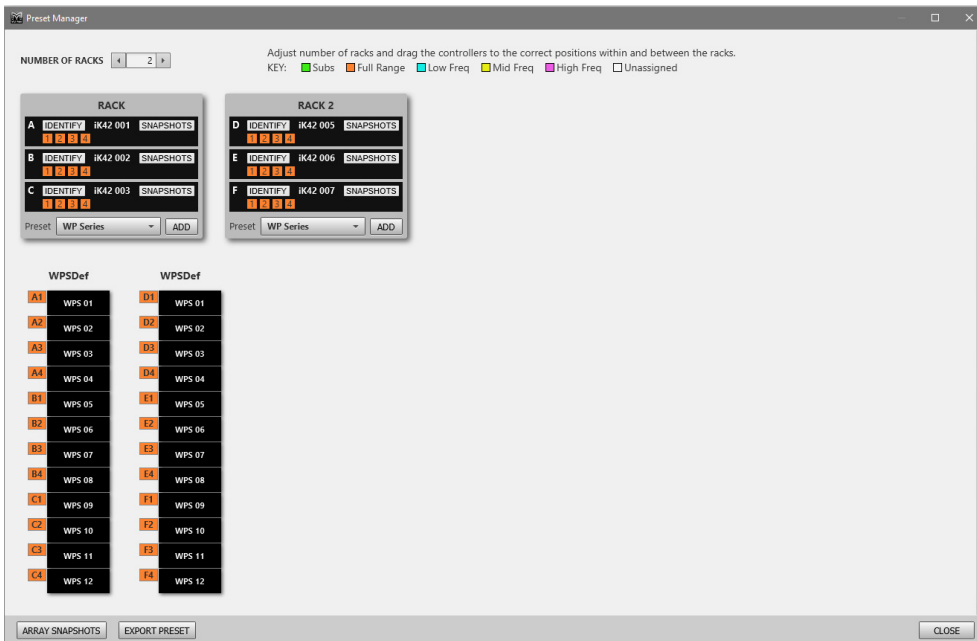
The application searches the network for all VU-NET enabled devices and will run an installation wizard to add them to the VU-NET project.



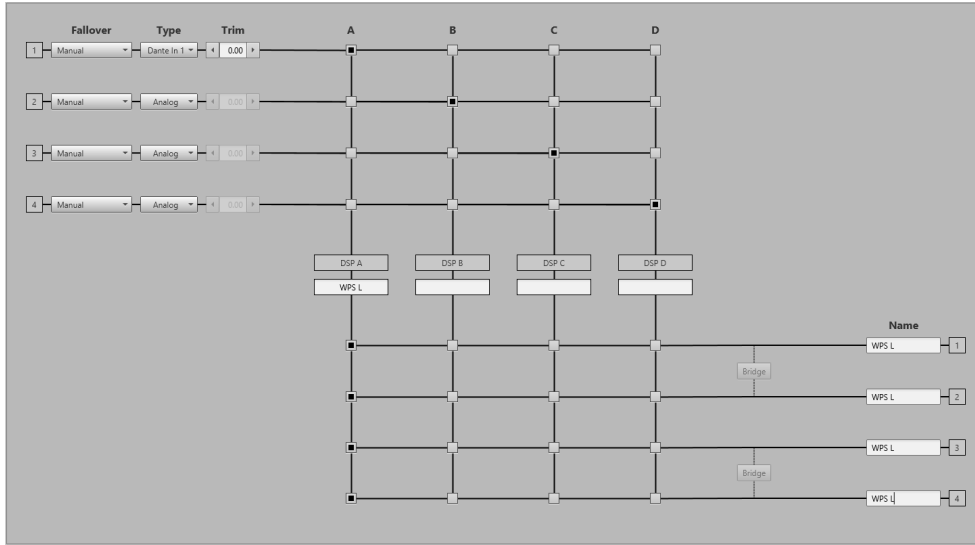
The next stage is to right click on the amplifiers to access the 'Preset Manager'.



From here the system allows you upload the D2P file of your system design.



You can now return to the project system diagram, double click on the amplifiers and edit the system to suit your application, perhaps changing the inputs to DANTE.



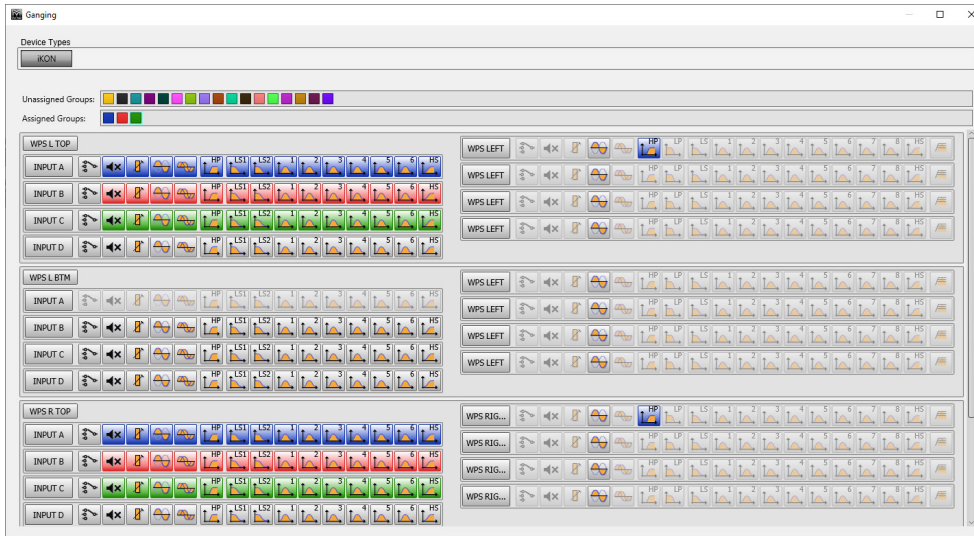
Input EQ can be adjusted to change the tonal balance and/or compensate for room acoustics.



The output EQ is greyed out as it is used to apply the EQ created by your DISPLAY project, however the high-pass filter is available for adjustment so you can determine the crossover point between the WPS array and your subwoofers.



Comprehensive ganging is available so for example you can ensure that stereo arrays remain completely identical.



Once the system is configured to your satisfaction the 'Master Overview' gives a complete picture of even the most complex system allowing you to monitor all metering and access commonly needed functions such as gain and mute.



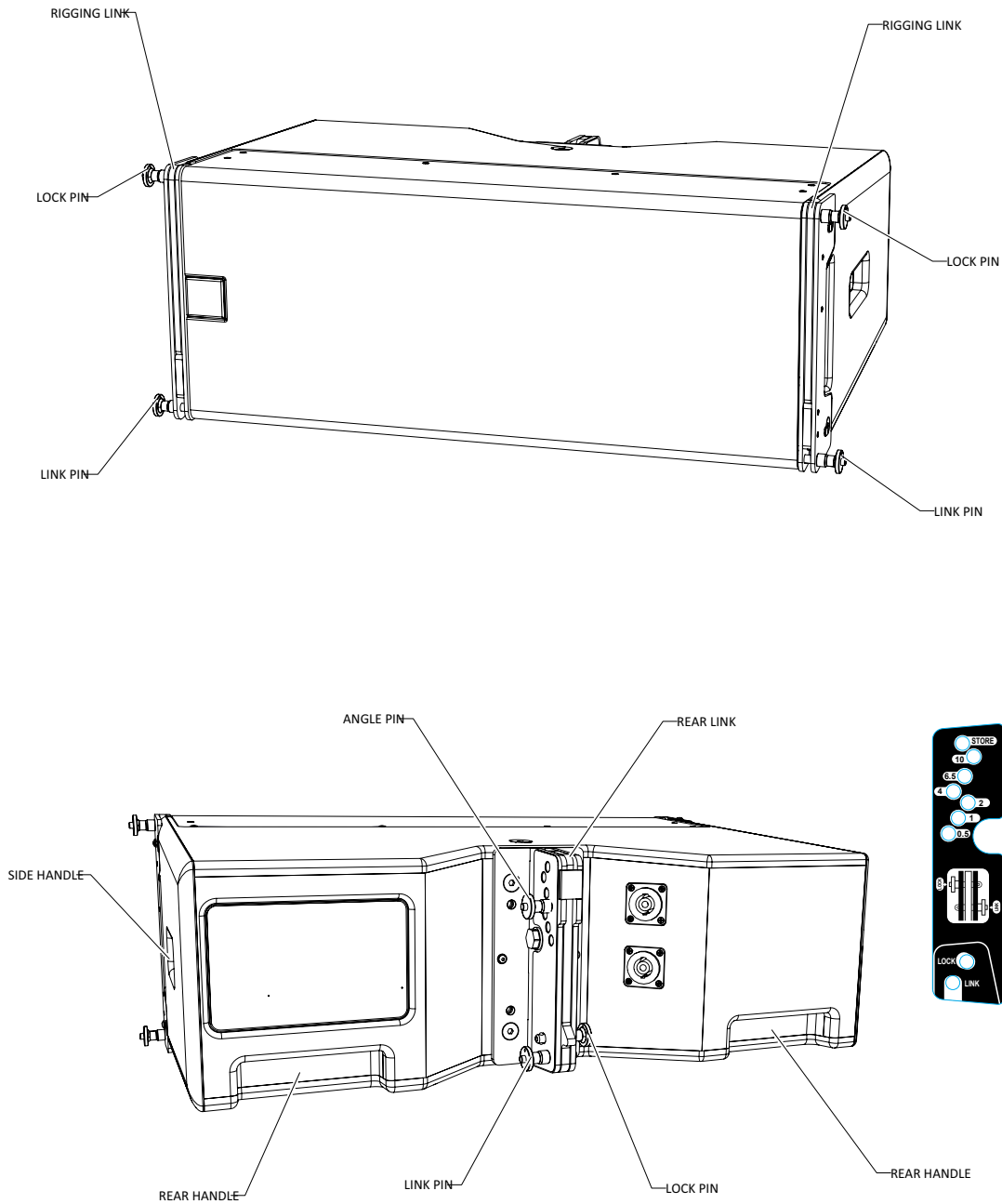
VU-NET is a free download from the software page of the Martin Audio website at www.martin-audio.com/support/software.

VU-NET is a comprehensive application with a host of functions to enable control and monitoring of almost every parameter of a system. For full details we would strongly recommend downloading the VU-NET user guide which can be found on the same page as the application download.

WPS Rigging

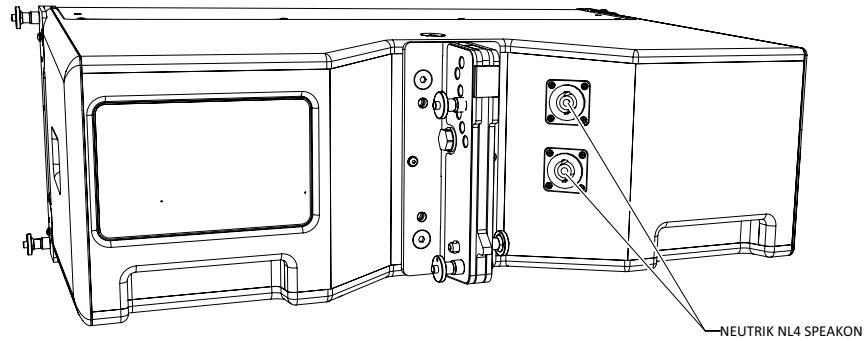
Overview

WPS three-point rigging system consists of two rigging points at the front and a single rigging point at the rear of the cabinet. The rear rigging bracket assembly provides eight rigging holes allowing for inter-cabinet angles of 0.5°, 1°, 2°, 4°, 6.5° and 10°, as well as STORE, LOCK, and LINK positions, for flying arrays or for use when assembling ground-stacked arrays.



WPS Connections

The WPS has two parallel wired Neutrik® NL4 connectors on an angled panel at the rear of the cabinet, recessed to avoid damage. Connect speaker cables here.



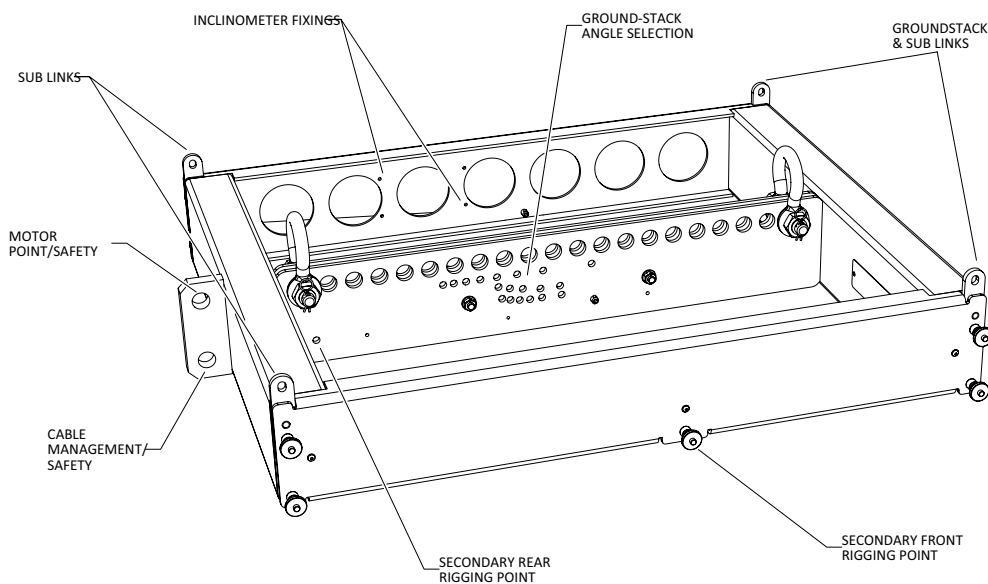
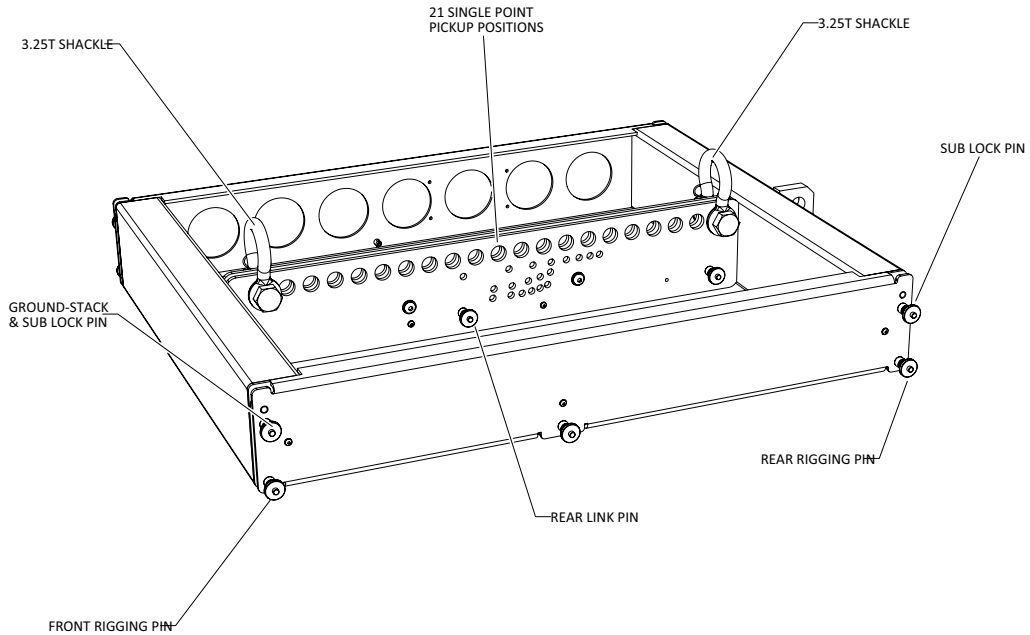
The two NL4s are wired in parallel so either can be used as a nominal 'input' or 'link' output. WPS is a passive system and all speaker cables and link cables must utilise 2-core cable.

When the system is configured for a single box resolution system each cabinet is connected to one amplifier channel. In two box resolution, connection is made from an amplifier channel to the 'input' of one cabinet and the second 'link' NL4 is used to make a parallel connection to the adjacent cabinet. The maximum is three box resolution – that is three cabinets connected to a single amplifier channel.

WPSGRIDt – Touring Flying Frame

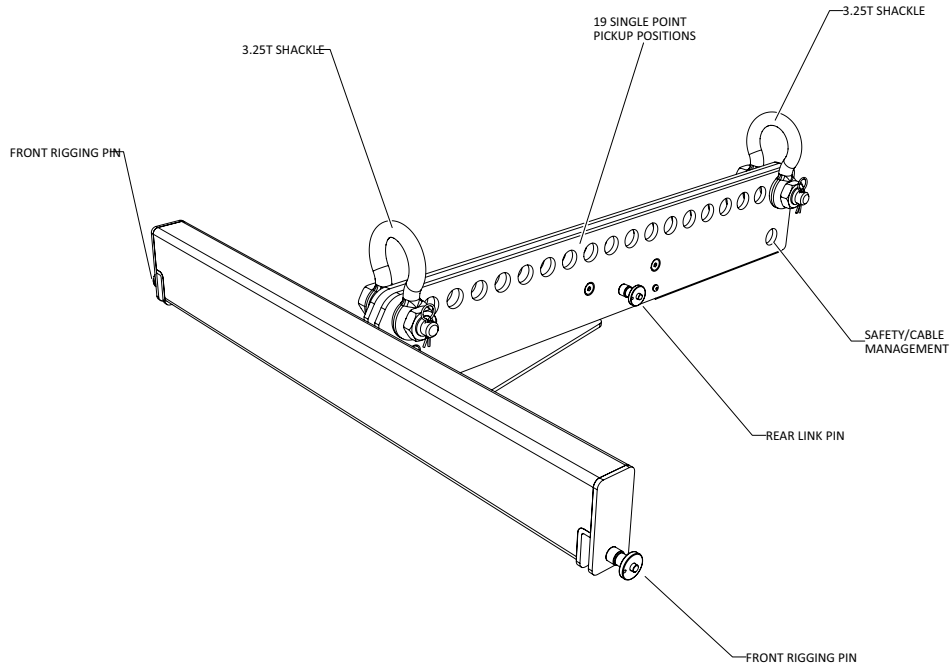
The WPSGRIDt touring flying frame is designed to meet BGVC1 and DIN18800 standards. It is capable of lifting WPS using either one or two lift points up to a maximum of 24 WPS cabinets allowing both positive (up-tilt) and negative (down-tilt) array tilt angles. The touring flying frame can also be used in conjunction with the WPSOUTRIG to ground-stack a maximum of 6 WPS cabinets directly onto the floor. Instructions for this can be found later in this manual.

A two-part inclinometer is available for use with the touring flying frame which displays the angle at which the WPS array is flown (relative to horizontal). It consists of a sensor part number ASM20017 (mounted within the flying frame, one required per grid) and a remote display unit part number ASM20019. Interconnection is via a standard XLR mic cable. A weatherproof 35m (115') cable is available as an optional accessory.



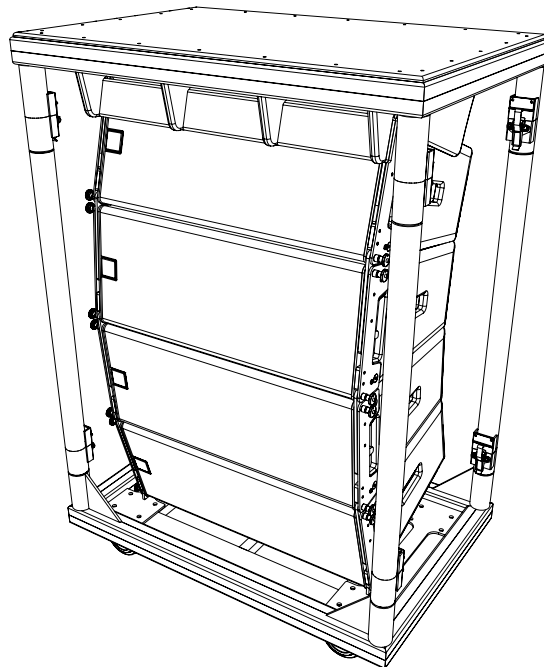
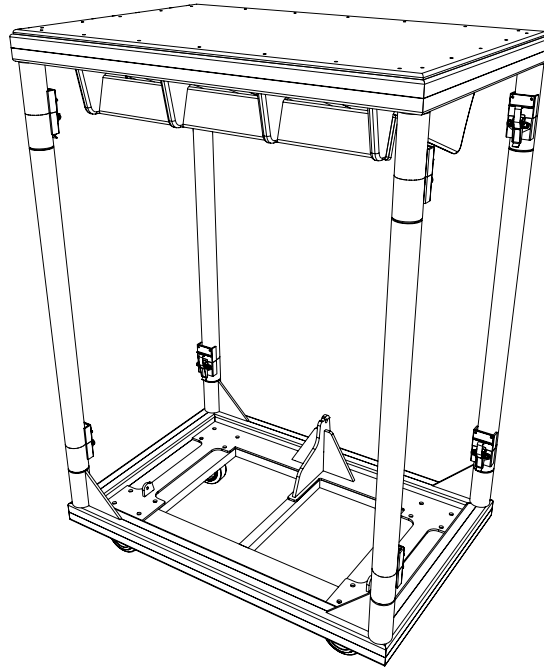
WPSGRiDi – Install Flying Frame

The install flying frame is designed to meet BGVC1 and DIN18800 standards. It is capable of lifting WPS using either one or two lift points up to a maximum of 16 WPS cabinets allowing both positive (up-tilt) and negative (down-tilt) array tilt angles.



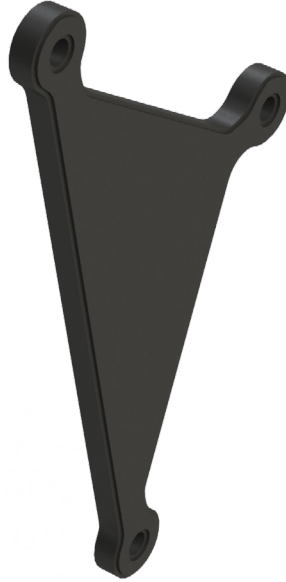
WPSCART – Transport Cart

An optional, dedicated transport cart is available to house an array of four WPS cabinets. This will allow safe transportation and convenient rigging and de-rigging if your system is to be portable.



WPSOUTRIG – Ground-stack Bar and Outrigger

This precision alignment bar is used in conjunction with the touring flying frame to define the angle between the WPS array and the flying frame when the system is configured for ground-stacking. Depending on where the ground-stack bar is attached to the touring flying frame, a range of aiming angles from +5° to -20° can be achieved.



Outrigger brackets are used in conjunction with the flying frame and ground-stack bar for ground-stacked system applications. These attach to the front of the flying frame to improve stability.



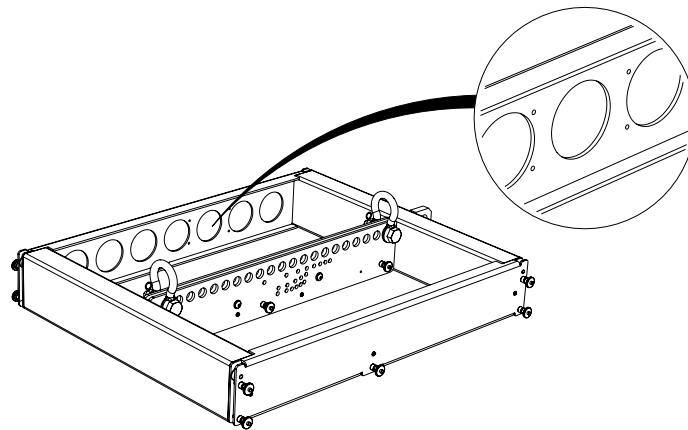
Inclinometer Assembly

Martin Audio supplies an optional remote angle monitoring system which can be used to reliably check the angle at which the WPS array is flown (relative to horizontal). It consists of a sensor (mounted within the flying frame) and a remote display unit. Interconnection is via a standard XLR mic cable.

Fitting the inclinometer sensor to the flying frame

The WPS touring flying grid may be fitted with an inclinometer sensor which is available as an optional accessory part number ASM20017. Once coupled with the ASM20019 inclinometer read-out display via a standard 3-pin XLR mic cable, precise measurements of the angle of the array can be taken to ensure that the DISPLAY optimisation is as accurate as possible.

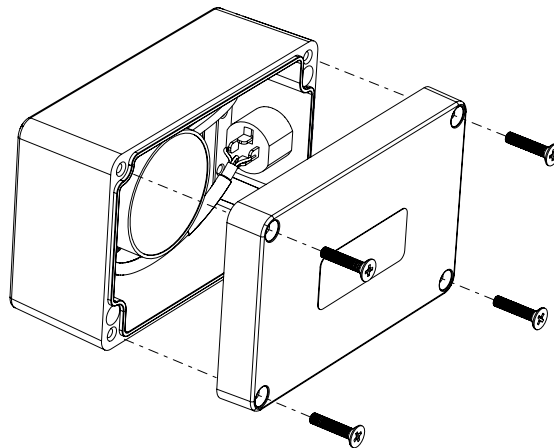
The touring flying frame part number WPSGRIDt has a mounting bracket with M4 threaded holes ready to accept the sensor.



The sensor is housed in a rugged weatherproof diecast aluminium enclosure. Fitting the sensor is a very quick and easy job requiring just two tools, a 3mm Hex key (wrench) and a PZ2 Pozidrive screwdriver.

Remove the lid

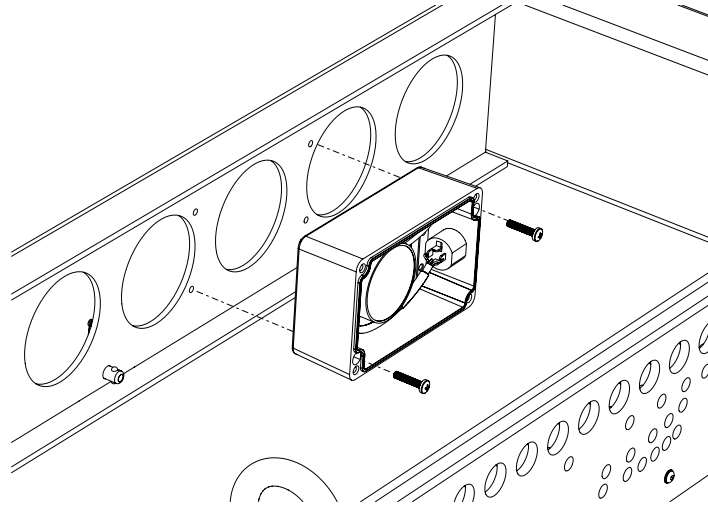
The sensor is attached to the grid with two M4 cap head screws which must be inserted through pre-drilled holes in the box. To access the M4 cap head screws it is necessary to remove the lid of the box.



Using the PZ2 Pozidrive screwdriver, unscrew all four lid screws until the lid can be removed from the base of the box. Note that the screws do not have to be completely removed from the lid, they can remain captive in the lid to prevent them getting lost.

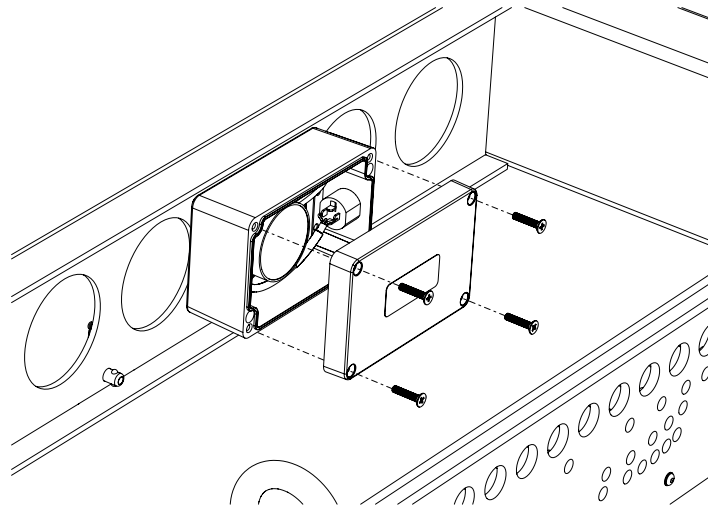
Attach the box to the grid

Position the box on the outside of the bracket on the left side of the grid. There are two M4x20mm cap head screws supplied with the sensor. These go through the holes in the bottom left and top right of the box into the threaded holes in the grid bracket. Tighten using an M3 hex key to ensure a tight fit.



Re-fit the lid

The lid can be re-fitted, check that the gasket on the underside of the lid edge is intact to ensure that the lid is sealed once screwed in position. Note that the design of the box is such that the mounting and lid screws are positioned outside the lid gasket to ensure that there will be no moisture ingress through their holes. All screws are stainless steel to avoid corrosion when used outdoors.

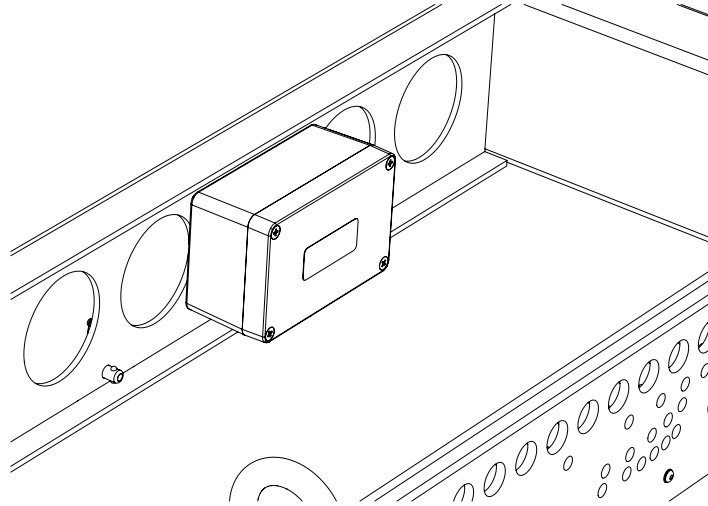


Sensor in position

The sensor is now ready for use. It is entirely passive so needs no power supply or batteries (the read-out display requires two PP3 batteries). It can be connected to the read-out sensor with a standard 3-pin XLR mic cable of any length.

Martin Audio supply a cable designed specifically for use with the inclinometer system, part number PWA00057. This is a 35m cable using high grade AES spec microphone cable fitted with male and female Neutrik NC3XX-HD connectors which are extra rugged and have an IP rating of IP67 to enable use outdoors in all weather conditions.

Note that a single ASM20019 read-out display can be used with any number of sensors. It is not necessary to have the same number of displays as sensors. When using a two-point lift, the inclinometer reader can be monitored to ensure the array aim angle corresponds with the figure dictated by the DISPLAY software.



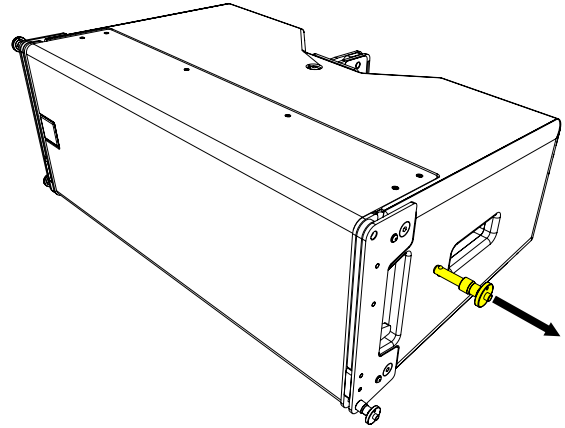
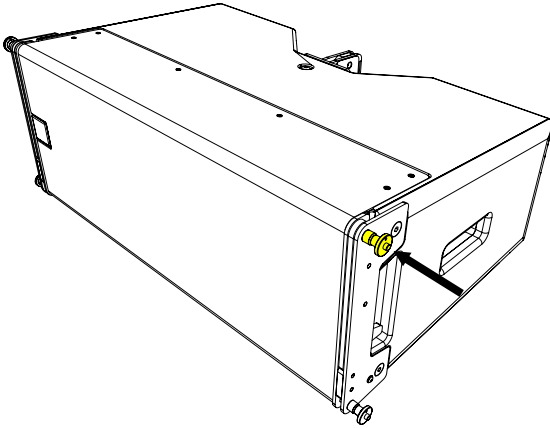
Flown Systems

WPS uses a three-point rigging system. The mechanical load of the array is taken through the side-mounted steel rigging strips which securely connect one cabinet to the next, while the best possible coupling between cabinets is ensured by means of the rear rigging points which allow a range of angle adjustment from 0.5° to 10°.

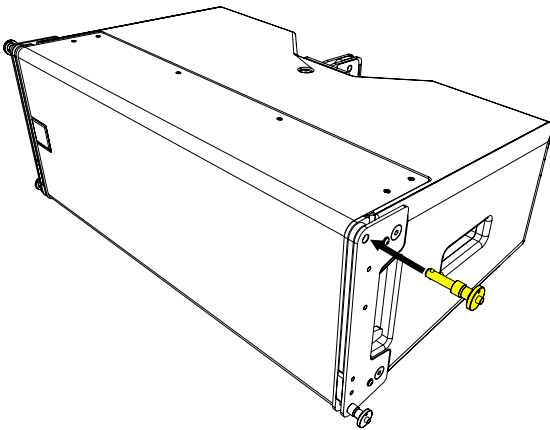
The cabinets are joined using machined quick release lock pins. These have spring loaded ball bearings at the end of the pin which protrude beyond the outer diameter of the pin thus locking them in place.

To release them, the central button is depressed.

Pull the pin clear using the wide flange whilst your thumb depresses the central button.

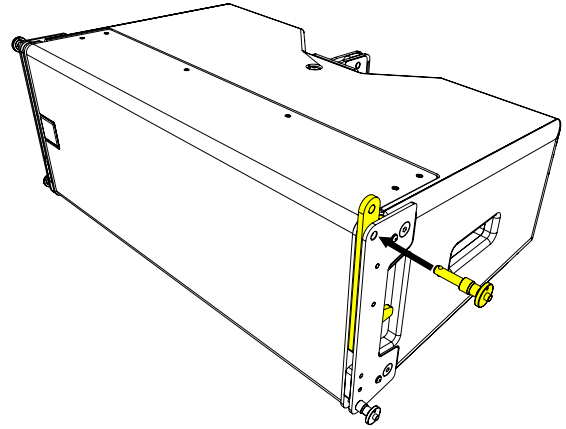
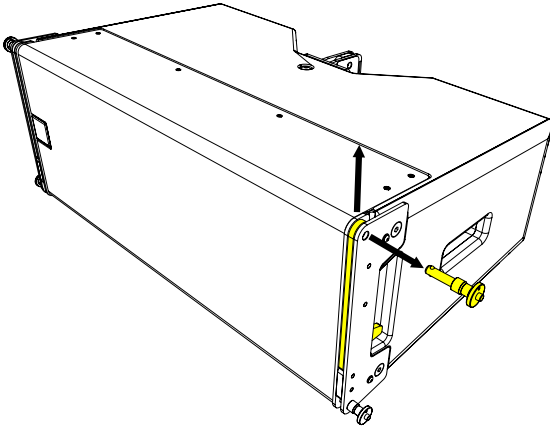


When using the pins to link cabinets, the central button must again be depressed so the pin can be pushed into position.

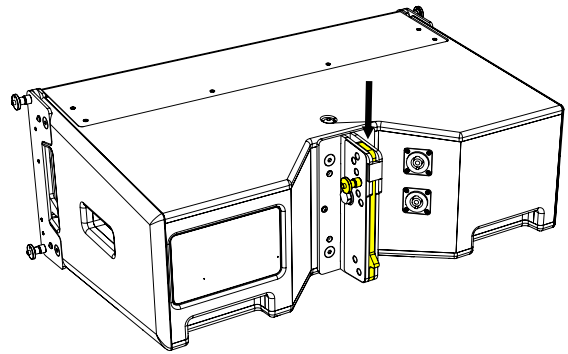
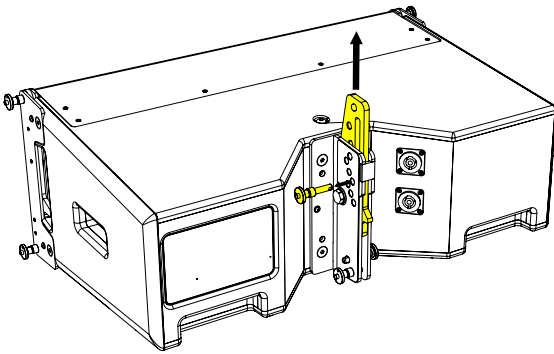


It is important to check that the central button does not remain depressed once you have put it in place as this would indicate that the pin has not been pushed all the way into position and the ball bearings at the end of the pin have not been able to pop out and rigging the pin in place. If the pin is not locked the array is unsafe. The pin **MUST** be repositioned until it is securely locked in place.

The front links are stored in the transit position and secured with lock pins. Remove the pin on each side and raise the rigging bracket, then secure in the raised position by replacing the rigging pins.



Inter-cabinet angles are set using the rear rigging assembly. This consists of a link bar with indexed holes which can be moved upwards and secured with a link pin in one of eight available positions: 0.5°, 1°, 2°, 4°, 6.5° and 10°.



Rigging WPS with WPSGRIDt

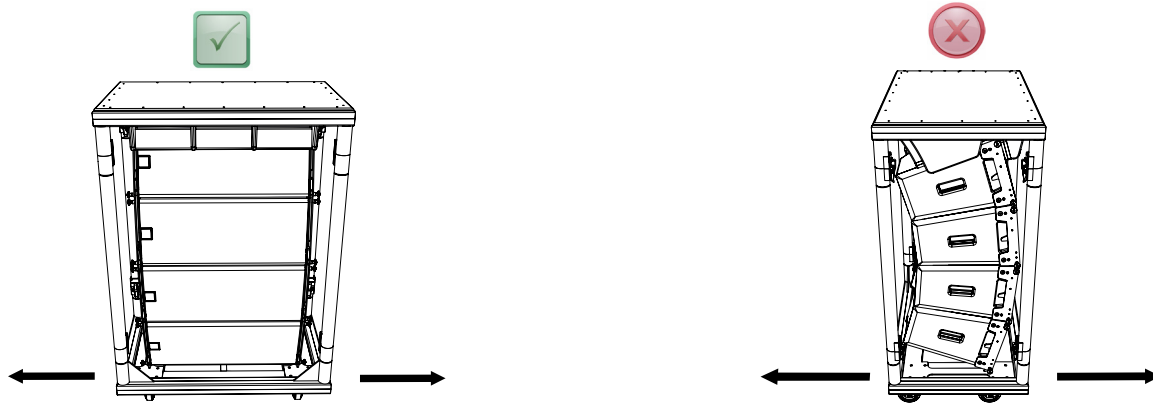
WPS cabinets conveniently truck fully enclosed in a custom designed transport cart, preconfigured in blocks of four, and are rigged straight out of the transport cart to provide an extremely fast and streamlined process.

The cabinets travel in the transport cart at maximum curvature. The transport cart is manufactured around a welded aluminium frame with timber inserts coated in textured paint. It has a shaped timber base with nylon skids to support the cabinets which are attached to the base with rigging pins front and back. There are rubber pads on the underside of the top to hold the four cabinets securely when in transit. After removing the top of the transport cart and the supporting poles, the WPS array is easily accessible for rigging. Rigging pins are inserted at the holes required for the cabinet angles as predicted by your DISPLAY project. The array is then lifted so that the angles open until the rear rigging reaches the stops limited by the rigging pins at the preset angles. A second rigging pin is put in place on each cabinet to lock the angles so the array can't collapse back down.

Once the array is flown out of the transport cart, the poles can be placed in the bottom section and the top latched on to the base keeping it compact for storage.

IMPORTANT SAFETY NOTICE

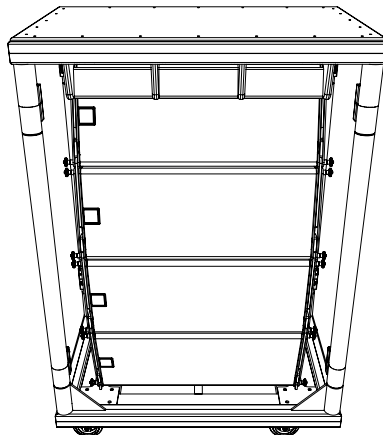
The transport cart must not be moved side-on as there is a danger it could tip, particularly on loading ramps. The cart must only be moved as shown below.



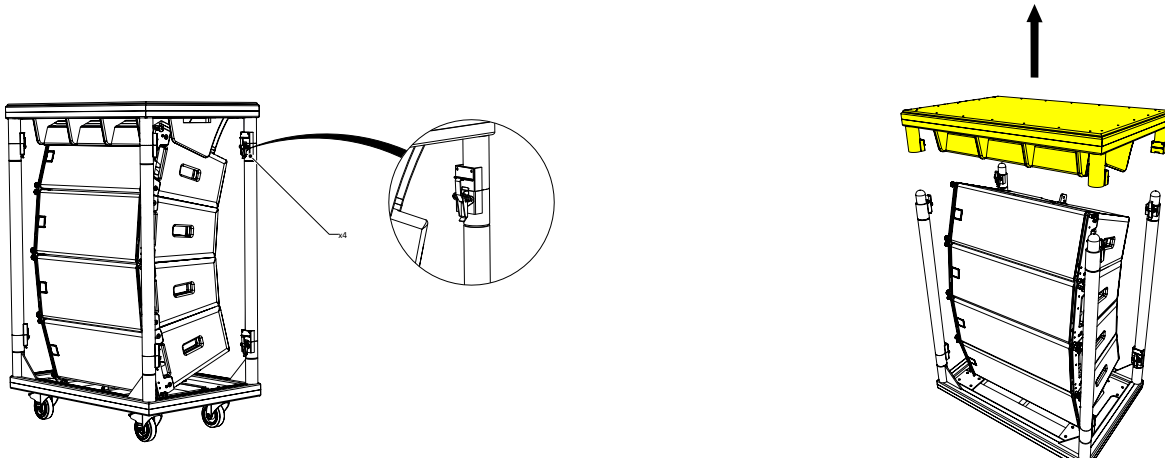
The following example illustrates the procedure for rigging an array of eight WPS cabinets with the WPSGRIDt touring flying frame. A maximum of 24 WPS cabinets may be flown using the WPSGRIDt.

Cart Removal

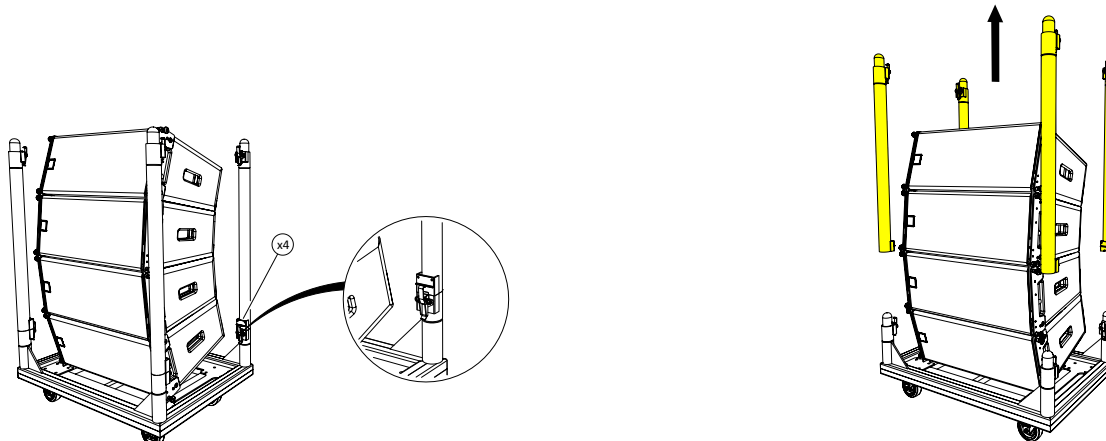
Wheel a WPS transport cart complete with four cabinets into place and position it under the chosen rigging point.



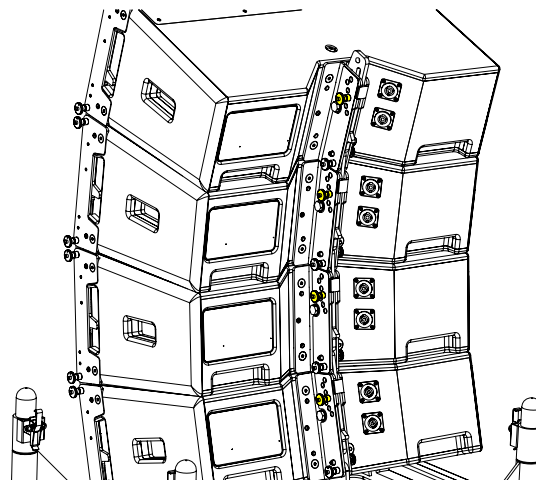
Unlatch the top from the supporting poles in four places, lift it off and set it aside.



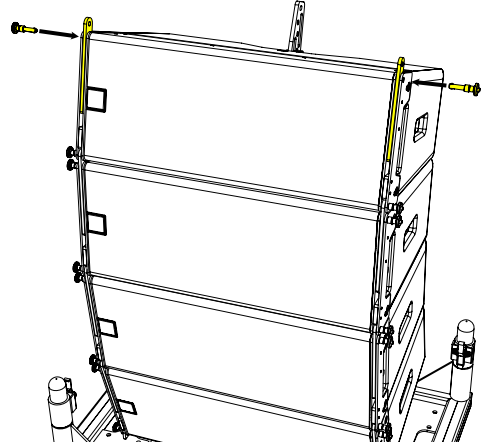
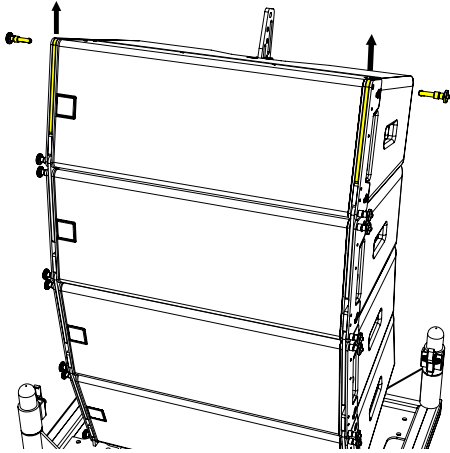
Unlatch the supporting poles from the transport cart tray and lift them off.



With the supporting poles removed from the transport cart the inter-cabinet angles should now be checked or, if not already preselected, set them now according to the predictions from your DISPLAY project.

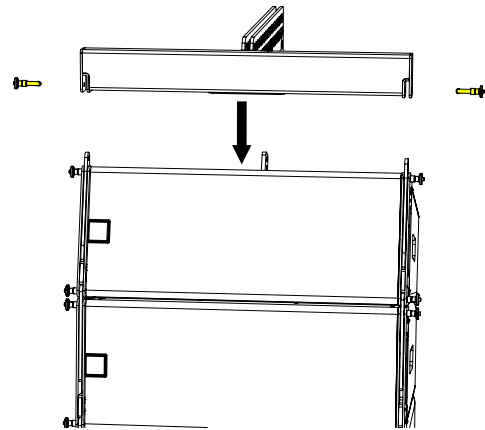
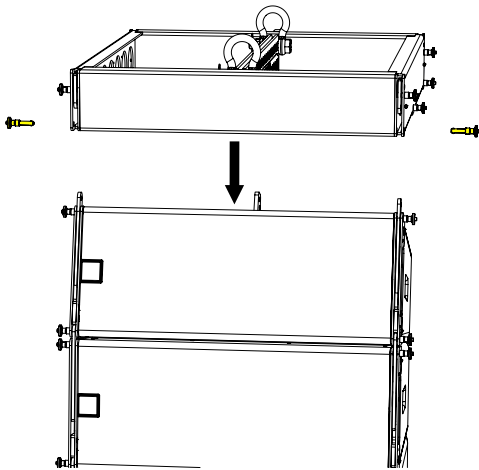


Lift the front links on the left and right of the WPS and pin in position.

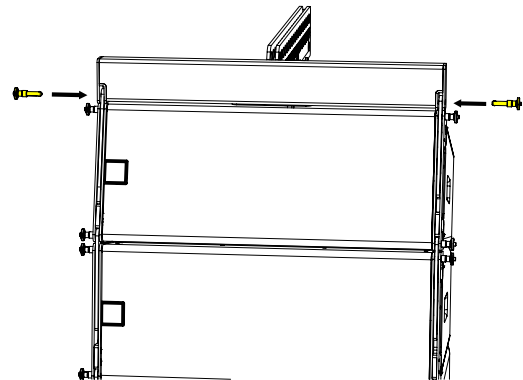
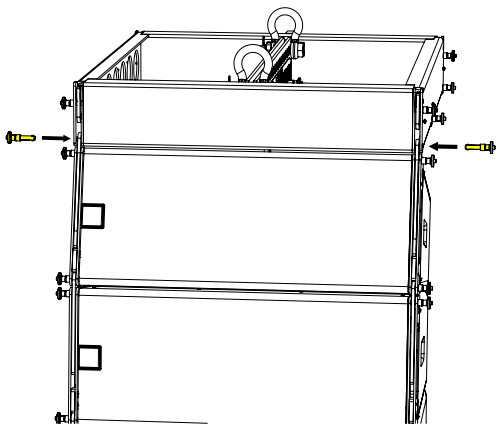


Flying the Array

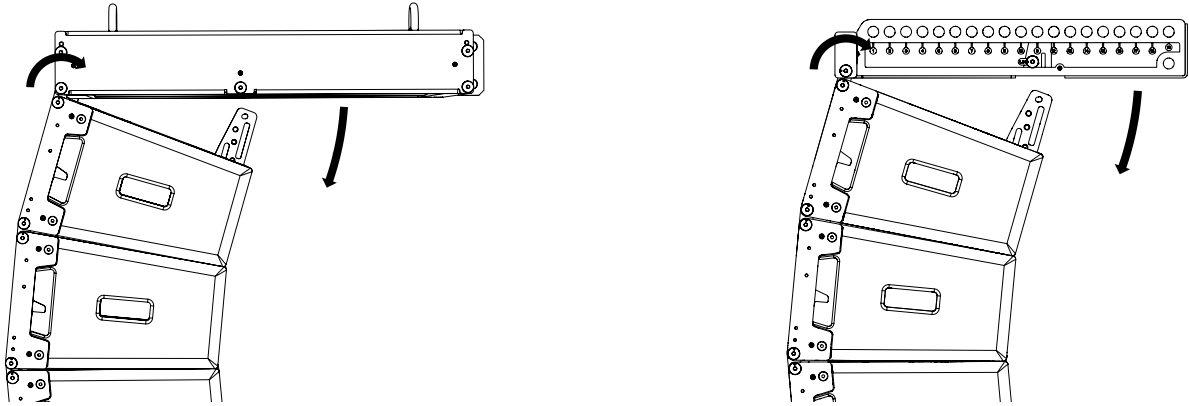
Place the WPSGRIDt or WPSGRIDi flying frame on the top cabinet in either the front or rear position as determined by the DISPLAY project. Most arrays will use the front rigging position, the rear position is required when the array has an excessive up-tilt.



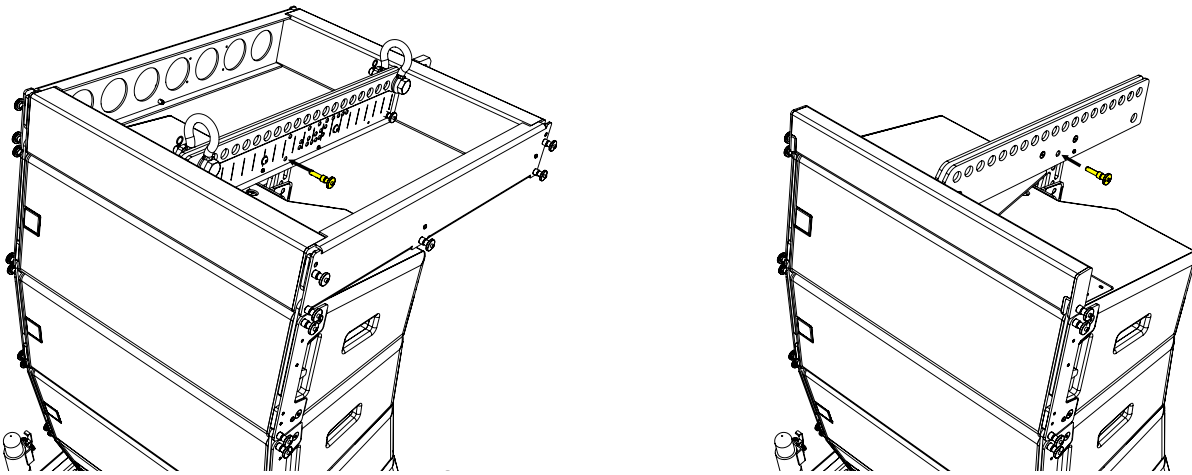
Insert the link pin at the front rigging position on each side.



Attach the rear link from the top cabinet to the flying frame in the LINK position.



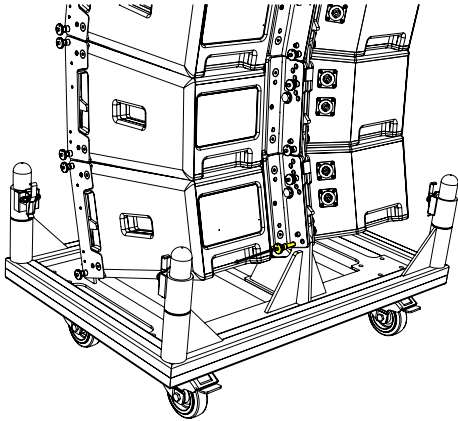
Insert the pin into the LINK hole on the flying frame.



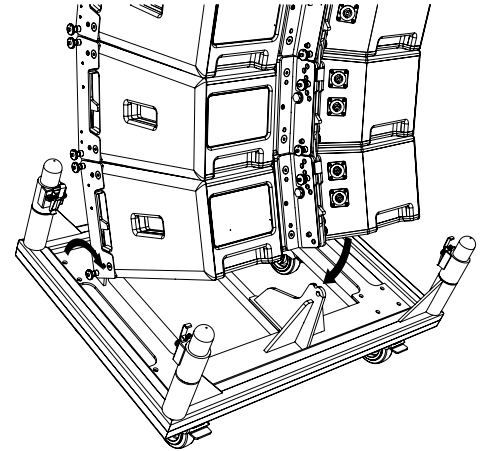
Lift the array until the transport cart is just clear of the ground. As the array goes up the cabinets will open to the angles that you have preselected from the DISPLAY project prediction. Insert the lock pin at the LOCK position on each cabinet to lock the inter-cabinet angles. At this stage the cable loom should be attached to the grid and the first four cabinets connected. As more cabinets are added they should be connected to the loom and link cables between cabinets connected where required. Cables are not shown for clarity.



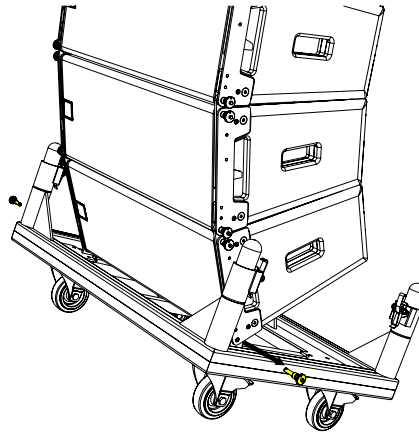
Support the rear of the cart and remove the rear pin holding the cart to the array.



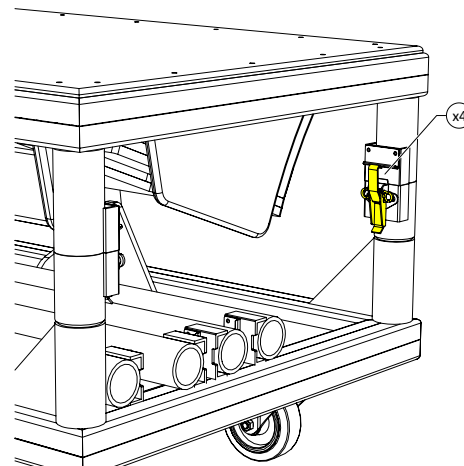
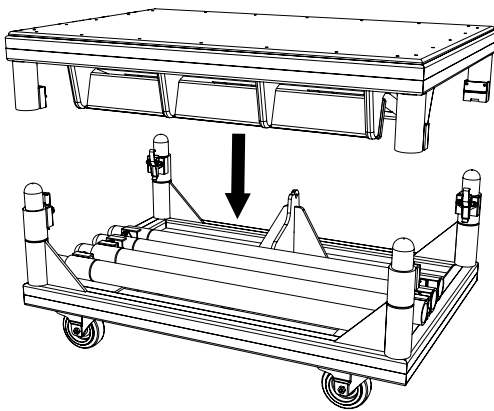
Lower the back of the cart to the ground.



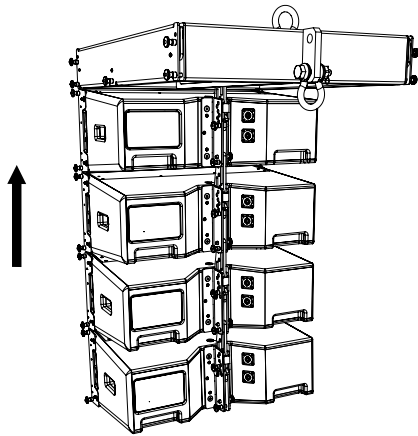
Repeat at the front of the array supporting the cart and removing the pins holding the cart to the array.



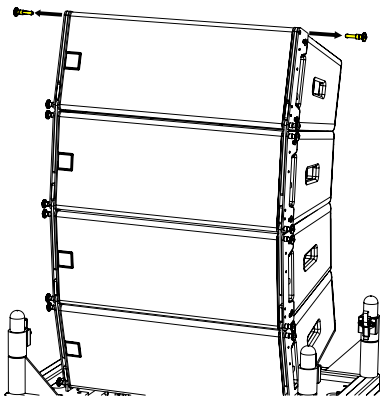
Once the cart is removed the four supporting poles can be placed in the base and the top fitted directly to the base and the two clipped together. The assembly can now be moved to a suitable location for storage.



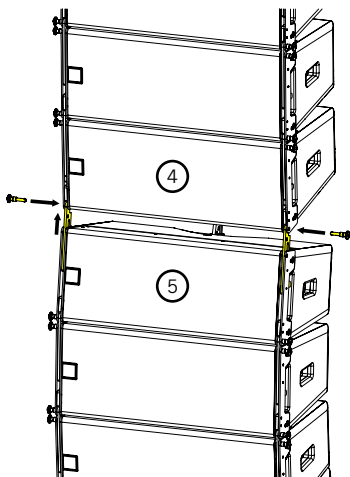
Lift the array to a height where a second cart can be placed underneath.



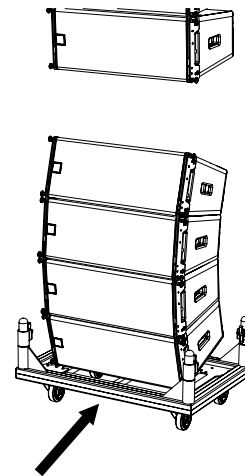
Remove the front lock pins.



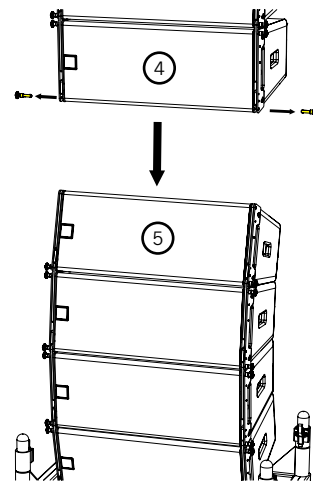
Raise the front links on the fifth cabinet and insert the link pins on both sides in the fourth cabinet.



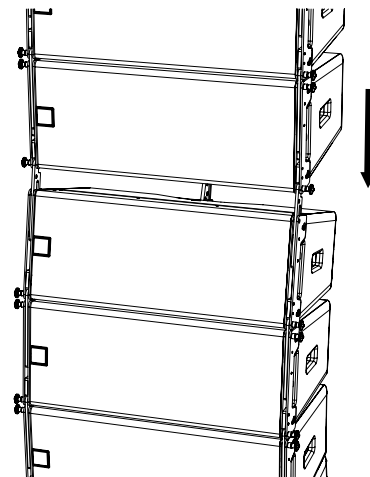
Position a second loaded WPS transport cart underneath the array, remove the top and poles and prepare the cabinets to be added to the array.



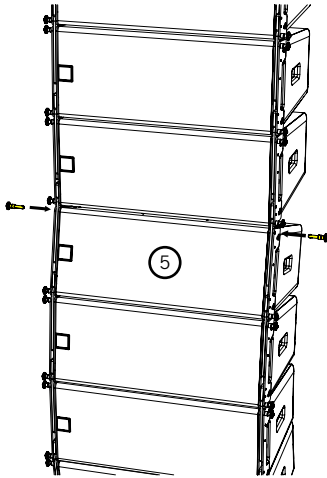
Lower the array and align the front rigging assemblies of the fourth cabinet with the front rigging points of the fifth cabinet.



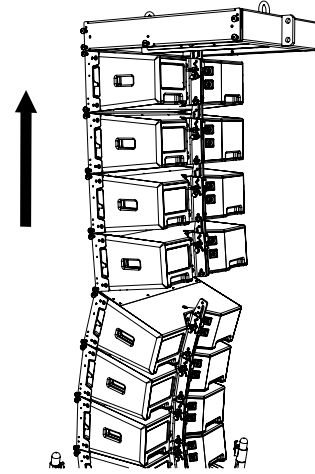
Lower the upper part of the array.



Insert front rigging pins in the fifth cabinet.

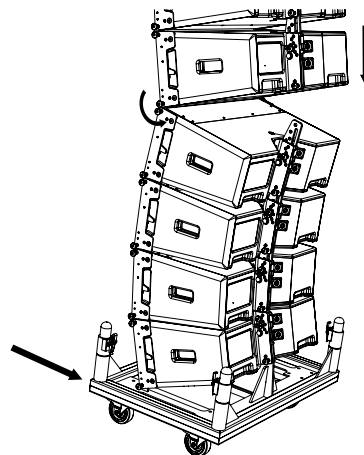
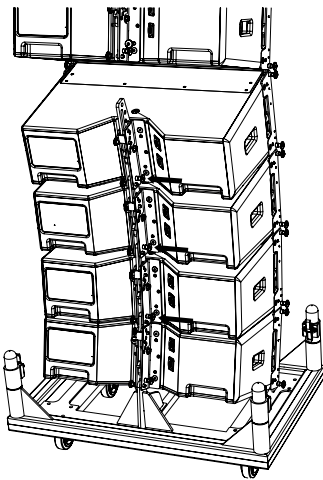


Raise the array clear of the transport cart, allowing access to the rear of the array.

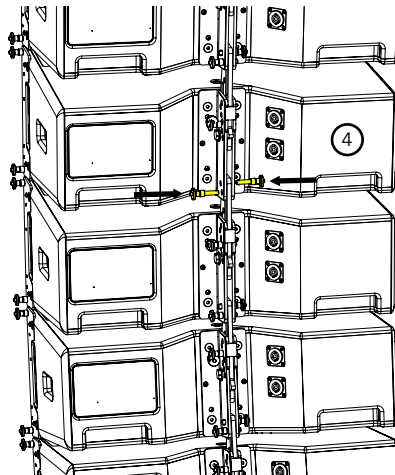


The cabinet angles will open as far as the pins will allow to the angle that has been pre-selected. Insert rigging pins at the LOCK position on the remaining cabinets.

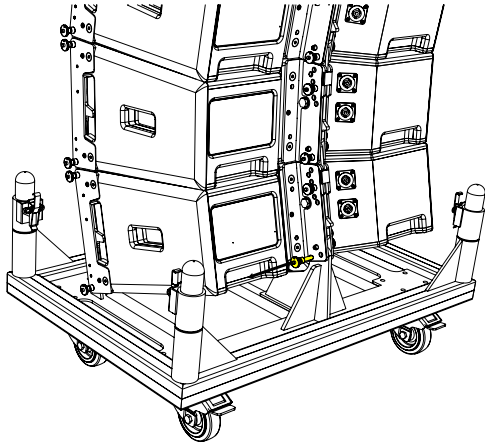
Swing the bottom four cabinets (which will now be a rigid array due to the rigging pins) backwards until butted against the upper half of the array.



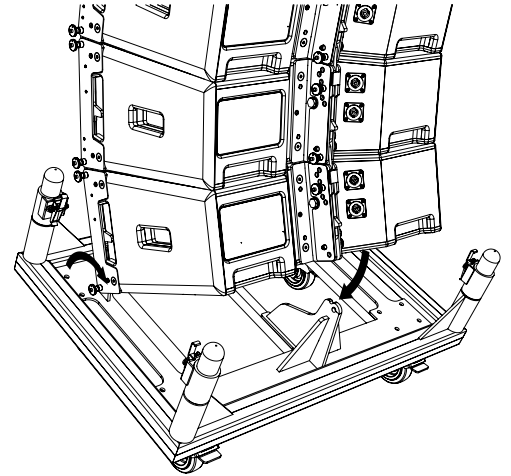
Insert a pin in the rear rigging bracket at the correct angle. Allow the bottom four cabinets to swing back down and insert rigging pins into the LINK and LOCK positions on the fourth cabinet. Connect the cable loom and any link cables as required to the lower four cabinets.



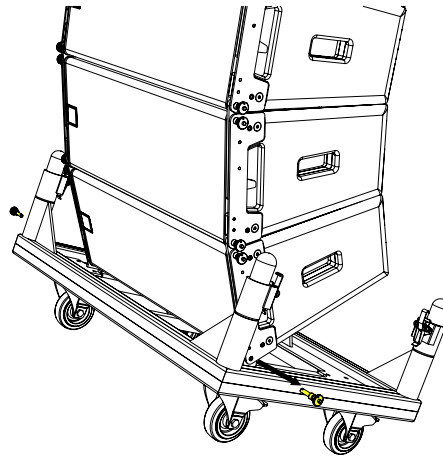
Support the rear of the cart and remove the rear pin holding the cart to the array.



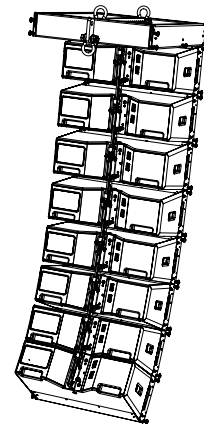
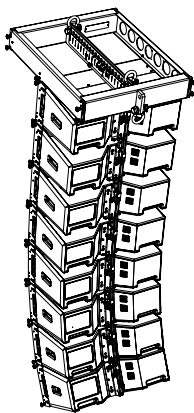
Lower the back of the cart to the ground.



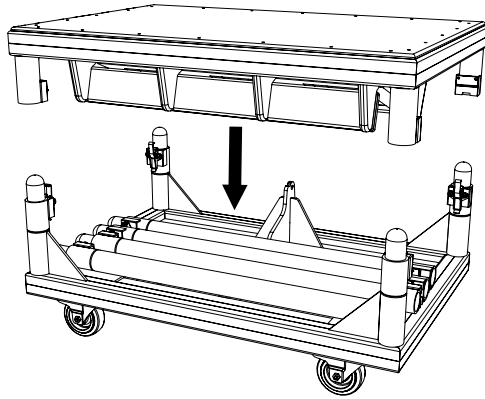
Repeat at the front of the array supporting the cart and removing the pins holding the cart to the array.



Raise the array to the final trim height. The use of either one or two motors and rigging positions (WPSGRIDt only) allows both negative (down-tilt) or positive (up-tilt) array angles to be easily achieved.



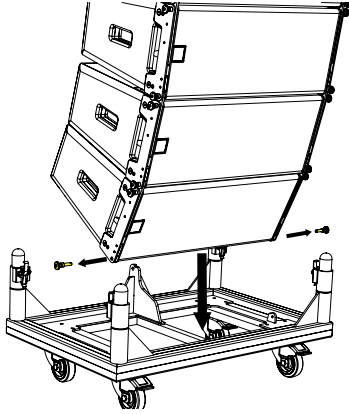
Stow the supporting poles in the tray of the transport cart, replace the top and secure the clips.



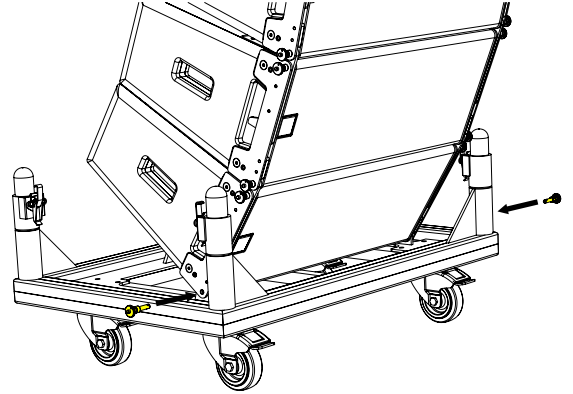
Landing the Array

Landing an array is simply a reversal of the rigging procedure outlined above, lowering the array and guiding the bottom four cabinets into a WPS transport cart, unpinning the lower block of four, and repeating with the top four cabinets.

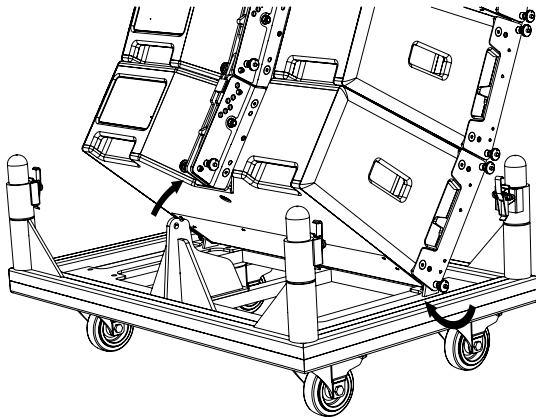
Lower the array until it is just above the cart. Disconnect the speaker cables.



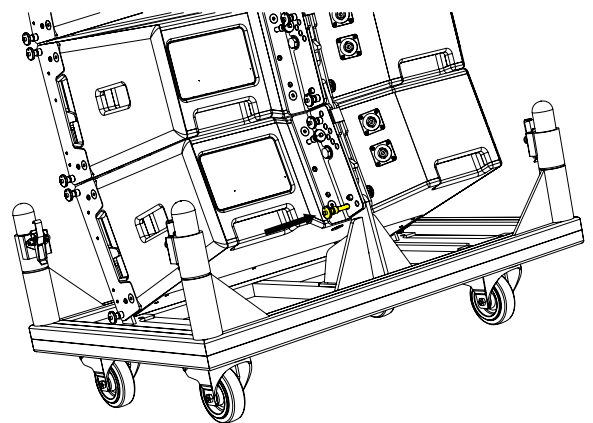
Raise the front of the cart and pin it in position to the front of the array.



At the back of the array raise the cart.

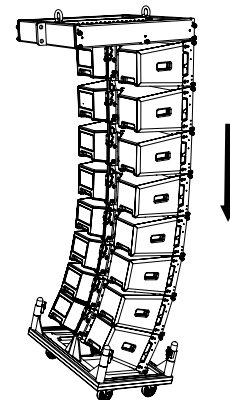
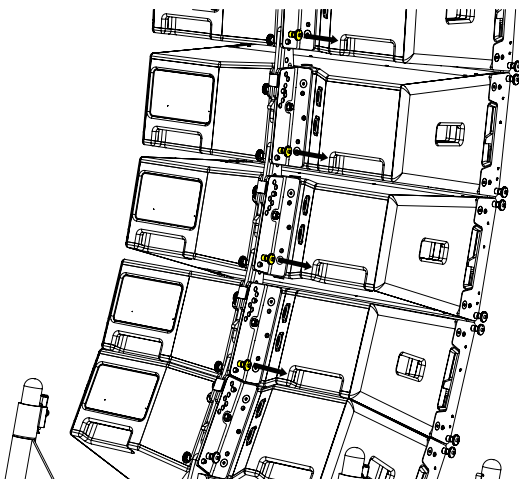


Pin the cart to the rear rigging bracket of the array.

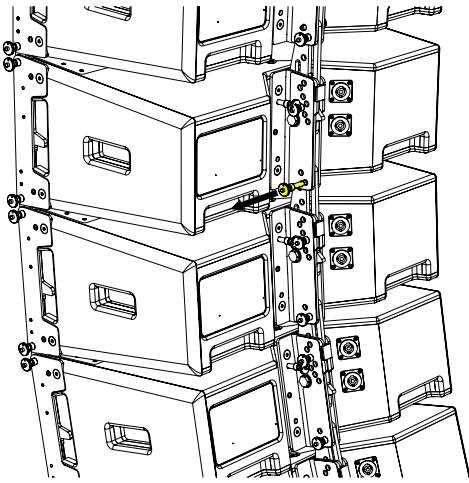


Remove the LOCK pins from the rear rigging bracket on the bottom four cabinets.

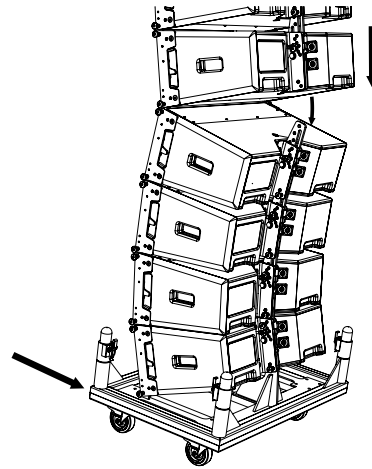
Lower the array until the cart is on the ground taking the weight of the array allowing the cabinets to collapse down until the trapezoidal sides are touching.



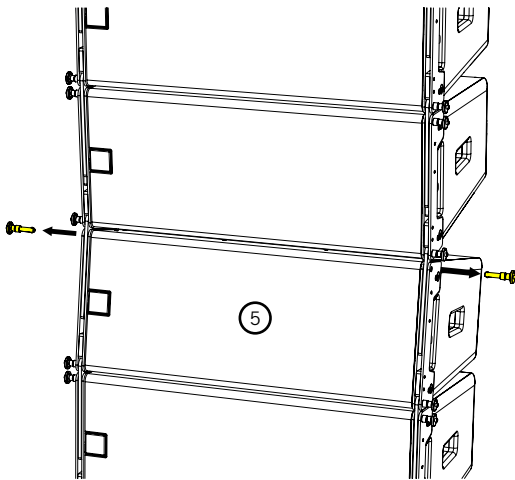
Carefully unpin the fifth cabinet from the fourth cabinet at the rear by removing the LINK pin, be aware that the array may swing when this is done.



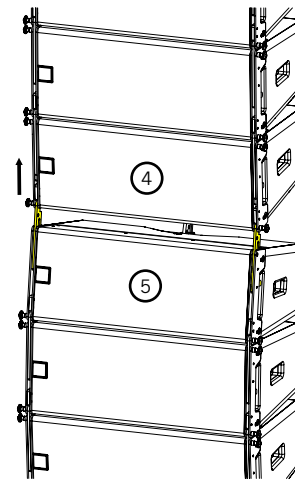
Lift the array and allow it to swing on the front link. The lower the array down so that the cart meets the floor.



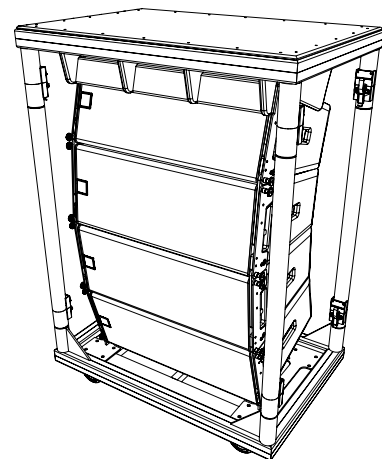
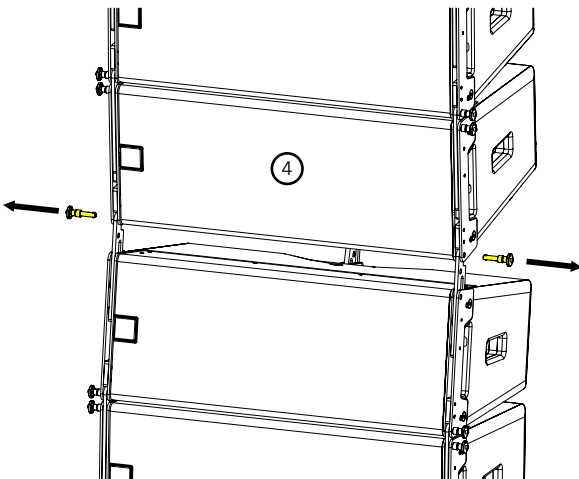
Remove the front locking pins from the fifth cabinet at each side. Ensure the cart is fully grounded when removing pins.



Lift the array so that the front links are floating. This makes it easier to remove the linking pins from the fourth cabinet.



Remove the link pins from the fourth cabinet (the front links return to the transport position). Stow the pins and replace the poles and lid ready for transportation.

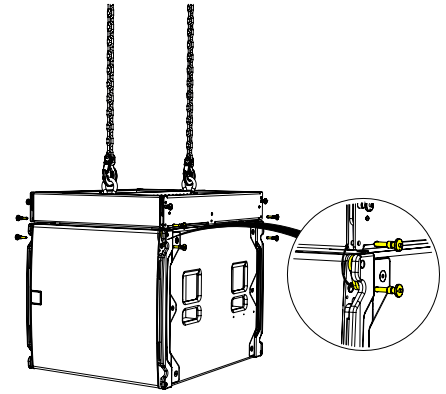
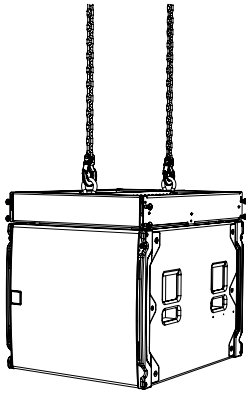


WPS Flown with SXCF118

The SXCF118 is a touring grade subwoofer that can be flown above within the same array and to the side and behind WPS as a separate array to increase the low frequency extension of your system. Refer to DISPLAY software for rigging limitations.

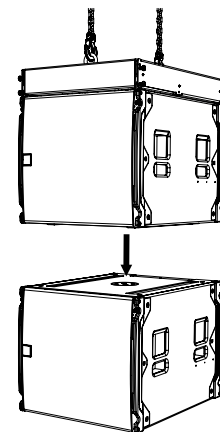
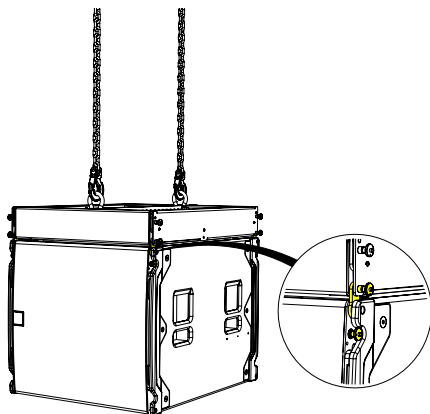
Using one or two motors position a WPSGRIDt above the SXCF118 and lower it onto the enclosure.

Remove the pins from the from SXCF118 to release the links. Rotate the SXCF118 links and line them up with the pin holes in the WPSGRIDt.



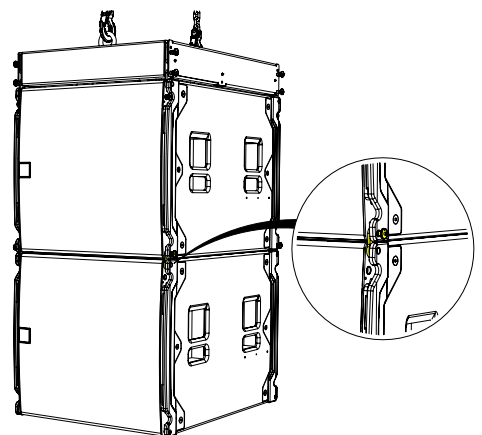
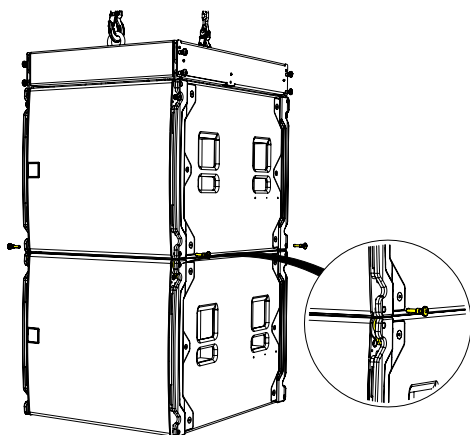
Replace the pins to link and lock the SXCF118 securely to the WPSGRIDt.

Raise the WPSGRIDt and SXCF118 to a height suitable to fit another SXCF118 below the array, lower it making sure the protective nylon skids line up and fit into the recessed channels on the SXCF118 below

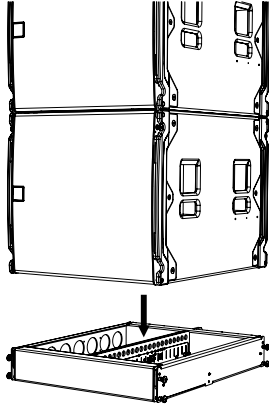


Remove the pins from the stow position, rotate the links to line up with the pin hole position on the SXCF118 above.

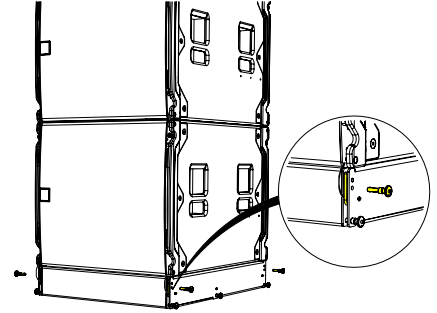
Replace the pins into the lock position on the cabinet above making sure all four links are securely attached.



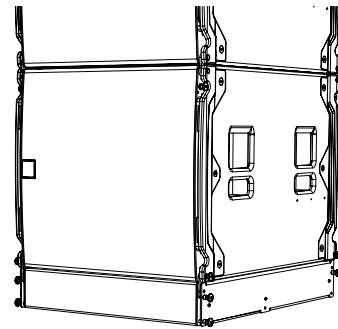
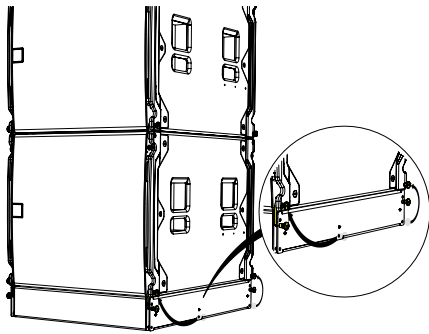
Raise the array to a height suitable to place a second WPSGRIDt below the array, align and lower the array onto the WPSGRIDt.



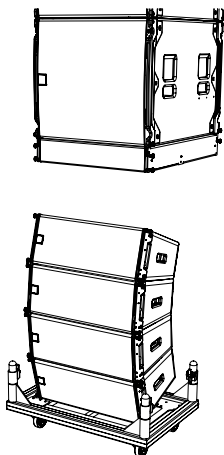
Remove the pins from the stow position, rotate the links to line up and align with the pin hole position on the SXCF118 above.



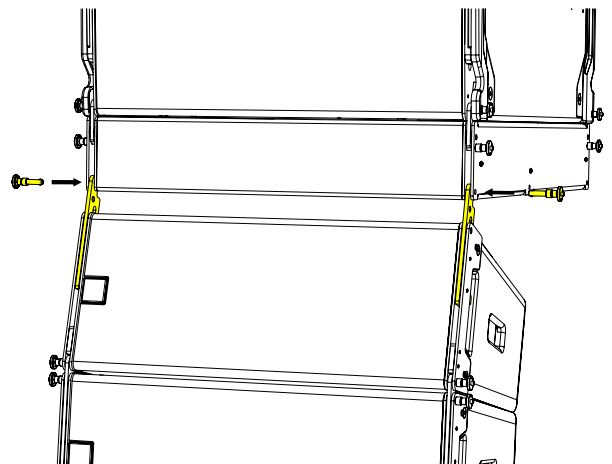
Replace stow pins to lock the links into position. Use the spare pins on the WPSGRIDt to lock the links to the SXCF118.



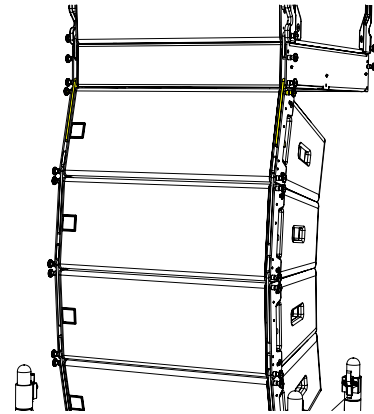
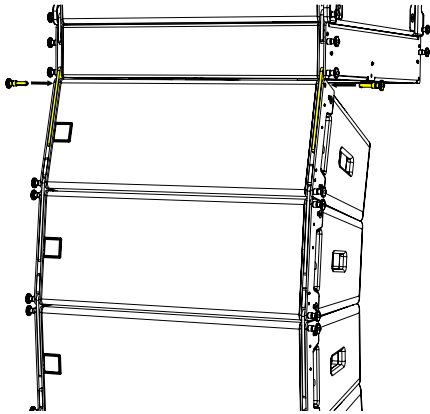
Position loaded WPS transport cart underneath the array, remove the top and poles and prepare the cabinets to be added to the array.



Lift the front links on the left and right of the WPS and pin in position.

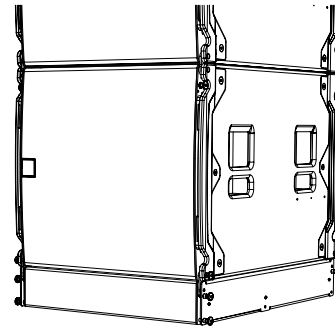
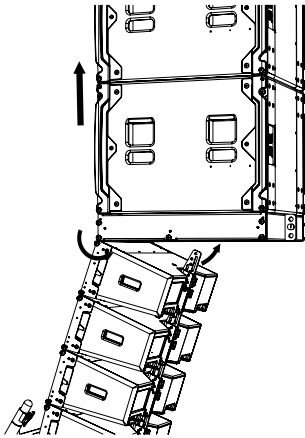


Lower the array until the floating links are in position and the pin holes are aligned and replace the lock pins into the top WPS.



Lift the array to allow the WPS cabinets to be suspended on the front links. The array will pivot on the front and can now be attached to the spine of frame using the rear WPS link.

Insert the pin into the LINK hole on the flying frame.

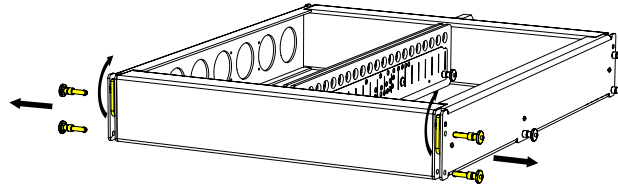


Lift the array until the transport cart is just clear of the ground. As the array goes up the cabinets will open to the angles that you have preselected from the DISPLAY project prediction. Insert the lock pin at the LOCK position on each cabinet to lock the inter-cabinet angles. At this stage the cable loom should be attached to the grid and the first four cabinets connected. As more cabinets are added they should be connected to the loom and link cables between cabinets connected where required. To add more cabinets follow the instructions on page 33.

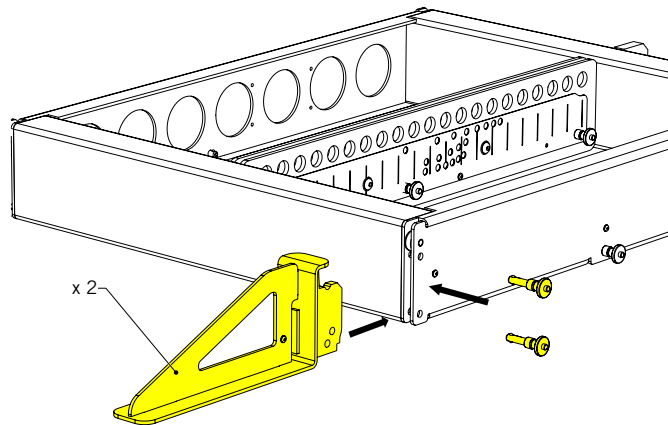
Ground-stack Deployment

For ground-stacking first find a suitable safe, flat surface and place the WPS flying frame in position.

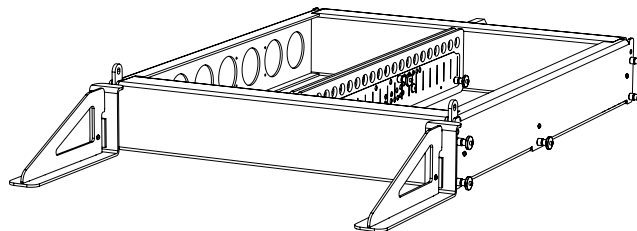
Remove the pins securing the front flip-up bars and swing the bars up until they are vertical.



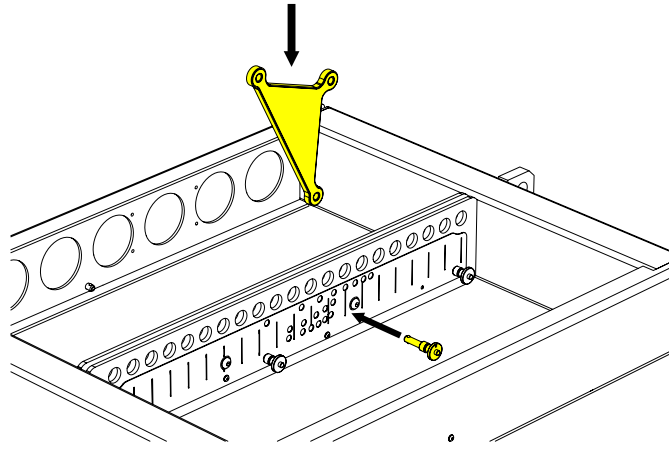
Fit an outrigger bracket into position in both front rigging positions. These fit into the slot vacated by the flip-up bar. If you have pinned the bar in the vertical position remove the pin, hold the bar vertical and place the outrigger in position. Replace the upper pin and add a second pin in the lower hole. Repeat for the other side.



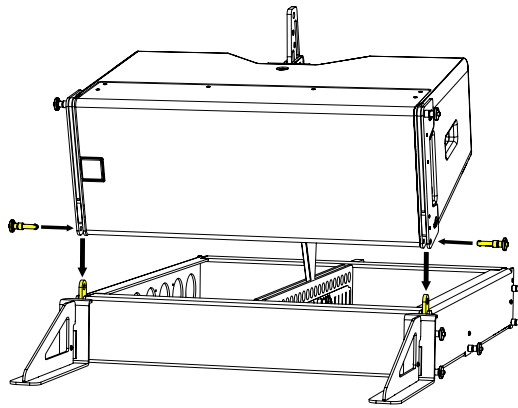
The grid is now ready for the ground-stack bar.



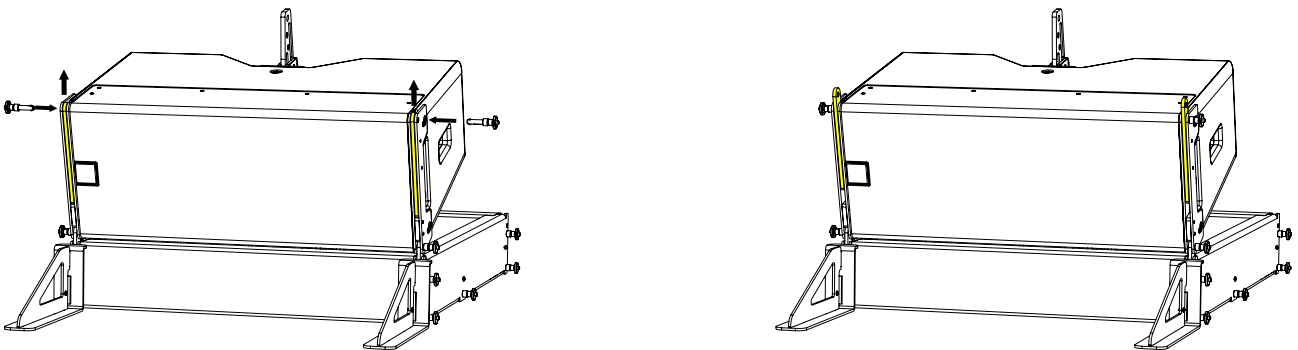
Fit the ground-stack bar into the appropriate hole in the central spine of the flying frame. Note that the orientation of the bar and the correct hole to use in the frame will be determined by the angle of the first WPS cabinet in the stack and will be calculated by the DISPLAY project.



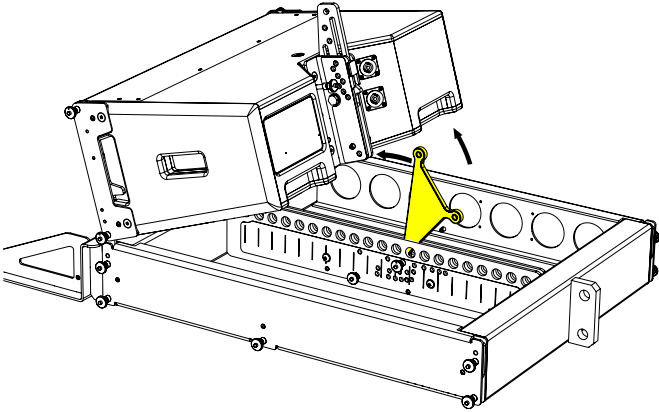
Remove the link pins and lower the WPS cabinet onto the frame until the two up-right bars on the frame locate in the front rigging assembly of the WPS. Insert the link pins in the WPS rigging assembly to secure the front rigging system.



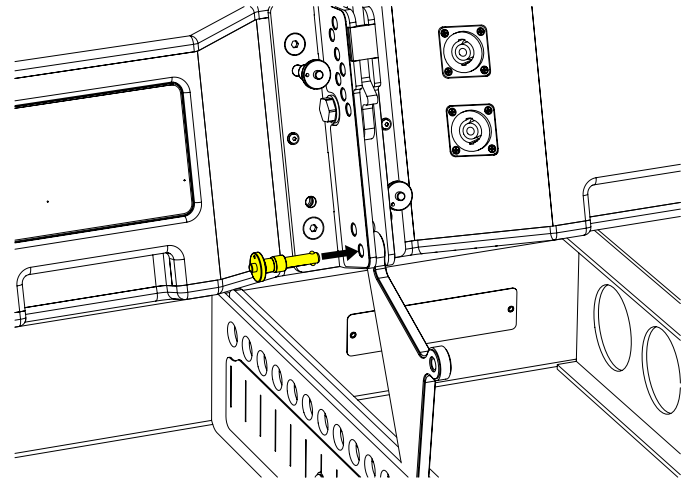
Remove the lock pins from the rigging assembly and raise the link bar. Replace the lock pins to hold the bars in the up position.



Raise the rear of the WPS which will hinge on the front pins. Swing the ground-stack bar up until the upper hole is aligned with the lowest hole on the WPS rear rigging assembly.

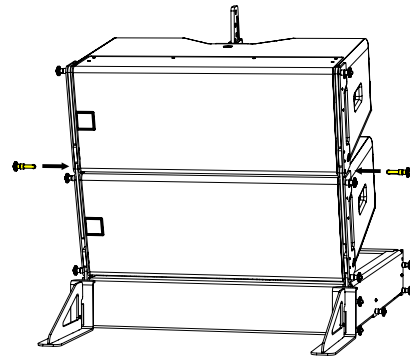
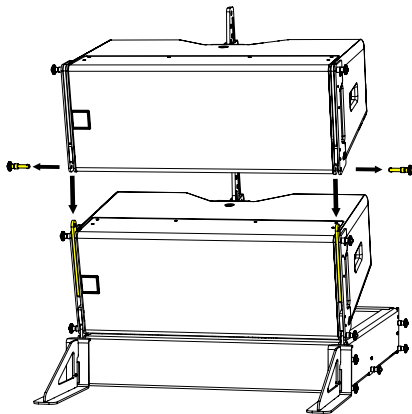


Insert the link pin in the lowest hole to secure the rear of the WPS.

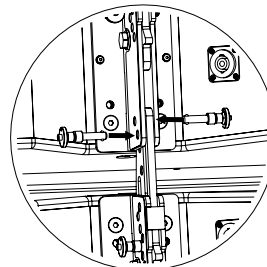
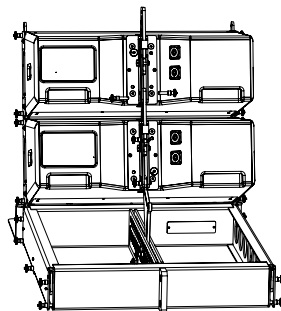


Repeat the process for the second cabinet, removing the link pins and lower it onto cabinet 1.

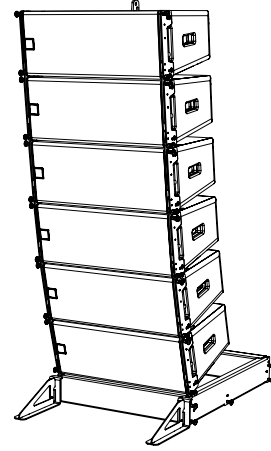
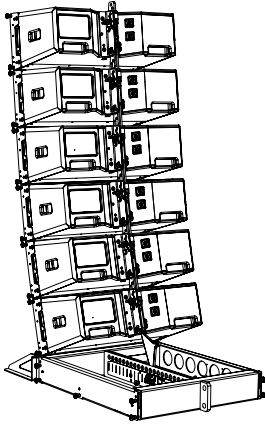
Secure the front of the second cabinet with link pins on both sides.



Lift the rear link of the first cabinet and insert a link pin in the hole for the angle required as indicated in the DISPLAY prediction. Lift the back of the second cabinet until the angle is reached and insert a lock pin in the LOCK position to hold the cabinet at the required angle .



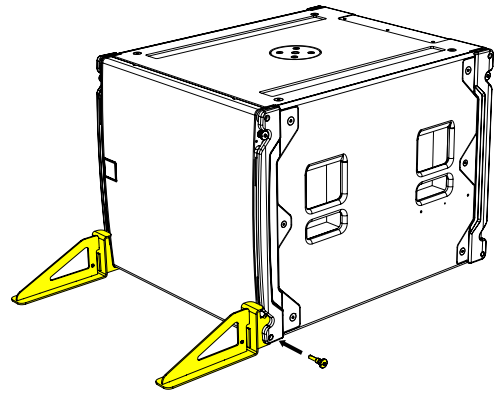
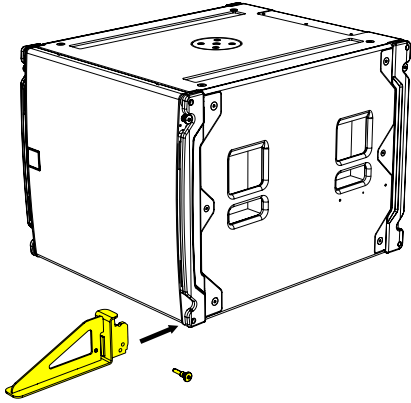
Repeat the process adding cabinets to build the ground-stack to the required number of WPS, up to the maximum of 6 cabinets.



Ground-stack with SXCF118

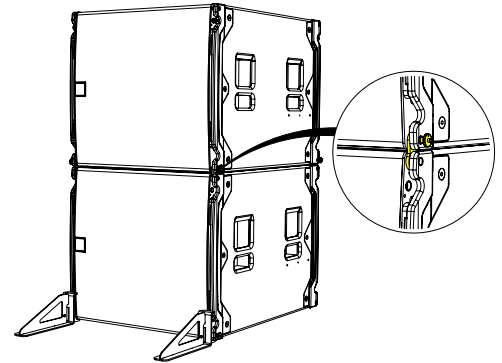
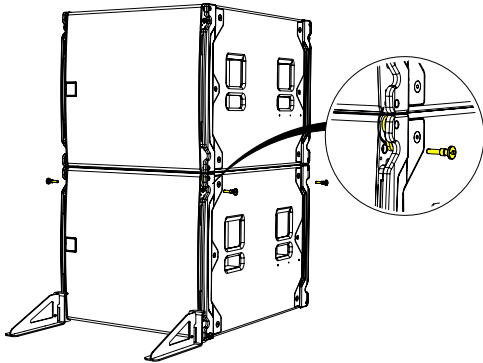
For ground-stacking first find a suitable safe, flat surface and place the first SXCF118 in position. WPSOUTRIG must be deployed for ground-stacking of WPS and SXCF118. Refer to DISPLAY software for rigging limitations.

Fit the outrigger brackets into position in both front rigging positions. These fit into the flying hardware on the SXCF118 and are secured with the provided rigging pin.



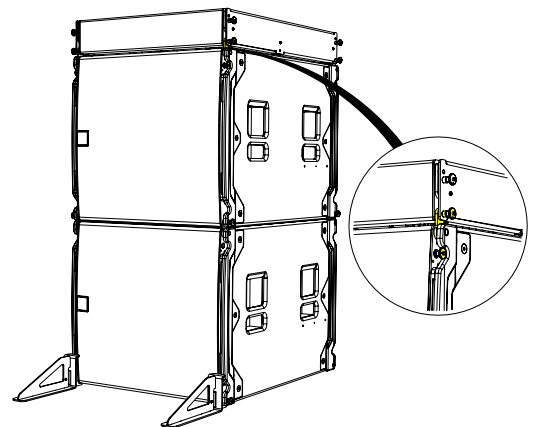
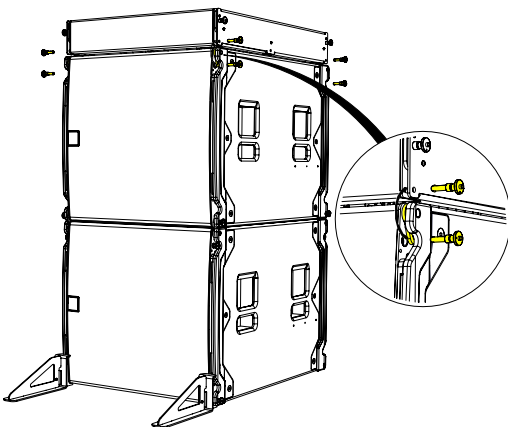
If needed place a second SXCF118 on top and remove the pins from the stow position, rotate the links and align them with pin holes on the top cabinet.

Replace the pins into the lock position on the cabinet above making sure all four links are securely attached.

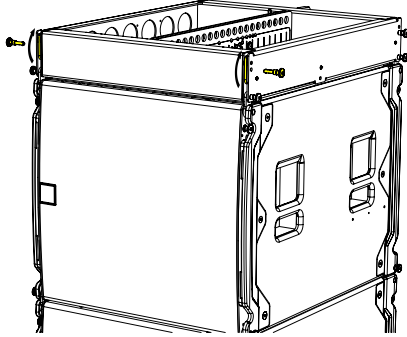


Remove the pins, rotate the links to line up and align with the pin hole position on the WPSGRIDt.

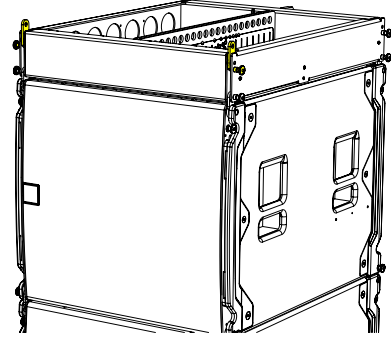
Replace the pins locking the link into the WPSGRIDt.



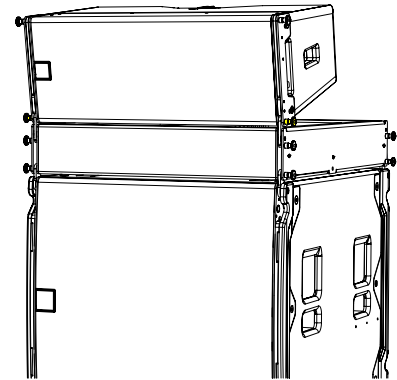
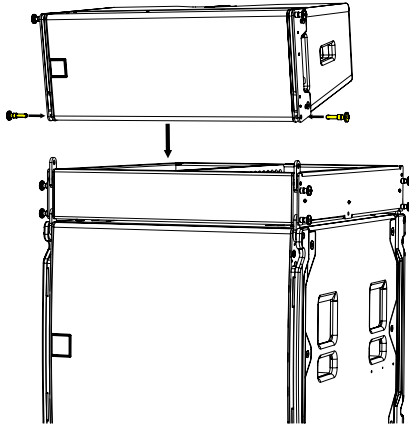
Remove the pins from the front of the WPSGRIDt and rotate the links.



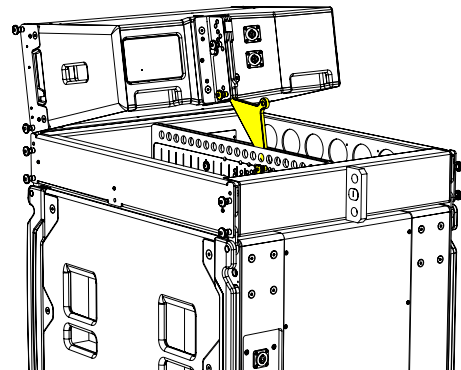
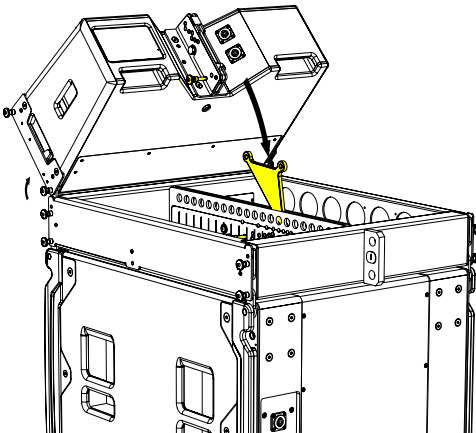
Replace the pins to lock the links into the upright position.



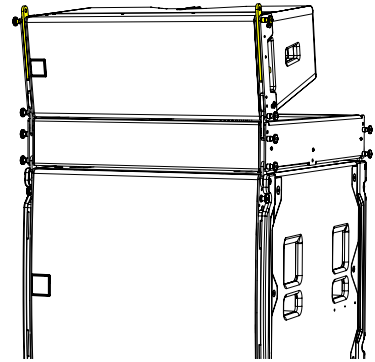
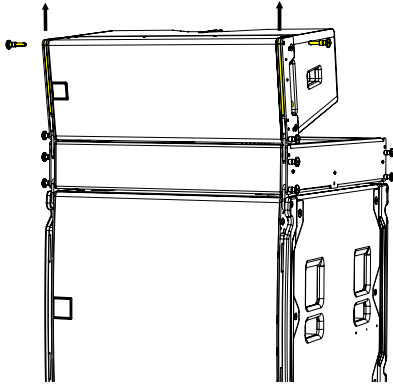
Remove the link pins and lower the WPS cabinet onto the frame until the two up-right bars on the frame locate in the front rigging assembly of the WPS. Insert the link pins in the WPS rigging assembly to secure the front rigging system.



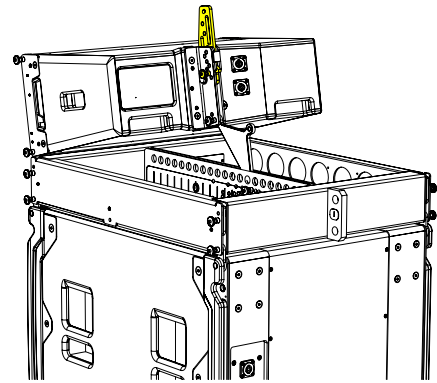
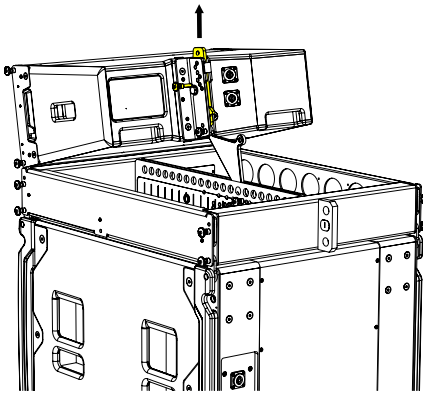
Fit the ground-stack bar into the appropriate hole in the central spine of the flying frame. Note that the orientation of the bar and the correct hole to use in the frame will be determined by the angle of the first WPS cabinet in the stack and will be calculated by the DISPLAY project.



Remove the lock pins from the rigging assembly and raise the link bar. Replace the lock pins to hold the bars in the up position.

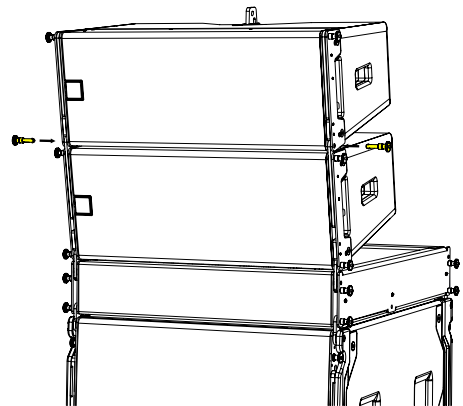
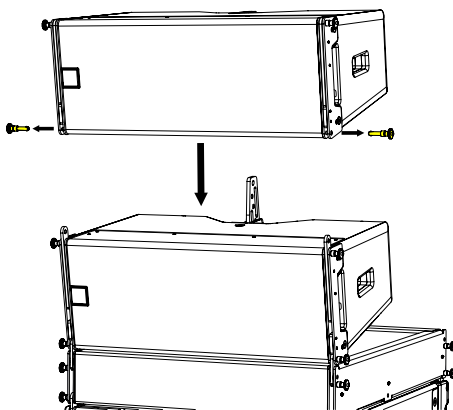


Raise the rear link into place and pin it at the desired angle.

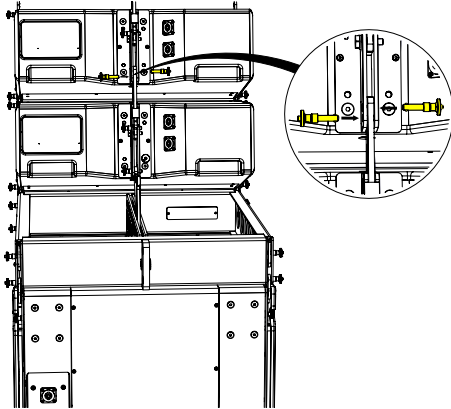


Repeat the process for the second cabinet, removing the link pins and lower it onto the first cabinet.

Secure the front of the second cabinet with link pins on both sides.



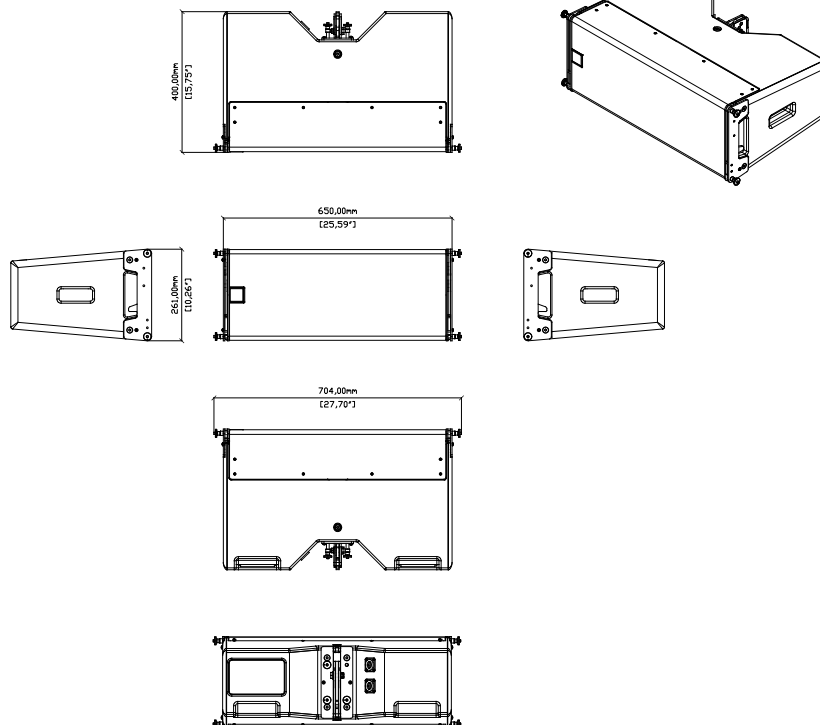
Lift the rear link of the first cabinet and insert a link pin in the hole for the angle required as indicated in the DISPLAY prediction. Lift the back of the second cabinet until the angle is reached and insert a lock pin in the LOCK position to hold the cabinet at the required angle.



Specifications

WPS Specifications

TYPE	Three-way, passive line array element
FREQUENCY RESPONSE	70Hz-18000Hz ± 3dB
DRIVERS	LF: 2 x 8" (200mm)/2" (50mm) voice coil, long excursion, vented yoke, neodymium magnet drivers MF: 4 x 4" (100mm)/1" (25mm) coil, neodymium magnet drivers, compression loaded HF: 4 x 1" (25mm) exit/1.4" (35mm) HT Polymer diaphragm, neodymium magnet compression drivers
SYSTEM AMPLIFIER	iKON iK42
SYSTEM RESOLUTION	1 to 3 enclosures per amplifier channel (iK42)
MAXIMUM SPL	LF: 133dB (peak)
NOMINAL IMPEDANCE	6 ohms
DISPERSION	100° horizontal (-6dB), 120° horizontal (-10dB), 10° vertical
CROSSOVER	520Hz, 1.6kHz internal passive
ENCLOSURE	Vertical trapezoid with 5° wall angle, multi-laminate birch and poplar-ply construction
FINISH	Black textured paint
PROTECTIVE GRILLE	Black HEX perforated steel
CONNECTORS	2 x NL4 type
PIN CONNECTIONS	1+/1-
FITTINGS	3-point rigging system, 2 x side pocket handles 2 x rear grip handles
FLOWN ARRAY MAXIMUM DIMENSIONS (ex. pins)	16 (installation) and 24 (touring) enclosures in a single ar (W) 650mm x (H) 261mm x (D) 400mm (W) 25.6in x (H) 10.3in x (D) 15.8in
WEIGHT	27kg (60lbs)
ACCESSORIES	WPSGRiDi – Install flying frame WPSGRiDt – Touring flying frame WPSOUTRIG – Ground-stacking accessories IK42AMPRACT-UK+ – Fully populated amplifier rack (Euro) IK42AMPRACT-US+ – Fully populated amplifier rack (US) WPCART – Transport cart ASM20017 – Inclinator sensor ASM20019 – Inclinator reader



Martin Audio Limited

Century Point

Halifax Road

Cressex Business Park

High Wycombe

Buckinghamshire

HP12 3SL

England

FOR SALES ENQUIRIES:

UK

Telephone: +44 (0)1494 535312

E-mail: info@martin-audio.com

NORTH AMERICA

Telephone: 323-381-5310

www.martin-audio.com

All information is Copyright © 2020 Martin Audio Ltd.

Martin Audio, the Martin Audio logo and Hybrid are registered trademarks of Martin Audio Ltd. in the United Kingdom, United States and other countries; all other Martin Audio trademarks are the property of Martin Audio Ltd.

