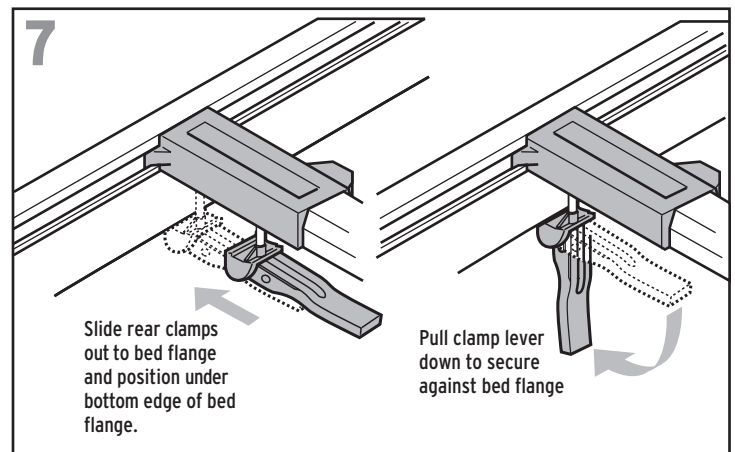
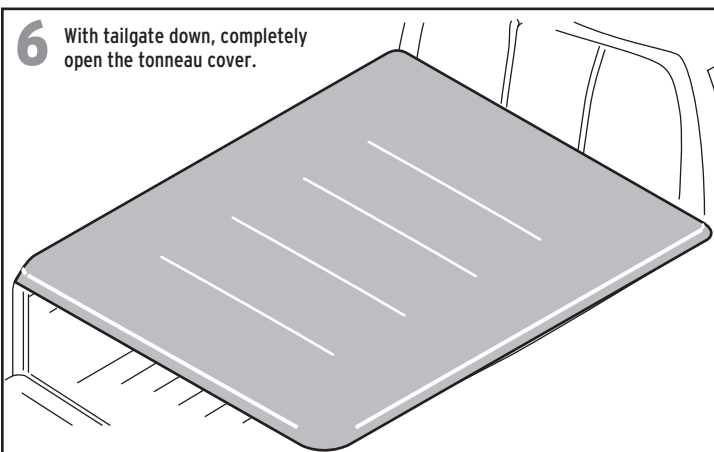
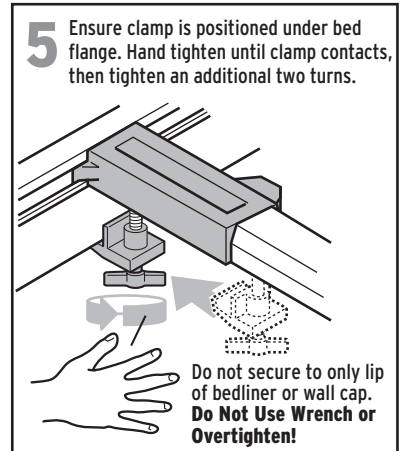
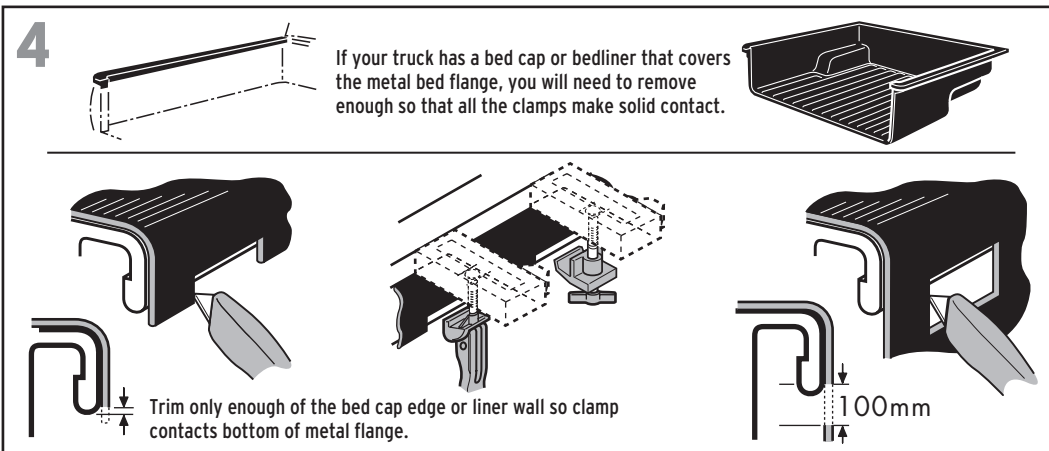
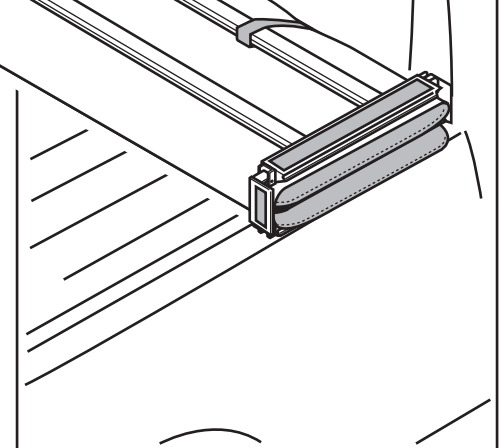
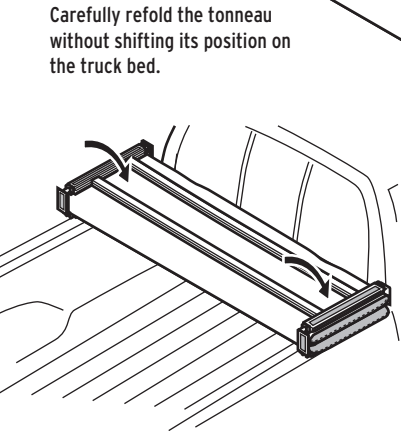
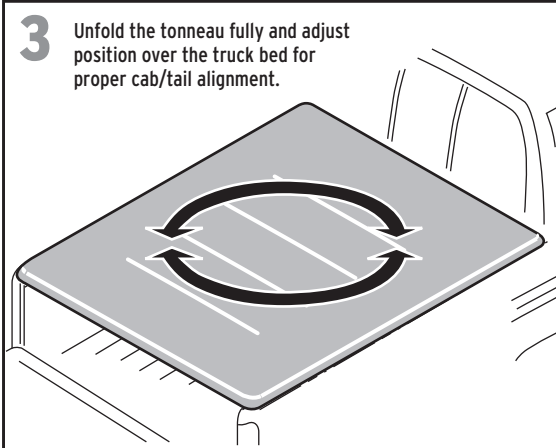
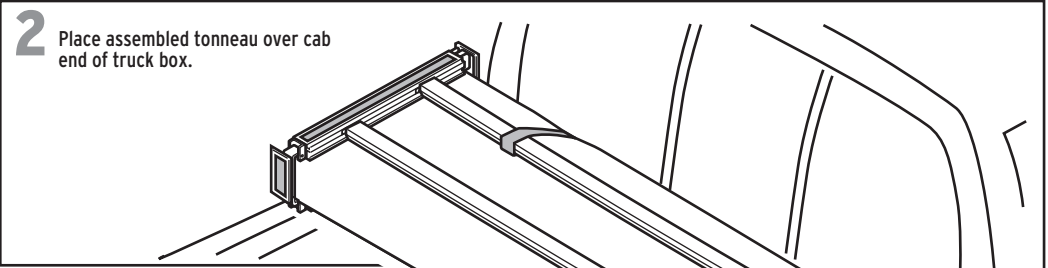
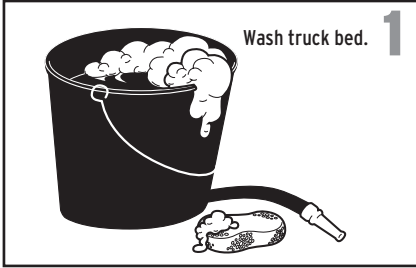




**AMERICAN
TONNEAU**
C O M P A N Y

SOFT & HARD TRI-FOLD TONNEAU INSTALLATION GUIDE

The tri-fold tonneau comes fully assembled. **NOTE** any damaged or missing parts? Parts will be shipped to you directly. Call 877-267-6057, Mon - Fri 8:30 am - 5 pm EST



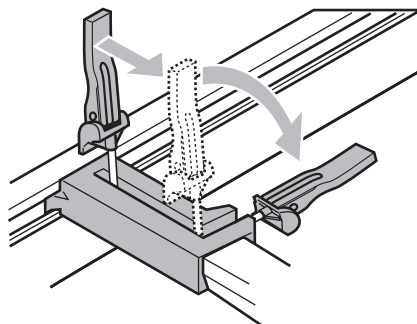
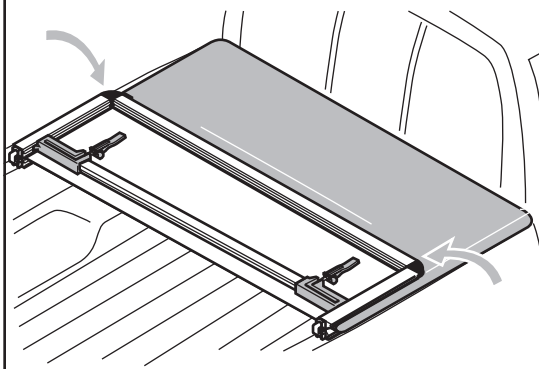
AMERICAN TONNEAU COMPANY
5400 S. State Road, Ann Arbor, MI 48108
TEL: 877-267-6057 WEB: AmericanTonneauCompany.com
PART NO: 66000-30 REV: 05.16 Printed in the USA



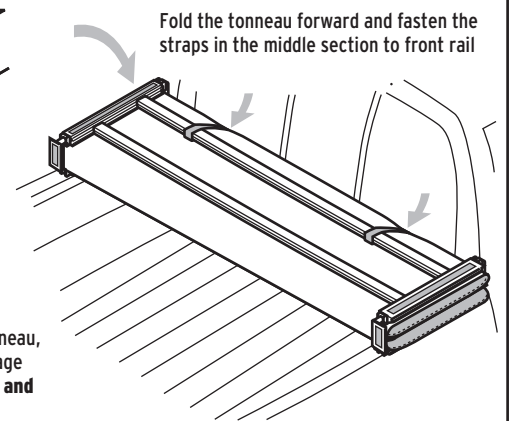
PLEASE GO TO:
www.americantonneaucompany.com
FOR WARRANTY REGISTRATION



8 It is very convenient to drive with the Tri-Fold Tonneau open. Release the rear clamps and fold the tonneau forward.

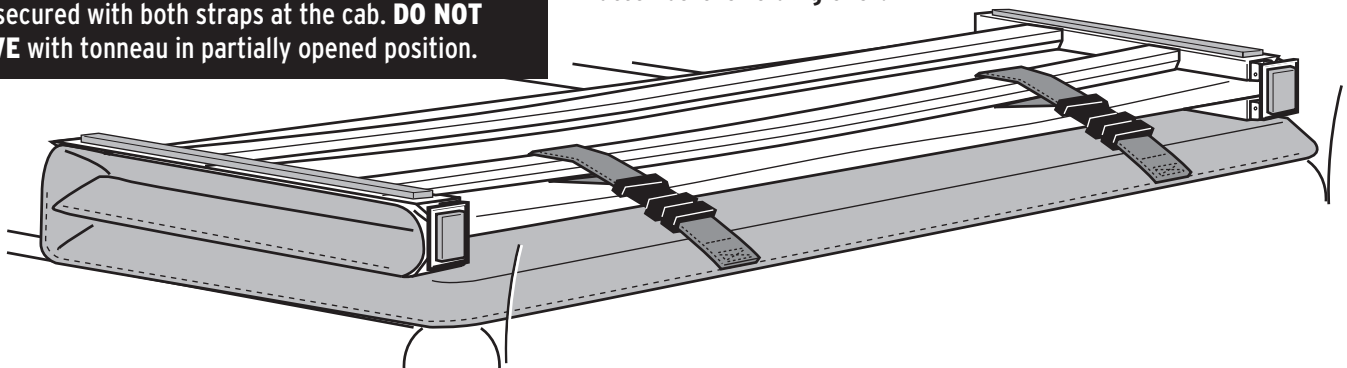


IMPORTANT: Before folding the second section of tonneau, rear clamps must be stowed into rail to prevent damage to fabric. **Failure to stow handle will puncture tarp and void warranty.**



IMPORTANT NOTICE: While driving, tonneau must be completely flat and secure with all 4 clamps in the closed position or completely folded up (all panels) and secured with both straps at the cab. **DO NOT DRIVE** with tonneau in partially opened position.

NOTE: Tarp can not be removed from aluminum frame. Attempting to do so will cause damage and void the warranty. Remove any snow or foreign matter before folding over.



LIMITED LIFETIME WARRANTY

The full hardware kit including rails, clamps and bows carries a lifetime warranty, while the fabric cover is warranted for 10 years. Warranty is to the original consumer purchaser and is not transferrable.

WARRANTY COVERAGE

This tonneau cover is warranted against defective materials or workmanship. This warranty is void if the product has been damaged by accident, unreasonable use, neglect, improper installation, service, or other cause not arising out of defects in material or other cause not arising out of defects in material or workmanship.

WARRANTY CONDITIONS

Failure to follow these care instructions will void warranty:

- ✦ Clean with soap and water only.
- ✦ Do not use any vinyl conditioners that contain silicone or petroleum (ie, Armor All®) as they may crack and shrink the vinyl.
- ✦ Tonneau cover must be secured at all points when vehicle is in motion. An unsecured tonneau will flap, resulting in damage or may even lift off of truck.
- ✦ Do not overload cargo. Protrusions in the tarp will stress fabric.
- ✦ Do not tow vehicle backwards with cover down. Tonneau cover must be folded and secured to buckles.



WARRANTY PERFORMANCE

If all warranty conditions are met, a defective tonneau cover, tarp, or hardware component will either be repaired or replaced (at our option). American Tonneau reserves the right to substitute and offer the respective warranty discount on an entire replacement system or provide other remedies than those mentioned in this document. A Return Authorization number must be obtained from our Customer Service Department 877-267-6057 prior to returning any product. American Tonneau may require the original item to be returned postage prepaid for final determination. Shipping charges will apply for any repair or replacement. Other than postage or shipping charges, no charge will be made for repair or replacement. The repaired or replaced tonneau will be covered by warranty based on the original date of purchase.

This warranty gives you specific legal rights and you may also have other legal rights which vary from state to state.



**AMERICAN
TONNEAU**
C O M P A N Y

SPECIAL INSTRUCTIONS FOR FACTORY RAILS/TRACKS

Vehicles with factory rail/track systems require the following clamp kits for installation

PART NO:	VEHICLE DESCRIPTION
22440504	CHEVROLET/GMC SILVERADO/SIERRA with Track System
22440504	FORD F-150 with Track System
22440702	DODGE DAKOTA with Track System
22440304	NISSAN TITAN 2005-PRESENT with Track System
22440204	NISSAN FRONTIER 2005-PRESENT with Track System
22440104	TOYOTA TUNDRA 2007-PRESENT with Track System
22440104	TOYOTA TACOMA 2005-2015 with Track System
22440100	TOYOTA TACOMA 2016 with Track System

For all rail/track systems, remove any factory bolts from rail channel if they interfere with installing the slide nut into channel. After installation, reinstall factory bolts as necessary.

DODGE DAKOTA

CAB CLAMP
Add clamp plate as shown here

Add clamp plate as shown here

TAILGATE CLAMP
Hook clamp directly into the factory rail

Adjust tension by moving tension nut into handle 1/2" - 5/8"

Do Not Overtighten

NISSAN FRONTIER 2005-

CAB CLAMP

Add clamp plate as shown here

TAILGATE CLAMP

Do Not Overtighten

ALL OTHER CARGO MANAGEMENT EQUIPPED TRUCKS

Do Not Overtighten

TAILGATE SEAL INSTALL SHEET

STEP 1 Clean area thoroughly with soap and water solution and wipe completely dry. Use alcohol pad to prep the tape application area and let dry. Wait until after **STEP 4** to apply very firm pressure to secure adhesive bond. If necessary, seal can be removed and repositioned prior to **STEP 4**.

To evaluate the best positioning for the tailgate gap, cut a 1" piece and align top part of bulb with the truck bed floor. For Chevy and GMC trucks align the top of bulb with the lower ridge of truck bed floor or just below the ridge, should truck bed floor extend over the tailgate gap. If the bulb rolls downwards when closing the tailgate, so that you can see the tape, then seal has compressed too much. This occurs sometimes with spray on bed liners and/or in front of both hinges near the sidewalls. Simply invert seal so that bulb side is down.

STEP 2: ATTACHING TO SIDEWALLS Start 1" below truck bed floor and attach seal to the rear corner edge of the left sidewall extension (**FIG 1A**). When nearing top of sidewall, gradually rotate seal 90° counter clockwise so that bulb is facing inward and the taped side of seal is flush with the sidewall at the top (**FIG 1B**). For trucks with a rubber stop, flush seal to bottom of rubber and cut to fit. Continue from the top of rubber stop to the top of sidewall and attach so that bulb is facing inward and the taped side of seal is flush with the sidewall at the top (**FIG 1B**). Cut to fit. Apply light pressure to adhesive. Duplicate for right sidewall.

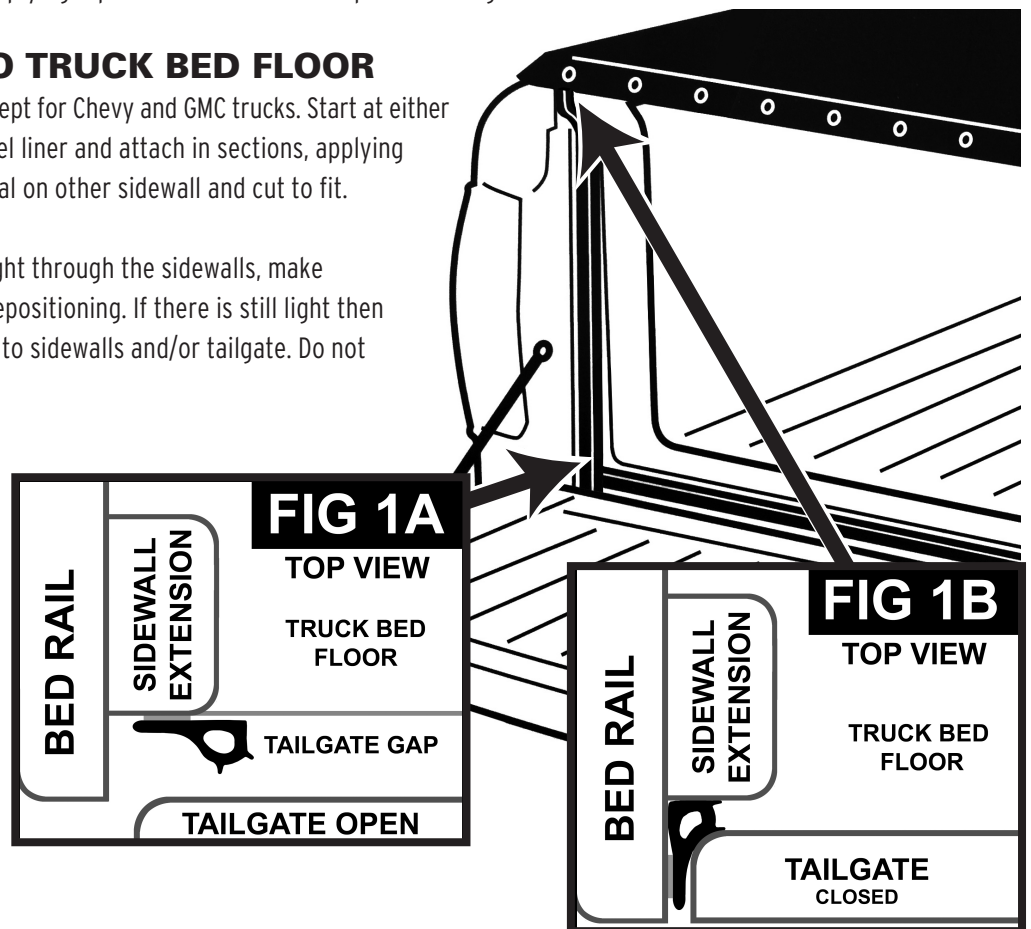
STEP 3: ATTACHING TO TRUCK BED FLOOR

Align top of bulb with truck bed floor, except for Chevy and GMC trucks. Start at either end and flush to seal on the sidewall. Peel liner and attach in sections, applying light pressure to adhesive. Flush with seal on other sidewall and cut to fit.

STEP 4 Close tailgate. If you see light through the sidewalls, make adjustments by removing the seal and repositioning. If there is still light then cut pieces of seal, as needed and attach to sidewalls and/or tailgate. Do not attach adhesive to seal.

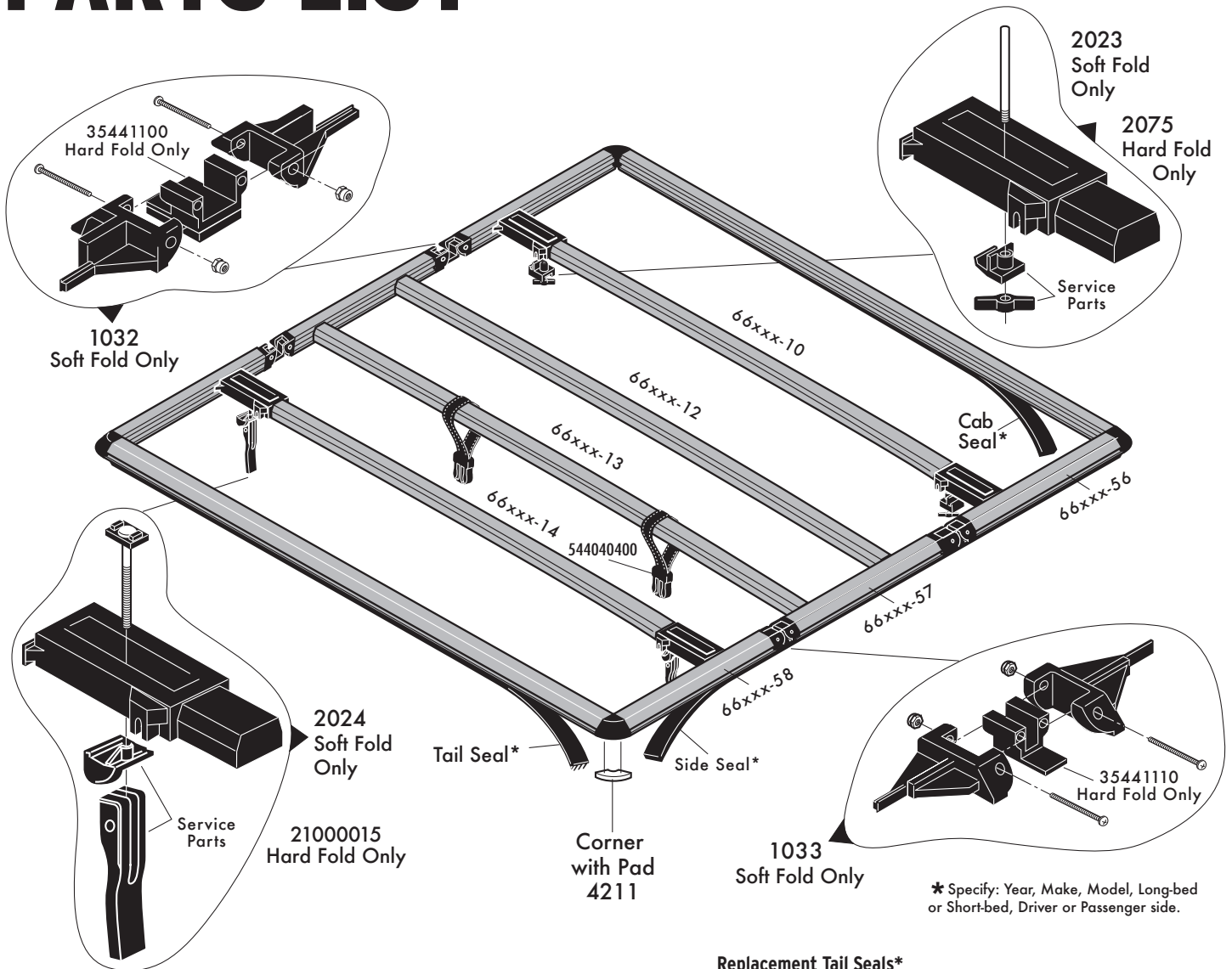
STEP 5 After seal is in place, apply very firm pressure to secure the entire adhesive bond. If attached to a spray on bed liner leave tailgate open for 24 hours.

For best results, apply at a temperature above 55° (F)



AMERICAN TONNEAU PARTS LIST

AMERICAN TONNEAU COMPANY
5400 S. State Road, Ann Arbor, MI 48108 TEL: 877-267-6057
WEB: www.AmericanTonneauCompany.com
Printed in the USA



Replacement Parts Reference List:

To order replacement parts, "XXX" represents the 3 digit vehicle application, as referenced on the application list or sales receipt. For assistance, contact Customer Service at 877-267-6057.

FOR SOFT TONNEAU ONLY:

65XXX Tri-Fold Replacement Tarp

Replacement Bows

- 66XXX-10 Cab Bow
- 66XXX-11 Cab Bow
(for short trucks that only have 3 bows: 66101, 66107, 66404 & 66501)
- 66XXX-12 Cab Center Bow
- 66XXX-13 Tail Center Bow
- 66XXX-14 Tail Bow

Miscellaneous Assemblies

- 544040400 Tarp Tie Down Strap (1)
- 1032 Front Hinge Assembly (1)
- 1033 Rear Hinge Assembly (1)
- 2023 Front Clamp Assembly (1)
- 2024 Rear Clamp Assembly (1)

Rail Assemblies

- 66XXX-35 Cab Rail (includes Corners, Pads and Rail Seal)
- 66XXX-45 Tail Rail (includes Corners, Pads and Rail Seal)
- 66XXX-56 Cab Side Rail (includes Rail Seal)
- 66XXX-57 Center Side Rail (Includes Rail Seal)
- 66XXX-58 Tail Side Rail (Includes Rail Seal)

4211 Corners with pads (set of 2)

Replacement Tail Seals*

- 32001768 Standard Tail Fin Seal (68") fits all trucks except Toyota Tacoma
- 32001668 1 3/8" Foam Seal (5' 5") fits Toyota Tacoma applications

Replacement Cab Seals*

- 32640100 Standard PE Foam Seal (8 ft) fits most applications
- 32561500 7/8" D Seal (6 ft) fits Ford F150 and Super Duty applications
- 32562569 3/4" Two-Fin Seal (69.5") fits Nissan Frontier applications
- 32001668 1 3/8" Foam Seal (5' 5") fits Toyota Tacoma applications
- 32440500 1/2" D Seal (6 ft) fits full size Chevy/GMC applications

Replacement Side Rail Seals

- 32640100 Standard PE Foam Seal (8 ft) fits most applications
- 32440500 1/2" D Seal (6 ft) fits full-size Ford & Chevy applications

FOR HARD TONNEAU ONLY:

Miscellaneous Assemblies

- 2075 Front Clamp Assembly (1)
- 21000015 Rear Clamp Assembly (1)

Replacement Hinges

- 35441100 Cab center wide hinges (1)
- 35441110 Tail center hinges (1)

Replacement Side Rail Seals

- 32640100 Standard PE Foam Seal (8 ft) fits most applications

*For best fit, please verify Seal Replacement part numbers with Customer Service.

SOMETHING DAMAGED? MISSING PARTS?

CALL US FIRST
877-267-6057

WE CAN HELP YOU QUICKLY AND EASILY OVER THE PHONE

Experienced Customer Service staff to
answer all your tonneau questions

CUSTOMER SERVICE HOURS
8:30 TO 5 EST, MONDAY - FRIDAY

Truck bed cover model: _____

Purchase date: _____

Lot code: _____

Lot code can be found on the underside of cover.

AMERICAN TONNEAU COMPANY

5400 S. State Road, Ann Arbor, MI 48108

TEL: 877-267-6057 WEB: www.AmericanTonneauCompany.com

Printed in the USA

