



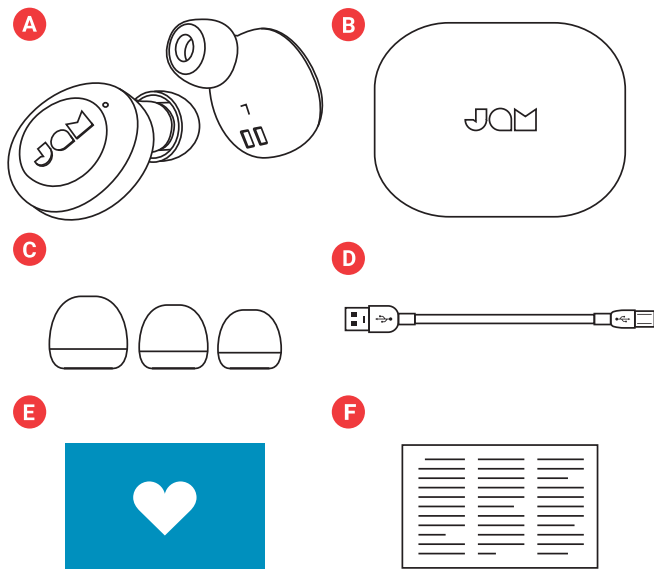
LIVE LOUD

HX-EP410
Instruction Book

TABLE OF CONTENTS

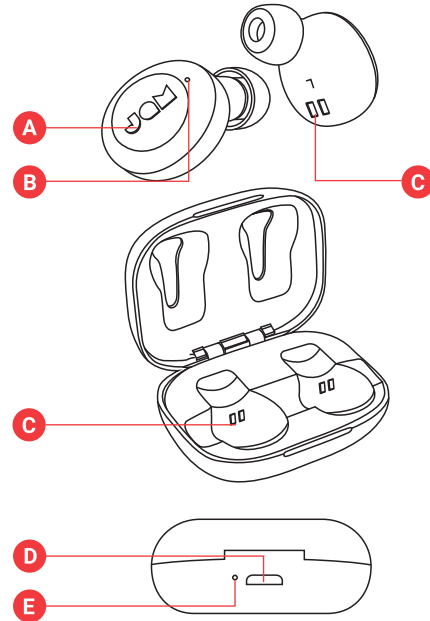
English.....	2	Norsk.....	70
Français.....	8	Ελληνικά.....	76
Español.....	15	Čeština.....	82
Deutsch.....	22	Magyar.....	88
Nederlands.....	28	Português.....	94
Dansk.....	34	Slovenčina.....	100
Italiano.....	40	Română.....	106
Suomi.....	46	Polski.....	112
Türkçe.....	52	العربية.....	118
Svenska.....	58	한국어.....	124
Русский.....	64	中文.....	130

CONTENTS



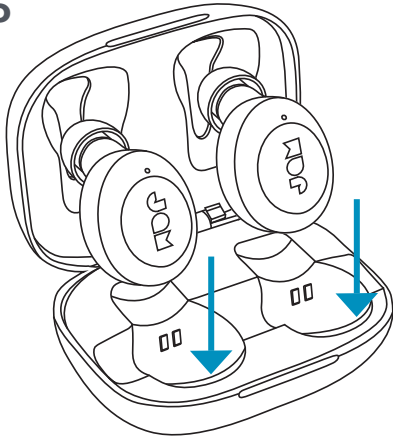
- A – 2 earbuds
- B – Portable charging case
- C – 3 sizes of eartips
- D – Micro USB cord
- E – Welcome card
- F – Legal card

CONTROLS



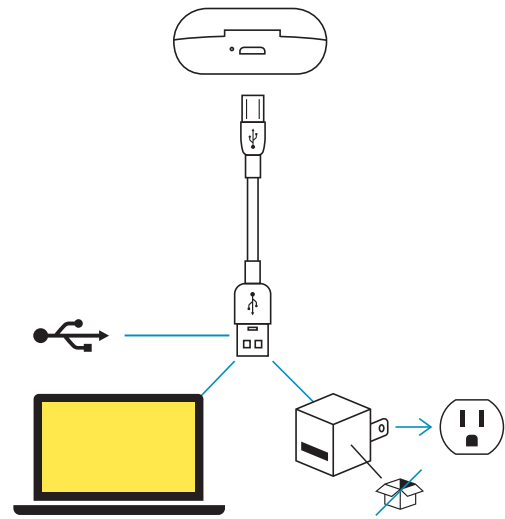
- A – Power on/off/play/pause button
- B – Earbud status light
- C – Earbud charging contacts
- D – Micro USB charging port – to charge the portable case
- E – Battery Indicator Light

SET UP



CHARGING YOUR EARBUDS

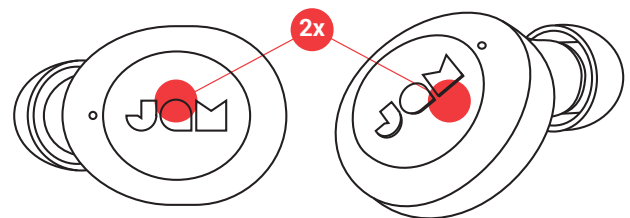
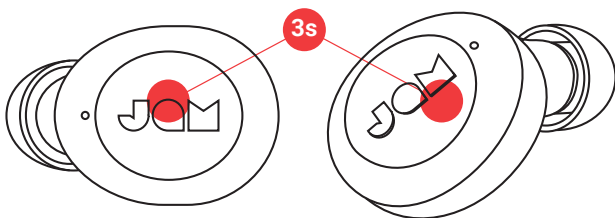
To charge your earbuds, place them into the portable case. The red LEDs show that they are charging. If the red LEDs do not appear when placed in the case, adjust the earbuds to make sure they are in line with the charging contacts. When fully charged, the LEDs will shut off.



CHARGING YOUR PORTABLE CASE

Plug the small end of the micro USB cable into the micro USB port, located on the back of the case. The LED on the case will show solid red when charging. When the portable case is fully charged, the LED lights will turn off.

CONNECT BOTH EARBUDS



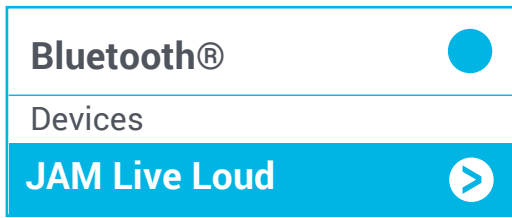
STEP 1 – TURNING ON THE EARBUDS

Your earbuds will automatically turn on when taken out of the portable charging case. If you need to turn them on manually, you can press and hold the play/pause button on both earbuds for 3 seconds.

STEP 2 – CONNECTING THE EARBUDS TO EACH OTHER

When you take the earbuds out of their case, they will automatically sync to each other. The master earbud (left) LED will flash blue and red alternatively, while the slave earbud (right) LED will slow flash blue. Your earbuds are now in pairing mode and searching for a Bluetooth® device to connect to.

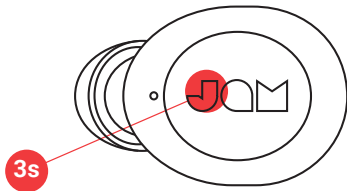
If your earbuds don't sync to each other automatically, double press the "play/pause" button on both earbuds at the same time. This will put your earbuds into sync mode. Once connected, the left earbud LED will flash blue and red alternatively, while the right earbud LED will slow flash blue. Your earbuds are now in pairing mode and searching for a Bluetooth® device to connect to.



STEP 3 – CONNECTING TO A DEVICE

Enable Bluetooth® on your device. From the Bluetooth® menu, select “Jam Live Loud” When the device and Live Loud are connected, you will hear a tone and the LED’s will slow flash blue. This means pairing is complete.

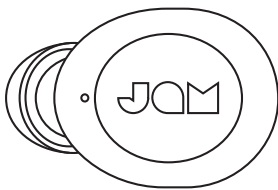
CONNECT 1 EARBUD



Connect the left earbud for mono sound. This is a great option if you want to hear your surroundings as well as your music.

STEP 1 – TURNING ON THE EARBUD

Your earbud will automatically turn on when taken out of the portable charging case. If you need to turn it on manually, you can press and hold the play/pause button on both earbuds for 3 seconds.



STEP 2 – PAIRING MODE

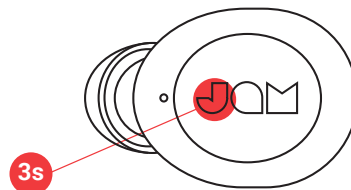
The earbud automatically turns on and enters pairing mode when removed from the charging case. The LED will flash red and blue on the left earbud and a blue LED will slow flash on the right earbud when pairing. Earbuds will power off after 6 minutes if not paired.



STEP 3 – CONNECTING TO A DEVICE

Enable Bluetooth® on your device. From the Bluetooth® menu, select “JAM Live Loud.” When the device and JAM Live Loud are connected, you will hear a tone and the LED’s will slow flash blue. This means pairing is complete.

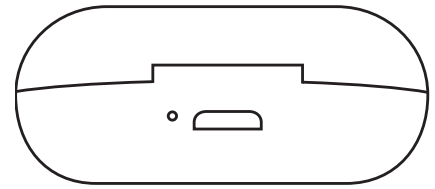
TURNING OFF YOUR EARBUDS



To turn off your earbuds, place the earbuds back in your case, or press and hold the “play/pause” button on the earbuds for 3 seconds.

USING YOUR PORTABLE CHARGING CASE

With a full charge, your portable case can recharge your earbuds up to 3 times, giving you 12 hours total of listening time.



LED INDICATORS

EARBUDS IN CHARGING CASE

Solid red	Charging
LED off	Charging complete

PORTABLE CHARGING CASE

Solid red	Charging
LED off	Charging complete

EARBUDS IN USE

Left earbud (master) flash blue and red alternatively, right earbud (slave) slow flash blue	Earbuds in pairing mode
Slow flash blue	Paired with device

EARBUD IN MONO USE

Flashing red/blue	Left earbud in pairing mode
Slow flash blue	Left earbud paired with device

TROUBLESHOOTING

1. Turn off Bluetooth® on your device.
2. Take earbuds out of your case.
3. Press and hold “play/pause” button for 3 seconds on both earbuds to turn them off.
4. Press and hold “play/pause” button on both earbuds for 3 seconds to turn them on.
5. Earbuds should automatically go into sync mode once they are powered on. The master earbud (left) LED will flash blue and red alternatively, while the slave earbud (right) LED will slow flash blue. If they do not automatically go into sync mode, quickly press the play/pause button on the left earbud five times to erase the Bluetooth® settings and put the earbuds into sync mode.

BASIC FUNCTIONS

MUSIC

Play/Pause	Press either play/pause button once
Forward Track	Quickly double press the play/pause button on right earbud twice
Backward Track	Quickly double press the play/pause button on left earbud twice

CALLS

Pick up a call	Press either play/pause button once
Decline a call	Press and hold either play/pause button for 2 seconds
End a call	Press either play/pause button once
Take a second incoming call	Press either play/pause button once
Decline a second incoming call	Quickly press either play/pause button twice
Swap between two calls	Press either play/pause button twice

NOTE: Phone calls, FaceTime, and Siri are heard only through 1 earbud (mono). If using your earbuds in stereo, they will automatically switch to mono once a call is accepted or Siri is activated.

OTHER

Activate Siri/Google Assist	Quickly triple-press either play/pause button
Check battery level of earbuds	Look at smartphone
Turn off earbud	Press and hold play/pause button for 3 seconds

6. Turn on Bluetooth® on your device.
7. Pair to “Jam Live Loud”
8. Earbuds not disconnecting from your device? The Live Loud earbuds may automatically connect to your device if put in a charging case that has no battery left. For the best experience, periodically charge the case to ensure that it always has battery life.

LEGAL INFORMATION

READ ALL INSTRUCTIONS BEFORE USE AND SAVE THESE INSTRUCTIONS FOR FUTURE REFERENCE.

FCC Warning:

This equipment has been tested and found to comply with the limits for a Class B digital device, pursuant to Part 15 of the FCC Rules. These limits are designed to provide reasonable protection against harmful interference in a residential installation. This equipment generates, uses, and can radiate radio frequency energy and, if not installed and used in accordance with the instructions, may cause harmful interference to radio communications. However, there is no guarantee that interference will not occur in a particular installation. If this equipment does cause harmful interference to radio or television reception, which can be determined by turning the equipment off and on, the user is encouraged to try to correct the interference by one or more of the following measures:

- Reorient or relocate the receiving antenna.
- Increase the separation between the equipment and receiver.
- Connect the equipment into an outlet on a circuit different from that to which the receiver is connected.
- Consult the dealer or an experienced radio/TV technician for help.

Any changes or modifications not expressly approved by the party responsible for compliance could void the user's authority to operate the equipment.

This device complies with Part 15 of the FCC Rules. Operation is subject to the following two conditions:

- (1) This device may not cause harmful interference, and
- (2) This device must accept any interference received, including interference that may cause undesired operation.

FCC RF Exposure Statement:

This equipment complies with FCC radiation exposure limits set forth for an uncontrolled environment. This transmitter must not be co-located or operating in conjunction with any other antenna or transmitter.

ISED Cautions:

This device complies with Innovation, Science, and Economic Development Canada licence-exempt RSS standard(s). Operation is subject to the following two conditions:

- (1) This device may not cause interference, and
- (2) This device must accept any interference, including interference that may cause undesired operation of the device.

ISED RF Exposure Statement:

The device is in compliance with RF exposure guidelines; users can obtain Canadian information on RF exposure and compliance.

1-YEAR LIMITED WARRANTY – US & CANADA

WARRANTY – US & CANADA

JAM warrants this product free from defect in material and workmanship for a period of 1 year from the date of purchase. This warranty does not cover damage caused by misuse or abuse, accident, the attachment of any unauthorized accessory, alteration to the product, or any other conditions whatsoever that are beyond the control of JAM.

For detailed Warranty instructions and information, visit: www.jamaudio.com/customer-support/warranty-1yr. To obtain warranty service on your JAM product, contact a Consumer Relations representative by the telephone number or email address for your country of residence. Please make sure to have the model number of the product available.

For service in the USA

Email: cservice@jamaudio.com
Tel: 1-888-802-0040
8:30am–7:00pm EST M–F

For service in Canada

Email: cservice@homedicsgroup.ca
Tel: 1-888-225-7378
8:30am–5:00pm EST M–F

WARRANTY – UK & EUROPE

JAM warrants this product free from defect in material and workmanship for a period of 2 years from the date of purchase. This warranty does not cover damage caused by misuse or abuse, accident, the attachment of any unauthorised accessory, alteration to the product, or any other conditions whatsoever that are beyond the control of JAM. Distributed in the EU by FKA Brands Ltd, Somerhill Business Park, Tonbridge, TN11 0GP, UK. Tel: 020 3538 0768 Email: uksupport@jamaudio.com.

WARRANTY – AUSTRALIA (1-YEAR LIMITED WARRANTY)

We or Us means HoMedics Australia Pty Ltd ACN 31 103 985 717 and our contact details are set out at the end of this warranty; You means the purchaser or the original end-user of the Goods. You may be a domestic user or a professional user; Supplier means the authorized distributor or retailer of the Goods that sold you the Goods in Australia and New Zealand; and Goods means the product or equipment which was accompanied by this warranty and purchased in Australia and New Zealand.

For Australia:

Our Goods come with guarantees that cannot be excluded under the Australian Consumer Law. You are entitled, subject to the provisions of the Australian Consumer Law, to a replacement or refund for a major failure and for compensation for any other reasonably foreseeable loss or damage. You are also entitled, subject to the provisions of the Australian Consumer Law, to have the Goods repaired or replaced if the goods fail to be of acceptable quality and the failure does not amount to a major failure. This is not a complete statement of your legal rights as a consumer.

For New Zealand:

Our Goods come with guarantees that cannot be excluded under the Consumer Guarantees Act 1993. This guarantee applies in addition to the conditions and guarantees implied by that legislation.

The Warranty

Jam sells its products with the intent that they are free of defects in manufacture and workmanship under normal use and service. In the unlikely event that your Jam product proves to be faulty within 1 year from the date of purchase due to workmanship or materials only, we will replace it at our own expense, subject to the terms and conditions of this guarantee. The warranty period is limited to 3 months from the date of purchase for products used commercially/professionally.

Terms and Conditions:

In addition to the rights and remedies that you have under the Australian Consumer Law, Consumer Guarantees Act of New Zealand or any other applicable law and without excluding such rights and remedies warranty against defects:

1. The Goods are designed to withstand the rigors of normal household use and are manufactured to the highest standards using the highest quality components. Whilst unlikely, if, during the first 12 months (3 months commercial use) from their date of purchase from the Supplier (Warranty Period), the Goods prove defective by reason of improper workmanship or materials and none of your statutory rights or remedies apply, we will replace the Goods, subject to the terms and conditions of this warranty.
2. We do not have to replace the Goods under this Additional Warranty if the Goods have been damaged due to misuse or

abuse, accident, the attachment of any unauthorised accessory, alteration to the product, improper installation, unauthorised repairs or modifications, improper use of electrical/power supply, loss of power, malfunction, or damage of an operating part from failure to provide manufacturer's recommended maintenance, transportation damage, theft, neglect, vandalism, environmental conditions, or any other conditions whatsoever that are beyond the control of Jam.

3. This Warranty does not extend to the purchase of used, repaired, or secondhand products, or to products not imported or supplied by HoMedics Australia Pty Ltd, including but not limited to those sold on offshore internet auction sites.
4. This Warranty extends only to consumers and does not extend to Suppliers.
5. Even when we do not have to replace the Goods, we may decide to do so anyway. In some cases, we may decide to substitute the Goods with a similar alternative product of our choosing. All such decisions are at our absolute discretion.
6. All such replaced or substituted Goods continue to receive the benefit of this Additional Warranty for the time remaining on the original Warranty Period (or 3 months, whichever is the longest).
7. This Additional Warranty does not cover items damaged by normal wear and tear, including but not limited to chips, scratches, abrasions, discolouration, and other minor defects, where the damage has negligible effect on the operation or performance of the Goods.
8. This Additional Warranty is limited to replacement or substitution only. As far as the law permits, we will not be liable for any loss or damage caused to property or persons arising from any cause whatsoever, and shall have no liability for any incidental, consequential, or special damages.
9. This warranty is only valid and enforceable in Australia and New Zealand.

Making a Claim:

In order to claim under this Warranty, you must return the Goods to the Supplier (place of purchase) for replacement. If this is not possible, please contact our Consumer Relations department by email (cservice@homedics.com.au) or at the address below.

- All returned Goods must be accompanied by satisfactory proof of purchase that clearly indicates the name and address of the Supplier, the date and place of purchase, and identifies the product. It is best to provide an original, legible, and unmodified receipt or sales invoice.
- You must bear any expense for return of the Goods or otherwise associated with making your claim under this Additional Warranty.

Distributed in Australia by HOMEDICS AUSTRALIA PTY LTD, 14 Kingsley Close, Rowville, Victoria 3178. Distributed in New Zealand by Phoenix Distribution NZ Ltd, 7B Orbit Drive, Albany / North Shore 0757, Auckland, New Zealand.

For service in Australia

Email:
cservice@homedics.com.au
Tel: 03-87566500
8:30am–5:00pm AEST M–F
www.jam-audio.com.au

IMPORTANT SAFETY INSTRUCTIONS

READ ALL INSTRUCTIONS BEFORE USING.

WARNING: Do not place speakers too close to ears. May cause damage to ear drums, especially in young children.

- Use this product only for its intended purpose as described in this manual. Do not use attachments not recommended by Jam.
- Jam is not liable for any damage caused to smartphones, iPod/MP3 players, or any other devices.
- Do not place or store this product where it can fall or be dropped into a tub or sink without shutting waterproof doors.

- Do not place or drop into water or any other liquid without shutting waterproof doors.
- Not for use by children. THIS IS NOT A TOY.
- Never operate this product if it has a damaged cord, plug, cable, or housing.
- Keep away from heated surfaces.
- Only set on dry surface. Do not place on surface wet from water or cleaning solvents if waterproof doors are open.

WARNING: This product has an internal, non-replaceable lithium battery. Please dispose in accordance with your local, state, province, and country guidelines. Batteries (battery pack or batteries installed) shall not be exposed to excessive heat such as sunshine, fire, or the like.

BATTERY REPLACEMENT

Your speaker includes a rechargeable battery designed to last the lifetime of the product. In the unlikely event that you should require a replacement battery, please contact Consumer Relations, which will supply details of the warranty and out-of-warranty replacement battery service. This product contains small parts that may present a choking hazard for young children.

CAUTION: All servicing of this product must be performed by authorized Jam Audio service personnel only. For complete user guide and to register your product, visit www.jamaudio.com (USA), canada.jamaudio.com (Canada), or uk.jamaudio.com/instructionbooks (UK).



To prevent possible hearing damage, do not listen at high volume for long periods.

WEEE EXPLANATION

This marking indicates that this product should not be disposed with other household wastes throughout the EU. To prevent possible harm to the environment or human health from uncontrolled waste disposal, recycle it responsibly to promote the sustainable reuse of material resources.



BATTERY DIRECTIVE

This symbol indicates that batteries must not be disposed of in the domestic waste as they contain substances that can be damaging to the environment and health. Please dispose of batteries in designated collection points.

Hereby, FKA Brands Ltd, declares that this radio device is in compliance with the essential requirements and other relevant provisions of Directive 2014/53/EU. A copy of the Declaration of Conformity can be obtained from uk.jamaudio.com/DoC.

© 2019 HMDX. All rights reserved. JAM is a registered trademark of HMDX. HMDX is a registered trademark of FKA Distributing Co. The Bluetooth® word mark and logos are registered trademarks owned by Bluetooth® SIG, Inc. and any use of such marks by HMDX is under license.



Operating frequency band: 2402 - 2480MHz
HX-EP410: maximum radio-frequency power transmitted 1.22dBm

Distributed by HMDX.
3000 N Pontiac Trail
Commerce Township, MI 48390

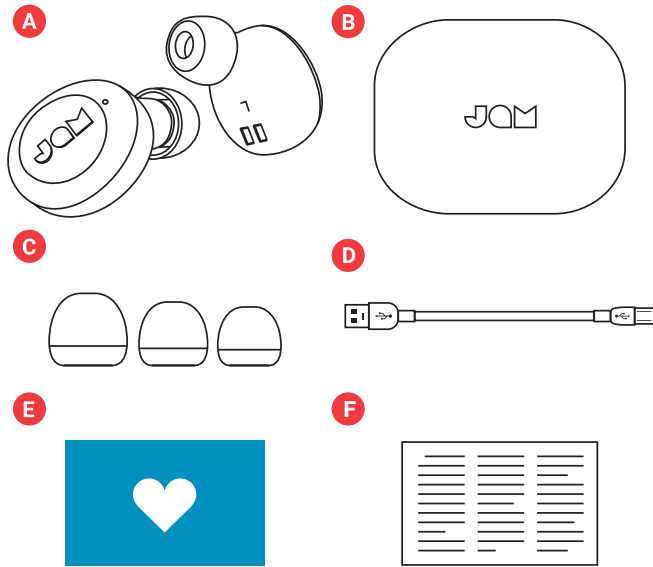
All rights reserved.
IB-HXEP410



LIVE LOUD

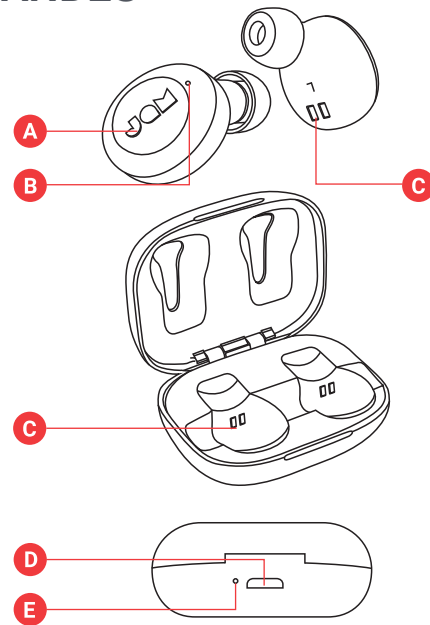
HX-EP410
Livret d'instructions

CONTENU



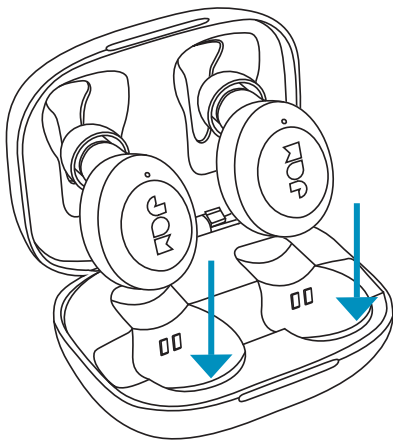
- A – 2 écouteurs
- B – Étui de charge portable
- C – 3 tailles d'embouts
- D – Cordon micro USB
- E – Carte de bienvenue
- F – Carte juridique

COMMANDES



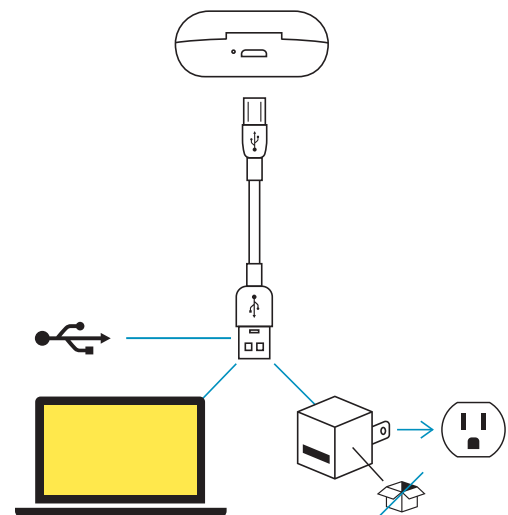
- A – Bouton Marche/Arrêt, Lecture/Pause
- B – Voyant d'état des écouteurs
- C – Contacts de charge des écouteurs
- D – Port de charge micro USB - Pour charger l'étui portable
- E – Voyant de la batterie

CONFIGURATION



CHARGE DES ÉCOUTEURS

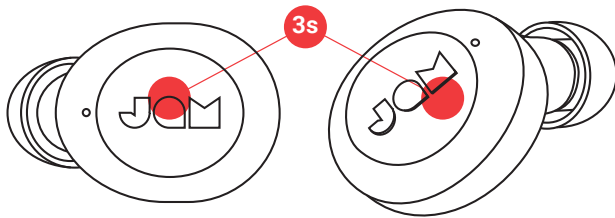
Pour charger vos écouteurs, placez-les dans l'étui portable. Les voyants rouges indiquent qu'ils sont en cours de charge. Si les voyants rouges ne s'allument pas lorsque les écouteurs sont placés dans l'étui, ajustez les écouteurs pour vous assurer qu'ils sont alignés sur les contacts de charge. Lorsqu'ils sont complètement chargés, les voyants s'éteignent.



CHARGE DE L'ÉTUI PORTABLE

Branchez la petite extrémité du câble micro USB dans le port micro USB situé au dos du boîtier. Le voyant sur l'étui s'allume en rouge fixe lors de la charge. Lorsque le boîtier portable est entièrement chargé, les voyants s'éteignent.

CONNECTER LES DEUX ÉCOUTEURS

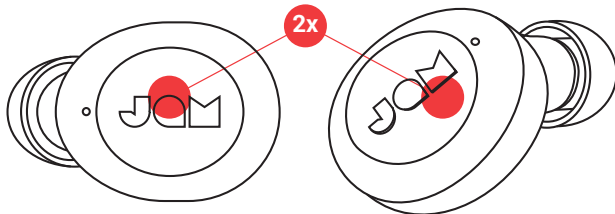


ÉTAPE 1 – MISE EN MARCHÉ DES ÉCOUTEURS

Les écouteurs se mettent automatiquement en marche lorsque vous les sortez du boîtier de charge portable. Pour les mettre en marche manuellement, appuyez pendant 3 secondes sur le bouton lecture/pause des deux écouteurs.

ÉTAPE 2 – CONNEXION DES ÉCOUTEURS L'UN À L'AUTRE

Lorsque vous retirez l'écouteurs de leur étui, elles se synchronisent automatiquement. Le voyant principal des écouteurs (gauche) clignote alternativement en bleu et en rouge, tandis que le voyant des écouteurs esclaves (droit) clignote lentement en bleu. Vos oreillettes sont maintenant en mode de liaison et recherchent un appareil Bluetooth® auquel se connecter.



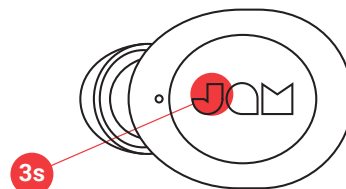
Si vos écouteurs ne se synchronisent pas automatiquement entre eux, appuyez deux fois sur le bouton lecture/pause des deux écouteurs simultanément. Vos écouteurs passent en mode de synchronisation. Une fois connectés, le voyant à DEL de l'écouteur gauche clignote en bleu et en rouge alternativement, tandis que le voyant à DEL de l'écouteur droit clignote lentement en bleu. Vos écouteurs sont maintenant en mode d'appairage et recherchent un appareil Bluetooth® auquel se connecter.



ÉTAPE 3 – CONNEXION À UN APPAREIL

Activez la fonction Bluetooth® sur votre appareil. Dans le menu Bluetooth®, sélectionnez « Jam Live Loud ». Lorsque l'appareil et les écouteurs Live Loud sont connectés, vous entendrez une tonalité et les voyants à DEL clignotent lentement en bleu. Cela indique que l'appairage est terminé.

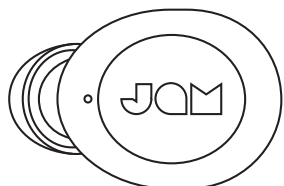
CONNECTER UN ÉCOUTEUR



Connectez un seul écouteur pour un son mono. C'est une excellente option si vous voulez entendre votre environnement ainsi que votre musique.

ÉTAPE 1 – MISE EN MARCHÉ DE L'ÉCOUTEUR

Votre écouteur se met automatiquement en marche lorsque vous le sortez du boîtier de charge portable. Pour le mettre en marche manuellement, appuyez pendant 3 secondes sur le bouton lecture/pause des deux écouteurs.



Bluetooth®



Appareils

JAM Live Loud



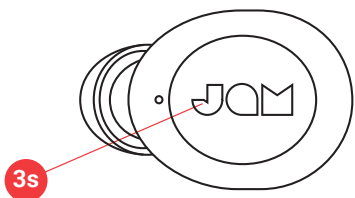
ÉTAPE 2 – MODE D'APPAIRAGE

L'écouteur se met en marche et passe en mode d'appairage automatiquement lorsqu'il est sorti du boîtier de charge. Le voyant à DEL de l'écouteur gauche clignote en rouge et bleu et un voyant à DEL bleu clignote sur l'écouteur droit pendant l'appairage. Les écouteurs s'éteignent après 6 minutes s'ils ne sont pas appairés.

ÉTAPE 3 – CONNEXION À UN APPAREIL

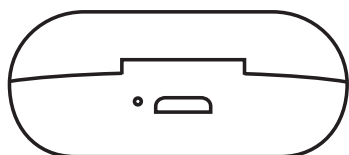
Activez la fonction Bluetooth® sur votre appareil. Dans le menu Bluetooth®, sélectionnez « Jam Live Loud ». Lorsque l'appareil et les écouteurs JAM Live Loud sont connectés, vous entendrez une tonalité et le voyant à DEL clignote lentement en bleu. Cela indique que l'appairage est terminé.

EXTINCTION DES ÉCOUTEURS



Pour éteindre les écouteurs, replacez-les dans l'étui ou appuyez pendant 3 secondes sur le bouton lecture/pause situé sur les écouteurs.

UTILISATION DE VOTRE COFFRET DE CHARGE PORTABLE



Lorsqu'il est complètement chargé, votre boîtier portable peut recharger vos écouteurs jusqu'à 3 fois, pour une durée d'écoute totale de 12 heures.

VOYANTS À DEL

ÉCOUTEURS DANS L'ÉTUI DE CHARGE

Rouge fixe	Charge en cours
Voyant à DEL éteint	Charge terminée

ÉTUI DE CHARGE PORTABLE

Bleu fixe	Écouteurs en cours de charge
Voyant à DEL éteint	Charge terminée

ÉCOUTEURS EN COURS D'UTILISATION

L'écouteur gauche (principal) clignote en bleu et rouge alternativement et l'écouteur droit (secondaire) clignote lentement en bleu	Écouteurs en mode de synchronisation l'un avec l'autre
Clignotement bleu	Écouteurs en mode d'appairage avec l'appareil

ÉCOUTEUR UTILISÉ EN MODE MONO

Clignotement rouge/bleu	L'écouteur gauche est en mode d'appairage avec l'appareil
Clignotement bleu	L'écouteur gauche est appairé avec l'appareil

DÉPANNAGE

1. Désactivez la fonctionnalité Bluetooth® sur votre appareil.
2. Sortez les écouteurs de l'étui.
3. Appuyez pendant 5 secondes sur le bouton lecture/pause sur les deux écouteurs pour les éteindre.
4. Appuyez brièvement une fois sur le bouton lecture/pause sur les deux écouteurs pour les mettre en marche.
5. Les écouteurs passent automatiquement en mode de synchronisation lorsqu'ils sont mis en marche. Le voyant à DEL de l'écouteur principal (écouteur gauche) clignote en bleu et en rouge alternativement, tandis que le voyant à DEL de l'écouteur secondaire (écouteur droit) clignote lentement en bleu. S'ils ne passent pas automatiquement en mode de synchronisation, appuyez 5 fois rapidement

FONCTIONS DE BASE

MUSIQUE

Lecture/Pause	Appuyez une fois sur l'un des boutons lecture/pause
Piste suivante	Appuyez deux fois rapidement sur le bouton lecture/pause de l'écouteur droit
Piste précédente	Appuyez deux fois rapidement sur le bouton lecture/pause de l'écouteur gauche

APPELS

Prendre un appel	Appuyez une fois sur l'un des boutons lecture/pause
Refuser un appel	Appuyez pendant 2 secondes sur l'un des boutons lecture/pause
Raccrocher	Appuyez une fois sur l'un des boutons lecture/pause
Répondre à un deuxième appel entrant	Appuyez une fois sur l'un des boutons lecture/pause
Refuser un deuxième appel entrant	Appuyez deux fois rapidement sur l'un des boutons lecture/pause
Basculer entre deux appels	Appuyez deux fois sur l'un des boutons lecture/pause

REMARQUE : Les appels téléphoniques, FaceTime et Siri sont audibles uniquement dans 1 écouteur (mono). Si vous utilisez vos écouteurs en stéréo, ils se mettent automatiquement en mono une fois l'appel accepté ou lorsque Siri est activé.

AUTRES FONCTIONS

Activer Siri/l'Assistant Google	Appuyez deux fois sur l'un des boutons lecture/pause
Vérifier le niveau de charge des écouteurs	Consultez le téléphone intelligent
Éteindre l'écouteur	Appuyez pendant 3 secondes sur le bouton lecture/pause

- sur le bouton lecture/pause de l'écouteur gauche pour effacer les réglages Bluetooth® et mettre les écouteurs en mode de synchronisation.
6. Activez la fonctionnalité Bluetooth® sur votre appareil.
7. Faites l'appairage à « Jam Live Loud ».
8. Les écouteurs ne se déconnectent pas de votre appareil? Les oreillettes « Jam Live Loud » peuvent se connecter automatiquement à votre appareil si elles sont placées dans un étui de charge ne contenant plus de batterie. Pour une expérience optimale, chargez régulièrement le boîtier afin de vous assurer qu'il a toujours une durée de vie de la batterie.

INFORMATIONS LÉGALES

LIRE TOUTES LES INSTRUCTIONS AVANT L'UTILISATION ET CONSERVER CES INSTRUCTIONS POUR RÉFÉRENCE FUTURE.

Avertissement de la FCC :

Cet appareil a été testé et jugé conforme aux limites applicables aux appareils de Classe B, conformément à la Partie 15 du Règlement de la FCC. Ces limites sont conçues pour fournir une protection raisonnable contre les interférences nuisibles dans une installation résidentielle. Cet appareil génère, utilise et peut émettre une énergie de radiofréquence et, s'il n'est pas installé et utilisé conformément aux instructions, peut causer des interférences nuisibles aux communications radio. Il n'est toutefois pas garanti que des interférences ne se produiront pas dans une installation particulière. Si cet appareil provoque des interférences nuisibles à la réception radio ou télévision, ce qui peut être déterminé en éteignant l'appareil et en le rallumant, il est recommandé d'essayer de corriger les interférences en prenant une ou plusieurs des mesures suivantes :

- Réorienter ou déplacer l'antenne de réception;
- Augmenter la distance entre l'appareil et le récepteur;
- Brancher l'appareil dans une prise sur un circuit différent de celui auquel le récepteur est branché;
- Consulter le revendeur ou un technicien radio/TV expérimenté pour obtenir de l'aide.

Les changements ou modifications non expressément approuvés par l'autorité responsable de la conformité peuvent annuler l'autorisation d'utiliser l'équipement.

Cet appareil est conforme à la Partie 15 du Règlement de la FCC.

Son fonctionnement est soumis aux deux conditions suivantes :

- (1) Cet appareil ne doit pas provoquer d'interférences nuisibles, et
- (2) Cet appareil doit accepter toute interférence reçue, y compris les interférences pouvant entraîner un fonctionnement indésirable.

Déclaration de la FCC relative à l'exposition aux RF :

Cet équipement est conforme aux limites d'exposition aux radiations de la FCC établies pour un environnement non contrôlé. Cet émetteur ne doit pas être localisé ou fonctionner avec une autre antenne ou un autre émetteur.

Mise en garde d'ISDEC :

Cet appareil est conforme aux normes d'Innovation, Sciences et Développement économique Canada (ISDE) pour les appareils radio exempts de licence. Le fonctionnement est soumis aux deux conditions suivantes :

- (1) Cet appareil ne doit pas provoquer d'interférences nuisibles, et
- (2) Cet appareil doit accepter toute interférence reçue, y compris celles qui peuvent provoquer un fonctionnement indésirable de l'appareil.

Déclaration de l'ISED relative à l'exposition aux RF :

L'appareil est conforme aux directives d'exposition RF. Les utilisateurs peuvent obtenir de l'information canadienne sur l'exposition aux RF et la conformité.

GARANTIE LIMITÉE D'UN AN - ÉTATS-UNIS ET CANADA

GARANTIE – ÉTATS-UNIS ET CANADA

JAM garantit que ce produit est exempt de vice de matériau et de fabrication pendant une période d'un an à compter de la date d'achat. Cette garantie ne couvre pas les dommages causés par une mauvaise utilisation ou un abus, un accident, la fixation de tout accessoire non autorisé, la modification du produit ou toute autre condition de quelque nature que ce soit hors du contrôle de JAM.

Pour obtenir des informations et des instructions détaillées sur la garantie, veuillez visiter : www.jamaudio.com/customer-support/

warranty-1yr. Pour obtenir un service de garantie sur le produit JAM, prière de contacter un représentant du Service à la clientèle en utilisant le numéro de téléphone ou l'adresse de courriel indiqués pour votre pays de résidence. Prière d'avoir le numéro de modèle du produit à disposition.

Coordonnées du service après-vente aux États Unis :

Courriel :

cservice@jamaudio.com

Téléphone : 1-888-802-0040

Du lundi au vendredi de 8 h 30 à 19 h (heure normale de l'Est)

Coordonnées du service après-vente au Canada :

Courriel :

cservice@homedicsgroup.ca

Téléphone : 1-888-225-7378

Du lundi au vendredi de 8 h 30 à 17 h (heure normale de l'Est)

GARANTIE – ROYAUME-UNI ET EUROPE

JAM garantit que ce produit est exempt de vice de matériau et de fabrication pendant une période de deux ans à compter de la date d'achat. Cette garantie ne couvre pas les dommages causés par une mauvaise utilisation ou un abus, un accident, la fixation de tout accessoire non autorisé, la modification du produit ou toute autre condition de quelque nature que ce soit hors du contrôle de JAM. Distribué dans l'UE par FKA Brands Ltd, Somerhill Business Park, Tonbridge, TN11 0GP, Royaume-Uni. Courriel : support.row@fkabrand.com.

INSTRUCTIONS DE SÉCURITÉ IMPORTANTES

LIRE TOUTES LES INSTRUCTIONS AVANT L'UTILISATION

AVERTISSEMENT : Ne placez pas les haut-parleurs trop près des oreilles. Peut causer des dommages aux tympans, surtout chez les jeunes enfants.

- Ce produit ne doit être utilisé qu'aux fins décrites dans ce manuel. N'utilisez pas d'accessoires non recommandés par JAM.
- JAM n'est pas responsable des dommages causés aux téléphones intelligents, iPod/MP3 et tout autre appareil.
- Ne placez pas ni ne rangez cet appareil à un endroit d'où il pourrait chuter ou tomber dans un évier ou une baignoire.
- Ne placez pas l'appareil ni ne l'immergez dans de l'eau ou un autre liquide sans avoir préalablement fermé les portes étanches.
- Cet appareil ne doit pas être utilisé par les enfants. **CET APPAREIL N'EST PAS UN JOUET.**
- N'utilisez jamais l'appareil si le cordon, la fiche, le câble ou le boîtier sont endommagés.
- Éloignez l'appareil des surfaces chaudes.
- Ne posez l'appareil que sur des surfaces sèches. Ne placez pas l'appareil sur des surfaces mouillées d'eau ou de solvants de nettoyage si les portes étanches sont ouvertes.

AVERTISSEMENT : Ce produit est muni d'une batterie au lithium interne qui ne peut pas être remplacée. Prière d'éliminer conformément à toutes les réglementations locales, d'État, provinciales et nationales. Les batteries (bloc de batterie ou batteries installées) ne doivent pas être exposées à une chaleur excessive, comme le soleil, des flammes ou d'autres sources de chaleur similaires.

REPLACEMENT DE LA BATTERIE

Le produit est muni d'une batterie rechargeable conçue pour durer la durée de vie du produit. Dans le cas peu probable que vous ayez besoin d'une batterie de remplacement, veuillez communiquer avec le Service aux consommateurs, qui fournira les informations de remplacement de la batterie dans la cadre de la garantie et hors garantie. Ce produit contient des petites pièces qui peuvent présenter un risque de suffocation pour les jeunes enfants.

MISE EN GARDE: Toute réparation de ce produit doit être réalisée exclusivement par le personnel de réparation Jam Audio. Pour le guide de l'utilisateur complet et enregistrer le produit, prière de visiter www.jamaudio.com (États-Unis) ou canada.jamaudio.com (Canada) ou uk.jamaudio.com/instructionbooks (Royaume-Uni).



Pour éviter tout risque d'endommagement de l'ouïe, n'écoutez pas à un volume élevé pendant de longues périodes.



EXPLICATION RELATIVE AUX DEEE

Ce marquage indique que ce produit ne doit pas être jeté avec les autres déchets ménagers dans toute l'UE. Pour éviter tout risque de dommage à l'environnement ou à la santé humaine causé par une mise au rebut non contrôlée des déchets, recycler de façon responsable pour promouvoir la réutilisation durable des ressources matérielles.



DIRECTIVE SUR LES BATTERIES

Ce symbole indique que les batteries ne doivent pas être éliminées dans les déchets domestiques, car ils contiennent des substances qui peuvent être nocives pour l'environnement et la santé. Prière d'éliminer les batteries auprès de sites de collecte désignés.

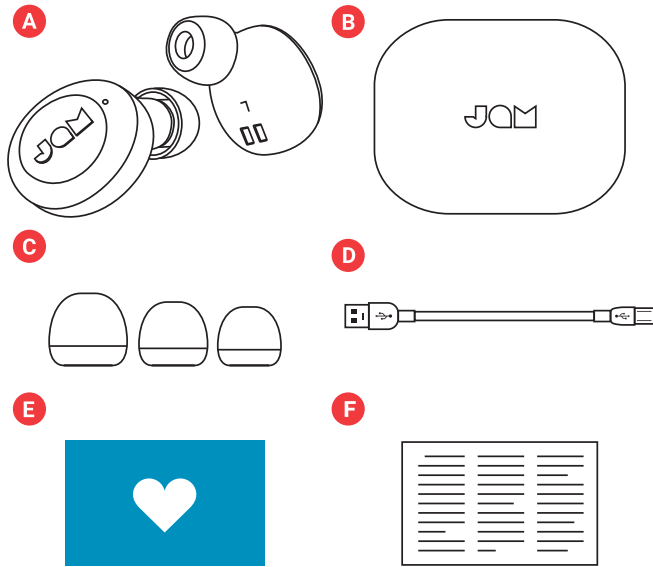
Par les présentes, FKA Brands Ltd déclare que cet appareil radio est conforme aux exigences essentielles et aux autres dispositions pertinentes de la directive 2014/53/UE. La Déclaration de conformité peut être obtenue à l'adresse uk.jamaudio.com/DoC.



LIVE LOUD

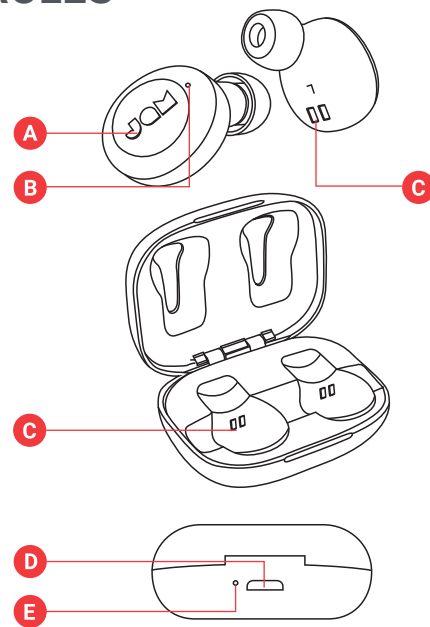
HX-EP410
Libro de Instrucciones

CONTENIDO



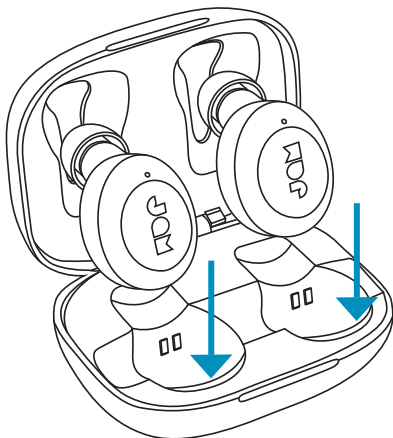
- A – 2 audífonos
- B – Estuche portátil de carga
- C – Puntas de goma de 3 tamaños
- D – Cable micro USB
- E – Tarjeta de bienvenida
- F – Tarjeta legal

CONTROLES



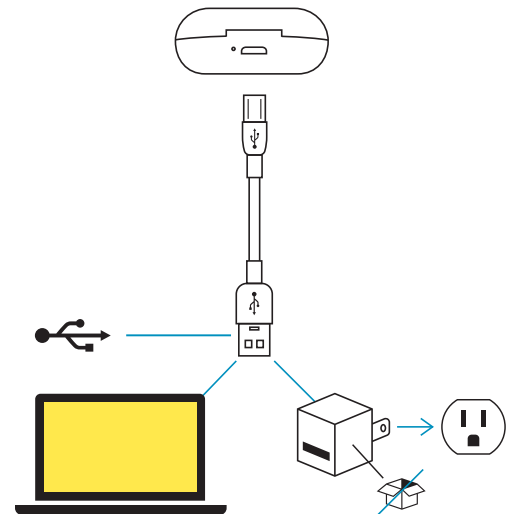
- A – Botón de encendido/apagado/reproducir/pausar
- B – Luz de estado del audífono
- C – Contactos de carga del audífono
- D – Puerto de carga USB - para cargar su dispositivo inteligente
- E – Luz indicadora de batería

CONFIGURACIÓN



CÓMO CARGAR SUS AUDÍFONOS

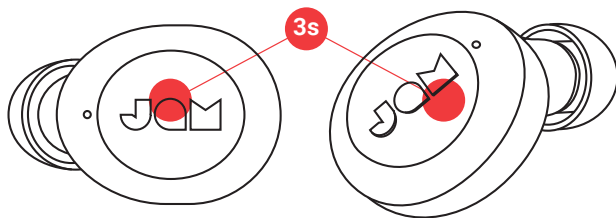
Para cargar sus audífonos, colóquelos en el estuche portátil. Los LED color rojo indican que se están cargando. Si los LED color rojo no se encienden cuando los coloque en el estuche, ajuste los audífonos para asegurarse de que estén alineados con los contactos de carga. Cuando estén completamente cargados, los LED se apagarán.



CÓMO CARGAR SU ESTUCHE PORTÁTIL

Conecte el extremo pequeño del cable microUSB en el puerto microUSB ubicado en la parte posterior del estuche. El LED del estuche se encenderá en color rojo permanente cuando se esté cargando. Cuando el estuche portátil esté totalmente cargado, las luces LED se apagarán.

CONECTE AMBOS AUDÍFONOS

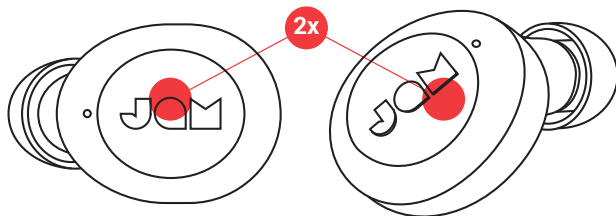


PASO 1 – ENCENDER LOS AUDÍFONOS

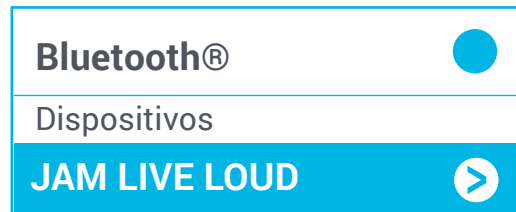
Sus audífonos se encenderán automáticamente al sacarlos del estuche de carga portátil. Si necesita encenderlos manualmente, puede mantener presionados durante 3 segundos los botones “reproducir/pausa” de ambos audífonos.

PASO 2 – CONECTAR LOS AUDÍFONOS ENTRE SÍ

Cuando saque los auriculares de su estuche, se sincronizarán automáticamente entre sí. El LED del auricular principal (izquierdo) parpadeará en azul y rojo alternativamente, mientras que el LED del auricular secundario (derecho) parpadeará lentamente en azul. Sus auriculares ahora están en modo de emparejamiento y buscan un dispositivo Bluetooth® para conectarse.



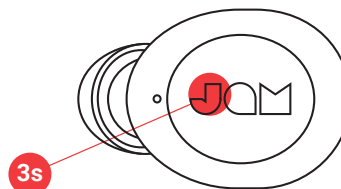
Si sus audífonos no se sincronizan entre ellos de manera automática, presione dos veces los botones “reproducir/pausa” de ambos audífonos al mismo tiempo. Esto hará que sus audífonos entren en modo de sincronización. Una vez conectados, el LED del audífono izquierdo parpadeará en color azul y rojo de forma alternada, mientras que el LED del audífono derecho parpadeará lentamente en color azul. Sus audífonos ahora están en modo de acoplamiento y en busca de un dispositivo Bluetooth® al cual conectarse.



PASO 3 – CONECTARSE A UN DISPOSITIVO

Habilite la función Bluetooth® en su dispositivo. Desde el menú de Bluetooth®, seleccione “Jam Live Loud”. Cuando el dispositivo y los audífonos Live Loud estén conectados, escuchará un tono y los LED parpadearán lentamente en color azul. Esto significa que el acoplamiento está completo.

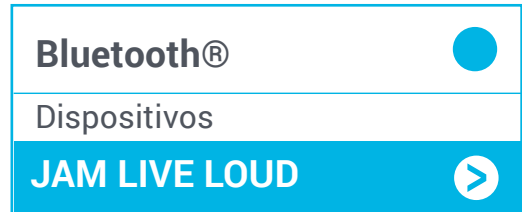
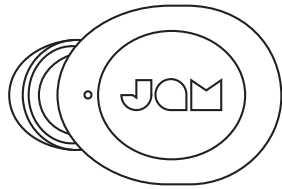
CONECTAR 1 AUDÍFONO



Conecte el audífono izquierdo para sonido monoaural. Esta es una excelente opción si desea escuchar a su alrededor al mismo tiempo que su música.

PASO 1 – ENCENDER EL AUDÍFONO

Su audífono se encenderá automáticamente al sacarlo del estuche de carga portátil. Si necesita encenderlos manualmente, puede mantener presionados durante 3 segundos los botones “reproducir/pausa” de ambos audífonos.



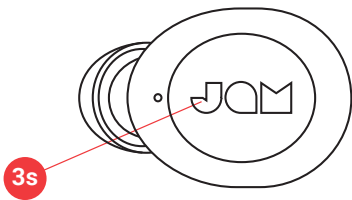
PASO 2 – MODO DE ACOPLAMIENTO

El audífono se enciende automáticamente y entra en modo de acoplamiento al retirarlo del estuche de carga. El LED del audífono izquierdo parpadeará en rojo y azul, y el LED del audífono derecho parpadeará lentamente en azul cuando se estén acoplando. Los audífonos se apagarán después de 6 minutos si no se acoplan.

PASO 3 – CONECTARSE A UN DISPOSITIVO

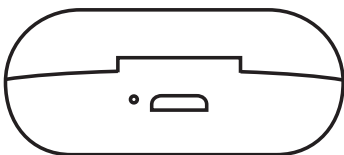
Habilite la función Bluetooth® en su dispositivo. Desde el menú de Bluetooth®, seleccione “JAM Live Loud”. Cuando el dispositivo y los audífonos JAM Live Loud estén conectados, escuchará un tono y los LED parpadearán lentamente en azul. Esto significa que el acoplamiento está completo.

CÓMO APAGAR SUS AUDÍFONOS



Para apagar sus audífonos, colóquelos nuevamente en su estuche, o bien, oprima y mantenga presionado el botón de “reproducir/pausar” de los audífonos durante 3 segundos.

UTILIZANDO SU ESTUCHE DE CARGA PORTÁTIL



Lorsqu'il est complètement chargé, votre boîtier portable peut recharger vos écouteurs jusqu'à 3 fois, pour une durée d'écoute totale de 12 heures.

INDICADORES LED

AUDÍFONOS EN ESTUCHE DE CARGA

Luz roja permanente	Cargando
LED apagado	Carga completa

ESTUCHE PORTÁTIL DE CARGA

Luz azul permanente	Cargando audífonos
LED apagado	Carga completa

AUDÍFONOS EN USO

El audífono maestro (izquierdo) parpadea en color azul y rojo de forma alternada, el audífono esclavo (derecho) parpadea en color azul	Los audífonos están sincronizados entre ellos y en modo de acoplamiento
Luz azul parpadeante	Audífonos en modo de acoplamiento con el dispositivo

AUDÍFONOS EN USO MONOAURAL

Luz roja/azul que parpadea	Audífono izquierdo en modo de acoplamiento
Luz azul parpadeante	Audífono izquierdo acoplado con el dispositivo

SOLUCIÓN DE PROBLEMAS

1. Apague el Bluetooth® en su dispositivo.
2. Saque los audífonos de su estuche.
3. Oprima y mantenga presionado el botón “reproducir/pausar” durante 5 segundos en ambos audífonos para apagarlos.
4. Presione rápidamente el botón “reproducir/pausar” una vez en ambos audífonos para encenderlos.
5. Los audífonos deberán pasar automáticamente al modo de sincronización cuando se enciendan. El LED del audífono maestro (izquierdo) parpadeará en color azul y rojo de forma alternada, mientras que el LED del audífono esclavo (derecho) parpadeará lentamente en color azul. Si no pasan automáticamente al modo de sincronización, presione rápidamente el botón “reproducir/pausa” del audífono izquierdo cinco veces para borrar los ajustes de Bluetooth® y hacer que los audífonos entren en modo de sincronización.
6. Encienda la función Bluetooth® en su dispositivo.
7. Acople con “Jam Live Loud”.
8. ¿Los auriculares no se desconectan de tu dispositivo? Los audífonos “JAM Live /loud” pueden conectarse

FUNCIONES BÁSICAS

MÚSICA

Reproducir/Pausar	Presione cualquiera de los botones reproducir/pausar una vez
Siguiente pista	Oprima dos veces, rápidamente, el botón “reproducir/pausa” del audífono derecho
Reproducir/Pausar	Oprima dos veces, rápidamente, el botón “reproducir/pausa” del audífono izquierdo

LLAMADAS

Contestar una llamada	Presione cualquiera de los botones reproducir/pausar una vez
Rechazar una llamada	Oprima y mantenga presionado el botón reproducir/pausar durante 2 segundos
Finalizar la llamada	Presione cualquiera de los botones reproducir/pausar una vez
Contestar una segunda llamada entrante	Presione cualquiera de los botones reproducir/pausar una vez
Rechazar una segunda llamada entrante	Oprima dos veces, rápidamente, cualquiera de los botones “reproducir/pausa”
Alternar entre dos llamadas	Oprima dos veces cualquiera de los botones “reproducir/pausa”

NOTA: Las llamadas telefónicas, FaceTime y Siri se escuchan solamente en un audífono (mono). Si está usando los audífonos en estéreo, cambiarán automáticamente a mono cuando se acepte una llamada o cuando se active Siri.

OTRO

Activar Siri/Google Assistant	Oprima dos veces rápidamente cualquiera de los botones reproducir/pausar
Revise el nivel de la batería de los audífonos	Vea el smartphone
Apagar el audífono	Oprima y mantenga presionado el botón reproducir/pausar durante 3 segundos

automáticamente a su dispositivo si se colocan en un estuche de carga que no tiene batería. Para la mejor experiencia, cargue periódicamente el estuche para asegurarse de que siempre tenga vida útil de la batería.

INFORMACIÓN LEGAL

LEA TODAS LAS INSTRUCCIONES ANTES DE USAR Y GUÁRDELAS PARA FUTURA REFERENCIA.

Advertencia de FCC:

Este equipo ha sido probado y se encontró que cumple con los límites de un dispositivo digital Clase B, de conformidad con la Parte 15 de las Reglas de FCC. Estos límites están diseñados para proporcionar una protección razonable contra la interferencia dañina en una instalación residencial.

Este equipo genera, usa y puede irradiar energía de radiofrecuencia y si no se instala y usa de conformidad con las instrucciones, puede ocasionar interferencia dañina a las radiocomunicaciones. Sin embargo, no hay garantías de que no ocurra interferencia en una instalación en particular. Si este equipo causa interferencia dañina en la recepción de radio o televisión, lo cual se puede determinar apagando y encendiendo el equipo, se sugiere al usuario que trate de corregir la interferencia tomando una o más de las siguientes medidas:

- Reoriente o reubique la antena receptora.
- Aumente la separación entre el equipo y el receptor.
- Conecte el equipo a un enchufe de un circuito diferente al que esté conectado el receptor.
- Consulte al distribuidor o a un técnico experimentado de radio y TV para obtener ayuda.

Cualesquiera cambios o modificaciones no aprobados expresamente por la parte responsable del cumplimiento podrían anular la capacidad del usuario para operar el equipo.

Este dispositivo cumple con la Parte 15 de las Reglas de la FCC. El funcionamiento está sujeto a las siguientes dos condiciones:

- (1) Este dispositivo no puede causar interferencia perjudicial, y
- (2) Este dispositivo debe aceptar cualquier interferencia recibida, incluyendo aquellas interferencias que puedan provocar un funcionamiento no deseado.

Declaración de exposición a RF de FCC:

Este equipo cumple con los límites de exposición a la radiación de la FCC establecidos para un ambiente no controlado. Este transmisor no debe colocarse en forma conjunta ni operarse junto con cualquier otro transmisor o antena.

Precaución de ISEDC:

Este dispositivo cumple con los estándares de exención de licencia RSS de Innovation, Science, and Economic Development Canada. La operación está sujeta a las siguientes dos condiciones:

- (1) Este dispositivo no causa interferencias nocivas y
- (2) Este dispositivo debe aceptar cualquier interferencia recibida, incluyendo aquellas interferencias que puedan provocar una operación no deseada del dispositivo.

Evaluación de ISEDC RF:

El dispositivo cumple con los lineamientos de exposición de RF; los usuarios pueden obtener información canadiense sobre la exposición a RF y su cumplimiento.

GARANTÍA LIMITADA DE UN AÑO – EUA Y CANADÁ

GARANTÍA PARA EUA Y CANADÁ

JAM garantiza que este producto está libre de defectos de materiales y mano de obra por un período de un año a partir de la fecha de compra. Esta garantía no cubre los daños causados por mal uso o abuso, accidentes, el utilizarlo con cualquier accesorio no autorizado, alteración del producto, o cualquier otra condición que esté fuera del control de JAM.

Para conocer las instrucciones e información detallada sobre la garantía, visite: www.jamaudio.com/customer-support/warranty-1yr. Para obtener el servicio de garantía en su producto JAM, comuníquese con un Representante de Relaciones con el Cliente

al número de teléfono o a la dirección de correo electrónico de su país de residencia. Asegúrese de tener a la mano el número de modelo del producto.

Para servicio en EUA:

Correo electrónico:
cservice@jamaudio.com
Tel: 1-888-802-0040
8:30 a.m. a 7:00 p.m., hora del Este, de lunes a viernes

Para servicio en Canadá:

Correo electrónico:
cservice@homedicsgroup.ca
Tel: 1-888-225-7378
8:30 a.m. a 5:00 p.m., hora del Este, de lunes a viernes

GARANTÍA PARA REINO UNIDO Y EUROPA

JAM garantiza que este producto está libre de defectos de materiales y mano de obra por un período de dos años a partir de la fecha de compra. Esta garantía no cubre los daños causados por mal uso o abuso, accidentes, el utilizarlo con cualquier accesorio no autorizado, alteración del producto, o cualquier otra condición que esté fuera del control de JAM. Distribuido en la Unión Europea por FKA Brands Ltd, Somerhill Business Park, Tonbridge, TN11 0GP, UK. Email: support.row@fkabrands.com.

INSTRUCCIONES IMPORTANTES DE SEGURIDAD

LEA TODAS LAS INSTRUCCIONES ANTES DE USARLO.

ADVERTENCIA: No coloque los altavoces demasiado cerca de los oídos. Puede ocasionar daños a los tímpanos, especialmente en niños pequeños.

- Utilice este producto solo para el uso previsto que se describe en este manual. No utilice aditamentos no recomendados por Jam.
- Jam no es responsable de ningún daño causado a teléfonos inteligentes, a reproductores iPod/MP3, ni a ningún otro dispositivo.
- No ponga ni guarde este producto donde puedan caerse o ser empujado a una bañera o a un lavabo sin cerrar antes las puertas a prueba de agua.
- No lo ponga ni lo deje caer en agua o en otros líquidos sin cerrar antes las puertas a prueba de agua.
- No debe ser utilizado por niños. ESTE NO ES UN JUGUETE.
- Nunca opere este producto si el cable, el enchufe, o la carcasa están dañados.
- Manténgalo alejado de superficies calientes.
- Colóquelo sólo sobre una superficie seca. No lo coloque en una superficie mojada con agua o solventes de limpieza si las puertas a prueba de agua están abiertas.

ADVERTENCIA: Este producto tiene una batería interna de litio no reemplazable. Por favor deséchela de acuerdo con las pautas locales, estatales, provinciales y nacionales. Las baterías (paquete de batería o baterías instaladas) no deberán exponerse al calor excesivo como la luz solar, el fuego o similares.

REEMPLAZO DE LA BATERÍA

Sus auriculares incluyen una batería recargable diseñada para durar toda la vida útil del producto. En el caso poco probable de que necesite una batería de reemplazo, contacte a Servicios para el Consumidor, donde le darán los detalles del servicio de reemplazo de la batería con dentro de la garantía y fuera de ella. Este producto contiene piezas pequeñas que pueden presentar un peligro ahogamiento para los niños pequeños.

PRECAUCIÓN: Todo el mantenimiento a este producto debe ser realizado únicamente por personal de servicio autorizado por Jam Audio. Para ver la guía del usuario completa y para registrar

su producto, visite www.jamaudio.com (EE. UU.), o canada.jamaudio.com (Canadá), o uk.jamaudio.com/instructionbooks (Reino Unido).



Para prevenir un posible daño en la audición, no escuche a un alto volumen por periodos prolongados.



EXPLICACIÓN SOBRE RESIDUOS DE APARATOS ELÉCTRICOS Y ELECTRÓNICOS

Esta marca indica que el producto no debe desecharse con otros residuos domésticos en la Unión Europea. Para evitar posibles daños al medio ambiente o a la salud humana debidos a la eliminación incontrolada de desechos, recicle el aparato de manera responsable para fomentar la reutilización sostenible de los recursos materiales.



DIRECTRIZ DE LA BATERÍA

Este símbolo indica que las baterías no deben desecharse junto a la basura doméstica, ya que contienen sustancias que pueden ser dañinas para el medio ambiente y para la salud. Deseche las baterías en los puntos de recolección designados.

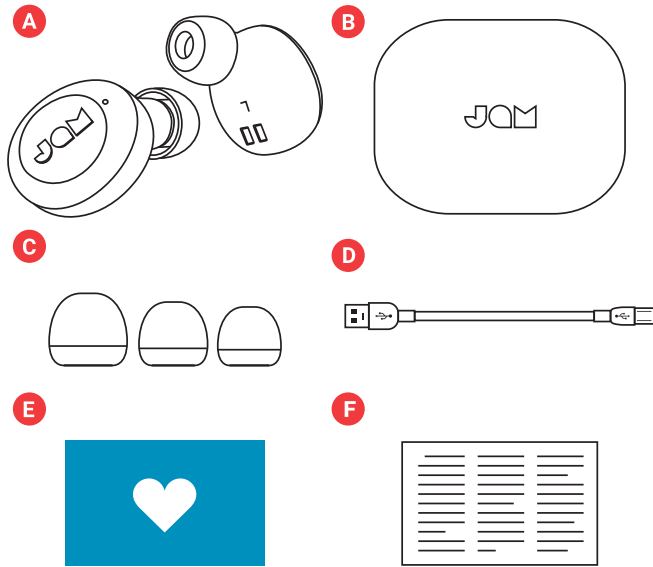
Por medio del presente, FKA Brands Ltd, declara que este dispositivo de radio cumple con los requerimientos esenciales y otras disposiciones relevantes de la Directriz 2014/53/EU. Puede obtener una copia de la Declaración de Conformidad en uk.jamaudio.com/DoC.



LIVE LOUD

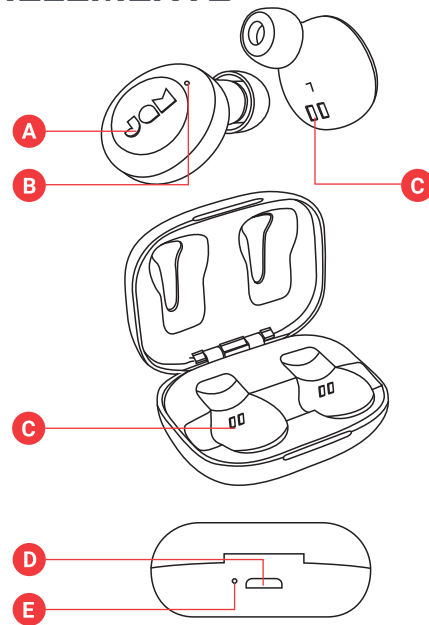
HX-EP410
Bedienungsanleitung

INHALT



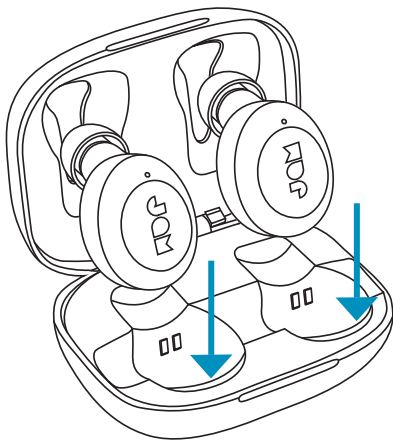
- A – 2 Ohrhörer
- B – Tragbarer Ladebehälter
- C – Polsterkappen in 3 Größen
- D – Micro USB-Kabel
- E – Willkommenskarte
- F – Rechtshinweise

BEDIENELEMENTE



- A – Einschalt-/Ausschalttaste/wiedergabe/pause-Taste
- B – Statusleuchte für Ohrhörer
- C – Ladekontakte für Ohrhörer
- D – USB-Ladeanschluss - Zum Laden Ihres Smart Device
- E – Batterieanzeige-Leuchte

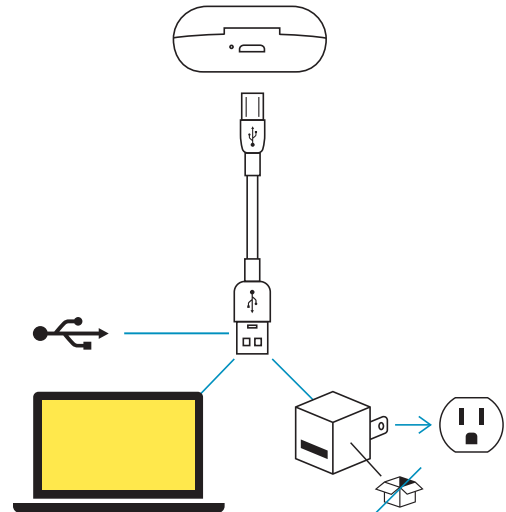
EINRICHTUNG



LADEN IHRER OHRHÖRER

Legen Sie Ihre Ohrhörer zum Laden in den tragbaren Ladebehälter. Die roten LEDs zeigen an, dass sie geladen werden. Wenn die roten LEDs beim Legen in den Behälter nicht aufleuchten, die Ohrhörer so einlegen, dass sie mit den Ladekontakten ausgerichtet sind. Nach Abschließen des Ladevorgangs werden die LEDs ausgeschaltet.

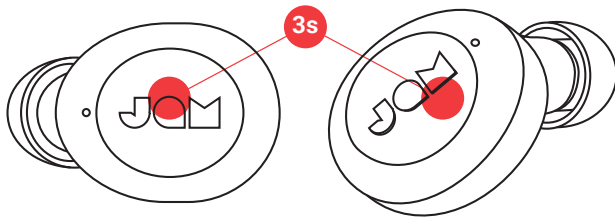
DE



LADEN IHRES TRAGBAREN BEHÄLTERS

Das kleine Ende des Micro-USB-Kabels in die Micro-USB-Buchse auf der Rückseite des Behälters stecken. Die LED am Behälter leuchtet beim Laden konstant rot. Wenn der tragbare Behälter vollständig aufgeladen ist, werden die LED-Leuchten ausgeschaltet.

ANSCHLIESSEN BEIDER OHRHÖRER

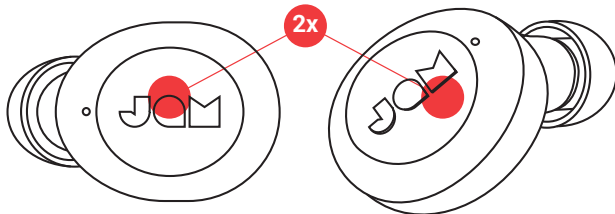


ERSTER SCHRITT – AUSSCHALTEN DER OHRHÖRER

Wenn Ihre Ohrhörer aus dem tragbaren Ladebehälter genommen werden, werden sie automatisch eingeschaltet. Falls Sie sie manuell einschalten müssen, können Sie die Wiedergabe/Pause-Taste an beiden Ohrhörern 3 Sekunden lang drücken.

ZWEITER SCHRITT – VERBINDEN DER BEIDEN OHRHÖRER

Wenn Sie die Ohrhörer aus der Tasche nehmen, werden sie automatisch miteinander synchronisiert. Die Master-Ohrhörer-LED (links) blinkt abwechselnd blau und rot, während die Slave-Ohrhörer-LED (rechts) langsam blau blinkt. Ihre Ohrhörer befinden sich jetzt im Pairing-Modus und suchen nach einem Bluetooth®-Gerät, mit dem Sie eine Verbindung herstellen können.



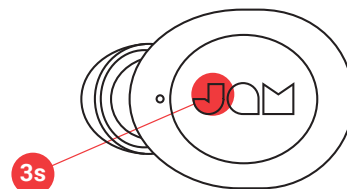
Wenn Ihre Ohrhörer nicht automatisch synchronisiert werden, die „Wiedergabe/Pause“-Taste an beiden Ohrhörern gleichzeitig zweimal drücken. Dies versetzt Ihre Ohrhörer in den Synchron-Modus. Wenn die Ohrhörer miteinander verbunden sind, blinkt die LED des linken Ohrhörers abwechselnd rot und blau, während die LED des rechten Ohrhörers langsam blau blinkt. Jetzt befinden sich Ihre Ohrhörer im Pairing-Modus und sie suchen nach einem Bluetooth®-Gerät, um mit diesem Verbindung aufzunehmen.



DRITTER SCHRITT – ANSCHLIESSEN AN EIN GERÄT

Bluetooth® Ihres Geräts aktivieren. Im Bluetooth®-Menü „Jam Live Loud“ wählen. Wenn das Gerät und Live Loud miteinander verbunden sind, hören Sie einen Ton und die LEDs blinken langsam blau. Dies bedeutet, dass der Pairing-Prozess abgeschlossen ist.

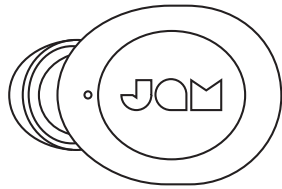
EINEN OHRHÖREN ANSCHLIESSEN



Für Mono-Sound den linken Ohrhörer anschließen. Dies eine gute Alternative, wenn Sie neben Ihrer Musik auch Umgebungsgeräusche hören wollen.

ERSTER SCHRITT – EINSCHALTEN DES OHRHÖRERS

Wenn Ihr Ohrhörer aus dem tragbaren Ladebehälter genommen wird, wird er automatisch eingeschaltet. Falls Sie ihn manuell einschalten müssen, können Sie die Wiedergabe/Pause-Taste an beiden Ohrhörern 3 Sekunden lang drücken.



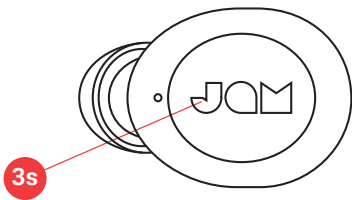
ZWEITER SCHRITT – PAIRING-MODUS

Der Ohrhörer wird automatisch eingeschaltet und in den Pairing-Modus versetzt, wenn er aus dem Ladebehälter genommen wird. Beim Pairing blinkt die LED am linken Ohrhörer abwechselnd rot und blau, während die LED am rechten Ohrhörer langsam blau blinkt. Falls die Ohrhörer nicht gekoppelt werden, werden sie nach 6 Minuten ausgeschaltet.

DRITTER SCHRITT – ANSCHLIESSEN AN EIN GERÄT

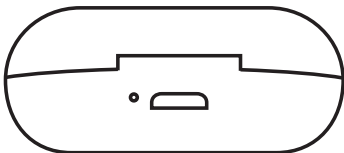
Bluetooth® Ihres Geräts aktivieren. Im Bluetooth®-Menü „JAM Live Loud“ wählen. Wenn das Gerät und JAM Live Loud miteinander verbunden werden, hören Sie einen Ton und die LEDs blinken langsam blau. Dies bedeutet, dass der Pairing-Prozess abgeschlossen ist.

AUSSCHALTEN IHRER OHRHÖRER



Legen Sie die Ohrhörer zum Ausschalten wieder in Ihren Behälter oder drücken Sie 5 Sekunden lang die „wiedergabe/pause“-Taste an den Ohrhörern.

VERWENDUNG IHRES TRAGBAREN LADEKOFFERS



Bei vollständiger Ladung kann Ihr tragbarer Behälter Ihre Ohrhörer bis zu 8 laden mals. Somit haben Sie bis zu 54 Stunden Hörerlebnis.

LED-ANZEIGEN

OHRHÖRER IM LADEBEHÄLTER

Konstantes Rot	Ladende Ohrhörer
LED Aus	Ladevorgang abgeschlossen

TRAGBARER LADEBEHÄLTER

Konstantes Blau	Ladende Ohrhörer
LED Aus	Ladevorgang abgeschlossen

OHRHÖRER AKTIV

Der Hauptohrhörer (links) blinkt abwechseln rot und blau. Der untergeordnete Ohrhörer (rechts) blinkt langsam blau	Dies bedeutet dass beide Ohrhörer miteinander synchronisiert sind und sich im Pairing-Modus befinden
Blinkt Langsam Blau	Verbunden mit dem Gerät

OHRHÖRER IM MONO-MODUS

Blinken Rot/Blau	Der linke Ohrhörer befindet sich mit dem Gerät im Pairing-Modus
Blinkt Langsam Blau	Der linke Ohrhörer ist mit dem Gerät gekoppelt

FEHLERSUCHE

1. Schalten Sie Bluetooth® auf Ihrem Gerät aus.
2. Die Ohrhörer aus ihrem Behälter nehmen.
3. Drücken Sie die „wiedergabe/pause“-Taste 5 Sekunden lang an den Ohrhörern, um sie auszuschalten.
4. Betätigen Sie die „wiedergabe/pause“-Taste einmal an beiden Ohrhörern, um sie auszuschalten.
5. Nach dem Einschalten sollten die Ohrhörer automatisch synchronisiert werden. Der Hauptohrhörer (links) blinkt abwechseln rot und blau, während der untergeordnete Ohrhörer (rechts) langsam blau blinkt. Wenn sie nicht automatisch miteinander synchronisieren, die Wiedergabe/Pause-Taste am linken Ohrhörer fünfmal drücken, um die Bluetooth®-Einstellungen zu löschen und die Ohrhörer zu synchronisieren.

GRUNDFUNKTIONEN

MUSIK

Wiedergabe/Pause	Eine wiedergabe/pause-Taste einmal betätigen
Zum nächsten Titel	Die Wiedergabe/Pause-Taste am rechten Ohrhörer schnell zweimal hintereinander drücken.
Zum vorherigen Titel	Die Wiedergabe/Pause-Taste am linken Ohrhörer schnell zweimal hintereinander drücken.

ANRUF

Einen Anruf annehmen	Eine wiedergabe/pause-Taste einmal betätigen
Einen Anruf ablehnen	Die wiedergabe/pause-Taste 2 Sekunden lang drücken
Einen Anruf beenden	Eine wiedergabe/pause-Taste einmal betätigen
Einen zweiten Anruf annehmen	Eine wiedergabe/pause-Taste einmal betätigen
Einen zweiten Anruf ablehnen	Eine der Wiedergabe/Pause-Tasten schnell zweimal hintereinander drücken
Zwischen 2 Gesprächen wechseln	Eine der Wiedergabe/Pause-Tasten zweimal hintereinander drücken

HINWEIS: Telefonanrufe, FaceTime und Siri können nur mit einem Ohrhörer gehört werden (Mono). Wenn Sie Ihre Ohrhörer im Stereo-Modus verwenden, werden sie automatisch auf Mono umgeschaltet, wenn ein Anruf entgegengenommen oder Siri aktiviert wird.

SONSTIGES

Aktivieren von Siri / Google Assistant	Eine wiedergabe/pause-Taste zweimal kurz hintereinander drücken
Batteriestand der Ohrhörer überprüfen	Kann auf dem Smartphone überprüft werden
Ohrhörer ausschalten	Die Wiedergabe/Pause-Taste 3 Sekunden lang drücken

6. Bluetooth® Ihres Geräts einschalten.
7. Die Verbindung mit „Jam Live Loud“ aufnehmen.
8. Ohrhörer trennen sich nicht von Ihrem Gerät? Die JAM Live Loud-Ohrhörer stellen möglicherweise automatisch eine Verbindung zu Ihrem Gerät her, wenn sie in eine Ladetasche gelegt werden, in der kein Akku mehr vorhanden ist. Laden Sie das Gehäuse regelmäßig auf, um eine optimale Akkulaufzeit zu gewährleisten.

RECHTLICHE INFORMATIONEN

VOR DEM GEBRAUCH ALLE GEBRAUCHSANLEITUNGEN LESEN. DIESE ANLEITUNGEN FÜR DIE ZUKÜNFTIGE BEZUGNAHME AUFBEWAHREN.

GARANTIE – GROSSBRITANNIEN UND EUROPA

JAM garantiert für zwei Jahre ab Kaufdatum, dass dieses Produkt frei von Material- und Verarbeitungsfehlern ist. Diese Garantie gilt nicht für Schäden bedingt durch Missbrauch oder falsche Anwendung, Unfall, Anbringen eines unzulässigen Zubehörteils, Veränderungen am Produkt oder alle anderen Bedingungen, die sich der Kontrolle von JAM entziehen. Vertreter in der EU: FKA Ltd, Somerhill Business Park, Tonbridge, TN11 0GP, UK. E-Mail: support@jamaudio.de.

WICHTIGE SICHERHEITSHINWEISE

VOR DEM GEBRAUCH ALLE ANLEITUNGEN LESEN

ACHTUNG: Einen angemessenen Abstand zwischen Lautsprecher und Ohren einhalten, um eine Schädigung des Trommelfells insbesondere kleiner Kinder zu vermeiden.

- Benutzen Sie dieses Produkt nur für den beabsichtigten Zweck gemäß Beschreibung in diesem Handbuch. Verwenden Sie kein Zubehör, das nicht vom JAM empfohlen wird.
- JAM haftet nicht für Schäden an Smartphones, iPod-/MP3-Player oder anderen Geräten.
- Darauf achten, dass dieses Produkt mit offenen wasserfesten Klappen nicht in eine Wanne oder ein Waschbecken fallen kann.
- Das Produkt nicht mit offenen wasserfesten Klappen in Wasser oder eine andere Flüssigkeit eintauchen.
- Nicht für Kinder geeignet. DIESES PRODUKT IST KEIN SPIELZEUG.
- Das Produkt darf nicht mit einer beschädigten Schnur, Stecker, Kabel oder Gehäuse betrieben werden.
- Von erwärmten Oberflächen fernhalten.
- Nur auf einer trockenen Oberfläche abstellen. Nicht auf eine mit Wasser oder Reinigungslösung benetzte Oberflächen abstellen, wenn die wasserfesten Klappen offen sind.

ACHTUNG: In diesem Produkt befindet sich eine interne, nicht austauschbare Lithiumbatterie. Bei der Entsorgung bitte die örtlichen, Landes- und/oder Bundesvorschriften beachten. Batterien (Akkupack oder installierte Batterien) dürfen nicht extremer Hitze wie Sonneneinstrahlung, Feuer o.ä. ausgesetzt werden.

BATTERIEAUSTAUSCH

Ihre Kopfhörer werden mit einer wiederaufladbaren Batterie geliefert, die während der gesamten Lebensdauer des Produkts halten soll. In dem unwahrscheinlichen Fall, dass Sie eine Ersatzbatterie benötigen, wenden Sie sich bitte an den Kundendienst für Informationen zur Garantie und Ersatzbatterieservice außerhalb der Garantie. Dieses Produkt enthält Kleinteile, an denen Kleinkinder ersticken können.

VORSICHT: Alle Servicearbeiten an diesem Produkt dürfen nur von autorisierten Jam Audio-Wartungsfachleuten durchgeführt werden. Für einen vollständigen Benutzerleitfaden und zum Registrieren Ihres Produkts besuchen Sie bitte www.jamaudio.com (USA) oder canada.jamaudio.com (Kanada) oder uk.jamaudio.com/instructionbooks (UK).



Bitte vermeiden Sie das Hören von Musik bei hoher Lautstärke über längere Zeiträume, um mögliche Gehörschäden zu vermeiden.



WEEE-Erklärung

Diese Kennzeichnung bedeutet, dass dieses Produkt in der EU nicht mit anderem Haushaltsmüll entsorgt werden sollte. Das Gerät muss ordnungsgemäß entsorgt werden, um die umweltverträgliche Wiederverwendung von Materialressourcen zu fördern und eventuelle Umweltschäden oder eine gesundheitliche Beeinträchtigung von Menschen auf Grund von unkontrollierter Abfallentsorgung zu vermeiden.



BATTERIERICHTLINIE

Dieses Symbol bedeutet, dass Batterien nicht mit dem Hausmüll entsorgt werden dürfen, da sie umwelt- und gesundheitsschädliche Substanzen enthalten. Die Batterien bitte an ausgezeichneten Sammelstellen entsorgen.

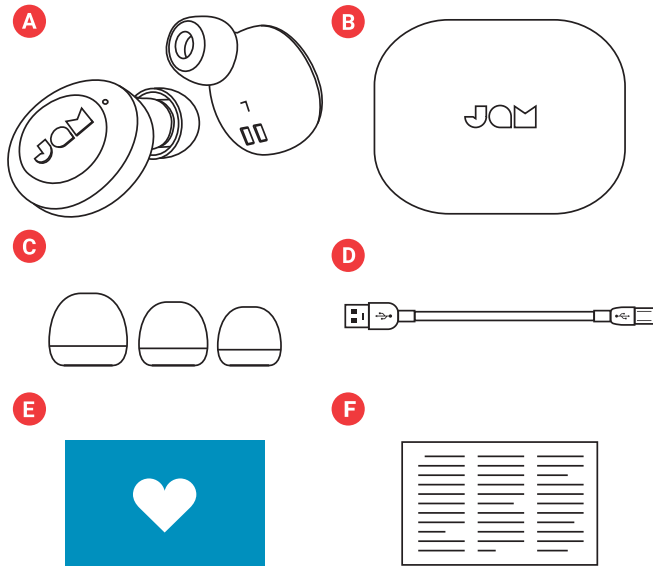
Hiermit erklärt FKA Brands Ltd, dass dieses Radiogerät den wichtigen Anforderungen und anderen relevanten Vorschriften der Direktive 2014/53/EU entspricht. Eine Kopie der Konformitätserklärung ist unter uk.jamaudio.com/DoC erhältlich



LIVE LOUD

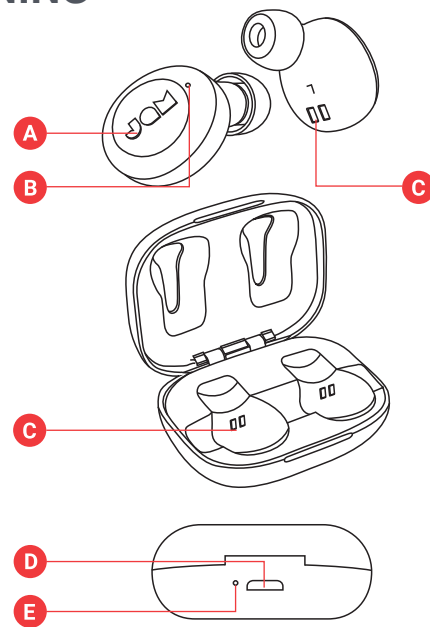
HX-EP410
Gebruiksaanwijzing

INHOUD



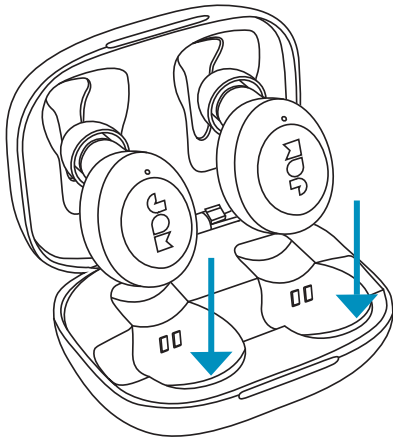
- A – 2 oordopjes
- B – Draagbare oplader
- C – 3 maten oordopjes
- D – Micro USB kabel
- E – Welkomstkaart
- F – Juridische kaart

BEDIENING



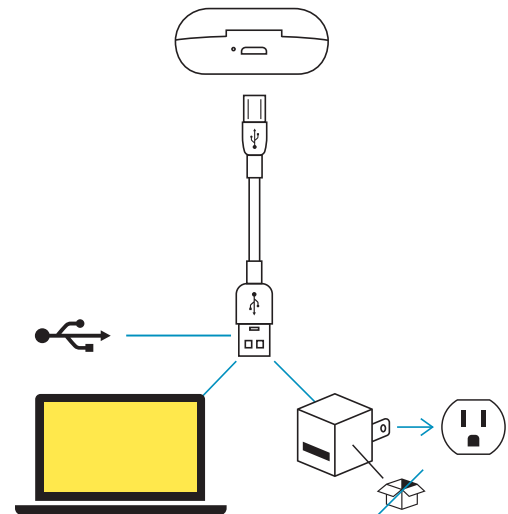
- A – Aan/Uit, Play/Pauze-knop
- B – Statuslampje oordopje
- C – Oplaadaansluitingen oordopje
- D – USB oplaad poort - Voor het opladen van uw smartphone
- E – Batterij-indicator lampje

INSTELLEN



OPLADEN VAN UW OORDOPJES

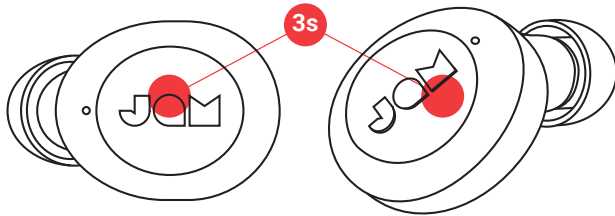
Om uw oordopjes op te laden, plaats ze in de draagbare oplader. De rode LEDs geven aan dat ze worden opgeladen. Als de rode LEDs niet oplichten wanneer ze in de oplader worden geplaatst, pas de oordopjes aan om ervoor te zorgen dat zij in het verlengde van de oplaadaansluitingen zijn. Wanneer de oordopjes volledig zijn opgeladen, zullen de LEDs uitschakelen.



OPLADEN VAN UW DRAAGBARE OPLADER

Het smalle uiteinde van de micro-USB-kabel aansluiten op de micro-USB-poort, die zich op de achterkant van de oplader bevindt. De LED op de oplader zal tijdens het opladen ononderbroken rood oplichten. Wanneer de draagbare oplader volledig is opgeladen, zullen de LED lampjes uitschakelen.

BEIDE OORDOPJES VERBINDEN

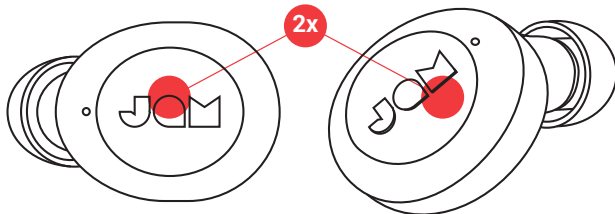


STAP 1 - DE OORDOPJES INSCHAKELEN

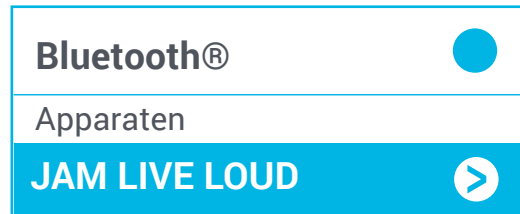
Uw oordopjes worden automatisch ingeschakeld wanneer ze uit de draagbare oplader wordt verwijderd. Als u ze handmatig wilt inschakelen, kunt u de knop play/pauze op beide oordopjes gedurende 3 seconden ingedrukt houden.

STAP 2 – DE OORDOPJES MET ELKAAR VERBINDEN

Wanneer u de oortelefoons uit de hoes haalt, worden deze automatisch met elkaar gesynchroniseerd. De hoofd-oordopjes (links) knipperen afwisselend blauw en rood, terwijl de slave-oordopjes (rechts) langzaam blauw knipperen. Uw oortelefoons zijn nu in de koppelingsmodus en zoeken naar een Bluetooth®-apparaat om verbinding mee te maken.



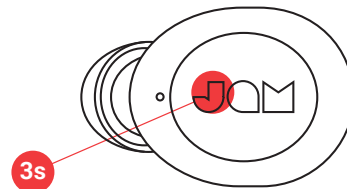
Als uw oordopjes niet automatisch met elkaar synchroniseren, gelijktijdig tweemaal de knop “play/pauze” op beide oordopjes indrukken. Zo plaatst u de oordopjes in de synchronisatiemodus. Eenmaal aangesloten, zal de LED van het linker oordopje afwisselend blauw en rood knipperen, terwijl de LED van het rechter oordopje langzaam blauw zal knipperen. De oordopjes zijn nu in de koppelstand en zoeken naar een Bluetooth®-apparaat om verbinding mee te maken.



STAP 3 - VERBINDEN MET EEN APPARAAT

Activeer Bluetooth op uw apparaat. Selecteer in het Bluetooth®-menu “Jam Live Loud”. Wanneer het apparaat en Live loud verbonden zijn, hoort u een toon en de LEDs zullen langzaam blauw knipperen. Dit betekent dat het koppelen is voltooid.

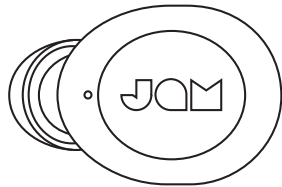
1 OORDOPJE VERBINDEN



Für Mono-Sound den linken Ohrhörer anschließen. Dies eine gute Alternative, wenn Sie neben Ihrer Musik auch Umgebungsgeräusche hören wollen.

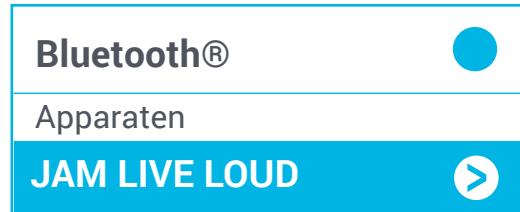
STAP 1 - HET OORDOPJE INSCHAKELEN

Uw oordopje wordt automatisch ingeschakeld wanneer het uit de draagbare oplader wordt verwijderd. Als u het handmatig wilt inschakelen, kunt u de knop play/pauze op beide oordopjes gedurende 3 seconden ingedrukt houden.



STAP 2 - KOPPELMODUS

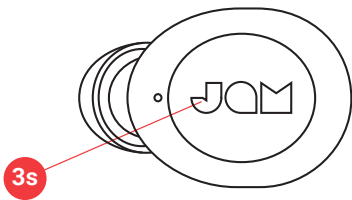
Het oordopje wordt automatisch ingeschakeld en schakelt over naar de koppelstand wanneer het wordt verwijderd van de oplader. Tijdens het koppelen zal de LED rood en blauw knipperen op het linker oordopje en een blauwe LED zal langzaam knipperen op het rechter oordopje. Oordopjes worden na 6 minuten uitgeschakeld als ze niet gekoppeld zijn.



STAP 3 - VERBINDEN MET EEN APPARAAT

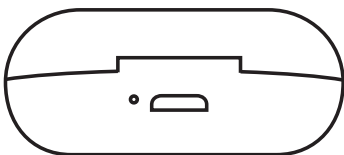
Activeer Bluetooth® op uw apparaat. Selecteer "Jam Live Loud" vanuit het Bluetooth®-menu. Wanneer het apparaat en JAM Live Loud zijn aangesloten, hoort u een toon en de LEDs zullen langzaam blauw knipperen. Dit betekent dat het koppelen is voltooid.

UW OORDOPJES UITSCHAKELEN



Om uw oordopjes uit te schakelen, plaats de oordopjes terug in uw omhulsel, of houd de "play/pauze" knop op de oordopjes voor 3 seconden ingedrukt.

GEBRUIK VAN UW DRAAGBARE LAADKOFFER



Met een volle batterij kan uw oplader tot 3 keer opladen, zodat u in totaal 12 uur kunt luisteren.

LED-INDICATOREN

OORDOPJES IN DE OPLADER

Ononderbroken rood	Opladen
LED uit	Opladen voltooid

DRAAGBARE OPLADER

Ononderbroken rood	Opladen
LED uit	Opladen voltooid

OORDOPJES IN GEBRUIK

Master (linker oordopje) knippert afwisselend blauw en rood, Slave (rechter oordopje) knippert langzaam blauw	Oordopjes zijn synchroon met elkaar en in de koppelmodus
Blauw Knipperen	Met apparaat gekoppeld

OORDOPJES IN MONO GEBRUIK

Rood/blauw knipperen	Linker oordopje is in de koppelmodus met het apparaat
Blauw knipperen	Linker oordopje is gekoppeld met het apparaat

PROBLEMEN OPLOSSEN

1. Bluetooth® op uw apparaat uitschakelen.
2. Neem de oordopjes uit uw omhulsel.
3. Druk en houd de knop "play/pauze" gedurende 5 seconden ingedrukt op beide oordopjes om ze uit te schakelen.
4. Druk snel eenmaal op de knop "play/pauze" op beide oordopjes om ze in te schakelen.
5. Oordopjes moeten automatisch overschakelen naar de synchronisatiemodus zodra ze zijn ingeschakeld. De LED van het master oordopje (links) zal afwisselend blauw en rood knipperen, terwijl de LED van het slave oordopje (rechts) langzaam blauw zal knipperen. Als ze niet automatisch overschakelen naar de

BASISFUNCTIES

MUZIEK

Play/Pauze	Druk eenmaal op de knop play/pauze
Spring nummer vooruit	Snel tweemaal de knop play/pauze op het rechter oordopje tweemaal indrukken
Spring nummer achteruit	Snel tweemaal de knop play/pauze op het linker oordopje tweemaal indrukken

OPROEPEN

Een oproep beantwoorden	Druk eenmaal op play/pauze knop
Een oproep weigeren	Druk en houdt de knop play/pauze gedurende 2 seconden ingedrukt
Een oproep beëindigen	Druk eenmaal op de knop play/pauze
Een tweede inkomende oproep opnemen	Druk eenmaal op de knop play/pauze
Een tweede inkomend oproep weigeren	Snel tweemaal de knop play/pauze indrukken
Wisselen tussen twee gesprekken	De knop play/pauze tweemaal indrukken

OPMERKING: Telefoongesprekken, FaceTime en Siri kunnen alleen via 1 oordopje (mono) worden beluisterd. Zodra een gesprek aanvaard of Siri geactiveerd wordt, worden uw oordopjes automatisch overgeschakeld naar mono als ze in stereo worden gebruikt.

ANDERE

Siri/Google Assistant activeren	Snel tweemaal op de knop play/pauze drukken
Batterijniveau van de oordopjes controleren	Naar de smartphone kijken
Oordopje uitschakelen	Druk en houdt de knop play/pauze gedurende 3 seconden ingedrukt.

- synchronisatiemodus, druk dan snel vijfmaal op de knop play/pauze op het linker oordopje om de Bluetooth®-instellingen te wissen en de oordopjes in de synchronisatiemodus te zetten.
6. Bluetooth® op uw apparaat inschakelen.
7. Koppelen met "Jam Live Loud."
8. Oordopjes worden niet losgekoppeld van uw apparaat? De JAM Live Loud-oordopjes kunnen automatisch verbinding maken met uw apparaat als ze in een oplaadetui worden geplaatst zonder batterij. Voor de beste ervaring, laadt u de behuizing regelmatig op om ervoor te zorgen dat deze altijd de levensduur van de batterij heeft.

JURIDISCHE INFORMATIE

LEES ALLE INSTRUCTIES VOORDAT U HET APPARAAT GAAT GEBRUIKEN EN BEWAAR DEZE INSTRUCTIES ZODAT U ZE LATER KUNT RAADPLEGEN.

GARANTIE - VK & EUROPE

JAM garandeert dat dit product vrij is van defecten in materiaal en uitvoering gedurende een periode van 2 jaar vanaf de datum van aankoop. Deze garantie dekt geen schade veroorzaakt door verkeerd gebruik of misbruik; ongeval; de bevestiging van alle ongeoorloofde accessoires; wijziging aan het product; of enige andere condities buiten de controle van JAM. Gedistribueerd in de EU door FKA Brands Ltd, Somerhill Business Park, Tonbridge, TN11 0GP, UK. T Email: support.row@fkabrands.com.

BELANGRIJKE VEILIGHEIDS VOORSCHRIFTEN

LEES ALLE INSTRUCTIES VOOR GEBRUIK

WAARSCHUWING: Plaats de luidsprekers niet te dicht bij de oren. Kan schade aan trommelvliezen veroorzaken, vooral bij jonge kinderen.

- Gebruik dit product uitsluitend voor het beoogde doel zoals beschreven in deze handleiding. Gebruik geen accessoires die niet worden aanbevolen door Jam.
- Jam is niet aansprakelijk voor eventuele schade aan smartphones, iPod/MP3-speler of om het even welke ander apparaten.
- Plaats of bewaar dit product niet op een plaats waar het in een badkuip of gootsteen kan vallen of worden gegooid zonder de waterdichte deuren te sluiten.
- Plaats of laat het niet vallen in water of enige andere vloeistof zonder de waterdichte deuren te sluiten.
- Niet geschikt voor gebruik door kinderen. DIT IS GEEN SPEELGOED.
- Gebruik dit product nooit als het snoer, de stekker, de kabel of de behuizing beschadigd is.
- Uit de buurt van verwarmde oppervlakken bewaren.
- Alleen op een droog oppervlak plaatsen. Niet op een oppervlak plaatsen dat nat is van water of schoonmaakmiddelen als de waterdichte deuren niet gesloten zijn.

WAARSCHUWING: Dit product heeft een interne, niet-vervangbare lithium batterij. Gelieve weg te gooien in overeenstemming met uw lokale, provinciale en landelijke richtlijnen. Batterijen (accu of geïnstalleerde batterijen) mogen niet worden blootgesteld aan hoge temperaturen die worden veroorzaakt door zonlicht, vuur en dergelijke.

BATTERIJ VERVANGING

Uw hoofdtelefoon is inclusief een oplaadbare batterij die speciaal is ontworpen voor de levensduur van het product. In het onwaarschijnlijke geval dat u een vervangende batterij nodig heeft, gelieve contact op te nemen met de Klantenservice, die u informatie zal verstrekken betreffende de garantie en de batterij service voor vervanging van batterijen waarvan de garantie verstreken is. Dit product bevat kleine onderdelen die verstikkingsgevaar kunnen veroorzaken bij jonge kinderen.

VOORZICHTIG: Alle onderhoud van dit product moet alleen worden uitgevoerd door geautoriseerd Jam Audio onderhoudspersoneel. Voor de volledige gebruikershandleiding en om uw product te registreren, ga naar www.jamaudio.com (VU), of canada.jamaudio.com (Canada) of uk.jamaudio.com/instructionbooks (VK).



Ter voorkoming van mogelijke gehoorschade niet luisteren met een hoog volume gedurende lange perioden.



AEEA UITLEG

Dit merkteken geeft aan dat dit product niet mag worden weggegooid met ander huishoudelijk afval in de gehele EU. Ter voorkoming van mogelijke schade aan het milieu of de menselijke gezondheid door ongecontroleerde afvalverwijdering, dient u deze verantwoordelijk te recyclen voor de bevordering van het duurzaam hergebruik van materiële middelen.



BATTERIJRICHTLIJN

Dit symbool geeft aan dat batterijen niet mogen worden weggegooid met het huishoudelijk afval als zij stoffen bevatten die schadelijk kunnen zijn voor het milieu en de gezondheid. De batterijen a.u.b. weggoeien in de daarvoor bestemde verzamelpunten.

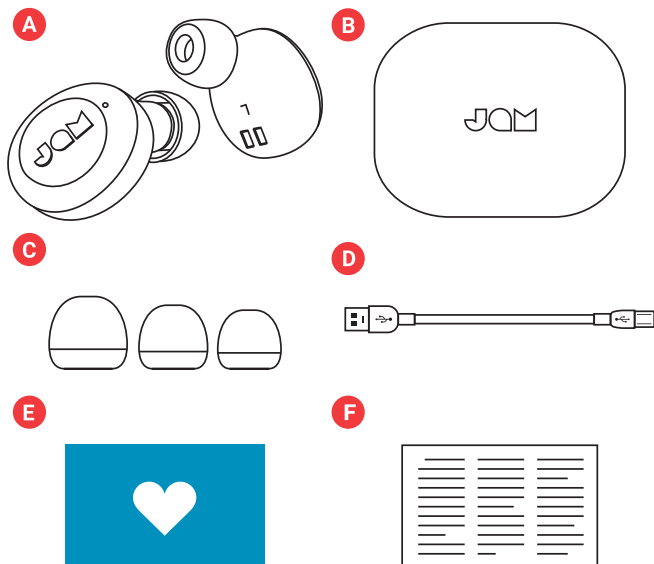
Hierbij verklaart FKA Brands Ltd, dat dit radio-apparaat voldoet aan de essentiële vereisten en andere relevante bepalingen van Richtlijn 2014/53/EG. Een afschrift van de Conformiteitsverklaring kan worden verkregen bij uk.jamaudio.com/DoC.



LIVE LOUD

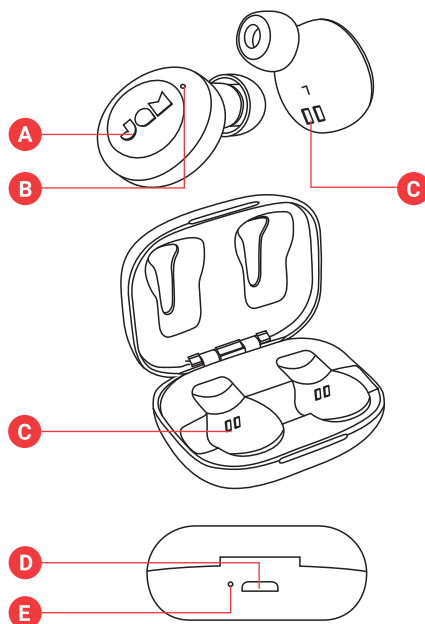
HX-EP410
Instruktionsbog

INDHOLD



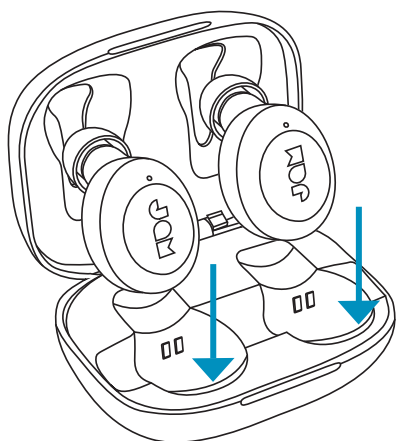
- A – 2 høretelefoner
- B – Bærbart opladningsetui
- C – 3 størrelser øretips
- D – Mikro USB-kabel
- E – Velkomstmeddelelse
- F – Juridisk meddelelse

STYREFUNKTIONER



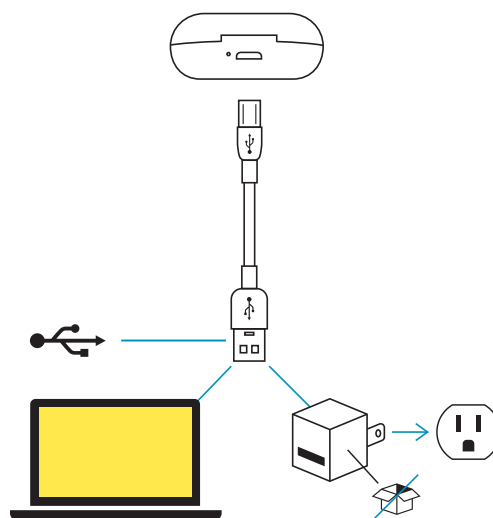
- A – Tænd/Sluk/Afspil/Pause knap
- B – Høretelefoner-statuslys
- C – Opladningsstik til høretelefoner
- D – USB-opladningsport – til opladning af din intelligente enhed
- E – Batteriindikatorlys

INSTALLATION



OPLADNING AF HØRETELEFONERNE

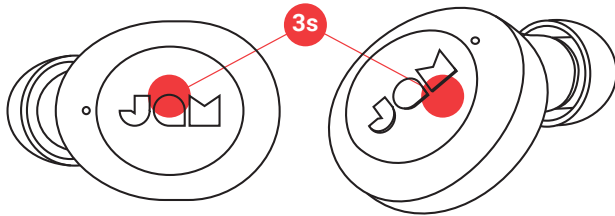
Anbring høretelefonerne i det bærbare etui for at oplade dem. De røde lysdioder viser, at høretelefonerne bliver opladet. Hvis de røde lysdioder ikke lyser, når høretelefonerne er placeret i etuiet, skal høretelefonerne justeres for at sikre, at de flugter med opladningskontakterne. Når høretelefonerne er fuldt opladet, slukker lysdioderne.



OPLADNING AF DET BÆRBARE ETUI

Sæt den lille ende af micro USB-kablet i micro USB-porten, der er placeret på bagsiden af etuiet. Lysdioden på etuiet lyser rødt uden at blinke under opladning. Når det bærbare etui er fuldt opladet, slukker lysdioden.

TILSLUT BEGGE HØRETELEFONER

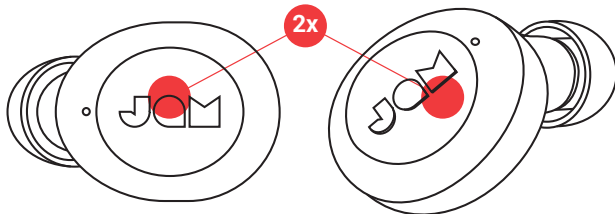


TRIN 1 – TÆND HØRETELEFONERNE

Høretelefonerne tænder automatisk, når de tages ud af det bærbare opladningsetui. Hvis du har brug for at tænde dem manuelt, kan du trykke længe på knappen afspil/pause på begge høretelefonerne i 3 sekunder.

TRIN 2 – TILSLUT HØRETELEFONERNE TIL HINANDEN

Når du tager ørepropperne ud af deres sag, synkroniseres de automatisk med hinanden. LED-hovedbjælken (venstre) blinker blå og rødt alternativt, mens slaveørbøjlen (til højre) LED vil sænke blå. Dine ørepropper er nu i parringstilstand og søger efter en Bluetooth®-enhed, som du kan oprette forbindelse til.



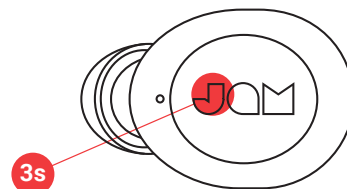
Hvis høretelefonerne ikke synkroniseres med hinanden automatisk, dobbelttryk på knappen afspil/pause på begge høretelefoner samtidigt. Derefter går høretelefonerne i synkroniseringstilstand. Den venstre lysdiode blinker skiftevis blå og rødt, mens den højre høretelefons lysdiode blink langsomt blå. Høretelefonerne går derefter i pardannelsestilstand og begynder at søge efter en Bluetooth®-enhed, de kan tilslutte sig til.



TRIN 3 – TILSLUT TIL EN ENHED

Tænd Bluetooth® på enheden. I Bluetooth®-menuen skal du vælge "Jam Live Loud". Når enheden og Live Loud er tilsluttet, hører du en tone og lysdioderne blinker langsomt blå. Det betyder, at pardannelsen er fuldført.

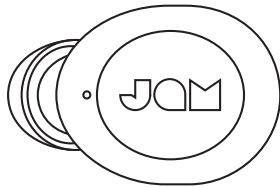
TILSLUT 1 HØRETELEFON



Tilslut den venstre høretelefon for monolyd. Dette er en god valgmulighed, hvis du vil kunne høre dine omgivelser og musikken samtidigt.

TRIN 1 – TÆND HØRETELEFONEN

Høretelefonerne tænder automatisk, når de tages ud af det bærbare opladningsetui. Hvis du har brug for at tænde dem manuelt, kan du trykke på og holde knappen afspil/pause på begge høretelefoner nede i 3 sekunder.



TRIN 2 – PARDANNELSESTILSTAND

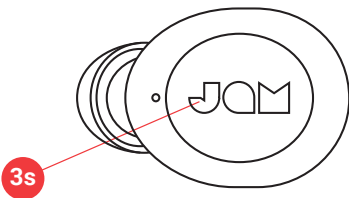
Høretelefonerne tænder automatisk og går i pardannelsestilstand, når de tages ud af opladningsetuiet. Lysdioden blinker rødt og blå på den venstre høretelefon og en blå lysdiode blinker langsomt på den højre høretelefon under pardannelse. Høretelefonerne slukker efter 6 minutter, hvis ikke de parres.



TRIN 3 – TILSLUTNING TIL EN ENHED

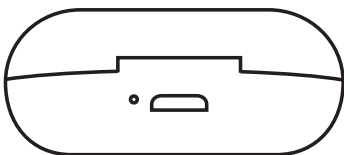
Tænd Bluetooth® enheden. Vælg "JAM Live Loud" i menuen Bluetooth®. I Bluetooth®-menuen skal du vælge "Jam Live Loud". Når enheden og Jam Live Loud er tilsluttet, hører du en tone og lysdioderne blinker langsomt blå. Det betyder, at pardannelsen er fuldført.

SLUK HØRETELEFONERNE



For at slukke høretelefonerne, anbring dem i etuiet igen, eller tryk og hold "afspil/pause"-knappen på begge høretelefoner nede i 3 sekunder.

ANVENDELSE AF DIN BORTABELIGE OPLADNINGSSAG



Med et fuldt batteri kan det bærbare etui genoplade dine høretelefoner op til 3 gange, hvilket giver dig op til 12 timers lyttetid.

LYSDIODEINDIKATORER

HØRETELEFONER I OPLADNINGSETUI

Lyser rødt	Oplader
Lysdiode slukket	Opladning fuldført

BÆRBART OPLADNINGSETUI

Lyser rødt	Oplader
Lysdiode slukket	Opladning fuldført

HØRETELEFONER I BRUG

Master (venstre høretelefon blinker skiftevis blåt og rødt) Slave (højre høretelefon blinker langsomt blåt)	Høretelefonerne er nu synkroniseret og i pardannelsestilstand
Blinker langsomt blåt	Parret med enheden

HØRETELEFONER I MONOBRUG

Blinker rødt/blåt	Den venstre høretelefon er i pardannelsestilstand med enheden
Blinker langsomt blåt	Den venstre høretelefon er parret med enheden

FEJLFINDING

1. Sluk Bluetooth® på enheden.
2. Tag begge høretelefoner ud af opladningsetuiet.
3. Tryk på Tryk og hold "afspil/pause"-knappen på begge høretelefoner nede i 5 sekunder for at slukke dem.
4. Tryk hurtigt på "afspil/pause"-knappen én gang på begge høretelefoner for at tænde dem.
5. Høretelefonerne går automatisk i synkroniseringstilstand, når de er tændt. Master-høretelefonens (venstre) lysdiode blinker skiftevis blåt og rødt, mens lysdioden på Slave-høretelefonen (højre) blinker langsomt blåt. Hvis de ikke automatisk går i

GRUNDLÆGGENDE FUNKTIONER

MUSIK

Afspil/Pause	Tryk på enten afspil- eller pause-knappen én gang
Spring frem	Dobbeltryk hurtigt på knappen afspil/pause på den højre høretelefon to gange
Spring tilbage	Dobbeltryk hurtigt på knappen afspil/pause på den venstre høretelefon to gange

OPKALD

Besvar et opkald	Tryk på enten afspil- eller "pause"-knappen én gang
Afvis et opkald	Tryk på og hold enten afspil- eller pause-knappen nede i 2 sekunder.
Afslut et opkald	Tryk på enten afspil- eller pause-knappen én gang
Besvar et andet indgående opkald	Tryk på enten afspil- eller pause-knappen én gang
Afvis et andet indgående opkald	Tryk hurtigt på enten knappen afspil eller knappen pause to gange
Skift mellem to opkald	Tryk på enten knappen afspil eller knappen pause to gange

BEMÆRK: Telefonopkald, FaceTime og Siri høres kun via én høretelefon (mono). Hvis du bruger høretelefonerne i stereo, skifter de automatisk til mono, når et opkald besvares eller Siri aktiveres.

ANDET

Aktivér Siri/Google Assistant	Dobbeltryk hurtigt på enten afspil- eller pause-knappen
Kontrollér høretelefonernes batteriniveau	Kig på smartphone
Sluk høretelefonen	Tryk og hold afspil- eller pause-knappen nede i 5 sekunder

6. synkroniseringstilstand, tryk hurtigt på knappen afspil/pause på venstre høretelefon fem gange for at slette Bluetooth®-indstillingerne og sætte høretelefonerne i synkroniseringstilstand.
6. Tænd Bluetooth®.
7. Pardan til "Jam Live Loud."
8. Ørepropper, der ikke kobler fra din enhed? JAM Live Loud-ørepropper tilsluttes muligvis automatisk til din enhed, hvis de sættes i en opladningskasse, hvor der ikke er noget batteri tilbage. For at få den bedste oplevelse skal du med jævne mellemrum oplade sagen for at sikre, at den altid har batterilevetid.

JURIDISKE OPLYSNINGER

LÆS DENNE BETJENINGSVEJLEDNING GRUNDIGT, OG GEM VEJLEDNINGEN TIL FREMTIDIG REFERENCE.

GARANTI - STORBRIANNIEN OG EUROPA

JAM garanterer, at dette produkt er frit for fejl i materiale og udførelse i en periode på 2 år fra købsdatoen. Denne garanti dækker ikke skader forårsaget af misbrug eller forkert brug, ulykker, tilslutning til uautoriseret tilbehør, ændring af produktet eller andre forhold, som ligger udenfor JAM's kontrol. Distribueret i EU af FKA Brands Ltd, Somerhill Business Park, Tonbridge, TN11 0GP, Storbritannien. Email: support.row@fkabrands.com.

VIGTIGE SIKKERHEDSINSTRUKSER

LÆS ALLE INSTRUKTIONER FØR BRUG

ADVARSEL: Placer ikke højttalere for tæt på dine ører. Kan forårsage skade på øretrommer, især hos små børn.

- Brug kun dette produkt til det tilsigtede formål som beskrevet i denne vejledning. Brug ikke tilbehør, der ikke anbefales af Jam.
- Jam er ikke ansvarlig for skader forårsaget af smartphones, iPod/MP3-afspillere eller andre enheder.
- Dette produkt må ikke placeres eller opbevares på steder, hvor det kan falde ned i et badekar eller en vask uden først at lukke de vandtætte låger.
- Dette produkt må ikke placeres eller nedsænkes i vand eller anden væske uden først at lukke de vandtætte låger.
- Må ikke bruges af børn. DETTE ER IKKE ET LEGETØJ.
- Anvend aldrig dette produkt, hvis det har beskadiget ledning, stik, kabel eller kabinet.
- Placer ikke tæt på opvarmede overflader.
- Produktet må kun anbringes på tørre overflader. Det må ikke anbringes på overflader, der er våde pga. vand eller rengøringsmidler, hvis de vandtætte låger er åbne.

ADVARSEL: Dette produkt har et internt, ikke-udskifteligt litiumbatteri. Bortskaffes i overensstemmelse med lokale og nationale retningslinjer. Batterier (batteripakke eller installerede batterier) må ikke udsættes for høj varme fra direkte sollys, ild eller lignende.

UDSKIFTNING AF BATTERI

Dine hovedtelefoner har et genopladeligt batteri, der er designet til at vare hele produktets levetid. I det usandsynlige tilfælde at du får brug for at udskifte batteriet, skal du kontakte vores kundeservice, som vil give dig oplysninger om garantien og service uden for garantien. Dette produkt indeholder små dele, der kan udgøre en kvælningsfare for små børn.

FORSIGTIG: Al service af dette produkt må kun udføres af autoriseret servicepersonale hos Jam Audio. Du finder en fuldstændig brugervejledning, ligesom du kan registrere produktet ved at gå til www.jamaudio.com (USA) eller canada.jamaudio.com (Canada) eller uk.jamaudio.com/instructionbooks (Storbritannien).



Med henblik på at beskytte din hørelse bør du undgå at afspille lyd ved høj lydstyrke i længere perioder ad gangen.



WEEE-FORKLARING

Denne mærkning angiver, at dette produkt ikke må bortskaffes sammen med andet husholdningsaffald i hele EU. Genbrug produktet ansvarligt for at forhindre mulig skade på miljøet eller menneskers sundhed fra ukontrolleret bortskaffelse og for at fremme bæredygtig genbrug af materielle ressourcer.



DIREKTIV OM BATTERI

Dette symbol angiver, at batterier ikke må bortskaffes sammen med almindeligt husholdningsaffald, da de indeholder stoffer, der kan skade miljøet og helbredet. Bortskaf batterierne på angivne opsamlingssteder.

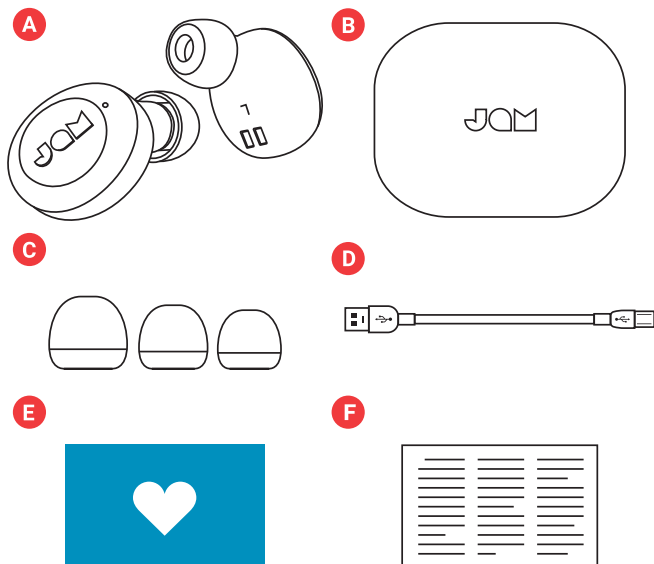
FKA Brands Ltd. erklærer hermed, at denne radioenhed er i overensstemmelse med de væsentlige krav og andre relevante bestemmelser i direktiv 2014/53/EU. En kopi af overensstemmelseserklæringen kan hentes fra uk.jamaudio.com/DoC.



LIVE LOUD

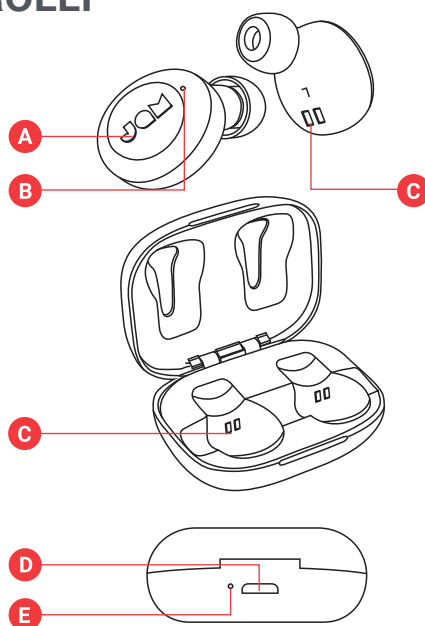
HX-EP410
Manuale di istruzioni

INDICE



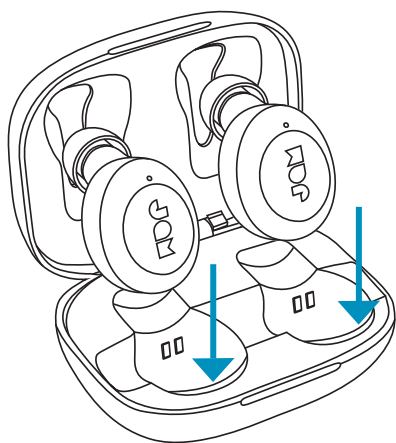
- A – 2 Auricolari
- B – Scatola di carica portatile
- C – 3 grandezze di auricolari
- D – Cavo micro USB
- E – Scheda di benvenuto
- F – Scheda legale

CONTROLLI



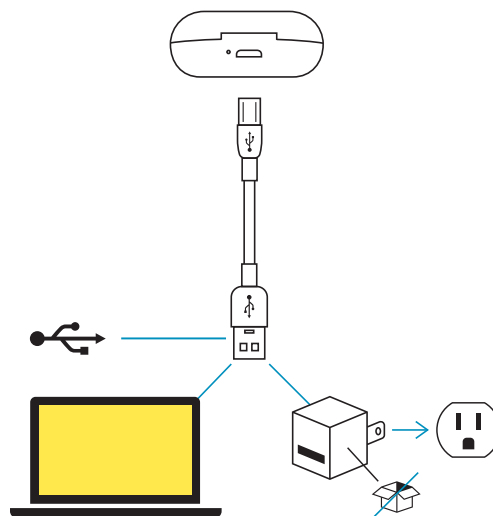
- A – Pulsante accensione/spegnimento/ suona/pausa
- B – Spia di stato degli auricolari
- C – Contatti di carica degli auricolari
- D – Porta di carica USB - Per caricare il dispositivo smart
- E – Spia della batteria

MESSA A PUNTO



CARICA DEGLI AURICOLARI

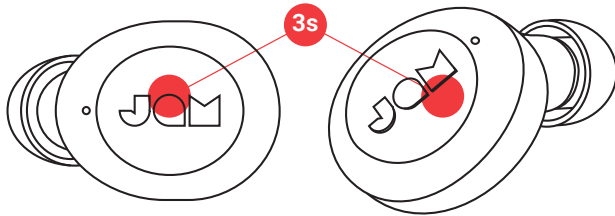
Per caricare gli auricolari, metterli nella scatola portatile. Le spie LED rosse indicano che si stanno caricando. Se le spie LED rosse non appaiono quando si mettono gli auricolari nella scatola, sistemarli in modo da assicurarsi che siano allineati ai contatti di carica. Quando gli auricolari sono completamente carichi, le spie si spengono.



CARICA DELLA SCATOLA PORTATILE

Inserire l'estremità piccola del cavo micro USB nella porta micro USB, situata sul retro della scatola. La spia rossa sulla scatola rimane accesa fissa durante la carica. Quando la scatola portatile è completamente carica, le spie si spengono.

CONNESSIONE DI ENTRAMBI GLI AURICOLARI

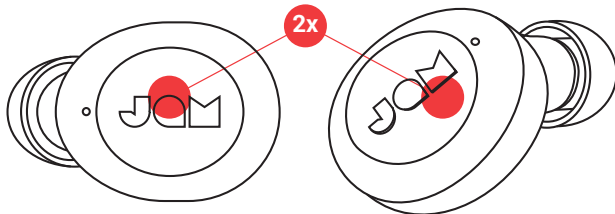


FASE 1 - ACCENSIONE DEGLI AURICOLARI

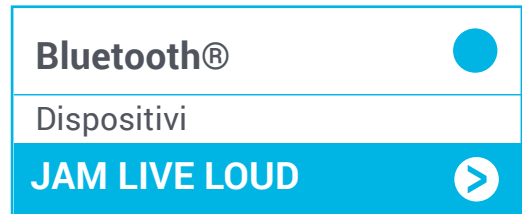
Gli auricolari si accendono automaticamente quando vengono estratti dalla scatola portatile di carica. Se si desidera accenderli manualmente, si può premere e mantenere premuto il pulsante di riproduzione/pausa su entrambi gli auricolari per 3 secondi.

FASE 2 – CONNESSIONE UNO CON L'ALTRO DEGLI AURICOLARI

Quando toglie gli auricolari dalla custodia, si sincronizzeranno automaticamente tra loro. Il LED dell'auricolare master (a sinistra) lampeggerà alternativamente in blu e rosso, mentre il LED dell'auricolare master (a destra) lampeggerà lentamente in blu. Gli auricolari sono ora in modalità di associazione e sono alla ricerca di un dispositivo Bluetooth® a cui connettersi.



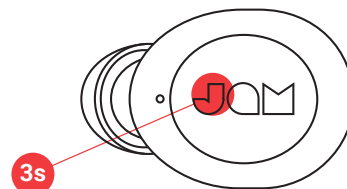
Se gli auricolari non si sincronizzano automaticamente, premere due volte il pulsante di riproduzione/pausa allo stesso tempo su entrambi gli auricolari. In questo modo gli auricolari entreranno nella modalità di sincronizzazione. Una volta collegato, la spia dell'auricolare sinistro lampeggia blu e rossa alternativamente, mentre la spia blu dell'auricolare destro lampeggia lentamente. Gli auricolari sono ora in modalità di collegamento e stanno cercando un dispositivo Bluetooth® a cui collegarsi.



FASE 3 - CONNESSIONE A UN DISPOSITIVO

Attivare la funzione Bluetooth® sul dispositivo. Dal menu Bluetooth®, selezionare "Jam Live Loud". Quando il dispositivo e Live Loud sono collegati, si sente un segnale acustico e la spia blu lampeggia lentamente. Questo significa che il collegamento è completato.

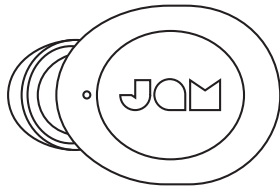
CONNESSIONE DI UN AURICOLARE



Collegare l'auricolare sinistro all'audio mono. Questa è un'ottima opzione se si desidera ascoltare l'ambiente circostante insieme alla musica.

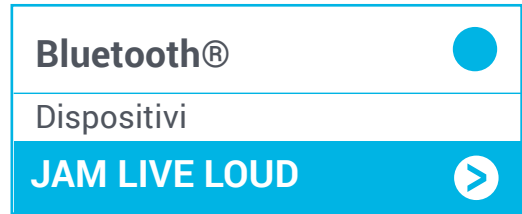
FASE 1 - ACCENSIONE DEGLI AURICOLARI

L'auricolare si accende automaticamente quando viene estratto dalla scatola portatile di carica. Se si desidera accenderlo manualmente, si può premere e mantenere premuto il pulsante di riproduzione/pausa su entrambi gli auricolari per 3 secondi.



FASE 2 - MODALITÀ DI ACCOPPIAMENTO

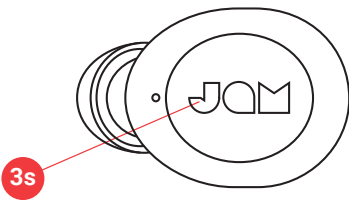
L'auricolare si accende automaticamente ed entra nella modalità di collegamento quando viene estratto dalla scatola di carica. L'indicatore lampeggia rosso e blu sull'auricolare sinistro e una spia blu lampeggia lentamente sull'auricolare destro durante il collegamento. Gli auricolari si spengono dopo 6 minuti se non sono collegati.



FASE 3 - CONNESSIONE A UN DISPOSITIVO

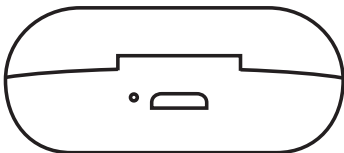
Attivare la funzione Bluetooth® sul dispositivo. Dal menu Bluetooth® selezionare "JAM Live Loud". Quando il dispositivo e JAM Live Loud sono collegati, si sente un segnale acustico e la spia blu lampeggia lentamente. Questo significa che il collegamento è completato.

ACCENSIONE DEGLI AURICOLARI



Per spegnere gli auricolari, riporli nella scatola oppure premere il pulsante "suona/pausa" sugli auricolari e mantenerlo premuto per 3 secondi.

UTILIZZANDO IL CASO DI RICARICA PORTATILE



Con una carica completa, la scatola portatile può ricaricare gli auricolari fino a 3 volte, per un tempo totale di 12 ore di autonomia.

SPIE LED

AURICOLARI NELLA SCATOLA DI CARICA

Luce rossa costante	In corso di carica
Spia spenta	Carica completata

SCATOLA DI CARICA PORTATILE

Luce rossa costante	Luce rossa costante
Spia spenta	Carica completata

AURICOLARI IN USO

L'auricolare master (sinistro) lampeggia blu e rosso alternativamente, l'auricolare slave (destra) lampeggia blu lentamente	Gli auricolari sono sincronizzati fra di loro e in modalità di collegamento
Blu lampeggiante velocemente	Collegati con il dispositivo

AURICOLARI IN MONO

Rosso/Blu lampeggiante	Auricolare sinistro in fase di collegamento con il dispositivo
Blu lampeggiante velocemente	Auricolare sinistro collegato al dispositivo

SOLUZIONE DEI PROBLEMI

1. Spegnerne Bluetooth® sul proprio dispositivo.
2. Rimuovere gli auricolari dalla scatola.
3. Premere un pulsante suona/pausa e mantenerlo premuto per 5 secondi.
4. Premere rapidamente una volta il pulsante suona/pausa su entrambi gli auricolari per spegnerli.
5. Gli auricolari passano automaticamente in modalità sincro non appena vengono accesi. La spia dell'auricolare master (sinistro), lampeggia blu e rossa alternativamente, mentre la spia blu dell'auricolare slave (destra) lampeggia lentamente. Se non entrano automaticamente nella modalità di sincronizzazione, premere il pulsante di riproduzione/pausa sull'auricolare sinistro cinque volte per cancellare le

FUNZIONI DI BASE

MUSICA

Suona/Pausa	Premere una volta il pulsante suona o pausa
Brano successivo	Premere rapidamente sul pulsante di riproduzione/pausa sull'auricolare destro due volte
Brano precedente	Premere rapidamente sul pulsante di riproduzione/pausa sull'auricolare sinistro due volte

CHIAMATE

Per accettare una chiamata	Premere una volta il pulsante suona o pausa
Per rifiutare una chiamata	Premere il pulsante suona/pausa e tenerlo premuto per 2 secondi
Fine di una chiamata	Premere una volta il pulsante suona o pausa
Per accettare una seconda chiamata in arrivo	Premere una volta il pulsante suona o pausa
Per rifiutare una seconda chiamata in arrivo	Premere rapidamente uno dei due pulsanti di riproduzione/pausa due volte
Alternarsi fra due chiamate	Premere uno dei due pulsanti di riproduzione/pausa due volte

NOTA: Le chiamate telefoniche, Face Time e SIRI si ascoltano solo attraverso un auricolare (mono). Se si stanno usando gli auricolari in modalità stereo, essi passano immediatamente in modalità mono al momento in cui una chiamata telefonica è accettata o Siri è attivato.

ALTRO

Attivare l'assistente Siri/Google	Premere due volte velocemente il pulsante suona o pausa
Controllare il livello della batteria sugli auricolari	Guardare lo smartphone
Spegnerne l'auricolare	Premere il pulsante di riproduzione/pausa e tenerlo premuto per 3 secondi

6. impostazioni Bluetooth® e mettere gli auricolari in modalità di sincronizzazione.
7. Attivare la funzione Bluetooth® sul dispositivo.
8. Accoppiarlo a "Jam Live Loud"
8. Gli auricolari non si disconnettono dal dispositivo? Gli auricolari JAM Live Loud possono connettersi automaticamente al dispositivo se inseriti in una custodia di ricarica senza batteria. Per la migliore esperienza, caricare periodicamente la custodia per assicurarsi che abbia sempre la durata della batteria.

INFORMAZIONI LEGALI

LEGGERE TUTTE LE ISTRUZIONI PRIMA DELL'USO E, QUINDI, SALVARLE PER RIFERIMENTI FUTURI.

GARANZIA - RU ED EUROPA

JAM garantisce questo prodotto come libero da difetti di materiale e fabbricazione per un periodo di 2 anni a partire dalla data dell'acquisto. Questa garanzia non copre i danni causati da uso improprio, maltrattamenti, incidenti, attacco di ogni accessorio non autorizzato, alterazione del prodotto o qualsiasi altra condizione prodotta da cause estranee alle possibilità di controllo della JAM. Distribuito da: Homedics, Italy SRL, Via Giosuè Carducci, 125 20099 Sesto San Giovanni (MI)
Tel: 064.521.2169 Email: support@jamaudio.it.

IMPORTANTI ISTRUZIONI DI SICUREZZA

LEGGERE TUTTE LE ISTRUZIONI PRIMA DELL'USO:

AVVERTENZA: Non posizionare gli altoparlanti troppo vicino alla orecchie. Possono causare danni ai timpani, specialmente a quelli dei bambini.


- Usare questo prodotto solo per l'uso destinato descritto in questo manuale. Non usare accessori non raccomandati dalla Jam.
- La Jam non è responsabile di eventuali danni causati agli smartphone, iPod/MP3 player o ad ogni altro dispositivo.
- Non porre o conservare questo prodotto in punti dove possa cadere in una vasca da bagno o in un lavandino senza chiudere le porte impermeabili.
- NON immergere o lasciar cadere l'apparecchio nell'acqua o in altri liquidi senza chiudere le porte impermeabili.
- Non farlo usare ai bambini. QUESTO NON È UN GIOCATTOLO.
- Non usare mai questo prodotto con il filo, la presa, il cavo o la custodia danneggiati.
- Mantenere il prodotto lontano da superfici calde.
- Posarlo solo su superfici asciutte. Non posarlo su superfici bagnate con acqua o detergenti se le porte impermeabili sono aperte.

AVVERTENZA: Questo prodotto ha al suo interno una batteria al litio non sostituibile. Smaltirla rispettando le disposizioni locali, provinciali e statali. Le batterie (batterie esterne o installate) non devono essere esposte a eccessivo calore come raggi del sole, fuoco o simili.

SOSTITUZIONE DELLA BATTERIA

I vostri auricolari includono una batteria ricaricabile concepita per durare durante tutta la vita del prodotto. Nel caso improbabile che si necessiti di sostituire la batteria, contattare il Servizio Clientela, che fornirà dettagli sulla garanzia e sul servizio di sostituzione della batteria fuori della garanzia. Questo prodotto contiene parti di piccola dimensione che possono rappresentare un pericolo di soffocamento per i bambini.

ATTENZIONE: Tutte le attività di manutenzione e riparazione di questo prodotto devono essere eseguite solo da personale di servizio autorizzato della Jam Audio. Per una completa guida dell'utente e per la registrazione del prodotto, visitare www.jamaudio.com (USA), o canada.jamaudio.com (Canada), o uk.jamaudio.com/instructionbooks (UK).

 Per impedire la possibilità di danni alle orecchie, non ascoltare a volume elevato per lunghi periodi.



SPIEGAZIONE DEL MARCHIO WEEE

All'interno della UE, questo marchio indica che il prodotto non può essere smaltito con altri rifiuti domestici. Per impedire possibili danni all'ambiente o alla salute umana prodotti da uno smaltimento incontrollato dei rifiuti, riciclare l'apparecchio in modo responsabile per riutilizzare utilmente il materiale.



DIRETTIVA SULLA BATTERIA

Questo simbolo indica che le batterie non possono essere smaltite con i rifiuti domestici in quanto esse contengono sostanze in grado di danneggiare l'ambiente e la salute. Smaltire le batterie nei punti di raccolta designati.

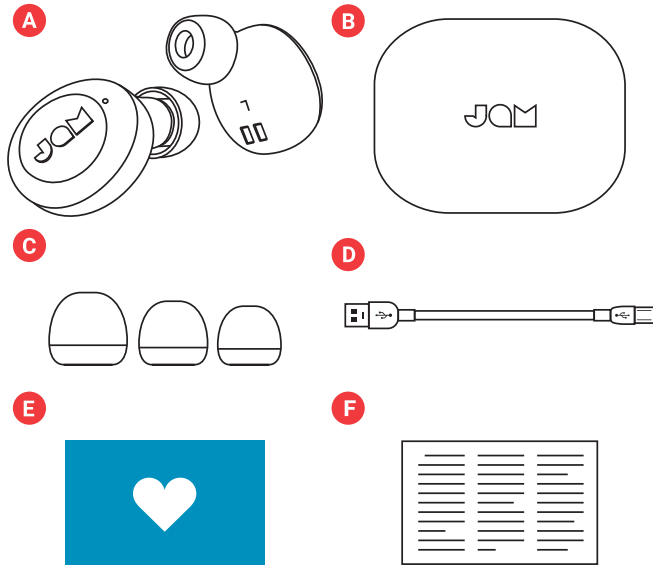
Con la presente, FKA Brands Ltd, dichiara che questo apparecchio radio è conforme ai requisiti essenziali e alle altre normative applicabili della Direttiva 2014/53/EU. Una copia della Dichiarazione di conformità può essere ottenuta da uk.jamaudio.com/DoC.



LIVE LOUD

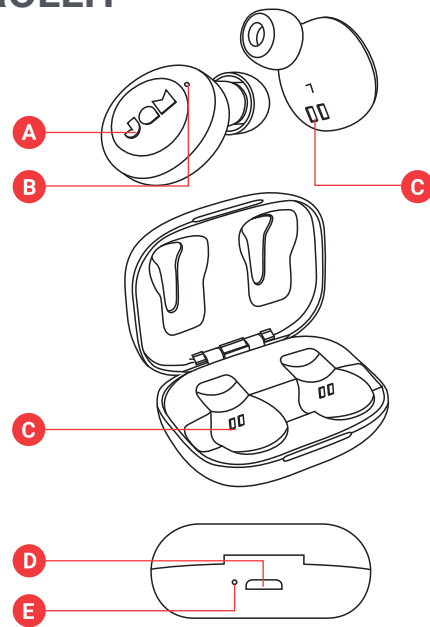
HX-EP410
Ohjekirja

SISÄLTÖ



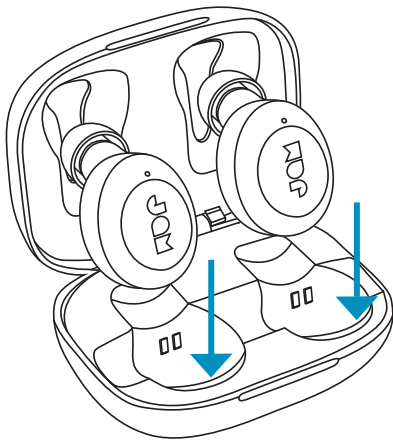
- A – 2 nappikuuloketta
- B – Kannettava latauskotelo
- C – Vaihtokärjet, 3 kokoa
- D – Micro USB -kaapeli
- E – Tervetulokortti
- F – Lakisääteiset tiedot

KONTROLLIT



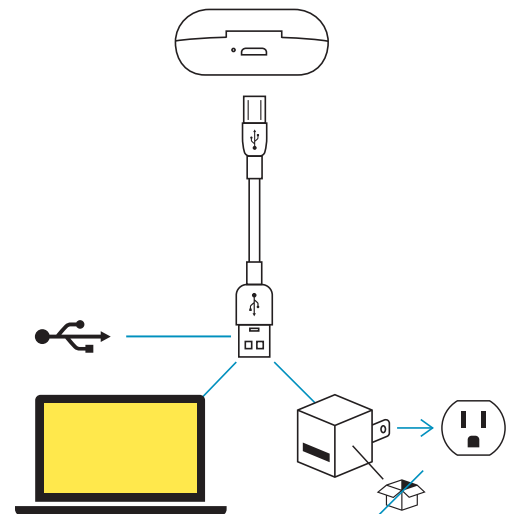
- A – Virta päälle/pois, toisto/tauko
- B – Kuulokkeen tilavalo
- C – Kuulokkeen latauskoskettimet
- D – USB-latausportti – älylaitteesi lataamista varten
- E – Akun merkkivalo

KÄYTTÖÖNOTTO



NAPPIKUULOKKEIDEN LATAAMINEN

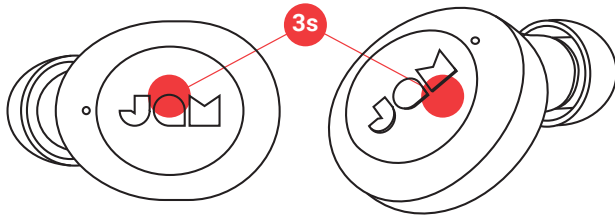
Laita nappikuulokkeet kannettavaan koteloon latausta varten. Punaiset LED-valot osoittavat, että ne latautuvat. Jos punaiset LED-valot eivät syty laitettaessa kuulokkeet koteloon, liikuta kuulokkeita hieman varmistaaksesi, että ne koskettavat latauskoskettimia. Kun ne ovat latautuneet kokonaan, LED-valot sammuvat.



KANNETTAVAN KOTELON LATAAMINEN

Kiinnitä micro USB -kaapelin pienempi pää kotelon takana olevaan micro USB -latausporttiin. Tasainen punainen LED-valo kotelossa osoittaa, että kotelo latautuu. Kun kannettava kotelo on latautunut kokonaan, LED-valot sammuvat.

YHDISTÄ MOLEMMAT NAPPIKUULOKKEET

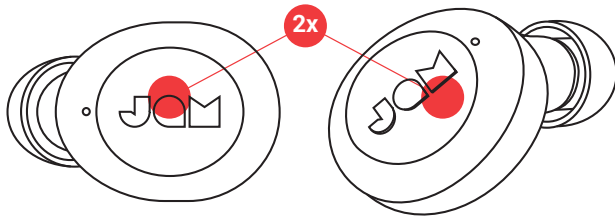


VAIHE 1 – KYTKE VIRTA NAPPIKUULOKKEISIIN

Virta kytkeytyy kuulokkeisiin automaattisesti, kun otat ne pois latauskotelosta. Jos sinun täytyy kytkeä virta manuaalisesti, voit pitää molempien kuulokkeiden toisto/taukopainikkeita painettuina 3 sekunnin ajan.

VAIHE 2 – NAPPIKUULOKKEIDEN LIITTÄMINEN TOISIINSA

Kun otat korvakuulokkeet kotelostaan, ne synkronoituvat automaattisesti toisiinsa. Pääkuulokkeen (vasen) LED vilkkuu vaihtoehtoisesti sinisenä ja punaisena, kun taas orjakuulokkeen (oikea) LED vilkkuu hitaasti sinisenä. Korvakuulokkeet ovat nyt paritilassa ja etsivät Bluetooth®-laitetta, johon yhteys voidaan muodostaa.



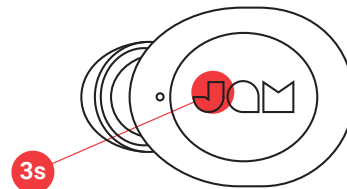
Jos kuulokkeet eivät synkronoidu keskenään automaattisesti, paina toisto/taukopainiketta lyhyesti kaksi kertaa kummassakin kuulokkeessa samanaikaisesti. Näin kuulokkeet menevät synkronointitilaan. Kun kuulokkeet ovat synkronoituneet keskenään, vasemman kuulokkeen LED-valo vilkkuu vuorotellen sinisenä ja punaisena ja oikean kuulokkeen LED-valo vilkkuu hitaasti sinisenä. Kuulokkeet ovat nyt pariliitostilassa ja etsivät Bluetooth®-laitetta muodostaakseen siihen yhteyden.



VAIHE 3 – YHDISTÄMINEN LAITTEeseen

Aktivoi Bluetooth® laitteessasi. Valitse Bluetooth®-valikosta "Jam Live Loud". Kun laitteen ja Live Loudin välillä on kytkös, kuulet äänimerkin ja LED-valot vilkkuvat hitaasti sinisenä. Se tarkoittaa, että pariliitos onnistui.

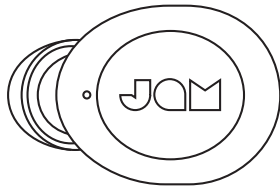
YHDISTÄ 1 NAPPIKUULOKE



Yhdistämällä vasemman kuulokkeen saat monoäänen. Tämä on hyvä vaihtoehto, jos haluat kuulla musiikin lisäksi myös ympäristön äänet.

VAIHE 1 – KYTKE VIRTA NAPPIKUULOKKEeseen

Virta kytkeytyy kuulokkeeseen automaattisesti, kun otat sen pois latauskotelosta. Jos sinun täytyy kytkeä virta manuaalisesti, voit pitää molempien kuulokkeiden toisto/taukopainikkeita painettuina 3 sekunnin ajan.



Bluetooth®



Laitteet

JAM LIVE LOUD



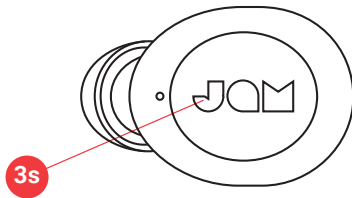
VAIHE 2 – PARILIITOSTILA

Kun kuuloke otetaan pois latauskotelosta, virta kytkeytyy kuulokkeeseen automaattisesti ja kuuloke siirtyy pariliitostilaan. Pariliitostilassa vasemman kuulokkeen LED-valo vilkkuu vuorotellen sinisenä ja punaisena ja oikean kuulokkeen LED-valo vilkkuu hitaasti sinisenä. Virta kytkeytyy pois päältä kuulokkeista 6 minuutin jälkeen, jollei pariliitosta ole muodostettu.

VAIHE 3 – YHDISTÄMINEN LAITTEeseen

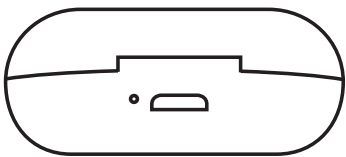
Aktivoi Bluetooth® laitteessasi. Valitse Bluetooth®-valikosta "JAM Live Loud". Kun laitteen ja JAM Live Loudin välillä on kytkös, kuulet äänimerkin ja LED-valot vilkkuvat hitaasti sinisenä. Se tarkoittaa, että pariliitos onnistui.

VIRRRAN KATKAISEMINEN KUULOKKEISTA



Katkaise kuulokkeista virta laittamalla ne takaisin koteloon tai pitämällä niiden toisto/tauko-näppäimiä painettuina 3 sekunnin ajan.

KANNETTAVAN LATAUSKOTELON KÄYTTÄMINEN



Kun kotelon akku on täynnä, sillä voi ladata kuulokkeet jopa 3 kertaa, eli saat jopa 12 tuntia kuunteluaikaa.

LED-MERKKIVALOT

KUULOKKEET KOTELOSSA

Tasainen punainen	Latautuu
LED-valo pois päältä	Lataus suoritettu loppuun

KANNETTAVA LATAUSKOTELO

Tasainen punainen	Latautuu
LED-valo pois päältä	Lataus suoritettu loppuun

KUULOKKEET KÄYTÖSSÄ

Isäntäkuuloke (vasen) vilkkuu vuorotellen sinisenä ja punaisena, orjakuuloke (oikea) vilkkuu hitaasti sinisenä	Kuulokkeet keskenään synkronointitilassa ja pariliitostilassa
Hidas vilkkuva sininen	Headset paired with device

KUULOKKEET MONOKÄYTÖSSÄ

Vilkkuva punainen/sininen	Vasen kuuloke on pariliitostilassa laitteen kanssa
Hidas vilkkuva sininen	Vasen kuuloke on pariliitoksessa laitteen kanssa

VIANMÄÄRITYS

1. Katkaise Bluetooth®-yhteys laitteesta.
2. Ota kuulokkeet pois kotelosta.
3. Katkaise virta kuulokkeista pitämällä molempien kuulokkeiden toisto/tauko-painikkeita painettuina 5 sekunnin ajan.
4. Kytke virta kuulokkeisiin painamalla molempien kuulokkeiden toisto/tauko-painikkeita lyhyesti kerran.
5. Kuulokkeiden pitäisi automaattisesti mennä synkronointitilaan, kun virta kytketään päälle. Isäntäkuulokkeen (vasen) LED-valo vilkkuu vuorotellen sinisenä ja punaisena, ja orjakuulokkeen (oikea) LED-valo vilkkuu hitaasti sinisenä. Jolleivät ne mene

PERUSTOIMINNOT

MUSIIKKI

Toisto/tauko	Paina jompaakumpaa toisto/tauko-painiketta kerran
Seuraava raita	Kaksoispaina oikean kuulokkeen toisto/tauko-painiketta nopeasti kaksi kertaa
Edellinen raita	Kaksoispaina vasemman kuulokkeen toisto/tauko-painiketta nopeasti kaksi kertaa

PUHELUT

Vastaa puheluun	Paina jompaakumpaa toisto/tauko-painiketta kerran
Hylkää puhelu	Pidä jompaakumpaa toisto/tauko-painiketta painettuna 2 sekunnin ajan
Katkaise puhelu	Paina jompaakumpaa toisto/tauko-painiketta kerran
Vastaa toiseen saapuvaan puheluun	Paina jompaakumpaa toisto/tauko-painiketta kerran
Hylkää toinen saapuva puhelu	Paina jompaakumpaa toisto/tauko-painiketta nopeasti kaksi kertaa
Siirry puhelusta toiseen	Paina jompaakumpaa toisto/tauko-painiketta kaksi kertaa

HUOMAA: Puhelut, FaceTime ja Siri kuullaan vain yhden kuulokkeen kautta (monoääni). Kuulokkeet vaihtavat automaattisesti stereoäänestä monoääneen, kun puheluun vastataan tai Siri aktivoidaan.

MUU KÄYTTÖ

Aktivoi Siri / Google Assistant	Paina jompaakumpaa toisto/tauko-painiketta lyhyesti kaksi kertaa
Tarkista kuulokkeiden lataus	Katso älypuhelimesta
Kytke virta pois kuulokkeesta	Pidä toisto/tauko-painiketta painettuna 3 sekunnin ajan

6. Kytke Bluetooth® päälle laitteessasi.
7. Muodosta pariliitos JAM Live Loud.
8. Earbuds ei irrota laitteesta? JAM Live Loud -kuulokkeet voivat muodostaa yhteyden laitteeseesi automaattisesti, jos ne on ladattu latauskoteloon, jossa ei ole akkua. Parhaan kokemuksen saamiseksi lataa kotelo säännöllisesti varmistaaksesi, että siinä on aina akun käyttöikä.

LAKISÄÄTEISET TIEDOT

LUE KAIKKI OHJEET ENNEN KÄYTTÖÄ JA SÄILYÄ NÄMÄ OHJEET MYÖHEMPÄÄ TARVETTA VARTEN.

TAKUU – UK JA EUROOPPA

JAM takaa kahden vuoden ajan ostopäivästä lukien, että tässä tuotteessa ei ilmene materiaali- tai valmistusvikoja. Tämä takuu ei kata vaurioita, jotka johtuvat väärinkäytöstä, onnettomuudesta, hyväksymättömän lisävarusteen liittämisestä, tuotteen muokkauksesta tai mistään muusta sellaisesta syystä, joka ei ole JAMin hallinnassa. EU:n alueella jakelijana toimii FKA Brands Ltd, Somerhill Business Park, Tonbridge, TN11 0GP, UK. Sähköposti: support.row@fkabrands.com.

TÄRKEÄ TURVALLISUUSTIEDOTE

LUE KAIKKI OHJEET ENNEN KÄYTTÖÄ

VAROITUS: Älä sijoita kaiuttimia liian lähelle korvia. Voivat vahingoittaa erityisesti pienten lasten tärykalvoja.

- Käytä tuotetta vain sen tässä käyttöohjeessa kuvattuun käyttötarkoitukseen. Älä käytä lisävarusteita, joita Jam ei suosittele.
- Jam ei vastaa älypuhelimeen, iPod-/MP3-soittimeen tai mihinkään muuhun laitteeseen aiheutuneista vahingoista.
- Älä aseta tätä tuotetta paikkaan tai säilytä paikassa, josta se voi pudota tai se voidaan pudottaa kylpyammeeseen tai pesualtaaseen, ilman, että suljet vesitiiviitä kansia.
- Älä laita tai pudota veteen tai muuhun nesteeseen ilman, että suljet vesitiiviitä kansia.
- Ei lasten käyttöön. **TÄMÄ EI OLE LELU.**
- Älä käytä tätä tuotetta, jos sen johto, pistoke tai kotelo on vahingoittunut.
- Älä aseta kuumalle pinnalle.
- Aseta vain kuivalle pinnalle. Älä aseta pinnalle, joka on märkä vedestä tai puhdistusaineesta, jos vesitiiviit kannet ovat auki.

VAROITUS: Tässä tuotteessa on sisäinen litiumakku, jota ei voi vaihtaa. Hävitä paikallisten, paikkakunnallisten ja maan määräysten mukaisesti. Akku (asennettu akku tai paristot) ei saa altistua liialliselle kuumuudelle, kuten auringonpaisteelle, tulelle tai vastaavalle.

AKUN VAIHTO

Kuulokkeissa on ladattava akku, joka on suunniteltu kestämään koko tuotteen eliniän. Siinä epätodennäköisessä tapauksessa, että tarvitset uuden akun, ota yhteyttä kuluttajapalveluun. Saat yksityiskohtaiset tiedot takuun alaisesta ja takuun ulkopuolisesta akun korvaamisesta. Tässä tuotteessa on pieniä osia, jotka voivat aiheuttaa tukehtumisvaaran pienille lapsille.

HUOMIO: Vain valtuutettu Jam Audio -huoltohenkilöstö saa huoltaa tätä tuotetta. Saat täydellisen käyttöoppaan ja voit rekisteröidä tuotteesi osoitteessa www.jamaudio.com (USA), canada.jamaudio.com (Kanada) tai uk.jamaudio.com/instructionbooks (UK).



Välttääksesi mahdollisia kuulovaurioita älä kuuntele pitkiä aikoja suurella äänenvoimakkuudella.



SÄHKÖ- JA ELEKTRONIIKKALAITEROMU

Tämä merkintä osoittaa, että tätä tuotetta ei tule hävittää muun kotitalousjätteen mukana EU:n alueella. Jotta vältettäisiin kontrolloimattomasta jätehuollosta ympäristölle tai ihmisten terveydelle mahdollisesti koitua haitta, kierrätä vastuullisesti materiaaliressurssien kestäväen uudelleen käytön edistämiseksi.



PARISTO- JA AKKUDIREKTIIVI

Tämä merkintä tarkoittaa, että akkuja ei saa hävittää kotitalousjätteen mukana, koska ne sisältävät aineita, jotka voivat olla ympäristölle ja terveydelle vahingollisia. Vie akut niille tarkoitettuun keräyspisteeseen.

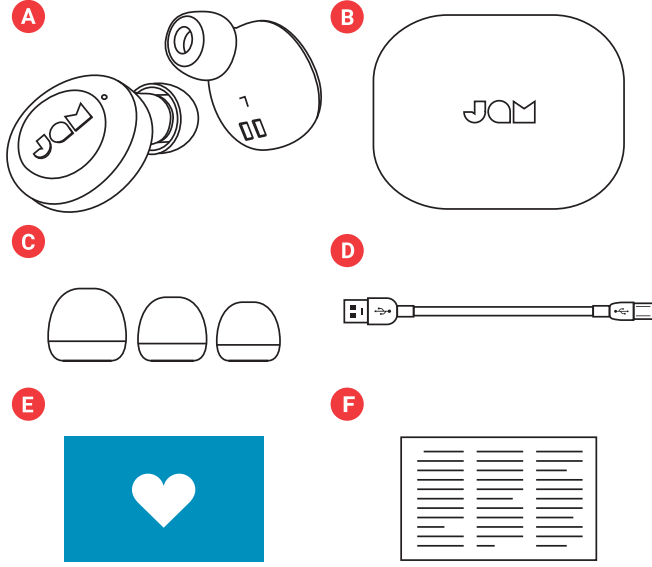
FKA Brands Ltd vakuuttaa täten, että tämä radiolaite noudattaa direktiivin 2014/53/EU oleellisia vaatimuksia ja muita asiaankuuluvia määräyksiä. Vaatimustenmukaisuusvakuutus on saatavilla osoitteessa uk.jamaudio.com/DoC.



LIVE LOUD

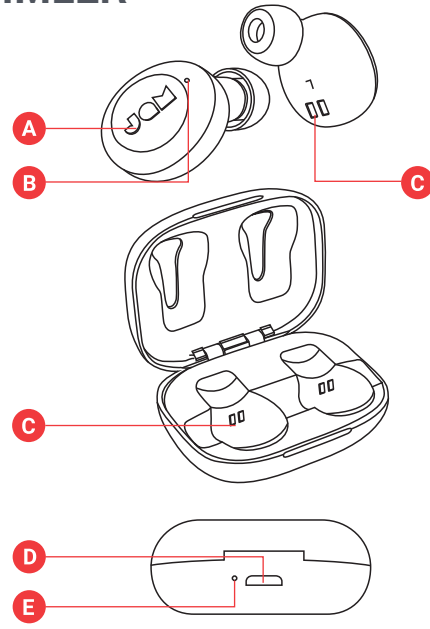
HX-EP410
Talimat Kitabı

İÇİNDEKİLER



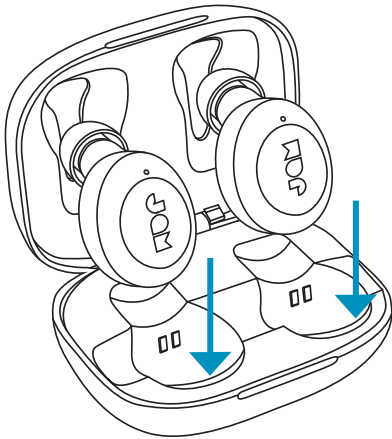
- A – 2 kulaklık
- B – Taşınabilir şarjlı kılıf
- C – 3 boyutta kulaklık ucu
- D – Mikro USB kablosu
- E – Hoş geldiniz kartı
- F – Yasal kart

DENETİMLER



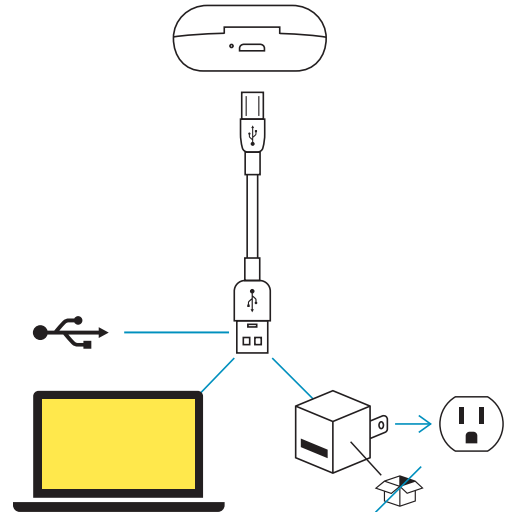
- A – Açma/kapama/oynat/durdur düğmesi
- B – Kulaklık durum ışığı
- C – Kulaklık şarj kontakları
- D – USB şarj etme portu – akıllı cihazınızı şarj etmek için
- E – Pil Gösterge Işığı

KURULUM



KULAKLIKLARINIZI ŞARJ ETME

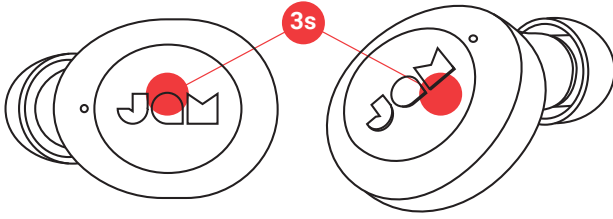
Kulaklıklarınızı şarj etmek için taşınabilir kılıfa yerleştirin. Kırmızı LED şarj olduklarını gösterir. Kılıfa yerleştirildiklerinde kırmızı LED'ler görünmüyorsa, şarj kontaklarıyla aynı hizada olduklarından emin olmak için kulaklıkları ayarlayın. Tamamen şarj olduklarında LED'ler söner.



TAŞINABİLİR KILIFINIZI ŞARJ ETME

Mikro USB kablosunun küçük ucunu kılıfın arkasında bulunan mikro USB portuna takın. Şarj olurken kılıftaki LED sabit kırmızı yanar. Taşınabilir kılıf tamamen şarj olduğunda LED ışıkları söner.

İKİ KULAKLIĞI BİRLİKTE BAĞLAYIN

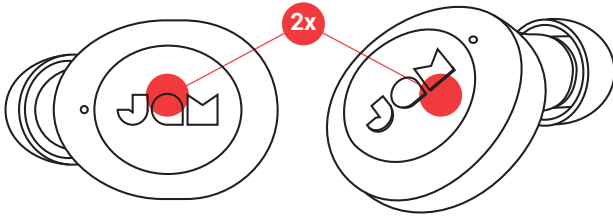


1. ADIM - KULAKLIKLARIN AÇILMASI

Taşınabilir şarj çantasından çıkarıldığında, kulaklıklarınız otomatik olarak açılacaktır. Manuel olarak açmanız gerekiyorsa, her iki kulaklık üzerindeki oynat/duraklat düğmesine basıp 3 saniye basılı tutabilirsiniz.

2. ADIM – KULAKLIKLARI BİRBİRİNE BAĞLAMA

Kulaklıkları kılıflarından çıkardığınızda, otomatik olarak birbirleriyle senkronize olurlar. Ana kulaklık LED'i (sol) LED alternatif olarak mavi ve kırmızı renkte yanıp sönerken, ikincil kulaklık LED'i (sağ) LED yanıp sönen mavi yanıp söner. Kulaklıklarınız şimdi eşleştirme modunda ve bağlanmak için bir Bluetooth® cihazı arıyor.



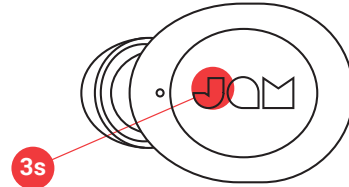
Kulaklıklarınız birbirleriyle otomatik olarak senkronize olmuyorsa, her iki kulaklık üzerindeki "oynat/duraklat" düğmesine aynı anda iki kez basın. Bu, kulaklıklarınızı senkronizasyon moduna alacaktır. Bağlandığında, sol kulaklık LED'i değişerek mavi ve kırmızı yanıp sönecektir; sağ kulaklık LED'i ise yavaşça mavi yanıp sönecektir. Kulaklıklarınız artık eşleme modunda ve bağlanacak Bluetooth® cihazı arıyor.



3. ADIM - BİR CİHAZA BAĞLAMA

Cihazınızda Bluetooth®'u etkinleştirin. Bluetooth® menüsünden, "Jam Live Loud" seçeneğini seçin. Cihaz ve Live Loud bağlandığında, bir zil sesi duyarsınız ve LED yavaşça mavi yanıp söner. Bu, eşleşmenin tamamlandığı anlamına gelir.

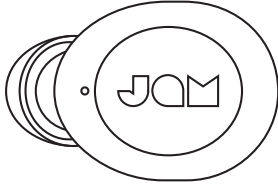
1 KULAKLIĞI BAĞLAMA



Tek ses için yalnızca sol kulaklığı bağlayın. Müzikle birlikte, etraftaki sesleri de duymak istiyorsanız, bu harika bir seçenek.

1. ADIM - KULAKLIĞIN AÇILMASI

Taşınabilir şarj çantasından çıkarıldığında, kulaklığınız otomatik olarak açılacaktır. Manuel olarak açmanız gerekiyorsa, her iki kulaklık üzerindeki oynat/duraklat düğmesine basıp 3 saniye basılı tutabilirsiniz.



Bluetooth®



Cihazlar

JAM LIVE LOUD



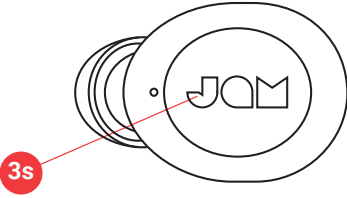
2. ADIM - EŞLEŞTİRME MODU

Kulaklık şarj kılıfından çıkarıldığında otomatik olarak açılır ve eşleme moduna girer. Eşlenirken, sol kulaklıkta LED kırmızı ve mavi yanıp söner ve sağ kulaklıkta mavi LED yavaşça yanıp söner. Eşlenmezse 6 dakika sonra kulaklıklar kapanacaktır.

3. ADIM - BİR CİHAZA BAĞLAMA

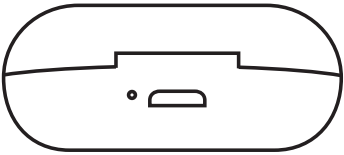
Cihazınızda Bluetooth®'u etkinleştirin. Bluetooth® menüsünden, "JAM Live Loud." seçeneğini seçin. Cihaz ve JAM Live Loud bağlandığında, bir zil sesi duyarsınız ve LED ışığı yavaşça mavi yanıp söner. Bu, eşleşmenin tamamlandığı anlamına gelir.

KULAKLIKLARINIZI KAPATMA



Kulaklıklarınızı kapatmak için, kulaklıkları kılıfına koyun veya 3 saniye boyunca "oynat/durdur" düğmesine basılı tutun.

TAŞINABİLİR ŞARJ CASE KULLANIMI



Şarj tamamen doluyken, taşınabilir kılıfınız kulaklıklarınızı 3 kereye kadar şarj edebilir; bu da size toplam 12 saatlik bir dinleme süresi verir.

LED GÖSTERGELERİ

ŞARJ KILIFINDAKİ KULAKLIKLAR

Sabit kırmızı	Şarj Oluyor
LED kapalı	Şarj Tamamlandı

TAŞINABİLİR ŞARJ KILIFI

Sabit kırmızı	Şarj Oluyora
LED kapalı	Şarj Tamamlandı

KULAKLIKLAR KULLANILIRKEN

Ana (sol kulaklık) değişerek mavi ve kırmızı yanıp söner, Yardımcı (sağ kulaklık) yavaşça mavi yanıp söner	Kulaklıklar birbiriyle senkronizedir ve eşleme modundadır
Yavaş yanıp sönen mavi	Kulaklıklar cihazla eşleşme durumunda

KULAKLIKLARIN TEKLİ KULLANIMI

Yanıp sönen kırmızı/mavi	Sol kulaklık cihazla eşleşme modunda
Yavaş yanıp sönen mavi	Sol kulaklık cihazla eşlendi

SORUN GİDERME

1. Cihazınızda Bluetooth®'u kapatın.
2. Kulaklıkları kılıfınızdan çıkarın.
3. Kapatmak için her iki kulaklıktaki "oynat/durdur" düğmesini 5 saniye basılı tutun.
4. Açmak için her iki kulaklıktaki "oynat/durdur" düğmesine hızlıca bir kez basın.
5. Kulaklıklar açıldığında senkronize moduna otomatik olarak geçmelidir. Bağlandığında, ana kulaklık (sol) LED'i değişerek mavi ve kırmızı yanıp söner; yardımcı kulaklık (sağ) LED'i ise yavaşça mavi yanıp

TEMEL İŞLEVLER

MÜZİK

Oynat/Durdur	Oynat/durdur düğmesine bir kez basın
Parçayı İleri Sar	Sağ kulaklıktaki oynat/duraklat düğmesine iki kez hızlıca basın
Parçayı Geri Sar	Sol kulaklıktaki oynat/duraklat düğmesine iki kez hızlıca basın

ARAMALAR

Arama yanıtı	Oynat/durdur düğmesine bir kez basın
Aramayı reddetme	2 saniye boyunca oynat/durdur düğmelerinden birini basılı tutun
Aramayı sonlandırma	Oynat/durdur düğmesine bir kez basın
Gelen ikinci bir aramayı yanıtı	Oynat/durdur düğmesine bir kez basın
İkinci gelen aramayı reddetme	Oynat/durdur düğmelerinden birine iki kez hızlıca basın
İki arama arasında geçiş yap	Oynat/durdur düğmelerinden birine iki kez basın

NOT: Telefon görüşmeleri, FaceTime ve Siri sadece 1 kulaklıktan (mono) duyulabilir. Kulaklığınızı stereo olarak kullanıyorsanız, telefon görüşmesi başladığında veya Siri devreye girdiğinde otomatik olarak mono durumuna geçecektir.

DİĞER

Siri/Google Assistant'ı etkinleştirme	Oynat/durdur düğmelerinden birine hızlıca iki kez basın
Kulaklıkların pil seviyesini kontrol etme	Akıllı telefonunuza bakın
Kulaklıkları kapatma	3 saniye boyunca oynat/durdur düğmesine basılı tutun

6. Cihazınızda Bluetooth®'u açın.
7. "JAM Live Loud" ya eşleyin.
8. Kulaklığı kulaklık bağlantısı kesilmiyor mu? JAM Live Loud kulaklıkları, şarjı bitmemiş bir batarya takılıysa cihazınıza otomatik olarak bağlanabilir. En iyi deneyim için, daima pil ömrüne sahip olduğundan emin olmak için kasayı periyodik olarak şarj edin.

YASAL BİLGİ

KULLANMADAN ÖNCE TÜM TALİMATLARI OKUYUN VE İLERİDE BAŞVURMAK ÜZERE BU TALİMATLARI SAKLAYIN.

GARANTİ - BİRLEŞİK KRALLIK VE AVRUPA

JAM, bu ürünün satın alma tarihinden itibaren 2 yıl süreyle malzeme ve işçilik açısından kusursuz olduğunu garanti eder. Bu garanti hatalı veya kötüye kullanım, kaza, lisanslı olmayan bir aksesuarın takılması, ürünün değiştirilmesi veya JAM'in kontrolü dışındaki diğer nedenlerden dolayı ortaya çıkan hasarı kapsamaz. AB'de FKA Brands Ltd, Somerhill Business Park, Tonbridge, TN11 0GP, Birleşik Krallık tarafından dağıtılmaktadır. Email: support.row@fkabrands.com.

ÖNEMLİ GÜVENLİK TALİMATLARI

ÜRÜNÜ KULLANMADAN ÖNCE TÜM TALİMATLARI OKUYUN

UYARI: Hoparlörleri kulaklarınızın çok yakınına yerleştirmeyin. Özellikle küçük çocuklarda kulak zarına zarar verebilir..


- Bu ürünü sadece bu kılavuzda açıklanan kullanım amacı doğrultusunda kullanın. Jam tarafından önerilmeyen eklentileri kullanmayın.
- Jam,akıllı telefon, iPod/MP3 oynatıcılar veya diğer cihazlara oluşan hasardan sorumlu değildir.
- Bu ürünü küvet veya lavaboya düşme ihtimali olan yerlere su geçirmez kapıları kapatmadan koymayın veya bu yerlerde saklamayın.
- Su geçirmez kapıları kapatmadan su veya herhangi bir sıvının içine koymayın veya bırakmayın.
- Ürün çocuklar tarafından kullanılmamalıdır. BU ÜRÜN BİR OYUNCAK DEĞİLDİR.
- Kordon, fiş, kablo veya yuvanın hasarlı olması halinde bu ürünü çalıştırmayın.
- Ürünü ısınan yüzeylerden uzak tutun.
- Yalnızca kuru yüzeylerin üzerine koyun. Su geçirmez kapılar açıldığında su veya temizleme çözümleri nedeniyle ıslak olan yüzeylere koymayın.

UYARI: Bu ürün dahili, değiştirilemez bir lityum pil içermektedir. Lütfen ürünü yerel mevzuat, eyalet, il ve ülke yönetmeliklerine göre imha edin. Piller (pil paketi veya takılı piller) güneş ışığı, ateş veya benzeri gibi aşırı ısıya maruz bırakılmamalıdır.


PİL DEĞİŞTİRME

Kulaklıklarınız ürünün kullanım süresi boyunca bitmeyecek şekilde tasarlanan yeniden şarj edilebilir pil içerir. Pili değiştirmeniz gereken durumlarda, garanti ve garanti dışı değişim pil servisinin ayrıntılarını sağlamak üzere Müşteri Hizmetleri ile iletişime geçmelisiniz. Bu ürün, küçük çocuklar için boğulma tehlikesine neden olabilecek küçük parçalar içermektedir.

DİKKAT: Bu ürünün tüm servis işlemleri sadece yetkili bir Jam Audio Servis Personeli tarafından gerçekleştirilmelidir. Tam kullanıcı kılavuzu ve ürününüzü kaydettirmek için, www.jamaudio.com (ABD) veya canada.jamaudio.com (Kanada) veya uk.jamaudio.com/instructionbooks (Birleşik Krallık).

 Olası duyma hasarını önlemek için, uzun süre yüksek sesle dinlemeyin.

WEEE AÇIKLAMASI

 Bu markalama, bu ürünün AB'de diğer evsel atıklarla imha edilmemesi gerektiğini göstermektedir. Kontrolsüz atık imhası nedeniyle çevreye ve insan sağlığına gelebilecek zararları önlemek için, malzeme kaynaklarının sürdürülebilir yeniden kullanımı desteklemek üzere geri dönüştürün.



PİL DİREKTİFİ

Bu sembol, pillerin çevreye ve sağlığa zararlı olabilecek maddeler içerdiği için evsel atıklarla atılmaması gerektiğini gösterir. Lütfen pilleri belirlenen toplama noktalarına atın.

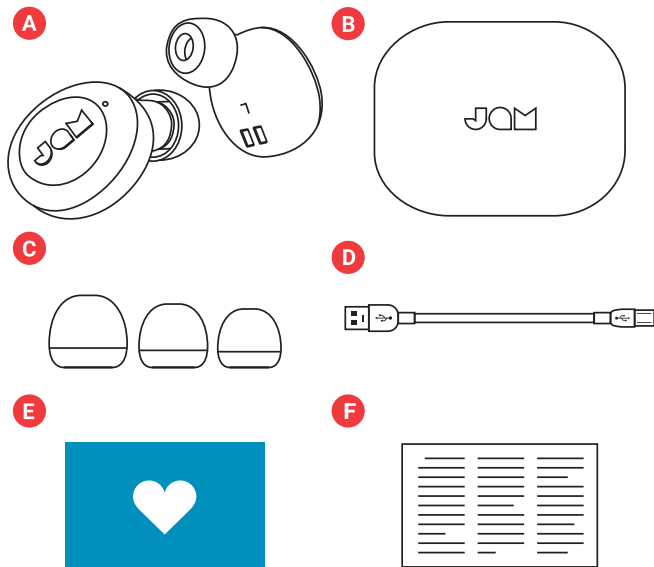
FKA Brands Ltd, bu radyo cihazının 2014/53/AB Direktifinin temel gereklilikleri ve diğer ilgili maddeleri ile uyumlu olduğunu beyan eder. Uyumluluk Bildirgesinin bir kopyası uk.jamaudio.com/DoC adresinden edinilebilir.



LIVE LOUD

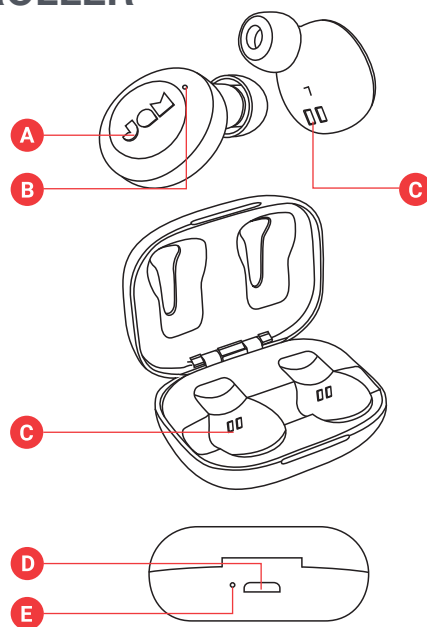
HX-EP410
Bruksanvisning

INNEHÅLL



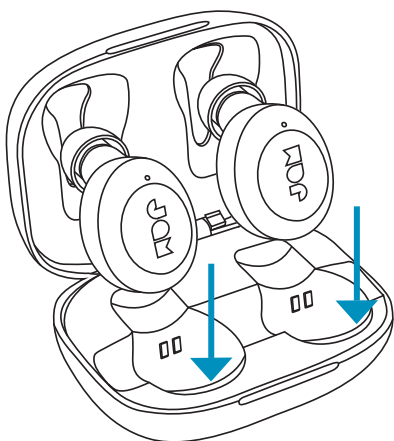
- A – 2 hörlurar
- B – Portabel laddningsask
- C – 3 storlekar örontippar
- D – Mikro-USB sladd
- E – Välkomstkort
- F – Juridiskt kort

KONTROLLER



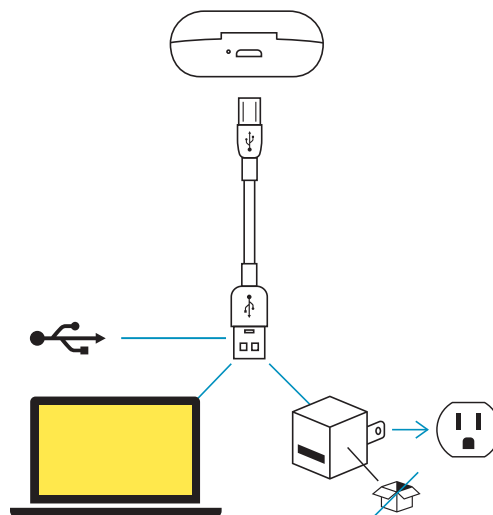
- A – Knapp för effekt på/av/spela/pausa
- B – Statuslampa för hörlurarna
- C – Hörlurarnas laddningskontakter
- D – USB-laddningsport – för att ladda din smarta enhet
- E – Indikatorlampa för batteri

UPPSTÄLLNING



LADDA DINA HÖRLURAR

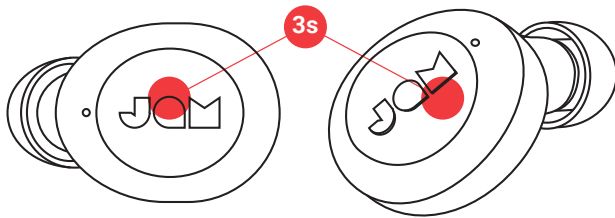
För att ladda dina hörlurar, placera dem i den portabla asken. De röda LED-lamporna visar att de laddas. Om de röda LED-lamporna inte syns när de placeras i asken, justera hörlurarna för att säkra att de är inriktade med laddningskontakterna. När laddningen är klar slocknar LED-lamporna.



LADNING AV DIN PORTABLA ASK

Sätt den mindre änden av mikro-USB sladden i mikro-USB-porten, som finns på askens baksida. LED-lampan på asken kommer att lysa fast röd när den laddas. När den portabla asken är helt laddad kommer LED-lampan att slockna.

ANSLUT BÅDA HÖRLURARNA

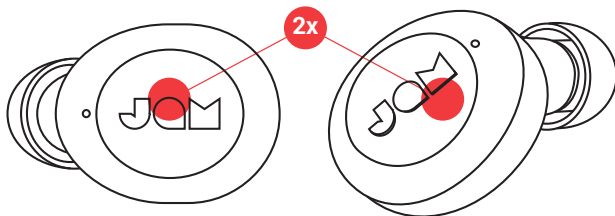


STEG 1 – AKTIVERING AV HÖRLURARNA

Dina hörlurar kommer automatiskt att aktiveras när du tar ut dem ur laddningsasken. Om du vill aktivera dem manuellt så kan du snabbtrycka på "play/pause"-knappen en gång på båda hörlurarna under 3 sekunder.

STEG 2 – ANSLUT HÖRLURARNA TILL VARANDRA

När du tar ut öronsnäckorna kommer de automatiskt att synkronisera till varandra. Master-öronskyddet (vänster) LED blinkar blått och rött alternativt, medan slave-öronskyddet (höger) LED kommer att sakta blixtblått. Dina öronsnäckor är nu i parningsläge och söker efter en Bluetooth®-enhet att ansluta till.



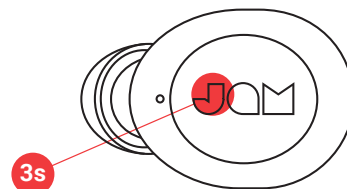
Om dina hörlurar inte synkar med varandra automatiskt, dubbeltryck på "play/pause"-knappen på båda hörlurarna samtidigt. Detta kommer placera dina hörlurar i synkläge. När hörlurarna är anslutna kommer vänsterhörlurens LED blinka blått och rött om vartannat, medan högerhörluren kommer att blinka långsamt i blått. Dina hörlurar är nu i parningsläge och söker efter en Bluetooth®-enhet att ansluta till.



STEG 3 – ANSLUT TILL EN ENHET

Aktivera Bluetooth® på din enhet. Från Bluetooth®-menyn, välj "Jam Live Loud". När enheten och Live Loud är anslutna kommer du att höra en ton och LED-lamporna kommer att blinka långsamt i blått. Detta betyder att parningen har lyckats.

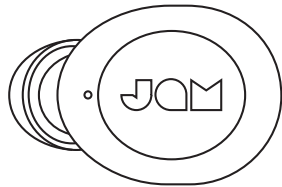
ANSLUT EN HÖRLUR



Anslut den vänstra hörluren för mono-ljud. Detta är ett bra alternativ om du vill lyssna på omgivningen såväl som din musik.

STEG 1 – AKTIVERING AV HÖRLUREN

Dina hörlurar kommer automatiskt att aktiveras när du tar ut den ur laddningsasken. Om du vill aktivera dem manuellt så kan du snabbtrycka på "play/pause"-knappen en gång på båda hörlurarna under 3 sekunder.



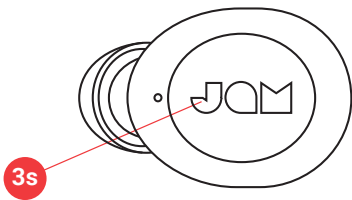
STEG 2 - PARNINGSLÄGE

Hörlurarna aktiveras automatiskt och går in i parningsläge när de tas ur laddningsasken. LED-lampan kommer att blinka rött och blått på vänster hörlur och en blå LED kommer att blinka långsamt på höger hörlur under parning. Hörlurarna kommer automatiskt stängas av efter 6 minuter och de inte paras.

STEG 3 – ANSLUT TILL EN ENHET

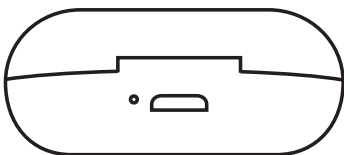
Aktivera Bluetooth® på din enhet. Från Bluetooth®-menyn, välj "JAM Live Loud." När enheten och JAM Live Loud är anslutna kommer du att höra en ton och LED-lamporna kommer att blinka långsamt i blått. Detta betyder att parningen har lyckats.

STÄNGA AV DINA HÖRLURAR



För att stänga av dina hörlurar, placera hörlurarna tillbaka i din ask, eller tryck och håll "spela/pausa"-knappen på hörluren under 3 sekunder.

ANVÄNDNING AV DIN BORTABELT LADDNINGSFALL



Med full laddning kan din portabla ask ladda dina hörlurar upp till 3 gånger, vilket ger dig totalt 12 timmars lyssningstid.

LED-INDIKATORER

HÖRLURAR I LADDNINGSSASKEN

Fast röd	Laddar
LED av	Laddning klar

PORTABEL LADDNINGSSASK

Fast röd	Laddar
LED av	Laddning klar

HÖRLURAR I ANVÄNDNING

Huvudhörluren (vänster) blinkar blå och röd om vartannat, slvhörluren (höger) blinkar långsamt blå	Hörlurarna är i synk med varandra och är i parningsläge
Långsam blinkande blå	Par ihop med enheten

HÖRLURAR I MONO-ANVÄNDNING

Blinkar röd/blå	Vänster hörlur i parningsläge med enhet
Långsam blinkande blå	Vänster hörlur är parad med enhet

FELSÖKNING

1. Stäng av Bluetooth® på din enhet.
2. Ta ur hörlurarna från din ask.
3. Tryck och håll "spela/pausa"-knappen under 5 sekunder på båda hörlurarna för att stänga av dem.
4. Tryck snabbt på "spela/pausa"-knappen en gång på båda hörlurarna för att aktivera dem.
5. Hörlurarna bör automatiskt gå in i synkningsläge när de aktiveras. Huvudhörlurens (vänster) LED blinkar blått och rött om vartannat, medan slvhörlurens (höger) LED kommer att blinka långsamt i blått. Om de inte automatiskt går in i synkläge, snabbtryck på "play/pause"-

BASFUNKTIONER

MUSIK

Spela/pausa	Tryck på valfri spela/pausa-knapp en gång
Framåtspolning	Snabbtryck på "play/pause"-knappen på höger hörlur två gånger
Bakåtspolning	Snabbtryck på "play/pause"-knappen på vänster hörlur två gånger

SAMTAL

Ta ett samtal	Tryck på valfri spela/pausa-knapp en gång
Avböj ett samtal	Tryck och håll valfri spela/pausa-knapp under 2 sekunder
Avsluta ett samtal	Tryck på valfri spela/pausa-knapp en gång
Ta emot ett andra inkommande samtal	Tryck på valfri spela/pausa-knapp en gång
Avböja ett andra inkommande samtal	Snabbtryck på antingen play/pause-knappen två gånger
Byta mellan två samtal	Tryck antingen på "play/pause"-knappen två gånger

OBS! Telefonsamtal, FaceTime och Siri hörs endast genom en hörlur (mono). Om hörlurarna används i stereo kommer de automatiskt att gå över till mono när ett samtal accepteras eller om Siri aktiveras.

ANNAT

Aktivera Siri/Google Assist	Snabb dubbeltryckning på valfri spela/pausa-knapp
Kolla hörlurarnas batterinivå	Titta på smartmobilen
Stäng av hörlur	Tryck och håll spela/pausa-knapp under 3 sekunder

- knappen på vänster hörlur fem gånger för att radera Bluetooth®-inställningen och sätta hörlurarna i synkläge.
6. Aktivera Bluetooth® på din enhet.
7. Para till "JAM Live Loud".
8. Hörlurar som inte kopplar bort från din enhet? JAM Live Loud-öronsäckor kan automatiskt ansluta till din enhet om de läggs i ett laddningsfodral som inte har något batteri kvar. För den bästa upplevelsen, ladda med jämna mellanrum fodralet för att säkerställa att det alltid har batteritid.

JURIDISK INFORMATION

LÄS ALLA INSTRUKTIONER INNAN ANVÄNDNING OCH SPARA DESSA INSTRUKTIONER FÖR FRAMTIDA REFERENS.

GARANTI - STORBRIANNIEN OCH EUROPA

JAM garanterar att denna produkt är fri från defekter i material och utförande under en period på 2 år efter inköpsdatumet. Denna garanti täcker inte skada orsakad av felaktigt användande eller missbruk; olycka; anslutandet av något icke auktoriserat tillbehör; ändring på produkten; eller några andra förhållanden vad de än är som är utom JAM:s kontroll. Distribueras inom EU av FKA Brands Ltd, Somerhill Business Park, Tonbridge, TN11 0GP, Storbritannien. E-post: support.row@fkabrands.com.

VIKTIGA SÄKERHETS FÖRESKRIFTER

LÄS ALLA INSTRUKTIONER INNAN ANVÄNDNING

WARNING! Placera inte högtalarna för nära öronen. Det kan orsaka skador på trumhinnorna, speciellt när det gäller småbarn.

- Denna produkt får endast användas för det den är ämnad för i enlighet med denna bruksanvisning. Använd inte tillbehör som inte är rekommenderade av Jam.
- Jam ansvarar inte för någon skada orsakad av smarttelefon, iPod/MP3-spelare eller någon annan enhet.
- Placera eller förvara inte denna produkt där den kan falla eller tappas i ett badkar eller tvättfat utan att stänga dess vattensäkra portar.
- Placera inte i eller doppa i vatten eller annan vätska utan att stänga dess vattensäkra portar.
- Får inte användas av barn. **DETTA ÄR INTE EN LEKSAK.**
- Använd aldrig denna produkt om den har en skadad sladd, kontakt, kabel eller hölje.
- Håll borta från uppvärmda ytor.
- Placera endast på torr yta. Placera inte på yta som är blöt från vatten eller rengöringsvätskor om de vattensäkra portarna är öppna.

WARNING! Denna produkt har ett internt, icke utbytbart litiumbatteri. Avyttra i enlighet med dina lokala, kommunala och statliga riktlinjer Batterier (batteripack eller installerade batterier) inte får utsättas för överdriven värme såsom solsken, eld eller liknande.

BYTE AV BATTERI

Dina hörlurar inkluderar ett återuppladdningsbart batteri som är designat att vara under produktens livslängd. Om du osannolikt skulle behöva byta batteriet, kontakta kundtjänst som kommer att ge dig information om garantin och batteribytetjänst utanför garantin. Denna produkt innehåller smådelar som kan vara en kvävningsrisk för småbarn.

FÖRSIKTIGHET! Alla reparationer av denna produkt får endast utföras av auktoriserad Jam Audio servicepersonal. För fullständig bruksanvisning och för att registrera din produkt, besök www.jamaudio.com (USA), eller canada.jamaudio.com (Kanada), eller uk.jamaudio.com/instructionbooks (Storbritannien).



För att förhindra möjlig hörselskada, lyssna inte på högsta volym under längre perioder.



WEEE-FÖRKLARING

Denna markering indikerar att denna produkt inte får avyttras med annat hushållsavfall inom EU. För att förhindra möjlig skada på miljö eller person från okontrollerat avfallsavyttrande, återvinn på ansvarsfullt vis för att främja det fortsatta återanvändandet av materialresurser.



BATTERIFÖRESKRIFT

Denna symbol indikerar att batterier inte får avyttras bland hushållssopor eftersom de innehåller substanser som kan skada miljön och hälsan. Avyttra batterier endast vid designerade insamlingspunkter.

Härmed deklarerar FKA Brands Ltd att denna enhet är förenlig med nödvändiga krav och andra relevanta bestämmelser i direktiv 2014/53/EU. En kopia av förenlighetsdeklarationen kan erhållas från uk.jamaudio.com/DoC.

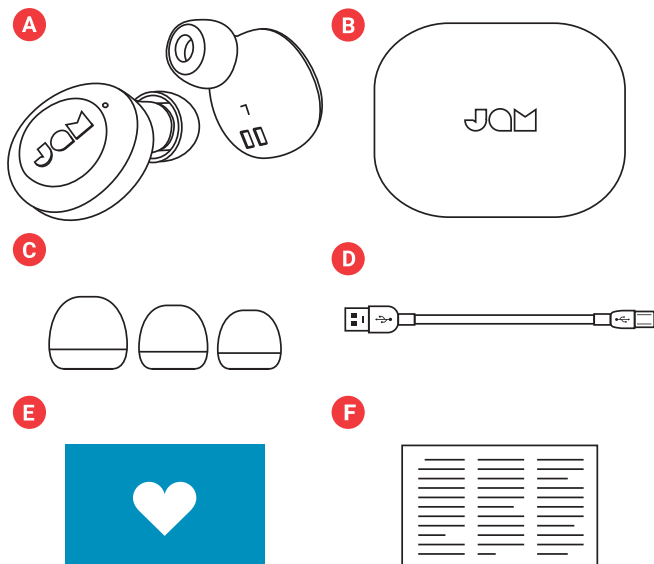


LIVE LOUD

HX-EP410

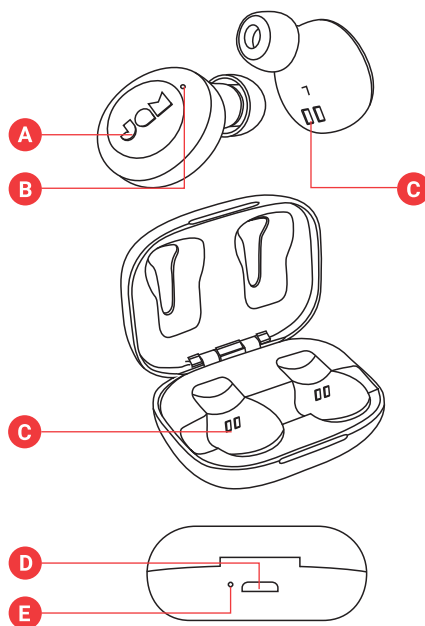
Руководство по эксплуатации

КОМПЛЕКТАЦИЯ



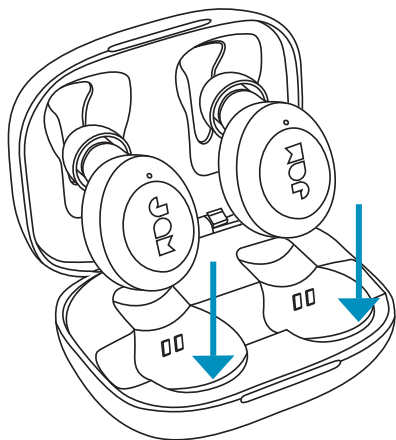
- A – 2 наушника-капельки
- B – переносной зарядный чехол
- C – ушные вкладыши трех размеров
- D – кабель micro-USB
- E – приветственная карточка
- F – юридическая информация

ЭЛЕМЕНТЫ УПРАВЛЕНИЯ



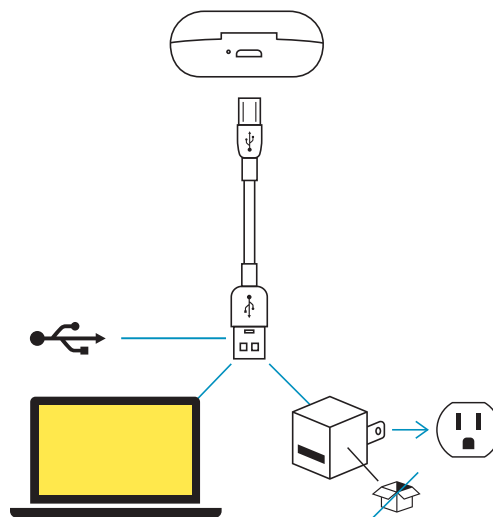
- A – кнопка вкл/выкл/воспроизведение/пауза
- B – световой индикатор наушников
- C – зарядные контакты для наушников
- D – зарядный порт USB – для зарядки интеллектуального устройства
- E – световой индикатор аккумулятора

НАСТРОЙКА



ЗАРЯДКА НАУШНИКОВ

Чтобы зарядить наушники, положите их в переносной чехол. Красный цвет светодиодов указывает на процесс зарядки. Если при помещении наушников в чехол светодиоды не загораются красным цветом, поправьте наушники относительно зарядных контактов. После полной зарядки светодиоды погаснут.



ЗАРЯДКА ПЕРЕНОСНОГО ЧЕХЛА

Вставьте малый разъем кабеля micro-USB в соответствующий порт, расположенный на задней стороне чехла. Во время зарядки светодиод на чехле будет непрерывно гореть красным цветом. После полной зарядки переносного чехла светодиоды погаснут.

ПОДКЛЮЧИТЕ ОБА НАУШНИКА

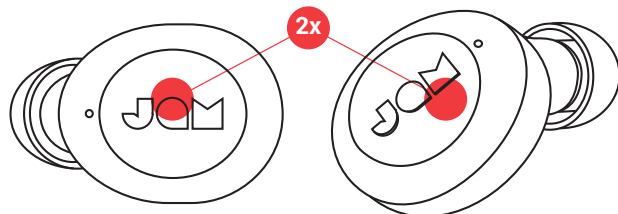


ЭТАП 1. ВКЛЮЧЕНИЕ НАУШНИКОВ

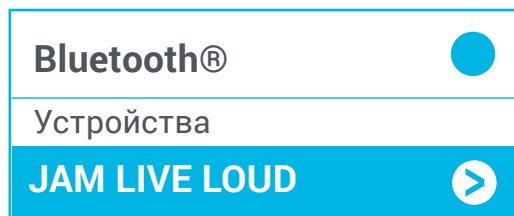
Наушники автоматически включаются, как только вы достаете их из переносного зарядного чехла. Чтобы включить их вручную, нажмите и удерживайте в течение 3 секунд кнопку «воспроизведение/пауза» на обоих наушниках.

ЭТАП 2. ПОДКЛЮЧЕНИЕ НАУШНИКОВ ДРУГ К ДРУГУ

Когда вы достанете наушники из их чехла, они автоматически синхронизируются друг с другом. Индикатор основного наушника (слева) будет попеременно мигать синим и красным, а индикатор ведомого наушника (справа) будет медленно мигать синим. Теперь ваши наушники находятся в режиме сопряжения и ищут устройство Bluetooth® для подключения.



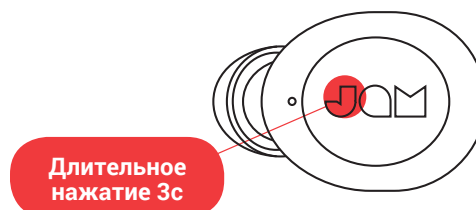
Если наушники не синхронизировались друг с другом автоматически, дважды нажмите кнопку «воспроизведение/пауза» на обоих наушниках одновременно. Это переведет наушники в режим синхронизации. После подключения светодиод на левом наушнике начнет попеременно мигать синим и красным цветом, а на правом наушнике — медленно мигать синим цветом. Это означает, что наушники находятся в режиме сопряжения и выполняют поиск устройства Bluetooth®, к которому можно подключиться.



ЭТАП 3. ПОДКЛЮЧЕНИЕ К УСТРОЙСТВУ

Включите Bluetooth® на устройстве. В меню «Bluetooth®» выберите пункт «Jam Live Loud». После подключения Live Loud к устройству раздастся звуковой сигнал, а светодиоды начнут медленно мигать синим цветом. Это означает, что процесс сопряжения завершен.

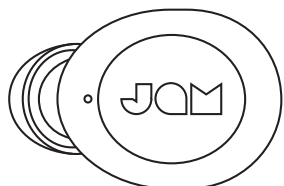
ПОДКЛЮЧЕНИЕ ОДНОГО НАУШНИКА



Подключите левый наушник, чтобы использовать режим монофонического звука. Эту функцию можно выбрать, если вы хотите слышать звуки внешней среды и музыку.

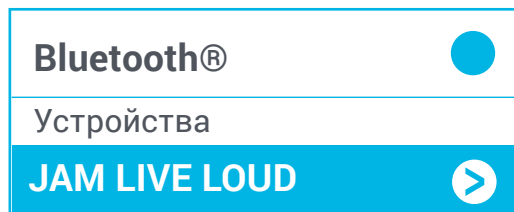
ЭТАП 1. ВКЛЮЧЕНИЕ НАУШНИКА

Наушник автоматически включается, как только вы достаете его из переносного зарядного чехла. Чтобы включить наушники вручную, нажмите и удерживайте в течение 3 секунд кнопку «воспроизведение/пауза» на обоих наушниках.



ЭТАП 2. РЕЖИМ СОПРЯЖЕНИЯ

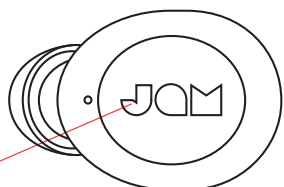
После извлечения наушника из зарядного чехла он автоматически включается и переходит в режим сопряжения. В процессе сопряжения светодиод на левом наушнике мигает красным и синим цветом, а светодиод на правом наушнике медленно мигает синим цветом. Если не удастся выполнить сопряжение в течение 6 минут, наушники отключатся.



ЭТАП 3. ПОДКЛЮЧЕНИЕ К УСТРОЙСТВУ

Включите Bluetooth® на устройстве. В меню «Bluetooth®» выберите пункт «JAM Live Loud». После подключения JAM Live Loud к устройству раздастся звуковой сигнал, а светодиоды начнут медленно мигать синим цветом. Это означает, что процесс сопряжения завершен.

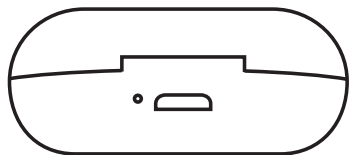
ВЫКЛЮЧЕНИЕ НАУШНИКОВ



Длительное нажатие 3с

Чтобы выключить наушники, снова поместите их в чехол или нажмите и удерживайте кнопку «воспроизведение/пауза» на наушниках в течение 3 секунд,

ИСПОЛЬЗОВАНИЕ ВАШЕГО ПОРТАТИВНОГО ЗАРЯДА



При полной зарядке переносной чехол может заряжать наушники до 3 раз, позволяя слушать музыку до 12 часов.

СВЕТОВЫЕ ИНДИКАТОРЫ

НАУШНИКИ В ЗАРЯДНОМ ЧЕХЛЕ

Немигающий красный	Зарядка
Светодиод не горит	Окончание зарядки

ПЕРЕНОСНОЙ ЗАРЯДНЫЙ ЧЕХОЛ

Сплошной красный	Зарядка
Светодиод не горит	Окончание зарядки

ИСПОЛЬЗОВАНИЕ НАУШНИКОВ

Светодиод на ведущем (левом) наушнике попеременно мигает синим и красным цветом, а светодиод на ведомом (правом) наушнике медленно мигает синим цветом	наушники синхронизированы друг с другом и находятся в режиме сопряжения
Медленно мигающий синий	Выполнено сопряжение с устройством

ИСПОЛЬЗОВАНИЕ НАУШНИКОВ В РЕЖИМЕ MONO

Мигающий красный/синий	Левый наушник находится в режиме сопряжения с устройством
Медленно мигающий синий	Левый наушник сопряжен с устройством

УСТРАНЕНИЕ НЕИСПРАВНОСТЕЙ

1. Отключите Bluetooth® на устройстве.
2. Достаньте наушники из чехла.
3. Чтобы выключить наушники, нажмите и удерживайте кнопку «воспроизведение/пауза» на обоих наушниках в течение 5 секунд.
4. Чтобы включить наушники, быстро нажмите на кнопку «воспроизведение/пауза» один раз на обоих наушниках.
5. После включения наушники автоматически переходят в режим синхронизации. Светодиод на ведущем (левом) наушнике начнет попеременно мигать синим и красным цветом, а на ведомом (правом) наушнике — медленно мигать синим цветом. Если наушники не перешли в режим синхронизации автоматически, пять раз быстро нажмите кнопку «воспроизведение/пауза» на левом наушнике. Это удалит настройки Bluetooth® и переведет наушники в режим синхронизации.
6. Включите Bluetooth® на устройстве.
7. Выполните сопряжение с «JAM Live Loud».

ОСНОВНЫЕ ФУНКЦИИ

МУЗЫКА

Воспроизведение/пауза	Однократно нажмите на любую кнопку воспроизведение/пауза
Следующий трек	дважды выполните двойное быстрое нажатие кнопки воспроизведение/пауза на правом наушнике
Предыдущий трек	дважды выполните двойное быстрое нажатие кнопки воспроизведение/пауза на левом наушнике

ТЕЛЕФОННЫЕ ВЫЗОВЫ

Принять вызов	Однократно нажмите на любую кнопку воспроизведение/пауза
Отклонить вызов	Нажмите и удерживайте любую кнопку воспроизведение/пауза в течение 2 секунд
Завершить вызов	Однократно нажмите на любую кнопку воспроизведение/пауза
Принять вызов по второй линии	Однократно нажмите на любую кнопку воспроизведение/пауза
Отклонить вызов по второй линии	дважды быстро нажмите любую кнопку воспроизведение/пауза
Используйте клавиатуру телефона	дважды нажмите любую кнопку воспроизведение/пауза

ПРИМЕЧАНИЕ. Телефонные звонки, FaceTime и Siri будут слышны только в одном наушнике (монорежим). При использовании наушников в стереорежиме они автоматически переключатся в монорежим при ответе на звонок или активации Siri.

ДРУГОЕ

Активация функции Siri / помощника Google	Быстро дважды нажмите на любую кнопку воспроизведение/пауза
Проверка уровня заряда наушников	Проверьте на смартфоне
Выключение наушника	Нажмите и удерживайте кнопку воспроизведение/пауза в течение 5 секунд

8. Наушники не отключаются от вашего устройства? Наушники LiveLoud могут автоматически подключаться к вашему устройству, если они помещены в зарядный чехол, в котором нет батареи. Для достижения наилучших результатов, периодически заряжайте корпус, чтобы он всегда работал от батареи.

ЮРИДИЧЕСКАЯ ИНФОРМАЦИЯ

ПЕРЕД ИСПОЛЬЗОВАНИЕМ ПРОЧИТАЙТЕ ВСЕ ИНСТРУКЦИИ И СОХРАНИТЕ ИХ НА БУДУЩЕЕ.

ГАРАНТИЯ — ВЕЛИКОБРИТАНИЯ И ЕВРОПА

Компания JAM гарантирует отсутствие дефектов с точки зрения качества материала и изготовления данного изделия в течение 2 лет со дня приобретения. Настоящая гарантия не распространяется на повреждения, возникшие в результате неправильной эксплуатации, аварии, подключения недопустимых устройств, внесения изменений в изделия или любых других условий, не зависящих от компании JAM. В Европейском союзе дистрибьютором является компания FKA Brands Ltd, Somerhill Business Park, Tonbridge, TN11 0GP, UK (Великобритания). почта: support.row@fkabrands.com.

ПРАВИЛА БЕЗОПАСНОСТИ

ПЕРЕЖДЕ ЧЕМ ИСПОЛЬЗОВАТЬ ИЗДЕЛИЕ, ОЗНАКОМЬТЕСЬ СО ВСЕМИ ИНСТРУКЦИЯМИ

ПРЕДУПРЕЖДЕНИЕ. Не подносите колонки слишком близко к ушам. Это может привести к повреждению барабанных перепонок, особенно у маленьких детей.

- Используйте данное изделие только по прямому назначению согласно приведенному в настоящем руководстве описанию. Не используйте с изделием устройства, которые не рекомендованы компанией Jam.
- Компания Jam не несет ответственности за повреждения смартфонов, плееров iPod, MP3-плееров или любых других устройств.
- Не размещайте и не храните изделие с открытыми водонепроницаемыми дверцами в местах, откуда оно может упасть в ванну или раковину.
- Не окунайте и не роняйте изделие с открытыми водонепроницаемыми дверцами в воду или другую жидкость.
- Не давать детям! ЭТО НЕ ИГРУШКА.
- Не используйте данное изделие, если у него поврежден шнур, вилка, кабель или корпус.
- Не располагайте изделие вблизи нагретых поверхностей.
- Размещайте изделие только на сухой поверхности. Не кладите изделие с открытыми водонепроницаемыми дверцами на мокрую от воды или чистящих растворителей поверхность.

ПРЕДУПРЕЖДЕНИЕ. В данном изделии используется встроенная литиевая батарея, не подлежащая замене. Утилизируйте ее в соответствии с указаниями местных органов вашего региона и страны. Батареи (батареи блок или установленные батареи) не должны подвергаться чрезмерному нагреву, например в результате воздействия солнечного света, огня и т. п.

ЗАМЕНА ЭЛЕМЕНТОВ ПИТАНИЯ

В состав наушников входит перезаряжаемый аккумулятор, рассчитанный на весь срок службы изделия. В маловероятном случае, если вам потребуется замена батареи, обратитесь в службу по работе с потребителями, где вам предоставят подробную информацию о гарантийном и негарантийном обслуживании по замене батареи. Данное изделие содержит мелкие детали, которыми маленькие дети могут поперхнуться.

ВНИМАНИЕ! Ремонт данного изделия производится только уполномоченным ремонтно-обслуживающим персоналом компании Jam Audio. Полное руководство пользователя и информацию по регистрации изделия см. на сайте www.jamaudio.com (США), canada.jamaudio.com (Канада) или uk.jamaudio.com/instructionbooks (Великобритания)



Во избежание возможного повреждения слуха не слушайте устройство на большой громкости в течение длительного времени.



ПОЯСНЕНИЕ WEEE

Эта маркировка означает, что на всей территории ЕС изделие нельзя утилизировать вместе с другими бытовыми отходами. Для предотвращения возможного вреда окружающей среде или здоровью человека от неконтролируемой утилизации отходов сдавайте их на переработку с целью повторного использования ценных материалов.



ДИРЕКТИВА ПО ЭЛЕМЕНТАМ ПИТАНИЯ

Этот символ означает, что аккумуляторы нельзя выбрасывать в бытовые отходы, поскольку они содержат вещества, которые могут нанести ущерб окружающей среде и здоровью. Утилизируйте их в специальных пунктах сбора.

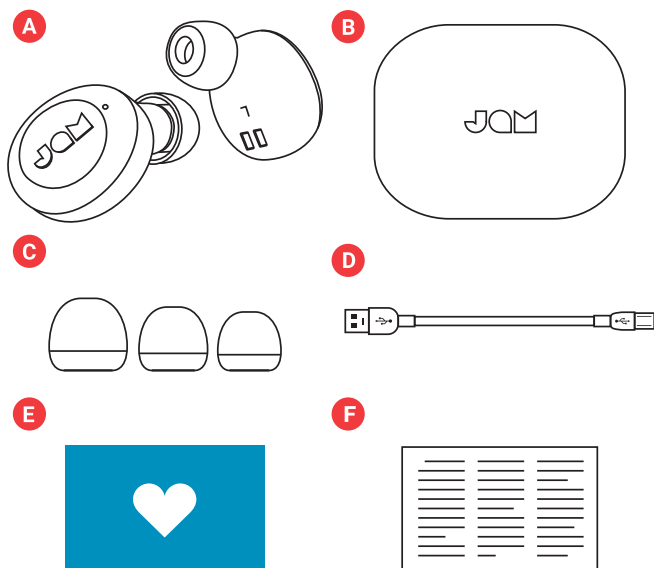
Настоящим компания FKA Brands Ltd заявляет, что данное радиоустройство соответствует основным требованиям и другим соответствующим положениям директивы 2014/53/EU. С копией декларации о соответствии можно ознакомиться по ссылке uk.jamaudio.com/DoC.



LIVE LOUD

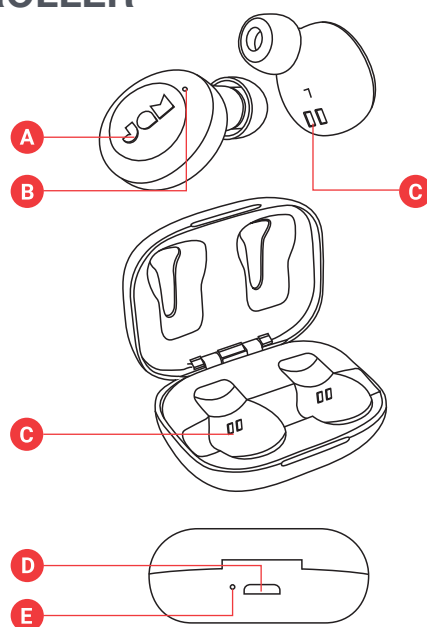
HX-EP410
Instruksjonshefte

INNHold



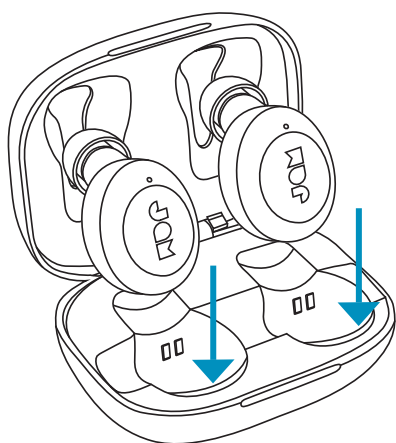
- A – 2 ørepropper
- B – Bærbart ladedeksel
- C – Propper i tre størrelser
- D – Mikro-USB-kabel
- E – Velkomstkort
- F – Kort med rettslig informasjon

KONTROLLER



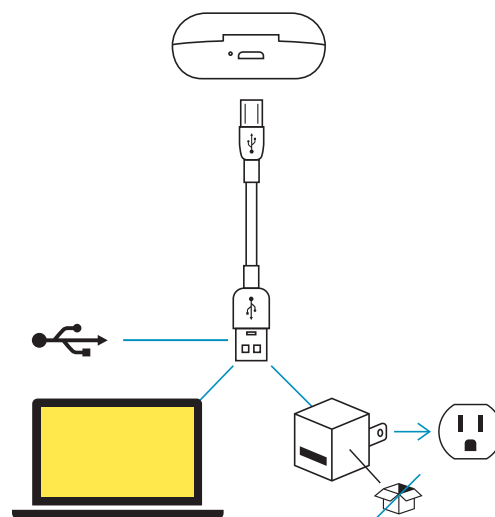
- A – Av/på-knapp/spill/pause-knapp
- B – Statuslampe for ørepropper
- C – Ladekontakter for ørepropper
- D – Ladeport, USB – til lading av smartenheten
- E – Batteriindikator

KLARGJØRE UTSTYRET



LADE ØREPROPPENE

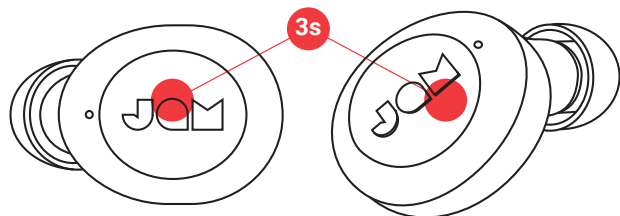
Du lader øreproppene ved å legge dem i det bærbare dekselet. De røde LED-indikatorerne viser at de lades. Hvis de røde LED-indikatorerne ikke lyser når øreproppene legges i dekselet, må du justere øreproppene slik at de ligger på linje med ladekontaktene. LED-indikatorerne slukkes når øreproppene er fulladet.



LADE DET BÆRBARE DEKSELET

Sett den lille enden av mikro-USB-kabelen i mikro-USB-porten bak på dekselet. Indikatoren på dekselet lyser rødt under lading. Indikatoren slukkes når det bærbare dekselet er fulladet.

KOBLE TIL BEGGE ØREPROPPER

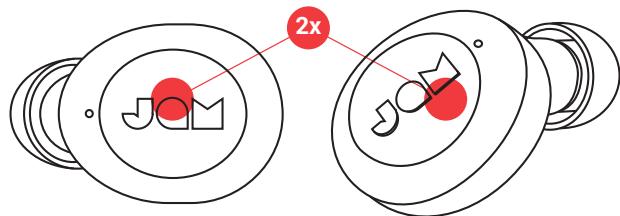


TRINN 1 – SLÅ PÅ ØREPROPPENE

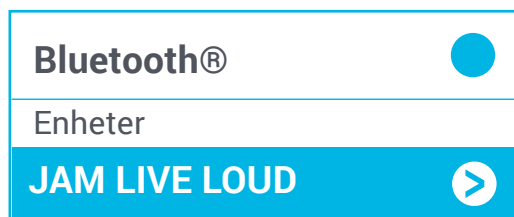
Øreproppene slås på automatisk når de tas ut av det bærbare ladedekselet. Hvis du vil slå dem på manuelt, kan du trykke på og holde spill-/pauseknappen på begge øreproppene inne i tre sekunder.

TRINN 2 – KOBLE ØREPROPPENE TIL HVERANDRE

Når du tar øreproppene ut av saken deres, synkroniseres de automatisk med hverandre. LED-øreplugg (venstre) blinker blått og rødt, alternativt mens slaveørbudet (høyre) LED vil tømme blått. Ørepluggene dine er nå i sammenkoblingsmodus og søker etter en Bluetooth®-enhet du kan koble til.



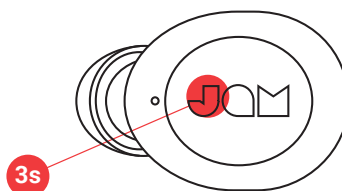
Hvis øreproppene ikke synkroniseres automatisk, dobbelttrykker du på spill-/pauseknappen på begge ørepropper samtidig. Da går øreproppene til synkroniseringsmodus. Etter tilkobling blinker indikatoren på venstre ørepropp vekselvis blått og rødt, mens indikatoren på høyre ørepropp blinker langsomt blått. Øreproppene er nå i sammenkoblingsmodus og søker etter en Bluetooth®-enhet å koble til.



TRINN 3 – KOBLE TIL EN ENHET

Aktiver Bluetooth® på enheten. Velg «Jam Live Loud» på Bluetooth®-menyen når enheten og Live Loud er tilkoblet. Du hører et lydsignal, og indikatorene blinker langsomt blått. Dette betyr at sammenkoblingen er fullført.

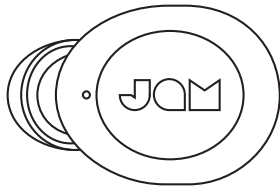
KOBLE TIL ÉN ØREPROPP



Koble til venstre ørepropp for å høre monolyd. Dette er et glimrende alternativ hvis du vil høre både omgivelsene og musikken din.

TRINN 1 – SLÅ PÅ ØREPROPPEN

Øreproppen slås på automatisk når den tas ut av det bærbare ladedekselet. Hvis du vil slå den på manuelt, kan du trykke på og holde spill-/pauseknappen på begge øreproppene inne i tre sekunder.



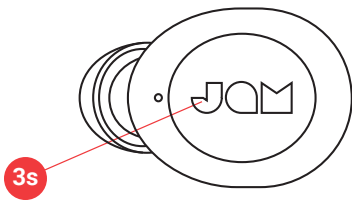
TRINN 2 – SAMMENKOBLINGSMODUS

Øreproppen slås på automatisk og går til sammenkoblingsmodus når den tas ut av ladedekselet. Indikatoren på venstre ørepropp blinker rødt og blått, og indikatoren på høyre ørepropp blinker langsomt blått under sammenkobling. Hvis øreproppene ikke er sammenkoblet innen seks minutter, slås de av.

TRINN 3 – KOBLE TIL EN ENHET

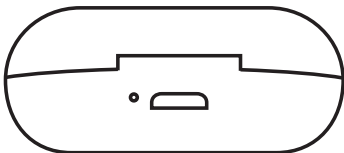
Aktiver Bluetooth® på enheten. Velg «JAM Live Loud» på Bluetooth®-menyen. Når enheten er sammenkoblet med JAM Live Loud, hører du et lydsignal og indikatoren blinker langsomt blått. Dette betyr at sammenkoblingen er fullført.

SLÅ AV ØREPROPPENE



Du kan slå av øreproppene ved å legge dem i dekselet igjen, eller trykke på og holde spill/pause-knappen på øreproppene inne i tre sekunder.

BRUKE DIN BORTEBARE LADINGSSAK



Med full lading kan det bærbare dekselet lade øreproppene opptil 3 ganger – dette gir en total lyttetid på 12 timer.

LED-INDIKATORER

ØREPROPPER I LADEDEKSELET

Lyser rødt	Lader
LED-indikator av	Lading fullført

BÆRBART LADEDEKSEL

Lyser rødt	Lader
LED-indikator av	Lading fullført

ØREPROPPER I BRUK

Hovedøreproppen (venstre) blinker vekselvis blått og rødt, underøreproppen (høyre) blinker langsomt blått	øreproppene er synkronisert med hverandre og er i sammenkoblingsmodus
Blits sakte blått	Sammenkoblet med enheten

ØREPROPPER I MONOBRUK

Blinker rødt/blått	Venstre ørepropp er i sammenkoblingsmodus med enheten
Blits sakte blått	Venstre ørepropp er sammenkoblet med enheten

FEILSØKING

1. Slå av Bluetooth® på enheten.
2. Ta øreproppene ut av dekslet.
3. Trykk på og hold spill/pause-knappen på begge ørepropper inne i fem sekunder for å slå dem av.
4. Trykk raskt på spill/pause-knappen på begge ørepropper én gang for å slå dem på.
5. Øreproppene skal gå til synkroniseringsmodus automatisk når de slås på. Indikatoren på hovedøreproppen (venstre) blinker vekselvis blått og rødt, mens indikatoren på underøreproppen (høyre) blinker langsomt blått. Hvis øreproppene ikke går til synkroniseringsmodus automatisk, trykker du raskt

GRUNNLEGGENDE FUNKSJONER

MUSIKK

Spill/pause	Trykk på en av spill/pause-knappene én gang
Hopp forover et spor	Dobbeltrykk raskt på spill-/pauseknappen på høyre ørepropp to ganger
Hopp bakover et spor	Dobbeltrykk raskt på spill-/pauseknappen på venstre ørepropp to ganger

ANROP

Svar på et anrop	Trykk på en av spill/pause-knappene én gang
Avvis et anrop	Trykk på og hold en av spill/pause-knappene inne i to sekunder
Avslutt en samtale	Trykk på en av spill/pause-knappene én gang
Svar på et nytt anrop	Trykk på en av spill/pause-knappene én gang
Avvis et nytt anrop	Trykk raskt på en av spill-/pauseknappene to ganger
Bytt mellom to anrop	Trykk på en av spill-/pauseknappene to ganger

MERK: Telefonsamtaler, FaceTime og Siri høres bare gjennom én ørepropp (mono). Hvis du bruker øreproppene i stereo, går de automatisk til mono når du tar imot en samtale eller Siri aktiveres.

ANNET

Aktiver Siri / Google Assistant	Dobbeltrykk raskt på en av spill/pause-knappene
Kontroller øreproppenes batterinivå	Se på smartmobilen
Slå av øreproppen	Trykk på og hold spill/pause-knappen inne i tre sekunder

6. Slå på Bluetooth® på enheten.
7. Sammenkoble med «JAM Live Loud».
8. Ørepropper som ikke kobler fra enheten? Det kan hende at JAM Live Loud-øreproppene automatisk kobles til enheten din hvis de settes i et ladetui som ikke har noe batteri igjen. For å få den beste opplevelsen, lad saken regelmessig for å sikre at den alltid har batterilevetid.

JURIDISK INFORMASJON

LES GJENNOM ALLE ANVISNINGER FØR BRUK OG LAGRE DISSE ANVISNINGENE FOR FREMTIDIG REFERANSE.

GARANTI – STORBRIANNIA OG EUROPA

JAM garanterer at dette produktet er uten mangler i materialer eller utførelse i en periode på to år fra kjøpsdatoen. Denne garantien dekker ikke skade som oppstår som følge av feilbruk eller misbruk, ulykke, tilkobling av uautorisert tilleggsutstyr, endring av produktet, eller andre forhold som JAM ikke har kontroll over. Distribueres i EU av FKA Brands Ltd, Somerhill Business Park, Tonbridge, TN11 0GP, UK. E-post: support.row@fkabrands.com.

VIKTIGE SIKKERHETSANVISNINGER

LES ALLE ANVISNINGENE FØR BRUK

ADVARSEL: Plasser ikke høyttalere for nær ørene. Dette kan være skadelig for trommehinnene, særlig hos små barn.

- Bruk bare dette produktet slik det er tiltenkt, som beskrevet i denne bruksanvisningen. Bruk ikke tilleggsutstyr som ikke er anbefalt av Jam.
- Jam er ikke erstatningsansvarlig for eventuell skade som måtte oppstå på smarttelefoner, iPod/MP3-spillere eller noen andre enheter.
- Ikke plasser eller lagre dette produktet et sted hvor det kan falle eller dette ned i et badekar eller servant uten å stenge vannrette dører.
- Ikke plasser eller slipp ned i vann eller annen væske uten å stenge vannrette dører.
- Skal ikke brukes av barn. **DETTE ER IKKE ET LEKETØY.**
- Bruk ikke dette produktet hvis ledning, støpsel, kabel eller deksel er skadet.
- Holdes på god avstand fra varme flater.
- Plasser kun på tørr overflate. Ikke plasser på overflate som er våtlagt av vann eller rengjøringsmidler hvis vannrette dører er åpne.

ADVARSEL: Dette produktet inneholder et internt litiumbatteri som ikke kan skiftes ut. Kast produktet i samsvar med lokale, regionale og nasjonale retningslinjer. Batterier (batteripakke eller batterier montert) skal ikke utsettes for overdreven varme som solskinn, ild eller tilsvarende.

UTSKIFTING AV BATTERIET

Øreproppene/hodetelefonene inkluderer et oppladbart batteri designet for å vare hele levetiden til produktet. Hvis det usannsynlige skulle inntreffe at du trenger et utskiftingsbatteri, kontakter du forbrukerservice som gir opplysninger om utskifting av batteriet under og utenfor garantien. Dette produktet inneholder små deler som kan utgjøre kvelningsfare for små barn.

FORSIKTIG: All service/repasasjon av dette produktet skal kun utføres av servicepersonell som er autorisert av Jam Audio. Hvis du vil ha fullstendig brukerveiledning og vil registrere produktet, gå til www.jamaudio.com (USA), canada.jamaudio.com (Canada) eller uk.jamaudio.com/instructionbooks (UK).



Pass på at du ikke lytter ved høyt volum i lengre tid for å unngå faren for hørselsskade.



FORKLARING AV WEEE
Denne merkingen angir at dette produktet ikke skal kastes sammen med annet husholdningsavfall i hele EU. Gjenvinn produktet ansvarlig for å fremme bærekraftig gjenbruk av materialressurser for å forhindre mulig skade på miljøet eller menneskelig helse fra ukontrollert kasting av avfall.



BATTERIDIREKTIVET

Dette symbolet angir at batterier ikke skal kastes i husholdningsavfall siden det inneholder stoffer som kan være skadelig for miljøet og helsen. Kast batterier på angitte innsamlingspunkter.

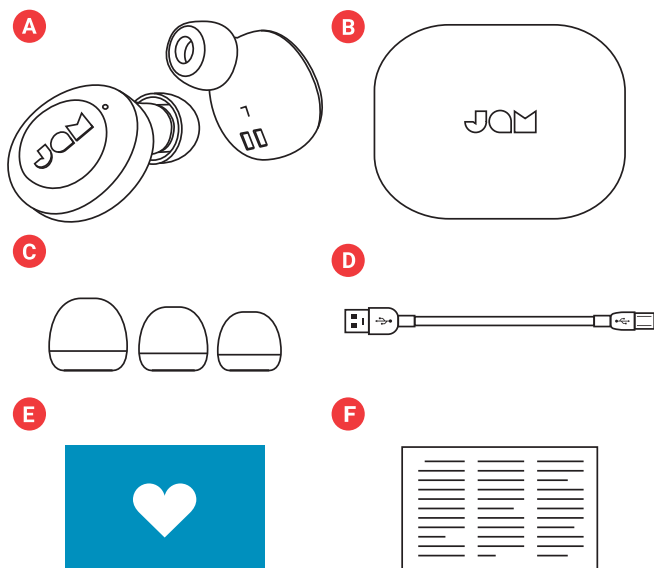
FKA Brands Ltd erklærer herved at denne radioenheten er i samsvar med de essensielle kravene og andre relevante bestemmelser i direktiv 2014/53/EU. Et eksemplar av samsvarserklæringen kan hentes fra uk.jamaudio.com/DoC.



LIVE LOUD

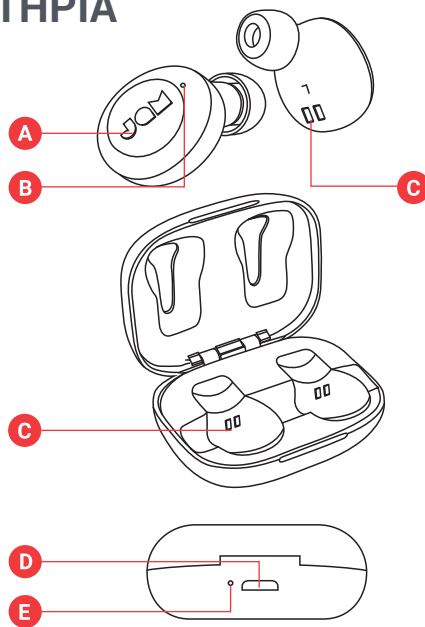
HX-EP410
Βιβλίο οδηγιών

ΠΕΡΙΕΧΟΜΕΝΑ



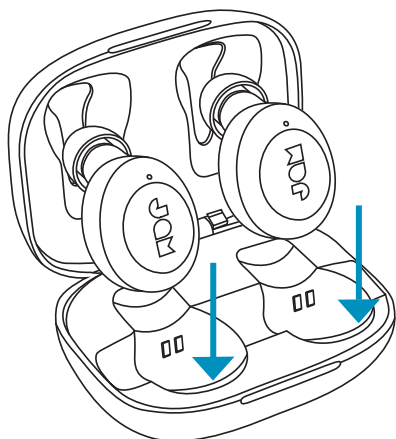
- A – 2 ακουστικά
- B – Φορητή θήκη φόρτισης
- C – 3 μεγέθη ακουστικών
- D – Καλώδιο Micro USB
- E – Κάρτα Καλωσορίσματος
- F – Κάρτα νομικής κοινοποίησης

ΧΕΙΡΙΣΤΗΡΙΑ



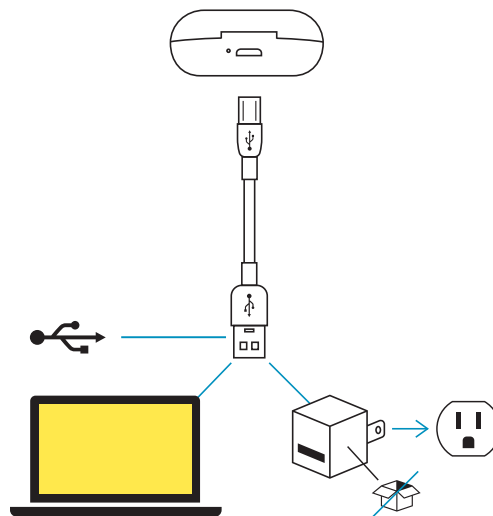
- A – Κουμπί ενεργοποίησης/απενεργοποίησης/αναπαραγωγής/παύσης
- B – Ένδειξη κατάστασης ακουστικών
- C – Επαφές φόρτισης ακουστικών
- D – Θύρα φόρτισης USB - για να φορτίσετε την έξυπνη συσκευή σας
- E – Φωτεινή ένδειξη μπαταρίας

ΡΥΘΜΙΣΗ



ΦΟΡΤΙΣΗ ΤΩΝ ΑΚΟΥΣΤΙΚΩΝ ΣΑΣ

Για να φορτίσετε τα ακουστικά, τοποθετήστε τα στη φορητή θήκη. Οι κόκκινες ενδείξεις LED δείχνουν ότι φορτίζονται. Εάν οι κόκκινες ενδείξεις LED δεν εμφανιστούν όταν τοποθετηθούν στη θήκη, ρυθμίστε τα ακουστικά για να βεβαιωθείτε ότι είναι ευθυγραμμισμένα με τις επαφές φόρτισης. Όταν φορτιστούν πλήρως, οι ενδείξεις LED θα σβήσουν.



ΦΟΡΤΙΣΗ ΤΗΣ ΦΟΡΗΤΗΣ ΘΗΚΗΣ

Συνδέστε το μικρό άκρο του καλωδίου micro USB στην θύρα micro USB που βρίσκεται στο πίσω μέρος της θήκης. Η ένδειξη LED στη θήκη θα έχει σταθερό κόκκινο χρώμα κατά τη φόρτιση. Όταν φορτιστεί πλήρως η φορητή θήκη, η ένδειξη LED θα σβήσει.

ΣΥΝΔΕΣΤΕ ΚΑΙ ΤΑ ΔΥΟ ΑΚΟΥΣΤΙΚΑ

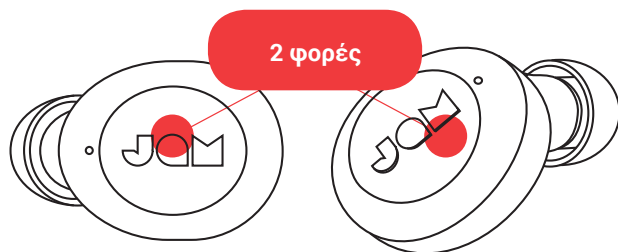


ΒΗΜΑ 1 - ΕΝΕΡΓΟΠΟΙΗΣΗ ΤΩΝ ΑΚΟΥΣΤΙΚΩΝ

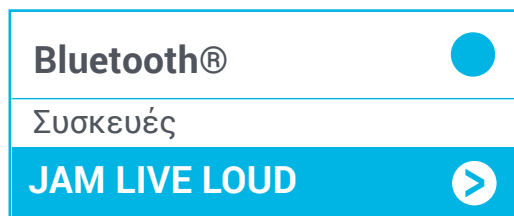
Τα ακουστικά σας θα ενεργοποιηθούν αυτόματα όταν αφαιρεθούν από τη φορητή θήκη φόρτισης. Εάν θέλετε να τα ενεργοποιήσετε χειροκίνητα, μπορείτε να πιέσετε και να κρατήσετε πιεσμένο το κουμπί «αναπαραγωγής/παύσης» και στα δύο ακουστικά για 3 δευτερόλεπτα.

ΒΗΜΑ 2 - ΣΥΝΔΕΣΗ ΤΩΝ ΑΚΟΥΣΤΙΚΩΝ ΜΕΤΑΞΥ ΤΟΥΣ

Όταν βγάλετε τα ακουστικά από τη θήκη τους, αυτά θα συγχρονιστούν αυτόματα μεταξύ τους. Η κύρια λυχνία LED (αριστερά) θα αναβοσβήνει με μπλε χρώμα και κόκκινο εναλλακτικά, ενώ η ενδεικτική λυχνία slave earbud (δεξιά) θα αναβοσβήνει με μπλε χρώμα. Τα ακουστικά σας είναι τώρα σε κατάσταση αντιστοίχισης και αναζητούν μια συσκευή Bluetooth® για τη σύνδεση.



Αν τα ακουστικά δεν συγχρονίζονται μεταξύ τους αυτόματα, πατήστε δύο φορές το κουμπί «αναπαραγωγής/παύσης» και στα δύο ακουστικά ταυτόχρονα. Αυτό θέτει τα ακουστικά σε λειτουργία συγχρονισμού. Μόλις συνδεθούν, η ένδειξη LED του αριστερού ακουστικού θα αναβοσβήνει μπλε και κόκκινο εναλλακτικά, ενώ η ένδειξη LED του δεξιού ακουστικού θα αναβοσβήνει αργά με μπλε χρώμα. Τα ακουστικά σας είναι τώρα σε κατάσταση σύζευξης και αναζητούν μια συσκευή Bluetooth® για να συνδεθούν.



ΒΗΜΑ 3 - ΣΥΝΔΕΣΗ ΜΕ ΜΙΑ ΣΥΣΚΕΥΗ

Ενεργοποιήστε το Bluetooth® στη συσκευή σας. Από το μενού Bluetooth®, επιλέξτε «Jam Live Loud». Όταν η συσκευή και το Live Loud είναι συνδεδεμένα, θα ακούσετε έναν ήχο και η ένδειξη LED θα αναβοσβήνει αργά μπλε. Αυτό σημαίνει ότι η σύζευξη ολοκληρώθηκε.

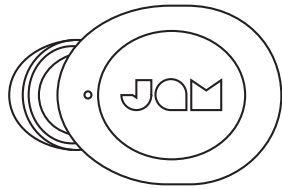
ΣΥΝΔΕΣΤΕ 1 ΑΚΟΥΣΤΙΚΟ



Συνδέστε το αριστερό ακουστικό για μονοφωνικό ήχο. Αυτή είναι εξαιρετική επιλογή αν θέλετε να ακούτε το περιβάλλον γύρω σας όπως και τη μουσική σας.

ΒΗΜΑ 1 - ΕΝΕΡΓΟΠΟΙΗΣΗ ΤΟΥ ΑΚΟΥΣΤΙΚΟΥ

Το ακουστικό σας θα ενεργοποιηθεί αυτόματα όταν αφαιρεθεί από τη φορητή θήκη φόρτισης. Εάν θέλετε να τα ενεργοποιήσετε χειροκίνητα, μπορείτε να πιέσετε και να κρατήσετε πιεσμένο το κουμπί «αναπαραγωγής/παύσης» και στα δύο ακουστικά για 3 δευτερόλεπτα.



Bluetooth®



Συσκευές

JAM LIVE LOUD



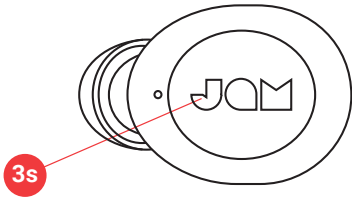
ΒΗΜΑ 2 - ΛΕΙΤΟΥΡΓΙΑ ΣΥΖΕΥΞΗΣ

Το ακουστικό ενεργοποιείται αυτόματα στη λειτουργία σύζευξης όταν αφαιρείται από τη θήκη φόρτισης. Η ένδειξη LED θα αναβοσβήνει με κόκκινο και μπλε χρώμα στο αριστερό ακουστικό και μία μπλε ένδειξη LED θα αναβοσβήνει αργά στο δεξί ακουστικό κατά τη σύζευξη. Τα ακουστικά θα απενεργοποιηθούν μετά από 6 λεπτά, εάν δεν έχει επιτευχθεί σύζευξη.

ΒΗΜΑ 3 - ΣΥΝΔΕΣΗ ΜΕ ΜΙΑ ΣΥΣΚΕΥΗ

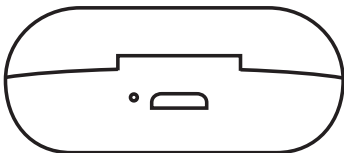
Ενεργοποιήστε το Bluetooth® στη συσκευή σας. Από το μενού Bluetooth®, επιλέξτε «JAM Live Loud». Όταν η συσκευή και το Jam Live Loud είναι συνδεδεμένα, θα ακούσετε έναν ήχο και η ένδειξη LED θα αναβοσβήνει αργά μπλε. Αυτό σημαίνει ότι η σύζευξη ολοκληρώθηκε.

ΑΠΕΝΕΡΓΟΠΟΙΗΣΗ ΤΩΝ ΑΚΟΥΣΤΙΚΩΝ



Για να απενεργοποιήσετε τα ακουστικά, τοποθετήστε τα ακουστικά πίσω στην θήκη ή πατήστε παρατεταμένα το κουμπί «αναπαραγωγής/παύσης» στα ακουστικά για 3 δευτερόλεπτα.

ΧΡΗΣΙΜΟΠΟΙΩΝΤΑΣ ΤΗΝ ΠΟΛΛΑΠΛΗ ΠΕΡΙΠΤΩΣΗ ΦΟΡΤΙΣΗΣ



Όταν η φορητή σας θήκη είναι πλήρως φορτισμένη, μπορεί να επαναφορτίσει τα ακουστικά έως 3 φορές, δίνοντάς σας 12 ώρες συνολικού χρόνου ακρόασης.

ΕΝΔΕΙΞΕΙΣ LED

ΑΚΟΥΣΤΙΚΑ ΣΤΗ ΘΗΚΗ ΦΟΡΤΙΣΗΣ

Σταθερό κόκκινο	Φόρτιση
Σβηστή ένδειξη LED	Η φόρτιση ολοκληρώθηκε

ΦΟΡΗΤΗ ΘΗΚΗ ΦΟΡΤΙΣΗΣ

Σταθερό κόκκινο	Φόρτιση
Σβηστή ένδειξη LED	Η φόρτιση ολοκληρώθηκε

ΑΚΟΥΣΤΙΚΑ ΣΕ ΧΡΗΣΗ

Το κύριο (αριστερό ακουστικό) θα αναβοσβήνει μπλε και κόκκινο εναλλακτικά, το δευτερεύον (δεξί ακουστικό) θα αναβοσβήνει αργά μπλε	Τα ακουστικά σε συγχρονισμό μεταξύ τους και σε λειτουργία σύζευξης
Αργή μπλε φλας	Συνενώθηκε με τη συσκευή

ΑΚΟΥΣΤΙΚΑ ΣΕ ΜΟΝΟΦΩΝΙΚΗ ΧΡΗΣΗ

Αναβοσβήνει κόκκινο/μπλε	Το αριστερό ακουστικό είναι σε κατάσταση σύζευξης με τη συσκευή
Αργή μπλε φλας	Το αριστερό ακουστικό έχει συζευχθεί με τη συσκευή

ΕΠΙΛΥΣΗ ΠΡΟΒΛΗΜΑΤΩΝ

1. Απενεργοποιήστε το Bluetooth® στη συσκευή σας.
2. Βγάλτε τα ακουστικά από την θήκη.
3. Πατήστε παρατεταμένα το κουμπί «αναπαραγωγής/παύσης» για 5 δευτερόλεπτα και στα δύο ακουστικά για να τα απενεργοποιήσετε.
4. Πατήστε γρήγορα το κουμπί «αναπαραγωγής/παύσης» μία φορά και στα δύο ακουστικά για να τα ενεργοποιήσετε.
5. Τα ακουστικά θα πρέπει να μεταβαίνουν αυτόματα στη λειτουργία συγχρονισμού μόλις ενεργοποιηθούν. Η ένδειξη LED (αριστερά) του κύριου ακουστικού θα αναβοσβήνει μπλε και κόκκινη εναλλακτικά, ενώ η ένδειξη LED του δευτερεύοντος ακουστικού θα αναβοσβήνει με μπλε χρώμα. Εάν δεν μεταβούν αυτόματα στη λειτουργία συγχρονισμού, πατήστε γρήγορα το κουμπί «αναπαραγωγής/παύσης» στο αριστερό ακουστικό πέντε φορές για να διαγράψετε τις ρυθμίσεις Bluetooth® και να θέσετε τα ακουστικά σε λειτουργία συγχρονισμού.
6. Ενεργοποιήστε το Bluetooth® στη συσκευή σας.
7. Κάντε σύζευξη με το «JAM Live Free».

ΒΑΣΙΚΕΣ ΛΕΙΤΟΥΡΓΙΕΣ

ΜΟΥΣΙΚΗ

Αναπαραγωγή/Παύση	Πατήστε το κουμπί αναπαραγωγής/παύσης μία φορά
Forward Track (Ανίχνευση προς τα εμπρός)	Πατήστε γρήγορα δύο φορές το κουμπί «αναπαραγωγής/παύσης» στο δεξί ακουστικό δύο φορές
Backward Track (Ανίχνευση προς τα πίσω)	Πατήστε γρήγορα δύο φορές το κουμπί «αναπαραγωγής/παύσης» στο αριστερό ακουστικό δύο φορές

ΚΛΗΣΕΙΣ

Απαντήστε σε μια κλήση	Πατήστε το κουμπί αναπαραγωγής/παύσης μία φορά
Απορρίψτε μια κλήση	Πατήστε παρατεταμένα το κουμπί αναπαραγωγής/παύσης για 2 δευτερόλεπτα
Τελειώστε μία κλήση	Πατήστε το κουμπί αναπαραγωγής/παύσης μία φορά
Απαντήστε σε μια δεύτερη εισερχόμενη κλήση	Πατήστε το κουμπί αναπαραγωγής/παύσης μία φορά
Απορρίψτε μια δεύτερη εισερχόμενη κλήση	Πατήστε γρήγορα το κουμπί «αναπαραγωγής/παύσης» δύο φορές
Εναλλαγή μεταξύ δύο κλήσεων	Πατήστε δύο φορές το κουμπί «αναπαραγωγής/παύσης» Πατήστε δύο φορές το κουμπί «αναπαραγωγής/παύσης»

ΣΗΜΕΙΩΣΗ: Οι τηλεφωνικές κλήσεις, το FaceTime και το Siri ακούγονται μόνο μέσω 1 ακουστικού (μονοφωνική λειτουργία). Εάν χρησιμοποιείτε τα ακουστικά σας σε στερεοφωνική λειτουργία, θα μεταβείτε αυτόματα στη μονοφωνική λειτουργία μόλις γίνει αποδεκτή η κλήση ή ενεργοποιηθεί το Siri.

ΑΛΛΑ

Ενεργοποιήστε το βοηθό Siri/Google	Πατήστε γρήγορα δύο φορές το κουμπί αναπαραγωγής/παύσης
Ελέγξτε τη στάθμη της μπαταρίας των ακουστικών	Κοιτάξτε στο smartphone
Απενεργοποιήστε το ακουστικό	Πατήστε παρατεταμένα το κουμπί αναπαραγωγής/παύσης για 3 δευτερόλεπτα

8. Τα ακουστικά δεν αποσυνδέονται από τη συσκευή σας; Τα ακουστικά JAM Live Free μπορούν να συνδεθούν αυτόματα στη συσκευή σας, εάν τοποθετηθούν σε μια θήκη φόρτισης που δεν έχει καθόλου μπαταρία. Για την καλύτερη εμπειρία, χρεώνετε περιοδικά τη θήκη για να βεβαιωθείτε ότι έχει πάντα τη διάρκεια ζωής της μπαταρίας.

ΝΟΜΙΚΕΣ ΠΛΗΡΟΦΟΡΙΕΣ

ΔΙΑΒΑΣΤΕ ΟΛΕΣ ΤΙΣ ΟΔΗΓΙΕΣ ΠΡΙΝ ΤΗ ΧΡΗΣΗ ΚΑΙ ΦΥΛΑΞΕΤΕ ΑΥΤΕΣ ΤΙΣ ΟΔΗΓΙΕΣ ΓΙΑ ΜΕΛΛΟΝΤΙΚΗ ΑΝΑΦΟΡΑ.

ΕΓΓΥΗΣΗ - ΗΝΩΜΕΝΟ ΒΑΣΙΛΕΙΟ & ΕΥΡΩΠΗ

Η JAM εγγυάται ότι για μία περίοδο 2 ετών από την ημερομηνία αγοράς, ότι αυτό το προϊόν δεν θα παρουσιάσει ελαττώματα στο υλικό και την κατασκευή του. Αυτή η εγγύηση δεν καλύπτει τις ζημιές που προκλήθηκαν από ακατάλληλη χρήση ή κακοποίηση του προϊόντος, ατύχημα, προσάρτηση οποιουδήποτε μη εξουσιοδοτημένου παρελκομένου, αλλοίωση του προϊόντος ή οποιουδήποτε άλλους όρους που δεν εμπίπτουν στον έλεγχο της JAM. Διανομή στην ΕΕ από την FKA Brands Ltd, Somerhill Business Park, Tonbridge, TN11 0GP, UK (Ηνωμένο Βασίλειο). Email: support.row@fkabrands.com.

ΣΗΜΑΝΤΙΚΕΣ ΟΔΗΓΙΕΣ ΑΣΦΑΛΕΙΑΣ

ΔΙΑΒΑΣΤΕ ΟΛΕΣ ΟΔΗΓΙΕΣ ΠΡΙΝ ΤΗ ΧΡΗΣΗ

ΠΡΟΕΙΔΟΠΟΙΗΣΗ: Μην τοποθετείτε τα ηχεία πολύ κοντά στα αυτιά. Μπορεί να προκληθεί βλάβη στα τύμπανα των αυτιών, ειδικά σε μικρά παιδιά.

- Να χρησιμοποιείτε αυτό το προϊόν μόνο για το σκοπό για τον οποίο προορίζεται, όπως περιγράφεται στο εγχειρίδιο. Μην χρησιμοποιείτε εξαρτήματα τα οποία δεν συνιστά η Jam.
- Η Jam δεν φέρει ευθύνη για οποιαδήποτε ζημιά προκληθεί σε Smartphones, iPod/MP3 player ή σε οποιαδήποτε άλλη συσκευή.
- Μην τοποθετείτε ή αποθηκεύετε αυτό το προϊόν σε μέρος από το οποίο μπορεί να πέσει ή να πεταχτεί σε μανιέρα ή νεροχύτη χωρίς να έχετε κλειστές τις υδατοστεγείς θύρες.
- Μην τοποθετείτε ή ρίχνετε σε νερό ή οποιοδήποτε άλλο υγρό χωρίς να έχετε κλειστές τις υδατοστεγείς θύρες.
- Δεν προορίζεται για χρήση από παιδιά. ΑΥΤΟ ΤΟ ΠΡΟΙΟΝ ΔΕΝ ΕΙΝΑΙ ΠΑΙΧΝΙΔΙ.
- Μην χρησιμοποιείτε ποτέ αυτό το προϊόν εάν έχει φθαρμένο καλώδιο, βύσμα, καλώδιο ή περίβλημα.
- Διατηρείτε το μακριά από θερμαινόμενες επιφάνειες.
- Τοποθετείτε μόνο σε στεγνές επιφάνειες. Μην τοποθετείτε σε επιφάνεια που έχει υγρανθεί από νερό ή καθαριστικούς διαλύτες, εάν οι υδατοστεγείς θύρες είναι ανοικτές.

ΠΡΟΕΙΔΟΠΟΙΗΣΗ: Αυτό το προϊόν διαθέτει εσωτερική, μη αντικαταστάσιμη μπαταρία λιθίου. Παρακαλούμε να το απορρίψετε σύμφωνα με τις τοπικές, πολιτειακές, επαρχιακές και εθνικές σας οδηγίες. Οι μπαταρίες (μπαταρία ή μπαταρίες που έχουν εγκατασταθεί) δεν πρέπει να εκτίθενται σε υπερβολική θερμότητα όπως σε ηλιοφάνεια, φωτιά κλπ.

ΑΝΤΙΚΑΤΑΣΤΑΣΗ ΜΠΑΤΑΡΙΑΣ

Τα ακουστικά σας περιλαμβάνουν μια επαναφορτιζόμενη μπαταρία σχεδιασμένη να διαρκέσει για όλη τη διάρκεια ζωής του προϊόντος. Στην μάλλον απίθανη περίπτωση που θα χρειαστείτε μια μπαταρία αντικατάστασης, παρακαλούμε επικοινωνήστε με το τμήμα Εξυπηρέτησης Καταναλωτών, απ' όπου θα σας παρέχουν λεπτομέρειες σχετικά με την εγγύηση και την αντικατάσταση μπαταριών εκτός εγγύησης. Αυτό το προϊόν περιέχει μικρά εξαρτήματα που ενδέχεται να προκαλέσουν κίνδυνο πνιγμού σε μικρά παιδιά.

ΠΡΟΣΟΧΗ: Όλες οι εργασίες συντήρησης αυτού του προϊόντος πρέπει να εκτελούνται μόνο από εξουσιοδοτημένο προσωπικό συντήρησης της Jam Audio. Για τον πλήρη οδηγό χρήσης και για να καταχωρίσετε το προϊόν σας, επισκεφτείτε τη διεύθυνση www.jamaudio.com (ΗΠΑ) ή canada.jamaudio.com (Καναδάς), ή uk.jamaudio.com/instructionbooks (Ηνωμένο Βασίλειο).



Για να αποφύγετε ενδεχόμενη βλάβη της ακοής σας, μην ακούτε με μεγάλη ένταση για μεγάλο χρονικό διάστημα.



ΕΞΗΓΗΣΗ ΤΟΥ ΟΡΟΥ WEEE

Αυτή η σήμανση υποδηλώνει ότι το προϊόν αυτό δεν πρέπει να απορρίπτεται μαζί με άλλα οικιακά απορρίμματα οπουδήποτε στην Ευρωπαϊκή Ένωση. Για να αποφευχθεί πιθανή ρύπανση στο περιβάλλον ή βλάβη στην ανθρώπινη υγεία από την ανεξέλεγκτη απόρριψη αποβλήτων, ανακυκλώστε το υπεύθυνα για να προωθήσετε τη βιώσιμη επαναχρησιμοποίηση των υλικών πόρων.



ΟΔΗΓΙΑ ΓΙΑ ΤΗ ΜΠΑΤΑΡΙΑ

Αυτό το σύμβολο υποδεικνύει ότι οι μπαταρίες δεν πρέπει να απορρίπτονται στα οικιακά απορρίμματα, επειδή περιέχουν ουσίες που μπορεί να είναι επιβλαβείς για το περιβάλλον και την υγεία. Παρακαλούμε απορρίψτε τις μπαταρίες σε καθορισμένα σημεία συλλογής.

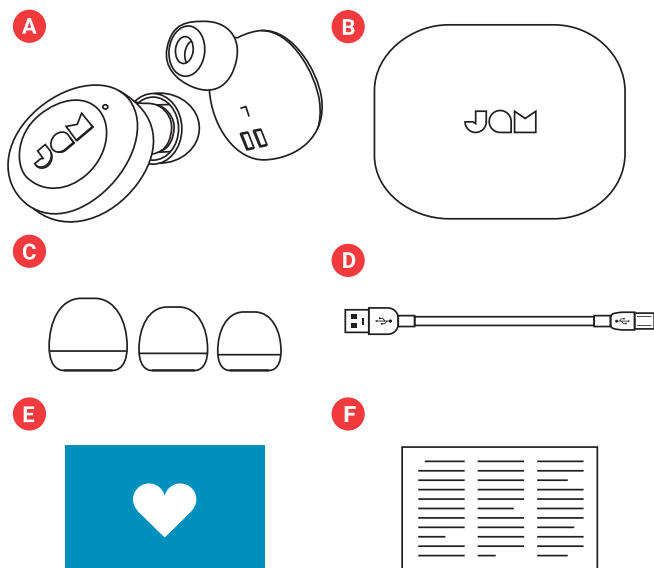
Με την παρούσα, η FKA Brands Ltd δηλώνει ότι αυτή η συσκευή ραδιοσυχνότητας συμμορφώνεται με τις βασικές απαιτήσεις και άλλες σχετικές διατάξεις της οδηγίας 2014/53/ΕΕ. Μπορείτε να λάβετε ένα αντίγραφο της Δήλωσης Συμμόρφωσης από το uk.jamaudio.com/DoC.



LIVE LOUD

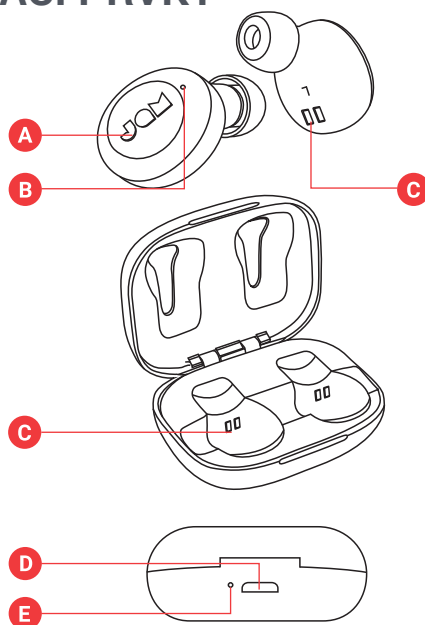
HX-EP410
Kniha pokynů

OBSAH



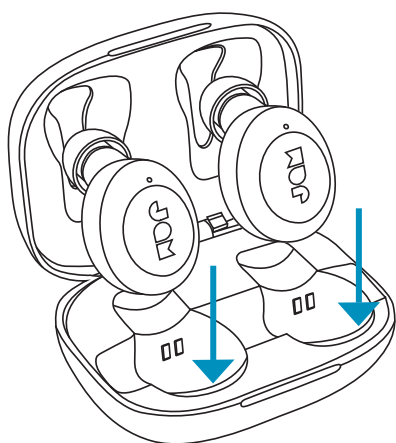
- A – 2 minisluchátka
- B – Pouzdro přenosné nabíječky
- C – 3 velikosti návleků sluchátek
- D – Mikrokabel USB
- E – Karta na uvítanou
- F – Karta s právními informacemi

OVLÁDACÍ PRVKY



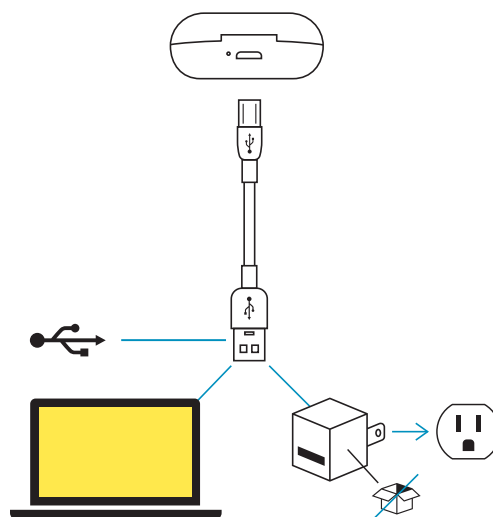
- A – Tlačítko Zapnout/Vypnout/Přehrát/Pozastavit
- B – Indikátor nabití minisluchátek
- C – Nabíjecí kontakty minisluchátka
- D – Nabíjecí port USB - pro nabíjení vašeho chytrého zařízení
- E – Indikátor nabití baterie

NASTAVENÍ



NABÍJENÍ MINISLUCHÁTEK

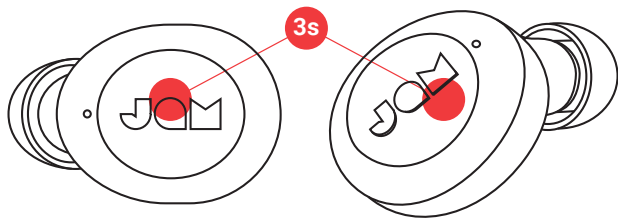
Chcete-li nabít minisluchátka, vložte je do přenosného pouzdra. Červené diody LED znázorňují, že se nabíjejí. Pokud se diody LED po vložení sluchátek do pouzdra nerozsvítí červeně, nastavte minisluchátka tak, aby byla zarovnaná s póly nabíjení. Po jejich plném nabití se diody LED vypnou.



NABÍJENÍ PŘENOSNÉHO POUZDRA

Zapojte malý konec mikro USB kabelu do mikro USB portu, který se nachází na zadní straně pouzdra. Při nabíjení bude kontrolka LED na pouzdru svítit červeně. Když bude přenosné pouzdro plně nabito, kontrolky LED zhasnou.

PŘIPOJENÍ OBOU MINISLUCHÁTEK

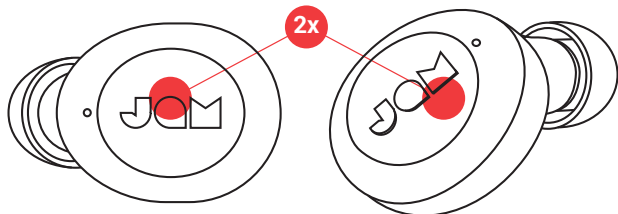


KROK Č. 1 - VYPNUTÍ MINISLUCHÁTEK

Po vyjmutí z přenosného nabíjecího pouzdra se sluchátka automaticky zapnou. Pokud je potřebujete zapnout ručně, můžete stisknout a podržet tlačítko „Přehrát / pozastavit“ na obou sluchátkách na 3 sekundy.

KROK Č. 2 - PROPOJENÍ SLUCHÁTEK NAVZÁJEM

Když ušní klapky vyjmete z pouzdra, automaticky se navzájem synchronizují. LED dioda hlavního ucha (vlevo) střídavě bliká modře a červeně, zatímco LED dioda ucha (vpravo) pomalu bliká modře. Vaše sluchátka jsou nyní v režimu párování a hledají zařízení Bluetooth®, ke kterému se připojují.



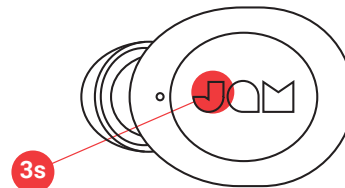
Pokud se vaše sluchátka navzájem synchronizovány, stiskněte současně dlouze tlačítko „Přehrát / pozastavit“ na obou sluchátkách. Tím se sluchátka uvedou do synchronizovaného režimu. Po připojení sluchátek bude kontrolka LED levého sluchátka střídavě blikat modře a červeně, zatímco kontrolka LED pravého sluchátka bude pomalu blikat modře. Vaše sluchátka jsou nyní v režimu párování a hledají zařízení Bluetooth®, ke kterému se připojit.



KROK Č. 3 - PŘIPOJENÍ K ZAŘÍZENÍ

Zapněte Bluetooth® na vašem zařízení. Z nabídky Bluetooth® vyberte „Jam Live Loud“. Když budou zařízení a Live Loud připojeny, uslyšíte tón a kontrolky LED budou pomalu blikat modře. To znamená, že párování je dokončeno.

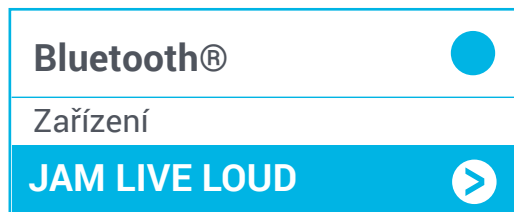
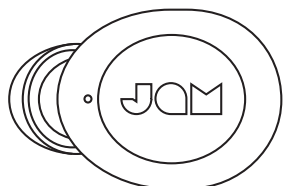
PŘIPOJENÍ 1 MINISLUCHÁTKA



Připojením levého sluchátka budete slyšet v mono režimu. To je skvělá volba, pokud chcete slyšet své okolí i hudbu.

KROK Č. 1 - ZAPNUTÍ MINISLUCHÁTKA

Po vyjmutí z přenosného nabíjecího pouzdra se sluchátko automaticky zapne. Pokud potřebujete sluchátko zapnout ručně, můžete na něm dlouze stisknout tlačítko „Přehrát / pozastavit“ na 3 sekundy.



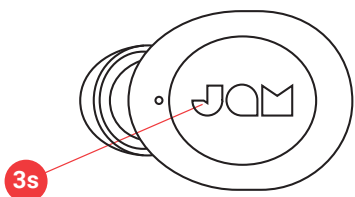
KROK Č. 2 - REŽIM SPÁROVÁNÍ

Po vyjmutí z přenosného nabíjecího pouzdra se sluchátko automaticky zapne a přejde do režimu párování. Kontrolka LED dioda bude po spárování blikat červeně a modře na levém sluchátku a na pravém sluchátku bude kontrolka LED pomalu blikat modře. Sluchátka se vypnou po 6 minutách, pokud nebudou spárována.

KROK Č. 3 - PŘIPOJENÍ K ZAŘÍZENÍ

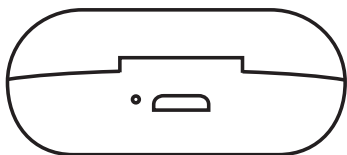
Zapněte Bluetooth® na vašem zařízení. Z nabídky Bluetooth® vyberte „Jam Live Loud“. Když budou zařízení a Live Loud připojeny, uslyšíte tón a kontrolky LED budou pomalu blikat modře. To znamená, že párování je dokončeno.

VYPNUTÍ MINISLUCHÁTEK



Chcete-li sluchátka vypnout, vložte sluchátka zpět do pouzdra nebo stiskněte a podržte tlačítko „přehrát/pozastavit“ na sluchátkách na dobu 3 sekund.

POUŽÍVÁNÍ PŘÍPADU PŘENOSNÉHO NABÍJENÍ



S plným nabitím může přenosné pouzdro dobít vaše sluchátka až 3krát, což vám dá celkem až 12 hodin poslechového času.

INDIKÁTORY LED

MINISLUCHÁTKA V NABÍJECÍM POUZDRU

Nepřerušovaná červená	Nabíjení
LED vypnutá	Nabíjení dokončeno

PŘENOSNÉ NABÍJECÍ POUZDRO

Nepřerušovaná červená	Nabíjení
LED vypnutá	Nabíjení dokončeno

MINISLUCHÁTKA V PROVOZU

Hlavní (levé) sluchátko bliká střídavě modře a červeně, podřízené (pravé) sluchátko bliká pomalu modře	Sluchátka jsou synchronizovaná navzájem a v režimu párování.
Pomalou Modré bliknutí	Spárováno se zařízením

MINISLUCHÁTKO V MONO PROVOZU

Blikající červená/modrá	Levé sluchátko je v režimu párování se zařízením
Pomalou Modré bliknutí	Levé sluchátko je spárováno se zařízením

ZÁKLADNÍ FUNKCE

HUDBA

Přehrát/pozastavit	Stiskněte jednu kterékoli tlačítko přehrát/pozastavit
Přechod vpřed	Rychle dvakrát poklepejte na tlačítko „Přehrát / pozastavit“ na pravém sluchátku
Přechod zpět	Rychle dvakrát poklepejte na tlačítko „Přehrát / pozastavit“ na levém sluchátku

HOVORY

Přijetí hovoru	Stiskněte jednu kterékoli tlačítko přehrát/pozastavit
Odmítnutí hovoru	Stiskněte a podržte kterékoli tlačítko přehrát/pozastavit na 2 sekundy
Ukončení hovoru	Stiskněte jednu kterékoli tlačítko přehrát/pozastavit
Přijetí druhého přicházejícího hovoru	Stiskněte jednu kterékoli tlačítko přehrát/pozastavit
Odmítnutí druhého přicházejícího hovoru	Rychle dvakrát stiskněte tlačítko přehrát / pozastavit
Přepínání mezi dvěma hovory	Stiskněte dvakrát tlačítko přehrát / pozastavit

POZNÁMKA: Telefonní hovory, FaceTime a Siri jsou slyšet pouze pomocí 1 sluchátka (mono). Pokud používáte sluchátka v stereo režimu, automaticky se přepnou na mono, jakmile přijmete hovor nebo aktivujete funkci Siri.

JINÉ

Aktivace Sliri/asistenta Google	Stiskněte rychle dvakrát kterékoli tlačítko přehrát/pozastavit
Zkontrolujte úroveň nabití baterie minisluchátek	Podívejte se na inteligentní telefon
Vypnutí minisluchátka	Stiskněte a podržte tlačítko přehrát/pozastavit na 3 sekund

ODSTRAŇOVÁNÍ PORUCH

1. Vypněte Bluetooth® na zařízení.
2. Vyjměte minisluchátka z pouzdra.
3. Stiskněte a podržte tlačítko „přehrát/pozastavit“ na 5 sekund na obou minisluchátkách, aby se vypnula.
4. Stiskněte rychle jednu tlačítko „přehrát/pozastavit“ na obou minisluchátkách, aby se zapnula.
5. Sluchátka by se měla po zapnutí automaticky přepnout do režimu párování. Kontrolka LED hlavního sluchátka (vlevo) bude střídavě blikat modře a červeně, zatímco kontrolka LED podřízeného sluchátka (vpravo) bude pomalu blikat modře. Pokud se automaticky nepřepnou do synchronního režimu, rychle stiskněte pět

6. Zapněte Bluetooth® na vašem zařízení.
7. Spárujte ho s „JAM Live Loud“.
8. Sluchátka se neodpojují od zařízení? Sluchátka JAM Live Loud se mohou automaticky připojit k vašemu zařízení, pokud jsou vloženy do nabíjecího pouzdra, které nezbývá. Chcete-li zajistit nejlepší zážitek, periodicky nabíjejte kryt, abyste se ujistili, že má vždy životnost baterie.

PRÁVNÍ INFORMACE

PŘED POUŽITÍM SI PEČLIVĚ PŘEČTĚTE VŠECHNY POKYNY A UCHOVEJTE JE PRO BUDOUCÍ POUŽITÍ.

ZÁRUKA – VELKÁ BRITÁNIE A EVROPA

Společnost JAM zaručuje, že tento výrobek nebude mít vady materiálu a zpracování po dobu 2 roků ode dne zakoupení. Tato záruka se nevztahuje na škody způsobené nesprávným použitím nebo zneužitím, nehodou, připojením jakéhokoli neoprávněného příslušenství, změnou výrobku nebo jakýmkoliv jinými stavy, které jsou mimo kontrolu společnosti JAM. Distributorem v EU je společnost FKA Brands Ltd, Somerhill Business Park, Tonbridge, TN11 0GP, Spojené království. Tel: 0442 1753 3881 Email: support.row@fkabrands.com.

DŮLEŽITÉ POKYNY TÝKAJÍCÍ SE BEZPEČNOSTI

PŘED POUŽITÍM SI PŘEČTĚTE VŠECHNY POKYNY

VAROVÁNÍ: Neumisťujte reproduktory příliš blízko k uším. Může to způsobit poškození ušních bubínků, zejména u malých dětí.

- Tento produkt používejte pouze k určenému účelu, jak je popsáno v této příručce. Nepoužívejte doplňky nedoporučené společností Jam.
- Společnost Jam nezodpovídá za škody způsobené smartphony, zařízeními iPod / přehrávači MP3 nebo jinými zařízeními.
- Neukládejte ani neskladujte tento produkt na místo, kde by mohlo spadnout nebo být upuštěn do vany nebo umyvadla bez zavření vodotěsné dvířek.
- Neukládejte ho ani neupouštějte do vody nebo jiné kapaliny bez zavření vodotěsných dvířek.
- Nenechte používat děti. TOTO NENÍ HRAČKA.
- Tento produkt nikdy nepoužívejte, pokud má poškozený kabel, zástrčku, kabel nebo pouzdro.
- Uchovávejte mimo horké povrchy.
- Postavte ho pouze na suchý povrch. Neukládejte ho na povrch vlhký od vody nebo čisticího prostředku, pokud jsou vodotěsná dvířka otevřená.

VAROVÁNÍ: Tento výrobek má vnitřní, nevyměnitelnou lithiovou baterii. Likvidaci proveďte v souladu s pokyny místními, státními a provinčními pokyny. Baterie (integrované nebo vkládané baterie) nesmí být vystaveny zdrojům nadměrného tepla, jako jsou sluneční paprsky, oheň apod.

VÝMĚNA BATERIE

Sluchátka obsahují dobíjecí baterii konstruovanou tak, aby vydržela životnost produktu. V nepravděpodobné situaci, kdy byste měli požadovat náhradní baterii, se obraťte na oddělení zákaznického servisu, kde vám poskytnou informace o záruční výměně baterie. Tento výrobek obsahuje malé části, které mohou představovat nebezpečí udušení pro malé děti.

UPOZORNĚNÍ: Veškeré opravy tohoto produktu musí být prováděny výhradně autorizovaným servisním technikem Jam Audio. Pro kompletní uživatelskou příručku a registraci produktu navštivte www.jamaudio.com (USA), canada.jamaudio.com (Kanada) nebo uk.jamaudio.com/instructionbooks (Velká Británie).



Abyste zabránili možnému poškození sluchu, nepoužívejte zařízení po delší dobu s vysokou hlasitostí.



VÝKLAD OEEZ

Toto označení znamená, že by tento produkt neměl být likvidován spolu s jinými domácími odpady, a to v rámci celé EU. Abyste zabránili možným škodám na životním prostředí nebo lidském

zdraví při nekontrolované likvidaci odpadu, zodpovědně je recyklujte – podpořte tak udržitelné opětovné využití materiálních zdrojů.



SMĚRNICE TÝKAJÍCÍ SE BATERIÍ

Tento symbol znamená, že baterie nesmí být likvidovány v rámci odpadu z domácností, protože obsahují látky, které mohou poškozovat životní prostředí a zdraví. Baterie zlikvidujte na určených sběrných místech.

Společnost FKA Brands Ltd tímto prohlašuje, že toto rádiové zařízení je v souladu se zákadními požadavky a dalšími příslušnými ustanoveními směrnice 2014/53/EU. Kopii prohlášení o shodě lze získat na adrese uk.jamaudio.com/DoC.

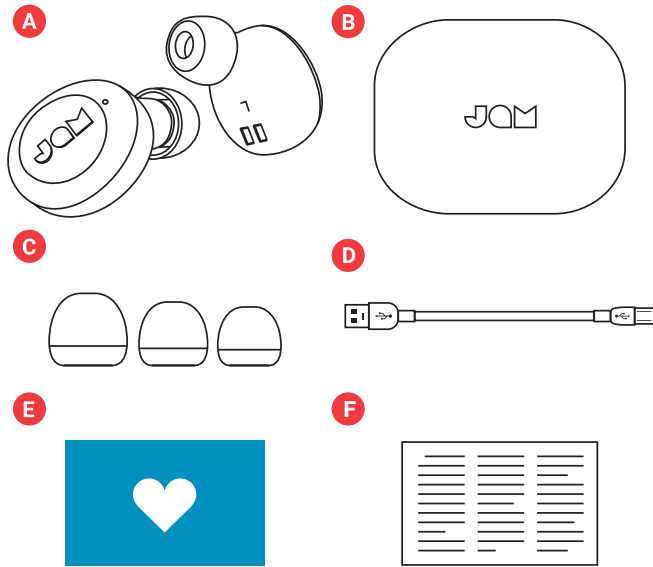


LIVE LOUD

HX-EP410

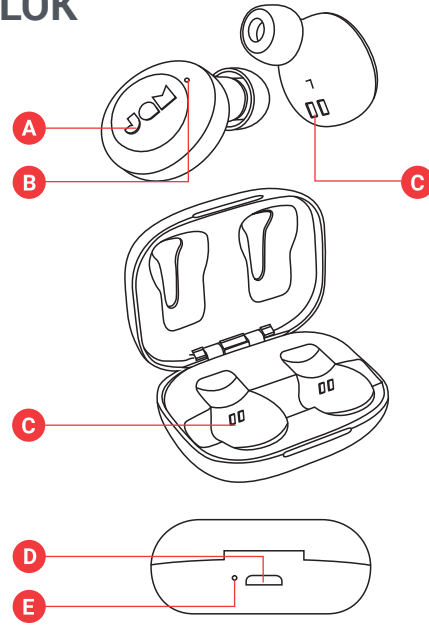
Használati utasítás

TARTALOM



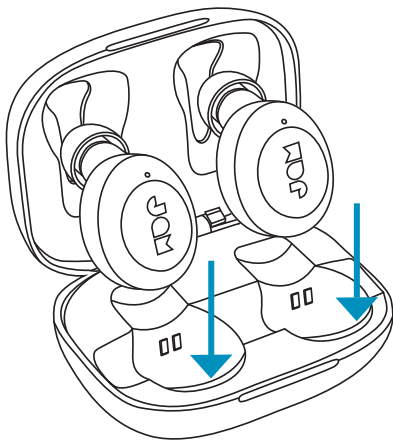
- A – 2 fülhallgató
- B – Hordozható töltők
- C – 3 Fülcsúcs méret
- D – Micro USB-kábel
- E – Üdvözlő kártya
- F – Jognyilatkozat

VEZÉRLŐK



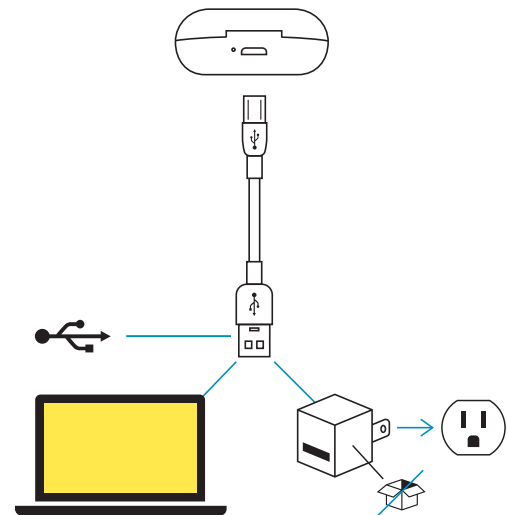
- A – Bekapcsoló/kikapcsoló/lejátszás/szünet gomb
- B – Fülhallgató státuskijelző
- C – Fülhallgató töltő érintkezők
- D – USB töltő dokk – az okos készüléke töltéséhez
- E – Elem töltési fény

BEÁLLÍTÁS



FÜLHALLGATÓK TÖLTÉSE

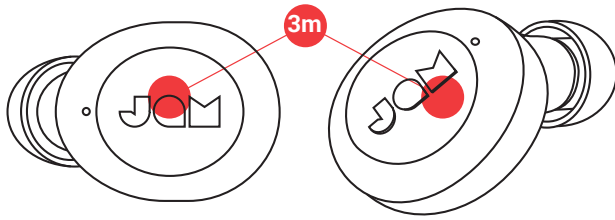
A fülhallgatók töltéséhez helyezze őket a hordozható tokba. A piros LED-ek jelzik, hogy töltődnek. Ha a piros LED-ek nem jelennek meg, amikor a tokba helyezi a fülhallgatókat, igazítson rajtuk, hogy biztosan illeszkedjenek a töltő érintkezőkkel. Teljes feltöltődéskor a LED-ek kikapcsolnak.



HORDOZHATÓ TOK TÖLTÉSE

Csatlakoztassa a micro USB-kábel kisebb végét a micro USB-dokkba, amely a tok hátoldalán található. A tokon lévő LED töltéskor folyamatos piros fényel világít. Amikor a hordozható tok teljesen feltöltődött, a LED fények kialszanak.

CSATLAKOZTASSA MINDKÉT FÜLHALLGATÓT

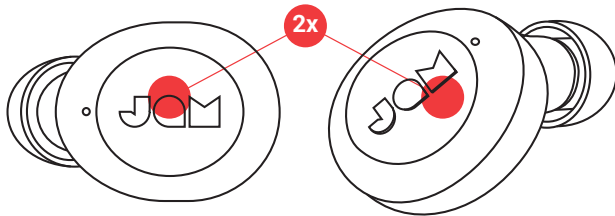


ELSŐ LÉPÉS – A FÜLHALLGATÓK BEKAPCSOLÁSA

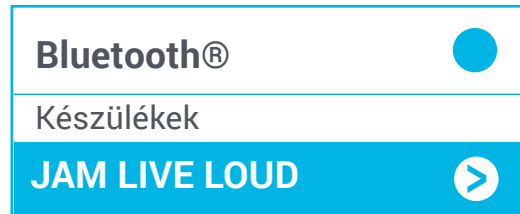
A fülhallgatók automatikusan bekapcsolnak a hordozható töltőkből való kivételkor. Ha manuálisan kell bekapcsolnia őket, ezt a lejátszás/szünet gomb lenyomásával és 3 másodpercig lenyomva tartásával teheti meg mindkét fülhallgatón.

MÁSODIK LÉPÉS – A FÜLHALLGATÓK EGYMÁSHOZ CSATLAKOZTATÁSA

Ha kiveszi a fülhallgatókat az esetükből, ezek automatikusan szinkronizálódnak egymással. A fő fülhallgató (bal oldali) LED kék és vörös színűen villog, míg a szolga fülhallgató (jobb oldalon) LED lassan kék villog. A fülhallgató párosítási módban van, és egy Bluetooth® eszközt keres, amellyel csatlakozhat.



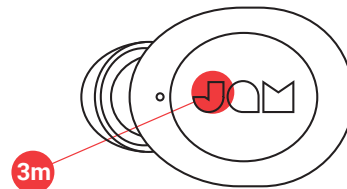
Ha a fülhallgatók nem szinkronizálódnak automatikusan egymáshoz, kétszer nyomja meg a „lejátszás/szünet” gombot mindkét fülhallgatón egyszerre. Ekkor a fülhallgatók beállnak szinkronizálási üzemmódba. A csatlakozás után a bal fülhallgató LED felváltva kék és pirosan villog, míg a jobb fülhallgató LED kékén lassan pulzál. Ekkor a fülhallgatók beállnak párosítási üzemmódba, és megkezdik a Bluetooth® készülék keresését a csatlakozáshoz.



HARMADIK LÉPÉS - CSATLAKOZTATÁS A KÉSZÜLÉKHEZ

Engedélyezze a Bluetooth® funkciót a készülékén. A Bluetooth® menüből válassza a „Jam Live Loud” opciót. Amikor a készülék és a Live Loud csatlakozott, hangjelzést fog hallani és a LED-ek kéken lassan pulzálnak. Ez azt jelenti, hogy a párosítás befejeződött.

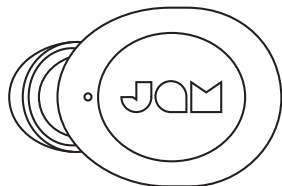
EGY FÜLHALLGATÓ CSATLAKOZTATÁSA



Monó hangzás érdekében a bal fülhallgatót csatlakoztassa. Ez nagyszerű lehetőség, ha mind a környezetét, mind a zenét egyszerre szeretné hallani.

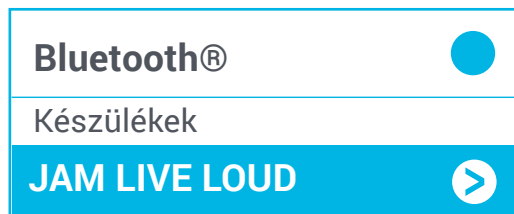
ELSŐ LÉPÉS - A FÜLHALLGATÓ BEKAPCSOLÁSA

A fülhallgatók automatikusan bekapcsolnak a hordozható töltőkből való kivételkor. Ha manuálisan kell bekapcsolnia őket, ezt a lejátszás/szünet gomb lenyomásával és 3 másodpercig lenyomva tartásával teheti meg mindkét fülhallgatón.



MÁSODIK LÉPÉS - PÁROSÍTÁSI ÜZEMMÓD

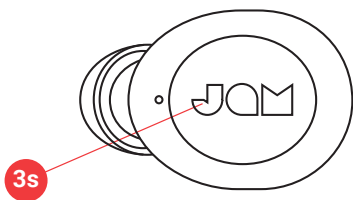
A fülhallgató automatikusan bekapcsol és beáll párosítási üzemmódba a hordozható töltőtokból való kivételkor. Párosításkor a bal fülhallgató LED felváltva kéken és pirosan villog, és a jobb fülhallgató LED kéken lassan pulzál. A fülhallgatók 6 perc után kikapcsolnak, ha nem történik párosítás.



HARMADIK LÉPÉS - CSATLAKOZTATÁS A KÉSZÜLÉKHEZ

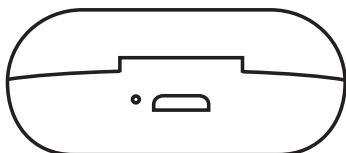
Engedélyezze a Bluetooth® funkciót a készülékén. A Bluetooth® menüből válassza a „JAM Live Loud” opciót. Amikor a készülék és a JAM Live Loud csatlakozott, hangjelzést fog hallani és a LED-ek kéken lassan pulzálnak. Ez azt jelenti, hogy a párosítás befejeződött.

FÜLHALLGATÓK KIKAPCSOLÁSA



A fülhallgatók kikapcsolásához helyezze vissza a fülhallgatókat a tokba, vagy nyomja le és tartsa lenyomva a „lejátszás/szünet” gombot a fülhallgatókon 3 másodpercig.

A HORDOZHATÓ TÖLTŐ HASZNÁLATA



Teljes töltéssel a hordozható tok akár 3 alkalommal is fel tudja tölteni a fülhallgatókat, amivel akár 12 órányi lejátszási időt is elérhet.

LED KIJELZŐK

FÜLHALLGATÓK A TÖLTŐTOKBAN

Folyamatos piros	Töltés
LED kialszik	Töltés befejezve

HORDOZHATÓ TÖLTŐTOK

Folyamatos kék	Töltés
LED kialszik	Töltés befejezve

FÜLHALLGATÓK HASZNÁLAT KÖZBEN

A Master (bal fülhallgató) felváltva kéken és pirosan villog, a Slave (jobb fülhallgató) kéken lassan pulzál	A fülhallgatók egymáshoz szinkronizáltak és párosítási üzemmódban vannak
Lassan villogó kék	Párosítva a készülékkel

FÜLHALLGATÓ MONÓ HASZNÁLAT KÖZBEN

Villogó piros/kék	A bal fülhallgató párosítási üzemmódban van a készülékkel
Lassan villogó kék	A bal fülhallgató párosítva van a készülékkel

HIBAKERESÉS

1. Kapcsolja ki a Bluetooth® opciót a készüléken.
2. Vegye ki a fülhallgatókat a tokból.
3. A fülhallgatók kikapcsolásához nyomja meg és tartsa lenyomva a „lejátszás/szünet” gombot 5 másodpercig mindkét fülhallgatón.
4. A fülhallgatók bekapcsolásához nyomja meg egyszer gyorsan a „lejátszás/szünet” gombot mindkét fülhallgatón.
5. A fülhallgatóknak automatikusan szinkronizálási üzemmódbba kell állniuk a bekapcsolást követően. A master fülhallgató (bal) LED felváltva kéken és pirosan villog, míg a slave fülhallgató (jobb) LED kéken lassan pulzál. Ha nem állnak be automatikusan szinkronizálási üzemmódbba, ötször gyorsan nyomja meg a lejátszás/szünet gombot a bal fülhallgatón, hogy törölje a Bluetooth® beállításokat, és állítsa a fülhallgatókat szinkronizálási üzemmódbba.
6. Kapcsolja be a Bluetooth® funkciót a készülékén.

ALAPFUNKCIÓK

ZENE

Lejátszás/szünet	Nyomja meg egyszer bármelyik lejátszás/szünet gombot
Következő zeneszámra ugrás	Kétszer gyorsan nyomja meg a lejátszás/szünet gombot a jobb fülhallgatón
Előző zeneszámra ugrás	Kétszer gyorsan nyomja meg a lejátszás/szünet gombot a bal fülhallgatón

HÍVÁSOK

Hívás elutasítása	Nyomja meg egyszer bármelyik lejátszás/szünet gombot
Hívás elutasítása	Nyomja meg és tartsa lenyomva bármelyik lejátszás/szünet gombot 2 másodpercig
Hívás befejezése	Nyomja meg egyszer bármelyik lejátszás/szünet gombot
Második bejövő hívás fogadása	Nyomja meg egyszer bármelyik lejátszás/szünet gombot
Második bejövő hívás elutasítása	Kétszer gyorsan nyomja meg bármelyik lejátszás/szünet gombot
Váltás két hívás között	Kétszer nyomja meg bármelyik lejátszás/szünet gombot

MEGJEGYZÉS: Telefonhívások, FaceTime és Siri csak egy fülhallgatóban hallatszik (monó). Ha sztereó módban használja a fülhallgatókat, azok automatikusan monó módba kapcsolnak, miután a hívást elfogadta vagy Sirit aktiválta.

EGYÉB

Siri / Google asszisztens aktiválása	Kétszer gyorsan nyomja meg bármelyik lejátszás/szünet gombot
Fülhallgatók akkumulátor szintjének ellenőrzése	Nézze meg az okostelefonon
Fülhallgató kikapcsolása	Nyomja meg és tartsa lenyomva a lejátszás/szünet gombot 3 másodpercig

7. Párosítsa a „JAM Live Loud” opcióhoz.
8. Nem szétkapcsolódik az eszkörről? Az JAM Live Loud fülhallgató automatikusan csatlakozhat az eszközhöz, ha olyan töltőbetétbe kerül, amelyen nincs akkumulátor. A legjobb élmény érdekében rendszeresen töltsse fel az esetet, hogy biztosítsa az akkumulátor élettartamát.

JOGI TÁJÉKOZTATÁS

HASZNÁLAT ELŐTT OLVASSON EL MINDEN UTASÍTÁST, ÉS ŐRIZZE MEG EZEKET AZ UTASÍTÁSOKAT KÉSŐBBI HIVATKOZÁS CÉLJÁBÓL.

GARANCIA – UK ÉS EURÓPA

A JAM a vásárlástól számított 2 évre szavatolja, hogy a termék mentes anyagi és gyártási hibáktól. Ez a garancia nem terjed ki azokra a károkra, amelyek oka helytelen használat vagy visszaélés, baleset, engedély nélküli tartozék felszerelése, a termék átalakítása, vagy bármely olyan körülmény, amely a JAM hatáskörén kívül esik. Az EU-ban forgalmazza az FKA Brands Ltd, Somerhill Business Park, Tonbridge, TN11 0GP, UK. E-mail: support.row@fkabrands.com.

FONTOSS BIZTONSÁGI UTASÍTÁSOK

HASZNÁLAT ELŐTT OLVASSON EL MINDEN UTASÍTÁST

FIGYELMEZTETÉS: Ne helyezze a hangszórókat a füleihez túl közel. Ez a dobhártyák károsodását okozhatja, különösen kisgyermeknekél.

- A terméket kizárólag a rendeltetési céljára használja, a jelen kézikönyvben leírtak szerint. Ne használjon a Jam által nem javasolt tartozékokat.
- A Jam nem felel okostelefonok, iPod/MP3 lejátszók, vagy bármely más készülék károsodásáért.
- Ne helyezze vagy tárolja a terméket olyan helyen, ahonnan leeshet, vagy fürdőkádba, vagy mosdóba eshet anélkül, hogy becsukná a vízálló ajtókat.
- Ne helyezze vagy dobja vízbe vagy más folyadékba anélkül, hogy becsukná a vízálló ajtókat.
- Nem gyermekek általi használatra. EZ NEM JÁTÉK.
- Soha ne üzemeltesse a terméket, ha sérült a vezeték, csatlakozó, kábel, vagy kábelvédő.
- Felforrósodott felületektől tartsa távol.
- Kizárólag száraz felületekre tegye. Ne helyezze víztől vagy tisztítószertől nedves felületre, ha a vízálló ajtók nyitva vannak.

FIGYELMEZTETÉS: A termék belső, nem cserélhető lítium akkumulátort tartalmaz. Kérjük, hogy azt a helyi, állami, tartományi, és hazai útmutatásoknak megfelelően ártalmatlanítsa. Az akkumulátorokat (akkumulátor csomagot vagy beszerelt akkumulátorokat) ne tegye ki túlzott hőhatásnak, például napfénynek, tűznek, vagy hasonlóknak.

AKKUMULÁTOR CSERÉJE

A fejhallgatót újra tölthető akkumulátort tartalmaz, amely rendeltetése szerint a termék teljes élettartamára szolgál. Abban a valószínűtlen esetben, ha az akkumulátor cseréje lenne szükséges, kérjük, forduljon a Vevőszolgálathoz, ahol részleteket kaphat a garanciális és garancián túli akkumulátor csereszolgáltatásról. A termék apró alkatrészeket tartalmaz, amelyek fulladásveszélyt jelenthetnek kisgyermek számára.

FIGYELEM: A termék bármely szervizelését kizárólag az arra feljogosított Jam Audio szervizmunkatárs végezheti. A teljes felhasználói útmutatóhoz és a termék regisztrációjához látogasson a következő weboldalakra: www.jamaudio.com (USA), canada.jamaudio.com (Kanada), vagy uk.jamaudio.com/instructionbooks (UK).

 Esetleges halláskárosodás megelőzése érdekében ne hallgasson nagy hangerővel hosszú ideig.



WEEE MAGYARÁZAT

Ez a megjelölés azt jelzi, hogy a terméket nem szabad egyéb háztartási hulladékkal együtt ártalmatlanítani az EU területén. Az ellenőrizetlen hulladékártalmatlanítás által esetlegesen okozott környezet vagy emberi egészség károsodásának elkerülése érdekében felelősséggel használtsa újra, hogy elősegítse az anyagi erőforrások fenntartható újrahasznosítását.



AKKUMULÁTOR IRÁNYELV

Ez a jelölés azt jelzi, hogy az akkumulátorokat nem szabad a háztartási hulladékban ártalmatlanítani, mert olyan anyagokat tartalmaz, amelyek ártalmasak lehetnek a környezetre és az egészségre. Kérjük, az akkumulátorokat az arra kijelölt gyűjtési helyeken ártalmatlanítsa.

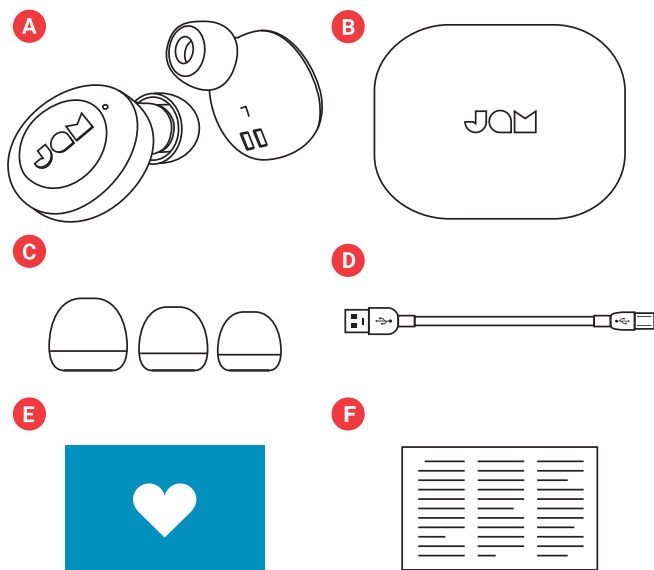
Az FKA Brands Ltd, ezúton kijelenti, hogy ez a rádiókészülék megfelel a 2014/53/EU számú Irányelv alapkövetelményeinek és egyéb vonatkozó rendelkezéseinek. A Megfelelőségi Nyilatkozat egy példányra hozzáférhető az uk.jamaudio.com/DoC címen.



LIVE LOUD

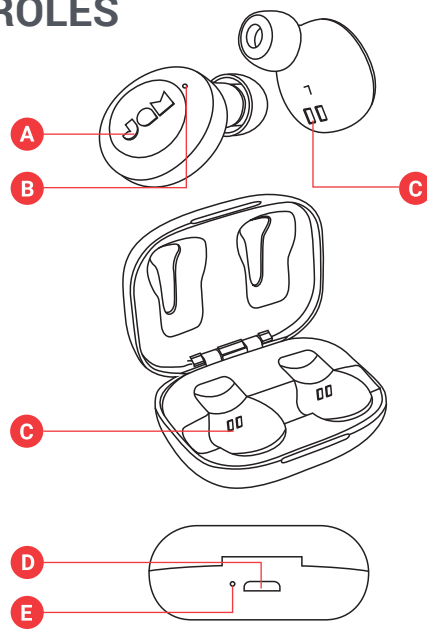
HX-EP410
Livro de instruções

CONTEÚDO



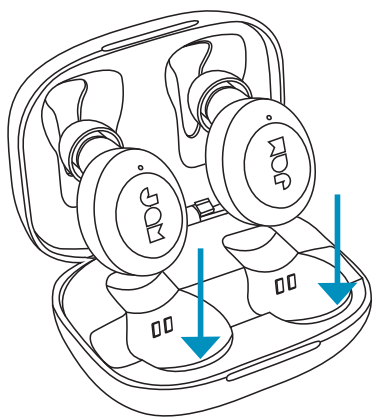
- A – 2 fones de ouvido
- B – Case de carregamento portátil
- C – 3 tamanhos de fones intra-auriculares
- D – Cabo micro USB
- E – Cartão de boas-vindas
- F – Cartão jurídico

CONTROLES



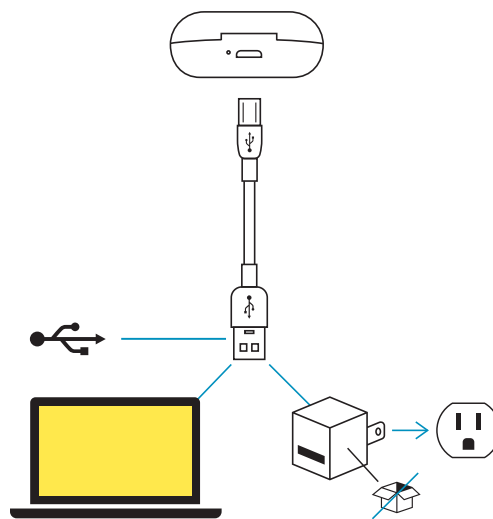
- A – Botão liga/desliga/reproduzir/pausar
- B – Luz de status do fone de ouvido
- C – Contatos de carregamento do fone
- D – Porta de carregamento USB - Para carregar o dispositivo inteligente
- E – Luz indicadora da bateria

CONFIGURAÇÃO



CARREGAR OS FONES DE OUVIDO

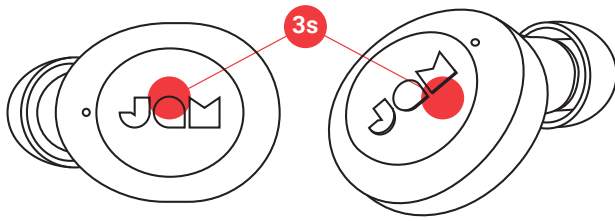
Para carregar os fones de ouvido, coloque-os no case portátil. Os LEDs vermelhos indicam que os fones de ouvido estão sendo carregados. Se os LEDs vermelhos não aparecerem quando os fones de ouvido forem colocados no case, ajuste os fones para garantir que eles estejam alinhados com os contatos de carregamento. Quando os fones de ouvido estiverem totalmente carregados, os LEDs serão desligados.



CARREGAR O CASE PORTÁTIL

Conecte a extremidade pequena do cabo micro USB à porta micro USB, localizada na parte traseira do case. O LED no case ficará vermelho durante o carregamento. Quando o case portátil estiver totalmente carregado, as luzes LED serão desligadas.

CONECTE OS DOIS FONES DE OUVIDO

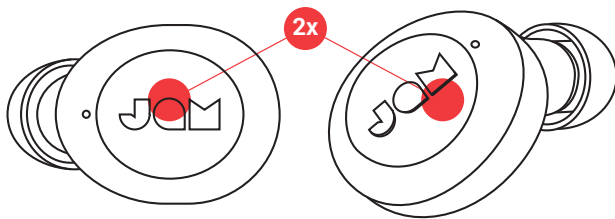


PRIMEIRA ETAPA – LIGANDO OS FONES DE OUVIDO

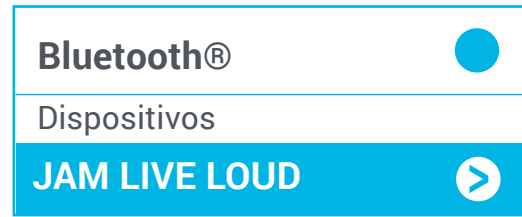
Seus fones de ouvido são ligados automaticamente assim que você os tira do case de carregamento portátil. Caso precise ligá-los manualmente, mantenha o botão reproduzir/pausar pressionado nos dois fones por 3 segundos.

SEGUNDA ETAPA – CONECTAR UM FONE DE OUVIDO AO OUTRO

Quando você retira os fones de ouvido, eles serão automaticamente sincronizados entre si. O LED do fone de ouvido principal (esquerdo) piscará em azul e vermelho alternadamente, enquanto o LED do fone de ouvido do escravo (direito) piscará lentamente em azul. Seus fones de ouvido estão agora no modo de emparelhamento e procurando por um dispositivo Bluetooth® para se conectar.



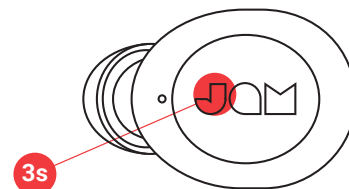
Caso a sincronização entre os fones de ouvido não ocorra de modo automático, pressione duas vezes o botão reproduzir/pausar nos dois fones ao mesmo tempo. Isso coloca os fones no modo de sincronização. Após a conexão, o LED do fone esquerdo piscará nas cores azul e vermelho alternativamente, enquanto o LED do fone direito piscará lentamente na cor azul. Agora os fones de ouvido estão no modo de emparelhamento e procurando um dispositivo Bluetooth® para conectar. Piscam rapidamente na cor azul.



TERCEIRA ETAPA - CONEXÃO COM UM DISPOSITIVO

Ative o Bluetooth® no seu dispositivo. No menu do Bluetooth®, selecione Jam Live Loud. Quando o dispositivo e o Live Loud estiverem conectados, você ouvirá um som e a luz do LED piscará lentamente na cor azul. Isso significa que o emparelhamento está concluído.

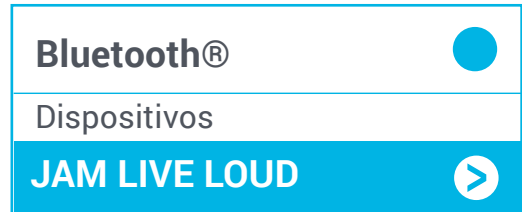
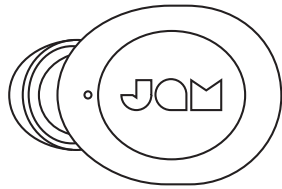
CONECTAR UM FONE DE OUVIDO



Conecte o fone esquerdo para som mono. Essa é uma boa opção caso você deseje ouvir o som ambiente além de música.

PRIMEIRA ETAPA – LIGANDO O FONE DE OUVIDO

Seu fone de ouvido é ligado automaticamente assim que você o tira do case de carregamento. Caso precise ligá-lo manualmente, mantenha o botão reproduzir/pausar pressionado nos dois fones por 3 segundos.



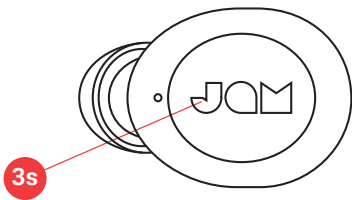
SEGUNDA ETAPA – MODO DE EMPARELHAMENTO

O fone liga automaticamente e entra no modo de emparelhamento quando removido do case de carregamento. O LED piscará nas cores vermelho e azul no fone esquerdo e um LED azul piscará lentamente no fone direito durante o emparelhamento. Os fones de ouvido serão desligados após 6 minutos se não estiverem emparelhados.

TERCEIRA ETAPA - CONEXÃO COM UM DISPOSITIVO

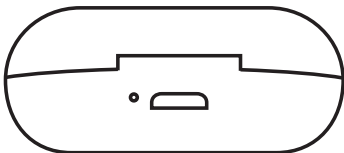
Ative o Bluetooth® no seu dispositivo. No menu do Bluetooth®, selecione JAM Live Loud. Quando o dispositivo e o JAM Live Loud estiverem conectados, você ouvirá um som e a luz do LED piscará lentamente na cor azul. Isso significa que o emparelhamento está concluído.

DESLIGAR OS FONES DE OUVIDO



Para desligar os fones de ouvido, coloque-os na parte traseira do case ou mantenha o botão “reproduzir/pausar” pressionado nos fones por 3 segundos.

USANDO SEU CASO DE CARREGAMENTO PORTÁTIL



Com a carga completa, o estojo portátil pode recarregar os fones até 3 vezes, proporcionando um total de 12 horas de tempo de audição.

INDICADORES DE LED

FONES DE OUVIDO DO CASE DE CARREGAMENTO

Luz vermelha constante	Carregando
LED desligado	Carregamento concluído

CASE DE CARREGAMENTO PORTÁTIL

Luz vermelha constante	Carregando
LED desligado	Carregamento concluído

FONES DE OUVIDO EM USO

O fone master (esquerdo) piscará nas cores azul e vermelho alternativamente; o fone slave (direito) piscará lentamente na cor azul	Fones de ouvido no modo de sincronização entre si e no modo de emparelhamento.
Luz azul piscando lentamente	Emparelhado com dispositivo

FONES DE OUVIDO EM USO MONO

Luz piscando vermelho/azul	O fone de ouvido esquerdo está no modo de emparelhamento com o dispositivo
Luz azul piscando lentamente	O fone de ouvido esquerdo está emparelhado com o dispositivo

SOLUÇÃO DE PROBLEMAS

1. Desligue o Bluetooth® no dispositivo.
2. Retire os fones de ouvido do case.
3. Mantenha o botão “reproduzir/pausar” pressionado por cinco segundos para desligá-los.
4. Pressione rapidamente o botão “reproduzir/pausar” nos fones para ligá-los.
5. Os fones de ouvido entram no modo de sincronização automaticamente depois de ligados. O LED do fone master (esquerdo) piscará nas cores azul e vermelho alternativamente, enquanto o LED do fone slave (direito) piscará lentamente na cor azul. Caso não entrem automaticamente no modo de sincronização, pressione rapidamente o botão reproduzir/pausar no fone esquerdo cinco vezes, para excluir as

FUNÇÕES BÁSICAS

MÚSICA

Reproduzir/Pausar	Pressione o botão reproduzir/pausar uma vez
Próxima faixa	pressione duas vezes rapidamente o botão reproduzir/pausar no fone direito duas vezes
Faixa anterior	pressione duas vezes rapidamente o botão reproduzir/pausar no fone esquerdo duas vezes

CHAMADAS

Atender uma chamada	Pressione o botão reproduzir/pausar uma vez
Recursar uma chamada	Mantenha o botão reproduzir/pausar pressionado por 2 segundos
Finalizar uma chamada	Pressione o botão reproduzir/pausar uma vez
Receber uma segunda chamada	Pressione o botão reproduzir/pausar uma vez
Recusar uma segunda chamada	Pressione rapidamente o botão reproduzir/pausar duas vezes
Alternar entre duas chamadas	Pressione o botão reproduzir/pausar duas vezes

OBSERVAÇÃO: Chamadas telefônicas, FaceTime e o aplicativo Siri só são transmitidos para um único fone (mono). Se você estiver usando os fones no modo estéreo, eles mudarão automaticamente para o modo mono assim que a chamada for aceita ou o aplicativo Siri for ativado.

OUTROS

Ativar Siri/Assistente do Google	Pressione rapidamente duas vezes o botão reproduzir/pausar
Verifique o nível de bateria dos fones de ouvido	Olhe para o smartphone
Desligue o fone de ouvido	Mantenha o botão reproduzir/pausar pressionado por 3 segundos

- configurações do Bluetooth® e colocar os fones de ouvido no modo de sincronização.
6. Ligue o Bluetooth® no dispositivo.
7. Faça o emparelhamento com o “JAM Live Loud”.
8. Fones de ouvido não desconectar do seu dispositivo? Os fones de ouvido JAM Live Loud podem se conectar automaticamente ao seu dispositivo se forem colocados em um estojo de carregamento que não tenha bateria restante. Para obter a melhor experiência, carregue periodicamente o gabinete para garantir que ele sempre tenha vida útil da bateria.

INFORMAÇÕES LEGAIS

LEIA TODAS AS INSTRUÇÕES ANTES DE USAR E GUARDE-AS PARA REFERÊNCIA FUTURA.

GARANTIA - REINO UNIDO E EUROPA

A JAM garante que este produto está livre de defeitos no material ou de fabricação por um período de 2 anos da data da compra. Esta garantia não cobre danos causados pelo uso indevido ou abuso, acidentes, a fixação de qualquer acessório não autorizado, alteração do produto, ou quaisquer outras condições que estejam além do controle da JAM. Distribuído na União Europeia pela FKA Brands Ltd, Somerhill Business Park, Tonbridge, TN11 0GP, UK. E-mail: support.row@fkabrands.com.

INSTRUÇÕES DE SEGURANÇA IMPORTANTES

LEIA TODAS AS INSTRUÇÕES ANTES DE USAR

AVISO: Não coloque os auto-falantes muito perto dos ouvidos. Isto pode causar dano aos tímpanos, especialmente em crianças pequenas.


- Use este produto apenas para sua finalidade prevista como descrito neste manual. Não use acessórios não recomendados pela Jam.
- A Jam não é responsável por qualquer dano causado a smartphones, iPod/reprodutores de MP3 ou qualquer outro dispositivo.
- Não coloque ou armazene este produto em um local de onde ele possa cair acidental ou propositalmente em uma banheira ou pia sem fechar as portas à prova de água.
- Não coloque ou solte este produto em água ou em qualquer outro líquido sem fechar as portas à prova de água.
- Não é para ser usado por crianças pequenas. ISTO NÃO É UM BRINQUEDO.
- Nunca opere este produto se o fio, a tomada, o cabo ou a estrutura externa estiver danificada.
- Mantenha longe de superfícies quentes.
- Mantenha o produto apenas em superfícies secas. Não coloque o produto em superfícies com água ou solventes de limpeza se as portas à prova de água estiverem abertas.

AVISO: Este produto possui uma bateria de lítio interna e não substituível. Descarte de acordo com as orientações locais, estaduais e nacionais. As baterias (conjunto de baterias ou baterias instaladas) não devem ser expostas ao calor excessivo, como luz solar, fogo ou algo semelhante.

SUBSTITUIÇÃO DA BATERIA

Os fones de ouvido/headphones incluem uma bateria recarregável projetada para durar por toda a vida útil do produto. No caso improvável de você precisar substituir a bateria, entre em contato com o Serviço ao consumidor, que fornecerá detalhes sobre o serviço de substituição da bateria com ou sem garantia. Este produto contém partes pequenas que podem apresentar um risco de engasgamento para crianças pequenas.

CUIDADO: Todos os consertos neste produto devem ser realizados apenas pelo pessoal de assistência técnica autorizado pela Jam Audio. Para obter o guia do usuário completo e registrar o produto, acesse www.jamaudio.com (EUA), canada.jamaudio.com (Canadá) ou uk.jamaudio.com/instructionbooks (RU).

 Para evitar possíveis danos à audição, não escute em volume elevado por longos períodos.



EXPLICAÇÃO DA WEEE

Esta marcação indica que o produto não deve ser descartado com outros resíduos domésticos na UE. Para evitar possíveis danos ao meio ambiente ou à saúde humana causados pelo descarte não controlado de resíduos, recicle-os com responsabilidade para promover a reutilização sustentável dos recursos materiais.



DIRETIVA DA BATERIA

Este símbolo indica que as baterias não devem ser descartadas no lixo doméstico, pois contêm substâncias que podem ser prejudiciais ao meio ambiente e à saúde. Descarte as baterias em pontos de coleta designados.

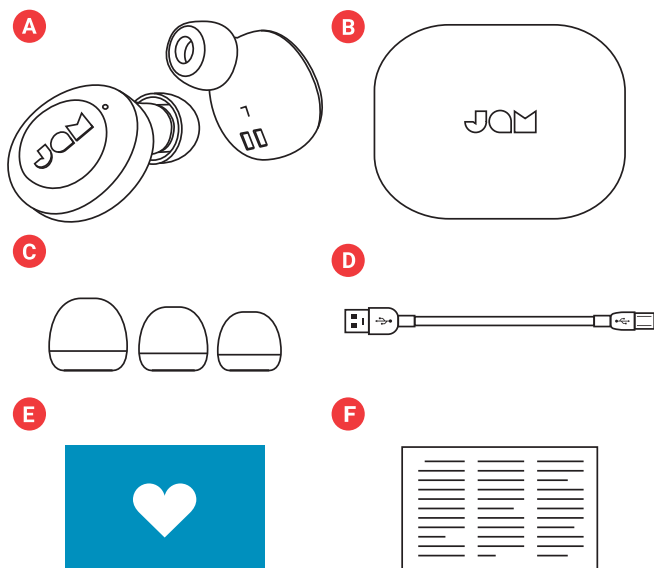
A FKA Brands Ltd declara desta forma que este dispositivo de rádio está em conformidade com os requisitos essenciais e outras disposições relevantes da Diretiva 2014/53/UE. Uma cópia da Declaração de conformidade pode ser obtida em uk.jamaudio.com/DoC.



LIVE LOUD

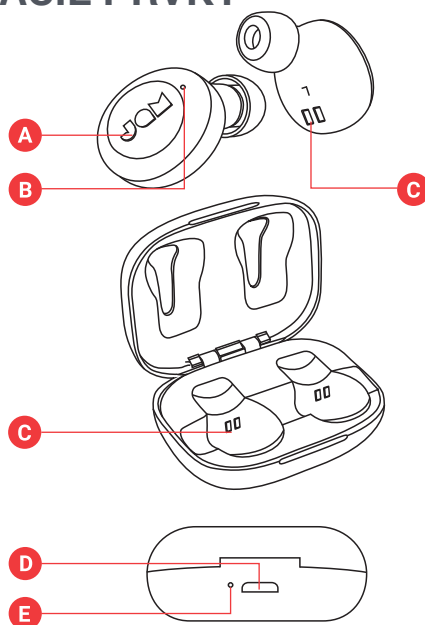
HX-EP410
Kniha pokynov

OBSAH



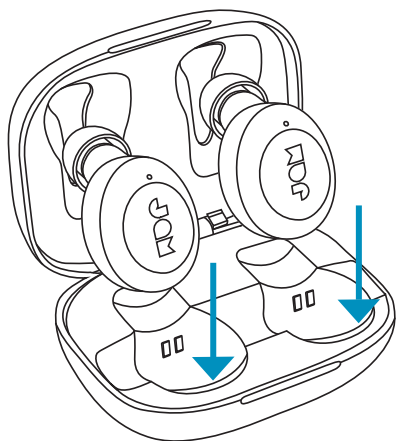
- A – 2 minislúchadlá
- B – Prenosné nabíjacie púzdro
- C – 3 veľkosti návlekov slúchadiel
- D – Mikrokábel USB
- E – Karta na uvítanie
- F – Karta s právnickými informáciami

OVLÁDACIE PRVKY



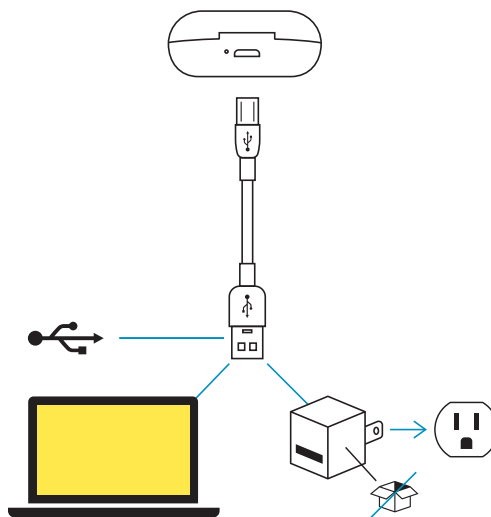
- A – Hlavný vypínač, tlačidlo prehrávanie/ pozastavenie
- B – Indikátor stavu minislúchadiel
- C – Kontakty nabíjania minislúchadiel
- D – Zásuvka nabíjania USB – na nabíjanie inteligentného zariadenia
- E – Indikátor nabitia batérie

NASTAVENIE



NABÍJANIE MINISLÚCHADIEL

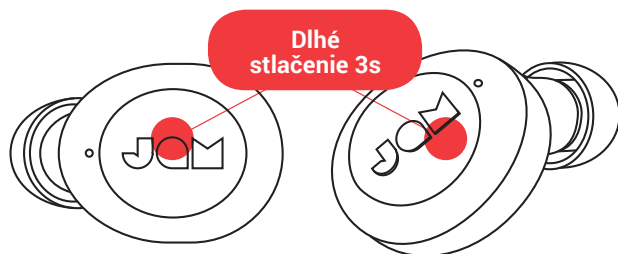
Ak chcete nabiť minislúchadlá, vložte ich do prenosného púzdra. Červené diódy LED znázorňujú, že sa nabíjajú. Ak sa diódy LED po vložení slúchadiel do púzdra nerozsvietia na červeno, nastavte minislúchadlá tak, aby boli zarovnané s pólmi nabíjania. Po ich plnom nabití sa diódy LED vypnú.



NABÍJANIE PRENOSNÉHO PÚZDRA

Zapojte malý koniec mikro USB kábla do mikro USB portu, ktorý sa nachádza na zadnej strane púzdra. Pri nabíjaní bude kontrolka LED na puzdre svietiť červeno. Keď bude prenosné púzdro plne nabité, kontrolky LED zhasnú.

PRIPOJENIE OBOCH SLÚCHADIEL

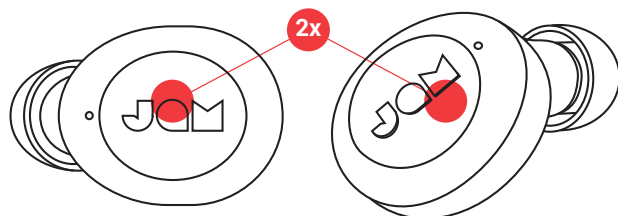


KROK Č. 1 - ZAPNUTIE MINISLÚCHADIEL

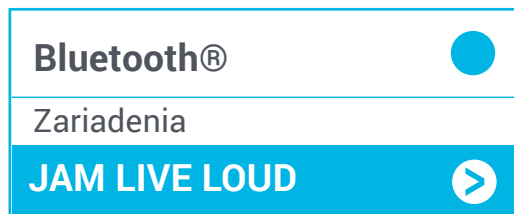
Po vybratí z prenosného nabíjacieho puzdra sa slúchadlá automaticky zapnú. Ak ich potrebujete zapnúť ručne, môžete stlačiť a podržať tlačidlo „Prehrať / pozastaviť“ na oboch slúchadlách na 3 sekundy.

KROK Č. 2 – VZÁJOMNÉ PREPOJENIE MINISLÚCHADIEL

Keď vyťahujete slúchadlá z puzdra, automaticky sa k sebe zosynchronizujú. Hlavný indikátor na ušné slúchadlá (vľavo) bude striedavo blikať na modro a červeno, zatiaľ čo kontrolka na strane na ušné slúchadlá (napravo) bude pomaly blikať na modro. Vaše slúchadlá sú teraz v režime párovania a hľadajú zariadenie Bluetooth®, ku ktorému sa chcete pripojiť.



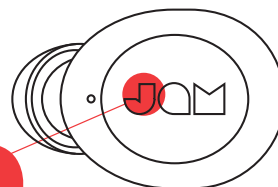
Pokud nie sú v aše slúchadlá navzájom synchronizované, stlačte súčasne dlho tlačidlo „Prehrať / pozastaviť“ na oboch slúchadlách. Tým sa slúchadlá uvedú do synchronizovaného režimu. Po pripojení slúchadiel bude kontrolka LED ľavého slúchadlá striedavo blikať modro a červeno, zatiaľ čo kontrolka LED pravého slúchadla bude pomaly blikať modro. Vaše slúchadlá sú teraz v režime párovania a hľadajú zariadenie Bluetooth®, ku ktorému sa pripojiť.



KROK Č. 3 - PRIPOJENIE NA ZARIADENIE

Zapnite Bluetooth® na vašom zariadení. Z ponuky Bluetooth® vyberte „Jam Live Loud“. Keď budú zariadenia a Live Loud pripojené, počujete tón a kontrolky LED budú pomaly blikať modro. To znamená, že párovanie je dokončené.

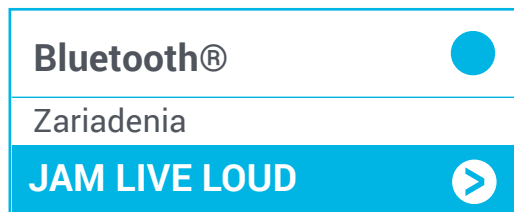
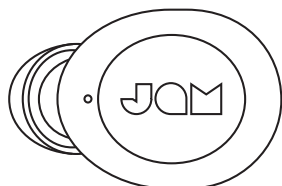
PRIPOJENIE 1 MINISLÚCHADLA



Pripojením ľavého slúchadla budete počuť v mono režime. To je skvelá voľba, ak chcete počuť svoje okolie aj hudbu.

KROK Č. 1 - ZAPNUTIE MINISLÚCHADLA

Po vybratí z prenosného nabíjacieho puzdra sa slúchadlo automaticky zapne. Ak potrebujete slúchadlo zapnúť ručne, môžete na ňom dlho stlačiť tlačidlo „Prehrať / pozastaviť“ na 3 sekundy.



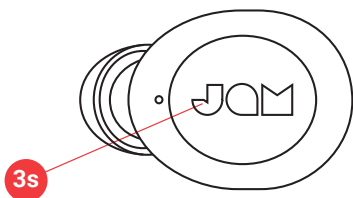
KROK Č. 2 - PÁROVÝ REŽIM

Po vybratí z nabíjacieho puzdra sa ušné puzdro automaticky zapne a prejde do režimu párovania. Pri párovaní bliká LED na červenom a modrom na ľavom uchu a modrá LED pomaly na pravom uchu. Slúchadlá sa vypnú po 6 minútach, ak nie sú spárované.

KROK Č. 3 - PRIPOJENIE NA ZARIADENIE

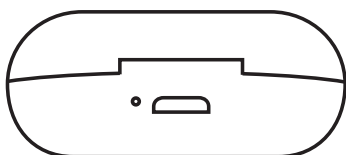
Zapnite Bluetooth® na vašom zariadení. Z ponuky Bluetooth® vyberte „Jam Live Loud“. Keď budú zariadenia a Live Loud pripojené, budete počuť tón a kontrolky LED budú pomaly blikáť modro. To znamená, že párovanie je dokončené sa dokončilo.

VYPNUTIE MINISLÚCHADIEL



Ak chcete minislúchadlá vypnúť, vložte ich späť do puzdra alebo stlačte a podržte tlačidlo „prehrávanie/pozastavenie“ na minislúchadlách na 3 sekúnd.

POUŽÍVATE PRENOSNÝ NABÍJANIE PÚZDRO



Pri plnom nabití môže prenosné puzdro dobiť vaše slúchadlá až 3-krát, čo vám dá celkom až 12 hodín času počúvania.

INDIKÁTORY LED

MINISLÚCHADÁ V NABÍJACOM PÚZDRE

Nepreerušovaná červená	Nabíjanie
Indikátor LED vypnutý	Nabíjanie dokončené

PRENOSNÉ NABÍJACIE PÚZDRO

Nepreerušovaná červená	Nabíjanie
Indikátor LED vypnutý	Nabíjanie dokončené

MINISLÚCHADLÁ V PREVÁDZKE

Hlavné (ľavé slúchadlo) bliká striedavo modro a červeno, podradené (pravé slúchadlo) bliká pomaly modro	Slúchadlá sú synchronizované navzájom a v režime párovania
Pomaly modré blikanie každých	Spárované so zariadením

MINISLÚCHADLÁ V MONO PREVÁDZKE

Blikajúca červená / modrá	Ľavé slúchadlo je v režime párovania so zariadením
Modré blikanie každých 5 sekúnd	Ľavé slúchadlo je v spárované so zariadením

ODSTRAŇOVÁNIE PORÚCH

1. Vypnite Bluetooth® na zariadení.
2. Vytiahnite minislúchadlá z púzdra.
3. Stlačte a podržte tlačidlo „prehrávanie/pozastavenie“ na 5 sekúnd, aby sa vypli.
4. Stlačte rýchlo tlačidlo „prehrávanie/pozastavenie“ na oboch minislúchadlách, aby sa zapli.
5. Slúchadlá by sa mali po zapnutí automaticky prepnú do režimu párovania. Kontrolka LED hlavného slúchadlá (vľavo) bude striedavo blikáť modro a červeno, zatiaľ čo kontrolka LED podriadeného slúchadlá (vpravo) bude pomaly blikáť modro. Ak sa automaticky neprepnú do synchronného režimu, rýchlo stlačte päťkrát tlačidlo „Prehrať / pozastaviť“ na ľavom slúchadle, aby ste zmazali nastavenia Bluetooth® a uviedli slúchadlá do synchronizovaného režimu.

ZÁKLADNÉ FUNKCIE

HUDBA

Prehrávanie/pozastavenie	Stlačte raz ktorékoľvek tlačidlo prehrávanie/pozastavenie
Prechod vpred	Rýchlo dvakrát dvakrát kliknite na tlačidlo prehrávanie/pozastavenie na pravom slúchadle
Prechod späť	Rýchlo dvakrát dvakrát kliknite na tlačidlo prehrávanie/pozastavenie na ľavom slúchadle

HOVORY

Prijatie hovoru	Stlačte raz ktorékoľvek tlačidlo prehrávanie/pozastavenie
Odmietnutie hovoru	Stlačte raz ktorékoľvek tlačidlo prehrávanie/pozastavenie na 2 sekundy
Ukončenie hovoru	Stlačte raz ktorékoľvek tlačidlo prehrávanie/pozastavenie
Prijatie druhého prichádzajúceho hovoru	Stlačte raz ktorékoľvek tlačidlo prehrávanie/pozastavenie
Odmietnutie druhého prichádzajúceho hovoru	Rýchlo dvakrát stlačte tlačidlo prehrávanie/pozastavenie
Tlačidlo prehrávanie/pozastavenie	Dvakrát stlačte tlačidlo prehrávanie/pozastavenie

POZNÁMKA: Telefónne hovory, FaceTime a Siri sú počuteľné iba cez 1 slúchadlá (mono). Ak používate stereofónne slúchadlá stereofónne, automaticky sa prepnú na mono po prijatí hovoru alebo aktivácii Siri.

INÉ

Aktivácia Siri / Google Assistant	Stlačte rýchlo dva krát ktorékoľvek tlačidlo prehrávanie/pozastavenie
Skontrolujte úroveň nabitia minislúchadiel	Pozrite smartfón
Vypnite minislúchadlo	Stlačte a podržte tlačidlo prehrávanie/pozastavenie na 3 sekúnd

6. Zapnite Bluetooth® na vašom zariadení.
7. Spárujte ho s „JAM Live Loud“.
8. Slúchadlá sa neodpájajú od vášho zariadenia?
Slúchadlá Live Loud sa môžu automaticky pripojiť k vášmu zariadeniu, ak vložíte nabíjacie puzdro, ktoré nemá k dispozícii žiadnu batériu. Aby ste dosiahli čo najlepší zážitok, pravidelne nabíjajte puzdro, aby ste sa uistili, že má vždy výdrž batérie.

PRÁVNE INFORMÁCIE

PRED POUŽITÍM SI PREČÍTAJTE VŠETKY POKYNY A ULOŽTE TIETO POKYNY PRE BUDÚCE POUŽITIE.

ZÁRUKA - SPOJENÉ KRÁĽOVSTVO A EURÓPA

Spoločnosť JAM zaručuje, že tento výrobok nebude mať chyby materiálu a spracovania po dobu 2 rokov od dňa zakúpenia. Táto záruka sa nevzťahuje na škody spôsobené nesprávnym použitím alebo zneužitím, nehodou, pripojením akéhokoľvek neoprávneného príslušenstva, zmenou výrobku alebo akýmikoľvek inými stavmi, ktoré sú mimo kontroly spoločnosti JAM. Distribútorom v EU je spoločnosť FKA Brands Ltd, Somerhill Business Park, Tonbridge, TN11 0GP, Spojené kráľovstvo. Email: support.row@fkabrands.com.

DÔLEŽITÉ BEZPEČNOSTNÉ POKYNY

VŠETKY POKYNY SI PREČÍTAJTE PRED POUŽITÍM.

VAROVANIE: Neumiestňujte reproduktory príliš blízko k ušiam. Môže to spôsobiť poškodenie ušných bubienkov, najmä u malých detí.

- Tento výrobok používajte iba na určený zámer, ako je opísaný v tejto príručke. Nepoužívajte príslušenstvo neodporúčané spoločnosťou Jam.
- Spoločnosť Jam nezodpovedá za škody spôsobené použitím smartfónov, prehrávačov iPod/MP3 alebo inými zariadeniami.
- Výrobok neumiestňujte ani neskladujte tam, kde by mohol spadnúť alebo ho spadnúť do vane alebo umývadla, bez zatvorenia vodotesných dverí.
- Neumiestňujte ho ani nenechajte spadnúť do vody ani do inej kvapaliny bez zatvorenia nepriepustných dverí.
- Nenechajte používať deťmi. TOTO NIJE HRAČKA.
- Nikdy nepoužívajte tento výrobok, ak má poškodený elektrický kábel, zástrčku, vedenie alebo kryt.
- Uchovávajte mimo horúce povrchy.
- Postavte ho len na suchý povrch. Nestavte ho na povrch vlhký od vody alebo čistiaceho prostriedku, ak sú vodotesné dvere otvorené.

VAROVANIE: Tento výrobok má vnútornú, nevymeniteľnú lítiovú batériu. Zlikvidujte v súlade s miestnymi, národnými, regionálnymi a štátnymi predpismi. Batérie (akumulátory alebo zabudované batérie) sa nesmú vystavovať nadmerným teplotám napr. slnečnému žiareniu, ohňu a pod.

VÝMENA BATÉRIE

Vaše slúchadlá obsahujú nabíjateľnú batériu navrhnutú tak, aby vydržala počas celej životnosti výrobku. V nepravdepodobnom prípade, keď by ste potrebovali vymeniť batériu, kontaktujte zákaznícku službu, ktorá vám poskytne podrobnosti o záručnej a mimo záručnej výmene batérie. Tento výrobok obsahuje malé časti, ktoré môžu predstavovať nebezpečenstvo udusenia pre malé deti.

UPOZORNENIE: Všetka údržba tohto výrobku musí byť vykonávaná len autorizovaným servisným personálom spoločnosti Jam Audio. Pre úplnú používateľskú príručku a registráciu produktu navštívte www.jamaudio.com (USA), alebo canada.jamaudio.com (Kanada), alebo uk.jamaudio.com/instructionbooks (UK).

 Aby ste predišli možnému poškodeniu sluchu, nepočúvajte dlhšiu dobu na vysokej hlasitosti.



OBJASNENIE OEEZ

Toto označenie znamená, že tento výrobok nesmie byť likvidovaný spolu s iným domovým odpadom v celej EÚ. Aby sa predišlo možnému poškodeniu životného prostredia alebo ľudského zdravia v dôsledku nekontrolovaného zneškodňovania odpadu, zodpovedne ho recyklujte na podporu udržateľného opätovného využitia materiálových zdrojov.



SMERNICA O BATÉRIÁCH

Tento symbol znamená, že batérie nesmú byť zlikvidované spolu s domovým odpadom, pretože obsahujú látky, ktoré môžu poškodzovať životné prostredie a zdravie. Batérie zlikvidujte na určených zberných miestach.

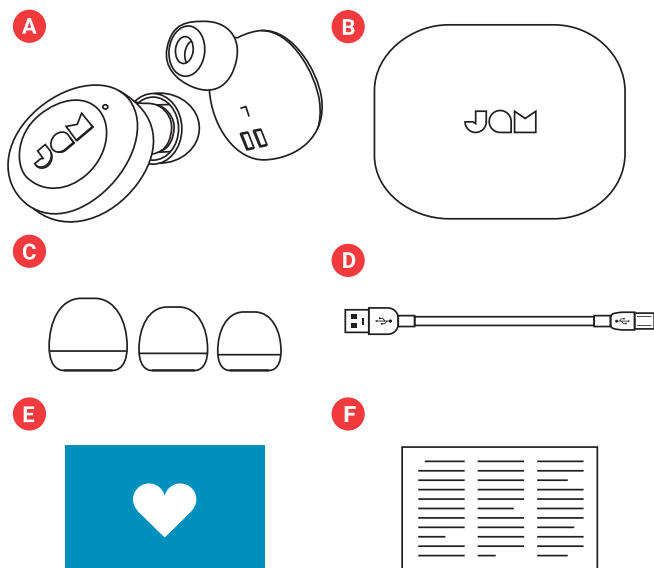
FKA Brands Ltd týmto vyhlasuje, že toto rádiové zariadenie spĺňa základné požiadavky a ďalšie príslušné ustanovenia smernice 2014/53/EÚ. Kópiu vyhlásenia o zhode môžete získať na adrese uk.jamaudio.com/DoC.



LIVE LOUD

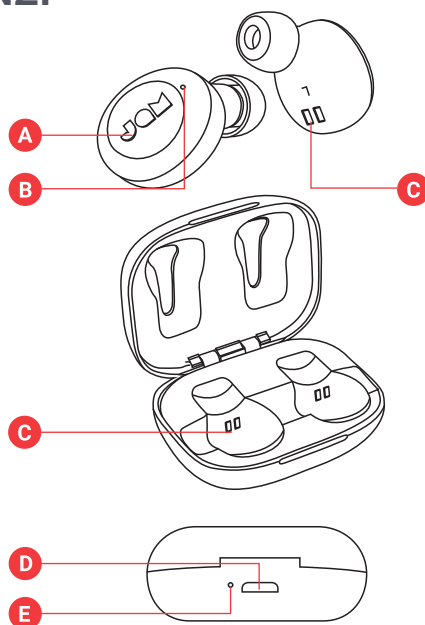
HX-EP410
Manual de instrucțiuni

CONȚINUT



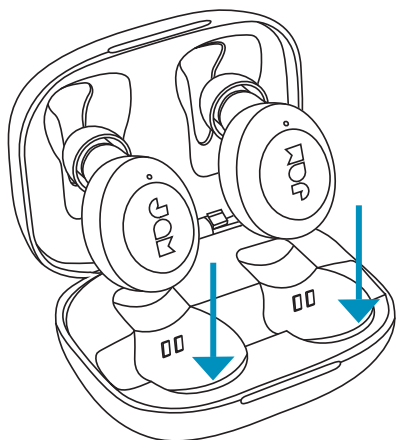
- A – 2 mini-căști
- B – acumulator portabil
- C – 3 dimensiuni de capace auriculare
- D – cablu micro USB
- E – fișă introductivă
- F – fișă juridică

COMENZI



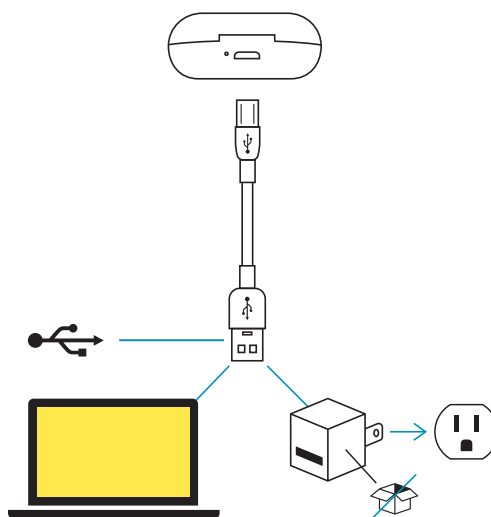
- A – buton de pornire/oprire sau redare/pauză
- B – lumină de stare a mini-căștilor
- C – contacte de încărcare a mini-căștilor
- D – port de încărcare USB – pentru a încărca dispozitivul smart
- E – Indicator luminos baterie

INSTALARE



ÎNCĂRCAREA MINI-CĂȘTILOR

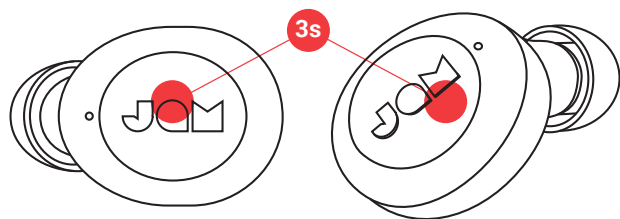
Pentru a încărca mini-căștile, plasați-le în acumulatorul portabil. Aprinderea LED-urilor în roșu indică faptul că acestea se încarcă. Dacă LED-urile nu se aprind în roșu la momentul plasării în acumulator, aranjați mini-căștile pentru a le alinia cu contactele de încărcare. La finalizarea încărcării, LED-urile se vor stinge.



ÎNCĂRCAREA ACUMULATORULUI PORTABIL

Conectați capătul mic al cablului micro USB la portul micro USB, aflat în partea din spate a acumulatorului. LED-ul acumulatorului va lumina continuu în roșu în timpul încărcării. La finalizarea încărcării acumulatorului portabil, indicatoarele LED se vor stinge.

CONECTAREA AMBELOR MINI-CĂȘTI

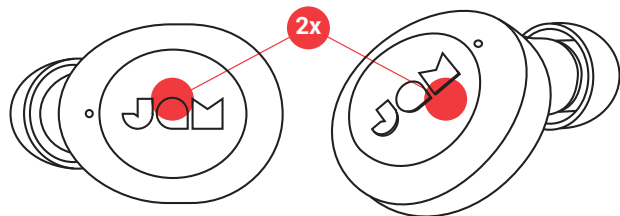


PASUL 1 – PORNIREA MINI-CĂȘTILOR

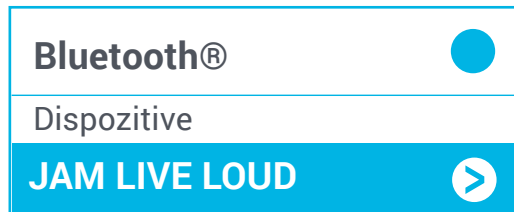
Mini-căștile vor porni automat la scoaterea acestora din acumulatorul portabil. Dacă este necesar să le porniți manual, puteți menține apăsat butonul de redare/pauză pe ambele mini-căști, timp de 3 secunde.

PASUL 2 – CONECTAREA MINI-CĂȘTILOR ÎNTRE ELE

Când scoateți cască din casă, acestea se vor sincroniza automat între ele. LED-ul principal al stâlpului (stânga) va clipi alternativ albastru și roșu, în timp ce LED-ul earbud-ului slab (dreapta) va lumina flash albastru. Casetele dvs. sunt acum în modul de asociere și căutați un dispozitiv Bluetooth® la care să vă conectați.



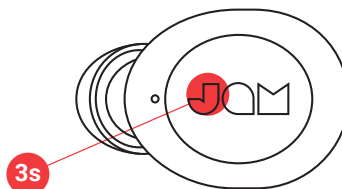
Dacă mini-căștile nu se sincronizează între ele automat, apăsați de două ori butonul „redare/pauză” al ambelor mini-căști în același timp. Acest lucru va introduce mini-căștile în modul de sincronizare. Odată conectate, LED-ul mini-căștii stângi va clipi alternativ în albastru și roșu, în timp ce LED-ul mini-căștii drepte va clipi rar în albastru. Mini-căștile sunt acum în modul împerechere și caută un dispozitiv Bluetooth® la care să se conecteze.



PASUL 3 – CONECTAREA LA UN DISPOZITIV

Activați Bluetooth® pe dispozitivul dumneavoastră. Din meniul Bluetooth®, selectați „Jam Live Loud”. Când dispozitivul și Live Loud sunt conectate, veți auzi un semnal sonor, iar LED-ul va clipi rar în albastru. Acest lucru înseamnă că împerecherea este finalizată.

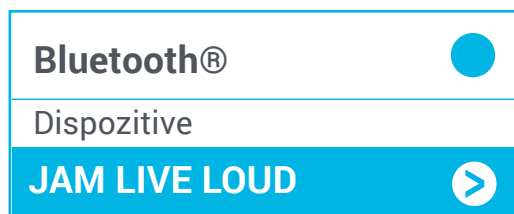
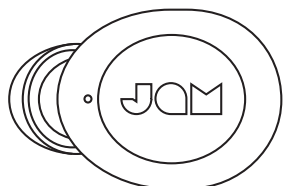
CONECTAREA UNEI MINI-CĂȘTI



Conectați mini-casca stângă pentru sunet mono. Aceasta este o opțiune grozavă dacă doriți să auziți atât împrejurimile, cât și muzica.

PASUL 1 – PORNIREA MINI-CĂȘTII

Mini-casca va porni automat când este scoasă din acumulatorul portabil. Dacă este necesar să o porniți manual, puteți menține apăsat butonul de redare/pauză al ambelor mini-căști, timp de 3 secunde.



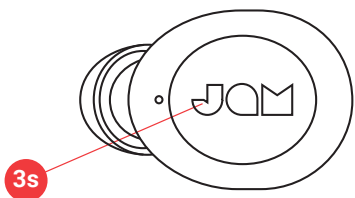
PASUL 2 – MODUL DE ÎMPERECHERE

Mini-casca pornește automat și intră în modul de împerechere atunci când este îndepărtată din acumulatorul portabil. LED-ul mini-căștii stângi va clipi în roșu și albastru, iar LED-ul mini-căștii drepte va clipi rar în albastru în timpul procesului de împerechere. Mini-căștile se vor opri după 6 minute dacă nu sunt împerecheate.

PASUL 3 – CONECTAREA LA UN DISPOZITIV

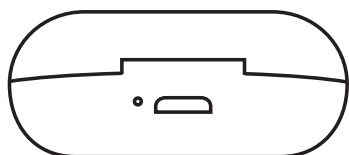
Activați Bluetooth® pe dispozitivul dumneavoastră. Din meniul Bluetooth®, selectați „JAM Live Loud”. Când dispozitivul și JAM Live Loud sunt conectate, veți auzi un semnal sonor și indicatoarele LED vor clipi rar în albastru. Acest lucru înseamnă că împerecherea este finalizată.

OPRIREA MINI-CĂȘTILOR



Pentru a opri căștile, puneți-le înapoi în cutie sau țineți apăsat butonul „redare/pauză” al mini-căștilor timp de 3 secunde.

UTILIZAREA CAZULUI DE ÎNCĂRCARE PORTABIL



La un nivel de încărcare complet, acumulatorul portabil vă poate reîncărca mini-căștile de până la 3 ori, ceea ce vă oferă un timp de audiție total de 12 de ore.

INDICATORII LED

MINI-CĂȘTILE ÎN ACUMULATORUL PORTABIL

Roșu continuu	Încărcare
LED stins	Încărcare finalizată

ACUMULATOR PORTABIL

Roșu continuu	Încărcare
LED stins	Încărcare finalizată

MINI-CĂȘTI ÎN FUNCȚIUNE

Master (mini-casca stângă) clipește alternativ în roșu și albastru, Slave (mini-casca dreaptă) clipește lent în albastru	Mini-căștile sunt în sincronizare una cu cealaltă și în modul împerechere
Albastrul blitz încet	Împerecheat cu dispozitivul

MINI-CĂȘTI ÎN UTILIZAREA MONO

Clipire în roșu/albastru	Mini-casca stângă este în modul de împerechere cu dispozitivul
Albastrul blitz încet	Mini-casca stângă este împerecheată cu dispozitivul

DEPANARE

1. Dezactivați Bluetooth® pe dispozitivul dumneavoastră.
2. Scoateți mini-căștile din cutie.
3. Țineți apăsat timp de 5 secunde butonul „redare/pauză” al ambelor mini-căști pentru a le opri.
4. Apăsăți rapid o dată butonul „redare/pauză” al ambelor mini-căști pentru a le porni.
5. Mini-căștile ar trebui să intre automat în modul de sincronizare odată ce sunt pornite. LED-ul mini-căștii master (stânga) va clipi alternativ în albastru și roșu, în timp ce LED-ul mini-căștii slave (dreapta) va clipi rar în albastru. Dacă acestea nu intră automat în modul sincronizare, apăsați rapid de cinci ori butonul de redare/pauză al mini-căștii stângi, pentru a șterge

FUNCȚII DE BAZĂ

MUZICĂ

Redare/pauză	Apăsăți o dată butonul de redare/pauză
Piesa următoare	Apăsăți rapid de două ori butonul de redare/pauză al mini-căștii drepte
Piesa anterioară	Apăsăți rapid de două ori butonul de redare/pauză al mini-căștii stângi

APELURI

Preluare apel	Apăsăți o dată butonul de redare/pauză
Refuzare apel	Țineți apăsat oricare din butoanele de redare/pauză timp de 2 secunde
Încheiere apel	Apăsăți o dată butonul de redare/pauză
Preluare al doilea apel primit	Apăsăți o dată butonul de redare/pauză
Refuzare al doilea apel primit	Apăsăți rapid de două ori oricare dintre butoanele de redare/pauză
Comutare între două apeluri	Apăsăți de două ori oricare dintre butoanele de redare/pauză

NOTĂ: Apelurile telefonice, FaceTime și aplicația Siri sunt audibile într-o singură mini-cască (mono). Dacă utilizați mini-căștile în modul stereo, acestea se vor comuta automat la modul mono odată ce un apel este acceptat sau Siri este activată.

ALTELE

Activați Siri/Asistentul Google	Apăsăți rapid de două ori oricare dintre butoanele de redare/pauză
Verificați nivelul de încărcare al bateriei mini-căștilor	Uitați-vă la smartphone
Oprăți mini-casca	Țineți apăsat oricare butonul de redare/pauză timp de 3 secunde

- setările Bluetooth® și pentru a introduce mini-căștile în modul sincronizare.
6. Activați Bluetooth® pe dispozitivul dumneavoastră.
7. Împerecheați cu „JAM Live Loud”.
8. Cleștii care nu se deconectează de la aparat? Curelele personalizate JAM Live Loud se pot conecta automat la dispozitivul dvs. dacă sunt introduse într-o carcasă de încărcare care nu are baterii rămase. Pentru cea mai bună experiență, încărcați periodic cazul pentru a vă asigura că acesta are întotdeauna o durată de viață a bateriei.

INFORMAȚII JURIDICE

CITIȚI TOATE INSTRUCȚIUNILE ÎNAINTE DE UTILIZARE ȘI PĂSTRAȚI ACESTE INSTRUCȚIUNI PENTRU CONSULTARE ULTERIOARĂ.

GARANȚIE – REGATUL UNIT ȘI EUROPA

JAM garantează că acest produs nu va prezenta defecte de material și de fabricație pe o perioadă de 2 ani de la data achiziției. Prezenta garanție nu acoperă daunele cauzate de utilizarea inadecvată sau abuzivă, accidente, atașarea unui accesoriu neautorizat, modificarea produsului sau orice alt tip de condiții care nu sunt sub controlul JAM. Distribuit în UE de FKA Brands Ltd, Somerhill Business Park, Tonbridge, TN11 0GP, Regatul Unit. Tel.: 020 3538 0768 E-mail: support.row@fkabrand.com.

INSTRUCȚIUNILE IMPORTANTE DE SIGURANȚĂ

CITIȚI TOATE INSTRUCȚIUNILE ÎNAINTE DE UTILIZARE

AVERTISMENT: Nu plasați difuzoarele la o distanță prea mică față de urechi. Acestea pot vătăma timpanul, în special la copiii mici.

- Utilizați acest produs numai pentru scopul său de utilizare, descris în acest manual. Nu utilizați accesoriile nerecomandate de către Jam.
- Jam nu își asumă răspunderea pentru niciun fel de daune cauzate dispozitivelor de tip smartphone, iPod/player MP3 sau oricăror alte dispozitive.
- Nu plasați și nu depozitați acest produs într-un loc din care acesta poate cădea sau poate fi scăpat într-o cadă sau o chiuvetă, fără a închide ușile impermeabile.
- Nu plasați și nu scăpați în apă sau în alt lichid fără a închide ușile impermeabile.
- Nu este destinat utilizării de către copii. ACEASTA NU ESTE O JUCĂRIE.
- Nu puneți niciodată în funcțiune acest produs dacă acesta prezintă deteriorări ale firului, fișei, cablului de alimentare sau carcasei.
- A se feri de suprafețe încălzite.
- A se așeza numai pe suprafețe uscate. A nu se plasa pe suprafețe ude cu apă sau cu solvenți de curățare dacă ușile impermeabile sunt deschise.

AVERTISMENT: Acest produs are o baterie internă, neînlocuibilă, pe bază de litiu. Vă rugăm să îl eliminați în conformitate cu liniile directe la nivel local, statal, provincial și național. Bateriile (blocul de acumulatori sau bateriile instalate) nu trebuie expuse la căldură excesivă precum razele solare, foc sau altele asemenea.

ÎNLOCUIREA BATERIILOR

Căștile dumneavoastră includ o baterie reîncărcabilă destinată să dureze pe toată durata de viață a produsului. În cazul puțin probabil în care aveți nevoie de o baterie de rezervă, vă rugăm să contactați Serviciul Clienți, care vă va furniza detaliile serviciului pentru înlocuirea bateriei aflate în garanție sau în afara acesteia. Acest produs conține piese de mici dimensiuni, care pot reprezenta un pericol de sufocare pentru copiii mici.

ATENȚIE: Toate operațiunile de service pentru acest produs trebuie să fie efectuate de personalul de service autorizat al Jam Audio. Pentru un ghid complet al utilizatorului și pentru a vă înregistra produsul, vizitați www.jamaudio.com (SUA), sau canada.jamaudio.com (Canada), sau uk.jamaudio.com/instructionbooks (Regatul Unit).



Pentru a preveni eventuale afectări ale auzului, nu audiați la volume ridicate pentru perioade lungi de timp.



EXPLICAȚIA MARCAJULUI WEEE

Acest marcaj indică faptul că acest produs nu trebuie eliminat împreună cu alte deșeuri casnice, la nivelul întregii UE. Pentru a preveni posibile daune asupra mediului sau sănătății umane rezultate din eliminarea necontrolată a deșeurilor, reciclați-l responsabil, pentru a promova reutilizarea durabilă a resurselor materiale.



DIRECTIVA PRIVIND BATERIILE

Acest simbol indică faptul că bateriile nu trebuie eliminate în deșeurile casnice, întrucât conțin substanțe ce pot fi dăunătoare mediului și sănătății. Vă rugăm eliminați bateriile la punctele de colectare special amenajate.

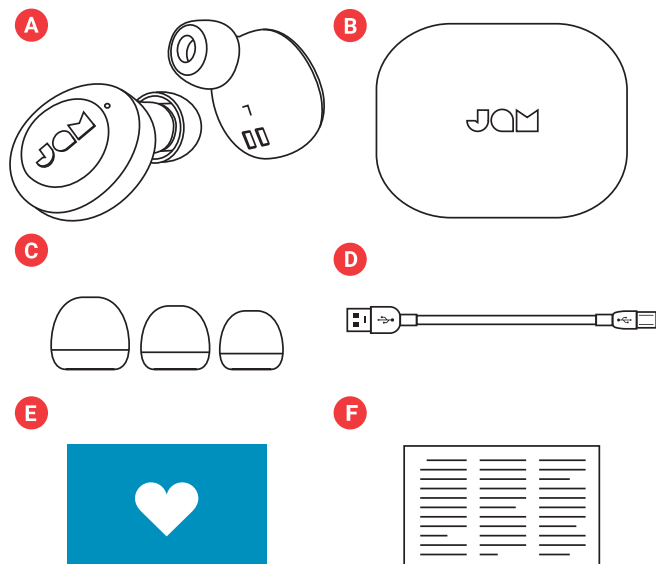
Prin prezenta, FKA Brands Ltd declară că acest dispozitiv radio este în conformitate cu cerințele esențiale și cu celelalte prevederi relevante ale Directivei 2014/53/UE. O copie a declarației de conformitate poate fi obținută de la adresa uk.jamaudio.com/DoC.



LIVE LOUD

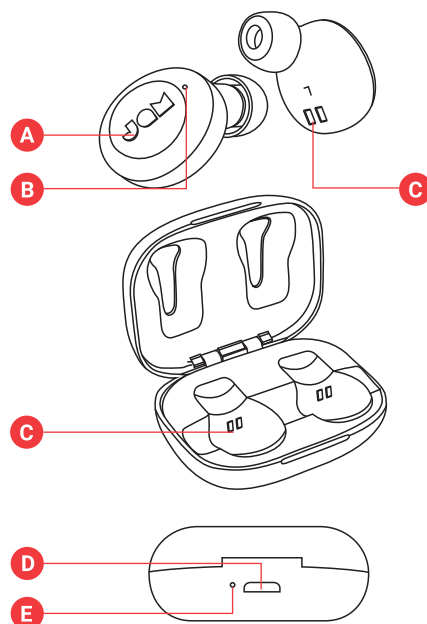
HX-EP410
Instrukcja

ZAWARTOŚĆ



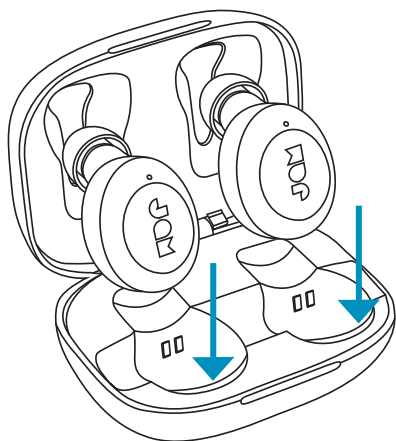
- A – 2 słuchawki douszne
- B – Przenośne etui z ładowarką
- C – 3 rozmiary nakładek dousznych
- D – Przewód micro USB
- E – Karta powitalna
- F – Karta z uwagami prawnymi

ELEMENTY STERUJĄCE



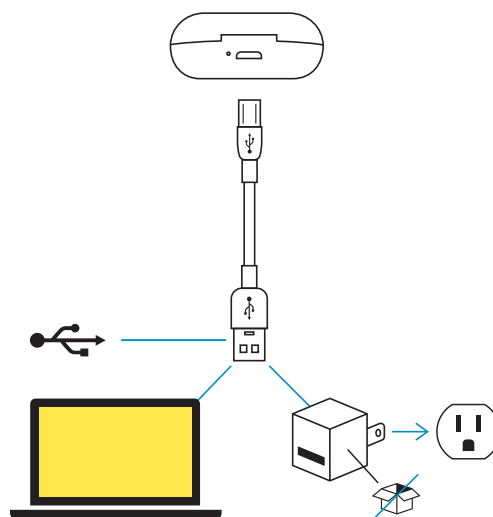
- A – Przycisk włączania/wyłączania/odtwórz/pauza
- B – Lampka stanu słuchawki dousznej
- C – Styki do ładowania słuchawek
- D – Port USB do ładowania - do ładowania urządzenia przenośnego
- E – Wskaźnik świetlny baterii

KONFIGURACJA



ŁADOWANIE SŁUCHAWEK DOUSZNYCH

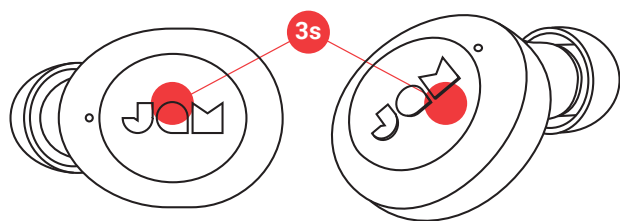
Aby naładować słuchawki douszne, włóż je do przenośnego etui. Czerwone diody LED wskazują, że słuchawki ładują się. Jeśli po włożeniu słuchawek do etui czerwone diody LED nie zaświecą się, popraw ułożenie słuchawek, aby upewnić się, że są prawidłowo umieszczone na stykach ładowania. Po pełnym naładowaniu diody LED wyłączą się.



ŁADOWANIE PRZENOŚNEGO ETUI

Podłącz małą końcówkę kabla micro USB do portu micro USB, znajdującego się z tyłu etui. Podczas ładowania dioda LED na etui będzie świecić stałym czerwonym światłem. Po pełnym naładowaniu przenośnego etui, diody LED wyłączą się.

PODŁĄCZANIE OBU SŁUCHAWEK DOUSZNYCH

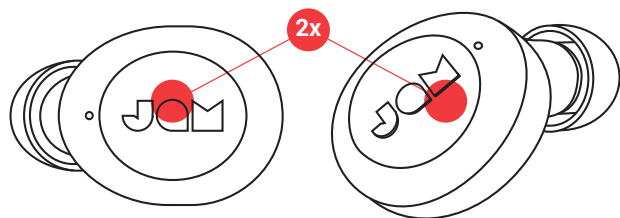


KROK 1 – WŁĄCZANIE SŁUCHAWEK DOUSZNYCH

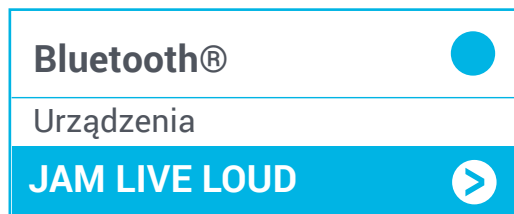
Słuchawki automatycznie włączą się po wyjęciu z przenośnego etui z ładowarką. W razie konieczności włączenia ręcznego, można nacisnąć i przytrzymać przez 3 sekundy przycisk odtwórz/pauza na obu słuchawkach dousznych.

KROK 2 – POŁĄCZENIE ZE SOBĄ OBU SŁUCHAWEK

Po wyjęciu wkładek z etui zostaną one automatycznie zsynchronizowane. Główna dioda douszna (lewa) będzie migać na przemian na niebiesko i czerwono, podczas gdy dioda LED podrzędnej słuchawki dousznej będzie migać na niebiesko. Słuchawki są teraz w trybie parowania i szukają urządzenia Bluetooth®, z którym można się połączyć.



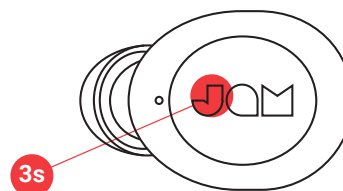
Jeśli słuchawki nie zsynchronizują się automatycznie, należy nacisnąć dwa razy przycisk "play/pauza" na obu słuchawkach jednocześnie. W ten sposób przejdą one w tryb synchronizacji. Po podłączeniu dioda LED lewej słuchawki dousznej zacznie migać na przemian na niebiesko i czerwono, a dioda prawej słuchawki będzie migać na niebiesko. Słuchawki są teraz w trybie parowania i szukają urządzenia Bluetooth®, z którym można się połączyć.



KROK 3 – PODŁĄCZENIE DO URZĄDZENIA

Włącz Bluetooth® na swoim urządzeniu. Z menu Bluetooth® wybierz "Jam Live Loud" Po połączeniu urządzenia i Live Loud usłyszysz sygnał dźwiękowy, a dioda LED będzie wolno migać na niebiesko. Oznacza to, że parowanie zostało zakończone.

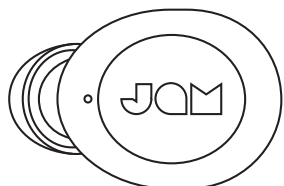
PODŁĄCZENIE 1 SŁUCHAWKI DOUSZNEJ



Podłącz lewą słuchawkę, aby uzyskać dźwięk mono. Jest to doskonała opcja, jeśli chcesz słyszeć zarówno otoczenie, jak i muzykę.

KROK 1 – WŁĄCZANIE SŁUCHAWKI DOUSZNEJ

Słuchawka automatycznie włączy się po wyjęciu z przenośnego etui z ładowarką. W razie konieczności włączenia ręcznego, można nacisnąć i przytrzymać przez 3 sekundy przycisk odtwórz/pauza na obu słuchawkach dousznych.



KROK 2 - TRYB PAROWANIA

Po wyjęciu z etui słuchawka włącza się automatycznie i przechodzi w tryb parowania. Podczas parowania dioda LED na lewej słuchawce będzie migać na czerwono i niebiesko, a na prawej słuchawce dioda LED będzie wolno migać na niebiesko. Słuchawki wyłączą się po 6 minutach, jeśli nie zostaną sparowane.

Bluetooth®



Urządzenia

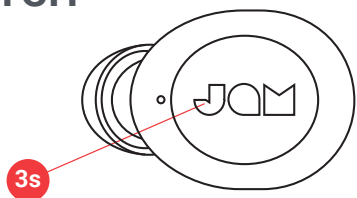
JAM LIVE LOUD



KROK 3 – PODŁĄCZENIE DO URZĄDZENIA

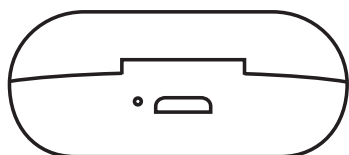
Włącz Bluetooth® na swoim urządzeniu. Z menu Bluetooth wybierz "JAM Live Loud". Gdy urządzenie i JAM Live Loud zostaną połączone, usłyszysz sygnał dźwiękowy, a dioda LED będzie wolno migać na niebiesko. Oznacza to, że parowanie zostało zakończone.

WYŁĄCZANIE SŁUCHAWEK DOUSZNYCH



Aby wyłączyć słuchawki, należy włożyć je z powrotem do etui lub nacisnąć i przytrzymać przez 3 sekund przycisk "odtwórz/pauza" na słuchawkach.

KORZYSTANIE Z BATERII ZAPASOWEJ



Po pełnym naładowaniu, przenośne etui może ładować słuchawki do 3 razy, zapewniając łącznie do 12 godzin czasu słuchania.

WSKAŹNIKI LED

SŁUCHAWKI DOUSZNE W ETUI Z ŁADOWARKĄ

Stałe światło czerwone	Trwa ładowanie
Wskaźnik LED wył	Ładowanie zakończone

PRZENOŚNE ETUI Z ŁADOWARKĄ

Stałe światło czerwone	Trwa ładowanie
Wskaźnik LED wył	Ładowanie zakończone

SŁUCHAWKI DOUSZNE W UŻYCIU

Nadrzędna (lewa słuchawka douszna) miga na przemian na niebiesko i czerwono, podrzędna (prawy słuchawka douszna) powoli miga na niebiesko	Słuchawki douszne są zsynchronizowane ze sobą i w trybie parowania
Powolny Flash Niebieski	Sparowane z urządzeniem

SŁUCHAWKI DOUSZNE W UŻYCIU MONO

Migające światło czerwone/niebieskie	Lewa słuchawka w trybie parowania z urządzeniem
Powolny Flash Niebieski	Lewa słuchawka jest sparowana z urządzeniem

ROZWIĄZYWANIE PROBLEMÓW

- Wyłącz Bluetooth® na swoim urządzeniu.
- Wyjmij słuchawki douszne z etui.
- Naciśnij i przytrzymaj przez 5 sekund przycisk "odtwórz/pauza" na obu słuchawkach, aby je wyłączyć.
- Naciśnij na krótko jeden raz przycisk "odtwórz/pauza" na obu słuchawkach, aby je włączyć.
- Po włączeniu słuchawki powinny automatycznie przejść w tryb synchronizacji. Dioda LED nadrzędnej słuchawki (lewa) będzie migać na przemian na niebiesko i czerwono, a dioda podrzędnej słuchawki (prawa) będzie wolno migać na niebiesko. Jeśli nie przejdą automatycznie w tryb synchronizacji, na krótko naciśnij pięć razy przycisk "play/pause" na lewej słuchawce, aby usunąć ustawienia Bluetooth® i przełączyć słuchawki w tryb synchronizacji.

PODSTAWOWE FUNKCJE

MUZYKA

Odtwórz/pauza	Naciśnij jeden raz dowolny przycisk odtwórz/pauza
Przejdź do następnego utworu	Dwa razy naciśnij szybko dwukrotnie przycisk odtwórz/pauza na prawej słuchawce
Przejdź do poprzedniego utworu	Dwa razy naciśnij szybko dwukrotnie przycisk odtwórz/pauza na lewej słuchawce

POŁĄCZENIA

Odbierz połączenie	Naciśnij jeden raz dowolny przycisk odtwórz/pauza
Odrzuć połączenie	Naciśnij i przytrzymaj przez 2 sekundy dowolny przycisk odtwórz/pauza
Zakończ połączenie	Naciśnij jeden raz dowolny przycisk odtwórz/pauza
Odbierz drugie połączenie przychodzące	Naciśnij jeden raz dowolny przycisk odtwórz/pauza
Odrzuć drugie połączenie przychodzące	Na krótko naciśnij dowolny przycisk odtwórz/pauza dwa razy
Przełączaj między dwoma połączeniami	Naciśnij dwukrotnie dowolny przycisk odtwórz/pauza

UWAGA! Rozmowy telefoniczne, FaceTime oraz Siri słychać jedynie przez jedną słuchawkę (monofonicznie). W przypadku używania słuchawek dousznych w trybie stereofonicznym, po zaakceptowaniu połączenia telefonicznego lub aktywowaniu Siri słuchawki automatycznie przechodzą w tryb monofoniczny.

INNE

Aktywuj Siri/Google Assistant	Naciśnij dwa razy na krótko dowolny przycisk odtwórz/pauza
Sprawdź poziom baterii słuchawek dousznych	Sprawdź na smartfonie
Wyłącz słuchawki douszne	Naciśnij i przytrzymaj przez 3 sekund przycisk odtwórz/pauza

- Włącz Bluetooth® na swoim urządzeniu.
- Sparuj z "JAM Live Loud".
- Wkładki douszne nie odłączają się od urządzenia?
Słuchawki douszne JAM Live Loud mogą automatycznie łączyć się z urządzeniem, jeśli zostaną umieszczone w futerale do ładowania, w którym nie ma baterii. Aby uzyskać najlepsze wrażenia, należy okresowo ładować obudowę, aby mieć pewność, że ma ona zawsze żywotność baterii.

INFORMACJE PRAWNE

PRZED UŻYCIEM PRZECZYTAĆ WSZYSTKIE INSTRUKCJE I ZACHOWAĆ NINIEJSZĄ INSTRUKCJĘ DO WYKORZYSTANIA W PRZYSZŁOŚCI.

GWARANCJA - WIELKA BRYTANIA I EUROPA

JAM gwarantuje, że produkt ten jest wolny od wad materiałowych i wynikających z jakości wykonania przez okres 2 lat od daty zakupu. Niniejsza gwarancja nie obejmuje szkód spowodowanych przez niewłaściwe lub nadmierne użytkowanie, wypadek, zamontowanie dowolnego nieautoryzowanego wyposażenia, wprowadzenie zmian w produkcie, lub jakiegokolwiek inne warunki niezależne od JAM. Dystrybucja w UE przez FKA Brands Ltd, Somerhill Business Park, Tonbridge, TN11 0GP, UK. E-mail: support.row@fkabrands.com.

WAŻNE INSTRUKCJE DOTYCZĄCE BEZPIECZEŃSTWA

PRZED UŻYCIEM NALEŻY PRZECZYTAĆ WSZYSTKIE INSTRUKCJE
OSTRZEŻENIE: Nie umieszczać głośników zbyt blisko uszu. Może to spowodować uszkodzenie błony bębenkowej, zwłaszcza u małych dzieci.

- Produktu należy używać wyłącznie zgodnie z jego przeznaczeniem opisanym w niniejszej instrukcji. Nie wolno używać dodatków niezalecanych przez Jam.
- Jam nie ponosi odpowiedzialności za jakiegokolwiek szkody spowodowane w smartfonach, urządzeniach iPod/ odtwarzaczach MP3 lub jakichkolwiek innych urządzeniach.
- Nie umieszczać ani przechowywać tego produktu w miejscu, w którym może spaść lub zostać wrzucony do wanny lub zlewu bez zamykania wodoszczelnych drzwi.
- Nie umieszczać ani wrzucać do wody ani żadnych innych płynów bez zamykania wodoszczelnych drzwi.
- Produkt nie jest przeznaczony dla dzieci. TO NIE JEST ZABAWKA.
- Nie wolno używać produktu z uszkodzonym przewodem, wtyczką, kablem lub obudową.
- Przechowywać z dala od gorących powierzchni.
- Ustawiać tylko na suchej powierzchni. Nie stawiać na powierzchni mokrej od wody lub środków czyszczących, jeśli wodoszczelne drzwi są otwarte.

OSTRZEŻENIE: Urządzenie wyposażone jest w wewnętrzną, niewymienną baterię litową. Należy ją utylizować zgodnie z lokalnymi, stanowymi, miejscowymi i krajowymi wytycznymi. Baterie (bateria akumulatorowa lub zainstalowane baterie) nie powinny być narażone na nadmierne ciepło, takie jak światło słoneczne, ogień lub podobne źródła ciepła.

WYMIANA BATERII

Słuchawki zawierają ładowalną baterię przeznaczoną na cały okres użytkowania produktu. W mało prawdopodobnym przypadku konieczności wymiany baterii należy skontaktować się z działem obsługi klienta, który przekaze szczegóły dotyczące wymiany baterii w ramach gwarancji i po okresie gwarancji. Produkt zawiera małe części, które mogą stanowić zagrożenie zadławieniem dla małych dzieci.

PRZESTROGA: Wszystkie czynności serwisowe produktu muszą być wykonywane wyłącznie przez autoryzowany personel serwisu Jam Audio. W celu uzyskania pełnej instrukcji użytkowania i zarejestrowania produktu należy wejść na stronę www.jamaudio.com (USA) lub canada.jamaudio.com (Kanada), lub uk.jamaudio.com/instructionbooks (UK).



Aby zapobiec możliwemu uszkodzeniu słuchu, nie należy słuchać przy dużej głośności przez długi czas.



WYJAŚNIENIE WEEE

Ten symbol oznacza, że w krajach Unii Europejskiej urządzenia nie można wyrzucać wraz innymi odpadami z gospodarstw domowych. Aby zapobiec ewentualnemu zagrożeniu dla środowiska lub zdrowia ludzkiego w wyniku nieprawidłowego pozbywania się odpadów, należy przekazać urządzenie do recyklingu, promując w ten sposób właściwe ponowne wykorzystanie zasobów materialnych.



DYREKTYWA W SPRAWIE BATERII

Symbol ten oznacza, że baterii nie należy wyrzucać razem z odpadami komunalnymi, ponieważ zawierają one substancje, które mogą być szkodliwe dla środowiska i zdrowia. Baterie należy oddawać do wyznaczonych punktów zbiórki.

FKA Brands Ltd, niniejszym oświadcza, że niniejsze urządzenie radiowe spełnia podstawowe wymagania oraz inne odpowiednie wymagania dyrektywy 2014/53/UE. Kopię "Deklaracji zgodności" można uzyskać na stronie uk.jamaudio.com/DoC.



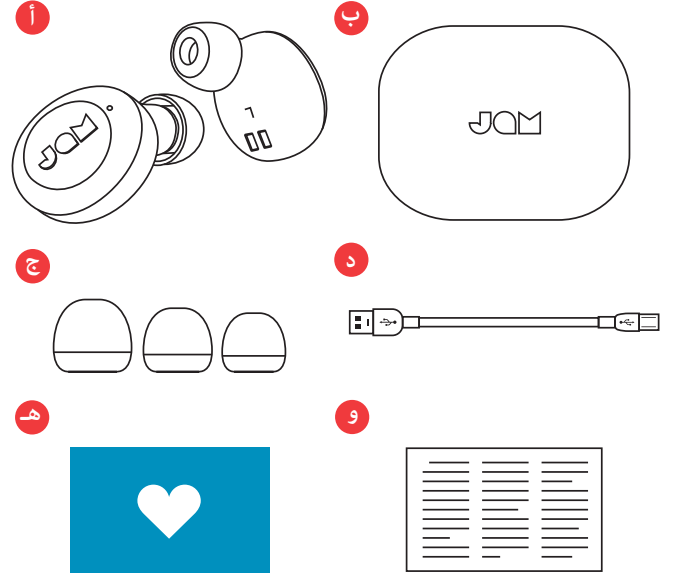
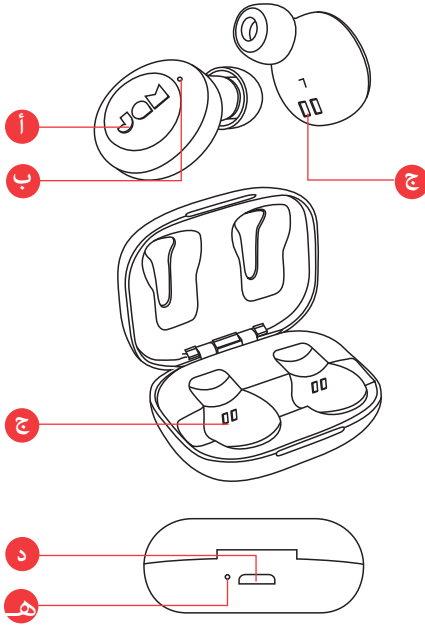
LIVE LOUD

HX-EP410

تاميلعتلا باتك

أجهزة التحكم

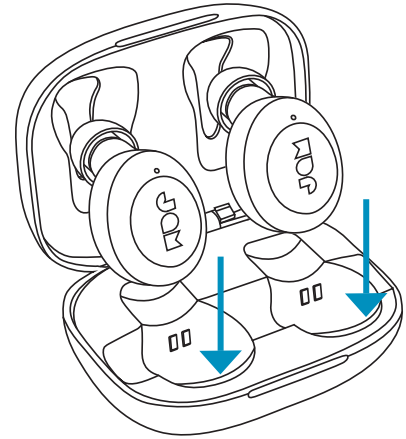
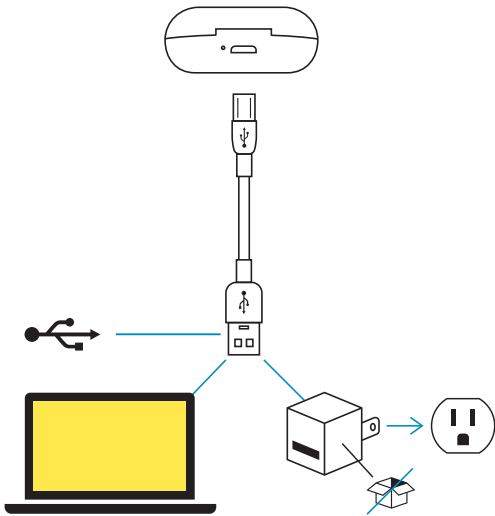
المحتويات



- أ- زر الوظائف المتعددة
- ب- ضوء حالة سماعة الأذن
- ج- ملامسات شحن سماعات الأذن
- د- منفذ شحن USB- لشحن الجهاز الذي
- هـ- مؤشر البطارية الضوئي

- أ- سماعتي الأذن (2)
- ب - علبة الشحن النقالة
- ج - سدادات الأذن بثلاثة أحجام
- د- سلك مايكرو Usb
- هـ - بطاقة الترحيب
- و- بطاقة قانونية

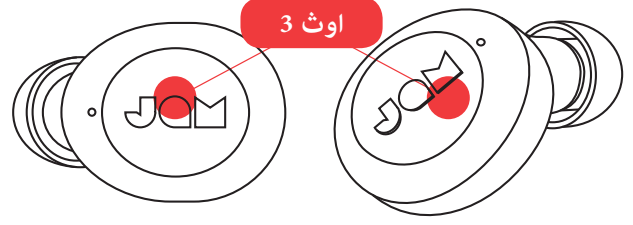
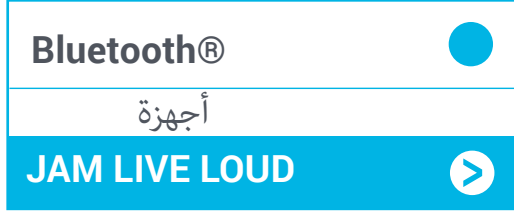
الإعداد



شحن علبتك النقالة
أدخل الطرف الصغير من كابل USB المايكرو في منفذ USB، الموجود في الجانب الخلفي للعلبة. ستبين الصمامات الباعثة للضوء LED على العلبة اللون الأحمر الصافي. عندما يتم شحن العلبة النقالة بصورة كاملة، سوف تنطفئ الصمامات الباعثة للضوء LED.

شحن سماعات الأذن
لشحن سماعات الأذن، ضعها في العلبة النقالة. الصمامات الباعثة للضوء الحمراء تدل على أنها قيد الشحن. إذا لم تظهر الصمامات الباعثة للضوء عند وضع السماعات في العلبة، قم بتعديل السماعات للتأكد من أنها في اصطاف تام مع ملامسات الشحن عندما تشحن بالكامل، فإن الصمامات الباعثة للضوء سوف تنطفئ.

توصيل سماعتي الأذن



الخطوة الأولى - إغلاق سماعتي الإذن

عند إخراج سماعتي الأذن من علبة الشحن النقالة، فإنها تبدأ بالاشتغال تلقائياً. وإذا أردت تشغيلها يدوياً، يمكنك الضغط والاستمرار في الضغط على زر "التشغيل/الإيقاف المؤقت" الموجود على سماعتي الأذن لمدة 3 ثوان.

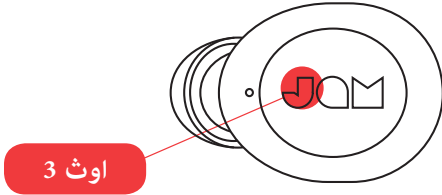
الخطوة الثالثة - التوصيل بجهاز

قم بتمكين بلوتوث على الجهاز. من قائمة بلوتوث، حدد "Jam Live Loud". عند اتصال الجهاز و "Jam Live Loud" ببعضهما، سوف تسمع نغمة. وهذا يعني أن التزاوج اكتمل.

الخطوة الثانية - توصيل سماعتي الأذن ببعضهما

عند إخراج سماعات الأذن من حالتهم، فسيتيم مزامنتها مع بعضهم البعض تلقائياً. تومض سماعة الأذن الرئيسية (يسار) LED باللون الأزرق والأحمر بدلاً من ذلك، بينما يضيء مصباح ياربود الأذن (يمين) التابع للرقيق باللون الأزرق. سماعات الأذن الخاصة بك الآن في وضع الإقران وتبحث عن جهاز Bluetooth® للاتصال به.

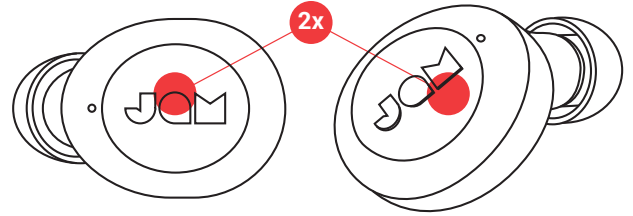
توصيل سماعة أذن واحدة



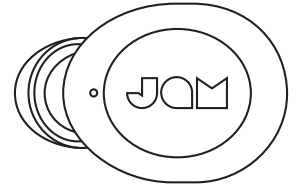
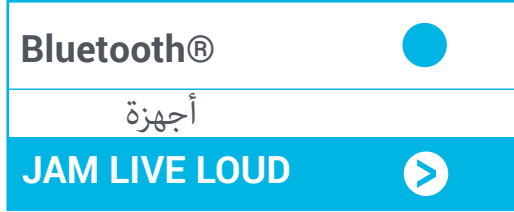
صل سماعة أذن واحدة فقط للاستماع إلى صوت أحادي. هذا هو خيار عظيم إذا أردت الاستماع إلى البيئة المحيطة بك بالإضافة إلى التمتع بالاستماع إلى الموسيقى المفضلة لديك.

الخطوة الأولى - تشغيل سماعة الإذن

عند إخراج سماعة الأذن من علبة الشحن النقالة، فإنها تبدأ بالاشتغال تلقائياً. وإذا أردت تشغيلها يدوياً، يمكنك الضغط والاستمرار في الضغط على زر "التشغيل/الإيقاف المؤقت" تشغيل / إيقاف الموجودين على سماعتي الأذن لمدة 3 ثوان.



إذا لم تتزامن سماعتي الأذن مع بعضهما البعض تلقائياً، يرجى الضغط ضغطاً ثنائية على زر "التشغيل/الإيقاف المؤقت" تشغيل / إيقاف على كل من السماعتين في نفس الوقت. سوف تضع هذه الخطوة سماعتي الأذن في نمط التزامن. بمجرد اتصالهما، فإن الصمام الباعث للضوء LED لسماعة الأذن اليسرى سوف يومض باللون الأزرق والأحمر بالتناوب، بينما سيومض الصمام الباعث للضوء لسماعة الأذن اليمنى باللون الأزرق ببطء. أصبحت السماعتان الآن في نمط الاقتران وبدأت في البحث عن وسيلة بلوتوث Bluetooth® للاتصال بها.

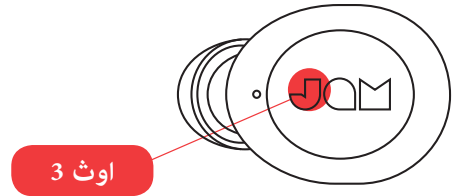


الخطوة الثالثة - التوصيل بأحد الأجهزة
مكّن بلوتوث® Bluetooth على الجهاز الذي تملكه. من قائمة بلوتوث، حدد "JAM Live Loud". عند اتصال JAM Live Loud والجهاز مع بعضهما البعض، ستسمع نغمة ويومض ببط الصمام الباعث للضوء LED باللون الأزرق. وهذا يعني أن الاقتران اكتمل.

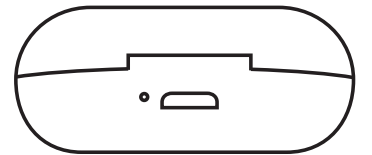
الخطوة الثانية - نسق التزاوج
عند إخراج سماعة الأذن من علبة الشحن فأنها تبدأ بالعمل تلقائياً وتدخل في نمط الاقتران. سوف يومض الصمام الباعث للضوء LED لسماعة الأذن اليسرى باللونين الأحمر والأزرق، بينما سيومض الصمام الباعث للضوء LED لسماعة الأذن اليمنى باللون الأزرق ببطء عند الاقتران. ستنقطع الطاقة عن سماعتي الأذن بعد 6 دقائق إذا لم تقترنا.

إغلاق سماعتي الأذن

لإغلاق سماعتي الأذن، ضع السماعتين في العلبة، أو اضغط على زر الوظائف المتعددة الموجود على سماعتي الأذن واستمر في الضغط عليه لمدة 3 ثوان.



استخدام حقيبة الشحن المحمولة الخاصة بك



تأرم 3 ةي إغل نذأل ايت عامس نحش دي عت نأ نكمي ةلاقنلا كتبلع نإف، لمكلا نحشلا ةلاح يف ةي لامجإ عامتسا ةعاس 12 كي طعي يذلا رمألا

مؤشرات الصمام الباعث للضوء

سماعات الأذن داخل علبة الشحن

أحمر صلب	جاري الشحن
الصمام الباعث للضوء مطفأ	الشحن كامل

ب - علبة الشحن النقالة

أحمر صلب	جاري الشحن
الصمام الباعث للضوء مطفأ	الشحن كامل

وظائف أساسية

الموسيقى

تشغيل / إيقاف	أضغظ على أي زر من أزرار الوظائف المتعددة مرة واحدة
المسار الأمامي	أضغظ على زر التشغيل/الإيقاف المؤقت بسرعة وبصورة ثنائية على سماعة الأذن اليمنى مرتين.
المسار الخلفي	أضغظ على زر التشغيل/الإيقاف المؤقت بسرعة وبصورة ثنائية على سماعة الأذن اليسرى مرتين.

سماعات الأذن قيد الاستعمال

ستومض السماعة الرئيسية (سماعة الأذن اليسرى) باللون الأزرق والأحمر بالتناوب، أما السماعة التابعة (سماعة الأذن اليمنى) ستومض باللون الأزرق ببطء	تتم مزامنة سماعات الأذن مع بعضها البعض وتقوم بدور الاقتران.
فلاش بطيء أزرق	التزاوج مع الجهاز

سماعات قيد الاستعمال الأحادي

ومضة حمراء/زرقاء	سماعة الأذن اليسرى في مُط الاقتران مع الجهاز
فلاش بطيء أزرق	سماعة الأذن اليسرى جاري اقترانها مع الجهاز

مكالمات هاتفية

إجابة مكاملة	أضغظ على أي زر من أزرار الوظائف المتعددة
رفض المكاملة	أضغظ على أي من أزرار الوظائف المتعددة واستمر في الضغظ عليه لمدة ثانيتين.
إنهاء المكاملة	أضغظ على أي زر من أزرار الوظائف المتعددة مرة واحدة
إجابة مكاملة ثانية واردة	أضغظ على أي زر من أزرار الوظائف المتعددة مرة واحدة
رفض هاتفية مكاملة ثانية واردة	أضغظ بسرعة على أي زر من زرّي التشغيل/الإيقاف المؤقت التشغيل/الإيقاف مرتين
التبادل بين مكالمتين	أضغظ على أي زر من زرّي التشغيل/الإيقاف المؤقت تشغيل / إيقاف مرتي

ملاحظة: مكالمات هافية، فايس تايم FaceTime، وسيري Siri يتم سماعها عن طريق سماعة أذن (أحادية)، وتتحول المكاملة تلقائيًا إلى سماعة (أحادية) عند استخدام سماعات الأذن بالستيريو، فإنها تتحول إلى النسق الأحادي بعد قبول المكاملة أو عند تنشيط سيري.

غير ذلك

قم بتنشيط Siri/مساعدة google	أضغظ بسرعة مرتين على زر الوظائف المتعددة
افحص مستوى بطارية سماعات الأذن	أنظر إلى الهاتف الذكي
قم بغلق سماعة الأذن	أضغظ على زر الوظائف المتعددة واستمر في الضغظ عليه لمدة 3 ثوان.

8. سماعات الأذن لا تنفصل عن جهازك؟ قد تتصل سماعات الأذن JAM Live Loud تلقائيًا بجهازك إذا تم وضعها في علبة شحن لا تحتوي على بطارية. للحصول على أفضل تجربة، قم بشحن العلبة بشكل دوري للتأكد من أن البطارية لديها دائمًا.

اكتشاف الأخطاء وإصلاحها

1. قم بغلق بلوتوث الموجود على جهازك.
2. سماعات الأذن من علبتك.
3. أضغظ على زر الوظائف المتعددة الموجود على سماعتي الأذن واستمر في الضغظ عليه لمدة 5 ثوان لغلقهما.
4. أضغظ بسرعة على زر الوظائف المتعددة مرة واحدة على كلا سماعتي الأذن لإيقافهما عن العمل.
5. يجب أن تتحول سماعتنا الأذن تلقائيًا إلى مُط التزامن بمجرد توصيلها بالطاقة. سيومض الصمام الباعث للضوء LED لسماعة الأذن الرئيسية (اليسرى) باللون الأزرق والأحمر بالتناوب، بينما سيومض الصمام الباعث للضوء لسماعة الأذن التابعة (اليمنى) باللون الأزرق ببطء. إذا لم يتحولا تلقائيًا إلى مُط التزامن، أضغظ بسرعة على زر التشغيل/الإيقاف المؤقت play/pause بسرعة خمس مرات لإلغاء إعداد البلوتوث Bluetooth* وتحويل سماعتي الأذن إلى مُط التزامن..
6. شغل بلوتوث Bluetooth* الموجود على جهازك.
7. قم بالتزاوج مع "JAM Live Loud"

معلومات قانونية

اقرأ جميع التعليمات قبل الاستخدام واحتفظ بها للرجوع إليها في المستقبل.

الضمان - المملكة المتحدة وأوروبا

تضمن JAM أن هذا المنتج خال من العيوب فيما يتعلق بالمواد والتصنيع لمدة عامين من تاريخ الشراء. لا يغطي هذا الضمان الضرر الناتج عن سوء الاستخدام أو الاستهلاك المفرط؛ أو وقوع حادث؛ أو استخدام أي ملحقات غير مصرح بها؛ أو تبديل المنتج؛ أو أي حالات أخرى تتجاوز نطاق سيطرة شركة JAM. توزع داخل دول الاتحاد الأوروبي بواسطة شركة FKA Brands Ltd الواقعة في Somerhill Business Park, Tonbridge, TN11 0GB, UK. الهاتف: 0768 3538 020. البريد الإلكتروني: support.row@fkabrands.com.

تعليمات أمنية مهمة

اقرأ جميع التعليمات قبل الاستخدام

- تحذير: استمع بطريقة مسؤولة وواعية. لتجنب تعرض حاسة السمع للضرر، احرص على خفض صوت الجهاز قبل توصيله بالسماعات. بعد وضع السماعات على أذنك، قم برفع مستوى الصوت تدريجيًا حتى تصل إلى مستوى الصوت المناسب والمريح.
- استخدم هذا المنتج للغرض المخصص له فقط على النحو الموصوف في هذا الدليل. لا تستخدم مرفقات غير موصى بها من قبل Jam.
- لا تُعد شركة Jam مسؤولة عن أي تلف يلحق بالهواتف الذكية أو مشغلات iPod/MP3 أو أي أجهزة أخرى.
- لا تضع هذا المنتج أو تخزينه في مكان يمكن أن يسقط منه داخل حوض الاستحمام أو المغسلة بدون غلق الأبواب المقاومة للماء.
- لا تضع هذا المنتج أو تسقطه في الماء أو في أي سائل آخر بدون غلق الأبواب المقاومة للماء.
- غير مخصص للاستخدام من قبل الأطفال. فهذا المنتج ليس لعبة.
- لا تُشغل هذا المنتج أبدًا إذا كان به سلك أو قابس أو كابل أو مبيت تالف.
- ابعد عن الأسطح الساخنة.
- ضعه على سطح جاف فقط. لا تضعه على سطح مبلل بالماء أو بمحاليب التنظيف إذا كانت الأبواب المقاومة للماء مفتوحة.

تحذير:

يحتوي هذا المنتج على بطارية ليثيوم داخلية غير قابلة للاستبدال. يُرجى التخلص منها وفقًا للإرشادات المحلية والخاصة بالولاية أو المقاطعة أو الدولة. ينبغي عدم تعريض البطاريات (عبوة البطاريات أو البطاريات المركبة) إلى حرارة زائدة مثل أشعة الشمس أو الحريق أو ما شابه.

استبدال البطارية

تتضمن سماعات الرأس بطارية قابلة لإعادة الشحن مُصممة لتدوم طوال العمر الافتراضي للمنتج. في حالة احتياجك، غير المتوقع، إلى بطارية بديلة، يُرجى الاتصال بخدمة المستهلك، التي سوف تمدك بتفاصيل خدمة استبدال البطارية داخل وخارج الضمان. يحتوي هذا المنتج على قطع صغيرة قد تُشكل خطر اختناق على الأطفال الصغار.

تنبيه: يجب إجراء أي خدمات صيانة لهذا المنتج بواسطة موظف صيانة معتمد من قبل شركة Jam Audio فقط. للحصول على دليل الاستخدام الكامل وتسجيل منتجك، تفضل بزيارة www.jamaudio.com (الولايات المتحدة الأمريكية) أو canada.jamaudio.com (كندا)، أو uk.jamaudio.com/instructionbooks (المملكة المتحدة).

لتجنب الضرر الذي قد تتعرض له حاسة السمع، لا تستمع إلى صوت مرتفع لفترات طويلة.



تفسير علامة «WEEE»

هذا المنتج يُشير إلى أنه لا ينبغي التخلص من هذا المنتج مع النفايات المنزلية الأخرى في جميع أنحاء دول الاتحاد الأوروبي. لتجنب أي ضرر متحمل على البيئة أو صحة الإنسان من التخلص غير المنظم للنفايات، قم بإعادة تدويره بطريقة مسؤولة لتعزيز إعادة الاستخدام المستدام للموارد المادية.



التعليمات الخاصة بالبطارية

يُشير هذا الرمز إلى أنه ينبغي عدم التخلص من البطاريات ضمن النفايات المنزلية لأنها تحتوي على مواد قد تضر بالبيئة والصحة. يُرجى التخلص من البطاريات في نقاط التجميع المحددة.



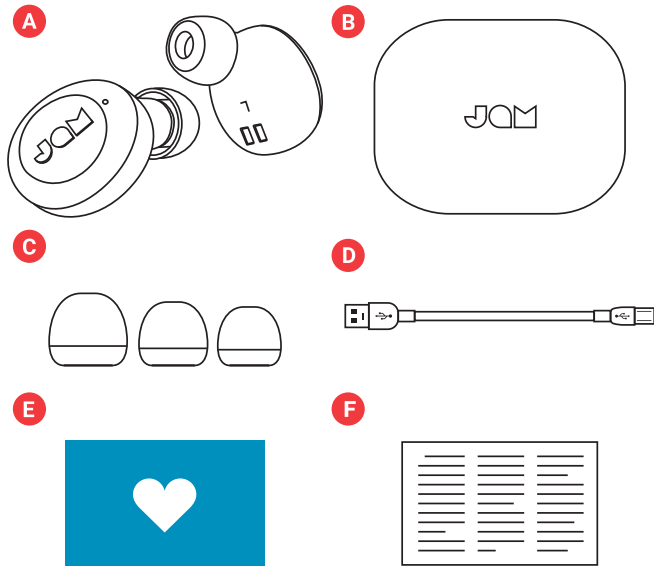
تُقر شركة FKA Brands Ltd بموجبه بأن هذا الجهاز الراديوي يتوافق مع المتطلبات الأساسية والأحكام الأخرى ذات الصلة الواردة في توجيه EU/2014/53. يمكن



LIVE LOUD

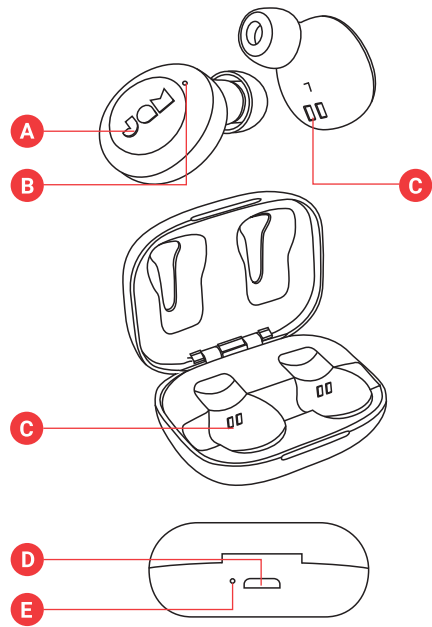
HX-EP410
사용 설명서

내용물



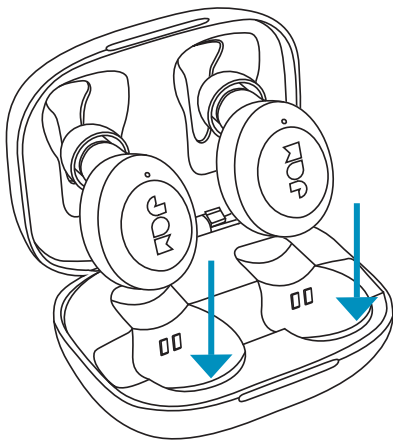
- A - 이어폰 2개
- B - 휴대용 충전 케이스
- C - 3가지 크기의 이어팁
- D - 마이크로 USB 코드
- E - 환영 카드
- F - 법률 카드

조작부



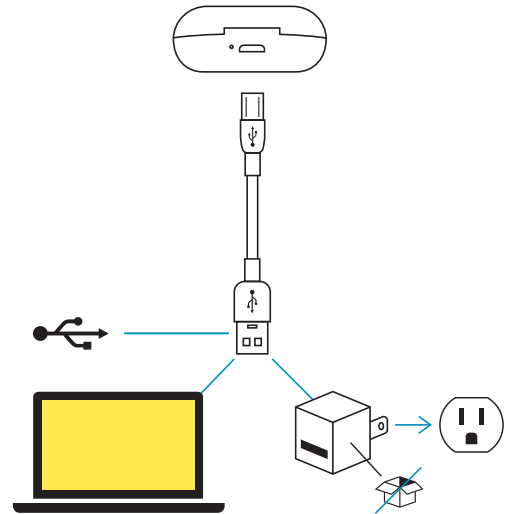
- A - 전원 켜짐/꺼짐/재생/일시정지 버튼
- B - 이어폰 상태 표시등
- C - 이어폰 충전 접촉부
- D - USB 충전 포트 - 스마트 기기 충전용
- E - 배터리 표시등

설정



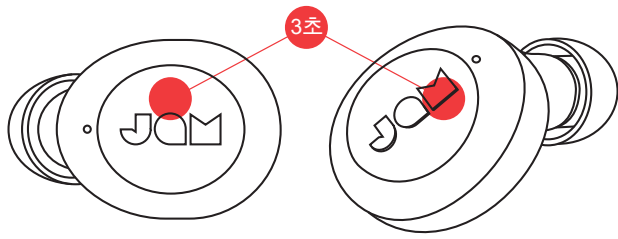
이어폰 충전

이어폰을 충전하려면 휴대용 케이스에 넣으십시오. 빨간색 LED가 이어폰 충전 중임을 보여줍니다. 이어폰을 케이스에 넣었을 때 빨간색 LED가 나타나지 않으면 충전 접촉부와 나란하도록 이어폰을 조정하십시오. 완충되면 LED가 꺼집니다.



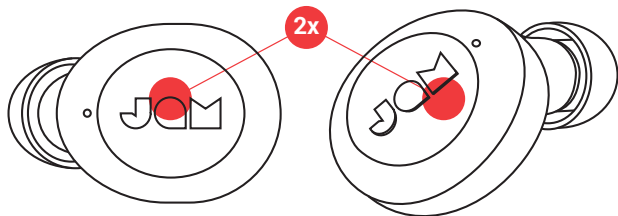
마이크로 USB 케이블의 작은 쪽 끝을 케이스 후면에 위치한 마이크로 USB 포트에 꽂으십시오. 충전 중이면 케이스의 LED가 빨간색 단색이 됩니다. 휴대용 케이스가 완충되면 LED 표시등이 꺼집니다.

이어폰 양쪽 연결



1단계 - 이어폰 켜기
 이어폰을 휴대용 충전 케이스에서 꺼내면 이어폰이 자동으로 켜집니다. 이어폰을 직접 켜야 할 경우에는 이어폰 양쪽의 재생/일시정지 버튼을 3초 동안 길게 누르면 됩니다.

2단계 - 이어폰 상호 연결
 이어 버드를 케이스 밖으로 가져 가면 자동으로 서로 동기화됩니다. 마스터 이어 버드 (왼쪽) LED는 파란색과 빨간색으로 번갈아 깜박이며 슬레이브 이어 버드 (오른쪽) LED는 파란색으로 깜박입니다. 이제 이어 버드가 페어링 모드에 있으며 연결하려는 Bluetooth® 장치를 검색 중입니다.

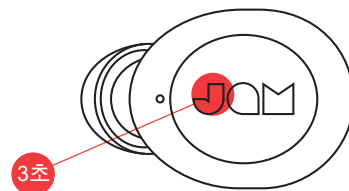


이어폰이 자동으로 상호 동기화되지 않으면 이어폰 양쪽의 “재생/일시정지” 버튼을 동시에 두 번 누르십시오. 그러면 이어폰이 동기화 모드로 전환됩니다. 연결되면, 왼쪽 이어폰 LED는 파란색과 빨간색으로 번갈아 깜박이고, 오른쪽 이어폰 LED는 파란색으로 느리게 깜박입니다. 이어폰이 이제 페어링 모드로 전환되고, 연결할 Bluetooth® 기기를 검색합니다.



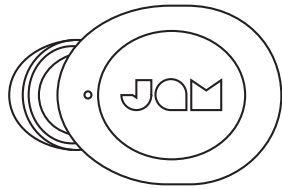
3단계 - 기기에 연결
 기기에서 Bluetooth®를 활성화하십시오. Bluetooth® 메뉴에서 “Jam Live Loud”를 선택합니다. 기기와 Live Loud가 연결되면 신호음이 들리고 LED가 파란색으로 느리게 깜박입니다. 페어링이 완료되었다는 뜻입니다.

이어폰 1개 연결



모노 사운드를 원하면 왼쪽 이어폰을 연결합니다. 음악은 물론 주변 소리도 듣고 싶다면 이 옵션이 좋습니다.

1단계 - 이어폰 켜기
 이어폰을 휴대용 충전 케이스에서 꺼내면 이어폰이 자동으로 켜집니다. 이어폰을 직접 켜야 할 경우에는 이어폰 양쪽의 재생/일시정지 버튼을 3초 동안 길게 누르면 됩니다.



2단계 - 페어링 모드

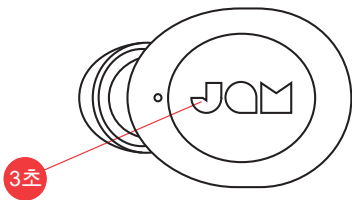
충전 케이스에서 이어폰을 꺼내면 이어폰이 자동으로 켜지고 페어링 모드로 전환됩니다. 페어링 시 왼쪽 이어폰의 LED는 빨간색과 파란색으로 깜박이고, 오른쪽 이어폰의 파란색 LED는 느리게 깜박입니다. 이어폰은 페어링되지 않으면 6분 후 전원이 꺼집니다.



3단계 - 기기에 연결

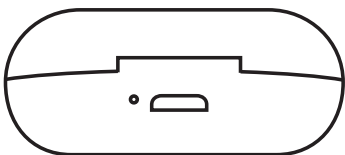
기기에서 Bluetooth®를 활성화하십시오. Bluetooth® 메뉴에서 “JAM Live Loud”를 선택합니다. 기기와 JAM Live Loud가 연결되면 신호음이 들리고 LED가 파란색으로 느리게 깜박입니다. 페어링이 완료되었다는 뜻입니다.

이어폰 끄기



이어폰을 끄려면 이어폰을 케이스에 도로 넣거나 이어폰의 “재생/일시정지” 버튼을 3초 동안 길게 누릅니다.

휴대용 충전 사례 사용



휴대용 케이스를 가득 충전한 경우 이어폰을 최대 3회까지 재충전할 수 있으며 최대 12시간 청취할 수 있습니다.

LED 표시등

충전 케이스에 있는 이어폰

빨간색 단색	충전 중
LED 꺼짐	충전 완료

휴대용 충전 케이스

빨간색 단색	충전 중
LED 꺼짐	충전 완료

사용 중인 이어폰

마스터(왼쪽 이어폰)가 파란색과 빨간색으로 번갈아 깜박이고, 슬레이브(오른쪽 이어폰)가 파란색으로 느리게 깜박임	이어폰이 상호 동기화되고 페어링 모드에 있음
천천히 파란색 깜박임	기기와 페어링됨

모노 사용 중인 이어폰

빨간색/파란색으로 깜박임	왼쪽 이어폰이 기기와 페어링 모드 중임
천천히 파란색 깜박임	왼쪽 이어폰이 기기와 페어링됨

문제 해결

1. 기기에서 Bluetooth®를 끕니다.
2. 이어폰을 케이스에서 꺼냅니다.
3. 이어폰 양쪽의 “재생/일시정지” 버튼을 5초 동안 길게 눌러 이어폰을 끕니다.
4. 이어폰 양쪽의 “재생/일시정지” 버튼을 빠르게 한 번 눌러 이어폰을 켭니다.
5. 전원이 켜지면 이어폰이 자동으로 동기화 모드로 전환됩니다. 마스터 이어폰(왼쪽) LED는 파란색과 빨간색으로 번갈아 깜박이고, 슬레이브 이어폰(오른쪽) LED는 파란색으로 느리게 깜박입니다. 이어폰이 동기화 모드로 자동 전환되지 않을 경우 왼쪽 이어폰의 재생/일시정지 버튼을 빠르게 다섯 번 눌러 Bluetooth® 설정을 지우고 이어폰을 동기화 모드로 전환하십시오.
6. 기기에서 Bluetooth®를 켭니다.

기본 기능

음악

재생/일시정지	재생/일시정지 버튼 한쪽을 한 번 누름
앞으로 이동	오른쪽 이어폰의 재생/일시정지 버튼을 빠르게 두 번 누름
뒤로 이동	왼쪽 이어폰의 재생/일시정지 버튼을 빠르게 두 번 누름

전화

전화 당겨받기	재생/일시정지 버튼 한쪽을 한 번 누름
통화 거부	재생/일시정지 버튼 한쪽을 2초 동안 길게 누름
통화 종료	재생/일시정지 버튼 한쪽을 한 번 누름
2차 수신 전화 받기	재생/일시정지 버튼 한쪽을 한 번 누름
2차 수신 전화 거부	재생/일시정지 버튼을 빠르게 두 번 누름
두 통화 간 교체	재생/일시정지 버튼을 두 번 누름

참고: 전화 통화, FaceTime, Siri는 이어폰 한 개를 통해서만 들립니다(모노). 이어폰을 스테레오로 사용 중인 경우에는 통화를 수락하거나 Siri를 활성화하면 이어폰이 자동으로 모노로 전환됩니다.

기타

Siri/Google Assistant 활성화	재생/일시정지 버튼 한쪽을 빠르게 두 번 누름
이어폰의 배터리 레벨 확인	스마트폰을 확인함
이어폰 끄기	재생/일시정지 버튼을 3초 동안 길게 누름

7. JAM Live Free 와 페어링합니다.
8. 이어 버드가 기기에서 분리되지 않습니까?
배터리가없는 충전 케이스에 넣으면 라이브 프리 이어 버드가 자동으로 기기에 연결될 수 있습니다. 최상의 환경을 위해 주기적으로 배터리를 충전하여 항상 배터리 수명을 유지하는지 확인하십시오.

법률 정보

사용 전에 모든 지침을 읽고 이후 참조할 수 있도록 보관해 두십시오.

보증 - 한국

JAM은 본 제품이 구매일로부터 1년 동안 재료 및 제작상의 결함이 없음을 보증합니다. 본 보증은 오용이나 남용, 사고, 허가되지 않은 부속품의 장착, 제품 개조, 또는 JAM의 통제를 벗어난 여타 모든 조건으로 인한 손상에는 적용되지 않습니다.
이메일: cs@dmac.co.kr.

중요한 안전 지침

사용 전에 모든 지침을 읽으십시오.

경고: 스피커를 귀에 너무 가까이 놓지 마십시오. 특히 어린이의 경우 고막을 손상시킬 수 있습니다.

- 본 제품은 본 설명서에 기재된 원래 목적으로만 사용하십시오. JAM에서 권장하지 않는 연결장치는 사용하지 마십시오.
- JAM는 스마트폰, iPod/MP3 플레이어 또는 기타 기기로 인한 손상에 대해 책임지지 않습니다.
- 방수 도어를 닫지 않은채 통이나 개수대 안으로 떨어지거나 빠질 수 있는 곳에 본 제품을 놓거나 보관하지 마십시오.
- 방수 도어를 닫지 않은채 물이나 기타 액체에 넣거나 빠뜨리지 마십시오.
- 어린이는 사용을 금합니다. 본 제품은 장난감이 아닙니다.
- 코드, 플러그, 케이블 또는 하우징이 손상된 경우 본 제품을 작동하지 마십시오.
- 가열된 표면에서 멀리하십시오.
- 건조한 표면에만 놓으십시오. 방수 도어가 열려 있는 경우 물이나 세정 용제로 젖은 표면에 올려 놓지 마십시오.

경고: 본 제품에는 교체 불가능한 리튬 배터리가 내장되어 있습니다. 해당 지역, 주 및 국가의 지침에 따라 폐기해 주십시오. 배터리(배터리 팩 또는 설치된 배터리)는 햇빛, 불 등과 같은 과도한 열에 노출되어서는 안됩니다.

배터리 교체


귀하의 헤드폰에는 제품의 수명을 지속하도록 설계된 재충전 배터리가 포함되어 있습니다. 드물지만 배터리를 교체해야 하는 경우에는 소비자 서비스 부서에 문의하여 보증 및 보증 외 배터리 교체 서비스에 대한 상세 정보를 확인하십시오. 본 제품에는 어린이에게 질식 위험이 있을 수 있는 소형 부품이 들어 있습니다.

주의: 본 제품의 모든 서비스는 JAM Audio의 공인된 서비스 인력만 수행해야 합니다. 완전한 사용자 가이드 및 제품 등록에 대해서는 www.jamaudio.com(미국), canada.jamaudio.com(캐나다), 또는 uk.jamaudio.com/instructionbooks(영국)을 참조하십시오.


청력 손상 방지를 위해 오랜 시간 동안 높은 음량으로 듣지 마십시오.



WEEE 설명

 이 표시는 이 제품을 EU 전역에서 다른 가정용 쓰레기와 함께 폐기해서는 안된다는 것을 나타냅니다. 통제되지 않은 쓰레기 폐기로 인해 환경이나 인체에 해를 끼치지 않도록 하려면 책임감을 갖고 재활용하여 물질 자원의 지속 가능한 재사용을 촉진하십시오.

배터리 지침

 이 기호는 배터리가 환경 및 건강에 해를 끼칠 수 있는 물질을 함유하고 있으므로 가정용 쓰레기로 폐기해서는 안 된다는 것을 나타냅니다. 배터리를 지정된 수거 장소에 버리십시오.

FKA Brands Ltd는 이 무선 기기가 Directive 2014/53/EU의 필수 요건 및 기타 관련 조항을 준수함을 선언합니다. 적합성 선언서 (Declaration of Conformity) 사본은 uk.jamaudio.com/DoC에서 얻을 수 있습니다.



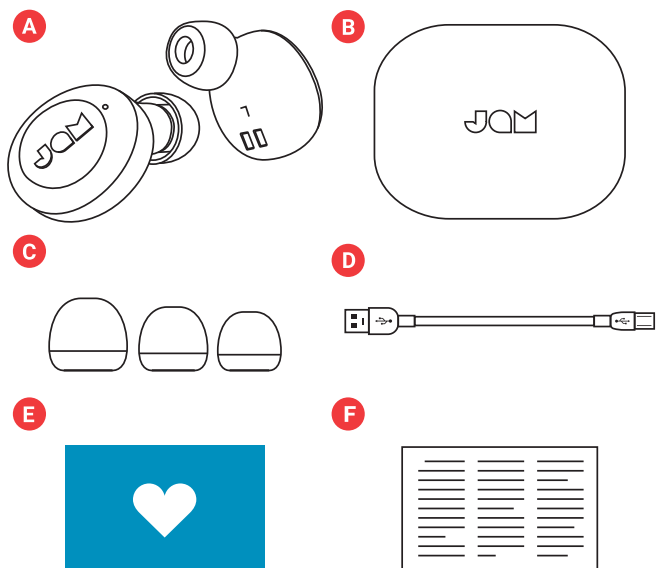
인증받은자의상호: (주)디엠에이씨인터내셔널
제품명/모델명:특정소출력무선기기(무선데이타통신시스템용무선기기)/HX-EP900
제조사및제조국가: FKA Distributing CO., LLC / China
인증번호: R-CRI-DMV-HX-EP900
제품명 (Product name): Jam True Wireless Earbuds
모델명 (Model): HX-EP900
무선방식 (Operation Frequency): Bluetooth® (2402 – 2480 MHz)
채널 (Radio Channel): 79 channels
무선채널 (Bluetooth® Mode): BT: 4.1
출력 (Output Power): Left ear: 0.07mW/MHz; Right ear: 0.03mW/MHz
안테나이득 (Antenna Gain): Left ear: 0.66dBi; Right ear: -0.43dBi
변조형식 (Modulation Type): GFSK, π/4-DQPSK, 8DPSK
전원 (Power Supply):DC 3.7 V from battery



LIVE LOUD

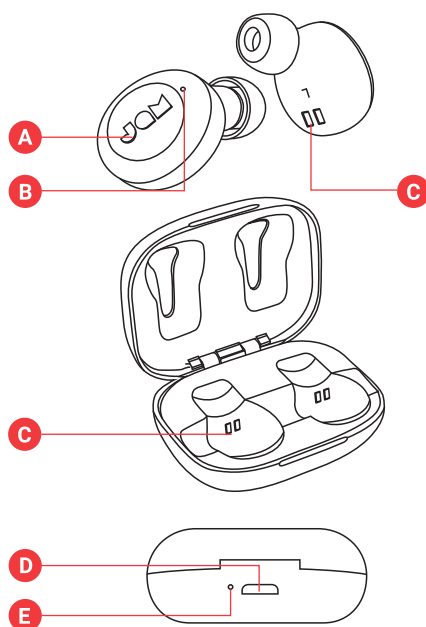
HX-EP410
使用説明

目錄



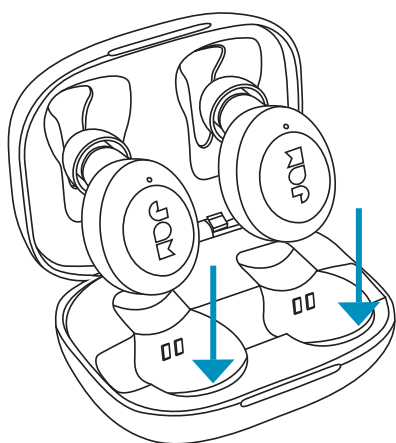
- A - 2 個耳機
- B - 隨身式充電盒
- C - 3種耳塞規格
- D - 微型USB線
- E - 歡迎卡
- F - 法律說明

控制



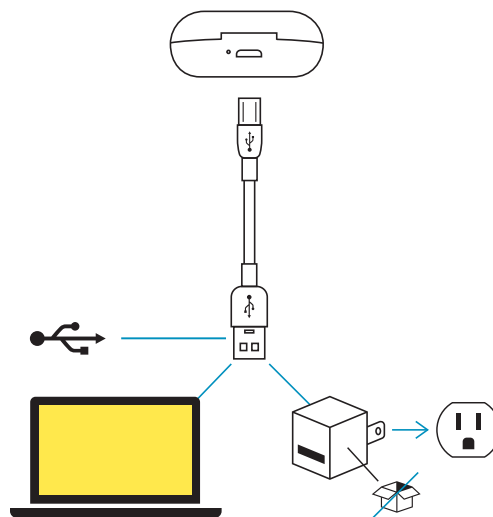
- A - 電源開/關/播放/暫停鍵
- B - 耳機狀態指示燈
- C - 耳機充電接頭
- D - USB充電埠 — 為智能設備充電
- E - 電池指示燈

設定



為耳機充電

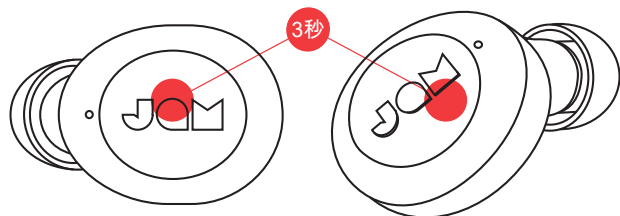
將耳機放在隨身盒內充電。紅色LED燈亮起，顯示正在充電。如果紅色LED燈沒有亮起，調整耳機在盒內的位置，確保與充電器連接可靠。當充電完成時，紅燈熄滅。



為隨身盒充電

將USB線較小一端插入 隨身盒背面的micro USB埠。充電時隨身盒的LED保持紅色。隨身盒充滿電後，LED燈即熄滅。

連接左右耳機

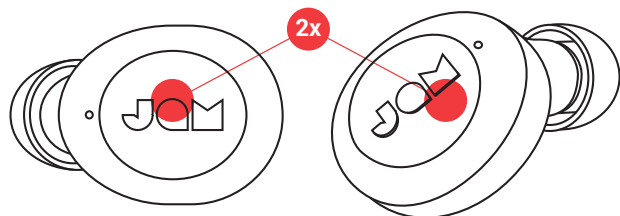


第一步 — 啟動耳機

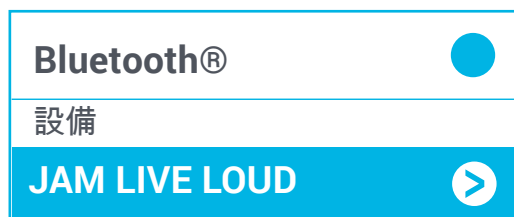
從隨身充電盒中取出後，耳機會自動啟動。如果需要手動啟動它們，可以同時按住兩個耳機上的播放/暫停 鍵3秒鐘

第二步 — 連接左右耳機

當您將耳塞取出時，它們會自動同步。主耳塞（左）LED將交替閃爍藍色和紅色，而副耳塞（右）LED將緩慢閃爍藍色。您的耳塞現在處於配對模式，並正在搜索要連接的Bluetooth®設備。



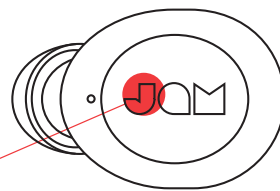
如果耳機未自動相互同步，再次同時按兩個耳機上的播放/暫停 鍵。這會將耳機置於同步模式。連接後，左耳耳機LED將交替閃爍藍光和紅光，而右耳耳機LED將緩慢閃爍藍光。您的耳機現在處於配對模式，正在搜索要連接的藍牙®設備。



第三步 — 與設備進行連接

在您的設備上啟用藍牙®。從藍牙®功能表選擇「Jam Live Loud」。當設備與Live Loud連接時，您將聽到一個提示音，LED將緩慢閃爍藍光。這表示配對完成。

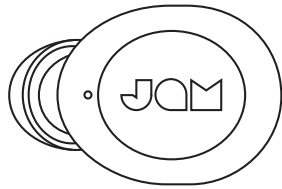
連接一個耳機



為聽單聲道，連接左耳塞。當你需要聽到身邊的聲音且同時想聽音樂時，這是一個很好的選擇。

第一步 — 啟動耳機

從隨身充電盒中取出後，耳機會自動啟動。如果需要手動啟動它，可以同時按住兩個耳機上的播放/暫停 鍵3秒鐘。



第二步 - 配對狀態

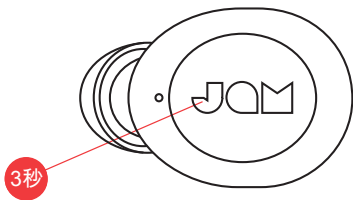
從充電盒取出後，耳機會自動打開並進入配對模式。配對時，左耳耳機LED將閃爍紅光和藍光，右耳耳機將緩慢閃爍藍光。如果未配對，耳機將在6分鐘後關閉。



第三步 — 與設備進行連接

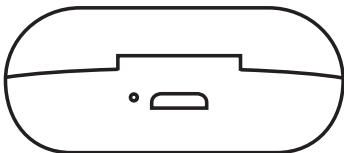
在您的設備上啟用藍牙®。從藍牙® 功能表，選擇「JAM Live Loud」。當設備與Live Loud連接時，您將聽到一個提示音，LED將緩慢閃爍藍光。這表示配對完成。

關掉耳機



將耳機放回盒內，或按住耳機的「播放/暫停」鍵3秒鐘，便能關掉耳機。

使用您的便携式充电案例



充滿電後，便攜盒可以為您的耳機充電 3 次，最多可提供長達 12 小時的聆聽時間。

LED顯示燈

耳機在充電盒裡

紅燈亮起	正在充電
LED燈熄滅	充電完成

隨身式充電盒

紅燈亮起	紅燈亮起
3 個 LED 燈亮	充電完成

耳機在使用中

主 (左耳耳機) LED交替閃爍藍光和紅光，從 (右耳耳機) 緩慢閃爍藍光	耳機相互同步且處於配對模式
慢慢閃爍藍色	與設備配對成功

使用一個耳機

紅、藍燈閃爍	左耳塞與設備處於配對模式
慢慢閃爍藍色	左耳塞與設備已配對

疑難排解

1. 關掉設備的藍牙功能。
2. 將耳機從盒中取出。
3. 按住兩邊耳機的「播放/暫停」鍵5秒鐘，即可關掉耳機。
4. 快按兩邊耳機的「播放/暫停」鍵5，即可啟動耳機。
5. 耳機啟動後，應自動進入同步模式。主耳機 (左) LED將交替閃爍藍光和紅光，而從耳機 (右) LED將緩慢閃爍藍光。如果它們未自動進入

基本功能

音樂

播放/暫停	按其中一個的「播放/暫停」鍵一次
下一曲	快速按兩下右耳耳機上的播放/暫停 鍵兩次
上一曲	快速按兩下左耳耳機上的播放/暫停 鍵兩次

來電

接聽電話	按其中一個 播放/暫停 鍵一次
拒絕接聽電話	按住 播放/暫停 鍵2秒鐘
結束通話	按其中一個 播放/暫停 鍵一次
接聽第二個來電	按其中一個 播放/暫停 鍵一次
拒絕接聽第二個來電	快速按某個 播放/暫停 鍵兩次
在兩個來電間切換	按某個 播放/暫停 鍵兩次

備註：電話，FaceTime和Siri只能從一個耳機裡聽到 (單聲道)。在聽身歷聲音樂時，如有電話進入或啟動Siri，聲音會自動轉入單聲道。

其他

啟動 Siri/Google 助手	快速兩次按「播放/暫停」鍵
檢查耳機的電池電量	查看智能電話
關掉耳機	按住「播放/暫停」鍵3秒鐘

- 同步模式，可快速按左耳耳機的「play/pause」鍵5次，刪除藍牙® 設置並將耳機置於同步模式。
6. 打開設備上的藍牙®。
7. 配對「JAM Live Loud」
8. 耳塞沒有與您的設備斷開連接？如果放入沒有電池的充電盒，JAM Live Loud 耳塞可能會自動連接到您的設備。為獲得最佳體驗，請定期對機箱充電，以確保其始終具有電池壽命。

重要安全說明

請在使用前閱讀所有內容。

警告：請勿將揚聲器過於貼近耳朵。如此可能導致耳膜損傷，特別對於兒童而言。

請僅以本手冊中描述的用途使用本產品。請勿使用非 JAM 推薦的附屬品。

- JAM 不承擔因智慧型手機、iPod/MP3 播放器或其他裝置造成的損傷責任。
- 在揚聲器防水門未關閉時，請勿將其放置或存放於容易掉入浴缸或水槽之處。
- 在揚聲器防水門未關閉時，請勿將其放置或丟入水中或其他液體中。
- 不適合兒童使用。這不是玩具。
- 如果線路、插頭、纜線或外罩已損壞，請勿操作本產品。
- 遠離發熱的表面。
- 僅置於乾燥的表面。在揚聲器防水門未關閉時，請勿將其置於被水或清潔溶劑弄濕的表面。


警告：本產品帶有一個內建且不可替換的鋰電池。須遵照您所居住的州、省或國家的相關法規丟棄用過的電池。請勿讓電池（電池組或已安裝的電池）暴露在陽光、火焰或任何其他高熱之下。


電池替換 您的耳機帶有一個充電電池，以延長產品的使用期。在某些特殊情況下您需要更換電池，請聯絡客戶服務人員，他們會為您提供保固期內或超過保固期的電池更換服務詳情。本產品包含小零件，可能會給您的孩子造成窒息的危險。

注意：本產品的所有服務必須僅由 Jam Audio 服務人員授權提供。

要取得完整的使用者手冊及登記您的產品，請造訪 www.jamaudio.com (美國) 或 canada.jamaudio.com (加拿大)，或 uk.jamaudio.com/instructionbooks (英國)

 為避免可能的聽力損傷，請勿長時間以高音量播放。

 WEEE 規範 本標記表示在歐盟地區本產品不得與家居廢物一起丟棄。為避免因不經控制的廢物丟棄對環境和人身健康造成可能的傷害，請負責任地回收電池以促進物質資源的可持續的重複利用。

 電池指令 本標識表示電池不得丟棄於家居廢物中。它們均含有對環境和健康造成傷害的物質。請將電池丟棄於指定的收集地點。

FKA Brands Ltd 特此聲明，本無線裝置符合指令 2014/53/EU 的基本要求和和其他相關條款。「符合標準聲明」的副本可從 uk.jamaudio.com/DoC 取得

低功率電波輻射性電機管理辦法

第十二條 經型式認證合格之低功率射頻電機，非經許可，公司、商號或使用者均不得擅自變更頻率、加大功率或變更原設計之特性及功能。

第十四條 低功率射頻電機之使用不得影響飛航安全及干擾合法通信；經發現有干擾現象時，應改善至無干擾時方得繼續使用。

前項合法通信，指依電信法規定作業之無線電通信。

低功率射頻電機須忍受合法通信或工業、科學及醫療用電波輻射性電機設備之干擾。