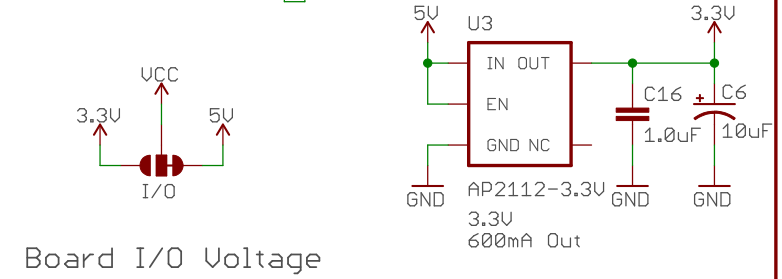
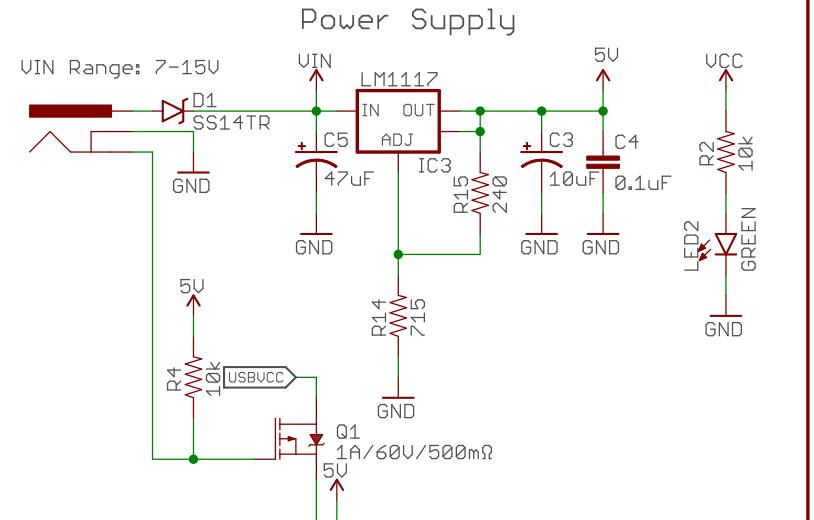
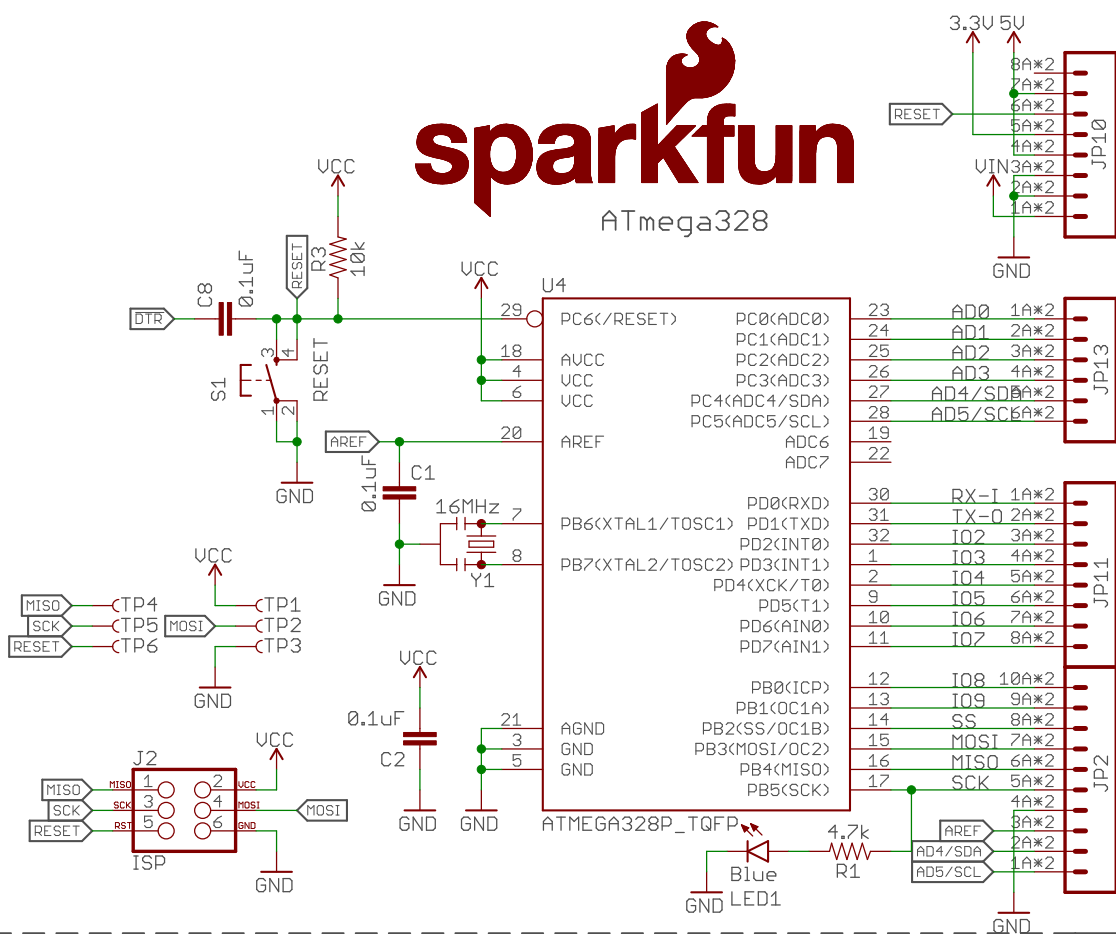




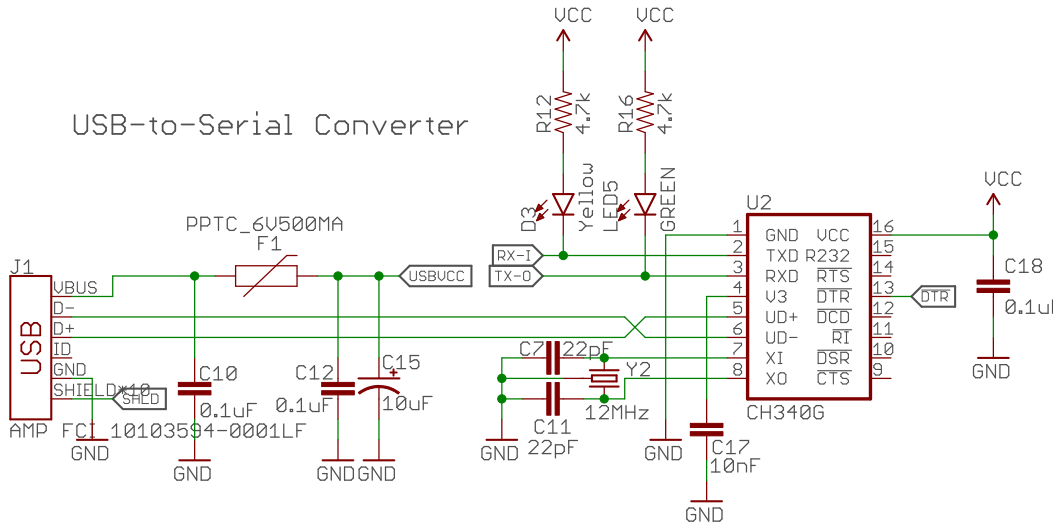
ATmega328



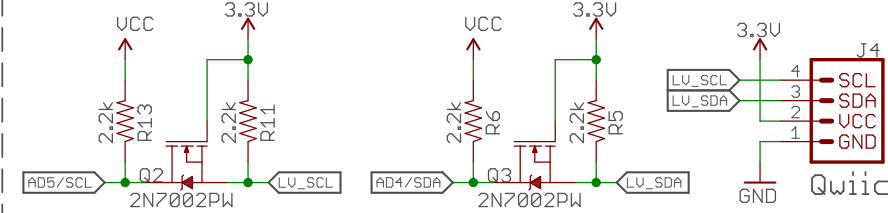
To convert the board to 3.3V you must cut the jumper to 5V and use solder to close the jumper towards 3.3V.



USB-to-Serial Converter



Qwiic 3.3V Conversion



Released under the Creative Commons Attribution Share-Alike 4.0 License
<https://creativecommons.org/licenses/by-sa/4.0/>

TITLE: BlackBoard		⊗ ⊗
Design by: Jim Lindblom, N. Seidle Based on Arduino by: M. Banzi, D. Cuartielles, T. Igoe, G. Martino, D. Mellis		REV: X01
Date: 4/30/2018 3:35 PM	Sheet: 1/1	