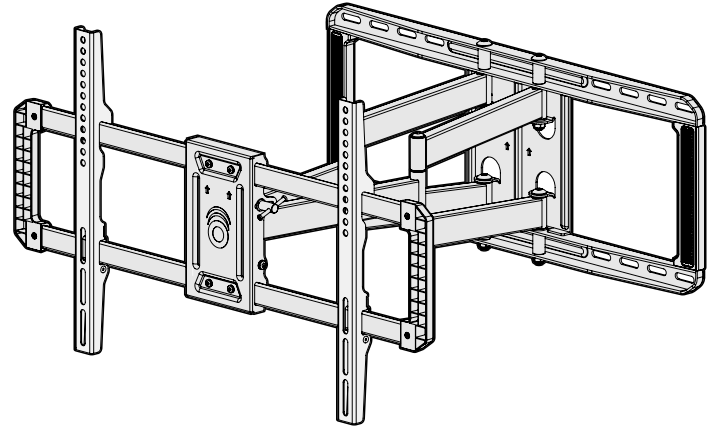




#YourGearUpgraded



**FULL MOTION  
TV WALL MOUNT**

Model **EGLF2**

INSTRUCTION MANUAL

**IMPORTANT** SAFETY INSTRUCTIONS. **READ** ENTIRE MANUAL PRIOR TO USE. **SAVE** THESE INSTRUCTIONS

**YEA, THE BORING STUFF ... *but read it, so you don't jack things up!***

Please read through these instructions completely to be sure you're comfortable with this easy install process. Also check your TV owner's manual to see if there are any special requirements for mounting your TV.

If you do not understand these instructions or have doubts about the safety of the installation, assembly or use of this product, **contact The Echogear Pros at 1-855-428-2490.**

**⚠ CAUTION: Avoid potential personal injuries and property damage!**

- ▶ This product is designed for use in wood stud, solid concrete, and concrete block walls - DO NOT install into drywall alone
- ▶ The wall must be capable of supporting five times the weight of the TV and mount combined
- ▶ Do not use this product for any purpose not explicitly specified by manufacturer
- ▶ Manufacturer is not responsible for damage or injury caused by incorrect assembly or use

## WEIGHT RESTRICTIONS



Your TV (including accessories)  
**CANNOT EXCEED 125 lbs.**  
**(56.6 kg)** for this mount.

*"You can think about it ...  
but doooooon't do it."*

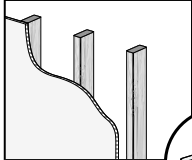
If your TV weighs more, this mount is NOT compatible.  
Visit [echogear.com](http://echogear.com) to find a compatible mount.

**⚠ CAUTION:** DO NOT exceed the maximum weight indicated. This mounting system is intended for use only with the maximum weights indicated. Use with products heavier than the maximum weights indicated may result in collapse of the mount and its accessories, causing possible injury.

# VERIFY YOUR WALL CONSTRUCTION

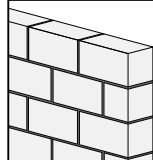
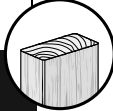
**CAUTION:**

**DO NOT  
install into  
drywall alone**



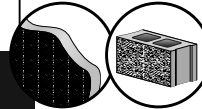
**wood  
studs** (with  
Drywall)?

**Perfect!  
Good to Go**



Solid **concrete**  
or **concrete**  
block?

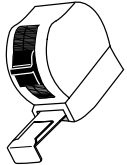
**Kit# CMK1  
Required  
(Not Included)**



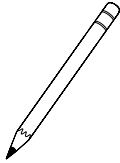
**UUUUHHH?!?  
Unsure?**

**Contact The Echogear Pros  
at 1-855-428-2490 or  
[www.echogear.com](http://www.echogear.com)**

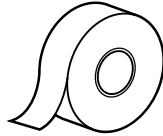
# GRAB YOUR TOOLS



**Tape  
Measure**



**Pencil**

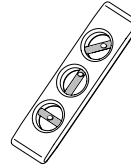


**Tape**

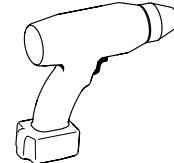


**Phillips  
Screwdriver**

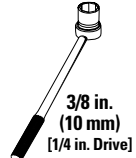
*"Give it back  
to Phil when  
you finish"*



**Level**



**Electric Drill**



**Socket  
Wrench**

## Wood Stud Wall Installation



**Stud Finder**



**Awl**



**7/32 in.  
(5.5 mm)  
for wood**

**Drill Bit**

## Concrete Wall Installation



**3/8 in.  
(10 mm)  
for concrete**

**Drill Bit**

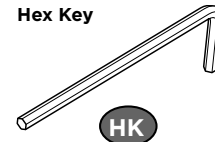


**Hammer**

## TOY SURPRISE

**FREE Inside Every Box**

**Hex Key**



**HK**

*"The key  
to minor  
adjustments"*

We're driven to give DIYers an awesome install experience. We stand behind everything we make because you deserve the best entertainment experience without sacrificing quality and spending your whole paycheck.

Guess what? We'll help you through the entire process, too.

Why? Because we like to help and it's our passion to provide authentic service. We won't leave you hanging, no matter what.

Our U.S. based Echogear Pros answer the phone in all days ending in Y. That means availability to try and stump our expert staff 7 days a week.

Call us if you...

- 1** Have any questions before, during, or after install.
- 2** Need different hardware to fit your TV model.
- 3** Just need someone to chat with. We're here for you.

# WHAT'S IN THE BOX

**⚠ WARNING:** DON'T FEED TO CHILDREN — This product contains small items that could be a choking hazard if swallowed. Before starting assembly, verify all parts are included and undamaged. If any parts are missing or damaged, do not return the damaged item to your dealer; contact Customer Service. Never use damaged parts!

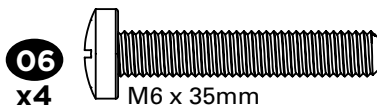
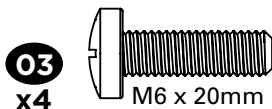
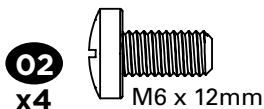
**📄 NOTE:** Not all hardware included in this kit will be used.

## STUFF FOR STEP 1

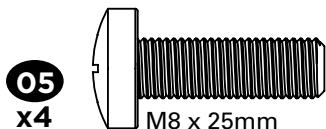
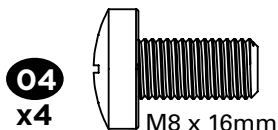


TV Bracket  
**01** x2

### M6 TV Screws



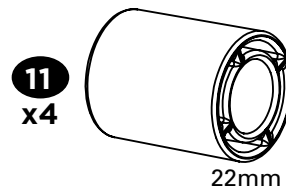
### M8 TV Screws



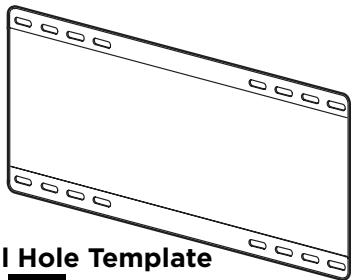
### Washer



### Spacers

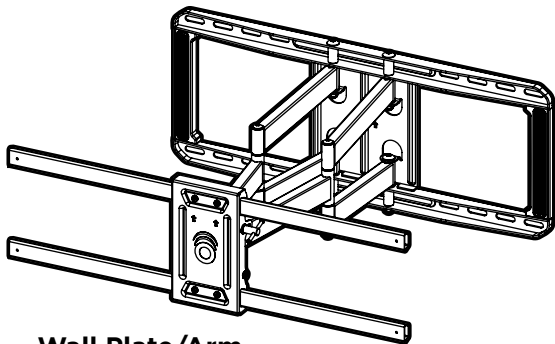


## STUFF FOR STEP 2



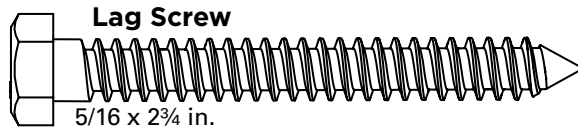
Drill Hole Template

**12** x1



Wall Plate/Arm

**13** x1

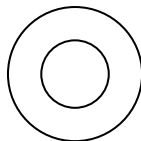


Lag Screw

5/16 x 2 3/4 in.

**14** x4

Washer (For Lag Screw)



**15** x4

5/16 in.

### FOR CONCRETE INSTALLATIONS:

Call The Echogear Pros at 1-855-428-2490 for concrete Kit# CMK1

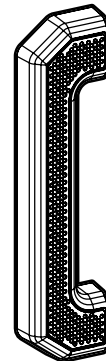
### Concrete Anchor



Fischer UX 10 x 60R

**C1** x4

## STUFF FOR STEP 3



End Cap

**16** x2



M4 x 10mm

End Cap Screw

**17** x4

# STEP 1

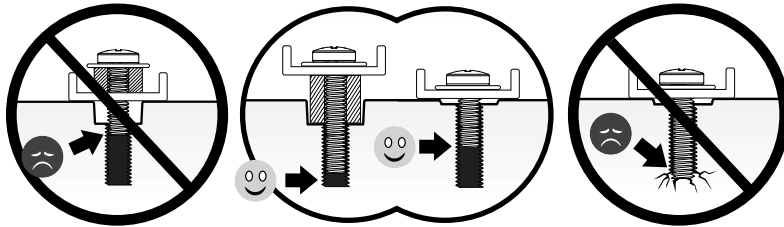
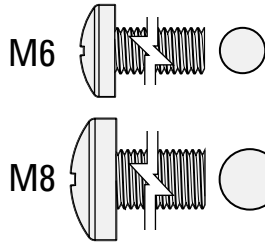
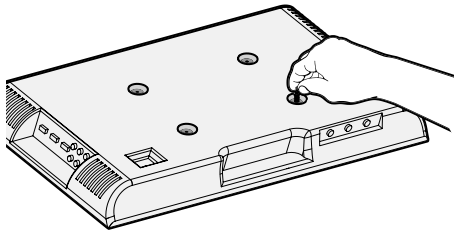
# ATTACH THE TV BRACKETS TO YOUR TV

## STEP 1.1

### Select TV Screws

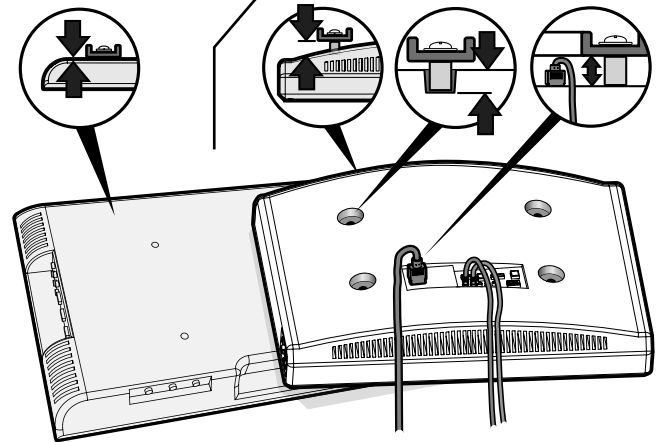
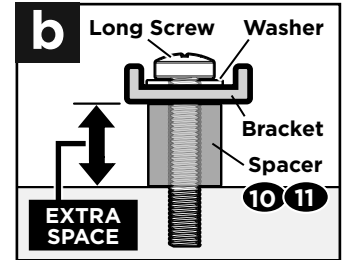
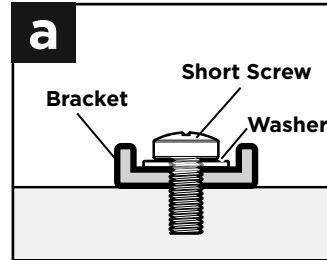
Only one screw size fits your TV.

*"Suggested uses for the extra screws: board game pieces, industrial jewelry, sweet corn holders, homemade maracas, stocking stuffers, currency (not most countries) ..."*



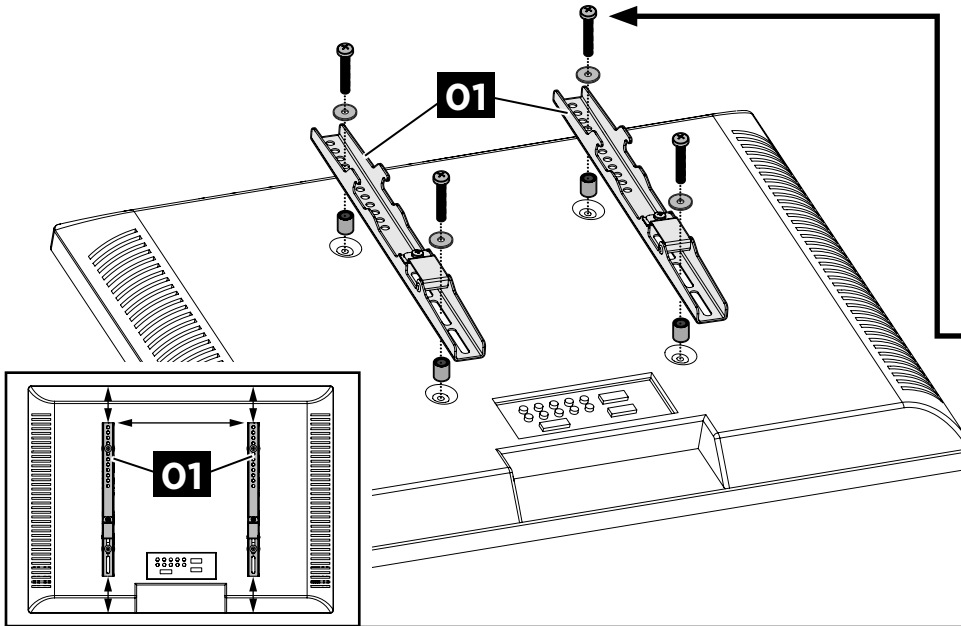
## STEP 1.2

### Select Spacers (if needed)



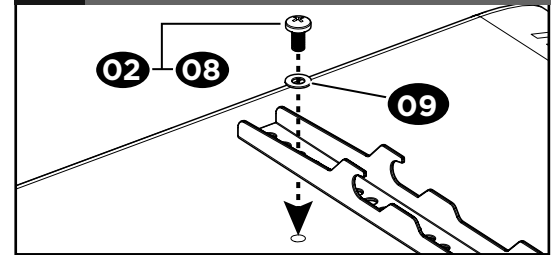
## STEP 1.3

## Secure the TV Brackets

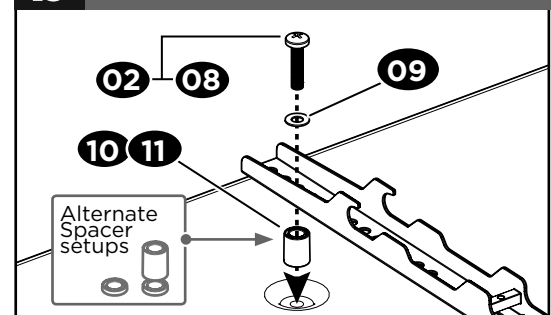


**⚠ CAUTION:** Ensure the TV brackets **01** are EQUALLY CENTERED on your TV AND securely fastened in place.

### a Screw and washer



### b screw, washer and Spacer(s)





## STEP 2

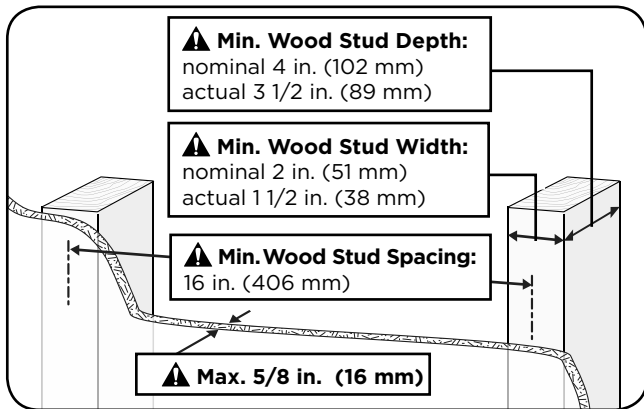
# INSTALL THE WALL PLATE / ARM



For

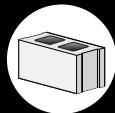
**WOOD STUD INSTALLATIONS,**

follow **STEP 2A** on **PAGE 10**



**▲ CAUTION:** Avoid potential personal injuries and property damage!

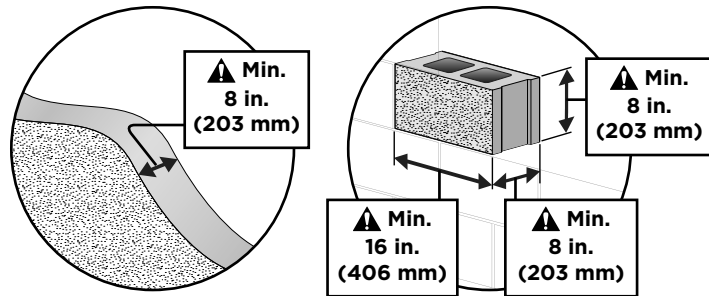
Drywall covering the wall must not exceed 5/8 in. (16 mm). Minimum wood stud size: nominal 2 x 4 in. (51 x 102 mm) actual 1 1/2 x 3 1/2 in. (38 x 89 mm).



For

**CONCRETE INSTALLATIONS,**

follow **STEP 2B** on **PAGE 12**



**▲ CAUTION:** Avoid potential personal injuries and property damage!

Mount wall plate/arm **13** directly onto the concrete surface (no surface covering).

## STEP 2A

## (FOR WOOD STUD)

## INSTALL THE WALL PLATE / ARM

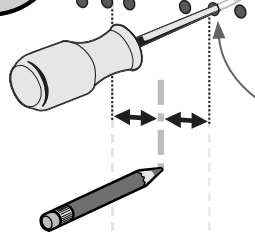
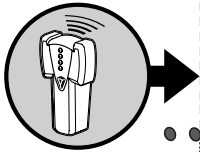
### STEP 2A.1

### Find a Stud

X-Ray Specs sold separately

Use a stud finder ...

... and/or verify the edges with an awl or a small drill bit.



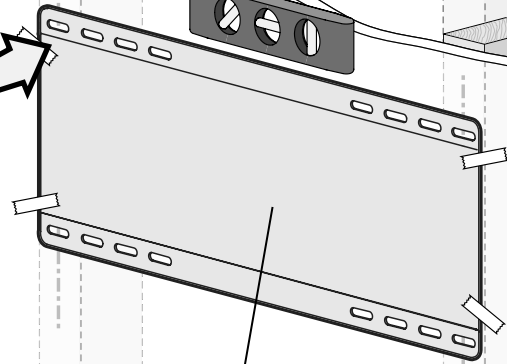
"favorite pokey device"

**TIP:** Do this in the location you are installing wall plate **13**, so the holes will be covered.

### STEP 2A.2

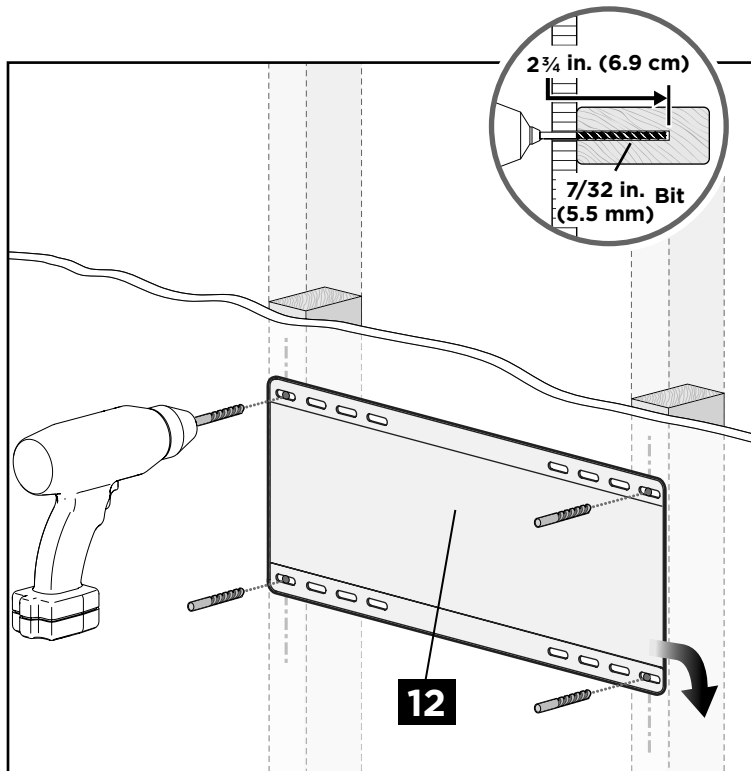
### Align the Template

"Come on ... level with me"

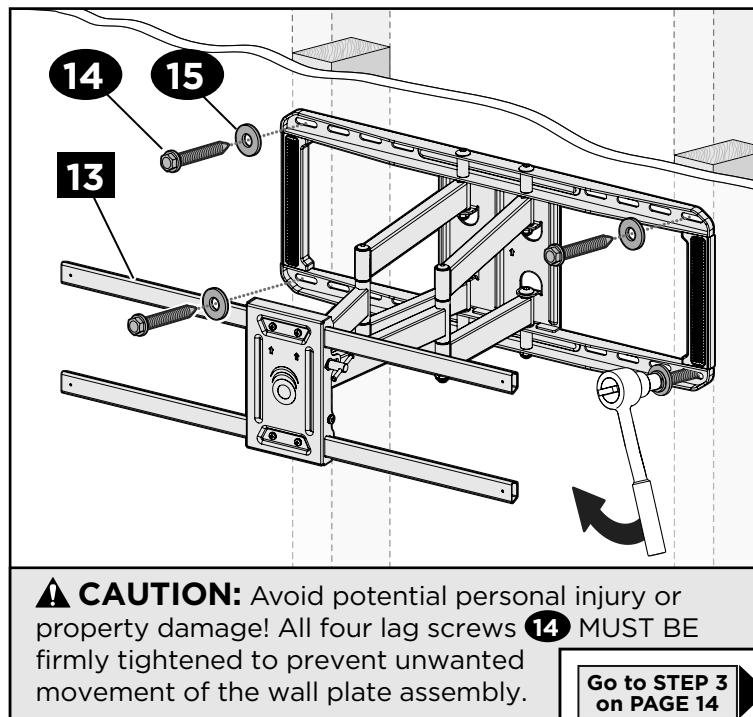


**12**

## STEP 2A.3 Drill Holes



## STEP 2A.4 Secure Wall Plate



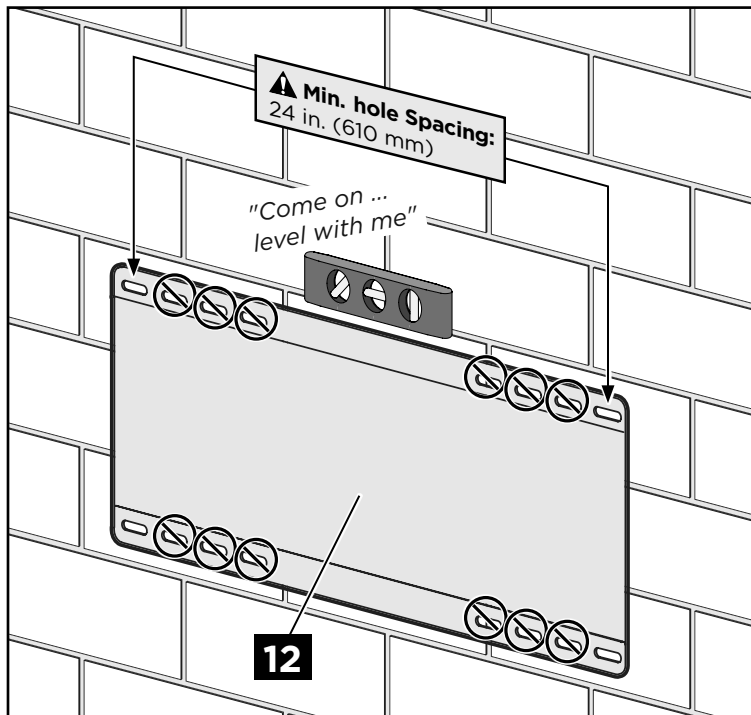
## STEP 2B

(FOR CONCRETE)

## INSTALL THE WALL PLATE / ARM

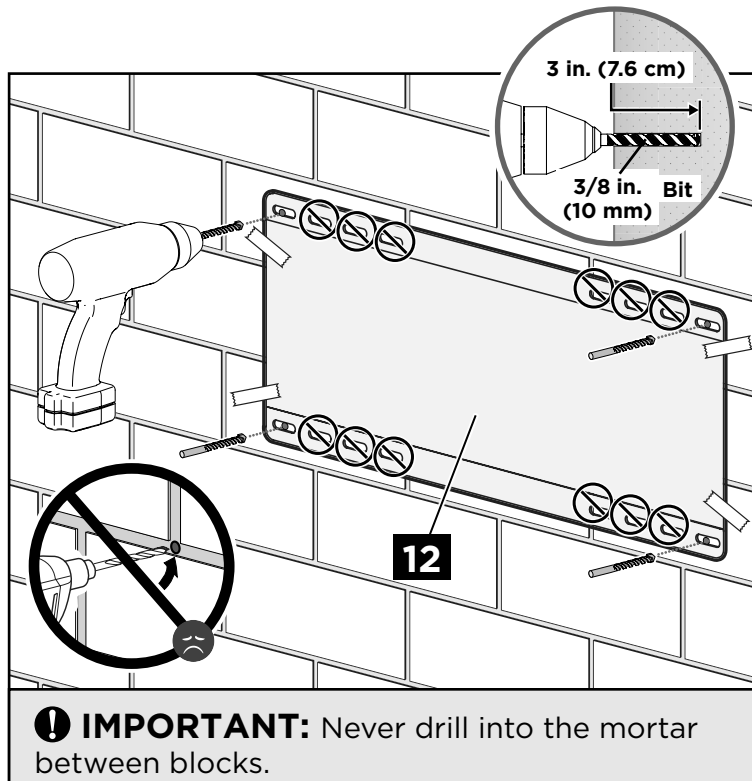
### STEP 2B.1

#### Align the Template



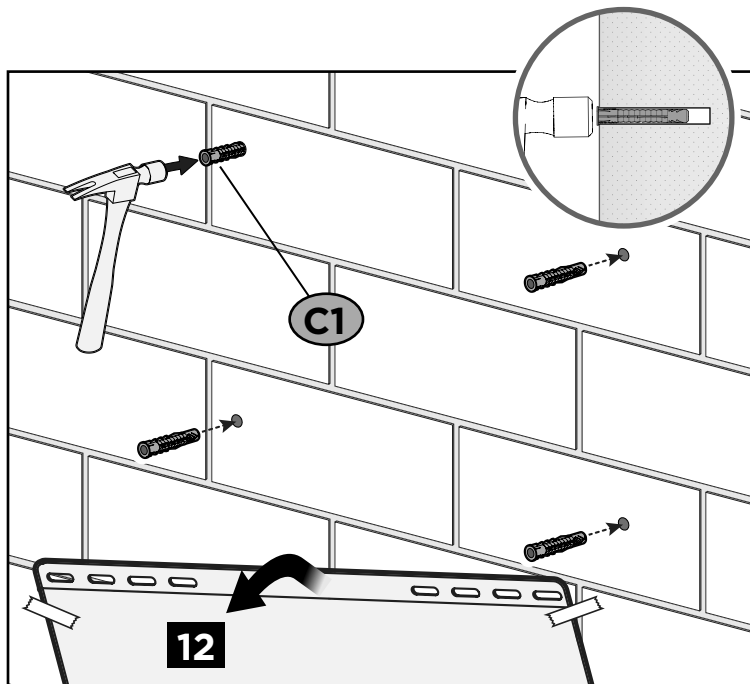
### STEP 2B.2

#### Drill Holes



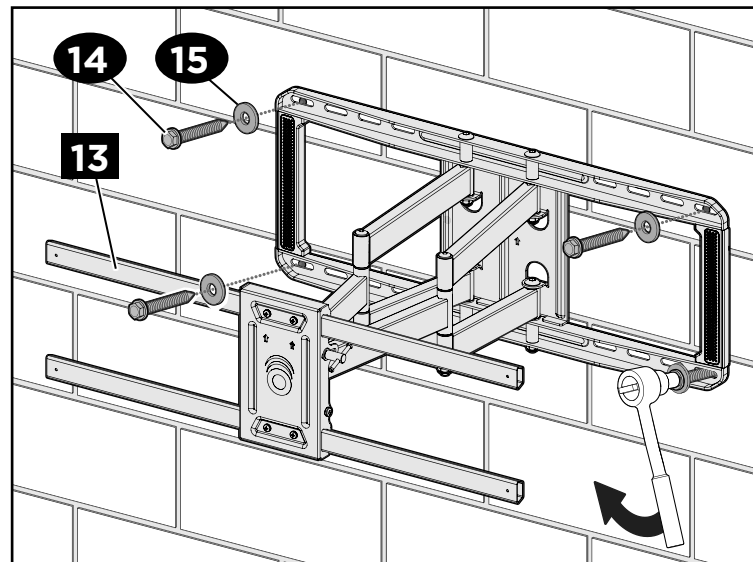
**! IMPORTANT:** Never drill into the mortar between blocks.

## STEP 2B.3 Insert Concrete Anchors



For concrete anchors (C1), contact The Echogear Pros at 1-855-428-2490

## STEP 2B.4 Secure Wall Plate



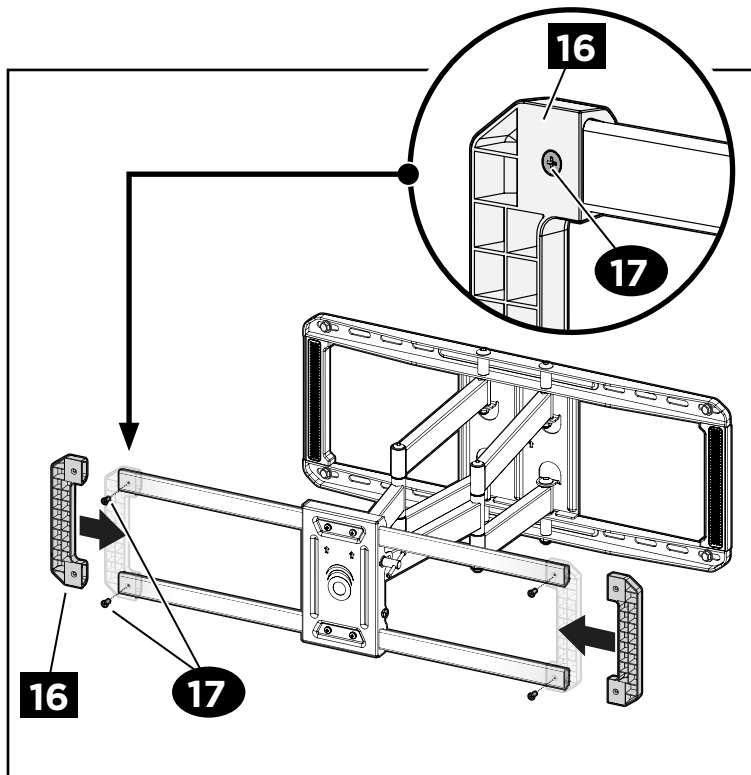
**⚠ CAUTION:** Avoid potential personal injury or property damage! All four lag screws **14** MUST BE firmly tightened to prevent unwanted movement of the wall plate assembly.

## STEP 3

## HANG YOUR TV

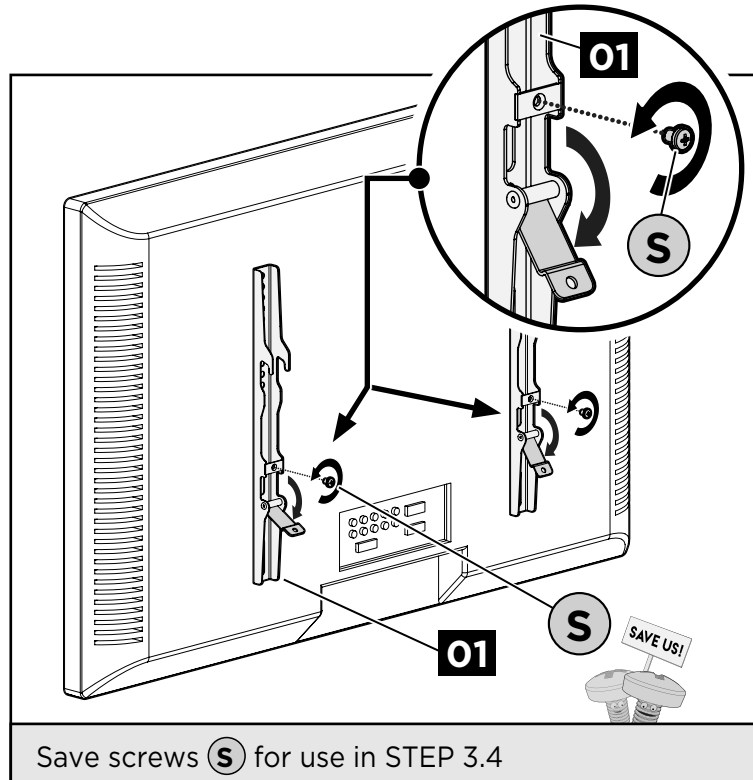
### STEP 3.1

### Install End Caps



### STEP 3.2

### Prepare Your TV



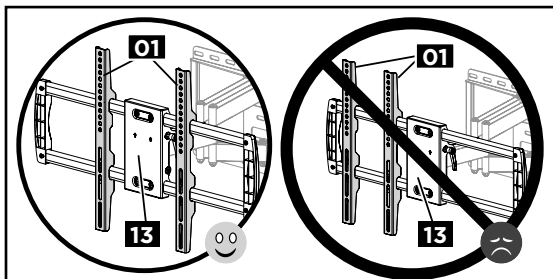
## STEP 3.3

## Hang Your TV



**HEAVY!** You may need assistance with this step.

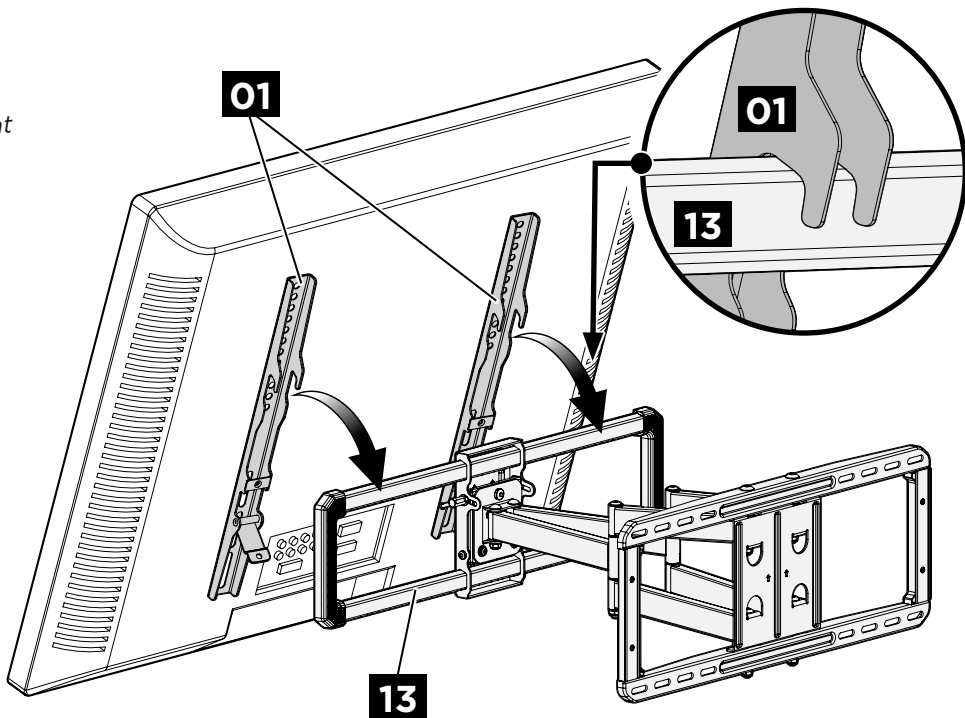
*"Ask that friend of yours that yammers on about crossfit"*



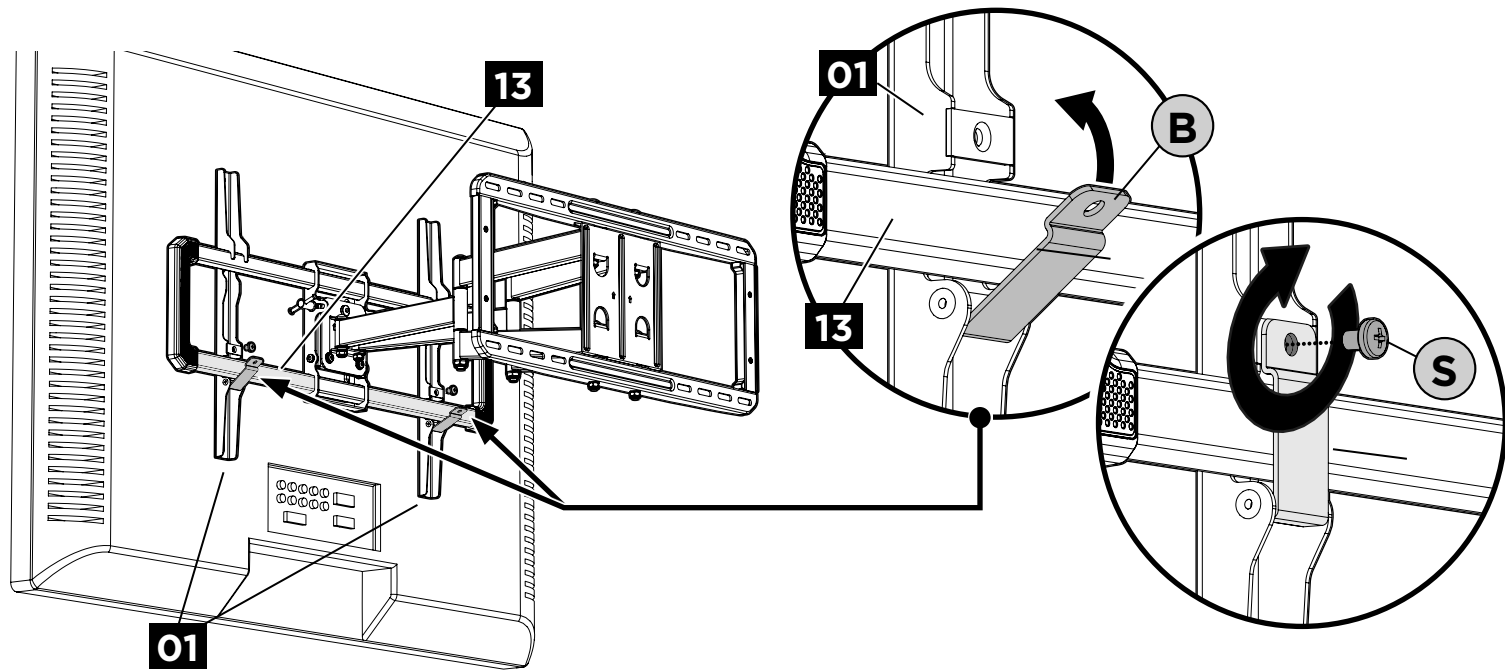
### ⚠ IMPORTANT:

TV brackets **01** **MUST** be centered AND span the faceplate of arm **13**.

*"SPAN THE FACEPLATE ...  
that's a good name for a band!"*



## STEP 3.4 Secure Your TV



**⚠ CAUTION:** Avoid potential personal injury or property damage!

Bracket clips **(B)** and screws **(S)** MUST be installed to secure your TV with brackets **(01)** to wall plate/arm **(13)**.




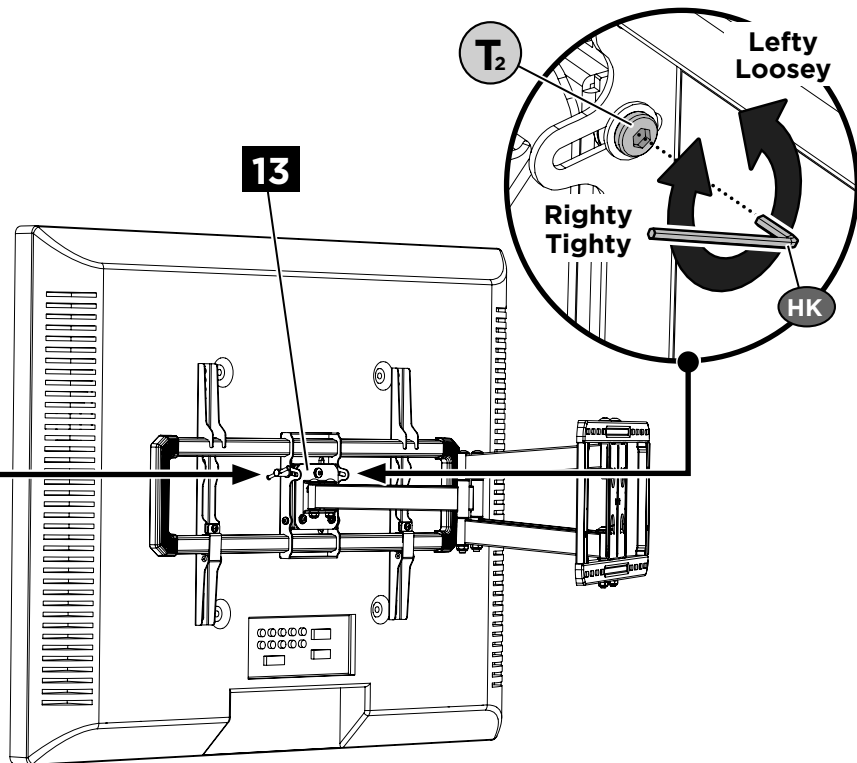
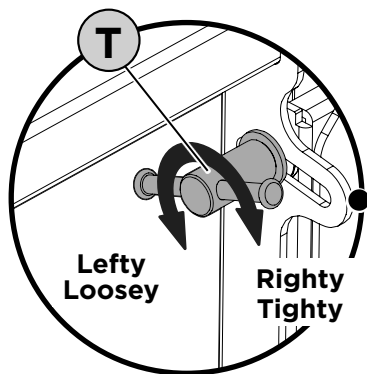
# ADJUSTMENTS

## TILT

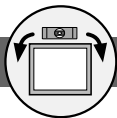


1. Loosen the tilt lever **T**.
2. Adjust the TV tilt position.
3. Tighten tilt lever **T** to secure the TV in place at your desired tilt angle.

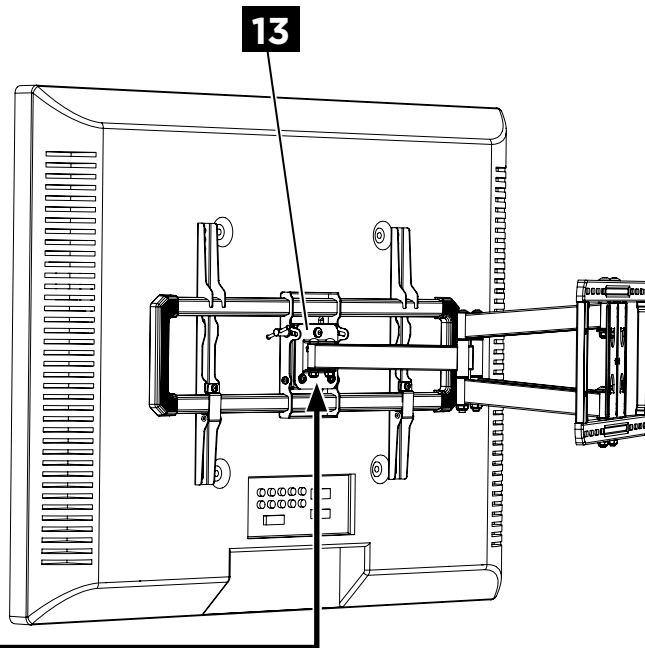
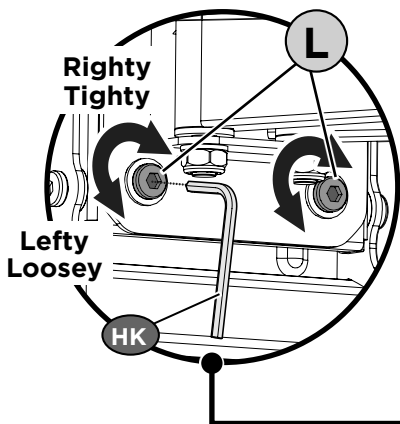
 **NOTE:** If needed, tighten screw **T<sub>2</sub>** for additional tilt tensing.



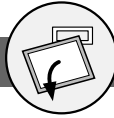
## LEVEL



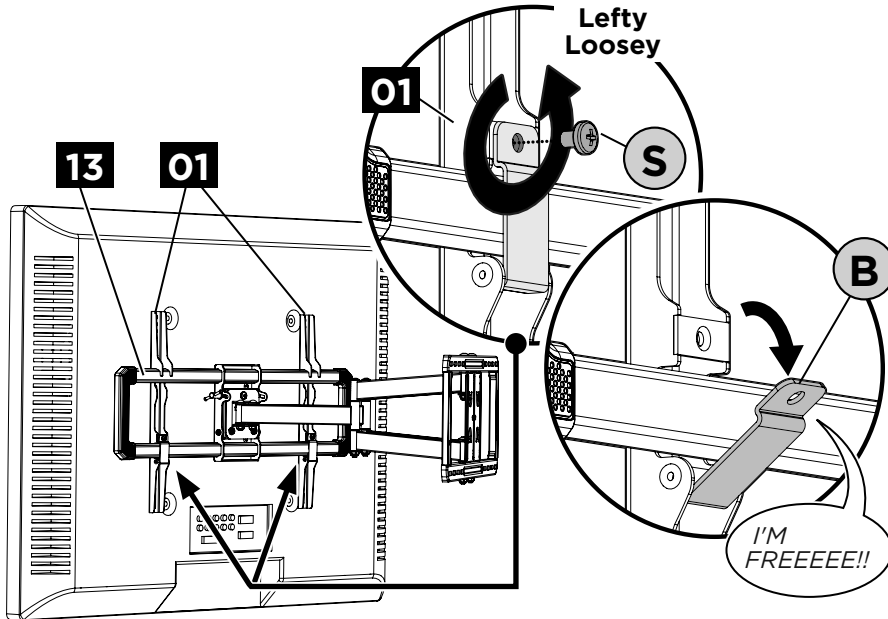
1. Loosen the two screws **L** on the rear of arm plate **13**, using the hex key.
2. Level your TV.
3. Retighten screws **L** to secure in place.



## REMOVE YOUR TV

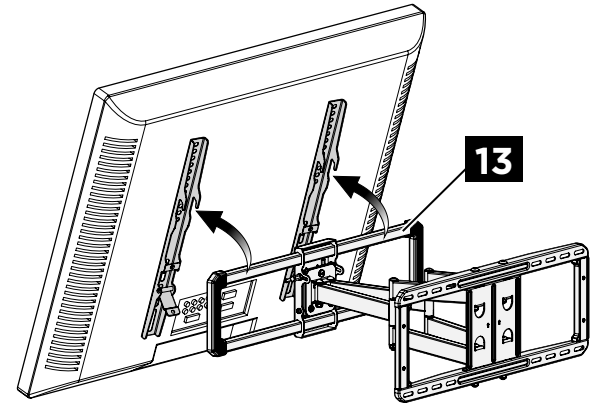


Remove screws **(S)** and bracket clips **(B)**, then lift your TV up and off of wall plate/arm **13**.



**HEAVY!** You may need assistance with this step.

*"Don't be a hero!"*





“Wanna show off your hard work?  
Share a picture of your completed project  
with **#YourGearUpgraded**.  
Who knows, it might not be as bad as you thought”

## *Confuzzled?* Contact the ECHOGEAR Pros:



1-855-428-2490



helpmehelpyou@ECHOGEAR.com



ECHOGEAR.com

Milestone AV Technologies and its affiliated corporations and subsidiaries (collectively, “Milestone”), intend to make this manual accurate and complete. However, Milestone makes no claim that the information contained herein covers all details, conditions, or variations. Nor does it provide for every possible contingency in connection with the installation or use of this product. The information contained in this document is subject to change without notice or obligation of any kind. Milestone makes no representation of warranty, expressed or implied, regarding the information contained herein. Milestone assumes no responsibility for accuracy, completeness or sufficiency of the information contained in this document.

©2017 Milestone AV Technologies. All rights reserved. ECHOGEAR is a Milestone brand.

ECHOGEAR and the ECHOGEAR logo are trademarks of Milestone.

Made in China.

Milestone Global Headquarters • 6436 City West Parkway • Eden Prairie, MN 55344 USA

6901-602120 00