

1116 WIRELESS RELAY OUTPUT

Installation Guide

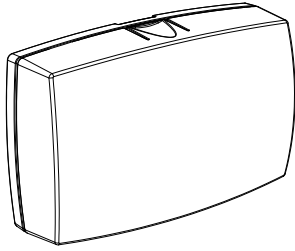


Figure 1: 1116

DESCRIPTION

The 1116 Wireless Relay Output provides a Form C (SPDT) dry relay contact rated for 1 Amp at 30 VDC. Regardless of the state of the relay, the 1116 operates on constant minimal standby current. The 1116 relay can be controlled from a DMP panel output programmed to respond to a variety of conditions such as armed area annunciation, ambush alarm, burglary alarm, exit timer, entry timer, schedules, or communication failure.

Compatibility

- All DMP 1100 Series Wireless Receivers and burglary panels

What is Included?

- 1116 Wireless Relay Output
- 3 V Lithium CR123A battery
- Hardware pack



1 PROGRAM THE PANEL

Refer to the panel programming guide as needed.

1. In **OUTPUT INFO** or **OUTPUT SETUP**, enter the **OUTPUT** number.
2. Enter the **OUTPUT NAME**.
3. Enter the eight-digit **SERIAL#** and press **CMD**.
4. Enter the **SUPRVSN TIME** and press **CMD**.
5. Press the back arrow when **OUTPUT NO:** displays.
6. Press **CMD** until **STOP** displays and then press any select area to save and exit programming.



Note: For wireless output troubles to display at a keypad on an XR150/XR550 Series system, the keypad address must be specified at the **AUX 1 ZONES** (Auxiliary 1 Zones) option in the Status List programming menu. See the XR150/XR550 Programming Guide (LT-1232) for more information.

Program Slow Response

Use the following output numbers for your device to indicate whether the wireless device responds within 15 seconds to trip the output (slow response). Programming the 1116 as a slow response output can increase battery life. See last page for battery life expectancy.

Panel	Output numbers
XTLplus (LT-1434)	51-54
XTLtouch (LT-1789)	51-54
XR150/XR550 (LT-1232)	450-474
XT30/XT50 (LT-0981)	31-34

Program Fast Response

Use the following output numbers for your device to indicate whether the wireless device responds within 1 second to trip the output (fast response). Programming the 1116 as a fast response output can decrease battery life. See last page for battery life expectancy.

Panel	Output numbers
XTLplus (LT-1434)	61-64
XTLtouch (LT-1789)	61-64
XR150/XR550 (LT-1232)	480-499
XT30/XT50 (LT-0981)	41-44

Supervision Reset

Supervision time is reset under the following circumstances:

- A receiver is installed, powered down, and powered up.
- The panel is reset.
- Programming is complete.



Note: If the receiver has been powered down for more than one hour, the device may take up to an additional hour to send a supervision message unless tripped, tampered, or powered up. This operation extends battery life. A missing message may display on the keypad until the supervision message is sent.

2 POWER THE DEVICE

Power the device with a 3 V lithium battery or a 12 VDC power supply. Do not install a battery if the device is being powered by a power supply. The power supply does not charge the battery.

CR123A 3 V Lithium Battery

Observe polarity when installing the included CR123A battery.

1. Remove the housing cover.
2. Install the supplied jumper on the two pins next to BAT on the power source header.
3. Place the battery in the holder and observe polarity.
4. Snap the cover back into place.

12 VDC Plug-In or External Power Supply

The device can also be powered by a 12 VDC plug-in power supply (e.g. DMP Model 376L) or a 12 VDC external power supply (e.g. DMP Model 505-12). When using a plug-in power supply, mount the device near a wall outlet.

1. Remove the housing cover.
2. Install the supplied jumper on the two pins next to EXT on the power source header.
3. Wire the power supply to the DC power terminals by following the power supply-specific instructions below.

Plug-In Power Supply

Connect the black wire with the white stripe to the positive (+) terminal and the solid black wire to the negative (-) terminal. See Figure 2. Plug the power supply into a 110 VAC outlet.

External Power Supply

Using 22 AWG wire, connect the DC power terminal block on the device to the DC power terminal on the 505-12 power supply PCB. Observe positive and negative polarity on all connections. See Figure 3.

Snap the cover back into place when you are finished.

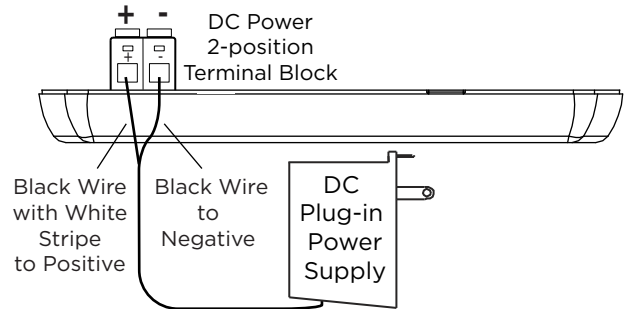


Figure 2: PCB Side View

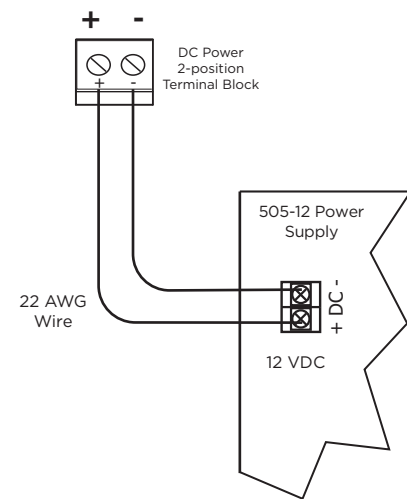


Figure 3: Power Supply Connection

3 SELECT A LOCATION

The 1116 Wireless Relay Output provides a Survey LED capability to allow one person to confirm communication with the wireless receiver or panel while the cover is removed.

1. With the cover removed, hold the device in the exact desired location.
 2. Press the tamper switch to send data to the panel and determine if communication is confirmed or faulty.
- ✓ **Confirmed:** If communication is confirmed, for each press or release of the tamper switch, the LED blinks immediately on and immediately off. Repeat this test to confirm five separate consecutive LED blinks. Any indication otherwise means proper communication has not been established.
 - ✗ **Faulty:** If communication is faulty, the LED remains on for about 8 seconds or flashes multiple times in quick succession. Relocate the device or receiver until the LED confirms clear communication.

4 MOUNT THE DEVICE

Mount the device on a flat surface such as a wall or single-gang box. When using the optional Model 376L plug-in power supply, mount the device near a wall outlet. See Figure 4 for an example of all mounting holes on the housing base. Use any combination.

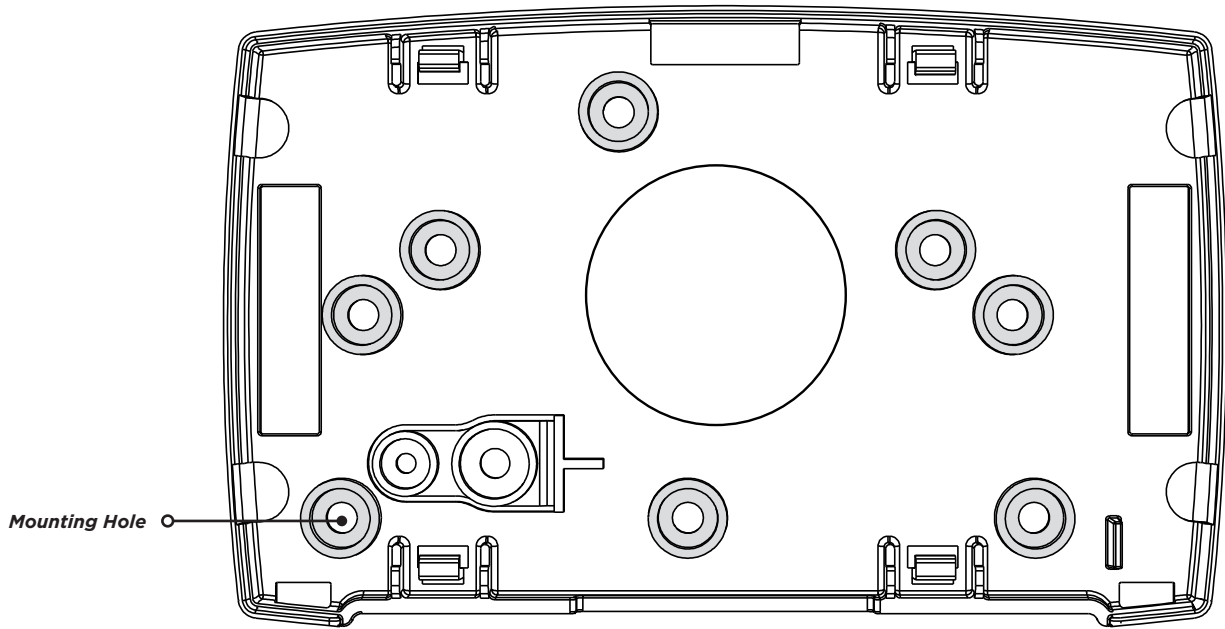


Figure 4: Mounting Hole Locations

5 CONNECT THE DEVICE

Use 22 or 18 AWG wire to connect the relay output. The Form C relay can be connected to operate as Normally Closed (NC) or Normally Open (NO). See Figure 5.

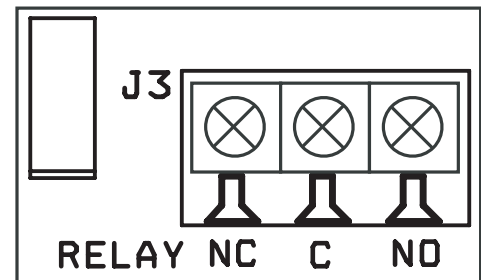


Figure 5: Relay Connection

ADDITIONAL INFORMATION

1116 Relay Output Annunciation

The following table shows the device annunciation operation options.

Panel Programmed Action	Annunciation
STEADY	Relay output turns on and remains on
PULSE	Relay output alternates one second on, one second off
MOMENTARY	Relay output turns on once for one second
TEMPORAL (XR150/XR550 SERIES ONLY)	Relay output repeats the following sequence: <ul style="list-style-type: none"> • on 1/2 second, off 1/2 second • on 1/2 second, off 1/2 second • on 1/2 second, off 1-1/2 second


FCC INFORMATION

This device complies with Part 15 of the FCC Rules. Operation is subject to the following two conditions:

1. This device may not cause harmful interference, and
2. this device must accept any interference received, including interference that may cause undesired operation.

The antenna used for this transmitter must be installed to provide a separation distance of at least 20 cm (7.874 in.) from all persons. It must not be located or operated in conjunction with any other antenna or transmitter.

Changes or modifications made by the user and not expressly approved by the party responsible for compliance could void the user's authority to operate the equipment.

 **Note:** This equipment has been tested and found to comply with the limits for a Class B digital device, pursuant to part 15 of the FCC Rules. These limits are designed to provide reasonable protection against harmful interference in a residential installation. This equipment generates, uses and can radiate radio frequency energy and, if not installed and used in accordance with the instructions, may cause harmful interference to radio communications. However, there is no guarantee that interference will not occur in a particular installation. If this equipment does cause harmful interference to radio or television reception, which can be determined by turning the equipment off and on, the user is encouraged to try to correct the interference by one or more of the following measures:

1. Reorient or relocate the receiving antenna.
2. Increase the separation between the equipment and receiver.
3. Connect the equipment into an outlet on a circuit different from that to which the receiver is connected.
4. Consult the dealer or an experienced radio/TV technician for help.

INDUSTRY CANADA INFORMATION

This device complies with Industry Canada Licence-exempt RSS standards. Operation is subject to the following two conditions:

1. This device may not cause interference, and
2. this device must accept any interference, including interference that may cause undesired operation of the device.

This system has been evaluated for RF Exposure per RSS-102 and is in compliance with the limits specified by Health Canada Safety Code 6. The system must be installed at a minimum separation distance from the antenna to a general bystander of 7.87 inches (20 cm) to maintain compliance with the General Population limits.

Le présent appareil est conforme aux CNR d'Industrie Canada applicables aux appareils radio exempts de licence. L'exploitation est autorisée aux deux conditions suivantes:

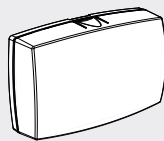
1. *l'appareil ne doit pas produire de brouillage, et*
2. *l'utilisateur de l'appareil doit accepter tout brouillage radioélectrique subi, même si le brouillage est susceptible d'en compromettre le fonctionnement.*

L'exposition aux radiofréquences de ce système a été évaluée selon la norme RSS-102 et est jugée conforme aux limites établies par le Code de sécurité 6 de Santé Canada. Le système doit être installé à une distance minimale de 7.87 pouces (20 cm) séparant l'antenne d'une personne présente en conformité avec les limites permises d'exposition du grand public.

1116 WIRELESS RELAY OUTPUT

Specifications

Battery	
Life Expectancy	2 months (fast response) 5 years (slow response)
Type	3 V Lithium CR123A
Frequency Range	905-924 MHz
Dimensions	4.65" L x 3.10" W x 1.40" H 11.81 L x 7.87 W x 3.56 H cm
Color	White
Housing Material	Flame Retardant ABS



Accessories

CR123	DMP 3 V Lithium Battery
376L	DC Plug-in Power Supply
505-12	12 VDC Power Supply

Compatibility

- XT30 panels with 1100D Series Wireless Receiver with Version 105 or higher
- XT50 panels with integrated wireless receiver or 1100D Series Wireless Receiver with Version 105 or higher
- XR150/XR550 Series panels with 1100X Series Wireless Receivers with Version 105 or higher
- XTLplus panels with integrated wireless receiver
- XTLtouch panels with integrated wireless receiver

Patents

U.S. Patent No. 7,239,236

Certifications

- FCC Part 15 Registration ID CCKPC0101
- IC Registration ID 5251A-PC0101



Designed, engineered, and
manufactured in Springfield, MO
using U.S. and global components.

LT-0707 20361

© 2020

INTRUSION • FIRE • ACCESS • NETWORKS

2500 North Partnership Boulevard
Springfield, Missouri 65803-8877

800.641.4282 | DMP.com