

HXM SPEAKERS MOTORSPORT SERIES



DIAMOND

Owners Manual

ABOUT THE DIAMOND AUDIO EXPERIENCE

Congratulations, you have just purchased the finest Marine Audio products on the market to date. At Diamond Audio, our products represent the latest advances in acoustic technology in sound reproduction for your power sport/marine applications. Diamond Audio products are designed, developed, and engineered using the latest innovative materials and components to provide the finest sound reproduction possible. Every Diamond Audio product has been Klippel verified and tested to ensure the best sounding and most reliable product on the market, if installed properly, Diamond Audio products will provide many years of the ultimate listening experience.

Please note that prolonged exposure to sound pressure levels in excess of 100dB can cause permanent hearing loss. Using Diamond Audio products can exceed that level so please exercise restraint in its operation in order to preserve your ability to enjoy its high fidelity sound for many years to come.

Diamond Audio recommends our products be professionally installed by an authorized Diamond Audio dealer to achieve the best possible system recommendation and installation. This will ensure a true Diamond Audio listening experience and sound you would expect from Diamond Audio products. In doing this you will extend your warranty from one year to two years.

Go ahead, Hear the Music

MODEL	TYPE	POWER HANDLING
HXM525	5.25" 2-Way Componet Coaxial	60W RMS
HXM65	6.5" 2-Way Componet Coaxial	80W RMS
HXM8	8" 2-Way Componet Coaxial	120W RMS

FEATURES

- Manufactured to IP65 Marine Grade Compliant Specifications
- 1" Bridge Mounted Titanium Dome Tweeter
- Shorting Ring Utilized In Motor Structure For Far-Field Performance
- UV-Treated Thermal Molded Waterproof Kevlar Cone with Rubber Surround
- 12dB Bessel Crossover Network
- Super High Energy Neo Motor System with Milled aluminum top plate
- High Temperature UV-treated Injected Composite Basket
- Integrated RGB LED Lighting
- HXMRGBLC Multi-Function RGB LED Lighting Remote Control Available (optional)

FEATURES

Model	HXM525	HXM65	HXM8
Nominal Diameter - inch (mm)	5.25 (133)	6.5 (165)	8 (203)
Description	2-Way	2-Way	3-Way
Nominal Impedance (Ohms)	4Ω	4Ω	4Ω
Frequency Response (Hz)	55-23kHz	45-23kHz	35-23kHz
Kapton Voice Coil Diameter - inch (mm)	1.4 (35.55)	1.4 (35.55)	1.52 (38.55)
Power Handling - Watts (RMS/Peak)	60/300	80/400	120/500
Fs - Free Air Resonance (Hz)	90	75	58
Qts	0.781	0.783	0.78
Vas - cu. ft. (Liter)	0.106 (3.0)	0.159 (4.5)	0.689 (19.5)
Sensitivity (1W/1M)	89dB	90.5dB	92dB
Sensitivity (2.83V/1M)	92dB	93.5dB	95dB
Xmax - inch (mm)	0.16 (4)	0.16 (4)	0.2 (5)
Mounting Diameter	4.6" (117mm)	5.27" (134mm)	7" (178mm)
Mounting Depth	2.18" (55.4mm)	2.18" (55.4mm)	3.01" (76.4mm)
Grille/Trim Ring	YES	YES	YES

Contents

- (1) Pair Marine Grade Speakers
- (1) Pair Removable White Trim Rings
- (8) Phillips head stainless screws
- (1) Pair Removable Black Trim Rings

Installation Considerations before attempting Install,

1. Be sure to carefully read and understand the instructions before attempting to install these speakers.
2. For safety, disconnect the negative battery terminal from the battery prior to beginning the installation.
3. For easier assembly, we suggest you run all wires prior to mounting speakers in place
4. Use high quality connectors for a reliable installation and to minimize signal or power loss.
5. Think before you drill! Be careful not to cut or drill into gas tanks, fuel lines, brake or hydraulic lines, vacuum lines or electrical wiring when working on any vehicle. If installation in a boat, take care not to cut or drill through the main hull.
6. Never run wires underneath the vehicle. Running the wires inside the vehicle or hull area provides the best protection.
7. Avoid running wires over or through sharp edges. Use rubber or plastic grommets to protect any wires routed through metal, especially the firewall.

Mounting

1. Determine where the speakers will be mounted. Ensure an area large enough for the speaker to mount evenly. Be sure that the mounting location is deep enough for the speaker to fit; only mount to a flat surface. Use extra caution when mounting on panels with urethane foam.
2. Refer to the specification chart to determine the proper diameter hole to cut for your speaker model. Cutting and mounting templates can be found at WWW.DIAMONDAUDIO.com.
3. Mark the locations for the mounting screws. Drill the holes with a 1/8" bit.
4. Feed the speaker wires through the cutout and connect to the speaker terminals. Be sure to observe proper polarity when connecting the wires. The speaker's positive terminal is indicated with a "+".
5. Fit the trim ring over the speaker and mount into place using eight (8) screws.
6. Tighten the screws until the speaker is snug in place to prevent. Pay close attention to the notch in the grille for proper grille/tweeter alignment.
7. LED CONNECTIONS: There are two options to choose from:

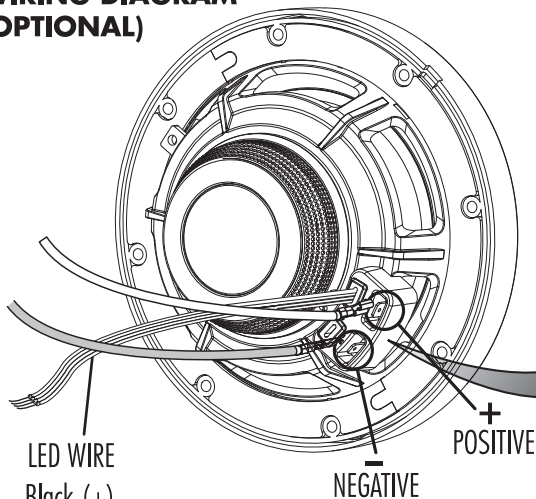
Option 1: Connect RGB wire to RGB controller, Remote Control Available

Option 2: Connect DC 12V Battery , Pick one color from seven Color .

- | | |
|---|---|
| 1) Green Color: Green Wire (Negative)+Black Wire(Positive) | 5) Yellow Color: Red+Green Wire(Negative)+Black Wire(Positive) |
| 2) Red Color: Red Wire(Negative)+Black Wire(Positive) | 6) Cyan Color: Blue+Green Wire(Negative)+Black Wire(Positive) |
| 3) Blue Color: Blue Wire (Negative)+Black Wire(Positive) | 7) White Color: Blue+Green+Red Wire(Negative)+Black Wire(Positive) |
| 4) Purple Color: Red+Blue Wire (Negative)+Black Wire(Positive) | |

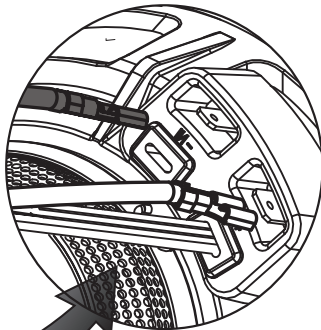
HXM SPEAKER MOUNTING

INTERGRATED LED WIRING DIAGRAM (OPTIONAL)



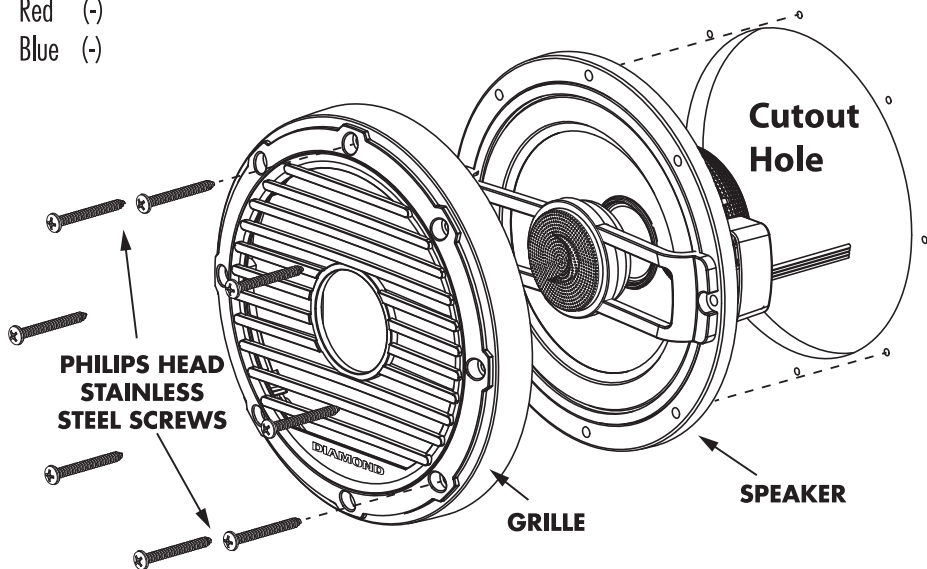
LED WIRE
Black (+)
Green (-)
Red (-)
Blue (-)

CLOSE-UP SPEAKER CONNECTION



+
POSITIVE

-
NEGATIVE

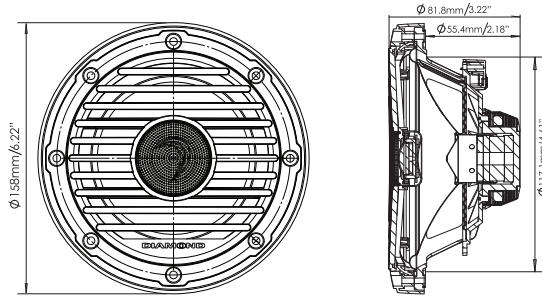


CONNECTION FOR LED WIRING - NO LED CONTROLLER NEEDED

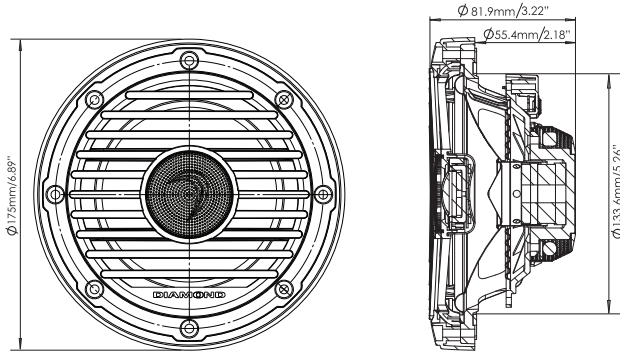
1. Connect Black wire to + (Positive) 12 volts DC
2. Connect one of the RGB color wires to - (negative or chassis ground)

THATS IT!!!!

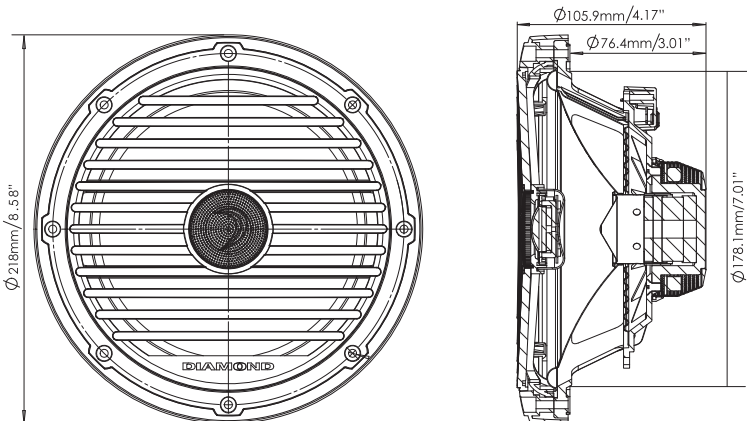
HXM525



HXM65



HXM8



LIMITED SPEAKER WARRANTY STATEMENT

Diamond Audio Technologies, (CV & DA HOLDINGS INC.) warrants this product to be free from defects in material and workmanship for a period of one (1) year from the original date of purchase provided it was purchased from an authorized DAT retailer within the United States. Product warranty period starts at date of purchase or one year past manufacture date whichever is first. However, upon purchase, completion of the online registration and installation by an authorized DAT dealer your warranty period will be extended to two (2) years. This warranty extension offer will only be recognized upon completion of the online registration of your product within 30 days of the date of purchase.

THIS WARRANTY IS NOT TRANSFERABLE AND APPLIES ONLY TO THE ORIGINAL PURCHASER OF THIS PRODUCT IN ITS ORIGINAL INSTALLATION. Original purchaser must reside in the United States and be able to provide proof of purchase and installation with the sales receipt and completion of online registration from the authorized DAT retailer that sold and installed the product.

Should a manufacturing defect occur during above said warranty period, DAT will replace or repair the defective product with a product of the same or equivalent value and performance.

Damage or failure caused by any of the following is not covered under this warranty policy: negligence, improper use, abuse, product modification, unauthorized repair attempts, accident, acts of God, misrepresentations by DAT retailers, and improper/inadequate packaging during return shipping.

Warranty is void if serial numbers have been removed, altered or defaced.

HOW TO OBTAIN WARRANTY SERVICE

In the event a DAT product should require service, you should visit the authorized DAT retailer you purchased the product from and they can expedite your claim. All claims must fall into the guidelines listed above and be accompanied by a copy of the original sales and installation receipt from that authorized DAT retailer.

Product returned for warranty service must be freight-prepaid, properly packaged and clearly marked with the Return Authorization (RA) number issued by DAT. Any product returned to DAT that is improperly packaged, does not have a RA number clearly marked on the package, or never received a RA number may be refused upon delivery. DAT does not assume responsibility for lost or misdirected product.

Repair or replacement under this warranty is the exclusive remedy of the consumer. DAT shall not be liable for any incidental or consequential damages for breach of any expressed or implied warranty on this product. Some states do not allow the exclusion or limitation of incidental or consequential damages, or allow limitations on how long an implied warranty lasts, so the above limitations or exclusions may not apply to you. This warranty gives you specific legal rights and you may also have other rights that may vary from state to state.

Customers outside the United States should contact their local sales office to obtain information on pricing, exchange unit availability, instructions, service and warranty/non-warranty replacement or repair.

Diamond Audio Technologies

1225 E.7th ST
LOS ANGELES, CA 90021
Tel: 213-261-4161
Fax: 213-947-4767
Web: diamondaudio.com

Service/Tech Support:

213-261-4161
Tech Support Email
techsupport@diamondaudio.com



DIAMOND

1225 E. 7th Street
Los Angeles, CA. 90021

www.DiamondAudio.com

©2015 Diamond Audio. All rights reserved.
(a division of CV & DA Holdings, Inc.)