

PROFIBUS on the QUICC Engine Block

PROFIBUS is a fieldbus protocol defined in the IEC 61158 standards. It uses RS-485 UART for the physical layer at rates up to 12 Mbaud. The layer 2 MAC is typically implemented in an ASIC. However, on the QUICC Engine microcode assumes this function for both PROFIBUS master and slave modes.

This application note explains the baud rate clocking, physical layer connectivity, initialization, configuration, and control of a UCC UART programmed for the PROFIBUS mode of operation. It is aimed at hardware and low-level software developers and is relevant for the following devices:

- QorIQ P1012, P1016, P1021, and P1025
- PowerQUICC MPC8306 and MPC8309
- QorIQ Layerscape LS1020A & LS1021A

This application note is supplemental to the PROFIBUS microcode user's manual in the QEIWRM specification and the data sheet of the target device. It is recommended that these instructions are followed in order to develop a conformant PROFIBUS master or slave on applicable QorIQ and PowerQUICC devices.

Contents

1. Baud rate generation and timers	2
2. Using multiple peripherals in PROFIBUS mode	6
3. UCC UART physical layer recommendations	8
4. Enabling idle transmit mode	14
5. Memory resources	17
6. TWR-P1025 disclaimer	19
A. GPIO configuration example code	20

1 Baud rate generation and timers

The PROFIBUS controller on the QUICC Engine block uses the UART MAC of the UCC. The UART MAC uses an 8 times oversampling rate on the asynchronous UART interface. Therefore, the Baud Rate Generation (BRG) clock must be 8 times the baud rate used on the PROFIBUS network.

This table provides example baud rates and their corresponding BRG clock outputs.

Table 1. Baud rates and corresponding BRG clock outputs

Operation baud rate	BRG output clock
12 Mbaud	96 MHz
9600 baud	76.8 kHz

The BRG clock source can be derived from an external or internal source.

1.1 Externally sourcing BRG clocks

The BRG input clock can be sourced externally using a GPIO pin that supports CLKx input functionality. When using an externally sourced clock as the input to the BRG_CLK, the maximum frequency is 50 MHz. This option can support baud rates up to a maximum of 6 Mbaud when using an external 48 MHz oscillator to clock the BRG.

1.2 Internally sourcing BRG clocks

The BRG input clock can also be sourced internally. Consider the following example:

For a 12 Mbaud operation with a 96 MHz clock supplied to the UCC, the SYSCLK source frequency and platform multiplier must yield a BRG_CLK frequency that is a multiple of 96 MHz.

If the SYSCLK is 64 MHz and the platform multiplier of 6 yields a 384 MHz QUICC Engine clock, then the BRG input clock is 192 MHz.

When selecting the SYSCLK, ensure the following:

- The combination of the SYSCLK source clock frequency and the platform/QE multiplier results in at least the minimum QUICC Engine frequency and no greater than the maximum QUICC Engine frequency.
- The QUICC Engine frequency, derived from the product of SYSCLK and factor (platform multiplier), is an integer multiple of 96 MHz
- The SYSCLK selection allows acceptable frequency configuration of other elements on the SoC, such as the CPU and bus.

NOTE

The LS1020/21 has an option to source the BRG input clock from the platform clock or the QUICC Engine clock divided by 2. The user must use the platform clock. The QUICC Engine clock divided by 2 does not yield a multiple of 96MHz on these devices.

This table details the range of clock and frequency values supported according to the data sheet of each device.

Table 2. Device-specific baud rate generation options

Device	Max external BRG clock source	SYS clock range	QUICC Engine frequency range	Recommended SYS clock frequency	Resulting QUICC Engine frequency
P1012 and P1021	50 MHz	64 to 100 MHz	267 to 400 MHz	64 and 96 MHz	CCB frequency (384 MHz)
P1016 and P0125 ¹	50 MHz	64 to 100 MHz	267 MHz	66.66667 MHz	CCB frequency (267 MHz)
MPC8306 and MPC8309	50 MHz	24 to 66.667 MHz	150-233 MHz	24, 32, and 64 MHz	192 MHz
LS1020 / LS1021	50Mhz	64-133	288-300Mhz	96Mhz	288Mhz ²

¹ The P1025 is not recommended for PROFIBUS deployment when using the QE clock as the source for the BRG clock. See [Section 6, "TWR-P1025 disclaimer,"](#) for details.

² The LS1020/21 requires the user to select the option of clocking the BRG registers using SYSCLK and not QUICC Engine Clock divided by 2.

1.3 Controlling IEC timers

The IEC PROFIBUS specification (61158-4-3) describes numerous timers that affect state transitions on the PROFIBUS master and slave state machines. Because PROFIBUS supports a variety of baud rates, the IEC specification describes these timers as a number of bits. For example, the minimum T_{SDR} timer controls the duration, in bits, that a node waits before transmitting a response to a request frame. In fast systems, this can be set as low as 11 bit times (1 UART character).

The QUICC Engine block measures a timer’s duration using the QUICC Engine time-stamp control register (CETSCR). The intended use of CETSCR is to source the time-stamp counter with a QUICC Engine clock that is an integer multiple of the baud rate, and then use the prescaler to divide this down to a value equal to 1 bit time on the UART interface. However, the prescaler of CETSCR, shown in the following figure, is only 10 bits, which does not provide enough granularity to yield an output clock when incrementing at a frequency corresponding to the lower baud rates.

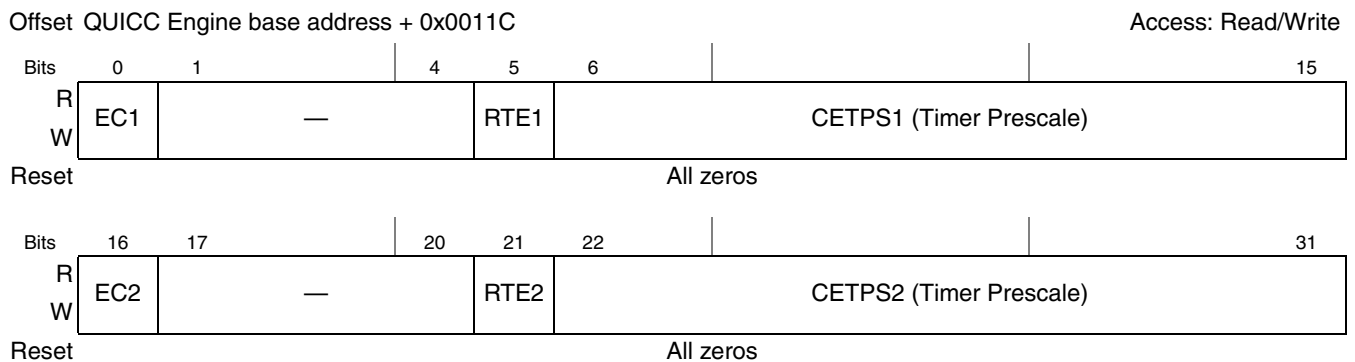


Figure 1. QUICC Engine time-stamp control register (CETSCR)

PROFIBUS is required to support the following baud rates:

- 12 M, 6 M, 3 M, 1.5 M, 500 k, 187.5 k, 93.75 k, 45.45 k, 19.2 k, 9.6 k

Commonly used baud rates less than 100 k are not supported using the CETSCR prescaler directly. There is not sufficient granularity to achieve a timer output with a value equal to 1 bit time at these lower baud rates. As a result, the microcode must provide the increased granularity.

The PROFIBUS microcode supports a `scaling_factor` parameter for scaling the 12 MHz output. This is used to calculate the time-out values for the IEC timers. For example, if the system uses a baud rate of 1.5 M, then the `scaling_factor` is $12\text{ M} / 1.5\text{ M} = 8$. The number of bits for an IEC timer is multiplied by the `scaling_factor` parameter to augment the CETSCR output to a value coherent with the baud rate being used. Taking the previous example where the minimum T_{SDR} is 11 bits, the microcode waits 88 ($11 * \text{scaling_factor}$) increments of CETSCR before declaring this timer has expired at 1.5 Mbaud.

Recommended best practice: Program the CETSCR[CETPS1] to output a 12 MHz clock so each increment is 1 bit time at 12 Mbaud.

1.3.1 Recommended operating frequencies

Because CETSCR must be used for IEC timers, the QUICC Engine clock must always be a multiple of the baud rate. Otherwise, IEC timing functions could be inaccurate.

The recommended operating frequencies for QUICC Engine block in PROFIBUS mode are:

- 192 MHz
- 288 MHz
- 384 MHz

If the QUICC Engine clock is 192 MHz or 384 MHz, the lowest baud rate supported using CETPS1[TimerPrescale] is 187.5 kbaud or 375 kbaud, respectively.

These QUICC Engine clock frequencies work well with all of the commonly used PROFIBUS baud rates. They also work well for the UART's physical oversampling rate that is programmed in the BRG register.

1.4 Configuration for recommended operating frequencies

The following table details the recommended QUICC Engine, BRG and CETSCR frequencies for each device family.

Table 3. Operating frequencies and associated configuration

	P10xx	MPC830x	LS1020/21
QUICC Engine frequency	384MHz	192MHz	288MHz
BRG frequency	192MHz ¹	96MHz ¹	288MHz ²
CETSCR1[ECR]³	30	14	22
brg_freq_enum⁴	2	1	3

¹ The BRG frequency is the QUICC Engine clock divided by 2.

² The BRG frequency must be programmed to be sourced from the platform clock by setting BRGCn[EXTC] = 0b01

³ Must be programmed to generate a timestamp counter incrementing at a frequency of 12MHz

⁴ This is a microcode parameter resident in the UCC PROFIBUS parameter RAM

The table below indicates which scaling factor to use with each baud rate.

Table 4. Scaling factors

Baud rate	scaling_factor ¹
12M	1
6M	2
3M	4
1.5M	8
500k	24
187.5k	64
93.75k	128
45.45k	264
19.2k	625
9.6k	1250

¹ This is a microcode parameter resident in the UCC PROFIBUS parameter RAM, it is calculated as follows: $(BRGCn[CD] + 1) / (BRG_Frequency / 96M)$.

2 Using multiple peripherals in PROFIBUS mode

The following can preclude the usage of other QUICC Engine peripherals when the PROFIBUS mode of operation is enabled:

- PROFIBUS nodes that respond to send/request frames are required to respond deterministically
- Dual port performance

The QUICC Engine block processes requests from enabled peripherals in round-robin style. If the user enables another QUICC Engine peripheral, such as a UCC Ethernet controller, this peripheral may be serviced directly before the timer for sending a response expires. This may lead to excessive response jitter, especially at the higher baud rates (> 1.5 M). Enabling two UARTs in PROFIBUS mode may lead to performance issues at the higher baud rates. This is more prevalent on devices that have a relatively low QUICC Engine frequency.

For example, the MPC8306, as seen in [Table 2](#), requires a QUICC Engine block running at 192 MHz. This is approximately one instruction executed every 5 ns. At 12 Mbaud each bit is received 83 ns apart. The QUICC Engine UART generates a request for every UART character. For PROFIBUS, each 8 bits of data translates into 11 bits on the physical interface. Resultantly, the UART generates a request every 830 ns on the UCC receiver. This yields 166 (830 ns/5 ns) clocks/instructions. However, the transmitter also needs to be serviced. Assuming that the transmitter takes half the allotted cycles, this is 83 clocks for UCC Rx and 83 clocks for the UCC Tx. Adding another port yields approximately 42 clocks per port, which can lead to performance issues, increased latencies, and increased jitter.

This table provides device recommendations based on the protocols used and interface recommendations.

Table 5. Device recommendations

Number of PROFIBUS ports	PROFIBUS baud rate	Fast Ethernet	Other QUICC Engine peripheral(s)	Recommendation
1	12 Mbaud	No	No	Use any device.
1	> 6 Mbaud	Yes	No	Use a device with a hardware Ethernet block, for example a P10xx or LS10xx device.
1	≤ 6 Mbaud	Yes	No	Contact your local Freescale representative for assessment of the performance and feasibility of your requirements.
1	up to 12 Mbaud	No	Yes	Contact your local Freescale representative for assessment of the performance and feasibility of your requirements.
1	≤ 6 Mbaud	Yes	Yes	Use a device with a hardware Ethernet block, for example a P10xx or LS10xx device. Contact your local Freescale representative for assessment of the performance and feasibility of your QUICC Engine requirements.
1	> 6 Mbaud	Yes	Yes	Use a device with a hardware Ethernet block, for example a P10xx or LS10xx device. Contact your local Freescale representative for assessment of the performance and feasibility of your QUICC Engine requirements.

Table 5. Device recommendations (continued)

Number of PROFIBUS ports	PROFIBUS baud rate	Fast Ethernet	Other QUICC Engine peripheral(s)	Recommendation
2	12 Mbaud	No	No	Use a device with QUICC Engine greater than 250Mhz. For example P1012/21 running a QUICC Engine frequency of 384Mhz or LS1021 running at 288Mhz.
2	< 12 Mbaud	No	No	Use any device.
2	> 3 Mbaud	Yes	No	Use a device with a hardware Ethernet block, for example a P10xx or LS10xx device.
2	≤ 3 Mbaud	Yes	No	Contact your local Freescale representative for assessment of the performance and feasibility of your requirements.
2	12 Mbaud	No	Yes	Use a device with QUICC Engine greater than 250Mhz. For example P1012/21 running a QUICC Engine frequency of 384Mhz or LS1021 running at 288Mhz. Contact your local Freescale representative for assessment of the performance and feasibility of your requirements.
2	< 12 Mbaud	No	Yes	Contact your local Freescale representative for assessment of the performance and feasibility of your requirements.
2	> 3 Mbaud	Yes	Yes	Use a device with a hardware Ethernet block for example a P10xx or LS10xx device. Contact your local Freescale representative for assessment of the performance and feasibility of your QUICC Engine requirements.
2	≤ 3 Mbaud	Yes	Yes	Use a device with a hardware Ethernet block for example a P10xx or LS10xx device. Contact your local Freescale representative for assessment of the performance and feasibility of your QUICC Engine requirements.

3 UCC UART physical layer recommendations

3.1 RTS, CTS, and CD

The QUICC Engine UART’s RTS (Request To Send) is an active-low output. It is active when the UART controller drives the Tx data line with data sourced from UART MAC’s hardware FIFO. Typical integrated RS-485 bus transceivers have an active-high Tx driver enable input (DE).

If the system uses such a RS-485 transceiver, invert the RTS signal to drive the DE pin. On the TWR-P1025 board, the system FPGA implements this inversion. Simple discrete 3V3 logic can also be used.

The QUICC Engine UART also supports CTS (Clear to Send) and CD (Carrier Detect) inputs, which must be continuously asserted for PROFIBUS.

3.1.1 RTS, CTS, and CD on P10xx

This figure details the connectivity from the UCC UART to the transceiver for RTS, CTS, CD and the transmit and receive data lines on the applicable P10xx devices.

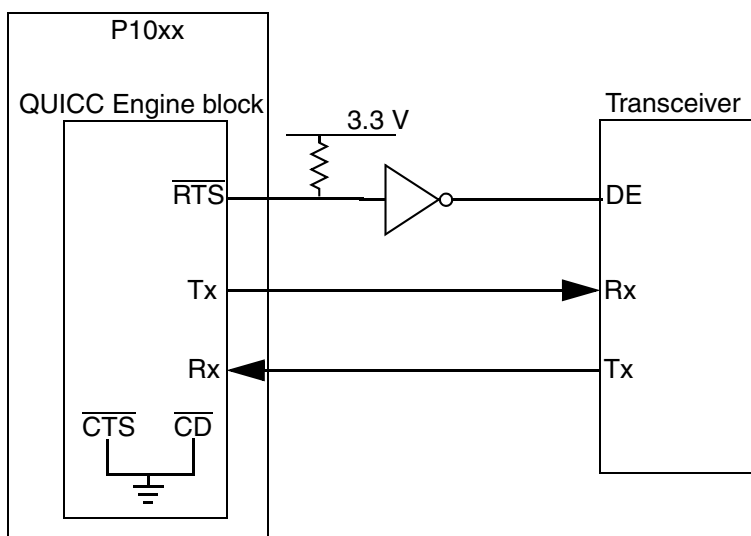


Figure 2. P10xx UCC UART-to-transceiver connectivity

CTS and CD are not configured in the GPIO registers to be multiplexed to their external GPIO pins. As shown in [Figure 2](#), they are asserted internally by QUICC Engine logic.

Recommended best practices:

1. Check if the transceiver is active-high for its DE signal. If yes, connect an inverter to the QUICC Engine block’s RTS output.
2. Connect transmit and receive accordingly.

3.1.2 RTS, CTS, and CD on MPC830x

This figure details the connectivity from the UCC UART to the transceiver for RTS, CTS, CD and the transmit and receive data lines on the applicable MPC830x devices.

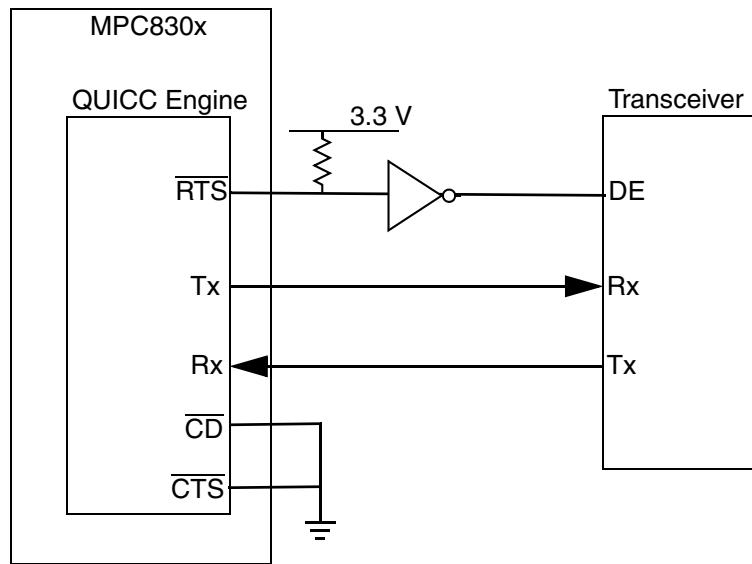


Figure 3. MPC830x UCC UART-to-transceiver connectivity

CTS and CD are pulled low externally because the UART's signals and pins are controlled group-wise (UCC) rather than signal-wise. As such, the CD and CTS are always routed to external pins when the UART multiplexing option is used. Hence the need for external termination.

Recommended best practices:

1. Check if the transceiver is active-high for its DE signal. If yes, connect an inverter to the QUICC Engine RTS output.
2. Connect transmit and receive accordingly.

3.1.3 RTS, CTS and CD on LS1020/21

This figure details the connectivity from the UCC UART to the transceiver for RTS, CTS, CD and the transmit and receive data lines on the LS1020/21 devices.

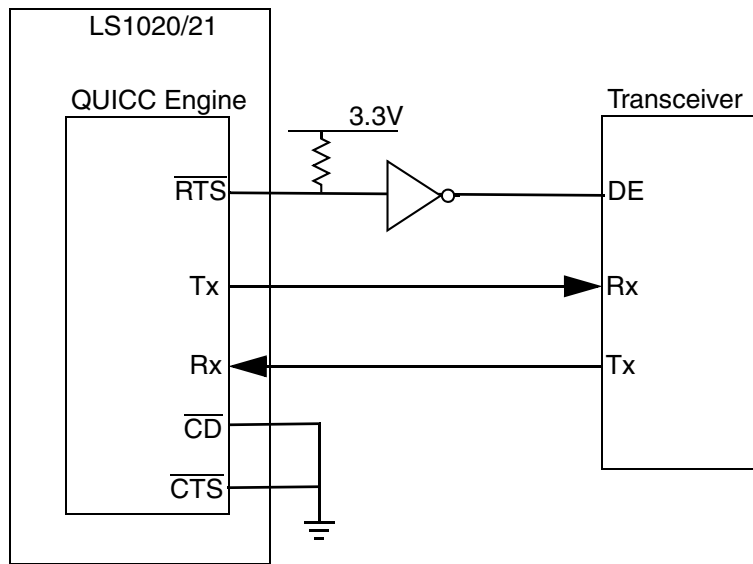


Figure 4. LS1020/21 UCC UART to transceiver connectivity

CTS and CD pulled low externally as the UART's signals and pins are controlled group wise rather than signal wise. As such, the CD and CTS are always routed to external pins when the UART multiplexing option is used. Hence the need for external termination.

Recommended best practices:

1. Check if the transceiver is active-high for its DE signal. If yes, connect an inverter to the QUICC Engine RTS output.
2. Connect transmit and receive accordingly

3.2 Connecting the PROFIBUS bus lines

Keep the following considerations and recommendations in mind when connecting the PROFIBUS bus lines:

- The QUICC Engine UART Tx and Rx signals are at 3V3 logic levels. The PROFIBUS line drivers use nominal 5V signalling levels. Therefore, voltage level shifting is required.
- The transceiver on the TWR_IND_IO board in the TWR-P1025 KIT integrates support for 3V3 logic levels on the interface side while using a separate 5V level (typically isolated) on the bus driver side.

- The bus interface pins on PROFIBUS transceiver devices typically name the driver pins A - B, whereas the related PROFIBUS lines are named B - A. Always check the transceiver pin polarities against the PROFIBUS IEC spec:
 - RxD/TxD-P Receive/Transmit data - Plus (B wire)
 - RxD/TxD-N Receive/Transmit data - Minus (A wire)

3.3 Terminating RTS, CTS, and CD during reset

The PROFIBUS transceiver should drive the bus only when the QUICC Engine block is transmitting a frame. During a device's reset configuration sequence, the UART controller's signals may be multiplexed with signals essential for reset configuration. Therefore, you must ensure that reset configuration settings do not propagate to the transceiver because that could cause unnecessary bus perturbations on the PROFIBUS network.

3.3.1 P10xx reset handling

This table details the pin multiplexing during reset for the applicable P10xx devices.

Table 6. P10xx pin multiplexing during reset

QUICC Engine UART	QUICC Engine Port Pin	QUICC Engine UART Function	Reset Configuration Function	Alternate Device Function
UCC3	PA29	RTS	cfg_ddr_debug	—
	PA30	Rx	cfg_ccb_clk_ratio	LA31
	PA31	Tx	—	—
UCC7	PA19	RTS	cfg_core1_speed	LA25
	PA20	Rx	cfg_ddr_speed	LA26
	PA21	Tx	cfg_cpu_boot_POR	LA27
Alternate UCC7	PB15	RTS	cfg_ETSEC3_protocol	UCC UART1 RTS
	PB16	Rx	—	UCC UART1 Rx
	PB17	Tx	cfg_core1_pll	UCC UART1 Tx

Table 6 shows that various UCC UART pins are also used as reset configuration pins. If a design's transceiver has no reset control signal that can deactivate the transceiver during reset, the QUICC Engine UART RTS pin requires external logic in order to prevent the reset configuration signal from inadvertently enabling the transceiver's Tx driver enable. On the TWR-P1025, the system FPGA deactivates the transceiver during reset. Alternatively, you could use discrete logic.

Immediately following reset, most GPIO pins default to undefined inputs until reconfigured by the PROFIBUS initialization. Special care is required on the P10xx devices when the local bus is used for boot code. If the local bus is used to access Flash memory (during boot or later) it is necessary to externally decouple the UCC UART signals from the local bus lines. On the TWR-P1025, this is done within the system FPGA, which also inverts the RTS signal and manages the reset configuration settings. A separate

GPIO control line (PB29) is used to multiplex the UART signals under software control once the device has booted from the flash (on the local bus).

3.3.2 MPC830x reset handling

This table details the pin multiplexing during reset for the applicable MPC830x devices.

Table 7. MPC830x pin multiplexing during reset

QUICC Engine UART	GPIO Port Pin	QUICC Engine UART Function	Reset Configuration Function	Alternate Device Function
UCC5 / HDLC2	GPIO18	Tx	cfg_reset_source[2]	TDM2_TD
	GPIO19	Rx	—	TDM2_RD
	GPIO20	CD	—	TDM2_TFS
	GPIO21	CTS	—	TDM2_RFS
	GPIO22	RTS	cfg_reset_source[3]	TDM2_STROBE
UCC7 / HDLC1	GPIO2	Tx	cfg_reset_source[0]	TDM1_TD
	GPIO3	Rx	—	TDM1_RD
	GPIO4	CD	—	TDM1_TFS
	GPIO5	CTS	—	TDM1_RFS
	GPIO6	RTS	cfg_reset_source[1]	TDM1_STROBE

Table 7 shows that various UCC UART pins are also used as reset configuration pins. See the description following Table 6 for information on handling RTS and transceiver enablement during reset.

3.3.3 LS1020/21A reset handling

Table 8 details the pin multiplexing during reset.

Table 8. LS1020/21A pin multiplexing during reset

QUICC Engine UART	GPIO port pin	QUICC Engine UART function	Reset configuration function
UCC1 / TDMA	gpio_4[11]	Tx	—
	gpio_4[9]	Rx	—
	gpio_4[13]	CD	—
	gpio_4[10]	CTS	—
	gpio_4[12]	RTS	—

Table 8. LS1020/21A pin multiplexing during reset

QUICC Engine UART	GPIO port pin	QUICC Engine UART function	Reset configuration function
UCC3 / TDMB	gpio_4[16]	Tx	—
	gpio_4[14]	Rx	—
	gpio_4[18]	CD	—
	gpio_4[15]	CTS	—
	gpio_4[17]	RTS	—

Table 8 shows that the UCC UART pins are not multiplexed with reset configuration pins. However during reset the user must ensure that the RTS signal disables the transceiver to avoid bus perturbations on the PROFIBUS network. Alternatively the user can ensure that the transceiver is disabled during reset.

3.4 Enabling and disabling a port

The QUICC Engine UCC emits a one-character-wide pulse (11 bits) on the RTS signal when you write $GUMR_L[ENT] = 1$. This occurs when enabling after device PORESET and every time thereafter when $GUMR_L[ENT]$ transitions from 0 to 1.

It is imperative that this pulse does not propagate to the PROFIBUS physical layer and cause unnecessary bus perturbations. The transceiver must be decoupled from the RTS signal during the period where this pulse is present.

3.4.1 Mitigating the RTS pulse on P10xx

Because you can control the P10xx GPIO pins by programming each signal on an individual pin basis, configure the RTS and data pins after writing $GUMR_L[ENT] = 1$.

Alternatively, if the transceiver has a reset input, a GPIO line can control the RTS pulse by holding the transceiver in reset until $GUMR_L[ENT]$ is set. If there is no transceiver reset input and no system FPGA, use external discrete logic controlled by a GPIO output to gate the UART signals.

3.4.2 Mitigating the RTS pulse on MPC830x and LS1020/21

If the transceiver has a reset input, a GPIO line can control mitigation by holding the transceiver in reset until $GUMR_L[ENT]$ is set. If there is no transceiver reset input and no system FPGA, use the external discrete logic controlled by a GPIO output to gate the UART signals.

4 Enabling idle transmit mode

When the PROFIBUS controller transmits a frame on the UCC UART interface, the first bit of data is transmitted simultaneously with the RTS signal assertion.

The following figure shows an oscilloscope screen capture of the PROFIBUS controller transmitting a token.

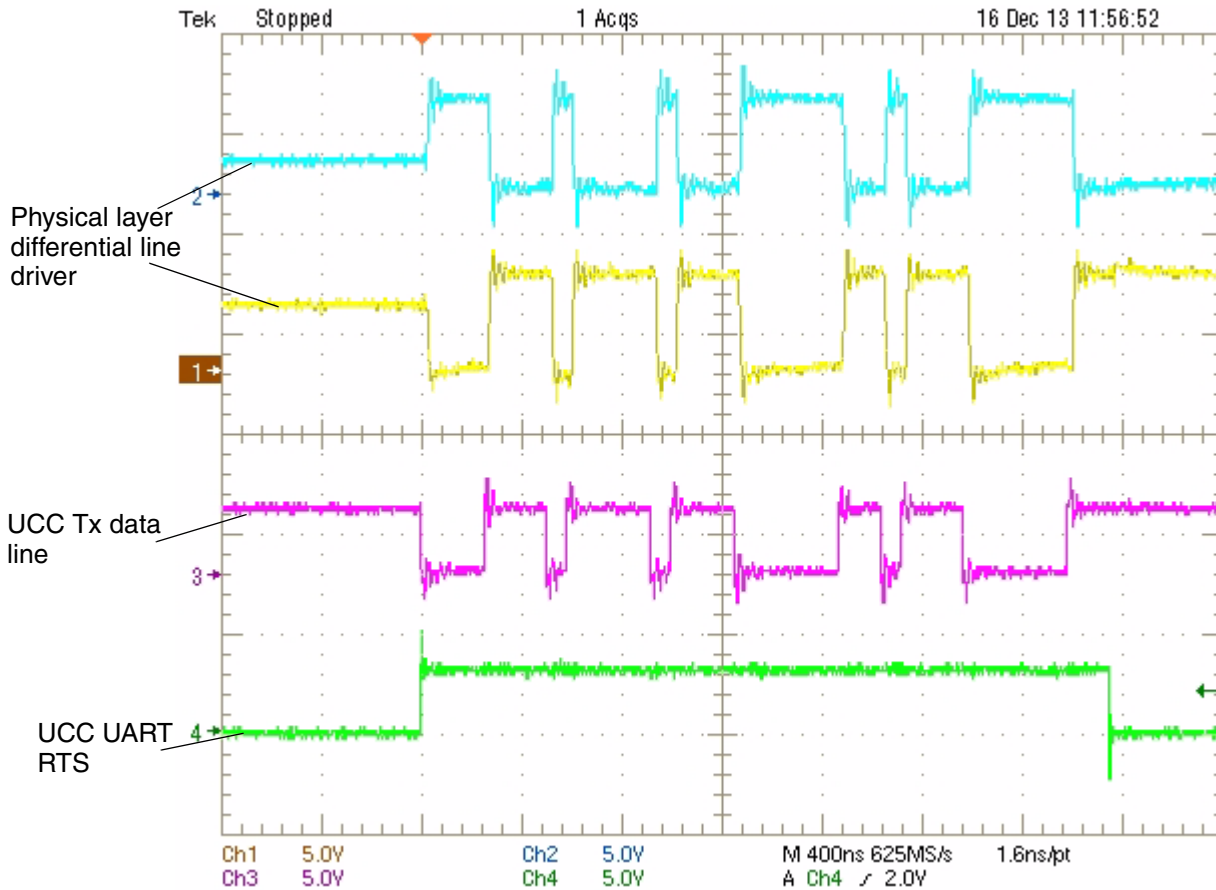


Figure 5. UCC UART PROFIBUS controller transmitting token with no idle character

Depending on the transceiver you are using, this simultaneous transmission may be problematic if it leads to insufficient set-up time. There is no option to delay the UCC Tx data in the UART’s MAC configuration parameters.

This figure shows the RTS and data behavior captured using a smaller amount of time in the x-axis.

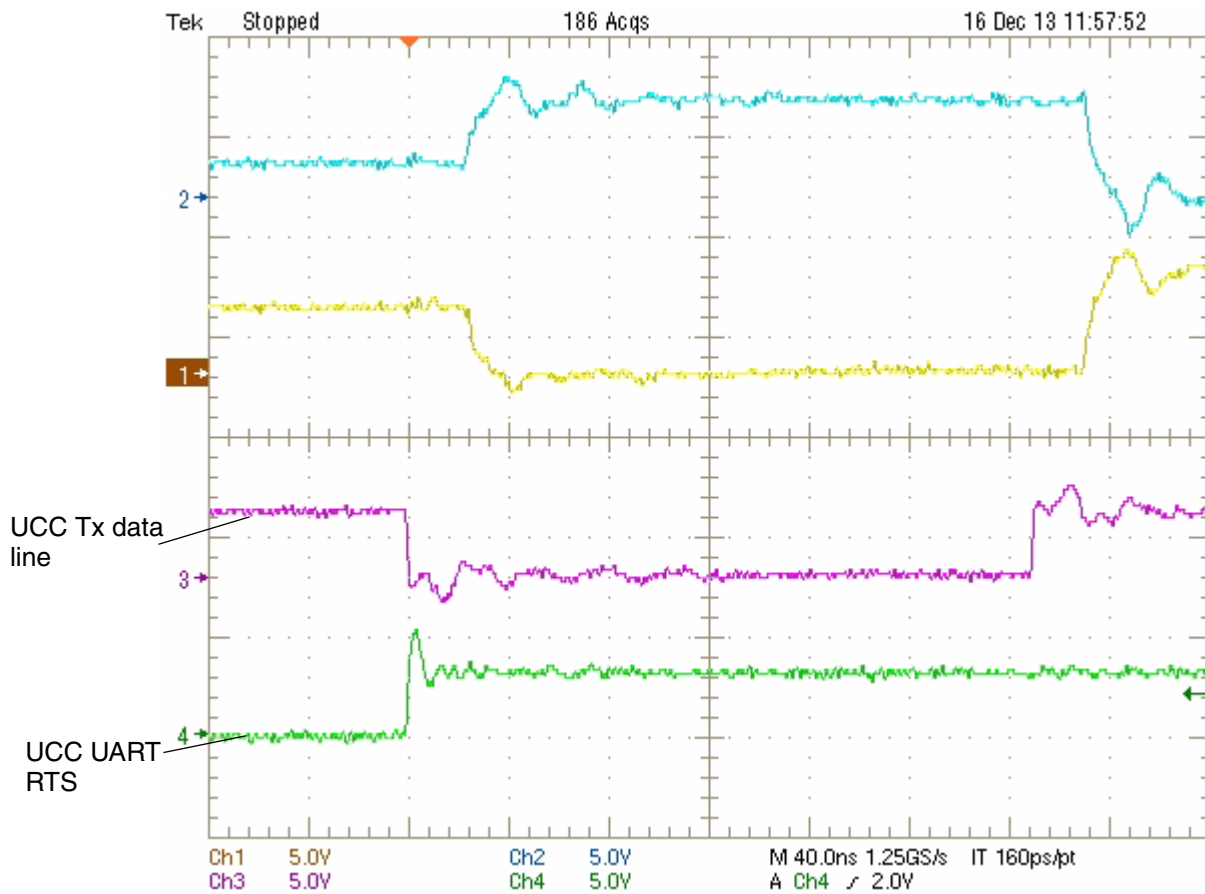


Figure 6. UCC UART PROFIBUS controller transmitting token with no idle character (zoomed in)

As a workaround, the PROFIBUS microcode can be used in idle transmit mode. In this mode, an idle character is transmitted before the first data byte of the frame. This mode is useful for systems with slow transceivers or systems that cannot tolerate a lack of delay between RTS and data assertion.

This figure shows the RTS and data transmission behavior captured when the idle transmit mode is enabled.

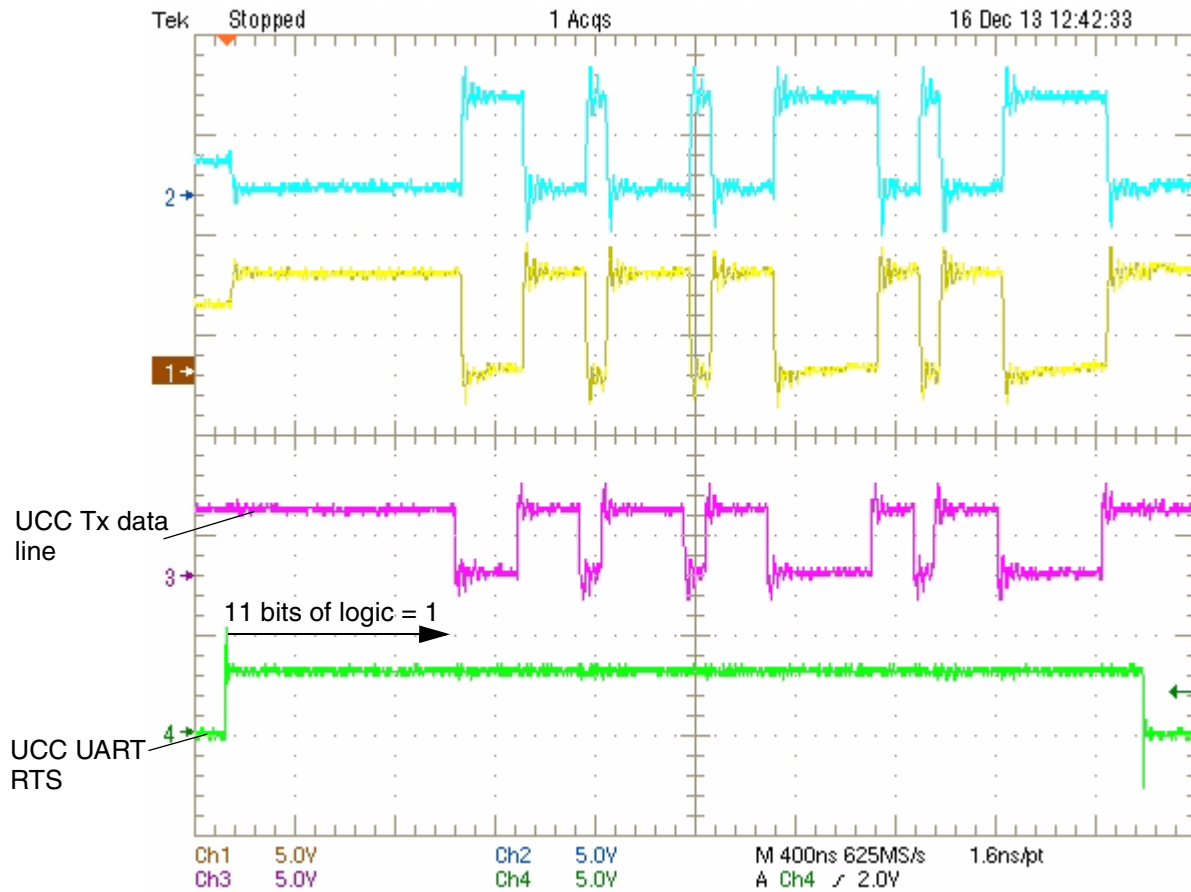


Figure 7. UCC UART PROFIBUS controller transmitting token with idle character

To enable the idle transmit mode, write `profibus_mode[tx_idle] = 1`.

To stay in the default mode (no delay), write `profibus_mode[tx_idle] = 0`.

The `profibus_mode` is a parameter located in the parameter of the PROFIBUS microcode. See the QEIWRM document for more information.

5 Memory resources

Ensure that your configuration does not require more memory resources than are available. This is especially important regarding the MURAM.

This table details the MURAM sizes for the applicable P10xx, LS102x and MPC830x devices.

Table 9. MURAM sizes

Device	MURAM size (bytes)
P1012/P1021	24 k
P1016/P1025	24 k
MPC8306	16 k
MPC8309	16 k
LS1020/LS1021	24 k

5.1 MURAM resources: single port slave

This table details the amount of MURAM required for a UCC UART programmed for the PROFIBUS slave mode of operation.

Table 10. Slave parameter sizes in the MURAM ¹

Device	MURAM size (bytes)	Number required	Total (bytes)
PROFIBUS parameter RAM	1024	1	1024
SAP tables	16	68	1088
Frame handling buffers	256	6	1536
SAP TxBD	8	4	2176 ²
SAP RxBD	8	4	2176 ³
Tx interrupt queue entry	2	32	64
Rx interrupt queue entry	2	32	64
LSAP_TxBDs	8	65	520
Combined Total (Bytes)			8648

¹ Values are based on the worst-case perspective.

² Number of SAP tables * Number of SAP TxBDs * Size of SAP TxBD

³ Number of SAP tables * Number of SAP RxBDs * Size of SAP RxBD

The data highlights that a device with 16 k of MURAM cannot support a dual-port slave configuration if all SAPs use the full number of TxBDs and RxBDs. However, if the SAPs use fewer TxBDs and RxBDs (or if the configuration does not use all of the SAPs), a dual-port slave configuration is feasible.

NOTE

This analysis does not take into account parameter alignment (see the QEIWRM PROFIBUS chapter for more information). This analysis simply highlights that MURAM availability may become an issue depending on the configuration.

Recommended best practice: Statically allocate the parameters in the MURAM, taking into account parameter alignment. The code should generate a warning message if the size of the allocated memory overshoots half the device’s MURAM size.

5.2 MURAM resources: single port master

This table details the amount of MURAM required for a UCC UART programmed for the PROFIBUS master mode of operation.

Table 11. Master parameter sizes in the MURAM ¹

Device	MURAM size (bytes)	Number required	Total (bytes)
PROFIBUS parameter RAM	1024	1	1024
SAP tables	16	68	1088
Frame handling buffers	256	3	768
Number of MTD queue	—	4	—
MTDs	8	64	2048 ²
SAP TxBD	8	4	2176 ³
SAP RxBD	8	4	2176 ⁴
Tx interrupt queue entry	2	32	64
Rx interrupt queue entry	2	32	64
LSAP_TxBDs	8	65	520
Combined total (bytes)			9928

¹ Values are based on the worst-case perspective.

² Number of MTD queues * Number of MTDs per queue * Size of MTD

³ Number of SAP tables * Number of SAP TxBDs * Size of SAP TxBD

⁴ Number of SAP tables * Number of SAP RxBDs * Size of SAP RxBD

The data shows that a device with 16 k of MURAM cannot support a dual-port master configuration if all SAPs use the full number of TxBDs and RxBDs. However, it is highly unlikely that a master configuration uses all of the SAPs. Therefore, you can almost certainly reduce the number of MTDs per queue and the number of MTD queues in the majority of applications.

NOTE

Similar to the slave analysis, this analysis highlights the amount of MURAM available on a device. This analysis does not take into account parameter alignment requirements.

Recommended best practice: Statically allocate the parameters in the MURAM, taking into account parameter alignment. The code should generate a warning message if the size of the allocated memory overshoots half the device's MURAM size.

6 TWR-P1025 disclaimer

The TWR-P1025 and P1025 devices are not recommended for PROFIBUS. See [Table 2](#) for specific clock and frequency values.

In summary:

- Given the maximum specified QE clock, commonly used baud rates cannot be derived.
- The CCB clock is not a multiple of the baud rates. As a result, PROFIBUS IEC timers cannot be calculated accurately.

Recommended best practice: Use the TWR-P1025 and P1025 devices for PROFIBUS evaluation purposes only.

It is possible to run this device out of spec to achieve a 384 MHz QUICC Engine block and baud rates up to 12 MHz. To do this, Freescale development engineers use the following parameters:

- 64 MHz SYSCLK
- CCB Clock: SYSCLK Ratio = 6:1, yielding CCB and QE clock equal to 384 MHz
- e500 core: CCB clock ratio = 1:1, yielding a core frequency of 384 MHz
- DDR complex: DDRCLK ratio = 10:1, the DDRCLK is 66.667 MHz thus yielding a 666.67 MHz DDR frequency

WARNING

These operating parameters have proven to be stable during development and testing by Freescale. Because the device is out of specification regarding the QUICC Engine frequency, Freescale cannot make any guarantees about its operability in all evaluation scenarios.

Appendix A GPIO configuration example code

This appendix shows example code that details the configuration of the GPIO and associated registers for the PROFIBUS mode on the P10xx and MPC830x devices.

A.1 GPIO configuration on P10xx

The following code details the port pin register settings for the applicable P10xx devices.

```
void configure_ucc_io (qe_ucc port)
{
    switch (port) {
        case UCC3:
            PMUXCR |= QE0 | QE9;
            config_io_port_P1(PORTA, 29, OP, OP_HI, ODR_DIS, SEL_10); /* #RTS */
            config_io_port_P1(PORTA, 30, IP, OP_LO, ODR_DIS, SEL_10); /* Rx */
            config_io_port_P1(PORTA, 31, OP, OP_HI, ODR_DIS, SEL_10); /* Tx */
            break;
        case UCC7:
            PMUXCR |= QE0;
            config_io_port_P1(PORTA, 19, OP, OP_HI, ODR_DIS, SEL_10); /* #RTS */
            config_io_port_P1(PORTA, 20, IP, OP_LO, ODR_DIS, SEL_10); /* Rx */
            config_io_port_P1(PORTA, 21, OP, OP_HI, ODR_DIS, SEL_10); /* Tx */
            break;
    }
}
```

The function above has one argument that is an enumerated encoding of the UCC. Note that the CTS and CD are not routed to GPIO lines and are asserted internally by QUICC Engine logic. So, you only need to assign GPIO pins to the UCC UART's RTS, Tx data and Rx data signals.

The P1012 and P1021 are housed in a package with more pins as compared to the P1016 and P1025. As a result, UCC7 has a secondary option for GPIO settings as follows:

```
case UCC7:
    PMUXCR |= QE8;
    config_io_port_P1(PORTB, 15, OP, OP_HI, ODR_DIS, SEL_10); /* #RTS */
    config_io_port_P1(PORTB, 16, IP, OP_LO, ODR_DIS, SEL_10); /* Rx */
    config_io_port_P1(PORTB, 17, OP, OP_HI, ODR_DIS, SEL_10); /* Tx */
    break;
```

A.2 GPIO configuration on MPC830x

The following code details the port pin register settings for the MPC8306 device.

```
case UCC5: /* HDLC2 */
    /* CD= GPIO20, CTS= GPIO21, RTS= GPIO22, RX= GPIO19, TX= GPIO18 */
    GPR_1 |= GPIO_16_22_SEL;
    SICR_2 &= ~(BIT14 | BIT15); /* SICR_2::HDLC2_A => HDLC2 (UART) lines */
    break;
case UCC7: /* HDLC1 */
    /* CD= GPIO04, CTS= GPIO05, RTS= GPIO06, RX= GPIO03, TX= GPIO02 */
    GPR_1 |= GPIO_0_6_SEL;
    SICR_1 |= BIT31; /* SICR_1::HDLC1_A => GPIO3 => Rx line */
    SICR_1 &= ~BIT30; /* SICR_1::HDLC1_A => GPIO3 => Rx line */
    SICR_2 &= ~(BIT12 | BIT13); /* SICR_2::HDLC1_B => HDLC1 (UART) lines */
    break;
```

The following code details the port pin register settings for the MPC8309 device.

```
case UCC5: /* HDLC2 */
    /* CD= GPIO20, CTS= GPIO21, RTS= GPIO22, RX= GPIO19, TX= GPIO18 */
    GPR_1 |= GPIO_16_22_SEL;
    SICR_2 &= ~(BIT8 | BIT9); /* SICR_2::HDLC2_A => HDLC2 (UART) lines */
    break;
case UCC7: /* HDLC1 */
    /* CD= GPIO04, CTS= GPIO05, RTS= GPIO06, RX= GPIO03, TX= GPIO02 */
    GPR_1 |= GPIO_0_6_SEL;
    SICR_2 &= ~(BIT2 | BIT3); /* SICR_2::HDLC1_B => HDLC1 (UART) lines */
    break;
```

These devices have a group-wide programming hierarchy as compared to the pin-by-pin programming required on the P10xx devices. The user manuals for the MPC8306 and MPC8309 describes the UCC group as the HDLC port. The HDLC port settings are also relevant for UART mode. The UCC hardware register configuration determines the UCC mode of operation (UART or HDLC).

A.3 GPIO configuration on LS1020/21

The LS1020/21 GPIO configuration occurs during reset configuration. The following RCW settings are required:

- UCC1 RCW QE_TDMA bits[427-429] = 0b010
- UCC3 RCW QE_TDMB bits[430-432] = 0b010.

GPIO configuration example code

These devices have a group-wide programming hierarchy as compared to the pin-by-pin programming required on the P10xx devices. The user manual for the LS1020/21 describes the UCC's group as the HDLC or TDM interface. The HDLC UCC settings are also relevant for UART mode. The UCC hardware register configuration determines the UCC's mode of operation (UART/HDLC or TDM). The RCW determines the mode of the pins connected to the UCC, either TDM or NMSI (use NMSI for UART/HDLC) based.

Revision history

This table describes the revision history for this application note.

Table 12. Document revision history

Rev	Date	Substantive Change(s)
1	12/2014	<ul style="list-style-type: none"> • Added LS1021A and LS1021A as relevant devices. • Updated section, 1.2, “Internally sourcing BRG clocks.” • Added 288 MHz as a recommended operating frequency. • Added new section, 1.4, “Configuration for recommended operating frequencies.” • Added new section, 3.3.3, “LS1020/21A reset handling.” • Added new appendix, A.3, “GPIO configuration on LS1020/21.”
0	03/2014	Initial release

How to Reach Us:

Home Page:

freescale.com

Web Support:

freescale.com/support

Information in this document is provided solely to enable system and software implementers to use Freescale products. There are no express or implied copyright licenses granted hereunder to design or fabricate any integrated circuits based on the information in this document.

Freescale reserves the right to make changes without further notice to any products herein. Freescale makes no warranty, representation, or guarantee regarding the suitability of its products for any particular purpose, nor does Freescale assume any liability arising out of the application or use of any product or circuit, and specifically disclaims any and all liability, including without limitation consequential or incidental damages. "Typical" parameters that may be provided in Freescale data sheets and/or specifications can and do vary in different applications, and actual performance may vary over time. All operating parameters, including "typicals," must be validated for each customer application by customer's technical experts. Freescale does not convey any license under its patent rights nor the rights of others. Freescale sells products pursuant to standard terms and conditions of sale, which can be found at the following address: freescale.com/SalesTermsandConditions.

Freescale, the Freescale logo, PowerQUICC, and QorIQ are trademarks of Freescale Semiconductor, Inc., Reg. U.S. Pat. & Tm. Off. QUICC Engine is a trademark of Freescale Semiconductor, Inc. All other product or service names are the property of their respective owners. The Power Architecture and Power.org word marks and the Power and Power.org logos and related marks are trademarks and service marks licensed by Power.org.

© 2014 Freescale Semiconductor, Inc.

Document Number: AN4877
Rev. 1
12/2014

