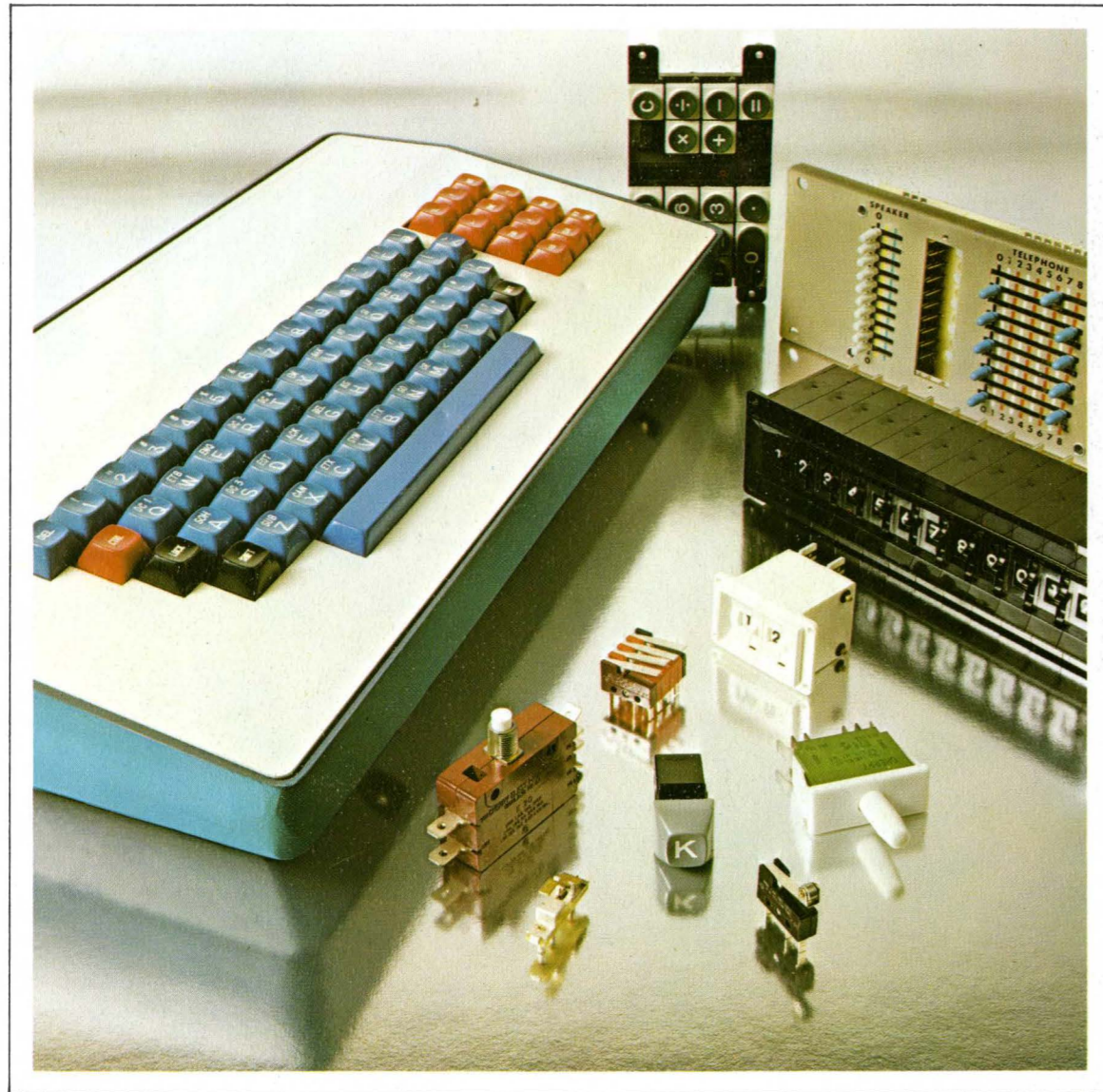


CONTENTS

	PAGE
FACILITIES.....	2
SWITCH SELECTOR-LOCATOR.....	6
SNAP SWITCH TERMINOLOGY.....	7
SNAP ACTION SWITCHES.....	8
GOLD CROSSPOINT CONTACT SWITCHES.....	30
KEYBOARDS AND KEYBOARD SWITCHES.....	36
THUMBWHEEL AND LEVERWHEEL SWITCHES.....	50
MATRIX TYPE SELECTOR SWITCHES.....	68
DOMESTIC AND FOREIGN SALES OFFICES.....	70

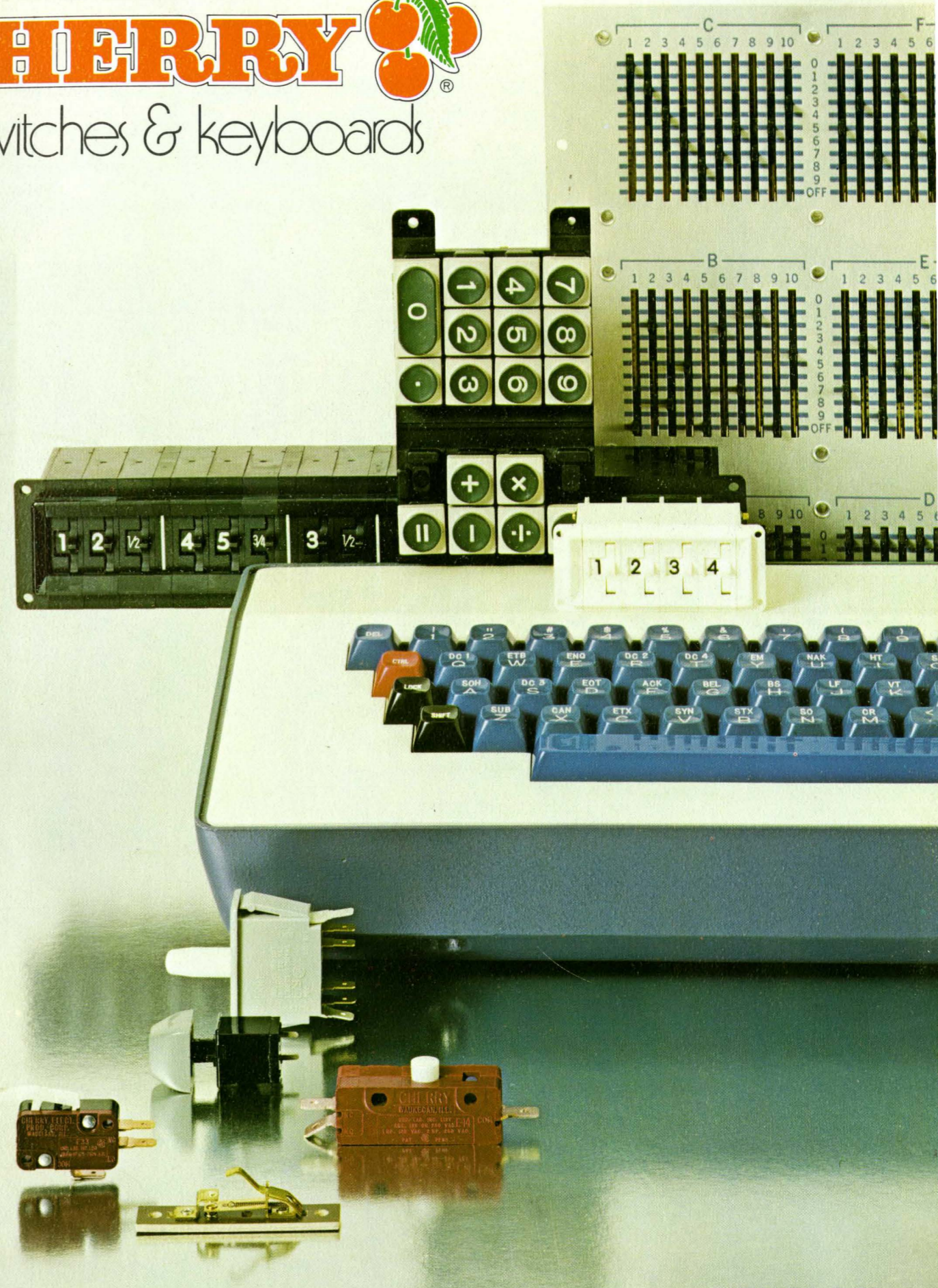


CHERRY ELECTRICAL PRODUCTS CORP.

3600 Sunset Avenue, Waukegan, Illinois 60085—312/689-7600—TWX 910-235-1572

CHERRY

switches & keyboards



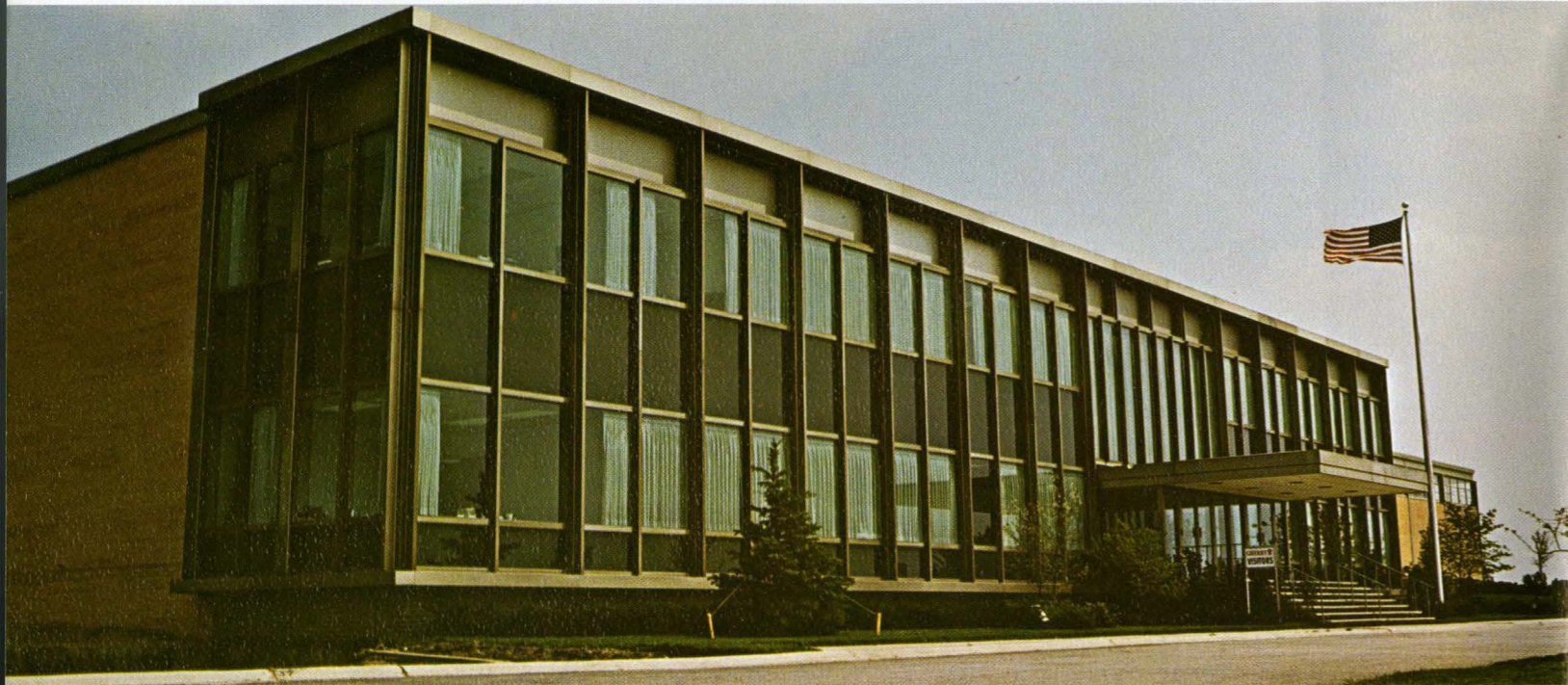
CATALOG C-73



Ultra-modern facilities . . . specially-designed machines and equipment for efficient, high-speed manufacture and assembly.

All **Cherry products** are designed and manufactured under the constant technical guidance of an experienced staff of mechanical, electrical, tool, industrial and manufacturing engineers. Personnel trained in many skills operate advanced assembly and fabrication machinery to provide Cherry customers with the highest quality at prices that are truly competitive.

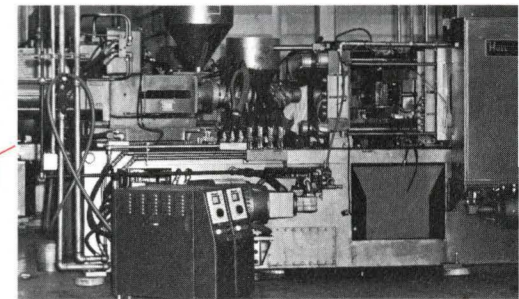
CHERRY ELECTRICAL PRODUCTS CORP. • 150,000 SQUARE FOOT MAIN PLANT • WAUKEGAN, ILLINOIS • USA



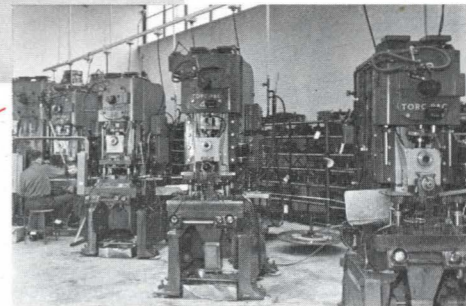
CHERRY... Makers of patented Leverwheel/Thumbwheel Switches, Matrix Selector Switches, Snap-Action Switches and Keyboards.



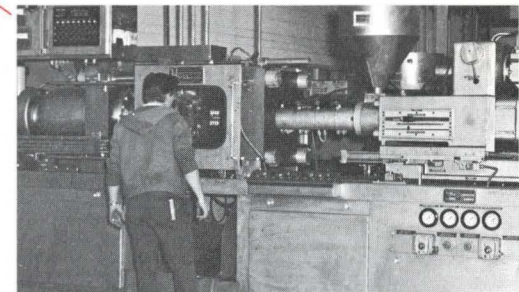
COMPLETE TOOL ROOM
with die and model shops for construction of tools, dies, fixtures, jigs and production samples.



PLASTIC MOLDING
with the latest equipment for injection and transfer molding of both thermosetting and thermoplastic material.



METAL STAMPING
using advanced progressive die techniques to produce millions of precision parts annually to close tolerances.



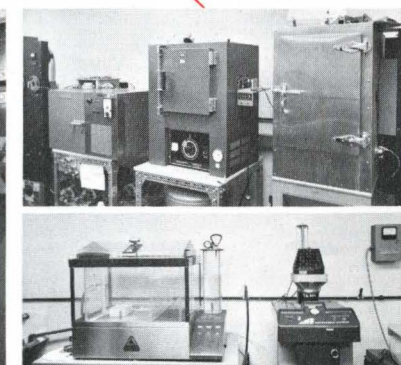
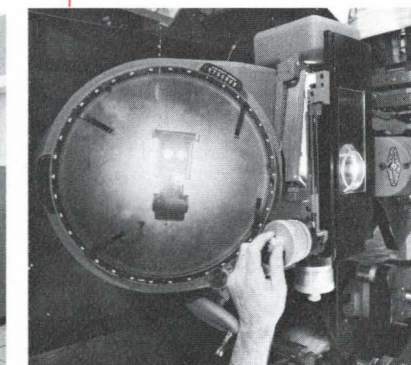
PRINTED CIRCUIT
and precious metal plating departments include wave soldering machinery and automatic silk screen printing.

ENGINEERING LABORATORY
with complete facilities for vibration, shock, altitude, temperature, humidity, mechanical and electrical endurance testing.

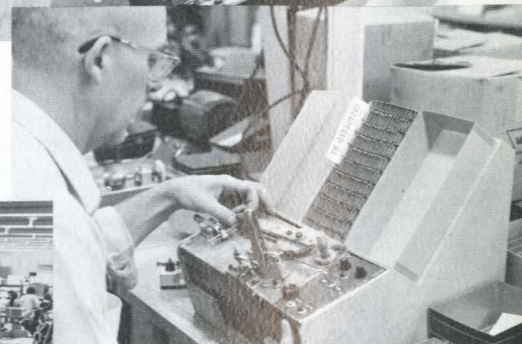
QUALITY ASSURANCE
that begins in design stage and continues thru statistical quality control of all parts produced.



COMPUTER CONTROL
of all parts, material and production scheduling assures on-time delivery of every Cherry order.



ENGINEERING
of a simple modification of an existing standard switch or keyboard . . . or an entirely new design . . . is a service of Cherry's application engineering. Every Cherry product is backed by sound basic design performed by competent electrical and mechanical design engineers.



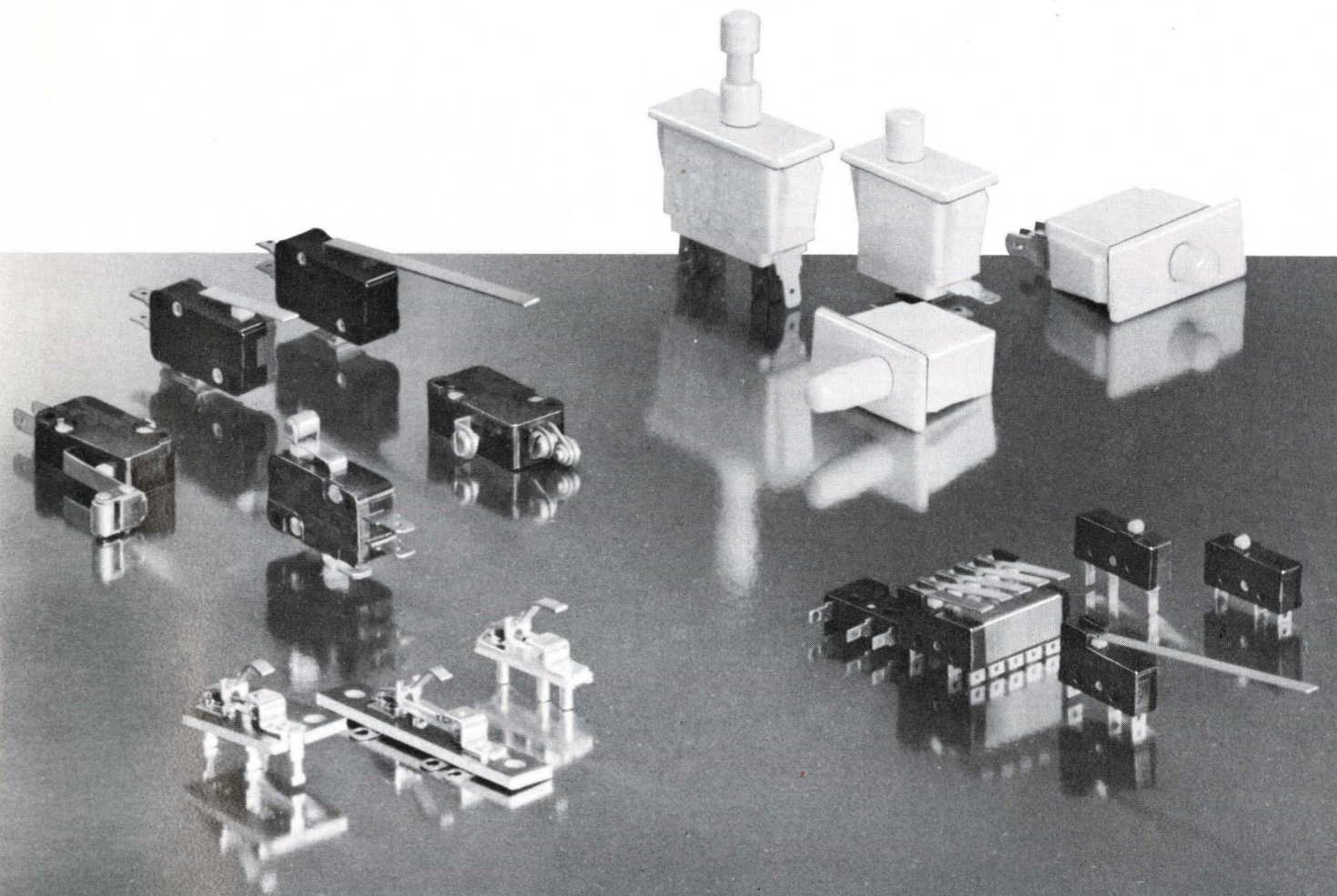
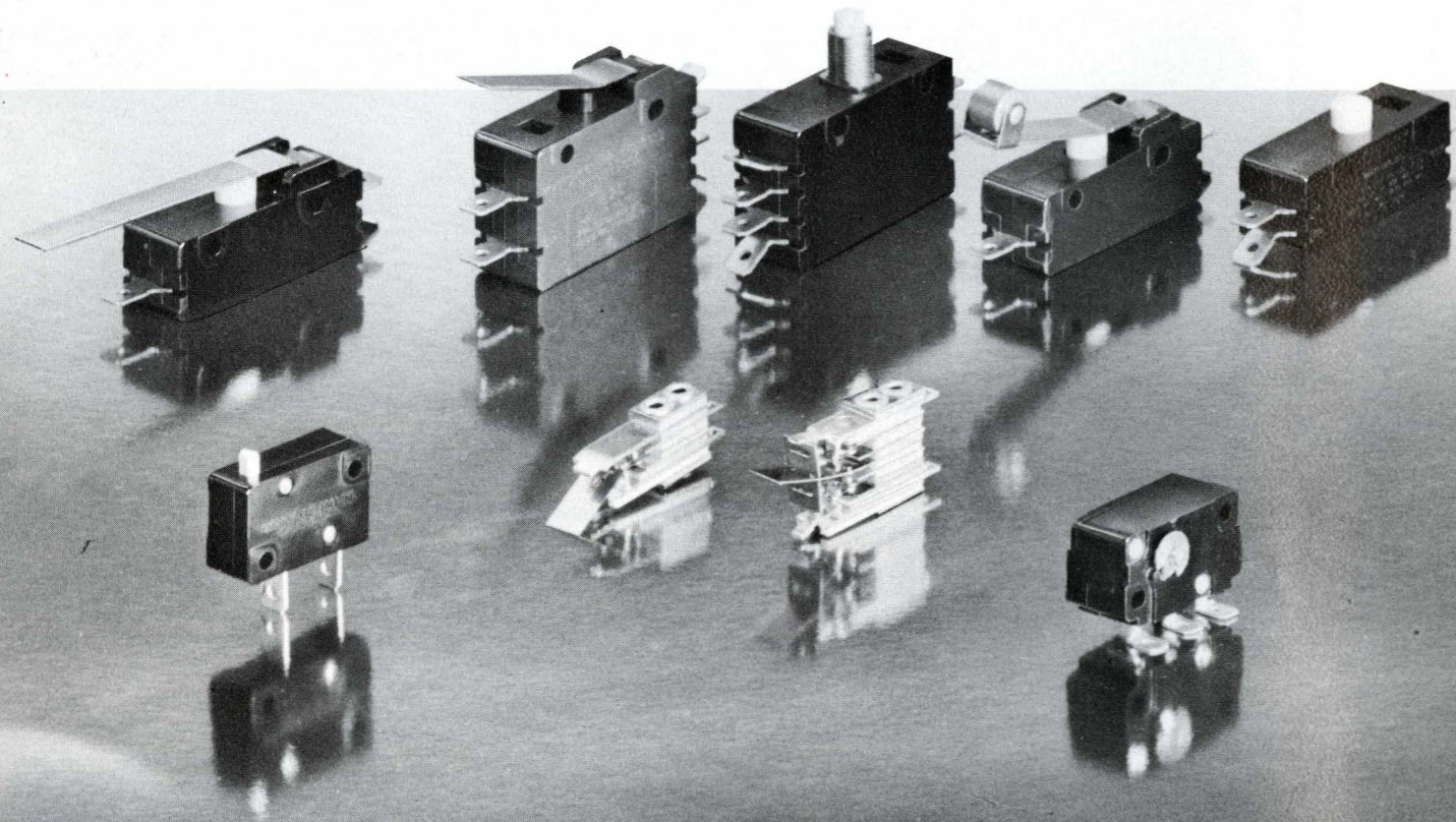
ASSEMBLY
of all switches and keyboards utilizes many special fixtures, methods and machines that assure ultimate precision of all Cherry products.



All Cherry products are available world-wide from Cherry sales offices, licensees and manufacturing facilities throughout the world. See inside back cover for complete listing . . . pages 70-71.

PRECISION SNAP-ACTION SWITCHES

with long life stainless steel coil spring mechanism.



switch selector-locator

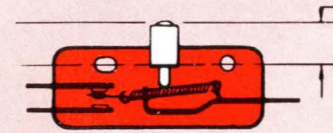
- **GOLD CROSSPOINT CONTACT SWITCHES**—for low energy circuits see pages 30 thru 33
- **KEYBOARDS AND KEYBOARD SWITCHES** see pages 34 thru 47
- **THUMBWHEEL AND LEVERWHEEL SWITCHES** see pages 48 thru 65
- **MATRIX TYPE SELECTOR SWITCHES**—100 to 2784 crosspoints see pages 66 thru 69
- **SNAP ACTION SWITCHES**

SWITCH RATING*				Switch Operating Force†	Switch Movement Differential†	Switch Circuitry Available	Switch Type	Switch Series Number	Located on Page Number
Electrical		Horsepower							
125 V AC	250 V AC	125 VAC	250 VAC						
2 Amp	1 Amp	—	—	2½ Ozs.	.040	S.P.N.O. only	Enclosed	E16	29
3 Amp	—	—	—	75 Grams	.010	S.P.D.T. and S.P.S.T.	Miniature	E22	22-23
3 Amp	—	—	—	10 Grams	.010	S.P.D.T. and S.P.S.T.	Light Force Miniature	E22 "X"	24-25
¾ Amp	—	—	—	7 Ozs.	.040	S.P.N.O. only	Enclosed	E18	29
5 Amp	5 Amp	—	—	90 Grams	.004	S.P.D.T., S.P.S.T. Also 2, 3, 4 and 5 Pole D.T.	Subminiature	E61	18, 19, 20
5 Amp	5 Amp	—	—	4.0 inch gram torque	3° Min.	S.P.D.T. and S.P.S.T.	Low torque	E51	16-17
5 Amp	—	—	—	3 Ozs.	.070	S.P.D.T. and S.P.S.T.	Light Force Open	S23	26-27
5 Amp	5 Amp	¼	¼	45 Grams	.010	S.P.D.T. and S.P.S.T.	Light Force Miniature	E23 "X"	24-25
5 Amp	5 Amp	¼	¼	6 Ozs.	.016	S.P.D.T. and S.P.S.T.	Miniature	E23	22-23
6 Amp	3 Amp	—	—	3 Ozs.	.040	S.P.N.C. only	Enclosed	E15	29
7½ Amp	5 Amp	—	—	4 Ozs.	.140	S.P.D.T. and S.P.S.T.	Single Pole Stack	S37	29
7½ Amp	5 Amp	—	—	6 Ozs.	.125	D.P.D.T. and D.P.S.T.	Double Pole Stack	S36	29
10 Amp	5 Amp	⅓	—	4½ Ozs.	.040	S.P.N.C. only	Enclosed	E10	29
10 Amp	5 Amp	⅓	⅓	7½ Ozs.	.085	S.P.D.T. and S.P.S.T.	Miniature Open	S30	28
10 Amp	5 Amp	¼	¼	9½ Ozs.	.070	S.P.D.T. and S.P.S.T.	Basic Open	S25	26-27
10 Amp	10 Amp	⅓	⅓	15 Ozs.	.045	S.P.D.T. and S.P.S.T.	Panel Mount Push Button	E69	12-13
10 Amp	10 Amp	⅓	—	24 Ozs.	.075	D.P.D.T. and D.P.S.T.	Panel Mount Push Button	E79	14-15
10 Amp	10 Amp	½	½	75 Grams	.010	S.P.D.T. and S.P.S.T.	Light Force Miniature	E33 "X"	24-25
10 Amp	10 Amp	½	½	10 Ozs.	.016	S.P.D.T. and S.P.S.T.	Miniature	E33	22-23
10.1 Amp	10.1 Amp	¼	—	212 Grams	.004	S.P.D.T., S.P.S.T. Also 2, 3, 4 and 5 Pole D.T.	Subminiature	E62	18, 19, 20
15 Amp	15 Amp	½	½	100 Grams	.010	S.P.D.T. and S.P.S.T.	Light Force Miniature	E34 "X"	24-25
15 Amp	15 Amp	½	½	14 Ozs.	.016	S.P.D.T. and S.P.S.T.	Miniature	E34	21-22-23
15 Amp	15 Amp	¾	1-½	20 Ozs.	.015	S.P.D.T. and S.P.S.T.	Single Pole General Purpose	E13	8-9
15 Amp	15 Amp	¾	1-½	30 Ozs.	.015	D.P.D.T. and D.P.S.T.	Double Pole General Purpose	E19	10-11
20 Amp	20 Amp	1	2	45 Ozs.	.015	D.P.D.T. and D.P.S.T.	Double Pole General Purpose	E20	10-11
25 Amp	25 Amp	1	2	30 Ozs.	.015	S.P.D.T. and S.P.S.T.	Single Pole General Purpose	E14	8-9

* All snap-action switches are Underwriters Laboratory Inc. Inspected and Canadian Standards Assn. Approved except as follows:
S36 Series and S37 Series (Not CSA Approved).
† Movement Differential and Operating Forces shown are maximums (except as indicated for E51) for basic types and are measured at switch button.
To convert ounces into grams multiply by 28.349527
To convert grams into ounces multiply by 0.03527.
To convert inches into millimeters multiply by 25.40
To convert millimeters into inches multiply by 0.03937

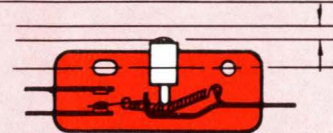
snap-action switch terms

Throughout this catalog various terms are used to describe each switch. Illustrated by a closed switch, the technical terms apply to all snap-action switches.



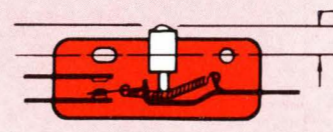
REST POSITION ...

is the position the switch button (or actuator) assumes when no force is exerted against it. Rest position is dimensioned from the top of the switch button (or actuator) to the mounting hole centerline, top of switch panel or other specified reference.



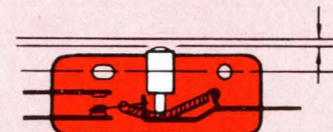
PRETRAVEL ...

is the distance of button (or actuator) movement from rest position to the point of operation. Pretravel is frequently specified as maximum.



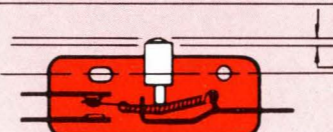
OPERATING POINT ...

is the position of the switch button (or actuator) at which initial switch contact transfer takes place. Operating point is dimensioned from the top of the switch button (or actuator) to mounting hole centerline, top of switch panel or other specified reference point.



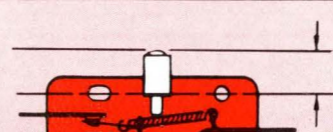
OVERTRAVEL ...

is the continued switch button (or actuator) movement possible after initial contact transfer, without bottoming or damage to the switch mechanism. Overtravel is frequently specified as a minimum.



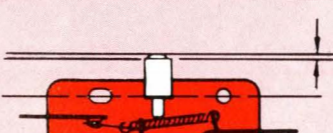
MOVEMENT DIFFERENTIAL ...

is the button (or actuator) movement required between operating point to reset point. This is frequently dimensioned as a maximum.



RESET POINT ...

is the point of actuation at which the second, or return contact transfer takes place. At this point the contacts snap back to their original position. Reset point is dimensioned from top of switch button (or actuator) to mounting hole centerline, top of switch panel or other specified reference point.



RESET TRAVEL ...

is the continued switch button (or actuator) movement back from reset point.

OPERATING FORCE ...

is the force required to depress the switch button (or actuator) to trip (operating point). Operating force is always specified as maximum.

NOTES UL & CSA LISTINGS

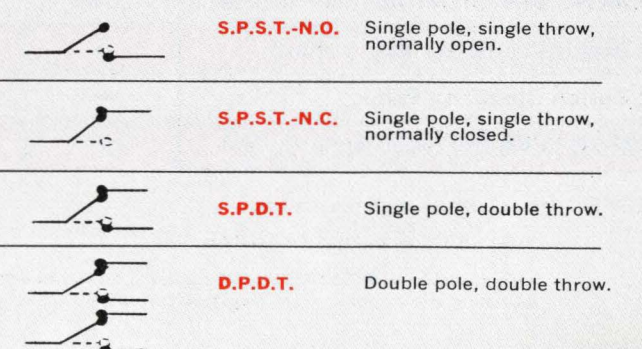
Most of the switches shown in this catalog have UL and CSA listing. These are indicated with a notation "Und. Lab. Inc. listed and CSA approved" in each section just above or below the rating.

Underwriters Laboratory Incorporated listing:
Guide 380-W-19.19P File E23301
Canadian Standards Association listing:
Guide 380-W-19.19P File 16503
Class 6241

TOLERANCES

All dimensions shown carry the following tolerances unless otherwise specified:
Fractions: ± 1/64" Decimals: ± .005
Angles: ± 5°

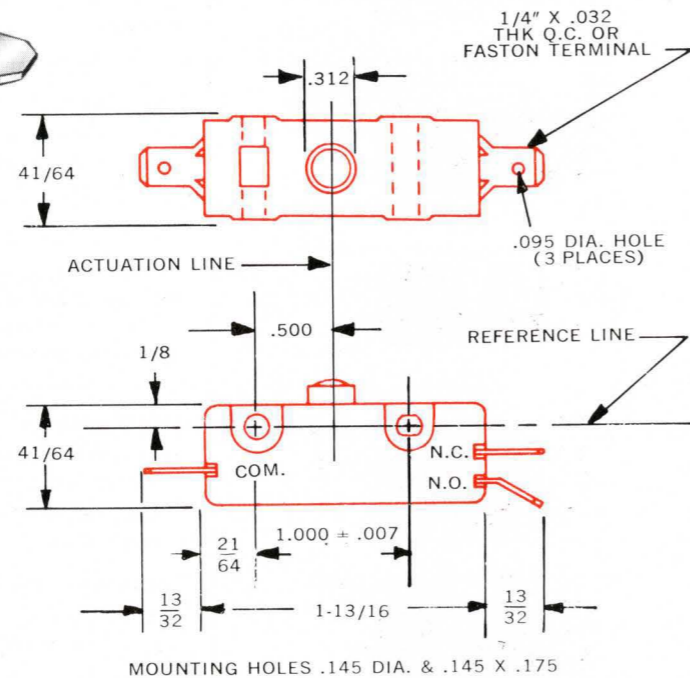
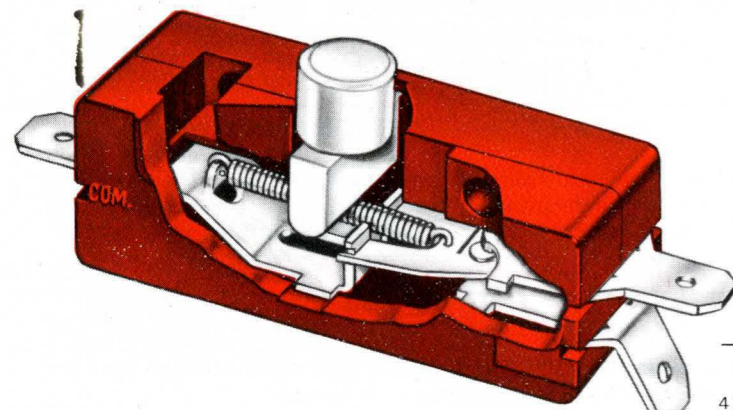
CIRCUITRY



general purpose

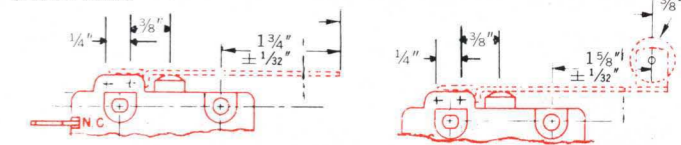
SERIES E13—STANDARD

SERIES E14—HIGH CAPACITY



- Long Life Coil Spring Mechanism
- Large Overtravel
- Rock Wipe Contact Action
- Wear Resistant Nylon Button
- Integral Hinged Actuators
- Custom Designs

ACTUATORS—Many special forms and lengths of actuators are available with tooling charges applying. Standard type integral hinged lever and roller actuators are available in choice of 2 pivot positions. Actuator lengths are dimensioned from centerline of switch mounting hole as shown here.



CIRCUITRY—Contact arrangement available in choice of single pole double throw or single pole single throw, either normally open or normally closed. In general normally open may be specified by changing suffix number from 00 to 01 and normally closed by changing suffix number to 02. Example: E13-00E is double throw, E13-01E is normally open, and E13-02E is normally closed.

TERMINALS—Standard 1/4 inch QC terminals can be furnished with angle formed up or down on common as well as open or closed terminal. Forms include straight, 30, 45, 85 degrees up or down. Other forms can be provided at nominal extra charge.

BUTTON VARIATIONS—Several button lengths are available without extra charge. Special button lengths, forms and colors may be had with nominal set-up and/cr tooling charge.

PARTS	MATERIALS	
	SERIES E13	SERIES E14
Case	General purpose phenolic	General purpose phenolic
Actuating button	Nylon	Nylon
Common terminal	Brass (70% Copper, 30% Zinc)	Silver Plated Brass (.00002 to .00005 thick)
NO and NC terminals	Brass (70% Copper, 30% Zinc)	Copper
Moving Blade	Spring Brass	Silver Plated Berylco (.00002 to .00005 thick)
Contacts	Silver-Cadmium Oxidized	Silver-Cadmium Oxidized
Spring	Stainless steel	Stainless steel
Aux. Actuators	Cold-Rolled Steel—White Nickel Plated (.00002 to .00005 thick)	Cold-Rolled Steel—White Nickel Plated (.00002 to .00005 thick)
Roller	Sintered Stainless Steel	Sintered Stainless Steel

RATING: E13—15 amps 125/250 VAC 3/4 H.P., 125 VAC—1 1/2 H.P., 250 VAC RATING: E14—25 amps 125/250 VAC 1 H.P., 125 VAC—2 H.P., 250 VAC Und. Lab. Inc. listed, and CSA approved.													
	E13-00E	E14-00A	E13-00R	E13-00J	E13-00M	E13-00H	E14-00H	E13-50H	E14-50H	E13-00K	E14-00K	E13-50K	E14-50K
OPERATING FORCE (Max. in ozs.)	15	30	11	15	15	3 1/2	10	2 1/4	6	3 1/2	10	2 1/4	6
PRETRAVEL (Max. inches)	.050	.100	.040	.050	.050	.250	.312	.343	.525	.250	.291	.343	.483
OPERATING POINT* (in inches)	.285±.020	.248±.020	.269±.030	.670±.030	.812±.030	.312±.062	.468±.062	.281±.062	.437±.062	.718±.062	.860±.062	.687±.062	.828±.062
OVERTRAVEL (Min. inches)	.100	.050	.032	.100	.218	.187	.150	.187	.234	.187	.130	.187	.218
MOVEMENT DIFFERENTIAL (Max. inches)	.015	.015	—	.015	.015	.093	.050	.140	.080	.093	.045	.140	.073
Reset Button Pretravel (Max. inches)	—	—	.040	—	—	—	—	—	—	—	—	—	—
Reset Button Operating Point	—	—	.670±.030	—	—	—	—	—	—	—	—	—	—
ACTUATOR LENGTH (Tolerance ± 1/32")	—	—	—	—	—	1 1/2"	27/32"	1 3/4"	1 3/32"	1 3/8"	1 1/16"	1 5/8"	1 5/16"

REMARKS: *Measured above reference line.
NOTE: Nominal button rest height is 2 1/64"

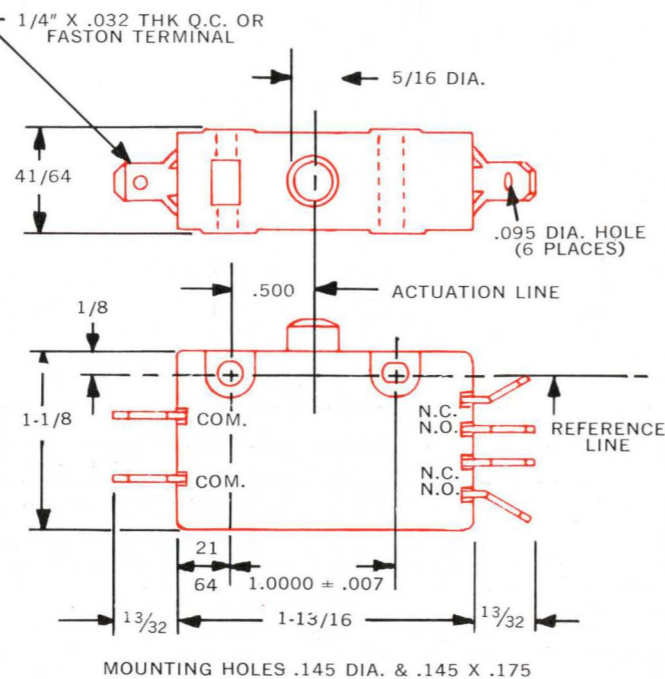
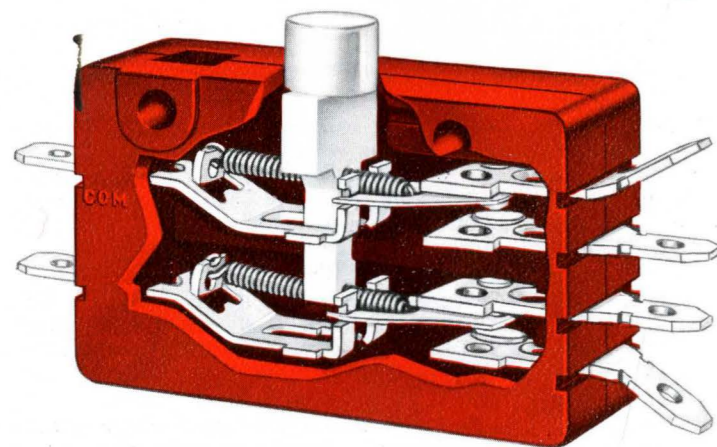
NOTE: Reset button 7/64" diameter

NOTE: Ferrule on "J" and "M" type is 3/8"—32 NEF thread with .312" flats .406" high

Also available with Gold Crosspoint Contacts for low energy switching applications... see pages 30 thru 33.

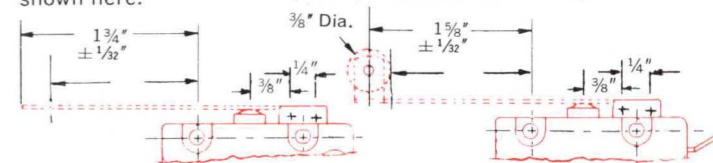
general purpose / double pole

SERIES E19—STANDARD
SERIES E20—HIGH CAPACITY



- Double Circuit Control
- Long Life Coil Spring Mechanism
- Rock Wipe Contact Action
- Wear Resistant Nylon Button
- Integral Hinged Actuators
- Custom Designs

ACTUATORS—Many special forms and lengths of actuators are available with tooling charges applying. Standard type integral hinged lever and roller actuators are available in choice of 2 pivot positions. Actuator lengths are dimensioned from centerline of switch mounting hole as shown here.



CIRCUITRY—Contact arrangement available in choice of double pole double throw or double pole single throw either normally open or normally closed. In general normally open may be specified by changing suffix number from 00 to 01 and normally closed by changing suffix number to 02. Example: E19-00J is double throw, E19-01J is normally open, and E19-02J is normally closed.

TERMINALS—Standard 1/4 inch QC terminals can be furnished with angle formed up or down on common as well as open or closed terminal. Forms include straight, 30, 45, 85 degrees up or down. Other forms can be provided at nominal extra charge.

BUTTON VARIATIONS—Several button lengths are available without extra charge. Special button lengths, forms and colors may be had with nominal set-up and/or tooling charge.

MATERIALS		
PARTS	SERIES E19	SERIES E20
Case	General purpose phenolic	General purpose phenolic
Actuating button	Nylon	Nylon
Common terminal	Brass (70% Copper, 30% Zinc)	Silver Plated Brass (.00002 to .00005 thick)
NO and NC terminals	Brass (70% Copper, 30% Zinc)	Copper
Moving Blade	Spring Brass	Silver Plated Berylco (.00002 to .00005 thick)
Contacts	Silver-Cadmium Oxidized	Silver-Cadmium Oxidized
Spring	Stainless steel	Stainless steel
Aux. Actuators	Cold-Rolled Steel—White Nickel Plated (.00002 to .00005 thick)	Cold-Rolled Steel—White Nickel Plated (.00002 to .00005 thick)
Roller	Sintered Stainless Steel	Sintered Stainless Steel

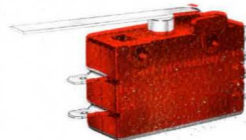
RATING: E19—15 amps 125/250 VAC
3/4 H.P., 125 VAC—1 1/2 H.P., 250 VAC
RATING: E20—20 amps 125/250 VAC
1 H.P., 125 VAC—2 H.P., 250 VAC
Und. Lab. Inc. listed, and CSA approved.



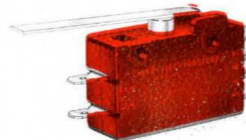
E19-00A



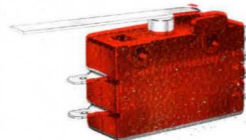
E20-00A



E19-00R



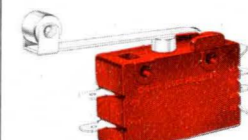
E19-00H



E20-00H



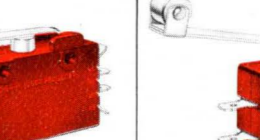
E19-50H



E20-50H



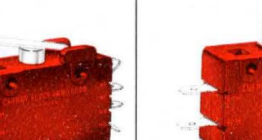
E19-00K



E20-00K



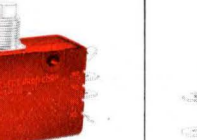
E19-50K



E20-50K



E19-00J



E20-00J



E19-00M

	E19-00A	E20-00A	E19-00R	E19-00H	E20-00H	E19-50H	E20-50H	E19-00K	E20-00K	E19-50K	E20-50K	E19-00J	E20-00J	E19-00M
OPERATING FORCE (Max. in ozs.)	30	45	22	7	15	4 1/2	8 1/2	7	15	4 1/2	9	30	45	30
PRETRAVEL (Max. in inches)	.050	.100	.080	.250	.312	.343	.525	.250	.312	.312	.525	.050	.100	.050
OPERATING POINT (in inches)	.285±.030	.248±.030	.269±.030	.312±.062	.468±.062	.281±.062	.437±.062	.718±.062	.860±.062	.687±.062	.828±.062	.670±.030	.630±.030	.812±.030
OVERTRAVEL (Min. in inches)	.080	.050	.032 (either direction)	.187	.156	.187	.156	.187	.156	.187	.146	.080	.050	.218
MOVEMENT DIFFERENTIAL (inches, ea. pole)	.015	.015	—	.093	.050	.140	.080	.093	.045	.140	.073	.015	.015	.015
Reset Button Pretravel (Max. in inches)	—	—	.080	—	—	—	—	—	—	—	—	—	—	—
Reset Button Operating Point (in inches)	—	—	1.156±.030	—	—	—	—	—	—	—	—	—	—	—
ACTUATOR LENGTH (Tolerance ± 1/32")	—	—	—	1 1/2"	2 7/32"	1 3/4"	1 3/32"	1 3/8"	1 1/16"	1 5/8"	1 5/16"	—	—	—

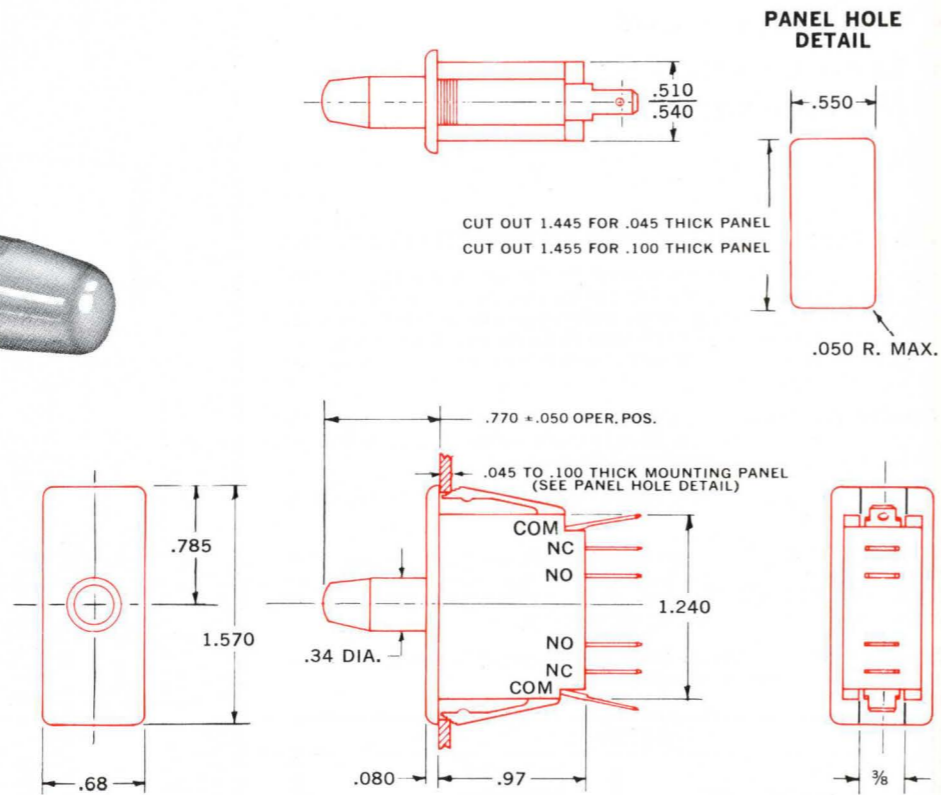
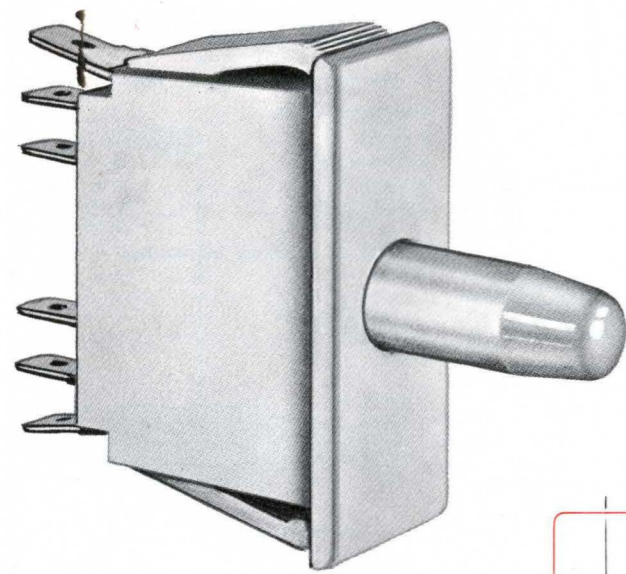
REMARKS: *Measured above reference line
NOTE: Nominal button rest height is 2 1/64"

NOTE: Reset button 1/8" diameter

Also available with Gold Crosspoint Contacts for low energy switching applications... see pages 30 thru 33.

NOTE: Ferrule on "J" and "M" type is 3/8"-32 NEF thread with .312" flats .406" high

panel mount pushbutton/double pole



MOMENTARY-PUSH-PULL (RESET) - "CHEAT" INTERLOCK - "PUSH-PUSH"

- Rock-Wipe Contact Action
- Custom Designs
- Snap in Panel Mounting
- Large Overtravel
- Long Life Coil Spring Snap-Action Mechanism

ALSO AVAILABLE WITH GOLD CROSSPOINT CONTACTS

Gold alloy contact prisms welded to contact brackets, at right angles to each other, make low energy switching possible without the necessity of redesigning. Metallurgically bonded contacts contribute to reliable performance in applications from 5 to 100 milliamperes at 4 to 30 volts. Initial insertion resistance far below 50 milliohms.

CIRCUITRY—Available in double pole double throw or double pole single throw. Single pole panel mount switches also available. (See pages 12-13 for complete information.)

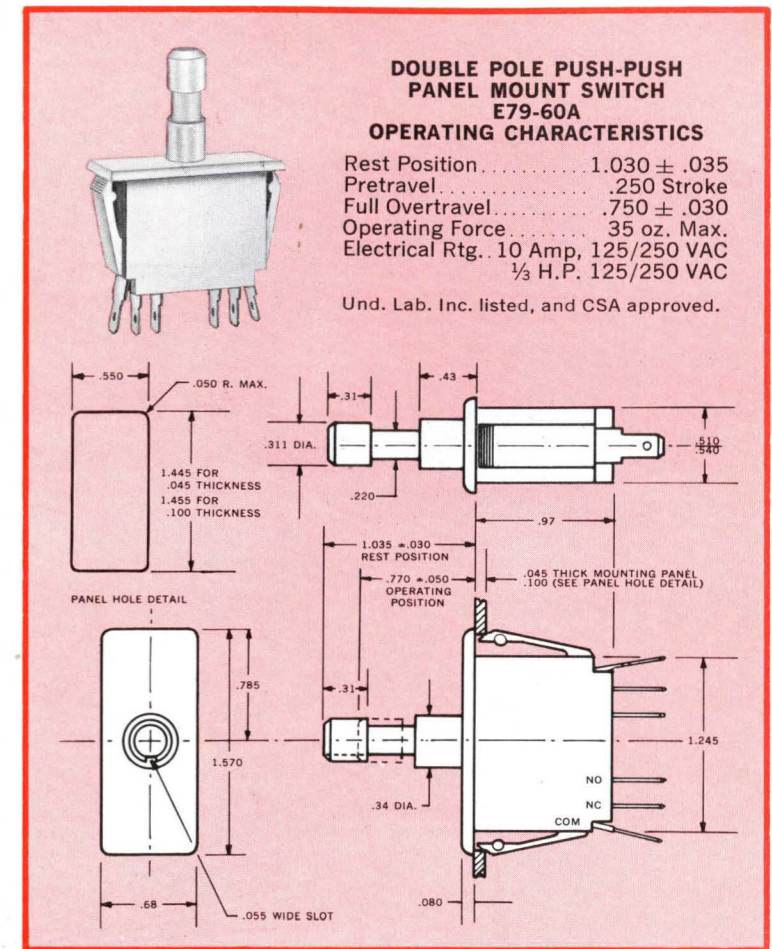
TERMINALS—This switch series has quick connect terminals .187" x .020".

APPLICATIONS—Door and drawer light/interlock switch; test function switch; EDP and business machine start switch; photocopy machines and other equipment requiring either manual or mechanical actuation and panel mounting.

Switch E79-50A has button with special shaft to accept auxiliary push buttons for manual actuation.

MATERIALS

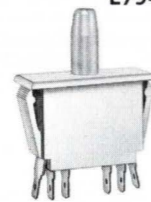
Case	White Nylon
Actuating Button	White Acetal
Terminals	Brass
Moving Blade	Beryllium Copper
Contacts	Silver Cadmium Oxidized
Spring	Stainless Steel



RATING: 10 Amp, 125/250 VAC
1/3 H. P. 125/250 VAC

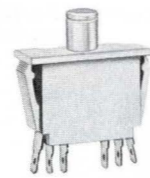
Und. Lab. Inc. listed, and CSA approved.

E79-00A



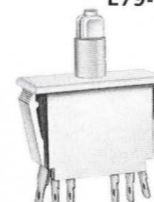
Basic Momentary Action

E79-40A



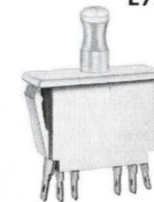
Short Button Momentary

E79-50A



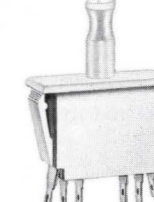
For Auxiliary Pushbutton

E79-20A



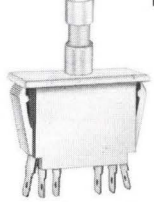
Push-Pull (Reset)

E79-30A



Momentary "Cheat" Interlock

E79-60A



Push-Push (Alt. Action)

REST POSITION (in inches)

.845-.905

.440 - .500

.420-.480

.920-.980

.730-.790

.730-.790

.995-1.065

PRETRAVEL Maximum (in inches)

.125

.125

.125

.150

.125

.125

.250 Stroke

OPERATING POINT* (in inches)

.720-.820

.315 - .415

.300-.400

.800-.900

.710-.610

.800-.900

—

OVERTRAVEL Minimum (in inches)

.375

.375

.175

.300

.100

.050

—

MOVEMENT DIFFERENTIAL Maximum (in inches)

.075

.075

.075

.075

.075

.030

—

OPERATING FORCE Maximum

24 oz.

24 oz.

24 oz.

18 oz.

26 oz.

20 oz.

35 oz.

FULL OVERTRAVEL POSITION Maximum (in inches) "A" Dimension

.400

.105

.120

.500

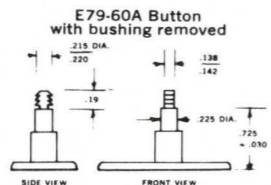
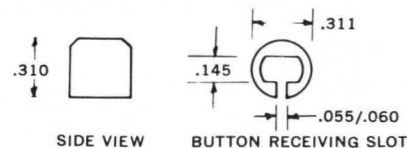
.520

.980

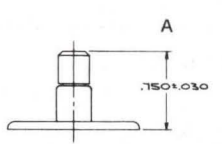
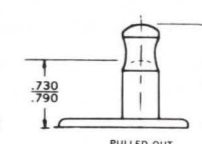
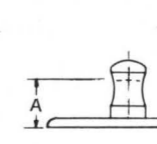
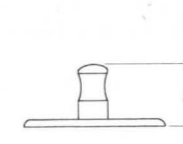
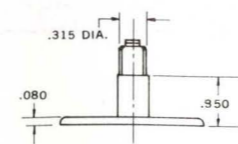
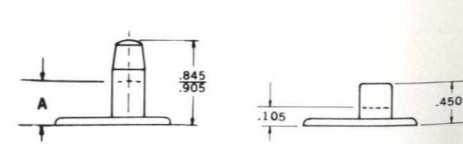
.780

REMARKS: *Measured above reference line
Also available with Gold Crosspoint Contacts for low energy switching applications... see pages 30 thru 33.

BUSHING DETAIL

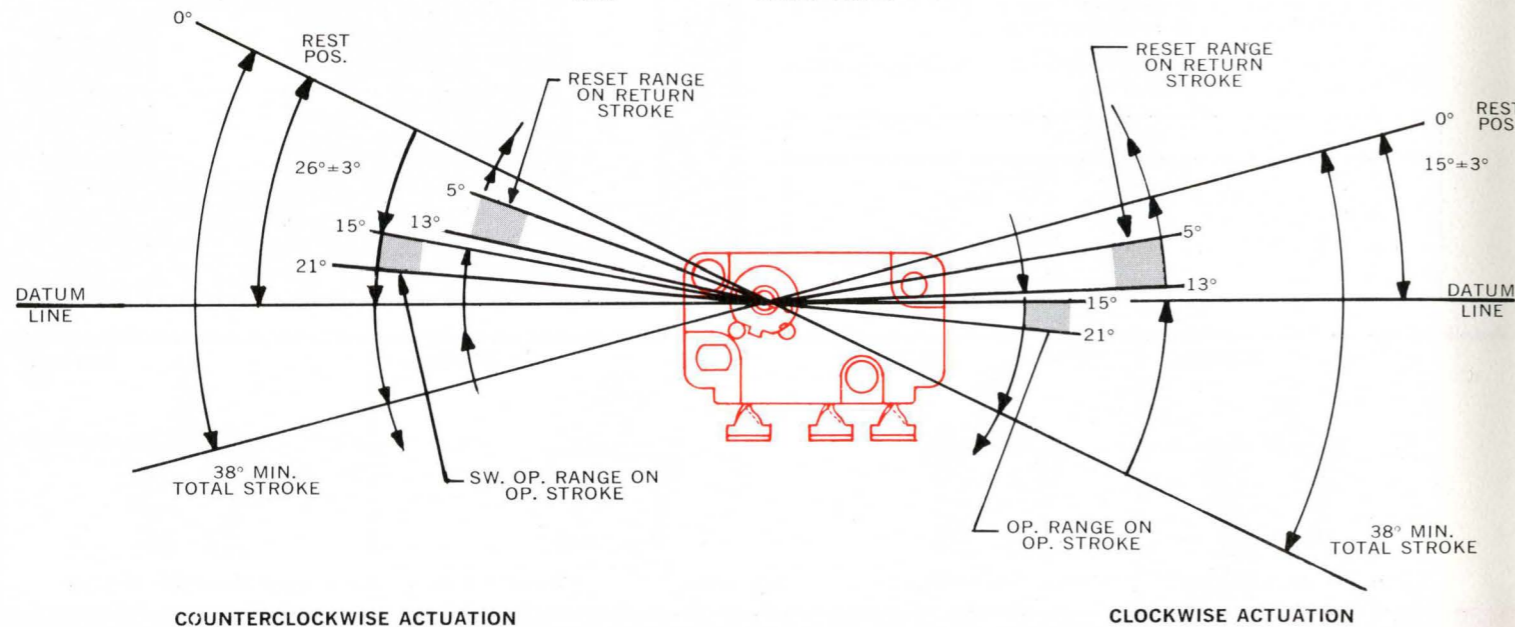
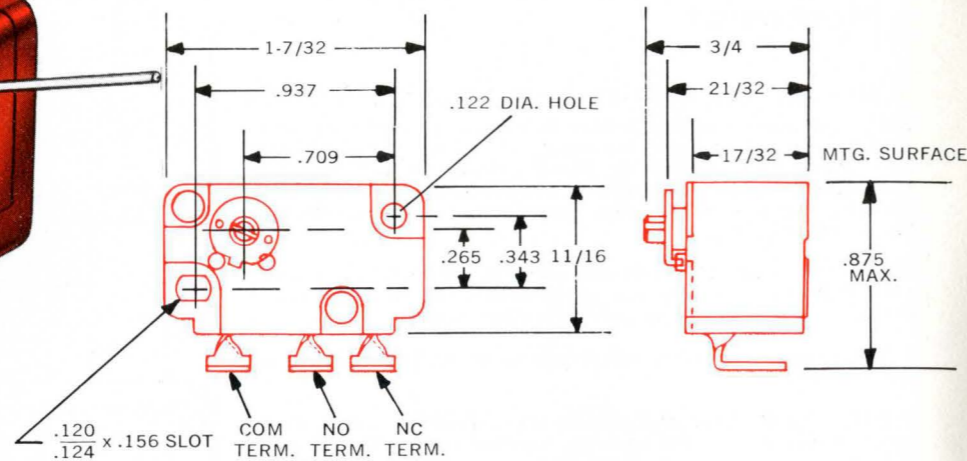
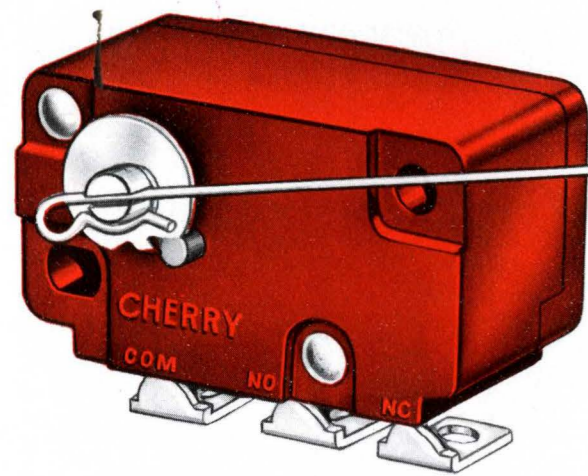


BUTTON DETAIL



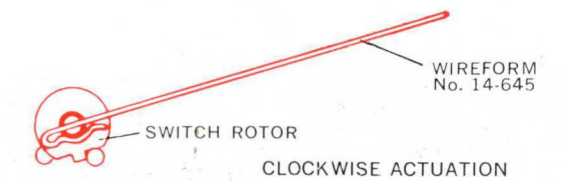
low torque switches

SERIES E51



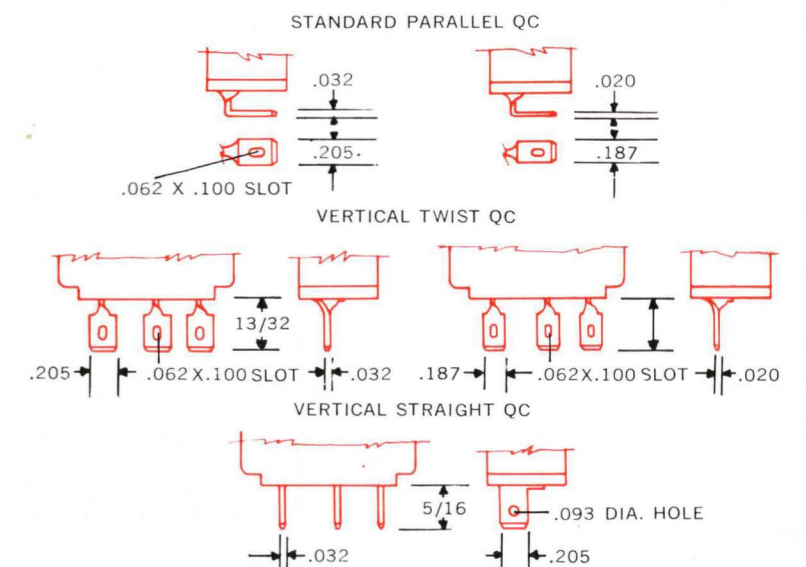
- Long Life Coil Spring Mechanism
- Low Torque Rotary Actuation
- Clockwise or Counter Clockwise
- Rock Wipe Contact Action
- Combination Quick Connect & Solder Terminals
- Double Rivet Sturdy Case Construction

ACTUATORS—Wireform actuators are supplied unassembled with each E51 switch. Wireforms may be readily assembled to switch rotor as illustrated below.



CIRCUITRY—E51 series is available in single pole double throw and single pole single throw either normally open or normally closed. In general normally open may be specified by adding 01 to suffix numbers, and normally closed by adding 02. For example E51-00B is double throw, E51-01B is normally open and E51-02B is normally closed.

TERMINALS—All terminals are combination quick connect and solder. Several types are available as shown below.



STANDARD PARALLEL QC used on E51-00B and E51-00E (.205 x .032)
 STANDARD PARALLEL QC used on E51-00R and E51-00T (.187 x .020)
 VERTICAL TWIST QC used on E51-50B and E51-50E (.205 x .032)
 VERTICAL TWIST QC used on E51-50R and E51-50T (.187 x .020)
 VERTICAL STRAIGHT QC used on E51-60B and E51-60E (.205 x .032)

ALL E51 SERIES SWITCHES HAVE THESE CHARACTERISTICS:

OPER. TORQUE MAX. 4.0 inch grams
 OVERTRAVEL 15° Min.
 MOVEMENT DIFF.3° Min.

MATERIAL	
PARTS	E51 SERIES
Case	General purpose phenolic
Common terminal	Silver Plated Brass (.00002 to .00005 thick.)
NO and NC terminals	Silver Plated Brass (.00002 to .00005 thick.)
Moving blade	Spring Brass
Contacts	Gold Flashed (.00003 to .00004 thick.) Silver-Cadmium Oxidized.
Spring	Stainless Steel

RATING: E51—5 amps., 125/250 VAC Und. Lab. Inc. listed, and CSA approved.										
	E51-00B	E51-00R	E51-00E	E51-00T	E51-50B	E51-50R	E51-50E	E51-50T	E51-60B	E51-60E
DIRECTION OF ACTUATOR	Clockwise	Clockwise	Counter Clockwise	Counter Clockwise	Clockwise	Clockwise	Counter Clockwise	Counter Clockwise	Clockwise	Counter Clockwise
TERMINALS	Standard Parallel .205"	Standard Parallel .187"	Standard Parallel .205"	Standard Parallel .187"	Vertical Twist .205"	Vertical Twist .187"	Vertical Twist .205"	Vertical Twist .187"	Vertical Straight	Vertical Straight
REMARKS:	Also available with Gold Crosspoint Contacts for low energy switching applications... see pages 30 thru 33.									

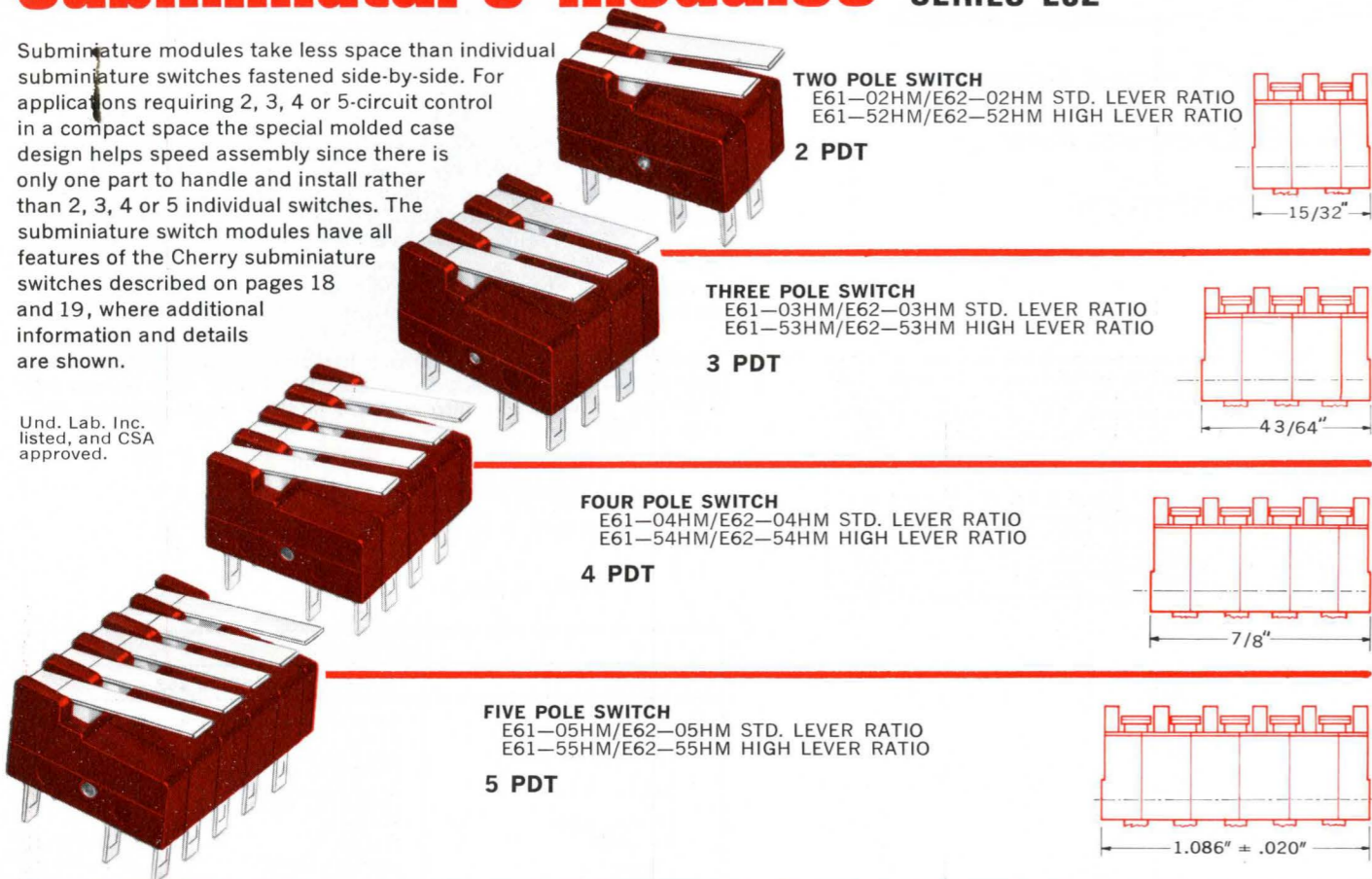
subminiature modules

SERIES E61

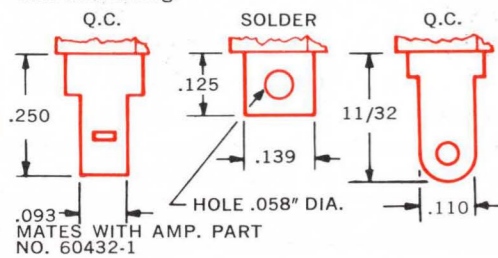
SERIES E62

Subminiature modules take less space than individual subminiature switches fastened side-by-side. For applications requiring 2, 3, 4 or 5-circuit control in a compact space the special molded case design helps speed assembly since there is only one part to handle and install rather than 2, 3, 4 or 5 individual switches. The subminiature switch modules have all features of the Cherry subminiature switches described on pages 18 and 19, where additional information and details are shown.

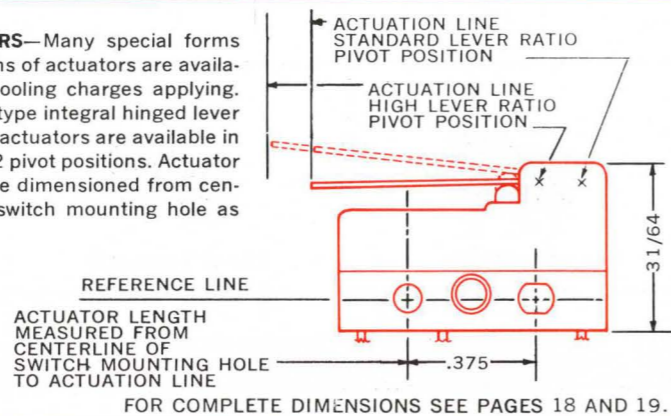
Und. Lab. Inc. listed, and CSA approved.



TERMINALS—Subminiature modules are available with quick connect .093 wide as shown here and a special quick connect which is .110 wide. They are also available in short solder terminal .139 wide x .125 long.



ACTUATORS—Many special forms and lengths of actuators are available with tooling charges applying. Standard type integral hinged lever and roller actuators are available in choice of 2 pivot positions. Actuator lengths are dimensioned from centering of switch mounting hole as shown.



RATING: E61 Series—5 Amp., 125/250 VAC	STANDARD LEVER RATIO	HIGH LEVER RATIO
RATING: E62 Series—10.1 Amp., 125/250 VAC., 1/4 H.P., 125 VAC		
E61 OPERATING FORCE (Max. in grams)	24	8
E62 OPERATING FORCE (Max. in grams)	56	20
REST (in inches)	.500	.720
PRETRAVEL (Max. in inches)	5/32	7/16
OPERATING POINT* (in inches)	.350 ± .030	.350 ± .030
OVERTRAVEL (Minimum in inches)	.040	.050
MOVEMENT DIFFERENTIAL (Max. in inches)	.020	.050
ACTUATOR LENGTH (Tolerance of ± 1/32)	9/32"	13/32"

miniature

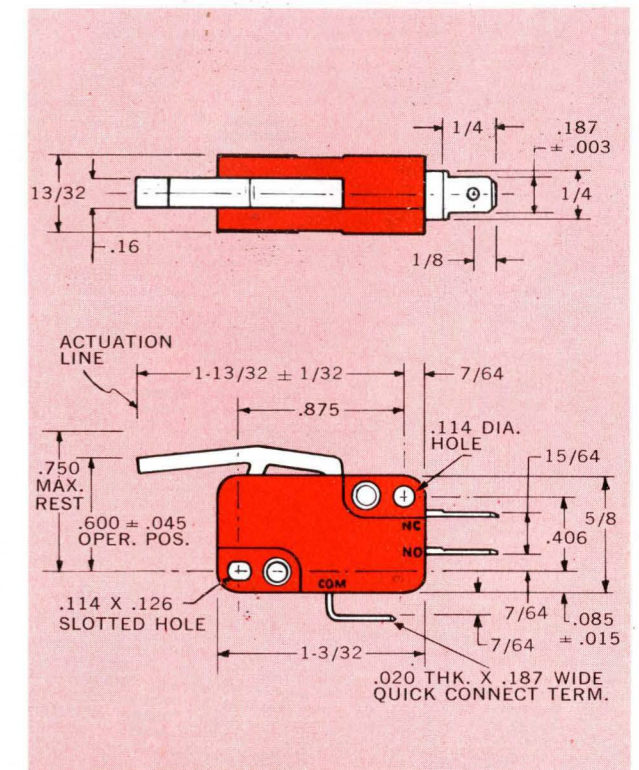
SERIES E34-50N

SERIES E34-90N

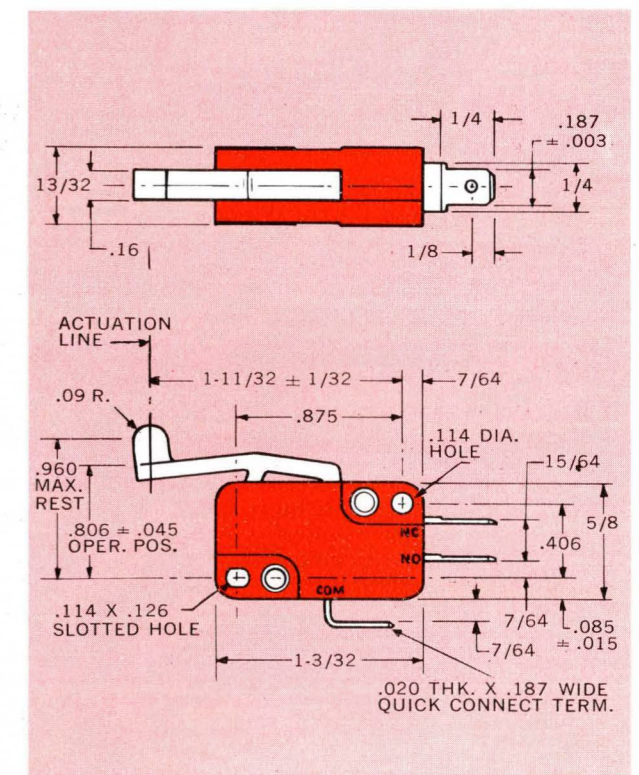
Molded Delrin unitary hinged lever combines switch actuator and button.



Molded Delrin lever combines actuator and button. Has action similar to conventional one-inch-long metal actuators. Except for unitary hinged lever is similar to E34-50H shown on pages 22-23. Molded Delrin lever also available on E22, E23 and E33 Series.

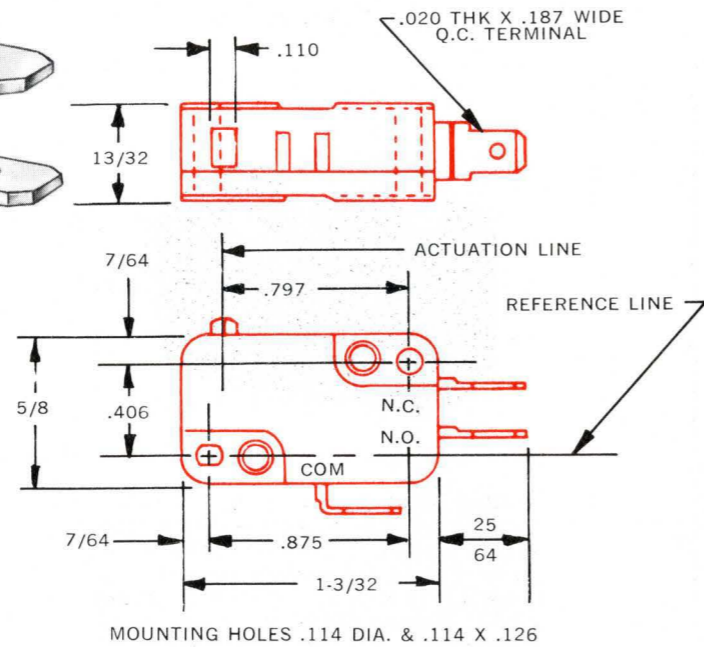
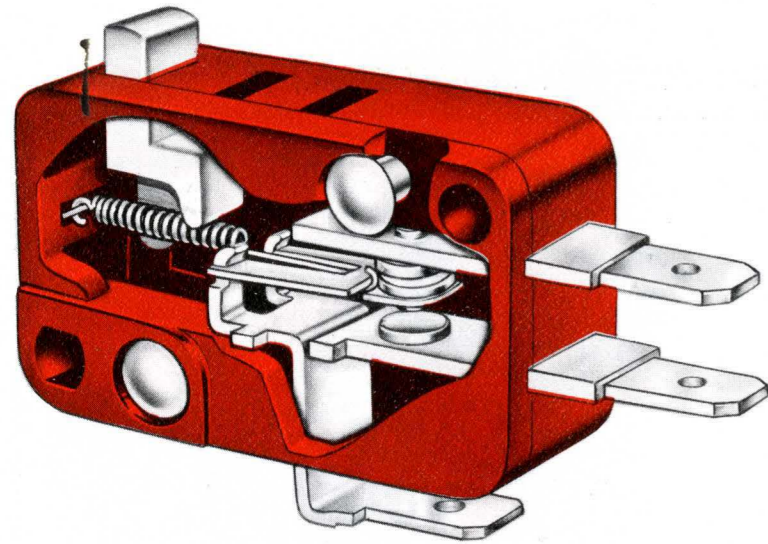


Molded Delrin lever combines actuator and button to simulate roller type actuators. Accepts dual-direction cam or slide actuation. Except for unitary hinged lever is similar to E34-50K shown on pages 22-23. Molded Delrin lever also available on E22, E23 and E33 Series.



standard force/miniature

SERIES E22 SERIES E33
SERIES E23 SERIES E34



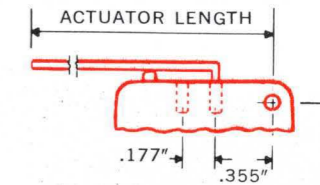
- Long Life Coil Spring Mechanism
- Large Overtravel
- Rock Wipe Contact Action
- Wide Rounded Wear Resistant Button
- Integral Hinged Actuators
- Custom Designs

NOTE: .187" Quick Connect terminals are standard. To order screw terminals add 10 to suffix number. To order solder terminals add 20 to suffix number. For example: The basic E23-00A becomes E23-10A for screw terminals and E23-20A for solder terminals. See chart below.

TERMINAL TYPES	S.P.D.T.	S.P.S.T.N.O.	S.P.S.T.N.C.
QC	E23-00A	E23-01A	E23-02A
SCREW	E23-10A	E23-11A	E23-12A
SOLDER	E23-20A	E23-21A	E23-22A

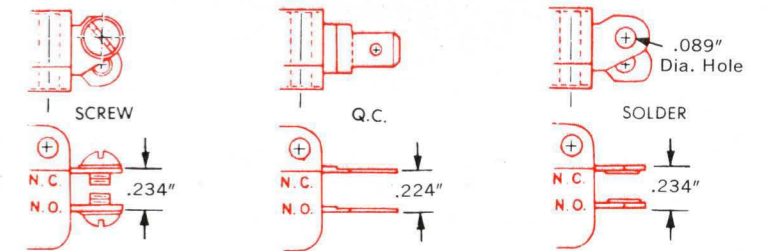
Also applies to E22, E33 and E34 Series.

ACTUATORS—Many special forms and lengths of actuators are available with tooling charges applying. Standard type integral hinged lever and roller actuators are available in choice of 2 pivot positions. Actuator lengths are dimensioned from centerline of switch mounting hole as shown here.



CIRCUITRY—Contact arrangement available in choice of single pole double throw or single pole single throw, either normally open or normally closed. In general normally open may be specified by changing suffix number from 00 to 01 and normally closed by changing suffix number to 02. Example: E34-00A is double throw, E34-01A is normally open and E34-02A is normally closed.

TERMINALS—Choice of Screw, Solder, or Quick Connect Terminals. Unless otherwise specified switches are furnished with QC terminals. .187 wide x .020 thick. Also available are .250 wide x .032 terminals.



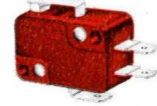
MATERIALS

PARTS	SERIES E22	SERIES E23, E33	SERIES E34
Case	General purpose phenolic	General purpose phenolic	General purpose phenolic
Actuating button	Acetal Resin	Acetal Resin	Acetal Resin
Common terminal	Silver Plated Brass (.00002 to .00005 thick)	Silver Plated Brass (.00002 to .00005 thick)	Silver Plated Brass (.00002 to .00005 thick)
NO and NC terminals	Brass (70% Copper, 30% Zinc)	Brass (70% Copper, 30% Zinc)	Copper
Moving blade	Spring Brass	E23 Spring Brass, E33 Silver Plated Beryllium Copper	Silver Plated Beryllium Copper (.00002 to .00005 thick)
Contacts	Fine Silver	Silver Cadmium Oxidized	Silver-Cadmium Oxidized
Spring	Stainless Steel	Stainless Steel	Stainless Steel
Auxiliary Actuators	Aluminum used on 2 1/4" Long actuator	Cold Rolled Steel-White Nickel Plated (.00002 to .00005 thick)	Cold Rolled Steel-White Nickel Plated (.00002 to .00005 thick)
Roller		Sintered Stainless Steel	Sintered Stainless Steel

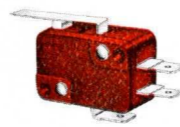
RATING: E22— 3 Amps., 125 VAC
RATING: E23— 5 Amps., 1/4 H.P., 125/250 VAC
RATING: E33— 10 Amps., 1/2 H.P., 125/250 VAC
RATING: E34— 15 Amps., 1/2 H.P., 125/250 VAC
Und. Lab. Inc. listed, and CSA approved.



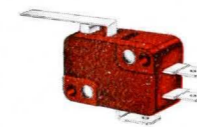
-00A



-00H



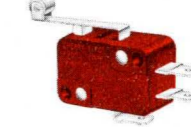
-50H



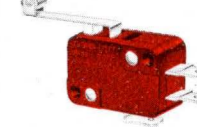
-50HL



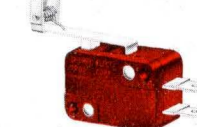
-00K



-50K



-50KL



-50P

OPERATING FORCE E22 (Max. Gms.)	75	75	35	15	75	35	15	35
OPERATING FORCE E23 (Max. Gms.)	170	170	86	51	170	86	51	86
OPERATING FORCE E33 (Max. Gms.)	285	285	144	86	285	144	86	144
OPERATING FORCE E34 (Max. Gms.)	400	400	200	120	400	200	120	200
PRETRAVEL (Max. inches)	.047	.062	.125	.200	.047	.125	.200	.125
OPERATING POINT* (in inches)	.578 ± .020	.600 ± .020	.600 ± .045	.600 ± .062	.806 ± .030	.806 ± .045	.806 ± .062	1.045 ± .045
OVERTRAVEL (Minimum inches)	.050	.050	.090	.140	.040	.085	.140	.085
MOVEMENT DIFFERENTIAL (Max. inches)	.010	.016	.030	.050	.010	.030	.050	.030
ACTUATOR LENGTH (Tolerance of ± 1/32")	—	27/32"	1 13/32"	1 1/16"	1 3/16"	1 11/32"	1 1/2"	1 11/32"

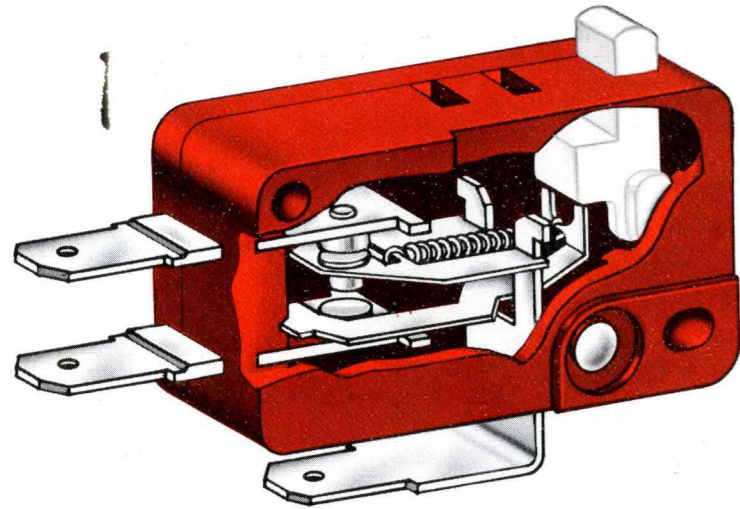
REMARKS: *Measured above reference line

NOTE: Nominal button rest height is 3/64"

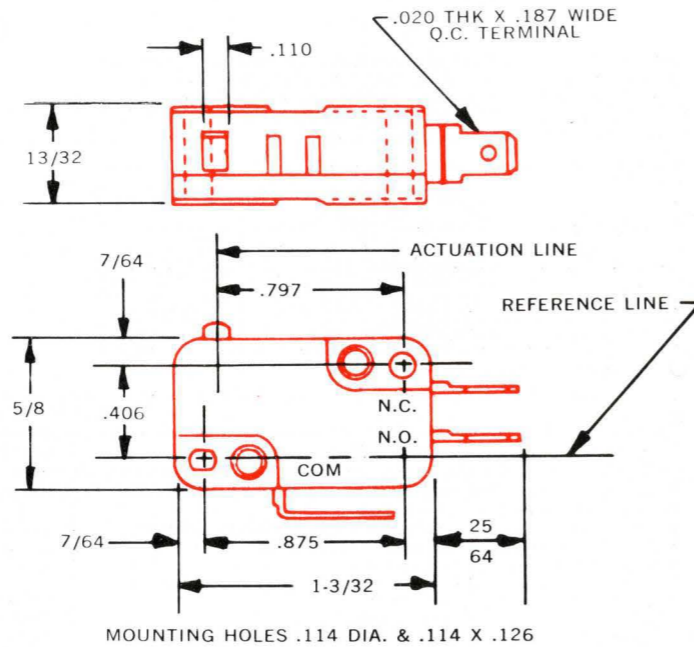
Also available with Gold Crosspoint Contacts for low energy switching applications... see pages 30 thru 33.

light force/miniature

SERIES E22—SERIES E23
SERIES E33—SERIES E34

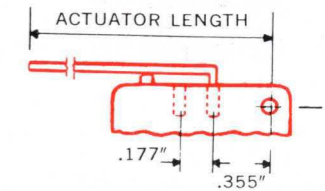


Added internal actuator increases leverage, reduces operating force while maintaining high contact pressure.



- Low Operating Force
- Long Life Coil Spring Mechanism
- Large Overtravel
- Rock Wipe Contact Action
- Integral Hinged Actuators
- Custom Designs

ACTUATOR—Many special forms and lengths of actuators are available with tooling charges applying. Standard type integral hinged lever and roller actuators are available in choice of 2 pivot positions. Actuator lengths are dimensioned from centerline of switch mounting hole as shown here.



CIRCUITRY—Contact arrangement available in choice of single pole double throw or single pole single throw, either normally open or normally closed. In general normally open may be specified by changing suffix number from 00 to 01 and normally closed by changing suffix number to 02. Example: E22-00AX is double throw, E22-01AX is normally open and E22-02AX is normally closed.

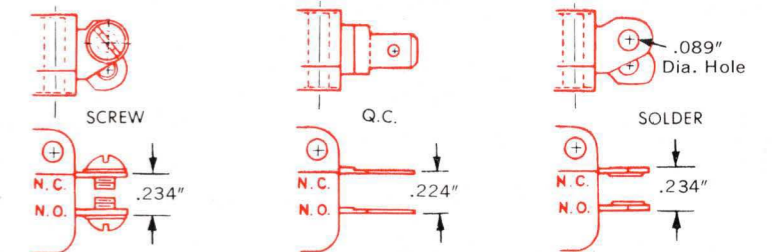
TERMINALS—Choice of Screw, Solder, or Quick Connect Terminals. Unless otherwise specified switches are furnished with QC terminals. .187 wide x .020 thick. Also available are .250 wide x .032 QC terminals.

NOTE: .187" Quick Connect terminals are standard. Normally, to order screw terminals add 10 to suffix number. To order solder terminals add 20 to suffix number. For example: The basic E22-00AX becomes E22-10AX for screw terminals and E22-20AX for solder terminals. See chart below.

EXCEPTIONS: When ordering -55HX, -75HX, -75KX or -85HX switches, do not change suffix number. Simply state on order whether QC, screw or solder terminal types are desired.

TERMINAL TYPES	S.P.D.T.	S.P.S.T.N.O.	S.P.S.T.N.C.
QC	E22-00AX	E22-01AX	E22-02AX
SCREW	E22-10AX	E22-11AX	E22-12AX
SOLDER	E22-20AX	E22-21AX	E22-22AX

Also applies to E23, E33 and E34 Series.



MATERIALS

PARTS	SERIES E22	SERIES E23, E33	SERIES E34
Case	General purpose phenolic	General purpose phenolic	General purpose phenolic
Actuating button	Acetal Resin	Acetal Resin	Acetal Resin
Common terminal	Silver Plated Brass (.00002 to .00005 thick)	Silver Plated Brass (.00002 to .00005 thick)	Silver Plated Brass (.00002 to .00005 thick)
NO and NC terminals	Brass (70% Copper, 30% Zinc)	Brass (70% Copper, 30% Zinc)	Copper
Moving blade	Spring Brass	E23 Spring Brass	Silver Plated Beryllium Copper (.00002 to .00005 thick)
Contacts	Fine Silver	E33 Silver Plated Beryllium Copper	Silver-Cadmium Oxidized Stainless Steel
Spring	Stainless Steel	Silver Cadmium Oxidized Stainless Steel	Stainless Steel
Auxiliary Actuators	Aluminum used on 2 3/4" Long actuator	Cold Rolled Steel-White Nickel Plated (.00002 to .00005 thick)	Cold Rolled Steel-White Nickel Plated (.00002 to .00005 thick)
Roller		Sintered Stainless Steel	Sintered Stainless Steel

RATING: E22 Series—3 Amp., 125 VAC
RATING: E23 Series—5 Amp., 1/4 H.P., 125/250 VAC
RATING: E33 Series—10 Amp., 1/2 H.P., 125/250 VAC
RATING: E34 Series—15 Amp., 1/2 H.P., 125/250 VAC
Und. Lab. Inc. listed, and CSA approved.



-00AX



-50HX



-75HX



-50KX



-75KX



-55HX



-85HX

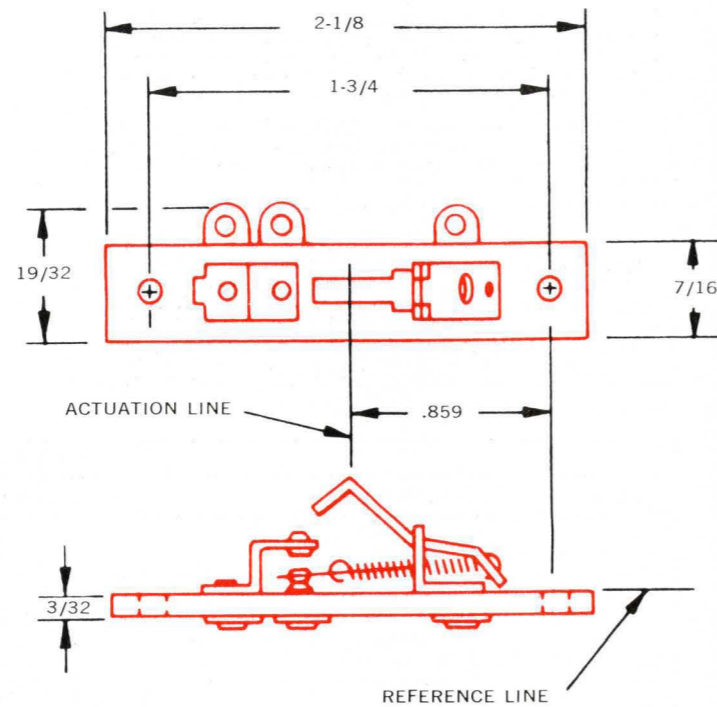
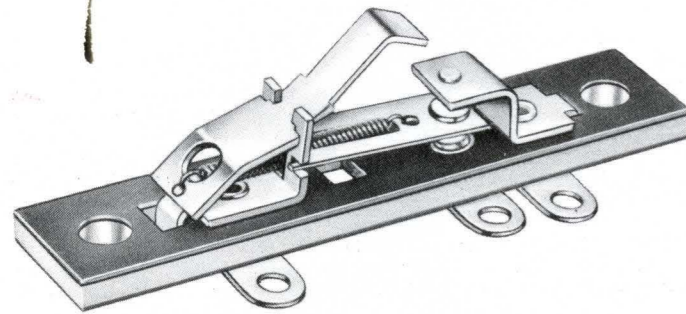
E22 OPERATING FORCE (Max. in grams)	15	8	5	—	—	3 1/2	2
E23 OPERATING FORCE (Max. in grams)	45	22	14	22	14	10	6
E33 OPERATING FORCE (Max. in grams)	75	37	22	37	22	17	10
E34 OPERATING FORCE (Max. in grams)	100	50	30	50	30	22	13
PRETRAVEL (Max. in inches)	.047	.125	.200	.125	.200	.300	.500
OPERATING POINT* (in inches)	.578 ± .020	.600 ± .045	.600 ± .062	.806 ± .045	.806 ± .062	.600 ± .078	.600 ± .125
OVERTRAVEL (Minimum in inches)	.050	.090	.140	.090	.140	.187	.312
MOVEMENT DIFFERENTIAL (Max. in inches)	.010	.030	.050	.030	.050	.065	.100
ACTUATOR LENGTH (Tolerances of ± 1/32")	—	1 13/32"	1 9/16"	1 11/32"	1 1/2"	2 3/4"	2.932"

REMARKS: *Measured above reference line
NOTE: Nominal button rest height is 3/64"
Also available with Gold Crosspoint Contacts for low energy switching applications... see pages 30 thru 33.

basic open

SERIES S23 LIGHT FORCE

SERIES S25 STANDARD

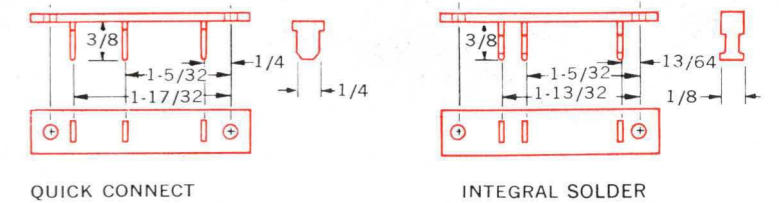


- Long Life Coil Spring Mechanism
- Rock Wipe Contact Action
- Choice of Circuitry, Terminals and Actuators
- Custom Designs

ACTUATORS—In addition to the standard actuators shown here many other actuator forms are available at no extra cost. Special forms can be supplied with partial tooling charge.

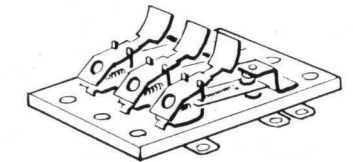
CIRCUITRY—Choice of single pole, double throw or single throw, either normally open or normally closed. In general, single throw may be specified by changing suffix number by 01 for normally open and 02 for normally closed. For example S25-60T is double throw, normally open is S25-61T and normally closed is S25-62T. Applies to S23 Series.

TERMINALS—Three standard terminal types include flat solder, integral solder and Quick Connect as shown here.



NOTE: To specify quick connect terminals change suffix "T" to "Z". To specify integral solder terminals change suffix "T" to "W".

OTHER VARIATIONS—Several switches can be ganged on a single panel for applications requiring multiple circuits. Mounting brackets can be provided for use other than standard panel mounting holes.



MATERIALS	
PARTS	SERIES S-23 & S-25
Panel	XP Bakelite
Movable Blade	Spring Brass
Coil Spring	Stainless Steel
Actuator Arm	Brass
Flat Solder Terminals	Tin Plated Brass
Integral Solder Terminals	Cadmium Plated Brass
Quick Connect Terminals	Brass
Contacts	Silver Cadmium Oxidized

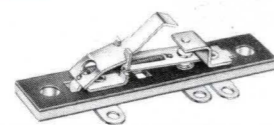
RATING: S23 5 amp, 125 VAC
RATING: S25 10 amp, 125 VAC—5 amp, 250 VAC
 ¼ H.P. 125/250 VAC
 Und. Lab. Inc. listed, and CSA approved.

OPERATING FORCE SERIES S23 (Maximum in Ounces)	3
OPERATING FORCE SERIES S25 (Maximum in Ounces)	9½
REST* (Maximum in inches)	.504
OPERATING POINT* (Minimum in inches)	.353
OVERTRAVEL (Minimum in inches)	.045
MOVEMENT DIFFERENTIAL (Maximum in inches)	.070

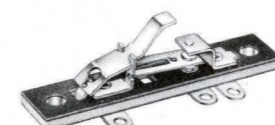
REMARKS: *Measured above reference line.

- NOTES: 1. The S23 and S25 series switch actuator is electrically "live" and must be operated by a non-conductive part or insulated by means of nylon insulators. These are applicable to a limited number of actuator designs. (Of the types shown here only the -20T and -40T will accept insulator.)
 2. Operating point is measured from top of panel to top of actuator.
 3. Actuator arms shown are ⅝" wide, except—60T which is ¼" wide.
 4. Operating force is measured at highest point on actuator.

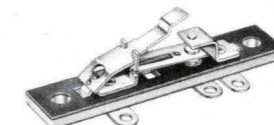
Also available with Gold Crosspoint Contacts for low energy switching applications... see pages 30 thru 33.



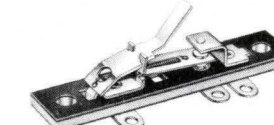
S23-00T/S25-00T



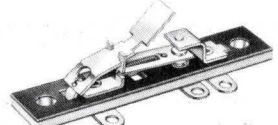
S23-20T/S25-20T



S23-30T/S25-30T



S23-40T/S25-40T

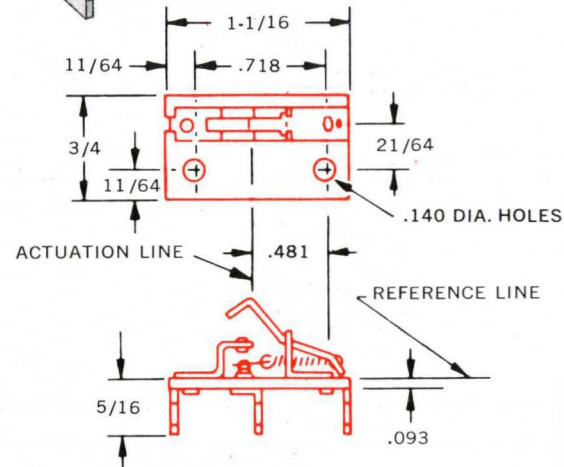
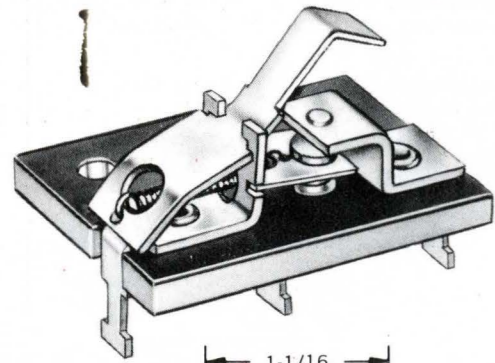


S23-60T/S25-60T

2¾	1½	1½	1
10	5	5	3
.507	.452	.675	.525
.378	.293	.375	.300
.040	.040	.093	.040
.070	.070	.200	.150

miniature open

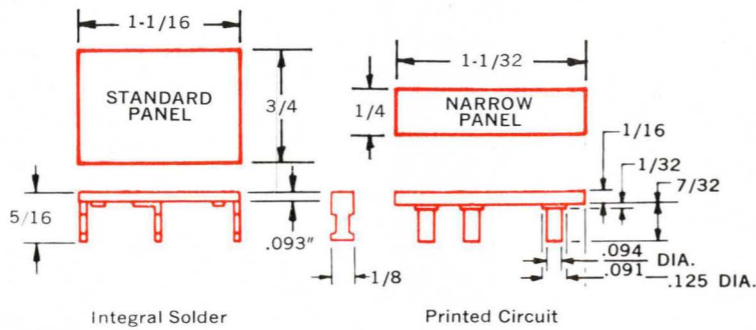
SERIES S30



ACTUATORS—In addition to the standard actuator forms shown here there are many other forms available at no extra cost. Special actuator forms and lengths can be supplied with nominal tooling charge.

CIRCUITRY—Choice of single pole double throw or single pole single throw either normally open or normally closed. In general single throw may be specified by changing suffix number by 01 for normally open and 02 for normally closed. For example S30-20W is double throw, S30-21W is normally open and S30-22W is normally closed.

TERMINALS—Three standard terminal types include flat solder, integral solder and quick connect. Printed circuit terminal is available on narrow panel only (S30-20P)



NOTE: To specify flat solder terminals change suffix "W" to "T". To specify quick connect terminals change suffix "W" to "Z".

- Long Life Coil Spring Mechanism
- Rock Wipe Contact Action
- Choice of Circuitry, Actuators and Terminals
- Custom Designs

MATERIALS	
PARTS	SERIES S30
Panel	XP Bakelite
Movable Blade	Spring Brass
Narrow Type Panel for PC Terminals	Glass Epoxy
Coil Spring	Stainless Steel
Actuator Arm	Brass
Terminals:	
Integral Solder	Cadmium Plated Brass
Printed Circuit Type	Silver Plated Brass
Contacts	Silver Cadmium Oxidized

RATING: 10 Amps. 125 VAC 5 Amps. 250 VAC 1/6 HP. 125/250 VAC Und. Lab. Inc. listed, and CSA approved.	S30-00W	S30-20W	S30-50W	S30-20P
	OPERATING FORCE (Max.)	7½ ozs.	7½ ozs.	6 ozs.
REST POSITION (Max.)	.533"	.526"	.520"	.619"
OPERATING POINT (Min.)	.378"	.382"	.360"	.382"
OVERTRAVEL (Min.)	.045"	.080"	.100"	.080"
MOVEMENT DIFFERENTIAL (Max.)	.085"	.085"	.085"	.085"

REMARKS: The S30 series switch actuator is electrically "live" and must be operated by a non-conductive part, or insulated by means of a nylon insulator. Insulators are applicable to a limited number of actuator designs (only S30-20W of ones shown here).

NOTES: Operating point is measured from top of panel to top of actuator. Operating force is measured at highest point on actuator.

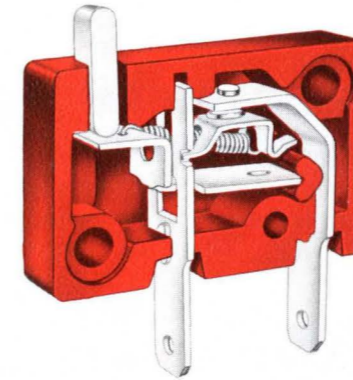
S30-20P also available with Gold Crosspoint Contacts for low energy switching applications... see pages 30 thru 33.

NOTE: For dimensional details on S30-20P See S31-20P drawings on Page 32

enclosed / single throw

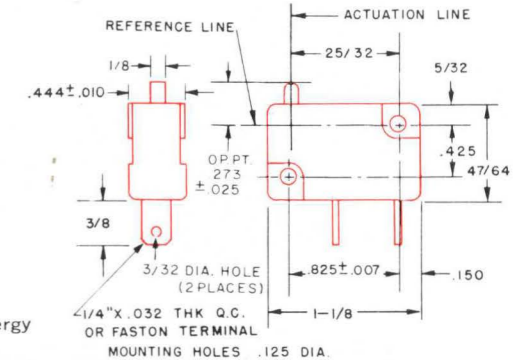
SERIES E10—SERIES E15

SERIES E16—SERIES E18



- Large Overtravel
- Long Life Coil Spring
- Light Operating Force

Also available with Gold Crosspoint Contacts for low energy switching applications... see pages 30 thru 33.

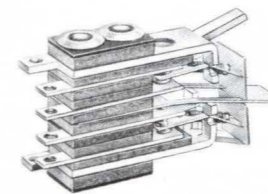


MATERIALS		Operating Characteristics and Ordering Information				
SERIES: E10, E15, E16 & E18		Catalog Nos.	E10-00M	E15-00M	E16-00M	E18-00M
Case	General purpose phenolic	Circuitry—Single Pole	Norm. Closed	Norm. Closed	Norm. Open	Norm. Open
Actuating button	Nylon	Operating Point	.273 ± .025	.273 ± .025	.273 ± .025	.273 ± .025
Common terminal	Silver Plated Brass .00002 to .00005 thick plating	Movement Diff.	.040 Max.	.040 Max.	.040 Max.	.040 Max.
NO and NC terminals	Silver Plated Brass .00002 to .00005 thick plating	Overtravel	.090 Min.	.090 Min.	.090 Min.	.090 Min.
Moving Blade	Spring Brass	Operating Force	4½ ozs.	3 ozs.	2½ ozs.	7 ozs.
Contacts	Silver-Cadmium Oxidized	Rating	10 amp 125 VAC 5 amp 250 VAC ½ H.P. 125 VAC	6 amp 125 VAC 3 amp 250 VAC	2 amp 125 VAC 1 amp 250 VAC	¾ amp 125 VAC
Spring	Stainless Steel					

stack switches

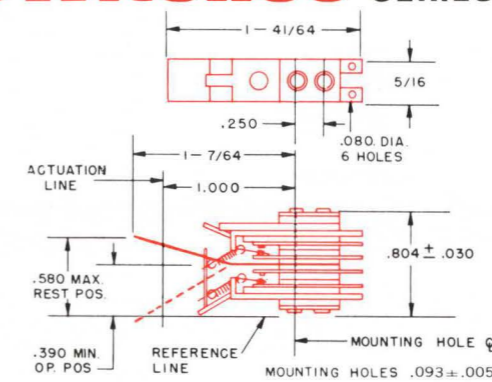
SERIES S36

SERIES S37



Double Pole S36-20E RESET

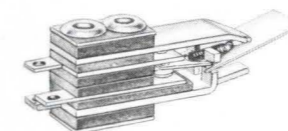
Also Available: S36-40E MOMENTARY



Operating Characteristics

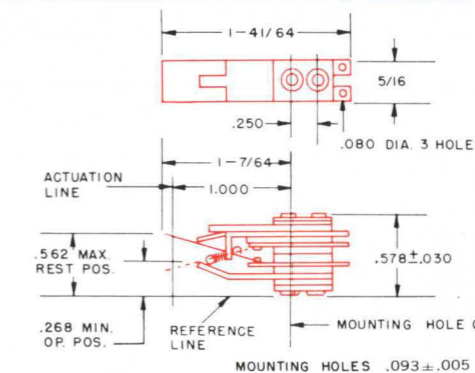
Rest*..... Max. .580 in.
Pretravel.....
Operating Position*..... Min. .390 in.
Overtravel..... Min. .075 in.
Movement Differential..... Max. .125 in.
Operating Force..... Max. 3 oz.—S36-20E
Max. 6 oz.—S36-40E

*Measured above reference line (either direction)
Und. Lab. Inc. listed
RATING—7½ Amps, 125 VAC
5 Amps, 250 VAC



Single Pole S37-10E RESET

Also Available in: S37-20E MOMENTARY



Operating Characteristics

Rest*..... Max. .562 in.
Pretravel.....
Operating Position*..... Max. .268 in.
Overtravel..... Min. .060 in.
Movement Differential..... Max. .140 in.
Operating Force..... Max. 4 oz.—S37-20E
Max. 2 oz.—S37-10E

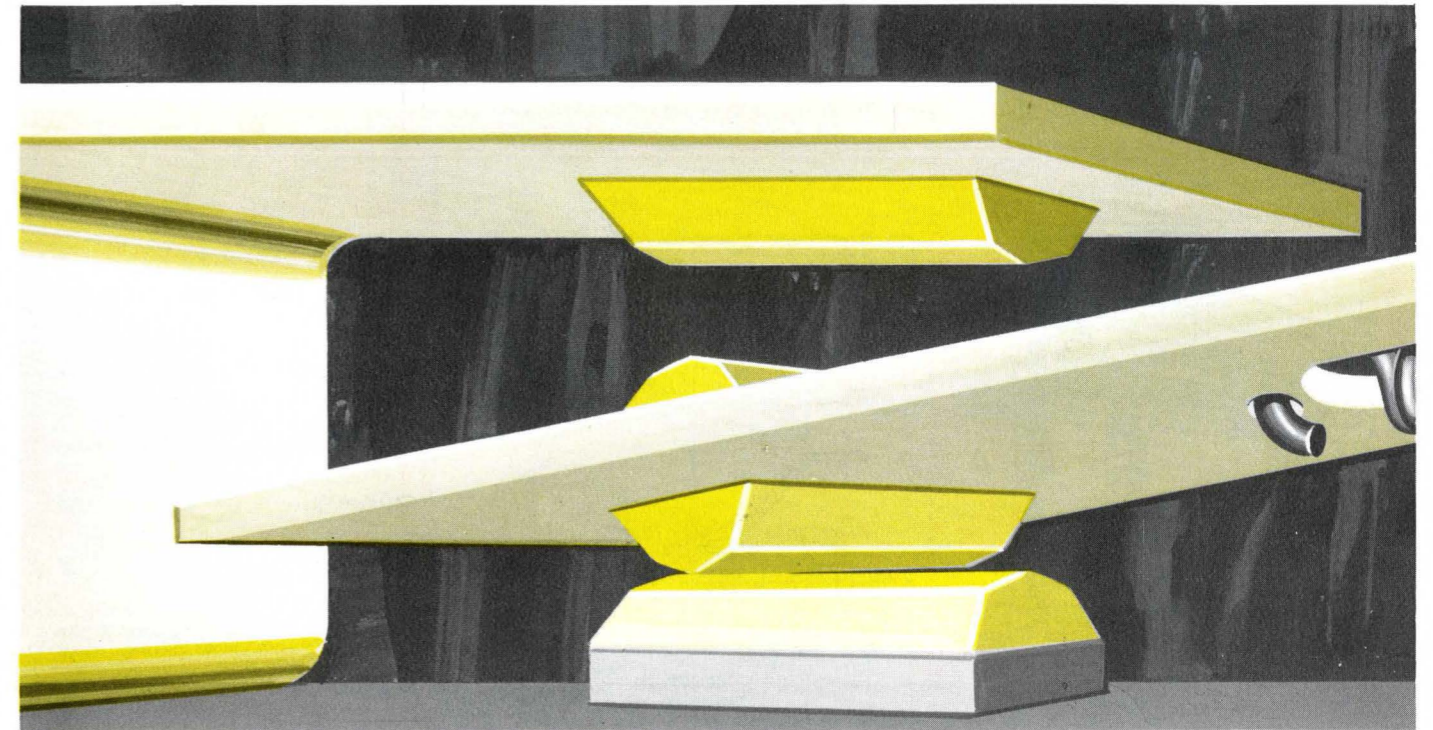
*Measured above reference line (either direction)
Und. Lab. Inc. listed
RATING—7½ Amps, 125 VAC
5 Amps, 250 VAC

Cherry gold "crosspoint" contact switches for low energy circuits

Engineers can now take a completely new approach to switching of low energy circuits. The Gold "Crosspoint" Contact switch design provides reed switch reliability, with snap action switch precision and utility. No need for magnets and installation adjustments. The result is much lower installed cost.

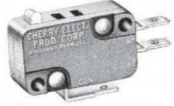
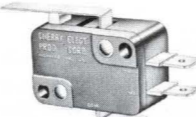
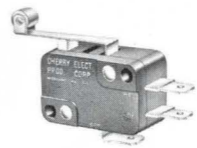

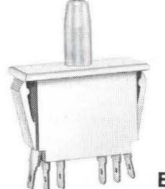
Positive Snap-Action Switching of Low Energy Solid State Circuits

- High reliability in low level switching applications from 4 to 100 milliamperes at 4 to 30 volts
- Long Life . . . measured in millions of operations
- Initial insertion resistance far below 50 milliohms (lower than reed switches)
- Very high force per unit area (contact pressures)
- Reduced susceptibility to contact closure interference from foreign particles
- Reed switch reliability with snap-action switch precision and utility



Close-up view of gold "Crosspoint" contacts

Gold crosspoint contacts are W/E Alloy #1 . . . 69% Gold, 25% Silver, 6% Platinum

	 E21-00A	 E21-50H	 E21-50K	 E68-00A	 E78-00A
RATING: 0.1 Amp, 125 VAC <small>Und. Lab. Inc. listed, and CSA approved.</small>					
OPERATING FORCE Maximum	75 grams	35 grams	35 grams	15 ozs.	24 ozs.
REST POSITION* Maximum	.635"	—	—	.845" — .905"	.845" — .905"
PRETRAVEL* Maximum	.047"	.125"	.125"	.125"	.125"
OPERATING POINT*	.578" ± .020"	.600" ± .045"	.806" ± .045"	.720" — .820"	.720" — .820"
OVERTRAVEL Minimum	.050"	.090"	.085"	.375"	.375"
MOVEMENT DIFFERENTIAL Maximum	.010"	.030"	.030"	.045"	.075"

REMARKS: *Measured above reference line.

**Materials as well as other specifications, operating characteristics and engineering drawings on Gold "Crosspoint" Contact Switches are to be found elsewhere in this catalog as follows:

Except for contacts and ratings
 E21-00A is similar to E22-00A shown on pages 22-23
 E21-50H is similar to E22-50H shown on pages 22-23
 E21-50K is similar to E22-50K shown on pages 22-23
 E68-00A is similar to E69-00A shown on pages 12-13
 E78-00A is similar to E79-00A shown on pages 14-15
 (Note: Gold Crosspoint Contacts are also available on all other configurations of the E22 series, E69 series, E79 series shown in this catalog.)

gold "crosspoint" contact switches

offer versatility in application

VERSATILITY IN APPLICATION

Cherry Gold "Crosspoint" Contact switches are available in a wide variety of switch types, sizes and mountings for a broad range of electronic applications. In addition to the switches shown on pages 30 thru 33, many other configurations are available with gold crosspoint contacts. These are indicated by notation under "REMARKS" at the bottom of pages 8 thru 29.

S31-20P

S31-20P MATERIALS

- Movable Blade..... Spring Brass
- Narrow Panel For PC Terminals..... Glass Epoxy
- Coil Spring..... Stainless Steel
- Actuator Arm..... Brass
- Terminals: PC Type..... Silver Plated Brass
- Contacts..... Gold Alloy

Dimensions: 1/4, .394 ± .045, 1/16, 1/32, 7/32, 5/32, 1/4, 7/16, 1-1/32, .094 DIA., .091, .125 DIA.

CONTACT CROSS SECTION

The contacts in these switches are W/E Alloy #1 . . . 69% Gold, 25% Silver, 6% Platinum

"CROSSPOINT" CONTACTS




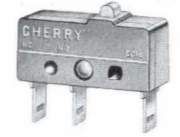


The gold contact prisms are welded at right angles to each other, providing maximum contact pressure and minimum hazard of contact closure interference.

CONVENTIONAL CONTACTS

Ordinary contacts provide far less actual contact pressure and are susceptible to contact closure interference caused by foreign matter.

AMPERES VS VOLTS

This chart is intended only as a general guide. Application of information with respect to electrical and mechanical life requirements and type of actuation may require deviation from suggested contact materials.

	 G13-00E	 S31-20P	 E53-00B	 E63-00A	 E63-00H	 E63-00K
RATING: 0.1 Amp, 125 VAC Und. Lab. Inc. listed, and CSA approved						
OPERATING FORCE Maximum	15 ozs.	7½ ozs.	4.0" gms. Torque	90 grams	24 grams	26 grams
REST POSITION* Maximum	—	.533"	18° Max.	.375"	—	—
PRETRAVEL* Maximum	.050"	—	—	.030"	5/32"	9/64"
OPERATING POINT*	.285" ± .020"	.378"	21° Max. from Rest	.330" ± .015"	.350" ± .030"	.570" ± .030"
OVERTRAVEL Minimum	.100"	.045"	15° Min.	.035"	.040"	.030"
MOVEMENT DIFFERENTIAL	.015"	.085"	3° Min.	.004"	.020"	.020"

REMARKS: *Measured above reference line

Materials as well as other specifications, operating characteristics and engineering drawings on Gold "Crosspoint" Contact Switches are to be found elsewhere in this catalog as follows:

Except for contacts and rating:

- G13-00E is similar to E13-00E shown on pages 8-9.
- E53-00B is similar to E51-00B shown on pages 16-17.
- E63-00A is similar to E61-00A shown on pages 18-19.
- E63-00H is similar to E61-00H shown on pages 18-19.
- E63-00K is similar to E61-00K shown on pages 18-19.

(Note: Gold Crosspoint Contacts are also available on all other configurations of the E13 series, E51 series, E61 series shown in this catalog.)

ELECTRONIC DATA ENTRY KEYBOARDS . . .

KEYBOARD SWITCHES . . .

MATRIX KEYBOARDS



the complete line of keyboard switches

FOR MODERN ELECTRONIC DESK TOP CALCULATORS...
COMPUTER TERMINALS...CREDIT CARD VALIDATORS

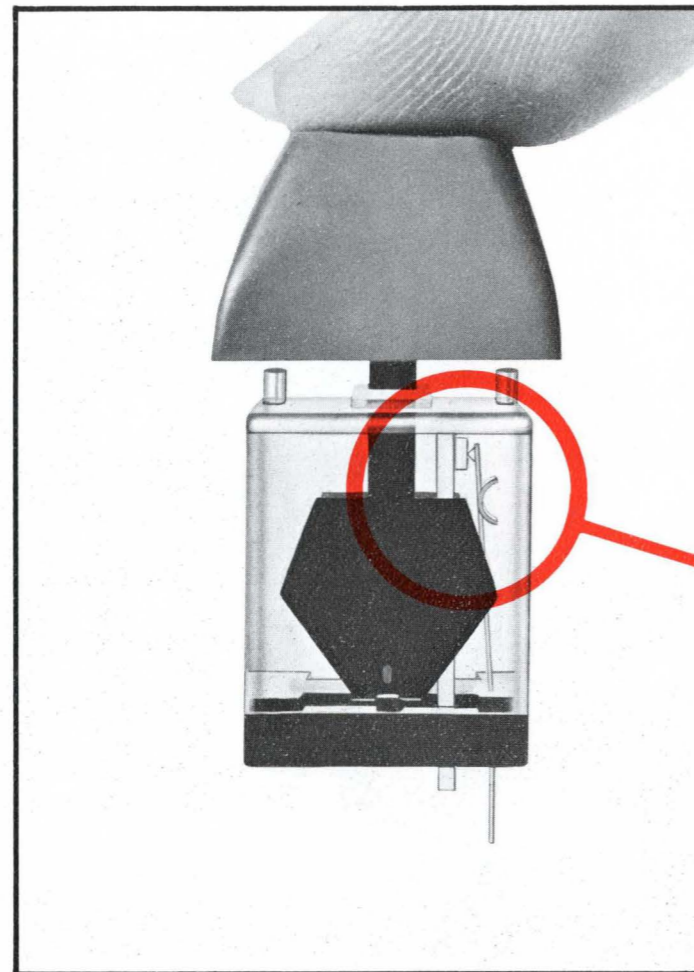
KEY MODULE:

Another CHERRY design first. Gold "Crosspoint" Contact Switch (two Gold prisms at right angles to each other) has provided highly reliable keyboard switching for several years in thousands of the most sophisticated electronic desk top calculators and computer terminals.

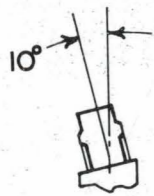
This proven design concept (crossed knife edge contact configuration) provides high force per unit of contact area and virtually eliminates contact closure interference by contaminants.

Precious metal contact material (W/E Alloy #1) consists of 69% Gold, 25% Silver and 6% Platinum. Contact interfaces are inert to chemical action with resultant low contact resistance (typically 25 milliohms).

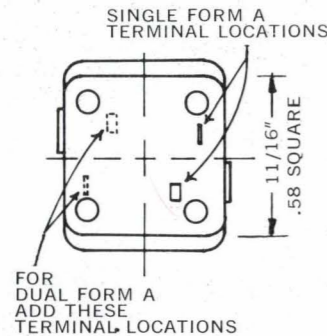
Lower profile key module ($\frac{3}{4}$ ") reduces overall keyboard height to $1\frac{1}{2}$ " from key top to printed circuit board.



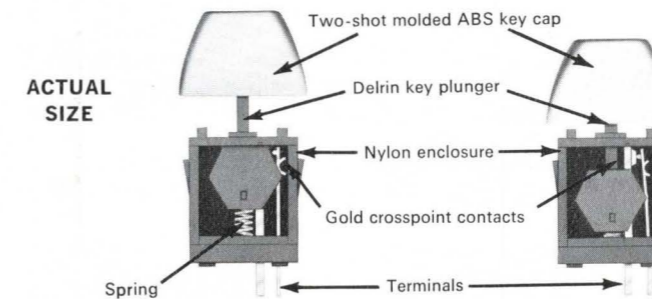
10° OFFSET KEY STEM for Stepped Keyboards (OPTIONAL)



KEY MODULE BASE

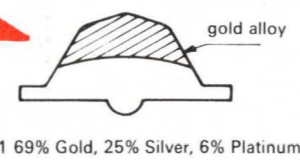


CHERRY LOW PROFILE KEY SWITCHES WITH GOLD "CROSSPOINT" CONTACTS



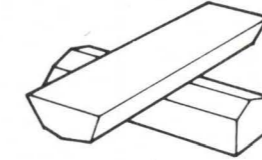
CONTACT INNOVATION

Cross Section of Contact



W/E #1 69% Gold, 25% Silver, 6% Platinum

Crosspoint Configuration

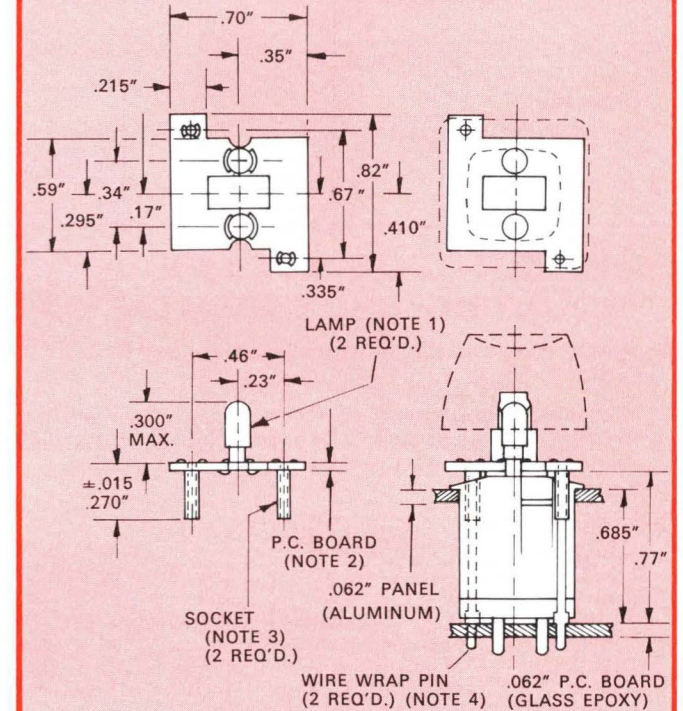


A proven design concept—the new gold "crosspoint" contact innovation provides positive switching of low energy solid state circuits.

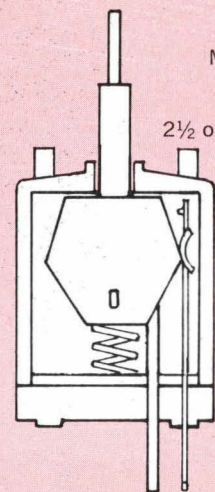
Contacts are normally held apart for greatest shock resistance. No microphonics or bounce during turn-off or at rest.

SPECIAL LAMP SWITCH.

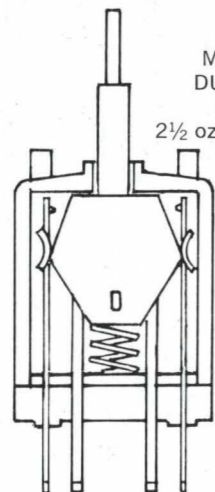
1. Lamp—T-1 Unbased Industry No. (USASI) 683
5 Volts—.060 Amps. Candle Power M.S.C.P. .050 + 15%
Rated Avg. Lab Life 100 M Hours
2. PC Board— $\frac{3}{64}$ " Thick Glass Epoxy Clad on 1 side
3. Socket—Berg Part No. 47796 or 75302-1
4. Wire Wrap Pin—.025 Square (AMP. PART 86144-3)



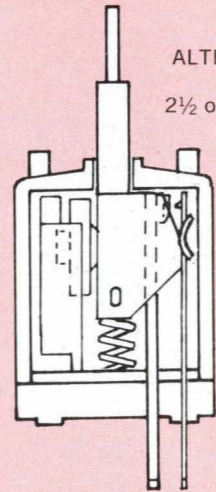
CHOOSE FROM THESE FIVE TYPES...WITH STRAIGHT OR ANGLED STEMS FOR SLOPED OR STEPPED KEYBOARDS



M61-0100
MOMENTARY
FORM A
(SPST-NO)
2½ oz. operating force

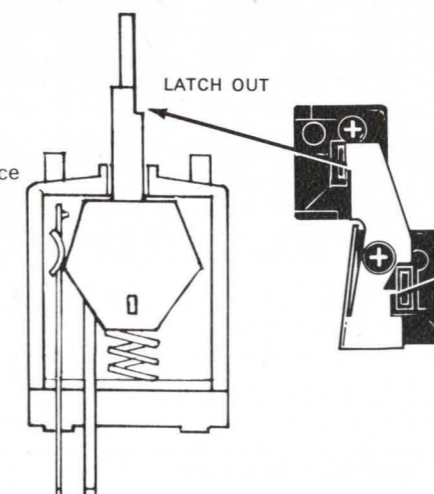


M62-0100
MOMENTARY
DUAL FORM A
(DPST-NO)
2½ oz. operating force

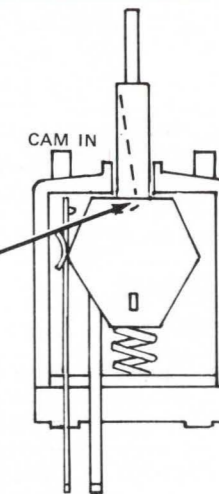


M61-0800
ALTERNATE ACTION
(SPST)
2½ oz. operating force

SHIFT
M61-0300
MOMENTARY
FORM A
(SPST-NO)
2½ oz. operating force



SHIFT LOCK
M61-0500
MOMENTARY/LATCH
(SPST-NO)
2½ oz. operating force



mechanical & electrical specifications

MECHANICAL

Operating Force.....	2½ oz. ± ½ oz. Std. (Also available with 6 oz. Oper. Force)
Pretravel.....	.085 ± .030 Std. (Alternate action version pretravel .030 ± .055)
Total Travel.....	.160 ± .020 Std.
Key Module Case Material.....	Thermoplastic (Nylon)
External Terminal.....	Tin Plated Brass Alloy
Temperature	
Operating.....	0°/60°C
Storage.....	-35°C/65°C

ELECTRICAL

Contact Rating (Form A contacts)	
DC Resistive.....	3W max.
AC Resistive.....	3VA max.
Current.....	0.125 amp. max. switching 0.5 amp. max. carry
Voltage.....	28V max.
Initial Contact Resistance.....	200 milliohms max. (typically 25 milliohms)

KEY BUTTON & KEY MODULE MOUNTING AND INSTALLATION

Spacer bars and single width (¾" size) key buttons should be mounted as shown in figure 1.

Wide key buttons must be mounted with their width along the wide axis of the key stem as shown in figure 2. The key stem width supports the extra key button width and prevents key button wobble.

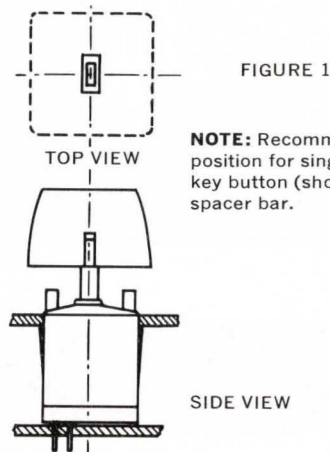


FIGURE 1

NOTE: Recommended position for single width key button (shown) or spacer bar.

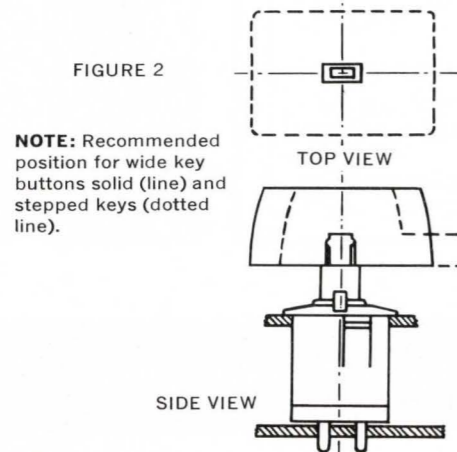
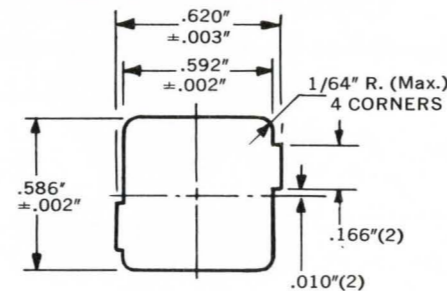
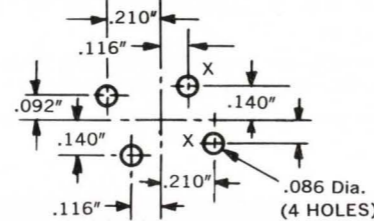


FIGURE 2

NOTE: Recommended position for wide key buttons solid (line) and stepped keys (dotted line).



RECOMMENDED PANEL CUT-OUT



TERMINAL LOCATION
M-62-0100
FOR M-61-0100
OMIT "X" HOLES

ORDERING INFORMATION

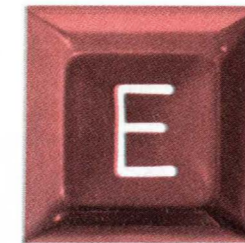
Cherry Key Modules are ideal for electronic desk top calculators. To install individual Cherry Key Modules in a calculator, care is necessary when soldering to avoid contamination of switch contacts.

Some helpful hints on soldering are contained in Cherry's *Detailed Procedure for Process Control on Wave Solder Machine*. Copies are available upon request. Just write or phone New Products' Manager.

PART NUMBERS		DESCRIPTION		
Straight Stem	10° Offset Stem			
M61-0100	M61-0110	MOMENTARY	FORM A	(SPST-NO)
M62-0100	M62-0110	MOMENTARY	DUAL FORM A	(DPST-NO)
M61-0800	M61-0810	ALTERNATE ACTION		(SPST)
M61-0300	M61-0310	SHIFT	MOMENTARY	(SPST-NO)
M61-0500	M61-0510	SHIFT LOCK	MOMENTARY/LATCH	(SPST-NO)
M01-0005	M01-0005	ADAPTER FOR LIGHTS		

cherry molded key tops

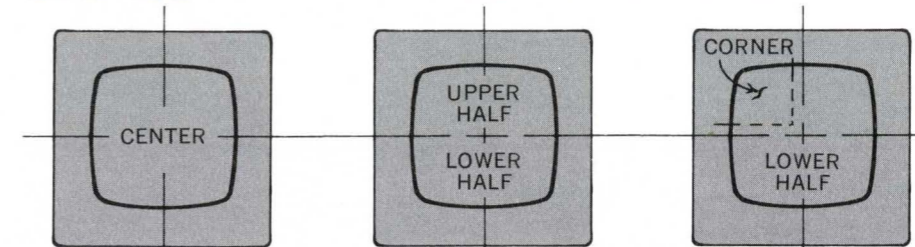
KEY BUTTON:



Many standard and custom characters in broad selection of popular ABS colors.

Contoured, truncated key button (optional) is two-shot molded for permanence. Keys will provide standard array with spacing ¾" center-to-center. Key stems available straight for sloped keyboards or with 10° angle stem for stepped keyboards.

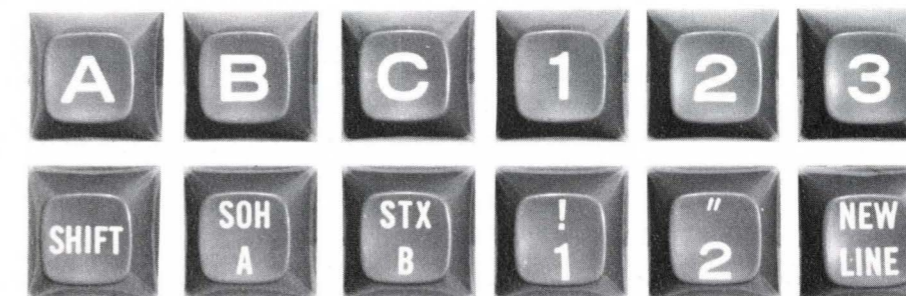
KEY BUTTON LEGEND POSITIONS



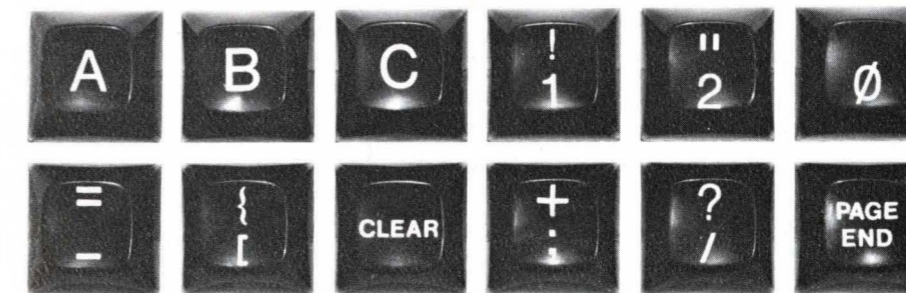
Legends on two-shot molded key buttons may be located in center position, on upper and lower half, or lower half.

LEGEND TYPE STYLES

TRADE GOTHIC BOLD



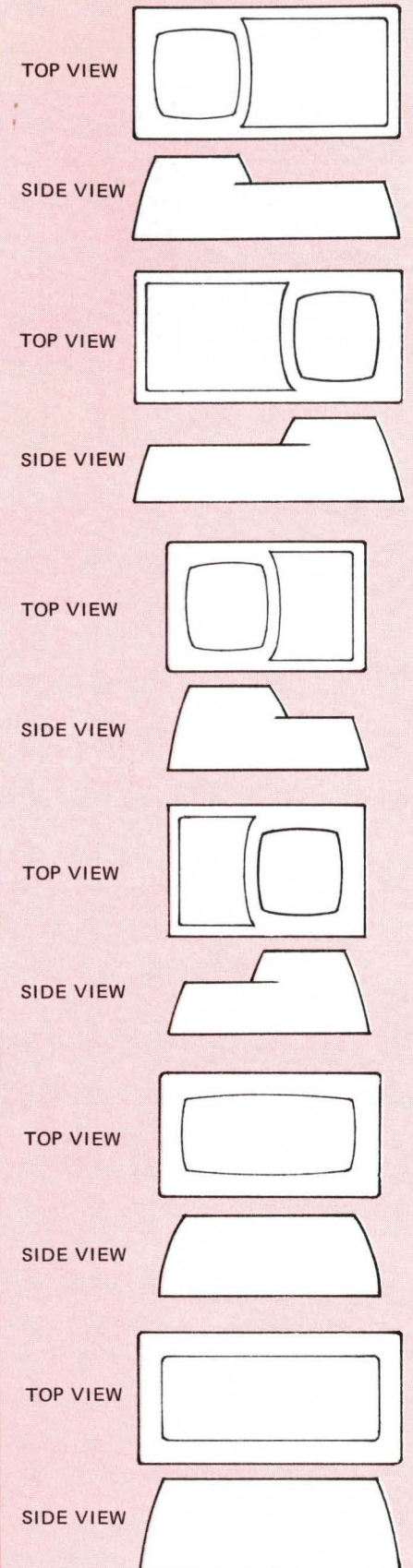
HELVETICA



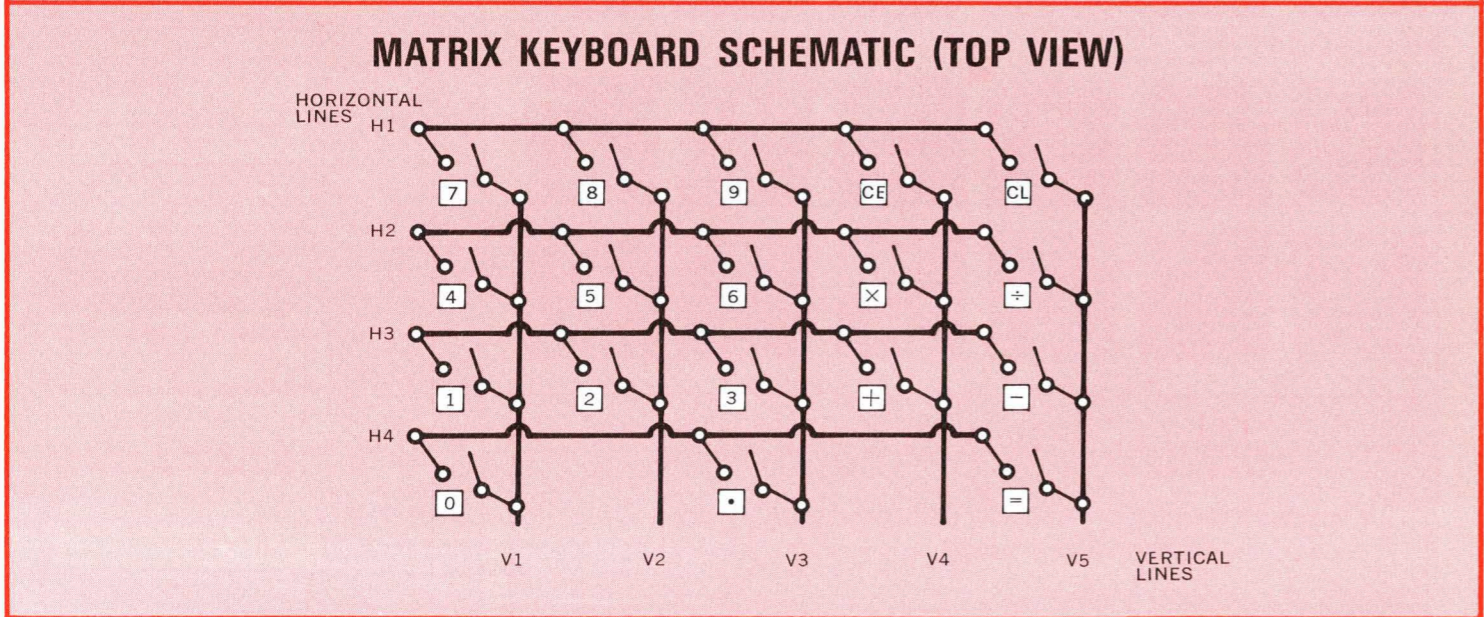
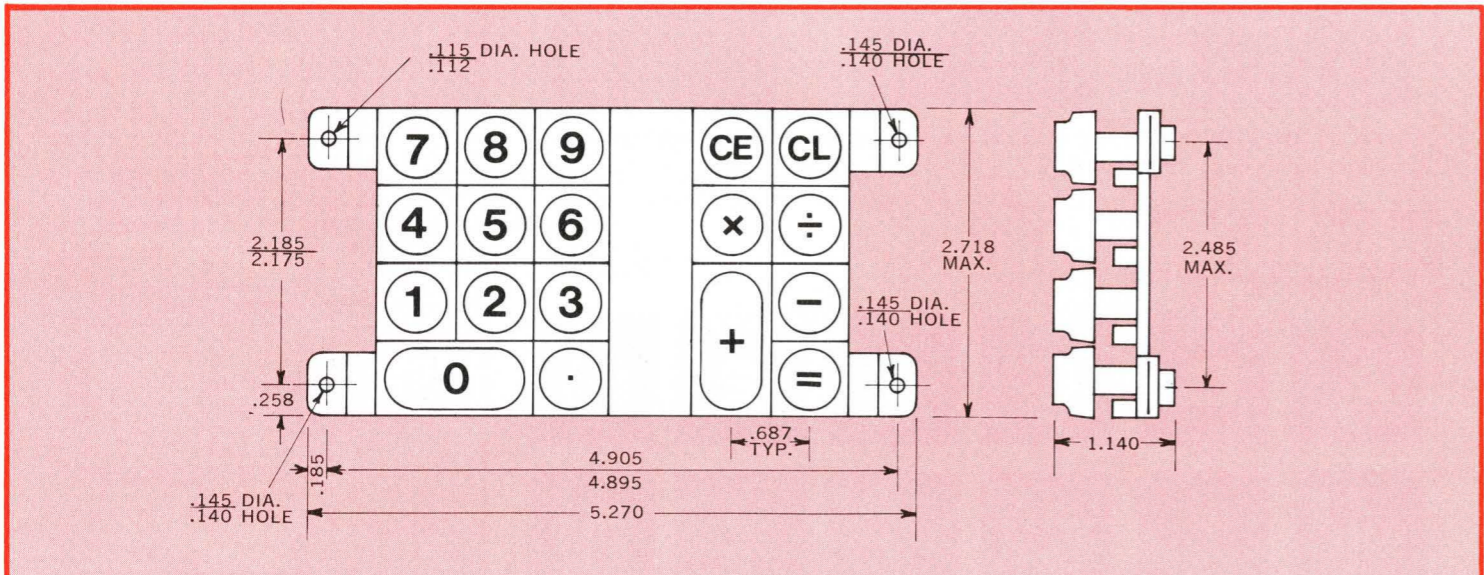
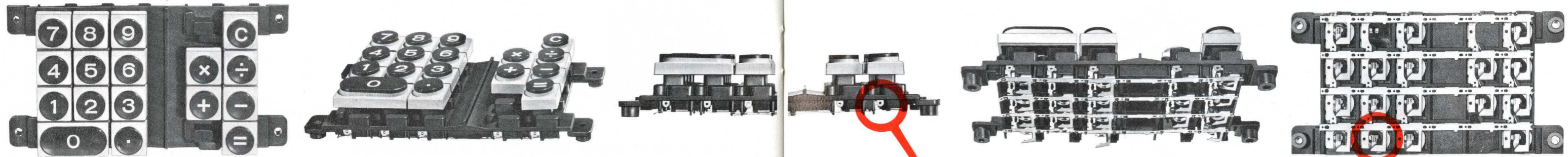
COMPLETE LIST OF TOOLED KEYS

A brochure illustrating and listing all tooled Key Button legends is available on request. Write or phone New Products' Manager.

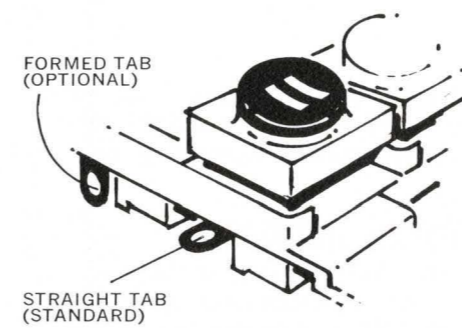
ACTUAL SIZES



unique...cherrys' new design...low cost...matrix keyboard

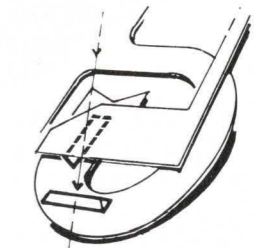


TERMINAL DETAIL



4 horizontal line and 5 vertical line terminals have .055" diameter solder hole. The vertical line terminals can be furnished either straight (standard) or formed down (optional).

CONTACT DETAIL



GOLD CROSSPOINT CONTACTS

A proven design concept (two prisms at right angles to each other) these gold alloys contacts (W/E #1—69% Gold, 25% Silver, 6% Platinum) are welded at right angles. Knife-edge closure gives high unit force, low resistance.

- Compact
- Flat-pack profile
- Ruggedized molded construction
- Economical
- Up to 20 key stations

Provides a compact, economical and rugged molded one piece keyboard with up to 20 key stations in a 4 x 5 array that is ideal for low cost electronic calculators. The design provides flexibility in choice of key size and positioning. Precious metal contact material provides interface inert to chemical action, low contact resistance for reliable long life performance.

CHERRY MATRIX KEYBOARD OPERATING CHARACTERISTICS

1. Key Depression Force: Initial—20 grams min., Final—175 grams max.
2. Circuit to close at .075" ± .025" depression of key. Contact Bounce 5 milliseconds, maximum.
3. Mechanical Life: 1 million closures per key at 1 milli-amp. 25 volts D.C. resistive.
4. Temperature Range: Operating—0° C to 50° C, Storage— -20° C to 85° C.
6. Keys "Two-Shot" Molded.

***Contact Rating (Form A Contact):**

D.C. Resistive—3W max.
 A.C. Resistive—3VA max.
 Current—0.125 amp max. Switching,
 0.5 amp max. carry.
 Voltage—28V max.

a new kind of keyboard... a uniquely simple design... low profile

New CHERRY Electronic Data Entry Keyboards Feature



- Low cost
- Long life
- Low profile
- Inherent 2 Key Rollover
- Wire "OR"able output
- Low power consumption

RUGGED CONSTRUCTION Keys are mounted in rugged metal frame for increased protection of printed circuit board against mechanical abuse.

TWO KEY ROLLOVER Standard keyboard units have 2 key rollover between all data keys, control, shift, and shift lock keys to simulate true typewriter sequencing.

KEYBOARD FLEXIBILITY Standard keyboard units include:

- 66 Key Tri Mode ASCII, negative logic (with provision to add 4 extra keys)
- 53 Key Quad Mode ASCII (ASR 33), positive logic
- 12 Key Numeric, straight output
- 16 Key Numeric, straight output

In addition, custom designs in mono, dual, tri and quad mode operation available on volume applications, with modest engineering, tooling, and artwork charges.

SPECIAL FEATURES AVAILABLE:

Positive logic resting "low" outputs or Negative logic resting "high" outputs. Open collector buffer outputs for hard wire "OR"ing available at no extra cost. Buffer output capable of driving terminated twisted pair or 90 ohm coaxial is optional. Repeating strobe is optional. Key locations may be geographically mixed. Special mono mode encoded keys may be added to configuration. Any of parity and/or data outputs optional may be later changed for modest revision charges.

KEYBOARD SPECIFICATIONS

ELECTRICAL

- Power Requirement:** +5.0 VDC \pm 10% @ 200 milliamps typically
TTL compatible
Logic "0" + 2.4 volts minimum \equiv HIGH
Logic "1" + 0.45 volts maximum \equiv LOW
Outputs capable of sinking 16 milliamps (ten 7400 type standard loads)
- Input:** Keyboard Disable (disable strobe & data bits forced High, Logic "0")
1.6 milliamps sink current required by source and +5.5 volt input maximum
- Output:** 7 bits with optional odd/even parity 8th bit
Function key outputs—open circuit with closure to ground when depressed
Strobe (Data Available) Output: Negative-going level \geq 500 nanoseconds after data has settled



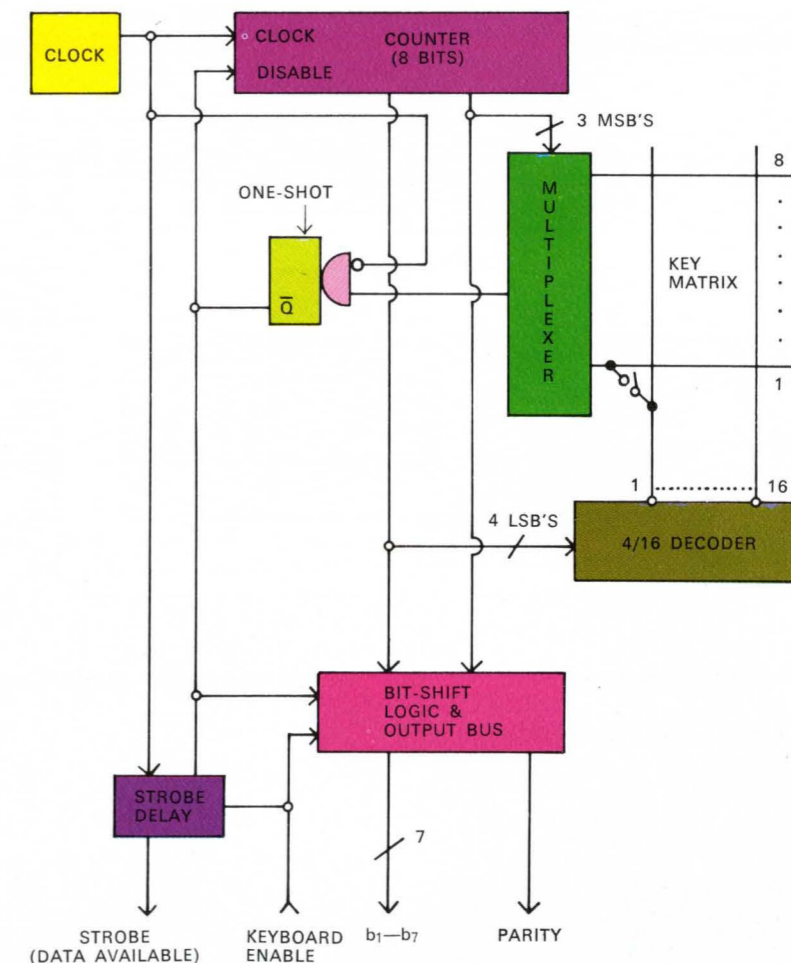
All electronic components are Standard MSI and available from multiple sources. Electronics are mounted on a single pc board.

Keyboard Electronics Utilizes Scanning Technique

The keyboard encoder is based on a scanning technique employing an 8 bit counter, a multiplexer and a 4 to 16 line decoder. Encoded keys form a crosspoint matrix with each key connected to the decoder output and the multiplexer input. The decoder is addressed by the 4 least significant bits of the counter.

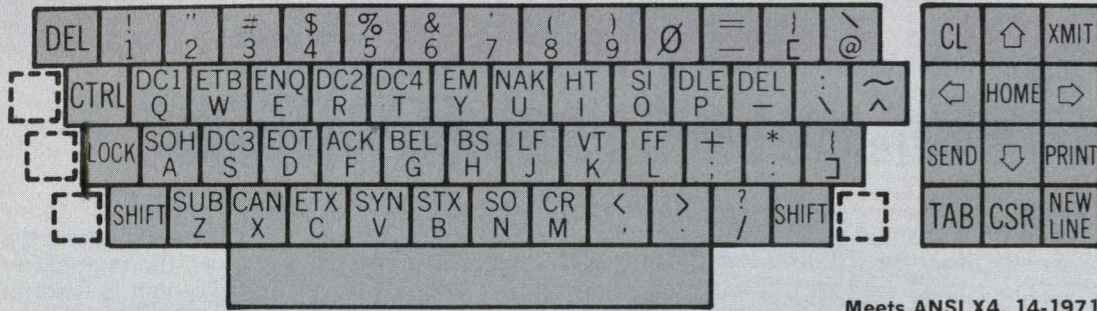
When a key is depressed a matrix connection between

the decoder and multiplexer is accomplished. When the counter reaches the appropriate key code, the multiplexer output goes high and a retriggerable one-shot is fired on the trailing edge of the counter clock stopping the counter. The one-shot is continually refreshed until the key is released. The bit-shift logic translates the counter address into an upper case data word if the shift and/or control key is depressed.



B80-3766 CHERRY 66-KEY ASCII TRI MODE

LEGEND FORMAT



Meets ANSI X4. 14-1971

LEGEND FORMATS

B80-3766 with 66 keys, including 12 Function keys at right hand side. Provisions are made in cover plate for addition of up to four additional key modules (dotted lines). Generates full 128 symbol ASCII character set; can be modified for special applications.

B70-4753 with 53 keys is similar to ASR 33. Standard communications configuration generates ASCII. Can be modified for special applications.

B65-1712 with 12 keys generates straight output.

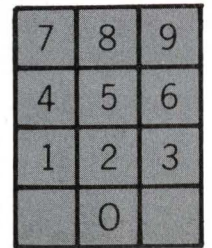
B70-4753 CHERRY 53-KEY ASCII QUAD MODE

LEGEND FORMAT



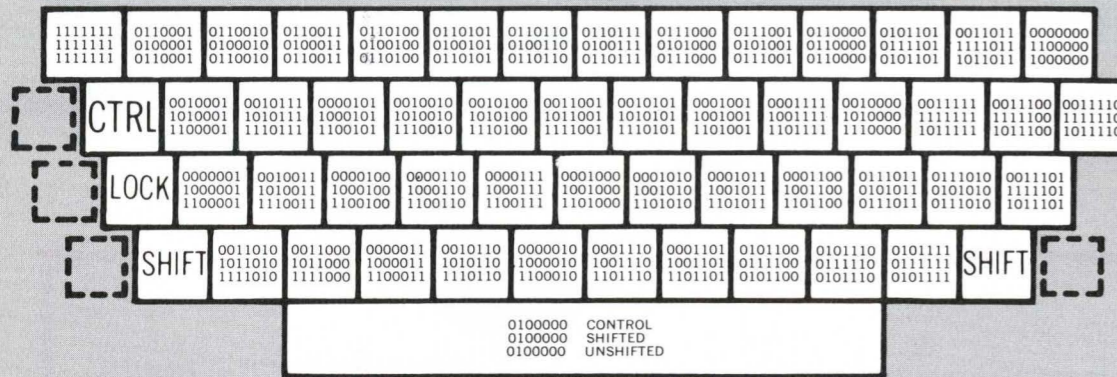
B65-1712 CHERRY 12-KEY NUMERIC

LEGEND FORMAT



B80-3766

OUTPUT



CODED OUTPUT

All 7-bit output codes shown are, reading from left to right, most significant to least significant (765 4321).

B80-3766—The Control key of this keyboard has precedence over the Shift key to produce tri-mode.

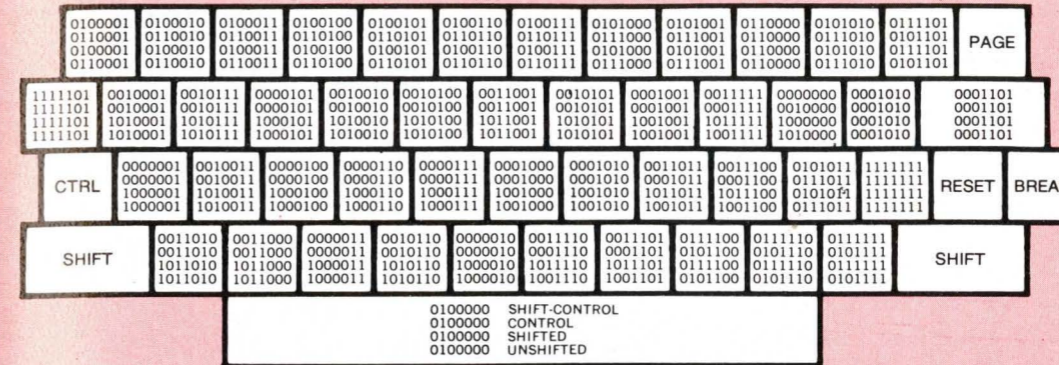
NOTE:

The 12-key Function section of the B80-3766 keyboard is not encoded and so is not included in the coding diagram at left.

The 12-key Function section has Normally Open switches that may be represented similarly to the diagram of the 12-key unit to the far right of this section.

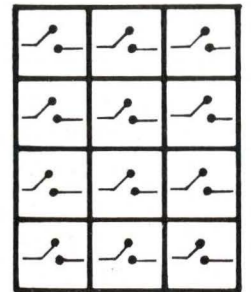
B70-4753

OUTPUT



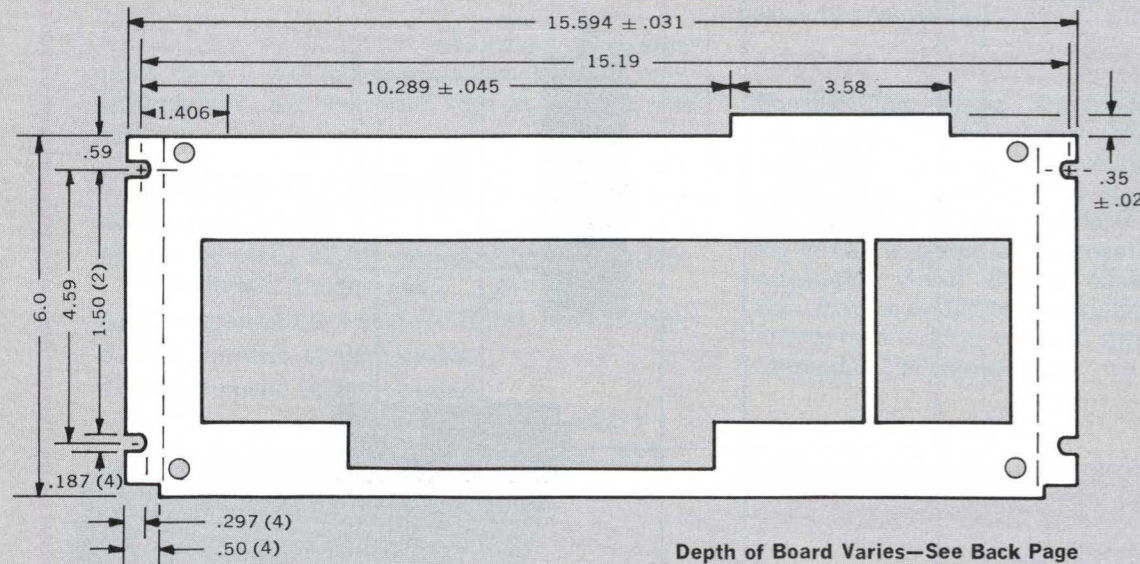
B65-1712

OUTPUT



NOTE: B65-1712 is non-encoded. Diagram shows Normally Open key switches.

B80-3766

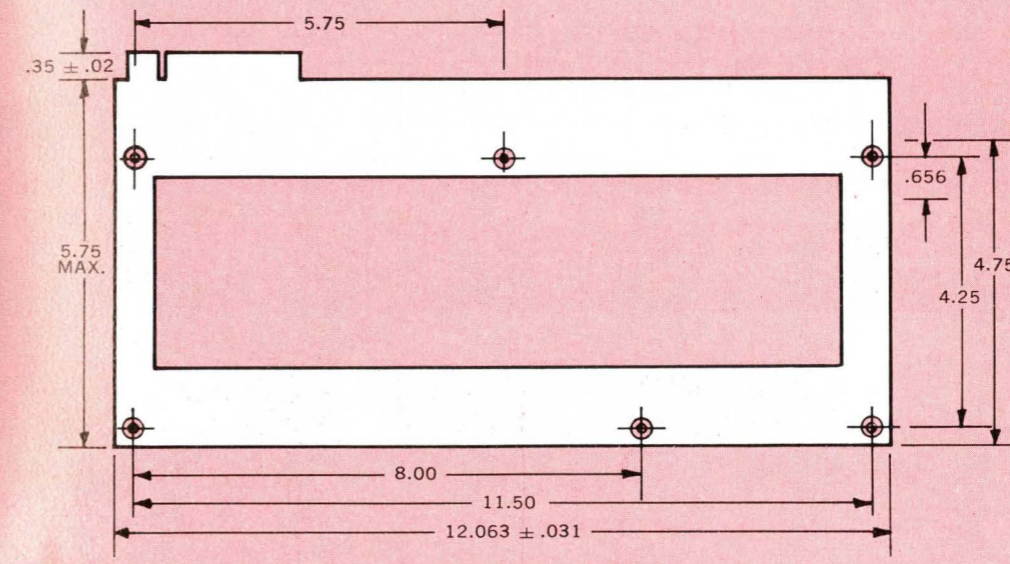


Depth of Board Varies—See Back Page

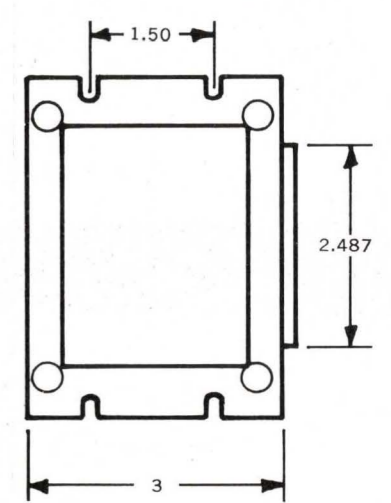
PANEL CUTOUT and PC BOARD SIZE

Depth from top of faceplate to bottom of printed circuit board varies for each keyboard, depending on the type of key module used. See last page of this brochure.

B70-4753



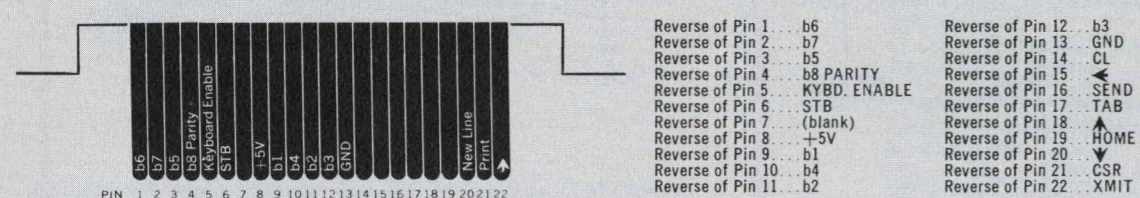
B65-1712



Depth of Board Varies—See Back Page

B80-3766 HAS TWO SIDED TERMINAL

VIEWED FROM TOP OF PRINTED CIRCUIT BOARD



TERMINAL CONFIGURATION

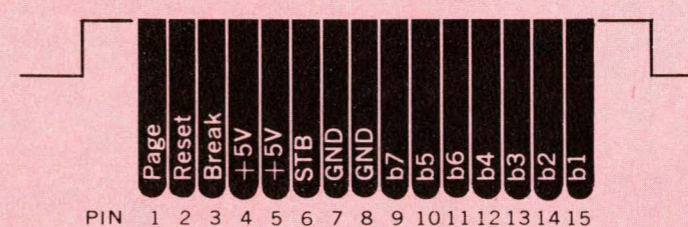
B80-3766 terminal has standard 22-position, 44-pin, 1/16" thick Card Edge Connector (Cinch #251-22-30-340 or #215-22-30-341; Continental #600-30-3PCDG22; Methode #84-7044).

B70-4753 terminal has standard 15-pin Card Edge Connector. Plated through for redundancy.

B65-1712 terminal has standard 15-pin Card Edge Connector (including two pins that represent blank keys at right and left side of bottom row of keys).

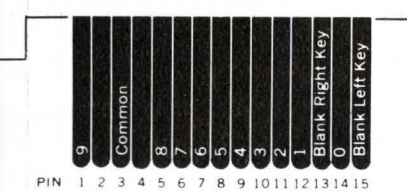
B70-4753 TERMINAL

VIEWED FROM TOP OF PRINTED CIRCUIT BOARD



B65-1712 TERMINAL

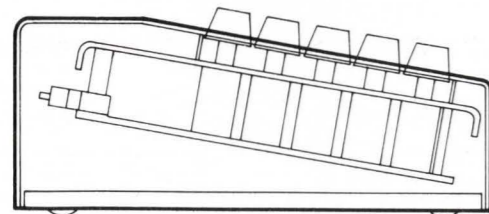
VIEWED FROM TOP OF PRINTED CIRCUIT BOARD



complete keyboards...

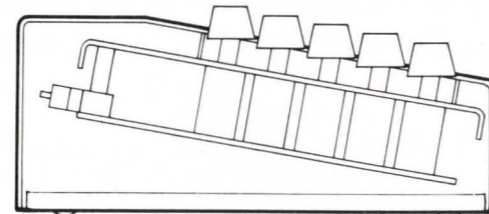
choice of two key button plunger types.

SLOPED



STRAIGHT STEM PLUNGER

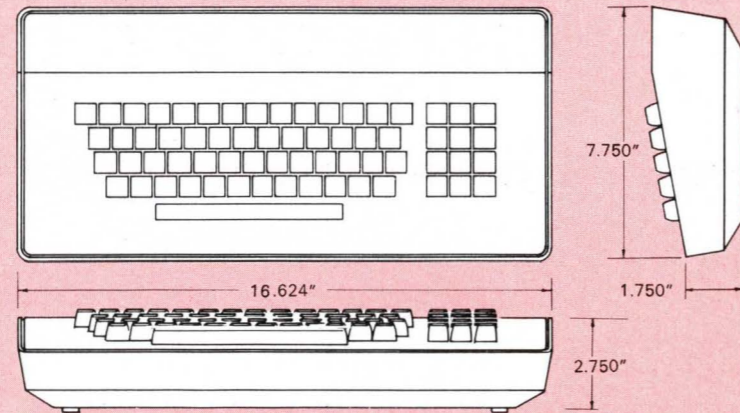
STEPPED



PLUNGER STEM AT 10° ANGLE

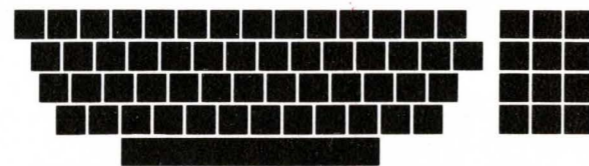
ENCLOSURE (optional)

A modern design enclosure in blue and white no glare finish is available for the Cherry B80-3766 and B70-4753 keyboards at nominal extra cost. The enclosure has a cable strain relief and rubber base pads that protect desk tops against scratching. The cast enclosure base has ample weight for stability.



ORDERING INFORMATION

B80-3766
66 key ASCII Tri-Mode with Gold Crosspoint key modules



B70-4753
53 key ASCII Quad-Mode with Gold Crosspoint key modules (Similar to ASR 33)



B65-1712
12 key non-encoded Numeric station with Gold Crosspoint key modules



standard and custom designs...

complete in-house keyboard capability

Cherry can design and manufacture a keyboard to precisely meet your application requirements. Often at no more cost than that of a standard unit . . . because we make virtually all of the keyboard components right in our own plant. With complete quality control maintained from incoming material inspection thru fabrication and final assembly.

HERE'S WHY YOU SPECIFY CHERRY WITH CONFIDENCE:

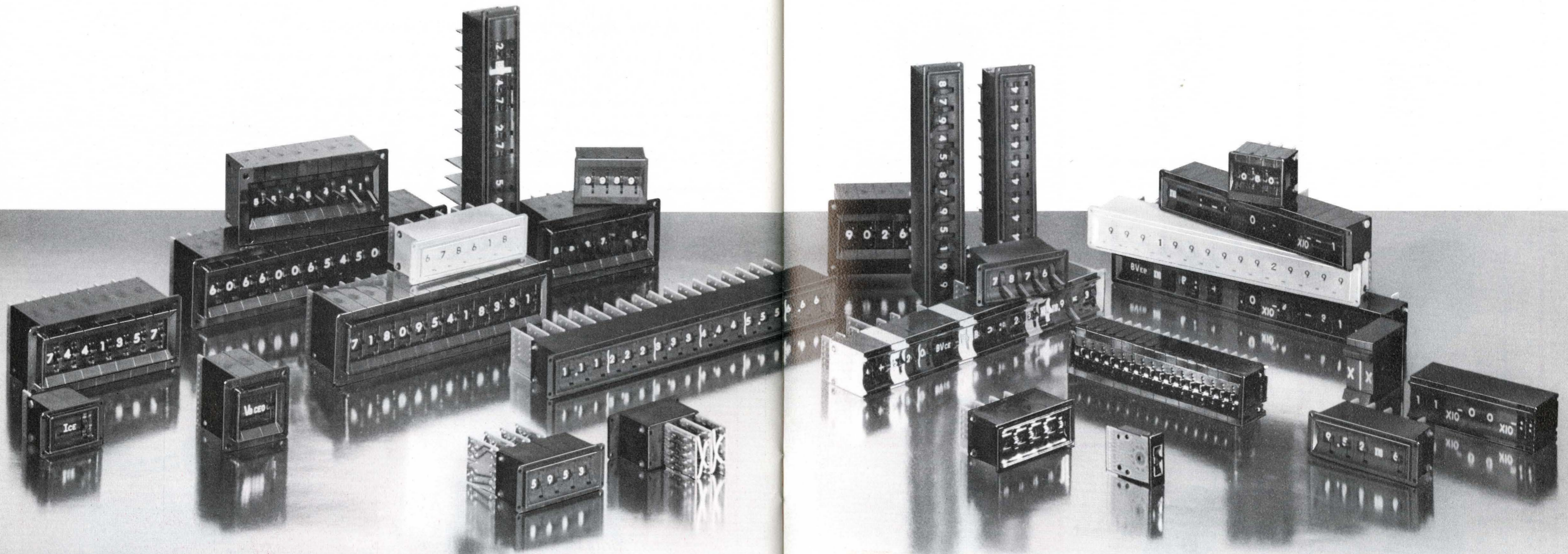
1. Cherry makes a full line of keyboard switch modules, including alternate action switches, lighted switches, double pole switches and shift latching mechanisms.
2. Components and assembled keyboards are made under one roof.
3. We make our own printed circuit boards.
4. We make our own two-shot molded key caps.
5. We have a large assortment of tooled key cap legends in two type faces and a variety of sizes.
6. We offer a wide choice of standard key cap colors.
7. We install and wave solder the electronics to the pc board.
8. We provide a choice of MOS or TTL.

CHERRY KEYBOARDS are backed by 20 years experience in the design and manufacture of precision snap-action switches, matrix selector switches, gold "crosspoint" contact switches and leverwheel/thumbwheel switches.

Write for this handy, six-page
KEYBOARD DESIGNERS' SPECIFICATION SHEET


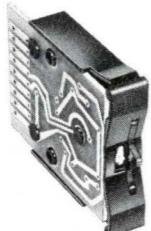
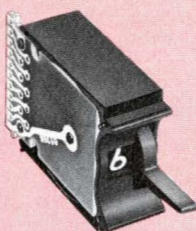
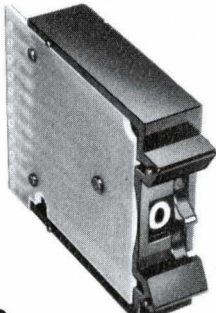

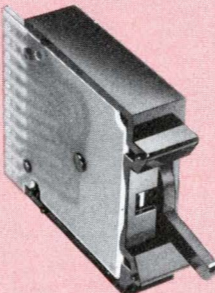
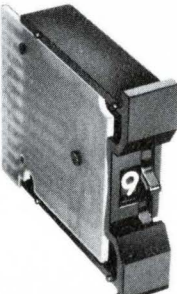
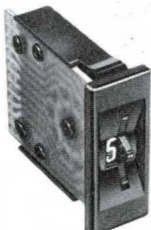
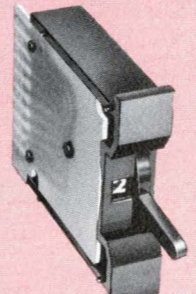


THUMBWHEEL AND LEVERWHEEL SWITCHES a new concept for fingertip control.



thumbwheel & leverwheel switches

□ Cherry offers these nine basic unit configurations □ in a broad range of coded outputs □ in individual digits or □ in assemblies of several digits mounted side-by-side □ complete with end caps □ in gloss or matte finished. In addition to standard types, many special optional features are available. These are shown on the following page in table form for easy reference.

THUMBWHEEL SERIES		LEVERWHEEL SERIES
 <p>T-20 BACK MOUNT SUBMINIATURE 8, 10 and 16 positions. Width: .500" Height: 1.15" See pages 52-53.</p>	 <p>T-60 FRONT MOUNT (SNAP-IN) 10 and 16 positions. Width: .315" (8mm) Height: 1.20" See page 58.</p>	 <p>L-20 BACK MOUNT SUBMINIATURE 8, 10 and 12 positions. Width: .500" Height: 1.15" See pages 52-53.</p>
 <p>T-10 BACK MOUNT MINIATURE 8, 10 and 16 positions. Width: .500" Height: 1.875" See pages 54-55.</p>	 <p>T-70 FRONT MOUNT (SNAP-IN) 10 and 16 positions. Width: .394" (10mm) Height: 1.20" See page 59.</p>	 <p>L-10 BACK MOUNT MINIATURE 8 and 10 positions. Width: .500" Height: 1.875" See pages 54-55.</p>
 <p>T-11 FRONT MOUNT MINIATURE 8, 10 and 16 positions. Width: .500" Height: 1.875" See pages 56-57.</p>	 <p>T-71 INTEGRAL BEZEL FRONT MOUNT DECIMAL POINT SET SWITCH FOR CALCULATORS Width: .520" Height: 1.20" See page 59.</p>	 <p>L-11 FRONT MOUNT MINIATURE 8 and 10 positions. Width: .500" Height: 1.875" See pages 56-57.</p>

CHOOSE FROM 9 BASIC TYPES WITH MANY FEATURES AND OPTIONS
AND FULL RANGE OF ALPHANUMERIC READOUTS AND OUTPUT CODES
SPECIAL FEATURES AND OPTIONS AVAILABLE

● SYMBOL INDICATES AVAILABLE IN SERIES INDICATED

DESCRIPTION OF SPECIAL FEATURE OR OPTION	CHERRY THUMBWHEEL & LEVERWHEEL SWITCH SERIES								
	T-20	T-10	T-11	T-60	T-70	T-71	L-20	L-10	L-11
1. Dial Positions: (No. of Positions)									
(a) 8	●	●	●				●	●	●
(b) 10	●	●	●	●	●	●	●	●	●
(c) 12							●		
(d) 16	●	●	●	●	●				
2. Component Provision:	●	●	●	●	●	●	●		
3. Dial Rotation Control: (Stops)	●	●	●	●	●	●	●	●	●
4. Finish: (Std. black gloss or black matte.)	●	●	●	●	●	●	●	●	●
5. Spacers: (Legends may be hot stamped on all Spacers.)									
(a) 0.5 inch Size	●	●	●				●	●	●
(b) 0.25 inch Size	●	●					●	●	
(c) 0.315 inch (8mm) Size				●					
(d) 0.394 inch (10mm) Size					●				
6. Panel Mounting Configuration:									
(a) Front Mount			●	●	●	●			●
(b) Back Mount	●	●					●	●	
7. Integral End Caps:						●			
8. Circuitboard Termination:									
(a) Card Edge Connectors	●	●	●			●	●	●	●
(b) Direct Wire	●	●	●	●	●	●	●	●	●
(c) Probe Terminals	●	●	●	●	●	●	●	●	●
9. Special Hot Stamp on Switch Case:									
(a) Decimal Point	●	●	●	●	●		●	●	●
(b) Vertical Line	●	●	●				●	●	●
(c) Other Symbols	●	●	●	●	●		●	●	●
10. Double Width Function Readout:									
(a) 10 Position	●	●							
(b) 16 Position		●							
11. Kelvin Varley Voltage Divider:	●								
12. Resistive Decade:	●								

NOTE: For other features required, contact factory for further details.

series T-20 thumbwheel

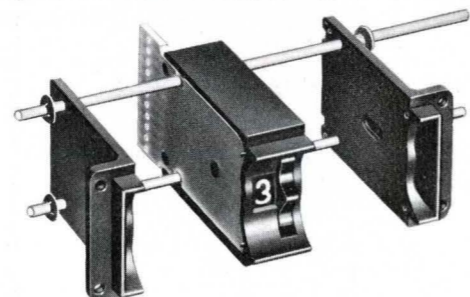
T-20 BACK MOUNT SUBMINIATURE THUMBWHEEL SWITCHES

THUMBWHEEL

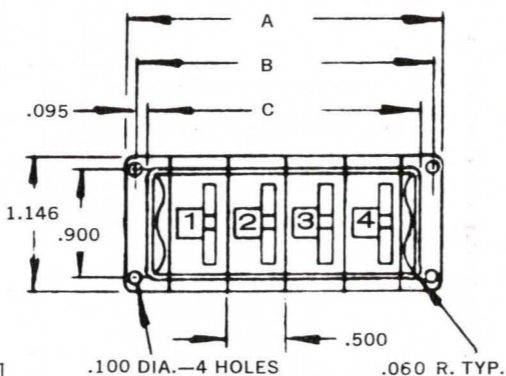
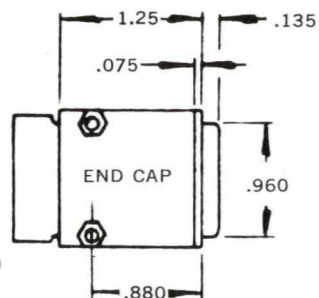
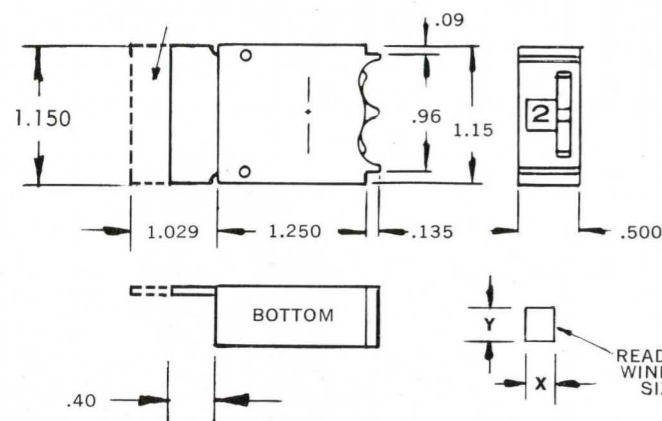
TM



Available in 8, 10 and 16 positions with widest range of output codes. Double width "function" switch available. Dial characters are .200" high on both 8 and 10 position models and .110" high on 16 position units. This type of thumbwheel can be furnished with extended printed circuit board to provide mounting of other components. Spacers are available in choice of 1/4" and 1/2" width with legends such as decimal points, vertical lines and other symbols hot stamped on spacers. Standard finish is either black gloss or matte. Other colors available on special order. Stops may be inserted to control dial rotation as required.



EXTENDED PANEL (Option available on some codes)



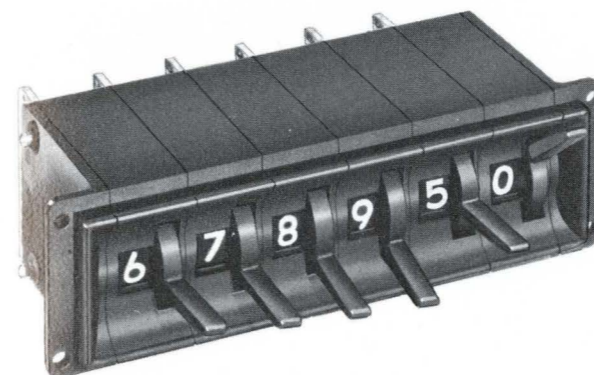
POSITIONS	Readout Window Size	Dial Character Height
8 & 10	X = .205" Y = .230"	.200"
16	X = .205" Y = .156"	.110"

series L-20 leverwheel

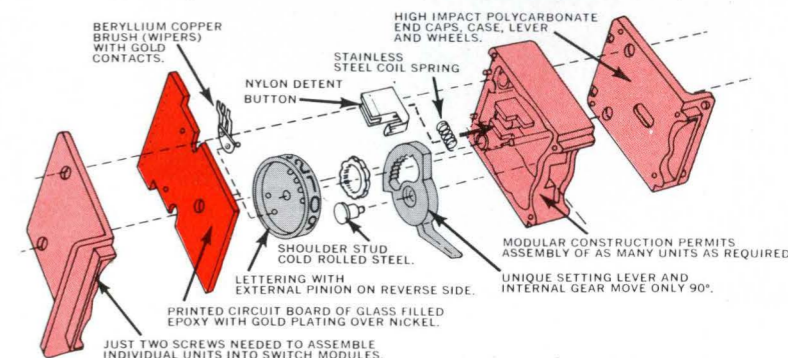
L-20 BACK MOUNT SUBMINIATURE LEVERWHEEL SWITCHES

LEVERWHEEL

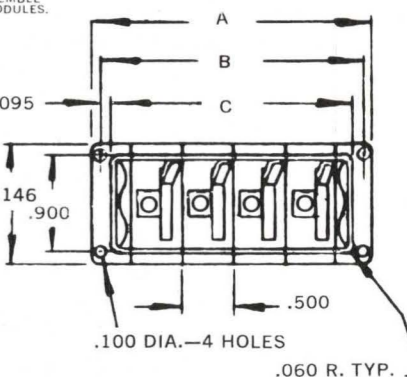
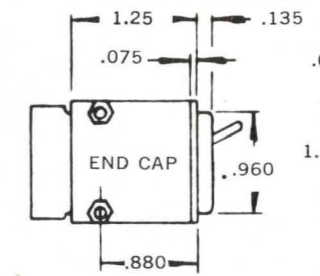
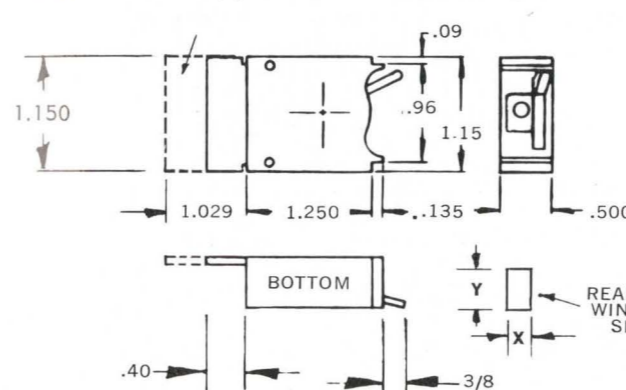
®



Available in 8, 10 and 12 positions with widest range of output codes. Dial characters are .200" high on 8 and 10 position models and .160" high on 12 position units. This type of leverwheel can be furnished with extended printed circuit board to provide mounting of other components. Spacers are available in choice of 1/4" and 1/2" width with legends such as decimal points. Vertical lines and other symbols hot stamped on spacers. Standard finish is either black gloss or matte. Other colors available on special order. Stops may be inserted to control dial rotation as required.



EXTENDED PANEL (Option available on some codes)



POSITIONS	Readout Window Size	Dial Character Height
8 & 10	X = .205" Y = .230"	.200"
12	X = .205" Y = .205"	.160"

SERIES T-20 AND SERIES L-20 SPECIFICATIONS

- Inline readout
- Coded electric outputs—including binary with complement and 2 commons in subminiature types
- Modular construction
- Variations in coding, termination, and readout symbols available

MATERIALS

Case, Levers, End Caps, Wheels—

Polycarbonate for high impact, high strength (standard).

Printed Circuit Board—G10 Glass filled epoxy per MIL-P-13949 plated with nickel per QQ-N-290 and 100 millionths gold per MIL-G-45204

Contacts—WE Alloy No. 1 (69% gold, 25% silver, 6% platinum)

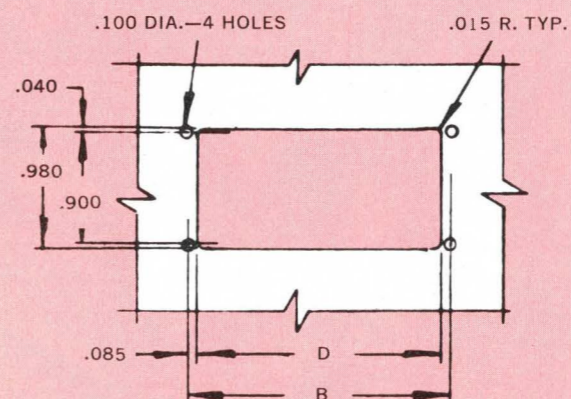
Wipers—Beryllium Copper

SWITCH CHARACTERISTICS

1. OPERATING FORCE..... 7 to 10 ounces
2. CONTACT RESISTANCE..... 0.1 ohm max.
3. INSULATION RESISTANCE..... 1000 megohms
4. DIELECTRIC STRENGTH..... 1000 volts AC
5. VIBRATION..... 15G's, 10-2000 Hz
6. SHOCK..... 50G's, 11 ms.
7. WEIGHT..... 3/4 oz. per module
8. ELECTRICAL RATING..... 115 volts AC or DC at .125 Amp. Current carrying only 3 amp. AC or DC
9. LIFE..... Min. 1,000,000 detent operations

NOTE: Above characteristics and rating apply under test conditions of -65°C to +85°C temperature range with altitude not exceeding 70,000 ft. per MIL-S-22710C.

T-20 & L-20 RECOMMENDED PANEL CUT-OUT

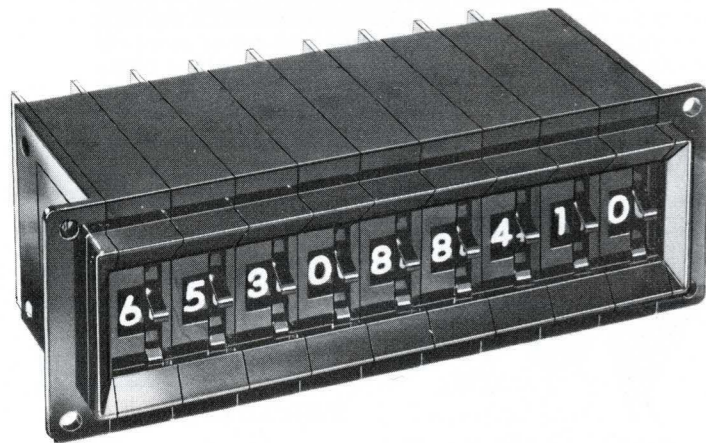


Number of Modules	A	B	C	D
1	1.260	1.090	.900	.920
2	1.760	1.590	1.400	1.420
3	2.260	2.090	1.900	1.920
4	2.760	2.590	2.400	2.420
5	3.260	3.090	2.900	2.920
6	3.760	3.590	3.400	3.420
7	4.260	4.090	3.900	3.920
8	4.760	4.590	4.400	4.420
9	5.260	5.090	4.900	4.920
10	5.760	5.590	5.400	5.420

Positions in assembly are numbered from left to right. For assemblies with more than 10 modules, consult factory.

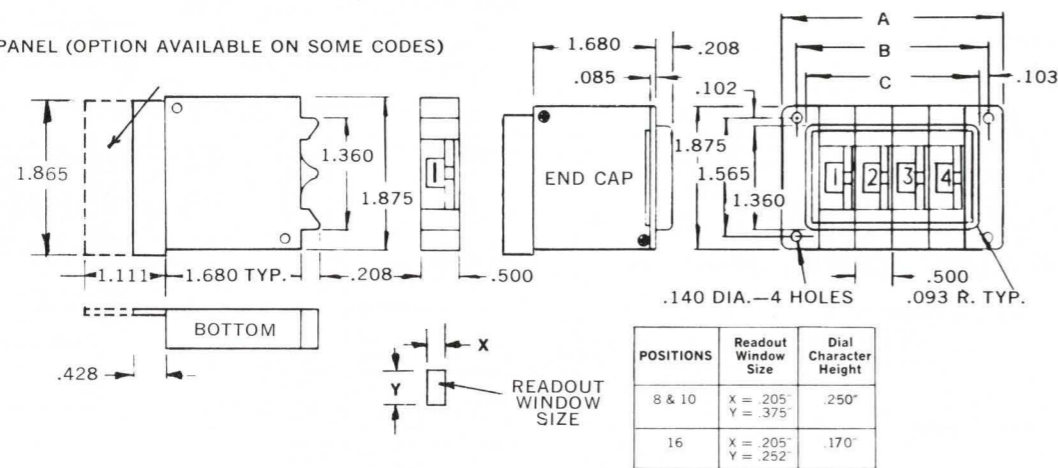
series T-10 thumbwheel

T-10 BACK MOUNT MINIATURE THUMBWHEEL SWITCHES



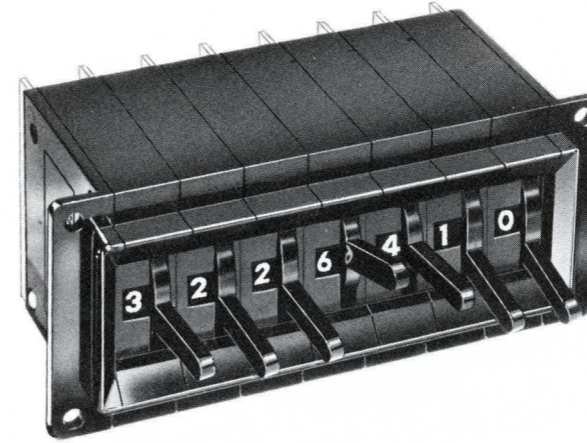
Available in 8, 10 and 16 positions with wide range of output codes. Double width "function" switch available. Dial characters are .250" high on both 8 and 10 position models and .170" high on 16 position units. This type of thumbwheel can be furnished with extended printed circuit board to provide mounting of other components. Spacers are available in choice of 1/4" and 1/2" width with legends such as decimal points, vertical lines and other symbols hot stamped on spacers. Standard finish is either black gloss or matte. Other colors available on special order. Stops may be inserted to control dial rotation.

EXTENDED PANEL (OPTION AVAILABLE ON SOME CODES)

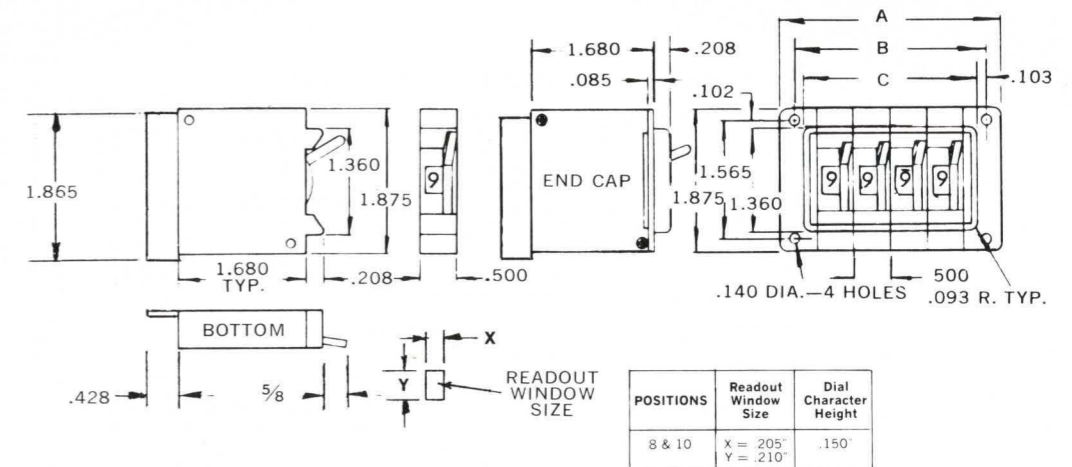


series L-10 leverwheel

L-10 BACK MOUNT MINIATURE SWITCHES



Available in 8 and 10 positions. Dial characters are .150" high. Spacers are available in choice of 1/4" and 1/2" width with legends such as decimal points, vertical lines and other symbols hot stamped on spacers. Standard finish is either black gloss or matte. Other colors available on special order. Stops may be inserted to control dial rotation.



SERIES T-10 AND SERIES L-10 SPECIFICATIONS

- Inline readout
- Coded electric outputs—including binary with complement and 2 commons in subminiature types
- Modular construction
- Variations in color, coding, termination, mounting, readout symbols and materials available

MATERIALS

Case, Levers, End Caps, Wheels—

Polycarbonate for high impact, high strength (standard).

Printed Circuit Board—G10 Glass filled epoxy per MIL-P-13949 plated with nickel per QQ-N-290 and 100 millionths gold per MIL-G-45204

Contacts—WE Alloy No. 1 (69% gold, 25% silver, 6% platinum)

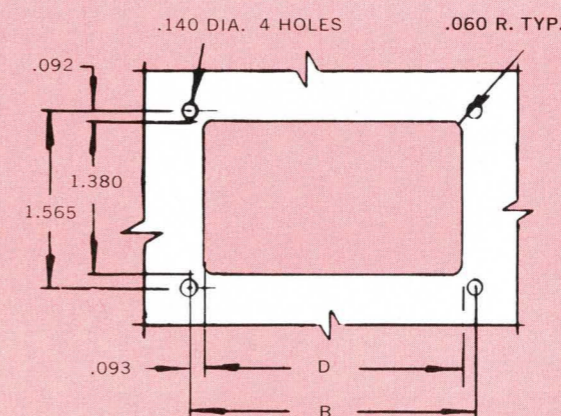
Wipers—Beryllium Copper

SWITCH CHARACTERISTICS

1. OPERATING FORCE 7 to 10 ounces
2. CONTACT RESISTANCE 0.1 ohm max.
3. INSULATION RESISTANCE 1000 megohms
4. DIELECTRIC STRENGTH 1000 volts AC
5. VIBRATION 15G's, 10-2000 Hz
6. SHOCK 50G's, 11 ms.
7. WEIGHT 3/4 oz. per module
8. ELECTRICAL RATING 115 volts AC or DC at .125 Amp. Current carrying only 3 amp. AC or DC
9. LIFE Min. 1,000,000 detent operations

NOTE: Above characteristics and rating apply under test conditions of -65°C to +85°C temperature range with altitude not exceeding 70,000 ft. per MIL-S-22710C.

T-10 & L-10 RECOMMENDED PANEL CUT-OUT

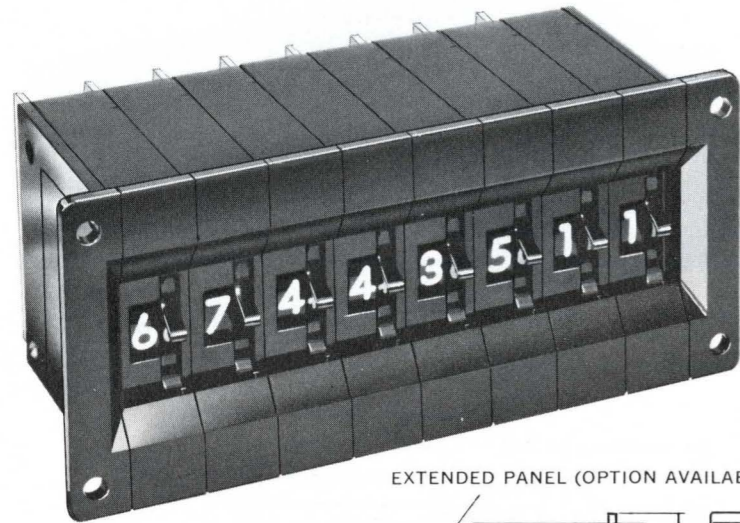


Number of Modules	A	B	C	D
1	1.41	1.075	.870	.890
2	1.91	1.575	1.370	1.390
3	2.41	2.075	1.870	1.890
4	2.91	2.575	2.370	2.390
5	3.41	3.075	2.870	2.890
6	3.91	3.575	3.370	3.390
7	4.41	4.075	3.870	3.890
8	4.91	4.575	4.370	4.390
9	5.41	5.075	4.870	4.890
10	5.91	5.575	5.370	5.390

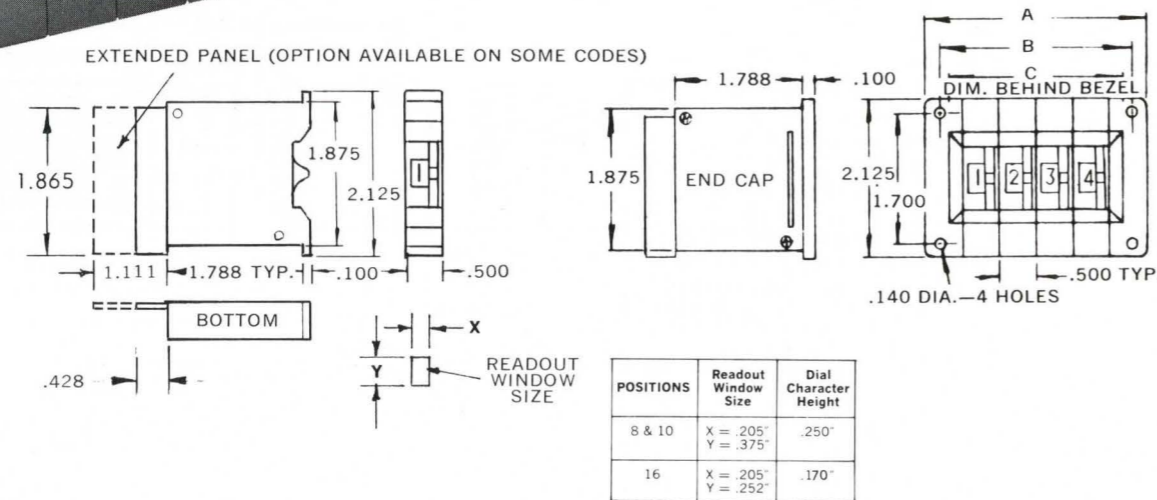
Positions in assembly are numbered from left to right. For assemblies with more than 10 modules, consult factory.

series T-11 thumbwheel

T-11 FRONT MOUNT MINIATURE THUMBWHEEL SWITCHES

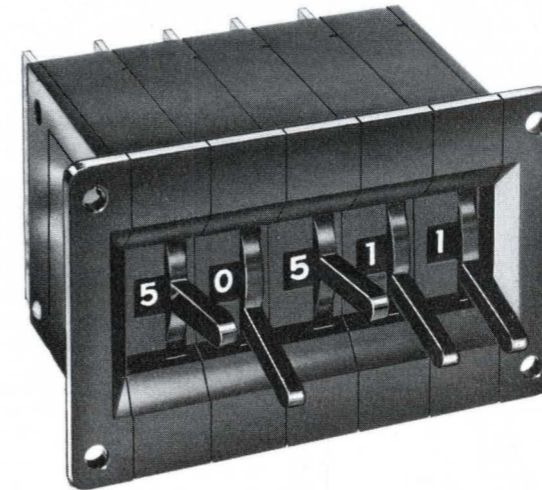


Available in 8, 10 and 16 positions in many output codes. Dial characters are .250" high on both 8 and 10 position models and .170" high on 16 position units. This type of thumbwheel can be furnished with extended printed circuit board to provide mounting of other components. Spacers are available in 1/2" width with legends such as decimal points, vertical lines and other symbols hot stamped on spacers. Standard finish is either black gloss or matte. Other colors available on special order. Stops may be inserted to control dial rotation.

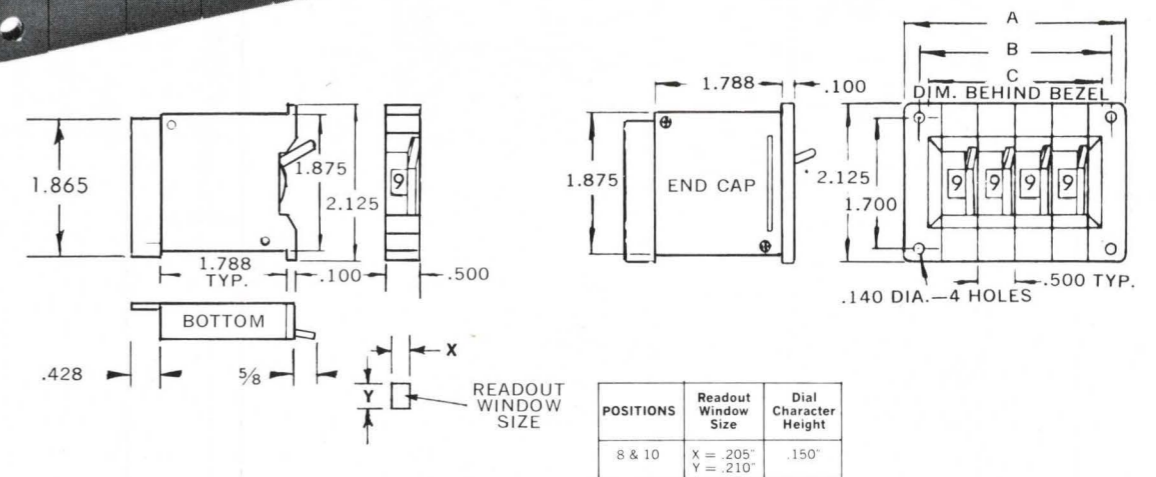


series L-11 leverwheel

L-11 FRONT MOUNT MINIATURE LEVERWHEEL SWITCHES



Available in 8 and 10 positions in many output codes. Dial characters are .150" high. Spacers are available in 1/2" width with legends such as decimal points, vertical lines and other symbols hot stamped on spacers. Standard finish is either black gloss or matte. Other colors available on special order. Stops may be inserted to control dial rotation as required.



SERIES T-11 AND SERIES L-11 SPECIFICATIONS

- Inline readout
- Coded electric outputs
- Modular construction
- Variations in coding, termination and readout symbols available

MATERIALS

Case, Levers, End Caps, Wheels—

Polycarbonate for high impact, high strength (standard).

Printed Circuit Board—G10 Glass filled epoxy per MIL-P-13949 plated with nickel per QQ-N-290 and 100 millionths gold per MIL-G-45204

Contacts—WE Alloy No. 1 (69% gold, 25% silver, 6% platinum)

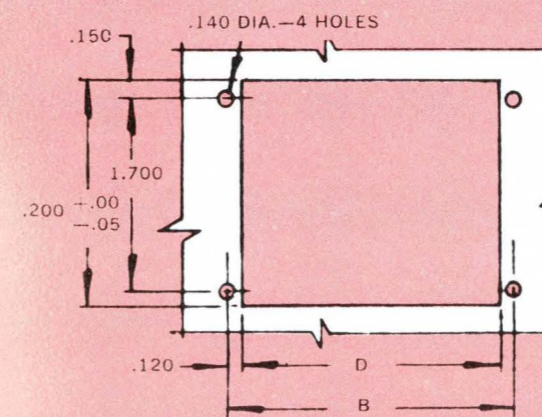
Wipers—Beryllium Copper

SWITCH CHARACTERISTICS

1. OPERATING FORCE 7 to 10 ounces
2. CONTACT RESISTANCE 0.1 ohm max.
3. INSULATION RESISTANCE 1000 megohms
4. DIELECTRIC STRENGTH 1000 volts AC
5. VIBRATION 15G's, 10-2000 Hz
6. SHOCK 50G's, 11 ms.
7. WEIGHT 3/4 oz. per module
8. ELECTRICAL RATING 115 volts AC or DC at .125 Amp. Current carrying only 3 amp. AC or DC
9. LIFE Min. 1,000,000 detent operations

NOTE: Above characteristics and rating apply under test conditions of -65°C to +85°C temperature range with altitude not exceeding 70,000 ft. per MIL-S-22710C.

T-11 & L-11 RECOMMENDED PANEL CUT-OUT

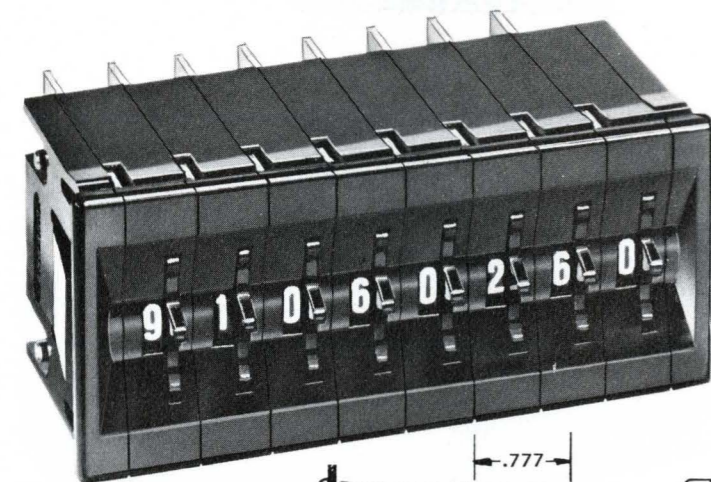


Number of Modules	A	B	C	D
1	1.30	.980	.70	.74
2	1.80	1.480	1.20	1.24
3	2.30	1.980	1.70	1.74
4	2.80	2.480	2.20	2.24
5	3.30	2.980	2.70	2.74
6	3.80	3.480	3.20	3.24
7	4.30	3.980	3.70	3.74
8	4.80	4.480	4.20	4.24
9	5.30	4.980	4.70	4.74
10	5.80	5.480	5.20	5.24

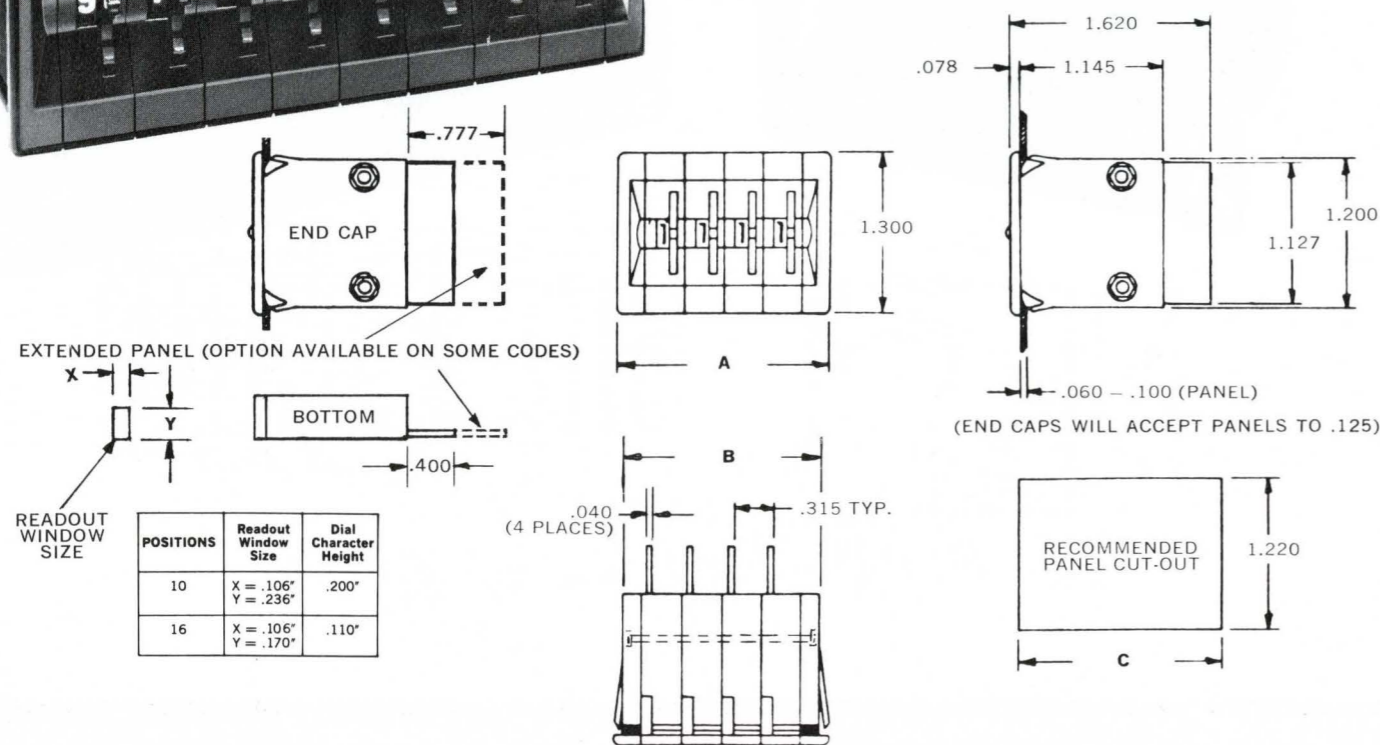
Positions in assembly are numbered from left to right. For assemblies with more than 10 modules, consult factory.

series T-60 thumbwheel

T-60 FRONT MOUNT (SNAP-IN) SWITCHES JUST 8MM WIDE

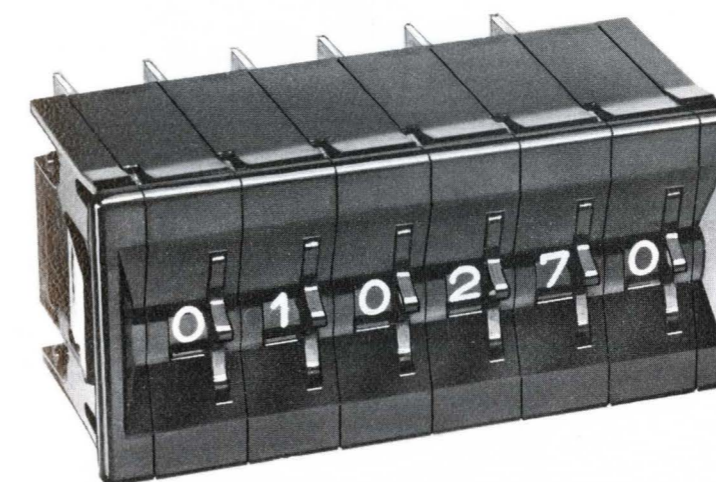


The thinnest Cherry thumbwheel. Available in 10 and 16 positions. Dial characters are .200" high on 10 position models and .110" high on 16 position units. This type of thumbwheel can be furnished with extended printed circuit board to provide mounting of other components. Spacers are available in .315" (8mm) width with legends such as decimal points, vertical lines and other symbols hot stamped on spacers. Standard finish is either black gloss or matte. Other colors available on special order. Stops may be inserted to control dial rotation as required.



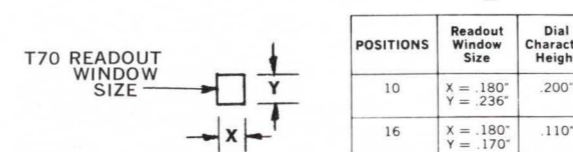
series T-70 and T-71 thumbwheel

T-70 FRONT MOUNT (SNAP-IN) SWITCHES JUST 10MM WIDE

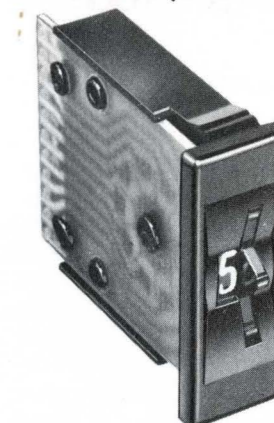


Available in 10 and 16 positions. Dial characters are .200" high on 10 position models and .110" high on 16 position units. This type of thumbwheel can be furnished with extended printed circuit board to provide mounting of other components. Spacers are available in .394" (10mm) width with legends such as decimal points, vertical lines and other symbols hot stamped on spacers. Standard finish is either black gloss or matte. Other colors available on special order. Stops may be inserted to control dial rotation as required.

NOTE: Series T-70 dimensions and recommended panel cut-out are the same as Series T-60 shown on opposite page except for switch width which is .394" (10MM) and readout window sizes which are shown below.

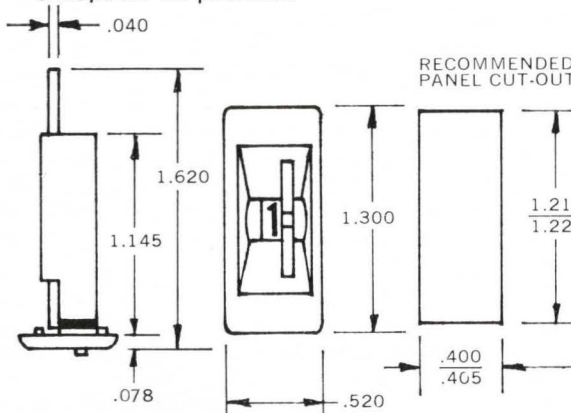


T-71 FRONT MOUNT (SNAP-IN) SWITCHES



T-71 INTEGRAL BEZEL FRONT MOUNT DECIMAL POINT SET SWITCH FOR CALCULATORS.

Specifications, dimensions and description similar to Series T-60 on opposite page. Standard code is 10 position decimal (Truth Table No. 2 on page 64). Also available on special order in T-60 and T-70 standard codes listed on page 63, except for 16 position.



SPECIFICATIONS FOR SERIES T-60, T-70, AND T-71

- Quick, easy installation—either as individual modules or as an assembly.
- No additional holes or screws required for mounting.
- When installed as individual modules, a single module can be removed randomly.
- Inline readout.
- Coded electric outputs.
- Variations in coding, termination and readout symbols available.

MATERIALS

Case, Levers, End Caps, Wheels— Polycarbonate for high impact, high strength (standard).
Printed Circuit Board— G10 Glass filled epoxy per MIL-P-13949 plated with nickel per QQ-N-290 and 100 millionths gold per MIL-G-45204.
Contacts— WE Alloy No. 1 (69% gold, 25% silver, 6% platinum)
Wipers— Beryllium Copper

SWITCH CHARACTERISTICS

1. OPERATING FORCE 7 to 10 ounces
2. CONTACT RESISTANCE 0.1 ohm max.
3. INSULATION RESISTANCE 1000 megohms
4. DIELECTRIC STRENGTH 1000 volts AC
5. VIBRATION 15G's, 10-2000 Hz
6. SHOCK 50G's, 11 ms.
7. WEIGHT 3/4 oz. per module
8. ELECTRICAL RATING 115 volts AC or DC at .125 Amp. Current carrying only 3 amp. AC or DC
9. LIFE 1,000,000 detent operations

NOTE: Above characteristics and rating apply under test conditions of -65°C to +85°C temperature range with altitude not exceeding 70,000 ft. per MIL-S-22710C.

T-60

Number of Modules	A	B	C
1	.748	.627	.670
2	1.063	.942	.985
3	1.378	1.257	1.300
4	1.693	1.572	1.615
5	2.008	1.887	1.930
6	2.323	2.202	2.245
7	2.638	2.517	2.560
8	2.953	2.832	2.875
9	3.268	3.147	3.190
10	3.583	3.462	3.505

T-70

Number of Modules	A	B	C
1	.827	.706	.749
2	1.221	1.100	1.143
3	1.615	1.494	1.537
4	2.009	1.888	1.931
5	2.403	2.282	2.325
6	2.797	2.676	2.719
7	3.191	3.070	3.113
8	3.585	3.464	3.507
9	3.979	3.858	3.901
10	4.373	4.252	4.295

Positions in assembly are numbered from left to right on T-60 and T-70. For assemblies with more than 10 modules, consult factory.

thumbwheel / leverwheel

• KELVIN VARLEY VOLTAGE DIVIDER

(See Truth Table No. 23 on page 65).

The Kelvin Varley Voltage Divider subdivides voltages by using resistors in a cascade arrangement. Circuit diagrams for the subminiature series voltage divider are shown for both an individual switch and for a three switch assembly.

Separate commons A and B in each switch are mechanically coupled although electrically isolated to allow step-by-step selection of resistive segments. In the three decade voltage divider schematic, it can be seen that voltage output of the most significant decade is, in fact, the input to the next decade and so on thru the circuit. The schematic shows a three decade divider. However, as many decades as required may be used to arrive at the desired voltage division.

Each decade or switch has provisions for eleven resistors. In the three switch circuit shown, the most significant switch has 11 ea. 10,000 ohm resistors mounted on it. Two resistors which total 20,000 ohms are shunted with the next decade which has a total resistance of 20,000 ohms. This in effect reduces the shunted resistance to 10,000 ohms which is 10% of the total resistance (100,000 ohms) in the first decade (9 x 10,000 plus the shunted 10,000 ohm resistance).

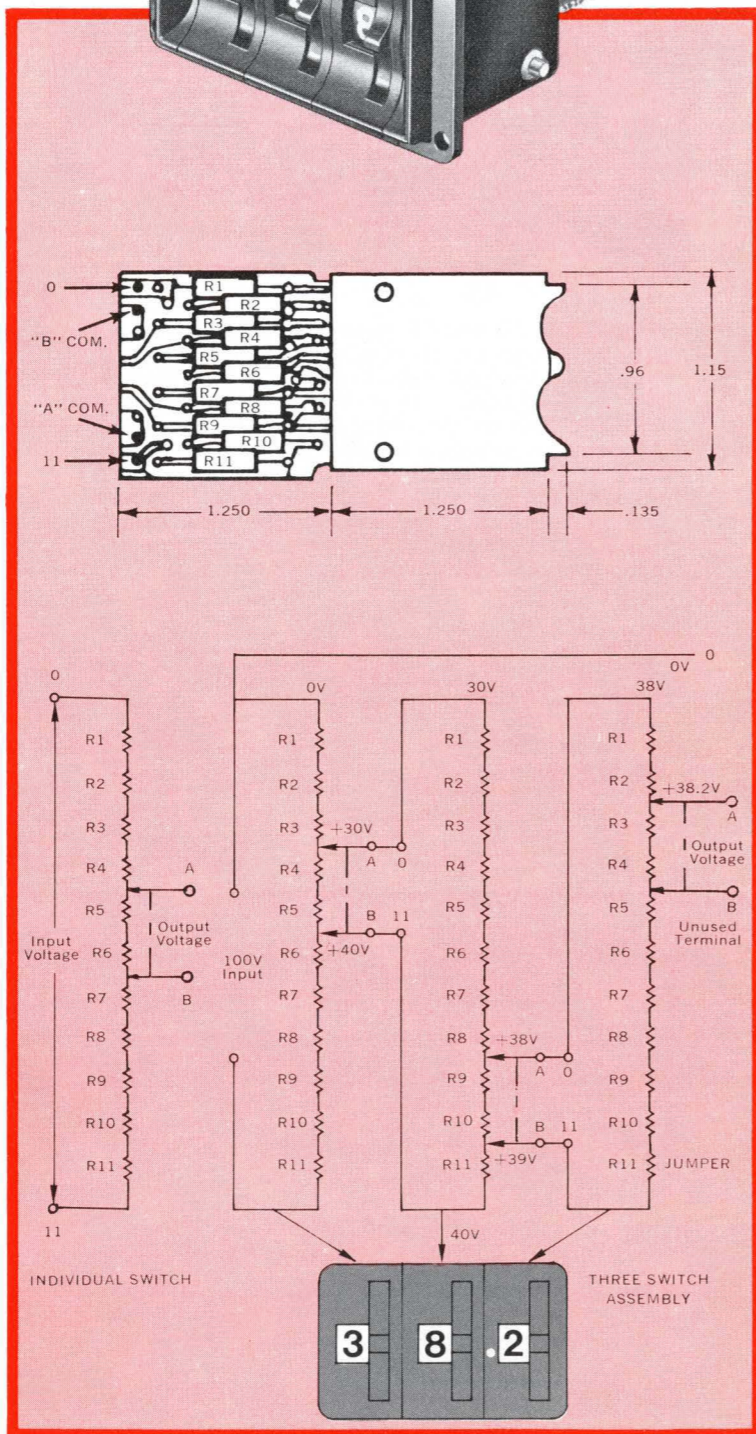
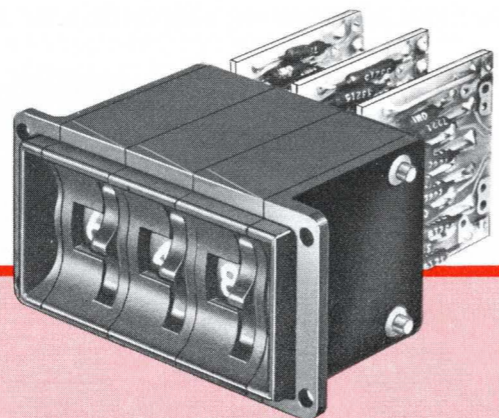
The 20,000 ohm decade consists of 11 ea. 2,000 ohm resistors. However, two are shunted by the 4,000 ohm total resistance of the least significant decade. (Total decade resistance is 9 x 2,000 plus the shunted resistance which is effectively 2,000 ohms for a total of 20,000 ohms.)

In the least significant decade, 10 ea. 400 ohm resistors make up the 4,000 ohm total resistance. Note that a jumper is used in place of the eleventh resistor on this switch.

In the Kelvin Varley circuit, a 100 volt input is divided into 10 volt increments in the first decade. The second divides its 10 volt input into 1 volt increments and the third decade divides its 1 volt input into 0.1 volt increments. If an additional decade were added, it would divide the 0.1 volts into 0.01 volt increments and so on.

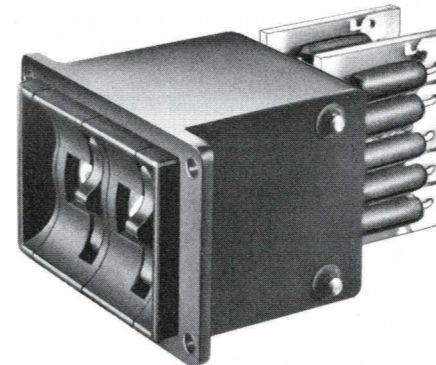
The output voltage is measured across the terminal "0" on the most significant switch and "A" on the least significant switch ("B" on the least significant switch is not used).

Accuracy of a Kelvin Varley Voltage Divider is based primarily on linearity and not solely on resistive tolerance. This is the prime advantage of this circuit. To achieve a linearity of $\pm .01\%$ resistive, tolerance need not be $\pm .01\%$ but may be somewhat less as long as resistors are matched in value. The most critical resistors are those used in the most significant decade. In the second most significant decade, resistors are one-tenth as critical. The same is true as one proceeds thru to the least significant decade which could have resistors with a 1% tolerance without affecting linearity.



- KELVIN VARLEY VOLTAGE DIVIDER
- WIDE WINDOW FUNCTION SWITCH

• 1-2-2-2-2 RESISTANCE DECADE



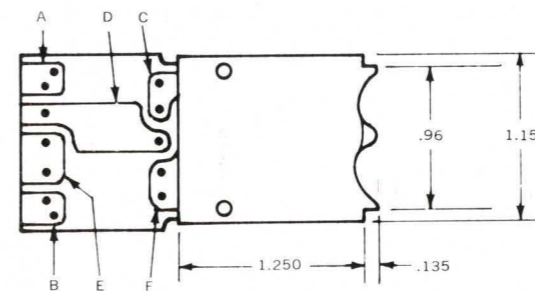
(See Truth Table No. 22 on page 65.)

Each switch has 5 resistors mounted in series on its printed circuit board and permits the selection of a short circuit through nine incremental resistive values. The selected resistance depends only upon resistor values which may be varied with each application.

The table below shows actual switch circuitry in each readout position. As noted in the table, R2, R3, R4 and R5 equal 2 x R1.

For example: If a decade is to select zero through 9,000 ohms in 1,000 ohm increments, R1 would be 1,000 ohms and R2, R3, R4 and R5 would be 2,000 ohms. For a range of zero through 9,999 ohms in one ohm increments, four decade switches would be ganged together. Switches in the assembly (left to right) would have resistor values in the thousands, hundreds, tens and units range respectively.

Switch characteristics: Same as Standard T-20 Thumbwheel except Contact Resistance is 0.025 ohm. max. (See page 52.)

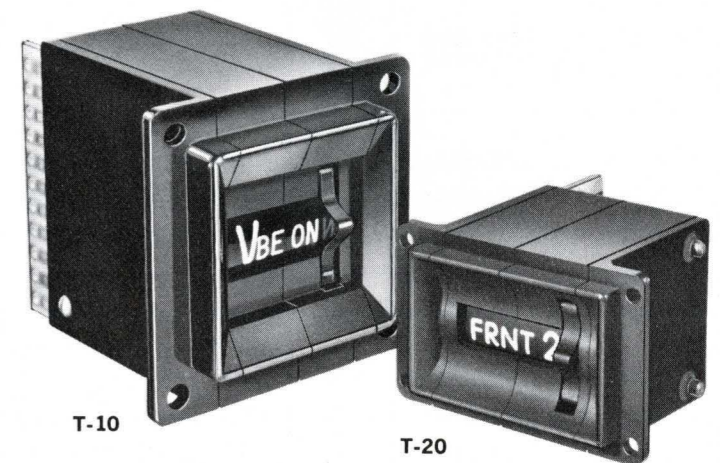


R1 = 1 x Resistance; R2 = R3 = R4 = R5 = 2 x Resistance

Dial Position	Read-out	Total Res.	Switch Circuit by position						
			B (R1)	F (R2)	E (R3)	D (R4)	C (R5)	A	
0	0	0	•						
1	1	1R	•						
2	2	2R	•	•					
3	3	3R	•	•	•				
4	4	4R	•	•	•	•			
5	5	5R	•	•	•	•	•		
6	6	6R	•	•	•	•	•	•	
7	7	7R	•	•	•	•	•	•	•
8	8	8R	•	•	•	•	•	•	•
9	9	9R	•	•	•	•	•	•	•

- 1-2-2-2-2 RESISTANCE DECADE
- CIRCUIT BOARD MOUNT THUMBWHEEL

• WIDE WINDOW FUNCTION SWITCH



A double-width, 1 inch wide thumbwheel switch providing three times the normal legend area. By combining two standard width (1/2 inch) thumbwheel units having special readout windows, Cherry makes it possible to imprint various messages or switching functions.

This switch is available in models compatible with the T-20 Series (10 position), the T-10 Series (10 position and 16 position) and can be used to eliminate the use of lighted pushbutton switches.

• CIRCUIT BOARD MOUNT THUMBWHEEL



T-64

The Cherry T64 Series thumbwheel is specifically designed for applications where a thumbwheel switch is mounted to a printed circuit board. Typically, the circuit board plugs into a chassis and the thumbwheel switch is mounted to permit the presetting of circuit functions.

The wheel and detent spring of the T64 are mounted in a case so as to elevate the contact wiper set. This permits direct mounting on the PC board without modifying the board to recess into the switch housing. The T64 is available in the T60 codes listed on page 63. Contact factory for further details.

thumbwheel/leverwheel

complete product listing

T-20 and L-20 BACK MOUNT SUBMINIATURE

See pages 52-53 for dimensions and specifications

CATALOG NUMBER	CATALOG NUMBER	NUMBER OF POSITIONS	DESCRIPTION	PC TERMINATION**		READOUT	TRUTH TABLE NO.
				.156" Centers	.100" Centers		
T20-94A	L20-94A	2	Single pole repeating	•		(-, +)	4
T20-95A	L20-95A	2	Single pole repeating	•		(0, 1)	4
T20-96A	L20-96A	2	Single pole repeating	•		(0, 5)	4
T20-07A	L20-07A†	8	Binary Coded Octal	•		(0-7)	7
T20-47A†*	L20-47A†*	8	BCO with separate common to not true bits	•		(0-7)	13
T20-17A†*	L20-17A†*	8	Decimal		•	(0-7)	16
T20-57A†*	L20-57A†*	8	BCO with diode provision	•		(0-7)	7
T20-77A†*	L20-77A†*	8	BCO complement only	•		(0-7)	15
T20-01A	L20-01A	10	Decimal		•	(0-9)	2
T20-11A	L20-11A	10	Double pole decimal		•	(0-9)	3
T20-69A*	L20-69A*	10	Decimal, make before break		•	(0-9)	2
—	L20-20A	12	Decimal		•	(0-11)	17
T20-02A	L20-02A	10	Binary Coded Decimal	•		(0-9)	1
T20-04A	L20-04A	10	BCD plus complement, 1 common		•	(0-9)	8
T20-06A	L20-06A	10	BCD plus odd parity	•		(0-9)	12
T20-10A	L20-10A	10	BCD plus even parity	•		(0-9)	10
T20-12A	L20-12A	10	BCD complement only	•		(0-9)	11
T20-15A	L20-15A	10	BCD with separate common to not true bits	•		(0-9)	14
T20-14A*	L20-14A*	10	9's complement of BCD plus complement		•	(0-9)	20
T20-52A	L20-52A	10	BCD with diode provision	•		(0-9)	1
T20-54A	L20-54A	10	BCD plus complement, 1 common with diode provision		•	(0-9)	8
T20-68A*	L20-68A*	10	Two out of five code with diode provision (1-2-4-7 with even bit parity)	•		(0-9)	18
T20-72A*	L20-72A*	10	Complement of 9's complement with diode provision	•		(0-9)	19
T20-65A*	L20-65A*	10	Kelvin-Varley voltage divider				23
T20-67A*	L20-67A*	10	1-2-2-2-2 resistive decade				22
T20-03A	—	16	Hexadecimal	•		(0-15)	5
T20-08A	—	16	Hexadecimal plus complement, 1 common		•	(0-15)	9
T20-09A	—	16	Hexadecimal plus complement, 2 commons		•	(0-15)	6
T20-13A	—	16	Hexadecimal	•		(0-9, A-F)	5
T20-53A	—	16	Hexadecimal with diode provision	•		(0-15)	5
T20-63A*	—	16	Hexadecimal with diode provision	•		(0-9, A-F)	5
T20-88A*	—	16	Hexadecimal plus complement, 1 common		•	(0-9, A-F)	9
T20-89A*	—	16	Hexadecimal plus complement, 2 commons		•	(0-9, A-F)	6

†With stops. *Available but not carried in stock **Printed Circuit termination for solder or card edge connector.

T-10 and T-11 BACK AND FRONT MOUNT MINIATURE THUMBWHEELS

See pages 54 thru 57 for dimensions and specifications. PC termination: All circuits on .156" centers for solder or card edge connector.

CATALOG NUMBER	CATALOG NUMBER	NUMBER OF POSITIONS	DESCRIPTION	READOUT	TRUTH TABLE NO.
T10-94A	T11-94A	2	Single pole repeating	(-, +)	4
T10-95A	T11-95A	2	Single pole repeating	(0, 1)	4
T10-96A	T11-96A	2	Single pole repeating	(0, 5)	4
T10-07A	T11-07A	8	Binary Coded Octal	(0-7)	7
T10-01A	T11-01A	10	Decimal	(0-9)	2
T10-11A	T11-11A	10	Double pole decimal	(0-9)	3
T10-02A	T11-02A	10	Binary Coded Decimal	(0-9)	1
T10-04A	T11-04A	10	BCD plus complement, 1 common	(0-9)	8
T10-52A	T11-52A	10	BCD with diode provision	(0-9)	1
T10-54A	T11-54A	10	BCD plus complement, 1 common with diode provision	(0-9)	8
T10-03A	T11-03A	16	Hexadecimal	(0-15)	5
T10-08A	T11-08A	16	Hexadecimal plus complement, 1 common	(0-15)	9
T10-09A	T11-09A	16	Hexadecimal plus complement, 2 commons	(0-15)	6
T10-13A	T11-13A	16	Hexadecimal	(0-9, A-F)	5
T10-19A	T11-19A	16	Hexadecimal plus complement, 2 commons	(0-9, A-F)	6

L-10 and L-11 BACK AND FRONT MOUNT MINIATURE LEVERWHEELS

See pages 54 thru 57 for dimensions and specifications. PC termination: All circuits on .156" centers for solder or card edge connector.

CATALOG NUMBER	CATALOG NUMBER	NUMBER OF POSITIONS	DESCRIPTION	READOUT	TRUTH TABLE NO.
L10-94A	L11-94A	2	Single pole repeating	(-, +)	4
L10-95A	L11-95A	2	Single pole repeating	(0, 1)	4
L10-96A	L11-96A	2	Single pole repeating	(0, 5)	4
L10-07A	L11-07A	8	Binary Coded Octal	(0-7)	7
L10-01A	L11-01A	10	Decimal	(0-9)	2
L10-11A	L11-11A	10	Double pole decimal	(0-9)	3
L10-02A	L11-02A	10	Binary Coded Decimal	(0-9)	1
L10-04A	L11-04A	10	BCD plus complement, 1 common	(0-9)	8
L10-10A	L11-10A	10	BCD plus even parity	(0-9)	10
L10-05A	L11-05A	10	BCD plus complement, 2 commons	(0-9)	21

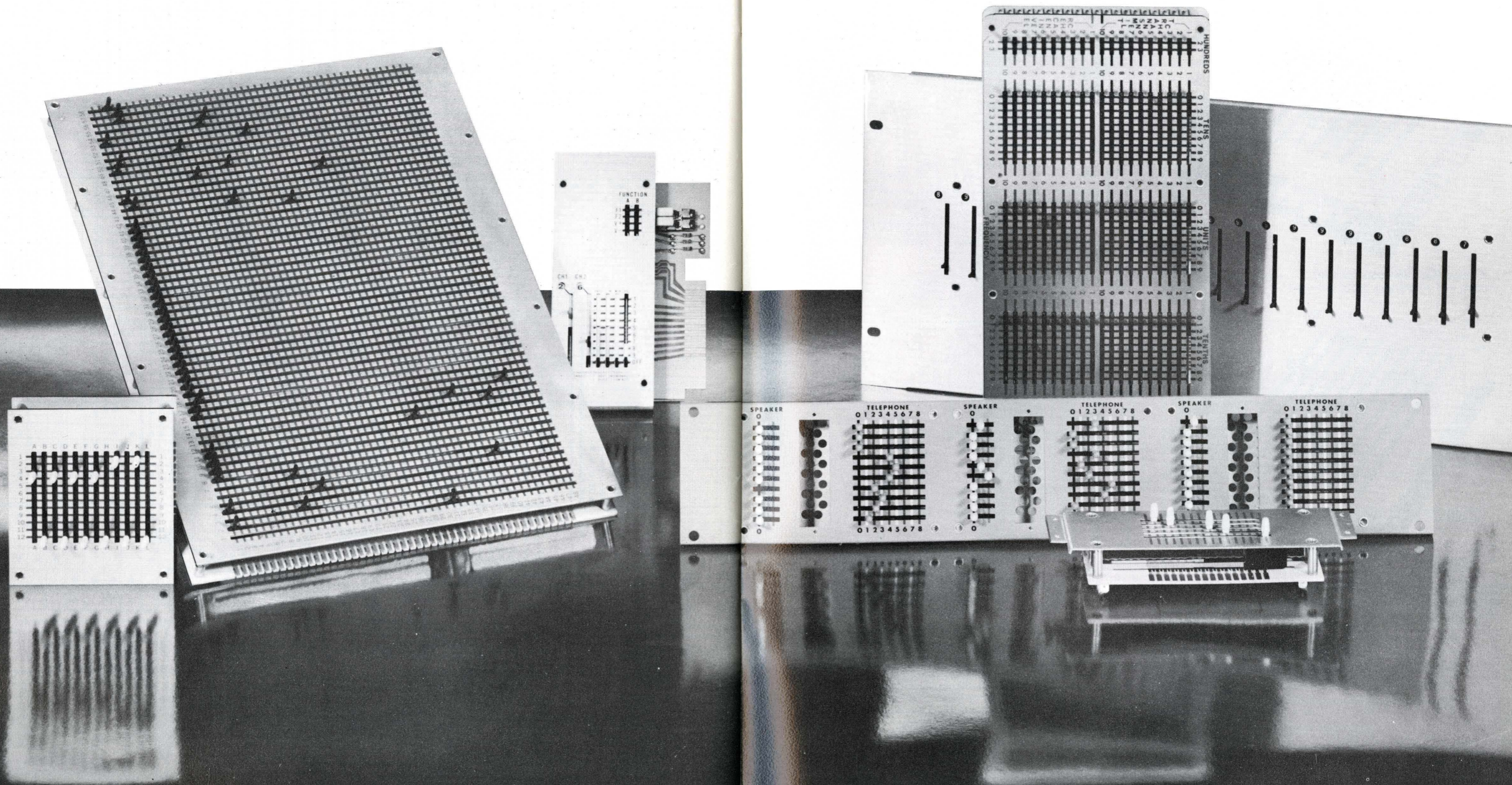
T-60 and T-70 FRONT MOUNT (SNAP-IN) THUMBWHEELS

See pages 58-59 for dimensions and specifications. PC termination: Consult factory.

CATALOG NUMBER	CATALOG NUMBER	NUMBER OF POSITIONS	DESCRIPTION	READOUT	TRUTH TABLE NO.
T60-94A	T70-94A	2	Single pole repeating	(-, +)	4
T60-95A*	T70-95A*	2	Single pole repeating	(0, 1)	4
T60-96A*	T70-96A*	2	Single pole repeating	(0, 5)	4
T60-97A*	T70-97A*	2	Double pole repeating	(-, +)	28
T60-07A	T70-07A	8	Binary Coded Octal	(0-7)	7
T60-77A*	T70-77A*	8	BCO complement only	(0-7)	15
T60-01A	T70-01A	10	Decimal	(0-9)	2
T60-02A	T70-02A	10	Binary Coded Decimal (Make-before-break)	(0-9)	1
T60-04A	T70-04A	10	BCD plus complement, 1 common	(0-9)	8
T60-06A*	T70-06A*	10	BCD plus odd parity	(0-9)	12
T60-10A*	T70-10A*	10	BCD plus even parity	(0-9)	10
T60-12A	T70-12A	10	BCD complement only	(0-9)	11
T60-52A	T70-52A	10	BCD with diode provision	(0-9)	1
T60-50A*	T70-50A*	10	Excess 3 gray code positive	(0-9)	26
T60-49A*	T70-49A*	10	Excess 3 gray code negative	(0-9)	27
T60-70A*	T70-70A*	10	Aiken code 1-2-4-2	(0-9)	24
T60-71A*	T70-71A*	10	Aiken code modern 1-2-4-2	(0-9)	25
T60-03A	T70-03A*	16	Hexadecimal	(0-15)	5
T60-13A	T70-13A*	16	Hexadecimal	(0-9, A-F)	5

*Available but not carried in stock

MATRIX SELECTOR SWITCHES . . . rapid circuit selection and programming



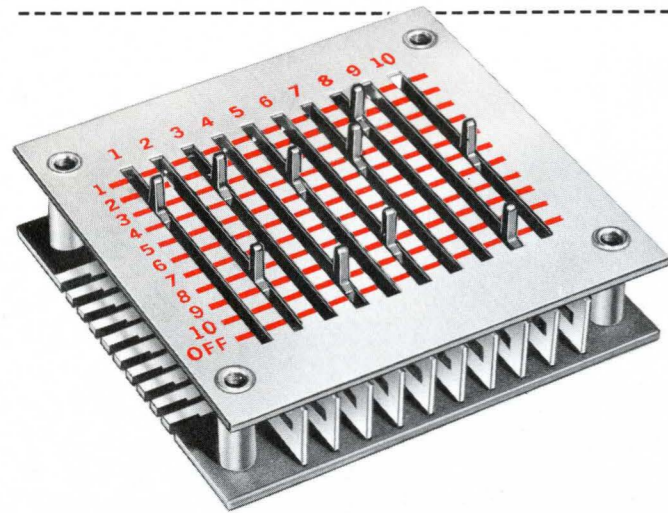
matrix selector switch

MANUAL SWITCHING SIMPLIFIED by use of Cherry's unique Selector Switch. Ideal for coding, data input, programming and many other select functions, the matrix type design permits crosspoint selection by means of selector knob that houses the sliding contact.

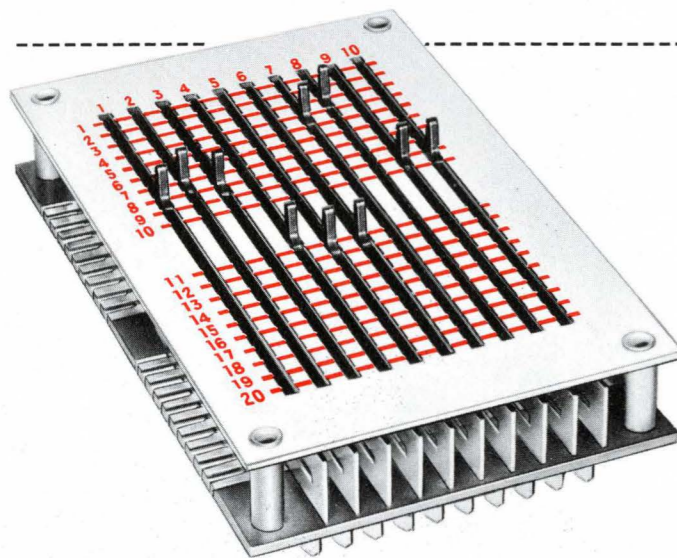
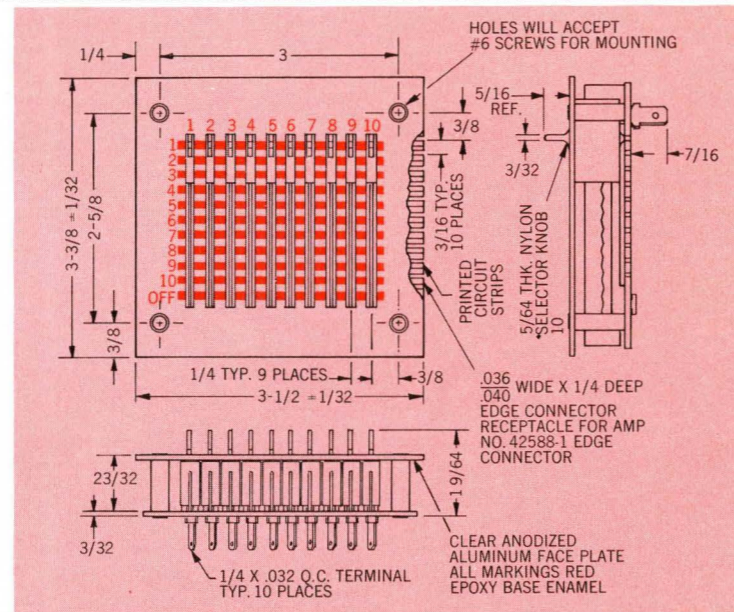
Presentation of the switching function in rectangular coordinates provides the operator with a complete, panoramic view of the switching grid.

to facilitate rapid circuit selection and minimize error. No need for pins, clips or cumbersome wiring as required in most programming devices.

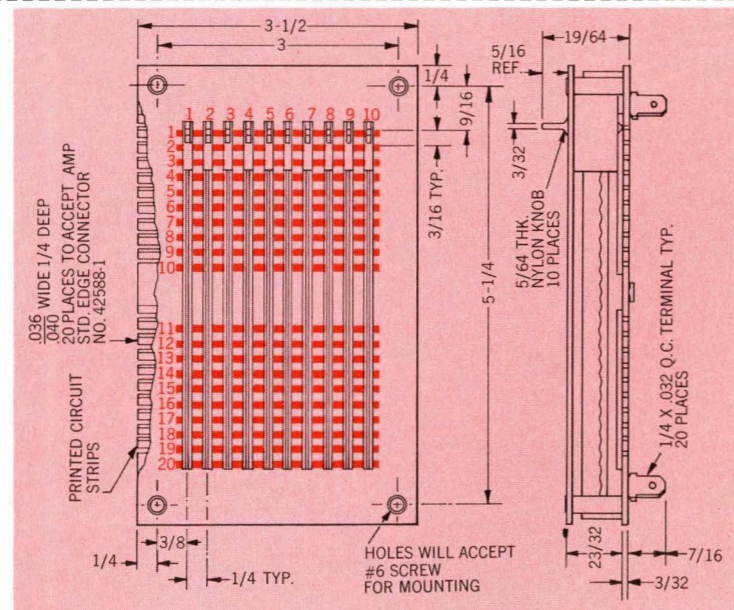
ELEVEN STANDARD UNITS include one 48 position x 58 slider rails (2784 crosspoints), five 10 position types and five 20 position types. In addition many custom designs can be furnished with reasonable artwork and tooling set-up charges.



C10-20A BASIC TEN POSITION TYPE . . . offers 100 select stations with 10 positions by 10 slider rails.



C10-01A BASIC TWENTY POSITION TYPE . . . offers 200 select stations in 20 x 10 arrangement with 20 positions by 10 slider rails.



ELECTRICAL CAPACITY

1. Make and break 48 Volts DC at 0.50 Amp. 125 Volts AC at 0.15 Amp.
2. Current carrying only (no make and break) 2 Amp. AC or DC

INSERTION RESISTANCE

50 milliohms plus 6 milliohms per inch of printed circuit.

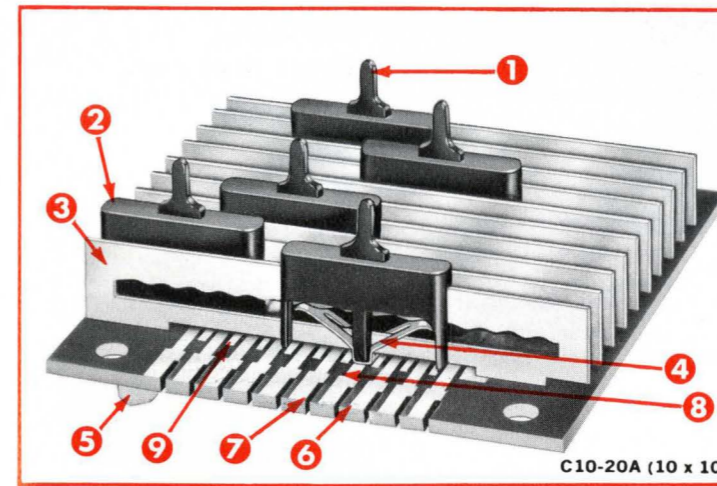
Patent No. 3,205,319

CROSSTALK VALUES (db separation)

Test Frequency	Circuit Configuration *see below		
Hertz	A	B	C
1 K	89 db.	97 db.	101 db.
5 Meg.	35 db.	38 db.	39 db.
10 Meg.	28 db.	30 db.	31 db.

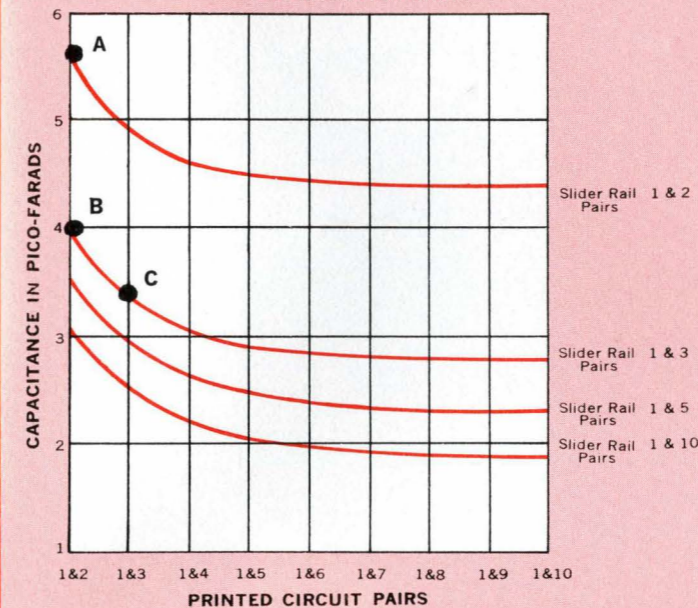
manual switching simplified

MATERIALS AND CONSTRUCTION DETAILS

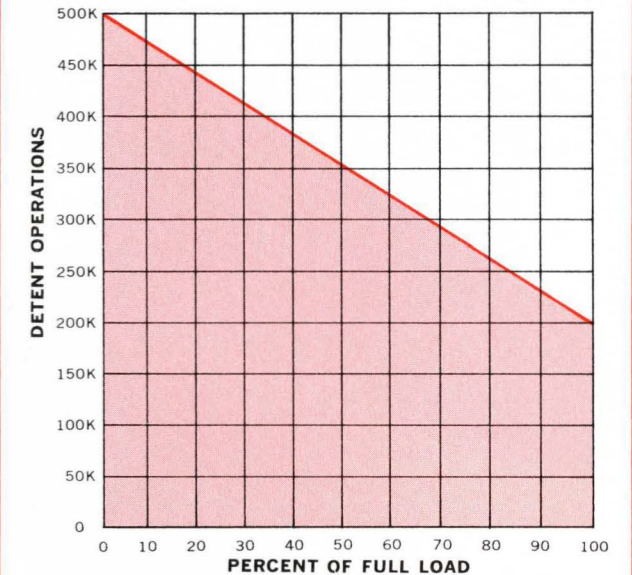


1. Black nylon selector knob.
2. One piece housing for sliding contact-indexing spring.
3. Dual purpose slider rails (current carrying and indexing for positive detent position).
4. Beryllium copper sliding contact (indexing spring).
5. Standard Quick Connect terminals 1/4" wide x .032 thick (Mates with AMP Part No. 41772).
6. Circuit board.
7. Standard edge connector receptacle (Mates with AMP Part No. 42588-1, shipped with each unit).
8. Rhodium plated printed circuitry.
9. Printed circuit island construction to maximize switch life.

INTERCIRCUIT CAPACITANCE OF C10-20A SELECTOR SWITCH MODULE OF 10 PRINTED CIRCUIT STRIPS AND 10 SLIDER RAILS



EXPECTED ELECTRICAL LIFE VS. LOAD—C10-20A (10X10)

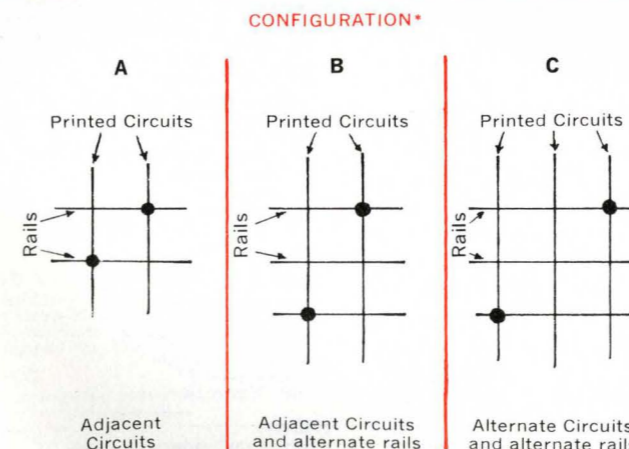


ORDERING INFORMATION

In addition to the standard units listed below, Cherry can provide custom designs to meet your specific needs. For special Application Engineering assistance contact Product Manager.

CATALOG MODEL NO.	NUMBER OF PC STRIPS	NUMBER OF SLIDERS	NUMBER OF CROSSPOINTS
C10-20A	10 Position	10	100
C10-42A	10 Position	20	200
C10-43A	10 Position	30	300
C10-44A	10 Position	40	400
C10-45A	10 Position	50	500
C10-01A	20 Position	10	200
C10-02A	20 Position	20	400
C10-03A	20 Position	30	600
C10-04A	20 Position	40	800
C10-05A	20 Position	50	1000
C10-56A	48 Position	58	2784

Note: Overall width of basic 10 x 10 and 20 x 10 Selector Switch is 3 1/2 inches. For each 10 sliders added to the basic unit add 3 inches to overall width. A 20 slider unit measures 6 1/2 inches wide; a 30 slider unit measures 9 1/2 inches wide; a 40 slider unit measures 12 1/2 inches wide and a 50 slider unit measures 15 1/2 inches wide.



CHERRY



everywhere around the world.

ALABAMA
Powertronic, Inc., P.O. Box 3384
Huntsville 35810
(205) 852-6347

CALIFORNIA
Abbott Engineering Co.
2450 El Camino Real, Palo Alto 94306
(415) 327-0830

O'Donnell Associates, Inc.
18053 Crenshaw Boulevard
Torrance 90504
(213) 323-9243

COLORADO
Arrowhead Sales Corporation
P.O. Box 543
Arvada 80002
(303) 423-5556

CONNECTICUT
Electro-Products Sales Co.
P.O. Box 92, Meriden 06450
(203) 235-4040

FLORIDA
C.B.C. Electronics, Inc.
1010 E. Atlantic Blvd.
P.O. Box 2348
Pompano Beach 33060
(305) 782-0804

C.B.C. Electronics, Inc.
P.O. Box 1319
Eustis 32726
(305) 782-0804

ILLINOIS (Main Plant)
Cherry Electrical Products Corporation
3600 Sunset Ave., Waukegan 60085
(312) 689-7600

INDIANA
Menze Sales, Inc.
P.O. Box 9178
6616 Bluffton Rd., Fort Wayne 46809
(219) 747-5616

KANSAS
Thro Industrial Sales
2110 W. 75th, Prairie Village 66208
(913) 362-2533

MASSACHUSETTS
Electro-Products Sales Co.
P.O. Box 121, Waltham 02154
(617) 899-1570

MICHIGAN
Millmore Sales
41390 10 Mile Road
Novi 48050
(313) 476-2446

McPhail Corporation (Automotive only)
1820 Stephenson Hwy., Troy 48084
(313) 689-6444

MINNESOTA
Cahill Associates
315 North Pierce
St. Paul 55104
(612) 646-7217

MISSOURI
Miller Associates
5371 Traillblend Dr.
Florissant 63033
(314) 731-5169

NEW JERSEY
Colrud Company
16 South Broadway
Pitman 08071
(609) 589-5866

NEW MEXICO
IMEC
4613 Comanche, N.E.
Albuquerque 87110
(505) 344-2212

NEW YORK
Sydney Justin Associates
(Metropolitan, N.Y.)
P.O. Box 1068
1580 Lemoine Ave., Fort Lee 07024
(201) 947-4371

Andres Component Sales, Inc. (Upstate)
P.O. Box 4052
Brighton Station, Rochester 14610
(716) 244-2445

NORTH CAROLINA
Powertronic, Inc.
P.O. Box 403
800 Midland Ave., Thomasville 27360
(919) 476-6727

OREGON
Jas. J. Backer Co.
Sylvan Bldg., Room 207
2035 S.W. 58th St., Portland 97221
(503) 297-3776

TEXAS
William Reese Associates
3131 Stemmons Exp. 75247
P.O. Box 24410, Dallas 75224
(214) 638-6575

William Reese Associates
P.O. Box 26247 77032
2400 W. Loop South (Suite 216)
Houston 77027
(713) 621-3134

UTAH
Arrowhead Sales Corporation
P.O. Box 15709
Salt Lake City 84115
(801) 487-3444 / 483-3362

WASHINGTON
Jas. J. Backer Co.
221 West Galer Street 98119
P.O. Box 9327, Seattle 98109
(206) 285-1300

WISCONSIN
Don Herrick Company
220 Sussex St., (Box 61)
Pewaukee 53072
(414) 691-2770

ARGENTINA
Also Uruguay
Mr. Robert S. Grassi
Bartolome Mitre 4014
Buenos Aires

AUSTRALIA (Licensee)
also New Zealand, Singapore,
Malaysia, Philippines, Thailand,
Indonesia
G. W. Engineering Pty. Ltd.
1-15 Blackfriars Street
Chippendale: Sydney, N.S.W.

AUSTRIA
Ing. Franz Krammer
Industrie Vertretungen
1162 Wien XVI
Ottakringer Str. 63
Postfach 9

BELGIUM
Bureau Technique SA.
Daniel
43, rue de Fiennes
Brussels-7

CANADA
Henry Daymond Sales Ltd.
262 Kerr St.
Oakville, Ontario

CHILE
Electronica del Pacifico Ltda.
Julio Prado 2118
Casilla 12 984
Santiago de Chile

COLOMBIA
Latin American Consultants Ltda.
Apartado Aereo 14521
Bogota

DENMARK
E.V. Johanssen A/S
Scherfigsvej 1
DK 2100 Copenhagen Ø

FINLAND
OY Hedengren AB
Lonnrotsgatan 18
Helsingfors

FRANCE
C.E.R.E.L.
Constructions et Recherches
Electro-Mécaniques S.A.
14-16, rue de Lilas
F 75 Paris-19^e
(Thumbwheel/Leverwheel Switches and
Keyboards only)

O.R.C.O.C.E.L.
Organes de Commande et de
Contrôle pour l'Electronique et
l'Industrie 12, rue Deguerry
F 75 Paris-XI^e
(Except Thumbwheel/Leverwheel
Switches and Keyboards)

GERMANY (E.E.C. Main Plant)
Cherry Mikroschalter GmbH
Postfach 2340
Weiherstr. 26
8580 Bayreuth
Bavaria
Herbert Altenberger
Tulpenstr. 5
7554 Kuppenheim
Hans Falkenberg
Gaismannshofstr. 38
8500 Nürnberg

GERMANY
Fleischmann & Butterhof
Ing.-Büro
Veldenerstr. 108
8000 München-60
Wilhelm Geldmacher KG
Romerstr. 5
Postfach 255
6380 Bad Homburg v.d.H.
Paul Heyderhoff
Rehhecke 29
Postfach 165
4032 Lintorf/Bez. Düsseldorf
Rudolf Leukefeld
Reventlowstr. 52
2000 Hamburg-52
Bernhard Schallehn
Osterwiesen 24
3006 Grossburgwedel
Ing. Helmut Zieger
Geisslerpfad 27
1000 Berlin-13

INDIA
Indo Auto Traders
524 Sandhurst Road
Bombay 4

ISRAEL
Astragal Ltd.
107, Hachashmonaim Street
P.O. Box 7082
Tel-Aviv

ITALY
Silverstar Ltd. SpA.
20, Via dei Gracchi
I 20146 Milano

JAPAN (Joint Venture)
Hirose Cherry Precision Co., Ltd.
Nishimura Bldg., No. 13-11
1-Chome Nishi-Gotanda
Shinagawa-Ku Tokyo

MEXICO
Instrumentacion Industrial, S.A.
Cervantes Saavedra 151
P.O. Box 53-155
Mexico 17, D.F.
Apartado Postal 6-621
Mexico 6, D.F.

NETHERLANDS
Electro Ingenieursbureau
Daniel N. V.
Leidsegracht 90
Amsterdam-C

NORWAY
Skandinavisk Elektronikk A/S
Ebbellsgt. 1-Postboks 129
Oslo

SOUTH AFRICA
Fairmont Electronics (Pty.) Ltd.
214 Hyde Square
Jan Smuts Avenue, Hyde Park
Johannesburg

SPAIN
Ismea Iberica
Avenida de la Catedral, 14
Barcelona

SWEDEN
Skandinaviska Telekompaniet AB
Veddestavagen 14
S-17023 Barkarby

SWITZERLAND
Messrs. Modal-Technik AG
Auf Dem Wolf 10
CH 4000 Basel 28

UNITED KINGDOM (Cherry U.K. Subsidiary)
Cherry Electrical Products (U.K.) Ltd.
Lattimore Road
St. Albans, Herts, England

VENEZUELA
J. Gomis Duch, S.A.
Apartado 2423
Caracas