



2020

SILVERADO SPECIAL SERVICE



Shown with equipment from independent suppliers not covered by the GM New Vehicle Limited Warranty. GM is not responsible for the safety or quality of independent supplier alterations.

GENERAL MOTORS FLEET





About This Publication

This catalog is not updated during the model year and should not be used for ordering purposes. It is intended as a source of basic information. All illustrations and specifications in this literature are based on the latest product information available at the time of publication. General Motors reserves the right to make changes at any time without notice. For further details, consult your local dealer.

Care must be taken during customer installation of equipment and wiring to ensure that all holes drilled in the body are corrosion protected, properly sealed and that vehicle wiring harnesses, piping or other components have not been displaced or damaged. Wiring connection or splice changes are to be removed before the vehicle is returned to civilian use. Aftermarket equipment installers must be mindful of applicable Federal Motor Vehicle Safety Standards. This information can be obtained directly from the National Highway Traffic Safety Administration.

Adding non-dealer accessories or making modifications to the vehicle can affect vehicle performance, aerodynamics, and overall top speed.

These vehicles are equipped with an airbag system. The airbag system in your police vehicle includes frontal driver and front outboard passenger airbags, front seat back side impact airbags, roof rail mounted head-curtain airbags. Customer installed equipment such as security barriers behind the front seats should not be mounted so that the barrier ends are within the side airbag deployment zones. The sensors and other components for the airbag system must not be relocated to accommodate the installation of customer furnished equipment; please refer to the service manual for sensor and other component locations. For information concerning instrument panel top pad mounted equipment and airbag system deployment zones, see the airbag information section in this catalog and the vehicle owners manual.

A note about vehicle alterations by independent suppliers: This catalog shows pictures of vehicles that have been altered or upfitted with equipment or components supplied to Chevrolet or its dealers by independent suppliers. Chevrolet is not responsible for the safety or quality of design features, materials or workmanship of any alterations by a supplier.

INDEX

- **UPDATES FOR 2020 SILVERADO SPECIAL SERVICE 5W4 CREW CAB**
- **STANDARD FEATURES**
- **POWERTRAIN & EMISSIONS**
- **COLORS & INTERIOR TRIM**
- **OPTIONAL EQUIPMENT**
- **SPECIFICATIONS**
- **ILLUSTRATION HIGHLIGHTS**
- **GENERAL MOTORS FLEET OnStar¹®, SERVICEPLANS AND GM COMMERCIAL LINK PLANS**
- **WIRING DIAGRAMS**
- **AIRBAG DIMENSIONS**
- **AIRBAGS FAQ**
- **STABILITRAK**
- **MAINTENANCE AND WARRANTY**

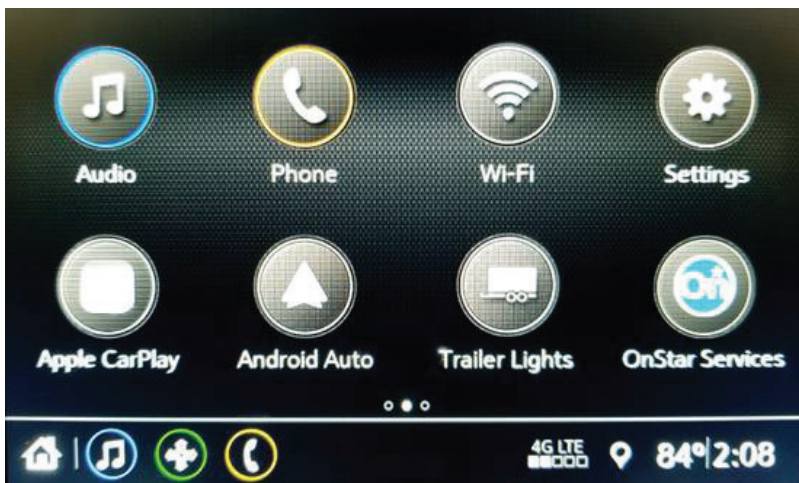
1. Services subject to user terms and limitations. Certain services require working electrical system, cell reception and GPS signal. OnStar links to emergency services. Data plans offered by AT&T. See gmfleet.com/connected services for details. Availability subject to change



Shown with aftermarket equipment



Standard 120-volt power outlet in bed



Standard 7" touchscreen radio

UPDATES FOR 2020

NEW FEATURES

- (DPO) Vertical Trailering Mirrors
- (V46) Chrome bumpers are now free flow on 1WT
- (Q5U) 17" bright machined aluminum wheels are now free flow on 1WT
- (8X8) Label, Fasten seat belts
- (5Y1) Seats, Driver and passenger individual seats
- (6N6) Door locks and handles
- (7X2) Spotlamps, Left and right hand - LED
- (7X3) Spotlamp, Left hand - LED
- (7X6) Spotlamp, Left hand - Halogen
- (7X7) Spotlamps, Left and right hand - Halogen
- (8S3) Back-up alarm
- (6J3) Wiring, Provisions for grille lamps and siren speakers
- (6J4) Wiring, Horn and siren circuit

DISCONTINUED

- (R13) WT Appearance Package

2020 SILVERADO 1500 SPECIAL SERVICE 5W4 CREW CAB

NOTE: This vehicle is not designed nor intended for use in high speed emergency vehicle operations.

Special Service Package, includes: 5.3L EcoTec3 V8 Engine, heavy-duty air cleaner, 220-amp alternator, 120-volt IP power outlet, 120-volt bed-mounted power outlet, calibration that disables remote key panic button and exterior lights/horn as factory default. Surveillance Mode Calibration disables interior and exterior lighting when activated, Also includes Fleet Convenience Package.

SSV is only available as 1WT on the following models:

2 Wheel Drive CC10543 Short Box (5 feet 8 inches)
4 Wheel Drive CK10543 Short Box (5 feet 8 inches)

2 Wheel Drive CC10743 Standard Box (6 feet 6 inches)
4 Wheel Drive CK10743 Standard Box (6 feet 6 inches)

INTERIOR FEATURES MODEL 1WT WITH OPTION 5W4	
AIR CONDITIONING	Single-zone with rear heating/cooling air vents.
ASSIST HANDLES	Front A-pillar mounted for driver and passenger, rear B-pillar mounted.
AUDIO SYSTEM FEATURES¹	Chevrolet Infotainment System ³ with 7" diagonal color touch-screen , AM/FM stereo with seek-and-scan and digital clock, includes Bluetooth streaming audio for music and select phones; featuring Android Auto and Apple CarPlay capability for compatible phones. Includes 6 speaker system.
BLUETOOTH²	Personal cell phone connectivity to vehicle Infotainment System.
COMPASS	Located in instrument cluster. Requires UE1 OnStar ¹
CONVENIENCE PACKAGE	Includes, Remote Keyless Entry, EZ Lift power lock and release tailgate, cruise control and power mirrors. When ordered with (PQA) WT Safety Package, (DLF) power mirrors include (UKC) Lane Change Alert with Side Blind Zone Alert and (DP6) high-gloss mirror caps.
CRUISE CONTROL	Electronic with set and resume speed, steering wheel-mounted.
DOOR LOCKS	Power
DRIVER INFO. CENTER	3.5 inch diagonal monochromatic display, provides warning messages and basic vehicle information
FLOOR COVERING	Rubberized Vinyl (Floor mats not included)
INSTRUMENTATION CLUSTER	6-gauge cluster featuring speedometer, fuel level, engine temperature, tachometer, voltage and oil pressure
KEYLESS REMOTE	Panic button for horn disabled; exterior locator lighting and exit lighting off as default setting; remote feedback programmable via radio setting.
MIRROR	Inside rearview manual tilt
POWER OUTLET	Located on Instrument panel and Bed Mounted 120-volt (400 watt).
REAR VISION CAMERA³	While in Reverse, allows driver to view objects directly behind the vehicle via the screen in the center stack, includes dynamic guidelines (see illustration section for description)
RESTRAINT SYSTEM	Seat belts at all designated seating positions with driver and front outboard passenger pretensioners. Airbags ⁶ : Dual-stage frontal airbags for driver and front outboard passenger; includes front outboard Passenger Sensing System. Seat-mounted side-impact airbags for driver and front outboard passenger; driver seat-mounted inboard side-impact airbag (requires bucket seats); Head Curtain airbags for all rows at outboard seating positions. Note: Nine inch seatbelt extenders are available (part number 19259268) through our dealers at no charge.
SEAT, FRONT	40/20/40 Split Bench with Vinyl trim. Driver and front passenger seat adjuster are 4-way manual (for cloth trim and power seat availability see seat availability page).
SEAT, REAR	60/40 folding bench (folds up), 3-passenger (includes child seat top tether anchor). Includes Rear seat reminder.
SURVEILLANCE MODE	Calibration to disable interior & exterior automatic lighting. Feature is activated by adding wire connection to the BCM by customer/upfitter.
STEERING COLUMN	Tilt-Wheel, manual with wheel locking security feature
TEEN DRIVER	A configurable feature that lets you activate customizable vehicle settings associated with a key fob, to help encourage safe driving behavior. It can limit certain available vehicle features, and it prevents certain safety systems from being turned off. It includes the Buckle-to-Drive feature which prevents the driver from shifting from Park for up to 20 seconds if the driver's seat belt is not buckled. An in-vehicle report card gives you information on driving habits and helps you to continue to coach your new driver
TEMPERATURE DISPLAY	Exterior temperature display located in radio display
THEFT DETERRENT SYSTEM	Vehicle Immobilizer (prevents vehicle start without correct key or remote). Content Theft System not available. See your Owner's Manual for system information.
USB PORT	Located on instrument panel
UPFITTER CIRCUITS	When optional Upfitter Switch Kit 9L7 is not ordered and installed, Auxiliary Instrument Panel harness connector (X260) circuits can be used for up-fitting. Connector X260 is located to the left of the steering column near the bottom of the instrument panel. X260 Circuit information and technical assistance is available at www.gmupfitter.com . Refer to Bulletin #155
WINDOWS	Power front, drivers express up/down. Front passenger express down. Rear power express down.
EXTERIOR FEATURES - MODEL 1WT WITH OPTION 5W4	
BUMPER FRONT	Black (semi-gloss).
BUMPER REAR	Black (semi-gloss) with corner step.
CARGO TIE DOWN	12 fixed, Rated at 500 pounds per corner.
CAPLESS FUEL FILL	The vehicle has a capless refueling system and does not have a fuel cap. The filling nozzle must be fully inserted and latched prior to starting fuel flow. NOTE: Overfilling the fuel tank by more than three clicks of a standard fill nozzle may cause, vehicle performance issue, including engine stalling and damage to the fuel system, fuel spills, potential fuel fires.
<ol style="list-style-type: none"> 1. Functionality varies by model. Full functionality requires compatible Bluetooth and smartphone. Some devices require USB connectivity 2. Go to my.chevrolet.com/learn to find out which Bluetooth phones are compatible with the vehicle 3. Read the vehicle Owner's Manual for more important feature limitations and information. 4. Always use seat belts and child restraints. Children are safer when properly secured in a rear seat in the appropriate child restraint. See the Owner's Manual for more information. 	

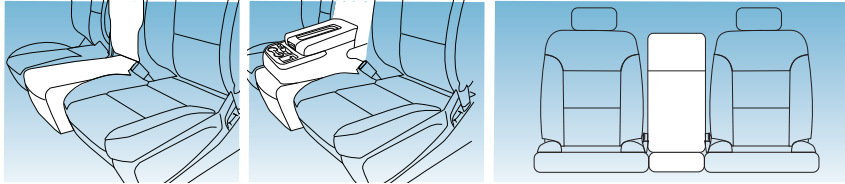
2020 SILVERADO 1500 SPECIAL SERVICE 5W4 CREW CAB

DOOR HANDLES	Black
GLASS	Solar absorbing, tinted.
GRILLE	Black bars with mesh inserts
HEADLAMPS	Halogen reflector with Halogen Daytime Running Lamps and Automatic Exterior Lamp Control. Altering headlamp assembly is not-Recommended. General Motors is not responsible for the effects of any modifications
LAMPS	Cargo area, cab mounted integrated with center high mount stop lamp, with switch in bank on left side of steering wheel
MIRRORS, OUTSIDE	Heated power adjustable - included and only available with (PCV) WT Convenience Package or (ZLQ) WT Fleet Convenience Package. When (PQA) WT Safety Package is ordered, includes (DP6) high gloss black mirror caps.
POWER OUTLET	Bed mounted 120-volt (400 watt)
PICKUP BED	Built from high-strength roll-formed steel for durability with 12 fixed corner tie downs and 110v outlet
RECOVERY HOOKS	Front, frame-mounted, Black Included with 4WD models or included and only available on 2WD models with (PQA) WT Safety Package NOTE: Front recovery hooks are for vehicle recovery only. To avoid the risk of injury, never use recovery hooks to tow a vehicle.
TAILGATE	Remote locking tailgate with power lowering button on dash and fob
TAILLAMPS	Incandescent tail, stop and reverse lights
TIRES	255/70R17 all-season, blackwall (includes P255/70R17 All-season blackwall spare tire)
TIRE PRESSURE MONITOR WITH TIRE FILL ALERT	Tire Pressure Monitoring System. Standard spare wheel not equipped with TPM sensor. Includes Tire Fill Alert in addition to the DIC warning when a tire has low pressure. This feature provides audible and visual indication when air is being added to the low tire to aid in achieving optimal tire pressure.
TIRE, SPARE CARRIER	Keyed cylinder lock utilizes same key as ignition and door
WHEELS	17 inch x 8 inch Ultra Silver Painted Steel, includes spare
MECHANICAL FEATURES - MODEL 1WT WITH OPTION 5W4	
AIR FILTER	High capacity
ALTERNATOR	220 amp Charging System with Idle Boost increases alternator output at idle with increased electrical load. See Specifications page for Alternator Output Chart.
BATTERY	Heavy-duty 720 cold-cranking amps/80 Amp-hr, maintenance-free with rundown protection and retained accessory power
BRAKES	4-wheel disc with DURALIFE rotors, 4-wheel antilock
BRAKE WEAR	Brake wear indicator
BRAKE PAD LIFE DISPLAY	Displays an estimate of the remaining life of the front and rear brake pads. Messages will display based on brake pad wear and the state of the system. Reset the Brake Pad Life display after replacing the brake pads. See Brake Pad Life
BRAKE PAD LIFE SYSTEM	Tells when to Change Brake Pads. Brake pad life is displayed in the Driver Information Center (DIC), along with a percentage for each axle. When the system has determined that the brake pads need to be replaced a message will display which may include mileage remaining. Brake pads should always be replaced as complete axle sets.
ENGINE	5.3L EcoTec3 V8 with Active Fuel Management, Direct Injection and Variable Valve Timing, includes aluminum block construction (355 hp [265 kW] @ 5600 rpm, 383 lb-ft of torque [518 Nm] @ 4100 rpm; more than 300 lb-ft of torque from 2000 to 5600 rpm)
FRAME	Fully-boxed, hydroformed front section
FUEL TANK	Approximately 26 gallon (98 liter)
OIL COOLING	External engine oil cooler and auxiliary transmission oil cooler
RADIO SUPPRESSION	The Silverado vehicle systems are designed to prevent unwanted emissions and to minimize susceptibility and maximize immunity to external emissions (Electromagnetic (EMI) or Radio Frequency (RFI) Interference). Most emergency vehicle communications equipment operating at frequencies in the VHF Band (30-300 MHz) and up to frequencies in the UHF Band (300 MHz-3GHz) will function as intended without enhanced noise suppression.
REAR AXLE	3.42
STABILITRAK	Stability control system with Proactive Roll Avoidance and traction control includes electronic trailer sway control and hill start assist. For description see Stability Control and Traction Control section
STEERING	Electric Power Steering (EPS) assist, rack-and-pinion
SUSPENSION, FRONT	Independent, coil over shock, includes 35mm twin tube shock absorbers
SUSPENSION, REAR	2-Stage multi-leaf springs, semi-elliptic
TRANSFER CASE	Single speed, electronic Autotrac with rotary dial control.
TRANSMISSION	6-speed automatic electronically controlled with overdrive and tow/haul mode. Includes Cruise Grade Braking and Powertrain Grade Braking
WARRANTY	See Maintenance and Warranty section for description

2020 SILVERADO 1500 SPECIAL SERVICE 5W4 CREW CAB

FRONT SEATS AND INTERIOR TRIM

STANDARD (A52) - 40/20/40 SPLIT-BENCH IN VINYL TRIM, 3-passenger, driver and front passenger manual recline with outboard head restraints, fold-down armrest and fixed lumbar. Driver and front seat passenger seat adjuster are 4-way manual. Cloth trim and (A2X) 10-way power driver seat including lumbar are available.

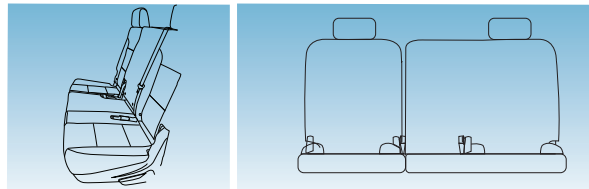


Seat Code	Seat Trim	Color	Color Code
A68	Vinyl	Jet Black	H2G
A68	Cloth	Jet Black	HOU

A2X Driver 10-way power seat including lumbar. Requires (ZLQ) WT Fleet Convenience Package.

REAR SEATS AND INTERIOR TRIM

STANDARD - A68 VINYL REAR SEAT Vinyl rear bench 60/40 split-folding seat.



Seat Code	Seat Trim	Color	Color Code
A68	Vinyl	Jet Black	H2G
A68	Cloth	Jet Black	HOU

AVAILABLE INTERIOR COLOR Actual colors may vary

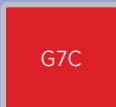


H2G
Jet Black Vinyl



H1T
Jet Black cloth

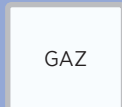
AVAILABLE EXTERIOR COLORS Actual colors may vary



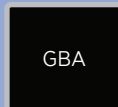
G7C
Red Hot



GAN
Silver Ice Metallic



GAZ
Summit White



GBA
Black



G2X
Havana Brown Metallic



G9K
Satin Steel Metallic



GAO
Northsky Blue Metallic



GJ1
Shadow Gray Metallic

SEO PAINT AVAILABLE

COLOR DESCRIPTION	SEO CODE	WA#
Woodland Green	9V5	9015
Doeskin Tan	NONE	9403
Wheatland Yellow	9W3	253A
Tangier Orange	9W4	9417
Unripened Green Metallic	NONE	136X
Indigo Blue	NONE	9792
Lt. Autumnwood Metallic	NONE	228A
Pewter	NONE	382E
Dark Toreador Red	NONE	334D
Orange	NONE	WA-770H
Orange	NONE	WA-9419
Yellow	NONE	WA-5248
Yellow	NONE	WA-5445
Yellow	NONE	WA-5456
Yellow	NONE	WA-9414
Blue	NONE	WA-7154
Blue	NONE	WA-5405
Blue	NONE	WA-5405
Arrival Blue Metallic	NONE	WA-815K

NOTE:

- Actual color may vary
- GM will require 5 orders before sending to the plant
- May require extended lead time

OPTIONAL EQUIPMENT

INTERIOR

VV4	4G LTE WI-FI® HOTSPOT¹ - Can connect up to 7 devices; includes 4G LTE data trial for 1 month or 3GB (whichever comes first). Available Wi-Fi requires compatible mobile device, active OnStar ¹ service and data plan. Data plans provided by AT&T. Visit www.gmfleet.com/technology/connected-vehicle.html for details and system limitations
UTQ	ALARM, HORN CONTENT THEFT DETERRENT, DISABLED - Calibration disables the horn for the theft deterrent alarm.
RIA	ALL WEATHER FLOOR LINER - 1st and 2nd rows Includes Chevrolet Bowtie logo (replaces factory floor mats). Requires (B30) color-keyed carpeting. Not available with (Z71) Off-Road Package
8S3	BACK-UP ALARM - 97 decibels. Not available with SEO (SFW) Back-up alarm calibration
C49	DEFOGGER, REAR WINDOW - Electric
B30	FLOOR COVERING - Color-keyed carpeting. Includes front and rear vinyl floor mats
8X8	LABEL, FASTEN SAFETY BELTS - "Fasten Safety Belts" reminder label on right hand and left hand front side door glass
BCV	LOCK CONTROL REAR DOOR, AUTO DOOR LOCKS DISABLE - Calibration disables auto door locks and is activated through radio or DIC settings
UE1	OnStar¹® - Fleet orders receive a 3-month trial of Fleets Connection Services and 3 months of Fleet Safety & Security plan coverage. Connected services include navigation services and remote access plan and 1 month 3 GB of 4G LTE data (whichever comes first) from vehicle delivery date. Data plans offered by AT&T. Certain service require working electrical system, cell service, GPS signal. OnStar ¹ links to emergency services. See www.gmfleet.com/technology/connected-vehicle.html for details and limitations
5N5	REAR CAMERA KIT - Kit includes camera, fixed position bracket & 19 ft cable with attachment clips. Rear camera radio calibration provided from the factory. See Upfitter Integration Bulletin for installation instructions at www.gmupfitter.com
6N6	REAR DOOR LOCKS AND HANDLES, INOPERATIVE - Inside rear doors inoperative (doors can only be opened from outside) Requires Silao Production and (GEZ) Kerr Industries Ship-thru
UD7	REAR PARK ASSIST² - Ultrasonic Requires (V46/VJH) Chrome bumpers, (Z82) Trailing Package, (JL1) trailer brake controller and (K14) power outlet. Read the vehicle owner's manual for important safety or driver assistance feature limitations and information
VBJ	REAR UNDERSEAT STORAGE - Composite storage bin (see optional equipment section for illustration)
6N5	REAR WINDOWS, INOPERATIVE - Rear windows only operate from drivers position
5T5	SEATS - Front cloth and second row vinyl
A2X	SEAT ADJUSTER - Driver 10-way power seat including lumbar. Requires (K14) 120-volt power outlet and (KC9) 120-volt bed-mounted power outlet
5L5	THEFT DETERRENT SYSTEM FLEET IMMOBILIZER - In the absence of master key, reduces roadside key relearn process to (3) two-minute cycles in place of the standard (3) ten-minute cycles. This option will also allow for only one learned key to be needed when adding additional keys instead of 2 learned keys
9L7	UPFITTER SWITCH KIT (5) - Provides 3-30 amp and 2-20 amp configurable circuits to facilitate installation of aftermarket electrical accessories. Kit with all required parts will be shipped loose with the truck for installation by the dealer or upfitter at customer expense. Installation instructions and technical assistance available at www.gmupfitter.com
6J3	WIRING - Provisions for grille lamps and siren speakers. Requires Silao Production and (GEZ) Kerr Industries Ship-thru
6J4	WIRING - Horn and siren circuit Requires Silao Production and (GEZ) Kerr Industries Ship-thru
PQA	WT SAFETY PACKAGE - Includes (UD5) Front and Rear Park Assist, (UKC) Lane Change Alert with Side Blind Zone Alert, (UFG) Rear Cross Traffic Alert, (V46) Chrome front bumper, (VJH) Chrome rear bumper and (DP6) high gloss Black mirror caps. Includes Perimeter Lighting. Requires (PCV) WT Convenience Package, (ZLQ) WT Fleet Convenience Package or (PEB) WT Value Package and (K14) 120-volt power outlet. 2WD models include (V76) recovery hooks. Not available with (UD7) Rear Park Assist, (DPO) trailer mirrors.
ZLQ	WT FLEET CONVENIENCE PACKAGE - Includes (AQQ) Remote Keyless Entry, (QT5) EZ Lift power lock and release tailgate, (K34) cruise control, (DLF) power mirrors
PEB	WT VALUE PACKAGE - Includes (PCV) WT Convenience Package and (Z82) Trailing Package. Not available with (ZLQ) WT Fleet Convenience Package

EXTERIOR

VQO	ASSIST STEP - Black work step, Included with (PDW) Assist Step and Tonneau Value Package. Not available with any other assist steps
PDE	ASSIST STEP WHEEL TO WHEEL AND TONNEAU VALUE PACKAGE - Includes (VOZ) Tri-fold hard tonneau cover and your choice of (VQM) Chromed tubular 6" rectangular wheel to wheel assist steps, (VT2) Black 6" wheel to wheel assist steps or (S6L) Off-road assist steps. Not available with (PDW) Assist Step and Tonneau Value Package, (ZW9) pickup bed delete or any other assist step or tonneau cover.
VT2	ASSIST STEPS - Black tubular, 6" rectangular wheel to wheel. Not available with any other assist steps.
VHX	ASSIST STEPS - Chromed tubular, 6" rectangular. Not available with any other assist steps
VXJ	ASSIST STEPS - Chromed round 4". Not available with any other assist steps
RVQ	ASSIST STEPS - Black 6" tubular rectangular. Not available with any other assist steps
RVS	ASSIST STEPS - Black 4" round. Not available with any other assist steps
S6L	ASSIST STEPS - Off-road. Not available with any other assist steps.
PDR	ASSIST STEP AND TONNEAU PACKAGE - Includes (VOZ) Tri-fold hard tonneau cover, your choice of either (RVQ) 6" Black rectangular assist steps, (RVS) 4" Black round assist steps, (VXH) 6" chrome rectangular chrome round assist steps. Not available with (PDW) Assist Step and Tonneau Value Package
PDW	ASSIST STEP AND TONNEAU VALUE PACKAGE - Includes (VQO) Black work step, (63B) Tri-fold soft tonneau cover. Not available with (PDR) Assist Step and Tonneau Package or any other assist steps or tonneau covers

1. Service varies with conditions and location. Requires active service plan and paid AT&T data plan. See OnStar.com for details and limitations
2. Read the vehicle owner's manual for important safety or driver assistance feature limitations and information

2020 SILVERADO 1500 SPECIAL SERVICE 5W4 CREW CAB

CGN	BEDLINER, CHEVYTEC SPRAY-ON - Black with Chevrolet logo (does not include spray-on liner on tailgate due to Black composite inner panel). Not available with any Ship Thru EXCEPT (VCO), (VDT), (VYC) or (VYS)
RW9	BEDSIDE STORAGE BOXES - Full-length, right and left side. Requires Crew Cab or Double Cab model. Not available with (VOZ) Tri-fold hard tonneau cover.
5J9	CALIBRATION, TAILLAMP FLASHER, RED/WHITE - Calibration flashes white (backup) and red (brake lamps) alternately when activated
VQY	CHROME RECOVERY HOOKS - Requires 2WD model. Deletes and not available with (V76) Black recovery hooks
PDV	CHROME PACKAGE - Includes (VQY) Chrome recovery hooks, and (VQZ) Polished exhaust tip. Not available with (Z71) Off-Road Package. 2WD models require (PGA) WTSafety Package.
PDB	DARK ESSENTIALS PACKAGE - Includes (RIK) Black Silverado nameplates, along with where applicable, Black Custom/LT/LTZRST/6.2L/Duramax badges, (SFZ) Black bowtie, and (SB7) Black tailgate CHEVROLET lettering.
9G8	DAYTIME RUNNING LAMPS DELETE - Daytime Running Lamps and automatic headlamp control delete, deletes standard Daytime Running Lamps and automatic headlamp control features from the vehicle for police stealth surveillance. Not available in Canada
9M4	DECAL AND NAME PLATE DELETE - Tailgate. Deletes all nameplates and decals on the pickup box tailgate. Not available with SEO (8F2) ornamentation delete
9R1	DECAL DELETE - Pickup box Deletes the "4x4" decal from the side of the pickup box. Requires 4WD models only. Not available with SEO (8F2) ornamentation delete
VTA	EXHAUST TIP - Black Chrome. Not available with (Z71) Off-Road Package or (PDV) Chrome Package.
S3U	FOG LAMPS - Front mounted, LED
AKO	GLASS - Deep tinted
6E2	KEY SINGLE - Complete vehicle fleet. Provides a single key with a specific code that is common to the door locks and ignition of all the vehicles in the vehicle fleet. Key code is an alternate to SEO 6E8 complete vehicle fleet common key.
6E8	KEY SINGLE - Complete vehicle fleet. Provides a single key with a specific code that is common to the door locks and ignition of all the vehicles in the fleet. Key code is an alternate to SEO 6E2.
5H1	KEY EQUIPMENT - Two additional keys for single key system. Provides two additional spare keys for a total of (4). (Keys will be cut but not programmed) NOTE: programming of keys is at customer's expense. Programming keys is not a warranty expense
UF2	LED CARGO AREA LIGHTING - Located in pickup bed, activated with switch on center switch bank or key fob
VK3	LICENSE PLATE KIT - Front (will be shipped to orders with ship-to states that require front license plate)
PDQ	LINER PROTECTION PACKAGE - Includes (S41) Wheelhouse liners, and (RIA) floor liner. Requires (B30) color-keyed carpeting. Not available with (BG9) rubberized-vinyl flooring, (Z71) Z71 Off-Road Package.
DP6	MIRROR CAPS, PAINTED - Body-color. High gloss Black Included and only available with (PQA) WT Safety Package
DPO	MIRRORS VERTICAL TRAILERING - Outside power-adjustable vertical trailering with heated upper glass, lower convex mirrors, integrated turn signals, clearance lamps and auxiliary lighting; manual folding/extending. Requires (PCV) WT Convenience Package or (PEB) WT Value Package and either (Z82) Trailering Package or (DD8) autodimming inside rearview mirror
8F2	ORNAMENTATION, DELETE - Deletes decals and nameplates on truck exterior
9V5	PAINT - Solid, Woodland Green All normally body colored non-sheet metal parts will be Black May require extended lead time. Door handles and mirrors will be grain Black Deletes standard/packaged body side moldings. Requires (TGK) Special Paint and (O1U) Special Paint
9W3	PAINT - Solid, Wheatland Yellow. All normally body colored non-sheet metal parts will be Black May require extended lead time. Door handles and mirrors will be grain Black Deletes standard/packaged body side moldings. Requires (TGK) Special Paint and (O1U) Special Paint
9W4	PAINT - Solid, Tangier Orange. All normally body colored non-sheet metal parts will be Black May require extended lead time. Door handles and mirrors will be grain Black Deletes standard/packaged body side moldings. Requires (TGK) Special Paint and (O1U) Special Paint
SFW	REAR BACKUP ALARM CALIBRATION - This calibration will allow installation of an aftermarket backup alarm. Not available with SEO (8S3) backup alarm
V76	RECOVERY HOOKS - Front, frame-mounted, Black Standard with 4WD models. Available with 2WD models. NOTE: Front recovery hooks are for vehicle recovery only. To avoid the risk of injury, never use recovery hooks to tow a vehicle
O1U	SPECIAL EXTERIOR SPECIAL EXTERIOR COLOR - All normally body colored non-sheet metal parts will be black including front fender extensions, cab spoiler on Double & Crew cabs and LT trim door handles. May require extended lead time
VQK	SPLASH GUARDS, MOLDED - Black (see optional equipment section for illustration)
7X2	SPOTLAMPS, LEFT AND RIGHT HAND - Pillar mounted LED. Requires Silao Production and (GEZ) Kerr Industries Ship-thru. Not available with SEOs (7X3, 7X6 or 7X7) Spotlamps
7X3	SPOTLAMP, LEFT HAND - Pillar mounted LED. Requires Silao Production and (GEZ) Kerr Industries Ship-thru. Not available with SEOs (7X2, 7X6 or 7X7) Spotlamps
7X6	SPOTLAMP, LEFT HAND - Pillar mounted Halogen. Requires Silao Production and (GEZ) Kerr Industries Ship-thru. Not available with SEOs (7X2, 7X3 or 7X7) Spotlamps
7X7	SPOTLAMPS, LEFT AND RIGHT HAND - Pillar mounted Halogen. Requires Silao Production and (GEZ) Kerr Industries Ship-thru. Not available with SEOs (7X2, 7X3 or 7X6) Spotlamps
SAF	TIRE CARRIER LOCK Keyed cylinder lock utilizes same key as ignition and door
RHM	TIRE, SPARE - LT265/70R17 all-terrain, blackwall included and only available with (RC5) LT265/70R17C all-terrain, blackwall tires
XCQ	TIRE, SPARE - 265/70R17SL all-season, blackwall. Requires (QDV) 265/70R17 all-terrain blackwall tires or all 18" wheels and tires
QDV	TIRES - 265/70R17 all-terrain, blackwall
RC5	TIRES - LT265/70R17C all-terrain, blackwall. Includes spare tire
R30	TIRES, LT275/65R18C MT - Goodyear Wrangler DuraTrac, Blackwall. Requires (Z71) Off-Road Package and (PZX) 18" Bright Silver painted aluminum wheels
6M9	TIRE, SPARE 265/70R17 - Blackwall Goodyear Wrangler DuraTrac. Requires (Z71) Off-Road Package and (PZX) 18" Bright Silver painted aluminum wheels
VQT	TONNEAU COVER - Hard tri-folding with vinyl cover, Requires (UF2) LED Cargo Box Lighting

2020 SILVERADO 1500 SPECIAL SERVICE 5W4 CREW CAB

VOZ	TRI-FOLD HARD TONNEAU COVER - Included with (PDR) Assist Step and Tonneau Package. Not available with any other tonneau cover.
PZX	WHEELS - 18" x 8.5" (45.7 cm x 21.6 cm) Bright Silver painted aluminum. Requires (Z71) Off-Road Package and (R3O) 265/70R18SL maximum traction tires
Q5U	WHEELS - 17" x 8" (43.2 cm x 20.3 cm) Bright Silver painted aluminum
SFE	WHEEL LOCKS - Set of 4
5Z4	WHEEL, SPARE - Carrier and lock delete. Deletes the base spare wheel, carrier and lock. Does not delete jack or tools. Requires SEO (9L3) spare tire delete. Not available with (RC3). Tires, 265/70R17 all-terrain, blackwall
00A	WHEEL, SPARE - Upgrade. Replaces Black standard spare wheel and upgrades to a matching Silver steel road wheel. Includes tire pressure monitoring sensor. Requires (RD6) painted steel wheels. Not available with SEO. (5Z4) spare wheel, carrier and lock delete

MECHANICAL

K05	ENGINE BLOCK HEATER
FHS	E85 FLEX FUEL CAPABLE - Can run on unleaded or up to 85% ethanol. Requires (L82) 5.3L EcoTec3 V8 engine
R9Y	FLEET FREE MAINTENANCE CREDIT - This option code provides a credit in lieu of the free oil changes, tire rotations and inspections for one maintenance service during 1st year of ownership. The invoice will detail the applicable credit. The customer will be responsible for all oil change, tire rotations and inspections costs for this vehicle. Requires one of the following Fleet or Government order types: FBC, FBN, FCA, FCN, FEF, FLS, FNR or FRC. Not available with FDR order type.
9C2	GOVERNOR, ELECTRONIC SPEED SENSOR SET TO 65 MPH - Provides electronic software to limit maximum road speed to 65-MPH. Cruise control limited to 60 MPH
9B9	GOVERNOR, ELECTRONIC SPEED SENSOR SET TO 70 MPH - Provides electronic software to limit maximum road speed to 70-MPH. Cruise control limited to 65 MPH
9D7	GOVERNOR, ELECTRONIC SPEED SET TO 75 MPH - Provides electronic software to limit maximum road speed to 75-MPH. Cruise control limited to 70 MPH
Z71	OFF-ROAD PACKAGE - Off-Road Package, Includes (Z71) Off-Road suspension, (JHD) Hill Descent Control, (NZZ) skid plates, (K47) heavy-duty air cleaner and Z71 hard badge. Requires 4WD model, (Z82) Trailering Package and AT or MT tires. Includes (G80) locking differential and (NQH) 2-speed transfer case
G80	REAR DIFFERENTIAL - Heavy-duty locking
JL1	TRAILER BRAKE CONTROLLER - integrated (requires Z82 trailering package)
Z82	TRAILERING PACKAGE - Includes trailer hitch, 7-pin and 4-pin connector and (CTT) Hitch Guidance. Included with (PEB) WT Value Package
NGH	TRANSFER CASE, TWO-SPEED - Electronic Autotrac with rotary dial control (4WD models only) Included and only available with (Z71) Off-Road Package
NZZ	SKID PLATES - Included with (BAQ) Work Truck Package, (Z71) Off-Road Package or (VYU) Snow Plow Prep Package
VKZ	SHIP THRU - Produced in Silao Assembly and shipped to Kerr Industries. Returned to Arlington Assembly for shipping to final destination (Dealer Invoice = \$505.00)
BAQ	WORK TRUCK PACKAGE - Includes (NZZ) skid plates and (K47) heavy-duty air cleaner. Requires 4WD model, (QDV) 265/70R17 blackwall all-terrain tires or (RC5) LT265/70R17C all-terrain tires. Not available with (Z71) Z71 Off-Road Package or (VYU) Snow Plow Prep Package

NOTE: See dealer for additional dealer installed accessories.

OnStar PLANS¹

POJ	ADDITIONAL 21 MONTHS OF ONSTAR¹ FLEET SAFETY AND SECURITY. Provides 21 months of Fleet Safety and Security service in addition to the 3 months of complimentary coverage that is included in the price of the vehicle. Total OnStar ¹ Fleet Safety and Security service duration is 24 months. Requires (UE1) OnStar ¹ . Requires one of the following Fleet or Government order types: FLS, FNR, FRC, FBC, FGO or FEF. Not available with POK, POL, P1R, P1S, P1T or P1U. Not available with a ship-to of Guam, Puerto Rico or the Virgin Islands.
POK	ADDITIONAL 33 MONTHS OF ONSTAR¹ FLEET SAFETY AND SECURITY. Provides 33 months of Fleet Safety and Security service in addition to the 3 months of complimentary coverage that is included in the price of the vehicle. Total OnStar ¹ Fleet Safety and Security service duration is 36 months. Requires (UE1) OnStar ¹ . Requires one of the following Fleet or Government order types: FLS, FNR, FRC, FBC, FGO or FEF. Not available with POJ, POL, P1R, P1S, P1T or P1U. Not available with a ship-to of Guam, Puerto Rico or the Virgin Islands.
POL	ADDITIONAL 45 MONTHS OF ONSTAR¹ FLEET SAFETY AND SECURITY. Provides 45 months of Fleet Safety and Security service in addition to the 3 months of complimentary coverage that is included in the price of the vehicle. Total OnStar ¹ Fleet Safety and Security service duration is 48 months. Requires (UE1) OnStar ¹ . Requires one of the following Fleet or Government order types: FLS, FNR, FRC, FBC, FGO or FEF. Not available with POJ, POK, P1R, P1S, P1T or P1U. Not available with a ship-to of Guam, Puerto Rico or the Virgin Islands.
POM	ADDITIONAL 21 MONTHS OF ONSTAR¹ FLEET REMOTE ACCESS. Provides 21 months of Fleet Remote Access service in addition to the 3 months of complimentary coverage that is included in the price of the vehicle. Total OnStar ¹ Fleet Remote Access service duration is 24 months. Requires (UE1) OnStar ¹ . Requires one of the following Fleet or Government order types: FLS, FNR, FRC, FBC, FGO or FEF. Not available with PON, POO, P1R, P1S, P1T or P1U. Not available with a ship-to of Guam, Puerto Rico or the Virgin Islands.
PON	ADDITIONAL 33 MONTHS OF ONSTAR¹ FLEET REMOTE ACCESS. Provides 33 months of Fleet Remote Access service in addition to the 3 months of complimentary coverage that is included in the price of the vehicle. Total OnStar ¹ Fleet Remote Access service duration is 36 months. Requires (UE1) OnStar ¹ . Requires one of the following Fleet or Government order types: FLS, FNR, FRC, FBC, FGO or FEF. Not available with POM, POO, P1R, P1S, P1T or P1U. Not available with a ship-to of Guam, Puerto Rico or the Virgin Islands.
POO	ADDITIONAL 45 MONTHS OF ONSTAR¹ FLEET REMOTE ACCESS. Provides 45 months of Fleet Remote Access service in addition to the 3 months of complimentary coverage that is included in the price of the vehicle. Total OnStar ¹ Fleet Remote Access service duration is 48 months. Requires (UE1) OnStar ¹ . Requires one of the following Fleet or Government order types: FLS, FNR, FRC, FBC, FGO or FEF. Not available with POM, PON, P1R, P1S, P1T or P1U. Not available with a ship-to of Guam, Puerto Rico or the Virgin Islands.
POV	ONSTAR¹ VEHICLE INSIGHTS - 1 YEAR OF SERVICE. Includes 12 months of OnStar ¹ Vehicle Insights service. OnStar ¹ Vehicle Insights provides fleet managers and drivers the tools and data they need to help maximize fleet productivity and help maximize fleet's operational efficiencies. OnStar ¹ Vehicle Insights relays real-time vehicle data like vehicle location, driver performance information and more. Eligible customers must sign up for an account at www.OnStarvehicleinsights.com in order to take advantage of this 12 months offer. Requires an active connected vehicle services plan. The OnStar ¹ Vehicle Insights service is included in the price of the vehicle. Total service duration is 12 months. Non-Transferrable. Non-Refundable. Requires (UE1) OnStar ¹ . Requires one of the following Fleet or Government order types: FLS, FNR, FRC, FBC, FGO or FEF. Not available with POW, POX, POY or POZ.
POW	ONSTAR¹ VEHICLE INSIGHTS - 2 YEARS OF SERVICE. Includes 24 months of OnStar ¹ Vehicle Insights service. OnStar ¹ Vehicle Insights provides fleet managers and drivers the tools and data they need to help maximize fleet productivity and help maximize fleet's operational efficiencies. OnStar ¹ Vehicle Insights relays real-time vehicle data like vehicle location, driver performance information and more. Eligible customers must sign up for an account at www.OnStarvehicleinsights.com in order to take advantage of this 24 months offer. Requires an active connected vehicle services plan. The OnStar ¹ Vehicle Insights service is included in the price of the vehicle. Total service duration is 24 months. Non-Transferrable. Non-Refundable. Requires (UE1) OnStar ¹ . Requires one of the following Fleet or Government order types: FLS, FNR, FRC, FBC, FGO or FEF. Not available with POV, POX, POY or POZ.
POX	ONSTAR¹ VEHICLE INSIGHTS - 3 YEARS OF SERVICE. Includes 36 months of OnStar ¹ Vehicle Insights service. OnStar ¹ Vehicle Insights provides fleet managers and drivers the tools and data they need to help maximize fleet productivity and help maximize fleet's operational efficiencies. OnStar ¹ Vehicle Insights relays real-time vehicle data like vehicle location, driver performance information and more. Eligible customers must sign up for an account at www.OnStarvehicleinsights.com in order to take advantage of this 36 months offer. Requires an active connected vehicle services plan. The OnStar ¹ Vehicle Insights service is included in the price of the vehicle. Total service duration is 36 months. Non-Transferrable. Non-Refundable. Requires (UE1) OnStar ¹ . Requires one of the following Fleet or Government order types: FLS, FNR, FRC, FBC, FGO or FEF. Not available with POV, POW, POY or POZ.
POY	ONSTAR¹ VEHICLE INSIGHTS - 4 YEARS OF SERVICE. Includes 48 months of OnStar ¹ Vehicle Insights service. OnStar ¹ Vehicle Insights provides fleet managers and drivers the tools and data they need to help maximize fleet productivity and help maximize fleet's operational efficiencies. OnStar ¹ Vehicle Insights relays real-time vehicle data like vehicle location, driver performance information and more. Eligible customers must sign up for an account at www.OnStarvehicleinsights.com in order to take advantage of this 48 months offer. Requires an active connected vehicle services plan. The OnStar ¹ Vehicle Insights service is included in the price of the vehicle. Total service duration is 48 months. Non-Transferrable. Non-Refundable. Requires (UE1) OnStar ¹ . Requires one of the following Fleet or Government order types: FLS, FNR, FRC, FBC, FGO or FEF. Not available with POV, POW, POX or POZ.
POZ	ONSTAR¹ VEHICLE INSIGHTS - 5 YEARS OF SERVICE. Includes 60 months of OnStar ¹ Vehicle Insights service. OnStar ¹ Vehicle Insights provides fleet managers and drivers the tools and data they need to help maximize fleet productivity and help maximize fleet's operational efficiencies. OnStar ¹ Vehicle Insights relays real-time vehicle data like vehicle location, driver performance information and more. Eligible customers must sign up for an account at www.OnStarvehicleinsights.com in order to take advantage of this 60 months offer. Requires an active connected vehicle services plan. The OnStar ¹ Vehicle Insights service is included in the price of the vehicle. Total service duration is 60 months. Non-Transferrable. Non-Refundable. Requires (UE1) OnStar ¹ . Requires one of the following Fleet or Government order types: FLS, FNR, FRC, FBC, FGO or FEF. Not available on POV, POW, POX or POY.

1. Services subject to user terms and limitations. Certain services require working electrical system, cell reception and GPS signal. OnStar links to emergency services. Data plans offered by AT&T. See gmfleet.com/connected services for details. Availability subject to change

P1R	ADDITIONAL 9 MONTHS OF ONSTAR¹ FLEET ESSENTIALS FOR TIER 3 FLEETS. Provides 9 months of Fleet Essentials service in addition to the 3 months of complimentary Safety & Security coverage that is included in the price of the vehicle. Total Fleet OnStar ¹ Safety & Security service duration is 3 months and 9 months of Fleet Essentials. Requires (UE1) OnStar ¹ . Requires one of the following Fleet or Government order types: FLS, FNR, FRC, FBC, FGO or FEF. Not available with POJ, POK, POL, POM, PON, POO, PIS, PIT or PIU. Not available with a ship-to of Guam, Puerto Rico or the Virgin Islands.
P1S	ADDITIONAL 21 MONTHS OF ONSTAR¹ FLEET ESSENTIALS FOR TIER 3 FLEETS. Provides 21 months of Fleet Essentials service in addition to the 3 months of complimentary Safety & Security coverage that is included in the price of the vehicle. Total Fleet OnStar ¹ Safety & Security service duration is 3 months and 21 months of Fleet Essentials. Requires (UE1) OnStar ¹ . Requires one of the following Fleet or Government order types: FLS, FNR, FRC, FBC, FGO or FEF. Not available with POJ, POK, POL, POM, PON, POO, P1R, P1T or PIU. Not available with a ship-to of Guam, Puerto Rico or the Virgin Islands.
P1T	P1R ADDITIONAL 33 MONTHS OF ONSTAR¹ FLEET ESSENTIALS FOR TIER 3 FLEETS. Provides 33 months of Fleet Essentials service in addition to the 3 months of complimentary Safety & Security coverage that is included in the price of the vehicle. Total Fleet OnStar ¹ Safety & Security service duration is 3 months and 33 months of Fleet Essentials. Requires Puerto Rico. (UE1) OnStar ¹ . Requires one of the following Fleet or Government order types: FLS, FNR, FRC, FBC, FGO or FEF. Not available with POJ, POK, POL, POM, PON, POO, P1R, P1S or PIU. Not available with a ship-to of Guam, Puerto Rico or the Virgin Islands.
P1U	P1R ADDITIONAL 45 MONTHS OF ONSTAR¹ FLEET ESSENTIALS FOR TIER 3 FLEETS. Provides 45 months of Fleet Essentials service in addition to the 3 months of complimentary Safety & Security coverage that is included in the price of the vehicle. Total Fleet OnStar ¹ Safety & Security service duration is 3 months and 45 months of Fleet Essentials. Requires (UE1) OnStar ¹ . Requires one of the following Fleet or Government order types: FLS, FNR, FRC, FBC, FGO or FEF. Not available with POJ, POK, POL, POM, PON, POO, P1R, P1S or P1T. Not available with a ship-to of Guam, Puerto Rico or the Virgin Islands.

1. Services subject to user terms and limitations. Certain services require working electrical system, cell reception and GPS signal. OnStar links to emergency services. Data plans offered by AT&T. See gmfleet.com/connected services for details. Availability subject to change

POWERTRAIN

ENGINE				TRANSMISSION		AXLE	
OPTION CODE	TYPE	DISPLACEMENT LITERS/CU. IN.	FUEL SYSTEM	OPTION CODE	TYPE	OPTION CODE	RATIO
L82	V8	5.3/325	Direct Injection with Active Fuel Management	MYC	6-speed auto. with OD	GU6	3.42

EMISSIONS - MUST BE SPECIFIED

FE9	Emissions , Federal requirements
NE1	Emissions , Connecticut, Delaware, Maine, Maryland, Massachusetts, New Jersey, New York, Oregon, Pennsylvania, Rhode Island, Vermont and Washington state requirements
NB8	Emissions override , California (allows a dealer in states that require California emissions - California, Connecticut, Delaware, Maryland, Massachusetts, New Jersey, New York, Oregon, Pennsylvania, Rhode Island or Washington - to order Federal emissions for a vehicle that will be registered in a state that has Federal emission requirements). Do not use for vehicles that will be registered in California, Connecticut, Delaware, Maryland, Massachusetts, New Jersey, New York, Oregon, Pennsylvania, Rhode Island or Washington. Requires (FE9) Federal emissions requirements. Not available in Maine or Vermont.
NB9	Emissions override , state-specific (for dealers ordering vehicles in (YF5) or (NE1) emission states - California, Connecticut, Delaware, Maine, Maryland, Massachusetts, New Jersey, New York, Oregon, Pennsylvania, Rhode Island, Vermont and Washington). Allows a California dealer (YF5 emissions) to order (NE1) emissions with (NB9) emissions override code for registration in (NE1) states; or, a Connecticut, Delaware, Maine, Maryland, Massachusetts, New Jersey, New York, Oregon, Pennsylvania, Rhode Island, Vermont and Washington dealer (NE1 emissions) to order (YF5) emissions with (NB9) emissions override code for registration in California.
NC7	Emissions override , Federal (for vehicles ordered by dealers in Federal emission states with (YF5) or (NE1) emissions - Not required for vehicles being shipped to California, Connecticut, Delaware, Maine, Maryland, Massachusetts, New Jersey, New York, Oregon, Pennsylvania, Rhode Island, Vermont or Washington). Requires (YF5) California state emissions requirements or (NE1) Connecticut, Delaware, Maine, Maryland, Massachusetts, New Jersey, New York, Oregon, Pennsylvania, Rhode Island, Vermont or Washington state emissions requirements.
YF5	Emissions , California state requirements

SPEEDOMETER CERTIFICATION CALIBRATION

Specifications at ambient temperature of -10 to 120 degrees F (-23 to 49 Celsius). Inaccuracies due to vehicle speed sensing are included.

ACTUAL VEHICLE SPEED

0 TO 120 MPH

0 TO 193 KPH

INDICATED SPEED

+/- 2 MPH

+/- 3 KPH

The speedometer calibration is for the 2020 Silverado 5W4 Special Service with the 5.3L engine, automatic transmission with a 3.42 axle and 255/70R17 tires

SPECIFICATIONS

Specifications shown are for Police and Special Service Vehicles only which differ from retail civilian models

GENERAL					PASSENGER COMPARTMENT				
Model	CC10543	CK10543	CC10743	CK10743	VOLUME INDEX (cu.ft./liters)				
Drive	2WD Short Box	4WD Short Box	2WD STD Box	4WD STD Box	Interior passenger	138.6	138.6	138.6	138.6
Cab Style	Crew Cab	Crew Cab	Crew Cab	Crew Cab	EPA-ESTIMATED MPG FUEL ECONOMY RATINGS				
Seating capacity (F/R)	3/3	3/3	3/3	3/3	Model	2WD	4WD	2WD	4WD
NOTE: For projected top speed see PROJECTED TOP SPEED WITH STANDARD AND OPTIONAL TIRES Chart					(City/Highway/Combined)	Short Box	Short Box	Std. Box	Std. Box
					5.3L engine	15/21/17	15/20/17	15/21/17	15/20/17
EXTERIOR (in./mm)									
Wheelbase	147.4/3745	147.4/3745	156.9/3886	156.9/3886	1. Cargo and load capacity limited by weight and distribution.				
Overall length	231.7/5885	231.7/5885	241.2/6126	241.2/6126	2. Gross Vehicle Weight Rating (GVWR). When properly equipped, includes vehicle, passengers, cargo and equipment.				
Body width (without mirrors)	81.2/2063	81.2/2063	81.2/2063	81.2/2063	3. These maximum payload ratings are intended for comparison purposes only. Before you buy a vehicle or use it to haul people or cargo, carefully review the vehicle loading section of the Owner's Manual and check the carrying capacity of your specific vehicle on the label on the inside of the driver's door jamb.				
Overall height*	75.5/1918	75.5/1918	75.5/1918	75.5/1918					
Front bumper to back of cab	150.9/3833	150.9/3833	150.9/3833	150.9/3833					
Inside length of box at floor	69.9/1776	69.9/1776	79.4/2018	79.4/2018					
Inside height, bed	22.4/569	22.4/569	22.4/569	22.4/569					
Inside bed width	71.4/1814	71.4/1814	71.4/1814	71.4/1814					
Inside width, between Wheelhousing, Fleetside	50.6/1286	50.6/1286	50.6/1286	50.6/1286					
Turning diameter, curb-to-curb, ft. (m)	46.3/14.1	46.3/14.1	49.5/15.1	49.5/14.1					
Ground clearance*	7.9/200	8.1/205	7.8/197	8.0/202					
*Published dimensions indicated are at Base Curb Weight.									
FRONT COMPARTMENT (in./mm)									
Head room	43.0/1093	43.0/1093	43.0/1093	43.0/1093					
Shoulder room	66.0/1677	66.0/1677	66.0/1677	66.0/1677					
Hip room	61.2/1554	61.2/1554	61.2/1554	61.2/1554					
Leg room	44.5/1131	44.5/1131	44.5/1131	44.5/1131					
REAR COMPARTMENT (in./mm)									
Head room	40.1/1019	40.1/1019	40.1/1019	40.1/1019					
Shoulder room	65.2/1655	65.2/1655	65.2/1655	65.2/1655					
Hip room	60.2/1530	60.2/1530	60.2/1530	60.2 /1530					
Leg room	43.4/1102	43.4/1102	43.8/1113	43.8/1113					
*NOTE: Published dimensions indicated are without optional equipment or accessories. Additional accessories or equipment ordered at the customer's request can result in a minor change in these dimensions									
CARGO									
Cargo volume ¹ , cargo box, cu. ft./liters	62.9/1781.3	62.9/1781.3	71.7/2030.5	71.7/2030.5					
VEHICLE WEIGHT (lbs./kg.)									
GVWR ² Gross Vehicle Weight Rating	6800/3084	7000/3175	6800/3084	7000/3175					
FGAWR Front Gross Axle Weight Rating	3700/1678	3800/1724	3700/1678	3800/1724					
RGAWR Rear Gross Axle Weight Rating	3800/1724	3800/1724	3800/1724	3800/1724					
Payload ³	2060/934	2050/930	1990/903	2000/907					
Base curb weight	4702/2133	4915/2229	4772/2165	4965/2252					
For Max. Trailer Towing see Standard Tires page									

NOTE: See Vehicle Load Limits in your Owner's Manual for loading information.

SPECIFICATIONS

Specifications shown are for Police and Special Service Vehicles only which differ from retail civilian models

ENGINE

	STANDARD
Type	EcoTec3 V8
Displacement: liters/cu. in.	5.3/325
Horsepower/rpm	355 @ 5600
Torque lb.-ft./rpm	383 @ 4100
Induction system	Direct Injection
Compression ratio	11.0:1
Exhaust	Single
Minimum recommended fuel octane	87
Fuel capacity, approximate, gallon/liters	24/91
Oil with filter (quarts/liters)	8.5/8
Cooling capacity (quarts/liters)	17.4/16.5

TRANSMISSION

Automatic electronic with overdrive	6-Speed
Fluid pan removed and filter replaced (quarts/liters)	6.0/5.7

AXLE

Ratio	3.42
-------	------

BRAKES

ABS with vacuum-boost	Disc/Disc
Front-swept area (sq. in./sq. cm)	257.4/1660.8
Rear-swept area (sq. in./sq. cm)	263.7/1701.6
Total front and rear swept area (sq. in./sq. cm)	521.2/3362.3
Front rotor diameter (in./mm)	13.5/343
Rear rotor diameter (in./mm)	13.6/345
Front rotor thickness (in./mm)	1.2/30
Rear rotor thickness (in./mm)	.8/20

TIRES

Type	All Season, Blackwall
Size	255/70R17

WHEELS

Type	Painted Steel
Size	17"x 8"

CHASSIS

Frame	Full perimeter steel
Front suspension	Coil over shock with 35mm twin tube shocks
Rear suspension	2-stage multi-leaf springs, semi-elliptic
Steering type	Rack and Pinion

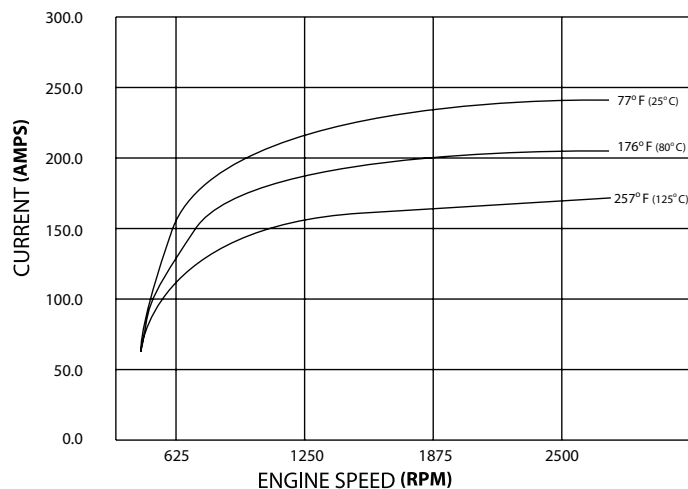
BATTERY

Type	Maintenance free
BCI group size	LN3
Volts	12
Amp hour rating	70
Cold cranking-amps @ 0°F (-18°C)	730

ALTERNATOR

Type	MELCO GX9
Amps	77°F (25°C) 220

SILVERADO SSV ALTERNATOR OUTPUT



BOOST LEVEL	PARK/NEUTRAL	DRIVE
Normal Idle	550	500
1	800	650
2	800	725
3	1000	800

2020 SILVERADO 1500 SPECIAL SERVICE 5W4 CREW CAB

STANDARD TIRES - SPEED RATED

MANUFACTURER	QUANTITY	SIZE	SPEED RATING	TYPE
Multiple	5	255/70R17	S	All-season, BW

PROJECTED TOP SPEED WITH STANDARD AND OPTIONAL TIRES

NOTE: Adding accessories or making modifications to the vehicle can affect vehicle performance, aerodynamics, and overall top speed.

Vehicle Configuration	Projected Top Speed	Tire Code	Tire Size
2WD (5.8') Short Bed	99 mph	QBN	255/70R17 (Standard)
2WD (5.8') Short Bed	99 mph	QDV	265/70R17 (Optional)
2WD (5.8') Short Bed	99 mph	RC5	LT265/70R17C (Optional)
2WD (5.8') Short Bed	99 mph	R30	LT275/65R18C MT DuraTrac (Optional)
2WD (6.5') Standard Bed	112 mph	QBN	225/70R17 (Standard)
2WD (6.5') Standard Bed	112 mph	QDV	265/70R17 (Optional)
2WD (6.5') Standard Bed	99 mph	RC5	LT265/70R17C (Optional)
2WD (6.5') Standard Bed	99 mph	R30	LT275/65R18C MT DuraTrac (Optional)
4WD (5.8') Short Bed	105 mph	QBN	225/70R17 (Standard)
4WD (5.8') Short Bed	112 mph	QDV	265/70R17 (Optional)
4WD (5.8') Short Bed	99 mph	RC5	LT265/70R17C (Optional)
4WD (5.8') Short Bed	99 mph	R30	LT275/65R18C MT DuraTrac (Optional)
4WD (6.5') Standard Bed	99 mph	QBN	225/70R17 (Standard)
4WD (6.5') Standard Bed	99 mph	QDV	265/70R17 (Optional)
4WD (6.5') Standard Bed	99 mph	RC5	LT265/70R17C (Optional)
4WD (6.5') Standard Bed	99 mph	R30	LT275/65R18C MT DuraTrac (Optional)

TRAILERING SPECIFICATIONS - Automatic Transmission Ratings with Ball Hitch (L82) 5.3L EcoTec3 V8 AFM DI VVT aluminum block

MODEL	AXLE RATIO	MAXIMUM TRAILERING CAPACITY LBS. (KG)
CC10543	3.42	9800 (4445)
CK10543	3.42	9500 (4309)
CC10743	3.42	9700 (4400)
CK10743	3.42	9500 (4309)

Before you buy a vehicle or use it for trailering, carefully review the Trailering section of the Owner's Manual. The weight of passengers, cargo and options or accessories may reduce the amount you can tow

GCWR For Engine/Rear Axle Ratio Combination - Automatic Transmission

ENGINE	AXLE RATIO	(GCWR) GROSS COMBINATION WEIGHT RATINGS LBS. (KG)
(L82) 5.3L EcoTec3	3.42	15000 (6804)

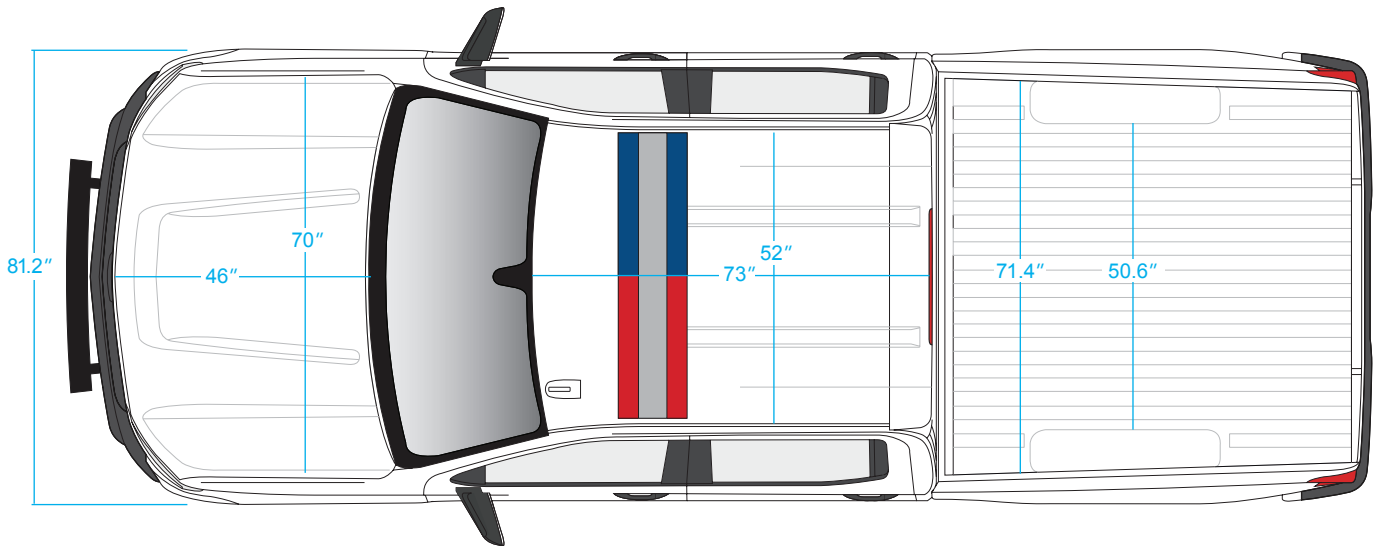
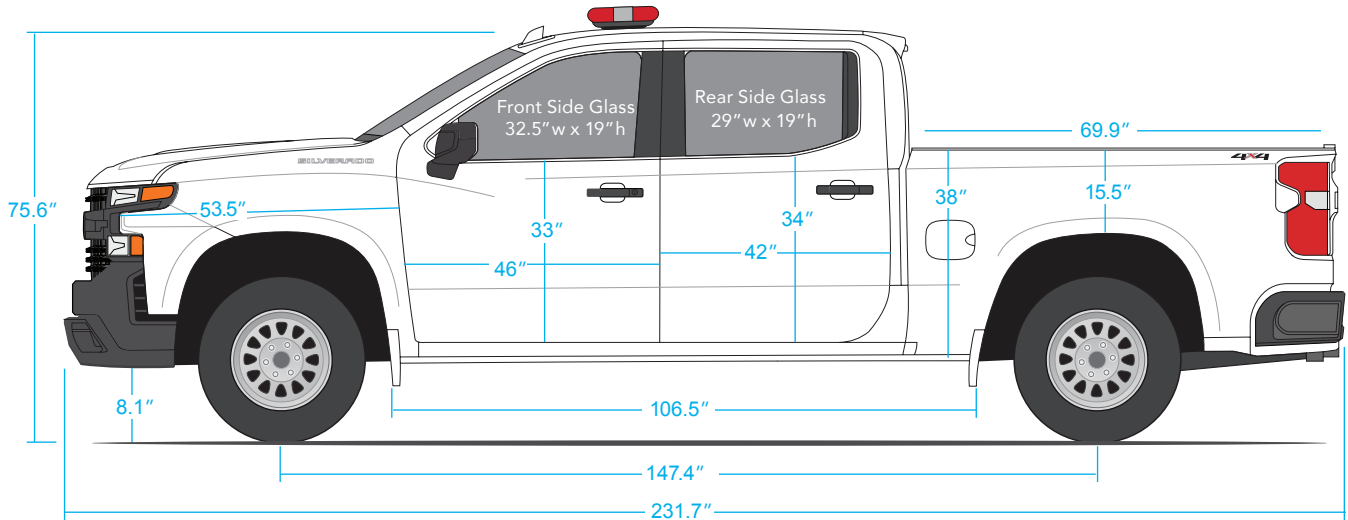
STANDARD WHEELS



OPTIONAL WHEELS WITH DEALER INSTALLED 2" LIFT

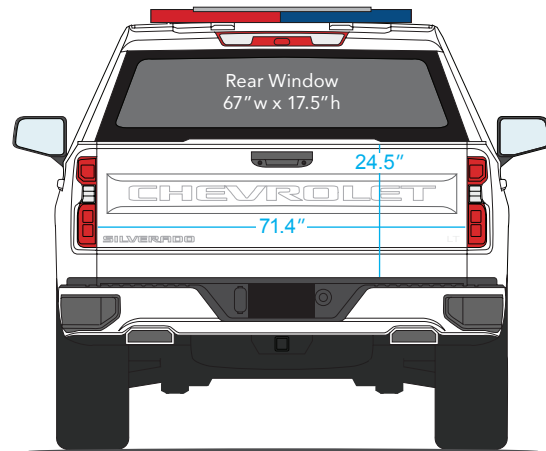


DIMENSIONS SSV SHORT BED

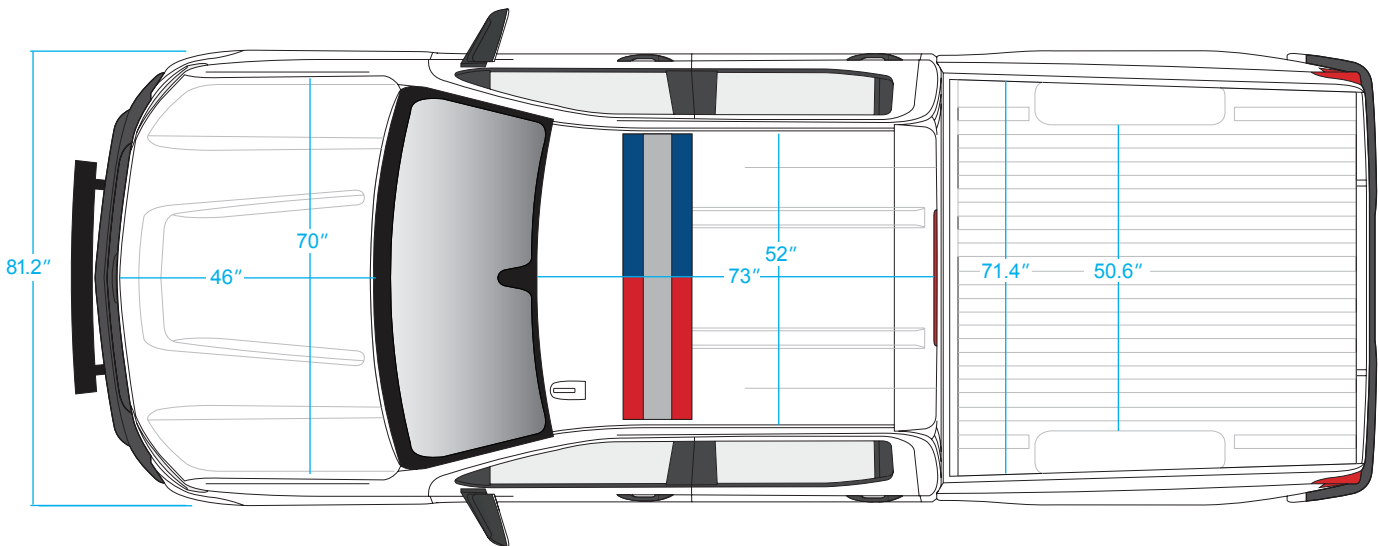
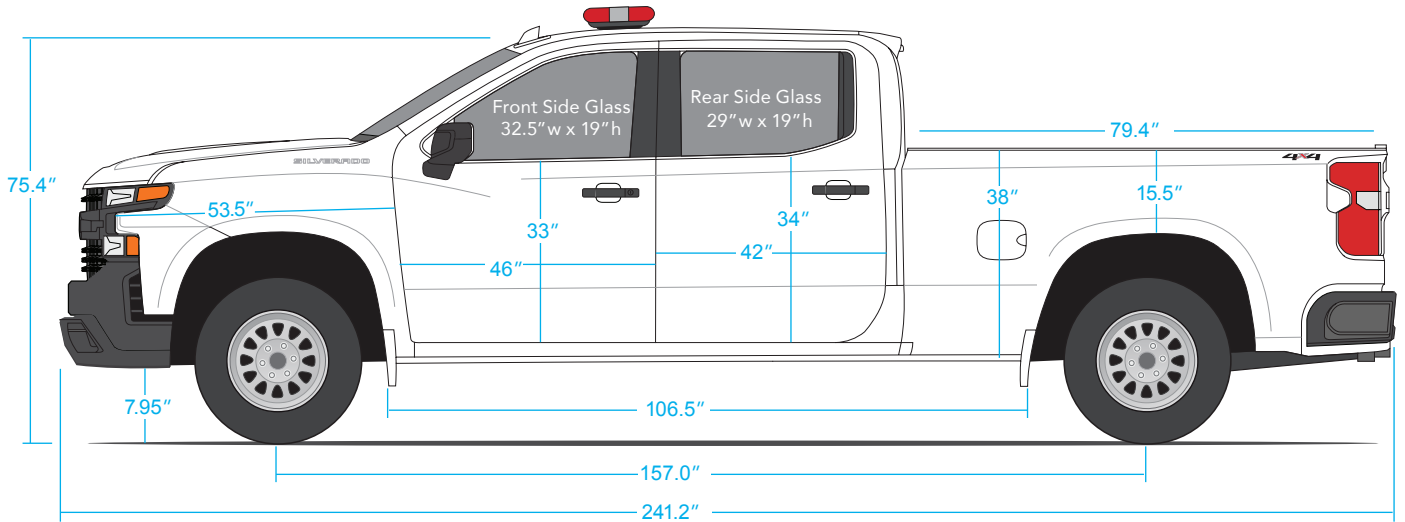


Estimated material sizes to wrap:

- Hood – 72" x 50"
- Front Doors – 50" x 36"
- Rear Doors – 45" x 37"
- Roof – 75" x 54"
- Tailgate – 69" x 26"

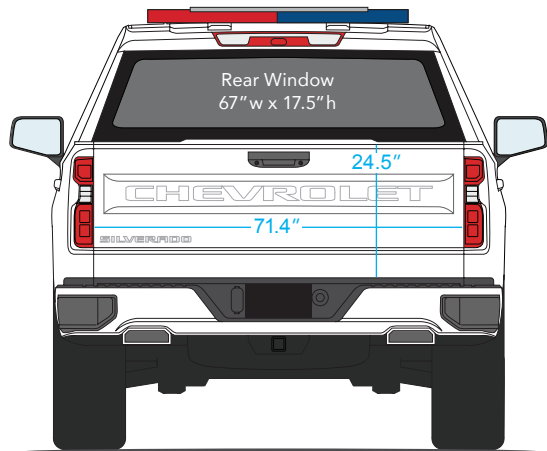


DIMENSIONS SSV STANDARD BED



Estimated material sizes to wrap:

- Hood – 72" x 50"
- Front Doors – 50" x 36"
- Rear Doors – 45" x 37"
- Roof – 75" x 54"
- Tailgate – 69" x 26"



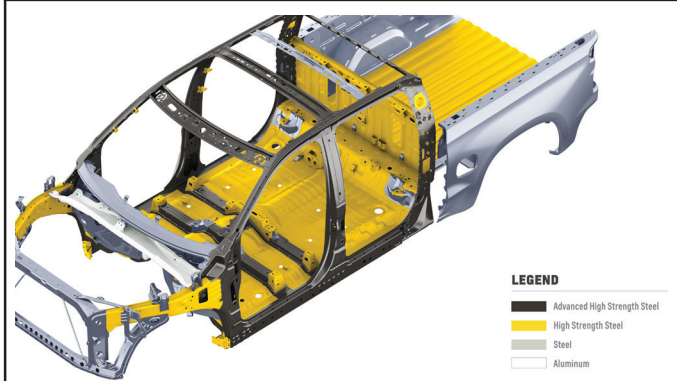
BODY, CAGE, UNDERBODY AND FRAME MATERIAL

BODY



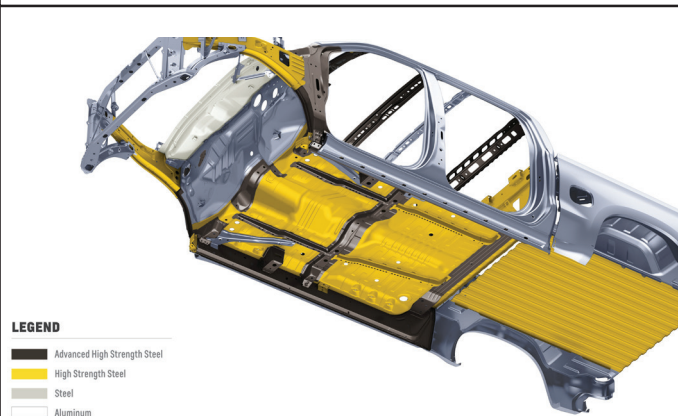
2020 Chevrolet Silverado features fixed steel body components and aluminum swing panels (doors, hood, tailgate).

CAGE



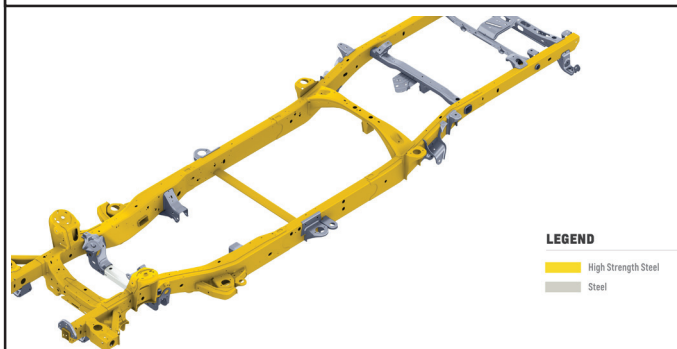
Underlying safety cage features significant use of advanced high strength steels, each tailored for the specific application.

UNDERBODY



Extensive use of mixed materials.

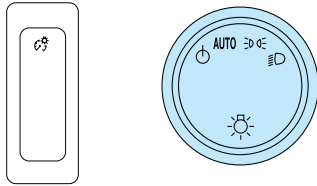
FRAME



2020 Chevrolet Silverado features a fully boxed steel frame that is 88 pounds lighter than 2018 model, while offering 10 percent greater torsional rigidity. Eighty percent of the frame is made of high-strength steel varying from 2 to 5 millimeters in thickness, and every millimeter is optimized for performance using a variety of processes, including hydroforming, roll forming, conventional stamping and tailor-rolled blanking.

STANDARD EQUIPMENT

SURVEILLANCE FEATURE 5J3 MANUAL LAMP CONTROL 9G8



The headlamp control on the driver's side of the instrument panel operates the exterior lamps. If your Silverado does not have option 9G8, DELETE DAYTIME RUNNING LAMPS and AUTOMATIC HEADLAMPS, the Daytime Running Lamps and Automatic Headlamps can be turned OFF for one ignition cycle by rotating the headlamp control knob momentarily counter-clockwise. See your Silverado Owner's Manual.

Surveillance Feature: The Body Control Module (BCM) is calibrated to provide disabling of the exterior and interior automatic lighting. The BCM is located under the instrument panel to the left side of the steering column.

The Surveillance Feature can be activated by installing a terminated wire in cavity 21 of the Pink colored BCM connector X6. When a customer-provided terminated wire, e.g., GM #13582297, is installed in X6-21 and the wire is connected to vehicle ground via a customer switch, automatically controlled lighting is disabled or dimmed to Federally regulated level. BCM connector X6 is shown below.

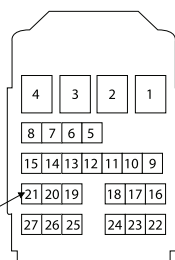
Option SEO 9G8 - Delete Daytime Running Lamps and Automatic Headlamps. This option disables the Daytime Running Lamps and Automatic Headlamps control feature. Exterior lamps are only manually controlled (Option 9G8 is not available in Canada).

When the headlamp switch is in Auto with 9G8 installed, the instrument cluster, radio display and air conditioning illumination remains at daytime intensity and are dimmable only when the headlamp switch is rotated to the Parking Lamps or Headlamps positions. If SEO 9G8 is not installed, the displays are dimmable with the Headlamp switch in the AUTO position. The instrument cluster, radio and AC displays will dim if the Surveillance Feature is activated as described above.

Interior courtesy lamps, including dome lamps, can be turned OFF with a three-position switch located in the front overhead console. The interior lamp control positions are: OFF - DOOR - ON

When the switch is in the OFF position, all interior lighting remains off whenever the doors are opened.

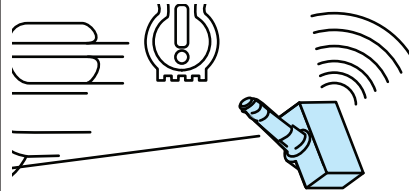
NOTE: Wiring connection or splice changes are to be removed before the vehicle is returned to civilian use.



CONNECTOR VIEWED FROM TERMINAL END

BCM Connector X6, Cavity 21

TIRE PRESSURE MONITOR WITH TIRE FILL ALERT



The Silverado 1500 Special Service Vehicle (SSV) 5W4 Crew Cab Package is equipped with a Tire Pressure Monitor System (TPMS) warns of low tire pressure. The Silverado SSV has an optional full size spare tire (00A) which includes a spare tire pressure sensor. When the optional spare tire from your vehicle or another SSV is placed in use as a road wheel, the TPMS will not read the presence of the new TPM sensor and must be calibrated. Refer to your owner's manual for additional information about calibration of the TPMS. See also the Tire Fill Alert feature.

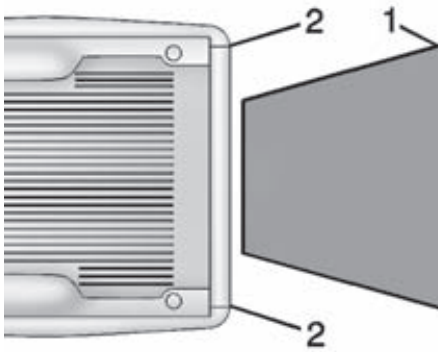
SERVICE PARTS IDENTIFICATION LABEL



A Service Parts Identification (SPID) Label provides Vehicle Identification Number (VIN)-specific Option Code content list, Engineering Model Number (Nameplate, body style), Exterior paint system, Exterior paint color code and Interior trim level and color.

STANDARD EQUIPMENT

REAR VISION CAMERA



1. View Displayed by the Camera in Radio Screen
2. Corners of the Rear Bumper

Displayed images may be farther or closer than they appear. The area displayed is limited and objects that are close to either corner of the bumper or under the bumper do not display.

When the vehicle is shifted into R (Reverse), the RVC displays an image of the area behind the vehicle in the center stack display. The previous screen displays when the vehicle is shifted out of R (Reverse) after a short delay. To return to the previous screen sooner, press a button on the infotainment system, shift into P (Park), or reach a vehicle speed of 8 km/h (5 mph).

NOTE: The Rear Vision Camera will not work properly if the tallgate is down. If the Tallgate is down, do not use the system.

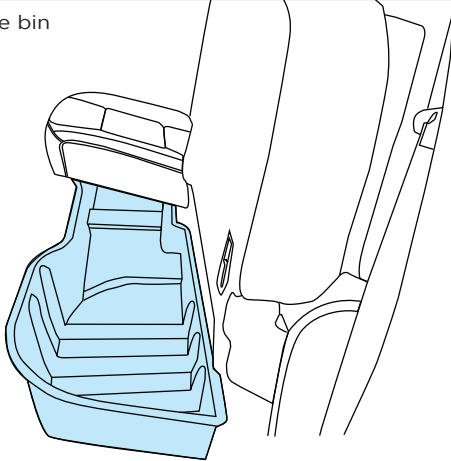
The camera(s) do not display children, pedestrians, bicyclists, crossing traffic, animals, or any other object outside of the cameras' field of view, below the bumper, or under the vehicle. Shown distances may be different from actual distances. Do not drive or park the vehicle using only these camera(s). Always check behind and around the vehicle before driving. Failure to use proper care may result in injury, death, or vehicle damage.

NOTE: Safety or driver assistance features are no substitute for the driver's responsibility to operate the vehicle in a safe manner. The driver should remain attentive to traffic surroundings and road conditions at all times. Visibility, weather and road conditions may affect feature performance. Read the Owner's Manual for more important limitations and information.

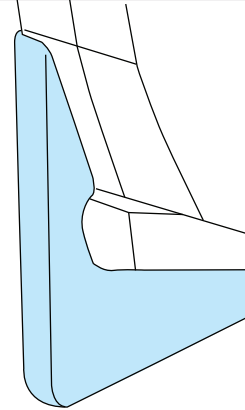
OPTIONAL EQUIPMENT

VBJ REAR UNDERSEAT STORAGE

Composite storage bin

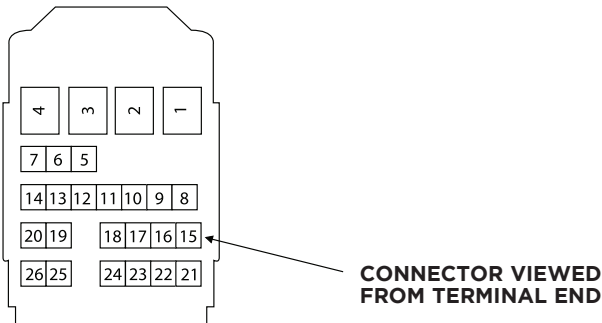


VQK SPLASH GUARDS, MOLDED



Black finish

5J9 REAR LAMPS FLASHING

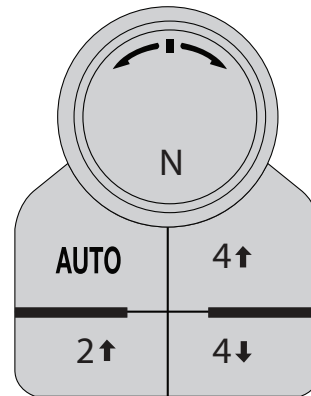


The Silverado Special Service Package has a Body Control Module (BCM) calibration which will flash the stop lamps and backup lamps to provide an alternating red - white light pattern to the rear of the vehicle. The rear lamps flashing mode is interrupted when ever the service brakes are applied.

The rear lamps flashing is activated by a customer-provided switched ground connected at the natural colored BCM connector XI, cavity 15. The rear lamps flashing feature can be operated separately or when connected to a headlamps flashing module.

NOTE: Wiring connection or splice changes are to be removed before the vehicle is returned to civilian use.

NQH AUTOMATIC TRANSFER CASE



Active, 2-speed electronic Autotrac with rotary controls, includes neutral position for dingy towing. Use the transfer case knob next to the steering wheel to shift into and out of four-wheel drive.

Q5U WHEELS



17 x 8 Bright Silver painted aluminum

OPTIONAL EQUIPMENT

RW9

BEDSIDE STORAGE BOXES (LATE AVAILABILITY)



Boxes are located on the left and/or right side.

OPTIONAL DEALER ACCESSORIES

GM PART
19417361

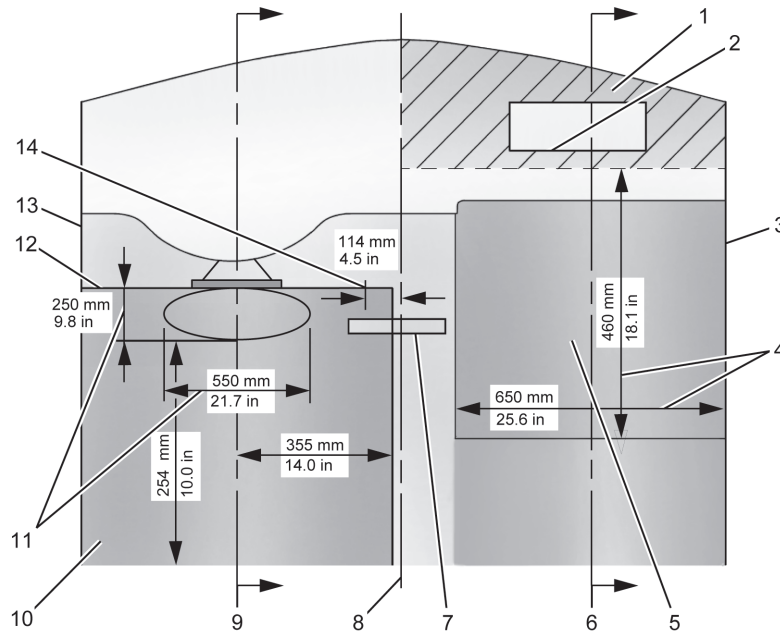
REAR UNDER SEAT COMBINATION LOCK BOX



3,700 cubic inches of storage, 16-gauge steel construction, 3-digit combination with custom hook-cam. Marine-grade carpet lining with weather and dust seal. Pin-lock hinge design, no drilling required for installation.

AIRBAGS

INSTRUMENT PANEL TOP VIEW - APPROXIMATE FRONTAL AIRBAG DEPLOYMENT ZONES

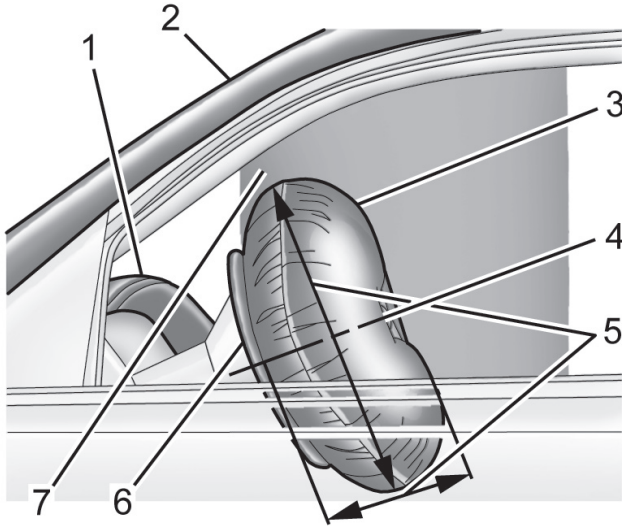


1. Passenger Side Instrument Panel Top Surface Zone
 2. Frontal Outboard Passenger Airbag Module Trim Panel - Rear Edge
 3. Passenger Side Door
 4. Approximate Dimensions of Inflated Airbag
 5. Frontal Outboard Passenger Airbag Deployment Zone
 6. Passenger Centerline
 7. Inside Rearview Mirror
 8. Vehicle Centerline
 9. Driver Centerline
 10. Driver Airbag Deployment Zone
 11. Driver Inflated Airbag Dimensions
 12. Front of Steering Wheel (See also "Side View of Driver Frontal Airbag Deployment Zone" Following)
 13. Driver Side Door
 14. Shift Selector Arc
- See Customer-Installed Equipment.

Sitting too close to an airbag when it deploys can increase the risk of serious injury or death. Always properly wear your seat belt. See Owner's Manual for more information.

AIRBAGS

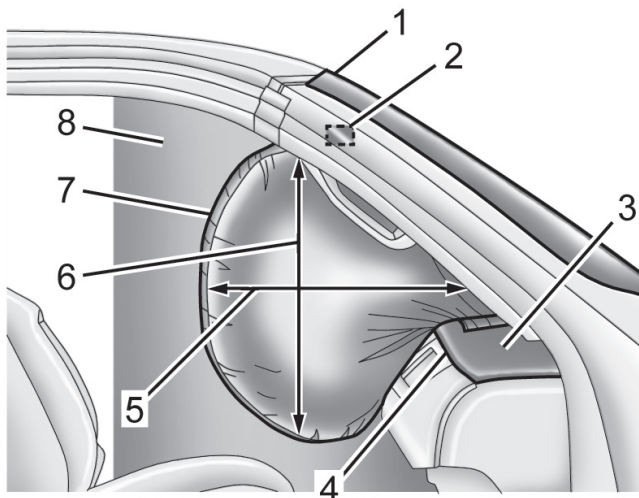
SIDE VIEW OF DRIVER FRONTAL AIRBAG DEPLOYMENT ZONE



1. Top of Instrument Panel
2. Top Edge of Windshield
3. Inflated Airbag - Steering Wheel
4. Centerline of Steering Column at Mid-Tilt
5. Driver Inflated Airbag Dimensions (250 mm (9.8 in) From Front of Steering Wheel and 550 mm (21.7 in) Diameter From Center of Steering Wheel)
6. Front of Steering Wheel
7. Driver Airbag Deployment Zone Including Inflated Driver Airbag

See Customer-Installed Equipment.

SIDE VIEW OF FRONTAL OUTBOARD PASSENGER AIRBAG DEPLOYMENT ZONE



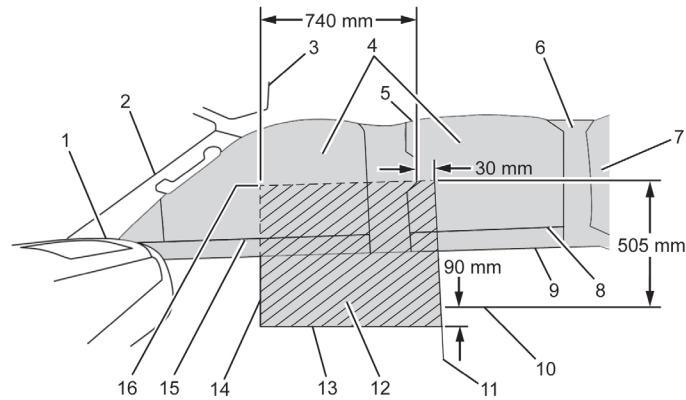
1. Top Edge of Windshield
2. Inside Rearview Mirror
3. Instrument Panel Top Surface Zone
4. Frontal Outboard Passenger Airbag Module Trim Panel - Rear Edge
5. Inflated Airbag - Horizontal Dimension (Approximately 460 mm (18.1 in))
6. Inflated Airbag - Vertical Dimension (from Top of Occupant's Lap to Headliner)
7. Inflated Airbag - Instrument Panel
8. Frontal Outboard Passenger Airbag Deployment Zone

See Customer-Installed Equipment.

Sitting too close to an airbag when it deploys can increase the risk of serious injury or death. Always properly wear your seat belt. See Owner's Manual for more information.

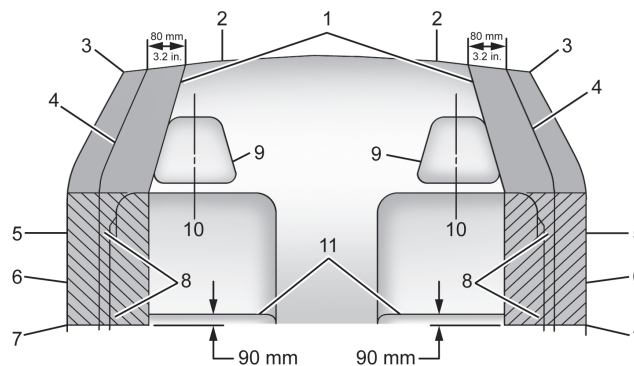
AIRBAGS

ROOF-RAIL MOUNTED HEAD-CURTAIN AIRBAG DEPLOYMENT ZONES - PASSENGER SIDE SHOWN, DRIVER SIDE SIMILAR



- | | |
|--|---|
| <ol style="list-style-type: none"> 1. Front of Deployment Zone at Bottom of Windshield Pillar Trim 2. A-Pillar Trim with Grab Handle (Passenger Side) 3. Sun Visor 4. Roof rail mounted head-curtain Airbag Deployment Zone - Seat Rows 1 and 2 and Cargo Area 5. Top of Roof rail mounted head-curtain Airbag Deployment Zone - Along Roof-rail at Edge of Headliner 6. C-Pillar Upper Trim 7. Rear Window 8. Top Edge of Rear Door Trim 9. Bottom Edge of Roof rail mounted head-curtain Airbag Deployment Zone at Top of Side Door Armrests 10. Top Surface of Front Seat Cushion (with Seat Fully Lowered) | <ol style="list-style-type: none"> 11. Rear Edge of Seat-Mounted Side Impact Airbag Deployment Zone (30 mm (1.2 in)) Rearward of Back Edge of B-Pillar Trim Grab Handle) 12. Seat-Mounted Side Impact Airbag Deployment Zone 13. Bottom Edge of the Seat-Mounted Side Impact Airbag Zone (90 mm (3.5 in)) Below Top of Seat Cushion with the Seat Fully Lowered 14. Front Edge of Seat Mounted Side Impact Deployment Zone (740 mm (29.1 in)) Forward of Back Edge of B-Pillar Trim Grab Handle 15. Top Edge of Front Door Trim 16. Top Edge of Seat-Mounted Side Impact Deployment Zone (505 mm (19.9 in)) Above Top Surface of Seat Cushion with the Seat Fully Lowered |
|--|---|

ROOF RAIL MOUNTED HEAD CURTAIN AIRBAG - DRIVER AND OUTBOARD FRONT PASSENGER DEPLOYMENT ZONES - VIEW FROM REAR OF VEHICLE



- | | |
|---|--|
| <ol style="list-style-type: none"> 1. Roof-Rail Mounted Head-Curtain Airbag Deployment Zone 2. Underside of Headliner 3. Edge of Headliner 4. Inner Center and Rear Pillar Trim 5. Inner Front and Rear Door 6. Side Door Upper Armrests and Rear Quarter Trim Armrests | <ol style="list-style-type: none"> 7. Bottom Edge of Seat-Mounted Side Impact Airbag Deployment Zone (90 mm (3.3 in)) Below Top Surface of Outboard Front Seat Cushion with Seat Fully Lowered 8. Seat-Mounted Side Impact Deployment Zone 9. Front Seat Head Restraint 10. Seat Centerline 11. Top of Seat Cushion |
|---|--|

Sitting too close to an airbag when it deploys can increase the risk of serious injury or death. Always properly wear your seat belt. See Owner's Manual for more information.

AIRBAG FAQ

Q: Can equipment such as radar devices, video cameras, and radio trees be mounted in a specialty vehicle equipped with a right front passenger frontal airbag?

A: Yes, but care must be taken to properly mount the equipment outside of the airbag "deployment zone."

Q: What is the airbag "deployment zone"?

A: The term "deployment zone" describes the space an airbag takes up when fully inflated. Airbags need room to work properly, and anything in the "deployment zone" - such as improperly mounted equipment - can greatly affect the performance of the airbag.

Q: How can I identify the airbag "deployment zone" in my vehicle?

A: See Airbag Deployment Diagrams for more information. The diagrams provide the approximate dimensions of the "deployment zones" for your specialty vehicle. Before doing any service work, including the installation of any equipment, consult the appropriate service manual.

Q: Is it possible to shield equipment so it does not interfere with airbag deployment?

A: While shielding may protect certain equipment from being damaged or dislodged, it may also negatively affect how an airbag inflates. Therefore, we cannot recommend the placement of any equipment in the deployment zone, even when shielding.

Q: Can the installation of push bumpers on the front end of the vehicle affect the deployment of the airbag?

A: It is not likely that installing push bumpers will affect sensing for the airbag as long as the vehicle structure itself is not modified. GM is not aware of any adverse defects from the many push bumpers that have been installed on current model GM police vehicles with airbags.

See "Adding Equipment to the Airbag-Equipped Vehicle" in the owner manual for more information.

Customer-Installed Equipment

Before installing equipment, read the following.

Airbags inflate with great force, faster than the blink of an eye. No objects, such as shotguns, should be placed over or near the airbag covers. Equipment mounted too close to an inflating airbag could prevent the airbag from operating properly to protect the occupants or could be forced into an occupant or break and become a dangerous projectile, causing severe injury or even death. To help prevent injury and to allow the airbag to perform as it was designed, do not mount equipment inside the airbag deployment zones.

Do not install equipment in the inflation path of any airbag. The equipment may interfere with the deployment of the airbag, may damage the airbag, or otherwise be damaged or forced into an occupant, all of which may cause severe injury or even death.

Do not attach anything to the steering wheel hub or mount any equipment within the deployment zone for the driver airbag.

Do not mount equipment on the passenger side of the instrument panel top pad deployment zone. Equipment should not be mounted on or around the passenger airbag opening because of a deploying airbag. To allow the airbag to perform as it was designed, do not mount equipment inside the airbag deployment zone.

Do not use seat accessories that block the inflation path of the driver or passenger seat-mounted side impact airbag or install equipment in the seat-mounted side impact airbag deployment zones.

Do not mount a security barrier such that the ends of the barrier or brackets are within the roof-rail airbag deployment zones.

Avoid installing wiring for roof-rail emergency lighting or radio antennas that may restrict the proper deployment of the roof-rail airbags.

Do not use seat accessories, console accessories, or other accessories that block the inflation path of the driver seat front center airbag (if equipped). Do not remove the front center console to install a police package center console, or otherwise install equipment or mount equipment between or just behind the front bucket seats on vehicles equipped with the driver seat front center airbag.

GM approved service procedures must be followed to remove and reinstall the instrument panel to the pad to ensure proper airbag deployment.

The police vehicle has a rollover sensor mounted on the centerline of the vehicle between the driver and front outboard passenger positions. If the vehicle has individual front seats, the rollover sensor will be exposed. Do not mount equipment within 25 mm (1 in) of the rollover sensor. This may affect the performance of multiple restraint systems.

Sitting too close to an airbag when it deploys can increase the risk of serious injury or death. Always properly wear your seatbelt. See Owner's Manual for more information.

ELECTRONIC STABILITY CONTROL SYSTEMS (STABILITRAK)

StabiliTrak systems help drivers maintain control of their vehicles, especially during emergency lane changes or avoidance maneuvers. StabiliTrak uses various sensors, such as steering wheel angle, wheel speed, yaw velocity, etc., to detect any difference between the path requested by the steering wheel position and vehicle's actual path. When appropriate, the system selectively controls brakes, engine power, and even suspension settings to enhance control of the vehicle's direction and help keep it on course.

Independent studies conducted by the National Highway Traffic Safety Administration, the Insurance Institute for Highway Safety, and others have found StabiliTrak to be highly reactive in reducing vehicle crashes.

See your owner's manual for additional information about the operation of StabiliTrak.

Q. How do I use StabiliTrak?

A. StabiliTrak operates independently of the driver.

You should continue to drive your StabiliTrak equipped vehicle with caution and care. GM's StabiliTrak system, StabiliTrak is designed to be as seamless as possible in operation, and part of the overall vehicle response.

Q. How does StabiliTrak work?

A. StabiliTrak has the ability to apply control forces to the vehicle independent of the driver. StabiliTrak uses sensors to continuously compare the path indicated by the steering wheel position to the vehicle's actual path. If a discrepancy is detected, StabiliTrak selectively controls vehicle brakes and engine torque to create a yaw moment that helps restore the vehicle's actual path to the path indicated by the steering wheel position. StabiliTrak has the ability to help correct both understeer (where the vehicle is not turning as much as the steering wheel position indicates) and oversteer (where the vehicle is turning more than the steering wheel position indicates).

Q. Will a tire change affect StabiliTrak?

A. Use of tires other than original equipment may affect StabiliTrak performance. StabiliTrak is designed to make the best use of available traction. The performance characteristics of the original equipment tires are part of the overall system effectiveness. When you replace tires check the recommendations in your owner's manual. On GM vehicles, the original equipment tires have a "TPC" (Tire Performance Criteria) code on the sidewall. Replacing the tires with the same "TPC" code will help assure proper StabiliTrak performance.

DRIVER OPERATED TRACTION CONTROL BUTTON

An advanced computer controlled stability enhancement system assists the driver with directional control of the vehicle in difficult driving conditions. Each time the vehicle is started, the StabiliTrak system is fully on. StabiliTrak can be controlled by a Traction Control Button. The condition system is displayed by a StabiliTrak indicator light and Driver Information

Center (DIC) Message. Push once to disable Traction Control. Push and hold to disable both Traction Control and StabiliTrak. In this condition, StabiliTrak will automatically turn ON when the vehicle speed exceeds 35 mph (56km/hr) while the Traction Control remains OFF. Push again to enable Traction Control and StabiliTrak.

MAINTENANCE / LIMITED WARRANTY

INCLUDED MAINTENANCE	One visit within first year of vehicle delivery ¹
BUMPER-TO-BUMPER LIMITED WARRANTY	3 years,/36,000 miles ² . Bumper-to-Bumper Limited Warranty with no deductible
TRANSFERABLE POWERTRAIN LIMITED WARRANTY	Qualified Fleet Customers: 5 years/100,000 miles ³
TIRES⁴	3 years/36,000 miles ² ; coverage prorated after first 12,000 miles
ROADSIDE ASSISTANCE AND COURTESY TRANSPORTATION⁵	Qualified Fleet Customers: 5 years/100,000 miles ³
RUST-THROUGH	6 years/100,000 miles ²
CORROSION	3 years/36,000 miles ²
WHEEL ALIGNMENT AND BALANCE	Up to 7,500 miles ⁶

1. Includes first required maintenance visit as stated in vehicle maintenance schedule. Maintenance visit consists of oil change, tire rotation and Multi-Point Vehicle Inspection. Does not include air filters. See participating dealer for other restrictions and complete details. Excludes vehicles ordered with fleet delete option RY9.
2. Whichever comes first. See dealer for limited warranty details.
3. Whichever comes first. A Qualified Fleet User is defined as a company that has purchased and registered or leased five (5) or more new cars/or trucks solely for use in its operation during the current or preceding calendar year, model year, preceding twelve (12) month period, or that owns or leases fifteen (15) or more cars and trucks. Excludes rental customers. See dealer for details.
4. Tires also covered under the Bumper-to-Bumper Warranty but are prorated based upon mileage. See dealer for warranty details.
5. If the vehicle has a warrantable failure, see your Owner's Manual for full details on the Courtesy Transportation program.
6. Customer maintenance item after 7,500 miles.



GM reserves the right to make changes at any time, without notice, in prices, colors, materials, equipment, specifications, models, and availability. Specifications, dimensions, measurements, ratings, and other numbers in this catalog and other printed materials provided at the dealership or affixed to vehicles are approximates based upon design and engineering drawings and prototypes and laboratory tests. Your vehicle may differ due to variations in manufacture and equipment. Since some information may have been updated since the time of printing, please check with your GM dealer for complete details. Some of the equipment shown or described throughout this publication may be available at extra cost, and/or is supplied by an independent supplier.

Copyright 2019 General Motors. All rights reserved. All text, images, graphics, and other materials in this publication are subject to the copyright and other intellectual property rights of General Motors. These materials may not be reproduced, distributed, or modified without the express written permission of General Motors. The marks appearing in this publication including, but not limited to: GM and the GM logo; Chevrolet and their respective logos, emblems, slogans, and vehicle model names and body designs; and other marks such as GM Fleet and Commercial are trademarks and/or service marks of General Motors, its subsidiaries, affiliates, or licensors.

For more detailed information, contact your District Sales Manager or see the online order guide at gmfleet.com/police.

GENERAL MOTORS FLEET

