



Scroll to next page for a printable pdf document.



For Smartphone-friendly interactive version, [tap or click here.](#)



911375-00

98/9927

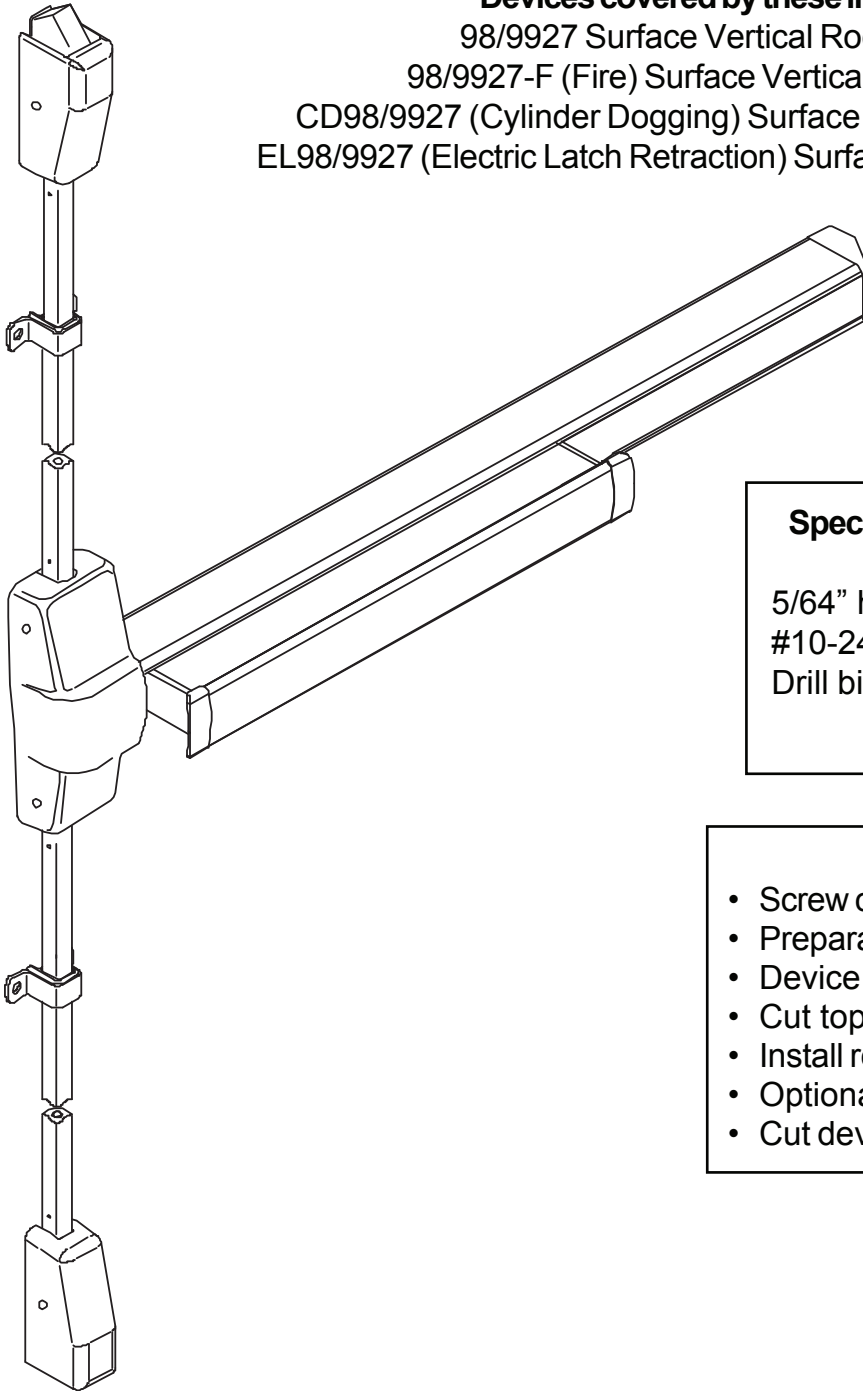
VON DUPRIN®

Surface Vertical Rod Exit Device

Installation Instructions

Devices covered by these instructions:

- 98/9927 Surface Vertical Rod Exit Device
- 98/9927-F (Fire) Surface Vertical Rod Exit Device
- CD98/9927 (Cylinder Dogging) Surface Vertical Rod Exit Device
- EL98/9927 (Electric Latch Retraction) Surface Vertical Rod Exit Device



Special tools needed:

- 5/64" hex wrench
- #10-24 tap
- Drill bits: #25, 1/8", 1/4",
5/16", 13/32"

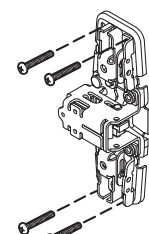
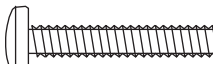




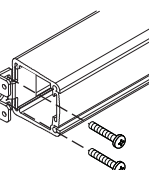
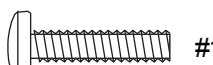




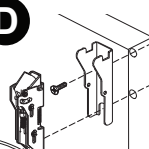


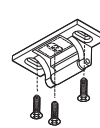
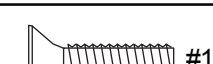

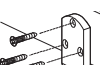



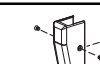
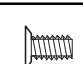


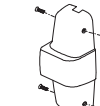

Index:

- Screw chart 2
- Preparation chart 3
- Device installation 4-6
- Cut top rod 7
- Install rod extension 7
- Optional equipment 8
- Cut device 8



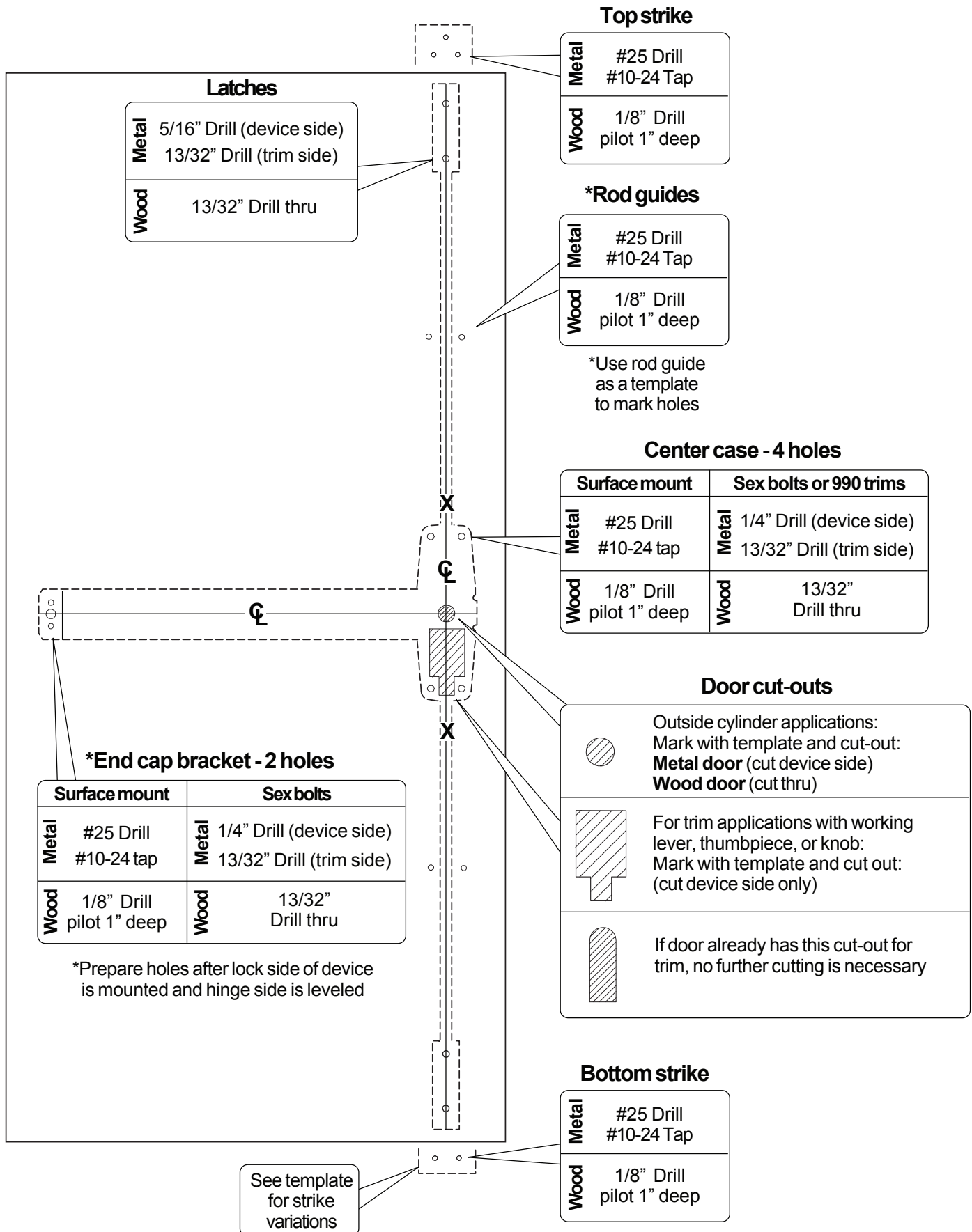
Customer Service
 1-877-671-7011 www.allegion.com/us

SCREW CHART

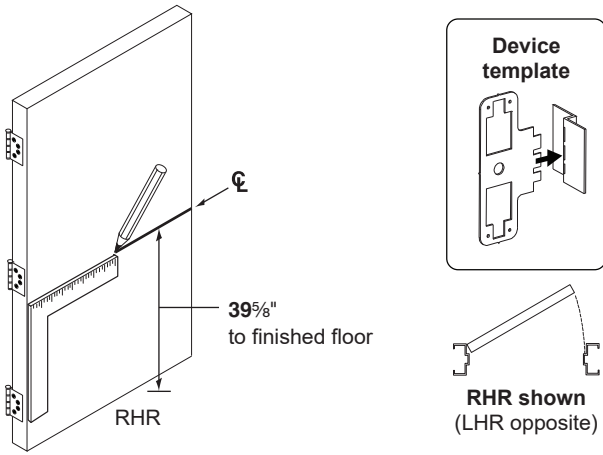
<p>A</p> 	 #10-24 X 1"  #10-24 X 1-1/2"  #10 x 1-1/4" Wood screw - Packaged with trim -  #10-24 X 1-3/8"  #10-24 X 1-7/8"	Surface mount or Sex bolts (1-3/4" door) Sex bolts (2-1/4" door) Surface mount (wood) 990 trims (1-3/4" door) 990 trims (2-1/4" door)
<p>B</p> 	 #10-24 X 3/4"  #10-24 X 1-1/8"  #10 x 1-1/4" Wood screw	Surface mount or Sex bolts (1-3/4" door) Sex bolts 2-1/4" door Surface mount (wood)
<p>C</p> 	 #10-16 x 3/8" Thread cutting	End cap
<p>D</p> 	 1/4-20 X 3/4"  1/4-20 X 1-1/4"	1-3/4" door 2-1/4" door
<p>E</p> 	 #10-24 X 3/4"  #10 x 1-1/2" Wood screw	Metal frame Wood frame
<p>F</p> 	 #10-12 x 10-24 x 1-1/4" Combination	Metal or wood frame
<p>G</p> 	 #10-12 x 10-24 x 1-1/4" Combination	Variable floor surfaces
<p>H</p> 	 #8-32 X 1/4"	Latch covers
<p>I</p> 	 #10-12 x 10-24 x 1" Combination	Metal or wood door
<p>J</p> 	 #8-18 x 3/8" Thread cutting	Center case cover

PREPARATION CHART

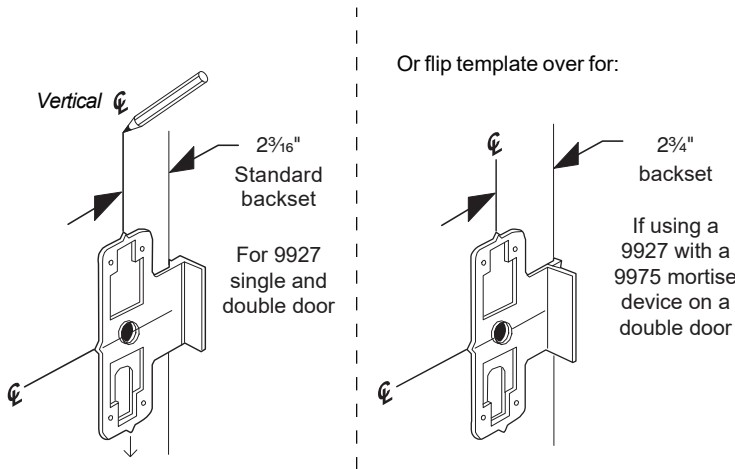
Go to instructions on next page before using Preparation Chart



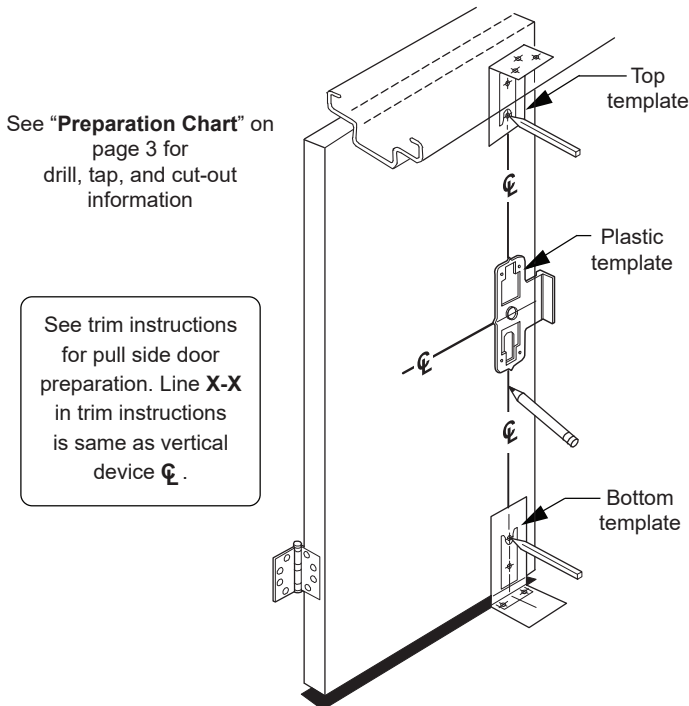
1 Draw Horizontal Center Line (☿) and Assemble Device Template



2 Position Template as Shown and Mark Vertical ☿

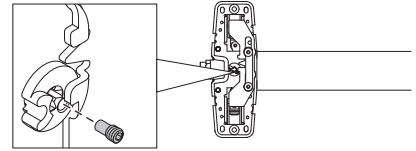


3 Align Top and Bottom Templates Along ☿ and Prepare Door



4 If Necessary, Remove NL Drive Screw

NL drive screw
Factory installed on back of center case



With the NL drive screw removed, key locks and unlocks lever, knob, or thumb piece. For the trims listed below, **REMOVE** NL drive screw.

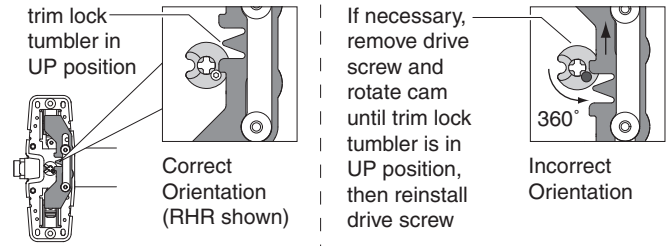
996L	696TP	990TP
996K	697TP	

With the NL drive screw installed, key retracts latch bolt. **DO NOT** remove NL drive screw for the following applications:

NL, EO, DT trims and 98/99-2 double cylinder devices (i.e. TP-2, L-2, and K-2).

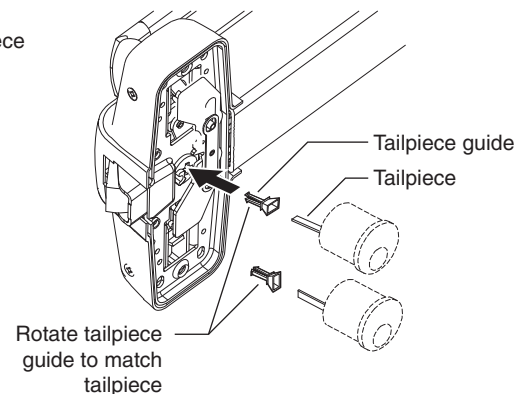
*996L-BE	*E996L	*696TP-BE	*990TP-BE
*996K-BE	*E996L-BE	*697TP-BE	

* If the trim being installed is "BE" (i.e. 996L-BE), the trim lock tumbler on the back of the device must be in the **UP** position before device is installed. This allows the trim to be unlocked at all times.

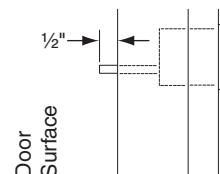


5 If Using a Cylinder with a Tailpiece, Prepare Device and Cylinder

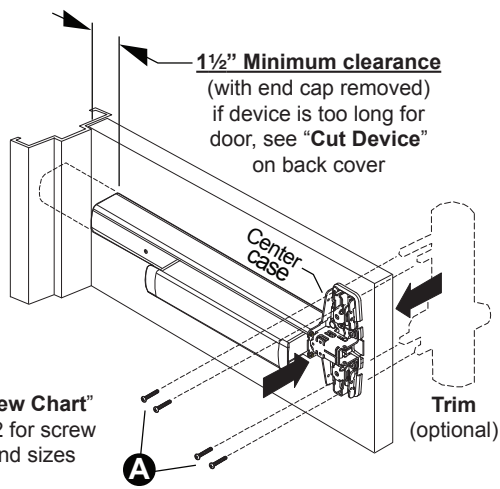
a. Install tailpiece guide.



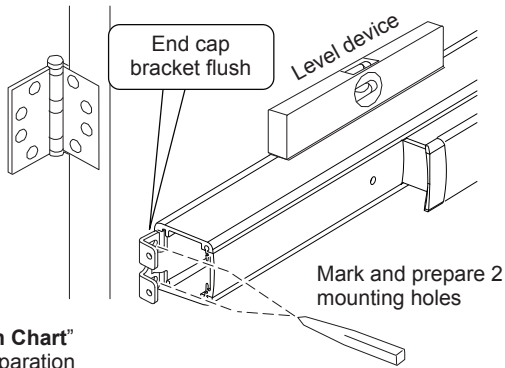
b. Cut tailpiece as needed.



6 Install Trim (if using) and Secure Device Center Case to Door

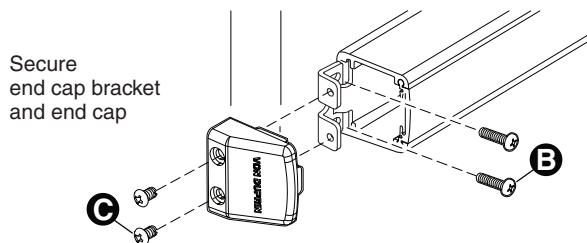


7 Mark and Prepare 2 Holes for End Cap Bracket

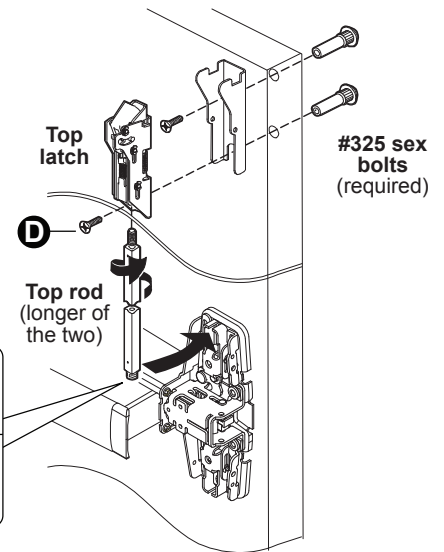


See "Preparation Chart" on page 3 for preparation information

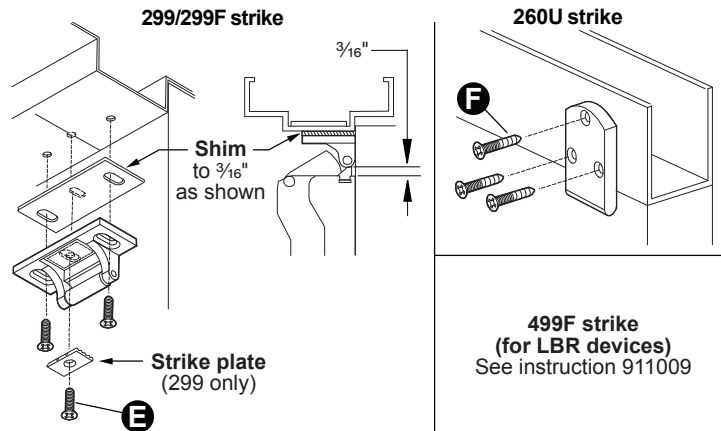
8 Install End Cap Bracket and End Cap



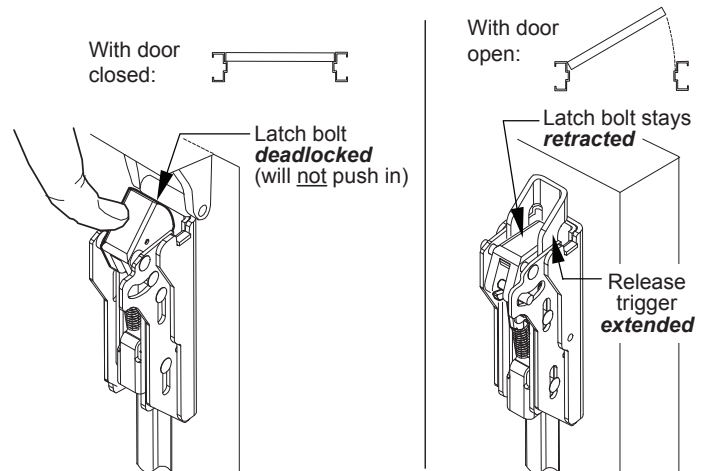
9 Install Top Latch and Rod



10 Install Top Strike

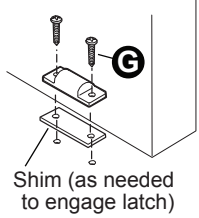


11 Adjust Top Rod (Screw Rod Into or Out of Latch) Until Adjusted as Shown

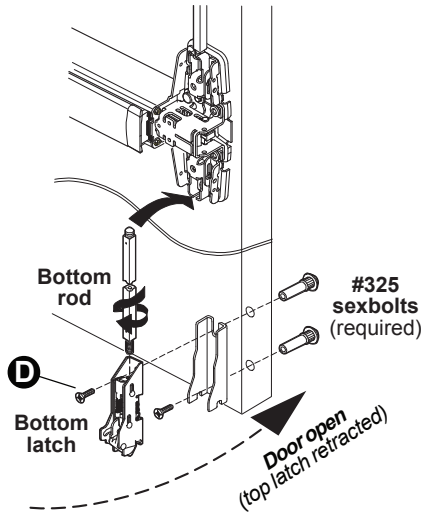
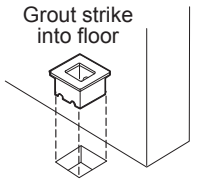


12 Install Bottom Strike, Latch, and Rod

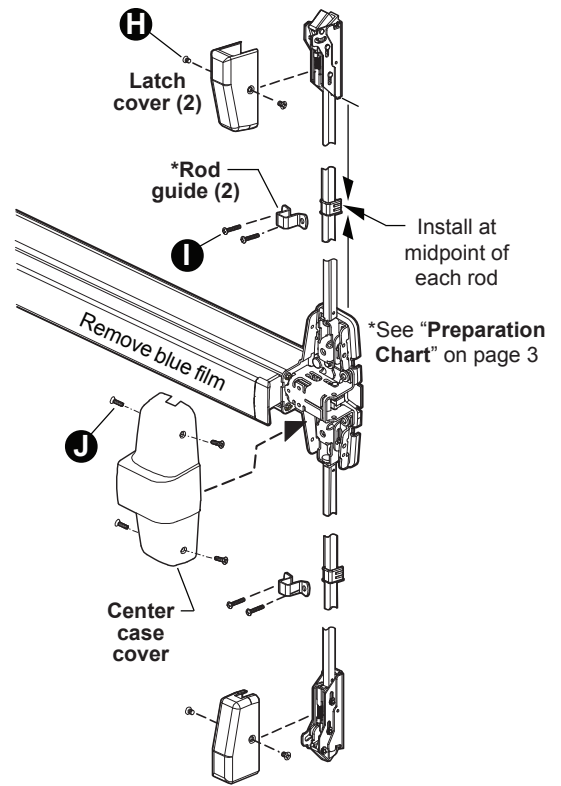
248L-4 strike



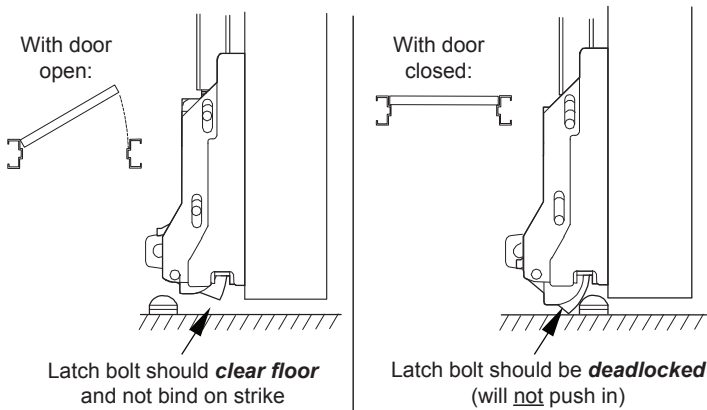
304L strike



14 Install Rod Guides and Covers



13 Adjust Bottom Rod with Door Open (Top Latch Retracted)

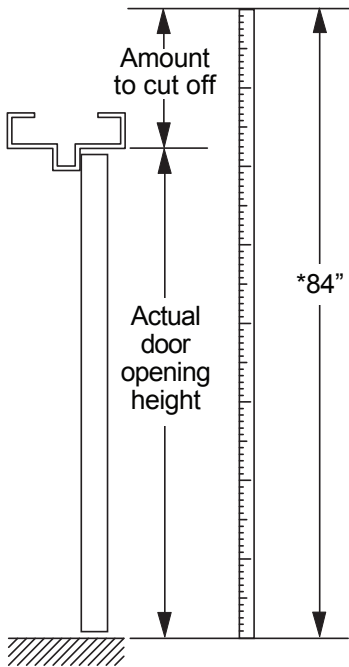


Open and close door a few times and check for deadlatching when door is closed. Readjust rods if needed.

CUT TOP ROD

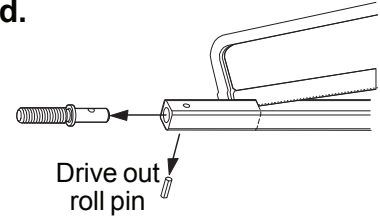
1. Measure amount to cut off rod as shown below.

Note: Rod cutting is required for doors shorter than 7'.

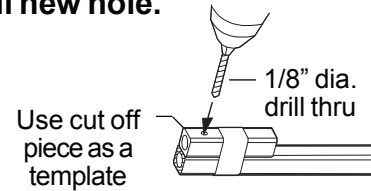


*Rods are factory sized for 7' (84") door. Measure actual door opening height and subtract that number from 84" to get amount to cut off top rod.

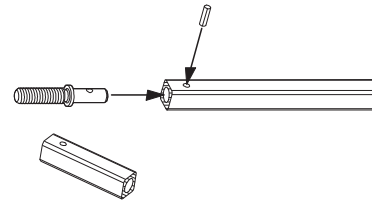
2. Cut rod.



3. Drill new hole.

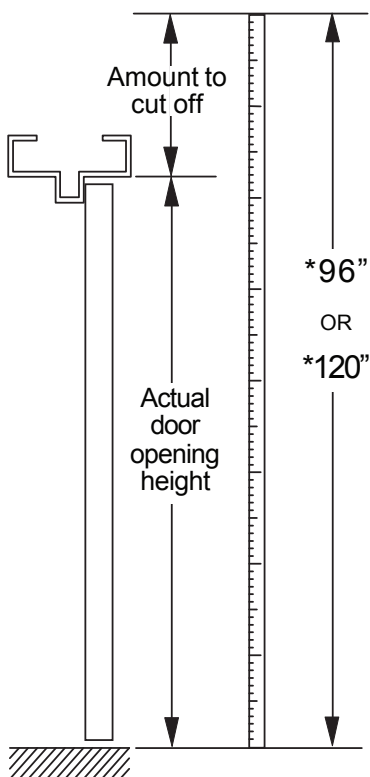


4. Reinstall rod end and roll pin.



INSTALL ROD EXTENSION

1. Measure door opening to determine amount to cut off rod extension.

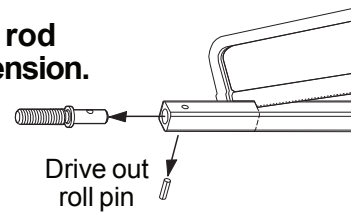


*Standard door heights:

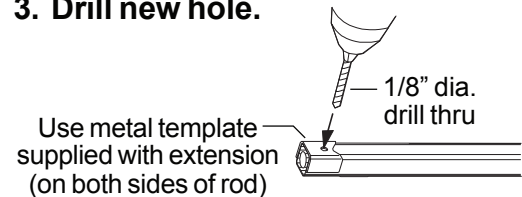
With no extension	7' (84")
With 1' extension	8' (96")
With 3' extension	10' (120")

*Rods are factory sized for door heights shown above. Measure actual door opening height and subtract that number from 96" (for 1' extension) or 120" (for 3' extension) to get amount to cut off extension.

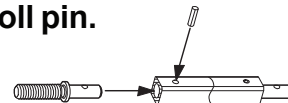
2. Cut rod extension.



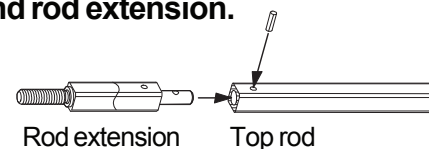
3. Drill new hole.



4. Reinstall rod end and roll pin.



5. Connect top rod and rod extension.



OPTIONAL EQUIPMENT - CONTINUED

CD (CYLINDER DOGGING)

1. Remove mortise cylinder cam and reinstall in reverse (Figure 1).
2. Insert key and rotate cam to install the cylinder to the cover plate (Figure 2).
3. Remove key to slide cover plate in position in the mechanism case.

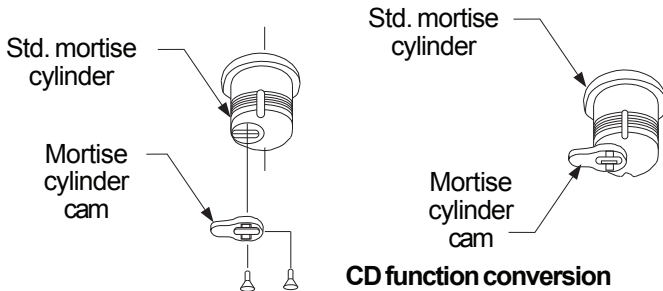


Figure 1

Dogging procedure

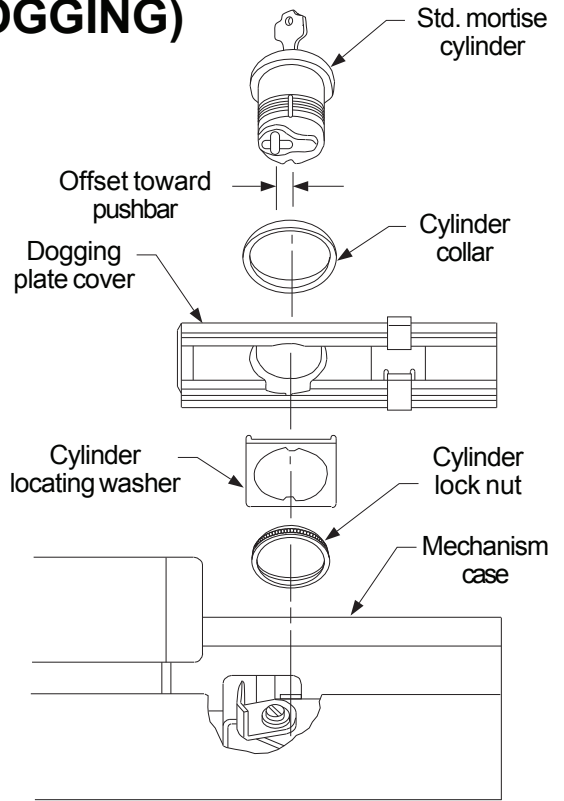
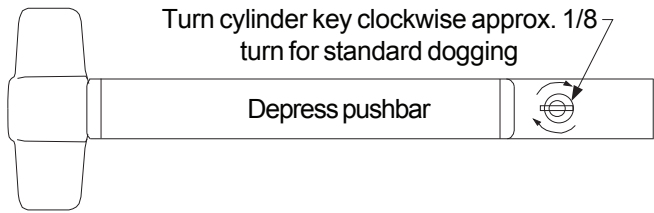
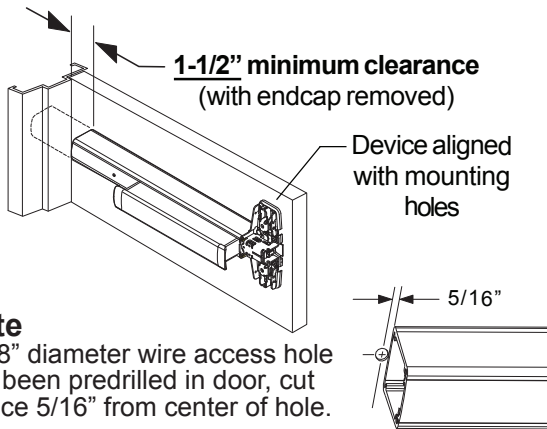


Figure 2

CUT DEVICE

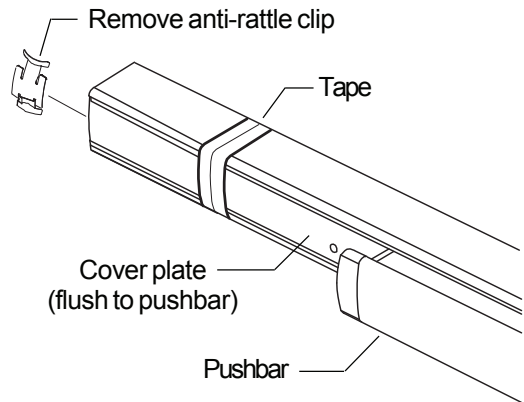
1 Measure amount to cut off device.



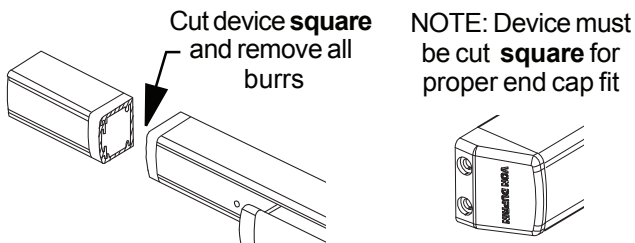
Note

If 5/8" diameter wire access hole has been predrilled in door, cut device 5/16" from center of hole.

2 Tape and mark area being cut.



3 Cut device square.



4 Slide anti-rattle clip into device.

